

Weatherly Index No. 002

CATALOG NO.

CA0095

OCTOBER 2011



CASE[®] ENGINES

Replacement Parts Catalog

GLOBAL TECHNOLOGY behind every part

FEDERAL MOGUL[®]



Table of Contents

Global Technology Behind Every Part

Using the Catalog

How To Use This Catalog	II
Abbreviations	III
Coverage	VII
FP Diesel Philosophy / Manufacturing / Customer Service	V
FP Diesel Products	
Engine Bearings – Material Selection / Bimetal Aluminum Alloys / Tri-Metal Alloys	X
Engine Kits / How to Specify FP Diesel Engine Kits	XI
Heavy Duty Pistons	VIII
Piston Rings	IX
Warranty	XII

Product Information

Applications	
Engine Finding Index	1
Engine Code Index	1
Model Index	4
Applications	17
Cummins to Case Interchange	105
Engine Kit Bill of Materials	90
Numerical List	94
Ring Set Instructions	101
Specialty Gasket Sets	104
Valve Stem Seal Identification	103





FP Diesel CA0095 Case Engine Parts Catalog

Global Technology Behind Every Part

The new CA0095 Case Engine Parts Catalog contains all of the components currently offered from the FP Diesel brand for Case engines including applications using Cummins engines.

To get the right part you must have all information from the engine data plate affixed to the side of the engine block. You will need the engine model number and the engine serial number. On certain model Case engines you will also need the style of piston, piston pin diameter, thrust washer thickness and/or whether it is direct injected or

indirect injected. On Cummins engines you will need the piston number, and/or the CPL number, and/or the cylinder block, cylinder head, and connecting rod casting numbers.

Important Notice: This catalog is not intended to replace the Case parts books, micro-fiche or service manuals. If in doubt about the parts for your particular application, consult your Case OE publications.

How To Use This Catalog

This catalog is designed to allow expedient identification of correct parts using the following information.

The catalog is sorted as follows:

Engine components are grouped in the following order:

- 1st** Cylinder Head and Parts
- 2nd** Intake and Exhaust Manifolds
- 3rd** Camshaft Group
- 4th** Fuel System and Parts
- 5th** Cooling System
- 6th** Engine Block and Parts
- 7th** Crankshaft, Oil Pump and Related Parts
- 8th** Cylinder Components (incl. Rod Bearings, Cylinder Sleeves, Pistons, Plston Rings)

The engines are listed in the following order:

- 1st** by ENGINE DISPLACEMENT.
- 2nd** by BORE DIAMETER. Engines with the same displacement are sorted by bore diameter.
- 3rd** By USAGE. Engines will be listed for all models in the block for that specific application.
- 4th** By INDUCTION SYSTEM. Naturally aspirated engines will be listed before Turbocharged engines.

Each engine header should provide all the information necessary to select the desired engine. Many of the headers include vehicle identification number listings to provide absolute assurance that the correct listing is being used.

The pages within the applications are easy to read, yet contain all the information required to select the correct part. The components in this catalog are listed in alphabetical order or A through Z.

FP Diesel uses a part numbering system similar to Case OEM number. In most instances, the number is the same except that the suffix of the Case number is omitted (when it serves no applicable purpose). *For Example:*

Case OEM Part Number **A166122**

FP Diesel Part Number **FP-A166122**

All manufacturers numbers, names, symbols and descriptions are used for reference purposes only. It is not implied that any part listed is the product of any specific manufacturer.

All information contained in this catalog is based on the latest data available at the time of printing. Although care has been taken to ensure the accuracy of the data compiled in this catalog, Federal-Mogul does not assume liability for errors or omissions.



Abbreviations Used

Global Technology Behind Every Part

ABBREVIATION DESCRIPTION

&	And
2WD	Two Wheel Drive
4WD	Four Wheel Drive
A.I.R.	Air Injector Reactor
A/C	Air Conditioning
A/R	As Required
A/T	Automatic Transmission
ABS	Anti-lock Brake System
AC	Alternating Current
Acc.	Accessory
Adj.	Adjustable
Adv.	Advance
Aft.	After
Alt.	Altitude
Alum.	Aluminum
Amp.	Ampere
AOD	Automatic Overdrive
Appl.	Application
Approx.	Approximately
Asst.	Assist
Assy.	Assembly
ATV	All Terrain Vehicle
Auto.	Automatic
Auto. Trans.	Automatic Transmission
Aux.	Auxiliary
Avail.	Available
Avg.	Average
AWD	All Wheel Drive
Bal.	Balance
Batt.	Battery
Bbl.	Barrel
Bbl. Carb.	Barrel Carburetor
Bef.	Before
Brg.	Bearing
Brkt.	Bracket
C	Celsius
C.I.	Cast Iron
C.R.	Compression Ratio
C/L	Centerline
Calib.	Calibration
Calif.	California
Cam	Camshaft
Can.	Canada
Carb.	Carburetor
Cat.	Catalytic
cc	Cubic Centimeter
CCW	Counter Clockwise
CD	Compression Distance
CFFI	Cross Fire Fuel Injection
CFI	Central Fuel Injection
CFM	Cubic Feet per Minute
CID	Cubic Inch (Displacement)
Cld.	Cooled
Clg.	Cooling
Clr.	Cooler
cm	Centimeter
Cntr. Bore	Counter Bore
Compl.	Complete

ABBREVIATION DESCRIPTION

Con. Rod	Connecting Rod
Cruise	Cruise Control
Ctr.	Center
CW	Clockwise
Cyl.	Cylinder
Cyl. Hd.	Cylinder Head
DC	Direct Current
Deg.	Degree
DFI	Digital Fuel Injection
DI	Direct Injection
Dia.	Diameter
Dim.	Dimension
Dir. Inj.	Direct Injection
Disc.	Discontinued
Dist.	Distributor
DOHC	Dual Overhead Camshaft
Dr.	Door or Drive
E.E.C.	Electronic Engine Control
E.I.S.	Electronic Ignition System
Ea.	Each
Ecc.	Eccentric
ECM	Electronic Computer Module
ECM	Electronic Control Module
ECM	Engine Control Module
Econ.	Economy
ECS	Electronic Controlled Spark
EFI	Electronic Fuel Injection
Elec.	Electric
Emis.	Emission
Eng.	Engine
Equip.	Equipment
Etc.	Et Cetera
Exc.	Except
Exh.	Exhaust
Exp.	Export
Ext.	Exterior
Ext.	External
F	Fahrenheit
Fed.	Federal
FI	Fuel Injection
Flex.	Flexible
Flg.	Flange
Flwr.	Follower
Frg.	Forged or Forging
Frnt.	Front
FWD	Front Wheel Drive
Gal.	Gallon
Gas.	Gasoline
GPH	Gallons Per Hour
GPM	Gallons Per Minute
Grv(s)	Groove(s)
Gskt.	Gasket
GVW	Gross Vehicle Weight
H/D	Heavy Duty
Hd.	Head
HEI	High Energy Ignition
Hi	High



Abbreviations Used

Global Technology Behind Every Part

ABBREVIATION DESCRIPTION

Hi Alt.....	High Altitude
Hi-Perf.....	High Performance
Hi-Temp.....	High Temperature
HO.....	High Output
Horiz.....	Horizontal
HP.....	Horsepower
HSC.....	High Swirl Combustion
Hyd.....	Hydraulic
I/C.....	Intercooler
I.D.....	Identification
ID.....	Inside Diameter
IDI.....	Indirect Injection
In. Frm.....	In Frame
in.....	Inch
Incl.....	Includes
Ind.....	Industrial
Inj.....	Injection
Int.....	Intake
Inter.....	Intermediate
L.....	Liter
L.H.....	Left Hand
L/D.....	Light Duty
Lgth.....	Length
LPG.....	Liquid Propane Gas
M/D.....	Medium Duty
M/T.....	Manual Transmission
Man.....	Manual
Man. Trans.....	Manual Transmission
Max.....	Maximum
Mech.....	Mechanical
MFI.....	Multi-Port Fuel Injection
Min.....	Minimum
mm.....	Millimeters
MPH.....	Miles Per Hour
Mtl.....	Material
N/A.....	Not Available
N/R.....	Not Required
Nat.....	Natural
Nat. Asp.....	Naturally Aspirated
Neg.....	Negative
Neut.....	Neutral
No.....	Number
Nom.....	Nominal
Norm.....	Normal
O.A.L.....	Overall Length
O.E.....	Original Equipment
O/D.....	Overdrive
O/S.....	Oversize
Obs.....	Obsolete
OD.....	Outside Diameter
OEM.....	Original Equipment Manufacturer
OHC.....	Overhead Cam
OHV.....	Overhead Valve
Opt.....	Optional
Orig.....	Original
oz.....	Ounce

ABBREVIATION DESCRIPTION

P. T.O.....	Power Take Off
P/S.....	Power Steering
Pass.....	Passenger
Pc(s).....	Piece(s)
PCV.....	Positive Crankcase Ventilation
Perf.....	Performance
Pkg.....	Package
Pos.....	Positive
Prem.....	Premium
Pri.....	Primary
PSI.....	Pound Per Square Inch
Pwr.....	Power
Qtr.....	Quarter
Qty.....	Quantity
R.B.P.....	Ring Below Pin
R.H.....	Right Hand
Ref.....	Reference
Reg.....	Regular
Reman.....	Remanufactured
Req'd.....	Required
Rev.....	Revision
Rev. Rot.....	Reverse Rotation
Rlr.....	Roller
RMB.....	Rear Main Bearing
Rot.....	Rotation
RPM.....	Revolutions Per Minute
Rr.....	Rear
RWD.....	Rear Wheel Drive
S/C.....	Supercharged
Seal. Rings.....	Sealing Rings
Ser.....	Serial or Series
Ser. No.....	Serial Number
SFI.....	Sequential Fuel Injection
Slv.....	Sleeve
SOHC.....	Single Overhead Cam
Spd.....	Speed
Spec.....	Special
Sta.....	Station
Std.....	Standard
Sys.....	System
T/C.....	Turbocharged
Tach.....	Tachometer
TBI.....	Throttle Body Injection
Temp.....	Temperature
TPI.....	Tuned Port Injection
Trans.....	Transmission
Trk.....	Truck
TTY.....	Torque-to-Yield
TURBO.....	Turbocharged
U/S.....	Under Size
Veh.....	Vehicle
VIN.....	Vehicle Identification Number
Vlv.....	Valve
VSS.....	Valve Stem Seal
w/.....	With
w/o.....	Without
Wagon.....	Station Wagon
Wt.....	Weight



FP Diesel Philosophy

Global Technology Behind Every Part

FP Diesel – part of the Federal-Mogul Engine Systems group – is the industry's leading brand of premium heavy-duty replacement engine parts and gaskets, providing total engine system solutions for such well-known brands as Case®, Caterpillar®, Cummins®, Detroit Diesel®, IH/Navistar®, John Deere®, Komatsu®, Mack®, Waukesha® and White Superior®.

Federal-Mogul maintains a steadfast commitment to unsurpassed product quality and customer service. We serve construction, marine, agricultural, mining, gas compression, trucking and industrial markets around the globe. As the global leader in heavy-duty powertrain systems, Federal-Mogul is instrumental in the development of every new generation of gasoline and diesel engine technology. When you choose FP Diesel, you get unparalleled global engineering and manufacturing resources built into every product.

Today's medium and heavy duty commercial markets demand performance. Performance means precision-engineered parts that meet your demanding specifications; and are backed by a team of knowledgeable customer service representatives who can provide technical information and assistance; computerized order and inventory tracking for fast and accurate order fill; unprecedented warranty programs and a company-wide commitment to customer satisfaction.



Construction



Agriculture



On-Highway



Marine

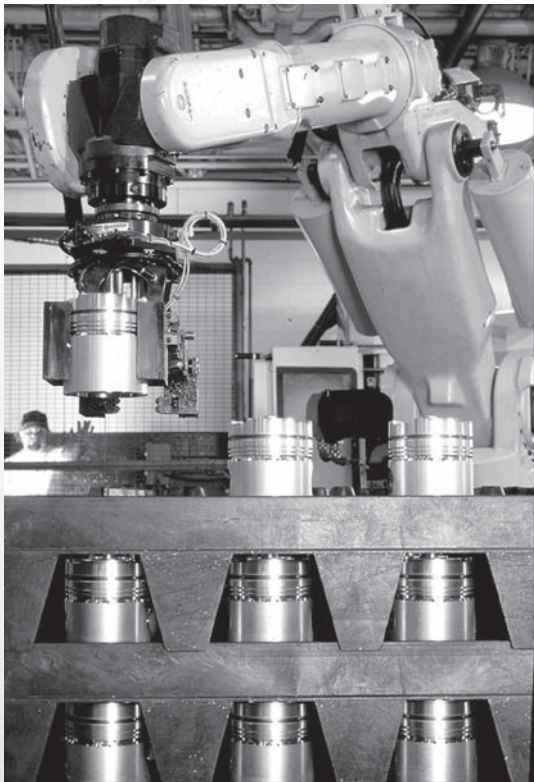
©2011 Federal-Mogul Corporation. FP Diesel and their respective designs are registered trademarks of Federal-Mogul Corporation. Case® is the registered trademark of Case Corporation, Inc.; Cat® and Caterpillar® are the registered trademarks of the Caterpillar, Inc.; Cummins® is the registered trademark of Cummins Engine Company; Detroit Diesel® is the registered trademark of Detroit Diesel Corporation; IH/Navistar® is the registered trademark of International Truck and Engine Corporation; John Deere® is the registered trademark of Deere & Company; Komatsu® is the registered trademark of Komatsu Limited, Inc.; Mack® is the registered trademark of Mack Trucks, Inc.; Waukesha® is the registered trademark of the Waukesha Engine Division of Dresser Industries, Inc.; White Superior® is the registered trademark of White Superior Corporation, Inc. Jacobs® is a registered trademark of Jacobs Vehicle Systems. All rights reserved.





Manufacturing

Global Technology Behind Every Part



Precise manufacturing and fabricating techniques, rigorous quality control procedures, utilization of the latest CAD technology and innovative solutions to industry challenges – coupled with Federal-Mogul's global manufacturing capabilities – have established FP Diesel as the industry leader in the medium and heavy duty commercial market.

FP Diesel applies stringent quality control procedures with expertly skilled technicians supervising the manufacturing process in all phases to ensure that our parts will perform and last.

FP Diesel is a military approved supplier for the 53 Series Detroit Diesel engine. But the parts we supply for the 53 aren't the only ones that go through government testing. Every FP Diesel part must pass through high-level quality control. Plus, every part is tracked throughout the entire distribution process.

Customer Service

FP Diesel customer service representatives are among the most experienced and knowledgeable in the industry, with hands-on medium and heavy-duty experience and in-depth knowledge of engine parts and applications. With one call to your

representative you'll have answers to any product, technical, order processing, billing, warranty, pricing, order tracking or availability questions you may have. Customer service that goes the extra mile also means you not only get the parts you need, but expert assistance from a person who knows the market.



Plus, our computerized inventory system allows us to ship orders promptly anywhere in the world, while our easy-to-use cataloging system makes ordering FP Diesel parts fast and simple. For the parts and information you need, count on FP Diesel to go the extra mile.





Coverage

Global Technology Behind Every Part

The FP Diesel product offering is a comprehensive line of diesel and natural gas engine replacement parts that provide all the coverage necessary to meet your heavy-duty engine rebuilding needs. FP Diesel also offers a full line of gaskets and elastomeric products. For more specific information, please refer to our full-line catalogs, which are engine and machine specific and follow OEM format. To ensure exact part number replacement, these catalogs reference OEM part numbers and features technical information relating to the specific engine being serviced.



Products and Catalogs

Caterpillar

Replacement Caterpillar products cover 3200, 3300, 3400, 3500, D Series and G Series engines. This coverage extends from cylinder heads, fuel injection, cam and crankshafts, cylinder kits, valvetrain and electrical to engine bearings, transmission, hydraulic gasket sets and more. **Refer to FP Diesel catalog No. CA0010 (parts) and CA0020 (gaskets).**

Cummins

FP Diesel provides replacement parts coverage for V378, V504, V555, Small Vee Engines, V/VT 903, 855 Series, N14, L10, B Series, C Series, V/VT1710, N743 and K/KTA 19-, 38- and 50-liter engines, as well as components for Jacobs® brakes. **Refer to FP Diesel catalog No. CA0030.**

Detroit Diesel

FP Diesel offers the most complete coverage in the replacement parts industry for Detroit Diesel, with an extensive line of components and kits for the 8.2-liter, 53 Series, 60 Series, 71 Series, 92 Series and 149 Series engines. **Refer to FP Diesel catalog No. CA0040 for 2-cycle engines or FP Diesel catalog No. CA0045 for 4-cycle engines.**

John Deere

FP Diesel offers a broad range of in-frame and complete overhaul kits and related components for 300 Series, 400 Series, 500 Series and Powertech engines. **Refer to FP Diesel catalog No. CA0085.**

Komatsu

Extensive coverage for Komatsu S6D155 and SA6D155 engines, as well as a full line of replacement parts for Komatsu machines using Cummins N743, KT/KTA 19-, 38- and 50-liter engines, and the Cummins 855. **Refer to FP Diesel catalog No. CA0085.**

Mack

FP Diesel has a broad line for Mack, early ENDT 675 and 676 engines, as well as parts for later EM6 with both two- and four-valve head configurations. **Refer to FP Diesel catalog No. CA0060.**

International/Navistar

International coverage extends from the 6.9 and 7.3 liter, DT-360 and DT-466 through the 9.0 liter engine. **Refer to FP Diesel catalog No. CA0050.** For agricultural applications, FP Diesel also services the DT-414 and DT-436 Case/I.H. engines. **For industrial and agricultural applications, refer to FP Diesel catalog No. CA0188.**

Case

FP Diesel has a complete range of kits and components for the 188, 207, 301, 366, 451 and 504-Case engines along with the 4-390 & 4T-390, 6-590 & 6T-590, 6T-830 & 6TA-830, LTA 10 and NTA 855 B/C III Cummins engines. **Refer to FP Diesel catalog No. CA0095.**

Commercial, Ag, Industrial Engines

The FP Diesel CA0188 catalog includes all the engine manufacturers not covered in the FP Diesel name-plate specific catalogs. Replacement engine components for Allis-Chalmers, Bedford, Bendix-Westinghouse, Briggs & Stratton, Buda, Case Tractor, Chevrolet MD Truck, Climax, Continental, Dodge MD Truck, Ford Tractor, GMC MD Truck, Hercules, IHC Tractor, Isuzu Forklift, KHD, Kohler, LeRoi, Massey Ferguson, Mercedes, Mazda Forklift, Minneapolis-Moline, Mitsubishi, Novo, Oliver, Perkins, Superior, Thermo-King, Volvo, Waukesha, White and Wisconsin are included in the **FP Diesel CA0188 catalog.**



Heavy Duty Pistons

Global Technology Behind Every Part

FP Diesel heavy duty pistons are designed and produced for severe operating conditions. Federal-Mogul is one of the world's leading manufacturers of heavy duty pistons offering one and two-piece designs including aluminum, articulated, cast iron and steel materials. For severe and high load applications, FP Diesel pistons include a metallurgically bonded NI-resist insert in the top and in some cases, the second ring groove. The NI-resist insert minimizes groove wear and reduces pound-out from the compression ring. Anodized heads and graphite-coated skirts offer additional durability in severe applications. Federal-Mogul also utilizes an in-house, patented magnesium-phosphate coating to reduce the piston

corrosion caused by high-sulfate diesel fuels and break-in wear on problematic applications.

We design our heavy duty pistons using the latest in computer aided design (CAD) software. Each application is thoroughly researched to ensure the proper dimensional and metallurgical requirements. And since we also design and manufacture cylinder liners and piston rings, our engineers can make sure each piston we develop provides optimum performance as part of the "power-cylinder" system.





Piston Rings

Global Technology Behind Every Part

FP Diesel offers a broad range of piston rings that dominate the industry with technically advanced design, dedicated research and superior quality. Our rings minimize cylinder leakage under true operating conditions, and provide maximum oil control.

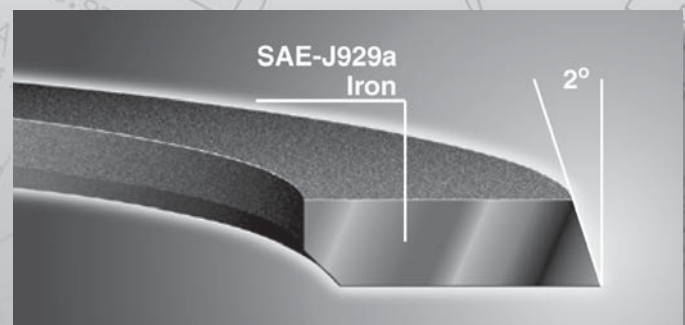
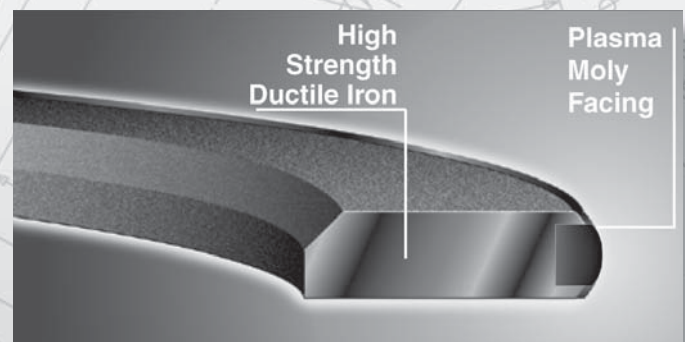
Top Ring

FP Diesel top rings provide reliable compression sealing and maximum power output, and control "blow-by." They are engineered for instant seating, superior cylinder sealing and optimum durability. We offer cast iron, high strength ductile iron, and steel material choices. All premium ring sets feature moly, chrome or plasma-moly facings for enhanced performance under demanding conditions. The inherent strength of our materials provides sealing integrity at extreme pressures and RPM. We supply rings for all popular applications: including medium and heavy duty, agricultural and high performance.

Second Ring

Second rings are manufactured from SAE-J929a iron to provide excellent durability and superior oil control. The primary function of the second ring is oil control. Our tapered face design makes this ring work as a "scraper," reducing the potential for oil migration into the combustion chamber.

The race-proven gap design creates an escape path for residual combustion gases, reducing inter-ring pressure and keeping the top ring seated against its groove. Without this escape path, trapped pressure will unseat the top ring, causing ring flutter and reduced cylinder seating at high RPM. Our one-piece second rings are far more effective and reliable than competitive designs which attempt to retain combustion pressure lost through ineffective top rings. Beware: cylinder leakage tests are steady-state; they do not account for time, piston movement or true operating pressures.





Engine Bearings

Global Technology Behind Every Part

Engine Bearing Material Selection

When selecting engine bearings, most rebuilders concentrate on getting the proper clearances and maintaining adequate oil pressure. Durability is expected from any bearing chosen, and the advantages of different bearing materials may not be considered. If engine operating conditions are considered and bearing materials chosen accordingly, the likelihood of engine longevity is greater. No single material can be correct for every application. FP Diesel engine bearings are equal to or better than the

original equipment specifications for material and design. We also provide alternatives to address unique problems and special needs.

In heavy duty applications there are a number of materials that will do an excellent job. Each alloy has advantages in terms of resistance to corrosion, rate of wear and fatigue strength. The latter characteristic is critical in engines that operate under high loads, generate considerable heat and may be subjected to occasional detonation.

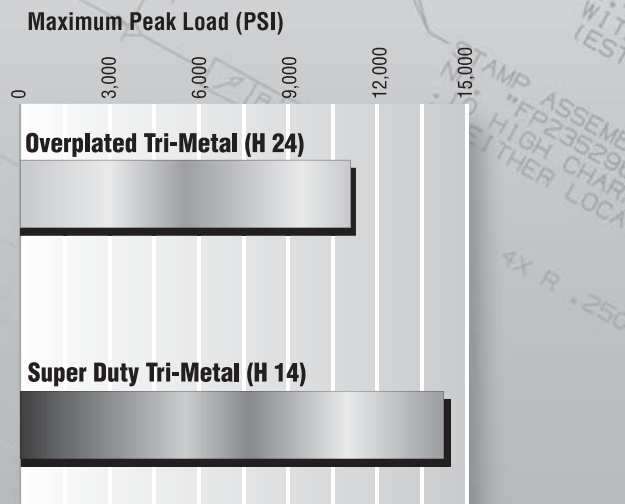
Bi-Metal Aluminum Alloys – Plated and Unplated

Diesel fuels, moisture, and engine “blow-by” introduce many contaminants into the crankcase. Aluminum engine bearing materials provide outstanding resistance to the corrosive effects of these substances, and are the product of choice for most current original equipment vehicle manufacturers. The modern bi-metal aluminum engine bearing contains silicon. As a result of using silicon, the alloy resists seizure and dramatically reduces or

eliminates bearing wear. This contributes to today’s extended engine life. Aluminum is often the best material for a daily driven vehicle. Adding an overplate to an aluminum engine bearing will further enhance embedability and conformability. Continued efforts to remove lead from our environment guarantee that aluminum will become the preferred engine bearing material for most applications.

Tri-Metal Alloys

Tri-Metal engine bearings, such as our H-14 and H-24 alloys, have excellent fatigue resistance, but are less resistant to corrosion damage than aluminum bearings. These bearing materials are accepted by engine builders worldwide, and are proven to be reliable in a wide range of uses. While OE manufacturers are moving to aluminum for their needs, many rebuilders still specify the tri-metal bearings for older engines.





Engine Kits

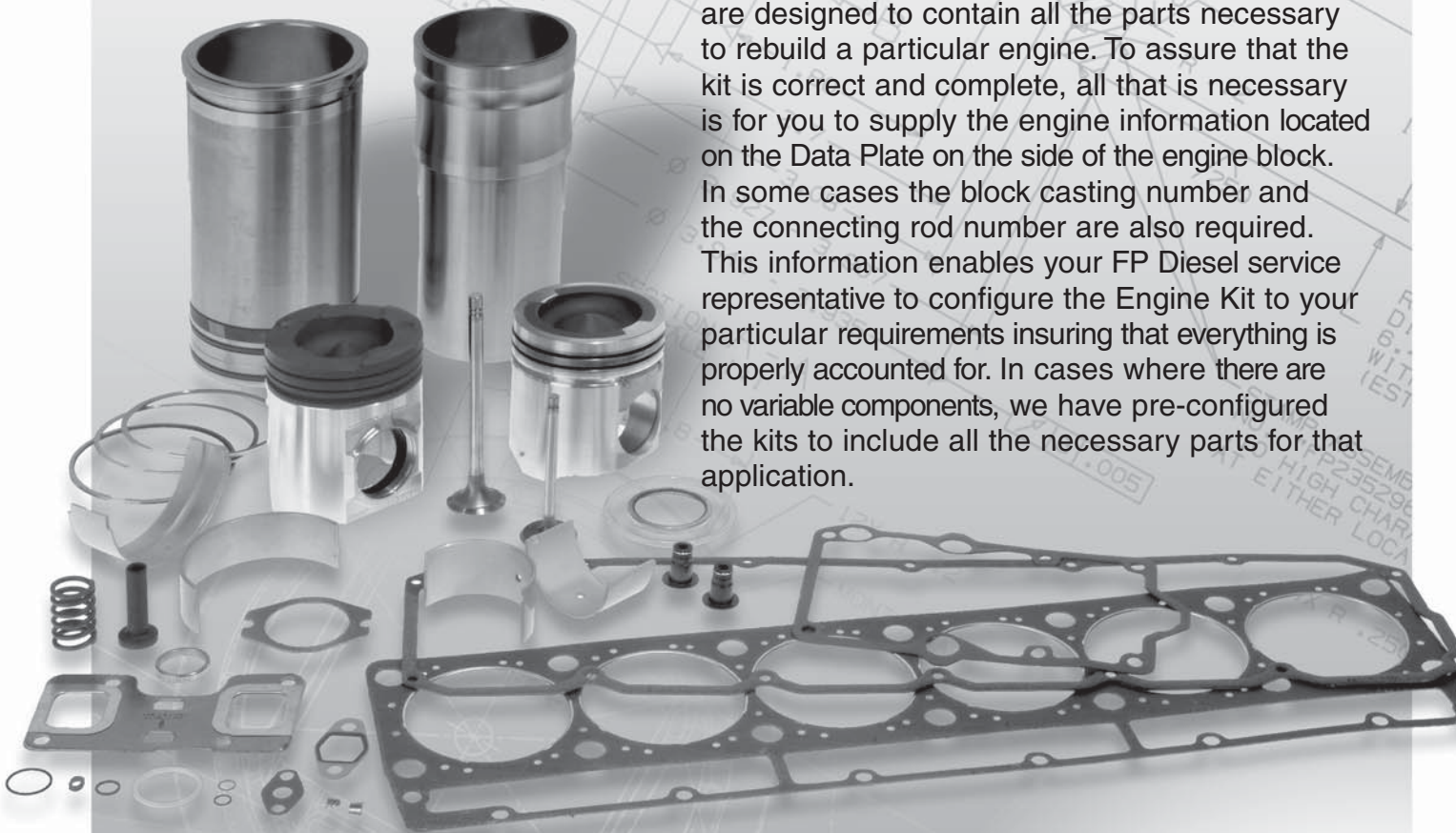
Global Technology Behind Every Part

The FP Diesel Engine Kit program allows you to select a kit tailored to the job at hand. Whether performing a complete overhaul or in-frame repair, FP Diesel engine kits contain all the necessary components to complete the rebuild job. This comprehensive program provides you with the following:

- Concise application information
- One price look-up
- A full complement of oversizes and undersizes
- Master kits that include full gasket sets

How To Specify FP Diesel Engine Kits

Many FP Diesel engine kits have several variations in components that are available depending on the specific engine. Overhaul Kits are designed to contain all the parts necessary to rebuild a particular engine. To assure that the kit is correct and complete, all that is necessary is for you to supply the engine information located on the Data Plate on the side of the engine block. In some cases the block casting number and the connecting rod number are also required. This information enables your FP Diesel service representative to configure the Engine Kit to your particular requirements insuring that everything is properly accounted for. In cases where there are no variable components, we have pre-configured the kits to include all the necessary parts for that application.





Warranty

Global Technology Behind Every Part

The products listed in this catalog are warranted to be free from defects in material and workmanship, under normal use and service, for two years from date of installation in an engine, without mileage or hour qualification in accordance with the following limited warranty. This warranty is the sole and exclusive warranty for failure of the above parts. This exclusive remedy shall not be deemed to have failed of its essential purpose so long as Federal-Mogul is willing and able to provide the remedy provided below.

WARRANTY LIMITATIONS

Federal-Mogul agrees to only pay for parts and labor needed to repair engine damages that result from the defined warranty failure. The costs are limited to parts and labor necessary for restoring the engine to its condition immediately prior to the failure. Labor costs are determined by current published rates and standards in the geographic area in which repairs are performed. Overtime or holiday rate charges are not allowed. We will also pay for maintenance products such as oil, antifreeze, belts, hoses and filter elements that are damaged because of a defined warranty failure.

Federal-Mogul is not responsible for engine failure resulting from owner, operator or third party neglect or abuse, improper installation or repair procedures, alteration or misapplication of parts, failure to properly service or maintain the engine and vehicle in accordance with applicable OEM operation and maintenance manuals or use in engine modified for competition purposes or used in competition.

OTHER THAN AS EXPRESSLY PROVIDED HEREBY, FEDERAL-MOGUL SHALL NOT, UNDER ANY CIRCUMSTANCES, BE LIABLE FOR ANY SPECIAL, INDIRECT, INCIDENTAL, OR CONSEQUENTIAL DAMAGES, INCLUDING, BUT NOT LIMITED TO, DAMAGE OR LOSS OF OTHER PROPERTY OR EQUIPMENT, LOSS OF PROFITS OR REVENUE, TRANSPORTATION AND TOWING COSTS, COST OF PURCHASED OR REPLACED GOOD, OR CLAIMS OF CUSTOMERS OF THE PURCHASER, WHICH MAY ARISE OR RESULT FROM THE SALE, INSTALLATION, OR USE OF THESE PARTS. Some jurisdictions do not allow limitations on how long an implied warranty will last or the exclusion or limitation of incidental or consequential damages, so the limitations or exclusions contained herein may or may not apply to you. This warranty gives you specific legal rights. You may also have other rights depending on the state or province in which you reside.

THIS WARRANTY IS IN LIEU OF ALL OTHER WARRANTIES, EXPRESS AND/OR IMPLIED, INCLUDING, WITHOUT LIMITATION, WARRANTIES OF MERCHANTABILITY AND OF FITNESS FOR A PARTICULAR PURPOSE AND THEY ARE EXCLUDED TO THE EXTENT THEY EXCEED THE WARRANTY COVERAGE DESCRIBED BY THIS WARRANTY.

This warranty and remedy apply to new FP Diesel engine parts from Federal-Mogul sold directly to our authorized aftermarket customers as evidenced by completed claim documentation.

No agent or sales representative of Federal-Mogul Corporation has the authority to modify this warranty. Other Federal-Mogul parts may carry different warranties.

Federal-Mogul must be notified by the customer: (i) before filing a warranty claim, (ii) within one year of the date that the claim accrues, and (iii) before any work has been performed. All claims must be submitted in writing and Federal-Mogul reserves the right to examine all parts, systems and related information associated with the claim. (Note all shipping charges are the responsibility of the end-user or distributor, Federal-Mogul will not accept collect shipments). See your sales representative for detailed claim submission procedures and forms.

Use parts only for applications and interchanges in this catalog.

Failure to heed this warning could result in reduced life or failure of the part. All parts listed in this catalog are not for use in space program, atomic energy/nuclear reactor equipment, medical or aircraft applications. Federal-Mogul reserves the right to make product improvements/changes, with respect to similar products previously manufactured, without notice and without incurring liability.





Warranty

Global Technology Behind Every Part

Les produits indiqués dans ce catalogue sont garantis contre toute défectuosité de matériel et de fabrication, dans des conditions d'utilisation et d'entretien normales, sur une période de deux ans à partir de la date d'installation dans un moteur, sans qualification de kilométrage ou horaire, conformément à la garantie limitée suivante.

Cette garantie est la garantie unique et exclusive pour la défaillance des pièces précitées. Ce recours exclusif ne doit pas être présumé comme ayant échoué à son objectif essentiel, tant que Federal-Mogul approuve et est capable de fournir le recours fourni ci-dessous.

LIMITATIONS DE GARANTIE

Federal-Mogul accepte uniquement de payer les pièces et la main-d'œuvre nécessaires pour réparer les dommages de moteur qui résultent de la défaillance de la garantie définie. Les coûts sont limités aux pièces et à la main-d'œuvre nécessaires pour la restauration du moteur à l'état auquel il se trouvait juste avant la défaillance.

Les frais de main-d'œuvre sont déterminés par les prix et normes publiés à l'heure actuelle dans la zone géographique dans laquelle les réparations sont effectuées. Les heures supplémentaires ou les frais de jours fériés ne sont pas permis. Nous payons également les produits d'entretien, tels que l'huile, l'antigel, les courroies, les tuyaux et les éléments de filtre qui sont endommagés en raison d'une défaillance de garantie définie.

Federal-Mogul décline toute responsabilité pour une défaillance de moteur découlant d'une négligence ou d'un abus infligés par le propriétaire, l'opérateur ou une tierce partie, de procédures d'installation ou de réparations incorrectes, de l'altération ou d'une application incorrecte de pièces, d'un manque de réparation ou d'entretien adéquat du moteur et du véhicule conformément aux manuels d'utilisation et d'entretien OEM applicables, ou de l'utilisation dans un moteur modifié à des fins de compétition ou utilisé en compétition.

SAUF SUR SPÉCIFICATION EXPRESSE DANS LA PRÉSENTE, FEDERAL-MOGUL NE SERA RESPONSABLE, EN AUCUNE CIRCONSTANCE, POUR DES DOMMAGES SPÉCIAUX, INDIRECTS, ACCESSOIRES OU CONSÉCUTIFS, Y COMPRIS, SANS S'Y LIMITER, DES DOMMAGES OU LA PERTE D'UNE AUTRE PROPRIÉTÉ OU D'UN AUTRE ÉQUIPEMENT, LA PERTE DE PROFITS OU DE REVENUS, LES FRAIS DE TRANSPORT ET DE REMORQUAGE, LES FRAIS DE BIENS ACHETÉS OU REMPLACÉS, OU LES DEMANDES DE CLIENTS DE L'ACHETEUR, QUI PEUVENT SE PRÉSENTER OU RÉSULTER DE LA VENTE, DE L'INSTALLATION OU DE L'UTILISATION DE CES PIÈCES.

Certaines juridictions ne permettent pas les limites sur la durée d'une garantie implicite, ni l'exclusion ou la limitation de dommages accessoires ou consécutifs, et, par conséquent, les limitations ou exclusions ci-incluses peuvent s'appliquer ou non pour votre cas. Cette garantie vous octroie des droits légaux spécifiques.

Vous disposez également d'autres droits en fonction de l'état ou de la province de votre résidence.

LA PRÉSENTE GARANTIE REMPLACE TOUTES AUTRES GARANTIES, EXPRESSES ET/OU IMPLICITES, Y COMPRIS, SANS S'Y LIMITER, LES GARANTIES DE QUALITÉ MARCHANDE OU D'ADAPTATION À UN USAGE PARTICULIER, ET ELLES SONT EXCLUES SI ELLES DEVAIENT DÉPASSER LA COUVERTURE DE GARANTIE DÉCRITE PAR LA PRÉSENTE GARANTIE.

Cette garantie et le recours s'appliquent aux nouvelles pièces du moteur diesel FP de Federal-Mogul vendu directement à nos clients de pièces de rechange autorisés, tel qu'attesté par les documents de demande dûment remplis. Aucun agent ou représentant de ventes de Federal-Mogul Corporation ne dispose du droit de modifier la présente garantie. D'autres pièces de Federal-Mogul peuvent être couvertes par des garanties différentes.

PROCÉDURES DE DEMANDE

Le client doit notifier Federal-Mogul : (i) avant de remplir une demande au titre de la garantie, (ii) en l'espace d'un an à partir de la date à laquelle la demande est exercée, et (iii) avant l'exécution d'un travail quelconque.

Toutes les demandes doivent être soumises par écrit et Federal-Mogul se réserve le droit d'examiner toutes les pièces, tous les systèmes et toutes les informations associées à la demande.

(Veuillez noter que l'utilisateur final ou le distributeur est responsable pour tous les frais d'expédition; Federal-Mogul n'accepte aucun envoi en port-dû). Veuillez consulter votre représentant des ventes pour les formulaires et les procédures de soumission de demande détaillés.

AVERTISSEMENT

Utilisez uniquement les pièces pour les applications et les échanges de ce catalogue.

Un manque de respect de cet avertissement pourrait résulter en une durée de vie réduite ou une défaillance de la pièce. Aucune des pièces indiquées dans ce catalogue n'est destinée à être utilisée dans un programme d'espace, pour du matériel de réacteur nucléaire/d'énergie atomique, ou des applications médicales ou d'aéronefs.

Federal-Mogul se réserve le droit d'effectuer des améliorations/changements de produits, en ce qui concerne des produits similaires fabriqués auparavant, sans avis et sans assumer de responsabilité.



Warranty

Global Technology Behind Every Part

Se garantiza que todos los productos presentados en este catálogo no presentaran defecto alguno, ya sea en su material ni en su fabricación, bajo condiciones de uso y servicio normales. La garantía es de dos años de la fecha de la instalación en el motor, sin límites en el kilometraje o en las horas de funcionamiento. Esta es la única y exclusiva garantía si alguna de las partes listadas fuese a fallar. Este recurso exclusivo no se tomará como una falta, siempre y cuando Federal Mogul pueda remediarlo con las provisiones enumeradas mas abajo.

LIMITACIONES DE LA GARANTIA

Federal-Mogul pagará solo por las partes y la mano de obra necesarias para reparar daños al motor que resulten de una falla definida sobre la parte vendida. Los costos quedarán limitados a las partes y la mano de obra necesarias para restaurar el motor a la condición en la cual se encontraba inmediatamente antes de la falla.

Los costos de la mano de obra se determinarán por medio de precios publicados y estándares del área geográfica en la cual las reparaciones se lleven a cabo. No se permitirá agregar costos de tiempo extra ni por trabajo durante días festivos. Pagaremos por productos de mantenimiento tales como aceite, anti-congelantes, correas, mangueras y filtros dañados debido a alguna falla definida del producto vendido.

Federal-Mogul no se hará responsable por una falla de motor causada por el dueño, operador o un tercero, ya sea por su propia negligencia, abuso o instalación inadecuada o procedimientos de reparación inadecuados, por alteración o aplicación incorrecta de las partes, falta de servicio necesario o mantenimiento del motor o de el vehículo de acuerdo a los manuales de operación y mantenimiento de acuerdo fabricante original, o por la modificación de un motor para su uso en competencias o por haber sido usado en competencias.

FEDERAL-MOGUL NO SERÁ RESPONSABLE, BAJO NINGUNA CIRCUNSTANCIA, OTRO QUE NO SEA LO QUE SE HA MENCIONADO EXPLÍCITAMENTE EN ÉSTA GARANTÍA, POR CUALQUIER DAÑO INDIRECTO, ESPECIAL, ACCIDENTAL O CÓMO CONSECUENCIA DE OTROS DAÑOS, INCLUYENDO, PERO SIN QUE QUÉDE LIMITADO A DAÑOS O PÉRDIDAS DE BIENES O DE EQUIPO, PÉRDIDA DE GANANCIAS O INGRESOS, COSTOS DE GRÚA O TRANSPORTACIÓN, DE PARTES REEMPLAZADAS, O RECLAMOS DE CLIENTES DEL COMPRADOR, QUE PUEDAN RESULTAR DE LA VENTA, INSTALACIÓN, O USO DE ÉSTAS PARTES.

Algunas jurisdicciones no permiten limitaciones con respecto a la duración de garantías implícitas, o a la exclusión o limitación de daños accidentales, por lo tanto puede que las limitaciones o exclusiones contenidas en el presente no le apliquen a Ud. Esta garantía le ofrece derechos específicos. Ud. puede gozar de derechos adicionales dependiendo del estado o provincia en la cual viva.

ÉSTA GARANTIA REEMPLAZARA CUALQUIER Y TODA OTRA GARANTÍA, YA SEA EXPLÍCITA U IMPLÍCITA, INCLUYENDO, PERO NO LIMITANDOSE A GARANTÍAS PARA LA MERCANCÍA Y USO DE LA MISMA CON UN PROPÓSITO EN PARTICULAR, Y ESAS MISMAS QUEDARAN EXCLUIDAS SI EXCEDEN LA COBERTURA DESCRITA EN ÉSTA GARANTÍA.

Ésta garantía y recurso aplican a partes nuevas de motores de FP Diésel, vendidas directamente a nuestros clientes autorizados del mercado de reposición, lo cual será corroborado por medio de documentación usada en el reclamo.

Ningún agente o representante de la empresa Federal-Mogul tiene autoridad para modificar ésta garantía.

Otras partes de Federal-Mogul pueden tener garantías diferentes.

PROCEDIMIENTO PARA PRESENTAR UN RECLAMO

Federal-Mogul debe ser notificado por el cliente: (i) antes de presentar un reclamo cubierto en la garantía, (ii) dentro del plazo de un año de ocurrida la falla, y (iii) antes de que se haya hecho algún trabajo.

Todo reclamo debe ser entregado por escrito y Federal-Mogul reserva el derecho a examinar todas las partes, sistemas e información relacionados y asociados al reclamo. (Todo cargo de envío será responsabilidad del usuario final o distribuidor, Federal-Mogul no aceptará envíos a cobrar). Contacte a su representante de ventas para conseguir el formulario de reclamos con el procedimiento detallado.

ADVERTENCIA

Las partes deben ser usadas sólo para las aplicaciones mencionadas en éste catálogo. El no seguir ésta advertencia puede que resulte en que le falle la parte o a que su vida quede reducida. Todas las partes listadas en éste catálogo no están hechas para el uso en programas espaciales, para equipos de energía atómica, o reactores nucleares, o para aplicaciones médicas ni en naves aéreas. Federal-Mogul se reserva el derecho de hacerle mejoras y cambios a los productos, con respecto a productos similares que se hayan fabricado previamente, sin notificación o responsabilidad legal alguna.

Engine Finding Index

Engine	Line No.	Engine	Line No.
.4L 23 L-HEAD L1 3" Bore (Wisconsin Eng.)	1	4.6L 282 L-HEAD L6 3.75" Bore (Hercules Eng.)	35
1.5L 91.9 L-HEAD V4 3" Bore (Wisconsin Eng.)	2	4.7L 284 L4 4.25" Bore	36
1.6L 95 L-HEAD L4 2.75" Bore (Hercules Eng.)	3	4.9L 298 OHV L6 3.75" Bore (Hercules Eng.)	37
1.8L 108 L-HEAD V4 3.25" Bore (Wisconsin Eng.)	4	5.0L 301 L4 4.375" Bore	38
2.1L 124 L-HEAD L4 3" Bore (Continental Eng.)	5	5.0L 301 Diesel L4 4.375" Bore	39
2.1L 124 L4 3.25" Bore	6	5.2L 318 OHV V8 3.9063" Bore (Chrysler Eng.)	40
2.1L 126 L4 3.125" Bore	7	5.5L 336 Diesel L4 4.625" Bore	41
2.2L 132.7 L-HEAD V4 3.25" Bore (Wisconsin Eng.)	8	5.5L 336 Turbo-Diesel L4 4.625" Bore	42
2.2L 133 L-HEAD L4 3.25" Bore (Early) (Waukesha Eng.)	9	5.8L 354 OHV Diesel L6 3.875" Bore (12 Valve) (Perkins Eng.)	43
2.2L 133 L4 3.25" Bore (Waukesha Eng.)	10	5.9L 359 (5882cc) OHV Diesel L6 102mm Bore (Cummins Eng.)	44
2.3L 140 L-HEAD L4 3.1875" Bore (Continental Eng.)	11	5.9L 359 (5882cc) OHV Turbo-Diesel L6 102mm Bore (12 Valve) (Cummins Eng.)	45
2.4L 148 L4 3.375" Bore (G148)	12	5.9L 359 (5882cc) OHV Turbo-Diesel L6 102mm Bore (24 Valve) (Cummins Eng.)	46
2.4L 148 L4 3.375" Bore (G148B)	13	5.9L 359 (5882cc) OHV Turbo-Diesel L6 102mm Bore (24 Valve) (Cummins Eng.)	47
2.5L 154 L4 3.5" Bore	14	6.2L 377 L6 4" Bore (Early)	48
2.5L 154 L-HEAD V4 3.5" Bore (Wisconsin Eng.)	15	6.2L 377 L6 4" Bore (Late)	49
2.6L 157 OHV Diesel L4 3.4375" Bore (Continental Eng.)	16	6.2L 377 Diesel L6 4" Bore	50
2.6L 159 L4 3.5" Bore	17	6.6L 401 Diesel L6 4.125" Bore	51
2.6L 162 L-HEAD L4 3.4375" Bore (Continental Eng.)	18	6.6L 401 Turbo-Diesel L6 4.125" Bore	52
2.7L 164 L4 3.5625" Bore	19	6.7L 408 (6691cc) OHV Turbo-Diesel L6 107mm Bore (24 Valve) (Cummins Eng.)	53
3.0L 186 L4 3.625" Bore (Waukesha Eng.)	20	7.4L 451 Diesel L6 4.375" Bore	54
3.1L 188 L4 3.8125" Bore (G188B)	21	7.4L 451 Turbo-Diesel L6 4.375" Bore	55
3.1L 188 Diesel L4 3.8125" Bore	22	8.3L 504 Diesel L6 4.625" Bore	56
3.4L 207 Diesel L4 4" Bore	23	8.3L 504 Turbo-Diesel L6 4.625" Bore	57
3.4L 209 L-HEAD L6 3.1875" Bore (Continental Eng.)	24	8.3L 505 (8300cc) OHV Turbo-Diesel L6 114mm Bore (24 Valve) (Cummins Eng.)	58
3.7L 225 OHV L6 3.4063" Bore (Chrysler Eng.)	25	8.3L 505 (8300cc) OHV Turbo-Diesel L6 114mm Bore (Cummins Eng.)	59
3.9L 239 (3921cc) OHV Diesel L4 102mm Bore (Cummins Eng.)	26	10.0L 611 (10000cc) OHV Turbo-Diesel L6 125mm Bore (24 Valve) (Cummins Eng.)	60
3.9L 239 (3921cc) OHV Turbo-Diesel L4 102mm Bore (Cummins Eng.)	27	10.8L 661 (10800cc) OHV Turbo-Diesel L6 125mm Bore (24 Valve) (Cummins Eng.)	61
4.1L 251 L4 4" Bore	28	14.0L 855 OHV Turbo-Diesel L6 5.5" Bore (Cummins Eng.)	62
4.1L 251 Diesel L4 4" Bore	29		
4.3L 260 L4 3.875" Bore	30		
4.3L 260 OHV Diesel L4 3.875" Bore (Continental Eng.)	31		
4.4L 267 Diesel L4 4.125" Bore	32		
4.5L 273 OHV V8 3.625" Bore (Chrysler Eng.)	33		
4.5L 277 OHV Diesel L4 4" Bore (Continental Eng.)	34		

Engine Code Index

Engine Code	Engine Description	Line No.	Engine Code	Engine Description	Line No.
AE ... Grain Elevator	.4L 23 L-HEAD L1 3" Bore (Wisconsin Eng.)	1	A267 ... Combine	4.4L 267 Diesel L4 4.125" Bore	32
AEH ... Grain Elevator	.4L 23 L-HEAD L1 3" Bore (Wisconsin Eng.)	1	A267 ... Wheel Tractor	4.4L 267 Diesel L4 4.125" Bore	32
AEHS ... Grain Elevator	.4L 23 L-HEAD L1 3" Bore (Wisconsin Eng.)	1	A267 ... Wheel Loader	4.4L 267 Diesel L4 4.125" Bore	32
AEM ... Grain Elevator	.4L 23 L-HEAD L1 3" Bore (Wisconsin Eng.)	1	A267B ... Combine	4.4L 267 Diesel L4 4.125" Bore	32
AEN ... Grain Elevator	.4L 23 L-HEAD L1 3" Bore (Wisconsin Eng.)	1	A267B ... Wheel Tractor	4.4L 267 Diesel L4 4.125" Bore	32
AEND ... Grain Elevator	.4L 23 L-HEAD L1 3" Bore (Wisconsin Eng.)	1	A267B ... Wheel Loader	4.4L 267 Diesel L4 4.125" Bore	32
AENL ... Grain Elevator	.4L 23 L-HEAD L1 3" Bore (Wisconsin Eng.)	1	A267BD ... Combine	4.4L 267 Diesel L4 4.125" Bore	32
AENLD ... Grain Elevator	.4L 23 L-HEAD L1 3" Bore (Wisconsin Eng.)	1	A267BD ... Wheel Tractor	4.4L 267 Diesel L4 4.125" Bore	32
AENS ... Grain Elevator	.4L 23 L-HEAD L1 3" Bore (Wisconsin Eng.)	1	A267BD ... Wheel Loader	4.4L 267 Diesel L4 4.125" Bore	32
AES ... Grain Elevator	.4L 23 L-HEAD L1 3" Bore (Wisconsin Eng.)	1	A267D ... Combine	4.4L 267 Diesel L4 4.125" Bore	32
A2 ... Grain Elevator	.4L 23 L-HEAD L1 3" Bore (Wisconsin Eng.)	1	A267D ... Wheel Tractor	4.4L 267 Diesel L4 4.125" Bore	32
A251 ... Combine	4.1L 251 L4 4" Bore	28	A267D ... Wheel Loader	4.4L 267 Diesel L4 4.125" Bore	32
A251 ... Wheel Tractor	4.1L 251 L4 4" Bore	28	A284G ... Combine	4.7L 284 L4 4.25" Bore	36
A251B ... Combine	4.1L 251 L4 4" Bore	28	A284G ... Wheel Tractor	4.7L 284 L4 4.25" Bore	36
A251B ... Wheel Tractor	4.1L 251 L4 4" Bore	28	A284GF ... Combine	4.7L 284 L4 4.25" Bore	36
A251G ... Combine	4.1L 251 L4 4" Bore	28	A284GF ... Wheel Tractor	4.7L 284 L4 4.25" Bore	36
A251G ... Wheel Tractor	4.1L 251 L4 4" Bore	28	A284S ... Combine	4.7L 284 L4 4.25" Bore	36
A251S ... Combine	4.1L 251 L4 4" Bore	28	A284S ... Wheel Tractor	4.7L 284 L4 4.25" Bore	36
A251S ... Wheel Tractor	4.1L 251 L4 4" Bore	28	A301 ... Wheel Tractor	5.0L 301 L4 4.375" Bore	38
			A301BD ... Wheel Tractor	5.0L 301 Diesel L4 4.375" Bore	39
			A301BD ... Crawler Tractor	5.0L 301 Diesel L4 4.375" Bore	39
			A301BD ... Wheel Loader	5.0L 301 Diesel L4 4.375" Bore	39
			A301D ... Wheel Tractor	5.0L 301 Diesel L4 4.375" Bore	39
			A301D ... Crawler Tractor	5.0L 301 Diesel L4 4.375" Bore	39
			A301D ... Wheel Loader	5.0L 301 Diesel L4 4.375" Bore	39
			A301DF ... Combine	5.0L 301 Diesel L4 4.375" Bore	39
			A336BD ... Wheel Tractor	5.5L 336 Diesel L4 4.625" Bore	41
			A336BD ... Crawler Tractor	5.5L 336 Diesel L4 4.625" Bore	41
			A336BD ... Wheel Loader	5.5L 336 Diesel L4 4.625" Bore	41
			A336BD ... Excavator	5.5L 336 Diesel L4 4.625" Bore	41

(continued on next page)

Engine Code Index

Engine Code	Engine Description	Line No.	Engine Code	Engine Description	Line No.
A336BD ... Wheel Skidder.....	5.5L 336 Diesel L4 4.625" Bore....	41	GD157 ... Wheel Tractor.....	2.6L 157 OHV Diesel L4 3.4375" Bore (Continental Eng.).....	16
A336BD ... Concrete Placer ...	5.5L 336 Diesel L4 4.625" Bore....	41	GO298 ... Combine.....	4.9L 298 OHV L6 3.75" Bore (Hercules Eng.).....	37
A336BDT ... Wheel Tractor ...	5.5L 336 Turbo-Diesel L4 4.625" Bore.....	42	G126 ... Combine	2.1L 126 L4 3.125" Bore.....	7
A336BDT ... Crawler Tractor ..	5.5L 336 Turbo-Diesel L4 4.625" Bore.....	42	G126 ... Wheel Tractor	2.1L 126 L4 3.125" Bore.....	7
A336BDT ... Wheel Loader.....	5.5L 336 Turbo-Diesel L4 4.625" Bore.....	42	G148 ... Combine	2.4L 148 L4 3.375" Bore (G148) ..	12
A336BDT ... Excavator.....	5.5L 336 Turbo-Diesel L4 4.625" Bore.....	42	G148 ... Wheel Tractor	2.4L 148 L4 3.375" Bore (G148) ..	12
A336BDT ... Wheel Skidder... ..	5.5L 336 Turbo-Diesel L4 4.625" Bore.....	42	G148B ... Wheel Tractor.....	2.4L 148 L4 3.375" Bore (G148B)	13
A336BDT ... Concrete Placer.....	5.5L 336 Turbo-Diesel L4 4.625" Bore.....	42	G159 ... Wheel Tractor	2.6L 159 L4 3.5" Bore.....	17
A377B ... Wheel Tractor	6.2L 377 L6 4" Bore (Early)	48	G159B ... Wheel Tractor.....	2.6L 159 L4 3.5" Bore.....	17
A377S ... Wheel Tractor	6.2L 377 L6 4" Bore (Early)	48	G164 ... Wheel Tractor	2.7L 164 L4 3.5625" Bore.....	19
A401B ... Wheel Tractor	6.6L 401 Diesel L6 4.125" Bore....	51	G188 ... Combine	3.1L 188 L4 3.8125" Bore (G188B)	21
A401B ... Crawler Tractor	6.6L 401 Diesel L6 4.125" Bore....	51	G188 ... Wheel Tractor	3.1L 188 L4 3.8125" Bore (G188B)	21
A401B ... Wheel Loader	6.6L 401 Diesel L6 4.125" Bore....	51	G188B ... Combine	3.1L 188 L4 3.8125" Bore (G188B)	21
A401BD ... Wheel Tractor	6.6L 401 Diesel L6 4.125" Bore....	51	G188B ... Wheel Tractor.....	3.1L 188 L4 3.8125" Bore (G188B)	21
A401BD ... Crawler Tractor ...	6.6L 401 Diesel L6 4.125" Bore....	51	G188D ... Combine.....	3.1L 188 Diesel L4 3.8125" Bore..	22
A401BD ... Wheel Loader.....	6.6L 401 Diesel L6 4.125" Bore....	51	G188D ... Wheel Tractor.....	3.1L 188 Diesel L4 3.8125" Bore..	22
A401D ... Wheel Tractor	6.6L 401 Diesel L6 4.125" Bore....	51	G188D ... Windrower.....	3.1L 188 Diesel L4 3.8125" Bore..	22
A401D ... Crawler Tractor	6.6L 401 Diesel L6 4.125" Bore....	51	G188D ... Crawler Tractor	3.1L 188 Diesel L4 3.8125" Bore..	22
A401D ... Wheel Loader	6.6L 401 Diesel L6 4.125" Bore....	51	G188D ... Wheel Loader.....	3.1L 188 Diesel L4 3.8125" Bore..	22
A451 ... Wheel Tractor.....	7.4L 451 Diesel L6 4.375" Bore....	54	G207D ... Forklift	3.4L 207 Diesel L4 4" Bore.....	23
A451B ... Wheel Tractor	7.4L 451 Diesel L6 4.375" Bore....	54	G207D ... Loader	3.4L 207 Diesel L4 4" Bore.....	23
A451B ... Crawler Tractor	7.4L 451 Diesel L6 4.375" Bore....	54	G207D ... Wheel Tractor.....	3.4L 207 Diesel L4 4" Bore.....	23
A451BD ... Wheel Tractor.....	7.4L 451 Diesel L6 4.375" Bore....	54	G207D ... Crawler Tractor	3.4L 207 Diesel L4 4" Bore.....	23
A451BD ... Crawler Tractor ...	7.4L 451 Diesel L6 4.375" Bore....	54	H-225 ... Combine	3.7L 225 OHV L6 3.4063" Bore (Chrysler Eng.)	25
A451D ... Wheel Tractor	7.4L 451 Diesel L6 4.375" Bore....	54	H-273 ... Combine	4.5L 273 OHV V8 3.625" Bore (Chrysler Eng.)	33
A451T ... Wheel Tractor	7.4L 451 Turbo-Diesel L6 4.375" Bore.....	55	H-318 ... Combine	5.2L 318 OHV V8 3.9063" Bore (Chrysler Eng.)	40
A504BD ... Wheel Tractor.....	8.3L 504 Diesel L6 4.625" Bore....	56	HA-273 ... Combine	4.5L 273 OHV V8 3.625" Bore (Chrysler Eng.)	33
A504BD ... Crawler Tractor	8.3L 504 Diesel L6 4.625" Bore....	56	HAENL ... Grain Elevator.....	4L 23 L-HEAD L1 3" Bore (Wisconsin Eng.)	1
A504BD ... Wheel Loader.....	8.3L 504 Diesel L6 4.625" Bore....	56	HD260 ... Wheel Tractor.....	4.3L 260 OHV Diesel L4 3.875" Bore (Continental Eng.).....	31
A504BD ... Excavator	8.3L 504 Diesel L6 4.625" Bore....	56	HD277 ... Wheel Tractor.....	4.5L 277 OHV Diesel L4 4" Bore (Continental Eng.).....	34
A504BD ... Concrete Placer ..	8.3L 504 Diesel L6 4.625" Bore....	56	H6.354 ... Wheel Tractor	5.8L 354 OHV Diesel L6 3.875" Bore (12 Valve) (Perkins Eng.)....	43
A504BDT ... Combine.....	8.3L 504 Turbo-Diesel L6 4.625" Bore.....	57	ISB 5.9 ... Wheel Skidder	5.9L 359 (5882cc) OHV Turbo-Diesel L6 102mm Bore (24 Valve) (Cummins Eng.)	46
A504BDT ... Wheel Tractor ...	8.3L 504 Turbo-Diesel L6 4.625" Bore.....	57	IXF3 ... Combine.....	1.6L 95 L-HEAD L4 2.75" Bore (Hercules Eng.).....	3
A504BDT ... Crawler Tractor ..	8.3L 504 Turbo-Diesel L6 4.625" Bore.....	57	JXC ... Combine	4.6L 282 L-HEAD L6 3.75" Bore (Hercules Eng.).....	35
A504BDT ... Wheel Loader.....	8.3L 504 Turbo-Diesel L6 4.625" Bore.....	57	LH-318 ... Combine	5.2L 318 OHV V8 3.9063" Bore (Chrysler Eng.)	40
A504BDT ... Excavator	8.3L 504 Turbo-Diesel L6 4.625" Bore.....	57	NTC350 ... Wheel Tractor.....	14.0L 855 OHV Turbo-Diesel L6 5.5" Bore (Cummins Eng.).....	62
A504BDT ... Concrete Placer.....	8.3L 504 Turbo-Diesel L6 4.625" Bore.....	57	NTC400 ... Wheel Tractor.....	14.0L 855 OHV Turbo-Diesel L6 5.5" Bore (Cummins Eng.).....	62
A6.354 ... Wheel Tractor.....	5.8L 354 OHV Diesel L6 3.875" Bore (12 Valve) (Perkins Eng.)....	43	QSB 5.9 ... Grader.....	5.9L 359 (5882cc) OHV Turbo-Diesel L6 102mm Bore (24 Valve) (Cummins Eng.)	47
CE ... Combine	4.3L 260 L4 3.875" Bore.....	30	QSB 5.9 ... Compactor	5.9L 359 (5882cc) OHV Turbo-Diesel L6 102mm Bore (24 Valve) (Cummins Eng.)	47
CE ... Wheel Tractor	4.3L 260 L4 3.875" Bore.....	30	QSB 6.7 ... Grader.....	6.7L 408 (6691cc) OHV Turbo-Diesel L6 107mm Bore (24 Valve) (Cummins Eng.)	53
FK ... Combine.....	2.2L 133 L-HEAD L4 3.25" Bore (Early) (Waukesha Eng.)	9	QSB 6.7 ... Wheel Tractor	6.7L 408 (6691cc) OHV Turbo-Diesel L6 107mm Bore (24 Valve) (Cummins Eng.)	53
FK ... Wheel Tractor	2.2L 133 L-HEAD L4 3.25" Bore (Early) (Waukesha Eng.)	9			
FK ... Combine.....	2.2L 133 L4 3.25" Bore (Waukesha Eng.)	10			
FK ... Wheel Tractor	2.2L 133 L4 3.25" Bore (Waukesha Eng.)	10			
F124 ... Wheel Tractor.....	2.1L 124 L-HEAD L4 3" Bore (Continental Eng.).....	5			
F140 ... Wheel Tractor.....	2.3L 140 L-HEAD L4 3.1875" Bore (Continental Eng.).....	11			
F162 ... Wheel Tractor.....	2.6L 162 L-HEAD L4 3.4375" Bore (Continental Eng.).....	18			
F209 ... Wheel Tractor.....	3.4L 209 L-HEAD L6 3.1875" Bore (Continental Eng.).....	24			

(continued on next page)

Engine Code Index

Engine Code	Engine Description	Line No.	Engine Code	Engine Description	Line No.
QSM 10.8 ... Off Highway Truck	10.8L 661 (10800cc) OHV Turbo-Diesel L6 125mm Bore (24 Valve) (Cummins Eng.)	61	148B ... Wheel Tractor	2.4L 148 L4 3.375" Bore (G148B)	13
QSM 10.8 ... Wheel Loader	10.8L 661 (10800cc) OHV Turbo-Diesel L6 125mm Bore (24 Valve) (Cummins Eng.)	61	148G ... Combine	2.4L 148 L4 3.375" Bore (G148)	12
SE ... Combine	2.5L 154 L4 3.5" Bore	14	148G ... Wheel Tractor	2.4L 148 L4 3.375" Bore (G148)	12
SE ... Wheel Tractor	2.5L 154 L4 3.5" Bore	14	159 ... Wheel Tractor	2.6L 159 L4 3.5" Bore	17
VA124 ... Hay Baler	2.1L 124 L4 3.25" Bore	6	159B ... Wheel Tractor	2.6L 159 L4 3.5" Bore	17
VA124 ... Combine	2.1L 124 L4 3.25" Bore	6	164 ... Wheel Tractor	2.7L 164 L4 3.5625" Bore	19
VA124 ... Wheel Tractor	2.1L 124 L4 3.25" Bore	6	188 ... Combine	3.1L 188 L4 3.8125" Bore (G188B)	21
VE4 ... Hay Baler	1.5L 91.9 L-HEAD V4 3" Bore (Wisconsin Eng.)	2	188 ... Wheel Tractor	3.1L 188 L4 3.8125" Bore (G188B)	21
VE4 ... Combine	1.5L 91.9 L-HEAD V4 3" Bore (Wisconsin Eng.)	2	188 ... Combine	3.1L 188 Diesel L4 3.8125" Bore	22
VE4D ... Hay Baler	1.5L 91.9 L-HEAD V4 3" Bore (Wisconsin Eng.)	2	188 ... Wheel Tractor	3.1L 188 Diesel L4 3.8125" Bore	22
VE4D ... Combine	1.5L 91.9 L-HEAD V4 3" Bore (Wisconsin Eng.)	2	188 ... Windrower	3.1L 188 Diesel L4 3.8125" Bore	22
VE41 ... Hay Baler	1.5L 91.9 L-HEAD V4 3" Bore (Wisconsin Eng.)	2	188 ... Crawler Tractor	3.1L 188 Diesel L4 3.8125" Bore	22
VE41 ... Combine	1.5L 91.9 L-HEAD V4 3" Bore (Wisconsin Eng.)	2	188 ... Wheel Loader	3.1L 188 Diesel L4 3.8125" Bore	22
VF4 ... Hay Baler	1.8L 108 L-HEAD V4 3.25" Bore (Wisconsin Eng.)	4	188B ... Combine	3.1L 188 L4 3.8125" Bore (G188B)	21
VF4 ... Combine	1.8L 108 L-HEAD V4 3.25" Bore (Wisconsin Eng.)	4	188B ... Wheel Tractor	3.1L 188 L4 3.8125" Bore (G188B)	21
VF4D ... Hay Baler	1.8L 108 L-HEAD V4 3.25" Bore (Wisconsin Eng.)	4	188D ... Combine	3.1L 188 Diesel L4 3.8125" Bore	22
VF4D ... Combine	1.8L 108 L-HEAD V4 3.25" Bore (Wisconsin Eng.)	4	188D ... Wheel Tractor	3.1L 188 Diesel L4 3.8125" Bore	22
VF41 ... Hay Baler	1.8L 108 L-HEAD V4 3.25" Bore (Wisconsin Eng.)	4	188D ... Windrower	3.1L 188 Diesel L4 3.8125" Bore	22
VF41 ... Combine	1.8L 108 L-HEAD V4 3.25" Bore (Wisconsin Eng.)	4	188D ... Crawler Tractor	3.1L 188 Diesel L4 3.8125" Bore	22
VG4D ... Harvester	2.5L 154 L-HEAD V4 3.5" Bore (Wisconsin Eng.)	15	188D ... Wheel Loader	3.1L 188 Diesel L4 3.8125" Bore	22
VH4 ... Hay Baler	1.8L 108 L-HEAD V4 3.25" Bore (Wisconsin Eng.)	4	207 ... Forklift	3.4L 207 Diesel L4 4" Bore	23
VH4 ... Combine	1.8L 108 L-HEAD V4 3.25" Bore (Wisconsin Eng.)	4	207 ... Loader	3.4L 207 Diesel L4 4" Bore	23
VH4D ... Hay Baler	1.8L 108 L-HEAD V4 3.25" Bore (Wisconsin Eng.)	4	207 ... Wheel Tractor	3.4L 207 Diesel L4 4" Bore	23
VH4D ... Combine	1.8L 108 L-HEAD V4 3.25" Bore (Wisconsin Eng.)	4	207 ... Crawler Tractor	3.4L 207 Diesel L4 4" Bore	23
VH4DM ... Hay Baler	1.8L 108 L-HEAD V4 3.25" Bore (Wisconsin Eng.)	4	207D ... Wheel Tractor	3.4L 207 Diesel L4 4" Bore	23
VH4DM ... Combine	1.8L 108 L-HEAD V4 3.25" Bore (Wisconsin Eng.)	4	251 ... Combine	4.1L 251 L4 4" Bore	28
VM4 ... Hay Baler	2.2L 132.7 L-HEAD V4 3.25" Bore (Wisconsin Eng.)	8	251 ... Wheel Tractor	4.1L 251 L4 4" Bore	28
VP4 ... Harvester	2.5L 154 L-HEAD V4 3.5" Bore (Wisconsin Eng.)	15	251 Diesel ... Wheel Tractor	4.1L 251 Diesel L4 4" Bore	29
VP4D ... Harvester	2.5L 154 L-HEAD V4 3.5" Bore (Wisconsin Eng.)	15	251B ... Combine	4.1L 251 L4 4" Bore	28
V460D ... Harvester	2.5L 154 L-HEAD V4 3.5" Bore (Wisconsin Eng.)	15	251B ... Wheel Tractor	4.1L 251 L4 4" Bore	28
V461D ... Harvester	2.5L 154 L-HEAD V4 3.5" Bore (Wisconsin Eng.)	15	251BG ... Wheel Tractor	4.1L 251 L4 4" Bore	28
W106 ... Combine	2.1L 124 L4 3.25" Bore	6	267 ... Combine	4.4L 267 Diesel L4 4.125" Bore	32
W106 ... Wheel Tractor	2.1L 124 L4 3.25" Bore	6	267 ... Wheel Tractor	4.4L 267 Diesel L4 4.125" Bore	32
XAH ... Combine	3.0L 186 L4 3.625" Bore (Waukesha Eng.)	20	267 ... Wheel Loader	4.4L 267 Diesel L4 4.125" Bore	32
124 ... Hay Baler	2.1L 124 L4 3.25" Bore	6	267B ... Combine	4.4L 267 Diesel L4 4.125" Bore	32
124 ... Combine	2.1L 124 L4 3.25" Bore	6	267B ... Wheel Tractor	4.4L 267 Diesel L4 4.125" Bore	32
124 ... Wheel Tractor	2.1L 124 L4 3.25" Bore	6	267B ... Wheel Loader	4.4L 267 Diesel L4 4.125" Bore	32
126 ... Combine	2.1L 126 L4 3.125" Bore	7	284 ... Combine	4.7L 284 L4 4.25" Bore	36
126 ... Wheel Tractor	2.1L 126 L4 3.125" Bore	7	284 ... Wheel Tractor	4.7L 284 L4 4.25" Bore	36
148 ... Combine	2.4L 148 L4 3.375" Bore (G148)	12	284B ... Combine	4.7L 284 L4 4.25" Bore	36
148 ... Wheel Tractor	2.4L 148 L4 3.375" Bore (G148)	12	284B ... Wheel Tractor	4.7L 284 L4 4.25" Bore	36
148B ... Wheel Tractor	2.4L 148 L4 3.375" Bore (G148)	12	284S ... Combine	4.7L 284 L4 4.25" Bore	36
			284S ... Wheel Tractor	4.7L 284 L4 4.25" Bore	36
			301 ... Wheel Tractor	5.0L 301 Diesel L4 4.375" Bore	39
			301 ... Crawler Tractor	5.0L 301 Diesel L4 4.375" Bore	39
			301 ... Wheel Loader	5.0L 301 Diesel L4 4.375" Bore	39
			301B ... Wheel Tractor	5.0L 301 L4 4.375" Bore	38
			301B ... Wheel Tractor	5.0L 301 Diesel L4 4.375" Bore	39
			301B ... Crawler Tractor	5.0L 301 Diesel L4 4.375" Bore	39
			301B ... Wheel Loader	5.0L 301 Diesel L4 4.375" Bore	39
			301BG ... Combine	5.0L 301 L4 4.375" Bore	38
			301BG ... Wheel Tractor	5.0L 301 L4 4.375" Bore	38
			330 ... Off Highway Truck	10.8L 661 (10800cc) OHV Turbo-Diesel L6 125mm Bore (24 Valve) (Cummins Eng.)	61
			336 ... Wheel Tractor	5.5L 336 Diesel L4 4.625" Bore	41
			336 ... Crawler Tractor	5.5L 336 Diesel L4 4.625" Bore	41
			336 ... Wheel Loader	5.5L 336 Diesel L4 4.625" Bore	41
			336 ... Excavator	5.5L 336 Diesel L4 4.625" Bore	41
			336 ... Wheel Skidder	5.5L 336 Diesel L4 4.625" Bore	41
			336 ... Concrete Placer	5.5L 336 Diesel L4 4.625" Bore	41
			336B ... Wheel Tractor	5.5L 336 Diesel L4 4.625" Bore	41
			336B ... Crawler Tractor	5.5L 336 Diesel L4 4.625" Bore	41
			336B ... Wheel Loader	5.5L 336 Diesel L4 4.625" Bore	41
			336B ... Excavator	5.5L 336 Diesel L4 4.625" Bore	41
			336B ... Wheel Skidder	5.5L 336 Diesel L4 4.625" Bore	41
			336B ... Concrete Placer	5.5L 336 Diesel L4 4.625" Bore	41
			336BD ... Wheel Tractor	5.5L 336 Diesel L4 4.625" Bore	41

(continued on next page)

Engine Code Index

Engine Code	Engine Description	Line No.	Engine Code	Engine Description	Line No.
336BD ... Crawler Tractor.....	5.5L 336 Diesel L4 4.625" Bore....	41	504 ... Wheel Loader	8.3L 504 Diesel L6 4.625" Bore....	56
336BD ... Wheel Loader	5.5L 336 Diesel L4 4.625" Bore....	41	504 ... Excavator.....	8.3L 504 Diesel L6 4.625" Bore....	56
336BD ... Excavator.....	5.5L 336 Diesel L4 4.625" Bore....	41	504 ... Concrete Placer.....	8.3L 504 Diesel L6 4.625" Bore....	56
336BD ... Wheel Skidder	5.5L 336 Diesel L4 4.625" Bore....	41	504B ... Wheel Tractor.....	8.3L 504 Diesel L6 4.625" Bore....	56
336BD ... Concrete Placer.....	5.5L 336 Diesel L4 4.625" Bore....	41	504B ... Crawler Tractor	8.3L 504 Diesel L6 4.625" Bore....	56
336BDT ... Wheel Tractor.....	5.5L 336 Turbo-Diesel L4 4.625" Bore	42	504B ... Wheel Loader.....	8.3L 504 Diesel L6 4.625" Bore....	56
336BDT ... Crawler Tractor.....	5.5L 336 Turbo-Diesel L4 4.625" Bore	42	504B ... Excavator	8.3L 504 Diesel L6 4.625" Bore....	56
336BDT ... Wheel Loader.....	5.5L 336 Turbo-Diesel L4 4.625" Bore	42	504B ... Concrete Placer	8.3L 504 Diesel L6 4.625" Bore....	56
336BDT ... Excavator	5.5L 336 Turbo-Diesel L4 4.625" Bore	42	504BD ... Wheel Tractor.....	8.3L 504 Diesel L6 4.625" Bore....	56
336BDT ... Wheel Skidder.....	5.5L 336 Turbo-Diesel L4 4.625" Bore	42	504BD ... Crawler Tractor.....	8.3L 504 Diesel L6 4.625" Bore....	56
336BDT ... Concrete Placer.....	5.5L 336 Turbo-Diesel L4 4.625" Bore	42	504BD ... Wheel Loader.....	8.3L 504 Diesel L6 4.625" Bore....	56
377 ... Wheel Tractor.....	6.2L 377 L6 4" Bore (Early)	48	504BD ... Excavator.....	8.3L 504 Diesel L6 4.625" Bore....	56
377 ... Wheel Tractor.....	6.2L 377 L6 4" Bore (Late)	49	504BD ... Concrete Placer.....	8.3L 504 Diesel L6 4.625" Bore....	56
377 ... Crawler Tractor.....	6.2L 377 L6 4" Bore (Late)	49	504BDT ... Combine.....	8.3L 504 Turbo-Diesel L6 4.625" Bore	57
377A ... Wheel Tractor.....	6.2L 377 L6 4" Bore (Late)	49	504BDT ... Wheel Tractor.....	8.3L 504 Turbo-Diesel L6 4.625" Bore	57
377A ... Crawler Tractor	6.2L 377 L6 4" Bore (Late)	49	504BDT ... Crawler Tractor.....	8.3L 504 Turbo-Diesel L6 4.625" Bore	57
377B ... Wheel Tractor.....	6.2L 377 L6 4" Bore (Early)	48	504BDT ... Wheel Loader.....	8.3L 504 Turbo-Diesel L6 4.625" Bore	57
377D ... Wheel Tractor	6.2L 377 Diesel L6 4" Bore.....	50	504BDT ... Excavator	8.3L 504 Turbo-Diesel L6 4.625" Bore	57
377D ... Crawler Tractor	6.2L 377 Diesel L6 4" Bore.....	50	504BDT ... Concrete Placer.....	8.3L 504 Turbo-Diesel L6 4.625" Bore	57
4-390 ... Wheel Tractor.....	3.9L 239 (3921cc) OHV Diesel L4 102mm Bore (Cummins Eng.).....	26	504BDT ... Wheel Tractor.....	8.3L 504 Turbo-Diesel L6 4.625" Bore	57
4T-390 ... Wheel Tractor.....	3.9L 239 (3921cc) OHV Turbo-Diesel L4 102mm Bore (Cummins Eng.).....	27	6.354 ... Wheel Tractor	5.8L 354 OHV Diesel L6 3.875" Bore (12 Valve) (Perkins Eng.).....	43
401B ... Wheel Tractor.....	6.6L 401 Diesel L6 4.125" Bore....	51	6-590 ... Wheel Tractor.....	5.9L 359 (5882cc) OHV Diesel L6 102mm Bore (Cummins Eng.).....	44
401B ... Crawler Tractor	6.6L 401 Diesel L6 4.125" Bore....	51	6BT5.9 ... Wheel Tractor	5.9L 359 (5882cc) OHV Turbo-Diesel L6 102mm Bore (12 Valve) (Cummins Eng.)	45
401B ... Wheel Loader.....	6.6L 401 Diesel L6 4.125" Bore....	51	6BT5.9 ... Crawler Tractor	5.9L 359 (5882cc) OHV Turbo-Diesel L6 102mm Bore (12 Valve) (Cummins Eng.)	45
401BD ... Wheel Tractor.....	6.6L 401 Diesel L6 4.125" Bore....	51	6T-590 ... Combine.....	5.9L 359 (5882cc) OHV Turbo-Diesel L6 102mm Bore (12 Valve) (Cummins Eng.)	45
401BD ... Crawler Tractor.....	6.6L 401 Diesel L6 4.125" Bore....	51	6T-590 ... Wheel Tractor.....	5.9L 359 (5882cc) OHV Turbo-Diesel L6 102mm Bore (12 Valve) (Cummins Eng.)	45
401BD ... Wheel Loader.....	6.6L 401 Diesel L6 4.125" Bore....	51	6T-830 ... Wheel Tractor.....	8.3L 505 (8300cc) OHV Turbo-Diesel L6 114mm Bore (Cummins Eng.).....	59
401BDT ... Wheel Tractor.....	6.6L 401 Turbo-Diesel L6 4.125" Bore	52	6TA-590 ... Combine	5.9L 359 (5882cc) OHV Turbo-Diesel L6 102mm Bore (12 Valve) (Cummins Eng.)	45
401BDT ... Crawler Tractor.....	6.6L 401 Turbo-Diesel L6 4.125" Bore	52	6TA-590 ... Wheel Tractor	5.9L 359 (5882cc) OHV Turbo-Diesel L6 102mm Bore (12 Valve) (Cummins Eng.)	45
401BDT ... Wheel Loader.....	6.6L 401 Turbo-Diesel L6 4.125" Bore	52	6TA-830 ... Wheel Tractor	8.3L 505 (8300cc) OHV Turbo-Diesel L6 114mm Bore (Cummins Eng.).....	59
401DT ... Wheel Tractor	6.6L 401 Turbo-Diesel L6 4.125" Bore	52			
451 ... Wheel Tractor.....	7.4L 451 Diesel L6 4.375" Bore....	54			
451B ... Wheel Tractor.....	7.4L 451 Diesel L6 4.375" Bore....	54			
451BD ... Wheel Tractor.....	7.4L 451 Diesel L6 4.375" Bore....	54			
451BDT ... Wheel Tractor.....	7.4L 451 Turbo-Diesel L6 4.375" Bore	55			
451BT ... Wheel Tractor	7.4L 451 Turbo-Diesel L6 4.375" Bore	55			
451DT ... Wheel Tractor	7.4L 451 Turbo-Diesel L6 4.375" Bore	55			
504 ... Wheel Tractor.....	8.3L 504 Diesel L6 4.625" Bore....	56			
504 ... Crawler Tractor.....	8.3L 504 Diesel L6 4.625" Bore....	56			

Model Index

Model	Engine Description	Line No.	Model	Engine Description	Line No.
A ... Combine.....	1.8L 108 L-HEAD V4 3.25" Bore (Wisconsin Eng.)	4	B 8-12 Cut ... Combine.....	3.0L 186 L4 3.625" Bore (Waukesha Eng.).....	20
A ... Combine.....	3.0L 186 L4 3.625" Bore (Waukesha Eng.).....	20	C ... Combine.....	2.2L 133 L-HEAD L4 3.25" Bore (Early) (Waukesha Eng.)	9
A ... Combine.....	1.5L 91.9 L-HEAD V4 3" Bore (Wisconsin Eng.)	2	C ... Combine.....	2.2L 133 L4 3.25" Bore (Waukesha Eng.)	10
A ... Combine.....	1.6L 95 L-HEAD L4 2.75" Bore (Hercules Eng.).....	3	C ... Harvester	2.5L 154 L-HEAD V4 3.5" Bore (Wisconsin Eng.)	15
A 8-12 Cut ... Combine.....	3.0L 186 L4 3.625" Bore (Waukesha Eng.).....	20	C ... Wheel Tractor	4.3L 260 L4 3.875" Bore.....	30
B ... Combine.....	3.0L 186 L4 3.625" Bore (Waukesha Eng.).....	20	C 8-12 Cut ... Combine.....	4.3L 260 L4 3.875" Bore.....	30
			C-2 ... Harvester.....	2.5L 154 L-HEAD V4 3.5" Bore (Wisconsin Eng.)	15

(continued on next page)

Model Index					
Model	Engine Description	Line No.	Model	Engine Description	Line No.
CB ... Combine	2.2L 133 L-HEAD L4 3.25" Bore (Early) (Waukesha Eng.)	9	MX255 ... Wheel Tractor	8.3L 505 (8300cc) OHV Turbo-Diesel L6 114mm Bore (24 Valve) (Cummins Eng.)	58
CB ... Combine	2.2L 133 L4 3.25" Bore (Waukesha Eng.)	10	MX270 ... Wheel Tractor	8.3L 505 (8300cc) OHV Turbo-Diesel L6 114mm Bore (24 Valve) (Cummins Eng.)	58
CC ... Combine	4.3L 260 L4 3.875" Bore	30	MX285 ... Wheel Tractor	8.3L 505 (8300cc) OHV Turbo-Diesel L6 114mm Bore (24 Valve) (Cummins Eng.)	58
CC ... Wheel Tractor	4.3L 260 L4 3.875" Bore	30	M2 ... Combine	2.1L 124 L4 3.25" Bore	6
CD ... Combine	4.3L 260 L4 3.875" Bore	30	NAP-M ... Hay Baler	2.1L 124 L4 3.25" Bore	6
CD ... Wheel Tractor	4.3L 260 L4 3.875" Bore	30	NCM ... Hay Baler	1.5L 91.9 L-HEAD V4 3" Bore (Wisconsin Eng.)	2
CE ... Combine	4.3L 260 L4 3.875" Bore	30	NCMT ... Hay Baler	1.5L 91.9 L-HEAD V4 3" Bore (Wisconsin Eng.)	2
CE ... Wheel Tractor	4.3L 260 L4 3.875" Bore	30	NT ... Hay Baler	1.5L 91.9 L-HEAD V4 3" Bore (Wisconsin Eng.)	2
CI ... Combine	4.3L 260 L4 3.875" Bore	30	P Prairie ... Combine	4.3L 260 L4 3.875" Bore	30
CI ... Wheel Tractor	4.3L 260 L4 3.875" Bore	30	PT336 ... Wheel Skidder	5.5L 336 Diesel L4 4.625" Bore	41
CO ... Combine	4.3L 260 L4 3.875" Bore	30	PUMA 165 ... Wheel Tractor	6.7L 408 (6691cc) OHV Turbo-Diesel L6 107mm Bore (24 Valve) (Cummins Eng.)	53
CO ... Wheel Tractor	4.3L 260 L4 3.875" Bore	30	PUMA 180 ... Wheel Tractor	6.7L 408 (6691cc) OHV Turbo-Diesel L6 107mm Bore (24 Valve) (Cummins Eng.)	53
CPX610 ... Cotton Picker	8.3L 505 (8300cc) OHV Turbo-Diesel L6 114mm Bore (24 Valve) (Cummins Eng.)	58	PUMA 195 ... Wheel Tractor	6.7L 408 (6691cc) OHV Turbo-Diesel L6 107mm Bore (24 Valve) (Cummins Eng.)	53
CPX620 TO S/N Y6T011701 ... Cotton Picker	8.3L 505 (8300cc) OHV Turbo-Diesel L6 114mm Bore (24 Valve) (Cummins Eng.)	58	PUMA 210 ... Wheel Tractor	6.7L 408 (6691cc) OHV Turbo-Diesel L6 107mm Bore (24 Valve) (Cummins Eng.)	53
D ... Wheel Tractor	4.3L 260 L4 3.875" Bore	30	P336 ... Concrete Placer	5.5L 336 Diesel L4 4.625" Bore	41
DC ... Wheel Tractor	4.3L 260 L4 3.875" Bore	30	P336 ... Concrete Placer	5.5L 336 Turbo-Diesel L4 4.625" Bore	42
DC3 ... Wheel Tractor	4.3L 260 L4 3.875" Bore	30	P504 ... Concrete Placer	8.3L 504 Diesel L6 4.625" Bore	56
DC4 ... Wheel Tractor	4.3L 260 L4 3.875" Bore	30	P504 ... Concrete Placer	8.3L 504 Turbo-Diesel L6 4.625" Bore	57
DE ... Wheel Tractor	4.3L 260 L4 3.875" Bore	30	R ... Wheel Tractor	2.2L 133 L-HEAD L4 3.25" Bore (Early) (Waukesha Eng.)	9
DH ... Wheel Tractor	4.3L 260 L4 3.875" Bore	30	R ... Wheel Tractor	2.2L 133 L4 3.25" Bore (Waukesha Eng.)	10
DI ... Wheel Tractor	4.3L 260 L4 3.875" Bore	30	RC ... Wheel Tractor	2.2L 133 L-HEAD L4 3.25" Bore (Early) (Waukesha Eng.)	9
DIM ... Wheel Tractor	4.3L 260 L4 3.875" Bore	30	RC ... Wheel Tractor	2.2L 133 L4 3.25" Bore (Waukesha Eng.)	10
DO ... Wheel Tractor	4.3L 260 L4 3.875" Bore	30	RI ... Wheel Tractor	2.2L 133 L-HEAD L4 3.25" Bore (Early) (Waukesha Eng.)	9
DS ... Wheel Tractor	4.3L 260 L4 3.875" Bore	30	RI ... Wheel Tractor	2.2L 133 L4 3.25" Bore (Waukesha Eng.)	10
DT34 ... Wheel Tractor	2.6L 157 OHV Diesel L4 3.4375" Bore (Continental Eng.)	16	RO ... Wheel Tractor	2.2L 133 L-HEAD L4 3.25" Bore (Early) (Waukesha Eng.)	9
DV ... Wheel Tractor	4.3L 260 L4 3.875" Bore	30	RO ... Wheel Tractor	2.2L 133 L4 3.25" Bore (Waukesha Eng.)	10
E Series ... Wheel Loader	4.4L 267 Diesel L4 4.125" Bore	32	S ... Wheel Tractor	2.5L 154 L4 3.5" Bore	14
E Series ... Crawler Tractor	5.5L 336 Diesel L4 4.625" Bore	41	SC ... Wheel Tractor	2.5L 154 L4 3.5" Bore	14
E Series ... Wheel Loader	5.5L 336 Diesel L4 4.625" Bore	41	SE ... Wheel Tractor	2.5L 154 L4 3.5" Bore	14
EH ... Grain Elevator	4L 23 L-HEAD L1 3" Bore (Wisconsin Eng.)	1	SI ... Wheel Tractor	2.5L 154 L4 3.5" Bore	14
G ... Combine	1.8L 108 L-HEAD V4 3.25" Bore (Wisconsin Eng.)	4	SO ... Wheel Tractor	2.5L 154 L4 3.5" Bore	14
G ... Combine	1.5L 91.9 L-HEAD V4 3" Bore (Wisconsin Eng.)	2	SP Rice ... Combine	4.3L 260 L4 3.875" Bore	30
K ... Combine	2.2L 133 L-HEAD L4 3.25" Bore (Early) (Waukesha Eng.)	9	SP12 ... Combine	4.3L 260 L4 3.875" Bore	30
K ... Combine	2.2L 133 L4 3.25" Bore (Waukesha Eng.)	10	SP9 ... Combine	2.5L 154 L4 3.5" Bore	14
K (Except Prairie) ... Combine	2.1L 124 L4 3.25" Bore	6	SP9 ... Combine	4.3L 260 L4 3.875" Bore	30
MCM ... Hay Baler	1.5L 91.9 L-HEAD V4 3" Bore (Wisconsin Eng.)	2	STX275 ... Wheel Tractor	8.3L 505 (8300cc) OHV Turbo-Diesel L6 114mm Bore (24 Valve) (Cummins Eng.)	58
MXV125 ... Wheel Tractor	6.7L 408 (6691cc) OHV Turbo-Diesel L6 107mm Bore (24 Valve) (Cummins Eng.)	53	SV212 ... Compactor	5.9L 359 (5882cc) OHV Turbo-Diesel L6 102mm Bore (24 Valve) (Cummins Eng.)	47
MXV135 ... Wheel Tractor	6.7L 408 (6691cc) OHV Turbo-Diesel L6 107mm Bore (24 Valve) (Cummins Eng.)	53	SV216 ... Compactor	5.9L 359 (5882cc) OHV Turbo-Diesel L6 102mm Bore (24 Valve) (Cummins Eng.)	47
MX100 ... Wheel Tractor	5.9L 359 (5882cc) OHV Turbo-Diesel L6 102mm Bore (12 Valve) (Cummins Eng.)	45	TB336 ... Wheel Skidder	5.5L 336 Diesel L4 4.625" Bore	41
MX110 ... Wheel Tractor	5.9L 359 (5882cc) OHV Turbo-Diesel L6 102mm Bore (12 Valve) (Cummins Eng.)	45	TB336 ... Concrete Placer	5.5L 336 Diesel L4 4.625" Bore	41
MX120 ... Wheel Tractor	5.9L 359 (5882cc) OHV Turbo-Diesel L6 102mm Bore (12 Valve) (Cummins Eng.)	45			
MX135 ... Wheel Tractor	5.9L 359 (5882cc) OHV Turbo-Diesel L6 102mm Bore (12 Valve) (Cummins Eng.)	45			
MX240 ... Wheel Tractor	8.3L 505 (8300cc) OHV Turbo-Diesel L6 114mm Bore (24 Valve) (Cummins Eng.)	58			

(continued on next page)

Model Index

Model	Engine Description	Line No.	Model	Engine Description	Line No.
TB336 ... Concrete Placer	5.5L 336 Turbo-Diesel L4 4.625" Bore	42	W14H Articulated Loader ... Wheel Loader	5.5L 336 Turbo-Diesel L4 4.625" Bore	42
TB80 ... Concrete Placer	8.3L 504 Diesel L6 4.625" Bore	56	W18 ... Wheel Loader	6.6L 401 Diesel L6 4.125" Bore	51
TB80 ... Concrete Placer	8.3L 504 Turbo-Diesel L6 4.625" Bore	57	W18 ... Wheel Loader	6.6L 401 Turbo-Diesel L6 4.125" Bore	52
T336 ... Wheel Skidder	5.5L 336 Diesel L4 4.625" Bore	41	W18 Articulated Loader ... Wheel Loader	6.6L 401 Diesel L6 4.125" Bore	51
T336 ... Concrete Placer	5.5L 336 Diesel L4 4.625" Bore	41	W18 Articulated Loader ... Wheel Loader	6.6L 401 Turbo-Diesel L6 4.125" Bore	52
T336 ... Concrete Placer	5.5L 336 Turbo-Diesel L4 4.625" Bore	42	W20 ... Wheel Loader	6.6L 401 Diesel L6 4.125" Bore	51
T80 ... Concrete Placer	8.3L 504 Diesel L6 4.625" Bore	56	W20 ... Wheel Loader	6.6L 401 Turbo-Diesel L6 4.125" Bore	52
T80 ... Concrete Placer	8.3L 504 Turbo-Diesel L6 4.625" Bore	57	W20 Articulated Loader ... Wheel Loader	6.6L 401 Diesel L6 4.125" Bore	51
U ... Combine	1.8L 108 L-HEAD V4 3.25" Bore (Wisconsin Eng.)	4	W20 Articulated Loader ... Wheel Loader	6.6L 401 Turbo-Diesel L6 4.125" Bore	52
U ... Combine	2.1L 124 L4 3.25" Bore	6	W20 Articulated Loader ... Wheel Loader	6.6L 401 Diesel L6 4.125" Bore	51
U ... Combine	1.5L 91.9 L-HEAD V4 3" Bore (Wisconsin Eng.)	2	W20 Articulated Loader ... Wheel Loader	6.6L 401 Turbo-Diesel L6 4.125" Bore	52
V ... Wheel Tractor	2.1L 124 L-HEAD L4 3" Bore (Continental Eng.)	5	W20B ... Wheel Loader	6.6L 401 Diesel L6 4.125" Bore	51
VA ... Wheel Tractor	2.1L 124 L4 3.25" Bore	6	W20B ... Wheel Loader	6.6L 401 Turbo-Diesel L6 4.125" Bore	52
VAC ... Wheel Tractor	2.1L 124 L4 3.25" Bore	6	W20B Articulated Loader ... Wheel Loader	6.6L 401 Diesel L6 4.125" Bore	51
VAC-14 ... Wheel Tractor	2.1L 124 L4 3.25" Bore	6	W20B Articulated Loader ... Wheel Loader	6.6L 401 Turbo-Diesel L6 4.125" Bore	52
VAE ... Wheel Tractor	2.1L 124 L4 3.25" Bore	6	W20C ... Wheel Tractor	8.3L 504 Diesel L6 4.625" Bore	56
VAH ... Wheel Tractor	2.1L 124 L4 3.25" Bore	6	W24 ... Wheel Loader	8.3L 504 Diesel L6 4.625" Bore	56
VAI ... Wheel Tractor	2.1L 124 L4 3.25" Bore	6	W24 ... Wheel Loader	8.3L 504 Turbo-Diesel L6 4.625" Bore	57
VAO ... Wheel Tractor	2.1L 124 L4 3.25" Bore	6	W24B ... Wheel Loader	8.3L 504 Diesel L6 4.625" Bore	56
VAS ... Wheel Tractor	2.1L 124 L4 3.25" Bore	6	W24B ... Wheel Loader	8.3L 504 Turbo-Diesel L6 4.625" Bore	57
VC ... Wheel Tractor	2.1L 124 L-HEAD L4 3" Bore (Continental Eng.)	5	W24C ... Wheel Loader	8.3L 504 Diesel L6 4.625" Bore	56
VI ... Wheel Tractor	2.1L 124 L-HEAD L4 3" Bore (Continental Eng.)	5	W24C ... Wheel Loader	8.3L 504 Turbo-Diesel L6 4.625" Bore	57
VO ... Wheel Tractor	2.1L 124 L-HEAD L4 3" Bore (Continental Eng.)	5	W26 ... Wheel Tractor	2.1L 126 L4 3.125" Bore	7
V2 ... Combine	4.6L 282 L-HEAD L6 3.75" Bore (Hercules Eng.)	35	W26B ... Wheel Loader	8.3L 504 Diesel L6 4.625" Bore	56
WA106 ... Wheel Tractor	2.1L 124 L4 3.25" Bore	6	W26B ... Wheel Loader	8.3L 504 Turbo-Diesel L6 4.625" Bore	57
W10 ... Wheel Loader	5.0L 301 Diesel L4 4.375" Bore	39	W3 ... Loader	3.1L 188 Diesel L4 3.8125" Bore	22
W10 ... Wheel Loader	6.6L 401 Diesel L6 4.125" Bore	51	W3 ... Wheel Loader	3.1L 188 Diesel L4 3.8125" Bore	22
W10B ... Wheel Loader	6.6L 401 Diesel L6 4.125" Bore	51	W3D ... Wheel Loader	3.1L 188 Diesel L4 3.8125" Bore	22
W10C ... Wheel Loader	6.6L 401 Diesel L6 4.125" Bore	51	W36 ... Wheel Loader	8.3L 504 Diesel L6 4.625" Bore	56
W10E ... Wheel Loader	6.6L 401 Diesel L6 4.125" Bore	51	W36 ... Wheel Loader	8.3L 504 Turbo-Diesel L6 4.625" Bore	57
W10E ... Wheel Loader	6.6L 401 Turbo-Diesel L6 4.125" Bore	52	W36 ... Wheel Loader	8.3L 505 (8300cc) OHV Turbo-Diesel L6 114mm Bore (Cummins Eng.)	59
W11 Articulated Loader ... Loader	3.4L 207 Diesel L4 4" Bore	23	W5 ... Wheel Loader	3.1L 188 Diesel L4 3.8125" Bore	22
W11B ... Wheel Tractor	3.9L 239 (3921cc) OHV Diesel L4 102mm Bore (Cummins Eng.)	26	W5A ... Wheel Tractor	3.1L 188 L4 3.8125" Bore (G188B)	21
W11B ... Wheel Tractor	3.9L 239 (3921cc) OHV Turbo-Diesel L4 102mm Bore (Cummins Eng.)	27	W5A ... Loader	3.1L 188 Diesel L4 3.8125" Bore	22
W12 ... Wheel Loader	6.6L 401 Diesel L6 4.125" Bore	51	W5A ... Wheel Loader	3.1L 188 Diesel L4 3.8125" Bore	22
W14 ... Wheel Loader	5.5L 336 Diesel L4 4.625" Bore	41	W5AD ... Wheel Loader	3.1L 188 Diesel L4 3.8125" Bore	22
W14 ... Wheel Loader	5.5L 336 Turbo-Diesel L4 4.625" Bore	42	W7 ... Wheel Tractor	3.1L 188 Diesel L4 3.8125" Bore	22
W14 Articulated Loader ... Wheel Loader	5.5L 336 Diesel L4 4.625" Bore	41	W7 ... Wheel Loader	5.0L 301 Diesel L4 4.375" Bore	39
W14 Articulated Loader ... Wheel Loader	5.5L 336 Turbo-Diesel L4 4.625" Bore	42	W7C ... Wheel Tractor	3.1L 188 Diesel L4 3.8125" Bore	22
W14B ... Wheel Tractor	5.9L 359 (5882cc) OHV Diesel L6 102mm Bore (Cummins Eng.)	44	W7C ... Wheel Loader	5.0L 301 Diesel L4 4.375" Bore	39
W14B ... Wheel Tractor	5.9L 359 (5882cc) OHV Turbo-Diesel L6 102mm Bore (12 Valve) (Cummins Eng.)	45	W7C (4WD) ... Wheel Loader	5.0L 301 Diesel L4 4.375" Bore	39
W14C ... Wheel Tractor	5.9L 359 (5882cc) OHV Diesel L6 102mm Bore (Cummins Eng.)	44	W7E ... Wheel Tractor	3.1L 188 Diesel L4 3.8125" Bore	22
W14C ... Wheel Tractor	5.9L 359 (5882cc) OHV Turbo-Diesel L6 102mm Bore (12 Valve) (Cummins Eng.)	45	W7E ... Wheel Loader	5.0L 301 Diesel L4 4.375" Bore	39
W14H ... Wheel Loader	5.5L 336 Diesel L4 4.625" Bore	41	W8 ... Wheel Tractor	6.6L 401 Diesel L6 4.125" Bore	51
W14H ... Wheel Loader	5.5L 336 Turbo-Diesel L4 4.625" Bore	42	W8 ... Wheel Tractor	6.6L 401 Turbo-Diesel L6 4.125" Bore	52
			W8B ... Wheel Loader	6.6L 401 Diesel L6 4.125" Bore	51
			W8C ... Wheel Loader	6.6L 401 Diesel L6 4.125" Bore	51
			W8E ... Wheel Loader	6.6L 401 Diesel L6 4.125" Bore	51
			W8E ... Wheel Loader	6.6L 401 Turbo-Diesel L6 4.125" Bore	52
			W9 ... Wheel Tractor	4.4L 267 Diesel L4 4.125" Bore	32

Model Index					
Model	Engine Description	Line No.	Model	Engine Description	Line No.
W9 ... Wheel Loader.....	4.4L 267 Diesel L4 4.125" Bore....	32	1085B ... Excavator	5.9L 359 (5882cc) OHV	
W9 ... Wheel Tractor.....	6.6L 401 Diesel L6 4.125" Bore....	51		Turbo-Diesel L6 102mm Bore (12	
W9 ... Wheel Loader.....	6.6L 401 Diesel L6 4.125" Bore....	51		Valve) (Cummins Eng.)	45
W9 ... Wheel Tractor.....	6.6L 401 Turbo-Diesel L6 4.125"		1085C ... Excavator	5.9L 359 (5882cc) OHV	
	Bore	52		Turbo-Diesel L6 102mm Bore (12	
W9 (4WD) ... Wheel Loader ..	6.6L 401 Diesel L6 4.125" Bore....	51		Valve) (Cummins Eng.)	45
W9 Unit Loader ... Wheel			1086B ... Excavator	5.9L 359 (5882cc) OHV	
Loader.....	6.6L 401 Diesel L6 4.125" Bore....	51		Turbo-Diesel L6 102mm Bore (12	
W9A ... Wheel Loader	5.0L 301 Diesel L4 4.375" Bore....	39		Valve) (Cummins Eng.)	45
W9B ... Wheel Tractor	4.7L 284 L4 4.25" Bore.....	36	1086C ... Excavator	5.9L 359 (5882cc) OHV	
W9B ... Wheel Tractor	6.6L 401 Diesel L6 4.125" Bore....	51		Turbo-Diesel L6 102mm Bore (12	
W9B ... Wheel Loader	6.6L 401 Diesel L6 4.125" Bore....	51		Valve) (Cummins Eng.)	45
W9C ... Wheel Loader	6.6L 401 Diesel L6 4.125" Bore....	51	1090 ... Wheel Tractor.....	7.4L 451 Diesel L6 4.375" Bore....	54
W9C (4WD) ... Wheel			1090 Agri King ... Wheel		
Loader.....	6.6L 401 Diesel L6 4.125" Bore....	51	Tractor.....	7.4L 451 Diesel L6 4.375" Bore....	54
W9E ... Wheel Tractor	6.6L 401 Diesel L6 4.125" Bore....	51	110 ... Combine	2.1L 124 L4 3.25" Bore.....	6
W9E ... Wheel Loader	6.6L 401 Diesel L6 4.125" Bore....	51	1140 ... Wheel Tractor.....	2.6L 159 L4 3.5" Bore.....	17
W9E ... Wheel Tractor	6.6L 401 Turbo-Diesel L6 4.125"		1140 ... Windrower	3.1L 188 Diesel L4 3.8125" Bore..	22
	Bore	52	1150 ... Wheel Tractor.....	2.6L 159 L4 3.5" Bore.....	17
W9E ... Wheel Loader	6.6L 401 Turbo-Diesel L6 4.125"		1150 ... Windrower	3.1L 188 Diesel L4 3.8125" Bore..	22
	Bore	52	1150 ... Crawler Tractor.....	6.6L 401 Diesel L6 4.125" Bore....	51
1000 ... Combine	4.4L 267 Diesel L4 4.125" Bore....	32	1150 ... Crawler Tractor.....	6.6L 401 Turbo-Diesel L6 4.125"	
1000 ... Combine	4.7L 284 L4 4.25" Bore.....	36		Bore	52
1000 ... Combine	4.9L 298 OHV L6 3.75" Bore		1150B ... Crawler Tractor	7.4L 451 Diesel L6 4.375" Bore....	54
	(Hercules Eng.).....	37	1150C ... Crawler Tractor	7.4L 451 Diesel L6 4.375" Bore....	54
1000 ... Combine	5.0L 301 L4 4.375" Bore.....	38	1150E ... Crawler Tractor	5.9L 359 (5882cc) OHV	
1000 ... Combine	5.0L 301 Diesel L4 4.375" Bore....	39		Turbo-Diesel L6 102mm Bore (12	
1000 ... Combine	5.2L 318 OHV V8 3.9063" Bore			Valve) (Cummins Eng.)	45
	(Chrysler Eng.)	40	1150E ... Crawler Tractor	8.3L 505 (8300cc) OHV	
1000 Rice ... Combine	4.7L 284 L4 4.25" Bore.....	36		Turbo-Diesel L6 114mm Bore	
1000 Rice ... Combine	4.9L 298 OHV L6 3.75" Bore			(Cummins Eng.).....	59
	(Hercules Eng.).....	37	1150G ... Crawler Tractor.....	5.9L 359 (5882cc) OHV	
1000 Rice ... Combine	5.0L 301 Diesel L4 4.375" Bore....	39		Turbo-Diesel L6 102mm Bore (12	
1000 Rice ... Combine	5.2L 318 OHV V8 3.9063" Bore			Valve) (Cummins Eng.)	45
	(Chrysler Eng.)	40	1155 ... Wheel Tractor.....	2.6L 159 L4 3.5" Bore.....	17
1010 ... Combine	4.5L 273 OHV V8 3.625" Bore		1155 ... Windrower	3.1L 188 Diesel L4 3.8125" Bore..	22
	(Chrysler Eng.)	33	1155E ... Crawler Tractor	5.9L 359 (5882cc) OHV	
1010 ... Combine	4.7L 284 L4 4.25" Bore.....	36		Turbo-Diesel L6 102mm Bore (12	
1010 ... Combine	4.9L 298 OHV L6 3.75" Bore			Valve) (Cummins Eng.)	45
	(Hercules Eng.).....	37	1155E ... Crawler Tractor	8.3L 505 (8300cc) OHV	
1010 ... Combine	5.0L 301 Diesel L4 4.375" Bore....	39		Turbo-Diesel L6 114mm Bore	
1010 ... Combine	5.2L 318 OHV V8 3.9063" Bore			(Cummins Eng.).....	59
	(Chrysler Eng.)	40	1160 ... Combine	4.7L 284 L4 4.25" Bore.....	36
1010 Rice ... Combine	4.7L 284 L4 4.25" Bore.....	36	1160 ... Combine	5.0L 301 Diesel L4 4.375" Bore....	39
1010 Rice ... Combine	4.9L 298 OHV L6 3.75" Bore		1160 ... Combine	5.2L 318 OHV V8 3.9063" Bore	
	(Hercules Eng.).....	37		(Chrysler Eng.).....	40
1010 Rice ... Combine	5.0L 301 Diesel L4 4.375" Bore....	39	1170 ... Wheel Tractor.....	7.4L 451 Diesel L6 4.375" Bore....	54
1010 Rice ... Combine	5.2L 318 OHV V8 3.9063" Bore		1170 ... Wheel Tractor.....	7.4L 451 Turbo-Diesel L6 4.375"	
	(Chrysler Eng.)	40		Bore	55
1030 ... Wheel Tractor	7.4L 451 Diesel L6 4.375" Bore....	54	1170 Agri King ... Wheel		
1030 Confort King ... Wheel			Tractor.....	7.4L 451 Diesel L6 4.375" Bore....	54
Tractor.....	7.4L 451 Diesel L6 4.375" Bore....	54	1175 ... Wheel Tractor.....	7.4L 451 Diesel L6 4.375" Bore....	54
1030 Construction King ...			1175 ... Wheel Tractor.....	7.4L 451 Turbo-Diesel L6 4.375"	
Wheel Tractor	7.4L 451 Diesel L6 4.375" Bore....	54		Bore	55
1060 ... Combine	4.5L 273 OHV V8 3.625" Bore		1175 Agri King ... Wheel		
	(Chrysler Eng.)	33	Tractor.....	7.4L 451 Turbo-Diesel L6 4.375"	
1060 ... Combine	4.7L 284 L4 4.25" Bore.....	36		Bore	55
1060 ... Combine	5.0L 301 Diesel L4 4.375" Bore....	39	1187C ... Excavator.....	8.3L 505 (8300cc) OHV	
1060 ... Combine	5.2L 318 OHV V8 3.9063" Bore			Turbo-Diesel L6 114mm Bore	
	(Chrysler Eng.)	40		(Cummins Eng.).....	59
1060 Rice ... Combine	4.7L 284 L4 4.25" Bore.....	36	120 ... Combine	4.4L 267 Diesel L4 4.125" Bore....	32
1060 Rice ... Combine	5.0L 301 Diesel L4 4.375" Bore....	39	1200 ... Wheel Tractor.....	7.4L 451 Diesel L6 4.375" Bore....	54
1060 Rice ... Combine	5.2L 318 OHV V8 3.9063" Bore		1221E ... Wheel Loader.....	10.8L 661 (10800cc) OHV	
	(Chrysler Eng.)	40		Turbo-Diesel L6 125mm Bore (24	
1070 ... Wheel Tractor	7.4L 451 Diesel L6 4.375" Bore....	54		Valve) (Cummins Eng.)	61
1070 Agri King ... Wheel			1221E XR ... Wheel Loader...	10.8L 661 (10800cc) OHV	
Tractor.....	6.6L 401 Diesel L6 4.125" Bore....	51		Turbo-Diesel L6 125mm Bore (24	
1070 Agri King ... Wheel				Valve) (Cummins Eng.)	61
Tractor.....	6.6L 401 Turbo-Diesel L6 4.125"		1255 ... Combine	3.1L 188 L4 3.8125" Bore	
	Bore	52		(G188B).....	21
1070 Agri King ... Wheel			1255 ... Windrower	3.1L 188 Diesel L4 3.8125" Bore..	22
Tractor.....	7.4L 451 Turbo-Diesel L6 4.375"		1270 ... Wheel Tractor.....	7.4L 451 Turbo-Diesel L6 4.375"	
	Bore	55		Bore	55

(continued on next page)

Model Index

Model	Engine Description	Line No.	Model	Engine Description	Line No.
1270 Agri King ... Wheel Tractor.....	7.4L 451 Turbo-Diesel L6 4.375" Bore.....	55	1680 ... Combine	8.3L 505 (8300cc) OHV Turbo-Diesel L6 114mm Bore (Cummins Eng.).....	59
1275 ... Combine	3.7L 225 OHV L6 3.4063" Bore (Chrysler Eng.)	25	1688 ... Combine	8.3L 505 (8300cc) OHV Turbo-Diesel L6 114mm Bore (Cummins Eng.).....	59
1280 ... Excavator.....	8.3L 504 Turbo-Diesel L6 4.625" Bore	57	17/27 ... Wheel Tractor	4.3L 260 L4 3.875" Bore.....	30
1370 ... Wheel Tractor	8.3L 504 Diesel L6 4.625" Bore....	56	1700 ... Wheel Tractor	2.6L 159 L4 3.5" Bore.....	17
1370 ... Wheel Tractor	8.3L 504 Turbo-Diesel L6 4.625" Bore.....	57	1700 ... Loader	3.1L 188 Diesel L4 3.8125" Bore..	22
1370 Agri King ... Wheel Tractor.....	8.3L 504 Turbo-Diesel L6 4.625" Bore	57	1737 ... Wheel Tractor	2.6L 159 L4 3.5" Bore.....	17
140 ... Hay Baler.....	1.5L 91.9 L-HEAD V4 3" Bore (Wisconsin Eng.)	2	1737 ... Loader	3.1L 188 Diesel L4 3.8125" Bore..	22
140W ... Hay Baler	1.5L 91.9 L-HEAD V4 3" Bore (Wisconsin Eng.)	2	1737 Uni-Loader ... Wheel Tractor.....	2.4L 148 L4 3.375" Bore (G148) ..	12
140W ... Combine.....	1.5L 91.9 L-HEAD V4 3" Bore (Wisconsin Eng.)	2	1737 Uni-Loader ... Wheel Tractor.....	2.4L 148 L4 3.375" Bore (G148B)	13
1450 ... Crawler Tractor.....	8.3L 504 Diesel L6 4.625" Bore....	56	1737S ... Wheel Tractor.....	2.6L 159 L4 3.5" Bore.....	17
1450 ... Crawler Tractor.....	8.3L 504 Turbo-Diesel L6 4.625" Bore	57	1737S Uni-Loader ... Wheel Tractor.....	2.4L 148 L4 3.375" Bore (G148) ..	12
1450 ... Wheel Loader	8.3L 504 Turbo-Diesel L6 4.625" Bore	57	1737S Uni-Loader ... Wheel Tractor.....	2.4L 148 L4 3.375" Bore (G148B)	13
1450B ... Crawler Tractor	8.3L 504 Turbo-Diesel L6 4.625" Bore	57	1740 ... Loader	3.1L 188 Diesel L4 3.8125" Bore..	22
1470 ... Wheel Tractor	8.3L 504 Diesel L6 4.625" Bore....	56	1740 ... Loader	3.4L 207 Diesel L4 4" Bore.....	23
1470 ... Wheel Tractor	8.3L 504 Turbo-Diesel L6 4.625" Bore.....	57	1740 Uni-Loader ... Wheel Loader.....	3.1L 188 Diesel L4 3.8125" Bore..	22
1470 Trac King ... Wheel Tractor.....	8.3L 504 Diesel L6 4.625" Bore....	56	177 ... Hay Baler.....	2.2L 132.7 L-HEAD V4 3.25" Bore (Wisconsin Eng.)	8
1470 Trac King ... Wheel Tractor.....	8.3L 504 Turbo-Diesel L6 4.625" Bore	57	1800 ... Cotton Picker	5.9L 359 (5882cc) OHV Turbo-Diesel L6 102mm Bore (12 Valve) (Cummins Eng.)	45
150 ... Combine	4.1L 251 L4 4" Bore.....	28	1822 ... Cotton Picker	5.9L 359 (5882cc) OHV Turbo-Diesel L6 102mm Bore (12 Valve) (Cummins Eng.)	45
1550 ... Crawler Tractor.....	8.3L 505 (8300cc) OHV Turbo-Diesel L6 114mm Bore (Cummins Eng.).....	59	1835 ... Wheel Tractor.....	2.4L 148 L4 3.375" Bore (G148) ..	12
1570 ... Wheel Tractor.....	8.3L 504 Diesel L6 4.625" Bore....	56	1835 ... Wheel Tractor	2.4L 148 L4 3.375" Bore (G148B)	13
1570 ... Wheel Tractor.....	8.3L 504 Turbo-Diesel L6 4.625" Bore	57	1835 ... Wheel Loader	3.1L 188 Diesel L4 3.8125" Bore..	22
160T ... Hay Baler.....	1.8L 108 L-HEAD V4 3.25" Bore (Wisconsin Eng.)	4	1840 ... Wheel Skidder	3.9L 239 (3921cc) OHV Diesel L4 102mm Bore (Cummins Eng.).....	26
160T ... Combine	1.8L 108 L-HEAD V4 3.25" Bore (Wisconsin Eng.)	4	1844 ... Cotton Picker	8.3L 505 (8300cc) OHV Turbo-Diesel L6 114mm Bore (Cummins Eng.).....	59
160W ... Hay Baler	1.8L 108 L-HEAD V4 3.25" Bore (Wisconsin Eng.)	4	1845 ... Loader	3.1L 188 Diesel L4 3.8125" Bore..	22
160W ... Combine.....	1.8L 108 L-HEAD V4 3.25" Bore (Wisconsin Eng.)	4	1845 ... Loader	3.4L 207 Diesel L4 4" Bore.....	23
1640 ... Combine	5.9L 359 (5882cc) OHV Turbo-Diesel L6 102mm Bore (12 Valve) (Cummins Eng.)	45	1845 Uni-Loader ... Wheel Loader.....	3.1L 188 Diesel L4 3.8125" Bore..	22
1644 ... Combine	5.9L 359 (5882cc) OHV Turbo-Diesel L6 102mm Bore (12 Valve) (Cummins Eng.)	45	1845C ... Wheel Skidder.....	3.9L 239 (3921cc) OHV Diesel L4 102mm Bore (Cummins Eng.).....	26
1660 ... Combine	5.2L 318 OHV V8 3.9063" Bore (Chrysler Eng.)	40	1845S Uni-Loader ... Wheel Loader.....	3.1L 188 Diesel L4 3.8125" Bore..	22
1660 ... Wheel Tractor.....	5.8L 354 OHV Diesel L6 3.875" Bore (12 Valve) (Perkins Eng.).....	43	1855 ... Loader	3.4L 207 Diesel L4 4" Bore.....	23
1660 ... Combine	8.3L 505 (8300cc) OHV Turbo-Diesel L6 114mm Bore (Cummins Eng.).....	59	1855 Uni-Loader ... Wheel Loader.....	3.1L 188 Diesel L4 3.8125" Bore..	22
1665 ... Combine	5.2L 318 OHV V8 3.9063" Bore (Chrysler Eng.)	40	188D Type 1 ... Wheel Tractor.....	3.1L 188 Diesel L4 3.8125" Bore..	22
1665 ... Wheel Tractor.....	5.8L 354 OHV Diesel L6 3.875" Bore (12 Valve) (Perkins Eng.).....	43	188D Type 11 ... Wheel Tractor.....	3.1L 188 Diesel L4 3.8125" Bore..	22
1666 ... Combine	8.3L 505 (8300cc) OHV Turbo-Diesel L6 114mm Bore (Cummins Eng.).....	59	188G Type 1 ... Wheel Tractor.....	3.1L 188 L4 3.8125" Bore (G188B)	21
1670 ... Combine	8.3L 505 (8300cc) OHV Turbo-Diesel L6 114mm Bore (Cummins Eng.).....	59	188G Type 11 ... Wheel Tractor.....	3.1L 188 L4 3.8125" Bore (G188B)	21
			188G Type 201 ... Wheel Tractor.....	3.1L 188 L4 3.8125" Bore (G188B)	21
			1896 ... Wheel Loader	5.9L 359 (5882cc) OHV Turbo-Diesel L6 102mm Bore (12 Valve) (Cummins Eng.)	45
			200 ... Wheel Tractor.....	2.3L 140 L-HEAD L4 3.1875" Bore (Continental Eng.).....	11
			200B ... Wheel Tractor.....	2.1L 126 L4 3.125" Bore.....	7

Model Index					
Model	Engine Description	Line No.	Model	Engine Description	Line No.
200B ... Wheel Tractor.....	2.4L 148 L4 3.375" Bore (G148) ..	12	300 ... Wheel Skidder	5.5L 336 Diesel L4 4.625" Bore....	41
2022 ... Cotton Picker.....	5.9L 359 (5882cc) OHV Turbo-Diesel L6 102mm Bore (12 Valve) (Cummins Eng.)	45	300B ... Wheel Tractor.....	2.4L 148 L4 3.375" Bore (G148) ..	12
2090 ... Wheel Tractor	8.3L 504 Turbo-Diesel L6 4.625" Bore	57	300B ... Wheel Tractor.....	2.4L 148 L4 3.375" Bore (G148B).....	13
2096 ... Wheel Tractor	5.9L 359 (5882cc) OHV Turbo-Diesel L6 102mm Bore (12 Valve) (Cummins Eng.)	45	300B ... Wheel Tractor.....	2.6L 157 OHV Diesel L4 3.4375" Bore (Continental Eng.).....	16
210B ... Wheel Tractor.....	2.1L 126 L4 3.125" Bore.....	7	300C ... Wheel Skidder.....	5.5L 336 Diesel L4 4.625" Bore....	41
210B ... Wheel Tractor.....	2.4L 148 L4 3.375" Bore (G148) ..	12	300C ... Wheel Skidder.....	5.5L 336 Turbo-Diesel L4 4.625" Bore	42
211B ... Wheel Tractor.....	2.1L 126 L4 3.125" Bore.....	7	301 ... Wheel Tractor	2.6L 157 OHV Diesel L4 3.4375" Bore (Continental Eng.).....	16
211B ... Wheel Tractor.....	2.4L 148 L4 3.375" Bore (G148) ..	12	301D Type 1 ... Wheel Tractor.....	5.0L 301 Diesel L4 4.375" Bore....	39
2144 ... Combine	8.3L 359 (5882cc) OHV Turbo-Diesel L6 102mm Bore (12 Valve) (Cummins Eng.)	45	301D Type 11 ... Wheel Tractor.....	5.0L 301 Diesel L4 4.375" Bore....	39
2290 ... Wheel Tractor	8.3L 504 Diesel L6 4.625" Bore....	56	301D Type 111 ... Wheel Tractor.....	5.0L 301 Diesel L4 4.375" Bore....	39
2290 ... Wheel Tractor	8.3L 504 Turbo-Diesel L6 4.625" Bore	57	302 ... Wheel Tractor	2.6L 157 OHV Diesel L4 3.4375" Bore (Continental Eng.).....	16
2294 ... Wheel Tractor	8.3L 504 Turbo-Diesel L6 4.625" Bore	57	310 ... Wheel Tractor	2.4L 148 L4 3.375" Bore (G148) ..	12
2366 ... Combine	8.3L 505 (8300cc) OHV Turbo-Diesel L6 114mm Bore (Cummins Eng.).....	59	310 ... Wheel Tractor	2.4L 148 L4 3.375" Bore (G148B).....	13
2390 ... Wheel Tractor	8.3L 504 Diesel L6 4.625" Bore....	56	310 ... Wheel Tractor	3.1L 188 Diesel L4 3.8125" Bore..	22
2390 ... Wheel Tractor	8.3L 504 Turbo-Diesel L6 4.625" Bore	57	310 ... Crawler Tractor.....	3.1L 188 Diesel L4 3.8125" Bore..	22
2394 ... Wheel Tractor	8.3L 504 Turbo-Diesel L6 4.625" Bore	57	310B ... Wheel Tractor.....	2.4L 148 L4 3.375" Bore (G148) ..	12
2470 ... Wheel Tractor	8.3L 504 Diesel L6 4.625" Bore....	56	310B ... Wheel Tractor.....	2.4L 148 L4 3.375" Bore (G148B).....	13
2470 ... Wheel Tractor	8.3L 504 Turbo-Diesel L6 4.625" Bore	57	310B ... Wheel Tractor.....	3.1L 188 Diesel L4 3.8125" Bore..	22
2470 Trac King ... Wheel Tractor.....	8.3L 504 Turbo-Diesel L6 4.625" Bore	57	310C ... Wheel Tractor	2.4L 148 L4 3.375" Bore (G148) ..	12
2590 ... Wheel Tractor	8.3L 504 Diesel L6 4.625" Bore....	56	310C ... Wheel Tractor	2.4L 148 L4 3.375" Bore (G148B).....	13
2590 ... Wheel Tractor	8.3L 504 Turbo-Diesel L6 4.625" Bore	57	310C From Ser. No. 3008188 ... Crawler Tractor.....	3.1L 188 Diesel L4 3.8125" Bore..	22
2594 ... Wheel Tractor	8.3L 504 Turbo-Diesel L6 4.625" Bore	57	310D ... Wheel Tractor	2.4L 148 L4 3.375" Bore (G148) ..	12
2670 ... Wheel Tractor	8.3L 504 Diesel L6 4.625" Bore....	56	310D ... Wheel Tractor	2.4L 148 L4 3.375" Bore (G148B).....	13
2670 ... Wheel Tractor	8.3L 504 Turbo-Diesel L6 4.625" Bore	57	310D ... Crawler Tractor	3.1L 188 Diesel L4 3.8125" Bore..	22
2670 Trac King ... Wheel Tractor.....	8.3L 504 Turbo-Diesel L6 4.625" Bore	57	310E ... Wheel Tractor.....	2.4L 148 L4 3.375" Bore (G148) ..	12
284G Type 1 ... Wheel Tractor.....	4.7L 284 L4 4.25" Bore.....	36	310E ... Wheel Tractor.....	2.4L 148 L4 3.375" Bore (G148B).....	13
284G Type 11 ... Wheel Tractor.....	4.7L 284 L4 4.25" Bore.....	36	310E ... Combine.....	3.1L 188 Diesel L4 3.8125" Bore..	22
284G Type 111 ... Wheel Tractor	4.7L 284 L4 4.25" Bore.....	36	310E ... Crawler Tractor	3.1L 188 Diesel L4 3.8125" Bore..	22
284L Type 1 ... Wheel Tractor	4.7L 284 L4 4.25" Bore.....	36	310F ... Wheel Tractor.....	2.4L 148 L4 3.375" Bore (G148) ..	12
284L Type 11 ... Wheel Tractor	4.7L 284 L4 4.25" Bore.....	36	310F ... Wheel Tractor.....	2.4L 148 L4 3.375" Bore (G148B).....	13
284L Type 111 ... Wheel Tractor	4.7L 284 L4 4.25" Bore.....	36	310F ... Combine.....	3.1L 188 Diesel L4 3.8125" Bore..	22
284N Type 1 ... Wheel Tractor.....	4.7L 284 L4 4.25" Bore.....	36	310F ... Crawler Tractor.....	3.1L 188 Diesel L4 3.8125" Bore..	22
284N Type 11 ... Wheel Tractor	4.7L 284 L4 4.25" Bore.....	36	310G ... Wheel Tractor	2.4L 148 L4 3.375" Bore (G148) ..	12
284N Type 111 ... Wheel Tractor.....	4.7L 284 L4 4.25" Bore.....	36	310G ... Wheel Tractor	2.4L 148 L4 3.375" Bore (G148B).....	13
300 ... Wheel Tractor.....	2.3L 140 L-HEAD L4 3.1875" Bore (Continental Eng.).....	11	310G ... Combine	3.1L 188 Diesel L4 3.8125" Bore..	22
300 ... Wheel Tractor.....	2.4L 148 L4 3.375" Bore (G148) ..	12	310G From Ser. No. 3032031 ... Crawler Tractor.....	3.1L 188 Diesel L4 3.8125" Bore..	22
300 ... Wheel Tractor.....	2.4L 148 L4 3.375" Bore (G148B).....	13	311 ... Wheel Tractor	2.4L 148 L4 3.375" Bore (G148) ..	12
300 ... Wheel Tractor.....	2.6L 157 OHV Diesel L4 3.4375" Bore (Continental Eng.).....	16	311 ... Wheel Tractor	2.4L 148 L4 3.375" Bore (G148B).....	13
300 ... Wheel Tractor.....	2.6L 162 L-HEAD L4 3.4375" Bore (Continental Eng.).....	18	311 ... Wheel Tractor	3.1L 188 Diesel L4 3.8125" Bore..	22
			311B ... Wheel Tractor.....	2.4L 148 L4 3.375" Bore (G148) ..	12
			311B ... Wheel Tractor.....	2.4L 148 L4 3.375" Bore (G148B).....	13
			311B ... Wheel Tractor.....	3.1L 188 Diesel L4 3.8125" Bore..	22
			312 ... Wheel Tractor	2.4L 148 L4 3.375" Bore (G148) ..	12
			312 ... Wheel Tractor	2.4L 148 L4 3.375" Bore (G148B).....	13
			312 ... Wheel Tractor	3.1L 188 Diesel L4 3.8125" Bore..	22
			319 ... Wheel Tractor	2.4L 148 L4 3.375" Bore (G148) ..	12
			319 ... Wheel Tractor	2.4L 148 L4 3.375" Bore (G148B).....	13
			320 ... Wheel Tractor	2.4L 148 L4 3.375" Bore (G148) ..	12
			320 ... Wheel Tractor	2.4L 148 L4 3.375" Bore (G148B).....	13

Model Index

Model	Engine Description	Line No.	Model	Engine Description	Line No.
320 ... Wheel Tractor	2.6L 157 OHV Diesel L4 3.4375" Bore (Continental Eng.)	16	411B ... Wheel Tractor	2.4L 148 L4 3.375" Bore (G148)	12
320 ... Wheel Tractor	2.6L 159 L4 3.5" Bore	17	411B ... Wheel Tractor	2.4L 148 L4 3.375" Bore (G148B)	13
320 ... Wheel Tractor	3.1L 188 Diesel L4 3.8125" Bore	22	412 ... Wheel Tractor	4.7L 284 L4 4.25" Bore	36
320 ... Crawler Tractor	3.1L 188 Diesel L4 3.8125" Bore	22	413 ... Wheel Tractor	4.1L 251 L4 4" Bore	28
320B ... Wheel Tractor	2.4L 148 L4 3.375" Bore (G148)	12	419 ... Wheel Tractor	4.1L 251 L4 4" Bore	28
320B ... Wheel Tractor	2.4L 148 L4 3.375" Bore (G148B)	13	420 ... Wheel Tractor	2.4L 148 L4 3.375" Bore (G148)	12
320B ... Wheel Tractor	2.6L 157 OHV Diesel L4 3.4375" Bore (Continental Eng.)	16	420 ... Wheel Tractor	2.4L 148 L4 3.375" Bore (G148B)	13
320B ... Wheel Tractor	2.6L 159 L4 3.5" Bore	17	420 ... Wheel Tractor	2.6L 157 OHV Diesel L4 3.4375" Bore (Continental Eng.)	16
320B ... Wheel Tractor	3.1L 188 Diesel L4 3.8125" Bore	22	420 ... Wheel Tractor	2.6L 159 L4 3.5" Bore	17
320BD ... Wheel Tractor	2.4L 148 L4 3.375" Bore (G148)	12	420 ... Wheel Tractor	3.1L 188 L4 3.8125" Bore (G188B)	21
320BD ... Wheel Tractor	2.4L 148 L4 3.375" Bore (G148B)	13	420 ... Wheel Tractor	3.1L 188 Diesel L4 3.8125" Bore	22
320BD ... Wheel Tractor	2.6L 157 OHV Diesel L4 3.4375" Bore (Continental Eng.)	16	420 ... Crawler Tractor	3.1L 188 Diesel L4 3.8125" Bore	22
320BD ... Wheel Tractor	2.6L 159 L4 3.5" Bore	17	420B ... Wheel Tractor	2.4L 148 L4 3.375" Bore (G148)	12
320BD ... Wheel Tractor	3.1L 188 Diesel L4 3.8125" Bore	22	420B ... Wheel Tractor	2.4L 148 L4 3.375" Bore (G148B)	13
330 ... Hay Baler	1.8L 108 L-HEAD V4 3.25" Bore (Wisconsin Eng.)	4	420B ... Wheel Tractor	2.6L 157 OHV Diesel L4 3.4375" Bore (Continental Eng.)	16
330 ... Wheel Tractor	2.4L 148 L4 3.375" Bore (G148)	12	420B ... Wheel Tractor	2.6L 159 L4 3.5" Bore	17
330 ... Wheel Tractor	2.4L 148 L4 3.375" Bore (G148B)	13	420B ... Wheel Tractor	3.1L 188 L4 3.8125" Bore (G188B)	21
330 ... Wheel Tractor	2.6L 157 OHV Diesel L4 3.4375" Bore (Continental Eng.)	16	420B ... Wheel Tractor	3.1L 188 Diesel L4 3.8125" Bore	22
330 ... Wheel Tractor	2.6L 159 L4 3.5" Bore	17	420B ... Crawler Tractor	3.1L 188 Diesel L4 3.8125" Bore	22
330 ... Wheel Tractor	3.1L 188 Diesel L4 3.8125" Bore	22	420BD ... Wheel Tractor	2.4L 148 L4 3.375" Bore (G148)	12
3394 ... Wheel Tractor	8.3L 504 Turbo-Diesel L6 4.625" Bore	57	420BD ... Wheel Tractor	2.4L 148 L4 3.375" Bore (G148B)	13
350 ... Wheel Tractor	2.7L 164 L4 3.5625" Bore	19	420BD ... Wheel Tractor	2.6L 157 OHV Diesel L4 3.4375" Bore (Continental Eng.)	16
350 ... Combine	3.1L 188 Diesel L4 3.8125" Bore	22	420BD ... Wheel Tractor	2.6L 159 L4 3.5" Bore	17
350 ... Crawler Tractor	3.1L 188 Diesel L4 3.8125" Bore	22	420BD ... Wheel Tractor	3.1L 188 L4 3.8125" Bore (G188B)	21
350 ... Crawler Tractor	3.4L 207 Diesel L4 4" Bore	23	420BD ... Wheel Tractor	3.1L 188 Diesel L4 3.8125" Bore	22
350B ... Wheel Tractor	3.1L 188 Diesel L4 3.8125" Bore	22	420C ... Wheel Tractor	2.4L 148 L4 3.375" Bore (G148)	12
350B ... Crawler Tractor	3.1L 188 Diesel L4 3.8125" Bore	22	420C ... Wheel Tractor	2.4L 148 L4 3.375" Bore (G148B)	13
351 ... Wheel Tractor	2.7L 164 L4 3.5625" Bore	19	420C ... Wheel Tractor	2.6L 157 OHV Diesel L4 3.4375" Bore (Continental Eng.)	16
3594 ... Wheel Tractor	8.3L 504 Turbo-Diesel L6 4.625" Bore	57	420C ... Wheel Tractor	2.6L 159 L4 3.5" Bore	17
40 ... Crawler Tractor	8.3L 504 Turbo-Diesel L6 4.625" Bore	57	420C ... Wheel Tractor	3.1L 188 L4 3.8125" Bore (G188B)	21
400 ... Wheel Tractor	2.6L 162 L-HEAD L4 3.4375" Bore (Continental Eng.)	18	420C ... Combine	3.1L 188 Diesel L4 3.8125" Bore	22
400 ... Wheel Tractor	4.1L 251 L4 4" Bore	28	420C ... Wheel Tractor	3.1L 188 Diesel L4 3.8125" Bore	22
400 ... Wheel Tractor	4.1L 251 Diesel L4 4" Bore	29	420C ... Crawler Tractor	3.1L 188 Diesel L4 3.8125" Bore	22
400 ... Wheel Tractor	4.4L 267 Diesel L4 4.125" Bore	32	420C ... Wheel Tractor	3.1L 188 Diesel L4 3.8125" Bore	22
400 ... Wheel Skidder	5.5L 336 Diesel L4 4.625" Bore	41	420CK ... Wheel Tractor	3.1L 188 Diesel L4 3.8125" Bore	22
400B ... Wheel Tractor	2.4L 148 L4 3.375" Bore (G148)	12	425 ... Wheel Tractor	2.4L 148 L4 3.375" Bore (G148)	12
400B ... Wheel Tractor	2.4L 148 L4 3.375" Bore (G148B)	13	425 ... Wheel Tractor	2.4L 148 L4 3.375" Bore (G148B)	13
400B ... Wheel Tractor	2.6L 157 OHV Diesel L4 3.4375" Bore (Continental Eng.)	16	425 ... Wheel Tractor	2.6L 157 OHV Diesel L4 3.4375" Bore (Continental Eng.)	16
400C ... Wheel Skidder	5.5L 336 Diesel L4 4.625" Bore	41	425 ... Wheel Tractor	2.6L 159 L4 3.5" Bore	17
400C ... Wheel Skidder	5.5L 336 Turbo-Diesel L4 4.625" Bore	42	425 ... Wheel Tractor	3.1L 188 L4 3.8125" Bore (G188B)	21
400D ... Wheel Tractor	3.1L 188 Diesel L4 3.8125" Bore	22	425 ... Wheel Tractor	3.1L 188 Diesel L4 3.8125" Bore	22
401 ... Wheel Tractor	4.4L 267 Diesel L4 4.125" Bore	32	430 ... Crawler Tractor	3.1L 188 Diesel L4 3.8125" Bore	22
401D ... Wheel Tractor	3.1L 188 Diesel L4 3.8125" Bore	22	430 Series ... Wheel Tractor	2.4L 148 L4 3.375" Bore (G148)	12
401D Type 1 ... Wheel Tractor	6.6L 401 Diesel L6 4.125" Bore	51	430 Series ... Wheel Tractor	2.4L 148 L4 3.375" Bore (G148B)	13
401D Type 11 ... Wheel Tractor	6.6L 401 Diesel L6 4.125" Bore	51	430 Series ... Wheel Tractor	2.6L 157 OHV Diesel L4 3.4375" Bore (Continental Eng.)	16
401D Type 111 ... Wheel Tractor	6.6L 401 Diesel L6 4.125" Bore	51	430 Series ... Wheel Tractor	2.6L 159 L4 3.5" Bore	17
402 ... Wheel Tractor	5.0L 301 Diesel L4 4.375" Bore	39	430 Series ... Wheel Tractor	3.1L 188 L4 3.8125" Bore (G188B)	21
402D ... Wheel Tractor	3.1L 188 Diesel L4 3.8125" Bore	22	430 Series ... Wheel Tractor	3.1L 188 Diesel L4 3.8125" Bore	22
403 ... Wheel Tractor	4.4L 267 Diesel L4 4.125" Bore	32	431 ... Wheel Tractor	2.4L 148 L4 3.375" Bore (G148)	12
403D ... Wheel Tractor	3.1L 188 Diesel L4 3.8125" Bore	22	431 ... Wheel Tractor	2.4L 148 L4 3.375" Bore (G148B)	13
410 ... Wheel Tractor	4.1L 251 L4 4" Bore	28	431 ... Wheel Tractor	2.6L 157 OHV Diesel L4 3.4375" Bore (Continental Eng.)	16
410B ... Wheel Tractor	2.4L 148 L4 3.375" Bore (G148)	12	431 ... Wheel Tractor	2.6L 159 L4 3.5" Bore	17
410B ... Wheel Tractor	2.4L 148 L4 3.375" Bore (G148B)	13			
411 ... Wheel Tractor	4.1L 251 L4 4" Bore	28			

Model Index					
Model	Engine Description	Line No.	Model	Engine Description	Line No.
431 ... Wheel Tractor	3.1L 188 L4 3.8125" Bore (G188B)	21	480 ... Wheel Tractor	3.1L 188 Diesel L4 3.8125" Bore	22
431 ... Wheel Tractor	3.1L 188 Diesel L4 3.8125" Bore	22	480 ... Crawler Tractor	3.1L 188 Diesel L4 3.8125" Bore	22
4390 ... Power Unit	3.9L 239 (3921cc) OHV Diesel L4 102mm Bore (Cummins Eng.)	26	480B ... Wheel Tractor	2.4L 148 L4 3.375" Bore (G148)	12
440 ... Wheel Tractor	2.4L 148 L4 3.375" Bore (G148)	12	480B ... Wheel Tractor	2.4L 148 L4 3.375" Bore (G148B)	13
440 ... Wheel Tractor	2.4L 148 L4 3.375" Bore (G148B)	13	480B ... Wheel Tractor	2.6L 157 OHV Diesel L4 3.4375" Bore (Continental Eng.)	16
440 ... Wheel Tractor	2.6L 157 OHV Diesel L4 3.4375" Bore (Continental Eng.)	16	480B ... Wheel Tractor	2.6L 159 L4 3.5" Bore	17
440 ... Wheel Tractor	2.6L 159 L4 3.5" Bore	17	480B ... Wheel Tractor	3.1L 188 L4 3.8125" Bore (G188B)	21
440 ... Wheel Tractor	3.1L 188 L4 3.8125" Bore (G188B)	21	480B ... Wheel Tractor	3.1L 188 Diesel L4 3.8125" Bore	22
440 ... Wheel Tractor	3.1L 188 Diesel L4 3.8125" Bore	22	480B ... Crawler Tractor	3.1L 188 Diesel L4 3.8125" Bore	22
440 ... Wheel Skidder	5.9L 359 (5882cc) OHV Turbo-Diesel L6 102mm Bore (24 Valve) (Cummins Eng.)	46	480B ... Wheel Tractor	3.4L 207 Diesel L4 4" Bore	23
441 ... Wheel Tractor	2.4L 148 L4 3.375" Bore (G148)	12	480C ... Wheel Tractor	2.4L 148 L4 3.375" Bore (G148)	12
441 ... Wheel Tractor	2.4L 148 L4 3.375" Bore (G148B)	13	480C ... Wheel Tractor	2.4L 148 L4 3.375" Bore (G148B)	13
441 ... Wheel Tractor	2.6L 157 OHV Diesel L4 3.4375" Bore (Continental Eng.)	16	480C ... Wheel Tractor	2.6L 157 OHV Diesel L4 3.4375" Bore (Continental Eng.)	16
441 ... Wheel Tractor	2.6L 159 L4 3.5" Bore	17	480C ... Wheel Tractor	2.6L 159 L4 3.5" Bore	17
441 ... Wheel Tractor	3.1L 188 L4 3.8125" Bore (G188B)	21	480C ... Wheel Tractor	3.1L 188 L4 3.8125" Bore (G188B)	21
441 ... Wheel Tractor	3.1L 188 Diesel L4 3.8125" Bore	22	480C ... Wheel Tractor	3.1L 188 Diesel L4 3.8125" Bore	22
4490 ... Wheel Tractor	8.3L 504 Diesel L6 4.625" Bore	56	480C ... Crawler Tractor	3.1L 188 Diesel L4 3.8125" Bore	22
4490 ... Wheel Tractor	8.3L 504 Turbo-Diesel L6 4.625" Bore	57	480C ... Wheel Loader	3.1L 188 Diesel L4 3.8125" Bore	22
4494 ... Wheel Tractor	8.3L 504 Turbo-Diesel L6 4.625" Bore	57	480CK ... Wheel Tractor	2.4L 148 L4 3.375" Bore (G148)	12
45 ... Excavator	8.3L 504 Turbo-Diesel L6 4.625" Bore	57	480CK ... Wheel Tractor	2.4L 148 L4 3.375" Bore (G148B)	13
450 ... Combine	3.1L 188 Diesel L4 3.8125" Bore	22	480CK ... Wheel Tractor	2.6L 157 OHV Diesel L4 3.4375" Bore (Continental Eng.)	16
450 ... Crawler Tractor	3.1L 188 Diesel L4 3.8125" Bore	22	480CK ... Wheel Tractor	2.6L 159 L4 3.5" Bore	17
450 ... Crawler Tractor	3.4L 207 Diesel L4 4" Bore	23	480CK ... Wheel Tractor	3.1L 188 L4 3.8125" Bore (G188B)	21
450B ... Crawler Tractor	3.1L 188 Diesel L4 3.8125" Bore	22	480CK ... Wheel Tractor	3.1L 188 Diesel L4 3.8125" Bore	22
450B ... Wheel Tractor	3.4L 207 Diesel L4 4" Bore	23	480CK ... Wheel Tractor	2.4L 148 L4 3.375" Bore (G148)	12
450B ... Crawler Tractor	3.4L 207 Diesel L4 4" Bore	23	480CK ... Wheel Tractor	2.4L 148 L4 3.375" Bore (G148B)	13
450C ... Crawler Tractor	3.9L 239 (3921cc) OHV Diesel L4 102mm Bore (Cummins Eng.)	26	480CK ... Wheel Tractor	2.6L 157 OHV Diesel L4 3.4375" Bore (Continental Eng.)	16
450C ... Crawler Tractor	3.9L 239 (3921cc) OHV Turbo-Diesel L4 102mm Bore (Cummins Eng.)	27	480CK ... Wheel Tractor	2.6L 159 L4 3.5" Bore	17
455C ... Crawler Tractor	3.9L 239 (3921cc) OHV Diesel L4 102mm Bore (Cummins Eng.)	26	480CK ... Wheel Tractor	3.1L 188 L4 3.8125" Bore (G188B)	21
455C ... Crawler Tractor	3.9L 239 (3921cc) OHV Turbo-Diesel L4 102mm Bore (Cummins Eng.)	27	480CK ... Wheel Tractor	3.1L 188 Diesel L4 3.8125" Bore	22
4690 ... Wheel Tractor	8.3L 504 Turbo-Diesel L6 4.625" Bore	57	480CK ... Crawler Tractor	3.1L 188 Diesel L4 3.8125" Bore	22
4694 ... Wheel Tractor	8.3L 504 Turbo-Diesel L6 4.625" Bore	57	480E ... Backhoe	3.9L 239 (3921cc) OHV Diesel L4 102mm Bore (Cummins Eng.)	26
470 Series ... Wheel Tractor	2.4L 148 L4 3.375" Bore (G148)	12	480E LL ... Backhoe	3.9L 239 (3921cc) OHV Diesel L4 102mm Bore (Cummins Eng.)	26
470 Series ... Wheel Tractor	2.4L 148 L4 3.375" Bore (G148B)	13	480F ... Backhoe	3.9L 239 (3921cc) OHV Diesel L4 102mm Bore (Cummins Eng.)	26
470 Series ... Wheel Tractor	2.6L 157 OHV Diesel L4 3.4375" Bore (Continental Eng.)	16	480F LL ... Backhoe	3.9L 239 (3921cc) OHV Diesel L4 102mm Bore (Cummins Eng.)	26
470 Series ... Wheel Tractor	2.6L 159 L4 3.5" Bore	17	480LL ... Wheel Tractor	2.4L 148 L4 3.375" Bore (G148)	12
470 Series ... Wheel Tractor	3.1L 188 L4 3.8125" Bore (G188B)	21	480LL ... Wheel Tractor	2.4L 148 L4 3.375" Bore (G148B)	13
470 Series ... Wheel Tractor	3.1L 188 Diesel L4 3.8125" Bore	22	480LL ... Wheel Tractor	2.6L 157 OHV Diesel L4 3.4375" Bore (Continental Eng.)	16
475 ... Wheel Tractor	5.0L 301 Diesel L4 4.375" Bore	39	480LL ... Wheel Tractor	2.6L 159 L4 3.5" Bore	17
475 ... Wheel Tractor	5.5L 336 Diesel L4 4.625" Bore	41	480LL ... Wheel Tractor	3.1L 188 L4 3.8125" Bore (G188B)	21
475 ... Crawler Tractor	5.5L 336 Diesel L4 4.625" Bore	41	480LL ... Wheel Tractor	3.1L 188 Diesel L4 3.8125" Bore	22
480 ... Wheel Tractor	2.4L 148 L4 3.375" Bore (G148)	12	500 ... Crawler Tractor	8.3L 504 Turbo-Diesel L6 4.625" Bore	57
480 ... Wheel Tractor	2.4L 148 L4 3.375" Bore (G148B)	13	500 ... Wheel Tractor	2.6L 162 L-HEAD L4 3.4375" Bore (Continental Eng.)	18
480 ... Wheel Tractor	2.6L 157 OHV Diesel L4 3.4375" Bore (Continental Eng.)	16	500 ... Wheel Tractor	4.1L 251 L4 4" Bore	28
480 ... Wheel Tractor	2.6L 159 L4 3.5" Bore	17	500 ... Wheel Tractor	4.1L 251 Diesel L4 4" Bore	29
480 ... Wheel Tractor	3.1L 188 L4 3.8125" Bore (G188B)	21	500 ... Wheel Tractor	6.2L 377 L6 4" Bore (Early)	48
480 ... Wheel Tractor	3.1L 188 Diesel L4 3.8125" Bore	22	500 ... Wheel Tractor	6.2L 377 Diesel L6 4" Bore	50
475 ... Wheel Tractor	5.0L 301 Diesel L4 4.375" Bore	39	500 ... Wheel Tractor	6.6L 401 Diesel L6 4.125" Bore	51
475 ... Wheel Tractor	5.5L 336 Diesel L4 4.625" Bore	41	500 Load King ... Crawler Tractor	3.1L 188 Diesel L4 3.8125" Bore	22
475 ... Crawler Tractor	5.5L 336 Diesel L4 4.625" Bore	41	500 Load King ... Crawler Tractor	3.4L 207 Diesel L4 4" Bore	23
480 ... Wheel Tractor	2.4L 148 L4 3.375" Bore (G148)	12	500B ... Wheel Tractor	2.7L 164 L4 3.5625" Bore	19
480 ... Wheel Tractor	2.4L 148 L4 3.375" Bore (G148B)	13	500D ... Wheel Tractor	2.6L 157 OHV Diesel L4 3.4375" Bore (Continental Eng.)	16
480 ... Wheel Tractor	2.6L 157 OHV Diesel L4 3.4375" Bore (Continental Eng.)	16	500LK ... Wheel Tractor	3.1L 188 L4 3.8125" Bore (G188B)	21
480 ... Wheel Tractor	2.6L 159 L4 3.5" Bore	17	500LK ... Wheel Tractor	3.1L 188 Diesel L4 3.8125" Bore	22
480 ... Wheel Tractor	3.1L 188 L4 3.8125" Bore (G188B)	21	510B ... Wheel Tractor	2.7L 164 L4 3.5625" Bore	19
480 ... Wheel Tractor	3.1L 188 Diesel L4 3.8125" Bore	22	511B ... Wheel Tractor	2.7L 164 L4 3.5625" Bore	19

Model Index

Model	Engine Description	Line No.	Model	Engine Description	Line No.
5120 ... Wheel Tractor	3.9L 239 (3921cc) OHV Diesel L4 102mm Bore (Cummins Eng.)	26	541 ... Wheel Tractor	2.6L 159 L4 3.5" Bore	17
5120 ... Wheel Tractor	3.9L 239 (3921cc) OHV Turbo-Diesel L4 102mm Bore (Cummins Eng.)	27	541 ... Wheel Tractor	3.1L 188 L4 3.8125" Bore (G188B)	21
5130 ... Wheel Tractor	5.9L 359 (5882cc) OHV Diesel L6 102mm Bore (Cummins Eng.)	44	541 ... Wheel Tractor	3.1L 188 Diesel L4 3.8125" Bore	22
5130 ... Wheel Tractor	5.9L 359 (5882cc) OHV Turbo-Diesel L6 102mm Bore (12 Valve) (Cummins Eng.)	45	541C ... Wheel Tractor	2.4L 148 L4 3.375" Bore (G148)	12
5140 ... Wheel Tractor	5.9L 359 (5882cc) OHV Diesel L6 102mm Bore (Cummins Eng.)	44	541C ... Wheel Tractor	2.4L 148 L4 3.375" Bore (G148B)	13
5140 ... Wheel Tractor	5.9L 359 (5882cc) OHV Turbo-Diesel L6 102mm Bore (12 Valve) (Cummins Eng.)	45	541C ... Wheel Tractor	2.6L 159 L4 3.5" Bore	17
519 ... Wheel Tractor	6.2L 377 L6 4" Bore (Early)	48	541C ... Wheel Tractor	3.1L 188 L4 3.8125" Bore (G188B)	21
519 ... Wheel Tractor	6.2L 377 L6 4" Bore (Late)	49	541C ... Wheel Tractor	3.1L 188 Diesel L4 3.8125" Bore	22
520 ... Crawler Tractor	6.2L 377 Diesel L6 4" Bore	50	550 ... Wheel Tractor	3.9L 239 (3921cc) OHV Diesel L4 102mm Bore (Cummins Eng.)	26
5220 ... Wheel Tractor	3.9L 239 (3921cc) OHV Diesel L4 102mm Bore (Cummins Eng.)	26	550 ... Wheel Tractor	3.9L 239 (3921cc) OHV Turbo-Diesel L4 102mm Bore (Cummins Eng.)	27
5220 ... Wheel Tractor	3.9L 239 (3921cc) OHV Turbo-Diesel L4 102mm Bore (Cummins Eng.)	27	550E ... Crawler Tractor	3.9L 239 (3921cc) OHV Diesel L4 102mm Bore (Cummins Eng.)	26
5230 ... Wheel Tractor	5.9L 359 (5882cc) OHV Diesel L6 102mm Bore (Cummins Eng.)	44	550E ... Crawler Tractor	3.9L 239 (3921cc) OHV Turbo-Diesel L4 102mm Bore (Cummins Eng.)	27
5230 ... Wheel Tractor	5.9L 359 (5882cc) OHV Turbo-Diesel L6 102mm Bore (12 Valve) (Cummins Eng.)	45	550G ... Crawler Tractor	3.9L 239 (3921cc) OHV Turbo-Diesel L4 102mm Bore (Cummins Eng.)	27
5240 ... Wheel Tractor	5.9L 359 (5882cc) OHV Diesel L6 102mm Bore (Cummins Eng.)	44	570 ... Wheel Tractor	2.4L 148 L4 3.375" Bore (G148)	12
5240 ... Wheel Tractor	5.9L 359 (5882cc) OHV Turbo-Diesel L6 102mm Bore (12 Valve) (Cummins Eng.)	45	570 ... Wheel Tractor	2.4L 148 L4 3.375" Bore (G148B)	13
5250 ... Wheel Tractor	5.9L 359 (5882cc) OHV Diesel L6 102mm Bore (Cummins Eng.)	44	570 ... Wheel Tractor	2.6L 159 L4 3.5" Bore	17
5250 ... Wheel Tractor	5.9L 359 (5882cc) OHV Turbo-Diesel L6 102mm Bore (12 Valve) (Cummins Eng.)	45	570 ... Wheel Tractor	3.1L 188 L4 3.8125" Bore (G188B)	21
530 ... Wheel Tractor	2.6L 159 L4 3.5" Bore	17	570 ... Wheel Tractor	3.1L 188 Diesel L4 3.8125" Bore	22
530 ... Crawler Tractor	3.1L 188 Diesel L4 3.8125" Bore	22	570LXT ... Backhoe	3.9L 239 (3921cc) OHV Diesel L4 102mm Bore (Cummins Eng.)	26
530 ... Forklift	3.4L 207 Diesel L4 4" Bore	23	580 ... Wheel Tractor	2.4L 148 L4 3.375" Bore (G148)	12
530 ... Crawler Tractor	3.4L 207 Diesel L4 4" Bore	23	580 ... Wheel Tractor	2.4L 148 L4 3.375" Bore (G148B)	13
530 Series ... Wheel Tractor	2.4L 148 L4 3.375" Bore (G148)	12	580 ... Wheel Tractor	2.6L 159 L4 3.5" Bore	17
530 Series ... Wheel Tractor	2.4L 148 L4 3.375" Bore (G148B)	13	580 ... Wheel Tractor	3.1L 188 L4 3.8125" Bore (G188B)	21
530 Series ... Wheel Tractor	2.6L 159 L4 3.5" Bore	17	580 ... Wheel Tractor	3.1L 188 Diesel L4 3.8125" Bore	22
530 Series ... Wheel Tractor	3.1L 188 L4 3.8125" Bore (G188B)	21	580 ... Crawler Tractor	3.1L 188 Diesel L4 3.8125" Bore	22
530 Series ... Wheel Tractor	3.1L 188 Diesel L4 3.8125" Bore	22	580 ... Crawler Tractor	3.4L 207 Diesel L4 4" Bore	23
531 ... Wheel Tractor	2.4L 148 L4 3.375" Bore (G148)	12	580 SUPER E ... Loader	3.9L 239 (3921cc) OHV Diesel L4 102mm Bore (Cummins Eng.)	26
531 ... Wheel Tractor	2.4L 148 L4 3.375" Bore (G148B)	13	580 SUPER E ... Loader	3.9L 239 (3921cc) OHV Turbo-Diesel L4 102mm Bore (Cummins Eng.)	27
531 ... Wheel Tractor	2.6L 159 L4 3.5" Bore	17	580B ... Wheel Tractor	2.4L 148 L4 3.375" Bore (G148)	12
531 ... Wheel Tractor	3.1L 188 L4 3.8125" Bore (G188B)	21	580B ... Wheel Tractor	2.4L 148 L4 3.375" Bore (G148B)	13
531 ... Wheel Tractor	3.1L 188 Diesel L4 3.8125" Bore	22	580B ... Wheel Tractor	2.6L 159 L4 3.5" Bore	17
540 ... Wheel Tractor	2.4L 148 L4 3.375" Bore (G148)	12	580B ... Wheel Tractor	3.1L 188 L4 3.8125" Bore (G188B)	21
540 ... Wheel Tractor	2.4L 148 L4 3.375" Bore (G148B)	13	580B ... Wheel Tractor	3.1L 188 Diesel L4 3.8125" Bore	22
540 ... Wheel Tractor	2.6L 159 L4 3.5" Bore	17	580B ... Crawler Tractor	3.1L 188 Diesel L4 3.8125" Bore	22
540 ... Wheel Tractor	3.1L 188 L4 3.8125" Bore (G188B)	21	580B ... Crawler Tractor	3.4L 207 Diesel L4 4" Bore	23
540 ... Wheel Tractor	3.1L 188 Diesel L4 3.8125" Bore	22	580B Hydrostatic ... Wheel Tractor	2.4L 148 L4 3.375" Bore (G148)	12
540C ... Wheel Tractor	2.4L 148 L4 3.375" Bore (G148)	12	580B Hydrostatic ... Wheel Tractor	2.4L 148 L4 3.375" Bore (G148B)	13
540C ... Wheel Tractor	2.4L 148 L4 3.375" Bore (G148B)	13	580B Hydrostatic ... Wheel Tractor	2.6L 159 L4 3.5" Bore	17
540C ... Wheel Tractor	2.6L 159 L4 3.5" Bore	17	580B Hydrostatic ... Wheel Tractor	3.1L 188 L4 3.8125" Bore (G188B)	21
540C ... Wheel Tractor	3.1L 188 L4 3.8125" Bore (G188B)	21	580B Hydrostatic ... Wheel Tractor	3.1L 188 Diesel L4 3.8125" Bore	22
540C ... Wheel Tractor	3.1L 188 Diesel L4 3.8125" Bore	22	580C ... Crawler Tractor	3.1L 188 Diesel L4 3.8125" Bore	22
541 ... Wheel Tractor	2.4L 148 L4 3.375" Bore (G148)	12	580C ... Wheel Loader	3.1L 188 Diesel L4 3.8125" Bore	22
541 ... Wheel Tractor	2.4L 148 L4 3.375" Bore (G148B)	13	580C ... Loader	3.4L 207 Diesel L4 4" Bore	23
			580C ... Wheel Tractor	3.4L 207 Diesel L4 4" Bore	23
			580C ... Crawler Tractor	3.4L 207 Diesel L4 4" Bore	23

(continued on next page)

Model Index					
Model	Engine Description	Line No.	Model	Engine Description	Line No.
580CK ... Wheel Tractor	2.4L 148 L4 3.375" Bore (G148)	12	610 ... Wheel Tractor	3.4L 209 L-HEAD L6 3.1875" Bore (Continental Eng.)	24
580CK ... Wheel Tractor	2.4L 148 L4 3.375" Bore (G148B)	13	610 ... Wheel Tractor	6.2L 377 L6 4" Bore (Early)	48
580CK ... Wheel Tractor	2.6L 159 L4 3.5" Bore	17	610 ... Wheel Tractor	6.6L 401 Diesel L6 4.125" Bore	51
580CK ... Wheel Tractor	3.1L 188 L4 3.8125" Bore (G188B)	21	610B ... Wheel Tractor	2.7L 164 L4 3.5625" Bore	19
580CK ... Wheel Tractor	3.1L 188 Diesel L4 3.8125" Bore	22	611B ... Wheel Tractor	2.7L 164 L4 3.5625" Bore	19
580CK ... Crawler Tractor	3.1L 188 Diesel L4 3.8125" Bore	22	621 ... Wheel Loader	5.9L 359 (5882cc) OHV Turbo-Diesel L6 102mm Bore (12 Valve) (Cummins Eng.)	45
580CK ... Wheel Tractor	3.4L 207 Diesel L4 4" Bore	23	621B ... Wheel Loader	5.9L 359 (5882cc) OHV Turbo-Diesel L6 102mm Bore (12 Valve) (Cummins Eng.)	45
580CK ... Crawler Tractor	3.4L 207 Diesel L4 4" Bore	23	630 ... Wheel Tractor	3.1L 188 L4 3.8125" Bore (G188B)	21
580D ... Wheel Tractor	3.4L 207 Diesel L4 4" Bore	23	630 ... Wheel Tractor	3.1L 188 Diesel L4 3.8125" Bore	22
580D-CK ... Wheel Tractor	3.4L 207 Diesel L4 4" Bore	23	630C ... Wheel Tractor	3.1L 188 L4 3.8125" Bore (G188B)	21
580H ... Backhoe	3.9L 239 (3921cc) OHV Diesel L4 102mm Bore (Cummins Eng.)	26	630C ... Wheel Tractor	3.1L 188 Diesel L4 3.8125" Bore	22
580K ... Loader	3.9L 239 (3921cc) OHV Diesel L4 102mm Bore (Cummins Eng.)	26	631 ... Wheel Tractor	3.1L 188 L4 3.8125" Bore (G188B)	21
580K ... Loader	3.9L 239 (3921cc) OHV Turbo-Diesel L4 102mm Bore (Cummins Eng.)	27	631 ... Wheel Tractor	3.1L 188 Diesel L4 3.8125" Bore	22
580L ... Loader	3.9L 239 (3921cc) OHV Turbo-Diesel L4 102mm Bore (Cummins Eng.)	27	631C ... Wheel Tractor	3.1L 188 L4 3.8125" Bore (G188B)	21
580SK ... Loader	3.9L 239 (3921cc) OHV Diesel L4 102mm Bore (Cummins Eng.)	26	631C ... Wheel Tractor	3.1L 188 Diesel L4 3.8125" Bore	22
580SK ... Loader	3.9L 239 (3921cc) OHV Turbo-Diesel L4 102mm Bore (Cummins Eng.)	27	640 ... Wheel Tractor	3.1L 188 L4 3.8125" Bore (G188B)	21
580SL ... Loader	3.9L 239 (3921cc) OHV Turbo-Diesel L4 102mm Bore (Cummins Eng.)	27	640 ... Wheel Tractor	3.1L 188 Diesel L4 3.8125" Bore	22
584 ... Wheel Tractor	2.4L 148 L4 3.375" Bore (G148)	12	641 ... Wheel Tractor	3.1L 188 L4 3.8125" Bore (G188B)	21
584 ... Wheel Tractor	2.4L 148 L4 3.375" Bore (G148B)	13	641 ... Wheel Tractor	3.1L 188 Diesel L4 3.8125" Bore	22
584 ... Wheel Tractor	2.6L 159 L4 3.5" Bore	17	65 ... Combine	1.8L 108 L-HEAD V4 3.25" Bore (Wisconsin Eng.)	4
584 ... Wheel Tractor	3.1L 188 L4 3.8125" Bore (G188B)	21	65 ... Combine	1.5L 91.9 L-HEAD V4 3" Bore (Wisconsin Eng.)	2
584 ... Wheel Tractor	3.1L 188 Diesel L4 3.8125" Bore	22	650 ... Combine	1.8L 108 L-HEAD V4 3.25" Bore (Wisconsin Eng.)	4
584C ... Forklift	3.4L 207 Diesel L4 4" Bore	23	650 ... Crawler Tractor	3.9L 239 (3921cc) OHV Turbo-Diesel L4 102mm Bore (Cummins Eng.)	27
584E ... Loader	3.9L 239 (3921cc) OHV Diesel L4 102mm Bore (Cummins Eng.)	26	650G ... Crawler Tractor	3.9L 239 (3921cc) OHV Turbo-Diesel L4 102mm Bore (Cummins Eng.)	27
585 ... Forklift	3.4L 207 Diesel L4 4" Bore	23	6500 ... Windrower	3.9L 239 (3921cc) OHV Diesel L4 102mm Bore (Cummins Eng.)	26
585C ... Forklift	3.4L 207 Diesel L4 4" Bore	23	6590 ... Power Unit	5.9L 359 (5882cc) OHV Diesel L6 102mm Bore (Cummins Eng.)	44
585E ... Loader	3.9L 239 (3921cc) OHV Diesel L4 102mm Bore (Cummins Eng.)	26	6590T ... Power Unit	5.9L 359 (5882cc) OHV Turbo-Diesel L6 102mm Bore (12 Valve) (Cummins Eng.)	45
586 ... Forklift	3.4L 207 Diesel L4 4" Bore	23	6590TA ... Power Unit	5.9L 359 (5882cc) OHV Turbo-Diesel L6 102mm Bore (12 Valve) (Cummins Eng.)	45
586C ... Forklift	3.4L 207 Diesel L4 4" Bore	23	6591TA ... Power Unit	5.9L 359 (5882cc) OHV Turbo-Diesel L6 102mm Bore (12 Valve) (Cummins Eng.)	45
586E ... Loader	3.9L 239 (3921cc) OHV Diesel L4 102mm Bore (Cummins Eng.)	26	660 ... Combine	3.1L 188 L4 3.8125" Bore (G188B)	21
590SL ... Loader	3.9L 239 (3921cc) OHV Turbo-Diesel L4 102mm Bore (Cummins Eng.)	27	660 ... Combine	3.1L 188 Diesel L4 3.8125" Bore	22
600 ... Combine	3.1L 188 L4 3.8125" Bore (G188B)	21	660 ... Trencher	3.9L 239 (3921cc) OHV Diesel L4 102mm Bore (Cummins Eng.)	26
600 ... Combine	3.1L 188 Diesel L4 3.8125" Bore	22	680 ... Wheel Tractor	4.1L 251 L4 4" Bore	28
600 ... Wheel Tractor	3.1L 188 Diesel L4 3.8125" Bore	22	680 ... Wheel Tractor	4.4L 267 Diesel L4 4.125" Bore	32
600 ... Wheel Tractor	3.4L 209 L-HEAD L6 3.1875" Bore (Continental Eng.)	24	680 ... Wheel Loader	4.4L 267 Diesel L4 4.125" Bore	32
600 ... Combine	3.7L 225 OHV L6 3.4063" Bore (Chrysler Eng.)	25	680 ... Wheel Tractor	5.0L 301 L4 4.375" Bore	38
600 ... Wheel Tractor	4.1L 251 Diesel L4 4" Bore	29	680 ... Wheel Tractor	5.0L 301 Diesel L4 4.375" Bore	39
600 ... Wheel Skidder	5.5L 336 Diesel L4 4.625" Bore	41	680B ... Wheel Loader	4.4L 267 Diesel L4 4.125" Bore	32
600 ... Wheel Skidder	5.5L 336 Turbo-Diesel L4 4.625" Bore	42	680C ... Wheel Loader	5.0L 301 Diesel L4 4.375" Bore	39
600 ... Wheel Tractor	6.2L 377 Diesel L6 4" Bore	50	680C KE ... Wheel Tractor	5.5L 336 Diesel L4 4.625" Bore	41
600 Bean Special ... Combine	3.1L 188 L4 3.8125" Bore (G188B)	21	680CK ... Wheel Tractor	4.1L 251 L4 4" Bore	28
600 Bean Special ... Combine	3.1L 188 Diesel L4 3.8125" Bore	22	680CK ... Wheel Tractor	4.4L 267 Diesel L4 4.125" Bore	32
600B ... Wheel Tractor	2.7L 164 L4 3.5625" Bore	19	680CK ... Wheel Loader	4.4L 267 Diesel L4 4.125" Bore	32
6000 ... Windrower	3.9L 239 (3921cc) OHV Diesel L4 102mm Bore (Cummins Eng.)	26	680CK ... Wheel Tractor	5.0L 301 L4 4.375" Bore	38
610 ... Wheel Tractor	3.1L 188 Diesel L4 3.8125" Bore	22	680CK ... Wheel Tractor	5.0L 301 Diesel L4 4.375" Bore	39

(continued on next page)

Model Index

Model	Engine Description	Line No.	Model	Engine Description	Line No.
680CK ... Wheel Loader	5.0L 301 Diesel L4 4.375" Bore	39	7240 ... Wheel Tractor	8.3L 505 (8300cc) OHV Turbo-Diesel L6 114mm Bore (Cummins Eng.)	59
680CK-B ... Wheel Tractor	4.4L 267 Diesel L4 4.125" Bore	32	7250 ... Wheel Tractor	8.3L 505 (8300cc) OHV Turbo-Diesel L6 114mm Bore (Cummins Eng.)	59
680H Construction King ... Wheel Tractor	5.5L 336 Diesel L4 4.625" Bore	41	730 ... Wheel Tractor	4.1L 251 L4 4" Bore	28
680K ... Loader	5.9L 359 (5882cc) OHV Turbo-Diesel L6 102mm Bore (12 Valve) (Cummins Eng.)	45	730 ... Wheel Tractor	4.4L 267 Diesel L4 4.125" Bore	32
680L ... Loader	5.9L 359 (5882cc) OHV Turbo-Diesel L6 102mm Bore (12 Valve) (Cummins Eng.)	45	730 Eagle Hitch ... Wheel Tractor	4.1L 251 L4 4" Bore	28
6830T ... Power Unit	8.3L 505 (8300cc) OHV Turbo-Diesel L6 114mm Bore (Cummins Eng.)	59	730 Eagle Hitch ... Wheel Tractor	4.4L 267 Diesel L4 4.125" Bore	32
6830TA ... Power Unit	8.3L 505 (8300cc) OHV Turbo-Diesel L6 114mm Bore (Cummins Eng.)	59	730 Orchard ... Wheel Tractor	4.1L 251 L4 4" Bore	28
6831T ... Power Unit	8.3L 505 (8300cc) OHV Turbo-Diesel L6 114mm Bore (Cummins Eng.)	59	730 Orchard ... Wheel Tractor	4.4L 267 Diesel L4 4.125" Bore	32
6831TA ... Power Unit	8.3L 505 (8300cc) OHV Turbo-Diesel L6 114mm Bore (Cummins Eng.)	59	730CK ... Wheel Tractor	4.1L 251 L4 4" Bore	28
688 ... Excavator	3.9L 239 (3921cc) OHV Turbo-Diesel L4 102mm Bore (Cummins Eng.)	27	730CK ... Wheel Tractor	4.4L 267 Diesel L4 4.125" Bore	32
700 ... Combine	3.7L 225 OHV L6 3.4063" Bore (Chrysler Eng.)	25	740 ... Wheel Tractor	4.1L 251 L4 4" Bore	28
700 Rice ... Combine	3.7L 225 OHV L6 3.4063" Bore (Chrysler Eng.)	25	740 ... Wheel Tractor	4.1L 251 Diesel L4 4" Bore	29
700B ... Wheel Tractor	4.1L 251 L4 4" Bore	28	740 ... Wheel Tractor	4.4L 267 Diesel L4 4.125" Bore	32
700B ... Wheel Tractor	4.4L 267 Diesel L4 4.125" Bore	32	75 ... Combine	1.5L 91.9 L-HEAD V4 3" Bore (Wisconsin Eng.)	2
701B ... Wheel Tractor	4.1L 251 L4 4" Bore	28	750 To Ser. No. 7070350 ... Crawler Tractor	5.0L 301 Diesel L4 4.375" Bore	39
702B ... Wheel Tractor	4.1L 251 L4 4" Bore	28	760 ... Trencher	3.9L 239 (3921cc) OHV Diesel L4 102mm Bore (Cummins Eng.)	26
703B ... Wheel Tractor	4.1L 251 L4 4" Bore	28	77 ... Combine	2.1L 126 L4 3.125" Bore	7
705B ... Wheel Tractor	4.1L 251 L4 4" Bore	28	77 ... Combine	2.4L 148 L4 3.375" Bore (G148)	12
710B ... Wheel Tractor	4.4L 267 Diesel L4 4.125" Bore	32	770 ... Wheel Tractor	4.4L 267 Diesel L4 4.125" Bore	32
711B ... Wheel Tractor	4.4L 267 Diesel L4 4.125" Bore	32	770 Agri King ... Wheel Tractor	4.1L 251 L4 4" Bore	28
7110 ... Wheel Tractor	8.3L 505 (8300cc) OHV Turbo-Diesel L6 114mm Bore (Cummins Eng.)	59	770 Agri King ... Wheel Tractor	4.1L 251 Diesel L4 4" Bore	29
712B ... Wheel Tractor	4.4L 267 Diesel L4 4.125" Bore	32	770 Agri King ... Wheel Tractor	4.4L 267 Diesel L4 4.125" Bore	32
7120 ... Wheel Tractor	8.3L 505 (8300cc) OHV Turbo-Diesel L6 114mm Bore (Cummins Eng.)	59	780 ... Crawler Tractor	5.5L 336 Diesel L4 4.625" Bore	41
713B ... Wheel Tractor	4.4L 267 Diesel L4 4.125" Bore	32	780B ... Wheel Tractor	5.5L 336 Turbo-Diesel L4 4.625" Bore	42
7130 ... Wheel Tractor	8.3L 505 (8300cc) OHV Turbo-Diesel L6 114mm Bore (Cummins Eng.)	59	780C ... Loader	5.9L 359 (5882cc) OHV Turbo-Diesel L6 102mm Bore (12 Valve) (Cummins Eng.)	45
7140 ... Wheel Tractor	8.3L 505 (8300cc) OHV Turbo-Diesel L6 114mm Bore (Cummins Eng.)	59	780CK ... Wheel Tractor	5.5L 336 Diesel L4 4.625" Bore	41
715B ... Wheel Tractor	4.4L 267 Diesel L4 4.125" Bore	32	780CK ... Wheel Loader	5.5L 336 Diesel L4 4.625" Bore	41
7150 ... Wheel Tractor	8.3L 505 (8300cc) OHV Turbo-Diesel L6 114mm Bore (Cummins Eng.)	59	780CK ... Wheel Loader	5.5L 336 Turbo-Diesel L4 4.625" Bore	42
721 ... Loader	8.3L 505 (8300cc) OHV Turbo-Diesel L6 114mm Bore (Cummins Eng.)	59	780D ... Loader	5.9L 359 (5882cc) OHV Turbo-Diesel L6 102mm Bore (12 Valve) (Cummins Eng.)	45
721B ... Loader	8.3L 505 (8300cc) OHV Turbo-Diesel L6 114mm Bore (Cummins Eng.)	59	8-12 Cut ... Combine	3.0L 186 L4 3.625" Bore (Waukesha Eng.)	20
7210 ... Wheel Tractor	8.3L 505 (8300cc) OHV Turbo-Diesel L6 114mm Bore (Cummins Eng.)	59	8-12 Cut ... Combine	4.3L 260 L4 3.875" Bore	30
7211 ... Wheel Tractor	8.3L 505 (8300cc) OHV Turbo-Diesel L6 114mm Bore (Cummins Eng.)	59	80 ... Combine	2.1L 126 L4 3.125" Bore	7
7220 ... Wheel Tractor	8.3L 505 (8300cc) OHV Turbo-Diesel L6 114mm Bore (Cummins Eng.)	59	80 ... Combine	2.4L 148 L4 3.375" Bore (G148)	12
7230 ... Wheel Tractor	8.3L 505 (8300cc) OHV Turbo-Diesel L6 114mm Bore (Cummins Eng.)	59	800 ... Combine	4.1L 251 L4 4" Bore	28
			800 ... Combine	4.4L 267 Diesel L4 4.125" Bore	32
			800 ... Wheel Tractor	4.5L 277 OHV Diesel L4 4" Bore (Continental Eng.)	34
			800 ... Crawler Tractor	5.5L 336 Diesel L4 4.625" Bore	41
			800 ... Wheel Loader	5.5L 336 Diesel L4 4.625" Bore	41
			800 ... Wheel Skidder	5.5L 336 Diesel L4 4.625" Bore	41
			800 ... Wheel Skidder	5.5L 336 Turbo-Diesel L4 4.625" Bore	42
			800 ... Wheel Loader	6.6L 401 Diesel L6 4.125" Bore	51
			800B ... Wheel Tractor	4.4L 267 Diesel L4 4.125" Bore	32
			801 ... Wheel Tractor	4.4L 267 Diesel L4 4.125" Bore	32
			802B ... Wheel Tractor	4.4L 267 Diesel L4 4.125" Bore	32
			803B ... Wheel Tractor	4.4L 267 Diesel L4 4.125" Bore	32
			810 ... Wheel Tractor	4.3L 260 OHV Diesel L4 3.875" Bore (Continental Eng.)	31

Model Index					
Model	Engine Description	Line No.	Model	Engine Description	Line No.
810 ... Wheel Tractor.....	4.5L 277 OHV Diesel L4 4" Bore (Continental Eng.).....	34	865VHP ... Grader.....	6.7L 408 (6691cc) OHV Turbo-Diesel L6 107mm Bore (24 Valve) (Cummins Eng.).....	53
810B ... Wheel Tractor.....	4.1L 251 L4 4" Bore.....	28	870 ... Wheel Tractor.....	5.0L 301 L4 4.375" Bore.....	38
811B ... Wheel Tractor.....	4.1L 251 L4 4" Bore.....	28	870 ... Wheel Tractor.....	5.5L 336 Diesel L4 4.625" Bore....	41
812B ... Wheel Tractor.....	4.1L 251 L4 4" Bore.....	28	870 ... Wheel Tractor.....	5.5L 336 Turbo-Diesel L4 4.625" Bore.....	42
813B ... Wheel Tractor.....	4.1L 251 L4 4" Bore.....	28	870 Agri King ... Wheel Tractor.....	5.0L 301 L4 4.375" Bore.....	38
821 ... Wheel Loader.....	8.3L 505 (8300cc) OHV Turbo-Diesel L6 114mm Bore (Cummins Eng.).....	59	870 Agri King ... Wheel Tractor.....	5.5L 336 Diesel L4 4.625" Bore....	41
821B ... Wheel Loader.....	8.3L 505 (8300cc) OHV Turbo-Diesel L6 114mm Bore (Cummins Eng.).....	59	880 ... Crawler Tractor.....	5.5L 336 Diesel L4 4.625" Bore....	41
825 ... Wheel Skidder.....	5.5L 336 Diesel L4 4.625" Bore....	41	880 ... Excavator.....	5.5L 336 Diesel L4 4.625" Bore....	41
825 ... Wheel Skidder.....	5.5L 336 Turbo-Diesel L4 4.625" Bore.....	42	880 ... Crawler Tractor.....	5.5L 336 Turbo-Diesel L4 4.625" Bore.....	42
830 ... Wheel Tractor.....	4.7L 284 L4 4.25" Bore.....	36	880 ... Excavator.....	5.5L 336 Turbo-Diesel L4 4.625" Bore.....	42
830 ... Wheel Tractor.....	5.0L 301 L4 4.375" Bore.....	38	880B ... Excavator.....	5.5L 336 Diesel L4 4.625" Bore....	41
830 ... Wheel Tractor.....	5.0L 301 Diesel L4 4.375" Bore....	39	880B ... Excavator.....	5.5L 336 Turbo-Diesel L4 4.625" Bore.....	42
830 Eagle Hitch ... Wheel Tractor.....	4.7L 284 L4 4.25" Bore.....	36	880C ... Wheel Loader.....	8.3L 504 Diesel L6 4.625" Bore....	56
830 Eagle Hitch ... Wheel Tractor.....	5.0L 301 Diesel L4 4.375" Bore....	39	880C ... Wheel Tractor.....	8.3L 504 Turbo-Diesel L6 4.625" Bore.....	57
830C ... Wheel Tractor.....	4.7L 284 L4 4.25" Bore.....	36	880D ... Excavator.....	5.9L 359 (5882cc) OHV Turbo-Diesel L6 102mm Bore (12 Valve) (Cummins Eng.).....	45
830C ... Wheel Tractor.....	5.0L 301 Diesel L4 4.375" Bore....	39	8820 ... Windrower.....	3.9L 239 (3921cc) OHV Diesel L4 102mm Bore (Cummins Eng.).....	26
830CK ... Wheel Tractor.....	4.7L 284 L4 4.25" Bore.....	36	8830 ... Windrower.....	3.9L 239 (3921cc) OHV Diesel L4 102mm Bore (Cummins Eng.).....	26
830CK ... Wheel Tractor.....	5.0L 301 Diesel L4 4.375" Bore....	39	8840 ... Windrower.....	3.9L 239 (3921cc) OHV Diesel L4 102mm Bore (Cummins Eng.).....	26
840 ... Wheel Tractor.....	4.7L 284 L4 4.25" Bore.....	36	885 ... Grader.....	6.7L 408 (6691cc) OHV Turbo-Diesel L6 107mm Bore (24 Valve) (Cummins Eng.).....	53
840 ... Wheel Tractor.....	5.0L 301 Diesel L4 4.375" Bore....	39	8850 ... Windrower.....	5.9L 359 (5882cc) OHV Turbo-Diesel L6 102mm Bore (12 Valve) (Cummins Eng.).....	45
845DHP ... Grader.....	6.7L 408 (6691cc) OHV Turbo-Diesel L6 107mm Bore (24 Valve) (Cummins Eng.).....	53	888 ... Excavator.....	5.9L 359 (5882cc) OHV Turbo-Diesel L6 102mm Bore (12 Valve) (Cummins Eng.).....	45
850 ... Wheel Tractor.....	4.7L 284 L4 4.25" Bore.....	36	8910 ... Wheel Tractor.....	8.3L 505 (8300cc) OHV Turbo-Diesel L6 114mm Bore (Cummins Eng.).....	59
850 ... Wheel Tractor.....	5.0L 301 Diesel L4 4.375" Bore....	39	8920 ... Wheel Tractor.....	8.3L 505 (8300cc) OHV Turbo-Diesel L6 114mm Bore (Cummins Eng.).....	59
850 ... Crawler Tractor.....	5.0L 301 Diesel L4 4.375" Bore....	39	8930 ... Wheel Tractor.....	8.3L 505 (8300cc) OHV Turbo-Diesel L6 114mm Bore (Cummins Eng.).....	59
850 ... Wheel Tractor.....	5.5L 336 Diesel L4 4.625" Bore....	41	8940 ... Wheel Tractor.....	8.3L 505 (8300cc) OHV Turbo-Diesel L6 114mm Bore (Cummins Eng.).....	59
850C ... Crawler Tractor.....	5.5L 336 Diesel L4 4.625" Bore....	41	8950 ... Wheel Tractor.....	8.3L 505 (8300cc) OHV Turbo-Diesel L6 114mm Bore (Cummins Eng.).....	59
850D ... Crawler Tractor.....	5.9L 359 (5882cc) OHV Diesel L6 102mm Bore (Cummins Eng.).....	44	900 ... Combine.....	3.7L 225 OHV L6 3.4063" Bore (Chrysler Eng.).....	25
850D ... Wheel Tractor.....	5.9L 359 (5882cc) OHV Turbo-Diesel L6 102mm Bore (12 Valve) (Cummins Eng.).....	45	900 ... Wheel Tractor.....	4.1L 251 Diesel L4 4" Bore.....	29
850D ... Crawler Tractor.....	5.9L 359 (5882cc) OHV Turbo-Diesel L6 102mm Bore (12 Valve) (Cummins Eng.).....	45	900 Series ... Wheel Tractor..	6.2L 377 Diesel L6 4" Bore.....	50
850E ... Crawler Tractor.....	5.9L 359 (5882cc) OHV Diesel L6 102mm Bore (Cummins Eng.).....	44	9010 ... Excavator.....	3.9L 239 (3921cc) OHV Turbo-Diesel L4 102mm Bore (Cummins Eng.).....	27
850E ... Crawler Tractor.....	5.9L 359 (5882cc) OHV Turbo-Diesel L6 102mm Bore (12 Valve) (Cummins Eng.).....	45	9010B ... Excavator.....	3.9L 239 (3921cc) OHV Turbo-Diesel L4 102mm Bore (Cummins Eng.).....	27
850G ... Crawler Tractor.....	5.9L 359 (5882cc) OHV Turbo-Diesel L6 102mm Bore (12 Valve) (Cummins Eng.).....	45	9020 ... Excavator.....	3.9L 239 (3921cc) OHV Turbo-Diesel L4 102mm Bore (Cummins Eng.).....	27
855B ... Grader.....	6.7L 408 (6691cc) OHV Turbo-Diesel L6 107mm Bore (24 Valve) (Cummins Eng.).....	53	9020B ... Excavator.....	3.9L 239 (3921cc) OHV Turbo-Diesel L4 102mm Bore (Cummins Eng.).....	27
855D ... Crawler Tractor.....	5.9L 359 (5882cc) OHV Diesel L6 102mm Bore (Cummins Eng.).....	44			
855D ... Crawler Tractor.....	5.9L 359 (5882cc) OHV Turbo-Diesel L6 102mm Bore (12 Valve) (Cummins Eng.).....	45			
855E ... Crawler Tractor.....	5.9L 359 (5882cc) OHV Diesel L6 102mm Bore (Cummins Eng.).....	44			
855E ... Crawler Tractor.....	5.9L 359 (5882cc) OHV Turbo-Diesel L6 102mm Bore (12 Valve) (Cummins Eng.).....	45			
860 ... Trencher.....	3.9L 239 (3921cc) OHV Turbo-Diesel L4 102mm Bore (Cummins Eng.).....	27			
865 DHP ... Grader.....	5.9L 359 (5882cc) OHV Turbo-Diesel L6 102mm Bore (24 Valve) (Cummins Eng.).....	47			

(continued on next page)

Model Index

Model	Engine Description	Line No.	Model	Engine Description	Line No.
9030 ... Excavator.....	5.9L 359 (5882cc) OHV Turbo-Diesel L6 102mm Bore (12 Valve) (Cummins Eng.)	45	930CK Special ... Wheel Tractor.....	6.2L 377 L6 4" Bore (Late)	49
9030B ... Excavator	5.9L 359 (5882cc) OHV Turbo-Diesel L6 102mm Bore (12 Valve) (Cummins Eng.)	45	930GB ... Crawler Tractor.....	6.6L 401 Diesel L6 4.125" Bore....	51
9040 ... Excavator.....	8.3L 505 (8300cc) OHV Turbo-Diesel L6 114mm Bore (Cummins Eng.).....	59	930GB ... Wheel Tractor.....	6.2L 377 L6 4" Bore (Late)	49
9040B ... Excavator	8.3L 505 (8300cc) OHV Turbo-Diesel L6 114mm Bore (Cummins Eng.).....	59	930GB ... Wheel Tractor.....	6.6L 401 Diesel L6 4.125" Bore....	51
910B ... Wheel Tractor.....	4.1L 251 L4 4" Bore.....	28	930GP ... Crawler Tractor.....	6.2L 377 L6 4" Bore (Late)	49
910B ... Wheel Tractor.....	6.6L 401 Diesel L6 4.125" Bore....	51	930GP ... Wheel Tractor.....	6.6L 401 Diesel L6 4.125" Bore....	51
9110 ... Wheel Tractor.....	8.3L 505 (8300cc) OHV Turbo-Diesel L6 114mm Bore (Cummins Eng.).....	59	930WS ... Wheel Tractor	6.2L 377 L6 4" Bore (Early)	48
9130 ... Wheel Tractor.....	8.3L 505 (8300cc) OHV Turbo-Diesel L6 114mm Bore (Cummins Eng.).....	59	930WS ... Wheel Tractor	6.2L 377 L6 4" Bore (Late)	49
9150 ... Wheel Tractor.....	10.0L 611 (10000cc) OHV Turbo-Diesel L6 125mm Bore (24 Valve) (Cummins Eng.)	60	930WS ... Crawler Tractor.....	6.2L 377 L6 4" Bore (Late)	49
9170 ... Wheel Tractor.....	14.0L 855 OHV Turbo-Diesel L6 5.5" Bore (Cummins Eng.).....	62	930WS ... Wheel Tractor.....	6.6L 401 Diesel L6 4.125" Bore....	51
9180 ... Wheel Tractor.....	14.0L 855 OHV Turbo-Diesel L6 5.5" Bore (Cummins Eng.).....	62	931CK ... Wheel Tractor.....	6.6L 401 Diesel L6 4.125" Bore....	51
920 ... Wheel Tractor.....	4.1L 251 Diesel L4 4" Bore.....	29	931CK Draft-O-Matic ... Wheel Tractor	6.2L 377 L6 4" Bore (Early)	48
920 ... Wheel Tractor.....	6.6L 401 Diesel L6 4.125" Bore....	51	931CK Draft-O-Matic ... Wheel Tractor	6.2L 377 L6 4" Bore (Late)	49
921C ... Wheel Loader.....	10.8L 661 (10800cc) OHV Turbo-Diesel L6 125mm Bore (24 Valve) (Cummins Eng.)	61	9310 ... Wheel Tractor.....	8.3L 505 (8300cc) OHV Turbo-Diesel L6 114mm Bore (Cummins Eng.).....	59
921E ... Wheel Loader.....	10.8L 661 (10800cc) OHV Turbo-Diesel L6 125mm Bore (24 Valve) (Cummins Eng.)	61	9330 ... Wheel Tractor.....	8.3L 505 (8300cc) OHV Turbo-Diesel L6 114mm Bore (Cummins Eng.).....	59
9210 ... Wheel Tractor.....	8.3L 505 (8300cc) OHV Turbo-Diesel L6 114mm Bore (Cummins Eng.).....	59	940 ... Wheel Tractor	6.2L 377 L6 4" Bore (Early)	48
9230 ... Wheel Tractor.....	8.3L 505 (8300cc) OHV Turbo-Diesel L6 114mm Bore (Cummins Eng.).....	59	940 ... Wheel Tractor.....	6.2L 377 L6 4" Bore (Late)	49
9240 ... Wheel Tractor.....	8.3L 505 (8300cc) OHV Turbo-Diesel L6 114mm Bore (Cummins Eng.).....	59	940 ... Wheel Tractor.....	6.6L 401 Diesel L6 4.125" Bore....	51
9250 ... Wheel Tractor.....	10.0L 611 (10000cc) OHV Turbo-Diesel L6 125mm Bore (24 Valve) (Cummins Eng.)	60	955 ... Wheel Tractor.....	2.6L 159 L4 3.5" Bore.....	17
930 ... Wheel Tractor.....	4.1L 251 Diesel L4 4" Bore.....	29	960 ... Combine	3.7L 225 OHV L6 3.4063" Bore (Chrysler Eng.)	25
930 ... Wheel Tractor.....	6.2L 377 L6 4" Bore (Early)	48	960 Rice ... Combine.....	3.7L 225 OHV L6 3.4063" Bore (Chrysler Eng.)	25
930 ... Wheel Tractor.....	6.2L 377 L6 4" Bore (Late)	49	970 ... Wheel Tractor.....	6.6L 401 Diesel L6 4.125" Bore....	51
930 ... Wheel Tractor.....	6.6L 401 Diesel L6 4.125" Bore....	51	970 ... Wheel Tractor.....	6.6L 401 Turbo-Diesel L6 4.125" Bore	52
930 ... Crawler Tractor.....	6.6L 401 Diesel L6 4.125" Bore....	51	970 Agri King ... Wheel Tractor.....	6.2L 377 L6 4" Bore (Early)	48
930CK ... Wheel Tractor.....	6.2L 377 L6 4" Bore (Early)	48	970 Agri King ... Wheel Tractor.....	6.2L 377 L6 4" Bore (Late)	49
930CK ... Wheel Tractor.....	6.2L 377 L6 4" Bore (Late)	49	970 Agri King ... Wheel Tractor.....	6.6L 401 Diesel L6 4.125" Bore....	51
930CK ... Wheel Tractor.....	6.6L 401 Diesel L6 4.125" Bore....	51	970 Agri King ... Wheel Tractor.....	6.6L 401 Turbo-Diesel L6 4.125" Bore	52
930CK Draft-O-Matic ... Wheel Tractor	6.2L 377 L6 4" Bore (Early)	48	970 Agri King ... Wheel Tractor.....	7.4L 451 Turbo-Diesel L6 4.375" Bore	55
930CK Draft-O-Matic ... Wheel Tractor	6.2L 377 L6 4" Bore (Late)	49	980 ... Excavator.....	8.3L 504 Diesel L6 4.625" Bore....	56
930CK Draft-O-Matic ... Wheel Tractor	6.6L 401 Diesel L6 4.125" Bore....	51	980 ... Combine	8.3L 504 Turbo-Diesel L6 4.625" Bore	57
930CK Special ... Wheel Tractor.....	6.2L 377 L6 4" Bore (Early)	48	980 ... Crawler Tractor.....	8.3L 504 Turbo-Diesel L6 4.625" Bore	57
			980 ... Wheel Loader	8.3L 504 Turbo-Diesel L6 4.625" Bore	57
			980 ... Excavator.....	8.3L 504 Turbo-Diesel L6 4.625" Bore	57
			980B ... Excavator	8.3L 504 Diesel L6 4.625" Bore....	56
			980B ... Combine.....	8.3L 504 Turbo-Diesel L6 4.625" Bore	57
			980B ... Excavator	8.3L 504 Turbo-Diesel L6 4.625" Bore	57

Grain Elevator A2, AE, AEH, AEHS, AEM, AEN, AEND, AENL, AENLD, AENS, AES, 1
HAENL Eng.s.
.4L 23 L-HEAD L1, 3" Bore (Wisconsin Eng.)

CYL. HEAD & PARTS

QTY	VALVE	PART NO.	SIZE	DESCRIPTION
2	Intake	FP-V816		AEND Eng.s.; Valves w/single groove stem can be substituted in Early Eng.s.; 1.3130" Head Dia., .3085" Stem Dia., 4.7660" O.A.L.
2	Intake	FP-V816		Exh. & Int.; Exc. AEND Eng.s.; Note: valves w/single groove stem can be substituted in Early Eng.s.; AE series; To Ser. No. 70194 having valves w/drilled stem if valve keeper VK-144 and spring retainer are also installed w/this valve; 1.3130" Head Dia., .3085" Stem Dia., 4.7660" O.A.L.
2	Exhaust	FP-V1326X		AEND Eng.s.; Valves w/single groove stem can be substituted in Early Eng.s.; 1.2500" Head Dia., .3085" Stem Dia., 4.7710" O.A.L.
2	Exhaust	FP-V1326X		Optional-H/D valve w/single groove stem; Exc. AEND Eng.s.; 1.2500" Head Dia., .3085" Stem Dia., 4.7710" O.A.L.
2	Exhaust	FP-V1326X		Optional-H/D valve w/single groove stem; Exc. AEND Eng.s.; 1.2500" Head Dia., .3085" Stem Dia., 4.7710" O.A.L.
4	Keeper	VK-144		1 groove; Square cut key groove
4	Keeper	VK-144R		1 groove; Square cut key groove; Hardened
QTY	VALVE SEAT	PART NO.	SIZE	DESCRIPTION
2	Exh.	FP-24513755		1.3795" OD, 1.1250" ID, .2636" Depth
QTY	VALVE GUIDE	PART NO.	SIZE	DESCRIPTION
2	Guide	FP-VG635		Exc. AEND & AE Eng.s.; .3155" ID, 2.5000" O.A.L.
QTY	VALVE SPRING	PART NO.	SIZE	DESCRIPTION
2	Spring	FP-VS793		Use w/FP-RC45 rotocap; 1.9700" Free Height
2	Spring	FP-VS468		2.3120" Free Height

CRANKSHAFT/OIL PUMP

QTY	MAIN BEARINGS	PART NO.	SIZE	DESCRIPTION
2	Cone Taper Brg.	14130		Position 1-2; Tapered roller brg. cone
2	Cup Taper Brg.	14276		Position 1-2; Tapered roller brg. cup

CYLINDER COMPONENTS

QTY	CONNECTING RODS & BRGS.	PART NO.	SIZE	DESCRIPTION
1	Rod Pair	FP-3600SB	Std-10-20-30-40	Exc. AES Eng.s.
QTY	PISTON RINGS	PART NO.	SIZE	DESCRIPTION
1	Premium Set	FP-5090KX	Std-20-30	3-3/32, 1-3/16 (1 cyl. set)
1	Premium Set	5090KX + Std Only		3-3/32, 1-3/16 (1 cyl. set); When depleted use FP-5090KX
1	Standard Set	FP-5090X	Std Only	3-3/32, 1-3/16 (1 cyl. set)

Hay Baler VE4, VE4D, VE41 Eng.s. Combine VE4, VE4D, VE41 Eng.s. 2
1.5L 91.9 L-HEAD V4, 3" Bore (Wisconsin Eng.)

CYL. HEAD & PARTS

QTY	VALVE	PART NO.	SIZE	DESCRIPTION
2	Intake	FP-V816		Exh. & Int.; Note: Valves w/single groove stem can be substituted in Early Eng.s.; AE series To Ser. No. 70194 having valves w/drilled stem if valve keeper VK-144 and spring retainer are also installed w/this valve; 1.3130" Head Dia., .3085" Stem Dia., 4.7660" O.A.L.
2	Exhaust	FP-V1326X		Optional-H/D valve; 1.2500" Head Dia., .3085" Stem Dia., 4.7710" O.A.L.
16	Keeper	VK-144		1 groove; Square cut key groove
16	Keeper	VK-144R		1 groove; Square cut key groove; Hardened
QTY	VALVE SEAT	PART NO.	SIZE	DESCRIPTION
4	Exh.	FP-24513755		1.3795" OD, 1.1250" ID, .2636" Depth
QTY	VALVE GUIDE	PART NO.	SIZE	DESCRIPTION
8	Guide	FP-VG681		.439" x 1.812"; .3133" ID, 1.8100" O.A.L.
QTY	VALVE SPRING	PART NO.	SIZE	DESCRIPTION
8	Spring	FP-VS793		Use w/FP-RC45 rotocap; 1.9700" Free Height
8	Spring	FP-VS468		2.3120" Free Height

CAMSHAFT GROUP

QTY	TIMING	PART NO.	SIZE	DESCRIPTION
1	Cam Gear	FP-2214108		Replaces O.E. No. GB-45A; 48 Teeth

(continued on next page)

2 Hay Baler VE4, VE4D, VE41 Engs. Combine VE4, VE4D, VE41 Engs.
(cont.) 1.5L 91.9 L-HEAD V4, 3" Bore (Wisconsin Eng.)

CYLINDER COMPONENTS

QTY	LINERS	PART NO.	SIZE	DESCRIPTION
4	Repair Sleeve	FP-SL7M	Std Only	3/32" wall, must be cut to correct length
QTY	PISTONS	PART NO.	SIZE	DESCRIPTION
4	Pin Bushing	FP-1394 *		1.000" max. length
4	Pin Bushing	1394		1.000" max. length
QTY	CONNECTING RODS & BRGS.	PART NO.	SIZE	DESCRIPTION
4	Rod Pair	FP-3520CP	Std-10-20	
QTY	PISTON RINGS	PART NO.	SIZE	DESCRIPTION
4	Premium Set	FP-5090KX	Std-20-30	3-3/32, 1-3/16 (1 cyl. set)
4	Premium Set	5090KX + Std Only		3-3/32, 1-3/16 (1 cyl. set); When depleted use FP-5090KX
1	Standard Set	FP-968X	Std Only	3-3/32, 1-3/16
4	Standard Set	FP-5090X	Std Only	3-3/32, 1-3/16 (1 cyl. set)

3 Combine IXF3 Eng. (Gas)
1.6L 95 L-HEAD L4, 2.75" Bore (Hercules Eng.)

CYLINDER COMPONENTS

QTY	CONNECTING RODS & BRGS.	PART NO.	SIZE	DESCRIPTION
4	Rod Pair	FP-1450SB	Std-10-20-30	

4 Hay Baler VF4, VF4D, VF41, VH4, VH4D, VH4DM Engs. Combine VF4, VF4D, VF41, VH4, VH4D, VH4DM Engs.
1.8L 108 L-HEAD V4, 3.25" Bore (Wisconsin Eng.)

CYL. HEAD & PARTS

QTY	VALVE	PART NO.	SIZE	DESCRIPTION
8	Intake	FP-V816		Exh. & Int.; 1.3130" Head Dia., .3085" Stem Dia., 4.7660" O.A.L.
4	Exhaust	FP-V1326X		Optional-H/D; 1.2500" Head Dia., .3085" Stem Dia., 4.7710" O.A.L.
16	Keeper	FP-VK144		1 groove; Square cut key groove
16	Keeper	VK-144R		1 groove; Square cut key groove; Hardened
16	Keeper, Bulk	FP-VK144B		1 groove; Square cut key groove; Carton of 1000
QTY	VALVE SEAT	PART NO.	SIZE	DESCRIPTION
8	Exh. & Int.	FP-24513755		1.3795" OD, 1.1250" ID, .2636" Depth
QTY	VALVE GUIDE	PART NO.	SIZE	DESCRIPTION
8	Guide	FP-VG635		Exc. VF Series Engs.; .3155" ID, 2.5000" O.A.L.
8	Guide	FP-VG681		VF Series Engs.; .439" x 1.812"; .3133" ID, 1.8100" O.A.L.
QTY	VALVE SPRING	PART NO.	SIZE	DESCRIPTION
8	Spring	FP-VS793		Use w/FP-RC45 rotocap; VF Series Engs.; 1.9700" Free Height
8	Spring	FP-VS468		2.3120" Free Height

CAMSHAFT GROUP

QTY	TIMING	PART NO.	SIZE	DESCRIPTION
1	Cam Gear	FP-2214108		VF4 & VH4D Engs.; O.E. No. GB-45A; 48 Teeth

CYLINDER COMPONENTS

QTY	LINERS	PART NO.	SIZE	DESCRIPTION
4	Repair Sleeve	FP-SL11M	Std Only	3/32" wall, must be cut to correct length
QTY	PISTONS	PART NO.	SIZE	DESCRIPTION
4	Cast Piston	FP-628CP	Std-20-30-40-60	Use w/FP5051X or FP5051KX ring set; Cast; 2-3/32", 1-3/16" Ring Groove, 1.500" CD, .7503" Pin Dia., Recessed Head .010" deep; Piston length 2.870"; Repl. 3 ring piston in sets only
4	Cast Piston - Individual	FP-W628CP	Std-20-30-40-60	Use w/5051X or 5051KX ring set; Cast; 2-3/32", 1-3/16" Ring Groove, 1.500" CD, .7500" Pin Dia., Recessed Head .010" deep; Piston length 2.870"; Repl. 3 ring piston in sets only
4	Pin Bushing	FP-1394 *		1.000" max. length
4	Pin Bushing	1394		1.000" max. length
QTY	CONNECTING RODS & BRGS.	PART NO.	SIZE	DESCRIPTION
4	Rod Pair	FP-3520CP	Std-10-20	VF4, VF4D Engs.
4	Rod Pair	FP-3645CP	Std-10-20	VH4, VH4D, VH4DM Engs.
QTY	PISTON RINGS	PART NO.	SIZE	DESCRIPTION
1	Premium Set	FP-5051KX	Std-20-30-40-60	3-3/32, 1-3/16
1	Standard Set	FP-10366X	Std Only	VF4D Engs.; 3-5/64, 1-3/16
1	Standard Set	FP-5051X	Std-20-30-40-60	3-3/32, 1-3/16

(continued on next page)

**Hay Baler VF4, VF4D, VF41, VH4, VH4D, VH4DM Engs. Combine VF4, VF4D, VF41, VH4, 4
VH4D, VH4DM Engs. (cont.)**
1.8L 108 L-HEAD V4, 3.25" Bore (Wisconsin Eng.)

CYLINDER COMPONENTS (cont.)

QTY	PISTON RINGS (cont.)	PART NO.	SIZE	DESCRIPTION
4	Premium Single Cylinder Set	W-5051KX20	20-30-60	3-3/32, 1-3/16
4	Standard Single Cylinder Set	W-5051X	Std-30	3-3/32, 1-3/16

Wheel Tractor F124 Eng. (Gas) 5
2.1L 124 L-HEAD L4, 3" Bore (Continental Eng.)

CYL. HEAD & PARTS

QTY	VALVE	PART NO.	SIZE	DESCRIPTION
4	Exhaust	FP-V800		Drilled stem; 1.2030" Head Dia., .3381" Stem Dia., 5.1520" O.A.L.
4	Exhaust	FP-V954		Drilled stem; 1.3280" Head Dia., .3386" Stem Dia., 5.1950" O.A.L.
4	Exhaust	FP-V1684		W/Single groove stem; Use w/rotocap; 1.2030" Head Dia., .3392" Stem Dia., 5.1890" O.A.L.
8	Keeper	FP-VK142		Use w/drilled stem
16	Keeper	VK-144		1 groove; Square cut key groove
16	Keeper	VK-144R		1 groove; Square cut key groove; Hardened
QTY	VALVE SEAT	PART NO.	SIZE	DESCRIPTION
4	Exh.	FP-2451348E1N		1.3480" OD, 1.0870" ID, .2005" Depth
4	Int.	245-1625-1	Std Only	1.6300" OD, 1.3750" ID, .2160" Depth
QTY	VALVE GUIDE	PART NO.	SIZE	DESCRIPTION
8	Guide	FP-VG336		.3427" ID, 2.5600" O.A.L.
QTY	VALVE SPRING	PART NO.	SIZE	DESCRIPTION
8	Spring	FP-VS356		2.0000" Free Height

CAMSHAFT GROUP

QTY	TIMING	PART NO.	SIZE	DESCRIPTION
1	Cam Gear	FP-2212600		Replacement O.E. No. 10281; 48 Teeth

ENGINE BLOCK & PARTS

QTY	CAM BEARINGS	PART NO.	SIZE	DESCRIPTION
1	Cam Set	FP-1158M	Std Only	

CRANKSHAFT/OIL PUMP

QTY	CRANKSHAFT	PART NO.	SIZE	DESCRIPTION
1	Crank Gear	FP-2212603A		Repl. O.E. No. 10282; 24 Teeth
1	Crank Gear	221-2603A +		Repl. O.E. No. 10282; 24 Teeth; When depleted use FP-2212603A
QTY	MAIN BEARINGS	PART NO.	SIZE	DESCRIPTION
1	Main Set	FP-4004M	Std-10-20	W/Single flanged front brg.
1	Main Set	FP-4005M	Std-10-20	W/Straight shell front brg.
1	Main Set	FP-6632M	Std-10-20-30	W/Straight shell front brg. & thrust washer
1	Thrust Washer Set	FP-9811BFA	Std Only	Position 1; Use w/straight shell frt. main brg. set
1	Thrust Washer Set	FP-9811BF	Std Only	Position 1; Use w/Flanged main brg.
QTY	OIL PUMP	PART NO.	SIZE	DESCRIPTION
1	Oil Pump	FP-2244132		Cast Iron drive gear; Use w/Cast Iron cams; 7 1/8" from flange to end of shaft; Incl. screen
1	Oil Pump	FP-2244137		Steel drive gear w/groove at pin; Use w/Steel cams; 7-1/8" from flange to end of shaft; Incl. pin

CYLINDER COMPONENTS

QTY	PISTONS	PART NO.	SIZE	DESCRIPTION
4	Pin Bushing	8649XAS		Forging No. F400D-502; Full round, thin wall .0055" O/S OD bushing
4	Pin Bushing	8649XA		Forging No. F400D-502; Full round, thin wall bushing w/.9150" OD
4	Pin Bushing	8649V		Forging No. F400D-502; Split type, thin wall bushing w/.9135" OD
4	Pin Bushing	8649V20		Forging No. F400D-502; Split type, thin wall bushing w/.9135" OD & .020" extra bore stock
4	Pin Bushing	FP-9324X		Full round, heavy wall bushing w/1.0625" OD; Forging No. F400D-500
QTY	CONNECTING RODS & BRGS.	PART NO.	SIZE	DESCRIPTION
2	Rod Pair	FP-9320CPA	Std-2-10-20-30-40	Position 1-3

(continued on next page)

+ Superseded Part Number

5 Wheel Tractor F124 Eng. (Gas) (cont.) 2.1L 124 L-HEAD L4, 3" Bore (Continental Eng.)				
CYLINDER COMPONENTS (cont.)				
QTY	CONNECTING RODS & BRGS. (cont.)	PART NO.	SIZE	DESCRIPTION
2	Rod Pair	FP-9320CP	Std-10-20-30-40	Position 2-4
QTY	PISTON RINGS	PART NO.	SIZE	DESCRIPTION
1	Premium Set	FP-918KX	Std Only	3-1/8, 1-1/4
1	Standard Set	FP-918X	Std Only	3-1/8, 1-1/4
4	Standard Single Cylinder Set	W-918X	Std Only	3-1/8, 1-1/4
6 Hay Baler VA124, 124 Engs. (Gas). Combine VA124, W106, 124 Engs. (Gas). Wheel Tractor VA124, W106, 124 Engs. (Gas). 2.1L 124 L4, 3.25" Bore				
CYL. HEAD & PARTS				
QTY	VALVE	PART NO.	SIZE	DESCRIPTION
4	Intake	FP-V1053		1.3280" Head Dia., .3411" Stem Dia., 4.9570" O.A.L.
4	Exhaust	FP-V1052		1.2030" Head Dia., .3387" Stem Dia., 4.9830" O.A.L.
16	Keeper	FP-A30004		1 groove; Square cut key groove
QTY	VALVE SEAT	PART NO.	SIZE	DESCRIPTION
4	Exh.	FP-2451348E1N		1.3480" OD, 1.0870" ID, .2005" Depth
4	Int.	245-1437-3	Std Only	1.4425" OD, 1.1880" ID, .2160" Depth
QTY	VALVE GUIDE	PART NO.	SIZE	DESCRIPTION
8	Guide	FP-VG457		.3430" ID, 2.6870" O.A.L.
QTY	VALVE SPRING	PART NO.	SIZE	DESCRIPTION
8	Spring	FP-A30025		
QTY	VALVE MISC.	PART NO.	SIZE	DESCRIPTION
4	Rotocap Assy.	FP-RC117A		
QTY	VALVE SEAL	PART NO.	SIZE	DESCRIPTION
8	Valve Stem Seal	ST-2001		Positive type; Installation requires valve guide machining; Rubber/PTFE
8	Valve Stem Seal Bulk	ST-2001BC		Positive type; Installation requires valve guide machining; Carton of 100; Rubber/PTFE
ENGINE BLOCK & PARTS				
QTY	CAM BEARINGS	PART NO.	SIZE	DESCRIPTION
1	Cam Set	FP-1227M	Std Only	
CRANKSHAFT/OIL PUMP				
QTY	MAIN BEARINGS	PART NO.	SIZE	DESCRIPTION
1	Main Set	FP-768M	Std-10-20-30	
CYLINDER COMPONENTS				
QTY	LINERS	PART NO.	SIZE	DESCRIPTION
4	Liner w/Sealing Rings	FP-SO1776	Std Only	OVERBORE To 3.375"; Incl. (2) FP-SLR1640 sealing rings.
4	Sleeve Assy.	FP-SL1776	Std Only	OVERBORE To 3.375"
QTY	PISTONS	PART NO.	SIZE	DESCRIPTION
4	Cast Piston	FP-1776P	Std Only	OVERBORE to 3.375". Use w/FP-5456KX ring set; Cast; 3-1/8", 1-1/4" Ring Groove, 2.187" CD, .8600" Pin Dia., Flat Head - 6.5:1 C.R.
4	Pin Bushing	FP-9324X		
QTY	CONNECTING RODS & BRGS.	PART NO.	SIZE	DESCRIPTION
4	Rod Pair	FP-9320CPA	Std-2-10-20-30-40	
QTY	PISTON RINGS	PART NO.	SIZE	DESCRIPTION
1	Premium Set	FP-5456KX	Std Only	OVERBORE To 3.375"; 3-1/8, 1-1/4
1	Premium Set	FP-962KX	Std Only	3-1/8, 1-1/4
4	Premium Single Cylinder Set	W-5456KX	Std Only	OVERBORE To 3.375"; 3-1/8, 1-1/4
7 Combine G126, 126 Engs. (Gas). Wheel Tractor G126, 126 Engs. (Gas). 2.1L 126 L4, 3.125" Bore				
CYL. HEAD & PARTS				
QTY	VALVE	PART NO.	SIZE	DESCRIPTION
4	Intake	FP-V1053		1.3280" Head Dia., .3411" Stem Dia., 4.9570" O.A.L.
4	Exhaust	FP-V1052		1.2030" Head Dia., .3387" Stem Dia., 4.9830" O.A.L.
16	Keeper	FP-A30004		1 groove; Square cut key groove

(continued on next page)

Combine G126, 126 Engs. (Gas). Wheel Tractor G126, 126 Engs. (Gas). 7
2.1L 126 L4, 3.125" Bore (cont.)

CYL. HEAD & PARTS (cont.)

QTY	VALVE SEAT	PART NO.	SIZE	DESCRIPTION
4	Int.	245-1437-3	Std Only	1.4425" OD, 1.1880" ID, .2160" Depth
QTY	VALVE GUIDE	PART NO.	SIZE	DESCRIPTION
4	Guide	FP-VG842		Exh.; .3434" ID, 2.4400" O.A.L.
4	Guide	FP-VG457		Int.; .3430" ID, 2.6870" O.A.L.
QTY	VALVE SPRING	PART NO.	SIZE	DESCRIPTION
4	Spring	FP-A30025		Int.
QTY	VALVE MISC.	PART NO.	SIZE	DESCRIPTION
4	Rotocap Assy.	FP-RC117A		

ENGINE BLOCK & PARTS

QTY	CAM BEARINGS	PART NO.	SIZE	DESCRIPTION
1	Cam Set	FP-1227M	Std Only	

CRANKSHAFT/OIL PUMP

QTY	MAIN BEARINGS	PART NO.	SIZE	DESCRIPTION
1	Main Set	FP-4154M	Std-10-20-30	

CYLINDER COMPONENTS

QTY	PISTONS	PART NO.	SIZE	DESCRIPTION
4	Pin Bushing	FP-9324X		
QTY	CONNECTING RODS & BRGS.	PART NO.	SIZE	DESCRIPTION
4	Rod Pair	FP-9320CPA	Std-2-10-20-30-40	

Hay Baler VM4 Eng. 8
2.2L 132.7 L-HEAD V4, 3.25" Bore (Wisconsin Eng.)

CYL. HEAD & PARTS

QTY	VALVE	PART NO.	SIZE	DESCRIPTION
8	Intake	FP-V818		Exh. & Int.; 1.5630" Head Dia., .3089" Stem Dia., 6.3346" O.A.L.
4	Exhaust	FP-V1676X		Optional; 1.5570" Head Dia., .3085" Stem Dia., 6.3330" O.A.L.
16	Keeper	FP-VK144		Exh. & Int.; 1 groove; Square cut key groove

CRANKSHAFT/OIL PUMP

QTY	MAIN BEARINGS	PART NO.	SIZE	DESCRIPTION
2	Cup Taper Brg.	453A		Position 1-2; Tapered roller brg. cup

CYLINDER COMPONENTS

QTY	PISTONS	PART NO.	SIZE	DESCRIPTION
4	Pin Bushing	FP-1394 *		1.000" max. length
4	Pin Bushing	1394		1.000" max. length

Combine FK Eng. Wheel Tractor FK Eng. 9
2.2L 133 L-HEAD L4 (Early), 3.25" Bore (Waukesha Eng.)

CYL. HEAD & PARTS

QTY	VALVE	PART NO.	SIZE	DESCRIPTION
4	Exhaust	FP-V713		1.3490" Head Dia., .3095" Stem Dia., 4.4690" O.A.L.
16	Keeper	FP-VK123		

QTY	VALVE GUIDE	PART NO.	SIZE	DESCRIPTION
8	Guide	FP-VG296		.3135" ID, 2.5000" O.A.L.

CYLINDER COMPONENTS

QTY	LINERS	PART NO.	SIZE	DESCRIPTION
4	Repair Sleeve	FP-SL11M	Std Only	3/32" wall, must be cut to correct length
QTY	PISTONS	PART NO.	SIZE	DESCRIPTION
4	Cast Piston	FP-C1549P40	40	Cast; 3-3/32", 1-3/16" Ring Groove, 1.750" CD, .8750" Pin Dia., Flat Head - 6.5:1 C.R.; Cast iron 4 ring piston; Repl. O.E. Nos. alum. pistons 68304A, 68304B; Use in sets only
4	Pin Bushing	FP-9629X		Bushing w/1/16" dia. oil hole
QTY	PISTON RINGS	PART NO.	SIZE	DESCRIPTION
1	Premium Set	FP-5051KX	Std-20-30-40-60	3-3/32, 1-3/16
1	Standard Set	FP-617X	Std Only	2-1/8, 1-3/16
1	Standard Set	FP-5051X	Std-20-30-40-60	3-3/32, 1-3/16

(continued on next page)

9 Combine FK Eng. Wheel Tractor FK Eng. (cont.) 2.2L 133 L-HEAD L4 (Early), 3.25" Bore (Waukesha Eng.)				
CYLINDER COMPONENTS (cont.)				
QTY	PISTON RINGS (cont.)	PART NO.	SIZE	DESCRIPTION
4	Premium Single Cylinder Set	W-5051KX20	20-30-	3-3/32, 1-3/16
4	Standard Single Cylinder Set	W-5051X	Std-30	3-3/32, 1-3/16
10 Combine FK Eng. Wheel Tractor FK Eng. 2.2L 133 L4, 3.25" Bore (Waukesha Eng.)				
CYL. HEAD & PARTS				
QTY	VALVE	PART NO.	SIZE	DESCRIPTION
4	Exhaust	FP-V713		1.3490" Head Dia., .3095" Stem Dia., 4.4690" O.A.L.
16	Keeper	FP-VK123		
QTY	VALVE GUIDE	PART NO.	SIZE	DESCRIPTION
8	Guide	FP-VG296		.3135" ID, 2.5000" O.A.L.
CYLINDER COMPONENTS				
QTY	LINERS	PART NO.	SIZE	DESCRIPTION
4	Repair Sleeve	FP-SL11M	Std Only	3/32" wall, must be cut to correct length
QTY	PISTONS	PART NO.	SIZE	DESCRIPTION
4	Cast Piston	FP-C1549P40	40	Cast; 3-3/32", 1-3/16" Ring Groove, 1.750" CD, .8750" Pin Dia., Flat Head - 6.5:1 C.R.; Cast iron 4 ring piston; Repl. O.E. Nos. alum. pistons 68304A, 68304B; Use in sets only
4	Pin Bushing	FP-9629X		Bushing w/1/16" dia. oil hole
QTY	PISTON RINGS	PART NO.	SIZE	DESCRIPTION
1	Premium Set	FP-5051KX	Std-20-30-40-60	3-3/32, 1-3/16
1	Standard Set	FP-617X	Std Only	2-1/8, 1-3/16
1	Standard Set	FP-5051X	Std-20-30-40-60	3-3/32, 1-3/16
4	Premium Single Cylinder Set	W-5051KX20	20-30-	3-3/32, 1-3/16
4	Standard Single Cylinder Set	W-5051X	Std-30	3-3/32, 1-3/16
11 Wheel Tractor F140 Eng. (Gas) 2.3L 140 L-HEAD L4, 3.1875" Bore (Continental Eng.)				
CYL. HEAD & PARTS				
QTY	VALVE	PART NO.	SIZE	DESCRIPTION
4	Intake	FP-V1748		Single groove stem; 1.5160" Head Dia., .3410" Stem Dia., 5.1570" O.A.L.
4	Exhaust	FP-V800		Drilled stem; 1.2030" Head Dia., .3381" Stem Dia., 5.1520" O.A.L.
4	Exhaust	FP-V954		Drilled stem; 1.3280" Head Dia., .3386" Stem Dia., 5.1950" O.A.L.
4	Exhaust	FP-V1684		Single groove stem; 1.2030" Head Dia., .3392" Stem Dia., 5.1890" O.A.L.
8	Keeper	FP-VK142		For drilled stem
16	Keeper	FP-VK144		1 groove; Square cut key groove
16	Keeper	VK-144R		1 groove; Square cut key groove; Hardened
16	Keeper, Bulk	FP-VK144B		1 groove; Square cut key groove; Carton of 1000
QTY	VALVE SEAT	PART NO.	SIZE	DESCRIPTION
4	Exh.	245-1437-3N	Std Only	Premium Material; 1.4425" OD, 1.1880" ID, .2160" Depth
4	Exh.	FP-24513753		1.3795" OD, 1.0625" ID, .1855" Depth
4	Exh.	245-1437-3	Std Only	1.4425" OD, 1.1880" ID, .2160" Depth
4	Int.	245-1625-1N	Std Only	Premium Material; 1.6300" OD, 1.3750" ID, .2160" Depth
4	Int.	FP-2451348E1N		1.3480" OD, 1.0870" ID, .2005" Depth
4	Int.	245-1625-1	Std Only	1.6300" OD, 1.3750" ID, .2160" Depth
QTY	VALVE GUIDE	PART NO.	SIZE	DESCRIPTION
8	Guide	FP-VG418		Exc. Rototype; .3425" ID, 2.3100" O.A.L.
QTY	VALVE SPRING	PART NO.	SIZE	DESCRIPTION
8	Spring	FP-VS356		2.0000" Free Height
CAMSHAFT GROUP				
QTY	TIMING	PART NO.	SIZE	DESCRIPTION
1	Cam Gear	FP-2212601		F140, & F4140 Engs.; Governor Type; 48 Teeth
1	Cam Gear	221-2601 +		F140, & F4140 Engs.; Governor Type; 48 Teeth; When depleted use FP-2212601
1	Cam Gear	FP-2212600		F140, & F4140 Engs.; Replacement O.E. No. F400H310; 48 Teeth

(continued on next page)

<i>Wheel Tractor F140 Eng. (Gas) 11</i> 2.3L 140 L-HEAD L4, 3.1875" Bore (Continental Eng.) (cont.)				
ENGINE BLOCK & PARTS				
QTY	GASKET SETS	PART NO.	SIZE	DESCRIPTION
1	Kit Gasket Set	260-1355		Compl.; Timing cover gskt. & seal not incl.
1	Kit Gasket Set	FP-2601355 +		Compl.; Timing cover gskt. & seal not incl.; When depleted use 260-1355
QTY	CAM BEARINGS	PART NO.	SIZE	DESCRIPTION
1	Cam Set	FP-1158M	Std Only	
CRANKSHAFT/OIL PUMP				
QTY	CRANKSHAFT	PART NO.	SIZE	DESCRIPTION
1	Crank Gear	FP-2212603A		F140, & F4140 Eng.; Repl. O.E. No. F400H326; 24 Teeth
1	Crank Gear	221-2603A +		F140, & F4140 Eng.; Repl. O.E. No. F400H326; 24 Teeth; When depleted use FP-2212603A
QTY	MAIN BEARINGS	PART NO.	SIZE	DESCRIPTION
1	Main Set	FP-4004M	Std-10-20	W/Single flanged front brg.
1	Main Set	FP-4005M	Std-10-20	W/Straight shell front brg.
1	Main Set	FP-6632M	Std-10-20-30	W/Straight shell front brg. & thrust washer
1	Thrust Washer Set	FP-9811BFA	Std Only	Position 1; Use w/straight shell main brg. set
1	Thrust Washer Set	FP-9811BF	Std Only	Position 1; Use w/Flanged main brg.
CYLINDER COMPONENTS				
QTY	PISTONS	PART NO.	SIZE	DESCRIPTION
4	Pin Bushing	8649XAS		Forging No. F400D-502; Full round, thin wall .0055" O/S OD bushing
4	Pin Bushing	8649XA		Forging No. F400D-502; Full round, thin wall bushing w/.9150" OD
4	Pin Bushing	8649V		Forging No. F400D-502; Split type, thin wall bushing w/.9135" OD
4	Pin Bushing	8649V20		Forging No. F400D-502; Split type, thin wall bushing w/.9135" OD & .020" extra bore stock
4	Pin Bushing	FP-9324X		Full round, heavy wall bushing w/1.0625" OD; Forging No. F400D-500
QTY	CONNECTING RODS & BRGS.	PART NO.	SIZE	DESCRIPTION
2	Rod Pair	FP-9320CPA	Std-2-10-20-30-40	Position 1-3
2	Rod Pair	FP-9320CP	Std-10-20-30-40	Position 2-4
QTY	PISTON RINGS	PART NO.	SIZE	DESCRIPTION
1	Standard Set	FP-948X	Std Only	Check piston grooving before supplying ring set; 3-1/8, 1-1/4
1	Standard Set	FP-5036X	Std Only	Check piston grooving before supplying ring set; 3-1/8, 1-3/16
Combine G148, 148, 148G Eng. (Gas or LPG). Wheel Tractor G148, 148, 148G Eng. (Gas or LPG) 12 2.4L 148 L4 (G148), 3.375" Bore				
CYL. HEAD & PARTS				
QTY	VALVE	PART NO.	SIZE	DESCRIPTION
4	Intake	FP-V1053		1.3280" Head Dia., .3411" Stem Dia., 4.9570" O.A.L.
4	Exhaust	FP-V1052		1.2030" Head Dia., .3387" Stem Dia., 4.9830" O.A.L.
16	Keeper	FP-A30004		1 groove; Square cut key groove
QTY	VALVE SEAT	PART NO.	SIZE	DESCRIPTION
4	Exh.	FP-2451348E1N		1.3480" OD, 1.0870" ID, .2005" Depth
4	Int.	245-1437-3	Std Only	1.4425" OD, 1.1880" ID, .2160" Depth
QTY	VALVE GUIDE	PART NO.	SIZE	DESCRIPTION
8	Guide	FP-VG457		.3430" ID, 2.6870" O.A.L.
QTY	VALVE SPRING	PART NO.	SIZE	DESCRIPTION
4	Spring	FP-VS581		Exh.; 2.6400" Free Height
4	Spring	FP-A30025		Int.
QTY	VALVE SEAL	PART NO.	SIZE	DESCRIPTION
8	Valve Stem Seal	ST-2001		Positive type; Installation requires valve guide machining; Rubber/PTFE
8	Valve Stem Seal Bulk	ST-2001BC		Positive type; Installation requires valve guide machining; Carton of 100; Rubber/PTFE
ENGINE BLOCK & PARTS				
QTY	GASKET SETS	PART NO.	SIZE	DESCRIPTION
1	Kit Gasket Set	260-1339		Compl., incl. RMB seal & valve stem seals
1	Kit Gasket Set	FP-2601339 +		Compl., Incl. RMB seal & valve stem seals; When depleted use 260-1339

(continued on next page)

+ Superseded Part Number

12 Combine G148, 148, 148G Eng. (Gas or LPG). Wheel Tractor G148, 148, 148G Eng. (Gas or LPG).
2.4L 148 L4 (G148), 3.375" Bore

ENGINE BLOCK & PARTS (cont.)

QTY	CAM BEARINGS	PART NO.	SIZE	DESCRIPTION
1	Cam Set	FP-1227M	Std Only	
CRANKSHAFT/OIL PUMP				
QTY	SEALS - FRONT CRANK	PART NO.	SIZE	DESCRIPTION
1	Redi-Sleeve	FP-99210		
1	Oil Seal	FP-A39110		
QTY	SEALS - REAR CRANK	PART NO.	SIZE	DESCRIPTION
1	Oil Seal	FP-A51339		
1	Redi-Sleeve	FP-99400		
QTY	MAIN BEARINGS	PART NO.	SIZE	DESCRIPTION
1	Main Set	FP-4154M	Std-10-20-30	
CYLINDER COMPONENTS				
QTY	LINERS	PART NO.	SIZE	DESCRIPTION
4	Liner w/Sealing Rings	FP-SO1776	Std Only	Incl. (2) FP-SLR1640 sealing rings.
4	Sleeve Assy.	FP-SL2684	Std Only	
QTY	PISTONS	PART NO.	SIZE	DESCRIPTION
4	Pin Bushing	FP-9324X		
QTY	CONNECTING RODS & BRGS.	PART NO.	SIZE	DESCRIPTION
4	Rod Pair	FP-9320CPA	Std-2-10-20-30-40	
QTY	PISTON RINGS	PART NO.	SIZE	DESCRIPTION
1	Premium Set	FP-5456KX	Std Only	3-1/8, 1-1/4
1	Premium Set	FP-5579KX	Std Only	3-3/32, 1-1/4
1	Standard Set	FP-5579X	Std Only	3-3/32, 1-1/4
4	Premium Single Cylinder Set	W-5456KX	Std Only	3-1/8, 1-1/4
4	Premium Single Cylinder Set	W-5579KX	Std Only	3-3/32, 1-1/4
KITS				
QTY	OVERHAUL KIT	PART NO.	SIZE	DESCRIPTION
1	Tractor Overhaul Kit	FP-KST2684A		Exc. Model 310G

13 Wheel Tractor G148B, 148B Eng. (Gas or LPG)
2.4L 148 L4 (G148B), 3.375" Bore

CYL. HEAD & PARTS

QTY	VALVE	PART NO.	SIZE	DESCRIPTION
4	Intake	FP-V1053		1.3280" Head Dia., .3411" Stem Dia., 4.9570" O.A.L.
4	Exhaust	FP-V1052		1.2030" Head Dia., .3387" Stem Dia., 4.9830" O.A.L.
16	Keeper	FP-A30004		1 groove; Square cut key groove
QTY	VALVE SEAT	PART NO.	SIZE	DESCRIPTION
4	Exh.	FP-2451348E1N		1.3480" OD, 1.0870" ID, .2005" Depth
4	Int.	245-1437-3	Std Only	1.4425" OD, 1.1880" ID, .2160" Depth
QTY	VALVE GUIDE	PART NO.	SIZE	DESCRIPTION
8	Guide	FP-VG457		.3430" ID, 2.6870" O.A.L.
QTY	VALVE SPRING	PART NO.	SIZE	DESCRIPTION
4	Spring	FP-VS581		Exh.; 2.6400" Free Height
4	Spring	FP-A30025		Int.
QTY	VALVE SEAL	PART NO.	SIZE	DESCRIPTION
8	Valve Stem Seal	ST-2001		Positive type; Installation requires valve guide machining; Rubber/PTFE
8	Valve Stem Seal Bulk	ST-2001BC		Positive type; Installation requires valve guide machining; Carton of 100; Rubber/PTFE

ENGINE BLOCK & PARTS

QTY	GASKET SETS	PART NO.	SIZE	DESCRIPTION
1	Kit Gasket Set	260-1339		Compl., incl. RMB seal & valve stem seals
1	Kit Gasket Set	FP-2601339 +		Compl., Incl. RMB seal & valve stem seals; When depleted use 260-1339
QTY	CAM BEARINGS	PART NO.	SIZE	DESCRIPTION
1	Cam Set	FP-1227M	Std Only	

(continued on next page)

Wheel Tractor G148B, 148B Engs. (Gas or LPG) 13
2.4L 148 L4 (G148B), 3.375" Bore (cont.)

CRANKSHAFT/OIL PUMP

QTY	SEALS - FRONT CRANK	PART NO.	SIZE	DESCRIPTION
1	Redi-Sleeve	FP-99210		
1	Oil Seal	FP-A39110		
QTY	SEALS - REAR CRANK	PART NO.	SIZE	DESCRIPTION
1	Oil Seal	FP-A51339		
1	Redi-Sleeve	FP-99400		
QTY	MAIN BEARINGS	PART NO.	SIZE	DESCRIPTION
1	Main Set	FP-4149M	Std-10-20-30	

CYLINDER COMPONENTS

QTY	LINERS	PART NO.	SIZE	DESCRIPTION
4	Liner w/Sealing Rings	FP-SO1776	Std Only	Incl. (2) FP-SLR1640 sealing rings.
4	Sleeve Assy.	FP-SL2684	Std Only	
QTY	PISTONS	PART NO.	SIZE	DESCRIPTION
4	Pin Bushing	FP-9324X		
QTY	CONNECTING RODS & BRGS.	PART NO.	SIZE	DESCRIPTION
4	Rod Pair	FP-A46050	STD	
4	Rod Pair	FP-A46052	10	
4	Rod Pair	FP-A46053	20	
4	Rod Pair	FP-A46054	30	
QTY	PISTON RINGS	PART NO.	SIZE	DESCRIPTION
1	Premium Set	FP-5456KX	Std Only	3-1/8, 1-1/4
1	Premium Set	FP-5579KX	Std Only	3-3/32, 1-1/4
1	Standard Set	FP-5579X	Std Only	3-3/32, 1-1/4
4	Premium Single Cylinder Set	W-5456KX	Std Only	3-1/8, 1-1/4
4	Premium Single Cylinder Set	W-5579KX	Std Only	3-3/32, 1-1/4

KITS

QTY	OVERHAUL KIT	PART NO.	SIZE	DESCRIPTION
1	Tractor Overhaul Kit	FP-KST2684C		Exc. Model 310G

Combine SE Eng. (Gas). Wheel Tractor SE Eng. (Gas). 14
2.5L 154 L4, 3.5" Bore

CYL. HEAD & PARTS

QTY	VALVE	PART NO.	SIZE	DESCRIPTION
16	Keeper	FP-VK123		
QTY	VALVE SEAT	PART NO.	SIZE	DESCRIPTION
4	Exh.	245-1375-4	Std Only	1.3795" OD, 1.1250" ID, .1855" Depth
4	Int.	245-1500-1	Std Only	1.5045" OD, 1.2500" ID, .2160" Depth
QTY	VALVE GUIDE	PART NO.	SIZE	DESCRIPTION
8	Guide	FP-VG386		.3128" ID, 2.7500" O.A.L.
QTY	VALVE SPRING	PART NO.	SIZE	DESCRIPTION
8	Spring	FP-VS332		2.0310" Free Height

CYLINDER COMPONENTS

QTY	PISTON RINGS	PART NO.	SIZE	DESCRIPTION
1	Premium Set	FP-5504KX	Std Only	OVERBORE To 3.625"; 3-3/32, 1-3/16
1	Premium Set	FP-934KX	Std-20-30-60	3-1/8, 1-3/16
1	Standard Set	FP-5504X	Std Only	OVERBORE To 3.625"; 3-3/32, 1-3/16
1	Standard Set	FP-934X	Std Only	3-1/8, 1-3/16
4	Premium Single Cylinder Set	W-5504KX	Std Only	OVERBORE To 3.625"; 3-3/32, 1-3/16
4	Premium Single Cylinder Set	W-934KX	Std Only	3-1/8, 1-3/16
4	Standard Single Cylinder Set	W-934X	Std Only	3-1/8, 1-3/16

Harvester V460D, V461D, VG4D, VP4, VP4D Engs. 15
2.5L 154 L-HEAD V4, 3.5" Bore (Wisconsin Eng.)

CYL. HEAD & PARTS

QTY	VALVE	PART NO.	SIZE	DESCRIPTION
4	Intake	FP-V818		VG4D & VP4D Engs.; 1.5630" Head Dia., .3089" Stem Dia., 6.3346" O.A.L.
4	Exhaust	FP-V1676X		VG4D & VP4D Engs.; 1.5570" Head Dia., .3085" Stem Dia., 6.3330" O.A.L.
16	Keeper	FP-VK144		Exc. V460D, V461D Engs.; 1 groove; Square cut key groove

(continued on next page)

15 Harvester V460D, V461D, VG4D, VP4, VP4D Engs.
(cont.) 2.5L 154 L-HEAD V4, 3.5" Bore (Wisconsin Eng.)

CYL. HEAD & PARTS (cont.)

QTY	VALVE (cont.)	PART NO.	SIZE	DESCRIPTION
16	Keeper	VK-144R		Exc. V460D, V461D Engs.; 1 groove; Square cut key groove; Hardened
16	Keeper	FP-23507238		V460D, V461D Engs.; 1 groove; Square cut key groove
16	Keeper	VK-115		V460D, V461D Engs.; 1 groove; Square cut key groove; Carton pack 32
16	Keeper, Bulk	FP-VK144B		Exc. V460D, V461D Engs.; 1 groove; Square cut key groove; Carton of 1000
16	Keeper, Bulk	VK-115B		V460D, V461D Engs.; 1 groove; Square cut key groove; Carton of 1000

QTY	VALVE GUIDE	PART NO.	SIZE	DESCRIPTION
8	Guide	VG-855		VG4D & VP4D Engs.; .3130" ID, 2.5000" O.A.L.

QTY	VALVE SPRING	PART NO.	SIZE	DESCRIPTION
8	Spring	FP-VS468		AP4 Engs.; 2.3120" Free Height

CRANKSHAFT/OIL PUMP

QTY	MAIN BEARINGS	PART NO.	SIZE	DESCRIPTION
1	Plain Main Brg.	FP-3224CP	Std-10	Position Center; V-460D, V-461D, V-465D Engs.
2	Cone Taper Brg.	39590		Position Ends; V-460D, V-461D & V-465D Engs. Tapered roller brg. cone
2	Cup Taper Brg.	39520		Position Ends; V-460D, V-461D & V-465D Engs. Tapered roller brg. cup
2	Cup Taper Brg.	453A		Position 1-2; AM-4, AM-41, AP-4, AP-41, VG4D, VM4 & VP4 Engs. Tapered roller brg. cup

CYLINDER COMPONENTS

QTY	LINERS	PART NO.	SIZE	DESCRIPTION
4	Repair Sleeve	SL-15M	Std Only	3/32" wall, Must be cut to correct length

QTY	PISTONS	PART NO.	SIZE	DESCRIPTION
4	Pin Bushing	FP-1394 *		VG4D & VP4 Engs.; 1.000" max. length
4	Pin Bushing	1394		VG4D & VP4 Engs.; 1.000" max. length

QTY	CONNECTING RODS & BRGS.	PART NO.	SIZE	DESCRIPTION
4	Rod Pair	FP-3220CP	Std-10-20-30	V-460D, V-461D, V-465D Engs.; w/2.1232-2.1240" std. shaft size
4	Rod Pair	FP-3605SB	Std-10-20	VG4D, VM4, VP4 Engs.

QTY	PISTON RINGS	PART NO.	SIZE	DESCRIPTION
1	Premium Set	FP-934KX	Std-20-30-60	VG4D, VP4, VP4D Engs.; 3-1/8, 1-3/16
4	Premium Set	FP-5091KX	Std-30	VG4D, VP4, VP4D Engs.; 3-1/8, 1-3/16 (1 cyl. set)
1	Standard Set	FP-934X	Std Only	VG4D, VP4, VP4D Engs.; 3-1/8, 1-3/16
4	Premium Single Cylinder Set	W-934KX	Std Only	VG4D, VP4, VP4D Engs.; 3-1/8, 1-3/16
4	Standard Single Cylinder Set	W-934X	Std Only	VG4D, VP4, VP4D Engs.; 3-1/8, 1-3/16

16 Wheel Tractor GD157 Eng. (Diesel)
2.6L 157 OHV Diesel L4, 3.4375" Bore (Continental Eng.)

CYLINDER COMPONENTS

QTY	PISTON RINGS	PART NO.	SIZE	DESCRIPTION
1	Premium Set	FP-5456KX	Std Only	3-1/8, 1-1/4
4	Premium Single Cylinder Set	W-5456KX	Std Only	3-1/8, 1-1/4

17 Wheel Tractor G159, G159B, 159, 159B Engs. (Gas or LPG)
2.6L 159 L4, 3.5" Bore

CYL. HEAD & PARTS

QTY	VALVE	PART NO.	SIZE	DESCRIPTION
4	Intake	FP-V4075		1.4173" Head Dia., .3409" Stem Dia., 5.2913" O.A.L.
4	Exhaust	FP-V4097		1.2697" Head Dia., .3386" Stem Dia., 5.3272" O.A.L.
16	Keeper	FP-A30004		1 groove; Square cut key groove

QTY	VALVE GUIDE	PART NO.	SIZE	DESCRIPTION
4	Guide	FP-VG457		Exh.; .3430" ID, 2.6870" O.A.L.
4	Guide	FP-VG842		Int.; .3434" ID, 2.4400" O.A.L.

QTY	VALVE MISC.	PART NO.	SIZE	DESCRIPTION
4	Rotocap Assy.	FP-RC117A		

QTY	VALVE SEAL	PART NO.	SIZE	DESCRIPTION
8	Valve Stem Seal	ST-2001		Exh. & Int.; Positive type; Installation requires valve guide machining; Rubber/PTFE
4	Valve Stem Seal	FP-G46851		Int.; Rubber

(continued on next page)

Wheel Tractor G159, G159B, 159, 159B Engs. (Gas or LPG) 17
2.6L 159 L4, 3.5" Bore (cont.)

CYL. HEAD & PARTS (cont.)

QTY	VALVE SEAL (cont.)	PART NO.	SIZE	DESCRIPTION
8	Valve Stem Seal Bulk	ST-2001BC		Exh. & Int.; Positive type; Installation requires valve guide machining; Carton of 100; Rubber/PTFE

ENGINE BLOCK & PARTS

QTY	CAM BEARINGS	PART NO.	SIZE	DESCRIPTION
1	Cam Set	FP-1227M	Std Only	

CRANKSHAFT/OIL PUMP

QTY	SEALS - FRONT CRANK	PART NO.	SIZE	DESCRIPTION
1	Redi-Sleeve	FP-99210		
1	Oil Seal	FP-A39110		

QTY	SEALS - REAR CRANK	PART NO.	SIZE	DESCRIPTION
1	Oil Seal	FP-A51339		
1	Redi-Sleeve	FP-99400		

QTY	MAIN BEARINGS	PART NO.	SIZE	DESCRIPTION
1	Main Set	FP-4149M	Std-10-20-30	

CYLINDER COMPONENTS

QTY	CONNECTING RODS & BRGS.	PART NO.	SIZE	DESCRIPTION
4	Rod Pair	FP-A46050	STD	
4	Rod Pair	FP-A46052	10	
4	Rod Pair	FP-A46053	20	
4	Rod Pair	FP-A46054	30	

Wheel Tractor F162 Eng. (Gas) 18
2.6L 162 L-HEAD L4, 3.4375" Bore (Continental Eng.)

ENGINE BLOCK & PARTS

QTY	CAM BEARINGS	PART NO.	SIZE	DESCRIPTION
1	Cam Set	FP-1158M	Std Only	

CRANKSHAFT/OIL PUMP

QTY	MAIN BEARINGS	PART NO.	SIZE	DESCRIPTION
1	Main Set	FP-4004M	Std-10-20	W/Single flanged front brg.
1	Main Set	FP-4005M	Std-10-20	W/Straight shell front brg.
1	Main Set	FP-6632M	Std-10-20-30	W/Straight shell front brg. & thrust washer
1	Thrust Washer Set	FP-9811BFA	Std Only	Position 1; Use w/straight shell main brg. set
1	Thrust Washer Set	FP-9811BF	Std Only	Position 1; Use w/Flanged main brg.

CYLINDER COMPONENTS

QTY	PISTONS	PART NO.	SIZE	DESCRIPTION
4	Pin Bushing	8649XAS		Forging No. F400D-502; Full round, thin wall .0055" O/S OD bushing
4	Pin Bushing	8649XA		Forging No. F400D-502; Full round, thin wall bushing w/.9150" OD
4	Pin Bushing	8649V		Forging No. F400D-502; Split type, thin wall bushing w/.9135" OD
4	Pin Bushing	8649V20		Forging No. F400D-502; Split type, thin wall bushing w/.9135" OD & .020" extra bore stock
4	Pin Bushing	FP-9324X		Full round, heavy wall bushing w/1.0625" OD; Forging No. F400D-500

QTY	CONNECTING RODS & BRGS.	PART NO.	SIZE	DESCRIPTION
2	Rod Pair	FP-9320CPA	Std-2-10-20-30-40	Position 1-3
2	Rod Pair	FP-9320CP	Std-10-20-30-40	Position 2-4

Wheel Tractor G164, 164 Engs. (Gas or LPG) 19
2.7L 164 L4, 3.5625" Bore

CYL. HEAD & PARTS

QTY	VALVE	PART NO.	SIZE	DESCRIPTION
4	Exhaust	FP-V1052		Gas Engs.; 1.2030" Head Dia., .3387" Stem Dia., 4.9830" O.A.L.
16	Keeper	FP-A30004		1 groove; Square cut key groove

QTY	VALVE GUIDE	PART NO.	SIZE	DESCRIPTION
4	Guide	FP-VG457		Exh.; L.P.G. Engs.; .3430" ID, 2.6870" O.A.L.
4	Guide	FP-VG842		Int.; Gas Engs.; .3434" ID, 2.4400" O.A.L.

(continued on next page)

19 Wheel Tractor G164, 164 Engs. (Gas or LPG) (cont.) 2.7L 164 L4, 3.5625" Bore				
CYL. HEAD & PARTS (cont.)				
QTY	VALVE SPRING	PART NO.	SIZE	DESCRIPTION
4	Spring	FP-A30025		Int.
QTY	VALVE SEAL	PART NO.	SIZE	DESCRIPTION
8	Valve Stem Seal	ST-2001		Positive type; Installation requires valve guide machining; Rubber/PTFE
4	Valve Stem Seal	FP-G46851		Int.; Rubber
8	Valve Stem Seal Bulk	ST-2001BC		Positive type; Installation requires valve guide machining; Carton of 100; Rubber/PTFE
ENGINE BLOCK & PARTS				
QTY	CAM BEARINGS	PART NO.	SIZE	DESCRIPTION
1	Cam Set	FP-1227M	Std Only	
CRANKSHAFT/OIL PUMP				
QTY	MAIN BEARINGS	PART NO.	SIZE	DESCRIPTION
1	Main Set	FP-4149M	Std-10-20-30	
CYLINDER COMPONENTS				
QTY	CONNECTING RODS & BRGS.	PART NO.	SIZE	DESCRIPTION
4	Rod Pair	FP-A46050	STD	
4	Rod Pair	FP-A46052	10	
4	Rod Pair	FP-A46053	20	
4	Rod Pair	FP-A46054	30	
QTY	PISTON RINGS	PART NO.	SIZE	DESCRIPTION
1	Premium Set	FP-5448KX	Std Only	3-3/32, 1-1/4
20 Combine XAH Eng. 3.0L 186 L4, 3.625" Bore (Waukesha Eng.)				
CYLINDER COMPONENTS				
QTY	PISTONS	PART NO.	SIZE	DESCRIPTION
4	Pin Bushing	FP-8944X		
21 Combine G188, G188B, 188, 188B Engs. (Gas). Wheel Tractor G188, G188B, 188, 188B Engs. (Gas). 3.1L 188 L4 (G188B), 3.8125" Bore				
CYL. HEAD & PARTS				
QTY	VALVE	PART NO.	SIZE	DESCRIPTION
16	Keeper	FP-A30004		1 groove; Square cut key groove
QTY	VALVE GUIDE	PART NO.	SIZE	DESCRIPTION
4	Guide	FP-G2069		Int.
QTY	VALVE SPRING	PART NO.	SIZE	DESCRIPTION
4	Spring	FP-A30025		Int.
QTY	VALVE MISC.	PART NO.	SIZE	DESCRIPTION
4	Rotocap Assy.	FP-RC117A		Exh.
QTY	VALVE SEAL	PART NO.	SIZE	DESCRIPTION
8	Valve Stem Seal	ST-2001		Positive type; Installation requires valve guide machining; Rubber/PTFE
4	Valve Stem Seal	FP-G46851		Int.; Rubber
8	Valve Stem Seal Bulk	ST-2001BC		Positive type; Installation requires valve guide machining; Carton of 100; Rubber/PTFE
CRANKSHAFT/OIL PUMP				
QTY	SEALS - FRONT CRANK	PART NO.	SIZE	DESCRIPTION
1	Redi-Sleeve	FP-99210		
1	Oil Seal	FP-A39110		
QTY	SEALS - REAR CRANK	PART NO.	SIZE	DESCRIPTION
1	Oil Seal	FP-A51339		
1	Redi-Sleeve	FP-99400		
CYLINDER COMPONENTS				
QTY	CONNECTING RODS & BRGS.	PART NO.	SIZE	DESCRIPTION
4	Rod Pair	FP-A46050	STD	
4	Rod Pair	FP-A46052	10	

(continued on next page)

Combine G188, G188B, 188, 188B Engs. (Gas). Wheel Tractor G188, G188B, 188, 188B 21
Engs. (Gas). (cont.)
 3.1L 188 L4 (G188B), 3.8125" Bore

CYLINDER COMPONENTS (cont.)

CONNECTING RODS & BRGS. (cont.)				
QTY		PART NO.	SIZE	DESCRIPTION
4	Rod Pair	FP-A46053	20	
4	Rod Pair	FP-A46054	30	

Combine G188D, 188, 188D Engs. (Diesel). Loader. Wheel Tractor G188D, 188, 188D Engs. 22
(Diesel). Windrower G188D, 188, 188D Engs. (Diesel). Crawler Tractor G188D, 188, 188D
Engs. (Diesel). Wheel Loader G188D, 188, 188D Engs. (Diesel).
 3.1L 188 Diesel L4, 3.8125" Bore

CYL. HEAD & PARTS

QTY		PART NO.	SIZE	DESCRIPTION
4	Intake	FP-A38422		
4	Exhaust	FP-A38423		
16	Keeper	FP-A30004		1 groove; Square cut key groove
4	Guide	FP-G2069		Exh.
4	Guide	FP-G2068		Int.
8	Spring	FP-A30025		
4	Rotocap Assy.	FP-RC117A		Exh.
8	Valve Stem Seal	ST-2001		Positive type; Installation requires valve guide machining; Rubber/PTFE
4	Valve Stem Seal	FP-G46851		Int.; Rubber
8	Valve Stem Seal Bulk	ST-2001BC		Positive type; Installation requires valve guide machining; Carton of 100; Rubber/PTFE

ENGINE BLOCK & PARTS

QTY		PART NO.	SIZE	DESCRIPTION
1	Complete Overhaul Gasket Set	FP-PGE207C		Use w/large dia. (4.537") flange sleeve
1	Complete Overhaul Gasket Set	FP-PGE188EC		Use w/small dia. (4.458") flange sleeve
1	Cam Set	FP-A151075	STD	W/Tach drive
1	Cam Set	FP-A41232	STD	W/1.218" length on No. 5 brg.; Engs. w/o tach drive

CRANKSHAFT/OIL PUMP

QTY		PART NO.	SIZE	DESCRIPTION
1	Redi-Sleeve	FP-99210		
1	Oil Seal	FP-A39110		
1	Oil Seal	FP-A51339		
1	Redi-Sleeve	FP-99400		

QTY		PART NO.	SIZE	DESCRIPTION
1	Main Set	FP-4397M	Std-10-20-30	
1	Main Set	FP-4397M10	Std-10-20-30	
1	Main Set	FP-4397M20	Std-10-20-30	
1	Main Set	FP-4397M30	Std-10-20-30	

CYLINDER COMPONENTS

QTY		PART NO.	SIZE	DESCRIPTION
4	Liner w/o Sealing Rings	FP-A39006		From Ser. No. 2656844; Flange Dia. 4.537"
4	Liner w/o Sealing Rings	FP-A43009		To Ser. No. 2656843; Flange Dia. 4.458"
4	Liner w/Sealing Rings	FP-A39006WS	STD	From Ser. No. 2656844; Flange Dia. 4.537"
4	Liner w/Sealing Rings	FP-A43009WS	STD	To Ser. No. 2656843; Flange Dia. 4.458"
4	Cylinder Kit Complete	FP-A151995	STD	From Ser. No. 2656844
4	Cylinder Kit Complete	FP-A37769	STD	To Ser. No. 2656843
8	Sealing Ring, Liner	FP-2385154		Use 2 per liner
4	Piston Body w/o Pin	FP-A38424		3-ring piston; Replaces 4-ring piston in sets; Cast; 1-1/8, 1-3/32, 1-3/16 Ring Groove; Recessed Head .540" deep & 2.492" dia. w/2 valve reliefs; 17.5:1 C.R.

(continued on next page)

22 Combine G188D, 188, 188D Engs. (Diesel). Loader. Wheel Tractor G188D, 188, 188D Engs. (cont.) (Diesel). Windrower G188D, 188, 188D Engs. (Diesel). Crawler Tractor G188D, 188, 188D Engs. (Diesel). Wheel Loader G188D, 188, 188D Engs. (Diesel).
3.1L 188 Diesel L4, 3.8125" Bore

CYLINDER COMPONENTS (cont.)

QTY	PISTONS (cont.)	PART NO.	SIZE	DESCRIPTION
4	Piston Kit w/Pin & Retainers	FP-A38424WP	STD	3-ring piston; Replaces 4-ring piston in sets; Cast; 1-1/8, 1-3/32, 1-3/16 Ring Groove; Recessed Head .540" deep & 2.492" dia. w/2 valve reliefs; 17.5:1 C.R. 1.250" Dia.
4	Pin	FP-A35770		
8	Piston Pin Retainer	FP-G46702		
1	Piston Pin Set	FP-A35771		Incl. 4 Piston Pins and 8 Piston Pin Retainers
1	Pin Bushing Set	FP-G11953		Bushing w/1.240"length; Incl. 4 of FP-G49659
1	Pin Bushing Set	FP-A136712		Bushing w/1.292"length; Incl. 4 of FP-A44038
4	Pin Bushing	FP-A44038		Bushing w/1.292" length
4	Pin Bushing	FP-G49659		To 1974; bushing w/1.240" length

QTY	CONNECTING RODS & BRGS.	PART NO.	SIZE	DESCRIPTION
4	Rod Pair	FP-A46050	STD	
4	Rod Pair	FP-A46052	10	
4	Rod Pair	FP-A46053	20	
4	Rod Pair	FP-A46054	30	

QTY	PISTON RINGS	PART NO.	SIZE	DESCRIPTION
4	Ring Set Single Cylinder	FP-A151857		3-Ring
1	Premium Set	FP-G37075	STD	Late style; 3-ring; Contains 4 of FP-A151857; 1-1/8, 1-3/32, 1-3/16

KITS

QTY	OVERHAUL KIT	PART NO.	SIZE	DESCRIPTION
1	Complete Overhaul Kit	FP-IFK188L		From Ser. No. 2656844; Flange Dia. 4.537"
1	Complete Overhaul Kit	FP-IFK188E		To Ser. No. 2656843; Flange Dia. 4.458"

23 Forklift G207D, 207, 207D Engs. (Diesel). Loader G207D, 207, 207D Engs. (Diesel). Wheel Tractor G207D, 207, 207D Engs. (Diesel). Crawler Tractor G207D, 207, 207D Engs. (Diesel).
3.4L 207 Diesel L4, 4" Bore

CYL. HEAD & PARTS

QTY	VALVE	PART NO.	SIZE	DESCRIPTION
4	Intake	FP-A38422		
4	Exhaust	FP-A38423		
16	Keeper	FP-A30004		1 groove; Square cut key groove

QTY	VALVE SPRING	PART NO.	SIZE	DESCRIPTION
8	Spring	FP-A30025		

ENGINE BLOCK & PARTS

QTY	GASKET SETS	PART NO.	SIZE	DESCRIPTION
1	Complete Overhaul Gasket Set	FP-PGE207C		Oil pan gskt. for 580D-CK not incl.

QTY	CAM BEARINGS	PART NO.	SIZE	DESCRIPTION
1	Cam Set	FP-A151075	STD	W/Tach drive

CRANKSHAFT/OIL PUMP

QTY	SEALS - FRONT CRANK	PART NO.	SIZE	DESCRIPTION
1	Redi-Sleeve	FP-99210		
1	Oil Seal	FP-A39110		

QTY	SEALS - REAR CRANK	PART NO.	SIZE	DESCRIPTION
1	Oil Seal	FP-A51339		
1	Redi-Sleeve	FP-99400		

QTY	MAIN BEARINGS	PART NO.	SIZE	DESCRIPTION
1	Main Set	FP-4397M	Std-10-20-30	
1	Main Set	FP-4397M10	Std-10-20-30	
1	Main Set	FP-4397M20	Std-10-20-30	
1	Main Set	FP-4397M30	Std-10-20-30	

CYLINDER COMPONENTS

QTY	LINERS	PART NO.	SIZE	DESCRIPTION
4	Liner w/o Sealing Rings	FP-A136474		
4	Liner w/Sealing Rings	FP-A136474WS		Incl. 2 FP-A51916 Sealing Rings
4	Cylinder Kit Complete	FP-A46382	STD	From Eng. Ser. No. 2869291
4	Cylinder Kit Complete	FP-A151991	STD	To Eng. Ser. No. 2869290
8	Sealing Ring, Liner	FP-A51916		Use 2 per liner

(continued on next page)

Forklift G207D, 207, 207D Engs. (Diesel). Loader G207D, 207, 207D Engs. (Diesel). Wheel Tractor G207D, 207, 207D Engs. (Diesel). Crawler Tractor G207D, 207, 207D Engs. (Diesel). **23**
 (cont.)
 3.4L 207 Diesel L4, 4" Bore

CYLINDER COMPONENTS (cont.)

QTY	PISTONS	PART NO.	SIZE	DESCRIPTION
4	Piston Body w/o Pin	FP-A151244		3-ring; From Ser. No. 2869291; 17.1:1 C.R.
4	Piston Body w/o Pin	FP-A51911		3-ring; To Ser. No. 2869290; 17.1:1 C.R.
4	Piston Kit w/Pin & Retainers	FP-A151244WP		3-ring; From Ser. No. 2869291; 17.1:1 C.R.
4	Piston Kit w/Pin & Retainers	FP-A51911WP		3-ring; To Ser. No. 2869290; 17.1:1 C.R.
4	Pin	FP-A35770		1.250" Dia.
8	Piston Pin Retainer	FP-G46702		
1	Piston Pin Set	FP-A35771		Incl. 4 Piston Pins and 8 Piston Pin Retainers
1	Pin Bushing Set	FP-A136712		Bushing w/1.292" length; Incl. 4 of FP-A44038
4	Pin Bushing	FP-A44038		Bushing w/1.292" length

QTY	CONNECTING RODS & BRGS.	PART NO.	SIZE	DESCRIPTION
4	Rod Pair	FP-A50975	STD	
4	Rod Pair	FP-A50977	10	
4	Rod Pair	FP-A50978	20	
4	Rod Pair	FP-A50979	30	

QTY	PISTON RINGS	PART NO.	SIZE	DESCRIPTION
4	Ring Set Single Cylinder	FP-A151892	STD	Do not use w/Chrome liners; 1-1/8, 1-3/32, 1-3/16
1	Premium Set	FP-A151892S	STD	Do not use w/Chrome liners; 1-1/8, 1-3/32, 1-3/16
1	Standard Set	FP-10456X	Std Only	1-1/8, 1-3/32, 1-3/16
4	Premium Single Cylinder Set	W-9330KX + Std Only		Do not use w/Chrome liners; 1-1/8, 1-3/32, 1-3/16; When depleted use FP-A151892

KITS

QTY	OVERHAUL KIT	PART NO.	SIZE	DESCRIPTION
1	Complete Overhaul Kit	FP-IFK207L		From Eng. Ser. No. 2869291; Oil pan gskt. for Wheel Tractor Model 580D-CK not incl.
1	Complete Overhaul Kit	FP-IFK207E		To Eng. Ser. No. 2869290; Oil pan gskt. for Wheel Tractor Model 580D-CK not incl.

Wheel Tractor F209 Eng. (Gas) 24
 3.4L 209 L-HEAD L6, 3.1875" Bore (Continental Eng.)

CYL. HEAD & PARTS

QTY	VALVE	PART NO.	SIZE	DESCRIPTION
6	Intake	FP-V1748		Single groove stem; 1.5160" Head Dia., .3410" Stem Dia., 5.1570" O.A.L.
6	Exhaust	FP-V800		Drilled stem; 1.2030" Head Dia., .3381" Stem Dia., 5.1520" O.A.L.
6	Exhaust	FP-V954		Drilled stem; 1.3280" Head Dia., .3386" Stem Dia., 5.1950" O.A.L.
6	Exhaust	FP-V1684		Single groove stem; 1.2030" Head Dia., .3392" Stem Dia., 5.1890" O.A.L.
6	Exhaust	FP-V959		Use w/Rotocaps; 1.3230" Head Dia., .3382" Stem Dia., 5.1100" O.A.L.
6	Keeper	FP-VK27		For drilled stem
12	Keeper	FP-A30004		1 groove; Square cut key groove

QTY	VALVE SEAT	PART NO.	SIZE	DESCRIPTION
6	Exh.	245-1437-3N Std Only		Premium Material; 1.4425" OD, 1.1880" ID, .2160" Depth
6	Exh.	FP-24513753		1.3795" OD, 1.0625" ID, .1855" Depth
6	Exh.	245-1437-3 Std Only		1.4425" OD, 1.1880" ID, .2160" Depth
6	Int.	245-1625-1N Std Only		Premium Material; 1.6300" OD, 1.3750" ID, .2160" Depth
6	Int.	FP-2451348E1N		1.3480" OD, 1.0870" ID, .2005" Depth
6	Int.	245-1625-1 Std Only		1.6300" OD, 1.3750" ID, .2160" Depth

QTY	VALVE GUIDE	PART NO.	SIZE	DESCRIPTION
6	Guide	FP-VG336		.3427" ID, 2.5600" O.A.L.

QTY	VALVE SPRING	PART NO.	SIZE	DESCRIPTION
6	Spring	FP-VS310		1.9690" Free Height

CAMSHAFT GROUP

QTY	TIMING	PART NO.	SIZE	DESCRIPTION
1	Timing Chain	222-489		Late model; 46 Links
1	Cam Gear	FP-223233		Early model; 36 Teeth
1	Cam Gear	FP-2212601		Governor type; 48 Teeth
1	Cam Gear	221-2601 +		Governor type; 48 Teeth; When depleted use FP-2212601
1	Cam Gear	FP-2212600		Replacement O.E. No. F400H310; 48 Teeth

(continued on next page)

24 Wheel Tractor F209 Eng. (Gas) (cont.) 3.4L 209 L-HEAD L6, 3.1875" Bore (Continental Eng.)				
ENGINE BLOCK & PARTS				
QTY	CAM BEARINGS	PART NO.	SIZE	DESCRIPTION
1	Cam Set	FP-1088M		
CRANKSHAFT/OIL PUMP				
QTY	CRANKSHAFT	PART NO.	SIZE	DESCRIPTION
1	Crank Gear	FP-223234A		Early model; 18 Teeth
1	Crank Gear	FP-2212603A		24 Teeth
1	Crank Gear	221-2603A +		24 Teeth; When depleted use FP-2212603A
QTY	MAIN BEARINGS	PART NO.	SIZE	DESCRIPTION
1	Main Set	FP-4247M		F209, F6209 Dynatork, & 24B 4th Ser.
1	Thrust Washer Set	FP-9811BFA	Std Only	Position 1; Use w/straight shell main brg. set
1	Thrust Washer Set	FP-9811BF	Std Only	Position 1; Use w/Flanged main brg.
QTY	OIL PUMP	PART NO.	SIZE	DESCRIPTION
1	Oil Pump	FP-2244132		F209 and F6209 Eng.s.; Cast Iron drive gear; Use w/Cast Iron cams; 7 1/8" from flange to end of shaft; Incl. screen
1	Oil Pump	FP-2244137		F209 and F6209 Eng.s.; Steel drive gear w/groove at pin; Use w/Steel cams; 7-1/8" from flange to end of shaft; Incl. pin
CYLINDER COMPONENTS				
QTY	PISTONS	PART NO.	SIZE	DESCRIPTION
6	Pin Bushing	8649XAS		Forging No. F400D-502; Full round, thin wall .0055" O/S OD bushing
6	Pin Bushing	8649XA		Forging No. F400D-502; Full round, thin wall bushing w/.9150" OD
6	Pin Bushing	8649V		Forging No. F400D-502; Split type, thin wall bushing w/.9135" OD
6	Pin Bushing	8649V20		Forging No. F400D-502; Split type, thin wall bushing w/.9135" OD & .020" extra bore stock
6	Pin Bushing	FP-9324X		Full round, heavy wall bushing w/1.0625" OD; Frg. Nos. D600D-500, F400D-500 & F600D-500. Except F209 4th series, F6209 Dynatork & 24B 4th series Eng.s.
QTY	CONNECTING RODS & BRGS.	PART NO.	SIZE	DESCRIPTION
3	Rod Pair	FP-1995CPA	STD	Position 1-3-5; F209 4th series, F6209 Dynatork & 24B 4th series Eng.s.
3	Rod Pair	FP-9320CPA	Std-2-10-20-30-40	Position 1-3-5; F209, PF209, F6209 & 24B 1st, 2nd, 3rd series Eng.s.
3	Rod Pair	FP-1995CP	STD	Position 2-4-6; F209 4th series, F6209 Dynatork & 24B 4th series Eng.s.
3	Rod Pair	FP-9320CP	Std-10-20-30-40	Position 2-4-6; F209, PF209, F6209 & 24B 1st, 2nd, 3rd series Eng.s.
25 Combine H-225 Eng. (Gas) 3.7L 225 OHV L6, 3.4063" Bore (Chrysler Eng.)				
CYL. HEAD & PARTS				
QTY	VALVE	PART NO.	SIZE	DESCRIPTION
6	Intake	V-1434	Std Only	2 groove; 1.6200" Head Dia., .3725" Stem Dia., 4.7740" O.A.L.
24	Keeper	VK-66		2 groove
24	Keeper	VK-66R		2 groove; Hardened
24	Keeper	VK-174		4 groove
24	Keeper	VK-174R		4 groove; Hardened
QTY	VALVE SPRING	PART NO.	SIZE	DESCRIPTION
12	Spring	VS-510		Exh. & Int.; 2.0000" Free Height
12	Spring Insert	259-103C		.015"; ID 1.030"; Carton of 100
QTY	PUSH RODS	PART NO.	SIZE	DESCRIPTION
12	Push Rod	RP-3036		9.9540" O.A.L.
QTY	VALVE SEAL	PART NO.	SIZE	DESCRIPTION
6	Valve Stem Seal	MV-1918		Exh.; Umbrella type; Viton®
6	Valve Stem Seal	MV-1771C		Int.; Eng.s. No. H2254071330; Umbrella type; Polyacrylate
6	Valve Stem Seal Bulk	MV-1771		Int.; Eng.s. No. H2254071330; Umbrella type; Carton of 100; Polyacrylate
CAMSHAFT GROUP				
QTY	TIMING	PART NO.	SIZE	DESCRIPTION
1	Timing Chain	222-495		Silent type; 50 Links
1	Crank Sprocket	223-291		Use w/silent type chain; 19 Teeth
QTY	CAMSHAFT/LIFTER	PART NO.	SIZE	DESCRIPTION
1	Camshaft	CS-380		

(continued on next page)

Combine H-225 Eng. (Gas) 25
3.7L 225 OHV L6, 3.4063" Bore (Chrysler Eng.) (cont.)

CAMSHAFT GROUP (cont.)

QTY	CAMSHAFT/LIFTER (cont.)	PART NO.	SIZE	DESCRIPTION
12	Lifter	AT-2084	Std Only	Dumbbell shaped mech.
12	Lifter, Bulk	AT-2084B	Std Only	Dumbbell shaped mech.; Carton of 117
1	Prelube	55-400		4 oz. bottle; 1.5 oz. packet No. 55-403 also avail.

ENGINE BLOCK & PARTS

QTY	GASKET SETS	PART NO.	SIZE	DESCRIPTION
1	Kit Gasket Set	260-1004		Premium valve stem seals incl.
QTY	CAM BEARINGS	PART NO.	SIZE	DESCRIPTION
1	Cam Set	1454M	Std Only	
1	Cam Set	1473M	Std Only	

CRANKSHAFT/OIL PUMP

QTY	MAIN BEARINGS	PART NO.	SIZE	DESCRIPTION
1	Main Set	5070M	Std-10-20-30-40	
1	Main Set	4092M	Std-10-20-30	1960-76; w/Forged crankshaft; w/ 1.255" O.A.L. No. 3 brg.
QTY	OIL PUMP	PART NO.	SIZE	DESCRIPTION
1	Oil Pump	224-4165C		w/.826" rotor thickness; 5 bolt pump; Will replace early 6 bolt pump

CYLINDER COMPONENTS

QTY	PISTONS	PART NO.	SIZE	DESCRIPTION
6	Cast Piston	244NP	Std-20-30-40-60	Cast; 2-5/64", 1-3/16" Ring Groove, 1.740" CD, .9011" Pin Dia., Flat Head - 8.2:1 C.R.
6	Cast Piston - Individual	W244NP	Std-20-30-40-60	Cast; 2-5/64", 1-3/16" Ring Groove, 1.740" CD, .9011" Pin Dia., Flat Head - 8.2:1 C.R.
6	Pin Bushing	2134Y		
QTY	CONNECTING RODS & BRGS.	PART NO.	SIZE	DESCRIPTION
1	Rod Set	6-3695RA	Std-10-20-30-40	A-Series aluminum bearings
1	Rod Set	6-2375CP	Std-10-20-30-40	6-2375CA 60 avail. as unplated & resizeable
6	Rod Pair	2375CP	Std-10-20-30-40	
6	Rod Pair	3695RA	Std-1-10-20-30-40	A-Series aluminum bearings
QTY	PISTON RINGS	PART NO.	SIZE	DESCRIPTION
1	Premium Set	E-196K	Std-20-30-40-60	2-5/64, 1-3/16
1	Standard Set	E-196X	Std-20-30-40-60	2-5/64, 1-3/16
6	Premium Single Cylinder Set	WE-196K	Std-20-30-40-60	2-5/64, 1-3/16
6	Standard Single Cylinder Set	WE-196X	Std-20-30-40-60	2-5/64, 1-3/16

Loader. Power Unit. Wheel Tractor "B" Series, 4B3.9 (4-390) (Naturally Aspirated). 26
Windrower. Trencher. Crawler Tractor. Wheel Skidder. Backhoe.
3.9L 239 (3921cc) OHV Diesel L4, 102mm Bore (Cummins Eng.)

CYL. HEAD & PARTS

QTY	GASKETS	PART NO.	SIZE	DESCRIPTION
4	Valve Cover Gasket	FP-3930906		
1	Head Gasket	FP-3283569		
1	Head Set	FP-3804896		
QTY	HEAD BOLTS	PART NO.	SIZE	DESCRIPTION
10	Head Bolt	FP-3920780		M12 x 1.75 x 122MM Length
4	Head Bolt	FP-3920779		M12 x 1.75 x 71.5MM Length
QTY	VALVE	PART NO.	SIZE	DESCRIPTION
4	Intake	FP-3920867		Bare Valve; Chrome plated stem; 1.7720" Head Dia., .3138" Stem Dia., 5.0840" O.A.L.
4	Exhaust	FP-3920868		Bare Valve; Chrome plated stem; 1.6540" Head Dia., .3138" Stem Dia., 5.0810" O.A.L.
4	Exhaust Valve Kit	FP-3802356		Incl. valve & locks
4	Intake Valve Kit	FP-3802355		Incl. valve & locks
8	Keeper	FP-3900250		

(continued on next page)

26 Loader. Power Unit. Wheel Tractor "B" Series, 4B3.9 (4-390) (Naturally Aspirated). (cont.) Windrower. Trencher. Crawler Tractor. Wheel Skidder. Backhoe. 3.9L 239 (3921cc) OHV Diesel L4, 102mm Bore (Cummins Eng.)				
CYL. HEAD & PARTS (cont.)				
QTY	VALVE SEAT	PART NO.	SIZE	DESCRIPTION
4	Exh.	FP-3904105		
4	Int.	FP-3906854		
QTY	VALVE GUIDE	PART NO.	SIZE	DESCRIPTION
4	Guide	FP-3904409		Exh.; Thick wall; .3160" ID, 2.0520" O.A.L.
4	Guide	FP-3904408		Int.; Thick wall; .3160" ID, 2.3970" O.A.L.
4	Guide	FP-3906206		Int. & Exh.; Thin wall; .3162" ID, 2.5000" O.A.L.
QTY	VALVE SPRING	PART NO.	SIZE	DESCRIPTION
8	Spring	FP-4936080		1.8800" Free Height
8	Spring	FP-3900276		30 PSI; 2.2350" Free Height
8	Spring	FP-3926700		36 PSI; 2.3850" Free Height
8	Spring	FP-3932453		36 PSI; 2.5500" Free Height
8	Retainer	FP-3900299		
QTY	PUSH RODS	PART NO.	SIZE	DESCRIPTION
8	Push Rod	FP-3284377		10.9100" O.A.L.
QTY	VALVE MISC.	PART NO.	SIZE	DESCRIPTION
1	O-Ring	FP-3910824		Valve Cover Screw; .364" I.D. x .070" Thick
QTY	VALVE SEAL	PART NO.	SIZE	DESCRIPTION
8	Valve Stem Seal	FP-3957912		Int. & Exh.; For Eng. built after April 2003; Top Hat style; Viton®
8	Valve Stem Seal	FP-3921640		Int. & Exh.; For Eng. built before April 2003
8	Valve Stem Seal	FP-3901097 +		Int. & Exh.; When depleted use FP-3921640
QTY	ROCKER PARTS	PART NO.	SIZE	DESCRIPTION
4	Rocker Lever Exhaust	FP-3910810		Exh.
4	Rocker Lever Intake	FP-3910811		Int.
CAMSHAFT GROUP				
QTY	CAMSHAFT/LIFTER	PART NO.	SIZE	DESCRIPTION
1	Camshaft	FP-3929039		
8	Lifter	FP-3931623		
FUEL SYSTEM & PARTS				
QTY	FUEL INJECTION	PART NO.	SIZE	DESCRIPTION
4	Fuel Injector Seal Ring	FP-3909356		
4	Fuel Injector Sleeve	FP-3919358		For 9mm head
4	Fuel Injector Seal	FP-3930324		
4	Copper Washer	FP-3906659		For 7mm head; 1.50MM Thick
4	Fuel Line Connector	FP-3903380		Banjo connector; 6mm; Banjo connector
QTY	FUEL FILTERS & PUMP	PART NO.	SIZE	DESCRIPTION
1	Fuel Transfer Pump	FP-4983584 *		Diaphragm style
1	Fuel Transfer Pump	FP-3970880 +		Diaphragm style; When depleted use FP-4983584
1	Fuel Transfer Pump	FP-4944713		144.7 - 201.2 LPH; 1/4 x 18 NPTF Fuel Inlet
COOLING SYSTEM				
QTY	WATER PUMP	PART NO.	SIZE	DESCRIPTION
1	Water Pump - Heavy Duty	FP-3286277		
QTY	THERMOSTAT	PART NO.	SIZE	DESCRIPTION
1	Thermostat	FP-3917324		180 Deg. F
1	Thermostat Kit	FP-3802273		180 Deg. F; Includes Thermostat, Template and O-ring
ENGINE BLOCK & PARTS				
QTY	GASKETS	PART NO.	SIZE	DESCRIPTION
1	Oil Pan Gasket	FP-3911535		
QTY	GASKET SETS	PART NO.	SIZE	DESCRIPTION
1	Gasket Conversion Set	FP-3802375		
QTY	CAM BEARINGS	PART NO.	SIZE	DESCRIPTION
1	Cam Brg.	FP-3940059	STD	From 1997 and up (Storm Blocks)
1	Cam Brg.	FP-3901306	STD	To 1996
QTY	OIL COOLERS & FILTERS	PART NO.	SIZE	DESCRIPTION
1	Oil Cooler	FP-3957543		
CRANKSHAFT/OIL PUMP				
QTY	CRANKSHAFT	PART NO.	SIZE	DESCRIPTION
1	Crankshaft	FP-3929036		STD; With Gear
1	Crank Gear	FP-3929027		

(continued on next page)

*Loader. Power Unit. Wheel Tractor "B" Series, 4B3.9 (4-390) (Naturally Aspirated). 26
Windrower. Trencher. Crawler Tractor. Wheel Skidder. Backhoe. (cont.)
3.9L 239 (3921cc) OHV Diesel L4, 102mm Bore (Cummins Eng.)*

CRANKSHAFT/OIL PUMP (cont.)

QTY	SEALS - FRONT CRANK	PART NO.	SIZE	DESCRIPTION
1	Oil Seal	FP-3937111		
1	Gear Housing Gasket	FP-3938156		Front
1	Redi-Sleeve	FP-3906080		Front
QTY	SEALS - REAR CRANK	PART NO.	SIZE	DESCRIPTION
1	Redi-Sleeve	FP-3906081		Rear
1	Rear Cover Gasket	FP-3928493		
1	Rect. or Square Seal	FP-3912473		Flywheel Housing; Rectangular
QTY	MAIN BEARINGS	PART NO.	SIZE	DESCRIPTION
1	Main Set	FP-3802010	STD	
1	Main Set	FP-3802011	.25MM	
1	Main Set	FP-3802012	.50MM	
1	Main Set	FP-3802013	.75MM	
1	Main Set	FP-3802014	1.00MM	
QTY	OIL PUMP	PART NO.	SIZE	DESCRIPTION
1	Oil Pump	FP-4939585		4BT3.9

CYLINDER COMPONENTS

QTY	LINERS	PART NO.	SIZE	DESCRIPTION
4	Liner w/o Sealing Rings	FP-3904166		To return block to Standard
QTY	PISTONS	PART NO.	SIZE	DESCRIPTION
4	Piston Body w/o Pin	FP-3906223	STD	
4	Piston Body w/o Pin	FP-3906209	.50MM	
4	Piston Body w/o Pin	FP-3906208	1.00MM	
4	Piston Kit w/Pin & Retainers	FP-3906223WP	STD	
4	Piston Kit w/Pin & Retainers	FP-3906209WP	.50MM	
4	Piston Kit w/Pin & Retainers	FP-3906208WP	1.00MM	
4	Piston w/Retainer & Rings	FP-3802060	STD	
4	Piston w/Retainer & Rings	FP-3802062	.50MM	
4	Piston w/Retainer & Rings	FP-3802064	1.00MM	
4	Piston w/Pin, Retainer, Rings	FP-PK6223	STD	
4	Piston w/Pin, Retainer, Rings	FP-PK6209	.50MM	
4	Piston w/Pin, Retainer, Rings	FP-PK6208	1.00MM	
4	Pin Bushing	FP-4891178		For fracture split rods
4	Pin Bushing	FP-3901085		For machine split rods

QTY	CONNECTING RODS & BRGS.	PART NO.	SIZE	DESCRIPTION
8	Con. Rod Bolt	FP-3900919		For machine split rods only; MJ11 - 1.25 X 59mm
4	Rod Pair	FP-3967060	STD	For fracture split rods
4	Rod Pair	FP-3967061	.25MM	For fracture split rods
4	Rod Pair	FP-3967062	.50MM	For fracture split rods
4	Rod Pair	FP-3967063	.75MM	For fracture split rods
4	Rod Pair	FP-3967064	1.00MM	For fracture split rods
8	Rod Bearing Half Upper/Lower	FP-3939859	STD	For machine split rods
8	Rod Bearing Half Upper/Lower	FP-3901171	.25MM	For machine split rods
8	Rod Bearing Half Upper/Lower	FP-3901172	.50MM	For machine split rods
8	Rod Bearing Half Upper/Lower	FP-3901173	.75MM	For machine split rods
8	Rod Bearing Half Upper/Lower	FP-3901174	1.00MM	For machine split rods

QTY	PISTON RINGS	PART NO.	SIZE	DESCRIPTION
4	Ring Set Single Cylinder	FP-3802040	STD	1-2.40MM, 1-2.36MM, 1-4.00MM (1 cyl. set)
4	Ring Set Single Cylinder	FP-3802042	.50MM	1-2.40MM, 1-2.36MM, 1-4.00MM (1 cyl. set)
4	Ring Set Single Cylinder	FP-3802044	1.00MM	1-2.40MM, 1-2.36MM, 1-4.00MM (1 cyl. set)

KITS

QTY	OVERHAUL KIT	PART NO.	SIZE	DESCRIPTION
1	Piston and Ring Kit	PK1-2742		When depleted use FP-PK12742
1	Piston and Ring Kit w/Bearing	PK2-2742A		When depleted use FP-PK22742A
1	Piston Kit w/Ring Set	FP-PK12742		
1	Piston Kit w/Rings & Bearings	FP-PK22742A		
1	In-Frame Overhaul Kit	FP-4B39PREML		4B3.9; Late; Premium; With Upper Gasket Set & Pan Gasket
1	Complete Overhaul Kit	FP-4B39PREMOHL		4B3.9; Late; Premium; With Front & Rear Seals and Upper & Lower Gasket Sets
1	Complete Overhaul Kit	FP-4B39PREMOH		4B3.9; Premium; With Front & Rear Seals and Upper & Lower Gasket Sets

27 Loader. Wheel Tractor "B" Series, 4BT3.9 (4T-390) (Turbo). Trencher. Crawler Tractor. Excavator.
3.9L 239 (3921cc) OHV Turbo-Diesel L4, 102mm Bore (Cummins Eng.)

CYL. HEAD & PARTS

QTY	GASKETS	PART NO.	SIZE	DESCRIPTION
2	Grommet	FP-3900267		Push Rod Cover
4	Valve Cover Gasket	FP-3930906		
1	Head Gasket	FP-3283336		.25 MM O/S Head Gasket
1	Head Gasket	FP-3283569		Standard
1	Head Set	FP-3804896		Standard Head Gasket
1	Head Set	FP-3802362		Standard; .25 MM O/S Head Gasket
2	Grommet	FP-3900267		Cam Follower Cover
QTY	HEAD BOLTS	PART NO.	SIZE	DESCRIPTION
10	Head Bolt	FP-3920780		M12 x 1.75 x 122MM Length
4	Head Bolt	FP-3920779		M12 x 1.75 x 71.5MM Length
QTY	MISCELLANEOUS	PART NO.	SIZE	DESCRIPTION
4	Bolt	FP-3920781		Rocker Lever Shaft Support; M12 x 1.75 x 180MM Rocker Arm Bolt
QTY	VALVE	PART NO.	SIZE	DESCRIPTION
4	Intake	FP-3920867		Bare Valve; Chrome plated stem; 1.7720" Head Dia., .3138" Stem Dia., 5.0840" O.A.L.
4	Exhaust	FP-3920868		Bare Valve; Chrome plated stem; 1.6540" Head Dia., .3138" Stem Dia., 5.0810" O.A.L.
4	Exhaust Valve Kit	FP-3802356		Incl. valve & locks
4	Intake Valve Kit	FP-3802355		Incl. valve & locks
8	Keeper	FP-3900250		
QTY	VALVE SEAT	PART NO.	SIZE	DESCRIPTION
4	Exh.	FP-3904105		
4	Int.	FP-3906854		
QTY	VALVE GUIDE	PART NO.	SIZE	DESCRIPTION
4	Guide	FP-3904409		Exh.; Thick wall; .3160" ID, 2.0520" O.A.L.
4	Guide	FP-3904408		Int.; Thick wall; .3160" ID, 2.3970" O.A.L.
4	Guide	FP-3906206		Int. & Exh.; Thin wall; .3162" ID, 2.5000" O.A.L.
QTY	VALVE SPRING	PART NO.	SIZE	DESCRIPTION
8	Spring	FP-4936080		1.8800" Free Height
8	Spring	FP-3900276		30 PSI; 2.2350" Free Height
8	Spring	FP-3926700		36 PSI; 2.3850" Free Height
8	Spring	FP-3932453		36 PSI; 2.5500" Free Height
8	Retainer	FP-3900299		
QTY	PUSH RODS	PART NO.	SIZE	DESCRIPTION
8	Push Rod	FP-3284377		Int. & Exh.; 10.9100" O.A.L.
1	Push Rod Cover Gasket	FP-3283767		
QTY	VALVE MISC.	PART NO.	SIZE	DESCRIPTION
1	O-Ring	FP-3910824		Valve Cover Screw; .364" I.D. x .070" Thick
QTY	VALVE SEAL	PART NO.	SIZE	DESCRIPTION
8	Valve Stem Seal	FP-3957912		Int. & Exh.; For Eng. built after April 2003; Top Hat style; Viton®
8	Valve Stem Seal	FP-3921640		Int. & Exh.; For Eng. built before April 2003
8	Valve Stem Seal	FP-3901097 +		Int. & Exh.; When depleted use FP-3921640
QTY	ROCKER PARTS	PART NO.	SIZE	DESCRIPTION
8	Adjusting Screw Nut	FP-203131		3/8" - 24 UNF
4	Bolt	FP-3920781		Rocker Lever Shaft Support; M12 x 1.75 x 180MM Rocker Arm Bolt
4	Support, Rocker Lever	FP-3922488		
4	Rocker Lever Exhaust	FP-3910810		
4	Rocker Lever Intake	FP-3910811		
8	Washer	FP-3900245		Rocker Lever; M19
8	Snap Ring	FP-3900242		Rocker Lever
INT & EXH MANIFOLDS				
QTY	INT. & EXH. MANIFOLDS	PART NO.	SIZE	DESCRIPTION
4	Exhaust Manifold Gasket	FP-3905443		
1	Int. Manif. Cover Plate Gskt.	FP-3914028		
QTY	AIR INTAKE	PART NO.	SIZE	DESCRIPTION
1	Air Intake Gasket	FP-3969988		
CAMSHAFT GROUP				
QTY	CAMSHAFT/LIFTER	PART NO.	SIZE	DESCRIPTION
1	Camshaft	FP-3929039		
8	Lifter	FP-3931623		

(continued on next page)

*Loader. Wheel Tractor "B" Series, 4BT3.9 (4T-390) (Turbo). Trencher. Crawler Tractor. 27
Excavator. (cont.)*

3.9L 239 (3921cc) OHV Turbo-Diesel L4, 102mm Bore (Cummins Eng.)

FUEL SYSTEM & PARTS

QTY	FUEL INJECTION	PART NO.	SIZE	DESCRIPTION
2	Grommet	FP-3900267		Fuel Drain Tube
4	Fuel Injector Seal Ring	FP-3909356		
4	Fuel Injector Sleeve	FP-3919358		For 9mm head
4	Fuel Injector Seal	FP-3930324		
4	Copper Washer	FP-3906659		For 7mm head; 1.50MM Thick
4	Fuel Line Connector	FP-3903380		For 6mm head; Banjo connector

QTY	FUEL FILTERS & PUMP	PART NO.	SIZE	DESCRIPTION
1	Fuel Transfer Pump	FP-4983584 *		Diaphragm style
1	Fuel Transfer Pump	FP-3970880 +		Diaphragm style; When depleted use FP-4983584
1	Fuel Transfer Pump	FP-4944713		144.7 - 201.2 LPH; 1/4 x 18 NPTF Fuel Inlet
1	Cover Plate Gasket	FP-3931348		Fuel Transfer Pump Mounting
1	Cover Plate Gasket	FP-3939258		Fuel Transfer Pump Mounting
1	Solenoid Repair Kit	FP-3903575		Fuel Transfer Pump
1	Solenoid Repair Kit	FP-3903576		Fuel Transfer Pump; 24V
4	Washer	FP-3900808		Sealing
2	Washer	FP-3918191		Sealing; Fuel Supply Tube; .500" I.D., Banjo Connector
1	Fuel Filter Gasket	FP-3906694		Large
1	Fuel Filter Gasket	FP-3906695		Small

QTY	TURBOCHARGER	PART NO.	SIZE	DESCRIPTION
1	Turbocharger Mounting Gasket	FP-3901356		

COOLING SYSTEM

QTY	WATER PUMP	PART NO.	SIZE	DESCRIPTION
1	Water Pump - Heavy Duty	FP-3286277		
1	Ball Brg.	FP-3910739		Fan Drive
1	Water Pump Seal Ring	FP-3906698		Water pump mounting; Rectangular Ring
1	O-Ring	FP-3883284		Air Intake Connection; For 3.00" Dia. Turbocharger elbow
1	O-Ring	FP-3923331		Thermostat Housing Cover
1	Shaft & Bearing Assembly	FP-3923517		
1	V Belt	FP-3911587		53.5 X 1.125"; Ribbed 8
1	V Belt	FP-3911557		56 X 1.125"; Ribbed 8
1	V Belt	FP-3911588		56.5 X 1.125"; Ribbed 8
1	V Belt	FP-3911568		57 X 1.125"; Ribbed 8
1	V Belt	FP-3911558		59 X 1.125"; Ribbed 8
1	V Belt	FP-3911563		60.5 X 1.125"; Ribbed 8
1	V Belt	FP-3911572		61.5 X 1.125"; Ribbed 8
1	V Belt	FP-3911559		62 X 1.125"; Ribbed 8
1	V Belt	FP-3034946		62.5 X 1.125"; Ribbed 8
1	V Belt	FP-3911575		63 X 1.125"; Ribbed 8
1	V Belt	FP-3911582		70 X 1.125"; Ribbed 8

QTY	THERMOSTAT	PART NO.	SIZE	DESCRIPTION
1	Thermostat	FP-3917324		180 Deg. F
1	Thermostat Kit	FP-3802273		180 Deg. F; Includes Thermostat, Template and O-ring

ENGINE BLOCK & PARTS

QTY	GASKETS	PART NO.	SIZE	DESCRIPTION
1	Oil Pan Gasket	FP-3911535		
1	Washer	FP-3902425		Sealing; Oil Pan Plug
1	Washer	FP-3920773		Sealing; Oil Pan Plug; 18.40MM I.D. x 1.5MM Thick
1	O-Ring	FP-3913994		
1	Gear Cover Gasket	FP-3914385		
1	Rect. or Square Seal	FP-3903475		Tach Drive Cover

QTY	GASKET SETS	PART NO.	SIZE	DESCRIPTION
1	Gasket Conversion Set	FP-3802375		
1	In-Frame Gasket Set	FP-3802362S		.25 MM O/S Head Gasket
1	In-Frame Gasket Set	FP-3804896S		Standard Head Gasket

QTY	CAM BEARINGS	PART NO.	SIZE	DESCRIPTION
1	Cam Brg.	FP-3940059	STD	From 1997 and up (Storm Blocks)
1	Cam Brg.	FP-3901306	STD	Position Front only

QTY	OIL COOLERS & FILTERS	PART NO.	SIZE	DESCRIPTION
1	Oil Cooler	FP-3957543		
1	Oil Press. Reg. Low Pressure	FP-3918428		Oil Press. Regulator Plunger
1	O-Ring	FP-3909397		Oil Cooler
1	Oil Cooler Core Inner Gasket	FP-3926760		Core
1	Oil Cooler Core Outer Gasket	FP-3929792		

(continued on next page)

27 Loader. Wheel Tractor "B" Series, 4BT3.9 (4T-390) (Turbo). Trencher. Crawler Tractor.
 (cont.) Excavator.
 3.9L 239 (3921cc) OHV Turbo-Diesel L4, 102mm Bore (Cummins Eng.)

ENGINE BLOCK & PARTS (cont.)

QTY	FREEZE PLUGS	PART NO.	SIZE	DESCRIPTION
1	Expansion Plug	FP-3900687		
2	Expansion Plug	FP-3007635		1.00" Dia.
CRANKSHAFT/OIL PUMP				
QTY	CRANKSHAFT	PART NO.	SIZE	DESCRIPTION
1	Crankshaft	FP-3929036		STD; With Gear
1	Crank Gear	FP-3929027		Front
QTY	SEALS - FRONT CRANK	PART NO.	SIZE	DESCRIPTION
1	Oil Seal	FP-3937111		
1	Gear Housing Gasket	FP-3938156		Front
1	Redi-Sleeve	FP-3906080		Front
1	O-Ring	FP-3913994		
1	Rect. or Square Seal	FP-3915772		Front
QTY	SEALS - REAR CRANK	PART NO.	SIZE	DESCRIPTION
1	Oil Seal	FP-3909410		Rear; Single Lip; Dry Clutch
1	Oil Seal Kit	FP-3926126		Single Lip; Dry Clutch; Incl. Wear Sleeve
1	Oil Seal Kit	FP-4089342 +		When depleted use FP-3934486
1	Redi-Sleeve	FP-3906081		Rear
1	Rear Cover Gasket	FP-3928493		
1	Rect. or Square Seal	FP-3912473		Rear; Rectangular
QTY	MAIN BEARINGS	PART NO.	SIZE	DESCRIPTION
1	Main Set	FP-3802010		STD
1	Main Set	FP-3802011		.25MM
1	Main Set	FP-3802012		.50MM
1	Main Set	FP-3802013		.75MM
1	Main Set	FP-3802014		1.00MM
QTY	OIL PUMP	PART NO.	SIZE	DESCRIPTION
1	Oil Pump	FP-4939585		
1	Pick-Up Tube Gasket	FP-3938157		
1	Pick-Up Tube Gasket	FP-3914383 +		When depleted use FP-3938157
CYLINDER COMPONENTS				
QTY	LINERS	PART NO.	SIZE	DESCRIPTION
4	Liner w/o Sealing Rings	FP-3904166		To return block to Standard
QTY	PISTONS	PART NO.	SIZE	DESCRIPTION
4	Piston Body w/o Pin	FP-3907163		STD 4BT3.9; Early; 17.5:1 C.R.
4	Piston Body w/o Pin	FP-3908815		.50MM 4BT3.9; Early; 17.5:1 C.R.
4	Piston Body w/o Pin	FP-3908816		1.00MM 4BT3.9; Early; 17.5:1 C.R.
4	Piston Kit w/Pin & Retainers	FP-3907163WP		STD 4BT3.9; Early; 17.5:1 C.R.
4	Piston Kit w/Pin & Retainers	FP-3908815WP		.50MM 4BT3.9; Early; 17.5:1 C.R.
4	Piston Kit w/Pin & Retainers	FP-3908816WP		1.00MM 4BT3.9; Early; 17.5:1 C.R.
4	Piston w/Retainer & Rings	FP-3802160		STD 4BT3.9; Early; 17.5:1 C.R.
4	Piston w/Retainer & Rings	FP-3802132		.50MM 4BT3.9; Early; 17.5:1 C.R.
4	Piston w/Retainer & Rings	FP-3802134		1.00MM 4BT3.9; Early; 17.5:1 C.R.
4	Piston w/Pin, Retainer, Rings	FP-3802712		STD 4BT3.9; Early; 17.5:1 C.R.
4	Piston w/Pin, Retainer, Rings	FP-PK8815		.50MM 4BT3.9; Early; 17.5:1 C.R.
4	Piston w/Pin, Retainer, Rings	FP-PK8816		1.00MM 4BT3.9; Early; 17.5:1 C.R.
4	Piston Body w/o Pin	FP-3907156		STD 4BTA3.9; Early; 16.5:1 C.R.
4	Piston Body w/o Pin	FP-3907157		.50MM 4BTA3.9; Early; 16.5:1 C.R.
4	Piston Body w/o Pin	FP-3907158		1.00MM 4BTA3.9; Early; 16.5:1 C.R.
4	Piston Kit w/Pin & Retainers	FP-3907156WP		STD 4BTA3.9; Early; 16.5:1 C.R.
4	Piston Kit w/Pin & Retainers	FP-3907157WP		.50MM 4BTA3.9; Early; 16.5:1 C.R.
4	Piston Kit w/Pin & Retainers	FP-3907158WP		1.00MM 4BTA3.9; Early; 16.5:1 C.R.
4	Piston w/Retainer & Rings	FP-3802100		STD 4BTA3.9; Early; 16.5:1 C.R.
4	Piston w/Retainer & Rings	FP-3802102		.50MM 4BTA3.9; Early; 16.5:1 C.R.
4	Piston w/Retainer & Rings	FP-3802104		1.00MM 4BTA3.9; Early; 16.5:1 C.R.
4	Piston w/Pin, Retainer, Rings	FP-3802711		STD 4BTA3.9; Early; 16.5:1 C.R.
4	Piston w/Pin, Retainer, Rings	FP-PK7157		.50MM 4BTA3.9; Early; 16.5:1 C.R.
4	Piston w/Pin, Retainer, Rings	FP-PK7158		1.00MM 4BTA3.9; Early; 16.5:1 C.R.
4	Piston Body w/o Pin	FP-3926631		STD 4BT3.9; A Grade; 10 MM Top Ring Land
4	Piston Body w/o Pin	FP-3926632		STD 4BT3.9; B Grade; 10 MM Top Ring Land
4	Piston Body w/o Pin	FP-3926633		STD 4BT3.9; C Grade; 10 MM Top Ring Land
4	Piston Body w/o Pin	FP-3926634		.50MM 4BT3.9; 10 MM Top Ring Land
4	Piston Body w/o Pin	FP-3926635		1.00MM 4BT3.9; 10 MM Top Ring Land
4	Piston Kit w/Pin & Retainers	FP-3926631WP		STD 4BT3.9; A Grade; 10 MM Top Ring Land
4	Piston Kit w/Pin & Retainers	FP-3926632WP		STD 4BT3.9; B Grade; 10 MM Top Ring Land

(continued on next page)

Loader. Wheel Tractor "B" Series, 4BT3.9 (4T-390) (Turbo). Trencher. Crawler Tractor. 27
Excavator. (cont.)
 3.9L 239 (3921cc) OHV Turbo-Diesel L4, 102mm Bore (Cummins Eng.)

CYLINDER COMPONENTS (cont.)

QTY	PISTONS (cont.)	PART NO.	SIZE	DESCRIPTION
4	Piston Kit w/Pin & Retainers	FP-3926633WP	STD	4BT3.9; C Grade; 10 MM Top Ring Land
4	Piston Kit w/Pin & Retainers	FP-3926634WP	.50MM	4BT3.9; 10 MM Top Ring Land
4	Piston Kit w/Pin & Retainers	FP-3926635WP	1.00MM	4BT3.9; 10 MM Top Ring Land
4	Piston w/Retainer & Rings	FP-3802561	STD	4BT3.9; A Grade; 10 MM Top Ring Land
4	Piston w/Retainer & Rings	FP-3802562	STD	4BT3.9; B Grade; 10 MM Top Ring Land
4	Piston w/Retainer & Rings	FP-3802563	STD	4BT3.9; C Grade; 10 MM Top Ring Land
4	Piston w/Retainer & Rings	FP-3802564	.50MM	4BT3.9; 10 MM Top Ring Land
4	Piston w/Retainer & Rings	FP-3802565	1.00MM	4BT3.9; 10 MM Top Ring Land
4	Piston w/Pin, Retainer, Rings	FP-PK6631	STD	4BT3.9; A Grade; Naturally Aspirated
4	Piston w/Pin, Retainer, Rings	FP-PK6632	STD	4BT3.9; B Grade; 10 MM Top Ring Land
4	Piston w/Pin, Retainer, Rings	FP-PK6633	STD	4BT3.9; C Grade; 10 MM Top Ring Land
4	Piston w/Pin, Retainer, Rings	FP-PK6634	.50MM	4BT3.9; 10 MM Top Ring Land
4	Piston w/Pin, Retainer, Rings	FP-PK6635	1.00MM	4BT3.9; 10 MM Top Ring Land
4	Piston Body w/o Pin	FP-3919041	STD	4BTA3.9
4	Piston Body w/o Pin	FP-3919044	.50MM	4BTA3.9
4	Piston Body w/o Pin	FP-3919045	1.00MM	4BTA3.9
4	Piston Kit w/Pin & Retainers	FP-3919041WP	STD	4BTA3.9
4	Piston Kit w/Pin & Retainers	FP-3919044WP	.50MM	4BTA3.9
4	Piston Kit w/Pin & Retainers	FP-3919045WP	1.00MM	4BTA3.9
4	Piston w/Retainer & Rings	FP-3802248	STD	4BTA3.9
4	Piston w/Retainer & Rings	FP-3802249	.50MM	4BTA3.9
4	Piston w/Retainer & Rings	FP-3802250	1.00MM	4BTA3.9
4	Piston w/Pin, Retainer, Rings	FP-PK9041	STD	4BTA3.9
4	Piston w/Pin, Retainer, Rings	FP-PK9044	.50MM	4BTA3.9
4	Piston w/Pin, Retainer, Rings	FP-PK9045	1.00MM	4BTA3.9
4	Piston Body w/o Pin	FP-3928673	STD	4BTA3.9
4	Piston Body w/o Pin	FP-3928674	.50MM	4BTA3.9
4	Piston Body w/o Pin	FP-3928675	1.00MM	4BTA3.9
4	Piston Kit w/Pin & Retainers	FP-3928673WP	STD	4BTA3.9
4	Piston Kit w/Pin & Retainers	FP-3928674WP	.50MM	4BTA3.9
4	Piston Kit w/Pin & Retainers	FP-3928675WP	1.00MM	4BTA3.9
4	Piston w/Retainer & Rings	FP-3802747	STD	4BTA3.9
4	Piston w/Retainer & Rings	FP-3802764	.50MM	4BTA3.9
4	Piston w/Retainer & Rings	FP-3802765	1.00MM	4BTA3.9
4	Piston w/Pin, Retainer, Rings	FP-PK8673	STD	4BTA3.9
4	Piston w/Pin, Retainer, Rings	FP-PK8674	.50MM	4BTA3.9
4	Piston w/Pin, Retainer, Rings	FP-PK8675	1.00MM	4BTA3.9
4	Piston Body w/o Pin	FP-3930187	STD	4BT3.9; Late; 17.3:1 C.R.; CPL Numbers 1963, 2264, 2623 only
4	Piston Body w/o Pin	FP-3930188	.50MM	4BT3.9; Late; 17.3:1 C.R.; CPL Numbers 1963, 2264, 2623 only
4	Piston Body w/o Pin	FP-3930189	1.00MM	4BT3.9; Late; 17.3:1 C.R.; CPL Numbers 1963, 2264, 2623 only
4	Piston Kit w/Pin & Retainers	FP-3930187WP	STD	4BT3.9; Late; 17.3:1 C.R.; CPL Numbers 1963, 2264, 2623 only
4	Piston Kit w/Pin & Retainers	FP-3930188WP	.50MM	4BT3.9; Late; 17.3:1 C.R.; CPL Numbers 1963, 2264, 2623 only
4	Piston Kit w/Pin & Retainers	FP-3930189WP	1.00MM	4BT3.9; Late; 17.3:1 C.R.; CPL Numbers 1963, 2264, 2623 only
4	Piston w/Retainer & Rings	FP-3802757	STD	4BT3.9; Late; 17.3:1 C.R.; CPL Numbers 1963, 2264, 2623 only
4	Piston w/Retainer & Rings	FP-3802758	.50MM	4BT3.9; Late; 17.3:1 C.R.; CPL Numbers 1963, 2264, 2623 only
4	Piston w/Retainer & Rings	FP-3802759	1.00MM	4BT3.9; Late; 17.3:1 C.R.; CPL Numbers 1963, 2264, 2623 only
4	Piston w/Pin, Retainer, Rings	FP-PK0187	STD	4BT3.9; Late; 17.3:1 C.R.; CPL Numbers 1963, 2264, 2623 only
4	Piston w/Pin, Retainer, Rings	FP-PK0188	.50MM	4BT3.9; Late; 17.3:1 C.R.; CPL Numbers 1963, 2264, 2623 only
4	Piston w/Pin, Retainer, Rings	FP-PK0189	1.00MM	4BT3.9; Late; 17.3:1 C.R.; CPL Numbers 1963, 2264, 2623 only
4	Pin	FP-3934048		Early; For pistons 3907156, 3907157, 3907158, 3907163, 3908815, 3908817
4	Pin	FP-3934047		Late; For pistons 3919041, 3919044, 3919045, 3926631, 3926632, 3926633, 3926634, 3926635, 3928673, 3928674, 3928675, 3930187, 3930188, 3930189
4	Piston Pin Retainer	FP-3920691		
4	Piston Cooling Nozzle	FP-3901020		Pre- 1991
4	Piston Cooling Nozzle	FP-3937214		1991 to 1996
4	Pin Bushing	FP-4891178		For fracture split rods
4	Pin Bushing	FP-3901085		For machine split rods
CONNECTING RODS & BRGS.				
8	Con. Rod Bolt	FP-3900919		For machine split rods only; MJ11 - 1.25 X 59mm
4	Rod Pair	FP-3967060	STD	For fracture split rods
4	Rod Pair	FP-3967061	.25MM	For fracture split rods
4	Rod Pair	FP-3967062	.50MM	For fracture split rods
4	Rod Pair	FP-3967063	.75MM	For fracture split rods
4	Rod Pair	FP-3967064	1.00MM	For fracture split rods
8	Rod Bearing Half Upper/Lower	FP-3939859	STD	For machine split rods

(continued on next page)

27 *Loader. Wheel Tractor "B" Series, 4BT3.9 (4T-390) (Turbo). Trencher. Crawler Tractor. (cont.) Excavator.*
 3.9L 239 (3921cc) OHV Turbo-Diesel L4, 102mm Bore (Cummins Eng.)

CYLINDER COMPONENTS (cont.)

CONNECTING RODS & BRGS. (cont.)				
QTY		PART NO.	SIZE	DESCRIPTION
8	Rod Bearing Half Upper/Lower	FP-3901171	.25MM	For machine split rods
8	Rod Bearing Half Upper/Lower	FP-3901172	.50MM	For machine split rods
8	Rod Bearing Half Upper/Lower	FP-3901173	.75MM	For machine split rods
8	Rod Bearing Half Upper/Lower	FP-3901174	1.00MM	For machine split rods
PISTON RINGS				
QTY		PART NO.	SIZE	DESCRIPTION
4	Ring Set Single Cylinder	FP-3802750	STD	CPL Numbers 1963, 2264, 2623
4	Ring Set Single Cylinder	FP-3802863	.50MM	CPL Numbers 1963, 2264, 2623
4	Ring Set Single Cylinder	FP-3802864	1.00MM	CPL Numbers 1963, 2264, 2623
4	Ring Set Single Cylinder	FP-3802230	STD	4BT3.9; 1-3.00MM, 1-2.36MM, 1-4.00MM (1 cyl. set)
4	Ring Set Single Cylinder	FP-3802232	.50MM	4BT3.9; 1-3.00MM, 1-2.36MM, 1-4.00MM (1 cyl. set)
4	Ring Set Single Cylinder	FP-3802234	1.00MM	4BT3.9; 1-3.00MM, 1-2.36MM, 1-4.00MM (1 cyl. set)

KITS

QTY		PART NO.	SIZE	DESCRIPTION
1	Piston and Ring Kit	PK1-2743		4BT Engs.
1	Piston and Ring Kit	PK1-2744		4BTA Engs.
1	Piston and Ring Kit w/Bearing	PK2-2743A		4BT Engs.
1	Piston and Ring Kit w/Bearing	PK2-2744A		4BTA Engs.
1	In-Frame Overhaul Kit	FP-4B39PREML		4BT3.9; Late; Premium; With Upper Gasket Set & Pan Gasket
1	In-Frame Overhaul Kit	FP-4B39PREM		4BT3.9; Premium; With Upper Gasket Set & Pan Gasket
1	Complete Overhaul Kit	FP-4B39PREMOHL		4BT3.9; Late; Premium; With Front & Rear Seals and Upper & Lower Gasket Sets
1	Complete Overhaul Kit	FP-4B39PREMOH		4BT3.9; Premium; With Front & Rear Seals and Upper & Lower Gasket Sets

28 *Combine A251, A251B, A251G, A251S, 251, 251B, 251BG Engs. (Gas). Wheel Tractor A251, A251B, A251G, A251S, 251, 251B, 251BG Engs. (Gas).*
 4.1L 251 L4, 4" Bore

CYL. HEAD & PARTS

QTY		PART NO.	SIZE	DESCRIPTION
16	Keeper	FP-A27872		251B Eng.
VALVE GUIDE				
8	Guide	FP-VG544		Models 730 & 740; .4050" ID, 3.5800" O.A.L.
4	Guide	FP-A26294		Int.; Model 400, 700 & 800; .4050" ID, 4.3800" O.A.L.
VALVE SPRING				
8	Spring	FP-A66444		Model 770
VALVE MISC.				
4	Rotocap	FP-A66336		Exh.; 251B Eng.
VALVE SEAL				
8	Valve Stem Seal	ST-2001		Positive type; Installation requires valve guide machining; Rubber/PTFE
8	Valve Stem Seal	FP-A58628		251B Eng.; O-Ring style
8	Valve Stem Seal Bulk	ST-2001BC		Positive type; Installation requires valve guide machining; Carton of 100; Rubber/PTFE

ENGINE BLOCK & PARTS

QTY		PART NO.	SIZE	DESCRIPTION
1	CAM BEARINGS Cam Set	FP-A23577	STD	W/2.250" dia. brgs.

CRANKSHAFT/OIL PUMP

SEALS - FRONT CRANK				
QTY		PART NO.	SIZE	DESCRIPTION
1	Redi-Sleeve	FP-99260		
1	Oil Seal	FP-A157044		
SEALS - REAR CRANK				
QTY		PART NO.	SIZE	DESCRIPTION
1	Oil Seal	415138		
1	Redi-Sleeve	FP-99475		
MAIN BEARINGS				
QTY		PART NO.	SIZE	DESCRIPTION
1	Main Set	FP-7039M	Std-10-20	Optional main set w/o thrust washer
1	Thrust Washer Set	FP-A62572S	STD	Position 3; .156" Thick
1	Thrust Washer Set	FP-A62573S	STD	Position 3; .186" Thick

(continued on next page)

Combine A251, A251B, A251G, A251S, 251, 251B, 251BG Engs. (Gas). Wheel Tractor 28
A251, A251B, A251G, A251S, 251, 251B, 251BG Engs. (Gas). (cont.)
 4.1L 251 L4, 4" Bore

CYLINDER COMPONENTS

QTY	PISTONS	PART NO.	SIZE	DESCRIPTION
4	Pin Bushing	FP-A27846		W/1.3596" pin dia.; 1.500" Pin Dia.
QTY	CONNECTING RODS & BRGS.	PART NO.	SIZE	DESCRIPTION
4	Rod Pair	FP-A43173	STD	2.7490" Crank Pin Dia.
4	Rod Pair	FP-A43174	2	2.7490" Crank Pin Dia.
4	Rod Pair	FP-A43175	10	2.7490" Crank Pin Dia.
4	Rod Pair	FP-A43176	20	2.7490" Crank Pin Dia.
4	Rod Pair	FP-A43177	30	2.7490" Crank Pin Dia.
QTY	PISTON RINGS	PART NO.	SIZE	DESCRIPTION
1	Premium Set	FP-5194KX	Std Only	3-3/32, 1-1/4
4	Premium Single Cylinder Set	W-5194KX	Std Only	3-3/32, 1-1/4

Wheel Tractor A251D, 251D Engs. (Diesel) 29
 4.1L 251 Diesel L4, 4" Bore

CYL. HEAD & PARTS

QTY	VALVE GUIDE	PART NO.	SIZE	DESCRIPTION
4	Guide	FP-A26294		Int.; 400 Powerdyne; .4050" ID, 4.3800" O.A.L.
QTY	VALVE SPRING	PART NO.	SIZE	DESCRIPTION
8	Spring	FP-VS581		Models 400 Powerdyne & 600 Series only; 2.6400" Free Height

ENGINE BLOCK & PARTS

QTY	CAM BEARINGS	PART NO.	SIZE	DESCRIPTION
1	Cam Set	FP-A23577	STD	W/2.250" dia. brgs.

CRANKSHAFT/OIL PUMP

QTY	SEALS - FRONT CRANK	PART NO.	SIZE	DESCRIPTION
1	Redi-Sleeve	FP-99260		
1	Oil Seal	FP-A157044		
QTY	SEALS - REAR CRANK	PART NO.	SIZE	DESCRIPTION
1	Oil Seal	415138		
1	Redi-Sleeve	FP-99475		
QTY	MAIN BEARINGS	PART NO.	SIZE	DESCRIPTION
1	Main Set	FP-7039M	Std-10-20	Optional main set w/o thrust washer
1	Thrust Washer Set	FP-A62572S	STD	Position 3; .156" Thick
1	Thrust Washer Set	FP-A62573S	STD	Position 3; .186" Thick

CYLINDER COMPONENTS

QTY	CONNECTING RODS & BRGS.	PART NO.	SIZE	DESCRIPTION
4	Rod Pair	FP-A43173	STD	2.7490" Crank Pin Dia.
4	Rod Pair	FP-A43174	2	2.7490" Crank Pin Dia.
4	Rod Pair	FP-A43175	10	2.7490" Crank Pin Dia.
4	Rod Pair	FP-A43176	20	2.7490" Crank Pin Dia.
4	Rod Pair	FP-A43177	30	2.7490" Crank Pin Dia.

Combine CE Eng. (Gas). Wheel Tractor CE Eng. (Gas). 30
 4.3L 260 L4, 3.875" Bore

CYL. HEAD & PARTS

QTY	VALVE	PART NO.	SIZE	DESCRIPTION
8	Exhaust	FP-V773		For Int. & Exh.; 1.7500" Head Dia., .4335" Stem Dia., 5.7030" O.A.L.
QTY	VALVE SEAT	PART NO.	SIZE	DESCRIPTION
8	Exh. & Int.	FP-24518125		1.8175" OD, 1.5000" ID, .2480" Depth
QTY	VALVE SEAL	PART NO.	SIZE	DESCRIPTION
8	Valve Stem Seal	ST-2007		Positive type; Rubber

CYLINDER COMPONENTS

QTY	PISTON RINGS	PART NO.	SIZE	DESCRIPTION
1	Premium Set	FP-5138KX	Std Only	OVERBORE To 4.000"; 2-3/32, 1-1/8, 1-1/4
1	Premium Set	FP-5194KX	Std Only	OVERBORE To 4.000"; 3-3/32, 1-1/4
1	Premium Set	FP-919KX	Std Only	3-1/8, 1-1/4
4	Premium Single Cylinder Set	W-5194KX	Std Only	OVERBORE To 4.000"; 3-3/32, 1-1/4

31 Wheel Tractor HD260 Eng. (Diesel) 4.3L 260 OHV Diesel L4, 3.875" Bore (Continental Eng.)				
CYL. HEAD & PARTS				
QTY	VALVE	PART NO.	SIZE	DESCRIPTION
16	Keeper	VK-140		
QTY	VALVE GUIDE	PART NO.	SIZE	DESCRIPTION
8	Guide	FP-VG483		.4365" ID, 2.8750" O.A.L.
QTY	VALVE SPRING	PART NO.	SIZE	DESCRIPTION
8	Spring	FP-A30025		
CYLINDER COMPONENTS				
QTY	PISTONS	PART NO.	SIZE	DESCRIPTION
4	Pin Bushing	FP-1669Y20		
32 Combine A267, A267B, A267BD, A267D, 267, 267B Eng. (Diesel). Wheel Tractor A267, A267B, A267BD, A267D, 267, 267B Eng. (Diesel). Wheel Loader A267, A267B, A267BD, A267D, 267, 267B Eng. (Diesel). 4.4L 267 Diesel L4, 4.125" Bore				
CYL. HEAD & PARTS				
QTY	VALVE	PART NO.	SIZE	DESCRIPTION
4	Intake	FP-A11801		A267D Eng.;; Model 730
4	Exhaust	FP-A11802		A267D Eng.;; Model 730
16	Keeper	FP-A27872		A267BD, 4-267BD Eng.;; Model 730
QTY	VALVE GUIDE	PART NO.	SIZE	DESCRIPTION
4	Guide	FP-A11803		Exh.; A267D Eng.;; Model 730; .4050" ID, 3.2200" O.A.L.
8	Guide	FP-A11803		Exh. & Int.; A267BD, 4-267BD Eng.;; Model 770; .4050" ID, 3.2200" O.A.L.
4	Guide	FP-A26294		Int.; A267D Eng.;; Model 730; .4050" ID, 4.3800" O.A.L.
QTY	VALVE SPRING	PART NO.	SIZE	DESCRIPTION
8	Spring	FP-A66444		A267BD Eng.;
QTY	VALVE SEAL	PART NO.	SIZE	DESCRIPTION
8	Valve Stem Seal	FP-A58628		A267BD Eng.;; O-Ring style
ENGINE BLOCK & PARTS				
QTY	GASKET SETS	PART NO.	SIZE	DESCRIPTION
1	Complete Overhaul Gasket Set	FP-PGE267LC		A267BD, 4-267BD Eng. only; Model 770
1	Complete Overhaul Gasket Set	FP-PGE267EC		Eng. oil pan gskt. for Case-O-Matic & Model. 730 after Ser. No. 8353501 not incl.
QTY	CAM BEARINGS	PART NO.	SIZE	DESCRIPTION
1	Cam Set	FP-A23577	STD	W/2.250" dia. brgs.
CRANKSHAFT/OIL PUMP				
QTY	SEALS - FRONT CRANK	PART NO.	SIZE	DESCRIPTION
1	Redi-Sleeve	FP-99260		
1	Oil Seal	FP-A157044		
QTY	SEALS - REAR CRANK	PART NO.	SIZE	DESCRIPTION
1	Oil Seal	415138		
1	Redi-Sleeve	FP-99475		
QTY	MAIN BEARINGS	PART NO.	SIZE	DESCRIPTION
1	Main Set	FP-7039M	Std-10-20	Optional main set w/o thrust washer
1	Thrust Washer Set	FP-A62572S	STD	Position 3; .156" Thick
1	Thrust Washer Set	FP-A62573S	STD	Position 3; .186" Thick
CYLINDER COMPONENTS				
QTY	LINERS	PART NO.	SIZE	DESCRIPTION
4	Liner w/Sealing Rings	FP-A23658WS	STD	
4	Liner w/Sealing Rings	FP-A182186WS	STD	Wheel Tractor Model 770 only, A267BD, 4-267BD Eng.;
4	Cylinder Kit Complete	FP-A418211	STD	Contains cast-iron piston w/1.359" dia. pin
4	Cylinder Kit Complete	FP-A404791	STD	Contains Alum. piston w/1.500" dia. pin
4	Cylinder Kit Complete	FP-A1481351	STD	Wheel Tractor Model 770 only, A267BD Eng.;
QTY	PISTONS	PART NO.	SIZE	DESCRIPTION
4	Piston Body w/o Pin	FP-2489N	STD	OVERBORE To 4.250"; 700B Eng. only; 3-3/32, 1-1/4 Ring Groove; Flat Head
4	Piston Kit w/Pin & Retainers	FP-A11101WP	STD	Exc. Model 770 Eng.;; w/1.3586" pin dia.;; Cast; 3-3/32, 1-1/4 Ring Groove; Flat Head. Cast Iron
4	Piston Kit w/Pin & Retainers	FP-A24488WP	STD	Exc. Model 770 Eng.;; w/1.500" pin dia.;; Cast; 3-3/32, 1-1/4 Ring Groove; Flat Head. Alum. w/Ni-Resist Insert

(continued on next page)

Combine A267, A267B, A267BD, A267D, 267, 267B Engs. (Diesel). Wheel Tractor A267, 32 A267B, A267BD, A267D, 267, 267B Engs. (Diesel). Wheel Loader A267, A267B, A267BD, (cont.) A267D, 267, 267B Engs. (Diesel). 4.4L 267 Diesel L4, 4.125" Bore

CYLINDER COMPONENTS (cont.)

QTY	PISTONS (cont.)	PART NO.	SIZE	DESCRIPTION
4	Piston Kit w/Pin & Retainers	FP-A65127WP	STD	Wheel Tractor Model 770 only A267BD, 4-267BD Engs.; Cast; 2-3/32, 1-1/4 Ring Groove; Dish Head .890" deep x 2.310" dia. w/2 valve reliefs
4	Pin Bushing	FP-A27846		W/1.3586" pin dia.; 1.500" Pin Dia.
QTY	CONNECTING RODS & BRGS.	PART NO.	SIZE	DESCRIPTION
4	Rod Pair	FP-A43173	STD	2.7490" Crank Pin Dia.
4	Rod Pair	FP-A43174	2	2.7490" Crank Pin Dia.
4	Rod Pair	FP-A43175	10	2.7490" Crank Pin Dia.
4	Rod Pair	FP-A43176	20	2.7490" Crank Pin Dia.
4	Rod Pair	FP-A43177	30	2.7490" Crank Pin Dia.
QTY	PISTON RINGS	PART NO.	SIZE	DESCRIPTION
4	Ring Set Single Cylinder	FP-A41967	STD	A267BD Engs.; 2-3/32, 1-1/4
4	Ring Set Single Cylinder	FP-A40364	STD	A267D Engs.; 3-3/32, 1-1/4
4	Ring Set Single Cylinder	FP-A40367	STD	OVERBORE TO 4.250"; 3-3/32, 1-1/4
2	Premium Set	FP-A41967S	STD	A267BD Engs.; 2-3/32, 1-1/4; 2 Cyl Set
1	Premium Set	FP-A40364S	STD	A267D Engs.; 3-3/32, 1-1/4
1	Premium Set	FP-A40367S	STD	OVERBORE TO 4.250"; 3-3/32, 1-1/4
4	Premium Single Cylinder Set	W-10138KX	Std Only	A267BD Engs.; 2-3/32, 1-1/4 (2 cyl. set)
4	Premium Single Cylinder Set	W-5538KX	Std Only	A267D Engs.; 3-3/32, 1-1/4

KITS

QTY	OVERHAUL KIT	PART NO.	SIZE	DESCRIPTION
1	In-Frame Overhaul Kit	FP-IFK267L		A267BD, 4-267BD, Late Engs. only
1	In-Frame Overhaul Kit	FP-IFK267E		W/1.3586" pin dia. & thrust washer set; Oil pan gskt. for Case-O Matic & Model 730 From Ser. No. 8353501 not incl.
1	In-Frame Overhaul Kit	FP-IFK267E		W/1.500" pin dia. & thrust washer set; Oil pan gskt. for Case-O-Matic & Model 730 From Ser. No. 8353501 not incl.

Combine H-273, HA-273 Engs. (Gas) 33
4.5L 273 OHV V8, 3.625" Bore (Chrysler Eng.)

ENGINE BLOCK & PARTS

QTY	CAM BEARINGS	PART NO.	SIZE	DESCRIPTION
1	Cam Set	1484M	Std Only	
1	Cam Set	1451M	Std Only	.760" length ctr. brg.

CRANKSHAFT/OIL PUMP

QTY	CRANKSHAFT	PART NO.	SIZE	DESCRIPTION
1	Harmonic Balancer Sleeve	88218		
QTY	SEALS - FRONT CRANK	PART NO.	SIZE	DESCRIPTION
1	Redi-Sleeve	99218		
1	Oil Seal	3103		
QTY	SEALS - REAR CRANK	PART NO.	SIZE	DESCRIPTION
1	Oil Seal Kit	5414		
QTY	MAIN BEARINGS	PART NO.	SIZE	DESCRIPTION
1	Main Set	4923MA	Std-1-10-20-30-40-50-60	A-Series aluminum bearings

CYLINDER COMPONENTS

QTY	PISTONS	PART NO.	SIZE	DESCRIPTION
8	Pin Bushing	2134Y		
8	Pin Bushing	2134Y20		w/.020" extra bore stock
QTY	CONNECTING RODS & BRGS.	PART NO.	SIZE	DESCRIPTION
1	Rod Set	8-2130CP10X2	10X2	Use in .002" O/S Rod Bore
1	Rod Set	8-2130CP	Std-1-10-20-30-40-50	8-2130CA 60 avail. as unplated & resizeable
1	Rod Set	8-2130CA60	60	Unplated & resizeable
8	Rod Pair	2130CP	Std-1-2-10-20-30-40	

34 Wheel Tractor HD277 Eng. (Diesel) 4.5L 277 OHV Diesel L4, 4" Bore (Continental Eng.)				
CYL. HEAD & PARTS				
QTY	VALVE	PART NO.	SIZE	DESCRIPTION
16	Keeper	VK-140		
QTY	VALVE GUIDE	PART NO.	SIZE	DESCRIPTION
8	Guide	FP-VG483		.4365" ID, 2.8750" O.A.L.
QTY	VALVE SPRING	PART NO.	SIZE	DESCRIPTION
8	Spring	FP-A30025		
CYLINDER COMPONENTS				
QTY	PISTONS	PART NO.	SIZE	DESCRIPTION
4	Pin Bushing	FP-1669Y20		
35 Combine JXC Eng. (Gas) 4.6L 282 L-HEAD L6, 3.75" Bore (Hercules Eng.)				
CYL. HEAD & PARTS				
QTY	VALVE	PART NO.	SIZE	DESCRIPTION
6	Intake	FP-V318		1.6930" Head Dia., .3725" Stem Dia., 5.1150" O.A.L.
QTY	VALVE GUIDE	PART NO.	SIZE	DESCRIPTION
12	Guide	FP-VG414		.3745" ID, 2.3600" O.A.L.
ENGINE BLOCK & PARTS				
QTY	CAM BEARINGS	PART NO.	SIZE	DESCRIPTION
1	Cam Set	FP-1090M		Std Only
CRANKSHAFT/OIL PUMP				
QTY	MAIN BEARINGS	PART NO.	SIZE	DESCRIPTION
1	Plain Main Brg.	FP-2241CP10	10	Position 1
1	Plain Main Brg.	FP-2241CP20	20	Position 1
1	Plain Main Brg.	FP-2241CP30	30	Position 1
4	Plain Main Brg.	FP-2243CP10	10	Position 2-3-5-6
4	Plain Main Brg.	FP-2243CP20	20	Position 2-3-5-6
4	Plain Main Brg.	FP-2243CP30	30	Position 2-3-5-6
1	Plain Main Brg.	FP-2242CP10	10	Position 4
1	Plain Main Brg.	FP-2242CP20	20	Position 4
1	Plain Main Brg.	FP-2242CP30	30	Position 4
1	Plain Main Brg.	FP-2244CP10	10	Position 7
1	Plain Main Brg.	FP-2244CP20	20	Position 7
1	Plain Main Brg.	FP-2244CP30	30	Position 7
CYLINDER COMPONENTS				
QTY	PISTONS	PART NO.	SIZE	DESCRIPTION
6	Pin Bushing	FP-1424X		Drilled rod type bushing
QTY	CONNECTING RODS & BRGS.	PART NO.	SIZE	DESCRIPTION
6	Rod Pair	FP-1420CP	Std-10-20-40	w/1.9870-1.9880" std. shaft size
QTY	PISTON RINGS	PART NO.	SIZE	DESCRIPTION
1	Premium Set	FP-645KX	Std Only	3-1/8, 1-3/16
6	Premium Single Cylinder Set	W-645KX	Std Only	3-1/8, 1-3/16
36 Combine A284G, A284GF, A284S, 284, 284B, 284S Eng. (Gas). Wheel Tractor A284G, A284GF, A284S, 284, 284B, 284S Eng. (Gas). 4.7L 284 L4, 4.25" Bore				
CYL. HEAD & PARTS				
QTY	VALVE	PART NO.	SIZE	DESCRIPTION
16	Keeper	FP-A27872		284 Eng.
QTY	VALVE SEAT	PART NO.	SIZE	DESCRIPTION
4	Exh.	FP-24518125		830 & 840 Models; 1.8175" OD, 1.5000" ID, .2480" Depth
QTY	VALVE GUIDE	PART NO.	SIZE	DESCRIPTION
8	Guide	FP-VG544		284S Eng.; .4050" ID, 3.5800" O.A.L.
QTY	VALVE SPRING	PART NO.	SIZE	DESCRIPTION
8	Spring	FP-A21076		284 Eng.
ENGINE BLOCK & PARTS				
QTY	CAM BEARINGS	PART NO.	SIZE	DESCRIPTION
1	Cam Set	FP-A23577	STD	W/2.250" dia. brgs.

(continued on next page)

**Combine A284G, A284GF, A284S, 284, 284B, 284S Engs. (Gas). Wheel Tractor A284G, 36
A284GF, A284S, 284, 284B, 284S Engs. (Gas). (cont.)
4.7L 284 L4, 4.25" Bore**

CRANKSHAFT/OIL PUMP				
QTY	SEALS - FRONT CRANK	PART NO.	SIZE	DESCRIPTION
1	Redi-Sleeve	FP-99260		
1	Oil Seal	FP-A157044		
QTY	SEALS - REAR CRANK	PART NO.	SIZE	DESCRIPTION
1	Oil Seal	415138		
1	Redi-Sleeve	FP-99475		
QTY	MAIN BEARINGS	PART NO.	SIZE	DESCRIPTION
1	Main Set	FP-7039M	Std-10-20	Optional main set w/o thrust washer
1	Thrust Washer Set	FP-A62572S	STD	Position 3; .156" Thick
CYLINDER COMPONENTS				
QTY	PISTONS	PART NO.	SIZE	DESCRIPTION
4	Pin Bushing	FP-A27846		W/1.3596" pin dia.; 1.500" Pin Dia.
QTY	CONNECTING RODS & BRGS.	PART NO.	SIZE	DESCRIPTION
4	Rod Pair	FP-A43173	STD	2.7490" Crank Pin Dia.
4	Rod Pair	FP-A43174	2	2.7490" Crank Pin Dia.
4	Rod Pair	FP-A43175	10	2.7490" Crank Pin Dia.
4	Rod Pair	FP-A43176	20	2.7490" Crank Pin Dia.
4	Rod Pair	FP-A43177	30	2.7490" Crank Pin Dia.
QTY	PISTON RINGS	PART NO.	SIZE	DESCRIPTION
4	Ring Set Single Cylinder	FP-A40367	STD	3-3/32, 1-1/4
1	Premium Set	FP-A40367S	STD	3-3/32, 1-1/4

**Combine GO298 Eng. (Gas) 37
4.9L 298 OHV L6, 3.75" Bore (Hercules Eng.)**

CYL. HEAD & PARTS				
QTY	VALVE	PART NO.	SIZE	DESCRIPTION
6	Intake	FP-V318		1.6930" Head Dia., .3725" Stem Dia., 5.1150" O.A.L.
QTY	VALVE GUIDE	PART NO.	SIZE	DESCRIPTION
12	Guide	FP-VG414		.3745" ID, 2.3600" O.A.L.
ENGINE BLOCK & PARTS				
QTY	CAM BEARINGS	PART NO.	SIZE	DESCRIPTION
1	Cam Set	FP-1226M	Std Only	
CYLINDER COMPONENTS				
QTY	CONNECTING RODS & BRGS.	PART NO.	SIZE	DESCRIPTION
6	Rod Pair	FP-1420CP	Std-10-20-40	w/1.9870-1.9880" std. shaft size
6	Rod Pair	3160CP Std-10		w/2.3730-2.3740" std. shaft size
QTY	PISTON RINGS	PART NO.	SIZE	DESCRIPTION
6	Premium Set	FP-5648KX	Std Only	GO-298 Engs.; 1-3/32, 1-1/8, 2-3/16 (1 cyl. set)

**Combine A301, 301B, 301BG Engs. (Gas). Wheel Tractor A301, 301B, 301BG Engs. (Gas). 38
5.0L 301 L4, 4.375" Bore**

CYL. HEAD & PARTS				
QTY	VALVE	PART NO.	SIZE	DESCRIPTION
16	Keeper	FP-A27872		
QTY	VALVE SPRING	PART NO.	SIZE	DESCRIPTION
8	Spring	FP-A66444		
QTY	VALVE MISC.	PART NO.	SIZE	DESCRIPTION
4	Rotocap	FP-A66336		Exh.
QTY	VALVE SEAL	PART NO.	SIZE	DESCRIPTION
8	Valve Stem Seal	FP-A58628		O-Ring style
ENGINE BLOCK & PARTS				
QTY	CAM BEARINGS	PART NO.	SIZE	DESCRIPTION
1	Cam Set	FP-A23577	STD	W/2.250" dia. brgs.
CRANKSHAFT/OIL PUMP				
QTY	SEALS - FRONT CRANK	PART NO.	SIZE	DESCRIPTION
1	Redi-Sleeve	FP-99260		

(continued on next page)

38 Combine A301, 301B, 301BG Eng. (Gas). Wheel Tractor A301, 301B, 301BG Eng. (Gas).
 (cont.) 5.0L 301 L4, 4.375" Bore

CRANKSHAFT/OIL PUMP (cont.)				
QTY	SEALS - FRONT CRANK	PART NO.	SIZE	DESCRIPTION
1	(cont.) Oil Seal	FP-A157044		
QTY	SEALS - REAR CRANK	PART NO.	SIZE	DESCRIPTION
1	Oil Seal	FP-A62050		
1	Redi-Sleeve	FP-99475		
QTY	MAIN BEARINGS	PART NO.	SIZE	DESCRIPTION
1	Main Set	FP-7039M	Std-10-20	Optional main set w/o thrust washer
1	Thrust Washer Set	FP-A62572S	STD	Position 3; .156" Thick
CYLINDER COMPONENTS				
QTY	LINERS	PART NO.	SIZE	DESCRIPTION
4	Liner w/Sealing Rings	FP-A148203WS	STD	Incl. (2) sealing rings; Flange dia. 5.173"
QTY	PISTONS	PART NO.	SIZE	DESCRIPTION
4	Pin Bushing	FP-A27846		W/1.3596" pin dia.; 1.500" Pin Dia.
QTY	CONNECTING RODS & BRGS.	PART NO.	SIZE	DESCRIPTION
1	Rod Pair	FP-A43173	STD	2.7490" Crank Pin Dia.
1	Rod Pair	FP-A43174	2	2.7490" Crank Pin Dia.
1	Rod Pair	FP-A43175	10	2.7490" Crank Pin Dia.
1	Rod Pair	FP-A43176	20	2.7490" Crank Pin Dia.
1	Rod Pair	FP-A43177	30	2.7490" Crank Pin Dia.

39 Combine A301BD, A301D, 301, 301B Eng. (Diesel). Wheel Tractor A301BD, A301D, 301, 301B Eng. (Diesel). Crawler Tractor A301BD, A301D, 301, 301B Eng. (Diesel). Wheel Loader A301BD, A301D, 301, 301B Eng. (Diesel).
 5.0L 301 Diesel L4, 4.375" Bore

CYL. HEAD & PARTS				
QTY	VALVE	PART NO.	SIZE	DESCRIPTION
16	Keeper	FP-A27872		
QTY	VALVE GUIDE	PART NO.	SIZE	DESCRIPTION
4	Guide	FP-A11803		Exh.; A301D & A301DF Eng.; .4050" ID, 3.2200" O.A.L.
4	Guide	FP-A26294		Int.; A301D & A301DF Eng.; .4050" ID, 4.3800" O.A.L.
QTY	VALVE SPRING	PART NO.	SIZE	DESCRIPTION
8	Spring	FP-A21076		A301D & A301DF Eng.
QTY	VALVE MISC.	PART NO.	SIZE	DESCRIPTION
4	Rotocap	FP-A66336		Exh.; A301D, A301BD Eng.
QTY	VALVE SEAL	PART NO.	SIZE	DESCRIPTION
8	Valve Stem Seal	FP-A58628		A301D, A301BD Eng.; O-Ring style
ENGINE BLOCK & PARTS				
QTY	GASKET SETS	PART NO.	SIZE	DESCRIPTION
1	Complete Overhaul Gasket Set	FP-PGE301LC		Complete, A301BD Eng.
1	Complete Overhaul Gasket Set	FP-PGE301EC		Complete, A301D & A301DF Eng.
QTY	CAM BEARINGS	PART NO.	SIZE	DESCRIPTION
1	Cam Set	FP-A23577	STD	W/2.250" dia. brgs.
CRANKSHAFT/OIL PUMP				
QTY	SEALS - FRONT CRANK	PART NO.	SIZE	DESCRIPTION
1	Redi-Sleeve	FP-99260		
1	Oil Seal	FP-A157044		
QTY	SEALS - REAR CRANK	PART NO.	SIZE	DESCRIPTION
1	Oil Seal	FP-A62050		
1	Redi-Sleeve	FP-99475		
QTY	MAIN BEARINGS	PART NO.	SIZE	DESCRIPTION
1	Main Set	FP-7039M	Std-10-20	Optional main set w/o thrust washer
1	Main Set	FP-7039M10	Std-10-20	Optional main set w/o thrust washer
1	Main Set	FP-7039M20	Std-10-20	Optional main set w/o thrust washer
1	Thrust Washer Set	FP-A62572S	STD	Position 3; .156" Thick
1	Thrust Washer Set	FP-A62573S	STD	Position 3; .186" Thick
2	Thrust Washer Pc.	FP-A62572	STD	Position 3; .156" Thick
2	Thrust Washer Pc.	FP-A62573	STD	Position 3; .186" Thick

(continued on next page)

Combine A301BD, A301D, 301, 301B Eng. (Diesel). Wheel Tractor A301BD, A301D, 301, 301B Eng. (Diesel). Crawler Tractor A301BD, A301D, 301, 301B Eng. (Diesel). Wheel Loader A301BD, A301D, 301, 301B Eng. (Diesel). (cont.)
5.0L 301 Diesel L4, 4.375" Bore

CYLINDER COMPONENTS

QTY	LINERS	PART NO.	SIZE	DESCRIPTION
4	Liner w/o Sealing Rings	FP-A148203		A301BD Eng.; Flange dia. 5.173"
4	Liner w/o Sealing Rings	FP-A23660		A301D & A301DF Eng.; Flange Dia. 5.127"
4	Liner w/Sealing Rings	FP-A148203WS	STD	A301BD Eng.; Incl. (2) sealing rings; Flange dia. 5.173"
4	Liner w/Sealing Rings	FP-A23660WS	STD	A301D & A301DF Eng.; Flange Dia. 5.127"
4	Cylinder Kit Complete	FP-A460221	STD	A301BD Eng.; Liner Flange Dia. 5.173"
4	Cylinder Kit Complete	FP-A429951	STD	A301D & A301DF Eng.; Liner Flange Dia. 5.127"
8	Sealing Ring, Liner	FP-2385246		Use 2 per liner

QTY	PISTONS	PART NO.	SIZE	DESCRIPTION
4	Piston Body w/o Pin	FP-A64766		A301BD Eng.; Cast; 2-3/32, 1-1/4 Ring Groove; Dish Head .908" deep x 2.450" dia. w/2 valve reliefs
4	Piston Body w/o Pin	FP-A57139		A301D & A301DF Eng.; Cast; 3-3/32, 1-1/4 Ring Groove; Flat Head
4	Piston Kit w/Pin & Retainers	FP-A64766WP	STD	A301BD Eng.; Cast; 2-3/32, 1-1/4 Ring Groove; Dish Head .908" deep x 2.450" dia. w/2 valve reliefs
4	Piston Kit w/Pin & Retainers	FP-A57139WP	STD	A301D & A301DF Eng.; Cast; 3-3/32, 1-1/4 Ring Groove; Flat Head
4	Pin	FP-A64767		1.501" Dia.
8	Piston Pin Retainer	FP-A21016		Use w/FP-A57139 Piston
8	Piston Pin Retainer	FP-10021150		Use w/FP-A64766 Piston
4	Pin Bushing	FP-A27846		1.500" Pin Dia.

QTY	CONNECTING RODS & BRGS.	PART NO.	SIZE	DESCRIPTION
4	Rod Pair	FP-A43173	STD	2.7490" Crank Pin Dia.
4	Rod Pair	FP-A43174	2	2.7490" Crank Pin Dia.
4	Rod Pair	FP-A43175	10	2.7490" Crank Pin Dia.
4	Rod Pair	FP-A43176	20	2.7490" Crank Pin Dia.
4	Rod Pair	FP-A43177	30	2.7490" Crank Pin Dia.
4	Rod Pair	FP-A4317340	40	2.7490" Crank Pin Dia.

QTY	PISTON RINGS	PART NO.	SIZE	DESCRIPTION
4	Ring Set Single Cylinder	FP-A43028	STD	A301BD Eng.; 2-3/32, 1-1/4; 1 cyl. set
4	Ring Set Single Cylinder	FP-A42996	STD	A301D & A301DF Eng.; 3-3/32, 1-1/4
2	Premium Set	FP-A43028S	STD	A301BD Eng.; 2-3/32, 1-1/4 (2 cyl. set)
1	Premium Set	FP-A42996S	STD	A301D & A301DF Eng.; 3-3/32, 1-1/4
4	Premium Single Cylinder Set	W-10162KX + Std Only		A301BD Eng.; 2-3/32, 1-1/4; 1 cyl. set; When depleted use FP-A43028
4	Premium Single Cylinder Set	W-5701KX + Std Only		A301D & A301DF Eng.; 3-3/32, 1-1/4; When depleted use FP-A42996

KITS

QTY	OVERHAUL KIT	PART NO.	SIZE	DESCRIPTION
1	Complete Overhaul Kit	FP-IFK301L		A-301BD Eng.; w/thrust washer set
1	Complete Overhaul Kit	FP-IFK301E		A-301D & A-301DF Eng.; w/thrust washer set

Combine H-318, LH-318 Eng. (Gas) 40
5.2L 318 OHV V8, 3.9063" Bore (Chrysler Eng.)

CYL. HEAD & PARTS

QTY	VALVE	PART NO.	SIZE	DESCRIPTION
8	Intake	V-1344	Std Only	H-318 & HT-318 Eng.; 2 groove; 1.8440" Head Dia., .3725" Stem Dia., 4.6000" O.A.L.
8	Intake	V-1722	Std-5-15	LH-318 & LT-318 Eng.; 2 groove; 1.7800" Head Dia., .3725" Stem Dia., 4.9790" O.A.L.
8	Exhaust	V-1343	Std Only	H-318, HT-318 Eng.; 4 groove; 1.5630" Head Dia., .3715" Stem Dia., 4.5390" O.A.L.
8	Exhaust	V-1389	Std Only	HT-318 Eng.; 2 groove; 1.5630" Head Dia., .3715" Stem Dia., 4.5390" O.A.L.
8	Exhaust	V-2029	Std-5-15	LH-318 & LT-318 Eng.; 4 groove; Chrome plated stem; 1.5000" Head Dia., .3715" Stem Dia., 5.0020" O.A.L.
8	Exhaust, Bulk	V-2029B15	15	LH-318 & LT-318 Eng.; 4 groove; Chrome plated stem; Carton of 25; 1.5000" Head Dia., .3914" Stem Dia., 5.0020" O.A.L.
16	Keeper	VK-138		1 groove; Square cut key groove; Carton pack 32
16	Keeper	VK-138R		1 groove; Square cut key groove; Hardened
16	Keeper	VK-66		2 groove
16	Keeper	VK-66R		2 groove; Hardened
16	Keeper	VK-174		4 groove
16	Keeper	VK-174R		4 groove; Hardened

(continued on next page)

+ Superseded Part Number

40 Combine H-318, LH-318 Engs. (Gas) (cont.) 5.2L 318 OHV V8, 3.9063" Bore (Chrysler Eng.)				
CYL. HEAD & PARTS (cont.)				
QTY	VALVE (cont.)	PART NO.	SIZE	DESCRIPTION
16	Keeper, Bulk	VK-138B		1 groove; Square cut key groove; Carton of 1000
8	Exh.	245-1687-2N Std Only		Use w/V-1343; Premium Material; 1.6925" OD, 1.4375" ID, .2160" Depth
8	Exh.	245-1687-2 Std Only		Use w/V-1343; 1.6925" OD, 1.4375" ID, .2160" Depth
8	Int.	245-1937-1 Std Only		Use w/V-1344; 1.9425" OD, 1.6875" ID, .2480" Depth
8	Guide	VG-5062		Exh.; .3735" ID, 2.3800" O.A.L.
8	Guide	VG-5033		Int.; .3735" ID, 2.6200" O.A.L.
8	Spring	VS-680		Exh.; HT-318 Engs.; 1.8800" Free Height
16	Spring	VS-1435		Exh. & Int.; H-318 Engs.; 1.9650" Free Height
16	Spring	VS-680		Exh. & Int.; 5 3/4 coils - R.H.; LH-318 & LT-318 Engs.; 1.8800" Free Height
16	Spring	VS-510		Exh. & Int.; 6 1/4 coils - L.H.; LH-318 & LT-318 Engs.; 2.0000" Free Height
8	Spring	VS-1435		Int.; HT-318 Engs.; 1.9650" Free Height
16	Spring, Bulk	VS-1435B		Exh. & Int.; H-318 Engs.; Carton of 250; 1.9650" Free Height
8	Spring, Bulk	VS-1435B		Int.; HT-318 Engs.; Carton of 250; 1.9650" Free Height
16	Push Rod	RP-3030		H-318 & HT-318 Engs.; w/Mech. lifters; Ball & cup type ends; .360" dia. ball at one end; 8.7350" O.A.L.
16	Push Rod	RP-3194		LH-318 & LT-318 Engs.; .312" dia. ball at both ends; 7.5000" O.A.L.
16	Push Rod, Bulk	BRP-3194		LH-318 Engs.; LT-318 Engs.; .312" dia. ball at both ends; Carton of 100; 7.5000" O.A.L.
8	Valve Stem Seal	ST-2048		Int.; W/5-bolt valve covers; OEM style; Positive type; Viton®
8	Valve Stem Seal	MV-1918		Exh.; Umbrella type; Viton®
8	Valve Stem Seal	MV-1771C		Int.; Umbrella type; Polyacrylate
8	Valve Stem Seal Bulk	MV-1771		Int.; Umbrella type; Carton of 100; Polyacrylate
8	Arm	R-861		L.H.; LH-318 & LT-318 Engs.
8	Arm	R-862		R.H.; LH-318 & LT-318 Engs.
8	Arm, Bulk	R-861B		L.H.; LH-318 & LT-318 Engs.; Carton of 64
8	Arm, Bulk	R-862B		R.H.; LH-318 & LT-318 Engs.; Carton of 64
CAMSHAFT GROUP				
1	3 Piece Set	KT3-361S		LH-318 Engs.; Incl. silent type chain; Incl. (1) 222-361, (1) 223-358, (1) 223-359
1	Timing Chain	222-348		H-318 Engs.; Silent type; 68 Links
1	Timing Chain	222-361		LH-318 Engs.; Silent type; 68 Links
1	Crank Sprocket	223-274		H-318 Engs.; Use w/silent type chain; .750" wide sprocket; 23 Teeth
1	Crank Sprocket	223-359		LH-318 Engs.; Use w/silent type chain; .405" tooth width sprocket; 23 Teeth
1	Cam Sprocket	223-358		LH-318 Engs.; Use w/silent type chain; 46 Teeth
1	Camshaft	CS-645		LH318 Engs.; Hyd.
16	Lifter	AT-2084 Std Only		H-318 Engs.; Dumbbell shaped mech.
16	Lifter	HT-879 Std Only		H-318 Engs.; Hyd.
16	Lifter	HT-2011 Std Only		LH-318 Engs.; Hyd.; w/2 grooves
16	Lifter, Bulk	AT-2084B Std Only		H-318 Engs.; Dumbbell shaped mech.; Carton of 117
16	Lifter, Bulk	HT-2011B Std Only		LH-318 Engs.; Hyd.; w/2 grooves; Carton of 117
1	Prelube	55-400		4 oz. bottle; 1.5 oz. packet No. 55-403 also avail.
ENGINE BLOCK & PARTS				
1	Kit Gasket Set	260-1154		W/2 Bbl. Carb.; Premium valve stem seals incl.
1	Kit Gasket Set	260-1121		W/4 Bbl. Carb.; Premium valve stem seals incl.
1	Cam Set	1484M Std Only		

(continued on next page)

Combine H-318, LH-318 Engs. (Gas) 40
5.2L 318 OHV V8, 3.9063" Bore (Chrysler Eng.) (cont.)

CRANKSHAFT/OIL PUMP

QTY	CRANKSHAFT	PART NO.	SIZE	DESCRIPTION
1	Harmonic Balancer Sleeve	88218		
QTY	SEALS - FRONT CRANK	PART NO.	SIZE	DESCRIPTION
1	Redi-Sleeve	99218		
1	Oil Seal	3103		
QTY	SEALS - REAR CRANK	PART NO.	SIZE	DESCRIPTION
1	Oil Seal Kit	5414		
QTY	MAIN BEARINGS	PART NO.	SIZE	DESCRIPTION
1	Main Set	5024MA Std-1-10-20-30		A-Series aluminum bearings; 3.530" max. flange OD; Pos. 1 upper brg. grooved
1	Main Set	4923MA Std-1-10-20-30-40-50-60		W/3.374" max. flange OD.; A-Series aluminum bearings
QTY	OIL PUMP	PART NO.	SIZE	DESCRIPTION
1	Oil Pump	224-4166		

CYLINDER COMPONENTS

QTY	PISTONS	PART NO.	SIZE	DESCRIPTION
8	Powerforged	L-2329F30 30		LH-318 Engs.; To Ser. No. E-169358.; Repl. O.E. No. 3004509; Powerforged; 2-5/64", 1-3/16" Ring Groove, 1.759" CD, .9842" Pin Dia., Flat Head w/4 valve reliefs. DUROSHIELD® skirt coated piston.
8	Forged Piston - Individual	WL-2329F30 30		LH-318 Engs.; To Ser. No. E-169358.; Repl. O.E. No. 3004509; Powerforged; 2-5/64", 1-3/16" Ring Groove, 1.759" CD, .9842" Pin Dia., Flat Head w/4 valve reliefs. DUROSHIELD® skirt coated piston.
8	Pin Bushing	2134Y		
QTY	CONNECTING RODS & BRGS.	PART NO.	SIZE	DESCRIPTION
1	Rod Set	8-2130CP Std-1-10-20-30-40-50		8-2130CA 60 avail. as unplated & resizeable
1	Rod Set	8-2130CA60 60		Unplated & resizeable
8	Rod Pair	2130CP Std-1-2-10-20-30-40		
QTY	PISTON RINGS	PART NO.	SIZE	DESCRIPTION
1	Premium Set	E-178K Std-20-30-40-60		2-5/64, 1-3/16
1	Standard Set	E-178X Std-20-30-40-60		2-5/64, 1-3/16
8	Premium Single Cylinder Set	WE-178K Std-20-30-40-60		2-5/64, 1-3/16
8	Standard Single Cylinder Set	WE-178X Std-20-30-40-60		2-5/64, 1-3/16

Wheel Tractor A336BD, 336, 336B, 336BD Engs. (Diesel). Crawler Tractor A336BD, 336, 336B, 336BD Engs. (Diesel). Wheel Loader A336BD, 336, 336B, 336BD Engs. (Diesel). Excavator A336BD, 336, 336B, 336BD Engs. (Diesel). Wheel Skidder A336BD, 336, 336B, 336BD Engs. (Diesel). Concrete Placer A336BD, 336, 336B, 336BD Engs. (Diesel). **41**
5.5L 336 Diesel L4, 4.625" Bore

CYL. HEAD & PARTS

QTY	VALVE	PART NO.	SIZE	DESCRIPTION
4	Intake	FP-A58626		Early style; 45 deg. seat; Chrome plated stem; Replaces O.E. Nos. A41754 & A58626
4	Intake	FP-A182172		Late style; 30 deg. seat; Chrome plated stem; Replaces O.E. Nos. A44575, A66193 & A182172
4	Exhaust	FP-A182173		Chrome plated stem; 1.7500" Head Dia., .4015" Stem Dia., 6.4280" O.A.L.
4	Exhaust	FP-V2422X		Optional stellite face; Chrome plated stem; Replaces O.E. No. A150225; 1.7500" Head Dia., .4015" Stem Dia., 6.4300" O.A.L.
16	Keeper	FP-A27872		
QTY	VALVE GUIDE	PART NO.	SIZE	DESCRIPTION
8	Guide	FP-A11803		.4050" ID, 3.2200" O.A.L.
QTY	VALVE SPRING	PART NO.	SIZE	DESCRIPTION
8	Spring	FP-A66444		
QTY	VALVE MISC.	PART NO.	SIZE	DESCRIPTION
4	Rotocap	FP-A66336		Exh.

(continued on next page)

41 Wheel Tractor A336BD, 336, 336B, 336BD Engs. (Diesel). Crawler Tractor A336BD, 336, (cont.) 336B, 336BD Engs. (Diesel). Wheel Loader A336BD, 336, 336B, 336BD Engs. (Diesel). Excavator A336BD, 336, 336B, 336BD Engs. (Diesel). Wheel Skidder A336BD, 336, 336B, 336BD Engs. (Diesel). Concrete Placer A336BD, 336, 336B, 336BD Engs. (Diesel). 5.5L 336 Diesel L4, 4.625" Bore

CYL. HEAD & PARTS (cont.)

QTY	VALVE SEAL	PART NO.	SIZE	DESCRIPTION
8	Valve Stem Seal	FP-A58628		O-Ring style

ENGINE BLOCK & PARTS

QTY	GASKET SETS	PART NO.	SIZE	DESCRIPTION
1	Complete Overhaul Gasket Set	FP-PGE336LC		From Ser. No. 2539001; May be used before Ser. No. 2539001 if Cntr. Bores are re-worked & 5.19" Dia. firewall sleeves are used.
1	Complete Overhaul Gasket Set	FP-PGE336EC		To Ser. No. 2539000 w/5.09" Dia. firewall sleeves

QTY	CAM BEARINGS	PART NO.	SIZE	DESCRIPTION
1	Cam Set	FP-A23577	STD	W/2.250" dia. brgs.

CRANKSHAFT/OIL PUMP

QTY	MAIN BEARINGS	PART NO.	SIZE	DESCRIPTION
1	Main Set	FP-7039M	Std-10-20	Optional main set w/o thrust washer
1	Main Set	FP-7039M10	Std-10-20	Optional main set w/o thrust washer
1	Main Set	FP-7039M20	Std-10-20	Optional main set w/o thrust washer
1	Thrust Washer Set	FP-A62572S	STD	Position 3; .156" Thick
1	Thrust Washer Set	FP-A62573S	STD	Position 3; .186" Thick
2	Thrust Washer Pc.	FP-A62572	STD	Position 3; .156" Thick
2	Thrust Washer Pc.	FP-A62573	STD	Position 3; .186" Thick

CYLINDER COMPONENTS

QTY	LINERS	PART NO.	SIZE	DESCRIPTION
4	Liner w/o Sealing Rings	FP-A153638		From Ser. No. 2539001. For blocks w/5.427" counterbore dia.; Sleeve has 5.19" dia. firewall; May be used before Ser. No. 2539001 if the counterbores are reworked.
4	Liner w/o Sealing Rings	FP-A182185		To Ser. No. 2539000 - for blocks w/5.386" dia. counterbores; Sleeve has 5.09" dia. firewall; Counterbores may be reworked to use FP-A153638WS sleeve with 3 sealing rings and 5.19" dia. firewall.
4	Liner w/Sealing Rings	FP-A153638WS	STD	From Ser. No. 2539001. For blocks w/5.427" counterbore dia.; Sleeve has 5.19" dia. firewall & (3) FP-2387248 sealing rings; May be used before Ser. No. 2539001 if the counterbores are reworked.
4	Liner w/Sealing Rings	FP-A182185WS	STD	To Ser. No. 2539000 - for blocks w/5.386" dia. counterbores; Sleeve has 5.09" dia. firewall & (2) FP-2387157 sealing rings; Counterbores may be reworked to use FP-A153638WS sleeve with 3 sealing rings and 5.19" dia. firewall.
4	Cylinder Kit Complete	FP-A166134	STD	From Ser. No. 2539001; w/1.625" dia. piston pins; Contains FP-A153638 sleeve and FP-A166122 piston
4	Cylinder Kit Complete	FP-CK51233638	STD	From Ser. No. 2539001; w/1.800" dia. piston pins; Contains FP-A153638WS sleeve and FP-A65123WP piston
4	Cylinder Kit Complete	FP-A460251		To Ser. No. 2539000 - for blocks w/5.386" dia. counterbores; Sleeve has 5.09" dia. firewall & (2) FP-2387157 sealing rings; Counterbores may be reworked to use FP-A153638WS sleeve with 3 sealing rings and 5.19" dia. firewall; Contains FP-A182185 sleeve and FP-A65123 piston
4	Cylinder Kit Complete	FP-CK61222185		To Ser. No. 2539000 - for blocks w/5.386" dia. counterbores; Sleeve has 5.09" dia. firewall & (2) FP-2387157 sealing rings; Counterbores may be reworked to use FP-A153638WS sleeve with 3 sealing rings and 5.19" dia. firewall; Contains FP-A182185 sleeve and FP-A166122 piston
12	Sealing Ring, Liner	FP-2387248		Use w/FP-A153638 Liner
8	Sealing Ring, Liner	FP-2387157		Use w/FP-A182185 Liner

QTY	PISTONS	PART NO.	SIZE	DESCRIPTION
4	Piston Body w/o Pin	FP-A166122		From Ser. No. 2539001; Use w/1.625" dia. piston pins
4	Piston Body w/o Pin	FP-A65123		From Ser. No. 2539001; Use w/1.800" dia. piston pins
4	Piston Kit w/Pin & Retainers	FP-A166122WP	STD	From Ser. No. 2539001; w/1.625" dia. piston pins; Cast; 2-3/32, 1-3/16 Ring Groove; Dish Head .812" deep x 2.680" dia. w/2 valve reliefs; 16.1:1 C.R.
4	Piston Kit w/Pin & Retainers	FP-A65123WP	STD	From Ser. No. 2539001; w/1.800" dia. piston pins; 1-1/8, 1-3/32, 1-1/4 Ring Groove; Dish Head .865" deep x 2.680" dia. w/2 valve reliefs
4	Pin	FP-A140607		Use w/FP-A166122 piston
4	Pin	FP-A58584		Use w/FP-A65123 piston; 1.800" Dia.
8	Piston Pin Retainer	FP-10021162		Use w/FP-A166122 piston
8	Piston Pin Retainer	FP-10021181		Use w/FP-A65123 piston

(continued on next page)

Wheel Tractor A336BD, 336, 336B, 336BD Engs. (Diesel). Crawler Tractor A336BD, 336, 336B, 336BD Engs. (Diesel). Wheel Loader A336BD, 336, 336B, 336BD Engs. (Diesel). Excavator A336BD, 336, 336B, 336BD Engs. (Diesel). Wheel Skidder A336BD, 336, 336B, 336BD Engs. (Diesel). Concrete Placer A336BD, 336, 336B, 336BD Engs. (Diesel). **41**
5.5L 336 Diesel L4, 4.625" Bore (cont.)

CYLINDER COMPONENTS (cont.)

QTY	PISTONS (cont.)	PART NO.	SIZE	DESCRIPTION
4	Pin Bushing	FP-A58580		W/1.800" pin dia.
QTY	CONNECTING RODS & BRGS.	PART NO.	SIZE	DESCRIPTION
4	Rod Pair	FP-A43173	STD	2.7490" Crank Pin Dia.
4	Rod Pair	FP-A43174	2	2.7490" Crank Pin Dia.
4	Rod Pair	FP-A43175	10	2.7490" Crank Pin Dia.
4	Rod Pair	FP-A43176	20	2.7490" Crank Pin Dia.
4	Rod Pair	FP-A43177	30	2.7490" Crank Pin Dia.
4	Rod Pair	FP-A4317340	40	2.7490" Crank Pin Dia.
4	Rod Pair	FP-A41758	STD	2.9990" Crank Pin Dia.
4	Rod Pair	FP-A41900	10	2.9990" Crank Pin Dia.
4	Rod Pair	FP-A41901	20	2.9990" Crank Pin Dia.
4	Rod Pair	FP-A41902	30	2.9990" Crank Pin Dia.
QTY	PISTON RINGS	PART NO.	SIZE	DESCRIPTION
4	Ring Set Single Cylinder	FP-A42988	STD	Check piston grooving before supplying ring set; 1-1/8, 1-3/32, 1-1/4; 2 cyl. set; Use w/piston FP-A65123
4	Ring Set Single Cylinder	FP-A48320	STD	Check piston grooving before supplying ring set; 2-3/32, 1-3/16; 2 cyl. set; Use w/piston FP-A166122
2	Premium Set	FP-A42988S	STD	Check piston grooving before supplying ring set; 1-1/8, 1-3/32, 1-1/4; 2 cyl. set; Use w/piston FP-A65123
2	Premium Set	FP-A48320S	STD	Check piston grooving before supplying ring set; 2-3/32, 1-3/16; 2 cyl. set; Use w/piston FP-A166122
KITS				
QTY	OVERHAUL KIT	PART NO.	SIZE	DESCRIPTION
1	Complete Overhaul Kit	FP-IFK336L		From Ser. No. 2539001; Late liner; Must specify the correct cylinder kit when ordering this kit; w/5.427" counterbore dia.
1	Complete Overhaul Kit	FP-IFK336E		To Ser. No. 2539000; Early liner; Must specify the correct cylinder kit when ordering this kit; w/5.386" counterbore dia.

Wheel Tractor A336BDT, 336BDT Engs. (Turbo-Diesel). Crawler Tractor A336BDT, 336BDT Engs. (Turbo-Diesel). Wheel Loader A336BDT, 336BDT Engs. (Turbo-Diesel). Excavator A336BDT, 336BDT Engs. (Turbo-Diesel). Wheel Skidder A336BDT, 336BDT Engs. (Turbo-Diesel). Concrete Placer A336BDT, 336BDT Engs. (Turbo-Diesel). **42**
5.5L 336 Turbo-Diesel L4, 4.625" Bore

CYL. HEAD & PARTS

QTY	VALVE	PART NO.	SIZE	DESCRIPTION
4	Intake	FP-A58626		Early style; 45 deg. seat; Chrome plated stem; Replaces O.E. Nos. A41754 & A58626
4	Intake	FP-A182172		Late style; 30 deg. seat; Chrome plated stem; Replaces O.E. Nos. A44575, A66193 & A182172
4	Exhaust	FP-A182173		Chrome plated stem; 1.7500" Head Dia., .4015" Stem Dia., 6.4280" O.A.L.
4	Exhaust	FP-V2422X		Optional stellite face; Chrome plated stem; Replaces O.E. No. A150225; 1.7500" Head Dia., .4015" Stem Dia., 6.4300" O.A.L.
16	Keeper	FP-A27872		
QTY	VALVE GUIDE	PART NO.	SIZE	DESCRIPTION
8	Guide	FP-A11803		.4050" ID, 3.2200" O.A.L.
QTY	VALVE SPRING	PART NO.	SIZE	DESCRIPTION
8	Spring	FP-A66444		
QTY	VALVE MISC.	PART NO.	SIZE	DESCRIPTION
4	Rotocap	FP-A66336		Exh.
QTY	VALVE SEAL	PART NO.	SIZE	DESCRIPTION
8	Valve Stem Seal	FP-A58628		O-Ring style

ENGINE BLOCK & PARTS

QTY	GASKET SETS	PART NO.	SIZE	DESCRIPTION
1	Complete Overhaul Gasket Set	FP-PGE336LC		From Ser. No. 2539001; May be used before Ser. No. 2539001 if Cntr. Bores are re-worked & 5.19" Dia. firewall sleeves are used.
1	Complete Overhaul Gasket Set	FP-PGE336EC		To Ser. No. 2539000 w/5.09" Dia. firewall sleeves

(continued on next page)

42 Wheel Tractor A336BDT, 336BDT Engs. (Turbo-Diesel). Crawler Tractor A336BDT, (cont.) 336BDT Engs. (Turbo-Diesel). Wheel Loader A336BDT, 336BDT Engs. (Turbo-Diesel). Excavator A336BDT, 336BDT Engs. (Turbo-Diesel). Wheel Skidder A336BDT, 336BDT Engs. (Turbo-Diesel). Concrete Placer A336BDT, 336BDT Engs. (Turbo-Diesel). 5.5L 336 Turbo-Diesel L4, 4.625" Bore

ENGINE BLOCK & PARTS (cont.)

QTY	CAM BEARINGS	PART NO.	SIZE	DESCRIPTION
1	Cam Set	FP-A23577	STD	W/2.250" dia. brgs.

CRANKSHAFT/OIL PUMP

QTY	MAIN BEARINGS	PART NO.	SIZE	DESCRIPTION
1	Main Set	FP-7039M	Std-10-20	Optional main set w/o thrust washer
1	Main Set	FP-7039M10	Std-10-20	Optional main set w/o thrust washer
1	Main Set	FP-7039M20	Std-10-20	Optional main set w/o thrust washer
1	Thrust Washer Set	FP-A62572S	STD	Position 3; .156" Thick
1	Thrust Washer Set	FP-A62573S	STD	Position 3; .186" Thick
2	Thrust Washer Pc.	FP-A62572	STD	Position 3; .156" Thick
2	Thrust Washer Pc.	FP-A62573	STD	Position 3; .186" Thick

CYLINDER COMPONENTS

QTY	LINERS	PART NO.	SIZE	DESCRIPTION
4	Liner w/o Sealing Rings	FP-A153638		From Ser. No. 2539001. For blocks w/5.427" counterbore dia.; Sleeve has 5.19" dia. firewall; May be used before Ser. No. 2539001 if the counterbores are reworked.
4	Liner w/o Sealing Rings	FP-A182185		To Ser. No. 2539000 - for blocks w/5.386" dia. counterbores; Sleeve has 5.09" dia. firewall; Counterbores may be reworked to use FP-A153638WS sleeve with 3 sealing rings and 5.19" dia. firewall.
4	Liner w/Sealing Rings	FP-A153638WS	STD	From Ser. No. 2539001. For blocks w/5.427" counterbore dia.; Sleeve has 5.19" dia. firewall & (3) FP-2387248 sealing rings; May be used before Ser. No. 2539001 if the counterbores are reworked.
4	Liner w/Sealing Rings	FP-A182185WS	STD	To Ser. No. 2539000 - for blocks w/5.386" dia. counterbores; Sleeve has 5.09" dia. firewall & (2) FP-2387157 sealing rings; Counterbores may be reworked to use FP-A153638WS sleeve with 3 sealing rings and 5.19" dia. firewall.
4	Cylinder Kit Complete	FP-A1521771	STD	From Ser. No. 2539001; Contains FP-A153638 sleeve; May be used before Ser. No. 2539001 if the cntr. bores are reworked.
4	Cylinder Kit Complete	FP-CK24852185	STD	To Ser. No. 2539000; Contains FP-A182185 sleeve
12	Sealing Ring, Liner	FP-2387248		Use w/FP-A153638 Liner
8	Sealing Ring, Liner	FP-2387157		Use w/FP-A182185 Liner

QTY	PISTONS	PART NO.	SIZE	DESCRIPTION
4	Piston Body w/o Pin	FP-A146697		Cast; 2-1/8, 1-3/16 Ring Groove; Dish Head .790" deep x 2.680" dia. w/2 valve reliefs; 16.1:1 C.R.
4	Piston Body w/o Pin	FP-A152485		Cast; 2-1/8, 1-3/16 Ring Groove; Dish Head .790" deep x 2.680" dia. w/2 valve reliefs; 16.1:1 C.R.
4	Piston Kit w/Pin & Retainers	FP-A146697WP		Cast; 2-1/8, 1-3/16 Ring Groove; Dish Head .790" deep x 2.680" dia. w/2 valve reliefs; 16.1:1 C.R.
4	Piston Kit w/Pin & Retainers	FP-A152485WP	STD	Cast; 2-1/8, 1-3/16 Ring Groove; Dish Head .790" deep x 2.680" dia. w/2 valve reliefs; 16.1:1 C.R.
4	Pin	FP-A58584		1.800" Dia.
8	Piston Pin Retainer	FP-10021181		
4	Pin Bushing	FP-A58580		W/1.800" pin dia.

QTY	CONNECTING RODS & BRGS.	PART NO.	SIZE	DESCRIPTION
4	Rod Pair	FP-A43173	STD	2.7490" Crank Pin Dia.
4	Rod Pair	FP-A43174	2	2.7490" Crank Pin Dia.
4	Rod Pair	FP-A43175	10	2.7490" Crank Pin Dia.
4	Rod Pair	FP-A43176	20	2.7490" Crank Pin Dia.
4	Rod Pair	FP-A43177	30	2.7490" Crank Pin Dia.
4	Rod Pair	FP-A4317340	40	2.7490" Crank Pin Dia.
4	Rod Pair	FP-A41758	STD	2.9990" Crank Pin Dia.
4	Rod Pair	FP-A41900	10	2.9990" Crank Pin Dia.
4	Rod Pair	FP-A41901	20	2.9990" Crank Pin Dia.
4	Rod Pair	FP-A41902	30	2.9990" Crank Pin Dia.

QTY	PISTON RINGS	PART NO.	SIZE	DESCRIPTION
4	Ring Set Single Cylinder	FP-A44054	STD	Check piston grooving before supplying ring set; 2-1/8, 1-3/16; 2 cyl. set
2	Premium Set	FP-A44054S	STD	Check piston grooving before supplying ring set; 2-1/8, 1-3/16 (2 cyl. set)

(continued on next page)

Wheel Tractor A336BDT, 336BDT Engs. (Turbo-Diesel). Crawler Tractor A336BDT, 42336BDT Engs. (Turbo-Diesel). Wheel Loader A336BDT, 336BDT Engs. (Turbo-Diesel). (cont.) Excavator A336BDT, 336BDT Engs. (Turbo-Diesel). Wheel Skidder A336BDT, 336BDT Engs. (Turbo-Diesel). Concrete Placer A336BDT, 336BDT Engs. (Turbo-Diesel).
5.5L 336 Turbo-Diesel L4, 4.625" Bore

KITS

QTY	OVERHAUL KIT	PART NO.	SIZE	DESCRIPTION
1	Complete Overhaul Kit	FP-IFK336L		Models 870, W14 & 780CK w/1.800" pin dia. From Ser. No. 2539001. May be used before Ser. No. 2359001 if the cntr. bores are reworked.; Must specify the correct cylinder kit when ordering this kit; w/5.427" counterbore dia.
1	Complete Overhaul Kit	FP-IFK336E		Models 870, W14 & 780CK w/1.800" pin dia. To Ser. No. 2539000; Must specify the correct cylinder kit when ordering this kit; w/5.386" counterbore dia.

Wheel Tractor A6.354, H6.354, 6.354 Engs. (Diesel) 43
5.8L 354 OHV Diesel L6 (12 Valve), 3.875" Bore (Perkins Eng.)

CYL. HEAD & PARTS

QTY	VALVE	PART NO.	SIZE	DESCRIPTION
6	Intake	FP-V1701		1.7440" Head Dia., .3730" Stem Dia., 4.8290" O.A.L.
6	Exhaust	FP-V1700		1.4400" Head Dia., .3725" Stem Dia., 4.8570" O.A.L.
24	Keeper	FP-VK223		
QTY	VALVE GUIDE	PART NO.	SIZE	DESCRIPTION
6	Guide	FP-VG619		Exh.; .3755" ID, 2.4060" O.A.L.
6	Guide	FP-VG620		Int.; .3755" ID, 2.2810" O.A.L.
QTY	VALVE SPRING	PART NO.	SIZE	DESCRIPTION
12	Spring	FP-VS1432		Outer; 2.5780" Free Height
QTY	VALVE SEAL	PART NO.	SIZE	DESCRIPTION
12	Valve Stem Seal	ST-2004		Exh.; Positive type; Installation requires valve guide machining; Rubber/PTFE
6	Valve Stem Seal	MV-1598C		Int.; Umbrella type; Rubber
12	Valve Stem Seal Bulk	ST-2004BC		Exh.; Positive type; Installation requires valve guide machining; Carton of 100; Rubber/PTFE
6	Valve Stem Seal Bulk	MV-1598		Int.; Umbrella type; Carton of 100; Rubber

CRANKSHAFT/OIL PUMP

QTY	MAIN BEARINGS	PART NO.	SIZE	DESCRIPTION
1	Main Set	FP-4352M	Std Only	T6-354 & T6-354.2 Engs. Only
1	Thrust Washer Set	FP-3137BFA	Std Only	Position 4; Engs. From Ser. No. 8504189
1	Thrust Washer Set	FP-3137BF	Std Only	Position 4; To Ser. No. 8504188

CYLINDER COMPONENTS

QTY	LINERS	PART NO.	SIZE	DESCRIPTION
6	Dry Sleeve	FP-SL382M	Std Only	6-354 Engs.; Flanged sleeve w/firewall. Early blocks may require machining for flanged sleeve (instructions incl.)
6	Sleeve Assy.	FP-SL2193	Std Only	6-354 Engs.; Flanged sleeve. Early blocks may require machining for flanged sleeve (instructions incl.)
QTY	PISTONS	PART NO.	SIZE	DESCRIPTION
6	Cast Piston	FP-2193PX	Std Only	6-354 Engs.; Cast; 3-3/32", 2-1/4" Ring Groove, 2.757" CD, 1.3750" Pin Dia., Recessed Head 1.00" deep x 2.125" dia. - 16.0:1 C.R.; Repl. O.E. Nos. MF-738871M91, 2236105
6	Pin Bushing	FP-3139Y15		
QTY	PISTON RINGS	PART NO.	SIZE	DESCRIPTION
3	Premium Set	FP-9194KX	Std-30	6-354 Engs.; 3-3/32, 2-1/4 (2 cyl. set); Do not use w/Chrome liners
3	Standard Set	FP-9596X	Std Only	6-354 Engs.; 3-3/32, 2-1/4 (2 cyl. set)
6	Premium Single Cylinder Set	W-9194KX	Std Only	6-354 Engs.; 3-3/32, 2-1/4 (2 cyl. set); Do not use w/Chrome liners
6	Standard Single Cylinder Set	W-9596X	Std Only	6-354 Engs.; 3-3/32, 2-1/4 (2 cyl. set)

Power Unit. Wheel Tractor "B" Series, 6B5.9 (6-590) (Naturally Aspirated). Crawler Tractor. 44
5.9L 359 (5882cc) OHV Diesel L6, 102mm Bore (Cummins Eng.)

CYL. HEAD & PARTS

QTY	GASKETS	PART NO.	SIZE	DESCRIPTION
6	Valve Cover Gasket	FP-3930906		
1	Head Gasket	FP-3283570		Standard Head Gasket; Standard Thickness
1	Head Set	FP-3802363		From 1984-1990; Standard Thickness Head Gasket
1	Head Set	FP-3804897		From 1991-4/2003
1	Head Set	FP-4089649		From 4/2003

(continued on next page)

44 Power Unit. Wheel Tractor "B" Series, 6B5.9 (6-590) (Naturally Aspirated). Crawler Tractor.
 (cont.) 5.9L 359 (5882cc) OHV Diesel L6, 102mm Bore (Cummins Eng.)

CYL. HEAD & PARTS (cont.)

QTY		PART NO.	SIZE	DESCRIPTION
6	GASKETS (cont.) Bolt	FP-3920781		M12 x 1.75 x 180MM Rocker Arm Bolt
14	HEAD BOLTS Head Bolt	FP-3920780		M12 x 1.75 x 122MM Length
6	Head Bolt	FP-3920779		M12 x 1.75 x 71.5MM Length
6	VALVE Intake	FP-3920867		Bare Valve; Chrome plated stem; 1.7720" Head Dia., .3138" Stem Dia., 5.0840" O.A.L.
6	Exhaust	FP-3920868		Bare Valve; Chrome plated stem; 1.6540" Head Dia., .3138" Stem Dia., 5.0810" O.A.L.
6	Exhaust Valve Kit	FP-3802356		Incl. valve & locks
6	Intake Valve Kit	FP-3802355		Incl. valve & locks
12	Keeper	FP-3900250		
6	VALVE SEAT Exh.	FP-3904105		
6	Int.	FP-3906854		
6	VALVE GUIDE Guide	FP-3904409		Exh.; 6B5.9; Thick wall; .3160" ID, 2.0520" O.A.L.
6	Guide	FP-3904408		Int.; 6B5.9; Thick wall; .3160" ID, 2.3970" O.A.L.
6	Guide	FP-3906206		Int. & Exh.; 6B5.9; Thin wall; .3162" ID, 2.5000" O.A.L.
12	VALVE SPRING Spring	FP-4936080		1.8800" Free Height
12	Spring	FP-3900276		30 PSI; 2.2350" Free Height
12	Spring	FP-3926700		36 PSI; 2.3850" Free Height
12	Spring	FP-3932453		36 PSI; 2.5500" Free Height
12	Retainer	FP-3900299		
12	PUSH RODS Push Rod	FP-3284377		10.9100" O.A.L.
1	Push Rod Cover Gasket	FP-3284623		
1	VALVE MISC. O-Ring	FP-3910824		Valve Cover Screw; .364" I.D. x .070" Thick
12	VALVE SEAL Valve Stem Seal	FP-3921640		Int. & Exh.
12	Valve Stem Seal	FP-3957912		Int. & Exh.; Top Hat style; Viton®
12	Valve Stem Seal	FP-3901097 +		Int. & Exh.; When depleted use FP-3921640
6	ROCKER PARTS Rocker Lever Exhaust	FP-3910810		Exh.
6	Rocker Lever Intake	FP-3910811		Int.
INT & EXH MANIFOLDS				
6	INT. & EXH. MANIFOLDS Exhaust Manifold Gasket	FP-3905443		
1	Int. Manif. Cover Plate Gskt.	FP-3914029		
CAMSHAFT GROUP				
1	TIMING COVER Oil Filler Cap	FP-101322		2"
1	CAMSHAFT/LIFTER Camshaft	FP-3929042		
12	Lifter	FP-3931623		
FUEL SYSTEM & PARTS				
6	FUEL INJECTION Fuel Injector Seal Ring	FP-3909356		
6	Fuel Injector Sleeve	FP-3919358		For 9mm head
6	Fuel Injector Seal	FP-3930324		
6	Copper Washer	FP-3906659		For 7mm head; 1.50MM Thick
6	Fuel Line Connector	FP-3903380		Banjo connector; 6mm; Banjo connector
1	FUEL FILTERS & PUMP Fuel Transfer Pump	FP-4983584 *		Diaphragm style
1	Fuel Transfer Pump	FP-3970880 +		Diaphragm style; When depleted use FP-4983584
1	Fuel Transfer Pump	FP-4944713		144.7 - 201.2 LPH; 1/4 x 18 NPTF Fuel Inlet
1	Cover Plate Gasket	FP-3939258		Fuel Transfer Pump Mounting
1	TURBOCHARGER Turbocharger Mounting Gasket	FP-3901356		

(continued on next page)

Power Unit. Wheel Tractor "B" Series, 6B5.9 (6-590) (Naturally Aspirated). Crawler Tractor. **44**
 5.9L 359 (5882cc) OHV Diesel L6, 102mm Bore (Cummins Eng.) (cont.)

COOLING SYSTEM

QTY	WATER PUMP	PART NO.	SIZE	DESCRIPTION
1	Water Pump - Heavy Duty	FP-3286277		
1	Water Pump Seal Ring	FP-3906698		Water pump mounting; Rectangular Ring
QTY	THERMOSTAT	PART NO.	SIZE	DESCRIPTION
1	Thermostat	FP-3917324		180 Deg. F
1	Thermostat Kit	FP-3802273		180 Deg. F; Includes Thermostat, Template and O-ring

ENGINE BLOCK & PARTS

QTY	GASKETS	PART NO.	SIZE	DESCRIPTION
1	Oil Pan Gasket	FP-3959052		
1	Washer	FP-3920773		Sealing; Oil Pan Plug; 18.40MM I.D. x 1.5MM Thick
QTY	GASKET SETS	PART NO.	SIZE	DESCRIPTION
1	Gasket Conversion Set	FP-3802376		Incl. seals
1	In-Frame Gasket Set	FP-3802363S		From 1984-1990; Standard Thickness Head Gasket
QTY	CAM BEARINGS	PART NO.	SIZE	DESCRIPTION
1	Cam Brg.	FP-3940059	STD	From 1997 and up (Storm Blocks)
1	Cam Brg.	FP-3901306	STD	To 1996
QTY	OIL COOLERS & FILTERS	PART NO.	SIZE	DESCRIPTION
1	Oil Cooler	FP-3957544		7 Plate
1	Oil Cooler Core Inner Gasket	FP-3926760		Inner; Core
1	Oil Cooler Core Outer Gasket	FP-3929792		Outer; Core

CRANKSHAFT/OIL PUMP

QTY	CRANKSHAFT	PART NO.	SIZE	DESCRIPTION
1	Crankshaft	FP-3929037		With Gear
1	Crank Gear	FP-3929027		
QTY	SEALS - FRONT CRANK	PART NO.	SIZE	DESCRIPTION
1	Oil Seal	FP-3937111		
1	Gear Housing Gasket	FP-3938156		
1	Oil Seal Kit	FP-3802820		Incl. wear sleeve
1	Redi-Sleeve	FP-3906080		
QTY	SEALS - REAR CRANK	PART NO.	SIZE	DESCRIPTION
1	Oil Seal	FP-3909410		Flywheel Housing; Single Lip; Dry Clutch
1	Oil Seal	FP-3909411		Wet flywheel housing; Double Lip; Wet Clutch
1	Redi-Sleeve	FP-3906081		
QTY	MAIN BEARINGS	PART NO.	SIZE	DESCRIPTION
1	Main Set	FP-3802070	STD	
1	Main Set	FP-3802071	.25MM	
1	Main Set	FP-3802072	.50MM	
1	Main Set	FP-3802073	.75MM	
1	Main Set	FP-3802074	1.00MM	
QTY	OIL PUMP	PART NO.	SIZE	DESCRIPTION
1	Oil Pump	FP-4939587		
1	Pick-Up Tube Gasket	FP-3938157		

CYLINDER COMPONENTS

QTY	LINERS	PART NO.	SIZE	DESCRIPTION
6	Liner w/o Sealing Rings	FP-3904166		To return block to Standard
QTY	PISTONS	PART NO.	SIZE	DESCRIPTION
6	Piston Body w/o Pin	FP-3906223	STD	17.3:1 C.R.
6	Piston Body w/o Pin	FP-3906209	.50MM	17.3:1 C.R.
6	Piston Body w/o Pin	FP-3906208	1.00MM	17.3:1 C.R.
6	Piston Kit w/Pin & Retainers	FP-3906223WP	STD	17.3:1 C.R.
6	Piston Kit w/Pin & Retainers	FP-3906209WP	.50MM	17.3:1 C.R.
6	Piston Kit w/Pin & Retainers	FP-3906208WP	1.00MM	17.3:1 C.R.
6	Piston w/Retainer & Rings	FP-3802060	STD	17.3:1 C.R.
6	Piston w/Retainer & Rings	FP-3802062	.50MM	17.3:1 C.R.
6	Piston w/Retainer & Rings	FP-3802064	1.00MM	17.3:1 C.R.
6	Piston w/Pin, Retainer, Rings	FP-PK6223	STD	17.3:1 C.R.
6	Piston w/Pin, Retainer, Rings	FP-PK6209	.50MM	17.3:1 C.R.
6	Piston w/Pin, Retainer, Rings	FP-PK6208	1.00MM	17.3:1 C.R.
6	Pin	FP-3934048		
12	Piston Pin Retainer	FP-3920691		
6	Pin Bushing	FP-4891178		For fracture split rods
6	Pin Bushing	FP-3901085		For machine split rods

(continued on next page)

44 Power Unit. Wheel Tractor "B" Series, 6B5.9 (6-590) (Naturally Aspirated). Crawler Tractor. (cont.) 5.9L 359 (5882cc) OHV Diesel L6, 102mm Bore (Cummins Eng.)

CYLINDER COMPONENTS (cont.)

CONNECTING RODS & BRGS.				
QTY		PART NO.	SIZE	DESCRIPTION
12	Con. Rod Bolt	FP-3900919		For machine split rods; MJ11 - 1.25 X 59mm
6	Rod Pair	FP-3967060	STD	For fracture split rods
6	Rod Pair	FP-3967061	.25MM	For fracture split rods
6	Rod Pair	FP-3967062	.50MM	For fracture split rods
6	Rod Pair	FP-3967063	.75MM	For fracture split rods
6	Rod Pair	FP-3967064	1.00MM	For fracture split rods
12	Rod Bearing Half Upper/Lower	FP-3939859	STD	For machine split rods
12	Rod Bearing Half Upper/Lower	FP-3901171	.25MM	For machine split rods
12	Rod Bearing Half Upper/Lower	FP-3901172	.50MM	For machine split rods
12	Rod Bearing Half Upper/Lower	FP-3901173	.75MM	For machine split rods
12	Rod Bearing Half Upper/Lower	FP-3901174	1.00MM	For machine split rods

PISTON RINGS				
QTY		PART NO.	SIZE	DESCRIPTION
1	Ring Set Single Cylinder	FP-3802040	STD	1-2.40MM, 1-2.36MM, 1-4.00MM (1 cyl. set)
1	Ring Set Single Cylinder	FP-3802042	.50MM	1-2.40MM, 1-2.36MM, 1-4.00MM (1 cyl. set)
1	Ring Set Single Cylinder	FP-3802044	1.00MM	1-2.40MM, 1-2.36MM, 1-4.00MM (1 cyl. set)

KITS

OVERHAUL KIT				
QTY		PART NO.	SIZE	DESCRIPTION
1	Piston Kit w/Ring Set	FP-PK12742B		
1	Piston Kit w/Rings & Bearings	FP-PK22742B		
1	In-Frame Overhaul Kit	FP-6B59PREML		6B5.9; Late; Premium; With Upper Gasket Set & Pan Gasket
1	In-Frame Overhaul Kit	FP-6B59PREM		6B5.9; Premium; With Upper Gasket Set & Pan Gasket
1	Complete Overhaul Kit	FP6B5.9PREM-OHL		6B5.9; Late; 1991 to Present; Premium; With Front & Rear Seals and Upper & Lower Gasket Sets
1	Complete Overhaul Kit	FP-6B59PREMOH		6B5.9; Pre 1991; Premium; With Front & Rear Seals and Upper & Lower Gasket Sets

45 Combine 6BT5.9 (6T-590) (Turbo), 6BTA5.9 (6TA-590) (Turbo-Aftercooled Diesel). Cotton Picker. Loader. Power Unit. Wheel Tractor 6BT5.9 (6T-590) Eng. (Turbo-Diesel). Windrower. Crawler Tractor 6BT5.9 (6T-590) Eng. (Turbo-Diesel). Wheel Loader. Excavator. 5.9L 359 (5882cc) OHV Turbo-Diesel L6 (12 Valve), 102mm Bore (Cummins Eng.)

CYL. HEAD & PARTS

GASKETS				
QTY		PART NO.	SIZE	DESCRIPTION
1	Valve Cover Gasket	FP-3930906		Standard
1	Head Gasket	FP-3283337		.25MM Oversize Thickness
1	Head Gasket	FP-3283339		.50MM Oversize Thickness
1	Head Gasket	FP-3283570		Standard; Standard Thickness
1	Head Set	FP-3802364		.25MM Oversize Thickness Head Gasket
1	Head Set	FP-3802245		.50MM Oversize Thickness Head Gasket
1	Head Set	FP-3802363		Standard Thickness Head Gasket
6	Grommet	FP-3900267		Cam Follower Cover

HEAD BOLTS				
QTY		PART NO.	SIZE	DESCRIPTION
14	Head Bolt	FP-3920780		M12 x 1.75 x 122MM Length
6	Head Bolt	FP-3920779		M12 x 1.75 x 71.5MM Length

MISCELLANEOUS				
QTY		PART NO.	SIZE	DESCRIPTION
1	Fuel Manifold	FP-3926103		
6	Bolt	FP-3920781		Rocker Lever Shaft Support; M12 x 1.75 x 180MM Rocker Arm Bolt

VALVE				
QTY		PART NO.	SIZE	DESCRIPTION
6	Intake	FP-3920867		Bare Valve; Chrome plated stem; 1.7720" Head Dia., .3138" Stem Dia., 5.0840" O.A.L.
6	Exhaust	FP-3920868		Bare Valve; Chrome plated stem; 1.6540" Head Dia., .3138" Stem Dia., 5.0810" O.A.L.
6	Exhaust Valve Kit	FP-3802356		Incl. valve & locks
6	Intake Valve Kit	FP-3802355		Incl. valve & locks
24	Keeper	FP-3900250		

VALVE SEAT				
QTY		PART NO.	SIZE	DESCRIPTION
6	Exh.	FP-3904105		
6	Int.	FP-3906854		

VALVE GUIDE				
QTY		PART NO.	SIZE	DESCRIPTION
6	Guide	FP-3904409		Exh.; Thick wall; .3160" ID, 2.0520" O.A.L.
6	Guide	FP-3904408		Int.; Thick wall; .3160" ID, 2.3970" O.A.L.
6	Guide	FP-3906206		Int. & Exh.; Thin wall; .3162" ID, 2.5000" O.A.L.

(continued on next page)

Combine 6BT5.9 (6T-590) (Turbo), 6BTA5.9 (6TA-590) (Turbo-Aftercooled Diesel). Cotton 45 Picker. Loader. Power Unit. Wheel Tractor 6BT5.9 (6T-590) Eng. (Turbo-Diesel). Windrower. (cont.) Crawler Tractor 6BT5.9 (6T-590) Eng. (Turbo-Diesel). Wheel Loader. Excavator. 5.9L 359 (5882cc) OHV Turbo-Diesel L6 (12 Valve), 102mm Bore (Cummins Eng.)

CYL. HEAD & PARTS (cont.)

QTY	VALVE SPRING	PART NO.	SIZE	DESCRIPTION
12	Spring	FP-4936080		1.8800" Free Height
12	Spring	FP-3900276		30 PSI; 2.2350" Free Height
12	Spring	FP-3926700		36 PSI; 2.3850" Free Height
12	Spring	FP-3932453		36 PSI; 2.5500" Free Height
12	Retainer	FP-3900299		
QTY	PUSH RODS	PART NO.	SIZE	DESCRIPTION
12	Push Rod	FP-3284377		10.9100" O.A.L.
1	Push Rod Cover Gasket	FP-3284623		
QTY	VALVE MISC.	PART NO.	SIZE	DESCRIPTION
1	O-Ring	FP-3910824		Valve Cover Screw; .364" I.D. x .070" Thick
QTY	VALVE SEAL	PART NO.	SIZE	DESCRIPTION
12	Valve Stem Seal	FP-3921640		Int. & Exh.
12	Valve Stem Seal	FP-3957912		Int. & Exh.; Top Hat style; Viton®
12	Valve Stem Seal	FP-3901097 +		Int. & Exh.; When depleted use FP-3921640
QTY	ROCKER PARTS	PART NO.	SIZE	DESCRIPTION
12	Adjusting Screw Nut	FP-203131		3/8" - 24 UNF
6	Bolt	FP-3920781		Rocker Lever Shaft Support; M12 x 1.75 x 180MM Rocker Arm Bolt
6	Support, Rocker Lever	FP-3922488		
6	Rocker Lever Exhaust	FP-3910810		
6	Rocker Lever Intake	FP-3910811		
12	Washer	FP-3900245		Rocker Lever; M19
12	Snap Ring	FP-3900242		Rocker Lever
INT & EXH MANIFOLDS				
QTY	INT. & EXH. MANIFOLDS	PART NO.	SIZE	DESCRIPTION
6	Exhaust Manifold Gasket	FP-3905443		
1	Int. Manif. Cover Plate Gskt.	FP-3914029		
QTY	AIR INTAKE	PART NO.	SIZE	DESCRIPTION
1	Air Intake Gasket	FP-3969988		
CAMSHAFT GROUP				
QTY	CAMSHAFT/LIFTER	PART NO.	SIZE	DESCRIPTION
1	Camshaft	FP-3929042		CPL Numbers 596-600, 691, 697-8, 713-4, 716, 728-9, 742, 761, 766, 791-2, 802, 804, 834, 845, 912, 938, 940, 947, 949, 953, 961-2, 970, 983, 994, 998-9, 1160, 1163, 1165, 1168, 1174, 1189, 1207, 1245-7, 1266, 1279, 1288-9, 1313, 1322, 1351, 1403, 1408, 1433, 1440, 1554, 1570, 1578-9, 1581, 1601, 1605, 1613, 1694.
1	Camshaft	FP-3929041		CPL Numbers 987, 1261, 1422 1527 & 1582
12	Lifter	FP-3931623		
FUEL SYSTEM & PARTS				
QTY	FUEL INJECTION	PART NO.	SIZE	DESCRIPTION
4	Grommet	FP-3900267		Fuel Drain Tube
6	Fuel Injector Seal Ring	FP-3909356		
6	Fuel Injector Sleeve	FP-3919358		For 9mm head
6	Fuel Injector Seal	FP-3930324		
6	Copper Washer	FP-3906659		For 7mm head; 1.50MM Thick
6	Fuel Line Connector	FP-3903380		Banjo connector; 6mm head; Banjo connector
QTY	FUEL FILTERS & PUMP	PART NO.	SIZE	DESCRIPTION
1	Fuel Transfer Pump	FP-4983584 *		Diaphragm style
1	Fuel Transfer Pump	FP-3970880 +		Diaphragm style; When depleted use FP-4983584
1	Fuel Transfer Pump	FP-4944713		144.7 - 201.2 LPH; 1/4 x 18 NPTF Fuel Inlet
1	Cover Plate Gasket	FP-3931348		Fuel Transfer Pump Mounting
1	Cover Plate Gasket	FP-3939258		Fuel Transfer Pump Mounting
1	Solenoid Repair Kit	FP-3903575		Fuel Transfer Pump
1	Solenoid Repair Kit	FP-3903576		Fuel Transfer Pump; 24V
6	Washer	FP-3900808		Sealing
2	Washer	FP-3918188		Sealing; Fuel Supply Tube
1	Fuel Filter Gasket	FP-3906694		Large
1	Fuel Filter Gasket	FP-3906695		Small
QTY	TURBOCHARGER	PART NO.	SIZE	DESCRIPTION
1	Turbocharger Mounting Gasket	FP-3901356		

(continued on next page)

45 Combine **6BT5.9 (6T-590) (Turbo)**, **6BTA5.9 (6TA-590) (Turbo-Aftercooled Diesel)**. Cotton (cont.) Picker. Loader. Power Unit. Wheel Tractor **6BT5.9 (6T-590) Eng. (Turbo-Diesel)**. Windrower. Crawler Tractor **6BT5.9 (6T-590) Eng. (Turbo-Diesel)**. Wheel Loader. Excavator. 5.9L 359 (5882cc) OHV Turbo-Diesel L6 (12 Valve), 102mm Bore (Cummins Eng.)

COOLING SYSTEM

QTY	WATER PUMP	PART NO.	SIZE	DESCRIPTION
1	Water Pump - Heavy Duty	FP-3286277		
1	Ball Brg.	FP-3910739		Fan Drive
1	Water Pump Seal Ring	FP-3906698		Water pump mounting; Rectangular Ring
1	O-Ring	FP-3883284		Air Intake Connection; For 3.00" Dia. Turbocharger elbow
1	O-Ring	FP-3923331		Thermostat Housing Cover
1	Shaft & Bearing Assembly	FP-3923517		
1	V Belt	FP-3911587		53.5 X 1.125"; Ribbed 8
1	V Belt	FP-3911557		56 X 1.125"; Ribbed 8
1	V Belt	FP-3911588		56.5 X 1.125"; Ribbed 8
1	V Belt	FP-3911568		57 X 1.125"; Ribbed 8
1	V Belt	FP-3911558		59 X 1.125"; Ribbed 8
1	V Belt	FP-3911563		60.5 X 1.125"; Ribbed 8
1	V Belt	FP-3911572		61.5 X 1.125"; Ribbed 8
1	V Belt	FP-3911559		62 X 1.125"; Ribbed 8
1	V Belt	FP-3034946		62.5 X 1.125"; Ribbed 8
1	V Belt	FP-3911575		63 X 1.125"; Ribbed 8
1	V Belt	FP-3911582		70 X 1.125"; Ribbed 8

QTY	THERMOSTAT	PART NO.	SIZE	DESCRIPTION
1	Thermostat	FP-3917324		180 Deg. F
1	Thermostat Kit	FP-3802273		180 Deg. F; Includes Thermostat, Template and O-ring

ENGINE BLOCK & PARTS

QTY	GASKETS	PART NO.	SIZE	DESCRIPTION
1	Oil Pan Gasket	FP-3959052		
1	Washer	FP-3902425		Sealing; Oil Pan Plug
1	Washer	FP-3920773		Sealing; Oil Pan Plug; 18.40MM I.D. x 1.5MM Thick
1	O-Ring	FP-3913994		
1	Gear Cover Gasket	FP-3918673		
1	Rect. or Square Seal	FP-3903475		Tach Drive Cover

QTY	GASKET SETS	PART NO.	SIZE	DESCRIPTION
1	Gasket Conversion Set	FP-3802376		Incl. seals
1	In-Frame Gasket Set	FP-3802364S		.25MM Oversize Thickness Head Gasket
1	In-Frame Gasket Set	FP-3802245S		.50MM Oversize Thickness Head Gasket
1	In-Frame Gasket Set	FP-3802363S		Standard Thickness Head Gasket

QTY	CAM BEARINGS	PART NO.	SIZE	DESCRIPTION
1	Cam Brg.	FP-3940059	STD	From 1997-Up (Storm Blocks)
1	Cam Brg.	FP-3901306	STD	To 1996

QTY	OIL COOLERS & FILTERS	PART NO.	SIZE	DESCRIPTION
1	Oil Cooler	FP-3957544		7 Plate
1	Oil Press. Reg. Low Pressure	FP-3918428		Oil Press. Regulator Plunger
1	O-Ring	FP-3909397		Oil Cooler
1	Oil Cooler Core Inner Gasket	FP-3926760		Core
1	Oil Cooler Core Outer Gasket	FP-3929792		

QTY	FREEZE PLUGS	PART NO.	SIZE	DESCRIPTION
1	Expansion Plug	FP-3900687		
4	Expansion Plug	FP-3007635		1.00" Dia.

CRANKSHAFT/OIL PUMP

QTY	CRANKSHAFT	PART NO.	SIZE	DESCRIPTION
1	Crankshaft	FP-3929037		With Gear
1	Crank Gear	FP-3929027		Front

QTY	SEALS - FRONT CRANK	PART NO.	SIZE	DESCRIPTION
1	Oil Seal	FP-3937111		Front
1	Oil Seal Kit	FP-3802820		Front; Incl. wear sleeve
1	Gear Housing Gasket	FP-3938156		Front
1	Redi-Sleeve	FP-3906080		Front
1	O-Ring	FP-3913994		Front
1	Rect. or Square Seal	FP-3915772		Front

QTY	SEALS - REAR CRANK	PART NO.	SIZE	DESCRIPTION
1	Oil Seal	FP-3909410		Rear; Single Lip; Dry Clutch
1	Oil Seal Kit	FP-3926126		Single Lip; Dry Clutch; Incl. Wear Sleeve
1	Redi-Sleeve	FP-3906081		Rear
1	Rear Cover Gasket	FP-3928493		
1	Rect. or Square Seal	FP-3912473		Rear; Rectangular

(continued on next page)

Combine 6BT5.9 (6T-590) (Turbo), 6BTA5.9 (6TA-590) (Turbo-Aftercooled Diesel). Cotton 45 Picker. Loader. Power Unit. Wheel Tractor 6BT5.9 (6T-590) Eng. (Turbo-Diesel). Windrower. (cont.) Crawler Tractor 6BT5.9 (6T-590) Eng. (Turbo-Diesel). Wheel Loader. Excavator. 5.9L 359 (5882cc) OHV Turbo-Diesel L6 (12 Valve), 102mm Bore (Cummins Eng.)

CRANKSHAFT/OIL PUMP (cont.)

QTY	MAIN BEARINGS	PART NO.	SIZE	DESCRIPTION
1	Main Set	FP-3802070	STD	
1	Main Set	FP-3802071	.25MM	
1	Main Set	FP-3802072	.50MM	
1	Main Set	FP-3802073	.75MM	
1	Main Set	FP-3802074	1.00MM	
1	Main Set	FP-3357480	STD	Brazil engs.

QTY	OIL PUMP	PART NO.	SIZE	DESCRIPTION
1	Oil Pump	FP-4939587		
1	Pick-Up Tube Gasket	FP-3938157		
1	Pick-Up Tube Gasket	FP-3914383 +		When depleted use FP-3938157

CYLINDER COMPONENTS

QTY	LINERS	PART NO.	SIZE	DESCRIPTION
6	Liner w/o Sealing Rings	FP-3904166		To return block to Standard

QTY	PISTONS	PART NO.	SIZE	DESCRIPTION
6	Piston Body w/o Pin	FP-3907156	STD	6BTA5.9; Early; 16.5:1 C.R.
6	Piston Body w/o Pin	FP-3907157	.50MM	6BTA5.9; Early; 16.5:1 C.R.
6	Piston Body w/o Pin	FP-3907158	1.00MM	6BTA5.9; Early; 16.5:1 C.R.
6	Piston Body w/o Pin	FP-3907163	STD	6BT5.9; Early; 17.5:1 C.R.
6	Piston Body w/o Pin	FP-3908815	.50MM	6BT5.9; Early; 17.5:1 C.R.
6	Piston Body w/o Pin	FP-3908816	1.00MM	6BT5.9; Early; 17.5:1 C.R.
6	Piston Kit w/Pin & Retainers	FP-3907156WP	STD	6BTA5.9; Early; 16.5:1 C.R.
6	Piston Kit w/Pin & Retainers	FP-3907157WP	.50MM	6BTA5.9; Early; 16.5:1 C.R.
6	Piston Kit w/Pin & Retainers	FP-3907158WP	1.00MM	6BTA5.9; Early; 16.5:1 C.R.
6	Piston Kit w/Pin & Retainers	FP-3907163WP	STD	6BT5.9; Early; 17.5:1 C.R.
6	Piston Kit w/Pin & Retainers	FP-3908815WP	.50MM	6BT5.9; Early; 17.5:1 C.R.
6	Piston Kit w/Pin & Retainers	FP-3908816WP	1.00MM	6BT5.9; Early; 17.5:1 C.R.
6	Piston w/Retainer & Rings	FP-3802100	STD	6BTA5.9; Early; 16.5:1 C.R.
6	Piston w/Retainer & Rings	FP-3802102	.50MM	6BTA5.9; Early; 16.5:1 C.R.
6	Piston w/Retainer & Rings	FP-3802104	1.00MM	6BTA5.9; Early; 16.5:1 C.R.
6	Piston w/Retainer & Rings	FP-3802160	STD	6BT5.9; Early; 17.5:1 C.R.
6	Piston w/Retainer & Rings	FP-3802132	.50MM	6BT5.9; Early; 17.5:1 C.R.
6	Piston w/Retainer & Rings	FP-3802134	1.00MM	6BT5.9; Early; 17.5:1 C.R.
6	Piston w/Pin, Retainer, Rings	FP-3802711	STD	6BTA5.9; Early; 16.5:1 C.R.
6	Piston w/Pin, Retainer, Rings	FP-PK7157	.50MM	6BTA5.9; Early; 16.5:1 C.R.
6	Piston w/Pin, Retainer, Rings	FP-PK7158	1.00MM	6BTA5.9; Early; 16.5:1 C.R.
6	Piston w/Pin, Retainer, Rings	FP-3802712	STD	6BT5.9; Early; 17.5:1 C.R.
6	Piston w/Pin, Retainer, Rings	FP-PK8815	.50MM	6BT5.9; Early; 17.5:1 C.R.
6	Piston w/Pin, Retainer, Rings	FP-PK8816	1.00MM	6BT5.9; Early; 17.5:1 C.R.
6	Pin	FP-3934048		
6	Piston Pin Retainer	FP-3920691		
6	Pin Bushing	FP-4891178		For fracture split rods
6	Pin Bushing	FP-3901085		For machine split rods

QTY	CONNECTING RODS & BRGS.	PART NO.	SIZE	DESCRIPTION
6	Con. Rod Bolt	FP-4891179 *		For fracture split rods
12	Con. Rod Bolt	FP-3900919		For machine split rods; MJ11 - 1.25 X 59mm
12	Rod Pair	FP-3967060	STD	For fracture split rods
12	Rod Pair	FP-3967061	.25MM	For fracture split rods
12	Rod Pair	FP-3967062	.50MM	For fracture split rods
12	Rod Pair	FP-3967063	.75MM	For fracture split rods
12	Rod Pair	FP-3967064	1.00MM	For fracture split rods
12	Rod Bearing Half Upper/Lower	FP-3939859	STD	For machine split rods
12	Rod Bearing Half Upper/Lower	FP-3901171	.25MM	For machine split rods
12	Rod Bearing Half Upper/Lower	FP-3901172	.50MM	For machine split rods
12	Rod Bearing Half Upper/Lower	FP-3901173	.75MM	For machine split rods
12	Rod Bearing Half Upper/Lower	FP-3901174	1.00MM	For machine split rods

QTY	PISTON RINGS	PART NO.	SIZE	DESCRIPTION
6	Ring Set Single Cylinder	FP-3802230	STD	1-3.00MM, 1-2.36MM, 1-4.00MM (1 cyl. set)
6	Ring Set Single Cylinder	FP-3802232	.50MM	1-3.00MM, 1-2.36MM, 1-4.00MM (1 cyl. set)
6	Ring Set Single Cylinder	FP-3802234	1.00MM	1-3.00MM, 1-2.36MM, 1-4.00MM (1 cyl. set)

KITS

QTY	OVERHAUL KIT	PART NO.	SIZE	DESCRIPTION
1	In-Frame Overhaul Kit	FP-6B59PREML		Late; Premium; With Upper Gasket Set & Pan Gasket

(continued on next page)

45 Combine **6BT5.9 (6T-590) (Turbo)**, **6BTA5.9 (6TA-590) (Turbo-Aftercooled Diesel)**. Cotton (cont.) Picker. Loader. Power Unit. Wheel Tractor **6BT5.9 (6T-590) Eng. (Turbo-Diesel)**. Windrower. Crawler Tractor **6BT5.9 (6T-590) Eng. (Turbo-Diesel)**. Wheel Loader. Excavator. 5.9L 359 (5882cc) OHV Turbo-Diesel L6 (12 Valve), 102mm Bore (Cummins Eng.)

KITS (cont.)

QTY	OVERHAUL KIT (cont.)	PART NO.	SIZE	DESCRIPTION
1	In-Frame Overhaul Kit	FP-6B59PREM		Premium; With Upper Gasket Set & Pan Gasket
1	Complete Overhaul Kit	FP6B5.9PREM-OHL		Late; 1991 to Present; Premium; With Front & Rear Seals and Upper & Lower Gasket Sets
1	Complete Overhaul Kit	FP-6B59PREMOH		Pre 1991; Premium; With Front & Rear Seals and Upper & Lower Gasket Sets
1	Complete Overhaul Kit	FP-OH6B59T		6BT Engs.
1	Complete Overhaul Kit	FP-OH6B59TA		6BTA Engs.

46 Wheel Skidder **ISB 5.9 Engines**
5.9L 359 (5882cc) OHV Turbo-Diesel L6 (24 Valve), 102mm Bore (Cummins Eng.)

CYL. HEAD & PARTS

QTY	GASKETS	PART NO.	SIZE	DESCRIPTION
1	Valve Cover Gasket	FP-3935878		
1	Head Gasket	FP-3977063		.061" Thickness
1	Head Set	FP-4090035		.061" Thickness Head Gasket
QTY	HEAD BOLTS	PART NO.	SIZE	DESCRIPTION
26	Head Bolt	FP-3927063		M12 x 1.75 x 131MM Length
QTY	VALVE	PART NO.	SIZE	DESCRIPTION
12	Intake	FP-3940735		Chrome plated stem; 1.2990" Head Dia., .2756" Stem Dia., 4.9070" O.A.L.
12	Exhaust	FP-3940734		Chrome plated stem; 1.2990" Head Dia., .2756" Stem Dia., 4.8930" O.A.L.
12	Exhaust Valve Kit	FP-3802967		Incl. valve & keepers; 1.2990" Head Dia., .2756" Stem Dia., 4.8930" O.A.L.
12	Intake Valve Kit	FP-3802924		Incl. valve & keepers; 1.2990" Head Dia., .2756" Stem Dia., 4.9070" O.A.L.
48	Keeper	FP-3940123		Exh. & Int.
QTY	VALVE SPRING	PART NO.	SIZE	DESCRIPTION
24	Spring	FP-4936080		Exh. & Int.; 1.8800" Free Height
24	Spring Cap	FP-3943198		Exh. & Int.
QTY	PUSH RODS	PART NO.	SIZE	DESCRIPTION
1	Push Rod Cover Gasket	FP-3284623		
QTY	VALVE SEAL	PART NO.	SIZE	DESCRIPTION
12	Valve Stem Seal	FP-3955394		Exh.; Green; For Engs. using HPCR System, Eng. S/N 46239409 and above; Green Viton Center; Top Hat style
12	Valve Stem Seal	FP-3955393		Int.; Yellow; For Engs. using HPCR System, Eng. S/N 46239409 and above; Yellow Viton Center; Top Hat style

INT & EXH MANIFOLDS

QTY	INT. & EXH. MANIFOLDS	PART NO.	SIZE	DESCRIPTION
6	Exhaust Manifold Gasket	FP-3946275		

CAMSHAFT GROUP

QTY	CAMSHAFT/LIFTER	PART NO.	SIZE	DESCRIPTION
12	Lifter	FP-3942565		

FUEL SYSTEM & PARTS

QTY	FUEL INJECTION	PART NO.	SIZE	DESCRIPTION
6	Copper Washer	FP-3906659		Inj. seal for 7mm injector tip; 1.50MM Thick
1	O-Ring	FP-3910503		Injector Pump mounting
QTY	TURBOCHARGER	PART NO.	SIZE	DESCRIPTION
4	Turbo Stud	FP-3818823		Turbo mounting; Turbocharger mounting studs; M10 x 1.50 x 42MM
1	Turbocharger Mounting Gasket	FP-3901356		

COOLING SYSTEM

QTY	WATER PUMP	PART NO.	SIZE	DESCRIPTION
1	Water Pump - Heavy Duty	FP-3286278		
1	Water Pump Mech. Shaft Seal	FP-3029099		Impeller
1	Water Pump Seal Ring	FP-3906698		Water pump mounting; Rectangular Ring

ENGINE BLOCK & PARTS

QTY	GASKETS	PART NO.	SIZE	DESCRIPTION
1	Oil Pan Gasket	FP-3959052		

(continued on next page)

Wheel Skidder ISB 5.9 Engines 46

5.9L 359 (5882cc) OHV Turbo-Diesel L6 (24 Valve), 102mm Bore (Cummins Eng.) (cont.)

ENGINE BLOCK & PARTS (cont.)				
QTY	GASKETS (cont.)	PART NO.	SIZE	DESCRIPTION
1	Hydraulic Pump Gasket	FP-3008400		
QTY	GASKET SETS	PART NO.	SIZE	DESCRIPTION
1	Gasket Conversion Set	FP-3800487 *		
QTY	CAM BEARINGS	PART NO.	SIZE	DESCRIPTION
1	Cam Brg.	FP-3940059	STD	(Storm Blocks)
1	Cam Brg.	FP-3904369	STD	Position 1; O/S
2	Cam Brg.	FP-3903242	STD	Position 2-5; O/S
QTY	OIL COOLERS & FILTERS	PART NO.	SIZE	DESCRIPTION
1	Oil Cooler	FP-3957544		7 Plate
1	Oil Cooler Core Inner Gasket	FP-3926760		
QTY	FREEZE PLUGS	PART NO.	SIZE	DESCRIPTION
14	Expansion Plug	FP-3007635		1.00" Dia.
CRANKSHAFT/OIL PUMP				
QTY	CRANKSHAFT	PART NO.	SIZE	DESCRIPTION
1	Crank Gear	FP-3929027		
QTY	SEALS - FRONT CRANK	PART NO.	SIZE	DESCRIPTION
1	Oil Seal	FP-3937111		Front
1	Oil Seal Kit	FP-3802820		Front; Incl. wear sleeve
1	Gear Housing Gasket	FP-3938156		Cover
1	Redi-Sleeve	FP-3906080		Front
QTY	SEALS - REAR CRANK	PART NO.	SIZE	DESCRIPTION
1	Oil Seal	FP-3909411		Rear; Double Lip; Wet Clutch
1	Oil Seal	FP-3909410		Rear; Single Lip; Dry Clutch
1	Oil Seal Kit	FP-3926126		Single Lip; Dry Clutch; Incl. Wear Sleeve
1	Redi-Sleeve	FP-3906081		Rear
1	Rear Cover Gasket	FP-3928493		
1	Rect. or Square Seal	FP-3912473		Rear; Rectangular
QTY	MAIN BEARINGS	PART NO.	SIZE	DESCRIPTION
1	Main Set	FP-3802070	STD	
1	Main Set	FP-3802071	.25MM	
1	Main Set	FP-3802072	.50MM	
1	Main Set	FP-3802073	.75MM	
1	Main Set	FP-3802074	1.00MM	
QTY	OIL PUMP	PART NO.	SIZE	DESCRIPTION
1	Oil Pump	FP-4939587		
1	Rect. or Square Seal	FP-3903475		Tach. drive cover
1	Pick-Up Tube Gasket	FP-3938157		Oil pick-up tube
CYLINDER COMPONENTS				
QTY	LINERS	PART NO.	SIZE	DESCRIPTION
6	Liner w/o Sealing Rings	FP-3904166		To return block to Standard
QTY	PISTONS	PART NO.	SIZE	DESCRIPTION
6	Piston w/Retainer & Rings	FP-3800838	STD	
6	Piston w/Retainer & Rings	FP-3800841	.50MM	
6	Piston w/Retainer & Rings	FP-3800842	1.00MM	
6	Piston w/Pin, Retainer, Rings	FP-PK0838	STD	
6	Piston w/Pin, Retainer, Rings	FP-PK0841	.50MM	
6	Piston w/Pin, Retainer, Rings	FP-PK0842	1.00MM	
6	Pin	FP-3934047		
12	Piston Pin Retainer	FP-3920691		
6	Pin Bushing	FP-4891178		
QTY	CONNECTING RODS & BRGS.	PART NO.	SIZE	DESCRIPTION
12	Con. Rod Bolt	FP-4891179 *		For fracture split rods
12	Con. Rod Bolt	FP-3900919		For machine split rods; MJ11 - 1.25 X 59mm
6	Rod Pair	FP-3967060	STD	For fracture split rods
6	Rod Pair	FP-3967061	.25MM	For fracture split rods
6	Rod Pair	FP-3967062	.50MM	For fracture split rods
6	Rod Pair	FP-3967063	.75MM	For fracture split rods
6	Rod Pair	FP-3967064	1.00MM	For fracture split rods
12	Rod Bearing Half Upper/Lower	FP-3939859	STD	For machine split rods
12	Rod Bearing Half Upper/Lower	FP-3901171	.25MM	For machine split rods
12	Rod Bearing Half Upper/Lower	FP-3901172	.50MM	For machine split rods
12	Rod Bearing Half Upper/Lower	FP-3901173	.75MM	For machine split rods

(continued on next page)

46 Wheel Skidder ISB 5.9 Engines
(cont.) 5.9L 359 (5882cc) OHV Turbo-Diesel L6 (24 Valve), 102mm Bore (Cummins Eng.)

CYLINDER COMPONENTS (cont.)

CONNECTING RODS & BRGS. (cont.)				
QTY		PART NO.	SIZE	DESCRIPTION
12	Rod Bearing Half Upper/Lower	FP-3901174	1.00MM	For machine split rods
PISTON RINGS				
6	Ring Set Single Cylinder	FP-3804990	STD	
6	Ring Set Single Cylinder	FP-3806201	.50MM	
6	Ring Set Single Cylinder	FP-3806203	1.00MM	
KITS				
QTY	OVERHAUL KIT	PART NO.	SIZE	DESCRIPTION
1	In-Frame Overhaul Kit	FP-IFKISB624V		For fracture split rods; From 1998.5 to 2006

47 Grader QSB 5.9 Engines. Compactor QSB 5.9 Engines.
5.9L 359 (5882cc) OHV Turbo-Diesel L6 (24 Valve), 102mm Bore (Cummins Eng.)

CYL. HEAD & PARTS

QTY	GASKETS	PART NO.	SIZE	DESCRIPTION
1	Head Gasket	FP-3977063		.061" Thickness
1	Head Set	FP-4089819		
VALVE				
12	Intake	FP-3940735		Chrome plated stem; 1.2990" Head Dia., .2756" Stem Dia., 4.9070" O.A.L.
12	Exhaust	FP-3940734		Chrome plated stem; 1.2990" Head Dia., .2756" Stem Dia., 4.8930" O.A.L.
12	Exhaust Valve Kit	FP-3802967		Incl. valve & keepers; 1.2990" Head Dia., .2756" Stem Dia., 4.8930" O.A.L.
12	Exhaust Valve Kit	FP-4089672 *	STD	Incl. valve, valve stem seal & keepers
12	Exhaust Valve Kit	FP-4955210 *	STD	Incl. valve, valve stem seal & keepers
12	Intake Valve Kit	FP-3802924		Incl. valve & keepers; 1.2990" Head Dia., .2756" Stem Dia., 4.9070" O.A.L.
48	Keeper	FP-3940123		Exh. & Int.
VALVE SPRING				
24	Spring	FP-4936080		Exh. & Int.; 1.8800" Free Height
24	Spring Cap	FP-3943198		Exh. & Int.

ENGINE BLOCK & PARTS

QTY	GASKETS	PART NO.	SIZE	DESCRIPTION
1	Oil Pan Gasket	FP-3959052		
1	Oil Pan Gasket	FP-3958165		w/Stamped steel pan, drain on bottom
GASKET SETS				
1	Gasket Conversion Set	FP-4089173		
CAM BEARINGS				
1	Cam Brg.	FP-3940059	STD	(Storm Blocks)
1	Cam Brg.	FP-3904369	STD	Position 1; O/S
2	Cam Brg.	FP-3903242	STD	Position 2-5; O/S

CRANKSHAFT/OIL PUMP

QTY	MAIN BEARINGS	PART NO.	SIZE	DESCRIPTION
1	Main Set	FP-3802070	STD	
1	Main Set	FP-3802071	.25MM	
1	Main Set	FP-3802072	.50MM	
1	Main Set	FP-3802073	.75MM	
1	Main Set	FP-3802074	1.00MM	

CYLINDER COMPONENTS

QTY	LINERS	PART NO.	SIZE	DESCRIPTION
6	Liner w/o Sealing Rings	FP-3904166		To return block to Standard
CONNECTING RODS & BRGS.				
12	Con. Rod Bolt	FP-4891179 *		For fracture split rods
6	Rod Pair	FP-3967060	STD	For fracture split rods
6	Rod Pair	FP-3967061	.25MM	For fracture split rods
6	Rod Pair	FP-3967062	.50MM	For fracture split rods
6	Rod Pair	FP-3967063	.75MM	For fracture split rods
6	Rod Pair	FP-3967064	1.00MM	For fracture split rods

Wheel Tractor A377B, A377S, 377, 377B Engs. (Gas or LPG) 48
6.2L 377 L6 (Early), 4" Bore

CYL. HEAD & PARTS				
QTY	VALVE GUIDE	PART NO.	SIZE	DESCRIPTION
12	Guide	FP-VG544		377 Engs.; Model 930; .4050" ID, 3.5800" O.A.L.
QTY	VALVE SPRING	PART NO.	SIZE	DESCRIPTION
12	Spring	FP-A21076		
QTY	VALVE SEAL	PART NO.	SIZE	DESCRIPTION
12	Valve Stem Seal	ST-2001		Positive type; Installation requires valve guide machining; Rubber/PTFE
12	Valve Stem Seal	FP-A58628		377B Eng. only; O-Ring style
12	Valve Stem Seal Bulk	ST-2001BC		Positive type; Installation requires valve guide machining; Carton of 100; Rubber/PTFE

ENGINE BLOCK & PARTS				
QTY	CAM BEARINGS	PART NO.	SIZE	DESCRIPTION
1	Cam Set	FP-A23544	STD	W/2.250" dia. brgs.

CRANKSHAFT/OIL PUMP				
QTY	SEALS - FRONT CRANK	PART NO.	SIZE	DESCRIPTION
1	Redi-Sleeve	FP-99260		
1	Oil Seal	FP-A157044		
QTY	SEALS - REAR CRANK	PART NO.	SIZE	DESCRIPTION
1	Oil Seal	FP-A62050		
1	Redi-Sleeve	FP-99475		
QTY	MAIN BEARINGS	PART NO.	SIZE	DESCRIPTION
1	Main Set	FP-7040M	Std-10-20	Optional main set w/o thrust washer; 2.999" Crank Dia.
1	Main Set	FP-7040M10	Std-10-20	Optional main set w/o thrust washer; 2.999" Crank Dia.
1	Main Set	FP-7040M20	Std-10-20	Optional main set w/o thrust washer; 2.999" Crank Dia.
1	Thrust Washer Set	FP-A62572S	STD	Position 5; .156" Thick
2	Thrust Washer Pc.	FP-A62572	STD	Position 5; 2 Required; .156" Thick

CYLINDER COMPONENTS				
QTY	PISTONS	PART NO.	SIZE	DESCRIPTION
6	Pin Bushing	FP-A27846		1.500" Pin Dia.
QTY	CONNECTING RODS & BRGS.	PART NO.	SIZE	DESCRIPTION
6	Rod Pair	FP-A43173	STD	2.7490" Crank Pin Dia.
6	Rod Pair	FP-A43174	2	2.7490" Crank Pin Dia.
6	Rod Pair	FP-A43175	10	2.7490" Crank Pin Dia.
6	Rod Pair	FP-A43176	20	2.7490" Crank Pin Dia.
6	Rod Pair	FP-A43177	30	2.7490" Crank Pin Dia.

Wheel Tractor 377, 377A Engs. (Gas or LPG). Crawler Tractor 377, 377A Engs. (Gas or LPG) 49
6.2L 377 L6 (Late), 4" Bore

CYL. HEAD & PARTS				
QTY	VALVE GUIDE	PART NO.	SIZE	DESCRIPTION
12	Guide	FP-VG544		.4050" ID, 3.5800" O.A.L.
QTY	VALVE SEAL	PART NO.	SIZE	DESCRIPTION
12	Valve Stem Seal	ST-2001		Positive type; Installation requires valve guide machining; Rubber/PTFE
12	Valve Stem Seal Bulk	ST-2001BC		Positive type; Installation requires valve guide machining; Carton of 100; Rubber/PTFE

ENGINE BLOCK & PARTS				
QTY	CAM BEARINGS	PART NO.	SIZE	DESCRIPTION
1	Cam Set	FP-A23544	STD	W/2.250" dia. brgs.

CRANKSHAFT/OIL PUMP				
QTY	SEALS - FRONT CRANK	PART NO.	SIZE	DESCRIPTION
1	Redi-Sleeve	FP-99260		
1	Oil Seal	FP-A157044		
QTY	SEALS - REAR CRANK	PART NO.	SIZE	DESCRIPTION
1	Oil Seal	FP-A62050		
1	Redi-Sleeve	FP-99475		
QTY	MAIN BEARINGS	PART NO.	SIZE	DESCRIPTION
1	Main Set	FP-7040M	Std-10-20	Optional main set w/o thrust washer; 2.999" Crank Dia.
1	Main Set	FP-7040M10	Std-10-20	Optional main set w/o thrust washer; 2.999" Crank Dia.

(continued on next page)

49 Wheel Tractor 377, 377A Engs. (Gas or LPG). Crawler Tractor 377, 377A Engs. (Gas or (cont.) LPG).
6.2L 377 L6 (Late), 4" Bore

CRANKSHAFT/OIL PUMP (cont.)

QTY	MAIN BEARINGS (cont.)	PART NO.	SIZE	DESCRIPTION
1	Main Set	FP-7040M20	Std-10-20	Optional main set w/o thrust washer; 2.999" Crank Dia.
1	Main Set	FP-5047M	Std-10-20	W/.186" thick thrust washer
1	Thrust Washer Set	FP-A62573S	STD	Position 5; .186" Thick
2	Thrust Washer Pc.	FP-A62573	STD	Position 5; 2 Required; .186" Thick

CYLINDER COMPONENTS

QTY	PISTONS	PART NO.	SIZE	DESCRIPTION
6	Pin Bushing	FP-A27846		1.500" Pin Dia.

QTY	CONNECTING RODS & BRGS.	PART NO.	SIZE	DESCRIPTION
6	Rod Pair	FP-A43173	STD	2.7490" Crank Pin Dia.
6	Rod Pair	FP-A43174	2	2.7490" Crank Pin Dia.
6	Rod Pair	FP-A43175	10	2.7490" Crank Pin Dia.
6	Rod Pair	FP-A43176	20	2.7490" Crank Pin Dia.
6	Rod Pair	FP-A43177	30	2.7490" Crank Pin Dia.

50 Wheel Tractor A377D, 377D Engs. (Diesel). Crawler Tractor A377D, 377D Engs. (Diesel).
6.2L 377 Diesel L6, 4" Bore

CYL. HEAD & PARTS

QTY	VALVE GUIDE	PART NO.	SIZE	DESCRIPTION
6	Guide	FP-A26294		Int.; .4050" ID, 4.3800" O.A.L.

QTY	VALVE SEAL	PART NO.	SIZE	DESCRIPTION
12	Valve Stem Seal	FP-A58628		O-Ring style

ENGINE BLOCK & PARTS

QTY	CAM BEARINGS	PART NO.	SIZE	DESCRIPTION
1	Cam Set	FP-A23544	STD	W/2.250" dia. brgs.

CRANKSHAFT/OIL PUMP

QTY	SEALS - FRONT CRANK	PART NO.	SIZE	DESCRIPTION
1	Redi-Sleeve	FP-99260		
1	Oil Seal	FP-A157044		

QTY	SEALS - REAR CRANK	PART NO.	SIZE	DESCRIPTION
1	Oil Seal	FP-A62050		
1	Redi-Sleeve	FP-99475		

QTY	MAIN BEARINGS	PART NO.	SIZE	DESCRIPTION
1	Main Set	FP-7040M	Std-10-20	Optional main set w/o thrust washer; 2.999" Crank Dia.
1	Main Set	FP-7040M10	Std-10-20	Optional main set w/o thrust washer; 2.999" Crank Dia.
1	Main Set	FP-7040M20	Std-10-20	Optional main set w/o thrust washer; 2.999" Crank Dia.
1	Thrust Washer Set	FP-A62572S	STD	Position 5; .156" Thick
2	Thrust Washer Pc.	FP-A62572	STD	Position 5; 2 Required; .156" Thick

CYLINDER COMPONENTS

QTY	PISTONS	PART NO.	SIZE	DESCRIPTION
6	Pin Bushing	FP-A27846		1.500" Pin Dia.

QTY	CONNECTING RODS & BRGS.	PART NO.	SIZE	DESCRIPTION
6	Rod Pair	FP-A43173	STD	2.7490" Crank Pin Dia.
6	Rod Pair	FP-A43174	2	2.7490" Crank Pin Dia.
6	Rod Pair	FP-A43175	10	2.7490" Crank Pin Dia.
6	Rod Pair	FP-A43176	20	2.7490" Crank Pin Dia.
6	Rod Pair	FP-A43177	30	2.7490" Crank Pin Dia.

51 Wheel Tractor A401B, A401BD, A401D, 401B, 401BD Engs. (Diesel). Crawler Tractor A401B, A401BD, A401D, 401B, 401BD Engs. (Diesel). Wheel Loader A401B, A401BD, A401D, 401B, 401BD Engs. (Diesel).
6.6L 401 Diesel L6, 4.125" Bore

CYL. HEAD & PARTS

QTY	VALVE	PART NO.	SIZE	DESCRIPTION
6	Intake	FP-A11801		A401D Engs.; Models W10, 930 & 940
6	Exhaust	FP-A11802		A401D Engs.; Models W10, 930 & 940
24	Keeper	FP-A27872		A401BD Engs. & A401D Engs.; Model 930

(continued on next page)

**Wheel Tractor A401B, A401BD, A401D, 401B, 401BD Engs. (Diesel). Crawler Tractor 51
A401B, A401BD, A401D, 401B, 401BD Engs. (Diesel). Wheel Loader A401B, A401BD, (cont.)
A401D, 401B, 401BD Engs. (Diesel).
6.6L 401 Diesel L6, 4.125" Bore**

CYL. HEAD & PARTS (cont.)

QTY	VALVE GUIDE	PART NO.	SIZE	DESCRIPTION
6	Guide	FP-A11803		Exh.; A401D Engs.; Model 930; .4050" ID, 3.2200" O.A.L.
8	Guide	FP-A11803		Exh. & Int.; A401BD Engs.; .4050" ID, 3.2200" O.A.L.
6	Guide	FP-A26294		Int.; A401D Engs.; Model 930; .4050" ID, 4.3800" O.A.L.
QTY	VALVE SPRING	PART NO.	SIZE	DESCRIPTION
12	Spring	FP-A66444		A401BD Engs.
12	Spring	FP-A21076		A401D Engs.; Model 930
QTY	VALVE SEAL	PART NO.	SIZE	DESCRIPTION
12	Valve Stem Seal	FP-A58628		A401BD Engs.; O-Ring style

ENGINE BLOCK & PARTS

QTY	GASKET SETS	PART NO.	SIZE	DESCRIPTION
1	Complete Overhaul Gasket Set	FP-PGE401LC		A401BD Engs.
1	Complete Overhaul Gasket Set	PGE401LC +		A401BD Engs.; When depleted use FP-PGE401LC
1	Complete Overhaul Gasket Set	FP-PGE401DM		A401D Engs.; Exc. 940 Wheel Tractor & W10 Loader Tractor
QTY	CAM BEARINGS	PART NO.	SIZE	DESCRIPTION
1	Cam Set	FP-A23544	STD	W/2.250" dia. brgs.

CRANKSHAFT/OIL PUMP

QTY	SEALS - FRONT CRANK	PART NO.	SIZE	DESCRIPTION
1	Redi-Sleeve	FP-99260		
1	Oil Seal	FP-A157044		
QTY	SEALS - REAR CRANK	PART NO.	SIZE	DESCRIPTION
1	Oil Seal	FP-A62050		
1	Redi-Sleeve	FP-99475		
QTY	MAIN BEARINGS	PART NO.	SIZE	DESCRIPTION
1	Main Set	FP-7040M	Std-10-20	Optional main set w/o thrust washer; 2.999" Crank Dia.
1	Main Set	FP-7040M10	Std-10-20	Optional main set w/o thrust washer; 2.999" Crank Dia.
1	Main Set	FP-7040M20	Std-10-20	Optional main set w/o thrust washer; 2.999" Crank Dia.
1	Main Set	FP-5047M	Std-10-20	W/.186" thick thrust washer
1	Thrust Washer Set	FP-A62572S	STD	Position 5; .156" Thick
1	Thrust Washer Set	FP-A62573S	STD	Position 5; .186" Thick
2	Thrust Washer Pc.	FP-A62572	STD	Position 5; 2 Required; .156" Thick
2	Thrust Washer Pc.	FP-A62573	STD	Position 5; 2 Required; .186" Thick

CYLINDER COMPONENTS

QTY	LINERS	PART NO.	SIZE	DESCRIPTION
6	Liner w/Sealing Rings	FP-A182186WS	STD	A401BD Engs.
6	Liner w/Sealing Rings	FP-A23658WS	STD	A401D Engs.
6	Cylinder Kit Complete	FP-A1481351	STD	A401BD Engs.
6	Cylinder Kit Complete	FP-A418211	STD	A401D Engs.; Contains cast-iron piston w/1.359" dia. pin
6	Cylinder Kit Complete	FP-A404791	STD	A401D Engs.; Contains Alum. piston w/1.500" dia. pin
QTY	PISTONS	PART NO.	SIZE	DESCRIPTION
6	Piston Body w/o Pin	FP-2489N	STD	OVERBORE To 4.250". A401D engines w/1.3586" Dia. pin.; 3-3/32, 1-1/4 Ring Groove; Flat Head
6	Piston Kit w/Pin & Retainers	FP-A65127WP	STD	A401BD Engs.; Cast; 2-3/32, 1-1/4 Ring Groove; Dish Head .890" deep x 2.310" dia. w/2 valve reliefs
6	Piston Kit w/Pin & Retainers	FP-A11101WP	STD	A401D Engs.; w/1.3586" pin dia.; Cast; 3-3/32, 1-1/4 Ring Groove; Flat Head. Cast Iron
6	Piston Kit w/Pin & Retainers	FP-A24488WP	STD	A401D Engs.; w/1.500" pin dia.; Cast; 3-3/32, 1-1/4 Ring Groove; Flat Head. Alum. w/Ni-Resist Insert
6	Pin Bushing	FP-A27846		W/1.3596" pin dia.; 1.500" Pin Dia.
QTY	CONNECTING RODS & BRGS.	PART NO.	SIZE	DESCRIPTION
6	Rod Pair	FP-A43173	STD	2.7490" Crank Pin Dia.
6	Rod Pair	FP-A43174	2	2.7490" Crank Pin Dia.
6	Rod Pair	FP-A43175	10	2.7490" Crank Pin Dia.
6	Rod Pair	FP-A43176	20	2.7490" Crank Pin Dia.
6	Rod Pair	FP-A43177	30	2.7490" Crank Pin Dia.
QTY	PISTON RINGS	PART NO.	SIZE	DESCRIPTION
6	Ring Set Single Cylinder	FP-A41967	STD	2-3/32, 1-1/4
3	Premium Set	FP-A41967S	STD	2-3/32, 1-1/4; 2 Cyl Set
1	Premium Set	FP-5029KX	Std Only	3-3/32, 1-1/4
6	Premium Single Cylinder Set	W-10138KX	Std Only	2-3/32, 1-1/4 (2 cyl. set)

(continued on next page)

51 Wheel Tractor A401B, A401BD, A401D, 401B, 401BD Engs. (Diesel). Crawler Tractor (cont.) A401B, A401BD, A401D, 401B, 401BD Engs. (Diesel). Wheel Loader A401B, A401BD, A401D, 401B, 401BD Engs. (Diesel).
6.6L 401 Diesel L6, 4.125" Bore

KITS

QTY	OVERHAUL KIT	PART NO.	SIZE	DESCRIPTION
1	In-Frame Overhaul Kit	FP-IFK401L		A-401BD Engs.; w/thrust washer set
1	In-Frame Overhaul Kit	FP-IFK401E		A-401D Engs.; w/thrust washer set .156" & .186" thick; Exc. Wheel Tractor Model 940 & Loader Tractor Model W10

52 Wheel Tractor 401BDT, 401DT Engs. (Turbo-Diesel). Crawler Tractor 401BDT, 401DT Engs. (Turbo-Diesel). Wheel Loader 401BDT, 401DT Engs. (Turbo-Diesel).
6.6L 401 Turbo-Diesel L6, 4.125" Bore

CYL. HEAD & PARTS

QTY	VALVE	PART NO.	SIZE	DESCRIPTION
24	Keeper	FP-A27872		
QTY	VALVE GUIDE	PART NO.	SIZE	DESCRIPTION
12	Guide	FP-A11803		.4050" ID, 3.2200" O.A.L.
QTY	VALVE SPRING	PART NO.	SIZE	DESCRIPTION
12	Spring	FP-A66444		
QTY	VALVE SEAL	PART NO.	SIZE	DESCRIPTION
12	Valve Stem Seal	FP-A58628		O-Ring style

ENGINE BLOCK & PARTS

QTY	GASKET SETS	PART NO.	SIZE	DESCRIPTION
1	Complete Overhaul Gasket Set	FP-PGE401LC		
1	Complete Overhaul Gasket Set	PGE401LC +		When depleted use FP-PGE401LC
QTY	CAM BEARINGS	PART NO.	SIZE	DESCRIPTION
1	Cam Set	FP-A23544	STD	W/2.250" dia. brgs.

CRANKSHAFT/OIL PUMP

QTY	SEALS - FRONT CRANK	PART NO.	SIZE	DESCRIPTION
1	Redi-Sleeve	FP-99260		
1	Oil Seal	FP-A157044		
QTY	SEALS - REAR CRANK	PART NO.	SIZE	DESCRIPTION
1	Oil Seal	FP-A62050		
1	Redi-Sleeve	FP-99475		
QTY	MAIN BEARINGS	PART NO.	SIZE	DESCRIPTION
1	Main Set	FP-7040M	Std-10-20	Optional main set w/o thrust washer; 2.999" Crank Dia.
1	Main Set	FP-7040M10	Std-10-20	Optional main set w/o thrust washer; 2.999" Crank Dia.
1	Main Set	FP-7040M20	Std-10-20	Optional main set w/o thrust washer; 2.999" Crank Dia.
1	Main Set	FP-5047M	Std-10-20	W/.186" thick thrust washer
1	Thrust Washer Set	FP-A62572S	STD	Position 5; .156" Thick
1	Thrust Washer Set	FP-A62573S	STD	Position 5; .186" Thick
2	Thrust Washer Pc.	FP-A62572	STD	Position 5; 2 Required; .156" Thick
2	Thrust Washer Pc.	FP-A62573	STD	Position 5; 2 Required; .186" Thick

CYLINDER COMPONENTS

QTY	LINERS	PART NO.	SIZE	DESCRIPTION
6	Liner w/Sealing Rings	FP-A182186WS	STD	
6	Cylinder Kit Complete	FP-A1481351	STD	
QTY	PISTONS	PART NO.	SIZE	DESCRIPTION
6	Piston Kit w/Pin & Retainers	FP-A65127WP	STD	Cast; 2-3/32, 1-1/4 Ring Groove; Dish Head .890" deep x 2.310" dia. w/2 valve reliefs
6	Pin Bushing	FP-A27846		W/1.3596" pin dia.; 1.500" Pin Dia.
QTY	CONNECTING RODS & BRGS.	PART NO.	SIZE	DESCRIPTION
6	Rod Pair	FP-A43173	STD	2.7490" Crank Pin Dia.
6	Rod Pair	FP-A43174	2	2.7490" Crank Pin Dia.
6	Rod Pair	FP-A43175	10	2.7490" Crank Pin Dia.
6	Rod Pair	FP-A43176	20	2.7490" Crank Pin Dia.
6	Rod Pair	FP-A43177	30	2.7490" Crank Pin Dia.
QTY	PISTON RINGS	PART NO.	SIZE	DESCRIPTION
6	Ring Set Single Cylinder	FP-A41967	STD	2-3/32, 1-1/4
3	Premium Set	FP-A41967S	STD	2-3/32, 1-1/4; 2 Cyl Set
6	Premium Single Cylinder Set	W-10138KX	Std Only	2-3/32, 1-1/4 (2 cyl. set)

(continued on next page)

Wheel Tractor 401BDT, 401DT Engs. (Turbo-Diesel). Crawler Tractor 401BDT, 401DT 52
Engs. (Turbo-Diesel). Wheel Loader 401BDT, 401DT Engs. (Turbo-Diesel). (cont.)
 6.6L 401 Turbo-Diesel L6, 4.125" Bore

KITS

QTY	OVERHAUL KIT	PART NO.	SIZE	DESCRIPTION
1	In-Frame Overhaul Kit	FP-IFK401L		W/Thrust washer set

Grader QSB 6.7 Engines. Wheel Tractor QSB 6.7 Engines. 53
 6.7L 408 (6691cc) OHV Turbo-Diesel L6 (24 Valve), 107mm Bore (Cummins Eng.)

CYL. HEAD & PARTS

QTY	GASKETS	PART NO.	SIZE	DESCRIPTION
1	Head Set	FP-4955354 *		Upper Set
QTY	HEAD BOLTS	PART NO.	SIZE	DESCRIPTION
26	Head Bolt	FP-3927063		M12 x 1.75 x 131MM Length
QTY	VALVE	PART NO.	SIZE	DESCRIPTION
12	Intake	FP-3940735		Chrome plated stem; 1.2990" Head Dia., .2756" Stem Dia., 4.9070" O.A.L.
12	Intake Valve Kit	FP-3802924		Incl. valve & keepers; 1.2990" Head Dia., .2756" Stem Dia., 4.9070" O.A.L.
48	Keeper	FP-3940123		Exh. & Int.
QTY	VALVE SPRING	PART NO.	SIZE	DESCRIPTION
24	Spring	FP-4936080		Exh. & Int.; 1.8800" Free Height
24	Spring Cap	FP-3943198		Exh. & Int.
QTY	VALVE SEAL	PART NO.	SIZE	DESCRIPTION
12	Valve Stem Seal	FP-3955394		Exh.; Green Viton Center; Top Hat style
12	Valve Stem Seal	FP-3955393		Int.; Yellow Viton Center; Top Hat style
QTY	ROCKER PARTS	PART NO.	SIZE	DESCRIPTION
24	Adjusting Screw Nut	FP-3927692		Rocker lever nut; 3/8" - 24 UNF

CAMSHAFT GROUP

QTY	CAMSHAFT/LIFTER	PART NO.	SIZE	DESCRIPTION
24	Lifter	FP-3947759		Exh. & Int.

FUEL SYSTEM & PARTS

QTY	FUEL FILTERS & PUMP	PART NO.	SIZE	DESCRIPTION
1	Cover Plate Gasket	FP-3939258		Fuel Transfer Pump Mounting
QTY	TURBOCHARGER	PART NO.	SIZE	DESCRIPTION
1	O-Ring	FP-3678786		Turbocharger flexible hose
1	O-Ring	FP-3922794		Turbocharger flexible hose

COOLING SYSTEM

QTY	WATER PUMP	PART NO.	SIZE	DESCRIPTION
1	Water Pump Seal Ring	FP-3906698		Water pump mounting; Rectangular Ring
1	Water Pump Seal Ring	FP-3906697		Water Inlet; Rectangular Ring
1	Ball Brg.	FP-3910739		Fan Pulley

ENGINE BLOCK & PARTS

QTY	GASKETS	PART NO.	SIZE	DESCRIPTION
1	Oil Pan Gasket	FP-3958165		w/Stamped steel pan, drain on bottom
QTY	GASKET SETS	PART NO.	SIZE	DESCRIPTION
1	Gasket Conversion Set	FP-4955355 *		Lower Set
QTY	CAM BEARINGS	PART NO.	SIZE	DESCRIPTION
1	Cam Brg.	FP-3940059	STD	
QTY	FREEZE PLUGS	PART NO.	SIZE	DESCRIPTION
3	Expansion Plug	FP-3007635		Behind pushrod cover; 1.00" Dia.

CRANKSHAFT/OIL PUMP

QTY	SEALS - FRONT CRANK	PART NO.	SIZE	DESCRIPTION
1	Oil Seal	FP-3937111		Front; Engine Timing Cover
1	Oil Seal Kit	FP-3802820		Front; Incl. wear sleeve
1	Redi-Sleeve	FP-3906080		Front
QTY	SEALS - REAR CRANK	PART NO.	SIZE	DESCRIPTION
1	Oil Seal Kit	FP-3926126		Rear; Single Lip; Dry Clutch; Incl. Wear Sleeve
1	Oil Seal Kit	FP-4089342 +		Rear; When depleted use FP-3934486
QTY	OIL PUMP	PART NO.	SIZE	DESCRIPTION
1	O-Ring	FP-3946689		Access Hole Cover Seal
1	O-Ring	FP-3679139		Cyl. Block; For use w/3089568 threaded plug

(continued on next page)

53 Grader QSB 6.7 Engines. Wheel Tractor QSB 6.7 Engines.
 (cont.) 6.7L 408 (6691cc) OHV Turbo-Diesel L6 (24 Valve), 107mm Bore (Cummins Eng.)

CRANKSHAFT/OIL PUMP (cont.)

QTY	OIL PUMP (cont.)	PART NO.	SIZE	DESCRIPTION
1	O-Ring	FP-3678786		Cyl. Block; For use w/3678791 threaded plug
1	O-Ring	FP-3678925		Cyl. Block; For use w/3678924 threaded plug; M10 x 1.00
1	O-Ring	FP-3946188		Oil Dipstick Tube
1	O-Ring	FP-3929457		Oil Filter Head; For use w/3946947 threaded plug

CYLINDER COMPONENTS

QTY	PISTONS	PART NO.	SIZE	DESCRIPTION
6	Piston Cooling Nozzle	FP-4937308 *		
6	Pin Bushing	FP-4891178		

QTY	CONNECTING RODS & BRGS.	PART NO.	SIZE	DESCRIPTION
6	Rod Bearing Half Lower	FP-4892795		For fracture split rods; .25MM
6	Rod Bearing Half Lower	FP-4892796		For fracture split rods; .50MM
6	Rod Bearing Half Lower	FP-4892797		For fracture split rods; .75MM
6	Rod Bearing Half Lower	FP-4893693		For fracture split rods; STD
6	Rod Bearing Half Lower	FP-4892798		For fracture split rods; 1.00MM
6	Rod Bearing Half Upper	FP-4932375		For fracture split rods; .25MM
6	Rod Bearing Half Upper	FP-4932376		For fracture split rods; .50MM
6	Rod Bearing Half Upper	FP-4932377		For fracture split rods; .75MM
6	Rod Bearing Half Upper	FP-3969562		For fracture split rods; STD
6	Rod Bearing Half Upper	FP-4932378		For fracture split rods; 1.00MM

54 Wheel Tractor A451, A451B, A451BD, A451D, 451, 451B, 451BD, 6-451B, 6-451D, 6-451BD Engs. (Diesel). Crawler Tractor A451, A451B, A451BD, A451D, 451, 451B, 451BD, 6-451B, 6-451D, 6-451BD.
 7.4L 451 Diesel L6, 4.375" Bore

CYL. HEAD & PARTS

QTY	VALVE	PART NO.	SIZE	DESCRIPTION
6	Intake	FP-A58869		A451BD, 6-451BD Engs.; 1.7500" Head Dia., 6.4300" O.A.L.
6	Exhaust	FP-A58870		A451BD, 6-451BD Engs.; 1.5600" Head Dia., 6.4300" O.A.L.
24	Keeper	FP-A27872		

QTY	VALVE GUIDE	PART NO.	SIZE	DESCRIPTION
6	Guide	FP-A11803		Exh.; A451D, 6-451D Engs.; .4050" ID, 3.2200" O.A.L.
12	Guide	FP-A11803		Exh. & Int.; A451BD, 6-451B, 6-451BD Engs.; .4050" ID, 3.2200" O.A.L.
6	Guide	FP-A26294		Int.; A451D, 6-451D Engs.; .4050" ID, 4.3800" O.A.L.

QTY	VALVE SPRING	PART NO.	SIZE	DESCRIPTION
12	Spring	FP-A66444		A451B, A451BD, 6-451B, 6-451BD Engs.; Model 1070
12	Spring	FP-A21076		A451D, 6-451D Engs.

QTY	VALVE MISC.	PART NO.	SIZE	DESCRIPTION
6	Rotocap	FP-A66336		A451D Eng. Model 1030; 6-451D & A451BD Eng. Model 1070 only; 6-451BD

QTY	VALVE SEAL	PART NO.	SIZE	DESCRIPTION
12	Valve Stem Seal	FP-A58628		O-Ring style

ENGINE BLOCK & PARTS

QTY	GASKET SETS	PART NO.	SIZE	DESCRIPTION
1	Complete Overhaul Gasket Set	FP-PGE451LC		A451BD, 6-451BD Engs.
1	Complete Overhaul Gasket Set	FP-PGE451EC		A451D, 6-451D Engs.

QTY	CAM BEARINGS	PART NO.	SIZE	DESCRIPTION
1	Cam Set	FP-A23544	STD	W/2.250" dia. brgs.

CRANKSHAFT/OIL PUMP

QTY	SEALS - FRONT CRANK	PART NO.	SIZE	DESCRIPTION
1	Redi-Sleeve	FP-99260		
1	Oil Seal	FP-A157044		

QTY	SEALS - REAR CRANK	PART NO.	SIZE	DESCRIPTION
1	Oil Seal	FP-A62050		
1	Redi-Sleeve	FP-99475		

QTY	MAIN BEARINGS	PART NO.	SIZE	DESCRIPTION
1	Main Set	FP-7040M	Std-10-20	Optional main set w/o thrust washer; 2.999" Crank Dia.
1	Main Set	FP-7040M10	Std-10-20	Optional main set w/o thrust washer; 2.999" Crank Dia.
1	Main Set	FP-7040M20	Std-10-20	Optional main set w/o thrust washer; 2.999" Crank Dia.
1	Main Set	FP-5045M	Std-10-20	W/.156" thick thrust washer
1	Main Set	FP-5045M10	Std-10-20	W/.156" thick thrust washer

(continued on next page)

* New Item — Check For Availability

*Wheel Tractor A451, A451B, A451BD, A451D, 451, 451B, 451BD, 6-451B, 6-451D, 54
6-451BD Engs. (Diesel). Crawler Tractor A451, A451B, A451BD, A451D, 451, 451B, (cont.)
451BD, 6-451B, 6-451D, 6-451BD.
7.4L 451 Diesel L6, 4.375" Bore*

CRANKSHAFT/OIL PUMP (cont.)

QTY	MAIN BEARINGS (cont.)	PART NO.	SIZE	DESCRIPTION
1	Main Set	FP-5045M20	Std-10-20	W/.156" thick thrust washer
1	Main Set	FP-5047M	Std-10-20	W/.186" thick thrust washer
1	Main Set	FP-5047M10	Std-10-20	W/.186" thick thrust washer
1	Main Set	FP-5047M20	Std-10-20	W/.186" thick thrust washer
1	Thrust Washer Set	FP-A62572S	STD	Position 5; .156" Thick
1	Thrust Washer Set	FP-A62573S	STD	Position 5; .186" Thick
2	Thrust Washer Pc.	FP-A62572	STD	Position 5; .156" Thick
2	Thrust Washer Pc.	FP-A62573	STD	Position 5; .186" thick; .186" Thick

CYLINDER COMPONENTS

QTY	LINERS	PART NO.	SIZE	DESCRIPTION
6	Liner w/o Sealing Rings	FP-A148203		A451B, A451BD, 6-451B, 6-451BD Engs.; Flange dia. 5.173"
6	Liner w/o Sealing Rings	FP-A23660		A451D, 6-451D Engs.; Flange Dia. 5.127"
6	Liner w/Sealing Rings	FP-A148203WS	STD	A451B, A451BD, 6-451B, 6-451BD Engs.; Incl. (2) sealing rings; Flange dia. 5.173"
6	Liner w/Sealing Rings	FP-A23660WS	STD	A451D, 6-451D Engs.; Flange Dia. 5.127"
6	Cylinder Kit Complete	FP-A460221	STD	A451B, A451BD, 6-451B, 6-451BD Engs.; Liner Flange Dia. 5.173"
6	Cylinder Kit Complete	FP-A429951	STD	A451D, 6-451D Engs.; Liner Flange Dia. 5.127"
12	Sealing Ring, Liner	FP-2385246		Use 2 per liner

QTY	PISTONS	PART NO.	SIZE	DESCRIPTION
6	Piston Body w/o Pin	FP-A64766		A451B, A451BD, 6-451B, 6-451BD Engs.; Cast; 2-3/32, 1-1/4 Ring Groove; Dish Head .908" deep x 2.450" dia. w/2 valve reliefs
6	Piston Body w/o Pin	FP-A57139		A451D, 6-451D Engs.; Cast; 3-3/32, 1-1/4 Ring Groove; Flat Head
6	Piston Kit w/Pin & Retainers	FP-A64766WP	STD	A451B, A451BD, 6-451B, 6-451BD Engs.; Cast; 2-3/32, 1-1/4 Ring Groove; Dish Head .908" deep x 2.450" dia. w/2 valve reliefs
6	Piston Kit w/Pin & Retainers	FP-A57139WP	STD	A451D, 6-451D Engs.; Cast; 3-3/32, 1-1/4 Ring Groove; Flat Head
6	Pin	FP-A64767		1.501" Dia.
12	Piston Pin Retainer	FP-A21016		Use w/FP-A57139 piston
12	Piston Pin Retainer	FP-10021150		Use w/FP-A64766 piston
6	Pin Bushing	FP-A27846		1.500" Pin Dia.

QTY	CONNECTING RODS & BRGS.	PART NO.	SIZE	DESCRIPTION
6	Rod Pair	FP-A43173	STD	2.7490" Crank Pin Dia.
6	Rod Pair	FP-A43174	2	2.7490" Crank Pin Dia.
6	Rod Pair	FP-A43175	10	2.7490" Crank Pin Dia.
6	Rod Pair	FP-A43176	20	2.7490" Crank Pin Dia.
6	Rod Pair	FP-A43177	30	2.7490" Crank Pin Dia.
6	Rod Pair	FP-A4317340	40	2.7490" Crank Pin Dia.

QTY	PISTON RINGS	PART NO.	SIZE	DESCRIPTION
6	Ring Set Single Cylinder	FP-A42996	STD	A451D, 6-451D Engs.; 3-3/32, 1-1/4
6	Ring Set Single Cylinder	FP-A43028	STD	Exc. A451D, 6-451D Engs.; 2-3/32, 1-1/4; 1 cyl. set
3	Premium Set	FP-A43028S	STD	Exc. A451D, 6-451D Engs.; 2-3/32, 1-1/4 (2 cyl. set)

KITS

QTY	OVERHAUL KIT	PART NO.	SIZE	DESCRIPTION
1	Complete Overhaul Kit	FP-IFK451L		A-451BD, 6-451BD Engs.; From Ser. No. 2323001; w/thrust washer set .156" & .186" thick
1	Complete Overhaul Kit	FP-IFK451E		A-451D, 6-451D Engs. w/thrust washer set

*Wheel Tractor A451T, 451BT, 451BDT, 451DT, 6-451BDT Engs. (Turbo-Diesel) 55
7.4L 451 Turbo-Diesel L6, 4.375" Bore*

CYL. HEAD & PARTS

QTY	VALVE	PART NO.	SIZE	DESCRIPTION
6	Intake	FP-A58869		Models 1170 & 1175; Model 1270 To Ser. No. 8736001; All 6-451BDT; 1.7500" Head Dia., 6.4300" O.A.L.
6	Exhaust	FP-A58870		Models 1170 & 1175; Model 1270 To Ser. No. 8736001; All 6-451BDT; 1.5600" Head Dia., 6.4300" O.A.L.
24	Keeper	FP-A27872		

(continued on next page)

55 Wheel Tractor A451T, 451BT, 451BDT, 451DT, 6-451BDT Engs. (Turbo-Diesel)				
(cont.) 7.4L 451 Turbo-Diesel L6, 4.375" Bore				
CYL. HEAD & PARTS (cont.)				
QTY	VALVE GUIDE	PART NO.	SIZE	DESCRIPTION
12	Guide	FP-A11803		Exh. & Int.; .4050" ID, 3.2200" O.A.L.
QTY	VALVE SPRING	PART NO.	SIZE	DESCRIPTION
12	Spring	FP-A66444		Model 1175, Model 1270; To Ser. No. 8736001
QTY	VALVE MISC.	PART NO.	SIZE	DESCRIPTION
6	Rotocap	FP-A66336		Exh.; To Ser. No. 8736001
QTY	VALVE SEAL	PART NO.	SIZE	DESCRIPTION
12	Valve Stem Seal	FP-A58628		O-Ring style
ENGINE BLOCK & PARTS				
QTY	GASKET SETS	PART NO.	SIZE	DESCRIPTION
1	Complete Overhaul Gasket Set	FP-PGE451LC		451BDT, 6-451BDT Engs.
QTY	CAM BEARINGS	PART NO.	SIZE	DESCRIPTION
1	Cam Set	FP-A23544	STD	W/2.250" dia. brgs.
CRANKSHAFT/OIL PUMP				
QTY	SEALS - FRONT CRANK	PART NO.	SIZE	DESCRIPTION
1	Redi-Sleeve	FP-99260		
1	Oil Seal	FP-A157044		
QTY	SEALS - REAR CRANK	PART NO.	SIZE	DESCRIPTION
1	Oil Seal	FP-A62050		
1	Redi-Sleeve	FP-99475		
QTY	MAIN BEARINGS	PART NO.	SIZE	DESCRIPTION
1	Main Set	FP-7040M	Std-10-20	Optional main set w/o thrust washer; 2.999" Crank Dia.
1	Main Set	FP-7040M10	Std-10-20	Optional main set w/o thrust washer; 2.999" Crank Dia.
1	Main Set	FP-7040M20	Std-10-20	Optional main set w/o thrust washer; 2.999" Crank Dia.
1	Main Set	FP-5045M	Std-10-20	W/.156" thick thrust washer
1	Main Set	FP-5045M10	Std-10-20	W/.156" thick thrust washer
1	Main Set	FP-5045M20	Std-10-20	W/.156" thick thrust washer
1	Main Set	FP-5047M	Std-10-20	W/.186" thick thrust washer
1	Main Set	FP-5047M10	Std-10-20	W/.186" thick thrust washer
1	Main Set	FP-5047M20	Std-10-20	W/.186" thick thrust washer
1	Thrust Washer Set	FP-A62572S	STD	Position 5; .156" Thick
1	Thrust Washer Set	FP-A62573S	STD	Position 5; .186" Thick
2	Thrust Washer Pc.	FP-A62572	STD	Position 5; .156" Thick
2	Thrust Washer Pc.	FP-A62573	STD	Position 5; .186" Thick
CYLINDER COMPONENTS				
QTY	LINERS	PART NO.	SIZE	DESCRIPTION
6	Liner w/o Sealing Rings	FP-A148203		Flange dia. 5.173"
6	Liner w/Sealing Rings	FP-A148203WS	STD	Incl. (2) sealing rings; Flange dia. 5.173"
6	Cylinder Kit Complete	FP-A1514081	STD	Liner Flange dia. 5.173"
12	Sealing Ring, Liner	FP-2385246		Use 2 per liner
QTY	PISTONS	PART NO.	SIZE	DESCRIPTION
6	Piston Body w/o Pin	FP-A65040	STD	3-Ring; 1.625" pin dia.
6	Piston Kit w/Pin & Retainers	FP-A65040WP		3-Ring; 1.625" pin dia.
6	Pin	FP-A140607		1.625" pin dia.
12	Piston Pin Retainer	FP-10021162		
QTY	CONNECTING RODS & BRGS.	PART NO.	SIZE	DESCRIPTION
6	Rod Pair	FP-A43173	STD	2.7490" Crank Pin Dia.
6	Rod Pair	FP-A43174	2	2.7490" Crank Pin Dia.
6	Rod Pair	FP-A43175	10	2.7490" Crank Pin Dia.
6	Rod Pair	FP-A43176	20	2.7490" Crank Pin Dia.
6	Rod Pair	FP-A43177	30	2.7490" Crank Pin Dia.
6	Rod Pair	FP-A4317340	40	2.7490" Crank Pin Dia.
QTY	PISTON RINGS	PART NO.	SIZE	DESCRIPTION
6	Ring Set Single Cylinder	FP-A166285	STD	
KITS				
QTY	OVERHAUL KIT	PART NO.	SIZE	DESCRIPTION
1	Complete Overhaul Kit	FP-IFK451L		w/thrust washer .156" & .186" thick; Gasket Set not included for 451BT Eng.

**Wheel Tractor A504BD, 504, 504B, 504BD, 6-504BD Engs. (Diesel). Crawler Tractor 56
A504BD, 504, 504B, 504BD, 6-504BD Engs. (Diesel). Wheel Loader A504BD, 504, 504B,
504BD, 6-504BD Engs. (Diesel). Excavator A504BD, 504, 504B, 504BD, 6-504BD Engs.
(Diesel). Concrete Placer A504BD, 504, 504B, 504BD, 6-504BD Engs. (Diesel).
8.3L 504 Diesel L6, 4.625" Bore**

CYL. HEAD & PARTS

QTY	VALVE	PART NO.	SIZE	DESCRIPTION
6	Intake	FP-A58626		Early style; 45 deg. seat; Chrome plated stem; Replaces O.E. Nos. A41754 & A58626
6	Intake	FP-A182172		Late style; 30 deg. seat; Chrome plated stem; Replaces O.E. Nos. A44575, A66193 & A182172
6	Exhaust	FP-A182173		Chrome plated stem; 1.7500" Head Dia., .4015" Stem Dia., 6.4280" O.A.L.
6	Exhaust	FP-V2422X		Optional stellite face; Chrome plated stem; Replaces O.E. No. A150225; 1.7500" Head Dia., .4015" Stem Dia., 6.4300" O.A.L.
24	Keeper	FP-A27872		
QTY	VALVE GUIDE	PART NO.	SIZE	DESCRIPTION
12	Guide	FP-A11803		.4050" ID, 3.2200" O.A.L.
12	Guide	FP-A41783		Flanged
QTY	VALVE SPRING	PART NO.	SIZE	DESCRIPTION
12	Spring	FP-A66444		
QTY	VALVE MISC.	PART NO.	SIZE	DESCRIPTION
6	Rotocap	FP-A66336		Exh.
QTY	VALVE SEAL	PART NO.	SIZE	DESCRIPTION
12	Valve Stem Seal	FP-A58628		O-Ring style

ENGINE BLOCK & PARTS

QTY	GASKET SETS	PART NO.	SIZE	DESCRIPTION
1	Complete Overhaul Gasket Set	FP-PGE504LC		From Ser. No. 2539001; May be used before Ser. No. 2539001 if Cntr. Bores are re-worked & 5.19" Dia. firewall sleeves are used.
1	Complete Overhaul Gasket Set	FP-PGE504EC		To Ser. No. 2539000
QTY	CAM BEARINGS	PART NO.	SIZE	DESCRIPTION
1	Cam Set	FP-A23544	STD	W/2.250" dia. brgs.

CRANKSHAFT/OIL PUMP

QTY	SEALS - FRONT CRANK	PART NO.	SIZE	DESCRIPTION
1	Redi-Sleeve	FP-99260		
1	Oil Seal	FP-A157044		
QTY	SEALS - REAR CRANK	PART NO.	SIZE	DESCRIPTION
1	Oil Seal	FP-A62050		
1	Redi-Sleeve	FP-99475		
QTY	MAIN BEARINGS	PART NO.	SIZE	DESCRIPTION
1	Main Set	FP-5049M	Std-10-20-30	Incl. thrust washer; 3.499" Crank Dia.
1	Main Set	FP-5049M10	Std-10-20-30	Incl. thrust washer; 3.499" Crank Dia.
1	Main Set	FP-5049M20	Std-10-20-30	Incl. thrust washer; 3.499" Crank Dia.
1	Main Set	FP-7040M	Std-10-20	Optional main set w/o thrust washer; 2.999" Crank Dia.
1	Main Set	FP-7040M10	Std-10-20	Optional main set w/o thrust washer; 2.999" Crank Dia.
1	Main Set	FP-7040M20	Std-10-20	Optional main set w/o thrust washer; 2.999" Crank Dia.
1	Thrust Washer Set	FP-A62572S	STD	.156" Thick
1	Thrust Washer Set	FP-A62573S	STD	.186" Thick
2	Thrust Washer Pc.	FP-A62572	STD	.156" Thick
2	Thrust Washer Pc.	FP-A62573	STD	.186" Thick

CYLINDER COMPONENTS

QTY	LINERS	PART NO.	SIZE	DESCRIPTION
6	Liner w/o Sealing Rings	FP-A153638		From Ser. No. 2539001. For blocks w/5.427" counterbore dia.; Sleeve has 5.19" dia. firewall; May be used before Ser. No. 2539001 if the counterbores are reworked.
6	Liner w/o Sealing Rings	FP-A182185		To Ser. No. 2539000 - for blocks w/5.386" dia. counterbores; Sleeve has 5.09" dia. firewall; Counterbores may be reworked to use FP-A153638WS sleeve with 3 sealing rings and 5.19" dia. firewall.
6	Liner w/Sealing Rings	FP-A153638WS	STD	From Ser. No. 2539001. For blocks w/5.427" counterbore dia.; Sleeve has 5.19" dia. firewall & (3) FP-2387248 sealing rings; May be used before Ser. No. 2539001 if the counterbores are reworked.
6	Liner w/Sealing Rings	FP-A182185WS	STD	To Ser. No. 2539000 - for blocks w/5.386" dia. counterbores; Sleeve has 5.09" dia. firewall & (2) FP-2387157 sealing rings; Counterbores may be reworked to use FP-A153638WS sleeve with 3 sealing rings and 5.19" dia. firewall.

(continued on next page)

56 Wheel Tractor A504BD, 504, 504B, 504BD, 6-504BD Eng. (Diesel). Crawler Tractor (cont.) A504BD, 504, 504B, 504BD, 6-504BD Eng. (Diesel). Wheel Loader A504BD, 504, 504B, 504BD, 6-504BD Eng. (Diesel). Excavator A504BD, 504, 504B, 504BD, 6-504BD Eng. (Diesel). Concrete Placer A504BD, 504, 504B, 504BD, 6-504BD Eng. (Diesel).
8.3L 504 Diesel L6, 4.625" Bore

CYLINDER COMPONENTS (cont.)

QTY	LINERS (cont.)	PART NO.	SIZE	DESCRIPTION
6	Cylinder Kit Complete	FP-A166134	STD	From Ser. No. 2539001; w/1.625" dia. piston pins; Contains FP-A153638 sleeve and FP-A166122 piston
6	Cylinder Kit Complete	FP-CK51233638	STD	From Ser. No. 2539001; w/1.800" dia. piston pins; Contains FP-A153638WS sleeve and FP-A65123WP piston
6	Cylinder Kit Complete	FP-CK61222185		To Ser. No. 2539000; 1.625" pin dia.; Contains FPA182185 Sleeve & FPA166122 piston; To Ser. No. 2539000 - for blocks w/5.386" dia. counterbores; Sleeve has 5.09" dia. firewall & (2) FP-2387157 sealing rings; Counterbores may be reworked to use FP-A153638WS sleeve with 3 sealing rings and 5.19" dia. firewall; Contains FP-A182185 sleeve and FP-A166122 piston
6	Cylinder Kit Complete	FP-A460251		To Ser. No. 2539000; 1.800" pin dia.; To Ser. No. 2539000 - for blocks w/5.386" dia. counterbores; Sleeve has 5.09" dia. firewall & (2) FP-2387157 sealing rings; Counterbores may be reworked to use FP-A153638WS sleeve with 3 sealing rings and 5.19" dia. firewall; Contains FP-A182185 sleeve and FP-A65123 piston
18	Sealing Ring, Liner	FP-2387248		Use w/FP-A153638 Liner
12	Sealing Ring, Liner	FP-2387157		Use w/FP-A182185 Liner
QTY	PISTONS	PART NO.	SIZE	DESCRIPTION
6	Piston Body w/o Pin	FP-A166122		From Ser. No. 2539001; Use w/1.625" dia. piston pins
6	Piston Body w/o Pin	FP-A65123		From Ser. No. 2539001; Use w/1.800" dia. piston pins
6	Piston Kit w/Pin & Retainers	FP-A166122WP	STD	From Ser. No. 2539001; w/1.625" dia. piston pins; Cast; 2-3/32, 1-3/16 Ring Groove; Dish Head .812" deep x 2.680" dia. w/2 valve reliefs; 16.1:1 C.R.
6	Piston Kit w/Pin & Retainers	FP-A65123WP	STD	From Ser. No. 2539001; w/1.800" dia. piston pins; 1-1/8, 1-3/32, 1-1/4 Ring Groove; Dish Head .865" deep x 2.680" dia. w/2 valve reliefs
6	Pin	FP-A140607		Use w/FP-A166122 piston
6	Pin	FP-A58584		Use w/FP-A65123 piston; 1.800" Dia.
12	Piston Pin Retainer	FP-10021162		Use w/FP-A166122 piston
12	Piston Pin Retainer	FP-10021181		Use w/FP-A65123 piston
6	Pin Bushing	FP-A58580		W/1.800" pin dia.
QTY	CONNECTING RODS & BRGS.	PART NO.	SIZE	DESCRIPTION
6	Rod Pair	FP-A43173	STD	2.7490" Crank Pin Dia.
6	Rod Pair	FP-A43174	2	2.7490" Crank Pin Dia.
6	Rod Pair	FP-A43175	10	2.7490" Crank Pin Dia.
6	Rod Pair	FP-A43176	20	2.7490" Crank Pin Dia.
6	Rod Pair	FP-A43177	30	2.7490" Crank Pin Dia.
6	Rod Pair	FP-A4317340	40	2.7490" Crank Pin Dia.
6	Rod Pair	FP-A41758	STD	2.9990" Crank Pin Dia.
6	Rod Pair	FP-A41900	10	2.9990" Crank Pin Dia.
6	Rod Pair	FP-A41901	20	2.9990" Crank Pin Dia.
6	Rod Pair	FP-A41902	30	2.9990" Crank Pin Dia.
QTY	PISTON RINGS	PART NO.	SIZE	DESCRIPTION
6	Ring Set Single Cylinder	FP-A42988	STD	Check piston grooving before supplying ring set; 1-1/8, 1-3/32, 1-1/4; 2 cyl. set; Use w/piston FP-A65123
6	Ring Set Single Cylinder	FP-A48320	STD	Check piston grooving before supplying ring set; 2-3/32, 1-3/16; 2 cyl. set; Use w/piston FP-A166122
3	Premium Set	FP-A42988S	STD	Check piston grooving before supplying ring set; 1-1/8, 1-3/32, 1-1/4; 2 cyl. set; Use w/piston FP-A65123
3	Premium Set	FP-A48320S	STD	Check piston grooving before supplying ring set; 2-3/32, 1-3/16; 2 cyl. set; Use w/piston FP-A166122
KITS				
QTY	OVERHAUL KIT	PART NO.	SIZE	DESCRIPTION
1	Complete Overhaul Kit	FP-IFK504L		From Ser. No. 2539001
1	Complete Overhaul Kit	FP-IFK504E		To Ser. No. 2539000

Combine A504BDT, 504BDT, 504BDTI, 6-504BDT Engs. (Turbo-Diesel). Wheel Tractor A504BDT, 504BDT, 504BDTI, 6-504BDT Engs. (Turbo-Diesel). Crawler Tractor A504BDT, 504BDT, 504BDTI, 6-504BDT Engs. (Turbo-Diesel). Wheel Loader A504BDT, 504BDT, 504BDTI, 6-504BDT Engs. (Turbo-Diesel). Excavator A504BDT, 504BDT, 504BDTI, 6-504BDT Engs. (Turbo-Diesel). Concrete Placer A504BDT, 504BDT, 504BDTI, 6-504BDT Engs. (Turbo-Diesel).

57
 8.3L 504 Turbo-Diesel L6, 4.625" Bore

CYL. HEAD & PARTS

QTY	VALVE	PART NO.	SIZE	DESCRIPTION
6	Intake	FP-A58626		Early style; 45 deg. seat; Chrome plated stem; Replaces O.E. Nos. A41754 & A58626
6	Intake	FP-A182172		Late style; 30 deg. seat; Chrome plated stem; Replaces O.E. Nos. A44575, A66193 & A182172
6	Exhaust	FP-A182173		Chrome plated stem; 1.7500" Head Dia., .4015" Stem Dia., 6.4280" O.A.L.
6	Exhaust	FP-V2422X		Optional stellite face; Chrome plated stem; Replaces O.E. No. A150225; 1.7500" Head Dia., .4015" Stem Dia., 6.4300" O.A.L.
24	Keeper	FP-A27872		
QTY	VALVE GUIDE	PART NO.	SIZE	DESCRIPTION
12	Guide	FP-A11803		.4050" ID, 3.2200" O.A.L.
12	Guide	FP-A41783		Flanged
QTY	VALVE SPRING	PART NO.	SIZE	DESCRIPTION
12	Spring	FP-A66444		
QTY	VALVE MISC.	PART NO.	SIZE	DESCRIPTION
6	Rotocap	FP-A66336		Exh.
QTY	VALVE SEAL	PART NO.	SIZE	DESCRIPTION
12	Valve Stem Seal	FP-A58628		O-Ring style

ENGINE BLOCK & PARTS

QTY	GASKET SETS	PART NO.	SIZE	DESCRIPTION
1	Complete Overhaul Gasket Set	FP-PGE504LC		From Ser. No. 2539001; May be used before Ser. No. 2539001 if Cntr. Bores are re-worked & 5.19" Dia. firewall sleeves are used.
1	Complete Overhaul Gasket Set	FP-PGE504EC		To Ser. No. 2539000
QTY	CAM BEARINGS	PART NO.	SIZE	DESCRIPTION
1	Cam Set	FP-A23544	STD	W/2.250" dia. brgs.

CRANKSHAFT/OIL PUMP

QTY	SEALS - FRONT CRANK	PART NO.	SIZE	DESCRIPTION
1	Redi-Sleeve	FP-99260		
1	Oil Seal	FP-A157044		
QTY	SEALS - REAR CRANK	PART NO.	SIZE	DESCRIPTION
1	Oil Seal	FP-A62050		
1	Redi-Sleeve	FP-99475		
QTY	MAIN BEARINGS	PART NO.	SIZE	DESCRIPTION
1	Main Set	FP-5049M	Std-10-20-30	Incl. thrust washer; 3.499" Crank Dia.
1	Main Set	FP-5049M10	Std-10-20-30	Incl. thrust washer; 3.499" Crank Dia.
1	Main Set	FP-5049M20	Std-10-20-30	Incl. thrust washer; 3.499" Crank Dia.
1	Main Set	FP-7040M	Std-10-20	Optional main set w/o thrust washer; 2.999" Crank Dia.
1	Main Set	FP-7040M10	Std-10-20	Optional main set w/o thrust washer; 2.999" Crank Dia.
1	Main Set	FP-7040M20	Std-10-20	Optional main set w/o thrust washer; 2.999" Crank Dia.
1	Thrust Washer Set	FP-A62572S	STD	.156" Thick
1	Thrust Washer Set	FP-A62573S	STD	.186" Thick
2	Thrust Washer Pc.	FP-A62572	STD	.156" Thick
2	Thrust Washer Pc.	FP-A62573	STD	.186" Thick

CYLINDER COMPONENTS

QTY	LINERS	PART NO.	SIZE	DESCRIPTION
6	Liner w/o Sealing Rings	FP-A153638		From Ser. No. 2539001. For blocks w/5.427" counterbore dia.; Sleeve has 5.19" dia. firewall; May be used before Ser. No. 2539001 if the counterbores are reworked.
6	Liner w/o Sealing Rings	FP-A182185		To Ser. No. 2539000 - for blocks w/5.386" dia. counterbores; Sleeve has 5.09" dia. firewall; Counterbores may be reworked to use FP-A153638WS sleeve with 3 sealing rings and 5.19" dia. firewall.
6	Liner w/Sealing Rings	FP-A153638WS	STD	From Ser. No. 2539001. For blocks w/5.427" counterbore dia.; Sleeve has 5.19" dia. firewall & (3) FP-2387248 sealing rings; May be used before Ser. No. 2539001 if the counterbores are reworked.

(continued on next page)

57 Combine A504BDT, 504BDT, 504BDTI, 6-504BDT Engs. (Turbo-Diesel). Wheel Tractor (cont.) A504BDT, 504BDT, 504BDTI, 6-504BDT Engs. (Turbo-Diesel). Crawler Tractor A504BDT, 504BDT, 504BDTI, 6-504BDT Engs. (Turbo-Diesel). Wheel Loader A504BDT, 504BDT, 504BDTI, 6-504BDT Engs. (Turbo-Diesel). Excavator A504BDT, 504BDT, 504BDTI, 6-504BDT Engs. (Turbo-Diesel). Concrete Placer A504BDT, 504BDT, 504BDTI, 6-504BDT Engs. (Turbo-Diesel).
8.3L 504 Turbo-Diesel L6, 4.625" Bore

CYLINDER COMPONENTS (cont.)

QTY	LINERS (cont.)	PART NO.	SIZE	DESCRIPTION
6	Liner w/Sealing Rings	FP-A182185WS	STD	To Ser. No. 2539000 - for blocks w/5.386" dia. counterbores; Sleeve has 5.09" dia. firewall & (2) FP-2387157 sealing rings; Counterbores may be reworked to use FP-A153638WS sleeve with 3 sealing rings and 5.19" dia. firewall.
6	Cylinder Kit Complete	FP-A1521771	STD	A504BDT Engs.; From Ser. No. 2539001; Contains FP-A153638 sleeve; May be used before Ser. No. 2539001 if the cntr. bores are reworked
6	Cylinder Kit Complete	FP-CK24852185	STD	A504BDT Engs.; To Ser. No. 2539000; Contains FP-A182185 sleeve
6	Cylinder Kit Complete	FP-CK82353638	STD	A504BDTI (Turbo & Aftercooled) Engs.; From Ser. No. 2539001 Contains FP-A153638 sleeve
6	Sealing Ring, Liner	FP-2387248		Use w/FP-A153638 Liner
6	Sealing Ring, Liner	FP-2387157		Use w/FP-A182185 Liner
QTY	PISTONS	PART NO.	SIZE	DESCRIPTION
6	Piston Body w/o Pin	FP-A152485		A504BDT Engs.; Cast; 2-1/8, 1-3/16 Ring Groove; Dish Head .790" deep x 2.680" dia. w/2 valve reliefs; 16.1:1 C.R.
6	Piston Body w/o Pin	FP-A138235		A504BDTI Turbo & Aftercooled Engs.; Cast
6	Piston Kit w/Pin & Retainers	FP-A152485WP	STD	A504BDT Engs.; Cast; 2-1/8, 1-3/16 Ring Groove; Dish Head .790" deep x 2.680" dia. w/2 valve reliefs; 16.1:1 C.R.
6	Piston Kit w/Pin & Retainers	FP-A138235WP	STD	A504BDTI Turbo & Aftercooled Engs.; Cast; 2-1/8, 1-3/16 Ring Groove; Dish Head .790" deep x 2.680" dia. w/2 valve reliefs. Dual Ni-resist Insert
6	Pin	FP-A58584		1.800" Dia.
12	Piston Pin Retainer	FP-10021181		
6	Pin Bushing	FP-A58580		W/1.800" pin dia.
QTY	CONNECTING RODS & BRGS.	PART NO.	SIZE	DESCRIPTION
6	Rod Pair	FP-A43173	STD	2.7490" Crank Pin Dia.
6	Rod Pair	FP-A43174	2	2.7490" Crank Pin Dia.
6	Rod Pair	FP-A43175	10	2.7490" Crank Pin Dia.
6	Rod Pair	FP-A43176	20	2.7490" Crank Pin Dia.
6	Rod Pair	FP-A43177	30	2.7490" Crank Pin Dia.
6	Rod Pair	FP-A4317340	40	2.7490" Crank Pin Dia.
6	Rod Pair	FP-A41758	STD	2.9990" Crank Pin Dia.
6	Rod Pair	FP-A41900	10	2.9990" Crank Pin Dia.
6	Rod Pair	FP-A41901	20	2.9990" Crank Pin Dia.
6	Rod Pair	FP-A41902	30	2.9990" Crank Pin Dia.
QTY	PISTON RINGS	PART NO.	SIZE	DESCRIPTION
6	Ring Set Single Cylinder	FP-A44054	STD	Check piston grooving before supplying ring set; 2-1/8, 1-3/16; 2 cyl. set
3	Premium Set	FP-A44054S	STD	Check piston grooving before supplying ring set; 2-1/8, 1-3/16 (2 cyl. set)
KITS				
QTY	OVERHAUL KIT	PART NO.	SIZE	DESCRIPTION
1	Complete Overhaul Kit	FP-IFK504L		From Ser. No. 2539001
1	Complete Overhaul Kit	FP-IFK504E		To Ser. No. 2539000

58 Cotton Picker ISC 8.3 Engines. Wheel Tractor ISC 8.3 Engines.
8.3L 505 (8300cc) OHV Turbo-Diesel L6 (24 Valve), 114mm Bore (Cummins Eng.)

CYL. HEAD & PARTS

QTY	GASKETS	PART NO.	SIZE	DESCRIPTION
1	Valve Cover Gasket	FP-3939284		
QTY	HEAD BOLTS	PART NO.	SIZE	DESCRIPTION
26	Head Bolt	FP-3917728		M14 X 2.00 X 160
QTY	VALVE	PART NO.	SIZE	DESCRIPTION
12	Intake	FP-3942588		
12	Exhaust	FP-3942589		
12	Exhaust Valve Kit	FP-3800341		Incl. (1)FP-3942589 Valve, (2)FP-3900250 Keepers
12	Intake Valve Kit	FP-3800340		Incl. (1)FP-3942588 Valve, (2)FP-3900250 Keepers

(continued on next page)

Cotton Picker ISC 8.3 Engines. Wheel Tractor ISC 8.3 Engines. 58
8.3L 505 (8300cc) OHV Turbo-Diesel L6 (24 Valve), 114mm Bore (Cummins Eng.) (cont.)

CYL. HEAD & PARTS (cont.)				
QTY	VALVE (cont.)	PART NO.	SIZE	DESCRIPTION
48	Keeper	FP-3900250		Exh. & Int.
QTY	VALVE SPRING	PART NO.	SIZE	DESCRIPTION
24	Spring	FP-4936076		Exh. & Int.; Use for Exhaust on Engines w/o Rotators
24	Spring	FP-4936079		Exh. & Int.; Use for Exhaust on Engines w/Rotators
QTY	VALVE SEAL	PART NO.	SIZE	DESCRIPTION
24	Valve Stem Seal	FP-3948578		Exh. & Int.; Rubber
FUEL SYSTEM & PARTS				
QTY	FUEL FILTERS & PUMP	PART NO.	SIZE	DESCRIPTION
6	O-Ring	FP-3029820		Injector seal
6	O-Ring	FP-3867043		Injector Connector seal
COOLING SYSTEM				
QTY	WATER PUMP	PART NO.	SIZE	DESCRIPTION
1	Water Pump - Heavy Duty	FP-4089647		
QTY	THERMOSTAT	PART NO.	SIZE	DESCRIPTION
1	Thermostat	FP-3940632		180 Degree
1	Thermostat Gasket	FP-3913032		Water Outlet
ENGINE BLOCK & PARTS				
QTY	GASKETS	PART NO.	SIZE	DESCRIPTION
1	Oil Pan Gasket	FP-3938160		
1	Washer	FP-3902425		Sealing; Oil Pan Plug Bottom
1	Washer	FP-3920773		Sealing; Oil Pan Plug Side; 18.40MM I.D. x 1.5MM Thick
QTY	CAM BEARINGS	PART NO.	SIZE	DESCRIPTION
7	Cam Brg.	FP-3945329	STD	
CRANKSHAFT/OIL PUMP				
QTY	SEALS - FRONT CRANK	PART NO.	SIZE	DESCRIPTION
1	Oil Seal	FP-3353977		Front
1	Oil Seal Kit	FP-3925343		Front; Incl. wear sleeve
QTY	SEALS - REAR CRANK	PART NO.	SIZE	DESCRIPTION
1	Oil Seal	FP-3909411		Rear; Double Lip; Wet Clutch
1	Oil Seal	FP-3909410		Rear; Single Lip; Dry Clutch
1	Oil Seal Kit	FP-3926126		Rear; Single Lip; Dry Clutch; Incl. Wear Sleeve
1	Redi-Sleeve	FP-3906081		Rear
1	Rear Cover Gasket	FP-3939353		Rear
1	Rect. or Square Seal	FP-3912473		Rear; Rear Cover; Rectangular
QTY	MAIN BEARINGS	PART NO.	SIZE	DESCRIPTION
1	Main Set	FP-3945917	STD	Narrow style, 31.85 - 32.10MM
1	Main Set	FP-3945918	.25MM	Narrow style, 31.85 - 32.10MM
1	Main Set	FP-3945919	.50MM	Narrow style, 31.85 - 32.10MM
QTY	OIL PUMP	PART NO.	SIZE	DESCRIPTION
1	Oil Suction Tube Gasket	FP-3914302		
CYLINDER COMPONENTS				
QTY	LINERS	PART NO.	SIZE	DESCRIPTION
6	Liner w/o Sealing Rings	FP-3948095		
6	Liner w/Sealing Rings	FP-3800328		
6	Cylinder Kit Complete	FP-3800321	STD	CPX610, CPX620 before S/N Y6T011701, MX285
6	Cylinder Kit Complete	FP-LK03208095		Incl. FP-3943367 piston
6	Cylinder Kit Complete	FP-3800319	STD	MX240, MX255, MX270, STX275; Incl. FP-3942106 piston
6	Sealing Ring, Liner	FP-3907177		
QTY	PISTONS	PART NO.	SIZE	DESCRIPTION
6	Piston Body w/o Pin	FP-3942106	STD	
6	Piston Body w/o Pin	FP-3943367	STD	
6	Piston w/Retainer & Rings	FP-3800318	STD	
6	Piston w/Retainer & Rings	FP-3800320	STD	Incl. FP-3943367 piston; Incl. FP-3943367 piston
6	Piston w/Pin, Retainer, Rings	FP-PK2106	STD	Incl. FP-3942106 piston
6	Pin	FP-3934046		
12	Piston Pin Retainer	FP-3920692		
6	Piston Cooling Nozzle	FP-3928031		Thick-walled block; Late; S/N 91C & Up; 91C>; Eng. w/12 cooling nozzles
6	Pin Bushing	FP-3913990		

(continued on next page)

58 Cotton Picker ISC 8.3 Engines. Wheel Tractor ISC 8.3 Engines.
 (cont.) 8.3L 505 (8300cc) OHV Turbo-Diesel L6 (24 Valve), 114mm Bore (Cummins Eng.)

CYLINDER COMPONENTS (cont.)

CONNECTING RODS & BRGS.				
QTY		PART NO.	SIZE	DESCRIPTION
6	Rod Pair	FP-3950661	STD	Brazil Applications
6	Rod Pair	FP-3950662	.25MM	Brazil Applications
6	Rod Pair	FP-3950663	.50MM	Brazil Applications
6	Rod Pair	FP-3950664	.75MM	Brazil Applications
6	Rod Pair	FP-3950665	1.00MM	Brazil Applications

PISTON RINGS				
QTY		PART NO.	SIZE	DESCRIPTION
6	Ring Set Single Cylinder	FP-87343194		For articulated pistons
6	Ring Set Single Cylinder	FP-3802429	STD	Use w/FP-3942106 piston
6	Ring Set Single Cylinder	FP-3802538	STD	Use w/FP-3943367 piston

KITS

OVERHAUL KIT				
QTY		PART NO.	SIZE	DESCRIPTION
1	In-Frame Overhaul Kit	FP-IFKISCQSC		
1	Complete Overhaul Kit	FP-OHISCQSC		

59 Combine. Cotton Picker. Loader. Power Unit. Wheel Tractor "C" Series; 6CT8.3 (6T-830)(Turbo), 6CTA8.3(6TA-830)(Turbo-Aftercooled). Crawler Tractor. Wheel Loader. Excavator.
 8.3L 505 (8300cc) OHV Turbo-Diesel L6, 114mm Bore (Cummins Eng.)

CYL. HEAD & PARTS

GASKETS				
QTY		PART NO.	SIZE	DESCRIPTION
1	Valve Cover Gasket	FP-3905449		
1	Head Gasket	FP-3935585		
1	Head Set	FP-4025271		Incl. valve stem seals

HEAD BOLTS				
QTY		PART NO.	SIZE	DESCRIPTION
14	Head Bolt	FP-3917728		From S/N 44487830 Long; M14 X 2.00 X 160
12	Head Bolt	FP-3917729		From S/N 44487830 Short; M14 X 2.00 X 80
14	Head Bolt	FP-3907233		To S/N 44487829 Long; M14 X 2.00 X 150
12	Head Bolt	FP-3907234		To S/N 44487829 Short; M14 X 2.00 X 70

VALVE				
QTY		PART NO.	SIZE	DESCRIPTION
6	Intake	FP-3924492		
6	Exhaust	FP-3921444		
6	Exhaust Valve Kit	FP-3802085		Incl. valve and keepers
6	Intake Valve Kit	FP-3802463		Incl. valve and keepers
24	Keeper	FP-3901177		

VALVE SEAT				
QTY		PART NO.	SIZE	DESCRIPTION
6	Exh.	FP-3929005		
6	Int.	FP-3924582		

VALVE GUIDE				
QTY		PART NO.	SIZE	DESCRIPTION
12	Guide	FP-3923564		Int. & Exh.

VALVE SPRING				
QTY		PART NO.	SIZE	DESCRIPTION
6	Spring	FP-3916588		Exh.; 3.0500" Free Height
6	Spring	FP-3906412		Int.; 2.6000" Free Height
24	Spring	FP-4936079		Int. & Exh.; ISC Engine; 4 Valve Head

VALVE MISC.				
QTY		PART NO.	SIZE	DESCRIPTION
1	Oil Filler Cap Gasket	FP-3902466		

VALVE SEAL				
QTY		PART NO.	SIZE	DESCRIPTION
12	Valve Stem Seal	FP-3927642		Int. & Exh.

ROCKER PARTS				
QTY		PART NO.	SIZE	DESCRIPTION
6	Rocker Shaft	FP-3919435		
2	Expansion Plug	FP-3907555		Rocker Lever
6	O-Ring	FP-3910824		Rocker Lever Cover Screw; .364" I.D. x .070" Thick
12	Adjusting Screw Nut	FP-203131		3/8" - 24 UNF
12	Support, Rocker Lever	FP-3905870		
12	Rocker Lever Exhaust	FP-3901717		
6	Clamp	FP-3901693		Rocker Lever
12	Snap Ring	FP-3901764		Rocker Lever

INT & EXH MANIFOLDS

INT. & EXH. MANIFOLDS				
QTY		PART NO.	SIZE	DESCRIPTION
6	Exhaust Manifold Gasket	FP-3932063		
1	Intake Manifold Gasket	FP-3936993		

(continued on next page)

*Combine. Cotton Picker. Loader. Power Unit. Wheel Tractor "C" Series; 6CT8.3 59
(6T-830)(Turbo), 6CTA8.3(6TA-830)(Turbo-Aftercooled). Crawler Tractor. Wheel Loader. (cont.)
Excavator.
8.3L 505 (8300cc) OHV Turbo-Diesel L6, 114mm Bore (Cummins Eng.)*

CAMSHAFT GROUP

QTY	TIMING COVER	PART NO.	SIZE	DESCRIPTION
1	Oil Filler Cap	FP-101322		2"
QTY	CAMSHAFT/LIFTER	PART NO.	SIZE	DESCRIPTION
1	Camshaft	FP-3923478		CPL's 601-5, 752-5, 805, 818-9, 828-31, 848, 890, 892-3, 942, 954, 959, 982, 984-5, 1196, 1212, 1217, 1221-2, 1248, 1269, 1273-5, 1321, 1356, 1366, 1377, 1435, 1464, 1539, 1547, 1603, 1612, 1616, 1633, 1639, 1826.; To use this camshaft, you must purchase the following O.E. Replacement parts from Cummins(TM): 3918777 cam gear, 3927155 thrust plate, and 3902332 key.
12	Lifter	FP-3931623		

FUEL SYSTEM & PARTS

QTY	FUEL INJECTION	PART NO.	SIZE	DESCRIPTION
1	Injector Tube	FP-3906783		No. 1 Cylinder
1	Injector Tube	FP-3906784		No. 2 Cylinder
1	Injector Tube	FP-3906785		No. 3 Cylinder
1	Injector Tube	FP-3910521		No. 4 Cylinder
1	Injector Tube	FP-3906788		No. 5 Cylinder
6	Copper Washer	FP-3906659		1.50MM Thick
6	Fuel Line Connector	FP-3903380		Fuel Manifold; Banjo connector
QTY	FUEL FILTERS & PUMP	PART NO.	SIZE	DESCRIPTION
1	Fuel Transfer Pump	FP-4944712		117 - 229.9 LPH; 1/4 x 18 NPTF Fuel Inlet
1	Cover Plate Gasket	FP-3931348		Fuel Transfer Pump Mounting
2	Washer	FP-3918191		Sealing; Fuel Filter; .500" I.D., Banjo Connector
2	Washer	FP-3918192		Sealing; Fuel Inlet Tube
2	Washer	FP-3918188		Sealing; Fuel Supply Tube
1	Fuel Shutdown Solenoid	FP-3921978		12V
1	Fuel Shutdown Solenoid	FP-3921980		24V
QTY	TURBOCHARGER	PART NO.	SIZE	DESCRIPTION
1	Turbocharger Mounting Gasket	FP-3911941		

COOLING SYSTEM

QTY	WATER PUMP	PART NO.	SIZE	DESCRIPTION
1	Water Pump - Heavy Duty	FP-3806180		
1	Ball Brg.	FP-3910739		Fan Drive
1	O-Ring	FP-3902089		Water Pump Mounting
1	Shaft & Bearing Assembly	FP-3903787		
1	V Belt	FP-3911558		59 X 1.125"; Ribbed 8
1	V Belt	FP-3911582		70 X 1.125"; Ribbed 8
QTY	THERMOSTAT	PART NO.	SIZE	DESCRIPTION
2	Thermostat	FP-3928639		180 Deg. F
1	Thermostat Gasket	FP-3914310		Thermostat Housing

ENGINE BLOCK & PARTS

QTY	GASKETS	PART NO.	SIZE	DESCRIPTION
1	Oil Pan Gasket	FP-3938160		
1	Washer	FP-3902425		Sealing; Oil Pan Plug
1	Washer	FP-3920773		Sealing; Oil Pan Plug; 18.40MM I.D. x 1.5MM Thick
1	Cover Plate Gasket	FP-3908096		Bell Housing
1	Gear Cover Gasket	FP-3917780		
1	Gear Housing Gasket	FP-3281721		
QTY	GASKET SETS	PART NO.	SIZE	DESCRIPTION
1	Gasket Conversion Set	FP-3800558		
1	Gasket Conversion Set	FP-3802389		When depleted use FP-3800558
1	In-Frame Gasket Set	FP-4025271S		Incl. valve stem seals
QTY	CAM BEARINGS	PART NO.	SIZE	DESCRIPTION
7	Cam Brg.	FP-3945329	STD	
QTY	OIL COOLERS & FILTERS	PART NO.	SIZE	DESCRIPTION
1	Oil Cooler	FP-3974815		
1	Oil Press. Reg. Low Pressure	FP-3945967		
1	Oil Cooler Gasket	FP-3914308		Core, Filter Head to S/N 44500128
1	Oil Cooler Core Inner Gasket	FP-3918174		Core
1	Oil Cooler Core Outer Gasket	FP-3918332		Core, Filter Head from S/N 44500129

(continued on next page)

59 Combine. Cotton Picker. Loader. Power Unit. Wheel Tractor "C" Series; **6CT8.3**
 (cont.) **(6T-830)(Turbo), 6CTA8.3(6TA-830)(Turbo-Aftercooled).** Crawler Tractor. Wheel Loader.
 Excavator.
 8.3L 505 (8300cc) OHV Turbo-Diesel L6, 114mm Bore (Cummins Eng.)

ENGINE BLOCK & PARTS (cont.)

QTY	FREEZE PLUGS	PART NO.	SIZE	DESCRIPTION
1	Expansion Plug	FP-3901969		
CRANKSHAFT/OIL PUMP				
QTY	CRANKSHAFT	PART NO.	SIZE	DESCRIPTION
1	Crankshaft	FP-3918986		
QTY	SEALS - FRONT CRANK	PART NO.	SIZE	DESCRIPTION
1	Oil Seal	FP-3353977		Front
1	Oil Seal Kit	FP-3925343		Front; Incl. wear sleeve
QTY	SEALS - REAR CRANK	PART NO.	SIZE	DESCRIPTION
1	Oil Seal	FP-3909411		Rear; Double Lip; Wet Clutch
1	Oil Seal	FP-3909410		Rear; Single Lip; Dry Clutch
1	Oil Seal Kit	FP-3926126		Single Lip; Dry Clutch; Incl. Wear Sleeve
1	Redi-Sleeve	FP-3906081		Rear
1	Rear Cover Gasket	FP-3939353		Rear
1	Rear Cover Gasket	FP-3914301		Rear; Seal Retainer
1	Rect. or Square Seal	FP-3912473		Rear; Rectangular
QTY	MAIN BEARINGS	PART NO.	SIZE	DESCRIPTION
1	Main Set	FP-3945917	STD	Narrow style, 31.85 - 32.10MM
1	Main Set	FP-3945918	.25MM	Narrow style, 31.85 - 32.10MM
1	Main Set	FP-3945919	.50MM	Narrow style, 31.85 - 32.10MM
1	Main Set	FP-3802210	STD	Wide style, 33.85 - 34.10MM
1	Main Set	FP-3802211	.25MM	Wide style, 33.85 - 34.10MM
1	Main Set	FP-3802212	.50MM	Wide style, 33.85 - 34.10MM
QTY	OIL PUMP	PART NO.	SIZE	DESCRIPTION
1	Oil Pump	FP-3948071		
1	Oil Pump	FP-3800828		Includes Pressure Regulator
1	Oil Suction Tube Gasket	FP-3914302		
CYLINDER COMPONENTS				
QTY	LINERS	PART NO.	SIZE	DESCRIPTION
6	Liner w/o Sealing Rings	FP-3948095		To be used with late thick-walled cylinder block #3934899 Effective 1/05/98. This liner is 3mm shorter than previous liners. Refer to Cummins Service Topics 99T1-3.
6	Liner w/o Sealing Rings	FP-3907792		To S/N 44706125; To be used with early standard cylinder block #3802265 prior to 1991.
6	Liner w/o Sealing Rings	FP-3919937		6T-830, 6TA-830; From S/N 44706126; To be used with late thick-walled cylinder block #3928962 1991 thru 1/04/98.
6	Liner w/Sealing Rings	FP-3802370		To S/N 44706125; Early; Prior to 1991
6	Liner w/Sealing Rings	FP-3800328		1/05/98 to Present; Thick-walled block; Liner is 3mm shorter than previous liners; Refer to Cummins Service Topics 99T1-3.
6	Liner w/Sealing Rings	FP-3802407		6T-830, 6TA-830; From S/N 44706126; 1991 thru 1/04/98; Thick-walled Block
6	Cylinder Kit Complete	FP-LK91618095		To be used with late thick-walled cylinder block #3934899 Effective 1/05/98. This liner is 3mm shorter than previous liners. Refer to Cummins Service Topics 99T1-3.; Contains piston FP-3929161 & liner FP-3948095
6	Cylinder Kit Complete	FP-3934588		To be used with late thick-walled cylinder block #3934899 Effective 1/05/98. This liner is 3mm shorter than previous liners. Refer to Cummins Service Topics 99T1-3.; Contains piston FP-3925878 & liner FP-3948095
6	Cylinder Kit Complete	FP-LK31648095	STD	To be used with late thick-walled cylinder block #3934899 Effective 1/05/98. This liner is 3mm shorter than previous liners. Refer to Cummins Service Topics 99T1-3.; Contains piston FP-3923164 & liner FP-3948095
6	Cylinder Kit Complete	FP-LK77078095	STD	To be used with late thick-walled cylinder block #3934899 Effective 1/05/98. This liner is 3mm shorter than previous liners. Refer to Cummins Service Topics 99T1-3.; Contains piston FP-3917707 & liner FP-3948095
6	Cylinder Kit Complete	FP-4020062	STD	To be used with late thick-walled cylinder block #3934899 Effective 1/05/98. This liner is 3mm shorter than previous liners. Refer to Cummins Service Topics 99T1-3.; Contains piston FP-4019886 & liner FP-3948095
6	Cylinder Kit Complete	FP-LK92477792		To S/N 44706125; To be used with early standard cylinder block #3802265 prior to 1991.; Contains piston FP-3919247 & liner FP-3907792

(continued on next page)

*Combine. Cotton Picker. Loader. Power Unit. Wheel Tractor "C" Series; 6CT8.3 59
(6T-830)(Turbo), 6CTA8.3(6TA-830)(Turbo-Aftercooled). Crawler Tractor. Wheel Loader. (cont.)
Excavator.
8.3L 505 (8300cc) OHV Turbo-Diesel L6, 114mm Bore (Cummins Eng.)*

CYLINDER COMPONENTS (cont.)

QTY	LINERS (cont.)	PART NO.	SIZE	DESCRIPTION
6	Cylinder Kit Complete	FP-3802372		To S/N 44706125; To be used with early standard cylinder block #3802265 prior to 1991.; Contains piston FP-3919566 & liner FP-3907792
6	Cylinder Kit Complete	FP-3802388		To S/N 44706125; To be used with early standard cylinder block #3802265 prior to 1991.; Contains piston FP-3917707 & liner FP-3907792
6	Cylinder Kit Complete	FP-3802399		To S/N 44706125; To be used with early standard cylinder block #3802265 prior to 1991.; Contains piston FP-3923165 & liner FP-3907792
6	Cylinder Kit Complete	FP-4020060	STD	To S/N 44706125; To be used with early standard cylinder block #3802265 prior to 1991.; Contains piston FP-4019886 & liner FP-3907792
6	Cylinder Kit Complete	FP-3802400		6T-830; To be used with early standard cylinder block #3802265 prior to 1991; To Eng. S/N 44706125 w/piston stamped 3163, 8749, 9564, 9928
6	Cylinder Kit Complete	FP-3802403		6T-830; To be used with late thick-walled cylinder block #3928962 1991 thru 1/04/98; From Eng. S/N 44706126 w/piston stamped 3163 or 9564
6	Cylinder Kit Complete	FP-LK31638095	STD	6T-830; To be used with thick-walled cylinder block #3934906; Short liner
6	Cylinder Kit Complete	FP-LK92479937		6T-830, 6TA-830; From S/N 44706126; To be used with late thick-walled cylinder block #3928962 1991 thru 1/04/98.; Contains piston FP-3919247 & liner FP-3919937
6	Cylinder Kit Complete	FP-3802402		6T-830, 6TA-830; From S/N 44706126; To be used with late thick-walled cylinder block #3928962 1991 thru 1/04/98.; Contains piston FP-3923165 & liner FP-3919937
6	Cylinder Kit Complete	FP-3802405 +		6T-830, 6TA-830; From S/N 44706126; To be used with late thick-walled cylinder block #3928962 1991 thru 1/04/98.; Contains piston FP-3919566 & liner FP-3919937; When depleted use FP-4020061
6	Cylinder Kit Complete	FP-3802610		6T-830, 6TA-830; From S/N 44706126; To be used with late thick-walled cylinder block #3928962 1991 thru 1/04/98.; B Grade piston; Anodized crown & combustion bowl; Contains piston FP-3925879 & liner FP-3919937
6	Cylinder Kit Complete	FP-3802743		6T-830, 6TA-830; From S/N 44706126; To be used with late thick-walled cylinder block #3928962 1991 thru 1/04/98.; A Grade piston; Anodized crown & combustion bowl; Contains piston FP-3925878 & liner FP-3919937
6	Cylinder Kit Complete	FP-3802811		6T-830, 6TA-830; From S/N 44706126; To be used with late thick-walled cylinder block #3928962 1991 thru 1/04/98.; Contains piston FP-3929161 & liner FP-3919937
6	Cylinder Kit Complete	FP-4020061	STD	6T-830, 6TA-830; From S/N 44706126; To be used with late thick-walled cylinder block #3928962 1991 thru 1/04/98.; Contains piston FP-4019886 & liner FP-3919937
6	Cylinder Kit Complete	FP-3802401		6T-830, 6TA-830; To be used with early standard cylinder block #3802265 prior to 1991; To Eng. S/N 44706125 w/piston stamped 3164, 9565, 9930
6	Cylinder Kit Complete	FP-3934586		6TA-830; To be used with late thick-walled cylinder block #3934899 Effective 1/05/98. This liner is 3mm shorter than previous liners. Refer to Cummins Service Topics 99T1-3.
6	Cylinder Kit Complete	FP-3802406		6TA-830; To be used with late thick-walled cylinder block #3928962 1991 thru 1/04/98.
6	Cylinder Kit Complete	FP-3802404		6TA-830; To be used with late thick-walled cylinder block #3928962 1991 thru 1/04/98; From Eng. S/N 44706126 w/piston stamped 3164 or 9565
6	Sealing Ring, Liner	FP-3907177		
QTY	PISTONS	PART NO.	SIZE	DESCRIPTION
6	Piston Body w/o Pin	FP-3923165		
6	Piston Body w/o Pin	FP-3929161	STD	
6	Piston Body w/o Pin	FP-3925878	STD	A Grade; Anodized crown & combustion bowl
6	Piston Body w/o Pin	FP-3925879	STD	B Grade; Anodized crown & combustion bowl
6	Piston Body w/o Pin	FP-3356210	STD	Brazilian applications.
6	Piston Body w/o Pin	FP-3919247	STD	Charge-Air-Cooled; Europe Appl.
6	Piston Body w/o Pin	FP-3919566	STD	When depleted use FP-4019886
6	Piston Body w/o Pin	FP-3923163	STD	6T-830
6	Piston Body w/o Pin	FP-3923164	STD	6T-830, 6TA-830; Engine Coolant Aftercooled
6	Piston Body w/o Pin	FP-3917707	STD	6TA-830; Charge-Air-Cooled; U.S.A. Appl.
6	Piston Kit w/Pin & Retainers	FP-3923163WP	STD	6T-830
6	Piston Kit w/Pin & Retainers	FP-3923164WP	STD	6T-830, 6TA-830

(continued on next page)
+ Superseded Part Number

59 Combine. Cotton Picker. Loader. Power Unit. Wheel Tractor "C" Series; **6CT8.3**
 (cont.) **(6T-830)(Turbo), 6CTA8.3(6TA-830)(Turbo-Aftercooled).** Crawler Tractor. Wheel Loader.
 Excavator.
 8.3L 505 (8300cc) OHV Turbo-Diesel L6, 114mm Bore (Cummins Eng.)

CYLINDER COMPONENTS (cont.)

QTY	PISTONS (cont.)	PART NO.	SIZE	DESCRIPTION
6	Piston Kit w/Pin & Retainers	FP-3917707WP	STD	6TA-830
6	Piston w/Retainer & Rings	FP-3802397	STD	6T-830
6	Piston w/Retainer & Rings	FP-3802398	STD	6T-830, 6TA-830
6	Piston w/Retainer & Rings	FP-3802263	STD	6TA-830
6	Piston w/Pin, Retainer, Rings	FP-PK3163	STD	6T-830
6	Piston w/Pin, Retainer, Rings	FP-PK3164	STD	6T-830, 6TA-830
6	Piston w/Pin, Retainer, Rings	FP-PK7707	STD	6TA-830
6	Pin	FP-3934046		
12	Piston Pin Retainer	FP-3920692		
6	Piston Cooling Nozzle	FP-3905928		Early; < 91C; Eng. w/6 cooling nozzles
12	Piston Cooling Nozzle	FP-3928031		Thick-walled block; Late; 91C>; Eng. w/12 cooling nozzles
6	Pin Bushing	FP-3913990		

QTY	CONNECTING RODS & BRGS.	PART NO.	SIZE	DESCRIPTION
12	Con. Rod Bolt	FP-3928870		
12	Con. Rod Nut	FP-3934864		
6	Rod Bearing Half Upper/Lower	FP-3901430	STD	
6	Rod Bearing Half Upper/Lower	FP-3901431	.25MM	
6	Rod Bearing Half Upper/Lower	FP-3901432	.50MM	
6	Rod Bearing Half Upper/Lower	FP-3901433	.75MM	
6	Rod Bearing Half Upper/Lower	FP-3901434	1.00MM	

QTY	PISTON RINGS	PART NO.	SIZE	DESCRIPTION
6	Ring Set Single Cylinder	FP-3802110	STD	For Early engines; Replaces O.E. No. A77562
6	Ring Set Single Cylinder	FP-3802429	STD	6T-830, 6TA-830

KITS

QTY	OVERHAUL KIT	PART NO.	SIZE	DESCRIPTION
1	In-Frame Overhaul Kit	FP-6C83PREM		Premium; With Upper Gasket Set & Pan Gasket
1	Complete Overhaul Kit	FP-6C83PREMOH		Premium; With Front & Rear Seals and Upper & Lower Gasket Sets

60 Wheel Tractor L10 (LTA10) (4-Valve Cyl. Head)
 10.0L 611 (10000cc) OHV Turbo-Diesel L6 (24 Valve), 125mm Bore (Cummins Eng.)

CYL. HEAD & PARTS

QTY	GASKETS	PART NO.	SIZE	DESCRIPTION
1	Valve Cover Gasket	FP-3883220		Late
1	Rocker Cover Gasket	FP-3034855		Early
1	Head Gasket	FP-2864080		
1	Head Gasket	FP-4022500		
1	Head Set	FP-4025155		Early
1	O-Ring	FP-3037537		9/16" Dia. ID

QTY	MISCELLANEOUS	PART NO.	SIZE	DESCRIPTION
3	Bolt	FP-4022907		14MM X 1.50MM X 70MM
12	Screw	FP-147389		Crosshead; 3/8" - 24 UNF x 3/4"

QTY	VALVE	PART NO.	SIZE	DESCRIPTION
12	Intake	FP-3033234		Bare
12	Intake	FP-3418020		Bare
12	Exhaust	FP-3418021		
12	Exhaust	FP-3417713		w/Letter 'S' stamped in head; Chrome plated stem; 1.6730" Head Dia., .3789" Stem Dia., 6.9400" O.A.L.
12	Exhaust Valve Kit	FP-3803996		w/Letter 'S' stamped in head; Incl. FP-3417713 valve & (2) FP-3275354 keepers; 1.6730" Head Dia., .3789" Stem Dia., 6.940" O.A.L.
12	Exhaust Valve Kit	FP-3800639		Incl. FP-3418021 valve & (2) FP-3275354 keepers
12	Intake Valve Kit	FP-3801356		Incl. FP-3033234 valve & (2) FP-3275354 keepers
12	Intake Valve Kit	FP-3800638		Incl. FP-3418020 valve & (2) FP-3275354 keepers
48	Keeper	FP-3275354		

QTY	VALVE SEAT	PART NO.	SIZE	DESCRIPTION
12	Exh.	FP-3090704		1.8110" OD, 1.4300" ID, .1850" Depth
12	Exh.	FP-3418040	STD	1.8120" OD, 1.4500" ID, .1970" Depth
24	Exh. & Int.	FP-3418052		
12	Int.	FP-3090703		1.8100" OD, 1.4250" ID, .1850" Depth

QTY	VALVE GUIDE	PART NO.	SIZE	DESCRIPTION
24	Guide	FP-3033314		

(continued on next page)

Wheel Tractor L10 (LTA10) (4-Valve Cyl. Head) 60
10.0L 611 (10000cc) OHV Turbo-Diesel L6 (24 Valve), 125mm Bore (Cummins Eng.) (cont.)

CYL. HEAD & PARTS (cont.)

QTY	VALVE GUIDE (cont.)	PART NO.	SIZE	DESCRIPTION
24	Guide	FP-3328785		.3819" ID, 2.6330" O.A.L.
24	Guide	FP-3033230		Valve Spring Seat
QTY	VALVE SPRING	PART NO.	SIZE	DESCRIPTION
24	Spring	FP-3895860		4.0670" Free Height
24	Spring	FP-3033233		Inner
24	Spring	FP-3033232		Outer
QTY	VALVE SEAL	PART NO.	SIZE	DESCRIPTION
24	Valve Stem Seal	FP-3328781		Int. & Exh.
QTY	ROCKER PARTS	PART NO.	SIZE	DESCRIPTION
8	Expansion Plug	FP-3007635		1.00" Dia.
12	Cam Follower Roller	FP-3895488		Valve
6	Injector Cam Roller	FP-3895487		Injector
5	Adjusting Screw Nut	FP-S212		1/2" - 20 UNF; Use w/FP-168306
12	Adjusting Screw Nut	FP-203131		3/8" - 24 UNF
12	Valve Bridge Guide	FP-123558		
12	Valve Roller Pin	FP-3335342		Cam Follower
18	Rocker Lever Adjusting Screw	FP-168306		1/2" - 20 UNF x 2.045" Length; Use w/FP-S212
6	Fuel Injector Roller Pin	FP-3335341		Cam Follower
6	Valve Lifter Socket	FP-3033292		Cam Follower; Early

INT & EXH MANIFOLDS

QTY	INT. & EXH. MANIFOLDS	PART NO.	SIZE	DESCRIPTION
6	Exhaust Manifold Gasket	FP-3328948		

CAMSHAFT GROUP

QTY	TIMING COVER	PART NO.	SIZE	DESCRIPTION
1	Oil Filler Cap	FP-101322		2"
QTY	CAMSHAFT/LIFTER	PART NO.	SIZE	DESCRIPTION
1	Camshaft	FP-3036117		CPL's 528, 638, 703, 704, 717, 770, 773, 774, 775, 776, 777, 784, 785, 786, 881, 882, 894, 919, 921, 958, 1198, 1234, 1198, 1359, 1414, 1454, 1459, 1660, 1674, 1687, 1695, 1696, 1699, 1849.; Bare
1	Camshaft	FP-3037523		CPL's 652, 655, 671, 735, 748, 751, 764, 765, 780, 781, 783, 787, 788, 789, 790, 835, 836, 894, 978, 995, 1208, 1429, 1443.; Bare

AIR COMPRESSOR

QTY	AIR COMPRESSOR	PART NO.	SIZE	DESCRIPTION
1	Air Compressor Gasket Set	FP-AR73308		13.2 CFM
1	Air Compressor Gasket	FP-176027		Support to Compressor Housing; 13.2 CFM
1	Air Compressor Gasket	FP-154018		13.2 CFM
1	Air Compressor Gasket	FP-3047159		13.2 CFM
1	Air Connection Gasket	FP-3201386		13.2 CFM
1	O-Ring	FP-128085		13.2 CFM
1	O-Ring	FP-128086		13.2 CFM
1	O-Ring	FP-3043995		13.2 CFM
1	Gasket	FP-3820922		Air Compressor Support; 13.2 CFM
1	Air Compressor Seal Ring	FP-127936		13.2 CFM

FUEL SYSTEM & PARTS

QTY	FUEL INJECTION	PART NO.	SIZE	DESCRIPTION
6	Fuel Injector Sleeve	FP-3070486		Thin
12	Fuel Injector Sleeve	FP-3070486		Thin
6	Screw	FP-3018772		PTD Top Stop
6	Screw	FP-3055742		PTD Top Stop
6	Fuel Injector	FP-3045102		PTD
6	Fuel Injector Repair Parts	FP-167157		Check Ball
6	Fuel Injector Valve Spring	FP-166009		
6	Retainer, Fuel Inj. Spring	FP-3049995		PTD Top Stop
6	Fuel Inj. Plunger & Barrel	FP-3049996		PTD Top Stop
6	Fuel Inj. Plunger & Barrel	FP-3069718		STC
1	Fuel Injector Adapter	FP-3028066		PTD Top Stop
1	Fuel Injector Cup	FP-3069717		orifice number 8; orifice size 0.007; 14 Deg. spray angle
1	Fuel Injector Cup	FP-3071564		orifice number 8; orifice size 0.067; 14 Deg. spray angle
1	Fuel Injector Cup	FP-3028068		orifice number 9; orifice size 0.007; 10 Deg. spray angle
6	Lock Nut	FP-3009362		PTD Top Stop
6	Fuel Injector Screen	FP-3008706		
6	Fuel Injector Roller Pin	FP-203426		

(continued on next page)

60 Wheel Tractor L10 (LTA10) (4-Valve Cyl. Head)
 (cont.) 10.0L 611 (10000cc) OHV Turbo-Diesel L6 (24 Valve), 125mm Bore (Cummins Eng.)

FUEL SYSTEM & PARTS (cont.)

QTY	FUEL INJECTION (cont.)	PART NO.	SIZE	DESCRIPTION
6	Fuel Injector Retainer	FP-185138		PTD Top Stop Injector
QTY	FUEL FILTERS & PUMP	PART NO.	SIZE	DESCRIPTION
1	Fuel Pump Valve	FP-3050624		
1	Fuel Pump Valve	FP-3035342		Shutdown; 12V
1	Fuel Pump Valve	FP-3035344		Shutdown; 24V
2	Fuel Pump Gear	FP-119364		1 1/4"
2	Fuel Pump Gear	FP-119363		3/4"
1	Fuel Pump Drive Shaft	FP-3000266		Fuel Shutoff Valve
1	Fuel Pump Drive Shaft	FP-212601		Main Shaft; AFC
1	Fuel Pump Drive Shaft	FP-100215		3/4"; Drive, Splined
1	Fuel Pump Check Valve	FP-3030970		Fuel Shutoff Valve
6	O-Ring	FP-3007759		
6	O-Ring	FP-193736		Fuel Injector
18	O-Ring	FP-193736		Fuel Injector Mounting; Non Select
6	O-Ring	FP-3007759		Injector Sleeve
2	O-Ring	FP-3042542		AFC Assembly
1	O-Ring	FP-3045986		AFC Assembly
1	O-Ring	FP-151900		Fuel Pump Damper; 0.621" OD, 0.494" ID
1	O-Ring	FP-100099		Fuel Pump Damper; 1.627" OD, 1.364" ID
1	O-Ring	FP-139988		Fuel Pump Damper; 1.752" OD, 1.489" ID
1	O-Ring	FP-3040817		Fuel Pump Front Cover
1	O-Ring	FP-129888		Fuel Shutoff Valve
1	O-Ring	FP-190876		Fuel Shutoff Valve
1	Fuel Pump Gasket	FP-4026171		Front Cover to Drive
1	Fuel Pump Gasket	FP-110855		Fuel Pump Body
2	Oil Seal	FP-3062676		Front Cover
1	Ball Brg.	FP-S16052		Fuel Pump Front Cover
1	Bushing	FP-163944		Fuel Pump
1	Fuel Pump Spider Jaw Coupling	FP-3046200		
1	Fuel Pump Check Valve	FP-3033740		
1	Air Fuel Control Check Valve	FP-3015522		
1	Fuel Pump Mounting Gasket	FP-3069017		
1	Fuel Pump Housing Cover	FP-3063052		Automotive
1	Rect. or Square Seal	FP-154087		Fuel Shutoff Valve

COOLING SYSTEM

QTY	WATER PUMP	PART NO.	SIZE	DESCRIPTION
1	Water Pump - Heavy Duty	FP-3803403		3 Hole Mount
1	Water Pump - Heavy Duty	FP-3803402		4 Hole Mount
1	Water Pump Shaft	FP-3040964		For FP-3803402 Pump
1	Water Pump Shaft	FP-3819632		For FP-3803403 Pump; 4.216" Long
1	Water Pump Impeller	FP-3035679		
1	Water Pump Repair/Rebuild Kit	FP-4024817		3 Hole Mount
1	Water Pump Repair/Rebuild Kit	FP-3801179		4 Hole Mount
1	Water Pump Retainer Ring	FP-3064634		
1	Water Pump Mech. Shaft Seal	FP-3029099		
1	Ball Brg.	FP-S16002		
1	Ball Brg.	FP-S16054		
1	Rect. or Square Seal	FP-3080770		
1	Oil Seal	FP-3019600		
1	Oil Seal	FP-3027675		Fan Drive
1	O-Ring	FP-3033247		
1	O-Ring	FP-3033248		
1	O-Ring	FP-3820791		
1	O-Ring	FP-3892095		
1	O-Ring	FP-3883284		Air Intake Connection; For 3.00" Dia. Turbocharger elbow
1	O-Ring	FP-3045986		Oil Control Valve
1	O-Ring	FP-3066914		Oil Control Valve
1	O-Ring	FP-3037537		9/16" Dia. ID
1	Gasket	FP-3070100		Air Connection
1	Gasket	FP-3027924		Connection
1	Housing Gasket	FP-3027445		Heater Housing
1	Snap Ring	FP-112302		
1	Water Pump Idler Assembly	FP-3062602		
1	Water Pump Lock Ring	FP-160586		
QTY	SEALS - FAN HUB	PART NO.	SIZE	DESCRIPTION
1	Oil Seal	FP-200307		INNER
1	Oil Seal	FP-3027675		OUTER

(continued on next page)

Wheel Tractor L10 (LTA10) (4-Valve Cyl. Head) 60
10.0L 611 (10000cc) OHV Turbo-Diesel L6 (24 Valve), 125mm Bore (Cummins Eng.) (cont.)

COOLING SYSTEM (cont.)				
QTY	THERMOSTAT	PART NO.	SIZE	DESCRIPTION
1	Thermostat Gasket	FP-3818841		Thermostat Housing
1	Rect. or Square Seal	FP-186780		
1	Rect. or Square Seal	FP-186780		
QTY	MISCELLANEOUS	PART NO.	SIZE	DESCRIPTION
2	Bearing Support Gasket	FP-3883365		
ENGINE BLOCK & PARTS				
QTY	GASKETS	PART NO.	SIZE	DESCRIPTION
1	Front Cover Gasket	FP-3058148		
1	Oil Pan Gasket	FP-3882433		Early; Narrow flange pan gasket
1	Oil Pan Gasket Set	FP-3882433PS		Early; Incl. narrow flange pan gasket, with washers and seal rings.
1	Oil Pan Gasket Set	FP-3882733PS		Late; Incl. wide flange pan gasket, with washers and seal rings
2	Washer	FP-67946		Oil Pan Plug; 1.03125" ID
1	O-Ring	FP-3883150		
1	O-Ring	FP-3046201		O-Ring for 3/4" plug
1	Cover Plate Gasket	FP-3025296		
1	Cover Plate Gasket	FP-3820872		
1	Gasket	FP-3600925		End Plate
1	Gasket	FP-3026134		Flywheel Housing
3	Hand Hole Gasket	FP-3883472		
1	Rect. or Square Seal	FP-3820945		
6	Rect. or Square Seal	FP-3820945		
1	Rect. or Square Seal	FP-3820946		
1	Seal Strip	FP-3893964 +		Gear Cover; When depleted use FP-4920751
6	Ring - Seal	FP-3201659		
QTY	GASKET SETS	PART NO.	SIZE	DESCRIPTION
1	Gasket Conversion Set	FP-3803404		Early
QTY	DOWEL PINS	PART NO.	SIZE	DESCRIPTION
1	Dowel Pin	FP-70550		.312 Dia. X .500 Inch Length
QTY	CAM BEARINGS	PART NO.	SIZE	DESCRIPTION
1	Cam Set	FP-2878168S	STD	
1	Cam Set	FP-3820566S +		When depleted use FP-2878168S
7	Cam Brg.	FP-2878168	STD	
7	Cam Brg.	FP-3820566 +		When depleted use FP-2878168
QTY	FREEZE PLUGS	PART NO.	SIZE	DESCRIPTION
3	Expansion Plug	FP-3007635		1.00" Dia.
2	Pipe Plug	FP-3002158		
QTY	DIPSTICK	PART NO.	SIZE	DESCRIPTION
1	Dipstick	FP-216484		90" Long; Blank Universal
QTY	MISCELLANEOUS	PART NO.	SIZE	DESCRIPTION
38	Bolt	FP-4070463		Short, Gear Cover; 8MM X 1.25MM x 12MM
2	Pipe Plug	FP-3002158		
CRANKSHAFT/OIL PUMP				
QTY	CRANKSHAFT	PART NO.	SIZE	DESCRIPTION
1	Crankshaft	FP-3819989		5 Hole, Internal Dampner Only
QTY	SEALS - FRONT CRANK	PART NO.	SIZE	DESCRIPTION
1	Oil Seal	FP-3803896		Front; Incl. seal kit & bolts
1	Redi-Sleeve	FP-3820917		Front
QTY	SEALS - REAR CRANK	PART NO.	SIZE	DESCRIPTION
1	Oil Seal Kit	FP-3800643		Rear; Dry
1	Redi-Sleeve	FP-3819774		
QTY	MAIN BEARINGS	PART NO.	SIZE	DESCRIPTION
1	Main Set	FP-4025125	STD	To March 1997; For engines w/roll pin design thrust washers
1	Main Set	FP-4025126	10	To March 1997; For engines w/roll pin design thrust washers
1	Main Set	FP-4025127	20	To March 1997; For engines w/roll pin design thrust washers
1	Main Set	FP-4025128	30	To March 1997; For engines w/roll pin design thrust washers
1	Thrust Washer Set	FP-3161653S		
1	Thrust Washer	FP-3161653	STD	
QTY	OIL PUMP	PART NO.	SIZE	DESCRIPTION
2	O-Ring	FP-3032787		Lube Oil Transfer/Pick Up Tube
1	O-Ring	FP-3042542		Oil Control Valve
1	Oil Pump Cover Gasket	FP-3004242		
2	Oil Drain Plug	FP-3055069		Oil Pan; 1" - 18 UNS

(continued on next page)

+ Superseded Part Number

60 Wheel Tractor L10 (LTA10) (4-Valve Cyl. Head)
 (cont.) 10.0L 611 (10000cc) OHV Turbo-Diesel L6 (24 Valve), 125mm Bore (Cummins Eng.)

CRANKSHAFT/OIL PUMP (cont.)

QTY	OIL PUMP (cont.)	PART NO.	SIZE	DESCRIPTION
2	Oil Drain Plug	FP-3055069		1" - 18 UNS
1	Filter Head Gasket	FP-3820629		

CYLINDER COMPONENTS

QTY	LINERS	PART NO.	SIZE	DESCRIPTION
6	Liner w/o Sealing Rings	FP-3080760		
6	Liner w/Sealing Rings	FP-3803703		
6	Cylinder Kit Complete	FP-3803963		
6	Cylinder Kit Complete	FP-3800801	STD	16.1:1 C.R.
6	Cylinder Kit Complete	FP-3803964	STD	16.6:1 C.R.
6	Cylinder Kit Complete	FP-3800800	STD	17.0:1 C.R.
6	Cylinder Kit Complete	FP-3803974	STD	18.1:1 C.R.
6	Liner Kit w/o Piston	FP-3800800NP		Includes Liner, Ring Set, Piston Pin, Seal Ring, Retainers
6	Sealing Ring, Liner	FP-3047188		

QTY	PISTONS	PART NO.	SIZE	DESCRIPTION
6	Piston Body w/o Pin	FP-3893751		
6	Piston Body w/o Pin	FP-3044448		16.1:1 C.R.
6	Piston Body w/o Pin	FP-3068090		16.6:1 C.R.
6	Piston Body w/o Pin	FP-3055622		17.0:1 C.R.
6	Piston Body w/o Pin	FP-3045907		18.1:1 C.R.
6	Piston w/Pin, Retainer, Rings	FP-3803962		
6	Piston w/Pin, Retainer, Rings	FP-3803965		16.1:1 C.R.
6	Piston w/Pin, Retainer, Rings	FP-3803968		16.6:1 C.R.
6	Piston w/Pin, Retainer, Rings	FP-3803967		17.0:1 C.R.
6	Piston w/Pin, Retainer, Rings	FP-3803966		18.1:1 C.R.
6	Pin	FP-4083243		
6	Pin	FP-4083244		
12	Piston Pin Retainer	FP-3016652		
6	Piston Pin Set	FP-3800140		Includes Piston Pin FP-4083243 and Retainer FP-3016652
6	Piston Pin Set	FP-3800256		Includes Piston Pin FP-4083244 and Retainer FP-3016652
6	Pin Bushing	FP-3027105		Drilled Rod
6	Pin Bushing	FP-3896894		Non Drilled Rod

QTY	CONNECTING RODS & BRGS.	PART NO.	SIZE	DESCRIPTION
1	Rod Set	FP-63016760PR	STD	Contains (12) of FP3016760
6	Rod Pair	FP-3016760PR	STD	Contains (2) of FP3016760
12	Rod Bearing Half Upper/Lower	FP-3016760	STD	
12	Rod Bearing Half Upper/Lower	FP-3016761	10	
12	Rod Bearing Half Upper/Lower	FP-3016762	20	
12	Rod Bearing Half Upper/Lower	FP-3016763	30	

QTY	PISTON RINGS	PART NO.	SIZE	DESCRIPTION
6	Ring Set Single Cylinder	FP-3803961	STD	Includes Top Ring, Comp Ring, Oil Ring

KITS

QTY	OVERHAUL KIT	PART NO.	SIZE	DESCRIPTION
1	In-Frame Overhaul Kit	FP-L10PREM		For engines w/outer dia. tab thrust washers; Premium; With Upper Gasket Set & Pan Gasket
1	Complete Overhaul Kit	FP-L10PREMOH		For engines w/outer dia. tab thrust washers; Premium; With Front & Rear Seals and Upper & Lower Gasket Sets

61 Off Highway Truck QSM 10.8 Engines. Wheel Loader QSM 10.8 Engines.
 10.8L 661 (10800cc) OHV Turbo-Diesel L6 (24 Valve), 125mm Bore (Cummins Eng.)

CYL. HEAD & PARTS

QTY	GASKETS	PART NO.	SIZE	DESCRIPTION
1	Head Set	FP-4089478		

ENGINE BLOCK & PARTS

QTY	GASKET SETS	PART NO.	SIZE	DESCRIPTION
1	Gasket Conversion Set	FP-4089998		

CRANKSHAFT/OIL PUMP

QTY	MAIN BEARINGS	PART NO.	SIZE	DESCRIPTION
1	Main Set	FP-4025120	STD	For engines w/outer dia. tab thrust washers
1	Main Set	FP-4025121	10	For engines w/outer dia. tab thrust washers
1	Main Set	FP-4025122	20	For engines w/outer dia. tab thrust washers
1	Main Set	FP-4025123	30	For engines w/outer dia. tab thrust washers
1	Main Set	FP-4025125	STD	Pre-2004 Engs.; For engines w/roll pin design thrust washers

(continued on next page)

Off Highway Truck QSM 10.8 Engines. Wheel Loader QSM 10.8 Engines. 61
 10.8L 661 (10800cc) OHV Turbo-Diesel L6 (24 Valve), 125mm Bore (Cummins Eng.) (cont.)

CRANKSHAFT/OIL PUMP (cont.)

QTY	MAIN BEARINGS (cont.)	PART NO.	SIZE	DESCRIPTION
1	Main Set	FP-4025126	10	Pre-2004 Engs.; For engines w/roll pin design thrust washers
1	Main Set	FP-4025127	20	Pre-2004 Engs.; For engines w/roll pin design thrust washers
1	Main Set	FP-4025128	30	Pre-2004 Engs.; For engines w/roll pin design thrust washers

CYLINDER COMPONENTS

QTY	LINERS	PART NO.	SIZE	DESCRIPTION
6	Liner w/o Sealing Rings	FP-3102423	STD	
6	Liner w/Sealing Rings	FP-4089388	STD	Incl. liner & sealing ring
6	Sealing Ring, Liner	FP-3047188		

QTY	CONNECTING RODS & BRGS.	PART NO.	SIZE	DESCRIPTION
12	Rod Bearing Half Upper/Lower	FP-3016760	STD	
12	Rod Bearing Half Upper/Lower	FP-3016761	10	
12	Rod Bearing Half Upper/Lower	FP-3016762	20	
12	Rod Bearing Half Upper/Lower	FP-3016763	30	
12	Rod Bearing Half Upper/Lower	FP-3016764	40	

Wheel Tractor 62
 14.0L 855 OHV Turbo-Diesel L6, 5.5" Bore (Cummins Eng.)

CYL. HEAD & PARTS

QTY	GASKETS	PART NO.	SIZE	DESCRIPTION
3	Valve Cover Gasket	FP-3054841		Single valve cover gskt., 5-bolt Engs.; 3 req'd.
3	Rocker Housing Gasket	FP-3017750		Single rocker box gskt., 5-bolt Engs.; 3 req'd.
1	Head Gasket	FP-3040180		.010" O/S Head Gasket
1	Head Gasket	FP-4058790		Single head gskt., Standard thickness; Incl. .010" thick water grommets. 3 req'd.
1	Head Set	FP-3801348		Upper; .010 O/S Water Grommets; Upper set, SC & BC I, II, III, 5 bolt Engs.; w/ & w/o FFC
1	Head Set	FP-3804276		Upper; Contains standard size water grommets
1	Cam Follower Gasket	FP-3074401		855 Big Cam; .006-.008
1	Cam Follower Gasket	FP-3074402		855 Big Cam; .014-.020
1	Cam Follower Gasket	FP-3074403		855 Big Cam; .018-.025
1	Cam Follower Gasket	FP-3074404		855 Big Cam; .026-.036
1	Cam Follower Housing Gasket	FP-3074400		855 Big Cam; .014-.021

QTY	HEAD BOLTS	PART NO.	SIZE	DESCRIPTION
36	Head Bolt	FP-209700		6 1/4"
36	Head Bolt	FP-3013623		7 1/4"

QTY	MISCELLANEOUS	PART NO.	SIZE	DESCRIPTION
1	Brass Water Tube	FP-CWB008		Brass
1	Fitting	FP-181213		90 Deg.
1	Insert, Water	FP-3823681		Threaded

QTY	FREEZE PLUGS	PART NO.	SIZE	DESCRIPTION
6	Expansion Plug	FP-216524		1 1/4" Dia. Cup
18	Expansion Plug	FP-213395		1" Dia. Cup
3	Expansion Plug	FP-213394		3/4" Dia. Cup

QTY	VALVE	PART NO.	SIZE	DESCRIPTION
12	Intake	FP-135957		1.8700" Head Dia., .4505" Stem Dia., 7.0660" O.A.L.
12	Exhaust	FP-3040830		
12	Exhaust Valve Kit	FP-3803519		Incl. (1)FP-3040830 Valve, (2)FP-127554 Keepers
12	Intake Valve Kit	FP-3803512		Incl. (1)FP-135957 Valve, (2)FP-127554 Keepers
24	Keeper	FP-127554		Exh. & Int.

QTY	VALVE SEAT	PART NO.	SIZE	DESCRIPTION
12	Exh. & Int.	FP-3017759	STD	Check Cummins Service Topics 93T2-2; 2.0030" OD, 1.6900" ID, .2795" Depth

QTY	VALVE GUIDE	PART NO.	SIZE	DESCRIPTION
12	Guide	FP-3006457		Exh. & Int.; Check Cummins Service Topics 93T2-2
12	Guide	FP-3006458		Exh. & Int.; Check Cummins Service Topics 93T2-2
12	Guide	FP-3006456		Exh. & Int.; Check Cummins Service Topics 93T2-2; .4530" ID, 3.3900" O.A.L.

QTY	VALVE SPRING	PART NO.	SIZE	DESCRIPTION
12	Spring	FP-3081212		Exh. & Int.; Check Cummins Service Topics 93T2-2; w/One Green Stripe
12	Spring	FP-211999		Exh. & Int.; Check Cummins Service Topics 93T2-2; 2.6850" Free Height
12	Spring	FP-3035996 +		Exh. & Int.; 2.6350" Free Height; When depleted use FP-3081212

(continued on next page)

+ Superseded Part Number

62 Wheel Tractor
(cont.) 14.0L 855 OHV Turbo-Diesel L6, 5.5" Bore (Cummins Eng.)

CYL. HEAD & PARTS (cont.)				
QTY	VALVE SPRING (cont.)	PART NO.	SIZE	DESCRIPTION
12	Retainer	FP-170296		Exh. & Int.
12	Valve Spring Seat	FP-3042745		Exh. & Int.
QTY	PUSH RODS	PART NO.	SIZE	DESCRIPTION
6	Push Rod	FP-3046430		855 Big Cam; Injector
12	Push Rod	FP-3046420		Exh. & Int.; 855 Big Cam; 17.7220" O.A.L.
QTY	VALVE MISC.	PART NO.	SIZE	DESCRIPTION
12	Crosshead Valve Assembly	FP-3030038		Exh. & Int.; 855 Big Cam
QTY	VALVE SEAL	PART NO.	SIZE	DESCRIPTION
12	Valve Stem Seal	FP-156541		Exh. & Int.; Installation requires valve guide machining; Polyacrylate
QTY	ROCKER PARTS	PART NO.	SIZE	DESCRIPTION
3	Rocker Shaft	FP-3038904		
12	Cam Follower Roller	FP-3036933		855 Big Cam
6	Injector Cam Roller	FP-3036934		855 Big Cam
18	Adjusting Screw Nut	FP-S212		1/2" - 20 UNF; Use w/FP-168306
12	Valve Roller Pin	FP-3013331		Exh. & Int.; 855 Big Cam
18	Rocker Lever Adjusting Screw	FP-168306		1/2" - 20 UNF x 2.045" Length; Use w/FP-S212
6	Rocker Shaft Plug	FP-3038903		For FP-3038904 shaft
6	Rocker Arm Socket	FP-194037		
6	Bushing	FP-218153		Injector
6	Bushing	FP-118377		Injector; Cam Follower
12	Bushing	FP-118378		Exh. & Int.; Valve; Cam Follower
12	Bushing	FP-140330		Exh. & Int.; Valve; Rocker Lever
6	Fuel Injector Roller Pin	FP-3013330		855 Big Cam
18	Valve Lock Pin	FP-118939		Injector and Valve; Cam Follower
ENGINE BRAKE				
QTY	ENGINE BRAKE	PART NO.	SIZE	DESCRIPTION
1	Jake Brake Gasket Set	FP-PGJ10		Jake Brake gskt. set, 5-bolt Eng.s. 1 req'd.
INT & EXH MANIFOLDS				
QTY	INT. & EXH. MANIFOLDS	PART NO.	SIZE	DESCRIPTION
3	Intake Manifold Gasket	FP-3008591		Eng. w/Aftercooler
CAMSHAFT GROUP				
QTY	TIMING	PART NO.	SIZE	DESCRIPTION
1	Cam Gear	FP-3002901		
QTY	CAMSHAFT/LIFTER	PART NO.	SIZE	DESCRIPTION
1	Camshaft	FP-3049024		Flangeless 2.500" camshaft; Replaces O.E. Nos. 3025518, 3049024, (cam only); or 3026975, 3801036 (camshaft w/pipe plug).
1	Camshaft Thrust Washer	FP-215233		
3	Cam Follower Shaft	FP-3065125		
ACCESSORY DRIVE				
QTY	ACCESSORY DRIVE	PART NO.	SIZE	DESCRIPTION
1	Accessory Drive Repair Kit	FP-90004		
1	Wear Sleeve	FP-190397		
1	Oil Seal	FP-3004316		Front Cover
FUEL SYSTEM & PARTS				
QTY	FUEL INJECTION	PART NO.	SIZE	DESCRIPTION
6	Fuel Injector Sleeve	FP-3070486		Thin
6	Bolt	FP-70772		Fuel Crossover; Qty 2 Per Head; 1/4" - 20 X 1/2" Fillister machine screw
6	O-Ring	FP-131026		Fuel Crossover; Qty 2 Per Head
18	O-Ring	FP-193736		Fuel Injector Mounting; 3 per injector
6	O-Ring	FP-3007759		Injector Tube Seal
1	Fitting	FP-181213		Fuel Crossover; Qty A/R; 90 Deg.
6	Fuel Crossover Connection	FP-147100		Qty 2 Per Head
QTY	FUEL FILTERS & PUMP	PART NO.	SIZE	DESCRIPTION
1	Mechanical Fuel Pump	FP-3034243		
COOLING SYSTEM				
QTY	WATER PUMP	PART NO.	SIZE	DESCRIPTION
1	Water Pump - Heavy Duty	FP-3801708		Vented; Multi-groove pulley
1	Water Pump Repair/Rebuild Kit	FP-3801712		w/Brg. & seal

(continued on next page)

				Wheel Tractor 62
				14.0L 855 OHV Turbo-Diesel L6, 5.5" Bore (Cummins Eng.) (cont.)
COOLING SYSTEM (cont.)				
QTY	WATER PUMP (cont.)	PART NO.	SIZE	DESCRIPTION
1	Water Pump Gasket	FP-3002385		Water pump mounting gskt.
1	O-Ring	FP-43643A		Front Water By-pass
4	O-Ring	FP-70624		Water Manifold Coupling
2	O-Ring	FP-212161		Water Transfer Tube
1	V Belt	FP-217638		Multi-Groove
1	Water Pump Idler Assembly	FP-3064919		Multi-Groove
1	Water Pump Connection Gasket	FP-3024960		
QTY	SEALS - FAN HUB	PART NO.	SIZE	DESCRIPTION
1	Oil Seal	FP-200307		Inner
1	Oil Seal	FP-3027675		Outer
QTY	THERMOSTAT	PART NO.	SIZE	DESCRIPTION
1	Thermostat	FP-146076		160 Deg. F
1	Thermostat	FP-204586		175 Deg. F
1	Thermostat	FP-135675		180 degree F, Vented
1	Thermostat	FP-3076489		180 Deg. F, Non-Vented
1	Thermostat Gasket	FP-208128		
1	Water Outlet Gasket	FP-3019158		
1	Rect. or Square Seal	FP-186780		
QTY	MISCELLANEOUS	PART NO.	SIZE	DESCRIPTION
1	Water Filter Valve	FP-179901		For 3/8" Pipe, 3/8" Heater Hose; 3/8 Pipe-3/8 Heater Hose
1	Water Heater Valve	FP-157098		For 3/8" Pipe, 5/8" Heater Hose; 3/8 Pipe-5/8 Heater Hose
1	Hose	FP-102522		Water By-pass Hose
6	Ring - Seal	FP-3024709		Water Manifold
1	Bypass Tube	FP-213485		Water By-pass Pipe
ENGINE BLOCK & PARTS				
QTY	GASKETS	PART NO.	SIZE	DESCRIPTION
1	Oil Pan Gasket	FP-3349820		0.79mm / 0.031" Thick; One piece gskt.
1	Oil Pan Gasket Set	FP-PGC300		All 855 Engs.; Incl. 1 pc. oil pan gskt.; Includes Seals For Suction Tube & Drain Plug
QTY	GASKET SETS	PART NO.	SIZE	DESCRIPTION
1	Gasket Conversion Set	FP-3801235		Lower
1	In-Frame Gasket Set	FP-3804276IF		Contains standard size water grommets
1	In-Frame Gasket Set	FP-3801348S		In Frm.; Small Cam & Big Cam I, II, III, 5-bolt Engs.; O/S Grommets
QTY	CAM BEARINGS	PART NO.	SIZE	DESCRIPTION
1	Cam Set	FP-3007689S	STD	Big Cam 2.500" dia.; Engs. w/2.625" cam housing
1	Cam Set	FP-3801106	STD	Big Cam 2.500" dia.; Engs. w/2.687" cam housing
QTY	OIL COOLERS & FILTERS	PART NO.	SIZE	DESCRIPTION
1	Aftercooler Core Assembly	FP-3411460		For Big Cam III and Engs. up-dated to cross bolt mount, O.E. Nos. 3028997 & 3068724.
1	Aftercooler Gasket Set	FP-PGC206		
1	Aftercooler Housing Gasket	FP-216486		
1	Aftercooler Gasket	FP-3032348		
1	Oil Cooler	FP-3412285		13.125" x 3.125" tube bundle. O.E. No's. 3018692, 3045483 & 3412285. Big Cam III & Big Cam IV.
1	Oil Cooler Gasket Kit	FP-3801199		
1	Oil Cooler Gasket	FP-3008017		
1	Oil Cooler Gasket	FP-3047464		
1	Oil Cooler Gasket	FP-3047465		
1	Oil Cooler Gasket	FP-3069014		
4	O-Ring	FP-195952		Aftercooler Core Seal
2	O-Ring	FP-212161		Oil Cooler
1	O-Ring	FP-3030808		Oil Cooler
1	O-Ring	FP-3045979		Oil Cooler
1	Sealing Ring	FP-3018695		Oil Cooler Core Seal
1	Grommet	FP-3034579		Oil Cooler
QTY	DIPSTICK	PART NO.	SIZE	DESCRIPTION
1	Dipstick	FP-216484		90" Long; Blank Universal
QTY	MISCELLANEOUS	PART NO.	SIZE	DESCRIPTION
6	Bolt	FP-204165		NT-855; Flywheel; Snub Nose Crankshaft; 5/8" - 18 X 1 5/8"
1	Bushing	FP-132770		NT-855; Gear Cover; w/1.567" ID, 1.697" OD, 1.500" O.A.L.
6	Washer	FP-200861		NT-855; Flywheel, Snub Nose Crankshaft

(continued on next page)

62 Wheel Tractor
(cont.) 14.0L 855 OHV Turbo-Diesel L6, 5.5" Bore (Cummins Eng.)

CRANKSHAFT/OIL PUMP				
QTY	CRANKSHAFT	PART NO.	SIZE	DESCRIPTION
1	Crankshaft	FP-3608833		w/Snub Nose Crankshaft; Snub Nose
1	Vibration Damper	FP-217323		13.55" Dia.; Snub Nose
6	Bolt	FP-204165		Vibration damper to crankshaft; 5/8" - 18 X 1 5/8"
1	Crank Gear	FP-3014614		Front; w/Snub Nose Crankshaft; 36 Teeth; 36 Teeth
QTY	SEALS - FRONT CRANK	PART NO.	SIZE	DESCRIPTION
1	Oil Seal	FP-3006736		Front; w/Snub Nose Crankshaft
1	Oil Seal	FP-3010457		Front; w/Tapered Nose Crankshaft
1	Redi-Sleeve	FP-3006742		Front; w/Snub Nose Crankshaft
QTY	SEALS - REAR CRANK	PART NO.	SIZE	DESCRIPTION
1	Oil Seal	FP-3006737		Rear; Dry Applications; 6.00" Shaft
1	Oil Seal	FP-3006738		Rear; Wet Applications; Wet Clutch
1	Redi-Sleeve	FP-3006743		Rear; Wet Clutch; 6.00" Shaft
QTY	MAIN BEARINGS	PART NO.	SIZE	DESCRIPTION
1	Main Set	FP-3801260	STD	W/Partial groove brgs.; Incl. thrust washers
1	Main Set	FP-3801261	10	W/Partial groove brgs.; Incl. thrust washers
1	Main Set	FP-3801262	20	W/Partial groove brgs.; Incl. thrust washers
1	Main Set	FP-3801263	30	W/Partial groove brgs.; Incl. thrust washers
1	Main Set	FP-3801264	40	W/Partial groove brgs.; Incl. thrust washers
4	Thrust Washer	FP-3067568	STD	Position 7
6	Bolt	FP-204165		Vibration damper to crankshaft; 5/8" - 18 X 1 5/8"
QTY	OIL PUMP	PART NO.	SIZE	DESCRIPTION
1	Oil Pump	FP-3821572		For Big Cam (2.500"dia.) Eng.
1	O-Ring	FP-3029847		Oil suction tube seal
1	Oil Pump Gasket	FP-3067613		Oil pump body to block
1	Oil Suction Tube Gasket	FP-157551		
CYLINDER COMPONENTS				
QTY	LINERS	PART NO.	SIZE	DESCRIPTION
6	Liner w/o Sealing Rings	FP-3046325	20	
6	Liner w/o Sealing Rings	FP-3055099	STD	Std. Liners
6	Liner w/o Sealing Rings	FP-3065405	20	20/40 Oversize lower press-fit liner; Flange Dia. is .020" Larger than Std.; Flange thickness is .020" greater than Std.; Pilot Dia. is .040" larger than Std.
6	Liner w/Sealing Rings	FP-3801387	20	.020 UPF; 9170, 9180 Models; Incl. (1) FP215090 crevice seal, (2) FP3032874 (Blk., middle & lower) sealing rings. Oversize, flange Press Fit dia. .020" larger & flange thickness .010" greater than Std. Replaces O.E. Nos. 3046325 & 3801387 w/seals (referred to as '10/20 Size').
6	Liner w/Sealing Rings	FP-3803219	20	.020/.040 LPF; 9170, 9180 Models; Incl. (1) FP215090 crevice seal, (2) FP3032874 (Blk., middle & lower) sealing rings. Oversize, flange Press Fit dia. .020" larger than Std. & lower Press Fit is increased by .040". Replaces O.E. Nos. 3056405 & 3803219 (referred to as '20/40 Size').
6	Liner w/Sealing Rings	FP-3801826	STD	Standard LPF; 9170, 9180 Models; Incl. (1) FP215090 crevice seal, (2) FP3032874 (Blk., middle & lower) sealing rings. Std. size, Lower Press Fit design. Replaces O.E. Nos. 3055099 & 3801826 w/seals.
6	Cylinder Kit Complete	FP-3801768	STD	14.5:1 C.R.; 9170 Models; Sled Runner Skirt; Premium Plus; 4 Rings; Refer to CPL chart for CPL application data
6	Cylinder Kit Complete	FP-3803213	20	14.5:1 C.R.; 9170 Models; Sled Runner Skirt; Premium Plus; 4 Rings; Refer to CPL chart for CPL application data
6	Cylinder Kit Complete	FP-3801771	STD	9180 Models; Sled Runner Skirt; Premium Plus; 4 Rings; Refer to CPL chart for CPL application data
6	Cylinder Kit Complete	FP-3803214	20	9180 Models; Sled Runner Skirt; Premium Plus; 4 Rings; Refer to CPL chart for CPL application data
6	Cyl. Liner Sealing Ring Kit	FP-3800174		Incl. (1) FP-215090, (2) FP-3032874
6	Sealing Ring, Liner	FP-215090		Crevice Seal
6	Sealing Ring, Liner	FP-3032874		Middle & Lower Seal
1	Flange Shim	FP-SLG23773	3-5-10	.003" Thick, fits Std. & 10/20 sleeves
1	Flange Shim	FP-SLG23775	3-5-10	.005" Thick, fits Std. & 10/20 sleeves
1	Flange Shim	FP-3019956	8	.008" Thick, fits Std. & 10/20 sleeves
1	Flange Shim	FP-SLG237710	3-5-10	.010" Thick, fits Std. & 10/20 sleeves
1	Flange Shim	FP-3054948	20	.020" Thick, fits Std. & 10/20 sleeves
1	Repair Block Bushing	FP-RBL002		Lower Eng. block repair bushing
1	Repair Block Bushing	FP-RBU001		Upper Eng. block repair bushing, non-bored.
QTY	PISTONS	PART NO.	SIZE	DESCRIPTION
6	Piston Body w/o Pin	FP-3051556		14.0:1 C.R.; 9180 Models; Sled Runner Skirt; Single NI-Resist; 4 Rings

(continued on next page)

Wheel Tractor **62**
14.0L 855 OHV Turbo-Diesel L6, 5.5" Bore (Cummins Eng.) (cont.)

CYLINDER COMPONENTS (cont.)

QTY	PISTONS (cont.)	PART NO.	SIZE	DESCRIPTION
6	Piston Body w/o Pin	FP-3051555		14.5:1 C.R.; 9170 Models; Sled Runner Skirt; Single NI-Resist; 4 Rings
6	Piston Kit w/Pin & Retainers	FP-3801773WP	STD	14.0:1 C.R.; 9180 Models; Single NI-Resist; 4 Rings; 14.0:1 C.R.
6	Piston Kit w/Pin & Retainers	FP-3801770WP	STD	14.5:1 C.R.; 9170 Models; Single NI-Resist; 4 Rings; 14.5:1 C.R.
6	Piston With Retainers	FP-3801773		14.0:1 C.R.; 9180 Models; Sled Runner Skirt; Single NI-Resist; 4 Rings; 14.0:1 C.R.
6	Piston With Retainers	FP-3801770		14.5:1 C.R.; 9170 Models; Sled Runner Skirt; Single NI-Resist; 4 Rings; 14.5:1 C.R.
6	Pin	FP-191970		
12	Piston Pin Retainer	FP-175755		2 per piston
6	Piston Cooling Nozzle	FP-3013591		
6	Pin Bushing	FP-187420		1 piece bushing; 1 piece bushing; 2.20" Width
6	Bushing	FP-116391		Accessory drive bushing; O.E. No. 116391
6	Bushing	FP-132770		Front cover bushing; O.E. No. 132770; w/1.567" ID, 1.697" OD, 1.500" O.A.L.
QTY	CONNECTING RODS & BRGS.	PART NO.	SIZE	DESCRIPTION
12	Con. Rod Bolt	FP-219153		
6	Rod Pair	FP-214950PR	STD	Big Cam 2.500" dia.; Engs. w/1.741" length. brgs.; Used w/con. rod No. 218808; w/3.1240-3.1250" std. shaft size
6	Rod Pair	FP-214951PR	10	Big Cam 2.500" dia.; Engs. w/1.741" length. brgs.; Used w/con. rod No. 218808; w/3.1240-3.1250" std. shaft size
6	Rod Pair	FP-214952PR	20	Big Cam 2.500" dia.; Engs. w/1.741" length. brgs.; Used w/con. rod No. 218808; w/3.1240-3.1250" std. shaft size
12	Rod Bearing Half Upper/Lower	FP-214950	STD	Big Cam 2.500" dia.; Engs. w/1.741" length. brgs.; Used w/con. rod No. 218808
12	Rod Bearing Half Upper/Lower	FP-214951	10	Big Cam 2.500" dia.; Engs. w/1.741" length. brgs.; Used w/con. rod No. 218808
12	Rod Bearing Half Upper/Lower	FP-214952	20	Big Cam 2.500" dia.; Engs. w/1.741" length. brgs.; Used w/con. rod No. 218808
12	Rod Bearing Half Upper/Lower	FP-214953	30	Big Cam 2.500" dia.; Engs. w/1.741" length. brgs.; Used w/con. rod No. 218808
12	Rod Bearing Half Upper/Lower	FP-214954	40	Big Cam 2.500" dia.; Engs. w/1.741" length. brgs.; Used w/con. rod No. 218808
QTY	PISTON RINGS	PART NO.	SIZE	DESCRIPTION
6	Ring Set Single Cylinder	FP-4089811	STD	9170, 9180 Models
KITS				
QTY	OVERHAUL KIT	PART NO.	SIZE	DESCRIPTION
1	In-Frame Overhaul Kit	FP-855PREMP		Premium Plus; 4 Rings
1	Complete Overhaul Kit	FP-855PREMPOH		Premium Plus; 4 Rings; With Front & Rear Seals and Upper & Lower Gasket Sets

Engine Kit Bill of Material



Qty.	Part No.	Description	Qty.	Part No.	Description	Qty.	Part No.	Description	Qty.	Part No.	Description
FP-IFKISB624V			FP-IFKISCQSC (cont'd.)			FP-IFK267E (cont'd.)			FP-IFK336E (cont'd.)		
(1)	FP-3958165	Oil Pan Gasket	(1)	FP-4089758	Head Gasket Set	(4)	FP-A43177	Connecting Rod Bearing Pair	(4)	FP-A41902	Connecting Rod Bearing Pair
(1)	FP-3959052	Oil Pan Gasket	(1)	FP-4089958	Head Gasket Set	(1)	FP-7039M	Main Bearing Set	(4)	FP-A43173	Connecting Rod Bearing Pair
(6)	FP-PK0781	Piston w/Pin, Retainer & Rings	FP-IFK188E			(1)	FP-7039M10	Main Bearing Set	(4)	FP-A4317340	Connecting Rod Bearing Pair
(6)	FP-PK0782	Piston w/Pin, Retainer & Rings	(4)	FP-A37769	Cylinder Kit Complete	(1)	FP-7039M20	Main Bearing Set	(4)	FP-A43174	Connecting Rod Bearing Pair
(6)	FP-PK0783	Piston w/Pin, Retainer & Rings	(4)	FP-A46050	Connecting Rod Bearing Pair	(1)	FP-A62572S	Thrust Washer Set	(4)	FP-A43174	Connecting Rod Bearing Pair
(6)	FP-PK0784	Piston w/Pin, Retainer & Rings	(4)	FP-A46052	Connecting Rod Bearing Pair	(1)	FP-A62573S	Thrust Washer Set	(4)	FP-A43175	Connecting Rod Bearing Pair
(6)	FP-PK0785	Piston w/Pin, Retainer & Rings	(4)	FP-A46053	Connecting Rod Bearing Pair	(1)	FP-PGE267EC	Complete Overhaul Gasket Set	(4)	FP-A43176	Connecting Rod Bearing Pair
(6)	FP-PK0838	Piston w/Pin, Retainer & Rings	(4)	FP-A46054	Connecting Rod Bearing Pair	FP-IFK267L			(4)	FP-A43177	Connecting Rod Bearing Pair
(6)	FP-PK0839	Piston w/Pin, Retainer & Rings	(1)	FP-4397M	Main Bearing Set	(4)	FP-A1481351	Cylinder Kit Complete	(4)	FP-A43177	Connecting Rod Bearing Pair
(6)	FP-PK0840	Piston w/Pin, Retainer & Rings	(1)	FP-4397M10	Main Bearing Set	(4)	FP-A43173	Connecting Rod Bearing Pair	(1)	FP-7039M	Main Bearing Set
(6)	FP-PK0841	Piston w/Pin, Retainer & Rings	(1)	FP-4397M20	Main Bearing Set	(4)	FP-A43175	Connecting Rod Bearing Pair	(1)	FP-7039M10	Main Bearing Set
(6)	FP-PK0842	Piston w/Pin, Retainer & Rings	(1)	FP-4397M30	Main Bearing Set	(4)	FP-A43176	Connecting Rod Bearing Pair	(1)	FP-7039M20	Main Bearing Set
(6)	FP-PK0842	Piston w/Pin, Retainer & Rings	(1)	FP-PGE188EC	Complete Overhaul Gasket Set	(4)	FP-A43177	Connecting Rod Bearing Pair	(2)	FP-A62572	Thrust Washer Component
(6)	FP-PK9183	Piston w/Pin, Retainer & Rings	(1)	FP-A189524	Oil Pan Gasket Set	(4)	FP-7039M	Main Bearing Set	(2)	FP-A62573	Thrust Washer Component
(6)	FP-PK9183	Piston w/Pin, Retainer & Rings	FP-IFK188L			(1)	FP-PGE336EC	Complete Overhaul Gasket Set	(1)	FP-PGE336EC	Complete Overhaul Gasket Set
(6)	FP-PK9184	Piston w/Pin, Retainer & Rings	(4)	FP-A151995	Cylinder Kit Complete	FP-IFK336L			(4)	FP-A1521771	Cylinder Kit Complete
(6)	FP-PK9184	Piston w/Pin, Retainer & Rings	(4)	FP-A46050	Connecting Rod Bearing Pair	(4)	FP-A166134	Cylinder Kit Complete	(4)	FP-A166134	Cylinder Kit Complete
(6)	FP-PK9185	Piston w/Pin, Retainer & Rings	(4)	FP-A46052	Connecting Rod Bearing Pair	(4)	FP-CK51233638	Cylinder Kit Complete	(4)	FP-CK51233638	Cylinder Kit Complete
(6)	FP-PK9186	Piston w/Pin, Retainer & Rings	(4)	FP-A46053	Connecting Rod Bearing Pair	(4)	FP-A41758	Connecting Rod Bearing Pair	(4)	FP-A41758	Connecting Rod Bearing Pair
(6)	FP-PK9186	Piston w/Pin, Retainer & Rings	(4)	FP-A46053	Connecting Rod Bearing Pair	(4)	FP-A41900	Connecting Rod Bearing Pair	(4)	FP-A41900	Connecting Rod Bearing Pair
(6)	FP-PK9259	Piston w/Pin, Retainer & Rings	(4)	FP-A46054	Connecting Rod Bearing Pair	(4)	FP-A41901	Connecting Rod Bearing Pair	(4)	FP-A41901	Connecting Rod Bearing Pair
(6)	FP-PK9260	Piston w/Pin, Retainer & Rings	(1)	FP-4397M	Main Bearing Set	(4)	FP-A41902	Connecting Rod Bearing Pair	(4)	FP-A41902	Connecting Rod Bearing Pair
(6)	FP-PK9669	Piston w/Pin, Retainer & Rings	(1)	FP-4397M10	Main Bearing Set	(4)	FP-A43173	Connecting Rod Bearing Pair	(4)	FP-A43173	Connecting Rod Bearing Pair
(6)	FP-PK9670	Piston w/Pin, Retainer & Rings	(1)	FP-4397M20	Main Bearing Set	(4)	FP-A43174	Connecting Rod Bearing Pair	(4)	FP-A4317340	Connecting Rod Bearing Pair
(6)	FP-PK9671	Piston w/Pin, Retainer & Rings	(1)	FP-PGE207C	Complete Overhaul Gasket Set	(4)	FP-A43175	Connecting Rod Bearing Pair	(4)	FP-A43174	Connecting Rod Bearing Pair
(6)	FP-PK9671	Piston w/Pin, Retainer & Rings	(1)	FP-A189524	Oil Pan Gasket Set	(4)	FP-A43176	Connecting Rod Bearing Pair	(4)	FP-A43175	Connecting Rod Bearing Pair
(12)	FP-3901171	Rod Bearing Half Upper/Lower	FP-IFK207E			(4)	FP-A43177	Connecting Rod Bearing Pair	(4)	FP-A43176	Connecting Rod Bearing Pair
(12)	FP-3901172	Rod Bearing Half Upper/Lower	(4)	FP-A151991	Cylinder Kit Complete	(1)	FP-7039M	Main Bearing Set	(4)	FP-A43177	Connecting Rod Bearing Pair
(12)	FP-3901173	Rod Bearing Half Upper/Lower	(4)	FP-A50975	Connecting Rod Bearing Pair	(1)	FP-7039M10	Main Bearing Set	(4)	FP-A43176	Connecting Rod Bearing Pair
(12)	FP-3901174	Rod Bearing Half Upper/Lower	(4)	FP-A50977	Connecting Rod Bearing Pair	(1)	FP-7039M20	Main Bearing Set	(4)	FP-A43177	Connecting Rod Bearing Pair
(12)	FP-3939859	Rod Bearing Half Upper/Lower	(4)	FP-A50978	Connecting Rod Bearing Pair	(2)	FP-A62572	Thrust Washer Component	(1)	FP-7039M	Main Bearing Set
(6)	FP-3967060	Connecting Rod Bearing Pair	(4)	FP-A50979	Connecting Rod Bearing Pair	(2)	FP-A62573	Thrust Washer Component	(1)	FP-7039M10	Main Bearing Set
(6)	FP-3967061	Connecting Rod Bearing Pair	(1)	FP-4397M	Main Bearing Set	(1)	FP-PGE301EC	Complete Overhaul Gasket Set	(1)	FP-7039M20	Main Bearing Set
(6)	FP-3967061	Connecting Rod Bearing Pair	(1)	FP-4397M10	Main Bearing Set	(1)	FP-A189510	Oil Pan Gasket Set	(2)	FP-A62572	Thrust Washer Component
(6)	FP-3967062	Connecting Rod Bearing Pair	(1)	FP-4397M20	Main Bearing Set	FP-IFK301E			(2)	FP-A62573	Thrust Washer Component
(6)	FP-3967062	Connecting Rod Bearing Pair	(1)	FP-4397M30	Main Bearing Set	(4)	FP-A43176	Connecting Rod Bearing Pair	(1)	FP-PGE336LC	Complete Overhaul Gasket Set
(6)	FP-3967063	Connecting Rod Bearing Pair	(1)	FP-PGE207C	Complete Overhaul Gasket Set	(4)	FP-A43177	Connecting Rod Bearing Pair	FP-IFK401E		
(6)	FP-3967064	Connecting Rod Bearing Pair	(1)	FP-A189524	Oil Pan Gasket Set	(4)	FP-A4317340	Connecting Rod Bearing Pair	(6)	FP-A404791	Cylinder Kit Complete
(1)	FP-3802070	Main Bearing Set	FP-IFK207L			(4)	FP-A43174	Connecting Rod Bearing Pair	(6)	FP-A418211	Cylinder Kit Complete
(1)	FP-3802071	Main Bearing Set	(4)	FP-A46382	Cylinder Kit Complete	(4)	FP-A43175	Connecting Rod Bearing Pair	(6)	FP-A43173	Connecting Rod Bearing Pair
(1)	FP-3802072	Main Bearing Set	(4)	FP-A50975	Connecting Rod Bearing Pair	(4)	FP-A43176	Connecting Rod Bearing Pair	(6)	FP-A43175	Connecting Rod Bearing Pair
(1)	FP-3802073	Main Bearing Set	(4)	FP-A50977	Connecting Rod Bearing Pair	(4)	FP-A43177	Connecting Rod Bearing Pair	(6)	FP-A43176	Connecting Rod Bearing Pair
(1)	FP-3802074	Main Bearing Set	(4)	FP-A50978	Connecting Rod Bearing Pair	(1)	FP-7039M	Main Bearing Set	(1)	FP-7040M	Main Bearing Set
(1)	FP-4090035	Head Gasket Set	(4)	FP-A50979	Connecting Rod Bearing Pair	(1)	FP-7039M10	Main Bearing Set	(1)	FP-7040M10	Main Bearing Set
FP-IFKISCQSC			(1)	FP-4397M	Main Bearing Set	(1)	FP-7039M20	Main Bearing Set	(1)	FP-A62572S	Thrust Washer Set
(1)	FP-3938160	Oil Pan Gasket	(1)	FP-4397M10	Main Bearing Set	(2)	FP-A62573	Thrust Washer Component	(1)	FP-A62573S	Thrust Washer Set
(6)	FP-LK03208095	Cylinder Kit Complete	(1)	FP-4397M20	Main Bearing Set	(1)	FP-PGE301LC	Complete Overhaul Gasket Set	(1)	FP-PGE401CK	Complete Overhaul Gasket Set
(6)	FP-LK51908095	Cylinder Kit Complete	(1)	FP-4397M30	Main Bearing Set	(1)	FP-A189510	Oil Pan Gasket Set	(1)	FP-PGE401DM	Complete Overhaul Gasket Set
(6)	FP-3800319	Cylinder Kit Complete	(1)	FP-PGE207C	Complete Overhaul Gasket Set	FP-IFK301L			FP-IFK401L		
(6)	FP-3800321	Cylinder Kit Complete	(1)	FP-A189524	Oil Pan Gasket Set	(4)	FP-A460221	Cylinder Kit Complete	(6)	FP-A1481351	Cylinder Kit Complete
(12)	FP-3901430	Rod Bearing Half Upper/Lower	(1)	FP-A189524	Oil Pan Gasket Set	(4)	FP-A43173	Connecting Rod Bearing Pair	(6)	FP-A43173	Connecting Rod Bearing Pair
(12)	FP-3901431	Rod Bearing Half Upper/Lower	FP-IFK267E			(4)	FP-A43174	Connecting Rod Bearing Pair	(6)	FP-A43175	Connecting Rod Bearing Pair
(12)	FP-3901432	Rod Bearing Half Upper/Lower	(4)	FP-A460251	Cylinder Kit Complete	(4)	FP-A43175	Connecting Rod Bearing Pair	(6)	FP-A43176	Connecting Rod Bearing Pair
(12)	FP-3901433	Rod Bearing Half Upper/Lower	(4)	FP-CK24852185	Cylinder Kit Complete	(4)	FP-A43176	Connecting Rod Bearing Pair	(6)	FP-A43177	Connecting Rod Bearing Pair
(12)	FP-3901434	Rod Bearing Half Upper/Lower	(4)	FP-A418211	Cylinder Kit Complete	(4)	FP-A43177	Connecting Rod Bearing Pair	(6)	FP-A43177	Connecting Rod Bearing Pair
(1)	FP-3945917	Main Bearing Set	(4)	FP-A43173	Connecting Rod Bearing Pair	(1)	FP-7039M	Main Bearing Set	(6)	FP-A43175	Connecting Rod Bearing Pair
(1)	FP-3945918	Main Bearing Set	(4)	FP-A43175	Connecting Rod Bearing Pair	(1)	FP-7039M10	Main Bearing Set	(6)	FP-A43176	Connecting Rod Bearing Pair
(1)	FP-3945919	Main Bearing Set	(4)	FP-A43176	Connecting Rod Bearing Pair	(1)	FP-7039M20	Main Bearing Set	(6)	FP-A43177	Connecting Rod Bearing Pair
		(cont'd. next column)			(cont'd. next column)			(cont'd. next column)			(cont'd. next page)

Qty.	Part No.	Description	Qty.	Part No.	Description	Qty.	Part No.	Description	Qty.	Part No.	Description
FP-IFK401L (cont'd.) (1) FP-7040M Main Bearing Set (1) FP-7040M10 Main Bearing Set (1) FP-7040M20 Main Bearing Set (1) FP-A62572S Thrust Washer Set (1) FP-A62573S Thrust Washer Set (1) FP-PGE401LC Complete Overhaul Gasket Set			FP-IFK504E (cont'd.) (2) FP-A62573 Thrust Washer Component (1) FP-PGE504EC Complete Overhaul Gasket Set			FP-L10PREMOH (cont'd.) (12) FP-3016760 Rod Bearing Half Upper/Lower (12) FP-3016761 Rod Bearing Half Upper/Lower (12) FP-3016762 Rod Bearing Half Upper/Lower (12) FP-3016763 Rod Bearing Half Upper/Lower (1) FP-4025120 Main Bearing Set (1) FP-4025121 Main Bearing Set (1) FP-4025122 Main Bearing Set (1) FP-4025123 Main Bearing Set (1) FP-4025125 Main Bearing Set (1) FP-4025126 Main Bearing Set (1) FP-4025127 Main Bearing Set (1) FP-4025128 Main Bearing Set (1) FP-4025155 Head Gasket Set (1) FP-4089478 Head Gasket Set (1) FP-3803404 Conversion Gasket Set (1) FP-3882733PS Oil Pan Gasket Set (1) FP-3803894 Oil Seal Kit (1) FP-3804304 Oil Seal Kit (1) FP-3804744 Oil Seal Kit			FP-OH6B59TA (cont'd.) (12) FP-3901173 Rod Bearing Half Upper/Lower (12) FP-3901174 Rod Bearing Half Upper/Lower (12) FP-3939859 Rod Bearing Half Upper/Lower (1) FP-3802070 Main Bearing Set (1) FP-3802071 Main Bearing Set (1) FP-3802072 Main Bearing Set (1) FP-3802073 Main Bearing Set (1) FP-3802074 Main Bearing Set (1) FP-3802363S In-Frame Gasket Set		
FP-IFK451E (6) FP-A429951 Cylinder Kit Complete (6) FP-A43173 Connecting Rod Bearing Pair (6) FP-A4317340 Connecting Rod Bearing Pair (6) FP-A43174 Connecting Rod Bearing Pair (6) FP-A43175 Connecting Rod Bearing Pair (6) FP-A43176 Connecting Rod Bearing Pair (6) FP-A43177 Connecting Rod Bearing Pair (6) FP-5045M Main Bearing Set (1) FP-5045M10 Main Bearing Set (1) FP-5045M20 Main Bearing Set (1) FP-5047M Main Bearing Set (1) FP-5047M10 Main Bearing Set (1) FP-5047M20 Main Bearing Set (1) FP-PGE451EC Complete Overhaul Gasket Set (1) FP-A189521 Oil Pan Gasket Set			FP-IFK504L (6) FP-A1521771 Cylinder Kit Complete (6) FP-A166134 Cylinder Kit Complete (6) FP-CK51233638 Cylinder Kit Complete (6) FP-CK82353638 Cylinder Kit Complete (6) FP-A41758 Connecting Rod Bearing Pair (6) FP-A41900 Connecting Rod Bearing Pair (6) FP-A41901 Connecting Rod Bearing Pair (6) FP-A41902 Connecting Rod Bearing Pair (6) FP-A43173 Connecting Rod Bearing Pair (6) FP-A4317340 Connecting Rod Bearing Pair (6) FP-A43174 Connecting Rod Bearing Pair (6) FP-A43175 Connecting Rod Bearing Pair (6) FP-A43176 Connecting Rod Bearing Pair (6) FP-A43177 Connecting Rod Bearing Pair (1) FP-5049M Main Bearing Set (1) FP-5049M10 Main Bearing Set (1) FP-5049M20 Main Bearing Set (1) FP-5049M30 Main Bearing Set (1) FP-7040M Main Bearing Set (1) FP-7040M10 Main Bearing Set (1) FP-7040M20 Main Bearing Set (2) FP-A62572 Thrust Washer Component (1) FP-PGE504LC Complete Overhaul Gasket Set			FP-OHISCQSC (6) FP-LK03208095 Cylinder Kit Complete (6) FP-3800319 Cylinder Kit Complete (6) FP-3800321 Cylinder Kit Complete (12) FP-3901430 Rod Bearing Half Upper/Lower (12) FP-3901431 Rod Bearing Half Upper/Lower (12) FP-3901432 Rod Bearing Half Upper/Lower (12) FP-3901433 Rod Bearing Half Upper/Lower (12) FP-3901434 Rod Bearing Half Upper/Lower (1) FP-3945917 Main Bearing Set (1) FP-3945918 Main Bearing Set (1) FP-3945919 Main Bearing Set (1) FP-4089958 Head Gasket Set (1) FP-3800343 Conversion Gasket Set			FP-PK12742 (4) FP-3906223WP Piston Kit w/Pin & Retainers (4) FP-3802040 Ring Set, Single Cylinder		
FP-IFK451L (6) FP-A1514081 Cylinder Kit Complete (6) FP-A460221 Cylinder Kit Complete (6) FP-A43173 Connecting Rod Bearing Pair (6) FP-A4317340 Connecting Rod Bearing Pair (6) FP-A43174 Connecting Rod Bearing Pair (6) FP-A43175 Connecting Rod Bearing Pair (6) FP-A43176 Connecting Rod Bearing Pair (6) FP-A43177 Connecting Rod Bearing Pair (1) FP-5045M Main Bearing Set (1) FP-5045M10 Main Bearing Set (1) FP-5045M20 Main Bearing Set (1) FP-5047M Main Bearing Set (1) FP-5047M10 Main Bearing Set (1) FP-5047M20 Main Bearing Set (1) FP-PGE451LC Complete Overhaul Gasket Set (1) FP-A189521 Oil Pan Gasket Set			FP-KST2684A (4) FP-SL2684 Sleeve Assembly (4) FP-9320CPA Connecting Rod Bearing Pair (1) FP-4154M Main Bearing Set (1) FP-2601339 Gasket Kit			FP-OH6B59T (6) FP-3907163WP Piston Kit w/Pin & Retainers (6) FP-3908815WP Piston Kit w/Pin & Retainers (6) FP-3908816WP Piston Kit w/Pin & Retainers (6) FP-3802230 Ring Set, Single Cylinder (6) FP-3802232 Ring Set, Single Cylinder (6) FP-3802234 Ring Set, Single Cylinder (12) FP-3901171 Rod Bearing Half Upper/Lower (12) FP-3901172 Rod Bearing Half Upper/Lower (12) FP-3901173 Rod Bearing Half Upper/Lower (12) FP-3901174 Rod Bearing Half Upper/Lower (12) FP-3939859 Rod Bearing Half Upper/Lower (1) FP-3802070 Main Bearing Set (1) FP-3802071 Main Bearing Set (1) FP-3802072 Main Bearing Set (1) FP-3802073 Main Bearing Set (1) FP-3802074 Main Bearing Set (1) FP-3802363S In-Frame Gasket Set			FP-PK12742B (6) FP-3906223WP Piston Kit w/Pin & Retainers (6) FP-3802040 Ring Set, Single Cylinder		
FP-IFK504E (6) FP-A460251 Cylinder Kit Complete (6) FP-CK24852185 Cylinder Kit Complete (6) FP-CK61222185 Cylinder Kit Complete (6) FP-A41758 Connecting Rod Bearing Pair (6) FP-A41900 Connecting Rod Bearing Pair (6) FP-A41901 Connecting Rod Bearing Pair (6) FP-A41902 Connecting Rod Bearing Pair (6) FP-A43173 Connecting Rod Bearing Pair (6) FP-A4317340 Connecting Rod Bearing Pair (6) FP-A43174 Connecting Rod Bearing Pair (6) FP-A43175 Connecting Rod Bearing Pair (6) FP-A43176 Connecting Rod Bearing Pair (6) FP-A43177 Connecting Rod Bearing Pair (1) FP-7040M Main Bearing Set (1) FP-7040M10 Main Bearing Set (1) FP-7040M20 Main Bearing Set (2) FP-A62572 Thrust Washer Component			FP-KST2684C (4) FP-SL2684 Sleeve Assembly (4) FP-A46050 Connecting Rod Bearing Pair (1) FP-4149M Main Bearing Set (1) FP-2601339 Gasket Kit			FP-OH6B59TA (6) FP-3907156WP Piston Kit w/Pin & Retainers (6) FP-3907157WP Piston Kit w/Pin & Retainers (6) FP-3907158WP Piston Kit w/Pin & Retainers (6) FP-3802230 Ring Set, Single Cylinder (6) FP-3802232 Ring Set, Single Cylinder (6) FP-3802234 Ring Set, Single Cylinder (12) FP-3901171 Rod Bearing Half Upper/Lower (12) FP-3901172 Rod Bearing Half Upper/Lower			FP-PK22742A (1) FP-PK22742A Piston Kit w/Rings & Bearings		
FP-IFK504E (cont'd. next column)			FP-L10PREM (1) FP-3882433PS Oil Pan Gasket Set (1) FP-3882733PS Oil Pan Gasket Set (6) FP-3800800 Cylinder Kit Complete (6) FP-3800801 Cylinder Kit Complete (6) FP-3800801 Cylinder Kit Complete (6) FP-3803974 Cylinder Kit Complete (12) FP-3016760 Rod Bearing Half Upper/Lower (12) FP-3016761 Rod Bearing Half Upper/Lower (12) FP-3016762 Rod Bearing Half Upper/Lower (12) FP-3016763 Rod Bearing Half Upper/Lower (1) FP-4025120 Main Bearing Set (1) FP-4025121 Main Bearing Set (1) FP-4025122 Main Bearing Set (1) FP-4025123 Main Bearing Set (1) FP-4025125 Main Bearing Set (1) FP-4025126 Main Bearing Set (1) FP-4025127 Main Bearing Set (1) FP-4025128 Main Bearing Set (1) FP-4025155 Head Gasket Set (1) FP-4089478 Head Gasket Set			FP-PK22742B (1) FP-PK22742B Piston Kit w/Rings & Bearings			FP-4B39PREM (4) FP-3802030 Piston w/Retainer & Rings (4) FP-3802032 Piston w/Retainer & Rings (4) FP-3802034 Piston w/Retainer & Rings (4) FP-3802060 Piston w/Retainer & Rings (4) FP-3802062 Piston w/Retainer & Rings (4) FP-3802064 Piston w/Retainer & Rings (4) FP-3802100 Piston w/Retainer & Rings (4) FP-3802102 Piston w/Retainer & Rings (4) FP-3802104 Piston w/Retainer & Rings (4) FP-3802132 Piston w/Retainer & Rings (4) FP-3802134 Piston w/Retainer & Rings (4) FP-3802160 Piston w/Retainer & Rings (4) FP-3802170 Piston w/Retainer & Rings (4) FP-3802172 Piston w/Retainer & Rings (4) FP-3802174 Piston w/Retainer & Rings (4) FP-3934048 Piston Pin (4) FP-3901171 Rod Bearing Half Upper/Lower (8) FP-3901172 Rod Bearing Half Upper/Lower (8) FP-3901173 Rod Bearing Half Upper/Lower (8) FP-3901174 Rod Bearing Half Upper/Lower (8) FP-3939859 Rod Bearing Half Upper/Lower (1) FP-3802010 Main Bearing Set (1) FP-3802011 Main Bearing Set (1) FP-3802012 Main Bearing Set (1) FP-3802013 Main Bearing Set (1) FP-3802014 Main Bearing Set (1) FP-3804896S In-Frame Gasket Set		
FP-L10PREMOH (cont'd. next column)			FP-L10PREM (cont'd. next column)			FP-OH6B59TA (cont'd. next column)			FP-4B39PREML (4) FP-3802248 Piston w/Retainer & Rings (4) FP-3802249 Piston w/Retainer & Rings (4) FP-3802250 Piston w/Retainer & Rings (4) FP-3802251 Piston w/Retainer & Rings (4) FP-3802252 Piston w/Retainer & Rings (4) FP-3802253 Piston w/Retainer & Rings (4) FP-3802487 Piston w/Retainer & Rings (4) FP-3802493 Piston w/Retainer & Rings (4) FP-3802495 Piston w/Retainer & Rings (4) FP-3802562 Piston w/Retainer & Rings (4) FP-3802564 Piston w/Retainer & Rings (4) FP-3802565 Piston w/Retainer & Rings (4) FP-3934047 Piston Pin (8) FP-3901171 Rod Bearing Half Upper/Lower (8) FP-3901172 Rod Bearing Half Upper/Lower		

Qty.	Part No.	Description	Qty.	Part No.	Description	Qty.	Part No.	Description	Qty.	Part No.	Description
FP-855PREMPOH (cont'd.)			FP6B5.9PREM-OHL (cont'd.)								
(6)	FP-3801768	Cylinder Kit Complete	(6)	FP-3802564	Piston w/Retainer & Rings						
(6)	FP-3801769	Cylinder Kit Complete	(6)	FP-3802565	Piston w/Retainer & Rings						
(6)	FP-3801771	Cylinder Kit Complete	(6)	FP-3802747	Piston w/Retainer & Rings						
(6)	FP-3801772	Cylinder Kit Complete	(6)	FP-3934047	Piston Pin						
(6)	FP-3801775	Cylinder Kit Complete	(12)	FP-3901171	Rod Bearing Half Upper/Lower						
(6)	FP-3801777	Cylinder Kit Complete									
(6)	FP-3801778	Cylinder Kit Complete	(12)	FP-3901172	Rod Bearing Half Upper/Lower						
(6)	FP-3801782	Cylinder Kit Complete									
(6)	FP-3801783	Cylinder Kit Complete	(12)	FP-3901173	Rod Bearing Half Upper/Lower						
(6)	FP-3801796	Cylinder Kit Complete									
(6)	FP-3801797	Cylinder Kit Complete	(12)	FP-3901174	Rod Bearing Half Upper/Lower						
(6)	FP-3801798	Cylinder Kit Complete									
(6)	FP-3801811	Cylinder Kit Complete	(12)	FP-3939859	Rod Bearing Half Upper/Lower						
(6)	FP-3801873	Cylinder Kit Complete									
(6)	FP-3801875	Cylinder Kit Complete	(1)	FP-3802070	Main Bearing Set						
(6)	FP-3801920	Cylinder Kit Complete	(1)	FP-3802071	Main Bearing Set						
(6)	FP-3803209	Cylinder Kit Complete	(1)	FP-3802072	Main Bearing Set						
(6)	FP-3803210	Cylinder Kit Complete	(1)	FP-3802073	Main Bearing Set						
(6)	FP-3803211	Cylinder Kit Complete	(1)	FP-3802363	Head Gasket Set						
(6)	FP-3803212	Cylinder Kit Complete	(1)	FP-3804897	Head Gasket Set						
(6)	FP-3803213	Cylinder Kit Complete	(1)	FP-4089649	Head Gasket Set						
(6)	FP-3803214	Cylinder Kit Complete	(1)	FP-3802376	Conversion Gasket Set						
(6)	FP-3803214	Cylinder Kit Complete									
(6)	FP-3803221	Cylinder Kit Complete	PK1-2742								
(6)	FP-3803223	Cylinder Kit Complete	(4)	FP-3906223WP	Piston Kit w/Pin & Retainers						
(6)	FP-3803226	Cylinder Kit Complete									
(6)	FP-3803228	Cylinder Kit Complete	(4)	FP-3802040	Ring Set, Single Cylinder						
(12)	FP-203660	Rod Bearing Half Upper/Lower	PK1-2743								
(12)	FP-203661	Rod Bearing Half Upper/Lower	(4)	2743PN	Cast Piston						
(12)	FP-203662	Rod Bearing Half Upper/Lower	(4)	E-623KC	Premium Piston Ring Set						
(12)	FP-203663	Rod Bearing Half Upper/Lower	PK1-2744								
(12)	FP-203664	Rod Bearing Half Upper/Lower	(4)	2744PN	Cast Piston						
(12)	FP-214950	Rod Bearing Half Upper/Lower	(4)	E-623KC	Premium Piston Ring Set						
(12)	FP-214951	Rod Bearing Half Upper/Lower	PK2-2742A								
(12)	FP-214952	Rod Bearing Half Upper/Lower	(4)	4205CP	Connecting Rod Bearing Pair						
(12)	FP-214953	Rod Bearing Half Upper/Lower	(1)	FP-3802010	Main Bearing Set						
(12)	FP-214954	Rod Bearing Half Upper/Lower	(4)	FP-3906223WP	Piston Kit w/Pin & Retainers						
(1)	FP-3801260	Main Bearing Set	(4)	FP-3802040	Ring Set, Single Cylinder						
(1)	FP-3801261	Main Bearing Set	PK2-2743A								
(1)	FP-3801262	Main Bearing Set	(4)	2743PN	Cast Piston						
(1)	FP-3801263	Main Bearing Set	(4)	E-623KC	Premium Piston Ring Set						
(1)	FP-3801264	Main Bearing Set	(4)	4205CP	Connecting Rod Bearing Pair						
(1)	FP-3801332	Head Gasket Set	(1)	FP-3802010	Main Bearing Set						
(1)	FP-3801348	Head Gasket Set	PK2-2744A								
(1)	FP-3801451	Head Gasket Set	(4)	2744PN	Cast Piston						
(1)	FP-380145110	Head Gasket Set	(4)	E-623KC	Premium Piston Ring Set						
(1)	FP-3801754	Head Gasket Set	(4)	4205CP	Connecting Rod Bearing Pair						
(1)	FP-380175410	Head Gasket Set	(1)	FP-3802010	Main Bearing Set						
(1)	FP-3803040	Head Gasket Set									
(1)	FP-380304010	Head Gasket Set									
(1)	FP-3804276	Head Gasket Set									
(1)	FP-3014459	Conversion Gasket Set									
(1)	FP-3801235	Conversion Gasket Set									
(1)	FP-3801454	Conversion Gasket Set									
(1)	FP-3801463	Conversion Gasket Set									
(1)	FP-3801464	Conversion Gasket Set									
(1)	FP-3801468	Conversion Gasket Set									
(1)	FP-3801469	Conversion Gasket Set									
(1)	FP-3801529	Conversion Gasket Set									
(1)	FP-3803041	Conversion Gasket Set									
FP6B5.9PREM-OHL											
(6)	FP-3802248	Piston w/Retainer & Rings									
(6)	FP-3802249	Piston w/Retainer & Rings									
(6)	FP-3802250	Piston w/Retainer & Rings									
(6)	FP-3802251	Piston w/Retainer & Rings									
(6)	FP-3802252	Piston w/Retainer & Rings									
(6)	FP-3802253	Piston w/Retainer & Rings									
(6)	FP-3802487	Piston w/Retainer & Rings									
(6)	FP-3802489	Piston w/Retainer & Rings									
(6)	FP-3802490	Piston w/Retainer & Rings									
(6)	FP-3802493	Piston w/Retainer & Rings									
(6)	FP-3802495	Piston w/Retainer & Rings									
(6)	FP-3802562	Piston w/Retainer & Rings									
(cont'd. next column)											

Numerical List



Part		Part		Part	
No.	Line No.	No.	Line No.	No.	Line No.
AT-2084	CAS 25, 40	FP-A41900	CAS 41, 42, 56, 57	FP-G46851	CAS 17, 19, 21, 22
AT-2084B	CAS 25, 40	FP-A41901	CAS 41, 42, 56, 57	FP-G49659	CAS 22
BRP-3194	CAS 40	FP-A41902	CAS 41, 42, 56, 57	FP-IFKISB624V	CAS 46
CS-380	CAS 25	FP-A41967	CAS 32, 51, 52	FP-IFKISCQSC	CAS 58
CS-645	CAS 40	FP-A41967S	CAS 32, 51, 52	FP-IFK188E	CAS 22
E-178K	CAS 40	FP-A42988	CAS 41, 56	FP-IFK188L	CAS 22
E-178X	CAS 40	FP-A42988S	CAS 41, 56	FP-IFK207E	CAS 23
E-196K	CAS 25	FP-A429951	CAS 39, 54	FP-IFK207L	CAS 23
E-196X	CAS 25	FP-A42996	CAS 39, 54	FP-IFK267E	CAS 32
FP-AR73308	CAS 60	FP-A42996S	CAS 39	FP-IFK267L	CAS 32
FP-A11101WP	CAS 32, 51	FP-A43009	CAS 22	FP-IFK301E	CAS 39
FP-A11801	CAS 32, 51	FP-A43009WS	CAS 22	FP-IFK301L	CAS 39
FP-A11802	CAS 32, 51	FP-A43028	CAS 39, 54	FP-IFK336E	CAS 41, 42
FP-A11803	CAS 32, 39, 41, 42, 51, 52, 54-57	FP-A43028S	CAS 39, 54	FP-IFK336L	CAS 41, 42
FP-A136474	CAS 23	FP-A43173	CAS 28, 29, 32, 36, 38, 39, 41, 42, 48-52, 54-57	FP-IFK401E	CAS 51
FP-A136474WS	CAS 23			FP-IFK401L	CAS 51, 52
FP-A136712	CAS 22, 23	FP-A4317340	CAS 39, 41, 42, 54-57	FP-IFK451E	CAS 54
FP-A138235	CAS 57	FP-A43174	CAS 28, 29, 32, 36, 38, 39, 41, 42, 48-52, 54-57	FP-IFK451L	CAS 54, 55
FP-A138235WP	CAS 57			FP-IFK504E	CAS 56, 57
FP-A140607	CAS 41, 55, 56	FP-A43175	CAS 28, 29, 32, 36, 38, 39, 41, 42, 48-52, 54-57	FP-IFK504L	CAS 56, 57
FP-A146697	CAS 42			FP-KST2684A	CAS 12
FP-A146697WP	CAS 42	FP-A43176	CAS 28, 29, 32, 36, 38, 39, 41, 42, 48-52, 54-57	FP-KST2684C	CAS 13
FP-A1481351	CAS 32, 51, 52			FP-LK03208095	CAS 58
FP-A148203	CAS 39, 54, 55	FP-A43177	CAS 28, 29, 32, 36, 38, 39, 41, 42, 48-52, 54-57	FP-LK31638095	CAS 59
FP-A148203WS	CAS 38, 39, 54, 55			FP-LK31648095*	CAS 59
FP-A151075	CAS 22, 23	FP-A44038	CAS 22, 23	FP-LK77078095	CAS 59
FP-A151244	CAS 23	FP-A44054	CAS 42, 57	FP-LK91618095	CAS 59
FP-A151244WP	CAS 23	FP-A44054S	CAS 42, 57	FP-LK92477792	CAS 59
FP-A1514081	CAS 55	FP-A460221	CAS 39, 54	FP-LK92479937	CAS 59
FP-A151857	CAS 22	FP-A460251	CAS 41, 56	FP-L10PREM	CAS 60
FP-A151892	CAS 23	FP-A46050	CAS 13, 17, 19, 21, 22	FP-L10PREMOH	CAS 60
FP-A151892S	CAS 23	FP-A46052	CAS 13, 17, 19, 21, 22	FP-OHISCQSC	CAS 58
FP-A151991	CAS 23	FP-A46053	CAS 13, 17, 19, 21, 22	FP-OH6B59T	CAS 45
FP-A151995	CAS 22	FP-A46054	CAS 13, 17, 19, 21, 22	FP-OH6B59TA	CAS 45
FP-A1521771	CAS 42, 57	FP-A46382	CAS 23	FP-PGC206	CAS 62
FP-A152485	CAS 42, 57	FP-A48320	CAS 41, 56	FP-PGC300	CAS 62
FP-A152485WP	CAS 42, 57	FP-A48320S	CAS 41, 56	FP-PGE188EC	CAS 22
FP-A153638	CAS 41, 42, 56, 57	FP-A50975	CAS 23	FP-PGE207C	CAS 22, 23
FP-A153638WS	CAS 41, 42, 56, 57	FP-A50977	CAS 23	FP-PGE267EC	CAS 32
FP-A157044	CAS 28, 29, 32, 36, 38, 39, 48-52, 54-57	FP-A50978	CAS 23	FP-PGE267LC	CAS 32
		FP-A50979	CAS 23	FP-PGE301EC	CAS 39
FP-A166122	CAS 41, 56	FP-A51339	CAS 12, 13, 17, 21-23	FP-PGE301LC	CAS 39
FP-A166122WP	CAS 41, 56	FP-A51911	CAS 23	FP-PGE336EC	CAS 41, 42
FP-A166134	CAS 41, 56	FP-A51911WP	CAS 23	FP-PGE336LC	CAS 41, 42
FP-A166285	CAS 55	FP-A51916	CAS 23	FP-PGE401DM	CAS 51
FP-A182172	CAS 41, 42, 56, 57	FP-A57139	CAS 39, 54	FP-PGE401LC	CAS 51, 52
FP-A182173	CAS 41, 42, 56, 57	FP-A57139WP	CAS 39, 54	FP-PGE451EC	CAS 54
FP-A182185	CAS 41, 42, 56, 57	FP-A58580	CAS 41, 42, 56, 57	FP-PGE451LC	CAS 54, 55
FP-A182185WS	CAS 41, 42, 56, 57	FP-A58584	CAS 41, 42, 56, 57	FP-PGE504EC	CAS 56, 57
FP-A182186WS	CAS 32, 51, 52	FP-A58626	CAS 41, 42, 56, 57	FP-PGE504LC	CAS 56, 57
FP-A21016	CAS 39, 54	FP-A58628	CAS 28, 32, 38, 39, 41, 42, 48, 50-52, 54-57	FP-PGJ10	CAS 62
FP-A21076	CAS 36, 39, 48, 51, 54			FP-PK0187	CAS 27
FP-A23544	CAS 48-52, 54-57	FP-A58869	CAS 54, 55	FP-PK0188	CAS 27
FP-A23577	CAS 28, 29, 32, 36, 38, 39, 41, 42	FP-A58870	CAS 54, 55	FP-PK0189	CAS 27
FP-A23658WS	CAS 32, 51	FP-A62050	CAS 38, 39, 48-52, 54-57	FP-PK0838	CAS 46
FP-A23660	CAS 39, 54	FP-A62572	CAS 39, 41, 42, 48, 50-52, 54-57	FP-PK0841	CAS 46
FP-A23660WS	CAS 39, 54	FP-A62572S	CAS 28, 29, 32, 36, 38, 39, 41, 42, 48, 50-52, 54-57	FP-PK0842	CAS 46
FP-A24488WP	CAS 32, 51			FP-PK12742	CAS 26
FP-A26294	CAS 28, 29, 32, 39, 50, 51, 54	FP-A62573	CAS 39, 41, 42, 49, 51, 52, 54-57	FP-PK12742B	CAS 44
FP-A27846	CAS 28, 32, 36, 38, 39, 48-52, 54	FP-A62573S	CAS 28, 29, 32, 39, 41, 42, 49, 51, 52, 54-57	FP-PK2106	CAS 58
FP-A27872	CAS 28, 32, 36, 38, 39, 41, 42, 51, 52, 54-57			FP-PK22742A	CAS 26
		FP-A64766	CAS 39, 54	FP-PK22742B	CAS 44
FP-A30004	CAS 6, 7, 12, 13, 17, 19, 21-24	FP-A64766WP	CAS 39, 54	FP-PK3163	CAS 59
FP-A30025	CAS 6, 7, 12, 13, 19, 21-23, 31, 34	FP-A64767	CAS 39, 54	FP-PK3164	CAS 59
FP-A35770	CAS 22, 23	FP-A65040	CAS 55	FP-PK6208	CAS 26, 44
FP-A35771	CAS 22, 23	FP-A65040WP	CAS 55	FP-PK6209	CAS 26, 44
FP-A37769	CAS 22	FP-A65123	CAS 41, 56	FP-PK6223	CAS 26, 44
FP-A38422	CAS 22, 23	FP-A65123WP	CAS 41, 56	FP-PK6631	CAS 27
FP-A38423	CAS 22, 23	FP-A65127WP	CAS 32, 51, 52	FP-PK6632	CAS 27
FP-A38424	CAS 22	FP-A66336	CAS 28, 38, 39, 41, 42, 54-57	FP-PK6633	CAS 27
FP-A38424WP	CAS 22	FP-A66444	CAS 28, 32, 38, 41, 42, 51, 52, 54-57	FP-PK6634	CAS 27
FP-A39006	CAS 22			FP-PK6635	CAS 27
FP-A39006WS	CAS 22	FP-CK24852185	CAS 42, 57	FP-PK7157	CAS 27, 45
FP-A39110	CAS 12, 13, 17, 21-23	FP-CK51233638	CAS 41, 56	FP-PK7158	CAS 27, 45
FP-A40364	CAS 32	FP-CK61222185	CAS 41, 56	FP-PK7707	CAS 59
FP-A40364S	CAS 32	FP-CK82353638	CAS 57	FP-PK8673	CAS 27
FP-A40367	CAS 32, 36	FP-CWB008	CAS 62	FP-PK8674	CAS 27
FP-A40367S	CAS 32, 36	FP-C1549P40	CAS 9, 10	FP-PK8675	CAS 27
FP-A404791	CAS 32, 51	FP-G11953	CAS 22	FP-PK8815	CAS 27, 45
FP-A41232	CAS 22	FP-G2068	CAS 22	FP-PK8816	CAS 27, 45
FP-A41758	CAS 41, 42, 56, 57	FP-G2069	CAS 21, 22	FP-PK9041	CAS 27
FP-A41783	CAS 56, 57	FP-G37075	CAS 22	FP-PK9044	CAS 27
FP-A418211	CAS 32, 51	FP-G46702	CAS 22, 23	FP-PK9045	CAS 27

Part		Part		Part	
No.	Line No.	No.	Line No.	No.	Line No.
FP-RBL002	CAS 62	FP-1226M	CAS 37	FP-2212601	CAS 11, 24
FP-RBU001	CAS 62	FP-1227M	CAS 6, 7, 12, 13, 17, 19	FP-2212603A	CAS 5, 11, 24
FP-RC117A	CAS 6, 7, 17, 21, 22	FP-123558	CAS 60	FP-2214108	CAS 2, 4
FP-SLG237710	CAS 62	FP-127554	CAS 62	FP-223233	CAS 24
FP-SLG23773	CAS 62	FP-127936	CAS 60	FP-223234A	CAS 24
FP-SLG23775	CAS 62	FP-128085	CAS 60	FP-2241CP10	CAS 35
FP-SL11M	CAS 4, 9, 10	FP-128086	CAS 60	FP-2241CP20	CAS 35
FP-SL1776	CAS 6	FP-129888	CAS 60	FP-2241CP30	CAS 35
FP-SL2193	CAS 43	FP-131026	CAS 62	FP-2242CP10	CAS 35
FP-SL2684	CAS 12, 13	FP-132770	CAS 62	FP-2242CP20	CAS 35
FP-SL382M	CAS 43	FP-135675	CAS 62	FP-2242CP30	CAS 35
FP-SL7M	CAS 2	FP-135957	CAS 62	FP-2243CP10	CAS 35
FP-SO1776	CAS 6, 12, 13	FP-1394*	CAS 2, 4, 8, 15	FP-2243CP20	CAS 35
FP-S16002	CAS 60	FP-139988	CAS 60	FP-2243CP30	CAS 35
FP-S16052	CAS 60	FP-140330	CAS 62	FP-2244CP10	CAS 35
FP-S16054	CAS 60	FP-1420CP	CAS 35, 37	FP-2244CP20	CAS 35
FP-S212	CAS 60, 62	FP-1424X	CAS 35	FP-2244CP30	CAS 35
FP-VG296	CAS 9, 10	FP-1450SB	CAS 3	FP-2244132	CAS 5, 24
FP-VG336	CAS 5, 24	FP-146076	CAS 62	FP-2244137	CAS 5, 24
FP-VG386	CAS 14	FP-147100	CAS 62	FP-23507238	CAS 15
FP-VG414	CAS 35, 37	FP-147389	CAS 60	FP-2385154	CAS 22
FP-VG418	CAS 11	FP-151900	CAS 60	FP-2385246	CAS 39, 54, 55
FP-VG457	CAS 6, 7, 12, 13, 17, 19	FP-154018	CAS 60	FP-2387157	CAS 41, 42, 56, 57
FP-VG483	CAS 31, 34	FP-154087	CAS 60	FP-2387248	CAS 41, 42, 56, 57
FP-VG544	CAS 28, 36, 48, 49	FP-156541	CAS 62	FP-2451348E1N	CAS 5, 6, 11-13, 24
FP-VG619	CAS 43	FP-157098	CAS 62	FP-24513753	CAS 11, 24
FP-VG620	CAS 43	FP-157551	CAS 62	FP-24513755	CAS 1, 2, 4
FP-VG635	CAS 1, 4	FP-160586	CAS 60	FP-24518125	CAS 30, 36
FP-VG681	CAS 2, 4	FP-163944	CAS 60	FP-2489N	CAS 32, 51
FP-VG842	CAS 7, 17, 19	FP-166009	CAS 60	FP-2601339+	CAS 12, 13
FP-VK123	CAS 9, 10, 14	FP-1669Y20	CAS 31, 34	FP-2601355+	CAS 11
FP-VK142	CAS 5, 11	FP-167157	CAS 60	FP-2864080*	CAS 60
FP-VK144	CAS 4, 8, 11, 15	FP-168306	CAS 60, 62	FP-2878168	CAS 60
FP-VK144B	CAS 4, 11, 15	FP-170296	CAS 62	FP-2878168S	CAS 60
FP-VK223	CAS 43	FP-175755	CAS 62	FP-3000266	CAS 60
FP-VK27	CAS 24	FP-176027	CAS 60	FP-3002158	CAS 60
FP-VS1432	CAS 43	FP-1776P	CAS 6	FP-3002385	CAS 62
FP-VS310	CAS 24	FP-179901	CAS 62	FP-3002901	CAS 62
FP-VS332	CAS 14	FP-181213	CAS 62	FP-3004242	CAS 60
FP-VS356	CAS 5, 11	FP-185138	CAS 60	FP-3004316	CAS 62
FP-VS468	CAS 1, 2, 4, 15	FP-186780	CAS 60, 62	FP-3006456	CAS 62
FP-VS581	CAS 12, 13, 29	FP-187420	CAS 62	FP-3006457	CAS 62
FP-VS793	CAS 1, 2, 4	FP-190397	CAS 62	FP-3006458	CAS 62
FP-V1052	CAS 6, 7, 12, 13, 19	FP-190876	CAS 60	FP-3006736	CAS 62
FP-V1053	CAS 6, 7, 12, 13	FP-191970	CAS 62	FP-3006737	CAS 62
FP-V1326X	CAS 1, 2, 4	FP-193736	CAS 60, 62	FP-3006738	CAS 62
FP-V1676X	CAS 8, 15	FP-194037	CAS 62	FP-3006742	CAS 62
FP-V1684	CAS 5, 11, 24	FP-195952	CAS 62	FP-3006743	CAS 62
FP-V1700	CAS 43	FP-1995CP	CAS 24	FP-3007635	CAS 27, 45, 46, 53, 60
FP-V1701	CAS 43	FP-1995CPA	CAS 24	FP-3007689S	CAS 62
FP-V1748	CAS 11, 24	FP-200307	CAS 60, 62	FP-3007759	CAS 60, 62
FP-V2422X	CAS 41, 42, 56, 57	FP-200861	CAS 62	FP-3008017	CAS 62
FP-V318	CAS 35, 37	FP-203131	CAS 27, 45, 59, 60	FP-3008400	CAS 46
FP-V4075	CAS 17	FP-203426	CAS 60	FP-3008591	CAS 62
FP-V4097	CAS 17	FP-204165	CAS 62	FP-3008706	CAS 60
FP-V713	CAS 9, 10	FP-204586	CAS 62	FP-3009362	CAS 60
FP-V773	CAS 30	FP-208128	CAS 62	FP-3010457	CAS 62
FP-V800	CAS 5, 11, 24	FP-209700	CAS 62	FP-3013330	CAS 62
FP-V816	CAS 1, 2, 4	FP-211999	CAS 62	FP-3013331	CAS 62
FP-V818	CAS 8, 15	FP-212161	CAS 62	FP-3013591	CAS 62
FP-V954	CAS 5, 11, 24	FP-212601	CAS 60	FP-3013623	CAS 62
FP-V959	CAS 24	FP-213394	CAS 62	FP-3014614	CAS 62
FP-W628CP	CAS 4	FP-213395	CAS 62	FP-3015522	CAS 60
FP-100099	CAS 60	FP-213485	CAS 62	FP-3016652	CAS 60
FP-10021150	CAS 39, 54	FP-214950	CAS 62	FP-3016760	CAS 60, 61
FP-10021162	CAS 41, 55, 56	FP-214950PR	CAS 62	FP-3016760PR	CAS 60
FP-10021181	CAS 41, 42, 56, 57	FP-214951	CAS 62	FP-3016761	CAS 60, 61
FP-100215	CAS 60	FP-214951PR	CAS 62	FP-3016762	CAS 60, 61
FP-101322	CAS 44, 59, 60	FP-214952	CAS 62	FP-3016763	CAS 60, 61
FP-102522	CAS 62	FP-214952PR	CAS 62	FP-3016764	CAS 61
FP-10366X	CAS 4	FP-214953	CAS 62	FP-3017750	CAS 62
FP-10456X	CAS 23	FP-214954	CAS 62	FP-3017759	CAS 62
FP-1088M	CAS 24	FP-215090	CAS 62	FP-3018695	CAS 62
FP-1090M	CAS 35	FP-215233	CAS 62	FP-3018772	CAS 60
FP-110855	CAS 60	FP-216484	CAS 60, 62	FP-3019158	CAS 62
FP-112302	CAS 60	FP-216486	CAS 62	FP-3019600	CAS 60
FP-1158M	CAS 5, 11, 18	FP-216524	CAS 62	FP-3019956	CAS 62
FP-116391	CAS 62	FP-217323	CAS 62	FP-3024709	CAS 62
FP-118377	CAS 62	FP-217638	CAS 62	FP-3024960	CAS 62
FP-118378	CAS 62	FP-218153	CAS 62	FP-3025296	CAS 60
FP-118939	CAS 62	FP-219153	CAS 62	FP-3026134	CAS 60
FP-119363	CAS 60	FP-2193PX	CAS 43	FP-3027105	CAS 60
FP-119364	CAS 60	FP-2212600	CAS 5, 11, 24	FP-3027445	CAS 60

Numerical List



Part No.	Line No.	Part No.	Line No.	Part No.	Line No.
FP-3027675	CAS 60, 62	FP-3069017	CAS 60	FP-3800838	CAS 46
FP-3027924	CAS 60	FP-3069717	CAS 60	FP-3800841	CAS 46
FP-3028066	CAS 60	FP-3069718	CAS 60	FP-3800842	CAS 46
FP-3028068	CAS 60	FP-3070100	CAS 60	FP-3801106	CAS 62
FP-3029099	CAS 46, 60	FP-3070486	CAS 60, 62	FP-3801179	CAS 60
FP-3029820	CAS 58	FP-3071564	CAS 60	FP-3801199	CAS 62
FP-3029847	CAS 62	FP-3074400	CAS 62	FP-3801235	CAS 62
FP-3030038	CAS 62	FP-3074401	CAS 62	FP-3801260	CAS 62
FP-3030808	CAS 62	FP-3074402	CAS 62	FP-3801261	CAS 62
FP-3030970	CAS 60	FP-3074403	CAS 62	FP-3801262	CAS 62
FP-3032348	CAS 62	FP-3074404	CAS 62	FP-3801263	CAS 62
FP-3032787	CAS 60	FP-3076489	CAS 62	FP-3801264	CAS 62
FP-3032874	CAS 62	FP-3080760	CAS 60	FP-3801348	CAS 62
FP-3033230	CAS 60	FP-3080770	CAS 60	FP-3801348S	CAS 62
FP-3033232	CAS 60	FP-3081212	CAS 62	FP-3801356	CAS 60
FP-3033233	CAS 60	FP-3090703	CAS 60	FP-3801387	CAS 62
FP-3033234	CAS 60	FP-3090704	CAS 60	FP-3801708	CAS 62
FP-3033247	CAS 60	FP-3102423*	CAS 61	FP-3801712	CAS 62
FP-3033248	CAS 60	FP-3137BF	CAS 43	FP-3801768	CAS 62
FP-3033292	CAS 60	FP-3137BFA	CAS 43	FP-3801770	CAS 62
FP-3033314	CAS 60	FP-3139Y15	CAS 43	FP-3801770WP	CAS 62
FP-3033740	CAS 60	FP-3161653	CAS 60	FP-3801771	CAS 62
FP-3034243	CAS 62	FP-3161653S	CAS 60	FP-3801773	CAS 62
FP-3034579	CAS 62	FP-3201386	CAS 60	FP-3801773WP	CAS 62
FP-3034855	CAS 60	FP-3201659	CAS 60	FP-3801826	CAS 62
FP-3034946	CAS 27, 45	FP-3220CP	CAS 15	FP-3802010	CAS 26, 27
FP-3035342	CAS 60	FP-3224CP	CAS 15	FP-3802011	CAS 26, 27
FP-3035344	CAS 60	FP-3275354	CAS 60	FP-3802012	CAS 26, 27
FP-3035679	CAS 60	FP-3281721	CAS 59	FP-3802013	CAS 26, 27
FP-3035996+	CAS 62	FP-3283336	CAS 27	FP-3802014	CAS 26, 27
FP-3036117	CAS 60	FP-3283337	CAS 45	FP-3802040	CAS 26, 44
FP-3036933	CAS 62	FP-3283339	CAS 45	FP-3802042	CAS 26, 44
FP-3036934	CAS 62	FP-3283569	CAS 26, 27	FP-3802044	CAS 26, 44
FP-3037523	CAS 60	FP-3283570	CAS 44, 45	FP-3802060	CAS 26, 44
FP-3037537	CAS 60	FP-3283767	CAS 27	FP-3802062	CAS 26, 44
FP-3038903	CAS 62	FP-3284377	CAS 26, 27, 44, 45	FP-3802064	CAS 26, 44
FP-3038904	CAS 62	FP-3284623	CAS 44-46	FP-3802070	CAS 44-47
FP-3040180	CAS 62	FP-3286277	CAS 26, 27, 44, 45	FP-3802071	CAS 44-47
FP-3040817	CAS 60	FP-3286278	CAS 46	FP-3802072	CAS 44-47
FP-3040830	CAS 62	FP-3328781	CAS 60	FP-3802073	CAS 44-47
FP-3040964	CAS 60	FP-3328785	CAS 60	FP-3802074	CAS 44-47
FP-3042542	CAS 60	FP-3328948	CAS 60	FP-3802085	CAS 59
FP-3042745	CAS 62	FP-3335341	CAS 60	FP-3802100	CAS 27, 45
FP-3043995	CAS 60	FP-3335342	CAS 60	FP-3802102	CAS 27, 45
FP-3044448	CAS 60	FP-3349820	CAS 62	FP-3802104	CAS 27, 45
FP-3045102	CAS 60	FP-3353977	CAS 58, 59	FP-3802110	CAS 59
FP-3045907	CAS 60	FP-3356210	CAS 59	FP-3802132	CAS 27, 45
FP-3045979	CAS 62	FP-3357480	CAS 45	FP-3802134	CAS 27, 45
FP-3045986	CAS 60	FP-3411460	CAS 62	FP-3802160	CAS 27, 45
FP-3046200	CAS 60	FP-3412285	CAS 62	FP-3802210	CAS 59
FP-3046201	CAS 60	FP-3417713	CAS 60	FP-3802211	CAS 59
FP-3046325	CAS 62	FP-3418020	CAS 60	FP-3802212	CAS 59
FP-3046420	CAS 62	FP-3418021	CAS 60	FP-3802230	CAS 27, 45
FP-3046430	CAS 62	FP-3418040	CAS 60	FP-3802232	CAS 27, 45
FP-3047159	CAS 60	FP-3418052	CAS 60	FP-3802234	CAS 27, 45
FP-3047188	CAS 60, 61	FP-3520CP	CAS 2, 4	FP-3802245	CAS 45
FP-3047464	CAS 62	FP-3600SB	CAS 1	FP-3802245S	CAS 45
FP-3047465	CAS 62	FP-3600925	CAS 60	FP-3802248	CAS 27
FP-3049024	CAS 62	FP-3605SB	CAS 15	FP-3802249	CAS 27
FP-3049995	CAS 60	FP-3608833	CAS 62	FP-3802250	CAS 27
FP-3049996	CAS 60	FP-3645CP	CAS 4	FP-3802263	CAS 59
FP-3050624	CAS 60	FP-3678786	CAS 53	FP-3802273	CAS 26, 27, 44, 45
FP-3051555	CAS 62	FP-3678925	CAS 53	FP-3802355	CAS 26, 27, 44, 45
FP-3051556	CAS 62	FP-3679139	CAS 53	FP-3802356	CAS 26, 27, 44, 45
FP-3054841	CAS 62	FP-3800140	CAS 60	FP-3802362	CAS 27
FP-3054948	CAS 62	FP-3800174	CAS 62	FP-3802362S	CAS 27
FP-3055069	CAS 60	FP-3800256	CAS 60	FP-3802363	CAS 44, 45
FP-3055099	CAS 62	FP-3800318	CAS 58	FP-3802363S	CAS 44, 45
FP-3055622	CAS 60	FP-3800319	CAS 58	FP-3802364	CAS 45
FP-3055742	CAS 60	FP-3800320	CAS 58	FP-3802364S	CAS 45
FP-3058148	CAS 60	FP-3800321*	CAS 58	FP-3802370	CAS 59
FP-3062602	CAS 60	FP-3800328	CAS 58, 59	FP-3802372	CAS 59
FP-3062676	CAS 60	FP-3800340	CAS 58	FP-3802375	CAS 26, 27
FP-3063052	CAS 60	FP-3800341	CAS 58	FP-3802376	CAS 44, 45
FP-3064634	CAS 60	FP-3800487*	CAS 46	FP-3802388	CAS 59
FP-3064919	CAS 62	FP-3800558*	CAS 59	FP-3802389	CAS 59
FP-3065125	CAS 62	FP-3800638	CAS 60	FP-3802397	CAS 59
FP-3065405	CAS 62	FP-3800639	CAS 60	FP-3802398	CAS 59
FP-3066914	CAS 60	FP-3800643	CAS 60	FP-3802399	CAS 59
FP-3067568	CAS 62	FP-3800800	CAS 60	FP-3802400	CAS 59
FP-3067613	CAS 62	FP-3800800NP	CAS 60	FP-3802401	CAS 59
FP-3068090	CAS 60	FP-3800801	CAS 60	FP-3802402	CAS 59
FP-3069014	CAS 62	FP-3800828	CAS 59	FP-3802403	CAS 59

Part		Part		Part	
No.	Line No.	No.	Line No.	No.	Line No.
FP-3802404	CAS 59	FP-3892095	CAS 60	FP-3907234	CAS 59
FP-3802405+	CAS 59	FP-3893751	CAS 60	FP-3907555	CAS 59
FP-3802406	CAS 59	FP-3893964+	CAS 60	FP-3907792	CAS 59
FP-3802407	CAS 59	FP-3895487	CAS 60	FP-3908096	CAS 59
FP-3802429	CAS 58, 59	FP-3895488	CAS 60	FP-3908815	CAS 27, 45
FP-3802463	CAS 59	FP-3895860	CAS 60	FP-3908815WP	CAS 27, 45
FP-3802538	CAS 58	FP-3896894	CAS 60	FP-3908816	CAS 27, 45
FP-3802561	CAS 27	FP-3900242	CAS 27, 45	FP-3908816WP	CAS 27, 45
FP-3802562	CAS 27	FP-3900245	CAS 27, 45	FP-3909356	CAS 26, 27, 44, 45
FP-3802563	CAS 27	FP-3900250	CAS 26, 27, 44, 45, 58	FP-3909397	CAS 27, 45
FP-3802564	CAS 27	FP-3900267	CAS 27, 45	FP-3909410	CAS 27, 44-46, 58, 59
FP-3802565	CAS 27	FP-3900276	CAS 26, 27, 44, 45	FP-3909411	CAS 44, 46, 58, 59
FP-3802610	CAS 59	FP-3900299	CAS 26, 27, 44, 45	FP-3910503	CAS 46
FP-3802711	CAS 27, 45	FP-3900687	CAS 27, 45	FP-3910521	CAS 59
FP-3802712	CAS 27, 45	FP-3900808	CAS 27, 45	FP-3910739	CAS 27, 45, 53, 59
FP-3802743	CAS 59	FP-3900919*	CAS 26, 27, 44-46	FP-3910810	CAS 26, 27, 44, 45
FP-3802747	CAS 27	FP-3901020	CAS 27	FP-3910811	CAS 26, 27, 44, 45
FP-3802750	CAS 27	FP-3901085	CAS 26, 27, 44, 45	FP-3910824	CAS 26, 27, 44, 45, 59
FP-3802757	CAS 27	FP-3901097+	CAS 26, 27, 44, 45	FP-3911535	CAS 26, 27
FP-3802758	CAS 27	FP-3901171	CAS 26, 27, 44-46	FP-3911557	CAS 27, 45
FP-3802759	CAS 27	FP-3901172	CAS 26, 27, 44-46	FP-3911558	CAS 27, 45, 59
FP-3802764	CAS 27	FP-3901173	CAS 26, 27, 44-46	FP-3911559	CAS 27, 45
FP-3802765	CAS 27	FP-3901174	CAS 26, 27, 44-46	FP-3911563	CAS 27, 45
FP-3802811	CAS 59	FP-3901177	CAS 59	FP-3911568	CAS 27, 45
FP-3802820	CAS 44-46, 53	FP-3901306	CAS 26, 27, 44, 45	FP-3911572	CAS 27, 45
FP-3802863	CAS 27	FP-3901356	CAS 27, 44-46	FP-3911575	CAS 27, 45
FP-3802864	CAS 27	FP-3901430	CAS 59	FP-3911582	CAS 27, 45, 59
FP-3802924	CAS 46, 47, 53	FP-3901431	CAS 59	FP-3911587	CAS 27, 45
FP-3802967	CAS 46, 47	FP-3901432	CAS 59	FP-3911588	CAS 27, 45
FP-3803213	CAS 62	FP-3901433	CAS 59	FP-3911941	CAS 59
FP-3803214	CAS 62	FP-3901434	CAS 59	FP-3912473	CAS 26, 27, 45, 46, 58, 59
FP-3803219	CAS 62	FP-3901693	CAS 59	FP-3913032	CAS 58
FP-3803402	CAS 60	FP-3901717	CAS 59	FP-3913990	CAS 58, 59
FP-3803403	CAS 60	FP-3901764	CAS 59	FP-3913994	CAS 27, 45
FP-3803404	CAS 60	FP-3901969	CAS 59	FP-3914028	CAS 27
FP-3803512	CAS 62	FP-3902089	CAS 59	FP-3914029	CAS 44, 45
FP-3803519	CAS 62	FP-3902425	CAS 27, 45, 58, 59	FP-3914301	CAS 59
FP-3803703	CAS 60	FP-3902466	CAS 59	FP-3914302	CAS 58, 59
FP-3803896	CAS 60	FP-3903242*	CAS 46, 47	FP-3914308	CAS 59
FP-3803961	CAS 60	FP-3903380	CAS 26, 27, 44, 45, 59	FP-3914310	CAS 59
FP-3803962	CAS 60	FP-3903475	CAS 27, 45, 46	FP-3914383+	CAS 27, 45
FP-3803963	CAS 60	FP-3903575	CAS 27, 45	FP-3914385	CAS 27
FP-3803964	CAS 60	FP-3903576	CAS 27, 45	FP-3915772	CAS 27, 45
FP-3803965	CAS 60	FP-3903787	CAS 59	FP-3916588	CAS 59
FP-3803966	CAS 60	FP-3904105	CAS 26, 27, 44, 45	FP-3917324	CAS 26, 27, 44, 45
FP-3803967	CAS 60	FP-3904166	CAS 26, 27, 44-47	FP-3917707	CAS 59
FP-3803968	CAS 60	FP-3904369*	CAS 46, 47	FP-3917707WP	CAS 59
FP-3803974	CAS 60	FP-3904408	CAS 26, 27, 44, 45	FP-3917728	CAS 58, 59
FP-3803996	CAS 60	FP-3904409	CAS 26, 27, 44, 45	FP-3917729	CAS 59
FP-3804276	CAS 62	FP-3905443	CAS 27, 44, 45	FP-3917780	CAS 59
FP-3804276IF	CAS 62	FP-3905449	CAS 59	FP-3918174	CAS 59
FP-3804896	CAS 26, 27	FP-3905870	CAS 59	FP-3918188	CAS 45, 59
FP-3804896S	CAS 27	FP-3905928	CAS 59	FP-3918191	CAS 27, 59
FP-3804897	CAS 44	FP-3906080	CAS 26, 27, 44-46, 53	FP-3918192	CAS 59
FP-3804990	CAS 46	FP-3906081	CAS 26, 27, 44-46, 58, 59	FP-3918332	CAS 59
FP-3806180	CAS 59	FP-3906206	CAS 26, 27, 44, 45	FP-3918428	CAS 27, 45
FP-3806201	CAS 46	FP-3906208	CAS 26, 44	FP-3918673	CAS 45
FP-3806203	CAS 46	FP-3906208WP	CAS 26, 44	FP-3918986	CAS 59
FP-3818823	CAS 46	FP-3906209	CAS 26, 44	FP-3919041	CAS 27
FP-3818841	CAS 60	FP-3906209WP	CAS 26, 44	FP-3919041WP	CAS 27
FP-3819632	CAS 60	FP-3906223	CAS 26, 44	FP-3919044	CAS 27
FP-3819774	CAS 60	FP-3906223WP	CAS 26, 44	FP-3919044WP	CAS 27
FP-3819989	CAS 60	FP-3906412	CAS 59	FP-3919045	CAS 27
FP-3820566+	CAS 60	FP-3906659	CAS 26, 27, 44-46, 59	FP-3919045WP	CAS 27
FP-3820566S+	CAS 60	FP-3906694	CAS 27, 45	FP-3919247	CAS 59
FP-3820629	CAS 60	FP-3906695	CAS 27, 45	FP-3919358	CAS 26, 27, 44, 45
FP-3820791	CAS 60	FP-3906697	CAS 53	FP-3919435	CAS 59
FP-3820872	CAS 60	FP-3906698	CAS 27, 44-46, 53	FP-3919566	CAS 59
FP-3820917	CAS 60	FP-3906783	CAS 59	FP-3919937	CAS 59
FP-3820922	CAS 60	FP-3906784	CAS 59	FP-3920691	CAS 27, 44-46
FP-3820945	CAS 60	FP-3906785	CAS 59	FP-3920692	CAS 58, 59
FP-3820946	CAS 60	FP-3906788	CAS 59	FP-3920773	CAS 27, 44, 45, 58, 59
FP-3821572	CAS 62	FP-3906854	CAS 26, 27, 44, 45	FP-3920779	CAS 26, 27, 44, 45
FP-3823681	CAS 62	FP-3907156	CAS 27, 45	FP-3920780	CAS 26, 27, 44, 45
FP-3867043	CAS 58	FP-3907156WP	CAS 27, 45	FP-3920781	CAS 27, 44, 45
FP-3882433	CAS 60	FP-3907157	CAS 27, 45	FP-3920867	CAS 26, 27, 44, 45
FP-3882433PS	CAS 60	FP-3907157WP	CAS 27, 45	FP-3920868	CAS 26, 27, 44, 45
FP-3882733PS	CAS 60	FP-3907158	CAS 27, 45	FP-3921444	CAS 59
FP-3883150	CAS 60	FP-3907158WP	CAS 27, 45	FP-3921640	CAS 26, 27, 44, 45
FP-3883220	CAS 60	FP-3907163	CAS 27, 45	FP-3921978	CAS 59
FP-3883284	CAS 27, 45, 60	FP-3907163WP	CAS 27, 45	FP-3921980	CAS 59
FP-3883365	CAS 60	FP-3907177	CAS 58, 59	FP-3922488	CAS 27, 45
FP-3883472	CAS 60	FP-3907233	CAS 59	FP-3922794	CAS 53

Numerical List



Part		Part		Part	
No.	Line No.	No.	Line No.	No.	Line No.
FP-3923163	CAS 59	FP-3940632	CAS 58	FP-4154M	CAS 7, 12
FP-3923163WP	CAS 59	FP-3940734	CAS 46, 47	FP-4247M	CAS 24
FP-3923164	CAS 59	FP-3940735	CAS 46, 47, 53	FP-4352M	CAS 43
FP-3923164WP	CAS 59	FP-3942106	CAS 58	FP-43643A	CAS 62
FP-3923165	CAS 59	FP-3942565	CAS 46	FP-4397M	CAS 22, 23
FP-3923331	CAS 27, 45	FP-3942588	CAS 58	FP-4397M10	CAS 22, 23
FP-3923478	CAS 59	FP-3942589	CAS 58	FP-4397M20	CAS 22, 23
FP-3923517	CAS 27, 45	FP-3943198	CAS 46, 47, 53	FP-4397M30	CAS 22, 23
FP-3923564	CAS 59	FP-3943367	CAS 58	FP-4891178	CAS 26, 27, 44-46, 53
FP-3924492	CAS 59	FP-3945329	CAS 58, 59	FP-4891179*	CAS 45-47
FP-3924582	CAS 59	FP-3945917	CAS 58, 59	FP-4892795	CAS 53
FP-3925343	CAS 58, 59	FP-3945918	CAS 58, 59	FP-4892796	CAS 53
FP-3925878	CAS 59	FP-3945919	CAS 58, 59	FP-4892797	CAS 53
FP-3925879	CAS 59	FP-3945967	CAS 59	FP-4892798	CAS 53
FP-3926103	CAS 45	FP-3946188	CAS 53	FP-4893693	CAS 53
FP-3926126	CAS 27, 45, 46, 53, 58, 59	FP-3946275	CAS 46	FP-4932375*	CAS 53
FP-3926631	CAS 27	FP-3946689*	CAS 53	FP-4932376*	CAS 53
FP-3926631WP	CAS 27	FP-3947759*	CAS 53	FP-4932377*	CAS 53
FP-3926632	CAS 27	FP-3948071	CAS 59	FP-4932378*	CAS 53
FP-3926632WP	CAS 27	FP-3948095	CAS 58, 59	FP-4936076	CAS 58
FP-3926633	CAS 27	FP-3948578	CAS 58	FP-4936079	CAS 58, 59
FP-3926633WP	CAS 27	FP-3950661	CAS 58	FP-4936080	CAS 26, 27, 44-47, 53
FP-3926634	CAS 27	FP-3950662	CAS 58	FP-4937308*	CAS 53
FP-3926634WP	CAS 27	FP-3950663	CAS 58	FP-4939585	CAS 26, 27
FP-3926635	CAS 27	FP-3950664	CAS 58	FP-4939587	CAS 44-46
FP-3926635WP	CAS 27	FP-3950665	CAS 58	FP-4944712	CAS 59
FP-3926700	CAS 26, 27, 44, 45	FP-3955393	CAS 46, 53	FP-4944713	CAS 26, 27, 44, 45
FP-3926760	CAS 27, 44-46	FP-3955394	CAS 46, 53	FP-4955210*	CAS 47
FP-3927063	CAS 46, 53	FP-3957543	CAS 26, 27	FP-4955354*	CAS 53
FP-3927642	CAS 59	FP-3957544	CAS 44-46	FP-4955355*	CAS 53
FP-3927692	CAS 53	FP-3957912	CAS 26, 27, 44, 45	FP-4983584*	CAS 26, 27, 44, 45
FP-3928031	CAS 58, 59	FP-3958165	CAS 47, 53	FP-5029KX	CAS 51
FP-3928493	CAS 26, 27, 45, 46	FP-3959052	CAS 44-47	FP-5036X	CAS 11
FP-3928639	CAS 59	FP-3967060	CAS 26, 27, 44-47	FP-5045M	CAS 54, 55
FP-3928673	CAS 27	FP-3967061	CAS 26, 27, 44-47	FP-5045M10	CAS 54, 55
FP-3928673WP	CAS 27	FP-3967062	CAS 26, 27, 44-47	FP-5045M20	CAS 54, 55
FP-3928674	CAS 27	FP-3967063	CAS 26, 27, 44-47	FP-5047M	CAS 49, 51, 52, 54, 55
FP-3928674WP	CAS 27	FP-3967064	CAS 26, 27, 44-47	FP-5047M10	CAS 54, 55
FP-3928675	CAS 27	FP-3969562*	CAS 53	FP-5047M20	CAS 54, 55
FP-3928675WP	CAS 27	FP-3969988	CAS 27, 45	FP-5049M	CAS 56, 57
FP-3928870	CAS 59	FP-3970880+	CAS 26, 27, 44, 45	FP-5049M10	CAS 56, 57
FP-3929005	CAS 59	FP-3974815	CAS 59	FP-5049M20	CAS 56, 57
FP-3929027	CAS 26, 27, 44-46	FP-3977063	CAS 46, 47	FP-5051KX	CAS 4, 9, 10
FP-3929036	CAS 26, 27	FP-4B39PREM	CAS 26, 27	FP-5051X	CAS 4, 9, 10
FP-3929037	CAS 44, 45	FP-4B39PREML	CAS 26, 27	FP-5090KX	CAS 1, 2
FP-3929039	CAS 26, 27	FP-4B39PREMOH	CAS 26, 27	FP-5090X	CAS 1, 2
FP-3929041	CAS 45	FP-4B39PREMOHL	CAS 26, 27	FP-5091KX	CAS 15
FP-3929042	CAS 44, 45	FP-4004M	CAS 5, 11, 18	FP-5138KX	CAS 30
FP-3929161	CAS 59	FP-4005M	CAS 5, 11, 18	FP-5194KX	CAS 28, 30
FP-3929457	CAS 53	FP-4020060	CAS 59	FP-5448KX	CAS 19
FP-3929792	CAS 27, 44, 45	FP-4020061	CAS 59	FP-5456KX	CAS 6, 12, 13, 16
FP-3930187	CAS 27	FP-4020062	CAS 59	FP-5504KX	CAS 14
FP-3930187WP	CAS 27	FP-4022500	CAS 60	FP-5504X	CAS 14
FP-3930188	CAS 27	FP-4022907	CAS 60	FP-5579KX	CAS 12, 13
FP-3930188WP	CAS 27	FP-4024817	CAS 60	FP-5579X	CAS 12, 13
FP-3930189	CAS 27	FP-4025120	CAS 61	FP-5648KX	CAS 37
FP-3930189WP	CAS 27	FP-4025121	CAS 61	FP-6B59PREM	CAS 44, 45
FP-3930324	CAS 26, 27, 44, 45	FP-4025122	CAS 61	FP-6B59PREML	CAS 44, 45
FP-3930906	CAS 26, 27, 44, 45	FP-4025123	CAS 61	FP-6B59PREMOH	CAS 44, 45
FP-3931348	CAS 27, 45, 59	FP-4025125	CAS 60, 61	FP6B5.9PREM-OHL	CAS 44, 45
FP-3931623	CAS 26, 27, 44, 45, 59	FP-4025126	CAS 60, 61	FP-6C83PREM	CAS 59
FP-3932063	CAS 59	FP-4025127	CAS 60, 61	FP-6C83PREMOH	CAS 59
FP-3932453	CAS 26, 27, 44, 45	FP-4025128	CAS 60, 61	FP-617X	CAS 9, 10
FP-3934046	CAS 58, 59	FP-4025155	CAS 60	FP-628CP	CAS 4
FP-3934047	CAS 27, 46	FP-4025271	CAS 59	FP-63016760PR	CAS 60
FP-3934048	CAS 27, 44, 45	FP-4025271S	CAS 59	FP-645KX	CAS 35
FP-3934586	CAS 59	FP-4026171	CAS 60	FP-6632M	CAS 5, 11, 18
FP-3934588	CAS 59	FP-4058790	CAS 62	FP-67946	CAS 60
FP-3934864	CAS 59	FP-4070463	CAS 60	FP-7039M	CAS 28, 29, 32, 36, 38, 39, 41, 42
FP-3935585	CAS 59	FP-4083243	CAS 60	FP-7039M10	CAS 39, 41, 42
FP-3935878	CAS 46	FP-4083244	CAS 60	FP-7039M20	CAS 39, 41, 42
FP-3936993	CAS 59	FP-4089173*	CAS 47	FP-7040M	CAS 48-52, 54-57
FP-3937111	CAS 26, 27, 44-46, 53	FP-4089342+	CAS 27, 53	FP-7040M10	CAS 48-52, 54-57
FP-3937214	CAS 27	FP-4089388*	CAS 61	FP-7040M20	CAS 48-52, 54-57
FP-3938156	CAS 26, 27, 44-46	FP-4089478	CAS 61	FP-70550	CAS 60
FP-3938157	CAS 27, 44-46	FP-4089647	CAS 58	FP-70624	CAS 62
FP-3938160	CAS 58, 59	FP-4089649	CAS 44	FP-70772	CAS 62
FP-3939258	CAS 27, 44, 45, 53	FP-4089672*	CAS 47	FP-768M	CAS 6
FP-3939284	CAS 58	FP-4089811	CAS 62	FP-855PREMP	CAS 62
FP-3939353	CAS 58, 59	FP-4089819*	CAS 47	FP-855PREMPOH	CAS 62
FP-3939859	CAS 26, 27, 44-46	FP-4089998	CAS 61	FP-87343194*	CAS 58
FP-3940059	CAS 26, 27, 44-47, 53	FP-4090035	CAS 46	FP-8944X	CAS 20
FP-3940123	CAS 46, 47, 53	FP-4149M	CAS 13, 17, 19	FP-90004	CAS 62

Part No.	Line No.	Part No.	Line No.	Part No.	Line No.
FP-918KX	CAS 5	WE-196K	CAS 25	99218	CAS 33, 40
FP-918X	CAS 5	WE-196X	CAS 25		
FP-919KX	CAS 30	WL-2329F 30	CAS 40		
FP-9194KX	CAS 43	W-10138KX	CAS 32, 51, 52		
FP-9320CP	CAS 5, 11, 18, 24	W-10162KX+	CAS 39		
FP-9320CPA	CAS 5-7, 11, 12, 18, 24	W244NP	CAS 25		
FP-9324X	CAS 5-7, 11-13, 18, 24	W-5051KX 20	CAS 4, 9, 10		
FP-934KX	CAS 14, 15	W-5051X	CAS 4, 9, 10		
FP-934X	CAS 14, 15	W-5194KX	CAS 28, 30		
FP-948X	CAS 11	W-5456KX	CAS 6, 12, 13, 16		
FP-9596X	CAS 43	W-5504KX	CAS 14		
FP-962KX	CAS 6	W-5538KX	CAS 32		
FP-9629X	CAS 9, 10	W-5579KX	CAS 12, 13		
FP-968X	CAS 2	W-5701KX+	CAS 39		
FP-9811BF	CAS 5, 11, 18, 24	W-645KX	CAS 35		
FP-9811BFA	CAS 5, 11, 18, 24	W-918X	CAS 5		
FP-99210	CAS 12, 13, 17, 21-23	W-9194KX	CAS 43		
FP-99260	CAS 28, 29, 32, 36, 38, 39, 48-52, 54-57	W-9330KX+	CAS 23		
FP-99400	CAS 12, 13, 17, 21-23	W-934KX	CAS 14, 15		
FP-99475	CAS 28, 29, 32, 36, 38, 39, 48-52, 54-57	W-934X	CAS 14, 15		
HT-2011	CAS 40	W-9596X	CAS 43		
HT-2011B	CAS 40	1394	CAS 2, 4, 8, 15		
HT-879	CAS 40	14130	CAS 1		
KT3-361S	CAS 40	14276	CAS 1		
L-2329F 30	CAS 40	1451M	CAS 33		
MV-1598	CAS 43	1454M	CAS 25		
MV-1598C	CAS 43	1473M	CAS 25		
MV-1771	CAS 25, 40	1484M	CAS 33, 40		
MV-1771C	CAS 25, 40	2130CP	CAS 33, 40		
MV-1918	CAS 25, 40	2134Y	CAS 25, 33, 40		
PGE401LC+	CAS 51, 52	2134Y20	CAS 33		
PK1-2742+	CAS 26	221-2601+	CAS 11, 24		
PK1-2743	CAS 27	221-2603A+	CAS 5, 11, 24		
PK1-2744	CAS 27	222-348	CAS 40		
PK2-2742A+	CAS 26	222-361	CAS 40		
PK2-2743A	CAS 27	222-489	CAS 24		
PK2-2744A	CAS 27	222-495	CAS 25		
RP-3030	CAS 40	223-274	CAS 40		
RP-3036	CAS 25	223-291	CAS 25		
RP-3194	CAS 40	223-358	CAS 40		
R-861	CAS 40	223-359	CAS 40		
R-861B	CAS 40	224-4165C	CAS 25		
R-862	CAS 40	224-4166	CAS 40		
R-862B	CAS 40	2375CP	CAS 25		
SL-15M	CAS 15	244NP	CAS 25		
ST-2001	CAS 6, 12, 13, 17, 19, 21, 22, 28, 48, 49	245-1375-4	CAS 14		
ST-2001BC	CAS 6, 12, 13, 17, 19, 21, 22, 28, 48, 49	245-1437-3	CAS 6, 7, 11-13, 24		
ST-2004	CAS 43	245-1437-3N	CAS 11, 24		
ST-2004BC	CAS 43	245-1500-1	CAS 14		
ST-2007	CAS 30	245-1625-1	CAS 5, 11, 24		
ST-2048	CAS 40	245-1625-1N	CAS 11, 24		
VG-5033	CAS 40	245-1687-2	CAS 40		
VG-5062	CAS 40	245-1687-2N	CAS 40		
VG-855	CAS 15	245-1937-1	CAS 40		
VK-115	CAS 15	259-103C	CAS 25		
VK-115B	CAS 15	260-1004	CAS 25		
VK-138	CAS 40	260-1121	CAS 40		
VK-138B	CAS 40	260-1154	CAS 40		
VK-138R	CAS 40	260-1339	CAS 12, 13		
VK-140	CAS 31, 34	260-1355	CAS 11		
VK-144	CAS 1, 2, 5	3103	CAS 33, 40		
VK-144R	CAS 1, 2, 4, 5, 11, 15	3160CP	CAS 37		
VK-174	CAS 25, 40	3695RA	CAS 25		
VK-174R	CAS 25, 40	39520	CAS 15		
VK-66	CAS 25, 40	39590	CAS 15		
VK-66R	CAS 25, 40	4092M	CAS 25		
VS-1435	CAS 40	415138	CAS 28, 29, 32, 36		
VS-1435B	CAS 40	453A	CAS 8, 15		
VS-510	CAS 25, 40	4923MA	CAS 33, 40		
VS-680	CAS 40	5024MA	CAS 40		
V-1343	CAS 40	5070M	CAS 25		
V-1344	CAS 40	5090KX+	CAS 1, 2		
V-1389	CAS 40	5414	CAS 33, 40		
V-1434	CAS 25	6-2375CP	CAS 25		
V-1722	CAS 40	6-3695RA	CAS 25		
V-2029	CAS 40	8-2130CA 60	CAS 33, 40		
V-2029B 15	CAS 40	8-2130CP	CAS 33, 40		
WE-178K	CAS 40	8-2130CP 10X2	CAS 33		
WE-178X	CAS 40	8649V	CAS 5, 11, 18, 24		
		8649V20	CAS 5, 11, 18, 24		
		8649XA	CAS 5, 11, 18, 24		
		8649XAS	CAS 5, 11, 18, 24		
		88218	CAS 33, 40		



Global Technology Behind Every Part

NOTES

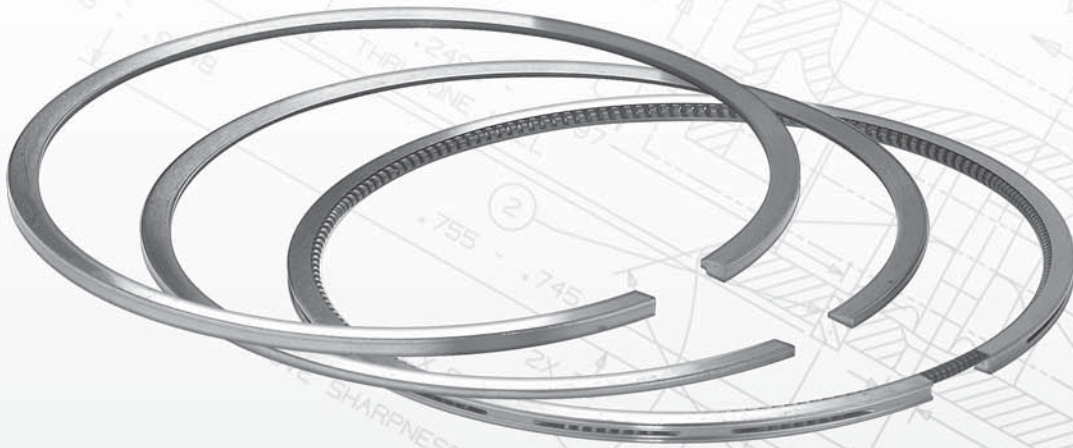
Lined area for notes.

Technical drawing details including:
• 312
TU ONE
R
D
6
WIT
TEST
ASSEMB
235296
Y CHAR
R LOCA
R .250



Cummins Ring Set Instructions

Global Technology Behind Every Part



FP-3802230 Ring Set Instructions Standard (B-Series)

The fire ring, or top ring, is a bright colored keystone ring with a green paint dot marked "top" & "FP8315". The compression ring, or second ring, is a black chamfered ring with a red paint dot marked "top" and "FP2286". Install with the chamfer facing up. The oil ring marked "FP3384" and expander make up the oil control or third ring. The expander gap should be installed 180 degrees from the oil control ring gap. All ring gaps should be installed 90 degrees apart.

FP-3802232 Ring Set Instructions .50mm Oversize (B-Series)

The fire ring, or top ring, is a bright colored keystone ring with a yellow paint dot marked "top" & "FP9050". The compression ring, or 2nd ring, is black chamfered ring with a yellow paint dot marked "top" & "FP4347". Install with the chamfer facing up. The oil ring marked "FP4349" and expander make up the oil control or 3rd ring. The expander gap should be installed 180 degrees from the oil control ring gap. All ring gaps should be installed 90 degrees apart.

FP-3802234 Ring Set Instructions 1.00mm Oversize (B Series)

The fire ring, or top ring, is a bright colored keystone ring with a blue paint dot marked "top" and "FP9051". The compression ring, or 2nd ring, is a black chamfered ring with a blue paint dot marked "top" and "FP4348". Install with the chamfer facing up. The oil ring marked "FP4350" and expander make up the oil control or 3rd ring. The expander gap should be installed 180 degrees from the oil control ring gap. All ring gaps should be installed 90 degrees apart.

FP-3802429 Ring Set Instructions (6C8.3)

The fire ring, or top ring, is a bright colored keystone ring with a step marked "FP up". Install with the step facing up. The compression or 2nd ring, is a narrower black keystone ring with a step marked "FP up". Install with the step facing down. The oil ring marked "FP" and the expander, make up the oil control or 3rd ring. The expander gap should be installed 180 degrees from the oil control ring gap. All ring gaps should be 90 degrees apart.



Valve Stem Seal Identification 5.9L & 6.7L ISB Engines

Global Technology Behind Every Part

Cummins has made changes to the valve stem seals for ISB engines.

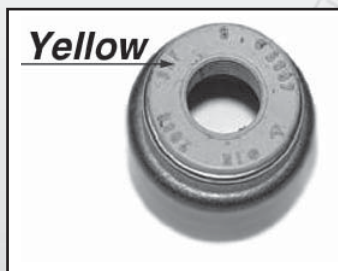
All 24 valve ISB engines utilizing the VP44 injection pump use intake valve stem seal part number FP-3942989 and contain a *Yellow* Viton center.

The exhaust valve stem seal part number FP-3945438 contains a *Green* Viton center.

Both seals are used in engines built between 1998 - 2002.

Engine serial numbers 46239408 & below.

ISB Engine Utilizing VP44 Injection Pump



Intake Valve Stem Seal
Yellow Viton® Center
Part No. FP-3942989



Exhaust Valve Stem Seal
Green Viton® Center
Part No. FP-3945438

Beginning in 2003 thru 2009, engines with HPCR utilized a "Top Hat" design.

The intake valve stem seal part number is FP-3955393 and contains a *Yellow* Viton center.

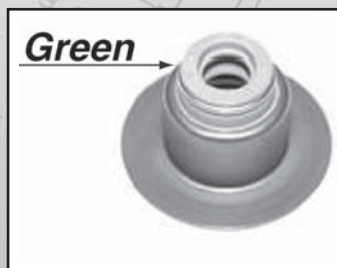
The exhaust valve stem seal part number FP-3955394 contains a *Green* Viton center.

Engine serial numbers 46239409 & above.

ISB Engines with HPCR 2003-2009 Top Hat Design



Intake Valve Stem Seal
Yellow Viton® Center
Part No. FP-3955393



Exhaust Valve Stem Seal
Green Viton® Center
Part No. FP-3955394

See catalog inside back cover for the FP Diesel Smart Tip covering Cummins ISB Engine Valve Stem Seals

Viton is a registered trademark of DuPont Performance Elastomers L.L.C.





Specialty Gasket Sets

Global Technology Behind Every Part

Available	Part Number	Engine	Description	Comment
✓	FP-PGE188EC	4-188	Overhaul Gasket Set	4-188 Small Flange
✓	FP-PGE207C	4-188	Overhaul Gasket Set	4-188 Wide Flange
✓	FP-PGE207C	4-207	Overhaul Gasket Set	4-207 Early & Late
✓	FP-PGE301EC	4-301	Overhaul Gasket Set	4-301D, Early
✓	FP-PGE301LC	4-301	Overhaul Gasket Set	4-301BD, Late
✓	FP-PGE336EC	4-336	Overhaul Gasket Set	4-336D, Early
✓	FP-PGE336LC	4-336	Overhaul Gasket Set	4-336BD, Late
✓	FP-PGE451EC	6-451	Overhaul Gasket Set	6-451D, Early
✓	FP-PGE451LC	6-451	Overhaul Gasket Set	6-451BD, Late
✓	FP-PGE504EC	6-504	Overhaul Gasket Set	6-504D, Early
✓	FP-PGE504LC	6-504	Overhaul Gasket Set	6-504BD, Late
✓	FP-1349118C1	4-188	Valve Grind Set	4-188 Early Small Flange
✓	FP-A189543	4-188/4-207	Valve Grind Set	4-188 Late 4-207 Late
✓	FP-A189537	4-188/4-207	Cylinder Block Set	4-188 All
✓	FP-A44758	4-188/4-207	Oil Pan Set, Std Transmission	4-188 All
✓	FP-A189524	4-188/4-207	Oil Pan Set, Case-o-matic	
✓	FP-A189529	4-301	Valve Grind Set	4-301D, Early
✓	FP-A189549	4-301	Valve Grind Set	4-301BD, Late
✓	FP-A189517	4-301	Cylinder Block Set	4-301D, Early
✓	FP-A189538	4-301/6-451	Cylinder Block Set	4-301BD, 6-451BD
✓	FP-A42221	4-301	Oil Pan Set, Std Transmission	4-301BD, Late
✓	FP-A7616	4-301	Oil Pan Set	4-301 All
✓	FP-A189510	4-301	Oil Pan Set	Case-o-matic 4-301
✓	FP-A189547	4-336	Valve Grind Set	To ESN 2539000
✓	FP-A189546	4-336	Valve Grind Set	From ESN 2539001
✓	FP-A189538	4-336/6-504	Cylinder Block Set	All
✓	FP-A189533	4-336	Oil Pan Set	4-336 All
✓	FP-A189548	6-451	Valve Grind Set	6-451BD Late
✓	FP-A189534	6-451	Oil Pan Set	6-451 All
✓	FP-A189545	6-504	Valve Grind Set	To ESN 2539000
✓	FP-A189544	6-504	Valve Grind Set	From ESN 2539001
✓	FP-A189541	6-504	Oil Pan Set	All



Cummins to Case Interchange

Global Technology Behind Every Part

Case OE Part No.	Cummins OE Part No.	FP Diesel No.
11370	202951	FP-202951
40602	202964	FP-202964
40602	T202964	FP-202964
40607	202964	FP-202964
40607	T202964	FP-202964
49383	134736	FP-3010937
49383	3010937	FP-3010937
3802040	3802040	FP-3802040
3802050	3802050	FP-3802230
3802050	3802230	FP-3802230
3802050	4638644	FP-3802230
87342670	3950549	FP-3950549
87343194	4089644	FP-4089644
01008D	202964	FP-202964
01008D	T202964	FP-202964
05727AB	202951	FP-202951
0789AB	S684	FP-S684
08569AB	134736	FP-3010937
08569AB	134736	FP-3010937
08569AB	3010937	FP-3010937
08569AB	3010937	FP-3010937
3031K	202951	FP-202951
677692C1	3900267	FP-3900267
689568C1	9272	FP-9272
689568C1	3900216	FP-3920773
689568C1	3920773	FP-3920773
A077441	3008400	FP-3008400
A155267	3901356	FP-3901356
A26413	S684	FP-S684
A27342	3049221	FP-3049221
A27355	212161	FP-212161
A27410	134736	FP-3010937
A27410	134736	FP-3010937
A27410	3010937	FP-3010937
A27410	3010937	FP-3010937

Case OE Part No.	Cummins OE Part No.	FP Diesel No.
A57708	106276	FP-106276
A57708	202967	FP-202967
A58899	3902102	FP-3911941
A58899	3911941	FP-3911941
A7623	109080	FP-109080
A77441	3008400	FP-3008400
A77705	3060912	FP-3060912
A77718	3800558	FP-3800558
A77754	3283569	FP-3283569
A77901	3800319	FP-3800319
A77970	3943367	FP-3943367
A78020	3800321	FP-3800321
F22582	106276	FP-106276
F22582	202967	FP-202967
F62075	3029820	FP-3029820
F62075	211177	FP-211177
F62075	3029820	FP-3029820
F8890	3063246	FP-3063246
J281721	3281721	FP-3281721
J283333	3283569	FP-3283569
J802820	3922598	FP-3802820
J802820	3802820	FP-3802820
J900267	3900267	FP-3900267
J900808	3900808	FP-3900808
J901356	3901356	FP-3901356
J902666	3930906	FP-3930906
J904374	3904374	FP-3970880
J905443	3905443	FP-3905443
J905443	3905443	FP-3905443
J905449	3905449	FP-3905449
J905595	3905595	FP-3905595
J906222	3906223	FP-3906223
J906359	3937142	FP-3937142



Cummins to Case Interchange

Global Technology Behind Every Part

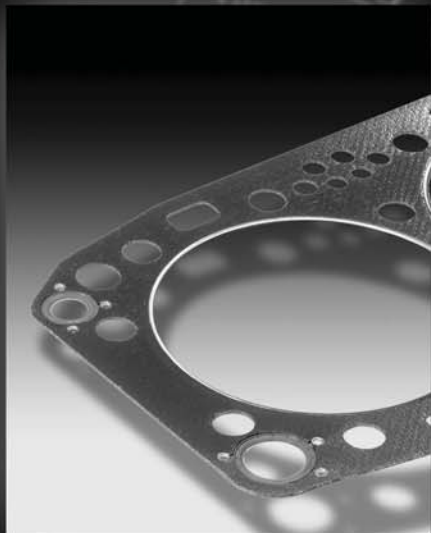
Case OE Part No.	Cummins OE Part No.	FP Diesel No.
J907156	3907156	FP-3907156
J907163	3907163	FP-3907163
J907177	3907177	FP-3907177
J907682	3935585	FP-3935585
J908096	3908096	FP-3908096
J909356	3909356	FP-3909356
J911342	3935585	FP-3935585
J911941	3911941	FP-3911941
J912220	3912220	FP-3912220
J913032	3913032	FP-3913032
J913192	3913192	FP-3938655
J913288	3913288	FP-3938655
J914301	3914301	FP-3939353
J914302	3914302	FP-3914302
J914308	3914308	FP-3914308
J914310	3914310	FP-3914310
J914310	3914310	FP-3914310
J914385	3914385	FP-3914385
J917779	3917779	FP-3917779
J917780	3917780	FP-3917780
J917892	3917892	FP-3917892
J918174	3918174	FP-3918174
J918332	3918332	FP-3918332
J918673	3918673	FP-3918673
J918779	3918779	FP-3918779
J919937	3919937	FP-3919937
J920174	3937142	FP-3937142
J921850	3935585	FP-3935585
J923331	3923331	FP-3923331
J924445	3924445	FP-3924445
J924446	3924446	FP-3924446
J924447	3924447	FP-3924447
J926760	3926760	FP-3926760

Case OE Part No.	Cummins OE Part No.	FP Diesel No.
J927154	3927154	FP-3905443
J927154	3905443	FP-3905443
J928168	3935585	FP-3935585
J928493	3928493	FP-3928493
J929011	3929011	FP-3918332
J929012	3929012	FP-3932063
J929792	3929792	FP-3929792
J930906	3930906	FP-3930906
J931019	3935585	FP-3935585
J931059	3939258	FP-3939258
J931351	3931351	FP-3938156
J932063	3932063	FP-3932063
J935585	3935585	FP-3935585
J937142	3937142	FP-3937142
J937142	3937142	FP-3937142
J937479	3937479	FP-3937479
J938159	3928493	FP-3928493
J938267	3935585	FP-3935585
J939258	3939258	FP-3939258
J942725	3942725	FP-3942725
J942915	3930907	FP-3942915
J942915	3942915	FP-3942915
J943191	3943191	FP-3937479
J943366	3943366	FP-3943366
J944293	3944293	FP-3944293
J944344	3948095	FP-3948095
J944646	3944646	FP-3944646
J944647	3944647	FP-3992090
J948095	3948095	FP-3948095
O8569AB	134736	FP-3010937
O8569AB	3010937	FP-3010937
V14656	212603	FP-212603
XA15821	106276	FP-106276
XA15821	202967	FP-202967
XA21243	106276	FP-106276
XA21243	202967	FP-202967



FP Diesel ML⁷ Head Gaskets

- Patented multi-layer design provides unprecedented strength
- Expanded graphite outer facings fills in minor voids in sealing surfaces
- Stainless steel armors provide robust, long lasting combustion seal
- Solid steel core provides enhanced lateral stability



Valvetrain Components

- Manufactured to the highest quality standards
- OEM specification materials used with upgrades to super alloys such as stellite, nickel, nimonic and inconel where needed for problem applications
- Available parts include valves, springs, guides, keepers, rotocaps, rocker parts, lifters, seals, seats and more



www.FMe-cat.com

- Commercial vehicle electronic catalog – available at www.FMe-cat.com
- User friendly interface features the most complete product offering and latest coverage data
- Online solution offers fast, easy access to virtual catalog pages covering the thousands of FP Diesel[®] components
- Eases locating components for heavy-duty applications and enables users to accurately navigate in a virtual catalog environment of commercial vehicles



Commercial, Ag
and Industrial

GLOBAL TECHNOLOGY behind every part