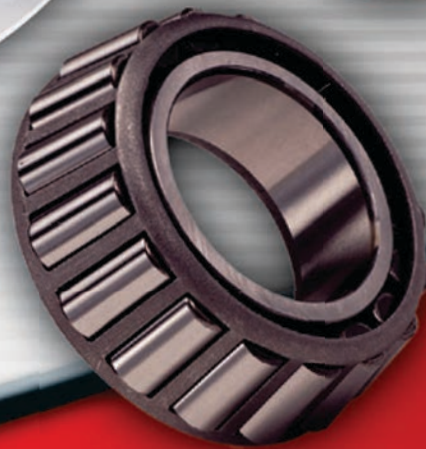


Master Application Listings
Listes principales des applications
Listas principales de aplicaciones
1980-2009

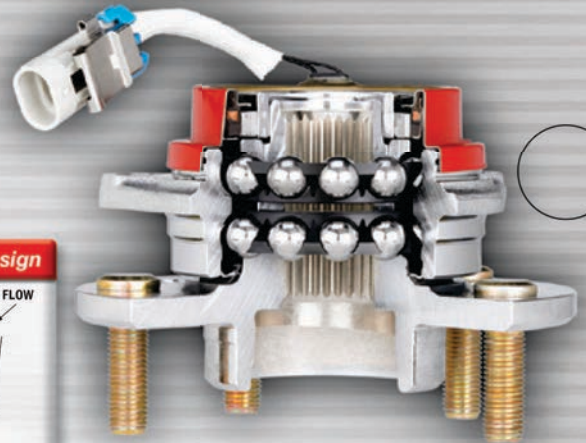


A full line of quality wheel end components... hub assemblies, seals and bearings

National Wheel End Components deliver premium-quality, no-compromise solutions for every wheel end repair. Engineered for performance, these hub assemblies, seals and bearings provide the ideal combination of technology and coverage to meet O.E. configurations for virtually all applications.

National® Hub Assemblies™

- **Exclusive National Seal Design**
Unique seal design ensures maximum contamination exclusion protecting bearing life and ABS performance.
- **Precision Matched Components**
Disciplined manufacturing processes ensure exact matching of bearing raceways and rolling elements to consistently deliver superior performance and minimize noise and vibration.
- **Post-Assembly Quality Assurance Testing**
100% inspection ensures proper ABS function and quiet operation.
- **Engineered for Seamless Operation**
National Hub Assemblies are designed to maximize the performance of the related components in the ABS, brake and steering systems.



National® Oil Seals

- **Most Trusted Brand for Seals**
National is recognized as the professional technician's choice.
- **RediCoat Bore Sealant**
Eliminates bore leakage.
- **Multiple Sealing Compounds and Designs**
Guarantees the right design and correct seal material for your application.
- **OEM Supplier**
In-house engineering and design.



National® Bearings

- **Premium Steel**
Premium bearings start with premium steel and National Bearings are manufactured using high quality steel, certified upon receipt.
- **Heat Treatment**
Utilizing computer controlled heat treatment processes, National Bearings are manufactured for lasting performance.
- **Quality Assurance**
Professional technicians know they can depend on National Bearings.



TABLE OF CONTENTS

GENERAL INFORMATION:	Pages
How To Use This Catalog	
- Abbreviations Guide & Catalog Instructions.....	II
- Model to Manufacturer Cross Reference.....	III-VIII
New Items List	
- Bearings, Oil Seals & Wheel Hub Assemblies.....	IX-XVI
Tapered Assemblies	
- Tapered Assemblies & Component Parts.....	XVII
Wheel Hub Assembly Information	
- Hub Assemblies Features, Benefits, Troubleshooting and Installation Guide.	XVIII-XIX
Kit Contents	
- Differential, Spindle, Transfer Case, Transmission & Wheel Seal.....	XX-XXVI
APPLICATION INFORMATION:	
- Passenger Car, Light Duty Truck & Medium Duty Truck.....	1-521
IDENTIFICATION INFORMATION:	
Wheel Hub Assembly Information	
- Hub Assembly Photographs.....	A1
Axle, Transaxle & Transmission Identification	
- Import Identification Guide - Axle / Transaxle / Transmission.....	B1-B9
- Ford & General Motors Axle Information.....	B10
Illustrations for Identifying Bearings, Oil Seals & Wheel Hubs	
- Wheel (<i>Front Wheel / Rear Wheel</i>)	B11-B12
- Axle (<i>Axle Shaft, Differential, Pinion & Spindle</i>)	B13
- Transaxle (<i>Automatic Transaxle / Manual Transaxle</i>)	B14
- Transfer Case (<i>Full Time / Part Time</i>)	B14
- Transmission (<i>Automatic Transmission / Manual Transmission</i>)	B15
- Air Conditioning, Engine & Electrical.....	B16
Tapered Assemblies	
- Tapered Assemblies & Component Parts.....	C1

How to use this catalog

- 1) Locate the desired **Make** and **Model** of a vehicle.
- 2) Select the specific application (i.e. **WHEEL, AXLE, CLUTCH, TRANSMISSION**, ect).
- 3) Refer to **Year** and **Model** information to identify the correct bearings, oil seals and kits for a specific vehicle.
- 4) Additional information relating to specific bearings, oil seals, and kits is listed directly to the left of the part number.
- 5) Optional, High Temperature, Thrust and Heavy Duty versions of certain bearings and oil seals are listed directly below the standard part for that application.
- 6) Explanations for footnotes used in this catalog are found at the bottom of each page.

Typical abbreviations used in this catalog

2WD	Two Wheel Drive	DRW	Dual Rear Wheel	Min.	Minimum
4WD	Four Wheel Drive	Elec.	Electric	mm	Millimeters
A/C	Air Conditioning	Emis.	Emission	Mtg.	Mounting
A/T	Automatic Transmission	Eng.	Engine	MTX	Manual Transaxle
ABS	Anti-Lock Brakes	Equip.	Equipment	Nat. Asp.	Naturally Aspirated
AC	Alternating Current	Exc.	Except	No.	Number
Acc.	Accessory	Exh.	Exhaust	O.D.	Outside Diameter
Alt.	Altitude	Exp.	Export	O/D	Overdrive
Amp.	Ampere	Ext.	Extension	OHV	Overhead Valve
AOD	Automatic Overdrive	Fed	Federal	Opt.	Optional
Asp.	Aspirated	FI	Fuel Injection	Otr.	Outer
Assy.	Assembly	Flg.	Flange	P.T.O.	Power Take Off
ATX	Automatic Transaxle	Frnt.	Front	P/S	Power Steering
Auto.	Automatic	FWD	Front Wheel Drive	Pass.	Passenger
Aux.	Auxiliary	Gas	Gasoline	Pkg.	Package
AWD	All Wheel Drive	Gr.	Gear	Qty.	Quantity
Bal.	Balance	GVW	Gross Vehicle Weight	R.G.	Ring Gear
Bbl.	Barrel	H/D	Heavy Duty	R.H.	Right Hand
Brg.	Bearing	HO	High Output	Rlr.	Roller
Brks.	Brakes	HSC	High Swirl Combustion	Rr.	Rear
Brkt.	Bracket	Hsg.	Housing	RWD	Rear Wheel Drive
Can.	Canada	Hyd.	Hydraulic	S/C	Supercharged
Carb.	Carburetor	I/C	Intercooler	S/N	Serial Number
cc	Cubic Centimeter	I.D.	Inside Diameter	Ser.	Series
Ch.	Chassis	Ident.	Identification	SOHC	Single Overhead Cam
CID	Cubic Inch Displacement	Indep.	Independent	Spd.	Speed
Cl.	Clutch	Inter.	Intermediate	Spdl.	Spindle
Comm.	Commercial	in.	Inch	Spec.	Special
Cpe.	Coupe	Incl.	Includes	SRW	Single Rear Wheel
Cyl.	Cylinder	Inr.	Inner	Std.	Standard
Del.	Delivery	Inj.	Injection	Temp.	Temperature
Des.	Design	L	Liter	Thru	Through
DFI	Digital Fuel Injection	Limo.	Limousine	Trac.	Traction
Dia.	Diameter	L.H.	Left Hand	Trans.	Transmission
Diff.	Differential	L/D	Light Duty	Turbo	Turbocharged
Diaph.	Diaphragm	LPG	Liquid Propane Gas	VIN	Vehicle Identification Number
Dim.	Dimension	M/D	Medium Duty	W/B	Wheel Base
Dist.	Distributor	M/T	Manual Transmission	Wagon	Station Wagon
DOHC	Dual Overhead Cam	Man.	Manual	Whl.	Wheel
Dr.	Drive	Max.	Maximum	Wt.	Weight

MODEL TO MANUFACTURER CROSS REFERENCE

Model	Refer to	Pg.	Model	Refer to	Pg.	Model	Refer to	Pg.
1.6EL	Acura	4	318is	BMW	25	530i	BMW	29
1.7EL	Acura	4	320i	BMW	25	530iT	BMW	29
100	Audi	18	323	Mazda	352	530xi	BMW	29
100	Rover	469	323Ci	BMW	25	533i	BMW	29
100 Quattro	Audi	18	323i	BMW	25	535i	BMW	29
1000	Pontiac	450	323iC	BMW	25	535is	BMW	29
105	Rover	469	323is	BMW	25	535xi	BMW	29
1100	MG	388	325Ci	BMW	25	540i	BMW	29
128i	BMW	25	325i	BMW	25	540iT	BMW	29
135i	BMW	25	325iC	BMW	25	545i	BMW	29
164	Alfa Romeo	6	325is	BMW	25	550i	BMW	29
18i	Renault	467	325iX	BMW	25	560SEC	Mercedes-Benz	368
190D	Mercedes-Benz	362	325xi	BMW	25	560SEL	Mercedes-Benz	368
190E	Mercedes-Benz	362	328Ci	BMW	25	57	Maybach	352
190TD	Mercedes-Benz	362	328GT	Ferrari	182	6	Mazda	352
2.2CL	Acura	1	328i	BMW	25	60	Rover	469
2.3CL	Acura	1	328iC	BMW	25	600	Dodge	173
2.5TL	Acura	1	328is	BMW	25	6000	Pontiac	442
200	Audi	18	328xi	BMW	25	600SEC	Mercedes-Benz	369
200 Quattro	Audi	18	330Ci	BMW	25	600SEL	Mercedes-Benz	369
2000	Rover	469	330i	BMW	25	600SL	Mercedes-Benz	369
2000 GTX	Eagle	179	330xi	BMW	25	604	Peugeot	424
200SX	Nissan	403	335i	BMW	25	62	Maybach	352
200SX	Nissan	400	348 Coupe	Ferrari	182	626	Mazda	352
210	Nissan	403	3500	Rover	469	626	Mazda	355
240D	Mercedes-Benz	363	350Z	Nissan	403	633CSi	BMW	31
240SX	Nissan	403	370Z	Nissan	403	635CSi	BMW	31
242	Volvo	516	380SE	Mercedes-Benz	365	645Ci	BMW	31
244	Volvo	516	380SEC	Mercedes-Benz	365	650ci	BMW	31
245	Volvo	516	380SEL	Mercedes-Benz	365	650i	BMW	31
260E	Mercedes-Benz	363	380SL	Mercedes-Benz	365	720	Nissan	408
262	Volvo	516	380SLC	Mercedes-Benz	365	733i	BMW	32
264	Volvo	516	400	Dodge	173	735i	BMW	32
265	Volvo	516	4000	Audi	18	735iL	BMW	32
280CE	Mercedes-Benz	363	4000 Quattro	Audi	18	740i	BMW	32
280E	Mercedes-Benz	363	400E	Mercedes-Benz	367	740iL	BMW	32
280SE	Mercedes-Benz	363	400i	Ferrari	182	744	Volvo	516
280ZX	Nissan	403	400SE	Mercedes-Benz	367	745	Volvo	516
3	Mazda	352	400SEL	Mercedes-Benz	367	745i	BMW	32
3.0CL	Acura	1	405	Peugeot	424	745Li	BMW	32
3.2CL	Acura	1	411	Volkswagen	511	75	Rover	469
3.2TL	Acura	1	412	Volkswagen	511	750i	BMW	32
3.5RL	Acura	1	420SEL	Mercedes-Benz	367	750iL	BMW	32
3.5TL	Acura	1	450SE	Mercedes-Benz	367	750Li	BMW	32
3.7RL	Acura	1	450SEL	Mercedes-Benz	367	760i	BMW	32
3.7TL	Acura	1	450SL	Mercedes-Benz	367	760Li	BMW	32
3000	Rover	469	450SLC	Mercedes-Benz	367	764	Volvo	516
3000GT	Mitsubishi	388	4Runner	Toyota	498	765	Volvo	516
300C	Chrysler	121	5	Mazda	352	780	Volvo	516
300CD	Mercedes-Benz	365	500	Dodge	173	80	Audi	18
300CDT	Mercedes-Benz	365	5000	Audi	18	80	Rover	469
300CE	Mercedes-Benz	365	5000 Quattro	Audi	18	80 Quattro	Audi	18
300D	Mercedes-Benz	365	500E	Mercedes-Benz	368	810	Nissan	403
300E	Mercedes-Benz	365	500SEC	Mercedes-Benz	368	825	Sterling	478
300E-4matic	Mercedes-Benz	365	500SEL	Mercedes-Benz	368	827	Sterling	478
300M	Chrysler	118	500SL	Mercedes-Benz	368	840Ci	BMW	34
300SD	Mercedes-Benz	365	504	Peugeot	424	850	Volvo	514
300SDL	Mercedes-Benz	365	505	Peugeot	424	850Ci	BMW	34
300SE	Mercedes-Benz	365	510	Nissan	403	850CSi	BMW	34
300SEL	Mercedes-Benz	365	512BBI	Ferrari	182	850i	BMW	34
300SL	Mercedes-Benz	365	512TR	Ferrari	182	90	Audi	18
300TD	Mercedes-Benz	365	524td	BMW	29	90	Rover	469
300TE	Mercedes-Benz	365	525i	BMW	29	90 Quattro	Audi	18
300ZX	Nissan	403	525iT	BMW	29	900	Saab	471
308GTB	Ferrari	182	525xi	BMW	29	9000	Saab	471
308GTS	Ferrari	182	528e	BMW	29	911 Carrera	Porsche	464
310	Nissan	400	528i	BMW	29	911 Turbo	Porsche	464
318i	BMW	25	528iT	BMW	29	924	Porsche	464
318iC	BMW	25	528xi	BMW	29	928	Porsche	464

MODEL TO MANUFACTURER CROSS REFERENCE

Model	Refer to	Pg.	Model	Refer to	Pg.	Model	Refer to	Pg.
929	Mazda	355	B100	Dodge	156	Caravelle	Plymouth	428
9-2X	Saab	471	B150	Dodge	156	Caravelle	Plymouth	426
9-3	Saab	471	B200	Dodge	162	Carrera GT	Porsche	464
944	Porsche	464	B2000	Mazda	358	Catalina	Pontiac	446
944	Volvo	516	B2200	Mazda	358	Catera	Cadillac	52
945	Volvo	516	B2300	Mazda	358	Cavalier	Chevrolet	56
9-5	Saab	471	B250	Dodge	162	Cayenne	Porsche	466
964	Volvo	516	B2500	Mazda	358	Cayman	Porsche	464
965	Volvo	516	B2600	Mazda	358	CB300	Dodge	168
968	Porsche	464	B300	Dodge	168	CB350	Dodge	168
9-7X	Saab	473	B3000	Mazda	358	Celebrity	Chevrolet	56
99	Saab	471	B350	Dodge	168	Celeste	Dodge	147
A3	Audi	16	B4000	Mazda	358	Celica	Toyota	494
A3 Quattro	Audi	16	B9 Tribeca	Subaru	482	Celica	Toyota	490
A4	Audi	16	Baja	Subaru	482	Century	Buick	43
A4 Quattro	Audi	16	Beetle	Volkswagen	511	Century	Buick	37
A5 Quattro	Audi	16	Beretta	Chevrolet	56	Challenger	Dodge	140
A6	Audi	16	Blackwood	Lincoln	347	Challenger	Dodge	147
A6 Quattro	Audi	16	Blazer	Chevrolet	83	Champ	Plymouth	431
A8	Audi	16	Bobcat	Mercury	377	Charade	Daihatsu	131
A8 Quattro	Audi	16	Bonneville	Pontiac	446	Charger	Dodge	137
A8L	Audi	16	Bonneville	Pontiac	448	Cherokee	Jeep	321
Acadia	GMC	238	Bonneville	Pontiac	442	Chevette	Chevrolet	63
Acadian	Pontiac	457	Boxster	Porsche	464	Cimarron	Cadillac	47
Accent	Hyundai	295	Brat	Subaru	482	Cirrus	Chrysler	118
Acclaim	Plymouth	426	Brava	Fiat	183	Citation	Chevrolet	56
Accord	Honda	283	Bravada	Oldsmobile	420	Civic	Honda	285
Achieva	Oldsmobile	412	Breeze	Plymouth	426	CJ5	Jeep	321
AD100 Ramcharger	Dodge	156	Bronco	Ford	207	CJ7	Jeep	321
AD150 Ramcharger	Dodge	156	Bronco II	Ford	201	CJ8	Jeep	321
AD150S Ramcharger	Dodge	156	Brooklands	Bentley	24	CL500	Mercedes-Benz	368
Aerio	Suzuki	484	C10	Chevrolet	83	CL55 AMG	Mercedes-Benz	368
Aerostar	Ford	201	C12	Callaway	55	CL600	Mercedes-Benz	369
Alero	Oldsmobile	412	C1500	Chevrolet	83	CL63 AMG	Mercedes-Benz	369
Allante	Cadillac	47	C1500	GMC	244	CL65 AMG	Mercedes-Benz	369
Alliance	AMC	7	C1500 Suburban	Chevrolet	83	Classic	Chevrolet	56
Alliance	Renault	467	C1500 Suburban	GMC	244	CLK430	Mercedes-Benz	367
Allroad	Audi	21	C1500 Yukon XL	GMC	244	CLK500	Mercedes-Benz	368
Allure	Buick	37	C20	Chevrolet	90	CLK55 AMG	Mercedes-Benz	368
Alpina	BMW	34	C20 Suburban	Chevrolet	90	CLK63 AMG	Mercedes-Benz	369
Altima	Nissan	400	C220	Mercedes-Benz	363	CLS63 AMG	Mercedes-Benz	369
Amanti	Kia	333	C230	Mercedes-Benz	363	Cobalt	Chevrolet	56
Amigo	Isuzu	311	C240	Mercedes-Benz	363	Colorado	Chevrolet	77
AMX	AMC	10	C2500	Chevrolet	90	Colt	Dodge	142
Armada	Nissan	408	C2500	GMC	251	Colt	Dodge	147
Arnage	Bentley	24	C2500 Suburban	Chevrolet	90	Colt	Plymouth	431
Arrow	Plymouth	437	C2500 Suburban	GMC	251	Colt Vista	Dodge	142
Arrow	Plymouth	435	C280	Mercedes-Benz	363	Colt Vista	Plymouth	431
Ascender	Isuzu	311	C30	Chevrolet	97	Comanche	Jeep	326
Aspen	Chrysler	128	C30	Volvo	514	Commander	Jeep	326
Aspen	Dodge	140	C3500	Chevrolet	97	Compass	Jeep	321
Aspire	Ford	199	C3500	GMC	258	Concord	AMC	10
Astra	Saturn	474	C36	Mercedes-Benz	365	Concorde	Chrysler	118
Astro	Chevrolet	77	C43 AMG	Mercedes-Benz	367	Concours	Cadillac	47
Aura	Saturn	474	C55 AMG	Mercedes-Benz	368	Conquest	Chrysler	126
Aurora	Oldsmobile	412	C63 AMG	Mercedes-Benz	369	Conquest	Dodge	147
Avalance 1500	Chevrolet	83	C70	Volvo	514	Conquest	Plymouth	435
Avalance 2500	Chevrolet	90	Caballero	GMC	236	Continental	Bentley	24
Avalon	Toyota	488	Cabrio	Volkswagen	507	Continental	Lincoln	343
Avanti II	Avanti	22	Cabrio	Yugo	521	Continental	Lincoln	342
Avenger	Dodge	142	Cabriolet	Audi	16	Contour	Ford	184
Aveo	Chevrolet	70	Cabriolet	Volkswagen	507	Cooper	MINI	388
Aviator	Lincoln	347	Caliber	Dodge	133	Cordia	Mitsubishi	388
Axiom	Isuzu	311	Camargue	Rolls-Royce	468	Cordoba	Chrysler	122
Axxess	Nissan	408	Camry	Toyota	488	Corniche	Bentley	24
Azera	Hyundai	295	Canyon	GMC	238	Corniche	Rolls-Royce	468
Aztek	Pontiac	463	Capri	Mercury	383	Corolla	Toyota	494
Azure	Bentley	24	Caprice	Chevrolet	59	Corolla	Toyota	490
Azzurra	Pininfarina	425	Caravan	Dodge	151	Corolla FX	Toyota	490

MODEL TO MANUFACTURER CROSS REFERENCE

Model	Refer to	Pg.	Model	Refer to	Pg.	Model	Refer to	Pg.
Corona	Toyota	494	E63 AMG	Mercedes-Benz	369	Forsa	Suzuki	484
Corrado	Volkswagen	507	Echo	Toyota	490	Fox	Volkswagen	507
Corsica	Chevrolet	56	Eclipse	Mitsubishi	388	Freelander	Land Rover	470
Cougar	Ford	198	Edge	Ford	201	Freestar	Ford	201
Cougar	Mercury	371	Eight	Bentley	24	Freestyle	Ford	201
Coupe	Audi	18	Eighty Eight	Oldsmobile	412	Frontier	Nissan	408
Coupe	Volvo	516	El Camino	Chevrolet	75	FSR	Isuzu	316
Coupe Quattro	Audi	18	Elantra	Hyundai	295	FTR	Isuzu	316
Courier	Ford	200	Eldorado	Cadillac	47	Fuego	Renault	467
Cressida	Toyota	494	Electra	Buick	41	Fusion	Ford	184
Crown Victoria	Ford	188	Electra	Buick	37	FVR	Isuzu	316
CR-V	Honda	291	Element	Honda	291	FX35	Infiniti	307
CRX	Honda	285	Enclave	Buick	46	FX45	Infiniti	307
CSX	Acura	4	Encore	AMC	7	G10	Chevrolet	83
CTS	Cadillac	50	Encore	Renault	467	G1500	Chevrolet	83
Custom Cruiser	Oldsmobile	415	Endeavor	Mitsubishi	395	G1500	GMC	244
Cutlass	Oldsmobile	412	Entourage	Hyundai	299	G20	Chevrolet	90
Cutlass	Oldsmobile	417	Envoy	GMC	238	G20	Infiniti	305
Cutlass Calais	Oldsmobile	412	Eos	Volkswagen	507	G2500	Chevrolet	90
Cutlass Ciera	Oldsmobile	412	Epica	Chevrolet	70	G2500	GMC	251
Cutlass Supreme	Oldsmobile	412	Equator	Suzuki	486	G3 Wave	Pontiac	459
CX-7	Mazda	358	Equinox	Chevrolet	77	G30	Chevrolet	97
CX-9	Mazda	358	ES250	Lexus	338	G35	Infiniti	306
D100 Ram	Dodge	156	ES300	Lexus	338	G3500	Chevrolet	97
D150 Ram	Dodge	156	ES330	Lexus	338	G3500	GMC	258
D200 Ram	Dodge	162	ES350	Lexus	338	G35X	Infiniti	306
D250 Ram	Dodge	162	Escalade	Cadillac	53	G37	Infiniti	306
D300 Ram	Dodge	168	Escape	Ford	201	G37X	Infiniti	306
D350 Ram	Dodge	168	Escort	Ford	184	G5	Pontiac	456
D50	Dodge	148	Escort ZX2	Ford	184	G500	Mercedes-Benz	370
Dakota	Dodge	151	Esperante	Panoz	423	G55 AMG	Mercedes-Benz	370
Dasher	Volkswagen	507	Estate Wagon	Buick	41	G550	Mercedes-Benz	370
Daytona	Chrysler	124	Esteem	Suzuki	484	G6	Pontiac	442
Daytona	Dodge	133	EuroVan	Volkswagen	512	G8	Pontiac	446
DB7	Aston Martin	13	EVR	Isuzu	316	Galant	Mitsubishi	388
DB9	Aston Martin	13	EX35	Infiniti	307	Genesis	Hyundai	298
DBS	Aston Martin	13	Excel	Hyundai	295	GL320	Mercedes-Benz	370
Defender 110	Land Rover	470	Excursion	Ford	218	GL450	Mercedes-Benz	370
Defender 90	Land Rover	470	EXP	Ford	184	GL550	Mercedes-Benz	370
Del Sol	Honda	285	Expedition	Ford	207	GLC	Mazda	352
Delta 88	Oldsmobile	412	Explorer	Ford	201	GLC	Mazda	355
Delta 88	Oldsmobile	415	Expo	Mitsubishi	388	Golf	Volkswagen	507
DeVille	Cadillac	47	F100	Ford	207	Golf R32	Volkswagen	507
DeVille	Cadillac	50	F150	Ford	207	Gran Fury	Plymouth	428
Diamante	Mitsubishi	388	F250	Ford	212	Granada	Ford	190
Diplomat	Dodge	137	F250 Super Duty	Ford	212	Grand Am	Pontiac	448
Discovery	Land Rover	470	F350	Ford	218	Grand Am	Pontiac	442
DJ5	AM General	11	F350 Super Duty	Ford	218	Grand Cherokee	Jeep	326
DMC12	DeLorean	132	F40	Ferrari	182	Grand Marquis	Ford	198
DTS	Cadillac	47	F450 Super Duty	Ford	218	Grand Marquis	Mercury	374
Durango	Dodge	151	F53	Ford	218	Grand Prix	Pontiac	442
Dynasty	Chrysler	124	F550 Super Duty	Ford	218	Grand Prix	Pontiac	448
Dynasty	Dodge	133	F59	Ford	218	Grand Vitara	Suzuki	486
E Class	Chrysler	118	Fairmont	Ford	190	Grand Wagoneer	Jeep	326
E100 Econoline	Ford	207	Fastback	Volkswagen	511	GS300	Lexus	339
E150 Econoline	Ford	207	Festiva	Ford	199	GS350	Lexus	339
E250 Econoline	Ford	212	Fiesta	Ford	199	GS400	Lexus	339
E280	Mercedes-Benz	363	Fifth Avenue	Chrysler	121	GS430	Lexus	339
E300	Mercedes-Benz	365	Firefly	Pontiac	459	GS450h	Lexus	339
E320	Mercedes-Benz	365	Firenza	Oldsmobile	412	GT	Asuna	14
E350 Econoline	Ford	218	Fit	Honda	285	GT	Ford	192
E420	Mercedes-Benz	367	Five Hundred	Ford	184	GT	Puma	467
E430	Mercedes-Benz	367	FJ Cruiser	Toyota	498	GTA	AMC	7
E450 Econoline	Ford	218	Fleetwood	Cadillac	50	GTA	Renault	467
E500	Mercedes-Benz	368	Fleetwood	Cadillac	47	GTI	Volkswagen	507
E55 AMG	Mercedes-Benz	368	Flying Spur	Rolls-Royce	468	GTO	Pontiac	448
E550 Econoline	Ford	218	Focus	Ford	184	GTV 6	Alfa Romeo	6
			Forenza	Suzuki	484	GV	Yugo	521
			Forester	Subaru	482	GX470	Lexus	340

MODEL TO MANUFACTURER CROSS REFERENCE

Model	Refer to	Pg.	Model	Refer to	Pg.	Model	Refer to	Pg.
H1	Hummer	294	Lanos	Daewoo	130	Maxima	Nissan	403
H1500	Chevrolet	83	Laser	Chrysler	118	MDX	Acura	5
H1500	GMC	244	Laser	Plymouth	431	Medallion	Eagle	175
H2	Hummer	294	Le Sharo	Winnebago	520	Medallion	Renault	467
H2500	GMC	251	LeBaron	Chrysler	122	Metro	Chevrolet	70
H3	Hummer	294	LeBaron	Chrysler	118	Metro	GEO	233
Hardbody	Nissan	408	Le'Car	Renault	467	MGA	MG	388
HHR	Chevrolet	77	Leganza	Daewoo	130	MGB	MG	388
Highlander	Toyota	498	Legend	Acura	1	Micra	Nissan	406
Hombre	Isuzu	311	LeMans	Pontiac	457	Midget	MG	388
Horizon	Plymouth	426	LeMans	Pontiac	448	Mighty Max	Mitsubishi	395
Hummer	AM General	11	LeSabre	Buick	41	Milan	Mercury	371
i-280	Isuzu	311	LeSabre	Buick	37	Milano	Alfa Romeo	6
i-290	Isuzu	311	LHS	Chrysler	118	Millenia	Mazda	352
I30	Infiniti	305	Liberty	Jeep	321	Mini-Ram Van	Dodge	151
I35	Infiniti	305	LLV	Grumman	280	Mirada	Dodge	139
i-350	Isuzu	311	LN-7	Mercury	371	Mirage	Mitsubishi	388
i-370	Isuzu	311	LR2	Land Rover	470	MKS	Lincoln	342
I-Mark	Isuzu	308	LR3	Land Rover	470	MKX	Lincoln	347
I-Mark	Isuzu	310	LS	Lincoln	345	MKZ	Lincoln	342
Impala	Chevrolet	56	LS	Saturn	474	ML320	Mercedes-Benz	370
Impala	Chevrolet	59	LS1	Saturn	474	ML350	Mercedes-Benz	370
Imperial	Chrysler	121	LS2	Saturn	474	ML430	Mercedes-Benz	370
Imperial	Chrysler	118	LS400	Lexus	339	ML500	Mercedes-Benz	370
Impulse	Isuzu	310	LS430	Lexus	339	ML55 AMG	Mercedes-Benz	370
Impulse	Isuzu	308	LTD	Ford	189	ML550	Mercedes-Benz	370
Insight	Honda	285	LTD	Ford	188	ML63 AMG	Mercedes-Benz	370
Integra	Acura	1	LTD Crown Victoria	Ford	188	Monaco	Dodge	142
Intrepid	Chrysler	124	Lucerne	Buick	37	Monarch	Mercury	377
Intrepid	Dodge	133	Lumina	Chevrolet	56	Mondial	Ferrari	182
Intrigue	Oldsmobile	412	Lumina APV	Chevrolet	77	Montana	Pontiac	463
Ion	Saturn	474	Luv	Chevrolet	73	Montana SV6	Pontiac	463
IS250	Lexus	339	LW	Saturn	474	Monte Carlo	Chevrolet	61
IS300	Lexus	339	LW1	Saturn	474	Monte Carlo	Chevrolet	56
IS350	Lexus	339	LW100	Saturn	474	Montego	Mercury	371
IS-F	Lexus	339	LW2	Saturn	474	Monterey	Mercury	384
J10	Jeep	326	LW200	Saturn	474	Montero	Mitsubishi	395
J20	Jeep	331	LW300	Saturn	474	Monza	Chevrolet	63
J2000	Pontiac	442	LX450	Lexus	340	Mountaineer	Mercury	384
J30	Infiniti	306	LX470	Lexus	340	MPV	Mazda	358
Jetta	Volkswagen	507	LX570	Lexus	340	MR2	Toyota	494
Jimmy	GMC	244	Lynx	Mercury	371	Mulsanne	Bentley	24
Journey	Dodge	151	M Coupe	BMW	35	Multi Wagon	Nissan	406
K10	Chevrolet	83	M Roadster	BMW	35	Murano	Nissan	408
K1500	Chevrolet	83	M3	BMW	35	MX-3	Mazda	352
K1500	GMC	244	M30	Infiniti	306	MX-5 Miata	Mazda	355
K1500 Suburban	Chevrolet	83	M35	Infiniti	306	MX-6	Mazda	352
K1500 Suburban	GMC	244	M35X	Infiniti	306	Mystique	Mercury	371
K1500 Yukon XL	GMC	244	M45	Infiniti	306	Nativa	Mitsubishi	395
K20	Chevrolet	90	M45X	Infiniti	306	Navajo	Mazda	358
K20 Suburban	Chevrolet	90	M5	BMW	35	Navigator	Lincoln	347
K2500	GMC	251	M6	BMW	35	Neon	Chrysler	124
K2500 Suburban	GMC	251	Magentis	Kia	333	Neon	Dodge	133
K30	Chevrolet	97	Magnette	MG	388	Neon	Plymouth	426
K3500	Chevrolet	97	Magnum	Dodge	137	New Beetle	Volkswagen	507
K3500	GMC	258	Malibu	Chevrolet	56	New Yorker	Chrysler	121
Karmann Ghia	Volkswagen	511	Malibu	Chevrolet	61	New Yorker	Chrysler	118
KS22	Isuzu	311	Mangusta	Detomosa	133	Newport	Chrysler	121
KS32	Isuzu	311	Marauder	Ford	198	Ninety Eight	Oldsmobile	412
L100	Saturn	474	Marauder	Mercury	374	Ninety Eight	Oldsmobile	415
L200	Saturn	474	Mariner	Mercury	384	Nitro	Dodge	151
L300	Saturn	474	Mark LT	Lincoln	347	Nova	Chevrolet	70
L6	BMW	31	Mark VI	Lincoln	345	NPR	Isuzu	311
L7	BMW	32	Mark VII	Lincoln	345	NRR	Isuzu	316
LaCrosse	Buick	37	Mark VIII	Lincoln	345	NSX	Acura	1
Lagonda	Aston Martin	13	Marquis	Mercury	374	Nubira	Daewoo	130
Lancer	Mitsubishi	388	Marquis	Mercury	376	NX	Nissan	400
Lancer	Plymouth	435	Matrix	Toyota	490	Oasis	Isuzu	311
Land Cruiser	Toyota	498	Maxima	Nissan	400	Odyssey	Honda	291

MODEL TO MANUFACTURER CROSS REFERENCE

Model	Refer to	Pg.	Model	Refer to	Pg.	Model	Refer to	Pg.
Omega	Oldsmobile	412	R1500 Suburban	GMC	244	S420	Mercedes-Benz	367
Omni	Dodge	133	R20	Chevrolet	90	S430	Mercedes-Benz	367
Optima	Kia	333	R2500	Chevrolet	90	S450	Mercedes-Benz	367
Optima	Pontiac	459	R2500	GMC	251	S5	Audi	16
Optra	Chevrolet	70	R2500 Suburban	Chevrolet	90	S500	Mercedes-Benz	368
Outback	Subaru	479	R2500 Suburban	GMC	251	S55 AMG	Mercedes-Benz	368
Outlander	Mitsubishi	395	R30	Chevrolet	97	S6	Audi	16
Outlook	Saturn	476	R320	Mercedes-Benz	370	S60	Volvo	514
P10	Chevrolet	83	R350	Mercedes-Benz	370	S600	Mercedes-Benz	369
P1500	GMC	244	R3500	Chevrolet	97	S63 AMG	Mercedes-Benz	369
P20	Chevrolet	90	R3500	GMC	258	S65 AMG	Mercedes-Benz	369
P2500	GMC	251	R500	Mercedes-Benz	370	S70	Volvo	514
P30	Chevrolet	97	R63 AMG	Mercedes-Benz	370	S8	Audi	16
P32	Workhorse	521	R8	Audi	16	S80	Volvo	514
P3500	GMC	258	Rabbit	Volkswagen	507	S90	Volvo	516
P3500 Motor Home	GMC	258	Rabbit Pickup	Volkswagen	512	SA310	Suzuki	484
Pacer	AMC	10	Raider	Dodge	148	Sable	Mercury	371
Pacifica	Chrysler	128	Raider	Mitsubishi	395	Safari	GMC	238
Pantera	Detomosa	133	Rainier	Buick	46	Safari Wagon	Pontiac	446
Parisienne	Pontiac	446	Ram 1500 Pickup	Dodge	156	Samurai	Suzuki	486
Park Avenue	Buick	37	Ram 1500 Van	Dodge	156	Santa Fe	Hyundai	299
Park Ward	Rolls-Royce	468	Ram 2500 Pickup	Dodge	162	Sapporo	Plymouth	435
Paseo	Toyota	490	Ram 2500 Van	Dodge	162	SC	Saturn	474
Passat	Volkswagen	507	Ram 3500 Pickup	Dodge	168	SC1	Saturn	474
Passport	Honda	291	Ram 3500 Van	Dodge	168	SC2	Saturn	474
Pathfinder	Nissan	408	Ram 4500 Pickup	Dodge	168	SC300	Lexus	339
Pathfinder Armada	Nissan	408	Ram 50	Dodge	148	SC400	Lexus	339
Patriot	Jeep	321	Ram 5500 Pickup	Dodge	168	SC430	Lexus	339
PB100	Plymouth	440	Rampage	Dodge	151	Scamp	Plymouth	437
PB150	Plymouth	440	Range Rover	Land Rover	470	Scirocco	Volkswagen	507
PB200	Plymouth	440	Range Rover Sport	Land Rover	470	Scorpio	Merkur	387
PB250	Plymouth	440	Ranger	Ford	201	Scoupe	Hyundai	295
PB300	Plymouth	440	RAV4	Toyota	498	SE	Asuna	14
PB350	Plymouth	440	RDX	Acura	5	Sebring	Chrysler	118
PD100 Trailduster	Plymouth	440	Reatta	Buick	37	Sedona	Kia	335
Phaeton	Volkswagen	507	Regal	Buick	37	Sentra	Nissan	400
Phantom	Rolls-Royce	468	Regal	Buick	43	Sephia	Kia	333
Phoenix	Pontiac	442	Relay	Saturn	476	Sequoia	Toyota	498
Pickup	Isuzu	311	Reliant	Plymouth	426	Seville	Cadillac	47
Pickup	Toyota	498	Rendezvous	Buick	46	Shadow	Dodge	133
Pilot	Honda	291	Reno	Suzuki	484	Sidekick	Suzuki	486
Pinto	Ford	190	Rialta	Winnebago	520	Sienna	Toyota	498
Pony	Hyundai	298	Ridgeline	Honda	291	Sierra 1500	GMC	244
Power Ram 50	Dodge	148	Rio	Kia	333	Sierra 2500	GMC	251
Precis	Mitsubishi	388	Riviera	Buick	37	Sierra 2500HD	GMC	251
Prelude	Honda	285	Roadmaster	Buick	41	Sierra 3500	GMC	258
Premier	Eagle	175	Roadster	Panoz	423	Silhouette	Oldsmobile	420
Previa	Toyota	498	Rocky	Daihatsu	132	Silver Dawn	Rolls-Royce	468
Prius	Toyota	490	Rodeo	Isuzu	311	Silver Seraph	Rolls-Royce	468
Prizm	Chevrolet	70	Rodeo Sport	Isuzu	311	Silver Shadow	Rolls-Royce	468
Prizm	GEO	233	Rogue	Nissan	408	Silver Spirit	Rolls-Royce	468
Probe	Ford	184	Rondo	Kia	333	Silver Spirit Sedan	Rolls-Royce	468
Protege	Mazda	352	Routan	Volkswagen	512	Silver Spur	Rolls-Royce	468
PT Cruiser	Chrysler	128	RS4	Audi	16	Silver Wraith	Rolls-Royce	468
PT Cruiser	Chrysler	118	RS6	Audi	16	Silverado 1500	Chevrolet	83
Pulsar	Nissan	400	RSX	Acura	1	Silverado 2500	Chevrolet	90
P'up	Isuzu	311	RX300	Lexus	340	Silverado 3500	Chevrolet	97
Pursuit	Pontiac	456	RX330	Lexus	340	SJ410	Suzuki	486
PW150 Trailduster	Plymouth	440	RX350	Lexus	340	SJ413	Suzuki	486
Q45	Infiniti	306	RX400h	Lexus	340	Sky	Saturn	474
Q5	Audi	21	RX-7	Mazda	355	Skyhawk	Buick	37
Q7	Audi	21	RX-8	Mazda	355	Skyhawk	Buick	45
Quantum	Volkswagen	507	S10	Chevrolet	77	Skylark	Buick	37
Quest	Nissan	408	S10 Blazer	Chevrolet	77	SL	Saturn	474
QX4	Infiniti	307	S15	GMC	238	SL 63	Mercedes-Benz	369
QX56	Infiniti	307	S15 Jimmy	GMC	238	SL1	Saturn	474
R10	Chevrolet	83	S320	Mercedes-Benz	365	SL2	Saturn	474
R1500	Chevrolet	83	S4	Audi	16	SL320	Mercedes-Benz	365
R1500	GMC	244	S40	Volvo	514	SL500	Mercedes-Benz	368

MODEL TO MANUFACTURER CROSS REFERENCE

Model	Refer to	Pg.	Model	Refer to	Pg.	Model	Refer to	Pg.
SL600	Mercedes-Benz	369	Talon	Eagle	175	VehiCROSS	Isuzu	311
SL65 AMG	Mercedes-Benz	369	Taurus	Ford	184	Venture	Chevrolet	77
SLK230	Mercedes-Benz	363	Taurus X	Ford	201	Veracruz	Hyundai	299
SLK280	Mercedes-Benz	363	Taxicab	Checker	55	Verona	Suzuki	484
SLK55 AMG	Mercedes-Benz	368	tC	Scion	477	Versailles	Lincoln	346
SLX	Acura	5	TC Maserati	Chrysler	126	Vibe	Pontiac	457
Solara	Toyota	488	TC3	Plymouth	426	Vigor	Acura	1
Somerset	Buick	37	Tempest	Pontiac	442	Villager	Mercury	384
Sonata	Hyundai	295	Tempo	Ford	184	Virage	Aston Martin	13
Sonoma	GMC	238	Tercel	Toyota	490	Vision	Eagle	175
Sorento	Kia	335	Terraza	Buick	46	Vista	Eagle	179
Spectra	Kia	333	Testarossa	Ferrari	182	Vitara	Suzuki	486
Spectrum	Chevrolet	70	Thing	Volkswagen	511	Volante	Aston Martin	13
Spectrum	GEO	233	Tiburon	Hyundai	295	Volare	Plymouth	429
Spider	Alfa Romeo	6	Tiguan	Volkswagen	512	Voyager	Chrysler	128
Spider 2000	Fiat	183	Titan	Nissan	408	Voyager	Plymouth	437
Spirit	AMC	10	TJ	Jeep	321	VUE	Saturn	476
Spirit	Dodge	133	Topaz	Mercury	371	W100 Ram	Dodge	156
Spitfire	Triumph	504	Toronado	Oldsmobile	412	W150 Ram	Dodge	156
Sportage	Kia	335	Torrent	Pontiac	463	W150S Ram	Dodge	156
Sportwagon	Renault	467	Touareg	Volkswagen	512	W200 Ram	Dodge	162
Sprint	Chevrolet	70	Town & Country	Chrysler	128	W250 Ram	Dodge	162
Sprinter 2500	Dodge	162	Town Car	Lincoln	343	W300 Ram	Dodge	168
Sprinter 2500	Freightliner	231	TR7	Triumph	504	W350 Ram	Dodge	168
Sprinter 3500	Dodge	168	TR8	Triumph	504	W4S042	Chevrolet	97
Sprinter 3500	Freightliner	231	Tracer	Mercury	371	W4S042	GMC	258
Squareback	Volkswagen	511	Tracker	Chevrolet	73	W800	Winnebago	520
SRT-4	Dodge	133	Tracker	GEO	235	Wagon	Mitsubishi	395
SRX	Cadillac	53	Trailblazer	Chevrolet	77	Wagoneer	Jeep	326
SSR	Chevrolet	77	Trans Sport	Pontiac	463	Wave	Pontiac	459
St. Regis	Dodge	137	Tredia	Mitsubishi	388	Windstar	Ford	201
Stanza	Nissan	400	Tribeca	Subaru	482	Wrangler	Jeep	321
Stanza Wagon	Nissan	400	Tribute	Mazda	358	X1/9	Bertone	24
Starfire	Oldsmobile	419	Trooper	Isuzu	311	X1/9	Fiat	183
Starion	Mitsubishi	394	Trooper II	Isuzu	311	X3	BMW	36
Starlet	Toyota	494	TSX	Acura	1	X5	BMW	36
Stealth	Dodge	142	TT	Audi	16	X6	BMW	36
Stellar	Hyundai	298	TT Quattro	Audi	16	X-90	Suzuki	486
Storm	GEO	233	Tucson	Hyundai	299	xA	Scion	477
Strada	Fiat	183	Tundra	Toyota	498	xB	Scion	477
Stratus	Dodge	133	Turbo R	Bentley	24	XC70	Volvo	518
STS	Cadillac	50	Turismo	Plymouth	426	XC90	Volvo	518
Stylus	Isuzu	308	Typhoon	GMC	238	xD	Scion	477
S-Type	Jaguar	319	Uplander	Chevrolet	77	XF	Jaguar	319
Summit	Eagle	175	V15	Chevrolet	83	XG300	Hyundai	295
Sunbird	Pontiac	442	V1500	Chevrolet	83	XG350	Hyundai	295
Sunbird	Pontiac	450	V1500	GMC	244	XJ12	Jaguar	319
Sunburst	Pontiac	459	V1500 Suburban	GMC	244	XJ6	Jaguar	319
Sundance	Plymouth	426	V20	Chevrolet	90	XJ8	Jaguar	319
Sunfire	Asuna	14	V20 Suburban	Chevrolet	90	XJR	Jaguar	319
Sunfire	Pontiac	442	V2500	Chevrolet	90	XJS	Jaguar	319
Sunrunner	Asuna	15	V2500	GMC	251	XK	Jaguar	319
Sunrunner	Pontiac	461	V2500 Suburban	Chevrolet	90	XK8	Jaguar	319
Super Beetle	Volkswagen	511	V2500 Suburban	GMC	251	XKR	Jaguar	319
Super V8 Portfolio	Jaguar	319	V30	Chevrolet	97	XL-7	Suzuki	486
Supra	Toyota	494	V3500	Chevrolet	97	XM	Citroen	130
SVX	Subaru	479	V3500	GMC	258	XR4Ti	Merkur	387
SW1	Saturn	474	V40	Volvo	514	Xterra	Nissan	408
SW2	Saturn	474	V50	Volvo	514	X-Trail	Nissan	408
Swift	Suzuki	484	V70	Volvo	514	X-Type	Jaguar	319
SX 2.0	Dodge	133	V8	Audi	16	Yaris	Toyota	490
SX4	AMC	8	V90	Volvo	516	YJ	Jeep	321
SX4	Suzuki	484	Van	Mitsubishi	395	Yukon	GMC	244
Syclone	GMC	238	Van	Nissan	408	Yukon XL 2500	GMC	251
T100	Toyota	498	Van Wagon	Toyota	498	Z3	BMW	25
T1000	Pontiac	450	Vanagon	Volkswagen	512	Z4	BMW	28
T2	Bentley	24	Vanden Plas	Jaguar	319	Z8	BMW	34
Tacoma	Toyota	498	Vanquish	Aston Martin	13	Zephyr	Lincoln	342
Tahoe	Chevrolet	83	Vantage	Aston Martin	13	Zephyr	Mercury	377

New Items List

Part No.	Part Description	
Years	Make	Model Application Information
Wheel Bearings & Hub Assemblies		
510092	Bearing - Front	
2009-07	Acura	RDX
2009-07	Honda	CR-V
510093	Bearing - Front	
2009-07	Hyundai	Elantra
510094	Bearing - Front	
2009-08	Scion	xD
2009-06	Toyota	Yaris
510095	Bearing - Front	
2009-09	Acura	3.5TL
2009-09	Acura	3.7TL
2009-09	Acura	TSX
2009-08	Honda	Accord
510096	Bearing - Front	
2009-06	Mazda	3
2009-06	Mazda	5
510097	Bearing - Front/Rear	
2009-07	Mercedes-Benz	GL320
2009-07	Mercedes-Benz	GL450
2009-08	Mercedes-Benz	GL550
2009-07	Mercedes-Benz	ML320
2009-06	Mercedes-Benz	ML350
2007-06	Mercedes-Benz	ML500
2009-08	Mercedes-Benz	ML550
2009-07	Mercedes-Benz	ML63 AMG
2009-07	Mercedes-Benz	R320
2009-08	Mercedes-Benz	R350
2007-06	Mercedes-Benz	R500
2007-07	Mercedes-Benz	R63 AMG
510098	Bearing - Front	
2009-07	Honda	Element
510099	Bearing - Front	
2008-02	Jaguar	X-Type
512042	Hub Assembly - Rear	
2000-96	Honda	Civic
1997-95	Honda	Del Sol
512342	Hub Assembly - Rear	
2009-07	Acura	MDX
2009-09	Honda	Pilot
512343	Hub Assembly - Rear	
2004-02	Acura	3.5RL
512344	Hub Assembly - Rear	
2009-07	Honda	CR-V (FWD)
512345	Hub Assembly - Rear	
2009-07	Acura	RDX
2009-07	Honda	CR-V (AWD)

Part No.	Part Description	
Years	Make	Model Application Information
Wheel Bearings & Hub Assemblies		
512346	Hub Assembly - Rear	
2007-03	Infiniti	G35
2009-03	Nissan	350Z
512347	Hub Assembly - Rear	
2009-04	Mazda	3 (ABS)
2009-06	Mazda	5
512348	Hub Assembly - Rear	
2009-04	Mazda	3 (Exc. ABS)
512349	Hub Assembly - Rear	
2009-07	Mazda	CX-7 (FWD)
512350	Hub Assembly - Rear	
2009-07	Mazda	CX-7 (AWD)
512351	Hub Assembly - Rear	
2009-07	Toyota	Tundra (RH)
512352	Hub Assembly - Rear	
2009-07	Toyota	Tundra (LH)
512353	Hub Assembly - Rear	
2009	Acura	TSX
2009-08	Honda	Accord
512354	Hub Assembly - Rear	
2004-01	Kia	Spectra
512355	Hub Assembly - Rear	
2009-06	BMW	M5
2009-06	BMW	M6
512356	Hub Assembly - Rear	
2006-02	Infiniti	Q45
512357	Hub Assembly - Rear	
2009-05	Buick	Allure
2005-94	Buick	Century
2009-05	Buick	LaCrosse
2004-97	Buick	Regal
2005-05	Buick	Terraza
2009-00	Chevrolet	Impala
1996-92	Chevrolet	Lumina APV
2007-00	Chevrolet	Monte Carlo
2005-05	Chevrolet	Uplander
2005-97	Chevrolet	Venture
2009-07	Lexus	GS450h
1996-94	Oldsmobile	Cutlass Ciera
2002-98	Oldsmobile	Intrigue
2004-92	Oldsmobile	Silhouette
2005-01	Pontiac	Aztek
2008-97	Pontiac	Grand Prix
2005-99	Pontiac	Montana
2005-05	Pontiac	Montana SV-6
1999-92	Pontiac	Trans Sport
2006-05	Saturn	Relay

New Items List

Part No.	Part Description	
Years	Make	Model Application Information
Wheel Bearings & Hub Assemblies		
512358	Hub Assembly - Rear	
2009-07	Chevrolet	Equinox
2009-07	Pontiac	Torrent
2009-07	Saturn	VUE
2009-07	Suzuki	XL-7
513267	Hub Assembly - Front	
2009-07	Acura	MDX
2009-09	Honda	Pilot
513268	Hub Assembly - Front	
2008-03	Infiniti	G35
2009-03	Nissan	350Z
513269	Hub Assembly - Front	
2006-02	Infiniti	Q45
513270	Hub Assembly - Front	
2009-07	Dodge	Nitro
2009-08	Jeep	Liberty
513271	Hub Assembly - Front	
2009-07	Chrysler	Aspen
2009-06	Dodge	Durango
513272	Hub Assembly - Front	
2009-07	Jeep	Wrangler
513273	Hub Assembly - Front	
2009-08	Chrysler	Town & Country
2009-08	Dodge	Caravan
2009-09	Volkswagen	Routan
513274	Hub Assembly - Front	
2009-06	BMW	M5
2009-06	BMW	M6
513275	Hub Assembly - Front/Rear	
2009-09	Ford	Flex
513276	Hub Assembly - Front	
2009-07	Chevrolet	Equinox
2009-07	Pontiac	Torrent
2009-08	Saturn	VUE
2009-07	Suzuki	XL-7
515090	Hub Assembly - Front	
2009-07	Hyundai	Entourage
2009-06	Kia	Sedona
515091	Hub Assembly - Front	
2005-03	Chevrolet	Astro (LH)
2005-03	GMC	Safari (LH)
515092	Hub Assembly - Front	
2005-03	Chevrolet	Astro (RH)
2005-03	GMC	Safari (RH)
515093	Hub Assembly - Front	
2009-06	Hummer	H3

Part No.	Part Description	
Years	Make	Model Application Information
Wheel Bearings & Hub Assemblies		
515094	Hub Assembly - Front	
2009-07	Ford	Expedition
2009-07	Lincoln	Navigator
515095	Hub Assembly - Front	
2009-07	Ford	Expedition
2009-07	Lincoln	Navigator
515096	Hub Assembly - Front	
2009-07	Cadillac	Escalade (4WD)
2009-07	Chevrolet	Avalanche 1500 (4WD)
2009-07	Chevrolet	K1500 Suburban (4WD)
2009-07	Chevrolet	Silverado 1500 (4WD)
2009-07	Chevrolet	Tahoe (4WD)
2009-07	GMC	Sierra 1500
2009-07	GMC	Yukon (4WD)
515097	Hub Assembly - Front	
2009-07	Cadillac	Escalade (4WD)
2009-07	Chevrolet	Avalanche 1500 (RWD)
2009-07	Chevrolet	C1500 Suburban (RWD)
2009-07	Chevrolet	Silverado 1500 (RWD)
2009-07	Chevrolet	Tahoe (RWD)
2009-07	GMC	Sierra 1500 (RWD)
2009-07	GMC	Yukon (RWD); Yukon XL 1500 (RWD)
515098	Hub Assembly - Front	
2009-07	Chevrolet	C2500 Suburban
2009-07	Chevrolet	K2500 Suburban
2009-07	Chevrolet	Silverado 2500HD
2009-07	Chevrolet	Silverado 3500
2009-07	GMC	Sierra 2500HD
2009-07	GMC	Sierra 3500
2009-07	GMC	Yukon XL 2500
2009-08	Hummer	H2
515099	Hub Assembly - Front	
2009-07	Chevrolet	Silverado 3500
2009-07	GMC	Sierra 3500
515100	Hub Assembly - Front	
2004-01	Ford	F450 Super Duty
515101	Hub Assembly - Front	
2008-06	Dodge	Ram 2500 Pickup
2008-06	Dodge	Ram 3500 Pickup
515102	Hub Assembly - Front	
2009-08	Dodge	Ram 4500 Pickup
2009-08	Dodge	Ram 5500 Pickup
515103	Hub Assembly - Front	
2009-07	Toyota	Tundra
515104	Hub Assembly - Front	
2008-04	Chevrolet	Colorado (RWD)(LH)(Z85 Chassis)
2008-04	GMC	Canyon (RWD)(LH)(Z85 Chassis)
2006-06	Isuzu	i-280 (RWD)(LH)(Z85 Chassis)
2008-07	Isuzu	i-290 (RWD)(LH)(Z85 Chassis)

New Items List

Part No.	Part Description	
Years	Make	Model Application Information
Wheel Bearings & Hub Assemblies		
515105	Hub Assembly - Front	
2008-04	Chevrolet	Colorado (RWD)(RH)(Z85 Chassis)
2008-04	GMC	Canyon (RWD)(RH)(Z85 Chassis)
2006-06	Isuzu	i-280 (RWD)(RH)(Z85 Chassis)
2008-07	Isuzu	i-290 (RWD)(RH)(Z85 Chassis)
515106	Hub Assembly - Front	
2008-04	Chevrolet	Colorado (RWD)(LH)(ZQ8 Sport Chassis)
2008-04	GMC	Canyon (RWD)(LH)(ZQ8 Sport Chassis)
2006-06	Isuzu	i-280 (RWD)(LH)(ZQ8 Sport Chassis)
2008-07	Isuzu	i-290 (RWD)(LH)(ZQ8 Sport Chassis)
515107	Hub Assembly - Front	
2008-04	Chevrolet	Colorado (RWD)(RH)(ZQ8 Sport Chassis)
2008-04	GMC	Canyon (RWD)(RH)(ZQ8 Sport Chassis)
2006-06	Isuzu	i-280 (RWD)(RH)(ZQ8 Sport Chassis)
2008-07	Isuzu	i-290 (RWD)(RH)(ZQ8 Sport Chassis)
515108	Hub Assembly - Front	
2008-04	Chevrolet	Colorado (RWD)(LH)(Z71 Off-Road Chassis)
2008-04	GMC	Canyon (RWD)(LH)(Z71 Off-Road Chassis)
515109	Hub Assembly - Front	
2008-04	Chevrolet	Colorado (RWD)(RH)(Z71 Off-Road Chassis)
2008-04	GMC	Canyon (RWD)(RH)(Z71 Off-Road Chassis)
515110	Hub Assembly - Front	
2008-04	Chevrolet	Colorado (4WD)(LH)
2008-04	GMC	Canyon (4WD)(LH)
2006-06	Isuzu	i-350 (4WD)(LH)
2008-07	Isuzu	i-370 (4WD)(LH)
515111	Hub Assembly - Front	
2008-04	Chevrolet	Colorado (4WD)(RH)
2008-04	GMC	Canyon (4WD)(RH)
2006-06	Isuzu	i-350 (4WD)(RH)
2008-07	Isuzu	i-370 (4WD)(RH)
517013	Bearing - Front	
2009-05	Toyota	Tacoma
517014	Bearing - Front	
2008-05	Ford	F150
2008-06	Lincoln	Mark II
2008-06	Lincoln	Mark LT
541007	Hub Assembly - Rear	
2009-07	Hyundai	Entourage
2009-06	Kia	Sedona
541008	Hub Assembly - Rear	
2009-07	Ford	Expedition
2009-07	Lincoln	Navigator

Part No.	Part Description	
Years	Make	Model Application Information
Oil Seals		
5693	Auto Trans. - Output Shaft	
2008-95	Chevrolet	4T40-E
2009-05	Chevrolet	4T45-E
2002-98	Daewoo	4T40-E
2004-99	Oldsmobile	4T40-E
2004-99	Oldsmobile	4T45-E
2005-95	Pontiac	4T40-E
2008-95	Pontiac	4T45-E
2003-00	Saturn	4T40-E
2009-00	Saturn	4T45-E
228013	Engine - Crankshaft	
1992-89	Daihatsu	L4/1.3L SOHC
1992-90	Daihatsu	L4/1.6L SOHC
2007-03	Scion	L4/1.5L DOHC
2009-01	Toyota	L4/1.5L DOHC
710533	Auto Trans. - Extension Housing	
2009-05	Cadillac	6L80
2009	Cadillac	6L90
2009-05	Chevrolet	6L80
2009-07	Chevrolet	6L90
2009-06	GMC	6L80
2009-07	GMC	6L90
2009-08	Pontiac	6L80
710535	Auto Trans. - Front Pump	
2007-05	Avanti	5R55S
2001-95	Ford	4R44E
2009-97	Ford	5R55E
2002	Ford	5R55N
2009-03	Ford	5R55S
2003-02	Ford	5R55W
2002-00	Jaguar	5R55N
2005-00	Lincoln	5R55N
2006-03	Lincoln	5R55S
2003	Lincoln	5R55W
2001-95	Mazda	4R44E
2009-97	Mazda	5R55E
2001-98	Mercury	5R55E
2006-03	Mercury	5R55S
2003-02	Mercury	5R55W

New Items List

Part No.		Part Description
Years	Make	Model Application Information

Oil Seals

710536 Axle - Pinion Seal - Front Axle		
2009-99	Cadillac	Escalade (IFS 8.25" R.G.)
2009-02	Chevrolet	Avalanche 1500 (IFS 8.25" R.G.)
2006-02	Chevrolet	Avalanche 2500 (IFS 9.25" R.G.)
1999-95	Chevrolet	K1500 (IFS 8.25" R.G.)
2009-95	Chevrolet	K1500 Suburban (IFS 8.25" R.G.)
2000-95	Chevrolet	K2500 (IFS 8.25" R.G.)
2000-95	Chevrolet	K2500 (IFS 9.25" R.G.)
1999-95	Chevrolet	K2500 Suburban (IFS 8.25" R.G.)
2009-95	Chevrolet	K2500 Suburban (IFS 9.25" R.G.)
2000-95	Chevrolet	K3500 (IFS 9.25" R.G.)
2009-99	Chevrolet	Silverado 1500 (IFS 8.25" R.G.)
2007-01	Chevrolet	Silverado 1500HD (IFS 9.25" R.G.)
2004-99	Chevrolet	Silverado 2500 (IFS 9.25" R.G.)
2009-01	Chevrolet	Silverado 2500HD (IFS 9.25" R.G.)
2009-01	Chevrolet	Silverado 3500 (IFS 9.25" R.G.)
2009-95	Chevrolet	Tahoe (IFS 8.25" R.G.)
1999-95	GMC	K1500 (IFS 8.25" R.G.)
1999-95	GMC	K1500 Suburban (IFS 8.25" R.G.)
2000-95	GMC	K2500 (IFS 8.25" R.G.)
1999-95	GMC	K2500 Suburban (IFS 8.25" R.G.)
1999-95	GMC	K2500 Suburban (IFS 9.25" R.G.)
2000-95	GMC	K3500 (IFS 9.25" R.G.)
2004-99	GMC	Sierra (IFS 9.25" R.G.)
2009-99	GMC	Sierra 1500 (IFS 8.25" R.G.)
2007-01	GMC	Sierra 1500HD (IFS 9.25" R.G.)
2009-01	GMC	Sierra 2500HD (IFS 9.25" R.G.)
2009-01	GMC	Sierra 3500 (IFS 9.25" R.G.)
2009-95	GMC	Yukon (IFS 8.25" R.G.)
2009-01	GMC	Yukon Denali (IFS 9.25" R.G.)
2009-00	GMC	Yukon XL 1500 (IFS 8.25" R.G.)
2009-00	GMC	Yukon XL 2500 (IFS 9.25" R.G.)
2009-02	GMC	Yukon XL Denali (IFS 9.25" R.G.)
2009-03	Hummer	H2 (IFS 8.25" R.G.)

710537 Auto Trans. - Extension Housing

2009-04	Ford	5R110W
2008-07	Lincoln	5R110W

Part No.		Part Description
Years	Make	Model Application Information

Oil Seals

710538 Axle - Pinion Seal - Rear Axle		
1994-89	Audi	100 Quattro (Torsen T1)
1991-89	Audi	200 Quattro (Torsen T1)
1987-84	Audi	4000 Quattro (Torsen T1)
1988-83	Audi	5000 Quattro (Torsen T1)
1992-88	Audi	80 Quattro (Torsen T1)
1995-88	Audi	90 Quattro (Torsen T1)
2004-96	Audi	A4 Quattro (Torsen T2)
2004-95	Audi	A6 Quattro (Torsen T2)
2004-97	Audi	A8 Quattro (Torsen T2)
2004-00	Audi	A8L (Torsen T2)
2005-01	Audi	Allroad (Torsen T2)
1991-90	Audi	Coupe Quattro (Torsen T1)
2004-03	Audi	RS6 (Torsen T2)
1994-92	Audi	S4 (Torsen T1)
2006-00	Audi	S4 (Torsen T2)
2004-95	Audi	S6 (Torsen T2)
2003-01	Audi	S8 (Torsen T2)
1994-90	Audi	V8 (Torsen T1)
2007-04	Bugatti	EB 16-4 Veyron (Haldex AWD)
2009-08	Volkswagen	Golf R32 (Haldex AWD)
2004-04	Volkswagen	Golf R32 (Haldex AWD)
2009-00	Volkswagen	Passat 4motion (Haldex AWD)
1999-98	Volkswagen	Passat Syncro (Torsen T1)
2006-04	Volkswagen	Phaeton (Torsen T2)
1988-85	Volkswagen	Quantum Syncro (Torsen T1)
2009-04	Volkswagen	Touareg (Haldex AWD)

710539 Auto Trans. - Torque Converter

2009-99	Ford	4F27E
2009-00	Mazda	4F27E

710540 Auto Trans. - Output Shaft

2009-00	Ford	4F27E
2009-99	Mazda	4F27E

710541 Auto Trans. - Extension Housing

2007-05	Avanti	5R55S
2009-03	Ford	5R55S
2006-03	Lincoln	5R55S
2009-04	Mercury	5R55S

New Items List

Part No. Part Description		
Years	Make	Model Application Information
Oil Seals		
710546 Auto Trans. - Output Shaft		
2009-07	Buick	6T75 (LH)
2009-07	Chevrolet	6T70 (LH)
2009-08	Chevrolet	6T75 (LH)
2009	Ford	6F35 (LH)
2009-08	Ford	6F50 (LH)
2009-07	GMC	6T70 (LH)
2009-08	GMC	6T75 (LH)
2009-07	Lincoln	6F50 (LH)
2009	Mazda	6F35 (LH)
2009	Mercury	6F35 (LH)
2009-08	Mercury	6F50 (LH)
2009-07	Pontiac	6T70 (LH)
2009-08	Pontiac	6T75 (LH)
2009-07	Saturn	6T70 (LH)
2009-08	Saturn	6T75 (LH)
710547 Axle - Pinion Seal - Front Axle		
2007-04	Buick	Rainier (IFS 7.25" R.G.)
2005-95	Chevrolet	Astro (IFS 7.25" R.G.)
2009-03	Chevrolet	H1500 (IFS 7.25" R.G.)
2005-03	Chevrolet	H2500 (IFS 7.25" R.G.)
2004-95	Chevrolet	S10 (IFS 7.25" R.G.)
2005-95	Chevrolet	S10 Blazer (IFS 7.25" R.G.)
2009-02	Chevrolet	Trailblazer (IFS 7.25" R.G.)
2009-02	GMC	Envoy (IFS 7.25" R.G.)
2009-03	GMC	H1500 (IFS 7.25" R.G.)
2005-03	GMC	H2500 (IFS 7.25" R.G.)
2005-95	GMC	S15 Jimmy (IFS 7.25" R.G.)
2005-95	GMC	Safari (IFS 7.25" R.G.)
2004-95	GMC	Sonoma (IFS 7.25" R.G.)
2008-03	Isuzu	Ascender (IFS 7.25" R.G.)
2001-98	Isuzu	Hombre (IFS 7.25" R.G.)
2004-96	Oldsmobile	Bravada (IFS 7.25" R.G.)
2009-05	Saab	9-7X (IFS 7.25" R.G.)
710548 Axle - Shaft Seal - Front Axle		
2009-04	Chevrolet	Colorado (ICA 7.6" R.G.)
2009-04	GMC	Canyon (ICA 7.6" R.G.)
2009-06	Hummer	H3 (ICA 7.6" R.G.)
2006-06	Isuzu	i-350 (ICA 7.6" R.G.)
2008-07	Isuzu	i-370 (ICA 7.6" R.G.)
710549 Axle - Pinion Seal - Front Axle		
2009-04	Chevrolet	Colorado (ICA 7.6" R.G.)
2009-04	GMC	Canyon (ICA 7.6" R.G.)
2009-06	Hummer	H3 (ICA 7.6" R.G.)
2006-06	Isuzu	i-350 (ICA 7.6" R.G.)
2008-07	Isuzu	i-370 (ICA 7.6" R.G.)
710550 Engine - Camshaft		
2004-95	Ford	L4/2.0L DOHC
2004-01	Mazda	L4/2.0L DOHC
2002-95	Mercury	L4/2.0L DOHC

Part No. Part Description		
Years	Make	Model Application Information
Oil Seals		
710551 Engine - Timing Cover		
2007-04	Buick	L6/4.2L DOHC
2006-04	Chevrolet	L4/2.8L DOHC
2009-07	Chevrolet	L4/2.9L DOHC
2006-04	Chevrolet	L5/3.5L DOHC
2009-07	Chevrolet	L5/3.7L DOHC
2009-02	Chevrolet	L6/4.2L DOHC
2006-04	GMC	L4/2.8L DOHC
2009-07	GMC	L4/2.9L DOHC
2006-04	GMC	L5/3.5L DOHC
2009-07	GMC	L5/3.7L DOHC
2009-02	GMC	L6/4.2L DOHC
2006	Hummer	L5/3.5L DOHC
2009-07	Hummer	L5/3.7L DOHC
2006	Isuzu	L4/2.8L DOHC
2008-07	Isuzu	L4/2.9L DOHC
2006	Isuzu	L5/3.5L DOHC
2008-07	Isuzu	L5/3.7L DOHC
2008-03	Isuzu	L6/4.2L DOHC
2004-02	Oldsmobile	L6/4.2L DOHC
2009-05	Saab	L6/4.2L DOHC
710552 Engine - Crankshaft		
2007-01	Chevrolet	V8/8.1L OHV
2007-01	GMC	V8/8.1L OHV
2002	Hummer	V8/8.1L OHV
710555 Engine - Timing Cover		
2009-06	Buick	V8/4.6L DOHC
2009-93	Cadillac	V8/4.6L DOHC
2003-99	Oldsmobile	V6/3.5L DOHC
2003-95	Oldsmobile	V8/4.0L DOHC
2005-04	Pontiac	V8/4.6L DOHC
2002-99	Shelby	V8/4.0L DOHC
710557 Auto Trans. - Front Pump		
2007	Chrysler	45RFE
2009-08	Chrysler	5-45RFE
2004-00	Dodge	45RFE
2009-02	Dodge	5-45RFE
2007-02	Jeep	45RFE
2009-01	Jeep	5-45RFE
2009-06	Mitsubishi	5-45RFE
710558 Axle - Pinion Seal - Front Axle		
2009-09	Dodge	Ram 1500 Pickup (IFS 9.25" R.G.)
2009-03	Dodge	Ram 2500 Pickup (IFS 9.25" R.G.)
2009-03	Dodge	Ram 3500 Pickup (IFS 9.25" R.G.)

New Items List

Part No.	Part Description	
Years	Make	Model Application Information
Oil Seals		
710561	Auto Trans. - Torque Converter	
2009-07	Buick	6T75
2009-07	Chevrolet	6T70
2009-08	Chevrolet	6T75
2009	Ford	6F35
2009-08	Ford	6F50
2009-07	GMC	6T70
2009-08	GMC	6T75
2009-07	Lincoln	6F50
2009	Mazda	6F35
2009	Mercury	6F35
2009-08	Mercury	6F50
2009-07	Pontiac	6T70
2009-08	Pontiac	6T75
2009-07	Saturn	6T70
2009-08	Saturn	6T75
710563	Wheel Seal - Rear	
2009-03	Dodge	Ram 3500 Pickup
710564	Wheel Seal - Rear	
2009-07	Dodge	Ram 1500 Pickup
2009-03	Dodge	Ram 2500 Pickup
2009-03	Dodge	Ram 3500 Pickup
710565	Axle - Shaft Seal - Front Axle	
1980	Chevrolet	K30 (Spicer 60-F)(RH)
1988-87	Chevrolet	V30 (Spicer 60-F)(RH)
1991-89	Chevrolet	V3500 (Spicer 60-F)(RH)
2002-94	Dodge	Ram 2500 Pickup (Spicer 60-F)(RH)
2002-94	Dodge	Ram 3500 Pickup (Spicer 60-F)(RH)
1980	Dodge	W200 Ram (Spicer 60-F)(RH)
1993-81	Dodge	W250 Ram (Spicer 60-F)(RH)
1980	Dodge	W300 Ram (Spicer 60-F)(RH)
1993-81	Dodge	W350 Ram (Spicer 60-F)(RH)
1981-80	Dodge	W450 (Spicer 60-F)(RH)
1986-80	GMC	K3500 (Spicer 60-F)(RH)
1991-87	GMC	V3500 (Spicer 60-F)(RH)
710566	Axle - Shaft Seal - Front Axle	
1980	Chevrolet	K30 (Spicer 60-F)(LH)
1988-87	Chevrolet	V30 (Spicer 60-F)(LH)
1991-89	Chevrolet	V3500 (Spicer 60-F)(LH)
2002-94	Dodge	Ram 2500 Pickup (Spicer 60-F)(LH)
2002-94	Dodge	Ram 3500 Pickup (Spicer 60-F)(LH)
1980	Dodge	W200 Ram (Spicer 60-F)(LH)
1993-81	Dodge	W250 Ram (Spicer 60-F)(LH)
1980	Dodge	W300 Ram (Spicer 60-F)(LH)
1993-81	Dodge	W350 Ram (Spicer 60-F)(LH)
1981-80	Dodge	W450 (Spicer 60-F)(LH)
1980	GMC	K3500 (Spicer 60-F)(LH)
1991-87	GMC	V3500 (Spicer 60-F)(LH)

Part No.	Part Description	
Years	Make	Model Application Information
Oil Seals		
710568	Wheel Seal - Rear	
2002-01	Chevrolet	G2500
2009-01	Chevrolet	G3500
2004-01	Chevrolet	Silverado 2500
2009-01	Chevrolet	Silverado 2500HD
2009-01	Chevrolet	Silverado 3500
2002-01	GMC	G2500
2009-01	GMC	G3500
2004-01	GMC	Sierra 2500
2009-01	GMC	Sierra 2500HD
2009-01	GMC	Sierra 3500
710569	Wheel Seal - Front	
2009-08	Toyota	Land Cruiser (Outer)
2009-07	Toyota	Tundra (Outer)
710570	Wheel Seal - Front	
2002-96	Toyota	4Runner (Inner)
2007-01	Toyota	Sequoia (Inner)
2004-95	Toyota	Tacoma (Inner)
2006-00	Toyota	Tundra (Inner)
710571	Wheel Seal - Front	
2002-96	Toyota	4Runner (Outer)
2007-01	Toyota	Sequoia (Outer)
2004-95	Toyota	Tacoma (Outer)
2006-00	Toyota	Tundra (Outer)
710573	Wheel Seal - Front	
2009-03	Lexus	GX470 (Inner)
2009-03	Toyota	4Runner (Inner)
2009-07	Toyota	FJ Cruiser (Inner)
2009-05	Toyota	Tacoma (Inner)
710576	Wheel Seal - Rear	
2009-08	Toyota	Land Cruiser
710583	Auto Trans. - Output Shaft	
2009-07	Buick	6T75 (RH)
2009-07	Chevrolet	6T70 (RH)
2009-08	Chevrolet	6T75 (RH)
2009	Ford	6F35 (RH)
2009-08	Ford	6F50 (RH)
2009-07	GMC	6T70 (RH)
2009-08	GMC	6T75 (RH)
2009-07	Lincoln	6F50 (RH)
2009	Mazda	6F35 (RH)
2009	Mercury	6F35 (RH)
2009-08	Mercury	6F50 (RH)
2009-07	Pontiac	6T70 (RH)
2009-08	Pontiac	6T75 (RH)
2009-07	Saturn	6T70 (RH)
2009-08	Saturn	6T75 (RH)

New Items List

Part No.	Part Description	
Years	Make	Model Application Information
Oil Seals		
710585	Wheel Seal - Front/Rear	
2001-92	AMGeneral	Hummer
2006-02	Hummer	H1
710586	Wheel Seal - Rear	
2009-06	Ford	E350 Econoline
2009-06	Ford	E450 Econoline Super Duty
710589	Wheel Seal - Front	
1993-92	Mercedes-Benz	300SD
1993-92	Mercedes-Benz	300SE
1992-92	Mercedes-Benz	400SE
1993-93	Mercedes-Benz	400SEL
1993-93	Mercedes-Benz	500SEC
1993-92	Mercedes-Benz	500SEL
1993-93	Mercedes-Benz	600SEC
1993-92	Mercedes-Benz	600SEL
1999-98	Mercedes-Benz	CL500
1999-98	Mercedes-Benz	CL600
1999-94	Mercedes-Benz	S320
1995-94	Mercedes-Benz	S350
1997-94	Mercedes-Benz	S420
1999-94	Mercedes-Benz	S500
1999-94	Mercedes-Benz	S600
710591	Axle - Pinion Seal - Front Axle	
2003-97	Infiniti	QX4 (R200A)
1997-86	Nissan	Hardbody (R200A)
2004-87	Nissan	Pathfinder (R200A)
710596	Axle - Shaft Seal - Front Axle	
2009-03	Lexus	GX470 (IFS 8" R.G.)
2007-03	Lexus	LX470 (IFS 8" R.G.)
2009-08	Lexus	LX570 (IFS 8" R.G.)
2002-86	Toyota	4Runner (IFS 7.5" R.G.)
2009-03	Toyota	4Runner (IFS 8" R.G.)
2009-07	Toyota	FJ Cruiser (IFS 8" R.G.)
2007-03	Toyota	Land Cruiser (IFS 8" R.G.)
1995-86	Toyota	Pickup (IFS 7.5" R.G.)
2004-01	Toyota	Sequoia (IFS 7.5" R.G.)
2007-05	Toyota	Sequoia (IFS 8" R.G.)
1998-93	Toyota	T100 (IFS 7.5" R.G.)
2004-95	Toyota	Tacoma (IFS 7.5" R.G.)
2009-05	Toyota	Tacoma (IFS 8" R.G.)
2004-00	Toyota	Tundra (IFS 7.5" R.G.)
2006-05	Toyota	Tundra (IFS 8" R.G.)

Part No.	Part Description	
Years	Make	Model Application Information
Oil Seals		
710600	Engine - Crankshaft	
2009-05	Ford	L4/2.0L DOHC
2009-01	Ford	L4/2.3L DOHC
2009	Ford	L4/2.5L DOHC
2009-04	Mazda	L4/2.0L DOHC
2009-01	Mazda	L4/2.3L DOHC
2009-07	Mazda	L4/2.3L DOHC Turbo
2009	Mazda	L4/2.5L DOHC
2009-06	Mercury	L4/2.3L DOHC
2009	Mercury	L4/2.5L DOHC
710603	Engine - Crankshaft	
2007-04	Buick	L6/4.2L DOHC
2009-02	Chevrolet	L6/4.2L DOHC
2009-02	GMC	L6/4.2L DOHC
2008-03	Isuzu	L6/4.2L DOHC
2004-02	Oldsmobile	L6/4.2L DOHC
2009-05	Saab	L6/4.2L DOHC
710605	Engine - Timing Cover	
2004	Buick	L6/4.2L DOHC
2004-02	Chevrolet	L6/4.2L DOHC
2004-02	GMC	L6/4.2L DOHC
2004-03	Isuzu	L6/4.2L DOHC
2004-02	Oldsmobile	L6/4.2L DOHC
710607	Engine - Timing Cover	
2007-01	Chevrolet	V8/8.1L OHV
2007-01	GMC	V8/8.1L OHV
2002	Hummer	V8/8.1L OHV
710608	Engine - Timing Cover	
2009-02	Acura	L4/2.0L DOHC
2009-07	Acura	L4/2.3L DOHC Turbo
2009-04	Acura	L4/2.4L DOHC
2009-04	Chrysler	L4/2.4L DOHC
2009-07	Dodge	L4/1.8L DOHC
2009-07	Dodge	L4/2.0L DOHC
2009-07	Dodge	L4/2.3L DOHC Turbo
2009-06	Honda	L4/1.8L DOHC
2009-02	Honda	L4/2.0L DOHC
2009-04	Honda	L4/2.2L DOHC
2009-02	Honda	L4/2.4L DOHC
2009-06	Hyundai	L4/2.4L DOHC
2009-07	Jeep	L4/2.0L DOHC
2009-07	Jeep	L4/2.4L DOHC
2009-06	Kia	L4/2.4L DOHC
2009-08	Mitsubishi	L4/2.0L DOHC
2009-08	Mitsubishi	L4/2.0L DOHC Turbo

New Items List

Part No.	Part Description	
Years	Make	Model Application Information
Oil Seals		
710608	Auto Trans. - Front Pump	
2009-05	Chrysler	W5A580
2009-03	Dodge	W5A380
2009-05	Dodge	W5A580
2004-98	Jaguar	W5A580
2009-05	Jeep	W5A580
2009-03	Maybach	W5A580
1997-81	Mercedes-Benz	W4A040
1999-90	Mercedes-Benz	W5A030
2009-97	Mercedes-Benz	W5A580
1995-80	Porsche	W4A040
710611	Engine - Timing Cover	
2004-98	Kia	L4/1.8L DOHC
710613	Engine - Timing Cover	
2001-97	Cadillac	V6/3.0L DOHC
1997-94	Saab	V6/2.5L DOHC
2004-95	Saab	V6/3.0L DOHC
2005-00	Saturn	V6/3.0L DOHC
710615	Engine - Timing Cover	
2007-01	Lexus	V8/4.3L DOHC
2009-98	Lexus	V8/4.7L DOHC
2009-98	Toyota	V8/4.7L DOHC
710617	Engine - Crankshaft	
1990-88	Audi	L4/2.0L SOHC
2001-97	Audi	V6/2.8L DOHC
2006-93	Volkswagen	L4/2.0L SOHC
2005-98	Volkswagen	V6/2.8L DOHC
710618	Engine - Timing Cover	
1990-88	Audi	L4/2.0L SOHC
2001-97	Audi	V6/2.8L DOHC
2006-93	Volkswagen	L4/2.0L SOHC
2005-98	Volkswagen	V6/2.8L DOHC
710626	Wheel Seal - Front	
2009-08	Toyota	Land Cruiser (Inner)
2009-07	Toyota	Tundra (Inner)
710628	Auto Trans. - Torque Converter	
2009-07	Chrysler	62TE
2009-08	Dodge	62TE
2009	Volkswagen	62TE
710629	Auto Trans. - Output Shaft	
2005-03	Honda	SZCA

Part No.	Part Description	
Years	Make	Model Application Information
Oil Seals		
710630	Auto Trans. - Output Shaft	
2008-04	Acura	MCTA
2006-02	Acura	MRMA
2009-03	Honda	BZKA
2006-05	Honda	GPLA
2006-05	Honda	GPPA
2004-02	Honda	MCVA
2006-05	Honda	MKYA
2004-02	Honda	MRVA
2009-03	Honda	MZKA
2009-07	Honda	SMMA
2005-03	Honda	SZCA
710632	Auto Trans. - Output Shaft	
2009-07	Dodge	JF011E (LH)(FWD)
2009-07	Jeep	JF011E (LH)(FWD)
2009-08	Mitsubishi	JF011E (LH)(FWD)
2009-03	Nissan	JF011E (LH)(FWD)
710633	Auto Trans. - Output Shaft	
2009-07	Dodge	JF011E (RH)(FWD)
2009-07	Jeep	JF011E (RH)(FWD)
2009-08	Mitsubishi	JF011E (RH)(FWD)
2009-03	Nissan	JF011E (RH)(FWD)
710634	Auto Trans. - Output Shaft	
2009-07	Dodge	JF011E (RH)(4WD)
2009-07	Jeep	JF011E (RH)(4WD)
2009-08	Mitsubishi	JF011E (RH)(4WD)
2009-03	Nissan	JF011E (RH)(4WD)
710636	Auto Trans. - Extension Housing	
2009-05	Cadillac	6L80 (4WD)
2009-05	Chevrolet	6L80 (4WD)
2009-06	GMC	6L80 (4WD)
2009-08	Hummer	6L80
710642	Wheel Seal - Rear	
1999-92	Toyota	Paseo
1999-91	Toyota	Tercel
710644	Engine - Timing Cover	
2009-94	Lexus	L4/2.7L DOHC
2004-91	Toyota	L4/2.4L DOHC

TAPERED ASSEMBLIES & COMPONENT PARTS

ASSEMBLY NO.	CONE	CUP
A-1	LM 11749	LM 11710
A-2	LM 11949	LM 11910
A-2L	LM 11949-XL	LM 11910-XL
A-3	M 12649	M 12610
A-4	L 44649	L 44610
A-5	LM 48548	LM 48510
A-5L	LM 48548-XL	LM 48510-XL
A-6	LM 67048	LM 67010
A-6L	LM 67048-SL	LM 67010-XL
A-7 (Includes Lock Ring R 201047*)	M 201047S	M 201011
A-9 (Includes Lock Ring TKB-2943*)	U 298*	U 261-L*
A-10 (Includes Lock Ring TKB-2935*)	U 399*	U 360-L*
A-12	LM 12749	LM 12710
A-13	L 68149	L 68110
A-14	L 44643	L 44610
A-15	L 45449	L 45410
A-16	LM 12749	LM 12711
A-17	L 68149	L 68111
A-18	JL 69349	JL 69310
A-19	07100	07196
A-20 (Includes Lock Ring TKB-2944*)	U 399-A**	U 365-L*
+A-22 (Includes (1) K518780R* Spacer)	JLM 506848E*	JLM 506810
+A-23 (Includes (1) X-2446-6* Spacer)	LM 104949E*	LM 104911
A-24 Not Available Separately		
A-29	LM 67045*	LM 67010
A-31	JL 68145*	JM 68111-Z*
A-32 Not Available Separately		
A-33 Not Available Separately		
A-34	LM 12749*	LM 12710
A-35	LM 501349	LM 501310
A-36	LM 603049	LM 603012
A-37	LM 603049	LM 603011
A-38	LM 104949	LM 104911
A-39	JL 26749F*	JL 26710*
A-40	JLM 104946*	JLM 104910Z*
A-41 Not Available Separately		
A-42	JLM 506849A	JLM 506811
A-44 Not Available Separately		
A-46 Not Available Separately	NP 706218	NP910345
A-47 Not Available Separately	NP145100	NP913325
A-48 Not Available Separately		
A-49 Not Available Separately	NP182140	NP645406
A-50 Not Available Separately	NP197868	NP802507
A-51 Not Available Separately	14585	14525
A-53 Not Available Separately	NP114036	NP0643
A-140 Not Available Separately		

* Not necessarily a stock item - check for availability
+ Do not replace individual components

Wheel Hub Assemblies

Symptoms and Diagnosis of Worn Hub Assemblies & Bearings

Front wheel hub assemblies and bearings control the position of, and reduce the resistance of, vehicle wheels in contact with the pavement. When they fail, front wheels may not be kept in position and vibration and noise usually develop. Symptoms that normally develop as a result of these worn parts include:

- A humming, rumbling or growling noise which increases with acceleration or as the vehicle turns
- Vibration felt in the steering wheel, which changes with vehicle speed or as the vehicle turns
- Looseness or excessive play in the steering wheel (especially while driving over rough road surfaces)
- A loud, constant grinding noise when driving the vehicle (heard in the most severe cases of a wheel bearing failure)
- Pulling to one side when braking
- Roughness – with the vehicle off the ground, roughness or vibration when rotating the wheel
- Looseness – with the vehicle off the ground, looseness when wiggling the wheel back and forth*
- Excessive brake pedal “play” can also indicate “sloppy” or excessively loose wheel bearings
- ABS failure in the system may be related to failure of the ABS sensor in the hub assembly or the internal sensor in the wheel bearing

**Note: “play” or looseness may also indicate a worn ball joint, check the ball joint before proceeding with bearing replacement.*



With the hub assembly designs prevalent in most late model vehicles, diagnosing potentially damaged or worn wheel bearings has become a more difficult task. Noise and driveability problems can be linked to any number of steering, braking or suspension components. If any of these symptoms are present, check with an experienced chassis technician before starting to replace parts.

Wheel Hub Assemblies

Installation Chart

No one can afford to do the job twice. Following the removal and installation procedures illustrated below, along with the vehicle manufacturer's instruction manual, will ensure the hub replacement is done correctly.

Removal



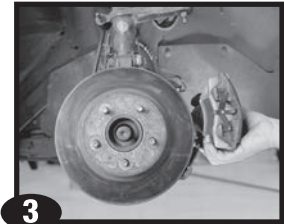
Tools required for proper removal and installation of wheel end modules.



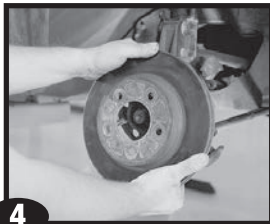
1 Raise vehicle off the ground and remove lug nuts and wheel.



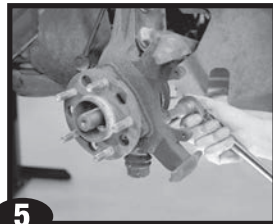
2 Remove axle nut using an axle nut socket. An impact wrench is not recommended.



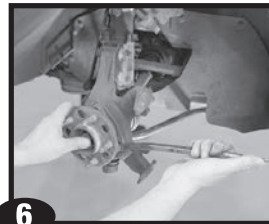
3 Remove the brake caliper. Make certain it is positioned so that it will not interfere with the installation procedure. Inspect brake pads.



4 Remove the brake rotor.



5 Remove the hub bolts from the steering knuckle.

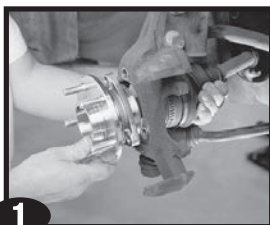


6 Using a pry bar between the module and knuckle, carefully separate the module from the knuckle.

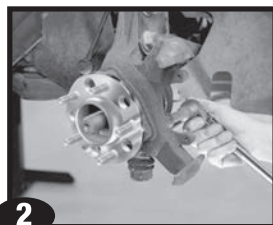


7 Remove any burrs or loose metal from the knuckle (bearing housing) to provide proper alignment when the hub is being sealed. Inspect the splines on the CV shaft for damage.

Installation



1 Guide new module onto CV shaft and into knuckle ensuring proper alignment. Misalignment may result in premature failure.



2 Torque hub mounting bolts (steering knuckle to module flange) to manufacturer's specifications using appropriate torque wrench.



3 Reassemble brake rotor and caliper.



4 Torque axle nut to manufacturer specifications. An impact wrench is not recommended.



5 Replace tire/wheel on vehicle. Lower vehicle to ground and torque lug nuts.

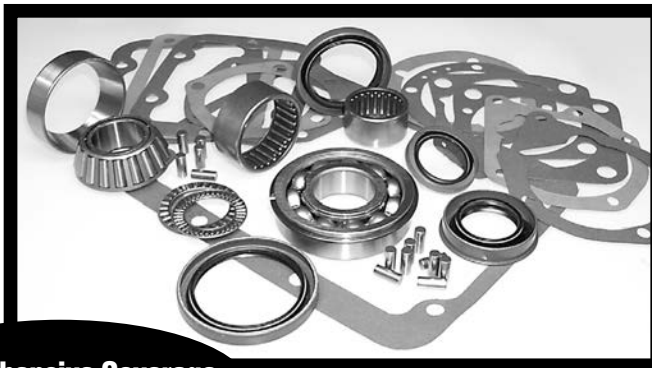
Light Duty Transmission & Differential Kits



Rebuilding light duty transmissions and differentials has never been more convenient. The kits we offer for Chrysler, Ford and General Motors applications include everything necessary to rebuild the transmission or differential.

Transmission Kit Includes:

- Driveshaft Rear Bearing
- Mainshaft Pilot
- Mainshaft Rear
- Countershaft Front
- Countershaft Rear
- Countershaft Rear Thrust Brg.
- Thrust Bearing (3rd & 4th)
- Driveshaft Seals
- Mainshaft Seals
- Gasket Set



**Comprehensive Coverage
Maximum Convenience**



Differential Kit Includes:

- Premium Bearings
- Premium Oil Seals
- Crush Sleeve (where required)
- Pinion Nut
- Gear Marking Compound & Brush
- RTV Sealant
- Shims (where required)

Automotive/ Light Duty Truck Differential Kits

RA-28 Spicer 44 Differential (2)25590-25523 Pinion Inner31594-31520 Pinion Outer02872-02820 Pinion Seal5778 <i>Also includes: Pinion Nut, Gear Marking Compound, Brush, Threadlocker & Gasket Maker</i>	RA-300 Chrysler 8.75" R.G. Differential (2)25590-25520 Pinion InnerHM803149-HM803110 Pinion OuterHM89443-HM89410 Pinion Seal7216 <i>Also includes: Pinion Nut, Gear Marking Compound, Brush, Threadlocker & Gasket Maker</i>	RA-301 Chrysler 8.75" R.G. Differential (2)LM104949-LM104912 Pinion InnerM804049-M804010 Pinion OuterM88048-M88010 Pinion Seal5126 <i>Also includes: Pinion Nut, Gear Marking Compound, Brush, Threadlocker & Gasket Maker</i>	RA-302 Chrysler 7.25" R.G. Differential (2)A-35 Pinion InnerHM88649-HM88610 Pinion OuterM86649-M86610 Pinion Seal8516N <i>Also includes: Pinion Nut, Crush Sleeve, Gear Marking Compound, Brush, Threadlocker & Gasket Maker</i>
RA-303 Chrysler 8.25" R.G. (1st Design) Differential (2)A-36 Pinion InnerM802048-M802011 Pinion OuterM86649-M86610 Pinion Seal8516N <i>Also includes: Pinion Nut, Crush Sleeve, Gear Marking Compound, Brush, Threadlocker & Gasket Maker</i>	RA-303-A Chrysler 8.25" R.G. (2nd Design), Chrysler C213 Differential (2)A-36 Pinion InnerM802048-M802011 Pinion OuterM86649-M86610 Pinion Seal710480 <i>Also includes: Pinion Nut, Crush Sleeve, Gear Marking Compound, Brush, Threadlocker & Gasket Maker</i>	RA-304 Chrysler 9.25" R.G. (1st Design) Differential (2)JLM704649-JLM704610 Pinion InnerM804049-M804010 Pinion OuterM88048-M88010 Pinion Seal5126 <i>Also includes: Pinion Nut, Crush Sleeve, Gear Marking Compound, Brush, Threadlocker & Gasket Maker</i>	RA-304-A Chrysler 9.25" R.G. (2nd Design) Differential (2)JLM704649-JLM704610 Pinion InnerM804049-M804010 Pinion OuterM88048-M88010 Pinion Seal710481 <i>Also includes: Pinion Nut, Crush Sleeve, Gear Marking Compound, Brush, Threadlocker & Gasket Maker</i>
RA-310 Ford 7.75" & 8" R.G. Differential (2)A-35 Pinion (2)M86649-M86610 Pinion Seal3618 (Early) Pinion Seal8181NA (Late) Pinion PilotR-1558-TAV <i>Also includes: Pinion Nut, Crush Sleeve, Gear Marking Compound, Brush, Threadlocker & Gasket Maker</i>	RA-311 Ford 8.5" & 8.8" R.G., Visteon 8.8" R.G. Differential (2)A-36 Pinion InnerM802048-M802011 Pinion OuterM88048-M88010 Pinion Seal3604 <i>Also includes: Pinion Nut, Crush Sleeve, Gear Marking Compound, Brush, Threadlocker & Gasket Maker</i>	RA-311-J AMC 20 Differential (2)A-36 Pinion InnerM802048-M802011 Pinion OuterM88048-M88010 Pinion Seal470331N <i>Also includes: Pinion Nut, Crush Sleeve, Gear Marking Compound, Brush, Threadlocker & Gasket Maker</i>	RA-312 Ford 9" R.G. Differential (2)A-35 Pinion (2)M88048-M88010 Pinion Seal7044NA Pinion PilotR-1535-TAV O-Ring248 <i>Also includes: Pinion Nut, Crush Sleeve, Gear Marking Compound, Brush, Threadlocker & Gasket Maker</i>
RA-313 Ford 9" R.G. Differential (2)LM102949-LM102910 Pinion (2)M88048-M88010 Pinion Seal7044NA (Early) Pinion Seal3604 (Late) O-Ring248 <i>Also includes: Pinion Nut, Crush Sleeve, Gear Marking Compound, Brush, Threadlocker & Gasket Maker</i>	RA-314 Ford 10.25" R.G. Differential (2)469-453X Pinion InnerHM807044-HM807010 Pinion OuterHM89443-HM89411 Pinion Seal4278 <i>Also includes: Pinion Nut, Crush Sleeve, Gear Marking Compound, Brush, Threadlocker & Gasket Maker</i>	RA-315 Ford 7.5" R.G., Visteon 7.5" R.G. Differential (2)LM501349-LM501314 Pinion InnerM802048-M802011 Pinion OuterM88048-M88010 Pinion Seal3604 <i>Also includes: Pinion Nut, Crush Sleeve, Gear Marking Compound, Brush, Threadlocker & Gasket Maker</i>	RA-320 AAM 7.5" & 7.625" R.G., GMC 7.5" & 7.625" R.G. Differential (2)LM501349-LM501314 Pinion InnerHM89249-HM89210 Pinion OuterM86649-M86610 Pinion Seal8610 <i>Also includes: Pinion Nut, Crush Sleeve, Gear Marking Compound, Brush, Threadlocker & Gasket Maker</i>
RA-320-A AAM 7.25" R.G., GMC 7.25" R.G. (1st Design) Differential (2)A-18 Pinion InnerM88047-M88010 Pinion OuterM86649-M86610 Pinion Seal8611N <i>Also includes: Pinion Nut, Crush Sleeve, Gear Marking Compound, Brush, Threadlocker & Gasket Maker</i>	RA-320-B AAM 7.625" R.G. (2nd Design) Differential (2)LM501349-LM501314 Pinion InnerHM89249-HM89210 Pinion OuterM86649-M86610 Pinion Seal710474 <i>Also includes: Pinion Nut, Crush Sleeve, Gear Marking Compound, Brush, Threadlocker & Gasket Maker</i>	RA-321 AAM 8.5" R.G., GMC 8.5" R.G. Differential (2)LM501349-LM501314 Pinion InnerM802048-M802011 Pinion OuterM88048-M88010 Pinion Seal2043 (Rear Axle) Pinion Seal8622 (Front Axle) <i>Also includes: Pinion Nut, Crush Sleeve, Gear Marking Compound, Brush, Threadlocker & Gasket Maker</i>	RA-321-A AAM 8.25" R.G., GMC 8.25" R.G. (1st Design) Differential (2)LM501349-LM501314 Pinion InnerM802048-M802011 Pinion OuterM88048-M88010 Pinion Seal710281 <i>Also includes: Pinion Nut, Crush Sleeve, Gear Marking Compound, Brush, Threadlocker & Gasket Maker</i>

Automotive/ Light Duty Truck

Differential Kits

RA-321-C AAM 8.625" R.G. (2nd Design) Differential (2) A-36 Pinion Inner M802048-M802011 Pinion Outer M88048-M88010 Pinion Seal710506 <i>Also includes: Pinion Nut, Crush Sleeve, Gear Marking Compound, Brush, Threadlocker & Gasket Maker</i>	RA-322 GMC 8.875" R.G. Differential (2) A-36 Pinion Inner HM89449-HM89410 Pinion Outer M88048-M88010 Pinion Seal8460N <i>Also includes: Pinion Nut, Crush Sleeve, Gear Marking Compound, Brush, Threadlocker & Gasket Maker</i>	RA-323 GMC 8.75" R.G. Differential (2) A-36 Pinion Inner M802048-M802011 Pinion Outer M88048-M88010 Pinion Seal2043 <i>Also includes: Pinion Nut, Crush Sleeve, Gear Marking Compound, Brush, Threadlocker & Gasket Maker</i>	RA-324 AAM 9.5" R.G., GMC 9.5" R.G. (1st Design) Differential (2) A-42 Pinion Inner HM804846-HM804810 Pinion Outer HM88649-HM88610 Pinion Seal3896 <i>Also includes: Pinion Nut, Crush Sleeve, Gear Marking Compound, Brush, Threadlocker & Gasket Maker</i>
RA-324-A AAM 9.25" R.G., GMC 9.25" R.G. Differential (2) A-42 Pinion Inner HM804846-HM804810 Pinion Outer HM88649-HM88610 Pinion Seal710281 <i>Also includes: Pinion Nut, Crush Sleeve, Gear Marking Compound, Brush, Threadlocker & Gasket Maker</i>	RA-324-B AAM 9.5" R.G., GMC 9.5" R.G. (2nd Design) Differential (2) A-42 Pinion Inner HM804846-HM804810 Pinion Outer HM88649-HM88610 Pinion Seal710507 <i>Also includes: Pinion Nut, Crush Sleeve, Gear Marking Compound, Brush, Threadlocker & Gasket Maker</i>	RA-325 GMC 10.5" R.G. Differential (2)387AS-382A Pinion Inner HM803149-HM803011 Pinion Outer M802048-M802011 Pinion Seal2286 Pinion Pilot R-1581-TV <i>Also includes: Pinion Nut, Crush Sleeve, Gear Marking Compound, Brush, Threadlocker & Gasket Maker</i>	RA-325-A AAM 10.5" R.G., GMC 10.5" R.G. (1st Design) Differential (2)387AS-382A Pinion Inner HM903249-HM90210 Pinion Outer M802048-M802011 Pinion Seal2286 Pinion Pilot R-1581-TV <i>Also includes: Pinion Nut, Crush Sleeve, Gear Marking Compound, Brush, Threadlocker & Gasket Maker</i>
RA-325-B AAM 10.5" R.G. (2nd Design) Differential (2)387AS-382A Pinion Inner HM903249-HM90210 Pinion Outer M802048-M802011 Pinion Seal710508 Pinion Pilot R-1581-TV <i>Also includes: Pinion Nut, Crush Sleeve, Gear Marking Compound, Brush, Threadlocker & Gasket Maker</i>	RA-326 Borg-Warner M78 Differential (2) LM102949-LM102910 Pinion Inner HM89446-HM89410 Pinion Outer M86649-M86610 Pinion Seal7547N <i>Also includes: Pinion Nut, Crush Sleeve, Gear Marking Compound, Brush, Threadlocker & Gasket Maker</i>	RA-327 AAM 8" R.G. Differential (2) A-36 Pinion Inner M802048-M802011 Pinion Outer M86649-M86610 Pinion Seal710474 <i>Also includes: Pinion Nut, Crush Sleeve, Gear Marking Compound, Brush, Threadlocker & Gasket Maker</i>	RA-331 Spicer 60 (1st Design) Differential (2)387A-382S Pinion Inner HM803146-HM803110 Pinion Outer HM88542-HM88510 Pinion Seal6808N (Early) Pinion Seal9316 (Late) <i>Also includes: Pinion Nut & Washer, Pinion Shims, Differential Shims, Gear Marking Compound, Brush, Threadlocker & Gasket Maker</i>
RA-331-A Spicer 60 (2nd Design) Differential (2) A-50 Pinion Inner HM803146-HM803110 Pinion Outer HM88542-HM88510 Pinion Seal719316 <i>Also includes: Pinion Nut & Washer, Pinion Shims, Differential Shims, Gear Marking Compound, Brush, Threadlocker & Gasket Maker</i>	RA-332 Spicer 70, 71 Differential (2)387A-382S Pinion Inner HM807040-HM807010 Pinion Outer HM88542-HM88510 Pinion Seal6808N (Early) Pinion Seal9316 (Late) Pinion Pilot R-1535-TAV <i>Also includes: Pinion Nut & Washer, Pinion Shims, Differential Shims, Gear Marking Compound, Brush, Threadlocker & Gasket Maker</i>	RA-332-HD Spicer 70HD Differential (2)469-453X Pinion Inner HM807040-HM807010 Pinion Outer HM88542-HM88510 Pinion Seal9316 <i>Also includes: Pinion Nut & Washer, Pinion Shims, Differential Shims, Gear Marking Compound, Brush, Threadlocker & Gasket Maker</i>	RA-332-U Spicer 70U, 71 Differential (2)387A-382S Pinion Inner HM803149-HM803110 Pinion Outer HM88542-HM88510 Pinion Seal9316 <i>Also includes: Pinion Nut & Washer, Pinion Shims, Differential Shims, Gear Marking Compound, Brush, Threadlocker & Gasket Maker</i>
RA-333 Spicer 28-IFS Differential (2) LM29749-LM29710 Pinion Inner M88048-M88010 Pinion Outer M86649-M86610 Pinion Seal4244 <i>Also includes: Pinion Nut, Crush Sleeve, Gear Marking Compound, Brush, Threadlocker & Gasket Maker</i>	RA-334 Spicer 30-IFS Differential (2) LM501349-LM501314 Pinion Inner HM88649-HM88610 Pinion Outer02872-02820 Pinion Seal5778 <i>Also includes: Pinion Nut, Gear Marking Compound, Brush, Threadlocker & Gasket Maker</i>	RA-335 Spicer 35-IFS, 35-SLA Differential (2) LM501349-LM501314 Pinion Inner HM88648-HM88610 Pinion Outer M86649-M86610 Pinion Seal714675 <i>Also includes: Pinion Nut, Crush Sleeve, Gear Marking Compound, Brush, Threadlocker & Gasket Maker</i>	RA-335-J Spicer 35C Differential (2) LM501349-LM501314 Pinion Inner HM88648-HM88610 Pinion Outer M86649-M86610 Pinion Seal470331N <i>Also includes: Pinion Nut, Crush Sleeve, Gear Marking Compound, Brush, Threadlocker & Gasket Maker</i>

Automotive/ Light Duty Truck Differential Kits

RA-336	RA-336-A	RA-337	RA-338
<i>Spicer 50-IFS</i>	<i>Spicer 50 Moonbeam</i>	<i>Spicer 80</i>	<i>Spicer 30, 36-ICA</i>
Differential (2)JLM104948-LM104911 Pinion InnerHM88649-HM88610 Pinion Outer02872-02820 Pinion Seal5778 <i>Also includes: Pinion Nut, Gear Marking Compound, Brush, Threadlocker & Gasket Maker</i>	Differential (2)JLM104948-LM104911A Pinion InnerHM88649-HM88610 Pinion Outer02872-02820 Pinion Seal710482 <i>Also includes: Pinion Nut, Gear Marking Compound, Brush, Threadlocker & Gasket Maker</i>	Differential (2)469-453X Pinion InnerHM807046-HM807010 Pinion OuterM802048-M802011 Pinion Seal4525V <i>Also includes: Pinion Nut, Gear Marking Compound, Brush, Threadlocker & Gasket Maker</i>	Differential (2)LM501349-LM501314 Pinion InnerHM88649-HM88610 Pinion OuterM86647-M86610 Pinion Seal5778 <i>Also includes: Pinion Nut, Gear Marking Compound, Brush, Threadlocker & Gasket Maker</i>
RA-339	RA-339-A	RA-339-C	
<i>Spicer 44-ICA (1st Design)</i>	<i>Spicer 44-ICA (2nd Design)</i>	<i>Spicer 44-3F</i>	
Differential (2)A-37 Pinion InnerHM88649-HM88610 Pinion OuterM86647-M86610 Pinion Seal5778 <i>Also includes: Pinion Nut, Gear Marking Compound, Brush, Threadlocker & Gasket Maker</i>	Differential (2)A-36 Pinion InnerM802048-M802011 Pinion OuterM88048-M88010 Pinion Seal9316 <i>Also includes: Pinion Nut, Gear Marking Compound, Brush, Threadlocker & Gasket Maker</i>	Differential (2)25590-25523 Pinion InnerHM88649-HM88610 Pinion Outer02872-02820 Pinion Seal5778 <i>Also includes: Pinion Nut, Gear Marking Compound, Brush, Threadlocker & Gasket Maker</i>	

Bearing & Seal Kits

SBK-1 Bearing B-2110 Seal 722108 V-Seal 722109	SBK-2 Bearing SCE-148 Seal 8314 Seal Not Sold Separately	SBK-3 Bearing B-2414 Seal 710044 V-Seal 710045
SBK-4 Bearing B-2110 V-Seal 722108 V-Seal 722109 Ring Not Sold Separately	SBK-5 Bearing B-2414 Seal 710414 V-Seal 710413	PSK-1 Seal Not Sold Separately Seal Not Sold Separately
5000 Seal 9845 Sleeve 88176	5001 Seal 2692 Sleeve 88187	5604 Seal 3948 Sleeve Not Sold Separately
5682 V-Seal 800550 Ring Not Sold Separately	5690 Bearing Not Sold Separately Hardware Not Sold Separately Housing Not Sold Separately Sleeve Not Sold Separately	5695 Ring Not Sold Separately Ring Not Sold Separately Sleeve Not Sold Separately
5697 Seal 4051 O-Ring Not Sold Separately	5698 Seal 4185 O-Ring Not Sold Separately	5699 Seal 4310 O-Ring Not Sold Separately

Automotive/ Light Duty Truck

Transfer Case & Manual Transmission Kits

T-82-F	T-82-FD	T-127
<i>Warner T18, T19</i>	<i>Warner T19 (Diesel)</i>	<i>New Process 435, 436</i>
Countershaft Bearing (88)..... C-436-Q Driveshaft Bearing..... 308-L1 Driveshaft Seal..... 7412S Mainshaft Bearing..... 1308-L Mainshaft Pilot Bearing (22)..... C-436-Q Mainshaft Seal (10 Spline)..... 450308 Mainshaft Seal (28 Spline)..... 470380 Mainshaft Seal (31 Spline)..... 473442 Mainshaft Seal (35 Spline)..... 450519 Reverse Idler Bearing (74)..... B-1316-Q	Countershaft Bearing (88)..... C-436-Q Driveshaft Cone..... M802048 Driveshaft Cup..... M802011 Driveshaft Seal..... 7412S Mainshaft Bearing..... 1308-L Mainshaft Pilot Bearing (22)..... C-436-Q Mainshaft Seal (28 Spline)..... 472189 Mainshaft Seal (35 Spline)..... 450519 Reverse Idler Bearing (74)..... B-1316-Q	Countershaft Bearing Front..... BCE-2416 Countershaft Bearing Rear..... B-3216 Countershaft Thrust Bearing..... NTA-2031 Driveshaft Cone..... HM88649 Driveshaft Cup..... HM88610 Driveshaft Seal (1.500" Shaft)..... 470380 Driveshaft Seal (1.375" Shaft)..... 482163N Mainshaft Bearing..... 1308-L Mainshaft Pilot Bearing (14)..... Q-15902 Mainshaft Seal (Chrysler, GMC, IHC)..... 470898 Mainshaft Seal (Ford)..... 471271 Synchro Hub Thrust Bearing..... FA-35688
T-127-F	T-127-G	T-157
<i>New Process 435</i>	<i>New Process 435, 436</i>	<i>GMC CH465, SM465 (1st Design) 1968-84</i>
Countershaft Bearing Front..... BCE-2416 Countershaft Bearing Rear..... B-3216 Countershaft Thrust Bearing..... NTA-2031 Driveshaft Cone..... HM88649 Driveshaft Cup..... HM88610 Driveshaft Seal..... 482163N Mainshaft Bearing..... 1308-L Mainshaft Pilot Bearing (14)..... Q-15902 Mainshaft Seal..... 471271 Synchro Hub Thrust Bearing..... FA-35688	Countershaft Bearing Front..... BCE-2416 Countershaft Bearing Rear..... B-3216 Countershaft Thrust Bearing..... NTA-2031 Driveshaft Bearing..... 1308-L Driveshaft Seal (1.120" Shaft)..... 7412S Driveshaft Seal (1.500" Shaft)..... 470380 Mainshaft Bearing..... 1308-L Mainshaft Pilot Bearing (14)..... Q-15902 Mainshaft Seal..... 470898 Synchro Hub Thrust Bearing..... FA-35688	Countershaft Bearing (Front)..... 5707 Countershaft Bearing (Rear)..... 1308-L Driveshaft Bearing..... N-1211-L Driveshaft Seal..... 481181N Mainshaft Bearing..... 1308-L Mainshaft Pilot Bearing (1 Pkg.)..... QAR-34604 Mainshaft Seal..... 410085 Gasket Set..... GT-157
T-172	T-172-FG	T-182
<i>New Process 205</i>	<i>New Process 205</i>	<i>Spicer 300</i>
Front Output Shaft Bearing..... 307-L Front Output Shaft Pilot Bearing..... M-28161 Front Output Shaft Seal..... 710005 Idler Gear Cone (2)..... 2793 Idler Gear Cup (2)..... 2720 Input Shaft Bearing..... 1307-L Input Shaft Pilot Bearing (15)..... QAR-29523 Input Shaft Seal..... 473468 Low Gear Rollers (128)..... QBR-23549 Rear Output Shaft Bearing..... 307-L Rear Output Shaft Pilot Bearing..... B-3216 Rear Output Shaft Seal..... 473468 Shift Shaft (2)..... 2287	Front Output Shaft Bearing..... 307-L Front Output Shaft Pilot Bearing..... M-28161 Front Output Shaft Seal..... 710005 Idler Gear Cone (2)..... 2793 Idler Gear Cup (2)..... 2720 Input Shaft Bearing..... 1210-L Input Shaft Pilot Bearing (15)..... QAR-29523 Input Shaft Seal (GMC)..... 473468 Input Shaft Seal (Ford) (2)..... 471869 Low Gear Rollers (128)..... QBR-23549 Rear Output Shaft Bearing..... 307-L Rear Output Shaft Pilot Bearing..... B-3216 Rear Output Shaft Seal..... 473457 Shift Shaft (2)..... 2287	Front Output Shaft Cone (2)..... M86649 Front Output Shaft Cup (2)..... M86610 Front Output Shaft Seal..... 710005 Input Shaft Bearing..... 209 Input Shaft Seal..... 471869 Intermediate Shaft (48)..... Q-13367 Rear Output Shaft Inner Cone..... 25877 Rear Output Shaft Inner Cup..... 25821 Rear Output Shaft Outer Cone..... 15117 Rear Output Shaft Outer Cup..... 15245 Rear Output Shaft Pilot Bearing..... JH-1612 Rear Output Shaft Seal..... 711552 Shift Shaft (2)..... 470009

Automotive/ Light Duty Truck

Transfer Case & Manual Transmission Kits

T-197	T-212	T-212-FA
<i>New Process 207</i>	<i>New Process 208, 218, 219</i>	<i>New Process 208, 218, 219</i>
Front Output Shaft Bearing 206 Front Output Shaft Pilot Bearing..... SCH-1810 Front Output Shaft Seal 710046 Input Shaft Bearing (2)..... B-3210 Input Shaft Pilot Bearing B-228 Input Shaft Thrust Bearing..... NTA-3244 Input Shaft Seal (2)..... 3173 Rear Output Shaft Bearing 206 Rear Output Shaft Pilot Bearing (2) F-4020 Rear Output Shaft Seal (Chrysler)..... 2506 Rear Output Shaft Seal (GMC) 9613S Rear Output Shaft Seal (Jeep)..... 4370N Oil Pump 341022 Adapter Gasket G33706 Gasket Maker GE-2	Front Output Shaft Bearing B-2816 Front Output Shaft Pilot Bearing..... J-2416 Front Output Shaft Thrust Bearing (2)... NTA-2840 Front Output Shaft Seal 3946 Input Shaft Bearing (2)..... B-5020 Input Shaft Pilot Bearing B-2012 Input Shaft Thrust Bearing AXK-5070 Input Shaft Seal (2) B Rear Output Shaft Bearing 1207-L Rear Output Shaft Thrust Bearing TC-2435 Rear Output Shaft Seal (Chrysler)..... 3946 Rear Output Shaft Seal (GMC) (M/T)..... 9449 Drive Sprocket Bearing (138)..... C-1086-Q Oil Pump 341022	Front Output Shaft Bearing B-2816 Front Output Shaft Pilot Bearing..... J-2416 Front Output Shaft Thrust Bearing (2)... NTA-2840 Front Output Shaft Seal 3946 Input Shaft Bearing (2)..... B-5020 Input Shaft Pilot Bearing B-2012 Input Shaft Thrust Bearing AXK-5070 Input Shaft Seal (2)..... 3173 Rear Output Shaft Bearing 1207-L Rear Output Shaft Thrust Bearing TC-2435 Rear Output Shaft Seal (Fixed Yoke) 3946 Rear Output Shaft Seal (Slip Yoke)..... 4333N Drive Sprocket Bearing (138)..... C-1086-Q Oil Pump 341022
T-220	T-230	T-230A
<i>New Process 118, 119, 128, 129, 228, 229</i>	<i>New Process 231</i>	<i>New Process 231HD</i>
Front Output Shaft Bearing B-2816 Front Output Shaft Pilot Bearing..... J-2416 Front Output Shaft Thrust Bearing (2)... NTA-2840 Front Output Shaft Seal 3946 Input Shaft Bearing (2)..... B-5020 Input Shaft Pilot Bearing B-2012 Input Shaft Thrust Bearing AXK-5070 Input Shaft Seal (2)..... 3173 Rear Output Shaft Bearing 207 Rear Output Shaft Pilot Bearing (2) B-5020 Rear Output Shaft Seal (Chrysler)..... 2506 Rear Output Shaft Seal (GMC) 9613S Rear Output Shaft Seal (Jeep)..... 4370N Oil Pump 341022 Adapter Gasket G33706 Gasket Maker GE-2	Front Output Shaft Bearing..... 206 Front Output Shaft Pilot Bearing..... J-2416 Front Output Shaft Seal 710046 Input Shaft Bearing..... N-5210-KLB Input Shaft Pilot Bearing SCH-1810 Input Shaft Seal (2)..... 3173 Rear Output Shaft Bearing 206 Rear Output Shaft Pilot Bearing (2) B-5020 Rear Output Shaft Seal (Chrysler)..... 2506 Rear Output Shaft Seal (GMC) 9613S Rear Output Shaft Seal (Jeep)..... 4370N Oil Pump 341022 Adapter Gasket G33706 Gasket Maker GE-2	Front Output Shaft Bearing..... 206 Front Output Shaft Pilot Bearing..... J-2416 Front Output Shaft Seal 710046 Input Shaft Bearing..... N-5210-KLB Input Shaft Pilot Bearing FC-66561 Input Shaft Seal (2)..... 3173 Rear Output Shaft Bearing 207 Rear Output Shaft Pilot Bearing (2) B-5020 Rear Output Shaft Seal 4333N Oil Pump 341022 Adapter Gasket G33706 Gasket Maker GE-2
T-230-B	T-240	T-240-A
<i>New Process 231C, 233C</i>	<i>New Process 241, 241C (1st Design)</i>	<i>New Process 241 (2nd Design)</i>
Front Output Shaft Bearing 206 Front Output Shaft Pilot Bearing..... J-2416 Front Output Shaft Seal 710046 Input Shaft Bearing 110-L Input Shaft Pilot Bearing FC-66561 Input Shaft Seal (2)..... 3173 Rear Output Shaft Bearing 206 Rear Output Shaft Pilot Bearing (2) B-5020 Rear Output Shaft Seal 9613S Oil Pump 341022 Adapter Gasket G33706 Gasket Maker GE-2	Front Output Shaft Bearing..... 207 Front Output Shaft Pilot Bearing..... J-2416 Front Output Shaft Seal 3946 Input Shaft Bearing..... N-5210-KLB Input Shaft Pilot Bearing SCH-1810 Input Shaft Seal (2)..... 3173 Rear Output Shaft Bearing 207 Rear Output Shaft Pilot Bearing (2) B-5020 Rear Output Shaft Seal (Chrysler)..... 3946 Rear Output Shaft Seal (GMC)..... 9449 Oil Pump 341022 Adapter Gasket G35854 Gasket Maker GE-2	Front Output Shaft Bearing 207-XLO Front Output Shaft Pilot Bearing..... J-2416 Front Output Shaft Seal 3946 Input Shaft Bearing..... N-5210-KLB Input Shaft Pilot Bearing FC-66561 Input Shaft Seal (2)..... 3173 Rear Output Shaft Bearing..... 207-XLO Rear Output Shaft Pilot Bearing (2) B-5020 Rear Output Shaft Seal 4333N Oil Pump 341022 Adapter Gasket G35854 Gasket Maker GE-2

Automotive/ Light Duty Truck

Transfer Case & Manual Transmission Kits

T-240-B	T-240-C	T-326
<i>New Process 241C, 243C</i>	<i>New Process 242</i>	<i>Saginaw 3 Speed (SM326) & 4 Speed</i>
Front Output Shaft Bearing..... 207 Front Output Shaft Pilot Bearing..... J-2416 Front Output Shaft Seal..... 3946 Input Shaft Bearing..... 110-L Input Shaft Pilot Bearing..... FC-66561 Input Shaft Seal (2)..... 3173 Rear Output Shaft Bearing..... 207 Rear Output Shaft Pilot Bearing (2)..... B-5020 Rear Output Shaft Seal..... 9449 Oil Pump..... 341022 Adapter Gasket..... G35854 Gasket Maker..... GE-2	Front Output Shaft Bearing..... 207 Front Output Shaft Pilot Bearing..... J-2416 Front Output Shaft Seal..... 3946 Input Shaft Bearing..... N-5210-KLB Input Shaft Pilot Bearing..... FC-66561 Input Shaft Seal (2)..... 3173 Rear Output Shaft Bearing..... 206 Rear Output Shaft Pilot Bearing (2 Pkg.)..... C-672-Q Rear Output Shaft Seal..... 4370N Oil Pump..... 341022 Adapter Gasket..... G35854 Gasket Maker..... GE-2	Countershaft Bearing (54)..... C-407-Q Driveshaft Bearing..... 1207-SLB Driveshaft Seal..... 7412S Mainshaft Bearing..... 1306-SLVB Mainshaft Pilot Bearing (14)..... QA-19792 Mainshaft Seal..... 9613S Shift Shaft..... 240735
T-340	T-350	T-370
<i>Warner 1345</i>	<i>Warner 1350</i>	<i>Warner 1356, 1370, 4401</i>
Front Output Shaft Bearing..... 207 Front Output Shaft Pilot Bearing..... B-2012 Front Output Shaft Seal..... 3946 Input Shaft Seal..... 710062 Rear Output Shaft Bearing..... 207 Rear Output Shaft Pilot Bearing..... B-2812 Rear Output Shaft Seal..... 3946 Adapter Gasket..... G36086 Gasket Maker..... GE-2	Front Output Shaft Bearing (Inner)..... 206 Front Output Shaft Bearing (Outer)..... 108 Front Output Shaft Seal..... 4141 Input Shaft Bearing..... 109-L Input Shaft Pilot Bearing..... M-18161 Input Shaft Seal..... 710062 Rear Output Shaft Bearing..... 206 Rear Output Shaft Pilot Bearing..... JH-1612 Rear Output Shaft Seal..... 4143 Shift Shaft Seal..... 330385 Adapter Gasket..... G1350 Gasket Maker..... GE-2	Front Output Shaft Bearing..... 207 Front Output Shaft Pilot Bearing..... B-2012 Front Output Shaft Seal..... 714503 Input Shaft Bearing..... 110 Input Shaft Pilot Bearing..... BK-3026 Input Shaft Seal..... 714503 Rear Output Shaft Bearing..... 207 Rear Output Shaft Seal..... 714503 Rear Output Shaft Seal..... 714503 Shift Shaft Seal..... 330385 Adapter Gasket..... G35814 Adapter Gasket..... G36086 Gasket Maker..... GE-2
T-470	T-472	
<i>Warner 4470</i>	<i>Warner 4472</i>	
Front Output Shaft Bearing..... 207 Front Output Shaft Pilot Bearing..... B-2012 Front Output Shaft Seal..... 714503 Input Shaft Bearing..... 110 Input Shaft Pilot Bearing..... BK-3026 Input Shaft Seal..... 714503 Rear Output Shaft Bearing..... 208 Rear Output Shaft Seal..... 714503 Drive Sprocket (1 Pkg.)..... Q-8304 Oil Pump..... B-3012 Shift Shaft Seal..... 330385 Adapter Gasket..... G35814 Adapter Gasket..... G36086 Gasket Maker..... GE-2	Front Output Shaft Bearing..... 207 Front Output Shaft Pilot Bearing..... JH-1612 Front Output Shaft Seal..... 714503 Input Shaft Bearing..... 109 Input Shaft Pilot Bearing..... SCH-1310 Input Shaft Seal..... 710062 Rear Output Shaft Bearing..... 208-SL Rear Output Shaft Seal..... 714503 Adapter Gasket..... G35814 Adapter Gasket..... G36086 Gasket Maker..... GE-2	

ACURA

(Integra, Legend, NSX, RSX, TSX, Vigor, 2.2CL, 2.3CL, 2.5TL, 3.0CL, 3.2CL, 3.2TL, 3.5RL, 3.5TL, 3.7RL & 3.7TL AWD)

Year	Application	Seal	Bearing
WHEEL			
FRONT WHEEL			
2009	TSX, 3.5TL, 3.7TL AWD		☆ 510095
09-05	3.5RL, 3.7RL	Hub Assembly	513252
08-04	TSX, 3.2TL, 3.5TL		510073
06-02	RSX		◆ 510039
			510050
05-91	NSX	Hub Assembly	513099
04-99	3.5RL		510011
03-99	3.2CL, 3.2TL		510050
01-94	Integra		510030
99-97	2.2CL, 2.3CL	Hub Assembly	513098
99-95	2.5TL, 3.0CL		510038
98-91	Legend, 3.2TL, 3.5RL		510011
94-92	Vigor	Hub Assembly	513093
93-90	Integra		513241
90-88	Legend		513052
89-86	Integra		513024
1987	Legend (Coupe)		513052
1987	Legend (Sedan)		513054
1986	Legend		513054
REAR WHEEL			
2009	TSX	Hub Assembly	☆ 512353
09-05	3.5RL, 3.7RL, 3.7TL AWD	Hub Assembly	512321
08-04	TSX	Hub Assembly	512327
08-04	3.2TL, 3.5TL	Hub Assembly	512188
06-02	RSX	Hub Assembly	512259
05-91	NSX	710293	511012
04-02	3.5RL	Hub Assembly	512343
03-01	3.2CL	Hub Assembly	512173
03-99	3.2TL	Hub Assembly	512179
01-97	Integra (ABS) (Exc. Type R)	Hub Assembly	513105
01-97	Integra (ABS) (Type R)	Hub Assembly	☆ 512255
01-96	3.5RL	Hub Assembly	512123
01-94	Integra (Exc. ABS)	Hub Assembly	512034
99-97	2.2CL, 2.3CL, 3.0CL	Hub Assembly	512172
98-96	3.2TL	Hub Assembly	512121
98-95	2.5TL	Hub Assembly	512120
96-90	Integra (ABS)	Hub Assembly	513105
95-91	Legend	Hub Assembly	512008
94-92	Vigor	Hub Assembly	512031
93-90	Integra (Exc. ABS)	Hub Assembly	513033
89-86	Integra	Hub Assembly	513050
88-86	Legend (Sedan)		513051
CLUTCH			
PILOT			
4 CYLINDER			
01-86	1590cc/1.6L (DOHC), 1678cc/1.7L (DOHC), 1797cc/1.8L (DOHC), 1834cc/1.8L (DOHC)		102-CC
RELEASE			
4 CYLINDER			
01-94	1797cc/1.8L (DOHC), 1834cc/1.8L (DOHC), 2156cc/2.2L, 2254cc/2.3L (220mm Clutch)	Bearing Only	◎ 614072
93-90	1678cc/1.7L (DOHC), 1834cc/1.8L (DOHC) (220mm Clutch)	Bearing Assembly	◎ 614104

Year	Application	Seal	Bearing
RELEASE (Cont.)			
		Bearing Only	Bearing Assembly
6 CYLINDER			
90-86	2494cc/2.5L, 2675cc/2.7L (224mm Clutch)		◎ 614068
DRIVESHAFT			
CV JOINT HALF SHAFT			
01-96	3.5RL	(Inner)	1180
		(Outer)	710160
01-94	Integra		710300
01-91	NSX	(Outer)	710160
99-98	2.3CL	(Inner)	710159
99-97	3.0CL		710300
98-96	3.2TL	(Inner)	1180
		(Outer)	710160
98-95	2.5TL	(Inner)	710287
		(Outer)	710301
1997	2.2CL	(Inner)	710159
95-91	Legend	(Inner)	1180
		(Outer)	710160
94-92	Vigor	(Inner)	710287
		(Outer)	710160
93-90	Integra	(Inner)	710161
90-86	Legend	(Inner)	710161
		(Outer)	710147
TRANSAXLE			
AUTOMATIC / 4 Speed			
DIFFERENTIAL			
04-91	MPYA, M5DA, M5HA		710298
01-86	CA, P1, R0, MPRA, MP7A, SKWA, SP7A, S4XA		(2)30208
99-97	A6VA, B6VA	(Left)	30208
98-95	M1WA		(2)32009-X
94-92	MPWA		(2)32009-X
90-86	G4, G3T4, PL5X	(Left)	30208
		(Right)	32010-X
TORQUE CONVERTER			
05-91	MPYA, MR9A, M5DA, M5HA		* 710238
		Redi-Sleeve	99181
01-92	A6VA, B6VA, B7VA, B7ZA, MPWA, MP7A, M1WA, M7ZA, SKWA, SP7A, S4XA		350609
93-91	MPRA		320564
		Redi-Sleeve	99177
90-86	CA, G4, P1, R0, G3T4, PL5X		350609
INPUT SHAFT			
01-91	MPRA, MPWA, MP7A, SKWA, SP7A, S4XA		220918
98-95	M1WA		710282
INTERMEDIATE SHAFT			
98-95	M1WA	(Left)	30208
		(Right)	32010-X
OUTPUT SHAFT			
05-91	MR9A	(Left)	710291
		(Right)	224068
		Redi-Sleeve	99157

(Continued Next Page)

ACURA

(Integra, Legend, NSX, RSX, TSX, Vigor, 2.2CL, 2.3CL, 2.5TL, 3.0CL, 3.2CL, 3.2TL, 3.5RL, 3.5TL, 3.7RL & 3.7TL AWD) (Cont.)

Year	Application	Seal	Bearing	Year	Application	Seal	Bearing
TRANSAXLE				AUTOMATIC / 5 Speed (Cont.)			
AUTOMATIC / 4 Speed (Cont.)				TORQUE CONVERTER			
OUTPUT SHAFT				OUTPUT SHAFT			
04-91	MPYA, M5DA, M5HA			09-00	BDGA, BGFA, B7WA, MCTA, MGFA, MM7A, MRMA, M7WA.	350609	
	(Left)	223805					
	Redi-Sleeve	99147					
	(Right)	225545					
	Redi-Sleeve	99215					
01-94	MP7A, SKWA, SP7A, S4XA			09-00	BDGA, BDHA, BGFA, B7WA, MCTA, MGFA, MJBA, MM7A, MRMA, M7WA		
	(Left)	710314					
	Redi-Sleeve	99139					
01-90	RO, MPRA, MP7A, SKWA, SP7A, S4XA						
	(Right)	1036					
	Redi-Sleeve	99157					
	Redi-Sleeve	99157					
99-98	B6VA, B7VA						
	(Right)	710217					
	Redi-Sleeve	99139					
99-97	B7ZA, M7ZA						
	(Left)	710110					
	Redi-Sleeve	99134					
99-97	A6VA, B6VA, B7VA						
	(Left)	710300					
	Redi-Sleeve	99157					
99-95	B7ZA, M1WA, M7ZA						
	(Right)	224026					
98-95	M1WA						
	(Left)	710173					
	Redi-Sleeve	99196					
1997	A6VA						
	(Right)	224066					
	Redi-Sleeve	99157					
94-92	MPWA						
	(Right)	224066					
	Redi-Sleeve	99157					
94-90	RO, MPRA, MPWA						
	(Left)	224026					
	Redi-Sleeve	99157					
90-86	G4, G3T4, PL5X						
	(2)	224026					
	Redi-Sleeve (2)	99157					
89-86	CA, P1						
	(Right)	1147					
	Redi-Sleeve	99139					
	(Left)	4901					
	Redi-Sleeve	99139					
PINION				MANUAL / 5 Speed			
04-96	M5DA			DIFFERENTIAL			
98-92	MPWA, M1WA, M5HA			06-90	A1, S1, SSO, S80, YS1, Y80, PPTA, PTD6, W2M5		(2)208-S
	(Front)	710250	33208	95-91	K4A6, K4F6		710298 (2)32009-X
	(Rear)		32008				Redi-Sleeve 99166
95-91	MPYA			94-92	L3A3		(Left) 32008
	(Rear)		32207				(Right) 32010-X
EXTENSION HOUSING				94-91	J4A4		(Right) 32207
98-95	M1WA			89-86	CG		(2)208
87-86	G4			87-86	C3P4		(Left) 32008
							(Right) 32010-X
MANUAL SHAFT				PINION			
05-86	CA, G4, P1, RO, A6VA, B6VA, B7VA, B7ZA, G3T4, MPRA, MPWA, MPYA, MP7A, MR9A, M1WA, M5DA, M5HA, M7ZA, PL5X, SKWA			95-91	SY5, K4A6, K4F6		225875
				INPUT SHAFT			
				06-02	PPTA, PTD6, W2M5		710157
				01-90	A1, S1, SSO, S80, YS1, Y80, L3A3, S2A4, S2A8		222830
							Redi-Sleeve 99111
							di-Sleeve 991 Re
				95-91	SY5, K4A6, K4F6		710157
							Redi-Sleeve 99103
				94-91	J4A4		223235
							Redi-Sleeve 99128
				89-86	CG		239146
AUTOMATIC / 5 Speed				INTERMEDIATE SHAFT			
TORQUE CONVERTER				OUTPUT SHAFT			
09-05	BDHA, MJBA			93-90	A1, S1, SSO, YS1		710297
				OUTPUT SHAFT			
				06-02	PPTA, PTD6, W2M5		
							(Left) 712551
							Redi-Sleeve 99157
				01-94	S80, Y80		(Left) 223543
							Redi-Sleeve 99139
				01-92	SS0, S80, YS1, Y80		
							(Right) 224045
							Redi-Sleeve 99157
				95-91	SY5, K4A6, K4F6		
							(Left) 223805
							Redi-Sleeve 99147
							(Right) 225545
							Redi-Sleeve 99215
							(Continued Next Page)

ACURA

(Cont.) (Integra, Legend, NSX, RSX, TSX, Vigor, 2.2CL, 2.3CL, 2.5TL, 3.0CL, 3.2CL, 3.2TL, 3.5RL, 3.5TL, 3.7RL & 3.7TL AWD)

Year	Application	Seal	Bearing
TRANSAXLE			
MANUAL / 5 Speed (Cont.)			
OUTPUT SHAFT			
94-92	L3A3..... (Right)	224066	
	Redi-Sleeve	99157	
	(Left)	710173	
	Redi-Sleeve	99196	
94-91	J4A4..... (Left)	224068	
	Redi-Sleeve	99157	
	(Right)	710291	
93-92	SS0, YS1..... (Left)	224026	
	Redi-Sleeve	99157	
91-90	A1, S1..... (2)	224026	
	Redi-Sleeve (2)	99157	
87-86	C3P4..... (2)	224026	
	Redi-Sleeve (2)	99157	
COUNTERSHAFT			
91-90	A1, S1.....		5205-KE
EXTENSION HOUSING			
94-92	L3A3.....	710282	
	Redi-Sleeve	99128	
SHIFT SHAFT			
94-91	J4A4.....	710299	
MANUAL / 6 Speed			
DIFFERENTIAL			
06-02	NSN4, PNSA, X2M5.....		(2)208-S
05-95	SR8M..... (Right)		32207
INPUT SHAFT			
09-02	ASU5, DEC6, NSN4, PNSA, X2M5, YZC6.....	710157	
	Redi-Sleeve	99103	
05-95	SR8M.....	223235	
	Redi-Sleeve	99128	
OUTPUT SHAFT			
08-04	DEC6..... (Left)	710300	
	Redi-Sleeve	99157	
	(Right)	710217	
	Redi-Sleeve	99139	
06-02	NSN4, PNSA, X2M5 (Left)	712551	
	Redi-Sleeve	99157	
05-95	SR8M..... (Left)	224068	
	Redi-Sleeve	99157	
	(Right)	710291	
2003	YZC6..... (Right)	710217	
	Redi-Sleeve	99139	
	(Left)	710300	
	Redi-Sleeve	99157	
SHIFT SHAFT			
05-95	SR8M.....	710299	
STEERING			
POWER STEERING			
STEERING PUMP SHAFT			
99-91	Legend, 2.2CL, 2.3CL, 3.2TL.....	221920	
			(Continued Next Column)

Year	Application	Seal	Bearing
POWER STEERING (Cont.)			
STEERING PUMP SHAFT			
94-92	Vigor.....	222028	
1991	Integra.....	221620	
90-86	All.....	221620	
AIR CONDITIONING			
COMPRESSOR			
CLUTCH PULLEY			
90-86	Nippondenso 10P17.....		5000-KFF
90-86	Nippondenso 10P15.....		5000-KFF
ELECTRICAL			
ALTERNATOR			
DRIVE END			
09-00	Mitsubishi.....		303-CC
06-02	Mitsubishi 90 Amp.....		303-CC
90-86	Nippondenso 70 Amp.....		203-S
89-86	Nippondenso 60 Amp.....		203-S
REAR END			
90-86	Nippondenso 70 Amp.....		201-CC
89-86	Nippondenso 60 Amp.....		201-CC
ENGINE			
CAMSHAFT			
4 CYLINDER			
01-94	1797cc/1.8L (DOHC).....	(2) 710460	
01-86	1590cc/1.6L (DOHC), 1678cc/1.7L (DOHC), 1834cc/1.8L (DOHC).....	(2) 222743	
	Redi-Sleeve (2)	99106	
99-97	2156cc/2.2L, 2254cc/2.3L.....	712008	
	Redi-Sleeve	99111	
5 CYLINDER			
98-92	2451cc/2.5L.....	(2) 710460	
6 CYLINDER			
09-97	2997cc/3.0L, 3210cc/3.2L, 3471cc/3.5L, 3664cc/3.7L ..	(2) 710451	
	Redi-Sleeve (2)	99147	
04-86	2494cc/2.5L, 2675cc/2.7L, 3206cc/3.2L, 3474cc/3.5L ..	(2) 713771	
	Redi-Sleeve (2)	99139	
CRANKSHAFT			
4 CYLINDER			
09-02	1998cc/2.0L (DOHC), 2354cc/2.4L (DOHC).....	228008	
	Redi-Sleeve	99315	
01-86	1590cc/1.6L (DOHC), 1678cc/1.7L (DOHC), 1797cc/1.8L (DOHC), 1834cc/1.8L (DOHC), 2156cc/2.2L, 2254cc/2.3L.....	228015	
	Redi-Sleeve	99315	

() Indicates Quantity Required

ACURA

(Integra, Legend, NSX, RSX, TSX, Vigor, 2.2CL, 2.3CL, 2.5TL, 3.0CL, 3.2CL, 3.2TL, 3.5RL, 3.5TL, 3.7RL & 3.7TL AWD) (Cont.)

Year	Application	Seal	Bearing	Year	Application	Seal	Bearing
ENGINE				OIL PUMP (Cont.)			
CRANKSHAFT (Cont.)				6 CYLINDER			
5 CYLINDER				09-86 2494cc/2.5L, 2675cc/2.7L, 2977cc/3.0L (DOHC), 2997cc/3.0L, 3179cc/3.2L (DOHC), 3206cc/3.2L, 3210cc/3.2L, 3471cc/3.5L, 3474cc/3.5L, 3664cc/3.7L 228008 Redi-Sleeve 99315			
6 CYLINDER				09-86 2494cc/2.5L, 2675cc/2.7L, 2977cc/3.0L (DOHC), 2997cc/3.0L, 3179cc/3.2L (DOHC), 3206cc/3.2L, 3210cc/3.2L, 3471cc/3.5L, 3474cc/3.5L, 3664cc/3.7L 228008 Redi-Sleeve 99315			
OIL PUMP				TIMING COVER			
4 CYLINDER				4 CYLINDER			
99-97 2156cc/2.2L, 2254cc/2.3L 712009 Redi-Sleeve 99106				09-02 1998cc/2.0L (DOHC), 2354cc/2.4L (DOHC)..... 710608			
				01-90 1678cc/1.7L (DOHC), 1797cc/1.8L (DOHC), 1834cc/1.8L (DOHC)..... 223802 Redi-Sleeve 99147			
				99-97 2156cc/2.2L, 2254cc/2.3L 224053			
				89-86 1590cc/1.6L (DOHC)..... 710332			
				5 CYLINDER			
				98-92 2451cc/2.5L 224053			

ACURA - CANADIAN MODELS (CSX, 1.6EL & 1.7EL)

WHEEL				TRANSAXLE			
FRONT WHEEL				AUTOMATIC / 4 Speed			
09-06 All..... 510089				DIFFERENTIAL			
05-01 All..... 510030				05-01 BMXA, SLXA..... (2) 208-S			
00-97 All (ABS)..... 510030				00-97 B4RA, B46A, M4RA, S4RA..... (2) 208			
00-97 All (Exc. ABS)..... 510015				TORQUE CONVERTER			
REAR WHEEL				05-97 BMXA, B4RA, B46A, M4RA, SLXA, S4RA..... 350609			
09-06 All..... Hub Assembly 512256				INPUT SHAFT			
05-01 All..... Hub Assembly 512175				00-97 B4RA, B46A, M4RA, S4RA..... 220918			
00-97 All..... 473677 Hub Assembly 513035				OUTPUT SHAFT			
CLUTCH				05-97 BMXA, B4RA, B46A, M4RA, SLXA, S4RA..... (Right) 1147 Redi-Sleeve 99139			
PILOT				(Left) 710314 Redi-Sleeve 99139			
4 CYLINDER				MANUAL SHAFT			
05-97 1590cc/1.6L, 1668cc/1.7L 102-CC				05-97 BMXA, B4RA, B46A, M4RA, SLXA, S4RA..... 221207 Redi-Sleeve 99049			
RELEASE				MANUAL / 5 Speed			
				DIFFERENTIAL			
				09-97 SLW, S40, NRH3 (2) 208-S			
4 CYLINDER				INPUT SHAFT			
05-01 1668cc/1.7L (210mm Clutch)..... © 614176				09-06 NRH3 710157 Redi-Sleeve 99103			
00-97 1590cc/1.6L (210mm Clutch)..... © 614122				05-97 SLW, S40 222742 Redi-Sleeve 99106			
DRIVESHAFT				OUTPUT SHAFT			
CV JOINT HALF SHAFT				09-06 NRH3..... (Left) 224026 Redi-Sleeve 99157			
00-97 1.6EL 710300				(Continued Next Page)			

(Cont.) (CSX, 1.6EL & 1.7EL) **CANADIAN MODELS - ACURA**

Year	Application	Seal	Bearing	Year	Application	Seal	Bearing
TRANSAXLE				CRANKSHAFT			
MANUAL / 5 Speed (Cont.)				4 CYLINDER			
OUTPUT SHAFT				09-06 1998cc/2.0L (DOHC)..... 228008			
05-01	SLW..... (Right)	3459				Redi-Sleeve 99315	
		Redi-Sleeve 99157		05-97	1590cc/1.6L, 1668cc/1.7L	228015	
00-97	S40..... (Right)	4901				Redi-Sleeve 99315	
		Redi-Sleeve 99139		TIMING COVER			
		(Left)		4 CYLINDER			
		710315		09-06	1998cc/2.0L (DOHC).....	710608	
		Redi-Sleeve 99139		05-01	1668cc/1.7L	223802	
ENGINE						Redi-Sleeve 99147	
CAMSHAFT				00-97	1590cc/1.6L	710332	
4 CYLINDER							
05-97	1590cc/1.6L, 1668cc/1.7L	320595					

(MDX, RDX & SLX) **CROSSOVER/SPORT UTILITY - ACURA TRUCK**

WHEEL				REAR AXLE (Cont.)			
FRONT WHEEL				PINION			
09-07	MDX.....	Hub Assembly	513267	98-96	SLX..... (Inner)	32307	
09-07	RDX.....		510092		(Outer)	710248	323/32-C
06-03	All.....		510085			Redi-Sleeve 99177	
02-01	All.....		510011	TRANSFER CASE			
99-96	All..... (Inner)	710168	32009-XA	FULL TIME / PART TIME			
		(Outer)	A-140	INPUT SHAFT			
REAR WHEEL				99-98	Borg-Warner 4422.....	224250	209-L
09-07	MDX.....	Hub Assembly	512342	97-96	Isuzu MUATC	710247	207
09-07	RDX.....	Hub Assembly	512345			Redi-Sleeve 99149	
06-03	All.....		511036	FRONT OUTPUT SHAFT			
02-01	All.....		510039	99-98	Borg-Warner 4422.....		306
			510050	REAR OUTPUT SHAFT			
99-96	All..... (Inner)	225230	511016	99-98	Borg-Warner 4422.....		306
		(Outer)	473179	97-96	Isuzu MUATC		307
AXLE				COUNTERSHAFT			
FRONT AXLE				97-96	Isuzu MUATC		306
AXLE SHAFT				TRANSAXLE			
99-96	SLX.....		710516	AUTOMATIC / 5 Speed			
DIFFERENTIAL				TORQUE CONVERTER			
99-96	SLX.....		(2)A-35	09-03	BDKA, BWEA, BYFA, MDKA		
PINION						* 710238	
1999	SLX..... (Inner)		32307			Redi-Sleeve 99181	
		(Outer)	710513	02-01	BGHA, MGHA.....		350609
98-96	SLX..... (Inner)		32307	OUTPUT SHAFT			
		(Outer)	474133	09-01	BDKA, BGHA, BWEA, BYFA,		
		Redi-Sleeve 99157			MDKA, MGHA .. (Right)	710217	
REAR AXLE						Redi-Sleeve 99139	
DIFFERENTIAL						(Left)	710300
99-96	SLX.....		(2)30210			Redi-Sleeve 99157	
PINION				MANUAL SHAFT			
1999	SLX..... (Outer)	710248	HM803146-HM803110	09-01	BDKA, BGHA, BWEA, BYFA,		
		Redi-Sleeve 99177			MDKA, MGHA	221207	
						Redi-Sleeve 99049	

() Indicates Quantity Required ♦ When Depleted Use Number Listed Directly Below * Not a Current Production Number, Check for Availability

ACURA TRUCK - CROSSOVER/SPORT UTILITY (MDX, RDX & SLX) (Cont.)

Year	Application	Seal	Bearing	Year	Application	Seal	Bearing
TRANSMISSION				CAMSHAFT (Cont.)			
AUTOMATIC / 4 Speed				6 CYLINDER			
EXTENSION HOUSING				06-01	3471cc/3.5L	Redi-Sleeve (2)	99147
99-96	GMC 4L30-E	3459		99-98	3494cc/3.5L (DOHC)	(4)	223014
MANUAL SHAFT						Redi-Sleeve (4)	99114
99-96	GMC 4L30-E	8792S		97-96	3165cc/3.2L	(2)	223014
STEERING						Redi-Sleeve (2)	99114
POWER STEERING				CRANKSHAFT			
STEERING PUMP SHAFT				4 CYLINDER			
04-01	All		203-FS	09-07	2301cc/2.3L (DOHC-Turbo)		228008
99-96	All	222036				Redi-Sleeve	99315
ELECTRICAL				6 CYLINDER			
ALTERNATOR				09-01	3471cc/3.5L, 3664cc/3.7L		228008
DRIVE END						Redi-Sleeve	99315
09-07	All		303-CC	99-96	3165cc/3.2L, 3494cc/3.5L (DOHC)		710060
09-01	Mitsubishi		303-CC			Redi-Sleeve	99364
97-96	Hitachi 60, 75 Amp		303-CC	OIL PUMP			
ENGINE				6 CYLINDER			
CAMSHAFT				09-01	3471cc/3.5L, 3664cc/3.7L		711181
6 CYLINDER				TIMING COVER			
09-01	3471cc/3.5L, 3664cc/3.7L	(2)	710451	4 CYLINDER			
				09-07	2301cc/2.3L (DOHC-Turbo)		710608
				6 CYLINDER			
				99-96	3165cc/3.2L, 3494cc/3.5L (DOHC)		224020
						Redi-Sleeve	99157

(Continued Next Column)

ALFA-ROMEO (GTV 6, Milano, Spider & 164)

WHEEL				CLUTCH			
FRONT WHEEL				RELEASE			
94-80	Spider	(Inner)	224100			Bearing Only	Bearing Assembly
90-81	GTV 6, Milano	(Inner)	1973				
		(Outer)		4 CYLINDER			
				94-80	1962cc/2.0L (DOHC) (215mm Clutch)		614100
REAR WHEEL				TRANSAXLE			
94-80	Spider		223035	AUTOMATIC / 4 Speed			
90-81	GTV 6, Milano		224210	DIFFERENTIAL			
				95-91	ZF 4HP-18Q, 4HP-18QE		
						(Left)	LM806649-LM806610
						(Right)	LM300849-LM300811
AXLE				MANUAL / 5 Speed			
REAR AXLE				DIFFERENTIAL			
DIFFERENTIAL				90-81	MTX		(2)A-37
88-80	Milano, Spider		(2)A-35	PINION			
PINION				90-81	MTX	(Inner)	HM801346X-HM801310
94-80	Milano, Spider					(Outer)	HM89446-HM89410
		(Inner)	HM89446-HM89410				
		(Outer)	M88048-M88010				

() Indicates Quantity Required

(Cont.) (GTV 6, Milano, Spider & 164) **ALFA-ROME0**

Year	Application	Seal	Bearing	Year	Application	Seal	Bearing
TRANSMISSION				ENGINE			
AUTOMATIC / 3 Speed				CRANKSHAFT			
FRONT PUMP				4 CYLINDER			
83-80	ZF 3HP-22	224010		94-80	1962cc/2.0L (DOHC)	228480	
		Redi-Sleeve 99157				Redi-Sleeve 99328	
EXTENSION HOUSING				6 CYLINDER			
83-80	ZF 3HP-22	3459	107	95-91	2959cc/3.0L, 2959cc/3.0L (DOHC)	228480	
AUTOMATIC / 4 Speed				Redi-Sleeve 99328			
FRONT PUMP				89-81 2492cc/2.5L, 2959cc/3.0L			
94-84	ZF 4HP-22	224052				Redi-Sleeve 99328	
		Redi-Sleeve 99157		TIMING COVER			
EXTENSION HOUSING				4 CYLINDER			
94-84	ZF 4HP-22	3459		94-80	1962cc/2.0L (DOHC)	223520	
						Redi-Sleeve 99139	
ELECTRICAL				6 CYLINDER			
ALTERNATOR				95-91 2959cc/3.0L, 2959cc/3.0L (DOHC)			
DRIVE END						223520	
87-80	Bosch 45, 55 & 65 Amp.		203-S			Redi-Sleeve 99139	
REAR END				89-81 2492cc/2.5L, 2959cc/3.0L			
87-80	Bosch 35, 45 Amp.		201-S			223520	
						Redi-Sleeve 99139	

(Alliance, Encore & GTA) **FRONT WHEEL DRIVE - AMC/RENAULT**

WHEEL				ALTERNATOR (Cont.)			
REAR WHEEL				DRIVE END			
87-83	All		513001	85-83	Ducellier 50 Amp		203-FF
TRANSAXLE				REAR END			
AUTOMATIC / 3 Speed				87-83 Ducellier 60, 70 Amp			
TORQUE CONVERTER							200-CC
87-83	Renault MB1, MB3	224266		85-83	Ducellier 50 Amp		200-CC
		Redi-Sleeve 99169		ENGINE			
STEERING				CAMSHAFT			
POWER STEERING				4 CYLINDER			
STEERING PUMP SHAFT				87-83	1397cc/1.4L	223010	
87-83	All	7013S				Redi-Sleeve 99114	
AIR CONDITIONING				CRANKSHAFT			
COMPRESSOR				4 CYLINDER			
CLUTCH PULLEY				87-85	1721cc/1.7L, 1965cc/2.0L	716102	
87-83	Sanden SD-508		5001-KFF			Redi-Sleeve 99333	
ELECTRICAL				87-83	1397cc/1.4L	228010	
ALTERNATOR						Redi-Sleeve 99315	
DRIVE END				INTERMEDIATE SHAFT			
87-83	Ducellier 60, 70 Amp		204-FF	4 CYLINDER			
				87-85	1721cc/1.7L, 1965cc/2.0L	223005	
						Redi-Sleeve 99114	
				TIMING COVER			
				4 CYLINDER			
				87-83	1397cc/1.4L	3771	
						Redi-Sleeve 99139	

(Continued Next Column)

AMC EAGLE - FOUR WHEEL DRIVE (Includes Kammback & SX4)

Year	Application	Seal	Bearing
WHEEL			
FRONT WHEEL			
88-82	All.....	(Inner) 3942	A-40
		(Outer)	A-40
REAR WHEEL			
88-80	All.....	(Inner) 7686S	A-6
		(Outer) 8429S	
AXLE			
FRONT AXLE			
AXLE SHAFT			
88-85	Spicer 30-IFS.....	(Left) 483793	5707
		(Right) 471737	
84-80	Spicer 30-IFS (Disconnect)		
		(Middle)	107
		(Right) 2146	A-9
84-80	Spicer 30-IFS (Disconnect) (1.0000" Shaft)		
		(Left)	B-168
84-80	Spicer 30-IFS (Disconnect) (1.2500" Shaft)		
		(Left)	BH-208
84-80	Spicer 30-IFS (Non-Disconnect)		
		(Left) 483793	5707
		(Right) 471737	
DIFFERENTIAL KIT			
88-80	Spicer 30-IFS.....		<input checked="" type="checkbox"/> RA-334
DIFFERENTIAL			
88-80	Spicer 30-IFS.....	(2)LM501349-LM501314	
PINION			
88-80	Spicer 30-IFS.....	(Inner) HM88649-HM88610	
		(Outer) 5778	02872-02820
		Viton® 5778V	
		Redi-Sleeve 99155	
STEERING KNUCKLE			
88-80	Spicer 30-IFS.....	3553	
REAR AXLE			
DIFFERENTIAL KIT			
88-80	Eagle (AMC 15).....		<input checked="" type="checkbox"/> RA-335-J
DIFFERENTIAL			
88-80	Eagle (AMC 15).....	(2)LM501349-LM501314	
PINION			
88-80	Eagle (AMC 15)		
		(Inner) HM88648-HM88610	
		(Outer) 470331N	M86649-M86610
CLUTCH			
PILOT			
4 CYLINDER			
88-83	150/2.5L		FC-65446
83-82	151/2.5L		PB-656
			(H/D) PB-656-HD
6 CYLINDER			
88-80	258/4.2L		PB-79

Year	Application	Seal	Bearing
RELEASE			
		Bearing Only	Bearing Assembly
4 CYLINDER			
88-83	150/2.5L		614030
83-81	151/2.5L		614017
6 CYLINDER			
88-80	258/4.2L		Ⓢ 614115
TRANSFER CASE			
FULL TIME / PART TIME			
TRANSFER CASE KIT			
88-80	New Process 119, 128, 129, 119B.....		<input checked="" type="checkbox"/> T-220
INPUT SHAFT			
88-80	New Process 119, 128, 129, 119B	(2) 3173	(2)B-5020
		(Dual Lip) 710928	
		Redi-Sleeve 99193	
		(Pilot)	B-2012
		(Thrust)	AXK-5070
FRONT OUTPUT SHAFT			
88-80	New Process 119, 128, 129, 119B	3946	B-2816
		Redi-Sleeve 99187	
		(Pilot)	J-2416
		(Thrust)	(2)NTA-2840
REAR OUTPUT SHAFT			
88-80	New Process 119, 128, 129, 119B	3946	207
		Redi-Sleeve 99187	
		(Pilot)	B-3612
		(Thrust)	TC-2435
OIL PUMP HOUSING			
88-80	New Process 119, 128, 129, 119B	341022	
		Redi-Sleeve 99225	
DRIVE SPROCKET			
88-80	New Process 119, 128, 129, 119B.....		(82)C-1086-Q
SIDE GEAR			
88-86	New Process 128		(14)QAR-29523
85-80	New Process 119, 129, 119B.....		(15)QAR-29523
CARRIER			
88-80	New Process 119, 128, 129, 119B.....		(120)C-407-Q
TRANSMISSION			
AUTOMATIC / 3 Speed			
FRONT PUMP			
88-80	Torque Command 6	331228H	
		Redi-Sleeve 99149	
EXTENSION HOUSING			
88-80	Torque Command 6	2506	Ⓢ 206-LOE
MANUAL SHAFT			
88-80	Torque Command 6	8609	

(Cont.) (Includes Kammback & SX4) **FOUR WHEEL DRIVE - AMC EAGLE**

Year	Application	Seal	Bearing
TRANSMISSION			
MANUAL / 4 Speed			
DRIVESHAFT / INPUT			
85-84	Aisin AX4	1981	
		<i>Redi-Sleeve</i> 99114	
84-82	Borg-Warner T4	7412S	A-5
		<i>Redi-Sleeve</i> 99125	
		(Thrust)	FA-55505
81-80	Borg-Warner SR4	3638	207-L
		<i>Redi-Sleeve</i> 99112	
MAINSHAFT / OUTPUT			
85-84	Aisin AX4 (2WD)	710319	205
85-84	Aisin AX4 (4WD)	1209	205
84-82	Borg-Warner T4 (23 Spline)	472439	25877-25821
84-82	Borg-Warner T4 (26 Spline)	2506	25877-25821
81-80	Borg-Warner SR4 (23 Spline)	472439	207-L
81-80	Borg-Warner SR4 (28 Spline)	9613S	207-L
		(Seal & Bushing Kit) 5200	
MAINSHAFT PILOT			
84-80	Borg-Warner SR4, T4	(15)QBR-23549	
COUNTERSHAFT			
85-84	Aisin AX4 (Rear)		204
84-82	Borg-Warner T4 (Rear)		5707
		(Thrust)	NTA-1423
81-80	Borg-Warner SR4	(50)C-1086-Q	
MANUAL / 5 Speed			
DRIVESHAFT / INPUT			
88-82	Borg-Warner T5	7412S	A-5
		<i>Redi-Sleeve</i> 99125	
		(Thrust)	FA-55505
85-84	Aisin AX5	1981	
		<i>Redi-Sleeve</i> 99114	
MAINSHAFT / OUTPUT			
88-82	Borg-Warner T5 (23 Spline)	472439	25877-25821
88-82	Borg-Warner T5 (26 Spline)	2506	25877-25821
85-84	Aisin AX5	1209	205
MAINSHAFT PILOT			
88-82	Borg-Warner T5	(15)QBR-23549	
COUNTERSHAFT			
88-82	Borg-Warner T5		
		(Front)	DK-55836
		(Rear)	5707
		(Thrust)	NTA-1423
85-84	Aisin AX5	(Rear)	204
STEERING			
MANUAL STEERING			
STEERING GEAR PINION SHAFT			
83-80	All	474131	
STEERING GEAR SECTOR SHAFT			
83-80	All	313842	
POWER STEERING			
STEERING GEAR HOUSING			
88-80	All	(Adj. Plug) DB-53313	

Year	Application	Seal	Bearing
POWER STEERING (Cont.)			
STEERING GEAR PITMAN SHAFT			
88-80	All	(Kit) <input checked="" type="checkbox"/> PSK-1	
STEERING PUMP SHAFT			
88-80	All	7013S	
AIR CONDITIONING			
COMPRESSOR			
CLUTCH PULLEY			
88-80	Sanden SD-508		5001-KFF
81-80	Harrison R-4		907257
81-80	York Mini 206		206-FF
FRONT HEAD MAIN			
81-80	Harrison R-4		S-128
ELECTRICAL			
ALTERNATOR			
DRIVE END			
88-83	Delco-Remy 56, 66, 78 Amp.		203-F
82-80	Delco-Remy 63, 70 Amp.		203-S
1980	Bosch		203-S
REAR END			
88-80	Delco-Remy 56, 63, 66, 70, 78 Amp.		MNJ-471-S
1980	Bosch		201-S
ENGINE			
CRANKSHAFT			
4 CYLINDER			
		Redi-Sleeve 99294	
		Redi-Sleeve 99294	
87-83	150/2.5L, 151/2.5L	3698	
		PTFE Rubber 5290	
82-81	151/2.5L	3698	
		PTFE Rubber 5290	
6 CYLINDER			
88-80	258/4.2L	5111S	
TIMING COVER			
4 CYLINDER			
87-83	150/2.5L	321460	
		Redi-Sleeve 99179	
		Harmonic Bal Sleeve 88179	
83-81	151/2.5L	9845	
		Redi-Sleeve 99176	
		Harmonic Bal Sleeve 88176	
		Harmonic Bal Kit <input checked="" type="checkbox"/> 5000	
6 CYLINDER			
88-80	258/4.2L	321460	
		Redi-Sleeve 99179	
		Harmonic Bal Sleeve 88179	

() Indicates Quantity Required Refer To Front Of Catalog For Kit Contents

AMC COMPACT/SUBCOMPACT - REAR WHEEL DRIVE

(AMX, Concord, Pacer & Spirit)

Year	Application	Seal	Bearing
------	-------------	------	---------

WHEEL

FRONT WHEEL

83-80	All.....	(Inner) 7022S	A-6
		(Outer)	A-2

REAR WHEEL

83-80	All.....	(Inner) 7686S	A-6
		(Outer) 8429S	

AXLE

REAR AXLE

DIFFERENTIAL KIT

83-80	AMX, Concord, Pacer, Spirit (AMC 15).....	<input checked="" type="checkbox"/> RA-335-J
-------	---	--

DIFFERENTIAL

83-80	AMX, Concord, Pacer, Spirit (AMC 15)..	(2)LM501349-LM501314
-------	--	----------------------

PINION

83-80	AMX, Concord, Pacer, Spirit (AMC 15)	
	(Inner)	HM88648-HM88610
	(Outer)	470331N M86649-M86610

CLUTCH

PILOT

4 CYLINDER

82-80	151/2.5L	PB-656
		(H/D) PB-656-HD

6 CYLINDER

83-80	258/4.2L	PB-79
-------	----------------	-------

RELEASE

Bearing Only	Bearing Assembly
-----------------	---------------------

4 CYLINDER

82-80	151/2.5L	614017
-------	----------------	--------

6 CYLINDER

83-80	258/4.2L	Ⓢ 614115
-------	----------------	----------

TRANSMISSION

AUTOMATIC / 3 Speed

FRONT PUMP

83-80	Torque Command 8	331227H
	Redi-Sleeve	99187
83-80	Torque Command 6	331228H
	Redi-Sleeve	99149

EXTENSION HOUSING

83-80	Torque Command 8	7300S
	(Seal & Bushing Kit)	5206
83-80	Torque Command 6	2506
		§ 206-LOE

MANUAL SHAFT

83-80	Torque Command 6	8609
-------	------------------------	------

CLUTCH CAM

83-80	Torque Command 8	(12)W-585-Q
-------	------------------------	-------------

Year	Application	Seal	Bearing
------	-------------	------	---------

MANUAL / 4 Speed

DRIVESHAFT / INPUT

83-82	Borg-Warner T4	7412S	A-5
	Redi-Sleeve	99125	
	(Thrust)		FA-55505
81-80	Borg-Warner SR4	3638	207-L
	Redi-Sleeve	99112	

MAINSHAFT / OUTPUT

83-82	Borg-Warner T4 (23 Spline).....	472439	25877-25821
83-82	Borg-Warner T4 (26 Spline).....	2506	25877-25821
81-80	Borg-Warner SR4 (23 Spline).....	472439	207-L
81-80	Borg-Warner SR4 (28 Spline).....	9613S	207-L
	(Seal & Bushing Kit)	5200	

MAINSHAFT PILOT

83-80	Borg-Warner SR4, T4	(15)QBR-23549
-------	---------------------------	---------------

COUNTERSHAFT

83-82	Borg-Warner T4. (Rear)	5707
	(Thrust)	NTA-1423
81-80	Borg-Warner SR4	(50)C-1086-Q

MANUAL / 5 Speed

DRIVESHAFT / INPUT

83-82	Borg-Warner T5	7412S	A-5
	Redi-Sleeve	99125	
	(Thrust)		FA-55505

MAINSHAFT / OUTPUT

83-82	Borg-Warner T5 (23 Spline).....	472439	25877-25821
83-82	Borg-Warner T5 (26 Spline).....	2506	25877-25821

MAINSHAFT PILOT

83-82	Borg-Warner T5	(15)QBR-23549
-------	----------------------	---------------

COUNTERSHAFT

83-82	Borg-Warner T5	
	(Front)	DK-55836
	(Rear)	5707
	(Thrust)	NTA-1423

STEERING

MANUAL STEERING

STEERING GEAR PINION SHAFT

83-80	All	474131
-------	-----------	--------

STEERING GEAR SECTOR SHAFT

83-80	All	313842
-------	-----------	--------

POWER STEERING

STEERING GEAR HOUSING

83-80	All	(Adj. Plug) DB-53313
-------	-----------	----------------------

STEERING GEAR PITMAN SHAFT

83-80	All	(Kit) <input checked="" type="checkbox"/> PSK-1
-------	-----------	---

STEERING PUMP SHAFT

83-80	All	7013S
-------	-----------	-------

REAR WHEEL DRIVE - AMC COMPACT/SUBCOMPACT

(Cont.) (AMX, Concord, Pacer & Spirit)

Year	Application	Seal	Bearing	Year	Application	Seal	Bearing
AIR CONDITIONING				ALTERNATOR (Cont.)			
COMPRESSOR				REAR END			
CLUTCH PULLEY				1980 Bosch 201-S			
83-80	Sanden SD-508		5001-KFF	ENGINE			
81-80	Harrison R-4		907257	CRANKSHAFT			
81-80	York Mini 206		206-FF	4 CYLINDER			
1980	Tecumseh & York		5106-WCC	Redi-Sleeve 99294			
FRONT HEAD MAIN				82-80	151/2.5L	3698	
81-80	Harrison R-4		S-128	PTFE Rubber 5290			
REAR				6 CYLINDER			
1980	Tecumseh & York		203	83-80	258/4.2L	5111S	
ELECTRICAL				TIMING COVER			
ALTERNATOR				4 CYLINDER			
DRIVE END				82-80	151/2.5L	9845	
1983	Delco-Remy 56, 66, 78 Amp.		203-F	Redi-Sleeve 99176			
82-80	Delco-Remy 63, 70 Amp.		203-S	Harmonic Bal Sleeve 88176			
1980	Bosch		203-S	Harmonic Bal Kit <input checked="" type="checkbox"/> 5000			
REAR END				6 CYLINDER			
83-80	Delco-Remy 56, 63, 66, 70, 78 Amp.		MNJ-471-S	83-80	258/4.2L	321460	
(Continued Next Column)				Redi-Sleeve 99179			
				Harmonic Bal Sleeve 88179			

(DJ5 & Hummer) SPORT UTILITY - AM GENERAL

WHEEL				REAR AXLE			
FRONT WHEEL (2WD)				DIFFERENTIAL KIT			
84-80	All.....	(Inner) 8430S	A-35	01-92	AMC 20.....	<input checked="" type="checkbox"/> RA-311-J	
		(Outer)	A-35	84-80	Spicer 44-3.....	<input checked="" type="checkbox"/> RA-28	
FRONT WHEEL (4WD)				DIFFERENTIAL			
01-92	All.....	(Inner) 710585	3490-3420	01-92	AMC 20.....	(2)A-36	
		(Outer)	3780-3720	84-80	Spicer 44-3.....	(2)25590-25523	
REAR WHEEL				PINION			
01-92	All.....	(Inner) 710585	3490-3420	01-92	AMC 20.....	(Inner) M802048-M802011	
		(Outer)	3780-3720			(Outer) 470331N	M88048-M88010
84-80	All.....	(Inner) 481837	A-10	84-80	Spicer 44-3.....	(Inner) 31594-31520	
		(Outer) 9912				(Outer) 5778	02872-02820
AXLE				Viton® 5778V			
FRONT AXLE				Redi-Sleeve 99155			
OUTPUT SHAFT				OUTPUT SHAFT			
01-92	AMC 20.....		(2)207	01-92	AMC 20.....		(2)207
DIFFERENTIAL KIT				TRANSFER CASE			
01-92	AMC 20.....		<input checked="" type="checkbox"/> RA-311-J	FULL TIME / PART TIME			
DIFFERENTIAL				TRANSFER CASE KIT			
01-92	AMC 20.....		(2)A-36	93-92	New Process 242H.....		<input checked="" type="checkbox"/> T-240-C
PINION				INPUT SHAFT			
01-92	AMC 20.....		(Inner) M802048-M802011	01-95	New Process 242H.....	(2)3173	110-L
			(Outer) 470331N			(Dual Lip) 710928	
			M88048-M88010			Redi-Sleeve 99193	
						(Pilot)	FC-66561
				(Continued Next Page)			

AM GENERAL - SPORT UTILITY (DJ5 & Hummer) (Cont.)

Year	Application	Seal	Bearing
TRANSFER CASE			
FULL TIME / PART TIME (Cont.)			
INPUT SHAFT			
1994	New Process 242H (1st Design).....	(2) 3173 (Dual Lip) 710928 Redi-Sleeve 99193	N-5210-KLB
	(Pilot).....		FC-66561
1994	New Process 242H (2nd Design).....	(2) 3173 (Dual Lip) 710928 Redi-Sleeve 99193	110-L
	(Pilot).....		FC-66561
93-92	New Process 242H.....	(2) 3173 (Dual Lip) 710928 Redi-Sleeve 99193	N-5210-KLB
	(Pilot).....		FC-66561
FRONT OUTPUT SHAFT			
01-92	New Process 242H.....	3946 Redi-Sleeve 99187	207
	(Pilot).....		J-2416
REAR OUTPUT SHAFT			
01-95	New Process 242H.....	4333N	
	(Pilot).....		(52)C-672-Q
1994	New Process 242H (1st Design).....	4333N	206
	(Pilot).....		(52)C-672-Q
93-92	New Process 242H.....	4333N	206
	(Pilot).....		(52)C-672-Q
OIL PUMP HOUSING			
01-92	New Process 242H.....	341022 Redi-Sleeve 99225	
TRANSMISSION			
AUTOMATIC / 3 Speed			
FRONT PUMP			
94-92	GMC 3L80-HD.....	6712NA Redi-Sleeve 99187	
84-80	Chrysler A727.....	331227H Redi-Sleeve 99187	
EXTENSION HOUSING			
94-92	GMC 3L80-HD.....	9449 (Seal & Bushing Kit) 5208	
84-80	Chrysler A727.....	7300S (Seal & Bushing Kit) 5206	
MANUAL SHAFT			
94-92	GMC 3L80-HD.....	8792S	
CLUTCH CAM			
84-80	Chrysler A727.....	(12)W-585-Q	
AUTOMATIC / 4 Speed			
FRONT PUMP			
01-00	GMC 4L80-E.....	714598 Redi-Sleeve 99199	
99-94	GMC 4L80-E.....	4598 Redi-Sleeve 99199	
EXTENSION HOUSING			
01-94	GMC 4L80-E.....	9449 (Seal & Bushing Kit) 5208	109

Year	Application	Seal	Bearing
AUTOMATIC / 4 Speed (Cont.)			
MANUAL SHAFT			
99-94	GMC 4L80-E.....	8792S	
STEERING			
MANUAL STEERING			
STEERING GEAR SECTOR SHAFT			
84-80	All.....	313842	
STEERING GEAR WORM SHAFT			
84-80	All.....	474134	
POWER STEERING			
STEERING GEAR HOUSING			
84-80	All (Saginaw Design).....	(Adj. Plug) DB-53313	
STEERING GEAR PITMAN SHAFT			
84-80	All (Saginaw Design).....	(Kit) <input checked="" type="checkbox"/> PSK-1	
STEERING PUMP SHAFT			
84-80	All (Saginaw Pump).....	7013S	
AIR CONDITIONING			
COMPRESSOR			
CLUTCH PULLEY			
01-92	Harrison R-4.....		907257
FRONT HEAD MAIN			
01-92	Harrison R-4.....		S-128
ELECTRICAL			
ALTERNATOR			
DRIVE END			
84-80	Delco-Remy 37, 42, 55, 63 Amp.....		203-S
REAR END			
01-92	AC-Delco 124 Amp.....		100-CC4
84-80	Delco-Remy 37, 42, 55, 63, 78 Amp.....		MNJ-471-S
ENGINE			
CRANKSHAFT			
4 CYLINDER			
84-83	150/2.5L, 151/2.5L.....	3698 PTFE Rubber 5290	
82-80	151/2.5L.....	3698 PTFE Rubber 5290	
8 CYLINDER			
01-92	379/6.2L (Diesel), 395/6.5L (Diesel), 395/6.5L (Turbo-Diesel).....	710258 Redi-Sleeve 99452	
97-96	350/5.7L.....	5512	
95-94	350/5.7L.....	(Gkt. & PTFE Seal) 5274A PTFE Rubber 5274 Redi-Sleeve 99364	

(Cont.) (DJ5 & Hummer) **SPORT UTILITY - AM GENERAL**

Year	Application	Seal	Bearing	Year	Application	Seal	Bearing
ENGINE				TIMING COVER (Cont.)			
TIMING COVER				8 CYLINDER			
4 CYLINDER				01-92 379/6.2L (Diesel),			
				395/6.5L (Diesel),			
				395/6.5L (Turbo-Diesel)..... 3945			
				Redi-Sleeve 99233			
				Harmonic Bal Sleeve 88233			
84-83	150/2.5L	321460		95-94	350/5.7L	9845	
		Redi-Sleeve 99179				Redi-Sleeve 99176	
		Harmonic Bal Sleeve 88179				Harmonic Bal Sleeve 88176	
83-80	151/2.5L	9845				Harmonic Bal Kit ☒ 5000	
		Redi-Sleeve 99176					
		Harmonic Bal Sleeve 88176					
		Harmonic Bal Kit ☒ 5000					

(Hunter) - ARO

ENGINE				CRANKSHAFT			
AUXILIARY SHAFT				4 CYLINDER			
4 CYLINDER				1990 140/2.3L 3909			
1990	140/2.3L	2955				PTFE Rubber 5277	
						Redi-Sleeve 99363	
CAMSHAFT				TIMING COVER			
4 CYLINDER				4 CYLINDER			
1990	140/2.3L	2955		1990	140/2.3L	2955	

ASTON MARTIN

(DBS, DB7, DB9, Lagonda, Vantage, Virage, Volante, V12 Vanquish & V8 Vantage)

WHEEL				TRANSMISSION			
FRONT WHEEL				AUTOMATIC / 3 Speed			
94-89	Virage	(Inner) A-17		FRONT PUMP			
		(Outer) A-15		89-80	Chrysler A727	331227H	
89-80	Lagonda	(Inner) A-13				Redi-Sleeve 99187	
		(Outer) A-12		EXTENSION HOUSING			
89-80	Vantage, Volante	(Inner) 14138A-14276		89-80	Chrysler A727	7300S	
		(Outer) 09067-09195				(Seal & Bushing Kit) 5206	
REAR WHEEL				CLUTCH CAM			
89-80	Lagonda, Vantage, Volante	A-37		89-80	Chrysler A727	(12)W-585-Q	
AXLE				AUTOMATIC / 4 Speed			
REAR AXLE				FRONT PUMP			
AXLE SHAFT				01-00	GMC 4L80-E	714598	
94-80	Salisbury 4HU	(2)A-17				Redi-Sleeve 99199	
DIFFERENTIAL				99-97	GMC 4L80-E	4598	
94-80	Salisbury 4HU	(2)25577-25523				Redi-Sleeve 99199	
PINION				94-89	Chrysler A518	331227H	
94-80	Salisbury 4HU	(Inner) HM89446-HM89410				Redi-Sleeve 99187	
		(Outer) M88043-M88010		OUTPUT SHAFT			
				01-97	GMC 4L80-E	4934	
				01-97	GMC 4L80-E	9449	109
						(Seal & Bushing Kit) 5208	
				94-89	Chrysler A518	7300S	
						(Seal & Bushing Kit) 5206	
				MANUAL SHAFT			
				01-97	GMC 4L80-E	8792S	
				94-89	Chrysler A518	8609	

() Indicates Quantity Required ☒ Refer To Front Of Catalog For Kit Contents

ASTON MARTIN

(DBS, DB7, DB9, Lagonda, Vantage, Virage, Volante, V12 Vanquish & V8 Vantage) (Cont.)

Year	Application	Seal	Bearing	Year	Application	Seal	Bearing
TRANSMISSION				MANUAL / 6 Speed (Cont.)			
AUTOMATIC / 5 Speed				MAINSHAFT / OUTPUT			
FRONT PUMP				MAINSHAFT PILOT			
04-00	ZF 5HP-30	224052		07-00	Tremec T56		25572-25520
		Redi-Sleeve 99157		COUNTERSHAFT			
AUTOMATIC / 6 Speed				07-00	Tremec T56		A-16
FRONT PUMP				MANUAL / 6 Speed			
09-04	ZF 6HP-26	224510		DRIVESHAFT / INPUT			
		Redi-Sleeve 99177		07-00	Tremec T56	7412S	M88048-M88010
						Redi-Sleeve 99125	

ASUNA (GT, Sunfire & SE)

Year	Application	Seal	Bearing	Year	Application	Seal	Bearing
WHEEL				MANUAL / 4 Speed			
FRONT WHEEL				DIFFERENTIAL			
1993	GT, SE		B-35	1993	Getrag F16		(2)A-18
93-92	Sunfire	(Inner) 710194	510033	OUTPUT SHAFT			
		(Outer) 1953		1993	Getrag F16	(2) 3543	
REAR WHEEL						Redi-Sleeve (2) 99139	
1993	GT, SE	(Inner) 4175	A-15	MANUAL / 5 Speed			
		(Outer) A-1		DIFFERENTIAL			
93-92	Sunfire		Hub Assembly 512171	1993	Getrag F16		(2)A-18
				93-92	Isuzu MFD5M		(2)32008
CLUTCH				INPUT SHAFT			
RELEASE		<i>Bearing Only</i>	<i>Bearing Assembly</i>	93-92	Isuzu MFD5M	222835	
4 CYLINDER						Redi-Sleeve 99111	
1993	1598cc/1.6L (200mm Clutch)		Ⓢ614171	(Front)			32206
93-92	1808cc/1.8L (DOHC) (215mm Clutch)		Ⓢ614108	(Rear)			30306
TRANSAXLE				OUTPUT SHAFT			
AUTOMATIC / 3 Speed				1993	Getrag F16	(2) 3543	
DIFFERENTIAL						Redi-Sleeve (2) 99139	
93-92	Jatco F3A		(2)32008	93-92	Isuzu MFD5M	(Left) 3543	A-5
TORQUE CONVERTER						Redi-Sleeve 99139	
1993	3T40	4072N		(Right)		3543	32206
93-92	Jatco F3A	710078				Redi-Sleeve 99139	
		Redi-Sleeve 99177		SHIFT SHAFT			
OUTPUT SHAFT				93-92	Isuzu MFD5M		3667
1993	3T40	(2) 3543		STEERING			
		Redi-Sleeve (2) 99139		POWER STEERING			
93-92	Jatco F3A	(2) 223542		STEERING PUMP SHAFT			
		Redi-Sleeve (2) 99139		1993	GT, SE		203-FF
MANUAL SHAFT				93-92	Sunfire	221720	
1993	3T40	8792S		AIR CONDITIONING			
COMPRESSOR				CLUTCH PULLEY			
CLUTCH PULLEY				1993	Harrison V-5		907257

() Indicates Quantity Required Ⓢ Sealed Self-Aligning Bearing

(Cont.) (GT, Sunfire & SE) **ASUNA**

Year	Application	Seal	Bearing	Year	Application	Seal	Bearing
ELECTRICAL				CAMSHAFT (Cont.)			
ALTERNATOR				4 CYLINDER			
<i>DRIVE END</i>				93-92	1808cc/1.8L (DOHC)	(2) 710308	
1993	Bosch 55, 65 Amp		203-FF			Redi-Sleeve (2) 99157	
<i>REAR END</i>				CRANKSHAFT			
1993	Bosch 55, 65 Amp		201-CC	4 CYLINDER			
ENGINE				1993	1598cc/1.6L	228008	
CAMSHAFT						Redi-Sleeve 99315	
4 CYLINDER				93-92	1808cc/1.8L (DOHC)	228700	
1993	1598cc/1.6L	1108		TIMING COVER			
		Redi-Sleeve 99139		4 CYLINDER			
		(Continued Next Column)		1993	1598cc/1.6L	710399	
						Redi-Sleeve 99166	
				93-92	1808cc/1.8L (DOHC)	223220	
						Redi-Sleeve 99128	

(Sunrunner) **SPORT UTILITY - ASUNA TRUCK**

Year	Application	Seal	Bearing	Year	Application	Seal	Bearing
WHEEL				CLUTCH			
FRONT WHEEL (2WD)				PILOT			
93-92	All	(Inner) 710240	517009	4 CYLINDER			
		(Outer) 710239		93-92	1590cc/1.6L		200-CC
FRONT WHEEL (4WD)				RELEASE			
93-92	All	(Inner) 710240	517009			Bearing Only	Bearing Assembly
		(Outer) 710239		4 CYLINDER			
REAR WHEEL				93-92	1590cc/1.6L (200mm Clutch)		Ⓢ 614056
93-92	All (Exc. ABS)	(Inner) 224820	511004	TRANSFER CASE			
		(Outer) 710193		FULL TIME / PART TIME			
AXLE				INPUT SHAFT			
FRONT AXLE				93-92	Suzuki G130	223540	207
AXLE SHAFT						Redi-Sleeve 99139	
93-92	Suzuki SK-F	223553	206-FF	FRONT OUTPUT SHAFT			
DIFFERENTIAL				93-92	Suzuki G130	1213N	(2)RW-122
93-92	Suzuki SK-F		■ (2)KC-11445-Y			Redi-Sleeve 99157	
PINION				REAR OUTPUT SHAFT			
93-92	Suzuki SK-F	(Inner) 30307		93-92	Suzuki G130	(Inner) 306-L	
		(Outer) 710523	30306			(Outer) 1213N	RW-122
STEERING KNUCKLE						Redi-Sleeve 99157	
93-92	Suzuki SK-F	(Inner) 710255		TRANSMISSION			
		(Outer) 710256		AUTOMATIC / 3 Speed			
REAR AXLE				FRONT PUMP			
DIFFERENTIAL				93-92	3L30	6712NA	
93-92	Suzuki SK-R		■ (2)KC-11445-Y			Redi-Sleeve 99187	
PINION				EXTENSION HOUSING			
93-92	Suzuki SK-R	(Inner) 30307		93-92	3L30	710343	
		(Outer) 710523	30306	MANUAL SHAFT			
				93-92	3L30	8792S	

() Indicates Quantity Required ■ Replace Complete Unit Ⓢ Sealed Self-Aligning Bearing

ASUNA TRUCK - SPORT UTILITY (Sunrunner) (Cont.)

Year	Application	Seal	Bearing	Year	Application	Seal	Bearing
TRANSMISSION				ENGINE			
MANUAL / 5 Speed				CAMSHAFT			
DRIVESHAFT / INPUT				4 CYLINDER			
93-92	Suzuki MM5.....	222535	RW-122	93-92	1590cc/1.6L.....	710310	
	<i>Redi-Sleeve</i>	99098			<i>Redi-Sleeve</i>	99128	
MAINSHAFT / OUTPUT				CRANKSHAFT			
4 CYLINDER				4 CYLINDER			
93-92	Suzuki MM5.....	222580		93-92	1590cc/1.6L.....	710334	
	<i>Redi-Sleeve</i>	99098					
	(Front).....		306-L	TIMING COVER			
	(Rear).....		305	4 CYLINDER			
COUNTERSHAFT				93-92	1590cc/1.6L.....	710310	
93-92	Suzuki MM5.....	(Center)	M-1205-EL		<i>Redi-Sleeve</i>	99128	
	(Rear).....		304				
STEERING							
POWER STEERING							
STEERING PUMP SHAFT							
93-92	All.....	221730					

AUDI - A, R, RS, S, TT & V8 Series

(A3, A3 Quattro, A4, A4 Quattro, A5 Quattro, A6, A6 Quattro, A8, A8 Quattro, A8L, Cabriolet, RS4, RS6, R8, S4, S5, S6, S8, TT, TT Quattro & V8)

WHEEL			
FRONT WHEEL			
09-08	TT, TT Quattro.....	Hub Assembly	513253
09-06	A3, A3 Quattro.....	Hub Assembly	513262
09-05	A4, A4 Quattro, RS4, S4.....	Hub Assembly	512305
09-05	A6, A6 Quattro, A8 Quattro, A8L, R8, S6, S8	Hub Assembly	513227
06-00	TT, TT Quattro.....		510003
2004	A8L.....	Hub Assembly	513227
2004	A4, A4 Quattro, A6, A6 Quattro, RS6, S4, S6	Hub Assembly	512305
03-02	A4, A4 Quattro, A6, A6 Quattro, A8 Quattro, A8L, RS6, S4, S6, S8	Hub Assembly	512305
01-00	S4.....		510019
01-00	A6, A6 Quattro, A8 Quattro, A8L, S8.....	Hub Assembly	512305
01-97	A4, A4 Quattro (L4 Eng.).....		510020
01-97	A4, A4 Quattro (V6 Eng.).....		510019
1999	A8 (2nd Design).....		510020
1999	A8 Quattro (2nd Design).....	Hub Assembly	512305
1999	A8, A8 Quattro (1st Design).....		510069
99-90	A6, A6 Quattro, S4, S6, V8.....		510019
98-97	A8, A8 Quattro.....		510069
98-94	Cabriolet.....		510020
1996	A4 (L4 Eng.).....		510020
1996	A4 (V6 Eng.) (1st Design).....		510069
1996	A4 (V6 Eng.) (2nd Design).....		510019
1996	A4 Quattro (1st Design).....		510069
1996	A4 Quattro (2nd Design).....		510019
REAR WHEEL			
09-08	TT.....	Hub Assembly	512319
09-08	A3 Quattro, TT Quattro.....	Hub Assembly	513253
09-07	RS4, S4.....	Hub Assembly	512305
09-06	A3.....	Hub Assembly	512336
09-05	A6 Quattro, A8 Quattro, A8L, R8, S6, S8.....	Hub Assembly	513227

(Continued Next Column)

REAR WHEEL (Cont.)			
09-02	A4.....	Hub Assembly	512231
09-02	A4 Quattro, RS6.....		510019
07-06	A3 Quattro.....	Hub Assembly	513253
06-04	S4, S6.....	Hub Assembly	512305
06-00	TT.....	Hub Assembly	512012
06-00	TT Quattro.....		510003
2004	A8L.....	Hub Assembly	513227
04-00	A6 Quattro (Sedan) (V6 Eng.).....		510020
04-00	A6 Quattro (Sedan) (V8 Eng.).....	Hub Assembly	512305
04-00	A6 Quattro (Station Wagon).....		510019
04-98	A6.....	Hub Assembly	512187
03-02	A8 Quattro, A8L, S4, S6, S8.....	Hub Assembly	512305
01-00	A4 Quattro, S4.....		510020
01-00	A8 Quattro, A8L, S8.....	Hub Assembly	512305
01-98	A4, Cabriolet.....	1962	A-15
	(Outer).....		A-2
99-98	A6 Quattro (Sedan).....		510019
99-98	A6 Quattro (Station Wagon).....		510020
99-96	A4 Quattro, A8, A8 Quattro.....		510020
97-94	A4, A6, Cabriolet	1962	A-15
	(Inner).....		A-2
97-90	A6 Quattro, S4, S6, V8.....		510019
	(Outer).....		A-2
AXLE			
REAR AXLE			
DIFFERENTIAL			
06-95	Torsen T2.....	(Left).....	LM300849-LM300811
	(Right).....	224520	A-35
	<i>Redi-Sleeve</i>	99177	
94-90	Torsen T1.....	(Left).....	A-37
	(Right).....	224520	A-35
	<i>Redi-Sleeve</i>	99177	

A, R, RS, S, TT & V8 Series - AUDI
(Cont.) (A3, A3 Quattro, A4, A4 Quattro, A5 Quattro, A6, A6 Quattro, A8, A8 Quattro, A8L, Cabriolet, RS4, RS6, R8, S4, S5, S6, S8, TT, TT Quattro & V8)

Year	Application	Seal	Bearing
AXLE			
REAR AXLE (Cont.)			
PINION			
06-95	Torsen T2.....	(Inner) HM801346X-HM801310	
		(Outer) 710538 M88048-M88010	
94-90	Torsen T1.....	(Inner) HM801346X-HM801310	
		(Outer) 710538 M88048-M88010	
		(Pilot) 206	
CLUTCH			
PILOT			
4 CYLINDER			
05-97	1780cc/1.8L (DOHC-Turbo).....		F-85265
RELEASE			
		Bearing Only	Bearing Assembly
4 CYLINDER			
09-06	1780cc/1.8L (DOHC-Turbo), 1984cc/2.0L (DOHC-Turbo) (220mm Clutch).....		Ⓢ614111
05-00	1780cc/1.8L (DOHC-Turbo) (220mm Clutch).....		Ⓢ614111
TRANSAXLE			
AUTOMATIC / 4 Speed			
DIFFERENTIAL			
01-96	01N.....	(2)LM503349A-LM503310	
96-95	ZF 4HP-18.....	(Left) LM806649-LM806610	
		(Right) LM300849-LM300811	
95-92	01N.....	(2)LM503349A-LM503310	
TORQUE CONVERTER			
96-95	ZF 4HP-18.....	225110	
		Redi-Sleeve 99177	
94-90	ZF 4HP-24A.....	224052	
		Redi-Sleeve 99157	
PINION			
01-96	01N.....	(Front) LM29749-LM29710	
		(Rear) 513185	
95-92	01N.....	(Front) LM29749-LM29710	
		(Rear) 513185	
AUTOMATIC / 5 Speed			
TORQUE CONVERTER			
06-96	ZF 5HP-19FL, 5HP-19FLA.....	224510	
		Redi-Sleeve 99177	
04-97	ZF 5HP-24A.....	224052	
		Redi-Sleeve 99157	
OUTPUT SHAFT			
06-96	ZF 5HP-19FL, 5HP-19FLA... (2)223510		
		Redi-Sleeve (2) 99139	
AUTOMATIC / 6 Speed			
TORQUE CONVERTER			
09-05	ZF 6HP-26, 6HP-32A.....	224510	
		Redi-Sleeve 99177	
09-04	02E.....	224510	
		Redi-Sleeve 99177	

Year	Application	Seal	Bearing
AUTOMATIC / 6 Speed (Cont.)			
OUTPUT SHAFT			
09-05	ZF 6HP-26, 6HP-32A.....	(2) 223510	
		Redi-Sleeve (2) 99139	
09-04	02E.....	(2) 223510	
		Redi-Sleeve (2) 99139	
MANUAL / 5 Speed			
DIFFERENTIAL			
06-00	VW 02J, 02M.....	(2)LM300849-LM300811	
06-92	01A, 01E, 01W, 012		
		(Left) A-35	
		(Right) LM300849-LM300811	
INPUT SHAFT			
06-92	01A, 01E, 01W, 012.....	222540	
		Redi-Sleeve 99098	
OUTPUT SHAFT			
06-00	VW 02J, 02M.....	(2) 710147	
		Redi-Sleeve (2) 99157	
06-92	01A, 01E, 01W, 012.....	(2) 224520	
		Redi-Sleeve (2) 99177	
MANUAL / 6 Speed			
DIFFERENTIAL			
09-05	Getrag 466.....	(2)LM503349A-LM503310	
		(2)A-35	
09-00	VW 02M.....	(2)LM300849-LM300811	
05-92	01E.....	(Left) A-35	
		(Right) LM300849-LM300811	
INPUT SHAFT			
05-92	01E.....	222540	
		Redi-Sleeve 99098	
OUTPUT SHAFT			
09-05	Getrag 466.....	(2) 224520	
		Redi-Sleeve (2) 99177	
09-00	VW 02M.....	(2) 710147	
		Redi-Sleeve (2) 99157	
05-92	01E.....	(2) 224520	
		Redi-Sleeve (2) 99177	
ELECTRICAL			
ALTERNATOR			
DRIVE END			
97-92	Bosch 110 Amp.....		303-CC
93-90	Bosch 115 Amp.....		303-CC
REAR END			
97-92	Bosch 110 Amp.....		201-SS
93-90	Bosch 115 Amp.....		201-SS
ENGINE			
CAMSHAFT			
4 CYLINDER			
06-97	1780cc/1.8L (DOHC-Turbo)		
		(2) 3476	
		Redi-Sleeve (2) 99128	

() Indicates Quantity Required Ⓢ Sealed Self-Aligning Bearing

AUDI - A, R, RS, S, TT & V8 Series

(A3, A3 Quattro, A4, A4 Quattro, A5 Quattro, A6, A6 Quattro, A8, A8 Quattro, A8L, Cabriolet, RS4, RS6, R8, S4, S5, S6, S8, TT, TT Quattro & V8) (Cont.)

Year	Application	Seal	Bearing	Year	Application	Seal	Bearing
ENGINE				CRANKSHAFT (Cont.)			
CAMSHAFT (Cont.)				8 CYLINDER			
5 CYLINDER				94-90 3562cc/3.6L (DOHC), 4172cc/4.2L (DOHC)..... 716102			
97-92 2226cc/2.2L (DOHC-Turbo).... 3476				Redi-Sleeve 99333			
6 CYLINDER				INTERMEDIATE SHAFT			
04-94 2671cc/2.7L (DOHC-Turbo), 2771cc/2.8L, 2771cc/2.8L (DOHC)..... (4) 3476				4 CYLINDER			
Redi-Sleeve (4) 99128				06-97 1780cc/1.8L (DOHC-Turbo).... 3476			
8 CYLINDER				Redi-Sleeve 99128			
04-97 4172cc/4.2L (DOHC), 4172cc/4.2L (DOHC), 4172cc/4.2L (DOHC-Turbo) (4) 3476				5 CYLINDER			
Redi-Sleeve (4) 99128				97-92 2226cc/2.2L (DOHC-Turbo).... 3476			
94-90 3562cc/3.6L (DOHC), 4172cc/4.2L (DOHC)..... (4) 3476				Redi-Sleeve 99128			
Redi-Sleeve (4) 99128				TIMING COVER			
CRANKSHAFT				4 CYLINDER			
4 CYLINDER				06-97 1780cc/1.8L (DOHC-Turbo).... 3476			
09-97 1780cc/1.8L (DOHC-Turbo), 1984cc/2.0L (DOHC-Turbo) ☆ 710617				Redi-Sleeve 99128			
5 CYLINDER				5 CYLINDER			
97-92 2226cc/2.2L (DOHC-Turbo).... 716102				97-92 2226cc/2.2L (DOHC-Turbo).... 1108			
Redi-Sleeve 99333				Redi-Sleeve 99139			
6 CYLINDER				6 CYLINDER			
04-94 2671cc/2.7L (DOHC-Turbo), 2771cc/2.8L, 2771cc/2.8L (DOHC)..... 716102				04-00 2671cc/2.7L (DOHC-Turbo).... 1108			
Redi-Sleeve 99333				Redi-Sleeve 99139			
8 CYLINDER				01-97 2771cc/2.8L (DOHC)..... ☆ 710618			
04-97 4172cc/4.2L (DOHC), 4172cc/4.2L (DOHC), 4172cc/4.2L (DOHC-Turbo).... 716102				98-94 2771cc/2.8L 1108			
Redi-Sleeve 99333				Redi-Sleeve 99139			
(Continued Next Column)				8 CYLINDER			

AUDI - 80, 90, 100, 200, 4000, 5000 Series

(Coupe, Coupe Quattro, 100, 100 Quattro, 200, 200 Quattro, 4000, 4000 Quattro, 5000, 5000 Quattro, 80, 80 Quattro, 90 & 90 Quattro)

WHEEL				FRONT WHEEL (Cont.)			
FRONT WHEEL				1988 80, 90 (2nd Design)..... 510020			
95-92 100, 100 Quattro, 90 Quattro..... 510019				1988 80 Quattro, 90 Quattro..... 510020			
95-89 80, 80 Quattro, 90..... 510020				88-87 5000, 5000 Quattro..... 513242			
1991 100, 200 (ATX) (3 Speed)..... 513242				87-80 Coupe, 4000, 4000 Quattro..... B-38			
1991 100, 200 (ATX) (4 Speed)..... 510019				1986 5000, 5000 Quattro (1st Design)..... 513106			
1991 100, 200 (MTX) (5 Speed)..... 510019				1986 5000, 5000 Quattro (2nd Design)..... 513242			
91-89 Coupe Quattro, 100 Quattro, 200 Quattro, 90 Quattro..... 510019				85-80 5000, 5000 Quattro..... 513106			
90-89 100, 200 (ATX)..... 513242				REAR WHEEL			
90-89 100, 200 (MTX)..... 510019				95-90 100, 200, 80, 90			
1988 80, 90 (1st Design)..... B-38				(Inner) 1962 A-15			
(Continued Next Column)				(Outer) A-2			
				95-89 Coupe Quattro, 80 Quattro, 90 Quattro..... 510020			
				(Continued Next Page)			

80, 90, 100, 200, 4000, 5000 Series - AUDI

(Cont.) (Coupe, Coupe Quattro, 100, 100 Quattro, 200, 200 Quattro, 4000, 4000 Quattro, 5000, 5000 Quattro, 80, 80 Quattro, 90 & 90 Quattro)

Year	Application	Seal	Bearing
WHEEL			
REAR WHEEL (Cont.)			
94-89	100 Quattro, 200 Quattro.....		510019
89-88	80, 90 (Disc Brakes)		
	(Inner)..... 1962.....		A-15
	(Outer).....		A-2
89-88	80, 90 (Drum Brakes)		
	(Inner)..... 1962.....		A-15
	(Outer).....		A-1
89-80	100, 200, 5000		
	(Inner)..... 1962.....		A-15
	(Outer).....		A-2
1988	80 Quattro, 90 Quattro (ABS).....		510020
1988	80 Quattro, 90 Quattro (Exc. ABS).....		513106
88-87	5000 Quattro.....		513242
87-86	4000 Quattro.....		513106
87-80	Coupe, 4000..... (Inner)..... 1962.....		A-15
	(Outer).....		A-1
1986	5000 Quattro (1st Design).....		513106
1986	5000 Quattro (2nd Design).....		513242
85-83	4000 Quattro, 5000 Quattro.....		513106

Year	Application	Seal	Bearing
AXLE			
REAR AXLE			
DIFFERENTIAL			
95-83	Torsen T1..... (Left).....		A-37
	(Right)..... 224520.....		A-35
	Redi-Sleeve 99177.....		
PINION			
95-83	Torsen T1..... (Inner).....	HM801346X-HM801310	
	(Outer)..... 710538.....	M88048-M88010	
	(Pilot).....	.206	

Year	Application	Seal	Bearing
CLUTCH			
PILOT			
4 CYLINDER			
90-80	1588cc/1.6L, 1588cc/1.6L (Diesel), 1588cc/1.6L (Turbo-Diesel), 1715cc/1.7L, 1780cc/1.8L, 1984cc/2.0L.....		F-85265
5 CYLINDER			
92-87	2309cc/2.3L, 2309cc/2.3L (DOHC).....		102-CC
89-80	1986cc/2.0L (Diesel), 1986cc/2.0L (Turbo-Diesel), 2144cc/2.1L, 2144cc/2.1L (Turbo), 2226cc/2.2L, 2226cc/2.2L (Turbo).....		F-85706
RELEASE			
		Bearing Only	Bearing Assembly
4 CYLINDER			
87-84	1780cc/1.8L (210mm Clutch).....		Ⓢ 614015
83-82	1588cc/1.6L (Diesel), 1588cc/1.6L (Turbo-Diesel) (190mm Clutch).....		Ⓢ 614015
83-80	1588cc/1.6L, 1715cc/1.7L (200mm Clutch).....		Ⓢ 614015
5 CYLINDER			
88-86	2226cc/2.2L (Turbo) (240mm Clutch).....		Ⓢ 614015
88-80	1986cc/2.0L (Diesel), 1986cc/2.0L (Turbo-Diesel), 2144cc/2.1L, 2144cc/2.1L (Turbo), 2226cc/2.2L, 2309cc/2.3L (228mm Clutch).....		Ⓢ 614015
	(Continued Next Column)		

Year	Application	Seal	Bearing
RELEASE (Cont.)			
		Bearing Only	Bearing Assembly
5 CYLINDER			
84-80	2144cc/2.1L (215mm Clutch).....		Ⓢ 614015
TRANSAXLE			
AUTOMATIC / 3 Speed			
DIFFERENTIAL			
91-80	087.....	(2)LM300849-LM300811	
90-80	089.....		(2)LM29749
TORQUE CONVERTER			
91-80	087, 089.....	3083	
		Redi-Sleeve 99169	
OUTPUT SHAFT			
91-80	087, 089.....	(2) 224520	
		Redi-Sleeve (2) 99177	
PINION			
91-80	087..... (Front).....	222820	M88048-M88010
	(Rear)..... 1012N.....		M86649-M86610
	Redi-Sleeve 99177.....		
90-80	089..... (Front).....	222535	M86649-M86610
	Redi-Sleeve 99098.....		
	(Rear)..... 239146.....		M86649-M86610
AUTOMATIC / 4 Speed			
DIFFERENTIAL			
95-91	01N.....	(2)LM503349A-LM503310	
94-92	ZF 4HP-18..... (Left).....	LM806649-LM806610	
	(Right).....	LM300849-LM300811	
TORQUE CONVERTER			
94-92	ZF 4HP-18.....	225110	
		Redi-Sleeve 99177	
PINION			
95-91	01N..... (Front).....	LM29749-LM29710	
	(Rear).....		513185
MANUAL / 4 Speed			
DIFFERENTIAL			
84-80	014, 088.....	(2)LM300849-LM300811	
INPUT SHAFT			
84-80	014, 088.....	222030	
		Redi-Sleeve 99078	
OUTPUT SHAFT			
84-80	014, 088.....	(2) 224052	
		Redi-Sleeve (2) 99157	
MANUAL / 5 Speed			
DIFFERENTIAL			
95-80	01A, 01W, 012, 016, 093.....		A-35
	(Left).....		
	(Right).....	LM300849-LM300811	
87-80	013.....	(2)LM300849-LM300811	
INPUT SHAFT			
95-80	01A, 01W, 012, 016, 093.....	222540	
		Redi-Sleeve 99098	
	(Continued Next Page)		

() Indicates Quantity Required Ⓢ Sealed Self-Aligning Bearing

AUDI - 80, 90, 100, 200, 4000, 5000 Series

(Coupe, Coupe Quattro, 100, 100 Quattro, 200, 200 Quattro, 4000, 4000 Quattro, 5000, 5000 Quattro, 80, 80 Quattro, 90 & 90 Quattro) (Cont.)

Year	Application	Seal	Bearing	Year	Application	Seal	Bearing
TRANSAXLE				ALTERNATOR (Cont.)			
MANUAL / 5 Speed (Cont.)				REAR END			
INPUT SHAFT				93-84	Bosch 110 Amp.....		201-SS
87-80	013	222030		93-84	Bosch 90 Amp.....		201-SS
	Redi-Sleeve	99078		88-80	Bosch 55, 65 Amp.....		200-CC
OUTPUT SHAFT				83-80	Bosch 65, 75 Amp.....		201-S
95-80	01A, 01W, 012, 016, 093..... (2)	224520		83-80	Motorola 55, 65 Amp.....		201-S
	Redi-Sleeve (2)	99177		ENGINE			
87-80	013	(2) 224052		CAMSHAFT			
	Redi-Sleeve (2)	99157		4 CYLINDER			
MANUAL / 6 Speed				90-80	1588cc/1.6L, 1588cc/1.6L (Diesel), 1588cc/1.6L (Turbo-Diesel), 1715cc/1.7L, 1780cc/1.8L, 1984cc/2.0L	3476	
DIFFERENTIAL					Redi-Sleeve	99128	
1992	01E	(Left)	A-35	5 CYLINDER			
		(Right)	LM300849-LM300811	92-80	1986cc/2.0L (Diesel), 1986cc/2.0L (Turbo-Diesel), 2144cc/2.1L, 2144cc/2.1L (Turbo), 2226cc/2.2L, 2226cc/2.2L (DOHC-Turbo), 2226cc/2.2L (Turbo), 2309cc/2.3L, 2309cc/2.3L (DOHC).....	3476	
INPUT SHAFT					Redi-Sleeve	99128	
1992	01E	222540		6 CYLINDER			
	Redi-Sleeve	99098		95-92	2771cc/2.8L	(4) 3476	
OUTPUT SHAFT					Redi-Sleeve (4)	99128	
1992	01E	(2) 224520		CRANKSHAFT			
	Redi-Sleeve (2)	99177		4 CYLINDER			
STEERING				90-80	1588cc/1.6L, 1588cc/1.6L (Diesel), 1588cc/1.6L (Turbo-Diesel), 1715cc/1.7L, 1780cc/1.8L, 1984cc/2.0L	716102	
POWER STEERING					Redi-Sleeve	99333	
STEERING PUMP SHAFT				5 CYLINDER			
90-84	Coupe, Coupe Quattro, 100, 100 Quattro, 200, 200 Quattro, 5000, 5000 Quattro, 80, 80 Quattro, 90, 90 Quattro.....	221610		92-80	1986cc/2.0L (Diesel), 1986cc/2.0L (Turbo-Diesel), 2144cc/2.1L, 2144cc/2.1L (Turbo), 2226cc/2.2L, 2226cc/2.2L (DOHC-Turbo), 2226cc/2.2L (Turbo), 2309cc/2.3L, 2309cc/2.3L (DOHC).....	716102	
87-86	4000, 4000 Quattro (Saginaw Pump).....	7013S			Redi-Sleeve	99333	
AIR CONDITIONING				6 CYLINDER			
COMPRESSOR				95-92	2771cc/2.8L	716102	
CLUTCH PULLEY					Redi-Sleeve (4)	99128	
92-86	Nippondenso 10P17.....		5000-KFF	CRANKSHAFT			
87-80	York Mini 206.....		206-FF	4 CYLINDER			
85-80	Harrison A-6		907257	90-80	1588cc/1.6L, 1588cc/1.6L (Diesel), 1588cc/1.6L (Turbo-Diesel), 1715cc/1.7L, 1780cc/1.8L, 1984cc/2.0L	716102	
ELECTRICAL					Redi-Sleeve	99333	
ALTERNATOR				5 CYLINDER			
DRIVE END				92-80	1986cc/2.0L (Diesel), 1986cc/2.0L (Turbo-Diesel), 2144cc/2.1L, 2144cc/2.1L (Turbo), 2226cc/2.2L, 2226cc/2.2L (DOHC-Turbo), 2226cc/2.2L (Turbo), 2309cc/2.3L, 2309cc/2.3L (DOHC).....	716102	
93-84	Bosch 110 Amp.....		303-CC		Redi-Sleeve	99333	
93-84	Bosch 90 Amp.....		303-CC	6 CYLINDER			
88-87	Bosch 55, 65 Amp.....		203-FF	95-92	2771cc/2.8L	716102	
1987	Bosch 65 Amp.....		203-FF		Redi-Sleeve	99333	
86-84	Bosch 55, 65 Amp.....		203-S	ALTERNATOR (Cont.)			
86-80	Bosch 65 Amp.....		203-S	REAR END			
83-80	Bosch 55 Amp.....		203-S	93-84	Bosch 110 Amp.....		201-SS
83-80	Bosch 65, 75 Amp.....		303-SS	93-84	Bosch 90 Amp.....		201-SS
83-80	Motorola 55 Amp.....		203-S	88-80	Bosch 55, 65 Amp.....		200-CC
83-80	Motorola 65 Amp.....		203-S	83-80	Bosch 65, 75 Amp.....		201-S
				83-80	Motorola 55, 65 Amp.....		201-S

80, 90, 100, 200, 4000, 5000 Series - AUDI

(Cont.) (Coupe, Coupe Quattro, 100, 100 Quattro, 200, 200 Quattro, 4000, 4000 Quattro, 5000, 5000 Quattro, 80, 80 Quattro, 90 & 90 Quattro)

Year	Application	Seal	Bearing	Year	Application	Seal	Bearing
ENGINE				TIMING COVER (Cont.)			
INTERMEDIATE SHAFT				5 CYLINDER			
4 CYLINDER				92-80 1986cc/2.0L (Diesel), 1986cc/2.0L (Turbo-Diesel), 2144cc/2.1L, 2144cc/2.1L (Turbo), 2226cc/2.2L, 2226cc/2.2L (DOHC-Turbo), 2226cc/2.2L (Turbo), 2309cc/2.3L, 2309cc/2.3L (DOHC)..... 1108			
90-80	1588cc/1.6L, 1588cc/1.6L (Diesel), 1588cc/1.6L (Turbo-Diesel), 1715cc/1.7L, 1780cc/1.8L, 1984cc/2.0L	3476		Redi-Sleeve 99128			
5 CYLINDER				6 CYLINDER			
92-80	1986cc/2.0L (Diesel), 1986cc/2.0L (Turbo-Diesel), 2144cc/2.1L, 2144cc/2.1L (Turbo), 2226cc/2.2L, 2226cc/2.2L (DOHC-Turbo), 2226cc/2.2L (Turbo), 2309cc/2.3L, 2309cc/2.3L (DOHC)..... 3476	3476		95-92 2771cc/2.8L 1108			
Redi-Sleeve 99128				Redi-Sleeve 99139			
TIMING COVER				4 CYLINDER			
4 CYLINDER				90-80 1588cc/1.6L, 1588cc/1.6L (Diesel), 1588cc/1.6L (Turbo-Diesel), 1715cc/1.7L, 1780cc/1.8L, 1984cc/2.0L			
Redi-Sleeve 99128				3476			
Redi-Sleeve 99128				Redi-Sleeve 99128			

(Allroad, Q5 & Q7) CROSSOVER/SPORT UTILITY - AUDI TRUCK

WHEEL				AUTOMATIC / 6 Speed (Cont.)			
FRONT WHEEL				OUTPUT SHAFT			
09-07	Q7	510082		2009 02E (2) 223510			
05-01	All	510019		Redi-Sleeve (2) 99139			
REAR WHEEL				MANUAL / 6 Speed			
09-07	Q7	510082		DIFFERENTIAL			
05-01	All	510019		05-01 01E (Left) A-35 (Right) LM300849-LM300811			
TRANSAXLE				INPUT SHAFT			
AUTOMATIC / 5 Speed				05-01 01E 222540			
TORQUE CONVERTER				Redi-Sleeve 99098			
05-01	ZF 5HP-19FLA	224510		OUTPUT SHAFT			
Redi-Sleeve 99177				05-01 01E (2) 224520			
OUTPUT SHAFT				Redi-Sleeve (2) 99177			
05-01	ZF 5HP-19FLA (2) 223510			TRANSMISSION			
Redi-Sleeve (2) 99139				AUTOMATIC / 6 Speed			
AUTOMATIC / 6 Speed				FRONT PUMP			
TORQUE CONVERTER				09-07 ZF 6HP-19 224510			
2009	02E	224510		Redi-Sleeve 99177			
Redi-Sleeve 99177							

() Indicates Quantity Required

AUDI TRUCK - CROSSOVER/SPORT UTILITY (Allroad, Q5 & Q7) (Cont.)

Year	Application	Seal	Bearing	Year	Application	Seal	Bearing
ENGINE				CRANKSHAFT (Cont.)			
CAMSHAFT				8 CYLINDER			
6 CYLINDER				05-03	4172cc/4.2L (DOHC)	716102	
05-01	2671cc/2.7L (DOHC-Turbo)	(4) 3476				Redi-Sleeve 99333	
		Redi-Sleeve (4) 99128		TIMING COVER			
8 CYLINDER				6 CYLINDER			
05-03	4172cc/4.2L (DOHC)	(4) 3476		05-01	2671cc/2.7L (DOHC-Turbo)	1108	
		Redi-Sleeve (4) 99128				Redi-Sleeve 99139	
CRANKSHAFT				8 CYLINDER			
6 CYLINDER				05-03	4172cc/4.2L (DOHC)	1108	
05-01	2671cc/2.7L (DOHC-Turbo)	716102				Redi-Sleeve 99139	
		Redi-Sleeve 99333					

AVANTI (Avanti II)

WHEEL				REAR AXLE (Cont.)			
FRONT WHEEL				DIFFERENTIAL			
07-05	All		Hub Assembly 513221	86-80	Spicer 44		(2)25577-25523
04-01	All		Hub Assembly 513090	PINION			
91-89	All	(Inner) 8871	A-6	07-05	Visteon IRS-7.5" R.G., IRS-8.8" R.G.		
		(Outer) 8871	A-3			(Inner) M802048-M802011	
88-87	All	(Inner) 8871	A-6			(Outer) 3604	M88048-M88010
		(Outer) 8871	A-34			Redi-Sleeve 99181	
86-80	All	(Inner) 205017	A-6	04-02	AAM 7.625" R.G.		
		(Outer) 205017	A-2			(Inner) HM89249-HM89210	
REAR WHEEL						(Outer) 710474	M86649-M86610
07-05	All	8835S	6408	2001	AAM 7.625" R.G. (1st Design)		
			(Axle Repair Brg.) RP-6408			(Inner) HM89249-HM89210	
04-01	All	8660S	5707			(Outer) 8610	M86649-M86610
			(Axle Repair Brg.) RP-5707			Redi-Sleeve 99152	
91-87	All	8660S	5707	2001	AAM 7.625" R.G. (2nd Design)		
			(Axle Repair Brg.) RP-5707			(Inner) HM89249-HM89210	
86-80	All	2689S	A-10			(Outer) 710474	M86649-M86610
AXLE				91-90	GMC 8.5" R.G.		M802048-M802011
REAR AXLE						(Outer) 2043	M88048-M88010
AXLE SHAFT						Redi-Sleeve 99193	
07-05	Visteon IRS-7.5" R.G.	(2) 714569	(2)FC-66998	90-87	GMC 7.5" R.G.	(Inner) HM89249-HM89210	
		Redi-Sleeve (2) 99157				(Outer) 8610	M86649-M86610
07-05	Visteon IRS-8.8" R.G.	(2) 100537				Redi-Sleeve 99152	
		Redi-Sleeve (2) 99157		86-80	Spicer 44	(Inner) 31594-31520	
DIFFERENTIAL KIT						(Outer) 5778	02872-02820
07-05	Visteon IRS-7.5" R.G.		<input checked="" type="checkbox"/> RA-315			Viton® 5778V	
04-02	AAM 7.625" R.G.		<input checked="" type="checkbox"/> RA-320-B			Redi-Sleeve 99155	
2001	AAM 7.625" R.G. (1st Design)		<input checked="" type="checkbox"/> RA-320	CLUTCH			
			(Master Kit) RA-320MK	PILOT			
2001	AAM 7.625" R.G. (2nd Design)		<input checked="" type="checkbox"/> RA-320-B	8 CYLINDER			
91-90	GMC 8.5" R.G.		<input checked="" type="checkbox"/> RA-321	07-05	281/4.6L		FC-68329
			(Master Kit) RA-321MK	04-01	346/5.7L		57080
90-87	GMC 7.5" R.G.		<input checked="" type="checkbox"/> RA-320	RELEASE			
			(Master Kit) RA-320MK	8 CYLINDER			
DIFFERENTIAL				04-01	346/5.7L		(Hyd. Clutch)® 614174
07-05	Visteon IRS-7.5" R.G.	(2)LM501349-LM501314					
04-01	AAM 7.625" R.G.	(2)LM501349-LM501314					
91-87	GMC 7.5" R.G., 8.5" R.G.	(2)LM501349-LM501314					
(Continued Next Column)							

(Cont.) (Avanti II) **AVANTI**

Year	Application	Seal	Bearing
TRANSMISSION			
AUTOMATIC / 3 Speed			
FRONT PUMP			
81-80	GMC THM350.....	6712NA <i>Redi-Sleeve</i> 99187	
EXTENSION HOUSING			
81-80	GMC THM350.....	9613S <i>(Seal & Bushing Kit)</i> 5200	
MANUAL SHAFT			
81-80	GMC THM350.....	8792S	
AUTOMATIC / 4 Speed			
FRONT PUMP			
04-01	GMC 4L60-E.....	4950 <i>Redi-Sleeve</i> 99174	
91-82	GMC THM200-4R, THM700-R4	4950 <i>Redi-Sleeve</i> 99174	
EXTENSION HOUSING			
04-01	GMC 4L60-E (Booted).....	4934	
04-01	GMC 4L60-E (Non-Booted).....	4583	
91-87	GMC THM700-R4 (Booted).....	9613S <i>(Seal & Bushing Kit)</i> 5200	
91-87	GMC THM700-R4 (Non-Booted)	4583	
86-82	GMC THM200-4R.....	9613S <i>(Seal & Bushing Kit)</i> 5200	
MANUAL SHAFT			
04-01	GMC 4L60-E.....	8792S	
91-82	GMC THM200-4R, THM700-R4	8792S	
AUTOMATIC / 5 Speed			
FRONT PUMP			
07-05	Ford 5R55S.....	710535	
EXTENSION HOUSING			
07-05	Ford 5R55S.....	710541	
MANUAL SHAFT			
07-05	Ford 5R55S.....	7929S	
MANUAL / 5 Speed			
DRIVESHAFT / INPUT			
07-06	Tremec T5WC.....	7412S <i>Redi-Sleeve</i> 99125	A-5
07-05	Tremec 3650.....	FA-55505 M88048-M88010	
MAINSHAFT / OUTPUT			
07-06	Tremec T5WC.....	710426	25877-25821
07-05	Tremec 3650.....	710298	
MAINSHAFT PILOT			
07-06	Tremec T5WC.....	(15)QBR-23549	
MAINSHAFT 1ST SPEED GEAR			
07-06	Tremec T5WC.....	F-218255	
MAINSHAFT 2ND SPEED GEAR			
07-06	Tremec T5WC.....	F-93934	

Year	Application	Seal	Bearing
MANUAL / 5 Speed (Cont.)			
COUNTERSHAFT			
07-06	Tremec T5WC..... (Rear)		A-6
	(Thrust).....		NTA-1423
MANUAL / 6 Speed			
DRIVESHAFT / INPUT			
04-01	Tremec T56.....	7412S <i>Redi-Sleeve</i> 99125	M88048-M88010
MAINSHAFT / OUTPUT			
04-01	Tremec T56.....		A-16
COUNTERSHAFT			
04-01	Tremec T56..... (Front)		A-5
	(Rear).....		32008
STEERING			
POWER STEERING			
STEERING PUMP SHAFT			
04-01	All.....	7013S	
AIR CONDITIONING			
COMPRESSOR			
CLUTCH PULLEY			
07-05	Ford FS-10.....		5106-WCC
04-01	Harrison V-5.....		907257
91-80	Harrison A-6.....		907257
ENGINE			
CRANKSHAFT			
6 CYLINDER			
07-06	244/4.0L.....	3393 PTFE Rubber 5288 <i>Redi-Sleeve</i> 99237	
8 CYLINDER			
07-05	281/4.6L.....	3909 PTFE Rubber 5277 <i>Redi-Sleeve</i> 99363	
04-01	346/5.7L.....	100085	
90-86	305/5.0L..... (Gkt. & PTFE Seal)	5274A	
	(Gkt. & Viton® Seal)	4359V	
	PTFE Rubber 5274		
	<i>Redi-Sleeve</i> 99364		
85-80	305/5.0L, 350/5.7L... (Split Seal)	5092	
TIMING COVER			
8 CYLINDER			
07-05	281/4.6L.....	482041N <i>Redi-Sleeve</i> 99187 Harmonic Bal Sleeve 88187	
04-01	346/5.7L.....	100470 <i>Redi-Sleeve</i> 99210	
90-80	305/5.0L, 350/5.7L.....	9845 <i>Redi-Sleeve</i> 99176 Harmonic Bal Sleeve 88176 Harmonic Bal Kit <input checked="" type="checkbox"/> 5000	

() Indicates Quantity Required Refer To Front Of Catalog For Kit Contents

BENTLEY

(Arnage, Azure, Brooklands, Continental, Continental GT, Corniche, Eight, Mulsanne, Turbo R & T2)

Year	Application	Seal	Bearing	Year	Application	Seal	Bearing
WHEEL							
FRONT WHEEL				AUTOMATIC / 4 Speed			
98-80	All.....	(Inner) LM29749-LM29710		FRONT PUMP			
		(Outer) A-4		06-00	GMC 4L80-E.....	714598	
REAR WHEEL						Redi-Sleeve 99199	
98-80	All.....	(Inner) 18790-18720		99-91	GMC 4L80-E.....	4598	
		(Outer) 18690-18620				Redi-Sleeve 99199	
AXLE				OUTPUT SHAFT			
REAR AXLE				06-91	GMC 4L80-E.....	4934	
DIFFERENTIAL				EXTENSION HOUSING			
98-80	All.....	(Left) 29590-29520		06-01	GMC 4L80-E.....	9449	
		(Right) 368A-362A				(Seal & Bushing Kit) 5208	
PINION				00-91	GMC 4L80-E.....	9449	109
98-80	All.....	(Inner) HM903249-HM903210				(Seal & Bushing Kit) 5208	
		(Outer) HM88649-HM88610		MANUAL SHAFT			
TRANSAXLE				06-91	GMC 4L80-E.....	8792S	
AUTOMATIC / 6 Speed				AUTOMATIC / 5 Speed			
TORQUE CONVERTER				FRONT PUMP			
09-04	ZF 6HP-26A.....	224510		01-99	ZF 5HP-30.....	224052	
		Redi-Sleeve 99177				Redi-Sleeve 99157	
OUTPUT SHAFT				AUTOMATIC / 6 Speed			
09-04	ZF 6HP-26A.....	(2) 223510		FRONT PUMP			
		Redi-Sleeve (2) 99139		09-07	ZF 6HP-26.....	224510	
						Redi-Sleeve 99177	
TRANSMISSION				AIR CONDITIONING			
AUTOMATIC / 3 Speed				COMPRESSOR			
FRONT PUMP				CLUTCH PULLEY			
90-80	GMC THM400.....	6712NA		84-80	Harrison A-6.....	907257	
		Redi-Sleeve 99187		ENGINE			
EXTENSION HOUSING				CRANKSHAFT			
90-85	GMC THM400.....	9449	109	8 CYLINDER			
		(Seal & Bushing Kit) 5208		01-99	4398cc/4.4L (DOHC-Turbo)....	231003	
84-80	GMC THM400.....	9449				Redi-Sleeve 99393	
		(Seal & Bushing Kit) 5208		TIMING COVER			
MANUAL SHAFT				8 CYLINDER			
90-80	GMC THM400.....	8792S		01-99	4398cc/4.4L (DOHC-Turbo)....	716484	
						Redi-Sleeve 99189	

BERTONE (X1/9)

WHEEL				TRANSAXLE			
FRONT WHEEL				AUTOMATIC / 3 Speed			
89-83	All.....	222510		DIFFERENTIAL			
				89-83	VW 010.....	(2)LM29749-LM29710	
				TORQUE CONVERTER			
				89-83	VW 010.....	3083	
						Redi-Sleeve 99169	

(Cont.) (X1/9) **BERTONE**

Year	Application	Seal	Bearing	Year	Application	Seal	Bearing
TRANSAXLE				ENGINE			
AUTOMATIC / 3 Speed (Cont.)				CAMSHAFT			
OUTPUT SHAFT				4 CYLINDER			
89-84	VW 010	(2) 225010		89-83	1498cc/1.5L	223035	
		Redi-Sleeve (2) 99196				Redi-Sleeve 99114	
1983	VW 010	(2) 1965		CRANKSHAFT			
		Redi-Sleeve (2) 99146		4 CYLINDER			
PINION				89-83	1498cc/1.5L	227040	
89-83	VW 010	(Front) 223010	A-6			Redi-Sleeve 99272	
		Redi-Sleeve 99114		TIMING COVER			
		(Rear) 1174	A-6	4 CYLINDER			
		Redi-Sleeve 99147		89-83	1498cc/1.5L	224025	
ELECTRICAL						Redi-Sleeve 99157	
ALTERNATOR							
DRIVE END							
89-83	Bosch 65 Amp		303-SS				

(128i & 135i) **1 SERIES - BMW**

WHEEL				TRANSMISSION			
FRONT WHEEL				AUTOMATIC / 6 Speed			
09-08	All		Hub Assembly 513254	FRONT PUMP			
REAR WHEEL				09-08	ZF 6HP-19	224510	
09-08	128i		513106			Redi-Sleeve 99177	
09-08	135i		511026	ENGINE			
CLUTCH				CRANKSHAFT			
PILOT				6 CYLINDER			
6 CYLINDER				09-08	2996cc/3.0L (DOHC),		
09-08	2996cc/3.0L (DOHC),	2996cc/3.0L (DOHC-Turbo)	102-CC		2996cc/3.0L (DOHC-Turbo)	229005	
DRIVESHAFT						Redi-Sleeve 99354	
CENTER SUPPORT							
		Bearing	Bearing & Support				
09-08	Brg. ID 1.1811" (30mm)	106-CC					

3 SERIES - BMW

(Z3, 318i, 318is, 318iC, 320i, 323i, 323is, 323iC, 323Ci, 325i, 325is, 325iC, 325iX, 325xi, 325Ci, 328i, 328is, 328iC, 328xi, 328Ci, 330i, 330xi, 330Ci & 335i)

WHEEL				FRONT WHEEL (Cont.)			
FRONT WHEEL				91-84	318i, 318is, 318iC, 325, 325e, 325es, 325i, 325is, 325iC		Hub Assembly 513111
09-06	323i, 325i, 325Ci, 328i, 330i, 330Ci, 335d, 335i		513254	83-80	All	(Inner) 224010	A-15
			Hub Assembly 513254			(Outer)	A-1
09-01	325xi, 328xi, 330xi, 335xi		510080	REAR WHEEL			
05-92	Z3, 318i, 318is, 318iC, 318ti, 320i, 323i, 323is, 323iC, 323Ci, 325i, 325is, 325iC, 325Ci, 328i, 328is, 328iC, 328Ci, 330i, 330Ci		Hub Assembly 513125	09-01	325xi, 328xi, 330i, 330xi, 330Ci, 335d, 335i, 335xi		511026
91-88	325iX	224820	513106	09-99	Z3, 318i, 318is, 318iC, 320i, 323i, 323is, 323iC, 323Ci, 325i, 325Ci, 328i, 328is, 328iC, 328Ci		513106
		(Continued Next Column)				(Continued Next Page)	

BMW - 3 SERIES

(Z3, 318i, 318is, 318iC, 320i, 323i, 323is, 323iC, 323Ci, 325i, 325is, 325iC, 325iX, 325xi, 325Ci, 328i, 328is, 328iC, 328xi, 328Ci, 330i, 330xi, 330Ci & 335i) (Cont.)

Year	Application	Seal	Bearing
WHEEL			
REAR WHEEL (Cont.)			
99-95	318ti.....		513113
98-96	Z3 (Coupe).....		513106
98-96	Z3 (Roadster) (L4 Eng.).....		513113
98-96	Z3 (Roadster) (L6 Eng.).....		513106
98-87	318i, 318is, 318iC, 320i, 323i, 323is, 323iC, 325, 325e, 325es, 325i, 325is, 325iC, 325iX, 328i, 328is, 328iC.....		513106
86-84	All.....		513113
83-80	All.....	(Inner) 224235 (Outer) 224235	RW-122 RW-122

Year	Application	Seal	Bearing
AXLE			
FRONT AXLE			
DIFFERENTIAL			
91-88	325iX.....	(2) 473823 (2) LM29749-LM29710 Redi-Sleeve (2) 99139	
PINION			
91-88	325iX.....	(Inner) M88048-M88010 (Outer) M86649-M86610	

Year	Application	Seal	Bearing
REAR AXLE			
DIFFERENTIAL			
09-96	Z3, 323Ci, 323i, 323iC, 323is, 325Ci, 325i, 325xi, 328Ci, 328i, 328iC, 328is, 328xi, 330Ci, 330i, 330xi, 335d, 335i, 335xi.....	(2) 473823 (2) LM503349A-LM503310 Redi-Sleeve (2) 99139	
05-91	Z3, 318i, 318iC, 318is, 318ti, 320i.....	(2) 239146	(2) A-35
95-84	325, 325e, 325es, 325i, 325iC, 325is, 325iX.....	(2) LM503349A-LM503310	
85-80	318i, 320i.....	(2) 239146	(2) A-35
PINION			
09-84	Z3, 323Ci, 323i, 323iC, 323is, 325, 325Ci, 325e, 325es, 325i, 325iC, 325is, 325iX, 325xi, 328Ci, 328i, 328iC, 328is, 328xi, 330Ci, 330i, 330xi, 335d, 335i, 335xi.....	(Inner) HM89449-HM89410 (Outer) 1979 HM88542-HM88510 Redi-Sleeve 99177	
05-91	Z3, 318i, 318iC, 318is, 318ti, 320i.....	(Inner) HM88649-HM88610 (Outer) 1992 M86649-M86610 Redi-Sleeve 99157	
85-80	318i, 320i.....	(Inner) HM89446-HM89410 (Outer) 1992 M86649-M86610 Redi-Sleeve 99157	

Year	Application	Seal	Bearing
CLUTCH			
PILOT			
4 CYLINDER			
99-96	1895cc/1.9L (DOHC).....		102-CC
95-92	1796cc/1.8L (DOHC).....		201-CC
1991	1796cc/1.8L (DOHC).....		201

(Continued Next Column)

Year	Application	Seal	Bearing
PILOT (Cont.)			
4 CYLINDER			
85-80	1766cc/1.8L.....		201
6 CYLINDER			
09-08	2996cc/3.0L (DOHC), 2996cc/3.0L (DOHC-Turbo).....		102-CC
07-96	2171cc/2.2L (DOHC), 2494cc/2.5L (DOHC), 2497cc/2.5L (DOHC), 2793cc/2.8L (DOHC), 2979cc/3.0L (DOHC), 2996cc/3.0L (DOHC), 2996cc/3.0L (DOHC-Turbo), 3152cc/3.2L (DOHC), 3246cc/3.2L (DOHC).....		102-CC
95-92	1991cc/2.0L (DOHC), 2494cc/2.5L, 2494cc/2.5L (DOHC).....		201-CC
91-84	2494cc/2.5L, 2693cc/2.7L.....		201

Year	Application	Bearing Only	Bearing Assembly
RELEASE			
4 CYLINDER			
99-91	1796cc/1.8L (DOHC), 1895cc/1.9L (DOHC) (215mm Clutch).....		Ⓢ 614105
85-80	1766cc/1.8L (215mm Clutch).....		Ⓢ 614105
6 CYLINDER			
1999	2793cc/2.8L (DOHC) (228mm Clutch).....		Ⓢ 614105
98-84	2494cc/2.5L, 2494cc/2.5L (DOHC), 2693cc/2.7L, 2793cc/2.8L (DOHC) (228mm Clutch).....		Ⓢ 614105
95-93	1991cc/2.0L (DOHC) (215mm Clutch).....		Ⓢ 614015

Year	Application	Bearing	Bearing & Support
DRIVESHAFT			
CENTER SUPPORT			
09-80	Brg. ID 1.1811" (30mm).....	106-CC	

Year	Application	Seal	Bearing
TRANSFER CASE			
FULL TIME / PART TIME			
INPUT SHAFT			
91-88	ZF A95 (32mm Shaft).....	710310	109
	Redi-Sleeve 99128.....		
91-88	ZF A95 (40mm Shaft).....	224010	109
	Redi-Sleeve 99157.....		
FRONT OUTPUT SHAFT			
91-88	ZF A95.....	1172	
	Redi-Sleeve 99139.....		
REAR OUTPUT SHAFT			
91-88	ZF A95.....	(Center) 107 (Inner) 105	

Year	Application	Seal	Bearing
TRANSMISSION			
AUTOMATIC / 3 Speed			
FRONT PUMP			
85-80	ZF 3HP-22.....	224010	
	Redi-Sleeve 99157.....		
EXTENSION HOUSING			
85-80	ZF 3HP-22.....	3459	107

() Indicates Quantity Required Ⓢ Sealed Self-Aligning Bearing

3 SERIES - BMW

(Cont.) (Z3, 318i, 318is, 318iC, 320i, 323i, 323is, 323iC, 323Ci, 325i, 325is, 325iC, 325iX, 325xi, 325Ci, 328i, 328is, 328iC, 328xi, 328Ci, 330i, 330xi, 330Ci & 335i)

Year	Application	Seal	Bearing
TRANSMISSION			
AUTOMATIC / 4 Speed			
FRONT PUMP			
00-91	GMC 4L30-E.....	6712NA	
	<i>Redi-Sleeve</i>	99187	
93-84	ZF 4HP-22.....	224052	
	<i>Redi-Sleeve</i>	99157	
EXTENSION HOUSING			
00-91	GMC 4L30-E.....	710432	
93-89	ZF 4HP-22.....	710140	
88-84	ZF 4HP-22.....	3459	
MANUAL SHAFT			
00-91	GMC 4L30-E.....	8792S	
AUTOMATIC / 5 Speed			
FRONT PUMP			
06-00	ZF 5HP-19.....	224510	
	<i>Redi-Sleeve</i>	99177	
05-00	GMC 5L40-E.....	* 710559	
EXTENSION HOUSING			
06-00	ZF 5HP-19.....	710140	
MANUAL SHAFT			
05-00	GMC 5L40-E.....	8792S	
AUTOMATIC / 6 Speed			
FRONT PUMP			
09-04	ZF 6HP-19, 6HP-21, 6HP-28, 6HP-19A.....	224510	
	<i>Redi-Sleeve</i>	99177	
MANUAL / 5 Speed			
DRIVESHAFT / INPUT			
00-96	ZF S5-31.....	223555	
	<i>Redi-Sleeve</i>	99139	
92-91	Getrag 245.....	223010	
	<i>Redi-Sleeve</i>	99114	
92-83	Getrag 240, 260.....	223535	
	<i>Redi-Sleeve</i>	99139	
85-84	ZF S5-16.....	223020	
	<i>Redi-Sleeve</i>	99114	
82-80	Getrag 245.....	223010	206
	<i>Redi-Sleeve</i>	99114	
MAINSHAFT / OUTPUT			
00-96	ZF S5-31.....	224052	
92-83	Getrag 240, 245, 260.....	473677	
85-84	ZF S5-16.....	223535	
82-80	Getrag 245.....	473677	306-L
COUNTERSHAFT			
82-80	Getrag 245..... (Front)		304
STEERING			
POWER STEERING			
STEERING PUMP SHAFT			
93-84	318i, 318is, 318iC, 320i, 325, 325e, 325es, 325i, 325is, 325iX.....	7013S	

(Continued Next Column)

Year	Application	Seal	Bearing
POWER STEERING (Cont.)			
STEERING PUMP SHAFT			
83-80	All.....	222060	104-CC
AIR CONDITIONING			
COMPRESSOR			
CLUTCH PULLEY			
95-88	Nippondenso 10P17.....		5000-KFF
91-84	Nippondenso 10P15.....		5000-KFF
89-84	Sanden SD-508.....		5001-KFF
ELECTRICAL			
ALTERNATOR			
DRIVE END			
95-84	Bosch 80, 115, 140 Amp.....		303-CC
94-91	Bosch 80, 115 Amp.....		303-CC
94-91	Bosch 80, 105 Amp.....		303-CC
85-80	Bosch 65 Amp.....		203-S
REAR END			
95-87	Bosch 80, 115, 140 Amp.....		201-CC
94-91	Bosch 80, 115 Amp.....		201-CC
94-91	Bosch 80, 105 Amp.....		201-CC
93-84	Bosch 90 Amp.....		201-S
85-80	Bosch 65 Amp.....		201-S
ENGINE			
AUXILIARY SHAFT			
6 CYLINDER			
06-84	2171cc/2.2L (DOHC), 2494cc/2.5L, 2494cc/2.5L (DOHC), 2693cc/2.7L, 2793cc/2.8L (DOHC), 2979cc/3.0L (DOHC).....	223802	
	<i>Redi-Sleeve</i>	99147	
CRANKSHAFT			
4 CYLINDER			
99-91	1796cc/1.8L (DOHC), 1895cc/1.9L (DOHC).....	229005	
	<i>Redi-Sleeve</i>	99354	
85-80	1766cc/1.8L.....	229005	
	<i>Redi-Sleeve</i>	99354	
6 CYLINDER			
09-84	2171cc/2.2L (DOHC), 2494cc/2.5L, 2494cc/2.5L (DOHC), 2497cc/2.5L (DOHC), 2693cc/2.7L, 2793cc/2.8L (DOHC), 2979cc/3.0L (DOHC), 2996cc/3.0L (DOHC), 2996cc/3.0L (DOHC-Turbo)....	229005	
	<i>Redi-Sleeve</i>	99354	
00-98	3152cc/3.2L (DOHC).....	231003	
	<i>Redi-Sleeve</i>	99393	

* Not a Current Production Number, Check for Availability

BMW - 3 SERIES

(Z3, 318i, 318is, 318iC, 320i, 323i, 323is, 323iC, 323Ci, 325i, 325is, 325iC, 325iX, 325xi, 325Ci, 328i, 328is, 328iC, 328xi, 328Ci, 330i, 330xi, 330Ci & 335i) (Cont.)

Year	Application	Seal	Bearing	Year	Application	Seal	Bearing
ENGINE							
TIMING COVER							
4 CYLINDER							
85-80	1766cc/1.8L	223540					
		<i>Redi-Sleeve</i> 99139					
6 CYLINDER							
06-84	2171cc/2.2L (DOHC), 2494cc/2.5L, 2494cc/2.5L (DOHC), 2693cc/2.7L, 2793cc/2.8L (DOHC), 2979cc/3.0L (DOHC), 3152cc/3.2L (DOHC).....	716484					
		<i>Redi-Sleeve</i> 99189					

BMW - 4 SERIES (Z4)

WHEEL				AUTOMATIC / 5 Speed (Cont.)			
FRONT WHEEL				MANUAL SHAFT			
08-03	All.....	Hub Assembly	513125	05-03	GMC 5L40-E.....	8792S	
REAR WHEEL				AUTOMATIC / 6 Speed			
08-03	All.....		513106	FRONT PUMP			
AXLE				2006 ZF 6HP-19			
REAR AXLE				<i>Redi-Sleeve</i> 99177			
DIFFERENTIAL				ENGINE			
08-03	Z4	(2) 473823 (2) LM503349A-LM503310		AUXILIARY SHAFT			
		<i>Redi-Sleeve</i> (2) 99139		6 CYLINDER			
PINION				05-03 2494cc/2.5L (DOHC), 2979cc/3.0L (DOHC).....			
08-03	Z4	(Inner)	HM89449-HM89410	223802			
		(Outer)	1979	<i>Redi-Sleeve</i> 99147			
		<i>Redi-Sleeve</i> 99177	HM88542-HM88510	CRANKSHAFT			
CLUTCH				6 CYLINDER			
PILOT				08-03 2494cc/2.5L (DOHC), 2979cc/3.0L (DOHC), 2996cc/3.0L (DOHC).....			
6 CYLINDER				229005			
07-03	2494cc/2.5L (DOHC), 2979cc/3.0L (DOHC), 2996cc/3.0L (DOHC), 3246cc/3.2L (DOHC).....	102-CC		<i>Redi-Sleeve</i> 99354			
DRIVESHAFT				TIMING COVER			
CENTER SUPPORT				6 CYLINDER			
08-03	Brg. ID 1.1811" (30mm).....	Bearing	106-CC	05-03 2494cc/2.5L (DOHC), 2979cc/3.0L (DOHC).....			
				716484			
				<i>Redi-Sleeve</i> 99189			
TRANSMISSION							
AUTOMATIC / 5 Speed							
FRONT PUMP							
05-03	GMC 5L40-E.....	* 710559					

5 SERIES - BMW

(524td, 525i, 525iT, 525xi, 528e, 528i, 528iT, 528xi, 530i, 530iT, 530xi, 533i, 535i, 535is, 535xi, 540i, 540iT, 545i & 550i)

Year	Application	Seal	Bearing
WHEEL			
FRONT WHEEL			
09-06	525xi, 528xi, 530xi, 535xi		510081
09-04	525i, 528i, 530i, 535i, 545i, 550i	Hub Assembly	513210
03-97	All	Hub Assembly	513172
95-94	All	Hub Assembly	513125
1993	525iT	Hub Assembly	513125
93-92	525i, 535i	Hub Assembly	513125
1991	All (From 04/01/91)	Hub Assembly	513125
1991	All (To 03/31/91)	Hub Assembly	513096
90-89	All	Hub Assembly	513096
88-82	All	Hub Assembly	513094
81-80	All	(Inner) 224250 (Outer)	A-6 A-2
REAR WHEEL			
09-06	525xi, 528xi, 530xi	Hub Assembly	512226
09-97	525i, 528i, 528iT, 530i, 535i, 535xi, 540i, 540iT, 545i, 550i	Hub Assembly	512225
95-89	525i, 525iT (Sedan)		511020
95-89	525i, 525iT (Station Wagon)		513180
95-82	524td, 528e, 530i, 530iT, 533i, 535i, 535is, 540i		513180
81-80	All	(Inner) 224250 (Outer) 226020	206-FF 208-FF
AXLE			
REAR AXLE			
DIFFERENTIAL			
09-97	540i, 540iT, 545i, 550i	(2)JLM104948-JLM104910	
09-97	525i, 525xi, 528i, 528iT, 528xi, 530i, 530xi, 535i, 535xi	(2)473823 (2)LM503349A-LM503310 Redi-Sleeve (2)99139	
95-94	540i	(2)1012N (2)JLM104948-JLM104910 Redi-Sleeve (2)99177	
95-80	524td, 525i, 525iT, 528e, 528i, 530i, 530iT, 533i, 535i, 535is	(2)LM503349A-LM503310	
PINION			
09-97	540i, 540iT, 545i, 550i	(Inner) HM803149-HM803110 (Outer) 223520 Redi-Sleeve 99139	
09-97	525i, 525xi, 528i, 528iT, 528xi, 530i, 530xi, 535i, 535xi	(Inner) HM89449-HM89410 (Outer) 1979 HM88542-HM88510 Redi-Sleeve 99177	
95-94	540i	(Inner) HM803149-HM803110 (Outer) 223520 Redi-Sleeve 99139	
95-80	524td, 525i, 525iT, 528e, 528i, 530i, 530iT, 533i, 535i, 535is	(Inner) HM89449-HM89410 (Outer) 1979 HM88542-HM88510 Redi-Sleeve 99177	
CLUTCH			
PILOT			
6 CYLINDER			
95-91	2494cc/2.5L (DOHC)		201-CC (Continued Next Column)

Year	Application	Seal	Bearing
PILOT (Cont.)			
6 CYLINDER			
93-80	2494cc/2.5L, 2693cc/2.7L, 2788cc/2.8L, 3210cc/3.2L, 3430cc/3.4L		201
8 CYLINDER			
95-94	2997cc/3.0L (DOHC), 3982cc/4.0L (DOHC)		201-CC
RELEASE			
		Bearing Only	Bearing Assembly
6 CYLINDER			
98-97	2793cc/2.8L (DOHC) (228mm Clutch)		Ⓢ 614105
95-80	2443cc/2.4L (Turbo-Diesel), 2494cc/2.5L, 2494cc/2.5L (DOHC), 2693cc/2.7L, 2788cc/2.8L (228mm Clutch)		Ⓢ 614105
93-83	3210cc/3.2L, 3430cc/3.4L (240mm Clutch)		Ⓢ 614105
8 CYLINDER			
95-94	2997cc/3.0L (DOHC) (228mm Clutch)		Ⓢ 614105
DRIVESHAFT			
CENTER SUPPORT			
		Bearing	Bearing & Support
07-01	Brg. ID 1.1811" (30mm)	106-CC	
95-80	Brg. ID 1.1811" (30mm)	106-CC	
TRANSMISSION			
AUTOMATIC / 3 Speed			
FRONT PUMP			
84-80	ZF 3HP-22	224010	
		Redi-Sleeve 99157	
EXTENSION HOUSING			
84-80	ZF 3HP-22	3459	107
AUTOMATIC / 4 Speed			
FRONT PUMP			
99-97	GMC 4L30-E	6712NA	
		Redi-Sleeve 99187	
95-91	GMC 4L30-E	6712NA	
		Redi-Sleeve 99187	
93-83	ZF 4HP-22	224052	
		Redi-Sleeve 99157	
EXTENSION HOUSING			
99-97	GMC 4L30-E	710432	
95-91	GMC 4L30-E	710432	
93-89	ZF 4HP-22	710140	
88-83	ZF 4HP-22	3459	
MANUAL SHAFT			
99-97	GMC 4L30-E	8792S	
95-91	GMC 4L30-E	8792S	
AUTOMATIC / 5 Speed			
FRONT PUMP			
05-01	ZF 5HP-19	224510	
		Redi-Sleeve 99177	
03-97	ZF 5HP-24, 5HP-30	224052	
		Redi-Sleeve 99157	
2000	GMC 5L40-E	* 710559	
		(Continued Next Page)	

() Indicates Quantity Required * Not a Current Production Number, Check for Availability Ⓢ Sealed Self-Aligning Bearing

BMW - 5 SERIES

(524td, 525i, 525iT, 525xi, 528e, 528i, 528iT, 528xi, 530i, 530iT, 530xi, 533i, 535i, 535is, 535xi, 540i, 540iT, 545i & 550i) (Cont.)

Year	Application	Seal	Bearing
TRANSMISSION			
AUTOMATIC / 5 Speed (Cont.)			
FRONT PUMP			
95-94	ZF 5HP-18, 5HP-30	224052	
	<i>Redi-Sleeve</i>	99157	
EXTENSION HOUSING			
05-01	ZF 5HP-19	710140	
95-94	ZF 5HP-18	710140	
MANUAL SHAFT			
2000	GMC 5L40-E	8792S	
AUTOMATIC / 6 Speed			
FRONT PUMP			
09-08	ZF 6HP-19	224510	
	<i>Redi-Sleeve</i>	99177	
07-04	ZF 6HP-19, 6HP-26, 6HP-19A	224510	
	<i>Redi-Sleeve</i>	99177	
MANUAL / 4 Speed			
DRIVESHAFT / INPUT			
1980	Getrag 262		206-L
MAINSHAFT / OUTPUT			
1980	Getrag 262	473677	306-L
COUNTERSHAFT			
1980	Getrag 262 (Front)		305
MANUAL / 5 Speed			
DRIVESHAFT / INPUT			
95-91	ZF S5-31	223555	
	<i>Redi-Sleeve</i>	99139	
93-83	Getrag 260	223535	
	<i>Redi-Sleeve</i>	99139	
87-85	Getrag 265	223010	306-L
	<i>Redi-Sleeve</i>	99114	
82-80	Getrag 265	223010	306-L
	<i>Redi-Sleeve</i>	99114	
MAINSHAFT / OUTPUT			
95-91	ZF S5-31	224052	
93-83	Getrag 260	473677	
87-85	Getrag 265	473677	306-L
82-80	Getrag 265	473677	306-L
COUNTERSHAFT			
87-85	Getrag 265 (Front)		305
	(Rear)		306-L
82-80	Getrag 265 (Front)		305
	(Rear)		306-L
MANUAL / 6 Speed			
MAINSHAFT / OUTPUT			
95-94	Getrag 286	710279	
STEERING			
POWER STEERING			
STEERING PUMP SHAFT			
93-82	All	222820	
<i>(Continued Next Column)</i>			

Year	Application	Seal	Bearing
POWER STEERING (Cont.)			
STEERING PUMP SHAFT			
81-80	All	222060	104-CC
AIR CONDITIONING			
COMPRESSOR			
CLUTCH PULLEY			
89-81	Sanden SD-508		5001-KFF
88-83	Nippondenso 10P15		5000-KFF
ELECTRICAL			
ALTERNATOR			
DRIVE END			
94-84	Bosch 80, 115, 140 Amp		303-CC
86-85	Bosch 80 Amp (H/D)		203-FF
83-82	Bosch 65 Amp		203-S
REAR END			
94-85	Bosch 80, 115, 140 Amp		201-CC
86-85	Bosch 80 Amp (H/D)		200-CC
83-82	Bosch 65, 90 Amp		201-S
ENGINE			
AUXILIARY SHAFT			
6 CYLINDER			
05-97	2494cc/2.5L (DOHC), 2793cc/2.8L (DOHC), 2979cc/3.0L (DOHC)	223802	
	<i>Redi-Sleeve</i>	99147	
95-82	2443cc/2.4L (Turbo-Diesel), 2494cc/2.5L, 2494cc/2.5L (DOHC), 2693cc/2.7L	223802	
	<i>Redi-Sleeve</i>	99147	
93-83	3210cc/3.2L, 3430cc/3.4L	222820	
	<i>Redi-Sleeve</i>	99111	
CRANKSHAFT			
6 CYLINDER			
09-97	2494cc/2.5L (DOHC), 2793cc/2.8L (DOHC), 2979cc/3.0L (DOHC), 2996cc/3.0L (DOHC), 2996cc/3.0L (DOHC-Turbo)	229005	
	<i>Redi-Sleeve</i>	99354	
95-80	2443cc/2.4L (Turbo-Diesel), 2494cc/2.5L, 2494cc/2.5L (DOHC), 2693cc/2.7L, 2788cc/2.8L, 3210cc/3.2L, 3430cc/3.4L	229005	
	<i>Redi-Sleeve</i>	99354	
8 CYLINDER			
09-97	4398cc/4.4L (DOHC), 4799cc/4.8L (DOHC)	231003	
	<i>Redi-Sleeve</i>	99393	
<i>(Continued Next Page)</i>			

5 SERIES - BMW

(Cont.) (524td, 525i, 525iT, 525xi, 528e, 528i, 528iT, 528xi, 530i, 530iT, 530xi, 533i, 535i, 535is, 535xi, 540i, 540iT, 545i & 550i)

Year	Application	Seal	Bearing	Year	Application	Seal	Bearing
ENGINE				TIMING COVER (Cont.)			
CRANKSHAFT (Cont.)				6 CYLINDER			
8 CYLINDER				95-82 2443cc/2.4L (Turbo-Diesel), 2494cc/2.5L, 2494cc/2.5L (DOHC), 2693cc/2.7L..... 716484			
95-94 2997cc/3.0L (DOHC), 3982cc/4.0L (DOHC)..... 231003				Redi-Sleeve 99189			
TIMING COVER				93-83 3210cc/3.2L, 3430cc/3.4L 224250			
6 CYLINDER				Redi-Sleeve 99166			
05-97 2494cc/2.5L (DOHC), 2793cc/2.8L (DOHC), 2979cc/3.0L (DOHC)..... 716484				81-80 2788cc/2.8L 224250			
Redi-Sleeve 99189				Redi-Sleeve 99166			
(Continued Next Column)				8 CYLINDER			
				95-94 2997cc/3.0L (DOHC), 3982cc/4.0L (DOHC)..... 716484			
				Redi-Sleeve 99189			

(L6, 633CSi, 635CSi, 645Ci, 650ci & 650i) 6 SERIES - BMW

WHEEL				DRIVESHAFT			
FRONT WHEEL				CENTER SUPPORT			
09-04 All..... Hub Assembly 513210				Bearing			
89-83 All..... Hub Assembly 513094				Support			
82-80 All..... (Inner) 224820 A-13				89-80 Brg. ID 1.1811" (30mm)..... 106-CC			
(Outer) A-12							
REAR WHEEL				TRANSMISSION			
09-04 All..... Hub Assembly 512226				AUTOMATIC / 3 Speed			
89-83 All..... 513180				FRONT PUMP			
82-80 All..... (Inner) 224250 206-FF				84-80 ZF 3HP-22 224010			
(Outer) 226020 208-FF				Redi-Sleeve 99157			
AXLE				EXTENSION HOUSING			
REAR AXLE				84-80 ZF 3HP-22 3459 107			
DIFFERENTIAL				AUTOMATIC / 4 Speed			
09-04 645Ci, 650ci, 650i..... (2) JLM104948-JLM104910				FRONT PUMP			
89-80 633CSi, 635CSi (2) LM503349A-LM503310				89-83 ZF 4HP-22 224052			
PINION				Redi-Sleeve 99157			
09-04 645Ci, 650ci, 650i				EXTENSION HOUSING			
(Inner) HM803149-HM803110				1989 ZF 4HP-22 710140			
(Outer) 223520				88-83 ZF 4HP-22 3459			
Redi-Sleeve 99139				AUTOMATIC / 6 Speed			
89-80 633CSi, 635CSi				FRONT PUMP			
(Inner) HM89449-HM89410				07-04 ZF 6HP-26 224510			
(Outer) 1979 HM88542-HM88510				Redi-Sleeve 99177			
Redi-Sleeve 99177				MANUAL / 4 Speed			
CLUTCH				DRIVESHAFT / INPUT			
PILOT				1980 Getrag 262 206-L			
6 CYLINDER				MAINSHAFT / OUTPUT			
89-80 3210cc/3.2L, 3430cc/3.4L 201				1980 Getrag 262 473677 306-L			
RELEASE				COUNTERSHAFT			
Bearing				1980 Getrag 262 (Front) 305			
Only							
Bearing							
Assembly							
6 CYLINDER							
89-80 3210cc/3.2L, 3430cc/3.4L (240mm Clutch)..... 614105							

BMW - 6 SERIES (L6, 633CSi, 635CSi, 645Ci, 650ci & 650i) (Cont.)

Year	Application	Seal	Bearing	Year	Application	Seal	Bearing
TRANSMISSION				ELECTRICAL			
MANUAL / 5 Speed				ALTERNATOR			
DRIVESHAFT / INPUT				DRIVE END			
89-83	Getrag 260	223535		88-87	Bosch 115 Amp		303-CC
	<i>Redi-Sleeve</i>	99139		88-85	Bosch 80, 115, 140 Amp		303-CC
87-85	Getrag 265	223010	306-L	86-80	Bosch 65 Amp		203-S
	<i>Redi-Sleeve</i>	99114		REAR END			
82-80	Getrag 265	223010	306-L	88-80	Bosch 65, 90 Amp		201-S
	<i>Redi-Sleeve</i>	99114		ENGINE			
MAINSHAFT / OUTPUT				AUXILIARY SHAFT			
89-83	Getrag 260	473677		6 CYLINDER			
87-85	Getrag 265	473677	306-L	89-80	3210cc/3.2L, 3430cc/3.4L	222820	
82-80	Getrag 265	473677	306-L		<i>Redi-Sleeve</i>	99111	
COUNTERSHAFT				CRANKSHAFT			
87-85	Getrag 265		305	6 CYLINDER			
	<i>(Front)</i>			89-80	3210cc/3.2L, 3430cc/3.4L	229005	
	<i>(Rear)</i>		306-L		<i>Redi-Sleeve</i>	99354	
82-80	Getrag 265		305	8 CYLINDER			
	<i>(Front)</i>			09-04	4398cc/4.4L (DOHC),		
	<i>(Rear)</i>		306-L		4799cc/4.8L (DOHC)	231003	
STEERING					<i>Redi-Sleeve</i>	99393	
POWER STEERING				TIMING COVER			
STEERING PUMP SHAFT				6 CYLINDER			
89-83	All	7013S		89-80	3210cc/3.2L, 3430cc/3.4L	224250	
82-80	All	222060	104-CC		<i>Redi-Sleeve</i>	99166	
AIR CONDITIONING							
COMPRESSOR							
CLUTCH PULLEY							
89-81	Sanden SD-508		5001-KFF				

BMW - 7 SERIES (L7, 733i, 735i, 735iL, 740i, 740iL, 745i, 745Li, 750i, 750iL, 750Li, 760i & 760Li)

WHEEL				AXLE			
FRONT WHEEL				REAR AXLE			
08-02	All		Hub Assembly 513173	DIFFERENTIAL			
01-95	All		Hub Assembly 513171	09-02	745i, 745Li, 750i, 750Li	(2)JLM104948-JLM104910	
94-92	All		Hub Assembly 513125	01-93	740i, 740iL, 750iL	(2) 1012N (2)JLM104948-JLM104910	
91-88	All		Hub Assembly 513096		<i>Redi-Sleeve</i>	(2) 99177	
1987	735i		Hub Assembly 513096	92-80	733i, 735i, 735iL	(2)LM503349A-LM503310	
87-86	L7		Hub Assembly 513094	PINION			
1986	735i	224820	A-13	09-93	740i, 740iL, 745i, 745Li, 750i, 750iL, 750Li		
	<i>(Outer)</i>		A-12		<i>(Inner)</i>		HM803149-HM803110
85-80	All	224820	A-13		<i>(Outer)</i>	223520	
	<i>(Outer)</i>		A-12		<i>Redi-Sleeve</i>	99139	
REAR WHEEL				92-80	733i, 735i, 735iL		
08-02	All		Hub Assembly 512226		<i>(Inner)</i>		HM89449-HM89410
01-95	All		511026		<i>(Outer)</i>	1979	HM88542-HM88510
94-82	All		513180		<i>Redi-Sleeve</i>	99177	
81-80	All	224250	206-FF				
	<i>(Inner)</i>		208-FF				
	<i>(Outer)</i>	226020					

7 SERIES - BMW

(Cont.) (L7, 733i, 735i, 735iL, 740i, 740iL, 745i, 745Li, 750i, 750iL, 750Li, 760i & 760Li)

Year	Application	Seal	Bearing
CLUTCH			
PILOT			
6 CYLINDER			
92-80	3210cc/3.2L, 3430cc/3.4L		201
RELEASE			
		<i>Bearing Only</i>	<i>Bearing Assembly</i>
6 CYLINDER			
92-80	3210cc/3.2L, 3430cc/3.4L (240mm Clutch)		Ⓣ614105
DRIVESHAFT			
CENTER SUPPORT			
		<i>Bearing</i>	<i>Bearing & Support</i>
97-80	Brg. ID 1.1811" (30mm)	106-CC	
TRANSMISSION			
AUTOMATIC / 3 Speed			
FRONT PUMP			
83-80	ZF 3HP-22	224010 <i>Redi-Sleeve 99157</i>	
EXTENSION HOUSING			
83-80	ZF 3HP-22	3459	107
AUTOMATIC / 4 Speed			
FRONT PUMP			
92-83	ZF 4HP-22, 4HP-24	224052 <i>Redi-Sleeve 99157</i>	
EXTENSION HOUSING			
92-89	ZF 4HP-22, 4HP-24	710140	
88-83	ZF 4HP-22, 4HP-24	3459	
AUTOMATIC / 5 Speed			
FRONT PUMP			
01-91	ZF 5HP-24, 5HP-30	224052 <i>Redi-Sleeve 99157</i>	
AUTOMATIC / 6 Speed			
FRONT PUMP			
07-02	ZF 6HP-26, 6HP-32	224510 <i>Redi-Sleeve 99177</i>	
MANUAL / 4 Speed			
DRIVESHAFT / INPUT			
1980	Getrag 262		206-L
MAINSHAFT / OUTPUT			
1980	Getrag 262	473677	306-L
COUNTERSHAFT			
1980	Getrag 262		305
MANUAL / 5 Speed			
DRIVESHAFT / INPUT			
92-83	Getrag 260	223535 <i>Redi-Sleeve 99139</i>	
87-85	Getrag 265	223010 <i>Redi-Sleeve 99114</i>	306-L

(Continued Next Column)

Year	Application	Seal	Bearing
MANUAL / 5 Speed (Cont.)			
DRIVESHAFT / INPUT			
82-80	Getrag 265	223010 <i>Redi-Sleeve 99114</i>	306-L
MAINSHAFT / OUTPUT			
92-83	Getrag 260	473677	
87-85	Getrag 265	473677	306-L
82-80	Getrag 265	473677	306-L
COUNTERSHAFT			
87-85	Getrag 265	(Front)	305
		(Rear)	306-L
82-80	Getrag 265	(Front)	305
		(Rear)	306-L
STEERING			
POWER STEERING			
STEERING PUMP SHAFT			
87-86	L7	7013S	
86-80	733i, 735i	222060	104-CC
AIR CONDITIONING			
COMPRESSOR			
CLUTCH PULLEY			
89-80	Sanden SD-508		5001-KFF
ELECTRICAL			
ALTERNATOR			
DRIVE END			
94-88	Bosch 115, 140 Amp		303-CC
92-86	Bosch 80, 115, 140 Amp		303-CC
92-85	Bosch 80, 140 Amp		303-CC
1986	Bosch 65 Amp		203-S
84-80	Bosch 65 Amp		203-S
REAR END			
94-88	Bosch 115, 140 Amp		201-CC
93-88	Bosch 65, 90 Amp		201-S
92-88	Bosch 80, 115, 140 Amp		201-CC
92-85	Bosch 80, 140 Amp		201-CC
88-85	Bosch 90 Amp		201-S
84-80	Bosch 65, 90 Amp		201-S
ENGINE			
AUXILIARY SHAFT			
6 CYLINDER			
92-80	3210cc/3.2L, 3430cc/3.4L	222820 <i>Redi-Sleeve 99111</i>	
12 CYLINDER			
01-88	4988cc/5.0L, 5379cc/5.4L	222820 <i>Redi-Sleeve 99111</i>	
CRANKSHAFT			
6 CYLINDER			
92-80	3210cc/3.2L, 3430cc/3.4L	229005 <i>Redi-Sleeve 99354</i>	

BMW - 7 SERIES

(L7, 733i, 735i, 735iL, 740i, 740iL, 745i, 745Li, 750i, 750iL, 750Li, 760i & 760Li) (Cont.)

Year	Application	Seal	Bearing	Year	Application	Seal	Bearing
ENGINE				TIMING COVER			
CRANKSHAFT (Cont.)				6 CYLINDER			
8 CYLINDER				8 CYLINDER			
08-93	3982cc/4.0L (DOHC), 4398cc/4.4L (DOHC), 4799cc/4.8L (DOHC)	231003 Redi-Sleeve 99393		92-80	3210cc/3.2L, 3430cc/3.4L	224250 Redi-Sleeve 99166	
12 CYLINDER				12 CYLINDER			
08-03	5972cc/6.0L (DOHC)	231003 Redi-Sleeve 99393		95-93	3982cc/4.0L (DOHC)	716484 Redi-Sleeve 99189	
01-88	4988cc/5.0L, 5379cc/5.4L	231003 Redi-Sleeve 99393		01-88	4988cc/5.0L, 5379cc/5.4L	225530 Redi-Sleeve 99215	

BMW - 8 SERIES (Alpina, Z8, 840Ci, 850i, 850Ci & 850CSi)

WHEEL				TRANSMISSION			
FRONT WHEEL				AUTOMATIC / 4 Speed			
05-00	All		Hub Assembly 513172	FRONT PUMP			
97-93	All		Hub Assembly 513125	93-90	ZF 4HP-24	224052 Redi-Sleeve 99157	
1992	All (From 04/01/92)		Hub Assembly 513125	EXTENSION HOUSING			
1992	All (To 03/31/92)		Hub Assembly 513096	93-90	ZF 4HP-24	710140	
91-90	All		Hub Assembly 513096	AUTOMATIC / 5 Speed			
REAR WHEEL				FRONT PUMP			
05-00	All	511026		97-94	ZF 5HP-24, 5HP-30	224052 Redi-Sleeve 99157	
97-90	All	511026		AUTOMATIC / 6 Speed			
AXLE				FRONT PUMP			
REAR AXLE				2007	ZF 6HP-26	224510 Redi-Sleeve 99177	
DIFFERENTIAL				05-03	ZF 6HP-26	224510 Redi-Sleeve 99177	
03-00	Z8	(2) JLM104948-JLM104910		MANUAL / 6 Speed			
97-95	840Ci, 850Ci, 850CSi	(2) 1012N (2) JLM104948-JLM104910 Redi-Sleeve (2) 99177		MAINSHAFT / OUTPUT			
PINION				97-91	Getrag 286	710279	
03-00	Z8	(Inner) HM803149-HM803110 (Outer) 223520 Redi-Sleeve 99139		ELECTRICAL			
97-95	840Ci, 850Ci, 850CSi	(Inner) HM803149-HM803110 (Outer) 223520 Redi-Sleeve 99139		ALTERNATOR			
CLUTCH				DRIVE END			
PILOT				92-90	Bosch 140 Amp	303-CC	
8 CYLINDER				REAR END			
03-00	4941cc/4.9L (DOHC)	102-CC		97-93	Bosch 115, 140 Amp	201-CC	
12 CYLINDER				92-90	Bosch 140 Amp	201-CC	
95-90	4988cc/5.0L, 5379cc/5.4L, 5576cc/5.6L	201-CC		ENGINE			
				AUXILIARY SHAFT			
				12 CYLINDER			
				97-90	4988cc/5.0L, 5379cc/5.4L	222820 Redi-Sleeve 99111	

(Cont.) (Alpina, Z8, 840Ci, 850i, 850Ci & 850CSi) **8 SERIES - BMW**

Year	Application	Seal	Bearing	Year	Application	Seal	Bearing
ENGINE				TIMING COVER			
CRANKSHAFT				8 CYLINDER			
08-07	4398cc/4.4L (DOHC)	231003		95-94	3982cc/4.0L (DOHC)	716484	
		Redi-Sleeve 99393				Redi-Sleeve 99189	
97-94	3982cc/4.0L (DOHC), 4398cc/4.4L (DOHC)	231003		12 CYLINDER			
		Redi-Sleeve 99393		97-90	4988cc/5.0L, 5379cc/5.4L	225530	
						Redi-Sleeve 99215	
12 CYLINDER							
97-90	4988cc/5.0L, 5379cc/5.4L	231003					
		Redi-Sleeve 99393					

(M Coupe, M Roadster, M3, M5 & M6) **M SERIES - BMW**

WHEEL				CLUTCH			
FRONT WHEEL				PILOT			
09-06	M5, M6		Hub Assembly ☆ 513274	4 CYLINDER			
06-95	M Coupe, M Roadster, M3		Hub Assembly 513125	91-88	2302cc/2.3L (DOHC)		201
03-00	M5		Hub Assembly 513209	6 CYLINDER			
93-91	M5		Hub Assembly 513096	06-97	3152cc/3.2L (DOHC), 3246cc/3.2L (DOHC)		102-CC
1991	M3		Hub Assembly 513094	1996	2990cc/3.0L (DOHC)		102-CC
90-87	All		Hub Assembly 513094	1995	2990cc/3.0L (DOHC)		201-CC
REAR WHEEL				93-91	3535cc/3.5L (DOHC)		201
09-06	M5, M6		Hub Assembly ☆ 512355	89-87	3453cc/3.5L (DOHC)		201
06-95	M Coupe, M Roadster, M3		511026	RELEASE			
03-00	M5		Hub Assembly 512225			Bearing Only	Bearing Assembly
93-91	M5		513180	4 CYLINDER			
91-88	M3		513113	91-88	2302cc/2.3L (DOHC) (215mm Clutch)		Ⓢ 614105
89-87	M5, M6		513180	6 CYLINDER			
AXLE				1995	2990cc/3.0L (DOHC) (228mm Clutch)		Ⓢ 614105
REAR AXLE				93-91	3535cc/3.5L (DOHC) (240mm Clutch)		Ⓢ 614105
DIFFERENTIAL				89-87	3453cc/3.5L (DOHC) (240mm Clutch)		Ⓢ 614105
09-06	M3, M5, M6		(2)JLM104948-JLM104910	DRIVESHAFT			
06-95	M Coupe, M Roadster, M3		(2)1012N (2)JLM104948-JLM104910	CENTER SUPPORT			
			Redi-Sleeve (2) 99177			Bearing	Bearing & Support
03-00	M5		(2)JLM104948-JLM104910	09-08	Brg. ID 1.1811" (30mm)		106-CC
02-98	M Coupe, M Roadster		(2)473823 (2)LM503349A-LM503310	06-95	Brg. ID 1.1811" (30mm)		106-CC
			Redi-Sleeve (2) 99139	91-87	Brg. ID 1.1811" (30mm)		106-CC
93-91	M5		(2)1012N (2)JLM104948-JLM104910	TRANSMISSION			
			Redi-Sleeve (2) 99177	AUTOMATIC / 4 Speed			
91-88	M3		(2)LM503349A-LM503310	FRONT PUMP			
PINION				93-87	ZF 4HP-22		224052
09-95	M Coupe, M Roadster, M3, M5, M6					Redi-Sleeve 99157	
			(Inner) HM803149-HM803110	EXTENSION HOUSING			
			(Outer) 223520	93-89	ZF 4HP-22		710140
			Redi-Sleeve 99139	88-87	ZF 4HP-22		3459
02-98	M Coupe, M Roadster			AUTOMATIC / 5 Speed			
			(Inner) HM89449-HM89410	FRONT PUMP			
			(Outer) 1979	05-01	GMC 5L40-E		* 710559
			Redi-Sleeve 99177	00-95	ZF 5HP-18		224052
93-91	M5		(Inner) HM803149-HM803110			Redi-Sleeve 99157	
			(Outer) 223520				
			Redi-Sleeve 99139				
91-88	M3		(Inner) HM89449-HM89410				
			(Outer) 1979				
			Redi-Sleeve 99177				

() Indicates Quantity Required ☆ New Item, Check for Availability * Not a Current Production Number, Check for Availability Ⓢ Sealed Self-Aligning Bearing

BMW - M SERIES (M Coupe, M Roadster, M3, M5 & M6) (Cont.)

Year	Application	Seal	Bearing	Year	Application	Seal	Bearing
TRANSMISSION				ALTERNATOR (Cont.)			
AUTOMATIC / 5 Speed (Cont.)				DRIVE END			
EXTENSION HOUSING				91-88 Bosch 80, 140 Amp..... 303-CC			
00-95	ZF 5HP-18	710140		88-87 Bosch 115, 140 Amp..... 303-CC			
MANUAL SHAFT				REAR END			
05-01	GMC 5L40-E.....	8792S		93-91 Bosch 115, 140 Amp..... 201-CC			
MANUAL / 5 Speed				91-87 Bosch 90 Amp..... 201-S			
DRIVESHAFT / INPUT				88-87 Bosch 115, 140 Amp..... 201-CC			
1996	ZF S5-31.....	223555		ENGINE			
		<i>Redi-Sleeve</i> 99139		AUXILIARY SHAFT			
93-91	Getrag 280	223535		6 CYLINDER			
		<i>Redi-Sleeve</i> 99139		2003 2494cc/2.5L (DOHC)..... 223802			
91-88	Getrag 265	223010	306-L			<i>Redi-Sleeve</i> 99147	
		<i>Redi-Sleeve</i> 99114		93-91 3535cc/3.5L (DOHC)..... 222820			
89-87	Getrag 280	223535				<i>Redi-Sleeve</i> 99111	
		<i>Redi-Sleeve</i> 99139		89-87 3453cc/3.5L (DOHC)..... 222820			
						<i>Redi-Sleeve</i> 99111	
MAINSHAFT / OUTPUT				CRANKSHAFT			
1996	ZF S5-31	224052		4 CYLINDER			
93-91	Getrag 280	473677		91-88 2302cc/2.3L (DOHC)..... 229005			
91-88	Getrag 265	473677	306-L			<i>Redi-Sleeve</i> 99354	
89-87	Getrag 280	473677		6 CYLINDER			
COUNTERSHAFT				2003 2494cc/2.5L (DOHC)..... 229005			
91-88	Getrag 265	(Front)	305			<i>Redi-Sleeve</i> 99354	
		(Rear)	306-L	00-96 3152cc/3.2L (DOHC)..... 231003			
						<i>Redi-Sleeve</i> 99393	
STEERING				96-95 2990cc/3.0L (DOHC)..... 229005			
POWER STEERING				93-91 3535cc/3.5L (DOHC)..... 229005			
STEERING PUMP SHAFT				89-87 3453cc/3.5L (DOHC)..... 229005			
93-91	M5.....	222820				<i>Redi-Sleeve</i> 99354	
91-87	M3, M6.....	7013S		89-87 3453cc/3.5L (DOHC)..... 229005			
88-87	M5.....	222820				<i>Redi-Sleeve</i> 99354	
AIR CONDITIONING				TIMING COVER			
COMPRESSOR				6 CYLINDER			
CLUTCH PULLEY				2003 2494cc/2.5L (DOHC)..... 716484			
89-88	Nippondenso 10P15.....	5000-KFF				<i>Redi-Sleeve</i> 99189	
89-87	Sanden SD-508.....	5001-KFF		00-95 2990cc/3.0L (DOHC), 3152cc/3.2L (DOHC)..... 716484			
						<i>Redi-Sleeve</i> 99189	
ELECTRICAL				ALTERNATOR			
ALTERNATOR				DRIVE END			
93-91	Bosch 115, 140 Amp.....		303-CC	<i>(Continued Next Column)</i>			

BMW TRUCK - CROSSOVER/SPORT UTILITY (X3, X5 & X6)

WHEEL				REAR WHEEL			
FRONT WHEEL				09-04 X3			
09-07	X3	510081		06-00 X5			
06-01	All.....	510081		Hub Assembly 512226			
2000	All.....	510080					

(Cont.) (X3, X5 & X6) **CROSSOVER/SPORT UTILITY - BMW TRUCK**

Year	Application	Seal	Bearing
AXLE			
REAR AXLE			
DIFFERENTIAL			
09-00	X3, X5, X6.....	(2) 473823 (2) LM503349A-LM503310	
		Redi-Sleeve (2) 99139	
PINION			
09-00	X3, X5, X6.....	(Inner) HM89449-HM89410	
		(Outer) 1979 HM88542-HM88510	
		Redi-Sleeve 99177	
CLUTCH			
PILOT			
6 CYLINDER			
03-01	2979cc/3.0L (DOHC).....		102-CC
DRIVESHAFT			
CENTER SUPPORT			
		Bearing	Bearing & Support
09-00	Brg. ID 1.1811" (30mm).....	106-CC	
TRANSMISSION			
AUTOMATIC / 5 Speed			
FRONT PUMP			
06-00	GMC 5L40-E.....	* 710559	
MANUAL SHAFT			
06-00	GMC 5L40-E.....	8792S	
AUTOMATIC / 6 Speed			
FRONT PUMP			
09-05	ZF 6HP-28, 6HP-26X.....	224510	
		Redi-Sleeve 99177	
MANUAL / 5 Speed			
DRIVESHAFT / INPUT			
03-01	ZF S5-31.....	223555	
		Redi-Sleeve 99139	

Year	Application	Seal	Bearing
MANUAL / 5 Speed (Cont.)			
MAINSHAFT / OUTPUT			
03-01	ZF S5-31.....	224052	
MANUAL / 6 Speed			
DRIVESHAFT / INPUT			
07-04	ZF S6-37.....	223555	
		Redi-Sleeve 99139	
ENGINE			
AUXILIARY SHAFT			
6 CYLINDER			
06-01	2494cc/2.5L (DOHC), 2979cc/3.0L (DOHC).....	223802	
		Redi-Sleeve 99147	
CRANKSHAFT			
6 CYLINDER			
09-01	2494cc/2.5L (DOHC), 2979cc/3.0L (DOHC), 2996cc/3.0L (DOHC), 2996cc/3.0L (DOHC-Turbo)....	229005	
		Redi-Sleeve 99354	
8 CYLINDER			
09-00	4398cc/4.4L (DOHC), 4619cc/4.6L (DOHC), 4799cc/4.8L (DOHC).....	231003	
		Redi-Sleeve 99393	
TIMING COVER			
6 CYLINDER			
06-01	2494cc/2.5L (DOHC), 2979cc/3.0L (DOHC).....	716484	
		Redi-Sleeve 99189	
8 CYLINDER			
03-02	4619cc/4.6L (DOHC).....	716484	
		Redi-Sleeve 99189	

FRONT WHEEL DRIVE - BUICK
(Allure, Century, Electra, LaCrosse, LeSabre, Lucerne, Park Avenue, Reatta, Regal, Riviera, Skyhawk, Skylark & Somerset)

WHEEL			
FRONT WHEEL			
09-08	All.....	Hub Assembly ♦ 513199	
		Hub Assembly 513179	
07-06	Lucerne	Hub Assembly ♦ 513199	
		Hub Assembly 513179	
07-05	Allure, LaCrosse (ABS).....	Hub Assembly ♦ 513199	
		Hub Assembly 513179	
07-03	Allure, Century, LaCrosse, Regal (Exc. ABS)	Hub Assembly 513203	
05-03	Century, Regal (ABS).....	Hub Assembly 513179	
05-03	LeSabre, Park Avenue.....	Hub Assembly 513179	
		(Continued Next Column)	

FRONT WHEEL (Cont.)			
2002	All.....	Hub Assembly 513179	
2001	All (1st Design) (Steel Sensor Wire Clip)....	Hub Assembly 513121	
2001	All (2nd Design) (Plastic Sensor Wire Clip)		
		Hub Assembly 513179	
2000	All.....	Hub Assembly 513121	
99-97	LeSabre.....	Hub Assembly 513087	
99-97	Century, Park Avenue, Regal, Riviera	Hub Assembly 513121	
98-86	Skyhawk, Skylark, Somerset		
	(Kit) ☒ 5697	Hub Assembly 513017-K	
96-94	Century, LeSabre, Park Avenue, Riviera.....	Hub Assembly 513087	
96-88	Regal	Hub Assembly 513044	
1993	LeSabre, Park Avenue, Riviera.....	Hub Assembly 513087	
93-91	Century.....	(Kit) ☒ 5698	Hub Assembly 513016-K
		(Continued Next Page)	

() Indicates Quantity Required ♦ When Depleted Use Number Listed Directly Below * Not a Current Production Number, Check for Availability ☒ Refer To Front Of Catalog For Kit Contents

BUICK - FRONT WHEEL DRIVE

(Allure, Century, Electra, LaCrosse, LeSabre, Lucerne, Park Avenue, Reatta, Regal, Riviera, Skyhawk, Skylark & Somerset) (Cont.)

Year	Application	Seal	Bearing
WHEEL			
FRONT WHEEL (Cont.)			
1992	LeSabre (ABS)		Hub Assembly 513087
1992	LeSabre (Exc. ABS)		Hub Assembly 513088
1992	Park Avenue, Riviera		Hub Assembly 513087
1991	LeSabre (1st Design) (27 Spline)		Hub Assembly 513016-K
1991	LeSabre (27 Spline)	(Kit) X 5698	
1991	Park Avenue (1st Design) (27 Spline)	(Kit) X 5698	Hub Assembly 513016-K
1991	LeSabre, Park Avenue (2nd Design) (33 Spline)		Hub Assembly 513087
91-89	Reatta, Riviera	(Kit) X 5698	Hub Assembly 513059
1990	Century, Electra, LeSabre, Park Avenue	(Kit) X 5698	Hub Assembly 513016-K
1989	Electra, LeSabre	(Kit) X 5698	Hub Assembly 513016-K
89-83	Century (H/D Brakes) (10.25" Rotor)	(Kit) X 5698	Hub Assembly 513016-K
89-83	Century (L/D Brakes) (9.68" Rotor)	(Kit) X 5699	Hub Assembly 513011-K
88-86	Electra, LeSabre, Reatta, Riviera	(Kit) X 5698	Hub Assembly 513016-K
1985	Electra	(Kit) X 5698	Hub Assembly 513016-K
1985	Skyhawk, Somerset	(Kit) X 5697	Hub Assembly 513017-K
85-83	Skylark	(Kit) X 5699	Hub Assembly 513011-K
85-80	Riviera	3553	Hub Assembly 513013
1984	Skyhawk (1st Design)	(Kit) X 5697	
1984	Skyhawk (2nd Design)	(Kit) X 5697	Hub Assembly 513017-K
83-82	Skyhawk	(Kit) X 5697	
82-80	Century, Skylark	(Kit) X 5699	Hub Assembly 513011-K
REAR WHEEL			
09-08	Allure, LaCrosse		Hub Assembly ♦ 512244 Hub Assembly ☆ 512357
09-06	Lucerne		Hub Assembly ♦ 512314 Hub Assembly 512003
07-05	Allure, LaCrosse (ABS)		Hub Assembly ♦ 512244 Hub Assembly ☆ 512357
07-05	Allure, LaCrosse (Exc. ABS)		Hub Assembly ♦ 512245 Hub Assembly 512221
05-04	Century, Regal (ABS)		Hub Assembly ♦ 512237 Hub Assembly ☆ 512357
05-04	Century, Regal (Exc. ABS)		Hub Assembly 512221
05-00	LeSabre, Park Avenue		Hub Assembly 512003
2003	Century (Drum Brakes) (ABS)		Hub Assembly 512151
2003	Century (Drum Brakes) (Exc. ABS)		Hub Assembly 513018
2003	Regal (Disc Brakes) (ABS)		Hub Assembly ♦ 512237 Hub Assembly ☆ 512357
2003	Regal (Disc Brakes) (Exc. ABS)		Hub Assembly 512221
2003	Regal (Drum Brakes)		Hub Assembly 512151
02-97	Century, Regal (Disc Brakes)		Hub Assembly ♦ 512150 Hub Assembly ☆ 512357
02-97	Century, Regal (Drum Brakes)		Hub Assembly 512151
99-97	LeSabre		Hub Assembly 513062
99-97	Park Avenue, Riviera		Hub Assembly 512003
98-92	Skylark		Hub Assembly 512001
1996	Regal (1st Design) (M10 x 1.5 Stud)(Torx head)		Hub Assembly 512004
1996	Regal (2nd Design) (M14 x 2 Stud)(Hex head)		Hub Assembly 512151
96-95	Riviera		Hub Assembly 512003
96-94	Century		Hub Assembly ♦ 512078 Hub Assembly ☆ 512357
96-93	LeSabre, Park Avenue		Hub Assembly 513062
95-94	Regal		Hub Assembly 512004

(Continued Next Column)

Year	Application	Seal	Bearing
REAR WHEEL (Cont.)			
1993	Regal (Exc. ABS)		Hub Assembly 513018
93-92	Regal (ABS)		Hub Assembly 512004
93-91	Riviera		Hub Assembly 512003
93-90	Century		Hub Assembly 513018
92-91	LeSabre, Park Avenue (ABS)		Hub Assembly 513062
92-91	LeSabre, Park Avenue, Regal (Exc. ABS)		Hub Assembly 513018
1991	Skylark (ABS)		Hub Assembly 512001
1991	Skylark (Exc. ABS)		Hub Assembly 513012
91-88	Regal (ABS)		Hub Assembly ♦ 513042 Hub Assembly 512004
1990	Park Avenue (ABS)		Hub Assembly 513062
90-88	Electra, LeSabre, Reatta, Riviera (ABS)		Hub Assembly 513041
90-88	Electra, LeSabre, Park Avenue, Reatta, Regal, Riviera (Exc. ABS)		Hub Assembly 513018
90-80	Skyhawk, Skylark, Somerset		Hub Assembly 513012
89-83	Century (H/D Brakes)		Hub Assembly 513018
1987	Electra (ABS)		Hub Assembly 513041
87-86	Electra (Exc. ABS)		Hub Assembly 513018
87-86	LeSabre, Riviera		Hub Assembly 513018
1985	Electra		Hub Assembly 513018
85-80	Riviera (Disc Brakes)		Hub Assembly 513009
CLUTCH			
PILOT			
4 CYLINDER			
88-82	151/2.5L		PB-650
1981	151/2.5L (X)		PB-650
RELEASE			
		Bearing Only	Bearing Assembly
4 CYLINDER			
89-85	121/2.0L, 151/2.5L, 1796cc/1.8L, 1796cc/1.8L (Turbo), 1998cc/2.0L, 1998cc/2.0L (Turbo) (Isuzu 5 Spd.)		Ⓢ 614108
1988	138/2.3L (DOHC) (Getrag 5 Spd.)		Ⓢ 614069
87-86	121/2.0L, 1796cc/1.8L (Muncie 4 Spd.)		Ⓢ 614009
85-80	112/1.8L, 121/2.0L, 151/2.5L, 1796cc/1.8L (Muncie 4 Spd.)		Ⓢ 614009
84-83	121/2.0L, 1796cc/1.8L, 1796cc/1.8L (Turbo) (Isuzu 5 Spd.)		Ⓢ 614108
6 CYLINDER			
89-88	173/2.8L (Getrag 5 Spd.)		Ⓢ 614069
85-80	173/2.8L, 262/4.3L (Diesel) (Muncie 4 Spd.)		Ⓢ 614009
FORK SHAFT			
4 CYLINDER			
85-80	151/2.5L	3667	
6 CYLINDER			
85-80	173/2.8L	3667	
TRANSAXLE			
AUTOMATIC / 3 Speed			
DIFFERENTIAL			
81-80	THM325		(2)LM501349-LM501314
TORQUE CONVERTER			
96-82	THM125, THM125C, 3T40	4072N	

(Continued Next Page)

FRONT WHEEL DRIVE - BUICK

(Cont.) (Allure, Century, Electra, LaCrosse, LeSabre, Lucerne, Park Avenue, Reatta, Regal, Riviera, Skyhawk, Skylark & Somerset)

Year	Application	Seal	Bearing
TRANSAXLE			
AUTOMATIC / 3 Speed (Cont.)			
TORQUE CONVERTER			
81-80	THM325.....	6712NA <i>Redi-Sleeve</i> 99187	
OUTPUT SHAFT			
96-80	THM125, THM125C, 3T40... (2)	3543 <i>Redi-Sleeve</i> (2) 99139	
81-80	THM325..... (2)	3907 <i>Redi-Sleeve</i> (2) 99114	
PINION			
81-80	THM325..... (Front).....	3606	M804049-M804010
	(Rear).....		M802048-M802011
DRIVE SPROCKET			
81-80	THM325.....		(2)207-L
OIL PUMP			
83-82	THM125.....	340849	
MANUAL SHAFT			
96-84	THM125, THM125C, 3T40.....	8792S	
83-80	THM125.....	240385	
81-80	THM325.....	8792S	
AUTOMATIC / 4 Speed			
DIFFERENTIAL			
85-82	THM325-4L.....		(2)LM501349-LM501314
TORQUE CONVERTER			
09-06	4T80-E.....	4577 <i>Redi-Sleeve</i> 99189	
05-97	4T65E-HD.....	4918	
05-85	4T60, 4T60-E, 4T65-E, THM440-T4.....	4072N	
85-82	THM325-4L.....	4950 <i>Redi-Sleeve</i> 99174	
OUTPUT SHAFT			
09-06	4T80-E..... (Left).....	714679	
	(Right).....	4674N	
09-97	4T65-E, 4T65E-HD (Left).....	100165 <i>Redi-Sleeve</i> 99139	
	(Right).....	3543	
05-97	4T65-E, 4T65E-HD (Right).....	99139	
99-85	4T60, 4T60-E, THM440-T4 (Left).....	710096 <i>Redi-Sleeve</i> 99139	
	(Right).....	3543 <i>Redi-Sleeve</i> 99139	
85-82	THM325-4L..... (2)	3907 <i>Redi-Sleeve</i> (2) 99114	
PINION			
85-82	THM325-4L..... (Front).....	3606	M804049-M804010
	(Rear).....		M802048-M802011
DRIVE SPROCKET			
85-82	THM325-4L.....		(2)207-L

Year	Application	Seal	Bearing
AUTOMATIC / 4 Speed (Cont.)			
MANUAL SHAFT			
09-82	4T60, THM325-4L, 4T60-E, 4T65-E, 4T80-E, THM440-T4, 4T65E-HD.....	8792S	
MANUAL / 4 Speed			
DIFFERENTIAL			
87-80	Muncie GMX-4 (76mm).....		(2)A-18
INPUT SHAFT			
87-80	Muncie GMX-4 (76mm) (Front).....	3732S	A-4
	<i>Redi-Sleeve</i> 99106		
	(Rear).....		15101-15245
OUTPUT SHAFT			
87-80	Muncie GMX-4 (76mm) (Left).....	3543	A-5
	<i>Redi-Sleeve</i> 99139		
	(Right).....	3543	15101-15245
	<i>Redi-Sleeve</i> 99139		
SHIFT SHAFT			
87-80	Muncie GMX-4 (76mm).....	3667	
MANUAL / 5 Speed			
DIFFERENTIAL			
89-88	Getrag 282.....		(2)A-18
89-83	Isuzu MFD5M.....		(2)32008
INPUT SHAFT			
89-88	Getrag 282.....		305-DD
89-83	Isuzu MFD5M.....	222835 <i>Redi-Sleeve</i> 99111	
	(Front).....		32206
	(Rear).....		30306
OUTPUT SHAFT			
89-88	Getrag 282..... (2)	3543	5206-KZZLE
	<i>Redi-Sleeve</i> (2) 99139		
89-83	Isuzu MFD5M..... (Left).....	3543	A-5
	<i>Redi-Sleeve</i> 99139		
	(Right).....	3543	32206
	<i>Redi-Sleeve</i> 99139		
SHIFT SHAFT			
89-88	Getrag 282.....	3667	
89-83	Isuzu MFD5M.....	3667	
STEERING			
POWER STEERING			
STEERING GEAR HOUSING			
96-94	Century, Regal.....		(Adj. Plug) DB-53313
85-80	Riviera.....		(Adj. Plug) DB-53313
STEERING GEAR WORM SHAFT			
86-80	Riviera.....	222025	
85-80	Skyhawk, Skylark (Exc. H/D Suspension).....	222510	
STEERING GEAR PITMAN SHAFT			
85-80	Riviera..... (Kit) <input checked="" type="checkbox"/>	PSK-1	

() Indicates Quantity Required Refer To Front Of Catalog For Kit Contents

BUICK - FRONT WHEEL DRIVE

(Allure, Century, Electra, LaCrosse, LeSabre, Lucerne, Park Avenue, Reatta, Regal, Riviera, Skyhawk, Skylark & Somerset) (Cont.)

Year	Application	Seal	Bearing
------	-------------	------	---------

STEERING

POWER STEERING (Cont.)

STEERING PUMP SHAFT

06-92	All	7013S	
91-87	All		203-FF
86-83	All (Integral Reservoir)		203-FF
86-83	All (Remote Reservoir)	7013S	
82-80	All	7013S	

AIR CONDITIONING

COMPRESSOR

CLUTCH PULLEY

05-85	Harrison V-5		907257
95-94	Harrison HD-6		907257
94-89	Harrison HR-6HE		907257
94-87	Harrison HR-6		907257
88-82	Harrison DA-6		907257
85-80	Harrison A-6		907257
85-80	Harrison R-4		907257

FRONT HEAD MAIN

86-84	Harrison HR-6		907257
85-80	Harrison R-4		S-128

ELECTRICAL

ALTERNATOR

DRIVE END

92-83	AC-Delco		203-FF
82-80	AC-Delco		203-S

REAR END

97-92	AC-Delco 140 Amp		100-CC4
90-86	AC-Delco 100, 108, 120, 124 Amp		100-CC4
89-80	AC-Delco (Exc. 62, 70, 85, 100, 108, 120, 124 Amp.)		MNJ-471-S

ENGINE

CAMSHAFT

4 CYLINDER

95-88	138/2.3L (DOHC)	(2) 713771	
		Redi-Sleeve (2) 99139	
88-82	1796cc/1.8L, 1796cc/1.8L (Turbo), 1998cc/2.0L, 1998cc/2.0L (Turbo)	1108	
		Redi-Sleeve 99139	

8 CYLINDER

09-06	281/4.6L (DOHC)	(2) 710261	
-------	-----------------	------------	--

CRANKSHAFT

4 CYLINDER

98-88	138/2.3L (DOHC), 138/2.3L, 146/2.4L (DOHC)	40375	
96-93	134/2.2L	PTFE Rubber 5273	
		Viton® 4307V	
		Redi-Sleeve 99298	
		(Continued Next Column)	

Year	Application	Seal	Bearing
------	-------------	------	---------

CRANKSHAFT (Cont.)

4 CYLINDER

92-80	151/2.5L	3698	
		PTFE Rubber 5290	
89-85	121/2.0L	PTFE Rubber 5273	
		Viton® 4307V	
		Redi-Sleeve 99298	
88-87	1998cc/2.0L, 1998cc/2.0L (Turbo)	710237	
		Redi-Sleeve 99354	
86-82	1796cc/1.8L, 1796cc/1.8L (Turbo)	710232	
1984	121/2.0L (1st Design)	5210	
1984	121/2.0L (2nd Design)		
		PTFE Rubber 5273	
		Viton® 4307V	
		Redi-Sleeve 99298	
83-82	121/2.0L	5210	
1982	112/1.8L (1st Design)	5210	
1982	112/1.8L (2nd Design)		
		PTFE Rubber 5273	
		Viton® 4307V	
		Redi-Sleeve 99298	

6 CYLINDER

2009	242/3.9L	PTFE Rubber 5273	
		Viton® 4307V	
		Redi-Sleeve 99298	
09-91	204/3.3L, 231/3.8L, 231/3.8L	320691	
		PTFE Rubber 5291	
		Redi-Sleeve 99328	
05-86	173/2.8L, 189/3.1L		
		PTFE Rubber 5273	
		Viton® 4307V	
		Redi-Sleeve 99298	
90-89	204/3.3L	320691	
		PTFE Rubber 5291	
		Redi-Sleeve 99328	
90-80	181/3.0L, 231/3.8L, 231/3.8L (Turbo), 252/4.1L (Split Seal)	5591	
1985	173/2.8L (1st Design)	5210	
1985	173/2.8L (2nd Design)		
		PTFE Rubber 5273	
		Viton® 4307V	
		Redi-Sleeve 99298	
85-82	262/4.3L (Diesel) ... (Rope Type)	5095	
84-82	173/2.8L	5210	
81-80	173/2.8L	(Radial) 5210	
		(Split Seal) 5433	

8 CYLINDER

09-08	325/5.3L	100085	
09-06	281/4.6L (DOHC)	710262	
85-80	350/5.7L (Diesel) ... (Rope Type)	5095	
		(Split Seal) 5118	
85-80	307/5.0L, 350/5.7L (Rope Type)	5095	

TIMING COVER

4 CYLINDER

98-88	138/2.3L (DOHC), 138/2.3L, 146/2.4L (DOHC)	320259	
-------	--	--------	--

(Continued Next Page)

FRONT WHEEL DRIVE - BUICK

(Cont.) (Allure, Century, Electra, LaCrosse, LeSabre, Lucerne, Park Avenue, Reatta, Regal, Riviera, Skyhawk, Skylark & Somerset)

Year	Application	Seal	Bearing	Year	Application	Seal	Bearing
ENGINE				TIMING COVER (Cont.)			
TIMING COVER (Cont.)				6 CYLINDER			
4 CYLINDER				05-80 173/2.8L, 189/3.1L, 262/4.3L (Diesel) 9845			
96-80 112/1.8L, 121/2.0L, 134/2.2L, 151/2.5L 9845				Redi-Sleeve 99176			
Harmonic Bal Sleeve 88176				Harmonic Bal Sleeve 88176			
Harmonic Bal Kit <input checked="" type="checkbox"/> 5000				Harmonic Bal Kit <input checked="" type="checkbox"/> 5000			
88-82 1796cc/1.8L, 1796cc/1.8L (Turbo), 1998cc/2.0L, 1998cc/2.0L (Turbo)..... 710164				85-80 181/3.0L, 231/3.8L, 231/3.8L (Turbo)..... 710163			
Redi-Sleeve 99128				84-81 252/4.1L 471424			
6 CYLINDER				Redi-Sleeve 99199			
2009 242/3.9L 9845				Harmonic Bal Sleeve 88199			
Redi-Sleeve 99176				8 CYLINDER			
Harmonic Bal Sleeve 88176				09-08 325/5.3L 100470			
Harmonic Bal Kit <input checked="" type="checkbox"/> 5000				Redi-Sleeve 99210			
09-86 181/3.0L, 204/3.3L, 231/3.8L, 231/3.8L 710162				09-06 281/4.6L (DOHC)..... 710555			
Redi-Sleeve 99193				85-80 307/5.0L, 350/5.7L (Diesel), 350/5.7L 472082			
(Continued Next Column)				Redi-Sleeve 99199			
				Harmonic Bal Sleeve 88199			

REAR WHEEL DRIVE - BUICK FULL SIZE

(Coachbuilder Wagon, Electra, Estate Wagon, LeSabre & Roadmaster)

WHEEL				REAR AXLE (Cont.)			
FRONT WHEEL				DIFFERENTIAL KIT			
96-91 All..... (Inner) 4739 A-6				94-80 8.5" R.G. <input checked="" type="checkbox"/> RA-321			
(Outer) A-3				(Master Kit) RA-321MK			
90-80 All..... (Inner) 8871 A-6				86-81 7.5" R.G. <input checked="" type="checkbox"/> RA-320			
(Outer) A-3				(Master Kit) RA-320MK			
REAR WHEEL				DIFFERENTIAL			
96-91 Roadmaster (Sedan)..... 8660S 5707				96-95 AAM 8.5" R.G. (2) LM501349-LM501314			
(Axle Repair Brg.) RP-5707				94-80 7.5" R.G., 8.5" R.G. (2) LM501349-LM501314			
96-91 Roadmaster (Station Wagon) .. 8835S 6408				83-80 8.75" R.G., 8.875" R.G. (2) A-36			
(Axle Repair Brg.) RP-6408				PINION			
92-80 Coachbuilder Wagon, Estate Wagon 8835S 6408				96-95 AAM 8.5" R.G. (Inner) M802048-M802011			
(Axle Repair Brg.) RP-6408				(Outer) 2043 M88048-M88010			
90-82 Electra, LeSabre..... 8660S 5707				Redi-Sleeve 99193			
(Axle Repair Brg.) RP-5707				94-80 8.5" R.G., 8.75" R.G., 8.875" R.G. (Inner) M802048-M802011			
81-80 Electra, LeSabre (7.5" R.G.) (8.5" R.G.) (Chevrolet Axle)..... 8660S 5707				(Outer) 2043 M88048-M88010			
(Axle Repair Brg.) RP-5707				Redi-Sleeve 99193			
81-80 Electra, LeSabre (8.5" R.G.) (8.875" R.G.) (Pontiac Axle)..... 8835S 6408				86-81 7.5" R.G. (Inner) HM89249-HM89210			
(Axle Repair Brg.) RP-6408				(Outer) 8610 M86649-M86610			
				Redi-Sleeve 99152			
				1980 7.5" R.G. (Inner) HM89449-HM89410			
				(Outer) 8610 M86649-M86610			
				Redi-Sleeve 99152			
AXLE				TRANSMISSION			
REAR AXLE				AUTOMATIC / 3 Speed			
DIFFERENTIAL KIT				FRONT PUMP			
96-95 AAM 8.5" R.G. <input checked="" type="checkbox"/> RA-321				84-80 THM350, THM400, THM250C, THM350C, THM375B 6712NA			
(Master Kit) RA-321MK				Redi-Sleeve 99187			
(Continued Next Column)				(Continued Next Page)			

() Indicates Quantity Required Refer To Front Of Catalog For Kit Contents

BUICK FULL SIZE - REAR WHEEL DRIVE

(Coachbuilder Wagon, Electra, Estate Wagon, LeSabre & Roadmaster) (Cont.)

Year	Application	Seal	Bearing
TRANSMISSION			
AUTOMATIC / 3 Speed (Cont.)			
FRONT PUMP			
81-80	THM200.....	4950	
	Redi-Sleeve	99174	
EXTENSION HOUSING			
84-82	THM375B.....	9613S	
	(Seal & Bushing Kit)	5200	
84-82	THM250C, THM350C (Booted)	9613S	
	(Seal & Bushing Kit)	5200	
84-82	THM250C, THM350C (Non-Booted).....	4583	
81-80	THM400.....	9449	
	(Seal & Bushing Kit)	5208	
81-80	THM200, THM350, THM250C, THM350C, THM375B.....	9613S	
	(Seal & Bushing Kit)	5200	
MANUAL SHAFT			
84-80	THM200, THM350, THM400, THM250C, THM350C, THM375B	8792S	
AUTOMATIC / 4 Speed			
FRONT PUMP			
96-94	4L60-E.....	4950	
	Redi-Sleeve	99174	
93-81	4L60, THM200-4R, THM700-R4	4950	
	Redi-Sleeve	99174	
EXTENSION HOUSING			
96-94	4L60-E (Booted).....	4934	
96-94	4L60-E (Non-Booted).....	4583	
1993	4L60.....	4583	
92-91	THM700-R4 (Booted).....	9613S	
	(Seal & Bushing Kit)	5200	
92-91	THM700-R4 (Non-Booted).....	4583	
90-81	THM200-4R.....	9613S	
	(Seal & Bushing Kit)	5200	
88-87	THM700-R4 (Booted).....	9613S	
	(Seal & Bushing Kit)	5200	
88-87	THM700-R4 (Non-Booted).....	4583	
MANUAL SHAFT			
96-81	4L60, THM200-4R, 4L60-E, THM700-R4.....	8792S	

STEERING

POWER STEERING

STEERING GEAR HOUSING

96-80 All..... (Adj. Plug) **DB-53313**

STEERING GEAR WORM SHAFT

96-80 All..... **222025**

STEERING GEAR PITMAN SHAFT

96-80 All..... (Kit) **PSK-1**

STEERING PUMP SHAFT

96-80 All..... **7013S**

Year	Application	Seal	Bearing
AIR CONDITIONING			
COMPRESSOR			
CLUTCH PULLEY			
96-94	Harrison HD-6.....	907257	
93-80	Harrison R-4.....	907257	
92-89	Harrison HR-6.....	907257	
90-89	Harrison HR-6HE.....	907257	
88-86	Harrison DA-6.....	907257	
1980	Harrison A-6.....	907257	
FRONT HEAD MAIN			
93-80	Harrison R-4.....	S-128	
1980	Harrison A-6.....	SC-108	
ELECTRICAL			
ALTERNATOR			
DRIVE END			
89-83	AC-Delco.....	203-FF	
82-80	AC-Delco.....	203-S	
REAR END			
92-90	AC-Delco 100, 108, 120, 124 Amp.....	100-CC4	
89-80	AC-Delco (Exc. 62, 70, 85, 100, 108, 120, 124 Amp.).....	MNJ-471-S	
ENGINE			
CRANKSHAFT			
6 CYLINDER			
85-80	231/3.8L, 231/3.8L (Turbo), 252/4.1L..... (Split Seal)	5591	
8 CYLINDER			
96-91	305/5.0L, 350/5.7L, 350/5.7L..... (Gkt. & PTFE Seal)	5274A	
	(Gkt. & Viton® Seal)	4359V	
	PTFE Rubber	5274	
	Redi-Sleeve	99364	
90-80	307/5.0L, 350/5.7L (Rope Type)	5095	
85-80	350/5.7L (Diesel).... (Rope Type)	5095	
	(Split Seal)	5118	
82-81	267/4.4L..... (Split Seal)	5092	
81-80	350/5.7L..... (Split Seal)	5591	
TIMING COVER			
6 CYLINDER			
85-80	231/3.8L, 231/3.8L (Turbo).....	710163	
84-80	252/4.1L.....	471424	
	Redi-Sleeve	99199	
	Harmonic Bal Sleeve	88199	
8 CYLINDER			
96-91	305/5.0L, 350/5.7L, 350/5.7L.....	9845	
	Redi-Sleeve	99176	
	Harmonic Bal Sleeve	88176	
	Harmonic Bal Kit <input checked="" type="checkbox"/>	5000	
90-80	307/5.0L, 350/5.7L (Diesel), 350/5.7L.....	472082	
	Redi-Sleeve	99199	
	Harmonic Bal Sleeve	88199	
	(Continued Next Page)		

Refer To Front Of Catalog For Kit Contents

REAR WHEEL DRIVE - BUICK FULL SIZE

(Cont.) (Coachbuilder Wagon, Electra, Estate Wagon, LeSabre & Roadmaster)

Year	Application	Seal	Bearing	Year	Application	Seal	Bearing
ENGINE				TIMING COVER (Cont.)			
TIMING COVER (Cont.)				8 CYLINDER			
82-81	267/4.4L	9845		81-80	301/4.9L	332062	
		Redi-Sleeve 99176				Redi-Sleeve 99186	
		Harmonic Bal Sleeve 88176				Harmonic Bal Sleeve 88186	
		Harmonic Bal Kit <input checked="" type="checkbox"/> 5000		81-80	350/5.7L	710173	
		(Continued Next Column)				Redi-Sleeve 99196	

(Century & Regal) REAR WHEEL DRIVE - BUICK MID SIZE

WHEEL				TRANSMISSION			
FRONT WHEEL				AUTOMATIC / 3 Speed			
87-82	All	(Inner) 8871	A-6	FRONT PUMP			
		(Outer)	A-34	84-80	THM350, THM400, THM250C, THM350C, THM375B	6712NA	
81-80	All	(Inner) 8871	A-6			Redi-Sleeve 99187	
		(Outer)	A-3	1980	THM200	4950	
REAR WHEEL						Redi-Sleeve 99174	
87-80	All	8660S	5707	EXTENSION HOUSING			
			(Axle Repair Brg.) RP-5707	84-82	THM375B	9613S	
						(Seal & Bushing Kit) 5200	
				84-82	THM250C, THM350C (Booted)	9613S	
						(Seal & Bushing Kit) 5200	
AXLE				84-82	THM250C, THM350C		
REAR AXLE					(Non-Booted)	4583	
DIFFERENTIAL KIT				1981	THM400	9449	
87-85	8.5" R.G.	<input checked="" type="checkbox"/> RA-321				(Seal & Bushing Kit) 5208	
		(Master Kit) RA-321MK		81-80	THM200, THM350, THM250C, THM350C, THM375B	9613S	
87-81	7.5" R.G., 7.625" R.G.	<input checked="" type="checkbox"/> RA-320				(Seal & Bushing Kit) 5200	
		(Master Kit) RA-320MK		MANUAL SHAFT			
DIFFERENTIAL				84-80	THM200, THM350, THM400, THM250C, THM350C, THM375B	8792S	
87-80	7.5" R.G., 7.625" R.G., 8.5" R.G.	(2)LM501349-LM501314		AUTOMATIC / 4 Speed			
PINION				FRONT PUMP			
87-85	8.5" R.G.	(Inner) M802048-M802011		87-81	THM200-4R	4950	
		(Outer) 2043	M88048-M88010			Redi-Sleeve 99174	
		Redi-Sleeve 99193		EXTENSION HOUSING			
87-81	7.5" R.G., 7.625" R.G.	(Inner) HM89249-HM89210		87-81	THM200-4R	9613S	
		(Outer) 8610	M86649-M86610			(Seal & Bushing Kit) 5200	
		Redi-Sleeve 99152		MANUAL SHAFT			
1980	7.5" R.G.	(Inner) HM89449-HM89410		87-81	THM200-4R	8792S	
		(Outer) 8610	M86649-M86610	MANUAL / 3 Speed			
		Redi-Sleeve 99152		DRIVESHAFT / INPUT			
CLUTCH				81-80	SM326	7412S	
PILOT						Redi-Sleeve 99125	
81-80	231/3.8L, 231/3.8L (Turbo)		PB-656	MAINSHAFT / OUTPUT			
			(H/D) PB-656-HD	81-80	SM326	9613S	
						(Seal & Bushing Kit) 5200	
RELEASE				COUNTERSHAFT			
6 CYLINDER				81-80	SM326		(54)C-407-Q
81-80	231/3.8L, 231/3.8L (Turbo)		CC-1705-C				
			©614018				

() Indicates Quantity Required Ⓢ Sealed Self-Aligning Bearing Refer To Front Of Catalog For Kit Contents

BUICK MID SIZE - REAR WHEEL DRIVE (Century & Regal) (Cont.)

Year	Application	Seal	Bearing
------	-------------	------	---------

TRANSMISSION

MANUAL / 3 Speed (Cont.)

SHIFT SHAFT

81-80	SM326	240735	
		Redi-Sleeve 99076	

MANUAL / 4 Speed

DRIVESHAFT / INPUT

1980	Saginaw	7412S	
		Redi-Sleeve 99125	

MAINSHAFT / OUTPUT

1980	Saginaw	9613S	
		(Seal & Bushing Kit) 5200	

COUNTERSHAFT

1980	Saginaw		(54)C-407-Q
------	---------	--	-------------

SHIFT SHAFT

1980	Saginaw	240735	
		Redi-Sleeve 99076	

STEERING

MANUAL STEERING

STEERING GEAR WORM SHAFT

1980	All	474131	
------	-----	--------	--

STEERING GEAR PITMAN SHAFT

1980	All	313842	
------	-----	--------	--

POWER STEERING

STEERING GEAR HOUSING

87-80	All		(Adj. Plug) DB-53313
-------	-----	--	----------------------

STEERING GEAR WORM SHAFT

87-80	All	222025	
-------	-----	--------	--

STEERING GEAR PITMAN SHAFT

87-82	All	(Kit) <input checked="" type="checkbox"/> PSK-1	
-------	-----	---	--

81-80	All (Round Side Cover)	710285	
-------	------------------------	--------	--

81-80	All (4 Bolt Cover)	(Kit) <input checked="" type="checkbox"/> PSK-1	
-------	--------------------	---	--

STEERING PUMP SHAFT

87-80	All	7013S	
-------	-----	-------	--

AIR CONDITIONING

COMPRESSOR

CLUTCH PULLEY

87-80	Harrison R-4	907257	
-------	--------------	--------	--

81-80	Harrison A-6	907257	
-------	--------------	--------	--

FRONT HEAD MAIN

87-80	Harrison R-4	S-128	
-------	--------------	-------	--

81-80	Harrison A-6	SCE-108	
-------	--------------	---------	--

ELECTRICAL

ALTERNATOR

DRIVE END

87-83	AC-Delco		203-FF
-------	----------	--	--------

(Continued Next Column)

Year	Application	Seal	Bearing
------	-------------	------	---------

ALTERNATOR (Cont.)

DRIVE END

82-80	AC-Delco		203-S
-------	----------	--	-------

REAR END

87-86	AC-Delco 100, 108, 120, 124 Amp.		100-CC4
-------	----------------------------------	--	---------

87-80	AC-Delco (Exc. 62, 70, 85, 100, 108, 120, 124 Amp.)		MNJ-471-S
-------	---	--	-----------

ENGINE

CRANKSHAFT

6 CYLINDER

87-80	231/3.8L, 231/3.8L (Turbo), 252/4.1L	(Split Seal) 5591	
-------	--------------------------------------	-------------------	--

85-82	262/4.3L (Diesel)	(Rope Type) 5095	
-------	-------------------	------------------	--

8 CYLINDER

87-86	305/5.0L	(Gkt. & PTFE Seal) 5274A	
		(Gkt. & Viton® Seal) 4359V	

		PTFE Rubber 5274	
--	--	------------------	--

		Redi-Sleeve 99364	
--	--	-------------------	--

87-86	307/5.0L	(Rope Type) 5095	
-------	----------	------------------	--

1985	305/5.0L (1st Design)	(Split Seal) 5092	
------	-----------------------	-------------------	--

1985	305/5.0L (2nd Design)	(Gkt. & PTFE Seal) 5274A	
		(Gkt. & Viton® Seal) 4359V	

		PTFE Rubber 5274	
--	--	------------------	--

		Redi-Sleeve 99364	
--	--	-------------------	--

85-81	350/5.7L (Diesel)	(Rope Type) 5095	
-------	-------------------	------------------	--

		(Split Seal) 5118	
--	--	-------------------	--

84-80	267/4.4L, 305/5.0L	(Split Seal) 5092	
-------	--------------------	-------------------	--

TIMING COVER

6 CYLINDER

87-86	231/3.8L, 231/3.8L (Turbo)	710162	
		Redi-Sleeve 99193	

85-82	262/4.3L (Diesel)	9845	
		Redi-Sleeve 99176	

		Harmonic Bal Sleeve 88176	
--	--	---------------------------	--

		Harmonic Bal Kit <input checked="" type="checkbox"/> 5000	
--	--	---	--

85-80	231/3.8L, 231/3.8L (Turbo)	710163	
-------	----------------------------	--------	--

84-82	252/4.1L	471424	
		Redi-Sleeve 99199	
		Harmonic Bal Sleeve 88199	

8 CYLINDER

87-81	307/5.0L, 350/5.7L (Diesel)	472082	
-------	-----------------------------	--------	--

		Redi-Sleeve 99199	
--	--	-------------------	--

		Harmonic Bal Sleeve 88199	
--	--	---------------------------	--

87-80	267/4.4L, 305/5.0L	9845	
		Redi-Sleeve 99176	

		Harmonic Bal Sleeve 88176	
--	--	---------------------------	--

		Harmonic Bal Kit <input checked="" type="checkbox"/> 5000	
--	--	---	--

81-80	265/4.3L, 301/4.9L	332062	
		Redi-Sleeve 99186	
		Harmonic Bal Sleeve 88186	

(Skyhawk) **REAR WHEEL DRIVE - BUICK SUBCOMPACT**

Year	Application	Seal	Bearing
------	-------------	------	---------

WHEEL

FRONT WHEEL

1980 All..... (Inner) 8705S A-6
(Outer) A-1

REAR WHEEL

1980 All..... 8660S 5707
(Axle Repair Brg.) **RP-5707**

AXLE

REAR AXLE

DIFFERENTIAL

1980 7.5" R.G. (2)LM501349-LM501314

PINION

1980 7.5" R.G. (Inner) HM88649-HM88610
(Outer) 8610 M86649-M86610
Redi-Sleeve 99152

CLUTCH

PILOT

6 CYLINDER

1980 231/3.8L PB-656
(H/D) **PB-656-HD**

RELEASE

Bearing
Only Bearing
Assembly

6 CYLINDER

1980 231/3.8L (Angular Contact) **CC-1705-C**
©614018

TRANSMISSION

AUTOMATIC / 3 Speed

FRONT PUMP

1980 THM350, THM350C 6712NA
Redi-Sleeve 99187

EXTENSION HOUSING

1980 THM350, THM350C 9613S
(Seal & Bushing Kit) 5200

MANUAL SHAFT

1980 THM350, THM350C 8792S

MANUAL / 4 Speed

DRIVESHAFT / INPUT

1980 Saginaw 7412S
Redi-Sleeve 99125

MAINSHAFT / OUTPUT

1980 Saginaw 9613S
(Seal & Bushing Kit) 5200

COUNTERSHAFT

1980 Saginaw (54)**C-407-Q**

Year	Application	Seal	Bearing
------	-------------	------	---------

MANUAL / 4 Speed (Cont.)

SHIFT SHAFT

1980 Saginaw 240735
Redi-Sleeve 99076

STEERING

MANUAL STEERING

STEERING GEAR WORM SHAFT

1980 All 474131

STEERING GEAR PITMAN SHAFT

1980 All 313842

POWER STEERING

STEERING GEAR HOUSING

1980 All (Adj. Plug) **DB-53313**

STEERING GEAR WORM SHAFT

1980 All 222025

STEERING GEAR PITMAN SHAFT

1980 All (Kit) **PSK-1**

STEERING PUMP SHAFT

1980 All 7013S

AIR CONDITIONING

COMPRESSOR

CLUTCH PULLEY

1980 Harrison A-6 907257

1980 Harrison R-4 907257

FRONT HEAD MAIN

1980 Harrison A-6 SCE-108

1980 Harrison R-4 S-128

ELECTRICAL

ALTERNATOR

DRIVE END

1980 AC-Delco 203-S

REAR END

1980 AC-Delco MNJ-471-S

ENGINE

CRANKSHAFT

6 CYLINDER

1980 231/3.8L (Split Seal) 5591

TIMING COVER

6 CYLINDER

1980 231/3.8L 710163

() Indicates Quantity Required Ⓢ Sealed Self-Aligning Bearing Refer To Front Of Catalog For Kit Contents

BUICK TRUCK - CROSSOVER/SPORT UTILITY

(Enclave, Rainier, Rendezvous, Rendezvous AWD, Terraza & Terraza AWD)

Year	Application	Seal	Bearing	Year	Application	Seal	Bearing
WHEEL							
FRONT WHEEL (2WD)				REAR AXLE (Cont.)			
08-06	Terraza		Hub Assembly 513236	PINION			
07-04	Rainier		Hub Assembly 513188	07-04	AAM 8.625" R.G.		
07-03	Rendezvous (ABS)		Hub Assembly 513187			(Inner)	M802048-M80211
07-03	Rendezvous (Exc. ABS)		Hub Assembly 513203			(Outer)	710506 M88048-M88010
2005	Terraza		Hub Assembly ♦ 513199	07-04	AAM 8" R.G.		
			Hub Assembly 513179			(Inner)	M802048-M80211
2002	All		Hub Assembly 513179			(Outer)	710474 M86649-M86610
FRONT WHEEL (4WD)				TRANSFER CASE			
07-04	Rainier		Hub Assembly 513188	FULL TIME / PART TIME			
07-02	Rendezvous AWD		Hub Assembly 513187	INPUT SHAFT			
2006	Terraza AWD		Hub Assembly 513236	07-04	New Process 126C		N-5210-KLB
2005	Terraza AWD		Hub Assembly ♦ 513199	06-05	New Process 900		LM503349A-LM503310
			Hub Assembly 513179	FRONT OUTPUT SHAFT			
REAR WHEEL				07-04	New Process 126C		107
08-06	Terraza (3 Hole Triangular Flange)		Hub Assembly ♦ 512308	06-05	New Process 900		32006
			Hub Assembly 513197				
08-06	Terraza (4 Hole Rectangular Flange)		Hub Assembly 512309				
07-04	Rainier	4762N	513067				
			(Axle Repair Brg.) RP-513067				
07-03	Rendezvous (ABS)		Hub Assembly 512222				
07-03	Rendezvous (Exc. ABS)		Hub Assembly 512236				
07-02	Rendezvous AWD		Hub Assembly 513121				
2006	Terraza AWD		Hub Assembly 513236				
2005	Terraza (3 Hole Triangular Flange)		Hub Assembly 512246				
2005	Terraza (4 Hole Rectangular Flange)		Hub Assembly ♦ 512244				
			Hub Assembly ☆ 512357				
2005	Terraza AWD		Hub Assembly ♦ 513199				
			Hub Assembly 513179				
2002	Rendezvous		Hub Assembly 512222				
AXLE							
FRONT AXLE							
AXLE SHAFT							
07-04	AAM IFS-7.25" R.G.						
	(1.3125" Shaft)						
		(Inner)	(2) 710491			(2)B-2010	
		(Outer)				SCH-208	
		(Pilot)				SCH-78	
07-04	AAM IFS-7.25" R.G.						
	(1.5748" Shaft)						
		(Inner)	(2) 710491			(2)HK-4012	
		(Outer)				SCH-208	
		(Pilot)				SCH-78	
DIFFERENTIAL							
07-04	AAM IFS-7.25" R.G.		(2)A-18				
PINION							
07-04	AAM IFS-7.25" R.G.						
		(Inner)	M88047-M88010				
		(Outer)	710547			M86649-M86610	
REAR AXLE							
DIFFERENTIAL KIT							
07-04	AAM 8.625" R.G.		<input checked="" type="checkbox"/> RA-321-C				
07-04	AAM 8" R.G.		<input checked="" type="checkbox"/> RA-327				
DIFFERENTIAL							
07-04	AAM 8.625" R.G., 8" R.G.		(2)A-36				
				POWER STEERING			
				STEERING PUMP SHAFT			
				2007	Rainier		7013S
				(Continued Next Page)			

CROSSOVER/SPORT UTILITY - BUICK TRUCK

(Cont.) (Enclave, Rainier, Rendezvous, Rendezvous AWD, Terraza & Terraza AWD)

Year	Application	Seal	Bearing	Year	Application	Seal	Bearing
STEERING				CRANKSHAFT (Cont.)			
POWER STEERING (Cont.)				6 CYLINDER			
STEERING PUMP SHAFT				8 CYLINDER			
06-02	All.....	7013S		07-04	254/4.2L (DOHC).....	710603	
AIR CONDITIONING				TIMING COVER			
COMPRESSOR				6 CYLINDER			
CLUTCH PULLEY				08-02 207/3.4L, 213/3.5L, 242/3.9LPTFE Rubber 5273			
05-04	Harrison HT-6		907257	Redi-Sleeve 99176			
05-02	Harrison HR-6		907257	Harmonic Bal Sleeve 88176			
ENGINE				Harmonic Bal Kit <input checked="" type="checkbox"/> 5000			
CRANKSHAFT				07-05 254/4.2L (DOHC)..... 710551			
6 CYLINDER				2004 254/4.2L (DOHC) (38.4mm I.D.)..... 710605			
08-02	207/3.4L, 213/3.5L, 242/3.9L			2004 254/4.2L (DOHC) (47.0mm I.D.)..... 710551			
				8 CYLINDER			
				07-04 325/5.3L 100470			
				Redi-Sleeve 99210			
(Continued Next Column)							

FRONT WHEEL DRIVE - CADILLAC

(Allante, Cimarron, Concours, DeVille, DTS, Eldorado, Fleetwood & Seville)

WHEEL				FRONT WHEEL (Cont.)			
FRONT WHEEL				85-80 Eldorado, Seville..... 3553 Hub Assembly 513013			
09-06	All (Exc. H/D Suspension)		Hub Assembly 513199	1984 Cimarron (1st Design) ... (Kit) <input checked="" type="checkbox"/> 5697			
				1984 Cimarron (2nd Design) .. (Kit) <input checked="" type="checkbox"/> 5697 Hub Assembly 513017-K			
				83-82 Cimarron..... (Kit) <input checked="" type="checkbox"/> 5697			
				REAR WHEEL			
				09-06 All..... Hub Assembly 512314			
				Hub Assembly 512003			
				05-00 DeVille (Exc. H/D Brakes)..... Hub Assembly 512003			
				04-98 Seville Hub Assembly 512003			
				02-98 Eldorado..... Hub Assembly 512006			
				99-97 DeVille (Exc. H/D Brakes)..... Hub Assembly 512006			
				1997 Eldorado, Seville..... Hub Assembly 512006			
				96-94 All..... Hub Assembly 512006			
				1993 Allante, Eldorado, Seville..... Hub Assembly 512006			
				93-91 DeVille, Fleetwood (ABS) Hub Assembly 513062			
				93-91 DeVille, Fleetwood (Exc. ABS) Hub Assembly 513018			
				92-91 Allante, Eldorado, Seville..... Hub Assembly 512003			
				90-88 Allante..... Hub Assembly 513041			
				90-88 DeVille, Eldorado, Fleetwood, Seville (ABS) Hub Assembly 513041			
				90-88 DeVille, Eldorado, Fleetwood, Seville (Exc. ABS) Hub Assembly 513018			
				88-82 Cimarron..... Hub Assembly 513012			
				1987 DeVille, Fleetwood (ABS) Hub Assembly 513041			
				87-86 DeVille, Fleetwood (Exc. ABS) Hub Assembly 513018			
				87-86 Eldorado, Seville..... Hub Assembly 513018			
				1985 DeVille, Fleetwood..... Hub Assembly 513018			
				85-80 Eldorado (Disc Brakes) Hub Assembly 513009			
				85-80 Seville Hub Assembly 513009			
(Continued Next Column)							

◆ When Depleted Use Number Listed Directly Below Refer To Front Of Catalog For Kit Contents

CADILLAC - FRONT WHEEL DRIVE

(Allante, Cimarron, Concours, DeVille, DTS, Eldorado, Fleetwood & Seville) (Cont.)

Year	Application	Seal	Bearing
CLUTCH			
RELEASE			
		<i>Bearing Only</i>	<i>Bearing Assembly</i>
4 CYLINDER			
86-83	121/2.0L (Isuzu 5 Spd.)		Ⓢ 614108
1982	112/1.8L (Muncie 4 Spd.)		Ⓢ 614009
6 CYLINDER			
88-86	173/2.8L (Getrag 5 Spd.)		Ⓢ 614069
1985	173/2.8L (Isuzu 5 Spd.)		Ⓢ 614108
1985	173/2.8L (Muncie 4 Spd.)		Ⓢ 614009
TRANSAXLE			
AUTOMATIC / 3 Speed			
DIFFERENTIAL			
81-80	THM325	(2)LM501349-LM501314	
TORQUE CONVERTER			
88-82	THM125	4072N	
81-80	THM325	6712NA	
		Redi-Sleeve 99187	
OUTPUT SHAFT			
88-82	THM125	(2) 3543	
		Redi-Sleeve (2) 99139	
81-80	THM325	(2) 3907	
		Redi-Sleeve (2) 99114	
PINION			
81-80	THM325	(Front) 3606	M804049-M804010
		(Rear)	M802048-M802011
DRIVE SPROCKET			
81-80	THM325		(2)207-L
OIL PUMP			
83-82	THM125	340849	
MANUAL SHAFT			
88-84	THM125	8792S	
83-82	THM125	240385	
81-80	THM325	8792S	
AUTOMATIC / 4 Speed			
DIFFERENTIAL			
85-82	THM325-4L	(2)LM501349-LM501314	
TORQUE CONVERTER			
09-93	4T80-E	4577	
		Redi-Sleeve 99189	
95-85	4T60, 4T60-E, THM440-T4	4072N	
85-82	THM325-4L	4950	
		Redi-Sleeve 99174	
OUTPUT SHAFT			
09-93	4T80-E	(Left) 714679	
		(Right) 4674N	
95-85	4T60, 4T60-E, THM440-T4	(Left) 710096	
		Redi-Sleeve 99139	
		(Right) 3543	
		Redi-Sleeve 99139	
85-82	THM325-4L	(2) 3907	
		Redi-Sleeve (2) 99114	

Year	Application	Seal	Bearing
AUTOMATIC / 4 Speed (Cont.)			
PINION			
85-82	THM325-4L	(Front) 3606	M804049-M804010
		(Rear)	M802048-M802011
DRIVE SPROCKET			
85-82	THM325-4L		(2)207-L
MANUAL SHAFT			
09-82	4T60, THM325-4L, 4T60-E, 4T80-E, THM440-T4	8792S	
MANUAL / 4 Speed			
DIFFERENTIAL			
1985	Muncie GMX-4 (76mm)		(2)A-18
INPUT SHAFT			
1985	Muncie GMX-4 (76mm)	(Front) 3732S	A-4
		Redi-Sleeve 99106	
		(Rear)	15101-15245
OUTPUT SHAFT			
1985	Muncie GMX-4 (76mm)	(Left) 3543	A-5
		Redi-Sleeve 99139	
		(Right) 3543	15101-15245
		Redi-Sleeve 99139	
SHIFT SHAFT			
1985	Muncie GMX-4 (76mm)	3667	
MANUAL / 5 Speed			
DIFFERENTIAL			
88-86	Getrag 282		(2)A-18
86-83	Isuzu MFD5M		(2)32008
INPUT SHAFT			
88-86	Getrag 282		305-DD
86-83	Isuzu MFD5M	222835	
		Redi-Sleeve 99111	
		(Front)	32206
		(Rear)	30306
OUTPUT SHAFT			
88-86	Getrag 282	(2) 3543	5206-KZZLE
		Redi-Sleeve (2) 99139	
86-83	Isuzu MFD5M	(Left) 3543	A-5
		Redi-Sleeve 99139	
		(Right) 3543	32206
		Redi-Sleeve 99139	
SHIFT SHAFT			
88-86	Getrag 282	3667	
86-83	Isuzu MFD5M	3667	
STEERING			
POWER STEERING			
STEERING GEAR HOUSING			
85-80	Eldorado		(Adj. Plug) DB-53313
STEERING GEAR WORM SHAFT			
91-80	Eldorado	222025	
90-87	Allante	222510	
84-82	Cimarron	222510	

FRONT WHEEL DRIVE - CADILLAC

(Cont.) (Allante, Cimarron, Concours, DeVille, DTS, Eldorado, Fleetwood & Seville)

Year	Application	Seal	Bearing	Year	Application	Seal	Bearing
STEERING				CRANKSHAFT (Cont.)			
POWER STEERING (Cont.)				4 CYLINDER			
STEERING GEAR PITMAN SHAFT				1983	121/2.0L	5210	
85-80	Eldorado (Kit) <input checked="" type="checkbox"/> PSK-1			1982	112/1.8L (1st Design)	5210	
STEERING PUMP SHAFT				1982	112/1.8L (2nd Design)		
05-92	All	7013S				PTFE Rubber 5273	
91-85	All		203-FF			Viton® 4307V	
84-80	All	7013S				Redi-Sleeve 99298	
AIR CONDITIONING				6 CYLINDER			
COMPRESSOR				88-86	173/2.8L	PTFE Rubber 5273	
CLUTCH PULLEY						Viton® 4307V	
05-93	Harrison HD-6		907257			Redi-Sleeve 99298	
93-89	Harrison HR-6HE		907257	1985	173/2.8L (1st Design)	5210	
88-85	Harrison V-5		907257	1985	173/2.8L (2nd Design)		
88-85	Harrison HR-6		907257			PTFE Rubber 5273	
86-83	Harrison DA-6		907257			Viton® 4307V	
85-80	Harrison R-4		907257			Redi-Sleeve 99298	
FRONT HEAD MAIN				1985	262/4.3L (Diesel) (Rope Type)	5095	
85-80	Harrison R-4		S-128	82-81	252/4.1L (Split Seal)	5591	
ELECTRICAL				8 CYLINDER			
ALTERNATOR				09-93	281/4.6L (DOHC)	710262	
DRIVE END				95-86	250/4.1L, 273/4.5L, 298/4.9L	710075	
91-83	AC-Delco 78, 94, 108, 120 Amp.		203-FF	85-80	350/5.7L (Diesel) (Rope Type)	5095	
90-86	AC-Delco 120 Amp.		203-FF		(Split Seal)	5118	
88-83	AC-Delco 78, 94, 108 Amp.		203-FF	1980	350/5.7L (Rope Type)	5095	
82-80	AC-Delco 37, 42, 63, 70, 80, 85, 100 Amp.		203-S	TIMING COVER			
REAR END				4 CYLINDER			
98-92	AC-Delco 140 Amp.		100-CC4	86-82	112/1.8L, 121/2.0L	9845	
91-86	AC-Delco 120 Amp.		100-CC4			Redi-Sleeve 99176	
86-80	AC-Delco (Exc. 62, 70, 85, 120, 130, 145 Amp.)		MNJ-471-S			Harmonic Bal Sleeve 88176	
ENGINE						Harmonic Bal Kit <input checked="" type="checkbox"/> 5000	
CAMSHAFT				6 CYLINDER			
8 CYLINDER				88-85	173/2.8L, 262/4.3L (Diesel)	9845	
09-93	281/4.6L (DOHC)	(2)	710261			Redi-Sleeve 99176	
CRANKSHAFT						Harmonic Bal Sleeve 88176	
4 CYLINDER						Harmonic Bal Kit <input checked="" type="checkbox"/> 5000	
86-85	121/2.0L	PTFE Rubber 5273		82-81	252/4.1L	471424	
		Viton® 4307V				Redi-Sleeve 99199	
		Redi-Sleeve 99298				Harmonic Bal Sleeve 88199	
1984	121/2.0L (1st Design)	5210		8 CYLINDER			
1984	121/2.0L (2nd Design)			09-00	281/4.6L (DOHC)	710555	
		PTFE Rubber 5273		99-93	281/4.6L (DOHC)	710263	
		Viton® 4307V				Redi-Sleeve 99199	
		Redi-Sleeve 99298				Harmonic Bal Sleeve 88199	
		(Continued Next Column)		95-82	250/4.1L, 273/4.5L, 298/4.9L	471424	
						Redi-Sleeve 99199	
						Harmonic Bal Sleeve 88199	
				85-80	350/5.7L (Diesel), 350/5.7L	472082	
						Redi-Sleeve 99199	
						Harmonic Bal Sleeve 88199	
				81-80	368/6.0L	9599S	
						Redi-Sleeve 99210	

() Indicates Quantity Required Refer To Front Of Catalog For Kit Contents

CADILLAC - REAR WHEEL DRIVE

(Commercial Chassis, CTS, CTS AWD, DeVille, Fleetwood, STS & STS AWD)

Year	Application	Seal	Bearing
WHEEL			
FRONT WHEEL			
09-06	STS AWD		Hub Assembly 513238
09-05	STS (5 Stud Hub)		Hub Assembly ♦ 513186
			Hub Assembly 512246
09-05	STS (6 Stud Hub)		Hub Assembly 513197
07-04	CTS (Exc. V)		Hub Assembly ♦ 513186
			Hub Assembly 512246
07-04	CTS (V)		Hub Assembly 513197
2003	All		Hub Assembly ♦ 513186
			Hub Assembly 512246
96-94	All (ABS)	(Inner) 4739	A-6
		(Outer)	A-3
96-88	Fleetwood (Exc. ABS)		
		(Inner) 8871	A-5
		(Outer)	A-3
1994	Commercial Chassis (Exc. ABS)		
		(Inner)	A-5
		(Outer)	A-3
93-88	Fleetwood (ABS)		
		(Inner) 4739	A-6
		(Outer)	A-3
90-80	Commercial Chassis		
		(Inner)	A-5
		(Outer)	A-3
87-80	DeVille, Fleetwood		
		(Inner) 8871	A-6
		(Outer)	A-3
REAR WHEEL			
09-05	STS (5 Stud Hub)		Hub Assembly 512223
09-05	STS (6 Stud Hub)		Hub Assembly 512243
09-05	STS AWD		Hub Assembly 512223
07-04	CTS (Exc. V)		Hub Assembly 512223
07-04	CTS (V)		Hub Assembly ♦ 512249
			Hub Assembly 512243
2003	All		Hub Assembly 512223
96-92	All (11.15" x 2.75" Brakes)	710105	R-1561-TV (Axle Repair Brg.) RP-1561-GM
96-80	Commercial Chassis, Fleetwood (11" x 2" Brakes)	8660S	5707 (Axle Repair Brg.) RP-5707
90-80	Commercial Chassis, Fleetwood (12" X 2.5" Brakes)	8835S	6408 (Axle Repair Brg.) RP-6408
84-80	DeVille	8660S	5707 (Axle Repair Brg.) RP-5707
AXLE			
REAR AXLE			
DIFFERENTIAL KIT			
96-95	AAM 8.5" R.G.		☒ RA-321 (Master Kit) RA-321MK
96-95	AAM 9.5" R.G.		☒ RA-324 (Master Kit) RA-324MK
94-91	9.5" R.G.		☒ RA-324 (Master Kit) RA-324MK
94-80	8.5" R.G.		☒ RA-321 (Master Kit) RA-321MK

(Continued Next Column)

Year	Application	Seal	Bearing
REAR AXLE (Cont.)			
DIFFERENTIAL KIT			
90-82	7.5" R.G., 7.625" R.G.		☒ RA-320 (Master Kit) RA-320MK
81-80	8.875" R.G.		☒ RA-323
DIFFERENTIAL			
96-95	AAM 8.5" R.G.	(2)LM501349-LM501314	
96-95	AAM 9.5" R.G.		(2)A-42
94-91	9.5" R.G.		(2)A-42
94-80	7.5" R.G., 7.625" R.G., 8.5" R.G.	(2)LM501349-LM501314	
81-80	8.875" R.G.		(2)A-36
PINION			
96-95	AAM 8.5" R.G.	(Inner) M802048-M802011	
		(Outer) 2043	M88048-M88010
		Redi-Sleeve 99193	
96-95	AAM 9.5" R.G.	(Inner) HM804846-HM804810	
		(Outer) 3896	HM88649-HM88610
		Redi-Sleeve 99193	
94-91	9.5" R.G.	(Inner) HM804846-HM804810	
		(Outer) 3896	HM88649-HM88610
		Redi-Sleeve 99193	
94-80	8.5" R.G., 8.875" R.G.		
		(Inner) M802048-M802011	
		(Outer) 2043	M88048-M88010
		Redi-Sleeve 99193	
90-82	7.5" R.G., 7.625" R.G.		
		(Inner) HM89249-HM89210	
		(Outer) 8610	M86649-M86610
		Redi-Sleeve 99152	
TRANSFER CASE			
FULL TIME / PART TIME			
INPUT SHAFT			
09-05	Borg-Warner 4479		110
FRONT OUTPUT SHAFT			
09-05	Borg-Warner 4479		
		(Inner)	109
		(Outer)	206
TRANSMISSION			
AUTOMATIC / 3 Speed			
FRONT PUMP			
90-80	THM350, THM400, THM350C	6712NA	
		Redi-Sleeve 99187	
1980	THM200	4950	
		Redi-Sleeve 99174	
EXTENSION HOUSING			
90-85	THM400	9449	109
		(Seal & Bushing Kit) 5208	
84-80	THM400	9449	
		(Seal & Bushing Kit) 5208	
1982	THM350C (Booted)	9613S	
		(Seal & Bushing Kit) 5200	
1982	THM350C (Non-Booted)	4583	
1980	THM200, THM350, THM350C	9613S	
		(Seal & Bushing Kit) 5200	
MANUAL SHAFT			
90-80	THM200, THM350, THM400, THM350C		8792S

REAR WHEEL DRIVE - CADILLAC

(Cont.) (Commercial Chassis, CTS, CTS AWD, DeVille, Fleetwood, STS & STS AWD)

Year	Application	Seal	Bearing
TRANSMISSION			
AUTOMATIC / 4 Speed			
FRONT PUMP			
96-94	4L60-E	4950	
		Redi-Sleeve 99174	
93-81	4L60, THM200-4R, THM700-R4	4950	
		Redi-Sleeve 99174	
EXTENSION HOUSING			
96-94	4L60-E (Booted)	4934	
96-94	4L60-E (Non-Booted)	4583	
1993	4L60	4583	
92-90	THM700-R4 (Booted)	9613S	
	(Seal & Bushing Kit)	5200	
92-90	THM700-R4 (Non-Booted)	4583	
90-81	THM200-4R	9613S	
	(Seal & Bushing Kit)	5200	
MANUAL SHAFT			
96-81	4L60, THM200-4R, 4L60-E, THM700-R4	8792S	
AUTOMATIC / 5 Speed			
FRONT PUMP			
09-03	5L40-E, 5L50-E	* 710559	
MANUAL SHAFT			
09-03	5L40-E, 5L50-E	8792S	
AUTOMATIC / 6 Speed			
EXTENSION HOUSING			
09-06	6L50, 6L80, 6L90	710533	
MANUAL / 6 Speed			
DRIVESHAFT / INPUT			
07-04	Tremec T56	7412S	M88048-M88010
		Redi-Sleeve 99125	
MAINSHAFT / OUTPUT			
2009	Tremec 6060	710298	
07-04	Tremec T56		25572-25520
MAINSHAFT PILOT			
07-04	Tremec T56		A-16
COUNTERSHAFT			
07-04	Tremec T56	(Front)	A-5
		(Rear)	32008
STEERING			
POWER STEERING			
STEERING GEAR HOUSING			
96-80	All	(Adj. Plug)	DB-53313
STEERING GEAR WORM SHAFT			
96-80	All	222025	
STEERING GEAR PITMAN SHAFT			
96-80	All	(Kit) ☒	PSK-1
STEERING PUMP SHAFT			
96-80	All	7013S	

Year	Application	Seal	Bearing
AIR CONDITIONING			
COMPRESSOR			
CLUTCH PULLEY			
96-94	Harrison HD-6		907257
1994	Harrison HR-6HE		907257
93-80	Harrison R-4		907257
90-89	Harrison HR-6HE		907257
88-86	Harrison HR-6		907257
81-80	Harrison A-6		907257
FRONT HEAD MAIN			
93-80	Harrison R-4		S-128
81-80	Harrison A-6		SCE-108
ELECTRICAL			
ALTERNATOR			
DRIVE END			
90-86	AC-Delco 120 Amp		203-FF
88-83	AC-Delco 78, 94, 108 Amp		203-FF
84-80	AC-Delco 37, 42, 63, 70, 80, 85, 100 Amp		203-S
REAR END			
90-86	AC-Delco 120 Amp		100-CC4
88-80	AC-Delco (Exc. 62, 70, 85, 120, 130, 145 Amp.)		MNJ-471-S
ENGINE			
CAMSHAFT			
6 CYLINDER			
07-05	2792cc/2.8L (DOHC)	(2) 714436	
		Redi-Sleeve (2) 99139	
04-03	2597cc/2.6L (DOHC), 3175cc/3.2L (DOHC)	(4) 714436	
		Redi-Sleeve (4) 99139	
8 CYLINDER			
09-05	267/4.4L (DOHC), 281/4.6L (DOHC)	(2) 710261	
CRANKSHAFT			
6 CYLINDER			
07-03	2597cc/2.6L (DOHC), 2792cc/2.8L (DOHC), 3175cc/3.2L (DOHC)	710237	
		Redi-Sleeve 99354	
82-80	252/4.1L	(Split Seal) 5591	
8 CYLINDER			
09-05	267/4.4L (DOHC), 281/4.6L (DOHC)	710262	
07-04	346/5.7L, 364/6.0L	100085	
96-90	305/5.0L, 350/5.7L, 350/5.7L	(Gkt. & PTFE Seal) 5274A (Gkt. & Viton® Seal) 4359V PTFE Rubber 5274 Redi-Sleeve 99364	
90-86	307/5.0L	(Rope Type) 5095	
90-86	250/4.1L, 273/4.5L	710075	
85-80	350/5.7L (Diesel)	(Rope Type) 5095 (Split Seal) 5118	

() Indicates Quantity Required * Not a Current Production Number, Check for Availability ☒ Refer To Front Of Catalog For Kit Contents

CADILLAC - REAR WHEEL DRIVE

(Commercial Chassis, CTS, CTS AWD, DeVille, Fleetwood, STS & STS AWD) (Cont.)

Year	Application	Seal	Bearing	Year	Application	Seal	Bearing
ENGINE				TIMING COVER (Cont.)			
TIMING COVER				8 CYLINDER			
6 CYLINDER				96-90 305/5.0L, 350/5.7L, 350/5.7L 9845			
82-80 252/4.1L 471424				Redi-Sleeve 99176			
Redi-Sleeve 99199				Harmonic Bal Sleeve 88176			
Harmonic Bal Sleeve 88199				Harmonic Bal Kit <input checked="" type="checkbox"/> 5000			
8 CYLINDER				90-82 250/4.1L, 273/4.5L 471424			
09-05 281/4.6L (DOHC) 710555				Redi-Sleeve 99199			
07-04 346/5.7L, 364/6.0L 100470				Harmonic Bal Sleeve 88199			
Redi-Sleeve 99210				90-80 307/5.0L, 350/5.7L (Diesel) 472082			
(Continued Next Column)				Redi-Sleeve 99199			
				Harmonic Bal Sleeve 88199			
				84-80 368/6.0L 9599S			
				Redi-Sleeve 99210			

CADILLAC XLR

WHEEL				AUTOMATIC / 6 Speed			
FRONT WHEEL				EXTENSION HOUSING			
08-04 All Hub Assembly 513139				09-06 6L80 710533			
REAR WHEEL				ENGINE			
08-04 All Hub Assembly 512153				CAMSHAFT			
				8 CYLINDER			
				09-04 267/4.4L (DOHC), 281/4.6L (DOHC) (2) 710261			
AXLE				CRANKSHAFT			
REAR AXLE				8 CYLINDER			
DIFFERENTIAL				09-04 267/4.4L (DOHC), 281/4.6L (DOHC) 710262			
09-04 Getrag 625, 626 (2) 387A-382A				TIMING COVER			
				8 CYLINDER			
				09-04 281/4.6L (DOHC) 710555			
TRANSMISSION							
AUTOMATIC / 5 Speed							
FRONT PUMP							
06-04 5L50-E * 710559							
MANUAL SHAFT							
06-04 5L50-E 8792S							

CADILLAC IMPORT (Catera)

WHEEL				AUTOMATIC / 4 Speed (Cont.)			
FRONT WHEEL				EXTENSION HOUSING			
01-97 All Hub Assembly 513164				01-97 4L30-E 3459			
REAR WHEEL				MANUAL SHAFT			
01-97 All 710057 510052				01-97 4L30-E 8792S			
TRANSMISSION				AIR CONDITIONING			
AUTOMATIC / 4 Speed				COMPRESSOR			
FRONT PUMP				CLUTCH PULLEY			
01-97 4L30-E 6712NA				01-97 Harrison V-5 907257			
Redi-Sleeve 99187							

(Cont.) (Catera) **CADILLAC IMPORT**

Year	Application	Seal	Bearing	Year	Application	Seal	Bearing
ELECTRICAL				CRANKSHAFT			
ALTERNATOR				6 CYLINDER			
REAR END				01-97 2962cc/3.0L (DOHC)..... 710237			
01-97	All.....		203-FF	TIMING COVER			
ENGINE				6 CYLINDER			
CAMSHAFT				01-97 2962cc/3.0L (DOHC)..... (2)714436			
6 CYLINDER				Redi-Sleeve (2)99139			

CROSSOVER/SPORT UTILITY - CADILLAC TRUCK
(Escalade, Escalade ESV, Escalade EXT & SRX)

WHEEL	
FRONT WHEEL (2WD)	
09-07	Escalade, Escalade ESV..... Hub Assembly ☆ 515097
09-04	SRX..... Hub Assembly 513197
06-02	Escalade..... Hub Assembly ◆ 515053
	Hub Assembly 515054
FRONT WHEEL (4WD)	
09-07	Escalade, Escalade ESV, Escalade EXT
	Hub Assembly ☆ 515096
09-04	SRX..... Hub Assembly 513198
06-02	Escalade, Escalade ESV, Escalade EXT..... Hub Assembly 515036
00-99	All..... 710106 Hub Assembly 515024
REAR WHEEL	
09-04	SRX..... Hub Assembly 512243
09-02	Escalade, Escalade ESV,
	Escalade EXT 4762N 513067
	(Axle Repair Brg.) RP-513067
00-99	All..... 4762N 513067
	(Axle Repair Brg.) RP-513067

AXLE	
FRONT AXLE	
AXLE SHAFT	
09-02	AAM IFS-8.25" R.G.
	(Inner)(2) 710475 (2)B-2010
	(Outer) SCH-208
	(Pilot) SCH-78
00-99	AAM IFS-8.25" R.G.
	(Inner)(2) 710475 (2)B-2010
	(Outer) SCH-208
	(Pilot) SCH-78
DIFFERENTIAL	
09-02	AAM IFS-8.25" R.G. (2)LM501349-LM501314
00-99	AAM IFS-8.25" R.G. (2)LM501349-LM501314
PINION	
09-02	AAM IFS-8.25" R.G.
	(Inner) M802048-M802011
	(Outer) 710536 M88048-M88010
	(Continued Next Column)

FRONT AXLE (Cont.)	
PINION	
00-99	AAM IFS-8.25" R.G.
	(Inner) M802048-M802011
	(Outer) 710536 M88048-M88010
REAR AXLE	
DIFFERENTIAL KIT	
09-02	AAM 8.625" R.G. <input checked="" type="checkbox"/> RA-321-C
00-99	AAM 8.625" R.G. <input checked="" type="checkbox"/> RA-321-C
DIFFERENTIAL	
09-02	AAM 8.625" R.G. (2)A-36
00-99	AAM 8.625" R.G. (2)A-36
PINION	
09-02	AAM 8.625" R.G.
	(Inner) M802048-M802011
	(Outer) 710506 M88048-M88010
00-99	AAM 8.625" R.G.
	(Inner) M802048-M802011
	(Outer) 710506 M88048-M88010

TRANSFER CASE	
FULL TIME / PART TIME	
INPUT SHAFT	
09-04	Borg-Warner 4476..... 110
09-03	Borg-Warner 4481, 4485..... 211
	(Pilot) BK-3026
2002	New Process 149 472636 110
00-99	New Process 243C..... (2) 3173 110-L
	(Dual Lip) 710928
	Redi-Sleeve 99193
	(Pilot) FC-66561
FRONT OUTPUT SHAFT	
09-04	Borg-Warner 4476
	(Inner) 109
	(Outer) 206
09-03	Borg-Warner 4481, 4485..... (2)109
2002	New Process 149 710495 110
00-99	New Process 243C..... 710495 207
	(Pilot) J-2416
REAR OUTPUT SHAFT	
09-03	Borg-Warner 4481, 4485..... 4503N..... \$ 209-LO
	(Continued Next Page)

() Indicates Quantity Required \$ Use Old Snap Ring ☆ New Item, Check for Availability ◆ When Depleted Use Number Listed Directly Below
 Refer To Front Of Catalog For Kit Contents

CADILLAC TRUCK - CROSSOVER/SPORT UTILITY

(Escalade, Escalade ESV, Escalade EXT & SRX) (Cont.)

Year	Application	Seal	Bearing	Year	Application	Seal	Bearing
TRANSFER CASE				POWER STEERING (Cont.)			
FULL TIME / PART TIME (Cont.)				STEERING GEAR PITMAN SHAFT			
REAR OUTPUT SHAFT				06-02 Escalade, Escalade ESV, Escalade EXT (Kit) <input checked="" type="checkbox"/> PSK-1			
2002	New Process 149	710496	N-5210-KLB (Pilot) (2)B-5020	00-99	All.....	(Kit) <input checked="" type="checkbox"/> PSK-1	
00-99	New Process 243C (Booted).....	4333N	207 (Pilot) (2)B-5020	STEERING PUMP SHAFT			
00-99	New Process 243C (Non-Booted).....	710496	207 (Pilot) (2)B-5020	2007	Escalade ESV, Escalade EXT..	7013S	
OIL PUMP HOUSING				06-02	Escalade, Escalade ESV, Escalade EXT	7013S	
00-99	New Process 243C.....	341022		00-99	All.....	7013S	
	Redi-Sleeve	99225		AIR CONDITIONING			
TRANSMISSION				COMPRESSOR			
AUTOMATIC / 4 Speed				CLUTCH PULLEY			
FRONT PUMP				05-02	Harrison HT-6	907257	
06-02	4L65E, 4L60-E	4950		00-99	Harrison HT-6	907257	
	Redi-Sleeve	99174		ELECTRICAL			
00-99	4L60-E	4950		ALTERNATOR			
	Redi-Sleeve	99174		REAR END			
EXTENSION HOUSING				00-99	AC-Delco 100, 124, 140, 145 Amp.	100-CC4	
06-02	4L65E, 4L60-E (Booted)	4934		ENGINE			
06-02	4L65E, 4L60-E (Non-Booted) ..	4583		CAMSHAFT			
00-99	4L60-E (Booted)	4934		8 CYLINDER			
00-99	4L60-E (Non-Booted)	4583		09-04	281/4.6L (DOHC)..... (2)	710261	
MANUAL SHAFT				CRANKSHAFT			
06-02	4L65E, 4L60-E	8792S		8 CYLINDER			
00-99	4L60-E	8792S		2009	364/6.0L	100085	
AUTOMATIC / 5 Speed				09-04	281/4.6L (DOHC).....	710262	
FRONT PUMP				06-02	325/5.3L, 364/6.0L	100085	
09-04	5L40-E, 5L50-E	* 710559		00-99	350/5.7L	5512	
MANUAL SHAFT				TIMING COVER			
09-04	5L40-E, 5L50-E	8792S		8 CYLINDER			
AUTOMATIC / 6 Speed				09-04	281/4.6L (DOHC).....	710555	
EXTENSION HOUSING				09-02	325/5.3L, 364/6.0L, 378/6.2L	100470	
09-07	6L50	710533			Redi-Sleeve	99210	
09-07	6L80 (RWD).....	710533		STEERING			
09-07	6L80 (4WD)	☆ 710636		POWER STEERING			
STEERING				STEERING GEAR PITMAN SHAFT			
POWER STEERING				2007 Escalade ESV, Escalade EXT (Kit) <input checked="" type="checkbox"/> PSK-1			
				(Continued Next Column)			

(C12) **CALLAWAY**

Year	Application	Seal	Bearing
WHEEL			
FRONT WHEEL			
1999	All.....		Hub Assembly 513139
REAR WHEEL			
1999	All.....		Hub Assembly 512153
AXLE			
REAR AXLE			
DIFFERENTIAL			
1999	Getrag 625	(2)	387A-382A
TRANSMISSION			
MANUAL / 6 Speed			
DRIVESHAFT / INPUT			
1999	Tremec T56	7412S	M88048-M88010
		Redi-Sleeve 99125	
MAINSHAFT / OUTPUT			
1999	Tremec T56		25572-25520
MAINSHAFT PILOT			
1999	Tremec T56		A-16
COUNTERSHAFT			
1999	Tremec T56	(Front)	A-5
		(Rear)	32008

Year	Application	Seal	Bearing
STEERING			
POWER STEERING			
STEERING PUMP SHAFT			
1999	All.....		203-FF
AIR CONDITIONING			
COMPRESSOR			
CLUTCH PULLEY			
1999	Harrison V-7.....		907257
ENGINE			
CRANKSHAFT			
8 CYLINDER			
1999	346/5.7L	100085	
TIMING COVER			
8 CYLINDER			
1999	346/5.7L	100470	
		Redi-Sleeve 99210	

(Taxicab) **CHECKER**

WHEEL			
FRONT WHEEL			
82-80	All.....	(Inner)	8871
		(Outer)	A-5
			A-3
REAR WHEEL			
82-80	All.....	(Inner)	51098
		(Outer)	9912
			A-10
AXLE			
REAR AXLE			
DIFFERENTIAL KIT			
82-80	Spicer 44		<input checked="" type="checkbox"/> RA-28
DIFFERENTIAL			
82-80	Spicer 44	(2)	25590-25523
PINION			
82-80	Spicer 44	(Inner)	31594-31520
		(Outer)	5778
		Viton® 5778V	02872-02820
		Redi-Sleeve 99155	

DRIVESHAFT			
CENTER SUPPORT			
		Bearing	Bearing & Support
82-80	Spicer 1280, 1310, 1330, 1410 Series / Brg. ID 1.3780" (35mm) Slip Yoke Style.....	88107	HB-88107-A (Opt. w/Slingers) HB-88107-B
TRANSMISSION			
AUTOMATIC / 3 Speed			
FRONT PUMP			
82-80	GMC THM400.....	6712NA	
		Redi-Sleeve 99187	
EXTENSION HOUSING			
82-80	GMC THM400.....	9449	
		(Seal & Bushing Kit) 5208	
MANUAL SHAFT			
82-80	GMC THM400.....	8792S	
AIR CONDITIONING			
COMPRESSOR			
CLUTCH PULLEY			
82-80	Harrison A-6		907257

(Continued Next Page)

CHECKER (Taxicab) (Cont.)

Year	Application	Seal	Bearing	Year	Application	Seal	Bearing
AIR CONDITIONING				CRANKSHAFT (Cont.)			
COMPRESSOR (Cont.)				8 CYLINDER			
CLUTCH PULLEY				82-80 267/4.4L, 305/5.0L, 350/5.7L (Split Seal) 5092			
82-80	Harrison R-4		907257	TIMING COVER			
FRONT HEAD MAIN				6 CYLINDER			
82-80	Harrison R-4		S-128	82-80 229/3.8L 9845			
ENGINE				Redi-Sleeve 99176			
CRANKSHAFT				Harmonic Bal Sleeve 88176			
6 CYLINDER				Harmonic Bal Kit <input checked="" type="checkbox"/> 5000			
82-80	229/3.8L (Split Seal) 5092			8 CYLINDER			
8 CYLINDER				82-80 350/5.7L (Diesel) 472082			
82-80	350/5.7L (Diesel) (Rope Type) 5095			Redi-Sleeve 99199			
	(Split Seal) 5118			Harmonic Bal Sleeve 88199			
	(Continued Next Column)			82-80 267/4.4L, 305/5.0L, 350/5.7L 9845			
				Redi-Sleeve 99176			
				Harmonic Bal Sleeve 88176			
				Harmonic Bal Kit <input checked="" type="checkbox"/> 5000			

CHEVROLET - FRONT WHEEL DRIVE (Beretta, Cavalier, Celebrity, Citation, Classic, Cobalt, Corsica, Impala, Lumina, Malibu & Monte Carlo)

WHEEL				FRONT WHEEL (Cont.)			
FRONT WHEEL				89-83 Celebrity (H/D Brakes) (10.25" Rotor)..... (Kit) <input checked="" type="checkbox"/> 5698 Hub Assembly 513016-K			
2009	Impala.....	Hub Assembly	◆ 513199	89-83 Celebrity (L/D Brakes) (9.68" Rotor)..... (Kit) <input checked="" type="checkbox"/> 5699 Hub Assembly 513011-K			
		Hub Assembly	513179	85-83 Citation (Kit) <input checked="" type="checkbox"/> 5699 Hub Assembly 513011-K			
2009	Malibu.....	Hub Assembly	513214	1984 Cavalier (1st Design)..... (Kit) <input checked="" type="checkbox"/> 5697			
09-06	Cobalt (SS) (2.0L Eng.)	Hub Assembly	513206	1984 Cavalier (2nd Design) ... (Kit) <input checked="" type="checkbox"/> 5697 Hub Assembly 513017-K			
09-05	Cobalt (LS)(LT) (ABS).....	Hub Assembly	513204	83-82 Cavalier (Kit) <input checked="" type="checkbox"/> 5697			
09-05	Cobalt (LS)(LT) (Exc. ABS).....	Hub Assembly	513205	82-80 Celebrity, Citation..... (Kit) <input checked="" type="checkbox"/> 5699 Hub Assembly 513011-K			
2008	Classic.....	Hub Assembly	513214	REAR WHEEL			
2008	Cobalt (Sport) (2.4L Eng.) (ABS).....	Hub Assembly	513204	2009 Impala..... Hub Assembly ◆ 512244			
2008	Cobalt (Sport) (2.4L Eng.) (Exc. ABS).....	Hub Assembly	513205	Hub Assembly ☆ 512357			
08-06	Impala, Monte Carlo (ABS).....	Hub Assembly	◆ 513199	2009 Malibu..... Hub Assembly 512285			
		Hub Assembly	513179	09-06 Cobalt (SS) (2.0L Eng.)			
		Hub Assembly	513214	Hub Assembly 512250			
08-04	Malibu (ABS)	Hub Assembly	513214	09-06 Cobalt (SS) (2.4L Eng.) (ABS)			
08-04	Malibu (Exc. ABS)	Hub Assembly	513215	Hub Assembly 512247			
08-00	Impala, Monte Carlo (Exc. ABS).....	Hub Assembly	513203	09-06 Cobalt (SS) (2.4L Eng.) (Exc. ABS).....			
07-06	Cobalt (LTZ) (ABS).....	Hub Assembly	513204	Hub Assembly 512248			
07-06	Cobalt (LTZ) (Exc. ABS).....	Hub Assembly	513205	09-05 Cobalt (LS)(LT) (ABS).....			
07-06	Cobalt (SS) (2.4L Eng.) (ABS).....	Hub Assembly	513204	Hub Assembly 512247			
07-06	Cobalt (SS) (2.4L Eng.) (Exc. ABS).....	Hub Assembly	513205	09-05 Cobalt (LS)(LT) (Exc. ABS).....			
2005	Cobalt (SS).....	Hub Assembly	513206	Hub Assembly 512248			
2005	Impala, Monte Carlo (ABS) (H/D Brakes)	Hub Assembly	◆ 513199	2008 Classic..... Hub Assembly 512285			
		Hub Assembly	513179	08-06 Impala, Monte Carlo (ABS).....			
		Hub Assembly	513179	Hub Assembly ◆ 512244			
2005	Impala, Monte Carlo (ABS) (L/D Brakes)	Hub Assembly	513179	Hub Assembly ☆ 512357			
05-04	Classic.....	Hub Assembly	513137	08-06 Impala, Monte Carlo (Exc. ABS).....			
05-85	Beretta, Cavalier, Corsica (Kit) <input checked="" type="checkbox"/> 5697 Hub Assembly 513017-K			Hub Assembly ◆ 512245			
04-02	Impala, Monte Carlo (ABS).....	Hub Assembly	513179	Hub Assembly 512221			
03-97	Malibu.....	Hub Assembly	513137	08-04 Malibu (ABS)			
2001	Impala, Monte Carlo (ABS) (1st Design) (Steel Sensor Wire Clip).....	Hub Assembly	513121	Hub Assembly 512285			
2001	Impala, Monte Carlo (ABS) (2nd Design) (Plastic Sensor Wire Clip).....	Hub Assembly	513179	08-04 Malibu (Exc. ABS)			
01-00	Lumina.....	Hub Assembly	513044	Hub Assembly 512287			
2000	Impala, Monte Carlo (ABS).....	Hub Assembly	513121	07-06 Cobalt (LTZ) (ABS).....			
99-90	Lumina, Monte Carlo	Hub Assembly	513044	Hub Assembly 512247			
1990	Celebrity	(Kit) <input checked="" type="checkbox"/> 5698 Hub Assembly 513016-K		07-06 Cobalt (LTZ) (Exc. ABS).....			
		(Continued Next Column)		Hub Assembly 512248			
				2005 Cobalt (SS).....			
				Hub Assembly 512250			
				05-04 Classic.....			
				Hub Assembly 512152			
				05-03 Cavalier (ABS).....			
				Hub Assembly 512001			
				05-03 Cavalier (Exc. ABS).....			
				Hub Assembly 513012			
				05-02 Impala, Monte Carlo (ABS).....			
				Hub Assembly ◆ 512237			
				Hub Assembly ☆ 512357			
				05-02 Impala, Monte Carlo (Exc. ABS).....			
				Hub Assembly 512221			
				03-01 Malibu.....			
				Hub Assembly 512152			
				02-92 Beretta, Cavalier, Corsica			
				Hub Assembly 512001			
				01-00 Lumina (ABS).....			
				Hub Assembly 512151			
				01-00 Lumina (Exc. ABS).....			
				Hub Assembly 513018			
				(Continued Next Page)			

FRONT WHEEL DRIVE - CHEVROLET

(Cont.) (Beretta, Cavalier, Celebrity, Citation, Classic, Cobalt, Corsica, Impala, Lumina, Malibu & Monte Carlo)

Year	Application	Seal	Bearing	Year	Application	Seal	Bearing
WHEEL				AUTOMATIC / 3 Speed (Cont.)			
REAR WHEEL (Cont.)				OUTPUT SHAFT			
01-00	Impala, Monte Carlo (Disc Brakes) (ABS)		Hub Assembly ♦ 512237 Hub Assembly ☆ 512357	01-80	THM125, THM125C, 3T40... (2)	3543	Redi-Sleeve (2) 99139
01-00	Impala, Monte Carlo (Disc Brakes) (Exc. ABS)		Hub Assembly 512221	OIL PUMP			
01-00	Impala, Monte Carlo (Drum Brakes)		Hub Assembly 513018	1984	THM125C (1st Design)	253747	Redi-Sleeve 99062
00-97	Malibu		Hub Assembly 512003	83-82	THM125	340849	
99-97	Lumina, Monte Carlo (ABS)		Hub Assembly 512151	83-82	THM125C	253747	Redi-Sleeve 99062
99-92	Lumina, Monte Carlo (Exc. ABS)		Hub Assembly 513018	MANUAL SHAFT			
1996	Lumina, Monte Carlo (ABS) (1st Design) (M10 x 1.5 Stud)(Torx head)		Hub Assembly 512004	01-84	THM125, THM125C, 3T40	8792S	
1996	Lumina, Monte Carlo (ABS) (2nd Design) (M14 x 2 Stud)(Hex head)		Hub Assembly 512151	83-82	THM125C	8792S	
95-92	Lumina, Monte Carlo (ABS)		Hub Assembly 512004	83-80	THM125	240385	
91-90	Celebrity, Lumina		Hub Assembly 513018	AUTOMATIC / 4 Speed			
91-80	Beretta, Cavalier, Citation, Corsica		Hub Assembly 513012	TORQUE CONVERTER			
89-83	Celebrity (H/D Brakes)		Hub Assembly 513018	09-06	4T45-E	4072N	
CLUTCH				09-04	4T65E-HD	4918	
PILOT				05-86	4T60, 4T40-E, 4T45-E, 4T60-E, 4T65-E, THM440-T4	4072N	
4 CYLINDER				OUTPUT SHAFT			
86-82	151/2.5L		PB-650	09-06	4T65E-HD	(Right) Sleeve 99139	
1981	151/2.5L (X)		PB-650	09-98	4T65-E, 4T65E-HD	(Left) 100165 Redi-Sleeve 99139	
RELEASE				(Right) 3543 Redi-Sleeve 99139			
4 CYLINDER				09-95	4T40-E, 4T45-E	(Kit) (2) 5693	
99-95	134/2.2L, 138/2.3L (DOHC), 146/2.4L (DOHC)	Bearing Only	Bearing Assembly	99-86	4T60, 4T60-E, THM440-T4	(Left) 710096 Redi-Sleeve 99139	
96-95	134/2.2L (Isuzu 5 Spd.)		Hydra-Clutch® 619006	(Right) 3543 Redi-Sleeve 99139			
94-93	138/2.3L (DOHC) (NVG T550) (5 Speed)		Hydra-Clutch® 619005	MANUAL SHAFT			
94-82	121/2.0L, 134/2.2L (Isuzu 5 Spd.)		Ⓢ 614108	09-86	4T60, 4T40-E, 4T45-E, 4T60-E, 4T65-E, THM440-T4, 4T65E-HD	8792S	
92-90	138/2.3L (DOHC) (Getrag 5 Spd.)		Ⓢ 614069	AUTOMATIC / 6 Speed			
89-87	121/2.0L (OHV) (Isuzu 5 Spd.)		Ⓢ 614108	TORQUE CONVERTER			
89-87	121/2.0L (OHV) (Muncie 5 Spd.)		Ⓢ 614069	09-08	6T70	710561	
87-80	112/1.8L, 121/2.0L, 151/2.5L (Muncie 4 Spd.)		Ⓢ 614009	OUTPUT SHAFT			
6 CYLINDER				09-08	6T70	(Left) 710546 (Right) 710583	
94-93	189/3.1L (NVG T550) (5 Speed)		Hydra-Clutch® 619005	MANUAL / 4 Speed			
92-86	173/2.8L, 189/3.1L (Getrag 5 Spd.)		Ⓢ 614069	DIFFERENTIAL			
1987	173/2.8L (Isuzu 5 Spd.)		Ⓢ 614108	87-80	Muncie GMX-4 (76mm)	(2)A-18	
86-80	173/2.8L, 262/4.3L (Diesel) (Muncie 4 Spd.)		Ⓢ 614009	INPUT SHAFT			
1984	173/2.8L (Isuzu 5 Spd.)		Ⓢ 614108	87-80	Muncie GMX-4 (76mm)	(Front) 3732S Redi-Sleeve 99106 (Rear) 15101-15245	
FORK SHAFT				AUTOMATIC / 3 Speed			
4 CYLINDER				TORQUE CONVERTER			
85-80	151/2.5L	3667		01-82	THM125, THM125C, 3T40	4072N	
6 CYLINDER							
85-80	173/2.8L	3667					
TRANSAXLE							

() Indicates Quantity Required ☆ New Item, Check for Availability ♦ When Depleted Use Number Listed Directly Below Ⓢ Sealed Self-Aligning Bearing

CHEVROLET - FRONT WHEEL DRIVE

(Beretta, Cavalier, Celebrity, Citation, Classic, Cobalt, Corsica, Impala, Lumina, Malibu & Monte Carlo) (Cont.)

Year	Application	Seal	Bearing
TRANSAXLE			
MANUAL / 4 Speed (Cont.)			
OUTPUT SHAFT			
87-80	Muncie GMX-4 (76mm)		
	(Left)	3543	A-5
	Redi-Sleeve	99139	
	(Right)	3543	15101-15245
	Redi-Sleeve	99139	
SHIFT SHAFT			
87-80	Muncie GMX-4 (76mm)	3667	
MANUAL / 5 Speed			
DIFFERENTIAL			
09-05	Saab F35		32010-X
09-00	Getrag 287		(2)A-35
99-83	Isuzu MFD5M		(2)32008
94-93	New Process T550		(2)A-18
93-86	Getrag 282, 284		(2)A-18
INPUT SHAFT			
09-05	Saab F35	222630	A-4
	Redi-Sleeve	99103	
99-95	Isuzu MFD5M	222835	306-VVL
	Redi-Sleeve	99111	
94-83	Isuzu MFD5M	222835	
	Redi-Sleeve	99111	
	(Front)		32206
	(Rear)		30306
92-86	Getrag 282		305-DD
OUTPUT SHAFT			
09-05	Saab F35	(2) 3543	
	Redi-Sleeve (2)	99138	
09-00	Getrag 287	(2) 3543	
	Redi-Sleeve (2)	99139	
99-83	Isuzu MFD5M	(Left) 3543	A-5
	Redi-Sleeve	99139	
	(Right)	3543	32206
	Redi-Sleeve	99139	
94-93	New Process T550	(2) 3543	
	Redi-Sleeve (2)	99139	
93-91	Getrag 284	(Left) 2003N	A-5
	Redi-Sleeve	99146	
	(Right)	2003N	LM503349A-LM503310
	Redi-Sleeve	99146	
92-86	Getrag 282	(2) 3543	5206-KZZLE
	Redi-Sleeve (2)	99139	
SHIFT SHAFT			
99-83	Isuzu MFD5M	3667	
94-93	New Process T550	3667	
92-86	Getrag 282	3667	
STEERING			
POWER STEERING			
STEERING GEAR HOUSING			
01-95	Cavalier, Impala, Lumina, Malibu, Monte Carlo (Adj. Plug) DB-53313		

Year	Application	Seal	Bearing
POWER STEERING (Cont.)			
STEERING GEAR WORM SHAFT			
88-80	Cavalier, Citation (Exc. H/D Suspension)	222510	
STEERING PUMP SHAFT			
2007	Malibu	7013S	
06-03	Classic, Impala, Malibu, Monte Carlo	7013S	
02-92	All	7013S	
91-87	All		203-FF
86-83	All (Integral Reservoir)		203-FF
86-83	All (Remote Reservoir)	7013S	
82-80	All	7013S	
AIR CONDITIONING			
COMPRESSOR			
CLUTCH PULLEY			
05-85	Harrison V-5		907257
86-83	Harrison DA-6		907257
85-80	Harrison R-4		907257
FRONT HEAD MAIN			
85-80	Harrison R-4		S-128
ELECTRICAL			
ALTERNATOR			
DRIVE END			
92-83	AC-Delco		203-FF
82-80	AC-Delco		203-S
REAR END			
1998	AC-Delco 140 Amp		100-CC4
90-80	AC-Delco		MNJ-471-S
ENGINE			
CAMSHAFT			
4 CYLINDER			
95-90	138/2.3L (DOHC)	(2) 713771	
	Redi-Sleeve (2)	99139	
6 CYLINDER			
97-91	207/3.4L (DOHC)	Viton® (4) 474241V	
	Redi-Sleeve (4)	99166	
CRANKSHAFT			
4 CYLINDER			
09-02	1998cc/2.0L (DOHC-Turbo), 1998cc/2.0L (DOHC), 2198cc/2.2L (DOHC), 2384cc/2.4L (DOHC)	710237	
	Redi-Sleeve	99354	
02-90	138/2.3L (DOHC), 146/2.4L (DOHC)	40375	
02-85	121/2.0L, 134/2.2L PTFE Rubber	5273	
	Viton®	4307V	
	Redi-Sleeve	99298	
(Continued Next Page)			

FRONT WHEEL DRIVE - CHEVROLET

(Cont.) (Bretta, Cavalier, Celebrity, Citation, Classic, Cobalt, Corsica, Impala, Lumina, Malibu & Monte Carlo)

Year	Application	Seal	Bearing	Year	Application	Seal	Bearing
ENGINE				CRANKSHAFT (Cont.)			
CRANKSHAFT (Cont.)				6 CYLINDER			
4 CYLINDER				85-82 262/4.3L (Diesel) (Rope Type) 5095			
92-80	151/2.5L	3698		84-82	173/2.8L	5210	
	PTFE Rubber	5290		81-80	173/2.8L	5210	
1984	121/2.0L (1st Design)	5210			(Radial)	5210	
1984	121/2.0L (2nd Design)				(Split Seal)	5433	
	PTFE Rubber	5273		8 CYLINDER			
	Viton®	4307V		09-06	325/5.3L	100085	
	Redi-Sleeve	99298		TIMING COVER			
83-82	121/2.0L	5210		4 CYLINDER			
1982	112/1.8L (1st Design)	5210		09-02	2198cc/2.2L (DOHC)	224020	
1982	112/1.8L (2nd Design)				Redi-Sleeve	99157	
	PTFE Rubber	5273		02-90	138/2.3L (DOHC), 146/2.4L		
	Viton®	4307V			(DOHC)	320259	
	Redi-Sleeve	99298		02-80	112/1.8L, 121/2.0L,		
6 CYLINDER					134/2.2L, 151/2.5L	9845	
09-86	173/2.8L, 189/3.1L,				Redi-Sleeve	99176	
	207/3.4L, 207/3.4L (DOHC),				Harmonic Bal Sleeve	88176	
	213/3.5L, 214/3.5L,				Harmonic Bal Kit ☒	5000	
	242/3.9L	5273		6 CYLINDER			
	PTFE Rubber	5273		09-80	173/2.8L, 189/3.1L,		
	Viton®	4307V			207/3.4L, 207/3.4L (DOHC),		
	Redi-Sleeve	99298			213/3.5L, 214/3.5L,		
05-98	231/3.8L, 231/3.8L	320691			242/3.9L, 262/4.3L	9845	
	PTFE Rubber	5291			(Diesel)	9845	
	Redi-Sleeve	99328			Redi-Sleeve	99176	
1985	173/2.8L (1st Design)	5210			Harmonic Bal Sleeve	88176	
1985	173/2.8L (2nd Design)				Harmonic Bal Kit ☒	5000	
	PTFE Rubber	5273		05-98	231/3.8L, 231/3.8L	710162	
	Viton®	4307V			Redi-Sleeve	99193	
	Redi-Sleeve	99298		8 CYLINDER			
	(Continued Next Column)			09-06	325/5.3L	100470	
					Redi-Sleeve	99210	

(Caprice & Impala) REAR WHEEL DRIVE - CHEVROLET FULL SIZE

WHEEL				REAR WHEEL (Cont.)			
FRONT WHEEL				81-80	All (8.5" R.G.) (8.875" R.G.) (Pontiac Axle)	8835S	6408
96-91	All	4739	A-6		(Axle Repair Brg.)	RP-6408	
	(Inner)		A-3	AXLE			
	(Outer)		A-6	REAR AXLE			
90-80	All	8871	A-6	DIFFERENTIAL KIT			
	(Inner)		A-3	96-95	AAM 7.625" R.G.	☒ RA-320	
	(Outer)		A-3		(Master Kit)	RA-320MK	
REAR WHEEL				96-95	AAM 8.5" R.G.	☒ RA-321	
96-94	Caprice (Sedan)	8660S	5707		(Master Kit)	RA-321MK	
	(Axle Repair Brg.)	RP-5707		94-81	7.5" R.G., 7.625" R.G.	☒ RA-320	
96-94	Caprice (Station Wagon)	8835S	6408		(Master Kit)	RA-320MK	
	(Axle Repair Brg.)	RP-6408		94-80	8.5" R.G.	☒ RA-321	
96-94	Impala	8660S	5707		(Master Kit)	RA-321MK	
	(Axle Repair Brg.)	RP-5707		83-80	8.75" R.G., 8.875" R.G.	☒ RA-323	
93-82	All (Sedan)	8660S	5707	DIFFERENTIAL			
	(Axle Repair Brg.)	RP-5707		96-95	AAM 7.625" R.G., 8.5" R.G.	(2)LM501349-LM501314	
93-82	All (Station Wagon)	8835S	6408	94-80	7.5" R.G., 7.625" R.G., 8.5" R.G.	(2)LM501349-LM501314	
	(Axle Repair Brg.)	RP-6408		83-80	8.75" R.G., 8.875" R.G.	(2)A-36	
81-80	All (7.5" R.G.) (8.5" R.G.) (Chevrolet Axle)	8660S	5707	(Continued Next Column)			
	(Axle Repair Brg.)	RP-5707					

() Indicates Quantity Required ☒ Refer To Front Of Catalog For Kit Contents

CHEVROLET FULL SIZE - REAR WHEEL DRIVE (Caprice & Impala) (Cont.)

Year	Application	Seal	Bearing
------	-------------	------	---------

AXLE

REAR AXLE (Cont.)

PINION

96-95	AAM 7.625" R.G.		
	<i>(Inner)</i>	HM89249-HM89210	
	<i>(Outer)</i>	8610	M86649-M86610
	<i>Redi-Sleeve</i>	99152	
96-95	AAM 8.5" R.G.		
	<i>(Inner)</i>	M802048-M802011	
	<i>(Outer)</i>	2043	M88048-M88010
	<i>Redi-Sleeve</i>	99193	
94-81	7.5" R.G., 7.625" R.G.		
	<i>(Inner)</i>	HM89249-HM89210	
	<i>(Outer)</i>	8610	M86649-M86610
	<i>Redi-Sleeve</i>	99152	
94-80	8.5" R.G., 8.75" R.G., 8.875" R.G.		
	<i>(Inner)</i>	M802048-M802011	
	<i>(Outer)</i>	2043	M88048-M88010
	<i>Redi-Sleeve</i>	99193	
1980	7.5" R.G.		
	<i>(Inner)</i>	HM89449-HM89410	
	<i>(Outer)</i>	8610	M86649-M86610
	<i>Redi-Sleeve</i>	99152	

TRANSMISSION

AUTOMATIC / 3 Speed

FRONT PUMP

84-80	THM350, THM250C, THM350C, THM375B		
	6712NA	
	<i>Redi-Sleeve</i>	99187	
1980	THM200		
	4950	
	<i>Redi-Sleeve</i>	99174	

EXTENSION HOUSING

84-82	THM375B		
	9613S	
	<i>(Seal & Bushing Kit)</i>	5200	
84-82	THM250C, THM350C <i>(Booted)</i>		
	9613S	
	<i>(Seal & Bushing Kit)</i>	5200	
84-82	THM250C, THM350C <i>(Non-Booted)</i>		
	4583	
81-80	THM200, THM350, THM250C, THM375B		
	9613S	
	<i>(Seal & Bushing Kit)</i>	5200	

MANUAL SHAFT

84-80	THM200, THM350, THM250C, THM350C, THM375B		
	8792S	

AUTOMATIC / 4 Speed

FRONT PUMP

96-93	4L60-E		
	4950	
	<i>Redi-Sleeve</i>	99174	
93-81	4L60, THM200-4R, THM700-R4		
	4950	
	<i>Redi-Sleeve</i>	99174	

EXTENSION HOUSING

96-93	4L60-E <i>(Booted)</i>		
	4934	
96-83	4L60-E, THM700-R4 <i>(Non-Booted)</i>		
	4583	
1993	4L60		
	4583	
92-83	THM700-R4 <i>(Booted)</i>		
	9613S	
	<i>(Seal & Bushing Kit)</i>	5200	
90-81	THM200-4R		
	9613S	
	<i>(Seal & Bushing Kit)</i>	5200	

Year	Application	Seal	Bearing
------	-------------	------	---------

AUTOMATIC / 4 Speed (Cont.)

MANUAL SHAFT

96-81	4L60, THM200-4R, 4L60-E, THM700-R4		
	8792S	

STEERING

POWER STEERING

STEERING GEAR HOUSING

96-80	All		
	(Adj. Plug)	DB-53313

STEERING GEAR WORM SHAFT

96-80	All		
	222025	

STEERING GEAR PITMAN SHAFT

96-80	All		
	(Kit) <input checked="" type="checkbox"/>	PSK-1

STEERING PUMP SHAFT

96-80	All		
	7013S	

AIR CONDITIONING

COMPRESSOR

CLUTCH PULLEY

96-94	Harrison HD-6		
		907257
93-80	Harrison R-4		
		907257

FRONT HEAD MAIN

95-80	Harrison R-4		
		S-128

ELECTRICAL

ALTERNATOR

DRIVE END

91-83	AC-Delco		
		203-FF
82-80	AC-Delco		
		203-S

REAR END

93-90	AC-Delco 120, 124 Amp.		
		100-CC4
89-80	AC-Delco <i>(Exc. 62, 70, 85, 110, 120, 124 Amp.)</i>		
		MNJ-471-S

ENGINE

CRANKSHAFT

6 CYLINDER

93-86	262/4.3L		
	(Gkt. & PTFE Seal)	5274A
	(Gkt. & Viton® Seal)	4359V
	PTFE Rubber	5274
	<i>Redi-Sleeve</i>	99364

85-80	231/3.8L		
	(Split Seal)	5591
85-80	229/3.8L, 262/4.3L		
	(Split Seal)	5092

8 CYLINDER

96-86	265/4.3L, 305/5.0L, 350/5.7L, 350/5.7L		
	(Gkt. & PTFE Seal)	5274A
	(Gkt. & Viton® Seal)	4359V
	PTFE Rubber	5274
	<i>Redi-Sleeve</i>	99364
90-86	307/5.0L		
	(Rope Type)	5095
1985	305/5.0L <i>(1st Design)</i>		
	(Split Seal)	5092

(Continued Next Page)

(Cont.) (Caprice & Impala) **REAR WHEEL DRIVE - CHEVROLET FULL SIZE**

Year	Application	Seal	Bearing	Year	Application	Seal	Bearing
ENGINE				TIMING COVER (Cont.)			
CRANKSHAFT (Cont.)				6 CYLINDER			
8 CYLINDER				8 CYLINDER			
1985	305/5.0L (2nd Design)	(Gkt. & PTFE Seal) 5274A		85-80	231/3.8L		710163
		(Gkt. & Viton® Seal) 4359V					
		PTFE Rubber 5274					
		Redi-Sleeve 99364					
1985	350/5.7L	(Split Seal) 5092		96-80	265/4.3L, 267/4.4L, 305/5.0L, 350/5.7L, 350/5.7L	9845	
85-80	350/5.7L (Diesel)	(Rope Type) 5095				Redi-Sleeve 99176	
		(Split Seal) 5118				Harmonic Bal Sleeve 88176	
						Harmonic Bal Kit ☒ 5000	
84-80	267/4.4L, 305/5.0L, 350/5.7L	(Split Seal) 5092		90-80	307/5.0L, 350/5.7L (Diesel)	472082	
						Redi-Sleeve 99199	
						Harmonic Bal Sleeve 88199	
TIMING COVER				6 CYLINDER			
93-80	229/3.8L, 262/4.3L	9845					
		Redi-Sleeve 99176					
		Harmonic Bal Sleeve 88176					
		Harmonic Bal Kit ☒ 5000					
		(Continued Next Column)					

(Malibu & Monte Carlo) **REAR WHEEL DRIVE - CHEVROLET MID SIZE**

WHEEL				REAR AXLE (Cont.)			
FRONT WHEEL				PINION			
88-82	All	(Inner) 8871	A-6	1980	7.5" R.G.	(Inner) HM89449-HM89410	
		(Outer) A-34	A-6			(Outer) 8610	M86649-M86610
81-80	All	(Inner) 8871	A-6			Redi-Sleeve 99152	
		(Outer) A-3	A-3				
REAR WHEEL				CLUTCH			
88-80	All	8660S	5707	PILOT			
		(Axle Repair Brg.) RP-5707		6 CYLINDER			
				81-80	229/3.8L, 231/3.8L, 231/3.8L (Turbo)	PB-656	
						(H/D) PB-656-HD	
AXLE				8 CYLINDER			
REAR AXLE				1981	305/5.0L, 350/5.7L	PB-656	
DIFFERENTIAL KIT						(H/D) PB-656-HD	
88-85	8.5" R.G.	☒ RA-321		1980	267/4.4L, 305/5.0L, 350/5.7L	PB-656	
		(Master Kit) RA-321MK				(H/D) PB-656-HD	
88-81	7.5" R.G., 7.625" R.G.	☒ RA-320					
		(Master Kit) RA-320MK					
83-80	8.5" R.G.	☒ RA-321					
		(Master Kit) RA-321MK					
DIFFERENTIAL				RELEASE			
88-80	7.5" R.G., 7.625" R.G., 8.5" R.G.	(2) LM501349-LM501314		6 CYLINDER			
				81-80	229/3.8L, 231/3.8L, 231/3.8L (Turbo)	CC-1705-C	
						(Angular Contact) 614018	
PINION				8 CYLINDER			
88-85	8.5" R.G.	(Inner) M802048-M802011		1981	305/5.0L, 350/5.7L	(Angular Contact) CC-1705-C	
		(Outer) 2043	M88048-M88010			614018	
		Redi-Sleeve 99193		1980	267/4.4L, 305/5.0L, 350/5.7L	(Angular Contact) CC-1705-C	
88-81	7.5" R.G., 7.625" R.G.	(Inner) HM89249-HM89210				614018	
		(Outer) 8610	M86649-M86610				
		Redi-Sleeve 99152					
83-80	8.5" R.G.	(Inner) M802048-M802011					
		(Outer) 2043	M88048-M88010				
		Redi-Sleeve 99193					
		(Continued Next Column)					

() Indicates Quantity Required Ⓢ Sealed Self-Aligning Bearing ☒ Refer To Front Of Catalog For Kit Contents

CHEVROLET MID SIZE - REAR WHEEL DRIVE

(Malibu & Monte Carlo) (Cont.)

Year	Application	Seal	Bearing
TRANSMISSION			
AUTOMATIC / 3 Speed			
FRONT PUMP			
84-80	THM350, THM250C, THM350C, THM375B.....	6712NA Redi-Sleeve 99187	
81-80	THM200.....	4950 Redi-Sleeve 99174	
EXTENSION HOUSING			
84-82	THM375B.....	9613S (Seal & Bushing Kit) 5200	
84-82	THM250C, THM350C (Booted) (Seal & Bushing Kit)	9613S 5200	
84-82	THM250C, THM350C (Non-Booted).....	4583	
81-80	THM200, THM350, THM250C, THM350C, THM375B.....	9613S (Seal & Bushing Kit) 5200	
MANUAL SHAFT			
84-80	THM200, THM350, THM250C, THM350C, THM375B.....	8792S	
AUTOMATIC / 4 Speed			
FRONT PUMP			
88-81	THM200-4R, THM700-R4.....	4950 Redi-Sleeve 99174	
EXTENSION HOUSING			
88-83	THM700-R4 (Booted).....	9613S (Seal & Bushing Kit) 5200	
88-83	THM700-R4 (Non-Booted).....	4583	
88-81	THM200-4R.....	9613S (Seal & Bushing Kit) 5200	
MANUAL SHAFT			
88-81	THM200-4R, THM700-R4.....	8792S	
MANUAL / 3 Speed			
DRIVESHAFT / INPUT			
81-80	SM326.....	7412S Redi-Sleeve 99125	
MAINSHAFT / OUTPUT			
81-80	SM326.....	9613S (Seal & Bushing Kit) 5200	
COUNTERSHAFT			
81-80	SM326.....	(54)C-407-Q	
SHIFT SHAFT			
81-80	SM326.....	240735 Redi-Sleeve 99076	
MANUAL / 4 Speed			
DRIVESHAFT / INPUT			
1981	Borg-Warner T10.....	7412S Redi-Sleeve 99125	
81-80	Saginaw.....	7412S Redi-Sleeve 99125	
MAINSHAFT / OUTPUT			
1981	Borg-Warner T10 (32 Spline).....	472572	1307-L

(Continued Next Column)

Year	Application	Seal	Bearing
MANUAL / 4 Speed (Cont.)			
MAINSHAFT / OUTPUT			
81-80	Saginaw.....	9613S (Seal & Bushing Kit) 5200	
COUNTERSHAFT			
1981	Borg-Warner T10.....	(80)S-443-Q	
81-80	Saginaw.....	(54)C-407-Q	
SHIFT SHAFT			
1981	Borg-Warner T10.....	(3) 7399S Redi-Sleeve (3) 99062	
81-80	Saginaw.....	240735 Redi-Sleeve 99076	

STEERING			
MANUAL STEERING			
STEERING GEAR WORM SHAFT			
81-80	All.....	474131	
STEERING GEAR PITMAN SHAFT			
81-80	All.....	313842	
POWER STEERING			
STEERING GEAR HOUSING			
88-80	All.....	(Adj. Plug) DB-53313	
STEERING GEAR WORM SHAFT			
84-80	All.....	222025	
STEERING GEAR PITMAN SHAFT			
88-84	All.....	(Kit) <input checked="" type="checkbox"/> PSK-1	
83-80	All (Round Side Cover).....	710285	
83-80	All (4 Bolt Cover).....	(Kit) <input checked="" type="checkbox"/> PSK-1	
STEERING PUMP SHAFT			
88-80	All.....	7013S	

AIR CONDITIONING			
COMPRESSOR			
CLUTCH PULLEY			
88-80	Harrison R-4.....	907257	
82-80	Harrison A-6.....	907257	
FRONT HEAD MAIN			
88-80	Harrison R-4.....	S-128	

ELECTRICAL			
ALTERNATOR			
DRIVE END			
87-84	AC-Delco.....	203-FF	
83-80	AC-Delco.....	203-S	
REAR END			
87-80	AC-Delco (Exc. 62, 70, 85, 110, 120, 124 Amp.).....	MNJ-471-S	

REAR WHEEL DRIVE - CHEVROLET MID SIZE

(Cont.) (Malibu & Monte Carlo)

Year	Application	Seal	Bearing	Year	Application	Seal	Bearing
ENGINE							
CRANKSHAFT				CRANKSHAFT (Cont.)			
6 CYLINDER				8 CYLINDER			
88-86	262/4.3L (Gkt. & PTFE Seal)	5274A		84-82	350/5.7L (Diesel) (Rope Type)	5095	
	(Gkt. & Viton® Seal)	4359V			(Split Seal)	5118	
	PTFE Rubber	5274		84-80	267/4.4L, 305/5.0L,		
	Redi-Sleeve	99364			350/5.7L (Split Seal)	5092	
87-80	231/3.8L, 231/3.8L (Turbo)			TIMING COVER			
	(Split Seal)	5591		6 CYLINDER			
85-80	229/3.8L, 262/4.3L ... (Split Seal)	5092		88-80	229/3.8L, 262/4.3L,		
83-82	262/4.3L (Diesel) (Rope Type)	5095			262/4.3L (Diesel)	9845	
8 CYLINDER					Redi-Sleeve	99176	
88-86	305/5.0L (Gkt. & PTFE Seal)	5274A			Harmonic Bal Sleeve	88176	
	(Gkt. & Viton® Seal)	4359V			Harmonic Bal Kit ☒	5000	
	PTFE Rubber	5274		87-86	231/3.8L	710162	
	Redi-Sleeve	99364			Redi-Sleeve	99193	
1985	305/5.0L (1st Design)			85-80	231/3.8L, 231/3.8L (Turbo).....	710163	
	(Split Seal)	5092		8 CYLINDER			
1985	305/5.0L (2nd Design)			88-80	267/4.4L, 305/5.0L,		
	(Gkt. & PTFE Seal)	5274A			350/5.7L	9845	
	(Gkt. & Viton® Seal)	4359V			Redi-Sleeve	99176	
	PTFE Rubber	5274			Harmonic Bal Sleeve	88176	
	Redi-Sleeve	99364			Harmonic Bal Kit ☒	5000	
	(Continued Next Column)			84-82	350/5.7L (Diesel)	472082	
					Redi-Sleeve	99199	
					Harmonic Bal Sleeve	88199	

REAR WHEEL DRIVE - CHEVROLET SUBCOMPACT

(Chevette & Monza)

WHEEL				CLUTCH			
FRONT WHEEL				PILOT			
87-80	Chevette (Inner)	3357	A-4	87-81	98/1.6L	PB-652	
	(Outer)		A-1		(H/D)	PB-652-HD	
1980	Monza..... (Inner)	8705S	A-6	86-81	1817cc/1.8L (Diesel)	203-FF	
	(Outer)		A-1	1980	151/2.5L, 98/1.6L	PB-656	
REAR WHEEL					(H/D)	PB-656-HD	
87-80	Chevette	3348	C-5107-EV	6 CYLINDER			
1980	Monza.....	8660S	5707	1980	231/3.8L	PB-656	
			(Axle Repair Brg.)	RP-5707		(H/D)	PB-656-HD
AXLE				RELEASE			
REAR AXLE				4 CYLINDER			
DIFFERENTIAL				87-80	151/2.5L, 98/1.6L	(Angular Contact)	CC-1705-C
87-80	Spicer 26	(2)LM29749-LM29711				Ⓢ	614018
1980	7.5" R.G.	(2)LM501349-LM501314		86-81	1817cc/1.8L (Diesel)	01496	
PINION				6 CYLINDER			
87-80	Spicer 26 (Inner)	M88047-M88010		1980	231/3.8L	(Angular Contact)	CC-1705-C
	(Outer)	2440	M84548-M84510			Ⓢ	614018
	Redi-Sleeve	99177		TRANSMISSION			
1980	7.5" R.G. (Inner)	HM88649-HM88610		AUTOMATIC / 3 Speed			
	(Outer)	8610	M86649-M86610	FRONT PUMP			
	Redi-Sleeve	99152		87-80	THM350, THM180C.....	6712NA	
					Redi-Sleeve	99187	
					(Continued Next Page)		

() Indicates Quantity Required Ⓢ Sealed Self-Aligning Bearing ☒ Refer To Front Of Catalog For Kit Contents

CHEVROLET SUBCOMPACT - REAR WHEEL DRIVE

(Chevette & Monza) (Cont.)

Year	Application	Seal	Bearing	Year	Application	Seal	Bearing
TRANSMISSION				STEERING			
AUTOMATIC / 3 Speed (Cont.)				MANUAL STEERING			
FRONT PUMP				STEERING GEAR HOUSING			
1980	THM200.....	4950		1980	Monza.....	7399S	
	<i>Redi-Sleeve</i>	99174		STEERING GEAR WORM SHAFT			
EXTENSION HOUSING				1980	Monza.....	474131	
87-80	THM200, THM350, THM180C .	9613S		STEERING GEAR PITMAN SHAFT			
	<i>(Seal & Bushing Kit)</i>	5200		1980	Monza.....	313842	
MANUAL SHAFT				POWER STEERING			
87-80	THM200, THM350, THM180C .	8792S		STEERING GEAR HOUSING			
AUTOMATIC / 4 Speed				87-80	All.....		(Adj. Plug) DB-53313
FRONT PUMP				STEERING GEAR WORM SHAFT			
84-81	THM200-4R.....	4950		87-80	All.....	222025	
	<i>Redi-Sleeve</i>	99174		STEERING GEAR PITMAN SHAFT			
EXTENSION HOUSING				87-80	All.....		(Kit) <input checked="" type="checkbox"/> PSK-1
84-81	THM200-4R.....	9613S		STEERING PUMP SHAFT			
	<i>(Seal & Bushing Kit)</i>	5200		87-80	All.....	7013S	
MANUAL SHAFT				AIR CONDITIONING			
84-81	THM200-4R.....	8792S		COMPRESSOR			
MANUAL / 4 Speed				CLUTCH PULLEY			
DRIVESHAFT / INPUT				87-80	Harrison R-4.....		907257
1980	Saginaw.....	7412S		FRONT HEAD MAIN			
	<i>Redi-Sleeve</i>	99125		87-80	Harrison R-4.....		S-128
MAINSHAFT / OUTPUT				ELECTRICAL			
1980	Saginaw.....	9613S		ALTERNATOR			
	<i>(Seal & Bushing Kit)</i>	5200		DRIVE END			
COUNTERSHAFT				87-83	AC-Delco.....		203-FF
1980	Saginaw.....		(54)C-407-Q	82-80	AC-Delco.....		203-S
SHIFT SHAFT				REAR END			
1980	Saginaw.....	240735		87-80	AC-Delco (Exc. 62, 70, 85, 110, 120, 124 Amp.).....		MNJ-471-S
	<i>Redi-Sleeve</i>	99076		ENGINE			
MANUAL / 5 Speed				CAMSHAFT			
DRIVESHAFT / INPUT				4 CYLINDER			
87-82	Borg-Warner T5.....	7412S	A-5	87-80	98/1.6L.....	6936S	
	<i>Redi-Sleeve</i>	99125			<i>Redi-Sleeve</i>	99176	
	<i>(Thrust)</i>		FA-55505	CRANKSHAFT			
87-80	Opel Design (70mm).....	483488	206-SL	4 CYLINDER			
86-81	Isuzu MSG5K.....	1990	§ 208-LO	87-80	151/2.5L, 98/1.6L.....	3698	
	<i>Redi-Sleeve</i>	99106			<i>PTFE Rubber</i>	5290	
MAINSHAFT / OUTPUT				86-81	1817cc/1.8L (Diesel).....	717005	
87-82	Borg-Warner T5.....	9613S	25877-25821		<i>Redi-Sleeve</i>	99364	
	<i>(Seal & Bushing Kit)</i>	5200		6 CYLINDER			
87-80	Opel Design (70mm).....	9613S	206-L	1980	231/3.8L.....		(Split Seal) 5591
	<i>(Seal & Bushing Kit)</i>	5200					
86-81	Isuzu MSG5K.....	1987					
MAINSHAFT PILOT							
87-82	Borg-Warner T5.....		(15)QBR-23549				
COUNTERSHAFT							
87-82	Borg-Warner T5. (Rear).....		5707				
	<i>(Thrust)</i>		NTA-1423				
86-81	Isuzu MSG5K.. (Center).....		5205-KLE				
	<i>(Rear)</i>		204				

REAR WHEEL DRIVE - CHEVROLET SUBCOMPACT

(Cont.) (Chevette & Monza)

Year	Application	Seal	Bearing	Year	Application	Seal	Bearing
ENGINE				TIMING COVER (Cont.)			
TIMING COVER				4 CYLINDER			
87-80	151/2.5L, 98/1.6L	9845		86-81	1817cc/1.8L (Diesel)	224025	
		Redi-Sleeve 99176				Redi-Sleeve 99157	
		Harmonic Bal Sleeve 88176		6 CYLINDER			
		Harmonic Bal Kit ☒ 5000		1980	231/3.8L	710163	
(Continued Next Column)							

(Includes Berlinetta, Rally Sport, Super Sport & Z28)

CHEVROLET CAMARO

WHEEL				REAR AXLE (Cont.)			
FRONT WHEEL				PINION			
02-93	All		Hub Assembly 513090	2001	AAM 7.625" R.G. (1st Design)		
92-88	All (Exc. Performance Pkg.)	(Inner) 8871	A-6		(Inner)	HM89249-HM89210	
		(Outer)	A-34		(Outer)	8610	M86649-M86610
92-88	All (Performance Pkg.)	(Inner) 8871	A-6		Redi-Sleeve 99152		
		(Outer)	A-3	2001	AAM 7.625" R.G. (2nd Design)		
87-82	All	(Inner) 8871	A-6		(Inner)	HM89249-HM89210	
		(Outer)	A-34		(Outer)	710474	M86649-M86610
81-80	All	(Inner) 8871	A-6	00-95	AAM 7.625" R.G.		
		(Outer)	A-3		(Inner)	HM89249-HM89210	
REAR WHEEL					(Outer)	8610	M86649-M86610
02-91	All	8660S	5707		Redi-Sleeve 99152		
			(Axle Repair Brg.) RP-5707	94-82	7.5" R.G., 7.625" R.G.		
90-87	All (7.625" R.G.)	8660S	5707		(Inner)	HM89249-HM89210	
			(Axle Repair Brg.) RP-5707		(Outer)	8610	M86649-M86610
90-87	All (7.75" R.G.)				Redi-Sleeve 99152		
	(Left)	224255	A-9	90-87	Borg-Warner M78		
	(Right)	710179	A-9		(Inner)	HM89446-HM89410	
86-80	All	8660S	5707		(Outer)	7457N	M86649-M86610
			(Axle Repair Brg.) RP-5707	81-80	8.5" R.G.	(Inner)	M802048-M802011
						(Outer)	2043
						Redi-Sleeve 99193	M88048-M88010
AXLE				CLUTCH			
REAR AXLE				PILOT			
DIFFERENTIAL KIT				4 CYLINDER			
2002	AAM 7.625" R.G.	☒ RA-320-B		86-82	151/2.5L		PB-656
2001	AAM 7.625" R.G. (1st Design)	☒ RA-320					(H/D) PB-656-HD
		(Master Kit) RA-320MK		6 CYLINDER			
2001	AAM 7.625" R.G. (2nd Design)	☒ RA-320-B		02-82	173/2.8L, 189/3.1L, 207/3.4L, 231/3.8L		PB-652
00-95	AAM 7.625" R.G.	☒ RA-320					(H/D) PB-652-HD
		(Master Kit) RA-320MK		81-80	229/3.8L, 231/3.8L		PB-656
94-82	7.5" R.G., 7.625" R.G.	☒ RA-320					(H/D) PB-656-HD
		(Master Kit) RA-320MK		8 CYLINDER			
90-87	Borg-Warner M78	☒ RA-326		02-87	305/5.0L, 346/5.7L, 350/5.7L		57080
81-80	8.5" R.G.	☒ RA-321		86-80	305/5.0L, 350/5.7L		PB-656
		(Master Kit) RA-321MK					(H/D) PB-656-HD
DIFFERENTIAL				RELEASE			
02-95	AAM 7.625" R.G.	(2)LM501349-LM501314		4 CYLINDER			
94-80	7.5" R.G., 7.625" R.G., 8.5" R.G.	(2)LM501349-LM501314		86-85	151/2.5L		Ⓢ 614083
90-87	Borg-Warner M78	(2)LM102949-LM102910					(Angular Contact) * CD-1377-C
PINION				84-82	151/2.5L		(Angular Contact) CC-1705-C
2002	AAM 7.625" R.G.						Ⓢ 614018
	(Inner)	HM89249-HM89210					
	(Outer)	710474	M86649-M86610				
(Continued Next Column)							

() Indicates Quantity Required * Not a Current Production Number, Check for Availability Ⓢ Sealed Self-Aligning Bearing ☒ Refer To Front Of Catalog For Kit Contents

CHEVROLET CAMARO

(Includes Berlinetta, Rally Sport, Super Sport & Z28) (Cont.)

Year	Application	Seal	Bearing	Year	Application	Seal	Bearing
CLUTCH				MANUAL / 3 Speed			
RELEASE (Cont.)				DRIVESHAFT / INPUT			
		<i>Bearing Only</i>	<i>Bearing Assembly</i>	81-80	SM326	7412S <i>Redi-Sleeve</i> 99125	
6 CYLINDER				MAINSHAFT / OUTPUT			
02-96	231/3.8L		(Hyd. Clutch) 614174	81-80	SM326	9613S <i>(Seal & Bushing Kit)</i> 5200	
95-85	173/2.8L, 189/3.1L, 207/3.4L		614083	COUNTERSHAFT			
			(Angular Contact) * CD-1377-C	81-80	SM326		(54)C-407-Q
84-80	173/2.8L, 229/3.8L		614018	SHIFT SHAFT			
			(Angular Contact) * CD-1705-C	81-80	SM326	240735 <i>Redi-Sleeve</i> 99076	
1980	231/3.8L		614037	MANUAL / 4 Speed			
			(Sealed Self-Alignin 1697	DRIVESHAFT / INPUT			
			(Thrust Type) 1697-C	84-82	Saginaw	7412S <i>Redi-Sleeve</i> 99125	
8 CYLINDER				84-82	Borg-Warner T4	7412S <i>Redi-Sleeve</i> 99125	A-5
02-98	346/5.7L		(Hyd. Clutch) 614174				(Thrust) FA-55505
97-93	350/5.7L		614116	82-80	Borg-Warner T10	7412S <i>Redi-Sleeve</i> 99125	
92-85	305/5.0L		614083	1980	Saginaw	7412S <i>Redi-Sleeve</i> 99125	
			(Angular Contact) * CD-1377-C	MAINSHAFT / OUTPUT			
84-80	305/5.0L, 350/5.7L		614018	1984	Saginaw	4583	
			(Angular Contact) * CD-1705-C	84-82	Borg-Warner T4	9613S <i>(Seal & Bushing Kit)</i> 5200	25877-25821
TRANSMISSION				83-82	Saginaw	9613S <i>(Seal & Bushing Kit)</i> 5200	
AUTOMATIC / 3 Speed				82-80	Borg-Warner T10 (32 Splines)	472572	1307-L
FRONT PUMP				1980	Saginaw	9613S <i>(Seal & Bushing Kit)</i> 5200	
84-82	THM200C	4950 <i>Redi-Sleeve</i> 99174		MAINSHAFT PILOT			
81-80	THM350, THM350C	6712NA <i>Redi-Sleeve</i> 99187		84-82	Borg-Warner T4		(15)QBR-23549
1980	THM200	4950 <i>Redi-Sleeve</i> 99174		COUNTERSHAFT			
EXTENSION HOUSING				84-82	Saginaw		(54)C-407-Q
84-82	THM200C (Booted)	9613S		84-82	Borg-Warner T4		(Front) DK-55836
	(Seal & Bushing Kit)	5200					(Rear) 5707
84-82	THM200C (Non-Booted)	4583					(Thrust) NTA-1423
81-80	THM200, THM350, THM350C	9613S		82-80	Borg-Warner T10		(80)S-443-Q
	(Seal & Bushing Kit)	5200		1980	Saginaw		(54)C-407-Q
MANUAL SHAFT				SHIFT SHAFT			
84-80	THM200, THM350, THM200C, THM350C	8792S		84-82	Saginaw	240735 <i>Redi-Sleeve</i> 99076	
AUTOMATIC / 4 Speed				82-80	Borg-Warner T10	(3) 7399S <i>Redi-Sleeve</i> (3) 99062	
FRONT PUMP				1980	Saginaw	240735 <i>Redi-Sleeve</i> 99076	
02-94	4L60-E	4950 <i>Redi-Sleeve</i> 99174		MANUAL / 5 Speed			
93-82	4L60, THM200-4R, THM700-R4	4950 <i>Redi-Sleeve</i> 99174		DRIVESHAFT / INPUT			
EXTENSION HOUSING				02-98	Tremec T5WC	7412S <i>Redi-Sleeve</i> 99125	A-5
02-94	4L60-E (Booted)	4934					(Thrust) FA-55505
02-94	4L60-E (Non-Booted)	4583		97-82	Borg-Warner T5, T5WC	7412S <i>Redi-Sleeve</i> 99125	A-5
1993	4L60	4583					(Thrust) FA-55505
92-82	THM700-R4 (Booted)	9613S		MANUAL / 3 Speed			
	(Seal & Bushing Kit)	5200		DRIVESHAFT / INPUT			
92-82	THM700-R4 (Non-Booted)	4583		02-98	Tremec T5WC	7412S <i>Redi-Sleeve</i> 99125	A-5
87-82	THM200-4R	9613S					(Thrust) FA-55505
	(Seal & Bushing Kit)	5200		MAINSHAFT / OUTPUT			
MANUAL SHAFT				02-98	Tremec T5WC	7412S <i>Redi-Sleeve</i> 99125	A-5
02-82	4L60, THM200-4R, 4L60-E, THM700-R4	8792S					(Thrust) FA-55505

CHEVROLET CAMARO

(Cont.) (Includes Berlinetta, Rally Sport, Super Sport & Z28)

Year	Application	Seal	Bearing
TRANSMISSION			
MANUAL / 5 Speed (Cont.)			
MAINSHAFT / OUTPUT			
02-98	Tremec T5WC.....	9613S	25877-25821
	(Seal & Bushing Kit) 5200		
97-82	Borg-Warner T5, T5WC.....	9613S	25877-25821
	(Seal & Bushing Kit) 5200		
MAINSHAFT PILOT			
02-98	Tremec T5WC.....	(15)QBR-23549	
97-82	Borg-Warner T5, T5WC.....	(15)QBR-23549	
MAINSHAFT 1ST SPEED GEAR			
02-98	Tremec T5WC.....	F-218255	
97-88	Borg-Warner T5WC.....	F-218255	
MAINSHAFT 2ND SPEED GEAR			
02-98	Tremec T5WC.....	F-93934	
97-88	Borg-Warner T5WC.....	F-93934	
COUNTERSHAFT			
02-98	Tremec T5WC..... (Rear)	A-6	
	(Thrust)	NTA-1423	
97-88	Borg-Warner T5WC.....		
	(Rear)	A-6	
	(Thrust)	NTA-1423	
87-82	Borg-Warner T5.....		
	(Front)	DK-55836	
	(Rear)	5707	
	(Thrust)	NTA-1423	
MANUAL / 6 Speed			
DRIVESHAFT / INPUT			
02-98	Tremec T56.....	7412S	M88048-M88010
	Redi-Sleeve 99125		
97-93	Borg-Warner T56.....	7412S	M88048-M88010
	Redi-Sleeve 99125		
MAINSHAFT / OUTPUT			
02-98	Tremec T56.....	25572-25520	
96-93	Borg-Warner T56.....	4333N	25572-25520
MAINSHAFT PILOT			
02-98	Tremec T56.....	A-16	
96-93	Borg-Warner T56.....	A-16	
COUNTERSHAFT			
02-98	Tremec T56..... (Front)	A-5	
	(Rear)	32008	
97-93	Borg-Warner T56.....		
	(Front)	A-5	
	(Rear)	32008	
STEERING			
POWER STEERING			
STEERING GEAR HOUSING			
92-80	All.....	(Adj. Plug) DB-53313	
STEERING GEAR WORM SHAFT			
92-80	All.....	222025	
STEERING GEAR PITMAN SHAFT			
92-84	All.....	(Kit) <input checked="" type="checkbox"/> PSK-1	
83-80	All (Round Side Cover).....	710285	
83-80	All (4 Bolt Cover).....	(Kit) <input checked="" type="checkbox"/> PSK-1	

Year	Application	Seal	Bearing
POWER STEERING (Cont.)			
STEERING PUMP SHAFT			
02-87	All.....	7013S	
86-83	All (Integral Reservoir).....		203-FF
86-83	All (Remote Reservoir).....	7013S	
82-80	All.....	7013S	
AIR CONDITIONING			
COMPRESSOR			
CLUTCH PULLEY			
02-95	Harrison V-5.....		907257
97-93	Harrison HD-6.....		907257
92-80	Harrison R-4.....		907257
86-83	Harrison DA-6.....		907257
81-80	Harrison A-6.....		907257
FRONT HEAD MAIN			
92-80	Harrison R-4.....		S-128
81-80	Harrison A-6.....		SCE-108
ELECTRICAL			
ALTERNATOR			
DRIVE END			
89-83	AC-Delco.....		203-FF
82-80	AC-Delco.....		203-S
REAR END			
01-92	AC-Delco 140 Amp.....		100-CC4
1989	AC-Delco 140 Amp.....		100-CC4
89-80	AC-Delco (Exc. 62, 70, 85, 110, 120, 124 Amp.).....		MNJ-471-S
ENGINE			
CRANKSHAFT			
4 CYLINDER			
86-82	151/2.5L.....	3698	
	PTFE Rubber 5290		
6 CYLINDER			
02-95	231/3.8L.....	320691	
	PTFE Rubber 5291		
	Redi-Sleeve 99328		
95-86	173/2.8L, 189/3.1L, 207/3.4L.....	PTFE Rubber 5273	
	Viton® 4307V		
	Redi-Sleeve 99298		
1985	173/2.8L (1st Design).....	5210	
1985	173/2.8L (2nd Design).....		
	PTFE Rubber 5273		
	Viton® 4307V		
	Redi-Sleeve 99298		
84-82	173/2.8L.....	5210	
81-80	229/3.8L.....	(Split Seal) 5092	
81-80	231/3.8L.....	(Split Seal) 5591	
8 CYLINDER			
02-98	346/5.7L.....	100085	
97-86	305/5.0L, 350/5.7L, 350/5.7L.....	(Gkt. & PTFE Seal) 5274A	
	(Gkt. & Viton® Seal) 4359V		
	PTFE Rubber 5274		
	Redi-Sleeve 99364		
	(Continued Next Page)		

() Indicates Quantity Required Refer To Front Of Catalog For Kit Contents

CHEVROLET CAMARO

(Includes Berlinetta, Rally Sport, Super Sport & Z28) (Cont.)

Year	Application	Seal	Bearing	Year	Application	Seal	Bearing
ENGINE				TIMING COVER (Cont.)			
CRANKSHAFT (Cont.)				6 CYLINDER			
8 CYLINDER				02-95 231/3.8L 710162			
1985 305/5.0L (1st Design)				Redi-Sleeve 99193			
(Split Seal) 5092				95-80 173/2.8L, 189/3.1L,			
1985 305/5.0L (2nd Design)				207/3.4L, 229/3.8L 9845			
(Gkt. & PTFE Seal) 5274A				Redi-Sleeve 99176			
(Gkt. & Viton® Seal) 4359V				Harmonic Bal Sleeve 88176			
PTFE Rubber 5274				Harmonic Bal Kit [X] 5000			
Redi-Sleeve 99364				81-80 231/3.8L 710163			
84-80 267/4.4L, 305/5.0L,				8 CYLINDER			
350/5.7L (Split Seal) 5092				02-98 346/5.7L 100470			
TIMING COVER				Redi-Sleeve 99210			
4 CYLINDER				97-80 267/4.4L, 305/5.0L,			
86-82 151/2.5L 9845				350/5.7L, 350/5.7L 9845			
Redi-Sleeve 99176				Redi-Sleeve 99176			
Harmonic Bal Sleeve 88176				Harmonic Bal Sleeve 88176			
Harmonic Bal Kit [X] 5000				Harmonic Bal Kit [X] 5000			
				1980 301/4.9L (Turbo) 332062			
				Redi-Sleeve 99186			
				Harmonic Bal Sleeve 88186			

CHEVROLET CORVETTE (Includes Sting Ray & ZR1)

WHEEL				REAR AXLE (Cont.)			
FRONT WHEEL				DIFFERENTIAL			
08-97 All Hub Assembly 513139				1984 Spicer 36-ICA (2nd Design)			
96-91 All Hub Assembly 513085				(2) 473227V (2) LM501349-LM501314			
90-84 All Hub Assembly 513019				Redi-Sleeve (2) 99150			
82-80 All (Inner) 9406S A-5				82-80 Spicer 44-ICA (2) A-37			
(Outer) A-3				PINION			
REAR WHEEL				96-84 Spicer 36-ICA (Inner) HM88649-HM88610			
08-97 All Hub Assembly 512153				(Outer) 5778 M86647-M86610			
96-86 All Hub Assembly ♦ 513020				Viton® 5778V			
Hub Assembly 513013				Redi-Sleeve 99155			
85-84 All 710171 Hub Assembly ♦ 513020				96-84 Spicer 44-ICA (Inner) M802048-M802011			
Hub Assembly 513013				(Outer) 9316 M88048-M88010			
82-80 All (Inner) 9178S M86649-M86610				Redi-Sleeve 99187			
(Outer) 5113 A-5				82-80 Spicer 44-ICA (Inner) HM88649-HM88610			
				(Outer) 5778 M86647-M86610			
				Viton® 5778V			
				Redi-Sleeve 99155			
AXLE				CLUTCH			
REAR AXLE				PILOT			
AXLE SHAFT				8 CYLINDER			
96-84 Spicer 36-ICA (2) 3543 (2) BH-2212				04-84 346/5.7L, 350/5.7L, 350/5.7L, 350/5.7L (DOHC) 57080			
Redi-Sleeve (2) 99139				82-80 350/5.7L PB-656			
96-84 Spicer 44-ICA (2) B-2412				(H/D) PB-656-HD			
82-80 Spicer 44-ICA (2) B-2412				RELEASE			
DIFFERENTIAL KIT				Bearing Only Bearing Assembly			
96-85 Spicer 36-ICA [X] RA-338				8 CYLINDER			
96-84 Spicer 44-ICA [X] RA-339-A				88-84 350/5.7L © 614083			
1984 Spicer 36-ICA (2nd Design) [X] RA-338				(Angular Contact) * CD-1377-C			
82-80 Spicer 44-ICA [X] RA-339				82-80 350/5.7L (Angular Contact) CC-1705-C			
DIFFERENTIAL				© 614018			
09-97 Getrag 625, 626 (2) 387A-382A							
96-85 Spicer 36-ICA (2) LM501349-LM501314							
96-84 Spicer 44-ICA (2) 473227V (2) A-36							
Redi-Sleeve (2) 99150							
1984 Spicer 36-ICA (1st Design) (2) A-35							
(Continued Next Column)							

68 () Indicates Quantity Required ♦ When Depleted Use Number Listed Directly Below * Not a Current Production Number, Check for Availability © Sealed Self-Aligning Bearing [X] Refer To Front Of Catalog For Kit Contents

(Cont.) (Includes Sting Ray & ZR1) **CHEVROLET CORVETTE**

Year	Application	Seal	Bearing
TRANSMISSION			
AUTOMATIC / 3 Speed			
FRONT PUMP			
81-80	THM350	6712NA <i>Redi-Sleeve</i> 99187	
EXTENSION HOUSING			
81-80	THM350	9613S <i>(Seal & Bushing Kit)</i> 5200	
MANUAL SHAFT			
81-80	THM350	8792S	
AUTOMATIC / 4 Speed			
FRONT PUMP			
05-94	4L65E, 4L60-E	4950 <i>Redi-Sleeve</i> 99174	
93-84	4L60, THM700-R4	4950 <i>Redi-Sleeve</i> 99174	
1982	THM700-R4	4950 <i>Redi-Sleeve</i> 99174	
EXTENSION HOUSING			
05-94	4L65E, 4L60-E (Booted)	4934	
05-94	4L65E, 4L60-E (Non-Booted)	4583	
1993	4L60	4583	
92-84	THM700-R4 (Booted)	9613S <i>(Seal & Bushing Kit)</i> 5200	
92-84	THM700-R4 (Non-Booted)	4583	
1982	THM700-R4 (Booted)	9613S <i>(Seal & Bushing Kit)</i> 5200	
1982	THM700-R4 (Non-Booted)	4583	
MANUAL SHAFT			
05-84	4L60, 4L65E, 4L60-E, THM700-R4	8792S	
1982	THM700-R4	8792S	
AUTOMATIC / 6 Speed			
EXTENSION HOUSING			
09-06	6L80	710533	
MANUAL / 4 Speed			
DRIVESHAFT / INPUT			
88-84	Borg-Warner T10	7412S <i>Redi-Sleeve</i> 99125	
88-84	Saginaw	7412S <i>Redi-Sleeve</i> 99125	
82-80	Borg-Warner T10	7412S <i>Redi-Sleeve</i> 99125	
MAINSHAFT / OUTPUT			
88-85	Borg-Warner T10 (32 <i>Spline</i>)	472572	
88-84	Saginaw	4583	
1984	Borg-Warner T10 (32 <i>Spline</i>) (1st Design)	472572	1307-L
1984	Borg-Warner T10 (32 <i>Spline</i>) (2nd Design)	472572	
82-80	Borg-Warner T10 (32 <i>Spline</i>)	472572	1307-L
COUNTERSHAFT			
88-84	Borg-Warner T10	(80)S-443-Q	
88-84	Saginaw	(54)C-407-Q	
82-80	Borg-Warner T10	(80)S-443-Q	

Year	Application	Seal	Bearing
MANUAL / 4 Speed (Cont.)			
SHIFT SHAFT			
88-84	Borg-Warner T10	(3) 7399S <i>Redi-Sleeve</i> (3) 99062	
88-84	Saginaw	240735 <i>Redi-Sleeve</i> 99076	
82-80	Borg-Warner T10	(3) 7399S <i>Redi-Sleeve</i> (3) 99062	
MANUAL / 6 Speed			
DRIVESHAFT / INPUT			
09-98	Tremec T56	7412S <i>Redi-Sleeve</i> 99125	M88048-M88010
1997	Borg-Warner T56	7412S <i>Redi-Sleeve</i> 99125	M88048-M88010
96-89	ZF S6-40	223520 <i>Redi-Sleeve</i> 99139	
MAINSHAFT / OUTPUT			
09-08	Tremec 6060	710298	
09-98	Tremec T56		25572-25520
96-89	ZF S6-40	4333N	
MAINSHAFT PILOT			
09-98	Tremec T56		A-16
COUNTERSHAFT			
09-98	Tremec T56	(Front) A-5 (Rear) 32008	
1997	Borg-Warner T56	(Front) A-5 (Rear) 32008	
STEERING			
MANUAL STEERING			
STEERING GEAR WORM SHAFT			
82-80	All	474131	
STEERING GEAR PITMAN SHAFT			
82-80	All	313842	
POWER STEERING			
STEERING GEAR HOUSING			
87-84	All	(Adj. Plug) DB-53313	
82-80	All	(Adj. Plug) DB-53313	
STEERING GEAR WORM SHAFT			
92-84	All	222025	
82-80	All	222025	
STEERING GEAR PITMAN SHAFT			
92-84	All	(Kit) <input checked="" type="checkbox"/> PSK-1	
82-80	All	(Kit) <input checked="" type="checkbox"/> PSK-1	
STEERING PUMP SHAFT			
08-84	All		203-FF
82-80	All	7013S	
AIR CONDITIONING			
COMPRESSOR			
CLUTCH PULLEY			
02-97	Harrison V-7		907257
96-88	Nippondenso 10PA20C		907257
87-84	Harrison R-4		907257
82-80	Harrison R-4		907257

() Indicates Quantity Required Refer To Front Of Catalog For Kit Contents

CHEVROLET CORVETTE (Includes Sting Ray & ZR1) (Cont.)

Year	Application	Seal	Bearing	Year	Application	Seal	Bearing
AIR CONDITIONING				CRANKSHAFT (Cont.)			
COMPRESSOR (Cont.)				8 CYLINDER			
FRONT HEAD MAIN				85-84	350/5.7L	(Split Seal) 5092	
87-84	Harrison R-4		S-128	82-80	305/5.0L, 350/5.7L ...	(Split Seal) 5092	
82-80	Harrison R-4		S-128	DISTRIBUTOR			
ELECTRICAL				8 CYLINDER			
ALTERNATOR				1995	350/5.7L (DOHC).....	100058	
DRIVE END				95-90	350/5.7L (DOHC).....	Viton® 324234V	
91-84	AC-Delco		203-FF	TIMING COVER			
82-80	AC-Delco		203-S	8 CYLINDER			
REAR END				09-97	346/5.7L, 364/6.0L, 378/6.2L, 427/7.0L	100470	
91-86	AC-Delco 120, 124 Amp.		100-CC4			Redi-Sleeve 99210	
85-84	AC-Delco (Exc. 62, 70, 85, 110, 120, 124 Amp.).....		MNJ-471-S	96-84	350/5.7L, 350/5.7L	9845	
82-80	AC-Delco (Exc. 62, 70, 85, 110, 120, 124 Amp.).....		MNJ-471-S			Redi-Sleeve 99176	
ENGINE						Harmonic Bal Sleeve 88176	
CRANKSHAFT						Harmonic Bal Kit ☒ 5000	
8 CYLINDER				95-90	350/5.7L (DOHC).....	710173	
09-97	346/5.7L, 364/6.0L, 427/7.0L		100085			Redi-Sleeve 99196	
96-86	350/5.7L, 350/5.7L, 350/5.7L (DOHC)			82-80	305/5.0L, 350/5.7L	9845	
	(Gkt. & PTFE Seal) 5274A					Redi-Sleeve 99176	
	(Gkt. & Viton® Seal) 4359V					Harmonic Bal Sleeve 88176	
	PTFE Rubber 5274					Harmonic Bal Kit ☒ 5000	
	Redi-Sleeve 99364						
	(Continued Next Column)						

CHEVROLET IMPORTS - FRONT WHEEL DRIVE (Aveo, Epica, Metro, Nova, Optra, Prizm, Spectrum & Sprint)

WHEEL				FRONT WHEEL (Cont.)			
FRONT WHEEL				88-85	Spectrum (Exc. Turbo Eng.) (Exc. H/D Suspension)		
09-04	Aveo		B-35			(Inner)	710098
08-04	Optra		510052				B-35
06-04	Epica (ABS).....	Hub Assembly	513250	88-85	Spectrum (Turbo Eng.) (H/D Suspension).....	(Inner)	710098
06-04	Epica (Exc. ABS).....	Hub Assembly	513251			(Outer)	517006
02-98	Prizm (ABS).....		510007	86-85	Sprint.....	(Inner)	224462
						(Outer)	107-DD
							107-DD
				REAR WHEEL			
02-98	Prizm (Exc. ABS).....	(Kit) ☒ 5696	510007	08-04	Epica, Optra (ABS).....	Hub Assembly	512316
				08-04	Epica, Optra (Exc. ABS).....	Hub Assembly	512317
				02-98	Prizm (Exc. ABS).....	Hub Assembly	512018
				01-98	Metro (Exc. ABS)		
						(Inner)	205-F
						(Outer)	204-F
01-98	Metro	(Inner)	710394	91-85	Sprint.....	(Inner)	205-FF
		(Outer)	710175			(Outer)	204-FF
91-87	Sprint (Exc. Turbo Eng.)	(Inner)	224462	88-85	Nova	1180	513031
		(Outer)	107-DD	88-85	Spectrum.....	(Inner)	710309
			107-DD			(Outer)	A-4
91-87	Sprint (Turbo Eng.)	(Inner)	4904				A-1
		(Outer)	710175				
88-85	Nova.....	(Kit) ☒ 5686	514002				
		(Inner)	4899				
		(Outer)	225220				
		(Continued Next Column)					

FRONT WHEEL DRIVE - CHEVROLET IMPORTS

(Cont.) (Aveo, Epica, Metro, Nova, Opra, Prizm, Spectrum & Sprint)

Year	Application	Seal	Bearing
CLUTCH			
PILOT			
3 CYLINDER			
00-98	993cc/1.0L		200-CC
91-85	993cc/1.0L, 993cc/1.0L (Turbo).....		200-CC
4 CYLINDER			
01-98	1324cc/1.3L		200-CC
01-98	1794cc/1.8L (DOHC).....	MSNB-5305-GTBV	
88-85	1587cc/1.6L, 1587cc/1.6L (DOHC).....	MSNB-5305-GTBV	
RELEASE			
		<i>Bearing Only</i>	<i>Bearing Assembly</i>
3 CYLINDER			
00-98	993cc/1.0L (170mm Clutch).....		Ⓢ 614082
91-87	993cc/1.0L (Turbo) (190mm Clutch).....		Ⓢ 614050
91-85	993cc/1.0L (160mm Clutch).....		Ⓢ 614050
4 CYLINDER			
02-98	1794cc/1.8L (DOHC) (200mm Clutch).....		Ⓢ 614152
01-98	1324cc/1.3L (190mm Clutch).....		Ⓢ 614082
88-87	1471cc/1.5L (Turbo) (215mm Clutch).....		Ⓢ 614108
88-85	1471cc/1.5L (184mm Clutch).....		Ⓢ 614108
88-85	1587cc/1.6L, 1587cc/1.6L (DOHC) (200mm Clutch).....		Ⓢ 614043
DRIVESHAFT			
CV JOINT HALF SHAFT			
01-98	Metro		511014
TRANSAXLE			
AUTOMATIC / 3 Speed			
DIFFERENTIAL			
01-98	Aisin A210		(2)207
91-87	Aisin A210 (Exc. Turbo Eng.).....		(2)207-S
91-87	Aisin A210 (Turbo Eng.).....		(2)207
88-85	Jatco F3A		(2)32008
86-85	Aisin A210		(2)207-S
TORQUE CONVERTER			
02-98	Aisin A131	223830	
	Redi-Sleeve	99147	
01-98	Aisin A210	223830	
	Redi-Sleeve	99147	
91-85	Aisin A210	223830	
	Redi-Sleeve	99147	
88-85	Aisin A131	223830	
	Redi-Sleeve	99147	
88-85	Jatco F3A	710078	
	Redi-Sleeve	99177	
OUTPUT SHAFT			
02-98	Aisin A131	(Right) 710110	
	Redi-Sleeve	99134	
01-98	Aisin A210	(2)223540	
	Redi-Sleeve (2)	99139	
91-85	Aisin A210	(2)223540	
	Redi-Sleeve (2)	99139	
88-85	Aisin A131	(2)710110	
	Redi-Sleeve (2)	99134	
88-85	Jatco F3A	(2)223542	
	Redi-Sleeve (2)	99139	

Year	Application	Seal	Bearing
AUTOMATIC / 3 Speed (Cont.)			
TRANSFER SHAFT			
88-85	Aisin A131	(2)710416	
MANUAL SHAFT			
02-98	Aisin A131	221207	
	Redi-Sleeve	99049	
01-98	Aisin A210	710116	
91-85	Aisin A210	710116	
88-85	Aisin A131	221207	
	Redi-Sleeve	99049	
AUTOMATIC / 4 Speed			
TORQUE CONVERTER			
02-98	Aisin A245	223830	
	Redi-Sleeve	99147	
1988	Aisin A240	223830	
	Redi-Sleeve	99147	
OUTPUT SHAFT			
02-98	Aisin A245	(Left) 710109	
		(Right) 710110	
1988	Aisin A240	(Left) 710109	
		Redi-Sleeve 99134	
		(Right) 710110	
		Redi-Sleeve 99134	
TRANSFER SHAFT			
02-98	Aisin A245	(2)710416	
MANUAL SHAFT			
02-98	Aisin A245	221207	
	Redi-Sleeve	99049	
1988	Aisin A240	221207	
	Redi-Sleeve	99049	
MANUAL / 5 Speed			
DIFFERENTIAL			
09-04	Getrag D16.....		(2)A-18
01-98	Suzuki M42, M58		
		(Left)	207
		(Right)	107
91-89	Suzuki MV2.....	(Left)	207
		(Right)	107
88-85	Isuzu MFD5M		(2)32008
88-85	Suzuki MV2.....		(2)207-S
INPUT SHAFT			
02-98	Aisin C51, C52.....	320603	101-SS
	Redi-Sleeve	99098	
01-98	Suzuki M42, M58		
		(Right)	222030 204
		Redi-Sleeve	99078
91-89	Suzuki MV2.....	(Right)	222030 204
		Redi-Sleeve	99078
88-85	Isuzu MFD5M	222835	
	Redi-Sleeve	99111	
		(Front)	32206
		(Rear)	30306
88-85	Suzuki MV2.....	(Left)	32204
		(Right)	222030 32004
		Redi-Sleeve	99078
88-85	Aisin C51, C52.....	320603	101-SS
	Redi-Sleeve	99098	
OUTPUT SHAFT			
02-98	Aisin C51, C52.....	(Left) 710109	
		(Right) 710110	

(Continued Next Page)

() Indicates Quantity Required Ⓢ Sealed Self-Aligning Bearing

CHEVROLET IMPORTS - FRONT WHEEL DRIVE

(Aveo, Epica, Metro, Nova, Optra, Prizm, Spectrum & Sprint) (Cont.)

Year	Application	Seal	Bearing	Year	Application	Seal	Bearing
TRANSAXLE				ALTERNATOR (Cont.)			
MANUAL / 5 Speed (Cont.)				DRIVE END			
OUTPUT SHAFT				REAR END			
01-98	Suzuki M42, M58	(Left) 223552 Redi-Sleeve 99139		87-85	Nippondenso 55 Amp.		303-CC
		(Right) 223535 Redi-Sleeve 99139		88-85	Nippondenso 45, 50 Amp.		201-CC
91-89	Suzuki MV2.....	(Left) 223552 Redi-Sleeve 99139		87-85	Nippondenso 55 Amp.		201-CC
		(Right) 223535 Redi-Sleeve 99139		ENGINE			
88-85	Isuzu MFD5M	(Left) 3543 Redi-Sleeve 99139	A-5	CAMSHAFT			
		(Right) 3543 Redi-Sleeve 99139	32206	3 CYLINDER			
88-85	Suzuki MV2.....	(Left) 223552 Redi-Sleeve 99139		00-98	993cc/1.0L	710310	
88-85	Aisin C51, C52.....	(Left) 710109 (Right) 710110				Redi-Sleeve 99128	
COUNTERSHAFT				91-85	993cc/1.0L, 993cc/1.0L (Turbo).....	710310	
01-98	Suzuki M42, M58	(Left) 32004				Redi-Sleeve 99128	
91-89	Suzuki MV2.....	(Left) 32004		4 CYLINDER			
88-85	Suzuki MV2.....	(Left) 32204 (Right) 32005-X		01-98	1324cc/1.3L	710310	
SHIFT SHAFT						Redi-Sleeve 99128	
02-98	Aisin C51, C52.....	1015N		1988	1587cc/1.6L (DOHC)..... (2)	1987	
88-85	Isuzu MFD5M	3667				Redi-Sleeve (2) 99139	
88-85	Aisin C51, C52.....	1015N		88-85	1587cc/1.6L	1987	
STEERING						Redi-Sleeve 99139	
POWER STEERING				88-85	1471cc/1.5L, 1471cc/1.5L (Turbo).....	710308	
STEERING GEAR WORM SHAFT						Redi-Sleeve 99157	
02-98	Prizm.....	222630		CRANKSHAFT			
88-85	Nova..... (Upper)	710154		3 CYLINDER			
STEERING GEAR PITMAN SHAFT				00-98	993cc/1.0L	710334	
02-98	Prizm.....	221510		91-85	993cc/1.0L, 993cc/1.0L (Turbo).....	710334	
88-85	Nova.....	221510		4 CYLINDER			
STEERING PUMP SHAFT				09-04	1598cc/1.6L (DOHC).....	228008	
02-98	Prizm.....	710412				Redi-Sleeve 99315	
88-85	Nova.....	710156		08-04	1998cc/2.0L (DOHC).....	710237	
88-85	Spectrum.....	203-FF				Redi-Sleeve 99354	
AIR CONDITIONING				02-98	1794cc/1.8L (DOHC).....	710465	
COMPRESSOR						Redi-Sleeve 99291	
CLUTCH PULLEY				01-98	1324cc/1.3L	710334	
91-87	Nippondenso 10P08.....	5000-KFF		88-85	1471cc/1.5L, 1471cc/1.5L (Turbo).....	228700	
88-86	Nippondenso 10P15.....	5000-KFF				227045	
1985	Nippondenso 10P13.....	5000-KFF				Redi-Sleeve 99272	
ELECTRICAL				OIL PUMP			
ALTERNATOR				4 CYLINDER			
DRIVE END				88-85	1471cc/1.5L, 1471cc/1.5L (Turbo).....	224020	
88-85	Nippondenso 45, 50 Amp.		302-CC			Redi-Sleeve 99157	
(Continued Next Column)				88-85	1587cc/1.6L, 1587cc/1.6L (DOHC).....	223235	
						Redi-Sleeve 99128	
				TIMING COVER			
				3 CYLINDER			
				00-98	993cc/1.0L	710310	
						Redi-Sleeve 99128	
				91-85	993cc/1.0L, 993cc/1.0L (Turbo).....	710310	
						Redi-Sleeve 99128	

FRONT WHEEL DRIVE - CHEVROLET IMPORTS

(Cont.) (Aveo, Epica, Metro, Nova, Opra, Prizm, Spectrum & Sprint)

Year	Application	Seal	Bearing	Year	Application	Seal	Bearing
ENGINE				TIMING COVER (Cont.)			
TIMING COVER (Cont.)				4 CYLINDER			
09-04	1598cc/1.6L (DOHC)	710399		02-98	1794cc/1.8L (DOHC)	223800	
		Redi-Sleeve 99166				Redi-Sleeve 99147	
		(Continued Next Column)		01-98	1324cc/1.3L	710310	
						Redi-Sleeve 99128	
				88-85	1471cc/1.5L, 1471cc/1.5L		
					(Turbo)	223220	
						Redi-Sleeve 99128	

(Luv & Tracker) COMPACT TRUCK - CHEVROLET IMPORT TRUCK

WHEEL			
FRONT WHEEL (2WD)			
04-01	All		Hub Assembly 513193
00-98	All	(Inner) 710240	517009
		(Outer) 710239	
82-80	All	(Inner) 1949	32206
		(Outer) 32304	
FRONT WHEEL (4WD)			
04-01	All		Hub Assembly 513193
00-98	All	(Inner) 710240	517009
		(Outer) 710239	
1982	All	(Inner) 471950	32008
		(Outer) 32007	
81-80	All	(Inner) 1960	32008
		(Outer) 32007	
REAR WHEEL			
04-99	All (Exc. ABS)	710522	511024
1998	All	(Inner) 224820	511004
		(Outer) 710193	
82-80	All	(Inner) 473812	
		(Outer) 473179	30208
AXLE			
FRONT AXLE			
AXLE SHAFT			
04-98	Suzuki SK-F	223553	206-FF
1982	Isuzu 8-Bolt	710169	* 105-FL1
1981	Isuzu 8-Bolt (2nd Design)	710169	* 105-FL1
1980	Isuzu 8-Bolt		* 105-FL1
SPINDLE			
1982	Isuzu 8-Bolt	710167	HK-2816
1981	Isuzu 8-Bolt (2nd Design)	710167	HK-2816
1980	Isuzu 8-Bolt		HK-2816
DIFFERENTIAL			
04-98	Suzuki SK-F		■ (2)KC-11445-Y
82-80	Isuzu 8-Bolt		(2)A-5
PINION			
04-98	Suzuki SK-F	(Inner)	30307
		(Outer) 710523	30306
82-80	Isuzu 8-Bolt	(Inner)	02475-02420
		(Outer) 710057	30305
		Redi-Sleeve 99146	

FRONT AXLE (Cont.)			
STEERING KNUCKLE			
04-98	Suzuki SK-F	(Inner)	710255
		(Outer)	710256
REAR AXLE			
DIFFERENTIAL			
04-98	Suzuki SK-R		■ (2)KC-11445-Y
82-80	Isuzu 10-Bolt		(2)A-35
PINION			
04-98	Suzuki SK-R	(Inner)	30307
		(Outer) 710523	30306
82-80	Isuzu 10-Bolt	(Inner)	32307
		(Outer) 474133	30306
		Redi-Sleeve 99157	
CLUTCH			
PILOT			
4 CYLINDER			
04-99	1995cc/2.0L (DOHC)		102-CC
02-98	1590cc/1.6L		200-CC
82-80	1817cc/1.8L, 2238cc/2.2L (Diesel)		203-FF
RELEASE			
		Bearing Only	Bearing Assembly
4 CYLINDER			
1998	1590cc/1.6L (215mm Clutch)		Ⓢ 614056
82-80	1817cc/1.8L, 2238cc/2.2L (Diesel) (215mm Clutch)	01496	
TRANSFER CASE			
FULL TIME / PART TIME			
INPUT SHAFT			
04-98	Suzuki G130	223540	207
		Redi-Sleeve 99139	
82-80	Isuzu MSGTC	1990	
		Redi-Sleeve 99106	
FRONT OUTPUT SHAFT			
04-98	Suzuki G130	1213N	(2)RW-122
		Redi-Sleeve 99157	
82-80	Isuzu MSGTC	(Inner)	305-L
		(Outer) 224045	206-L
		Redi-Sleeve 99157	

() Indicates Quantity Required ■ Replace Complete Unit * Not a Current Production Number, Check for Availability Ⓢ Sealed Self-Aligning Bearing

CHEVROLET IMPORT TRUCK - COMPACT TRUCK

(Luv & Tracker) (Cont.)

Year	Application	Seal	Bearing
TRANSFER CASE			
FULL TIME / PART TIME (Cont.)			
REAR OUTPUT SHAFT			
04-98	Suzuki G130..... (Inner)		306-L
	(Outer) 1213N		RW-122
	Redi-Sleeve 99157		
82-80	Isuzu MSGTC		307-L
TRANSMISSION			
AUTOMATIC / 3 Speed			
FRONT PUMP			
82-80	THM200C	4950	
	Redi-Sleeve 99174		
EXTENSION HOUSING			
1982	THM200C (Booted)	9613S	
	(Seal & Bushing Kit) 5200		
1982	THM200C (Non-Booted).....	4583	
81-80	THM200C	9613S	
	(Seal & Bushing Kit) 5200		
MANUAL SHAFT			
82-80	THM200C	8792S	
AUTOMATIC / 4 Speed			
FRONT PUMP			
04-98	Aisin 03-72.....	223830	
	Redi-Sleeve 99147		
EXTENSION HOUSING			
04-98	Aisin 03-72.....	223605	
MANUAL / 4 Speed			
DRIVESHAFT / INPUT			
82-80	Isuzu MSG4K, MSG4ET	1990	§ 208-LO
	Redi-Sleeve 99106		
MAINSHAFT / OUTPUT			
82-80	Isuzu MSG4K, MSG4ET	1987	
COUNTERSHAFT			
82-80	Isuzu MSG4K, MSG4ET		5205-KLE
MANUAL / 5 Speed			
DRIVESHAFT / INPUT			
04-98	Suzuki M59.....	222535	RW-122
	Redi-Sleeve 99098		
82-80	Isuzu MSG5K, MSG5ET	1990	§ 208-LO
	Redi-Sleeve 99106		
MAINSHAFT / OUTPUT			
04-98	Suzuki M59.....	222580	
	Redi-Sleeve 99098		
	(Front)		306-L
	(Rear)		305
82-80	Isuzu MSG5K, MSG5ET	1987	
COUNTERSHAFT			
04-98	Suzuki M59..... (Center)		M-1205-EL
	(Rear)		304
82-80	Isuzu MSG5ET.. (Front)		5205-KLE
82-80	Isuzu MSG5K.. (Center)		5205-KLE

(Continued Next Column)

Year	Application	Seal	Bearing
MANUAL / 5 Speed (Cont.)			
COUNTERSHAFT			
82-80	Isuzu MSG5K, MSG5ET		204
	(Rear)		
STEERING			
MANUAL STEERING			
STEERING GEAR WORM SHAFT			
82-80	All.....	221720	
POWER STEERING			
STEERING PUMP SHAFT			
01-98	All.....	221730	
AIR CONDITIONING			
COMPRESSOR			
CLUTCH PULLEY			
82-80	Tecumseh & York.....		5106-WCC
REAR			
82-80	Tecumseh & York.....		203
ELECTRICAL			
ALTERNATOR			
DRIVE END			
01-98	Nippondenso.....		303-CC
82-81	Hitachi 40 Amp.....		302-CC
82-81	Mitsubishi 50 Amp.....		203-FF
82-80	Hitachi 50 Amp.....		303-CC
1980	Hitachi 35 Amp.....		202-FF
REAR END			
82-81	Hitachi 40 Amp.....		201-CC
1980	Hitachi 35 Amp.....		201-CC
ENGINE			
CAMSHAFT			
4 CYLINDER			
02-98	1590cc/1.6L	710310	
	Redi-Sleeve 99128		
82-81	2238cc/2.2L (Diesel)	224205	
	Redi-Sleeve 99166		
CRANKSHAFT			
4 CYLINDER			
04-99	1995cc/2.0L (DOHC).....	710520	
02-98	1590cc/1.6L	710334	
82-80	1817cc/1.8L, 2238cc/2.2L		
	(Diesel)	228480	
	Redi-Sleeve 99328		
6 CYLINDER			
04-01	2492cc/2.5L (DOHC).....	710520	

COMPACT TRUCK - CHEVROLET IMPORT TRUCK

(Cont.) (Luv & Tracker)

Year	Application	Seal	Bearing	Year	Application	Seal	Bearing
ENGINE				TIMING COVER (Cont.)			
TIMING COVER				4 CYLINDER			
04-99	1995cc/2.0L (DOHC)	710521		82-81	2238cc/2.2L (Diesel)	712005	
		Redi-Sleeve 99177				Redi-Sleeve 99254	
02-98	1590cc/1.6L	710310		82-80	1817cc/1.8L	225020	
		Redi-Sleeve 99128				Redi-Sleeve 99196	
(Continued Next Column)				6 CYLINDER			
				04-01	2492cc/2.5L (DOHC)	710521	
						Redi-Sleeve 99177	

(El Camino) SEDAN DELIVERY - CHEVROLET TRUCK

WHEEL				RELEASE		
FRONT WHEEL (2WD)					Bearing Only	Bearing Assembly
87-82	All	(Inner) 8871	A-6	81-80	229/3.8L	(Angular Contact) CC-1705-C Ⓢ 614018
		(Outer) 8871	A-34	1980	231/3.8L	(Sealed Self-Alignin [Ⓢ]) 614037 1697 (Thrust Type) 1697-C
81-80	All	(Inner) 8871	A-6			
		(Outer) 8871	A-3	8 CYLINDER		
REAR WHEEL				81-80	267/4.4L, 305/5.0L, 350/5.7L	(Angular Contact) CC-1705-C Ⓢ 614018
87-85	All	8660S	5707			
			(Axle Repair Brg.) RP-5707	TRANSMISSION		
84-80	All (7.5" R.G.) (8.5" R.G.) (Chevrolet Axle)	8660S	5707	AUTOMATIC / 3 Speed		
			(Axle Repair Brg.) RP-5707	FRONT PUMP		
84-80	All (8.5" R.G.) (8.875" R.G.) (Pontiac Axle)	8835S	6408	84-80	THM350, THM250C, THM350C, THM375B	6712NA
			(Axle Repair Brg.) RP-6408			Redi-Sleeve 99187
				1980	THM200	4950
						Redi-Sleeve 99174
				EXTENSION HOUSING		
				84-82	THM375B	9613S
					(Seal & Bushing Kit) 5200	
				84-82	THM250C, THM350C (Booted)	9613S
					(Seal & Bushing Kit) 5200	
				84-82	THM250C, THM350C	4583
					(Non-Booted)	
				81-80	THM200, THM350, THM250C, THM350C, THM375B	9613S
					(Seal & Bushing Kit) 5200	
				MANUAL SHAFT		
				84-80	THM200, THM350, THM250C, THM350C, THM375B	8792S
				AUTOMATIC / 4 Speed		
				FRONT PUMP		
				87-81	THM200-4R, THM700-R4	4950
						Redi-Sleeve 99174
				EXTENSION HOUSING		
				87-83	THM700-R4 (Booted)	9613S
					(Seal & Bushing Kit) 5200	
				87-83	THM700-R4 (Non-Booted)	4583
				87-81	THM200-4R	9613S
					(Seal & Bushing Kit) 5200	
				MANUAL SHAFT		
				87-81	THM200-4R, THM700-R4	8792S

() Indicates Quantity Required Ⓢ Sealed Self-Aligning Bearing ☒ Refer To Front Of Catalog For Kit Contents

CHEVROLET TRUCK - SEDAN DELIVERY (El Camino) (Cont.)

Year	Application	Seal	Bearing	Year	Application	Seal	Bearing
TRANSMISSION				ALTERNATOR (Cont.)			
MANUAL / 3 Speed				DRIVE END			
DRIVESHAFT / INPUT				83-80 AC-Delco 37, 42, 55, 61, 63, 70, 80, 85 Amp. (Integral Type)..... 203-S			
81-80	SM326	7412S		REAR END			
		Redi-Sleeve 99125		87-80 AC-Delco 37, 42, 55, 56, 61, 63, 66, 78 Amp. MNJ-471-S			
MAINSHAFT / OUTPUT				ENGINE			
81-80	SM326	9613S		CRANKSHAFT			
		(Seal & Bushing Kit) 5200		6 CYLINDER			
COUNTERSHAFT				87-86 262/4.3L (Gkt. & PTFE Seal) 5274A			
81-80	SM326		(54) C-407-Q (Gkt. & Viton® Seal) 4359V			
SHIFT SHAFT				PTFE Rubber 5274			
81-80	SM326	240735		Redi-Sleeve 99364			
		Redi-Sleeve 99076		85-80 229/3.8L, 262/4.3L ... (Split Seal) 5092			
MANUAL / 4 Speed				84-80 231/3.8L (Split Seal) 5591			
DRIVESHAFT / INPUT				8 CYLINDER			
81-80	Saginaw	7412S		87-86 305/5.0L (Gkt. & PTFE Seal) 5274A			
		Redi-Sleeve 99125	 (Gkt. & Viton® Seal) 4359V			
MAINSHAFT / OUTPUT				PTFE Rubber 5274			
81-80	Saginaw	9613S		Redi-Sleeve 99364			
		(Seal & Bushing Kit) 5200		1985 305/5.0L (1st Design) (Split Seal) 5092			
COUNTERSHAFT				1985 305/5.0L (2nd Design) (Gkt. & PTFE Seal) 5274A			
81-80	Saginaw		(54) C-407-Q (Gkt. & Viton® Seal) 4359V			
SHIFT SHAFT				PTFE Rubber 5274			
81-80	Saginaw	240735		Redi-Sleeve 99364			
		Redi-Sleeve 99076		84-83 350/5.7L (Diesel) ... (Rope Type) 5095			
STEERING			 (Split Seal) 5118			
POWER STEERING				84-80 267/4.4L, 305/5.0L, 350/5.7L (Split Seal) 5092			
STEERING GEAR HOUSING				TIMING COVER			
87-80	All		(Adj. Plug) DB-53313	6 CYLINDER			
STEERING GEAR PITMAN SHAFT				87-80 229/3.8L, 262/4.3L 9845			
83-80	All	710285		Redi-Sleeve 99176			
STEERING PUMP SHAFT				Harmonic Bal Sleeve 88176			
87-80	All	7013S		Harmonic Bal Kit ☒ 5000			
AIR CONDITIONING				84-80 231/3.8L 710163			
COMPRESSOR				8 CYLINDER			
CLUTCH PULLEY				87-80 267/4.4L, 305/5.0L, 350/5.7L 9845			
87-80	Harrison R-4		907257	Redi-Sleeve 99176			
FRONT HEAD MAIN				Harmonic Bal Sleeve 88176			
87-80	Harrison R-4		S-128	Harmonic Bal Kit ☒ 5000			
ELECTRICAL				84-83 350/5.7L (Diesel) 472082			
ALTERNATOR				Redi-Sleeve 99199			
DRIVE END				Harmonic Bal Sleeve 88199			
87-84	AC-Delco 56, 66, 78 Amp.		203-FF				
				(Continued Next Column)			

PICKUP/MINIVAN/CROSSOVER/SPORT UTILITY - CHEVROLET TRUCK

(Astro, Colorado, Equinox, HHR, Lumina APV, SSR, S10, S10 Blazer, Trailblazer, Uplander, Uplander AWD, Venture & Venture AWD)

Year	Application	Seal	Bearing
WHEEL			
FRONT WHEEL (2WD)			
09-07	Equinox.....		Hub Assembly ☆ 513276
09-06	HHR (ABS).....		Hub Assembly 513206
09-06	HHR (Exc. ABS).....		Hub Assembly 513237
09-06	Uplander.....		Hub Assembly 513236
09-02	SSR, Trailblazer.....		Hub Assembly 513188
08-04	Colorado (ZQ8 Sport Chassis)		
	(Left).....		Hub Assembly ☆ 515106
	(Right).....		Hub Assembly ☆ 515107
08-04	Colorado (Z71 Off-Road Chassis)		
	(Left).....		Hub Assembly ☆ 515108
	(Right).....		Hub Assembly ☆ 515109
08-04	Colorado (Z85 Chassis)		
	(Left).....		Hub Assembly ☆ 515104
	(Right).....		Hub Assembly ☆ 515105
06-05	Equinox (ABS).....		Hub Assembly 513189
06-05	Equinox (Exc. ABS).....		Hub Assembly 513190
2005	Uplander.....		Hub Assembly ◆ 513199
			Hub Assembly 513179
05-03	Astro.....		Hub Assembly 515044
05-03	S10 Blazer (Exc. ZR2).....		Hub Assembly 513200
05-03	S10 Blazer (ZR2).....	3553	Hub Assembly 513124
05-03	Venture (ABS).....		Hub Assembly 513179
05-03	Venture (Exc. ABS).....		Hub Assembly 513203
03-98	S10.....	4739	A-6
	(Inner).....		A-34
	(Outer).....		
2002	Venture.....		Hub Assembly 513179
02-98	S10 Blazer.....		Hub Assembly 513200
02-91	Astro.....	4739	A-6
	(Inner).....		A-3
	(Outer).....		
2001	Venture (1st Design) (Steel Sensor Wire Clip)		Hub Assembly 513121
2001	Venture (2nd Design) (Plastic Sensor Wire Clip)		Hub Assembly 513179
00-97	Venture.....		Hub Assembly 513121
97-91	S10, S10 Blazer		
	(Inner).....	4739	A-6
	(Outer).....		A-34
96-92	Lumina APV.....		Hub Assembly 513087
91-90	Lumina APV.....	(Kit) ☒ 5698	Hub Assembly 513016-K
90-85	Astro.....	8871	A-6
	(Inner).....		A-3
	(Outer).....		
90-82	S10, S10 Blazer		
	(Inner).....	8871	A-6
	(Outer).....		A-34
FRONT WHEEL (4WD)			
09-07	Equinox.....		Hub Assembly ☆ 513276
09-02	Trailblazer.....		Hub Assembly 513188
08-04	Colorado.....		Hub Assembly ☆ 515110
	(Left).....		Hub Assembly ☆ 515111
	(Right).....		
2006	Uplander AWD.....		Hub Assembly 513236
06-05	Equinox (ABS).....		Hub Assembly 513189
06-05	Equinox (Exc. ABS).....		Hub Assembly 513190
2005	Uplander AWD.....		Hub Assembly ◆ 513199
			Hub Assembly 513179
05-03	Astro.....		Hub Assembly ☆ 515091
	(Left).....		Hub Assembly ☆ 515092
	(Right).....		
05-98	S10, S10 Blazer.....	3553	Hub Assembly 513124
04-02	Venture AWD.....		Hub Assembly 513187
02-95	Astro.....	710106	Hub Assembly 515019
	(Continued Next Column)		

Year	Application	Seal	Bearing
FRONT WHEEL (4WD) (Cont.)			
1997	S10, S10 Blazer (1st Design) (Toothed Sensor Ring).....	3553	Hub Assembly 513061
1997	S10, S10 Blazer (2nd Design) (Integral Sensor).....	3553	Hub Assembly 513124
96-95	S10, S10 Blazer.....	3553	Hub Assembly 513061
94-90	Astro.....	710106	Hub Assembly 515005
94-90	S10, S10 Blazer (ABS).....	3553	Hub Assembly 513061
94-90	S10, S10 Blazer (Exc. ABS).....	3553	Hub Assembly 513013
89-83	All.....	3553	Hub Assembly 513013
REAR WHEEL			
09-08	HHR (SS).....		Hub Assembly 512285
09-07	Equinox.....		Hub Assembly ☆ 512358
09-06	HHR (ABS).....		Hub Assembly 512250
09-06	HHR (Exc. ABS).....		Hub Assembly ◆ 512315
			Hub Assembly 512287
09-06	Uplander (3 Hole Triangular Flange).....		Hub Assembly ◆ 512308
			Hub Assembly 513197
09-06	Uplander (4 Hole Rectangular Flange).....		Hub Assembly 512309
09-03	Astro, Colorado, SSR, Trailblazer.....	4762N	513067
	(Axle Repair Brg.)		RP-513067
2006	Uplander AWD.....		Hub Assembly 513236
06-05	Equinox (ABS).....		Hub Assembly 512229
06-05	Equinox (Exc. ABS).....		Hub Assembly 512230
2005	Uplander (3 Hole Triangular Flange).....		Hub Assembly 512246
2005	Uplander (4 Hole Rectangular Flange).....		Hub Assembly ◆ 512244
			Hub Assembly ☆ 512357
2005	Uplander AWD.....		Hub Assembly ◆ 513199
			Hub Assembly 513179
2005	Venture.....		Hub Assembly ◆ 512150
			Hub Assembly ☆ 512357
05-99	S10 Blazer (8.625" R.G.) (ZR2)(Wide Stance).....	8835S	6408
	(Axle Repair Brg.)		RP-6408
05-99	S10, S10 Blazer (7.625" R.G.) (8.625" R.G.) (Axle Code "C").....	710166	5707
	(Axle Repair Brg.)		RP-5707
05-99	S10, S10 Blazer (7.625" R.G.) (8.625" R.G.) (Axle Code "K").....	8660S	5707
	(Axle Repair Brg.)		RP-5707
04-02	Venture AWD.....		Hub Assembly 513121
04-02	S10 (8.625" R.G.) (Limited Slip) (Extended Cab).....	4762N	513067
	(Axle Repair Brg.)		RP-513067
04-99	S10 (8.625" R.G.) (Exc. Limited-Slip) (Extended Cab).....	8835S	6408
	(Axle Repair Brg.)		RP-6408
04-98	Venture (Disc Brakes).....		Hub Assembly ◆ 512150
			Hub Assembly ☆ 512357
04-98	Venture (Drum Brakes).....		Hub Assembly ◆ 512078
			Hub Assembly ☆ 512357
2002	Trailblazer.....	4762N	513067
	(Axle Repair Brg.)		RP-513067
02-90	Astro.....	4795V	513023
01-99	S10 Blazer (7.625" R.G.) (Limited Slip).....	4795V	513023
01-99	S10 (8.625" R.G.) (Limited Slip) (Extended Cab).....	4762N	513067
	(Axle Repair Brg.)		RP-513067
	(Continued Next Page)		

☆ New Item, Check for Availability ◆ When Depleted Use Number Listed Directly Below ☒ Refer To Front Of Catalog For Kit Contents

CHEVROLET TRUCK - PICKUP/MINIVAN/CROSSOVER/SPORT UTILITY

(Astro, Colorado, Equinox, HHR, Lumina APV, SSR, S10, S10 Blazer, Trailblazer, Uplander, Uplander AWD, Venture & Venture AWD) (Cont.)

Year	Application	Seal	Bearing
WHEEL			
REAR WHEEL (Cont.)			
98-96	S10 Blazer (8.5" R.G.) (ZR2)(Wide Stance).....	8835S	6408 (Axle Repair Brg.) RP-6408
98-95	S10 (8.5" R.G.) (Exc. Limited-Slip) (Extended Cab).....	8835S	6408 (Axle Repair Brg.) RP-6408
98-95	S10 (8.5" R.G.) (Limited Slip) (Extended Cab).....	4762N	513067 (Axle Repair Brg.) RP-513067
98-92	S10, S10 Blazer (7.625" R.G.) (8.5" R.G.) (Axle Code "C").....	710166	5707 (Axle Repair Brg.) RP-5707
98-92	S10, S10 Blazer (7.625" R.G.) (8.5" R.G.) (Axle Code "K").....	8660S	5707 (Axle Repair Brg.) RP-5707
97-92	Lumina APV, Venture.....		Hub Assembly ♦ 512078 Hub Assembly ☆ 512357
1994	S10 (8.5" R.G.) (Extended Cab) (High Wider)(ZR2).....	8835S	6408 (Axle Repair Brg.) RP-6408
94-92	S10, S10 Blazer (7.5" R.G.) (Axle Code "C") (Mfg. in USA).....	710166	5707 (Axle Repair Brg.) RP-5707
94-92	S10, S10 Blazer (7.5" R.G.) (Axle Code "K") (Mfg. in Can.).....	8660S	5707 (Axle Repair Brg.) RP-5707
1991	S10.....	8660S	5707 (Axle Repair Brg.) RP-5707
1991	S10 Blazer (2 Door).....	8660S	5707 (Axle Repair Brg.) RP-5707
1991	S10 Blazer (4 Door).....	710166	5707 (Axle Repair Brg.) RP-5707
91-90	Lumina APV.....		Hub Assembly 513018
90-82	S10, S10 Blazer.....	8660S	5707 (Axle Repair Brg.) RP-5707
89-85	Astro.....	4795V	513023 (Axle Repair Brg.) RP-513023
AXLE			
FRONT AXLE			
AXLE SHAFT			
09-04	AAM ICA-7.6" R.G.	(2) 710548	(4) HK-4012
09-97	AAM IFS-7.25" R.G. (1.3125" Shaft)		
	(Inner)	(2) 710491	(2) B-2010
	(Outer)		SCH-208
	(Pilot)		SCH-78
09-97	AAM IFS-7.25" R.G. (1.5748" Shaft)		
	(Inner)	(2) 710491	(2) HK-4012
	(Outer)		SCH-208
	(Pilot)		SCH-78
	(Continued Next Column)		

Year	Application	Seal	Bearing
FRONT AXLE (Cont.)			
AXLE SHAFT			
96-95	AAM IFS-7.25" R.G.		
	(Inner)	(2) 223255	B-2010
	(Outer)		SCH-208
	(Pilot)		SCH-78
94-83	ICA-7.25" R.G.	(2) 223255	B-2010
DIFFERENTIAL KIT			
01-95	AAM IFS-7.25" R.G.		<input checked="" type="checkbox"/> RA-320-A
94-83	ICA-7.25" R.G.		<input checked="" type="checkbox"/> RA-320-A
DIFFERENTIAL			
09-04	AAM ICA-7.6" R.G.	(2) LM501349-LM501314	
09-95	AAM IFS-7.25" R.G.	(2) A-18	
94-83	ICA-7.25" R.G.	(2) A-18	
PINION			
09-04	AAM ICA-7.6" R.G.		
	(Inner)		HM89249-HM89210
	(Outer)	710549	M86649-M86610
09-02	AAM IFS-7.25" R.G.		
	(Inner)		M88047-M88010
	(Outer)	710547	M86649-M86610
01-95	AAM IFS-7.25" R.G.		
	(Inner)		M88047-M88010
	(Outer)	710532	M86649-M86610
	Redi-Sleeve 99152		
94-83	ICA-7.25" R.G.		
	(Inner)		M88047-M88010
	(Outer)	710532	M86649-M86610
	Redi-Sleeve 99152		
REAR AXLE			
DIFFERENTIAL KIT			
09-02	AAM 8" R.G.		<input checked="" type="checkbox"/> RA-327
09-99	AAM 8.625" R.G.		<input checked="" type="checkbox"/> RA-321-C
05-02	AAM 7.625" R.G.		<input checked="" type="checkbox"/> RA-320-B
2001	AAM 7.625" R.G. (1st Design).....		<input checked="" type="checkbox"/> RA-320
	(Master Kit)		RA-320MK
2001	AAM 7.625" R.G. (2nd Design).....		<input checked="" type="checkbox"/> RA-320-B
00-95	AAM 7.625" R.G.		<input checked="" type="checkbox"/> RA-320
	(Master Kit)		RA-320MK
1997	AAM 8.5" R.G. (1st Design).....		<input checked="" type="checkbox"/> RA-321
	(Master Kit)		RA-321MK
96-95	AAM 8.5" R.G.		<input checked="" type="checkbox"/> RA-321
	(Master Kit)		RA-321MK
1994	8.5" R.G.		<input checked="" type="checkbox"/> RA-321
	(Master Kit)		RA-321MK
94-82	7.5" R.G., 7.625" R.G.		<input checked="" type="checkbox"/> RA-320
	(Master Kit)		RA-320MK
DIFFERENTIAL			
09-99	AAM 8.625" R.G., 8" R.G.	(2) A-36	
05-95	AAM 7.625" R.G., 8.5" R.G.	(2) LM501349-LM501314	
94-82	7.5" R.G., 7.625" R.G., 8.5" R.G.	(2) LM501349-LM501314	
PINION			
09-02	AAM 8" R.G.		
	(Inner)		M802048-M802011
	(Outer)	710474	M86649-M86610
09-98	AAM 8.5" R.G., 8.625" R.G.		
	(Inner)		M802048-M802011
	(Outer)	710506	M88048-M88010
07-05	Getrag 660		
	(Inner)		M88048-M88010
	(Outer)		M86649-M86610
	(Continued Next Page)		

() Indicates Quantity Required ☆ New Item, Check for Availability ♦ When Depleted Use Number Listed Directly Below Refer To Front Of Catalog For Kit Contents

PICKUP/MINIVAN/CROSSOVER/SPORT UTILITY - CHEVROLET TRUCK

(Cont.) (Astro, Colorado, Equinox, HHR, Lumina APV, SSR, S10, S10 Blazer, Trailblazer, Uplander, Uplander AWD, Venture & Venture AWD)

Year	Application	Seal	Bearing
AXLE			
REAR AXLE (Cont.)			
PINION			
05-02	AAM 7.625" R.G.		
	(Inner)	HM89249-HM89210	
	(Outer)	710474	M86649-M86610
2001	AAM 7.625" R.G. (1st Design)		
	(Inner)	HM89249-HM89210	
	(Outer)	8610	M86649-M86610
	Redi-Sleeve	99152	
2001	AAM 7.625" R.G. (2nd Design)		
	(Inner)	HM89249-HM89210	
	(Outer)	710474	M86649-M86610
00-95	AAM 7.625" R.G.		
	(Inner)	HM89249-HM89210	
	(Outer)	8610	M86649-M86610
	Redi-Sleeve	99152	
1997	AAM 8.5" R.G. (1st Design)		
	(Inner)	M802048-M802011	
	(Outer)	2043	M88048-M88010
	Redi-Sleeve	99193	
1997	AAM 8.5" R.G. (2nd Design)		
	(Inner)	M802048-M802011	
	(Outer)	710506	M88048-M88010
96-95	AAM 8.5" R.G.		
	(Inner)	M802048-M802011	
	(Outer)	2043	M88048-M88010
	Redi-Sleeve	99193	
1994	8.5" R.G.		
	(Inner)	M802048-M802011	
	(Outer)	2043	M88048-M88010
	Redi-Sleeve	99193	
94-82	7.5" R.G., 7.625" R.G.		
	(Inner)	HM89249-HM89210	
	(Outer)	8610	M86649-M86610
	Redi-Sleeve	99152	
CLUTCH			
PILOT			
4 CYLINDER			
03-94	134/2.2L	(H/D)	PB-652-HD
90-85	151/2.5L	(H/D)	PB-656-HD
85-82	1949cc/1.9L, 2238cc/2.2L (Diesel)		203-FF
84-83	121/2.0L	(H/D)	PB-652-HD
6 CYLINDER			
1998	262/4.3L (1st Design)		57080
98-85	262/4.3L		57080
93-82	173/2.8L	(H/D)	PB-652-HD
89-88	262/4.3L	(H/D)	PB-656-HD
RELEASE			
		Bearing Only	Bearing Assembly
4 CYLINDER			
03-96	134/2.2L	(Hyd. Clutch)Ⓢ	614174
95-86	134/2.2L, 151/2.5L		614083
		(Angular Contact) *	CD-1377-C
1985	1949cc/1.9L	(Angular Contact)	CC-1705-C
			614018
1985	151/2.5L, 1949cc/1.9L, 2238cc/2.2L (Diesel)		614083
		(Angular Contact) *	CD-1377-C
(Continued Next Column)			

Year	Application	Seal	Bearing
RELEASE (Cont.)			
		Bearing Only	Bearing Assembly
4 CYLINDER			
84-82	121/2.0L, 1949cc/1.9L, 2238cc/2.2L (Diesel)		
		(Angular Contact)	CC-1705-C
			614018
6 CYLINDER			
05-96	262/4.3L	(Hyd. Clutch)Ⓢ	614174
95-83	173/2.8L, 262/4.3L		614083
		(Angular Contact) *	CD-1377-C
84-82	173/2.8L	(Angular Contact)	CC-1705-C
			614018
DRIVESHAFT			
CENTER SUPPORT			
		Bearing	Bearing & Support
93-82	Spicer 1280, 1310, 1330, 1410 Series / Brg. ID 1.3780" (35mm) Slip Yoke Style	88107	HB-88107-A
			(Opt. w/Slings) HB-88107-E
TRANSFER CASE			
FULL TIME / PART TIME			
TRANSFER CASE KIT			
98-90	Borg-Warner 1372, 4472		<input checked="" type="checkbox"/> T-472
97-95	New Process 231C, 233C		<input checked="" type="checkbox"/> T-230-B
1994	New Process 233C		<input checked="" type="checkbox"/> T-230-B
93-91	New Process 231C, 233C (Standard Cab)		<input checked="" type="checkbox"/> T-230
90-88	New Process 231C		<input checked="" type="checkbox"/> T-230
88-83	New Process 207		<input checked="" type="checkbox"/> T-197
INPUT SHAFT			
09-02	New Process 900	LM503349A-LM503310	
09-02	New Process 120C, 226C		N-5210-KLB
05-98	New Process 136C, 236C	472636	110
	(Pilot)		FC-66561
05-94	New Process 231C, 233C .. (2) 3173		110-L
	(Dual Lip) 710928		
	Redi-Sleeve 99193		
	(Pilot)		FC-66561
98-90	Borg-Warner 1372, 4472	710062	109
	Redi-Sleeve 99175		
	(Pilot)		SCH-1310
93-91	New Process 231C, 233C .. (2) 3173		N-5210-KLB
	(Dual Lip) 710928		
	Redi-Sleeve 99193		
	(Pilot)		FC-66561
90-88	New Process 231C .. (2) 3173		N-5210-KLB
	(Dual Lip) 710928		
	Redi-Sleeve 99193		
	(Pilot)		SCH-1810
88-83	New Process 207 .. (2) 3173		(2) B-3210
	(Dual Lip) 710928		
	Redi-Sleeve 99193		
	(Pilot)		SCH-1810
	(Thrust)		NTA-3244
FRONT OUTPUT SHAFT			
09-02	New Process 900		32006
09-02	New Process 120C, 226C		107
(Continued Next Page)			

() Indicates Quantity Required * Not a Current Production Number, Check for Availability Ⓢ Sealed Self-Aligning Bearing Refer To Front Of Catalog For Kit Contents

CHEVROLET TRUCK - PICKUP/MINIVAN/CROSSOVER/SPORT UTILITY

(Astro, Colorado, Equinox, HHR, Lumina APV, SSR, S10, S10 Blazer, Trailblazer, Uplander, Uplander AWD, Venture & Venture AWD) (Cont.)

Year	Application	Seal	Bearing
TRANSFER CASE			
FULL TIME / PART TIME (Cont.)			
FRONT OUTPUT SHAFT			
05-98	New Process 136C, 236C		207
	(Pilot)		J-2416
05-95	New Process 231C, 233C	4813V	206
	(Pilot)		J-2416
98-90	Borg-Warner 1372, 4472	714503	207
	(Pilot)		JH-1612
94-88	New Process 231C, 233C	710046	206
	Redi-Sleeve	99155	
	(Pilot)		J-2416
88-83	New Process 207	710046	206
	Redi-Sleeve	99155	
	(Pilot)		B-228
REAR OUTPUT SHAFT			
09-06	New Process 120C		
	(Pilot)		(2)B-5020
05-98	New Process 136C	710496	
05-98	New Process 236C	710496	
	(Pilot)		(2)B-5020
05-98	New Process 233C	4333N	
98-90	Borg-Warner 1372, 4472		
	(Booted)	4503N	208-SL
98-90	Borg-Warner 1372, 4472		
	(Non-Booted)	714503	208-SL
97-91	New Process 231C, 233C		
	(Extended Cab)	9449	207
	(Seal & Bushing Kit)	5208	
	(Pilot)		(2)B-5020
97-91	New Process 231C, 233C		
	(Standard Cab)	9613S	206
	(Seal & Bushing Kit)	5200	
	(Pilot)		(2)B-5020
90-88	New Process 231C	9613S	206
	(Seal & Bushing Kit)	5200	
	(Pilot)		(2)B-5020
88-83	New Process 207	9613S	206
	(Seal & Bushing Kit)	5200	
	(Pilot)		(2)F-4020
OIL PUMP HOUSING			
05-83	New Process 207, 231C, 233C, 236C	341022	
	Redi-Sleeve	99225	
TRANSAXLE			
AUTOMATIC / 3 Speed			
TORQUE CONVERTER			
95-90	THM125C, 3T40	4072N	
OUTPUT SHAFT			
95-90	THM125C, 3T40	(2) 3543	
	Redi-Sleeve (2)	99139	
MANUAL SHAFT			
95-90	THM125C, 3T40	8792S	
AUTOMATIC / 4 Speed			
TORQUE CONVERTER			
09-06	4T45-E	4072N	
(Continued Next Column)			

Year	Application	Seal	Bearing
AUTOMATIC / 4 Speed (Cont.)			
TORQUE CONVERTER			
05-99	4T65-E (Flanged Design)	4918	
05-99	4T65-E (Non-Flanged Design)	4072N	
98-92	4T60-E	4072N	
OUTPUT SHAFT			
09-06	4T45-E	(Kit) (2) 5693	
09-99	4T65-E	(Left) 100165	
	Redi-Sleeve	99139	
	(Right)	3543	
	Redi-Sleeve	99139	
98-92	4T60-E	(Left) 710096	
	Redi-Sleeve	99139	
	(Right)	3543	
	Redi-Sleeve	99139	
MANUAL SHAFT			
09-92	4T45-E, 4T60-E, 4T65-E	8792S	
AUTOMATIC / 5 Speed			
TORQUE CONVERTER			
09-05	AF33-5	222830	
	Redi-Sleeve	99147	
OUTPUT SHAFT			
09-05	AF33-5	(2) 4764	
MANUAL SHAFT			
09-05	AF33-5	221207	
	Redi-Sleeve	99049	
AUTOMATIC / 6 Speed			
TORQUE CONVERTER			
09-08	6T75	710561	
OUTPUT SHAFT			
09-08	6T75	(Left) 710546	
	(Right)	710583	
MANUAL / 5 Speed			
DIFFERENTIAL			
09-08	Saab F35	32010-X	
09-06	Getrag 287	(2)A-35	
INPUT SHAFT			
09-08	Saab F35	222630	A-4
	Redi-Sleeve	99103	
OUTPUT SHAFT			
09-08	Saab F35	(2) 3543	
	Redi-Sleeve (2)	99138	
09-06	Getrag 287	(2) 3543	
	Redi-Sleeve (2)	99139	
TRANSMISSION			
AUTOMATIC / 3 Speed			
FRONT PUMP			
85-82	THM200C	4950	
	Redi-Sleeve	99174	

PICKUP/MINIVAN/CROSSOVER/SPORT UTILITY - CHEVROLET TRUCK

(Cont.) (Astro, Colorado, Equinox, HHR, Lumina APV, SSR, S10, S10 Blazer, Trailblazer, Uplander, Uplander AWD, Venture & Venture AWD)

Year	Application	Seal	Bearing	Year	Application	Seal	Bearing
TRANSMISSION				MANUAL / 4 Speed (Cont.)			
AUTOMATIC / 3 Speed (Cont.)				SHIFT SHAFT			
EXTENSION HOUSING				86-85 Saginaw 240735			
85-82	THM200C (Booted)	9613S		<i>Redi-Sleeve</i> 99076			
	(Seal & Bushing Kit) 5200						
85-82	THM200C (Non-Booted)	4583					
MANUAL SHAFT				MANUAL / 5 Speed			
85-82	THM200C	8792S		DRIVESHAFT / INPUT			
AUTOMATIC / 4 Speed				05-91 New Process 3500 4529N 307-FFL5			
FRONT PUMP				<i>Redi-Sleeve</i> 99138			
09-92	4L65E, 4L70E, 4L60-E	4950		03-96 New Process 1500 223020 306-VVL			
	<i>Redi-Sleeve</i> 99174			95-84 Borg-Warner T5, T5WC	7412S	A-5	
91-83	4L60, THM700-R4	4950		<i>Redi-Sleeve</i> 99125			
	<i>Redi-Sleeve</i> 99174			(Thrust) FA-55505			
EXTENSION HOUSING				91-88 Getrag 290 (2WD) 4529N			
09-06	4L70E	4934		<i>Redi-Sleeve</i> 99138			
09-91	4L60, 4L65E, 4L60-E	4934		91-88 Getrag 290 (4WD) 4529N			
	(Booted)			<i>Redi-Sleeve</i> 99133			
09-83	4L60, 4L65E, 4L60-E,			MAINSHAFT / OUTPUT			
	THM700-R4 (Non-Booted)	4583		05-96 New Process 3500 (2WD) 4528N			
90-83	THM700-R4 (Booted)	9613S		05-91 New Process 3500 (4WD) 4532N			
	(Seal & Bushing Kit) 5200			03-96 New Process 1500 306-L			
MANUAL SHAFT				95-91 New Process 3500 (2WD)			
09-83	4L60, 4L65E, 4L70E,			(Casting No. CC20844) 4530			
	4L60-E, THM700-R4	8792S		95-91 New Process 3500 (2WD)			
MANUAL / 4 Speed				(Exc. Casting No. C20844) 4528N			
DRIVESHAFT / INPUT				95-84 Borg-Warner T5, T5WC			
87-85	Borg-Warner T4	7412S	A-5	<i>(Seal & Bushing Kit)</i> 5200			
	<i>Redi-Sleeve</i> 99125			91-90 Getrag 290 4530			
	(Thrust) FA-55505			1989 Getrag 290 (1st Design) 4530			
87-82	Isuzu MSG4K, MSG4ET	1990	§ 208-LO	1989 Getrag 290 (2nd Design) 4530			
	<i>Redi-Sleeve</i> 99106			1988 Getrag 290 4530			
86-85	Saginaw	7412S		MAINSHAFT PILOT			
	<i>Redi-Sleeve</i> 99125			95-84 Borg-Warner T5, T5WC (15)QBR-23549			
84-82	Borg-Warner T4	7412S	208-L	MAINSHAFT 1ST SPEED GEAR			
	<i>Redi-Sleeve</i> 99125			95-93 Borg-Warner T5WC F-218255			
MAINSHAFT / OUTPUT				MAINSHAFT 2ND SPEED GEAR			
87-85	Borg-Warner T4	9613S	25877-25821	95-93 Borg-Warner T5WC F-93934			
	<i>(Seal & Bushing Kit)</i> 5200			COUNTERSHAFT			
87-82	Isuzu MSG4K, MSG4ET	1987		05-91 New Process 3500 (2)FC-68336			
86-85	Saginaw	9613S		03-96 New Process 1500			
	<i>(Seal & Bushing Kit)</i> 5200			(Front) FC-68336			
84-82	Borg-Warner T4	9613S	1207-L	(Rear) 206-FF			
	<i>(Seal & Bushing Kit)</i> 5200			95-93 Borg-Warner T5WC			
MAINSHAFT PILOT				(Rear) A-6			
87-82	Borg-Warner T4		(15)QBR-23549	(Thrust) NTA-1423			
COUNTERSHAFT				92-88 Borg-Warner T5			
87-85	Borg-Warner T4			(Front) A-6			
	(Front) DK-55836			(Rear) A-6			
	(Rear) 5707			(Thrust) NTA-1423			
	(Thrust) NTA-1423			87-84 Borg-Warner T5			
87-82	Isuzu MSG4K, MSG4ET			(Front) DK-55836			
	(Rear) 5205-KLE			(Rear) 5707			
86-85	Saginaw		(54)C-407-Q	(Thrust) NTA-1423			
84-82	Borg-Warner T4		(50)C-1086-Q	MANUAL / 6 Speed			
				DRIVESHAFT / INPUT			
				06-05 Tremec T56 7412S M88048-M88010			
				<i>Redi-Sleeve</i> 99125			
				MAINSHAFT / OUTPUT			
				06-05 Tremec T56 A-16			

() Indicates Quantity Required § Use Old Snap Ring

CHEVROLET TRUCK - PICKUP/MINIVAN/CROSSOVER/SPORT UTILITY

(Astro, Colorado, Equinox, HHR, Lumina APV, SSR, S10, S10 Blazer, Trailblazer, Uplander, Uplander AWD, Venture & Venture AWD) (Cont.)

Year	Application	Seal	Bearing
TRANSMISSION			
MANUAL / 6 Speed (Cont.)			
COUNTERSHAFT			
06-05	Tremec T56 (Front)		A-5
 (Rear)		32008
STEERING			
MANUAL STEERING			
STEERING GEAR WORM SHAFT			
93-82	S10	480821	
STEERING GEAR PITMAN SHAFT			
93-85	S10	251511	
84-82	S10	313842	
POWER STEERING			
STEERING GEAR HOUSING			
1997	S10, S10 Blazer	(Adj. Plug)	DB-53313
96-82	Astro, S10, S10 Blazer	(Adj. Plug)	DB-53313
STEERING GEAR WORM SHAFT			
96-82	Astro, S10, S10 Blazer	222025	
STEERING GEAR PITMAN SHAFT			
05-82	Astro, S10, S10 Blazer... (Kit) ☒	PSK-1	
STEERING PUMP SHAFT			
2007	Trailblazer	7013S	
06-96	Astro, Lumina APV, SSR, S10, S10 Blazer, Trailblazer, Uplander, Uplander AWD, Venture, Venture AWD	7013S	
95-94	Lumina APV (Integral Reservoir)		203-FF
95-94	Lumina APV (Remote Reservoir)	7013S	
95-94	Astro, S10, S10 Blazer	7013S	
93-82	All (Integral Reservoir)		203-FF
93-82	All (Remote Reservoir)	7013S	
AIR CONDITIONING			
COMPRESSOR			
CLUTCH PULLEY			
05-96	Harrison HT-6		907257
05-87	Harrison V-5		907257
95-92	Harrison HD-6		907257
95-89	Harrison HR-6		907257
95-82	Harrison R-4		907257
93-91	Harrison HR-6HE		907257
86-85	Harrison DA-6		907257
FRONT HEAD MAIN			
95-82	Harrison R-4		S-128
ELECTRICAL			
ALTERNATOR			
DRIVE END			
91-83	AC-Delco 56, 66, 78 Amp.		203-FF
(Continued Next Column)			

Year	Application	Seal	Bearing
ALTERNATOR (Cont.)			
DRIVE END			
1982	AC-Delco 37 Amp.		203-S
REAR END			
98-92	AC-Delco 140 Amp.		100-CC4
90-82	AC-Delco 37, 56, 66, 78 Amp.		MNJ-471-S
ENGINE			
CAMSHAFT			
4 CYLINDER			
85-83	2238cc/2.2L (Diesel)	224205	
	Redi-Sleeve	99166	
CRANKSHAFT			
4 CYLINDER			
09-06	1998cc/2.0L (DOHC-Turbo), 2198cc/2.2L (DOHC), 2384cc/2.4L (DOHC)	710237	
	Redi-Sleeve	99354	
03-94	134/2.2L	PTFE Rubber 5273	
		Viton® 4307V	
		Redi-Sleeve 99298	
93-85	151/2.5L	3698	
		PTFE Rubber 5290	
85-82	1949cc/1.9L, 2238cc/2.2L (Diesel)	228480	
	Redi-Sleeve	99328	
1984	121/2.0L (1st Design)	5210	
1984	121/2.0L (2nd Design) PTFE Rubber 5273		
	Viton® 4307V		
	Redi-Sleeve 99128		
1983	121/2.0L	5210	
6 CYLINDER			
09-02	254/4.2L (DOHC)	710603	
09-86	173/2.8L, 189/3.1L, 207/3.4L, 213/3.5L, 242/3.9L	PTFE Rubber 5273	
		Viton® 4307V	
		Redi-Sleeve 99298	
05-96	262/4.3L	5512	
95-92	231/3.8L	320691	
		PTFE Rubber 5291	
		Redi-Sleeve 99328	
95-86	262/4.3L (Gkt. & PTFE Seal)	5274A	
	(Gkt. & Viton® Seal)	4359V	
		PTFE Rubber 5274	
		Redi-Sleeve 99364	
1985	262/4.3L	(Split Seal) 5092	
1985	173/2.8L (1st Design)	5210	
1985	173/2.8L (2nd Design) PTFE Rubber 5273		
	Viton® 4307V		
	Redi-Sleeve 99298		
84-82	173/2.8L	5210	
8 CYLINDER			
09-03	325/5.3L, 364/6.0L	100085	

PICKUP/MINIVAN/CROSSOVER/SPORT UTILITY - CHEVROLET TRUCK

(Cont.) (Astro, Colorado, Equinox, HHR, Lumina APV, SSR, S10, S10 Blazer, Trailblazer, Uplander, Uplander AWD, Venture & Venture AWD)

Year	Application	Seal	Bearing	Year	Application	Seal	Bearing
ENGINE				TIMING COVER (Cont.)			
TIMING COVER				6 CYLINDER			
4 CYLINDER				09-95 189/3.1L, 207/3.4L, 213/3.5L, 242/3.9L 9845 <i>Redi-Sleeve</i> 99176 <i>Harmonic Bal Sleeve</i> 88176 <i>Harmonic Bal Kit</i> <input checked="" type="checkbox"/> 5000			
09-06	2198cc/2.2L (DOHC).....	224020		04-02	254/4.2L (DOHC) (38.4mm I.D.).....	710605	
	<i>Redi-Sleeve</i> 99157			04-02	254/4.2L (DOHC) (47.0mm I.D.).....	710551	
09-04	169/2.8L (DOHC), 178.2/2.9L.....	710551		1995	262/4.3L (1st Design).....	9845	
03-83	121/2.0L, 134/2.2L, 151/2.5L.....	9845			<i>Redi-Sleeve</i> 99176		
	<i>Redi-Sleeve</i> 99176				<i>Harmonic Bal Sleeve</i> 88176		
	<i>Harmonic Bal Sleeve</i> 88176				<i>Harmonic Bal Kit</i> <input checked="" type="checkbox"/> 5000		
	<i>Harmonic Bal Kit</i> <input checked="" type="checkbox"/> 5000			95-92	231/3.8L.....	710162	
85-83	2238cc/2.2L (Diesel).....	712005			<i>Redi-Sleeve</i> 99193		
	<i>Redi-Sleeve</i> 99254			94-82	173/2.8L, 189/3.1L, 262/4.3L.....	9845	
85-82	1949cc/1.9L.....	225020			<i>Redi-Sleeve</i> 99176		
	<i>Redi-Sleeve</i> 99196				<i>Harmonic Bal Sleeve</i> 88176		
5 CYLINDER				8 CYLINDER			
09-04	211/3.5L (DOHC), 223/3.7L (DOHC).....	710551		09-03	325/5.3L, 364/6.0L.....	100470	
					<i>Redi-Sleeve</i> 99210		
6 CYLINDER							
09-05	254/4.2L (DOHC).....	710551					
	(Continued Next Column)						

10/1500 SERIES FULL SIZE - CHEVROLET TRUCK 1/2 TON

(Avalanche 1500, Blazer, C10, C1500, C1500 Suburban, G10, G1500, H1500, K10, K1500, K1500 Suburban, P10, R10, R1500, Silverado 1500, Suburban, Tahoe, V15 & V1500)

WHEEL				FRONT WHEEL (2WD) (Cont.)			
FRONT WHEEL (2WD)				2000 Tahoe (Limited)			
09-08	Avalanche 1500, C1500 Suburban, Silverado 1500, Tahoe.....	<i>Hub Assembly</i> ☆ 515097			<i>(Inner)</i> 4739		A-5
08-07	G1500.....	<i>Hub Assembly</i> ◆ 515053			<i>(Outer)</i> 4739		A-3
		<i>Hub Assembly</i> 515054		00-99	Silverado 1500.....	<i>Hub Assembly</i> 515054	
2007	Silverado 1500 (Classic) (16" Wheel) (6 Stud Hub)	<i>Hub Assembly</i> 515054		99-95	C1500, C1500 Suburban (H/D Brakes).....	<i>(Inner)</i> 4740	A-35
2007	Silverado 1500 (Classic) (17" Wheel) (6 Stud Hub)	<i>Hub Assembly</i> 515071			<i>(Outer)</i> 15103S-15243		
2007	Silverado 1500 (Exc. Classic).....	<i>Hub Assembly</i> ☆ 515097		99-95	C1500, C1500 Suburban (L/D Brakes).....	<i>(Inner)</i> 4739	A-5
2007	Avalanche 1500, C1500 Suburban, Tahoe	<i>Hub Assembly</i> ☆ 515097			<i>(Outer)</i> 4739		A-3
07-01	Silverado 1500HD.....	<i>Hub Assembly</i> 515086		94-92	All.....	<i>(Inner)</i> 4739	A-5
06-05	Silverado 1500 (16" Wheel) (6 Stud Hub)....	<i>Hub Assembly</i> 515054			<i>(Outer)</i> 4739		A-3
06-05	Silverado 1500 (17" Wheel) (6 Stud Hub) (Exc. Spring Special Pkg.).....	<i>Hub Assembly</i> 515071		1991	G10, R1500, R1500 Suburban	<i>(Inner)</i> 4739	A-5
06-03	Avalanche 1500, C1500 Suburban, G1500, Tahoe	<i>Hub Assembly</i> ◆ 515053			<i>(Outer)</i> 4739		A-3
		<i>Hub Assembly</i> 515054		91-88	C1500 (H/D Brakes)	<i>(Inner)</i> 4739	A-5
04-01	Silverado 1500 (6 Stud Hub).....	<i>Hub Assembly</i> 515054			<i>(Outer)</i> 4739		A-3
02-01	Avalanche 1500, C1500 Suburban, Tahoe	<i>Hub Assembly</i> ◆ 515053		91-88	C1500 (L/D Brakes)	<i>(Inner)</i> 4739	A-6
		<i>Hub Assembly</i> 515054			<i>(Outer)</i> 4739		A-3
02-00	G1500.....	<i>(Inner)</i> 4739	A-5	90-88	G10, R10, R10 Suburban, R1500, R1500 Suburban	<i>(Inner)</i> 8871	A-5
		<i>(Outer)</i> A-3			<i>(Outer)</i> 8871		A-3
2000	C1500 Suburban.....	<i>Hub Assembly</i> ◆ 515053		1987	R10, R10 Suburban	<i>(Inner)</i> 8871	A-6
		<i>Hub Assembly</i> 515054			<i>(Outer)</i> 8871		A-3
2000	Tahoe (Exc. Limited).....	<i>Hub Assembly</i> ◆ 515053		(Continued Next Page)			
		<i>Hub Assembly</i> 515054					
(Continued Next Column)							

☆ New Item, Check for Availability ◆ When Depleted Use Number Listed Directly Below Refer To Front Of Catalog For Kit Contents

CHEVROLET TRUCK 1/2 TON - 10/1500 SERIES FULL SIZE

(Avalanche 1500, Blazer, C10, C1500, C1500 Suburban, G10, G1500, H1500, K10, K1500, K1500 Suburban, P10, R10, R1500, Silverado 1500, Suburban, Tahoe, V15 & V1500) (Cont.)

Year	Application	Seal	Bearing
WHEEL			
FRONT WHEEL (2WD) (Cont.)			
87-80	G10, P10.....	(Inner) 8871	A-5
		(Outer)	A-3
86-80	C10, C10 Suburban (H/D Brakes).....	(Inner) 8871	A-5
		(Outer)	A-3
86-80	C10, C10 Suburban (L/D Brakes).....	(Inner) 8871	A-6
		(Outer)	A-3
FRONT WHEEL (4WD)			
09-08	Avalanche 1500, K1500 Suburban, Silverado 1500, Tahoe.....	Hub Assembly ☆ 515096	
08-07	H1500.....	Hub Assembly 515036	
2007	Silverado 1500 (Classic) (6 Stud Hub).....	Hub Assembly 515036	
2007	Silverado 1500 (Classic) (8 Stud Hub).....	Hub Assembly 515058	
2007	Silverado 1500 (Exc. Classic).....	Hub Assembly ☆ 515096	
2007	Avalanche 1500, K1500 Suburban, Tahoe.....	Hub Assembly ☆ 515096	
07-01	Silverado 1500HD.....	Hub Assembly 515058	
06-01	Silverado 1500 (6 Stud Hub).....	Hub Assembly 515036	
06-01	Silverado 1500 (8 Stud Hub).....	Hub Assembly 515058	
06-01	Avalanche 1500, H1500, K1500 Suburban, Tahoe.....	Hub Assembly 515036	
2000	Tahoe (Exc. Z71).....	Hub Assembly 515036	
2000	Tahoe (Z71).....	710106	Hub Assembly 515024
2000	K1500 Suburban, Silverado 1500.....	Hub Assembly 515036	
1999	Silverado 1500.....	Hub Assembly 515036	
99-96	K1500 (8 Stud Hub).....	710103	Hub Assembly 515041
99-95	K1500, K1500 Suburban, Tahoe (6 Stud Hub).....	710106	Hub Assembly 515024
94-92	All.....	710106	Hub Assembly 515001
91-88	K1500 (H/D Suspension).....	710106	Hub Assembly 515001
91-88	K1500 (L/D Suspension).....	710106	Hub Assembly 515002
91-80	Blazer, K10, K10 Suburban, V10, V10 Suburban, V1500, V1500 Suburban.....	(Inner) 471271	LM104949-JLM104910
		(Outer)	A-35
REAR WHEEL			
09-08	All.....	4762N	513067
		(Axle Repair Brg.)	RP-513067
2007	Silverado 1500 (Classic) (8.625" R.G.).....	4762N	513067
		(Axle Repair Brg.)	RP-513067
2007	Silverado 1500 (Classic) (9.5" R.G.).....	710105	R-1561-TV
		(Axle Repair Brg.)	RP-1561-GM
2007	Silverado 1500 (Exc. Classic).....	4762N	513067
		(Axle Repair Brg.)	RP-513067
07-01	Silverado 1500HD.....	710105	R-1561-TV
		(Axle Repair Brg.)	RP-1561-GM
07-01	Avalanche 1500, C1500 Suburban, G1500, H1500, K1500 Suburban, Tahoe.....	4762N	513067
		(Axle Repair Brg.)	RP-513067
06-01	Silverado 1500 (8.625" R.G.).....	4762N	513067
		(Axle Repair Brg.)	RP-513067
06-01	Silverado 1500 (9.5" R.G.).....	710105	R-1561-TV
		(Axle Repair Brg.)	RP-1561-GM

(Continued Next Column)

Year	Application	Seal	Bearing
REAR WHEEL (Cont.)			
2000	All.....	4762N	513067
		(Axle Repair Brg.)	RP-513067
99-92	Blazer, G1500, Silverado 1500, Tahoe.....	4762N	513067
		(Axle Repair Brg.)	RP-513067
99-88	C1500, C1500 Suburban, K1500, K1500 Suburban (8.5" R.G.).....	4762N	513067
		(Axle Repair Brg.)	RP-513067
99-88	C1500, C1500 Suburban, K1500, K1500 Suburban (9.5" R.G.).....	710105	R-1561-TV
		(Axle Repair Brg.)	RP-1561-GM
95-92	G10.....	8835S	6408
		(Axle Repair Brg.)	RP-6408
91-80	Blazer, C10, C10 Suburban, G10, K10, K10 Suburban, P10, R10, R10 Suburban, R1500, R1500 Suburban, V10, V10 Suburban, V1500, V1500 Suburban.....	8835S	6408
		(Axle Repair Brg.)	RP-6408
AXLE			
FRONT AXLE			
AXLE SHAFT			
09-03	AAM IFS-7.25" R.G. (1.3125" Shaft)	(Inner) (2) 710491	(2) B-2010
		(Outer)	SCH-208
		(Pilot)	SCH-78
09-03	AAM IFS-7.25" R.G. (1.5748" Shaft)	(Inner) (2) 710491	(2) HK-4012
		(Outer)	SCH-208
		(Pilot)	SCH-78
09-98	AAM IFS-8.25" R.G.	(Inner) (2) 710475	(2) B-2010
		(Outer)	SCH-208
		(Pilot)	SCH-78
07-01	AAM IFS-9.25" R.G.	(Inner) (2) 710497	(2) B-2610
		(Outer)	B-2410
		(Pilot)	SCH-78
1997	AAM IFS-8.25" R.G. (1st Design).....	(Inner) (2) 710101	(2) B-2012
		(Pilot)	SCH-78
1997	AAM IFS-8.25" R.G. (2nd Design).....	(Inner) (2) 710475	(2) B-2010
		(Pilot)	SCH-78
96-95	AAM IFS-8.25" R.G.	(Inner) (2) 710101	(2) B-2010
		(Pilot)	SCH-78
94-88	ICA-8.25" R.G.	(Inner) (2) 710101	(2) B-2012
		(Outer)	B-2012
		(Pilot)	SCH-78
91-80	8.5" R.G.	5131	
82-80	Spicer 44-8F.....	5131	
SPINDLE KIT			
91-80	8.5" R.G.		☒ SBK-1
82-80	Spicer 44-8F.....		☒ SBK-1

10/1500 SERIES FULL SIZE - CHEVROLET TRUCK 1/2 TON

(Cont.) (Avalanche 1500, Blazer, C10, C1500, C1500 Suburban, G10, G1500, H1500, K10, K1500, K1500 Suburban, P10, R10, R1500, Silverado 1500, Suburban, Tahoe, V15 & V1500)

Year	Application	Seal	Bearing
AXLE			
FRONT AXLE (Cont.)			
SPINDLE			
91-80	8.5" R.G.	(Inner) 722109 (Outer) 722108	B-2110
82-80	Spicer 44-8F	(Inner) 722108 (Outer) 722109	B-2110
DIFFERENTIAL KIT			
1997	AAM IFS-8.25" R.G. (1st Design)		<input checked="" type="checkbox"/> RA-321-A
96-95	AAM IFS-8.25" R.G.		<input checked="" type="checkbox"/> RA-321-A
91-80	8.5" R.G.		<input checked="" type="checkbox"/> RA-321 (Master Kit) RA-321MK
82-80	Spicer 44-8F		<input checked="" type="checkbox"/> RA-28
DIFFERENTIAL			
09-03	AAM IFS-7.25" R.G.		(2)A-18
09-95	AAM IFS-8.25" R.G.	(2)LM501349-LM501314	
07-01	AAM IFS-9.25" R.G.	(2)450094 Redi-Sleeve (2) 99193	(2)A-42
94-80	ICA-8.25" R.G., 8.5" R.G.	(2)LM501349-LM501314	
82-80	Spicer 44-8F	(2)25590-25523	
PINION			
09-03	AAM IFS-7.25" R.G.	(Inner) M88047-M88010 (Outer) 710547 M86649-M86610	
09-98	AAM IFS-8.25" R.G.	(Inner) M802048-M802011 (Outer) 710536 M88048-M88010	
07-01	AAM IFS-9.25" R.G.	(Inner) HM804846-HM804810 (Outer) 710536 HM88649-HM88610	
1997	AAM IFS-8.25" R.G. (1st Design)	(Inner) M802048-M802011 (Outer) 710281 M88048-M88010 Redi-Sleeve 99193	
1997	AAM IFS-8.25" R.G. (2nd Design)	(Inner) M802048-M802011 (Outer) 710536 M88048-M88010	
96-95	AAM IFS-8.25" R.G.	(Inner) M802048-M802011 (Outer) 710281 M88048-M88010 Redi-Sleeve 99193	
94-88	ICA-8.25" R.G.	(Inner) M802048-M802011 (Outer) 710281 M88048-M88010 Redi-Sleeve 99193	
91-80	8.5" R.G.	(Inner) M802048-M802011 (Outer) 8622 M88048-M88010 Redi-Sleeve 99193	
82-80	Spicer 44-8F	(Inner) 31594-31520 (Outer) 5778 02872-02820 Viton® 5778V Redi-Sleeve 99155	
REAR AXLE			
DIFFERENTIAL KIT			
09-01	AAM 9.5" R.G.		<input checked="" type="checkbox"/> RA-324-B
09-98	AAM 8.625" R.G.		<input checked="" type="checkbox"/> RA-321-C
99-98	AAM 9.5" R.G.		<input checked="" type="checkbox"/> RA-324-B
1997	AAM 9.5" R.G. (1st Design)		<input checked="" type="checkbox"/> RA-324 (Master Kit) RA-324MK
1997	AAM 9.5" R.G. (2nd Design)		<input checked="" type="checkbox"/> RA-324-B

(Continued Next Column)

Year	Application	Seal	Bearing
REAR AXLE (Cont.)			
DIFFERENTIAL KIT			
1997	AAM 8.5" R.G. (1st Design)		<input checked="" type="checkbox"/> RA-321 (Master Kit) RA-321MK
96-95	AAM 9.5" R.G.		<input checked="" type="checkbox"/> RA-324 (Master Kit) RA-324MK
96-95	AAM 8.5" R.G.		<input checked="" type="checkbox"/> RA-321 (Master Kit) RA-321MK
94-88	9.5" R.G.		<input checked="" type="checkbox"/> RA-324 (Master Kit) RA-324MK
94-80	8.5" R.G.		<input checked="" type="checkbox"/> RA-321 (Master Kit) RA-321MK
81-80	8.75" R.G.		<input checked="" type="checkbox"/> RA-323
81-80	8.875" R.G.		<input checked="" type="checkbox"/> RA-322 (Master Kit) RA-322MK
DIFFERENTIAL			
09-01	AAM 9.5" R.G.		(2)A-42
09-98	AAM 8.625" R.G.		(2)A-36
05-02	Spicer 60		(2)A-50
00-95	AAM 8.5" R.G.	(2)LM501349-LM501314	
99-95	AAM 9.5" R.G.		(2)A-42
94-88	9.5" R.G.		(2)A-42
94-80	8.5" R.G.	(2)LM501349-LM501314	
81-80	8.75" R.G., 8.875" R.G.		(2)A-36
PINION			
09-01	AAM 9.5" R.G.	(Inner) HM804846-HM804810 (Outer) 710507 HM88649-HM88610	
09-98	AAM 8.5" R.G., 8.625" R.G.	(Inner) M802048-M802011 (Outer) 710506 M88048-M88010	
05-02	Spicer 60	(Inner) HM803146-HM803110 (Outer) 100712V HM88542-HM88510	
99-98	AAM 9.5" R.G.	(Inner) HM804846-HM804810 (Outer) 710507 HM88649-HM88610	
1997	AAM 9.5" R.G. (1st Design)	(Inner) HM804846-HM804810 (Outer) 3896 HM88649-HM88610 Redi-Sleeve 99193	
1997	AAM 9.5" R.G. (2nd Design)	(Inner) HM804846-HM804810 (Outer) 710507 HM88649-HM88610	
1997	AAM 8.5" R.G. (1st Design)	(Inner) M802048-M802011 (Outer) 2043 M88048-M88010 Redi-Sleeve 99193	
1997	AAM 8.5" R.G. (2nd Design)	(Inner) M802048-M802011 (Outer) 710506 M88048-M88010	
96-95	AAM 9.5" R.G.	(Inner) HM804846-HM804810 (Outer) 3896 HM88649-HM88610 Redi-Sleeve 99193	
96-95	AAM 8.5" R.G.	(Inner) M802048-M802011 (Outer) 2043 M88048-M88010 Redi-Sleeve 99193	
94-88	9.5" R.G.	(Inner) HM804846-HM804810 (Outer) 3896 HM88649-HM88610 Redi-Sleeve 99193	
94-80	8.5" R.G., 8.75" R.G.	(Inner) M802048-M802011 (Outer) 2043 M88048-M88010 Redi-Sleeve 99193	
81-80	8.875" R.G.	(Inner) HM89449-HM89410 (Outer) 8460N M88048-M88010 Redi-Sleeve 99170	

() Indicates Quantity Required Refer To Front Of Catalog For Kit Contents

CHEVROLET TRUCK 1/2 TON - 10/1500 SERIES FULL SIZE

(Avalanche 1500, Blazer, C10, C1500, C1500 Suburban, G10, G1500, H1500, K10, K1500, K1500 Suburban, P10, R10, R1500, Silverado 1500, Suburban, Tahoe, V15 & V1500) (Cont.)

Year	Application	Seal	Bearing
CLUTCH			
PILOT			
6 CYLINDER			
98-87	262/4.3L		57080
86-85	262/4.3L	(H/D)	PB-656-HD
84-80	250/4.1L, 292/4.8L	(H/D)	PB-656-HD
8 CYLINDER			
00-87	293/4.8L, 305/5.0L, 350/5.7L, 379/6.2L (Diesel), 395/6.5L (Diesel), 395/6.5L (Turbo-Diesel), 454/7.4L		57080
86-82	379/6.2L (Diesel)		57080
86-80	305/5.0L, 350/5.7L, 400/6.6L, 454/7.4L	(H/D)	PB-656-HD
RELEASE			
		<i>Bearing Only</i>	<i>Bearing Assembly</i>
6 CYLINDER			
07-96	262/4.3L	(Hyd. Clutch)	Ⓢ614174
95-85	262/4.3L		Ⓢ614083
89-85	262/4.3L (Cable Clutch)	(Angular Contact)	CC-1705-C Ⓢ614018
84-80	250/4.1L, 292/4.8L	(Angular Contact)	CC-1705-C Ⓢ614018
8 CYLINDER			
07-96	293/4.8L, 305/5.0L, 350/5.7L, 364/6.0L, 395/6.5L (Turbo-Diesel)	(Hyd. Clutch)	Ⓢ614174
95-85	305/5.0L, 350/5.7L, 379/6.2L (Diesel), 395/6.5L (Diesel), 395/6.5L (Turbo-Diesel), 454/7.4L		Ⓢ614083
89-85	305/5.0L (Cable Clutch)	(Angular Contact)	CC-1705-C Ⓢ614018
84-80	305/5.0L, 350/5.7L, 379/6.2L (Diesel), 400/6.6L, 454/7.4L	(Angular Contact)	CC-1705-C Ⓢ614018
DRIVESHAFT			
CENTER SUPPORT			
		<i>Bearing</i>	<i>Bearing & Support</i>
07-80	Spicer 1280, 1310, 1330, 1410 Series / Brg. ID 1.3780" (35mm) Slip Yoke Style	88107	HB-88107-A (Opt. w/Slingers) HB-88107-E
99-88	Spicer 1410 Series / Brg. ID 1.5748" (40mm)- Extended Cab	88508	HB-88508-A
91-80	Spicer 1410 Series / Brg. ID 1.5748" (40mm)	HB-108	
TRANSFER CASE			
FULL TIME / PART TIME			
TRANSFER CASE KIT			
97-95	New Process 241C, 243C		<input checked="" type="checkbox"/> T-240-B
1994	New Process 241C (1st Design)		<input checked="" type="checkbox"/> T-240
1994	New Process 241C (2nd Design)		<input checked="" type="checkbox"/> T-240-B
93-88	New Process 241C		<input checked="" type="checkbox"/> T-240
88-81	New Process 208		<input checked="" type="checkbox"/> T-212
1980	New Process 205	(Gaskets & Seals)	TK-205
1980	New Process 205 (27 Spline) (Input Shaft)		<input checked="" type="checkbox"/> T-172
1980	New Process 205 (32 Spline) (Input Shaft)		<input checked="" type="checkbox"/> T-172-FG

Year	Application	Seal	Bearing
FULL TIME / PART TIME (Cont.)			
INPUT SHAFT			
09-03	Borg-Warner 4482, 4485		211
	(Pilot)		BK-3026
09-99	New Process 246	472636	110
	(Pilot)		FC-66561
07-03	New Process 149	472636	110
07-99	New Process 261C	472636	110
	(Pilot)		B-2110
00-95	New Process 241C, 243C ... (2)	3173	110-L
	(Dual Lip)	710928	
	Redi-Sleeve	99193	
	(Pilot)		FC-66561
1994	New Process 241C (1st Design)	(2) 3173	N-5210-KLB
	(Dual Lip)	710928	
	Redi-Sleeve	99193	
	(Pilot)		FC-66561
1994	New Process 241C (2nd Design)	(2) 3173	110-L
	(Dual Lip)	710928	
	Redi-Sleeve	99193	
	(Pilot)		FC-66561
93-91	New Process 241C	(2) 3173	N-5210-KLB
	(Dual Lip)	710928	
	Redi-Sleeve	99193	
	(Pilot)		FC-66561
90-88	New Process 241C	(2) 3173	N-5210-KLB
	(Dual Lip)	710928	
	Redi-Sleeve	99193	
	(Pilot)		SCH-1810
88-81	New Process 208	(2) 3173	(2) B-5020
	(Dual Lip)	710928	
	Redi-Sleeve	99193	
	(Pilot)		B-2012
	(Thrust)		AXK-5070
1980	New Process 205 (27 Spline)	(2) 471869	(2) 1307-L
	Redi-Sleeve	99193	
	(Pilot)		(15) QAR-29523
1980	New Process 205 (32 Spline)	(2) 471869	(2) 1210-L
	Redi-Sleeve	99193	
	(Pilot)		(15) QAR-29523
FRONT OUTPUT SHAFT			
09-03	Borg-Warner 4473		109
	(Pilot)		SCH-1310
09-03	Borg-Warner 4482, 4485		(2) 109
09-98	New Process 246, 241C, 243C	710495	207
	(Pilot)		J-2416
07-03	New Process 149	710495	110
07-99	New Process 261C	710495	207
97-88	New Process 241C, 243C	3946	207
	Redi-Sleeve	99187	
	(Pilot)		J-2416
88-81	New Process 208	3946	B-2816
	Redi-Sleeve	99187	
	(Pilot)		J-2416
	(Thrust)		(2) NTA-2840
1980	New Process 205	710005	307-L
	Redi-Sleeve	99174	
	(Pilot)		M-28161

() Indicates Quantity Required Ⓢ Sealed Self-Aligning Bearing Refer To Front Of Catalog For Kit Contents

10/1500 SERIES FULL SIZE - CHEVROLET TRUCK 1/2 TON

(Cont.) (Avalanche 1500, Blazer, C10, C1500, C1500 Suburban, G10, G1500, H1500, K10, K1500, K1500 Suburban, P10, R10, R1500, Silverado 1500, Suburban, Tahoe, V15 & V1500)

Year	Application	Seal	Bearing
TRANSFER CASE			
FULL TIME / PART TIME (Cont.)			
REAR OUTPUT SHAFT			
09-03	Borg-Warner 4473	4503N	
09-03	Borg-Warner 4482, 4485	4503N	§ 209-LO
09-99	New Process 246	710496	
	(Pilot)		(2)B-5020
07-03	New Process 149	710496	N-5210-KLB
	(Pilot)		(2)B-5020
07-99	New Process 261C	710496	208
	(Pilot)		(2)B-5020
00-98	New Process 241C, 243C (Booted)	4333N	207
	(Pilot)		(2)B-5020
00-98	New Process 241C, 243C (Non-Booted)	710496	207
	(Pilot)		(2)B-5020
97-92	New Process 241C, 243C	4333N	207
	(Pilot)		(2)B-5020
1991	New Process 241C (1st Design)	9449	207
	(Seal & Bushing Kit)	5208	
	(Pilot)		(2)B-5020
1991	New Process 241C (2nd Design)	4333N	207
	(Pilot)		(2)B-5020
90-88	New Process 241C	9449	207
	(Seal & Bushing Kit)	5208	
	(Pilot)		(2)B-5020
88-81	New Process 208	9449	1207-L
	(Seal & Bushing Kit)	5208	
	(Pilot)		B-3616
	(Thrust)		TC-2435
1980	New Process 205	473468	307-L
	Redi-Sleeve	99212	
	(Pilot)		B-3216
IDLER SHAFT			
1980	New Process 205		(2)2793-2720
LOW GEAR ROLLERS			
1980	New Process 205		(128)QBR-23549
OIL PUMP HOUSING			
09-81	New Process 208, 246, 241C, 243C	341022	
	Redi-Sleeve	99225	
SHIFT SHAFT			
1980	New Process 205	(2) 2287	
	Redi-Sleeve (2)	99076	
DRIVE SPROCKET			
88-81	New Process 208		(82)C-1086-Q
MOUNTING ADAPTOR			
1980	New Process 205 (1.3750" Shaft)	473214	
	Redi-Sleeve	99138	
1980	New Process 205 (2.0000" Shaft)	471424	
	Redi-Sleeve	99199	

Year	Application	Seal	Bearing
TRANSMISSION			
AUTOMATIC / 3 Speed			
FRONT PUMP			
90-80	THM350, THM400, THM350C	6712NA	
	Redi-Sleeve	99187	
EXTENSION HOUSING			
90-85	THM400	9449	109
	(Seal & Bushing Kit)	5208	
86-82	THM350C (Booted)	9613S	
	(Seal & Bushing Kit)	5200	
86-82	THM350C (Non-Booted)	4583	
84-80	THM400	9449	
	(Seal & Bushing Kit)	5208	
81-80	THM350	9613S	
	(Seal & Bushing Kit)	5200	
MANUAL SHAFT			
90-80	THM350, THM400, THM350C	8792S	
AUTOMATIC / 4 Speed			
FRONT PUMP			
09-08	4L70E, 4L60-E	4950	
	Redi-Sleeve	99174	
07-92	4L65E, 4L70E, 4L60-E	4950	
	Redi-Sleeve	99174	
99-91	4L80-E	4598	
	Redi-Sleeve	99199	
91-82	4L60, THM700-R4	4950	
	Redi-Sleeve	99174	
OUTPUT SHAFT			
99-91	4L80-E	4934	
EXTENSION HOUSING			
09-08	4L60-E (Booted)	4934	
09-08	4L60-E (Non-Booted)	4583	
08-06	4L70E	4934	
07-91	4L60, 4L65E, 4L60-E (Booted)	4934	
07-82	4L60, 4L65E, 4L60-E, THM700-R4 (Non-Booted)	4583	
99-91	4L80-E (Booted)	4333N	109
99-91	4L80-E (Non-Booted) (Over 15,000 lbs. GVWR)	2457	109
99-91	4L80-E (Non-Booted) (Under 15,000 lbs. GVWR)	9449	109
	(Seal & Bushing Kit)	5208	
90-82	THM700-R4 (Booted)	9613S	
	(Seal & Bushing Kit)	5200	
MANUAL SHAFT			
09-08	4L70E, 4L60-E	8792S	
07-82	4L60, 4L65E, 4L70E, 4L60-E, 4L80-E, THM700-R4	8792S	
AUTOMATIC / 6 Speed			
EXTENSION HOUSING			
2009	6L90	710533	
2009	6L80 (RWD)	710533	
2009	6L80 (4WD)	☆ 710636	

() Indicates Quantity Required § Use Old Snap Ring ☆ New Item, Check for Availability

CHEVROLET TRUCK 1/2 TON - 10/1500 SERIES FULL SIZE

(Avalanche 1500, Blazer, C10, C1500, C1500 Suburban, G10, G1500, H1500, K10, K1500, K1500 Suburban, P10, R10, R1500, Silverado 1500, Suburban, Tahoe, V15 & V1500) (Cont.)

Year	Application	Seal	Bearing
TRANSMISSION			
MANUAL / 3 Speed			
DRIVESHAFT / INPUT			
87-80	SM326	7412S	
		Redi-Sleeve 99125	
81-80	Tremec 162	3638	§ 208-LO
		Redi-Sleeve 99112	
MAINSHAFT / OUTPUT			
87-80	SM326	9613S	
		(Seal & Bushing Kit) 5200	
81-80	Tremec 162	9613S	207-L
		(Seal & Bushing Kit) 5200	
MAINSHAFT PILOT			
81-80	Tremec 162		(15)QBR-23549
COUNTERSHAFT			
87-80	SM326		(54)C-407-Q
81-80	Tremec 162		(50)C-1086-Q
SHIFT SHAFT			
87-80	SM326	240735	
		Redi-Sleeve 99076	
MANUAL / 4 Speed			
TRANSMISSION KIT			
91-85	CH465		T-157-A
84-80	CH465		☒ T-157
DRIVESHAFT / INPUT			
1991	CH465	481181N	
		Redi-Sleeve 99162	
1990	CH465 (1st Design)	481181N	N-1211-L
		Redi-Sleeve 99162	
89-81	New Process A833	7412S	
		Redi-Sleeve 99125	
89-80	CH465	481181N	N-1211-L
		Redi-Sleeve 99162	
MAINSHAFT / OUTPUT			
91-85	CH465	410085	308-FFL
89-81	New Process A833	9613S	
		(Seal & Bushing Kit) 5200	
84-80	CH465	410085	1308-L
MAINSHAFT PILOT			
91-80	CH465		(17)QAR-34604
89-81	New Process A833		(16)QBR-23549
COUNTERSHAFT			
91-85	CH465	(Front)	5707
		(Rear)	308-FFL
84-80	CH465	(Front)	5707
		(Rear)	1308-L
MANUAL / 5 Speed			
TRANSMISSION KIT			
95-91	New Process 4500		T-4500-GMN
DRIVESHAFT / INPUT			
07-01	New Process 4500	4638N	
07-91	New Process 3500	4529N	307-FFL5
		Redi-Sleeve 99138	
1999	New Process 4500	4638N	
98-96	New Process 4500	4638N	M802048-M802011
			(Continued Next Column)

Year	Application	Seal	Bearing
MANUAL / 5 Speed (Cont.)			
DRIVESHAFT / INPUT			
95-91	New Process 4500	714655	M802048-M802011
		Redi-Sleeve 99133	
91-88	Getrag 290 (2WD)	4529N	
		Redi-Sleeve 99138	
91-88	Getrag 290 (4WD)	4529N	
		Redi-Sleeve 99133	
MAINSHAFT / OUTPUT			
07-01	New Process 4500	714654	M804049-M804010
07-96	New Process 3500 (2WD)	4528N	
07-91	New Process 3500 (4WD)	4532N	
99-91	New Process 4500	714654	M804049-M804010
95-91	New Process 3500 (2WD)		
	(Casting No. CC20844)	4530	
95-91	New Process 3500 (2WD)		
	(Exc. Casting No. C20844)	4528N	
91-90	Getrag 290	4530	
1989	Getrag 290 (1st Design)	4530	
1989	Getrag 290 (2nd Design)	4530	
1988	Getrag 290	4530	
COUNTERSHAFT			
07-01	New Process 4500		
	(Front)		LM102949-LM102910
	(Rear)		A-35
07-91	New Process 3500		(2)FC-68336
99-91	New Process 4500		
	(Front)		LM102949-LM102910
	(Rear)		A-35
OVERDRIVE			
07-01	New Process 4500		(2)FW-404820
99-91	New Process 4500		(2)FW-404820
EXTENSION HOUSING			
07-01	New Process 4500 (2WD)		B-5020
99-91	New Process 4500 (2WD)		B-5020

STEERING

MANUAL STEERING			
STEERING GEAR WORM SHAFT			
86-80	All	480821	
STEERING GEAR PITMAN SHAFT			
86-80	All	313842	
POWER STEERING			
STEERING GEAR HOUSING			
96-80	All		(Adj. Plug) DB-53313
STEERING GEAR WORM SHAFT			
96-80	G10, G1500	222025	
STEERING GEAR PITMAN SHAFT			
06-80	All	(Kit) ☒ PSK-1	
STEERING PUMP SHAFT			
06-80	All	7013S	

10/1500 SERIES FULL SIZE - CHEVROLET TRUCK 1/2 TON

(Cont.) (Avalanche 1500, Blazer, C10, C1500, C1500 Suburban, G10, G1500, H1500, K10, K1500, K1500 Suburban, P10, R10, R1500, Silverado 1500, Suburban, Tahoe, V15 & V1500)

Year	Application	Seal	Bearing	Year	Application	Seal	Bearing
AIR CONDITIONING							
COMPRESSOR				CRANKSHAFT (Cont.)			
CLUTCH PULLEY				8 CYLINDER			
05-95	Harrison HT-6		907257	1985	305/5.0L (1st Design)		
96-95	Harrison HD-6		907257			(Split Seal) 5092	
95-80	Harrison R-4		907257	1985	305/5.0L (2nd Design)		
91-85	Harrison HR-6HE		907257			(Gkt. & PTFE Seal) 5274A	
86-80	Harrison A-6		907257			(Gkt. & Viton® Seal) 4359V	
FRONT HEAD MAIN						PTFE Rubber 5274	
95-80	Harrison R-4		S-128			Redi-Sleeve 99364	
86-80	Harrison A-6		SCE-108	1985	350/5.7L		
ELECTRICAL				84-80	305/5.0L, 350/5.7L, 400/6.6L		(Split Seal) 5092
ALTERNATOR				81-80	350/5.7L (Diesel) ... (Rope Type)		5095
DRIVE END							(Split Seal) 5118
91-83	AC-Delco 56, 66, 78 Amp.		203-FF	1980	454/7.4L		(Split Seal) 5072
86-80	AC-Delco 37, 42, 55, 61, 63, 70, 80, 85 Amp. (Integral Type)		203-S	TIMING COVER			
REAR END				6 CYLINDER			
01-88	AC-Delco 100, 124, 140, 145 Amp.		100-CC4	1995	262/4.3L (1st Design)		9845
91-80	AC-Delco 37, 42, 55, 56, 61, 63, 66, 78 Amp.		MNJ-471-S			Redi-Sleeve 99176	
ENGINE						Harmonic Bal Sleeve 88176	
CRANKSHAFT						Harmonic Bal Kit ☒ 5000	
6 CYLINDER				94-85	262/4.3L		9845
09-96	262/4.3L		5512			Redi-Sleeve 99176	
95-86	262/4.3L (Gkt. & PTFE Seal)		5274A			Harmonic Bal Sleeve 88176	
	(Gkt. & Viton® Seal)		4359V			Harmonic Bal Kit ☒ 5000	
	PTFE Rubber		5274	84-80	250/4.1L, 292/4.8L		9845
	Redi-Sleeve		99364			Redi-Sleeve 99176	
1985	262/4.3L (Split Seal)		5092			Harmonic Bal Sleeve 88176	
84-80	250/4.1L, 292/4.8L (Split Seal)		5092			Harmonic Bal Kit ☒ 5000	
8 CYLINDER				8 CYLINDER			
09-99	293/4.8L, 325/5.3L, 364/6.0L		100085	09-99	293/4.8L, 325/5.3L, 364/6.0L, 378/6.2L		100470
02-96	305/5.0L, 350/5.7L		5512			Redi-Sleeve 99210	
99-92	379/6.2L (Diesel), 395/6.5L (Diesel), 395/6.5L (Turbo-Diesel)		710258	99-82	379/6.2L (Diesel), 395/6.5L (Diesel), 395/6.5L (Turbo-Diesel), 454/7.4L		3945
	Redi-Sleeve		99452			Redi-Sleeve 99233	
95-86	305/5.0L, 350/5.7L (Gkt. & PTFE Seal)		5274A			Harmonic Bal Sleeve 88233	
	(Gkt. & Viton® Seal)		4359V	1996	305/5.0L (1st Design)		9845
	PTFE Rubber		5274			Redi-Sleeve 99176	
	Redi-Sleeve		99364			Harmonic Bal Sleeve 88176	
93-91	454/7.4L		325776			Harmonic Bal Kit ☒ 5000	
	Redi-Sleeve		99435	1996	350/5.7L		9845
91-82	379/6.2L (Diesel)		5163			Redi-Sleeve 99176	
1990	454/7.4L (Split Seal)		5072			Harmonic Bal Sleeve 88176	
	(Continued Next Column)					Harmonic Bal Kit ☒ 5000	
				95-80	305/5.0L, 350/5.7L, 400/6.6L		9845
						Redi-Sleeve 99176	
						Harmonic Bal Sleeve 88176	
						Harmonic Bal Kit ☒ 5000	
				81-80	350/5.7L (Diesel)		472082
						Redi-Sleeve 99199	
						Harmonic Bal Sleeve 88199	
				1980	454/7.4L		3945
						Redi-Sleeve 99233	
						Harmonic Bal Sleeve 88233	

☒ Refer To Front Of Catalog For Kit Contents

CHEVROLET TRUCK 3/4 TON - 20/2500 SERIES FULL SIZE

(Avalanche 2500, C20, C20 Suburban, C2500, C2500 Suburban, G20, G2500, K20, K20 Suburban, P20, R20, R2500, R2500 Suburban, Silverado 2500, V20, V20 Suburban, V2500 & V2500 Suburban)

Year	Application	Seal	Bearing
WHEEL			
FRONT WHEEL (2WD)			
09-08	C2500 Suburban, Silverado 2500HD	Hub Assembly ☆	515098
08-06	G2500	Hub Assembly	515059
2007	C2500 Suburban	Hub Assembly ☆	515098
2007	Silverado 2500HD (Classic)	Hub Assembly	515086
2007	Silverado 2500HD (Exc. Classic)	Hub Assembly ☆	515098
06-01	Avalanche 2500, C2500 Suburban, Silverado 2500, Silverado 2500HD	Hub Assembly	515086
05-03	G2500 (6 Stud Hub)	Hub Assembly ◆	515053
		Hub Assembly	515054
05-03	G2500 (8 Stud Hub)	Hub Assembly	515059
02-00	C2500, G2500 (H/D Brakes)		
	(Inner)	4740	A-35
	(Outer)		15103S-15243
02-00	C2500, G2500 (L/D Brakes)		
	(Inner)	4739	A-5
	(Outer)		A-3
2000	C2500 Suburban, Silverado 2500	Hub Assembly	515085
1999	Silverado 2500	Hub Assembly	515085
99-92	C2500, C2500 Suburban, G2500 (H/D Brakes)		
	(Inner)	4740	A-35
	(Outer)		15103S-15243
99-91	C2500, C2500 Suburban, G20, G2500 (L/D Brakes)		
	(Inner)	4739	A-5
	(Outer)		A-3
95-92	G20 (H/D Brakes)		
	(Inner)	4740	A-35
	(Outer)		1779-1729X
91-89	C2500 (H/D Brakes)		
	(Inner)	8974S	A-35
	(Outer)		15103S-15243
91-83	G20 (H/D Brakes)		
	(Inner)	8974S	A-35
	(Outer)		1779-1729X
91-80	C20, C20 Suburban, P20, R20, R20 Suburban, R2500, R2500 Suburban		
	(Inner)	8974S	A-35
	(Outer)		15103S-15243
90-88	C2500 (L/D Brakes)		
	(Inner)	4739	A-5
	(Outer)		A-3
90-83	G20 (L/D Brakes)		
	(Inner)	8871	A-5
	(Outer)		A-3
82-80	G20		
	(Inner)	8871	A-5
	(Outer)		A-3
FRONT WHEEL (4WD)			
09-08	All	Hub Assembly ☆	515098
2007	K2500 Suburban	Hub Assembly ☆	515098
2007	Silverado 2500HD (Classic)	Hub Assembly	515058
2007	Silverado 2500HD (Exc. Classic)	Hub Assembly ☆	515098
06-00	Avalanche 2500, K2500 Suburban, Silverado 2500, Silverado 2500HD	Hub Assembly	515058
05-03	H2500 (6 Stud Hub)	Hub Assembly	515036
2000	K2500	Hub Assembly	515041
1999	Silverado 2500	Hub Assembly	515058
99-96	K2500, K2500 Suburban	Hub Assembly	515041
1995	All (6 Stud Hub)	Hub Assembly	515024

(Continued Next Column)

Year	Application	Seal	Bearing
FRONT WHEEL (4WD) (Cont.)			
1995	All (8 Stud Hub)		
	(Left)		Hub Assembly 515015
	(Right)		Hub Assembly 515016
94-88	K2500, K2500 Suburban (6 Stud Hub)	710106	Hub Assembly 515001
94-88	K2500, K2500 Suburban (8 Stud Hub)	710103	Hub Assembly 515018
91-80	K20, K20 Suburban, V20, V20 Suburban, V2500, V2500 Suburban	(Inner) 471271	LM104949-JLM104910
		(Outer)	A-35
REAR WHEEL			
09-06	Avalanche 2500, C2500 Suburban, K2500 Suburban	710105	R-1561-TV
			(Axle Repair Brg.) RP-1561-GM
09-03	G2500, H2500	710067	R-1561-TV
			(Axle Repair Brg.) RP-1561-GM
09-01	Silverado 2500HD		
	(Inner)	710568	387AS-382A
	(Outer)		A-38
05-03	Avalanche 2500	710105	R-1561-TV
			(Axle Repair Brg.) RP-1561-GM
05-03	C2500 Suburban, K2500 Suburban, Silverado 2500 (9.5" R.G.)	710105	R-1561-TV
			(Axle Repair Brg.) RP-1561-GM
04-03	Silverado 2500 (10.5" R.G.)	(Inner) 710568	387AS-382A
		(Outer)	A-38
02-01	G2500, Silverado 2500 (10.5" R.G.)	(Inner) 710568	387AS-382A
		(Outer)	A-38
02-00	Avalanche 2500, C2500 Suburban, K2500 Suburban	710105	R-1561-TV
			(Axle Repair Brg.) RP-1561-GM
02-00	C2500, G2500, K2500, Silverado 2500 (9.5" R.G.)	710105	R-1561-TV
			(Axle Repair Brg.) RP-1561-GM
2000	C2500, G2500, K2500, Silverado 2500 (10.5" R.G.)	(Inner) 2081	387AS-382A
		(Outer)	A-38
99-88	C2500, C2500 Suburban, G2500, K2500, K2500 Suburban, Silverado 2500 (9.5" R.G.)	710105	R-1561-TV
			(Axle Repair Brg.) RP-1561-GM
99-87	C2500, C2500 Suburban, G2500, K2500, K2500 Suburban, R20, R20 Suburban, R2500, R2500 Suburban, Silverado 2500, V20, V20 Suburban, V2500, V2500 Suburban (10.5" R.G.)	(Inner) 2081	387AS-382A
		(Outer)	A-38
95-80	G20	8835S	6408
			(Axle Repair Brg.) RP-6408

(Continued Next Page)

20/2500 SERIES FULL SIZE - CHEVROLET TRUCK 3/4 TON

(Cont.) (AvAlance 2500, C20, C20 Suburban, C2500, C2500 Suburban, G20, G2500, K20, K20 Suburban, P20, R20, R2500, R2500 Suburban, Silverado 2500, V20, V20 Suburban, V2500 & V2500 Suburban)

Year	Application	Seal	Bearing
WHEEL			
REAR WHEEL (Cont.)			
91-87	R20, R20 Suburban, R2500, R2500 Suburban, V20, V20 Suburban, V2500, V2500 Suburban (9.5" R.G.)	3747	R-1561-TV (Axle Repair Brg.) RP-1561-GM
90-87	P20	3747	R-1561-TV (Axle Repair Brg.) RP-1561-GM
86-81	C20, C20 Suburban, K20, K20 Suburban, P20 (10.5" R.G.)	(Inner) 2081 (Outer)	387AS-382A A-38
86-81	C20, C20 Suburban, K20, K20 Suburban, P20 (9.5" R.G.)	3747	R-1561-TV (Axle Repair Brg.) RP-1561-GM
1980	C20, C20 Suburban, K20, K20 Suburban, P20	(Inner) 2081 (Outer)	387AS-382A A-38

Year	Application	Seal	Bearing
AXLE			
FRONT AXLE			
AXLE SHAFT			
09-98	AAM IFS-9.25" R.G.	(Inner) (2) 710497 (Outer) (Pilot)	(2)B-2610 B-2410 SCH-78
05-03	AAM IFS-7.25" R.G. (1.3125" Shaft)	(Inner) (2) 710491 (Outer) (Pilot)	(2)B-2010 SCH-208 SCH-78
05-03	AAM IFS-7.25" R.G. (1.5748" Shaft)	(Inner) (2) 710491 (Outer) (Pilot)	(2)HK-4012 SCH-208 SCH-78
00-98	AAM IFS-8.25" R.G.	(Inner) (2) 710475 (Outer) (Pilot)	(2)B-2010 SCH-208 SCH-78
1997	AAM IFS-8.25" R.G. (1st Design)	(Inner) (2) 710101 (Pilot)	(2)B-2012 SCH-78
1997	AAM IFS-8.25" R.G. (2nd Design)	(Inner) (2) 710475 (Pilot)	(2)B-2010 SCH-78
1997	AAM IFS-9.25" R.G. (1st Design)	(Inner) (2) 710102 (Outer) (Pilot)	(2)B-2610 B-2410 SCH-78
1997	AAM IFS-9.25" R.G. (2nd Design)	(Inner) (2) 710497 (Outer) (Pilot)	(2)B-2610 B-2410 SCH-78
96-95	AAM IFS-8.25" R.G.	(Inner) (2) 710101 (Pilot)	(2)B-2010 SCH-78

(Continued Next Column)

Year	Application	Seal	Bearing
FRONT AXLE (Cont.)			
AXLE SHAFT			
96-95	AAM IFS-9.25" R.G.	(Inner) (2) 710102 (Outer) (Pilot)	(2)B-2610 B-2410 SCH-78
94-88	ICA-8.25" R.G.	(Inner) (2) 710101 (Outer) (Pilot)	(2)B-2012 B-2012 SCH-78
93-88	ICA-9.25" R.G.	(Inner) (2) 710102 (Outer) (Pilot)	(2)B-2610 B-2410 SCH-78
91-80	8.5" R.G.	5131	
SPINDLE KIT			
91-80	8.5" R.G.		<input checked="" type="checkbox"/> SBK-1
SPINDLE			
91-80	8.5" R.G.	(Inner) 722109 (Outer) 722108	B-2110
DIFFERENTIAL KIT			
1997	AAM IFS-8.25" R.G. (1st Design)		<input checked="" type="checkbox"/> RA-321-A
1997	AAM IFS-9.25" R.G. (1st Design)		<input checked="" type="checkbox"/> RA-324-A (Master Kit) RA-324-AMK
96-95	AAM IFS-8.25" R.G.		<input checked="" type="checkbox"/> RA-321-A
96-95	AAM IFS-9.25" R.G.		<input checked="" type="checkbox"/> RA-324-A (Master Kit) RA-324-AMK
93-88	ICA-9.25" R.G.		<input checked="" type="checkbox"/> RA-324-A (Master Kit) RA-324-AMK
91-80	8.5" R.G.		<input checked="" type="checkbox"/> RA-321 (Master Kit) RA-321MK
DIFFERENTIAL			
09-95	AAM IFS-9.25" R.G.	(2) 450094 Redi-Sleeve (2) 99193	(2)A-42
05-03	AAM IFS-7.25" R.G.		(2)A-18
00-95	AAM IFS-8.25" R.G.		(2)LM501349-LM501314
94-80	ICA-8.25" R.G., 8.5" R.G.		(2)LM501349-LM501314
93-88	ICA-9.25" R.G.	(2) 450094 Redi-Sleeve (2) 99193	(2)A-42
PINION			
09-98	AAM IFS-9.25" R.G.	(Inner) (Outer)	HM804846-HM804810 710536 HM88649-HM88610
05-03	AAM IFS-7.25" R.G.	(Inner) (Outer)	M88047-M88010 710547 M86649-M86610
00-98	AAM IFS-8.25" R.G.	(Inner) (Outer)	M802048-M802011 710536 M88048-M88010
1997	AAM IFS-8.25" R.G. (1st Design)	(Inner) (Outer) Redi-Sleeve 99193	M802048-M802011 710281 M88048-M88010
1997	AAM IFS-8.25" R.G. (2nd Design)	(Inner) (Outer)	M802048-M802011 710536 M88048-M88010
1997	AAM IFS-9.25" R.G. (1st Design)	(Inner) (Outer) Redi-Sleeve 99193	HM804846-HM804810 710281 HM88649-HM88610

(Continued Next Page)

() Indicates Quantity Required Refer To Front Of Catalog For Kit Contents

CHEVROLET TRUCK 3/4 TON - 20/2500 SERIES FULL SIZE

(AvAlance 2500, C20, C20 Suburban, C2500, C2500 Suburban, G20, G2500, K20, K20 Suburban, P20, R20, R2500, R2500 Suburban, Silverado 2500, V20, V20 Suburban, V2500 & V2500 Suburban) (Cont.)

Year	Application	Seal	Bearing
AXLE			
FRONT AXLE (Cont.)			
PINION			
1997	AAM IFS-9.25" R.G. (2nd Design)		
	(Inner)	HM804846-HM804810	
	(Outer)	710536	HM88649-HM88610
96-95	AAM IFS-8.25" R.G.		
	(Inner)	M802048-M802011	
	(Outer)	710281	M88048-M88010
	Redi-Sleeve	99193	
96-95	AAM IFS-9.25" R.G.		
	(Inner)	HM804846-HM804810	
	(Outer)	710281	HM88649-HM88610
	Redi-Sleeve	99193	
94-88	ICA-8.25" R.G.		
	(Inner)	M802048-M802011	
	(Outer)	710281	M88048-M88010
	Redi-Sleeve	99193	
93-88	ICA-9.25" R.G.		
	(Inner)	HM804846-HM804810	
	(Outer)	710281	HM88649-HM88610
	Redi-Sleeve	99193	
91-80	8.5" R.G.		
	(Inner)	M802048-M802011	
	(Outer)	8622	M88048-M88010
	Redi-Sleeve	99193	
REAR AXLE			
DIFFERENTIAL KIT			
09-98	AAM 10.5" R.G.	<input checked="" type="checkbox"/>	RA-325-B
09-98	AAM 9.5" R.G.	<input checked="" type="checkbox"/>	RA-324-B
1997	AAM 10.5" R.G. (1st Design)	<input checked="" type="checkbox"/>	RA-325-A
	(Master Kit)		RA-325-AMK
1997	AAM 10.5" R.G. (2nd Design)	<input checked="" type="checkbox"/>	RA-325-B
1997	AAM 9.5" R.G. (1st Design)	<input checked="" type="checkbox"/>	RA-324
	(Master Kit)		RA-324MK
1997	AAM 9.5" R.G. (2nd Design)	<input checked="" type="checkbox"/>	RA-324-B
96-95	AAM 10.5" R.G.	<input checked="" type="checkbox"/>	RA-325-A
	(Master Kit)		RA-325-AMK
96-95	AAM 9.5" R.G.	<input checked="" type="checkbox"/>	RA-324
	(Master Kit)		RA-324MK
1995	AAM 8.5" R.G.	<input checked="" type="checkbox"/>	RA-321
	(Master Kit)		RA-321MK
94-89	10.5" R.G.	<input checked="" type="checkbox"/>	RA-325-A
	(Master Kit)		RA-325-AMK
94-81	9.5" R.G.	<input checked="" type="checkbox"/>	RA-324
	(Master Kit)		RA-324MK
94-80	8.5" R.G.	<input checked="" type="checkbox"/>	RA-321
	(Master Kit)		RA-321MK
1988	10.5" R.G. (1st Design)	<input checked="" type="checkbox"/>	RA-325
	(Master Kit)		RA-325MK
1988	10.5" R.G. (2nd Design)	<input checked="" type="checkbox"/>	RA-325-A
	(Master Kit)		RA-325-AMK
87-86	10.5" R.G.	<input checked="" type="checkbox"/>	RA-325
	(Master Kit)		RA-325MK
83-80	10.5" R.G.	<input checked="" type="checkbox"/>	RA-325
	(Master Kit)		RA-325MK
81-80	8.875" R.G.	<input checked="" type="checkbox"/>	RA-322
	(Master Kit)		RA-322MK
DIFFERENTIAL			
09-03	Spicer 60		(2)A-50
09-95	AAM 10.5" R.G.		(2)387AS-382A

(Continued Next Column)

Year	Application	Seal	Bearing
REAR AXLE (Cont.)			
DIFFERENTIAL			
09-95	AAM 9.5" R.G.		(2)A-42
1995	AAM 8.5" R.G.	(2)LM501349-LM501314	
94-81	9.5" R.G.		(2)A-42
94-80	8.5" R.G.	(2)LM501349-LM501314	
94-80	10.5" R.G.	(2)387AS-382A	
81-80	8.875" R.G.		(2)A-36
PINION			
09-03	Spicer 60	(Inner)	HM803146-HM803110
		(Outer)	100712V
09-98	AAM 10.5" R.G.		
	(Inner)	HM903249-HM903210	
	(Outer)	710508	M802048-M802011
	(Pilot)		R-1581-TV
09-98	AAM 9.5" R.G.	(Inner)	HM804846-HM804810
	(Outer)	710507	HM88649-HM88610
1997	AAM 10.5" R.G. (1st Design)		
	(Inner)	HM903249-HM903210	
	(Outer)	2286	M802048-M802011
	(Pilot)		R-1581-TV
1997	AAM 10.5" R.G. (2nd Design)		
	(Inner)	HM903249-HM903210	
	(Outer)	710508	M802048-M802011
	(Pilot)		R-1581-TV
1997	AAM 9.5" R.G. (1st Design)		
	(Inner)	HM804846-HM804810	
	(Outer)	3896	HM88649-HM88610
	Redi-Sleeve	99193	
1997	AAM 9.5" R.G. (2nd Design)		
	(Inner)	HM804846-HM804810	
	(Outer)	710507	HM88649-HM88610
96-95	AAM 10.5" R.G.		
	(Inner)	HM903249-HM903210	
	(Outer)	2286	M802048-M802011
	(Pilot)		R-1581-TV
96-95	AAM 9.5" R.G.	(Inner)	HM804846-HM804810
	(Outer)	3896	HM88649-HM88610
	Redi-Sleeve	99193	
1995	AAM 8.5" R.G.	(Inner)	M802048-M802011
	(Outer)	2043	M88048-M88010
	Redi-Sleeve	99193	
94-89	10.5" R.G.	(Inner)	HM903249-HM903210
	(Outer)	2286	M802048-M802011
	(Pilot)		R-1581-TV
94-81	9.5" R.G.	(Inner)	HM804846-HM804810
	(Outer)	3896	HM88649-HM88610
	Redi-Sleeve	99193	
94-80	8.5" R.G.	(Inner)	M802048-M802011
	(Outer)	2043	M88048-M88010
	Redi-Sleeve	99193	
1988	10.5" R.G. (1st Design)		
	(Inner)	HM803149-HM803110	
	(Outer)	2286	M802048-M802011
	(Pilot)		R-1581-TV
1988	10.5" R.G. (2nd Design)		
	(Inner)	HM903249-HM903210	
	(Outer)	2286	M802048-M802011
	(Pilot)		R-1581-TV
87-86	10.5" R.G.	(Inner)	HM803149-HM803110
	(Outer)	2286	M802048-M802011
	(Pilot)		R-1581-TV

(Continued Next Page)

20/2500 SERIES FULL SIZE - CHEVROLET TRUCK 3/4 TON

(Cont.) (AvAlance 2500, C20, C20 Suburban, C2500, C2500 Suburban, G20, G2500, K20, K20 Suburban, P20, R20, R2500, R2500 Suburban, Silverado 2500, V20, V20 Suburban, V2500 & V2500 Suburban)

Year	Application	Seal	Bearing
AXLE			
REAR AXLE (Cont.)			
PINION			
85-84	10.5" R.G.	(Inner) HM803149-HM803110	
		(Outer) 2286 M802048-M802011	
		(Pilot) 512224	
83-80	10.5" R.G.	(Inner) HM803149-HM803110	
		(Outer) 2286 M802048-M802011	
		(Pilot) R-1581-TV	
81-80	8.875" R.G.	(Inner) HM89449-HM89410	
		(Outer) 8460N M88048-M88010	
		Redi-Sleeve 99170	

Year	Application	Seal	Bearing
CLUTCH			
PILOT			
6 CYLINDER			
95-87	262/4.3L		57080
89-87	292/4.8L		57080
86-85	262/4.3L	(H/D) PB-656-HD	
86-80	250/4.1L, 292/4.8L	(H/D) PB-656-HD	
8 CYLINDER			
00-87	305/5.0L, 350/5.7L, 364/6.0L, 379/6.2L (Diesel), 395/6.5L (Diesel), 395/6.5L (Turbo-Diesel), 454/7.4L		57080
86-82	379/6.2L (Diesel)		57080
86-80	305/5.0L, 350/5.7L, 400/6.6L, 454/7.4L	(H/D) PB-656-HD	

Year	Application	Seal	Bearing
RELEASE			
6 CYLINDER			
95-85	262/4.3L		Ⓢ614083
89-85	262/4.3L (Cable Clutch)	(Angular Contact)	CC-1705-C
			Ⓢ614018
89-85	292/4.8L (Cable Clutch)	(Angular Contact)	CC-1705-C
			Ⓢ614018
88-85	292/4.8L		Ⓢ614083
84-80	250/4.1L, 292/4.8L	(Angular Contact)	CC-1705-C
			Ⓢ614018
8 CYLINDER			
07-96	305/5.0L, 350/5.7L, 364/6.0L, 454/7.4L, 496/8.1L (Hyd. Clutch)Ⓢ614174		
95-85	305/5.0L, 350/5.7L, 379/6.2L (Diesel), 395/6.5L (Diesel), 395/6.5L (Turbo-Diesel), 454/7.4L		Ⓢ614083
89-85	305/5.0L, 379/6.2L (Diesel) (Cable Clutch) (Angular Contact) CC-1705-C		Ⓢ614018
84-80	305/5.0L, 350/5.7L, 379/6.2L (Diesel), 400/6.6L, 454/7.4L	(Angular Contact) CC-1705-C	Ⓢ614018

Year	Application	Seal	Bearing
DRIVESHAFT			
CENTER SUPPORT			
07-01	Spicer 1410 Series / Brg. ID 1.5748" (40mm)- Centerline 2.228" (56.6mm)	Bearing	Bearing & Support
			HB-108-D
	(Continued Next Column)		

Year	Application	Seal	Bearing
CENTER SUPPORT (Cont.)			
07-80	Spicer 1280, 1310, 1330, 1410 Series / Brg. ID 1.3780" (35mm) Slip Yoke Style	88107	HB-88107-A (Opt. w/Slings) HB-88107-E
00-88	Spicer 1410 & Cleveland 055 Series / Brg. ID 1.5748" (40mm) Slip Yoke Style		HB-88508-AB
00-88	Spicer 1410 Series / Brg. ID 1.5748" (40mm)- Extended Cab	88508	HB-88508-A
91-80	Spicer 1410 Series / Brg. ID 1.5748" (40mm)	HB-108	

Year	Application	Seal	Bearing
TRANSFER CASE			
FULL TIME / PART TIME			
TRANSFER CASE KIT			
97-95	New Process 241C, 243C		<input checked="" type="checkbox"/> T-240-B
1994	New Process 241C (1st Design)		<input checked="" type="checkbox"/> T-240
1994	New Process 241C (2nd Design)		<input checked="" type="checkbox"/> T-240-B
93-88	New Process 241C		<input checked="" type="checkbox"/> T-240
88-81	New Process 208		<input checked="" type="checkbox"/> T-212
1980	New Process 205		(Gaskets & Seals) TK-205
1980	New Process 205 (27 Spline) (Input Shaft)		<input checked="" type="checkbox"/> T-172
1980	New Process 205 (32 Spline) (Input Shaft)		<input checked="" type="checkbox"/> T-172-FG
INPUT SHAFT			
09-03	Borg-Warner 4482		211
	(Pilot)		BK-3026
07-03	New Process 246	472636	110
	(Pilot)		FC-66561
07-99	New Process 261C, 263C	472636	110
	(Pilot)		B-2110
00-95	New Process 241C, 243C ... (2) 3173 (Dual Lip) 710928		110-L
	Redi-Sleeve 99193		
	(Pilot)		FC-66561
1994	New Process 241C (1st Design)	(2) 3173	N-5210-KLB
	(Dual Lip) 710928		
	Redi-Sleeve 99193		
	(Pilot)		FC-66561
1994	New Process 241C (2nd Design)	(2) 3173	110-L
	(Dual Lip) 710928		
	Redi-Sleeve 99193		
	(Pilot)		FC-66561
93-91	New Process 241C	(2) 3173	N-5210-KLB
	(Dual Lip) 710928		
	Redi-Sleeve 99193		
	(Pilot)		FC-66561
90-88	New Process 241C	(2) 3173	N-5210-KLB
	(Dual Lip) 710928		
	Redi-Sleeve 99193		
	(Pilot)		SCH-1810
88-81	New Process 208	(2) 3173	(2) B-5020
	(Dual Lip) 710928		
	Redi-Sleeve 99193		
	(Pilot)		B-2012
	(Thrust)		AXK-5070
	(Continued Next Page)		

() Indicates Quantity Required Ⓢ Sealed Self-Aligning Bearing Refer To Front Of Catalog For Kit Contents

CHEVROLET TRUCK 3/4 TON - 20/2500 SERIES FULL SIZE

(AvAlance 2500, C20, C20 Suburban, C2500, C2500 Suburban, G20, G2500, K20, K20 Suburban, P20, R20, R2500, R2500 Suburban, Silverado 2500, V20, V20 Suburban, V2500 & V2500 Suburban) (Cont.)

Year	Application	Seal	Bearing
TRANSFER CASE			
FULL TIME / PART TIME (Cont.)			
INPUT SHAFT			
1980	New Process 205 (27 Spline)	(2) 471869 Redi-Sleeve 99193 (Pilot)	(2)1307-L (15)QAR-29523
1980	New Process 205 (32 Spline)	(2) 471869 Redi-Sleeve 99193 (Pilot)	(2)1210-L (15)QAR-29523
FRONT OUTPUT SHAFT			
09-03	Borg-Warner 4482		(2)109
07-03	New Process 246	710495 (Pilot)	207 J-2416
07-99	New Process 261C, 263C	710495	207
05-03	Borg-Warner 4473		109
00-98	New Process 241C, 243C	710495 (Pilot)	207 J-2416
97-88	New Process 241C, 243C	3946 Redi-Sleeve 99187 (Pilot)	207 J-2416
88-81	New Process 208	3946 Redi-Sleeve 99187 (Pilot) (Thrust)	B-2816 J-2416 (2)NTA-2840
1980	New Process 205	710005 Redi-Sleeve 99174 (Pilot)	307-L M-28161
REAR OUTPUT SHAFT			
09-03	Borg-Warner 4482	4503N	§ 209-LO
07-03	New Process 246	710496 (Pilot)	(2)B-5020
07-99	New Process 261C, 263C	710496 (Pilot)	208 (2)B-5020
05-03	Borg-Warner 4473	4503N	
00-98	New Process 241C, 243C (Booted)	4333N (Pilot)	207 (2)B-5020
00-98	New Process 241C, 243C (Non-Booted)	710496 (Pilot)	207 (2)B-5020
97-92	New Process 241C, 243C	4333N (Pilot)	207 (2)B-5020
1991	New Process 241C (1st Design)	9449 (Seal & Bushing Kit) 5208 (Pilot)	207 (2)B-5020
1991	New Process 241C (2nd Design)	4333N (Pilot)	207 (2)B-5020
90-88	New Process 241C	9449 (Seal & Bushing Kit) 5208 (Pilot)	207 (2)B-5020
88-81	New Process 208	9449 (Seal & Bushing Kit) 5208 (Pilot) (Thrust)	1207-L B-3616 TC-2435
(Continued Next Column)			

Year	Application	Seal	Bearing
FULL TIME / PART TIME (Cont.)			
REAR OUTPUT SHAFT			
1980	New Process 205	473468 Redi-Sleeve 99212 (Pilot)	307-L B-3216
IDLER SHAFT			
1980	New Process 205		(2)2793-2720
LOW GEAR ROLLERS			
1980	New Process 205		(128)QBR-23549
OIL PUMP HOUSING			
07-03	New Process 246	341022 Redi-Sleeve 99225	
00-81	New Process 208, 241C, 243C	341022 Redi-Sleeve 99225	
SHIFT SHAFT			
1980	New Process 205	(2) 2287 Redi-Sleeve (2) 99076	
DRIVE SPROCKET			
88-81	New Process 208		(82)C-1086-Q
MOUNTING ADAPTOR			
1980	New Process 205 (1.3750" Shaft)	473214 Redi-Sleeve 99138	
1980	New Process 205 (2.0000" Shaft)	471424 Redi-Sleeve 99199	
TRANSMISSION			
AUTOMATIC / 3 Speed			
FRONT PUMP			
90-80	THM350, THM400, THM350C	6712NA Redi-Sleeve 99187	
EXTENSION HOUSING			
90-85	THM400	9449 (Seal & Bushing Kit) 5208	109
86-85	THM350	9613S (Seal & Bushing Kit) 5200	
86-82	THM350C (Booted)	9613S (Seal & Bushing Kit) 5200	
86-82	THM350C (Non-Booted)	4583	
84-80	THM400	9449 (Seal & Bushing Kit) 5208	
81-80	THM350	9613S (Seal & Bushing Kit) 5200	
MANUAL SHAFT			
90-80	THM350, THM400, THM350C	8792S	
AUTOMATIC / 4 Speed			
FRONT PUMP			
09-08	4L60-E	4950 Redi-Sleeve 99174	
09-00	4L80-E, 4L85-E	714598 Redi-Sleeve 99199	
07-92	4L65E, 4L60-E	4950 Redi-Sleeve 99174	
(Continued Next Page)			

20/2500 SERIES FULL SIZE - CHEVROLET TRUCK 3/4 TON

(Cont.) (AvAlance 2500, C20, C20 Suburban, C2500, C2500 Suburban, G20, G2500, K20, K20 Suburban, P20, R20, R2500, R2500 Suburban, Silverado 2500, V20, V20 Suburban, V2500 & V2500 Suburban)

Year	Application	Seal	Bearing
TRANSMISSION			
AUTOMATIC / 4 Speed (Cont.)			
FRONT PUMP			
99-91	4L80-E	4598	
		Redi-Sleeve 99199	
91-82	4L60, THM700-R4	4950	
		Redi-Sleeve 99174	
OUTPUT SHAFT			
09-91	4L80-E	4934	
EXTENSION HOUSING			
09-08	4L60-E (Booted)	4934	
09-08	4L60-E (Non-Booted)	4583	
09-01	4L80-E (Booted)	4333N	
09-01	4L80-E (Non-Booted) (Over 15,000 lbs. GVWR)	2457	
09-01	4L80-E (Non-Booted) (Under 15,000 lbs. GVWR)	9449	
		(Seal & Bushing Kit) 5208	
07-91	4L60, 4L65E, 4L60-E (Booted)	4934	
07-82	4L60, 4L65E, 4L60-E, THM700-R4 (Non-Booted)	4583	
06-03	4L85-E	4934	
00-91	4L80-E (Booted)	4333N	109
00-91	4L80-E (Non-Booted) (Over 15,000 lbs. GVWR)	2457	109
00-91	4L80-E (Non-Booted) (Under 15,000 lbs. GVWR)	9449	109
		(Seal & Bushing Kit) 5208	
90-82	THM700-R4 (Booted)	9613S	
		(Seal & Bushing Kit) 5200	
MANUAL SHAFT			
09-08	4L60-E, 4L80-E	8792S	
07-82	4L60, 4L65E, 4L60-E, 4L80-E, 4L85-E, THM700-R4	8792S	
AUTOMATIC / 6 Speed			
EXTENSION HOUSING			
09-07	6L90	710533	
MANUAL / 3 Speed			
DRIVESHAFT / INPUT			
87-80	SM326	7412S	
		Redi-Sleeve 99125	
82-80	Tremec 162	3638	§ 208-LO
		Redi-Sleeve 99112	
MAINSHAFT / OUTPUT			
87-80	SM326	9613S	
		(Seal & Bushing Kit) 5200	
82-80	Tremec 162	9613S	207-L
		(Seal & Bushing Kit) 5200	
MAINSHAFT PILOT			
82-80	Tremec 162		(15)QBR-23549
COUNTERSHAFT			
87-80	SM326		(54)C-407-Q
82-80	Tremec 162		(50)C-1086-Q

Year	Application	Seal	Bearing
MANUAL / 3 Speed (Cont.)			
SHIFT SHAFT			
87-80	SM326	240735	
		Redi-Sleeve 99076	
MANUAL / 4 Speed			
TRANSMISSION KIT			
91-85	CH465		T-157-A
84-80	CH465		☒ T-157
DRIVESHAFT / INPUT			
1991	CH465	481181N	
		Redi-Sleeve 99162	
1990	CH465 (1st Design)	481181N	N-1211-L
		Redi-Sleeve 99162	
89-81	New Process A833	7412S	
		Redi-Sleeve 99125	
89-80	CH465	481181N	N-1211-L
		Redi-Sleeve 99162	
MAINSHAFT / OUTPUT			
91-85	CH465	410085	308-FFL
89-81	New Process A833	9613S	
		(Seal & Bushing Kit) 5200	
84-80	CH465	410085	1308-L
MAINSHAFT PILOT			
91-80	CH465		(17)QAR-34604
89-81	New Process A833		(16)QBR-23549
COUNTERSHAFT			
91-85	CH465	(Front)	5707
		(Rear)	308-FFL
84-80	CH465	(Front)	5707
		(Rear)	1308-L
MANUAL / 5 Speed			
TRANSMISSION KIT			
95-91	New Process 4500		T-4500-GMN
DRIVESHAFT / INPUT			
2007	New Process 4500	4638N	
06-99	New Process 4500, 4500HD	4638N	
99-91	New Process 3500	4529N	307-FFL5
		Redi-Sleeve 99138	
98-96	New Process 4500	4638N	M802048-M802011
95-91	New Process 4500	714655	M802048-M802011
		Redi-Sleeve 99133	
91-88	Getrag 290 (2WD)	4529N	
		Redi-Sleeve 99138	
91-88	Getrag 290 (4WD)	4529N	
		Redi-Sleeve 99133	
MAINSHAFT / OUTPUT			
07-91	New Process 4500	714654	M804049-M804010
06-01	New Process 4500HD	714670	M804049-M804010
99-96	New Process 3500 (2WD)	4528N	
99-91	New Process 3500 (4WD)	4532N	
95-91	New Process 3500 (2WD)		
	(Casting No. CC20844)	4530	
95-91	New Process 3500 (2WD)		
	(Exc. Casting No. C20844)	4528N	
91-90	Getrag 290	4530	
1989	Getrag 290 (1st Design)	4530	
1989	Getrag 290 (2nd Design)	4530	

(Continued Next Page)

CHEVROLET TRUCK 3/4 TON - 20/2500 SERIES FULL SIZE

(AvAlance 2500, C20, C20 Suburban, C2500, C2500 Suburban, G20, G2500, K20, K20 Suburban, P20, R20, R2500, R2500 Suburban, Silverado 2500, V20, V20 Suburban, V2500 & V2500 Suburban) (Cont.)

Year	Application	Seal	Bearing
TRANSMISSION			
MANUAL / 5 Speed (Cont.)			
MAINSHAFT / OUTPUT			
1988	Getrag 290	4530	
COUNTERSHAFT			
2007	New Process 4500		
	(Front)		LM102949-LM102910
	(Rear)		A-35
06-91	New Process 4500, 4500HD		
	(Front)		LM102949-LM102910
	(Rear)		A-35
99-91	New Process 3500		(2)FC-68336
OVERDRIVE			
2007	New Process 4500		(2)FW-404820
06-91	New Process 4500, 4500HD		(2)FW-404820
EXTENSION HOUSING			
07-91	New Process 4500 (2WD)		B-5020
MANUAL / 6 Speed			
DRIVESHAFT / INPUT			
07-01	ZF S6-650		28580-28521
MAINSHAFT / OUTPUT			
07-01	ZF S6-650 (2WD)	225010	
07-01	ZF S6-650 (4WD)	1217	
COUNTERSHAFT			
07-01	ZF S6-650		(2)2580-2520
STEERING			
MANUAL STEERING			
STEERING GEAR WORM SHAFT			
86-80	All	480821	
STEERING GEAR PITMAN SHAFT			
86-80	All	313842	
POWER STEERING			
STEERING GEAR HOUSING			
96-80	All		(Adj. Plug) DB-53313
STEERING GEAR WORM SHAFT			
96-80	G20, G2500	222025	
STEERING GEAR PITMAN SHAFT			
06-80	All		(Kit) <input checked="" type="checkbox"/> PSK-1
STEERING PUMP SHAFT			
06-80	All	7013S	
AIR CONDITIONING			
COMPRESSOR			
CLUTCH PULLEY			
05-96	Harrison HT-6		907257
96-95	Harrison HD-6		907257
95-80	Harrison R-4		907257
91-85	Harrison HR-6HE		907257

(Continued Next Column)

Year	Application	Seal	Bearing
COMPRESSOR (Cont.)			
CLUTCH PULLEY			
86-80	Harrison A-6		907257
FRONT HEAD MAIN			
95-80	Harrison R-4		S-128
86-80	Harrison A-6		SC-108
ELECTRICAL			
ALTERNATOR			
DRIVE END			
91-83	AC-Delco 56, 66, 78 Amp.		203-FF
86-80	AC-Delco 37, 42, 55, 61, 63, 70, 80, 85 Amp. (Integral Type)		203-S
REAR END			
01-88	AC-Delco 100, 124, 140, 145 Amp.		100-CC4
91-80	AC-Delco 37, 42, 55, 56, 61, 63, 66, 78 Amp.		MNJ-471-S
ENGINE			
CRANKSHAFT			
6 CYLINDER			
05-96	262/4.3L		5512
95-86	262/4.3L	(Gkt. & PTFE Seal)	5274A
		(Gkt. & Viton® Seal)	4359V
		PTFE Rubber	5274
		Redi-Sleeve	99364
89-80	250/4.1L, 292/4.8L	(Split Seal)	5092
1985	262/4.3L	(Split Seal)	5092
8 CYLINDER			
09-99	293/4.8L, 325/5.3L, 364/6.0L		100085
07-01	496/8.1L	☆	710552
		Redi-Sleeve	99435
02-96	305/5.0L, 350/5.7L		5512
02-92	379/6.2L (Diesel), 395/6.5L (Diesel), 395/6.5L (Turbo-Diesel)		710258
		Redi-Sleeve	99452
00-91	454/7.4L		325776
		Redi-Sleeve	99435
95-86	305/5.0L, 350/5.7L		
		(Gkt. & PTFE Seal)	5274A
		(Gkt. & Viton® Seal)	4359V
		PTFE Rubber	5274
		Redi-Sleeve	99364
91-82	379/6.2L (Diesel)		5163
90-80	454/7.4L	(Split Seal)	5072
1985	305/5.0L (1st Design)		
		(Split Seal)	5092
1985	305/5.0L (2nd Design)		
		(Gkt. & PTFE Seal)	5274A
		(Gkt. & Viton® Seal)	4359V
		PTFE Rubber	5274
		Redi-Sleeve	99364
1985	350/5.7L	(Split Seal)	5092
84-80	305/5.0L, 350/5.7L, 400/6.6L		
		(Split Seal)	5092

20/2500 SERIES FULL SIZE - CHEVROLET TRUCK 3/4 TON

(Cont.) (AvAlance 2500, C20, C20 Suburban, C2500, C2500 Suburban, G20, G2500, K20, K20 Suburban, P20, R20, R2500, R2500 Suburban, Silverado 2500, V20, V20 Suburban, V2500 & V2500 Suburban)

Year	Application	Seal	Bearing	Year	Application	Seal	Bearing
ENGINE				TIMING COVER (Cont.)			
TIMING COVER				8 CYLINDER			
6 CYLINDER				8 CYLINDER			
1995	262/4.3L (1st Design)	9845		07-01	496/8.1L	☆ 710607	
	Redi-Sleeve	99176				Redi-Sleeve	99235
	Harmonic Bal Sleeve	88176		02-80	379/6.2L (Diesel),		
	Harmonic Bal Kit ☒	5000			395/6.5L (Diesel),		
94-85	262/4.3L	9845			395/6.5L (Turbo-Diesel),		
	Redi-Sleeve	99176			454/7.4L	3945	
	Harmonic Bal Sleeve	88176				Redi-Sleeve	99233
	Harmonic Bal Kit ☒	5000				Harmonic Bal Sleeve	88233
89-80	250/4.1L, 292/4.8L	9845		1996	305/5.0L (1st Design)	9845	
	Redi-Sleeve	99176				Redi-Sleeve	99176
	Harmonic Bal Sleeve	88176				Harmonic Bal Sleeve	88176
	Harmonic Bal Kit ☒	5000				Harmonic Bal Kit ☒	5000
				1996	350/5.7L	9845	
						Redi-Sleeve	99176
						Harmonic Bal Sleeve	88176
						Harmonic Bal Kit ☒	5000
09-99	293/4.8L, 325/5.3L, 364/6.0L	100470		95-80	305/5.0L, 350/5.7L, 400/6.6L	9845	
	Redi-Sleeve	99210				Redi-Sleeve	99176
						Harmonic Bal Sleeve	88176
						Harmonic Bal Kit ☒	5000

(Continued Next Column)

30/3500 SERIES FULL SIZE - CHEVROLET TRUCK 1 TON

(C30, C3500, G30, G3500, K30, K3500, P30, P30 Motor Home, R30, R3500, Silverado 3500, V30, V3500 & W4S042)

WHEEL				FRONT WHEEL (2WD) (Cont.)			
FRONT WHEEL (2WD)				FRONT WHEEL (4WD)			
09-08	Silverado 3500 (Exc. H/D Suspension)	Hub Assembly ☆	515098	1991	P30 Motor Home		
09-08	Silverado 3500 (H/D Suspension)	Hub Assembly ☆	515099			(Inner)	4740 A-35
08-03	G3500 (From 10,000 GVWR)	Hub Assembly	515060			(Outer)	15103S-15243
08-03	G3500 (To 9,600 GVWR)	Hub Assembly	515059	1991	C3500, G30, R3500		
2007	Silverado 3500 (Classic)	Hub Assembly ☆	515087			(Inner)	8974S A-35
2007	Silverado 3500 (Exc. Classic) (Exc. H/D Suspension)	Hub Assembly ☆	515098			(Outer)	15103S-15243
2007	Silverado 3500 (Exc. Classic) (H/D Suspension)	Hub Assembly ☆	515099	90-85	P30 (Exc. I-Beam Axle)		
						(Inner)	8974S A-35
06-01	Silverado 3500	Hub Assembly ☆	515087			(Outer)	15103S-15243
02-01	C3500	(Inner) (Kit) ☒	5682 26884-26823	90-85	C30, C3500, G30, P30 Motor Home, R30, R3500		
		(Outer)	15103S-15243			(Inner)	8974S A-35
02-92	G30, G3500, P30 Motor Home					(Outer)	15103S-15243
		(Inner)	4740 A-35	84-80	All	(Inner)	8974S A-35
		(Outer)	15103S-15243			(Outer)	15103S-15243
00-92	C3500 (Exc. 15,000 lbs. GVWR)						
		(Inner)	4740 A-35				
		(Outer)	15103S-15243				
00-92	C3500 (15,000 lbs. GVWR)						
		(Inner) (Kit) ☒	5682 26884-26823				
		(Outer)	15103S-15243				
99-91	P30 (Exc. I-Beam Axle)						
		(Inner)	4740 A-35				
		(Outer)	15103S-15243				
99-87	W4S042						
		(Inner)	474230 32210				
		(Outer)	32207				
99-85	P30 (I-Beam Axle)						
		(Inner) (Kit) ☒	5682 26884-26823				
		(Outer)	15103S-15243				

(Continued Next Column)

CHEVROLET TRUCK 1 TON - 30/3500 SERIES FULL SIZE

(C30, C3500, G30, G3500, K30, K3500, P30, P30 Motor Home, R30, R3500, Silverado 3500, V30, V3500 & W4S042) (Cont.)

Year	Application	Seal	Bearing
WHEEL			
REAR WHEEL			
09-03	G3500 (Dual Wheel)		
	(Inner)	710568	A-46
	(Outer)		A-47
09-03	G3500 (Single Wheel)		
	(Inner)	710568	387AS-382A
	(Outer)		A-38
09-01	Silverado 3500		
	(Inner)	710568	A-46
	(Outer)		A-47
02-01	C3500	6358	■ KD-12051-Z
	(Outer)		387A-382
02-01	G3500	710568	387AS-382A
	(Outer)		A-38
00-97	C3500, K3500 (Spicer 80)		
	(Inner)	6358	■ KD-12051-Z
	(Outer)		387A-382
00-96	G3500	2081	387AS-382A
	(Outer)		A-38
00-91	C3500, G30, K3500, P30 (10.5" R.G.)	2081	387AS-382A
	(Outer)		A-38
99-97	P30 (Spicer 80) (Disc Brakes)	6358	39590-39520
	(Outer)	JLM506849-JLM506810	
99-97	P30 (Spicer 80) (Drum Brakes)	6358	■ KD-12051-Z
	(Outer)		387A-382
99-97	P30 Motor Home		
	(Inner)	6358	39590-39520
	(Outer)	JLM506849-JLM506810	
99-87	W4S042	710080	29586-29520
	(Outer)	710081	28680-28622
96-92	C3500, K3500, P30 (Spicer 80)	6358	■ KD-12051-Z
	(Outer)		387A-382
96-82	P30 Motor Home		
	(Inner)	6358	■ KD-12051-Z
	(Outer)		■ KB-11786-Y
95-92	G30 (9.5" R.G.)	710105	R-1561-TV
	(Axle Repair Brg.)		RP-1561-GM
1991	P30 (Spicer 80)		
	(Inner)	6358	■ KD-12051-Z
	(Outer)		387A-382
91-83	G30 (Spicer 70)		
	(Inner)	2081	387AS-382A
	(Outer)		A-38
91-83	G30 (9.5" R.G.)	3747	R-1561-TV
	(Axle Repair Brg.)		RP-1561-GM
91-83	C30, K30, R30, R3500, V30, V3500	2081	387AS-382A
	(Outer)		A-38
91-82	C3500, K3500, P30 (Rockwell Standard C100)		
	(Inner)	6358	■ KD-12051-Z
	(Outer)		387A-382
90-83	G30 (Spicer 60)		
	(Inner)	2081	387AS-382A
	(Outer)		A-38
90-82	C3500, K3500, P30 (10.5" R.G.)	2081	387AS-382A
	(Outer)		A-38
	(Continued Next Column)		

Year	Application	Seal	Bearing
REAR WHEEL (Cont.)			
89-88	C3500, K3500 (Spicer 70-3HD)		
	(Inner)	2081	387AS-382A
	(Outer)		A-38
82-80	C30, G30, K30	2081	387AS-382A
	(Outer)		A-38
81-80	P30, P30 Motor Home		
	(Inner)	6358	■ KD-12051-Z
	(Outer)		■ KB-11786-Y
AXLE			
FRONT AXLE			
AXLE SHAFT			
09-98	AAM IFS-9.25" R.G.		
	(Inner)	(2) 710497	(2) B-2610
	(Outer)		B-2410
	(Pilot)		SCH-78
1997	AAM IFS-9.25" R.G. (1st Design)		
	(Inner)	(2) 710102	(2) B-2610
	(Outer)		B-2410
	(Pilot)		SCH-78
1997	AAM IFS-9.25" R.G. (2nd Design)		
	(Inner)	(2) 710497	(2) B-2610
	(Outer)		B-2410
	(Pilot)		SCH-78
96-95	AAM IFS-9.25" R.G.		
	(Inner)	(2) 710102	(2) B-2610
	(Outer)		B-2410
	(Pilot)		SCH-78
93-88	ICA-9.25" R.G.		
	(Inner)	(2) 710102	(2) B-2610
	(Outer)		B-2410
	(Pilot)		SCH-78
91-80	Spicer 60-F	470682	
SPINDLE KIT			
91-80	Spicer 60-F		☒ SBK-3
SPINDLE			
91-80	Spicer 60-F	(Inner) 710044	B-2414
	(Outer)	710045	
DIFFERENTIAL KIT			
1997	AAM IFS-9.25" R.G. (1st Design)		☒ RA-324-A
	(Master Kit)		RA-324-AMK
96-95	AAM IFS-9.25" R.G.		☒ RA-324-A
	(Master Kit)		RA-324-AMK
93-88	ICA-9.25" R.G.		☒ RA-324-A
	(Master Kit)		RA-324-AMK
91-80	Spicer 60-F		☒ RA-331
	(Master Kit)		RA-331MK
DIFFERENTIAL			
09-95	AAM IFS-9.25" R.G.	(2) 450094	(2) A-42
	Redi-Sleeve (2)	99193	
93-88	ICA-9.25" R.G.	(2) 450094	(2) A-42
	Redi-Sleeve (2)	99193	
91-80	Spicer 60-F		(2) 387A-382S
PINION			
09-98	AAM IFS-9.25" R.G.		
	(Inner)		HM804846-HM804810
	(Outer)	710536	HM88649-HM88610
	(Continued Next Page)		

30/3500 SERIES FULL SIZE - CHEVROLET TRUCK 1 TON

(Cont.) (C30, C3500, G30, G3500, K30, K3500, P30, P30 Motor Home, R30, R3500, Silverado 3500, V30, V3500 & W4S042)

Year	Application	Seal	Bearing	Year	Application	Seal	Bearing
AXLE				REAR AXLE (Cont.)			
FRONT AXLE (Cont.)				DIFFERENTIAL			
PINION				90-80 Spicer 60-HD, 70B, 70U..... (2)387A-382S			
1997 AAM IFS-9.25" R.G. (1st Design)				81-80 H110..... ■ (2)KA-11820-Z			
(Inner)..... HM804846-HM804810				PINION			
(Outer)..... 710281..... HM88649-HM88610				09-01 AAM 11.5" R.G.			
Redi-Sleeve 99193.....				(Inner)..... HM807046-HM807010			
1997 AAM IFS-9.25" R.G. (2nd Design)				(Outer)..... 710508..... M802048-M802011			
(Inner)..... HM804846-HM804810				09-98 AAM 10.5" R.G.			
(Outer)..... 710536..... HM88649-HM88610				(Inner)..... HM903249-HM903210			
96-95 AAM IFS-9.25" R.G.				(Outer)..... 710508..... M802048-M802011			
(Inner)..... HM804846-HM804810				(Pilot)..... R-1581-TV			
(Outer)..... 710281..... HM88649-HM88610				06-01 Spicer 80..... (Outer)..... 100727..... M802048-M802011			
Redi-Sleeve 99193.....				00-99 Spicer 80..... (Outer)..... 4525V..... M802048-M802011			
93-88 ICA-9.25" R.G.				Redi-Sleeve 99253.....			
(Inner)..... HM804846-HM804810				00-87 Isuzu R040..... 710268..... (2)30309			
(Outer)..... 710281..... HM88649-HM88610				98-89 Spicer 80..... (Inner)..... HM807046-HM807010			
Redi-Sleeve 99193.....				(Outer)..... 4525V..... M802048-M802011			
91-80 Spicer 60-F..... (Inner)..... HM803146-HM803110				Redi-Sleeve 99253.....			
(Outer)..... 9316..... HM88542-HM88510				1997 AAM 10.5" R.G. (1st Design)			
Redi-Sleeve 99187.....				(Inner)..... HM903249-HM903210			
STEERING KNUCKLE				(Outer)..... 2286..... M802048-M802011			
91-80 Spicer 60-F..... (Lower)..... (2)710304..... (2)23100-23256				(Pilot)..... R-1581-TV			
(Upper)..... (2)710385.....				1997 AAM 10.5" R.G. (2nd Design)			
REAR AXLE				(Inner)..... HM903249-HM903210			
DIFFERENTIAL KIT				(Outer)..... 710508..... M802048-M802011			
09-98 AAM 10.5" R.G..... [X] RA-325-B				(Pilot)..... R-1581-TV			
98-89 Spicer 80..... [X] RA-337				96-95 AAM 10.5" R.G. (1st Design)..... [X] RA-325-A			
1997 AAM 10.5" R.G. (1st Design)..... [X] RA-325-A				(Master Kit) RA-325-AMK			
1997 AAM 10.5" R.G. (2nd Design)..... [X] RA-325-B				1995 AAM 9.5" R.G. (1st Design)..... [X] RA-325-A			
96-95 AAM 10.5" R.G. (Master Kit) RA-325-AMK				(Master Kit) RA-324MK			
1995 AAM 9.5" R.G. [X] RA-324				94-89 10.5" R.G. [X] RA-325-A			
(Master Kit) RA-324MK				(Master Kit) RA-325-AMK			
94-89 10.5" R.G. [X] RA-325-A				94-83 9.5" R.G. [X] RA-324			
(Master Kit) RA-325-AMK				(Master Kit) RA-324MK			
94-83 9.5" R.G. [X] RA-324				91-80 Spicer 70-3HD, 70HD..... [X] RA-332-HD			
(Master Kit) RA-324MK				90-84 Spicer 70U..... [X] RA-332-U			
91-80 Spicer 70-3HD, 70HD..... [X] RA-332-HD				90-80 Spicer 60-HD..... [X] RA-331			
90-84 Spicer 70U..... [X] RA-332-U				(Master Kit) RA-331MK			
90-80 Spicer 60-HD..... [X] RA-331				1988 10.5" R.G. (1st Design)..... [X] RA-325			
(Master Kit) RA-331MK				(Master Kit) RA-325MK			
1988 10.5" R.G. (1st Design)..... [X] RA-325				1988 10.5" R.G. (2nd Design)..... [X] RA-325-A			
(Master Kit) RA-325MK				(Master Kit) RA-325-AMK			
1988 10.5" R.G. (2nd Design)..... [X] RA-325-A				87-86 10.5" R.G. [X] RA-325			
(Master Kit) RA-325-AMK				(Master Kit) RA-325MK			
87-86 10.5" R.G. [X] RA-325				83-80 Spicer 70B..... [X] RA-332			
(Master Kit) RA-325MK				83-80 10.5" R.G. [X] RA-325			
83-80 Spicer 70B..... [X] RA-332				(Master Kit) RA-325MK			
83-80 10.5" R.G. [X] RA-325				DIFFERENTIAL			
(Master Kit) RA-325MK				09-01 AAM 11.5" R.G. (2)3984-3920			
DIFFERENTIAL				09-95 AAM 10.5" R.G. (2)387AS-382A			
09-01 AAM 11.5" R.G. (2)3984-3920				06-80 Spicer 70-3HD, 70HD, 80..... (2)469-453X			
09-95 AAM 10.5" R.G. (2)387AS-382A				00-87 Isuzu R040..... (2)29590-29522			
06-80 Spicer 70-3HD, 70HD, 80..... (2)469-453X				1995 AAM 9.5" R.G. (2)A-42			
00-87 Isuzu R040..... (2)29590-29522				94-83 9.5" R.G. (2)A-42			
1995 AAM 9.5" R.G. (2)A-42				94-80 10.5" R.G. (2)387AS-382A			
94-83 9.5" R.G. (2)A-42				91-82 Rockwell C100..... (2)395-394A			
94-80 10.5" R.G. (2)387AS-382A							
91-82 Rockwell C100..... (2)395-394A							
(Continued Next Column)							

() Indicates Quantity Required ■ Replace Complete Unit [X] Refer To Front Of Catalog For Kit Contents

CHEVROLET TRUCK 1 TON - 30/3500 SERIES FULL SIZE

(C30, C3500, G30, G3500, K30, K3500, P30, P30 Motor Home, R30, R3500, Silverado 3500, V30, V3500 & W4S042) (Cont.)

Year	Application	Seal	Bearing
AXLE			
REAR AXLE (Cont.)			
PINION			
85-84	10.5" R.G. (Inner)	HM803149-HM803110	
 (Outer) 2286	M802048-M802011	
 (Pilot)	512224	
83-80	10.5" R.G. (Inner)	HM803149-HM803110	
 (Outer) 2286	M802048-M802011	
 (Pilot)	R-1581-TV	
81-80	H110..... (Outer)	411330N..... 5310-WA	
 (Felt) 5M89.....		
 Redi-Sleeve 99259		
 (Pilot)	MU-1306-TDM	
CLUTCH			
PILOT			
4 CYLINDER			
95-87	3856cc/3.9L (Diesel), 3856cc/3.9L (Turbo-Diesel)		203-FF
6 CYLINDER			
89-87	262/4.3L		57080
89-87	292/4.8L		57080
86-85	262/4.3L	(H/D) PB-656-HD	
86-80	250/4.1L, 292/4.8L	(H/D) PB-656-HD	
8 CYLINDER			
02-87	350/5.7L, 379/6.2L (Diesel), 395/6.5L (Diesel), 395/6.5L (Turbo-Diesel), 454/7.4L.....		57080
86-82	379/6.2L (Diesel)		57080
86-80	305/5.0L, 350/5.7L, 400/6.6L, 454/7.4L	(H/D) PB-656-HD	
RELEASE			
		<i>Bearing Only</i>	<i>Bearing Assembly</i>
4 CYLINDER			
95-87	3856cc/3.9L (Diesel), 3856cc/3.9L (Turbo-Diesel) (300mm Clutch).....	613014	
91-89	239/3.9L (Turbo-Diesel).....		Ⓢ 614038
 1625 (Thrust Type) FB-1625-C		
6 CYLINDER			
89-85	262/4.3L (Cable Clutch)	(Angular Contact) CC-1705-C	
		Ⓢ 614018	
89-85	292/4.8L (Cable Clutch)	(Angular Contact) CC-1705-C	
		Ⓢ 614018	
88-85	292/4.8L	Ⓢ 614083	
84-80	250/4.1L, 292/4.8L	(Angular Contact) CC-1705-C	
		Ⓢ 614018	
8 CYLINDER			
07-96	350/5.7L, 364/6.0L, 395/6.5L (Turbo-Diesel), 454/7.4L, 496/8.1L	(Hyd. Clutch)Ⓢ 614174	
95-85	305/5.0L, 350/5.7L, 379/6.2L (Diesel), 395/6.5L (Diesel), 395/6.5L (Turbo-Diesel), 454/7.4L	Ⓢ 614083	
89-85	379/6.2L (Diesel), 454/7.4L (Cable Clutch) (Angular Contact) CC-1705-C		
		Ⓢ 614018	
1985	305/5.0L	(Angular Contact) CC-1705-C	
		Ⓢ 614018	
84-80	305/5.0L, 350/5.7L, 379/6.2L (Diesel), 400/6.6L, 454/7.4L	(Angular Contact) CC-1705-C	
		Ⓢ 614018	

(Continued Next Column)

Year	Application	Seal	Bearing
RELEASE (Cont.)		<i>Bearing Only</i>	<i>Bearing Assembly</i>
8 CYLINDER			
1980	400/6.6L		Ⓢ 614108
DRIVESHAFT			
CENTER SUPPORT			
		<i>Bearing</i>	<i>Bearing & Support</i>
05-01	Spicer 1410 Series / Brg. ID 1.5748" (40mm)- Centerline 2.228" (56.6mm).....		HB-108-D
02-88	Spicer 1330, 1350, 1410, 1480 Series / Brg. ID 1.5748" (40mm)End Yoke Style.....		HB-88508-AA
02-80	Spicer 1280, 1310, 1330, 1410 Series / Brg. ID 1.3780" (35mm)Slip Yoke Style.....	88107	HB-88107-A
		(Opt. w/Slingers)	HB-88107-E
00-85	Spicer 1410 & Cleveland 055 Series / Brg. ID 1.5748" (40mm)Slip Yoke Style		HB-88508-AB
99-88	Spicer 1410 Series / Brg. ID 1.5748" (40mm)- Extended Cab	88508	HB-88508-A
91-80	Spicer 1410 Series / Brg. ID 1.5748" (40mm).....		HB-108
TRANSFER CASE			
FULL TIME / PART TIME			
TRANSFER CASE KIT			
00-90	Borg-Warner 4470.....		<input checked="" type="checkbox"/> T-470
00-89	Borg-Warner 1370, 4401		<input checked="" type="checkbox"/> T-370
91-86	New Process 205		<input checked="" type="checkbox"/> T-172-FG
91-80	New Process 205	(Gaskets & Seals)	TK-205
89-88	New Process 241C.....		<input checked="" type="checkbox"/> T-240
85-80	New Process 205 (27 Spline) (Input Shaft).....		<input checked="" type="checkbox"/> T-172
85-80	New Process 205 (32 Spline) (Input Shaft).....		<input checked="" type="checkbox"/> T-172-FG
INPUT SHAFT			
07-01	New Process 261C, 263C	472636	110
	(Pilot)		B-2110
00-89	Borg-Warner 1370, 4401, 4470	714503	110
	(Pilot)		BK-3026
91-86	New Process 205	(2) 3173	(2)1210-L
	(Dual Lip) 710928		
	Redi-Sleeve 99193		
	(Pilot)		(15)QAR-29523
89-88	New Process 241C.....	(2) 3173	N-5210-KLB
	(Dual Lip) 710928		
	Redi-Sleeve 99193		
	(Pilot)		SCH-1810
85-82	New Process 205 (27 Spline).....	(2) 3173	(2)1307-L
	(Dual Lip) 710928		
	Redi-Sleeve 99193		
	(Pilot)		(15)QAR-29523
85-82	New Process 205 (32 Spline).....	(2) 3173	(2)1210-L
	(Dual Lip) 710928		
	Redi-Sleeve 99193		
	(Pilot)		(15)QAR-29523

(Continued Next Page)

30/3500 SERIES FULL SIZE - CHEVROLET TRUCK 1 TON

(Cont.) (C30, C3500, G30, G3500, K30, K3500, P30, P30 Motor Home, R30, R3500, Silverado 3500, V30, V3500 & W4S042)

Year	Application	Seal	Bearing
TRANSFER CASE			
FULL TIME / PART TIME (Cont.)			
INPUT SHAFT			
81-80	New Process 205 (27 Spline)	(2) 471869	(2) 1307-L
		Redi-Sleeve 99193	
		(Pilot)	(15) QAR-29523
81-80	New Process 205 (32 Spline)	(2) 471869	(2) 1210-L
		Redi-Sleeve 99193	
		(Pilot)	(15) QAR-29523
FRONT OUTPUT SHAFT			
07-01	New Process 261C, 263C	710495	207
00-89	Borg-Warner 1370, 4401, 4470	714503	207
		(Pilot)	B-2012
91-80	New Process 205	710005	307-L
		Redi-Sleeve 99174	
		(Pilot)	M-28161
89-88	New Process 241C	3946	207
		Redi-Sleeve 99187	
		(Pilot)	J-2416
REAR OUTPUT SHAFT			
07-01	New Process 261C, 263C	710496	208
		(Pilot)	(2) B-5020
00-90	Borg-Warner 4470 (Booted)	4503N	208
00-90	Borg-Warner 4470 (Non-Booted)	714503	208
00-89	Borg-Warner 1370, 4401 (Booted)	4503N	207
00-89	Borg-Warner 1370, 4401 (Non-Booted)	714503	207
91-80	New Process 205	473468	307-L
		Redi-Sleeve 99212	
		(Pilot)	B-3216
89-88	New Process 241C (Seal & Bushing Kit)	9449	207
		(Seal & Bushing Kit) 5208	
		(Pilot)	(2) B-5020
IDLER SHAFT			
91-80	New Process 205		(2) 2793-2720
LOW GEAR ROLLERS			
91-80	New Process 205		(128) QBR-23549
OIL PUMP HOUSING			
00-90	Borg-Warner 4470		B-3012
89-88	New Process 241C	341022	
		Redi-Sleeve 99225	
SHIFT SHAFT			
00-89	Borg-Warner 1370, 4401, 4470	330385	
91-80	New Process 205	(2) 2287	
		Redi-Sleeve (2) 99076	
DRIVE SPROCKET			
00-90	Borg-Warner 4470		(122) Q-8304
MOUNTING ADAPTOR			
91-85	New Process 205	9613S	
		(Seal & Bushing Kit) 5200	
		(Continued Next Column)	

Year	Application	Seal	Bearing
FULL TIME / PART TIME (Cont.)			
MOUNTING ADAPTOR			
84-81	New Process 205 (1.5000" Shaft)	9613S	
		(Seal & Bushing Kit) 5200	
84-80	New Process 205 (1.3750" Shaft)	473214	
		Redi-Sleeve 99138	
1980	New Process 205 (2.0000" Shaft)	471424	
		Redi-Sleeve 99199	
TRANSMISSION			
AUTOMATIC / 3 Speed			
FRONT PUMP			
90-80	THM350, THM400, THM350C	6712NA	
		Redi-Sleeve 99187	
EXTENSION HOUSING			
90-85	THM400	9449	109
		(Seal & Bushing Kit) 5208	
86-82	THM350C (Booted)	9613S	
		(Seal & Bushing Kit) 5200	
86-82	THM350C (Non-Booted)	4583	
84-80	THM400	9449	
		(Seal & Bushing Kit) 5208	
81-80	THM350	9613S	
		(Seal & Bushing Kit) 5200	
MANUAL SHAFT			
90-80	THM350, THM400, THM350C	8792S	
AUTOMATIC / 4 Speed			
FRONT PUMP			
09-00	4L80-E	714598	
		Redi-Sleeve 99199	
02-92	4L60-E	4950	
		Redi-Sleeve 99174	
99-91	4L80-E	4598	
		Redi-Sleeve 99199	
91-82	4L60, THM700-R4	4950	
		Redi-Sleeve 99174	
OUTPUT SHAFT			
09-91	4L80-E	4934	
EXTENSION HOUSING			
09-01	4L80-E (Booted)	4333N	
09-01	4L80-E (Non-Booted) (Over 15,000 lbs. GVWR)	2457	
09-01	4L80-E (Non-Booted) (Under 15,000 lbs. GVWR)	9449	
		(Seal & Bushing Kit) 5208	
02-91	4L60, 4L60-E (Booted)	4934	
02-82	4L60, 4L60-E, THM700-R4 (Non-Booted)	4583	
00-91	4L80-E (Booted)	4333N	109
00-91	4L80-E (Non-Booted) (Over 15,000 lbs. GVWR)	2457	109
00-91	4L80-E (Non-Booted) (Under 15,000 lbs. GVWR)	9449	109
		(Seal & Bushing Kit) 5208	
90-82	THM700-R4 (Booted)	9613S	
		(Seal & Bushing Kit) 5200	

() Indicates Quantity Required

CHEVROLET TRUCK 1 TON - 30/3500 SERIES FULL SIZE

(C30, C3500, G30, G3500, K30, K3500, P30, P30 Motor Home, R30, R3500, Silverado 3500, V30, V3500 & W4S042) (Cont.)

Year	Application	Seal	Bearing
TRANSMISSION			
AUTOMATIC / 4 Speed (Cont.)			
MANUAL SHAFT			
09-82	4L60, 4L60-E, 4L80-E, THM700-R4	8792S	
AUTOMATIC / 6 Speed			
EXTENSION HOUSING			
09-07	6L90	710533	
MANUAL / 3 Speed			
DRIVESHAFT / INPUT			
87-80	SM326	7412S	
		Redi-Sleeve 99125	
82-80	Tremec 162	3638	§ 208-LO
		Redi-Sleeve 99112	
MAINSHAFT / OUTPUT			
87-80	SM326	9613S	
		(Seal & Bushing Kit) 5200	
82-80	Tremec 162	9613S	207-L
		(Seal & Bushing Kit) 5200	
MAINSHAFT PILOT			
82-80	Tremec 162		(15)QBR-23549
COUNTERSHAFT			
87-80	SM326		(54)C-407-Q
82-80	Tremec 162		(50)C-1086-Q
SHIFT SHAFT			
87-80	SM326	240735	
		Redi-Sleeve 99076	
MANUAL / 4 Speed			
TRANSMISSION KIT			
91-85	CH465		T-157-A
84-80	CH465		<input checked="" type="checkbox"/> T-157
DRIVESHAFT / INPUT			
1991	CH465	481181N	
		Redi-Sleeve 99162	
1990	CH465 (1st Design)	481181N	N-1211-L
		Redi-Sleeve 99162	
89-80	CH465	481181N	N-1211-L
		Redi-Sleeve 99162	
86-81	New Process A833	7412S	
		Redi-Sleeve 99125	
MAINSHAFT / OUTPUT			
91-85	CH465	410085	308-FFL
86-81	New Process A833	9613S	
		(Seal & Bushing Kit) 5200	
84-80	CH465	410085	1308-L
MAINSHAFT PILOT			
91-80	CH465		(17)QAR-34604
86-81	New Process A833		(16)QBR-23549
COUNTERSHAFT			
91-85	CH465	(Front)	5707
		(Rear)	308-FFL
84-80	CH465	(Front)	5707
		(Rear)	1308-L

Year	Application	Seal	Bearing
MANUAL / 5 Speed			
TRANSMISSION KIT			
95-91	New Process 4500		T-4500-GMN
DRIVESHAFT / INPUT			
2007	New Process 4500	4638N	
06-99	New Process 4500, 4500HD	4638N	
98-96	New Process 4500, 4500HD	4638N	M802048-M802011
98-87	Isuzu MSA5D	1990	
		Redi-Sleeve 99106	
95-91	New Process 4500, 4500HD	714655	M802048-M802011
		Redi-Sleeve 99133	
93-91	New Process 3500	4529N	307-FFL5
		Redi-Sleeve 99138	
91-88	Getrag 290 (2WD)	4529N	
		Redi-Sleeve 99138	
91-88	Getrag 290 (4WD)	4529N	
		Redi-Sleeve 99133	
MAINSHAFT / OUTPUT			
07-91	New Process 4500	714654	M804049-M804010
06-91	New Process 4500HD	714670	M804049-M804010
98-87	Isuzu MSA5D		308-FFL
93-91	New Process 3500 (2WD) (Casting No. CC20844)	4530	
93-91	New Process 3500 (2WD) (Exc. Casting No. C20844)	4528N	
93-91	New Process 3500 (4WD)	4532N	
91-90	Getrag 290	4530	
1989	Getrag 290 (1st Design)	4530	
1989	Getrag 290 (2nd Design)	4530	
1988	Getrag 290	4530	
COUNTERSHAFT			
2007	New Process 4500		
		(Front)	LM102949-LM102910
		(Rear)	A-35
06-91	New Process 4500, 4500HD		
		(Front)	LM102949-LM102910
		(Rear)	A-35
93-91	New Process 3500		(2)FC-68336
OVERDRIVE			
2007	New Process 4500		(2)FW-404820
06-91	New Process 4500, 4500HD		(2)FW-404820
EXTENSION HOUSING			
07-91	New Process 4500 (2WD)		B-5020
MANUAL / 6 Speed			
DRIVESHAFT / INPUT			
07-01	ZF S6-650		28580-28521
MAINSHAFT / OUTPUT			
07-01	ZF S6-650 (2WD)	225010	
07-01	ZF S6-650 (4WD)	1217	
COUNTERSHAFT			
07-01	ZF S6-650		(2)2580-2520
STEERING			
MANUAL STEERING			
STEERING GEAR WORM SHAFT			
86-80	All	480821	

30/3500 SERIES FULL SIZE - CHEVROLET TRUCK 1 TON

(Cont.) (C30, C3500, G30, G3500, K30, K3500, P30, P30 Motor Home, R30, R3500, Silverado 3500, V30, V3500 & W4S042)

Year	Application	Seal	Bearing	Year	Application	Seal	Bearing
STEERING				CRANKSHAFT (Cont.)			
MANUAL STEERING (Cont.)				6 CYLINDER			
STEERING GEAR PITMAN SHAFT				95-86 262/4.3L (Gkt. & PTFE Seal) 5274A			
86-80 All..... 313842 (Gkt. & Viton® Seal) 4359V			
POWER STEERING				PTFE Rubber 5274			
STEERING GEAR HOUSING				Redi-Sleeve 99364			
96-80 C30, C3500, G30, G3500, K30, K3500, P30, P30 Motor Home, R30, R3500, V30, V3500.....(Adj. Plug) DB-53313				89-80 250/4.1L, 292/4.8L ... (Split Seal) 5092			
STEERING GEAR WORM SHAFT				1985 262/4.3L (Split Seal) 5092			
96-80 G30, G3500..... 222025				8 CYLINDER			
94-87 W4S042 222020				09-01 293/4.8L, 364/6.0L 100085			
STEERING GEAR PITMAN SHAFT				07-01 496/8.1L ☆ 710552			
06-80 C30, C3500, G30, G3500, K30, K3500, P30, P30 Motor Home, R30, R3500, Silverado 3500, V30, V3500 (Kit) <input checked="" type="checkbox"/> PSK-1				Redi-Sleeve 99435			
STEERING PUMP SHAFT				02-96 350/5.7L 5512			
06-80 C30, C3500, G30, G3500, K30, K3500, P30, P30 Motor Home, R30, R3500, Silverado 3500, V30, V3500 ... 7013S				02-92 379/6.2L (Diesel), 395/6.5L (Diesel), 395/6.5L (Turbo-Diesel)..... 710258			
94-87 W4S042 225530				Redi-Sleeve 99452			
				00-91 454/7.4L 325776			
				Redi-Sleeve 99435			
				95-86 305/5.0L, 350/5.7L (Gkt. & PTFE Seal) 5274A			
				(Gkt. & Viton® Seal) 4359V			
				PTFE Rubber 5274			
				Redi-Sleeve 99364			
				91-82 379/6.2L (Diesel) 5163			
				90-80 454/7.4L (Split Seal) 5072			
				1985 305/5.0L (1st Design) (Split Seal) 5092			
				1985 305/5.0L (2nd Design) (Gkt. & PTFE Seal) 5274A			
				(Gkt. & Viton® Seal) 4359V			
				PTFE Rubber 5274			
				Redi-Sleeve 99364			
				1985 350/5.7L (Split Seal) 5092			
				84-80 305/5.0L, 350/5.7L, 400/6.6L (Split Seal) 5092			
				TIMING COVER			
				4 CYLINDER			
				98-87 3856cc/3.9L (Diesel), 3856cc/3.9L (Turbo-Diesel)..... 710350			
				Redi-Sleeve 99235			
				6 CYLINDER			
				1995 262/4.3L (1st Design)..... 9845			
				Redi-Sleeve 99176			
				Harmonic Bal Sleeve 88176			
				Harmonic Bal Kit <input checked="" type="checkbox"/> 5000			
				94-85 262/4.3L 9845			
				Redi-Sleeve 99176			
				Harmonic Bal Sleeve 88176			
				Harmonic Bal Kit <input checked="" type="checkbox"/> 5000			
				89-80 250/4.1L, 292/4.8L 9845			
				Redi-Sleeve 99176			
				Harmonic Bal Sleeve 88176			
				Harmonic Bal Kit <input checked="" type="checkbox"/> 5000			
				8 CYLINDER			
				09-01 293/4.8L, 364/6.0L 100470			
				Redi-Sleeve 99210			
				07-01 496/8.1L ☆ 710607			
				Redi-Sleeve 99235			
				(Continued Next Page)			
COMPRESSOR							
CLUTCH PULLEY							
05-96 Harrison HT-6 907257							
96-95 Harrison HD-6..... 907257							
95-80 Harrison R-4..... 907257							
93-91 Sanden SD-709..... 5001-KFF							
91-85 Harrison HR-6HE..... 907257							
86-80 Harrison A-6 907257							
FRONT HEAD MAIN							
95-80 Harrison R-4 S-128							
86-80 Harrison A-6 SCE-108							
ELECTRICAL							
ALTERNATOR							
DRIVE END							
91-80 AC-Delco 56, 66, 78 Amp. 203-FF							
86-80 AC-Delco 37, 42, 55, 61, 63, 70, 80, 85 Amp. (Integral Type)..... 203-S							
REAR END							
01-88 AC-Delco 100, 124, 140, 145 Amp. 100-CC4							
91-80 AC-Delco 37, 42, 55, 56, 61, 63, 66, 78 Amp. MNJ-471-S							
ENGINE							
CRANKSHAFT							
6 CYLINDER							
99-96 262/4.3L 5512							
(Continued Next Column)							

☆ New Item, Check for Availability Refer To Front Of Catalog For Kit Contents

CHEVROLET TRUCK 1 TON - 30/3500 SERIES FULL SIZE

(C30, C3500, G30, G3500, K30, K3500, P30, P30 Motor Home, R30, R3500, Silverado 3500, V30, V3500 & W4S042) (Cont.)

Year	Application	Seal	Bearing	Year	Application	Seal	Bearing
ENGINE				TIMING COVER (Cont.)			
TIMING COVER (Cont.)				8 CYLINDER			
02-80	379/6.2L (Diesel), 395/6.5L (Diesel), 395/6.5L (Turbo-Diesel), 454/7.4L	3945 Redi-Sleeve 99233 Harmonic Bal Sleeve 88233		96-80	305/5.0L, 350/5.7L, 400/6.6L	9845 Redi-Sleeve 99176 Harmonic Bal Sleeve 88176 Harmonic Bal Kit <input checked="" type="checkbox"/> 5000	
(Continued Next Column)							

CHEVROLET TRUCK - MEDIUM DUTY (Class 4 & 5)

WHEEL				REAR WHEEL (Cont.)			
FRONT WHEEL (2WD)				AXLE			
97-88	W5S042	(Inner) 710087 (Outer) 513045	513046	81-80	C5D042 (H135)	(Inner) 2055 (Outer) KD-12051-Z KB-11786-Y	
96-90	C5H042 (8,000 lb. Axle)	(Inner) • 370199A (Outer) JM205149-JM205110	32207	REAR AXLE DIFFERENTIAL KIT			
90-80	C5D042, P4T042 (F050, F055)	(Inner) 8975S (Outer) 15103S-15243	3578A-3525	96-90	Eaton 15040T	RA-24	
90-80	C5D042, P4T042 (F070)	(Inner) 8976S (Outer) • 370145A	45284-45220	87-86	Eaton 15101	RA-24	
REAR WHEEL				87-84	Spicer 70HD	<input checked="" type="checkbox"/> RA-332-HD	
97-88	W5S042	(Inner) 710085 (Outer) 710086	32215	DIFFERENTIAL			
96-90	C5H042 (Eaton 23105)	(Inner) • 370023A (Outer) 594A-592A	47686-47620	97-88	Isuzu R065	(2)3984-3920	
96-88	C5D042, C5H042, P4T042 (Eaton 15040)	(Inner) • 370008A (Outer) 33287-33462	3982-3920	96-90	Eaton 15040T	(Left) 498-493 (Right) 33275-33472	
90-88	C5D042 (Eaton 19050)	(Inner) • 370023A (Outer) 47686-47620	39590-39520	96-87	Eaton 15040S, 19050S	(Left) 3994-3920 (Right) 497-493	
1987	C5D042 (Eaton 15040)	(Inner) • 370008A (Outer) 33287-33462	3982-3920	87-86	Eaton 15101	(Left) 3994-3920 (Right) 33275-33472	
1987	P4T042 (Eaton 15040)	(Inner) • 370009A (Outer) 33287-33462	3982-3920	87-84	Spicer 70HD	(2)469-453X	
87-86	C5D042 (Eaton 15101)	(Inner) • 370008A (Outer) 33287-33462	3982-3920	86-83	H110	(2)395-394A	
87-83	P4T042 (Spicer 70HD)	(Inner) 2081 (Outer) 387AS-382A	A-38	86-83	H135	(2)3994-JM511910	
86-82	C5D042 (H110, H135)	(Inner) • 370046A (Outer) 28682-* 28622A	3984-3920	86-80	H150	(2)KR-12051-Z	
86-80	P4T042 (H150)	(Inner) • 370106A (Outer) B-12235-YK KA-11950-Z		82-80	H110	(2)KA-11820-Z	
81-80	C5D042 (H110)	(Inner) 6358 (Outer) KD-12051-Z KB-11786-Y		82-80	H135	(2)28985-28921	
(Continued Next Column)				PINION			
				97-88	Isuzu R065	(Inner) 30310-A (Outer) 710276 Redi-Sleeve 99235	
				96-90	Eaton 15040T	(Seal & Retainer) 722250 (2)HM903249-HM903210 Redi-Sleeve 99225	
				96-87	Eaton 15040S	(Pilot) MU-1305-TDM (Inner) 55175C-55437 (Outer) 9773 HM903249-HM903210 Redi-Sleeve 99262	
				90-88	Eaton 19050S	(Inner) 72200C-72487 (Outer) 9773 HM903249-HM903210 Redi-Sleeve 99262	
				87-86	Eaton 15101	(Pilot) RUB-1570-UM (Seal & Retainer) 470737N (2)HM903249-HM903210 Redi-Sleeve 99225	
				(Continued Next Page)			

(Cont.) (Class 4 & 5) **MEDIUM DUTY - CHEVROLET TRUCK**

Year	Application	Seal	Bearing
AXLE			
REAR AXLE (Cont.)			
PINION			
87-84	Spicer 70HD..... (Inner)	HM807040-HM807010	
	(Outer) 9316	HM88542-HM88510	
	Redi-Sleeve 99187		
86-83	H110..... (Inner)	MU-1305-TDM	
	(Outer) 475080N	5310-WA	
	Redi-Sleeve 99210		
	(Pilot)	MU-1306-TDM	
86-83	H135..... (Inner)	HM803146-HM803110	
	(Outer) 475080N	44143-44348	
	Redi-Sleeve 99210		
	(Pilot)	MU-1305-TDM	
86-83	H150..... (Outer) 411330N	■ A-1011	
	(Felt) 5M89.....		
	Redi-Sleeve 99259		
	(Pilot)	MR-5206-EL	
82-80	H110..... (Outer) 411330N	5310-WA	
	(Felt) 5M89.....		
	Redi-Sleeve 99259		
	(Pilot)	MU-1306-TDM	
82-80	H135, H150..... (Outer) 411330N	■ A-1011	
	(Felt) 5M89.....		
	Redi-Sleeve 99259		
	(Pilot)	MR-5206-EL	
ELECTRIC SHIFT			
96-90	Eaton 15040T		200-SL
87-86	Eaton 15101		200-SL
CLUTCH			
PILOT			
6 CYLINDER			
97-88	6494cc/6.5L (Turbo-Diesel), 7130cc/7.1L (Turbo-Diesel).....		205-FF (Hi-Temp.) 205-VV
88-80	292/4.8L..... (H/D)		PB-656-HD
8 CYLINDER			
96-90	366/6.0L, 427/7.0L.....		205-FF (Hi-Temp.) 205-VV
90-86	350/5.7L (13" Clutch).....		105-CC
90-80	350/5.7L (12" Clutch)..... (H/D)		PB-656-HD
85-80	350/5.7L (13" Clutch).....		205-FF (Hi-Temp.) 205-VV
RELEASE			
		Bearing Only	Bearing Assembly
6 CYLINDER			
97-95	7130cc/7.1L (Turbo-Diesel) (355mm Clutch).....	613011	
94-88	6494cc/6.5L (Turbo-Diesel) (330mm Clutch).....	613009	
88-80	292/4.8L (3 Lever Type)..... (Angular Contact)	CC-1705-C	Ⓢ 614018
86-80	292/4.8L (13" Clutch).....	02135	CA-02135-C
8 CYLINDER			
96-90	366/6.0L, 427/7.0L (Spicer 13" Clutch).....		614057
90-80	350/5.7L (12" Clutch)..... (Angular Contact)	CC-1705-C	Ⓢ 614018
90-80	350/5.7L, 366/6.0L (13" Clutch).....	02135	CA-02135-C

Year	Application	Seal	Bearing
DRIVESHAFT			
CENTER SUPPORT			
		Bearing	Bearing & Support
96-90	Spicer 1480 Series / Brg. I.D. 1.5748" (40mm)- End Yoke Style		HB-88508-AA
96-90	Spicer 1710 Series / Brg. I.D. 1.9685" (50mm)- End Yoke Style		HB-88510
96-90	Spicer 1760 Series / Brg. I.D. 2.3622" (60mm)- End Yoke Style	◆	HB-88512-AHD HB-88512-A
96-80	Spicer 1550, 1610 Series / Brg. I.D. 1.7717" (45mm)- Slip Yoke Style		HB-88509-C
90-80	Rockwell 68WB & Spicer 1710 Series / Brg. I.D. 1.9685" (50mm)- End Yoke Style.....		HB-88510
90-80	Spicer 1410 Series / Brg. I.D. 1.3780" (35mm)- Slip Yoke Style.....	88107	HB-88107-A (Opt. w/Slingers) HB-88107-E
90-80	Spicer 1410 Series / Brg. I.D. 1.5748" (40mm)- End Yoke Style.....	88508	HB-88508-E
90-80	Spicer 1410, 1480 & Cleveland 055 Series / Brg. I.D. 1.5748" (40mm)- Slip Yoke Style.....		HB-88508-AB
90-80	Spicer 1480 Series / Brg. I.D. 1.5748" (40mm).....	88508	HB-88508
90-80	Spicer 1480 Series / Brg. I.D. 1.5748" (40mm)- Slip Yoke Style.....	88508	HB-88508-B
90-80	Spicer 1550 Series / Brg. I.D. 1.7717" (45mm)- End Yoke Style		HB-88509-A
90-80	Spicer 1550, 1610, 1650 Series / Brg. I.D. 1.7717" (45mm)- Slip Yoke Style		HB-88509
90-80	Spicer 1710HD, 1810HD Series / Brg. I.D. 2.3622" (60mm)- End Yoke Style.....	◆	HB-88512-AHD HB-88512-A
90-80	Spicer 1760, 1810 Series / Brg. I.D. 2.3622" (60mm)- End Yoke Style.....		HB-88512-A
90-80	Spicer 1410 Series / Brg. I.D. 1.5748" (40mm).....	88508	HB-88508-A
TRANSMISSION			
AUTOMATIC / 4 Speed			
FRONT PUMP			
97-80	Allison AT542, AT545.....	6712NA	
	Redi-Sleeve 99187		
96-83	Allison MT643 (2.250" Shaft).....	454136N	
	Redi-Sleeve 99225		
OUTPUT SHAFT			
96-83	Allison MT643 (3.500" Shaft).....	476424N	209-L
96-83	Allison MT643 (3.750" Shaft).....	455031	209-L
EXTENSION HOUSING			
97-80	Allison AT542, AT545.....	415988	109
96-83	Allison MT643.....		109
MANUAL SHAFT			
97-80	Allison AT542, AT545, MT643.....	340847	

■ Replace Complete Unit ◆ When Depleted Use Number Listed Directly Below Ⓢ Sealed Self-Aligning Bearing

CHEVROLET TRUCK - MEDIUM DUTY (Class 4 & 5) (Cont.)

Year	Application	Seal	Bearing
TRANSMISSION			
AUTOMATIC / 5 Speed			
FRONT PUMP			
96-90	Allison MT653 (2.250" Shaft)	454136N Redi-Sleeve 99225	
OUTPUT SHAFT			
96-90	Allison MT653 (3.500" Shaft)	476424N	209-L
96-90	Allison MT653 (3.750" Shaft)	455031	209-L
EXTENSION HOUSING			
96-90	Allison MT653		109
MANUAL SHAFT			
96-90	Allison MT653	340847	
MANUAL / 4 Speed			
TRANSMISSION KIT			
90-85	CH465		T-157-A
84-80	CH465		<input checked="" type="checkbox"/> T-157
DRIVESHAFT / INPUT			
1990	CH465 (1st Design)	481181N Redi-Sleeve 99162	N-1211-L
89-80	CH465	481181N Redi-Sleeve 99162	N-1211-L
MAINSHAFT / OUTPUT			
90-85	CH465	410085	308-FFL
84-80	CH465	410085	1308-L
MAINSHAFT PILOT			
90-80	CH465		(17)QAR-34604
COUNTERSHAFT			
90-85	CH465 (Front)		5707
	(Rear)		308-FFL
84-80	CH465 (Front)		5707
	(Rear)		1308-L
MANUAL / 5 Speed			
TRANSMISSION KIT			
96-95	Fuller FS4205		T-208
94-84	Clark CL457, Fuller FS4005 (1.500" Input Shaft)		T-208
94-84	Clark CL457, Fuller FS4005 (1.750" Input Shaft)		T-208-D
88-80	New Process 542		T-29
84-80	Clark 282V, 285V		T-148
83-80	Spicer 5756		T-28
DRIVESHAFT / INPUT			
96-95	Fuller FS4205	473010N Redi-Sleeve 99162	M802048-M802011
94-84	Clark CL457, Fuller FS4005 (1.500" Shaft)	473010N Redi-Sleeve 99162	M802048-M802011
94-84	Clark CL457, Fuller FS4005 (1.750" Shaft)	710211 Redi-Sleeve 99187	M804049-M804010
90-88	Fuller FS5005 (1.625" Bore)	473010N Redi-Sleeve 99162	M802048-M802011
90-88	Fuller FS5005 (1.875" Bore)	482041N Redi-Sleeve 99187	M804049-M804010
(Continued Next Column)			

Year	Application	Seal	Bearing
MANUAL / 5 Speed (Cont.)			
DRIVESHAFT / INPUT			
88-80	New Process 542	481181N Redi-Sleeve 99162	1211-SL
84-80	Clark 282V, 285V (1.250" I.D.)	7412S Redi-Sleeve 99125	N-309-L
84-80	Clark 282V, 285V (1.750" I.D.)	482164N Redi-Sleeve 99174	N-309-L
MAINSHAFT / OUTPUT			
96-95	Fuller FS4205	450519	25581-25520
94-84	Clark CL457, Fuller FS4005 (2.252" Shaft)	712512	25581-25520
94-84	Clark CL457, Fuller FS4005 (2.625" Shaft)	411143N	25581-25520
90-88	Fuller FS5005	450519	28580-28527RB
88-80	New Process 542	450519	1308-L
84-80	Clark 282V, 285V (2.250" I.D.)	450316	N-309-L
84-80	Clark 282V, 285V (2.500" I.D.)	450519	N-309-L
84-80	Clark 282V, 285V (2.625" I.D.)	411143N	N-309-L
83-80	Spicer 5756	410519	1311-L
82-80	New Process 542 (Air Brake)	473243	1308-L
82-80	New Process 542 (Exc. Air Brake)	450519	1308-L
MAINSHAFT PILOT			
96-84	Clark CL457, Fuller FS4005, FS4205, FS5005		(14)QBR-49845
88-80	New Process 542		(14)Q-15902
84-80	Clark 282V, 285V		SRA-5304
83-80	Spicer 5756		(14)O-513-Q
MAINSHAFT 1ST SPEED GEAR			
96-84	Clark CL457, Fuller FS4005, FS4205, FS5005		F-94490
MAINSHAFT 2ND SPEED GEAR			
96-84	Clark CL457, Fuller FS4005, FS4205, FS5005		F-94490
MAINSHAFT 3RD SPEED GEAR			
96-84	Clark CL457, Fuller FS4005, FS4205, FS5005		F-84003
MAINSHAFT 4TH SPEED GEAR			
96-84	Clark CL457, Fuller FS4005, FS4205, FS5005		F-94488
COUNTERSHAFT			
96-84	Clark CL457, Fuller FS4005, FS4205		
	(Front)		25877-25821
	(Rear)		2689-2631
90-88	Fuller FS5005		(2)25590-25520
88-80	New Process 542		
	(Front)		1208-L
	(Rear)		(24)Q-15902
84-80	Clark 282V, 285V		
	(Front)		M-28161
	(Rear)		N-309-L
83-80	Spicer 5756		
	(Front)		M-1208-EL
	(Rear)		1308-SL
REVERSE IDLER			
96-84	Clark CL457, Fuller FS4005, FS4205		(52)QA-48181-A
90-88	Fuller FS5005		(52)QA-47838
88-80	New Process 542		
	(Front)		B-1412
	(Rear)		B-1816
	(Thrust)		NTA-815
84-80	Clark 282V, 285V		(2)F-54970
(Continued Next Page)			

(Cont.) (Class 4 & 5) **MEDIUM DUTY - CHEVROLET TRUCK**

Year	Application	Seal	Bearing	Year	Application	Seal	Bearing
------	-------------	------	---------	------	-------------	------	---------

TRANSMISSION

MANUAL / 5 Speed (Cont.)

REVERSE IDLER

83-80 Spicer 5756 (2) **J-322064**

REVERSE GEAR

96-84 Clark CL457, Fuller FS4005, FS4205 **F-84003**

90-88 Fuller FS5005 (88) **QA-48181-A**

REMOTE CONTROL

88-80 New Process 542 **350679**

Redi-Sleeve **99076**

84-80 Clark 282V, 285V **471267**

Redi-Sleeve **99087**

83-80 Spicer 5756 (2) **350567**

Redi-Sleeve (2) **99087**

4TH SHIFT HUB

96-84 Clark CL457, Fuller FS4005, FS4205, FS5005 **TR-235383**

FA-35688

5TH SHIFT HUB

96-84 Clark CL457, Fuller FS4005, FS4205, FS5005 **TR-235383**

FA-35688

STEERING

MANUAL STEERING

STEERING GEAR WORM SHAFT

88-80 P4T042 **340413**

STEERING GEAR PITMAN SHAFT

88-80 P4T042 **J-2416**

POWER STEERING

STEERING GEAR WORM SHAFT

96-90 C5H042 (Ross Design) **NTA-2840**

STEERING KNUCKLE

96-90 C5H042 (Saginaw Design) (8,000 lb. Axle) **M88048-M88010**

STEERING PUMP SHAFT

96-80 C5D042, C5H042, P4T042

(Saginaw Pump) **471264** **203-FF**

AIR CONDITIONING

COMPRESSOR

CLUTCH PULLEY

95-80 Harrison R-4 **907257**

ELECTRICAL

ALTERNATOR

DRIVE END

90-80 AC-Delco 42, 56, 61, 108, 120 Amp. **203-FF**

90-80 65, 80, 81, 94, 95, 100 Amp. **305-D**

90-80 AC-Delco 63, 70, 80 Amp. **203-S**

REAR END

94-90 AC-Delco 120, 124 Amp. **100-CC4**

90-80 AC-Delco 42, 56, 80, 108 Amp. **MNJ-471-S**

ENGINE

CRANKSHAFT

6 CYLINDER

94-88 6494cc/6.5L (Turbo-Diesel) **710349**

Redi-Sleeve **99413**

86-80 292/4.8L (Split Seal) **5092**

8 CYLINDER

96-91 366/6.0L, 427/7.0L **325776**

Redi-Sleeve **99435**

1990 427/7.0L **325776**

Redi-Sleeve **99435**

90-80 366/6.0L (Split Seal) **5072**

TIMING COVER

6 CYLINDER

94-88 6494cc/6.5L (Turbo-Diesel) **710390**

Redi-Sleeve **99235**

86-80 292/4.8L **9845**

Redi-Sleeve **99176**

Harmonic Bal Sleeve **88176**

Harmonic Bal Kit **5000**

8 CYLINDER

96-80 366/6.0L, 427/7.0L **3945**

Redi-Sleeve **99233**

Harmonic Bal Sleeve **88233**

(Class 6 & 7) **MEDIUM DUTY - CHEVROLET TRUCK**

WHEEL

FRONT WHEEL

96-92 All (12,000 lb. Axle)

(Inner) • **370211A**

(Outer) **33208**

96-90 C7H064 (11,000 lb. Axle)

(Inner) • **370211A**

(Outer) **33208**

(Continued Next Column)

FRONT WHEEL (Cont.)

96-90 C7H064 (14,500 lb. Axle)

(Inner) • **370212A**

(Outer) **JM205149-JM205110**

96-90 C7H064 (16,000 lb. Axle)

(Inner) • **370182A** **6461A-6420**

(Outer) **557S-552A**

96-90 C7H064 (8,000 lb. Axle)

(Inner) • **370199A** **JM205149-JM205110**

(Outer) **32207**

(Continued Next Page)

CHEVROLET TRUCK - MEDIUM DUTY (Class 6 & 7) (Cont.)

Year	Application	Seal	Bearing
WHEEL			
FRONT WHEEL (Cont.)			
1991	All (12,000 lb. Axle) (1st Design)	(Inner) • 370211A (Outer) 33208	
1991	All (12,000 lb. Axle) (2nd Design)	(Inner) • 370212A (Outer) 33208	
1990	C7H064 (12,000 lb. Axle)	(Inner) • 370211A (Outer) 33208	
1990	C7H064 (14,000 lb. Axle)	(Inner) • 370212A (Outer) JM205149-JM205110	
90-80	C7D064 (F070)	(Inner) 8976S 45284-45220 • 370145A (Outer) 2796-2720	
90-80	C7D064 (F090)	(Inner) • 370018A 39581-39520 (Outer) 26878-26820	
90-80	C7D064 (F120, F120D)	(Inner) • 370011A HM212047-HM212011 (Outer) 45282-45220	
FRONT WHEEL (2WD)			
1997	W6R042	(Inner) • 370199A JM205149-JM205110 (Outer) 32207	
1997	W7R042HD (11,000 lb. Axle)	(Inner) • 370211A (Outer) 33208	
1997	W7R042HD (12,000 & 14,600 lb. Axles)	(Inner) • 370212A JM205149-JM205110 (Outer) 33208	
1997	W7R042M	(Inner) • 370211A 33208 (Outer) 33208	
96-93	B7T042 (9,000 lb. Axle)	(Inner) • 370211A 33208 (Outer) 33208	
96-92	C6H042, C7H042 (12,000 lb. Axle)	(Inner) • 370211A 33208 (Outer) 33208	
96-90	C6H042, C7H042 (14,500 lb. Axle)	(Inner) • 370212A JM205149-JM205110 (Outer) 33208	
96-90	C6H042, C7H042 (16,000 lb. Axle)	(Inner) • 370182A 6461A-6420 (Outer) 557S-552A	
96-90	C6H042, C7H042, P6S042 (11,000 lb. Axle)	(Inner) • 370211A 33208 (Outer) 33208	
96-90	B7T042, C6H042, C7H042, P6S042 (8,000 lb. Axle)	(Inner) • 370199A JM205149-JM205110 (Outer) 32207	
96-89	W7R042M (Air over Hydraulic Brakes) (Z05)	(Inner) 710088 HM212047-HM212011 (Outer) 4388-4335	
96-89	W7R042M (Full Air Brakes) (Z06)	(Inner) 710084 H414245A-H414210 (Outer) 513046	
96-88	W6R042	(Inner) 710087 513046 (Outer) 513045	
96-87	W7R042HD	(Inner) 710084 H414245A-H414210 (Outer) 513045	
94-90	W7R042T	(Inner) 710088 H414245A-H414210 (Outer) 513045	
1991	B6P042 (F120, F120D)	(Inner) • 370011A HM212047-HM212011 (Outer) 45282-45220	

(Continued Next Column)

Year	Application	Seal	Bearing
FRONT WHEEL (2WD) (Cont.)			
1991	C6H042, C7H042 (12,000 lb. Axle) (1st Design)	(Inner) • 370211A 33208 (Outer) 33208	
1991	C6H042, C7H042 (12,000 lb. Axle) (2nd Design)	(Inner) • 370212A 33208 (Outer) 33208	
91-89	B6P042, C6D042 (F090)	(Inner) • 370011A HM212047-HM212011 (Outer) 45282-45220	
91-80	B6P042, C6D042, C7D042, P6T042 (F070)	(Inner) 8976S 45284-45220 • 370145A (Outer) 2796-2720	
1990	C6H042, C7H042 (12,000 lb. Axle)	(Inner) • 370211A 33208 (Outer) 33208	
1990	C6H042, C7H042 (14,000 lb. Axle)	(Inner) • 370212A JM205149-JM205110 (Outer) 33208	
90-89	B6P042, S7T042 (F120, F120D)	(Inner) • 370011A HM212047-HM212011 (Outer) 45282-45220	
90-88	C6D042, C7D042 (F050, F055)	(Inner) 8975S 3578A-3525 (Outer) 15103S-15243	
1988	B6P042, C6D042 (F090)	(Inner) • 370018A 39581-39520 (Outer) 26878-26820	
1988	B6P042, P6T042, S7T042 (F120, F120D)	(Inner) • 370011A HM212047-HM212011 (Outer) 45282-45220	
88-87	W7R042M	(Inner) 710088 HM212047-HM212011 (Outer) 4388-4335	
1987	B6P042, P6T042 (F120, F120D)	(Inner) • 370011A HM212047-HM212011 (Outer) 45282-45220	
87-84	B6P042, C6D042, P6T042 (F090)	(Inner) • 370018A 39581-39520 (Outer) 26878-26820	
87-80	C6D042, C7D042, P6T042 (F050, F055)	(Inner) 8975S 3578A-3525 (Outer) 15103S-15243	
86-83	B6P042 (F120, F120D)	(Inner) • 370011A HM212047-HM212011 (Outer) 45282-45220	
83-80	B6P042, C6D042 (F090)	(Inner) • 370018A 39581-39520 (Outer) 26878-26820	
REAR WHEEL			
1997	W6R042 (Spicer S-150-S)	(Inner) • 370008A 33287-33462 (Outer) 3982-3920	
96-93	B7T042 (Eaton 21065)	(Inner) • 370003A 594A-592A (Outer) 580-572	
96-91	B7T042, P6S042 (Eaton 19050)	(Inner) • 370024A 47686-47620 (Outer) 39590-39520	
96-90	C7H064 (Eaton DS341, DT341, DS402)	(Inner) • 370023A 594A-592A (Outer) 47686-47620	

(Continued Next Page)

(Cont.) (Class 6 & 7) **MEDIUM DUTY - CHEVROLET TRUCK**

Year	Application	Seal	Bearing
WHEEL			
REAR WHEEL (Cont.)			
96-90	C7H064 (Rockwell Standard SL100P, SQ100P)	(Inner) • 370023A	594-592A
		(Outer)	47686-47620
96-90	W6R042	(Inner) 710085	32215
		(Outer) 710086	32213
96-90	C6H042, C7H042 (Eaton 19050, 19055)	• 370023A	47686-47620
		(Outer)	39590-39520
96-90	C6H042, C7H042 (Eaton 21065, 22065, 23070, 23105, 23085, 26085)	(Inner) • 370003A	594A-592A
		(Outer)	580-572
96-90	C6H042, C7H042 (Rockwell Standard 23160)	(Inner) • 370003A	594A-592A
		(Outer)	580-572
96-90	B7T042, C6H042, C7H042, P6S042 (Eaton 15040)	(Inner) • 370008A	33287-33462
		(Outer)	3982-3920
94-87	W7R042M	(Inner) 710278	32216
		(Outer) 710277	32215
94-87	W7R042HD, W7R042T	(Inner) 710089	* 32219
		(Outer) * 710090	
1991	B6P042 (H175, T175)	(Inner) 6864S	495AX-493
		• 370009A	
		(Outer)	39590-39520
91-89	B6P042, C6D042, P6T042 (H110, H135)	• 370046A	3984-3920
		(Outer)	28682-* 28622A
91-89	B6P042, C6D042, P6T042 (H150, T150)	(Inner) 6864S	33287-33472
		• 370009A	
		(Outer)	3982-3925
91-89	B6P042, C6D042, P6T042 (17121, 17221)	(Inner) • 370023A	47686-47620
		(Outer)	39590-39520
90-89	B6P042, C6D042, C7D042, C7D064, P6T042, S7T042 (H175, T175)	(Inner) 6864S	495AX-493
		• 370009A	
		(Outer)	39590-39520
1988	C6D042, C7D042, C7D064, P6T042, S7T042 (H175, T175)	(Inner) 6864S	495AX-493
		• 370009A	
		(Outer)	39590-39520
88-80	C6D042, P6T042 (H110, H135)	(Inner) • 370046A	3984-3920
		(Outer)	28682-* 28622A
88-80	C6D042, P6T042 (H150, T150)	(Inner) 6864S	33287-33472
		• 370009A	
		(Outer)	3982-3925
88-80	C6D042, P6T042 (17121, 17221)	(Inner) • 370023A	47686-47620
		(Outer)	39590-39520

(Continued Next Column)

Year	Application	Seal	Bearing
REAR WHEEL (Cont.)			
87-80	C6D042, C7D042, C7D064, P6T042 (H175, T175)	(Inner) 6864S	495AX-493
		• 370009A	
		(Outer)	39590-39520
AXLE			
REAR AXLE			
DIFFERENTIAL KIT			
96-90	Eaton 26085P, 26085T		RA-72-A
96-88	Eaton 19050T, 19055D, 19055S, 19055T		RA-23-D
96-87	Eaton 15040T		RA-24
96-83	Spicer M185T, M190T, M220T		RA-214
91-88	Eaton 16121, 17401		RA-23-B
88-83	Eaton 17201, 17221		RA-1
88-80	Eaton 23221		RA-72-A
88-80	Eaton 17121, 18121		RA-1-A
87-86	Eaton 16121		RA-23-B
87-83	Spicer G190S		RA-213
82-81	Eaton 17221		RA-1
82-81	T150		RA-170
1980	Eaton 17201, 17221		RA-1
1980	T150, T170		RA-170
DIFFERENTIAL			
96-90	Eaton 26085P, 26085T	(Left)	68450-68712
		(Right)	42346-42584
96-90	Rockwell 23160		(2)32021-X
96-88	Eaton 15040T	(Left)	498-493
		(Right)	33275-33472
96-88	Isuzu R077		(2)30214-A
96-88	Eaton 19050T, 19055D, 19055S, 19055T	(Left)	42381-42584
		(Right)	495A-493
96-87	Isuzu R094		(2)32216
96-87	Eaton 21065S, 23070S, 23105S	(Left)	598-592A
		(Right)	497-493
96-87	Eaton 15040S, 19050S	(Left)	3994-3920
		(Right)	497-493
96-83	Spicer M185T, M190S, M190T, M220T	(Left)	JM822049-JM822010
		(Right)	JM716649-JM716610
96-83	Eaton 17201, 17221, 17421, 21065T, 23070P, 23070T	(Left)	56425-56650
		(Right)	497-493
91-88	Eaton 16121, 17401	(Left)	567-563
		(Right)	3994-3920
88-87	Eaton 17121, 18121	(Left)	567-563
		(Right)	497-493
88-82	T175	(Left)	42381-42584
		(Right)	495AX-493
88-80	Eaton 23221	(Left)	68450-68712
		(Right)	42346-42584
1987	Eaton 15040T	(Left)	3994-3920
		(Right)	33275-33472
87-86	Eaton 16121	(Left)	567-563
		(Right)	3994-3920
87-83	Spicer G190S	(Left)	42381-42584
		(Right)	495-493

(Continued Next Page)

CHEVROLET TRUCK - MEDIUM DUTY (Class 6 & 7) (Cont.)

Year	Application	Seal	Bearing
AXLE			
REAR AXLE (Cont.)			
DIFFERENTIAL			
1986	T150	(Left) (Right)	498-493 33275-33472
86-80	Eaton 17121, 18121, 22121	(Left) (Right)	567-563 497-493
82-81	Eaton 17221	(Left) (Right)	56425-56650 497-493
82-80	T150	(Left) (Right)	42381-42584 33275-33472
82-80	H150, H170		(2)KR-12051-Z
81-80	T185		(2)42688-42620
1980	T170	(Left) (Right)	42381-42584 33287-33472
1980	Eaton 17201, 17221	(Left) (Right)	56425-56650 497-493
PINION			
96-90	Eaton 23070P, 23070T	(Inner) (Outer) Redi-Sleeve 99293 (Pilot)	78215C-78551 712937 72212C-72487 MUB-5207-UM
96-90	Eaton 26085P, 26085T	(Inner) (Outer) Redi-Sleeve 99293 (Pilot)	78215C-78551 712937 72212C-72487 MUS-1308-UM
96-90	Rockwell 23160	(Outer) Redi-Sleeve 99325	417987N HM813843-HM813810
96-88	Isuzu R077	(Inner) (Outer) Redi-Sleeve 99235	30310-A 710276 30309
96-88	Eaton 19050T, 19055D, 19055S, 19055T	9773 Redi-Sleeve 99262 (Pilot)	(2)55175C-55437 MUS-1307-UM
96-87	Eaton 15040T	(Seal & Retainer) 722250 (2)HM903249-HM903210 Redi-Sleeve 99225 (Pilot)	MU-1305-TDM
96-87	Eaton 21065S	(Inner) (Outer) Redi-Sleeve 99262 (Pilot)	78215C-78551 55200C-55437 MUS-1308-UM
96-87	Eaton 21065T	(Inner) (Outer) Redi-Sleeve 99262 (Pilot)	72200C-72487 55200C-55437 MUS-1307-UM
96-87	Isuzu R094	(Inner) (Outer) Redi-Sleeve 99259 (Pilot)	30310-A 30311-A 580-572
96-87	Isuzu R105	(Outer) Redi-Sleeve 99293 (Pilot)	710275 30311-A 710275 580-572
96-87	Eaton 23070S, 23105S	(Inner) (Outer) Redi-Sleeve 99293 (Pilot)	H913842-H913810 712937 72212C-72487 MUS-1308-UM
96-87	Eaton 15040S	(Inner) (Outer) Redi-Sleeve 99262 (Pilot)	55175C-55437 9773 HM903249-HM903210 MUB-1305-UDM

(Continued Next Column)

Year	Application	Seal	Bearing
REAR AXLE (Cont.)			
PINION			
96-87	Eaton 19050S	(Inner) (Outer) Redi-Sleeve 99262 (Pilot)	72200C-72487 9773 HM903249-HM903210 RUB-1570-UM
96-83	Spicer M185T, M190S, M190T, M220T	(Inner) (Outer) Redi-Sleeve 99300 (Pilot)	72225C-72487 477163N 55200C-55437 MUS-1308-UM
91-88	Eaton 16121, 17401	712625 (2)HM903249-HM903210 Redi-Sleeve 99262 (Pilot)	MUS-1307-UM
88-83	Eaton 17121, 17201, 17221, 18121	9773 Redi-Sleeve 99262 (Pilot)	(2)55200C-55437 MUS-1307-UM
88-82	T175	9773 Redi-Sleeve 99262 (Pilot)	(2)55175C-55437 MUS-1307-UM
88-80	Eaton 23221	(Inner) (Outer) Redi-Sleeve 99293 (Pilot)	78215C-78551 712937 72212C-72487 MUS-1308-UM
87-86	Eaton 16121	712625 (2)HM903249-HM903210 Redi-Sleeve 99262 (Pilot)	MUS-1307-UM
87-86	Eaton 17421	(Inner) (Outer) Redi-Sleeve 99262 (Pilot)	78215C-78551 55200C-55437 MUS-1307-UM
87-83	Spicer G190S	(Inner) (Outer) Redi-Sleeve 99303 (Pilot)	455088V 55200C-55437 55200C-55437 MUS-1307-UM
1986	T150	(Seal & Retainer) 722250 Redi-Sleeve 99225 (Pilot)	HM903249-HM903210 MU-1305-TDM
86-85	Eaton 22121	(Inner) (Outer) Redi-Sleeve 99262 (Pilot)	55200C-55437 9773 55200C-55437 MUS-1307-UM
84-81	Eaton 22121	(Inner) (Outer) Redi-Sleeve 99262 (Pilot)	72200C-72487 55200C-55437 MUS-1307-UM
82-81	T150	(Inner) (Outer) Redi-Sleeve 99259 (Pilot)	55200C-55437 712598 HM804848-HM804810 M-5305-TV
82-81	Eaton 17121, 17221, 18121	9773 Redi-Sleeve 99262 (Pilot)	(2)55200C-55437 MUS-1307-UM
82-80	H150	(Outer) (Felt) 5M89 Redi-Sleeve 99259 (Pilot)	411330N ■ A-1011 MR-5206-EL
81-80	T185	(Outer) Redi-Sleeve 99274 (Pilot)	475009N
1980	H170	(Outer) (Felt) 5M89 Redi-Sleeve 99259 (Pilot)	411330N ■ A-1011 MUB-5206-UM
1980	T150, T170	(Inner) (Outer) Redi-Sleeve 99259 (Pilot)	55200C-55437 712598 HM804848-HM804810 M-5305-TV

(Continued Next Page)

(Cont.) (Class 6 & 7) **MEDIUM DUTY - CHEVROLET TRUCK**

Year	Application	Seal	Bearing
AXLE			
REAR AXLE (Cont.)			
PINION			
1980	Eaton 17121, 17201, 17221, 18121	9773 Redi-Sleeve 99262 (Pilot)	(2)55200C-55437 MUS-1307-UM
ELECTRIC SHIFT			
96-83	Eaton 15040T, 17201, 17221, 19050T, 19055D, 19055S, 19055T		200-SL
82-81	Eaton 17221		200-SL
82-81	T150		200-SL
1980	Eaton 17201, 17221		200-SL
1980	T150, T170		200-SL
CROSS SHAFT			
81-80	T185	(Left) HM807040-HM807010 (Right) HM807046-HM807010	
TANDEM AXLE / FRONT			
DIFFERENTIAL KITS			
96-84	Eaton DS341		RA-196
96-84	Eaton DS402, DT341, DT381, DT402		RA-207
83-80	Eaton 34DS		RA-64-FD
83-80	Eaton 34DT		RA-64-FE
DIFFERENTIAL			
96-90	Rockwell SQ100P	(2)JM716649-JM716610	
96-80	Eaton DS341, 34DS	(Left) 497-493 (Right) 567-563	
96-80	Eaton DS402, DT341, DT381, DT402, 34DT	(Left) 497-493 (Right) 56425-56650	
94-90	Rockwell SL100P	(Left) JM716649-JM716610 (Right) JM716649-JM716610	
PINION			
96-90	Rockwell SL100P, SQ100P	(Inner) 72212C-72487 (Outer) 72212C-72487 (Pilot) RU-1570-UM	
96-85	Eaton DS341	9773 Redi-Sleeve 99262 (Pilot)	(2)55200C-55437 MUS-1307-UM
96-84	Eaton DS402, DT341, DT381, DT402	(Inner) 72218C-72487 (Outer) HM807049-HM807010 (Pilot) MUS-1307-UM	
1984	Eaton DS341	(Inner) 72218C-72487 (Outer) HM807049-HM807010	
83-80	Eaton 34DS, 34DT	(2)72200C-72487 (Pilot) MUS-1307-UM	
INPUT			
96-84	Eaton DS341, DS402, DT341, DT381, DT402	475012N Redi-Sleeve 99293	3979-JM511910
83-80	Eaton 34DS, 34DT	475003N Redi-Sleeve 99262	JM207049-JM207010
OUTPUT			
96-84	Eaton DS341, DS402, DT341, DT381, DT402	(Inner) 29675-29620 (Outer) 475003N Redi-Sleeve 99262	MA-1209-EL

(Continued Next Column)

Year	Application	Seal	Bearing
TANDEM AXLE / FRONT (Cont.)			
OUTPUT			
83-80	Eaton 34DS, 34DT	(Inner) 34274-34492A (Outer) 475003N Redi-Sleeve 99262	MA-1209-EL
TANDEM AXLE / REAR			
DIFFERENTIAL KITS			
96-95	Eaton DS402, DT341		RA-207
96-84	Eaton DS341		RA-196
94-88	Eaton DS402, DT341, DT402		RA-207
82-80	Eaton 34RT		RA-1
DIFFERENTIAL			
96-95	Eaton DS402, DT341	(Left) 497-493 (Right) 56425-56650	
96-90	Rockwell SL100P, SQ100P	(2)JM716649-JM716610	
96-84	Eaton DS341	(Left) 497-493 (Right) 567-563	
94-88	Eaton DS402, DT341, DT402	(Left) 497-493 (Right) 56425-56650	
82-80	Eaton 34RT	(Left) 497-493 (Right) 56425-56650	
PINION			
96-95	Eaton DS402, DT341	(Inner) 72218C-72487 (Outer) HM807049-HM807010 (Pilot) MUS-1307-UM	
96-90	Rockwell SL100P, SQ100P	3905 (Pilot) 72212C-72487	(2)RU-1570-UM
96-85	Eaton DS341	(Inner) 55200C-55437 (Outer) 9773 Redi-Sleeve 99262 (Pilot) MUS-1307-UM	
94-88	Eaton DS402, DT341, DT402	(Inner) 72218C-72487 (Outer) HM807049-HM807010 (Pilot) MUS-1307-UM	
1984	Eaton DS341	(Inner) 72218C-72487 (Outer) 9773 Redi-Sleeve 99262 (Pilot) MUS-1307-UM	HM807049-HM807010
82-80	Eaton 34RT	9773 Redi-Sleeve 99262 (Pilot) MUS-1307-UM	(2)55200C-55437
INPUT			
96-95	Eaton DS341, DS402, DT341	475012N Redi-Sleeve 99293	3979-JM511910
96-90	Rockwell SL100P, SQ100P	476023N	
94-88	Eaton DS341, DS402, DT341, DT402	475012N Redi-Sleeve 99293	3979-JM511910
87-84	Eaton DS341, DS402	475012N Redi-Sleeve 99293	3979-JM511910
OUTPUT			
96-95	Eaton DS341, DS402, DT341	(Inner) 29675-29620 (Outer) 475003N Redi-Sleeve 99262	MA-1209-EL
96-90	Rockwell SL100P, SQ100P	473274N	

(Continued Next Page)

() Indicates Quantity Required

CHEVROLET TRUCK - MEDIUM DUTY (Class 6 & 7) (Cont.)

Year	Application	Seal	Bearing
AXLE			
TANDEM AXLE / REAR (Cont.)			
OUTPUT			
94-88	Eaton DS341, DS402, DT341, DT402		
	(Inner)	29675-29620	
	(Outer)	475003N	MA-1209-EL
	Redi-Sleeve 99262		
87-84	Eaton DS341, DS402		
	(Inner)	29675-29620	
	(Outer)	475003N	MA-1209-EL
	Redi-Sleeve 99262		
ELECTRIC SHIFT			
82-80	Eaton 34RT		200-SL
CLUTCH			
PILOT			
6 CYLINDER			
97-95	7130cc/7.1L (Turbo-Diesel).....		205-FF
	(Hi-Temp.)		205-VV
96-90	403/6.6L (Turbo-Diesel).....		305-DD
94-87	5785cc/5.8L (Turbo-Diesel), 6494cc/6.5L (Diesel), 6494cc/6.5L (Turbo-Diesel), 8413cc/8.4L (Turbo-Diesel), 6128cc/6.1L (Diesel)		205-FF
	(Hi-Temp.)		205-VV
86-83	6128cc/6.1L (Diesel)		205-FF
	(Hi-Temp.)		205-VV
86-80	292/4.8L		(H/D) PB-656-HD
8 CYLINDER			
97-89	366/6.0L, 366/6.0L (LPG), 427/7.0L		205-FF
	(Hi-Temp.)		205-VV
91-88	500/8.2L (Diesel), 500/8.2L (Turbo-Diesel) (2.047" O.D. x 0.591" Width)		205-FF
	(Hi-Temp.)		205-VV
91-88	500/8.2L (Diesel), 500/8.2L (Turbo-Diesel) (2.440" O.D. x 0.669" Width)		305-DD
91-86	350/5.7L (13" Clutch)		105-CC
91-80	350/5.7L (12" Clutch)		(H/D) PB-656-HD
90-89	500/8.2L (Diesel), 500/8.2L (Turbo-Diesel) (2.440" O.D. x 0.630" Width)		206-FF
	(Hi-Temp.)		206-VV
90-83	500/8.2L (Diesel) (1.500" Spline)		305-DD
90-83	500/8.2L (Diesel), 500/8.2L (Turbo-Diesel) (1.750" Spline)		206-FF
	(Hi-Temp.)		206-VV
90-80	350/5.7L		(H/D) PB-656-HD
90-80	636/10.4L (Diesel), 636/10.4L (Turbo-Diesel), 500/8.2L (Diesel), 500/8.2L (Turbo-Diesel)		206-FF
	(Hi-Temp.)		206-VV
88-80	500/8.2L (Diesel), 500/8.2L (Turbo-Diesel), 366/6.0L, 366/6.0L (LPG), 427/7.0L		205-FF
	(Hi-Temp.)		205-VV
85-80	350/5.7L (13" Clutch)		205-FF
	(Hi-Temp.)		205-VV
RELEASE			
		Bearing Only	Bearing Assembly
4 CYLINDER			
1980	212/3.5L (Diesel), 212/3.5L (Turbo-Diesel) (14" Clutch) (Single Plate)	2005-35	614024

Year	Application	Seal	Bearing
RELEASE (Cont.)			
		Bearing Only	Bearing Assembly
6 CYLINDER			
97-95	7130cc/7.1L (Turbo-Diesel) (380mm Clutch).....	613014	
97-95	7130cc/7.1L (Turbo-Diesel) (355mm Clutch).....	613011	
96-90	403/6.6L (Turbo-Diesel) (Spicer 13" Clutch)	614057	
96-90	403/6.6L (Turbo-Diesel) (14" Clutch) (RT613-6610-6613)	02256-N	
94-90	5785cc/5.8L (Turbo-Diesel), 6494cc/6.5L (Turbo-Diesel), 8413cc/8.4L (Turbo-Diesel) (355mm Clutch).....	613009	
94-87	8413cc/8.4L (Turbo-Diesel) (380mm Clutch).....	613009	
90-88	6494cc/6.5L (Diesel) (330mm Clutch).....	613009	
89-87	5785cc/5.8L (Turbo-Diesel), 6494cc/6.5L (Turbo-Diesel) (355mm Clutch).....	613009	
87-83	6128cc/6.1L (Diesel) (14" Clutch) (Single Plate).....	2005-35	614024
87-83	6128cc/6.1L (Diesel) (14" Clutch) (1.500" Spline).....	2005-35	614024
87-83	6128cc/6.1L (Diesel) (14" Clutch) (T638 Nabisco)	2005-31	
86-80	292/4.8L (13" Clutch).....	02135	CA-02135-C
86-80	292/4.8L (12" Clutch).....		(Angular Contact) CC-1705-C © 614018
8 CYLINDER			
97-90	366/6.0L, 427/7.0L (Spicer 13" Clutch)	614057	
96-80	500/8.2L (Diesel), 500/8.2L (Turbo-Diesel), 366/6.0L, 427/7.0L (14" Clutch) (RT613-6610-6613).....	02256-N	
1991	350/5.7L, 366/6.0L (13" Clutch).....	02135	CA-02135-C
1991	500/8.2L (Diesel), 500/8.2L (Turbo-Diesel) (14" Clutch) (1.750" Spline)	2505-T	
91-89	500/8.2L (Diesel), 500/8.2L (Turbo-Diesel) (14" Clutch) (1.500" Spline)	2005-35	614024
90-87	500/8.2L (Diesel), 500/8.2L (Turbo-Diesel), 427/7.0L (14" Clutch) (FS6106A).....	2505-14	
90-85	500/8.2L (Diesel), 500/8.2L (Turbo-Diesel), 427/7.0L (14" Clu.) (Spicer 5552-5952).....	2005-35	
90-85	636/10.4L (Diesel), 636/10.4L (Turbo-Diesel), 500/8.2L (Diesel), 500/8.2L (Turbo-Diesel) (14" Clutch) (1.750" Spline)	2505-T	
90-80	350/5.7L (12" Clutch).....		(Angular Contact) CC-1705-C © 614018

(Continued Next Page)

(Cont.) (Class 6 & 7) **MEDIUM DUTY - CHEVROLET TRUCK**

Year	Application	Seal	Bearing
CLUTCH			
RELEASE (Cont.)			
		<i>Bearing Only</i>	<i>Bearing Assembly</i>
8 CYLINDER			
90-80	350/5.7L, 366/6.0L, 366/6.0L (LPG), 427/7.0L (13" Clutch).....	02135	CA-02135-C
90-80	500/8.2L (Diesel), 500/8.2L (Turbo-Diesel) (14" Clutch) (Push Type).....	2505-T	GE-2505-C
90-80	500/8.2L (Diesel), 500/8.2L (Turbo-Diesel) (14" Clutch) (Spicer 4054D).....	02135	CA-02135-C
90-80	636/10.4L (Diesel), 636/10.4L (Turbo-Diesel), 427/7.0L (14" Clutch) (Single Plate).....	2005-35	614024
88-80	500/8.2L (Diesel), 500/8.2L (Turbo-Diesel), 427/7.0L (14" Clutch) (1.500" Splines).....	2005-35	614024
84-80	500/8.2L (Diesel), 500/8.2L (Turbo-Diesel) (14" Clutch) (1.750" Splines).....	2505-T	
DRIVESHAFT			
CENTER SUPPORT			
		<i>Bearing</i>	<i>Bearing & Support</i>
96-91	Spicer 1550, 1610, 1650 Series / Brg. I.D. 1.7717" (45mm)- End Yoke Style.....		HB-88509-A
96-90	Spicer 1480 Series / Brg. I.D. 1.5748" (40mm)- End Yoke Style.....		HB-88508-AA
96-90	Spicer 1710 Series / Brg. I.D. 1.9685" (50mm)- End Yoke Style.....		HB-88510
96-90	Spicer 1760 Series / Brg. I.D. 2.3622" (60mm)- End Yoke Style.....		◆ HB-88512-AHD HB-88512-A
96-80	Spicer 1550, 1610 Series / Brg. I.D. 1.7717" (45mm)- Slip Yoke Style.....		HB-88509-C
96-80	Spicer 1410, 1480 & Cleveland 055 Series / Brg. I.D. 1.5748" (40mm)- Slip Yoke Style.....		HB-88508-AB
96-80	Spicer 1550, 1610, 1650 Series / Brg. I.D. 1.7717" (45mm)- Slip Yoke Style.....		HB-88509
91-80	Spicer 1330, 1350, 1410 & 1480 Series / Brg. I.D. 1.5748" (40mm)- Slip Yoke Style.....	88508	HB-88508-C
90-80	Rockwell 68WB & Spicer 1710 Series / Brg. I.D. 1.9685" (50mm)- End Yoke Style.....		HB-88510
90-80	Spicer 1410 Series / Brg. I.D. 1.3780" (35mm)- Slip Yoke Style.....	88107	HB-88107-A (Opt. w/Slingers) HB-88107-E
90-80	Spicer 1410 Series / Brg. I.D. 1.5748" (40mm).....	88508	HB-88508-A
90-80	Spicer 1410 Series / Brg. I.D. 1.5748" (40mm)- End Yoke Style.....	88508	HB-88508-E
90-80	Spicer 1480 Series / Brg. I.D. 1.5748" (40mm).....	88508	HB-88508

(Continued Next Column)

Year	Application	Seal	Bearing
CENTER SUPPORT (Cont.)			
		<i>Bearing</i>	<i>Bearing & Support</i>
90-80	Spicer 1480 Series / Brg. I.D. 1.5748" (40mm)- Slip Yoke Style.....	88508	HB-88508-B
90-80	Spicer 1550 Series / Brg. I.D. 1.7717" (45mm)- End Yoke Style.....		HB-88509-A
90-80	Spicer 1710HD, 1810HD Series / Brg. I.D. 2.3622" (60mm)- End Yoke Style.....		◆ HB-88512-AHD HB-88512-A
90-80	Spicer 1760, 1810 Series / Brg. I.D. 2.3622" (60mm)- End Yoke Style.....		HB-88512-A
TRANSMISSION			
AUTOMATIC / 4 Speed			
FRONT PUMP			
1997	Allison AT542.....	6712NA	
		<i>Redi-Sleeve</i> 99187	
96-80	Allison MT643 (2.250" Shaft).....	454136N	
		<i>Redi-Sleeve</i> 99225	
96-80	Allison AT540, AT542, AT545.....	6712NA	
		<i>Redi-Sleeve</i> 99187	
OUTPUT SHAFT			
96-80	Allison MT643 (3.500" Shaft).....	476424N	209-L
96-80	Allison MT643 (3.750" Shaft).....	455031	209-L
EXTENSION HOUSING			
1997	Allison AT542.....	415988	109
96-80	Allison MT643.....		109
96-80	Allison AT540, AT542, AT545.....	415988	109
MANUAL SHAFT			
1997	Allison AT542.....	340847	
96-80	Allison AT540, AT542, AT545, MT643.....	340847	
AUTOMATIC / 5 Speed			
FRONT PUMP			
96-80	Allison MT653 (2.250" Shaft).....	454136N	
		<i>Redi-Sleeve</i> 99225	
OUTPUT SHAFT			
96-80	Allison MT653 (3.500" Shaft).....	476424N	209-L
96-80	Allison MT653 (3.750" Shaft).....	455031	209-L
EXTENSION HOUSING			
96-80	Allison MT653.....		109
MANUAL SHAFT			
96-80	Allison MT653.....	340847	
MANUAL / 4 Speed			
TRANSMISSION KIT			
90-85	CH465.....		T-157-A
86-83	Warner T19D (Diesel).....		☒ T-82-FD
84-80	CH465.....		☒ T-157

◆ When Depleted Use Number Listed Directly Below ☒ Refer To Front Of Catalog For Kit Contents

CHEVROLET TRUCK - MEDIUM DUTY (Class 6 & 7) (Cont.)

Year	Application	Seal	Bearing
TRANSMISSION			
MANUAL / 4 Speed (Cont.)			
DRIVESHAFT / INPUT			
1990	CH465 (1st Design)	481181N	N-1211-L
	Redi-Sleeve	99162	
89-80	CH465	481181N	N-1211-L
	Redi-Sleeve	99162	
86-83	Warner T19D (Diesel)	7412S	M802048-M802011
	Redi-Sleeve	99125	
MAINSHAFT / OUTPUT			
90-85	CH465	410085	308-FFL
86-83	Warner T19D (Diesel)	450519	M802048-M802011
84-80	CH465	410085	1308-L
MAINSHAFT PILOT			
90-80	CH465		(17)QAR-34604
86-83	Warner T19D (Diesel)		(22)C-436-Q
COUNTERSHAFT			
90-85	CH465 (Front)		5707
	(Rear)		308-FFL
86-83	Warner T19D (Diesel)		(88)C-436-Q
84-80	CH465 (Front)		5707
	(Rear)		1308-L
REVERSE IDLER			
86-83	Warner T19D (Diesel)		(74)B-1316-Q
MANUAL / 5 Speed			
TRANSMISSION KIT			
96-95	Fuller FS4205		T-208
94-84	Clark CL450, CL455, CL457, Fuller FS4005 (1.500" Input Shaft)		T-208
94-84	Clark CL450, CL455, CL457, Fuller FS4005 (1.750" Input Shaft)		T-208-D
89-84	Spicer 4054		T-210
89-83	Spicer 5552		T-180
89-83	Spicer 5756, 5852		T-28
89-83	Spicer 6052		T-186
87-83	Clark CL551, CL557, CL558		T-390-H
87-80	New Process 542		T-29
84-80	Clark 282V, 285V		T-148
1983	Clark 390V, 397V		T-390-G
1983	Clark 282V, 285V		T-190
DRIVESHAFT / INPUT			
96-95	Fuller FS4205	473010N	M802048-M802011
	Redi-Sleeve	99162	
96-88	Fuller FS6105, FS6205, FS6305	473010N	39590-39520
	Redi-Sleeve	99162	
96-84	Clark CL450, CL455, CL457, Fuller FS4005, FS5205 (1.500" Shaft)	473010N	M802048-M802011
	Redi-Sleeve	99162	
96-84	Clark CL450, CL455, CL457, Fuller FS4005, FS5205 (1.750" Shaft)	710211	M804049-M804010
	Redi-Sleeve	99187	
94-88	Fuller FS5005 (1.625" Bore)	473010N	M802048-M802011
	Redi-Sleeve	99162	
94-88	Fuller FS5005 (1.875" Bore)	482041N	M804049-M804010
	Redi-Sleeve	99187	
89-88	Spicer 5952		JM511946-JM511910

(Continued Next Column)

Year	Application	Seal	Bearing
MANUAL / 5 Speed (Cont.)			
DRIVESHAFT / INPUT			
89-84	Spicer 4054	5133	1211-L
89-83	Spicer 5552, 6052	452742	JM511946-JM511910
87-83	Clark CL551, CL557, CL558 (1.875" Shaft)	482041N	M804049-M804010
	Redi-Sleeve	99187	
87-80	New Process 542	481181N	1211-SL
	Redi-Sleeve	99162	
84-80	Clark 282V, 285V (1.250" I.D.)	7412S	N-309-L
	Redi-Sleeve	99125	
84-80	Clark 282V, 285V (1.750" I.D.)	482164N	N-309-L
	Redi-Sleeve	99174	
1983	Clark 390V, 397V (1.625" Shaft) (Front)	473010N	M802048-M802011
	Redi-Sleeve	99162	
1983	Clark 390V, 397V (1.870" Shaft) (Rear)		M804049-M804010
1983	Clark 390V, 397V (1.875" Shaft)	482041N	
	Redi-Sleeve	99187	
1983	Clark 282V, 285V, 397V	473010N	M802048-M802011
	Redi-Sleeve	99162	
MAINSHAFT / OUTPUT			
96-95	Fuller FS4205	450519	25581-25520
96-88	Fuller FS5005, FS5205	450519	28580-28527RB
96-88	Fuller FS6105, FS6205, FS6305		45284-45220
94-84	Clark CL450, CL455, CL457, Fuller FS4005 (2.252" Shaft)	712512	25581-25520
94-84	Clark CL450, CL455, CL457, Fuller FS4005 (2.625" Shaft)	411143N	25581-25520
89-88	Spicer 5952		JM511946-JM511910
89-84	Spicer 4054	455322V	211-L
89-83	Spicer 5756, 5852	410519	1311-L
89-83	Spicer 6052	415004	3979-JM511910
89-83	Spicer 5552	475322N	JM511946-JM511910
87-83	Clark CL551, CL557, CL558		28580-28527RB
87-80	New Process 542	450519	1308-L
84-80	Clark 282V, 285V (2.250" I.D.)	450316	N-309-L
84-80	Clark 282V, 285V (2.500" I.D.)	450519	N-309-L
84-80	Clark 282V, 285V (2.625" I.D.)	411143N	N-309-L
1983	Clark 390V, 397V (1.771" Shaft)		25584-25547RB
1983	Clark 390V, 397V (2.500" Shaft)	410519	
1983	Clark 390V, 397V (2.750" Shaft)	485364N	
1983	Clark CL551, CL557, 397V	455322N	28580-28527RB
1983	Clark 282V, 285V	455322N	25584-25547RB
82-80	New Process 542 (Air Brake)	473243	1308-L
82-80	New Process 542 (Exc. Air Brake)	450519	1308-L
MAINSHAFT PILOT			
96-83	Clark CL450, CL455, CL457, CL551, CL557, 282V, 285V, 390V, 397V, Fuller FS4005, FS4205, FS5005, FS5205		(14)QBR-49845
89-84	Spicer 4054		SCE-2420
89-83	Spicer 5756, 5852		(14)O-513-Q
89-83	Spicer 6052		25877-25821
87-80	New Process 542		(14)Q-15902
84-80	Clark 282V, 285V		SRA-5304

() Indicates Quantity Required

(Cont.) (Class 6 & 7) **MEDIUM DUTY - CHEVROLET TRUCK**

Year	Application	Seal	Bearing
TRANSMISSION			
MANUAL / 5 Speed (Cont.)			
MAINSHAFT 1ST SPEED GEAR			
96-84	Clark CL450, CL455, CL457, Fuller FS4005, FS4205, FS5005, FS5205		F-94490
89-84	Spicer 4054		F-93290
89-83	Spicer 6052		F-56619
89-83	Spicer 5552		F-81205
MAINSHAFT 2ND SPEED GEAR			
96-84	Clark CL450, CL455, CL457, Fuller FS4005, FS4205, FS5005, FS5205		F-94490
89-84	Spicer 4054		F-95407
MAINSHAFT 3RD SPEED GEAR			
96-84	Clark CL450, CL455, CL457, Fuller FS4005, FS4205, FS5005, FS5205		F-84003
MAINSHAFT 4TH SPEED GEAR			
96-84	Clark CL450, CL455, CL457, Fuller FS4005, FS4205, FS5005, FS5205		F-94488
87-83	Clark CL551, CL557, CL558 (Shift)		TR-235383
1983	Clark 282V, 285V, 397V		TR-235383
MAINSHAFT 5TH SPEED GEAR			
87-83	Clark CL551, CL557, CL558 (Shift)		TR-235383
1983	Clark 282V, 285V, 397V		TR-235383
MAINSHAFT REVERSE GEAR			
89-84	Spicer 4054		F-93290
89-83	Spicer 6052		F-56619
89-83	Spicer 5552		F-81205
COUNTERSHAFT			
96-88	Fuller FS5005, FS5205	(2)	25590-25520
96-88	Fuller FS6105, FS6205, FS6305		(Front) 25590-25522 (Rear) 3782-3720
96-84	Clark CL450, CL455, CL457, Fuller FS4005, FS4205		(Front) 25877-25821 (Rear) 2689-2631
89-84	Spicer 4054		(Front) A-5 (Rear) LM102949-LM102910
89-83	Spicer 5756, 5852		(Front) M-1208-EL (Rear) 1308-SL
89-83	Spicer 6052		(Front) M804049-M804010 (Rear) JLM506849-JLM506810
89-83	Spicer 5552, 5952	(2)	25584-25520
87-83	Clark CL551, CL557, CL558, 390V, 397V		(Front) DD-46386 (Rear) MU-1309-UGM
87-80	New Process 542		(Front) 1208-L (Rear) (24)Q-15902
84-80	Clark 282V, 285V		(Front) M-28161 (Rear) N-309-L
1983	Clark 282V, 285V		(Front) M-28161 (Rear) * MU-1309-SGNV
REVERSE IDLER			
96-84	Clark CL450, CL455, CL457, Fuller FS4005, FS4205	(52)	QA-48181-A
96-83	Clark CL551, CL557, CL558, 390V, 397V, Fuller FS5005, FS5205	(52)	QA-47838
89-83	Spicer 5756, 5852	(2)	J-322064

(Continued Next Column)

Year	Application	Seal	Bearing
MANUAL / 5 Speed (Cont.)			
REVERSE IDLER			
89-83	Spicer 4054, 5552, 6052		(2)WJ-162116
87-80	New Process 542		(Front) B-1412 (Rear) B-1816 (Thrust) NTA-815
84-80	Clark 282V, 285V		(2)F-54970
1983	Clark 282V, 285V		(2)J-361644
REVERSE GEAR			
96-88	Fuller FS5005, FS5205	(88)	QA-48181-A
96-84	Clark CL450, CL455, CL457, Fuller FS4005, FS4205		F-84003
87-83	Clark CL551, CL557, CL558, 390V, 397V	(96)	QA-48181-A
REMOTE CONTROL			
89-83	Spicer 5756, 5852	(2)	350567
	Redi-Sleeve (2)		99087
87-80	New Process 542		350679
	Redi-Sleeve		99076
84-80	Clark 282V, 285V		471267
	Redi-Sleeve		99087
1ST SPEED GEAR			
87-83	Clark CL551, CL557, CL558, 390V, 397V	(88)	QA-48181-A
2ND SPEED GEAR			
87-83	Clark CL551, CL557, CL558, 390V, 397V	(96)	QA-48181-A
3RD SPEED GEAR			
87-83	Clark CL551, CL557, CL558, 390V, 397V	(96)	QA-48181-A
4TH SPEED GEAR			
87-83	Clark CL551, CL557, CL558, 390V, 397V	(68)	QA-48181-A
4TH SHIFT HUB			
96-84	Clark CL450, CL455, CL457, Fuller FS4005, FS4205, FS5005, FS5205		TR-235383
96-83	Clark CL450, CL455, CL457, CL551, CL557, CL558, 282V, 285V, 390V, 397V, Fuller FS4005, FS4205, FS5005, FS5205		FA-35688
1983	Clark 390V, 397V (Race)		TR-235383
5TH SHIFT HUB			
96-84	Clark CL450, CL455, CL457, Fuller FS4005, FS4205, FS5005, FS5205		TR-235383
96-83	Clark CL450, CL455, CL457, CL551, CL557, CL558, 282V, 285V, 390V, 397V, Fuller FS4005, FS4205, FS5005, FS5205		FA-35688
1983	Clark 390V, 397V (Race)		TR-235383
MANUAL / 6 Speed			
DRIVESHAFT / INPUT			
96-90	Fuller FS5106, FS5306, FS6206, FS6306, FS7206		39590-39520
94-86	Fuller FS6106		450311
	Redi-Sleeve		99205
MAINSHAFT / OUTPUT			
96-90	Fuller FS5106, FS5306, FS6206, FS6306, FS7206		45284-45220
94-86	Fuller FS6106		415004V
MAINSHAFT 3RD SPEED GEAR			
94-86	Fuller FS6106		808840
MAINSHAFT 4TH SPEED GEAR			
94-86	Fuller FS6106		687430
MAINSHAFT 5TH SPEED GEAR			
94-86	Fuller FS6106		206252

() Indicates Quantity Required * Not a Current Production Number, Check for Availability

CHEVROLET TRUCK - MEDIUM DUTY (Class 6 & 7) (Cont.)

Year	Application	Seal	Bearing
TRANSMISSION			
MANUAL / 6 Speed (Cont.)			
COUNTERSHAFT			
96-90	Fuller FS5106, FS5306, FS6206, FS6306, FS7206		
	(Front)	25590-25522	
	(Rear)	3782-3720	
94-86	Fuller FS6106....	MSN-1309-GEXR	
	(Rear)	MU-1309-UV	
MANUAL / 7 Speed			
DRIVESHAFT / INPUT			
96-90	Fuller R8607, T8607	1212-SLV	
	(Pilot)	BS-59	
MAINSHAFT / OUTPUT			
96-90	Fuller R8607, T8607	1212-L	
AUXILIARY MAINSHAFT			
96-90	Fuller R8607, T8607	713750	
COUNTERSHAFT			
96-90	Fuller R8607, T8607		
	(Front)	1309-L	
	(Rear)	* 1213-A	
AUXILIARY COUNTERSHAFT			
96-90	Fuller R8607, T8607	1309-L	
REVERSE IDLER			
96-90	Fuller R8607, T8607	(4)WJ-162116	
MANUAL / 8 Speed			
DRIVESHAFT / INPUT			
96-90	Fuller RT7608(Pilot)	BS-61	
MAINSHAFT / OUTPUT			
96-90	Fuller RT7608	415983N	
AUXILIARY MAINSHAFT			
96-90	Fuller RT7608 ... (Front)	204-S	
	(Rear)	■ A-3071	
AUXILIARY COUNTERSHAFT			
96-90	Fuller RT7608 ... (Rear)	(2)1310-L	
REVERSE IDLER			
96-90	Fuller RT7608	(2)WJ-162116	
MANUAL / 9 Speed			
DRIVESHAFT / INPUT			
96-90	Fuller RT6609	452554N	MU-1209-UGMR
	Redi-Sleeve 99149		
	(Pilot)	BS-61	
96-90	Fuller RT8609(Pilot)	BS-61	
AUXILIARY DRIVESHAFT			
96-90	Fuller RT6609, RT8609	117-L	
AUXILIARY MAINSHAFT			
96-90	Fuller RT6609	712750	
	(Front)	MU-1307-V	
	(Rear)	1212-L	
96-90	Fuller RT8609 (3.500" O.D.)		
	(Front)	MU-1307-V	
	(Rear)	415991N	1212-L
96-90	Fuller RT8609 (3.750" O.D.)		
	(Front)	MU-1307-V	
	(Rear)	713750	1212-L

Year	Application	Seal	Bearing
MANUAL / 9 Speed (Cont.)			
COUNTERSHAFT			
96-90	Fuller RT6609	(4)MU-1306-UGV	
AUXILIARY COUNTERSHAFT			
96-90	Fuller RT6609 ... (Front)	(2)MR-1206-RUGV	
	(Rear)	MR-1308-TV	
96-90	Fuller RT8609 (Rear)	(2)MU-1308-UM	
REVERSE IDLER			
96-90	Fuller RT6609, RT8609	(2)WJ-162116	
MANUAL / 10 Speed			
TRANSMISSION KIT			
96-83	Fuller RT6610, RTO6610	T-145-A	
DRIVESHAFT / INPUT			
96-83	Fuller RT6610, RTO6610	452554N	209-SLV
	Redi-Sleeve 99149		
	(Pilot)	BS-61	
AUXILIARY DRIVESHAFT			
96-83	Fuller RT6610, RTO6610	117-L	
MAINSHAFT / OUTPUT			
96-83	Fuller RT6610, RTO6610	415983N	
AUXILIARY MAINSHAFT			
96-83	Fuller RT6610, RTO6610		
	(Front)	MU-1307-V	
	(Rear)	415991N	1212-L
COUNTERSHAFT			
96-83	Fuller RT6610, RTO6610		
	(Front)	(2)MU-1207-UGV	
	(Rear)	(2)MU-1306-UGV	
AUXILIARY COUNTERSHAFT			
96-83	Fuller RT6610, RTO6610		
	(Front)	(2)MR-1206-RUGV	
	(Rear)	(2)MR-1308-TV	
REVERSE IDLER			
96-83	Fuller RT6610, RTO6610	(2)WJ-162116	
MANUAL / 13 Speed			
TRANSMISSION KIT			
96-80	Fuller RT613, RT6613	T-146	
DRIVESHAFT / INPUT			
96-80	Fuller RT613, RT6613	452554N	209-SLV
	Redi-Sleeve 99149		
	(Pilot)	BS-61	
MAINSHAFT / OUTPUT			
96-80	Fuller RT613, RT6613	415983N	117-L
AUXILIARY MAINSHAFT			
96-80	Fuller RT613, RT6613	■ A-3071	
COUNTERSHAFT			
96-80	Fuller RT613, RT6613		
	(Front)	(2)MU-1207-UGV	
	(Rear)	(2)MU-1306-UGV	
AUXILIARY COUNTERSHAFT			
96-80	Fuller RT613, RT6613		
	(Front)	(2)MU-1306-UV	
	(Rear)	(2)1310-L	
REVERSE IDLER			
96-80	Fuller RT613, RT6613	(2)WJ-162116	

() Indicates Quantity Required ■ Replace Complete Unit * Not a Current Production Number, Check for Availability

(Cont.) (Class 6 & 7) **MEDIUM DUTY - CHEVROLET TRUCK**

Year	Application	Seal	Bearing
STEERING			
POWER STEERING			
STEERING GEAR WORM SHAFT			
96-90	B7T042, C6H042, C7H042, C7H064, P6S042 (Ross Design).....		NTA-2840
94-87	W6R042, W7R042HD, W7R042M, W7R042T	222540	
STEERING KNUCKLE			
96-91	B7T042, P6S042 (Saginaw Design) (9,000 & 11,000 lb. Axle).....	HM801346X-HM801310	
96-90	C7H042, C7H064 (TRW Design) (11,000, 12,000 & 14,500 lb. Axle).....	HM801346X-HM801310	
96-90	B7T042, C6H042, C7H042, C7H064, P6S042 (Saginaw Design) (8,000 lb. Axle).....	M88048-M88010	
STEERING PUMP SHAFT			
96-92	B7T042, C6H042, C7H042, C7H064, P6S042 (Saginaw Pump).....	471264	203-FF
94-87	W6R042, W7R042HD, W7R042M, W7R042T	222540	305-S
91-80	B6P042, C6D042, C6H042, C7D042, C7D064, C7H042, C7H064, P6S042 (Saginaw Pump).....	471264	203-FF
AIR CONDITIONING			
COMPRESSOR			
CLUTCH PULLEY			
95-80	Harrison R-4		907257
ELECTRICAL			
ALTERNATOR			
DRIVE END			
91-80	AC-Delco 42, 56, 61, 108, 120 Amp.		203-FF
91-80	AC-Delco 63, 70, 80 Amp.		203-S
90-80	65, 80, 81, 94, 95, 100 Amp.		305-D
REAR END			
94-90	AC-Delco 120, 124 Amp.		100-CC4
91-80	AC-Delco 42, 56, 80, 108 Amp.		MNJ-471-S
ENGINE			
ACCESSORY DRIVE			
4 CYLINDER			
1980	212/3.5L (Diesel), 212/3.5L (Turbo-Diesel).....	470059	
		Redi-Sleeve 99149	
CAMSHAFT			
4 CYLINDER			
1980	212/3.5L (Diesel), 212/3.5L (Turbo-Diesel).....	480581	

Year	Application	Seal	Bearing
CRANKSHAFT			
4 CYLINDER			
1980	212/3.5L (Turbo-Diesel) Single lip FP-5116229		
	Single lip O/S ID FP-5196852		
	Redi-Sleeve 99395		
1980	212/3.5L (Turbo-Diesel) Double lip; Wet only Double Lip FP-5128917		
6 CYLINDER			
96-90	403/6.6L (Turbo-Diesel).....	325776	
	Redi-Sleeve 99435		
95-87	5785cc/5.8L (Turbo-Diesel), 6494cc/6.5L (Diesel), 6494cc/6.5L (Turbo-Diesel).....	710349	
	Redi-Sleeve 99413		
86-80	292/4.8L	(Split Seal) 5092	
8 CYLINDER			
96-91	366/6.0L, 427/7.0L	325776	
	Redi-Sleeve 99435		
91-80	500/8.2L (Diesel), 500/8.2L (Turbo-Diesel).....	455956H	
90-80	636/10.4L (Diesel), 636/10.4L (Turbo-Diesel).....	39801	
	Redi-Sleeve 99499		
90-80	366/6.0L	(Split Seal) 5072	
90-80	427/7.0L	325776	
	Redi-Sleeve 99435		
TIMING COVER			
4 CYLINDER			
1980	212/3.5L (Diesel), 212/3.5L (Turbo-Diesel).....	482041N	
	Redi-Sleeve 99187		
	Harmonic Bal Sleeve 88187		
1980	212/3.5L (Diesel), 212/3.5L (Turbo-Diesel) (Oversize).....	452261H	
6 CYLINDER			
96-90	403/6.6L (Turbo-Diesel).....	3945	
	Redi-Sleeve 99233		
	Harmonic Bal Sleeve 88233		
95-87	5785cc/5.8L (Turbo-Diesel), 6494cc/6.5L (Diesel), 6494cc/6.5L (Turbo-Diesel).....	710390	
	Redi-Sleeve 99235		
86-80	292/4.8L	9845	
	Redi-Sleeve 99176		
	Harmonic Bal Sleeve 88176		
	Harmonic Bal Kit ☒ 5000		
8 CYLINDER			
96-80	366/6.0L, 427/7.0L	3945	
	Redi-Sleeve 99233		
	Harmonic Bal Sleeve 88233		
91-80	500/8.2L (Diesel), 500/8.2L (Turbo-Diesel).....	473476	
	Redi-Sleeve 99250		
90-80	636/10.4L (Diesel) (2.375" Shaft).....	480988H	
	Redi-Sleeve 99237		
90-80	636/10.4L (Diesel), 636/10.4L (Turbo-Diesel).....	39802	
	Redi-Sleeve 99287		

☒ Refer To Front Of Catalog For Kit Contents

CHRYSLER - FRONT WHEEL DRIVE

(Cirrus, Concorde, E Class, Executive Limousine, Executive Sedan, Imperial, Laser, LeBaron, LHS, New Yorker, PT Cruiser, Sebring Convertible, Sebring Coupe, Sebring Sedan & 300M)

Year	Application	Seal	Bearing
WHEEL			
FRONT WHEEL			
09-07	Sebring Sedan, Sebring Sedan AWD (ABS)		Hub Assembly 513263
09-07	Sebring Sedan, Sebring Sedan AWD (Exc. ABS)		Hub Assembly 513264
08-05	PT Cruiser Convertible		510058
06-95	Cirrus, Sebring Convertible, Sebring Sedan		Hub Assembly 513138
05-95	Sebring Coupe		Hub Assembly 513157
04-94	Concorde, LHS, New Yorker, 300M		Hub Assembly 513089
95-94	LeBaron	(Kit) ☒ 5604	Hub Assembly 513075
1993	Concorde		Hub Assembly 513089
93-91	Imperial, LeBaron, New Yorker	(Kit) ☒ 5604	Hub Assembly 513075
90-89	LeBaron (Exc. Turbo Eng.)		513006
	(4 Stud Hub)	(Kit) ☒ 5604	Hub Repair Kit ☒ 518501
90-89	LeBaron (Exc. Turbo Eng.)		513006
	(5 Stud Hub)	(Kit) ☒ 5604	Hub Repair Kit 518502
90-89	LeBaron (Turbo Eng.)	(Kit) ☒ 5604	Hub Assembly 513075
90-89	Imperial, New Yorker	(Kit) ☒ 5604	Hub Assembly 513075
88-84	All (4 Stud Hub)	(Kit) ☒ 5604	513006
			Hub Repair Kit ☒ 518501
88-84	All (5 Stud Hub)	(Kit) ☒ 5604	513006
			Hub Repair Kit 518502
1983	E Class (4 Stud Hub)	(Kit) ☒ 5604	513006
			Hub Repair Kit ☒ 518501
1983	E Class (5 Stud Hub)	(Kit) ☒ 5604	513006
			Hub Repair Kit 518502
83-82	LeBaron, New Yorker	(Kit) ☒ 5604	B-39
			Hub Repair Kit ☒ 518500
REAR WHEEL			
09-08	Sebring Sedan AWD		Hub Assembly 512333
09-07	Sebring Sedan (ABS)		Hub Assembly 512332
09-07	Sebring Sedan (Exc. ABS)		Hub Assembly 512331
08-05	PT Cruiser Convertible		Hub Assembly 512167
06-01	Sebring Convertible, Sebring Sedan		Hub Assembly 512220
05-95	Sebring Coupe		Hub Assembly 512136
04-94	Concorde, LHS, New Yorker, 300M		Hub Assembly 512029
00-98	Cirrus, Sebring Convertible (ABS)		Hub Assembly 512220
00-95	Cirrus, Sebring Convertible (Exc. ABS)		Hub Assembly 512154
97-95	Cirrus, Sebring Convertible (ABS)		Hub Assembly 512133
95-94	LeBaron	(Inner) 4099	A-39
		(Outer)	A-16
1993	Concorde		Hub Assembly 512029
93-83	E Class, Executive Limousine, Executive Sedan, Imperial, Laser, LeBaron, New Yorker		
		(Inner) 4099	A-39
		(Outer)	A-16
1982	All	(Inner) 3677	A-4
		(Outer)	A-2
CLUTCH			
RELEASE			
		Bearing Only	Bearing Assembly
4 CYLINDER			
08-05	148/2.4L (DOHC), 148/2.4L (DOHC-Turbo)(9)		Ⓢ 614121
(Continued Next Column)			

Year	Application	Seal	Bearing
RELEASE (Cont.)			
		Bearing Only	Bearing Assembly
4 CYLINDER			
05-01	2351cc/2.4L		Ⓢ 614126
00-95	122/2.0L, 122/2.0L (DOHC), 148/2.4L (DOHC)		Ⓢ 614121
94-90	135/2.2L (Turbo), 153/2.5L, 153/2.5L (Turbo)		Ⓢ 614092
89-82	135/2.2L, 135/2.2L (Turbo), 153/2.5L, 153/2.5L (Turbo)		614007
6 CYLINDER			
05-01	2972cc/3.0L		Ⓢ 614126
95-91	2972cc/3.0L		Ⓢ 614092
TRANSAXLE			
AUTOMATIC / 3 Speed			
DIFFERENTIAL			
2000	31TH	(Right)	A-18
94-82	A413, A470, A670, 31TH		(2)A-18
TORQUE CONVERTER			
2000	31TH		331228H
		Redi-Sleeve	99149
94-82	A413, A470, A670, 31TH		331228H
		Redi-Sleeve	99149
OUTPUT SHAFT			
2000	31TH		(2) 3459
		Redi-Sleeve (2)	99157
94-92	31TH		(2) 3459
		Redi-Sleeve (2)	99157
91-82	A413, A470, A670		(2) 3459
		Redi-Sleeve (2)	99157
TRANSFER SHAFT			
2000	31TH		(2)A-18
94-82	A413, A470, A670, 31TH		(2)A-18
MANUAL SHAFT			
2000	31TH		8609
94-82	A413, A470, A670, 31TH		8609
AUTOMATIC / 4 Speed			
DIFFERENTIAL			
09-97	40TE, 41TE, 40TES, 41TES		(Right) A-18
06-93	42LE		(2)A-36
05-01	F4A42		(2)30207
96-88	A604, 41TE		(2)A-18
TORQUE CONVERTER			
09-88	A604, 40TE, 41TE, 42LE, 40TES, 41TES		331228H
		Redi-Sleeve	99149
05-01	F4A42, F4A51		320583
		Redi-Sleeve	99157
INPUT SHAFT			
05-01	F4A51		B-1816
OUTPUT SHAFT			
09-92	40TE, 41TE, 40TES, 41TES	(2) 3459	
		Redi-Sleeve (2)	99157
06-93	42LE	(Left)	4738N
		(Right)	4748N
(Continued Next Page)			

FRONT WHEEL DRIVE - CHRYSLER

(Cont.) (Cirrus, Concorde, E Class, Executive Limousine, Executive Sedan, Imperial, Laser, LeBaron, LHS, New Yorker, PT Cruiser, Sebring Convertible, Sebring Coupe, Sebring Sedan & 300M)

Year	Application	Seal	Bearing	Year	Application	Seal	Bearing
TRANSAXLE							
AUTOMATIC / 4 Speed (Cont.)				MANUAL / 5 Speed (Cont.)			
OUTPUT SHAFT				INPUT SHAFT			
05-01	F4A42	(Front)	32009-X	05-01	Mitsubishi F5M42, F5M51	712007	
		(Rear)	32006		Redi-Sleeve 99106		
05-01	F4A51	(Inner)	32009-X	95-83	A465, A520, A523, A525, A543, A555, A568		
		(Outer)	32010-X		(Front)	3732S	A-4
91-88	A604	(2) 3459	(2)A-17		Redi-Sleeve 99106		
		Redi-Sleeve (2) 99157			(Rear)		A-5
TRANSFER SHAFT				INTERMEDIATE SHAFT			
09-92	40TE, 41TE, 40TES, 41TES	(Right)	A-35	85-83	A465	(Front)	5707
06-93	42LE	(Inner) 4890		OUTPUT SHAFT			
		(Outer) 4889		08-05	A578	(2) 3459	
		(Right) M802048-M802011			Redi-Sleeve (2) 99157		
05-01	F4A51		32006	08-05	Getrag 288S	223535	
91-88	A604		(2)A-18		Redi-Sleeve 99139		
MANUAL SHAFT				00-95	A578	(2) 3459	
09-88	A604, 40TE, 41TE, 40TES, 41TES	8609			Redi-Sleeve (2) 99157		
AUTOMATIC / 6 Speed				95-83	A465, A520, A523, A525, A543, A555, A568	(2) 3459	
TORQUE CONVERTER					Redi-Sleeve (2) 99157		
09-07	62TE	710628		SHIFT SHAFT			
OUTPUT SHAFT				08-05	A578	3816	
09-07	62TE	(2) 3459		00-95	A578	3816	
		Redi-Sleeve (2) 99157		95-83	A465, A520, A523, A525, A543, A555, A568	3816	
MANUAL SHAFT				STEERING			
09-07	62TE	8609		POWER STEERING			
MANUAL / 4 Speed				STEERING GEAR WORM SHAFT			
DIFFERENTIAL				92-82	All	7188S	
85-82	A460		(2)A-18	STEERING PUMP SHAFT			
INPUT SHAFT				92-82	All	7013S	
85-82	A460	(Front) 3732S	A-4	AIR CONDITIONING			
		Redi-Sleeve 99106		COMPRESSOR			
		(Rear)	A-5	CLUTCH PULLEY			
INTERMEDIATE SHAFT				90-85	Nippondenso A590	5000-KFF	
85-82	A460	(Front)	5707	87-82	Nippondenso C171	5000-KFF	
OUTPUT SHAFT				86-82	Sanden SD-508	5001-KFF	
85-82	A460	(2) 3459		ELECTRICAL			
		Redi-Sleeve (2) 99157		ALTERNATOR			
SHIFT SHAFT				DRIVE END			
85-82	A460	3816		89-87	Bosch 40, 90 Amp. (Ser. #5233574)	203-FF	
MANUAL / 5 Speed				86-82	Chrysler 60, 65, 78 Amp.	203-FF	
DIFFERENTIAL				86-82	Mitsubishi 50, 75 Amp.	302-SS	
08-05	A578		(2)A-18	REAR END			
08-05	Getrag 288S	(2)LM503349A-LM503310		89-88	Chrysler 40, 50, 90, 120 Amp.	203-FF	
05-01	Mitsubishi F5M42		(2)30207	1987	Bosch 40, 90, 100 Amp.	201	
05-01	Mitsubishi F5M51		(2)32207	87-82	Chrysler 60, 65, 78 Amp.	MNJ-471-S	
00-95	A578		(2)A-18	86-82	Mitsubishi 50, 75 Amp.	201-S	
95-83	A465, A520, A523, A525, A543, A555, A568		(2)A-18				

() Indicates Quantity Required

CHRYSLER - FRONT WHEEL DRIVE

(Cirrus, Concorde, E Class, Executive Limousine, Executive Sedan, Imperial, Laser, LeBaron, LHS, New Yorker, PT Cruiser, Sebring Convertible, Sebring Coupe, Sebring Sedan & 300M)

(Cont.)

Year	Application	Seal	Bearing	Year	Application	Seal	Bearing
ENGINE				CRANKSHAFT (Cont.)			
CAMSHAFT				4 CYLINDER			
4 CYLINDER				85-82 2555cc/2.6L 228005			
07-95	122/2.0L (DOHC), 148/2.4L (DOHC), 148/2.4L (DOHC-Turbo)(9).....	(2) 320249		<i>Redi-Sleeve</i> 99315			
		<i>Redi-Sleeve</i> (2) 99139		6 CYLINDER			
05-01	2351cc/2.4L	3771		09-90 167/2.7L (DOHC), 197/3.2L, 201/3.3L, 215/3.5L, 231/3.8L, 2497cc/2.5L, 2972cc/3.0L, 2972cc/3.0L			
		<i>Redi-Sleeve</i> 99139 710056			
2000	122/2.0L	320249		<i>PTFE Rubber</i> 5279			
		<i>Redi-Sleeve</i> 99139		89-88 2972cc/3.0L			
94-89	135/2.2L, 135/2.2L (Turbo), 153/2.5L, 153/2.5L (Turbo).....	3655		<i>PTFE Rubber</i> 5279			
		<i>Redi-Sleeve</i> 99139		INTERMEDIATE SHAFT			
88-86	153/2.5L	3655		4 CYLINDER			
		<i>Redi-Sleeve</i> 99139		94-82 135/2.2L, 135/2.2L (Turbo), 153/2.5L, 153/2.5L (Turbo).....			
88-82	135/2.2L, 135/2.2L (Turbo) (52.35mm OD).. (Front)	3655		3655			
		<i>Redi-Sleeve</i> 99139		<i>Redi-Sleeve</i> 99139			
		(Rear)		6 CYLINDER			
		713655		97-90 201/3.3L, 231/3.8L			
		<i>Redi-Sleeve</i> 99139		3655			
88-82	135/2.2L, 135/2.2L (Turbo) (53.59mm OD).. (Front)	3655		<i>Redi-Sleeve</i> 99139			
		<i>Redi-Sleeve</i> 99139		OIL PUMP			
		(Rear)		4 CYLINDER			
		4040N		05-01 2351cc/2.4L			
		<i>Redi-Sleeve</i> 99139		222025			
85-82	2555cc/2.6L	222330		<i>Redi-Sleeve</i> 99078			
6 CYLINDER				TIMING COVER			
09-07	215/3.5L	(2) 321417N		4 CYLINDER			
		<i>Redi-Sleeve</i> (2) 99112		09-07 144/2.4L (DOHC).....			
05-01	2972cc/3.0L	(2) 3771		07-95 122/2.0L, 122/2.0L (DOHC), 148/2.4L (DOHC), 148/2.4L (DOHC-Turbo)(9).....			
		<i>Redi-Sleeve</i> (2) 99139 320348			
04-93	197/3.2L, 215/3.5L	(2) 321417N		<i>Redi-Sleeve</i> 99128			
		<i>Redi-Sleeve</i> (2) 99112		05-01 2351cc/2.4L			
00-95	2497cc/2.5L	(2) 3771		94-89 135/2.2L, 135/2.2L (Turbo), 153/2.5L, 153/2.5L (Turbo).....			
		<i>Redi-Sleeve</i> (2) 99139		3638			
		(Rear)		<i>Redi-Sleeve</i> 99112			
		710302		88-82 135/2.2L, 135/2.2L (Turbo), 153/2.5L.....			
95-88	2972cc/3.0L	(2) 3771		3655			
		<i>Redi-Sleeve</i> (2) 99139		<i>Redi-Sleeve</i> 99139			
CRANKSHAFT				85-82 2555cc/2.6L			
4 CYLINDER				224840			
09-07	144/2.4L (DOHC).....	710235		<i>Redi-Sleeve</i> 99189			
07-82	122/2.0L, 122/2.0L (DOHC), 135/2.2L, 135/2.2L (Turbo), 148/2.4L (DOHC), 148/2.4L (DOHC-Turbo)(9), 153/2.5L, 153/2.5L (Turbo).....	710056		6 CYLINDER			
		<i>PTFE Rubber</i> 5279		09-07 215/3.5L			
05-01	2351cc/2.4L	710235		3638			
94-82	135/2.2L, 135/2.2L (Turbo), 153/2.5L, 153/2.5L (Turbo).....			<i>Redi-Sleeve</i> 99112			
		(Gkt. & PTFE Seal) 5279A		09-98 167/2.7L (DOHC).....			
		(Continued Next Column)		05-88 2497cc/2.5L, 2972cc/3.0L, 2972cc/3.0L			
			 223750			
				04-90 201/3.3L, 215/3.5L, 231/3.8L			
				3638			
				<i>Redi-Sleeve</i> 99112			
				01-98 197/3.2L			
				1987			
				<i>Redi-Sleeve</i> 99139			

REAR WHEEL DRIVE - CHRYSLER FULL SIZE

(Fifth Avenue, Imperial, New Yorker, Newport, 300C & 300C AWD)

Year	Application	Seal	Bearing	Year	Application	Seal	Bearing
WHEEL				TRANSFER CASE			
FRONT WHEEL				FULL TIME / PART TIME			
09-05	300C		Hub Assembly 513224	INPUT SHAFT			
09-05	300C AWD		Hub Assembly 513225	07-05	Magna Steyr 140		
89-80	All	(Inner) 5121	A-17			(Inner) LM503349A-LM503310	
		(Outer)	A-2			(Outer) 32010-X	
REAR WHEEL				FRONT OUTPUT SHAFT			
09-05	All		Hub Assembly 512301	07-05	Magna Steyr 140		A-18
89-85	All	8835S	6408	IDLER SHAFT			
			(Axle Repair Brg.) RP-6408	07-05	Magna Steyr 140		A-5
84-82	All (8.25" R.G.)	8835S	6408	TRANSMISSION			
			(Axle Repair Brg.) RP-6408	AUTOMATIC / 3 Speed			
84-80	All (7.25" R.G.)	8660S	RWC-35-YYR	FRONT PUMP			
81-80	All (8.25" R.G.) (9.25" R.G.)	8835S	6408	89-80	A727	331227H	
			(Axle Repair Brg.) RP-6408			Redi-Sleeve 99187	
AXLE				89-80	A904, A999	331228H	
FRONT AXLE						Redi-Sleeve 99149	
DIFFERENTIAL				EXTENSION HOUSING			
09-05	Mercedes-Benz 175mm			89-80	A727	7300S	
	(Left)		LM503349A-LM503310			(Seal & Bushing Kit) 5206	
	(Right)		19150-19268	89-80	A904, A999	2506	§ 206-LOE
PINION				MANUAL SHAFT			
09-05	Mercedes-Benz 175mm		(2)M88043-M88010	89-80	A904, A999	8609	
REAR AXLE				CLUTCH CAM			
DIFFERENTIAL KIT				89-80	A727		(12)W-585-Q
89-80	7.25" R.G.		<input checked="" type="checkbox"/> RA-302	AUTOMATIC / 4 Speed			
89-80	8.25" R.G.		<input checked="" type="checkbox"/> RA-303	FRONT PUMP			
			(Master Kit) RA-303MK	09-05	42RLE	331228H	
81-80	9.25" R.G.		<input checked="" type="checkbox"/> RA-304			Redi-Sleeve 99149	
			(Master Kit) RA-304MK	EXTENSION HOUSING			
DIFFERENTIAL				09-05	42RLE (2WD)	7300S	
08-05	Mercedes-Benz 215mm		(2)LM806649-LM806610			(Seal & Bushing Kit) 5206	
89-80	7.25" R.G.		(2)A-35	09-05	42RLE (4WD)	710058	
89-80	8.25" R.G.		(2)A-36	AUTOMATIC / 5 Speed			
81-80	9.25" R.G.		(2)JLM704649-JLM704610	FRONT PUMP			
PINION				09-05	Mercedes-Benz W5A580	710608	
09-05	Mercedes-Benz 198mm			OUTPUT SHAFT			
	(Inner)		HM803149-HM803110	09-05	Mercedes-Benz W5A580		206
08-05	Mercedes-Benz 215mm			STEERING			
	(Inner)		HM803146-HM803110	POWER STEERING			
	(Outer)		M88043-M88010	STEERING GEAR SECTOR SHAFT			
89-80	7.25" R.G.		HM88649-HM88610	89-80	All	6859S	
	(Inner)		8516N	STEERING GEAR WORM SHAFT			
	(Outer)		M86649-M86610	89-80	All	7188S	
			Redi-Sleeve 99168	STEERING PUMP SHAFT			
89-80	8.25" R.G.		M802048-M802011	89-80	All	7013S	
	(Inner)		8516N				
	(Outer)		M86649-M86610				
			Redi-Sleeve 99168				
81-80	9.25" R.G.		M804049-M804010				
	(Inner)		5126				
	(Outer)		M88048-M88010				
			Redi-Sleeve 99187				

() Indicates Quantity Required § Use Old Snap Ring Refer To Front Of Catalog For Kit Contents

CHRYSLER FULL SIZE - REAR WHEEL DRIVE

(Fifth Avenue, Imperial, New Yorker, Newport, 300C & 300C AWD) (Cont.)

Year	Application	Seal	Bearing	Year	Application	Seal	Bearing
AIR CONDITIONING				CRANKSHAFT			
COMPRESSOR				6 CYLINDER			
CLUTCH PULLEY				09-05 167/2.7L (DOHC), 215/3.5L..... 710056			
89-80	Nippondenso C171		5000-KFF	PTFE Rubber 5279			
81-80	Sanden SD-508		5001-KFF	83-80 225/3.7L			
ELECTRICAL				8 CYLINDER			
ALTERNATOR				89-80 318/5.2L			
DRIVE END				TIMING COVER			
89-80 34, 41, 50, 60, 65, 78 Amp. 203-FF				6 CYLINDER			
89-80 86, 100, 114 Amp. 303-SS				09-05 167/2.7L (DOHC)..... 710469			
REAR END				09-05 215/3.5L			
89-80 34, 41, 50, 60, 65, 78 Amp. MNJ-471-S				215/3.5L			
ENGINE				83-80 225/3.7L			
CAMSHAFT				8 CYLINDER			
6 CYLINDER				89-80 318/5.2L, 360/5.9L			
09-05 215/3.5L				Redi-Sleeve 99218			
(2) 321417N				Harmonic Bal Sleeve 88218			
Redi-Sleeve (2) 99112							

CHRYSLER MID SIZE - REAR WHEEL DRIVE (Cordoba & LeBaron)

WHEEL				REAR AXLE (Cont.)			
FRONT WHEEL				PINION			
83-80 All..... (Inner) 5121				83-80 8.25" R.G. (Inner)			
(Outer) A-2				(Outer) 8516N			
				Redi-Sleeve 99168			
REAR WHEEL				81-80 9.25" R.G. (Inner)			
83-80 Cordoba				(Outer) 5126			
8835S				Redi-Sleeve 99187			
6408							
(Axle Repair Brg.) RP-6408							
81-80 LeBaron (7.25" R.G.)							
8660S							
RWC-35-YYR							
81-80 LeBaron (8.25" R.G.)							
8835S							
6408							
(Axle Repair Brg.) RP-6408							
AXLE				CLUTCH			
REAR AXLE				PILOT			
DIFFERENTIAL KIT				6 CYLINDER			
83-80 7.25" R.G.				1980 225/3.7L			
<input checked="" type="checkbox"/> RA-302				PB-286			
83-80 8.25" R.G.				(H/D) PB-286-HD			
<input checked="" type="checkbox"/> RA-303							
(Master Kit) RA-303MK							
81-80 9.25" R.G.							
<input checked="" type="checkbox"/> RA-304							
(Master Kit) RA-304MK							
DIFFERENTIAL				RELEASE			
83-80 7.25" R.G.				83-80 7.25" R.G.			
(2)A-35				225/3.7L			
83-80 8.25" R.G.				614036			
(2)A-36				1505			
81-80 9.25" R.G.				(Thrust Type) V-1505-C			
(2)JLM704649-JLM704610							
PINION				TRANSMISSION			
83-80 7.25" R.G.				AUTOMATIC / 3 Speed			
(Inner)				FRONT PUMP			
(Outer) 8516N				83-80 A727			
M86649-M86610				331227H			
Redi-Sleeve 99168				Redi-Sleeve 99187			
(Continued Next Column)				83-80 A904			
				331228H			
				Redi-Sleeve 99149			

(Cont.) (Cordoba & LeBaron) **REAR WHEEL DRIVE - CHRYSLER MID SIZE**

Year	Application	Seal	Bearing
TRANSMISSION			
AUTOMATIC / 3 Speed (Cont.)			
EXTENSION HOUSING			
83-80	A727	7300S	
	(Seal & Bushing Kit)	5206	
83-80	A904	2506	§ 206-LOE
MANUAL SHAFT			
83-80	A904	8609	
CLUTCH CAM			
83-80	A727		(12)W-585-Q
STEERING			
POWER STEERING			
STEERING GEAR SECTOR SHAFT			
83-80	All	6859S	
STEERING GEAR WORM SHAFT			
83-80	All	7188S	
STEERING PUMP SHAFT			
83-80	All	7013S	
AIR CONDITIONING			
COMPRESSOR			
CLUTCH PULLEY			
83-80	Nippondenso C171		5000-KFF
<i>(Continued Next Column)</i>			

Year	Application	Seal	Bearing
COMPRESSOR (Cont.)			
CLUTCH PULLEY			
83-80	Sanden SD-508		5001-KFF
ELECTRICAL			
ALTERNATOR			
DRIVE END			
83-80	34, 41, 50, 60, 65, 78 Amp.		203-FF
83-80	86, 100, 114 Amp.		303-SS
REAR END			
83-80	34, 41, 50, 60, 65, 78 Amp.		MNJ-471-S
ENGINE			
CRANKSHAFT			
6 CYLINDER			
83-80	225/3.7L	5650	
8 CYLINDER			
83-80	318/5.2L	5414	
TIMING COVER			
6 CYLINDER			
83-80	225/3.7L	3095	
	Redi-Sleeve	99226	
8 CYLINDER			
83-80	318/5.2L, 360/5.9L	3103	
	Redi-Sleeve	99218	
	Harmonic Bal Sleeve	88218	

CHRYSLER CROSSFIRE

WHEEL			
FRONT WHEEL			
08-04	All	(Inner)	A-17
		(Outer)	A-12
REAR WHEEL			
08-04	All		513130
TRANSMISSION			
AUTOMATIC / 5 Speed			
FRONT PUMP			
07-04	Mercedes-Benz W5A330	710608	

AUTOMATIC / 5 Speed (Cont.)			
OUTPUT SHAFT			
07-04	Mercedes-Benz W5A330		206

CHRYSLER PROWLER

WHEEL			
FRONT WHEEL			
02-01	All	Hub Assembly	513123
REAR WHEEL			
02-01	All	Hub Assembly	513089

TRANSAXLE			
AUTOMATIC / 4 Speed			
DIFFERENTIAL			
02-01	42LE		(2)A-36

() Indicates Quantity Required § Use Old Snap Ring

CHRYSLER PROWLER (Cont.)

Year	Application	Seal	Bearing
TRANSAXLE			
AUTOMATIC / 4 Speed (Cont.)			
TORQUE CONVERTER			
02-01	42LE	331228H	
		Redi-Sleeve 99149	
OUTPUT SHAFT			
02-01	42LE	(Left) 4738N	
		(Right) 4748N	
TRANSFER SHAFT			
02-01	42LE	(Inner) 4890	
		(Outer) 4889	
		(Right) M802048-M802011	
ENGINE			
CAMSHAFT			
6 CYLINDER			
02-01	215/3.5L	(2) 321417N	
		Redi-Sleeve (2) 99112	

Year	Application	Seal	Bearing
CRANKSHAFT			
6 CYLINDER			
02-01	215/3.5L	710056	
		PTFE Rubber 5279	
TIMING COVER			
6 CYLINDER			
02-01	215/3.5L	3638	
		Redi-Sleeve 99112	

CHRYSLER - CANADIAN MODELS (Daytona, Dynasty, Intrepid & Neon)

WHEEL			
FRONT WHEEL			
04-93	Intrepid	Hub Assembly	513089
2002	Neon		510058
01-00	Neon		510057
93-91	Daytona, Dynasty	(Kit) <input checked="" type="checkbox"/> 5604	Hub Assembly 513075
90-89	Daytona (2 Wheel Disc Brakes) (4 Stud Hub)	(Kit) <input checked="" type="checkbox"/> 5604	513006
			Hub Repair Kit <input checked="" type="checkbox"/> 518501
90-89	Daytona (2 Wheel Disc Brakes) (5 Stud Hub)	(Kit) <input checked="" type="checkbox"/> 5604	513006
			Hub Repair Kit 518502
90-89	Daytona (4 Wheel Disc Brakes)	(Kit) <input checked="" type="checkbox"/> 5604	Hub Assembly 513075
90-89	Dynasty	(Kit) <input checked="" type="checkbox"/> 5604	Hub Assembly 513075
88-84	All (4 Stud Hub)	(Kit) <input checked="" type="checkbox"/> 5604	513006
			Hub Repair Kit <input checked="" type="checkbox"/> 518501
88-84	All (5 Stud Hub)	(Kit) <input checked="" type="checkbox"/> 5604	513006
			Hub Repair Kit 518502
REAR WHEEL			
04-98	Intrepid	Hub Assembly	512029
02-00	Neon	Hub Assembly	512167
97-93	Intrepid (ABS)	Hub Assembly	512029
97-93	Intrepid (Exc. ABS)	Hub Assembly	512030
93-84	Daytona, Dynasty		
		(Inner) 4099	A-39
		(Outer)	A-16
CLUTCH			
RELEASE			
		Bearing Only	Bearing Assembly
4 CYLINDER			
02-00	122/2.0L		© 614121
93-90	135/2.2L (Turbo), 135/2.2L (DOHC-Turbo), 153/2.5L, 153/2.5L (Turbo)		© 614092
			(Continued Next Column)

RELEASE (Cont.)			
		Bearing Only	Bearing Assembly
4 CYLINDER			
89-84	135/2.2L, 135/2.2L (Turbo), 153/2.5L, 153/2.5L (Turbo)		614007
6 CYLINDER			
93-91	2972cc/3.0L		© 614092
TRANSAXLE			
AUTOMATIC / 3 Speed			
DIFFERENTIAL			
01-00	31TH	(Right)	A-18
93-84	A413, A670, 31TH		(2)A-18
TORQUE CONVERTER			
01-00	31TH		331228H
		Redi-Sleeve	99149
93-84	A413, A670, 31TH		331228H
		Redi-Sleeve	99149
OUTPUT SHAFT			
01-00	31TH	(2)	3459
		Redi-Sleeve (2)	99157
93-92	31TH	(2)	3459
		Redi-Sleeve (2)	99157
91-84	A413, A670	(2)	3459
		Redi-Sleeve (2)	99157
TRANSFER SHAFT			
01-00	31TH		(2)A-18
93-84	A413, A670, 31TH		(2)A-18
MANUAL SHAFT			
01-00	31TH		8609
93-84	A413, A670, 31TH		8609

(Cont.) (Daytona, Dynasty, Intrepid & Neon)

CANADIAN MODELS - CHRYSLER

Year	Application	Seal	Bearing
TRANSAXLE			
AUTOMATIC / 4 Speed			
DIFFERENTIAL			
04-93	42LE		(2)A-36
2002	41TE	(Right)	A-18
93-88	A604, 41TE		(2)A-18
TORQUE CONVERTER			
04-88	A604, 41TE, 42LE	331228H	
		Redi-Sleeve 99149	
OUTPUT SHAFT			
04-93	42LE	(Left) 4738N	
		(Right) 4748N	
2002	41TE	(2) 3459	
		Redi-Sleeve (2) 99157	
93-92	41TE	(2) 3459	
		Redi-Sleeve (2) 99157	
91-88	A604	(2) 3459	(2)A-17
		Redi-Sleeve (2) 99157	
TRANSFER SHAFT			
04-93	42LE	(Inner) 4890	
		(Outer) 4889	
		(Right) M802048-M802011	
2002	41TE	(Right) A-35	
93-92	41TE	(Right) A-35	
91-88	A604		(2)A-18
MANUAL SHAFT			
2002	41TE	8609	
93-88	A604, 41TE	8609	
MANUAL / 4 Speed			
DIFFERENTIAL			
85-84	A460		(2)A-18
INPUT SHAFT			
85-84	A460	(Front) 3732S	A-4
		Redi-Sleeve 99106	
		(Rear)	A-5
INTERMEDIATE SHAFT			
85-84	A460	(Front)	5707
OUTPUT SHAFT			
85-84	A460	(2) 3459	
		Redi-Sleeve (2) 99157	
SHIFT SHAFT			
85-84	A460	3816	
MANUAL / 5 Speed			
DIFFERENTIAL			
02-00	A578		(2)A-18
93-84	A465, A520, A523, A525, A543, A555, A568		(2)A-18
INPUT SHAFT			
93-84	A465, A520, A523, A525, A543, A555, A568	(Front) 3732S	A-4
		Redi-Sleeve 99106	
		(Rear)	A-5
INTERMEDIATE SHAFT			
85-84	A465	(Front)	5707

Year	Application	Seal	Bearing
MANUAL / 5 Speed (Cont.)			
OUTPUT SHAFT			
02-00	A578	(2) 3459	
		Redi-Sleeve (2) 99157	
93-84	A465, A520, A523, A525, A543, A555, A568	(2) 3459	
		Redi-Sleeve (2) 99157	
SHIFT SHAFT			
02-00	A578	3816	
93-84	A465, A520, A523, A525, A543, A555, A568	3816	
STEERING			
POWER STEERING			
STEERING GEAR WORM SHAFT			
93-84	Daytona, Dynasty	7188S	
STEERING PUMP SHAFT			
93-84	Daytona, Dynasty	7013S	
AIR CONDITIONING			
COMPRESSOR			
CLUTCH PULLEY			
90-85	Nippondenso A590		5000-KFF
1985	Nippondenso C171		5000-KFF
ELECTRICAL			
ALTERNATOR			
DRIVE END			
89-87	Bosch 40, 90 Amp. (Ser. #5233574)		203-FF
86-84	Chrysler 60, 65, 78 Amp.		203-FF
86-84	Mitsubishi 50, 75 Amp.		302-SS
REAR END			
89-88	Chrysler 40, 50, 90, 120 Amp.		203-FF
1987	Bosch 40, 90, 100 Amp.		201
87-84	Chrysler 60, 65, 78 Amp.		MNJ-471-S
86-84	Mitsubishi 50, 75 Amp.		201-S
ENGINE			
CAMSHAFT			
4 CYLINDER			
02-00	122/2.0L	320249	
		Redi-Sleeve 99139	
93-92	135/2.2L (DOHC-Turbo)	(2) 223801	
		Redi-Sleeve (2) 99147	
93-89	135/2.2L (Turbo), 153/2.5L, 153/2.5L (Turbo)	3655	
		Redi-Sleeve 99139	
88-84	135/2.2L, 135/2.2L (Turbo) (52.35mm OD)	(Front) 3655	
		Redi-Sleeve 99139	
		(Rear) 713655	
		Redi-Sleeve 99139	
88-84	135/2.2L, 135/2.2L (Turbo) (53.67mm OD)	(Front) 3655	
		Redi-Sleeve 99139	
		(Rear) 4040N	
		Redi-Sleeve 99139	

() Indicates Quantity Required

CHRYSLER - CANADIAN MODELS (Daytona, Dynasty, Intrepid & Neon) (Cont.)

Year	Application	Seal	Bearing	Year	Application	Seal	Bearing
ENGINE				INTERMEDIATE SHAFT (Cont.)			
CAMSHAFT (Cont.)				6 CYLINDER			
6 CYLINDER				97-90 201/3.3L 3655 Redi-Sleeve 99139			
04-93	197/3.2L, 215/3.5L	(2) 321417N		TIMING COVER			
		Redi-Sleeve (2) 99112		4 CYLINDER			
93-88	2972cc/3.0L	(2) 3771		02-00 122/2.0L 320348 Redi-Sleeve 99128			
		Redi-Sleeve (2) 99139		93-89 135/2.2L (Turbo), 135/2.2L (DOHC-Turbo), 153/2.5L, 153/2.5L (Turbo)..... 3638 Redi-Sleeve 99112			
CRANKSHAFT				6 CYLINDER			
4 CYLINDER				04-00 215/3.5L 3638 Redi-Sleeve 99112			
02-00	122/2.0L	710056		04-98 167/2.7L (DOHC)..... 710469			
		PTFE Rubber 5279		01-98 197/3.2L 1987 Redi-Sleeve 99139			
93-84	135/2.2L, 135/2.2L (Turbo), 135/2.2L (DOHC-Turbo), 153/2.5L, 153/2.5L (Turbo)	710056		97-90 201/3.3L, 215/3.5L 3638 Redi-Sleeve 99112			
		(Gkt. & PTFE Seal) 5279A		93-88 2972cc/3.0L 223750			
		PTFE Rubber 5279					
6 CYLINDER							
04-90	167/2.7L (DOHC), 197/3.2L, 201/3.3L, 215/3.5L, 2972cc/3.0L	710056					
		PTFE Rubber 5279					
89-88	2972cc/3.0L	710056					
		PTFE Rubber 5279					
INTERMEDIATE SHAFT							
4 CYLINDER							
93-84	135/2.2L, 135/2.2L (Turbo), 135/2.2L (DOHC-Turbo), 153/2.5L, 153/2.5L (Turbo)	3655					
		Redi-Sleeve 99139					

CHRYSLER IMPORTS (Conquest & TC Maserati)

WHEEL				REAR AXLE (Cont.)			
FRONT WHEEL				DIFFERENTIAL			
91-89	TC Maserati (4 Stud Hub)	(Kit) 5604	513006	89-87 Mitsubishi 8" R.G. (2) 471847N ■ (2) KC-11445-Y Redi-Sleeve (2) 99139			
			Hub Repair Kit 518501	PINION			
91-89	TC Maserati (5 Stud Hub)	(Kit) 5604	513006	89-88 Mitsubishi 8" R.G. (Inner) HM89449-HM89410 (Outer) 224570 M88043-M88010 Redi-Sleeve 99177			
			Hub Repair Kit 518502	1987 Mitsubishi 8" R.G. (Exc. Limited-Slip) (Inner) HM89449-HM89410 (Outer) 224255 M86649-M86610 Redi-Sleeve 99169			
89-87	Conquest	(Inner) 494122	A-6	1987 Mitsubishi 8" R.G. (Limited-Slip) (Inner) HM89449-HM89410 (Outer) 224570 M88043-M88010 Redi-Sleeve 99177			
		(Outer)	A-2				
REAR WHEEL				CLUTCH			
91-89	TC Maserati	(Inner) 4099	A-39	PILOT			
		(Outer)	A-16	4 CYLINDER			
89-87	Conquest	(Inner) 224100	206-F	89-87 2555cc/2.6L (Turbo)..... 102-CC			
		(Outer)	207-F				
AXLE							
REAR AXLE							
AXLE SHAFT							
89-87	Mitsubishi 8" R.G.		206-FF				

(Cont.) (Conquest & TC Maserati) **CHRYSLER IMPORTS**

Year	Application	Seal	Bearing
------	-------------	------	---------

Year	Application	Seal	Bearing
------	-------------	------	---------

CLUTCH

STEERING

RELEASE

	<i>Bearing Only</i>	<i>Bearing Assembly</i>
4 CYLINDER		
91-89	135/2.2L (DOHC-Turbo).....	Ⓢ 614069
89-87	2555cc/2.6L (Turbo) (225mm Clutch).....	Ⓢ 614016

POWER STEERING

STEERING GEAR WORM SHAFT

91-89	TC Maserati	7188S
89-87	Conquest	710272

STEERING GEAR PITMAN SHAFT

89-87	Conquest	223010
-------	----------------	--------

STEERING PUMP SHAFT

91-89	TC Maserati	7013S
89-87	Conquest (Atsugi Pump)	221830

TRANSAXLE

AIR CONDITIONING

AUTOMATIC / 3 Speed

DIFFERENTIAL

91-90	A670	(2)A-18
-------	------------	---------

TORQUE CONVERTER

91-90	A670	331228H
	<i>Redi-Sleeve</i>	99149

OUTPUT SHAFT

91-90	A670	(2) 3459	(2)A-17
	<i>Redi-Sleeve</i>	(2) 99157	

TRANSFER SHAFT

91-90	A670	(2)A-18
-------	------------	---------

MANUAL SHAFT

91-90	A670	8609
-------	------------	------

MANUAL / 5 Speed

DIFFERENTIAL

91-89	Getrag 284	(2)A-18
-------	------------------	---------

OUTPUT SHAFT

91-89	Getrag 284	(Left) 2003N	A-5
	<i>Redi-Sleeve</i>	99146	
	(Right)	2003N	LM503349A-LM503310
	<i>Redi-Sleeve</i>	99146	

COMPRESSOR

CLUTCH PULLEY

91-89	Harrison R-4	907257
-------	--------------------	--------

FRONT HEAD MAIN

91-89	Harrison R-4	S-128
-------	--------------------	-------

ELECTRICAL

ALTERNATOR

DRIVE END

1989	Bosch 40, 90 Amp. (Ser. #5233574)	203-FF
89-87	Mitsubishi 65 Amp.	302-S

REAR END

1989	Chrysler 40, 50, 90, 120 Amp.	203-FF
89-87	Mitsubishi 65 Amp.	201-SS

TRANSMISSION

ENGINE

AUTOMATIC / 4 Speed

FRONT PUMP

89-87	Jatco L4N71B	2025
	<i>Redi-Sleeve</i>	99166

EXTENSION HOUSING

89-87	Jatco L4N71B	223801
-------	--------------------	--------

MANUAL / 5 Speed

DRIVESHAFT / INPUT

89-88	KM132-M	223014	
	<i>Redi-Sleeve</i>	99114	
1987	KM132-G	223014	307-L
	<i>Redi-Sleeve</i>	99114	

MAINSHAFT / OUTPUT

89-87	KM132-G, KM132-M	223608	511014
-------	------------------------	--------	--------

COUNTERSHAFT

89-87	KM132-G, KM132-M	
	(Center)	30205
	(Front)	30205

SHIFT SHAFT

1987	KM132-G	710222
------	---------------	--------

CAMSHAFT

4 CYLINDER

91-89	135/2.2L (DOHC-Turbo)	(2) 223801
	<i>Redi-Sleeve</i>	(2) 99147
89-87	2555cc/2.6L (Turbo)	222330

6 CYLINDER

91-90	2972cc/3.0L	(2) 3771
	<i>Redi-Sleeve</i>	(2) 99139

CRANKSHAFT

4 CYLINDER

91-89	135/2.2L (DOHC-Turbo)	710056
	(Gkt. & PTFE Seal)	5279A
	PTFE Rubber	5279
89-87	2555cc/2.6L (Turbo)	228005
	<i>Redi-Sleeve</i>	99315

6 CYLINDER

91-90	2972cc/3.0L	710056
	PTFE Rubber	5279

INTERMEDIATE SHAFT

4 CYLINDER

91-89	135/2.2L (DOHC-Turbo)	3655
	<i>Redi-Sleeve</i>	99139

() Indicates Quantity Required Ⓢ Sealed Self-Aligning Bearing

CHRYSLER IMPORTS (Conquest & TC Maserati) (Cont.)

Year	Application	Seal	Bearing	Year	Application	Seal	Bearing
ENGINE				TIMING COVER (Cont.)			
TIMING COVER				4 CYLINDER			
4 CYLINDER				89-87 2555cc/2.6L (Turbo)..... 224840			
				Redi-Sleeve 99189			
6 CYLINDER				91-90 2972cc/3.0L 223750			
91-89 135/2.2L (DOHC-Turbo)..... 3638							
Redi-Sleeve 99112							
(Continued Next Column)							

CHRYSLER TRUCK - MINIVAN/CROSSOVER/SPORT UTILITY (Aspen, Pacifica, PT Cruiser, Town & Country, Town & Country AWD & Voyager)

Year	Application	Seal	Bearing	Year	Application	Seal	Bearing
WHEEL				REAR WHEEL (Cont.)			
FRONT WHEEL (2WD)				95-89 Town & Country			
09-08 Town & Country..... Hub Assembly ☆ 513273				(Inner) 4249			
09-07 Aspen..... Hub Assembly ☆ 513271				(Outer) A-17			
09-03 PT Cruiser..... 510058							
08-07 Pacifica..... Hub Assembly ☆ 513261							
07-01 Town & Country, Voyager..... Hub Assembly 513123							
06-04 Pacifica..... Hub Assembly 513201							
2002 PT Cruiser (1st Design) (33mm Width)..... 510057							
2002 PT Cruiser (2nd Design) (39mm Width)..... 510058							
2001 PT Cruiser..... 510057							
00-96 All (Exc. 14" Wheel)..... Hub Assembly 513123							
00-96 All (14" Wheel)..... Hub Assembly 513122							
95-91 All (14" Wheel)..... (Kit) ☒ 5604 Hub Assembly 513075							
95-89 All (15" Wheel)..... (Kit) ☒ 5604 Hub Assembly 513074							
90-89 All (14" Wheel) (4 Stud Hub)..... (Kit) ☒ 5604 Hub Assembly 513074							
				Hub Repair Kit ☒ 518501			
90-89 All (14" Wheel) (5 Stud Hub)..... (Kit) ☒ 5604 513006							
				Hub Repair Kit 518502			
FRONT WHEEL (4WD)				AXLE			
09-07 Aspen..... Hub Assembly ☆ 513271				FRONT AXLE			
08-07 Pacifica..... Hub Assembly ☆ 513261				AXLE SHAFT			
06-04 Pacifica..... Hub Assembly 513201				09-07 C205F..... (Left) 710489			
04-01 Town & Country AWD..... Hub Assembly 513123				B-228			
00-96 All (Exc. 14" Wheel)..... Hub Assembly 513123				DIFFERENTIAL			
00-96 All (14" Wheel)..... Hub Assembly 513122				09-07 C205F..... (2)LM102949-LM102911			
95-92 All (14" Wheel)..... (Kit) ☒ 5604 Hub Assembly 513075				PINION			
95-92 All (15" Wheel)..... (Kit) ☒ 5604 Hub Assembly 513074				09-07 C205F..... (Inner) M88048-M88010			
				(Outer) 710476			
REAR WHEEL				REAR AXLE			
09-07 Aspen..... 710498 6410				DIFFERENTIAL KIT			
09-03 PT Cruiser..... Hub Assembly 512167				09-07 8.25" R.G. ☒ RA-303-A			
08-07 Pacifica..... Hub Assembly 512330				09-07 9.25" R.G. ☒ RA-304-A			
07-01 Town & Country, Voyager (ABS)..... Hub Assembly 512169				DIFFERENTIAL			
07-01 Town & Country, Voyager (Exc. ABS)..... Hub Assembly 512170				09-07 8.25" R.G. (2)A-36			
06-04 Pacifica..... Hub Assembly 512288				09-07 9.25" R.G. (2)JLM704649-JLM704610			
04-01 Town & Country AWD..... Hub Assembly 512157				04-92 Getrag 640 (2)A-18			
2002 PT Cruiser (Disc Brakes) (Gear Type Tone Ring)..... Hub Assembly 512168				PINION			
2002 PT Cruiser (Disc Brakes) (Slotted Type Tone Ring)..... Hub Assembly 512167				09-07 8.25" R.G. (Inner) M802048-M802011			
02-01 PT Cruiser (Drum Brakes)..... Hub Assembly 512167				(Outer) 710480 M86649-M86610			
2001 PT Cruiser (Disc Brakes)..... Hub Assembly 512168				09-07 9.25" R.G. (Inner) M804049-M804010			
00-96 Town & Country AWD..... Hub Assembly 512157				(Outer) 710481 M88048-M88010			
00-96 Town & Country, Voyager (Exc. 14" Wheel)..... Hub Assembly 512156				Redi-Sleeve 99189			
00-96 Town & Country, Voyager (14" Wheel)..... Hub Assembly 512155				04-92 Getrag 640 (Inner) A-35			
95-92 Town & Country AWD..... Hub Assembly 512125				(Outer) A-17			
(Continued Next Column)				CLUTCH			
				RELEASE			
				Bearing Only Bearing Assembly			
				4 CYLINDER			
				08-01 148/2.4L (DOHC), 148/2.4L (DOHC-Turbo)(9)..... © 614121			
				TRANSFER CASE			
				FULL TIME / PART TIME			
				INPUT SHAFT			
				09-08 New Process 140 110			
				(Pilot) FC-66561			
				(Continued Next Page)			

MINIVAN/CROSSOVER/SPORT UTILITY - CHRYSLER TRUCK

(Cont.) (Aspen, Pacifica, PT Cruiser, Town & Country, Town & Country AWD & Voyager)

Year	Application	Seal	Bearing
TRANSFER CASE			
FULL TIME / PART TIME (Cont.)			
INPUT SHAFT			
09-07	New Process 244HD	(2) 3173	N-5210-KLB
		(Dual Lip) 710928	
		Redi-Sleeve 99193	
		(Pilot)	FC-66561
04-92	PTU	710501	
FRONT OUTPUT SHAFT			
09-07	New Process 244HD	3946	
		Redi-Sleeve 99187	
		(Pilot)	J-2416
2007	New Process 144		
		(Pilot)	J-2416
04-92	PTU	3459	106
		Redi-Sleeve 99157	
REAR OUTPUT SHAFT			
2007	New Process 144		108
TRANSAXLE			
AUTOMATIC / 3 Speed			
DIFFERENTIAL			
01-00	31TH	(Right)	A-18
1989	A670		(2)A-18
TORQUE CONVERTER			
01-00	31TH	331228H	
		Redi-Sleeve 99149	
1989	A670	331228H	
		Redi-Sleeve 99149	
OUTPUT SHAFT			
01-00	31TH	(2) 3459	
		Redi-Sleeve (2) 99157	
1989	A670	(2) 3459	(2)A-17
		Redi-Sleeve (2) 99157	
TRANSFER SHAFT			
01-00	31TH		(2)A-18
1989	A670		(2)A-18
MANUAL SHAFT			
01-00	31TH	8609	
1989	A670	8609	
AUTOMATIC / 4 Speed			
DIFFERENTIAL			
09-97	40TE, 41TE	(Right)	A-18
96-89	A604, 41TE		(2)A-18
TORQUE CONVERTER			
09-89	A604, 40TE, 41AE, 41TE	331228H	
		Redi-Sleeve 99149	
OUTPUT SHAFT			
09-92	40TE, 41AE, 41TE	(2) 3459	
		Redi-Sleeve (2) 99157	
91-89	A604	(2) 3459	(2)A-17
		Redi-Sleeve (2) 99157	
TRANSFER SHAFT			
09-92	40TE, 41AE, 41TE		A-35
		(Right)	
		(Continued Next Column)	

Year	Application	Seal	Bearing
AUTOMATIC / 4 Speed (Cont.)			
TRANSFER SHAFT			
91-89	A604		(2)A-18
MANUAL SHAFT			
09-89	A604, 40TE, 41AE, 41TE	8609	
AUTOMATIC / 6 Speed			
TORQUE CONVERTER			
09-07	62TE	710628	
OUTPUT SHAFT			
09-07	62TE	(2) 3459	
		Redi-Sleeve (2) 99157	
MANUAL SHAFT			
09-07	62TE	8609	
MANUAL / 5 Speed			
DIFFERENTIAL			
09-03	Getrag 288S		(2)LM503349A-LM503310
09-01	A578		(2)A-18
OUTPUT SHAFT			
09-03	Getrag 288S	223535	
		Redi-Sleeve 99139	
09-01	A578	(2) 3459	
		Redi-Sleeve (2) 99157	
SHIFT SHAFT			
09-01	A578	3816	
TRANSMISSION			
AUTOMATIC / 5 Speed			
FRONT PUMP			
09-08	545RFE	710557	
		Redi-Sleeve 99187	
EXTENSION HOUSING			
09-08	545RFE (2WD)	7300S	110
		(Seal & Bushing Kit) 5206	
STEERING			
POWER STEERING			
STEERING GEAR WORM SHAFT			
92-89	All	7188S	
STEERING PUMP SHAFT			
95-89	All	7013S	
AIR CONDITIONING			
COMPRESSOR			
CLUTCH PULLEY			
90-89	Nippondenso A590		5000-KFF
ELECTRICAL			
ALTERNATOR			
DRIVE END			
1989	Bosch 40, 90 Amp. (Ser. #5233574)		203-FF

() Indicates Quantity Required

CHRYSLER TRUCK - MINIVAN/CROSSOVER/SPORT UTILITY (Aspen, Pacifica, PT Cruiser, Town & Country, Town & Country AWD & Voyager) (Cont.)

Year	Application	Seal	Bearing	Year	Application	Seal	Bearing
ELECTRICAL				CRANKSHAFT (Cont.)			
ALTERNATOR (Cont.)				6 CYLINDER			
REAR END				1989 2972cc/3.0L 710056			
1989 Chrysler 40, 50, 90, 120 Amp..... 203-FF				PTFE Rubber 5279			
ENGINE				INTERMEDIATE SHAFT			
CAMSHAFT				6 CYLINDER			
4 CYLINDER				09-90 201/3.3L, 231/3.8L 3655			
09-00 148/2.4L (DOHC), 148/2.4L				Redi-Sleeve 99139			
(DOHC-Turbo)(9)..... (2) 320249				TIMING COVER			
Redi-Sleeve (2) 99139				4 CYLINDER			
6 CYLINDER				09-00 148/2.4L (DOHC), 148/2.4L			
09-04 215/3.5L, 241.1/4.0L (2) 321417N				(DOHC-Turbo)(9)..... 320348			
Redi-Sleeve (2) 99112				Redi-Sleeve 99128			
2000 2972cc/3.0L (2) 3771				6 CYLINDER			
Redi-Sleeve (2) 99139				09-07 241.1/4.0L 1987			
1989 2972cc/3.0L (2) 3771				Redi-Sleeve 99139			
Redi-Sleeve (2) 99139				09-90 201/3.3L, 215/3.5L,			
CRANKSHAFT				231/3.8L, 241.1/4.0L			
4 CYLINDER			 3638			
09-00 148/2.4L (DOHC), 148/2.4L				Redi-Sleeve 99112			
(DOHC-Turbo)(9)..... 710056				2000 2972cc/3.0L 223750			
PTFE Rubber 5279				1989 2972cc/3.0L 223750			
6 CYLINDER				8 CYLINDER			
09-90 201/3.3L, 215/3.5L,				09-07 287/4.7L 710472			
231/3.8L, 241.1/4.0L,							
2972cc/3.0L 710056							
PTFE Rubber 5279							
(Continued Next Column)							

CITROEN (AMI6, DS19, DS20, DS21, D21, ID19, XM & 2CV)

WHEEL				ENGINE			
FRONT WHEEL				CRANKSHAFT			
93-91 All..... 513130				6 CYLINDER			
TRANSAXLE				93-91 2970cc/3.0L 228010			
AUTOMATIC / 4 Speed				Redi-Sleeve 99315			
DIFFERENTIAL				TIMING COVER			
93-91 ZF 4HP-18Q..... (Left) LM806649-LM806610				6 CYLINDER			
(Right) LM300849-LM300811				93-91 2970cc/3.0L 710196			
				Redi-Sleeve 99157			

DAEWOO (Lanos, Leganza & Nubira)

WHEEL				REAR WHEEL			
FRONT WHEEL				02-98 Lanos (Exc. ABS)			
02-98 Leganza..... 510065				(Inner) 4175 A-15			
02-98 Lanos, Nubira..... 513113				(Outer) A-1			
				02-98 Leganza..... Hub Assembly 512159			
				02-98 Nubira..... (Inner) 4175 A-15			
				(Outer) A-1			

(Cont.) (Lanos, Leganza & Nubira) **DAEWOO**

Year	Application	Seal	Bearing	Year	Application	Seal	Bearing
CLUTCH				AUTOMATIC / 4 Speed (Cont.)			
RELEASE				MANUAL SHAFT			
		<i>Bearing Only</i>	<i>Bearing Assembly</i>	02-98	GMC 4T40-E.....	8792S	
4 CYLINDER				MANUAL / 5 Speed			
02-98	1498cc/1.5L, 1598cc/1.6L (DOHC), 1998cc/2.0L (DOHC), 2198cc/2.2L (DOHC) (200mm Clutch).....		Ⓢ614171	DIFFERENTIAL			
TRANSAXLE				OUTPUT SHAFT			
AUTOMATIC / 4 Speed				02-98	Getrag D20.....	(2) 3543	(2)A-18
TORQUE CONVERTER				ENGINE			
02-98	Aisin 50-42LE.....	223830		CRANKSHAFT			
	<i>Redi-Sleeve</i>	99147		4 CYLINDER			
02-98	GMC 4T40-E.....	4072N		02-98	1998cc/2.0L (DOHC), 2198cc/2.2L (DOHC).....	710237	
OUTPUT SHAFT				<i>Redi-Sleeve</i>			
02-98	Aisin 50-42LE.....	(2) 3543		99354			
	<i>Redi-Sleeve</i>	(2) 99139		TIMING COVER			
02-98	GMC 4T40-E.....	(Kit) (2) 5693		4 CYLINDER			
MANUAL SHAFT				02-98	2198cc/2.2L (DOHC).....	224020	
02-98	Aisin 50-42LE.....	221207		<i>Redi-Sleeve</i>			
	<i>Redi-Sleeve</i>	99049		99157			
<i>(Continued Next Column)</i>							

(Charade) **DAIHATSU**

WHEEL				ENGINE			
FRONT WHEEL				CAMSHAFT			
92-90	All.....		510012	3 CYLINDER			
1989	All (From 01/01/89).....		510012	92-88	993cc/1.0L.....	712008	
1989	All (To 12/31/88).....	1216N	510014	<i>Redi-Sleeve</i>			
1988	All.....	1216N	510014	99111			
REAR WHEEL				4 CYLINDER			
92-88	All (2 Door).....	(Inner) 1955	205-F	92-89	1295cc/1.3L.....	223800	
		(Outer).....	303	CRANKSHAFT			
TRANSAXLE				3 CYLINDER			
AUTOMATIC / 3 Speed				92-88	993cc/1.0L.....	710271	
DIFFERENTIAL				4 CYLINDER			
92-88	Aisin A210.....	(2) 207-S		92-89	1295cc/1.3L.....	☆ 228013	
TORQUE CONVERTER				<i>Redi-Sleeve</i>			
92-88	Aisin A210.....	223830		99313			
	<i>Redi-Sleeve</i>	99147		TIMING COVER			
OUTPUT SHAFT				3 CYLINDER			
92-88	Aisin A210.....	(2) 223540		92-88	993cc/1.0L.....	223420	
	<i>Redi-Sleeve</i>	(2) 99139		4 CYLINDER			
MANUAL SHAFT				92-89	1295cc/1.3L.....	223420	
92-88	Aisin A210.....	710116					
STEERING							
MANUAL STEERING							
STEERING GEAR PITMAN SHAFT							
92-88	All.....		202				

() Indicates Quantity Required ☆ New Item, Check for Availability Ⓢ Sealed Self-Aligning Bearing

DAIHATSU TRUCK - SPORT UTILITY (Rocky)

Year	Application	Seal	Bearing	Year	Application	Seal	Bearing
WHEEL				TRANSAXLE			
FRONT WHEEL				AUTOMATIC / 3 Speed			
92-90	All.....	(Inner) 224200	32008	DIFFERENTIAL			
		(Outer) 225535	32007	92-90	Aisin A210		(2)207-S
REAR WHEEL				TORQUE CONVERTER			
92-90	All.....	(Inner) 225208		92-90	Aisin A210	223830	
		(Outer) 225008				Redi-Sleeve 99147	
AXLE				OUTPUT SHAFT			
FRONT AXLE				92-90	Aisin A210	(2) 223540	
PINION						Redi-Sleeve (2) 99139	
92-90	170mm R.G.	(Inner)	30306	MANUAL SHAFT			
		(Outer)	30305	92-90	Aisin A210	710116	
REAR AXLE				ENGINE			
DIFFERENTIAL				CRANKSHAFT			
92-90	180mm R.G.		(2)30208	4 CYLINDER			
PINION				92-90	1589cc/1.6L	☆ 228013	
92-90	180mm R.G.	(Inner)	30307			Redi-Sleeve 99313	
		(Outer) 224570	30306	TIMING COVER			
		Redi-Sleeve 99177		4 CYLINDER			
CLUTCH				92-90	1589cc/1.6L	223420	
PILOT							
4 CYLINDER							
92-90	1589cc/1.6L		101-SS				

DELOREAN (DMC12)

WHEEL				ENGINE			
FRONT WHEEL				CRANKSHAFT			
83-81	All.....		513116	6 CYLINDER			
TRANSAXLE				83-81	2849cc/2.8L	228010	
AUTOMATIC / 3 Speed						Redi-Sleeve 99315	
TORQUE CONVERTER				TIMING COVER			
83-81	Renault 4141	223010		6 CYLINDER			
		Redi-Sleeve 99114		83-81	2849cc/2.8L	224252	
OUTPUT SHAFT						Redi-Sleeve 99169	
83-81	Renault 4141	(2) 1962					
		Redi-Sleeve (2) 99177					
AIR CONDITIONING							
COMPRESSOR							
CLUTCH PULLEY							
83-81	Sanden SD-510		5001-KFF				

(Mangusta & Pantera) **DE TOMASO**

Year	Application	Seal	Bearing
AXLE			
REAR AXLE			
AXLE SHAFT			
02-01	Visteon IRS-8.8" R.G.	(2) 100537 <i>Redi-Sleeve</i> (2) 99157	
2000	Ford IRS-8.8" R.G.	(2) 100537 <i>Redi-Sleeve</i> (2) 99157	(2) FC-66998
DIFFERENTIAL			
2000	Ford IRS-8.8" R.G.		(2) LM501349-LM501314
PINION			
02-01	Visteon IRS-8.8" R.G.		
	<i>(Inner)</i>		M802048-M802011
	<i>(Outer)</i>	3604	M88048-M88010
	<i>Redi-Sleeve</i>	99181	
2000	Ford IRS-8.8" R.G.		
	<i>(Inner)</i>		M802048-M802011
	<i>(Outer)</i>	3604	M88048-M88010
	<i>Redi-Sleeve</i>	99181	
TRANSMISSION			
MANUAL / 5 Speed			
DRIVESHAFT / INPUT			
02-00	Tremec T45	7412S <i>Redi-Sleeve</i> 99125	M88048-M88010
MAINSHAFT / OUTPUT			
02-00	Tremec T45	710431	25572-25520
MAINSHAFT PILOT			
02-00	Tremec T45		A-1
COUNTERSHAFT			
02-00	Tremec T45		A-6
	<i>(Center)</i>		A-6
	<i>(Front)</i>		A-6

Year	Application	Seal	Bearing
MANUAL / 5 Speed (Cont.)			
REVERSE IDLER			
02-00	Tremec T45		207
ENGINE			
CRANKSHAFT			
8 CYLINDER			
02-00	281/4.6L (DOHC)	3909 PTFE Rubber 5277 <i>Redi-Sleeve</i> 99363	
89-84	351/5.8L(W)	2377 PTFE 5278 <i>Redi-Sleeve</i> 99372	
1983	351/5.8L(W) (From 07/11/83)	2377 PTFE 5278 <i>Redi-Sleeve</i> 99372	
1983	351/5.8L(W) (To 07/10/83)	(Rope Type) 5095 (Split Seal) 5108	
82-81	351/5.8L(W)	(Rope Type) 5095 (Split Seal) 5108	
TIMING COVER			
8 CYLINDER			
02-00	281/4.6L (DOHC)	482041N <i>Redi-Sleeve</i> 99187 Harmonic Bal Sleeve 88187	
89-81	351/5.8L(W)	2692 <i>Redi-Sleeve</i> 99187 Harmonic Bal Sleeve 88187 Harmonic Bal Kit <input checked="" type="checkbox"/> 5001	

FRONT WHEEL DRIVE - DODGE

(Caliber, Caliber AWD, Daytona, Dynasty, Intrepid, Neon, Omni, Shadow, Spirit, Stratus, Stratus Coupe, Stratus Sedan, SRT-4 & SX 2.0)

WHEEL			
FRONT WHEEL			
09-08	Avenger, Avenger AWD (ABS)		Hub Assembly 513263
09-08	Avenger, Avenger AWD (Exc. ABS)		Hub Assembly 513264
09-07	Caliber, Caliber AWD		510090
06-01	Stratus Sedan		Hub Assembly 513138
05-02	Neon, SRT-4, SX 2.0		510058
05-01	Stratus Coupe		Hub Assembly 513157
04-93	Intrepid		Hub Assembly 513089
01-00	Neon		510057
00-95	Stratus		Hub Assembly 513138
99-95	Neon		§ 510032
99-95	Neon (4 Stud Hub)		Hub Repair Kit 518511
99-95	Neon (5 Stud Hub)		Hub Repair Kit 518512
95-91	Daytona, Dynasty, Shadow, Spirit	(Kit) <input checked="" type="checkbox"/> 5604	Hub Assembly 513075
1990	Omni	(Kit) <input checked="" type="checkbox"/> 5604	B-39 Hub Repair Kit <input checked="" type="checkbox"/> 518500
(Continued Next Column)			

FRONT WHEEL (Cont.)			
90-89	Daytona (2 Wheel Disc Brakes) (4 Stud Hub)	(Kit) <input checked="" type="checkbox"/> 5604	513006 Hub Repair Kit <input checked="" type="checkbox"/> 518501
90-89	Daytona (2 Wheel Disc Brakes) (5 Stud Hub)	(Kit) <input checked="" type="checkbox"/> 5604	513006 Hub Repair Kit 518502
90-89	Daytona (4 Wheel Disc Brakes)	(Kit) <input checked="" type="checkbox"/> 5604	Hub Assembly 513075
90-89	Dynasty	(Kit) <input checked="" type="checkbox"/> 5604	Hub Assembly 513075
90-89	Aries, Lancer, Shadow, Spirit (4 Stud Hub)	(Kit) <input checked="" type="checkbox"/> 5604	513006 Hub Repair Kit <input checked="" type="checkbox"/> 518501
90-89	Aries, Lancer, Shadow, Spirit (5 Stud Hub)	(Kit) <input checked="" type="checkbox"/> 5604	513006 Hub Repair Kit 518502
89-84	Omni (Exc. GLH)	(Kit) <input checked="" type="checkbox"/> 5604	B-39 Hub Repair Kit <input checked="" type="checkbox"/> 518500
89-84	Omni (GLH) (4 Stud Hub)	(Kit) <input checked="" type="checkbox"/> 5604	513006 Hub Repair Kit <input checked="" type="checkbox"/> 518501
(Continued Next Page)			

() Indicates Quantity Required § Use Old Snap Ring Refer To Front Of Catalog For Kit Contents

DODGE - FRONT WHEEL DRIVE

(Caliber, Caliber AWD, Daytona, Dynasty, Intrepid, Neon, Omni, Shadow, Spirit, Stratus, Stratus Coupe, Stratus Sedan, SRT-4 & SX 2.0) (Cont.)

Year	Application	Seal	Bearing
WHEEL			
FRONT WHEEL (Cont.)			
89-84	Omni (GLH) (5 Stud Hub)	(Kit) <input checked="" type="checkbox"/> 5604	513006 Hub Repair Kit 518502
88-84	Aries, Daytona, Dynasty, Lancer, Shadow, Shelby Charger, 600 (4 Stud Hub)	(Kit) <input checked="" type="checkbox"/> 5604	513006 Hub Repair Kit <input checked="" type="checkbox"/> 518501
88-84	Aries, Daytona, Dynasty, Lancer, Shadow, Shelby Charger, 600 (5 Stud Hub)	(Kit) <input checked="" type="checkbox"/> 5604	513006 Hub Repair Kit 518502
87-84	Charger	(Kit) <input checked="" type="checkbox"/> 5604	B-39 Hub Repair Kit <input checked="" type="checkbox"/> 518500
83-80	All	(Kit) <input checked="" type="checkbox"/> 5604	B-39 Hub Repair Kit <input checked="" type="checkbox"/> 518500
REAR WHEEL			
09-07	Avenger, Caliber (ABS)		Hub Assembly 512332
09-07	Avenger, Caliber (Exc. ABS)		Hub Assembly 512331
09-07	Avenger AWD, Caliber AWD		Hub Assembly 512333
06-98	Stratus, Stratus Sedan (ABS)		Hub Assembly 512220
06-95	Stratus, Stratus Sedan (Exc. ABS)		Hub Assembly 512154
05-01	Stratus Coupe		Hub Assembly 512136
05-00	Neon, SRT-4, SX 2.0		Hub Assembly 512167
04-98	Intrepid		Hub Assembly 512029
99-98	Neon		Hub Assembly 512013
97-96	Neon		Hub Assembly 512023
97-95	Stratus (ABS)		Hub Assembly 512133
97-93	Intrepid (ABS)		Hub Assembly 512029
97-93	Intrepid (Exc. ABS)		Hub Assembly 512030
1995	Neon (4 Stud Hub)		Hub Assembly 512021
1995	Neon (5 Stud Hub)		Hub Assembly 512023
95-83	Aries, Charger, Daytona, Dynasty, Lancer, Omni, Shadow, Shelby Charger, Spirit, 400, 600	(Inner) 4099 (Outer) A-39	A-39 A-16
82-80	All	(Inner) 3677 (Outer) A-4	A-4 A-2
CLUTCH			
PILOT			
4 CYLINDER			
83-81	1715cc/1.7L (VW A412 Trans.)		F-85265
1980	1715cc/1.7L		F-85265
RELEASE			
		Bearing Only	Bearing Assembly
4 CYLINDER			
06-01	122/2.0L, 148/2.4L (DOHC), 148/2.4L (DOHC-Turbo)(9)		Ⓢ 614121
05-01	2351cc/2.4L		Ⓢ 614126
00-95	122/2.0L, 122/2.0L (DOHC)		Ⓢ 614121
94-90	135/2.2L, 135/2.2L (Turbo), 135/2.2L (DOHC-Turbo), 153/2.5L, 153/2.5L (Turbo)		Ⓢ 614092
(Continued Next Column)			

Year	Application	Seal	Bearing
RELEASE (Cont.)			
		Bearing Only	Bearing Assembly
4 CYLINDER			
89-84	135/2.2L, 135/2.2L (Turbo), 153/2.5L, 153/2.5L (Turbo), 1592cc/1.6L		614007
1983	135/2.2L, 1592cc/1.6L		614007
83-81	1715cc/1.7L (NP A460 Trans.)		614007
83-81	1715cc/1.7L (VW A412 Trans.)	613000	
82-81	135/2.2L		614007
1980	1715cc/1.7L	613000	
6 CYLINDER			
05-01	2972cc/3.0L		Ⓢ 614126
94-91	2972cc/3.0L		Ⓢ 614092
TRANSAXLE			
AUTOMATIC / 1 Speed			
OUTPUT SHAFT			
09-07	Jatco JF011E (AWD)	(Left) ☆ 710632 (Right) ☆ 710634	
09-07	Jatco JF011E (FWD)	(Left) ☆ 710632 (Right) ☆ 710633	
MANUAL SHAFT			
09-07	Jatco JF011E	221207 Redi-Sleeve 99049	
AUTOMATIC / 3 Speed			
DIFFERENTIAL			
01-97	31TH	(Right)	A-18
96-80	A404, A413, A470, A670, 31TH		(2)A-18
TORQUE CONVERTER			
01-80	A404, A413, A470, A670, 31TH	331228H Redi-Sleeve 99149	
OUTPUT SHAFT			
01-92	31TH	(2) 3459 Redi-Sleeve (2) 99157	
91-80	A404, A413, A470, A670	(2) 3459 Redi-Sleeve (2) 99157	(2)A-17
TRANSFER SHAFT			
01-80	A404, A413, A470, A670, 31TH		(2)A-18
MANUAL SHAFT			
01-80	A404, A413, A470, A670, 31TH	8609	
AUTOMATIC / 4 Speed			
DIFFERENTIAL			
2009	41TES	(Right)	A-18
2008	41TE, 41TES	(Right)	A-18
06-97	40TE, 41TE	(Right)	A-18
06-93	42LE		(2)A-36
05-01	F4A42		(2)30207
96-88	A604, 41TE		(2)A-18

FRONT WHEEL DRIVE - DODGE

(Cont.) (Caliber, Caliber AWD, Daytona, Dynasty, Intrepid, Neon, Omni, Shadow, Spirit, Stratus, Stratus Coupe, Stratus Sedan, SRT-4 & SX 2.0)

Year	Application	Seal	Bearing
TRANSAXLE			
AUTOMATIC / 4 Speed (Cont.)			
TORQUE CONVERTER			
2009	41TES	331228H <i>Redi-Sleeve</i> 99149	
2008	41TE, 41TES	331228H <i>Redi-Sleeve</i> 99149	
06-88	A604, 40TE, 41TE, 42LE	331228H <i>Redi-Sleeve</i> 99149	
05-01	F4A42, F4A51	320583 <i>Redi-Sleeve</i> 99157	
INPUT SHAFT			
05-01	F4A51		B-1816
OUTPUT SHAFT			
2009	41TES	(2) 3459 <i>Redi-Sleeve</i> (2) 99157	
2008	41TE, 41TES	(2) 3459 <i>Redi-Sleeve</i> (2) 99157	
06-93	42LE	(Left) 4738N (Right) 4748N	
06-92	40TE, 41TE	(2) 3459 <i>Redi-Sleeve</i> (2) 99157	
05-01	F4A42	(Front) 32009-X (Rear) 32006	
05-01	F4A51	(Inner) 32009-X (Outer) 32010-X	
91-88	A604	(2) 3459 <i>Redi-Sleeve</i> (2) 99157	(2)A-17
TRANSFER SHAFT			
2009	41TES	(Right)	A-35
2008	41TE, 41TES	(Right)	A-35
06-93	42LE	(Inner) 4890 (Outer) 4889 (Right) M802048-M802011	
06-92	40TE, 41TE	(Right)	A-35
05-01	F4A51		32006
91-88	A604		(2)A-18
MANUAL SHAFT			
2009	41TES	8609	
2008	41TE, 41TES	8609	
06-88	A604, 40TE, 41TE	8609	
AUTOMATIC / 6 Speed			
TORQUE CONVERTER			
09-08	62TE	710628	
OUTPUT SHAFT			
09-08	62TE	(2) 3459 <i>Redi-Sleeve</i> (2) 99157	
MANUAL SHAFT			
09-08	62TE	8609	
MANUAL / 4 Speed			
DIFFERENTIAL			
86-81	A460		(2)A-18
83-80	A412		(2)LM29749-LM29710

Year	Application	Seal	Bearing
MANUAL / 4 Speed (Cont.)			
INPUT SHAFT			
86-81	A460	(Front) 3732S <i>Redi-Sleeve</i> 99106	A-4
		(Rear)	A-5
83-80	A412	222240 <i>Redi-Sleeve</i> 99085	
INTERMEDIATE SHAFT			
86-81	A460	(Front)	5707
OUTPUT SHAFT			
86-81	A460	(2) 3459 <i>Redi-Sleeve</i> (2) 99157	
83-80	A412	(Left) 474288 <i>Redi-Sleeve</i> 99146 (Right) 474288 <i>Redi-Sleeve</i> 99146	A-15
SHIFT SHAFT			
86-81	A460	3816	
83-80	A412	221820	
MANUAL / 5 Speed			
DIFFERENTIAL			
09-07	New Process T355		(2)A-18
05-03	New Process T850		(2)A-35
05-01	Mitsubishi F5M42		(2)30207
05-01	Mitsubishi F5M51		(2)32207
05-95	A578		(2)A-18
95-83	A465, A520, A523, A525, A543, A555, A568		(2)A-18
INPUT SHAFT			
05-01	Mitsubishi F5M42, F5M51	712007 <i>Redi-Sleeve</i> 99098	
95-83	A465, A520, A523, A525, A543, A555, A568	(Front) 3732S <i>Redi-Sleeve</i> 99106	A-4
		(Rear)	A-5
INTERMEDIATE SHAFT			
85-83	A465	(Front)	5707
OUTPUT SHAFT			
05-95	A578	(2) 3459 <i>Redi-Sleeve</i> (2) 99157	
95-87	A520, A523, A543, A555, A568	(2) 3459 <i>Redi-Sleeve</i> (2) 99157	
86-83	A465, A525	(2) 3459 <i>Redi-Sleeve</i> (2) 99157	
SHIFT SHAFT			
05-03	New Process T850	3816	
05-95	A578	3816	
95-83	A465, A520, A523, A525, A543, A555, A568	3816	
STEERING			
POWER STEERING			
STEERING GEAR WORM SHAFT			
92-80	All	7188S	

() Indicates Quantity Required

DODGE - FRONT WHEEL DRIVE

(Caliber, Caliber AWD, Daytona, Dynasty, Intrepid, Neon, Omni, Shadow, Spirit, Stratus, Stratus Coupe, Stratus Sedan, SRT-4 & SX 2.0) (Cont.)

Year	Application	Seal	Bearing	Year	Application	Seal	Bearing
STEERING				CAMSHAFT (Cont.)			
POWER STEERING (Cont.)				4 CYLINDER			
STEERING PUMP SHAFT				83-80 1715cc/1.7L 3476			
92-80	All.....	7013S		<i>Redi-Sleeve 99128</i>			
AIR CONDITIONING				6 CYLINDER			
COMPRESSOR				09-08 215/3.5L (2) 321417N			
CLUTCH PULLEY				<i>Redi-Sleeve (2) 99112</i>			
90-85	Nippondenso A590		5000-KFF	05-01 2972cc/3.0L (2) 3771			
87-80	Nippondenso C171		5000-KFF	<i>Redi-Sleeve (2) 99139</i>			
87-80	Sanden SD-508		5001-KFF	04-93 197/3.2L, 215/3.5L (2) 321417N			
ELECTRICAL				<i>Redi-Sleeve (2) 99112</i>			
ALTERNATOR				00-95 2497cc/2.5L (Front) (2) 3771			
DRIVE END				<i>Redi-Sleeve (2) 99139</i>			
89-87	Bosch 40, 90 Amp. (Ser. #5233574).....		203-FF	95-88 2972cc/3.0L (2) 3771			
86-82	Mitsubishi 50, 75 Amp.....		302-SS	<i>Redi-Sleeve (2) 99114</i>			
86-80	Chrysler 60, 65, 78 Amp.....		203-FF	09-88 2972cc/3.0L (2) 3771			
REAR END				<i>Redi-Sleeve (2) 99139</i>			
89-88	Chrysler 40, 50, 90, 120 Amp.....		203-FF	CRANKSHAFT			
1987	Chrysler 60, 65, 70 Amp.....		MNJ-471-S	4 CYLINDER			
1987	Bosch 40, 90, 100 Amp.....		201	09-07 109.7/1.8L (DOHC), 122/2.0L (DOHC), 144/2.4L (DOHC), 144/2.4L			
87-82	Mitsubishi 50, 75 Amp.....		201-S	(DOHC-Turbo)..... 710235			
87-80	Chrysler 60, 65, 78 Amp.....		MNJ-471-S	06-81 122/2.0L, 122/2.0L (DOHC), 135/2.2L, 135/2.2L (Turbo), 135/2.2L			
ENGINE				(DOHC-Turbo), 148/2.4L			
CAMSHAFT				(DOHC), 148/2.4L			
4 CYLINDER				(DOHC-Turbo)(9), 153/2.5L, 153/2.5L (Turbo)..... 710056			
06-95	122/2.0L (DOHC), 148/2.4L (DOHC), 148/2.4L (DOHC-Turbo)(9)..... (2) 320249			<i>PTFE Rubber 5279</i>			
<i>Redi-Sleeve (2) 99139</i>				05-01 2351cc/2.4L 710235			
05-01	2351cc/2.4L 3771			95-81 135/2.2L, 135/2.2L (Turbo), 135/2.2L			
<i>Redi-Sleeve 99139</i>				(DOHC-Turbo), 153/2.5L, 153/2.5L (Turbo)			
05-95	122/2.0L 320249			(Gkt. & PTFE Seal) 5279A			
<i>Redi-Sleeve 99139</i>				85-81 2555cc/2.6L 228005			
95-89	135/2.2L, 135/2.2L (Turbo), 153/2.5L, 153/2.5L (Turbo)..... 3655			<i>Redi-Sleeve 99315</i>			
<i>Redi-Sleeve 99139</i>				83-80 1715cc/1.7L 716102			
93-91	135/2.2L (DOHC-Turbo)..... (2) 223801			<i>Redi-Sleeve 99333</i>			
<i>Redi-Sleeve (2) 99147</i>				6 CYLINDER			
88-86	153/2.5L 3655			09-08 167/2.7L (DOHC), 215/3.5L..... 710056			
<i>Redi-Sleeve 99139</i>				<i>PTFE Rubber 5279</i>			
88-81	135/2.2L, 135/2.2L (Turbo) (52.35mm OD).. (Front) 3655			06-90 167/2.7L (DOHC), 197/3.2L, 201/3.3L, 215/3.5L, 2497cc/2.5L, 2972cc/3.0L, 2972cc/3.0L 710056			
<i>Redi-Sleeve 99139</i>				<i>PTFE Rubber 5279</i>			
<i>(Rear) 713655</i>				89-88 2972cc/3.0L 710056			
<i>Redi-Sleeve 99139</i>				<i>PTFE Rubber 5279</i>			
88-81	135/2.2L, 135/2.2L (Turbo) (53.59mm OD).. (Front) 3655			INTERMEDIATE SHAFT			
<i>Redi-Sleeve 99139</i>				4 CYLINDER			
<i>(Rear) 4040N</i>				95-81 135/2.2L, 135/2.2L (Turbo), 135/2.2L			
<i>Redi-Sleeve 99139</i>				(DOHC-Turbo), 153/2.5L, 153/2.5L (Turbo)..... 3655			
85-81	2555cc/2.6L 222330			<i>Redi-Sleeve 99139</i>			
<i>(Continued Next Column)</i>				83-80 1715cc/1.7L 3476			
				<i>Redi-Sleeve 99128</i>			

FRONT WHEEL DRIVE - DODGE

(Cont.) (Caliber, Caliber AWD, Daytona, Dynasty, Intrepid, Neon, Omni, Shadow, Spirit, Stratus, Stratus Coupe, Stratus Sedan, SRT-4 & SX 2.0)

Year	Application	Seal	Bearing	Year	Application	Seal	Bearing
ENGINE				TIMING COVER (Cont.)			
INTERMEDIATE SHAFT (Cont.)				4 CYLINDER			
6 CYLINDER				88-81 135/2.2L, 135/2.2L (Turbo), 153/2.5L..... 3655			
97-90	201/3.3L	3655				<i>Redi-Sleeve</i> 99139	
		<i>Redi-Sleeve</i> 99139		86-83	1592cc/1.6L	3459	
OIL PUMP				<i>Redi-Sleeve</i> 99157			
4 CYLINDER				85-81	2555cc/2.6L	224840	
05-01	2351cc/2.4L	222025				<i>Redi-Sleeve</i> 99189	
		<i>Redi-Sleeve</i> 99078		83-80	1715cc/1.7L	3476	
TIMING COVER				<i>Redi-Sleeve</i> 99128			
4 CYLINDER				6 CYLINDER			
09-07	109.7/1.8L (DOHC), 122/2.0L (DOHC), 144/2.4L (DOHC), 144/2.4L (DOHC-Turbo).....	710608		09-08	167/2.7L (DOHC).....	710469	
06-95	122/2.0L, 122/2.0L (DOHC), 148/2.4L (DOHC), 148/2.4L (DOHC-Turbo)(9).....	320348		09-08	215/3.5L	3638	
		<i>Redi-Sleeve</i> 99128				<i>Redi-Sleeve</i> 99112	
05-01	2351cc/2.4L	224460		06-98	167/2.7L (DOHC).....	710469	
95-89	135/2.2L, 135/2.2L (Turbo), 135/2.2L (DOHC-Turbo), 153/2.5L, 153/2.5L (Turbo).....	3638		05-88	2497cc/2.5L, 2972cc/3.0L, 2972cc/3.0L	223750	
		<i>Redi-Sleeve</i> 99112		04-00	215/3.5L	3638	
		(Continued Next Column)				<i>Redi-Sleeve</i> 99112	
				01-98	197/3.2L	1987	
						<i>Redi-Sleeve</i> 99139	
				97-90	201/3.3L, 215/3.5L	3638	
						<i>Redi-Sleeve</i> 99112	

REAR WHEEL DRIVE - DODGE FULL SIZE (Charger, Charger AWD, Diplomat, Magnum, Magnum AWD & St. Regis)

WHEEL		FRONT AXLE (Cont.)	
FRONT WHEEL		PINION	
09-05	Charger, Magnum..... Hub Assembly 513224	09-05	Mercedes-Benz 175mm..... (2) M88043-M88010
09-05	Charger AWD, Magnum AWD..... Hub Assembly 513225	REAR AXLE	
89-80	All..... (Inner)..... 5121	DIFFERENTIAL KIT	
	(Outer)..... A-17	89-80	7.25" R.G. <input checked="" type="checkbox"/> RA-302
		89-80	8.25" R.G. <input checked="" type="checkbox"/> RA-303
REAR WHEEL			(Master Kit) RA-303MK
09-05	All..... Hub Assembly 512301	81-80	9.25" R.G. <input checked="" type="checkbox"/> RA-304
89-85	All..... 8835S		(Master Kit) RA-304MK
	(Axle Repair Brg.) RP-6408	DIFFERENTIAL	
84-82	All (8.25" R.G.)..... 8835S	09-05	Mercedes-Benz 215mm..... (2) LM806649-LM806610
	(Axle Repair Brg.) RP-6408	89-80	7.25" R.G. (2) A-35
84-80	All (7.25" R.G.)..... 8660S	89-80	8.25" R.G. (2) A-36
81-80	All (8.25" R.G.) (9.25" R.G.)..... 8835S	81-80	9.25" R.G. (2) JLM704649-JLM704610
	(Axle Repair Brg.) RP-6408	PINION	
AXLE		09-05	Mercedes-Benz 215mm
FRONT AXLE			(Inner)..... HM803146-HM803110
DIFFERENTIAL			(Outer)..... M88043-M88010
09-05	Mercedes-Benz 175mm	09-05	Mercedes-Benz 198mm
	(Left)..... LM503349A-LM503310		(Inner)..... HM803149-HM803110
	(Right)..... 19150-19268	89-80	7.25" R.G. (Inner)..... HM88649-HM88610
			(Outer)..... 8516N
			<i>Redi-Sleeve</i> 99168
			(Continued Next Page)

() Indicates Quantity Required Refer To Front Of Catalog For Kit Contents

DODGE FULL SIZE - REAR WHEEL DRIVE

(Charger, Charger AWD, Diplomat, Magnum, Magnum AWD & St. Regis) (Cont.)

Year	Application	Seal	Bearing	Year	Application	Seal	Bearing
AXLE				STEERING			
REAR AXLE (Cont.)				MANUAL STEERING			
PINION				STEERING GEAR SECTOR SHAFT			
89-80	8.25" R.G.	(Inner) M802048-M802011		1980	All	6859S	
		(Outer) 8516N M86649-M86610		STEERING GEAR WORM SHAFT			
		Redi-Sleeve 99168		1980	All	7214	
81-80	9.25" R.G.	(Inner) M804049-M804010		POWER STEERING			
		(Outer) 5126 M88048-M88010		STEERING GEAR SECTOR SHAFT			
		Redi-Sleeve 99187		89-80	All	6859S	
TRANSFER CASE				STEERING GEAR WORM SHAFT			
FULL TIME / PART TIME				89-80	All	7188S	
INPUT SHAFT				STEERING PUMP SHAFT			
07-05	Magna Steyr 140	(Inner) LM503349A-LM503310		89-80	All	7013S	
		(Outer) 32010-X		AIR CONDITIONING			
FRONT OUTPUT SHAFT				COMPRESSOR			
07-05	Magna Steyr 140		A-18	CLUTCH PULLEY			
IDLER SHAFT				89-80	Nippondenso C171		5000-KFF
07-05	Magna Steyr 140		A-5	83-80	Sanden SD-508		5001-KFF
TRANSMISSION				ELECTRICAL			
AUTOMATIC / 3 Speed				ALTERNATOR			
FRONT PUMP				DRIVE END			
89-80	A727	331227H		89-80	31, 41, 50, 60, 65, 78 Amp.		203-FF
		Redi-Sleeve 99187		89-80	86, 100, 114 Amp.		303-SS
89-80	A904, A999	331228H		REAR END			
		Redi-Sleeve 99149		81-80	31, 41, 50, 60, 65, 78 Amp.		MNJ-471-S
EXTENSION HOUSING				ENGINE			
89-80	A727	7300S		CAMSHAFT			
		(Seal & Bushing Kit) 5206		6 CYLINDER			
89-80	A904, A999	2506	§ 206-LOE	09-05	215/3.5L	(2) 321417N	
MANUAL SHAFT						Redi-Sleeve (2) 99112	
89-80	A904, A999	8609		CRANKSHAFT			
CLUTCH CAM				6 CYLINDER			
89-80	A727		(12)W-585-Q	09-05	167/2.7L (DOHC), 215/3.5L	710056	
AUTOMATIC / 4 Speed						PTFE Rubber 5279	
FRONT PUMP				83-80	225/3.7L	5650	
09-05	42RLE	331228H		8 CYLINDER			
		Redi-Sleeve 99149		89-80	318/5.2L	5414	
EXTENSION HOUSING				TIMING COVER			
09-05	42RLE (2WD)	7300S		6 CYLINDER			
		(Seal & Bushing Kit) 5206		09-05	167/2.7L (DOHC)	710469	
09-05	42RLE (4WD)	710058		09-05	215/3.5L	3638	
AUTOMATIC / 5 Speed						Redi-Sleeve 99112	
FRONT PUMP				83-80	225/3.7L	3095	
09-05	Mercedes-Benz W5A580	710608				Redi-Sleeve 99226	
OUTPUT SHAFT							
09-05	Mercedes-Benz W5A580		206				

REAR WHEEL DRIVE - DODGE FULL SIZE

(Cont.) (Charger, Charger AWD, Diplomat, Magnum, Magnum AWD & St. Regis)

Year	Application	Seal	Bearing	Year	Application	Seal	Bearing
ENGINE							
TIMING COVER (Cont.)							
8 CYLINDER							
89-80	318/5.2L, 360/5.9L	3103					
		Redi-Sleeve 99218					
		Harmonic Bal Sleeve 88218					

(Charger AWD & Mirada) REAR WHEEL DRIVE - DODGE MID SIZE

Year	Application	Seal	Bearing	Year	Application	Seal	Bearing
WHEEL				STEERING			
FRONT WHEEL				MANUAL STEERING			
83-80	All	(Inner) 5121	A-17	STEERING GEAR SECTOR SHAFT			
		(Outer)	A-2	1980	All	6859S	
REAR WHEEL				STEERING GEAR WORM SHAFT			
83-80	All	8835S	6408	1980	All	7214	
			(Axle Repair Brg.) RP-6408	POWER STEERING			
AXLE				AIR CONDITIONING			
REAR AXLE				COMPRESSOR			
DIFFERENTIAL KIT				CLUTCH PULLEY			
83-80	7.25" R.G.		<input checked="" type="checkbox"/> RA-302	83-80	Nippondenso C171		5000-KFF
83-80	8.25" R.G.		<input checked="" type="checkbox"/> RA-303	83-80	Sanden SD-508		5001-KFF
			(Master Kit) RA-303MK	ELECTRICAL			
DIFFERENTIAL				ALTERNATOR			
83-80	7.25" R.G.		(2)A-35	DRIVE END			
83-80	8.25" R.G.		(2)A-36	83-80	31, 41, 50, 60, 65, 78 Amp		203-FF
PINION				REAR END			
83-80	7.25" R.G.	(Inner)	HM88649-HM88610	83-80	31, 41, 50, 60, 65, 78 Amp		MNJ-471-S
		(Outer)	8516N M86649-M86610	ENGINE			
			Redi-Sleeve 99168	CRANKSHAFT			
83-80	8.25" R.G.	(Inner)	M802048-M802011	6 CYLINDER			
		(Outer)	8516N M86649-M86610	83-80	225/3.7L		5650
			Redi-Sleeve 99168	8 CYLINDER			
TRANSMISSION				83-80	318/5.2L		5414
AUTOMATIC / 3 Speed				TIMING COVER			
FRONT PUMP				6 CYLINDER			
83-80	A727	331227H		83-80	225/3.7L	3095	
		Redi-Sleeve 99187				Redi-Sleeve 99226	
83-80	A904	331228H					
		Redi-Sleeve 99149					
EXTENSION HOUSING							
83-80	A727	7300S					
		(Seal & Bushing Kit) 5206	§ 206-LOE				
83-80	A904	2506					
MANUAL SHAFT							
83-80	A904	8609					
CLUTCH CAM							
83-80	A727		(12)W-585-Q				

() Indicates Quantity Required § Use Old Snap Ring Refer To Front Of Catalog For Kit Contents

DODGE MID SIZE - REAR WHEEL DRIVE (Charger AWD & Mirada) (Cont.)

Year	Application	Seal	Bearing	Year	Application	Seal	Bearing
ENGINE							
TIMING COVER (Cont.)							
8 CYLINDER							
83-80	318/5.2L, 360/5.9L	3103					
		Redi-Sleeve 99218					
		Harmonic Bal Sleeve 88218					

DODGE COMPACT - REAR WHEEL DRIVE (Aspen & Challenger)

WHEEL				TRANSMISSION			
FRONT WHEEL				AUTOMATIC / 3 Speed			
09-08	All	Hub Assembly 513224		FRONT PUMP			
1980	All	(Inner) 5121	A-17	1980	A727	331227H	
		(Outer)	A-2			Redi-Sleeve 99187	
REAR WHEEL				1980	A904	331228H	
09-08	All	Hub Assembly 512301				Redi-Sleeve 99149	
1980	All (7.25" R.G.)	8660S	RWC-35-YYR	EXTENSION HOUSING			
1980	All (8.25" R.G.)	8835S	6408	1980	A727	7300S	
			(Axle Repair Brg.) RP-6408			(Seal & Bushing Kit) 5206	
AXLE				1980	A904	2506	§ 206-LOE
REAR AXLE				MANUAL SHAFT			
DIFFERENTIAL KIT				1980	A904	8609	
1980	7.25" R.G.	RA-302	<input checked="" type="checkbox"/>	CLUTCH CAM			
1980	8.25" R.G.	RA-303	<input checked="" type="checkbox"/>	1980	A727	(12)W-585-Q	
		(Master Kit) RA-303MK		AUTOMATIC / 4 Speed			
DIFFERENTIAL				FRONT PUMP			
1980	7.25" R.G.	(2)A-35		2009	42RLE	331228H	
1980	8.25" R.G.	(2)A-36				Redi-Sleeve 99149	
PINION				EXTENSION HOUSING			
1980	7.25" R.G.	(Inner) HM88649-HM88610		2009	42RLE (2WD)	7300S	
		(Outer) 8516N	M86649-M86610			(Seal & Bushing Kit) 5206	
		Redi-Sleeve 99168		2009	42RLE (4WD)	710058	
1980	8.25" R.G.	(Inner) M802048-M802011		AUTOMATIC / 5 Speed			
		(Outer) 8516N	M86649-M86610	FRONT PUMP			
		Redi-Sleeve 99168		09-08	Mercedes-Benz W5A580	710608	
CLUTCH				OUTPUT SHAFT			
PILOT				09-08	Mercedes-Benz W5A580	206	
6 CYLINDER				MANUAL / 3 Speed			
1980	225/3.7L	PB-286		DRIVESHAFT / INPUT			
		(H/D) PB-286-HD		1980	New Process A230	9376	
RELEASE				MAINSHAFT / OUTPUT			
6 CYLINDER				1980	New Process A230 (23 Spline)	8160S	
1980	225/3.7L	1505	Ⓢ 614036	1980	New Process A230 (26 Spline)	2506	
		(Thrust Type) V-1505-C		1980	New Process A230 (30 Spline)	7300S	
						(Seal & Bushing Kit) 5206	
				MAINSHAFT PILOT			
				1980	New Process A230	(15)QBR-23549	
				REVERSE IDLER			
				1980	New Process A230	(22)C-1086-Q	

(Cont.) (Aspen & Challenger) **REAR WHEEL DRIVE - DODGE COMPACT**

Year	Application	Seal	Bearing
TRANSMISSION			
MANUAL / 3 Speed (Cont.)			
SHIFT SHAFT			
1980	New Process A230.....	(2) 7188S	
	<i>Redi-Sleeve</i> (2) 99062		
MANUAL / 4 Speed			
DRIVESHAFT / INPUT			
1980	New Process A833 (23 <i>Spline</i>).....	9376	
	<i>Redi-Sleeve</i> 99106		
MAINSHAFT / OUTPUT			
1980	New Process A833 (26 <i>Spline</i>).....	2506	
MAINSHAFT PILOT			
1980	New Process A833.....		(16) QBR-23549
MANUAL / 6 Speed			
MAINSHAFT / OUTPUT			
09-08	Tremec 6060.....	710298	
STEERING			
MANUAL STEERING			
STEERING GEAR SECTOR SHAFT			
1980	All.....	6859S	
STEERING GEAR WORM SHAFT			
1980	All.....	7214	
POWER STEERING			
STEERING GEAR SECTOR SHAFT			
1980	All.....	6859S	
STEERING GEAR WORM SHAFT			
1980	All.....	7188S	
STEERING PUMP SHAFT			
1980	All.....	7013S	
AIR CONDITIONING			
COMPRESSOR			
CLUTCH PULLEY			
1980	Nippondenso C171.....		5000-KFF
<i>(Continued Next Column)</i>			

Year	Application	Seal	Bearing
COMPRESSOR (Cont.)			
CLUTCH PULLEY			
1980	Sanden SD-508.....		5001-KFF
ELECTRICAL			
ALTERNATOR			
DRIVE END			
1980	31, 41, 50, 60, 65, 78 Amp.....		203-FF
1980	86, 100, 114 Amp.....		303-SS
REAR END			
1980	31, 41, 50, 60, 65, 78 Amp.....		MNJ-471-S
ENGINE			
CAMSHAFT			
6 CYLINDER			
2009	215/3.5L.....	(2) 321417N	
	<i>Redi-Sleeve</i> (2) 99112		
CRANKSHAFT			
6 CYLINDER			
2009	215/3.5L.....	710056	
	<i>PTFE Rubber</i> 5279		
1980	225/3.7L.....	5650	
8 CYLINDER			
1980	318/5.2L.....	5414	
TIMING COVER			
6 CYLINDER			
2009	215/3.5L.....	3638	
	<i>Redi-Sleeve</i> 99112		
1980	225/3.7L.....	3095	
	<i>Redi-Sleeve</i> 99226		
8 CYLINDER			
1980	318/5.2L, 360/5.9L.....	3103	
	<i>Redi-Sleeve</i> 99218		
	<i>Harmonic Bal Sleeve</i> 88218		

(RT/10) **DODGE VIPER**

WHEEL			
FRONT WHEEL			
09-96	All.....	<i>Hub Assembly</i> 513132	
95-92	All.....	<i>Hub Assembly</i> 513109	
REAR WHEEL			
09-96	All.....	<i>Hub Assembly</i> 513132	
95-92	All.....	<i>Hub Assembly</i> 513109	

AXLE			
REAR AXLE			
AXLE SHAFT			
09-92	Spicer 44-ICA.....	(2) B-2412	
DIFFERENTIAL KIT			
00-92	Spicer 44-ICA.....		<input checked="" type="checkbox"/> RA-339-A

() Indicates Quantity Required Refer To Front Of Catalog For Kit Contents

DODGE VIPER (RT/10) (Cont.)

Year	Application	Seal	Bearing
AXLE			
REAR AXLE (Cont.)			
DIFFERENTIAL			
09-92	Spicer 44-ICA..... (2)	473227V.....	(2)A-36
		Redi-Sleeve (2) 99150.....	
PINION			
09-01	Spicer 44-ICA..... (Inner)	M802048-M802011	
	(Outer)	100715V.....	M88048-M88010
00-92	Spicer 44-ICA..... (Inner)	M802048-M802011	
	(Outer)	9316.....	M88048-M88010
		Redi-Sleeve 99187.....	
CLUTCH			
PILOT			
10 CYLINDER			
09-03	505/8.3L, 512/8.4L.....		SCE-1295
02-92	488/8.0L.....		SCE-1211
RELEASE			
		Bearing Only	Bearing Assembly
10 CYLINDER			
02-92	488/8.0L.....	(Hyd. Clutch)®	614061
TRANSMISSION			
MANUAL / 6 Speed			
DRIVESHAFT / INPUT			
07-98	Tremec T56.....	7412S.....	M88048-M88010
		Redi-Sleeve 99125.....	
(Continued Next Column)			

Year	Application	Seal	Bearing
MANUAL / 6 Speed (Cont.)			
DRIVESHAFT / INPUT			
97-92	Borg-Warner T56.....	7412S.....	M88048-M88010
		Redi-Sleeve 99125.....	
MAINSHAFT / OUTPUT			
09-08	Tremec 6060.....	710298.....	
07-98	Tremec T56.....	7300S.....	25572-25520
	(Seal & Bushing Kit)	5206.....	
97-92	Borg-Warner T56.....	7300S.....	25572-25520
	(Seal & Bushing Kit)	5206.....	
MAINSHAFT PILOT			
07-98	Tremec T56.....		A-16
97-92	Borg-Warner T56.....		A-16
COUNTERSHAFT			
07-98	Tremec T56..... (Front)		A-5
	(Rear)		32008
97-92	Borg-Warner T56..... (Front)		A-5
	(Rear)		32008
ENGINE			
TIMING COVER			
10 CYLINDER			
07-92	488/8.0L, 505/8.3L.....	Viton® 471424V.....	
		Redi-Sleeve 99199.....	
		Harmonic Bal Sleeve 88199.....	

DODGE IMPORTS - FRONT WHEEL DRIVE

(Avenger, Colt, Colt Vista, Colt Vista AWD, Colt Wagon AWD, Monaco, Stealth & Stealth AWD)

WHEEL			
FRONT WHEEL			
00-95	Avenger.....	Hub Assembly	513157
96-93	Colt..... (Inner)	8430S.....	510016
	(Outer)	4898.....	
96-91	Stealth AWD.....	Hub Assembly	513133
96-91	Stealth..... (Inner)	710182.....	510034
	(Outer)	710183.....	
94-92	Colt Vista, Colt Vista AWD..... (Inner)	225450.....	513036
	(Outer)	225230.....	
1992	Colt..... (Inner)	229522.....	A-41
	(Outer)	229522.....	A-41
92-90	Monaco.....		513144-K
91-85	Colt, Colt Vista..... (Inner)	229522.....	A-41
	(Outer)	229522.....	A-41
91-84	Colt Vista AWD, Colt Wagon AWD..... (Inner)	225082.....	513036
	(Outer)	225230.....	
1984	Colt (Exc. Turbo Eng.)..... (Inner)	229522.....	LM29748-LM29710
	(Outer)	229522.....	LM29748-LM29710
(Continued Next Column)			

FRONT WHEEL (Cont.)			
1984	Colt (Turbo Eng.)..... (Inner)	229522.....	A-41
	(Outer)	229522.....	A-41
1984	Colt Vista..... (Inner)	229522.....	A-41
	(Outer)	229522.....	A-41
83-80	All..... (Inner)	229522.....	LM29748-LM29710
	(Outer)	229522.....	LM29748-LM29710
REAR WHEEL			
00-95	Avenger.....	Hub Assembly	512136
96-93	Colt (ABS).....	Hub Assembly	512033
96-93	Colt (Exc. ABS).....	Hub Assembly	512148
96-92	Stealth AWD..... (Inner)	710152.....	511014
	(Outer)		511015
96-91	Stealth.....	Hub Assembly	512039
94-92	Colt Vista.....	Hub Assembly	512040
94-92	Colt Vista AWD.....		511013
92-91	Colt (Drum Brakes)..... (Inner)	1205N.....	516001
	(Outer)		516001
91-85	Colt Vista..... (Inner)	1196.....	A-4
	(Outer)		A-1
(Continued Next Page)			

FRONT WHEEL DRIVE - DODGE IMPORTS

(Cont.) (Avenger, Colt, Colt Vista, Colt Vista AWD, Colt Wagon AWD, Monaco, Stealth & Stealth AWD)

Year	Application	Seal	Bearing
WHEEL			
REAR WHEEL (Cont.)			
91-84	Colt Vista AWD, Stealth AWD	(Inner) 710152	511014
		(Outer)	511015
90-89	Colt (2 Door) (Disc Brakes)	(Inner) 1205N	516000
		(Outer)	516000
90-89	Colt (2 Door) (Drum Brakes)	(Inner) 1205N	516001
		(Outer)	516001
90-89	Colt (4 Door) (Hatchback) (Sedan)	(Inner) 1205N	513029
		(Outer)	513029
90-89	Colt Wagon AWD	(Inner) 1955	
1988	Colt	(Inner) 1205N	513029
		(Outer)	513029
87-85	Colt	(Inner) 710338	513029
		(Outer)	513029
84-80	Colt, Colt Vista	(Inner) 1196	A-4
		(Outer)	A-1

Year	Application	Seal	Bearing
AXLE			
REAR AXLE DIFFERENTIAL			
96-91	Stealth AWD	(2) 710208	
94-84	Colt Wagon AWD, Colt Vista AWD	(2) 710396	(2) 30207
		Redi-Sleeve (2) 99139	
PINION			
96-91	Stealth AWD	(Inner) HM89449-HM89410	
		(Outer) 710207	M88043-M88010
		Redi-Sleeve 99166	
94-84	Colt Wagon AWD, Colt Vista AWD	(Inner)	32207
		(Outer) 471847N	30305
		Redi-Sleeve 99139	

Year	Application	Seal	Bearing
CLUTCH			
RELEASE			
		Bearing Only	Bearing Assembly
4 CYLINDER			
97-95	122/2.0L (DOHC)		Ⓢ 614121
96-84	1410cc/1.4L, 1468cc/1.5L, 1468cc/1.5L (184mm Clutch)		Ⓢ 614126
96-83	1410cc/1.4L, 1468cc/1.5L, 1468cc/1.5L, 1595cc/1.6L (DOHC), 1597cc/1.6L, 1597cc/1.6L (Turbo), 1834cc/1.8L (200mm Clutch)		Ⓢ 614126
94-92	2351cc/2.4L, 2351cc/2.4L (225mm Clutch)		Ⓢ 614126
94-92	2351cc/2.4L, 2351cc/2.4L (225mm Clutch) (AWD)		Ⓢ 614099
94-84	1595cc/1.6L (DOHC-Turbo), 1755cc/1.8L, 1834cc/1.8L, 1997cc/2.0L (215mm Clutch)		Ⓢ 614126
93-92	1834cc/1.8L (215mm Clutch) (AWD)		Ⓢ 614099
83-80	1410cc/1.4L, 1597cc/1.6L (184mm Clutch)		Ⓢ 614126
82-80	1410cc/1.4L (200mm Clutch)		Ⓢ 614126

Year	Application	Seal	Bearing
RELEASE (Cont.)			
		Bearing Only	Bearing Assembly
6 CYLINDER			
96-91	2972cc/3.0L, 2972cc/3.0L (DOHC) (225mm Clutch)		Ⓢ 614126
DRIVESHAFT			
CENTER SUPPORT			
		Bearing	Bearing & Support
91-84	Colt Vista AWD		HB-25
CV JOINT HALF SHAFT			
96-91	Stealth	710221	
96-91	Stealth AWD	710221	
TRANSAXLE			
AUTOMATIC / 3 Speed DIFFERENTIAL			
96-80	F3A21-2, F3A22-2, KM170-0, KM170-1, KM170-2, KM171-0, KM171-1, M171-2, KM171-5		(2) 207
89-84	KM172-0, KM172-5		(2) 30207
TORQUE CONVERTER			
96-80	F3A21-2, F3A22-2, KM170-0, KM170-1, KM170-2, KM171-0, KM171-1, M171-2, KM171-5, KM172-0, KM172-5	320583	
		Redi-Sleeve 99157	
OUTPUT SHAFT			
96-80	F3A21-2, F3A22-2, KM170-0, KM170-1, KM170-2, KM171-0, KM171-1, M171-2, KM171-5, KM172-0, KM172-5	(2) 223543	
		Redi-Sleeve (2) 99139	
TRANSFER SHAFT			
96-90	F3A21-2		30207
89-80	KM170-0, KM170-1, KM170-2, KM171-0, KM171-1, M171-2, KM171-5, KM172-0, KM172-5		
		(Inner)	30206
		(Outer)	30304
TRANSFER GEAR			
96-80	F3A21-2, KM170-0, KM170-1, KM170-2, KM171-0, KM171-1, M171-2, KM171-5		
		(Inner)	207
		(Outer)	306-L
TRANSFER IDLER			
96-90	F3A21-2		30206
84-80	KM170-0, KM170-1, KM170-2		30206
AUTOMATIC / 4 Speed DIFFERENTIAL			
00-97	41TE	(Right)	A-18
96-95	41TE		(2) A-18
96-91	F4A21-2, F4A22-2, F4A33-1		(2) 207
92-90	ZF 4HP-18FL	(Left)	LM806649-LM806610
		(Right)	LM300849-LM300811
1989	KM176-5		(2) 207

() Indicates Quantity Required Ⓢ Sealed Self-Aligning Bearing

DODGE IMPORTS - FRONT WHEEL DRIVE

(Avenger, Colt, Colt Vista, Colt Vista AWD, Colt Wagon AWD, Monaco, Stealth & Stealth AWD)

(Cont.)

Year	Application	Seal	Bearing	Year	Application	Seal	Bearing
TRANSAXLE				MANUAL / 4 Speed (Cont.)			
AUTOMATIC / 4 Speed (Cont.)				INTERMEDIATE SHAFT			
TORQUE CONVERTER				OUTPUT SHAFT			
00-95	41TE	331228H		86-85	KM161-0		32004
		Redi-Sleeve 99149		84-80	KM160-2		30304
96-91	F4A21-2, F4A22-2, W4A32-1, F4A33-1	320583		COUNTERSHAFT			
		Redi-Sleeve 99157		89-87	KM200-0		RW-122
92-90	ZF 4HP-18FL	224510					* 108-A
		Redi-Sleeve 99177		86-80	KM160-2, KM161-0		(2) 223543
1989	KM176-5	320583					Redi-Sleeve (2) 99139
		Redi-Sleeve 99157		SHIFT SHAFT			
INPUT SHAFT				92-80	F4M21-1, KM160-2, KM161-0, KM200-0		710222
94-92	W4A32-1	223014		MANUAL / 5 Speed			
		Redi-Sleeve 99114		DIFFERENTIAL			
OUTPUT SHAFT				99-95	A578		(2)A-18
00-95	41TE	(2) 3459		96-80	F5M21-1, F5M21-2, W5M31-2, W5M33-2, KM162-0, KM163-0, KM201-0		(2)207
		Redi-Sleeve (2) 99157		95-84	F5M22-2, KM182-0, KM182-2, KM206-0, KM221-1		(2)30207
96-93	F4A33-1	(2) 710259		93-91	W5MG1		(Left) 32008
96-93	F4A21-2, F4A22-2	(2) 223543					(Right) 32009-X
		Redi-Sleeve (2) 99139		PINION			
94-92	W4A32-1	(Left) 223543		94-92	W5M31-2, W5M33-2		223014
		Redi-Sleeve 99139					Redi-Sleeve 99114
		(Right) 710199		93-91	W5MG1		(2)32009-X
		Redi-Sleeve 99139		INPUT SHAFT			
92-91	F4A21-2, F4A22-2, F4A33-1	(2) 223543		96-90	F5M21-1, F5M21-2, F5M22-2, F5M31-2, W5M31-2, F5M33-2, W5M33-2		712007
		Redi-Sleeve (2) 99139					Redi-Sleeve 99098
92-90	ZF 4HP-18FL	(Left) 224462		93-91	W5MG1		712007
		(Right) 710422					Redi-Sleeve 99098
1989	KM176-5	(2) 223543		91-84	KM182-0, KM182-2, KM221-1		712007
		Redi-Sleeve (2) 99139					Redi-Sleeve 99098
TRANSFER SHAFT							(Front) 304
00-95	41TE	(Right)	A-35				(Rear) 30304
96-91	F4A21-2		30207	90-87	KM201-0, KM206-0		712007
PINION							Redi-Sleeve 99098
92-90	ZF 4HP-18FL	710279					(Front) 304
		Redi-Sleeve 99215					(Rear) * 108-A
EXTENSION HOUSING				87-80	KM162-0, KM163-0		712007
94-92	W4A32-1	710317					Redi-Sleeve 99098
		Redi-Sleeve 99128		INTERMEDIATE SHAFT			
MANUAL SHAFT				93-91	W5MG1		(Left) 32010-X
00-95	41TE	8609					(Right) 32009-X
TRANSFER IDLER				87-80	KM162-0, KM163-0		30304
96-91	F4A21-2		30206	OUTPUT SHAFT			
MANUAL / 4 Speed				99-95	A578		(2) 3459
DIFFERENTIAL							Redi-Sleeve (2) 99157
92-90	F4M21-1		(2)207	96-93	F5M33-2		(2) 223543
89-87	KM200-0		(2)30207				Redi-Sleeve (2) 99139
86-80	KM160-2, KM161-0		(2)207	<i>(Continued Next Page)</i>			
INPUT SHAFT							
92-87	F4M21-1, KM200-0	712007					
		Redi-Sleeve 99098					
86-80	KM160-2, KM161-0	712007	304				
		Redi-Sleeve 99098					

FRONT WHEEL DRIVE - DODGE IMPORTS

(Cont.) (Avenger, Colt, Colt Vista, Colt Vista AWD, Colt Wagon AWD, Monaco, Stealth & Stealth AWD)

Year	Application	Seal	Bearing
TRANSAXLE			
MANUAL / 5 Speed (Cont.)			
OUTPUT SHAFT			
96-87	F5M21-1, F5M21-2, F5M22-2, KM201-0, KM206-0	(2) 223543	(2) 30206
	Redi-Sleeve (2)	99139	
94-93	F5M31-2	(2) 710259	
94-92	W5M33-2	(Left) 223543	
	Redi-Sleeve	99139	
	(Right)	710199	
	Redi-Sleeve	99139	
1993	W5MG1	(Right) 710353	
93-92	W5M31-2	(Left) 223543	
	Redi-Sleeve	99139	
	(Right)	1981	
	Redi-Sleeve	99114	
92-91	W5MG1	(2) 223543	
	Redi-Sleeve (2)	99139	
92-90	Renault UN1	(2) 224235	
92-80	F5M31-2, F5M33-2, KM162-0, KM163-0, KM182-0, KM182-2, KM221-1	(2) 223543	
	Redi-Sleeve (2)	99139	
COUNTERSHAFT			
93-91	W5MG1	(Front) 30209-A	
	(Rear)	30207	
91-84	KM182-0, KM182-2, KM221-1	(2) 30304	
90-87	KM201-0, KM206-0	(Front) RW-122	
	(Rear)	* 108-A	
87-80	KM162-0, KM163-0	(Front) 32205	
	(Rear)	30304	
EXTENSION HOUSING			
93-92	W5M31-2	710317	
	Redi-Sleeve	99128	
93-91	W5MG1	712551	
	Redi-Sleeve	99157	
91-84	KM182-0, KM182-2, KM221-1	223240	(2) 30206
	Redi-Sleeve	99128	
SHIFT SHAFT			
99-95	A578	3816	
96-80	F5M21-1, F5M21-2, F5M22-2, KM162-0, KM163-0, KM182-0, KM182-2, KM201-0, KM206-0, KM221-1	710222	
MANUAL / 6 Speed			
DIFFERENTIAL			
96-94	W6MG1	(Left) 32008	
	(Right)	32009-X	
PINION			
96-94	W6MG1	(2) 32009-X	
INPUT SHAFT			
96-94	W6MG1	712007	
	Redi-Sleeve	99098	
INTERMEDIATE SHAFT			
96-94	W6MG1	(Left) 32010-X	
	(Right)	32009-X	

Year	Application	Seal	Bearing
MANUAL / 6 Speed (Cont.)			
OUTPUT SHAFT			
96-94	W6MG1	(Right) 710353	
COUNTERSHAFT			
96-94	W6MG1	(Front) 30209-A	
	(Rear)	30208	
MANUAL / 8 Speed			
DIFFERENTIAL			
84-80	KM165-2, KM166-0	(2) 207	
INPUT SHAFT			
84-80	KM165-2, KM166-0	712007	304
	Redi-Sleeve	99098	
OUTPUT SHAFT			
84-80	KM165-2, KM166-0	(2) 223543	
	Redi-Sleeve (2)	99139	
COUNTERSHAFT			
84-80	KM165-2, KM166-0	(Front) 32205	
	(Rear)	30304	
SHIFT SHAFT			
84-80	KM165-2, KM166-0	710222	
STEERING			
MANUAL STEERING			
STEERING GEAR PINION SHAFT			
96-93	Colt	481481	
92-87	Colt	221720	
1986	Colt (From 02/01/86)	221720	
POWER STEERING			
STEERING GEAR PINION SHAFT			
96-93	Colt, Colt Vista, Colt Vista AWD	481481	
92-87	Colt, Colt Vista, Colt Vista AWD	221720	
1986	All (From 02/01/86)	221720	
STEERING GEAR PITMAN SHAFT			
83-80	All	710272	
STEERING PUMP SHAFT			
94-93	Colt Vista, Colt Vista AWD	221620	
92-90	Monaco	7013S	
1980	All	7013S	
AIR CONDITIONING			
COMPRESSOR			
CLUTCH PULLEY			
87-84	Nippondenso 10P13	5000-KFF	
84-80	Sanden SD-508	5001-KFF	

() Indicates Quantity Required * Not a Current Production Number, Check for Availability

DODGE IMPORTS - FRONT WHEEL DRIVE

(Avenger, Colt, Colt Vista, Colt Vista AWD, Colt Wagon AWD, Monaco, Stealth & Stealth AWD)

(Cont.)

Year	Application	Seal	Bearing	Year	Application	Seal	Bearing
ELECTRICAL				CRANKSHAFT (Cont.)			
ALTERNATOR				4 CYLINDER			
DRIVE END				96-89	1468cc/1.5L, 1468cc/1.5L, 1755cc/1.8L	227235	
96-91	Mitsubishi 110 Amp		303-CC	95-93	1834cc/1.8L, 2351cc/2.4L	710235	
94-84	Mitsubishi 65 Amp		302-CC	92-84	1595cc/1.6L (DOHC), 1595cc/1.6L (DOHC-Turbo), 1834cc/1.8L, 1997cc/2.0L, 2351cc/2.4L	228005	
86-81	Mitsubishi 45, 50, 55 Amp		202-FF			Redi-Sleeve 99315	
1980	Mitsubishi 50 Amp		302-SS	88-80	1410cc/1.4L, 1468cc/1.5L, 1597cc/1.6L, 1597cc/1.6L (Turbo)	227235	
REAR END				6 CYLINDER			
87-85	Mitsubishi 65 Amp		201-SS	00-91	2497cc/2.5L, 2972cc/3.0L, 2972cc/3.0L (DOHC), 2972cc/3.0L (DOHC-Turbo)	710056	
87-80	Mitsubishi 45, 50, 55 Amp		201-SS			PTFE Rubber 5279	
ENGINE				92-90	2970cc/3.0L	228010	
BALANCE SHAFT						Redi-Sleeve 99315	
4 CYLINDER				OIL PUMP			
91-84	1997cc/2.0L	712007		4 CYLINDER			
		Redi-Sleeve 99098		94-84	1595cc/1.6L (DOHC), 1595cc/1.6L (DOHC-Turbo), 1997cc/2.0L, 2351cc/2.4L, 2351cc/2.4L	222025	
90-89	1755cc/1.8L	710325				Redi-Sleeve 99078	
		Redi-Sleeve 99111		90-89	1755cc/1.8L	221710	
88-80	1597cc/1.6L, 1597cc/1.6L (Turbo)	710325				Redi-Sleeve 99068	
		Redi-Sleeve 99111		88-80	1597cc/1.6L, 1597cc/1.6L (Turbo)	221710	
CAMSHAFT						Redi-Sleeve 99068	
4 CYLINDER				TIMING COVER			
99-95	122/2.0L (DOHC)	(2) 320249		4 CYLINDER			
		Redi-Sleeve (2) 99139		99-95	122/2.0L (DOHC)	320348	
96-89	1468cc/1.5L, 1468cc/1.5L, 1755cc/1.8L, 1834cc/1.8L, 1997cc/2.0L, 2351cc/2.4L, 2351cc/2.4L	3771				Redi-Sleeve 99128	
		Redi-Sleeve 99139		96-85	1468cc/1.5L, 1468cc/1.5L	223018	
90-89	1595cc/1.6L (DOHC), 1595cc/1.6L (DOHC-Turbo)	(2) 3771				Redi-Sleeve 99114	
		Redi-Sleeve (2) 99139		95-92	1834cc/1.8L	223750	
88-80	1410cc/1.4L, 1468cc/1.5L, 1597cc/1.6L, 1597cc/1.6L (Turbo), 1997cc/2.0L	3771				Redi-Sleeve 99145	
		Redi-Sleeve 99139		94-89	1595cc/1.6L (DOHC), 1595cc/1.6L (DOHC-Turbo), 1755cc/1.8L, 1997cc/2.0L, 2351cc/2.4L, 2351cc/2.4L	224460	
6 CYLINDER				88-80	1597cc/1.6L, 1597cc/1.6L (Turbo), 1997cc/2.0L	224460	
00-95	2497cc/2.5L (Front)	(2) 3771				712001	
		Redi-Sleeve (2) 99139				Redi-Sleeve 99114	
00-91	2497cc/2.5L, 2972cc/3.0L (DOHC), 2972cc/3.0L (DOHC-Turbo)	(Rear) (2) 710302		6 CYLINDER			
		Redi-Sleeve (2) 99114		00-91	2497cc/2.5L, 2972cc/3.0L, 2972cc/3.0L (DOHC), 2972cc/3.0L (DOHC-Turbo)	223750	
96-91	2972cc/3.0L	(2) 3771				710196	
		Redi-Sleeve (2) 99139				Redi-Sleeve 99157	
96-91	2972cc/3.0L (DOHC), 2972cc/3.0L (DOHC-Turbo)	(Front) (2) 223010		CRANKSHAFT			
		Redi-Sleeve (2) 99114		4 CYLINDER			
CRANKSHAFT				99-95	122/2.0L (DOHC)	710056	
4 CYLINDER						PTFE Rubber 5279	
99-95	122/2.0L (DOHC)	710056		(Continued Next Column)			
		PTFE Rubber 5279					

REAR WHEEL DRIVE - DODGE IMPORTS

(Celeste, Challenger, Colt & Conquest)

Year	Application	Seal	Bearing
------	-------------	------	---------

Year	Application	Seal	Bearing
------	-------------	------	---------

WHEEL

FRONT WHEEL

86-80	Challenger, Conquest	(Inner) 494122	A-6
		(Outer)	A-2
1980	Celeste	(Inner) 1196	A-4
		(Outer)	A-1
1980	Colt (Sedan)	(Inner) 1196	A-4
		(Outer)	A-1
1980	Colt (Station Wagon)	(Inner) 494122	A-6
		(Outer)	A-2

REAR WHEEL

86-84	All	(Inner) 224100	206-F
		(Outer)	207-F
83-80	All 1955	

AXLE

REAR AXLE

AXLE SHAFT

86-84	Mitsubishi 8" R.G.	206-FF
-------	--------------------	-------	--------

DIFFERENTIAL

86-84	Mitsubishi 8" R.G.	(2) 471847N	■ (2) KC-11445-Y
		Redi-Sleeve (2) 99139	
83-80	Mitsubishi 10-Bolt (2) 207	
1980	Mitsubishi 8-Bolt (2) 30207	

PINION

86-85	Mitsubishi 8" R.G. (Exc. Limited-Slip)	(Inner) HM89449-HM89410
		(Outer) 224255	M86649-M86610
		Redi-Sleeve 99169	
86-85	Mitsubishi 8" R.G. (Limited-Slip)	(Inner) HM89449-HM89410	
		(Outer) 224570	M88043-M88010
		Redi-Sleeve 99177	
1984	Mitsubishi 8" R.G.	(Inner) HM89449-HM89410	
		(Outer) 224255	M86649-M86610
		Redi-Sleeve 99169	
83-80	Mitsubishi 10-Bolt	(Inner) HM89449-HM89410	
		(Outer) 224255	HM88649-HM88610
		Redi-Sleeve 99169	
1980	Mitsubishi 8-Bolt	(Inner) 32207	
		(Outer) 471847N	30305
		Redi-Sleeve 99139	

CLUTCH

PILOT

4 CYLINDER

86-80	1597cc/1.6L, 2555cc/2.6L, 2555cc/2.6L (Turbo)	102-CC
-------	---	-------	--------

RELEASE

	Bearing Only	Bearing Assembly
--	--------------	------------------

4 CYLINDER

86-80	2555cc/2.6L, 2555cc/2.6L (Turbo) (225mm Clutch)	Ⓢ 614016
1980	1597cc/1.6L (200mm Clutch)	01496

TRANSMISSION

AUTOMATIC / 3 Speed

FRONT PUMP

83-80	A94-1	331228H
		Redi-Sleeve 99149	

EXTENSION HOUSING

83-80	A94-1	2506
-------	-------	------	-------

MANUAL SHAFT

83-80	A94-1	8609
-------	-------	------	-------

AUTOMATIC / 4 Speed

FRONT PUMP

86-84	Jatco L4N71B	2025
		Redi-Sleeve 99166	

EXTENSION HOUSING

86-84	Jatco L4N71B	223801
-------	--------------	--------	-------

MANUAL / 4 Speed

DRIVESHAFT / INPUT

1980	KM110	712007	307-L
		Redi-Sleeve 99098	

MAINSHAFT / OUTPUT

1980	KM110	223240	306-L
------	-------	--------	-------

MANUAL / 5 Speed

DRIVESHAFT / INPUT

86-85	KM132-G	223014	307-L
		Redi-Sleeve 99114	
86-80	KM132, KM132-B	223014	207-L
		Redi-Sleeve 99114	

83-80	KM119	712007	208-L
		Redi-Sleeve 99098	

MAINSHAFT / OUTPUT

86-84	KM132-B, KM132-G	223608	511014
83-80	KM119	223240	205
83-80	KM132	223608	RW-122

COUNTERSHAFT

86-85	KM132-G	(Center) 30205
		(Front)	30205
83-80	KM119	(Center) 5205-KLE	
		(Rear)	304

SHIFT SHAFT

86-80	KM119, KM132, KM132-B, KM132-G	710222
-------	--------------------------------	--------	-------

STEERING

MANUAL STEERING

STEERING GEAR SECTOR SHAFT

1980	Celeste, Colt	221720
------	---------------	--------	-------

STEERING GEAR PITMAN SHAFT

83-80	All	222820
-------	-----	--------	-------

POWER STEERING

STEERING GEAR WORM SHAFT

86-84	All	710272
-------	-----	--------	-------

DODGE IMPORTS - REAR WHEEL DRIVE

(Celeste, Challenger, Colt & Conquest) (Cont.)

Year	Application	Seal	Bearing	Year	Application	Seal	Bearing
STEERING				CAMSHAFT			
POWER STEERING (Cont.)				4 CYLINDER			
STEERING GEAR PITMAN SHAFT				86-80 2555cc/2.6L, 2555cc/2.6L (Turbo)..... 222330			
86-84	All.....	223010		1980	1597cc/1.6L	3771	
83-80	Challenger.....	710272				<i>Redi-Sleeve</i> 99139	
STEERING PUMP SHAFT				CRANKSHAFT			
4 CYLINDER				4 CYLINDER			
86-80	Challenger, Conquest (Atsugi Pump).....	221830		86-80	2555cc/2.6L, 2555cc/2.6L (Turbo).....	228005	
1980	Celeste, Colt.....	7013S				<i>Redi-Sleeve</i> 99315	
AIR CONDITIONING				1980 1597cc/1.6L			
COMPRESSOR				227235			
CLUTCH PULLEY				OIL PUMP			
83-81	Sanden SD-508		5001-KFF	4 CYLINDER			
ELECTRICAL				1980 1597cc/1.6L			
ALTERNATOR				221710			
DRIVE END				<i>Redi-Sleeve</i> 99068			
86-84	Mitsubishi 65 Amp.....		302-SS	TIMING COVER			
83-80	Mitsubishi 45 Amp.....		203-FF	4 CYLINDER			
82-80	Mitsubishi 50 Amp.....		302-S	86-80 2555cc/2.6L, 2555cc/2.6L (Turbo).....			
REAR END				224840			
86-84	Mitsubishi 65 Amp.....		201-SS			<i>Redi-Sleeve</i> 99189	
83-80	Mitsubishi 45, 50, 55 Amp.....		201-SS	1980	1597cc/1.6L	224460	
1980	Mitsubishi 45 Amp.....		201-S	ENGINE			
BALANCE SHAFT				4 CYLINDER			
4 CYLINDER				1980 1597cc/1.6L			
1980	1597cc/1.6L	710325		<i>Redi-Sleeve</i> 99111			

DODGE IMPORT TRUCK - COMPACT PICKUP/SPORT UTILITY

(D50, Power Ram 50, Raider & Ram 50)

WHEEL				AXLE			
FRONT WHEEL (2WD)				FRONT AXLE			
93-80	All.....	(Inner).....	225010	AXLE SHAFT			
		(Outer).....	A-5	93-82 Mitsubishi IFS-7.25" R.G., IFS-8" R.G.			
			A-3			710213	107-DD
FRONT WHEEL (4WD)				SPINDLE			
93-82	All.....	(Inner).....	225875	93-82 Mitsubishi IFS-7.25" R.G., IFS-8" R.G.			
		(Outer).....	LM102949-LM102910			710146	B-2012
			LM102949-LM102910	DIFFERENTIAL			
REAR WHEEL				93-89 Mitsubishi IFS-8" R.G. (2) 710151			
93-80	All.....	(Inner).....	4989			(2) 471845N	(2) KC-11445-Y
		(Outer).....	30208			<i>Redi-Sleeve</i> (2) 99139	
			225110				

COMPACT PICKUP/SPORT UTILITY - DODGE IMPORT TRUCK

(Cont.) (D50, Power Ram 50, Raider & Ram 50)

Year	Application	Seal	Bearing
------	-------------	------	---------

AXLE

FRONT AXLE (Cont.)

PINION

93-91	Mitsubishi IFS-8" R.G.		
		<i>(Inner)</i>	HM89449-HM89410
		<i>(Outer)</i>	224570 M88043-M88010
	<i>Redi-Sleeve</i> 99169		
93-82	Mitsubishi IFS-7.25" R.G.		
		<i>(Inner)</i>	HM89449-HM89410
		<i>(Outer)</i>	224255 M86649-M86610
	<i>Redi-Sleeve</i> 99169		
90-89	Mitsubishi IFS-8" R.G.		
		<i>(Inner)</i>	HM89449-HM89410
		<i>(Outer)</i>	1943 M88043-M88010
	<i>Redi-Sleeve</i> 99177		

REAR AXLE

DIFFERENTIAL

93-80	Mitsubishi 8" R.G., 9" R.G.		■ (2)KC-11445-Y
-------	-----------------------------	--	-----------------

PINION

93-89	Mitsubishi 9" R.G.		
		<i>(Inner)</i>	HM89249-HM89210
		<i>(Outer)</i>	224570 M88043-M88010
	<i>Redi-Sleeve</i> 99177		
93-80	Mitsubishi 8" R.G.		
		<i>(Inner)</i>	HM89449-HM89410
		<i>(Outer)</i>	224570 M88043-M88010
	<i>Redi-Sleeve</i> 99177		

CLUTCH

PILOT

4 CYLINDER

92-80	1995cc/2.0L, 1997cc/2.0L, 2346cc/2.3L (Turbo-Diesel), 2351cc/2.4L, 2555cc/2.6L		102-CC
-------	---	--	--------

6 CYLINDER

91-89	2972cc/3.0L		203-FF
-------	-------------	--	--------

RELEASE

	Bearing Only	Bearing Assembly
--	-----------------	---------------------

4 CYLINDER

93-80	1995cc/2.0L, 1997cc/2.0L, 2351cc/2.4L (215mm Clutch)		Ⓢ 614016
89-80	2346cc/2.3L (Turbo-Diesel), 2555cc/2.6L (225mm Clutch)		Ⓢ 614016

DRIVESHAFT

CENTER SUPPORT

	Bearing	Bearing & Support
93-92	Power Ram 50	HB-22
93-87	Ram 50 (2WD)	HB-22
91-87	Power Ram 50 (4WD)	HB-30
86-82	Power Ram 50	HB-14
86-82	Ram 50	HB-14
81-80	D50	HB-14

Year	Application	Seal	Bearing
------	-------------	------	---------

TRANSFER CASE

FULL TIME / PART TIME

INPUT SHAFT

93-90	V5MT1-2	224560	
		<i>Redi-Sleeve</i> 99177	
93-90	V4AC1-2, V5M21-2	1992	
		<i>Redi-Sleeve</i> 99177	
89-82	KM100 (65mm OD)	1992	
		<i>Redi-Sleeve</i> 99177	
89-82	KM100 (68mm OD)	224560	
		<i>Redi-Sleeve</i> 99177	

FRONT OUTPUT SHAFT

93-82	KM100, V4AC1-2, V5MT1-2, V5M21-2	223608	(2)306
		<i>Redi-Sleeve</i> 99146	

REAR OUTPUT SHAFT

93-82	KM100, V4AC1-2, V5MT1-2, V5M21-2	224052	211
		<i>Redi-Sleeve</i> 99157	

DRIVE SPROCKET

93-82	KM100, V4AC1-2, V5MT1-2, V5M21-2		307
-------	----------------------------------	--	-----

TRANSMISSION

AUTOMATIC / 3 Speed

FRONT PUMP

86-80	A94-1	331228H	
		<i>Redi-Sleeve</i> 99149	

EXTENSION HOUSING

86-80	A94-1		2506
-------	-------	--	------

MANUAL SHAFT

86-80	A94-1		8609
-------	-------	--	------

AUTOMATIC / 4 Speed

FRONT PUMP

93-90	A500	331228H	
		<i>Redi-Sleeve</i> 99149	
89-87	Aisin 03-72	223830	
		<i>Redi-Sleeve</i> 99147	

EXTENSION HOUSING

93-90	A500 (2WD) (Booted)		2465
93-90	A500 (2WD) (Non-Booted)	7300S	
		(Seal & Bushing Kit) 5206	
93-90	A500 (4WD)		710058
89-87	Aisin 03-72		710319

MANUAL SHAFT

93-90	A500		8609
-------	------	--	------

MANUAL / 4 Speed

DRIVESHAFT / INPUT

85-83	KM130-1, KM130-4, KM144-0, KM144-3	223014	307-L
		<i>Redi-Sleeve</i> 99114	
81-80	KM110	712007	307-L
		<i>Redi-Sleeve</i> 99098	

DODGE IMPORT TRUCK - COMPACT PICKUP/SPORT UTILITY (D50, Power Ram 50, Raider & Ram 50) (Cont.)

Year	Application	Seal	Bearing
TRANSMISSION			
MANUAL / 4 Speed (Cont.)			
MAINSHAFT / OUTPUT			
85-83	KM130-1, KM130-4, KM144-0, KM144-3	223608	207-L
81-80	KM110	223240	306-L
COUNTERSHAFT			
85-83	KM130-1, KM130-4 (Front)		5205-KLE
84-83	KM144-0 (Center)		5205-KLE
MANUAL / 5 Speed			
DRIVESHAFT / INPUT			
93-89	M1S5	223255	
	Redi-Sleeve	99128	
93-82	KM132-E, KM132-J, KM132-K, KM132-1, KM132-8, KM132-9, KM145-1, KM145-2, KM145-4, KM145-5, KM145-8, KM145-9	223014	307-L
	Redi-Sleeve	99114	
81-80	KM119	712007	208-L
	Redi-Sleeve	99098	
MAINSHAFT / OUTPUT			
93-87	KM132-1, KM145-8, KM145-9	223608	511014
89-82	KM132-J, KM132-K, KM132-8	223608	RW-122
86-82	KM132-E, KM132-9	223608	
86-82	KM145-1, KM145-2, KM145-4, KM145-5	223608	205
81-80	KM119	223240	205
COUNTERSHAFT			
93-82	KM132-E, KM132-1, KM132-9, KM145-2, KM145-4, KM145-8 (Center)		30205
	(Front)		30205
89-82	KM132-J, KM132-K, KM132-8 (Center)		5205-KLE
89-82	KM145-1, KM145-5, KM145-9 (Front)		30205
	(Rear)		304
81-80	KM119 (Center)		5205-KLE
	(Rear)		304
STEERING			
MANUAL STEERING			
STEERING GEAR WORM SHAFT			
90-82	Power Ram 50, Ram 50	710273	
STEERING GEAR PITMAN SHAFT			
90-80	D50, Power Ram 50, Ram 50	222820	
POWER STEERING			
STEERING GEAR WORM SHAFT			
89-80	All	710272	
STEERING GEAR PITMAN SHAFT			
81-80	All	222820	
STEERING PUMP SHAFT			
89-82	Power Ram 50, Ram 50 (2.6L Eng.)	222036	
89-82	All (Atsugi Pump)	221830	
(Continued Next Column)			

Year	Application	Seal	Bearing
POWER STEERING (Cont.)			
STEERING PUMP SHAFT			
86-80	All (Saginaw Pump)	7013S	
AIR CONDITIONING			
COMPRESSOR			
CLUTCH PULLEY			
89-88	Nippondenso 10P13		5000-KFF
87-81	Sanden SD-508		5001-KFF
ELECTRICAL			
ALTERNATOR			
DRIVE END			
90-86	Mitsubishi 65 Amp		302-CC
86-82	Mitsubishi 50 Amp		202-FF
85-82	Mitsubishi 55 Amp		302-SS
81-80	Mitsubishi 45, 50 Amp		302-SS
REAR END			
86-80	Mitsubishi 45, 50 Amp		201-SS
ENGINE			
BALANCE SHAFT			
4 CYLINDER			
89-83	1997cc/2.0L, 2346cc/2.3L (Turbo-Diesel)	712007	
	Redi-Sleeve	99098	
CAMSHAFT			
4 CYLINDER			
93-83	1997cc/2.0L, 2346cc/2.3L (Turbo-Diesel), 2351cc/2.4L	3771	
	Redi-Sleeve	99139	
89-80	2555cc/2.6L	222330	
6 CYLINDER			
93-89	2972cc/3.0L (2)	3771	
	Redi-Sleeve (2)	99139	
CRANKSHAFT			
4 CYLINDER			
1993	2351cc/2.4L	710235	
92-80	1995cc/2.0L, 1997cc/2.0L, 2346cc/2.3L (Turbo-Diesel), 2351cc/2.4L, 2555cc/2.6L	228005	
	Redi-Sleeve	99315	
6 CYLINDER			
93-89	2972cc/3.0L	710056	
	PTFE Rubber	5279	
OIL PUMP			
4 CYLINDER			
93-90	2351cc/2.4L	222025	
	Redi-Sleeve	99078	
(Continued Next Page)			

COMPACT PICKUP/SPORT UTILITY - DODGE IMPORT TRUCK

(Cont.) (D50, Power Ram 50, Raider & Ram 50)

Year	Application	Seal	Bearing	Year	Application	Seal	Bearing
ENGINE				TIMING COVER (Cont.)			
OIL PUMP (Cont.)				4 CYLINDER			
4 CYLINDER				89-80 1995cc/2.0L, 2555cc/2.6L 224840			
				Redi-Sleeve 99189			
89-83 1997cc/2.0L, 2346cc/2.3L (Turbo-Diesel)..... 221710				6 CYLINDER			
Redi-Sleeve 99068				93-89 2972cc/3.0L 223750			
TIMING COVER							
4 CYLINDER							
93-83 1997cc/2.0L, 2346cc/2.3L (Turbo-Diesel), 2351cc/2.4L 224460							
(Continued Next Column)							

PICKUP/MINIVAN/CROSSOVER/SPORT UTILITY - DODGE TRUCK

(Caravan, Caravan AWD, Dakota, Durango, Journey, Journey AWD, Mini-Ram Van, Nitro & Rampage)

WHEEL				FRONT WHEEL (4WD) (Cont.)			
FRONT WHEEL (2WD)				2004 Dakota (Rear Wheel ABS)..... Hub Assembly 515007			
09-08 Caravan..... Hub Assembly ☆ 513273				2004 Dakota (4 Wheel ABS)			
09-07 Nitro..... Hub Assembly ☆ 513270				(Left)..... Hub Assembly 515008			
09-06 Durango..... Hub Assembly ☆ 513271				(Right)..... Hub Assembly 515009			
09-05 Dakota (Rear Wheel ABS)..... Hub Assembly 513228				04-01 Caravan AWD..... Hub Assembly 513123			
09-05 Dakota (4 Wheel ABS)..... Hub Assembly 513229				03-97 Dakota, Durango (Rear Wheel ABS)..... Hub Assembly 515007			
07-01 Caravan..... Hub Assembly 513123				03-97 Dakota, Durango (4 Wheel ABS)			
05-04 Durango..... Hub Assembly 513207				(Left)..... Hub Assembly 515008			
2004 Dakota (Rear Wheel ABS)..... Hub Assembly 515032				(Right)..... Hub Assembly 515009			
2004 Dakota (4 Wheel ABS)..... Hub Assembly 515033				00-96 Caravan AWD (Exc. 14" Wheel)..... Hub Assembly 513123			
03-97 Dakota, Durango (Rear Wheel ABS)..... Hub Assembly 515032				00-96 Caravan AWD (14" Wheel)..... Hub Assembly 513122			
03-97 Dakota, Durango (4 Wheel ABS)..... Hub Assembly 515033				96-91 Dakota..... (Kit) ☒ 5604 Hub Assembly 513109			
00-96 Caravan (Exc. 14" Wheel)..... Hub Assembly 513123				95-91 Caravan AWD (14" Wheel)			
00-96 Caravan (14" Wheel)..... Hub Assembly 513122				(Kit) ☒ 5604 Hub Assembly 513075			
96-86 Dakota..... 3087 A-18				95-91 Caravan AWD (15" Wheel)			
(Outer)..... A-16				(Kit) ☒ 5604 Hub Assembly 513074			
95-91 Caravan (14" Wheel)..... (Kit) ☒ 5604 Hub Assembly 513075				1990 All (5 Stud Hub)..... (Kit) ☒ 5604 Hub Assembly 513082			
95-89 Caravan, Mini-Ram Van (15" Wheel)..... (Kit) ☒ 5604 Hub Assembly 513074				1990 All (6 Stud Hub)..... (Kit) ☒ 5604 Hub Assembly 513109			
90-88 Caravan, Mini-Ram Van (14" Wheel) (4 Stud Hub)..... (Kit) ☒ 5604 513006				89-86 All..... (Kit) ☒ 5604 Hub Assembly 513082			
Hub Repair Kit ☒ 518501				REAR WHEEL			
90-88 Caravan, Mini-Ram Van (14" Wheel) (5 Stud Hub)..... (Kit) ☒ 5604 513006				2009 Dakota..... 8835S 6408			
Hub Repair Kit 518502				(Axle Repair Brg.) RP-6408			
1988 Caravan (15" Wheel)..... (Kit) ☒ 5604 Hub Assembly ☒ 513231				2009 Durango, Nitro..... 710498 6410			
87-84 Caravan, Mini-Ram Van (4 Stud Hub)..... (Kit) ☒ 5604 513006				08-04 Durango..... 710498 6410			
Hub Repair Kit ☒ 518501				08-04 Dakota, Nitro..... 8835S 6408			
87-84 Caravan, Mini-Ram Van (5 Stud Hub)..... (Kit) ☒ 5604 513006				(Axle Repair Brg.) RP-6408			
Hub Repair Kit 518502				07-01 Caravan (ABS)..... Hub Assembly 512169			
84-82 Rampage..... (Kit) ☒ 5604 B-39				07-01 Caravan (Exc. ABS)..... Hub Assembly 512170			
Hub Repair Kit ☒ 518500				04-01 Caravan AWD..... Hub Assembly 512157			
FRONT WHEEL (4WD)				03-86 Dakota, Durango..... 8835S 6408			
09-07 Nitro..... Hub Assembly ☆ 513270				(Axle Repair Brg.) RP-6408			
09-06 Durango..... Hub Assembly ☆ 513271				00-96 Caravan (Exc. 14" Wheel)..... Hub Assembly 512156			
09-05 Dakota (Rear Wheel ABS)..... Hub Assembly 513228				00-96 Caravan (14" Wheel)..... Hub Assembly 512155			
09-05 Dakota (4 Wheel ABS)..... Hub Assembly 513229				00-96 Caravan AWD..... Hub Assembly 512157			
05-04 Durango..... Hub Assembly 513207				95-91 Caravan AWD..... Hub Assembly 512125			
(Continued Next Column)				95-84 Caravan, Mini-Ram Van			
				(Inner)..... 4249 A-17			
				(Outer)..... A-16			
				84-83 Rampage..... (Inner)..... 4099 A-39			
				(Outer)..... A-16			
				1982 All..... (Inner)..... 3677 A-4			
				(Outer)..... A-2			

☆ New Item, Check for Availability ☒ Refer To Front Of Catalog For Kit Contents

DODGE TRUCK - PICKUP/MINIVAN/CROSSOVER/SPORT UTILITY

(Caravan, Caravan AWD, Dakota, Durango, Journey, Journey AWD, Mini-Ram Van, Nitro & Rampage) (Cont.)

Year	Application	Seal	Bearing
AXLE			
FRONT AXLE			
AXLE SHAFT			
09-00	C205F.....(Left)	710489	B-228
99-97	Spicer 35-SLA.....(2)	4857	(2)5707
SPINDLE KIT			
09-07	Spicer 30-SF.....		☒ SBK-1
SPINDLE			
09-07	Spicer 30-SF.....(Outer)	722108	
INTERMEDIATE SHAFT			
92-86	7.25" R.G.....		B-5020
	(Pilot).....		B-2516
OUTPUT SHAFT			
96-93	7.25" R.G.....(2)	8660S	(2)5707
92-87	7.25" R.G.....(Left)	8660S	5707
	(Right).....	710502	A-9
1986	7.25" R.G.....(Left)	8660S	5707
	(Right).....		A-9
DIFFERENTIAL KIT			
09-07	Spicer 30-SF.....		RA-334-TJ
99-97	Spicer 35-SLA.....		☒ RA-335
96-86	7.25" R.G.....		☒ RA-302
DIFFERENTIAL			
09-07	Spicer 30-SF.....	(2)LM501349-LM501314	
09-00	C205F.....	(2)LM102949-LM102911	
99-97	Spicer 35-SLA.....	(2)LM501349-LM501314	
96-86	7.25" R.G.....	(2)A-35	
PINION			
09-07	Spicer 30-SF.....(Inner)		HM88649-HM88610
	(Outer).....	710461	M86649-M86610
09-00	C205F.....(Inner)		M88048-M88010
	(Outer).....	710476	
99-97	Spicer 35-SLA.....(Inner)		HM88648-HM88610
	(Outer).....	714675	M86649-M86610
	Redi-Sleeve 99181		
96-86	7.25" R.G.....(Inner)		HM88649-HM88610
	(Outer).....	8516N	M86649-M86610
	Redi-Sleeve 99168		
REAR AXLE			
DIFFERENTIAL KIT			
09-00	8.25" R.G.....		☒ RA-303-A
09-00	9.25" R.G.....		☒ RA-304-A
99-98	9.25" R.G.....		☒ RA-304
	(Master Kit)		RA-304MK
99-86	8.25" R.G.....		(Master Kit) RA-303MK
96-86	7.25" R.G.....		☒ RA-302
96-86	8.25" R.G.....		☒ RA-303
DIFFERENTIAL			
09-98	9.25" R.G.....	(2)JLM704649-JLM704610	
09-86	8.25" R.G.....	(2)A-36	
04-91	Getrag 640.....	(2)A-18	
96-86	7.25" R.G.....	(2)A-35	
PINION			
09-00	8.25" R.G.....(Inner)		M802048-M802011
	(Outer).....	710480	M86649-M86610
	(Continued Next Column)		

Year	Application	Seal	Bearing
REAR AXLE (Cont.)			
PINION			
09-00	9.25" R.G.....(Inner)		M804049-M804010
	(Outer).....	710481	M88048-M88010
	Redi-Sleeve 99189		
04-91	Getrag 640.....(Inner)		A-35
	(Outer).....		A-17
99-98	9.25" R.G.....(Inner)		M804049-M804010
	(Outer).....	5126	M88048-M88010
	Redi-Sleeve 99187		
99-86	8.25" R.G.....(Inner)		M802048-M802011
	(Outer).....	8516N	M86649-M86610
	Redi-Sleeve 99168		
96-86	7.25" R.G.....(Inner)		HM88649-HM88610
	(Outer).....	8516N	M86649-M86610
	Redi-Sleeve 99168		
CLUTCH			
PILOT			
4 CYLINDER			
02-96	150/2.5L.....		SCE-1295
	(Brg. & Sleeve)		FC-69906
95-92	153/2.5L.....		SCE-1295
	(Brg. & Sleeve)		FC-69906
91-89	153/2.5L.....		(H/D) PB-286-HD
88-86	135/2.2L.....		(H/D) PB-286-HD
6 CYLINDER			
09-92	226/3.7L, 239/3.9L.....		SCE-1295
	(Brg. & Sleeve)		FC-69907
91-86	239/3.9L.....		(H/D) PB-286-HD
8 CYLINDER			
09-92	287/4.7L, 318/5.2L.....		SCE-1295
	(Brg. & Sleeve)		FC-69907
91-89	318/5.2L.....		(H/D) PB-286-HD
RELEASE			
		Bearing Only	Bearing Assembly
4 CYLINDER			
02-96	150/2.5L.....		Ⓢ 614093
95-92	153/2.5L (9.125" Clutch) (23 Spline).....		Ⓢ 614093
95-90	153/2.5L, 153/2.5L (Turbo) (9" Clutch) (18 Spline).....		Ⓢ 614092
91-89	153/2.5L (9.125" Clutch) (23 Spline).....		Ⓢ 614054
89-88	153/2.5L, 153/2.5L (Turbo) (9" Clutch) (18 Spline).....		614007
89-87	153/2.5L, 153/2.5L (Turbo), 2555cc/2.6L.....		614007
88-86	135/2.2L (9.125" Clutch) (23 Spline).....		Ⓢ 614054
1987	135/2.2L, 153/2.5L (9" Clutch) (18 Spline).....		614007
86-84	135/2.2L, 2555cc/2.6L.....		614007
6 CYLINDER			
09-92	226/3.7L, 239/3.9L.....		Ⓢ 614093
91-86	239/3.9L.....		Ⓢ 614054
88-87	2972cc/3.0L.....		614007
8 CYLINDER			
09-92	287/4.7L, 318/5.2L.....		Ⓢ 614093
91-89	318/5.2L.....		Ⓢ 614054

PICKUP/MINIVAN/CROSSOVER/SPORT UTILITY - DODGE TRUCK

(Cont.) (Caravan, Caravan AWD, Dakota, Durango, Journey, Journey AWD, Mini-Ram Van, Nitro & Rampage)

Year	Application	Seal	Bearing
DRIVESHAFT			
CENTER SUPPORT			
		<i>Bearing</i>	<i>Bearing & Support</i>
04-02	Brg. ID 1.5748" (40mm)- Centerline 2.228" (56.6mm).....		HB-108-D
01-86	Spicer 1280, 1310 Series / Brg. ID 1.3780" (35mm) Slip Yoke Style.....	88107	HB-88107-A (Opt. w/Slingers) HB-88107-B
TRANSFER CASE			
FULL TIME / PART TIME TRANSFER CASE KIT			
96-94	New Process 231HD	<input checked="" type="checkbox"/> T-230-A	
93-88	New Process 231	<input checked="" type="checkbox"/> T-230	
87-86	New Process 207	<input checked="" type="checkbox"/> T-197	
INPUT SHAFT			
09-07	New Process 140		110
	(Pilot)	FC-66561	
09-01	New Process 233	N-5210-KLB	
	(Pilot)	FC-66561	
09-01	New Process 133, 244HD ... (2) 3173	N-5210-KLB	
09-98	New Process 133, 242, 244HD	(Dual Lip) 710928	N-5210-KLB
	Redi-Sleeve 99193		
	(Pilot)	FC-66561	
07-05	New Process 243	(2) 3173	
	(Dual Lip) 710928		
	Redi-Sleeve 99193		
	(Pilot)	FC-66561	
04-92	PTU	710501	
00-94	New Process 231, 231HD ... (2) 3173		110-L
	(Dual Lip) 710928		
	Redi-Sleeve 99193		
	(Pilot)	FC-66561	
93-88	New Process 231	(2) 3173	N-5210-KLB
	(Dual Lip) 710928		
	Redi-Sleeve 99193		
	(Pilot)	SCH-1810	
87-86	New Process 207	(2) 3173	(2)B-3210
	(Dual Lip) 710928		
	Redi-Sleeve 99193		
	(Pilot)	SCH-1810	
	(Thrust)	NTA-3244	
FRONT OUTPUT SHAFT			
09-04	New Process 144		J-2416
	(Pilot)		
09-98	New Process 242, 244HD	3946	
	Redi-Sleeve 99187		
	(Pilot)	J-2416	
09-97	New Process 133, 231, 233, 231HD		206
	(Pilot)	J-2416	
07-05	New Process 243		111
04-92	PTU	3459	106
	Redi-Sleeve 99157		
96-88	New Process 231, 231HD	710046	206
	Redi-Sleeve 99155		
	(Pilot)	J-2416	
	(Continued Next Column)		

Year	Application	Seal	Bearing
FULL TIME / PART TIME (Cont.)			
FRONT OUTPUT SHAFT			
87-86	New Process 207	710046	206
	Redi-Sleeve 99155		
	(Pilot)		B-228
REAR OUTPUT SHAFT			
09-04	New Process 144		108
00-98	New Process 242	3946	
	Redi-Sleeve 99187		
	(Pilot)		(52)C-672-Q
00-97	New Process 231	4370N	
	(Pilot)		(2)B-5020
00-94	New Process 231HD	4333N	207
	(Pilot)		(2)B-5020
96-94	New Process 231	2506	
	(Pilot)		(2)B-5020
93-88	New Process 231	2506	206
	(Pilot)		(2)B-5020
87-86	New Process 207	2506	206
	(Pilot)		(2)F-4020
OIL PUMP HOUSING			
07-05	New Process 243	341022	
	Redi-Sleeve 99225		
00-86	New Process 207, 231, 242, 231HD	341022	
	Redi-Sleeve 99225		
TRANSAXLE			
AUTOMATIC / 3 Speed			
DIFFERENTIAL			
01-97	31TH.....	(Right)	A-18
96-82	A413, A470, A670, 31TH.....		(2)A-18
TORQUE CONVERTER			
01-82	A413, A470, A670, 31TH.....	331228H	
	Redi-Sleeve 99149		
OUTPUT SHAFT			
01-92	31TH.....	(2) 3459	
	Redi-Sleeve (2) 99157		
91-82	A413, A470, A670	(2) 3459	(2)A-17
	Redi-Sleeve (2) 99157		
TRANSFER SHAFT			
01-82	A413, A470, A670, 31TH.....		(2)A-18
MANUAL SHAFT			
01-82	A413, A470, A670, 31TH.....	8609	
AUTOMATIC / 4 Speed			
DIFFERENTIAL			
09-97	40TE, 41TE	(Right)	A-18
96-87	A604, 41TE.....		(2)A-18
TORQUE CONVERTER			
09-87	A604, 40TE, 41AE, 41TE	331228H	
	Redi-Sleeve 99149		
OUTPUT SHAFT			
09-92	40TE, 41AE, 41TE.....	(2) 3459	
	Redi-Sleeve (2) 99157		
91-87	A604	(2) 3459	(2)A-17
	Redi-Sleeve (2) 99157		

() Indicates Quantity Required Refer To Front Of Catalog For Kit Contents

DODGE TRUCK - PICKUP/MINIVAN/CROSSOVER/SPORT UTILITY

(Caravan, Caravan AWD, Dakota, Durango, Journey, Journey AWD, Mini-Ram Van, Nitro & Rampage) (Cont.)

Year	Application	Seal	Bearing	Year	Application	Seal	Bearing
TRANSAXLE				TRANSMISSION			
AUTOMATIC / 4 Speed (Cont.)				AUTOMATIC / 3 Speed			
TRANSFER SHAFT				FRONT PUMP			
09-92	40TE, 41AE, 41TE			95-86	A998, A999, 31RH	331228H	
	(Right)		A-35			Redi-Sleeve 99149	
91-87	A604		(2)A-18	93-86	A727	331227H	
MANUAL SHAFT						Redi-Sleeve 99187	
09-87	A604, 40TE, 41AE, 41TE	8609		EXTENSION HOUSING			
AUTOMATIC / 6 Speed				95-86	A998, A999, 31RH	2506	§ 206-LOE
TORQUE CONVERTER				93-87	A727	7300S	
09-08	62TE	710628			(Seal & Bushing Kit)	5206	
OUTPUT SHAFT				1986	A727 (Booted)	7300S	
09-08	62TE	(2) 3459			(Seal & Bushing Kit)	5206	
		Redi-Sleeve (2) 99157		1986	A727 (Non-Booted)	8160S	* 206-1
MANUAL SHAFT				MANUAL SHAFT			
09-08	62TE	8609		95-86	A998, A999, 31RH	8609	
MANUAL / 4 Speed				CLUTCH CAM			
DIFFERENTIAL				93-86	A727		(12)W-585-Q
85-84	A460		(2)A-18	AUTOMATIC / 4 Speed			
INPUT SHAFT				FRONT PUMP			
85-84	A460	(Front) 3732S	A-4	09-90	A500, 42RE, 42RH, 44RE,		
		Redi-Sleeve 99106			42RLE	331228H	
		(Rear)	A-5			Redi-Sleeve 99149	
INTERMEDIATE SHAFT				04-00	45RFE	710557	
85-84	A460	(Front)	5707			Redi-Sleeve 99187	
OUTPUT SHAFT				03-98	46RE	331227H	
85-84	A460	(2) 3459				Redi-Sleeve 99187	
		Redi-Sleeve (2) 99157		96-91	A518, 46RH	331227H	
SHIFT SHAFT						Redi-Sleeve 99187	
85-84	A460	3816		EXTENSION HOUSING			
MANUAL / 5 Speed				09-98	46RE, 42RLE (2WD)	7300S	
DIFFERENTIAL					(Seal & Bushing Kit)	5206	
95-84	A465, A520, A523, A525, A555		(2)A-18	09-90	A500, A518, 42RE, 42RH,		
INPUT SHAFT					44RE, 46RE, 46RH, 42RLE		
95-84	A465, A520, A523, A525,				(4WD)	710058	
	A555	(Front) 3732S	A-4	04-00	45RFE (2WD)	7300S	110
		Redi-Sleeve 99106			(Seal & Bushing Kit)	5206	
		(Rear)	A-5	03-00	45RFE (4WD)	(Dual Lip) 710928	
INTERMEDIATE SHAFT				03-90	A500, 42RE, 42RH, 44RE		
85-84	A465	(Front)	5707		(2WD) (Booted)	2465	
OUTPUT SHAFT				03-90	A500, 42RE, 42RH, 44RE		
95-84	A465, A520, A523, A525,				(2WD) (Non-Booted)	7300S	
	A555	(2) 3459			(Seal & Bushing Kit)	5206	
		Redi-Sleeve (2) 99157		96-91	A518, 46RH (2WD)	7300S	
SHIFT SHAFT					(Seal & Bushing Kit)	5206	
95-84	A465, A520, A523, A525,			MANUAL SHAFT			
	A555	3816		03-90	A500, A518, 42RE, 42RH,		
MANUAL / 5 Speed					44RE, 46RE, 46RH	8609	
FRONT PUMP				AUTOMATIC / 5 Speed			
09-07	Mercedes-Benz W5A580	710608		FRONT PUMP			
09-02	545RFE	710557		09-07	Mercedes-Benz W5A580	710608	
		Redi-Sleeve 99187				710557	
OUTPUT SHAFT						Redi-Sleeve 99187	
09-07	Mercedes-Benz W5A580		206	OUTPUT SHAFT			

() Indicates Quantity Required § Use Old Snap Ring * Not a Current Production Number, Check for Availability

PICKUP/MINIVAN/CROSSOVER/SPORT UTILITY - DODGE TRUCK

(Cont.) (Caravan, Caravan AWD, Dakota, Durango, Journey, Journey AWD, Mini-Ram Van, Nitro & Rampage)

Year	Application	Seal	Bearing
TRANSMISSION			
AUTOMATIC / 5 Speed (Cont.)			
EXTENSION HOUSING			
09-02	545RFE (2WD)	7300S	110
	(Seal & Bushing Kit)	5206	
03-02	545RFE (4WD)	710928	
	(Dual Lip)		
MANUAL / 5 Speed			
DRIVESHAFT / INPUT			
04-94	New Process 3500	4529N	307-FFL5
	Redi-Sleeve	99138	
03-92	Aisin AX15	223253	
	Redi-Sleeve	99128	
02-00	New Process 1500	223020	306-VVL
93-86	New Process A535, 2500	9376	
	Redi-Sleeve	99106	
MAINSHAFT / OUTPUT			
04-94	New Process 3500 (2WD)	7300S	
	(Seal & Bushing Kit)	5206	
04-94	New Process 3500 (4WD)	4528N	
03-92	Aisin AX15 (2WD)	710198	
03-92	Aisin AX15 (4WD)	1209	
02-00	New Process 1500	416288	306-L
93-86	New Process A535, 2500 (2WD)	2506	208
93-86	New Process A535, 2500 (4WD)	710058	208
MAINSHAFT PILOT			
93-86	New Process A535, 2500		(16)QBR-23549
COUNTERSHAFT			
04-94	New Process 3500		(2)FC-68336
03-92	Aisin AX15 (Front)		MSNB-5305-GTBV
02-00	New Process 1500 (Front)		FC-68336
	(Rear)		206-FF
93-86	New Process A535, 2500 (Rear)		A-2
EXTENSION HOUSING			
93-86	New Process A535		207-L
93-86	New Process 2500		1207-L
MANUAL / 6 Speed			
COUNTERSHAFT			
09-05	Getrag 238 (Front)		207-FF
STEERING			
POWER STEERING			
STEERING GEAR WORM SHAFT			
92-82	Caravan, Caravan AWD, Mini-Ram Van, Rampage (Chrysler Design)	7188S	
STEERING PUMP SHAFT			
95-82	All (Saginaw Pump)	7013S	

Year	Application	Seal	Bearing
AIR CONDITIONING			
COMPRESSOR			
CLUTCH PULLEY			
91-85	Nippondenso A590		5000-KFF
87-82	Nippondenso C171		5000-KFF
87-82	Sanden SD-508		5001-KFF
ELECTRICAL			
ALTERNATOR			
DRIVE END			
89-87	Bosch 40, 90 Amp. (I.D. #5233574)		203-FF
89-82	Chrysler 41, 53, 60, 65, 78 Amp.		203-FF
87-86	Chrysler 86, 100, 114 Amp.		303-SS
86-82	Mitsubishi 50, 75 Amp.		302-SS
REAR END			
89-88	Chrysler 40, 50, 90, 120 Amp.		203-FF
1987	Bosch 40, 90, 100 Amp.		201
87-82	Chrysler 41, 53, 60, 65, 78 Amp.		MNJ-471-S
86-82	Mitsubishi 50, 75 Amp.		201-S
ENGINE			
CAMSHAFT			
4 CYLINDER			
07-96	148/2.4L (DOHC)	(2) 320249	
	Redi-Sleeve (2)	99139	
95-87	153/2.5L, 153/2.5L (Turbo)	3655	
	Redi-Sleeve	99139	
89-84	2555cc/2.6L	222330	
88-82	135/2.2L (52.35mm OD)		
	(Front)	3655	
	Redi-Sleeve	99139	
	(Rear)	713655	
	Redi-Sleeve	99139	
88-82	135/2.2L (53.59mm OD)		
	(Front)	3655	
	Redi-Sleeve	99139	
	(Rear)	4040N	
	Redi-Sleeve	99139	
6 CYLINDER			
09-07	241.1/4.0L	(2) 321417N	
	Redi-Sleeve (2)	99112	
00-87	2972cc/3.0L	(2) 3771	
	Redi-Sleeve (2)	99139	
CRANKSHAFT			
4 CYLINDER			
2009	144/2.4L (DOHC)	710235	
07-82	135/2.2L, 148/2.4L (DOHC), 153/2.5L, 153/2.5L (Turbo)	710056	
	PTFE Rubber	5279	
02-96	150/2.5L	3698	
	PTFE Rubber	5290	
95-82	135/2.2L, 153/2.5L, 153/2.5L (Turbo)		
	(Gkt. & PTFE Seal)	5279A	
89-84	2555cc/2.6L	228005	
	Redi-Sleeve	99315	

() Indicates Quantity Required

DODGE TRUCK - PICKUP/MINIVAN/CROSSOVER/SPORT UTILITY

(Caravan, Caravan AWD, Dakota, Durango, Journey, Journey AWD, Mini-Ram Van, Nitro & Rampage) (Cont.)

Year	Application	Seal	Bearing	Year	Application	Seal	Bearing
ENGINE				TIMING COVER (Cont.)			
CRANKSHAFT (Cont.)				4 CYLINDER			
6 CYLINDER				02-96	150/2.5L	321460	
09-04	226/3.7L	710471				Redi-Sleeve 99179	
		Redi-Sleeve 99393				Harmonic Bal Sleeve 88179	
09-90	201/3.3L, 201/3.3L, 231/3.8L, 241.1/4.0L, 2972cc/3.0L	710056		95-89	153/2.5L, 153/2.5L (Turbo)	3638	
		PTFE Rubber 5279				Redi-Sleeve 99112	
03-86	239/3.9L	5414		89-84	2555cc/2.6L	224840	
89-87	2972cc/3.0L	710056				Redi-Sleeve 99189	
		PTFE Rubber 5279		88-82	135/2.2L, 153/2.5L	3655	
						Redi-Sleeve 99139	
8 CYLINDER				6 CYLINDER			
03-98	360/5.9L (Split Seal)	5106		09-07	241.1/4.0L	1987	
00-89	318/5.2L, 318/5.2L	5414				Redi-Sleeve 99139	
INTERMEDIATE SHAFT				09-04	226/3.7L	710472	
4 CYLINDER						Redi-Sleeve 99114	
95-82	135/2.2L, 153/2.5L, 153/2.5L (Turbo)	3655		09-90	201/3.3L, 201/3.3L, 231/3.8L, 241.1/4.0L	3638	
		Redi-Sleeve 99139				Redi-Sleeve 99112	
6 CYLINDER				03-92	239/3.9L	713103	
09-90	201/3.3L, 201/3.3L, 231/3.8L	3655				Redi-Sleeve 99218	
		Redi-Sleeve 99139				Harmonic Bal Sleeve 88218	
TIMING COVER				00-87	2972cc/3.0L	223750	
4 CYLINDER				91-86	239/3.9L	3103	
2009	144/2.4L (DOHC)	710608				Redi-Sleeve 99218	
07-96	148/2.4L (DOHC)	320348				Harmonic Bal Sleeve 88218	
		Redi-Sleeve 99128		91-89	318/5.2L	3103	
		(Continued Next Column)				Redi-Sleeve 99218	
						Harmonic Bal Sleeve 88218	

DODGE TRUCK 1/2 TON - 100/150 SERIES FULL SIZE

(AD100 Ramcharger, AD150 Ramcharger, AD150S Ramcharger, B100, B150, D100 Ram, D150 Ram, Ram 1500 Pickup, Ram 1500 Van, W100 Ram, W150 Ram & W150S Ram)

WHEEL				FRONT WHEEL (2WD) (Cont.)			
FRONT WHEEL (2WD)				94-86	AD100 Ramcharger, AD150 Ramcharger, AD150S Ramcharger, B150, D100 Ram, D150 Ram, D150S Ram		
08-05	All (Exc. Mega Cab & SRT) (Rear Wheel ABS)		Hub Assembly 515072			(Inner) 3087	A-18
						(Outer) 3087	A-16
2005	All (Exc. Mega Cab & SRT) (4 Wheel ABS)		Hub Assembly 515073	85-84	All (5 Stud Hub) (3,300 lb. Axle)	(Inner) 3087	A-18
						(Outer) 3087	A-16
2005	All (Mega Cab)		Hub Assembly 515089	85-82	D150 Ram (8 Stud Hub) (3,600 lb. Axle)	(Inner) 3087	A-35
04-02	Ram 1500 Pickup (Rear Wheel ABS)		Hub Assembly 515072			(Outer) 3087	15101-15245
04-02	Ram 1500 Pickup (4 Wheel ABS)		Hub Assembly 515073	85-82	AD100 Ramcharger, AD150 Ramcharger, B150 (8 Stud Hub) (3,600 lb. Axle)	(Inner) 493291	A-35
03-95	Ram 1500 Van	(Inner) 3087	A-18			(Outer) 493291	15101-15245
		(Outer) 3087	A-16	83-80	All (5 Stud Hub) (3,300 lb. Axle)	(Inner) 5121	A-17
01-00	Ram 1500 Pickup		Hub Assembly 515084			(Outer) 5121	A-16
99-94	Ram 1500 Pickup					(Continued Next Page)	
		(Inner) 4739	A-5				
		(Outer) 4739	A-3				
		(Continued Next Column)					

100/150 SERIES FULL SIZE - DODGE TRUCK 1/2 TON

(Cont.) (AD100 Ramcharger, AD150 Ramcharger, AD150S Ramcharger, B100, B150, D100 Ram, D150 Ram, Ram 1500 Pickup, Ram 1500 Van, W100 Ram, W150 Ram & W150S Ram)

Year	Application	Seal	Bearing
WHEEL			
FRONT WHEEL (2WD) (Cont.)			
81-80	All (8 Stud Hub) (3,600 lb. Axle)	(Inner) 3087 (Outer)	A-18 A-16
FRONT WHEEL (4WD)			
08-05	All (Exc. Mega Cab & SRT) (Rear Wheel ABS)	Hub Assembly 515072	
2005	All (Exc. Mega Cab & SRT) (4 Wheel ABS)	Hub Assembly 515073	
2005	All (Mega Cab)	Hub Assembly 515061	
04-02	All (Rear Wheel ABS)	Hub Assembly 515072	
04-02	All (4 Wheel ABS)	Hub Assembly 515073	
01-00	All (Rear Wheel ABS)	Hub Assembly 515038	
01-00	All (4 Wheel ABS)	Hub Assembly 515039	
99-97	All (Rear Wheel ABS)	Hub Assembly 515006	
99-97	All (4 Wheel ABS)		
	(Left)	Hub Assembly 515049	
	(Right)	Hub Assembly 515023	
96-94	All	Hub Assembly 515006	
93-86	All	(Inner) 4250 LM104949-JLM104910 (Outer)	A-35
85-80	All (Locking Hub)		
	(Inner) 471271	LM104949-JLM104910	
	(Outer)	A-35	
85-80	All (Non-Locking Hub)		
	(Inner) 413248	LM104949-JLM104910	
	(Outer)	A-35	
REAR WHEEL			
09-07	All (10.5" R.G.)	710564	
	(Inner)	28682-28622	
	(Outer)	A-38	
09-07	All (9.25" R.G.)	710498	6410
06-05	All (Spicer 60)	710067	R-1561-TV (Axle Repair Brg.) RP-6408
06-05	All (9.25" R.G.)	8835S	6408 (Axle Repair Brg.) RP-6408
04-02	Ram 1500 Pickup	8835S	6408 (Axle Repair Brg.) RP-6408
03-95	Ram 1500 Van	8835S	6408 (Axle Repair Brg.) RP-6408
01-86	AD100 Ramcharger, AD150 Ramcharger, AD150S Ramcharger, AW150 Ramcharger, AW150S Ramcharger, D100 Ram, D150 Ram, D150S Ram, Ram 1500 Pickup, W100 Ram, W150 Ram, W150S Ram (9.25" R.G.) (Exc. H/D Axle)	8835S	6408 (Axle Repair Brg.) RP-6408
01-86	AD100 Ramcharger, AD150 Ramcharger, AD150S Ramcharger, AW150 Ramcharger, AW150S Ramcharger, D100 Ram, D150 Ram, D150S Ram, Ram 1500 Pickup, W100 Ram, W150 Ram, W150S Ram (9.25" R.G.) (H/D Axle)	710067	R-1561-TV (Axle Repair Brg.) RP-1561-FO

(Continued Next Column)

Year	Application	Seal	Bearing
REAR WHEEL (Cont.)			
94-86	B150	8835S	6408 (Axle Repair Brg.) RP-6408
93-86	D100 Ram, D150 Ram, D150S Ram, W100 Ram, W150 Ram, W150S Ram (8.25" R.G.) (8.375" R.G.)	8835S	6408 (Axle Repair Brg.) RP-6408
93-84	AD100 Ramcharger, AD150 Ramcharger, AD150S Ramcharger, AW150 Ramcharger, AW150S Ramcharger (8.25" R.G.)	8835S	6408 (Axle Repair Brg.) RP-6408
85-84	B150, D150 Ram, W150 Ram (8.25" R.G.) (8.375" R.G.)	8835S	6408 (Axle Repair Brg.) RP-6408
85-84	All (9.25" R.G.) (Exc. H/D Axle)	8835S	6408 (Axle Repair Brg.) RP-6408
85-84	All (9.25" R.G.) (H/D Axle)	710067	R-1561-TV (Axle Repair Brg.) RP-1561-FO
83-80	All	8835S	6408 (Axle Repair Brg.) RP-6408

AXLE

FRONT AXLE			
AXLE SHAFT			
2009	AAM IFS-9.25" R.G.	710489	
09-02	C205F, C205FD... (Left)	710489	B-228
01-94	Spicer 44-3F... (Left)	5131	
	(Right)	710241	
93-85	Spicer 44-FBJ	5131	A-9
	(Pilot)		B-228
84-80	Spicer 44-FBJ	5131	
SPINDLE KIT			
93-80	Spicer 44-FBJ		<input checked="" type="checkbox"/> SBK-1
SPINDLE			
93-80	Spicer 44-FBJ... (Inner)	722109	B-2110
	(Outer)	722108	
INTERMEDIATE SHAFT			
93-88	Spicer 44-FBJ	710241	B-5020
	(Pilot)		SCE-108
87-83	Spicer 44-FBJ	473814	B-5020
	(Pilot)		SCE-108
DIFFERENTIAL KIT			
01-94	Spicer 44-3F		<input checked="" type="checkbox"/> RA-339-C
93-80	Spicer 44-FBJ		<input checked="" type="checkbox"/> RA-28
DIFFERENTIAL			
2009	AAM IFS-9.25" R.G. (2)	450094	(2)A-42
	Redi-Sleeve (2)	99193	
09-02	C205F, C205FD		(2)LM102949-LM102911
01-80	Spicer 44-FBJ, 44-3F		(2)25590-25523
PINION			
2009	AAM IFS-9.25" R.G.		
	(Inner)		HM804846-HM804810
	(Outer)	710558	HM88649-HM88610

(Continued Next Page)

DODGE TRUCK 1/2 TON - 100/150 SERIES FULL SIZE

(AD100 Ramcharger, AD150 Ramcharger, AD150S Ramcharger, B100, B150, D100 Ram, D150 Ram, Ram 1500 Pickup, Ram 1500 Van, W100 Ram, W150 Ram & W150S Ram) (Cont.)

Year	Application	Seal	Bearing	Year	Application	Seal	Bearing
AXLE							
FRONT AXLE (Cont.)				PILOT (Cont.)			
PINION				8 CYLINDER			
09-02	C205F, C205FD (Inner)		M88048-M88010	01-92	318/5.2L, 360/5.9L		SCE-1295
	(Outer)	710476				(Brg. & Sleeve)	FC-69907
01-94	Spicer 44-3F (Inner)		HM88649-HM88610	91-80	318/5.2L, 360/5.9L		(H/D) PB-286-HD
	(Outer)	5778	02872-02820	10 CYLINDER			
	Viton®	5778V		06-04	505/8.3L		SCE-1211
	Redi-Sleeve	99155		RELEASE			
93-80	Spicer 44-FBJ (Inner)		31594-31520			Bearing Only	Bearing Assembly
	(Outer)	5778	02872-02820	6 CYLINDER			
	Viton®	5778V		2009	226/3.7L		Ⓢ 614114
	Redi-Sleeve	99155		08-92	226/3.7L, 239/3.9L		Ⓢ 614093
REAR AXLE				91-88	239/3.9L		Ⓢ 614054
DIFFERENTIAL KIT				87-81	225/3.7L		Ⓢ 614036
09-07	AAM 10.5" R.G.		<input checked="" type="checkbox"/> RA-325-B			1505	(Thrust Type) V-1505-C
09-00	9.25" R.G.		<input checked="" type="checkbox"/> RA-304-A	1980	225/3.7L, 3988cc/4.0L (Diesel)		Ⓢ 614036
03-00	8.25" R.G.		<input checked="" type="checkbox"/> RA-303-A			1505	(Thrust Type) V-1505-C
99-80	8.25" R.G., 8.375" R.G.		(Master Kit) RA-303MK	8 CYLINDER			
99-80	9.25" R.G.		<input checked="" type="checkbox"/> RA-304	2009	287/4.7L, 345/5.7L		Ⓢ 614114
			(Master Kit) RA-304MK	08-92	287/4.7L, 318/5.2L, 345/5.7L, 360/5.9L		Ⓢ 614093
96-80	8.25" R.G., 8.375" R.G.		<input checked="" type="checkbox"/> RA-303	91-88	318/5.2L, 360/5.9L		Ⓢ 614054
DIFFERENTIAL				87-80	318/5.2L, 360/5.9L		Ⓢ 614036
09-07	AAM 10.5" R.G.		(2)387AS-382A			1505	(Thrust Type) V-1505-C
09-80	9.25" R.G.		(2)JLM704649-JLM704610	10 CYLINDER			
06-04	Spicer 60		(2)A-50	06-04	505/8.3L		Ⓢ 614093
03-80	8.25" R.G., 8.375" R.G.		(2)A-36	DRIVESHAFT			
PINION				CENTER SUPPORT			
09-07	AAM 10.5" R.G.					Bearing	Bearing & Support
	(Inner)		HM903249-HM903210	06-05	Brg. ID 1.5748" (40mm)- Centerline 2.228" (56.6mm)		HB-108-D
	(Outer)	710508	M802048-M802011	01-80	Spicer 1280, 1310 Series / Brg. ID 1.3780" (35mm)		
	(Pilot)		R-1561-TV		Slip Yoke Style	88107	HB-88107-A
09-00	9.25" R.G.		M804049-M804010			(Opt. w/Slings)	HB-88107-B
	(Outer)	710481	M88048-M88010	TRANSFER CASE			
	Redi-Sleeve	99189		FULL TIME / PART TIME			
06-04	Spicer 60		HM803146-HM803110	TRANSFER CASE KIT			
	(Outer)	100712V	HM88542-HM88510	96-94	New Process 231HD		<input checked="" type="checkbox"/> T-230-A
03-00	8.25" R.G.		M802048-M802011	93-88	New Process 241		<input checked="" type="checkbox"/> T-240
	(Outer)	710480	M86649-M86610	87-86	New Process 205		(Gaskets & Seals) TK-205
99-80	8.25" R.G., 8.375" R.G.			87-86	New Process 205 (Direct Mount)		<input checked="" type="checkbox"/> T-172-FG
	(Inner)		M802048-M802011	87-86	New Process 205 (Remote Mount)		<input checked="" type="checkbox"/> T-172
	(Outer)	8516N	M86649-M86610	87-80	New Process 208		<input checked="" type="checkbox"/> T-212
	Redi-Sleeve	99168		INPUT SHAFT			
99-80	9.25" R.G.		M804049-M804010	09-06	New Process 246		110
	(Outer)	5126	M88048-M88010		(Pilot)		FC-66561
	Redi-Sleeve	99187		09-02	New Process 243		(2) 3173
CLUTCH					(Dual Lip)	710928	
PILOT					Redi-Sleeve	99193	
6 CYLINDER					(Pilot)		FC-66561
09-92	226/3.7L, 239/3.9L		SCE-1295	2007	New Process 273		211
			(Brg. & Sleeve) FC-69907	01-94	New Process 231HD		(2) 3173
91-88	239/3.9L		(H/D) PB-286-HD		(Dual Lip)	710928	110-L
87-80	225/3.7L		(H/D) PB-286-HD		Redi-Sleeve	99193	
8 CYLINDER					(Pilot)		FC-66561
09-02	287/4.7L, 345/5.7L		SCE-1295				FC-66561
			(Brg. & Sleeve) FC-69907	(Continued Next Page)			
			(Continued Next Column)				

100/150 SERIES FULL SIZE - DODGE TRUCK 1/2 TON

(Cont.) (AD100 Ramcharger, AD150 Ramcharger, AD150S Ramcharger, B100, B150, D100 Ram, D150 Ram, Ram 1500 Pickup, Ram 1500 Van, W100 Ram, W150 Ram & W150S Ram)

Year	Application	Seal	Bearing
TRANSFER CASE			
FULL TIME / PART TIME (Cont.)			
INPUT SHAFT			
93-88	New Process 241	(2) 3173	N-5210-KLB
		(Dual Lip) 710928	
		Redi-Sleeve 99193	
		(Pilot)	SCH-1810
87-86	New Process 205	(2) 473468	(2) 1307-L
		Redi-Sleeve 99212	
		(Pilot)	(15) QAR-29523
87-80	New Process 208	(2) 3173	(2) B-5020
		(Dual Lip) 710928	
		Redi-Sleeve 99193	
		(Pilot)	B-2012
		(Thrust)	AXK-5070
FRONT OUTPUT SHAFT			
09-02	New Process 243		111
09-02	New Process 241, 246		
		(Pilot)	J-2416
2007	New Process 273		111
		(Pilot)	J-2416
01-97	New Process 231HD		206
		(Pilot)	J-2416
96-94	New Process 231HD	710046	206
		Redi-Sleeve 99155	
		(Pilot)	J-2416
93-88	New Process 241	3946	207
		Redi-Sleeve 99187	
		(Pilot)	J-2416
87-86	New Process 205	473313	307-L
		Redi-Sleeve 99174	
		(Pilot)	M-28161
87-80	New Process 208	3946	B-2816
		Redi-Sleeve 99187	
		(Pilot)	J-2416
		(Thrust)	(2) NTA-2840
REAR OUTPUT SHAFT			
09-06	New Process 246	710496	
		(Pilot)	(2) B-5020
01-94	New Process 231HD	4333N	207
		(Pilot)	(2) B-5020
93-88	New Process 241	3946	207
		Redi-Sleeve 99187	
		(Pilot)	(2) B-5020
87-86	New Process 205	473468	307-L
		Redi-Sleeve 99212	
		(Pilot)	B-3216
87-80	New Process 208	3946	1207-L
		Redi-Sleeve 99187	
		(Pilot)	B-3616
		(Thrust)	TC-2435
IDLER SHAFT			
87-86	New Process 205		(2) 2793-2720
LOW GEAR ROLLERS			
87-86	New Process 205		(128) QBR-23549
OIL PUMP HOUSING			
09-02	New Process 243, 246	341022	
		Redi-Sleeve 99225	
		(Continued Next Column)	

Year	Application	Seal	Bearing
FULL TIME / PART TIME (Cont.)			
OIL PUMP HOUSING			
01-80	New Process 208, 241, 231HD	341022	
		Redi-Sleeve 99225	
SHIFT SHAFT			
87-86	New Process 205	(2) 2287	
		Redi-Sleeve (2) 99076	
DRIVE SPROCKET			
87-80	New Process 208		(82) C-1086-Q
TRANSMISSION			
AUTOMATIC / 3 Speed			
FRONT PUMP			
03-80	A727, 36RH	331227H	
		Redi-Sleeve 99187	
03-80	A904, A998, A999, 31RH, 32RH	331228H	
		Redi-Sleeve 99149	
EXTENSION HOUSING			
03-87	A727, 36RH	7300S	
		(Seal & Bushing Kit) 5206	
03-87	A998, A999, 31RH, 32RH	2506	§ 206-LOE
86-83	A904 (2WD)	2506	§ 206-LOE
86-83	A904 (4WD)	710058	§ 206-LOE
86-80	A727 (Booted)	7300S	
		(Seal & Bushing Kit) 5206	
86-80	A727 (Non-Booted)	8160S	* 206-1
82-80	A904	2506	§ 206-LOE
MANUAL SHAFT			
03-80	A904, A998, A999, 31RH, 32RH, 36RH	8609	
CLUTCH CAM			
93-80	A727		(12) W-585-Q
AUTOMATIC / 4 Speed			
FRONT PUMP			
04-02	45RFE	710557	
		Redi-Sleeve 99187	
03-90	A518, 46RE, 46RH	331227H	
		Redi-Sleeve 99187	
01-90	A500, 42RH	331228H	
		Redi-Sleeve 99149	
EXTENSION HOUSING			
04-02	45RFE (2WD)	7300S	110
		(Seal & Bushing Kit) 5206	
03-02	45RFE (4WD)	(Dual Lip) 710928	
03-90	A500, A518, 42RH, 46RE, 46RH (4WD)	710058	
03-90	A518, 46RE, 46RH (2WD)	7300S	
		(Seal & Bushing Kit) 5206	
01-90	A500, 42RH (2WD) (Booted)	2465	
01-90	A500, 42RH (2WD) (Non-Booted)	7300S	
		(Seal & Bushing Kit) 5206	
MANUAL SHAFT			
03-90	A500, A518, 42RH, 46RE, 46RH	8609	

() Indicates Quantity Required § Use Old Snap Ring * Not a Current Production Number, Check for Availability

DODGE TRUCK 1/2 TON - 100/150 SERIES FULL SIZE

(AD100 Ramcharger, AD150 Ramcharger, AD150S Ramcharger, B100, B150, D100 Ram, D150 Ram, Ram 1500 Pickup, Ram 1500 Van, W100 Ram, W150 Ram & W150S Ram) (Cont.)

Year	Application	Seal	Bearing
TRANSMISSION			
AUTOMATIC / 5 Speed			
FRONT PUMP			
09-03	545RFE	710557	
		Redi-Sleeve 99187	
EXTENSION HOUSING			
09-03	545RFE (2WD)	7300S	110
		(Seal & Bushing Kit) 5206	
2003	545RFE (4WD)	(Dual Lip) 710928	
MANUAL / 3 Speed			
DRIVESHAFT / INPUT			
1980	New Process A230	9376	
1980	Tremec 150	3638	§ 208-LO
		Redi-Sleeve 99112	
MAINSHAFT / OUTPUT			
1980	New Process A230 (23 Spline)	8160S	
1980	New Process A230 (26 Spline)	2506	
1980	New Process A230 (30 Spline)	7300S	
		(Seal & Bushing Kit) 5206	
1980	Tremec 150	7300S	207-L
		(Seal & Bushing Kit) 5206	
MAINSHAFT PILOT			
1980	New Process A230		(15)QBR-23549
1980	Tremec 150		(15)QBR-23549
COUNTERSHAFT			
1980	Tremec 150		(50)C-1086-Q
REVERSE IDLER			
1980	New Process A230		(22)C-1086-Q
SHIFT SHAFT			
1980	New Process A230	(2) 7188S	
		Redi-Sleeve (2) 99062	
MANUAL / 4 Speed			
TRANSMISSION KIT			
87-80	New Process 435		☒ T-127
DRIVESHAFT / INPUT			
93-88	New Process 435	9376	308-L
87-80	New Process A833	9376	
87-80	New Process 435, 445	482163N	HM88649-HM88610
		Redi-Sleeve 99138	
MAINSHAFT / OUTPUT			
93-88	New Process 435	8160S	308-L
87-80	New Process A833	7300S	
		(Seal & Bushing Kit) 5206	
87-80	New Process 435	8160S	1308-L
81-80	New Process 445	8160S	M201047S-M201011
		(Thrust)	FA-35688
MAINSHAFT PILOT			
93-80	New Process 435, 445		(14)Q-15902
87-80	New Process A833		(16)QBR-23549

Year	Application	Seal	Bearing
MANUAL / 4 Speed (Cont.)			
COUNTERSHAFT			
93-80	New Process 435		
		(Front)	BCE-2416
		(Rear)	B-3216
		(Thrust)	NTA-2031
81-80	New Process 445		
		(Front)	BCE-2416
		(Rear)	B-3216
REVERSE IDLER			
93-80	New Process 435		(104)C-407-Q
REMOTE CONTROL			
81-80	New Process 445	6835S	
		Redi-Sleeve 99076	
3RD SPEED GEAR			
87-80	New Process 435		FA-35688
4TH SPEED GEAR			
87-80	New Process 435		FA-35688
MANUAL / 5 Speed			
TRANSMISSION KIT			
05-92	New Process 4500		T-4500-DN
DRIVESHAFT / INPUT			
05-99	New Process 4500	714655	
		Redi-Sleeve 99133	
04-94	New Process 3500	4529N	307-FFL5
		Redi-Sleeve 99138	
98-92	New Process 4500	714655	M802048-M802011
		Redi-Sleeve 99133	
93-92	Aisin AX15	223253	
		Redi-Sleeve 99128	
93-88	New Process A535, 2500	9376	
		Redi-Sleeve 99106	
MAINSHAFT / OUTPUT			
05-94	New Process 4500 (2WD)	2465	M804049-M804010
05-92	New Process 4500 (4WD)	710058	M804049-M804010
04-94	New Process 3500 (2WD)	7300S	
		(Seal & Bushing Kit) 5206	
04-94	New Process 3500 (4WD)	4528N	
93-92	Aisin AX15 (2WD)	710198	
93-92	Aisin AX15 (4WD)	1209	
93-92	New Process 4500 (2WD)	7300S	M804049-M804010
93-88	New Process A535, 2500 (2WD)	2506	208
93-88	New Process A535, 2500 (4WD)	710058	208
MAINSHAFT PILOT			
93-88	New Process A535, 2500		(16)QBR-23549
COUNTERSHAFT			
05-92	New Process 4500		
		(Front)	LM102949-LM102910
		(Rear)	A-35
04-94	New Process 3500		(2)FC-68336
93-92	Aisin AX15	(Front)	MSNB-5305-GTBV
93-88	New Process A535, 2500		
		(Rear)	A-2
OVERDRIVE			
05-92	New Process 4500		(2)FW-404820

100/150 SERIES FULL SIZE - DODGE TRUCK 1/2 TON

(Cont.) (AD100 Ramcharger, AD150 Ramcharger, AD150S Ramcharger, B100, B150, D100 Ram, D150 Ram, Ram 1500 Pickup, Ram 1500 Van, W100 Ram, W150 Ram & W150S Ram)

Year	Application	Seal	Bearing	Year	Application	Seal	Bearing
TRANSMISSION				POWER STEERING (Cont.)			
MANUAL / 5 Speed (Cont.)				STEERING PUMP SHAFT			
EXTENSION HOUSING				93-80 All (Saginaw Pump)..... 7013S			
93-88	New Process 2500		1207-L	AIR CONDITIONING			
93-88	New Process A535		207-L	COMPRESSOR			
MANUAL / 6 Speed				CLUTCH PULLEY			
DRIVESHAFT / INPUT				93-80 Nippondenso C171 5000-KFF			
06-04	Tremec T56	7412S	M88048-M88010	83-80 Chrysler/Airtemp RV-2..... 5206-DD			
	Redi-Sleeve	99125		ELECTRICAL			
MAINSHAFT / OUTPUT				ALTERNATOR			
06-04	Tremec T56	7300S	25572-25520	DRIVE END			
	(Seal & Bushing Kit)	5206		87-80 31, 41, 50, 53, 60, 65, 78 Amp. 203-FF			
MAINSHAFT PILOT				87-80 86, 100, 114 Amp. 303-SS			
06-04	Tremec T56		A-16	REAR END			
COUNTERSHAFT				87-80 31, 41, 50, 53, 60, 65, 78 Amp. MNJ-471-S			
08-05	Getrag 238 (Front)		207-FF	ENGINE			
06-04	Tremec T56 (Front)		A-5	CRANKSHAFT			
	(Rear)		32008	6 CYLINDER			
STEERING				09-02 226/3.7L 710471			
MANUAL STEERING				Redi-Sleeve 99393			
STEERING GEAR SECTOR SHAFT				03-88 239/3.9L 5414			
87-80	B100, B150 (Chrysler Design).....		6859S	87-80 225/3.7L 5650			
87-80	AD100 Ramcharger, AD150 Ramcharger, AW100 Ramcharger, AW150 Ramcharger, D100 Ram, D150 Ram, W100 Ram, W150 Ram (Saginaw Design).....		323126	8 CYLINDER			
STEERING GEAR WORM SHAFT				03-90 360/5.9L (Split Seal) 5106			
87-80	All (Saginaw Design).....		323138	03-80 318/5.2L, 318/5.2L 5414			
POWER STEERING				TIMING COVER			
STEERING GEAR SECTOR SHAFT				6 CYLINDER			
89-80	AD100 Ramcharger, AW100 Ramcharger, B100, B150, D100 Ram, W100 Ram (Chrysler Design).....		6859S	09-02 226/3.7L 710472			
STEERING GEAR WORM SHAFT				Redi-Sleeve 99114			
93-81	AD150 Ramcharger, AD150S Ramcharger, AW150 Ramcharger, AW150S Ramcharger.....		710272	03-92 239/3.9L 713103			
93-80	AD100 Ramcharger, AW100 Ramcharger, B100, B150, D100 Ram, W100 Ram (Chrysler Design).....		7188S	Redi-Sleeve 99218			
STEERING GEAR PITMAN SHAFT				Harmonic Bal Sleeve 88218			
85-80	AD100 Ramcharger, AD150 Ramcharger, AW100 Ramcharger, AW150 Ramcharger, D150 Ram, W150 Ram (Saginaw Gear) (Model 708)..... (Kit) <input checked="" type="checkbox"/> PSK-1			91-88 239/3.9L 3103			
				Redi-Sleeve 99218			
				Harmonic Bal Sleeve 88218			
				87-80 225/3.7L 3095			
				Redi-Sleeve 99226			
				8 CYLINDER			
				09-02 287/4.7L 710472			
				03-92 318/5.2L, 318/5.2L, 360/5.9L 713103			
				Redi-Sleeve 99218			
				Harmonic Bal Sleeve 88218			
				91-80 318/5.2L, 360/5.9L 3103			
				Redi-Sleeve 99218			
				Harmonic Bal Sleeve 88218			
				10 CYLINDER			
				06-04 505/8.3L Viton® 471424V			
				Redi-Sleeve 99199			
				Harmonic Bal Sleeve 88199			

Refer To Front Of Catalog For Kit Contents

DODGE TRUCK 3/4 TON - 200/250 SERIES FULL SIZE

(B200, B250, D200 Ram, D250 Ram, Ram 2500 Pickup, Ram 2500 Van, Sprinter 2500, W200 Ram & W250 Ram)

Year	Application	Seal	Bearing	Year	Application	Seal	Bearing
WHEEL				FRONT WHEEL (4WD) (Cont.)			
FRONT WHEEL (2WD)				93-86	All (Spicer 44F-BJ)		
06-03	Sprinter 2500	(Inner) 710467	A-35		(Inner) 4250	LM104949-JLM104910	
		(Outer) 32305			(Outer) A-35		
05-03	Ram 2500 Pickup	Hub Assembly 515089		93-80	All (Spicer 60-F)		
03-98	Ram 2500 Van (5 Stud Hub)				(Inner) 415009	387A-382A	
	(3,500 lb. Axle)				(Outer) A-38		
		(Inner) 3087	A-18	85-80	All (Spicer 44F-BJ)		
		(Outer) A-16			(Locking Hub) (Inner) 471271	LM104949-JLM104910	
03-98	Ram 2500 Van (8 Stud Hub)				(Outer) A-35		
	(4,000 lb. Axle)			85-80	All (Spicer 44F-BJ)		
		(Inner) 493291	LM102949-LM102910		(Non-Locking Hub) (Inner) 413248	LM104949-JLM104910	
		(Outer) A-6			(Outer) A-35		
99-94	Ram 2500 Pickup			REAR WHEEL			
		(Inner) 4740	A-35	09-03	Ram 2500 Pickup		
		(Outer) 15101-15245			(Inner) 710564	28682-28622	
97-95	Ram 2500 Van	(Inner) 3087	A-18		(Outer) A-38		
		(Outer) A-16		06-03	Sprinter 2500 (Dual Wheel)		
94-86	B250	(Inner) 3087	A-18		(Inner) 710462	32011-X	
		(Outer) A-16			(Outer) 32210		
93-90	D250 Ram (8 Stud Hub)			06-03	Sprinter 2500 (Single Wheel)	☆ 710468	516010
	(3,300 lb. Axle)						
		(Inner) 3087	A-18	2003	Ram 2500 Van (9.25" R.G.)		
		(Outer) A-16			(Exc. H/D Axle) 8835S	6408	
93-86	D250 Ram (5 Stud Hub)				(Axle Repair Brg.) RP-6408		
	(3,300 lb. Axle)			2003	Ram 2500 Van (9.25" R.G.)		
		(Inner) 3087	A-18		(H/D Axle) 710067	R-1561-TV	
		(Outer) A-16			(Axle Repair Brg.) RP-1561-FO		
93-80	D200 Ram, D250 Ram (8 Stud Hub)			03-94	B250, Ram 2500 Van (8.25" R.G.)	8835S	6408
	(4,000 lb. Axle)				(Axle Repair Brg.) RP-6408		
		(Inner) 493291	A-35	02-94	Ram 2500 Pickup (Spicer 60)		
		(Outer) 15101-15245			(Spicer 70U) (13 x 2.5" Brakes) (Inner) 417158	28682-28622	
85-84	All (5 Stud Hub) (3,300 lb. Axle)				(Outer) A-38		
		(Inner) 3087	A-18	02-94	Ram 2500 Pickup (Spicer 80)		
		(Outer) A-16			(13 x 3.5" Brakes) (Inner) 455086	39585-39520	
85-82	D250 Ram (8 Stud Hub)				(Outer) JLM506849-JLM506810		
	(3,600 lb. Axle)			02-84	All (9.25" R.G.) (Exc. H/D Axle)	8835S	6408
					(Axle Repair Brg.) RP-6408		
		(Inner) 3087	A-35	02-84	All (9.25" R.G.) (H/D Axle)	710067	R-1561-TV
		(Outer) 15101-15245			(Axle Repair Brg.) RP-1561-FO		
83-82	B250 (8 Stud Hub) (3,600 lb. Axle)			93-88	D250 Ram, W250 Ram (Spicer 71)		
		(Inner) 493291	A-35		(12" X 3" Brakes) (Inner) 455086	45291-45220	
		(Outer) 15101-15245			(Outer) A-38		
83-80	All (5 Stud Hub) (3,300 lb. Axle)			93-81	D250 Ram, W250 Ram (Spicer 70)		
		(Inner) 5121	A-17		(12" X 3" Brakes) (9,000 lb. GVW) (Inner) 417158	28682-28622	
		(Outer) A-16			(Outer) A-38		
81-80	All (8 Stud Hub) (3,600 lb. Axle)			93-80	B200, B250 (8.25" R.G.)		
		(Inner) 3087	A-18		(8.375" R.G.) 8835S	6408	
		(Outer) A-16			(Axle Repair Brg.) RP-6408		
FRONT WHEEL (4WD)				93-80	D200 Ram, D250 Ram, W200 Ram, W250 Ram (Spicer 60)		
08-06	All	Hub Assembly ☆ 515101			(12" X 2.5" Brakes) (Inner) 4250	A-38	
05-03	All	Hub Assembly 515061			(Outer) A-38		
2002	All	Hub Assembly 515063		<i>(Continued Next Page)</i>			
01-00	All (Rear Wheel ABS)	Hub Assembly 515062					
01-00	All (4 Wheel ABS)	Hub Assembly 515063					
99-98	All (4 Wheel ABS) (Single Rear Wheel)						
	(Left)	Hub Assembly 515034					
	(Right)	Hub Assembly 515035					
99-94	All (Rear Wheel ABS) (3 Hole Triangular Flange)	Hub Assembly 515011					
99-94	All (Rear Wheel ABS) (4 Hole Rectangular Flange)	Hub Assembly 515012					

(Continued Next Column)

200/250 SERIES FULL SIZE - DODGE TRUCK 3/4 TON

(Cont.) (B200, B250, D200 Ram, D250 Ram, Ram 2500 Pickup, Ram 2500 Van, Sprinter 2500, W200 Ram & W250 Ram)

Year	Application	Seal	Bearing
WHEEL			
REAR WHEEL (Cont.)			
89-81	D250 Ram, W250 Ram (Spicer 60HD).....	(Inner) 455086	45291-45220
		(Outer)	A-38
83-80	D200 Ram, D250 Ram, W200 Ram, W250 Ram (9.25" R.G.)..	8835S	6408
		(Axle Repair Brg.)	RP-6408
1980	D200 Ram, W200 Ram (Spicer 60HD) (12" X 3" Brakes)	(Inner) 455086	45291-45220
		(Outer)	A-38

Year	Application	Seal	Bearing
AXLE			
FRONT AXLE			
AXLE SHAFT			
09-03	AAM IFS-9.25" R.G.	710489	
02-00	Spicer 60-F (Disconnect)	(Left) 710566	
		(Right) 710565	
02-00	Spicer 60-F (Non-Disconnect)	(Left) 710566	
		(Right) 710566	
02-94	Spicer 44-3F.....	(Left) 5131	
		(Right) 710241	
99-94	Spicer 60-F.....	(Left) 710241	
		(Right) 5131	
93-85	Spicer 44-FBJ.....	5131	A-9
		(Pilot)	B-228
93-80	Spicer 60-F.....	470682	
84-80	Spicer 44-FBJ.....	5131	

SPINDLE KIT			
93-86	Spicer 60-F.....	<input checked="" type="checkbox"/> SBK-3	
93-80	Spicer 44-FBJ.....	<input checked="" type="checkbox"/> SBK-1	
SPINDLE			
93-86	Spicer 60-F.....	(Inner) 710044	B-2414
		(Outer) 710045	
93-80	Spicer 44-FBJ.....	(Inner) 722109	B-2110
		(Outer) 722108	
85-80	Spicer 60-F.....	41461S	B-2414

INTERMEDIATE SHAFT			
93-88	Spicer 44-FBJ.....	710241	B-5020
		(Pilot)	SCE-108
87-83	Spicer 44-FBJ.....	473814	B-5020
		(Pilot)	SCE-108

DIFFERENTIAL KIT			
02-94	Spicer 44-3F.....	<input checked="" type="checkbox"/> RA-339-C	
02-80	Spicer 60-F.....	<input checked="" type="checkbox"/> RA-331	
		(Master Kit)	RA-331MK
93-80	Spicer 44-FBJ.....	<input checked="" type="checkbox"/> RA-28	

DIFFERENTIAL			
09-03	AAM IFS-9.25" R.G.	(2) 450094	(2)A-42
		Redi-Sleeve (2) 99193	
02-80	Spicer 60-F.....	(2)387A-382S	
02-80	Spicer 44-FBJ, 44-3F.....	(2)25590-25523	

Year	Application	Seal	Bearing
FRONT AXLE (Cont.)			
PINION			
09-03	AAM IFS-9.25" R.G.	(Inner)	HM804846-HM804810
		(Outer) 710558	HM88649-HM88610
02-94	Spicer 44-3F.....	(Inner)	HM88649-HM88610
		(Outer) 5778	02872-02820
		Viton® 5778V	
		Redi-Sleeve 99155	
02-80	Spicer 60-F.....	(Inner)	HM803146-HM803110
		(Outer) 9316	HM88542-HM88510
		Redi-Sleeve 99187	
93-80	Spicer 44-FBJ.....	(Inner)	31594-31520
		(Outer) 5778	02872-02820
		Viton® 5778V	
		Redi-Sleeve 99155	

STEERING KNUCKLE			
93-80	Spicer 60-F.....	(Lower) (2) 710304	(2)23100-23256
		(Upper) (2) 710385	

REAR AXLE			
DIFFERENTIAL KIT			
09-03	AAM 10.5" R.G.	<input checked="" type="checkbox"/> RA-325-B	
03-00	8.25" R.G.	<input checked="" type="checkbox"/> RA-303-A	
03-00	9.25" R.G.	<input checked="" type="checkbox"/> RA-304-A	
02-84	Spicer 70U, 71.....	<input checked="" type="checkbox"/> RA-332-U	
00-80	Spicer 60, 60-HD.....	<input checked="" type="checkbox"/> RA-331	
		(Master Kit)	RA-331MK
99-80	8.25" R.G., 8.375" R.G.	(Master Kit)	RA-303MK
99-80	9.25" R.G.	<input checked="" type="checkbox"/> RA-304	
		(Master Kit)	RA-304MK
98-94	Spicer 80.....	<input checked="" type="checkbox"/> RA-337	
96-80	8.25" R.G., 8.375" R.G.	<input checked="" type="checkbox"/> RA-303	
86-84	Spicer 70.....	<input checked="" type="checkbox"/> RA-332	

DIFFERENTIAL			
2009	AAM 11.5" R.G.	(2)3984-3920	
09-03	AAM 10.5" R.G.	(2)387AS-382A	
06-03	Mercedes-Benz HLO/15.....	(2)LM806649-LM806610	
03-80	8.25" R.G., 8.375" R.G.	(2)A-36	
03-80	9.25" R.G.	(2)JLM704649-JLM704610	
02-94	Spicer 80.....	(2)469-453X	
02-80	Spicer 60, 60-HD, 70, 70U, 71	(2)387A-382S	

PINION			
2009	AAM 11.5" R.G.	(Inner)	HM807046-HM807010
		(Outer) 710508	M802048-M802011
09-03	AAM 10.5" R.G.	(Inner)	HM903249-HM903210
		(Outer) 710508	M802048-M802011
		(Pilot)	R-1561-TV
06-03	Mercedes-Benz HLO/15	(Inner)	HM803146-HM803110
		(Outer)	M88043-M88010
03-00	8.25" R.G.	(Inner)	M802048-M802011
		(Outer) 710480	M86649-M86610
03-00	9.25" R.G.	(Inner)	M804049-M804010
		(Outer) 710481	M88048-M88010
		Redi-Sleeve 99189	
2002	Spicer 60.....	(Inner)	HM803146-HM803110
		(Outer) 100712V	HM88542-HM88510
02-01	Spicer 80.....	(Outer) 100727	M802048-M802011

(Continued Next Page)

DODGE TRUCK 3/4 TON - 200/250 SERIES FULL SIZE

(B200, B250, D200 Ram, D250 Ram, Ram 2500 Pickup, Ram 2500 Van, Sprinter 2500, W200 Ram & W250 Ram) (Cont.)

Year	Application	Seal	Bearing
AXLE			
REAR AXLE (Cont.)			
PINION			
02-92	Spicer 70U, 71		
	(Inner)	HM803149-HM803110	
	(Outer)	719316 HM88542-HM88510	
	Redi-Sleeve	99187	
2001	Spicer 60 (1st Design)		
	(Inner)	HM803146-HM803110	
	(Outer)	719316 HM88542-HM88510	
	Redi-Sleeve	99187	
2001	Spicer 60 (2nd Design)		
	(Inner)	HM803146-HM803110	
	(Outer)	100712V HM88542-HM88510	
00-99	Spicer 80		
	(Outer)	4525V M802048-M802011	
	Redi-Sleeve	99253	
00-97	Spicer 60		
	(Inner)	HM803146-HM803110	
	(Outer)	719316 HM88542-HM88510	
	Redi-Sleeve	99187	
99-80	8.25" R.G., 8.375" R.G.		
	(Inner)	M802048-M802011	
	(Outer)	8516N M86649-M86610	
	Redi-Sleeve	99168	
99-80	9.25" R.G.		
	(Inner)	M804049-M804010	
	(Outer)	5126 M88048-M88010	
	Redi-Sleeve	99187	
98-94	Spicer 80		
	(Inner)	HM807046-HM807010	
	(Outer)	4525V M802048-M802011	
	Redi-Sleeve	99253	
96-92	Spicer 60		
	(Inner)	HM803146-HM803110	
	(Outer)	719316 HM88510	
	Redi-Sleeve	99187	
91-84	Spicer 70U, 71		
	(Inner)	HM803149-HM803110	
	(Outer)	9316 HM88542-HM88510	
	Redi-Sleeve	99187	
91-80	Spicer 60		
	(Inner)	HM803146-HM803110	
	(Outer)	9316 HM88510	
	Redi-Sleeve	99187	
89-80	Spicer 60-HD		
	(Inner)	HM803146-HM803110	
	(Outer)	9316 HM88542-HM88510	
	Redi-Sleeve	99187	
86-84	Spicer 70		
	(Inner)	HM807040-HM807010	
	(Outer)	9316 HM88542-HM88510	
	Redi-Sleeve	99187	
CLUTCH			
PILOT			
6 CYLINDER			
08-94	359/5.9L (Turbo-Diesel), 359/5.9L (Turbo-Diesel)		SCE-1211
93-92	239/3.9L		SCE-1295
	(Brg. & Sleeve)	FC-69907	
93-89	359/5.9L (Turbo-Diesel)		(H/D) PB-286-HD
91-88	239/3.9L		(H/D) PB-286-HD
87-80	225/3.7L		(H/D) PB-286-HD
8 CYLINDER			
09-92	318/5.2L, 345/5.7L, 360/5.9L		SCE-1295
	(Brg. & Sleeve)	FC-69907	
91-80	318/5.2L, 360/5.9L		(H/D) PB-286-HD

Year	Application	Seal	Bearing
PILOT (Cont.)			
10 CYLINDER			
04-94	488/8.0L		SCE-1211
RELEASE			
		Bearing Only	Bearing Assembly
6 CYLINDER			
09-94	359/5.9L (Turbo-Diesel), 359/5.9L (Turbo-Diesel), 408.3/6.7L (Turbo-Diesel)		Ⓢ 614114
93-92	239/3.9L		Ⓢ 614093
93-89	359/5.9L (Turbo-Diesel)	2065	Ⓢ 614070
91-88	239/3.9L		Ⓢ 614054
87-81	225/3.7L		Ⓢ 614036
		1505 (Thrust Type)	V-1505-C
1980	225/3.7L, 3988cc/4.0L (Diesel)		Ⓢ 614036
		1505 (Thrust Type)	V-1505-C
8 CYLINDER			
2009	345/5.7L		Ⓢ 614114
08-92	318/5.2L, 345/5.7L, 360/5.9L		Ⓢ 614093
91-88	318/5.2L, 360/5.9L		Ⓢ 614054
87-80	318/5.2L, 360/5.9L		Ⓢ 614036
		1505 (Thrust Type)	V-1505-C
83-81	360/5.9L		Ⓢ 614036
		(Thrust Type)	V-1505-C
10 CYLINDER			
04-94	488/8.0L		Ⓢ 614114
DRIVESHAFT			
CENTER SUPPORT			
		Bearing	Bearing & Support
02-94	Spicer 1410 & Cleveland 055 Series / Brg. ID 1.5748" (40mm) - Centerline 2.284" (58mm)		HB-88508-AB
02-94	Spicer 1410 Series / Brg. ID 1.5748" (40mm) - Centerline 3.248" (82.5mm)		HB-88108-D
01-80	Spicer 1280, 1310 Series / Brg. ID 1.3780" (35mm)		
	Slip Yoke Style	88107	HB-88107-A
		(Opt. w/Slings)	HB-88107-B
TRANSFER CASE			
FULL TIME / PART TIME			
TRANSFER CASE KIT			
93-88	New Process 241		ⓧ T-240
93-86	New Process 205		(Gaskets & Seals) TK-205
93-86	New Process 205 (Direct Mount)		ⓧ T-172-FG
93-86	New Process 205 (Remote Mount)		ⓧ T-172
87-80	New Process 208		ⓧ T-212
INPUT SHAFT			
09-03	New Process 271, 273		211
02-99	New Process 241HD	(2) 3173	110-L
		(Dual Lip) 710928	
		Redi-Sleeve 99193	
		(Pilot)	FC-66561
01-99	New Process 241	(2) 3173	
		(Dual Lip) 710928	
		Redi-Sleeve 99193	
		(Continued Next Page)	

200/250 SERIES FULL SIZE - DODGE TRUCK 3/4 TON

(Cont.) (B200, B250, D200 Ram, D250 Ram, Ram 2500 Pickup, Ram 2500 Van, Sprinter 2500, W200 Ram & W250 Ram)

Year	Application	Seal	Bearing
TRANSFER CASE			
FULL TIME / PART TIME (Cont.)			
INPUT SHAFT			
98-94	New Process 241, 241HD ... (2)	3173	110-L
	(Dual Lip)	710928	
	Redi-Sleeve	99193	
	(Pilot)		FC-66561
93-89	New Process 205 (Direct Mount) (2)	3173	(2)1210-L
	(Dual Lip)	710928	
	Redi-Sleeve	99193	
	(Pilot)		(15)QAR-29523
93-89	New Process 205 (Remote Mount) (2)	473468	(2)1307-L
	Redi-Sleeve	99212	
	(Pilot)		(15)QAR-29523
93-88	New Process 241 (2)	3173	N-5210-KLB
	(Dual Lip)	710928	
	Redi-Sleeve	99193	
	(Pilot)		SCH-1810
88-86	New Process 205 (2)	473468	(2)1307-L
	Redi-Sleeve	99212	
	(Pilot)		(15)QAR-29523
87-80	New Process 208 (2)	3173	(2)B-5020
	(Dual Lip)	710928	
	Redi-Sleeve	99193	
	(Pilot)		B-2012
	(Thrust)		AXK-5070
FRONT OUTPUT SHAFT			
09-03	New Process 271, 273 (Pilot)		111 J-2416
2002	New Process 241 (Pilot)		J-2416
2002	New Process 241HD (Pilot)	3946 99187	J-2416
01-94	New Process 241, 241HD (Pilot)	3946 99187	J-2416
93-88	New Process 241 (Pilot)	3946 99187	207 J-2416
93-86	New Process 205 (Pilot)	473313 99174	307-L M-28161
87-80	New Process 208 (Pilot)	3946 99187	B-2816 J-2416
	(Thrust)		(2)NTA-2840
REAR OUTPUT SHAFT			
02-94	New Process 241HD (Pilot)	4741	(2)B-5020
01-99	New Process 241 (Pilot)	4333N 99187	
98-94	New Process 241 (Pilot)	4333N 99187	
93-88	New Process 241 (Pilot)	3946 99187	(2)B-5020 207
	(Pilot)		(2)B-5020
	(Continued Next Column)		

Year	Application	Seal	Bearing
FULL TIME / PART TIME (Cont.)			
REAR OUTPUT SHAFT			
93-86	New Process 205 (Pilot)	473468 99212	307-L B-3216
87-80	New Process 208 (Pilot)	3946 99187	1207-L B-3616
	(Thrust)		TC-2435
IDLER SHAFT			
93-86	New Process 205		(2)2793-2720
LOW GEAR ROLLERS			
93-86	New Process 205		(128)QBR-23549
OIL PUMP HOUSING			
2002	New Process 241HD	341022	
	Redi-Sleeve	99225	
01-80	New Process 208, 241, 241HD	341022	
	Redi-Sleeve	99225	
SHIFT SHAFT			
93-86	New Process 205	(2)2287	
	Redi-Sleeve (2)	99076	
DRIVE SPROCKET			
87-80	New Process 208		(82)C-1086-Q
TRANSMISSION			
AUTOMATIC / 3 Speed			
FRONT PUMP			
03-80	A727, 36RH	331227H	
	Redi-Sleeve	99187	
2001	32RH	331228H	
	Redi-Sleeve	99149	
98-80	A904, A998, A999, 31RH, 32RH	331228H	
	Redi-Sleeve	99149	
EXTENSION HOUSING			
03-87	A727, 36RH	7300S	
	(Seal & Bushing Kit)	5206	
2001	32RH	2506	\$ 206-LOE
98-87	A998, A999, 31RH, 32RH	2506	\$ 206-LOE
86-83	A904 (2WD)	2506	\$ 206-LOE
86-83	A904 (4WD)	710058	\$ 206-LOE
86-80	A727 (Booted)	7300S	
	(Seal & Bushing Kit)	5206	
86-80	A727 (Non-Booted)	8160S	* 206-1
82-80	A904	2506	\$ 206-LOE
MANUAL SHAFT			
03-80	A904, A998, A999, 31RH, 32RH, 36RH	8609	
CLUTCH CAM			
93-80	A727		(12)W-585-Q
AUTOMATIC / 4 Speed			
FRONT PUMP			
08-90	A518, 46RE, 46RH, 47RE, 47RH, 48RE	331227H	
	Redi-Sleeve	99187	
	(Continued Next Page)		

() Indicates Quantity Required § Use Old Snap Ring * Not a Current Production Number, Check for Availability

DODGE TRUCK 3/4 TON - 200/250 SERIES FULL SIZE

(B200, B250, D200 Ram, D250 Ram, Ram 2500 Pickup, Ram 2500 Van, Sprinter 2500, W200 Ram & W250 Ram) (Cont.)

Year	Application	Seal	Bearing
TRANSMISSION			
AUTOMATIC / 4 Speed (Cont.)			
FRONT PUMP			
96-90	A500, 42RH	331228H	
		Redi-Sleeve 99149	
EXTENSION HOUSING			
08-03	47RE, 48RE (2WD)	100796	
08-90	A500, A518, 42RH, 46RE, 46RH, 47RE, 47RH, 48RE (4WD)	710058	
03-90	A518, 46RE, 46RH, 47RH (2WD)	7300S	
	(Seal & Bushing Kit)	5206	
96-90	A500, 42RH (2WD) (Booted)	2465	
96-90	A500, 42RH (2WD) (Non-Booted)	7300S	
	(Seal & Bushing Kit)	5206	
MANUAL SHAFT			
08-90	A500, A518, 42RH, 46RE, 46RH, 47RE, 47RH, 48RE	8609	
AUTOMATIC / 5 Speed			
FRONT PUMP			
09-03	Mercedes-Benz W5A380	710608	
09-03	545RFE	710557	
		Redi-Sleeve 99187	
OUTPUT SHAFT			
09-03	Mercedes-Benz W5A380		206
EXTENSION HOUSING			
09-03	545RFE (2WD)	7300S	110
	(Seal & Bushing Kit)	5206	
2003	545RFE (4WD)	(Dual Lip) 710928	
MANUAL / 3 Speed			
DRIVESHAFT / INPUT			
1980	New Process A230	9376	
1980	Tremec 150	3638	§ 208-LO
		Redi-Sleeve 99112	
MAINSHAFT / OUTPUT			
1980	New Process A230 (23 Spline)	8160S	
1980	New Process A230 (26 Spline)	2506	
1980	New Process A230 (30 Spline)	7300S	
	(Seal & Bushing Kit)	5206	
1980	Tremec 150	7300S	207-L
	(Seal & Bushing Kit)	5206	
MAINSHAFT PILOT			
1980	New Process A230		(15)QBR-23549
1980	Tremec 150		(15)QBR-23549
COUNTERSHAFT			
1980	Tremec 150		(50)C-1086-Q
REVERSE IDLER			
1980	New Process A230		(22)C-1086-Q

Year	Application	Seal	Bearing
MANUAL / 3 Speed (Cont.)			
SHIFT SHAFT			
1980	New Process A230	(2) 7188S	
		Redi-Sleeve (2) 99062	
MANUAL / 4 Speed			
TRANSMISSION KIT			
87-80	New Process 435		☒ T-127
DRIVESHAFT / INPUT			
93-88	New Process 435	9376	308-L
87-80	New Process A833	9376	
87-80	New Process 435, 445	482163N	HM88649-HM88610
		Redi-Sleeve 99138	
MAINSHAFT / OUTPUT			
93-88	New Process 435	8160S	308-L
87-80	New Process A833	7300S	
	(Seal & Bushing Kit)	5206	
87-80	New Process 435	8160S	1308-L
81-80	New Process 445	8160S	M201047S-M201011
	(Thrust)		FA-35688
MAINSHAFT PILOT			
93-80	New Process 435, 445		(14)Q-15902
87-80	New Process A833		(16)QBR-23549
COUNTERSHAFT			
93-80	New Process 435		
	(Front)		BCE-2416
	(Rear)		B-3216
	(Thrust)		NTA-2031
81-80	New Process 445		
	(Front)		BCE-2416
	(Rear)		B-3216
REVERSE IDLER			
93-80	New Process 435		(104)C-407-Q
REMOTE CONTROL			
81-80	New Process 445	6835S	
		Redi-Sleeve 99076	
3RD SPEED GEAR			
87-80	New Process 435		FA-35688
4TH SPEED GEAR			
87-80	New Process 435		FA-35688
MANUAL / 5 Speed			
TRANSMISSION KIT			
05-92	New Process 4500		T-4500-DN
DRIVESHAFT / INPUT			
05-99	New Process 4500	714655	
		Redi-Sleeve 99133	
05-99	New Process 4500HD	4638N	
98-94	New Process 4500HD	4638N	M802048-M802011
98-92	New Process 4500	714655	M802048-M802011
		Redi-Sleeve 99133	
97-95	New Process 3500	4529N	307-FFL5
		Redi-Sleeve 99138	
93-89	Getrag G360		JM205149-JM205110
93-88	New Process A535, 2500	9376	
		Redi-Sleeve 99106	
MAINSHAFT / OUTPUT			
05-94	New Process 4500 (2WD)	2465	M804049-M804010

(Continued Next Page)

200/250 SERIES FULL SIZE - DODGE TRUCK 3/4 TON

(Cont.) (B200, B250, D200 Ram, D250 Ram, Ram 2500 Pickup, Ram 2500 Van, Sprinter 2500, W200 Ram & W250 Ram)

Year	Application	Seal	Bearing	Year	Application	Seal	Bearing
TRANSMISSION							
MANUAL / 5 Speed (Cont.)				MANUAL STEERING (Cont.)			
MAINSHAFT / OUTPUT				STEERING GEAR SECTOR SHAFT			
05-94	New Process 4500HD (2WD)	4741	M804049-M804010	87-80	D200 Ram, D250 Ram, W200 Ram, W250 Ram (Saginaw Design)	323126	
05-92	New Process 4500, 4500HD (4WD)	710058	M804049-M804010	STEERING GEAR WORM SHAFT			
97-95	New Process 3500 (2WD) (Seal & Bushing Kit)	5206		87-80	All (Saginaw Design)	323138	
97-95	New Process 3500 (4WD)	4528N		POWER STEERING			
93-92	New Process 4500 (2WD)	7300S	M804049-M804010	STEERING GEAR SECTOR SHAFT			
93-89	Getrag G360 (2WD)	471424	25572-25520	89-80	B200, B250, D200 Ram, W200 Ram (Chrysler Design)	6859S	
93-88	New Process A535, 2500 (2WD)	2506	208	STEERING GEAR WORM SHAFT			
93-88	New Process A535, 2500 (4WD)	710058	208	93-80	B200, B250, D200 Ram, W200 Ram (Chrysler Design)	7188S	
MAINSHAFT PILOT				STEERING GEAR PITMAN SHAFT			
93-89	Getrag G360		32008	85-80	D200 Ram, D250 Ram, W200 Ram, W250 Ram (Saginaw Gear) (Model 708)	(Kit) <input checked="" type="checkbox"/> PSK-1	
93-88	New Process A535, 2500		(16)QBR-23549	STEERING PUMP SHAFT			
COUNTERSHAFT				93-80	All (Saginaw Pump)	7013S	
05-92	New Process 4500, 4500HD (Front)		LM102949-LM102910	AIR CONDITIONING			
	(Rear)		A-35	COMPRESSOR			
97-95	New Process 3500		(2)FC-68336	CLUTCH PULLEY			
93-89	Getrag G360		30305	93-80	Nippondenso C171	5000-KFF	
93-88	New Process A535, 2500 (Rear)		A-2	83-80	Chrysler/Airtemp RV-2	5206-DD	
OVERDRIVE				ELECTRICAL			
05-92	New Process 4500, 4500HD		(2)FW-404820	ALTERNATOR			
EXTENSION HOUSING				DRIVE END			
93-88	New Process A535		207-L	87-80	31, 41, 50, 53, 60, 65, 78 Amp.	203-FF	
93-88	New Process 2500		1207-L	87-80	86, 100, 114 Amp.	303-SS	
MANUAL / 6 Speed				REAR END			
DRIVESHAFT / INPUT				87-80	31, 41, 50, 53, 60, 65, 78 Amp.	MNJ-471-S	
05-98	New Process 5600	223801		ENGINE			
	Redi-Sleeve	99147		CRANKSHAFT			
MAINSHAFT / OUTPUT				6 CYLINDER			
05-98	New Process 5600		45290-45220	08-98	359/5.9L (Turbo-Diesel)	710473	
POWER TAKE-OFF				2001	239/3.9L	5414	
INPUT SHAFT				98-88	239/3.9L	5414	
02-94	New Process 021	3173	110-L	93-89	359/5.9L (Turbo-Diesel)	39805	
	Redi-Sleeve	99193			Redi-Sleeve	99494	
	(Pilot)		SCH-1810	87-80	225/3.7L	5650	
OUTPUT SHAFT				8 CYLINDER			
02-94	New Process 021	4333N		03-90	360/5.9L (Split Seal)	5106	
STEERING				03-80	318/5.2L, 318/5.2L	5414	
MANUAL STEERING							
STEERING GEAR SECTOR SHAFT							
87-80	B200, B250 (Chrysler Design)	6859S					
			(Continued Next Column)				

() Indicates Quantity Required Refer To Front Of Catalog For Kit Contents

DODGE TRUCK 3/4 TON - 200/250 SERIES FULL SIZE

(B200, B250, D200 Ram, D250 Ram, Ram 2500 Pickup, Ram 2500 Van, Sprinter 2500, W200 Ram & W250 Ram) (Cont.)

Year	Application	Seal	Bearing	Year	Application	Seal	Bearing
ENGINE				TIMING COVER (Cont.)			
TIMING COVER				6 CYLINDER			
6 CYLINDER				8 CYLINDER			
08-89	359/5.9L (Turbo-Diesel), 359/5.9L (Turbo-Diesel)	39803 Redi-Sleeve 99248		87-80	225/3.7L	3095 Redi-Sleeve 99226	
2001	239/3.9L	713103 Redi-Sleeve 99218 Harmonic Bal Sleeve 88218		03-92	318/5.2L, 318/5.2L, 360/5.9L	713103 Redi-Sleeve 99218 Harmonic Bal Sleeve 88218	
98-92	239/3.9L	713103 Redi-Sleeve 99218 Harmonic Bal Sleeve 88218		91-80	318/5.2L, 360/5.9L	3103 Redi-Sleeve 99218 Harmonic Bal Sleeve 88218	
91-88	239/3.9L	3103 Redi-Sleeve 99218 Harmonic Bal Sleeve 88218		10 CYLINDER			
				04-94	488/8.0L	Viton® 471424V Redi-Sleeve 99199 Harmonic Bal Sleeve 88199	
(Continued Next Column)							

DODGE TRUCK 1 TON - 300/350 SERIES FULL SIZE

(B300, B350, CB300, CB350, D300 Ram, D350 Ram, Ram 3500 Pickup, Ram 3500 Van, Ram 4500 Pickup, Ram 5500 Pickup, Sprinter 3500, W300 Ram & W350 Ram)

WHEEL				FRONT WHEEL (2WD) (Cont.)			
FRONT WHEEL (2WD)				FRONT WHEEL (2WD) (Cont.)			
09-08	Ram 4500 Pickup, Ram 5500 Pickup	Hub Assembly ☆ 515102		1981	B350, CB350 (8 Stud Hub) (3,300 lb. Axle)	(Inner) 3087 (Outer) A-18	A-16
06-03	Sprinter 3500	(Inner) 710467 (Outer) 32305		81-80	B300, B350, CB350, D350 Ram (5 Stud Hub) (3,300 lb. Axle)	(Inner) 5121 (Outer) A-16	A-17
05-03	Ram 3500 Pickup	Hub Assembly 515089		1980	B300 (5 Stud Hub) (3,000 lb. Axle)	(Inner) 5121 (Outer) A-16	A-17
03-98	Ram 3500 Van	(Inner) 493291 LM102949-LM102910 (Outer) A-6		1980	CB300 (5 Stud Hub) (3,000 lb. Axle)	(Inner) 5121 (Outer) A-16	A-17
99-98	Ram 3500 Pickup (Dual Rear Wheel) (Rear Wheel ABS)	Hub Assembly 515070		1980	CB300 (5 Stud Hub) (3,000 lb. Axle)	(Inner) 5121 (Outer) A-16	A-17
99-98	Ram 3500 Pickup (Dual Rear Wheel) (4 Wheel ABS)	(Left) Hub Assembly 515068 (Right) Hub Assembly 515069		FRONT WHEEL (4WD)			
99-94	Ram 3500 Pickup (Single Rear Wheel)	(Inner) 4740 (Outer) 15101-15245	A-35	09-08	Ram 4500 Pickup, Ram 5500 Pickup	Hub Assembly ☆ 515102	
97-94	Ram 3500 Pickup (Dual Rear Wheel)	Hub Assembly 515070		08-06	Ram 3500 Pickup	Hub Assembly ☆ 515101	
97-80	B300, B350, CB300, Ram 3500 Van (8 Stud Hub) (3,600 lb. Axle)	(Inner) 3087 (Outer) A-16	A-18	05-03	All	Hub Assembly 515061	
97-80	B300, B350, CB300, CB350, D300 Ram, D350 Ram, Ram 3500 Van (8 Stud Hub) (4,000 lb. Axle)	(Inner) 493291 (Outer) 15101-15245	A-35	02-00	All	Hub Assembly 515063	
1994	B350 (6 Stud Hub) (3,600 lb. Axle)	(Inner) 3087 (Outer) A-16	A-18	99-98	All (Dual Rear Wheel) (Rear Wheel ABS) ... Hub Assembly 515070	Hub Assembly 515068 (Left) Hub Assembly 515069 (Right) Hub Assembly 515069	
1994	B350 (6 Stud Hub) (4,000 lb. Axle)	(Inner) A-35 (Outer) 493291 15101-15245	A-35	97-94	All (Dual Rear Wheel)	Hub Assembly 515070	
93-82	D350 Ram (5 Stud Hub) (3,300 lb. Axle)	(Inner) 3087 (Outer) A-16	A-18	93-80	All	(Inner) 415009 387A-382A (Outer) A-38	
(Continued Next Column)				REAR WHEEL			
				09-08	Ram 4500 Pickup, Ram 5500 Pickup	(Inner) 710454 33281-33462 (Outer) 39250-39412	
				09-03	Ram 3500 Pickup (Dual Rear Wheel)	(Inner) 710563 39585-39520 (Outer) A-38	
				09-03	Ram 3500 Pickup (Single Rear Wheel)	(Inner) 710564 28682-28622 (Outer) A-38	
				(Continued Next Page)			

300/350 SERIES FULL SIZE - DODGE TRUCK 1 TON

(Cont.) (B300, B350, CB300, CB350, D300 Ram, D350 Ram, Ram 3500 Pickup, Ram 3500 Van, Ram 4500 Pickup, Ram 5500 Pickup, Sprinter 3500, W300 Ram & W350 Ram)

Year	Application	Seal	Bearing	Year	Application	Seal	Bearing
WHEEL				AXLE			
REAR WHEEL (Cont.)				FRONT AXLE			
AXLE SHAFT							
06-03	Sprinter 3500 (Dual Wheel)			09-03	AAM IFS-9.25" R.G.	710489	
	(Inner)	710462	32011-X	02-00	Spicer 60-F (Disconnect)		
	(Outer)		32210		(Left)	710566	
06-03	Sprinter 3500 (Single Wheel)	☆ 710468	516010		(Right)	710565	
03-95	Ram 3500 Van (Spicer 60) (12" X 3" Brakes)			02-00	Spicer 60-F (Non-Disconnect)		
	(Inner)	417158	28682-28622		(Left)	710566	
	(Outer)		A-38		(Right)	710566	
03-90	B350, Ram 3500 Van (9.25" R.G.) (Exc. H/D Axle)	8835S	6408	99-94	Spicer 60-F		
	(Axle Repair Brg.)		RP-6408		(Left)	710241	
03-90	B350, Ram 3500 Van (9.25" R.G.) (H/D Axle)	710067	R-1561-TV		(Right)	5131	
	(Axle Repair Brg.)		RP-1561-FO	93-80	Spicer 60-F		470682
03-80	B300, B350, CB300, CB350, D300 Ram, D350 Ram, Ram 3500 Van, W300 Ram, W350 Ram (Spicer 60) (12" X 2.5" Brakes)			SPINDLE KIT			
	(Inner)	4250	A-38	93-86	Spicer 60-F		☒ SBK-3
	(Outer)		A-38	SPINDLE			
02-94	Ram 3500 Pickup			93-86	Spicer 60-F		
	(Inner)	455086	45291-45220		(Inner)	710044	B-2414
	(Outer)		A-38		(Outer)	710045	
94-80	B300, B350, CB350, D300 Ram, D350 Ram, W350 Ram (Spicer 70) (12" X 3" Brakes) (Exc. 9,000 lb. GVW)			85-80	Spicer 60-F	41461S	B-2414
	(Inner)	455086	45291-45220	DIFFERENTIAL KIT			
	(Outer)		A-38	02-80	Spicer 60-F		☒ RA-331
94-80	B300, B350, CB300, CB350, D300 Ram, D350 Ram, W300 Ram, W350 Ram (Spicer 70) (12" X 3" Brakes) (9,000 lb. GVW)				(Master Kit)		RA-331MK
	(Inner)	417158	28682-28622	DIFFERENTIAL			
	(Outer)		A-38	09-03	AAM IFS-9.25" R.G.	(2) 450094	(2)A-42
93-88	D350 Ram, W350 Ram (Spicer 71) (12" X 3" Brakes)				Redi-Sleeve (2)	99193	
	(Inner)	455086	45291-45220	02-80	Spicer 60-F		(2)387A-382S
	(Outer)		A-38	PINION			
89-84	All (9.25" R.G.) (Exc. H/D Axle)	8835S	6408	09-03	AAM IFS-9.25" R.G.		
	(Axle Repair Brg.)		RP-6408		(Inner)	HM804846-HM804810	
89-84	All (9.25" R.G.) (H/D Axle)	710067	R-1561-TV		(Outer)	710558	HM88649-HM88610
	(Axle Repair Brg.)		RP-1561-FO	02-80	Spicer 60-F		
89-81	D350 Ram, W350 Ram (Spicer 60HD) (12" X 3" Brakes) (Exc. 9,000 lb. GVW)				(Inner)	HM803146-HM803110	
	(Inner)	455086	45291-45220		(Outer)	9316	HM88542-HM88510
	(Outer)		A-38		Redi-Sleeve	99187	
89-81	D350 Ram, W350 Ram (Spicer 60HD) (12" X 3" Brakes) (9,000 lb. GVW)			STEERING KNUCKLE			
	(Inner)	455086	28682-28622	93-80	Spicer 60-F	(2) 710304	(2)23100-23256
	(Outer)		A-38		(Upper)	(2) 710385	
83-80	All (9.25" R.G.)	8835S	6408	REAR AXLE			
	(Axle Repair Brg.)		RP-6408	DIFFERENTIAL KIT			
1980	CB300, W300 Ram (Spicer 60HD) (Spicer 70) (12" X 3" Brakes)			03-00	9.25" R.G.		☒ RA-304-A
	(Inner)	455086	45291-45220	00-80	Spicer 60, 60-HD		☒ RA-331
	(Outer)		A-38		(Master Kit)		RA-331MK
	(Inner)	8835S	6408	99-81	9.25" R.G.		☒ RA-304
	(Outer)		RP-6408		(Master Kit)		RA-304MK
	(Inner)	455086	28682-28622	98-94	Spicer 80		☒ RA-337
	(Outer)		A-38	93-84	Spicer 70U, 71		☒ RA-332-U
	(Inner)	8835S	6408	86-80	Spicer 70		☒ RA-332
	(Outer)		RP-6408	DIFFERENTIAL			
	(Inner)	455086	28682-28622	09-03	AAM 11.5" R.G.		(2)3984-3920
	(Outer)		A-38	06-03	Mercedes-Benz HLO/15		(2)LM806649-LM806610
	(Inner)	8835S	6408	03-81	9.25" R.G.		(2)JLM704649-JLM704610
	(Outer)		RP-6408	03-80	Spicer 60, 60-HD, 70, 70U, 71		(2)387A-382S
	(Inner)	455086	45291-45220	02-94	Spicer 80		(2)469-453X
	(Outer)		A-38	PINION			
	(Inner)	455086	45291-45220	09-08	Spicer S110		(Inner) 72212C-72487
	(Outer)		A-38		(Continued Next Page)		

() Indicates Quantity Required ☆ New Item, Check for Availability ☒ Refer To Front Of Catalog For Kit Contents

DODGE TRUCK 1 TON - 300/350 SERIES FULL SIZE

(B300, B350, CB300, CB350, D300 Ram, D350 Ram, Ram 3500 Pickup, Ram 3500 Van, Ram 4500 Pickup, Ram 5500 Pickup, Sprinter 3500, W300 Ram & W350 Ram) (Cont.)

Year	Application	Seal	Bearing
AXLE			
REAR AXLE (Cont.)			
PINION			
09-03	AAM 11.5" R.G.		
	(Inner)	HM807046-HM807010	
	(Outer)	710508	M802048-M802011
06-03	Mercedes-Benz HLO/15		
	(Inner)	HM803146-HM803110	
	(Outer)	M88043-M88010	
03-02	Spicer 60		
	(Inner)	HM803146-HM803110	
	(Outer)	100712V	HM88542-HM88510
03-00	9.25" R.G.		
	(Inner)	M804049-M804010	
	(Outer)	710481	M88048-M88010
	Redi-Sleeve	99189	
02-01	Spicer 80		
	(Outer)	100727	M802048-M802011
2001	Spicer 60 (1st Design)		
	(Inner)	HM803146-HM803110	
	(Outer)	719316	HM88542-HM88510
	Redi-Sleeve	99187	
2001	Spicer 60 (2nd Design)		
	(Inner)	HM803146-HM803110	
	(Outer)	100712V	HM88542-HM88510
00-99	Spicer 80		
	(Outer)	4525V	M802048-M802011
	Redi-Sleeve	99253	
00-97	Spicer 60		
	(Inner)	HM803146-HM803110	
	(Outer)	719316	HM88542-HM88510
	Redi-Sleeve	99187	
99-81	9.25" R.G.		
	(Inner)	M804049-M804010	
	(Outer)	5126	M88048-M88010
	Redi-Sleeve	99187	
98-94	Spicer 80		
	(Inner)	HM807046-HM807010	
	(Outer)	4525V	M802048-M802011
	Redi-Sleeve	99253	
96-92	Spicer 60		
	(Inner)	HM803146-HM803110	
	(Outer)	719316	HM88510
	Redi-Sleeve	99187	
93-92	Spicer 70U, 71		
	(Inner)	HM803149-HM803110	
	(Outer)	719316	HM88542-HM88510
	Redi-Sleeve	99187	
91-84	Spicer 70U, 71		
	(Inner)	HM803149-HM803110	
	(Outer)	9316	HM88542-HM88510
	Redi-Sleeve	99187	
91-80	Spicer 60		
	(Inner)	HM803146-HM803110	
	(Outer)	9316	HM88510
	Redi-Sleeve	99187	
89-80	Spicer 60-HD		
	(Inner)	HM803146-HM803110	
	(Outer)	9316	HM88542-HM88510
	Redi-Sleeve	99187	
86-80	Spicer 70		
	(Inner)	HM807040-HM807010	
	(Outer)	9316	HM88542-HM88510
	Redi-Sleeve	99187	

CLUTCH

PILOT

6 CYLINDER

08-94	359/5.9L (Turbo-Diesel), 359/5.9L (Turbo-Diesel)	SCE-1211
93-89	359/5.9L (Turbo-Diesel)	(H/D) PB-286-HD
1980	225/3.7L	(H/D) PB-286-HD

Year	Application	Seal	Bearing
PILOT (Cont.)			
8 CYLINDER			
09-92	345/5.7L, 360/5.9L		SCE-1295
		(Brg. & Sleeve)	FC-69907
91-80	318/5.2L, 360/5.9L		(H/D) PB-286-HD
10 CYLINDER			
04-94	488/8.0L		SCE-1211
RELEASE			
		Bearing Only	Bearing Assembly
6 CYLINDER			
09-94	359/5.9L (Turbo-Diesel), 359/5.9L (Turbo-Diesel), 408.3/6.7L (Turbo-Diesel)		Ⓢ 614114
93-89	359/5.9L (Turbo-Diesel)	2065	614070
1980	225/3.7L		Ⓢ 614036
		1505	(Thrust Type) V-1505-C
8 CYLINDER			
2009	345/5.7L		Ⓢ 614114
08-92	345/5.7L, 360/5.9L		Ⓢ 614093
91-88	360/5.9L		Ⓢ 614054
87-80	318/5.2L, 360/5.9L		Ⓢ 614036
		1505	(Thrust Type) V-1505-C
10 CYLINDER			
04-94	488/8.0L		Ⓢ 614114
DRIVESHAFT			
CENTER SUPPORT			
		Bearing	Bearing & Support
02-94	Spicer 1410 & Cleveland 055 Series / Brg. ID 1.5748" (40mm) - Centerline 2.284" (58mm)		HB-88508-AB
02-94	Spicer 1410 Series / Brg. ID 1.5748" (40mm)- Centerline 3.248" (82.5mm)		HB-88108-D
93-80	Spicer 1280, 1310 Series / Brg. ID 1.3780" (35mm)		
	Slip Yoke Style	88107	HB-88107-A
			(Opt. w/Slings) HB-88107-B
TRANSFER CASE			
FULL TIME / PART TIME			
TRANSFER CASE KIT			
93-81	New Process 205		(Gaskets & Seals) TK-205
93-81	New Process 205 (Direct Mount)		<input checked="" type="checkbox"/> T-172-FG
93-81	New Process 205 (Remote Mount)		<input checked="" type="checkbox"/> T-172
1980	New Process 208		<input checked="" type="checkbox"/> T-212
INPUT SHAFT			
09-03	New Process 271, 273		211
02-94	New Process 241HD	(2) 3173	110-L
	(Dual Lip)	710928	
	Redi-Sleeve	99193	
	(Pilot)		FC-66561
93-89	New Process 205 (Direct Mount)	(2) 3173	(2) 1210-L
	(Dual Lip)	710928	
	Redi-Sleeve	99193	
	(Pilot)		(15) QAR-29523
			(Continued Next Page)

300/350 SERIES FULL SIZE - DODGE TRUCK 1 TON

(Cont.) (B300, B350, CB300, CB350, D300 Ram, D350 Ram, Ram 3500 Pickup, Ram 3500 Van, Ram 4500 Pickup, Ram 5500 Pickup, Sprinter 3500, W300 Ram & W350 Ram)

Year	Application	Seal	Bearing
TRANSFER CASE			
FULL TIME / PART TIME (Cont.)			
INPUT SHAFT			
93-89	New Process 205 (Remote Mount)	(2) 473468 Redi-Sleeve 99212 (Pilot)	(2)1307-L (15)QAR-29523
88-81	New Process 205	(2) 473468 Redi-Sleeve 99212 (Pilot)	(2)1307-L (15)QAR-29523
1980	New Process 208	(2) 3173 (Dual Lip) 710928 Redi-Sleeve 99193 (Pilot) (Thrust)	(2)B-5020 B-2012 AXK-5070
FRONT OUTPUT SHAFT			
09-03	New Process 271, 273		111 J-2416
02-94	New Process 241HD	3946 Redi-Sleeve 99187 (Pilot)	J-2416
93-81	New Process 205	473313 Redi-Sleeve 99174 (Pilot)	307-L M-28161
1980	New Process 208	3946 Redi-Sleeve 99187 (Pilot) (Thrust)	B-2816 J-2416 (2)NTA-2840
REAR OUTPUT SHAFT			
02-94	New Process 241HD	4741 (Pilot)	(2)B-5020
93-81	New Process 205	473468 Redi-Sleeve 99212 (Pilot)	307-L B-3216
1980	New Process 208	3946 Redi-Sleeve 99187 (Pilot) (Thrust)	1207-L B-3616 TC-2435
IDLER SHAFT			
93-81	New Process 205		(2)2793-2720
LOW GEAR ROLLERS			
93-81	New Process 205		(128)QBR-23549
OIL PUMP HOUSING			
02-94	New Process 241HD	341022 Redi-Sleeve 99225	
1980	New Process 208	341022 Redi-Sleeve 99225	
SHIFT SHAFT			
93-81	New Process 205	(2) 2287 Redi-Sleeve (2) 99076	
DRIVE SPROCKET			
1980	New Process 208		(82)C-1086-Q

Year	Application	Seal	Bearing
TRANSMISSION			
AUTOMATIC / 3 Speed			
FRONT PUMP			
03-95	36RH	331227H Redi-Sleeve 99187	
94-80	A904, A998, A999, 31RH	331228H Redi-Sleeve 99149	
93-80	A727	331227H Redi-Sleeve 99187	
EXTENSION HOUSING			
03-95	36RH	7300S (Seal & Bushing Kit) 5206	
94-87	A998, A999, 31RH	2506	§ 206-LOE
93-87	A727	7300S (Seal & Bushing Kit) 5206	
86-83	A904 (2WD)	2506	§ 206-LOE
86-83	A904 (4WD)	710058	§ 206-LOE
86-80	A727 (Booted)	7300S (Seal & Bushing Kit) 5206	
86-80	A727 (Non-Booted)	8160S	* 206-1
82-80	A904	2506	§ 206-LOE
MANUAL SHAFT			
03-80	A904, A998, A999, 31RH, 36RH	8609	
CLUTCH CAM			
93-80	A727		(12)W-585-Q
AUTOMATIC / 4 Speed			
FRONT PUMP			
08-90	A518, 46RE, 46RH, 47RE, 47RH, 48RE	331227H Redi-Sleeve 99187	
93-90	A500	331228H Redi-Sleeve 99149	
EXTENSION HOUSING			
08-03	47RE, 48RE (2WD)	100796	
08-90	A500, A518, 46RE, 46RH, 47RE, 47RH, 48RE (4WD)	710058	
03-90	A518, 46RE, 46RH, 47RH (2WD)	7300S (Seal & Bushing Kit) 5206	
93-90	A500 (2WD) (Booted)	2465	
93-90	A500 (2WD) (Non-Booted)	7300S (Seal & Bushing Kit) 5206	
MANUAL SHAFT			
08-90	A500, A518, 46RE, 46RH, 47RE, 47RH, 48RE	8609	
AUTOMATIC / 5 Speed			
FRONT PUMP			
09-03	Mercedes-Benz W5A380	710608	
09-03	545RFE	710557 Redi-Sleeve 99187	
OUTPUT SHAFT			
09-03	Mercedes-Benz W5A380		206
EXTENSION HOUSING			
09-03	545RFE (2WD)	7300S (Seal & Bushing Kit) 5206	110

(Continued Next Page)

DODGE TRUCK 1 TON - 300/350 SERIES FULL SIZE

(B300, B350, CB300, CB350, D300 Ram, D350 Ram, Ram 3500 Pickup, Ram 3500 Van, Ram 4500 Pickup, Ram 5500 Pickup, Sprinter 3500, W300 Ram & W350 Ram) (Cont.)

Year	Application	Seal	Bearing	Year	Application	Seal	Bearing
TRANSMISSION				MANUAL / 4 Speed (Cont.)			
AUTOMATIC / 5 Speed (Cont.)				REMOTE CONTROL			
EXTENSION HOUSING				81-80 New Process 445 6835S			
2003	545RFE (4WD)..... (Dual Lip)	710928		<i>Redi-Sleeve</i> 99076			
MANUAL / 3 Speed				3RD SPEED GEAR			
DRIVESHAFT / INPUT				87-80 New Process 435 FA-35688			
1980	New Process A230	9376		4TH SPEED GEAR			
1980	Tremec 150	3638	§ 208-LO	87-80 New Process 435 FA-35688			
		<i>Redi-Sleeve</i> 99112		MANUAL / 5 Speed			
MAINSHAFT / OUTPUT				TRANSMISSION KIT			
1980	New Process A230 (23 Spline)	8160S		05-92 New Process 4500 T-4500-DN			
1980	New Process A230 (26 Spline)	2506		DRIVESHAFT / INPUT			
1980	New Process A230 (30 Spline)	7300S		05-99 New Process 4500 714655			
	(Seal & Bushing Kit)	5206		<i>Redi-Sleeve</i> 99133			
1980	Tremec 150	7300S	207-L	05-99 New Process 4500HD 4638N			
	(Seal & Bushing Kit)	5206		98-94 New Process 4500HD 4638N M802048-M802011			
MAINSHAFT PILOT				98-92 New Process 4500 714655 M802048-M802011			
1980	New Process A230	(15) QBR-23549		<i>Redi-Sleeve</i> 99133			
1980	Tremec 150	(15) QBR-23549		93-89 Getrag G360..... JM205149-JM205110			
COUNTERSHAFT				MAINSHAFT / OUTPUT			
1980	Tremec 150	(50) C-1086-Q		05-94 New Process 4500 (2WD)..... 2465 M804049-M804010			
REVERSE IDLER				05-94 New Process 4500HD (2WD)..... 4741 M804049-M804010			
1980	New Process A230	(22) C-1086-Q		05-92 New Process 4500, 4500HD (4WD)			
SHIFT SHAFT				710058 M804049-M804010			
1980	New Process A230	(2) 7188S		93-92 New Process 4500 (2WD)..... 7300S M804049-M804010			
		<i>Redi-Sleeve</i> (2) 99062		93-89 Getrag G360 (2WD)..... 471424 25572-25520			
MANUAL / 4 Speed				MAINSHAFT PILOT			
TRANSMISSION KIT				93-89 Getrag G360..... 32008			
87-80	New Process 435		☒ T-127	COUNTERSHAFT			
DRIVESHAFT / INPUT				05-92 New Process 4500, 4500HD			
93-88	New Process 435	9376	308-L	<i>(Front)</i> LM102949-LM102910			
87-80	New Process 435, 445	482163N	HM88649-HM88610	<i>(Rear)</i> A-35			
		<i>Redi-Sleeve</i> 99138		93-89 Getrag G360..... 30305			
MAINSHAFT / OUTPUT				OVERDRIVE			
93-88	New Process 435	8160S	308-L	05-92 New Process 4500, 4500HD (2) FW-404820			
87-80	New Process 435	8160S	1308-L	MANUAL / 6 Speed			
81-80	New Process 445	8160S	M201047S-M201011	DRIVESHAFT / INPUT			
	(Thrust)		FA-35688	05-98 New Process 5600 223801			
MAINSHAFT PILOT				<i>Redi-Sleeve</i> 99147			
93-80	New Process 435, 445	(14) Q-15902		MAINSHAFT / OUTPUT			
COUNTERSHAFT				05-98 New Process 5600 45290-45220			
93-80	New Process 435			POWER TAKE-OFF			
	(Front)	BCE-2416		INPUT SHAFT			
	(Rear)	B-3216		02-94 New Process 021 3173 110-L			
	(Thrust)	NTA-2031		<i>Redi-Sleeve</i> 99193			
81-80	New Process 445			<i>(Pilot)</i> SCH-1810			
	(Front)	BCE-2416		OUTPUT SHAFT			
	(Rear)	B-3216		02-94 New Process 021 4333N			
REVERSE IDLER							
93-80	New Process 435	(104) C-407-Q					

300/350 SERIES FULL SIZE - DODGE TRUCK 1 TON

(Cont.) (B300, B350, CB300, CB350, D300 Ram, D350 Ram, Ram 3500 Pickup, Ram 3500 Van, Ram 4500 Pickup, Ram 5500 Pickup, Sprinter 3500, W300 Ram & W350 Ram)

Year	Application	Seal	Bearing	Year	Application	Seal	Bearing
STEERING				ALTERNATOR (Cont.)			
MANUAL STEERING				REAR END			
STEERING GEAR SECTOR SHAFT				87-80 31, 41, 50, 53, 60, 65, 78 Amp..... MNJ-471-S			
87-80	B300, B350, CB300, CB350 (Chrysler Design).....	6859S		ENGINE			
87-80	All (Saginaw Design).....	323126		CRANKSHAFT			
STEERING GEAR WORM SHAFT				6 CYLINDER			
87-80	All (Saginaw Design).....	323138		08-98	359/5.9L (Turbo-Diesel).....	710473	
POWER STEERING				94-88	239/3.9L	5414	
STEERING GEAR SECTOR SHAFT				93-88	359/5.9L (Turbo-Diesel).....	39805	
89-80	B300, B350, CB300, CB350, D300 Ram, W300 Ram (Chrysler Design).....	6859S			Redi-Sleeve	99494	
STEERING GEAR WORM SHAFT				1980	225/3.7L	5650	
93-80	B300, B350, CB300, CB350, D300 Ram, W300 Ram (Chrysler Design).....	7188S		8 CYLINDER			
STEERING GEAR PITMAN SHAFT				03-90	360/5.9L	(Split Seal) 5106	
85-80	D300 Ram, D350 Ram, W300 Ram, W350 Ram (Saginaw Gear) (Model 708)..... (Kit) <input checked="" type="checkbox"/> PSK-1			03-80	318/5.2L, 318/5.2L	5414	
STEERING PUMP SHAFT				TIMING COVER			
93-80	All (Saginaw Pump).....	7013S		6 CYLINDER			
AIR CONDITIONING				08-88	359/5.9L (Turbo-Diesel), 359/5.9L (Turbo-Diesel).....	39803	
COMPRESSOR					Redi-Sleeve	99248	
CLUTCH PULLEY				94-92	239/3.9L	713103	
93-80	Nippondenso C171	5000-KFF			Redi-Sleeve	99218	
83-80	Chrysler/Airtemp RV-2.....	5206-DD		91-88	239/3.9L	3103	
ELECTRICAL					Redi-Sleeve	99218	
ALTERNATOR					Harmonic Bal Sleeve	88218	
DRIVE END				1980	225/3.7L	3095	
87-80	31, 41, 50, 53, 60, 65, 78 Amp.....	203-FF			Redi-Sleeve	99226	
87-80	86, 100, 114 Amp.....	303-SS		8 CYLINDER			
				03-92	318/5.2L, 318/5.2L, 360/5.9L	713103	
					Redi-Sleeve	99218	
					Harmonic Bal Sleeve	88218	
				91-80	318/5.2L, 360/5.9L	3103	
					Redi-Sleeve	99218	
					Harmonic Bal Sleeve	88218	
				10 CYLINDER			
				04-94	488/8.0L	Viton® 471424V	
					Redi-Sleeve	99199	
					Harmonic Bal Sleeve	88199	

(400, 500, 600 & 700 Series)

MEDIUM DUTY - DODGE TRUCK

WHEEL				FRONT WHEEL (4WD)				
FRONT WHEEL (2WD)				81-80 All (Spicer 60, 70)				
81-80	CB450, D450, MB450 (3,800, 4,500 lb. Axles)				(Inner)	411348	387A-382A	
					(Outer)		A-38	
		(Inner)	493291					
		(Outer)						
81-80	CB450, D450, MB450 (5,000 lb. Axle).....	3210	25590-25520	REAR WHEEL				
		(Outer)	14116-14276	81-80	CB450, D450, MB450, W450 (Spicer 60).....	(Inner)	4250	A-38
						(Outer)		359S-354A
				81-80	CB450, D450, MB450, W450 (Spicer 60HD, 70)	(Inner)	455086	45291-45220
						(Outer)		A-38
								(Continued Next Page)

DODGE TRUCK - MEDIUM DUTY (400, 500, 600 & 700 Series) (Cont.)

Year	Application	Seal	Bearing	Year	Application	Seal	Bearing
WHEEL				TRANSFER CASE			
REAR WHEEL (Cont.)				FULL TIME / PART TIME			
81-80	CB450, D450, MB450, W450 (Spicer 70HD)....	(Inner) 456648	3982-3920	INPUT SHAFT			
		(Outer)	3767-3720	81-80	Rockwell T223	450365	
AXLE						Redi-Sleeve 99212	
FRONT AXLE						(Inner)	307-S
AXLE SHAFT				FRONT OUTPUT SHAFT			
81-80	Spicer 60-F.....	470682		81-80	Rockwell T223	470898	
SPINDLE						Redi-Sleeve 99212	
81-80	Spicer 60-F.....	41461S	B-2414			(Lower)	208-L
DIFFERENTIAL KIT						(Upper)	25878-25821
81-80	Spicer 60-F.....		<input checked="" type="checkbox"/> RA-331	REAR OUTPUT SHAFT			
			(Master Kit) RA-331MK	81-80	Rockwell T223	471341	
81-80	Spicer 70-F.....		<input checked="" type="checkbox"/> RA-332			(Lower)	211-L
DIFFERENTIAL						(Upper)	25584-25520
81-80	Spicer 60-F, 70-F.....		(2)387A-382S	IDLER SHAFT			
PINION				81-80	Rockwell T223		(2)31597-31521
81-80	Spicer 60-F, 70-F			SHIFT SHAFT			
	(Inner)	HM803146-HM803110		81-80	Rockwell T223	(2) 480954	
	(Outer)	9316	HM88542-HM88510			Redi-Sleeve (2) 99076	
	Redi-Sleeve 99187			DRIVE GEAR			
STEERING KNUCKLE				81-80	Rockwell T223		(2)335-332
81-80	Spicer 60-F.....	(Lower) (2) 710304	(2)23100-23256	DECLUTCH SHAFT			
		(Upper) 710385		81-80	Rockwell T223	455368	
81-80	Spicer 70-F.....	(2) 710304	(2)23100-23256			Redi-Sleeve 99225	
REAR AXLE				TRANSMISSION			
DIFFERENTIAL KIT				AUTOMATIC / 3 Speed			
81-80	Spicer 60		<input checked="" type="checkbox"/> RA-331	FRONT PUMP			
			(Master Kit) RA-331MK	81-80	A727	331227H	
81-80	Spicer 70		<input checked="" type="checkbox"/> RA-332			Redi-Sleeve 99187	
DIFFERENTIAL				EXTENSION HOUSING			
81-80	Spicer 60, 70		(2)387A-382S	81-80	A727	7300S	
PINION						(Seal & Bushing Kit) 5206	
81-80	Spicer 60	(Inner)	HM803146-HM803110	CLUTCH CAM			
		(Outer)	9316	81-80	A727		(12)W-585-Q
		Redi-Sleeve 99187	HM88542-HM88510	MANUAL / 4 Speed			
81-80	Spicer 70	(Inner)	HM807040-HM807010	TRANSMISSION KIT			
		(Outer)	9316	81-80	New Process 435		<input checked="" type="checkbox"/> T-127
		Redi-Sleeve 99187	HM88542-HM88510	DRIVESHAFT / INPUT			
CLUTCH				81-80	New Process 435, 445	482163N	HM88649-HM88610
PILOT						Redi-Sleeve 99138	
8 CYLINDER				MAINSHAFT / OUTPUT			
81-80	360/5.9L		(H/D) PB-286-HD	81-80	New Process 445	8160S	M201047S-M201011
RELEASE						(Thrust)	FA-35688
		Bearing Only	Bearing Assembly	81-80	New Process 435	8160S	1308-L
8 CYLINDER				MAINSHAFT PILOT			
81-80	360/5.9L	2065	DC-2065-C	81-80	New Process 435, 445		(14)Q-15902
				COUNTERSHAFT			
				81-80	New Process 445		
						(Front)	BCE-2416
						(Rear)	B-3216
				(Continued Next Page)			

(Cont.) (400, 500, 600 & 700 Series)

MEDIUM DUTY - DODGE TRUCK

Year	Application	Seal	Bearing
TRANSMISSION			
MANUAL / 4 Speed (Cont.)			
COUNTERSHAFT			
81-80	New Process 435		
	(Front)	BCE-2416	
	(Rear)	B-3216	
	(Thrust)	NTA-2031	
REVERSE IDLER			
81-80	New Process 435	(104)C-407-Q	
REMOTE CONTROL			
81-80	New Process 445	6835S	
	Redi-Sleeve 99076		
3RD SPEED GEAR			
81-80	New Process 435	FA-35688	
4TH SPEED GEAR			
81-80	New Process 435	FA-35688	
STEERING			
POWER STEERING			
STEERING PUMP SHAFT			
81-80	CB450, D450, MB450, W450 (Saginaw Pump)	7013S	
AIR CONDITIONING			
COMPRESSOR			
CLUTCH PULLEY			
81-80	Chrysler/Airtemp RV-2	5206-DD	

Year	Application	Seal	Bearing
ELECTRICAL			
ALTERNATOR			
DRIVE END			
81-80	100, 114 Amp		303-SS
81-80	41, 53, 60 Amp		203-FF
REAR END			
81-80	41, 53, 60 Amp		MNJ-471-S
ENGINE			
CRANKSHAFT			
8 CYLINDER			
81-80	360/5.9L	(Split Seal) 5106	
TIMING COVER			
8 CYLINDER			
81-80	360/5.9L	3103	
	Redi-Sleeve 99218		
	Harmonic Bal Sleeve 88218		

FRONT WHEEL DRIVE - EAGLE

(Medallion, Premier, Summit, Summit Wagon, Summit Wagon AWD, Talon, Talon AWD & Vision)

WHEEL			
FRONT WHEEL			
98-95	Talon, Talon AWD	Hub Assembly 513157	
97-93	Vision	Hub Assembly 513089	
96-95	Summit Wagon, Summit Wagon AWD	(Inner) 225450	513036
		(Outer) 225230	
96-93	Summit	(Inner) 8430S	510016
		(Outer) 4898	
94-90	Summit Wagon, Summit Wagon AWD, Talon, Talon AWD (Inner)	225450	513036
		(Outer) 225230	
92-89	Summit	(Inner) 474134	A-41
		(Outer) 474134	A-41
92-88	Medallion, Premier		513144-K
REAR WHEEL			
98-95	Talon	Hub Assembly 512136	
98-95	Talon AWD	Hub Assembly 512181	
97-93	Vision (Disc Brakes)	Hub Assembly 512029	
97-93	Vision (Drum Brakes)	Hub Assembly 512030	
96-93	Summit (ABS)	Hub Assembly 512033	
96-93	Summit (Exc. ABS)	Hub Assembly 512148	

REAR WHEEL (Cont.)			
96-92	Summit Wagon	Hub Assembly 512040	
96-92	Summit Wagon AWD	511013	
94-90	Talon (ABS)	Hub Assembly 512011	
94-90	Talon (Exc. ABS)	Hub Assembly 512010	
94-90	Talon AWD	(Inner) 710152	511014
		(Outer)	511015
92-91	Summit (Drum Brakes) (Mfg. by Diamond-Star Motors) Hub Assembly 512037		
92-91	Summit (Drum Brakes) (Mfg. by Mitsubishi)		
	(Inner)	1205N	516001
	(Outer)		516001
90-89	Summit (2 Door) (Disc Brakes)	(Inner) 1205N	516000
		(Outer)	516000
90-89	Summit (2 Door) (Drum Brakes)	(Inner) 1205N	516001
		(Outer)	516001
90-89	Summit (4 Door)	(Inner) 1205N	513029
		(Outer)	513029

(Continued Next Column)

() Indicates Quantity Required

EAGLE - FRONT WHEEL DRIVE

(Medallion, Premier, Summit, Summit Wagon, Summit Wagon AWD, Talon, Talon AWD & Vision)

(Cont.)

Year	Application	Seal	Bearing
AXLE			
REAR AXLE			
DIFFERENTIAL			
98-90	Summit Wagon AWD, Talon AWD	(2) 710396	(2) 30207
		Redi-Sleeve (2) 99139	
PINION			
98-90	Summit Wagon AWD, Talon AWD	(Inner) 32207	(Outer) 471847N
		Redi-Sleeve 99139	30305
CLUTCH			
PILOT			
4 CYLINDER			
89-88	150/2.5L		FC-65446
89-88	2165cc/2.2L		203-FF
RELEASE			
		Bearing Only	Bearing Assembly
4 CYLINDER			
97-95	122/2.0L (DOHC)		Ⓢ 614121
97-90	1997cc/2.0L (DOHC-Turbo) (225mm Clutch) (2WD)		Ⓢ 614126
97-90	1997cc/2.0L (DOHC-Turbo), 2351cc/2.4L, 2351cc/2.4L (225mm Clutch) (AWD)		Ⓢ 614099
96-92	2351cc/2.4L, 2351cc/2.4L (225mm Clutch)		Ⓢ 614126
96-89	1595cc/1.6L (DOHC-Turbo), 1834cc/1.8L, 1997cc/2.0L (DOHC) (215mm Clutch)		Ⓢ 614126
96-89	1468cc/1.5L, 1468cc/1.5L, 1595cc/1.6L (DOHC), 1755cc/1.8L (200mm Clutch)		Ⓢ 614126
93-92	1834cc/1.8L (215mm Clutch) (AWD)		Ⓢ 614099
TRANSAXLE			
AUTOMATIC / 3 Speed			
DIFFERENTIAL			
96-89	F3A21-2, F3A22-2, KM171-0, KM171-5		(2) 207
89-88	Renault MJ3		(2) 30207
TORQUE CONVERTER			
96-89	F3A21-2, F3A22-2, KM171-0, KM171-5	320583	
		Redi-Sleeve 99157	
89-88	Renault MJ3	224266	
		Redi-Sleeve 99169	
OUTPUT SHAFT			
96-89	F3A21-2, F3A22-2, KM171-0, KM171-5	(2) 223543	
		Redi-Sleeve (2) 99139	
TRANSFER SHAFT			
96-90	F3A21-2		30207
1989	KM171-0, KM171-5	(Inner) 30206	(Outer) 30304

Year	Application	Seal	Bearing
AUTOMATIC / 3 Speed (Cont.)			
TRANSFER GEAR			
96-89	F3A21-2, KM171-0, KM171-5	(Inner) 207	(Outer) 306-L
TRANSFER IDLER			
96-90	F3A21-2		30206
AUTOMATIC / 4 Speed			
DIFFERENTIAL			
98-97	41TE	(Right)	A-18
98-91	F4A21-2, F4A22-2, F4A33-1		(2) 207
97-93	42LE		(2) A-36
96-95	41TE		(2) A-18
92-88	ZF 4HP-18FL	(Left) LM806649-LM806610	(Right) LM300849-LM300811
90-89	F4A22-2, F4A33-1, KM176-5		(2) 207
TORQUE CONVERTER			
98-93	41TE, 42LE	331228H	
		Redi-Sleeve 99149	
98-91	F4A21-2, F4A22-2, W4A32-1, F4A33-1, W4A33-1	320583	
		Redi-Sleeve 99157	
92-88	ZF 4HP-18FL	224510	
		Redi-Sleeve 99177	
90-89	F4A22-2, F4A33-1, W4A33-1, KM176-5	320583	
		Redi-Sleeve 99157	
89-88	Renault AR4	225110	
		Redi-Sleeve 99212	
INPUT SHAFT			
98-90	W4A32-1, W4A33-1	223014	
		Redi-Sleeve 99114	
OUTPUT SHAFT			
98-95	41TE	(2) 3459	
		Redi-Sleeve (2) 99157	
98-93	F4A33-1	(2) 710259	
98-90	W4A32-1, W4A33-1	(Left) 223543	(Right) 710199
		Redi-Sleeve 99139	Redi-Sleeve 99139
97-93	42LE	(Left) 4738N	(Right) 4748N
96-93	F4A21-2, F4A22-2	(2) 223543	
		Redi-Sleeve (2) 99139	
92-91	F4A21-2, F4A22-2, F4A33-1	(2) 223543	
		Redi-Sleeve (2) 99139	
92-88	ZF 4HP-18FL	(Left) 224462	(Right) 710422
90-89	F4A22-2, F4A33-1, KM176-5	(2) 223543	
		Redi-Sleeve (2) 99139	
89-88	Renault AR4	(Left) 223240	(Right) 1992
		Redi-Sleeve 99128	Redi-Sleeve 99177
TRANSFER SHAFT			
98-95	41TE	(Right)	A-35

FRONT WHEEL DRIVE - EAGLE

(Cont.) (Medallion, Premier, Summit, Summit Wagon, Summit Wagon AWD, Talon, Talon AWD & Vision)

Year	Application	Seal	Bearing
TRANSAXLE			
AUTOMATIC / 4 Speed (Cont.)			
TRANSFER SHAFT			
97-93	42LE	(Inner) 4890 (Outer) 4889 (Right) M802048-M802011	30207
96-91	F4A21-2		30207
PINION			
92-88	ZF 4HP-18FL	710279 Redi-Sleeve 99215	
EXTENSION HOUSING			
98-90	W4A32-1, W4A33-1	710317 Redi-Sleeve 99128	
MANUAL SHAFT			
98-95	41TE	8609	
TRANSFER IDLER			
96-91	F4A21-2		30206
MANUAL / 4 Speed			
DIFFERENTIAL			
92-90	F4M21-1		(2)207
1989	KM200-0		(2)30207
INPUT SHAFT			
92-89	F4M21-1, KM200-0	712007 Redi-Sleeve 99098	
OUTPUT SHAFT			
92-89	F4M21-1, KM200-0	(2) 223543 Redi-Sleeve (2) 99139	(2)30206
1989	KM200-0	(2) 223543 Redi-Sleeve (2) 99139	* 108-A
COUNTERSHAFT			
1989	KM200-0	(Front) RW-122 (Rear) * 108-A	
SHIFT SHAFT			
92-89	F4M21-1, KM200-0	710222	
MANUAL / 5 Speed			
DIFFERENTIAL			
98-95	A578		(2)A-18
98-93	F5M21-2, W5M31-2, W5M33-2		(2)207
96-90	F5M22-2		(2)30207
92-89	F5M21-1, W5M31-2, W5M33-2, KM201-0		(2)207
89-88	Renault NG3	(Left)	30207
PINION			
98-90	W5M31-2, W5M33-2	223014 Redi-Sleeve 99114	
INPUT SHAFT			
98-93	F5M21-2, F5M22-2, F5M31-2, W5M31-2, F5M33-1, W5M33-2	712007 Redi-Sleeve 99098	
92-90	F5M21-1, F5M22-2, F5M31-2, W5M31-2, F5M33-1, W5M33-2	712007 Redi-Sleeve 99098	
(Continued Next Column)			

Year	Application	Seal	Bearing
MANUAL / 5 Speed (Cont.)			
INPUT SHAFT			
1989	KM201-0	712007 Redi-Sleeve 99098	
		(Front)	304
		(Rear)	* 108-A
OUTPUT SHAFT			
98-95	A578	(2) 3459 Redi-Sleeve (2) 99157	
98-93	F5M31-2, F5M33-1	(2) 710259	
98-90	W5M33-2	(Left) 223543 Redi-Sleeve 99139 (Right) 710199 Redi-Sleeve 99139	
96-93	F5M21-2, F5M22-2	(2) 223543 Redi-Sleeve (2) 99139	(2)30206
93-92	W5M31-2	(Left) 223543 Redi-Sleeve 99139 (Right) 1981 Redi-Sleeve 99114	
92-90	F5M31-2, F5M33-1	(2) 223543 Redi-Sleeve (2) 99139	
92-89	F5M21-1, F5M22-2, KM201-0	(2) 223543 Redi-Sleeve (2) 99139	(2)30206
92-88	Renault UN1	(2) 224235	
COUNTERSHAFT			
1989	KM201-0	(Front) RW-122 (Rear) * 108-A	
EXTENSION HOUSING			
93-92	W5M31-2	710317 Redi-Sleeve 99128	
SHIFT SHAFT			
98-95	A578	3816	
96-93	F5M21-2, F5M22-2	710222	
92-89	F5M21-1, F5M22-2, KM201-0	710222	

STEERING

MANUAL STEERING			
STEERING GEAR PINION SHAFT			
96-93	Summit	481481	
92-89	Summit	221720	
POWER STEERING			
STEERING GEAR PINION SHAFT			
96-93	Summit, Summit Wagon, Summit Wagon AWD	481481	
92-89	Summit, Summit Wagon, Summit Wagon AWD	221720	
STEERING PUMP SHAFT			
96-93	Summit, Summit Wagon, Summit Wagon AWD	221620	
95-90	Talon, Talon AWD	221830	
92-90	Premier	7013S	
89-88	Medallion	710196	
89-88	Premier (2.5L Eng.)	710196	
89-88	Premier (3.0L Eng.)	7013S	

EAGLE - FRONT WHEEL DRIVE

(Medallion, Premier, Summit, Summit Wagon, Summit Wagon AWD, Talon, Talon AWD & Vision)

(Cont.)

Year	Application	Seal	Bearing	Year	Application	Seal	Bearing
AIR CONDITIONING				CRANKSHAFT (Cont.)			
COMPRESSOR				4 CYLINDER			
CLUTCH PULLEY				89-88 150/2.5L 3698			
92-88	Sanden SD-709		5001-KFF			PTFE Rubber 5290	
89-88	Sanden SD-508		5001-KFF			Redi-Sleeve 99294	
ELECTRICAL				89-88 2165cc/2.2L 229005			
ALTERNATOR				Redi-Sleeve 99354			
DRIVE END				6 CYLINDER			
96-92	Mitsubishi 65, 75 Amp.....		303-CC	97-93	201/3.3L, 215/3.5L	710056	
94-89	Mitsubishi 65 Amp.....		302-CC			PTFE Rubber 5279	
ENGINE				92-88 2970cc/3.0L 228010			
BALANCE SHAFT				Redi-Sleeve 99315			
4 CYLINDER				INTERMEDIATE SHAFT			
98-90	1997cc/2.0L (DOHC),			6 CYLINDER			
	1997cc/2.0L (DOHC-Turbo)....	712007		97-93	201/3.3L	3655	
		Redi-Sleeve 99098				Redi-Sleeve 99139	
94-90	1755cc/1.8L	710325		OIL PUMP			
		Redi-Sleeve 99111		4 CYLINDER			
CAMSHAFT				98-89 1595cc/1.6L (DOHC),			
4 CYLINDER				1595cc/1.6L (DOHC-Turbo),			
98-95	122/2.0L (DOHC).....(2)	320249		1997cc/2.0L (DOHC),			
		Redi-Sleeve (2) 99139		1997cc/2.0L (DOHC-Turbo),			
98-89	1595cc/1.6L (DOHC),			2351cc/2.4L, 2351cc/2.4L			
	1595cc/1.6L (DOHC-Turbo),	3771				Redi-Sleeve 99078	
	1997cc/2.0L (DOHC),	Redi-Sleeve (2) 99139		94-90	1755cc/1.8L	221710	
	1997cc/2.0L (DOHC-Turbo)					Redi-Sleeve 99068	
96-89	1468cc/1.5L, 1468cc/1.5L,			TIMING COVER			
	1755cc/1.8L, 1834cc/1.8L,	3771		4 CYLINDER			
	2351cc/2.4L, 2351cc/2.4L	Redi-Sleeve 99139		98-95	122/2.0L (DOHC).....	320348	
89-88	2165cc/2.2L	1172				Redi-Sleeve 99128	
		Redi-Sleeve 99139		98-89	1595cc/1.6L (DOHC),		
6 CYLINDER				1595cc/1.6L (DOHC-Turbo),			
97-93	215/3.5L	(2) 321417N		1755cc/1.8L, 1997cc/2.0L			
		Redi-Sleeve (2) 99112		(DOHC), 1997cc/2.0L			
CRANKSHAFT				(DOHC-Turbo), 2351cc/2.4L,			
4 CYLINDER				2351cc/2.4L			
98-95	122/2.0L (DOHC).....	710056		96-92	1834cc/1.8L	224460	
		PTFE Rubber 5279				Redi-Sleeve 99145	
98-93	1834cc/1.8L, 1997cc/2.0L			96-89	1468cc/1.5L, 1468cc/1.5L	223750	
	(DOHC), 1997cc/2.0L	710235				Redi-Sleeve 99145	
	(DOHC-Turbo), 2351cc/2.4L ...			96-89	1468cc/1.5L, 1468cc/1.5L	223018	
96-89	1468cc/1.5L, 1468cc/1.5L,					Redi-Sleeve 99114	
	1755cc/1.8L	227235		89-88	150/2.5L	321460	
92-89	1595cc/1.6L (DOHC),					Redi-Sleeve 99179	
	1595cc/1.6L (DOHC-Turbo),					Harmonic Bal Sleeve 88179	
	1834cc/1.8L, 1997cc/2.0L			89-88	2165cc/2.2L	225020	
	(DOHC), 1997cc/2.0L	228005				Redi-Sleeve 99196	
	(DOHC-Turbo), 2351cc/2.4L ...			6 CYLINDER			
		Redi-Sleeve 99315		97-93	201/3.3L, 215/3.5L	3638	
		(Continued Next Column)				Redi-Sleeve 99112	
				92-88	2970cc/3.0L	710196	
						Redi-Sleeve 99157	

CANADIAN MODELS - EAGLE
(Vista, Vista Wagon, Vista Wagon AWD, 2000 GTX & 2000 GTX AWD)

Year	Application	Seal	Bearing
WHEEL			
FRONT WHEEL			
94-89	2000 GTX, 2000 GTX AWD		
	(Inner)	225450	513036
	(Outer)	225230	
92-88	Vista, Vista Wagon		
	(Inner)	474134	A-41
	(Outer)	474134	A-41
91-88	Vista Wagon AWD		
	(Inner)	225082	513036
	(Outer)	225230	
REAR WHEEL			
93-91	2000 GTX AWD		
	(Inner)	710152	511014
	(Outer)		511015
93-89	2000 GTX (Disc Brakes)		Hub Assembly 512158
93-89	2000 GTX (Drum Brakes)		
	(Inner)	1196	A-4
	(Outer)		A-1
1992	Vista		
	(Inner)	1205N	516001
	(Outer)		516001
91-88	Vista		
	(Inner)	1205N	513029
	(Outer)		513029
91-88	Vista Wagon		
	(Inner)	1196	A-4
	(Outer)		A-1
91-88	Vista Wagon AWD		
		710152	
AXLE			
REAR AXLE			
DIFFERENTIAL			
93-88	Vista Wagon AWD, 2000 GTX AWD		
		(2) 710396	(2) 30207
		Redi-Sleeve (2) 99139	
PINION			
93-88	Vista Wagon AWD, 2000 GTX AWD		
	(Inner)		32207
	(Outer)	471847N	30305
		Redi-Sleeve 99139	
CLUTCH			
RELEASE			
		Bearing Only	Bearing Assembly
4 CYLINDER			
1994	1468cc/1.5L, 1834cc/1.8L (200mm Clutch)		Ⓢ 614126
93-91	1997cc/2.0L (DOHC-Turbo) (225mm Clutch) (AWD)		Ⓢ 614099
93-88	1595cc/1.6L (DOHC-Turbo), 1997cc/2.0L, 1997cc/2.0L (DOHC), 1997cc/2.0L (215mm Clutch)		Ⓢ 614126
92-91	1468cc/1.5L (200mm Clutch)		Ⓢ 614126
90-88	1468cc/1.5L (184mm Clutch)		Ⓢ 614126
1988	1597cc/1.6L (Turbo) (200mm Clutch)		Ⓢ 614126
TRANSAXLE			
AUTOMATIC / 3 Speed			
DIFFERENTIAL			
92-88	F3A21-2, F3A22-2, KM171-0, KM171-1, M171-2, KM171-5		(2) 207
89-88	KM172-0, KM172-5		(2) 30207

Year	Application	Seal	Bearing
AUTOMATIC / 3 Speed (Cont.)			
TORQUE CONVERTER			
92-88	F3A21-2, F3A22-2, KM171-0, KM171-1, M171-2, KM171-5, KM172-0, KM172-5		
		320583	
		Redi-Sleeve 99157	
OUTPUT SHAFT			
92-88	F3A21-2, F3A22-2, KM171-0, KM171-1, M171-2, KM171-5, KM172-0, KM172-5		(2) 223543
		Redi-Sleeve (2) 99139	
TRANSFER SHAFT			
92-90	F3A21-2		30207
89-88	KM171-0, KM171-1, M171-2, KM171-5, KM172-0, KM172-5		
	(Inner)		30206
	(Outer)		30304
TRANSFER GEAR			
92-88	F3A21-2, KM171-0, KM171-1, M171-2, KM171-5		
	(Inner)		207
	(Outer)		306-L
TRANSFER IDLER			
92-90	F3A21-2		30206
AUTOMATIC / 4 Speed			
DIFFERENTIAL			
94-90	F4A21-2, F4A22-2		(2) 207
TORQUE CONVERTER			
94-89	F4A21-2, F4A22-2, W4A32-1, KM175-5		
		320583	
		Redi-Sleeve 99157	
INPUT SHAFT			
93-91	W4A32-1		223014
		Redi-Sleeve 99114	
OUTPUT SHAFT			
94-89	F4A21-2, F4A22-2, KM175-5		
		(2) 223543	
		Redi-Sleeve (2) 99139	
93-91	W4A32-1		223543
	(Left)		99139
	(Right)		710199
		Redi-Sleeve 99139	
TRANSFER SHAFT			
1994	F4A21-2		30207
1992	F4A21-2		30207
EXTENSION HOUSING			
93-91	W4A32-1		710317
		Redi-Sleeve 99128	
TRANSFER IDLER			
1994	F4A21-2		30206
1992	F4A21-2		30206
MANUAL / 4 Speed			
DIFFERENTIAL			
92-91	F4M21-1		(2) 207
89-88	KM200-0		(2) 30207
INPUT SHAFT			
92-91	F4M21-1		712007
		Redi-Sleeve 99098	
		(Continued Next Page)	

() Indicates Quantity Required Ⓢ Sealed Self-Aligning Bearing

EAGLE - CANADIAN MODELS

(Vista, Vista Wagon, Vista Wagon AWD, 2000 GTX & 2000 GTX AWD) (Cont.)

Year	Application	Seal	Bearing	Year	Application	Seal	Bearing
TRANSAXLE				MANUAL / 5 Speed (Cont.)			
MANUAL / 4 Speed (Cont.)				SHIFT SHAFT			
INPUT SHAFT				1994 F5M21-1, F5M21-2 710222			
89-88	KM200-0	712007		92-88	F5M21-1, F5M22-2, KM182-0, KM182-2, KM201-0, KM206-0	710222	
		<i>Redi-Sleeve</i> 99098					
OUTPUT SHAFT				STEERING			
92-91	F4M21-1	(2) 223543	(2) 30206	MANUAL STEERING			
		<i>Redi-Sleeve</i> (2) 99139		STEERING GEAR PINION SHAFT			
89-88	KM200-0	(2) 223543	* 108-A	92-88	Vista	221720	
		<i>Redi-Sleeve</i> (2) 99139		POWER STEERING			
COUNTERSHAFT				STEERING GEAR WORM SHAFT			
89-88	KM200-0	(Front)	RW-122	94-89	2000 GTX, 2000 GTX AWD (Chrysler Design)	7188S	
		(Rear)	* 108-A	STEERING PUMP SHAFT			
SHIFT SHAFT				94-89	2000 GTX, 2000 GTX AWD (Saginaw Pump)	7013S	
92-91	F4M21-1	710222		ELECTRICAL			
89-88	KM200-0	710222		ALTERNATOR			
MANUAL / 5 Speed				DRIVE END			
DIFFERENTIAL				92-88	Mitsubishi 65 Amp		302-CC
94-91	F5M21-1, F5M21-2, W5M31-2		(2) 207	1991	Mitsubishi 65, 75 Amp		303-CC
93-88	F5M22-1, F5M22-2, KM182-0, KM182-2, KM206-0		(2) 30207				
89-88	KM201-0		(2) 207	ENGINE			
PINION				BALANCE SHAFT			
93-91	W5M31-2	223014		4 CYLINDER			
		<i>Redi-Sleeve</i> 99114		93-88	1997cc/2.0L, 1997cc/2.0L (DOHC), 1997cc/2.0L, 1997cc/2.0L (DOHC-Turbo)	712007	
INPUT SHAFT						<i>Redi-Sleeve</i> 99098	
94-90	F5M21-1, F5M21-2, F5M22-1, F5M22-2, W5M31-2	712007		1988	1597cc/1.6L (Turbo)	710325	
		<i>Redi-Sleeve</i> 99098				<i>Redi-Sleeve</i> 99111	
91-88	KM182-0, KM182-2	712007		CAMSHAFT			
		<i>Redi-Sleeve</i> 99098		4 CYLINDER			
		(Front)	304	94-88	1468cc/1.5L, 1468cc/1.5L, 1597cc/1.6L (Turbo), 1834cc/1.8L, 1997cc/2.0L, 1997cc/2.0L	3771	
		(Rear)	30304			<i>Redi-Sleeve</i> 99139	
89-88	KM201-0, KM206-0	712007		93-89	1595cc/1.6L (DOHC-Turbo), 1997cc/2.0L (DOHC), 1997cc/2.0L (DOHC-Turbo)	(2) 3771	
		<i>Redi-Sleeve</i> 99098				<i>Redi-Sleeve</i> (2) 99139	
		(Front)	304	CRANKSHAFT			
		(Rear)	* 108-A	4 CYLINDER			
OUTPUT SHAFT				1994	1468cc/1.5L	227235	
94-88	F5M21-1, F5M21-2, F5M22-1, F5M22-2, KM201-0, KM206-0	(2) 223543	(2) 30206	94-93	1834cc/1.8L, 1997cc/2.0L (DOHC), 1997cc/2.0L, 1997cc/2.0L (DOHC-Turbo)	710235	
		<i>Redi-Sleeve</i> (2) 99139		92-88	1468cc/1.5L, 1468cc/1.5L, 1597cc/1.6L (Turbo)	227235	
93-91	W5M31-2	(Left)	223543	<i>(Continued Next Page)</i>			
		<i>Redi-Sleeve</i> 99139					
		(Right)	1981				
		<i>Redi-Sleeve</i> 99114					
91-88	KM182-0, KM182-2	(2) 223543					
		<i>Redi-Sleeve</i> (2) 99139					
COUNTERSHAFT							
91-88	KM182-0, KM182-2		(2) 30304				
89-88	KM201-0, KM206-0						
		(Front)	RW-122				
		(Rear)	* 108-A				
EXTENSION HOUSING							
93-91	W5M31-2	710317					
		<i>Redi-Sleeve</i> 99128					
91-88	KM182-0, KM182-2	223240	(2) 30206				
		<i>Redi-Sleeve</i> 99128					

CANADIAN MODELS - EAGLE

(Cont.) (Vista, Vista Wagon, Vista Wagon AWD, 2000 GTX & 2000 GTX AWD)

Year	Application	Seal	Bearing	Year	Application	Seal	Bearing
ENGINE				OIL PUMP (Cont.)			
CRANKSHAFT (Cont.)				4 CYLINDER			
4 CYLINDER				1988	1597cc/1.6L (Turbo)	221710	
92-88 1595cc/1.6L (DOHC-Turbo), 1997cc/2.0L, 1997cc/2.0L (DOHC), 1997cc/2.0L (DOHC-Turbo).....						Redi-Sleeve 99068	
				TIMING COVER			
				4 CYLINDER			
228005				1994	1468cc/1.5L	223018	
Redi-Sleeve 99315						Redi-Sleeve 99114	
OIL PUMP				1994	1834cc/1.8L	223750	
4 CYLINDER						Redi-Sleeve 99145	
93-88 1595cc/1.6L (DOHC-Turbo), 1997cc/2.0L, 1997cc/2.0L (DOHC), 1997cc/2.0L, 1997cc/2.0L (DOHC-Turbo)....				93-88	1595cc/1.6L (DOHC-Turbo), 1597cc/1.6L (Turbo), 1997cc/2.0L, 1997cc/2.0L (DOHC), 1997cc/2.0L, 1997cc/2.0L (DOHC-Turbo)....	224460	
222025				92-88	1468cc/1.5L, 1468cc/1.5L	223018	
Redi-Sleeve 99078						Redi-Sleeve 99114	
(Continued Next Column)							

(Series IV & Series V) EXCALIBUR

WHEEL				REAR AXLE (Cont.)			
FRONT WHEEL				PINION			
96-93	All		Hub Assembly 513085	83-80	Spicer 44-ICA		HM88649-HM88610
90-84	All		Hub Assembly 513019		(Inner)	5778	M86647-M86610
83-80	All	(Inner)	9406S		(Outer)	Viton® 5778V	
		(Outer)	A-5			Redi-Sleeve 99155	
REAR WHEEL				CLUTCH			
86-84	All		710171	PILOT			
			Hub Assembly ♦ 513020	8 CYLINDER			
			Hub Assembly 513013	96-93	350/5.7L		57080
83-80	All	(Inner)	9178S	TRANSMISSION			
		(Outer)	5113	AUTOMATIC / 3 Speed			
			A-5	FRONT PUMP			
AXLE				81-80	GMC THM350	6712NA	
REAR AXLE						Redi-Sleeve 99187	
AXLE SHAFT				EXTENSION HOUSING			
96-93	Spicer 44-ICA		(2)B-2412	81-80	GMC THM350	9613S	
90-80	Spicer 44-ICA		(2)B-2412			(Seal & Bushing Kit) 5200	
DIFFERENTIAL KIT				MANUAL SHAFT			
96-93	Spicer 44-ICA	<input checked="" type="checkbox"/>	RA-339-A	81-80	GMC THM350	8792S	
90-84	Spicer 44-ICA	<input checked="" type="checkbox"/>	RA-339-A	AUTOMATIC / 4 Speed			
1980	Spicer 44-ICA	<input checked="" type="checkbox"/>	RA-339	FRONT PUMP			
DIFFERENTIAL				96-94	GMC 4L60-E	4950	
96-93	Spicer 44-ICA	(2)	473227V			Redi-Sleeve 99174	
			Redi-Sleeve (2) 99150	1993	GMC 4L60	4950	
90-84	Spicer 44-ICA	(2)	473227V			Redi-Sleeve 99174	
			Redi-Sleeve (2) 99150	90-82	GMC THM700-R4	4950	
83-80	Spicer 44-ICA	(2)	A-37			Redi-Sleeve 99174	
PINION				EXTENSION HOUSING			
96-93	Spicer 44-ICA	(Inner)	M802048-M802011	96-93	GMC 4L60, 4L60-E	9613S	
		(Outer)	9316			(Seal & Bushing Kit) 5200	
			M88048-M88010	(Continued Next Page)			
			Redi-Sleeve 99187				
90-84	Spicer 44-ICA	(Inner)	M802048-M802011				
		(Outer)	9316				
			M88048-M88010				
			Redi-Sleeve 99187				
(Continued Next Column)							

EXCALIBUR (Series IV & Series V) (Cont.)

Year	Application	Seal	Bearing
------	-------------	------	---------

TRANSMISSION

AUTOMATIC / 4 Speed (Cont.)

EXTENSION HOUSING

90-82	GMC THM700-R4	9613S	
	(Seal & Bushing Kit)	5200	

MANUAL SHAFT

96-93	GMC 4L60, 4L60-E	8792S	
90-82	GMC THM700-R4	8792S	

MANUAL / 6 Speed

DRIVESHAFT / INPUT

96-93	ZF S6-40	223520	
	Redi-Sleeve	99139	

MAINSHAFT / OUTPUT

96-93	ZF S6-40	9613S	
	(Seal & Bushing Kit)	5200	

AIR CONDITIONING

COMPRESSOR

CLUTCH PULLEY

96-93	Harrison R-4	907257	
90-80	Harrison R-4	907257	

FRONT HEAD MAIN

96-93	Harrison R-4	S-128	
90-80	Harrison R-4	S-128	

ENGINE

CRANKSHAFT

8 CYLINDER

96-93	305/5.0L, 350/5.7L		
	(Gkt. & PTFE Seal)	5274A	
	(Gkt. & Viton® Seal)	4359V	
	PTFE Rubber	5274	
	Redi-Sleeve	99364	

(Continued Next Column)

Year	Application	Seal	Bearing
------	-------------	------	---------

CRANKSHAFT (Cont.)

8 CYLINDER

90-86	305/5.0L, 350/5.7L		
	(Gkt. & PTFE Seal)	5274A	
	(Gkt. & Viton® Seal)	4359V	
	PTFE Rubber	5274	
	Redi-Sleeve	99364	
1985	305/5.0L (1st Design)		
	(Split Seal)	5092	
1985	305/5.0L (2nd Design)		
	(Gkt. & PTFE Seal)	5274A	
	(Gkt. & Viton® Seal)	4359V	
	PTFE Rubber	5274	
	Redi-Sleeve	99364	
84-80	305/5.0L		
	(Split Seal)	5092	

TIMING COVER

8 CYLINDER

96-93	305/5.0L, 350/5.7L	9845	
	Redi-Sleeve	99176	
	Harmonic Bal Sleeve	88176	
	Harmonic Bal Kit	5000	
90-80	305/5.0L, 350/5.7L	9845	
	Redi-Sleeve	99176	
	Harmonic Bal Sleeve	88176	
	Harmonic Bal Kit	5000	

FERRARI

(F40, Mondial, Testarossa, 308GTB, 308GTS, 328GT, 348 Coupe, 400i, 512BBI & 512TR)

WHEEL

FRONT WHEEL

1993	F40, 348 Coupe, 512TR		
	(Inner)	A-5	
	(Outer)	A-16	
92-87	F40, Mondial, Testarossa, 348 Coupe		
	(Inner)	A-5	
	(Outer)	A-16	
89-80	308GTB, 308GTS, 328GT, 512BBI		
	(Inner)	A-6	
	(Outer)	A-2	
86-84	Testarossa, 400i		
	(Inner)	A-5	
	(Outer)	A-16	
83-80	400i		
	(Inner)	A-3	
	(Outer)	A-2	

AXLE

REAR AXLE

DIFFERENTIAL

91-87	Testarossa	(Left)	368A-362A
		(Right)	28580-28521
91-84	Mondial, 328GT, 400i		(2)368A-362A
83-80	308GTB		(2)368A-362A

PINION

91-87	Testarossa	(Inner)	M802048-M802011
		(Outer)	27880-27820
91-86	Mondial, 328GT		
		(Inner)	M802048-M802011
85-84	400i	(Inner)	M802048-M802011
		(Outer)	27880-27820
83-80	308GTB	(Inner)	M802048-M802011

FERRARI

(Cont.) (F40, Mondial, Testarossa, 308GTB, 308GTS, 328GT, 348 Coupe, 400i, 512BBI & 512TR)

Year	Application	Seal	Bearing
TRANSMISSION			
AUTOMATIC / 3 Speed			
FRONT PUMP			
85-80	GMC THM400.....	6712NA <i>Redi-Sleeve</i> 99187	
EXTENSION HOUSING			
1985	GMC THM400.....	9449 <i>(Seal & Bushing Kit)</i> 5208	109
<i>(Continued Next Column)</i>			

Year	Application	Seal	Bearing
AUTOMATIC / 3 Speed (Cont.)			
EXTENSION HOUSING			
84-80	GMC THM400.....	9449 <i>(Seal & Bushing Kit)</i> 5208	
MANUAL SHAFT			
85-80	GMC THM400.....	8792S	
AIR CONDITIONING			
COMPRESSOR			
CLUTCH PULLEY			
1990	Sanden SD-508.....		5001-KFF

(Brava, Spider 2000, Strada & X1/9) **FIAT**

Year	Application	Seal	Bearing
WHEEL			
FRONT WHEEL			
83-80	Spider 2000.....	<i>(Inner)</i> 472213 <i>(Outer)</i>	15579X-15520 A-2
83-80	Strada, X1/9.....	222510	
REAR WHEEL			
83-80	Brava, Spider 2000.....	1981	
82-80	Strada.....		513116

Year	Application	Seal	Bearing
AUTOMATIC / 3 Speed (Cont.)			
MANUAL SHAFT			
83-80	GMC THM180C.....	8792S	
AIR CONDITIONING			
COMPRESSOR			
CLUTCH PULLEY			
81-80	Sanden SD-508.....		5001-KFF

Year	Application	Seal	Bearing
TRANSAXLE			
AUTOMATIC / 3 Speed			
DIFFERENTIAL			
83-80	VW 010.....	(2)LM29749-LM29710	
TORQUE CONVERTER			
83-80	VW 010.....	3083 <i>Redi-Sleeve</i> 99169	
OUTPUT SHAFT			
83-80	VW 010.....	(2) 1965 <i>Redi-Sleeve</i> (2) 99146	
PINION			
83-80	VW 010.....	<i>(Front)</i> 223010 <i>Redi-Sleeve</i> 99114	A-6
		<i>(Rear)</i> 1174 <i>Redi-Sleeve</i> 99147	A-6

Year	Application	Seal	Bearing
ELECTRICAL			
ALTERNATOR			
DRIVE END			
83-80	Bosch 55 & 60 Amp.....		303-S
1980	Marelli 42, 44, 45 55, 60 & 65 Amp.....		302-SS
REAR END			
1980	Marelli 42, 44, 45. 55, 60 & 65 Amp.....		201-SS

Year	Application	Seal	Bearing
TRANSMISSION			
AUTOMATIC / 3 Speed			
FRONT PUMP			
83-80	GMC THM180C.....	6712NA <i>Redi-Sleeve</i> 99187	
EXTENSION HOUSING			
83-80	GMC THM180C.....	9613S <i>(Seal & Bushing Kit)</i> 5200	

Year	Application	Seal	Bearing
ENGINE			
CAMSHAFT			
4 CYLINDER			
83-80	1498cc/1.5L.....	223035 <i>Redi-Sleeve</i> 99114	
83-80	1995cc/2.0L (DOHC).....	(2) 223035 <i>Redi-Sleeve</i> (2) 99114	
CRANKSHAFT			
4 CYLINDER			
83-80	1498cc/1.5L, 1995cc/2.0L (DOHC).....	227040 <i>Redi-Sleeve</i> 99272	
TIMING COVER			
4 CYLINDER			
83-80	1498cc/1.5L, 1995cc/2.0L (DOHC).....	224025 <i>Redi-Sleeve</i> 99157	

() Indicates Quantity Required

FORD - FRONT WHEEL DRIVE

(Contour, Escort, Escort ZX2, EXP, Five Hundred, Five Hundred AWD, Focus, Fusion, Fusion AWD, Probe, Taurus, Taurus AWD, Tempo & Tempo AWD)

Year	Application	Seal	Bearing
WHEEL			
FRONT WHEEL			
09-08	Taurus, Taurus AWD		Hub Assembly 513223
09-06	Fusion, Fusion AWD		510010
09-00	Focus		510056
			Hub Repair Kit 518510
07-05	Five Hundred, Five Hundred AWD		Hub Assembly 513223
07-96	Taurus		Hub Assembly 513100
03-91	Escort, Escort ZX2	1932	510013
00-95	Contour		510029
97-93	Probe	1932	510010
95-92	Taurus		513058
			Hub Repair Kit 520100
94-91	Tempo, Tempo AWD		513014
			Hub Repair Kit 518503
92-89	Probe	1932	513057
1991	Taurus (From 02/01/91)		513058
			Hub Repair Kit 520100
1991	Taurus (To 01/31/91)		513058
			Hub Repair Kit 520000
90-86	Taurus		513058
			Hub Repair Kit 520000
90-84	Escort, EXP, Tempo, Tempo AWD		513014
			Hub Repair Kit 518503
1983	All (From 02/01/83)		513014
			Hub Repair Kit 518503
1983	All (To 01/31/83)		
	(Inner)		A-31
	(Outer)		A-31
82-81	All		(Inner) A-31
			(Outer) A-31
REAR WHEEL			
09-08	Taurus		Hub Assembly 512299
09-08	Taurus AWD		Hub Assembly 512300
09-07	Fusion AWD		510010
09-06	Fusion (ABS)		Hub Assembly 512271
09-06	Fusion (Exc. ABS)		Hub Assembly 512272
09-00	Focus (ABS) (Sensor Seal) *	100944	516007
			Hub Repair Kit 521002
09-00	Focus (Exc. ABS)		516007
07-05	Five Hundred		Hub Assembly 512299
07-05	Five Hundred AWD		Hub Assembly 512300
07-01	Taurus (Drum Brakes) (ABS)		Hub Assembly 512163
07-01	Taurus (Drum Brakes) (Exc. ABS)		Hub Assembly 512164
07-93	Taurus (Disc Brakes)		Hub Assembly 512107
03-94	Escort, Escort ZX2 (Disc Brakes) (ABS)		Hub Assembly 512161
03-94	Escort, Escort ZX2 (Drum Brakes) (Exc. ABS)		
			Hub Assembly 513030
2000	Taurus (Drum Brakes) (ABS)		Hub Assembly 512162
2000	Taurus (Drum Brakes) (Exc. ABS)		Hub Assembly 512106
00-95	Contour		Hub Assembly 512024
99-90	Taurus (Drum Brakes)		Hub Assembly 512106
97-93	Probe (ABS)		Hub Assembly 512118
97-93	Probe (Exc. ABS)		Hub Assembly 512119
94-91	Tempo	473677	A-15
	(Inner)		A-15
	(Outer)		A-12
93-91	Escort		Hub Assembly 513030
92-90	Taurus (Disc Brakes)		Hub Assembly 512105
92-89	Probe	224235	513055
91-87	Tempo AWD		513001
90-84	Escort, EXP, Tempo		
	(Inner)	473677	A-15
	(Outer)		A-12

(Continued Next Column)

Year	Application	Seal	Bearing
REAR WHEEL (Cont.)			
89-86	Taurus	(Inner) 6815	A-6
		(Outer)	A-12
83-81	All	(Inner) 473677	A-15
		(Outer)	A-1
AXLE			
REAR AXLE			
AXLE SHAFT			
91-87	Tempo AWD	(2) 3543	BH-2212
		Redi-Sleeve (2) 99139	
DIFFERENTIAL			
91-87	Tempo AWD		(2)A-18
PINION			
91-87	Tempo AWD	(Inner)	M86649-M86610
		(Outer) 472258	M86647-M86610
		Redi-Sleeve 99139	
CLUTCH			
PILOT			
4 CYLINDER			
08-06	138/2.3L (DOHC)		FC-65354
2003	121/2.0L (DOHC)		FC-65354
02-98	121/2.0L, 121/2.0L (DOHC)		FC-65354
97-91	114/1.9L, 121/2.0L		FC-65354
97-89	1839cc/1.8L (DOHC), 1991cc/2.0L (DOHC), 2184cc/2.2L, 2184cc/2.2L (Turbo)		202-SS
6 CYLINDER			
08-06	181/3.0L (DOHC)		FC-65354
97-93	2497cc/2.5L (DOHC)		202-SS
92-90	183/3.0L		202-SS
RELEASE			
		Bearing Only	Bearing Assembly
4 CYLINDER			
2003	121/2.0L (DOHC)		Ⓢ 614155
02-98	121/2.0L, 121/2.0L (DOHC)		Ⓢ 614155
1997	121/2.0L		Ⓢ 614155
97-93	1991cc/2.0L (DOHC) (225mm Clutch)		Ⓢ 614155
96-91	114/1.9L		Ⓢ 614128
96-91	1839cc/1.8L (DOHC)		Ⓢ 614079
94-91	140/2.3L, 153/2.5L		Ⓢ 614060
		(Brg. & Sleeve Kit)	Ⓢ 614118
92-89	2184cc/2.2L (225mm Clutch)		Ⓢ 614067
92-89	2184cc/2.2L (Turbo) (240mm Clutch)		Ⓢ 614079
90-89	114/1.9L, 140/2.3L, 153/2.5L		Ⓢ 614060
		(Brg. & Sleeve Kit)	Ⓢ 614118
1988	114/1.9L, 140/2.3L, 153/2.5L (Centrifugal Cover)		Ⓢ 614060
		(Brg. & Sleeve Kit)	Ⓢ 614118
1988	114/1.9L, 140/2.3L, 153/2.5L (Non-Centrifugal Cover)		Ⓢ 614021
87-84	114/1.9L, 140/2.3L, 153/2.5L, 98/1.6L, 98/1.6L (Turbo), 1998cc/2.0L (Diesel)		Ⓢ 614021
1983	98/1.6L (RGT-AE-AH-AL & RWB Trans.)		Ⓢ 614021
6 CYLINDER			
97-93	2497cc/2.5L (DOHC) (225mm Clutch)		Ⓢ 614155
1995	2982cc/3.0L (DOHC)		Ⓢ 614060
		(Brg. & Sleeve Kit)	Ⓢ 614118

(Continued Next Page)

FRONT WHEEL DRIVE - FORD

(Cont.) (Contour, Escort, Escort ZX2, EXP, Five Hundred, Five Hundred AWD, Focus, Fusion, Fusion AWD, Probe, Taurus, Taurus AWD, Tempo & Tempo AWD)

Year	Application	Seal	Bearing	Year	Application	Seal	Bearing
CLUTCH				AUTOMATIC / 4 Speed (Cont.)			
RELEASE (Cont.)				TORQUE CONVERTER			
		<i>Bearing Only</i>	<i>Bearing Assembly</i>	09-00	4F27E	710539	
6 CYLINDER				07-86	4F50N, AXOD, AX4N, AX4S, AXOD-E	4189H	
94-92	183/3.0L, 2982cc/3.0L (DOHC).....		Ⓢ 614060	03-94	CD4E	Viton® 4635V	
		(Brg. & Sleeve Kit)Ⓢ	614118	02-91	4EAT-F	710446	
92-90	183/3.0L (240mm Clutch).....		Ⓢ 614079	97-89	4EAT-G, 4HAT-G, 4EAT-GF	710446	
91-89	2982cc/3.0L (DOHC).....		Ⓢ 614060	OUTPUT SHAFT			
		(Brg. & Sleeve Kit)Ⓢ	614118	09-00	4F27E	(2) 710540	
1988	183/3.0L (Centrifugal Cover).....		Ⓢ 614060	07-86	4F50N, AXOD, AX4N, AX4S, CD4E, AXOD-E	(2) 3622	
		(Brg. & Sleeve Kit)Ⓢ	614118			Redi-Sleeve (2) 99169	
1988	183/3.0L (Non-Centrifugal Cover).....		Ⓢ 614021	02-91	4EAT-F	(Left) 223543	
87-86	183/3.0L		Ⓢ 614021			Redi-Sleeve 99139	
DRIVESHAFT						(Right) 2007N	
CV JOINT HALF SHAFT						Redi-Sleeve 99139	
92-89	Probe	(Dust Seal) 710253		97-89	4EAT-G, 4HAT-G, 4EAT-GF	(Left) 223543	
		(Outer) 710223				Redi-Sleeve 99139	
TRANSFER CASE						(Right) 2007N	
FULL TIME / PART TIME						Redi-Sleeve 99139	
INPUT SHAFT				AUTOMATIC / 5 Speed			
91-87	Spicer (AWD).....		(2)A-2	OUTPUT SHAFT			
		(Pilot)	206	09-06	FNR5.....	(2) 2007N	
FRONT OUTPUT SHAFT						Redi-Sleeve (2) 99139	
91-87	Spicer (AWD).....	M86647-M86610		AUTOMATIC / 6 Speed			
REAR OUTPUT SHAFT				TORQUE CONVERTER			
91-87	Spicer (AWD).....	M86649-M86610		09-08	6F50	710561	
		(Pilot)	SCH-78	OUTPUT SHAFT			
TRANSAXLE				09-08	6F50	(Left) 710546	
AUTOMATIC / 3 Speed						(Right) 710583	
DIFFERENTIAL				MANUAL / 4 Speed			
94-84	ATX		(2)208	DIFFERENTIAL			
83-81	ATX		(2)A-35	90-84	MTX-II (2 Pinion).....		(2)A-35
TORQUE CONVERTER				90-84	MTX-II (4 Pinion).....		(2)A-37
94-81	ATX	Viton® 4539V		83-81	MTX-II		(2)A-35
		Redi-Sleeve 99235		INPUT SHAFT			
OUTPUT SHAFT				90-86	MTX-II	3638	
94-81	ATX	(2) 3622				Redi-Sleeve 99112	
		Redi-Sleeve (2) 99169		1985	MTX-II (1st Design).....		A-31
MANUAL SHAFT				1985	MTX-II (2nd Design).....	3638	
94-81	ATX	342517				Redi-Sleeve 99112	
		Redi-Sleeve 99101		84-81	MTX-II		A-31
AUTOMATIC / 4 Speed				OUTPUT SHAFT			
DIFFERENTIAL				90-81	MTX-II	(2) 3622	
07-86	4F50N, AXOD, AX4N, AX4S, AXOD-E.....		(2)208			Redi-Sleeve (2) 99169	
02-91	4EAT-F		(2)A-17	SHIFT SHAFT			
97-89	4EAT-G, 4EAT-GF		(2)32008	90-81	MTX-II		710274
92-89	4HAT-G		(2)32009-X	MANUAL / 5 Speed			
DIFFERENTIAL				DIFFERENTIAL			
07-86	4F50N, AXOD, AX4N, AX4S, AXOD-E.....		(2)208	04-00	IB5 (53.5mm OD)		A-16
02-91	4EAT-F		(2)A-17	03-91	Mazda G5M-R, G15M-R, G25M-R		(2)32008
97-89	4EAT-G, 4EAT-GF		(2)32008	02-91	Mazda F25M-R		(2)A-17
92-89	4HAT-G		(2)32009-X	95-86	MTX-IV		(2)A-37
				94-84	MTX-III (2 Pinion).....		(2)A-35

(Continued Next Page)

FORD - FRONT WHEEL DRIVE

(Contour, Escort, Escort ZX2, EXP, Five Hundred, Five Hundred AWD, Focus, Fusion, Fusion AWD, Probe, Taurus, Taurus AWD, Tempo & Tempo AWD) (Cont.)

Year	Application	Seal	Bearing	Year	Application	Seal	Bearing
TRANSAXLE				STEERING			
MANUAL / 5 Speed (Cont.)				POWER STEERING			
DIFFERENTIAL				STEERING GEAR INPUT SHAFT			
94-84	MTX-III (4 Pinion)		(2)A-37	1996	Escort	471645	FC-65753
92-89	Mazda H5M-R		(2)32009-X	95-87	Escort, EXP, Taurus, Tempo, Tempo AWD	471645	FC-65753
1990	Mazda G25M-R		(2)32008	1986	Taurus	471645	FC-65753
INPUT SHAFT				STEERING GEAR WORM SHAFT			
09-06	Mazda G35M-R (Inner)		513185	03-01	Escort ZX2, Focus		100-CC4
	(Outer)	1990	A-32	00-91	Contour, Escort, Escort ZX2		100-CC4
	Redi-Sleeve	99106		95-91	Taurus, Tempo, Tempo AWD		201-CC
03-01	Mazda G5M-R (Inner)		513185	90-81	Escort, EXP, Taurus, Tempo, Tempo AWD		201-CC
	(Outer)	1990	A-32	STEERING GEAR PITMAN SHAFT			
	Redi-Sleeve	99106		00-93	Contour, Tempo	710504	
00-91	Mazda G5M-R, H5M-R, G15M-R, G25M-R			96-91	Escort (1.9L Eng.)	710504	
	(Outer)	1990	A-32	92-84	Taurus, Tempo, Tempo AWD	710504	
	Redi-Sleeve	99106		STEERING PUMP SHAFT			
95-84	MTX-IV, MTX-III		3638	03-96	Taurus	8773S	
	Redi-Sleeve	99112		95-81	Escort, EXP, Taurus, Tempo, Tempo AWD	8773S	
90-89	Mazda H5M-R, G25M-R			AIR CONDITIONING			
	(Outer)	1990	A-32	COMPRESSOR			
	Redi-Sleeve	99106		CLUTCH PULLEY			
OUTPUT SHAFT				08-93	Ford FS-10		5106-WCC
09-06	Mazda G35M-R	(2) 2007N		96-91	Nippondenso 10P13		5000-KFF
	Redi-Sleeve (2)	99139		94-91	Sanden SD-708		5001-KFF
	(Left)		513185	94-88	Sanden SD-709		5001-KFF
03-91	Mazda G5M-R	(Left) 223543	513185	94-87	Nippondenso 10P15		5000-KFF
	Redi-Sleeve	99139		93-89	Ford FX-15		5106-WCC
	(Right)	2007N		91-83	Ford FS-6		5000-KFF
	Redi-Sleeve	99139		90-81	Nippondenso 6P148		5001-KFF
02-91	Mazda F25M-R	222430		87-84	Sanden SD-508		5001-KFF
	Redi-Sleeve	99098		85-82	York Mini 206		206-FF
	(Left)	223543		ELECTRICAL			
	Redi-Sleeve	99139		ALTERNATOR			
	(Right)	2007N		DRIVE END			
	Redi-Sleeve	99139		97-89	Mazda 70, 80 Amp		303-CC
95-84	MTX-IV, MTX-III	(2) 3622		1991	Mazda 65 Amp		303-CC
	Redi-Sleeve (2)	99169		91-81	Motorcraft		203-FF
92-89	Mazda H5M-R	(Left) 223543	30306	REAR END			
	Redi-Sleeve	99139		91-81	Motorcraft		MNJ-471-S
	(Right)	2007N	30306	ENGINE			
	Redi-Sleeve	99139		CAMSHAFT			
COUNTERSHAFT				4 CYLINDER			
02-91	Mazda F25M-R (Front)		32205	04-95	121/2.0L (DOHC)	(2) 710550	
95-84	MTX-IV, MTX-III		(2)A-16		Redi-Sleeve (2)	99169	
SHIFT SHAFT				03-81	114/1.9L, 121/2.0L, 98/1.6L, 98/1.6L (Turbo)	3774	
03-91	Mazda G5M-R, H5M-R, G15M-R				Redi-Sleeve	99169	
		221620		(Continued Next Page)			
94-84	MTX-III		710274				
90-89	Mazda H5M-R		221620				

FRONT WHEEL DRIVE - FORD

(Cont.) (Contour, Escort, Escort ZX2, EXP, Five Hundred, Five Hundred AWD, Focus, Fusion, Fusion AWD, Probe, Taurus, Taurus AWD, Tempo & Tempo AWD)

Year	Application	Seal	Bearing	Year	Application	Seal	Bearing
ENGINE				CRANKSHAFT (Cont.)			
CAMSHAFT (Cont.)				6 CYLINDER			
4 CYLINDER				95-89 2982cc/3.0L (DOHC), 3152cc/3.2L (DOHC)..... * 710219			
97-91 1839cc/1.8L (DOHC), 1991cc/2.0L (DOHC)..... (2) 223420				Redi-Sleeve 99351			
Redi-Sleeve (2) 99134				TIMING COVER			
92-89 2184cc/2.2L, 2184cc/2.2L (Turbo)..... 223420				4 CYLINDER			
Redi-Sleeve 99134				04-95 121/2.0L (DOHC)..... 713771			
87-84 1998cc/2.0L (Diesel)..... 223420				Redi-Sleeve 99139			
Redi-Sleeve 99134				04-81 114/1.9L, 121/2.0L, 98/1.6L, 98/1.6L (Turbo)..... 3771			
6 CYLINDER				Redi-Sleeve 99139			
97-93 2497cc/2.5L (DOHC)..... (2) 223012				97-93 1991cc/2.0L (DOHC)..... Viton® 2012V			
Redi-Sleeve (2) 99114				Redi-Sleeve 99166			
95-89 2982cc/3.0L (DOHC), 3152cc/3.2L (DOHC)..... (4) 1213N				96-92 1839cc/1.8L (DOHC)..... 710355			
Redi-Sleeve (4) 99157				Redi-Sleeve 99145			
8 CYLINDER				94-84 140/2.3L, 153/2.5L			
99-96 3391cc/3.4L (DOHC)..... (2) 710444				Redi-Sleeve 99177			
Redi-Sleeve (2) 99157				92-89 2184cc/2.2L, 2184cc/2.2L (Turbo)..... 223420			
CRANKSHAFT				Redi-Sleeve 99134			
4 CYLINDER				1991 1839cc/1.8L (DOHC) (From 02/01/91) 710355			
09-03 122/2.0L (DOHC), 138/2.3L (DOHC)..... 710600				Redi-Sleeve 99145			
04-81 114/1.9L, 121/2.0L, 140/2.3L, 153/2.5L, 121/2.0L (DOHC), 98/1.6L, 98/1.6L (Turbo)..... 3772				1991 1839cc/1.8L (DOHC) (To 01/31/91) 223012			
(Gskt. & PTFE Seal) 5287A				Redi-Sleeve 99114			
PTFE Rubber 5287				87-84 1998cc/2.0L (Diesel)..... 223012			
97-93 1991cc/2.0L (DOHC)..... 229004				Redi-Sleeve 99114			
Redi-Sleeve 99347				6 CYLINDER			
96-91 1839cc/1.8L (DOHC)..... 228250				09-95 155/2.5L (DOHC), 181/3.0L (DOHC), 213.3/3.5L (DOHC)... 482041N			
92-89 2184cc/2.2L, 2184cc/2.2L (Turbo)..... 229010				Redi-Sleeve 99187			
Redi-Sleeve 99354				Harmonic Bal Sleeve 88187			
87-84 1998cc/2.0L (Diesel)..... 229010				07-96 183/3.0L 2692			
Redi-Sleeve 99354				07-94 183/3.0L Harmonic Bal Sleeve 88187			
6 CYLINDER				Harmonic Bal Kit <input type="checkbox"/> 5001			
09-88 155/2.5L (DOHC), 181/3.0L (DOHC), 232/3.8L 3909				07-86 183/3.0L Redi-Sleeve 99187			
PTFE Rubber 5277				97-93 2497cc/2.5L (DOHC)..... Viton® 2012V			
Redi-Sleeve 99363				Redi-Sleeve 99166			
07-86 183/3.0L 3772				95-94 232/3.8L 712692			
(Gskt. & PTFE Seal) 5287A				Redi-Sleeve 99187			
PTFE Rubber 5287				Harmonic Bal Sleeve 88187			
97-93 2497cc/2.5L (DOHC)..... 1019				95-89 2982cc/3.0L (DOHC), 3152cc/3.2L (DOHC)..... 710220			
Redi-Sleeve 99298				93-88 232/3.8L 2692			
(Continued Next Column)				Redi-Sleeve 99187			
				93-86 183/3.0L, 232/3.8L			
				Harmonic Bal Sleeve 88187			
				Harmonic Bal Kit <input type="checkbox"/> 5001			
				8 CYLINDER			
				99-96 3391cc/3.4L (DOHC)..... 482041N			
				Redi-Sleeve 99187			
				Harmonic Bal Sleeve 88187			

() Indicates Quantity Required * Not a Current Production Number, Check for Availability Refer To Front Of Catalog For Kit Contents

FORD FULL SIZE - REAR WHEEL DRIVE

(Crown Victoria, LTD & LTD Crown Victoria)

Year	Application	Seal	Bearing
WHEEL			
FRONT WHEEL			
09-06	All.....	Hub Assembly	513230
2005	All (From 02/24/05).....	Hub Assembly	513230
2005	All (To 02/23/05).....	Hub Assembly	513196
04-03	All.....	Hub Assembly	513196
02-98	All.....	Hub Assembly	513202
1997	All (From 04/01/97).....	Hub Assembly	513202
1997	All (To 03/31/97).....	Hub Assembly	513104
96-92	All.....	Hub Assembly	513104
91-80	All..... (Inner).....	6815	A-18
	(Outer).....		A-12
REAR WHEEL			
09-80	All.....	8660S	5707
		(Axle Repair Brg.)	RP-5707
AXLE			
REAR AXLE			
DIFFERENTIAL KIT			
09-92	7.5" R.G.	<input checked="" type="checkbox"/> RA-315	
09-82	8.8" R.G.	(Master Kit) RA-311MK	
09-80	8.5" R.G., 8.8" R.G.	<input checked="" type="checkbox"/> RA-311	
82-80	7.5" R.G.	<input checked="" type="checkbox"/> RA-315	
DIFFERENTIAL			
09-92	7.5" R.G.	(2)LM501349-LM501314	
09-80	8.5" R.G., 8.8" R.G.	(2)A-36	
82-80	7.5" R.G.	(2)LM501349-LM501314	
PINION			
09-80	7.5" R.G., 8.5" R.G., 8.8" R.G.		
	(Inner).....	M802048-M802011	
	(Outer).....	3604	M88048-M88010
	Redi-Sleeve	99181	
TRANSMISSION			
AUTOMATIC / 3 Speed			
FRONT PUMP			
82-80	C4, C6.....	331107N	
	Redi-Sleeve	99199	
EXTENSION HOUSING			
82-80	C4.....	7692S	
	(Seal & Bushing Kit)	5202	
1980	C6.....	7300S	
	(Seal & Bushing Kit)	5203	
MANUAL SHAFT			
82-80	C4.....	240816	
	Redi-Sleeve	99076	
1980	C6.....	7929S	
AUTOMATIC / 4 Speed			
FRONT PUMP			
09-92	4R70E, 4R70W, 4R75E, AOD-E, AOD-EW.....	3404	
91-81	AOD.....	331107N	
	Redi-Sleeve	99199	

Year	Application	Seal	Bearing
AUTOMATIC / 4 Speed (Cont.)			
EXTENSION HOUSING			
09-04	4R70E, 4R70W, 4R75E (Booted).....	4765	
09-04	4R70E, 4R70W, 4R75E (Non-Booted).....	4764	
03-95	AOD-EW.....	4764	
94-92	AOD-E.....	7692S	
	(Seal & Bushing Kit)	5202	
91-81	AOD (Booted).....	7692S	
	(Seal & Bushing Kit)	5202	
91-81	AOD (Non-Booted).....	2194	
MANUAL SHAFT			
09-81	AOD, 4R70E, 4R70W, 4R75E, AOD-E, AOD-EW.....	7929S	
STEERING			
POWER STEERING			
STEERING GEAR INPUT SHAFT			
94-80	All.....	471645	FC-65753
STEERING GEAR WORM SHAFT			
01-80	All.....		201-CC
STEERING PUMP SHAFT			
01-80	All.....	8773S	
AIR CONDITIONING			
COMPRESSOR			
CLUTCH PULLEY			
09-93	Ford FS-10.....		5106-WCC
96-87	Nippondenso 6E171.....		5000-KFF
93-91	Ford FX-15.....		5106-WCC
90-83	Ford FS-6.....		5000-KFF
83-80	Tecumseh & York.....		5106-WCC
1980	Harrison A-6.....		907257
REAR			
83-80	Tecumseh & York.....		203
ELECTRICAL			
ALTERNATOR			
DRIVE END			
91-80	Motorcraft.....		203-FF
REAR END			
91-80	Motorcraft.....		MNJ-471-S
ENGINE			
CRANKSHAFT			
8 CYLINDER			
09-84	281/4.6L, 281/4.6L, 302/5.0L.....	3909	
		PTFE Rubber	5277
		Redi-Sleeve	99363
91-84	351/5.8L(W).....	2377	
		PTFE	5278
		Redi-Sleeve	99372
		(Continued Next Page)	

REAR WHEEL DRIVE - FORD FULL SIZE

(Cont.) (Crown Victoria, LTD & LTD Crown Victoria)

Year	Application	Seal	Bearing	Year	Application	Seal	Bearing
ENGINE				CRANKSHAFT (Cont.)			
CRANKSHAFT (Cont.)				8 CYLINDER			
1983	302/5.0L (From 12/01/82)	3909		82-80	351/5.8L(W)..... (Rope Type)	5095	
		PTFE Rubber 5277				(Split Seal) 5117	
		Redi-Sleeve 99363		82-80	255/4.2L, 302/5.0L		
						(Rope Type) 5095	
1983	302/5.0L (To 11/30/82)					(Split Seal) 5108	
				TIMING COVER			
				8 CYLINDER			
1983	351/5.8L(W) (From 07/11/83)	2377		09-92	281/4.6L, 281/4.6L	482041N	
		PTFE 5278				Redi-Sleeve 99187	
		Redi-Sleeve 99372				Harmonic Bal Sleeve 88187	
1983	351/5.8L(W) (To 07/10/83)			91-80	255/4.2L, 302/5.0L, 351/5.8L(W)	2692	
						Redi-Sleeve 99187	
						Harmonic Bal Sleeve 88187	
						Harmonic Bal Kit ☒ 5001	
(Continued Next Column)							

(LTD) REAR WHEEL DRIVE - FORD MID SIZE

WHEEL				AUTOMATIC / 3 Speed (Cont.)			
FRONT WHEEL				EXTENSION HOUSING			
86-83	All..... (Inner)	6815	A-17	86-83	C3.....	2655	
	(Outer)		A-12	86-83	C5.....	7692S	
						(Seal & Bushing Kit) 5202	
REAR WHEEL				MANUAL SHAFT			
86-83	All.....	8660S	5707	86-83	C3.....	7929S	
			RP-5707	86-83	C5.....	240816	
						Redi-Sleeve 99076	
AXLE				AUTOMATIC / 4 Speed			
REAR AXLE				FRONT PUMP			
DIFFERENTIAL KIT				86-83	AOD.....	331107N	
86-83	8.8" R.G.		(Master Kit) RA-311MK			Redi-Sleeve 99199	
86-83	8.5" R.G., 8.8" R.G.		☒ RA-311	EXTENSION HOUSING			
DIFFERENTIAL				86-83	AOD (Booted).....	7692S	
86-83	8.5" R.G., 8.8" R.G.		(2)A-36			(Seal & Bushing Kit) 5202	
PINION				86-83	AOD (Non-Booted).....	2194	
86-83	8.5" R.G., 8.8" R.G.			MANUAL SHAFT			
				86-83	AOD.....	7929S	
				MANUAL / 4 Speed			
				DRIVESHAFT / INPUT			
				86-83	Type E (German Design).....	2503N	
						Redi-Sleeve 99111	
				MAINSHAFT / OUTPUT			
				86-83	Type E (German Design).....	2443	* 108-A
				COUNTERSHAFT			
				86-83	Type E (German Design)		
					(Front)		(21)C-407-Q
					(Rear)		(21)B-1316-Q
CLUTCH				STEERING			
PILOT				POWER STEERING			
4 CYLINDER				STEERING GEAR INPUT SHAFT			
86-83	140/2.3L		FC-65354	86-83	All.....	471645	FC-65753
TRANSMISSION							
AUTOMATIC / 3 Speed							
FRONT PUMP							
86-83	C3.....	Viton® 2658V					
86-83	C5.....	331107N					
		Redi-Sleeve 99199					

() Indicates Quantity Required * Not a Current Production Number, Check for Availability ☒ Refer To Front Of Catalog For Kit Contents

FORD MID SIZE - REAR WHEEL DRIVE (LTD) (Cont.)

Year	Application	Seal	Bearing	Year	Application	Seal	Bearing
STEERING				CRANKSHAFT			
POWER STEERING (Cont.)				4 CYLINDER			
STEERING GEAR WORM SHAFT				86-83 140/2.3L, 140/2.3L (LPG)..... 3909			
86-83	All.....		201-CC	PTFE Rubber 5277			
STEERING PUMP SHAFT				Redi-Sleeve 99363			
86-83	All.....	8773S		6 CYLINDER			
AIR CONDITIONING				86-84 232/3.8L 3909			
COMPRESSOR				PTFE Rubber 5277			
CLUTCH PULLEY				Redi-Sleeve 99363			
86-83	Ford FS-6.....		5000-KFF	1983 200/3.3L (Rope Type) 5095			
86-83	Nippondenso 6P148.....		5001-KFF	(Split Seal) 5116			
86-83	Tecumseh HR-980.....		5000-KFF	1983 232/3.8L (From 01/01/83)..... 3909			
84-83	Tecumseh & York.....		5106-WCC	PTFE Rubber 5277			
REAR				Redi-Sleeve 99363			
84-83	Tecumseh & York.....		203	1983 232/3.8L (To 12/31/82)			
ELECTRICAL				(Rope Type) 5095			
ALTERNATOR				(Split Seal) 5108			
DRIVE END				8 CYLINDER			
86-83	Motorcraft.....		203-FF	85-84 302/5.0L 3909			
REAR END				PTFE Rubber 5277			
86-83	Motorcraft.....		MNJ-471-S	Redi-Sleeve 99363			
ENGINE				TIMING COVER			
AUXILIARY SHAFT				4 CYLINDER			
4 CYLINDER				86-83 140/2.3L, 140/2.3L (LPG)..... 2955			
CAMSHAFT				6 CYLINDER			
4 CYLINDER				86-83 232/3.8L 2692			
86-83	140/2.3L, 140/2.3L (LPG).....		2955	Redi-Sleeve 99187			
				Harmonic Bal Sleeve 88187			
				Harmonic Bal Kit <input checked="" type="checkbox"/> 5001			
				1983 200/3.3L 7486S			
				Redi-Sleeve 99174			
				8 CYLINDER			
				85-84 302/5.0L 2692			
				Redi-Sleeve 99187			
				Harmonic Bal Sleeve 88187			
				Harmonic Bal Kit <input checked="" type="checkbox"/> 5001			

FORD COMPACT/SUBCOMPACT - REAR WHEEL DRIVE (Fairmont, Granada & Pinto)

WHEEL				REAR WHEEL (Cont.)			
FRONT WHEEL				1980 Granada (8" R.G.) (9" R.G.)..... 9569S RW-207-CCRA			
83-81	All.....	(Inner) 6815	A-17	1980 Pinto..... 3214 RW-207-CCRA			
				1980 Fairmont, Granada (7.5" R.G.)..... 8660S 5707			
1980	Fairmont.....	(Inner) 6815	A-17	(Axle Repair Brg.) RP-5707			
				AXLE			
1980	Granada, Pinto	(Outer) 6815	A-12	REAR AXLE			
				DIFFERENTIAL KIT			
				83-80 7.5" R.G. <input checked="" type="checkbox"/> RA-315			
				1980 9" R.G. <input checked="" type="checkbox"/> RA-313			
				(Master Kit) RA-313MK			
				1980 8" R.G. <input checked="" type="checkbox"/> RA-310			
REAR WHEEL							
83-80	Fairmont (6.75" R.G.).....	3214	RW-207-CCRA				
82-81	Fairmont (7.5" R.G.).....	8660S	5707				
				(Axle Repair Brg.) RP-5707			
82-81	Granada.....	8660S	5707				
				(Axle Repair Brg.) RP-5707			
				(Continued Next Column)			

REAR WHEEL DRIVE - FORD COMPACT/SUBCOMPACT

(Cont.) (Fairmont, Granada & Pinto)

Year	Application	Seal	Bearing
AXLE			
REAR AXLE (Cont.)			
DIFFERENTIAL			
83-80	6.75" R.G., 7.5" R.G.	(2)LM501349-LM501314	
1980	9" R.G.	(2)LM102949-LM102910	
1980	8" R.G.	(2)A-35	
PINION			
83-80	7.5" R.G.	(Inner) M802048-M802011 (Outer) 3604 M88048-M88010 Redi-Sleeve 99181	
82-80	6.75" R.G.	(Inner) HM88648-HM88610 (Outer) 3618 M86649-M86610 Redi-Sleeve 99181	
1980	9" R.G.	7044NA (2)M88048-M88010 Redi-Sleeve 99181 (Pilot) R-1535-TAV	
1980	8" R.G.	3618 (2)M86649-M86610 Redi-Sleeve 99181 (Pilot) R-1558-TAV	
CLUTCH			
PILOT			
4 CYLINDER			
83-80	140/2.3L, 140/2.3L (Turbo)		FC-65354
6 CYLINDER			
81-80	200/3.3L, 250/4.1L		FC-65174
RELEASE			
		Bearing Only	Bearing Assembly
6 CYLINDER			
81-80	200/3.3L, 250/4.1L		Ⓢ614014
TRANSMISSION			
AUTOMATIC / 3 Speed			
FRONT PUMP			
83-80	C3	Viton® 2658V	
83-80	C4, C5	331107N Redi-Sleeve 99199	
1980	Jatco 3N71B	2025 Redi-Sleeve 99166	
EXTENSION HOUSING			
83-80	C3	2655	
83-80	C4, C5	7692S (Seal & Bushing Kit) 5202	
1980	Jatco 3N71B	7692S (Seal & Bushing Kit) 5202	
MANUAL SHAFT			
83-80	C3	7929S	
83-80	C4, C5	240816 Redi-Sleeve 99076	
MANUAL / 4 Speed			
DRIVESHAFT / INPUT			
83-80	Tremec 171	3638 Redi-Sleeve 99112	308-L4
83-80	Type E (German Design)	2503N Redi-Sleeve 99111	

Year	Application	Seal	Bearing
MANUAL / 4 Speed (Cont.)			
MAINSHAFT / OUTPUT			
83-80	Tremec 171	7692S (Seal & Bushing Kit) 5202	308-L4
83-80	Type E (German Design)	2443	* 108-A
MAINSHAFT PILOT			
83-80	Tremec 171		(15)QBR-23549
COUNTERSHAFT			
83-80	Tremec 171		(42)QAR-33724
83-80	Type E (German Design)	(Front) (21)C-407-Q (Rear) (21)B-1316-Q	
REVERSE IDLER			
83-80	Tremec 171		(44)C-407-Q
SHIFT SHAFT			
83-80	Tremec 171	313156	
STEERING			
MANUAL STEERING			
STEERING GEAR SECTOR SHAFT			
1980	Fairmont, Granada (Saginaw Design)	340151	B-1816
POWER STEERING			
STEERING GEAR INPUT SHAFT			
83-80	All (Ford Design)	471645	FC-65753
STEERING GEAR WORM SHAFT			
83-80	Fairmont, Granada (Ford Design)		201-CC
82-80	All (TRW Design)	240733	
1980	Pinto (Ford Design)		201-CC
		(Thrust)	NTA-1423
STEERING PUMP SHAFT			
83-80	All (Ford Pump)	8773S	
AIR CONDITIONING			
COMPRESSOR			
CLUTCH PULLEY			
1983	Tecumseh HR-980		5000-KFF
83-82	Ford FS-6		5000-KFF
83-81	Nippondenso 6P148		5001-KFF
83-80	Tecumseh & York		5106-WCC
1980	Harrison A-6		907257
REAR			
83-80	Tecumseh & York		203
ELECTRICAL			
ALTERNATOR			
DRIVE END			
83-80	Motorcraft		203-FF
REAR END			
83-80	Motorcraft		MNJ-471-S

() Indicates Quantity Required * Not a Current Production Number, Check for Availability Ⓢ Sealed Self-Aligning Bearing

FORD COMPACT/SUBCOMPACT - REAR WHEEL DRIVE

(Fairmont, Granada & Pinto) (Cont.)

Year	Application	Seal	Bearing	Year	Application	Seal	Bearing
ENGINE				CRANKSHAFT (Cont.)			
AUXILIARY SHAFT				6 CYLINDER			
4 CYLINDER				1982 232/3.8L (Rope Type) 5095 (Split Seal) 5108			
83-80	140/2.3L, 140/2.3L (LPG), 140/2.3L (Turbo).....	2955		1980 250/4.1L (Rope Type) 5095 (Split Seal) 5108			
CAMSHAFT				8 CYLINDER			
4 CYLINDER				82-80 255/4.2L, 302/5.0L (Rope Type) 5095 (Split Seal) 5108			
83-80	140/2.3L, 140/2.3L (LPG), 140/2.3L (Turbo).....	2955		TIMING COVER			
CRANKSHAFT				4 CYLINDER			
4 CYLINDER				83-80 140/2.3L, 140/2.3L (LPG), 140/2.3L (Turbo)..... 2955			
1983	140/2.3L PTFE Rubber 5277 Redi-Sleeve 99363	3909		6 CYLINDER			
				83-80 200/3.3L 7486S Redi-Sleeve 99174			
1982	140/2.3L, 140/2.3L (LPG) (From 09/29/81).....	3909		1982 232/3.8L 2692 Redi-Sleeve 99187			
				Harmonic Bal Sleeve 88187			
1982	140/2.3L, 140/2.3L (LPG) (To 09/28/81).....	(Split Seal) 5108		Harmonic Bal Kit ☒ 5001			
81-80	140/2.3L (Split Seal) 5108			1980 250/4.1L 2942 Redi-Sleeve 99187			
1980	140/2.3L (Turbo)..... (Rope Type) 5095			Harmonic Bal Sleeve 88187			
				Harmonic Bal Kit ☒ 5001			
				8 CYLINDER			
83-80	200/3.3L (Rope Type) 5095			82-80 255/4.2L, 302/5.0L 2692 Redi-Sleeve 99187			
				Harmonic Bal Sleeve 88187			
				Harmonic Bal Kit ☒ 5001			
				(Continued Next Column)			

FORD MUSTANG (Includes Cobra, GT & SVO)

WHEEL				REAR WHEEL (Cont.)			
FRONT WHEEL				04-98 All (Exc. Cobra)..... 8660S 5707 (Axle Repair Brg.) RP-5707			
09-05	All (ABS).....	Hub Assembly 513221		1998 All (Cobra)..... 8660S 513058			
09-05	All (Exc. ABS).....	Hub Assembly 513222		98-84 All..... 8660S 5707 (Axle Repair Brg.) RP-5707			
04-94	All.....	Hub Assembly 513115		83-80 All (6.75" R.G.)..... 3214 RW-207-CCRA			
93-87	All (2.3L Eng.)			83-80 All (7.5" R.G.) (8.8" R.G.)..... 8660S 5707 (Axle Repair Brg.) RP-5707			
				AXLE			
93-84	All (5.0L Eng.)			REAR AXLE			
				AXLE SHAFT			
				09-01 Visteon IRS-7.5" R.G. (2) 714569 (2) FC-66998 Redi-Sleeve (2) 99157			
				09-01 Visteon IRS-8.8" R.G. (2) 100537 (2) FC-66998 Redi-Sleeve (2) 99157			
				00-99 IRS-8.8" R.G. (2) 100357 (2) FC-66998 Redi-Sleeve (2) 99157			
				DIFFERENTIAL KIT			
				09-01 Visteon IRS-7.5" R.G. ☒ RA-315			
				98-86 8.8" R.G. ☒ RA-311 (Master Kit) RA-311MK			
				98-80 7.5" R.G. ☒ RA-315			
REAR WHEEL							
09-05	All.....	8835S 6408 (Axle Repair Brg.) RP-6408					
04-99	All (Cobra).....	513058					
				(Continued Next Column)			

(Cont.) (Includes Cobra, GT & SVO) **FORD MUSTANG**

Year	Application	Seal	Bearing
------	-------------	------	---------

AXLE

REAR AXLE (Cont.)

DIFFERENTIAL

09-01	Visteon IRS-7.5" R.G.	(2)	LM501349-LM501314
98-86	8.8" R.G.	(2)	A-36
98-80	6.75" R.G., 7.5" R.G.	(2)	LM501349-LM501314

PINION

09-01	Visteon IRS-8.8" R.G.		
	(Outer)	3604	M88048-M88010
		Redi-Sleeve 99181	
09-80	Visteon IRS-7.5" R.G., IRS-8.8" R.G., 7.5" R.G., 8.8" R.G.		
	(Inner)		M802048-M802011
	(Outer)	3604	M88048-M88010
		Redi-Sleeve 99181	
82-80	6.75" R.G.		
	(Inner)		HM88648-HM88610
	(Outer)	3618	M86649-M86610
		Redi-Sleeve 99181	

CLUTCH

PILOT

4 CYLINDER

93-80	140/2.3L, 140/2.3L (Turbo)		FC-65354
-------	----------------------------	--	----------

6 CYLINDER

09-05	244/4.0L		F-33126
04-96	232/3.8L, 238/3.9L		FC-68329
95-94	232/3.8L		FC-65174
82-80	200/3.3L		FC-65174

8 CYLINDER

09-96	281/4.6L, 281/4.6L (DOHC), 281/4.6L, 281/4.6L (DOHC), 330/5.4L (DOHC), 330/5.4L (DOHC)		FC-68329
95-82	302/5.0L, 351/5.8L(W)		FC-65174

RELEASE

Bearing Only	Bearing Assembly
--------------	------------------

4 CYLINDER

93-87	140/2.3L	⊗	614014
86-83	140/2.3L (Turbo)	⊗	614014
86-80	140/2.3L (Exc. German 4 Spd.)	⊗	614014
1980	140/2.3L (Turbo)	⊗	614014

6 CYLINDER

03-94	232/3.8L	⊗	614014
82-80	200/3.3L	⊗	614014

8 CYLINDER

03-96	281/4.6L, 281/4.6L (DOHC), 281/4.6L (DOHC)	⊗	614014
95-82	302/5.0L, 351/5.8L(W)	⊗	614014

TRANSMISSION

AUTOMATIC / 3 Speed

FRONT PUMP

86-80	C3	Viton®	2658V
86-80	C4, C5		331107N
		Redi-Sleeve	99199

EXTENSION HOUSING

86-80	C3		2655
86-80	C4, C5		7692S
		(Seal & Bushing Kit)	5202

Year	Application	Seal	Bearing
------	-------------	------	---------

AUTOMATIC / 3 Speed (Cont.)

MANUAL SHAFT

86-80	C3		7929S
86-80	C4, C5		240816
		Redi-Sleeve	99076

AUTOMATIC / 4 Speed

FRONT PUMP

04-92	4R70W, AOD-E, AOD-EW		3404
93-85	A4LD	Viton®	2658V
93-83	AOD		331107N
		Redi-Sleeve	99199

EXTENSION HOUSING

2004	4R70W (Booted)		4765
2004	4R70W (Non-Booted)		4764
03-96	AOD-EW		4764
03-92	AOD-E		7692S
		(Seal & Bushing Kit)	5202
93-85	A4LD		2655
93-83	AOD (Booted)		7692S
		(Seal & Bushing Kit)	5202
93-83	AOD (Non-Booted)		2194

MANUAL SHAFT

04-83	AOD, 4R70W, A4LD, AOD-E, AOD-EW		7929S
-------	---------------------------------	--	-------

AUTOMATIC / 5 Speed

FRONT PUMP

09-05	5R55S		710535
-------	-------	--	--------

EXTENSION HOUSING

09-05	5R55S		710541
-------	-------	--	--------

MANUAL SHAFT

09-05	5R55S		7929S
-------	-------	--	-------

MANUAL / 4 Speed

DRIVESHAFT / INPUT

86-80	Type E (German Design)		2503N
		Redi-Sleeve	99111
83-80	Tremec 174		3638
		Redi-Sleeve	99112
82-80	Borg-Warner SR4		3638
		Redi-Sleeve	99112
82-80	Tremec 171		3638
		Redi-Sleeve	99112

MAINSHAFT / OUTPUT

86-80	Type E (German Design)		2443
			* 108-A
83-80	Tremec 174		7692S
		(Seal & Bushing Kit)	5202
82-80	Borg-Warner SR4		3116N
			207-L
82-80	Tremec 171		7692S
		(Seal & Bushing Kit)	5202

MAINSHAFT PILOT

83-80	Tremec 171, 174	(15)	QBR-23549
82-80	Borg-Warner SR4	(15)	QBR-23549

COUNTERSHAFT

86-80	Type E (German Design)		
	(Front)		(21)C-407-Q
	(Rear)		(21)B-1316-Q
83-80	Tremec 171, 174	(42)	QAR-33724
82-80	Borg-Warner SR4	(50)	C-1086-Q

() Indicates Quantity Required * Not a Current Production Number, Check for Availability ⊗ Sealed Self-Aligning Bearing

FORD MUSTANG (Includes Cobra, GT & SVO) (Cont.)

Year	Application	Seal	Bearing
TRANSMISSION			
MANUAL / 4 Speed (Cont.)			
REVERSE IDLER			
83-80	Tremec 171, 174		(44)C-407-Q
SHIFT SHAFT			
83-80	Tremec 171, 174	313156	
MANUAL / 5 Speed			
DRIVESHAFT / INPUT			
09-05	Tremec 3150	710431	A-5
09-01	Tremec 3650		M88048-M88010
04-98	Tremec T45	7412S	M88048-M88010
	Redi-Sleeve	99125	
04-98	Tremec T5WC	7412S	A-5
	Redi-Sleeve	99125	
	(Thrust)		FA-55505
97-96	Borg-Warner T45	7412S	M88048-M88010
	Redi-Sleeve	99125	
97-94	Borg-Warner T5WC	7412S	A-5
	Redi-Sleeve	99125	
	(Thrust)		FA-55505
96-80	Tremec 3550	3638	
	Redi-Sleeve	99112	
93-87	Borg-Warner T5WC (L4 Eng.)	7412S	M88048-M88010
	Redi-Sleeve	99125	
	(Thrust)		FA-55505
93-87	Borg-Warner T5WC (V6 Eng.) (V8 Eng.)	7412S	A-5
	Redi-Sleeve	99125	
	(Thrust)		FA-55505
86-83	Borg-Warner T5, T5WC	7412S	A-5
	Redi-Sleeve	99125	
	(Thrust)		FA-55505
83-80	Tremec 140, 141	482163N	A-5
	Redi-Sleeve	99138	
MAINSHAFT / OUTPUT			
09-05	Tremec 3150		25877-25821
09-01	Tremec 3650	710298	
04-98	Tremec T45	710431	25572-25520
04-98	Tremec T5WC	710426	25877-25821
97-96	Borg-Warner T45	710431	25572-25520
97-94	Borg-Warner T5WC	710426	25877-25821
96-80	Tremec 3550	7692S	
	(Seal & Bushing Kit)	5202	
	(Thrust)		FA-35688
93-83	Borg-Warner T5, T5WC	7692S	25877-25821
	(Seal & Bushing Kit)	5202	
83-80	Tremec 140, 141	222820	A-5
MAINSHAFT PILOT			
09-98	Tremec T5WC, 3150		(15)QBR-23549
04-98	Tremec T45		A-1
97-96	Borg-Warner T45		A-1
97-96	Borg-Warner T5WC		(15)QBR-23549
96-80	Tremec 3550		(17)QBR-23549
95-94	Borg-Warner T5WC (V8 Eng.)		A-1
95-93	Borg-Warner T5WC (L4 Eng.)		(15)QBR-23549
1993	Borg-Warner T5WC (V6 Eng.)		A-1
92-83	Borg-Warner T5, T5WC		(15)QBR-23549
83-80	Tremec 140, 141		(15)QBR-23549
MAINSHAFT 1ST SPEED GEAR			
04-98	Tremec T5WC		F-218255
97-85	Borg-Warner T5WC		F-218255

Year	Application	Seal	Bearing
MANUAL / 5 Speed (Cont.)			
MAINSHAFT 2ND SPEED GEAR			
09-98	Tremec T5WC, 3150		F-93934
97-85	Borg-Warner T5WC		F-93934
COUNTERSHAFT			
09-05	Tremec 3150		(Rear) A-6
04-98	Tremec T45		(Center) A-6
			(Front) A-6
04-98	Tremec T5WC		(Rear) A-6
			(Thrust) NTA-1423
97-96	Borg-Warner T45		(Center) A-6
			(Front) A-6
97-85	Borg-Warner T5WC		(Rear) A-6
			(Thrust) NTA-1423
96-80	Tremec 3550		(Front) 1380-1328
			(Rear) 1380-1328
84-83	Borg-Warner T5		(Front) DK-55836
			(Rear) 5707
			(Thrust) NTA-1423
83-80	Tremec 140, 141		(Front) A-2
			(Rear) A-6
REVERSE IDLER			
04-98	Tremec T45		207
97-96	Borg-Warner T45		207
96-80	Tremec 3550		(44)C-407-Q
SHIFT SHAFT			
83-80	Tremec 140, 141	314267N	
	Redi-Sleeve	99062	
MANUAL / 6 Speed			
DRIVESHAFT / INPUT			
04-03	Tremec T56	7412S	M88048-M88010
	Redi-Sleeve	99125	
MAINSHAFT / OUTPUT			
09-07	Tremec 6060	710298	
04-03	Tremec T56	710426	A-16
COUNTERSHAFT			
04-03	Tremec T56		(Front) A-5
			(Rear) 32008
STEERING			
POWER STEERING			
STEERING GEAR INPUT SHAFT			
97-95	All (Ford Design)		FC-65753
1994	All (Ford Design)	471645	FC-65753
93-83	All	471645	
82-80	All (Ford Design)	471645	
STEERING GEAR WORM SHAFT			
02-85	All		201-CC
84-83	All		201-CC
			(Thrust) NTA-1423
82-80	All (Ford Design)		201-CC
			(Thrust) NTA-1423
82-80	All (TRW Design)	240733	
STEERING PUMP SHAFT			
02-83	All	8773S	
82-80	All (Ford Pump)	8773S	

(Cont.) (Includes Cobra, GT & SVO) **FORD MUSTANG**

Year	Application	Seal	Bearing
AIR CONDITIONING			
COMPRESSOR			
CLUTCH PULLEY			
09-93	Ford FS-10.....		5106-WCC
93-87	Sanden SD-709.....		5001-KFF
93-82	Nippondenso 6P148.....		5001-KFF
93-81	Ford FX-15.....		5106-WCC
91-90	Nippondenso 10P15.....		5000-KFF
90-83	Ford FS-6.....		5000-KFF
86-83	Tecumseh HR-980.....		5000-KFF
83-80	Tecumseh & York.....		5106-WCC
1980	Harrison A-6.....		907257
REAR			
83-80	Tecumseh & York.....		203
ELECTRICAL			
ALTERNATOR			
DRIVE END			
93-80	Motorcraft.....		203-FF
REAR END			
93-80	Motorcraft.....		MNJ-471-S
ENGINE			
AUXILIARY SHAFT			
4 CYLINDER			
93-83	140/2.3L, 140/2.3L (Turbo).....	2955	
82-81	140/2.3L.....	2955	
1980	140/2.3L, 140/2.3L (Turbo).....	2955	
CAMSHAFT			
4 CYLINDER			
93-83	140/2.3L, 140/2.3L (Turbo).....	2955	
82-81	140/2.3L.....	2955	
1980	140/2.3L, 140/2.3L (Turbo).....	2955	
CRANKSHAFT			
4 CYLINDER			
93-83	140/2.3L, 140/2.3L (Turbo).....	3909	
	PTFE Rubber	5277	
	Redi-Sleeve	99363	
1982	140/2.3L (From 09/29/81).....	3909	
	PTFE Rubber	5277	
	Redi-Sleeve	99363	
1982	140/2.3L (To 09/28/81)		(Split Seal) 5108
81-80	140/2.3L.....		(Split Seal) 5108
1980	140/2.3L (Turbo).....		(Rope Type) 5095
			(Split Seal) 5108
6 CYLINDER			
09-05	244/4.0L.....	3393	
	PTFE Rubber	5288	
	Redi-Sleeve	99237	
04-94	232/3.8L, 238/3.9L.....	3909	
	PTFE Rubber	5277	
	Redi-Sleeve	99363	
(Continued Next Column)			

Year	Application	Seal	Bearing
CRANKSHAFT (Cont.)			
6 CYLINDER			
86-84	232/3.8L.....	3909	
	PTFE Rubber	5277	
	Redi-Sleeve	99363	
1983	232/3.8L (From 01/01/83).....	3909	
	PTFE Rubber	5277	
	Redi-Sleeve	99363	
1983	232/3.8L (To 12/31/82)		(Rope Type) 5095
			(Split Seal) 5108
82-80	200/3.3L.....		(Rope Type) 5095
			(Split Seal) 5116
8 CYLINDER			
09-84	281/4.6L, 281/4.6L (DOHC), 281/4.6L, 281/4.6L (DOHC), 302/5.0L, 330/5.4L (DOHC), 330/5.4L (DOHC).....	3909	
	PTFE Rubber	5277	
	Redi-Sleeve	99363	
96-95	351/5.8L(W).....	2377	
	PTFE	5278	
	Redi-Sleeve	99372	
1983	302/5.0L (From 12/01/82).....	3909	
	PTFE Rubber	5277	
	Redi-Sleeve	99363	
1983	302/5.0L (To 11/30/82)		(Rope Type) 5095
			(Split Seal) 5108
82-80	255/4.2L, 302/5.0L		(Rope Type) 5095
			(Split Seal) 5108
TIMING COVER			
4 CYLINDER			
93-83	140/2.3L, 140/2.3L (Turbo).....	2955	
82-81	140/2.3L.....	2955	
1980	140/2.3L, 140/2.3L (Turbo).....	2955	
6 CYLINDER			
04-94	232/3.8L, 238/3.9L.....	712692	
	Redi-Sleeve	99187	
	Harmonic Bal Sleeve	88187	
86-83	232/3.8L.....	2692	
	Redi-Sleeve	99187	
	Harmonic Bal Sleeve	88187	
	Harmonic Bal Kit <input checked="" type="checkbox"/>	5001	
82-80	200/3.3L.....	7486S	
	Redi-Sleeve	99174	
8 CYLINDER			
09-96	281/4.6L, 281/4.6L (DOHC), 281/4.6L, 281/4.6L (DOHC), 330/5.4L (DOHC), 330/5.4L (DOHC).....	482041N	
	Redi-Sleeve	99187	
	Harmonic Bal Sleeve	88187	
96-80	255/4.2L, 302/5.0L, 351/5.8L(W).....	2692	
	Redi-Sleeve	99187	
	Harmonic Bal Sleeve	88187	
	Harmonic Bal Kit <input checked="" type="checkbox"/>	5001	

Refer To Front Of Catalog For Kit Contents

FORD THUNDERBIRD (Includes Super Coupe)

Year	Application	Seal	Bearing
------	-------------	------	---------

WHEEL

FRONT WHEEL

05-02	All		Hub Assembly 513167
97-91	All		Hub Assembly 513092
90-89	All (ABS)		Hub Assembly 513076
90-89	All (Exc. ABS)		Hub Assembly 513077
88-84	All (Exc. Turbo Coupe)		
	(Inner)	6815	A-17
	(Outer)		A-12
88-84	All (Turbo Coupe)		
	(Inner)	9150S	A-5
	(Outer)		A-12
83-80	All		
	(Inner)	6815	A-17
	(Outer)		A-12

REAR WHEEL

05-02	All		511032
97-89	All		513058
88-80	All	8660S	5707
			(Axle Repair Brg.) RP-5707

AXLE

REAR AXLE

AXLE SHAFT

05-02	Visteon IRS-8" R.G.	(2) 714569	(2) FC-66998
	Redi-Sleeve (2)	99157	
97-89	IRS-8.8" R.G.	(2) 100357	(2) FC-66998
	Redi-Sleeve (2)	99157	
97-80	IRS-7.5" R.G.	(2) 714569	(2) FC-66998
	Redi-Sleeve (2)	99157	

DIFFERENTIAL KIT

97-80	IRS-7.5" R.G.		<input checked="" type="checkbox"/> RA-315
92-87	IRS-8.8" R.G.		<input checked="" type="checkbox"/> RA-311

DIFFERENTIAL

97-80	IRS-7.5" R.G.	(2) LM501349-LM501314	
92-87	IRS-8.8" R.G.	(2) A-36	

PINION

05-02	Visteon IRS-8" R.G.		
	(Outer)		M88048-M88010
97-80	IRS-7.5" R.G., IRS-8.8" R.G.		
	(Inner)		M802048-M802011
	(Outer)	3604	M88048-M88010
	Redi-Sleeve	99181	

CLUTCH

PILOT

4 CYLINDER

88-83	140/2.3L (Turbo)		FC-65354
-------	------------------	--	----------

6 CYLINDER

95-89	232/3.8L		FC-65174
-------	----------	--	----------

RELEASE

Bearing Only Bearing Assembly

4 CYLINDER

88-83	140/2.3L (Turbo)		Ⓢ 614014
-------	------------------	--	----------

6 CYLINDER

95-89	232/3.8L		(Hyd. Clutch) Ⓢ 614061
-------	----------	--	------------------------

Year	Application	Seal	Bearing
------	-------------	------	---------

TRANSAXLE

AUTOMATIC / 5 Speed

EXTENSION HOUSING

2002	5R55N (Booted)		4765
2002	5R55N (Non-Booted)		4764

MANUAL SHAFT

2002	5R55N		7929S
------	-------	--	-------

TRANSMISSION

AUTOMATIC / 3 Speed

FRONT PUMP

86-82	C5		331107N
		Redi-Sleeve	99199
86-80	C3		Viton® 2658V
1980	C4		331107N
		Redi-Sleeve	99199

EXTENSION HOUSING

86-82	C5		7692S
		(Seal & Bushing Kit)	5202
86-80	C3		2655
1980	C4		7692S
		(Seal & Bushing Kit)	5202

MANUAL SHAFT

86-82	C5		240816
		Redi-Sleeve	99076
86-80	C3		7929S
1980	C4		240816
		Redi-Sleeve	99076

AUTOMATIC / 4 Speed

FRONT PUMP

97-94	AOD-E, AOD-EW		3404
93-81	AOD		331107N
		Redi-Sleeve	99199
88-87	A4LD		Viton® 2658V

EXTENSION HOUSING

97-94	AOD-E		7692S
		(Seal & Bushing Kit)	5202
97-94	AOD-EW		4764
93-81	AOD (Booted)		7692S
		(Seal & Bushing Kit)	5202
93-81	AOD (Non-Booted)		2194
88-87	A4LD		2655

MANUAL SHAFT

97-81	AOD, A4LD, AOD-E, AOD-EW		7929S
-------	--------------------------	--	-------

AUTOMATIC / 5 Speed

FRONT PUMP

05-02	5R55N, 5R55S		710535
-------	--------------	--	--------

EXTENSION HOUSING

05-03	5R55S		710541
2002	5R55N (Booted)		4765
2002	5R55N (Non-Booted)		4764

MANUAL SHAFT

05-02	5R55N, 5R55S		7929S
-------	--------------	--	-------

(Cont.) (Includes Super Coupe) **FORD THUNDERBIRD**

Year	Application	Seal	Bearing
------	-------------	------	---------

Year	Application	Seal	Bearing
------	-------------	------	---------

TRANSMISSION

MANUAL / 5 Speed

DRIVESHAFT / INPUT

95-89	Mazda M5R2	223012	
	Redi-Sleeve	99114	
88-87	Borg-Warner T5WC (L4 Eng.)	7412S	M88048-M88010
	Redi-Sleeve	99125	
	(Thrust)		FA-55505
88-87	Borg-Warner T5WC (V6 Eng.)		
	(V8 Eng.)	7412S	A-5
	Redi-Sleeve	99125	
	(Thrust)		FA-55505
86-83	Borg-Warner T5, T5WC	7412S	A-5
	Redi-Sleeve	99125	
	(Thrust)		FA-55505

MAINSHAFT / OUTPUT

88-83	Borg-Warner T5, T5WC	7692S	25877-25821
	(Seal & Bushing Kit)	5202	

MAINSHAFT PILOT

88-83	Borg-Warner T5, T5WC		(15)QBR-23549
-------	----------------------	--	---------------

MAINSHAFT 1ST SPEED GEAR

88-85	Borg-Warner T5WC		F-218255
-------	------------------	--	----------

MAINSHAFT 2ND SPEED GEAR

88-85	Borg-Warner T5WC		F-93934
-------	------------------	--	---------

COUNTERSHAFT

95-89	Mazda M5R2 .. (Center)		MR-1207-EL
	(Rear)		304
88-85	Borg-Warner T5WC		
	(Rear)		A-6
	(Thrust)		NTA-1423
84-83	Borg-Warner T5		
	(Front)		DK-55836
	(Rear)		5707
	(Thrust)		NTA-1423

EXTENSION HOUSING

95-89	Mazda M5R2	710415	
-------	------------	--------	--

STEERING

POWER STEERING

STEERING GEAR INPUT SHAFT

93-83	All	471645	FC-65753
82-80	All (Ford Design)	471645	FC-65753

STEERING GEAR WORM SHAFT

97-85	All		201-CC
84-83	All		201-CC
	(Thrust)		NTA-1423
82-80	All (Ford Design)		201-CC
	(Thrust)		NTA-1423

STEERING GEAR PITMAN SHAFT

82-80	All (TRW Design)	240733	
-------	------------------	--------	--

STEERING PUMP SHAFT

97-83	All	8773S	
82-80	All (Ford Pump)	8773S	

AIR CONDITIONING

COMPRESSOR

CLUTCH PULLEY

97-93	Ford FS-10		5106-WCC
93-89	Ford FX-15		5106-WCC
90-83	Ford FS-6		5000-KFF
90-82	Nippondenso 6P148		5001-KFF
90-80	Harrison A-6		907257
88-84	Tecumseh HR-980		5000-KFF
81-80	Tecumseh & York		5106-WCC

ELECTRICAL

ALTERNATOR

DRIVE END

95-94	Mitsubishi 110 Amp		303-CC
93-80	Motorcraft		203-FF

REAR END

93-80	Motorcraft		MNJ-471-S
-------	------------	--	-----------

ENGINE

AUXILIARY SHAFT

4 CYLINDER

88-83	140/2.3L (Turbo)		2955
-------	------------------	--	------

CAMSHAFT

4 CYLINDER

88-83	140/2.3L (Turbo)		2955
-------	------------------	--	------

CRANKSHAFT

4 CYLINDER

88-83	140/2.3L (Turbo)		3909
	PTFE Rubber	5277	
	Redi-Sleeve	99363	

6 CYLINDER

97-84	232/3.8L, 232/3.8L		3909
	PTFE Rubber	5277	
	Redi-Sleeve	99363	
1983	232/3.8L (From 01/01/83)		3909
	PTFE Rubber	5277	
	Redi-Sleeve	99363	

1983	232/3.8L (To 12/31/82)		
	(Rope Type)	5095	
	(Split Seal)	5108	
1982	232/3.8L		(Rope Type) 5095
	(Split Seal)	5108	
82-80	200/3.3L		(Rope Type) 5095
	(Split Seal)	5116	

8 CYLINDER

97-84	281/4.6L, 302/5.0L		3909
	PTFE Rubber	5277	
	Redi-Sleeve	99363	
1983	302/5.0L (From 12/01/82)		3909
	PTFE Rubber	5277	
	Redi-Sleeve	99363	
1983	302/5.0L (To 11/30/82)		
	(Rope Type)	5095	
	(Split Seal)	5108	

(Continued Next Page)

FORD THUNDERBIRD (Includes Super Coupe) (Cont.)

Year	Application	Seal	Bearing	Year	Application	Seal	Bearing
ENGINE				TIMING COVER (Cont.)			
CRANKSHAFT (Cont.)				6 CYLINDER			
8 CYLINDER				93-82 232/3.8L, 232/3.8L 2692			
82-80	255/4.2L, 302/5.0L					Redi-Sleeve	99187
		(Rope Type) 5095				Harmonic Bal Sleeve	88187
		(Split Seal) 5108				Harmonic Bal Kit <input checked="" type="checkbox"/>	5001
TIMING COVER				82-80 200/3.3L 7486S			
4 CYLINDER				Redi-Sleeve 99174			
88-83	140/2.3L (Turbo)	2955		8 CYLINDER			
6 CYLINDER				97-94 281/4.6L 482041N			
97-94	232/3.8L, 232/3.8L	712692				Redi-Sleeve	99187
		Redi-Sleeve 99187				Harmonic Bal Sleeve	88187
		Harmonic Bal Sleeve 88187		93-80	255/4.2L, 302/5.0L	2692	
		(Continued Next Column)				Redi-Sleeve	99187
						Harmonic Bal Sleeve	88187
						Harmonic Bal Kit <input checked="" type="checkbox"/>	5001

FORD - CANADIAN MODELS (Cougar, Grand Marquis & Marauder)

WHEEL				TRANSMISSION			
FRONT WHEEL				AUTOMATIC / 4 Speed			
09-06	All	Hub Assembly	513230	FRONT PUMP			
2005	All (From 02/24/05)	Hub Assembly	513230	09-00 4R70E, 4R70W, 4R75E,			
2005	All (To 02/23/05)	Hub Assembly	513196	AOD-EW 3404			
04-03	All	Hub Assembly	513196	EXTENSION HOUSING			
02-00	Cougar		510029	09-04 4R70E, 4R70W, 4R75E			
02-00	Grand Marquis	Hub Assembly	513202	(Booted) 4765			
REAR WHEEL				09-04 4R70E, 4R70W, 4R75E			
09-00	Grand Marquis, Marauder	8660S	5707	(Non-Booted) 4764			
				03-00 AOD-EW 4764			
02-00	Cougar		512024	MANUAL SHAFT			
				09-00 4R70E, 4R70W, 4R75E,			
				AOD-EW 7929S			
AXLE				STEERING			
REAR AXLE				POWER STEERING			
DIFFERENTIAL KIT				STEERING GEAR WORM SHAFT			
09-00	7.5" R.G.	<input checked="" type="checkbox"/> RA-315		02-00 Cougar 100-CC4			
09-00	8.8" R.G.	<input checked="" type="checkbox"/> RA-311		01-00 Grand Marquis 201-CC			
		(Master Kit) RA-311MK		STEERING GEAR PITMAN SHAFT			
DIFFERENTIAL				02-00 Cougar 710504			
09-00	7.5" R.G.	(2)LM501349-LM501314		STEERING PUMP SHAFT			
09-00	8.8" R.G.	(2)A-36		01-00 Grand Marquis 8773S			
PINION				AIR CONDITIONING			
09-00	7.5" R.G., 8.8" R.G.			COMPRESSOR			
	(Inner)	M802048-M802011		CLUTCH PULLEY			
	(Outer)	3604 M88048-M88010		09-00 Ford FS-10 5106-WCC			
	Redi-Sleeve	99181					
TRANSAXLE							
AUTOMATIC / 4 Speed							
TORQUE CONVERTER							
02-00	CD4E	Viton® 4635V					
OUTPUT SHAFT							
02-00	CD4E	(2) 3622					

FORD IMPORTS - FRONT WHEEL DRIVE (Aspire, Festiva & Fiesta) (Cont.)

Year	Application	Seal	Bearing	Year	Application	Seal	Bearing
TRANSAXLE				ALTERNATOR (Cont.)			
MANUAL / 5 Speed (Cont.)				DRIVE END			
OUTPUT SHAFT				93-88 Mazda 50 Amp..... 303-CC			
97-90	Mazda B5M-R..... (Left)	223543	A-3	1980	Bosch 55 Amp.....		203-S
	Redi-Sleeve	99139		REAR END			
	(Right)	2007N	32204	1980	Bosch 55 Amp.....		201-S
	Redi-Sleeve	99139		ENGINE			
SHIFT SHAFT				CAMSHAFT			
97-90	Mazda B5M-R.....	221620		4 CYLINDER			
STEERING				97-88	1324cc/1.3L.....	223012	
MANUAL STEERING						Redi-Sleeve	99114
STEERING GEAR PINION SHAFT				CRANKSHAFT			
1980	All.....		202	4 CYLINDER			
AIR CONDITIONING				97-88	1324cc/1.3L.....	228250	
COMPRESSOR				1980	98/1.6L.....	3393	
CLUTCH PULLEY						PTFE Rubber	5288
93-90	Sanden SD-708.....		5001-KFF			Redi-Sleeve	99237
92-88	Nippondenso 10P13.....		5000-KFF	TIMING COVER			
1980	York Mini 206.....		206-FF	4 CYLINDER			
ELECTRICAL				97-93	1324cc/1.3L.....	710355	
ALTERNATOR						Redi-Sleeve	99145
DRIVE END				1992	1324cc/1.3L (From		
97-94	Mazda 60 Amp.....		303-CC		02/01/92).....	223750	
				1992	1324cc/1.3L (To 01/31/92).....	223012	
						Redi-Sleeve	99114
				91-88	1324cc/1.3L.....	223012	
						Redi-Sleeve	99114
				1980	98/1.6L.....	3394	
						Redi-Sleeve	99144

(Continued Next Column)

FORD IMPORT TRUCK - COMPACT TRUCK (Courier)

WHEEL				CLUTCH			
FRONT WHEEL				PILOT			
82-80	All..... (Inner)	1992	30206	4 CYLINDER			
	(Outer)		30204	82-80	140/2.3L.....		FC-65354
REAR WHEEL				82-80	1796cc/1.8L, 1970cc/2.0L.....		202-SS
82-80	All..... (Inner)	473823	30208	RELEASE			
	(Outer)	1994				Bearing Only	Bearing Assembly
AXLE				4 CYLINDER			
REAR AXLE				1982	1970cc/2.0L (215mm Clutch).....		© 614067
PINION				81-80	140/2.3L, 1970cc/2.0L (215mm Clutch).....		© 614067
82-80	Mazda 7.2" R.G.			DRIVESHAFT			
	(Inner)		30307	CENTER SUPPORT			
	(Outer)	712011	30306			Bearing	Bearing & Support
	Redi-Sleeve	99157		82-80	All.....	205-F	

(Cont.) (Courier) **COMPACT TRUCK - FORD IMPORT TRUCK**

Year	Application	Seal	Bearing
------	-------------	------	---------

Year	Application	Seal	Bearing
------	-------------	------	---------

TRANSMISSION

**AUTOMATIC / 3 Speed
FRONT PUMP**

82-80	Jatco 3N71B.....	2025	
	<i>Redi-Sleeve</i> 99166		

EXTENSION HOUSING

82-80	Jatco 3N71B.....	3771	
-------	------------------	------	--

**MANUAL / 4 Speed
DRIVESHAFT / INPUT**

82-80	Mazda M4M-D.....	1990	306-L
	<i>Redi-Sleeve</i> 99106		

MAINSHAFT / OUTPUT

82-80	Mazda M4M-D.....	2443	305
-------	------------------	------	-----

COUNTERSHAFT

82-80	Mazda M4M-D.. (Front)		5205-KLE
-------	-----------------------------	--	----------

INTERMEDIATE SHAFT

82-80	Mazda M4M-D.....		306-L
-------	------------------	--	-------

**MANUAL / 5 Speed
DRIVESHAFT / INPUT**

82-80	Mazda M5M-D.....	1990	306-L
	<i>Redi-Sleeve</i> 99106		

MAINSHAFT / OUTPUT

82-80	Mazda M5M-D.....	2443	305
-------	------------------	------	-----

COUNTERSHAFT

82-80	Mazda M5M-D.. (Front)		5205-KLE
	(Rear)		304

INTERMEDIATE SHAFT

82-80	Mazda M5M-D.....		306-L
-------	------------------	--	-------

STEERING

**MANUAL STEERING
STEERING GEAR WORM SHAFT**

82-80	All.....	221720	
-------	----------	--------	--

AIR CONDITIONING

**COMPRESSOR
CLUTCH PULLEY**

82-80	Sanden SD-508.....		5001-KFF
-------	--------------------	--	----------

ELECTRICAL

**ALTERNATOR
DRIVE END**

82-80	Mitsubishi 35 Amp.....		202-SS
-------	------------------------	--	--------

REAR END

82-80	Mitsubishi 35 Amp.....		201-CC
-------	------------------------	--	--------

ENGINE

**AUXILIARY SHAFT
4 CYLINDER**

82-80	140/2.3L	2955	
-------	----------------	------	--

**CAMSHAFT
4 CYLINDER**

82-80	140/2.3L	2955	
-------	----------------	------	--

**CRANKSHAFT
4 CYLINDER**

1982	140/2.3L (From 09/29/81).....	3909	
	<i>PTFE Rubber</i> 5277		
	<i>Redi-Sleeve</i> 99363		

1982	140/2.3L (To 09/28/81).....		
------	-----------------------------	--	--

82-80	1796cc/1.8L, 1970cc/2.0L	228020	
	<i>Redi-Sleeve</i> 99315		

81-80	140/2.3L		(Split Seal) 5108
-------	----------------	--	-------------------

**TIMING COVER
4 CYLINDER**

82-80	140/2.3L	2955	
-------	----------------	------	--

82-80	1796cc/1.8L, 1970cc/2.0L	710313	
	<i>Redi-Sleeve</i> 99189		

PICKUP/MINIVAN/CROSSOVER/SPORT UTILITY - FORD TRUCK
(Aerostar, Bronco II, Edge, Escape, Explorer, Explorer Sport, Explorer Sport Trac, Freestar, Freestyle, Freestyle AWD, Ranger, Taurus X, Taurus X AWD & Windstar)

WHEEL

FRONT WHEEL (2WD)

2009	Flex.....		Hub Assembly ☆ 513275
09-07	Edge.....		510063
09-07	Ranger..... (Inner)	9150S	A-5
	(Outer)		A-2
09-07	Explorer, Explorer Sport Trac.....		Hub Assembly 515078

(Continued Next Column)

FRONT WHEEL (2WD) (Cont.)

09-05	Freestyle, Taurus X.....		Hub Assembly 513223
09-01	Escape		510072
			Hub Repair Kit 518515
07-04	Freestar	(Left)	Hub Assembly 513232
		(Right)	Hub Assembly 513233
2006	Explorer		Hub Assembly 515078

(Continued Next Page)

FORD TRUCK - PICKUP/MINIVAN/CROSSOVER/SPORT UTILITY

(Aerostar, Bronco II, Edge, Escape, Explorer, Explorer Sport, Explorer Sport Trac, Freestar, Freestyle, Freestyle AWD, Ranger, Taurus X, Taurus X AWD & Windstar) (Cont.)

Year	Application	Seal	Bearing
WHEEL			
FRONT WHEEL (2WD) (Cont.)			
06-02	Explorer Sport, Explorer Sport Trac, Ranger		
	(Inner)	9150S	A-5
	(Outer)		A-2
05-02	Explorer	Hub Assembly	515050
03-99	Windstar	Hub Assembly	513156
01-95	Explorer, Explorer Sport, Explorer Sport Trac, Ranger		
	(Inner)	9150S	A-5
	(Outer)		A-2
98-95	Windstar		513058
97-95	Aerostar		A-6
	(Outer)	6815	A-2
94-83	All		A-6
	(Inner)	6815	A-6
	(Outer)		A-2
FRONT WHEEL (4WD)			
2009	Flex AWD	Hub Assembly ☆	513275
09-07	Edge AWD		510063
09-07	Explorer, Explorer Sport Trac	Hub Assembly	515078
09-05	Freestyle AWD, Taurus X AWD	Hub Assembly	513223
09-03	Ranger (4 Wheel ABS)	Hub Assembly ♦	515051
		Hub Assembly	515052
09-01	Escape		510072
		Hub Repair Kit	518515
09-01	Ranger (Rear Wheel ABS)	Hub Assembly	515014
2006	Explorer	Hub Assembly	515078
05-03	Explorer Sport, Explorer Sport Trac	Hub Assembly	515052
05-02	Explorer	Hub Assembly	515050
2002	Explorer Sport, Explorer Sport Trac	Hub Assembly ♦	515003
		Hub Assembly	515052
02-01	Ranger (4 Wheel ABS)	Hub Assembly	515013
01-95	Explorer, Explorer Sport, Explorer Sport Trac	Hub Assembly ♦	515003
		Hub Assembly	515052
2000	Ranger (Rear Wheel ABS) (1st Design) (Pulse Vacuum Hub Locks)	Hub Assembly	515026
2000	Ranger (Rear Wheel ABS) (2nd Design) (Exc. Pulse Vacuum Hub Locks)	Hub Assembly	515014
2000	Ranger (4 Wheel ABS) (1st Design) (Pulse Vacuum Hub Locks)	Hub Assembly	515027
2000	Ranger (4 Wheel ABS) (2nd Design) (Exc. Pulse Vacuum Hub Locks)	Hub Assembly	515013
99-98	Ranger (Rear Wheel ABS)	Hub Assembly	515026
99-98	Ranger (4 Wheel ABS)	Hub Assembly	515027
97-95	Ranger		A-37
	(Inner)	4250	A-37
	(Outer)		A-37
97-90	Aerostar	Hub Assembly	515000
94-90	Explorer, Ranger		
	(Inner)	4250	A-37
	(Outer)		A-37
1990	Bronco II (Spicer 28-IFS)		
	(Inner)	8312	A-35
	(Outer)		A-35
1990	Bronco II (Spicer 35-IFS)		
	(Inner)	4250	A-37
	(Outer)		A-37
	(Continued Next Column)		

Year	Application	Seal	Bearing
FRONT WHEEL (4WD) (Cont.)			
89-83	All		
	(Inner)	8312	A-35
	(Outer)		A-35
REAR WHEEL			
2009	Flex, Flex AWD	Hub Assembly ☆	513275
09-07	Edge	Hub Assembly	512334
09-07	Edge AWD	Hub Assembly	512335
09-06	Explorer, Explorer Sport Trac		516008
		Hub Repair Kit ♦	521001
		Hub Repair Kit	521000
09-05	Freestyle, Taurus X	Hub Assembly	512299
09-05	Freestyle AWD, Taurus X AWD	Hub Assembly	512300
09-05	Ranger	8660S	5707
		(Axle Repair Brg.)	RP-5707
09-01	Escape		510029
07-04	Freestar	(Left)	Hub Assembly 512312
		(Right)	Hub Assembly 512313
05-02	Explorer		516008
		Hub Repair Kit	521000
05-02	Explorer Sport, Explorer Sport Trac	8835S	6408
		(Axle Repair Brg.)	RP-6408
04-98	Ranger (Electric)		513058
04-98	Ranger (7.5" R.G.) (8.8" R.G.)	8660S	5707
		(Axle Repair Brg.)	RP-5707
03-98	Windstar		512149
01-91	Explorer, Explorer Sport, Explorer Sport Trac	8835S	6408
		(Axle Repair Brg.)	RP-6408
1997	Windstar (From 08/04/97)		512149
1997	Windstar (To 08/03/97)		
	(Inner)	6815	A-6
	(Outer)		A-12
97-91	Aerostar, Ranger	8660S	5707
		(Axle Repair Brg.)	RP-5707
96-95	Windstar	(Inner)	6815
		(Outer)	A-6
			A-12
1990	Aerostar (7.5" R.G.) (8.8" R.G.)	8660S	5707
		(Axle Repair Brg.)	RP-5707
90-87	Aerostar (Spicer 30)	2146	A-9
90-87	Bronco II, Ranger	8660S	5707
		(Axle Repair Brg.)	RP-5707
89-87	Aerostar (7.5" R.G.)	8660S	5707
		(Axle Repair Brg.)	RP-5707
86-85	All	8660S	5707
		(Axle Repair Brg.)	RP-5707
1984	Bronco II	8660S	5707
		(Axle Repair Brg.)	RP-5707
1984	Ranger (7.5" R.G.) (8.8" R.G.)	8660S	5707
		(Axle Repair Brg.)	RP-5707
84-83	Ranger (6.7" R.G.)	9569S	RW-207-CCRA
1983	All (7.5" R.G.)	8660S	5707
		(Axle Repair Brg.)	RP-5707

PICKUP/MINIVAN/CROSSOVER/SPORT UTILITY - FORD TRUCK

(Cont.) (Aerostar, Bronco II, Edge, Escape, Explorer, Explorer Sport, Explorer Sport Trac, Freestar, Freestyle, Freestyle AWD, Ranger, Taurus X, Taurus X AWD & Windstar)

Year	Application	Seal	Bearing
AXLE			
FRONT AXLE			
AXLE SHAFT			
09-95	Spicer 30-SF, 35-SLA		
	(Left)	710429	S-268
	(Right)	710428	5707
97-90	Spicer 28.2-IFS.....	(2)5872S	(2)BH-2212
97-90	Spicer 35-IFS.....	(Left) 710043	
	(Right)	470672	5707
97-83	Spicer 28-IFS.....	(Left) 3543	
	(Right)	710065	
SPINDLE KIT			
92-90	Spicer 35-IFS.....		<input checked="" type="checkbox"/> SBK-4
92-83	Spicer 28-IFS.....		<input checked="" type="checkbox"/> SBK-2
SPINDLE			
97-93	Spicer 28-IFS, 35-IFS		
	(Inner)	710453	B-2110
	(Outer)	710455	
92-90	Spicer 35-IFS.....	(Inner) 722109	B-2110
	(Outer)	722108	
92-83	Spicer 28-IFS.....	(Inner) 340835	SCE-188
	(Thrust)		NTA-1625
DIFFERENTIAL KIT			
09-90	Spicer 35-IFS, 35-SLA.....		<input checked="" type="checkbox"/> RA-335
97-83	Spicer 28.2-IFS, 28-IFS.....		<input checked="" type="checkbox"/> RA-333
DIFFERENTIAL			
09-90	Spicer 30-SF, 35-IFS, 35-SLA.....	(2)LM501349-LM501314	
97-83	Spicer 28.2-IFS, 28-IFS.....	(2)LM29749-LM29710	
PINION			
09-06	Spicer 30-SF.....	(Outer) 714675	
09-06	Spicer 35-SLA.....	(Inner)	HM88648-HM88610
	(Outer)	714675	M86649-M86610
05-90	Spicer 30-SF, 35-IFS, 35-SLA		
	(Inner)		HM88648-HM88610
	(Outer)	714675	M86649-M86610
97-83	Spicer 28.2-IFS, 28-IFS		
	(Inner)		M88048-M88010
	(Outer)	4244	M86649-M86610
	Redi-Sleeve 99155		
REAR AXLE			
AXLE SHAFT			
09-02	Visteon IRS-8.8" R.G.....		(2)FC-66998
DIFFERENTIAL KIT			
09-84	8.8" R.G.....		<input checked="" type="checkbox"/> RA-311
	(Master Kit) RA-311MK		
09-83	7.5" R.G.....		<input checked="" type="checkbox"/> RA-315
90-87	Spicer 30.....		<input checked="" type="checkbox"/> RA-338
DIFFERENTIAL			
09-01	Spicer 28.....	(2)710429	(2)LM29749-LM29710
09-01	Visteon 7.5" R.G.....		(2)LM501349-LM501314
09-84	8.8" R.G.....		(2)A-36
00-83	6.7" R.G., 7.5" R.G.....		(2)LM501349-LM501314
90-87	Spicer 30.....		(2)LM501349-LM501314
PINION			
09-02	Visteon IRS-8.8" R.G.		
	(Outer)	3604	M88048-M88010
	Redi-Sleeve 99181		
	(Continued Next Column)		

Year	Application	Seal	Bearing
REAR AXLE (Cont.)			
PINION			
09-01	Spicer 28.....	(Inner)	M88048-M88010
	(Outer)	100552	M86649-M86610
09-83	7.5" R.G., 8.8" R.G.		
	(Inner)		M802048-M802011
	(Outer)	3604	M88048-M88010
	Redi-Sleeve 99181		
90-87	Spicer 30.....	(Inner)	HM88649-HM88610
	(Outer)	5778	M86647-M86610
	Viton® 5778V		
	Redi-Sleeve 99155		
84-83	6.7" R.G.....	(Inner)	HM88648-HM88610
	(Outer)	3618	M86649-M86610
	Redi-Sleeve 99181		
CLUTCH			
PILOT			
4 CYLINDER			
09-88	122/2.0L, 140/2.3L, 153/2.5L, 121/2.0L (DOHC), 138/2.3L (DOHC), 151.8/2.5L (DOHC).....		FC-65354
87-85	122/2.0L, 140/2.3L, 2346cc/2.3L (Turbo-Diesel).....		FC-65354
84-83	122/2.0L, 140/2.3L		FC-65354
84-83	2209cc/2.2L (Diesel)		202-SS
6 CYLINDER			
09-92	177/2.9L, 244/4.0L, 244/4.0L		F-33126
08-86	183/3.0L		FC-65354
91-90	244/4.0L		F-33126
91-84	171/2.8L, 177/2.9L (Mazda Trans.).....		F-33126
91-84	171/2.8L, 177/2.9L (Mitsubishi Trans.).....		PB-52
1983	171/2.8L		F-33126
RELEASE			
		Bearing Only	Bearing Assembly
4 CYLINDER			
2009	151.8/2.5L (DOHC).....		Ⓢ 614155
08-05	138/2.3L (DOHC).....		Ⓢ 614155
08-93	140/2.3L, 153/2.5L, 138/2.3L (DOHC).....	(Hyd. Clutch)Ⓢ	614169
04-01	121/2.0L (DOHC).....		Ⓢ 614155
92-88	122/2.0L, 140/2.3L	(Hyd. Clutch)Ⓢ	614061
87-86	122/2.0L, 140/2.3L, 2346cc/2.3L (Turbo-Diesel) (Hyd. Clutch)Ⓢ		614040
1985	122/2.0L, 140/2.3L, 2346cc/2.3L (Turbo-Diesel) (Hyd. Clutch)Ⓢ		614040
84-83	122/2.0L, 140/2.3L		Ⓢ 614014
84-83	2209cc/2.2L (Diesel)		Ⓢ 614067
6 CYLINDER			
09-93	183/3.0L, 244/4.0L, 244/4.0L	(Hyd. Clutch)Ⓢ	614169
92-88	177/2.9L, 183/3.0L, 244/4.0L	(Hyd. Clutch)Ⓢ	614061
87-85	171/2.8L, 177/2.9L, 183/3.0L	(Hyd. Clutch)Ⓢ	614040
84-83	171/2.8L		Ⓢ 614014
DRIVESHAFT			
CENTER SUPPORT			
		Bearing	Bearing & Support
94-90	Spicer 1210 Series / Brg. ID 1.1811" (30mm).....		HBD-206-FF
89-85	Spicer 1210 Series / Brg. ID 1.2595" (32mm).....		HB-106-FF

() Indicates Quantity Required Ⓢ Sealed Self-Aligning Bearing Refer To Front Of Catalog For Kit Contents

FORD TRUCK - PICKUP/MINIVAN/CROSSOVER/SPORT UTILITY

(Aerostar, Bronco II, Edge, Escape, Explorer, Explorer Sport, Explorer Sport Trac, Freestar, Freestyle, Freestyle AWD, Ranger, Taurus X, Taurus X AWD & Windstar) (Cont.)

Year	Application	Seal	Bearing
TRANSFER CASE			
FULL TIME / PART TIME			
TRANSFER CASE KIT			
89-87	Borg-Warner 1350 (Exc. External Yoke)		<input checked="" type="checkbox"/> T-350
86-83	Borg-Warner 1350		<input checked="" type="checkbox"/> T-350
INPUT SHAFT			
09-96	Borg-Warner 4405, 4411, 4412	710403	§ 209-LO
	Redi-Sleeve 99166		
	(Pilot)		M-18161
09-90	Borg-Warner 1354	710403	
	Redi-Sleeve 99166		
	(Pilot)		M-18161
05-02	Borg-Warner 4410	710403	§ 209-LO
	Redi-Sleeve 99166		
01-99	Borg-Warner 4403	3946	109
	Redi-Sleeve 99187		
98-96	Borg-Warner 4404 (Booted)	4333N	109
	(Pilot)		SCH-1310
98-96	Borg-Warner 4404 (Non-Booted)	3946	109
	Redi-Sleeve 99187		
	(Pilot)		SCH-1310
97-90	Spicer TC28	710389	209
	Redi-Sleeve 99174		
	(Pilot)		B-2110
90-87	Borg-Warner 1359	710062	109-FFL
	Redi-Sleeve 99175		
	(Pilot)		M-18161
89-83	Borg-Warner 1350	710062	
	Redi-Sleeve 99175		
	(Pilot)		M-18161
FRONT OUTPUT SHAFT			
09-96	Borg-Warner 4405, 4411, 4412		
	(Inner)		306
	(Outer)	710403	206
	Redi-Sleeve 99166		
09-90	Borg-Warner 1354, 4410	710403	206
	Redi-Sleeve 99166		
01-96	Borg-Warner 4403, 4404		
	(Inner)		206
	(Outer)	710403	207
	Redi-Sleeve 99166		
97-90	Spicer TC28	710388	209
	Redi-Sleeve 99187		
	(Pilot)		B-2110
89-87	Borg-Warner 1350 (Exc. External Yoke)		206
	(Inner)		206
	(Outer)	4141	108
	Redi-Sleeve 99157		
89-87	Borg-Warner 1350 (External Yoke)		206
	(Inner)		206
	(Outer)	710402	108
86-83	Borg-Warner 1350		206
	(Inner)		206
	(Outer)	4141	108
	Redi-Sleeve 99157		
REAR OUTPUT SHAFT			
09-96	Borg-Warner 4405, 4411, 4412	710403	306
	Redi-Sleeve 99166		
	(Continued Next Column)		

Year	Application	Seal	Bearing
FULL TIME / PART TIME (Cont.)			
REAR OUTPUT SHAFT			
09-83	Borg-Warner 1350, 1354	710403	206
	Redi-Sleeve 99166		
	(Pilot)		JH-1612
05-02	Borg-Warner 4410	710403	208-SL
	Redi-Sleeve 99166		
01-99	Borg-Warner 4403	710403	208
	Redi-Sleeve 99166		
98-96	Borg-Warner 4404		
	(Inner)		N-106-1
	(Outer)	710403	208-SL
	Redi-Sleeve 99166		
97-90	Spicer TC28	710441	209
	(Pilot)		B-2110
90-87	Borg-Warner 1359	710403	206
	Redi-Sleeve 99166		
SHIFT SHAFT			
09-83	Borg-Warner 1350, 1354, 4403, 4404, 4405, 4410, 4411, 4412	330385	
TRANSAXLE			
AUTOMATIC / 4 Speed			
DIFFERENTIAL			
07-95	4F50N, AX4S		(2)208
TORQUE CONVERTER			
08-01	CD4E	Viton® 4635V	
07-95	4F50N, AX4S	4189H	
OUTPUT SHAFT			
08-01	CD4E (FWD)	(Left) 3622	
		(Right) 3622	
08-01	CD4E (4WD)	(Left) 3622	
		(Right) 481191V	
07-95	4F50N, AX4S	(2) 3622	
	Redi-Sleeve (2)	99169	
AUTOMATIC / 6 Speed			
TORQUE CONVERTER			
09-07	6F35, 6F50	710561	
OUTPUT SHAFT			
2009	6F35	710546	
09-07	6F50	(Left) 710546	
		(Right) 710583	
MANUAL / 5 Speed			
DIFFERENTIAL			
04-01	Mazda G15M-R, G25MX-R		(2)32008
INPUT SHAFT			
04-01	Mazda G15M-R, G25MX-R		
	(Inner)		513185
	(Outer)	1990	A-32
	Redi-Sleeve 99106		
OUTPUT SHAFT			
04-01	Mazda G15M-R, G25MX-R	(2) 2007N	(2)513185
	Redi-Sleeve (2)	99139	

() Indicates Quantity Required § Use Old Snap Ring Refer To Front Of Catalog For Kit Contents

PICKUP/MINIVAN/CROSSOVER/SPORT UTILITY - FORD TRUCK

(Cont.) (Aerostar, Bronco II, Edge, Escape, Explorer, Explorer Sport, Explorer Sport Trac, Freestar, Freestyle, Freestyle AWD, Ranger, Taurus X, Taurus X AWD & Windstar)

Year	Application	Seal	Bearing	Year	Application	Seal	Bearing
TRANSMISSION							
AUTOMATIC / 3 Speed				MANUAL / 4 Speed (Cont.)			
FRONT PUMP				COUNTERSHAFT			
85-83	C3.....	Viton® 2658V		84-83	Mazda M4M-D, R14M-D		
85-83	C5.....	331107N			(Front).....		5205-KLE
		Redi-Sleeve 99199		MANUAL / 5 Speed			
EXTENSION HOUSING				DRIVESHAFT / INPUT			
85-83	C3.....	2655		09-88	Mazda M5R1, M5R1HD.....	1990	
85-83	C5.....	7692S			Redi-Sleeve 99106		
		(Seal & Bushing Kit) 5202		2002	Mazda M5R4.....	223012	
MANUAL SHAFT					Redi-Sleeve 99114		
85-83	C3.....	7929S		91-84	Mitsubishi FM132, FM146,		
85-83	C5.....	240816			FM155, FM155A.....	223014	
		Redi-Sleeve 99076			Redi-Sleeve 99114		
AUTOMATIC / 4 Speed				87-83	Mazda M5M-D.....	1990	307-L
FRONT PUMP					Redi-Sleeve 99106		
01-97	4R44E.....	710535		84-83	Mazda R15M-D.....	1990	306
01-96	4R70W.....	3404			Redi-Sleeve 99106		
96-85	4R44E, 4R55E, A4LD.....	Viton® 2658V		MAINSHAFT / OUTPUT			
EXTENSION HOUSING				09-00	Mazda M5R1HD.....	7692S	
01-96	4R70W (Booted).....	4765		09-88	Mazda M5R1 (2WD).....	7692S	
01-96	4R70W (Non-Booted).....	4764		09-88	Mazda M5R1 (4WD).....	1981	
01-85	4R44E, 4R55E, A4LD.....	2655		91-84	Mitsubishi FM132, FM146,		
MANUAL SHAFT					FM155, FM155A.....	223608	206-L
01-85	4R44E, 4R55E, 4R70W, A4LD.....	7929S		87-85	Mazda M5M-D.....	2655	* 108-A
AUTOMATIC / 5 Speed				84-83	Mazda M5M-D.....	2443	* 108-A
FRONT PUMP				84-83	Mazda R15M-D.....	2443	305
09-07	5R44E, 5R55E, 5R55S.....	710535		COUNTERSHAFT			
06-02	5R44E, 5R55S, 5R55W.....	710535		09-88	Mazda M5R1, M5R1HD		
EXTENSION HOUSING					(Rear).....		304
09-04	5R55S.....	710541		91-84	Mitsubishi FM132, FM146, FM155, FM155A		
09-97	5R44E, 5R55E.....	2655			(Center).....		30205
03-02	5R55W (Booted).....	4765			(Front).....		30205
03-02	5R55W (Non-Booted).....	4764		87-85	Mazda M5M-D.. (Front).....		5205-KLE
MANUAL SHAFT				84-83	Mazda M5M-D.. (Front).....		5205-KLE
09-97	5R44E, 5R55E, 5R55S, 5R55W				(Rear).....		304
		7929S		84-83	Mazda R15M-D (Front).....		5205-KLE
AUTOMATIC / 6 Speed				STEERING			
FRONT PUMP				MANUAL STEERING			
09-06	6R60.....	710484		STEERING GEAR WORM SHAFT			
EXTENSION HOUSING				98-83	Ranger.....	221922	
09-06	6R60 (2WD).....	710487		POWER STEERING			
09-06	6R60 (4WD).....	710486		STEERING GEAR INPUT SHAFT			
MANUAL / 4 Speed				03-95	Aerostar, Ranger (Ford		
DRIVESHAFT / INPUT					Design).....	471645	FC-65753
84-83	Mazda M4M-D.....	1990	307-L	94-83	All (Ford Design).....	471645	FC-65753
	Redi-Sleeve 99106			STEERING GEAR WORM SHAFT			
84-83	Mazda R14M-D.....	1990	306	03-86	Aerostar, Windstar (Ford Design).....		201-CC
	Redi-Sleeve 99106			STEERING PUMP SHAFT			
MAINSHAFT / OUTPUT				03-01	Ranger, Windstar (Ford		
84-83	Mazda M4M-D.....	2443	* 108-A		Pump).....	8773S	
84-83	Mazda R14M-D.....	2443	305	00-83	All (Ford Pump).....	8773S	
				89-85	Aerostar, Bronco II, Ranger (Saginaw Pump).....		203-FF

* Not a Current Production Number, Check for Availability

FORD TRUCK - PICKUP/MINIVAN/CROSSOVER/SPORT UTILITY

(Aerostar, Bronco II, Edge, Escape, Explorer, Explorer Sport, Explorer Sport Trac, Freestar, Freestyle, Freestyle AWD, Ranger, Taurus X, Taurus X AWD & Windstar) (Cont.)

Year	Application	Seal	Bearing	Year	Application	Seal	Bearing
AIR CONDITIONING				CRANKSHAFT (Cont.)			
COMPRESSOR				6 CYLINDER			
CLUTCH PULLEY				09-83 171/2.8L, 177/2.9L, 244/4.0L, 244/4.0L 3993			
08-93	Ford FS-10.....		5106-WCC			PTFE Rubber	5288
96-88	Sanden SD-709.....		5001-KFF			Redi-Sleeve	99237
93-89	Ford FX-15.....		5106-WCC	08-86	183/3.0L		3772
92-83	Ford FS-6.....		5000-KFF			(Gskt. & PTFE Seal)	5287A
90-88	Sanden SD-508.....		5001-KFF			PTFE Rubber	5287
90-84	Nippondenso 6P148.....		5001-KFF	8 CYLINDER			
87-83	Tecumseh HR-980.....		5000-KFF	09-96	281/4.6L, 281/4.6L, 302/5.0L		3909
ELECTRICAL						PTFE Rubber	5277
ALTERNATOR						Redi-Sleeve	99363
DRIVE END				OIL PUMP			
92-83	Motorcraft 38, 40, 42, 55, 60, 61, 90 Amp.....		203-FF	4 CYLINDER			
REAR END				87-85	2346cc/2.3L (Turbo-Diesel).....		221710
92-83	Motorcraft 38, 40, 42, 55, 60, 61, 90 Amp.....		MNJ-471-S			Redi-Sleeve	99068
ENGINE				TIMING COVER			
AUXILIARY SHAFT				4 CYLINDER			
4 CYLINDER				04-01	121/2.0L (DOHC).....		713771
01-83	122/2.0L, 140/2.3L, 153/2.5L		2955			Redi-Sleeve	99139
BALANCE SHAFT				01-83	122/2.0L, 140/2.3L, 153/2.5L		2955
4 CYLINDER				87-85	2346cc/2.3L (Turbo-Diesel).....		712007
87-85	2346cc/2.3L (Turbo-Diesel).....		712007			Redi-Sleeve	99098
CAMSHAFT				6 CYLINDER			
4 CYLINDER				09-08	181/3.0L (DOHC), 213.3/3.5L (DOHC).....		482041N
04-01	121/2.0L (DOHC).....	(2)	710550			Redi-Sleeve	99187
			Redi-Sleeve (2)	08-86	183/3.0L		2692
01-83	122/2.0L, 140/2.3L, 153/2.5L		2955			Redi-Sleeve	99187
87-85	2346cc/2.3L (Turbo-Diesel).....		3771			Harmonic Bal Sleeve	88187
			Redi-Sleeve			Harmonic Bal Kit	5001
CRANKSHAFT				07-01	181/3.0L (DOHC).....		482041N
4 CYLINDER						Redi-Sleeve	99187
09-01	138/2.3L (DOHC), 151.8/2.5L (DOHC).....		710600			Harmonic Bal Sleeve	88187
04-01	121/2.0L (DOHC).....		3772	07-95	232/3.8L, 238/3.9L, 256/4.2L		712692
			(Gskt. & PTFE Seal)			Redi-Sleeve	99187
			PTFE Rubber			Harmonic Bal Sleeve	88187
01-83	122/2.0L, 140/2.3L, 153/2.5L		3909	2004	244/4.0L (To 02/28/04).....		473560N
			PTFE Rubber			Redi-Sleeve	99166
			Redi-Sleeve	03-83	171/2.8L, 177/2.9L, 244/4.0L, 244/4.0L		473560N
87-85	2346cc/2.3L (Turbo-Diesel).....		228005			Redi-Sleeve	99166
			Redi-Sleeve	8 CYLINDER			
			99315	09-02	281/4.6L, 281/4.6L		482041N
6 CYLINDER						Redi-Sleeve	99187
09-95	181/3.0L (DOHC), 232/3.8L, 238/3.9L, 256/4.2L		3909			Harmonic Bal Sleeve	88187
			PTFE Rubber	01-96	302/5.0L		2692
			Redi-Sleeve			Redi-Sleeve	99187
			99363			Harmonic Bal Sleeve	88187
			(Continued Next Column)			Harmonic Bal Kit	5001

100/150 SERIES FULL SIZE - FORD TRUCK 1/2 TON

(Bronco, Expedition, E100 Econoline, E150 Econoline, F100 & F150)

Year	Application	Seal	Bearing
WHEEL			
FRONT WHEEL (2WD)			
09-08	E150 Econoline		
	(Inner)	LM102949-LM102910	
	(Outer)	15101-15245	
09-07	Expedition	Hub Assembly ☆ 515094	
08-05	F150	☆ 517014	
07-97	E150 Econoline		
	(Inner)	4148	A-13
	(Outer)		A-12
06-03	Expedition	Hub Assembly 515042	
2004	F150 (Heritage & SVT Lightning)		
	(Inner)	4148	A-18
	(Outer)		A-12
2003	F150		
	(Inner)	4148	A-18
	(Outer)		A-12
02-97	Expedition, F150		
	(Inner)	4148	A-18
	(Outer)		A-12
96-80	All		
	(Inner)	4148	A-13
	(Outer)		A-12
FRONT WHEEL (4WD)			
09-07	Expedition	Hub Assembly ☆ 515095	
08-06	F150 (6 Stud Hub)	Hub Assembly 515079	
08-06	F150 (7 Stud Hub)	Hub Assembly 515080	
06-03	Expedition	Hub Assembly 515043	
2005	F150 (6 Stud Hub) (From 11/29/04)	Hub Assembly 515079	
2005	F150 (6 Stud Hub) (To 11/28/04)	Hub Assembly 515046	
2005	F150 (7 Stud Hub) (From 11/29/04)	Hub Assembly 515080	
2005	F150 (7 Stud Hub) (To 11/28/04)	Hub Assembly 515047	
2004	F150 (FX4, STX, XL & XLT) (6 Stud Hub)	Hub Assembly 515046	
2004	F150 (FX4, STX, XL & XLT) (7 Stud Hub)	Hub Assembly 515047	
2004	F150 (Heritage & SVT Lightning) (Rear Wheel ABS) (5 Stud Hub)	Hub Assembly 515028	
2004	F150 (Heritage & SVT Lightning) (Rear Wheel ABS) (7 Stud Hub)	Hub Assembly 515022	
2004	F150 (Heritage & SVT Lightning) (4 Wheel ABS) (5 Stud Hub)	Hub Assembly 515029	
2004	F150 (Heritage & SVT Lightning) (4 Wheel ABS) (7 Stud Hub)	Hub Assembly 515030	
03-01	F150 (Rear Wheel ABS) (5 Stud Hub)	Hub Assembly 515028	
03-01	F150 (4 Wheel ABS) (5 Stud Hub)	Hub Assembly 515029	
03-00	F150 (Rear Wheel ABS) (7 Stud Hub)	Hub Assembly 515022	
03-00	F150 (4 Wheel ABS) (7 Stud Hub)	Hub Assembly 515030	
02-01	Expedition	Hub Assembly 515031	
2000	Expedition (M12 Wheel Bolts)	Hub Assembly 515004	
2000	Expedition (M14 Wheel Bolts)	Hub Assembly 515031	
2000	F150 (Rear Wheel ABS) (5 Stud Hub) (M12 Wheel Bolts)	Hub Assembly 515017	
2000	F150 (Rear Wheel ABS) (5 Stud Hub) (M14 Wheel Bolts)	Hub Assembly 515028	
2000	F150 (4 Wheel ABS) (5 Stud Hub) (M12 Wheel Bolts)	Hub Assembly 515010	
2000	F150 (4 Wheel ABS) (5 Stud Hub) (M14 Wheel Bolts)	Hub Assembly 515029	
99-97	Expedition	Hub Assembly 515004	
99-97	F150 (Rear Wheel ABS)	Hub Assembly 515017	
99-97	F150 (4 Wheel ABS)	Hub Assembly 515010	
1996	All		
	(Inner)	710430	A-37
	(Outer)		A-35
1995	Bronco		
	(Inner)	710430	A-37
	(Outer)		A-35
	(Continued Next Column)		

Year	Application	Seal	Bearing
FRONT WHEEL (4WD) (Cont.)			
1995	F150 (From 05/01/95)		
	(Inner)	710430	A-37
	(Outer)		A-35
1995	F150 (To 04/30/95)		
	(Inner)	4250	A-37
	(Outer)		A-35
94-89	All		
	(Inner)	4250	A-37
	(Outer)		A-35
1988	All (From 05/01/88)		
	(Inner)	4250	A-37
	(Outer)		A-35
1988	All (Manual-Lock Hub) (From 03/01/88 to 04/30/88) (Exc. Limited-Slip)		
	(Inner)	710091	A-38
	(Outer)		A-35
1988	All (Manual-Lock Hub) (From 03/01/88 to 04/30/88) (Limited Slip)		
	(Inner)	710091	A-37
	(Outer)		A-35
1988	All (Manual-Lock Hub) (To 02/29/88)		
	(Inner)	710091	A-38
	(Outer)		A-38
1988	All (To 04/30/88) (Auto-Lock Hub)		
	(Inner)	4250	A-37
	(Outer)		A-35
1987	All (Auto-Lock Hub)		
	(Inner)	4250	A-37
	(Outer)		A-35
1987	All (Manual-Lock Hub)		
	(Inner)	710091	A-38
	(Outer)		A-38
86-80	All		
	(Inner)	4250	A-37
	(Outer)		A-35
REAR WHEEL			
09-07	Expedition	Hub Assembly ☆ 541008	
09-05	F150	100357	R-1561-TV
	(Axle Repair Brg.)	RP-1561-FO	
09-98	E150 Econoline	8835S	6408
	(Axle Repair Brg.)	RP-6408	
06-03	Expedition	Hub Assembly 541001	
2004	F150 (FX4, STX, XL & XLT)	100357	R-1561-TV
	(Axle Repair Brg.)	RP-1561-FO	
2004	F150 (Heritage & SVT Lightning) (8.8" R.G.)	8835S	6408
	(Axle Repair Brg.)	RP-6408	
2004	F150 (Heritage & SVT Lightning) (9.75" R.G.) (10.25" R.G.)	100357	R-1561-TV
	(Axle Repair Brg.)	RP-1561-FO	
03-98	F150 (8.8" R.G.)	8835S	6408
	(Axle Repair Brg.)	RP-6408	
03-98	F150 (9.75" R.G.)	100357	R-1561-TV
	(Axle Repair Brg.)	RP-1561-FO	
02-97	Expedition	100357	R-1561-TV
	(Axle Repair Brg.)	RP-1561-FO	
97-87	Bronco, E150 Econoline, F150	8835S	6408
	(Axle Repair Brg.)	RP-6408	
86-83	Bronco, E100 Econoline, E150 Econoline, F150 (9" R.G.)	3195	A-20
	(Continued Next Page)		

☆ New Item, Check for Availability

FORD TRUCK 1/2 TON - 100/150 SERIES FULL SIZE (Bronco, Expedition, E100 Econoline, E150 Econoline, F100 & F150) (Cont.)

Year	Application	Seal	Bearing
WHEEL			
REAR WHEEL (Cont.)			
86-83	All (8.8" R.G.).....	8835S	6408 (Axle Repair Brg.) RP-6408
83-80	F100 (Spicer 44).....	9912	A-10
83-80	F100 (9" R.G.) (2,800 lb. Axle).....	51098	88128-RA
83-80	F100 (9" R.G.) (3,750 lb. Axle).....	3195	A-20
82-80	Bronco, E100 Econoline, E150 Econoline, F150.....	3195	A-20
AXLE			
FRONT AXLE			
AXLE SHAFT			
09-97	IFS-8.8" R.G. (Inner).....		HK-4012
	(Outer).....		FC-66998
96-83	Spicer 44-IFS.....	710043	
	(Left).....		
	(Right).....	470672	5707
82-80	Spicer 44-IFS.....	710043	
	(Left).....		
	(Right).....	2146	A-9
SPINDLE KIT			
92-85	Spicer 44-IFS.....		<input checked="" type="checkbox"/> SBK-4
1984	Spicer 44-IFS (1st Design).....		<input checked="" type="checkbox"/> SBK-1
1984	Spicer 44-IFS (2nd Design).....		<input checked="" type="checkbox"/> SBK-4
83-80	Spicer 44-IFS.....		<input checked="" type="checkbox"/> SBK-1
SPINDLE			
09-97	IFS-8.8" R.G.		HK-1816
96-93	Spicer 44-IFS.....	710453	B-2110
	(Inner).....		
	(Outer).....	710455	
92-80	Spicer 44-IFS.....	722109	B-2110
	(Inner).....		
	(Outer).....	722108	
DIFFERENTIAL KIT			
2002	Visteon IFS-8.8" R.G. (To 03/18/02).....		<input checked="" type="checkbox"/> RA-311
01-97	IFS-8.8" R.G.		<input checked="" type="checkbox"/> RA-311
96-80	Spicer 44-IFS.....		<input checked="" type="checkbox"/> RA-28
DIFFERENTIAL			
09-08	Visteon IFS-8.8" R.G.		(2)A-36
2007	Visteon IFS-8.8" R.G. (From 08/02/06).....		(2)A-36
2002	Visteon IFS-8.8" R.G. (To 03/18/02).....		(2)A-36
01-97	IFS-8.8" R.G.		(2)A-36
96-80	Spicer 44-IFS.....		(2)25590-25523
PINION			
09-97	IFS-8.8" R.G.		M802048-M802011
	(Inner).....		
	(Outer).....	3604	M88048-M88010
	Redi-Sleeve 99181.....		
96-80	Spicer 44-IFS.....		31594-31520
	(Inner).....		
	(Outer).....	5778	02872-02820
	Viton® 5778V.....		
	Redi-Sleeve 99155.....		
REAR AXLE			
AXLE SHAFT			
06-02	Visteon IRS-8.8" R.G.		(2)FC-66998
DIFFERENTIAL KIT			
09-83	8.8" R.G.		<input checked="" type="checkbox"/> RA-311 (Master Kit) RA-311MK

(Continued Next Column)

Year	Application	Seal	Bearing
REAR AXLE (Cont.)			
DIFFERENTIAL KIT			
86-80	9" R.G.		<input checked="" type="checkbox"/> RA-313 (Master Kit) RA-313MK
DIFFERENTIAL			
09-04	Visteon 10.25" R.G.		(2)469-453X
09-83	8.8" R.G.		(2)A-36
86-80	9" R.G.		(2)LM102949-LM102910
PINION			
09-00	Visteon IRS-9.75" R.G., 9.75" R.G.	(Outer) 4278	HM89443-HM89411
09-83	8.8" R.G.	(Inner).....	M802048-M802011
		(Outer).....	3604 M88048-M88010
		Redi-Sleeve 99181.....	
06-02	Visteon IRS-8.8" R.G. (Outer).....	3604	M88048-M88010
		Redi-Sleeve 99181.....	
1999	9.75" R.G. (1st Design) (Outer).....	3604	M88048-M88010
		Redi-Sleeve 99181.....	
1999	9.75" R.G. (2nd Design) (Outer).....	4278	HM89443-HM89411
98-97	9.75" R.G.	(Outer).....	3604 M88048-M88010
		Redi-Sleeve 99181.....	
86-80	9" R.G.		7044NA (2)M88048-M88010
		Redi-Sleeve 99181.....	
		(Pilot).....	R-1535-TAV
CLUTCH			
PILOT			
6 CYLINDER			
08-97	256/4.2L		FC-68329
96-80	300/4.9L		FC-65662
83-82	232/3.8L		FC-65662
8 CYLINDER			
09-97	281/4.6L, 281/4.6L		FC-68329
96-80	302/5.0L, 351/5.8L(M), 351/5.8L(W).....		FC-65662
1980	400/6.6L		(H/D) PB-50-DHD
RELEASE			
		Bearing Only	Bearing Assembly
6 CYLINDER			
99-97	256/4.2L		(Hyd. Clutch)® 614169
96-94	300/4.9L		(Hyd. Clutch)® 614169
96-92	300/4.9L (5 Speed).....		(Hyd. Clutch)® 614169
93-88	300/4.9L (4 Speed).....		® 614014
91-88	300/4.9L (5 Speed).....		(Hyd. Clutch)® 614061
87-83	300/4.9L		® 614014
1983	232/3.8L		® 614014
1982	232/3.8L		® 614038
		1625	(Thrust Type) FB-1625-C
82-80	300/4.9L		® 614038
		1625	(Thrust Type) FB-1625-C
8 CYLINDER			
99-94	302/5.0L, 330/5.4L, 351/5.8L(W).....		(Hyd. Clutch)® 614169
93-92	302/5.0L, 351/5.8L(W) (5 Speed).....		(Hyd. Clutch)® 614169
93-88	302/5.0L, 351/5.8L(W) (4 Speed).....		® 614014
91-88	302/5.0L, 351/5.8L(W) (5 Speed).....		(Hyd. Clutch)® 614061
87-83	302/5.0L, 351/5.8L(W).....		® 614014
1983	351/5.8L(W).....		® 614014

(Continued Next Page)

100/150 SERIES FULL SIZE - FORD TRUCK 1/2 TON

(Cont.) (Bronco, Expedition, E100 Econoline, E150 Econoline, F100 & F150)

Year	Application	Seal	Bearing
CLUTCH			
RELEASE (Cont.)			
		<i>Bearing Only</i>	<i>Bearing Assembly</i>
8 CYLINDER			
82-80	302/5.0L, 351/5.8L(M), 351/5.8L(W).....	1625 (Thrust Type) FB-1625-C	© 614038
1980	400/6.6L	1625-T	614034
DRIVESHAFT			
CENTER SUPPORT			
		<i>Bearing</i>	<i>Bearing & Support</i>
96-80	Spicer 1310, 1330 Series / Brg. ID 1.3780" (35mm) Slip Yoke Style.....	88107	HB-88107-A
TRANSFER CASE			
FULL TIME / PART TIME			
TRANSFER CASE KIT			
96-87	Borg-Warner 1356 (Slip Yoke).....		<input checked="" type="checkbox"/> T-370
90-80	Borg-Warner 1345		<input checked="" type="checkbox"/> T-340
86-80	New Process 208		<input checked="" type="checkbox"/> T-212-FA
INPUT SHAFT			
09-03	Borg-Warner 4416	3946	211
		Redi-Sleeve 99187	
09-96	Borg-Warner 4406 (Booted)....	4333N	211
		(Pilot)	BK-3026
09-96	Borg-Warner 4406 (Non-Booted).....	3946	211
		Redi-Sleeve 99187	
		(Pilot)	BK-3026
96-87	Borg-Warner 1356	714503	110
		(Pilot)	BK-3026
90-80	Borg-Warner 1345	710062	
		Redi-Sleeve 99175	
86-80	New Process 208	(2) 3173	(2)B-5020
		(Dual Lip) 710928	
		Redi-Sleeve 99193	
		(Pilot)	B-2012
		(Thrust)	AXK-5070
FRONT OUTPUT SHAFT			
09-03	Borg-Warner 4416		
	(Inner)		107
	(Outer)	4333N	208
09-96	Borg-Warner 4406	4333N	208
96-87	Borg-Warner 1356	714503	207
	(Pilot)		B-2012
90-80	Borg-Warner 1345	3946	207
		Redi-Sleeve 99187	
		(Pilot)	B-2012
86-80	New Process 208	3946	B-2816
		Redi-Sleeve 99187	
		(Pilot)	J-2416
		(Thrust)	(2)NTA-2840
REAR OUTPUT SHAFT			
09-03	Borg-Warner 4416	4503N	
	(Inner)		307
	(Outer)		111
09-96	Borg-Warner 4406	4503N	207
	(Thrust)		NTA-2233
			(Continued Next Column)

Year	Application	Seal	Bearing
FULL TIME / PART TIME (Cont.)			
REAR OUTPUT SHAFT			
96-87	Borg-Warner 1356 (Fixed Yoke)	4333N	207
96-87	Borg-Warner 1356 (Slip Yoke)	4503N	207
1990	Borg-Warner 1345	3946	207
		Redi-Sleeve 99187	
		(Pilot)	B-2812
1989	Borg-Warner 1345 (Booted)....	4333N	207
		(Pilot)	B-2812
1989	Borg-Warner 1345 (Non-Booted).....	3946	207
		Redi-Sleeve 99187	
		(Pilot)	B-2812
88-80	Borg-Warner 1345	3946	207
		Redi-Sleeve 99187	
		(Pilot)	B-2812
86-80	New Process 208 (Fixed Yoke)	3946	1207-L
		Redi-Sleeve 99187	
		(Pilot)	B-3616
		(Thrust)	TC-2435
86-80	New Process 208 (Slip Yoke)	4333N	1207-L
		(Pilot)	B-3616
		(Thrust)	TC-2435
OIL PUMP HOUSING			
86-80	New Process 208	341022	
		Redi-Sleeve 99225	
SHIFT SHAFT			
09-87	Borg-Warner 1356, 4406, 4416	330385	
DRIVE SPROCKET			
86-80	New Process 208		(82)C-1086-Q
TRANSMISSION			
AUTOMATIC / 3 Speed			
FRONT PUMP			
90-80	C4, C5, C6	331107N	
		Redi-Sleeve 99199	
EXTENSION HOUSING			
90-81	C6	7300S	
		(Seal & Bushing Kit) 5203	
86-85	C5	7692S	
		(Seal & Bushing Kit) 5202	
83-80	C4, C5	7692S	
		(Seal & Bushing Kit) 5202	
1980	C6 (2WD).....	7300S	
		(Seal & Bushing Kit) 5203	
1980	C6 (4WD).....	410308	
MANUAL SHAFT			
90-80	C6	7929S	
86-85	C5	240816	
		Redi-Sleeve 99076	
83-80	C4, C5	240816	
		Redi-Sleeve 99076	

() Indicates Quantity Required © Sealed Self-Aligning Bearing Refer To Front Of Catalog For Kit Contents

FORD TRUCK 1/2 TON - 100/150 SERIES FULL SIZE (Bronco, Expedition, E100 Econoline, E150 Econoline, F100 & F150) (Cont.)

Year	Application	Seal	Bearing
TRANSMISSION			
AUTOMATIC / 4 Speed			
FRONT PUMP			
09-89	4R100, 4R70E, 4R70W, 4R75E, 4R75W, E4OD, AOD-EW	3404 331107N Redi-Sleeve 99199	
93-80	AOD		
EXTENSION HOUSING			
09-94	4R70E, 4R70W, 4R75E, 4R75W, AOD-EW (Booted)	4765	
09-94	4R70E, 4R70W, 4R75E, 4R75W, AOD-EW (Non-Booted)	4764	
05-99	4R100 (1.6850" Shaft) (Seal & Bushing Kit)	7300S 5203	
		Viton® 4981V	
05-99	4R100 (1.8800" Shaft)	100086	
98-96	E4OD (Seal & Bushing Kit)	7300S 5203	
		Viton® 4981V	
95-89	E4OD (Seal & Bushing Kit)	7300S 5203	
93-80	AOD (Long Boot) (Seal & Bushing Kit)	7692S 5202	
93-80	AOD (Short Boot)	2194	
MANUAL SHAFT			
09-80	AOD, 4R100, 4R70E, 4R70W, 4R75E, 4R75W, E4OD, AOD-EW	7929S	
AUTOMATIC / 6 Speed			
FRONT PUMP			
09-07	6R75	710484	
EXTENSION HOUSING			
09-07	6R75 (2WD)	710487	
09-07	6R75 (4WD)	710486	
MANUAL / 3 Speed			
DRIVESHAFT / INPUT			
86-80	Tremec 162, 166 Redi-Sleeve 99112	3638 99112	§ 208-LO
MAINSHAFT / OUTPUT			
86-80	Tremec 162, 166 (Seal & Bushing Kit)	7692S 5202	207-L
MAINSHAFT PILOT			
86-80	Tremec 162, 166		(15)QBR-23549
COUNTERSHAFT			
86-80	Tremec 162, 166		(50)C-1086-Q
MANUAL / 4 Speed			
TRANSMISSION KIT			
87-80	New Process 435		<input checked="" type="checkbox"/> T-127-F
82-80	Borg-Warner T18		<input checked="" type="checkbox"/> T-82-F
DRIVESHAFT / INPUT			
93-83	Borg-Warner T18	7412S Redi-Sleeve 99125	308-L4
90-80	Tremec 170, 172, 173, 179	3638 Redi-Sleeve 99112	308-L4
(Continued Next Column)			

Year	Application	Seal	Bearing
MANUAL / 4 Speed (Cont.)			
DRIVESHAFT / INPUT			
87-80	New Process 435 Redi-Sleeve 99138	482163N 99138	HM88649-HM88610
83-80	Tremec 173 Redi-Sleeve 99112	3638 99112	308-L4
82-80	Borg-Warner T18 Redi-Sleeve 99125	7412S 99125	308-L1
MAINSHAFT / OUTPUT			
93-84	Borg-Warner T18 (28 Spline) (Seal & Bushing Kit)	7692S 5202	308-L1
90-86	Tremec 170, 172, 173, 179 (Seal & Bushing Kit)	7692S 5202	
87-84	Borg-Warner T18 (31 Spline)	473442	308-L1
87-80	New Process 435	471271	1308-L
1985	Tremec 170, 172, 173, 179 (1st Design) (Seal & Bushing Kit)	7692S 5202	308-L4
84-80	Tremec 170, 172, 173, 179 (Seal & Bushing Kit)	7692S 5202	308-L4
83-80	Borg-Warner T18 (28 Spline) (Seal & Bushing Kit)	7692S 5202	1308-L
83-80	Borg-Warner T18 (31 Spline)	473442	1308-L
MAINSHAFT PILOT			
93-80	Borg-Warner T18		(22)C-436-Q
90-80	Tremec 170, 172, 173, 179		(15)QBR-23549
87-80	New Process 435		(14)Q-15902
COUNTERSHAFT			
93-80	Borg-Warner T18		(88)C-436-Q
90-80	Tremec 170, 172, 173, 179		(42)QAR-33724
87-80	New Process 435		
	(Front)		BCE-2416
	(Rear)		B-3216
	(Thrust)		NTA-2031
REVERSE IDLER			
93-80	Borg-Warner T18		(74)B-1316-Q
90-80	Tremec 170, 172, 173, 179		(44)C-407-Q
87-80	New Process 435		(104)C-407-Q
SHIFT SHAFT			
90-80	Tremec 170, 172, 173, 179	313156	
3RD SPEED GEAR			
87-80	New Process 435		FA-35688
4TH SPEED GEAR			
87-80	New Process 435		FA-35688
MANUAL / 5 Speed			
DRIVESHAFT / INPUT			
07-88	Mazda M5R2, M5R2C Redi-Sleeve 99114	223012 99114	
96-87	ZF S5-42 Redi-Sleeve 99139	713771 99139	28580-28521
1988	Mazda M5R1 Redi-Sleeve 99106	1990 99106	
MAINSHAFT / OUTPUT			
07-88	Mazda M5R2, M5R2C	710415	
96-87	ZF S5-42 (2WD)	22510	
96-87	ZF S5-42 (4WD)	1217	
(Continued Next Page)			

100/150 SERIES FULL SIZE - FORD TRUCK 1/2 TON

(Cont.) (Bronco, Expedition, E100 Econoline, E150 Econoline, F100 & F150)

Year	Application	Seal	Bearing
TRANSMISSION			
MANUAL / 5 Speed (Cont.)			
MAINSHAFT / OUTPUT			
1988	Mazda M5R1 (2WD)	7692S	
1988	Mazda M5R1 (4WD)	1981	
COUNTERSHAFT			
07-88	Mazda M5R2, M5R2C		
	(Center)		MR-1207-EL
	(Rear)		304
96-87	ZF S5-42		(2)2580-2520
1988	Mazda M5R1 (Rear)		304

STEERING			
MANUAL STEERING			
STEERING GEAR WORM SHAFT			
98-83	E100 Econoline, E150 Econoline, F100	221922	
82-80	All (Saginaw Design)	480821	
STEERING GEAR PITMAN SHAFT			
82-80	All (Ford Design)	340151	
82-80	All (Saginaw Design)	313842	B-1816

POWER STEERING			
STEERING GEAR HOUSING			
82-80	Bronco, E100 Econoline, E150 Econoline (Saginaw Design)		(Adj. Plug) DB-53313
STEERING GEAR INPUT SHAFT			
96-80	All (Ford Design)	471645	FC-65753
STEERING GEAR PITMAN SHAFT			
82-80	Bronco, E100 Econoline, E150 Econoline		(Kit) <input checked="" type="checkbox"/> PSK-1
STEERING PUMP SHAFT			
96-92	All (Ford Pump)	8773S	
96-83	E100 Econoline, E150 Econoline (Saginaw Pump)	7013S	
91-80	Bronco, F100, F150 (Ford Pump)	8773S	
82-80	Bronco, E100 Econoline, E150 Econoline (Saginaw Pump)	7013S	

AIR CONDITIONING			
COMPRESSOR			
CLUTCH PULLEY			
08-93	Ford FS-10		5106-WCC
93-89	Ford FX-15		5106-WCC
93-88	Sanden SD-709		5001-KFF
93-82	Ford FS-6		5000-KFF
92-88	Sanden SD-508		5001-KFF
87-84	Tecumseh HR-980		5000-KFF
84-80	Tecumseh & York		5106-WCC
REAR			
84-80	Tecumseh & York		203

Year	Application	Seal	Bearing
ELECTRICAL			
ALTERNATOR			
DRIVE END			
94-80	Motorcraft 38, 40, 42, 55, 60, 61, 90 Amp		203-FF
REAR END			
94-80	Motorcraft 38, 40, 42, 55, 60, 61, 90 Amp		MNJ-471-S

ENGINE			
CRANKSHAFT			
6 CYLINDER			
08-97	256/4.2L		3909
		PTFE Rubber	5277
		Redi-Sleeve	99363
96-80	300/4.9L, 300/4.9L (LPG)		2377
		PTFE	5278
		Redi-Sleeve	99372
1983	232/3.8L (From 01/01/83)		3909
		PTFE Rubber	5277
		Redi-Sleeve	99363
1983	232/3.8L (To 12/31/82)		
		(Rope Type)	5095
		(Split Seal)	5108
1982	232/3.8L		
		(Rope Type)	5095
		(Split Seal)	5108
8 CYLINDER			
09-84	281/4.6L, 281/4.6L, 302/5.0L, 330/5.4L, 330/5.4L, 330/5.4L, 330/5.4L		3909
		PTFE Rubber	5277
		Redi-Sleeve	99363
97-84	351/5.8L(W)		2377
		PTFE	5278
		Redi-Sleeve	99372
1983	302/5.0L (From 12/01/82)		3909
		PTFE Rubber	5277
		Redi-Sleeve	99363
1983	302/5.0L (To 11/30/82)		
		(Rope Type)	5095
		(Split Seal)	5108
1983	351/5.8L(W) (From 07/11/83)		2377
		PTFE	5278
		Redi-Sleeve	99372
1983	351/5.8L(W) (To 07/10/83)		
		(Rope Type)	5095
		(Split Seal)	5117
82-80	255/4.2L, 302/5.0L		
		(Rope Type)	5095
		(Split Seal)	5108
82-80	351/5.8L(M), 351/5.8L(W), 400/6.6L		
		(Rope Type)	5095
		(Split Seal)	5117

TIMING COVER			
6 CYLINDER			
08-97	256/4.2L		712692
		Redi-Sleeve	99187
		Harmonic Bal Sleeve	88187
(Continued Next Page)			

() Indicates Quantity Required Refer To Front Of Catalog For Kit Contents

FORD TRUCK 1/2 TON - 100/150 SERIES FULL SIZE (Bronco, Expedition, E100 Econoline, E150 Econoline, F100 & F150) (Cont.)

Year	Application	Seal	Bearing	Year	Application	Seal	Bearing
ENGINE				TIMING COVER (Cont.)			
TIMING COVER (Cont.)				6 CYLINDER			
6 CYLINDER				8 CYLINDER			
96-86	300/4.9L, 300/4.9L (LPG)	2692		83-82	232/3.8L	2692	
	Redi-Sleeve	99187				Redi-Sleeve	99187
	Harmonic Bal Sleeve	88187				Harmonic Bal Sleeve	88187
	Harmonic Bal Kit ☒	5001				Harmonic Bal Kit ☒	5001
1985	300/4.9L, 300/4.9L (LPG) (From 05/15/85)	2692					
	Redi-Sleeve	99187					
	Harmonic Bal Sleeve	88187					
	Harmonic Bal Kit ☒	5001					
1985	300/4.9L, 300/4.9L (LPG) (To 05/14/85)	2942					
	Redi-Sleeve	99187					
	Harmonic Bal Sleeve	88187					
	Harmonic Bal Kit ☒	5001					
84-80	300/4.9L, 300/4.9L (LPG)	2942					
	Redi-Sleeve	99187					
	Harmonic Bal Sleeve	88187					
	Harmonic Bal Kit ☒	5001					
(Continued Next Column)							

FORD TRUCK 3/4 TON - 250 SERIES FULL SIZE (E250 Econoline, F250 & F250 Super Duty)

WHEEL				FRONT WHEEL (2WD) (Cont.)			
FRONT WHEEL (2WD)				FRONT WHEEL (4WD)			
09-08	E250 Econoline			1980	E250 Econoline		
	(Inner)		LM102949-LM102910		(Inner)	493637	LM102949-LM102910
	(Outer)		15101-15245		(Outer)		15101-15245
07-97	E250 Econoline, F250 Super Duty	4160	LM102949-LM102910				
	(Outer)		15101-15245				
99-97	F250 (7 Stud Hub) (L/D Suspension) (7,700 lbs. GVWR)	4148	A-18				
	(Outer)		A-12				
99-97	F250 (8 Stud Hub) (H/D Suspension) (8,800 lbs. GVWR)	4160	LM102949-LM102910				
	(Outer)		15101-15245				
96-86	All	4160	LM102949-LM102910				
	(Outer)		15101-15245				
85-82	E250 Econoline	4160	LM102949-LM102910				
	(Outer)		15101-15245				
85-80	F250 (H/D Brakes)	4160	LM102949-LM102910				
	(Outer)		15101-15245				
85-80	F250 (L/D Brakes)	4148	A-13				
	(Outer)		A-12				
1981	E250 Econoline (From 11/04/80)	4160	LM102949-LM102910				
	(Outer)		15101-15245				
1981	E250 Econoline (To 11/03/80)	493637	LM102949-LM102910				
	(Outer)		15101-15245				
(Continued Next Column)							

250 SERIES FULL SIZE - FORD TRUCK 3/4 TON

(Cont.) (E250 Econoline, F250 & F250 Super Duty)

Year	Application	Seal	Bearing
WHEEL			
FRONT WHEEL (4WD) (Cont.)			
98-80	All (Spicer 50.5-IFS)		
	(Inner)	415960	387A-382A
	(Outer)		A-38
94-80	All (Spicer 44-IFS-HD)		
	(Inner)	4250	LM104949-JLM104910
	(Outer)		A-35
82-80	All (Spicer 44-IFS)		
	(Inner)	4250	A-37
	(Outer)		A-35
REAR WHEEL			
09-99	F250 Super Duty		
	(Inner)	• 370247A	A-53
	(Outer)		A-38
09-89	E250 Econoline (Spicer 60) (Full-Floating)		
	(Inner)	9864S	387AS-382A
	(Outer)		A-38
09-89	E250 Econoline (Spicer 60) (Semi-Floating)	710067	R-1561-TV (Axle Repair Brg.) RP-1561-FO
99-85	F250 (10.25" R.G.) (Full-Floating)		
	(Inner)	• 370047A	3994-3920
	(Outer)		A-38
99-85	F250 (10.25" R.G.) (Semi-Floating)	710067	R-1561-TV (Axle Repair Brg.) RP-1561-FO
89-86	All (8.8" R.G.)	8835S	6408 (Axle Repair Brg.) RP-6408
88-86	E250 Econoline (Spicer 61)		
	(Inner)	9864S	387AS-382A
	(Outer)		A-38
87-86	E250 Econoline (Spicer 60)	710067	R-1561-TV (Axle Repair Brg.) RP-1561-FO
85-83	E250 Econoline (8.8" R.G.)	8835S	6408 (Axle Repair Brg.) RP-6408
85-83	F250 (Spicer 70)		
	(Inner)	9864S	387AS-382A
	(Outer)		A-38
85-81	All (Spicer 60)	710067	R-1561-TV (Axle Repair Brg.) RP-1561-FO
85-81	All (Spicer 61) (Full-Floating)		
	(Inner)	9864S	387AS-382A
	(Outer)		A-38
85-81	All (Spicer 61) (Semi-Floating)	710067	R-1561-TV (Axle Repair Brg.) RP-1561-FO
84-80	F250 (10.25" R.G.)	710067	R-1561-TV (Axle Repair Brg.) RP-1561-FO
1980	E250 Econoline		
	(Inner)	9864S	387AS-382A
	(Outer)		A-38
1980	F250 (Spicer 60)	710067	R-1561-TV (Axle Repair Brg.) RP-1561-FO
1980	F250 (Spicer 61) (Full-Floating)		
	(Inner)	9864S	387AS-382A
	(Outer)		A-38
1980	F250 (Spicer 61) (Semi-Floating)	710067	R-1561-TV (Axle Repair Brg.) RP-1561-FO

Year	Application	Seal	Bearing
AXLE			
FRONT AXLE			
AXLE SHAFT			
09-03	Spicer 50, 60-SF Monobeam		
	(Inner)	710492	
	(Outer)	710494	
02-99	Spicer 50		
	(Inner)	710492	
	(Outer)	710493	
99-97	IFS-8.8" R.G.		HK-4012
	(Inner)		FC-66998
	(Outer)		
98-83	Spicer 44-IFS-HD, 50.5-IFS		
	(Left)	710043	
	(Right)	470672	5707
82-80	Spicer 44-IFS, 44-IFS-HD, 50.5-IFS		
	(Left)	710043	
	(Right)	2146	A-9
SPINDLE KIT			
98-93	Spicer 50.5-IFS		<input checked="" type="checkbox"/> SBK-5
98-85	Spicer 44-IFS-HD		<input checked="" type="checkbox"/> SBK-4
92-80	Spicer 50.5-IFS		<input checked="" type="checkbox"/> SBK-3
1984	Spicer 44-IFS-HD (1st Design)		<input checked="" type="checkbox"/> SBK-1
1984	Spicer 44-IFS-HD (2nd Design)		<input checked="" type="checkbox"/> SBK-4
83-80	Spicer 44-IFS, 44-IFS-HD		<input checked="" type="checkbox"/> SBK-1
SPINDLE			
09-99	Spicer 50, 60-SF Monobeam	710413	B-2110
99-97	IFS-8.8" R.G.		HK-1816
98-93	Spicer 50.5-IFS		
	(Inner)	710413	B-2414
	(Outer)	710414	
98-80	Spicer 44-IFS, 44-IFS-HD		
	(Inner)	722109	B-2110
	(Outer)	722108	
92-80	Spicer 50.5-IFS		
	(Inner)	710044	B-2414
	(Outer)	710045	
DIFFERENTIAL KIT			
04-99	Spicer 50		<input checked="" type="checkbox"/> RA-336-A
99-97	IFS-8.8" R.G.		<input checked="" type="checkbox"/> RA-311
98-80	Spicer 50.5-IFS		<input checked="" type="checkbox"/> RA-336
98-80	Spicer 44-IFS, 44-IFS-HD		<input checked="" type="checkbox"/> RA-28
DIFFERENTIAL			
09-05	Spicer 60-SF		(2)387A-382S
04-80	Spicer 50, 50.5-IFS		(2)JLM104948-LM104911A
99-97	IFS-8.8" R.G.		(2)A-36
98-80	Spicer 44-IFS, 44-IFS-HD		(2)25590-25523
PINION			
09-05	Spicer 60-SF		
	(Inner)	HM803146	HM803110
	(Outer)	100712V	HM88542-HM88510
04-99	Spicer 50		
	(Inner)		HM88649-HM88610
	(Outer)	710482	02872-02820
99-97	IFS-8.8" R.G.		M802048-M802011
	(Inner)		M88048-M88010
	(Outer)	3604	
	Redi-Sleeve	99181	
98-80	Spicer 50.5-IFS		
	(Inner)		HM88649-HM88610
	(Outer)	5778	02872-02820
	Viton®	5778V	
	Redi-Sleeve	99155	
	(Continued Next Page)		

() Indicates Quantity Required Refer To Front Of Catalog For Kit Contents • Oil Bath Seal

FORD TRUCK 3/4 TON - 250 SERIES FULL SIZE

(E250 Econoline, F250 & F250 Super Duty) (Cont.)

Year	Application	Seal	Bearing
AXLE			
FRONT AXLE (Cont.)			
PINION			
98-80	Spicer 44-IFS, 44-IFS-HD		
	(Inner)		31594-31520
	(Outer)	5778	02872-02820
	Viton® 5778V		
	Redi-Sleeve 99155		
REAR AXLE			
DIFFERENTIAL KIT			
09-98	Spicer 60-1		☒ RA-331-A
97-80	Spicer 60.3, 60-1, 60-1U, 60U, 61-1, 61-2		☒ RA-331
	(Master Kit) RA-331MK		
96-85	10.25" R.G.		☒ RA-314
	(Master Kit) RA-314MK		
89-83	8.8" R.G.		☒ RA-311
	(Master Kit) RA-311MK		
85-83	Spicer 70U		☒ RA-332-U
DIFFERENTIAL			
09-98	Spicer 60-1, 60-1U		(2)A-50
09-85	10.25" R.G., 10.5" R.G.		(2)469-453X
97-80	Spicer 60.3, 60-1, 60-1U, 60U, 61-1, 61-2, 70U		(2)387A-382S
89-83	8.8" R.G.		(2)A-36
PINION			
09-97	10.25" R.G., 10.5" R.G.		
	(Outer)	4278	HM89443-HM89411
	Redi-Sleeve 99181		
09-87	Spicer 60.3, 60-1, 60-1U, 61-1		
	(Inner)		HM803146-HM803110
	(Outer)	719316	HM88542-HM88510
	Redi-Sleeve 99187		
96-85	10.25" R.G.		HM807044-HM807010
	(Inner)		
	(Outer)	4278	HM89443-HM89411
	Redi-Sleeve 99181		
89-83	8.8" R.G.		M802048-M802011
	(Inner)		
	(Outer)	3604	M88048-M88010
	Redi-Sleeve 99181		
86-80	Spicer 60.3, 60U, 61-1		
	(Inner)		HM803146-HM803110
	(Outer)	9316	HM88542-HM88510
	Redi-Sleeve 99187		
85-83	Spicer 70U		HM803149-HM803110
	(Inner)		
	(Outer)	9316	HM88542-HM88510
	Redi-Sleeve 99187		
85-80	Spicer 61-2		HM803146-HM803110
	(Inner)		
	(Outer)	9316	HM88542-HM88510
	Redi-Sleeve 99187		
CLUTCH			
PILOT			
6 CYLINDER			
98-97	256/4.2L		FC-68329
97-80	300/4.9L		FC-65662
8 CYLINDER			
09-08	330/5.4L, 365/6.0L (Turbo-Diesel), 390/6.4L (Turbo-Diesel)		FC-65662
07-05	330/5.4L, 330/5.4L, 330/5.4L, 365/6.0L (Turbo-Diesel)		FC-65662
04-97	330/5.4L, 330/5.4L		FC-68329
	(Continued Next Column)		

Year	Application	Seal	Bearing
PILOT (Cont.)			
8 CYLINDER			
04-92	302/5.0L, 351/5.8L(W), 365/6.0L (Turbo-Diesel), 444/7.3L (Diesel), 444/7.3L (Turbo-Diesel), 444/7.3L (Turbo-Diesel)		FC-65662
98-83	460/7.5L		FC-66067
91-88	302/5.0L, 351/5.8L(W), 444/7.3L (Diesel)		FC-65662
87-83	302/5.0L, 351/5.8L(W), 420/6.9L (Diesel)		FC-65662
82-80	400/6.6L		(H/D) PB-50-DHD
82-80	302/5.0L, 351/5.8L(M), 351/5.8L(W)		FC-65662
10 CYLINDER			
09-05	415/6.8L		FC-65662
04-99	415/6.8L		FC-68329
RELEASE			
		Bearing Only	Bearing Assembly
6 CYLINDER			
98-97	256/4.2L		(Hyd. Clutch)® 614169
97-94	300/4.9L		(Hyd. Clutch)® 614169
93-92	300/4.9L (5 Speed)		(Hyd. Clutch)® 614169
93-88	300/4.9L (4 Speed)		® 614014
91-88	300/4.9L (5 Speed)		(Hyd. Clutch)® 614061
87-83	300/4.9L		® 614014
82-80	300/4.9L		® 614038
		1625	(Thrust Type) FB-1625-C
8 CYLINDER			
2003	444/7.3L (Turbo-Diesel)		® 614175
02-99	330/5.4L, 330/5.4L, 444/7.3L (Turbo-Diesel)		® 614175
99-94	302/5.0L, 330/5.4L, 351/5.8L(W)		(Hyd. Clutch)® 614169
98-94	460/7.5L, 444/7.3L (Diesel), 444/7.3L (Turbo-Diesel), 444/7.3L (Turbo-Diesel)		® 614062
93-92	302/5.0L, 351/5.8L(W) (5 Speed)		(Hyd. Clutch)® 614169
93-88	302/5.0L, 351/5.8L(W), 460/7.5L (4 Speed)		® 614014
93-87	460/7.5L (5 Speed)		® 614062
93-87	420/6.9L (Diesel), 444/7.3L (Diesel), 444/7.3L (Turbo-Diesel)		® 614062
91-88	302/5.0L, 351/5.8L(W) (5 Speed)		(Hyd. Clutch)® 614061
1987	460/7.5L (4 Speed)		® 614014
1987	302/5.0L, 351/5.8L(W)		® 614014
86-83	302/5.0L, 351/5.8L(W), 460/7.5L, 420/6.9L (Diesel)		® 614014
82-81	351/5.8L(M)		® 614038
			(Thrust Type) FB-1625-C
82-81	302/5.0L, 351/5.8L(W)		® 614038
		1625	(Thrust Type) FB-1625-C
82-80	400/6.6L		1625-T 614034
1980	302/5.0L, 351/5.8L(M), 351/5.8L(W)		® 614038
		1625	(Thrust Type) FB-1625-C
10 CYLINDER			
02-99	415/6.8L		® 614175
DRIVESHAFT			
CENTER SUPPORT			
		Bearing	Bearing & Support
07-99	Spicer 1410 Series / Brg. ID 1.5748" (40mm)	88508	HB-88508-A
07-99	Spicer 1480 Series / Brg. ID 1.5748" (40mm)(Coupling Shaft)		HB-88108-FD
04-99	Spicer 1310, 1330 Series / Brg. ID 1.3780" (35mm) Slip Yoke Style	88107	HB-88107-A
97-84	Spicer 1410 Series / Brg. ID 1.5748" (40mm)	88508	HB-88508-A
	(Continued Next Page)		

250 SERIES FULL SIZE - FORD TRUCK 3/4 TON

(Cont.) (E250 Econoline, F250 & F250 Super Duty)

Year	Application	Seal	Bearing
DRIVESHAFT			
CENTER SUPPORT (Cont.)			
		<i>Bearing</i>	<i>Bearing & Support</i>
97-80	Spicer 1310, 1330 Series / Brg. ID 1.3780" (35mm) Slip Yoke Style.....	88107	HB-88107-A
96-93	Spicer 1480 Series / Brg. ID 1.5748" (40mm)		HB-88508-AA
96-84	Spicer 1410 Series / Brg. ID 1.5748" (40mm).....	88508	
83-80	Spicer 1310, 1330 Series / Brg. ID 1.3780" (35mm) Slip Yoke Style.....	88107	
TRANSFER CASE			
FULL TIME / PART TIME			
TRANSFER CASE KIT			
98-87	Borg-Warner 1356 (Slip Yoke).....		<input checked="" type="checkbox"/> T-370
90-81	Borg-Warner 1345.....		<input checked="" type="checkbox"/> T-340
86-80	New Process 208.....		<input checked="" type="checkbox"/> T-212-FA
INPUT SHAFT			
09-99	New Process 271, 273.....		211
99-96	Borg-Warner 4407.....	4333N	211
	(Pilot).....		BK-3026
98-96	Borg-Warner 4406 (Booted)....	4333N	211
	(Pilot).....		BK-3026
98-96	Borg-Warner 4406 (Non-Booted).....	3946	211
	Redi-Sleeve.....	99187	
	(Pilot).....		BK-3026
98-87	Borg-Warner 1356.....	714503	110
	(Pilot).....		BK-3026
90-81	Borg-Warner 1345.....	710062	
	Redi-Sleeve.....	99175	
86-80	New Process 208..... (2)	3173	(2)B-5020
	(Dual Lip).....	710928	
	Redi-Sleeve.....	99193	
	(Pilot).....		B-2012
	(Thrust).....		AXK-5070
FRONT OUTPUT SHAFT			
09-99	New Process 271, 273.....		111
	(Pilot).....		J-2416
99-96	Borg-Warner 4407.....		
	(Inner).....		207
	(Outer).....	4333N	208
	(Pilot).....		B-2012
98-96	Borg-Warner 4406.....	4333N	208
98-87	Borg-Warner 1356.....	714503	207
	(Pilot).....		B-2012
90-81	Borg-Warner 1345.....	3946	207
	Redi-Sleeve.....	99187	
	(Pilot).....		B-2012
86-80	New Process 208.....	3946	B-2816
	Redi-Sleeve.....	99187	
	(Pilot).....		J-2416
	(Thrust).....		(2)NTA-2840
REAR OUTPUT SHAFT			
99-96	Borg-Warner 4407.....	4503N	308
	(Thrust).....		NTA-2233
98-96	Borg-Warner 4406.....	4503N	207
	(Thrust).....		NTA-2233
	<i>(Continued Next Column)</i>		

Year	Application	Seal	Bearing
FULL TIME / PART TIME (Cont.)			
REAR OUTPUT SHAFT			
98-87	Borg-Warner 1356 (Fixed Yoke).....	4333N	207
98-87	Borg-Warner 1356 (Slip Yoke).....	4503N	207
1990	Borg-Warner 1345.....	3946	207
	Redi-Sleeve.....	99187	
	(Pilot).....		B-2812
1989	Borg-Warner 1345 (Booted)....	4333N	207
	(Pilot).....		B-2812
1989	Borg-Warner 1345 (Non-Booted).....	3946	207
	Redi-Sleeve.....	99187	
	(Pilot).....		B-2812
88-81	Borg-Warner 1345.....	3946	207
	Redi-Sleeve.....	99187	
	(Pilot).....		B-2812
86-80	New Process 208 (Fixed Yoke).....	3946	1207-L
	Redi-Sleeve.....	99187	
	(Pilot).....		B-3616
	(Thrust).....		TC-2435
86-80	New Process 208 (Slip Yoke).....	4333N	1207-L
	(Pilot).....		B-3616
	(Thrust).....		TC-2435
INTERMEDIATE SHAFT			
99-96	Borg-Warner 4407.....		210
OIL PUMP HOUSING			
09-99	New Process 271, 273.....	341022	
	Redi-Sleeve.....	99225	
86-80	New Process 208.....	341022	
	Redi-Sleeve.....	99225	
SHIFT SHAFT			
99-87	Borg-Warner 1356, 4406, 4407.....	330385	
DRIVE SPROCKET			
86-80	New Process 208.....		(82)C-1086-Q

TRANSMISSION

AUTOMATIC / 3 Speed			
FRONT PUMP			
90-80	C5, C6.....	331107N	
	Redi-Sleeve.....	99199	
EXTENSION HOUSING			
90-81	C6.....	7300S	
	(Seal & Bushing Kit).....	5203	
86-85	C5.....	7692S	
	(Seal & Bushing Kit).....	5202	
1980	C6 (2WD).....	7300S	
	(Seal & Bushing Kit).....	5203	
1980	C6 (4WD).....	410308	
MANUAL SHAFT			
90-80	C6.....	7929S	
86-85	C5.....	240816	
	Redi-Sleeve.....	99076	

() Indicates Quantity Required Refer To Front Of Catalog For Kit Contents

FORD TRUCK 3/4 TON - 250 SERIES FULL SIZE

(E250 Econoline, F250 & F250 Super Duty) (Cont.)

Year	Application	Seal	Bearing
TRANSMISSION			
AUTOMATIC / 4 Speed			
FRONT PUMP			
09-89	4R100, 4R70E, 4R70W, 4R75E, 4R75W, E4OD, AOD-EW	3404 331107N Redi-Sleeve 99199	
93-81	AOD		
EXTENSION HOUSING			
09-94	4R70E, 4R70W, 4R75E, 4R75W, AOD-EW (Booted)	4765	
09-94	4R70E, 4R70W, 4R75E, 4R75W, AOD-EW (Non-Booted)	4764	
05-99	4R100 (1.6850" Shaft) (Seal & Bushing Kit)	7300S 5203	
		Viton® 4981V	
05-99	4R100 (1.8800" Shaft)	100086	
98-96	E4OD (Seal & Bushing Kit)	7300S 5203	
		Viton® 4981V	
95-89	E4OD (Seal & Bushing Kit)	7300S 5203	
93-81	AOD (Long Boot) (Seal & Bushing Kit)	7692S 5202	
93-81	AOD (Short Boot)	2194	
MANUAL SHAFT			
09-81	AOD, 4R100, 4R70E, 4R70W, 4R75E, 4R75W, E4OD, AOD-EW	7929S	
AUTOMATIC / 5 Speed			
FRONT PUMP			
09-05	5R110W (TorqShift)	710485	
EXTENSION HOUSING			
09-05	5R110W (TorqShift) (Long Wheelbase)	710483	
09-05	5R110W (TorqShift) (Short Wheelbase)	710537	
MANUAL SHAFT			
09-05	5R110W (TorqShift)	7929S	
MANUAL / 3 Speed			
DRIVESHAFT / INPUT			
86-80	Tremec 162, 166	3638 Redi-Sleeve 99112	§ 208-LO
MAINSHAFT / OUTPUT			
86-80	Tremec 162, 166 (Seal & Bushing Kit)	7692S 5202	207-L
MAINSHAFT PILOT			
86-80	Tremec 162, 166		(15)QBR-23549
COUNTERSHAFT			
86-80	Tremec 162, 166		(50)C-1086-Q
MANUAL / 4 Speed			
TRANSMISSION KIT			
87-80	New Process 435		<input checked="" type="checkbox"/> T-127-F
1983	Borg-Warner T19		<input checked="" type="checkbox"/> T-82-F
82-80	Borg-Warner T18		<input checked="" type="checkbox"/> T-82-F

Year	Application	Seal	Bearing
MANUAL / 4 Speed (Cont.)			
DRIVESHAFT / INPUT			
93-84	Borg-Warner T18, T19	7412S Redi-Sleeve 99125	308-L4
90-80	Tremec 170, 172, 173, 179	3638 Redi-Sleeve 99112	308-L4
87-80	New Process 435	482163N Redi-Sleeve 99138	HM88649-HM88610
1983	Borg-Warner T18	7412S Redi-Sleeve 99125	308-L4
1983	Borg-Warner T19	7412S Redi-Sleeve 99125	308-L1
83-80	Tremec 173	3638 Redi-Sleeve 99112	308-L4
82-80	Borg-Warner T18	7412S Redi-Sleeve 99125	308-L1
MAINSHAFT / OUTPUT			
93-84	Borg-Warner T18, T19 (28 Spline)	7692S (Seal & Bushing Kit) 5202	308-L1
90-86	Tremec 170, 172, 173, 179 (Seal & Bushing Kit)	7692S 5202	
87-84	Borg-Warner T19 (28 Spline)	7692S (Seal & Bushing Kit) 5202	308-L4
87-84	Borg-Warner T19 (31 Spline)	473442	308-L4
87-84	Borg-Warner T18, T19 (31 Spline)	473442	308-L1
87-80	New Process 435	471271	1308-L
1985	Tremec 170, 172, 173, 179 (1st Design)	7692S (Seal & Bushing Kit) 5202	308-L4
84-80	Tremec 170, 172, 173, 179 (Seal & Bushing Kit)	7692S 5202	308-L4
83-80	Borg-Warner T18, T19 (28 Spline)	7692S (Seal & Bushing Kit) 5202	1308-L
83-80	Borg-Warner T18, T19 (31 Spline)	473442	1308-L
MAINSHAFT PILOT			
93-80	Borg-Warner T18, T19		(22)C-436-Q
90-80	Tremec 170, 172, 173, 179		(15)QBR-23549
87-80	New Process 435		(14)Q-15902
COUNTERSHAFT			
93-80	Borg-Warner T18, T19		(88)C-436-Q
90-80	Tremec 170, 172, 173, 179		(42)QAR-33724
87-80	New Process 435		
	(Front)		BCE-2416
	(Rear)		B-3216
	(Thrust)		NTA-2031
REVERSE IDLER			
93-80	Borg-Warner T18, T19		(74)B-1316-Q
90-80	Tremec 170, 172, 173, 179		(44)C-407-Q
87-80	New Process 435		(104)C-407-Q
SHIFT SHAFT			
90-80	Tremec 170, 172, 173, 179	313156	
3RD SPEED GEAR			
87-80	New Process 435		FA-35688
4TH SPEED GEAR			
87-80	New Process 435		FA-35688

250 SERIES FULL SIZE - FORD TRUCK 3/4 TON

(Cont.) (E250 Econoline, F250 & F250 Super Duty)

Year	Application	Seal	Bearing
TRANSMISSION			
MANUAL / 5 Speed			
DRIVESHAFT / INPUT			
05-87	ZF S5-42, S5-47.....	713771	28580-28521
	Redi-Sleeve	99139	
99-88	Mazda M5R2.....	223012	
	Redi-Sleeve	99114	
MAINSHAFT / OUTPUT			
05-87	ZF S5-42, S5-47 (2WD).....	225010	
05-87	ZF S5-42, S5-47 (4WD).....	1217	
99-88	Mazda M5R2.....	710415	
COUNTERSHAFT			
05-87	ZF S5-42, S5-47.....		(2)2580-2520
99-88	Mazda M5R2.. (Center).....		MR-1207-EL
	(Rear).....		304
MANUAL / 6 Speed			
DRIVESHAFT / INPUT			
09-99	ZF S6-650.....		28580-28521
MAINSHAFT / OUTPUT			
09-99	ZF S6-650 (2WD).....	225010	
09-99	ZF S6-650 (4WD).....	1217	
COUNTERSHAFT			
09-99	ZF S6-650.....		(2)2580-2520
STEERING			
MANUAL STEERING			
STEERING GEAR WORM SHAFT			
98-83	E250 Econoline.....	221922	
82-80	All (Saginaw Design).....	480821	
STEERING GEAR PITMAN SHAFT			
82-80	All (Ford Design).....	340151	
82-80	All (Saginaw Design).....	313842	B-1816
POWER STEERING			
STEERING GEAR HOUSING			
82-80	E250 Econoline (Saginaw Design).....	(Adj. Plug)	DB-53313
STEERING GEAR INPUT SHAFT			
96-80	All (Ford Design).....	471645	FC-65753
STEERING GEAR PITMAN SHAFT			
82-80	E250 Econoline.....	(Kit) <input checked="" type="checkbox"/>	PSK-1
STEERING PUMP SHAFT			
96-92	All (Ford Pump).....	8773S	
96-80	E250 Econoline (Saginaw Pump).....	7013S	
91-80	F250 (Ford Pump).....	8773S	
AIR CONDITIONING			
COMPRESSOR			
CLUTCH PULLEY			
08-93	Ford FS-10.....		5106-WCC
93-89	Ford FX-15.....		5106-WCC
93-88	Sanden SD-709.....		5001-KFF
93-82	Ford FS-6.....		5000-KFF
	(Continued Next Column)		

Year	Application	Seal	Bearing
COMPRESSOR (Cont.)			
CLUTCH PULLEY			
92-88	Sanden SD-508.....		5001-KFF
87-84	Nippondenso 6E171.....		5000-KFF
87-84	Tecumseh HR-980.....		5000-KFF
84-80	Tecumseh & York.....		5106-WCC
REAR			
84-80	Tecumseh & York.....		203
ELECTRICAL			
ALTERNATOR			
DRIVE END			
94-89	Leece-Neville 165 Amp.....		304-DD
94-80	Motorcraft 38, 40, 42, 55, 60, 61, 90 Amp.....		203-FF
REAR END			
94-80	Motorcraft 38, 40, 42, 55, 60, 61, 90 Amp.....		MNJ-471-S
ENGINE			
CRANKSHAFT			
6 CYLINDER			
05-97	256/4.2L.....	3909	
	PTFE Rubber	5277	
	Redi-Sleeve	99363	
97-80	300/4.9L, 300/4.9L (LPG).....	2377	
	PTFE	5278	
	Redi-Sleeve	99372	
8 CYLINDER			
09-84	281/4.6L, 302/5.0L, 330/5.4L, 330/5.4L, 330/5.4L.....	3909	
	PTFE Rubber	5277	
	Redi-Sleeve	99363	
03-92	444/7.3L (Turbo-Diesel), 444/7.3L (Turbo-Diesel).....	5723	
98-80	460/7.5L.....	(Rope Type) 5095	
	(Split Seal)	5118	
97-84	351/5.8L(W).....	2377	
	PTFE	5278	
	Redi-Sleeve	99372	
95-83	420/6.9L (Diesel), 444/7.3L (Diesel).....	(Gskt. & PTFE Seal) 5294	
		PTFE 39608	
		Viton® 3893V	
		Redi-Sleeve 99372	
1983	302/5.0L (From 12/01/82).....	3909	
		PTFE Rubber 5277	
		Redi-Sleeve 99363	
1983	302/5.0L (To 11/30/82).....	(Rope Type) 5095	
		(Split Seal) 5108	
1983	351/5.8L(W) (From 07/11/83).....	2377	
		PTFE 5278	
		Redi-Sleeve 99372	
1983	351/5.8L(W) (To 07/10/83).....	(Rope Type) 5095	
		(Split Seal) 5117	
82-80	302/5.0L.....	(Rope Type) 5095	
		(Split Seal) 5108	
	(Continued Next Page)		

() Indicates Quantity Required Refer To Front Of Catalog For Kit Contents

FORD TRUCK 3/4 TON - 250 SERIES FULL SIZE

(E250 Econoline, F250 & F250 Super Duty) (Cont.)

Year	Application	Seal	Bearing	Year	Application	Seal	Bearing
ENGINE				TIMING COVER (Cont.)			
CRANKSHAFT (Cont.)				8 CYLINDER			
8 CYLINDER				09-97 281/4.6L, 330/5.4L, 330/5.4L, 330/5.4L 482041N			
82-80 351/5.8L(M), 351/5.8L(W), 400/6.6L (Rope Type) 5095				Redi-Sleeve 99187			
..... (Split Seal) 5117				Harmonic Bal Sleeve 88187			
10 CYLINDER				03-83 420/6.9L (Diesel), 444/7.3L (Diesel), 444/7.3L (Turbo-Diesel), 444/7.3L (Turbo-Diesel) (Seal & Sleeve) 5066			
09-97 415/6.8L, 415/6.8L 3909				Viton® 3894V			
PTFE Rubber 5277				98-86 302/5.0L, 351/5.8L(W), 460/7.5L 2692			
Redi-Sleeve 99363				Redi-Sleeve 99187			
TIMING COVER				Harmonic Bal Sleeve 88187			
6 CYLINDER				Harmonic Bal Kit ☒ 5001			
05-97 256/4.2L 712692				1985 460/7.5L (From 03/12/85) 2692			
Redi-Sleeve 99187				Redi-Sleeve 99187			
Harmonic Bal Sleeve 88187				Harmonic Bal Sleeve 88187			
97-86 300/4.9L 2692				Harmonic Bal Kit ☒ 5001			
Redi-Sleeve 99187				1985 460/7.5L (To 03/11/85) 2942			
Harmonic Bal Sleeve 88187				Redi-Sleeve 99187			
Harmonic Bal Kit ☒ 5001				Harmonic Bal Sleeve 88187			
1985 300/4.9L, 300/4.9L (LPG) (From 05/15/85) 2692				Harmonic Bal Kit ☒ 5001			
Redi-Sleeve 99187				85-80 302/5.0L, 351/5.8L(M), 351/5.8L(W), 400/6.6L 2692			
Harmonic Bal Sleeve 88187				Redi-Sleeve 99187			
Harmonic Bal Kit ☒ 5001				Harmonic Bal Sleeve 88187			
1985 300/4.9L, 300/4.9L (LPG) (To 05/14/85) 2942				Harmonic Bal Kit ☒ 5001			
Redi-Sleeve 99187				84-80 460/7.5L 2942			
Harmonic Bal Sleeve 88187				Redi-Sleeve 99187			
Harmonic Bal Kit ☒ 5001				Harmonic Bal Sleeve 88187			
84-80 300/4.9L, 300/4.9L (LPG) 2942				Harmonic Bal Kit ☒ 5001			
Redi-Sleeve 99187				10 CYLINDER			
Harmonic Bal Sleeve 88187				09-97 415/6.8L, 415/6.8L 3909			
Harmonic Bal Kit ☒ 5001				PTFE Rubber 5277			
				Redi-Sleeve 99363			

FORD TRUCK 1 TON - 350/450 SERIES FULL SIZE

(Excursion, E350 Econoline, E450 Econoline Super Duty, E550 Econoline Super Duty, F350, F350 Super Duty, F450 Super Duty, F53, F550 Super Duty & F59)

WHEEL				FRONT WHEEL (2WD) (Cont.)			
FRONT WHEEL (2WD)				1981 E350 Econoline (From 11/04/80) (Inner) 4160 LM102949-LM102910			
09-08 E350 Econoline, E450 Econoline Super Duty (Outer) 15101-15245				(Outer) 15101-15245			
08-06 F53 (Inner) 2674 45284-45220				1981 E350 Econoline (To 11/03/80) (Inner) 493637 LM102949-LM102910			
..... (Outer) 25880-25820				(Outer) 15101-15245			
07-99 Excursion, E350 Econoline, E450 Econoline Super Duty, E550 Econoline Super Duty, F350 Super Duty (Inner) 4160 LM102949-LM102910				81-80 F350 (Inner) 4160 LM102949-LM102910			
..... (Outer) 15101-15245				(Outer) 15101-15245			
04-01 F450 Super Duty Hub Assembly ☆ 515100				1980 E350 Econoline (Inner) 493637 LM102949-LM102910			
04-99 F53 (Inner) 2674 45284-45220				(Outer) 15101-15245			
..... (Outer) 25880-25820				FRONT WHEEL (4WD)			
98-82 All (Inner) 4160 LM102949-LM102910				09-05 F350 Super Duty (Dual Rear Wheel) Hub Assembly 515082			
..... (Outer) 15101-15245				09-05 F350 Super Duty (Single Rear Wheel) Hub Assembly 515081			
(Continued Next Column)				09-05 F450 Super Duty, F550 Super Duty (Dual Rear Wheel) Hub Assembly 515083			
				2008 F350 Super Duty (Dual Rear Wheel) (Exc. Extended Axle) Hub Assembly 515082			
				05-03 Excursion Hub Assembly 515056			
				(Continued Next Page)			

350/450 SERIES FULL SIZE - FORD TRUCK 1 TON

(Cont.) (Excursion, E350 Econoline, E450 Econoline Super Duty, E550 Econoline Super Duty, F350, F350 Super Duty, F450 Super Duty, F53, F550 Super Duty & F59)

Year	Application	Seal	Bearing
WHEEL			
FRONT WHEEL (4WD) (Cont.)			
04-03	F350 Super Duty (Single Rear Wheel) (4 Wheel ABS) Hub Assembly	515056	
04-03	F350 Super Duty, F450 Super Duty, F550 Super Duty (Dual Rear Wheel) (4 Wheel ABS)..... Hub Assembly	515057	
04-00	F350 Super Duty (Single Rear Wheel) (Rear Wheel ABS)..... Hub Assembly	515021	
02-00	Excursion..... Hub Assembly	515020	
02-00	F350 Super Duty (Single Rear Wheel) (4 Wheel ABS) Hub Assembly	515020	
02-00	F350 Super Duty, F450 Super Duty, F550 Super Duty (Dual Rear Wheel) (4 Wheel ABS)..... Hub Assembly ♦	515025	
1999	F350 Super Duty (Single Rear Wheel) (Rear Wheel ABS) (From 03/08/99)..... Hub Assembly	515021	
1999	F350 Super Duty (Single Rear Wheel) (Rear Wheel ABS) (To 03/10/99)..... Hub Assembly	515076	
1999	F350 Super Duty (Single Rear Wheel) (4 Wheel ABS) (From 03/08/99)..... Hub Assembly	515020	
1999	F350 Super Duty (Single Rear Wheel) (4 Wheel ABS) (To 03/10/99)..... Hub Assembly	515075	
1999	All (Dual Rear Wheel) (4 Wheel ABS) (From 03/08/99)..... Hub Assembly ♦	515025	
1999	All (Dual Rear Wheel) (4 Wheel ABS) (To 03/20/99) Hub Assembly	515077	
97-80	All..... (Inner).....	415960	387A-382A
	(Outer).....		A-38
REAR WHEEL			
09-06	E350 Econoline, E450 Econoline Super Duty (Inner).....	710586	387AS-382A
	(Outer).....		A-38
09-99	F350 Super Duty (Spicer 80)..... (Inner).....	9864S	387AS-382A
	(Outer).....		A-38
09-99	F350 Super Duty (10.5" R.G.)..... (Inner).....	• 370247A	A-53
	(Outer).....		A-38
09-99	F450 Super Duty, F53, F550 Super Duty..... (Inner).....	710454	33281-33462
	(Outer).....		39250-39412
05-00	Excursion..... (Inner).....	• 370247A	A-53
	(Outer).....		A-38
05-81	E350 Econoline, E450 Econoline Super Duty, E550 Econoline Super Duty (Inner).....	9864S	387AS-382A
	(Outer).....		A-38
98-92	F450 Super Duty, F53, F59 (Inner).....	• 370018A	39590-39520
	(Outer).....		JLM506849-JLM506810
97-86	F350..... (Inner).....	• 370047A	3994-3920
	(Outer).....		A-38
91-88	F450 Super Duty, F53, F59 (Inner).....	• 370018A	39585-39520
	(Outer).....		368A-362A
1985	F350 (10.25" R.G.) (Inner).....	• 370047A	3994-3920
	(Outer).....		A-38
	(Continued Next Column)		

Year	Application	Seal	Bearing
REAR WHEEL (Cont.)			
85-83	F350 (Spicer 60) (Semi-Floating).....	710067	R-1561-TV
	(Axle Repair Brg.)		RP-1561-FO
85-80	F350 (Spicer 61) (Full-Floating) (Inner).....	9864S	387AS-382A
	(Outer).....		A-38
85-80	F350 (Spicer 70) (Inner).....	9864S	387AS-382A
	(Outer).....		A-38
1980	E350 Econoline (Dual Wheel)..... (Inner).....	3385	JLM710949-JLM710910
	(Outer).....		A-38
1980	E350 Econoline (Single Wheel)..... (Inner).....	9864S	387AS-382A
	(Outer).....		A-38
AXLE			
FRONT AXLE			
AXLE SHAFT			
09-03	Spicer 50, 60 Monobeam, 60-SF Monobeam (Inner).....	710492	
	(Outer).....	710494	
02-99	Spicer 50, 60 Monobeam (Inner).....	710492	
	(Outer).....	710493	
97-85	Spicer 60-7F.....	710530	
85-83	Spicer 50.5-IFS (Left).....	710043	
	(Right).....	470672	5707
82-80	Spicer 50.5-IFS (Left).....	710043	
	(Right).....	2146	A-9
SPINDLE KIT			
97-92	Spicer 60-7F.....		<input checked="" type="checkbox"/> SBK-5
91-80	Spicer 50.5-IFS, 60-7F.....		<input checked="" type="checkbox"/> SBK-3
SPINDLE			
09-99	Spicer 50, 60 Monobeam, 60-SF Monobeam.....	710413	B-2110
97-92	Spicer 60-7F..... (Inner).....	710413	B-2414
	(Outer).....	710414	
91-80	Spicer 50.5-IFS, 60-7F (Inner).....	710044	B-2414
	(Outer).....	710045	
DIFFERENTIAL KIT			
04-99	Spicer 50.....		<input checked="" type="checkbox"/> RA-336-A
97-85	Spicer 60-7F.....		<input checked="" type="checkbox"/> RA-331
	(Master Kit)		RA-331MK
85-80	Spicer 50.5-IFS.....		<input checked="" type="checkbox"/> RA-336
DIFFERENTIAL			
09-99	Spicer 60, 60-SF Monobeam.....	(2)	387A-382S
04-99	Spicer 50.....	(2)	JLM104948-LM104911A
97-85	Spicer 60-7F.....	(2)	387A-382S
85-80	Spicer 50.5-IFS.....	(2)	JLM104948-LM104911A
PINION			
09-01	Spicer 60, 60-SF Monobeam (Inner).....		HM803146-HM803110
	(Outer).....	100712V	HM88542-HM88510
	(Continued Next Page)		

() Indicates Quantity Required ♦ When Depleted Use Number Listed Directly Below Refer To Front Of Catalog For Kit Contents • Oil Bath Seal

FORD TRUCK 1 TON - 350/450 SERIES FULL SIZE

(Excursion, E350 Econoline, E450 Econoline Super Duty, E550 Econoline Super Duty, F350, F350 Super Duty, F450 Super Duty, F53, F550 Super Duty & F59) (Cont.)

Year	Application	Seal	Bearing
AXLE			
FRONT AXLE (Cont.)			
PINION			
04-99	Spicer 50	(Inner) HM88649-HM88610	
		(Outer) 710482 02872-02820	
00-99	Spicer 60	(Inner) HM803146-HM803110	
		(Outer) 719316 HM88542-HM88510	
		Redi-Sleeve 99187	
97-87	Spicer 60-7F	(Inner) HM803146-HM803110	
		(Outer) 719316 HM88542-HM88510	
		Redi-Sleeve 99187	
86-85	Spicer 60-7F	(Inner) HM803146-HM803110	
		(Outer) 9316 HM88542-HM88510	
		Redi-Sleeve 99187	
85-80	Spicer 50.5-IFS	(Inner) HM88649-HM88610	
		(Outer) 5778 02872-02820	
		Viton® 5778V	
		Redi-Sleeve 99155	
STEERING KNUCKLE			
91-85	Spicer 60-7F	(Lower) (2) 710304 (2) 23100-23256	
		(Upper) (2) 710095	
REAR AXLE			
DIFFERENTIAL KIT			
09-98	Spicer 60-1 [X] RA-331-A	
98-88	Spicer 80 [X] RA-337	
97-80	Spicer 60-1, 60U, 61-1 [X] RA-331	
		(Master Kit) RA-331MK	
97-80	Spicer 70-2U, 70U [X] RA-332-U	
96-85	10.25" R.G. [X] RA-314	
		(Master Kit) RA-314MK	
96-80	Spicer 70-1HD, 70HD [X] RA-332-HD	
83-80	Spicer 70B [X] RA-332	
DIFFERENTIAL			
09-01	Visteon 10.5" R.G. (2) 469-453X	
09-98	Spicer 60-1, 70-2U (2) A-50	
09-80	Spicer 70-1HD, 70HD, 80 (2) 469-453X	
04-99	Spicer S135 (2) 3984-3920	
00-99	10.5" R.G. (2) 469-453X	
97-85	10.25" R.G. (2) 469-453X	
97-80	Spicer 60-1, 60U, 61-1, 70-2U, 70B, 70U (2) 387A-382S	
PINION			
09-05	Spicer S110	(Inner) 72212C-72487	
09-01	Spicer 80	(Outer) 100727 M802048-M802011	
09-99	10.5" R.G.	(Outer) 4278 HM89443-HM89411	
		Redi-Sleeve 99181	
09-87	Spicer 70-2U	(Inner) HM803149-HM803110	
		(Outer) 719316 HM88542-HM88510	
		Redi-Sleeve 99187	
09-87	Spicer 60-1, 61-1	(Inner) HM803146-HM803110	
		(Outer) 719316 HM88542-HM88510	
		Redi-Sleeve 99187	
04-99	Spicer S135	(Inner) 72225C-72487	
		(Outer) 55175C-55437	
00-99	Spicer 80	(Outer) 4525V M802048-M802011	
		Redi-Sleeve 99253	
98-88	Spicer 80	(Inner) HM807046-HM807010	
		(Outer) 4525V M802048-M802011	
		Redi-Sleeve 99253	
		(Continued Next Column)	

Year	Application	Seal	Bearing
REAR AXLE (Cont.)			
PINION			
1997	10.25" R.G.	(Outer) 4278 HM89443-HM89411	
		Redi-Sleeve 99181	
96-87	Spicer 70-1HD	(Inner) HM807040-HM807010	
		(Outer) 719316 HM88542-HM88510	
		Redi-Sleeve 99187	
96-85	10.25" R.G.	(Inner) HM807044-HM807010	
		(Outer) 4278 HM89443-HM89411	
		Redi-Sleeve 99181	
86-80	Spicer 60U, 61-1	(Inner) HM803146-HM803110	
		(Outer) 9316 HM88542-HM88510	
		Redi-Sleeve 99187	
86-80	Spicer 70-2U, 70U	(Inner) HM803149-HM803110	
		(Outer) 9316 HM88542-HM88510	
		Redi-Sleeve 99187	
86-80	Spicer 70B, 70HD	(Inner) HM807040-HM807010	
		(Outer) 9316 HM88542-HM88510	
		Redi-Sleeve 99187	

CLUTCH			
PILOT			
6 CYLINDER			
97-80	300/4.9L	FC-65662
8 CYLINDER			
09-08	330/5.4L, 365/6.0L (Turbo-Diesel), 390/6.4L (Turbo-Diesel)	FC-65662
07-05	330/5.4L, 330/5.4L, 330/5.4L, 365/6.0L (Turbo-Diesel)	FC-65662
2005	330/5.4L	FC-68329
04-99	330/5.4L, 330/5.4L	FC-68329
04-99	365/6.0L (Turbo-Diesel), 444/7.3L (Turbo-Diesel)	FC-65662
98-97	330/5.4L(W), 351/5.8L(W), 444/7.3L (Turbo-Diesel)	FC-65662
98-83	460/7.5L	FC-66067
96-92	351/5.8L(W), 444/7.3L (Diesel), 444/7.3L (Turbo-Diesel), 444/7.3L (Turbo-Diesel)	FC-65662
91-88	351/5.8L(W), 444/7.3L (Diesel)	FC-65662
87-83	351/5.8L(W), 420/6.9L (Diesel)	FC-65662
82-80	400/6.6L (H/D)	PB-50-DHD
82-80	302/5.0L, 351/5.8L(M), 351/5.8L(W)	FC-65662
10 CYLINDER			
09-05	415/6.8L	FC-65662
04-99	415/6.8L	FC-68329
RELEASE			
		Bearing Only	Bearing Assembly
6 CYLINDER			
97-94	300/4.9L (Hyd. Clutch)®	614169
93-92	300/4.9L (5 Speed) (Hyd. Clutch)®	614169
93-88	300/4.9L (4 Speed)	614014
91-88	300/4.9L (5 Speed) (Hyd. Clutch)®	614061
87-83	300/4.9L	614014
82-80	300/4.9L	614038
		1625 (Thrust Type)	FB-1625-C
8 CYLINDER			
2003	444/7.3L (Turbo-Diesel)	614175
02-99	444/7.3L (Turbo-Diesel)	614062
02-99	330/5.4L, 330/5.4L, 444/7.3L (Turbo-Diesel)	614175
		(Continued Next Page)	

350/450 SERIES FULL SIZE - FORD TRUCK 1 TON

(Cont.) (Excursion, E350 Econoline, E450 Econoline Super Duty, E550 Econoline Super Duty, F350, F350 Super Duty, F450 Super Duty, F53, F550 Super Duty & F59)

Year	Application	Seal	Bearing	Year	Application	Seal	Bearing
CLUTCH				FULL TIME / PART TIME (Cont.)			
RELEASE (Cont.)				FRONT OUTPUT SHAFT			
		<i>Bearing Only</i>	<i>Bearing Assembly</i>	09-99	New Process 271, 273		111
8 CYLINDER						<i>(Pilot)</i>	J-2416
98-94	330/5.4L, 351/5.8L(W)		(Hyd. Clutch)® 614169	97-96	Borg-Warner 4407		
98-94	460/7.5L, 444/7.3L (Diesel), 444/7.3L (Turbo-Diesel), 444/7.3L (Turbo-Diesel)		® 614062			<i>(Inner)</i>	207
93-92	351/5.8L(W) (5 Speed)		(Hyd. Clutch)® 614169			<i>(Outer)</i>	4333N 208
93-88	351/5.8L(W), 460/7.5L (4 Speed)		® 614014			<i>(Pilot)</i>	B-2012
93-87	460/7.5L (5 Speed)		® 614062	97-87	Borg-Warner 1356	714503	207
93-87	420/6.9L (Diesel), 444/7.3L (Diesel), 444/7.3L (Turbo-Diesel)		® 614062			<i>(Pilot)</i>	B-2012
91-88	351/5.8L(W) (5 Speed)		(Hyd. Clutch)® 614061	90-80	Borg-Warner 1345	3946	207
1987	351/5.8L(W)		® 614014			<i>Redi-Sleeve</i>	99187
1987	460/7.5L (4 Speed)		® 614014			<i>(Pilot)</i>	B-2012
86-83	351/5.8L(W), 460/7.5L, 420/6.9L (Diesel)		® 614014	86-80	New Process 208	3946	B-2816
82-80	400/6.6L	1625-T	614034			<i>Redi-Sleeve</i>	99187
82-80	302/5.0L, 351/5.8L(M), 351/5.8L(W)		® 614038			<i>(Pilot)</i>	J-2416
		1625	(Thrust Type) FB-1625-C			<i>(Thrust)</i>	(2)NTA-2840
10 CYLINDER				REAR OUTPUT SHAFT			
02-99	415/6.8L		® 614175	97-96	Borg-Warner 4407	4503N	308
DRIVESHAFT						<i>(Thrust)</i>	NTA-2233
CENTER SUPPORT							
		<i>Bearing</i>	<i>Bearing & Support</i>	97-87	Borg-Warner 1356 (Fixed Yoke)	4333N	207
07-99	Spicer 1480 Series / Brg. ID 1.5748" (40mm)(Coupling Shaft)		HB-88108-FD	97-87	Borg-Warner 1356 (Slip Yoke)	4503N	207
07-96	Spicer 1410 Series / Brg. ID 1.5748" (40mm)	88508	HB-88508-A	1990	Borg-Warner 1345	3946	207
04-99	Spicer 1310, 1330 Series / Brg. ID 1.3780" (35mm)					<i>Redi-Sleeve</i>	99187
	Slip Yoke Style	88107	HB-88107-A			<i>(Pilot)</i>	B-2812
96-93	Spicer 1480 Series / Brg. ID 1.5748" (40mm)		HB-88508-AA	1989	Borg-Warner 1345 (Booted)	4333N	207
95-80	Spicer 1310, 1330 Series / Brg. ID 1.3780" (35mm)					<i>(Pilot)</i>	B-2812
	Slip Yoke Style	88107	HB-88107-A	1989	Borg-Warner 1345 (Non-Booted)	3946	207
93-84	Spicer 1410 Series / Brg. ID 1.5748" (40mm)	88508	HB-88508-A			<i>Redi-Sleeve</i>	99187
TRANSFER CASE						<i>(Pilot)</i>	B-2812
FULL TIME / PART TIME TRANSFER CASE KIT				88-80	Borg-Warner 1345	3946	207
97-87	Borg-Warner 1356 (Slip Yoke)		☒ T-370			<i>Redi-Sleeve</i>	99187
90-80	Borg-Warner 1345		☒ T-340			<i>(Pilot)</i>	B-2812
86-80	New Process 208		☒ T-212-FA	88-80	Borg-Warner 1345	3946	207
INPUT SHAFT						<i>Redi-Sleeve</i>	99187
09-99	New Process 271, 273		211	86-80	New Process 208 (Fixed Yoke)	3946	1207-L
97-96	Borg-Warner 4407	4333N	211			<i>Redi-Sleeve</i>	99187
		<i>(Pilot)</i>	BK-3026			<i>(Pilot)</i>	B-3616
97-87	Borg-Warner 1356	714503	110			<i>(Thrust)</i>	TC-2435
		<i>(Pilot)</i>	BK-3026	86-80	New Process 208 (Slip Yoke)	4333N	1207-L
90-80	Borg-Warner 1345	710062				<i>(Pilot)</i>	B-3616
		<i>Redi-Sleeve</i>	99175			<i>(Thrust)</i>	TC-2435
86-80	New Process 208	(2) 3173	(2)B-5020	INTERMEDIATE SHAFT			
		<i>(Dual Lip)</i>	710928	97-96	Borg-Warner 4407		210
		<i>Redi-Sleeve</i>	99193	OIL PUMP HOUSING			
		<i>(Pilot)</i>	B-2012	09-99	New Process 271, 273	341022	
		<i>(Thrust)</i>	AXK-5070			<i>Redi-Sleeve</i>	99225
				86-80	New Process 208	341022	
						<i>Redi-Sleeve</i>	99225
				SHIFT SHAFT			
				97-87	Borg-Warner 1356, 4407	330385	
				DRIVE SPROCKET			
				86-80	New Process 208		(82)C-1086-Q

() Indicates Quantity Required ® Sealed Self-Aligning Bearing ☒ Refer To Front Of Catalog For Kit Contents

FORD TRUCK 1 TON - 350/450 SERIES FULL SIZE

(Excursion, E350 Econoline, E450 Econoline Super Duty, E550 Econoline Super Duty, F350, F350 Super Duty, F450 Super Duty, F53, F550 Super Duty & F59) (Cont.)

Year	Application	Seal	Bearing	Year	Application	Seal	Bearing
TRANSMISSION				MANUAL / 3 Speed			
AUTOMATIC / 3 Speed				DRIVESHAFT / INPUT			
FRONT PUMP				MAINSHAFT / OUTPUT			
96-80	C5, C6	331107N Redi-Sleeve 99199		85-80	Tremec 162, 166	3638 Redi-Sleeve 99112	§ 208-LO
EXTENSION HOUSING				MAINSHAFT PILOT			
96-81	C6	7300S (Seal & Bushing Kit) 5203		85-80	Tremec 162, 166	7692S (Seal & Bushing Kit) 5202	207-L
86-85	C5	7692S (Seal & Bushing Kit) 5202		COUNTERSHAFT			
1980	C6 (2WD)	7300S (Seal & Bushing Kit) 5203		85-80	Tremec 162, 166		(15)QBR-23549
1980	C6 (4WD)	410308		MANUAL / 4 Speed			
MANUAL SHAFT				TRANSMISSION KIT			
96-80	C6	7929S		87-80	New Process 435		<input checked="" type="checkbox"/> T-127-F
86-85	C5	240816 Redi-Sleeve 99076		1983	Borg-Warner T19		<input checked="" type="checkbox"/> T-82-F
AUTOMATIC / 4 Speed				82-80	Borg-Warner T18		<input checked="" type="checkbox"/> T-82-F
FRONT PUMP				DRIVESHAFT / INPUT			
09-89	4R100, 4R75E, 4R75W, E4OD, AOD-EW	3404		93-84	Borg-Warner T18, T19	7412S Redi-Sleeve 99125	308-L4
89-81	AOD	331107N Redi-Sleeve 99199		87-80	New Process 435	482163N Redi-Sleeve 99138	HM88649-HM88610
EXTENSION HOUSING				85-82	Tremec 170, 172, 173	3638 Redi-Sleeve 99112	308-L4
09-04	4R75E, 4R75W (Booted)	4765		1983	Borg-Warner T18	7412S Redi-Sleeve 99125	308-L4
09-04	4R75E, 4R75W (Non-Booted)	4764		1983	Borg-Warner T19	7412S Redi-Sleeve 99125	308-L1
05-99	4R100 (1.6850" Shaft)	7300S (Seal & Bushing Kit) 5203 Viton® 4981V		83-82	Tremec 173	3638 Redi-Sleeve 99112	308-L4
05-99	4R100 (1.8800" Shaft)	100086		82-80	Borg-Warner T18	7412S Redi-Sleeve 99125	308-L1
99-97	AOD-EW (Booted)	4765		1980	Tremec 173	3638 Redi-Sleeve 99112	308-L4
99-97	AOD-EW (Non-Booted)	4764		1980	Tremec 170, 172, 179	3638 Redi-Sleeve 99112	308-L4
98-96	E4OD	7300S (Seal & Bushing Kit) 5203 Viton® 4981V		MAINSHAFT / OUTPUT			
95-89	E4OD	7300S (Seal & Bushing Kit) 5203		93-84	Borg-Warner T18, T19 (28 Spline)	7692S (Seal & Bushing Kit) 5202	308-L1
89-81	AOD (Long Boot)	7692S (Seal & Bushing Kit) 5202		87-84	Borg-Warner T19 (28 Spline)	7692S (Seal & Bushing Kit) 5202	308-L4
89-81	AOD (Short Boot)	2194		87-84	Borg-Warner T19 (31 Spline)	473442	308-L4
MANUAL SHAFT				87-84	Borg-Warner T18, T19 (31 Spline)	473442	308-L1
09-81	AOD, 4R100, 4R75E, 4R75W, E4OD, AOD-EW	7929S		87-80	New Process 435	471271	1308-L
AUTOMATIC / 5 Speed				1985	Tremec 170, 172, 173 (1st Design)	7692S (Seal & Bushing Kit) 5202	308-L4
FRONT PUMP				84-82	Tremec 170, 172, 173	7692S (Seal & Bushing Kit) 5202	308-L4
09-05	5R110W (TorqShift)	710485		83-80	Borg-Warner T18, T19 (28 Spline)	7692S (Seal & Bushing Kit) 5202	1308-L
EXTENSION HOUSING				83-80	Borg-Warner T18, T19 (31 Spline)	473442	1308-L
09-05	5R110W (TorqShift) (Long Wheelbase)	710483		1980	Tremec 170, 172, 173, 179	7692S (Seal & Bushing Kit) 5202	308-L4
09-05	5R110W (TorqShift) (Short Wheelbase)	710537		MANUAL SHAFT			
09-05	5R110W (TorqShift)	7929S		MANUAL SHAFT			

350/450 SERIES FULL SIZE - FORD TRUCK 1 TON

(Cont.) (Excursion, E350 Econoline, E450 Econoline Super Duty, E550 Econoline Super Duty, F350, F350 Super Duty, F450 Super Duty, F53, F550 Super Duty & F59)

Year	Application	Seal	Bearing	Year	Application	Seal	Bearing
TRANSMISSION				STEERING			
MANUAL / 4 Speed (Cont.)				MANUAL STEERING			
MAINSHAFT PILOT				STEERING GEAR WORM SHAFT			
93-80	Borg-Warner T18, T19		(22) C-436-Q	98-83	E350 Econoline	221922	
87-80	New Process 435		(14) Q-15902	82-80	All (Saginaw Design)	480821	
85-82	Tremec 170, 172, 173		(15) QBR-23549	STEERING GEAR PITMAN SHAFT			
1980	Tremec 170, 172, 173, 179		(15) QBR-23549	82-80	All (Ford Design)	340151	
COUNTERSHAFT				82-80	All (Saginaw Design)	313842	B-1816
93-80	Borg-Warner T18, T19		(88) C-436-Q	POWER STEERING			
87-80	New Process 435			STEERING GEAR HOUSING			
	(Front)		BCE-2416	82-80	E350 Econoline (Saginaw Design)		(Adj. Plug) DB-53313
	(Rear)		B-3216	STEERING GEAR INPUT SHAFT			
	(Thrust)		NTA-2031	96-80	E350 Econoline, F350, F450 Super Duty, F53, F59 (Ford Design)	471645	FC-65753
85-82	Tremec 170, 172, 173		(42) QAR-33724	STEERING GEAR PITMAN SHAFT			
1980	Tremec 170, 172, 173, 179		(42) QAR-33724	82-80	E350 Econoline		(Kit) <input checked="" type="checkbox"/> PSK-1
REVERSE IDLER				STEERING PUMP SHAFT			
93-80	Borg-Warner T18, T19		(74) B-1316-Q	96-92	All (Ford Pump)	8773S	
87-80	New Process 435		(104) C-407-Q	96-80	E350 Econoline, E450 Econoline Super Duty (Saginaw Pump)	7013S	
85-82	Tremec 170, 172, 173		(44) C-407-Q	91-80	F350, F450 Super Duty, F53, F59 (Ford Pump)	8773S	
1980	Tremec 170, 172, 173, 179		(44) C-407-Q	AIR CONDITIONING			
SHIFT SHAFT				COMPRESSOR			
85-82	Tremec 170, 172, 173	313156		CLUTCH PULLEY			
1980	Tremec 170, 172, 173, 179	313156		08-93	Ford FS-10		5106-WCC
3RD SPEED GEAR				93-89	Ford FX-15		5106-WCC
87-80	New Process 435		FA-35688	93-88	Sanden SD-709		5001-KFF
4TH SPEED GEAR				93-82	Ford FS-6		5000-KFF
87-80	New Process 435		FA-35688	92-88	Sanden SD-508		5001-KFF
MANUAL / 5 Speed				87-84	Nippondenso 6E171		5000-KFF
DRIVESHAFT / INPUT				87-84	Tecumseh HR-980		5000-KFF
05-87	ZF S5-42, S5-47	713771	28580-28521	84-80	Tecumseh & York		203
	Redi-Sleeve	99139		ELECTRICAL			
90-88	Mazda M5R2	223012		ALTERNATOR			
	Redi-Sleeve	99114		DRIVE END			
MAINSHAFT / OUTPUT				95-80	Motorcraft 38, 40, 42, 55, 60, 61, 90 Amp		203-FF
05-87	ZF S5-42, S5-47 (2WD)	225010		94-89	Leece-Neville 165 Amp		304-DD
05-87	ZF S5-42, S5-47 (4WD)	1217		REAR END			
90-88	Mazda M5R2	710415		95-80	Motorcraft 38, 40, 42, 55, 60, 61, 90 Amp		MNJ-471-S
COUNTERSHAFT				94-89	Leece-Neville 165 Amp		203-S
05-87	ZF S5-42, S5-47		(2) 2580-2520				
90-88	Mazda M5R2 (Center)		MR-1207-EL				
	(Rear)		304				
MANUAL / 6 Speed							
DRIVESHAFT / INPUT							
09-99	ZF S6-650		28580-28521				
MAINSHAFT / OUTPUT							
09-99	ZF S6-650 (2WD)		225010				
09-99	ZF S6-650 (4WD)		1217				
COUNTERSHAFT							
09-99	ZF S6-650		(2) 2580-2520				

() Indicates Quantity Required Refer To Front Of Catalog For Kit Contents

FORD TRUCK 1 TON - 350/450 SERIES FULL SIZE

(Excursion, E350 Econoline, E450 Econoline Super Duty, E550 Econoline Super Duty, F350, F350 Super Duty, F450 Super Duty, F53, F550 Super Duty & F59) (Cont.)

Year	Application	Seal	Bearing	Year	Application	Seal	Bearing
------	-------------	------	---------	------	-------------	------	---------

ENGINE

CRANKSHAFT

6 CYLINDER

97-80	300/4.9L, 300/4.9L (LPG)	2377	
	PTFE	5278	
	Redi-Sleeve	99372	

8 CYLINDER

09-97	330/5.4L, 330/5.4L, 330/5.4L	3909	
	PTFE Rubber	5277	
	Redi-Sleeve	99363	

03-92	444/7.3L (Turbo-Diesel), 444/7.3L (Turbo-Diesel)	5723	
-------	---	------	--

98-80	460/7.5L (Rope Type)	5095	
	(Split Seal)	5118	

97-84	351/5.8L(W)	2377	
	PTFE	5278	
	Redi-Sleeve	99372	

95-83	420/6.9L (Diesel), 444/7.3L (Diesel)		
-------	---	--	--

(Gskt. & PTFE Seal) 5294

PTFE 39608

Viton® 3893V

Redi-Sleeve 99372

1989	302/5.0L	3909	
------	----------	------	--

PTFE Rubber 5277

Redi-Sleeve 99363

1983	351/5.8L(W) (From 07/11/83)	2377	
------	--------------------------------	------	--

PTFE 5278

Redi-Sleeve 99372

1983	351/5.8L(W) (To 07/10/83)		
------	---------------------------	--	--

(Rope Type) 5095

(Split Seal) 5117

82-80	351/5.8L(M), 351/5.8L(W), 400/6.6L	5095	
-------	---------------------------------------	------	--

(Rope Type) 5095

(Split Seal) 5117

81-80	302/5.0L	5095	
-------	----------	------	--

(Rope Type) 5095

(Split Seal) 5108

10 CYLINDER

09-97	415/6.8L, 415/6.8L	3909	
-------	--------------------	------	--

PTFE Rubber 5277

Redi-Sleeve 99363

TIMING COVER

6 CYLINDER

97-86	300/4.9L	2692	
-------	----------	------	--

Redi-Sleeve 99187

Harmonic Bal Sleeve 88187

Harmonic Bal Kit ☒ 5001

(Continued Next Column)

TIMING COVER (Cont.)

6 CYLINDER

1985	300/4.9L, 300/4.9L (LPG)		
------	--------------------------	--	--

(From 05/15/85) 2692

Redi-Sleeve 99187

Harmonic Bal Sleeve 88187

Harmonic Bal Kit ☒ 5001

1985	300/4.9L, 300/4.9L (LPG)		
------	--------------------------	--	--

(To 05/14/85) 2942

Redi-Sleeve 99187

Harmonic Bal Sleeve 88187

Harmonic Bal Kit ☒ 5001

84-80	300/4.9L, 300/4.9L (LPG)	2942	
-------	--------------------------	------	--

Redi-Sleeve 99187

Harmonic Bal Sleeve 88187

Harmonic Bal Kit ☒ 5001

8 CYLINDER

09-97	330/5.4L, 330/5.4L, 330/5.4L		
-------	---------------------------------	--	--

482041N

Redi-Sleeve 99187

Harmonic Bal Sleeve 88187

03-83	420/6.9L (Diesel), 444/7.3L (Diesel), 444/7.3L (Turbo-Diesel), 444/7.3L (Turbo-Diesel)		
-------	---	--	--

(Seal & Sleeve) 5066

Viton® 3894V

98-86	302/5.0L, 351/5.8L(W), 460/7.5L		
-------	------------------------------------	--	--

2692

Redi-Sleeve 99187

Harmonic Bal Sleeve 88187

Harmonic Bal Kit ☒ 5001

1985	460/7.5L (From 03/12/85)	2692	
------	--------------------------	------	--

Redi-Sleeve 99187

Harmonic Bal Sleeve 88187

Harmonic Bal Kit ☒ 5001

1985	460/7.5L (To 03/11/85)	2942	
------	------------------------	------	--

Redi-Sleeve 99187

Harmonic Bal Sleeve 88187

Harmonic Bal Kit ☒ 5001

85-80	302/5.0L, 351/5.8L(M), 351/5.8L(W), 400/6.6L	2692	
-------	---	------	--

Redi-Sleeve 99187

Harmonic Bal Sleeve 88187

Harmonic Bal Kit ☒ 5001

84-80	460/7.5L	2942	
-------	----------	------	--

Redi-Sleeve 99187

Harmonic Bal Sleeve 88187

Harmonic Bal Kit ☒ 5001

10 CYLINDER

09-97	415/6.8L, 415/6.8L	3909	
-------	--------------------	------	--

PTFE Rubber 5277

Redi-Sleeve 99363

(Class 4, 5, 6 & 7) **MEDIUM DUTY - FORD TRUCK**

Year	Application	Seal	Bearing
WHEEL			
FRONT WHEEL (2WD)			
1994	B600, B700 (15"x 3.5" & 15"x 4" Brakes) (Budd Wheels) (7,500, 9,000 lb. Axles).....	(Inner) • 370132A (Outer) • 370132A	39581-39520 3585-3525
1994	B600, B700 (15"x 3.5" & 15"x 4" Brakes) (Dayton 20 Spoke Wheel) (7,500, 9,000 lb. Axles).....	(Inner) • 370132A (Outer) • 370132A	39581-39520 3585-3525
1994	B600, B700 (6,000, 7,000 lb. Axles) (Disc Brakes)	(Inner) 2674 • 370054A	45284-45220 25880-25820
94-87	CF600 (9,000, 12,000 lb. Axles) (Disc Brakes)	(Inner) • 370132A (Outer) • 370132A	39581-39520 3585-3525
94-87	CF600 (9,000, 12,000 lb. Axles) (Exc. Disc Brakes)	(Inner) • 370001A HM212047-HM212011 (Outer) • 370001A	3782-3720
93-84	B600, B700, C600, C700, F600, F700, LN600, LN700 (15"x 3.5" & 15"x 4" Brakes) (Dayton 20 Spoke Wheel) (7,500, 9,000 lb. Axles).....	(Inner) • 370132A (Outer) • 370132A	39581-39520 3585-3525
93-84	B600, B700, C600, C700, F600, F700, LN600, LN700 (6,000, 7,000 lb. Axles) (Disc Brakes).....	(Inner) 2674 • 370054A	45284-45220 25880-25820
93-80	B600, B700, C600, C700, F600, F700, LN600, LN700 (15"x 3.5" & 15"x 4" Brakes) (Budd Wheels) (7,500, 9,000 lb. Axles)	(Inner) • 370132A (Outer) • 370132A	39581-39520 3585-3525
83-80	B600, B700, C600, C700, F600, F700, LN600, LN700 (5,500 lb. Axle)	(Inner) 44052 (Outer) 44052	25590-25520 25877-25820
REAR WHEEL			
1994	B600, B700, CF600 (15,000 lb. Axle).....	(Inner) 455858 • 370047A (Outer) 5487	33287-33462 3982-3920
1994	B600, B700, CF600 (17,500, 18,000, 18,500 & 19,000 lb. Axle).....	(Inner) 456618 • 380023A • 370023A	47686-47620 39590-39520
1994	B600, B700, CF600 (21,000, 22,000 & 23,000 lb. Axle)	(Inner) 415351 • 370012A	594A-592A 580-572

(Continued Next Column)

Year	Application	Seal	Bearing
REAR WHEEL (Cont.)			
93-90	B600, B700, CF600, F600, F700, LN700 (21,000, 22,000 & 23,000 lb. Axle)	(Inner) 415351 • 370012A	594A-592A 580-572
93-87	B600, B700, CF600, F600, F700, LN700 (15,000 lb. Axle).....	(Inner) 455858 • 370047A (Outer) 5487	33287-33462 3982-3920
93-87	B600, B700, CF600, F600, F700, LN700 (17,500, 18,000, 18,500 & 19,000 lb. Axle).....	(Inner) 456618 • 380023A • 370023A	47686-47620 39590-39520
86-84	B600, B700, C600, C700, F600, F700, LN600, LN700 (17,500, 18,000, 18,500 & 19,000 lb. Axle)	(Inner) 456618 • 380023A • 370023A	47686-47620 39590-39520
86-80	B600, B700, C600, C700, F600, F700, LN600, LN700 (15,000 lb. Axle)	(Inner) 455858 • 370047A (Outer) 5487	33287-33462 3982-3920
85-80	B600, B700, C600, C700, F600, F700, LN600, LN700 (11,000 & 13,000 lb. Axle)	(Inner) 416297 • 370046A	3984-3920 462-453X
83-80	B600, B700, C600, C700, F600, F700, LN600, LN700 (17,500 lb. Axle)	(Inner) • 380009A • 370009A	495AX-493 39590-39520

AXLE

Year	Application	Seal	Bearing
REAR AXLE DIFFERENTIAL KIT			
94-93	Rockwell 19220		RA-216
94-87	Rockwell 13120, 15120		RA-218
92-87	Rockwell 17220, 19220		RA-216
88-80	Eaton 23121		RA-18-E
88-80	Eaton 17101, 17121, 18121		RA-1-A
88-80	Eaton 17201, 17221, 18221		RA-1
88-80	Eaton 23221		RA-72-A
86-80	Eaton 15201		RA-24
86-80	Eaton 16244		RA-23-D
86-80	Spicer G175T		RA-213
86-80	Spicer M185T, M190T, M220T		RA-214
DIFFERENTIAL			
94-93	Rockwell 19220 ... (Left)		42381-42584
	(Right)	JLM714149-JLM714110	
94-87	Rockwell 15210 (Right)	JLM714149-JLM714110	

(Continued Next Page)

FORD TRUCK - MEDIUM DUTY (Class 4, 5, 6 & 7) (Cont.)

Year	Application	Seal	Bearing
AXLE			
REAR AXLE (Cont.)			
DIFFERENTIAL			
94-87	Rockwell 13120, 15120		
	(Left)	3994-JM511910	
	(Right)	34306-34478	
94-87	Rockwell 21230		
	(Left)	52400-52618	
	(Right)	JM716649-JM716610	
94-87	Rockwell 23160		(2)32021-X
94-87	Rockwell 23240		
	(Right)	JM716649-JM716610	
94-87	Rockwell 17140, 19145, 21145		(2)JM716649-JM716610
93-87	Rockwell 23180		(Left) JHM720249-JHM720210
	(Right)	64450-64700	
92-87	Rockwell 17220, 19220		
	(Left)	42381-42584	
	(Right)	JLM714149-JLM714110	
88-80	Eaton 23121		(Left) 665-653
	(Right)	42381-42584	
88-80	Eaton 17101, 17121, 18121, 22121		
	(Left)	567-563	
	(Right)	497-493	
88-80	Eaton 17201, 17221, 18221, 22221		
	(Left)	56425-56650	
	(Right)	497-493	
88-80	Eaton 23221 (With 103537 Case)		
	(Left)	68462-68712	
	(Right)	42346-42584	
88-80	Eaton 23221 (With 27950 Case)		
	(Left)	68450-68712	
	(Right)	42346-42584	
88-80	Rockwell R170		(Left) 52387-52618
	(Right)	598-592A	
86-80	Eaton 15201		(Left) 498-493
	(Right)	33275-33472	
86-80	Rockwell D140, F106		(2)3994-JM511910
86-80	Rockwell D140, F106 (2nd Design)		(2)3994-JM511910
86-80	Eaton 16244		(Left) 42381-42584
	(Right)	495A-493	
86-80	Spicer G175T		(Left) 42381-42584
	(Right)	495-493	
86-80	Rockwell H172, H173		(2)JLM714149-JLM714110
86-80	Spicer M185T, M190T, M220S, M220T		
	(Left)	JM822049-JM822010	
	(Right)	JM716649-JM716610	
PINION			
94-93	Rockwell 19220		
	(Inner)	55200C-55437	
	(Outer)	415082N M804049-M804010	
	Redi-Sleeve 99248		
	(Pilot)	RU-1570-UM	
94-88	Rockwell 15210 (2nd Design)		
	(Inner)	55200C-55437	
	(Outer)	415082N M804049-M804010	
	Redi-Sleeve 99248		
	(Pilot)	RU-1570-UM	
94-87	Rockwell 13120, 15120		
	(Inner)	55200C-55437	
	(Outer)	415082N HM804846-HM804810	
	Redi-Sleeve 99248		
	(Pilot)	MUB-1305-UDM	
94-87	Rockwell 21230		
	(Inner)	55200C-55437	
	(Outer)	415082N HM804846-HM804810	
	Redi-Sleeve 99248		
	(Pilot)	MUB-1305-UDM	
	(Continued Next Column)		

Year	Application	Seal	Bearing
REAR AXLE (Cont.)			
PINION			
94-87	Rockwell 23160		
	(Outer)	417987N HM813843-HM813810	
	Redi-Sleeve 99325		
94-87	Rockwell 23240		
	(Inner)	78225C-78551	
	(Outer)	3905 55206C-55437	
	Redi-Sleeve 99300		
94-87	Rockwell 19145, 21145		
	(Inner)	72212C-72487	
	(Outer)	3905 55206C-55437	
	Redi-Sleeve 99300		
	(Pilot)	RU-1570-UM	
93-87	Rockwell 23180		
	(Outer)	417987N H715334-H715311	
	Redi-Sleeve 99325		
	(Pilot)	MUB-7309-UM	
92-87	Rockwell 17140		
	(Inner)	55206C-55437	
92-87	Rockwell 17140, 17220, 19220		
	(Inner)	55200C-55437	
	(Outer)	415082N M804049-M804010	
	Redi-Sleeve 99248		
	(Pilot)	RU-1570-UM	
88-80	Eaton 17121		
	(Inner)	9773 (2)55200C-55437	
	Redi-Sleeve 99262		
	(Pilot)	MUS-1307-UM	
88-80	Eaton 22121, 22221		
	(Inner)	72200C-72487	
	(Outer)	9773 55200C-55437	
	Redi-Sleeve 99262		
	(Pilot)	MUS-1307-UM	
88-80	Eaton 23121, 23221		
	(Inner)	78215C-78551	
	(Outer)	712937 72212C-72487	
	Redi-Sleeve 99293		
	(Pilot)	MUS-1308-UM	
88-80	Eaton 17101, 17201, 17221, 18121, 18221		
	(Inner)	9773 (2)55200C-55437	
	Redi-Sleeve 99262		
	(Pilot)	MUS-1307-UM	
88-80	Rockwell R170		
	(Inner)	H715343-H715311	
	(Outer)	475012N HM813843-HM813810	
	Redi-Sleeve 99293		
	(Pilot)	MUB-1309-UM	
1987	Rockwell 15210 (1st Design)		
	(Inner)	55200C-55437	
	(Outer)	415082N M804049-M804010	
	Redi-Sleeve 99248		
	(Pilot)	MUB-1305-TDM	
86-80	Eaton 15201		
	(Seal & Retainer) 470737N (2)HM903249-HM903210		
	Redi-Sleeve 99225		
	(Pilot)	MU-1305-TDM	
86-80	Rockwell D140, F106 (2nd Design)		
	(Inner)	HM803146-HM803110	
	(Outer)	470308N 44143-44348	
	Redi-Sleeve 99212		
	(Pilot)	MU-1305-TDM	
86-80	Eaton 16244		
	(Inner)	9773 (2)55175C-55437	
	Redi-Sleeve 99262		
	(Pilot)	MUS-1307-UM	
86-80	Spicer G175T		
	(Inner)	477163N (2)55200C-55437	
	Redi-Sleeve 99300		
	(Pilot)	MUS-1307-UM	
	(Continued Next Page)		

() Indicates Quantity Required

(Cont.) (Class 4, 5, 6 & 7) **MEDIUM DUTY - FORD TRUCK**

Year	Application	Seal	Bearing
AXLE			
REAR AXLE (Cont.)			
PINION			
86-80	Rockwell H172, H173		
	(Inner)	55200C-55437	
	(Outer)	415082N	HM804846-HM804810
	Redi-Sleeve 99248		
	(Pilot)		RU-1570-UM
86-80	Spicer M185T, M190T, M220S, M220T		
	(Inner)	72225C-72487	
	(Outer)	477163N	55200C-55437
	Redi-Sleeve 99300		
	(Pilot)		MUS-1308-UM
ELECTRIC SHIFT			
88-80	Eaton 15201, 16244, 17201, 17221, 18221		200-SL
CLUTCH			
PILOT			
6 CYLINDER			
94-92	359/5.9L (Turbo-Diesel), 505/8.3L (Turbo-Diesel)		206-FF
	(Hi-Temp.)		206-VV
94-87	401/6.6L (Turbo-Diesel), 476/7.8L (Turbo-Diesel)		206-FF
	(Pull Type Clutch)		206-VV
8 CYLINDER			
94-90	429/7.0L		205-SS
91-80	370/6.1L		105-SS1
89-87	636/10.4L (Diesel), 500/8.2L (Diesel), 500/8.2L (Turbo-Diesel), 429/7.0L		205-SS
86-80	636/10.4L (Diesel), 500/8.2L (Diesel), 500/8.2L (Turbo-Diesel), 429/7.0L		205-SS
RELEASE			
		Bearing Only	Bearing Assembly
6 CYLINDER			
94-92	359/5.9L (Turbo-Diesel), 505/8.3L (Turbo-Diesel), 401/6.6L (Turbo-Diesel), 476/7.8L (Turbo-Diesel)	02256-N	* FA-02256-C
91-87	401/6.6L (Turbo-Diesel), 476/7.8L (Turbo-Diesel)	02256-N	* FA-02256-C
8 CYLINDER			
94-93	429/7.0L (13" Clutch) (Dual Plate)		⊙ 614087
94-93	429/7.0L (13" Clutch) (Single Plate)		614058
92-80	370/6.1L, 429/7.0L (13" Clutch) (Dual Plate)	02256-N	FD-02256-C
92-80	370/6.1L, 429/7.0L (13" Clutch) (Single Plate)		F-01757-C
89-80	636/10.4L (Diesel)	02256-N	FB-02256-C
89-80	500/8.2L (Diesel), 500/8.2L (Turbo-Diesel) (14" Clutch) (Single Plate)	02256-N	* FA-02256-C
DRIVESHAFT			
CENTER SUPPORT			
		Bearing	Bearing & Support
92-80	Spicer 1410 & Cleveland 055 Series / Brg. I.D. 1.5748" (40mm)- Slip Yoke Style		HB-88508-AB
	(Continued Next Column)		

Year	Application	Seal	Bearing
CENTER SUPPORT (Cont.)			
		Bearing	Bearing & Support
92-80	Spicer 1310, 1330, 1410 Series / Brg. I.D. 1.378" (35mm)- Slip Yoke Style	88107	HB-88107-A
TRANSMISSION			
AUTOMATIC / 3 Speed			
FRONT PUMP			
1980	C6	331107N	
	Redi-Sleeve	99199	
EXTENSION HOUSING			
1980	C6	410308	
MANUAL SHAFT			
1980	C6	7929S	
AUTOMATIC / 4 Speed			
FRONT PUMP			
94-80	Allison AT540	6712NA	
	Redi-Sleeve	99187	
94-80	Allison MT640, MT643 (2.250" Shaft)	454136N	
	Redi-Sleeve	99225	
OUTPUT SHAFT			
94-80	Allison MT640, MT643 (3.500" Shaft)	476424N	209-L
94-80	Allison MT640, MT643 (3.750" Shaft)	455031	209-L
EXTENSION HOUSING			
94-80	Allison AT540	415988	109
MANUAL SHAFT			
94-80	Allison AT540, MT640, MT643	340847	
AUTOMATIC / 5 Speed			
FRONT PUMP			
94-80	Allison MT650, MT653, MT654 (2.250" Shaft)	454136N	
	Redi-Sleeve	99225	
OUTPUT SHAFT			
94-80	Allison MT650, MT653, MT654 (3.500" Shaft)	476424N	209-L
94-80	Allison MT650, MT653, MT654 (3.750" Shaft)	455031	209-L
EXTENSION HOUSING			
94-80	Allison MT654		109
MANUAL SHAFT			
94-80	Allison MT650, MT653, MT654	340847	
MANUAL / 4 Speed			
TRANSMISSION KIT			
86-81	Warner T19D (Diesel)		☒ T-82-FD
83-80	Borg-Warner T19		☒ T-82-F
83-80	New Process 435		☒ T-127-F
DRIVESHAFT / INPUT			
86-81	Warner T19D (Diesel)	7412S	M802048-M802011
	Redi-Sleeve	99125	
	(Continued Next Page)		

* Not a Current Production Number, Check for Availability ⊙ Sealed Self-Aligning Bearing ☒ Refer To Front Of Catalog For Kit Contents

FORD TRUCK - MEDIUM DUTY (Class 4, 5, 6 & 7) (Cont.)

Year	Application	Seal	Bearing
TRANSMISSION			
MANUAL / 4 Speed (Cont.)			
DRIVESHAFT / INPUT			
85-84	Borg-Warner T19	7412S	308-L4
	<i>Redi-Sleeve</i>	99125	
83-80	Borg-Warner T19	7412S	308-L1
	<i>Redi-Sleeve</i>	99125	
83-80	New Process 435	482163N	HM88649-HM88610
	<i>Redi-Sleeve</i>	99138	
MAINSHAFT / OUTPUT			
86-81	Warner T19D (Diesel)	450519	M802048-M802011
85-84	Borg-Warner T19	7692S	308-L4
	(Seal & Bushing Kit)	5202	
83-80	Borg-Warner T19	7692S	1308-L
	(Seal & Bushing Kit)	5202	
83-80	New Process 435	471271	1308-L
MAINSHAFT PILOT			
86-81	Warner T19D (Diesel)		(22)C-436-Q
85-80	Borg-Warner T19		(22)C-436-Q
83-80	New Process 435		(14)Q-15902
COUNTERSHAFT			
86-81	Warner T19D (Diesel)		(88)C-436-Q
85-80	Borg-Warner T19		(88)C-436-Q
83-80	New Process 435		
	(Front)		BCE-2416
	(Rear)		B-3216
	(Thrust)		NTA-2031
REVERSE IDLER			
86-81	Warner T19D (Diesel)		(74)B-1316-Q
85-80	Borg-Warner T19		(74)B-1316-Q
83-80	New Process 435		(104)C-407-Q
3RD SPEED GEAR			
83-80	New Process 435		FA-35688
4TH SPEED GEAR			
83-80	New Process 435		FA-35688
MANUAL / 5 Speed			
TRANSMISSION KIT			
94-84	Clark CL450, CL455, CL457, Fuller FS4005 (1.500" Input Shaft)		T-208
94-84	Clark CL450, CL455, CL457, Fuller FS4005 (1.750" Input Shaft)		T-208-D
90-83	Clark CL551, CL557, CL558		T-390-H
89-84	Spicer 4054		T-210
89-83	Spicer 5852		T-28
89-80	Spicer 6052		T-186
87-80	New Process 542		T-29-B
86-80	Spicer 5052, 5252		T-180
86-80	Clark 282V, 285V		T-190
83-80	Clark 280V, 282V, 285V		T-148
83-80	Clark 390V, 397V		T-390-F
DRIVESHAFT / INPUT			
94-88	Fuller FS5005 (1.625" Bore)	473010N	M802048-M802011
	<i>Redi-Sleeve</i>	99162	
94-88	Fuller FS5005 (1.875" Bore)	482041N	M804049-M804010
	<i>Redi-Sleeve</i>	99187	
94-87	Fuller FS6105	473010N	39590-39520
	<i>Redi-Sleeve</i>	99162	

(Continued Next Column)

Year	Application	Seal	Bearing
MANUAL / 5 Speed (Cont.)			
DRIVESHAFT / INPUT			
94-84	Clark CL450, CL455, CL457, Fuller FS4005 (1.500" Shaft)	473010N	M802048-M802011
	<i>Redi-Sleeve</i>	99162	
94-84	Clark CL450, CL455, CL457, Fuller FS4005 (1.750" Shaft)	710211	M804049-M804010
	<i>Redi-Sleeve</i>	99187	
90-87	Fuller FS3005	710211	M804049-M804010
	<i>Redi-Sleeve</i>	99187	
90-83	Clark CL551, CL557, CL558, 285V (1.875" Shaft)	482041N	M804049-M804010
	<i>Redi-Sleeve</i>	99187	
89-84	Spicer 4054	330749V	1211-L
89-83	Spicer 5852	452742	
	<i>Redi-Sleeve</i>	481181N	
	<i>Redi-Sleeve</i>	99162	
89-80	Spicer 5052, 5252, 5552, 6052	452742	JM511946-JM511910
1987	Clark CL455	482041N	M804049-M804010
	<i>Redi-Sleeve</i>	99187	
87-80	New Process 542	481181N	1211-SL
	<i>Redi-Sleeve</i>	99162	
86-80	Clark 282V	450494	N-309-L
	<i>Redi-Sleeve</i>	99174	
86-80	Clark 285V (1.625" Shaft)	473010N	M802048-M802011
	<i>Redi-Sleeve</i>	99162	
86-80	Clark 280V, 282V, 285V (1.750" I.D.)	450494	N-309-L
	<i>Redi-Sleeve</i>	99174	
86-80	Clark 282V, 390V, 397V	473010N	M802048-M802011
	<i>Redi-Sleeve</i>	99162	
85-84	Spicer CM40		1309-SL
85-83	Spicer CM5510		JM511946-JM511910
85-80	Clark 280V, 282V (1.750" O.D.)	450494	N-309-L
	<i>Redi-Sleeve</i>	99174	
83-80	Clark 282V, 285V (1.750" I.D.)	482164N	N-309-L
83-80	Clark 280V, 282V, 285V (1.250" I.D.)	7412S	N-309-L
	<i>Redi-Sleeve</i>	99125	
MAINSHAFT / OUTPUT			
94-88	Fuller FS5005	450519	28580-28527RB
94-87	Fuller FS6105		45284-45220
94-84	Clark CL450, CL455, CL457, Fuller FS4005 (2.252" Shaft)	712512	25581-25520
94-84	Clark CL450, CL455, CL457, Fuller FS4005 (2.625" Shaft)	411143N	25581-25520
90-87	Fuller FS3005	450519	25581-25520
90-83	Clark CL551, CL557, CL558		28580-28527RB
89-84	Spicer 4054	455322V	211-L
89-83	Spicer 5852	410519	1311-L
89-80	Spicer 6052	415004	3979-JM511910
89-80	Spicer 5052, 5252, 5552	450519	JM511946-JM511910
1987	Clark CL455	450519	25581-25520
87-80	New Process 542	450519	309-L
87-80	Clark CL551, CL557, CL558, 285V, 390V, 397V	455322N	28580-28527RB
86-80	Spicer 6052		3979-JM511910
86-80	Clark 282V, 285V (2.500" I.D.)	450519	25584-25547RB
86-80	Clark 280V, 282V, 285V	450519	N-309-L

(Continued Next Page)

() Indicates Quantity Required

(Cont.) (Class 4, 5, 6 & 7) **MEDIUM DUTY - FORD TRUCK**

Year	Application	Seal	Bearing
TRANSMISSION			
MANUAL / 5 Speed (Cont.)			
MAINSHAFT / OUTPUT			
85-84	Spicer CM40.....		1209-SL
83-80	Clark 280V, 282V, 285V (2.250" I.D.).....	450316	N-309-L
83-80	Clark 280V, 282V, 285V (2.500" I.D.).....	450519	N-309-L
83-80	Clark 280V, 282V, 285V (2.625" I.D.).....	411143N	N-309-L
MAINSHAFT PILOT			
94-87	Fuller FS3005, FS4005, FS5005.....	(14)QBR-49845	
90-80	Clark CL450, CL455, CL457, CL551, CL557, CL558, 282V, 285V, 390V, 397V.....	(14)QBR-49845	
89-84	Spicer 4054.....	SCE-2420	
89-83	Spicer 5852.....	(14)O-513-Q	
89-80	Spicer 6052.....	25877-25821	
87-80	New Process 542.....	(14)Q-15902	
86-80	Clark 280V, 282V, 285V.....	SRA-5304	
85-84	Spicer CM40.....	* J-361632	
MAINSHAFT 1ST SPEED GEAR			
94-84	Clark CL450, CL455, CL457, Fuller FS4005, FS5005.....	F-94490	
89-84	Spicer 4054.....	F-93290	
89-80	Spicer 5052, 5252, 5552.....	F-81205	
89-80	Spicer 6052.....	F-56619	
MAINSHAFT 2ND SPEED GEAR			
94-84	Clark CL450, CL455, CL457, Fuller FS4005, FS5005.....	F-94490	
89-84	Spicer 4054.....	F-95407	
MAINSHAFT 3RD SPEED GEAR			
94-84	Clark CL450, CL455, CL457, Fuller FS4005, FS5005.....	F-84003	
MAINSHAFT 4TH SPEED GEAR			
94-84	Clark CL450, CL455, CL457, Fuller FS4005, FS5005.....	F-94488	
90-83	Clark CL455, CL551, CL557, CL558, 285V (Shift).....	TR-235383	
86-80	Clark 282V, 285V, 390V, 397V.....	TR-235383	
MAINSHAFT 5TH SPEED GEAR			
90-83	Clark CL455, CL551, CL557, CL558, 285V (Shift).....	TR-235383	
86-80	Clark 282V, 285V, 390V, 397V.....	TR-235383	
MAINSHAFT REVERSE GEAR			
89-84	Spicer 4054.....	F-93290	
89-80	Spicer 5052, 5252, 5552.....	F-81205	
89-80	Spicer 6052.....	F-56619	
1987	Clark CL455.....	F-84003	
COUNTERSHAFT			
94-88	Fuller FS5005.....	(2)25590-25520	
94-87	Fuller FS3005, FS4005 (Front).....	25877-25821	
	(Rear).....	2689-2631	
94-87	Fuller FS6105.... (Front).....	25590-25522	
	(Rear).....	3782-3720	
90-80	Clark CL551, CL557, CL558, 285V, 390V, 397V (Front).....	DD-46386	
	(Rear).....	MU-1309-UGM	
89-84	Spicer 4054..... (Front).....	A-5	
	(Rear).....	LM102949-LM102910	
89-83	Spicer 5852..... (Front).....	M-1208-EL	
	(Rear).....	1308-SL	
89-80	Spicer 5052, 5252, 5552..... (2)25584-25520		
89-80	Spicer 6052..... (Front).....	M804049-M804010	
	(Rear).....	JLM506849-JLM506810	

(Continued Next Column)

Year	Application	Seal	Bearing
MANUAL / 5 Speed (Cont.)			
COUNTERSHAFT			
87-84	Clark CL450, CL455, CL457 (Front).....	25877-25821	
	(Rear).....	2689-2631	
87-80	New Process 542 (Front).....	1208-L	
	(Rear).....	(24)Q-15902	
86-80	Clark 282V, 285V (Front).....	M-28161	
	(Rear).....	* MU-1309-SGNV	
86-80	Clark 280V, 282V, 285V (Front).....	M-28161	
	(Rear).....	N-309-L	
85-84	Spicer CM40.....	(2)J-402464	
85-83	Spicer CM5510.. (Rear).....	3877-3720	
REVERSE IDLER			
94-88	Fuller FS5005.....	(52)QA-47838	
94-84	Clark CL450, CL455, CL457, Fuller FS4005.....	(52)QA-48181-A	
90-80	Clark CL551, CL557, CL558, 390V, 397V.....	(52)QA-47838	
89-83	Spicer 5852.....	(2)J-322064	
89-80	Spicer 4054, 5052, 5252, 5552, 6052.....	(2)WJ-162116	
87-80	New Process 542 (Front).....	B-1412	
	(Rear).....	B-1816	
	(Thrust).....	NTA-815	
86-80	Clark 282V, 285V.....	(2)J-361644	
86-80	Clark 280V, 282V, 285V.....	J-361644	
1983	Clark CL551.....	QA-47838	
83-80	Clark 280V, 282V, 285V.....	(2)F-54970	
REVERSE GEAR			
94-88	Fuller FS5005.....	(88)QA-48181-A	
94-84	Clark CL450, CL455, CL457, Fuller FS4005.....	F-84003	
90-80	Clark CL551, CL557, CL558, 285V, 390V, 397V... (96)QA-48181-A		
REMOTE CONTROL			
89-80	Spicer 5052, 5252, 5852..... (2)350567		
	Redi-Sleeve (2) 99087.....		
87-80	New Process 542.....	350679	
	Redi-Sleeve 99076.....		
83-80	Clark 280V, 282V, 285V.....	471267	
	Redi-Sleeve 99087.....		
1ST SPEED GEAR			
90-80	Clark CL551, CL557, CL558, 285V, 390V, 397V... (88)QA-48181-A		
2ND SPEED GEAR			
90-80	Clark CL551, CL557, CL558, 285V, 390V, 397V... (96)QA-48181-A		
3RD SPEED GEAR			
90-87	Fuller FS3005.....	(2)F-84003	
90-80	Clark CL551, CL557, CL558, 285V, 390V, 397V... (96)QA-48181-A		
4TH SPEED GEAR			
90-80	Clark CL551, CL557, CL558, 285V, 390V, 397V... (68)QA-48181-A		
4TH SHIFT HUB			
94-87	Fuller FS3005, FS4005, FS5005.....	TR-235383	
		FA-35688	
90-80	Clark CL450, CL455, CL457, CL551, CL557, CL558, 282V, 285V, 390V, 397V.....	FA-35688	
87-84	Clark CL450, CL455, CL457.....	TR-235383	
5TH SHIFT HUB			
94-87	Fuller FS3005, FS4005, FS5005.....	TR-235383	
		FA-35688	
90-80	Clark CL450, CL455, CL457, CL551, CL557, CL558, 282V, 285V, 390V, 397V.....	FA-35688	
87-84	Clark CL450, CL455, CL457.....	TR-235383	

() Indicates Quantity Required * Not a Current Production Number, Check for Availability

FORD TRUCK - MEDIUM DUTY (Class 4, 5, 6 & 7) (Cont.)

Year	Application	Seal	Bearing
TRANSMISSION			
MANUAL / 6 Speed			
DRIVESHAFT / INPUT			
94-87	Fuller FS5106.....		39590-39520
94-87	Fuller FS6106.....	450311 <i>Redi-Sleeve</i> 99205	
MAINSHAFT / OUTPUT			
94-87	Fuller FS5106.....		45284-45220
94-87	Fuller FS6106.....	415004V	
MAINSHAFT 3RD SPEED GEAR			
94-87	Fuller FS6106.....		808840
MAINSHAFT 4TH SPEED GEAR			
94-87	Fuller FS6106.....		687430
MAINSHAFT 5TH SPEED GEAR			
94-87	Fuller FS6106.....		206252
COUNTERSHAFT			
94-87	Fuller FS5106.... (Front)		25590-25522
	(Rear)		3782-3720
94-87	Fuller FS6106.... (Front)		MSN-1309-GEXR
	(Rear)		MU-1309-UV
MANUAL / 7 Speed			
DRIVESHAFT / INPUT			
94-89	Fuller T8607.....		1212-SLV
	(Pilot)		BS-59
MAINSHAFT / OUTPUT			
94-89	Fuller T8607.....		1212-L
AUXILIARY MAINSHAFT			
94-89	Fuller T8607.....	713750	
COUNTERSHAFT			
94-89	Fuller T8607.... (Front)		1309-L
	(Rear)		* 1213-A
AUXILIARY COUNTERSHAFT			
94-89	Fuller T8607.....		1309-L
REVERSE IDLER			
94-89	Fuller T8607.....		(4)WJ-162116
MANUAL / 8 Speed			
DRIVESHAFT / INPUT			
94-87	Fuller RTF8608.....		212-SLV
	(Pilot)		BS-59
94-87	Fuller RT7608.... (Pilot)		BS-61
MAINSHAFT / OUTPUT			
94-87	Fuller RTF8608.....		118-L
94-87	Fuller RT7608.....	415983N	
AUXILIARY MAINSHAFT			
94-87	Fuller RTF8608.....	415983N	■ A-3071
94-87	Fuller RT7608.... (Front)		204-S
	(Rear)		■ A-3071
COUNTERSHAFT			
94-87	Fuller RTF8608.....		
	(Pilot)		(2)MS-1309-GEXR
AUXILIARY COUNTERSHAFT			
94-87	Fuller RTF8608.....		
	(Front)		(2)MR-1307-EL
	(Rear)		(2)1310-L
			(Continued Next Column)

Year	Application	Seal	Bearing
MANUAL / 8 Speed (Cont.)			
AUXILIARY COUNTERSHAFT			
94-87	Fuller RT7608.... (Rear)		(2)1310-L
REVERSE IDLER			
94-87	Fuller RT7608.....		(2)WJ-162116
MANUAL / 9 Speed			
DRIVESHAFT / INPUT			
94-89	Fuller RT8609.... (Pilot)		BS-61
AUXILIARY DRIVESHAFT			
94-89	Fuller RT8609.....		117-L
AUXILIARY MAINSHAFT			
94-89	Fuller RT8609 (3.500" O.D.)		
	(Front)		MU-1307-V
	(Rear)	415991N	1212-L
94-89	Fuller RT8609 (3.750" O.D.)		
	(Front)		MU-1307-V
	(Rear)	713750	1212-L
AUXILIARY COUNTERSHAFT			
94-89	Fuller RT8609.... (Rear)		MU-1308-UM
REVERSE IDLER			
94-89	Fuller RT8609.....		(2)WJ-162116
MANUAL / 10 Speed			
TRANSMISSION KIT			
94-81	Fuller RT6610.....		T-145-A
83-80	Fuller RT610 (Early).....		T-145
83-80	Fuller RT610 (Late).....		T-145-A
DRIVESHAFT / INPUT			
94-81	Fuller RT6610.....	452554N	209-SLV
	<i>Redi-Sleeve</i> 99149		
	(Pilot)		BS-61
83-80	Fuller RT610.....	452554N	209-SLV
	<i>Redi-Sleeve</i> 99149		
AUXILIARY DRIVESHAFT			
94-81	Fuller RT6610.....		117-L
MAINSHAFT / OUTPUT			
94-81	Fuller RT6610.....	455088V	
83-80	Fuller RT610.....	455088V	117-L
MAINSHAFT PILOT			
83-80	Fuller RT610.....		BS-61
AUXILIARY MAINSHAFT			
94-81	Fuller RT6610... (Front)		MU-1307-V
	(Rear)	415991N	1212-L
83-80	Fuller RT610.....	415991N	
	(Pilot)		MU-1307-V
	(Rear)		1212-L
COUNTERSHAFT			
94-80	Fuller RT610, RT6610		
	(Front)		(2)MU-1207-UGV
	(Rear)		(2)MU-1306-UGV
AUXILIARY COUNTERSHAFT			
94-81	Fuller RT6610... (Front)		(2)MR-1206-RUGV
	(Rear)		(2)MR-1308-TV
83-80	Fuller RT610 (Early)		
	(Front)		(2)M-1305-GEL
	(Rear)		(2)MR-1308-TV
			(Continued Next Page)

() Indicates Quantity Required ■ Replace Complete Unit * Not a Current Production Number, Check for Availability

(Cont.) (Class 4, 5, 6 & 7) **MEDIUM DUTY - FORD TRUCK**

Year	Application	Seal	Bearing	Year	Application	Seal	Bearing
TRANSMISSION				CRANKSHAFT (Cont.)			
MANUAL / 10 Speed (Cont.)				6 CYLINDER			
AUXILIARY COUNTERSHAFT				94-87 401/6.6L (Turbo-Diesel), 476/7.8L (Turbo-Diesel)..... 712449			
83-80	Fuller RT610 (Late)			1992	359/5.9L (Turbo-Diesel)	39805	
	(Front)	(2)MR-1206-RUGV			Redi-Sleeve	99494	
	(Rear)	(2)MR-1308-TV		8 CYLINDER			
REVERSE IDLER				94-80	370/6.1L, 429/7.0L		
94-80	Fuller RT610, RT6610		(2)WJ-162116		(Rope Type)	5095	
MANUAL / 13 Speed					(Split Seal)	5118	
TRANSMISSION KIT				93-80	500/8.2L (Diesel), 500/8.2L (Turbo-Diesel).....	455956H	
94-81	Fuller RT6613		T-146	89-80	636/10.4L (Diesel)V190, V195, V225, 1160 Engs.....	39801	
DRIVESHAFT / INPUT					Redi-Sleeve	99499	
94-81	Fuller RT6613	452554N	209-SLV		(Front)	FP-9L7735	
	Redi-Sleeve	99149			(Rear)	FP-7W3200	
	(Pilot)		BS-61	89-80	636/10.4L (Diesel)3208, 3208N Engs.....	39801	
MAINSHAFT / OUTPUT					Redi-Sleeve	99499	
94-81	Fuller RT6613	455088V	117-L		(Front)	FP-7C6660	
					(Rear)	FP-7W3200	
AUXILIARY MAINSHAFT				89-80	636/10.4L (Turbo-Diesel).....	39801	
94-81	Fuller RT6613		■ A-3071		Redi-Sleeve	99499	
COUNTERSHAFT					(Front)	FP-7C6660	
94-81	Fuller RT6613		(2)MU-1207-UGV		(Rear)	FP-7W3200	
			(2)MU-1306-UGV	TIMING COVER			
AUXILIARY COUNTERSHAFT				6 CYLINDER			
94-81	Fuller RT6613		(2)MU-1306-UV	97-95	359/5.9L (Turbo-Diesel).....	39803	
			(2)1310-L		Redi-Sleeve	99248	
REVERSE IDLER				97-92	359/5.9L (Turbo-Diesel).....	FP-3802820	
94-81	Fuller RT6613		(2)WJ-162116	94-93	359/5.9L (Turbo-Diesel), 505/8.3L (Turbo-Diesel).....	39803	
					Redi-Sleeve	99248	
AIR CONDITIONING				8 CYLINDER			
COMPRESSOR				94-87	401/6.6L (Turbo-Diesel), 476/7.8L (Turbo-Diesel).....	712511	
CLUTCH PULLEY				1992	359/5.9L (Turbo-Diesel).....	39803	
88-80	Ford FS-6		5000-KFF		Redi-Sleeve	99248	
84-80	Tecumseh & York		5106-WCC	8 CYLINDER			
ENGINE				94-88	370/6.1L, 429/7.0L	710210	
CRANKSHAFT					Redi-Sleeve	99238	
6 CYLINDER				93-80	500/8.2L (Diesel), 500/8.2L (Turbo-Diesel).....	473476	
97-95	359/5.9L (Turbo-Diesel).....	39805			Redi-Sleeve	99250	
	Redi-Sleeve	99494		89-80	636/10.4L (Diesel) (2.375" Shaft).....	480988H	
94-93	359/5.9L (Turbo-Diesel), 505/8.3L (Turbo-Diesel).....	39805			Redi-Sleeve	99237	
	Redi-Sleeve	99494		89-80	636/10.4L (Diesel), 636/10.4L (Turbo-Diesel).....	39802	
	(Continued Next Column)				Redi-Sleeve	99287	
				87-80	370/6.1L, 429/7.0L	470574N	
					Redi-Sleeve	99187	
					Harmonic Bal Sleeve	88187	
					Harmonic Bal Kit	5001	

(Sprinter 2500 & Sprinter 3500) **VAN - FREIGHTLINER**

WHEEL				REAR WHEEL			
FRONT WHEEL				06-02 All (Dual Wheel)			
06-02	All	(Inner)	710467		(Inner)	710462	32011-X
		(Outer)	32305		(Outer)		32210
				06-02	All (Single Wheel)	☆ 710468	516010

() Indicates Quantity Required ■ Replace Complete Unit ☆ New Item, Check for Availability ☒ Refer To Front Of Catalog For Kit Contents

FREIGHTLINER - VAN (Sprinter 2500 & Sprinter 3500) (Cont.)

Year	Application	Seal	Bearing	Year	Application	Seal	Bearing
AXLE				TRANSMISSION			
REAR AXLE				AUTOMATIC / 5 Speed			
DIFFERENTIAL				FRONT PUMP			
06-02	HLO/15		(2)LM806649-LM806610	09-02	W5A380	710608	
PINION				OUTPUT SHAFT			
06-02	HLO/15	(Inner)	HM803146-HM803110	09-02	W5A380		206
		(Outer)	M88043-M88010				

FUSO TRUCK - LIGHT DUTY (FE434, FE439, FE444, FE449, FG434 & FG439)

WHEEL				PILOT (Cont.)			
FRONT WHEEL				4 CYLINDER			
93-87	All (Air Brake)			91-87	3298cc/3.3L (Turbo-Diesel)		203-FF
		(Inner)	30210	RELEASE			
		(Outer)	30207			Bearing Only	Bearing Assembly
93-87	All (Exhaust Brake)			4 CYLINDER			
		(Outer)	32207	95-92	3907cc/3.9L (Turbo-Diesel) (305mm Clutch)		® 614141
REAR WHEEL				TRANSMISSION			
93-87	All	(Inner)	30212-A	AUTOMATIC / 3 Speed			
		(Outer)	30211	FRONT PUMP			
AXLE				91-87	Chrysler A727	331227H	
REAR AXLE						Redi-Sleeve 99187	
DIFFERENTIAL				EXTENSION HOUSING			
95-87	R2T		(2)28985-28921	91-87	Chrysler A727	7300S	
PINION						(Seal & Bushing Kit) 5206	
95-87	R2T	(Outer)	HM801346-HM801310	CLUTCH CAM			
CLUTCH				91-87	Chrysler A727		(12)W-585-Q
PILOT				4 CYLINDER			
95-92	3907cc/3.9L (Turbo-Diesel)		204-FF	(Continued Next Column)			

FUSO TRUCK - MEDIUM DUTY (FH, FK, FM Series)

WHEEL				AXLE			
FRONT WHEEL				REAR AXLE			
95-85	FH100, FK415, FK417, FK455, FK457			DIFFERENTIAL			
		(Outer)	32309	95-85	R4T, R6T		(2)32217
REAR WHEEL				PINION			
95-85	FM555, FM557	(Outer)	32217	95-87	R6T	(Outer)	30311-A
95-85	FH100, FK415, FK417, FK455, FK457	(Inner)	32215	95-85	R4T	(Inner)	30309
		(Outer)	32213			(Outer)	30311-A

(Cont.) (FH, FK, FM Series) **MEDIUM DUTY - FUSO TRUCK**

Year	Application	Seal	Bearing	Year	Application	Seal	Bearing
CLUTCH				AUTOMATIC / 4 Speed (Cont.)			
PILOT				EXTENSION HOUSING			
6 CYLINDER				95-85 Allison AT542, AT545 415988 109			
95-85	4948cc/4.9L (Turbo-Diesel), 6557cc/6.6L (Diesel), 6557cc/6.6L (Turbo-Diesel).....		204-FF	MANUAL SHAFT			
DRIVESHAFT				95-85 Allison AT542, AT545 340847			
CENTER SUPPORT				ENGINE			
		Bearing	Bearing & Support	CRANKSHAFT			
93-85	P8 Series / Brg. I.D. 2.1654" (55mm).....	211		6 CYLINDER			
93-85	P4 Series / Brg. I.D. 1.7717" (45mm).....	209		91-85 6557cc/6.6L (Diesel), 6557cc/6.6L (Turbo-Diesel)..... 231003			
TRANSMISSION				Redi-Sleeve 99393			
AUTOMATIC / 4 Speed							
FRONT PUMP							
95-85	Allison AT542, AT545	6712NA					
		Redi-Sleeve 99187					

(Metro, Prizm, Spectrum & Storm) **FRONT WHEEL DRIVE - GEO**

WHEEL				REAR WHEEL			
FRONT WHEEL				97-95 Metro (Exc. ABS)			
97-95	Metro	(Inner) 710394	510001	(Inner) 205-F			
		(Outer) 710175		(Outer) 204-F			
97-93	Prizm (ABS)		510007	97-93 Prizm (Exc. ABS) Hub Assembly 512018			
		(Inner) 1993		95-93 Prizm (ABS) Hub Assembly 512019			
		(Outer) 4898		94-89 Metro (Inner) 205-F			
97-93	Prizm (Exc. ABS)	(Kit) 5696	510007	(Outer) 204-F			
			Hub Repair Kit 518507	93-90 Storm Hub Assembly 512171			
		(Inner) 1993		92-89 Prizm 1180 513031			
		(Outer) 4898		1989 Spectrum (Inner) 710309 A-4			
94-92	Metro (Exc. LSi)			(Outer) A-1			
		(Inner) 4904	107-DD	CLUTCH			
		(Outer) 710175	107-DD				
94-92	Metro (LSi)	(Inner) 4904	510001	PILOT			
		(Outer) 710175		3 CYLINDER			
93-90	Storm (Exc. GSi)			97-89 993cc/1.0L, 993cc/1.0L (Turbo)..... 200-CC			
		(Inner) 710194	510033	4 CYLINDER			
		(Outer) 1953		97-92 1324cc/1.3L 200-CC			
93-90	Storm (GSi)	(Inner) 710194	517005	97-89 1587cc/1.6L (DOHC), 1762cc/1.8L (DOHC)..... MSNB-5305-GT BV			
		(Outer) 710192		RELEASE			
92-89	Prizm	(Kit) 5696	510007		Bearing Only	Bearing Assembly	
		(Inner) 1993		3 CYLINDER			
		(Outer) 4898		97-89 993cc/1.0L (170mm Clutch)..... 614082			
91-89	Metro (Exc. Turbo Eng.)			91-89 993cc/1.0L (Turbo) (190mm Clutch)..... 614082			
		(Inner) 224462	107-DD	4 CYLINDER			
		(Outer) 710175	107-DD	97-92 1324cc/1.3L (190mm Clutch)..... 614082			
91-89	Metro (Turbo Eng.)			97-92 1587cc/1.6L (DOHC), 1762cc/1.8L (DOHC) (200mm Clutch)..... 614152			
		(Inner) 4904	510001	93-92 1588cc/1.6L (215mm Clutch)..... 614108			
		(Outer) 710175		93-92 1808cc/1.8L (DOHC) (200mm Clutch)..... 614108			
1989	Spectrum (Exc. Turbo Eng.) (Exc. H/D Suspension)		B-35	91-90 1588cc/1.6L (DOHC), 1588cc/1.6L (215mm Clutch)..... 614108			
		(Inner) 710098		91-89 1587cc/1.6L (DOHC) (200mm Clutch)..... 614043			
1989	Spectrum (Turbo Eng.) (H/D Suspension)		517006				
		(Inner) 710098					

GEO - FRONT WHEEL DRIVE (Metro, Prizm, Spectrum & Storm) (Cont.)

Year	Application	Seal	Bearing
------	-------------	------	---------

DRIVESHAFT

CV JOINT HALF SHAFT

1997	Metro (MTX)		511014
1996	Metro	710505	511014
1995	Metro (1st Design)		
	(Left)	710286	
	(Right)	710287	
1995	Metro (2nd Design)	710505	511014
94-92	Metro		
	(Left)	710286	
	(Right)	710287	

TRANSAXLE

AUTOMATIC / 3 Speed

DIFFERENTIAL

97-92	Aisin A210		(2)207
93-89	Jatco F3A		(2)32008
91-89	Aisin A210 (Exc. Turbo Eng.)		(2)207-S
91-89	Aisin A210 (Turbo Eng.)		(2)207

TORQUE CONVERTER

97-89	Aisin A131	223830	
	Redi-Sleeve	99147	
97-89	Aisin A210	223830	
	Redi-Sleeve	99147	
93-89	Jatco F3A	710078	
	Redi-Sleeve	99177	

OUTPUT SHAFT

97-89	Aisin A131	(2) 710110	
	Redi-Sleeve (2)	99134	
97-89	Aisin A210	(2) 223540	
	Redi-Sleeve (2)	99139	
93-89	Jatco F3A	(2) 223542	
	Redi-Sleeve (2)	99139	

TRANSFER SHAFT

92-89	Aisin A131	(2) 710416	
-------	------------	------------	--

MANUAL SHAFT

97-89	Aisin A131	221207	
	Redi-Sleeve	99049	
97-89	Aisin A210	710116	

AUTOMATIC / 4 Speed

DIFFERENTIAL

93-90	Jatco JF403		(2)30208
-------	-------------	--	----------

TORQUE CONVERTER

97-89	Aisin A240, A245	223830	
	Redi-Sleeve	99147	
93-90	Jatco JF403	710442	

OUTPUT SHAFT

97-89	Aisin A240, A245		
	(Left)	710109	
	Redi-Sleeve	99134	
	(Right)	710110	
	Redi-Sleeve	99134	
93-90	Jatco JF403	(2) 3543	
	Redi-Sleeve (2)	99139	

TRANSFER SHAFT

97-93	Aisin A245	(2) 710416	
-------	------------	------------	--

Year	Application	Seal	Bearing
------	-------------	------	---------

AUTOMATIC / 4 Speed (Cont.)

MANUAL SHAFT

97-89	Aisin A240, A245	221207	
	Redi-Sleeve	99049	

MANUAL / 5 Speed

DIFFERENTIAL

97-89	Suzuki MV2, M42, M58		
	(Left)		207
	(Right)		107
93-89	Isuzu MFD5M		(2)32008

INPUT SHAFT

97-89	Aisin C51, C52	320603	101-SS
	Redi-Sleeve	99098	
97-89	Suzuki MV2, M42, M58		
	(Right)	222030	204
	Redi-Sleeve	99078	
93-89	Isuzu MFD5M	222835	
	Redi-Sleeve	99111	
	(Front)		32206
	(Rear)		30306

OUTPUT SHAFT

97-89	Aisin C51, C52	(Left) 710109	
	(Right)	710110	
97-89	Suzuki MV2, M42, M58		
	(Left)	223552	
	Redi-Sleeve	99139	
	(Right)	223535	
	Redi-Sleeve	99139	
93-89	Isuzu MFD5M	(Left) 3543	A-5
	Redi-Sleeve	99139	
	(Right)	3543	32206
	Redi-Sleeve	99139	

COUNTERSHAFT

97-89	Suzuki MV2, M42, M58		
	(Left)		32004

SHIFT SHAFT

97-89	Aisin C51, C52	1015N	
93-89	Isuzu MFD5M	3667	

STEERING

POWER STEERING

STEERING GEAR WORM SHAFT

97-93	Prizm	222630	
92-89	Prizm	(Upper) 710154	

STEERING GEAR PITMAN SHAFT

97-89	Prizm	221510	
-------	-------	--------	--

STEERING PUMP SHAFT

97-91	Prizm	710412	
93-90	Storm	221720	
90-89	Prizm, Spectrum (Saginaw Pump) (Integral Reservoir)		203-FF

AIR CONDITIONING

COMPRESSOR

CLUTCH PULLEY

92-89	Nippondenso 10P08		5000-KFF
-------	-------------------	--	----------

(Cont.) (Metro, Prizm, Spectrum & Storm) **FRONT WHEEL DRIVE - GEO**

Year	Application	Seal	Bearing	Year	Application	Seal	Bearing
ELECTRICAL				CRANKSHAFT (Cont.)			
ALTERNATOR				4 CYLINDER			
DRIVE END				97-89	1587cc/1.6L (DOHC), 1762cc/1.8L (DOHC).....	227045	
97-92	Nippondenso 45, 50 Amp.....		302-CC			Redi-Sleeve 99272	
ENGINE				93-89	1471cc/1.5L, 1471cc/1.5L (Turbo), 1588cc/1.6L (DOHC), 1588cc/1.6L, 1808cc/1.8L (DOHC).....	228700	
CAMSHAFT				OIL PUMP			
3 CYLINDER				4 CYLINDER			
97-89	993cc/1.0L, 993cc/1.0L (Turbo).....	710310		97-89	1587cc/1.6L (DOHC).....	223235	
	Redi-Sleeve 99128				Redi-Sleeve 99128		
4 CYLINDER				1989	1471cc/1.5L, 1471cc/1.5L (Turbo).....	224020	
97-92	1324cc/1.3L.....	710310			Redi-Sleeve 99157		
	Redi-Sleeve 99128			TIMING COVER			
97-89	1587cc/1.6L (DOHC), 1762cc/1.8L (DOHC)..... (2) 1987			3 CYLINDER			
	Redi-Sleeve (2) 99139			97-89	993cc/1.0L, 993cc/1.0L (Turbo).....	710310	
93-90	1588cc/1.6L (DOHC), 1808cc/1.8L (DOHC)..... (2) 710308				Redi-Sleeve 99128		
	Redi-Sleeve (2) 99157			4 CYLINDER			
93-89	1471cc/1.5L, 1471cc/1.5L (Turbo), 1588cc/1.6L.....	710308		97-93	1762cc/1.8L (DOHC).....	223235	
	Redi-Sleeve 99157				Redi-Sleeve 99128		
CRANKSHAFT				97-92	1324cc/1.3L.....	710310	
3 CYLINDER					Redi-Sleeve 99128		
97-89	993cc/1.0L, 993cc/1.0L (Turbo).....	710334		93-89	1471cc/1.5L, 1471cc/1.5L (Turbo), 1588cc/1.6L (DOHC), 1588cc/1.6L, 1808cc/1.8L (DOHC).....	223220	
					Redi-Sleeve 99128		
4 CYLINDER				97-92	1324cc/1.3L.....	710310	
97-92	1324cc/1.3L.....	710334			Redi-Sleeve 99128		
	(Continued Next Column)						

(Tracker) **SPORT UTILITY - GEO TRUCK**

WHEEL				FRONT AXLE (Cont.)			
FRONT WHEEL (2WD)				PINION			
97-91	All..... (Inner).....	710240	517009	97-89	Suzuki SK-F..... (Inner).....		30307
	(Outer).....	710239			(Outer).....	710523	30306
FRONT WHEEL (4WD)				STEERING KNUCKLE			
97-89	All..... (Inner).....	710240	517009	97-89	Suzuki SK-F..... (Inner).....	710255	
	(Outer).....	710239			(Outer).....	710256	
REAR WHEEL				REAR AXLE			
97-89	All (Exc. ABS)			DIFFERENTIAL			
	(Inner).....	224820	511004	97-89	Suzuki SK-R.....		■ (2)KC-11445-Y
	(Outer).....	710193		PINION			
AXLE				97-89	Suzuki SK-R..... (Inner).....		30307
FRONT AXLE					(Outer).....	710523	30306
AXLE SHAFT				CLUTCH			
97-89	Suzuki SK-F.....	223553	206-FF	PILOT			
DIFFERENTIAL				4 CYLINDER			
97-89	Suzuki SK-F.....		■ (2)KC-11445-Y	97-95	1590cc/1.6L, 1590cc/1.6L.....		200-CC
				94-89	1590cc/1.6L.....		200-CC

() Indicates Quantity Required ■ Replace Complete Unit

GEO TRUCK - SPORT UTILITY (Tracker) (Cont.)

Year	Application	Seal	Bearing	Year	Application	Seal	Bearing
CLUTCH				MANUAL / 5 Speed (Cont.)			
RELEASE				MAINSHAFT / OUTPUT			
		<i>Bearing Only</i>	<i>Bearing Assembly</i>	97-89	Suzuki MM5, M59	222580	
4 CYLINDER						<i>Redi-Sleeve 99098</i>	
97-95	1590cc/1.6L (215mm Clutch)		Ⓞ614056				306-L
95-89	1590cc/1.6L (200mm Clutch)		Ⓞ614056				305
TRANSFER CASE				COUNTERSHAFT			
FULL TIME / PART TIME				97-89	Suzuki MM5, M59		
INPUT SHAFT							<i>(Center) M-1205-EL</i>
97-89	Suzuki G130	223540	207				<i>(Rear) 304</i>
		<i>Redi-Sleeve 99139</i>		STEERING			
FRONT OUTPUT SHAFT				POWER STEERING			
97-89	Suzuki G130	1213N	(2)RW-122	STEERING PUMP SHAFT			
		<i>Redi-Sleeve 99157</i>		97-89	All	221730	
REAR OUTPUT SHAFT				AIR CONDITIONING			
97-89	Suzuki G130	<i>(Inner)</i>	306-L	COMPRESSOR			
		<i>(Outer)</i>	RW-122	CLUTCH PULLEY			
		<i>Redi-Sleeve 99157</i>		1993	Sanden SD-505		5001-KFF
TRANSMISSION				92-89	Nippondenso 10P08		5000-KFF
AUTOMATIC / 3 Speed				ELECTRICAL			
FRONT PUMP				ALTERNATOR			
95-89	THM180C, 3L30	6712NA		DRIVE END			
		<i>Redi-Sleeve 99187</i>		97-94	Nippondenso		303-CC
EXTENSION HOUSING				REAR END			
95-91	3L30	710343		91-89	Nippondenso		202-FF
90-89	THM180C	9613S		ENGINE			
		<i>(Seal & Bushing Kit) 5200</i>		CAMSHAFT			
MANUAL SHAFT				4 CYLINDER			
95-89	THM180C, 3L30	8792S		97-89	1590cc/1.6L, 1590cc/1.6L	710310	
AUTOMATIC / 4 Speed						<i>Redi-Sleeve 99128</i>	
FRONT PUMP				CRANKSHAFT			
97-94	Aisin 03-72	223830		4 CYLINDER			
		<i>Redi-Sleeve 99147</i>		97-89	1590cc/1.6L, 1590cc/1.6L	710334	
EXTENSION HOUSING				TIMING COVER			
97-94	Aisin 03-72	223605		4 CYLINDER			
MANUAL / 5 Speed				97-89	1590cc/1.6L, 1590cc/1.6L	710310	
DRIVESHAFT / INPUT						<i>Redi-Sleeve 99128</i>	
97-89	Suzuki MM5, M59	222535	RW-122				
		<i>Redi-Sleeve 99098</i>					

GMC TRUCK - SEDAN PICKUP (Caballero)

WHEEL				FRONT WHEEL (2WD) (Cont.)			
FRONT WHEEL (2WD)				81-80	All	<i>(Inner)</i>	8871
1987	All	<i>(Inner)</i>	4739				A-6
		<i>(Outer)</i>					A-3
86-82	All	<i>(Inner)</i>	8871	REAR WHEEL			
		<i>(Outer)</i>		87-85	All	8660S	5707
							<i>(Axle Repair Brg.) RP-5707</i>
							<i>(Continued Next Page)</i>

(Cont.) (Caballero) **SEDAN PICKUP - GMC TRUCK**

Year	Application	Seal	Bearing
WHEEL			
REAR WHEEL (Cont.)			
84-80	All (7.5" R.G.) (8.5" R.G.) (Chevrolet Axle)	8660S	5707 RP-5707 (Axle Repair Brg.)
84-80	All (8.5" R.G.) (8.875" R.G.) (Pontiac Axle)	8835S	6408 RP-6408 (Axle Repair Brg.)
AXLE			
REAR AXLE DIFFERENTIAL KIT			
87-81	7.5" R.G., 7.625" R.G.		<input checked="" type="checkbox"/> RA-320 (Master Kit) RA-320MK
87-80	8.5" R.G.		<input checked="" type="checkbox"/> RA-321 (Master Kit) RA-321MK
DIFFERENTIAL PINION			
87-80	7.5" R.G., 7.625" R.G., 8.5" R.G.	(2)LM501349-LM501314	
87-81	7.5" R.G., 7.625" R.G.		(Inner) HM89249-HM89210 (Outer) 8610 M86649-M86610 Redi-Sleeve 99152
87-80	8.5" R.G.		(Inner) M802048-M802011 (Outer) 2043 M88048-M88010 Redi-Sleeve 99193
1980	7.5" R.G.		(Inner) HM89449-HM89410 (Outer) 8610 M86649-M86610 Redi-Sleeve 99152
CLUTCH			
PILOT 6 CYLINDER			
81-80	229/3.8L, 231/3.8L	(H/D)	PB-656-HD
8 CYLINDER			
81-80	267/4.4L, 305/5.0L	(H/D)	PB-656-HD
RELEASE			
		Bearing Only	Bearing Assembly
6 CYLINDER			
81-80	229/3.8L	(Angular Contact)	CC-1705-C Ⓢ 614018
1980	231/3.8L		Ⓢ 614037
			1697 (Thrust Type) 1697-C
8 CYLINDER			
81-80	267/4.4L, 305/5.0L	(Angular Contact)	CC-1705-C Ⓢ 614018
TRANSMISSION			
AUTOMATIC / 3 Speed FRONT PUMP			
84-80	THM350, THM250C, THM350C, THM375B		6712NA Redi-Sleeve 99187
1980	THM200		4950 Redi-Sleeve 99174

Year	Application	Seal	Bearing
AUTOMATIC / 3 Speed (Cont.) EXTENSION HOUSING			
84-82	THM375B		9613S (Seal & Bushing Kit) 5200
84-82	THM250C, THM350C (Booted)		9613S (Seal & Bushing Kit) 5200
84-82	THM250C, THM350C (Non-Booted)		4583
81-80	THM200, THM350, THM250C, THM375B		9613S (Seal & Bushing Kit) 5200
MANUAL SHAFT			
84-80	THM200, THM350, THM250C, THM350C, THM375B		8792S
AUTOMATIC / 4 Speed FRONT PUMP			
87-81	THM200-4R, THM700-R4		4950 Redi-Sleeve 99174
EXTENSION HOUSING			
87-83	THM700-R4 (Booted)		9613S (Seal & Bushing Kit) 5200
87-83	THM700-R4 (Non-Booted)		4583
87-81	THM200-4R		9613S (Seal & Bushing Kit) 5200
MANUAL SHAFT			
87-81	THM200-4R, THM700-R4		8792S
MANUAL / 3 Speed DRIVESHAFT / INPUT			
81-80	SM326		7412S Redi-Sleeve 99125
MAINSHAFT / OUTPUT			
81-80	SM326		9613S (Seal & Bushing Kit) 5200
COUNTERSHAFT			
81-80	SM326		(54)C-407-Q
SHIFT SHAFT			
81-80	SM326		240735 Redi-Sleeve 99076
MANUAL / 4 Speed DRIVESHAFT / INPUT			
81-80	Saginaw		7412S Redi-Sleeve 99125
MAINSHAFT / OUTPUT			
81-80	Saginaw		9613S (Seal & Bushing Kit) 5200
COUNTERSHAFT			
81-80	Saginaw		(54)C-407-Q
SHIFT SHAFT			
81-80	Saginaw		240735 Redi-Sleeve 99076

() Indicates Quantity Required Ⓢ Sealed Self-Aligning Bearing Refer To Front Of Catalog For Kit Contents

GMC TRUCK - SEDAN PICKUP (Caballero) (Cont.)

Year	Application	Seal	Bearing	Year	Application	Seal	Bearing
STEERING				CRANKSHAFT (Cont.)			
POWER STEERING				6 CYLINDER			
STEERING GEAR HOUSING				85-80 229/3.8L, 262/4.3L ... (Split Seal) 5092			
87-80 All..... (Adj. Plug) DB-53313				84-80 231/3.8L (Split Seal) 5591			
STEERING GEAR PITMAN SHAFT				8 CYLINDER			
83-80 All..... 710285				87-86 305/5.0L (Gkt. & PTFE Seal) 5274A			
STEERING PUMP SHAFT			 (Gkt. & Viton® Seal) 4359V			
85-80 All..... 7013S PTFE Rubber 5274			
AIR CONDITIONING			 Redi-Sleeve 99364			
COMPRESSOR				1985 305/5.0L (1st Design)			
CLUTCH PULLEY			 (Split Seal) 5092			
1987 Harrison HR-6HE..... 907257				1985 305/5.0L (2nd Design)			
87-80 Harrison R-4..... 907257			 (Gkt. & PTFE Seal) 5274A			
86-85 Harrison DA-6..... 907257			 (Gkt. & Viton® Seal) 4359V			
81-80 Harrison A-6..... 907257			 PTFE Rubber 5274			
FRONT HEAD MAIN			 Redi-Sleeve 99364			
87-80 Harrison R-4..... S-128				84-83 350/5.7L (Diesel) (Rope Type) 5095			
81-80 Harrison A-6..... SCE-108			 (Split Seal) 5118			
ELECTRICAL				TIMING COVER			
ALTERNATOR				6 CYLINDER			
DRIVE END				87-80 229/3.8L, 262/4.3L 9845			
87-84 AC-Delco 56, 66, 78 Amp. 203-FF			 Redi-Sleeve 99176			
83-80 AC-Delco 37, 42, 55, 61, 63, 70, 80, 85 Amp. Harmonic Bal Sleeve 88176			
..... (Integral Type)..... 203-S			 Harmonic Bal Kit ☒ 5000			
REAR END				84-80 231/3.8L 710163			
87-80 AC-Delco 37, 42, 55, 56, 61, 63, 66, 78 Amp. MNJ-471-S				8 CYLINDER			
ENGINE				87-80 267/4.4L, 305/5.0L,			
CRANKSHAFT				350/5.7L 9845			
6 CYLINDER			 Redi-Sleeve 99176			
87-86 262/4.3L (Gkt. & PTFE Seal) 5274A Harmonic Bal Sleeve 88176			
..... (Gkt. & Viton® Seal) 4359V Harmonic Bal Kit ☒ 5000			
..... PTFE Rubber 5274				84-83 350/5.7L (Diesel) 472082			
..... Redi-Sleeve 99364 Redi-Sleeve 99199			
(Continued Next Column)			 Harmonic Bal Sleeve 88199			

GMC TRUCK - PICKUP/MINIVAN/CROSSOVER/SPORT UTILITY (Acadia, Acadia AWD, Canyon, Envoy, Envoy Denali, Envoy XL, Envoy XL Denali, Envoy XUV, Safari, Sonoma, Syclone, S15, S15 Jimmy & Typhoon)

WHEEL				FRONT WHEEL (2WD) (Cont.)			
FRONT WHEEL (2WD)				08-04 Canyon (Z85 Chassis)			
09-02 Envoy, Envoy Denali, Envoy XL, Envoy XL Denali, Envoy XUV..... Hub Assembly 513188				(Left) Hub Assembly ☆ 515104			
08-04 Canyon (ZQ8 Sport Chassis)				(Right) Hub Assembly ☆ 515105			
(Left) Hub Assembly ☆ 515106				05-03 Safari Hub Assembly 515044			
(Right) Hub Assembly ☆ 515107				05-98 S15 Jimmy Hub Assembly 513200			
08-04 Canyon (Z71 Off-Road Chassis)				03-98 Sonoma (Inner) 4739 A-6			
(Left) Hub Assembly ☆ 515108				(Outer) A-34			
(Right) Hub Assembly ☆ 515109				02-91 Safari (Inner) 4739 A-6			
(Continued Next Column)				(Outer) A-3			
				(Continued Next Page)			

PICKUP/MINIVAN/CROSSOVER/SPORT UTILITY - GMC TRUCK

(Cont.) (Acadia, Acadia AWD, Canyon, Envoy, Envoy Denali, Envoy XL, Envoy XL Denali, Envoy XUV, Safari, Sonoma, Syclone, S15, S15 Jimmy & Typhoon)

Year	Application	Seal	Bearing
WHEEL			
FRONT WHEEL (2WD) (Cont.)			
97-91	Sonoma, S15 Jimmy		
	(Inner)	4739	A-6
	(Outer)		A-34
90-85	Safari	8871	A-6
	(Outer)		A-3
90-82	S15, S15 Jimmy		
	(Inner)	8871	A-6
	(Outer)		A-34
FRONT WHEEL (4WD)			
09-02	Envoy, Envoy Denali, Envoy XL, Envoy XL Denali, Envoy XUV.....		Hub Assembly 513188
08-04	Canyon	(Left)	Hub Assembly ☆ 515110
		(Right)	Hub Assembly ☆ 515111
05-03	Safari	(Left)	Hub Assembly ☆ 515091
		(Right)	Hub Assembly ☆ 515092
05-02	S15 Jimmy		Hub Assembly 513124
04-02	Sonoma	3553	Hub Assembly 513124
02-95	Safari	710106	Hub Assembly 515019
01-98	Sonoma, S15 Jimmy	3553	Hub Assembly 513124
1997	Sonoma, S15 Jimmy (1st Design) (Toothed Sensor Ring).....	3553	Hub Assembly 513061
1997	Sonoma, S15 Jimmy (2nd Design) (Integral Sensor).....	3553	Hub Assembly 513124
96-95	Sonoma, S15 Jimmy.....	3553	Hub Assembly 513061
94-90	Safari	710106	Hub Assembly 515005
94-90	Sonoma, Syclone, S15, S15 Jimmy, Typhoon (ABS).....	3553	Hub Assembly 513061
94-90	Sonoma, Syclone, S15, S15 Jimmy, Typhoon (Exc. ABS)....	3553	Hub Assembly 513013
89-83	All.....	3553	Hub Assembly 513013
REAR WHEEL			
09-03	Canyon, Envoy, Envoy Denali, Envoy XL, Envoy XL Denali, Envoy XUV, Safari	4762N	513067 (Axle Repair Brg.) RP-513067
05-99	S15 Jimmy (8.625" R.G.) (ZR2)(High Rider).....	8835S	6408 (Axle Repair Brg.) RP-6408
05-99	Sonoma, S15 Jimmy (7.625" R.G.) (8.625" R.G.) (Axle Code "C").....	710166	5707 (Axle Repair Brg.) RP-5707
05-99	Sonoma, S15 Jimmy (7.625" R.G.) (8.625" R.G.) (Axle Code "K").....	8660S	5707 (Axle Repair Brg.) RP-5707
04-02	Sonoma (8.625" R.G.) (Limited Slip) (Extended Cab).....	4762N	513067 (Axle Repair Brg.) RP-513067
04-99	Sonoma (8.625" R.G.) (Exc. Limited-Slip) (Extended Cab).....	8835S	6408 (Axle Repair Brg.) RP-6408
03-02	Sonoma (8.625" R.G.) (Extended Cab).....	4762N	513067 (Axle Repair Brg.) RP-513067
2002	Envoy.....	4762N	513067 (Axle Repair Brg.) RP-513067

(Continued Next Column)

Year	Application	Seal	Bearing
REAR WHEEL (Cont.)			
02-90	Safari	4795V	513023
01-99	S15 Jimmy (7.625" R.G.) (Limited Slip).....	4795V	513023
01-99	Sonoma (8.625" R.G.) (Limited Slip) (Extended Cab).....	4762N	513067 (Axle Repair Brg.) RP-513067
98-96	S15 Jimmy (8.5" R.G.) (ZR2)(High Rider).....	8835S	6408 (Axle Repair Brg.) RP-6408
98-95	Sonoma (8.5" R.G.) (Exc. Limited-Slip) (Extended Cab).....	8835S	6408 (Axle Repair Brg.) RP-6408
98-95	Sonoma (8.5" R.G.) (Limited Slip) (Extended Cab).....	4762N	513067 (Axle Repair Brg.) RP-513067
98-92	Sonoma, S15 Jimmy (7.625" R.G.) (8.5" R.G.) (Axle Code "C").....	710166	5707 (Axle Repair Brg.) RP-5707
98-92	Sonoma, S15 Jimmy (7.625" R.G.) (8.5" R.G.) (Axle Code "K").....	8660S	5707 (Axle Repair Brg.) RP-5707
1994	Sonoma (8.5" R.G.) (Extended Cab).....	8835S	6408 (Axle Repair Brg.) RP-6408
94-92	Sonoma, Syclone, S15 Jimmy, Typhoon (7.5" R.G.) (Axle Code "C") (Mfg. in USA).....	710166	5707 (Axle Repair Brg.) RP-5707
94-92	Sonoma, Syclone, S15 Jimmy, Typhoon (7.5" R.G.) (Axle Code "K") (Mfg. in Can.).....	8660S	5707 (Axle Repair Brg.) RP-5707
1991	S15 Jimmy (2 Door).....	8660S	5707 (Axle Repair Brg.) RP-5707
1991	S15 Jimmy (4 Door).....	710166	5707 (Axle Repair Brg.) RP-5707
1991	Sonoma, Syclone, Typhoon.....	8660S	5707 (Axle Repair Brg.) RP-5707
90-82	S15, S15 Jimmy.....	8660S	5707 (Axle Repair Brg.) RP-5707
89-85	Safari	4795V	513023 (Axle Repair Brg.) RP-513023

AXLE

FRONT AXLE

AXLE SHAFT

09-04	AAM ICA-7.6" R.G.	(2) 710548	(4)HK-4012
09-97	AAM IFS-7.25" R.G. (1.3125" Shaft)		
	(Inner)	(2) 710491	(2)B-2010
	(Outer)		SCH-208
	(Pilot)		SCH-78

(Continued Next Page)

GMC TRUCK - PICKUP/MINIVAN/CROSSOVER/SPORT UTILITY

(Acadia, Acadia AWD, Canyon, Envoy, Envoy Denali, Envoy XL, Envoy XL Denali, Envoy XUV, Safari, Sonoma, Syclone, S15, S15 Jimmy & Typhoon) (Cont.)

Year	Application	Seal	Bearing
AXLE			
FRONT AXLE (Cont.)			
AXLE SHAFT			
09-97	AAM IFS-7.25" R.G. (1.5748" Shaft)	(Inner)(2) 710491 (Outer) SCH-208 (Pilot) SCH-78	(2)HK-4012
96-95	AAM IFS-7.25" R.G.	(Inner)(2) 223255 (Outer) SCH-208 (Pilot) SCH-78	B-2010
94-83	ICA-7.25" R.G.	(2) 223255	B-2010
DIFFERENTIAL KIT			
01-95	AAM IFS-7.25" R.G.		<input checked="" type="checkbox"/> RA-320-A
94-83	ICA-7.25" R.G.		<input checked="" type="checkbox"/> RA-320-A
DIFFERENTIAL			
09-04	AAM ICA-7.6" R.G.	(2)LM501349-LM501314	
09-95	AAM IFS-7.25" R.G.	(2)A-18	
94-83	ICA-7.25" R.G.	(2)A-18	
PINION			
09-04	AAM ICA-7.6" R.G.	(Inner) HM89249-HM89210 (Outer) 710549	M86649-M86610
09-02	AAM IFS-7.25" R.G.	(Inner) M88047-M88010 (Outer) 710547	M86649-M86610
01-95	AAM IFS-7.25" R.G.	(Inner) M88047-M88010 (Outer) 710532 Redi-Sleeve 99152	M86649-M86610
94-83	ICA-7.25" R.G.	(Inner) M88047-M88010 (Outer) 710532 Redi-Sleeve 99152	M86649-M86610
REAR AXLE			
DIFFERENTIAL KIT			
09-02	AAM 8" R.G.		<input checked="" type="checkbox"/> RA-327
09-99	AAM 8.625" R.G.		<input checked="" type="checkbox"/> RA-321-C
05-02	AAM 7.625" R.G.		<input checked="" type="checkbox"/> RA-320-B
2001	AAM 7.625" R.G. (1st Design)		<input checked="" type="checkbox"/> RA-320 (Master Kit) RA-320MK
2001	AAM 7.625" R.G. (2nd Design)		<input checked="" type="checkbox"/> RA-320-B (Master Kit) RA-320MK
00-95	AAM 7.625" R.G.		<input checked="" type="checkbox"/> RA-320 (Master Kit) RA-320MK
1997	AAM 8.5" R.G. (1st Design)		<input checked="" type="checkbox"/> RA-321 (Master Kit) RA-321MK
96-95	AAM 8.5" R.G.		<input checked="" type="checkbox"/> RA-321 (Master Kit) RA-321MK
1994	8.5" R.G.		<input checked="" type="checkbox"/> RA-321 (Master Kit) RA-321MK
94-82	7.5" R.G., 7.625" R.G.		<input checked="" type="checkbox"/> RA-320 (Master Kit) RA-320MK
DIFFERENTIAL			
09-99	AAM 8.625" R.G., 8" R.G.	(2)A-36	
05-95	AAM 7.625" R.G., 8.5" R.G.	(2)LM501349-LM501314	
94-82	7.5" R.G., 7.625" R.G., 8.5" R.G.	(2)LM501349-LM501314	

Year	Application	Seal	Bearing
REAR AXLE (Cont.)			
PINION			
09-02	AAM 8" R.G.	(Inner) M802048-M802011 (Outer) 710474	M86649-M86610
09-98	AAM 8.5" R.G., 8.625" R.G.	(Inner) M802048-M802011 (Outer) 710506	M88048-M88010
05-02	AAM 7.625" R.G.	(Inner) HM89249-HM89210 (Outer) 710474	M86649-M86610
2001	AAM 7.625" R.G. (1st Design)	(Inner) HM89249-HM89210 (Outer) 8610 Redi-Sleeve 99152	M86649-M86610
2001	AAM 7.625" R.G. (2nd Design)	(Inner) HM89249-HM89210 (Outer) 710474	M86649-M86610
00-95	AAM 7.625" R.G.	(Inner) HM89249-HM89210 (Outer) 8610 Redi-Sleeve 99152	M86649-M86610
1997	AAM 8.5" R.G. (1st Design)	(Inner) M802048-M802011 (Outer) 2043 Redi-Sleeve 99193	M88048-M88010
1997	AAM 8.5" R.G. (2nd Design)	(Inner) M802048-M802011 (Outer) 710506	M88048-M88010
96-95	AAM 8.5" R.G.	(Inner) M802048-M802011 (Outer) 2043 Redi-Sleeve 99193	M88048-M88010
1994	8.5" R.G.	(Inner) M802048-M802011 (Outer) 2043 Redi-Sleeve 99193	M88048-M88010
94-82	7.5" R.G., 7.625" R.G.	(Inner) HM89249-HM89210 (Outer) 8610 Redi-Sleeve 99152	M86649-M86610
CLUTCH			
PILOT			
4 CYLINDER			
03-94	134/2.2L		(H/D) PB-652-HD
90-85	151/2.5L		(H/D) PB-656-HD
85-82	1949cc/1.9L, 2238cc/2.2L (Diesel)		203-FF
84-83	121/2.0L		(H/D) PB-652-HD
6 CYLINDER			
1998	262/4.3L (1st Design)		57080
98-85	262/4.3L, 262/4.3L (Turbo)		57080
93-82	173/2.8L		(H/D) PB-652-HD
RELEASE			
4 CYLINDER			
06-96	134/2.2L, 169/2.8L (DOHC)		(Hyd. Clutch)® 614174
95-86	134/2.2L, 151/2.5L		® 614083 (Angular Contact) * CD-1377-C
1985	1949cc/1.9L		(Angular Contact) * CC-1705-C ® 614018
1985	151/2.5L, 1949cc/1.9L, 2238cc/2.2L (Diesel)		® 614083 (Angular Contact) * CD-1377-C

(Continued Next Page)

() Indicates Quantity Required * Not a Current Production Number, Check for Availability ® Sealed Self-Aligning Bearing ☒ Refer To Front Of Catalog For Kit Contents

PICKUP/MINIVAN/CROSSOVER/SPORT UTILITY - GMC TRUCK

(Cont.) (Acadia, Acadia AWD, Canyon, Envoy, Envoy Denali, Envoy XL, Envoy XL Denali, Envoy XUV, Safari, Sonoma, Syclone, S15, S15 Jimmy & Typhoon)

Year	Application	Seal	Bearing
CLUTCH			
RELEASE (Cont.)		<i>Bearing Only</i>	<i>Bearing Assembly</i>
4 CYLINDER			
84-83	121/2.0L, 1949cc/1.9L, 2238cc/2.2L (Diesel)	(Angular Contact) CC-1705-C Ⓢ 614018	
1982	1949cc/1.9L	(Angular Contact) CC-1705-C Ⓢ 614018	
5 CYLINDER			
06-04	211/3.5L (DOHC)	(Hyd. Clutch) Ⓢ 614174	
6 CYLINDER			
04-96	262/4.3L	(Hyd. Clutch) Ⓢ 614174	
95-85	173/2.8L, 262/4.3L, 262/4.3L (Turbo)	Ⓢ 614083 (Angular Contact) * CD-1377-C	
84-82	173/2.8L	(Angular Contact) CC-1705-C Ⓢ 614018	
DRIVESHAFT			
CENTER SUPPORT		<i>Bearing</i>	<i>Bearing & Support</i>
93-82	Spicer 1280, 1310, 1330, 1410 Series / Brg. ID 1.3780" (35mm) Slip Yoke Style	88107	HB-88107-A (Opt. w/Slings) HB-88107-E
TRANSFER CASE			
FULL TIME / PART TIME			
TRANSFER CASE KIT			
98-90	Borg-Warner 1372, 4472		<input checked="" type="checkbox"/> T-472
97-95	New Process 231C, 233C		<input checked="" type="checkbox"/> T-230-B
1994	New Process 233C		<input checked="" type="checkbox"/> T-230-B
93-91	New Process 231C, 233C (Standard Cab)		<input checked="" type="checkbox"/> T-230
90-88	New Process 231C		<input checked="" type="checkbox"/> T-230
88-83	New Process 207		<input checked="" type="checkbox"/> T-197
INPUT SHAFT			
09-02	New Process 226C		N-5210-KLB
05-98	New Process 136C, 236C	472636	110
	(Pilot)		FC-66561
05-94	New Process 231C, 233C ... (2) 3173		110-L
	(Dual Lip) 710928		
	Redi-Sleeve 99193		
	(Pilot)		FC-66561
98-90	Borg-Warner 1372, 4472	710062	109
	Redi-Sleeve 99175		
	(Pilot)		SCH-1310
93-91	New Process 231C, 233C ... (2) 3173		N-5210-KLB
	(Dual Lip) 710928		
	Redi-Sleeve 99193		
	(Pilot)		FC-66561
90-88	New Process 231C ... (2) 3173		N-5210-KLB
	(Dual Lip) 710928		
	Redi-Sleeve 99193		
	(Pilot)		SCH-1810
	(Continued Next Column)		

Year	Application	Seal	Bearing
FULL TIME / PART TIME (Cont.)			
INPUT SHAFT			
88-83	New Process 207	(2) 3173	(2) B-3210
		(Dual Lip) 710928	
		Redi-Sleeve 99193	
	(Pilot)		SCH-1810
	(Thrust)		NTA-3244
FRONT OUTPUT SHAFT			
09-02	New Process 226C		107
05-98	New Process 136C, 236C		207
	(Pilot)		J-2416
05-95	New Process 231C, 233C	4813V	206
	(Pilot)		J-2416
98-90	Borg-Warner 1372, 4472	714503	207
	(Pilot)		JH-1612
94-88	New Process 231C, 233C	710046	206
	Redi-Sleeve 99155		
	(Pilot)		J-2416
88-83	New Process 207	710046	206
	Redi-Sleeve 99155		
	(Pilot)		B-228
REAR OUTPUT SHAFT			
05-98	New Process 136C	710496	
05-98	New Process 236C	710496	
	(Pilot)		(2) B-5020
05-98	New Process 233C	4333N	
98-90	Borg-Warner 1372, 4472 (Booted)	4503N	208-SL
98-90	Borg-Warner 1372, 4472 (Non-Booted)	714503	208-SL
97-91	New Process 231C, 233C (Extended Cab)	9449	207
	(Seal & Bushing Kit) 5208		
	(Pilot)		(2) B-5020
97-91	New Process 231C, 233C (Standard Cab)	9613S	206
	(Seal & Bushing Kit) 5200		
	(Pilot)		(2) B-5020
90-88	New Process 231C	9613S	206
	(Seal & Bushing Kit) 5200		
	(Pilot)		(2) B-5020
88-83	New Process 207	9613S	206
	(Seal & Bushing Kit) 5200		
	(Pilot)		(2) F-4020
OIL PUMP HOUSING			
05-83	New Process 207, 231C, 233C, 236C	341022	
	Redi-Sleeve 99225		
TRANSAXLE			
AUTOMATIC / 6 Speed			
TORQUE CONVERTER			
09-07	6T75	710561	
OUTPUT SHAFT			
09-07	6T75	(Left) 710546	
		(Right) 710583	

() Indicates Quantity Required * Not a Current Production Number, Check for Availability Ⓢ Sealed Self-Aligning Bearing Refer To Front Of Catalog For Kit Contents

GMC TRUCK - PICKUP/MINIVAN/CROSSOVER/SPORT UTILITY

(Acadia, Acadia AWD, Canyon, Envoy, Envoy Denali, Envoy XL, Envoy XL Denali, Envoy XUV, Safari, Sonoma, Syclone, S15, S15 Jimmy & Typhoon) (Cont.)

Year	Application	Seal	Bearing
TRANSMISSION			
AUTOMATIC / 3 Speed			
FRONT PUMP			
85-82	THM200C	4950 <i>Redi-Sleeve</i> 99174	
EXTENSION HOUSING			
85-82	THM200C (Booted)	9613S (Seal & Bushing Kit) 5200	
85-82	THM200C (Non-Booted)	4583	
MANUAL SHAFT			
85-82	THM200C	8792S	
AUTOMATIC / 4 Speed			
FRONT PUMP			
09-92	4L60-E	4950 <i>Redi-Sleeve</i> 99174	
91-83	4L60, THM700-R4	4950 <i>Redi-Sleeve</i> 99174	
EXTENSION HOUSING			
09-91	4L60, 4L60-E (Booted)	4934	
09-83	4L60, 4L60-E, THM700-R4 (Non-Booted)	4583	
90-83	THM700-R4 (Booted)	9613S (Seal & Bushing Kit) 5200	
MANUAL SHAFT			
09-83	4L60, 4L60-E, THM700-R4	8792S	
MANUAL / 4 Speed			
DRIVESHAFT / INPUT			
87-85	Borg-Warner T4	7412S <i>Redi-Sleeve</i> 99125 (Thrust)	A-5 FA-55505
87-82	Isuzu MSG4K, MSG4ET	1990 <i>Redi-Sleeve</i> 99106	§ 208-LO
86-85	Saginaw	7412S <i>Redi-Sleeve</i> 99125	
84-82	Borg-Warner T4	7412S <i>Redi-Sleeve</i> 99125	208-L
MAINSHAFT / OUTPUT			
87-85	Borg-Warner T4	9613S (Seal & Bushing Kit) 5200	25877-25821
87-82	Isuzu MSG4K, MSG4ET	1987	
86-85	Saginaw	9613S (Seal & Bushing Kit) 5200	
84-82	Borg-Warner T4	9613S (Seal & Bushing Kit) 5200	1207-L
MAINSHAFT PILOT			
87-82	Borg-Warner T4		(15)QBR-23549
COUNTERSHAFT			
87-85	Borg-Warner T4		(Front) DK-55836 (Rear) 5707 (Thrust) NTA-1423
87-82	Isuzu MSG4K, MSG4ET		(Rear) 5205-KLE
86-85	Saginaw		(54)C-407-Q
84-82	Borg-Warner T4		(50)C-1086-Q

Year	Application	Seal	Bearing
MANUAL / 4 Speed (Cont.)			
SHIFT SHAFT			
86-85	Saginaw	240735 <i>Redi-Sleeve</i> 99076	
MANUAL / 5 Speed			
DRIVESHAFT / INPUT			
05-91	New Process 3500	4529N <i>Redi-Sleeve</i> 99138	307-FFL5
03-96	New Process 1500	223020	306-VVL
95-84	Borg-Warner T5, T5WC	7412S <i>Redi-Sleeve</i> 99125 (Thrust)	A-5 FA-55505
91-88	Getrag 290 (2WD)	4529N <i>Redi-Sleeve</i> 99138	
91-88	Getrag 290 (4WD)	4529N <i>Redi-Sleeve</i> 99133	
MAINSHAFT / OUTPUT			
05-96	New Process 3500 (2WD)	4528N	
05-91	New Process 3500 (4WD)	4532N	
03-96	New Process 1500		306-L
95-91	New Process 3500 (2WD) (Casting No. CC20844)	4530	
95-91	New Process 3500 (2WD) (Exc. Casting No. C20844)	4528N	
95-84	Borg-Warner T5, T5WC	9613S (Seal & Bushing Kit) 5200	25877-25821
91-90	Getrag 290	4530	
1989	Getrag 290 (1st Design)	4530	
1989	Getrag 290 (2nd Design)	4530	
1988	Getrag 290	4530	
MAINSHAFT PILOT			
95-84	Borg-Warner T5, T5WC		(15)QBR-23549
MAINSHAFT 1ST SPEED GEAR			
95-93	Borg-Warner T5WC		F-218255
MAINSHAFT 2ND SPEED GEAR			
95-93	Borg-Warner T5WC		F-93934
COUNTERSHAFT			
05-91	New Process 3500		(2)FC-68336
03-96	New Process 1500		(Front) FC-68336 (Rear) 206-FF
95-93	Borg-Warner T5WC		(Rear) A-6 (Thrust) NTA-1423
92-88	Borg-Warner T5		(Front) A-6 (Rear) A-6 (Thrust) NTA-1423
87-84	Borg-Warner T5		(Front) DK-55836 (Rear) 5707 (Thrust) NTA-1423
STEERING			
MANUAL STEERING			
STEERING GEAR WORM SHAFT			
93-82	Sonoma, S15	480821	

() Indicates Quantity Required § Use Old Snap Ring

PICKUP/MINIVAN/CROSSOVER/SPORT UTILITY - GMC TRUCK

(Cont.) (Acadia, Acadia AWD, Canyon, Envoy, Envoy Denali, Envoy XL, Envoy XL Denali, Envoy XUV, Safari, Sonoma, Syclone, S15, S15 Jimmy & Typhoon)

Year	Application	Seal	Bearing
STEERING			
MANUAL STEERING (Cont.)			
STEERING GEAR PITMAN SHAFT			
93-85	Sonoma, S15	251511	
84-82	S15	313842	
POWER STEERING			
STEERING GEAR HOUSING			
1997	Sonoma, S15 Jimmy	(Adj. Plug) DB-53313	
96-82	All	(Adj. Plug) DB-53313	
STEERING GEAR WORM SHAFT			
96-82	Safari, Sonoma, S15, S15 Jimmy	222025	
STEERING GEAR PITMAN SHAFT			
05-82	Safari, Sonoma, Syclone, S15, S15 Jimmy, Typhoon	(Kit) <input checked="" type="checkbox"/> PSK-1	
STEERING PUMP SHAFT			
07-02	Envoy, Envoy Denali, Envoy XL, Envoy XL Denali, Envoy XUV, Safari, Sonoma	7013S	
01-94	All	7013S	
93-85	All (Integral Reservoir)	203-FF	
93-85	All (Remote Reservoir)	7013S	
84-82	All	7013S	
AIR CONDITIONING			
COMPRESSOR			
CLUTCH PULLEY			
05-96	Harrison HT-6	907257	
05-89	Harrison V-5	907257	
95-89	Harrison HR-6	907257	
95-82	Harrison R-4	907257	
93-91	Harrison HR-6HE	907257	
86-85	Harrison DA-6	907257	
FRONT HEAD MAIN			
95-82	Harrison R-4	S-128	
ELECTRICAL			
ALTERNATOR			
DRIVE END			
91-83	AC-Delco 37, 56, 66, 78 Amp.	203-FF	
REAR END			
91-83	AC-Delco 37, 56, 66, 78 Amp.	MNJ-471-S	
ENGINE			
CAMSHAFT			
4 CYLINDER			
85-83	2238cc/2.2L (Diesel)	224205	
		Redi-Sleeve 99166	

Year	Application	Seal	Bearing
CRANKSHAFT			
4 CYLINDER			
03-94	134/2.2L	PTFE Rubber 5273	
		Viton® 4307V	
		Redi-Sleeve 99298	
93-85	151/2.5L	3698	
		PTFE Rubber 5290	
85-82	1949cc/1.9L, 2238cc/2.2L (Diesel)	228480	
		Redi-Sleeve 99328	
1984	121/2.0L (1st Design)	5210	
1984	121/2.0L (2nd Design)	PTFE Rubber 5273	
		Viton® 4307V	
		Redi-Sleeve 99128	
1983	121/2.0L	5210	
6 CYLINDER			
09-02	254/4.2L (DOHC)	710603	
05-96	262/4.3L	5512	
95-86	262/4.3L, 262/4.3L (Turbo)	(Gkt. & PTFE Seal) 5274A	
		(Gkt. & Viton® Seal) 4359V	
		PTFE Rubber 5274	
		Redi-Sleeve 99364	
93-86	173/2.8L	PTFE Rubber 5273	
		Viton® 4307V	
		Redi-Sleeve 99298	
1985	262/4.3L	(Split Seal) 5092	
1985	173/2.8L (1st Design)	5210	
1985	173/2.8L (2nd Design)	PTFE Rubber 5273	
		Viton® 4307V	
		Redi-Sleeve 99298	
84-82	173/2.8L	5210	
8 CYLINDER			
09-03	325/5.3L	100085	
TIMING COVER			
4 CYLINDER			
09-04	169/2.8L (DOHC), 178.2/2.9L	710551	
03-83	121/2.0L, 134/2.2L, 151/2.5L	9845	
		Redi-Sleeve 99176	
		Harmonic Bal Sleeve 88176	
		Harmonic Bal Kit <input checked="" type="checkbox"/> 5000	
85-83	2238cc/2.2L (Diesel)	712005	
		Redi-Sleeve 99254	
85-82	1949cc/1.9L	225020	
		Redi-Sleeve 99196	
5 CYLINDER			
09-04	211/3.5L (DOHC), 223/3.7L (DOHC)	710551	
6 CYLINDER			
09-05	254/4.2L (DOHC)	710551	
04-02	254/4.2L (DOHC) (38.4mm I.D.)	710605	
04-02	254/4.2L (DOHC) (47.0mm I.D.)	710551	

(Continued Next Page)

GMC TRUCK - PICKUP/MINIVAN/CROSSOVER/SPORT UTILITY

(Acadia, Acadia AWD, Canyon, Envoy, Envoy Denali, Envoy XL, Envoy XL Denali, Envoy XUV, Safari, Sonoma, Syclone, S15, S15 Jimmy & Typhoon) (Cont.)

Year	Application	Seal	Bearing	Year	Application	Seal	Bearing
ENGINE				TIMING COVER (Cont.)			
TIMING COVER (Cont.)				6 CYLINDER			
6 CYLINDER				94-82 173/2.8L, 262/4.3L, 262/4.3L (Turbo)..... 9845			
1995 262/4.3L (1st Design)..... 9845				Redi-Sleeve 99176			
Redi-Sleeve 99176				Harmonic Bal Sleeve 88176			
Harmonic Bal Sleeve 88176				Harmonic Bal Kit ☒ 5000			
Harmonic Bal Kit ☒ 5000				8 CYLINDER			
(Continued Next Column)				09-03 325/5.3L 100470			
				Redi-Sleeve 99210			

GMC TRUCK 1/2 TON - 1500 SERIES FULL SIZE

(C1500, C1500 Suburban, C1500 Yukon XL, G1500, H1500, Jimmy, K1500, K1500 Suburban, K1500 Yukon XL, P1500, R1500, R1500 Suburban, Sierra 1500, V1500, V1500 Suburban & Yukon)

WHEEL				FRONT WHEEL (2WD) (Cont.)			
FRONT WHEEL (2WD)				1987 R1500, R1500 Suburban			
09-08 Sierra 1500, Yukon, Yukon XL 1500..... Hub Assembly ☆ 515097				(Inner) 8871 A-6			
08-07 G1500..... Hub Assembly ♦ 515053				(Outer) A-3			
Hub Assembly 515054				87-81 G1500, P1500..... 8871 A-5			
2007 Sierra 1500 (Classic) (16" Wheel) (6 Stud Hub)				(Outer) A-3			
Hub Assembly 515054				86-81 C1500 Suburban (H/D) (JB5, JD3 & JD5 Brakes)			
2007 Sierra 1500 (Classic) (17" Wheel) (6 Stud Hub)				(Inner) 8871 A-5			
Hub Assembly 515071				(Outer) A-3			
2007 Sierra 1500 (Exc. Classic)..... Hub Assembly ☆ 515097				86-81 C1500 Suburban (L/D) (JB1 & JB3 Brakes)..... (Inner) 8871 A-6			
2007 Yukon, Yukon XL 1500 Hub Assembly ☆ 515097				(Outer) A-3			
07-01 Sierra 1500HD..... Hub Assembly 515086				86-81 C1500, Jimmy (H/D Brakes)			
06-05 Sierra 1500 (16" Wheel) (6 Stud Hub)..... Hub Assembly 515054				(Inner) 8871 A-5			
06-05 Sierra 1500 (17" Wheel) (6 Stud Hub) (Exc. Spring Special Pkg.)..... Hub Assembly 515071				(Outer) A-3			
06-03 G1500, Yukon, Yukon XL 1500..... Hub Assembly ♦ 515053				86-81 C1500, Jimmy (L/D Brakes)			
Hub Assembly 515054				(Inner) 8871 A-6			
04-01 Sierra 1500 (6 Stud Hub)..... Hub Assembly 515054				(Outer) A-3			
02-00 G1500..... (Inner) 4739 A-5				1980 All..... (Inner) 8871 A-5			
(Outer) A-3				(Outer) A-3			
02-00 Yukon, Yukon XL 1500 Hub Assembly ♦ 515053				FRONT WHEEL (4WD)			
Hub Assembly 515054				09-08 Sierra 1500, Yukon, Yukon Denali, Yukon XL Denali, Yukon XL 1500 Hub Assembly ☆ 515096			
00-99 Sierra 1500 Hub Assembly 515054				09-07 H1500..... Hub Assembly 515036			
99-95 C1500, C1500 Suburban (H/D Brakes)..... (Inner) 4740 A-35				2007 Sierra 1500 (Classic) (6 Stud Hub) Hub Assembly 515036			
(Outer) 15103S-15243				2007 Sierra 1500 (Classic) (8 Stud Hub) Hub Assembly 515058			
99-95 C1500, C1500 Suburban (L/D Brakes)..... (Inner) 4739 A-5				2007 Sierra 1500 (Exc. Classic)..... Hub Assembly ☆ 515096			
(Outer) A-3				2007 Yukon, Yukon Denali, Yukon XL Denali, Yukon XL 1500 Hub Assembly ☆ 515096			
99-95 G1500, Yukon..... (Inner) 4739 A-5				07-01 Sierra 1500HD..... Hub Assembly 515058			
(Outer) A-3				06-01 Sierra 1500 (6 Stud Hub)..... Hub Assembly 515036			
94-92 All..... (Inner) 4739 A-5				06-01 Sierra 1500 (8 Stud Hub)..... Hub Assembly 515058			
(Outer) A-3				06-01 H1500, Yukon, Yukon Denali, Yukon XL Denali, Yukon XL 1500 Hub Assembly 515036			
1991 G1500, R1500, R1500 Suburban..... (Inner) 4739 A-5				2000 Yukon (Denali)..... Hub Assembly 515036			
(Outer) A-3				2000 Yukon (Exc. Denali)..... 710106 Hub Assembly 515024			
91-88 C1500 (H/D Brakes)				00-99 Sierra 1500, Yukon XL 1500 Hub Assembly 515036			
(Inner) 4739 A-5				99-96 K1500 (8 Stud Hub)..... 710103 Hub Assembly 515041			
(Outer) A-3				99-95 K1500, K1500 Suburban, Yukon (6 Stud Hub)..... 710106 Hub Assembly 515024			
91-88 C1500 (L/D Brakes)				94-92 All..... 710106 Hub Assembly 515001			
(Inner) 4739 A-6				91-88 K1500 (H/D Suspension)..... 710106 Hub Assembly 515001			
(Outer) A-3				91-88 K1500 (L/D Suspension) 710106 Hub Assembly 515002			
90-88 G1500, R1500, R1500 Suburban..... (Inner) 8871 A-5				(Continued Next Page)			
(Outer) A-3							
(Continued Next Column)							

1500 SERIES FULL SIZE - GMC TRUCK 1/2 TON

(Cont.) (C1500, C1500 Suburban, C1500 Yukon XL, G1500, H1500, Jimmy, K1500, K1500 Suburban, K1500 Yukon XL, P1500, R1500, R1500 Suburban, Sierra 1500, V1500, V1500 Suburban & Yukon)

Year	Application	Seal	Bearing
WHEEL			
FRONT WHEEL (4WD) (Cont.)			
91-88	Jimmy, V1500, V1500 Suburban.....	(Inner) 471271 LM104949-JLM104910 (Outer) A-35	
87-80	All.....	(Inner) 471271 LM104949-JLM104910 (Outer) A-35	
REAR WHEEL			
2009	G1500, H1500, Sierra 1500, Yukon, Yukon Denali, Yukon XL Denali, Yukon XL 1500.....	4762N 513067 (Axle Repair Brg.) RP-513067	
2008	All.....	4762N 513067 (Axle Repair Brg.) RP-513067	
2007	Sierra 1500 (Classic) (8.625" R.G.).....	4762N 513067 (Axle Repair Brg.) RP-513067	
2007	Sierra 1500 (Classic) (9.5" R.G.).....	710105 R-1561-TV (Axle Repair Brg.) RP-1561-GM	
2007	Sierra 1500 (Exc. Classic).....	4762N 513067 (Axle Repair Brg.) RP-513067	
07-01	Sierra 1500HD.....	710105 R-1561-TV (Axle Repair Brg.) RP-1561-GM	
07-01	G1500, H1500, Yukon, Yukon Denali, Yukon XL Denali, Yukon XL 1500.....	4762N 513067 (Axle Repair Brg.) RP-513067	
06-01	Sierra 1500 (8.625" R.G.).....	4762N 513067 (Axle Repair Brg.) RP-513067	
06-01	Sierra 1500 (9.5" R.G.).....	710105 R-1561-TV (Axle Repair Brg.) RP-1561-GM	
00-96	G1500, Sierra 1500, Yukon, Yukon XL 1500.....	4762N 513067 (Axle Repair Brg.) RP-513067	
99-88	C1500, C1500 Suburban, K1500, K1500 Suburban (8.5" R.G.).....	4762N 513067 (Axle Repair Brg.) RP-513067	
99-88	C1500, C1500 Suburban, K1500, K1500 Suburban (9.5" R.G.).....	710105 R-1561-TV (Axle Repair Brg.) RP-1561-GM	
95-92	Yukon.....	4762N 513067 (Axle Repair Brg.) RP-513067	
95-88	G1500, Jimmy, R1500, R1500 Suburban, V1500, V1500 Suburban.....	8835S 6408 (Axle Repair Brg.) RP-6408	
87-80	All.....	8835S 6408 (Axle Repair Brg.) RP-6408	

Year	Application	Seal	Bearing
AXLE			
FRONT AXLE			
AXLE SHAFT			
09-03	AAM IFS-7.25" R.G. (1.3125" Shaft)	(Inner) (2) 710491 (Outer) SCH-208 (Pilot) SCH-78	(2)B-2010
09-03	AAM IFS-7.25" R.G. (1.5748" Shaft)	(Inner) (2) 710491 (Outer) SCH-208 (Pilot) SCH-78	(2)HK-4012
09-01	AAM IFS-9.25" R.G.	(Inner) (2) 710497 (Outer) B-2410 (Pilot) SCH-78	(2)B-2610
09-98	AAM IFS-8.25" R.G.	(Inner) (2) 710475 (Outer) SCH-208 (Pilot) SCH-78	(2)B-2010
1997	AAM IFS-8.25" R.G. (1st Design).....	(Inner) (2) 710101 (Pilot) SCH-78	(2)B-2012
1997	AAM IFS-8.25" R.G. (2nd Design).....	(Inner) (2) 710475 (Pilot) SCH-78	(2)B-2010
96-95	AAM IFS-8.25" R.G.	(Inner) (2) 710101 (Pilot) SCH-78	(2)B-2010
94-88	ICA-8.25" R.G.	(Inner) (2) 710101 (Outer) B-2012 (Pilot) SCH-78	(2)B-2012
91-80	8.5" R.G.	5131	
82-80	Spicer 44-8F.....	5131	
SPINDLE KIT			
91-80	8.5" R.G.		<input checked="" type="checkbox"/> SBK-1
82-80	Spicer 44-8F.....		<input checked="" type="checkbox"/> SBK-1
SPINDLE			
91-80	8.5" R.G.	(Inner) 722109 (Outer) 722108	B-2110
82-80	Spicer 44-8F.....	(Inner) 722108 (Outer) 722109	B-2110
DIFFERENTIAL KIT			
1997	AAM IFS-8.25" R.G. (1st Design).....		<input checked="" type="checkbox"/> RA-321-A
96-95	AAM IFS-8.25" R.G.		<input checked="" type="checkbox"/> RA-321-A
91-80	8.5" R.G.		<input checked="" type="checkbox"/> RA-321 (Master Kit) RA-321MK
82-80	Spicer 44-8F.....		<input checked="" type="checkbox"/> RA-28
DIFFERENTIAL			
09-03	AAM IFS-7.25" R.G.		(2)A-18
09-01	AAM IFS-9.25" R.G. Redi-Sleeve (2) 99193	(2) 450094	(2)A-42
09-95	AAM IFS-8.25" R.G.	(2)LM501349-LM501314	
94-80	ICA-8.25" R.G., 8.5" R.G.	(2)LM501349-LM501314	
82-80	Spicer 44-8F.....	(2)25590-25523	

() Indicates Quantity Required Refer To Front Of Catalog For Kit Contents

GMC TRUCK 1/2 TON - 1500 SERIES FULL SIZE

(C1500, C1500 Suburban, C1500 Yukon XL, G1500, H1500, Jimmy, K1500, K1500 Suburban, K1500 Yukon XL, P1500, R1500, R1500 Suburban, Sierra 1500, V1500, V1500 Suburban & Yukon) (Cont.)

Year	Application	Seal	Bearing
AXLE			
FRONT AXLE (Cont.)			
PINION			
09-03	AAM IFS-7.25" R.G.		
	(Inner)	M88047-M88010	
	(Outer)	710547	M86649-M86610
09-01	AAM IFS-9.25" R.G.		
	(Inner)	HM804846-HM804810	
	(Outer)	710536	HM88649-HM88610
09-98	AAM IFS-8.25" R.G.		
	(Inner)	M802048-M802011	
	(Outer)	710536	M88048-M88010
1997	AAM IFS-8.25" R.G. (1st Design)		
	(Inner)	M802048-M802011	
	(Outer)	710281	M88048-M88010
	Redi-Sleeve 99193		
1997	AAM IFS-8.25" R.G. (2nd Design)		
	(Inner)	M802048-M802011	
	(Outer)	710536	M88048-M88010
96-95	AAM IFS-8.25" R.G.		
	(Inner)	M802048-M802011	
	(Outer)	710281	M88048-M88010
	Redi-Sleeve 99193		
94-88	ICA-8.25" R.G.		
	(Inner)	M802048-M802011	
	(Outer)	710281	M88048-M88010
	Redi-Sleeve 99193		
91-80	8.5" R.G.		
	(Inner)	M802048-M802011	
	(Outer)	8622	M88048-M88010
	Redi-Sleeve 99193		
82-80	Spicer 44-8F		
	(Inner)		31594-31520
	(Outer)	5778	02872-02820
	Viton® 5778V		
	Redi-Sleeve 99155		
REAR AXLE			
DIFFERENTIAL KIT			
09-01	AAM 9.5" R.G.		<input checked="" type="checkbox"/> RA-324-B
09-98	AAM 8.625" R.G.		<input checked="" type="checkbox"/> RA-321-C
99-98	AAM 9.5" R.G.		<input checked="" type="checkbox"/> RA-324-B
1997	AAM 9.5" R.G. (1st Design)		<input checked="" type="checkbox"/> RA-324
	(Master Kit) RA-324MK		
1997	AAM 9.5" R.G. (2nd Design)		<input checked="" type="checkbox"/> RA-324-B
1997	AAM 8.5" R.G. (1st Design)		<input checked="" type="checkbox"/> RA-321
	(Master Kit) RA-321MK		
96-95	AAM 9.5" R.G.		<input checked="" type="checkbox"/> RA-324
	(Master Kit) RA-324MK		
96-95	AAM 8.5" R.G.		<input checked="" type="checkbox"/> RA-321
	(Master Kit) RA-321MK		
94-88	9.5" R.G.		<input checked="" type="checkbox"/> RA-324
	(Master Kit) RA-324MK		
94-80	8.5" R.G.		<input checked="" type="checkbox"/> RA-321
	(Master Kit) RA-321MK		
81-80	8.75" R.G.		<input checked="" type="checkbox"/> RA-323
81-80	8.875" R.G.		<input checked="" type="checkbox"/> RA-322
	(Master Kit) RA-322MK		
DIFFERENTIAL			
09-01	AAM 9.5" R.G.		(2)A-42
09-98	AAM 8.625" R.G.		(2)A-36
05-02	Spicer 60		(2)A-50
00-95	AAM 8.5" R.G.		(2)LM501349-LM501314
	(Continued Next Column)		

Year	Application	Seal	Bearing
REAR AXLE (Cont.)			
DIFFERENTIAL			
99-95	AAM 9.5" R.G.		(2)A-42
94-88	9.5" R.G.		(2)A-42
94-80	8.5" R.G.		(2)LM501349-LM501314
81-80	8.75" R.G., 8.875" R.G.		(2)A-36
PINION			
09-01	AAM 9.5" R.G.		
	(Inner)	HM804846-HM804810	
	(Outer)	710507	HM88649-HM88610
09-98	AAM 8.5" R.G., 8.625" R.G.		
	(Inner)	M802048-M802011	
	(Outer)	710506	M88048-M88010
05-02	Spicer 60		
	(Inner)	100712V	HM803146-HM803110
	(Outer)		HM88542-HM88510
99-98	AAM 9.5" R.G.		
	(Inner)		HM804846-HM804810
	(Outer)	710507	HM88649-HM88610
1997	AAM 9.5" R.G. (1st Design)		
	(Inner)	HM804846-HM804810	
	(Outer)	3896	HM88649-HM88610
	Redi-Sleeve 99193		
1997	AAM 9.5" R.G. (2nd Design)		
	(Inner)	HM804846-HM804810	
	(Outer)	710507	HM88649-HM88610
1997	AAM 8.5" R.G. (1st Design)		
	(Inner)	M802048-M802011	
	(Outer)	2043	M88048-M88010
	Redi-Sleeve 99193		
1997	AAM 8.5" R.G. (2nd Design)		
	(Inner)	M802048-M802011	
	(Outer)	710506	M88048-M88010
96-95	AAM 9.5" R.G.		
	(Inner)	HM804846-HM804810	
	(Outer)	3896	HM88649-HM88610
	Redi-Sleeve 99193		
96-95	AAM 8.5" R.G.		
	(Inner)	M802048-M802011	
	(Outer)	2043	M88048-M88010
	Redi-Sleeve 99193		
94-88	9.5" R.G.		
	(Inner)	HM804846-HM804810	
	(Outer)	3896	HM88649-HM88610
	Redi-Sleeve 99193		
94-80	8.5" R.G., 8.75" R.G.		
	(Inner)	M802048-M802011	
	(Outer)	2043	M88048-M88010
	Redi-Sleeve 99193		
81-80	8.875" R.G.		
	(Inner)	HM89449-HM89410	
	(Outer)	8460N	M88048-M88010
	Redi-Sleeve 99170		
CLUTCH			
PILOT			
6 CYLINDER			
98-87	262/4.3L		57080
86-85	262/4.3L		(H/D) PB-656-HD
84-80	250/4.1L, 292/4.8L		(H/D) PB-656-HD
8 CYLINDER			
00-87	293/4.8L, 305/5.0L, 350/5.7L, 379/6.2L (Diesel), 395/6.5L (Diesel), 395/6.5L (Turbo-Diesel), 454/7.4L		57080
86-82	379/6.2L (Diesel)		57080
86-80	305/5.0L, 350/5.7L, 350/5.7L (Diesel), 400/6.6L, 454/7.4L		(H/D) PB-656-HD

1500 SERIES FULL SIZE - GMC TRUCK 1/2 TON

(Cont.) (C1500, C1500 Suburban, C1500 Yukon XL, G1500, H1500, Jimmy, K1500, K1500 Suburban, K1500 Yukon XL, P1500, R1500, R1500 Suburban, Sierra 1500, V1500, V1500 Suburban & Yukon)

Year	Application	Seal	Bearing
CLUTCH			
RELEASE			
		<i>Bearing Only</i>	<i>Bearing Assembly</i>
6 CYLINDER			
07-96	262/4.3L		(Hyd. Clutch)® 614174
95-85	262/4.3L		614083
89-85	262/4.3L (Cable Clutch)		(Angular Contact) CC-1705-C 614018
84-80	250/4.1L, 292/4.8L		(Angular Contact) CC-1705-C 614018
8 CYLINDER			
07-96	293/4.8L, 305/5.0L, 350/5.7L, 364/6.0L, 395/6.5L (Turbo-Diesel)		(Hyd. Clutch)® 614174
95-85	305/5.0L, 350/5.7L, 379/6.2L (Diesel), 395/6.5L (Diesel), 395/6.5L (Turbo-Diesel), 454/7.4L		614083
89-85	305/5.0L (Cable Clutch)		(Angular Contact) CC-1705-C 614018
84-80	305/5.0L, 350/5.7L, 350/5.7L (Diesel), 379/6.2L (Diesel), 400/6.6L, 454/7.4L		(Angular Contact) CC-1705-C 614018
DRIVESHAFT			
CENTER SUPPORT			
		<i>Bearing</i>	<i>Bearing & Support</i>
07-80	Spicer 1280, 1310, 1330, 1410 Series / Brg. ID 1.3780" (35mm) Slip Yoke Style	88107	HB-88107-A (Opt. w/Slingers) HB-88107-E
99-88	Spicer 1410 Series / Brg. ID 1.5748" (40mm)- Extended Cab	88508	HB-88508-A
91-80	Spicer 1410 Series / Brg. ID 1.5748" (40mm)	HB-108	
TRANSFER CASE			
FULL TIME / PART TIME TRANSFER CASE KIT			
97-95	New Process 241C, 243C	<input checked="" type="checkbox"/>	T-240-B
1994	New Process 241C (1st Design)	<input checked="" type="checkbox"/>	T-240
1994	New Process 241C (2nd Design)	<input checked="" type="checkbox"/>	T-240-B
93-88	New Process 241C	<input checked="" type="checkbox"/>	T-240
88-80	New Process 208	<input checked="" type="checkbox"/>	T-212
1980	New Process 205 (Gaskets & Seals)		TK-205
1980	New Process 205 (27 Spline) (Input Shaft)	<input checked="" type="checkbox"/>	T-172
1980	New Process 205 (32 Spline) (Input Shaft)	<input checked="" type="checkbox"/>	T-172-FG
INPUT SHAFT			
09-07	Borg-Warner 4482, 4485		211 (Pilot) BK-3026
07-01	New Process 149	472636	110
07-99	New Process 246	472636	110 (Pilot) FC-66561
07-99	New Process 261C	472636	110 (Pilot) B-2110
06-02	Borg-Warner 4481, 4482		211 (Pilot) BK-3026 (Continued Next Column)

Year	Application	Seal	Bearing
FULL TIME / PART TIME (Cont.)			
INPUT SHAFT			
00-95	New Process 241C, 243C ... (2)	3173	110-L (Dual Lip) 710928 Redi-Sleeve 99193 (Pilot) FC-66561
1994	New Process 241C (1st Design) ... (2)	3173	N-5210-KLB (Dual Lip) 710928 Redi-Sleeve 99193 (Pilot) FC-66561
1994	New Process 241C (2nd Design) ... (2)	3173	110-L (Dual Lip) 710928 Redi-Sleeve 99193 (Pilot) FC-66561
93-91	New Process 241C ... (2)	3173	N-5210-KLB (Dual Lip) 710928 Redi-Sleeve 99193 (Pilot) FC-66561
90-88	New Process 241C ... (2)	3173	N-5210-KLB (Dual Lip) 710928 Redi-Sleeve 99193 (Pilot) SCH-1810
88-80	New Process 208 ... (2)	3173	(2) B-5020 (Dual Lip) 710928 Redi-Sleeve 99193 (Pilot) B-2012 (Thrust) AXK-5070
1980	New Process 205 (27 Spline) ... (2)	471869	(2) 1307-L Redi-Sleeve 99193 (Pilot) (15) QAR-29523
1980	New Process 205 (32 Spline) ... (2)	471869	(2) 1210-L Redi-Sleeve 99193 (Pilot) (15) QAR-29523
FRONT OUTPUT SHAFT			
09-07	Borg-Warner 4482, 4485		(2) 109
09-03	Borg-Warner 4473		109 (Pilot) SCH-1310
07-01	New Process 149	710495	110
07-99	New Process 261C	710495	207
07-98	New Process 246, 241C, 243C	710495	207 (Pilot) J-2416
06-02	Borg-Warner 4481, 4482		(2) 109
97-88	New Process 241C, 243C	3946	207 Redi-Sleeve 99187 (Pilot) J-2416
88-80	New Process 208	3946	B-2816 Redi-Sleeve 99187 (Pilot) J-2416 (Thrust) (2) NTA-2840
1980	New Process 205	710005	307-L Redi-Sleeve 99174 (Pilot) M-28161
REAR OUTPUT SHAFT			
09-07	Borg-Warner 4482, 4485	4503N	§ 209-LO
09-03	Borg-Warner 4473	4503N	
07-01	New Process 149	710496	N-5210-KLB (Pilot) (2) B-5020 (Continued Next Page)

() Indicates Quantity Required § Use Old Snap Ring ® Sealed Self-Aligning Bearing ☒ Refer To Front Of Catalog For Kit Contents

GMC TRUCK 1/2 TON - 1500 SERIES FULL SIZE

(C1500, C1500 Suburban, C1500 Yukon XL, G1500, H1500, Jimmy, K1500, K1500 Suburban, K1500 Yukon XL, P1500, R1500, R1500 Suburban, Sierra 1500, V1500, V1500 Suburban & Yukon) (Cont.)

Year	Application	Seal	Bearing
TRANSFER CASE			
FULL TIME / PART TIME (Cont.)			
REAR OUTPUT SHAFT			
07-99	New Process 246	710496	
	(Pilot)		(2)B-5020
07-99	New Process 261C	710496	208
	(Pilot)		(2)B-5020
06-02	Borg-Warner 4481, 4482	4503N	§ 209-LO
00-98	New Process 241C, 243C		
	(Booted)	4333N	207
	(Pilot)		(2)B-5020
00-98	New Process 241C, 243C		
	(Non-Booted)	710496	207
	(Pilot)		(2)B-5020
97-92	New Process 241C, 243C	4333N	207
	(Pilot)		(2)B-5020
1991	New Process 241C (1st Design)	9449	207
	(Seal & Bushing Kit)	5208	
	(Pilot)		(2)B-5020
1991	New Process 241C (2nd Design)	4333N	207
	(Pilot)		(2)B-5020
90-88	New Process 241C	9449	207
	(Seal & Bushing Kit)	5208	
	(Pilot)		(2)B-5020
88-80	New Process 208	9449	1207-L
	(Seal & Bushing Kit)	5208	
	(Pilot)		B-3616
	(Thrust)		TC-2435
1980	New Process 205	473468	307-L
	Redi-Sleeve	99212	
	(Pilot)		B-3216
IDLER SHAFT			
1980	New Process 205		(2)2793-2720
LOW GEAR ROLLERS			
1980	New Process 205		(128)QBR-23549
OIL PUMP HOUSING			
07-80	New Process 208, 246, 241C, 243C	341022	
	Redi-Sleeve	99225	
SHIFT SHAFT			
1980	New Process 205	(2) 2287	
	Redi-Sleeve (2)	99076	
DRIVE SPROCKET			
88-80	New Process 208		(82)C-1086-Q
MOUNTING ADAPTOR			
1980	New Process 205 (1.3750" Shaft)	473214	
	Redi-Sleeve	99138	
1980	New Process 205 (2.0000" Shaft)	471424	
	Redi-Sleeve	99199	

Year	Application	Seal	Bearing
TRANSMISSION			
AUTOMATIC / 3 Speed			
FRONT PUMP			
90-80	THM350, THM400, THM350C	6712NA	
	Redi-Sleeve	99187	
EXTENSION HOUSING			
90-85	THM400	9449	109
	(Seal & Bushing Kit)	5208	
86-82	THM350C (Booted)	9613S	
	(Seal & Bushing Kit)	5200	
86-82	THM350C (Non-Booted)	4583	
86-80	THM350	9613S	
	(Seal & Bushing Kit)	5200	
84-80	THM400	9449	
	(Seal & Bushing Kit)	5208	
MANUAL SHAFT			
90-80	THM350, THM400, THM350C	8792S	
AUTOMATIC / 4 Speed			
FRONT PUMP			
09-08	4L70E, 4L60-E	4950	
	Redi-Sleeve	99174	
07-03	4L65E, 4L70E, 4L60-E	4950	
	Redi-Sleeve	99174	
02-01	4L80-E	714598	
	Redi-Sleeve	99199	
02-92	4L60-E	4950	
	Redi-Sleeve	99174	
99-91	4L80-E	4598	
	Redi-Sleeve	99199	
91-82	4L60, THM700-R4	4950	
	Redi-Sleeve	99174	
OUTPUT SHAFT			
02-01	4L80-E	4934	
99-91	4L80-E	4934	
EXTENSION HOUSING			
09-08	4L60-E (Booted)	4934	
09-08	4L60-E (Non-Booted)	4583	
08-07	4L70E	4934	
07-03	4L65E, 4L60-E (Booted)	4934	
07-03	4L65E, 4L60-E (Non-Booted)	4583	
02-01	4L80-E (Booted)	4333N	
02-01	4L80-E (Non-Booted) (Over 15,000 lbs. GVWR)	2457	
02-01	4L80-E (Non-Booted) (Under 15,000 lbs. GVWR)	9449	
	(Seal & Bushing Kit)	5208	
02-91	4L60, 4L60-E (Booted)	4934	
02-82	4L60, 4L60-E, THM700-R4 (Non-Booted)	4583	
99-91	4L80-E (Booted)	4333N	109
99-91	4L80-E (Non-Booted) (Over 15,000 lbs. GVWR)	2457	109
99-91	4L80-E (Non-Booted) (Under 15,000 lbs. GVWR)	9449	109
	(Seal & Bushing Kit)	5208	
90-82	THM700-R4 (Booted)	9613S	
	(Seal & Bushing Kit)	5200	

1500 SERIES FULL SIZE - GMC TRUCK 1/2 TON

(Cont.) (C1500, C1500 Suburban, C1500 Yukon XL, G1500, H1500, Jimmy, K1500, K1500 Suburban, K1500 Yukon XL, P1500, R1500, R1500 Suburban, Sierra 1500, V1500, V1500 Suburban & Yukon)

Year	Application	Seal	Bearing
TRANSMISSION			
AUTOMATIC / 4 Speed (Cont.)			
MANUAL SHAFT			
09-08	4L70E, 4L60-E	8792S	
07-03	4L65E, 4L70E, 4L60-E	8792S	
02-82	4L60, 4L60-E, 4L80-E, THM700-R4	8792S	
AUTOMATIC / 6 Speed			
EXTENSION HOUSING			
09-07	6L80 (RWD)	710533	
09-07	6L80 (4WD)	☆ 710636	
MANUAL / 3 Speed			
DRIVESHAFT / INPUT			
87-80	SM326	7412S	
		Redi-Sleeve 99125	
81-80	Tremec 162	3638	§ 208-LO
		Redi-Sleeve 99112	
MAINSHAFT / OUTPUT			
87-80	SM326	9613S	
		(Seal & Bushing Kit) 5200	
81-80	Tremec 162	9613S	207-L
		(Seal & Bushing Kit) 5200	
MAINSHAFT PILOT			
81-80	Tremec 162		(15)QBR-23549
COUNTERSHAFT			
87-80	SM326		(54)C-407-Q
81-80	Tremec 162		(50)C-1086-Q
SHIFT SHAFT			
87-80	SM326	240735	
		Redi-Sleeve 99076	
MANUAL / 4 Speed			
TRANSMISSION KIT			
91-85	CH465		T-157-A
84-80	CH465		☒ T-157
DRIVESHAFT / INPUT			
1991	CH465	481181N	
		Redi-Sleeve 99162	
1990	CH465 (1st Design)	481181N	N-1211-L
		Redi-Sleeve 99162	
89-81	New Process A833	7412S	
		Redi-Sleeve 99125	
89-80	CH465	481181N	N-1211-L
		Redi-Sleeve 99162	
MAINSHAFT / OUTPUT			
91-85	CH465	410085	308-FFL
89-81	New Process A833	9613S	
		(Seal & Bushing Kit) 5200	
84-80	CH465	410085	1308-L
MAINSHAFT PILOT			
91-80	CH465		(17)QAR-34604
89-81	New Process A833		(16)QBR-23549

Year	Application	Seal	Bearing
MANUAL / 4 Speed (Cont.)			
COUNTERSHAFT			
91-85	CH465	(Front)	5707
		(Rear)	308-FFL
84-80	CH465	(Front)	5707
		(Rear)	1308-L
MANUAL / 5 Speed			
TRANSMISSION KIT			
95-91	New Process 4500		T-4500-GMN
DRIVESHAFT / INPUT			
07-01	New Process 4500	4638N	
07-91	New Process 3500	4529N	307-FFL5
		Redi-Sleeve 99138	
1999	New Process 4500	4638N	
98-96	New Process 4500	4638N	M802048-M802011
95-91	New Process 4500	714655	M802048-M802011
		Redi-Sleeve 99133	
91-88	Getrag 290 (2WD)	4529N	
		Redi-Sleeve 99138	
91-88	Getrag 290 (4WD)	4529N	
		Redi-Sleeve 99133	
MAINSHAFT / OUTPUT			
07-01	New Process 4500	714654	M804049-M804010
07-96	New Process 3500 (2WD)	4528N	
07-91	New Process 3500 (4WD)	4532N	
99-91	New Process 4500	714654	M804049-M804010
95-91	New Process 3500 (2WD)		
	(Casting No. CC20844)	4530	
95-91	New Process 3500 (2WD)		
	(Exc. Casting No. C20844)	4528N	
91-90	Getrag 290	4530	
1989	Getrag 290 (1st Design)	4530	
1989	Getrag 290 (2nd Design)	4530	
1988	Getrag 290	4530	
COUNTERSHAFT			
07-01	New Process 4500		
		(Front)	LM102949-LM102910
		(Rear)	A-35
07-91	New Process 3500		(2)FC-68336
99-91	New Process 4500		
		(Front)	LM102949-LM102910
		(Rear)	A-35
OVERDRIVE			
07-01	New Process 4500		(2)FW-404820
99-91	New Process 4500		(2)FW-404820
EXTENSION HOUSING			
07-01	New Process 4500 (2WD)		B-5020
99-91	New Process 4500 (2WD)		B-5020
STEERING			
MANUAL STEERING			
STEERING GEAR WORM SHAFT			
86-80	All	480821	
STEERING GEAR PITMAN SHAFT			
86-80	All	313842	

() Indicates Quantity Required § Use Old Snap Ring ☆ New Item, Check for Availability ☒ Refer To Front Of Catalog For Kit Contents

GMC TRUCK 1/2 TON - 1500 SERIES FULL SIZE

(C1500, C1500 Suburban, C1500 Yukon XL, G1500, H1500, Jimmy, K1500, K1500 Suburban, K1500 Yukon XL, P1500, R1500, R1500 Suburban, Sierra 1500, V1500, V1500 Suburban & Yukon) (Cont.)

Year	Application	Seal	Bearing	Year	Application	Seal	Bearing
STEERING				CRANKSHAFT (Cont.)			
POWER STEERING				8 CYLINDER			
STEERING GEAR HOUSING				99-92	379/6.2L (Diesel), 395/6.5L (Diesel), 395/6.5L (Turbo-Diesel).....	710258	
96-80	All.....	(Adj. Plug)	DB-53313		Redi-Sleeve	99452	
STEERING GEAR WORM SHAFT				95-86	305/5.0L, 350/5.7L		
96-80	G1500.....	222025			(Gkt. & PTFE Seal)	5274A	
STEERING GEAR PITMAN SHAFT					(Gkt. & Viton® Seal)	4359V	
2007	Yukon XL 1500.....	(Kit) <input checked="" type="checkbox"/>	PSK-1		PTFE Rubber	5274	
06-80	All.....	(Kit) <input checked="" type="checkbox"/>	PSK-1		Redi-Sleeve	99364	
STEERING PUMP SHAFT				93-91	454/7.4L		325776
2007	Yukon XL 1500.....	7013S			Redi-Sleeve	99435	
06-80	All.....	7013S		91-82	379/6.2L (Diesel)		5163
AIR CONDITIONING				1990	454/7.4L	(Split Seal)	5072
COMPRESSOR				1985	305/5.0L (1st Design)	(Split Seal)	5092
CLUTCH PULLEY				1985	305/5.0L (2nd Design)		
05-92	Harrison HT-6.....		907257		(Gkt. & PTFE Seal)	5274A	
96-95	Harrison HD-6.....		907257		(Gkt. & Viton® Seal)	4359V	
95-80	Harrison R-4.....		907257		PTFE Rubber	5274	
91-85	Harrison HR-6HE.....		907257		Redi-Sleeve	99364	
86-80	Harrison A-6.....		907257	1985	350/5.7L	(Split Seal)	5092
FRONT HEAD MAIN				84-80	305/5.0L, 350/5.7L, 400/6.6L	(Split Seal)	5092
95-80	Harrison R-4.....		S-128	81-80	350/5.7L (Diesel)....	(Rope Type)	5095
86-80	Harrison A-6.....		SCE-108		(Split Seal)	5118	
ELECTRICAL				1980	454/7.4L	(Split Seal)	5072
ALTERNATOR				TIMING COVER			
DRIVE END				6 CYLINDER			
91-83	AC-Delco 56, 66, 78 Amp.....		203-FF	1995	262/4.3L (1st Design).....		9845
86-80	AC-Delco 37, 42, 55, 61, 63, 70, 80, 85 Amp. (Integral Type).....		203-S		Redi-Sleeve	99176	
81-80	AC-Delco 56, 66, 78 Amp.....		203-FF		Harmonic Bal Sleeve	88176	
REAR END					Harmonic Bal Kit <input checked="" type="checkbox"/>	5000	
01-88	AC-Delco 120, 124, 140, 145 Amp.....		100-CC4	94-85	262/4.3L		9845
91-80	AC-Delco 37, 42, 55, 56, 61, 63, 66, 78 Amp.....		MNJ-471-S		Redi-Sleeve	99176	
ENGINE					Harmonic Bal Sleeve	88176	
CRANKSHAFT					Harmonic Bal Kit <input checked="" type="checkbox"/>	5000	
6 CYLINDER				84-80	250/4.1L, 292/4.8L		9845
09-96	262/4.3L.....	5512			Redi-Sleeve	99176	
95-86	262/4.3L.....	(Gkt. & PTFE Seal)	5274A		Harmonic Bal Sleeve	88176	
		(Gkt. & Viton® Seal)	4359V		Harmonic Bal Kit <input checked="" type="checkbox"/>	5000	
		PTFE Rubber	5274		Redi-Sleeve	99176	
		Redi-Sleeve	99364		Harmonic Bal Sleeve	88176	
1985	262/4.3L.....	(Split Seal)	5092		Harmonic Bal Kit <input checked="" type="checkbox"/>	5000	
84-80	250/4.1L, 292/4.8L....	(Split Seal)	5092		Redi-Sleeve	99176	
8 CYLINDER					Harmonic Bal Sleeve	88176	
09-99	293/4.8L, 325/5.3L, 364/6.0L.....	100085			Harmonic Bal Kit <input checked="" type="checkbox"/>	5000	
02-96	305/5.0L, 350/5.7L.....	5512			Redi-Sleeve	99176	
		(Continued Next Column)			Harmonic Bal Sleeve	88176	
					Harmonic Bal Kit <input checked="" type="checkbox"/>	5000	
					(Continued Next Page)		

1500 SERIES FULL SIZE - GMC TRUCK 1/2 TON

(Cont.) (C1500, C1500 Suburban, C1500 Yukon XL, G1500, H1500, Jimmy, K1500, K1500 Suburban, K1500 Yukon XL, P1500, R1500, R1500 Suburban, Sierra 1500, V1500, V1500 Suburban & Yukon)

Year	Application	Seal	Bearing	Year	Application	Seal	Bearing
ENGINE				TIMING COVER (Cont.)			
TIMING COVER (Cont.)				8 CYLINDER			
95-80	305/5.0L, 350/5.7L, 400/6.6L	9845		81-80	350/5.7L (Diesel)	472082	
		Redi-Sleeve 99176				Redi-Sleeve 99199	
		Harmonic Bal Sleeve 88176				Harmonic Bal Sleeve 88199	
		Harmonic Bal Kit ☒ 5000		1980	454/7.4L	3945	
		(Continued Next Column)				Redi-Sleeve 99233	
						Harmonic Bal Sleeve 88233	

2500 SERIES FULL SIZE - GMC TRUCK 3/4 TON

(C2500, C2500 Suburban, G2500, H2500, K2500, K2500 Suburban, P2500, R2500, R2500 Suburban, Sierra 2500, Sierra 2500HD, V2500, V2500 Suburban & Yukon XL 2500)

WHEEL				FRONT WHEEL (2WD) (Cont.)			
FRONT WHEEL (2WD)				FRONT WHEEL (4WD)			
09-08	Sierra 2500HD, Yukon XL 2500	Hub Assembly ☆ 515098		87-80	C2500, C2500 Suburban, P2500, R2500, R2500 Suburban	(Inner) 8974S	A-35
08-06	G2500	Hub Assembly 515059				(Outer)	15103S-15243
2007	Yukon XL 2500	Hub Assembly ☆ 515098		09-08	All	Hub Assembly ☆ 515098	
2007	Sierra 2500HD (Classic)	Hub Assembly 515086		2007	Yukon XL 2500	Hub Assembly ☆ 515098	
2007	Sierra 2500HD (Exc. Classic)	Hub Assembly ☆ 515098		2007	Sierra 2500HD (Classic)	Hub Assembly 515058	
06-01	Sierra 2500, Sierra 2500HD, Yukon XL 2500	Hub Assembly 515086		2007	Sierra 2500HD (Exc. Classic)	Hub Assembly ☆ 515098	
		Hub Assembly ♦ 515053		06-99	Sierra 2500, Sierra 2500HD, Yukon XL 2500	Hub Assembly 515058	
05-03	G2500 (6 Stud Hub)	Hub Assembly 515054				Hub Assembly 515058	
05-03	G2500 (8 Stud Hub)	Hub Assembly 515059		05-03	H2500 (6 Stud Hub)	Hub Assembly 515036	
02-96	C2500, C2500 Suburban, G2500 (H/D Brakes)	(Inner) 4740	A-35	00-96	K2500, K2500 Suburban	710103	Hub Assembly 515041
		(Outer)	15103S-15243	1995	All (6 Stud Hub)	710103	Hub Assembly 515024
02-91	C2500, C2500 Suburban, G2500 (L/D Brakes)	(Inner) 4739	A-5	1995	All (8 Stud Hub)	(Left)	Hub Assembly 515015
		(Outer)	A-3			(Right)	Hub Assembly 515016
00-99	Sierra 2500, Yukon XL 2500	Hub Assembly 515085		94-88	K2500, K2500 Suburban (6 Stud Hub)	710106	Hub Assembly 515001
95-92	G2500 (H/D Brakes)	(Inner) 4740	A-35	94-88	K2500, K2500 Suburban (8 Stud Hub)	710103	Hub Assembly 515018
		(Outer)	1779-1729X	91-88	V2500, V2500 Suburban	(Inner) 471271	LM104949-JLM104910
95-92	C2500, C2500 Suburban (H/D Brakes)	(Inner) 4740	A-35			(Outer)	A-35
		(Outer)	15103S-15243	87-80	All	(Inner) 471271	LM104949-JLM104910
91-88	C2500 (H/D Brakes)	(Inner) 8974S	A-35			(Outer)	A-35
		(Outer)	15103S-15243	REAR WHEEL			
91-88	P2500, R2500, R2500 Suburban	(Inner) 8974S	A-35	09-06	Yukon XL 2500	710105	R-1561-TV
		(Outer)	15103S-15243			(Axle Repair Brg.)	RP-1561-GM
91-83	G2500 (H/D Brakes)	(Inner) 8974S	A-35	09-03	G2500, H2500	710067	R-1561-TV
		(Outer)	1779-1729X			(Axle Repair Brg.)	RP-1561-GM
90-88	C2500 (L/D Brakes)	(Inner) 4739	A-5	09-01	Sierra 2500HD	(Inner) 710568	387AS-382A
		(Outer)	A-3			(Outer)	A-38
90-80	G2500 (L/D Brakes)	(Inner) 8871	A-5	05-03	Sierra 2500, Yukon XL 2500 (9.5" R.G.)	710105	R-1561-TV
		(Outer)	A-3			(Axle Repair Brg.)	RP-1561-GM
		(Continued Next Column)		04-03	Sierra 2500 (10.5" R.G.)	(Inner) 710568	387AS-382A
						(Outer)	A-38
				02-01	G2500, Sierra 2500 (10.5" R.G.)	(Inner) 710568	387AS-382A
						(Outer)	A-38
						(Continued Next Page)	

GMC TRUCK 3/4 TON - 2500 SERIES FULL SIZE

(C2500, C2500 Suburban, G2500, H2500, K2500, K2500 Suburban, P2500, R2500, R2500 Suburban, Sierra 2500, Sierra 2500HD, V2500, V2500 Suburban & Yukon XL 2500) (Cont.)

Year	Application	Seal	Bearing
WHEEL			
REAR WHEEL (Cont.)			
02-00	Yukon XL 2500	710105 <i>(Axle Repair Brg.)</i>	R-1561-TV RP-1561-GM
02-96	C2500, C2500 Suburban, G2500, K2500, K2500 Suburban, Sierra 2500 (9.5" R.G.)	710105 <i>(Axle Repair Brg.)</i>	R-1561-TV RP-1561-GM
00-96	C2500, C2500 Suburban, G2500, K2500, K2500 Suburban, Sierra 2500 (10.5" R.G.)	2081 <i>(Inner)</i>	387AS-382A A-38 <i>(Outer)</i>
95-88	C2500, C2500 Suburban, K2500, K2500 Suburban (9.5" R.G.)	710105 <i>(Axle Repair Brg.)</i>	R-1561-TV RP-1561-GM
95-87	C2500, C2500 Suburban, K2500, K2500 Suburban, R2500, R2500 Suburban, V2500, V2500 Suburban (10.5" R.G.)	2081 <i>(Inner)</i>	387AS-382A A-38 <i>(Outer)</i>
95-80	G2500	8835S <i>(Axle Repair Brg.)</i>	6408 RP-6408
91-88	P2500, R2500, R2500 Suburban, V2500, V2500 Suburban (9.5" R.G.)	3747 <i>(Axle Repair Brg.)</i>	R-1561-TV RP-1561-GM
87-81	C2500, C2500 Suburban, K2500, K2500 Suburban, P2500, R2500, R2500 Suburban, V2500, V2500 Suburban (9.5" R.G.)	3747 <i>(Axle Repair Brg.)</i>	R-1561-TV RP-1561-GM
86-81	C2500, C2500 Suburban, K2500, K2500 Suburban, P2500 (10.5" R.G.)	2081 <i>(Inner)</i>	387AS-382A A-38 <i>(Outer)</i>
1980	C2500, C2500 Suburban, K2500, K2500 Suburban, P2500	2081 <i>(Inner)</i>	387AS-382A A-38 <i>(Outer)</i>

AXLE

Year	Application	Seal	Bearing
FRONT AXLE			
AXLE SHAFT			
09-98	AAM IFS-9.25" R.G.	(Inner)(2) 710497	(2)B-2610 B-2410 SCH-78 <i>(Pilot)</i>
05-03	AAM IFS-7.25" R.G. (1.3125" Shaft)	(Inner)(2) 710491	(2)B-2010 SCH-208 SCH-78 <i>(Pilot)</i>

(Continued Next Column)

Year	Application	Seal	Bearing
FRONT AXLE (Cont.)			
AXLE SHAFT			
05-03	AAM IFS-7.25" R.G. (1.5748" Shaft)	(Inner)(2) 710491	(2)HK-4012 SCH-208 SCH-78 <i>(Outer)</i> <i>(Pilot)</i>
00-98	AAM IFS-8.25" R.G.	(Inner)(2) 710475	(2)B-2010 SCH-208 SCH-78 <i>(Outer)</i> <i>(Pilot)</i>
1997	AAM IFS-9.25" R.G. (1st Design)	(Inner)(2) 710102	(2)B-2610 B-2410 SCH-78 <i>(Outer)</i> <i>(Pilot)</i>
1997	AAM IFS-9.25" R.G. (2nd Design)	(Inner)(2) 710497	(2)B-2610 B-2410 SCH-78 <i>(Outer)</i> <i>(Pilot)</i>
1997	AAM IFS-8.25" R.G. (1st Design)	(Inner)(2) 710101	(2)B-2012 SCH-78 <i>(Pilot)</i>
1997	AAM IFS-8.25" R.G. (2nd Design)	(Inner)(2) 710475	(2)B-2010 SCH-78 <i>(Pilot)</i>
96-95	AAM IFS-9.25" R.G.	(Inner)(2) 710102	(2)B-2610 B-2410 SCH-78 <i>(Outer)</i> <i>(Pilot)</i>
96-95	AAM IFS-8.25" R.G.	(Inner)(2) 710101	(2)B-2010 SCH-78 <i>(Pilot)</i>
94-88	ICA-8.25" R.G.	(Inner)(2) 710101	(2)B-2012 B-2012 SCH-78 <i>(Outer)</i> <i>(Pilot)</i>
93-88	ICA-9.25" R.G.	(Inner)(2) 710102	(2)B-2610 B-2410 SCH-78 <i>(Outer)</i> <i>(Pilot)</i>
91-80	8.5" R.G.	5131	
82-80	Spicer 44-8F	5131	
SPINDLE KIT			
91-80	8.5" R.G.		<input checked="" type="checkbox"/> SBK-1
82-80	Spicer 44-8F		<input checked="" type="checkbox"/> SBK-1
SPINDLE			
91-80	8.5" R.G.	(Inner) 722109	B-2110 722108 <i>(Outer)</i>
82-80	Spicer 44-8F	(Inner) 722108	B-2110 722109 <i>(Outer)</i>
DIFFERENTIAL KIT			
1997	AAM IFS-9.25" R.G. (1st Design)		<input checked="" type="checkbox"/> RA-324-A <i>(Master Kit)</i> RA-324-AMK
1997	AAM IFS-8.25" R.G. (1st Design)		<input checked="" type="checkbox"/> RA-321-A
96-95	AAM IFS-9.25" R.G.		<input checked="" type="checkbox"/> RA-324-A <i>(Master Kit)</i> RA-324-AMK
96-95	AAM IFS-8.25" R.G.		<input checked="" type="checkbox"/> RA-321-A
93-88	ICA-9.25" R.G.		<input checked="" type="checkbox"/> RA-324-A <i>(Master Kit)</i> RA-324-AMK
91-80	8.5" R.G.		<input checked="" type="checkbox"/> RA-321 <i>(Master Kit)</i> RA-321MK
82-80	Spicer 44-8F		<input checked="" type="checkbox"/> RA-28

2500 SERIES FULL SIZE - GMC TRUCK 3/4 TON

(Cont.) (C2500, C2500 Suburban, G2500, H2500, K2500, K2500 Suburban, P2500, R2500, R2500 Suburban, Sierra 2500, Sierra 2500HD, V2500, V2500 Suburban & Yukon XL 2500)

Year	Application	Seal	Bearing	Year	Application	Seal	Bearing
AXLE				REAR AXLE (Cont.)			
FRONT AXLE (Cont.)				DIFFERENTIAL KIT			
DIFFERENTIAL				09-98	AAM 9.5" R.G.		<input checked="" type="checkbox"/> RA-324-B
09-95	AAM IFS-9.25" R.G.	(2) 450094	(2)A-42	1997	AAM 10.5" R.G. (1st Design)		<input checked="" type="checkbox"/> RA-325-A
	Redi-Sleeve	(2) 99193				(Master Kit)	RA-325-AMK
05-03	AAM IFS-7.25" R.G.		(2)A-18	1997	AAM 10.5" R.G. (2nd Design)		<input checked="" type="checkbox"/> RA-325-B
00-95	AAM IFS-8.25" R.G.	(2)LM501349-LM501314		1997	AAM 9.5" R.G. (1st Design)		<input checked="" type="checkbox"/> RA-324
94-80	ICA-8.25" R.G., 8.5" R.G.	(2)LM501349-LM501314				(Master Kit)	RA-324MK
93-88	ICA-9.25" R.G.	(2) 450094	(2)A-42	1997	AAM 9.5" R.G. (2nd Design)		<input checked="" type="checkbox"/> RA-324-B
	Redi-Sleeve	(2) 99193		96-95	AAM 10.5" R.G.		<input checked="" type="checkbox"/> RA-325-A
82-80	Spicer 44-8F		(2)25590-25523			(Master Kit)	RA-325-AMK
PINION				96-95	AAM 9.5" R.G.		<input checked="" type="checkbox"/> RA-324
09-98	AAM IFS-9.25" R.G.					(Master Kit)	RA-324MK
	(Inner)	HM804846-HM804810		1995	AAM 8.5" R.G.		<input checked="" type="checkbox"/> RA-321
	(Outer)	710536 HM88649-HM88610				(Master Kit)	RA-321MK
05-03	AAM IFS-7.25" R.G.			94-89	10.5" R.G.		<input checked="" type="checkbox"/> RA-325-A
	(Inner)	M88047-M88010				(Master Kit)	RA-325-AMK
	(Outer)	710547 M86649-M86610		94-81	9.5" R.G.		<input checked="" type="checkbox"/> RA-324
00-98	AAM IFS-8.25" R.G.					(Master Kit)	RA-324MK
	(Inner)	M802048-M802011		94-80	8.5" R.G.		<input checked="" type="checkbox"/> RA-321
	(Outer)	710536 M88048-M88010				(Master Kit)	RA-321MK
1997	AAM IFS-9.25" R.G. (1st Design)			1988	10.5" R.G. (1st Design)		<input checked="" type="checkbox"/> RA-325
	(Inner)	HM804846-HM804810				(Master Kit)	RA-325MK
	(Outer)	710281 HM88649-HM88610		1988	10.5" R.G. (2nd Design)		<input checked="" type="checkbox"/> RA-325-A
	Redi-Sleeve	99193				(Master Kit)	RA-325-AMK
1997	AAM IFS-9.25" R.G. (2nd Design)			87-86	10.5" R.G.		<input checked="" type="checkbox"/> RA-325
	(Inner)	HM804846-HM804810				(Master Kit)	RA-325MK
	(Outer)	710536 HM88649-HM88610		83-80	10.5" R.G.		<input checked="" type="checkbox"/> RA-325
	Redi-Sleeve	99193				(Master Kit)	RA-325MK
1997	AAM IFS-8.25" R.G. (1st Design)			81-80	8.875" R.G.		<input checked="" type="checkbox"/> RA-322
	(Inner)	M802048-M802011				(Master Kit)	RA-322MK
	(Outer)	710281 M88048-M88010		DIFFERENTIAL			
	Redi-Sleeve	99193		09-03	Spicer 60		(2)A-50
1997	AAM IFS-8.25" R.G. (2nd Design)			09-95	AAM 10.5" R.G.		(2)387AS-382A
	(Inner)	M802048-M802011		09-95	AAM 9.5" R.G.		(2)A-42
	(Outer)	710536 M88048-M88010		1995	AAM 8.5" R.G.		(2)LM501349-LM501314
	Redi-Sleeve	99193		94-81	9.5" R.G.		(2)A-42
1997	AAM IFS-8.25" R.G. (1st Design)			94-80	8.5" R.G.		(2)LM501349-LM501314
	(Inner)	M802048-M802011		94-80	10.5" R.G.		(2)387AS-382A
	(Outer)	710281 M88048-M88010		81-80	8.875" R.G.		(2)A-36
	Redi-Sleeve	99193		PINION			
96-95	AAM IFS-9.25" R.G.			09-03	Spicer 60		
	(Inner)	HM804846-HM804810			(Inner)	HM803146-HM803110	
	(Outer)	710281 HM88649-HM88610			(Outer)	100712V HM88542-HM88510	
	Redi-Sleeve	99193		09-98	AAM 10.5" R.G.		
96-95	AAM IFS-8.25" R.G.				(Inner)	HM903249-HM903210	
	(Inner)	M802048-M802011			(Outer)	710508 M802048-M802011	
	(Outer)	710281 M88048-M88010			(Pilot)	R-1581-TV	
	Redi-Sleeve	99193		09-98	AAM 9.5" R.G.		
94-88	ICA-8.25" R.G.				(Inner)	HM804846-HM804810	
	(Inner)	M802048-M802011			(Outer)	710507 HM88649-HM88610	
	(Outer)	710281 M88048-M88010		1997	AAM 10.5" R.G. (1st Design)		
	Redi-Sleeve	99193			(Inner)	HM903249-HM903210	
93-88	ICA-9.25" R.G.				(Outer)	2286 M802048-M802011	
	(Inner)	HM804846-HM804810			(Pilot)	R-1581-TV	
	(Outer)	710281 HM88649-HM88610		1997	AAM 10.5" R.G. (2nd Design)		
	Redi-Sleeve	99193			(Inner)	HM903249-HM903210	
91-80	8.5" R.G.				(Outer)	710508 M802048-M802011	
	(Inner)	M802048-M802011			(Pilot)	R-1581-TV	
	(Outer)	8622 M88048-M88010		1997	AAM 9.5" R.G. (1st Design)		
	Redi-Sleeve	99193			(Inner)	HM804846-HM804810	
82-80	Spicer 44-8F		31594-31520		(Outer)	3896 HM88649-HM88610	
	(Inner)	5778	02872-02820		Redi-Sleeve	99193	
	(Outer)	Viton® 5778V		1997	AAM 9.5" R.G. (2nd Design)		
	Redi-Sleeve	99155			(Inner)	HM804846-HM804810	
REAR AXLE					(Outer)	710507 HM88649-HM88610	
DIFFERENTIAL KIT							
09-98	AAM 10.5" R.G.		<input checked="" type="checkbox"/> RA-325-B	(Continued Next Page)			

(Continued Next Column)

GMC TRUCK 3/4 TON - 2500 SERIES FULL SIZE

(C2500, C2500 Suburban, G2500, H2500, K2500, K2500 Suburban, P2500, R2500, R2500 Suburban, Sierra 2500, Sierra 2500HD, V2500, V2500 Suburban & Yukon XL 2500) (Cont.)

Year	Application	Seal	Bearing
AXLE			
REAR AXLE (Cont.)			
PINION			
96-95	AAM 10.5" R.G.		
	(Inner)	HM903249-HM903210	
	(Outer)	2286 M802048-M802011	
	(Pilot)		R-1581-TV
96-95	AAM 9.5" R.G.		
	(Inner)	HM804846-HM804810	
	(Outer)	3896 HM88649-HM88610	
	Redi-Sleeve	99193	
1995	AAM 8.5" R.G.		
	(Inner)	M802048-M802011	
	(Outer)	2043 M88048-M88010	
	Redi-Sleeve	99193	
94-89	10.5" R.G.		
	(Inner)	HM903249-HM903210	
	(Outer)	2286 M802048-M802011	
	(Pilot)		R-1581-TV
94-81	9.5" R.G.		
	(Inner)	HM804846-HM804810	
	(Outer)	3896 HM88649-HM88610	
	Redi-Sleeve	99193	
94-80	8.5" R.G.		
	(Inner)	M802048-M802011	
	(Outer)	2043 M88048-M88010	
	Redi-Sleeve	99193	
1988	10.5" R.G. (1st Design)		
	(Inner)	HM803149-HM803110	
	(Outer)	2286 M802048-M802011	
	(Pilot)		R-1581-TV
1988	10.5" R.G. (2nd Design)		
	(Inner)	HM903249-HM903210	
	(Outer)	2286 M802048-M802011	
	(Pilot)		R-1581-TV
87-86	10.5" R.G.		
	(Inner)	HM803149-HM803110	
	(Outer)	2286 M802048-M802011	
	(Pilot)		R-1581-TV
85-84	10.5" R.G.		
	(Inner)	HM803149-HM803110	
	(Outer)	2286 M802048-M802011	
	(Pilot)		512224
83-80	10.5" R.G.		
	(Inner)	HM803149-HM803110	
	(Outer)	2286 M802048-M802011	
	(Pilot)		R-1581-TV
81-80	8.875" R.G.		
	(Inner)	HM89449-HM89410	
	(Outer)	8460N M88048-M88010	
	Redi-Sleeve	99170	

CLUTCH

PILOT	
6 CYLINDER	
95-87	262/4.3L 57080
89-82	292/4.8L 57080
86-85	262/4.3L (H/D) PB-656-HD
86-80	250/4.1L, 292/4.8L (H/D) PB-656-HD
8 CYLINDER	
00-87	305/5.0L, 350/5.7L, 364/6.0L, 379/6.2L (Diesel), 395/6.5L (Diesel), 395/6.5L (Turbo-Diesel), 454/7.4L 57080
86-82	379/6.2L (Diesel) 57080
86-80	305/5.0L, 350/5.7L, 400/6.6L, 454/7.4L (H/D) PB-656-HD

Year	Application	Seal	Bearing
RELEASE			
		<i>Bearing Only</i>	<i>Bearing Assembly</i>
6 CYLINDER			
95-85	262/4.3L		Ⓢ 614083
89-85	262/4.3L (Cable Clutch)	(Angular Contact)	CC-1705-C Ⓢ 614018
89-85	292/4.8L (Cable Clutch)	(Angular Contact)	CC-1705-C +
89-85	292/4.8L		Ⓢ 614083
84-80	250/4.1L, 292/4.8L	(Angular Contact)	CC-1705-C +
8 CYLINDER			
07-96	305/5.0L, 350/5.7L, 364/6.0L, 454/7.4L, 496/8.1L	(Hyd. Clutch)	Ⓢ 614174
95-85	305/5.0L, 350/5.7L, 379/6.2L (Diesel), 395/6.5L (Diesel), 395/6.5L (Turbo-Diesel), 454/7.4L		Ⓢ 614083
89-85	305/5.0L, 379/6.2L (Diesel) (Cable Clutch)	(Angular Contact)	CC-1705-C Ⓢ 614018
84-80	305/5.0L, 350/5.7L, 379/6.2L (Diesel), 400/6.6L, 454/7.4L	(Angular Contact)	CC-1705-C Ⓢ 614018

DRIVESHAFT

CENTER SUPPORT		<i>Bearing</i>	<i>Bearing & Support</i>
07-80	Spicer 1280, 1310, 1330, 1410 Series / Brg. ID 1.3780" (35mm) Slip Yoke Style	88107	HB-88107-A (Opt. w/Slings) HB-88107-E
05-01	Spicer 1410 Series / Brg. ID 1.5748" (40mm)-Centerline 2.228" (56.6mm)		HB-108-D
00-88	Spicer 1410 & Cleveland 055 Series / Brg. ID 1.5748" (40mm) Slip Yoke Style		HB-88508-AB
00-88	Spicer 1410 Series / Brg. ID 1.5748" (40mm)-Extended Cab	88508	HB-88508-A
91-80	Spicer 1410 Series / Brg. ID 1.5748" (40mm)	HB-108	

TRANSFER CASE

FULL TIME / PART TIME	
TRANSFER CASE KIT	
97-95	New Process 241C, 243C <input checked="" type="checkbox"/> T-240-B
1994	New Process 241C (1st Design) <input checked="" type="checkbox"/> T-240
1994	New Process 241C (2nd Design) <input checked="" type="checkbox"/> T-240-B
93-88	New Process 241C <input checked="" type="checkbox"/> T-240
88-80	New Process 208 <input checked="" type="checkbox"/> T-212
1986	New Process 205 <input checked="" type="checkbox"/> T-172-FG
86-80	New Process 205 (Gaskets & Seals) TK-205
85-80	New Process 205 (27 Spline) (Input Shaft) <input checked="" type="checkbox"/> T-172
85-80	New Process 205 (32 Spline) (Input Shaft) <input checked="" type="checkbox"/> T-172-FG
INPUT SHAFT	
08-03	Borg-Warner 4482 211 (Pilot) BK-3026
07-03	New Process 246 472636 110 (Pilot) FC-66561
07-99	New Process 261C, 263C 472636 110 (Pilot) B-2110

(Continued Next Page)

2500 SERIES FULL SIZE - GMC TRUCK 3/4 TON

(Cont.) (C2500, C2500 Suburban, G2500, H2500, K2500, K2500 Suburban, P2500, R2500, R2500 Suburban, Sierra 2500, Sierra 2500HD, V2500, V2500 Suburban & Yukon XL 2500)

Year	Application	Seal	Bearing
TRANSFER CASE			
FULL TIME / PART TIME (Cont.)			
INPUT SHAFT			
00-95	New Process 241C, 243C ... (2)	3173	110-L
	(Dual Lip)	710928	
	Redi-Sleeve	99193	
	(Pilot)		FC-66561
1994	New Process 241C (1st Design)..... (2)	3173	N-5210-KLB
	(Dual Lip)	710928	
	Redi-Sleeve	99193	
	(Pilot)		FC-66561
1994	New Process 241C (2nd Design)..... (2)	3173	110-L
	(Dual Lip)	710928	
	Redi-Sleeve	99193	
	(Pilot)		FC-66561
93-91	New Process 241C..... (2)	3173	N-5210-KLB
	(Dual Lip)	710928	
	Redi-Sleeve	99193	
	(Pilot)		FC-66561
90-88	New Process 241C..... (2)	3173	N-5210-KLB
	(Dual Lip)	710928	
	Redi-Sleeve	99193	
	(Pilot)		SCH-1810
88-80	New Process 208..... (2)	3173	(2)B-5020
	(Dual Lip)	710928	
	Redi-Sleeve	99193	
	(Pilot)		B-2012
	(Thrust)		AXK-5070
1986	New Process 205..... (2)	3173	(2)1210-L
	(Dual Lip)	710928	
	Redi-Sleeve	99193	
	(Pilot)		(15)QAR-29523
85-82	New Process 205 (27 Spline)..... (2)	3173	(2)1307-L
	(Dual Lip)	710928	
	Redi-Sleeve	99193	
	(Pilot)		(15)QAR-29523
85-82	New Process 205 (32 Spline)..... (2)	3173	(2)1210-L
	(Dual Lip)	710928	
	Redi-Sleeve	99193	
	(Pilot)		(15)QAR-29523
81-80	New Process 205 (27 Spline)..... (2)	471869	(2)1307-L
	Redi-Sleeve	99193	
	(Pilot)		(15)QAR-29523
81-80	New Process 205 (32 Spline)..... (2)	471869	(2)1210-L
	Redi-Sleeve	99193	
	(Pilot)		(15)QAR-29523
FRONT OUTPUT SHAFT			
08-03	Borg-Warner 4482.....		(2)109
07-03	New Process 246.....	710495	.207
	(Pilot)		J-2416
07-99	New Process 261C, 263C.....	710495	.207
05-03	Borg-Warner 4473.....		109
	(Pilot)		SCH-1310
00-98	New Process 241C, 243C.....	710495	.207
	(Pilot)		J-2416

(Continued Next Column)

Year	Application	Seal	Bearing
FULL TIME / PART TIME (Cont.)			
FRONT OUTPUT SHAFT			
97-88	New Process 241C, 243C.....	3946	.207
	Redi-Sleeve	99187	
	(Pilot)		J-2416
88-80	New Process 208.....	3946	B-2816
	Redi-Sleeve	99187	
	(Pilot)		J-2416
	(Thrust)		(2)NTA-2840
86-80	New Process 205.....	710005	307-L
	Redi-Sleeve	99174	
	(Pilot)		M-28161
REAR OUTPUT SHAFT			
08-03	Borg-Warner 4482.....	4503N	§ 209-LO
07-03	New Process 246.....	710496	
	(Pilot)		(2)B-5020
07-99	New Process 261C, 263C.....	710496	.208
	(Pilot)		(2)B-5020
05-03	Borg-Warner 4473.....	4503N	
00-98	New Process 241C, 243C (Booted).....	4333N	.207
	(Pilot)		(2)B-5020
00-98	New Process 241C, 243C (Non-Booted).....	710496	.207
	(Pilot)		(2)B-5020
97-92	New Process 241C, 243C.....	4333N	.207
	(Pilot)		(2)B-5020
1991	New Process 241C (1st Design).....	9449	.207
	(Seal & Bushing Kit)	5208	
	(Pilot)		(2)B-5020
1991	New Process 241C (2nd Design).....	4333N	.207
	(Pilot)		(2)B-5020
90-88	New Process 241C.....	9449	.207
	(Seal & Bushing Kit)	5208	
	(Pilot)		(2)B-5020
88-80	New Process 208.....	9449	1207-L
	(Seal & Bushing Kit)	5208	
	(Pilot)		B-3616
	(Thrust)		TC-2435
86-80	New Process 205.....	473468	307-L
	Redi-Sleeve	99212	
	(Pilot)		B-3216
IDLER SHAFT			
86-80	New Process 205.....		(2)2793-2720
LOW GEAR ROLLERS			
86-80	New Process 205.....		(128)QBR-23549
OIL PUMP HOUSING			
07-03	New Process 246.....	341022	
	Redi-Sleeve	99225	
00-80	New Process 208, 241C, 243C.....	341022	
	Redi-Sleeve	99225	
SHIFT SHAFT			
86-80	New Process 205..... (2)	2287	
	Redi-Sleeve (2)	99076	
DRIVE SPROCKET			
88-80	New Process 208.....		(82)C-1086-Q

() Indicates Quantity Required § Use Old Snap Ring

GMC TRUCK 3/4 TON - 2500 SERIES FULL SIZE

(C2500, C2500 Suburban, G2500, H2500, K2500, K2500 Suburban, P2500, R2500, R2500 Suburban, Sierra 2500, Sierra 2500HD, V2500, V2500 Suburban & Yukon XL 2500) (Cont.)

Year	Application	Seal	Bearing	Year	Application	Seal	Bearing
TRANSFER CASE							
FULL TIME / PART TIME (Cont.)				AUTOMATIC / 4 Speed (Cont.)			
MOUNTING ADAPTOR				EXTENSION HOUSING			
86-85	New Process 205	9613S		07-82	4L60, 4L65E, 4L60-E, THM700-R4 (Non-Booted).....	4583	
	(Seal & Bushing Kit)	5200		06-03	4L85-E	4934	
84-81	New Process 205 (1.5000" Shaft)	9613S		00-91	4L80-E (Booted)	4333N	109
	(Seal & Bushing Kit)	5200		00-91	4L80-E (Non-Booted) (Over 15,000 lbs. GVWR)	2457	109
84-80	New Process 205 (1.3750" Shaft)	473214		00-91	4L80-E (Non-Booted) (Under 15,000 lbs. GVWR)	9449	109
	Redi-Sleeve	99138			(Seal & Bushing Kit)	5208	
1980	New Process 205 (2.0000" Shaft)	471424		90-82	THM700-R4 (Booted)	9613S	
	Redi-Sleeve	99199			(Seal & Bushing Kit)	5200	
TRANSMISSION				MANUAL SHAFT			
AUTOMATIC / 3 Speed				09-08 4L60-E, 4L80-E..... 8792S			
FRONT PUMP				07-82 4L60, 4L65E, 4L60-E, 4L80-E, 4L85-E, THM700-R4... 8792S			
90-80	THM350, THM400, THM350C	6712NA		AUTOMATIC / 6 Speed			
	Redi-Sleeve	99187		EXTENSION HOUSING			
EXTENSION HOUSING				09-07 6L90 710533			
90-85	THM400	9449	109	MANUAL / 3 Speed			
	(Seal & Bushing Kit)	5208		DRIVESHAFT / INPUT			
86-80	THM350	9613S		87-80	SM326	7412S	
	(Seal & Bushing Kit)	5200			Redi-Sleeve	99125	
85-82	THM350C (Booted)	9613S		82-80	Tremec 162	3638	§ 208-LO
	(Seal & Bushing Kit)	5200			Redi-Sleeve	99112	
85-82	THM350C (Non-Booted)	4583		MAINSHAFT / OUTPUT			
84-80	THM400	9449		87-80	SM326	9613S	
	(Seal & Bushing Kit)	5208			(Seal & Bushing Kit)	5200	
MANUAL SHAFT				82-80	Tremec 162	9613S	207-L
90-80	THM350, THM400, THM350C	8792S			(Seal & Bushing Kit)	5200	
AUTOMATIC / 4 Speed				MAINSHAFT PILOT			
FRONT PUMP				82-80 Tremec 162 (15)QBR-23549			
09-08	4L60-E	4950		COUNTERSHAFT			
	Redi-Sleeve	99174		87-80	SM326	(54)C-407-Q	
09-00	4L80-E, 4L85-E	714598		82-80	Tremec 162	(50)C-1086-Q	
	Redi-Sleeve	99199		SHIFT SHAFT			
07-92	4L65E, 4L60-E	4950		87-80	SM326	240735	
	Redi-Sleeve	99174			Redi-Sleeve	99076	
99-91	4L80-E	4598		MANUAL / 4 Speed			
	Redi-Sleeve	99199		TRANSMISSION KIT			
91-82	4L60, THM700-R4	4950		91-85	CH465		T-157-A
	Redi-Sleeve	99174		84-80	CH465		☒ T-157
OUTPUT SHAFT				DRIVESHAFT / INPUT			
09-91	4L80-E	4934		1991	CH465	481181N	
EXTENSION HOUSING					Redi-Sleeve	99162	
09-08	4L60-E (Booted)	4934		1990	CH465 (1st Design)	481181N	N-1211-L
09-08	4L60-E (Non-Booted)	4583			Redi-Sleeve	99162	
09-01	4L80-E (Booted)	4333N		89-81	New Process A833	7412S	
09-01	4L80-E (Non-Booted) (Over 15,000 lbs. GVWR)	2457			Redi-Sleeve	99125	
09-01	4L80-E (Non-Booted) (Under 15,000 lbs. GVWR)	9449		89-80	CH465	481181N	N-1211-L
	(Seal & Bushing Kit)	5208			Redi-Sleeve	99162	
07-91	4L60, 4L65E, 4L60-E (Booted)	4934		MAINSHAFT / OUTPUT			
	(Continued Next Column)			91-85	CH465	410085	308-FFL
				89-81	New Process A833	9613S	
					(Seal & Bushing Kit)	5200	
					(Continued Next Page)		

2500 SERIES FULL SIZE - GMC TRUCK 3/4 TON

(Cont.) (C2500, C2500 Suburban, G2500, H2500, K2500, K2500 Suburban, P2500, R2500, R2500 Suburban, Sierra 2500, Sierra 2500HD, V2500, V2500 Suburban & Yukon XL 2500)

Year	Application	Seal	Bearing
TRANSMISSION			
MANUAL / 4 Speed (Cont.)			
MAINSHAFT / OUTPUT			
84-80	CH465	410085	1308-L
MAINSHAFT PILOT			
91-80	CH465		(17)QAR-34604
89-81	New Process A833		(16)QBR-23549
COUNTERSHAFT			
91-85	CH465	(Front)	5707
		(Rear)	308-FFL
84-80	CH465	(Front)	5707
		(Rear)	1308-L
MANUAL / 5 Speed			
TRANSMISSION KIT			
95-91	New Process 4500		T-4500-GMN
DRIVESHAFT / INPUT			
2007	New Process 4500	4638N	
06-99	New Process 4500, 4500HD	4638N	
00-91	New Process 3500	4529N	307-FFL5
		Redi-Sleeve 99138	
98-96	New Process 4500	4638N	M802048-M802011
95-91	New Process 4500	714655	M802048-M802011
		Redi-Sleeve 99133	
91-88	Getrag 290 (2WD)	4529N	
		Redi-Sleeve 99138	
91-88	Getrag 290 (4WD)	4529N	
		Redi-Sleeve 99133	
MAINSHAFT / OUTPUT			
07-91	New Process 4500	714654	M804049-M804010
06-01	New Process 4500HD	714670	M804049-M804010
00-96	New Process 3500 (2WD)	4528N	
00-91	New Process 3500 (4WD)	4532N	
95-91	New Process 3500 (2WD)		
	(Casting No. CC20844)	4530	
95-91	New Process 3500 (2WD)		
	(Exc. Casting No. C20844)	4528N	
91-90	Getrag 290	4530	
1989	Getrag 290 (1st Design)	4530	
1989	Getrag 290 (2nd Design)	4530	
1988	Getrag 290	4530	
COUNTERSHAFT			
2007	New Process 4500		
	(Front)		LM102949-LM102910
	(Rear)		A-35
06-91	New Process 4500, 4500HD		
	(Front)		LM102949-LM102910
	(Rear)		A-35
00-91	New Process 3500		(2)FC-68336
OVERDRIVE			
2007	New Process 4500		(2)FW-404820
06-91	New Process 4500, 4500HD		(2)FW-404820
EXTENSION HOUSING			
07-91	New Process 4500 (2WD)		B-5020
MANUAL / 6 Speed			
DRIVESHAFT / INPUT			
07-01	ZF S6-650		28580-28521

Year	Application	Seal	Bearing
MANUAL / 6 Speed (Cont.)			
MAINSHAFT / OUTPUT			
07-01	ZF S6-650 (2WD)	225010	
07-01	ZF S6-650 (4WD)	1217	
COUNTERSHAFT			
07-01	ZF S6-650		(2)2580-2520
STEERING			
MANUAL STEERING			
STEERING GEAR WORM SHAFT			
86-80	All	480821	
STEERING GEAR PITMAN SHAFT			
86-80	All	313842	
POWER STEERING			
STEERING GEAR HOUSING			
96-80	All		(Adj. Plug) DB-53313
STEERING GEAR WORM SHAFT			
96-80	G2500	222025	
STEERING GEAR PITMAN SHAFT			
06-80	All	(Kit) <input checked="" type="checkbox"/> PSK-1	
STEERING PUMP SHAFT			
06-80	All	7013S	
AIR CONDITIONING			
COMPRESSOR			
CLUTCH PULLEY			
05-96	Harrison HT-6		907257
96-95	Harrison HD-6		907257
95-80	Harrison R-4		907257
91-85	Harrison HR-6HE		907257
86-80	Harrison A-6		907257
FRONT HEAD MAIN			
95-80	Harrison R-4		S-128
86-80	Harrison A-6		SCE-108
ELECTRICAL			
ALTERNATOR			
DRIVE END			
91-83	AC-Delco 56, 66, 78 Amp.		203-FF
86-80	AC-Delco 37, 42, 55, 61, 63, 70, 80, 85 Amp.		
	(Integral Type)		203-S
REAR END			
01-88	AC-Delco 120, 124, 140, 145 Amp.		100-CC4
91-80	AC-Delco 37, 42, 55, 56, 61, 63, 66, 78 Amp.		MNJ-471-S
ENGINE			
CRANKSHAFT			
6 CYLINDER			
05-96	262/4.3L	5512	

(Continued Next Page)

GMC TRUCK 3/4 TON - 2500 SERIES FULL SIZE

(C2500, C2500 Suburban, G2500, H2500, K2500, K2500 Suburban, P2500, R2500, R2500 Suburban, Sierra 2500, Sierra 2500HD, V2500, V2500 Suburban & Yukon XL 2500) (Cont.)

Year	Application	Seal	Bearing	Year	Application	Seal	Bearing
ENGINE				TIMING COVER			
CRANKSHAFT (Cont.)				6 CYLINDER			
6 CYLINDER				1995 262/4.3L (1st Design)..... 9845			
				Redi-Sleeve 99176			
				Harmonic Bal Sleeve 88176			
				Harmonic Bal Kit ☒ 5000			
95-86	262/4.3L (Gkt. & PTFE Seal)	5274A		94-85	262/4.3L	9845	
	(Gkt. & Viton® Seal)	4359V				Redi-Sleeve	99176
	PTFE Rubber	5274				Harmonic Bal Sleeve	88176
	Redi-Sleeve	99364				Harmonic Bal Kit ☒	5000
89-80	250/4.1L, 292/4.8L (Split Seal)	5092		89-80	250/4.1L, 292/4.8L	9845	
1985	262/4.3L (Split Seal)	5092				Redi-Sleeve	99176
8 CYLINDER							
09-99	293/4.8L, 325/5.3L, 364/6.0L	100085				Harmonic Bal Sleeve	88176
07-01	496/8.1L	☆ 710552				Harmonic Bal Kit ☒	5000
	Redi-Sleeve	99435		89-80	250/4.1L, 292/4.8L	9845	
02-96	305/5.0L, 350/5.7L	5512				Redi-Sleeve	99176
02-92	379/6.2L (Diesel), 395/6.5L (Diesel), 395/6.5L (Turbo-Diesel)	710258				Harmonic Bal Sleeve	88176
	Redi-Sleeve	99452				Harmonic Bal Kit ☒	5000
00-91	454/7.4L	325776		8 CYLINDER			
	Redi-Sleeve	99435		09-99	293/4.8L, 325/5.3L, 364/6.0L	100470	
95-86	305/5.0L, 350/5.7L (Gkt. & PTFE Seal)	5274A				Redi-Sleeve	99210
	(Gkt. & Viton® Seal)	4359V		07-01	496/8.1L	☆ 710607	
	PTFE Rubber	5274				Redi-Sleeve	99235
	Redi-Sleeve	99364		02-80	379/6.2L (Diesel), 395/6.5L (Diesel), 395/6.5L (Turbo-Diesel), 454/7.4L	3945	
91-82	379/6.2L (Diesel)	5163				Redi-Sleeve	99233
90-80	454/7.4L (Split Seal)	5072				Harmonic Bal Sleeve	88233
1985	305/5.0L (1st Design)			1996	305/5.0L (1st Design)	9845	
	(Split Seal)	5092				Redi-Sleeve	99176
1985	305/5.0L (2nd Design)					Harmonic Bal Sleeve	88176
	(Gkt. & PTFE Seal)	5274A				Harmonic Bal Kit ☒	5000
	(Gkt. & Viton® Seal)	4359V		1996	350/5.7L	9845	
	PTFE Rubber	5274				Redi-Sleeve	99176
	Redi-Sleeve	99364				Harmonic Bal Sleeve	88176
1985	350/5.7L (Split Seal)	5092				Harmonic Bal Kit ☒	5000
84-80	305/5.0L, 350/5.7L, 400/6.6L (Split Seal)	5092		95-80	305/5.0L, 350/5.7L, 400/6.6L	9845	
						Redi-Sleeve	99176
						Harmonic Bal Sleeve	88176
						Harmonic Bal Kit ☒	5000

GMC TRUCK 1 TON - 3500 SERIES FULL SIZE

(C3500, G3500, K3500, P3500, P3500 Motor Home, R3500, Sierra 3500, V3500 & W4S042)

WHEEL				FRONT WHEEL (2WD) (Cont.)			
FRONT WHEEL (2WD)				00-92	C3500 (Exc. 15,000 lbs. GVWR)	(Inner) 4740	A-35
09-08	Sierra 3500 (Exc. H/D Suspension)	Hub Assembly ☆	515098			(Outer)	15103S-15243
09-08	Sierra 3500 (H/D Suspension)	Hub Assembly ☆	515099	00-92	C3500 (15,000 lbs. GVWR)	(Inner) (Kit) ☒ 5682	26884-26823
08-03	G3500 (From 10,000 GVWR)	Hub Assembly	515060			(Outer)	15103S-15243
08-03	G3500 (To 9,600 GVWR)	Hub Assembly	515059	99-91	P3500 (Exc. I-Beam Axle)	(Inner)	A-35
2007	Sierra 3500 (Classic)	Hub Assembly ☆	515087			(Outer)	15103S-15243
2007	Sierra 3500 (Exc. Classic) (Exc. H/D Suspension)	Hub Assembly ☆	515098	99-91	P3500 (I-Beam Axle)	(Inner)	4740
2007	Sierra 3500 (Exc. Classic) (H/D Suspension)	Hub Assembly ☆	515099			(Outer)	26884-26823
06-01	Sierra 3500	Hub Assembly ☆	515087	99-87	W4S042	(Inner)	474230
02-01	C3500	(Inner) (Kit) ☒	5682			(Outer)	32210
			26884-26823	99-85	P3500 (I-Beam Axle)	(Inner) (Kit) ☒	5682
02-92	G3500, P3500 Motor Home	(Inner)	4740				26884-26823
		(Outer)	15103S-15243				(Continued Next Page)
			(Continued Next Column)				

3500 SERIES FULL SIZE - GMC TRUCK 1 TON

(Cont.) (C3500, G3500, K3500, P3500, P3500 Motor Home, R3500, Sierra 3500, V3500 & W4S042)

Year	Application	Seal	Bearing
WHEEL			
FRONT WHEEL (2WD) (Cont.)			
1991	P3500 Motor Home		
	(Inner)	4740	A-35
	(Outer)		15103S-15243
1991	C3500, G3500, R3500		
	(Inner)	8974S	A-35
	(Outer)		15103S-15243
90-85	P3500 (Exc. I-Beam Axle)		
	(Inner)	8974S	A-35
	(Outer)		15103S-15243
90-85	P3500 (I-Beam Axle)		
	(Outer)		15103S-15243
90-85	C3500, G3500, P3500 Motor Home, R3500		
	(Inner)	8974S	A-35
	(Outer)		15103S-15243
84-80	All		
	(Inner)	8974S	A-35
	(Outer)		15103S-15243
FRONT WHEEL (4WD)			
09-08	All (Exc. H/D Suspension)		Hub Assembly ☆ 515098
09-08	All (H/D Suspension)		Hub Assembly ☆ 515099
2007	All (Classic)		Hub Assembly ☆ 515088
2007	All (Exc. Classic) (Exc. H/D Suspension)		Hub Assembly ☆ 515098
2007	All (Exc. Classic) (H/D Suspension)		Hub Assembly ☆ 515099
06-01	All		Hub Assembly ☆ 515088
00-96	All	710103	Hub Assembly 515041
1995	All	710103	
	(Left)		Hub Assembly 515015
	(Right)		Hub Assembly 515016
94-88	K3500 (Dual Rear Wheel)	710103	Hub Assembly 515037
94-88	K3500 (Single Rear Wheel)	710103	Hub Assembly 515018
91-87	V3500		
	(Inner)	415960	387A-382A
	(Outer)		A-38
86-80	All		
	(Inner)	415960	387AS-382A
	(Outer)		A-38
REAR WHEEL			
09-03	G3500 (Dual Wheel)		
	(Inner)	710568	A-46
	(Outer)		A-47
09-03	G3500 (Single Wheel)		
	(Inner)	710568	387AS-382A
	(Outer)		A-38
09-01	Sierra 3500		
	(Inner)	710568	A-46
	(Outer)		A-47
02-01	C3500		
	(Inner)	6358	■ KD-12051-Z
	(Outer)		387A-382
02-01	G3500		
	(Inner)	710568	387AS-382A
	(Outer)		A-38
00-96	G3500		
	(Inner)	2081	387AS-382A
	(Outer)		A-38
00-96	C3500, K3500, P3500 (10.5" R.G.)		
	(Inner)	2081	387AS-382A
	(Outer)		A-38
00-92	C3500, K3500, P3500 (Spicer 80)		
	(Inner)	6358	■ KD-12051-Z
	(Outer)		387A-382
99-97	P3500 Motor Home		
	(Inner)	6358	39590-39520
	(Outer)		JLM506849-JLM506810
99-87	W4S042		
	(Inner)	710080	29586-29520
	(Outer)	710081	28680-28622

(Continued Next Column)

Year	Application	Seal	Bearing
REAR WHEEL (Cont.)			
96-82	P3500 Motor Home		
	(Inner)	6358	■ KD-12051-Z
	(Outer)		■ KB-11786-Y
95-92	G3500 (9.5" R.G.)		
	(Inner)	710105	R-1561-TV
	(Outer)		(Axle Repair Brg.) RP-1561-GM
95-91	C3500, G3500, K3500, P3500 (10.5" R.G.)		
	(Inner)	2081	387AS-382A
	(Outer)		A-38
1991	P3500 (Spicer 80)		
	(Inner)	6358	■ KD-12051-Z
	(Outer)		387A-382
91-88	R3500, V3500		
	(Inner)	2081	387AS-382A
	(Outer)		A-38
91-88	C3500, K3500, P3500 (Rockwell Standard C100)		
	(Inner)	6358	■ KD-12051-Z
	(Outer)		387A-382
91-83	G3500 (Spicer 60) (Spicer 70)		
	(Inner)	2081	387AS-382A
	(Outer)		A-38
91-83	G3500 (9.5" R.G.)		
	(Inner)	3747	R-1561-TV
	(Outer)		(Axle Repair Brg.) RP-1561-GM
90-88	C3500, K3500, P3500 (10.5" R.G.)		
	(Inner)	2081	387AS-382A
	(Outer)		A-38
89-88	C3500, K3500 (Spicer 70-3HD)		
	(Inner)	2081	387AS-382A
	(Outer)		A-38
87-83	C3500, K3500, R3500, V3500		
	(Inner)	2081	387AS-382A
	(Outer)		A-38
87-82	P3500 (Rockwell Standard C100)		
	(Inner)	6358	■ KD-12051-Z
	(Outer)		387A-382
87-82	P3500 (10.5" R.G.)		
	(Inner)	2081	387AS-382A
	(Outer)		A-38
82-80	C3500, G3500, K3500		
	(Inner)	2081	387AS-382A
	(Outer)		A-38
81-80	P3500, P3500 Motor Home		
	(Inner)	6358	■ KD-12051-Z
	(Outer)		■ KB-11786-Y

AXLE

Year	Application	Seal	Bearing
FRONT AXLE			
AXLE SHAFT			
09-98	AAM IFS-9.25" R.G.		
	(Inner)	(2) 710497	(2) B-2610
	(Outer)		B-2410
	(Pilot)		SCH-78
1997	AAM IFS-9.25" R.G. (1st Design)		
	(Inner)	(2) 710102	(2) B-2610
	(Outer)		B-2410
	(Pilot)		SCH-78
1997	AAM IFS-9.25" R.G. (2nd Design)		
	(Inner)	(2) 710497	(2) B-2610
	(Outer)		B-2410
	(Pilot)		SCH-78
96-95	AAM IFS-9.25" R.G.		
	(Inner)	(2) 710102	(2) B-2610
	(Outer)		B-2410
	(Pilot)		SCH-78

(Continued Next Page)

GMC TRUCK 1 TON - 3500 SERIES FULL SIZE

(C3500, G3500, K3500, P3500, P3500 Motor Home, R3500, Sierra 3500, V3500 & W4S042) (Cont.)

Year	Application	Seal	Bearing
AXLE			
FRONT AXLE (Cont.)			
AXLE SHAFT			
93-88	ICA-9.25" R.G.		
	(Inner)	(2) 710102	(2) B-2610
	(Outer)		B-2410
	(Pilot)		SCH-78
91-80	Spicer 60-F.....	470682	
SPINDLE KIT			
91-80	Spicer 60-F.....		☒ SBK-3
SPINDLE			
91-80	Spicer 60-F.....	(Inner) 710044	B-2414
		(Outer) 710045	
DIFFERENTIAL KIT			
1997	AAM IFS-9.25" R.G. (1st Design).....		☒ RA-324-A
		(Master Kit)	RA-324-AMK
96-95	AAM IFS-9.25" R.G.		☒ RA-324-A
		(Master Kit)	RA-324-AMK
93-88	ICA-9.25" R.G.		☒ RA-324-A
		(Master Kit)	RA-324-AMK
91-80	Spicer 60-F.....		☒ RA-331
		(Master Kit)	RA-331MK
DIFFERENTIAL			
09-95	AAM IFS-9.25" R.G.	(2) 450094	(2) A-42
	Redi-Sleeve (2) 99193		
93-88	ICA-9.25" R.G.	(2) 450094	(2) A-42
	Redi-Sleeve (2) 99193		
91-80	Spicer 60-F.....		(2) 387A-382S
PINION			
09-98	AAM IFS-9.25" R.G.		
	(Inner)	HM804846-HM804810	
	(Outer) 710536	HM88649-HM88610	
1997	AAM IFS-9.25" R.G. (1st Design)		
	(Inner)	HM804846-HM804810	
	(Outer) 710281	HM88649-HM88610	
	Redi-Sleeve 99193		
1997	AAM IFS-9.25" R.G. (2nd Design)		
	(Inner)	HM804846-HM804810	
	(Outer) 710536	HM88649-HM88610	
96-95	AAM IFS-9.25" R.G.		
	(Inner)	HM804846-HM804810	
	(Outer) 710281	HM88649-HM88610	
	Redi-Sleeve 99193		
93-88	ICA-9.25" R.G.		
	(Inner)	HM804846-HM804810	
	(Outer) 710281	HM88649-HM88610	
	Redi-Sleeve 99193		
91-80	Spicer 60-F.....		
	(Inner)	HM803146-HM803110	
	(Outer) 9316	HM88542-HM88510	
	Redi-Sleeve 99187		
STEERING KNUCKLE			
91-80	Spicer 60-F.....	(Lower) (2) 710304	(2) 23100-23256
		(Upper) (2) 710385	
REAR AXLE			
DIFFERENTIAL KIT			
09-98	AAM 10.5" R.G.		☒ RA-325-B
98-89	Spicer 80		☒ RA-337
1997	AAM 10.5" R.G. (1st Design).....		☒ RA-325-A
		(Master Kit)	RA-325-AMK
(Continued Next Column)			

Year	Application	Seal	Bearing
REAR AXLE (Cont.)			
DIFFERENTIAL KIT			
1997	AAM 10.5" R.G. (2nd Design).....		☒ RA-325-B
96-95	AAM 10.5" R.G.		☒ RA-325-A
		(Master Kit)	RA-325-AMK
1995	AAM 9.5" R.G.		☒ RA-324
		(Master Kit)	RA-324MK
94-89	10.5" R.G.		☒ RA-325-A
		(Master Kit)	RA-325-AMK
94-83	9.5" R.G.		☒ RA-324
		(Master Kit)	RA-324MK
91-80	Spicer 70-3HD, 70HD.....		☒ RA-332-HD
90-84	Spicer 70U.....		☒ RA-332-U
90-80	Spicer 60-HD.....		☒ RA-331
		(Master Kit)	RA-331MK
1988	10.5" R.G. (1st Design).....		☒ RA-325
		(Master Kit)	RA-325MK
1988	10.5" R.G. (2nd Design)		☒ RA-325-A
		(Master Kit)	RA-325-AMK
87-86	10.5" R.G.		☒ RA-325
		(Master Kit)	RA-325MK
83-80	Spicer 70B.....		☒ RA-332
83-80	10.5" R.G.		☒ RA-325
		(Master Kit)	RA-325MK
DIFFERENTIAL			
09-01	AAM 11.5" R.G.		(2) 3984-3920
09-95	AAM 10.5" R.G.		(2) 387AS-382A
06-80	Spicer 70-3HD, 70HD, 80.....		(2) 469-453X
00-87	Isuzu R040.....		(2) 29590-29522
1995	AAM 9.5" R.G.		(2) A-42
94-83	9.5" R.G.		(2) A-42
94-80	10.5" R.G.		(2) 387AS-382A
91-82	Rockwell C100.....		(2) 395-394A
90-80	Spicer 60-HD, 70B, 70U.....		(2) 387A-382S
81-80	H110.....		■ (2) KA-11820-Z
PINION			
09-01	AAM 11.5" R.G.		
	(Inner)	HM807046-HM807010	
	(Outer) 710508	M802048-M802011	
09-98	AAM 10.5" R.G.		
	(Inner)	HM903249-HM903210	
	(Outer) 710508	M802048-M802011	
	(Pilot)	R-1581-TV	
06-01	Spicer 80	(Outer) 100727	M802048-M802011
00-99	Spicer 80	(Outer) 4525V	M802048-M802011
		Redi-Sleeve 99253	
00-87	Isuzu R040.....		(2) 30309
98-89	Spicer 80	(Inner)	HM807046-HM807010
		(Outer) 4525V	M802048-M802011
		Redi-Sleeve 99253	
1997	AAM 10.5" R.G. (1st Design)		
	(Inner)	HM903249-HM903210	
	(Outer) 2286	M802048-M802011	
	(Pilot)	R-1581-TV	
1997	AAM 10.5" R.G. (2nd Design)		
	(Inner)	HM903249-HM903210	
	(Outer) 710508	M802048-M802011	
	(Pilot)	R-1581-TV	
96-95	AAM 10.5" R.G.		
	(Inner)	HM903249-HM903210	
	(Outer) 2286	M802048-M802011	
	(Pilot)	R-1581-TV	
1995	AAM 9.5" R.G.		HM804846-HM804810
	(Outer)	3896	HM88649-HM88610
		Redi-Sleeve 99193	
(Continued Next Page)			

() Indicates Quantity Required ■ Replace Complete Unit ☒ Refer To Front Of Catalog For Kit Contents

3500 SERIES FULL SIZE - GMC TRUCK 1 TON

(Cont.) (C3500, G3500, K3500, P3500, P3500 Motor Home, R3500, Sierra 3500, V3500 & W4S042)

Year	Application	Seal	Bearing
AXLE			
REAR AXLE (Cont.)			
PINION			
94-89	10.5" R.G.	(Inner) HM903249-HM903210 (Outer) 2286 M802048-M802011 (Pilot) R-1581-TV	
94-83	9.5" R.G.	(Inner) HM804846-HM804810 (Outer) 3896 HM88649-HM88610 Redi-Sleeve 99193	
91-82	Rockwell C100..	(Outer) 475080N 44143-44348 Redi-Sleeve 99212	
91-80	Spicer 70-3HD, 70B, 70HD	(Pilot) MU-1305-TDM	
		(Inner) HM807040-HM807010 (Outer) 9316 HM88542-HM88510 Redi-Sleeve 99187	
90-84	Spicer 70U.....	(Inner) HM803149-HM803110 (Outer) 9316 HM88542-HM88510 Redi-Sleeve 99187	
90-80	Spicer 60-HD.....	(Inner) HM803146-HM803110 (Outer) 9316 HM88542-HM88510 Redi-Sleeve 99187	
1988	10.5" R.G. (1st Design)	(Inner) HM803149-HM803110 (Outer) 2286 M802048-M802011 (Pilot) R-1581-TV	
1988	10.5" R.G. (2nd Design)	(Inner) HM903249-HM903210 (Outer) 2286 M802048-M802011 (Pilot) R-1581-TV	
87-86	10.5" R.G.	(Inner) HM803149-HM803110 (Outer) 2286 M802048-M802011 (Pilot) R-1581-TV	
85-84	10.5" R.G.	(Inner) HM803149-HM803110 (Outer) 2286 M802048-M802011 (Pilot) 512224	
83-80	10.5" R.G.	(Inner) HM803149-HM803110 (Outer) 2286 M802048-M802011 (Pilot) R-1581-TV	
81-80	H110.....	(Outer) 411330N 5310-WA (Felt) 5M89..... Redi-Sleeve 99259	
		(Pilot) MU-1306-TDM	

CLUTCH

PILOT			
4 CYLINDER			
95-87	3856cc/3.9L (Diesel), 3856cc/3.9L (Turbo-Diesel)		203-FF
6 CYLINDER			
89-87	262/4.3L		57080
89-87	292/4.8L		57080
86-85	262/4.3L	(H/D)	PB-656-HD
86-80	250/4.1L, 292/4.8L	(H/D)	PB-656-HD
8 CYLINDER			
02-87	350/5.7L, 379/6.2L (Diesel), 395/6.5L (Diesel), 395/6.5L (Turbo-Diesel), 454/7.4L.....		57080
86-82	379/6.2L (Diesel)		57080
86-80	305/5.0L, 350/5.7L, 400/6.6L, 454/7.4L	(H/D)	PB-656-HD

Year	Application	Seal	Bearing
RELEASE			
		<i>Bearing Only</i>	<i>Bearing Assembly</i>
4 CYLINDER			
95-87	3856cc/3.9L (Diesel), 3856cc/3.9L (Turbo-Diesel) (300mm Clutch).....	613014	
91-89	239/3.9L (Turbo-Diesel).....		Ⓢ 614038 1625 (Thrust Type) FB-1625-C
6 CYLINDER			
89-85	262/4.3L (Cable Clutch).....	(Angular Contact)	CC-1705-C Ⓢ 614018
89-85	292/4.8L (Cable Clutch).....	(Angular Contact)	CC-1705-C Ⓢ 614018
89-85	292/4.8L		Ⓢ 614083
84-80	250/4.1L, 292/4.8L	(Angular Contact)	CC-1705-C Ⓢ 614018
8 CYLINDER			
07-96	350/5.7L, 364/6.0L, 395/6.5L (Turbo-Diesel), 454/7.4L, 496/8.1L	(Hyd. Clutch)Ⓢ	614174
95-85	305/5.0L, 350/5.7L, 379/6.2L (Diesel), 395/6.5L (Diesel), 395/6.5L (Turbo-Diesel), 454/7.4L		Ⓢ 614083
89-87	350/5.7L, 379/6.2L (Diesel), 454/7.4L (Cable Clutch).....	(Angular Contact)	CC-1705-C Ⓢ 614018
86-85	379/6.2L (Diesel), 454/7.4L (Cable Clutch) (Angular Contact)		CC-1705-C Ⓢ 614018
84-80	305/5.0L		Ⓢ 614108
84-80	305/5.0L, 350/5.7L, 379/6.2L (Diesel), 400/6.6L, 454/7.4L	(Angular Contact)	CC-1705-C Ⓢ 614018
84-80	350/5.7L, 379/6.2L (Diesel), 400/6.6L, 454/7.4L		Ⓢ 614018

DRIVESHAFT

CENTER SUPPORT		<i>Bearing</i>	<i>Bearing & Support</i>
05-01	Spicer 1410 Series / Brg. ID 1.5748" (40mm)- Centerline 2.228" (56.6mm).....		HB-108-D
02-80	Spicer 1330, 1350, 1410, 1480 Series / Brg. ID 1.5748" (40mm)End Yoke Style		HB-88508-AA
02-80	Spicer 1280, 1310, 1330, 1410 Series / Brg. ID 1.3780" (35mm)Slip Yoke Style.....	88107	HB-88107-A (Opt. w/Slings) HB-88107-E
00-85	Spicer 1410 & Cleveland 055 Series / Brg. ID 1.5748" (40mm)Slip Yoke Style		HB-88508-AB
99-88	Spicer 1410 Series / Brg. ID 1.5748" (40mm)- Extended Cab	88508	HB-88508-A
91-80	Spicer 1410 Series / Brg. ID 1.5748" (40mm).....	HB-108	

TRANSFER CASE

FULL TIME / PART TIME			
TRANSFER CASE KIT			
00-90	Borg-Warner 4470.....	<input checked="" type="checkbox"/>	T-470
00-89	Borg-Warner 1370, 4401	<input checked="" type="checkbox"/>	T-370
91-86	New Process 205	<input checked="" type="checkbox"/>	T-172-FG
91-80	New Process 205		(Gaskets & Seals) TK-205
89-88	New Process 241C.....	<input checked="" type="checkbox"/>	T-240
85-80	New Process 205 (27 Spline) (Input Shaft)	<input checked="" type="checkbox"/>	T-172 (Continued Next Page)

Ⓢ Sealed Self-Aligning Bearing Refer To Front Of Catalog For Kit Contents

GMC TRUCK 1 TON - 3500 SERIES FULL SIZE

(C3500, G3500, K3500, P3500, P3500 Motor Home, R3500, Sierra 3500, V3500 & W4S042) (Cont.)

Year	Application	Seal	Bearing	Year	Application	Seal	Bearing
TRANSFER CASE				FULL TIME / PART TIME (Cont.)			
FULL TIME / PART TIME (Cont.)				IDLER SHAFT			
TRANSFER CASE KIT				LOW GEAR ROLLERS			
85-80	New Process 205 (32 Spline) (Input Shaft)		<input checked="" type="checkbox"/> T-172-FG	91-80	New Process 205		(2)2793-2720
INPUT SHAFT				OIL PUMP HOUSING			
07-01	New Process 261C, 263C	472636	110	00-90	Borg-Warner 4470		B-3012
	(Pilot)		B-2110	89-88	New Process 241C	341022	
00-89	Borg-Warner 1370, 4401, 4470	714503	110		Redi-Sleeve	99225	
	(Pilot)		BK-3026	SHIFT SHAFT			
91-86	New Process 205	(2) 3173	(2)1210-L	00-89	Borg-Warner 1370, 4401, 4470	330385	
	(Dual Lip)	710928		91-80	New Process 205	(2) 2287	
	Redi-Sleeve	99193			Redi-Sleeve (2)	99076	
	(Pilot)		(15)QAR-29523	DRIVE SPROCKET			
89-88	New Process 241C	(2) 3173	N-5210-KLB	00-90	Borg-Warner 4470		(122)Q-8304
	(Dual Lip)	710928		MOUNTING ADAPTOR			
	Redi-Sleeve	99193		91-85	New Process 205	9613S	
	(Pilot)		SCH-1810		(Seal & Bushing Kit)	5200	
85-82	New Process 205 (27 Spline)	(2) 3173	(2)1307-L	84-81	New Process 205 (1.5000" Shaft)	9613S	
	(Dual Lip)	710928			(Seal & Bushing Kit)	5200	
	Redi-Sleeve	99193		84-80	New Process 205 (1.3750" Shaft)	473214	
	(Pilot)		(15)QAR-29523		Redi-Sleeve	99138	
85-82	New Process 205 (32 Spline)	(2) 3173	(2)1210-L	1980	New Process 205 (2.0000" Shaft)	471424	
	(Dual Lip)	710928			Redi-Sleeve	99199	
	Redi-Sleeve	99193		TRANSMISSION			
	(Pilot)		(15)QAR-29523	AUTOMATIC / 3 Speed			
81-80	New Process 205 (27 Spline)	(2) 471869	(2)1307-L	FRONT PUMP			
	Redi-Sleeve	99193		90-80	THM350, THM400, THM350C	6712NA	
	(Pilot)		(15)QAR-29523		Redi-Sleeve	99187	
81-80	New Process 205 (32 Spline)	(2) 471869	(2)1210-L	EXTENSION HOUSING			
	Redi-Sleeve	99193		90-85	THM400	9449	109
	(Pilot)		(15)QAR-29523		(Seal & Bushing Kit)	5208	
FRONT OUTPUT SHAFT				86-82	THM350C (Booted)	9613S	
07-01	New Process 261C, 263C	710495	207		(Seal & Bushing Kit)	5200	
00-89	Borg-Warner 1370, 4401, 4470	714503	207	86-82	THM350C (Non-Booted)	4583	
	(Pilot)		B-2012	86-80	THM350	9613S	
91-80	New Process 205	710005	307-L		(Seal & Bushing Kit)	5200	
	Redi-Sleeve	99174		84-80	THM400	9449	
	(Pilot)		M-28161		(Seal & Bushing Kit)	5208	
89-88	New Process 241C	3946	207	MANUAL SHAFT			
	Redi-Sleeve	99187		90-80	THM350, THM400, THM350C	8792S	
	(Pilot)		J-2416	AUTOMATIC / 4 Speed			
REAR OUTPUT SHAFT				FRONT PUMP			
07-01	New Process 261C, 263C	710496	208	09-00	4L80-E	714598	
	(Pilot)		(2)B-5020		Redi-Sleeve	99199	
00-90	Borg-Warner 4470 (Booted)	4503N	208	07-92	4L65E, 4L60-E	4950	
00-90	Borg-Warner 4470 (Non-Booted)	714503	208		Redi-Sleeve	99174	
00-89	Borg-Warner 1370, 4401 (Booted)	4503N	207	99-91	4L80-E	4598	
	(Non-Booted)	714503	207		Redi-Sleeve	99199	
00-89	Borg-Warner 1370, 4401 (Non-Booted)	714503	207	91-82	4L60, THM700-R4	4950	
91-80	New Process 205	473468	307-L		Redi-Sleeve	99174	
	Redi-Sleeve	99212		OUTPUT SHAFT			
	(Pilot)		B-3216	09-91	4L80-E	4934	
89-88	New Process 241C	9449	207				
	(Seal & Bushing Kit)	5208					
	(Pilot)		(2)B-5020				

3500 SERIES FULL SIZE - GMC TRUCK 1 TON

(Cont.) (C3500, G3500, K3500, P3500, P3500 Motor Home, R3500, Sierra 3500, V3500 & W4S042)

Year	Application	Seal	Bearing
TRANSMISSION			
AUTOMATIC / 4 Speed (Cont.)			
EXTENSION HOUSING			
09-01	4L80-E (Booted)	4333N	
09-01	4L80-E (Non-Booted) (Over 15,000 lbs. GVWR)	2457	
09-01	4L80-E (Non-Booted) (Under 15,000 lbs. GVWR)	9449	
	(Seal & Bushing Kit)	5208	
07-91	4L60, 4L65E, 4L60-E (Booted)	4934	
07-82	4L60, 4L65E, 4L60-E, THM700-R4 (Non-Booted)	4583	
00-91	4L80-E (Booted)	4333N	109
00-91	4L80-E (Non-Booted) (Over 15,000 lbs. GVWR)	2457	109
00-91	4L80-E (Non-Booted) (Under 15,000 lbs. GVWR)	9449	109
	(Seal & Bushing Kit)	5208	
90-82	THM700-R4 (Booted)	9613S	
	(Seal & Bushing Kit)	5200	
MANUAL SHAFT			
09-82	4L60, 4L65E, 4L60-E, 4L80-E, THM700-R4	8792S	
AUTOMATIC / 6 Speed			
EXTENSION HOUSING			
09-07	6L90	710533	
MANUAL / 3 Speed			
DRIVESHAFT / INPUT			
87-80	SM326	7412S	
	Redi-Sleeve	99125	
82-80	Tremec 162	3638	§ 208-LO
	Redi-Sleeve	99112	
MAINSHAFT / OUTPUT			
87-80	SM326	9613S	
	(Seal & Bushing Kit)	5200	
82-80	Tremec 162	9613S	207-L
	(Seal & Bushing Kit)	5200	
MAINSHAFT PILOT			
82-80	Tremec 162		(15)QBR-23549
COUNTERSHAFT			
87-80	SM326		(54)C-407-Q
82-80	Tremec 162		(50)C-1086-Q
SHIFT SHAFT			
87-80	SM326	240735	
	Redi-Sleeve	99076	
MANUAL / 4 Speed			
TRANSMISSION KIT			
91-85	CH465		T-157-A
84-80	CH465		☒ T-157
DRIVESHAFT / INPUT			
1991	CH465	481181N	
	Redi-Sleeve	99162	
1990	CH465 (1st Design)	481181N	N-1211-L
	Redi-Sleeve	99162	
	(Continued Next Column)		

Year	Application	Seal	Bearing
MANUAL / 4 Speed (Cont.)			
DRIVESHAFT / INPUT			
89-80	CH465	481181N	N-1211-L
	Redi-Sleeve	99162	
86-81	New Process A833	7412S	
	Redi-Sleeve	99125	
MAINSHAFT / OUTPUT			
91-85	CH465	410085	308-FFL
86-81	New Process A833	9613S	
	(Seal & Bushing Kit)	5200	
84-80	CH465	410085	1308-L
MAINSHAFT PILOT			
91-80	CH465		(17)QAR-34604
86-81	New Process A833		(16)QBR-23549
COUNTERSHAFT			
91-85	CH465	(Front)	5707
		(Rear)	308-FFL
84-80	CH465	(Front)	5707
		(Rear)	1308-L
MANUAL / 5 Speed			
TRANSMISSION KIT			
95-91	New Process 4500		T-4500-GMN
DRIVESHAFT / INPUT			
2007	New Process 4500	4638N	
06-99	New Process 4500, 4500HD	4638N	
98-96	New Process 4500, 4500HD	4638N	M802048-M802011
98-87	Isuzu MSA5D	1990	
	Redi-Sleeve	99106	
95-91	New Process 4500, 4500HD	714655	M802048-M802011
	Redi-Sleeve	99133	
93-91	New Process 3500	4529N	307-FFL5
	Redi-Sleeve	99138	
91-88	Getrag 290 (2WD)	4529N	
	Redi-Sleeve	99138	
91-88	Getrag 290 (4WD)	4529N	
	Redi-Sleeve	99133	
MAINSHAFT / OUTPUT			
07-91	New Process 4500	714654	M804049-M804010
06-91	New Process 4500HD	714670	M804049-M804010
98-87	Isuzu MSA5D		308-FFL
93-91	New Process 3500 (2WD) (Casting No. CC20844)	4530	
	(Exc. Casting No. C20844)	4528N	
93-91	New Process 3500 (4WD)	4532N	
91-90	Getrag 290	4530	
1989	Getrag 290 (1st Design)	4530	
1989	Getrag 290 (2nd Design)	4530	
1988	Getrag 290	4530	
COUNTERSHAFT			
2007	New Process 4500	(Front)	LM102949-LM102910
		(Rear)	A-35
06-91	New Process 4500, 4500HD	(Front)	LM102949-LM102910
		(Rear)	A-35
93-91	New Process 3500		(2)FC-68336
OVERDRIVE			
2007	New Process 4500		(2)FW-404820
06-91	New Process 4500, 4500HD		(2)FW-404820

() Indicates Quantity Required § Use Old Snap Ring ☒ Refer To Front Of Catalog For Kit Contents

GMC TRUCK 1 TON - 3500 SERIES FULL SIZE

(C3500, G3500, K3500, P3500, P3500 Motor Home, R3500, Sierra 3500, V3500 & W4S042) (Cont.)

Year	Application	Seal	Bearing
TRANSMISSION			
MANUAL / 5 Speed (Cont.)			
EXTENSION HOUSING			
07-91	New Process 4500 (2WD)		B-5020
MANUAL / 6 Speed			
DRIVESHAFT / INPUT			
07-01	ZF S6-650		28580-28521
MAINSHAFT / OUTPUT			
07-01	ZF S6-650 (2WD)	225010	
07-01	ZF S6-650 (4WD)	1217	
COUNTERSHAFT			
07-01	ZF S6-650		(2)2580-2520

Year	Application	Seal	Bearing
STEERING			
MANUAL STEERING			
STEERING GEAR WORM SHAFT			
86-80	C3500, G3500, K3500, P3500		480821
STEERING GEAR PITMAN SHAFT			
86-80	C3500, G3500, K3500, P3500		313842
POWER STEERING			
STEERING GEAR HOUSING			
96-80	C3500, G3500, K3500, P3500, P3500 Motor Home, R3500, V3500		(Adj. Plug) DB-53313
STEERING GEAR WORM SHAFT			
96-80	G3500	222025	
94-87	W4S042	222020	
STEERING GEAR PITMAN SHAFT			
06-80	C3500, G3500, K3500, P3500, P3500 Motor Home, R3500, Sierra 3500, V3500		(Kit) <input checked="" type="checkbox"/> PSK-1
STEERING PUMP SHAFT			
06-80	C3500, G3500, K3500, P3500, P3500 Motor Home, R3500, Sierra 3500, V3500	7013S	
94-87	W4S042	225530	204-S

Year	Application	Seal	Bearing
AIR CONDITIONING			
COMPRESSOR			
CLUTCH PULLEY			
05-96	Harrison HT-6		907257
96-95	Harrison HD-6		907257
95-80	Harrison R-4		907257
93-91	Sanden SD-709		5001-KFF
91-85	Harrison HR-6HE		907257
86-80	Harrison A-6		907257
FRONT HEAD MAIN			
95-80	Harrison R-4		S-128
86-80	Harrison A-6		SCE-108

Year	Application	Seal	Bearing
ELECTRICAL			
ALTERNATOR			
DRIVE END			
91-83	AC-Delco 56, 66, 78 Amp.		203-FF
86-80	AC-Delco 37, 42, 55, 61, 63, 70, 80, 85 Amp. (Integral Type)		203-S
REAR END			
01-88	AC-Delco 120, 124, 140, 145 Amp.		100-CC4
91-80	AC-Delco 37, 42, 55, 56, 61, 63, 66, 78 Amp.		MNJ-471-S

Year	Application	Seal	Bearing
ENGINE			
CRANKSHAFT			
6 CYLINDER			
99-96	262/4.3L		5512
95-86	262/4.3L	(Gkt. & PTFE Seal) 5274A	
		(Gkt. & Viton® Seal) 4359V	
		PTFE Rubber 5274	
		Redi-Sleeve 99364	
89-80	250/4.1L, 292/4.8L	(Split Seal) 5092	
1985	262/4.3L	(Split Seal) 5092	
8 CYLINDER			
09-01	293/4.8L, 364/6.0L		100085
07-01	496/8.1L	☆ 710552	
		Redi-Sleeve 99435	
02-96	350/5.7L		5512
02-92	379/6.2L (Diesel), 395/6.5L (Diesel), 395/6.5L (Turbo-Diesel)		710258
		Redi-Sleeve 99452	
00-91	454/7.4L		325776
		Redi-Sleeve 99435	
95-86	305/5.0L, 350/5.7L		
		(Gkt. & PTFE Seal) 5274A	
		(Gkt. & Viton® Seal) 4359V	
		PTFE Rubber 5274	
		Redi-Sleeve 99364	
91-82	379/6.2L (Diesel)		5163
90-80	454/7.4L	(Split Seal) 5072	
1985	305/5.0L (1st Design)	(Split Seal) 5092	
1985	305/5.0L (2nd Design)	(Gkt. & PTFE Seal) 5274A	
		(Gkt. & Viton® Seal) 4359V	
		PTFE Rubber 5274	
		Redi-Sleeve 99364	
1985	350/5.7L	(Split Seal) 5092	
84-80	305/5.0L, 350/5.7L, 400/6.6L	(Split Seal) 5092	
TIMING COVER			
4 CYLINDER			
98-87	3856cc/3.9L (Diesel), 3856cc/3.9L (Turbo-Diesel)		710350
		Redi-Sleeve 99235	
6 CYLINDER			
1995	262/4.3L (1st Design)		9845
		Redi-Sleeve 99176	
		Harmonic Bal Sleeve 88176	
		Harmonic Bal Kit <input checked="" type="checkbox"/> 5000	

(Continued Next Page)

3500 SERIES FULL SIZE - GMC TRUCK 1 TON

(Cont.) (C3500, G3500, K3500, P3500, P3500 Motor Home, R3500, Sierra 3500, V3500 & W4S042)

Year	Application	Seal	Bearing	Year	Application	Seal	Bearing
ENGINE				TIMING COVER (Cont.)			
TIMING COVER (Cont.)				8 CYLINDER			
6 CYLINDER				07-01 496/8.1L ☆ 710607			
94-85 262/4.3L 9845				Redi-Sleeve 99235			
Redi-Sleeve 99176				02-80 379/6.2L (Diesel),			
Harmonic Bal Sleeve 88176				395/6.5L (Diesel),			
Harmonic Bal Kit ☒ 5000				395/6.5L (Turbo-Diesel),			
89-80 250/4.1L, 292/4.8L 9845				454/7.4L 3945			
Redi-Sleeve 99176				Redi-Sleeve 99233			
Harmonic Bal Sleeve 88176				Harmonic Bal Sleeve 88233			
Harmonic Bal Kit ☒ 5000				96-80 305/5.0L, 350/5.7L,			
8 CYLINDER				400/6.6L 9845			
09-01 293/4.8L, 364/6.0L 100470				Redi-Sleeve 99176			
Redi-Sleeve 99210				Harmonic Bal Sleeve 88176			
(Continued Next Column)				Harmonic Bal Kit ☒ 5000			

(Class 4 & 5) MEDIUM DUTY - GMC TRUCK 1 1/2 TON

WHEEL				REAR WHEEL (Cont.)			
FRONT WHEEL (2WD)				81-80 C5D042 (H110) (Inner) 6358			
97-88 W5S042 (Inner) 710087			 6358			
(Outer) 513046			 ■ KD-12051-Z			
96-90 C5H042 (8,000 lb. Axle)				(Outer) ■ KB-11786-Y			
(Inner) • 370199A JM205149-JM205110				81-80 C5D042 (H135) (Inner) 2055			
(Outer) 32207				(Outer) ■ KD-12051-Z			
90-80 C5D042, P4T042 (F050,			 ■ KB-11786-Y			
F055) (Inner) 8975S							
(Outer) 3578A-3525							
90-80 C5D042, P4T042 (F070)							
(Inner) 8976S							
(Outer) 45284-45220							
(Outer) 2796-2720							
REAR WHEEL				AXLE			
97-88 W5S042 (Inner) 710085				REAR AXLE			
(Outer) 710086				DIFFERENTIAL KIT			
96-90 C5H042 (Eaton 23105)				97-88 Eaton 15040T RA-24			
(Inner) • 370023A 594A-592A				87-86 Eaton 15101 RA-24			
(Outer) 47686-47620				87-84 Spicer 70HD ☒ RA-332-HD			
96-88 C5D042, C5H042, P4T042							
(Eaton 15040) (Inner) • 370008A 33287-33462							
(Outer) 3982-3920							
90-88 C5D042 (Eaton 19050)							
(Inner) • 370023A 47686-47620							
(Outer) 39590-39520							
1987 C5D042 (Eaton 15040)							
(Inner) • 370008A 33287-33462							
(Outer) 3982-3920							
1987 P4T042 (Eaton 15040)							
(Inner) • 370009A 33287-33462							
(Outer) 3982-3920							
87-86 C5D042 (Eaton 15101)							
(Inner) • 370008A 33287-33462							
(Outer) 3982-3920							
87-83 P4T042 (Spicer 70HD)							
(Inner) 2081 387AS-382A							
(Outer) A-38							
86-82 C5D042 (H110, H135)							
(Inner) • 370046A 3984-3920							
(Outer) 28682-* 28622A							
86-80 P4T042 (H150) (Inner) • 370106A ■ B-12235-YK							
(Outer) ■ KA-11950-Z							
(Continued Next Column)							

() Indicates Quantity Required ■ Replace Complete Unit ☆ New Item, Check for Availability * Not a Current Production Number, Check for Availability
☒ Refer To Front Of Catalog For Kit Contents • Oil Bath Seal

GMC TRUCK 1 1/2 TON - MEDIUM DUTY (Class 4 & 5) (Cont.)

Year	Application	Seal	Bearing
AXLE			
REAR AXLE (Cont.)			
PINION			
90-88	Eaton 19050S (Inner)	72200C-72487	
	(Outer)	9773 HM903249-HM903210	
	Redi-Sleeve	99262	
	(Pilot)	RUB-1570-UM	
87-86	Eaton 15101	470737N (2)HM903249-HM903210	
	(Seal & Retainer)	722250	
	Redi-Sleeve	99225	
	(Pilot)	MU-1305-TDM	
87-84	Spicer 70HD	HM807040-HM807010	
	(Outer)	9316 HM88542-HM88510	
	Redi-Sleeve	99187	
86-83	H110	MU-1305-TDM	
	(Outer)	475080N 5310-WA	
	Redi-Sleeve	99210	
	(Pilot)	MU-1306-TDM	
86-83	H135	HM803146-HM803110	
	(Inner)	475080N 44143-44348	
	(Outer)	475080N	
	Redi-Sleeve	99210	
	(Pilot)	MU-1305-TDM	
86-83	H150	411330N ■ A-1011	
	(Felt)	5M89	
	Redi-Sleeve	99259	
	(Pilot)	MR-5206-EL	
82-80	H110	411330N 5310-WA	
	(Felt)	5M89	
	Redi-Sleeve	99259	
	(Pilot)	MU-1306-TDM	
82-80	H135, H150	411330N ■ A-1011	
	(Felt)	5M89	
	Redi-Sleeve	99259	
	(Pilot)	MR-5206-EL	
ELECTRIC SHIFT			
96-90	Eaton 15040T		200-SL
87-86	Eaton 15101		200-SL
CLUTCH			
PILOT			
6 CYLINDER			
97-88	6494cc/6.5L (Turbo-Diesel), 7130cc/7.1L (Turbo-Diesel)		205-FF (Hi-Temp.) 205-VV
88-80	292/4.8L		(H/D) PB-656-HD
8 CYLINDER			
96-90	366/6.0L, 427/7.0L		205-FF (Hi-Temp.) 205-VV
90-86	350/5.7L (13" Clutch)		105-CC
90-80	350/5.7L (12" Clutch)		(H/D) PB-656-HD
85-80	350/5.7L (13" Clutch)		205-FF (Hi-Temp.) 205-VV
RELEASE			
6 CYLINDER			
97-96	7130cc/7.1L (Turbo-Diesel) (355mm Clutch)	613011	
94-88	6494cc/6.5L (Turbo-Diesel) (330mm Clutch)	613009	
88-80	292/4.8L (3 Lever Type)	(Angular Contact) CC-1705-C	© 614018

(Continued Next Column)

Year	Application	Seal	Bearing
RELEASE (Cont.)			
		<i>Bearing Only</i>	<i>Bearing Assembly</i>
6 CYLINDER			
86-80	292/4.8L (12" Clutch)	(Angular Contact)	CC-1705-C © 614018
86-80	292/4.8L (13" Clutch)	02135	CA-02135-C
8 CYLINDER			
96-90	366/6.0L, 427/7.0L (Spicer 13" Clutch)		614057
90-80	350/5.7L (12" Clutch)	(Angular Contact)	CC-1705-C © 614018
90-80	350/5.7L (13" Clutch)	02135	CA-02135-C
90-80	366/6.0L (13" Clutch) (Single Plate)	02135	CA-02135-C
DRIVESHAFT			
CENTER SUPPORT			
		<i>Bearing</i>	<i>Bearing & Support</i>
96-90	Spicer 1480 Series / Brg. I.D. 1.5748" (40mm)- End Yoke Style		HB-88508-AA
96-90	Spicer 1710 Series / Brg. I.D. 1.9685" (50mm)- End Yoke Style		HB-88510
96-90	Spicer 1760 Series / Brg. I.D. 2.3622" (60mm)- End Yoke Style	◆	HB-88512-AHD HB-88512-A
96-80	Spicer 1550, 1610 Series / Brg. I.D. 1.7717" (45mm)- Slip Yoke Style		HB-88509-C
90-80	Rockwell 68WB & Spicer 1710 Series / Brg. I.D. 1.9685" (50mm)- End Yoke Style		HB-88510
90-80	Spicer 1410 Series / Brg. I.D. 1.3780" (35mm)- Slip Yoke Style	88107	HB-88107-A (Opt. w/Slingers) HB-88107-E
90-80	Spicer 1410 Series / Brg. I.D. 1.5748" (40mm)- End Yoke Style	88508	HB-88508-E
90-80	Spicer 1410, 1480 & Cleveland 055 Series / Brg. I.D. 1.5748" (40mm)- Slip Yoke Style		HB-88508-AB
90-80	Spicer 1480 Series / Brg. I.D. 1.5748" (40mm)	88508	HB-88508
90-80	Spicer 1480 Series / Brg. I.D. 1.5748" (40mm)- Slip Yoke Style	88508	HB-88508-B
90-80	Spicer 1550 Series / Brg. I.D. 1.7717" (45mm)- End Yoke Style		HB-88509-A
90-80	Spicer 1550, 1610, 1650 Series / Brg. I.D. 1.7717" (45mm)- Slip Yoke Style		HB-88509
90-80	Spicer 1710HD, 1810HD Series / Brg. I.D. 2.3622" (60mm)- End Yoke Style	◆	HB-88512-AHD HB-88512-A
90-80	Spicer 1760, 1810 Series / Brg. I.D. 2.3622" (60mm)- End Yoke Style		HB-88512-A
90-80	Spicer 1410 Series / Brg. I.D. 1.5748" (40mm)	88508	HB-88508-A
TRANSMISSION			
AUTOMATIC / 4 Speed			
FRONT PUMP			
97-80	Allison AT542, AT545	6712NA	
	Redi-Sleeve	99187	
96-83	Allison MT643 (2.250" Shaft)	454136N	
	Redi-Sleeve	99225	

(Cont.) (Class 4 & 5) **MEDIUM DUTY - GMC TRUCK 1 1/2 TON**

Year	Application	Seal	Bearing
TRANSMISSION			
AUTOMATIC / 4 Speed (Cont.)			
OUTPUT SHAFT			
96-83	Allison MT643 (3.500" Shaft)	476424N	209-L
96-83	Allison MT643 (3.750" Shaft)	455031	209-L
EXTENSION HOUSING			
97-80	Allison AT542, AT545	415988	109
96-83	Allison MT643		109
MANUAL SHAFT			
97-80	Allison AT542, AT545, MT643	340847	
AUTOMATIC / 5 Speed			
FRONT PUMP			
96-90	Allison MT653 (2.250" Shaft)	454136N Redi-Sleeve 99225	
OUTPUT SHAFT			
96-90	Allison MT653 (3.500" Shaft)	476424N	209-L
96-90	Allison MT653 (3.750" Shaft)	455031	209-L
EXTENSION HOUSING			
96-90	Allison MT653		109
MANUAL SHAFT			
96-90	Allison MT653	340847	
MANUAL / 4 Speed			
TRANSMISSION KIT			
90-85	CH465		T-157-A
84-80	CH465		☒ T-157
DRIVESHAFT / INPUT			
1990	CH465 (1st Design)	481181N Redi-Sleeve 99162	N-1211-L
89-80	CH465	481181N Redi-Sleeve 99162	N-1211-L
MAINSHAFT / OUTPUT			
90-85	CH465	410085	308-FFL
84-80	CH465	410085	1308-L
MAINSHAFT PILOT			
90-80	CH465		(17)QAR-34604
COUNTERSHAFT			
90-85	CH465 (Front)		5707
	(Rear)		308-FFL
84-80	CH465 (Front)		5707
	(Rear)		1308-L
MANUAL / 5 Speed			
TRANSMISSION KIT			
96-95	Fuller FS4205		T-208
94-84	Clark CL457, Fuller FS4005 (1.500" Input Shaft)		T-208
94-84	Clark CL457, Fuller FS4005 (1.750" Input Shaft)		T-208-D
88-80	New Process 542		T-29
84-80	Clark 282V, 285V		T-148
83-80	Spicer 5756		T-28

Year	Application	Seal	Bearing
MANUAL / 5 Speed (Cont.)			
DRIVESHAFT / INPUT			
96-95	Fuller FS4205	473010N Redi-Sleeve 99162	M802048-M802011
94-84	Clark CL457, Fuller FS4005 (1.500" Shaft)	473010N Redi-Sleeve 99162	M802048-M802011
94-84	Clark CL457, Fuller FS4005 (1.750" Shaft)	710211 Redi-Sleeve 99187	M804049-M804010
88-80	New Process 542	481181N Redi-Sleeve 99162	1211-SL
84-80	Clark 282V, 285V (1.250" I.D.)	7412S Redi-Sleeve 99125	N-309-L
84-80	Clark 282V, 285V (1.750" I.D.)	482164N Redi-Sleeve 99174	N-309-L
MAINSHAFT / OUTPUT			
96-95	Fuller FS4205	450519	25581-25520
94-84	Clark CL457, Fuller FS4005 (2.252" Shaft)	712512	25581-25520
94-84	Clark CL457, Fuller FS4005 (2.625" Shaft)	411143N	25581-25520
88-80	New Process 542	450519	1308-L
84-80	Clark 282V, 285V (2.250" I.D.)	450316	N-309-L
84-80	Clark 282V, 285V (2.500" I.D.)	450519	N-309-L
84-80	Clark 282V, 285V (2.625" I.D.)	411143N	N-309-L
83-80	Spicer 5756	410519	1311-L
82-80	New Process 542 (Air Brake)	473243	1308-L
82-80	New Process 542 (Exc. Air Brake)	450519	1308-L
MAINSHAFT PILOT			
96-84	Clark CL457, Fuller FS4005, FS4205		(14)QBR-49845
88-80	New Process 542		(14)Q-15902
84-80	Clark 282V, 285V		SRA-5304
83-80	Spicer 5756		(14)O-513-Q
MAINSHAFT 1ST SPEED GEAR			
96-84	Clark CL457, Fuller FS4005, FS4205		F-94490
MAINSHAFT 2ND SPEED GEAR			
96-84	Clark CL457, Fuller FS4005, FS4205		F-94490
MAINSHAFT 3RD SPEED GEAR			
96-84	Clark CL457, Fuller FS4005, FS4205		F-84003
MAINSHAFT 4TH SPEED GEAR			
96-84	Clark CL457, Fuller FS4005, FS4205		F-94488
COUNTERSHAFT			
96-84	Clark CL457, Fuller FS4005, FS4205		(Front) 25877-25821 (Rear) 2689-2631
88-80	New Process 542		(Front) 1208-L (Rear) (24)Q-15902
84-80	Clark 282V, 285V		(Front) M-28161 (Rear) N-309-L
83-80	Spicer 5756		(Front) M-1208-EL (Rear) 1308-SL
REVERSE IDLER			
96-84	Clark CL457, Fuller FS4005, FS4205		(52)QA-48181-A (Continued Next Page)

() Indicates Quantity Required ☒ Refer To Front Of Catalog For Kit Contents

GMC TRUCK 1 1/2 TON - MEDIUM DUTY (Class 4 & 5) (Cont.)

Year	Application	Seal	Bearing	Year	Application	Seal	Bearing
TRANSMISSION				AIR CONDITIONING			
MANUAL / 5 Speed (Cont.)				COMPRESSOR			
REVERSE IDLER				CLUTCH PULLEY			
88-80	New Process 542			95-80	Harrison R-4		907257
	(Front)		B-1412	ELECTRICAL			
	(Rear)		B-1816	ALTERNATOR			
	(Thrust)		NTA-815	DRIVE END			
84-80	Clark 282V, 285V	(2)	F-54970	90-80	AC-Delco 42, 56, 61, 108, 120 Amp.		203-FF
83-80	Spicer 5756	(2)	J-322064	90-80	65, 80, 81, 94, 95, 100 Amp.		305-D
REVERSE GEAR				90-80	AC-Delco 63, 70, 80 Amp.		203-S
96-84	Clark CL457, Fuller FS4005, FS4205		F-84003	REAR END			
REMOTE CONTROL				94-90	AC-Delco 120, 124 Amp.		100-CC4
88-80	New Process 542	350679		90-80	AC-Delco 42, 56, 80, 108 Amp.		MNJ-471-S
	Redi-Sleeve	99076		ENGINE			
84-80	Clark 282V, 285V	471267		CRANKSHAFT			
	Redi-Sleeve	99087		6 CYLINDER			
83-80	Spicer 5756	(2) 350567		94-88	6494cc/6.5L (Turbo-Diesel)	710349	
	Redi-Sleeve (2)	99087			Redi-Sleeve	99413	
4TH SHIFT HUB				86-80	292/4.8L	(Split Seal)	5092
96-84	Clark CL457, Fuller FS4005, FS4205		TR-235383 FA-35688	8 CYLINDER			
5TH SHIFT HUB				96-91	366/6.0L, 427/7.0L	325776	
96-84	Clark CL457, Fuller FS4005, FS4205		TR-235383 FA-35688		Redi-Sleeve	99435	
STEERING				1990	427/7.0L	325776	
MANUAL STEERING					Redi-Sleeve	99435	
STEERING GEAR WORM SHAFT				90-80	366/6.0L	(Split Seal)	5072
88-80	P4T042	340413		TIMING COVER			
STEERING GEAR PITMAN SHAFT				6 CYLINDER			
88-80	P4T042		J-2416	94-88	6494cc/6.5L (Turbo-Diesel)	710390	
POWER STEERING					Redi-Sleeve	99235	
STEERING GEAR SECTOR SHAFT				86-80	292/4.8L	9845	
88-80	P4T042 (Saginaw Pump)	471264	203-FF		Redi-Sleeve	99176	
STEERING GEAR WORM SHAFT					Harmonic Bal Sleeve	88176	
96-90	C5H042 (Ross Design)		NTA-2840		Harmonic Bal Kit <input checked="" type="checkbox"/>	5000	
STEERING KNUCKLE				8 CYLINDER			
96-90	C5H042 (Saginaw Design) (8,000 lb. Axle)		M88048-M88010	96-80	366/6.0L, 427/7.0L	3945	
STEERING PUMP SHAFT					Redi-Sleeve	99233	
96-80	C5D042, C5H042 (Saginaw Pump)	471264	203-FF		Harmonic Bal Sleeve	88233	

GMC TRUCK 2 - 2 1/2 TON - MEDIUM DUTY (Class 6 & 7)

WHEEL				FRONT WHEEL (Cont.)			
FRONT WHEEL				96-90	C7H064 (14,500 lb. Axle)		
96-92	All (12,000 lb. Axle)				(Inner)	• 370212A	
	(Inner)	• 370211A			(Outer)		JM205149-JM205110
	(Outer)		33208	96-90	C7H064 (16,000 lb. Axle)		
96-90	C7H064 (11,000 lb. Axle)				(Inner)	• 370182A	6461A-6420
	(Inner)	• 370211A			(Outer)		557S-552A
	(Outer)		33208	96-90	C7H064 (8,000 lb. Axle)		
	(Continued Next Column)				(Inner)	• 370199A	JM205149-JM205110
					(Outer)		32207
					(Continued Next Page)		

(Cont.) (Class 6 & 7) **MEDIUM DUTY - GMC TRUCK 2 - 2 1/2 TON**

Year	Application	Seal	Bearing
WHEEL			
FRONT WHEEL (Cont.)			
1991	All (12,000 lb. Axle) (1st Design).....	(Inner) • 370211A	
		(Outer) 33208	
1991	All (12,000 lb. Axle) (2nd Design).....	(Inner) • 370212A	
		(Outer) 33208	
1990	C7H064 (12,000 lb. Axle)	(Inner) • 370211A	
		(Outer) 33208	
1990	C7H064 (14,000 lb. Axle)	(Inner) • 370212A	
		(Outer) JM205149-JM205110	
90-80	C7D064 (F070).....	(Inner) 8976S	45284-45220
		(Outer) 2796-2720	
90-80	C7D064 (F090).....	(Inner) • 370018A	39581-39520
		(Outer) 26878-26820	
90-80	C7D064 (F120, F120D)	(Inner) • 370011A	HM212047-HM212011
		(Outer) 45282-45220	
FRONT WHEEL (2WD)			
1997	W6R042.....	(Inner) • 370119A	JM205149-JM205110
		(Outer) 32207	
1997	W7R042HD (11,000 lb. Axle)	(Inner) • 370211A	
		(Outer) 33208	
1997	W7R042HD (12,000 & 14,600 lb. Axles).....	(Inner) • 370212A	
		(Outer) JM205149-JM205110	
1997	W7R042M.....	(Inner) • 370211A	
		(Outer) 33208	
96-93	B7T042 (9,000 lb. Axle)	(Inner) • 370211A	
		(Outer) 33208	
96-92	C6H042, C7H042 (12,000 lb. Axle).....	(Inner) • 370211A	
		(Outer) 33208	
96-90	C6H042, C7H042 (14,500 lb. Axle).....	(Inner) • 370212A	
		(Outer) JM205149-JM205110	
96-90	C6H042, C7H042 (16,000 lb. Axle).....	(Inner) • 370182A	6461A-6420
		(Outer) 557S-552A	
96-90	C6H042, C7H042, P6S042 (11,000 lb. Axle)	(Inner) • 370211A	
		(Outer) 33208	
96-90	B7T042, C6H042, C7H042, P6S042 (8,000 lb. Axle)	(Inner) • 370199A	JM205149-JM205110
		(Outer) 32207	
96-89	W7R042M (Air over Hydraulic Brakes) (Z05)	(Inner) 710088	HM212047-HM212011
		(Outer) 4388-4335	
96-89	W7R042M (Full Air Brakes) (Z06).....	(Inner) 710084	H414245A-H414210
		(Outer) 513046	
96-88	W6R042.....	(Inner) 710087	513045
		(Outer) 513045	
96-87	W7R042HD.....	(Inner) 710084	H414245A-H414210
94-90	W7R042T.....	(Inner) 710088	H414245A-H414210
1991	B6P042 (F120, F120D)	(Inner) • 370011A	HM212047-HM212011
		(Outer) 45282-45220	
(Continued Next Column)			

Year	Application	Seal	Bearing
FRONT WHEEL (2WD) (Cont.)			
1991	C6H042, C7H042 (12,000 lb. Axle) (1st Design)	(Inner) • 370211A	
		(Outer) 33208	
1991	C6H042, C7H042 (12,000 lb. Axle) (2nd Design)	(Inner) • 370212A	
		(Outer) 33208	
91-89	B6P042 (F090).....	(Inner) • 370011A	HM212047-HM212011
		(Outer) 45282-45220	
91-80	B6P042, C6D042, C7D042, P6T042, W6N042, W7N042 (F070).....	(Inner) 8976S	45284-45220
		(Outer) 2796-2720	
1990	C6H042, C7H042 (12,000 lb. Axle).....	(Inner) • 370211A	
		(Outer) 33208	
1990	C6H042, C7H042 (14,000 lb. Axle).....	(Inner) • 370212A	
		(Outer) JM205149-JM205110	
90-89	C7D042 (F090).....	(Inner) • 370018A	39581-39520
		(Outer) 26878-26820	
90-89	B6P042, C7D042, S7T042 (F120, F120D).....	(Inner) • 370011A	HM212047-HM212011
		(Outer) 45282-45220	
90-88	C6D042 (F050, F055)	(Inner) 8975S	3578A-3525
		(Outer) 15103S-15243	
1988	B6P042, C7D042 (F090)	(Inner) • 370018A	39581-39520
		(Outer) 26878-26820	
1988	B6P042, C7D042, P6T042, S7T042 (F120, F120D)	(Inner) • 370011A	HM212047-HM212011
		(Outer) 45282-45220	
88-87	W7R042M.....	(Inner) 710088	HM212047-HM212011
		(Outer) 4388-4335	
1987	B6P042, C7D042, P6T042 (F120, F120D).....	(Inner) • 370011A	HM212047-HM212011
		(Outer) 45282-45220	
87-84	B6P042, C6D042, C7D042, P6T042 (F090).....	(Inner) • 370018A	39581-39520
		(Outer) 26878-26820	
87-80	C6D042, P6T042, W6N042 (F050, F055).....	(Inner) 8975S	3578A-3525
		(Outer) 15103S-15243	
86-83	B6P042, C7D042 (F120, F120D).....	(Inner) • 370011A	HM212047-HM212011
		(Outer) 45282-45220	
83-80	B6P042, C6D042, C7D042, W6N042, W7N042 (F090)	(Inner) • 370018A	39581-39520
		(Outer) 26878-26820	
82-80	C7D042, W7N042 (F120, F120D).....	(Inner) • 370011A	HM212047-HM212011
		(Outer) 45282-45220	
REAR WHEEL			
1997	W6R042 (Spicer S-150-S)	(Inner) • 370008A	33287-33462
		(Outer) 3982-3920	
96-93	B7T042 (Eaton 21065)	(Inner) • 370003A	594A-592A
		(Outer) 580-572	
96-91	B7T042, P6S042 (Eaton 19050).....	(Inner) • 370024A	47686-47620
		(Outer) 39590-39520	
(Continued Next Page)			

GMC TRUCK 2 - 2 1/2 TON - MEDIUM DUTY (Class 6 & 7) (Cont.)

Year	Application	Seal	Bearing
WHEEL			
REAR WHEEL (Cont.)			
96-90	C7H064 (Eaton DS341, DT341, DS402).....	(Inner) • 370023A (Outer) 47686-47620	594A-592A 47686-47620
96-90	C7H064 (Rockwell Standard SL100P, SQ100P) (Inner) • 370023A (Outer) 47686-47620	594-592A 47686-47620	
96-90	W6R042..... (Inner) 710085 (Outer) 710086 32213	710085 710086	32215 32213
96-90	C6H042, C7H042 (Eaton 19050, 19055)..... (Inner) • 370023A (Outer) 39590-39520	370023A 39590-39520	47686-47620 39590-39520
96-90	C6H042, C7H042 (Eaton 21065, 22065, 23070, 23105, 23085, 26085) (Inner) • 370003A (Outer) 580-572	370003A 580-572	594A-592A 580-572
96-90	C6H042, C7H042 (Rockwell Standard 23160) (Inner) • 370003A (Outer) 580-572	370003A 580-572	594A-592A 580-572
96-90	B7T042, C6H042, C7H042, P6S042 (Eaton 15040) (Inner) • 370008A (Outer) 3982-3920	370008A 3982-3920	33287-33462 3982-3920
94-87	W7R042M..... (Inner) 32216 (Outer) 32215	32216 32215	
94-87	W7R042HD, W7R042T (Inner) 710089 * 32219 (Outer) * 710090	710089 * 710090	* 32219
1991	B6P042 (H175, T175) (Inner) 6864S 495AX-493 • 370009A (Outer) 39590-39520	6864S • 370009A	495AX-493 39590-39520
91-82	B6P042, C6D042, P6T042 (H110, H135)..... (Inner) • 370046A (Outer) 28682-* 28622A	370046A 28682-* 28622A	3984-3920 28682-* 28622A
91-82	B6P042, C6D042, P6T042 (H150, T150)..... (Inner) 6864S 33287-33472 • 370009A (Outer) 3982-3925	6864S • 370009A	33287-33472 3982-3925
91-80	B6P042, C6D042, P6T042, W6N042 (17121, 17221) (Inner) • 370023A (Outer) 39590-39520	370023A 39590-39520	47686-47620 39590-39520
90-88	B6P042, C6D042, C7D042, C7D064, P6T042, S7T042 (H175, T175)..... (Inner) 6864S 495AX-493 • 370009A (Outer) 39590-39520	6864S • 370009A	495AX-493 39590-39520
87-82	B6P042, C6D042, C7D042, C7D064, P6T042 (H175, T175)..... (Inner) 6864S 495AX-493 • 370009A (Outer) 39590-39520	6864S • 370009A	495AX-493 39590-39520
81-80	C7D064 (H175, T175) (Inner) 6864S 495AX-493 • 370009A (Outer) 39590-39520	6864S • 370009A	495AX-493 39590-39520
81-80	B6P042, C6D042, W6N042 (H135)..... (Inner) 2055 ■ KD-12051-Z (Outer) ■ KB-11786-Y	2055 ■ KD-12051-Z ■ KB-11786-Y	

(Continued Next Column)

Year	Application	Seal	Bearing
REAR WHEEL (Cont.)			
81-80	B6P042, C6D042, C7D042, W6N042, W7N042 (T170) (Inner) 9128S 495AX-493 (Outer) 39590-39520	9128S	495AX-493 39590-39520
AXLE			
REAR AXLE DIFFERENTIAL KIT			
96-87	Spicer M220T.....		RA-214
96-87	Eaton 19050T, 19055D, 19055S, 19055T.....		RA-23-D
96-86	Eaton 15040T, 15101.....		RA-24
96-80	Eaton 23221, 26085P, 26085T.....		RA-72-A
91-88	Eaton 16121, 17401.....		RA-23-B
88-83	Eaton 17201, 17221.....		RA-1
88-80	Eaton 17121, 18121.....		RA-1-A
87-86	Eaton 16121.....		RA-23-B
86-83	Eaton 23121.....		RA-18-E
83-81	T150.....		RA-170
82-81	Eaton 17221.....		RA-1
81-80	Eaton 16244.....		RA-23-D
1980	Eaton 17201, 17221.....		RA-1
1980	T150, T170.....		RA-170
DIFFERENTIAL			
96-90	Rockwell 23160.....		(2)32021-X
96-89	Eaton 21065S, 23070S, 23105S (Left) 598-592A (Right) 497-493		598-592A 497-493
96-89	Eaton 21065T, 23070P, 23070T (Left) 56425-56650 (Right) 497-493		56425-56650 497-493
96-88	Isuzu R077.....		(2)30214-A
96-88	Eaton 15040T..... (Left) 498-493 (Right) 33275-33472		498-493 33275-33472
96-87	Isuzu R094.....		(2)32216
96-87	Spicer M220T..... (Left) JM822049-JM822010 (Right) JM716649-JM716610		JM822049-JM822010 JM716649-JM716610
96-87	Eaton 19050T, 19055D, 19055S, 19055T (Left) 42381-42584 (Right) 495A-493		42381-42584 495A-493
96-87	Eaton 15040S, 19050S (Left) 3994-3920 (Right) 497-493		3994-3920 497-493
96-80	Eaton 23221, 26085P, 26085T (Left) 68450-68712 (Right) 42346-42584		68450-68712 42346-42584
91-88	Eaton 16121, 17401 (Left) 567-563 (Right) 3994-3920		567-563 3994-3920
1988	Rockwell 23160.....		(2)32021-X
88-87	Eaton 17121, 18121, 21421 (Left) 567-563 (Right) 497-493		567-563 497-493
88-87	Eaton 21065S, 22065S, 23070S, 23105S (Left) 598-592A (Right) 497-493		598-592A 497-493
88-86	Eaton 23421..... (Left) 68462-68712 (Right) 42381-42584		68462-68712 42381-42584
88-83	Eaton 17201, 17221, 17421, 21065T, 22065T, 22221, 23070P, 23070T..... (Left) 56425-56650 (Right) 497-493		56425-56650 497-493
88-82	T175..... (Left) 42381-42584 (Right) 495AX-493		42381-42584 495AX-493

(Continued Next Page)

(Cont.) (Class 6 & 7) **MEDIUM DUTY - GMC TRUCK 2 - 2 1/2 TON**

Year	Application	Seal	Bearing
AXLE			
REAR AXLE (Cont.)			
DIFFERENTIAL			
87-86	Eaton 15040T, 15101		
	(Left)	3994-3920	
	(Right)	33275-33472	
87-86	Eaton 16121	567-563	
	(Left)	3994-3920	
	(Right)	498-493	
87-84	T150	33275-33472	
86-83	H135	(2)3994-JM511910	
86-83	Eaton 23121	665-653	
	(Left)	42381-42584	
	(Right)	(2)KR-12051-Z	
86-81	H150		
86-80	Eaton 17121, 18121, 21121, 22121		
	(Left)	567-563	
	(Right)	497-493	
83-80	T150	42381-42584	
	(Left)	33275-33472	
	(Right)		
82-81	Eaton 17221, 22221		
	(Left)	56425-56650	
	(Right)	497-493	
82-80	Rockwell H172	(2)JLM714149-JLM714110	
81-80	Eaton 16244	42381-42584	
	(Left)	495A-493	
	(Right)	(2)42688-42620	
81-80	T185		
1980	H175	(2)JLM714149-JLM714110	
1980	H150, H170	(2)KR-12051-Z	
1980	T170	42381-42584	
	(Left)	33287-33472	
	(Right)		
1980	Eaton 17201, 17221, 22221		
	(Left)	56425-56650	
	(Right)	497-493	
PINION			
96-90	Rockwell 23160		
	(Outer)	417987N	HM813843-HM813810
	Redi-Sleeve	99325	
96-89	Eaton 26085P, 26085T		
	(Inner)	78215C-78551	
	(Outer)	712937	72212C-72487
	Redi-Sleeve	99293	
	(Pilot)		MUS-1308-UM
96-89	Eaton 21065S		
	(Inner)	78215C-78551	
	(Outer)	9773	55200C-55437
	Redi-Sleeve	99262	
	(Pilot)		MUS-1308-UM
96-89	Eaton 21065T		
	(Inner)	72200C-72487	
	(Outer)	9773	55200C-55437
	Redi-Sleeve	99262	
	(Pilot)		MUS-1307-UM
96-88	Isuzu R077		
	(Inner)		30310-A
	(Outer)	710276	30309
	Redi-Sleeve	99235	
96-87	Isuzu R094		
	(Inner)		30310-A
	(Outer)	710275	30311-A
96-87	Isuzu R105		
	(Outer)	710275	580-572
96-87	Spicer M220T		
	(Inner)		72225C-72487
	(Outer)	477163N	55200C-55437
	Redi-Sleeve	99300	
	(Pilot)		MUS-1308-UM
96-87	Eaton 23070P, 23070T		
	(Inner)		78215C-78551
	(Outer)	712937	72212C-72487
	Redi-Sleeve	99293	
	(Pilot)		MUB-5207-UM
(Continued Next Column)			

Year	Application	Seal	Bearing
REAR AXLE (Cont.)			
PINION			
96-87	Eaton 23070S, 23105S		
	(Inner)		H913842-H913810
	(Outer)	712937	72212C-72487
	Redi-Sleeve	99293	
	(Pilot)		MUS-1308-UM
96-87	Eaton 19050T, 19055D, 19055S, 19055T		
	(Inner)	9773	(2)55175C-55437
	Redi-Sleeve	99262	
	(Pilot)		MUS-1307-UM
96-87	Eaton 15040T		
	(Pilot)		MU-1305-TDM
96-87	Eaton 15040S		
	(Inner)		55175C-55437
	(Outer)	9773	HM903249-HM903210
	Redi-Sleeve	99262	
	(Pilot)		MUB-1305-UDM
96-87	Eaton 19050S		
	(Inner)		72200C-72487
	(Outer)	9773	HM903249-HM903210
	Redi-Sleeve	99262	
	(Pilot)		RUB-1570-UM
96-86	Eaton 15040T, 15101		
	(Seal & Retainer)	722250	(2)HM903249-HM903210
	Redi-Sleeve	99225	
91-88	Eaton 16121, 17401		
	(Inner)	712625	(2)HM903249-HM903210
	Redi-Sleeve	99262	
	(Pilot)		MUS-1307-UM
1988	Eaton 21421		
	(Inner)		55200C-55437
	(Outer)	9773	55200C-55437
	Redi-Sleeve	99262	
	(Pilot)		MUS-1307-UM
1988	Rockwell 23160		
	(Outer)	417987N	HM813843-HM813810
	Redi-Sleeve	99325	
88-87	Eaton 21065S, 22065S		
	(Inner)		78215C-78551
	(Outer)	9773	55200C-55437
	Redi-Sleeve	99262	
	(Pilot)		MUS-1308-UM
88-86	Eaton 17421		
	(Inner)		78215C-78551
	(Outer)	9773	55200C-55437
	Redi-Sleeve	99262	
	(Pilot)		MUS-1307-UM
88-85	Eaton 21065T, 22065T, 22221		
	(Inner)		72200C-72487
	(Outer)	9773	55200C-55437
	Redi-Sleeve	99262	
	(Pilot)		MUS-1307-UM
88-84	Eaton 23221, 23421, 26085P, 26085T		
	(Inner)		78215C-78551
	(Outer)	712937	72212C-72487
	Redi-Sleeve	99293	
	(Pilot)		MUS-1308-UM
88-83	Eaton 17121, 17201, 17221, 18121		
	(Inner)	9773	(2)55200C-55437
	Redi-Sleeve	99262	
	(Pilot)		MUS-1307-UM
88-82	T175		
	(Inner)	9773	(2)55175C-55437
	Redi-Sleeve	99262	
	(Pilot)		MUS-1307-UM
87-86	Eaton 15101		
	(Inner)	470737N	(2)HM903249-HM903210
	(Pilot)		MU-1305-TDM
87-86	Eaton 16121		
	(Inner)	712625	(2)HM903249-HM903210
	Redi-Sleeve	99262	
	(Pilot)		MUS-1307-UM
87-84	T150		
	(Seal & Retainer)	722250	HM903249-HM903210
	Redi-Sleeve	99225	
	(Pilot)		MU-1305-TDM
(Continued Next Page)			

() Indicates Quantity Required

GMC TRUCK 2 - 2 1/2 TON - MEDIUM DUTY (Class 6 & 7) (Cont.)

Year	Application	Seal	Bearing
AXLE			
REAR AXLE (Cont.)			
PINION			
86-85	Eaton 21121, 22121		
	(Inner)	55200C-55437	
	(Outer)	9773	55200C-55437
	Redi-Sleeve	99262	
	(Pilot)		MUS-1307-UM
86-84	Eaton 23121		
	(Inner)	72212C-72487	
	(Outer)	712937	72212C-72487
	Redi-Sleeve	99293	
	(Pilot)		MUS-1308-UM
86-83	H135		
	(Inner)	HM803146-HM803110	
	(Outer)	475080N	44143-44348
	Redi-Sleeve	99210	
	(Pilot)		MU-1305-TDM
86-80	H150		
	(Outer)	411330N	■ A-1011
	(Felt)	5M89	
	Redi-Sleeve	99259	
	(Pilot)		MR-5206-EL
84-80	Eaton 22121, 22221		
	(Inner)	72200C-72487	
	(Outer)	9773	55200C-55437
	Redi-Sleeve	99262	
	(Pilot)		MUS-1307-UM
83-81	T150		
	(Inner)	55200C-55437	
	(Outer)	712598	HM804848-HM804810
	Redi-Sleeve	99259	
	(Pilot)		M-5305-TV
83-80	Eaton 23121, 23221		
	(Inner)	78215C-78551	
	(Outer)	712937	72212C-72487
	Redi-Sleeve	99293	
	(Pilot)		MUS-1308-UM
82-81	Eaton 17121, 17221, 18121		
	(Inner)	9773	(2)55200C-55437
	Redi-Sleeve	99262	
	(Pilot)		MUS-1307-UM
82-80	Rockwell H172		
	(Inner)	55200C-55437	
	(Outer)	415082N	HM804846-HM804810
	Redi-Sleeve	99248	
	(Pilot)		RU-1570-UM
81-80	Eaton 16244		
	(Inner)	9773	(2)55175C-55437
	Redi-Sleeve	99262	
	(Pilot)		MUS-1307-UM
81-80	T185		
	(Outer)	475009N	
	Redi-Sleeve	99274	
1980	H175		
	(Inner)	55200C-55437	
	(Outer)	415082	HM804846-HM804810
	Redi-Sleeve	99248	
1980	Eaton 17121, 17201, 17221, 18121		
	(Inner)	9773	(2)55200C-55437
	Redi-Sleeve	99262	
	(Pilot)		MUS-1307-UM
1980	T150, T170		
	(Inner)	55200C-55437	
	(Outer)	712598	HM804848-HM804810
	Redi-Sleeve	99259	
	(Pilot)		M-5305-TV
1980	H170		
	(Outer)	411330N	■ A-1011
	(Felt)	5M89	
	Redi-Sleeve	99259	
	(Pilot)		MUB-5206-UM
ELECTRIC SHIFT			
96-83	Eaton 15040T, 15101, 17201, 17221, 19050T, 19055D, 19055S, 19055T		200-SL
83-81	T150		200-SL

(Continued Next Column)

Year	Application	Seal	Bearing
REAR AXLE (Cont.)			
ELECTRIC SHIFT			
82-81	Eaton 16244, 17221		200-SL
1980	T150, T170		200-SL
1980	Eaton 16244, 17201, 17221		200-SL
CROSS SHAFT			
81-80	T185		
	(Left)		HM807040-HM807010
	(Right)		HM807046-HM807010
TANDEM AXLE / FRONT			
DIFFERENTIAL KITS			
96-90	Eaton DS341		RA-196
96-90	Eaton DS402, DT341, DT402		RA-207
1980	Eaton 34DS		RA-64-FD
DIFFERENTIAL			
96-90	Eaton DS341	(Left)	497-493
		(Right)	567-563
96-90	Rockwell SQ100P		(2)JM716649-JM716610
96-90	Eaton DS402, DT341, DT402		
		(Left)	497-493
		(Right)	56425-56650
95-90	Rockwell SL100P		
		(Left)	JM716649-JM716610
		(Right)	JM716649-JM716610
1980	Eaton 34DS	(Left)	497-493
		(Right)	567-563
1980	Rockwell SLHD		(2)496-493
PINION			
1996	Rockwell SQ100P		
		(Inner)	72212C-72487
		(Outer)	72212C-72487
		(Pilot)	RU-1570-UM
96-90	Eaton DS341		
		9773	(2)55200C-55437
		Redi-Sleeve	99262
		(Pilot)	MUS-1307-UM
96-90	Eaton DS402, DT341, DT402		
		(Inner)	72218C-72487
		(Outer)	HM807049-HM807010
		(Pilot)	MUS-1307-UM
95-90	Rockwell SL100P, SQ100P		
		(Inner)	72212C-72487
		(Outer)	72212C-72487
		(Pilot)	RU-1570-UM
1980	Eaton 34DS		(2)72200C-72487
		(Pilot)	MUS-1307-UM
1980	Rockwell SLHD		(2)72200C-72487
		Redi-Sleeve	99293
		(Pilot)	RU-1570-UM
INPUT			
96-90	Eaton DS341, DS402, DT341, DT402		
		475012N	3979-JM511910
		Redi-Sleeve	99293
1980	Eaton 34DS		
		475003N	JM207049-JM207010
		Redi-Sleeve	99262
1980	Rockwell SLHD		211-B
OUTPUT			
96-90	Eaton DS341, DS402, DT341, DT402		
		(Inner)	29675-29620
		(Outer)	475003N
		Redi-Sleeve	99262
		(Pilot)	MA-1209-EL
1980	Eaton 34DS		
		(Inner)	34274-34492A
		(Outer)	475003N
		Redi-Sleeve	99262

() Indicates Quantity Required ■ Replace Complete Unit

(Cont.) (Class 6 & 7) **MEDIUM DUTY - GMC TRUCK 2 - 2 1/2 TON**

Year	Application	Seal	Bearing
AXLE			
TANDEM AXLE / FRONT (Cont.)			
DRIVE			
1980	Rockwell SLHD.....	(2)29675-29630	
IDLER			
1980	Rockwell SLHD.....	(2)31597-31520	
THRUSHAFT			
1980	Rockwell SLHD.....	475322N.....	(2)A-37
		Redi-Sleeve 99274	
TANDEM AXLE / REAR			
DIFFERENTIAL KITS			
96-95	Eaton DS402, DT341.....		RA-207
96-90	Eaton DS341.....		RA-196
94-90	Eaton DS402, DT341, DT402.....		RA-207
1980	Eaton 34RT.....		RA-1
DIFFERENTIAL			
96-95	Eaton DS402, DT341		
	(Left).....	497-493	
	(Right).....	56425-56650	
96-90	Eaton DS341.....		
	(Left).....	497-493	
	(Right).....	567-563	
96-90	Rockwell SL100P.....	(2)JM716649-JM716610	
94-90	Eaton DS402, DT341, DT402		
	(Left).....	497-493	
	(Right).....	56425-56650	
1980	Eaton 34RT.....		497-493
	(Left).....	56425-56650	
	(Right).....	56425-56650	
1980	Rockwell SLHD.....	(2)496-493	
PINION			
1996	Rockwell SL100P.....	(2)72212C-72487	
1996	Rockwell SQ100P.....	3905.....	(2)72212C-72487
	(Pilot).....		RU-1570-UM
96-95	Eaton DS402, DT341		
	(Inner).....	72218C-72487	
	(Outer).....	HM807049-HM807010	
	(Pilot).....		MUS-1307-UM
96-90	Eaton DS341.....		
	(Inner).....	55200C-55437	
	(Outer).....	9773.....	55200C-55437
	Redi-Sleeve 99262		
	(Pilot).....		MUS-1307-UM
95-90	Rockwell SL100P, SQ100P.....	3905.....	(2)72212C-72487
	(Pilot).....		RU-1570-UM
94-90	Eaton DS402, DT341, DT402		
	(Inner).....	72218C-72487	
	(Outer).....	HM807049-HM807010	
	(Pilot).....		MUS-1307-UM
1980	Eaton 34RT.....	9773.....	(2)55200C-55437
	Redi-Sleeve 99262		
	(Pilot).....		MUS-1307-UM
1980	Rockwell SLHD.....	(Inner).....	72200C-72487
	(Outer).....	475009N.....	72188C-72487
	Redi-Sleeve 99274		
	(Pilot).....		RU-1570-UM
INPUT			
96-95	Eaton DS341, DS402, DT341..	475012N.....	3979-JM511910
	Redi-Sleeve 99293		
96-90	Rockwell SL100P, SQ100P.....	476023N.....	
94-90	Eaton DS341, DS402, DT341, DT402.....	475012N.....	3979-JM511910
	Redi-Sleeve 99293		

Year	Application	Seal	Bearing
TANDEM AXLE / REAR (Cont.)			
OUTPUT			
96-95	Eaton DS341, DS402, DT341		
	(Inner).....	29675-29620	
	(Outer).....	475003N.....	MA-1209-EL
	Redi-Sleeve 99262		
96-90	Rockwell SL100P, SQ100P.....	473274N.....	
94-90	Eaton DS341, DS402, DT341, DT402		
	(Inner).....	29675-29620	
	(Outer).....	475003N.....	MA-1209-EL
	Redi-Sleeve 99262		
ELECTRIC SHIFT			
1980	Eaton 34RT.....		200-SL
CLUTCH			
PILOT			
6 CYLINDER			
97-95	7130cc/7.1L (Turbo-Diesel).....	(Hi-Temp.)	205-VV
			205-FF
96-90	403/6.6L (Turbo-Diesel).....		305-DD
94-87	5785cc/5.8L (Turbo-Diesel), 6494cc/6.5L (Diesel), 6494cc/6.5L (Turbo-Diesel), 8413cc/8.4L (Turbo-Diesel), 6128cc/6.1L (Diesel).....		205-FF
		(Hi-Temp.)	205-VV
86-83	6128cc/6.1L (Diesel).....		205-FF
		(Hi-Temp.)	205-VV
86-80	292/4.8L.....		(H/D) PB-656-HD
8 CYLINDER			
97-89	366/6.0L, 366/6.0L (LPG), 427/7.0L.....		205-FF
		(Hi-Temp.)	205-VV
91-86	350/5.7L (13" Clutch).....		105-CC
91-80	500/8.2L (Diesel), 500/8.2L (Turbo-Diesel) (2.047" O.D. x 0.591" Width).....		205-FF
		(Hi-Temp.)	205-VV
91-80	500/8.2L (Diesel), 500/8.2L (Turbo-Diesel) (2.440" O.D. x 0.669" Width).....		305-DD
91-80	350/5.7L (12" Clutch).....		(H/D) PB-656-HD
90-80	500/8.2L (Diesel), 500/8.2L (Turbo-Diesel) (2.440" O.D. x 0.630" Width).....		206-FF
		(Hi-Temp.)	206-VV
89-87	500/8.2L (Diesel) (1.750" Spline).....		206-FF
		(Hi-Temp.)	206-VV
89-83	500/8.2L (Diesel) (1.500" Spline).....		305-DD
89-80	636/10.4L (Diesel), 636/10.4L (Turbo-Diesel).....		305-DD
88-80	500/8.2L (Diesel), 500/8.2L (Turbo-Diesel), 366/6.0L, 366/6.0L (LPG), 427/7.0L.....		205-FF
		(Hi-Temp.)	205-VV
1986	500/8.2L (Diesel), 500/8.2L (Turbo-Diesel) (1.750" Spline).....		206-FF
		(Hi-Temp.)	206-VV
85-83	500/8.2L (Diesel) (1.750" Spline).....		206-FF
		(Hi-Temp.)	206-VV
85-80	350/5.7L (13" Clutch).....		205-FF
		(Hi-Temp.)	205-VV
RELEASE			
		Bearing Only	Bearing Assembly
4 CYLINDER			
1980	212/3.5L (Diesel), 212/3.5L (Turbo-Diesel) (14" Clutch) (Single Plate).....	2005-35.....	614024

() Indicates Quantity Required

GMC TRUCK 2 - 2 1/2 TON - MEDIUM DUTY (Class 6 & 7) (Cont.)

Year	Application	Seal	Bearing
CLUTCH			
RELEASE (Cont.)			
		<i>Bearing Only</i>	<i>Bearing Assembly</i>
6 CYLINDER			
97-95	7130cc/7.1L (Turbo-Diesel) (380mm Clutch).....	613014	
97-95	7130cc/7.1L (Turbo-Diesel) (355mm Clutch).....	613011	
96-90	403/6.6L (Turbo-Diesel) (Spicer 13" Clutch).....		614057
96-90	403/6.6L (Turbo-Diesel) (14" Clutch) (RT613-6610-6613).....	02256-N	
94-90	5785cc/5.8L (Turbo-Diesel), 6494cc/6.5L (Turbo-Diesel), 8413cc/8.4L (Turbo-Diesel) (355mm Clutch).....	613009	
94-87	8413cc/8.4L (Turbo-Diesel) (380mm Clutch).....	613009	
90-88	6494cc/6.5L (Diesel) (330mm Clutch).....	613009	
89-87	5785cc/5.8L (Turbo-Diesel), 6494cc/6.5L (Turbo-Diesel) (355mm Clutch).....	613009	
87-83	6128cc/6.1L (Diesel) (14" Clutch) (Single Plate).....	2005-35	614024
87-83	6128cc/6.1L (Diesel) (14" Clutch) (1.500" Spline).....	2005-35	614024
87-83	6128cc/6.1L (Diesel) (14" Clutch) (T638 Nabisco).....	2005-31	
86-80	292/4.8L (13" Clutch).....	02135	CA-02135-C
86-80	292/4.8L (12" Clutch)..... (Angular Contact)		CC-1705-C © 614018
8 CYLINDER			
97-90	366/6.0L, 427/7.0L (Spicer 13" Clutch).....		614057
96-91	366/6.0L, 427/7.0L (14" Clutch) (RT613-6610-6613).....	02256-N	
1991	500/8.2L (Diesel), 500/8.2L (Turbo-Diesel) (14" Clutch) (1.750" Spline).....	2505-T	
91-87	500/8.2L (Diesel), 500/8.2L (Turbo-Diesel) (14" Clutch) (1.500" Spline).....	2005-35	614024
91-80	350/5.7L, 366/6.0L, 366/6.0L (LPG) (13" Clutch).....	02135	CA-02135-C
1990	500/8.2L (Diesel), 500/8.2L (Turbo-Diesel), 366/6.0L, 427/7.0L (14" Clutch) (RT613-6610-6613).....	02256-N	
90-87	427/7.0L (12" Clutch) (Clark Trans.).....	2005-35	614042
90-87	427/7.0L (12" Clutch) (Fuller Trans.).....	613007	
90-87	427/7.0L (12" Clutch) (Spicer Trans.).....	2255-18	614019
90-87	500/8.2L (Diesel), 500/8.2L (Turbo-Diesel), 427/7.0L (14" Clutch) (FS6106A).....	2505-14	

(Continued Next Column)

Year	Application	Seal	Bearing
RELEASE (Cont.)			
		<i>Bearing Only</i>	<i>Bearing Assembly</i>
8 CYLINDER			
90-85	500/8.2L (Diesel), 500/8.2L (Turbo-Diesel), 427/7.0L (14" Clu.) (Spicer 5552-5952).....	2005-35	
90-85	636/10.4L (Diesel), 636/10.4L (Turbo-Diesel), 500/8.2L (Diesel), 500/8.2L (Turbo-Diesel) (14" Clutch) (1.750" Spline).....	2505-T	
90-80	500/8.2L (Turbo-Diesel) (14" Clutch) (Push Type).....	2505-T	
90-80	500/8.2L (Diesel), 500/8.2L (Turbo-Diesel) (14" Clutch) (Spicer 4054D).....		CA-02135-C
90-80	350/5.7L (12" Clutch)..... (Angular Contact)	02135	CC-1705-C © 614018
90-80	500/8.2L (Diesel), 500/8.2L (Turbo-Diesel) (14" Clutch) (Push Type).....	2505-T	GE-2505-C
90-80	636/10.4L (Diesel), 636/10.4L (Turbo-Diesel), 427/7.0L (14" Clutch) (Single Plate).....	2005-35	614024
89-85	500/8.2L (Diesel), 500/8.2L (Turbo-Diesel), 427/7.0L (14" Clutch) (RT613-6610-6613).....	02256-N	
86-80	500/8.2L (Diesel), 500/8.2L (Turbo-Diesel), 427/7.0L (14" Clutch) (1.500" Spline).....	2005-35	614024
84-80	500/8.2L (Diesel), 500/8.2L (Turbo-Diesel) (14" Clutch) (1.750" Spline).....	2505-T	
84-80	500/8.2L (Diesel), 500/8.2L (Turbo-Diesel), 366/6.0L, 427/7.0L (14" Clutch) (RT613-6610-6613).....	02256-N	
1980	427/7.0L (12" Clutch) (Clark Trans.).....	2005-35	614042
1980	427/7.0L (12" Clutch) (Fuller Trans.).....	613007	
1980	427/7.0L (12" Clutch) (Spicer Trans.).....	2255-18	614019
DRIVESHAFT			
CENTER SUPPORT			
		<i>Bearing</i>	<i>Bearing & Support</i>
96-91	Spicer 1550, 1610, 1650 Series / Brg. I.D. 1.7717" (45mm)- End Yoke Style.....		HB-88509-A
96-90	Spicer 1480 Series / Brg. I.D. 1.5748" (40mm)- End Yoke Style.....		HB-88508-AA
96-90	Spicer 1710 Series / Brg. I.D. 1.9685" (50mm)- End Yoke Style.....		HB-88510
96-90	Spicer 1760 Series / Brg. I.D. 2.3622" (60mm)- End Yoke Style.....		♦ HB-88512-AHD HB-88512-A
96-80	Spicer 1550, 1610 Series / Brg. I.D. 1.7717" (45mm)- Slip Yoke Style.....		HB-88509-C
96-80	Spicer 1410, 1480 & Cleveland 055 Series / Brg. I.D. 1.5748" (40mm)- Slip Yoke Style.....		HB-88508-AB

(Continued Next Page)

(Cont.) (Class 6 & 7) **MEDIUM DUTY - GMC TRUCK 2 - 2 1/2 TON**

Year	Application	Seal	Bearing
DRIVESHAFT			
CENTER SUPPORT (Cont.)			
		<i>Bearing</i>	<i>Bearing & Support</i>
96-80	Spicer 1550, 1610, 1650 Series / Brg. I.D. 1.7717" (45mm)- Slip Yoke Style		HB-88509
91-80	Spicer 1330, 1350, 1410 & 1480 Series / Brg. I.D. 1.5748" (40mm)- Slip Yoke Style	88508	HB-88508-C
90-80	Rockwell 68WB & Spicer 1710 Series / Brg. I.D. 1.9685" (50mm)- End Yoke Style		HB-88510
90-80	Spicer 1410 Series / Brg. I.D. 1.3780" (35mm)- Slip Yoke Style	88107	HB-88107-A (Opt. w/Slings) HB-88107-E
90-80	Spicer 1410 Series / Brg. I.D. 1.5748" (40mm)	88508	HB-88508-A
90-80	Spicer 1410 Series / Brg. I.D. 1.5748" (40mm)- End Yoke Style	88508	HB-88508-E
90-80	Spicer 1480 Series / Brg. I.D. 1.5748" (40mm)	88508	HB-88508
90-80	Spicer 1480 Series / Brg. I.D. 1.5748" (40mm)- Slip Yoke Style	88508	HB-88508-B
90-80	Spicer 1550 Series / Brg. I.D. 1.7717" (45mm)- End Yoke Style		HB-88509-A
90-80	Spicer 1710HD, 1810HD Series / Brg. I.D. 2.3622" (60mm)- End Yoke Style		HB-88512-AHD HB-88512-A
90-80	Spicer 1760, 1810 Series / Brg. I.D. 2.3622" (60mm)- End Yoke Style		HB-88512-A
TRANSMISSION			
AUTOMATIC / 4 Speed			
FRONT PUMP			
1997	Allison AT542	6712NA	
		Redi-Sleeve 99187	
96-80	Allison MT643 (2.250" Shaft)	454136N	
		Redi-Sleeve 99225	
96-80	Allison AT540, AT542, AT545	6712NA	
		Redi-Sleeve 99187	
OUTPUT SHAFT			
96-80	Allison MT643 (3.500" Shaft)	476424N	209-L
96-80	Allison MT643 (3.750" Shaft)	455031	209-L
EXTENSION HOUSING			
1997	Allison AT542	415988	109
96-80	Allison MT643		109
96-80	Allison AT540, AT542, AT545	415988	109
MANUAL SHAFT			
1997	Allison AT542	340847	
96-80	Allison AT540, AT542, AT545, MT643	340847	

Year	Application	Seal	Bearing
AUTOMATIC / 5 Speed			
FRONT PUMP			
96-80	Allison MT653 (2.250" Shaft)	454136N	
		Redi-Sleeve 99225	
OUTPUT SHAFT			
96-80	Allison MT653 (3.500" Shaft)	476424N	209-L
96-80	Allison MT653 (3.750" Shaft)	455031	209-L
EXTENSION HOUSING			
96-80	Allison MT653		109
MANUAL SHAFT			
96-80	Allison MT653	340847	
MANUAL / 4 Speed			
TRANSMISSION KIT			
90-85	CH465		T-157-A
86-83	Warner T19D (Diesel)		<input checked="" type="checkbox"/> T-82-FD
84-80	CH465		<input checked="" type="checkbox"/> T-157
DRIVESHAFT / INPUT			
1990	CH465 (1st Design)	481181N	N-1211-L
		Redi-Sleeve 99162	
89-80	CH465	481181N	N-1211-L
		Redi-Sleeve 99162	
86-83	Warner T19D (Diesel)	7412S	M802048-M802011
		Redi-Sleeve 99125	
MAINSHAFT / OUTPUT			
90-85	CH465	410085	308-FFL
86-83	Warner T19D (Diesel)	450519	M802048-M802011
84-80	CH465	410085	1308-L
MAINSHAFT PILOT			
90-80	CH465		(17)QAR-34604
86-83	Warner T19D (Diesel)		(22)C-436-Q
COUNTERSHAFT			
90-85	CH465		(Front) 5707 (Rear) 308-FFL
86-83	Warner T19D (Diesel)		(88)C-436-Q
84-80	CH465		(Front) 5707 (Rear) 1308-L
REVERSE IDLER			
86-83	Warner T19D (Diesel)		(74)B-1316-Q
MANUAL / 5 Speed			
TRANSMISSION KIT			
96-95	Fuller FS4205		T-208
94-88	Fuller FS4005 (1.500" Input Shaft)		T-208
94-88	Fuller FS4005 (1.750" Input Shaft)		T-208-D
89-84	Spicer 4054		T-210
89-83	Spicer 6052		T-186
89-80	Spicer 5756, 5852		T-28
89-80	Spicer 5052, 5252, 5552		T-180
1987	Clark CL551, CL557, CL558		T-390-H
87-84	Clark CL450, CL455, CL457, Fuller FS4005 (1.500" Input Shaft)		T-208
87-84	Clark CL450, CL455, CL457, Fuller FS4005 (1.750" Input Shaft)		T-208-D
87-80	New Process 542		T-29
86-83	Clark CL551, CL557		T-390-H
84-80	Clark 282V, 285V		T-148
1983	Clark 282V, 285V		T-190
83-80	Clark 390V, 397V		T-390-G

() Indicates Quantity Required ♦ When Depleted Use Number Listed Directly Below Refer To Front Of Catalog For Kit Contents

GMC TRUCK 2 - 2 1/2 TON - MEDIUM DUTY (Class 6 & 7) (Cont.)

Year	Application	Seal	Bearing
TRANSMISSION			
MANUAL / 5 Speed (Cont.)			
DRIVESHAFT / INPUT			
96-95	Fuller FS4205..... <i>Redi-Sleeve</i>	473010N 99162	M802048-M802011
96-88	Fuller FS6105, FS6205, FS6305..... <i>Redi-Sleeve</i>	473010N 99162	39590-39520
96-88	Fuller FS4005, FS5205 (1.500" Shaft)..... <i>Redi-Sleeve</i>	473010N 99162	M802048-M802011
96-88	Fuller FS4005, FS5205 (1.750" Shaft)..... <i>Redi-Sleeve</i>	710211 99187	M804049-M804010
94-88	Fuller FS5005 (1.625" Bore)..... <i>Redi-Sleeve</i>	473010N 99162	M802048-M802011
94-88	Fuller FS5005 (1.875" Bore)..... <i>Redi-Sleeve</i>	482041N 99187	M804049-M804010
91-88	Spicer 5952.....		JM511946-JM511910
89-84	Spicer 4054.....	5133	1211-L
89-80	Spicer 5052, 5252, 5552, 6052.....	452742	JM511946-JM511910
1987	Clark CL551, CL557, CL558 (1.875" Shaft)..... <i>Redi-Sleeve</i>	482041N 99187	M804049-M804010
87-84	Clark CL450, CL455, CL457, Fuller FS4005 (1.500" Shaft)..... <i>Redi-Sleeve</i>	473010N 99162	M802048-M802011
87-84	Clark CL450, CL455, CL457, Fuller FS4005 (1.750" Shaft)..... <i>Redi-Sleeve</i>	710211 99187	M804049-M804010
87-80	New Process 542..... <i>Redi-Sleeve</i>	481181N 99162	1211-SL
86-83	Clark CL551, CL557 (1.875" Shaft)..... <i>Redi-Sleeve</i>	482041N 99187	M804049-M804010
84-80	Clark 282V, 285V (1.250" I.D.)..... <i>Redi-Sleeve</i>	7412S 99125	N-309-L
84-80	Clark 282V, 285V (1.750" I.D.)..... <i>Redi-Sleeve</i>	482164N 99174	N-309-L
1983	Clark 282V, 285V, 397V..... <i>Redi-Sleeve</i>	473010N 99162	M802048-M802011
83-80	Clark 390V, 397V (1.625" Shaft) (Front)..... <i>Redi-Sleeve</i>	473010N 99162	M802048-M802011
83-80	Clark 390V, 397V (1.870" Shaft) (Rear)..... <i>Redi-Sleeve</i>	482041N 99187	M804049-M804010
83-80	Clark 390V, 397V (1.875" Shaft)..... <i>Redi-Sleeve</i>	482041N 99187	M804049-M804010
MAINSHAFT / OUTPUT			
96-95	Fuller FS4205.....	450519	25581-25520
96-88	Fuller FS6105, FS6205, FS6305.....		45284-45220
96-88	Fuller FS5005, FS5205.....	450519	28580-28527RB
94-88	Fuller FS4005 (2.252" Shaft).....	712512	25581-25520
94-88	Fuller FS4005 (2.625" Shaft).....	411143N	25581-25520
91-88	Spicer 5952.....		JM511946-JM511910
89-84	Spicer 4054.....	455322V	211-L

(Continued Next Column)

Year	Application	Seal	Bearing
MANUAL / 5 Speed (Cont.)			
MAINSHAFT / OUTPUT			
89-83	Spicer 6052.....	415004	3979-JM511910
89-83	Spicer 5552.....	475322N	JM511946-JM511910
89-80	Spicer 5756, 5852.....	410519	1311-L
1987	Clark CL551, CL557, CL558.....		28580-28527RB
87-84	Clark CL450, CL455, CL457, Fuller FS4005 (2.252" Shaft).....	712512	25581-25520
87-84	Clark CL450, CL455, CL457, Fuller FS4005 (2.625" Shaft).....	411143N	25581-25520
87-80	New Process 542.....	450519	1308-L
86-83	Clark CL551, CL557.....		28580-28527RB
84-80	Clark 282V, 285V (2.250" I.D.).....	450316	N-309-L
84-80	Clark 282V, 285V (2.500" I.D.).....	450519	N-309-L
84-80	Clark 282V, 285V (2.625" I.D.).....	411143N	N-309-L
1983	Clark CL551, CL557, 397V.....	455322N	28580-28527RB
1983	Clark 282V, 285V.....	455322N	25584-25547RB
83-80	Clark 390V, 397V (1.771" Shaft).....		25584-25547RB
83-80	Clark 390V, 397V (2.500" Shaft).....	410519	
83-80	Clark 390V, 397V (2.750" Shaft).....	485364N	
82-80	Spicer 5052, 5252.....	450519	JM511946-JM511910
82-80	New Process 542 (Air Brake).....	473243	1308-L
82-80	New Process 542 (Exc. Air Brake).....	450519	1308-L
MAINSHAFT PILOT			
96-88	Fuller FS4005, FS4205, FS5005, FS5205.....	(14)QBR-49845	
89-84	Spicer 4054.....		SCE-2420
89-83	Spicer 6052.....		25877-25821
89-80	Spicer 5756, 5852.....	(14)O-513-Q	
87-84	Clark CL450, CL455, CL457, CL551, CL557, Fuller FS4005.....	(14)QBR-49845	
87-80	New Process 542.....	(14)Q-15902	
84-80	Clark 282V, 285V.....	SRA-5304	
1983	Clark CL551, CL557, 282V, 285V, 390V, 397V.....	(14)QBR-49845	
82-80	Clark 390V, 397V.....	(14)QBR-49845	
MAINSHAFT 1ST SPEED GEAR			
96-88	Fuller FS4005, FS4205, FS5005, FS5205.....		F-94490
89-84	Spicer 4054.....		F-93290
89-83	Spicer 6052.....		F-56619
89-80	Spicer 5052, 5252, 5552.....		F-81205
87-84	Clark CL450, CL455, CL457, Fuller FS4005.....		F-94490
MAINSHAFT 2ND SPEED GEAR			
96-88	Fuller FS4005, FS4205, FS5005, FS5205.....		F-94490
89-84	Spicer 4054.....		F-95407
87-84	Clark CL450, CL455, CL457, Fuller FS4005.....		F-94490
MAINSHAFT 3RD SPEED GEAR			
96-88	Fuller FS4005, FS4205, FS5005, FS5205.....		F-84003
87-84	Clark CL450, CL455, CL457, Fuller FS4005.....		F-84003
MAINSHAFT 4TH SPEED GEAR			
96-88	Fuller FS4005, FS4205, FS5005, FS5205.....		F-94488
1987	Clark CL551, CL557, CL558 (Shift).....		TR-235383
87-84	Clark CL450, CL455, CL457, Fuller FS4005.....		F-94488
86-83	Clark CL551, CL557 (Shift).....		TR-235383
1983	Clark 282V, 285V, 397V.....		TR-235383
MAINSHAFT 5TH SPEED GEAR			
1987	Clark CL551, CL557, CL558 (Shift).....		TR-235383

(Continued Next Page)

() Indicates Quantity Required

(Cont.) (Class 6 & 7) **MEDIUM DUTY - GMC TRUCK 2 - 2 1/2 TON**

Year	Application	Seal	Bearing
TRANSMISSION			
MANUAL / 5 Speed (Cont.)			
MAINSHAFT 5TH SPEED GEAR			
86-83	Clark CL551, CL557 (Shift)		TR-235383
1983	Clark 282V, 285V, 397V		TR-235383
MAINSHAFT REVERSE GEAR			
89-84	Spicer 4054		F-93290
89-83	Spicer 6052		F-56619
89-80	Spicer 5052, 5252, 5552		F-81205
COUNTERSHAFT			
96-88	Fuller FS6105, FS6205, FS6305		
	(Front)	25590-25522	
	(Rear)	3782-3720	
96-88	Fuller FS5005, FS5205	(2)	25590-25520
96-88	Fuller FS4005, FS4205		
	(Front)	25877-25821	
	(Rear)	2689-2631	
91-80	Spicer 5052, 5252, 5552, 5952	(2)	25584-25520
89-84	Spicer 4054	(Front)	A-5
	(Rear)	LM102949-LM102910	
89-83	Spicer 6052	(Front)	M804049-M804010
	(Rear)	JLM506849-JLM506810	
89-80	Spicer 5756, 5852		
	(Front)	M-1208-EL	
	(Rear)	1308-SL	
1987	Clark CL551, CL557, CL558		
	(Front)	DD-46386	
	(Rear)	MU-1309-UGM	
87-84	Clark CL450, CL455, CL457, Fuller FS4005		
	(Front)	25877-25821	
	(Rear)	2689-2631	
87-80	New Process 542		
	(Front)	1208-L	
	(Rear)	(24)Q-15902	
86-83	Clark CL551, CL557, 390V, 397V		
	(Front)	DD-46386	
	(Rear)	MU-1309-UGM	
84-80	Clark 282V, 285V		
	(Front)	M-28161	
	(Rear)	N-309-L	
1983	Clark 282V, 285V		
	(Front)	M-28161	
	(Rear)	* MU-1309-SGNV	
82-80	Clark 390V, 397V		
	(Front)	DD-46386	
	(Rear)	MU-1309-UGM	
REVERSE IDLER			
96-88	Fuller FS5005, FS5205	(52)	QA-47838
96-88	Fuller FS4005, FS4205	(52)	QA-48181-A
89-80	Spicer 5756, 5852	(2)	J-322064
89-80	Spicer 4054, 5052, 5252, 5552, 6052	(2)	WJ-162116
1987	Clark CL551, CL557, CL558	(52)	QA-47838
87-84	Clark CL450, CL455, CL457, Fuller FS4005	(52)	QA-48181-A
87-80	New Process 542		
	(Front)	B-1412	
	(Rear)	B-1816	
	(Thrust)	NTA-815	
86-83	Clark CL551, CL557, 390V, 397V	(52)	QA-47838
84-80	Clark 282V, 285V	(2)	F-54970
1983	Clark 282V, 285V	(2)	J-361644
82-80	Clark 390V, 397V	(52)	QA-47838
REVERSE GEAR			
96-88	Fuller FS5005, FS5205	(88)	QA-48181-A

(Continued Next Column)

Year	Application	Seal	Bearing
MANUAL / 5 Speed (Cont.)			
REVERSE GEAR			
96-88	Fuller FS4005, FS4205		F-84003
1987	Clark CL551, CL557, CL558	(96)	QA-48181-A
87-84	Clark CL450, CL455, CL457, Fuller FS4005		F-84003
86-83	Clark CL551, CL557, 390V, 397V	(96)	QA-48181-A
82-80	Clark 390V, 397V	(96)	QA-48181-A
REMOTE CONTROL			
89-80	Spicer 5052, 5252, 5756, 5852	(2)	350567
	Redi-Sleeve (2)	99087	
87-80	New Process 542		350679
	Redi-Sleeve	99076	
84-80	Clark 282V, 285V		471267
	Redi-Sleeve	99087	
1ST SPEED GEAR			
1987	Clark CL551, CL557, CL558	(88)	QA-48181-A
86-83	Clark CL551, CL557, 390V, 397V	(88)	QA-48181-A
82-80	Clark 390V, 397V	(88)	QA-48181-A
2ND SPEED GEAR			
1987	Clark CL551, CL557, CL558	(96)	QA-48181-A
86-83	Clark CL551, CL557, 390V, 397V	(96)	QA-48181-A
82-80	Clark 390V, 397V	(96)	QA-48181-A
3RD SPEED GEAR			
1987	Clark CL551, CL557, CL558	(96)	QA-48181-A
86-83	Clark CL551, CL557, 390V, 397V	(96)	QA-48181-A
82-80	Clark 390V, 397V	(96)	QA-48181-A
4TH SPEED GEAR			
1987	Clark CL551, CL557, CL558	(68)	QA-48181-A
86-83	Clark CL551, CL557, 390V, 397V	(68)	QA-48181-A
82-80	Clark 390V, 397V	(68)	QA-48181-A
4TH SHIFT HUB			
96-88	Fuller FS4005, FS4205, FS5005, FS5205		TR-235383 FA-35688
1987	Clark CL450, CL455, CL457, CL551, CL557, CL558, Fuller FS4005		FA-35688
87-84	Clark CL450, CL455, CL457, Fuller FS4005		TR-235383
86-84	Clark CL450, CL455, CL457, CL551, CL557		FA-35688
1983	Clark CL551, CL557, 282V, 285V, 390V, 397V		FA-35688
83-80	Clark 390V, 397V (Race)		TR-235383
82-80	Clark 390V, 397V		FA-35688
5TH SHIFT HUB			
96-88	Fuller FS4005, FS4205, FS5005, FS5205		TR-235383 FA-35688
1987	Clark CL450, CL455, CL457, CL551, CL557, CL558, Fuller FS4005		FA-35688
87-84	Clark CL450, CL455, CL457, Fuller FS4005		TR-235383
86-84	Clark CL450, CL455, CL457, CL551, CL557		FA-35688
1983	Clark CL551, CL557, 282V, 285V, 390V, 397V		FA-35688
83-80	Clark 390V, 397V (Race)		TR-235383
82-80	Clark 390V, 397V		FA-35688
MANUAL / 6 Speed			
DRIVESHAFT / INPUT			
96-90	Fuller FS5106, FS5306, FS6206, FS6306, FS7206		39590-39520
94-86	Fuller FS6106	450311	
	Redi-Sleeve	99205	
MAINSHAFT / OUTPUT			
96-90	Fuller FS5106, FS5306, FS6206, FS6306, FS7206		45284-45220
94-86	Fuller FS6106	415004V	
MAINSHAFT 3RD SPEED GEAR			
94-86	Fuller FS6106		808840

() Indicates Quantity Required * Not a Current Production Number, Check for Availability

GMC TRUCK 2 - 2 1/2 TON - MEDIUM DUTY (Class 6 & 7) (Cont.)

Year	Application	Seal	Bearing	Year	Application	Seal	Bearing
TRANSMISSION				MANUAL / 9 Speed (Cont.)			
MANUAL / 6 Speed (Cont.)				AUXILIARY MAINSHAFT			
MAINSHAFT 4TH SPEED GEAR				96-90	Fuller RT8609 (3.500" O.D.)		
94-86	Fuller FS6106		687430		(Front)	MU-1307-V	
MAINSHAFT 5TH SPEED GEAR					(Rear)	415991N	1212-L
94-86	Fuller FS6106		206252	96-90	Fuller RT8609 (3.750" O.D.)		
COUNTERSHAFT					(Front)	MU-1307-V	
96-90	Fuller FS5106, FS5306, FS6206, FS6306, FS7206				(Rear)	713750	1212-L
	(Front)	25590-25522		COUNTERSHAFT			
	(Rear)	3782-3720		96-90	Fuller RT6609		(4)MU-1306-UGV
94-86	Fuller FS6106	MSN-1309-GEXR		AUXILIARY COUNTERSHAFT			
	(Front)			96-90	Fuller RT6609 ... (Front)	(2)MR-1206-RUGV	
	(Rear)	MU-1309-UV			(Rear)	MR-1308-TV	
MANUAL / 7 Speed				96-90	Fuller RT8609 ... (Rear)	(2)MU-1308-UM	
DRIVESHAFT / INPUT				REVERSE IDLER			
96-90	Fuller R8607, T8607		1212-SLV	96-90	Fuller RT6609, RT8609		(2)WJ-162116
	(Pilot)		BS-59	MANUAL / 10 Speed			
MAINSHAFT / OUTPUT				TRANSMISSION KIT			
96-90	Fuller R8607, T8607		1212-L	96-83	Fuller RT6610, RTO6610		T-145-A
AUXILIARY MAINSHAFT				DRIVESHAFT / INPUT			
96-90	Fuller R8607, T8607	713750		96-83	Fuller RT6610, RTO6610	452554N	209-SLV
COUNTERSHAFT					Redi-Sleeve 99149		
96-90	Fuller R8607, T8607				(Pilot)		BS-61
	(Front)	1309-L		AUXILIARY DRIVESHAFT			
	(Rear)	* 1213-A		96-83	Fuller RT6610, RTO6610		117-L
AUXILIARY COUNTERSHAFT				MAINSHAFT / OUTPUT			
96-90	Fuller R8607, T8607		1309-L	96-83	Fuller RT6610, RTO6610	415983N	
REVERSE IDLER				AUXILIARY MAINSHAFT			
96-90	Fuller R8607, T8607		(4)WJ-162116	96-83	Fuller RT6610, RTO6610		
MANUAL / 8 Speed					(Front)	MU-1307-V	
DRIVESHAFT / INPUT					(Rear)	415991N	1212-L
96-90	Fuller RT7608		BS-61	COUNTERSHAFT			
MAINSHAFT / OUTPUT				96-83	Fuller RT6610, RTO6610		
96-90	Fuller RT7608	415983N			(Front)	(2)MU-1207-UGV	
AUXILIARY MAINSHAFT					(Rear)	(2)MU-1306-UGV	
96-90	Fuller RT7608 ... (Front)	204-S		AUXILIARY COUNTERSHAFT			
	(Rear)	■ A-3071		96-83	Fuller RT6610, RTO6610		
AUXILIARY COUNTERSHAFT					(Front)	(2)MR-1206-RUGV	
96-90	Fuller RT7608 ... (Rear)	(2)1310-L			(Rear)	(2)MR-1308-TV	
REVERSE IDLER				REVERSE IDLER			
96-90	Fuller RT7608		(2)WJ-162116	96-83	Fuller RT6610, RTO6610		(2)WJ-162116
MANUAL / 9 Speed				MANUAL / 13 Speed			
DRIVESHAFT / INPUT				TRANSMISSION KIT			
96-90	Fuller RT6609	452554N	MU-1209-UGMR	96-80	Fuller RT613, RT6613		T-146
	Redi-Sleeve 99149			DRIVESHAFT / INPUT			
	(Pilot)		BS-61	96-80	Fuller RT613, RT6613	452554N	209-SLV
96-90	Fuller RT8609		BS-61		Redi-Sleeve 99149		
AUXILIARY DRIVESHAFT					(Pilot)		BS-61
96-90	Fuller RT6609, RT8609		117-L	MAINSHAFT / OUTPUT			
AUXILIARY MAINSHAFT				96-80	Fuller RT613, RT6613	415983N	117-L
96-90	Fuller RT6609	712750		AUXILIARY MAINSHAFT			
	(Front)	MU-1307-V		96-80	Fuller RT613, RT6613		■ A-3071
	(Rear)	1212-L		COUNTERSHAFT			
	(Continued Next Column)			96-80	Fuller RT613, RT6613		
					(Front)	(2)MU-1207-UGV	
					(Rear)	(2)MU-1306-UGV	

() Indicates Quantity Required ■ Replace Complete Unit * Not a Current Production Number, Check for Availability

(Cont.) (Class 6 & 7) **MEDIUM DUTY - GMC TRUCK 2 - 2 1/2 TON**

Year	Application	Seal	Bearing
TRANSMISSION			
MANUAL / 13 Speed (Cont.)			
AUXILIARY COUNTERSHAFT			
96-80	Fuller RT613, RT6613		
	(Front)	(2)MU-1306-UV	
	(Rear)	(2)1310-L	
REVERSE IDLER			
96-80	Fuller RT613, RT6613	(2)WJ-162116	
AUXILIARY / 4 Speed			
COUNTERSHAFT			
88-80	Spicer 7041	(Front)	3877-3820
		(Rear)	462-453A
83-80	Spicer 6041	(2)3479-3420	
DRIVESHAFT			
88-80	Spicer 7041	(Front) 475322N	1210X3
		Redi-Sleeve 99274	
		(Rear)	* MSN-1312-EL
83-80	Spicer 6041	475322N	(2)28580-28521
		Redi-Sleeve 99274	
MAINSHAFT			
88-80	Spicer 7041	475322N	1312-L
83-80	Spicer 6041	475322N	1310
MAINSHAFT PILOT			
88-80	Spicer 7041		MU-1209-TV
83-80	Spicer 6041		1209-A
SHIFT SHAFT			
88-80	Spicer 6041, 7041	(2)471570	
STEERING			
POWER STEERING			
STEERING GEAR WORM SHAFT			
96-90	B7T042, C6H042, C7H042, C7H064, P6S042 (Ross Design)		NTA-2840
94-87	W6R042, W7R042HD, W7R042M, W7R042T	222540	
STEERING KNUCKLE			
96-91	B7T042, P6S042 (Saginaw Design) (9,000 & 11,000 lb. Axle)	HM801346X-HM801310	
96-90	C7H042, C7H064 (TRW Design) (11,000, 12,000 & 14,500 lb. Axle)	HM801346X-HM801310	
96-90	B7T042, C6H042, C7H042, C7H064, P6S042 (Saginaw Design) (8,000 lb. Axle)	M88048-M88010	
STEERING PUMP SHAFT			
96-92	B7T042, C6H042, C7H042, C7H064, P6S042 (Saginaw Pump)	471264	203-FF
94-87	W6R042, W7R042HD, W7R042M, W7R042T	222540	305-S
91-80	B6P042, C6D042, C6H042, C7D042, C7D064, C7H042, C7H064, P6S042 (Saginaw Pump)	471264	203-FF

Year	Application	Seal	Bearing
AIR CONDITIONING			
COMPRESSOR			
CLUTCH PULLEY			
95-80	Harrison R-4		907257
ELECTRICAL			
ALTERNATOR			
DRIVE END			
91-80	AC-Delco 42, 56, 61, 108, 120 Amp.		203-FF
91-80	AC-Delco 63, 70, 80 Amp.		203-S
90-80	65, 80, 81, 94, 95, 100 Amp.		305-D
REAR END			
94-90	AC-Delco 120, 124 Amp.		100-CC4
91-80	AC-Delco 42, 56, 80, 108 Amp.		MNJ-471-S
90-88	AC-Delco 42, 56, 108 Amp.		MNJ-471-S
ENGINE			
ACCESSORY DRIVE			
4 CYLINDER			
1980	212/3.5L (Diesel), 212/3.5L (Turbo-Diesel)	470059	
		Redi-Sleeve 99149	
CAMSHAFT			
4 CYLINDER			
1980	212/3.5L (Diesel), 212/3.5L (Turbo-Diesel)	480581	
CRANKSHAFT			
4 CYLINDER			
1980	212/3.5L (Turbo-Diesel) Single lip FP-5116229		
	Single lip O/S ID FP-5196852		
	Redi-Sleeve 99395		
1980	212/3.5L (Turbo-Diesel) Double lip; Wet only Double Lip FP-5128917		
6 CYLINDER			
96-90	403/6.6L (Turbo-Diesel)	325776	
		Redi-Sleeve 99435	
95-87	5785cc/5.8L (Turbo-Diesel), 6494cc/6.5L (Diesel), 6494cc/6.5L (Turbo-Diesel)	710349	
		Redi-Sleeve 99413	
86-80	292/4.8L	(Split Seal) 5092	
8 CYLINDER			
96-91	366/6.0L, 427/7.0L	325776	
		Redi-Sleeve 99435	
91-80	500/8.2L (Diesel), 500/8.2L (Turbo-Diesel)	455956H	
90-81	366/6.0L	(Split Seal) 5072	
90-80	636/10.4L (Diesel), 636/10.4L (Turbo-Diesel)	39801	
		Redi-Sleeve 99499	
90-80	427/7.0L	325776	
		Redi-Sleeve 99435	
1980	366/6.0L, 454/7.4L ... (Split Seal)	5072	

() Indicates Quantity Required * Not a Current Production Number, Check for Availability

GMC TRUCK 2 - 2 1/2 TON - MEDIUM DUTY (Class 6 & 7) (Cont.)

Year	Application	Seal	Bearing	Year	Application	Seal	Bearing
ENGINE				TIMING COVER (Cont.)			
TIMING COVER				6 CYLINDER			
4 CYLINDER				86-80 292/4.8L 9845			
1980	212/3.5L (Diesel), 212/3.5L (Turbo-Diesel).....	482041N				Redi-Sleeve 99176	
		Redi-Sleeve 99187				Harmonic Bal Sleeve 88176	
		Harmonic Bal Sleeve 88187				Harmonic Bal Kit <input checked="" type="checkbox"/> 5000	
6 CYLINDER				8 CYLINDER			
1980	212/3.5L (Diesel), 212/3.5L (Turbo-Diesel) (Oversize).....	452261H		96-81 366/6.0L, 427/7.0L 3945		Redi-Sleeve 99233	
96-90	403/6.6L (Turbo-Diesel).....	3945				Harmonic Bal Sleeve 88233	
		Redi-Sleeve 99233		91-80 500/8.2L (Diesel), 500/8.2L (Turbo-Diesel).....	473476	Redi-Sleeve 99250	
		Harmonic Bal Sleeve 88233				Redi-Sleeve 99250	
95-87	5785cc/5.8L (Turbo-Diesel), 6494cc/6.5L (Diesel), 6494cc/6.5L (Turbo-Diesel)....	710390		90-80 636/10.4L (Diesel) (2.375" Shaft).....	480988H	Redi-Sleeve 99237	
		Redi-Sleeve 99235				Redi-Sleeve 99237	
		(Continued Next Column)		90-80 636/10.4L (Diesel), 636/10.4L (Turbo-Diesel).....	39802	Redi-Sleeve 99287	
						Redi-Sleeve 99287	
				1980 366/6.0L, 427/7.0L, 454/7.4L 3945		Redi-Sleeve 99233	
						Harmonic Bal Sleeve 88233	

GRUMMAN - U.S. POSTAL SERVICE (LLV)

WHEEL				TRANSMISSION			
FRONT WHEEL				AUTOMATIC / 3 Speed			
99-87	All.....	(Inner) 4739	A-6	FRONT PUMP			
		(Outer)	A-34	95-94 GMC 3L30 6712NA		Redi-Sleeve 99187	
REAR WHEEL				EXTENSION HOUSING			
99-87	All.....	4795V	513023	95-94 GMC 3L30 710343			
		(Axle Repair Brg.)	RP-513023	MANUAL SHAFT			
AXLE				95-94 GMC 3L30 8792S			
REAR AXLE				AUTOMATIC / 4 Speed			
DIFFERENTIAL KIT				FRONT PUMP			
99-95	AAM 7.625" R.G.....	<input checked="" type="checkbox"/> RA-320		99-92 GMC 4L60-E..... 4950		Redi-Sleeve 99174	
		(Master Kit) RA-320MK		91-87 GMC 4L60, THM700-R4..... 4950		Redi-Sleeve 99174	
94-87	GMC 7.5" R.G., 7.625" R.G.....	<input checked="" type="checkbox"/> RA-320		EXTENSION HOUSING			
		(Master Kit) RA-320MK		99-87 GMC 4L60, 4L60-E, THM700-R4 (Booted)	9613S		
DIFFERENTIAL						(Seal & Bushing Kit) 5200	
99-95	AAM 7.625" R.G.....	(2)LM501349-LM501314		99-87 GMC 4L60, 4L60-E, THM700-R4 (Non-Booted).....	4583		
94-87	GMC 7.5" R.G., 7.625" R.G.....	(2)LM501349-LM501314		MANUAL SHAFT			
PINION				99-87 GMC 4L60, 4L60-E, THM700-R4	8792S		
99-95	AAM 7.625" R.G.			STEERING			
	(Inner)	HM89249-HM89210		POWER STEERING			
	(Outer)	8610 M86649-M86610		STEERING GEAR HOUSING			
	Redi-Sleeve 99152			97-87 All.....	(Adj. Plug) DB-53313		
94-87	GMC 7.5" R.G., 7.625" R.G.						
	(Inner)	HM89249-HM89210					
	(Outer)	8610 M86649-M86610					
	Redi-Sleeve 99152						

(Cont.) (LLV) **U.S. POSTAL SERVICE - GRUMMAN**

Year	Application	Seal	Bearing	Year	Application	Seal	Bearing
STEERING				ALTERNATOR (Cont.)			
POWER STEERING (Cont.)				REAR END			
STEERING GEAR WORM SHAFT				92-87 AC-Delco 37, 56, 66, 78 Amp. MNJ-471-S			
96-87	All.....	222025		ENGINE			
STEERING GEAR PITMAN SHAFT				CRANKSHAFT			
99-87	All.....	(Kit) <input checked="" type="checkbox"/> PSK-1		4 CYLINDER			
STEERING PUMP SHAFT				99-94 134/2.2L PTFE Rubber 5273			
99-94	All.....	7013S		Viton® 4307V			
93-87	All (Integral Reservoir).....		203-FF	Redi-Sleeve 99298			
93-87	All (Remote Reservoir).....	7013S		93-87	151/2.5L		3698
AIR CONDITIONING				PTFE Rubber 5290			
COMPRESSOR				TIMING COVER			
CLUTCH PULLEY				4 CYLINDER			
99-96	Harrison HT-6.....		907257	99-87 134/2.2L, 151/2.5L 9845			
99-87	Harrison V-5.....		907257	Redi-Sleeve 99176			
95-87	Harrison R-4.....		907257	Harmonic Bal Sleeve 88176			
FRONT HEAD MAIN				Harmonic Bal Kit <input checked="" type="checkbox"/> 5000			
95-87	Harrison R-4.....		S-128				
ELECTRICAL							
ALTERNATOR							
DRIVE END							
92-87	AC-Delco 56, 66, 78 Amp.		203-FF				

(FA14, FA1415, FA15, FB14, FB15 & FB1715) **LIGHT DUTY - HINO TRUCK**

WHEEL				RELEASE			
FRONT WHEEL				<i>Bearing Only</i> <i>Bearing Assembly</i>			
91-87	All.....	(Inner) 710294	32210	4 CYLINDER			
		(Outer)	32207	92-90 3839cc/3.8L (Turbo-Diesel)			
REAR WHEEL				(330mm Clutch)..... 613013			
91-87	All.....	(Inner) 710295	29586-29522	DRIVESHAFT			
		(Outer) 710296	28680-28622	CENTER SUPPORT			
AXLE				<i>Bearing</i> <i>Bearing & Support</i>			
REAR AXLE				93-87 All..... 208			
DIFFERENTIAL				TRANSMISSION			
93-87	SS12-2.....		(2)30212-A	AUTOMATIC / 4 Speed			
PINION				FRONT PUMP			
93-87	SS12-2.....		(2)30309	95-87 Allison AT542..... 6712NA			
CLUTCH				Redi-Sleeve 99187			
PILOT				EXTENSION HOUSING			
4 CYLINDER				95-87 Allison AT542..... 415988 109			
95-87	3839cc/3.8L (Turbo-Diesel).....		203-FF	MANUAL SHAFT			
				95-87 Allison AT542..... 340847			

() Indicates Quantity Required Refer To Front Of Catalog For Kit Contents

HINO TRUCK - MEDIUM DUTY (FD, FE, FF, FG, GC, SF & SG Series)

Year	Application	Seal	Bearing
WHEEL			
FRONT WHEEL			
93-85	FD16, FD17, FD20, FD2218, FG19, FG22, GC17, GC20		
	(Inner)	710371	30310-A
	(Outer)		32307
93-85	FE16, FE17, FE19, FE20, FE2618, FF17, FF19, FF20, FF23, FF3018, FF3020, SF17, SG17, SG19, SG20, SG22, SG23, SG3320, SG3323		30310-A
REAR WHEEL			
93-85	FE16, FE17, FE19, FF17, FF19, FG19, FG22, SF17, SG17, SG19, SG22, SG23, SG231, SG3320, SG3323, SG5523		
	(Inner)	710369	32215
	(Outer)		32217
91-85	FD16, FD17, GC17		
	(Inner)		32215
	(Outer)		32213
AXLE			
REAR AXLE			
DIFFERENTIAL			
95-85	SS17-3	(2)JM515649-JM515610	
91-85	SS13-2, SS15-1	(2)32214-A	
PINION			
95-85	SS13-2, SS17-3		
	(Inner)		30311-A
	(Outer)		30310-A
91-85	SS15-1		
	(Inner)		30310-A
	(Outer)		30309
CLUTCH			
PILOT			
6 CYLINDER			
92-85	6014cc/6.0L (Diesel), 6485cc/6.5L (Turbo-Diesel), 6728cc/6.7L (Diesel), 6728cc/6.7L (Turbo-Diesel)		204-FF
RELEASE			
		Bearing Only	Bearing Assembly
6 CYLINDER			
92-90	6485cc/6.5L (Turbo-Diesel), 6728cc/6.7L (Turbo-Diesel) (380mm Clutch)	613016	
91-89	6485cc/6.5L (Turbo-Diesel), 6728cc/6.7L (Diesel), 6728cc/6.7L (Turbo-Diesel) (350mm Clutch)	613016	
89-86	6485cc/6.5L (Turbo-Diesel), 6728cc/6.7L (Diesel), 6728cc/6.7L (Turbo-Diesel) (380mm Clutch)	613016	
88-86	6728cc/6.7L (Turbo-Diesel) (350mm Clutch)	613016	
88-85	6014cc/6.0L (Diesel) (325mm Clutch)	613013	

(Continued Next Column)

Year	Application	Seal	Bearing
RELEASE (Cont.)			
		Bearing Only	Bearing Assembly
6 CYLINDER			
1985	6485cc/6.5L (Turbo-Diesel), 6728cc/6.7L (Turbo-Diesel) (350mm Clutch)	613016	
DRIVESHAFT			
CENTER SUPPORT			
		Bearing	Bearing & Support
92-85	Brg. I.D. 1.7717" (45mm)	209	
TRANSMISSION			
AUTOMATIC / 4 Speed			
FRONT PUMP			
95-94	Allison AT542	6712NA	
		Redi-Sleeve	99187
95-85	Allison MT643 (2.250" Shaft)	454136N	
		Redi-Sleeve	99225
93-85	Allison AT542, AT545	6712NA	
		Redi-Sleeve	99187
OUTPUT SHAFT			
95-85	Allison MT643 (3.500" Shaft)	476424N	209-L
95-85	Allison MT643 (3.750" Shaft)	455031	209-L
EXTENSION HOUSING			
95-94	Allison AT542	415988	109
93-85	Allison AT542, AT545	415988	109
MANUAL SHAFT			
95-94	Allison AT542, MT643	340847	
93-85	Allison AT542, AT545, MT643	340847	
MANUAL / 9 Speed			
DRIVESHAFT / INPUT			
95-92	Fuller RT8609 (Pilot)		BS-61
AUXILIARY DRIVESHAFT			
95-92	Fuller RT8609		117-L
AUXILIARY MAINSHAFT			
95-92	Fuller RT8609 (3.500" O.D.)		
	(Front)		MU-1307-V
	(Rear)	415991N	1212-L
95-92	Fuller RT8609 (3.750" O.D.)		
	(Front)		MU-1307-V
	(Rear)	713750	1212-L
AUXILIARY COUNTERSHAFT			
95-92	Fuller RT8609 (Rear)		(2)MU-1308-UM
REVERSE IDLER			
95-92	Fuller RT8609		(2)WJ-162116
MANUAL / 10 Speed			
TRANSMISSION KIT			
91-89	Fuller RT6610		T-145-A

() Indicates Quantity Required

(Cont.) (FD, FE, FF, FG, GC, SF & SG Series) **MEDIUM DUTY - HINO TRUCK**

Year	Application	Seal	Bearing
TRANSMISSION			
MANUAL / 10 Speed (Cont.)			
DRIVESHAFT / INPUT			
91-89	Fuller RT6610	452554N	209-SLV
	Redi-Sleeve	99149	
	(Pilot)		BS-61
AUXILIARY DRIVESHAFT			
91-89	Fuller RT6610		117-L
MAINSHAFT / OUTPUT			
91-89	Fuller RT6610	455088V	
AUXILIARY MAINSHAFT			
91-89	Fuller RT6610 ... (Front)		MU-1307-V
	(Rear)	415991N	1212-L
COUNTERSHAFT			
91-89	Fuller RT6610 ... (Front)		(2)MU-1207-UGV
	(Rear)		(2)MU-1306-UGV

Year	Application	Seal	Bearing
MANUAL / 10 Speed (Cont.)			
AUXILIARY COUNTERSHAFT			
91-89	Fuller RT6610 ... (Front)		(2)MR-1206-RUGV
	(Rear)		(2)MR-1308-TV
REVERSE IDLER			
91-89	Fuller RT6610		(2)WJ-162116
ENGINE			
CRANKSHAFT			
6 CYLINDER			
92-89	359/5.9L (Turbo-Diesel)	39805	
	Redi-Sleeve	99494	
TIMING COVER			
6 CYLINDER			
92-89	359/5.9L (Turbo-Diesel)	39803	
	Redi-Sleeve	99248	

(Accord) **FRONT WHEEL DRIVE - HONDA MID SIZE**

WHEEL			
FRONT WHEEL			
09-08	All	☆ 510095	
07-03	All	510073	
02-98	All	510050	
97-95	All (L4 Eng.)	Hub Assembly 513098	
97-95	All (V6 Eng.)	510038	
94-90	All	Hub Assembly 513098	
89-88	All (DX)(EXi)(LX)(S)	513053	
		Hub Repair Kit 518505	
89-88	All (LXi)(SEi)	513053	
87-86	All	513053	
		Hub Repair Kit 518505	
85-84	All (Exc. SEi)		
	(Inner)	1937	B-32
	(Outer)	710337	
85-84	All (SEi)	(Inner) 1936	513025
		(Outer) 710148	
1983	All (Hatchback) (From Chassis No. DC101604)		
	(Inner)	1937	B-32
	(Outer)	710337	
1983	All (Hatchback) (To Chassis No. DC101603)		
		Hub Repair Kit 518504	
	(Inner)	1939	B-32
	(Outer)	1943	
1983	All (Sedan) (From Chassis No. DC099355)	(Inner) 1937	B-32
		(Outer) 710337	
1983	All (Sedan) (To Chassis No. DC099354)	Hub Repair Kit 518504	
	(Inner)	1939	B-32
	(Outer)	1943	
1982	All	Hub Repair Kit 518504	
	(Inner)	1939	B-32
	(Outer)	1943	
1981	All	(Inner) 1939	B-32
		(Outer) 1943	
1980	All	(Inner) 1938	B-36
		(Outer) 1943	

REAR WHEEL			
09-08	All	Hub Assembly ☆ 512353	
07-03	All (Exc. Hybrid)	Hub Assembly 512188	
07-03	All (Hybrid)	Hub Assembly 512327	
02-98	All (L4 Eng.)(Disc Brakes)	Hub Assembly 512178	
02-98	All (L4 Eng.)(Drum Brakes)(ABS)	Hub Assembly 512177	
02-98	All (L4 Eng.)(Drum Brakes)(Exc. ABS)	Hub Assembly 512176	
02-98	All (V6 Eng.)(Disc Brakes)	Hub Assembly 512179	
97-95	All (Coupe)(Sedan)(L4 Eng.)(Disc Brakes)		
		Hub Assembly 512020	
97-95	All (Coupe)(Sedan)(L4 Eng.)(Drum Brakes)		
		Hub Assembly 513080	
97-95	All (Coupe)(Sedan)(V6 Eng.)(Disc Brakes)		
		Hub Assembly 512172	
97-94	All (Station Wagon)(Disc Brakes)(ABS)	Hub Assembly 512172	
97-91	All (Station Wagon)(Disc Brakes)(Exc. ABS)		
		Hub Assembly 512122	
1994	All (Coupe)(Sedan)(Disc Brakes)	Hub Assembly 512020	
94-90	All (Coupe)(Sedan)(Drum Brakes)	Hub Assembly 513080	
93-92	All (Coupe)(Sedan)(Disc Brakes)	Hub Assembly 513081	
93-91	All (Station Wagon)(Disc Brakes)(ABS)	Hub Assembly 512032	
91-90	All (Coupe)(Sedan)(Disc Brakes)(ABS)	Hub Assembly 513081	
91-90	All (Coupe)(Sedan)(Disc Brakes)(Exc. ABS)		
		Hub Assembly 513079	
89-86	All	Hub Assembly 513033	
85-82	All	(Inner) 494117	A-15
		(Outer)	A-2
81-80	All	(Inner) 1953	A-15
		(Outer)	A-2
CLUTCH			
RELEASE			
		Bearing Only	Bearing Assembly
4 CYLINDER			
02-90	2156cc/2.2L, 2254cc/2.3L (225mm Clutch)		Ⓢ 614072
DRIVESHAFT			
CV JOINT HALF SHAFT			
97-90	Accord	(Inner)	710159

() Indicates Quantity Required ☆ New Item, Check for Availability Ⓢ Sealed Self-Aligning Bearing

HONDA MID SIZE - FRONT WHEEL DRIVE (Accord) (Cont.)

Year	Application	Seal	Bearing	Year	Application	Seal	Bearing
TRANSAXLE				AUTOMATIC / 4 Speed (Cont.)			
AUTOMATIC / 3 Speed				MANUAL SHAFT			
DIFFERENTIAL				02-84 AS, F4, AOYA, APXA, APX4, BAXA, BOYA, B7XA, MPOA, MPWA, MPXA, MPZA, PX4B, PX48 221207 <i>Redi-Sleeve 99049</i>			
83-80	AK3.....		(2)207	AUTOMATIC / 5 Speed			
TORQUE CONVERTER				TORQUE CONVERTER			
83-80	AK3.....	350609		09-05	B97A, MURA.....	* 710238 <i>Redi-Sleeve 99181</i>	
OUTPUT SHAFT				09-03 BAYA, BCLA, B90A, MAYA, MCLA, M91A 350609			
83-80	AK3.....	(Left) 223580 <i>Redi-Sleeve 99139</i>		OUTPUT SHAFT			
		(Right) 710315 <i>Redi-Sleeve 99139</i>		09-08	M91A.....	(Left) 710300 <i>Redi-Sleeve 99139</i>	
MANUAL SHAFT				09-03 BAYA, BCLA, B90A, B97A, MAYA, MURA..... (Left) 710300 <i>Redi-Sleeve 99139</i>			
83-80	AK3.....	221207 <i>Redi-Sleeve 99049</i>				(Right) 710217 <i>Redi-Sleeve 99139</i>	
COUNTERSHAFT				MANUAL SHAFT			
83-80	AK3.....		305	09-03	BAYA, BCLA, B90A, B97A, MCLA, M91A 221207 <i>Redi-Sleeve 99049</i>		
AUTOMATIC / 4 Speed				MANUAL / 5 Speed			
DIFFERENTIAL				DIFFERENTIAL			
97-94	AOYA, BOYA, MPOA, MPZA (Left)		30208	07-03	APG6.....		(2)208-S
93-84	AS, F4, APXA, APX4, MPXA, PX4B		(2)208	89-80	GS, GY, A2Q5, A2Q6, E2Q6, E2R5, E2R6, GKH50, GKH55		(2)208
1992	MPWA.....		(2)32009-X	INPUT SHAFT			
TORQUE CONVERTER				07-03	APG6.....	710157 <i>Redi-Sleeve 99157</i>	
02-84	AS, F4, AOYA, APXA, APX4, BAXA, BOYA, B7XA, MAXA, MPOA, MPWA, MPXA, MPZA, PX4B, PX48	350609		02-94	P2A5, P2A8, P2U5.....	222830	
INPUT SHAFT				93-84	GS, GY, A2Q5, A2Q6, E2Q6, E2R5, E2R6, HWU4, H2A5, H2U4, H2U5	222742 <i>Redi-Sleeve 99106</i>	
02-95	BAXA, B7XA, MAXA, MPZA	220918		OUTPUT SHAFT			
93-91	MPWA, MPXA.....	220918		07-03	APG6.....	(Left) 224026 <i>Redi-Sleeve 99157</i>	
OUTPUT SHAFT				02-94	P2A5, P2A8, P2U5 (Left)	710315 <i>Redi-Sleeve 99139</i>	
02-98	B7XA.....	(Right) 710217 <i>Redi-Sleeve 99139</i>		02-90	HWU4, H2A5, H2U4, H2U5, P2A5, P2A8, P2U5 (Right)	3459 <i>Redi-Sleeve 99157</i>	
02-98	BAXA, B7XA, MAXA (Left)	710300 <i>Redi-Sleeve 99157</i>		93-90	HWU4, H2A5, H2U4, H2U5 (Left)	2007N <i>Redi-Sleeve 99139</i>	
		(Right) 224066 <i>Redi-Sleeve 99157</i>		89-86	A2Q5, A2Q6, E2Q6, E2R5, E2R6.....	(Right) 1036 <i>Redi-Sleeve 99157</i>	
97-90	AOYA, APXA, APX4, BOYA, MPOA, MPWA, MPXA, MPZA, PX4B, PX48	(Left) 224026 <i>Redi-Sleeve 99157</i>		89-84	GS, GY, A2Q5, A2Q6, E2Q6, E2R5, E2R6	(Left) 239146 <i>Redi-Sleeve 99147</i>	
		(Right) 224066 <i>Redi-Sleeve 99157</i>		85-80	GS, GY, GKH50, GKH55 (Right)	1147 <i>Redi-Sleeve 99139</i>	
89-86	F4.....	(Left) 1146 <i>Redi-Sleeve 99157</i>		83-80	GKH50, GKH55 ... (Left)	223580 <i>Redi-Sleeve 99139</i>	
		(Right) 224045 <i>Redi-Sleeve 99157</i>					
85-84	AS.....	(Right) 1147 <i>Redi-Sleeve 99139</i>					
		(Left) 224045 <i>Redi-Sleeve 99157</i>					
PINION							
1992	MPWA.....	(Front) 710250 (Rear)	33208 32008				

(Cont.) (Accord) **FRONT WHEEL DRIVE - HONDA MID SIZE**

Year	Application	Seal	Bearing
------	-------------	------	---------

TRANSAXLE

MANUAL / 5 Speed (Cont.)

CLUTCH HOUSING

1989 E2R5, E2R6 710297

COUNTERSHAFT

83-80 GKH50, GKH55. (Rear) 305

SHIFT SHAFT

02-90 HWU4, H2A5, H2U4, H2U5,
P2A5, P2A8, P2U5..... 221607

STEERING

MANUAL STEERING

STEERING GEAR PINION SHAFT

89-80 All..... 202

POWER STEERING

STEERING PUMP SHAFT

97-95 All (L4 Eng.)..... 221920

97-95 All (V6 Eng.)..... 221820

94-93 All..... 221920

92-90 All..... 222028

89-82 All..... 221620

AIR CONDITIONING

COMPRESSOR

CLUTCH PULLEY

89-86 Nippondenso 10P15..... 5000-KFF

86-80 Sanden SD-508 5001-KFF

85-84 Nippondenso 10P13..... 5000-KFF

85-82 Sanden SD-507 5001-KFF

83-82 Nippondenso 6P127..... 5001-KFF

81-80 Nippondenso 6P134..... 5001-KFF

ELECTRICAL

ALTERNATOR

DRIVE END

08-03 Nippondenso..... 303-CC

97-95 Mitsubishi 70 Amp..... 303-CC

89-84 Mitsubishi 60 Amp..... 303-CC

87-85 Nippondenso 65 Amp..... 203-F

84-80 Nippondenso 50, 60 Amp..... 203-FF

REAR END

89-84 Mitsubishi 60 Amp..... 201-CC

(Continued Next Column)

Year	Application	Seal	Bearing
------	-------------	------	---------

ALTERNATOR (Cont.)

REAR END

84-80 Nippondenso 50, 60 Amp..... 201-CC

ENGINE

CAMSHAFT

4 CYLINDER

02-90 2156cc/2.2L, 2254cc/2.3L 712008

Redi-Sleeve 99111

89-84 1829cc/1.8L, 1955cc/2.0L 320595

85-80 1601cc/1.6L, 1751cc/1.8L 222743

Redi-Sleeve 99106

6 CYLINDER

09-98 2997cc/3.0L, 3471cc/3.5L .. (2) 710451

Redi-Sleeve (2) 99147

97-95 2675cc/2.7L (2) 713771

Redi-Sleeve (2) 99139

CRANKSHAFT

4 CYLINDER

09-03 2354cc/2.4L (DOHC)..... 228008

Redi-Sleeve 99315

02-84 1829cc/1.8L, 1955cc/2.0L,

2156cc/2.2L, 2254cc/2.3L 228015

Redi-Sleeve 99315

1980 1601cc/1.6L (To Ser. No.

1250229) 227610

1980 1751cc/1.8L (To Ser. No.

2559681) 227610

6 CYLINDER

09-95 2675cc/2.7L, 2997cc/3.0L,

3471cc/3.5L 228008

Redi-Sleeve 99315

OIL PUMP

4 CYLINDER

02-90 2156cc/2.2L, 2254cc/2.3L 712009

Redi-Sleeve 99106

6 CYLINDER

09-95 2675cc/2.7L, 2997cc/3.0L,

3471cc/3.5L 711181

TIMING COVER

4 CYLINDER

09-03 2354cc/2.4L (DOHC)..... 710608

02-90 2156cc/2.2L, 2254cc/2.3L 224053

89-84 1829cc/1.8L, 1955cc/2.0L 710331

Redi-Sleeve 99139

85-80 1601cc/1.6L, 1751cc/1.8L 710329

Redi-Sleeve 99139

FRONT WHEEL DRIVE - HONDA COMPACT/SUBCOMPACT

(Civic, Civic Wagon 4WD, CRX, Del Sol, Fit, Insight & Prelude)

WHEEL			
--------------	--	--	--

FRONT WHEEL

09-06 Civic (DX)(EX)(GX)(LX)..... 510089

09-06 Civic (Hybrid) 510089

(Continued Next Column)

FRONT WHEEL (Cont.)			
----------------------------	--	--	--

09-06 Civic (Si)..... 510073

08-07 Fit..... 510091

06-00 Insight..... Hub Assembly 513161

05-04 Civic (DX)(EX)(HX)(LX)(VP)..... 510030

05-04 Civic (GX)..... 510030

(Continued Next Page)

HONDA COMPACT/SUBCOMPACT - FRONT WHEEL DRIVE

(Civic, Civic Wagon 4WD, CRX, Del Sol, Fit, Insight & Prelude) (Cont.)

Year	Application	Seal	Bearing
WHEEL			
FRONT WHEEL (Cont.)			
05-04	Civic (Hybrid)		510030
05-04	Civic (Si)		510050
05-04	Civic (Value Package)		510030
03-01	Civic		510030
01-97	Prelude		510039
00-98	Civic (Sedan) (GX) (ABS)		510030
00-98	Civic (Sedan) (GX) (Exc. ABS)		510015
00-96	Civic (Coupe) (Hatchback) (CX)(DX)(HX)		510015
00-96	Civic (Coupe) (Hatchback) (EX)		510030
00-96	Civic (Coupe) (Hatchback) (Si)		510030
00-96	Civic (Sedan) (DX)(EX)(LX) (ABS)		510030
00-96	Civic (Sedan) (DX)(EX)(LX) (Exc. ABS)		510015
97-94	Del Sol (S)(Si)		510015
97-94	Del Sol (V-TEC)		510030
96-92	Prelude		513052
95-94	Civic (Hatchback) (Si) (ABS)		510030
95-94	Civic (Hatchback) (Si) (Exc. ABS)		510015
95-94	Civic (Sedan) (LX) (ABS)		510030
95-94	Civic (Sedan) (LX) (Exc. ABS)		510015
95-92	Civic (Coupe) (DX)		510015
95-92	Civic (Coupe) (EX) (ABS)		510030
95-92	Civic (Coupe) (EX) (Exc. ABS)		510015
95-92	Civic (Hatchback) (CX)(DX)(VX)		510015
95-92	Civic (Sedan) (DX)		510015
95-92	Civic (Sedan) (EX)		510030
1993	Del Sol		510015
93-92	Civic (Hatchback) (Si)		510015
93-92	Civic (Sedan) (LX)		510015
91-88	Prelude		513241
91-88	Civic, Civic Wagon 4WD, CRX		513024
87-85	CRX (1500 HF)		B-35
87-85	CRX (1500) (1500 Si)		513024
87-85	Prelude (Exc. Si)		
	(Inner)	1937	B-32
	(Outer)	710337	
87-85	Prelude (Si)		513025
	(Inner)	1936	
	(Outer)	710148	
87-84	Civic, Civic Wagon 4WD		513024
1984	CRX (1300)		B-35
1984	CRX (1500)		513024
1984	Prelude		
	(Inner)	1937	B-32
	(Outer)	710337	
1983	Prelude		Hub Repair Kit 518504
	(Inner)	1937	B-32
	(Outer)	710337	
83-80	Civic		B-36
	(Inner)	1938	
	(Outer)	1943	
82-81	Prelude		B-32
	(Inner)	1938	
	(Outer)	1943	
1980	Prelude		B-36
	(Inner)		
	(Outer)	1943	
REAR WHEEL			
09-07	Fit		Hub Assembly 512323
09-06	Civic (DX)(GX)(LX)		Hub Assembly 512257
09-06	Civic (EX)(Si)		Hub Assembly 512256
09-06	Civic (Hybrid)		Hub Assembly 512322
06-00	Insight		Hub Assembly 512264
05-04	Civic (DX)(HX)(LX)		Hub Assembly 512174
05-04	Civic (GX)(ABS)		Hub Assembly 512175
05-04	Civic (GX)(Exc. ABS)		Hub Assembly 512174
05-04	Civic (Si)		Hub Assembly 512259

(Continued Next Column)

Year	Application	Seal	Bearing
REAR WHEEL (Cont.)			
05-03	Civic (Value Package)		Hub Assembly 512174
05-01	Civic (EX)		Hub Assembly 512175
05-01	Civic (Hybrid)		Hub Assembly 512174
03-02	Civic (Si)		Hub Assembly 512258
03-01	Civic (DX)(GX)(HX)(LX)		Hub Assembly 512174
01-97	Prelude		Hub Assembly 512144
00-96	Civic, Del Sol (Drum Brakes)(ABS)		Hub Assembly ☆ 512042
00-96	Civic, Del Sol (Drum Brakes)(Exc. ABS)	473367	Hub Assembly 513035
00-95	Civic, Del Sol (Disc Brakes)(ABS)		Hub Assembly 513105
00-95	Civic, Del Sol (Disc Brakes)(Exc. ABS)		Hub Assembly 512034
96-92	Prelude (ABS)		Hub Assembly 512022
96-92	Prelude (Exc. ABS)		Hub Assembly 512242
1995	Civic (Drum Brakes)	473367	Hub Assembly 513035
1995	Del Sol (Drum Brakes)(ABS)		Hub Assembly ☆ 512042
1995	Del Sol (Drum Brakes)(Exc. ABS)	473367	Hub Assembly 513035
94-93	Del Sol (Disc Brakes)		Hub Assembly 512034
94-92	Civic (Disc Brakes)(ABS)		Hub Assembly 513105
94-92	Civic (Disc Brakes)(Exc. ABS)		Hub Assembly 512034
94-92	Civic, Del Sol (Drum Brakes)	473367	Hub Assembly 513035
91-88	Civic (Coupe)(Sedan)	473367	Hub Assembly 513035
91-88	Civic (Station Wagon)(Exc. 4WD)		Hub Assembly 513033
91-88	Civic Wagon 4WD		B-35
91-88	CRX	473367	Hub Assembly 513035
91-88	Prelude		513182
87-85	Civic, CRX	473367	Hub Assembly 513035
87-84	Civic Wagon 4WD	224210	Hub Assembly 513032
87-84	Prelude		
	(Inner)	710097	A-15
	(Outer)		A-2
1984	Civic, CRX		Hub Assembly 513034
83-80	All		
	(Inner)	494117	A-15
	(Outer)		A-2

AXLE

REAR AXLE

DIFFERENTIAL

91-89	Civic Wagon 4WD	(2) 710110	(2) 208
88-84	Civic Wagon 4WD	(2) 710197	(2) 208
	Redi-Sleeve (2)	99146	

PINION

91-84	Civic Wagon 4WD		
	(Inner)		32306
	(Outer)	223843	32008
	Redi-Sleeve	99147	

CLUTCH

PILOT

3 CYLINDER

06-00	995cc/1.0L		102-CC
-------	------------	--	--------

4 CYLINDER

09-96	1339cc/1.3L, 1590cc/1.6L, 1595cc/1.6L (DOHC), 1668cc/1.7L, 1998cc/2.0L (DOHC)		102-CC
95-80	1335cc/1.3L, 1342cc/1.3L, 1488cc/1.5L, 1488cc/1.5L, 1488cc/1.5L, 1493cc/1.5L, 1590cc/1.6L, 1595cc/1.6L (DOHC)		102-CC

FRONT WHEEL DRIVE - HONDA COMPACT/SUBCOMPACT

(Cont.) (Civic, Civic Wagon 4WD, CRX, Del Sol, Fit, Insight & Prelude)

Year	Application	Seal	Bearing
CLUTCH			
RELEASE			
		<i>Bearing Only</i>	<i>Bearing Assembly</i>
3 CYLINDER			
06-00	995cc/1.0L (210mm Clutch)		Ⓢ 614176
4 CYLINDER			
09-01	1339cc/1.3L, 1496cc/1.5L, 1668cc/1.7L, 1799cc/1.8L (210mm Clutch)		Ⓢ 614176
00-96	1590cc/1.6L, 1595cc/1.6L (DOHC) (210mm Clutch)		Ⓢ 614122
00-90	1958cc/2.0L (DOHC), 1958cc/2.0L, 2056cc/2.1L (DOHC), 2156cc/2.2L, 2157cc/2.2L (DOHC), 2259cc/2.3L (DOHC) (225mm Clutch)		Ⓢ 614072
95-92	1493cc/1.5L, 1590cc/1.6L, 1595cc/1.6L (DOHC) (210mm Clutch)		Ⓢ 614122
91-90	1493cc/1.5L, 1590cc/1.6L (210mm Clutch)		Ⓢ 614077
91-89	1590cc/1.6L (210mm Clutch) (AWD)		Ⓢ 614146
89-88	1493cc/1.5L (190mm Clutch)		Ⓢ 614077
89-88	1590cc/1.6L (200mm Clutch) (AWD)		Ⓢ 614146
89-88	1493cc/1.5L, 1590cc/1.6L (200mm Clutch)		Ⓢ 614077
89-88	1958cc/2.0L (DOHC), 1958cc/2.0L (215mm Clutch)		Ⓢ 614068
87-84	1488cc/1.5L, 1493cc/1.5L (190mm Clutch) (AWD)		Ⓢ 614146
DRIVESHAFT			
CV JOINT HALF SHAFT			
00-92	Civic	710300	
97-93	Del Sol	710300	
97-92	Prelude	710300	
91-84	Civic Wagon 4WD		
	(Inner)	710161	108-FFN
	(Outer)	710147	
91-84	Prelude		
	(Inner)	710161	108-FFN
	(Outer)	710147	
TRANSAXLE			
AUTOMATIC DIFFERENTIAL			
00-96	M4VA		(2)208
INPUT SHAFT			
00-96	M4VA	710445	305
		Redi-Sleeve 99076	
OUTPUT SHAFT			
00-96	M4VA	(Right) 1147	
		Redi-Sleeve 99139	
		(Left) 710314	
		Redi-Sleeve 99139	
MANUAL SHAFT			
00-96	M4VA	221207	
		Redi-Sleeve 99049	
AUTOMATIC / 1 Speed DIFFERENTIAL			
09-01	MLYA, SLYA, SMLA, SPSA, SZCA		(2)208-S
TORQUE CONVERTER			
05-02	MHTA	710154	
		Redi-Sleeve 99076	

Year	Application	Seal	Bearing
AUTOMATIC / 1 Speed (Cont.)			
INPUT SHAFT			
09-01	MLYA, SLYA, SMLA, SPSA, SZCA	710445	305
		Redi-Sleeve 99076	
OUTPUT SHAFT			
05-03	SZCA	(Left) ☆ 710629	
		Redi-Sleeve 99139	
		(Right) ☆ 710630	
		Redi-Sleeve 99139	
05-02	MHTA	(Right) 223553	
		Redi-Sleeve 99139	
05-02	MHTA, SLYA	(Left) 710314	
		Redi-Sleeve 99139	
05-01	MLYA, SLYA	(Right) 1147	
		Redi-Sleeve 99139	
2001	MLYA	(Left) 710314	
		Redi-Sleeve 99139	
MANUAL SHAFT			
09-06	SMLA, SPSA	221207	
		Redi-Sleeve 99049	
05-02	MHTA, SLYA, SZCA	221207	
		Redi-Sleeve 99049	
2001	MLYA	221207	
		Redi-Sleeve 99049	
AUTOMATIC / 3 Speed DIFFERENTIAL			
85-80	AJ, AM, AW, AK3		(2)207
TORQUE CONVERTER			
85-80	AJ, AM, AW, AK3	350609	
OUTPUT SHAFT			
85-80	AJ, AM, AW, AK3		
		(Left) 223580	
		Redi-Sleeve 99139	
		(Right) 710315	
		Redi-Sleeve 99139	
MANUAL SHAFT			
85-80	AJ, AM, AW, AK3	221207	
		Redi-Sleeve 99049	
COUNTERSHAFT			
85-80	AJ, AM, AW, AK3		305
AUTOMATIC / 4 Speed DIFFERENTIAL			
05-01	BMXA, SLXA		(2)208-S
00-86	CA, F4, L4, S5, A24A, A4RA, BDRA, B4RA, B46A, ML4A, MPSA, M24A, M4RA, S24A, S4RA		(2)208
96-92	MP1A		30208
91-88	K4, L5, MY8A, PY8A		
		(Left)	30208
		(Right)	32010-X
85-84	AS, F4		(2)208
TORQUE CONVERTER			
05-86	CA, F4, K4, L4, L5, S5, A24A, A4RA, BDRA, BMXA, B4RA, B46A, ML4A, MPSA, MP1A, MY8A, M24A, M4RA, M6HA, PY8A	350609	
85-84	AS, F4	350609	

() Indicates Quantity Required ☆ New Item, Check for Availability Ⓢ Sealed Self-Aligning Bearing

HONDA COMPACT/SUBCOMPACT - FRONT WHEEL DRIVE (Civic, Civic Wagon 4WD, CRX, Del Sol, Fit, Insight & Prelude) (Cont.)

Year	Application	Seal	Bearing	Year	Application	Seal	Bearing
TRANSAXLE				AUTOMATIC / 5 Speed (Cont.)			
AUTOMATIC / 4 Speed (Cont.)				MANUAL SHAFT			
INPUT SHAFT				09-07 SMMA 221207 Redi-Sleeve 99049			
00-92	A24A, A4RA, BDRA, B4RA, B46A, MP1A, M24A, M4RA, S24A, S4RA	220918		MANUAL / 4 Speed			
OUTPUT SHAFT				DIFFERENTIAL			
05-92	A24A, A4RA, BDRA, BMXA, B4RA, B46A, M24A, M4RA, M6HA, SLXA, S24A, S4RA			87-80	GVH35, GVH37, GVH38		(2)207
	(Left) 710314			INPUT SHAFT			
	Redi-Sleeve 99139			87-80	GVH35, GVH37, GVH38	222220	
05-86	CA, L4, S5, A24A, A4RA, BDRA, BMXA, B4RA, B46A, ML4A, MPSA, M24A, M4RA, SLXA, S24A, S4RA					Redi-Sleeve 99085	
	(Right) 1147			OUTPUT SHAFT			
	Redi-Sleeve 99139			87-84	GVH38	(Left) 710336	304
01-88	K4, MP1A, MY8A, M6HA, PY8A					Redi-Sleeve 99139	
	(Right) 224066			87-80	GVH35, GVH37, GVH38		
	Redi-Sleeve 99157					(Right) 710315	
96-88	K4, MP1A, MY8A, PY8A					Redi-Sleeve 99139	
	(Left) 224026			83-80	GVH35, GVH37	(Left) 710336	
	Redi-Sleeve 99157					Redi-Sleeve 99139	
91-88	L4, S5, ML4A, MPSA			COUNTERSHAFT			
	(Left) 223543			83-80	GVH35, GVH37	(Rear)	305
	Redi-Sleeve 99139			MANUAL / 5 Speed			
90-88	L5	(2) 224026		DIFFERENTIAL			
	Redi-Sleeve (2) 99157			09-08	SMJM		(2)208-S
87-86	CA	(Left) 4901		07-96	SLW, S4C, S40, S7M, NRH3, SMJM		(2)208-S
	Redi-Sleeve 99139			06-00	SHR		(2)207-S
87-85	F4	(Left) 1146		01-97	M2U4, M2Y4		32010-X
	Redi-Sleeve 99157			97-84	L3, S20, S21, S8G, Y21, GWH49		(2)207
	(Right) 224045			89-88	D2J3, D2J4, D2M4		(2)30208
	Redi-Sleeve 99157			87-84	GM, A1B5, A2K5, GKH58, GKH60		(2)208
85-84	AS	(Right) 1147		1983	GM (1st Design)		(2)207
	Redi-Sleeve 99139			1983	GM (2nd Design)		(2)208
	(Left) 224045			83-80	GKH50, GKH55		(2)208
	Redi-Sleeve 99157			82-80	GM		(2)207
EXTENSION HOUSING				INPUT SHAFT			
90-88	L5	710509		07-02	S7M, NRH3	710157	
MANUAL SHAFT						Redi-Sleeve 99103	
05-86	CA, F4, K4, L4, L5, S5, A24A, A4RA, BDRA, BMXA, B4RA, B46A, ML4A, MPSA, MP1A, MY8A, M24A, M4RA, M6HA, PY8A	221207		05-85	L3, SLW, S20, S21, S4C, S40, S8G, Y21, A1B5, A2K5, GKH58, GKH60	222742	
	Redi-Sleeve 99049					Redi-Sleeve 99106	
85-84	AS, F4	221207		01-92	M2L5, M2U4, M2Y4	222830	
	Redi-Sleeve 99049			91-88	D2A4, D2J3, D2J4	224063	
AUTOMATIC / 5 Speed						Redi-Sleeve 99157	
TORQUE CONVERTER				87-80	GM, GWH48, GWH49	222220	
09-07	SMMA	350609				Redi-Sleeve 99085	
OUTPUT SHAFT				OUTPUT SHAFT			
09-07	SMMA	(Left) 710314		09-07	SMJM	(Right) 3459	
	Redi-Sleeve 99139					Redi-Sleeve 99157	
	(Right) ☆ 710630			07-03	S7M	(Left) 712551	
	Redi-Sleeve 99139					Redi-Sleeve 99157	
AUTOMATIC / 5 Speed (Cont.)				07-02	NRH3	(Left) 224026	
MANUAL / 4 Speed						Redi-Sleeve 99157	
DIFFERENTIAL				05-92	SLW, M2L5, M2U4, M2Y4		
87-80	GVH35, GVH37, GVH38		(2)207			(Right) 3459	
INPUT SHAFT						Redi-Sleeve 99157	
87-80	GVH35, GVH37, GVH38	222220		01-97	M2U4, M2Y4	(Left) 2007N	
		Redi-Sleeve 99085				Redi-Sleeve 99139	
OUTPUT SHAFT				01-92	M2F4, M2S4	(Left) 710315	
87-84	GVH38	(Left) 710336	304			Redi-Sleeve 99139	
		Redi-Sleeve 99139				(Right) 222830	
87-80	GVH35, GVH37, GVH38			(Continued Next Page)			
		(Right) 710315					
		Redi-Sleeve 99139					
83-80	GVH35, GVH37	(Left) 710336					
		Redi-Sleeve 99139					

FRONT WHEEL DRIVE - HONDA COMPACT/SUBCOMPACT

(Cont.) (Civic, Civic Wagon 4WD, CRX, Del Sol, Fit, Insight & Prelude)

Year	Application	Seal	Bearing	Year	Application	Seal	Bearing
TRANSAXLE				STEERING			
MANUAL / 5 Speed (Cont.)				MANUAL STEERING			
OUTPUT SHAFT				STEERING GEAR PINION SHAFT			
00-88	L3, S20, S4C, S40, S8G	(Right) 4901 Redi-Sleeve 99139		89-80	All		202
00-88	L3, S20, S21, S4C, S40, S8G, Y21, M2L5	(Left) 710315 Redi-Sleeve 99139		POWER STEERING			
97-93	S21, Y21	(Right) 223552 Redi-Sleeve 99139		STEERING PUMP SHAFT			
91-90	D2A4	(Left) 222830 Redi-Sleeve 99111		00-90	Civic, Del Sol	221820	
		(Right) 223543 Redi-Sleeve 99139		91-90	CRX	221620	
1989	D2M4	(Right) 1147 Redi-Sleeve 99139		89-82	Civic, CRX, Prelude	221620	
89-88	D2J3, D2J4	(Right) 222830 Redi-Sleeve 99111		AIR CONDITIONING			
89-85	A1B5, A2K5, D2J3, D2J4, D2M4, GKH58, GKH60	(Left) 239146 Redi-Sleeve 99147		COMPRESSOR			
87-84	GWH49	(Left) 710336 Redi-Sleeve 99139	304	CLUTCH PULLEY			
87-80	GM, A1B5, A2K5, GKH50, GKH55, GKH58, GKH60, GWH48, GWH49	(Right) 1147 Redi-Sleeve 99139		90-89	Sanden SD-708		5001-KFF
85-80	GM, GKH50, GKH55	(Left) 223580 Redi-Sleeve 99139		90-82	Sanden SD-507		5001-KFF
83-80	GWH48	(Left) 710336 Redi-Sleeve 99139		86-82	Sanden SD-508		5001-KFF
				81-80	Nippondenso 6P134		5001-KFF
CLUTCH HOUSING				ELECTRICAL			
91-88	L3	710297		ALTERNATOR			
COUNTERSHAFT				DRIVE END			
85-80	GM, GKH50, GKH55, GWH48	(Rear) 305		2007	Mitsubishi (AHGA69)		303-CC
SHIFT SHAFT				06-01	All		203-FF
01-88	L3, S20, S21, S8G, Y21, M2F4, M2L5, M2S4, M2U4, M2Y4	221607		00-93	Mitsubishi 70 Amp		303-CC
MANUAL / 6 Speed				97-93	Mitsubishi 60 Amp		303-CC
DIFFERENTIAL				89-84	Mitsubishi 60 Amp		303-CC
87-84	GWH56		(2)208	87-84	Nippondenso 65 Amp		203-F
INPUT SHAFT				87-80	Nippondenso 45, 55 Amp		203-FF
87-84	GWH56	222220 Redi-Sleeve 99085		83-80	Nippondenso 50, 60 Amp		203-FF
OUTPUT SHAFT				REAR END			
87-84	GWH56	(Right) 1036 Redi-Sleeve 99157		89-84	Mitsubishi 60 Amp		201-CC
		(Left) 239146 Redi-Sleeve 99147	304	83-80	Nippondenso 45, 55 Amp		201-CC
CLUTCH HOUSING				83-80	Nippondenso 50, 60 Amp		201-CC
87-84	GWH56	710297		ENGINE			
EXTENSION HOUSING				CAMSHAFT			
87-84	GWH56	710509		4 CYLINDER			
				05-80	1342cc/1.3L, 1488cc/1.5L, 1488cc/1.5L, 1488cc/1.5L, 1493cc/1.5L, 1493cc/1.5L, 1590cc/1.6L, 1668cc/1.7L, 1829cc/1.8L, 1955cc/2.0L, 1958cc/2.0L		320595
				01-93	1595cc/1.6L (DOHC), 2157cc/2.2L (DOHC)		710460
				96-92	2156cc/2.2L		712008
						Redi-Sleeve 99111	
				96-92	2259cc/2.3L (DOHC)	(2) 99111	
						Redi-Sleeve (2) 99111	
				91-88	1958cc/2.0L (DOHC)	(2) 222743	
						Redi-Sleeve (2) 99106	
				85-80	1335cc/1.3L, 1601cc/1.6L, 1751cc/1.8L		222743
						Redi-Sleeve 99106	

() Indicates Quantity Required

HONDA COMPACT/SUBCOMPACT - FRONT WHEEL DRIVE

(Civic, Civic Wagon 4WD, CRX, Del Sol, Fit, Insight & Prelude) (Cont.)

Year	Application	Seal	Bearing	Year	Application	Seal	Bearing
ENGINE				OIL PUMP (Cont.)			
CRANKSHAFT				4 CYLINDER			
4 CYLINDER				01-92 2156cc/2.2L, 2157cc/2.2L (DOHC), 2259cc/2.3L (DOHC)			
09-02	1339cc/1.3L, 1496cc/1.5L, 1799cc/1.8L, 1998cc/2.0L (DOHC).....	228008				712009	
		Redi-Sleeve 99315				Redi-Sleeve 99106	
05-83	1342cc/1.3L, 1493cc/1.5L, 1493cc/1.5L, 1590cc/1.6L, 1595cc/1.6L (DOHC), 1668cc/1.7L, 1829cc/1.8L, 1955cc/2.0L, 1958cc/2.0L (DOHC), 1958cc/2.0L, 2056cc/2.1L (DOHC), 2156cc/2.2L, 2157cc/2.2L (DOHC), 2259cc/2.3L (DOHC)	228015				710608	
		Redi-Sleeve 99315				223802	
1980	1601cc/1.6L (To Ser. No. 1250229)	227610				Redi-Sleeve 99147	
1980	1751cc/1.8L (To Ser. No. 2559681)	227610				224053	
OIL PUMP				TIMING COVER			
3 CYLINDER				4 CYLINDER			
06-00	995cc/1.0L	473677		09-02	1799cc/1.8L, 1998cc/2.0L (DOHC).....	710608	
		Redi-Sleeve 99157		05-01	1668cc/1.7L	223802	
						Redi-Sleeve 99147	
				01-92	2156cc/2.2L, 2157cc/2.2L (DOHC), 2259cc/2.3L (DOHC)	224053	
				00-80	1342cc/1.3L, 1488cc/1.5L, 1488cc/1.5L, 1488cc/1.5L, 1488cc/1.5L, 1493cc/1.5L, 1493cc/1.5L, 1590cc/1.6L, 1595cc/1.6L (DOHC).....	710332	
				91-88	1958cc/2.0L (DOHC), 1958cc/2.0L, 2056cc/2.1L (DOHC).....	1120	
				87-83	1829cc/1.8L, 1955cc/2.0L	710331	
						Redi-Sleeve 99139	
				85-80	1335cc/1.3L, 1601cc/1.6L, 1751cc/1.8L	710329	
						Redi-Sleeve 99139	

HONDA S2000 - REAR WHEEL DRIVE

WHEEL				MANUAL / 6 Speed (Cont.)			
FRONT WHEEL				MAINSHAFT / OUTPUT			
09-00	All.....	510039	510050	06-00	SCYM.....	710147	
REAR WHEEL				ENGINE			
09-00	All.....	510039	510050	CRANKSHAFT			
AXLE				4 CYLINDER			
REAR AXLE				09-04 2178cc/2.2L (DOHC)..... 228015			
DIFFERENTIAL				Redi-Sleeve 99315			
09-00	Mazda 7" R.G.	(2)32008		03-00	1997cc/2.0L (DOHC).....	228008	
PINION				Redi-Sleeve 99315			
09-00	Mazda 7" R.G. ... (Inner)	32307		TIMING COVER			
	(Outer)	32206		4 CYLINDER			
TRANSMISSION				09-04 2178cc/2.2L (DOHC)..... 710608			
MANUAL / 6 Speed							
DRIVESHAFT / INPUT							
06-00	SCYM.....	710157					

PICKUP/MINIVAN/CROSSOVER/SPORT UTILITY - HONDA TRUCK

(CR-V, Element, Odyssey, Passport, Pilot & Ridgeline)

Year	Application	Seal	Bearing
WHEEL			
FRONT WHEEL (2WD)			
2009	Pilot.....	Hub Assembly	513267
09-07	CR-V.....		510092
09-07	Element (EX).....		510074
09-07	Element (LX).....		510074
09-07	Element (SC).....	☆	510098
09-05	Odyssey.....		510086
08-06	Pilot.....		510085
2006	CR-V, Element.....		510074
2005	CR-V.....		510074
2005	Element (EX).....		510074
2005	Element (LX).....	◆	510039
			510050
2004	CR-V, Element (LX).....	◆	510039
			510050
04-03	Element (DX).....	◆	510039
			510050
04-02	CR-V, Element (EX).....		510074
04-99	Odyssey.....		510059
03-02	CR-V (LX).....	◆	510039
			510050
2002	Passport.....	Hub Assembly	513165
01-98	CR-V.....	◆	510039
			510050
01-94	Passport..... (Inner).....	710168	32009-XA
	(Outer).....		A-140
98-95	Odyssey.....		510038
FRONT WHEEL (4WD)			
2009	Pilot.....	Hub Assembly	513267
09-07	CR-V.....		510092
09-07	Element (EX).....		510074
09-07	Element (LX).....		510074
09-07	Element (SC).....	☆	510098
09-06	Ridgeline.....		510088
08-05	Pilot.....		510085
2006	CR-V, Element.....		510074
2005	CR-V.....		510074
2005	Element (EX).....		510074
2005	Element (LX).....	◆	510039
			510050
2004	CR-V, Element (LX).....	◆	510039
			510050
04-03	Element (DX).....	◆	510039
			510050
04-03	Pilot.....		510011
04-02	CR-V, Element (EX).....		510074
03-02	CR-V (LX).....	◆	510039
			510050
2002	Passport.....	Hub Assembly	513166
01-97	CR-V.....	◆	510039
			510050
01-94	Passport..... (Inner).....	710168	32009-XA
	(Outer).....		A-140
REAR WHEEL			
2009	Pilot.....	Hub Assembly	512342
09-07	CR-V.....	Hub Assembly	512344
		Hub Assembly	512345
09-06	Ridgeline.....		511033
09-06	Element..... (Left).....	Hub Assembly	512262
	(Right).....	Hub Assembly	512263
09-05	Odyssey.....	Hub Assembly	512320

(Continued Next Column)

Year	Application	Seal	Bearing
REAR WHEEL (Cont.)			
08-03	Pilot.....	◆	510039
			510050
06-05	CR-V.....		511029
05-04	Element (LX).....	Hub Assembly	512260
05-03	Element (EX)..... (Left).....	Hub Assembly	512262
	(Right).....	Hub Assembly	512263
04-03	Element (DX).....	Hub Assembly	512260
04-02	CR-V (EX).....		511029
04-02	CR-V (LX).....		510015
04-99	Odyssey.....	Hub Assembly	512180
02-98	Passport.....	9912	RW-131-R
01-97	CR-V..... (Left).....	Hub Assembly	512166
	(Right).....	Hub Assembly	512240
1998	Odyssey.....	Hub Assembly	512123
97-96	Passport (7.625" R.G.).....	710166	5707
97-95	Odyssey.....	Hub Assembly	512124
97-94	Passport (Spicer 44).....	9912	RW-131-R
95-94	Passport (7.5" R.G.).....	710166	5707
AXLE			
FRONT AXLE			
AXLE SHAFT			
02-96	Passport.....	710516	
95-94	Passport..... (Inner).....	710169	106-FL
DIFFERENTIAL			
02-94	Passport.....		(2)A-35
PINION			
02-99	Passport..... (Inner).....		32307
	(Outer).....	710513	30306
98-94	Passport..... (Inner).....		32307
	(Outer).....	474133	30306
	Redi-Sleeve 99157.....		
STEERING KNUCKLE			
95-94	Passport.....	710527	(2)HK-3016
REAR AXLE			
DIFFERENTIAL KIT			
02-99	AAM 8.625" R.G.....		☒ RA-321-C
99-95	AAM 7.5" R.G., 7.625" R.G.....		☒ RA-320
1995	AAM 7.5" R.G.....	(Master Kit)	RA-320MK
1994	GMC 7.5" R.G.....		☒ RA-320
		(Master Kit)	RA-320MK
DIFFERENTIAL			
02-99	AAM 8.625" R.G.....		(2)A-36
99-95	AAM 7.5" R.G., 7.625" R.G.....	(2)LM501349-LM501314	
99-94	Spicer 44-3.....	(2)25590-25523	
1994	GMC 7.5" R.G.....	(2)LM501349-LM501314	
PINION			
02-99	AAM 8.625" R.G.....		(Inner)..... M802048-M802011
	(Outer).....	710506	M88048-M88010
99-98	Spicer 44-3..... (Inner).....		02872-02820
	(Outer).....	710452	HM88649-HM88610
99-95	AAM 7.5" R.G., 7.625" R.G.....		(Inner)..... HM89249-HM89210
	(Outer).....	8610	M86649-M86610
	Redi-Sleeve 99147.....		
	(Continued Next Page)		

() Indicates Quantity Required ☆ New Item, Check for Availability ◆ When Depleted Use Number Listed Directly Below ☒ Refer To Front Of Catalog For Kit Contents

HONDA TRUCK - PICKUP/MINIVAN/CROSSOVER/SPORT UTILITY (CR-V, Element, Odyssey, Passport, Pilot & Ridgeline) (Cont.)

Year	Application	Seal	Bearing
AXLE			
REAR AXLE (Cont.)			
PINION			
97-94	Spicer 44-3..... (Inner)		02872-02820
	(Outer)	5778	HM88649-HM88610
	Viton® 5778V		
	Redi-Sleeve 99155		
1994	GMC 7.5" R.G.... (Inner)		HM89249-HM89210
	(Outer)	8610	M86649-M86610
	Redi-Sleeve 99147		

CLUTCH			
PILOT			
4 CYLINDER			
01-97	1972cc/2.0L (DOHC).....		102-CC
97-94	2559cc/2.6L		203-FF
6 CYLINDER			
02-94	3165cc/3.2L, 3165cc/3.2L (DOHC).....		203-FFW
RELEASE			
		Bearing Only	Bearing Assembly
4 CYLINDER			
01-97	1972cc/2.0L (DOHC).....		Ⓢ 614072
97-94	2559cc/2.6L (260mm Clutch).....		Ⓢ 614163

DRIVESHAFT			
CENTER SUPPORT			
		Bearing	Bearing & Support
1997	Passport (2WD).....		HB-32
1997	Passport (4WD).....		HB-33
CV JOINT HALF SHAFT			
01-97	CR-V	710300	
01-95	Odyssey	710300	

TRANSFER CASE			
FULL TIME / PART TIME			
INPUT SHAFT			
02-94	Isuzu MUATC	710247	207
	Redi-Sleeve 99149		
REAR OUTPUT SHAFT			
02-94	Isuzu MUATC		307
COUNTERSHAFT			
02-94	Isuzu MUATC		306

TRANSAXLE			
AUTOMATIC / 4 Speed			
DIFFERENTIAL			
98-95	MDWA, MPJA..... (Left)		30208
TORQUE CONVERTER			
09-95	BYBA, B7TA, B7YA, MCVA, MDLA, MDMA, MDWA, MPJA, MRVA, MZKA, M4TA, SDMA...		350609

Year	Application	Seal	Bearing
AUTOMATIC / 4 Speed (Cont.)			
INPUT SHAFT			
04-02	MCVA, MRVA	220918	
98-95	MDWA, MPJA	220918	
OUTPUT SHAFT			
09-99	BYBA, B7TA, B7YA, MZKA		
	(Left)	710300	
	Redi-Sleeve 99157		
	(Right)	710217	
	Redi-Sleeve 99139		
06-05	MZKA..... (Right)	☆ 710630	
	Redi-Sleeve 99139		
04-02	MCVA..... (Left)	710217	
	Redi-Sleeve 99139		
	(Right)	☆ 710630	
	Redi-Sleeve 99139		
04-02	MRVA..... (Left)	710300	
	Redi-Sleeve 99139		
	(Right)	☆ 710630	
	Redi-Sleeve 99139		
01-97	MDLA, MDMA, M4TA, SDMA		
	(Left)	710314	
	Redi-Sleeve 99139		
	(Right)	1036	
	Redi-Sleeve 99157		
1998	MDWA..... (Left)	710315	
	Redi-Sleeve 99139		
	(Right)	224066	
	Redi-Sleeve 99157		
97-95	MPJA..... (Left)	4901	
	Redi-Sleeve 99139		
	(Right)	224066	
	Redi-Sleeve 99157		

PINION			
97-95	MPJA	222830	
	Redi-Sleeve 99111		
MANUAL SHAFT			
09-95	BYBA, B7TA, B7YA, MCVA, MDLA, MDMA, MDWA, MPJA, MRVA, MZKA, M4TA, SDMA...	221207	
	Redi-Sleeve 99049		

AUTOMATIC / 5 Speed			
DIFFERENTIAL			
09-05	BGRA, PGRA.... (Right)		A-6
TORQUE CONVERTER			
09-06	BJFA, BVLA, MJFA, PVGA, PVLA, P34A, P35A.....	☆ 710238	
	Redi-Sleeve 99181		
09-03	BGRA, BVGA, BZKA, BZNA, GPLA, GPPA, MKYA, MKZA, PGRA.....	350609	
INPUT SHAFT			
06-05	GPLA, GPPA, MKYA, MKZA....	220918	
OUTPUT SHAFT			
09-08	BZKA..... (Right)	☆ 710630	
	Redi-Sleeve 99139		

(Continued Next Page)

PICKUP/MINIVAN/CROSSOVER/SPORT UTILITY - HONDA TRUCK

(Cont.) (CR-V, Element, Odyssey, Passport, Pilot & Ridgeline)

Year	Application	Seal	Bearing	Year	Application	Seal	Bearing
TRANSAXLE				ELECTRICAL			
AUTOMATIC / 5 Speed (Cont.)				ALTERNATOR			
OUTPUT SHAFT				DRIVE END			
09-03	BGRA, BJFA, BVGA, BVLA, MJFA, MKZA, PGRA, PVGA, PVLA, P34A, P35A			06-02	Mitsubishi		303-CC
	(Left)	710300		97-94	Hitachi 60 Amp		303-CC
	Redi-Sleeve	99157		ENGINE			
	(Right)	710217		CAMSHAFT			
	Redi-Sleeve	99139		4 CYLINDER			
09-03	BZKA, GPLA, GPPA, MKYA			01-97	1972cc/2.0L (DOHC)..... (2)	222743	
	(Left)	710300			Redi-Sleeve (2)	99106	
	Redi-Sleeve	99157		98-95	2156cc/2.2L, 2254cc/2.3L	712008	
	(Right)	710630			Redi-Sleeve	99111	
	Redi-Sleeve	99139		97-94	2559cc/2.6L	223014	
MANUAL SHAFT					Redi-Sleeve	99114	
09-03	BGRA, BJFA, BVGA, BVLA, BZHA, BZJA, BZKA, BZNA, GPLA, GPPA, MJFA, MKYA, MKZA, PGRA, PVGA, PVLA, P34A, P35A	221207		6 CYLINDER			
	Redi-Sleeve	99049		09-99	3471cc/3.5L	(2) 710451	
MANUAL / 5 Speed					Redi-Sleeve (2)	99147	
DIFFERENTIAL				02-98	3165cc/3.2L (DOHC)..... (4)	223014	
09-02	PSA4, ZFJ3, ZGM3, Z2M4.....		(2)208-S		Redi-Sleeve (4)	99114	
INPUT SHAFT				97-94	3165cc/3.2L	(2) 223014	
09-02	PSA4, ZFJ3, ZGM3, Z2M4.....	710157			Redi-Sleeve (2)	99114	
	Redi-Sleeve	99103		CRANKSHAFT			
01-98	SBXM.....	222830		4 CYLINDER			
OUTPUT SHAFT				09-02	2354cc/2.4L (DOHC).....	228008	
09-02	PSA4, ZFJ3, ZGM3, Z2M4				Redi-Sleeve	99315	
	(Left)	224026		01-95	1972cc/2.0L (DOHC), 2156cc/2.2L, 2254cc/2.3L	228015	
	Redi-Sleeve	99157			Redi-Sleeve	99315	
01-98	SBXM.....	(Right) 3459		97-94	2559cc/2.6L	710060	
	Redi-Sleeve	99157			Redi-Sleeve	99364	
TRANSMISSION				6 CYLINDER			
AUTOMATIC / 4 Speed				09-99	3471cc/3.5L	228008	
EXTENSION HOUSING					Redi-Sleeve	99315	
02-94	GMC 4L30-E.....	3459		02-94	3165cc/3.2L, 3165cc/3.2L (DOHC).....	710060	
MANUAL SHAFT					Redi-Sleeve	99364	
02-94	GMC 4L30-E.....	8792S		OIL PUMP			
MANUAL / 5 Speed				4 CYLINDER			
DRIVESHAFT / INPUT				98-95	2156cc/2.2L, 2254cc/2.3L	712009	
02-94	Isuzu MUA5C, MUA5CT.....	710511			Redi-Sleeve	99106	
MAINSHAFT / OUTPUT				6 CYLINDER			
02-94	Isuzu MUA5C	710247		09-99	3471cc/3.5L	711181	
02-94	Isuzu MUA5CT	224250		TIMING COVER			
STEERING				4 CYLINDER			
POWER STEERING				09-02	2354cc/2.4L (DOHC).....	710608	
STEERING PUMP SHAFT				01-97	1972cc/2.0L (DOHC).....	223802	
99-94	Passport (V6 Eng.)	222036			Redi-Sleeve	99147	
				98-95	2156cc/2.2L, 2254cc/2.3L	224053	
				97-94	2559cc/2.6L	224025	
					Redi-Sleeve	99157	
				6 CYLINDER			
				02-94	3165cc/3.2L, 3165cc/3.2L (DOHC).....	224020	
					Redi-Sleeve	99157	

() Indicates Quantity Required ☆ New Item, Check for Availability

HUMMER - SPORT UTILITY (H1, H2 & H3)

Year	Application	Seal	Bearing
------	-------------	------	---------

WHEEL

FRONT WHEEL

09-08	H2		Hub Assembly ☆ 515098
09-06	H3		Hub Assembly ☆ 515093
07-03	H2		Hub Assembly 515058
06-02	H1	(Inner) 710585	3490-3420
		(Outer)	3780-3720

REAR WHEEL

09-06	H3	4762N	513067
		(Axle Repair Brg.)	RP-513067
09-03	H2	710105	R-1561-TV
		(Axle Repair Brg.)	RP-1561-GM
06-02	H1	(Inner) 710585	3490-3420
		(Outer)	3780-3720

AXLE

FRONT AXLE

AXLE SHAFT

09-06	AAM ICA-7.6" R.G.	(2) 710548	(4) HK-4012
09-03	AAM IFS-8.25" R.G.		
	(Inner)	(2) 710475	(2) B-2010
	(Outer)		SCH-208
	(Pilot)		SCH-78

OUTPUT SHAFT

06-02	AMC 20		(2) 207
-------	--------	--	---------

DIFFERENTIAL KIT

06-02	AMC 20		<input checked="" type="checkbox"/> RA-311-J
-------	--------	--	--

DIFFERENTIAL

09-03	AAM ICA-7.6" R.G., IFS-8.25" R.G.	(2) LM501349-LM501314	
06-02	AMC 20		(2) A-36

PINION

09-06	AAM ICA-7.6" R.G.		
	(Inner)		HM89249-HM89210
	(Outer)	710549	M86649-M86610
09-03	AAM IFS-8.25" R.G.		
	(Inner)		M802048-M802011
	(Outer)	710536	M88048-M88010
06-02	AMC 20		
	(Inner)		M802048-M802011
	(Outer)	470331N	M88048-M88010

REAR AXLE

DIFFERENTIAL KIT

09-06	AAM 8.625" R.G.		<input checked="" type="checkbox"/> RA-321-C
09-03	AAM 9.5" R.G.		<input checked="" type="checkbox"/> RA-324-B
06-02	AMC 20		<input checked="" type="checkbox"/> RA-311-J

DIFFERENTIAL

09-06	AAM 8.625" R.G.		(2) A-36
09-03	AAM 9.5" R.G.		(2) A-42
06-02	AMC 20		(2) A-36

PINION

09-06	AAM 8.625" R.G.		
	(Inner)		M802048-M802011
	(Outer)	710506	M88048-M88010
09-03	AAM 9.5" R.G.		
	(Inner)		HM804846-HM804810
	(Outer)	710507	HM88649-HM88610
06-02	AMC 20		
	(Inner)		M802048-M802011
	(Outer)	470331N	M88048-M88010

Year	Application	Seal	Bearing
------	-------------	------	---------

REAR AXLE (Cont.)

OUTPUT SHAFT

06-02	AMC 20		(2) 207
-------	--------	--	---------

TRANSFER CASE

FULL TIME / PART TIME

INPUT SHAFT

09-06	Borg-Warner 4493, 4494		§ 209-LO
	(Pilot)		BK-3026
09-03	Borg-Warner 4484		211
	(Pilot)		BK-3026
06-02	New Process 242H	(2) 3173	110-L
	(Dual Lip)	710928	
	Redi-Sleeve	99193	
	(Pilot)		FC-66561

FRONT OUTPUT SHAFT

09-03	Borg-Warner 4484		(2) 109
06-02	New Process 242H	3946	207
	Redi-Sleeve	99187	
	(Pilot)		J-2416

REAR OUTPUT SHAFT

09-03	Borg-Warner 4484, 4493,		
	4494	4503N	§ 209-LO
06-02	New Process 242H	4333N	
	(Pilot)		(52) C-672-Q

OIL PUMP HOUSING

06-02	New Process 242H	341022	
	Redi-Sleeve	99225	

TRANSMISSION

AUTOMATIC / 4 Speed

FRONT PUMP

09-03	4L65E, 4L60-E	4950	
	Redi-Sleeve	99174	
05-02	4L80-E	714598	
	Redi-Sleeve	99199	

OUTPUT SHAFT

05-02	4L80-E	4934	
-------	--------	------	--

EXTENSION HOUSING

09-03	4L65E, 4L60-E (Booted)	4934	
09-03	4L65E, 4L60-E (Non-Booted)	4583	
05-02	4L80-E (Booted)	4333N	
05-02	4L80-E (Non-Booted) (Over		
	15,000 lbs. GVWR)	2457	
05-02	4L80-E (Non-Booted) (Under		
	15,000 lbs. GVWR)	9449	
	(Seal & Bushing Kit)	5208	

MANUAL SHAFT

09-02	4L65E, 4L60-E, 4L80-E	8792S	
-------	-----------------------	-------	--

AUTOMATIC / 6 Speed

EXTENSION HOUSING

09-08	6L80 (RWD)	710533	
09-08	6L80 (4WD)	☆ 710636	

(Cont.) (H1, H2 & H3) **SPORT UTILITY - HUMMER**

Year	Application	Seal	Bearing	Year	Application	Seal	Bearing
AIR CONDITIONING				TIMING COVER			
COMPRESSOR				5 CYLINDER			
CLUTCH PULLEY				09-06 211/3.5L (DOHC), 223/3.7L (DOHC)..... 710551			
05-02	Harrison HT-6		907257	8 CYLINDER			
ENGINE				09-03 325/5.3L, 364/6.0L, 378/6.2L 100470			
CRANKSHAFT				Redi-Sleeve 99210			
8 CYLINDER				05-02 395/6.5L (Turbo-Diesel)..... 3945			
09-03	325/5.3L, 364/6.0L		100085	Redi-Sleeve 99233			
05-02	395/6.5L (Turbo-Diesel)		710258	Harmonic Bal Sleeve 88233			
				2002 496/8.1L ☆ 710607			
				Redi-Sleeve 99235			
				Redi-Sleeve 99452			
				Redi-Sleeve 99435			

FRONT WHEEL DRIVE - HYUNDAI
(Accent, Azera, Elantra, Excel, Scoupe, Sonata, Tiburon, XG300 & XG350)

WHEEL				REAR WHEEL (Cont.)			
FRONT WHEEL				05-99 Sonata (ABS)..... Hub Assembly 512190			
09-07	Elantra		510093	05-99 Sonata (Exc. ABS)..... Hub Assembly 512191			
09-06	Azera		510084	02-01 Tiburon Hub Assembly 512160			
09-03	Sonata, XG350		510034	00-96 Elantra, Tiburon Hub Assembly 512160			
09-02	Accent		510055	99-97 Accent Hub Assembly 512165			
08-02	Tiburon (2.0L Eng.)		510078	98-92 Sonata Hub Assembly 512026			
08-02	Tiburon (2.7L Eng.)		510076	96-95 Accent Hub Assembly 512027			
06-01	Elantra		510078	95-92 Elantra (Inner) 1196 516000			
2002	Sonata, XG350 (From 01/04/02) (84mm OD)		510034	(Outer) 516000			
2002	Sonata, XG350 (To 01/03/02) (80mm OD)		510076	95-89 Excel, Scoupe (Inner) 710404 516000			
2001	Accent, Tiburon		510055	(Outer) 516000			
01-99	Sonata, XG300		510076	91-89 Sonata (Inner) 494122 A-6			
2000	Accent, Elantra, Tiburon		510055	(Outer) A-2			
99-96	Accent (Inner) 229522 A-41			88-86 All (Inner) 1196 A-4			
	(Outer) 229522 A-41			(Outer) A-1			
99-96	Elantra, Tiburon		510055	CLUTCH			
98-95	Sonata		510075	RELEASE			
95-86	Accent, Elantra, Excel, Scoupe (Inner) 229522 A-41			4 CYLINDER			
	(Outer) 229522 A-41			01-93 1494cc/1.5L (200mm Clutch)..... 614126			
94-89	Sonata (Inner) 225082 513036			98-93 1494cc/1.5L (DOHC), 1494cc/1.5L (Turbo), 1796cc/1.8L (DOHC), 1836cc/1.8L (DOHC), 1595cc/1.6L (DOHC) (215mm Clutch)..... 614126			
	(Outer) 225230			98-92 1997cc/2.0L (DOHC) (225mm Clutch)..... 614126			
REAR WHEEL				94-86 1468cc/1.5L (184mm Clutch)..... 614126			
09-07	Accent (ABS)..... Hub Assembly 512324			1992 1595cc/1.6L (DOHC) (215mm Clutch)..... 614126			
09-07	Accent (Exc. ABS)..... Hub Assembly 512325			92-91 1468cc/1.5L (200mm Clutch)..... 614126			
09-07	Elantra (ABS)..... Hub Assembly 512340			91-89 2351cc/2.4L (225mm Clutch)..... 614126			
09-06	Azera Hub Assembly 512341			TRANSAXLE			
09-06	Sonata (ABS)..... Hub Assembly 512265			AUTOMATIC / 3 Speed			
09-06	Sonata (Exc. ABS)..... Hub Assembly 512266			DIFFERENTIAL			
2006	Accent (Hatchback) (GLS)(GT) (ABS)..... Hub Assembly 512192			90-86 KM170-1, KM171-1, KM171-5..... (2)207			
2006	Accent (Hatchback) (GLS)(GT) (Exc. ABS)..... Hub Assembly 512193			TORQUE CONVERTER			
2006	Accent (Sedan) (GLS) (ABS)..... Hub Assembly 512324			90-86 KM170-1, KM171-1, KM171-5. 320583			
2006	Accent (Sedan) (GLS) (Exc. ABS)..... Hub Assembly 512325			Redi-Sleeve 99157			
06-01	Elantra (ABS)..... Hub Assembly 512195						
06-01	Elantra (Exc. ABS)..... Hub Assembly 512194						
05-03	Tiburon (ABS)..... Hub Assembly 512198						
05-03	Tiburon (Exc. ABS)..... Hub Assembly 512199						
05-01	XG300, XG350..... Hub Assembly 512189						
05-00	Accent (ABS)..... Hub Assembly 512192						
05-00	Accent (Exc. ABS)..... Hub Assembly 512193						

(Continued Next Column)

HYUNDAI - FRONT WHEEL DRIVE

(Accent, Azera, Elantra, Excel, Scoupe, Sonata, Tiburon, XG300 & XG350) (Cont.)

Year	Application	Seal	Bearing	Year	Application	Seal	Bearing
TRANSAXLE							
AUTOMATIC / 3 Speed (Cont.)				MANUAL / 4 Speed			
OUTPUT SHAFT				DIFFERENTIAL			
90-86	KM170-1, KM171-1, KM171-5	(2) 223543		94-86	KM160, KM200-0		(2)207
		Redi-Sleeve (2) 99139		INPUT SHAFT			
TRANSFER SHAFT				94-86	KM160, KM200-0	712007	304
90-86	KM170-1, KM171-1, KM171-5		30206			Redi-Sleeve 99098	
		(Inner)	30304	OUTPUT SHAFT			
		(Outer)		94-86	KM160, KM200-0	(2) 223543	30206
TRANSFER GEAR						Redi-Sleeve (2) 99139	
90-86	KM170-1, KM171-1, KM171-5		207	SHIFT SHAFT			
		(Inner)	306-L	94-86	KM160, KM200-0	710222	
		(Outer)		MANUAL / 5 Speed			
TRANSFER IDLER				DIFFERENTIAL			
1986	KM170-1		30206	09-06	M5GF2		(2)32009-X
AUTOMATIC / 4 Speed				09-00	M5AF3, M5CF1		(2)207
DIFFERENTIAL				07-99	M5GF1		(2)A-35
09-08	A4AF3		(2)207	07-96	M5BF1, M5BF2		(2)30207
08-99	F4A42		(2)30207	99-95	KM302		(2)207
07-93	A4AF1, A4AF2, A4AF3, A4BF1, A4BF2, A4BF3		(2)207	95-90	KM206, KM208, KM303		(2)30207
98-90	F4A21-2, F4A22-2, F4A33-1		(2)207	92-91	KM210-0		(2)A-35
TORQUE CONVERTER				89-86	KM162		(2)207
09-08	A4AF3	320583		INPUT SHAFT			
		Redi-Sleeve 99157		09-08	M5CF1	712007	
08-89	F4A42, F4A21-2, F4A22-2, F4A33-1, KM175-5	320583				Redi-Sleeve 99098	
		Redi-Sleeve 99157		07-96	M5AF3, M5BF1, M5BF2, M5CF1, M5GF1	712007	
07-93	A4AF1, A4AF2, A4AF3, A4BF1, A4BF2, A4BF3	320583				Redi-Sleeve 99098	
		Redi-Sleeve 99157		99-89	KM208, KM212-0, KM302, KM303	712007	
OUTPUT SHAFT						Redi-Sleeve 99098	
09-08	A4AF3	(2) 710259		94-90	KM206	712007	
08-99	F4A42	(Front) 32009-X				Redi-Sleeve 99098	
		(Rear) 32006		92-91	KM210-0	712007	
07-93	A4AF1, A4AF2, A4AF3, A4BF1, A4BF2, A4BF3	(2) 710259				Redi-Sleeve 99098	
98-90	F4A33-1	(2) 710259				(Rear) 306-F	
98-89	F4A21-2, F4A22-2, KM175-5	(2) 223543		89-86	KM162	712007	304
		Redi-Sleeve (2) 99139				Redi-Sleeve 99098	
TRANSFER SHAFT				INTERMEDIATE SHAFT			
95-91	F4A21-2		(2)30207	89-86	KM162		30304
TRANSFER IDLER				OUTPUT SHAFT			
94-91	F4A21-2		30206	09-08	M5CF1	(2) 223543	
AUTOMATIC / 5 Speed						Redi-Sleeve (2) 99139	
DIFFERENTIAL				07-00	M5AF3, M5BF2, M5CF1	(2) 223543	
09-06	A5HF1		(2)32009-X			Redi-Sleeve (2) 99139	
05-01	F5A51		(2)32009-X	01-96	M5BF1	(2) 223543	(2)30206
TORQUE CONVERTER						Redi-Sleeve (2) 99139	
09-06	A5HF1	320583		99-86	KM162, KM212-0, KM302	(2) 223543	
		Redi-Sleeve 99157				Redi-Sleeve (2) 99139	
05-01	F5A51	320583		95-90	KM206, KM208, KM303	(2) 223543	(2)30206
		Redi-Sleeve 99157				Redi-Sleeve (2) 99139	
INPUT SHAFT				92-91	KM210-0	(2) 223543	(2)30306
05-01	F5A51		B-1816			Redi-Sleeve (2) 99139	
				COUNTERSHAFT			
				94-90	KM206	(Front) RW-122	
						(Rear) * 108-A	
				89-86	KM162	(Front) 32205	
						(Rear) 30304	

FRONT WHEEL DRIVE - HYUNDAI

(Cont.) (Accent, Azera, Elantra, Excel, Scoupe, Sonata, Tiburon, XG300 & XG350)

Year	Application	Seal	Bearing	Year	Application	Seal	Bearing
TRANSAXLE				CAMSHAFT (Cont.)			
MANUAL / 5 Speed (Cont.)				6 CYLINDER			
SHIFT SHAFT				05-02 3497cc/3.5L (DOHC)			
07-96	M5AF3, M5BF1, M5BF2	710222		(Front) (4) 223010			
99-86	KM162, KM206, KM208, KM302, KM303	710222		Redi-Sleeve (4) 99114			
				(Rear) (4) 710302			
				Redi-Sleeve (4) 99114			
				2001 2972cc/3.0L (DOHC)			
				(Front) (2) 223010			
				Redi-Sleeve (2) 99114			
				(Rear) (2) 710302			
				Redi-Sleeve (2) 99114			
				98-90 2972cc/3.0L			
				Redi-Sleeve (2) 3771			
				Redi-Sleeve (2) 99139			
AIR CONDITIONING				CRANKSHAFT			
COMPRESSOR				4 CYLINDER			
CLUTCH PULLEY				09-06 2359cc/2.4L (DOHC)..... 710235			
98-93	Ford FS-10		5106-WCC	09-93	1796cc/1.8L (DOHC), 1836cc/1.8L (DOHC), 1975cc/2.0L (DOHC)		228005
95-86	Sanden SD-709		5001-KFF	Redi-Sleeve 99315			
93-91	Ford FX-15		5106-WCC	09-93 1494cc/1.5L, 1494cc/1.5L (DOHC), 1494cc/1.5L (Turbo), 1599cc/1.6L (DOHC), 1468cc/1.5L..... 227235			
91-89	Nippondenso 10P15		5000-KFF	05-93 1997cc/2.0L (DOHC), 2351cc/2.4L, 2351cc/2.4L (DOHC)..... 710235			
89-86	Sanden SD-507		5001-KFF	92-89 1997cc/2.0L (DOHC), 2351cc/2.4L 228005			
				Redi-Sleeve 99315			
				92-86 1468cc/1.5L 227235			
ELECTRICAL				6 CYLINDER			
ALTERNATOR				08-02 2656cc/2.7L (DOHC), 3497cc/3.5L (DOHC)..... 229005			
DRIVE END				Redi-Sleeve 99354			
96-95	Mitsubishi 110 Amp		303-CC	02-99 2493cc/2.5L (DOHC), 2972cc/3.0L (DOHC)..... 710056			
88-86	Mitsubishi 50, 55 Amp		203-FF	2001 2972cc/3.0L (DOHC)			
				PTFE Rubber 5279			
				97-92 Mitsubishi 202-SS			
				98-90 2972cc/3.0L 710056			
				PTFE Rubber 5279			
ENGINE				OIL PUMP			
BALANCE SHAFT				4 CYLINDER			
4 CYLINDER				05-89 1997cc/2.0L (DOHC), 2351cc/2.4L, 2351cc/2.4L (DOHC)..... 222025			
98-92	1997cc/2.0L (DOHC)	712007		Redi-Sleeve 99078			
				Redi-Sleeve 99098			
CAMSHAFT				TIMING COVER			
4 CYLINDER				4 CYLINDER			
09-93	1494cc/1.5L (DOHC), 1599cc/1.6L (DOHC), 1796cc/1.8L (DOHC), 1836cc/1.8L (DOHC), 1975cc/2.0L (DOHC), 1595cc/1.6L (DOHC), 1997cc/2.0L (DOHC), 2351cc/2.4L (DOHC)	(2) 3771		09-06 2359cc/2.4L (DOHC)..... 710608			
				Redi-Sleeve (2) 99139			
03-93	1494cc/1.5L, 1494cc/1.5L (Turbo), 1468cc/1.5L, 2351cc/2.4L	3771		09-96 1796cc/1.8L (DOHC), 1975cc/2.0L (DOHC)..... ☆ 710531			
				Redi-Sleeve 99139			
1992	1595cc/1.6L (DOHC), 1997cc/2.0L (DOHC)	(2) 3771		09-93 1494cc/1.5L, 1494cc/1.5L (DOHC), 1494cc/1.5L (Turbo), 1599cc/1.6L (DOHC), 1468cc/1.5L..... 223018			
				Redi-Sleeve (2) 99139			
92-86	1468cc/1.5L, 2351cc/2.4L	3771		Redi-Sleeve 99114			
				Redi-Sleeve 99139			
6 CYLINDER				05-96 1997cc/2.0L (DOHC), 2351cc/2.4L (DOHC)..... 224460			
08-02	2656cc/2.7L (DOHC)	(4) 223010		(Continued Next Page)			
				Redi-Sleeve (4) 99114			
				(Rear) (4) 710302			
				Redi-Sleeve (4) 99114			
				(Continued Next Column)			

() Indicates Quantity Required ☆ New Item, Check for Availability

HYUNDAI - FRONT WHEEL DRIVE

(Accent, Azera, Elantra, Excel, Scoupe, Sonata, Tiburon, XG300 & XG350) (Cont.)

Year	Application	Seal	Bearing	Year	Application	Seal	Bearing
ENGINE				TIMING COVER (Cont.)			
TIMING COVER (Cont.)				4 CYLINDER			
4 CYLINDER				92-86 1468cc/1.5L 223018			
				Redi-Sleeve 99114			
95-93 1836cc/1.8L (DOHC),				6 CYLINDER			
1595cc/1.6L (DOHC),				08-02 2656cc/2.7L (DOHC),			
1997cc/2.0L (DOHC),				3497cc/3.5L (DOHC)..... 223750			
2351cc/2.4L 224460				2001 2972cc/3.0L (DOHC)..... 223750			
92-89 1595cc/1.6L (DOHC),				98-90 2972cc/3.0L 223750			
1997cc/2.0L (DOHC),				Redi-Sleeve 99145			
2351cc/2.4L 224460							
(Continued Next Column)							

HYUNDAI - REAR WHEEL DRIVE (Genesis, Pony & Stellar)

WHEEL				TRANSMISSION			
FRONT WHEEL				AUTOMATIC / 3 Speed			
88-83 All..... (Inner) 1196 A-4				FRONT PUMP			
				88-83 Chrysler A904..... 331228H			
				Redi-Sleeve 99149			
				EXTENSION HOUSING			
88-87 Stellar (KSC Axle)..... A-9				88-83 Chrysler A904..... 2506 § 206-LOE			
88-87 Stellar (MIP Axle)..... 1955				MANUAL SHAFT			
87-83 Pony..... 1955 207-FF				88-83 Chrysler A904..... 8609			
86-85 Stellar (KSC Axle)..... 2146 A-9				AUTOMATIC / 6 Speed			
86-85 Stellar (MIP Axle)..... 1955 207-FF				FRONT PUMP			
				2009 ZF 6HP-26 224510			
				Redi-Sleeve 99177			
AXLE				MANUAL / 4 Speed			
REAR AXLE				DRIVESHAFT / INPUT			
DIFFERENTIAL				87-83 KM110 712007 307-L			
87-83 MIP (2)30207				Redi-Sleeve 99098			
PINION				MAINSHAFT / OUTPUT			
88-85 KSC (Inner) 32207				87-83 KM110 223240 306-L			
				MANUAL / 5 Speed			
				DRIVESHAFT / INPUT			
				88-84 KM132 223014 307-L			
				Redi-Sleeve 99114			
				87-83 KM119 712007 208-L			
				Redi-Sleeve 99098			
				MAINSHAFT / OUTPUT			
				88-84 KM132 223608 207-L			
				87-83 KM119 223240 205			
				COUNTERSHAFT			
				87-83 KM119 (Rear) 304			
CLUTCH				AIR CONDITIONING			
PILOT				COMPRESSOR			
4 CYLINDER				CLUTCH PULLEY			
88-84 1439cc/1.4L, 1597cc/1.6L, 1997cc/2.0L 102-CC				1987 Sanden SD-507 5001-KFF			
RELEASE							
4 CYLINDER							
87-84 1439cc/1.4L, 1597cc/1.6L							
(180mm Clutch)..... 01496							

(Cont.) (Genesis, Pony & Stellar) **REAR WHEEL DRIVE - HYUNDAI**

Year	Application	Seal	Bearing	Year	Application	Seal	Bearing
ENGINE				CRANKSHAFT (Cont.)			
BALANCE SHAFT				4 CYLINDER			
88-87	1997cc/2.0L	712007		87-83	1439cc/1.4L, 1597cc/1.6L	227235	
		Redi-Sleeve 99098		OIL PUMP			
CAMSHAFT				4 CYLINDER			
88-83	1439cc/1.4L, 1597cc/1.6L, 1997cc/2.0L	3771		88-87	1997cc/2.0L	222025	
		Redi-Sleeve 99139				Redi-Sleeve 99078	
CRANKSHAFT				87-83	1439cc/1.4L, 1597cc/1.6L	221710	
88-87	1997cc/2.0L	228005				Redi-Sleeve 99068	
		Redi-Sleeve 99315		TIMING COVER			
		(Continued Next Column)		4 CYLINDER			
				88-83	1439cc/1.4L, 1597cc/1.6L, 1997cc/2.0L	224460	

CROSSOVER/SPORT UTILITY - HYUNDAI TRUCK
(Entourage, Santa Fe, Santa Fe AWD, Tucson, Tucson AWD, Veracruz & Veracruz AWD)

Year	Application	Seal	Bearing	Year	Application	Seal	Bearing
WHEEL				AUTOMATIC / 4 Speed (Cont.)			
FRONT WHEEL (2WD)				TORQUE CONVERTER			
09-07	Entourage	Hub Assembly 515090		09-05	Mitsubishi F4A4B, W4A4B	320583	
09-07	Santa Fe	Hub Assembly 513256				Redi-Sleeve 99157	
09-07	Tucson	510034		06-01	F4A51	320583	
09-07	Veracruz	Hub Assembly 513266				Redi-Sleeve 99157	
06-01	All	510034		INPUT SHAFT			
FRONT WHEEL (4WD)				06-01	F4A51		B-1816
09-07	Santa Fe AWD	Hub Assembly 513256		OUTPUT SHAFT			
09-07	Tucson AWD	510034		09-05	Mitsubishi F4A4B, W4A4B		
09-07	Veracruz AWD	Hub Assembly 513266				(Front)	32009-X
06-01	All	510034				(Rear)	32006
REAR WHEEL				06-01	F4A51	(Inner)	32009-X
09-07	Entourage	Hub Assembly 541007				(Outer)	32010-X
09-07	Tucson AWD	513058		TRANSFER SHAFT			
09-07	Santa Fe, Veracruz	Hub Assembly 512326		06-01	F4A51		32006
09-07	Santa Fe AWD, Veracruz AWD	Hub Assembly 513256		AUTOMATIC / 5 Speed			
09-05	Tucson	Hub Assembly 512267		DIFFERENTIAL			
06-01	Santa Fe (ABS)	Hub Assembly 512196		09-07	A5HF1		(2)32009-X
06-01	Santa Fe (Exc. ABS)	Hub Assembly 512197		06-03	Mitsubishi F5A51		(2)32009-X
06-01	Santa Fe AWD, Tucson AWD	513058		TORQUE CONVERTER			
TRANSFER CASE				09-07	A5HF1	320583	
FULL TIME / PART TIME						Redi-Sleeve 99157	
FRONT OUTPUT SHAFT				06-03	Mitsubishi F5A51	320583	
09-01	ITM-I		207			Redi-Sleeve 99157	
REAR OUTPUT SHAFT				MANUAL / 5 Speed			
09-01	ITM-I		209	DIFFERENTIAL			
TRANSAXLE				09-06	M5GF2		(2)32009-X
AUTOMATIC / 4 Speed				09-02	M5GF1		(2)A-35
DIFFERENTIAL				2001	M5BF1		(2)30207
09-05	Mitsubishi F4A4B, W4A4B		(2)30207	INPUT SHAFT			
				09-01	M5BF1, M5GF1	712007	
						Redi-Sleeve 99098	

() Indicates Quantity Required

HYUNDAI TRUCK - CROSSOVER/SPORT UTILITY

(Entourage, Santa Fe, Santa Fe AWD, Tucson, Tucson AWD, Veracruz & Veracruz AWD) (Cont.)

Year	Application	Seal	Bearing	Year	Application	Seal	Bearing
TRANSAXLE				CRANKSHAFT			
MANUAL / 5 Speed (Cont.)				4 CYLINDER			
OUTPUT SHAFT				09-05 1975cc/2.0L (DOHC)..... 228005			
				Redi-Sleeve 99315			
2001	M5BF1	(2) 223543	(2) 30206	06-01	2351cc/2.4L (DOHC).....	710235	
				6 CYLINDER			
				09-01 2656cc/2.7L (DOHC),			
				3497cc/3.5L (DOHC)..... 229005			
				Redi-Sleeve 99354			
SHIFT SHAFT				OIL PUMP			
2001	M5BF1	710222		4 CYLINDER			
				06-01 2351cc/2.4L (DOHC)..... 222025			
				Redi-Sleeve 99078			
ENGINE				TIMING COVER			
CAMSHAFT				4 CYLINDER			
4 CYLINDER				09-05 1975cc/2.0L (DOHC)..... ☆ 710531			
09-05	1975cc/2.0L (DOHC),	2351cc/2.4L (DOHC)..... (2) 3771		06-01	2351cc/2.4L (DOHC).....	224460	
				6 CYLINDER			
04-01	2351cc/2.4L (DOHC)..... (2) 3771	Redi-Sleeve (2) 99139		09-01 2656cc/2.7L (DOHC),			
				3497cc/3.5L (DOHC)..... 223750			
				Redi-Sleeve (2) 99139			
				(Front) (4) 223010			
				Redi-Sleeve (4) 99114			
				(Rear) (4) 710302			
				Redi-Sleeve (4) 99114			

IHC SCOUT - SPORT UTILITY

WHEEL				FRONT AXLE (Cont.)			
FRONT WHEEL (2WD)				DIFFERENTIAL			
1980	All.....	(Inner) 442874	LM102949-LM102910	1980	Spicer 30-AF.....	(2) LM501349-LM501311	
				1980	Spicer 44-1F.....	(2) 25590-25523	
				PINION			
				1980 Spicer 30-AF..... (Inner) HM88649-HM88610			
				(Outer) 5778 02872-02820			
				Viton® 5778V			
				Redi-Sleeve 99155			
FRONT WHEEL (4WD)				1980 Spicer 44-1F..... (Inner) 31594-31520			
1980	All.....	(Inner) 442874	LM102949-LM102910	(Outer) 5778 02872-02820			
				Viton® 5778V			
				Redi-Sleeve 99155			
REAR WHEEL				REAR AXLE			
1980	All.....	(Inner) 481837	A-10	DIFFERENTIAL KIT			
				1980 Spicer 44-1 <input checked="" type="checkbox"/> RA-28			
				(Outer) 9912			
AXLE				DIFFERENTIAL			
FRONT AXLE				1980 Spicer 44-1 (2) 25590-25523			
AXLE SHAFT				PINION			
1980	Spicer 30-AF.....	40576S		1980 Spicer 44-1 (Inner) 31594-31520			
1980	Spicer 44-1F.....	40769S		(Outer) 5778 02872-02820			
				Viton® 5778V			
				Redi-Sleeve 99155			
SPINDLE KIT							
1980	Spicer 30-AF, 44-1F	<input checked="" type="checkbox"/> SBK-1					
SPINDLE							
1980	Spicer 30-AF, 44-1F	(Inner) 722109	B-2110				
DIFFERENTIAL KIT							
1980	Spicer 44-1F.....	<input checked="" type="checkbox"/> RA-28					

(Cont.) **SPORT UTILITY - IHC SCOUT**

Year	Application	Seal	Bearing
CLUTCH			
PILOT			
4 CYLINDER			
1980	196/3.2L		7109
8 CYLINDER			
1980	304/5.0L, 345/5.6L (Exc. 13" Clutch).....		7109
1980	304/5.0L, 345/5.6L (13" Clutch).....		8505
RELEASE			
		<i>Bearing Only</i>	<i>Bearing Assembly</i>
4 CYLINDER			
1980	196/3.2L	2005-43	
8 CYLINDER			
1980	304/5.0L, 345/5.6L	2005-T	
DRIVESHAFT			
CENTER SUPPORT			
		<i>Bearing</i>	<i>Bearing & Support</i>
1980	Spicer 1280, 1310 Series / Brg. ID 1.1811" (30mm)End Yoke Style.....	206-FF	HB-206-FF
1980	Spicer 1280, 1310, 1330, 1410 Series / Brg. ID 1.3780" (35mm)Slip Yoke Style.....	88107	HB-88107-A (Opt. w/Slings) HB-88107-B
TRANSFER CASE			
FULL TIME / PART TIME			
TRANSFER CASE KIT			
1980	Spicer 300		<input checked="" type="checkbox"/> T-182
INPUT SHAFT			
1980	Spicer 300	471869	209
		<i>Redi-Sleeve 99193</i>	
FRONT OUTPUT SHAFT			
1980	Spicer 300	711552	(2)M86649-M86610
REAR OUTPUT SHAFT			
1980	Spicer 300	(Front) 25877-25821	
		(Pilot) JH-1612	
		(Rear) 711552	15117-15245
INTERMEDIATE SHAFT			
1980	Spicer 300		(48)Q-13367
SHIFT SHAFT			
1980	Spicer 300	(2) 471466	
		<i>Redi-Sleeve (2) 99062</i>	
TRANSMISSION			
AUTOMATIC / 3 Speed			
FRONT PUMP			
1980	Chrysler A727	331227H	
		<i>Redi-Sleeve 99187</i>	
EXTENSION HOUSING			
1980	Chrysler A727	7300S	
		(Seal & Bushing Kit) 5206	

Year	Application	Seal	Bearing
AUTOMATIC / 3 Speed (Cont.)			
CLUTCH CAM			
1980	Chrysler A727		(12)W-585-Q
MANUAL / 3 Speed			
DRIVESHAFT / INPUT			
1980	Borg-Warner T15	471413	308-L1
		<i>Redi-Sleeve 99125</i>	
MAINSHAFT / OUTPUT			
1980	Borg-Warner T15 (10 Spline)	473463	
1980	Borg-Warner T15 (6 Spline).....	473468	
COUNTERSHAFT			
1980	Borg-Warner T15		(44)C-1086-Q
REVERSE IDLER			
1980	Borg-Warner T15		(22)C-1086-Q
SHIFT SHAFT			
1980	Borg-Warner T15	(2) 340797	
		<i>Redi-Sleeve (2) 99059</i>	
MANUAL / 4 Speed			
DRIVESHAFT / INPUT			
1980	Borg-Warner T19	471413	
		<i>Redi-Sleeve 99125</i>	
MAINSHAFT / OUTPUT			
1980	Borg-Warner T19 (10 Spline)	473463	1308-L
1980	Borg-Warner T19 (6 Spline).....	473468	1308-L
MAINSHAFT PILOT			
1980	Borg-Warner T19		(22)C-436-Q
COUNTERSHAFT			
1980	Borg-Warner T19		(88)C-436-Q
REVERSE IDLER			
1980	Borg-Warner T19		(74)B-1316-Q
ELECTRICAL			
ALTERNATOR			
DRIVE END			
1980	Delco-Remy 32, 37, 61 Amp.		203-S
REAR END			
1980	Delco-Remy 32, 37, 61 Amp.		MNJ-471-S
ENGINE			
CRANKSHAFT			
4 CYLINDER			
1980	196/3.2L	2218	
		<i>Redi-Sleeve 99372</i>	
8 CYLINDER			
1980	304/5.0L, 304/5.0L (LPG), 345/5.6L, 345/5.6L (LPG).....	2218	
		<i>Redi-Sleeve 99372</i>	

() Indicates Quantity Required Refer To Front Of Catalog For Kit Contents

IHC SCOUT - SPORT UTILITY (Cont.)

Year	Application	Seal	Bearing	Year	Application	Seal	Bearing
ENGINE				TIMING COVER (Cont.)			
TIMING COVER 4 CYLINDER				6 CYLINDER			
1980	196/3.2L	7581H		1980	3246cc/3.2L (Diesel)	225880	
		Redi-Sleeve 99248		8 CYLINDER			
				1980	304/5.0L, 304/5.0L (LPG), 345/5.6L, 345/5.6L (LPG)	7581H	
						Redi-Sleeve 99248	

IHC TRUCK - MEDIUM DUTY (Class 4, 5, 6 & 7)

WHEEL				REAR WHEEL (Cont.)			
FRONT WHEEL (2WD)				REAR WHEEL (Cont.)			
82-81	CO1610B (FA-48) (1.562" O.D. Strg. Knuckle)			1982	CO1610B (RA-25, RA-126) (exc. Cast Hub)		
	(Inner) .. (Felt) 5MR71	26881-26823			(Inner)	456648	3984-3920
	(Outer)	1779-1729X			• 370191A		
82-81	CO1610B (FA-68, FA-70, FA-72)				(Outer)		29585-29520
	(Inner) .. (Felt) 5MR1008	3578-3525		1982	CO1610B (RA-30 & 187 Axles)	455173	33281-33462
	(Outer)	2689-2620			• 370169A		
82-81	CO1610B (FA-69)				(Outer)		39585-39520
	(Inner)	455005	3778-3720	1982	CO1610B (RA-39 Axle)		
	(Outer)		2689-2620		(Inner)	456618	47678-47620
82-81	CO1610B (FA-73)				• 370023A		
	(Inner)	455355	JM205149A-JM205110		(Outer)		39590-39520
	• 370150A		25877-25820	82-80	CO1610B (RA-25, RA-126) (Cast Hub)	456618	47686-47620
82-81	CO1610B (FA-91, FA-98, FA-99)				• 370023A		39590-39520
	(Inner) .. (Felt) 5MR1009	33895-33821			(Outer)		
	(Outer)	3196-3120		81-80	CO1610B, 1624 S, 1654 (RA-189 Axle)	456618	47678-47620
82-80	CO1610B (FA-48) (1.686" O.D. Strg. Knuckle)				• 370023A		39585-39520
	(Inner)	40316S	26884-26823		(Outer)		
	(Outer)		1779-1729X	81-80	CO1610B, 1624 S, 1654 (RA-25, RA-126) (exc. Cast Hub)	456648	3984-3920
1980	1624 S (FA-48) (1.686" O.D. Strg. Knuckle)				• 370191A		29585-29520
	(Inner)	40316S			(Outer)		
	(Outer)		26884-26823	81-80	CO1610B, 1624 S, 1654 (RA-30 & 187 Axles)		
	(Outer)		1779-1729X		(Inner)	455173	33281-33462
1980	CO1610B, 1624 S (FA-48) (1.562" O.D. Strg. Knuckle)				• 370169A		39585-39520
	(Inner) .. (Felt) 5MR71	26881-26823			(Outer)		
	(Outer)	1779-1729X		81-80	CO1610B, 1624 S, 1654 (RA-39 Axle)	456618	47678-47620
1980	CO1610B, 1624 S (FA-68, FA-70, FA-72)				• 370023A		39590-39520
	(Inner) .. (Felt) 5MR1008	3578-3525		AXLE			
	(Outer)	2689-2620		REAR AXLE			
1980	CO1610B, 1624 S (FA-69)			DIFFERENTIAL KIT			
	(Inner)	455005	3778-3720	83-80	Eaton 16802		RA-23
	(Outer)		2689-2620	83-80	Eaton 17810, 7810		RA-1
1980	CO1610B, 1624 S (FA-73)			1981	Eaton 15201		RA-24
	(Inner)	455355	JM205149A-JM205110	DIFFERENTIAL			
	• 370150A		25877-25820	83-80	Eaton 16802	(Left)	42381-42584
1980	CO1610B, 1624 S (FA-91, FA-98, FA-99)				(Right)		495A-493
	(Inner) .. (Felt) 5MR1009	33895-33821		83-80	Eaton 17810, 7810		
	(Outer)	3196-3120			(Left)		56425-56650
FRONT WHEEL (4WD)					(Right)		497-493
82-80	All (FA-54)	411348	469-453X	1981	Eaton 15201	(Left)	498-493
	(Outer)		3780-3720		(Right)		33275-33472
REAR WHEEL				DIFFERENTIAL KIT			
1982	CO1610B (RA-189 Axle)			83-80	Eaton 16802		RA-23
	(Inner)	456618	47678-47620	83-80	Eaton 17810, 7810		RA-1
	• 370023A			1981	Eaton 15201		RA-24
	(Outer)		39585-39520	DIFFERENTIAL			
	(Continued Next Column)			83-80	Eaton 16802	(Left)	42381-42584

(Cont.) (Class 4, 5, 6 & 7) **MEDIUM DUTY - IHC TRUCK**

Year	Application	Seal	Bearing
AXLE			
REAR AXLE (Cont.)			
PINION			
91-87	Nissan LFE700 .. (Inner)		30311-A
91-87	Nissan LFE400, LFE500 (Inner)		30311-A
	(Outer)		30309
83-80	Eaton 16802	712375 (2)HM903249-HM903210	
	Redi-Sleeve 99237		MUS-1307-UM
	(Pilot)		
83-80	Eaton 17810, 7810	9773 (2)55200C-55437	
	Redi-Sleeve 99262		MUS-1307-UM
	(Pilot)		
1981	Eaton 15201	470737N (2)HM903249-HM903210	
	(Seal & Retainer) 722250		
	Redi-Sleeve 99225		MU-1305-TDM
	(Pilot)		
ELECTRIC SHIFT			
83-80	Eaton 15201, 16802, 17810, 7810		200-SL
CLUTCH			
PILOT			
8 CYLINDER			
09-80	549/9.0L (LPG) (14" Clutch)		8505
82-80	345/5.6L, 392/6.4L (12" Clutch)		7109
82-80	345/5.6L, 392/6.4L (13" Clutch)		88505
RELEASE			
		Bearing Only	Bearing Assembly
8 CYLINDER			
83-80	551/9.0L (Diesel) (14" Clutch)	02135	
82-80	345/5.6L, 392/6.4L	2005-43	2005-C
DRIVESHAFT			
CENTER SUPPORT			
		Bearing	Bearing & Support
92-80	Spicer 1480, 1550 & Mechanics 6C Series / Brg. I.D. 1.5748" (40mm)- End Yoke Style	88508	HB-88508-E
92-80	Spicer 1610, 1650 & Mechanics 7C Series / Brg. I.D. 1.7717" (45mm)- End Yoke Style		HB-88509-A
92-80	Spicer 1700, 1710 & Mechanics 8C Series / Brg. I.D. 1.9685" (50mm)- End Yoke Style		HB-88510
92-80	Spicer 1800, 1810 Series / Brg. I.D. 2.3622" (60mm)- End Yoke Style	◆ HB-88512-AHD HB-88512-A	
TRANSMISSION			
AUTOMATIC / 3 Speed			
FRONT PUMP			
83-80	Chrysler A727	331227H	
	Redi-Sleeve 99187		
EXTENSION HOUSING			
83-80	Chrysler A727	7300S	
	(Seal & Bushing Kit) 5206		

Year	Application	Seal	Bearing
AUTOMATIC / 3 Speed (Cont.)			
CLUTCH CAM			
83-80	Chrysler A727		(12)W-585-Q
AUTOMATIC / 4 Speed			
FRONT PUMP			
83-80	Allison MT643	454136N	
	Redi-Sleeve 99225		
83-80	Allison AT540, AT545	6712NA	
	Redi-Sleeve 99187		
OUTPUT SHAFT			
83-80	Allison MT643 (3.500" Shaft)	476424N	209-L
83-80	Allison MT643 (3.750" Shaft)	455031	209-L
EXTENSION HOUSING			
83-80	Allison AT540, AT545	415988	109
MANUAL SHAFT			
83-80	Allison AT540, AT545, MT643	340847	
AUTOMATIC / 5 Speed			
FRONT PUMP			
83-80	Allison MT653	454136N	
	Redi-Sleeve 99225		
OUTPUT SHAFT			
83-80	Allison MT653 (3.500" Shaft)	476424N	209-L
83-80	Allison MT653 (3.750" Shaft)	455031	209-L
MANUAL SHAFT			
83-80	Allison MT653	340847	
MANUAL / 4 Speed			
TRANSMISSION KIT			
83-80	New Process 435		☒ T-127
DRIVESHAFT / INPUT			
83-80	New Process 435	482163N	HM88649-HM88610
	Redi-Sleeve 99138		
MAINSHAFT / OUTPUT			
83-80	New Process 435	470898	1308-L
MAINSHAFT PILOT			
83-80	New Process 435		(14)Q-15902
COUNTERSHAFT			
83-80	New Process 435		
	(Front)		BCE-2416
	(Rear)		B-3216
	(Thrust)		NTA-2031
REVERSE IDLER			
83-80	New Process 435		(104)C-407-Q
3RD SPEED GEAR			
83-80	New Process 435		FA-35688
4TH SPEED GEAR			
83-80	New Process 435		FA-35688

() Indicates Quantity Required ◆ When Depleted Use Number Listed Directly Below ☒ Refer To Front Of Catalog For Kit Contents

IHC TRUCK - MEDIUM DUTY (Class 4, 5, 6 & 7) (Cont.)

Year	Application	Seal	Bearing
TRANSMISSION			
MANUAL / 5 Speed			
DRIVESHAFT / INPUT			
83-80	T495, T496, T698, T699 (1.250" Shaft)	470140N Redi-Sleeve 99125	212-ASLB
83-80	T495, T496, T698, T699 (1.500" Shaft)	452554N Redi-Sleeve 99149	212-ASLB
MAINSHAFT / OUTPUT			
83-80	T495, T496, T698, T699	411143N	309-L
MAINSHAFT PILOT			
83-80	T495, T496, T698, T699		WJ-182420
COUNTERSHAFT			
83-80	T495, T496, T698, T699		
	(Front)		M-1207-EL
	(Rear)		1308-SL
REVERSE IDLER			
83-81	T698, T699		(4)J-361652
1980	T495, T496		(2)J-361652
REVERSE GEAR			
83-81	T698, T699		(116)Q-8308
SHIFT SHAFT			
83-80	T495, T496, T698, T699	240735 Redi-Sleeve 99076	
1ST SPEED GEAR			
83-81	T698, T699		(116)Q-8308
2ND SPEED GEAR			
83-81	T698, T699		(116)Q-8371
ENGINE			
ACCESSORY DRIVE			
6 CYLINDER			
1992	426/7.0L (Diesel), 426/7.0L (Turbo-Diesel)	470625 Redi-Sleeve 99150	
92-91	855/14.0L (Turbo-Diesel)	39302	
88-87	611/10.0L (Turbo-Diesel)	39875 Redi-Sleeve 99147	
87-84	855/14.0L (Turbo-Diesel)	39302	
1984	318/5.2L (Diesel)	470059 Redi-Sleeve 99149	
CRANKSHAFT			
6 CYLINDER			
1993	360/5.9L (Turbo-Diesel)	39958 Redi-Sleeve 99298	
1992	426/7.0L (Diesel), 426/7.0L (Turbo-Diesel)	455378H Redi-Sleeve 99468	
1992	426/7.0L (Diesel), 426/7.0L (Turbo-Diesel) (Double Lip Seal)	6329S Redi-Sleeve 99468	
1992	426/7.0L (Diesel), 426/7.0L (Turbo-Diesel) (Oversize)	5460	
(Continued Next Column)			

Year	Application	Seal	Bearing
CRANKSHAFT (Cont.)			
6 CYLINDER			
92-91	855/14.0L (Turbo-Diesel)	39703 Redi-Sleeve 99363	
92-80	360/5.9L (Turbo-Diesel), 466/7.6L (Diesel), 466/7.6L (Turbo-Diesel)	39958 Redi-Sleeve 99298	
91-90	893/14.6L (Turbo-Diesel)	39889	
88-87	611/10.0L (Turbo-Diesel)	39861 Redi-Sleeve 99650	
87-84	855/14.0L (Turbo-Diesel)	39703 Redi-Sleeve 99363	
1984	318/5.2L (Diesel)	710022 Redi-Sleeve 99395	
8 CYLINDER			
93-89	444/7.3L (Diesel)	(Gskt. & PTFE Seal) 5294 PTFE 39608 Viton® 3893V Redi-Sleeve 99372	
88-82	420/6.9L (Diesel), 444/7.3L (Diesel)	(Gskt. & PTFE Seal) 5294 PTFE 39608 Viton® 3893V Redi-Sleeve 99372	
88-80	551/9.0L (Diesel)	5065	
85-83	345/5.6L	2218 Redi-Sleeve 99372	
82-80	345/5.6L, 392/6.4L, 404/6.6L	2218 Redi-Sleeve 99372	
81-80	404/6.6L	PTFE 39608	
81-80	636/10.4L (Diesel), 636/10.4L (Turbo-Diesel)	39801 Redi-Sleeve 99499	
FAN HUB			
6 CYLINDER			
92-91	855/14.0L (Turbo-Diesel)	(Inner) 39835 Redi-Sleeve 99181 (Outer) 39877	
88-84	611/10.0L (Turbo-Diesel), 855/14.0L (Turbo-Diesel)	(Inner) 39835 Redi-Sleeve 99181 (Outer) 39877	
POWER TAKEOFF			
6 CYLINDER			
88-87	611/10.0L (Turbo-Diesel)	40392 Redi-Sleeve 99275	
THERMOSTAT			
6 CYLINDER			
92-91	855/14.0L (Turbo-Diesel)	39821	
88-84	611/10.0L (Turbo-Diesel), 855/14.0L (Turbo-Diesel)	39821	
TIMING COVER			
6 CYLINDER			
1993	360/5.9L (Turbo-Diesel)	714470	
(Continued Next Page)			

(Cont.) (Class 4, 5, 6 & 7) **MEDIUM DUTY - IHC TRUCK**

Year	Application	Seal	Bearing	Year	Application	Seal	Bearing
ENGINE				TIMING COVER (Cont.)			
TIMING COVER (Cont.)				8 CYLINDER			
6 CYLINDER				88-82 420/6.9L (Diesel), 444/7.3L (Diesel), 551/9.0L (Diesel) Viton® 3894V			
1992	426/7.0L (Diesel), 426/7.0L (Turbo-Diesel).....	455006N		88-80	404/6.6L, 551/9.0L (Diesel) (Seal & Sleeve)	5064	
	Redi-Sleeve	99287		85-83	345/5.6L Redi-Sleeve	99248	
92-91	855/14.0L (Turbo-Diesel).....	39813		82-80	345/5.6L, 392/6.4L Redi-Sleeve	99248	
	Redi-Sleeve	99363		81-80	404/6.6L, 551/9.0L (Diesel) Viton®	3894V	
92-80	360/5.9L (Turbo-Diesel), 466/7.6L (Diesel), 466/7.6L (Turbo-Diesel).....	714470		81-80	636/10.4L (Diesel) (2.375" Shaft) Redi-Sleeve	480988H	
91-90	893/14.6L (Turbo-Diesel).....	39890			Redi-Sleeve	99237	
1990	629/10.3L (Turbo-Diesel).....	39926		81-80	636/10.4L (Diesel), 636/10.4L (Turbo-Diesel).....	39802	
	Redi-Sleeve	99364			Redi-Sleeve	99287	
88-87	611/10.0L (Turbo-Diesel).....	39865		WATER PUMP			
	Redi-Sleeve	99351		6 CYLINDER			
87-84	855/14.0L (Turbo-Diesel).....	39813		92-91	855/14.0L (Turbo-Diesel).....	473010N	
	Redi-Sleeve	99363		1990	629/10.3L (Turbo-Diesel).....	39140	
1984	318/5.2L (Diesel).....	482041N			Redi-Sleeve	99138	
	Redi-Sleeve	99187		88-87	611/10.0L (Turbo-Diesel).....	39867	
	Harmonic Bal Sleeve	88187			Redi-Sleeve	99098	
8 CYLINDER					(Pump) Redi-Sleeve	39869	
93-89	444/7.3L (Diesel) (Seal & Sleeve) Viton®	5066			Redi-Sleeve	99111	
		3894V		87-84	855/14.0L (Turbo-Diesel).....	473010N	
88-82	420/6.9L (Diesel), 444/7.3L (Diesel) (Seal & Sleeve) Viton®	5066		(Continued Next Column)			
		3894V					

(G20, I30 & I35) **FRONT WHEEL DRIVE - INFINITI**

WHEEL				TRANSAXLE			
FRONT WHEEL				AUTOMATIC / 4 Speed			
04-00	I30, I35		510060	DIFFERENTIAL			
02-00	G20..... (Inner)	710108	510009	04-96	RE4F04A.....	(2)32009-X	
	(Outer)	710108		02-99	RL4F03A.....	(2)208	
99-91	All..... (Inner)	710108	510009	02-99	RL4F03V..... (Left)	32008	
	(Outer)	710108		01-96	RE4F04V..... (Left)	32009-X	
REAR WHEEL					(Right)	32013-X	
04-00	I30, I35		Hub Assembly 512203	96-91	RL4F03A.....	(2)208	
				96-91	RL4F03V..... (Left)	32008	
CLUTCH				TORQUE CONVERTER			
PILOT				04-96	RE4F04A.....	1992	
4 CYLINDER				02-99	RL4F03A, RL4F03V.....	710442	
1999	1998cc/2.0L (DOHC).....	PB-22		01-96	RE4F04V.....	224450	
96-91	1998cc/2.0L (DOHC).....	PB-22		96-91	RL4F03A, RL4F03V.....	710442	
6 CYLINDER				OUTPUT SHAFT			
99-96	2988cc/3.0L (DOHC).....	PB-22		04-96	RE4F04A..... (Left)	710118	
RELEASE					(Right)	710124	
		Bearing Only	Bearing Assembly	02-99	RL4F03A..... (2)	224026	
4 CYLINDER					Redi-Sleeve (2)	99157	
1999	1998cc/2.0L (DOHC) (215mm Clutch).....	Ⓢ 614047		02-99	RL4F03V..... (Left)	710133	
96-91	1998cc/2.0L (DOHC) (215mm Clutch).....	Ⓢ 614047			(Right)	710132	
6 CYLINDER				01-96	RE4F04V..... (Left)	710397	
99-96	2988cc/3.0L (DOHC) (240mm Clutch).....	Ⓢ 614049			(Right)	710124	
				96-91	RL4F03A..... (2)	224026	
					Redi-Sleeve (2)	99157	
				96-91	RL4F03V..... (Left)	710133	
					(Right)	710132	

() Indicates Quantity Required Ⓢ Sealed Self-Aligning Bearing

INFINITI - FRONT WHEEL DRIVE (G20, I30 & I35) (Cont.)

Year	Application	Seal	Bearing	Year	Application	Seal	Bearing
TRANSAXLE				ALTERNATOR (Cont.)			
AUTOMATIC / 4 Speed (Cont.)				DRIVE END			
MANUAL SHAFT				01-91	Hitachi 90 Amp.....		303-CC
04-91	RL4F03A, RL4F03V, RE4F04A, RE4F04V.....	221207		ENGINE			
	<i>Redi-Sleeve</i> 99049			CAMSHAFT			
MANUAL / 5 Speed				4 CYLINDER			
DIFFERENTIAL				02-99	1998cc/2.0L (DOHC)..... (2)	223420	
04-96	RS5F50A.....		(2)32009-X		<i>Redi-Sleeve</i> (2) 99134		
02-99	RS5F32A.....		(2)32010-X	96-91	1998cc/2.0L (DOHC)..... (2)	223420	
02-99	RS5F32V..... (Left)		32010-X		<i>Redi-Sleeve</i> (2) 99134		
01-96	RS5F50V..... (Left)		32009-X	CRANKSHAFT			
	(Right)		32013-X	4 CYLINDER			
96-91	RS5F32A..... (2)		32010-X	02-99	1998cc/2.0L (DOHC).....	228411	
96-91	RS5F32V..... (Left)		32010-X	96-95	1998cc/2.0L (DOHC).....	228411	
INPUT SHAFT				94-91	1998cc/2.0L (DOHC).....	228410	
04-96	RS5F50A, RS5F50V.....	710119	* 108-A	6 CYLINDER			
	<i>Redi-Sleeve</i> 99111			04-96	2988cc/3.0L (DOHC), 3498cc/3.5L (DOHC).....	710363	
02-99	RS5F32A, RS5F32V.....	710316	305	TIMING COVER			
	<i>Redi-Sleeve</i> 99098			4 CYLINDER			
96-91	RS5F32A, RS5F32V.....	710316	305	02-99	1998cc/2.0L (DOHC).....	224650	
	<i>Redi-Sleeve</i> 99098				<i>Redi-Sleeve</i> 99181		
OUTPUT SHAFT				96-91	1998cc/2.0L (DOHC).....	224650	
04-96	RS5F50A..... (Left)	710118	32206		<i>Redi-Sleeve</i> 99181		
	(Right)	710124	30306	6 CYLINDER			
02-99	RS5F32A..... (Left)	710132		04-96	2988cc/3.0L (DOHC), 3498cc/3.5L (DOHC).....	710356	
02-99	RS5F32V..... (Left)	710132			<i>Redi-Sleeve</i> 99189		
	(Right)	710133		ELECTRICAL			
01-96	RS5F50V..... (Left)	710397		ALTERNATOR			
	(Right)	710124		DRIVE END			
96-91	RS5F32A..... (Left)	710132		04-03	Hitachi 90 Amp.....		303-CC
96-91	RS5F32V..... (Left)	710132			(Continued Next Column)		
	(Right)	710133					

INFINITI - REAR WHEEL DRIVE (G35, G35X, G37, G37X, J30, M30, M35, M35X, M45, M45X & Q45)

WHEEL				REAR WHEEL			
FRONT WHEEL				07-03	G35 (Coupe).....	Hub Assembly	512346
08-07	G35 (Coupe).....	Hub Assembly	513268	06-02	Q45.....	Hub Assembly ☆	512356
06-03	G35.....	Hub Assembly	513268	04-03	M45.....		511038
06-02	Q45.....	Hub Assembly	513269	01-97	All..... (2)	710439	516004
01-97	All.....	710292	☆ 517010	96-93	J30..... (2)	710439	516004
96-93	J30.....	710292	☆ 517010	96-90	Q45..... (Left)	710130	
96-90	Q45.....	710108	513244		(Right)	710130	
92-90	M30 (ABS)..... (Inner)		A-6	92-90	M30..... (Inner)	710131	RW-101
	(Outer)		A-2		(Outer)		RW-132
92-90	M30 (Exc. ABS)..... (Inner)	710126	A-6				
	(Outer)		A-2				

REAR WHEEL DRIVE - INFINITI

(Cont.) (G35, G35X, G37, G37X, J30, M30, M35, M35X, M45, M45X & Q45)

Year	Application	Seal	Bearing	Year	Application	Seal	Bearing
AXLE				ELECTRICAL			
REAR AXLE				ALTERNATOR			
DIFFERENTIAL				DRIVE END			
09-97	R230V		(2)32211	04-90	Hitachi 90 Amp		303-CC
97-90	R200V	(2) 223542	(2)30209-C	REAR END			
		Redi-Sleeve (2) 99139		97-90	Hitachi 90 Amp		201-CC
PINION				ENGINE			
09-97	R230V	(Outer) 710117		CAMSHAFT			
		Redi-Sleeve 99196		6 CYLINDER			
97-90	R200V	(Inner) A-45		97-93	2960cc/3.0L (DOHC)	(4) 224052	
		(Outer) 32306-C				Redi-Sleeve (4) 99157	
DRIVESHAFT				92-90	2960cc/3.0L	(2) 224052	
CENTER SUPPORT						Redi-Sleeve (2) 99157	
		Bearing	Bearing & Support	CRANKSHAFT			
97-93	J30		HB-6	6 CYLINDER			
92-90	M30		HB-6	09-03	3498cc/3.5L (DOHC)	710363	
TRANSMISSION				97-95	2960cc/3.0L (DOHC)	228411	
AUTOMATIC / 4 Speed				94-90	2960cc/3.0L, 2960cc/3.0L (DOHC)	228410	
FRONT PUMP				8 CYLINDER			
01-90	RE4R01A, RE4R03A	224663		07-95	4130cc/4.1L (DOHC), 4494cc/4.5L (DOHC)	228411	
		Redi-Sleeve 99181		94-90	4494cc/4.5L (DOHC)	228410	
EXTENSION HOUSING				TIMING COVER			
01-90	RE4R01A, RE4R03A	223801		6 CYLINDER			
MANUAL SHAFT				09-03	3498cc/3.5L (DOHC)	710356	
01-90	RE4R01A, RE4R03A	2027				Redi-Sleeve 99189	
AUTOMATIC / 5 Speed				97-90	2960cc/3.0L, 2960cc/3.0L (DOHC)	223340	
FRONT PUMP				8 CYLINDER			
09-02	RE5R05A	224663		07-90	4130cc/4.1L (DOHC), 4494cc/4.5L (DOHC)	710354	
		Redi-Sleeve 99181				Redi-Sleeve 99196	
EXTENSION HOUSING				REAR WHEEL			
09-02	RE5R05A	224464		09-04	QX56		Hub Assembly 541004
MANUAL SHAFT				09-03	FX35, FX35 AWD, FX45		Hub Assembly 541002
09-02	RE5R05A	221207		03-97	QX4	(Inner) 516005	
		Redi-Sleeve 99049				(Outer) 710176	

CROSSOVER/SPORT UTILITY - INFINITI TRUCK

(EX, EX35, FX35, FX35 AWD, FX45, QX4 & QX56)

WHEEL				REAR WHEEL			
FRONT WHEEL (2WD)				09-04 QX56..... Hub Assembly 541004			
09-04	QX56		Hub Assembly 515066	09-03 FX35, FX35 AWD, FX45..... Hub Assembly 541002			
03-01	QX4	(Inner) 710072	A-37	03-97 QX4..... (Inner) 516005			
		(Outer) LM300849-LM300811		(Outer) 710176			
FRONT WHEEL (4WD)				AXLE			
07-04	QX56		Hub Assembly 515066	FRONT AXLE			
03-97	QX4	(Inner) 710072	A-37	AXLE SHAFT			
		(Outer) LM300849-LM300811		03-97	R200A	(Outer) 710398	RW-114-R

INFINITI TRUCK - CROSSOVER/SPORT UTILITY

(EX, EX35, FX35, FX35 AWD, FX45, QX4 & QX56) (Cont.)

Year	Application	Seal	Bearing	Year	Application	Seal	Bearing
AXLE				AUTOMATIC / 5 Speed (Cont.)			
FRONT AXLE (Cont.)				EXTENSION HOUSING			
DIFFERENTIAL				09-04	RE5R05A (2WD)	224464	
09-04	Spicer 44		(2)25590-25523	09-04	RE5R05A (4WD)	1973	
03-97	R200A	(2) 223542	(2)30209-C	MANUAL SHAFT			
		Redi-Sleeve (2) 99139		09-04	RE5R05A	221207	
PINION						Redi-Sleeve 99049	
09-04	Spicer 44	(Inner)	02872-02820	ELECTRICAL			
		(Outer)	31594-31520	ALTERNATOR			
03-97	R200A	(Inner)	32307	DRIVE END			
		(Outer) ☆	710591	04-03	Hitachi 90 Amp		303-CC
REAR AXLE				ENGINE			
DIFFERENTIAL				CAMSHAFT			
09-04	R230V		(2)32211	6 CYLINDER			
03-97	H233BS		■ (2)KC-11445-Y	00-97	3274cc/3.3L	(2) 223420	
PINION						Redi-Sleeve (2) 99134	
09-04	R230V	(Outer)	710117	CRANKSHAFT			
		Redi-Sleeve	99196	6 CYLINDER			
03-97	H233BS	(Inner)	32308-C	09-01	3498cc/3.5L (DOHC)	710363	
		(Outer)	710245	00-97	3274cc/3.3L	228411	
		Redi-Sleeve	99166	8 CYLINDER			
TRANSFER CASE				09-08	5552cc/5.6L (DOHC)	228411	
FULL TIME / PART TIME				07-03	4494cc/4.5L (DOHC),		
FRONT OUTPUT SHAFT					5552cc/5.6L (DOHC)	228411	
06-97	TX14A, TX14B		710113	TIMING COVER			
TRANSMISSION				6 CYLINDER			
AUTOMATIC / 4 Speed				09-01	3498cc/3.5L (DOHC)	710356	
FRONT PUMP						Redi-Sleeve 99189	
03-97	RE4R01A		224663	00-97	3274cc/3.3L	224052	
		Redi-Sleeve	99181			Redi-Sleeve 99157	
EXTENSION HOUSING				8 CYLINDER			
03-97	RE4R01A (2WD)		223801	07-03	4494cc/4.5L (DOHC)	710354	
03-97	RE4R01A (4WD)		224464			Redi-Sleeve 99196	
MANUAL SHAFT				FRONT PUMP			
03-97	RE4R01A		2027	09-04	RE5R05A	224663	
AUTOMATIC / 5 Speed						Redi-Sleeve 99181	

ISUZU - FRONT WHEEL DRIVE (I-Mark, Impulse, Impulse AWD & Stylus)

WHEEL				FRONT WHEEL (Cont.)				
FRONT WHEEL				93-90	Impulse, Stylus (Lotus Suspension)	(Inner)	710194	517005
93-90	Impulse, Stylus (Exc. Lotus Suspension)	(Inner)	710194			(Outer)	710192	
		(Outer)	1953	92-90	Impulse AWD	(Inner)	710194	517005
		(Continued Next Column)				(Outer)	710192	
				89-85	All (Exc. Lotus Suspension)	(Inner)	710098	B-35
						(Continued Next Page)		

(Cont.) (I-Mark, Impulse, Impulse AWD & Stylus) **FRONT WHEEL DRIVE - ISUZU**

Year	Application	Seal	Bearing
WHEEL			
FRONT WHEEL (Cont.)			
89-85	All (Lotus Suspension)		
	(Inner)	710098	517006
	(Outer)	710098	
REAR WHEEL			
93-90	Impulse, Stylus		Hub Assembly 512171
89-85	All	(Inner) 710309	A-4
		(Outer)	A-1
AXLE			
REAR AXLE			
DIFFERENTIAL			
92-90	8 Bolt (IRS)	(2) 223540	(2) A-5
PINION			
92-90	8 Bolt (IRS)	(Inner) 02475-02420	
		(Outer) 473258	30305
		Redi-Sleeve 99139	
CLUTCH			
RELEASE			
		Bearing Only	Bearing Assembly
4 CYLINDER			
93-92	1588cc/1.6L, 1588cc/1.6L (DOHC-Turbo), 1808cc/1.8L (DOHC) (215mm Clutch)		Ⓢ 614108
91-90	1588cc/1.6L (DOHC), 1588cc/1.6L, 1588cc/1.6L (DOHC-Turbo) (215mm Clutch)		Ⓢ 614108
89-87	1471cc/1.5L (Turbo), 1588cc/1.6L (215mm Clutch)		Ⓢ 614108
89-85	1471cc/1.5L (184mm Clutch)		Ⓢ 614108
TRANSAXLE			
AUTOMATIC / 3 Speed			
DIFFERENTIAL			
93-85	Jatco F3A		(2) 32008
TORQUE CONVERTER			
93-85	Jatco F3A	710078	
		Redi-Sleeve 99177	
OUTPUT SHAFT			
93-85	Jatco F3A	(2) 223542	
		Redi-Sleeve (2) 99139	
AUTOMATIC / 4 Speed			
DIFFERENTIAL			
93-89	Jatco JF403		(2) 30208
TORQUE CONVERTER			
93-89	Jatco JF403	710442	
OUTPUT SHAFT			
93-89	Jatco JF403	(2) 3543	
		Redi-Sleeve (2) 99139	
MANUAL / 5 Speed			
DIFFERENTIAL			
93-85	MFD5M		(2) 32008

(Continued Next Column)

Year	Application	Seal	Bearing
MANUAL / 5 Speed (Cont.)			
DIFFERENTIAL			
92-90	MFD5T	(Left)	32008
INPUT SHAFT			
93-85	MFD5M, MFD5T	222835	
		Redi-Sleeve 99111	
		(Front)	32206
		(Rear)	30306
OUTPUT SHAFT			
93-85	MFD5M	(Left)	A-5
		(Right) 223542	32206
		Redi-Sleeve 99139	
92-90	MFD5T	(Left)	3543
		Redi-Sleeve 99139	
		(Right) 710428	
		Redi-Sleeve 99210	
SHIFT SHAFT			
93-85	MFD5M, MFD5T	3667	
STEERING			
POWER STEERING			
STEERING PUMP SHAFT			
93-90	All	221720	
ENGINE			
CAMSHAFT			
4 CYLINDER			
93-89	1588cc/1.6L (DOHC), 1588cc/1.6L (DOHC-Turbo), 1808cc/1.8L (DOHC)	(2) 710308	
		Redi-Sleeve (2) 99157	
93-85	1471cc/1.5L, 1471cc/1.5L (Turbo), 1588cc/1.6L	710308	
		Redi-Sleeve 99157	
CRANKSHAFT			
4 CYLINDER			
93-85	1471cc/1.5L, 1471cc/1.5L (Turbo), 1588cc/1.6L (DOHC), 1588cc/1.6L, 1588cc/1.6L (DOHC-Turbo), 1808cc/1.8L (DOHC)		228700
OIL PUMP			
4 CYLINDER			
89-85	1471cc/1.5L, 1471cc/1.5L (Turbo)	224020	
		Redi-Sleeve 99157	
TIMING COVER			
4 CYLINDER			
93-85	1471cc/1.5L, 1471cc/1.5L (Turbo), 1588cc/1.6L (DOHC), 1588cc/1.6L, 1588cc/1.6L (DOHC-Turbo), 1808cc/1.8L (DOHC)	223220	
		Redi-Sleeve 99128	

() Indicates Quantity Required Ⓢ Sealed Self-Aligning Bearing

ISUZU - REAR WHEEL DRIVE (I-Mark & Impulse)

Year	Application	Seal	Bearing	Year	Application	Seal	Bearing
WHEEL							
FRONT WHEEL				AUTOMATIC / 4 Speed (Cont.)			
89-83	Impulse.....	(Inner) 239201	A-15	EXTENSION HOUSING			
		(Outer)	A-1	89-86	Aisin 03-70, 03-72	710247	
85-81	I-Mark	(Inner) 710309	A-4	1985	Aisin 03-72	710247	
		(Outer)	A-1	85-83	Aisin 03-70	710319	
REAR WHEEL				MANUAL / 4 Speed			
89-85	Impulse (Turbo Eng.).....	1012N		DRIVESHAFT / INPUT			
AXLE				85-81	MSG4K	1990	§ 208-LO
REAR AXLE						Redi-Sleeve 99106	
DIFFERENTIAL				MAINSHAFT / OUTPUT			
89-85	10-Bolt (Exc. Turbo Eng.).....	(2)19150-19268		85-81	MSG4K	1987	
89-85	10-Bolt (Turbo Eng.).....	(2)A-35		COUNTERSHAFT			
84-81	10-Bolt	(2)19150-19268		85-81	MSG4K	(Rear)	5205-KLE
PINION				MANUAL / 5 Speed			
89-85	10-Bolt (Exc. Turbo Eng.)			DRIVESHAFT / INPUT			
	(Inner)	32307		89-81	MSG5K	1990	§ 208-LO
	(Outer)	225230	30306			Redi-Sleeve 99106	
89-85	10-Bolt (Turbo Eng.)			MAINSHAFT / OUTPUT			
	(Outer)	474133		89-81	MSG5K	1987	RW-122
	Redi-Sleeve 99157			COUNTERSHAFT			
84-81	10-Bolt	(Outer) 225230		89-81	MSG5K	(Center)	5205-KLE
						(Rear)	204
CLUTCH				STEERING			
PILOT				MANUAL STEERING			
4 CYLINDER				STEERING GEAR WORM SHAFT			
89-81	1817cc/1.8L, 1817cc/1.8L (Diesel), 1949cc/1.9L,			87-81	All	222220	
	1994cc/2.0L (Turbo), 2254cc/2.3L	203-FF		STEERING GEAR PITMAN SHAFT			
RELEASE				87-81	All	223240	
		Bearing Only	Bearing Assembly	POWER STEERING			
4 CYLINDER				STEERING GEAR WORM SHAFT			
85-81	1817cc/1.8L, 1817cc/1.8L (Diesel) (200mm Clutch)	01496		89-81	All	222220	
DRIVESHAFT				STEERING PUMP SHAFT			
CENTER SUPPORT				89-88	All (2.0L Eng.).....	221720	
85-81	I-Mark	Bearing 205-FF	Bearing & Support	89-88	All (2.3L Eng.).....	7013S	
TRANSMISSION				87-83	All	221720	
AUTOMATIC / 3 Speed				82-81	All	221540	
FRONT PUMP				AIR CONDITIONING			
85-81	Aisin 03-55	223830		COMPRESSOR			
	Redi-Sleeve 99147			CLUTCH PULLEY			
EXTENSION HOUSING				83-81	Tecumseh & York	5106-WCC	
85-81	Aisin 03-55	710319		REAR			
AUTOMATIC / 4 Speed				83-81	Tecumseh & York	203	
FRONT PUMP				ELECTRICAL			
89-83	Aisin 03-70, 03-72	223830		ALTERNATOR			
	Redi-Sleeve 99147			DRIVE END			
89-83	Hitachi 60 Amp	203-FF		89-83	Hitachi 60 Amp	203-FF	
85-81	Hitachi 50 Amp	303-CC		85-81	Hitachi 50 Amp	303-CC	
85-81	Nippondenso 40, 55 Amp	203-FF		85-81	Nippondenso 40, 55 Amp	203-FF	

(Cont.) (I-Mark & Impulse) **REAR WHEEL DRIVE - ISUZU**

Year	Application	Seal	Bearing	Year	Application	Seal	Bearing
ELECTRICAL				CRANKSHAFT (Cont.)			
ALTERNATOR (Cont.)				4 CYLINDER			
REAR END				87-81	1817cc/1.8L, 1949cc/1.9L	228480	
89-83	Hitachi 60 Amp		201-CC			Redi-Sleeve 99328	
85-81	Hitachi 50 Amp		202-FF	85-81	1817cc/1.8L (Diesel)	717005	
85-81	Nippondenso 40, 55 Amp		201-CC			Redi-Sleeve 99364	
ENGINE				TIMING COVER			
CAMSHAFT				4 CYLINDER			
4 CYLINDER				89-81	1817cc/1.8L (Diesel), 1994cc/2.0L (Turbo), 2254cc/2.3L	224025	
89-85	1994cc/2.0L (Turbo), 2254cc/2.3L	223014				Redi-Sleeve 99157	
		Redi-Sleeve 99114		87-81	1817cc/1.8L, 1949cc/1.9L	225020	
CRANKSHAFT						Redi-Sleeve 99196	
4 CYLINDER							
89-85	1994cc/2.0L (Turbo), 2254cc/2.3L	710060					
		Redi-Sleeve 99364					
		(Continued Next Column)					

COMPACT PICKUP/MINIVAN/SPORT UTILITY - ISUZU TRUCK
(i-280, i-290, i-350, i-370, Amigo, Ascender, Axiom, Hombre, KS22, KS32, NPR, Oasis, P'up, Pickup, Rodeo, Rodeo Sport, Trooper, Trooper II & VehiCROSS)

WHEEL				FRONT WHEEL (4WD)			
FRONT WHEEL (2WD)				08-06	i-350, i-370	(Left)	Hub Assembly ☆ 515110
08-06	i-280, i-290 (ZQ8 Sport Chassis)					(Right)	Hub Assembly ☆ 515111
		(Left)	Hub Assembly ☆ 515106	08-03	Ascender		Hub Assembly 513188
		(Right)	Hub Assembly ☆ 515107	04-03	Axiom, Rodeo		Hub Assembly 513166
08-06	i-280, i-290 (Z85 Chassis)			2003	Rodeo Sport	(Inner) 710168	32009-XA
		(Left)	Hub Assembly ☆ 515104			(Outer)	A-140
		(Right)	Hub Assembly ☆ 515105	2002	Rodeo		Hub Assembly 513166
08-03	Ascender		Hub Assembly 513188	2002	Axiom, Rodeo Sport, Trooper	(Inner) 710168	32009-XA
04-03	Axiom, Rodeo		Hub Assembly 513165			(Outer)	A-140
2003	Rodeo Sport	(Inner) 710168	32009-XA	01-98	Hombre	3553	Hub Assembly 513124
		(Outer)	A-140	01-88	Amigo, Pickup, Rodeo, Rodeo Sport, Trooper, Trooper II, VehiCROSS		
2002	Rodeo		Hub Assembly 513165			(Inner) 710168	32009-XA
2002	Axiom, Rodeo Sport, Trooper	(Inner) 710168	32009-XA			(Outer)	A-140
		(Outer)	A-140	1987	P'up	(Inner) 471950	A-140
01-96	Hombre	(Inner) 4739	A-6			(Outer)	32007
		(Outer)	A-34	1987	Trooper II (From 11/01/86)		
01-89	Amigo, Rodeo, Rodeo Sport, Trooper	(Inner) 710168	32009-XA			(Inner) 710168	32009-XA
		(Outer)	A-140			(Outer)	A-140
99-96	Oasis		510038	1987	Trooper II (To 10/31/86)	(Inner) 471950	A-140
99-86	NPR	(Inner) 474230	32210			(Outer)	32007
		(Outer)	32207	86-82	All	(Inner) 471950	A-140
95-88	Pickup	(Inner) 710357	A-5			(Outer)	32007
		(Outer)	A-3	1981	All	(Inner) 1960	32008
87-81	P'up	(Inner) 1949	32206			(Outer)	32007
		(Outer)	32304	REAR WHEEL			
1985	KS22	(Inner)	3578-3525	08-03	i-280, i-290, i-350, i-370, Ascender	4762N	513067
		(Outer)	2580-2523				(Axle Repair Brg.) RP-513067
1985	KS32	474230		04-98	Amigo, Axiom, Rodeo, Rodeo Sport	9912	RW-131-R
							(Continued Next Page)

ISUZU TRUCK - COMPACT PICKUP/MINIVAN/SPORT UTILITY

(i-280, i-290, i-350, i-370, Amigo, Ascender, Axiom, Hombre, KS22, KS32, NPR, Oasis, P'up, Pickup, Rodeo, Rodeo Sport, Trooper, Trooper II & VehiCROSS) (Cont.)

Year	Application	Seal	Bearing
WHEEL			
REAR WHEEL (Cont.)			
02-88	Trooper, Trooper II, VehiCROSS	(Inner) 225230 (Outer) 473179	511016
01-99	Hombre (8.625" R.G.)	8835S	6408
01-96	Hombre (7.625" R.G.) (Axle Code "C") (Mfg. in USA)	710166	5707
01-96	Hombre (7.625" R.G.) (Axle Code "K") (Mfg. in Can.)	8660S	5707
1999	Oasis		Hub Assembly 512180
99-85	KS22, NPR	(Inner) 710080 (Outer) 710081	29586-29520 28680-28622
1998	Hombre (8.5" R.G.)	8835S	6408
1998	Oasis		Hub Assembly 512123
97-96	Oasis		Hub Assembly 512124
97-96	Rodeo (7.625" R.G.)	710166	5707
97-93	Rodeo (Spicer 44)	9912	RW-131-R
95-93	Rodeo (7.5" R.G.)	710166	5707
95-90	Pickup (7.625" R.G.)	710166	5707
95-88	Amigo, Pickup (2.3L Eng.)	(Inner) 473812 (Outer) 473179	30208
95-88	Amigo, Pickup (2.6L Eng.)	(Inner) 225230 (Outer) 473179	511016
92-91	Rodeo	710166	5707
1987	Trooper II (From 07/01/87)	(Inner) 225230 (Outer) 473179	511016
1987	Trooper II (To 06/30/87)	(Inner) 473812 (Outer) 1994	30208
1987	P'up	(Inner) 473812 (Outer) 1994	30208
86-81	P'up, Trooper II	(Inner) 473812 (Outer) 1994	30208

Year	Application	Seal	Bearing
AXLE			
FRONT AXLE			
AXLE SHAFT			
08-06	AAM ICA-7.6" R.G.	(2) 710548	(4) HK-4012
08-03	AAM IFS-7.25" R.G.	(Inner) (2) 710491 (Outer) SCH-208 (Pilot) SCH-78	(2) HK-4012
04-96	10-Bolt (IFS)	710516	
01-98	AAM IFS-7.25" R.G.	(Inner) (2) 710491	(2) B-2010
95-87	10-Bolt (IFS)	(Inner) 710169 (Outer) 710170	106-FL
87-81	8-Bolt (IFS)	(Inner) 710169 (Outer) 710433	* 105-FL1
DIFFERENTIAL KIT			
01-98	AAM IFS-7.25" R.G.		<input checked="" type="checkbox"/> RA-320-A
DIFFERENTIAL			
08-06	AAM ICA-7.6" R.G.		(2) LM501349-LM501314
08-03	AAM IFS-7.25" R.G.		(2) A-18
04-87	10-Bolt (IFS)		(2) A-35
(Continued Next Column)			

Year	Application	Seal	Bearing
FRONT AXLE (Cont.)			
DIFFERENTIAL			
01-98	AAM IFS-7.25" R.G.		(2) A-18
87-81	8-Bolt (IFS)		(2) A-5
PINION			
08-06	AAM ICA-7.6" R.G.	(Inner) HM89249-HM89210 (Outer) 710549	M86649-M86610
08-03	AAM IFS-7.25" R.G.	(Inner) M88047-M88010 (Outer) 710547	M86649-M86610
04-99	10-Bolt (IFS)	(Inner) 710513 (Outer) 710513	32307 30306
01-98	AAM IFS-7.25" R.G.	(Inner) M88047-M88010 (Outer) 710532	M86649-M86610
		Redi-Sleeve 99152	
98-87	10-Bolt (IFS)	(Inner) 32307 (Outer) 474133	30306
		Redi-Sleeve 99157	
87-81	8-Bolt (IFS)	(Inner) 02475-02420 (Outer) 473258	30305
		Redi-Sleeve 99138	
STEERING KNUCKLE			
95-87	10-Bolt (IFS)	(2) 710527	(2) HK-3016
87-81	8-Bolt (IFS)	(2) 710167	(2) HK-2816
REAR AXLE			
DIFFERENTIAL KIT			
08-03	AAM 8" R.G.		<input checked="" type="checkbox"/> RA-327
08-99	AAM 8.625" R.G.		<input checked="" type="checkbox"/> RA-321-C
2001	AAM 7.625" R.G. (1st Design)		<input checked="" type="checkbox"/> RA-320
2001	AAM 7.625" R.G. (2nd Design)		<input checked="" type="checkbox"/> RA-320-B
00-95	AAM 7.5" R.G., 7.625" R.G.		<input checked="" type="checkbox"/> RA-320
1997	AAM 8.5" R.G. (1st Design)		<input checked="" type="checkbox"/> RA-321
		(Master Kit)	RA-321MK
1995	AAM 7.5" R.G.		(Master Kit) RA-320MK
94-91	GMC 7.5" R.G.		<input checked="" type="checkbox"/> RA-320
DIFFERENTIAL			
08-99	AAM 8.625" R.G., 8" R.G.		(2) A-36
02-87	12-Bolt		(2) 30210
01-95	AAM 7.5" R.G., 7.625" R.G., 8.5" R.G.		(2) LM501349-LM501314
00-93	Spicer 44-3		(2) 25590-25523
99-85	KS22, NPR (R040)		(2) 29590-29522
95-81	10-Bolt		(2) A-35
94-91	GMC 7.5" R.G.		(2) LM501349-LM501314
PINION			
08-03	AAM 8" R.G.	(Inner) M802048-M802011 (Outer) 710474	M86649-M86610
08-98	AAM 8.5" R.G., 8.625" R.G.	(Inner) M802048-M802011 (Outer) 710506	M88048-M88010
02-99	12-Bolt (Exc. Limited-Slip)	(Inner) 32307 (Outer) 710248	323/32-C
		Redi-Sleeve 99177	
02-99	12-Bolt (Limited-Slip)	(Inner) 32307 (Outer) 710248	HM803146-HM803110
		Redi-Sleeve 99177	
(Continued Next Page)			

() Indicates Quantity Required * Not a Current Production Number, Check for Availability Refer To Front Of Catalog For Kit Contents

COMPACT PICKUP/MINIVAN/SPORT UTILITY - ISUZU TRUCK

(Cont.) (i-280, i-290, i-350, i-370, Amigo, Ascender, Axiom, Hombre, KS22, KS32, NPR, Oasis, P'up, Pickup, Rodeo, Rodeo Sport, Trooper, Trooper II & VehiCROSS)

Year	Application	Seal	Bearing
AXLE			
REAR AXLE (Cont.)			
PINION			
2001	AAM 7.625" R.G. (1st Design)		
	(Inner)	HM89249-HM89210	
	(Outer)	8610 M86649-M86610	
	Redi-Sleeve	99152	
2001	AAM 7.625" R.G. (2nd Design)		
	(Inner)	HM89249-HM89210	
	(Outer)	710474 M86649-M86610	
00-98	Spicer 44-3	(Inner)	HM88649-HM88610
	(Outer)	710452	02872-02820
00-95	AAM 7.5" R.G., 7.625" R.G.		
	(Inner)	HM89249-HM89210	
	(Outer)	8610 M86649-M86610	
	Redi-Sleeve	99152	
99-85	KS22, NPR (R040)	710268	(2)30309
98-87	12-Bolt	(Inner)	32307
	(Outer)	710248	323/32-C
	Redi-Sleeve	99177	
1997	AAM 8.5" R.G. (1st Design)		
	(Inner)	M802048-M802011	
	(Outer)	2043 M88048-M88010	
	Redi-Sleeve	99193	
1997	AAM 8.5" R.G. (2nd Design)		
	(Inner)	M802048-M802011	
	(Outer)	710506 M88048-M88010	
97-93	Spicer 44-3	(Inner)	HM88649-HM88610
	(Outer)	5778	02872-02820
	Viton®	5778V	
	Redi-Sleeve	99155	
95-81	10-Bolt	(Inner)	32307
	(Outer)	474133	30306
	Redi-Sleeve	99157	
94-91	GMC 7.5" R.G.	(Inner)	HM89249-HM89210
	(Outer)	8610 M86649-M86610	
	Redi-Sleeve	99147	
CLUTCH			
PILOT			
4 CYLINDER			
03-96	2198cc/2.2L (DOHC), 2559cc/2.6L		203-FF
01-96	134/2.2L	(H/D)	PB-652-HD
1995	2559cc/2.6L, 3856cc/3.9L (Turbo-Diesel)		203-FF
94-81	1817cc/1.8L, 1949cc/1.9L, 2238cc/2.2L (Diesel), 2238cc/2.2L (Turbo-Diesel), 2254cc/2.3L, 2559cc/2.6L, 3856cc/3.9L (Diesel), 3856cc/3.9L (Turbo-Diesel)		203-FF
6 CYLINDER			
04-99	3165cc/3.2L (DOHC)		203-FFW
98-97	262/4.3L		57080
98-92	3165cc/3.2L, 3165cc/3.2L (DOHC), 3494cc/3.5L (DOHC)		203-FFW
94-89	173/2.8L, 189/3.1L	(H/D)	PB-652-HD
RELEASE			
		Bearing Only	Bearing Assembly
4 CYLINDER			
03-00	2198cc/2.2L (DOHC) (240mm Clutch)	613012	
(Continued Next Column)			

Year	Application	Seal	Bearing
RELEASE (Cont.)			
		Bearing Only	Bearing Assembly
4 CYLINDER			
01-96	134/2.2L	(Hyd. Clutch)®	614174
2000	2198cc/2.2L (DOHC) (240mm Clutch) (Warner Trans.)		614163
00-93	2198cc/2.2L (DOHC), 2559cc/2.6L (240mm Clutch) (MUA Trans.)	613012	
99-93	2198cc/2.2L (DOHC), 2559cc/2.6L (240mm Clutch) (Warner Trans.)		614163
95-88	2559cc/2.6L (240mm Clutch) ..	613012	
95-87	3856cc/3.9L (Diesel), 3856cc/3.9L (Turbo-Diesel) (300mm Clutch)	613014	
95-81	1817cc/1.8L, 1949cc/1.9L, 2238cc/2.2L (Diesel), 2238cc/2.2L (Turbo-Diesel), 2254cc/2.3L (215mm Clutch) ..	01496	
82-81	1817cc/1.8L (200mm Clutch) ..	01496	
5 CYLINDER			
2006	211/3.5L (DOHC)	(Hyd. Clutch)®	614174
6 CYLINDER			
03-99	3165cc/3.2L (DOHC) (260mm Clutch)	613012	
01-97	262/4.3L	(Hyd. Clutch)®	614174
98-92	3165cc/3.2L, 3165cc/3.2L (DOHC), 3494cc/3.5L (DOHC) (260mm Clutch)	613012	
94-91	189/3.1L (246mm Clutch) ..	613012	
92-91	189/3.1L (240mm Clutch) (MUA Trans.)	613012	
92-91	189/3.1L (240mm Clutch) (Warner Trans.)		614083
	(Angular Contact) * CD-1377-C		
91-89	173/2.8L (235mm Clutch)	613012	
DRIVESHAFT			
CENTER SUPPORT			
		Bearing	Bearing & Support
01-96	Spicer 1280, 1310, 1330, 1410 Series / Brg. ID 1.3780" (35mm)- Slip Yoke Style	88107	HB-88107-A (Opt. w/Slingers) HB-88107-E
97-91	Rodeo (2WD)		HB-32
97-91	Rodeo (4WD)		HB-33
CV JOINT HALF SHAFT			
99-96	Oasis	710300	
TRANSFER CASE			
FULL TIME / PART TIME			
TRANSFER CASE KIT			
01-98	New Process 233C		☒ T-230-B
INPUT SHAFT			
08-03	New Process 226C		N-5210-KLB
04-98	Borg-Warner 4422	224250	209-L
04-88	MUATC	710247	207
	Redi-Sleeve	99149	
(Continued Next Page)			

() Indicates Quantity Required * Not a Current Production Number, Check for Availability © Sealed Self-Aligning Bearing ☒ Refer To Front Of Catalog For Kit Contents

ISUZU TRUCK - COMPACT PICKUP/MINIVAN/SPORT UTILITY

(i-280, i-290, i-350, i-370, Amigo, Ascender, Axiom, Hombre, KS22, KS32, NPR, Oasis, P'up, Pickup, Rodeo, Rodeo Sport, Trooper, Trooper II & VehiCROSS) (Cont.)

Year	Application	Seal	Bearing
TRANSFER CASE			
FULL TIME / PART TIME (Cont.)			
INPUT SHAFT			
01-98	New Process 233C..... (2)	3173	110-L
	(Dual Lip)	710928	
	Redi-Sleeve	99193	
	(Pilot)		FC-66561
87-81	MSGTC.....	1990	
	Redi-Sleeve	99106	
FRONT OUTPUT SHAFT			
08-03	New Process 226C.....		107
04-98	Borg-Warner 4422.....		306
01-98	New Process 233C.....	4813V	206
	(Pilot)		J-2416
87-81	MSGTC..... (Inner)		305-L
	(Outer)	224045	206-L
	Redi-Sleeve	99157	
REAR OUTPUT SHAFT			
04-98	Borg-Warner 4422.....		306
04-88	MUATC.....		307
01-98	New Process 233C.....	9613S	206
	(Seal & Bushing Kit)	5200	
	(Pilot)		(2)B-5020
87-81	MSGTC.....		307-L
COUNTERSHAFT			
04-88	MUATC.....		306
OIL PUMP HOUSING			
01-98	New Process 233C.....	341022	
	Redi-Sleeve	99225	
TRANSAXLE			
AUTOMATIC / 4 Speed			
DIFFERENTIAL			
97-96	Honda MPJA..... (Left)		30208
TORQUE CONVERTER			
99-96	Honda MDWA, MPJA.....	350609	
INPUT SHAFT			
99-96	Honda MDWA, MPJA.....	220918	
OUTPUT SHAFT			
99-98	Honda MDWA..... (Left)	710315	
	Redi-Sleeve	99139	
99-96	Honda MDWA, MPJA..... (Right)	224066	
	Redi-Sleeve	99157	
97-96	Honda MPJA..... (Left)	4901	
	Redi-Sleeve	99139	
PINION			
97-96	Honda MPJA.....	222830	
	Redi-Sleeve	99111	
MANUAL SHAFT			
97-96	Honda MPJA.....	221207	
	Redi-Sleeve	99049	

Year	Application	Seal	Bearing
TRANSMISSION			
AUTOMATIC / 3 Speed			
FRONT PUMP			
95-83	Aisin 03-75, 03-55.....	223830	
	Redi-Sleeve	99147	
EXTENSION HOUSING			
95-86	Aisin 03-75, 03-55.....	710247	
85-83	Aisin 03-55.....	710319	
AUTOMATIC / 4 Speed			
FRONT PUMP			
08-03	GMC 4L60-E.....	4950	
	Redi-Sleeve	99174	
04-91	GMC 4L30-E.....	6712NA	
	Redi-Sleeve	99187	
01-96	GMC 4L60-E.....	4950	
	Redi-Sleeve	99174	
2000	GMC 4L80-E.....	714598	
	Redi-Sleeve	99199	
99-93	GMC 4L80-E.....	4598	
	Redi-Sleeve	99199	
94-88	Aisin 03-72, 30-80LE.....	223830	
	Redi-Sleeve	99147	
82-81	GMC THM200-4R.....	4950	
	Redi-Sleeve	99174	
EXTENSION HOUSING			
08-03	GMC 4L60-E (Booted).....	4934	
08-03	GMC 4L60-E (Non-Booted).....	4583	
04-91	GMC 4L30-E.....	3459	
01-98	GMC 4L60-E (Booted).....	4934	
01-96	GMC 4L60-E (Non-Booted).....	4583	
00-93	GMC 4L80-E.....	9449	109
	(Seal & Bushing Kit)	5208	
97-96	GMC 4L60-E (Booted).....	9613S	
	(Seal & Bushing Kit)	5200	
94-88	Aisin 03-72, 30-80LE.....	710247	
82-81	GMC THM200-4R.....	9613S	
	(Seal & Bushing Kit)	5200	
MANUAL SHAFT			
08-91	GMC 4L30-E, 4L60-E, 4L80-E.....	8792S	
82-81	GMC THM200-4R.....	8792S	
MANUAL / 4 Speed			
DRIVESHAFT / INPUT			
87-81	MSG4K, MSG4ET.....	1990	§ 208-LO
	Redi-Sleeve	99106	
MAINSHAFT / OUTPUT			
87-81	MSG4K, MSG4ET.....	1987	
COUNTERSHAFT			
87-81	MSG4K, MSG4ET(Rear).....		5205-KLE
MANUAL / 5 Speed			
DRIVESHAFT / INPUT			
04-98	AR-5.....	223253	
	Redi-Sleeve	99128	
04-92	MUA5C, MUA5CT.....	710511	308-L
01-97	New Process 3500.....	4529N	307-FFL5
	Redi-Sleeve	99138	
01-96	New Process 1500.....	223020	306-VVL

(Continued Next Page)

COMPACT PICKUP/MINIVAN/SPORT UTILITY - ISUZU TRUCK

(Cont.) (i-280, i-290, i-350, i-370, Amigo, Ascender, Axiom, Hombre, KS22, KS32, NPR, Oasis, P'up, Pickup, Rodeo, Rodeo Sport, Trooper, Trooper II & VehiCROSS)

Year	Application	Seal	Bearing
TRANSMISSION			
MANUAL / 5 Speed (Cont.)			
DRIVESHAFT / INPUT			
99-98	Tremec T5	7412S	A-5
	Redi-Sleeve	99125	
	(Thrust)		FA-55505
98-85	MSA5D	1990	
	Redi-Sleeve	99106	
95-86	MSG5C	710157	§ 208-LO
	Redi-Sleeve	99103	
94-91	Borg-Warner T5	7412S	A-5
	Redi-Sleeve	99125	
	(Thrust)		FA-55505
91-88	MUA5, MUA5CT	710157	308-L
	Redi-Sleeve	99103	
87-81	MSG5ET	1990	§ 208-LO
	Redi-Sleeve	99106	
MAINSHAFT / OUTPUT			
04-98	AR-5 (2WD)	710319	
04-98	AR-5 (4WD)	1209	
04-92	MUA5C	710247	306-L
04-92	MUA5CT	710512	306-L
01-97	New Process 3500	416288	
01-96	New Process 1500	416288	306-L
99-98	Tremec T5	710441	25877-25821
98-85	MSA5D		308-FFL
95-86	MUA5, MSG5C	710247	
94-91	Borg-Warner T5	710441	25877-25821
91-88	MUA5CT	224250	
87-81	MSG5ET	1987	RW-122
MAINSHAFT PILOT			
99-98	Tremec T5		(15)QBR-23549
94-91	Borg-Warner T5		(15)QBR-23549
MAINSHAFT 1ST SPEED GEAR			
99-98	Tremec T5		F-218255
94-91	Borg-Warner T5		F-218255
MAINSHAFT 2ND SPEED GEAR			
99-98	Tremec T5		F-93934
94-91	Borg-Warner T5		F-93934
COUNTERSHAFT			
04-98	AR-5	(Front)	MSNB-5305-GTBV
01-97	New Process 3500		(2)FC-68336
01-96	New Process 1500		
	(Front)		FC-68336
	(Rear)		206-FF
99-98	Tremec T5	(Rear)	A-6
	(Thrust)		NTA-1423
94-91	Borg-Warner T5	(Rear)	A-6
	(Thrust)		NTA-1423
87-81	MSG5ET	(Front)	5205-KLE
	(Rear)		204
STEERING			
MANUAL STEERING			
STEERING GEAR SECTOR SHAFT			
92-83	Amigo, P'up, Pickup, Rodeo, Trooper II	223240	

Year	Application	Seal	Bearing
MANUAL STEERING (Cont.)			
STEERING GEAR WORM SHAFT			
1987	P'up, Trooper II (To 10/01/86)	221720	
86-81	P'up, Trooper II	221720	
POWER STEERING			
STEERING GEAR HOUSING			
97-96	Hombre		(Adj. Plug) DB-53313
STEERING GEAR WORM SHAFT			
97-81	Amigo, P'up, Pickup, Rodeo, Trooper II	222270	
1996	Hombre	222025	
94-85	KS22, NPR	222020	
STEERING GEAR PITMAN SHAFT			
01-96	Hombre	(Kit) <input checked="" type="checkbox"/> PSK-1	
STEERING PUMP SHAFT			
07-03	Ascender	7013S	
01-96	Hombre	7013S	
00-94	Rodeo (V6 Eng.)	222036	
00-92	Trooper	222036	
95-94	Amigo, Pickup (Saginaw Pump)	7013S	
94-85	KS22, NPR	225530	204-S
93-89	Amigo, Pickup, Rodeo, Trooper II (Saginaw Pump)	7013S	
88-86	P'up, Pickup, Trooper II (2.3L Eng.)	221720	
88-83	P'up, Pickup (Saginaw Pump)	7013S	
82-81	All (1.8L Eng.)	221540	
AIR CONDITIONING			
COMPRESSOR			
CLUTCH PULLEY			
05-03	Harrison HT-6		907257
01-96	Harrison HT-6		907257
01-96	Harrison V-5		907257
94-89	Harrison R-4		907257
83-81	Tecumseh & York		5106-WCC
FRONT HEAD MAIN			
94-89	Harrison R-4		S-128
REAR			
83-81	Tecumseh & York		203
ELECTRICAL			
ALTERNATOR			
DRIVE END			
97-88	Hitachi 60 Amp		303-CC
87-81	Hitachi 40 Amp		302-CC
87-81	Hitachi 50 Amp		303-CC
87-81	Hitachi 60 Amp		203-FF
REAR END			
87-81	Hitachi 40, 50 Amp		202-FF
87-81	Hitachi 60 Amp		201-CC

() Indicates Quantity Required § Use Old Snap Ring Refer To Front Of Catalog For Kit Contents

ISUZU TRUCK - COMPACT PICKUP/MINIVAN/SPORT UTILITY

(i-280, i-290, i-350, i-370, Amigo, Ascender, Axiom, Hombre, KS22, KS32, NPR, Oasis, P'up, Pickup, Rodeo, Rodeo Sport, Trooper, Trooper II & VehiCROSS) (Cont.)

Year	Application	Seal	Bearing	Year	Application	Seal	Bearing
ENGINE				OIL PUMP			
CAMSHAFT				4 CYLINDER			
4 CYLINDER				99-96 2156cc/2.2L, 2254cc/2.3L 712009 Redi-Sleeve 99106			
03-98	2198cc/2.2L (DOHC).....	710515		TIMING COVER			
99-96	2156cc/2.2L, 2254cc/2.3L Redi-Sleeve	712008 99111		4 CYLINDER			
97-86	2254cc/2.3L, 2559cc/2.6L Redi-Sleeve	223014 99114		08-06	169/2.8L (DOHC), 178.2/2.9L	710551	
87-81	2238cc/2.2L (Diesel), 2238cc/2.2L (Turbo-Diesel).... Redi-Sleeve	224205 99166		01-96	134/2.2L	9845	
6 CYLINDER				Redi-Sleeve 99176			
04-92	3165cc/3.2L (DOHC), 3494cc/3.5L (DOHC)..... (4)	223014		Harmonic Bal Sleeve 88176			
	Redi-Sleeve (4)	99114		Harmonic Bal Kit <input checked="" type="checkbox"/> 5000			
97-92	3165cc/3.2L (2)	223014		99-96	2156cc/2.2L, 2254cc/2.3L	224053	
	Redi-Sleeve (2)	99114		98-85	3856cc/3.9L (Diesel), 3856cc/3.9L (Turbo-Diesel)....	710350	
CRANKSHAFT				Redi-Sleeve 99235			
4 CYLINDER				97-86 2254cc/2.3L, 2559cc/2.6L Redi-Sleeve 99157			
03-98	2198cc/2.2L (DOHC).....	710237		87-81	2238cc/2.2L (Diesel), 2238cc/2.2L (Turbo-Diesel)....	712005	
01-96	134/2.2L PTFE Rubber	5273		Redi-Sleeve 99254			
	Viton®	4307V		87-81	1817cc/1.8L, 1949cc/1.9L	225020	
	Redi-Sleeve	99298		Redi-Sleeve 99196			
99-96	2156cc/2.2L, 2254cc/2.3L	228015		5 CYLINDER			
	Redi-Sleeve	99315		08-06 211/3.5L (DOHC), 223/3.7L (DOHC).....			
97-86	2254cc/2.3L, 2559cc/2.6L	710060		710551			
	Redi-Sleeve	99364		6 CYLINDER			
87-81	1817cc/1.8L, 1949cc/1.9L, 2238cc/2.2L (Diesel), 2238cc/2.2L (Turbo-Diesel)....	228480		08-05	254/4.2L (DOHC).....	710551	
	Redi-Sleeve	99328		04-03	254/4.2L (DOHC) (38.4mm I.D.).....	710605	
6 CYLINDER				04-03 254/4.2L (DOHC) (47.0mm I.D.).....			
08-03	254/4.2L (DOHC).....	710603		710551			
04-92	3165cc/3.2L, 3165cc/3.2L (DOHC), 3494cc/3.5L (DOHC)	710060		04-92	3165cc/3.2L, 3165cc/3.2L (DOHC), 3494cc/3.5L (DOHC)	224020	
	Redi-Sleeve	99364		Redi-Sleeve 99157			
01-97	262/4.3L	5512		94-89	173/2.8L, 189/3.1L	9845	
94-89	173/2.8L, 189/3.1L			Redi-Sleeve 99176			
	PTFE Rubber	5273		Harmonic Bal Sleeve 88176			
	Viton®	4307V		Harmonic Bal Kit <input checked="" type="checkbox"/> 5000			
	Redi-Sleeve	99298		8 CYLINDER			
8 CYLINDER				07-03 325/5.3L			
07-03	325/5.3L	100085		100470			
00-96	350/5.7L	5512		Redi-Sleeve 99210			
95-93	350/5.7L (Gkt. & PTFE Seal)	5274A		95-93	350/5.7L	9845	
	(Gkt. & Viton® Seal)	4359V		Redi-Sleeve 99176			
	PTFE Rubber	5274		Harmonic Bal Sleeve 88176			
	Redi-Sleeve	99364		Harmonic Bal Kit <input checked="" type="checkbox"/> 5000			

ISUZU TRUCK - MEDIUM DUTY (EVR, FSR, FTR, FVR & NRR)

WHEEL				FRONT WHEEL (Cont.)			
FRONT WHEEL				1997	FSR.....	(Inner) • 370199A	JM205149-JM205110
1997	FRR.....	(Inner) 710087	513046			(Outer) 32207	
		(Outer) 513045		1997	FTR.....	(Inner) • 370211A	
		(Continued Next Column)				(Outer) 33208	
				(Continued Next Page)			

(Cont.) (EVR, FSR, FTR, FVR & NRR) **MEDIUM DUTY - ISUZU TRUCK**

Year	Application	Seal	Bearing
WHEEL			
FRONT WHEEL (Cont.)			
1997	FVR (11,000 lb. Axle)		
	(Inner)	• 370211A	
	(Outer)		33208
1997	FVR (12,000 & 14,600 lb. Axles).....	(Inner)	• 370212A
	(Outer)		JM205149-JM205110
96-89	FTR (Air over Hydraulic Brakes) (Z05).....	710088	HM212047-HM212011
	(Outer)		4388-4335
96-89	FTR (Full Air Brakes) (Z06).....	(Inner)	710084
	(Outer)		H414245A-H414210
96-88	FRR, FSR, NRR.....	(Inner)	710087
	(Outer)		513046
96-87	EVR, FVR	(Inner)	710084
	(Outer)		H414245A-H414210
88-87	FTR	(Inner)	710088
	(Outer)		HM212047-HM212011
			4388-4335
REAR WHEEL			
1997	FRR	(Inner)	710085
	(Outer)		710086
1997	FSR (Spicer S-150-S)	(Inner)	• 370008A
	(Outer)		33287-33462
96-90	FRR, FSR, NRR.....	(Inner)	710085
	(Outer)		710086
96-87	FTR (Isuzu R094 Axle)	(Inner)	710278
	(Outer)		710277
94-87	EVR, FVR	(Inner)	710089
	(Outer)		* 710090
89-88	NRR	(Inner)	710085
	(Outer)		710086
AXLE			
REAR AXLE			
DIFFERENTIAL KIT			
96-87	Spicer M220T		RA-214
DIFFERENTIAL			
97-88	R065	(2)3984-3920	
96-88	R077	(2)30214-A	
96-87	R094	(2)32216	
96-87	Spicer M220T	(Left)	JM822049-JM822010
	(Right)		JM716649-JM716610
PIION			
97-88	R065, R077	(Inner)	30310-A
	(Outer)	710276	30309
	Redi-Sleeve 99235		
96-87	R094	(Inner)	30310-A
	(Outer)	710275	30311-A
96-87	Spicer M220T	(Inner)	72225C-72487
	(Outer)	477163N	55200C-55437
	Redi-Sleeve 99300		
	(Pilot)		MUS-1308-UM
94-87	R105	(Outer)	710275
			580-572

Year	Application	Seal	Bearing
CLUTCH			
PILOT			
6 CYLINDER			
97-95	7130cc/7.1L (Turbo-Diesel).....		205-FF
	(Hi-Temp.)		205-VV
94-87	5785cc/5.8L (Turbo-Diesel), 6494cc/6.5L (Diesel), 6494cc/6.5L (Turbo-Diesel), 8413cc/8.4L (Turbo-Diesel).....		205-FF
	(Hi-Temp.)		205-VV
RELEASE			
		Bearing Only	Bearing Assembly
6 CYLINDER			
97-95	7130cc/7.1L (Turbo-Diesel) (380mm Clutch).....		613014
97-95	7130cc/7.1L (Turbo-Diesel) (355mm Clutch).....		613011
94-90	5785cc/5.8L (Turbo-Diesel), 6494cc/6.5L (Turbo-Diesel), 8413cc/8.4L (Turbo-Diesel) (355mm Clutch).....		613009
94-88	6494cc/6.5L (Diesel), 6494cc/6.5L (Turbo-Diesel) (330mm Clutch).....		613009
94-87	8413cc/8.4L (Turbo-Diesel) (380mm Clutch).....		613009
89-87	5785cc/5.8L (Turbo-Diesel), 6494cc/6.5L (Turbo-Diesel) (355mm Clutch).....		613009
TRANSMISSION			
AUTOMATIC / 4 Speed			
FRONT PUMP			
97-87	Allison AT542, AT545	6712NA	
	Redi-Sleeve 99187		
EXTENSION HOUSING			
97-87	Allison AT542, AT545	415988	109
MANUAL SHAFT			
97-87	Allison AT542, AT545	340847	
MANUAL / 6 Speed			
DRIVESHAFT / INPUT			
97-88	Fuller FS6106.....	450311	
	Redi-Sleeve 99205		
MAINSHAFT / OUTPUT			
97-88	Fuller FS6106.....	415004V	
MAINSHAFT 3RD SPEED GEAR			
97-88	Fuller FS6106.....		808840
MAINSHAFT 4TH SPEED GEAR			
97-88	Fuller FS6106.....		687430
MAINSHAFT 5TH SPEED GEAR			
97-88	Fuller FS6106.....		206252
COUNTERSHAFT			
97-88	Fuller FS6106.... (Front)		MSN-1309-GEXR
	(Rear)		MU-1309-UV

() Indicates Quantity Required * Not a Current Production Number, Check for Availability • Oil Bath Seal

ISUZU TRUCK - MEDIUM DUTY (EVR, FSR, FTR, FVR & NRR) (Cont.)

Year	Application	Seal	Bearing	Year	Application	Seal	Bearing
STEERING				TIMING COVER			
POWER STEERING				6 CYLINDER			
STEERING GEAR WORM SHAFT				95-87 5785cc/5.8L			
94-87	EVR, FSR, FTR, FVR	222540		(Turbo-Diesel),			
STEERING PUMP SHAFT				6494cc/6.5L (Diesel),			
94-87	EVR, FSR, FTR, FVR	222540	305-S	6494cc/6.5L (Turbo-Diesel)..... 710390			
ENGINE				Redi-Sleeve 99235			
CRANKSHAFT							
6 CYLINDER							
95-87	5785cc/5.8L						
	(Turbo-Diesel),						
	6494cc/6.5L (Diesel),						
	6494cc/6.5L (Turbo-Diesel).....	710349					
	Redi-Sleeve	99413					

IVECO TRUCK - LIGHT DUTY (Z100, Z110, 1014AS, 110, 120TA, 1211, 1212, 1214, 1214AS, 1216AS, 1314 & 1314AS)

WHEEL				REAR AXLE (Cont.)			
FRONT WHEEL				PINION			
91-82	All	(Inner) 227540	30309	91-83	4516	(Inner) 32308	
		(Outer) 30307				(Outer) 32207	
						Redi-Sleeve 99196	
FRONT WHEEL (2WD)				TRANSMISSION			
91-90	All	(Inner) 227540	30309	AUTOMATIC / 3 Speed			
		(Outer) 30307		FRONT PUMP			
REAR WHEEL				91-82 Chrysler A727 331227H			
91-89	1014AS, 1211, 1212, 1214AS, 1216AS, 1314, 1314AS	(Inner) 32014		Redi-Sleeve 99187			
		(Outer) 32014		EXTENSION HOUSING			
89-86	Z100, Z110, 110, 120TA, 1214	(Inner) 229010	33113	91-82 Chrysler A727 7300S			
		(Outer) 33113		(Seal & Bushing Kit) 5206			
1985	All (1st Design)	(Inner) 32014		CLUTCH CAM			
		(Outer) 32014		91-82 Chrysler A727 (12)W-585-Q			
1985	All (2nd Design)	(Inner) 229010	33113	MANUAL / 5 Speed			
		(Outer) 33113		DRIVESHAFT / INPUT			
84-82	All	(Inner) 32014		91-87	2846	224250	1311-SL
		(Outer) 32014				Redi-Sleeve 99169	
AXLE				91-82	2828, 2831	224026	1309-L
REAR AXLE						Redi-Sleeve 99157	
DIFFERENTIAL				MAINSHAFT / OUTPUT			
91-89	4519	(2)32014		91-87	2846		1311-L
91-87	4516HD	(2)32013-X		91-82	2828, 2831		1309-L
91-83	4516	(2)30211		COUNTERSHAFT			
PINION				91-87	2846		(2)32208
91-87	4516HD, 4519	(Inner) 32308		91-82	2828, 2831		(2)32008
		(Outer) 225050	32208				
		Redi-Sleeve 99196					
		(Continued Next Column)					

(200, 300, 400, 1500 & 1800 Series) **MEDIUM DUTY - IVECO TRUCK**

Year	Application	Seal	Bearing
WHEEL			
FRONT WHEEL			
91-83	Z220, Z220T, Z230T, Z340T, Z450T, 1514, 1514AS, 1814, 1816, 220, 220T, 230T	(Inner) 227540 (Outer) 30307	30309 30307
89-87	335T, 340T, 435T, 450T (Drum Brakes).....	(Inner) 227540 (Outer) 30307	30309 30307
REAR WHEEL			
91-90	1816	(Inner) (Outer)	33113 33113
91-90	2316	(Inner)	32217
91-86	Z220, Z220T, Z230T, 1514, 1514AS, 1814, 220, 220T, 230T	(Inner) 229010 (Outer)	33113 33113
89-85	Z340T, 335T, 340T, 435T, 450T	(Inner) (Outer) 3984-3920	567-563 3984-3920
87-85	Z450T	(Inner)	32217
1985	Z220, Z220T, Z230T (From Ch. #3677) (1/85)	(Inner) 229010	
1985	Z220, Z220T, Z230T (From Ch.# 3677)	(Inner) (Outer)	33113 33113
1985	Z220, Z220T, Z230T (To Ch.# 3676)	(Inner) (Outer)	32014 32014
84-83	All.....	(Inner) (Outer)	32014 32014
AXLE			
REAR AXLE			
DIFFERENTIAL			
91-90	Rockwell H140E		(2)33281-33472

(Continued Next Column)

Year	Application	Seal	Bearing
REAR AXLE (Cont.)			
DIFFERENTIAL			
91-83	4519HD		(2)32014
PINION			
91-90	Rockwell H140E	(Inner) (Outer) 412119 Redi-Sleeve 99237 (Pilot)	55187C-55443 55176C-55443 RU-1570-UM
91-83	4519HD	(Inner) (Outer) 225050 Redi-Sleeve 99196	32308 32208
TRANSMISSION			
AUTOMATIC / 3 Speed			
FRONT PUMP			
91-83	Chrysler A727	331227H	
		Redi-Sleeve 99187	
EXTENSION HOUSING			
91-83	Chrysler A727	7300S	
	(Seal & Bushing Kit) 5206		
CLUTCH CAM			
91-83	Chrysler A727		(12)W-585-Q
MANUAL / 5 Speed			
DRIVESHAFT / INPUT			
91-83	2835, 2846	224250	1311-SL
		Redi-Sleeve 99169	
MAINSHAFT / OUTPUT			
91-83	2835, 2846		1311-L
COUNTERSHAFT			
91-83	2835, 2846		(2)32208

JAGUAR

(S-Type, Super V8 Portfolio, Vanden Plas, X-Type, XF, XJR, XJS, XJ12, XJ6, XJ8, XK, XKR & XK8)

WHEEL			
FRONT WHEEL			
08-02	X-Type		☆ 510099
06-04	XKR, XK8		510010
03-99	Vanden Plas, XJR, XJ8, XKR, XK8		510010
1998	Vanden Plas		510010
1998	XJR, XJ8, XK8.....		513058
1997	XK8.....		513058
97-88	Vanden Plas, XJR, XJ12, XJ6	(Inner) (Outer)	A-17 A-15
96-88	XJS	(Inner) 473454 (Outer)	A-13 A-12
87-80	All.....	(Inner) 473454 (Outer)	A-13 A-12

REAR WHEEL			
09-04	S-Type, Super V8 Portfolio, Vanden Plas, XJR, XJ8.....		511032
08-02	X-Type	Hub Assembly	512306
06-04	XKR, XK8.....	(Inner) (Outer)	A-35 LM503349A-LM503310
03-00	S-Type		511032
03-93	Vanden Plas, XJR, XJS, XJ12, XJ6, XJ8, XKR, XK8	(Inner) (Outer)	A-35 LM503349A-LM503310
92-88	XJS	(Inner) (Outer)	18590-18520 18690-18620
92-88	XJ6.....	(Inner) (Outer)	A-35 LM503349A-LM503310
87-80	All.....	(Inner) (Outer)	18590-18520 18690-18620

() Indicates Quantity Required ☆ New Item, Check for Availability

JAGUAR

(S-Type, Super V8 Portfolio, Vanden Plas, X-Type, XF, XJR, XJS, XJ12, XJ6, XJ8, XK, XKR & XK8) (Cont.)

Year	Application	Seal	Bearing
AXLE			
REAR AXLE			
AXLE SHAFT			
09-80	Salisbury 4HU.....		(2) A-17
08-00	Ford IRS-8" R.G.....	(2) 714569	(2) FC-66998
		Redi-Sleeve (2) 99157	
DIFFERENTIAL			
09-80	Salisbury 4HU.....		(2) 25577-25523
PINION			
09-80	Salisbury 4HU... (Inner)	HM89446-HM89410	
	(Outer)	M88043-M88010	
08-00	Ford IRS-8" R.G. (Outer)	M88048-M88010	
TRANSAXLE			
AUTOMATIC / 5 Speed			
TORQUE CONVERTER			
08-02	Jatco JF506EL.....	710442	
OUTPUT SHAFT			
08-02	Jatco JF506EL.....	(2) 224026	
TRANSMISSION			
AUTOMATIC / 3 Speed			
FRONT PUMP			
89-80	GMC THM400.....	6712NA	
		Redi-Sleeve 99187	
87-80	Borg-Warner T65, T66	480479H	
		Redi-Sleeve 99168	
EXTENSION HOUSING			
89-85	GMC THM400.....	9449	109
	(Seal & Bushing Kit) 5208		
84-80	GMC THM400.....	9449	
	(Seal & Bushing Kit) 5208		
MANUAL SHAFT			
89-80	GMC THM400.....	8792S	
AUTOMATIC / 4 Speed			
FRONT PUMP			
97-87	ZF 4HP-22, 4HP-24	224052	
		Redi-Sleeve 99157	
96-94	GMC 4L80-E.....	4598	
		Redi-Sleeve 99199	
EXTENSION HOUSING			
97-87	ZF 4HP-22, 4HP-24	224045	
96-94	GMC 4L80-E.....	9449	109
	(Seal & Bushing Kit) 5208		
MANUAL SHAFT			
96-94	GMC 4L80-E.....	8792S	
AUTOMATIC / 5 Speed			
FRONT PUMP			
04-98	Mercedes-Benz W5A580	710608	
	(Continued Next Column)		

Year	Application	Seal	Bearing
AUTOMATIC / 5 Speed (Cont.)			
FRONT PUMP			
04-97	ZF 5HP-24	224052	
		Redi-Sleeve 99157	
02-00	Ford 5R55N	710535	
OUTPUT SHAFT			
04-98	Mercedes-Benz W5A580		206
MANUAL SHAFT			
02-00	Ford 5R55N	7929S	
AUTOMATIC / 6 Speed			
FRONT PUMP			
09-03	ZF 6HP-26, 6HP-28	224510	
		Redi-Sleeve 99177	
MANUAL / 5 Speed			
DRIVESHAFT / INPUT			
83-80	Rover CL.....		15123-15245
MAINSHAFT / OUTPUT			
87-84	Rover CL.....		19150-19268
83-80	Rover CL..... (Inner)		A-1
	(Outer)		A-6
COUNTERSHAFT			
87-80	Rover CL.....		(2) A-4
AIR CONDITIONING			
COMPRESSOR			
CLUTCH PULLEY			
93-90	Sanden SD-709		5001-KFF
92-80	Harrison A-6		907257
89-88	Sanden SD-510		5001-KFF
ENGINE			
CRANKSHAFT			
6 CYLINDER			
08-00	152/2.5L (DOHC), 181/3.0L (DOHC).....	3909	
		PTFE Rubber 5277	
		Redi-Sleeve 99363	
TIMING COVER			
6 CYLINDER			
08-00	152/2.5L (DOHC), 181/3.0L (DOHC).....	482041N	
		Redi-Sleeve 99187	
		Harmonic Bal Sleeve 88187	
87-80	4235cc/4.2L (DOHC).....	472492	
		Redi-Sleeve 99199	
		Harmonic Bal Sleeve 88199	
12 CYLINDER			
96-80	5343cc/5.3L, 5994cc/6.0L	450867	
		Redi-Sleeve 99212	

CROSSOVER/SPORT UTILITY - JEEP TRUCK

(Cherokee, Compass, Compass 4WD, CJ5, CJ7, CJ8, Liberty, Patriot, Patriot 4WD, TJ, Wrangler & YJ)

Year	Application	Seal	Bearing
WHEEL			
FRONT WHEEL (2WD)			
09-08	Liberty.....		Hub Assembly ☆ 513270
09-07	Compass, Patriot.....		510090
07-06	Liberty.....		Hub Assembly 513176
	(Left).....		Hub Assembly 513177
	(Right).....		Hub Assembly 513177
05-02	All (ABS).....		Hub Assembly 513176
	(Left).....		Hub Assembly 513177
	(Right).....		Hub Assembly 513177
05-02	All (Exc. ABS).....		Hub Assembly 513178
01-00	All.....		Hub Assembly 513158
1999	All (1st Design) (Composite Rotor).....		Hub Assembly 513084
1999	All (2nd Design) (Full Cast Rotor).....		Hub Assembly 513158
98-94	All.....		Hub Assembly 513084
93-87	All.....	6815	A-6
	(Inner).....		A-2
	(Outer).....		
1986	All (1st Design)		
	(Inner).....	470547 JLM603048F-JLM603013Z	
	(Middle).....	4019N	
	(Outer).....	3942 JLM603048F-JLM603013Z	
			Hub Assembly 513107
1986	All (2nd Design)		
	(Inner).....	6815	A-6
	(Outer).....		A-2
1985	All.....		
	(Inner).....	470547 JLM603048F-JLM603013Z	
	(Middle).....	4019N	
	(Outer).....	3942 JLM603048F-JLM603013Z	
			Hub Assembly 513107
FRONT WHEEL (4WD)			
09-08	Liberty.....		Hub Assembly ☆ 513270
09-07	Wrangler.....		Hub Assembly ☆ 513272
09-07	Compass 4WD, Patriot 4WD.....		510090
07-06	Liberty.....		Hub Assembly 513176
	(Left).....		Hub Assembly 513177
	(Right).....		Hub Assembly 513177
06-00	Cherokee, TJ, Wrangler.....		Hub Assembly 513158
05-02	Liberty (ABS).....		Hub Assembly 513176
	(Left).....		Hub Assembly 513177
	(Right).....		Hub Assembly 513177
05-02	Liberty (Exc. ABS).....		Hub Assembly 513178
1999	Cherokee (1st Design) (Composite Rotor).....		Hub Assembly 513084
1999	Cherokee (2nd Design) (Full Cast Rotor).....		Hub Assembly 513158
1999	TJ, Wrangler.....		Hub Assembly 513084
98-90	All.....		Hub Assembly 513084
89-84	Cherokee, Wrangler, YJ		
	(Inner).....	470547 JLM603048F-JLM603013Z	
	(Middle).....	4019N	
	(Outer).....	3942 JLM603048F-JLM603013Z	
			Hub Assembly 513107
86-84	CJ7, CJ8.....	493637	LM102949-LM102910
	(Inner).....		A-35
	(Outer).....		
83-80	Cherokee.....	471271	LM104949-JLM104910
	(Inner).....		A-35
	(Outer).....		
83-80	CJ5, CJ7, CJ8.....	4131	LM102949-LM102910
	(Inner).....		A-35
	(Outer).....		
REAR WHEEL			
2009	Liberty.....	710498	6410
09-07	Compass, Patriot.....		Hub Assembly 512332
09-07	Compass 4WD, Patriot 4WD.....		Hub Assembly 512333
09-07	Wrangler.....	9912	A-10
08-03	Liberty.....	8835S	6408
06-00	Cherokee, TJ, Wrangler		
	(Spicer 35C).....	4857	5707
06-97	TJ, Wrangler (Spicer		
	44-1HD).....	9912	A-10
			(Continued Next Column)

Year	Application	Seal	Bearing
REAR WHEEL (Cont.)			
2002	Liberty.....	2146	A-49
01-00	Cherokee (Spicer 35C).....	8660S	5707
01-91	Cherokee (8.25" R.G.).....	8835S	6408
99-97	TJ, Wrangler (Spicer 35C).....	4857	5707
99-94	Cherokee, YJ (Spicer 35C).....	8660S	5707
95-94	Wrangler (Spicer 35C).....	4857	5707
95-94	Wrangler, YJ (Spicer		
	44-1HD).....	9912	A-10
93-90	Cherokee (Spicer 35C).....	8660S	5707
93-90	Wrangler, YJ.....	8660S	5707
89-88	Cherokee (Spicer 35)		
	(Inner).....	473212	A-9
	(Outer).....	2146	
89-88	Wrangler, YJ.....	(Inner) 473212	A-9
	(Outer).....	2146	
89-84	Cherokee (Spicer 44-1HD)		
	(Inner).....	481837	A-10
	(Outer).....	9912	
1987	Wrangler, YJ (Exc. H/D		
	Axle).....	(Inner) 473212	A-9
	(Outer).....	2146	
1987	Wrangler, YJ (H/D Axle)		
	(Inner).....	473214	A-9
	(Outer).....	2146	
87-84	Cherokee (Spicer 35) (Exc.		
	H/D Axle).....	(Inner) 473212	A-9
	(Outer).....	2146	
87-84	Cherokee (Spicer 35) (H/D		
	Axle).....	(Inner) 473214	A-9
	(Outer).....	2146	
86-80	CJ5, CJ7, CJ8.....	(Inner) 7687S	A-5
	(Outer).....	8549S	
83-80	Cherokee.....	(Inner) 9912	A-10
	(Outer).....	481837	

AXLE

Year	Application	Seal	Bearing
FRONT AXLE			
AXLE SHAFT			
98-94	Spicer 30-AF.....	(2) 710068	
93-87	Spicer 30-AF (Disconnect)		
	(Left).....	710068	BH-208
	(Right).....	710202	
93-82	Spicer 30-AF		
	(Non-Disconnect)		
	(Left).....	710068	
	(Right).....	710068	
86-85	Spicer 30-AF (Disconnect)		
	(Left).....	710068	BH-208
	(Right).....	710204	
84-82	Spicer 30-AF (Disconnect)		
	(Left).....	710068	B-5020
	(Right).....	710204	
84-80	Spicer 44-1F.....	2300	
81-80	Spicer 30-AF.....	(2) 710068	
SPINDLE KIT			
09-80	Spicer 30-AF, 30-SF, 44-1F.....		☒ SBK-1
SPINDLE			
09-02	Spicer 30-SF.....	(Inner) 722109	
	(Outer).....	722108	
			(Continued Next Page)

() Indicates Quantity Required ☆ New Item, Check for Availability ☒ Refer To Front Of Catalog For Kit Contents

JEEP TRUCK - CROSSOVER/SPORT UTILITY

(Cherokee, Compass, Compass 4WD, CJ5, CJ7, CJ8, Liberty, Patriot, Patriot 4WD, TJ, Wrangler & YJ) (Cont.)

Year	Application	Seal	Bearing
AXLE			
FRONT AXLE (Cont.)			
SPINDLE			
06-80	Spicer 30-AF, 44-1F		
	(Inner)	722109	B-2110
	(Outer)	722108	
INTERMEDIATE SHAFT			
93-82	Spicer 30-AF (Disconnect)		
	(Pilot)		SCE-108
DIFFERENTIAL KIT			
09-97	Spicer 30-AF, 30-SF		RA-334-TJ
06-03	Spicer 44M		<input checked="" type="checkbox"/> RA-28
96-80	Spicer 30-AF		<input checked="" type="checkbox"/> RA-334
84-80	Spicer 44-1F		<input checked="" type="checkbox"/> RA-28
DIFFERENTIAL			
09-80	Spicer 30-AF, 30-SF	(2)LM501349-LM501314	
06-03	Spicer 44M	(2)25590-25523	
84-80	Spicer 44-1F	(2)25590-25523	
PINION			
09-99	Spicer 30-AF, 30-SF		
	(Inner)	HM88649-HM88610	
	(Outer)	710461	M86649-M86610
06-03	Spicer 44M		31594-31520
	(Outer)	5778	02872-02820
	Viton® 5778V		
	Redi-Sleeve 99155		
98-97	Spicer 30-AF		HM88649-HM88610
	(Outer)	5778	M86649-M86610
	Viton® 5778V		
	Redi-Sleeve 99155		
96-80	Spicer 30-AF		HM88649-HM88610
	(Outer)	5778	02872-02820
	Viton® 5778V		
	Redi-Sleeve 99155		
84-80	Spicer 44-1F		31594-31520
	(Outer)	5778	02872-02820
	Viton® 5778V		
	Redi-Sleeve 99155		
REAR AXLE			
DIFFERENTIAL KIT			
09-00	Chrysler 8.25" R.G.		<input checked="" type="checkbox"/> RA-303-A
01-97	Spicer 44-1HD		<input checked="" type="checkbox"/> RA-28
99-91	Chrysler 8.25" R.G.		<input checked="" type="checkbox"/> RA-303
	(Master Kit)		RA-303MK
95-94	Spicer 44-1HD		<input checked="" type="checkbox"/> RA-28
91-84	Spicer 35C		<input checked="" type="checkbox"/> RA-335-J
89-80	Spicer 44-1HD		<input checked="" type="checkbox"/> RA-28
86-80	AMC 20		<input checked="" type="checkbox"/> RA-311-J
DIFFERENTIAL			
09-07	Spicer 44	(2)A-36	
09-91	Chrysler 8.25" R.G.	(2)A-36	
07-84	Spicer 35C	(2)LM501349-LM501314	
06-97	Spicer 44-1HD	(2)25590-25523	
95-94	Spicer 44-1HD	(2)25590-25523	
89-80	Spicer 44-1HD	(2)25590-25523	
86-80	AMC 20	(2)A-36	

Year	Application	Seal	Bearing
REAR AXLE (Cont.)			
PINION			
09-07	Spicer 44		
	(Inner)		M802048-M802011
	(Outer)	100712V	M88048-M88010
09-00	Chrysler 8.25" R.G.		
	(Inner)		M802048-M802011
	(Outer)	710480	M86649-M86610
07-92	Spicer 35C		HM88648-HM88610
	(Outer)	714675	M86649-M86610
06-02	Spicer 44-1HD		02872-02820
	(Inner)		31594-31520
	(Outer)	100712V	02872-02820
01-97	Spicer 44-1HD		31594-31520
	(Inner)		02872-02820
	(Outer)	5778	31594-31520
	Viton® 5778V		
	Redi-Sleeve 99155		
99-91	Chrysler 8.25" R.G.		
	(Inner)		M802048-M802011
	(Outer)	8516N	M86649-M86610
	Redi-Sleeve 99168		
95-94	Spicer 44-1HD		31594-31520
	(Inner)		02872-02820
	(Outer)	5778	02872-02820
	Viton® 5778V		
	Redi-Sleeve 99155		
91-84	Spicer 35C		HM88648-HM88610
	(Inner)		M86649-M86610
	(Outer)	470331N	31594-31520
89-80	Spicer 44-1HD		02872-02820
	(Inner)		31594-31520
	(Outer)	5778	02872-02820
	Viton® 5778V		
	Redi-Sleeve 99155		
86-80	AMC 20		M802048-M802011
	(Inner)		M88048-M88010
	(Outer)	470331N	
CLUTCH			
PILOT			
4 CYLINDER			
02-83	150/2.5L		FC-65446
94-81	2369cc/2.4L (Diesel), 2068cc/2.1L (Turbo-Diesel)		203-FF
83-80	151/2.5L		(H/D) PB-656-HD
6 CYLINDER			
09-02	226/3.7L, 231/3.8L		SCE-1295
	(Brg. & Sleeve)		FC-69907
05-90	242/4.0L		SCE-1295
	(Brg. & Sleeve)		FC-69907
91-87	242/4.0L, 258/4.2L		FC-66426
86-85	173/2.8L		(H/D) PB-652-HD
85-80	258/4.2L		PB-79
8 CYLINDER			
83-80	304/5.0L, 360/5.9L		PB-79
RELEASE			
		Bearing Only	Bearing Assembly
4 CYLINDER			
05-87	150/2.5L, 148/2.4L (DOHC)		Ⓢ 614093
1993	150/2.5L	Hydra-Clutch®	619004
92-91	150/2.5L	Hydra-Clutch®	619001
90-87	150/2.5L	Hydra-Clutch®	619007
86-83	150/2.5L		614030
85-80	151/2.5L, 2369cc/2.4L (Diesel)		614017
6 CYLINDER			
09-02	226/3.7L, 231/3.8L		Ⓢ 614093
05-90	242/4.0L, 258/4.2L		Ⓢ 614093

(Continued Next Page)

CROSSOVER/SPORT UTILITY - JEEP TRUCK

(Cont.) (Cherokee, Compass, Compass 4WD, CJ5, CJ7, CJ8, Liberty, Patriot, Patriot 4WD, TJ, Wrangler & YJ)

Year	Application	Seal	Bearing
CLUTCH			
RELEASE (Cont.)			
		<i>Bearing Only</i>	<i>Bearing Assembly</i>
6 CYLINDER			
1993	242/4.0L	Hydra-Clutch®	619004
92-91	242/4.0L	Hydra-Clutch®	619003
1990	242/4.0L, 258/4.2L	Hydra-Clutch® *	619008
1989	242/4.0L, 258/4.2L (Aisin AX15)	Hydra-Clutch® *	619008
1989	242/4.0L, 258/4.2L (Peugeot BA10/5)	Hydra-Clutch®	619002
89-87	258/4.2L	®	614093
88-87	242/4.0L, 258/4.2L	Hydra-Clutch®	619002
86-84	173/2.8L		614052
86-80	258/4.2L	®	614115
8 CYLINDER			
83-80	304/5.0L, 360/5.9L		® 614115
TRANSFER CASE			
FULL TIME / PART TIME			
TRANSFER CASE KIT			
96-87	New Process 231J		<input checked="" type="checkbox"/> T-230
1994	New Process 242J (1st Design)		<input checked="" type="checkbox"/> T-240-C
93-87	New Process 242J		<input checked="" type="checkbox"/> T-240-C
88-80	New Process 228J, 229J		<input checked="" type="checkbox"/> T-220
87-84	New Process 207		<input checked="" type="checkbox"/> T-197
86-80	Spicer 300		<input checked="" type="checkbox"/> T-182
84-80	New Process 219 (Fixed Yoke)		<input checked="" type="checkbox"/> T-212-FA
INPUT SHAFT			
09-97	New Process 231J, 241OR (2)	3173	110-L
	(Dual Lip)	710928	
	Redi-Sleeve	99193	
	(Pilot)		FC-66561
07-97	New Process 242J		110-L
	(Pilot)		FC-66561
96-95	New Process 242J (2)	3173	110-L
	(Dual Lip)	710928	
	Redi-Sleeve	99193	
	(Pilot)		FC-66561
96-87	New Process 231J (2)	3173	N-5210-KLB
	(Dual Lip)	710928	
	Redi-Sleeve	99193	
	(Pilot)		SCH-1810
1994	New Process 242J (1st Design) (2)	3173	N-5210-KLB
	(Dual Lip)	710928	
	Redi-Sleeve	99193	
	(Pilot)		FC-66561
1994	New Process 242J (2nd Design) (2)	3173	110-L
	(Dual Lip)	710928	
	Redi-Sleeve	99193	
	(Pilot)		FC-66561
93-87	New Process 242J (2)	3173	N-5210-KLB
	(Dual Lip)	710928	
	Redi-Sleeve	99193	
	(Pilot)		FC-66561
88-80	New Process 228J, 229J (2)	3173	(2)B-5020
	(Dual Lip)	710928	
	Redi-Sleeve	99193	
	(Pilot)		B-2012
	(Thrust)		NTA-3244
			(Continued Next Column)

Year	Application	Seal	Bearing
FULL TIME / PART TIME (Cont.)			
INPUT SHAFT			
87-84	New Process 207 (2)	3173	(2)B-3210
	(Dual Lip)	710928	
	Redi-Sleeve	99193	
	(Pilot)		SCH-1810
	(Thrust)		NTA-3244
86-80	Spicer 300	471869	209
	Redi-Sleeve	99193	
84-80	New Process 219 (2)	3173	(2)B-5020
	(Dual Lip)	710928	
	Redi-Sleeve	99193	
	(Pilot)		B-2012
	(Thrust)		AXK-5070
FRONT OUTPUT SHAFT			
09-03	New Process 241OR	710046	
	Redi-Sleeve	99155	
	(Pilot)		J-2416
07-97	New Process 242J	3946	
	Redi-Sleeve	99187	
	(Pilot)		J-2416
07-87	New Process 231J	710046	206
	Redi-Sleeve	99155	
	(Pilot)		J-2416
96-87	New Process 242J	3946	207
	Redi-Sleeve	99187	
	(Pilot)		J-2416
88-80	New Process 219, 228J, 229J	3946	B-2816
	Redi-Sleeve	99187	
	(Pilot)		J-2416
	(Thrust)		(2)NTA-2840
87-84	New Process 207	710046	206
	Redi-Sleeve	99155	
	(Pilot)		B-228
86-80	Spicer 300 (2)	711552	M86649-M86610
	Redi-Sleeve	99155	
REAR OUTPUT SHAFT			
09-03	New Process 241OR	4370N	
	Redi-Sleeve	99149	
	(Pilot)		(2)B-5020
07-97	New Process 242J		206
	(Pilot)		(52)C-672-Q
07-97	New Process 231J		206
	(Pilot)		(2)B-5020
96-87	New Process 231J	4370N	206
	Redi-Sleeve	99149	
	(Pilot)		(2)B-5020
96-87	New Process 242J	4370N	206
	Redi-Sleeve	99149	
	(Pilot)		(52)C-672-Q
88-80	New Process 228J, 229J	3946	207
	Redi-Sleeve	99187	
	(Pilot)		B-3612
	(Thrust)		TC-2435
87-84	New Process 207	4370N	206
	Redi-Sleeve	99149	
	(Pilot)		(2)F-4020
86-80	Spicer 300 (Inner)		25877-25821
	(Outer)	711552	15117-15245
	Redi-Sleeve	99155	
	(Pilot)		JH-1612
			(Continued Next Page)

() Indicates Quantity Required * Not a Current Production Number, Check for Availability ® Sealed Self-Aligning Bearing ☒ Refer To Front Of Catalog For Kit Contents

JEEP TRUCK - CROSSOVER/SPORT UTILITY

(Cherokee, Compass, Compass 4WD, CJ5, CJ7, CJ8, Liberty, Patriot, Patriot 4WD, TJ, Wrangler & YJ) (Cont.)

Year	Application	Seal	Bearing
TRANSFER CASE			
FULL TIME / PART TIME (Cont.)			
REAR OUTPUT SHAFT			
84-80	New Process 219 (Fixed Yoke)	3946 Redi-Sleeve 99187	1207-L B-3616 TC-2435
84-80	New Process 219 (Slip Yoke)	4333N (Pilot) (Thrust)	1207-L B-3616 TC-2435
INTERMEDIATE SHAFT			
86-80	Spicer 300		(48)Q-13367
OIL PUMP HOUSING			
09-80	New Process 207, 219, 228J, 229J, 231J, 242J, 241OR	341022 Redi-Sleeve 99225	
SHIFT SHAFT			
86-80	Spicer 300	(2) 471466 Redi-Sleeve (2) 99062	
DRIVE SPROCKET			
88-80	New Process 219, 228J, 229J		(82)C-1086-Q
SIDE GEAR			
88-80	New Process 228J, 229J		(15)QAR-29523
CARRIER			
88-80	New Process 228J, 229J		(120)C-407-Q
TRANSAXLE			
AUTOMATIC / 1 Speed			
OUTPUT SHAFT			
09-07	Jatco JF011E (AWD)	(Left) ☆ 710632 (Right) ☆ 710634	
09-07	Jatco JF011E (FWD)	(Left) ☆ 710632 (Right) ☆ 710633	
MANUAL SHAFT			
09-07	Jatco JF011E	221207 Redi-Sleeve 99049	
MANUAL / 5 Speed			
DIFFERENTIAL			
09-07	New Process T355		(2)A-18
TRANSMISSION			
AUTOMATIC / 3 Speed			
FRONT PUMP			
02-80	Chrysler A904, A999, 30RH, 31RH, 32RH	331228H Redi-Sleeve 99149	
86-85	Chrysler A727	331227H Redi-Sleeve 99187	

(Continued Next Column)

Year	Application	Seal	Bearing
AUTOMATIC / 3 Speed (Cont.)			
FRONT PUMP			
83-80	Chrysler A727	331227H Redi-Sleeve 99187	
EXTENSION HOUSING			
02-90	Chrysler 30RH, 31RH, 32RH	710058	§ 206-LOE
93-84	Chrysler A904, A999	2506	§ 206-LOE
86-85	Chrysler A727	7300S (Seal & Bushing Kit) 5206	
83-80	Chrysler A727	(Dual Lip) 710928	
83-80	Chrysler A904	(Dual Lip) 710928	§ 206-LOE
MANUAL SHAFT			
02-80	Chrysler A904, A999, 30RH, 31RH, 32RH		8609
CLUTCH CAM			
86-85	Chrysler A727		(12)W-585-Q
83-80	Chrysler A727		(12)W-585-Q
AUTOMATIC / 4 Speed			
FRONT PUMP			
09-03	Chrysler 42RLE	331228H Redi-Sleeve 99149	
07-02	Chrysler 45RFE	710557 Redi-Sleeve 99187	
01-87	Aisin 30-40FL, 30-40LE	223830 Redi-Sleeve 99147	
EXTENSION HOUSING			
09-03	Chrysler 42RLE (2WD)	7300S (Seal & Bushing Kit) 5206	
09-03	Chrysler 42RLE (4WD)	710058	
07-02	Chrysler 45RFE (2WD)	7300S (Seal & Bushing Kit) 5206	110
03-02	Chrysler 45RFE (4WD)	(Dual Lip) 710928	
01-87	Aisin 30-40FL	225005	
01-87	Aisin 30-40LE	710319	
MANUAL SHAFT			
01-87	Aisin 30-40FL, 30-40LE	221207 Redi-Sleeve 99049	
AUTOMATIC / 5 Speed			
FRONT PUMP			
09-07	Chrysler 545RFE	710557 Redi-Sleeve 99187	
EXTENSION HOUSING			
09-07	Chrysler 545RFE (2WD)	7300S (Seal & Bushing Kit) 5206	110
MANUAL / 4 Speed			
DRIVESHAFT / INPUT			
93-84	Aisin AX4	1981 Redi-Sleeve 99114	
86-82	Borg-Warner T4	7412S Redi-Sleeve 99125	A-5
		(Thrust)	FA-55505
86-80	Tremec 176, 177, 178	3638 Redi-Sleeve 99112	209-L
83-80	Borg-Warner T18	7412S Redi-Sleeve 99125	308-L1

(Continued Next Page)

CROSSOVER/SPORT UTILITY - JEEP TRUCK

(Cont.) (Cherokee, Compass, Compass 4WD, CJ5, CJ7, CJ8, Liberty, Patriot, Patriot 4WD, TJ, Wrangler & YJ)

Year	Application	Seal	Bearing
TRANSMISSION			
MANUAL / 4 Speed (Cont.)			
DRIVESHAFT / INPUT			
81-80	Borg-Warner SR4	3638	1207-L
	Redi-Sleeve	99112	
MAINSHAFT / OUTPUT			
93-91	Aisin AX4 (4WD)	1209	205
93-84	Aisin AX4 (2WD)	710319	205
86-82	Borg-Warner T4	472439	25877-25821
86-80	Tremec 176, 177, 178	3173	308-L
83-80	Borg-Warner T18 (10 Spline)	473463	1308-L
83-80	Borg-Warner T18 (6 Spline)	473468	1308-L
83-80	Borg-Warner T18 (10 Spline)	473468	1308-L
83-80	Borg-Warner T18 (31 Spline)	9613S	1308-L
81-80	Borg-Warner SR4	472439	207-L
MAINSHAFT PILOT			
86-80	Borg-Warner SR4, T4	(15)QBR-23549	
86-80	Tremec 176, 177, 178	(15)QBR-23549	
83-80	Borg-Warner T18	(22)C-436-Q	
COUNTERSHAFT			
93-84	Aisin AX4 (Rear)		204
86-82	Borg-Warner T4 (Rear)		5707
	(Thrust)		NTA-1423
86-80	Tremec 176, 177, 178	(42)QAR-33724	
83-80	Borg-Warner T18	(88)C-436-Q	
81-80	Borg-Warner SR4	(50)C-1086-Q	
REVERSE IDLER			
86-80	Tremec 176, 177, 178	(44)C-407-Q	
83-80	Borg-Warner T18	(74)B-1316-Q	
SHIFT SHAFT			
86-80	Tremec 176, 177, 178	313156	
MANUAL / 5 Speed			
DRIVESHAFT / INPUT			
04-02	New Process 1500	223020	306-VVL
04-02	New Process 3550	4529N	307-FFL5
	Redi-Sleeve	99138	
02-90	Aisin AX15	223253	
	Redi-Sleeve	99128	
02-84	Aisin AX5	1981	
	Redi-Sleeve	99114	
89-87	Peugeot BA10/5	710164	
	Redi-Sleeve	99128	
86-82	Borg-Warner T5	7412S	A-5
	Redi-Sleeve	99125	
	(Thrust)		FA-55505
MAINSHAFT / OUTPUT			
04-02	New Process 1500	416288	306-L
04-02	New Process 3550	4528N	
02-90	Aisin AX15 (2WD)	710319	
02-90	Aisin AX15 (4WD)	1209	
02-84	Aisin AX5 (2WD)	710319	205
02-84	Aisin AX5 (4WD)	1209	205
89-87	Peugeot BA10/5 (2WD)	710319	
86-82	Borg-Warner T5	472439	25877-25821

Year	Application	Seal	Bearing
MANUAL / 5 Speed (Cont.)			
MAINSHAFT PILOT			
89-87	Peugeot BA10/5		32004
86-82	Borg-Warner T5		(15)QBR-23549
COUNTERSHAFT			
04-02	New Process 1500		
	(Front)		FC-68336
	(Rear)		206-FF
04-02	New Process 3550		(2)FC-68336
02-90	Aisin AX15 (Front)		MSNB-5305-GTBV
02-84	Aisin AX5 (Rear)		204
86-82	Borg-Warner T5		
	(Front)		DK-55836
	(Rear)		5707
	(Thrust)		NTA-1423
STEERING			
MANUAL STEERING			
STEERING GEAR SECTOR SHAFT			
1999	Cherokee	313842	
98-80	All	313842	
STEERING GEAR WORM SHAFT			
1999	Cherokee	474134	
98-80	All	474134	
POWER STEERING			
STEERING GEAR HOUSING			
01-80	All		(Adj. Plug) DB-53313
STEERING GEAR PITMAN SHAFT			
01-80	All	(Kit) <input checked="" type="checkbox"/> PSK-1	
STEERING PUMP SHAFT			
96-80	All	480821	
AIR CONDITIONING			
COMPRESSOR			
CLUTCH PULLEY			
95-89	Sanden SD-709		5001-KFF
89-81	Sanden SD-508		5001-KFF
85-80	Pitts Clutch L/D		88506
85-80	Pitts H/D & Warner Clutch		5206-DD
ELECTRICAL			
ALTERNATOR			
DRIVE END			
90-83	Delco-Remy 42, 63, 56, 66, 78 Amp. (Type II)		203-F
86-80	Delco-Remy 37, 42, 55, 63 Amp. (Type I)		203-S
REAR END			
90-87	Leece-Neville 35, 40, 55 Amp.		MNJ-471-S
90-80	Delco-Remy 37, 42, 55, 63, 78 Amp.		MNJ-471-S

() Indicates Quantity Required Refer To Front Of Catalog For Kit Contents

JEEP TRUCK - CROSSOVER/SPORT UTILITY

(Cherokee, Compass, Compass 4WD, CJ5, CJ7, CJ8, Liberty, Patriot, Patriot 4WD, TJ, Wrangler & YJ) (Cont.)

Year	Application	Seal	Bearing	Year	Application	Seal	Bearing
ENGINE				CRANKSHAFT (Cont.)			
AUXILIARY SHAFT				6 CYLINDER			
4 CYLINDER				1984 173/2.8L 5210			
94-85	2068cc/2.1L (Turbo-Diesel).....	223005		8 CYLINDER			
	Redi-Sleeve	99114		83-80	304/5.0L, 360/5.9L	5112S	
CAMSHAFT				INTERMEDIATE SHAFT			
4 CYLINDER				6 CYLINDER			
06-02	148/2.4L (DOHC).....(2)	320249		09-07	231/3.8L	3655	
	Redi-Sleeve (2)	99139			Redi-Sleeve	99139	
94-85	2068cc/2.1L (Turbo-Diesel).....	1172		TIMING COVER			
	Redi-Sleeve	99139		4 CYLINDER			
CRANKSHAFT				09-07 122/2.0L (DOHC), 144/2.4L			
4 CYLINDER				(DOHC)..... 710608			
09-07	122/2.0L (DOHC), 144/2.4L	710235		06-02	148/2.4L (DOHC).....	320348	
06-02	148/2.4L (DOHC).....	710056			Redi-Sleeve	99128	
	PTFE Rubber	5279		02-83	150/2.5L	321460	
02-83	150/2.5L, 151/2.5L	3698			Redi-Sleeve	99179	
	PTFE Rubber	5290			Harmonic Bal Sleeve	88179	
94-85	2068cc/2.1L (Turbo-Diesel).....	229005		86-81	2369cc/2.4L (Diesel).....	225020	
	Redi-Sleeve	99354			Redi-Sleeve	99196	
86-81	2369cc/2.4L (Diesel).....	228410		83-80	151/2.5L	9845	
82-80	151/2.5L	3698			Redi-Sleeve	99176	
	PTFE Rubber	5290			Harmonic Bal Sleeve	88176	
6 CYLINDER				Harmonic Bal Kit <input checked="" type="checkbox"/> 5000			
09-07	231/3.8L	710056		6 CYLINDER			
	PTFE Rubber	5279		09-07	231/3.8L	3638	
09-02	226/3.7L	710471			Redi-Sleeve	99112	
	Redi-Sleeve	99393		09-02	226/3.7L	710472	
06-01	242/4.0L	5174			Redi-Sleeve	99114	
00-80	242/4.0L, 258/4.2L	5111S		06-80	242/4.0L, 258/4.2L	321460	
1986	173/2.8L	5273			Redi-Sleeve	99179	
	PTFE Rubber	5273			Harmonic Bal Sleeve	88179	
	Viton®	4307V		86-84	173/2.8L	9845	
	Redi-Sleeve	99298			Redi-Sleeve	99176	
1985	173/2.8L (1st Design)	5210			Harmonic Bal Sleeve	88176	
	(5.5mm width).....	5210			Harmonic Bal Kit <input checked="" type="checkbox"/> 5000		
1985	173/2.8L (2nd Design)	5273		8 CYLINDER			
	(11mm width).....	5273		83-80	304/5.0L, 360/5.9L	710447	
	PTFE Rubber	5273					
	Viton®	4307V					
	Redi-Sleeve	99298					
	(Continued Next Column)						

JEEP TRUCK 1/2 TON - FULL SIZE PICKUP/SPORT UTILITY

(Comanche, Commander, Grand Cherokee, Grand Wagoneer, J10 & Wagoneer)

WHEEL				FRONT WHEEL (2WD) (Cont.)			
FRONT WHEEL (2WD)				1986 All (1st Design)			
09-05	All.....	Hub Assembly	513234	(Inner) 470547 JLM603048F-JLM603013Z			
04-99	All.....	Hub Assembly	513159	(Middle) 4019N			
98-94	All.....	Hub Assembly	513084	(Outer) 3942 JLM603048F-JLM603013Z			
93-87	All.....	(Inner) 6815	A-6	Hub Assembly 513107			
		(Outer) A-2		1986 All (2nd Design)			
		(Continued Next Column)		(Inner) 6815 A-6			
				(Outer) A-2			
				FRONT WHEEL (4WD)			
09-05	All.....	Hub Assembly	513234	09-05 All..... Hub Assembly 513234			
04-99	All.....	Hub Assembly	513159	04-99 All..... Hub Assembly 513159			
		(Continued Next Page)		(Continued Next Page)			

FULL SIZE PICKUP/SPORT UTILITY - JEEP TRUCK 1/2 TON

(Cont.) (Comanche, Commander, Grand Cherokee, Grand Wagoneer, J10 & Wagoneer)

Year	Application	Seal	Bearing
WHEEL			
FRONT WHEEL (4WD) (Cont.)			
98-90	Comanche, Grand Cherokee, Wagoneer....	Hub Assembly 513084	
91-84	Grand Wagoneer, J10		
	(Inner)	471271	LM104949-JLM104910
	(Outer)	A-35	
89-84	Comanche, Wagoneer		
	(Inner)	470547	JLM603048F-JLM603013Z
	(Middle)	4019N	
	(Outer)	3942	JLM603048F-JLM603013Z
		Hub Assembly 513107	
83-80	All.....	(Inner)	471271 LM104949-JLM104910
		(Outer)	A-35
REAR WHEEL			
09-05	All.....	Hub Assembly 512302	
04-99	All.....	2146	A-49
98-94	All (Spicer 35C).....	8660S	5707
98-94	All (Spicer 44-1HD).....	4857	A-10
1993	Grand Cherokee.....	8660S	5707
93-91	Comanche (8.25" R.G.).....	8835S	6408
93-90	Comanche, Wagoneer (Spicer 35C).....	8660S	5707
93-86	Comanche, Grand Wagoneer, Wagoneer (Spicer 44-1HD)		
	(Inner)	481837	A-10
	(Outer)	9912	
89-88	Comanche, Wagoneer (Spicer 35).....	(Inner)	473212 A-9
		(Outer)	2146
88-80	J10.....	(Inner)	481837 A-10
		(Outer)	9912
87-84	Comanche, Wagoneer (Spicer 35) (Exc. H/D Axle)		
	(Inner)	473212	A-9
	(Outer)	2146	
87-84	Comanche, Wagoneer (Spicer 35) (H/D Axle)		
	(Inner)	473214	A-9
	(Outer)	2146	
85-84	Grand Wagoneer (AMC 20)		
	(Inner)	7687S	A-5
	(Outer)	8549S	
85-84	Wagoneer (Spicer 44-1HD)		
	(Inner)	481837	A-10
	(Outer)	9912	
83-80	Wagoneer.....	(Inner)	9912 A-10
		(Outer)	481837

AXLE

FRONT AXLE

AXLE SHAFT

09-05	Chrysler IFS-C200F, IFS-C200FE	710489	
98-94	Spicer 30-AF..... (2)	710068	
93-87	Spicer 30-AF (Disconnect)		
	(Left)	710068	BH-208
	(Right)	710202	
93-84	Spicer 30-AF (Non-Disconnect)		
	(Left)	710068	
	(Right)	710068	
91-85	Spicer 44-1F.....	5131	

(Continued Next Column)

Year	Application	Seal	Bearing
FRONT AXLE (Cont.)			
AXLE SHAFT			
86-85	Spicer 30-AF (Disconnect)		
	(Left)	710068	BH-208
	(Right)	710204	
1984	Spicer 30-AF (Disconnect)		
	(Left)	710068	B-5020
	(Right)	710204	
84-80	Spicer 44-1F.....	2300	
83-80	Spicer 44-8F.....	472319	
SPINDLE KIT			
04-80	Spicer 30-AF, 30-SF, 44-1F, 44-8F.....	<input checked="" type="checkbox"/> SBK-1	
SPINDLE			
04-99	Spicer 30-SF.....	(Inner)	722109
		(Outer)	722108
98-80	Spicer 30-AF, 44-1F, 44-8F		
	(Inner)	722109	B-2110
	(Outer)	722108	
INTERMEDIATE SHAFT			
93-84	Spicer 30-AF (Disconnect)		
	(Pilot)	SCE-108	
DIFFERENTIAL KIT			
04-97	Spicer 30-AF, 30-SF.....	RA-334-TJ	
96-84	Spicer 30-AF.....	<input checked="" type="checkbox"/> RA-334	
91-80	Spicer 44-1F, 44-8F.....	<input checked="" type="checkbox"/> RA-28	
DIFFERENTIAL			
09-05	Chrysler IFS-C200F, IFS-C200FE.....	(2)A-36	
04-84	Spicer 30-AF, 30-SF.....	(2)LM501349-LM501314	
91-80	Spicer 44-1F, 44-8F.....	(2)25590-25523	
PINION			
09-05	Chrysler IFS-C200F, IFS-C200FE		
	(Inner)	HM803146-HM803110	
	(Outer)	M88043-M88010	
04-99	Spicer 30-SF.....	(Inner)	HM88649-HM88610
		(Outer)	710461 M86649-M86610
98-97	Spicer 30-AF.....	(Inner)	HM88649-HM88610
		(Outer)	5778 M86649-M86610
		Viton® 5778V.....	
		Redi-Sleeve 99155.....	
96-84	Spicer 30-AF.....	(Inner)	HM88649-HM88610
		(Outer)	5778 02872-02820
		Viton® 5778V.....	
		Redi-Sleeve 99155.....	
91-80	Spicer 44-1F, 44-8F		
	(Inner)	31594-31520	
	(Outer)	5778	02872-02820
		Viton® 5778V.....	
		Redi-Sleeve 99155.....	
REAR AXLE			
DIFFERENTIAL KIT			
09-05	Chrysler C213R, C213RE.....	<input checked="" type="checkbox"/> RA-303-A	
98-96	Spicer 44GC.....	<input checked="" type="checkbox"/> RA-339-A	
93-80	Spicer 44-1HD.....	<input checked="" type="checkbox"/> RA-28	
91-84	Spicer 35C.....	<input checked="" type="checkbox"/> RA-335-J	
85-80	AMC 20.....	<input checked="" type="checkbox"/> RA-311-J	
DIFFERENTIAL			
09-05	Chrysler C213R, C213RE.....	(2)A-36	
09-96	Spicer 44, 44GC.....	(2)A-36	
04-84	Spicer 35, 35C.....	(2)LM501349-LM501314	
93-80	Spicer 44-1HD.....	(2)25590-25523	
85-80	AMC 20.....	(2)A-36	

() Indicates Quantity Required Refer To Front Of Catalog For Kit Contents

JEEP TRUCK 1/2 TON - FULL SIZE PICKUP/SPORT UTILITY (Comanche, Commander, Grand Cherokee, Grand Wagoneer, J10 & Wagoneer) (Cont.)

Year	Application	Seal	Bearing
AXLE			
REAR AXLE (Cont.)			
PINION			
09-05	Chrysler C213R, C213RE		
	(Inner)	M802048-M802011	
	(Outer)	710480	M86649-M86610
09-99	Spicer 44	M802048-M802011	
	(Outer)	100712V	M88048-M88010
04-92	Spicer 35, 35C		
	(Inner)	HM88648-HM88610	
	(Outer)	714675	M86649-M86610
98-96	Spicer 44GC	M802048-M802011	
	(Inner)		
	(Outer)	719316	M88048-M88010
	Redi-Sleeve	99187	
93-80	Spicer 44-1HD	31594-31520	
	(Inner)		
	(Outer)	5778	02872-02820
	Viton®	5778V	
	Redi-Sleeve	99155	
91-84	Spicer 35C	HM88648-HM88610	
	(Inner)		
	(Outer)	470331N	M86649-M86610
85-80	AMC 20	M802048-M802011	
	(Inner)		
	(Outer)	470331N	M88048-M88010

CLUTCH			
PILOT			
4 CYLINDER			
93-84	150/2.5L		FC-65446
87-85	2068cc/2.1L (Turbo-Diesel)		203-FF
6 CYLINDER			
99-93	242/4.0L		SCE-1295
		(Brg. & Sleeve)	FC-69907
91-87	242/4.0L		FC-66426
88-80	258/4.2L		PB-79
1986	173/2.8L		(H/D) PB-652-HD
8 CYLINDER			
88-80	360/5.9L		PB-79
RELEASE			
		Bearing Only	Bearing Assembly
4 CYLINDER			
1993	150/2.5L	Hydra-Clutch®	619004
92-91	150/2.5L	Hydra-Clutch®	619001
90-87	150/2.5L	Hydra-Clutch®	619007
86-84	150/2.5L		614030
6 CYLINDER			
99-94	242/4.0L		Ⓢ614093
1993	242/4.0L	Hydra-Clutch®	619004
92-91	242/4.0L	Hydra-Clutch®	619003
1990	242/4.0L	Hydra-Clutch®	* 619008
1989	242/4.0L (Aisin AX15)	Hydra-Clutch®	* 619008
1989	242/4.0L (Peugeot BA10/5)	Hydra-Clutch®	619002
88-87	242/4.0L	Hydra-Clutch®	619002
88-80	258/4.2L		Ⓢ614115
86-84	173/2.8L		614052
8 CYLINDER			
88-80	360/5.9L		Ⓢ614115

Year	Application	Seal	Bearing
TRANSFER CASE			
FULL TIME / PART TIME			
TRANSFER CASE KIT			
96-86	New Process 231J		☒ T-230
1994	New Process 242J (1st Design)		☒ T-240-C
93-86	New Process 242J		☒ T-240-C
91-81	New Process 228J, 229J		☒ T-220
88-80	New Process 208, 219 (Fixed Yoke)		☒ T-212-FA
87-84	New Process 207		☒ T-197
INPUT SHAFT			
09-05	New Process 140, 245J		110
	(Pilot)		FC-66561
2004	New Process 147J		N-5210-KLB
	(Pilot)		FC-66561
04-99	New Process 242J		110-L
	(Pilot)		FC-66561
04-97	New Process 231J, 247J, 249J	(2) 3173	110-L
	Redi-Sleeve	99193	
04-95	New Process 247J, 249J	710298	110-L
	(Pilot)		FC-66561
98-97	New Process 231J (Dual Lip)	710928	110-L
	(Pilot)		FC-66561
96-95	New Process 249J (2)	3173	110-L
	Redi-Sleeve	99193	
96-86	New Process 231J (Dual Lip)	710928	N-5210-KLB
	Redi-Sleeve	99193	
	(Pilot)		SCH-1810
1994	New Process 242J (1st Design)	(Dual Lip) 710928	N-5210-KLB
	(Pilot)		FC-66561
1994	New Process 242J (2nd Design)	(Dual Lip) 710928	110-L
	(Pilot)		FC-66561
1994	New Process 249J (1st Design)	710298	N-5210-KLB
	(Pilot)		FC-66561
1994	New Process 249J (2nd Design)	710298	110-L
	(Pilot)		FC-66561
1994	New Process 242J, 249J (1st Design)	(2) 3173	N-5210-KLB
	Redi-Sleeve	99193	
1994	New Process 242J, 249J (2nd Design)	(2) 3173	110-L
	Redi-Sleeve	99193	
1993	New Process 249J	710298	N-5210-KLB
	(Pilot)		FC-66561
93-86	New Process 242J (Dual Lip)	710928	N-5210-KLB
	(Pilot)		FC-66561
93-86	New Process 242J, 249J (2)	3173	N-5210-KLB
	Redi-Sleeve	99193	
91-81	New Process 228J, 229J (2)	3173	(2)B-5020
	(Dual Lip)	710928	
	Redi-Sleeve	99193	
	(Pilot)		B-2012
	(Thrust)		NTA-3244
88-80	New Process 208, 219 (2)	3173	(2)B-5020
	(Dual Lip)	710928	
	Redi-Sleeve	99193	
	(Pilot)		B-2012
	(Thrust)		AXK-5070

(Continued Next Page)

() Indicates Quantity Required * Not a Current Production Number, Check for Availability Ⓢ Sealed Self-Aligning Bearing ☒ Refer To Front Of Catalog For Kit Contents

FULL SIZE PICKUP/SPORT UTILITY - JEEP TRUCK 1/2 TON

(Cont.) (Comanche, Commander, Grand Cherokee, Grand Wagoneer, J10 & Wagoneer)

Year	Application	Seal	Bearing
TRANSFER CASE			
FULL TIME / PART TIME (Cont.)			
INPUT SHAFT			
87-84	New Process 207	(2) 3173	(2) B-3210
		(Dual Lip) 710928	
		Redi-Sleeve 99193	
		(Pilot)	SCH-1810
		(Thrust)	NTA-3244
FRONT OUTPUT SHAFT			
04-99	New Process 147J, 242J, 247J	3946	
		Redi-Sleeve 99187	
		(Pilot)	J-2416
98-93	New Process 249J	3946	
		Redi-Sleeve 99187	
		(Pilot)	J-2416
98-86	New Process 231J	710046	206
		Redi-Sleeve 99155	
		(Pilot)	J-2416
94-86	New Process 242J	3946	207
		Redi-Sleeve 99187	
		(Pilot)	J-2416
91-80	New Process 208, 219, 228J, 229J	3946	B-2816
		Redi-Sleeve 99187	
		(Pilot)	J-2416
		(Thrust)	(2) NTA-2840
87-84	New Process 207	710046	206
		Redi-Sleeve 99155	
		(Pilot)	B-228
REAR OUTPUT SHAFT			
2004	New Process 147J		
		(Pilot)	(52) C-672-Q
04-99	New Process 242J		206
		(Pilot)	(52) C-672-Q
04-93	New Process 247J, 249J	4370N	206-L
		Redi-Sleeve 99149	
		(Pilot)	(52) C-672-Q
98-97	New Process 231J		206
		(Pilot)	(2) B-5020
96-86	New Process 231J	4370N	206
		Redi-Sleeve 99149	
		(Pilot)	(2) B-5020
94-86	New Process 242J	4370N	206
		Redi-Sleeve 99149	
		(Pilot)	(52) C-672-Q
91-81	New Process 228J, 229J	3946	207
		Redi-Sleeve 99187	
		(Pilot)	B-3612
		(Thrust)	TC-2435
88-80	New Process 208, 219 (Fixed Yoke)	3946	1207-L
		Redi-Sleeve 99187	
		(Pilot)	B-3616
		(Thrust)	TC-2435
88-80	New Process 208, 219 (Slip Yoke)	4333N	1207-L
		(Pilot)	B-3616
		(Thrust)	TC-2435
87-84	New Process 207	4370N	206
		Redi-Sleeve 99149	
		(Pilot)	(2) F-4020

Year	Application	Seal	Bearing
FULL TIME / PART TIME (Cont.)			
OIL PUMP HOUSING			
04-80	New Process 207, 208, 219, 147J, 228J, 229J, 231J, 242J, 247J, 249J	341022	
		Redi-Sleeve 99225	
DRIVE SPROCKET			
91-80	New Process 208, 219, 228J, 229J		(82) C-1086-Q
SIDE GEAR			
91-81	New Process 228J, 229J		(15) QAR-29523
CARRIER			
91-81	New Process 228J, 229J		(120) C-407-Q
TRANSMISSION			
AUTOMATIC / 3 Speed			
FRONT PUMP			
91-80	Chrysler A727	331227H	
		Redi-Sleeve 99187	
86-84	Chrysler A904	331228H	
		Redi-Sleeve 99149	
EXTENSION HOUSING			
91-84	Chrysler A727	7300S	
		(Seal & Bushing Kit) 5206	
86-84	Chrysler A904	2506	§ 206-LOE
83-80	Chrysler A727	(Dual Lip) 710928	
MANUAL SHAFT			
86-84	Chrysler A904	8609	
CLUTCH CAM			
91-80	Chrysler A727		(12) W-585-Q
AUTOMATIC / 4 Speed			
FRONT PUMP			
04-93	Chrysler 42RE, 44RE, A500SE	331228H	
		Redi-Sleeve 99149	
00-99	Chrysler 45RFE	710557	
		Redi-Sleeve 99187	
00-98	Chrysler 46RE, 45RFE		
		Redi-Sleeve 99187	
1998	Chrysler 46RE	331227H	
		Redi-Sleeve 99187	
95-93	Chrysler A518, 46RH	331227H	
		Redi-Sleeve 99187	
93-87	Aisin 30-40FL, 30-40LE	223830	
		Redi-Sleeve 99147	
EXTENSION HOUSING			
04-94	Chrysler 42RE, 44RE (4WD) (Booted)	2465	
04-93	Chrysler 42RE, 44RE, A500SE (2WD) (Non-Booted)	7300S	
		(Seal & Bushing Kit) 5206	
04-93	Chrysler A518, 42RE, 44RE, 46RE, 46RH, A500SE (4WD)	710058	
00-99	Chrysler 45RFE (2WD)	7300S	110
		(Seal & Bushing Kit) 5206	
00-99	Chrysler 45RFE (4WD)		
		(Dual Lip) 710928	
1998	Chrysler 46RE (2WD)	7300S	
		(Seal & Bushing Kit) 5206	

(Continued Next Page)

() Indicates Quantity Required § Use Old Snap Ring

JEEP TRUCK 1/2 TON - FULL SIZE PICKUP/SPORT UTILITY (Comanche, Commander, Grand Cherokee, Grand Wagoneer, J10 & Wagoneer) (Cont.)

Year	Application	Seal	Bearing	Year	Application	Seal	Bearing
TRANSMISSION							
AUTOMATIC / 4 Speed (Cont.)				MANUAL / 4 Speed (Cont.)			
EXTENSION HOUSING				REVERSE IDLER			
95-93	Chrysler A518, 46RH (2WD).....	7300S		88-80	Tremec 176, 177, 178	(44)C-407-Q	
	(Seal & Bushing Kit) 5206			86-80	Borg-Warner T18	(74)B-1316-Q	
1993	Chrysler A500SE (2WD)			SHIFT SHAFT			
	(Booted).....	2465		88-80	Tremec 176, 177, 178	313156	
93-87	Aisin 30-40LE	710319		MANUAL / 5 Speed			
93-87	Aisin 30-40FL.....	225005		DRIVESHAFT / INPUT			
MANUAL SHAFT				98-89	Aisin AX15	223253	
04-93	Chrysler A518, 42RE, 44RE, 46RE, 46RH, A500SE	8609			Redi-Sleeve 99128		
93-87	Aisin 30-40FL, 30-40LE	221207		93-84	Aisin AX5	1981	
	Redi-Sleeve 99049				Redi-Sleeve 99114		
AUTOMATIC / 5 Speed				89-87	Peugeot BA10/5	710164	
FRONT PUMP					Redi-Sleeve 99128		
09-05	Mercedes-Benz W5A580	710608		86-84	Borg-Warner T5.....	7412S	A-5
09-01	Chrysler 545RFE.....	710557			Redi-Sleeve 99125		
	Redi-Sleeve 99187				(Thrust)		FA-55505
OUTPUT SHAFT				MAINSHAFT / OUTPUT			
09-05	Mercedes-Benz W5A580		206	98-89	Aisin AX15 (2WD).....	710319	
EXTENSION HOUSING				98-89	Aisin AX15 (4WD).....	1209	
09-01	Chrysler 545RFE (2WD)	7300S	110	93-84	Aisin AX5 (2WD).....	710319	205
	(Seal & Bushing Kit) 5206			93-84	Aisin AX5 (4WD).....	1209	205
03-01	Chrysler 545RFE (4WD)			89-87	Peugeot BA10/5 (2WD)	710319	
	(Dual Lip) 710928			86-84	Borg-Warner T5.....	472439	25877-25821
MANUAL / 4 Speed				MAINSHAFT PILOT			
DRIVESHAFT / INPUT				89-87	Peugeot BA10/5		32004
93-84	Aisin AX4	1981		86-84	Borg-Warner T5.....	(15)QBR-23549	
	Redi-Sleeve 99114			COUNTERSHAFT			
88-80	Tremec 176, 177, 178	3638	209-L	98-89	Aisin AX15	(Front)	MSNB-5305-GTBV
	Redi-Sleeve 99112			93-84	Aisin AX5	(Rear)	204
86-84	Borg-Warner T4.....	7412S	A-5	86-84	Borg-Warner T5	(Front)	DK-55836
	Redi-Sleeve 99125					(Rear)	5707
	(Thrust)		FA-55505			(Thrust)	NTA-1423
86-80	Borg-Warner T18.....	7412S	308-L1	STEERING			
	Redi-Sleeve 99125			MANUAL STEERING			
MAINSHAFT / OUTPUT				STEERING GEAR SECTOR SHAFT			
93-91	Aisin AX4 (4WD).....	1209	205	93-80	Comanche, Grand Wagoneer, J10, Wagoneer	313842	
93-84	Aisin AX4 (2WD).....	710319	205	STEERING GEAR WORM SHAFT			
88-80	Tremec 176, 177, 178	3173	308-L	93-80	Comanche, Grand Wagoneer, J10, Wagoneer	474134	
86-84	Borg-Warner T4.....	472439	25877-25821	POWER STEERING			
86-80	Borg-Warner T18 (10 Spline).....	473463	1308-L	STEERING GEAR HOUSING			
		473468		98-80	All.....	(Adj. Plug) DB-53313	
86-80	Borg-Warner T18 (6 Spline).....	473468	1308-L	STEERING GEAR PITMAN SHAFT			
86-80	Borg-Warner T18 (31 Spline).....	9613S	1308-L	98-80	All.....	(Kit) <input checked="" type="checkbox"/> PSK-1	
MAINSHAFT PILOT				STEERING PUMP SHAFT			
88-80	Tremec 176, 177, 178		(15)QBR-23549	96-80	All.....	480821	
86-84	Borg-Warner T4.....		(15)QBR-23549				
86-80	Borg-Warner T18.....		(22)C-436-Q				
COUNTERSHAFT							
93-84	Aisin AX4	(Rear)	204				
88-80	Tremec 176, 177, 178	(42)QAR-33724					
86-84	Borg-Warner T4. (Rear)	5707					
	(Thrust)	NTA-1423					
86-80	Borg-Warner T18.....	(88)C-436-Q					

FULL SIZE PICKUP/SPORT UTILITY - JEEP TRUCK 1/2 TON

(Cont.) (Comanche, Commander, Grand Cherokee, Grand Wagoneer, J10 & Wagoneer)

Year	Application	Seal	Bearing	Year	Application	Seal	Bearing
AIR CONDITIONING				CRANKSHAFT (Cont.)			
COMPRESSOR				6 CYLINDER			
CLUTCH PULLEY				04-01 242/4.0L 5174			
93-89	Sanden SD-709		5001-KFF	00-80	242/4.0L, 258/4.2L	5111S	
89-81	Sanden SD-508		5001-KFF	1986	173/2.8LPTFE Rubber	5273	
88-80	Pitts Clutch L/D		88506		Viton®	4307V	
88-80	Pitts H/D & Warner Clutch		5206-DD		Redi-Sleeve	99298	
ELECTRICAL				1985 173/2.8L (1st Design)			
ALTERNATOR				(5.5mm width)..... 5210			
DRIVE END				1985 173/2.8L (2nd Design)			
91-84	Delco-Remy 37, 42, 55, 63, 78 Amp. (Type I).....		203-S	(11mm width).....PTFE Rubber			
90-83	Delco-Remy 42, 63, 56, 66, 78 Amp. (Type II).....		203-F	Viton®			
86-80	Delco-Remy 37, 42, 55, 63 Amp. (Type I).....		203-S	Redi-Sleeve			
REAR END				1984 173/2.8L			
1991	78 Amp.....		203-FF	8 CYLINDER			
90-80	Delco-Remy 37, 42, 55, 63, 78 Amp.....		MNJ-471-S	1998	360/5.9L (Split Seal)	5106	
ENGINE				98-93 318/5.2L 5414			
AUXILIARY SHAFT				91-80 360/5.9L 5112S			
4 CYLINDER				TIMING COVER			
93-85	2068cc/2.1L (Turbo-Diesel)....	223005		4 CYLINDER			
	Redi-Sleeve	99114		93-84	150/2.5L	321460	
CAMSHAFT				Redi-Sleeve			
4 CYLINDER				90-05 226/3.7L			
93-85	2068cc/2.1L (Turbo-Diesel)....	1172		Redi-Sleeve			
	Redi-Sleeve	99139		04-80 242/4.0L, 258/4.2L			
CRANKSHAFT				Harmonic Bal Sleeve			
4 CYLINDER				86-84 173/2.8L			
93-85	2068cc/2.1L (Turbo-Diesel)....	229005		Redi-Sleeve			
	Redi-Sleeve	99354		88-85 318/5.2L			
93-84	150/2.5L	3698		Redi-Sleeve			
	PTFE Rubber	5290		Harmonic Bal Sleeve			
6 CYLINDER				88-80 360/5.9L			
09-05	226/3.7L	710471		Harmonic Bal Kit			
	Redi-Sleeve	99393		09-99 287/4.7L 710472			
(Continued Next Column)				1998 360/5.9L 713103			

(J20) FULL SIZE PICKUP - JEEP TRUCK 3/4 TON

WHEEL	AXLE
FRONT WHEEL (4WD)	
88-80 All..... (Inner)	FRONT AXLE
	AXLE SHAFT
	88-85 Spicer 44-1F..... 5131
	84-80 Spicer 44-1F..... 2300
	SPINDLE KIT
	88-80 Spicer 44-1F..... <input type="checkbox"/> SBK-1
	SPINDLE
	88-80 Spicer 44-1F..... (Inner) 722109 B-2110
	(Outer) 722108

Refer To Front Of Catalog For Kit Contents

JEEP TRUCK 3/4 TON - FULL SIZE PICKUP (J20) (Cont.)

Year	Application	Seal	Bearing
------	-------------	------	---------

AXLE

FRONT AXLE (Cont.)

DIFFERENTIAL KIT

88-80 Spicer 44-1F RA-28

DIFFERENTIAL

88-80 Spicer 44-1F (2)25590-25523

PINION

88-80 Spicer 44-1F (Inner) 31594-31520
 (Outer) 5778 02872-02820
 Viton® 5778V
 Redi-Sleeve 99155

REAR AXLE

DIFFERENTIAL KIT

88-80 Spicer 60-3 RA-331
 (Master Kit) RA-331MK

DIFFERENTIAL

88-80 Spicer 60-3 (2)387A-382S

PINION

88-80 Spicer 60-3 (Inner) HM803146-HM803110
 (Outer) 9316 HM88542-HM88510
 Redi-Sleeve 99187

CLUTCH

PILOT

8 CYLINDER

88-80 360/5.9L PB-79

RELEASE

Bearing Only	Bearing Assembly
-----------------	---------------------

8 CYLINDER

88-80 360/5.9L © 614115

TRANSFER CASE

FULL TIME / PART TIME

TRANSFER CASE KIT

88-81 New Process 228J, 229J T-220
 88-80 New Process 208 (Fixed Yoke) T-212-FA

INPUT SHAFT

88-81 New Process 228J, 229J (2) 3173 (2)B-5020
 (Dual Lip) 710928
 Redi-Sleeve 99193
 (Pilot) B-2012
 (Thrust) NTA-3244
 88-80 New Process 208 (2) 3173 (2)B-5020
 (Dual Lip) 710928
 Redi-Sleeve 99193
 (Pilot) B-2012
 (Thrust) AXK-5070

FRONT OUTPUT SHAFT

88-80 New Process 208, 228J,
 229J 3946 B-2816
 Redi-Sleeve 99187
 (Pilot) J-2416
 (Thrust) (2)NTA-2840

Year	Application	Seal	Bearing
------	-------------	------	---------

FULL TIME / PART TIME (Cont.)

REAR OUTPUT SHAFT

88-81 New Process 228J, 229J 3946 207
 Redi-Sleeve 99187
 (Pilot) B-3612
 (Thrust) TC-2435
 88-80 New Process 208 (Fixed
 Yoke) 3946 1207-L
 Redi-Sleeve 99187
 (Pilot) B-3616
 (Thrust) TC-2435
 88-80 New Process 208 (Slip
 Yoke) 4333N 1207-L
 (Pilot) B-3616
 (Thrust) TC-2435

OIL PUMP HOUSING

88-80 New Process 208, 228J,
 229J 341022
 Redi-Sleeve 99225

DRIVE SPROCKET

88-80 New Process 208, 228J, 229J (82)C-1086-Q

SIDE GEAR

88-81 New Process 228J, 229J (15)QAR-29523

CARRIER

88-81 New Process 228J, 229J (120)C-407-Q

TRANSMISSION

AUTOMATIC / 3 Speed

FRONT PUMP

88-80 Chrysler A727 331227H
 Redi-Sleeve 99187

EXTENSION HOUSING

88-84 Chrysler A727 7300S
 (Seal & Bushing Kit) 5206
 83-80 Chrysler A727 (Dual Lip) 710928

CLUTCH CAM

88-80 Chrysler A727 (12)W-585-Q

MANUAL / 4 Speed

DRIVESHAFT / INPUT

88-80 Tremec 177, 178 3638 209-L
 Redi-Sleeve 99112
 86-80 Borg-Warner T18 7412S 308-L1
 Redi-Sleeve 99125

MAINSHAFT / OUTPUT

88-80 Tremec 177, 178 3173 308-L
 86-80 Borg-Warner T18 (10
 Spline) 473468 1308-L
 86-80 Borg-Warner T18 (31
 Spline) 9613S 1308-L

MAINSHAFT PILOT

88-80 Tremec 177, 178 (15)QBR-23549
 86-80 Borg-Warner T18 (22)C-436-Q

COUNTERSHAFT

88-80 Tremec 177, 178 (42)QAR-33724
 86-80 Borg-Warner T18 (88)C-436-Q

REVERSE IDLER

88-80 Tremec 177, 178 (44)C-407-Q
 86-80 Borg-Warner T18 (74)B-1316-Q

(Cont.) (J20) **FULL SIZE PICKUP - JEEP TRUCK 3/4 TON**

Year	Application	Seal	Bearing
TRANSMISSION			
MANUAL / 4 Speed (Cont.)			
SHIFT SHAFT			
88-80	Tremec 177, 178	313156	
STEERING			
MANUAL STEERING			
STEERING GEAR SECTOR SHAFT			
88-80	All.....	313842	
STEERING GEAR WORM SHAFT			
88-80	All.....	474134	
POWER STEERING			
STEERING GEAR HOUSING			
88-80	All..... (Adj. Plug)	DB-53313	
STEERING GEAR PITMAN SHAFT			
88-80	All..... (Kit) <input checked="" type="checkbox"/>	PSK-1	
STEERING PUMP SHAFT			
88-80	All.....	480821	
AIR CONDITIONING			
COMPRESSOR			
CLUTCH PULLEY			
88-80	Pitts Clutch L/D.....		88506
<i>(Continued Next Column)</i>			

Year	Application	Seal	Bearing
COMPRESSOR (Cont.)			
CLUTCH PULLEY			
88-80	Pitts H/D & Warner Clutch		5206-DD
ELECTRICAL			
ALTERNATOR			
DRIVE END			
88-83	Delco-Remy 42, 63, 56, 66, 78 Amp. (Type II).....		203-F
86-80	Delco-Remy 37, 42, 55, 63 Amp. (Type I).....		203-S
REAR END			
88-80	Delco-Remy 37, 42, 55, 63, 78 Amp.....		MNJ-471-S
ENGINE			
CRANKSHAFT			
8 CYLINDER			
88-80	360/5.9L	5112S	
TIMING COVER			
8 CYLINDER			
88-80	360/5.9L	710447	

(Amanti, Magentis, Optima, Rio, Rondo, Sephia & Spectra) **KIA**

WHEEL			
FRONT WHEEL			
09-06	Rio		510055
09-05	Spectra		510078
09-04	Amanti		510084
09-03	Magentis, Optima, Rondo		510034
05-01	Rio		A-18
	(Inner)	4990	A-18
	(Outer)	710323	A-18
04-01	Spectra (Hatchback).....		510003
04-01	Spectra (Sedan).....		510010
2002	Magentis, Optima (From 01/04/02) (84mm OD).....		510034
2002	Magentis, Optima (To 01/03/02) (80mm OD).....		510076
2001	Sephia (From 07/15/00) (80mm OD).....	1932	510010
2001	Sephia (To 07/14/00) (74mm OD).....	1932	510003
2001	Magentis, Optima		510076
2000	Spectra		510010
00-93	Sephia	1932	510003
REAR WHEEL			
09-07	Amanti, Rondo.....	Hub Assembly	512341
09-07	Magentis, Optima.....	Hub Assembly	512266
09-06	Rio (ABS).....	Hub Assembly	512324
09-06	Rio (Exc. ABS).....	Hub Assembly	512325
09-05	Spectra (ABS).....	Hub Assembly	512195
09-05	Spectra (Exc. ABS).....	Hub Assembly	512194
<i>(Continued Next Column)</i>			

REAR WHEEL (Cont.)			
2006	Magentis, Optima (1st Design) (ABS).....	Hub Assembly	512190
2006	Magentis, Optima (1st Design) (Exc. ABS).....	Hub Assembly	512191
2006	Magentis, Optima (2nd Design).....	Hub Assembly	512266
06-04	Amanti	Hub Assembly	512286
05-01	Rio	(Inner)	1126
		(Outer)	A-4
			A-2
05-01	Magentis, Optima (ABS).....	Hub Assembly	512190
05-01	Magentis, Optima (Exc. ABS).....	Hub Assembly	512191
04-01	Spectra (Disc Brakes).....	Hub Assembly	512354
04-93	Sephia, Spectra (Drum Brakes)	Hub Assembly	512200
2001	Sephia (Disc Brakes).....	Hub Assembly	512251
00-93	All (Disc Brakes).....	Hub Assembly	512251
CLUTCH			
PILOT			
4 CYLINDER			
05-98	1493cc/1.5L (DOHC), 1594cc/1.6L (DOHC), 1793cc/1.8L (DOHC).....		202-SS
97-93	1597cc/1.6L, 1597cc/1.6L (DOHC), 1597cc/1.6L, 1839cc/1.8L (DOHC).....		202-SS

Refer To Front Of Catalog For Kit Contents

KIA (Amanti, Magentis, Optima, Rio, Rondo, Sephia & Spectra) (Cont.)

Year	Application	Seal	Bearing
------	-------------	------	---------

CLUTCH

RELEASE

Bearing Only *Bearing Assembly*

4 CYLINDER

05-98	1493cc/1.5L (DOHC), 1594cc/1.6L (DOHC), 1793cc/1.8L (DOHC) (200mm Clutch).....		Ⓞ 614128
97-93	1597cc/1.6L, 1597cc/1.6L (DOHC), 1597cc/1.6L, 1839cc/1.8L (DOHC) (200mm Clutch).....		Ⓞ 614128

TRANSAXLE

AUTOMATIC / 4 Speed

DIFFERENTIAL

09-06	Hyundai A4AF3.....		(2)207
09-01	Mitsubishi F4A42.....		(2)30207
05-94	A4CF2.....		(2)A-17

TORQUE CONVERTER

09-06	Hyundai A4AF3.....	320583	
	<i>Redi-Sleeve</i>	99157	
09-01	Mitsubishi F4A42.....	320583	
	<i>Redi-Sleeve</i>	99157	
05-94	A4CF2.....	710446	

OUTPUT SHAFT

09-06	Hyundai A4AF3.....	(2) 710259	
09-01	Mitsubishi F4A42		
	<i>(Front)</i>		32009-X
	<i>(Rear)</i>		32006
05-94	A4CF2.....	223543	
	<i>Redi-Sleeve</i>	99139	
	<i>(Right)</i>	2007N	
	<i>Redi-Sleeve</i>	99139	

AUTOMATIC / 5 Speed

DIFFERENTIAL

09-07	Hyundai A5HF1.....		(2)32009-X
06-04	F5A51.....		(2)32009-X

TORQUE CONVERTER

09-07	Hyundai A5HF1.....	320583	
	<i>Redi-Sleeve</i>	99157	
06-04	F5A51.....	320583	
	<i>Redi-Sleeve</i>	99157	

MANUAL / 5 Speed

DIFFERENTIAL

09-06	Hyundai M5CF1.....		(2)207
09-06	M5GF2.....		(2)32009-X
09-01	M5GF1.....		(2)A-35
06-04	M5BF2.....		(2)30207
04-95	Mazda G15M-R, G25M-R.....		(2)32008
97-93	Mazda F25M-R.....		(2)A-17

INPUT SHAFT

09-06	Hyundai M5CF1.....	712007	
	<i>Redi-Sleeve</i>	99098	
09-01	M5BF2, M5GF1.....	712007	
	<i>Redi-Sleeve</i>	99098	
04-98	Mazda G15M-R.....	1990	A-32
	<i>Redi-Sleeve</i>	99106	
97-95	Mazda G25M-R, (Inner).....		513185
	<i>(Outer)</i>	1990	A-32
	<i>Redi-Sleeve</i>	99106	

(Continued Next Column)

Year	Application	Seal	Bearing
------	-------------	------	---------

MANUAL / 5 Speed (Cont.)

INPUT SHAFT

97-93	Mazda F25M-R.....	1990	
	<i>Redi-Sleeve</i>	99106	

OUTPUT SHAFT

09-06	Hyundai M5CF1.....	(2) 223543	
	<i>Redi-Sleeve</i>	(2) 99139	
06-04	M5BF2.....	(2) 223543	
	<i>Redi-Sleeve</i>	(2) 99139	
97-95	Mazda G25M-R, (Left).....	223543	
	<i>Redi-Sleeve</i>	99139	
	<i>(Right)</i>	2007N	
	<i>Redi-Sleeve</i>	99139	
97-93	Mazda F25M-R, (Left).....	223543	32205
	<i>Redi-Sleeve</i>	99139	
	<i>(Right)</i>	2007N	
	<i>Redi-Sleeve</i>	99139	

SHIFT SHAFT

06-04	M5BF2.....	710222	
97-95	Mazda G25M-R.....	221620	

ENGINE

CAMSHAFT

4 CYLINDER

09-08	1599cc/1.6L (DOHC), 2351cc/2.4L (DOHC).....	(2) 3771	
	<i>Redi-Sleeve</i>	(2) 99139	
07-04	1599cc/1.6L (DOHC), 1975cc/2.0L (DOHC), 2351cc/2.4L (DOHC).....	(2) 3771	
	<i>Redi-Sleeve</i>	(2) 99139	
04-98	1793cc/1.8L (DOHC).....	(2) 223420	
	<i>Redi-Sleeve</i>	(2) 99134	
03-01	2351cc/2.4L (DOHC).....	(2) 3771	
	<i>Redi-Sleeve</i>	(2) 99139	
97-95	1597cc/1.6L (DOHC), 1839cc/1.8L (DOHC).....	(2) 223420	
	<i>Redi-Sleeve</i>	(2) 99134	
95-93	1597cc/1.6L, 1597cc/1.6L.....	223012	
	<i>Redi-Sleeve</i>	99114	

6 CYLINDER

09-02	2656cc/2.7L (DOHC), 3497cc/3.5L (DOHC).....	(4) 223010	
	<i>Redi-Sleeve</i>	(4) 99114	
	<i>(Rear)</i>	(4) 710302	
	<i>Redi-Sleeve</i>	(4) 99114	

CRANKSHAFT

4 CYLINDER

09-06	1599cc/1.6L (DOHC).....	227235	
09-06	2359cc/2.4L (DOHC), 2351cc/2.4L (DOHC).....	710235	
07-04	1975cc/2.0L (DOHC).....	228005	
	<i>Redi-Sleeve</i>	99315	
05-01	2351cc/2.4L (DOHC).....	710235	
05-98	1493cc/1.5L (DOHC), 1594cc/1.6L (DOHC), 1793cc/1.8L (DOHC).....	228250	
97-93	1597cc/1.6L, 1597cc/1.6L (DOHC), 1597cc/1.6L, 1839cc/1.8L (DOHC).....	228250	

(Cont.) (Amanti, Magentis, Optima, Rio, Rondo, Sephia & Spectra) **KIA**

Year	Application	Seal	Bearing	Year	Application	Seal	Bearing
ENGINE				TIMING COVER (Cont.)			
CRANKSHAFT (Cont.)				4 CYLINDER			
6 CYLINDER				09-06	2359cc/2.4L (DOHC)	710608	
09-02	2656cc/2.7L (DOHC), 3497cc/3.5L (DOHC)	229005		09-01	2351cc/2.4L (DOHC)	224460	
	Redi-Sleeve	99354		07-04	1975cc/2.0L (DOHC)	☆ 710531	
02-01	2493cc/2.5L (DOHC)	710056		04-98	1793cc/1.8L (DOHC)	710611	
OIL PUMP				Redi-Sleeve 99146			
4 CYLINDER				97-93	1597cc/1.6L, 1597cc/1.6L (DOHC), 1597cc/1.6L, 1839cc/1.8L (DOHC)	710355	
09-01	2351cc/2.4L (DOHC)	222025		Redi-Sleeve 99145			
	Redi-Sleeve	99078		6 CYLINDER			
TIMING COVER				09-02	2656cc/2.7L (DOHC), 3497cc/3.5L (DOHC)	223750	
4 CYLINDER							
09-06	1599cc/1.6L (DOHC)	223018					
	Redi-Sleeve	99114					
(Continued Next Column)							

(Sedona, Sorento & Sportage) **CROSSOVER/SPORT UTILITY - KIA TRUCK**

WHEEL				FRONT AXLE (Cont.)			
FRONT WHEEL (2WD)				PINION			
09-06	Sedona	Hub Assembly	515090	09-03	10 Bolt	(Inner)	32207
09-06	Sorento	1932	513058			(Outer)	30307
09-05	Sportage		510034	02-95	Mazda 7" R.G.	(Inner)	32207
05-02	Sedona, Sorento	1932	513058			(Outer)	32206
02-95	Sportage	(Inner)	710094	REAR AXLE			
		(Outer)	710093	DIFFERENTIAL			
				09-03	12 Bolt		(2)32210
				02-95	Mazda 7.5" R.G.		(2)32008
FRONT WHEEL (4WD)				PINION			
09-05	Sportage		510034	09-03	12 Bolt	(Inner)	32307
09-03	Sorento	1932	513058			(Outer)	30307
02-95	All	(Inner)	710094	02-95	Mazda 7.5" R.G.	(Inner)	32207
		(Outer)	710093			(Outer)	32206
				Redi-Sleeve 99157			
REAR WHEEL				CLUTCH			
09-06	Sedona	Hub Assembly	541007	PILOT			
09-05	Sportage	Hub Assembly	512267	4 CYLINDER			
09-05	Sportage 4WD		513058	02-95	1998cc/2.0L, 1998cc/2.0L (DOHC)		202-SS
09-03	Sorento	(Inner)	225225	RELEASE			
		(Outer)	223840			Bearing Only	Bearing Assembly
05-02	Sedona	(Inner)	225225	4 CYLINDER			
		(Outer)	15578-15520	02-95	1998cc/2.0L, 1998cc/2.0L (DOHC)		Ⓢ 614067
02-98	Sportage	(Inner)	473823	TRANSFER CASE			
97-95	All	(Inner)	223240	FULL TIME / PART TIME			
		(Outer)	710387	FRONT OUTPUT SHAFT			
AXLE				09-03	Borg-Warner 4424		207
FRONT AXLE				REAR OUTPUT SHAFT			
AXLE SHAFT				09-03	Borg-Warner 4424		209
09-03	10 Bolt		RW-101				
02-95	Mazda 7" R.G.	(Inner)	RW-101				
		(Outer)	206				
DIFFERENTIAL							
02-95	Mazda 7" R.G.		(2)32008				

() Indicates Quantity Required ☆ New Item, Check for Availability ★ Not a Current Production Number, Check for Availability Ⓢ Sealed Self-Aligning Bearing

KIA TRUCK - CROSSOVER/SPORT UTILITY

(Sedona, Sorento & Sportage) (Cont.)

Year	Application	Seal	Bearing	Year	Application	Seal	Bearing
TRANSAXLE							
AUTOMATIC / 4 Speed				MANUAL / 5 Speed			
DIFFERENTIAL				MAINSHAFT / OUTPUT			
09-05	Mitsubishi F4A4B, W4A4B.....		(2)30207	02-95	Mazda R15M-D, R15MX-D... *	710435	
TORQUE CONVERTER				ENGINE			
09-05	Mitsubishi F4A4B, W4A4B.....	320583		CAMSHAFT			
	Redi-Sleeve	99157		4 CYLINDER			
OUTPUT SHAFT				09-05	1975cc/2.0L (DOHC).....	(2) 3771	
09-05	Mitsubishi F4A4B, W4A4B				Redi-Sleeve (2)	99139	
	(Front)		32009-X	02-95	1998cc/2.0L (DOHC).....	(2) 223420	
	(Rear)		32006		Redi-Sleeve (2)	99134	
AUTOMATIC / 5 Speed				1995	1998cc/2.0L	223420	
DIFFERENTIAL					Redi-Sleeve	99134	
09-06	Hyundai A5HF1		(2)32009-X	6 CYLINDER			
05-02	F5A51		(2)32009-X	09-05	2656cc/2.7L (DOHC),		
TORQUE CONVERTER					3497cc/3.5L (DOHC)		
09-06	Hyundai A5HF1	320583			(Front)	(4) 223010	
	Redi-Sleeve	99157			Redi-Sleeve (4)	99114	
05-02	F5A51	320583			(Rear)	(4) 710302	
	Redi-Sleeve	99157			Redi-Sleeve (4)	99114	
MANUAL / 5 Speed				04-02	3497cc/3.5L (DOHC)		
DIFFERENTIAL					(Front)	(4) 223010	
09-05	M5GF1		(2)A-35		Redi-Sleeve (4)	99114	
INPUT SHAFT					(Rear)	(4) 710302	
09-05	M5GF1	712007			Redi-Sleeve (4)	99114	
	Redi-Sleeve	99098		CRANKSHAFT			
TRANSMISSION				4 CYLINDER			
AUTOMATIC / 4 Speed				09-05	1975cc/2.0L (DOHC).....	228005	
FRONT PUMP					Redi-Sleeve	99315	
02-95	A44DE	223830		02-95	1998cc/2.0L, 1998cc/2.0L		
	Redi-Sleeve	99147			(DOHC).....	229010	
EXTENSION HOUSING					Redi-Sleeve	99354	
02-95	A44DE	710319		6 CYLINDER			
AUTOMATIC / 5 Speed				09-05	2656cc/2.7L (DOHC),		
FRONT PUMP					3497cc/3.5L (DOHC).....	229005	
09-05	RE5R05A	224663			Redi-Sleeve	99354	
	Redi-Sleeve	99181		04-02	3497cc/3.5L (DOHC).....	229005	
EXTENSION HOUSING					Redi-Sleeve	99354	
09-05	RE5R05A	224464		TIMING COVER			
MANUAL SHAFT				4 CYLINDER			
09-05	RE5R05A	221207		09-05	1975cc/2.0L (DOHC).....	☆ 710531	
	Redi-Sleeve	99049		02-95	1998cc/2.0L, 1998cc/2.0L		
					(DOHC).....	223420	
					Redi-Sleeve	99134	
				6 CYLINDER			
				09-05	2656cc/2.7L (DOHC),		
					3497cc/3.5L (DOHC).....	223750	
				04-02	3497cc/3.5L (DOHC).....	223750	

LADA - CANADIAN MODELS (Samara, Signet, 1300S, 1500S & 1600S)

WHEEL				FRONT WHEEL (Cont.)			
FRONT WHEEL				87-80	1300S, 1500S, 1600S		
97-84	Samara, Signet.....		B-35		(Inner)	472213	15579X-15520
	(Continued Next Column)				(Outer)		A-2

(Cont.) (Samara, Signet, 1300S, 1500S & 1600S) **CANADIAN MODELS - LADA**

Year	Application	Seal	Bearing	Year	Application	Seal	Bearing
WHEEL				ALTERNATOR (Cont.)			
REAR WHEEL				REAR END			
97-84	Samara, Signet.....		513116	84-80	42 Amp.....		201-CC
87-80	1300S, 1500S, 1600S.....	1981	306-FF				
ELECTRICAL							
ALTERNATOR							
DRIVE END							
84-80	42 Amp.....		302-CC				

(Niva) **CANADIAN MODELS - LADA TRUCK**

WHEEL			
FRONT WHEEL			
97-80	All.....	(Inner).....	32008
		(Outer).....	32008
ELECTRICAL			
ALTERNATOR			
REAR END			
93-80	All.....		201-CC

SPORT UTILITY - LAFORZA TRUCK

WHEEL			
FRONT WHEEL (4WD)			
90-89	All (100mm OD).....	(2)32013-X	
90-89	All (90mm OD).....	(2)32011-X	
REAR WHEEL			
90-89	All.....	(Outer).....	32011-X
TRANSFER CASE			
FULL TIME / PART TIME			
TRANSFER CASE KIT			
90-89	Borg-Warner 1356.....		<input checked="" type="checkbox"/> T-370
INPUT SHAFT			
90-89	Borg-Warner 1356.....	714503	110
	(Pilot).....		BK-3026
FRONT OUTPUT SHAFT			
90-89	Borg-Warner 1356.....	714503	207
	(Pilot).....		B-2012
REAR OUTPUT SHAFT			
90-89	Borg-Warner 1356.....	714503	207
SHIFT SHAFT			
90-89	Borg-Warner 1356.....	330385	

TRANSMISSION			
AUTOMATIC / 4 Speed			
FRONT PUMP			
98-89	Ford E4OD.....	3404	
EXTENSION HOUSING			
98-89	Ford E4OD.....	7300S	
	(Seal & Bushing Kit).....	5203	
MANUAL SHAFT			
98-89	Ford E4OD.....	7929S	
AIR CONDITIONING			
COMPRESSOR			
CLUTCH PULLEY			
1990	Ford FS-6.....		5000-KFF
1990	Ford FX-15.....		5106-WCC
ELECTRICAL			
ALTERNATOR			
DRIVE END			
1990	Motorcraft.....		203-FF
REAR END			
1990	Motorcraft.....		MNJ-471-S

LAFORZA TRUCK - SPORT UTILITY (Cont.)

Year	Application	Seal	Bearing	Year	Application	Seal	Bearing
ENGINE				TIMING COVER 8 CYLINDER			
CRANKSHAFT 8 CYLINDER				90-89 302/5.0L 2692			
90-89 302/5.0L 3909				Redi-Sleeve 99187			
PTFE Rubber 5277				Harmonic Bal Sleeve 88187			
Redi-Sleeve 99363				Harmonic Bal Kit <input checked="" type="checkbox"/> 5001			

LANCIA (Beta & Zagato)

WHEEL				CRANKSHAFT 4 CYLINDER			
FRONT WHEEL				82-80 1995cc/2.0L (DOHC)..... 227040			
82-80 Zagato 513116				Redi-Sleeve 99272			
REAR WHEEL				TIMING COVER 4 CYLINDER			
82-80 Zagato 513116				82-80 1995cc/2.0L (DOHC)..... 224025			
ENGINE				Redi-Sleeve 99157			
CAMSHAFT 4 CYLINDER							
82-80 1995cc/2.0L (DOHC).....(2) 223035							
Redi-Sleeve (2) 99114							

LEXUS - FRONT WHEEL DRIVE (ES250, ES300, ES330 & ES350)

WHEEL				AUTOMATIC / 4 Speed (Cont.) OUTPUT SHAFT			
FRONT WHEEL				01-90 U140E, A540E, A541E			
09-04 All..... 510063				(Left) 710112			
03-92 All..... 510006				Redi-Sleeve 99196			
91-90 All..... (Kit) <input checked="" type="checkbox"/> 5700 514002				(Right) 712551			
(Inner) 4899				Redi-Sleeve 99157			
(Outer) 225220				MANUAL SHAFT			
REAR WHEEL				01-90 U140E, A540E, A541E..... 221207			
09-02 All..... (Left) Hub Assembly 512206				Redi-Sleeve 99049			
(Right) Hub Assembly 512207				AUTOMATIC / 5 Speed TORQUE CONVERTER			
01-92 All..... Hub Assembly 512009				06-04 U151E..... 223830			
91-90 All..... 224210 513022				Redi-Sleeve 99147			
CLUTCH				03-02 Aisin U150 223830			
RELEASE				Redi-Sleeve 99147			
6 CYLINDER				OUTPUT SHAFT			
93-90 2507cc/2.5L (DOHC), 2958cc/3.0L (DOHC) (236mm Clutch)..... © 614084				06-04 U151E..... (Left) 710112			
				Redi-Sleeve 99196			
				(Right) 712551			
				Redi-Sleeve 99157			
				03-02 Aisin U150 (Left) 710112			
				Redi-Sleeve 99196			
				(Right) 712551			
				Redi-Sleeve 99157			
TRANSAXLE				MANUAL SHAFT			
AUTOMATIC / 4 Speed				06-04 U151E..... 221207			
TORQUE CONVERTER				Redi-Sleeve 99049			
01-90 U140E, A540E, A541E..... 223830				03-02 Aisin U150 221207			
Redi-Sleeve 99147				Redi-Sleeve 99049			

(Cont.) (ES250, ES300, ES330 & ES350) **FRONT WHEEL DRIVE - LEXUS**

Year	Application	Seal	Bearing	Year	Application	Seal	Bearing
TRANSAXLE				CRANKSHAFT			
MANUAL / 5 Speed				6 CYLINDER			
INPUT SHAFT				09-90 2507cc/2.5L (DOHC), 2958cc/3.0L (DOHC), 2995cc/3.0L (DOHC), 3311cc/3.3L (DOHC), 3456cc/3.5L (DOHC)..... 229210			
93-92	E53	223010		OIL PUMP			
		Redi-Sleeve 99114		6 CYLINDER			
OUTPUT SHAFT				06-94 2995cc/3.0L (DOHC), 3311cc/3.3L (DOHC)..... 224020			
93-92	E53	(Left) 223540		Redi-Sleeve 99157			
		Redi-Sleeve 99139		TIMING COVER			
		(Right) 224026		6 CYLINDER			
		Redi-Sleeve 99157		09-07 3456cc/3.5L (DOHC)..... 2025			
91-90	E52	(2) 710112		Redi-Sleeve 99166			
		Redi-Sleeve 99196		93-90 2507cc/2.5L (DOHC), 2958cc/3.0L (DOHC)..... 224020			
SHIFT SHAFT				Redi-Sleeve 99157			
93-90	E52, E53	1015N		ENGINE			
CAMSHAFT				6 CYLINDER			
6 CYLINDER				06-90 2507cc/2.5L (DOHC), 2958cc/3.0L (DOHC), 2995cc/3.0L (DOHC), 3311cc/3.3L (DOHC)..... (2) 223801			
				Redi-Sleeve (2) 99147			

REAR WHEEL DRIVE - LEXUS
(GS300, GS300 AWD, GS350, GS350 AWD, GS400, GS430, GS450h, IS-F, IS250, IS250 AWD, IS300, IS350, LS400, LS430, SC300, SC400 & SC430)

WHEEL				REAR AXLE (Cont.)			
FRONT WHEEL				PINION			
09-06	SC430	1941	510017	03-92	8" R.G.	(Outer) 710525	HM88649-HM88610
06-01	LS430		513163	92-90	7.8" R.G.	(Inner) 35028	35028
05-01	IS300	224820	513150			(Outer) 1177	30306
05-98	GS300, GS400, GS430, SC300, SC400, SC430	1941	510017	CLUTCH			
00-98	LS400		510071	PILOT			
97-90	All	1941	510017	6 CYLINDER			
REAR WHEEL				96-92 2997cc/3.0L (DOHC)..... 201-CC			
09-06	SC430		511028	RELEASE			
09-06	GS300, GS350, GS350 AWD, GS430, GS450h, IS-F, IS250, IS250 AWD, IS350		512337	Bearing Only Bearing Assembly			
06-01	LS430		512205	6 CYLINDER			
05-98	GS300, GS400, GS430, IS300, SC430		511028	96-92 2997cc/3.0L (DOHC) (236mm Clutch)..... [Ⓢ] 614088			
00-98	LS400, SC300, SC400			TRANSMISSION			
		(Inner) 1928	511007	AUTOMATIC / 4 Speed			
		(Outer) 1935		FRONT PUMP			
97-90	All	(Inner) 1928	511007	00-90 A340E, A341E 223830			
		(Outer) 1935		Redi-Sleeve 99147			
AXLE				EXTENSION HOUSING			
REAR AXLE				00-90 A341E 3459			
DIFFERENTIAL				97-92 A340E 224205			
03-92	8" R.G.	(2) 224772					
92-90	7.8" R.G.	(2) 710142					

() Indicates Quantity Required Ⓢ Sealed Self-Aligning Bearing

LEXUS - REAR WHEEL DRIVE

(GS300, GS300 AWD, GS350, GS350 AWD, GS400, GS430, GS450h, IS-F, IS250, IS250 AWD, IS300, IS350, LS400, LS430, SC300, SC400 & SC430) (Cont.)

Year	Application	Seal	Bearing	Year	Application	Seal	Bearing
TRANSMISSION				CAMSHAFT (Cont.)			
AUTOMATIC / 4 Speed (Cont.)				6 CYLINDER			
MANUAL SHAFT				8 CYLINDER			
00-90	A340E, A341E	221207		05-92	2997cc/3.0L (DOHC)	(2) 710436	
		Redi-Sleeve 99049					
AUTOMATIC / 5 Speed				CRANKSHAFT			
FRONT PUMP				6 CYLINDER			
05-96	A350E, A650E	223830		09-06	2995cc/3.0L (DOHC), 3456cc/3.5L (DOHC)	229210	
		Redi-Sleeve 99147		05-92	2997cc/3.0L (DOHC)	229005	
EXTENSION HOUSING						Redi-Sleeve (2) 99147	
05-98	A650E	224205		8 CYLINDER			
97-96	A350E	3459		09-90	3968cc/4.0L (DOHC), 4293cc/4.3L (DOHC)	710352	
MANUAL SHAFT						Redi-Sleeve 99364	
05-96	A350E, A650E	221207		OIL PUMP			
		Redi-Sleeve 99049		6 CYLINDER			
AUTOMATIC / 6 Speed				2006	2995cc/3.0L (DOHC)	224020	
FRONT PUMP						Redi-Sleeve 99157	
09-04	A760E, A760H, A761E	223830		8 CYLINDER			
		Redi-Sleeve 99147		00-90	3968cc/4.0L (DOHC)	473677	
EXTENSION HOUSING						Redi-Sleeve 99157	
09-04	A760E, A760H, A761E	224205		TIMING COVER			
MANUAL SHAFT				6 CYLINDER			
09-04	A760E, A760H, A761E	221207		09-06	3456cc/3.5L (DOHC)	2025	
		Redi-Sleeve 99049				Redi-Sleeve 99166	
MANUAL / 5 Speed				05-92	2997cc/3.0L (DOHC)	224663	
DRIVESHAFT / INPUT						Redi-Sleeve 99181	
96-92	W58	1981		8 CYLINDER			
		Redi-Sleeve 99114		09-01	4293cc/4.3L (DOHC)	☆ 710615	
MAINSHAFT / OUTPUT							
96-92	W58	223840					
ENGINE							
CAMSHAFT							
6 CYLINDER							
2006	2995cc/3.0L (DOHC)	(2) 223801					
		Redi-Sleeve (2) 99147					
				(Continued Next Column)			

LEXUS TRUCK - CROSSOVER/SPORT UTILITY

(GX470, LX450, LX470, LX570, RX300, RX300 AWD, RX330, RX330 AWD, RX350, RX350 AWD, RX400h & RX400h AWD)

WHEEL				FRONT WHEEL (4WD)			
FRONT WHEEL (2WD)				09-04	RX330 AWD, RX350 AWD, RX400h AWD	510063	
09-04	All	510063		09-03	GX470	(Inner) 710573	Hub Assembly 515040
03-99	All	510006				(Outer) 710477	
		Hub Repair Kit 518509		07-98	LX470	(Inner) 710456	JLM506849-JLM506810
						(Outer) 710456	LM102949-LM102910
				03-99	RX300 AWD		510006
							Hub Repair Kit 518509
				(Continued Next Page)			

CROSSOVER/SPORT UTILITY - LEXUS TRUCK

(Cont.) (GX470, LX450, LX470, LX570, RX300, RX300 AWD, RX330, RX330 AWD, RX350, RX350 AWD, RX400h & RX400h AWD)

Year	Application	Seal	Bearing
WHEEL			
FRONT WHEEL (4WD) (Cont.)			
97-96	All.....	(Inner) 226285	JLM104948-JLM104910
		(Outer)	LM102949-LM102910
REAR WHEEL			
09-04	RX330, RX350, RX400h	(Left)	Hub Assembly 512282
		(Right)	Hub Assembly 512283
09-04	RX330 AWD, RX350 AWD, RX400h AWD ...		Hub Assembly 512284
09-03	GX470.....	(Left) 225875	Hub Assembly 512227
		(Right) 225875	Hub Assembly 512228
07-98	LX470	(Inner)	510011
		(Outer) 710384	
03-99	RX300.....		Hub Assembly 512009
03-99	RX300 AWD.....	(Inner) 4899	514002
		(Outer) 225275	
97-96	All.....	(Inner) 226285	JLM104948-JLM104910
		(Outer)	LM102949-LM102910
AXLE			
FRONT AXLE			
AXLE SHAFT			
09-03	IFS-8" R.G.....	(Right)	☆ 710596
DIFFERENTIAL			
02-96	8.875" R.G.		(2)32010-X
PINION			
09-03	IFS-8" R.G.....	(Inner)	HM88649-HM88610
		(Outer) 710525	
02-96	8.875" R.G.	(Inner)	35028
		(Outer) 1177	30306
REAR AXLE			
DIFFERENTIAL			
09-99	6.7" R.G.	(2) 710419	(2)A-35
		Redi-Sleeve (2) 99139	
02-96	8.875" R.G.		(2)32010-X
PINION			
09-03	8" R.G.	(Inner)	HM88649-HM88610
		(Outer) 710525	
09-99	6.7" R.G.	(Inner)	HM88649-HM88610
		(Outer) 1176	M86649-M86610
		Redi-Sleeve 99147	
02-96	8.875" R.G.	(Inner)	35028
		(Outer) 1177	30306
TRANSFER CASE			
FULL TIME / PART TIME			
INPUT SHAFT			
97-96	HF2AV	224810	
		Redi-Sleeve 99189	
FRONT OUTPUT SHAFT			
97-96	HF2AV	224815	208-S
		Redi-Sleeve 99189	

Year	Application	Seal	Bearing
FULL TIME / PART TIME (Cont.)			
REAR OUTPUT SHAFT			
97-96	HF2AV	710173	110
MOUNTING ADAPTOR			
97-96	HF2AV	710144	
TRANSAXLE			
AUTOMATIC / 4 Speed			
TORQUE CONVERTER			
09-07	U241E.....	223830	
		Redi-Sleeve 99147	
03-99	A140E, A140F.....	223830	
		Redi-Sleeve 99147	
OUTPUT SHAFT			
03-99	A140E, A140F.....	(2) 223540	
		Redi-Sleeve (2) 99139	
TRANSFER SHAFT			
03-99	A140E, A140F.....	(2) 710416	
MANUAL SHAFT			
09-07	U241E.....	221207	
		Redi-Sleeve 99049	
03-99	A140E, A140F.....	221207	
		Redi-Sleeve 99049	
AUTOMATIC / 5 Speed			
TORQUE CONVERTER			
09-04	U151E, U151F.....	223830	
		Redi-Sleeve 99147	
OUTPUT SHAFT			
09-04	U151F.....	(Left) 710112	
		Redi-Sleeve 99196	
		(Right) 710392	
		Redi-Sleeve 99242	
06-04	U151E.....	(Left) 710112	
		Redi-Sleeve 99196	
		(Right) 712551	
		Redi-Sleeve 99157	
MANUAL SHAFT			
09-04	U151E, U151F.....	221207	
		Redi-Sleeve 99049	
TRANSMISSION			
AUTOMATIC / 4 Speed			
FRONT PUMP			
02-96	A343F	223830	
		Redi-Sleeve 99147	
EXTENSION HOUSING			
02-96	A343F	3459	
MANUAL SHAFT			
02-96	A343F	221207	
		Redi-Sleeve 99049	

() Indicates Quantity Required ☆ New Item, Check for Availability

LEXUS TRUCK - CROSSOVER/SPORT UTILITY

(GX470, LX450, LX470, LX570, RX300, RX300 AWD, RX330, RX330 AWD, RX350, RX350 AWD, RX400h & RX400h AWD) (Cont.)

Year	Application	Seal	Bearing	Year	Application	Seal	Bearing
TRANSMISSION				CAMSHAFT (Cont.)			
AUTOMATIC / 5 Speed				8 CYLINDER			
FRONT PUMP				09-98 4663cc/4.7L (DOHC)..... (2) 223802			
09-03 A750F 223830				Redi-Sleeve (2) 99147			
Redi-Sleeve 99147				CRANKSHAFT			
EXTENSION HOUSING				6 CYLINDER			
09-03 A750F 3459				09-99 2995cc/3.0L (DOHC), 3311cc/3.3L (DOHC), 3456cc/3.5L (DOHC)..... 229210			
MANUAL SHAFT				97-96 4476cc/4.5L (DOHC)..... 710526			
09-03 A750F 221207				8 CYLINDER			
Redi-Sleeve 99049				09-98 4663cc/4.7L (DOHC)..... 710352			
STEERING				Redi-Sleeve 99364			
POWER STEERING				OIL PUMP			
STEERING PUMP SHAFT				6 CYLINDER			
02-98 LX470 710412				09-99 2995cc/3.0L (DOHC), 3311cc/3.3L (DOHC)..... 224020			
ELECTRICAL				Redi-Sleeve 99157			
ALTERNATOR				TIMING COVER			
DRIVE END				6 CYLINDER			
97-96 Nippondenso 90 Amp 302-CC				09-07 3456cc/3.5L (DOHC)..... 2025			
ENGINE				Redi-Sleeve 99166			
CAMSHAFT				97-96 4476cc/4.5L (DOHC)..... 710187			
6 CYLINDER				Redi-Sleeve 99204			
09-99 2995cc/3.0L (DOHC), 3311cc/3.3L (DOHC)..... (2) 223801				8 CYLINDER			
Redi-Sleeve (2) 99147				09-08 5663cc/5.7L (DOHC)..... 2025			
				Redi-Sleeve 99166			
				09-98 4663cc/4.7L (DOHC)..... ☆ 710615			

LINCOLN - FRONT WHEEL DRIVE

(Continental, MKS, MKS AWD, MKZ, MKZ AWD & Zephyr)

WHEEL				REAR WHEEL (Cont.)			
FRONT WHEEL				89-88 All..... (Inner) 6815			
09-06 MKZ, MKZ AWD, Zephyr..... 510010				(Outer) A-12			
02-95 All..... Hub Assembly 513100				TRANSAXLE			
94-92 All..... 513058				AUTOMATIC / 4 Speed			
Hub Repair Kit 520100				DIFFERENTIAL			
1991 All (From 02/01/91)..... 513058				02-88 AXOD, AXOD-E..... (2) 208			
Hub Repair Kit 520100				TORQUE CONVERTER			
1991 All (To 01/31/91)..... 513058				02-88 AXOD, AXOD-E 4189H			
Hub Repair Kit 520000				OUTPUT SHAFT			
90-88 All..... 513058				02-88 AXOD, AXOD-E (2) 3622			
Hub Repair Kit 520000				Redi-Sleeve (2) 99169			
REAR WHEEL				AUTOMATIC / 6 Speed			
09-07 MKZ..... Hub Assembly 512271				TORQUE CONVERTER			
09-07 MKZ AWD..... 510010				2009 6F50 710561			
2006 All (ABS)..... Hub Assembly 512271							
2006 All (Exc. ABS)..... Hub Assembly 512272							
02-93 All..... Hub Assembly 512107							
92-90 All..... Hub Assembly 512105							
(Continued Next Column)							

FRONT WHEEL DRIVE - LINCOLN

(Cont.) (Continental, MKS, MKS AWD, MKZ, MKZ AWD & Zephyr)

Year	Application	Seal	Bearing	Year	Application	Seal	Bearing
TRANSAXLE				ALTERNATOR (Cont.)			
AUTOMATIC / 6 Speed (Cont.)				REAR END			
OUTPUT SHAFT				90-88	Motorcraft		MNJ-471-S
2009	6F50	(Left) 710546		ENGINE			
		(Right) 710583		CRANKSHAFT			
STEERING				6 CYLINDER			
POWER STEERING				2006	181/3.0L (DOHC).....	3909	
STEERING GEAR INPUT SHAFT						PTFE Rubber 5277	
95-88	All.....	471645	FC-65753			Redi-Sleeve 99363	
STEERING GEAR WORM SHAFT				94-88	232/3.8L	3909	
95-88	All.....		201-CC			PTFE Rubber 5277	
STEERING GEAR PITMAN SHAFT						Redi-Sleeve 99363	
92-88	All.....	710504		8 CYLINDER			
STEERING PUMP SHAFT				02-95	281/4.6L (DOHC).....	3909	
02-88	All.....	8773S				PTFE Rubber 5277	
AIR CONDITIONING						Redi-Sleeve 99363	
COMPRESSOR				TIMING COVER			
CLUTCH PULLEY				6 CYLINDER			
02-93	Ford FS-10.....		5106-WCC	09-06	181/3.0L (DOHC),		
93-89	Ford FX-15.....		5106-WCC		213.3/3.5L (DOHC).....	482041N	
90-88	Nippondenso 10P15.....		5000-KFF			Redi-Sleeve 99187	
ELECTRICAL						Harmonic Bal Sleeve 88187	
ALTERNATOR				1994	232/3.8L	712692	
DRIVE END						Redi-Sleeve 99187	
90-88	Motorcraft		203-FF			Harmonic Bal Sleeve 88187	
				93-88	232/3.8L	2692	
						Redi-Sleeve 99187	
						Harmonic Bal Sleeve 88187	
						Harmonic Bal Kit <input checked="" type="checkbox"/> 5001	
				8 CYLINDER			
				02-95	281/4.6L (DOHC).....	482041N	
						Redi-Sleeve 99187	
						Harmonic Bal Sleeve 88187	

(Continental & Town Car) REAR WHEEL DRIVE - LINCOLN FULL SIZE

WHEEL				REAR WHEEL (Cont.)			
FRONT WHEEL				09-90	All (Sedan).....	8660S	5707
09-06	All.....		Hub Assembly 513230				(Axle Repair Brg.) RP-5707
2005	All (From 02/24/05).....		Hub Assembly 513230	89-80	All.....	8660S	5707
2005	All (To 02/23/05).....		Hub Assembly 513196				(Axle Repair Brg.) RP-5707
04-03	All.....		Hub Assembly 513196	AXLE			
02-98	All.....		Hub Assembly 513202	REAR AXLE			
1997	All (From 06/01/97).....		Hub Assembly 513202	DIFFERENTIAL KIT			
1997	All (To 05/31/97).....		Hub Assembly 513104	09-82	8.8" R.G.		(Master Kit) RA-311MK
96-92	All.....		Hub Assembly 513104	09-80	8.5" R.G., 8.8" R.G.	<input checked="" type="checkbox"/>	RA-311
91-82	Town Car	(Inner) 6815	A-18	87-82	7.5" R.G.	<input checked="" type="checkbox"/>	RA-315
		(Outer)	A-12	DIFFERENTIAL			
87-82	Continental	(Inner) 9150S	A-5	09-80	8.5" R.G., 8.8" R.G.		(2)A-36
		(Outer)	A-12	87-82	7.5" R.G.		(2)LM501349-LM501314
81-80	All.....	(Inner) 6815	A-18				
		(Outer)	A-12				
REAR WHEEL							
09-90	All (Limousine).....	8835S	6408				
			(Axle Repair Brg.) RP-6408				
			(Continued Next Column)				

() Indicates Quantity Required Refer To Front Of Catalog For Kit Contents

LINCOLN FULL SIZE - REAR WHEEL DRIVE

(Continental & Town Car) (Cont.)

Year	Application	Seal	Bearing
------	-------------	------	---------

AXLE

REAR AXLE (Cont.)

PINION

09-80	7.5" R.G., 8.5" R.G., 8.8" R.G.		
	(Inner)	M802048-M802011	
	(Outer)	3604	M88048-M88010
	Redi-Sleeve	99181	

TRANSMISSION

AUTOMATIC / 4 Speed

FRONT PUMP

09-91	4R70E, 4R70W, 4R75E, AOD-E, AOD-EW	3404	
91-80	AOD	331107N	
	Redi-Sleeve	99199	

EXTENSION HOUSING

09-04	4R70E, 4R70W, 4R75E (Booted)	4765	
09-04	4R70E, 4R70W, 4R75E (Non-Booted)	4764	
03-95	AOD-EW	4764	
94-91	AOD-E	7692S	
	(Seal & Bushing Kit)	5202	
91-80	AOD (Booted)	7692S	
	(Seal & Bushing Kit)	5202	
91-80	AOD (Non-Booted)	2194	

MANUAL SHAFT

09-80	AOD, 4R70E, 4R70W, 4R75E, AOD-E, AOD-EW	7929S	
-------	--	-------	--

STEERING

POWER STEERING

STEERING GEAR INPUT SHAFT

94-80	All	471645	FC-65753
-------	-----------	--------	----------

STEERING GEAR WORM SHAFT

87-80	Continental		201-CC
-------	-------------------	--	--------

STEERING PUMP SHAFT

02-80	All	8773S	
-------	-----------	-------	--

AIR CONDITIONING

COMPRESSOR

CLUTCH PULLEY

09-93	Ford FS-10	5106-WCC	
96-80	Nippondenso 6E171	5000-KFF	
93-89	Ford FX-15	5106-WCC	
88-80	Ford FS-6	5000-KFF	
1980	Harrison A-6	907257	

ELECTRICAL

ALTERNATOR

DRIVE END

1990	Motorcraft (Exc. 95 Amp.)	203-FF	
	(Continued Next Column)		

Year	Application	Seal	Bearing
------	-------------	------	---------

ALTERNATOR (Cont.)

DRIVE END

89-80	Motorcraft		203-FF
-------	------------------	--	--------

REAR END

1990	Motorcraft (Exc. 95 Amp.)		MNJ-471-S
89-80	Motorcraft		MNJ-471-S

ENGINE

AUXILIARY SHAFT

6 CYLINDER

85-84	2443cc/2.4L (Turbo-Diesel)	223802	
	Redi-Sleeve	99147	

CRANKSHAFT

6 CYLINDER

85-84	2443cc/2.4L (Turbo-Diesel)	229005	
	Redi-Sleeve	99354	
1982	232/3.8L		(Rope Type) 5095
			(Split Seal) 5108

8 CYLINDER

09-84	281/4.6L, 302/5.0L	3909	
	PTFE Rubber	5277	
	Redi-Sleeve	99363	
1983	302/5.0L (From 12/01/82)	3909	
	PTFE Rubber	5277	
	Redi-Sleeve	99363	
1983	302/5.0L (To 11/30/82)		
	(Rope Type)	5095	
	(Split Seal)	5108	
82-80	302/5.0L		(Rope Type) 5095
			(Split Seal) 5108
1980	351/5.8L(W)		(Rope Type) 5095
			(Split Seal) 5117

TIMING COVER

6 CYLINDER

85-84	2443cc/2.4L (Turbo-Diesel)	716484	
	Redi-Sleeve	99189	
1982	232/3.8L	2692	
	Redi-Sleeve	99187	
	Harmonic Bal Sleeve	88187	
	Harmonic Bal Kit <input checked="" type="checkbox"/>	5001	

8 CYLINDER

09-91	281/4.6L	482041N	
	Redi-Sleeve	99187	
	Harmonic Bal Sleeve	88187	
91-80	302/5.0L, 351/5.8L(W)	2692	
	Redi-Sleeve	99187	
	Harmonic Bal Sleeve	88187	
	Harmonic Bal Kit <input checked="" type="checkbox"/>	5001	

(LS, Mark VI, Mark VII & Mark VIII) **REAR WHEEL DRIVE - LINCOLN MID SIZE**

Year	Application	Seal	Bearing
------	-------------	------	---------

WHEEL

FRONT WHEEL

06-00	All.....		Hub Assembly 513167
98-92	All.....		Hub Assembly 513092
91-84	All.....	9150S	A-5
	(Inner)		
	(Outer)		A-12
83-82	All.....	6815	A-5
	(Inner)		
	(Outer)		A-12
81-80	All.....	6815	A-18
	(Inner)		
	(Outer)		A-12

REAR WHEEL

06-00	All.....		511032
98-93	All.....		513058
92-80	All.....	8660S	5707
			(Axle Repair Brg.) RP-5707

AXLE

REAR AXLE

AXLE SHAFT

06-00	IRS-8" R.G.....	(2) 714569	(2) FC-66998
		Redi-Sleeve (2) 99157	
98-89	IRS-8.8" R.G.....	(2) 100357	(2) FC-66998
		Redi-Sleeve (2) 99157	

DIFFERENTIAL KIT

98-84	7.5" R.G.....	<input type="checkbox"/> RA-315
92-80	IRS-8.8" R.G., 8.5" R.G.....	<input checked="" type="checkbox"/> RA-311

DIFFERENTIAL

98-84	7.5" R.G.....	(2) LM501349-LM501314
92-80	IRS-8.8" R.G., 8.5" R.G.....	(2) A-36

PINION

06-00	IRS-8" R.G.....	(Outer)	M88048-M88010
98-80	IRS-8.8" R.G., 7.5" R.G., 8.5" R.G.....	(Inner)	M802048-M802011
		(Outer)	3604 M88048-M88010
		Redi-Sleeve	99181

TRANSAXLE

AUTOMATIC / 5 Speed

EXTENSION HOUSING

02-00	5R55N (Booted).....	4765
02-00	5R55N (Non-Booted).....	4764

MANUAL SHAFT

02-00	5R55N.....	7929S
-------	------------	--------------

TRANSMISSION

AUTOMATIC / 4 Speed

FRONT PUMP

98-93	AOD-EW.....	3404
92-80	AOD.....	331107N
		Redi-Sleeve 99199
85-84	ZF 4HP-22.....	224052
		Redi-Sleeve 99157

EXTENSION HOUSING

98-93	AOD-EW.....	4764
-------	-------------	-------------

(Continued Next Column)

Year	Application	Seal	Bearing
------	-------------	------	---------

AUTOMATIC / 4 Speed (Cont.)

EXTENSION HOUSING

92-80	AOD (Booted).....	7692S
	(Seal & Bushing Kit)	5202
92-80	AOD (Non-Booted).....	2194
85-84	ZF 4HP-22.....	2655

MANUAL SHAFT

98-80	AOD, AOD-EW.....	7929S
-------	------------------	--------------

AUTOMATIC / 5 Speed

FRONT PUMP

06-03	5R55S.....	710535
02-00	5R55N.....	710535

EXTENSION HOUSING

06-03	5R55S.....	710541
02-00	5R55N (Booted).....	4765
02-00	5R55N (Non-Booted).....	4764

MANUAL SHAFT

06-03	5R55S.....	7929S
02-00	5R55N.....	7929S

STEERING

POWER STEERING

STEERING GEAR INPUT SHAFT

93-80	All.....	471645	FC-65753
-------	----------	---------------	-----------------

STEERING GEAR WORM SHAFT

98-80	All.....		201-CC
-------	----------	--	---------------

STEERING PUMP SHAFT

98-93	All.....	8773S
92-84	All (Ford Pump).....	8773S
92-84	All (Saginaw Pump).....	7013S
83-80	All.....	8773S

AIR CONDITIONING

COMPRESSOR

CLUTCH PULLEY

98-93	Ford FS-10.....	5106-WCC
98-80	Nippondenso 6E171.....	5000-KFF
93-89	Ford FX-15.....	5106-WCC
88-81	Ford FS-6.....	5000-KFF
1980	Harrison A-6.....	907257

ELECTRICAL

ALTERNATOR

DRIVE END

92-90	Motorcraft (Exc. 95 Amp.).....	203-FF
89-80	Motorcraft.....	203-FF

REAR END

92-90	Motorcraft (Exc. 95 Amp.).....	MNJ-471-S
89-80	Motorcraft.....	MNJ-471-S

LINCOLN MID SIZE - REAR WHEEL DRIVE

(LS, Mark VI, Mark VII & Mark VIII) (Cont.)

Year	Application	Seal	Bearing	Year	Application	Seal	Bearing
ENGINE				CRANKSHAFT (Cont.)			
AUXILIARY SHAFT				8 CYLINDER			
6 CYLINDER				1983	302/5.0L (To 11/30/82)	(Rope Type) 5095	
85-84	2443cc/2.4L (Turbo-Diesel)	223802				(Split Seal) 5108	
	Redi-Sleeve	99147		82-80	302/5.0L	(Rope Type) 5095	
CRANKSHAFT						(Split Seal) 5108	
6 CYLINDER				1980	351/5.8L(W)	(Rope Type) 5095	
05-00	181/3.0L (DOHC)	3909				(Split Seal) 5117	
	PTFE Rubber	5277		TIMING COVER			
	Redi-Sleeve	99363		6 CYLINDER			
85-84	2443cc/2.4L (Turbo-Diesel)	229005		05-00	181/3.0L (DOHC)	482041N	
	Redi-Sleeve	99354				Redi-Sleeve	99187
8 CYLINDER						Harmonic Bal Sleeve	88187
98-84	281/4.6L (DOHC), 302/5.0L	3909		85-84	2443cc/2.4L (Turbo-Diesel)	716484	
	PTFE Rubber	5277				Redi-Sleeve	99189
	Redi-Sleeve	99363		8 CYLINDER			
1983	302/5.0L (From 12/01/82)	3909		98-93	281/4.6L (DOHC)	482041N	
	PTFE Rubber	5277				Redi-Sleeve	99187
	Redi-Sleeve	99363				Harmonic Bal Sleeve	88187
(Continued Next Column)				92-80	302/5.0L, 351/5.8L(W)	2692	
						Redi-Sleeve	99187
						Harmonic Bal Sleeve	88187
						Harmonic Bal Kit <input checked="" type="checkbox"/>	5001

LINCOLN COMPACT - REAR WHEEL DRIVE (Versailles)

WHEEL				TRANSMISSION			
FRONT WHEEL				AUTOMATIC / 3 Speed			
1980	All	(Inner) 6815	A-13	FRONT PUMP			
		(Outer)	A-12	1980	C6	331107N	
REAR WHEEL						Redi-Sleeve	99199
1980	All (Disc Brakes)			EXTENSION HOUSING			
	(Inner)	51098	88128-RA	1980	C6	7300S	
	(Outer)	3794				(Seal & Bushing Kit) 5203	
1980	All (Drum Brakes) (31 Spline)	51098	514003	MANUAL SHAFT			
				1980	C6	7929S	
AXLE				STEERING			
REAR AXLE				MANUAL STEERING			
DIFFERENTIAL KIT				STEERING GEAR SECTOR SHAFT			
1980	9" R.G.	<input checked="" type="checkbox"/> RA-313		1980	All (Saginaw Design)	340151	B-1816
		(Master Kit) RA-313MK		POWER STEERING			
DIFFERENTIAL				STEERING GEAR INPUT SHAFT			
1980	9" R.G.	(2)LM102949-LM102910		1980	All (Ford Design)	471645	FC-65753
PINION				STEERING GEAR WORM SHAFT			
1980	9" R.G.	7044NA (2)M88048-M88010		1980	All (Ford Design)		201-CC
	Redi-Sleeve	99181		1980	All (TRW Design)	240733	
	(Pilot)	R-1535-TAV		STEERING PUMP SHAFT			
				1980	All	8773S	

(Cont.) (Versailles) **REAR WHEEL DRIVE - LINCOLN COMPACT**

Year	Application	Seal	Bearing	Year	Application	Seal	Bearing
AIR CONDITIONING				ENGINE			
COMPRESSOR				CRANKSHAFT			
CLUTCH PULLEY				8 CYLINDER			
1980	Harrison A-6		907257	1980	302/5.0L	(Rope Type) 5095 (Split Seal) 5108	
ELECTRICAL				TIMING COVER			
ALTERNATOR				8 CYLINDER			
DRIVE END				1980	302/5.0L	2692 Redi-Sleeve 99187	
1980	Motorcraft		203-FF			Harmonic Bal Sleeve 88187	
REAR END						Harmonic Bal Kit <input checked="" type="checkbox"/> 5001	
1980	Motorcraft		MNJ-471-S				

PICKUP/CROSSOVER/SPORT UTILITY - LINCOLN TRUCK
(Aviator, Blackwood, Mark LT, MKX, MKX AWD & Navigator)

WHEEL				FRONT AXLE (Cont.)			
FRONT WHEEL (2WD)				SPINDLE			
09-07	MKX		510063	09-98	IFS-8.8" R.G.		HK-1816
09-07	Navigator	Hub Assembly ☆	515094	DIFFERENTIAL KIT			
08-06	Mark LT		☆ 517014	2002	Visteon IFS-8.8" R.G. (To 03/18/02)	<input checked="" type="checkbox"/>	RA-311
06-03	Navigator	Hub Assembly	515042	01-98	IFS-8.8" R.G.	<input checked="" type="checkbox"/>	RA-311
05-03	Aviator	Hub Assembly	515050	DIFFERENTIAL			
02-98	All	(Inner) 4148 (Outer) A-12	A-18 A-12	09-08	Visteon IFS-8.8" R.G.	(2)	A-36
FRONT WHEEL (4WD)				2007	Visteon IFS-8.8" R.G. (From 08/02/06)	(2)	A-36
09-07	MKX AWD		510063	05-03	Spicer 30-SF	(2)	LM501349-LM501314
09-07	Navigator	Hub Assembly ☆	515095	2002	Visteon IFS-8.8" R.G. (To 03/18/02)	(2)	A-36
08-06	Mark LT	Hub Assembly	515079	01-98	IFS-8.8" R.G.	(2)	A-36
06-03	Navigator	Hub Assembly	515043	PINION			
05-03	Aviator	Hub Assembly	515050	09-98	IFS-8.8" R.G.	(Inner) M802048-M802011 (Outer) 3604 M88048-M88010 Redi-Sleeve 99181	
02-01	All	Hub Assembly	515031	05-03	Spicer 30-SF	(Inner) HM88648-HM88610 (Outer) 714675 M86649-M86610	
2000	All (M12 Wheel Bolts)	Hub Assembly	515004	REAR AXLE			
2000	All (M14 Wheel Bolts)	Hub Assembly	515031	AXLE SHAFT			
99-98	All	Hub Assembly	515004	06-02	Visteon IRS-8.8" R.G.	(2)	FC-66998
REAR WHEEL				DIFFERENTIAL KIT			
09-07	MKX	Hub Assembly	512334	01-98	8.8" R.G.	<input checked="" type="checkbox"/>	RA-311 (Master Kit) RA-311MK
09-07	MKX AWD	Hub Assembly	512335	DIFFERENTIAL			
09-07	Navigator	Hub Assembly ☆	541008	01-98	8.8" R.G.	(2)	A-36
08-06	Mark LT	100357 R-1561-TV (Axle Repair Brg.) RP-1561-FO		PINION			
06-03	Navigator	Hub Assembly	541001	09-00	Visteon IRS-9.75" R.G., 9.75" R.G. (Outer)	4278	HM89443-HM89411
05-03	Aviator	516008 Hub Repair Kit 521000		06-02	Visteon IRS-8.8" R.G. (Outer) 3604 M88048-M88010 Redi-Sleeve 99181		
02-98	All	100357 R-1561-TV (Axle Repair Brg.) RP-1561-FO		01-98	8.8" R.G.	(Inner) M802048-M802011 (Outer) 3604 M88048-M88010 Redi-Sleeve 99181	
AXLE				REAR AXLE			
FRONT AXLE				AXLE SHAFT			
AXLE SHAFT				09-98	IFS-8.8" R.G.	(Inner) HK-4012 (Outer) FC-66998	
09-98	IFS-8.8" R.G.	(Left) 710429 (Right) 710428	S-268 5707	05-03	Spicer 30-SF		

() Indicates Quantity Required ☆ New Item, Check for Availability Refer To Front Of Catalog For Kit Contents

LINCOLN TRUCK - PICKUP/CROSSOVER/SPORT UTILITY

(Aviator, Blackwood, Mark LT, MKX, MKX AWD & Navigator) (Cont.)

Year	Application	Seal	Bearing	Year	Application	Seal	Bearing
AXLE				TRANSMISSION			
REAR AXLE (Cont.)				AUTOMATIC / 4 Speed			
PINION				FRONT PUMP			
1998	9.75" R.G. (Outer)	3604	M88048-M88010	06-98	4R100, 4R75E	3404	
	Redi-Sleeve	99181		EXTENSION HOUSING			
TRANSFER CASE				2006 4R75E (Booted) 4765			
FULL TIME / PART TIME				2006 4R75E (Non-Booted) 4764			
INPUT SHAFT				05-98 4R100 (1.6850" Shaft) 7300S			
09-03	Borg-Warner 4416	3946	211	(Seal & Bushing Kit) 5203			
	Redi-Sleeve	99187		Viton® 4981V			
08-06	Borg-Warner 4406 (Booted)	4333N	211	05-98 4R100 (1.8800" Shaft) 100086			
	(Pilot)		BK-3026	MANUAL SHAFT			
08-06	Borg-Warner 4406 (Non-Booted)	3946	211	06-98 4R100, 4R75E 7929S			
	Redi-Sleeve	99187		AUTOMATIC / 5 Speed			
	(Pilot)		BK-3026	FRONT PUMP			
05-03	Borg-Warner 4410	710403	§ 209-LO	08-07 5R110W (TorqShift) 710485			
	Redi-Sleeve	99166		05-03 5R55S, 5R55W 710535			
02-98	Borg-Warner 4406 (Booted)	4333N	211	EXTENSION HOUSING			
	(Pilot)		BK-3026	08-07 5R110W (TorqShift) (Long Wheelbase) 710483			
02-98	Borg-Warner 4406 (Non-Booted)	3946	211	08-07 5R110W (TorqShift) (Short Wheelbase) 710537			
	Redi-Sleeve	99187		05-04 5R55S 710541			
	(Pilot)		BK-3026	2003 5R55W (Booted) 4765			
FRONT OUTPUT SHAFT				2003 5R55W (Non-Booted) 4764			
09-03	Borg-Warner 4416 (Inner)		107	MANUAL SHAFT			
	(Outer)	4333N	208	08-07 5R110W (TorqShift) 7929S			
08-06	Borg-Warner 4406	4333N	208	05-03 5R55S, 5R55W 7929S			
05-03	Borg-Warner 4410	710403	206	AIR CONDITIONING			
	Redi-Sleeve	99166		COMPRESSOR			
02-98	Borg-Warner 4406	4333N	208	CLUTCH PULLEY			
REAR OUTPUT SHAFT				08-98 Ford FS-10 5106-WCC			
09-03	Borg-Warner 4416 (Inner)	4503N	307	ENGINE			
	(Outer)		111	CRANKSHAFT			
08-06	Borg-Warner 4406 (Thrust)	4503N	207	8 CYLINDER			
			NTA-2233	09-98 281/4.6L (DOHC), 330/5.4L, 330/5.4L (DOHC), 330/5.4L 3909			
05-03	Borg-Warner 4410	710403	208-SL	PTFE Rubber 5277			
	Redi-Sleeve	99166		Redi-Sleeve 99363			
02-98	Borg-Warner 4406 (Thrust)	4503N	207	TIMING COVER			
			NTA-2233	6 CYLINDER			
SHIFT SHAFT				09-08 213.3/3.5L (DOHC) 482041N			
09-98	Borg-Warner 4406, 4410, 4416	330385		Redi-Sleeve 99187			
TRANSAXLE				Harmonic Bal Sleeve 88187			
AUTOMATIC / 6 Speed				8 CYLINDER			
TORQUE CONVERTER				09-98 281/4.6L (DOHC), 330/5.4L, 330/5.4L (DOHC), 330/5.4L 482041N			
09-07	6F50	710561		Redi-Sleeve 99187			
OUTPUT SHAFT				Harmonic Bal Sleeve 88187			
09-07	6F50 (Left)	710546					
	(Right)	710583					

(Eclat, Elan, Elise, Elite, Esprit & Exige) **LOTUS**

Year	Application	Seal	Bearing	Year	Application	Seal	Bearing
WHEEL							
FRONT WHEEL				MANUAL / 5 Speed (Cont.)			
95-81	Esprit	(Inner) 224820	A-6	SHIFT SHAFT			
		(Outer)	A-2	93-90	Isuzu MFD5M	3667	
93-90	Elan		513113	MANUAL / 6 Speed			
81-80	Eclat, Elite	(Inner)	A-4	INPUT SHAFT			
		(Outer)	A-2	09-04	Aisin C60	320603	101-SS
1980	Esprit	(Inner)	A-15			Redi-Sleeve 99098	
		(Outer)	A-1	OUTPUT SHAFT			
REAR WHEEL				09-04	Aisin C60	(Left) 710109	
93-90	Elan	(Inner) 4175	A-15			Redi-Sleeve 99134	
		(Outer)	A-1			(Right) 710110	
						Redi-Sleeve 99134	
AXLE				SHIFT SHAFT			
REAR AXLE				09-04	Aisin C60	1015N	
DIFFERENTIAL				TRANSMISSION			
81-80	Salisbury 7HA	(2)LM501349-LM501311		AUTOMATIC / 3 Speed			
PINION				FRONT PUMP			
81-80	Salisbury 7HA	(Inner) HM88649-HM88610		90-80	Borg-Warner T65	480479H	
		(Outer) M86649-M86610				Redi-Sleeve 99168	
CLUTCH				ENGINE			
RELEASE				CAMSHAFT			
		Bearing Only	Bearing Assembly	4 CYLINDER			
4 CYLINDER				93-90	1588cc/1.6L (DOHC-Turbo)	(2) 710308	
82-80	1973cc/2.0L (DOHC) (215mm Clutch)	TR-1716				Redi-Sleeve (2) 99157	
TRANSAXLE				CRANKSHAFT			
MANUAL / 5 Speed				4 CYLINDER			
DIFFERENTIAL				09-04	1796cc/1.8L (DOHC)	716102	
93-90	Isuzu MFD5M	(2)32008				Redi-Sleeve 99333	
INPUT SHAFT				93-90	1588cc/1.6L (DOHC-Turbo)	228700	
93-90	Isuzu MFD5M	222835		TIMING COVER			
		(Front) 32206		4 CYLINDER			
		(Rear) 30306		09-04	1796cc/1.8L (DOHC)	223800	
OUTPUT SHAFT						Redi-Sleeve 99147	
93-90	Isuzu MFD5M	(Left) 3543	A-5	93-90	1588cc/1.6L (DOHC-Turbo)	223220	
		Redi-Sleeve 99139				Redi-Sleeve 99128	
		(Right) 3543	32206				
		Redi-Sleeve 99139					

(Mid-Liner Series) **MEDIUM DUTY - MACK**

WHEEL				FRONT WHEEL (Cont.)			
FRONT WHEEL				93-80	CS200P, CS300P, CS300T, MS200P, MS300P, MS300T (RVI Axles 408.00, 408.01, 408.03, 408.04) (0.9744" Brg. Width)	(Inner) 717005	* 33211
93-84	CS250P, CS300P, CS300T, MS250P, MS250T, MS300P, MS300T (RVI Axle 408.06)	(Inner) 717004	33214			(Outer)	33208
		(Outer)	33210	(Continued Next Page)			
		(Continued Next Column)					

MACK - MEDIUM DUTY (Mid-Liner Series) (Cont.)

Year	Application	Seal	Bearing	Year	Application	Seal	Bearing
WHEEL				TRANSMISSION			
FRONT WHEEL (Cont.)				AUTOMATIC / 4 Speed			
93-80	CS200P, CS300P, CS300T, MS200P, MS300P, MS300T (RVI Axles 408.00, 408.01, 408.03, 408.04) (1.260" Brg. Width).....(Inner).....	717005	* 33211	93-84	Allison MT643.....	454136N	
	(Outer).....		32208			Redi-Sleeve 99225	
REAR WHEEL				93-80	Allison AT545.....	6712NA	
93-80	All.....(Inner).....	• 370220A	594-593X			Redi-Sleeve 99187	
	(Outer).....		594-593X	OUTPUT SHAFT			
AXLE				93-84	Allison MT643 (3.500" Shaft).....	476424N	209-L
REAR AXLE				93-84	Allison MT643 (3.750" Shaft).....	455031	209-L
DIFFERENTIAL KIT				EXTENSION HOUSING			
93-80	Eaton 16247.....		RA-23-D	93-80	Allison AT545.....	415988	109
93-80	Eaton 18207, 18227.....		RA-1	MANUAL SHAFT			
DIFFERENTIAL				93-80	Allison AT545, MT643.....	340847	
93-80	Eaton 16247.....(Left).....		495A-493	AUTOMATIC / 5 Speed			
	(Right).....		42381-42584	FRONT PUMP			
93-80	Eaton 18207, 18227, 22127, 22227			93-84	Allison MT653.....	454136N	
	(Left).....		56425-56650			Redi-Sleeve 99225	
	(Right).....		497-493	OUTPUT SHAFT			
93-80	RVI P1020G, P1021G, P1121G, P1121G-2, P820G, P820G-1, P821G.....(2)JM716649-JM716610			93-84	Allison MT653 (3.500" Shaft).....	476424N	209-L
PINION				93-84	Allison MT653 (3.750" Shaft).....	455031	209-L
93-80	Eaton 16247.....	9773	(2)55175C-55437	MANUAL SHAFT			
	Redi-Sleeve 99262.....			93-84	Allison MT653.....	340847	
93-80	Eaton 18207, 18227.....	9773	(2)55200C-55437	MANUAL / 5 Speed			
	Redi-Sleeve 99262.....			TRANSMISSION KIT			
93-80	Eaton 22127, 22227.....	9773	(2)72200C-72487	93-80	Spicer 5852.....		T-28
	Redi-Sleeve 99262.....			93-80	Spicer 5052, 5252.....		T-180
93-80	RVI P1020G, P1021G, P1121G, P1121G-2, P820G, P820G-1, P821G.....		(2)JM716649-JM716610	DRIVESHAFT / INPUT			
	(Inner).....		65390-65320	93-84	RVI BDSL2142, BDSL2152.....	225010	
	(Outer).....		HM807040-HM807010			Redi-Sleeve 99196	
ELECTRIC SHIFT				93-80	Spicer 5052, 5252, 5552.....	452742	JM511946-JM511910
93-80	Eaton 16247, 18207, 18227, 22127, 22227.....		200-SL	MAINSHAFT / OUTPUT			
CLUTCH				93-84	RVI BDSL2142, BDSL2152.....	226520	
PILOT				93-80	Spicer 5552.....	415004	JM511946-JM511910
6 CYLINDER				93-80	Spicer 5852.....	410519	1311-L
93-84	8822cc/8.8L (Turbo-Diesel).....		305-DD	93-80	Spicer 5052, 5252.....	450519	JM511946-JM511910
93-80	5491cc/5.5L (Turbo-Diesel).....		105-CC	MAINSHAFT PILOT			
DRIVESHAFT				93-80	Spicer 5852.....		(14)O-513-Q
CENTER SUPPORT				MAINSHAFT 1ST SPEED GEAR			
		Bearing	Bearing & Support	93-80	Spicer 5052, 5252, 5552.....		F-81205
93-80	Spicer 1550, 1610, 1650 Series / Brg. I.D. 1.7717" (45mm)- End Yoke Style.....		HB-88509-A	MAINSHAFT REVERSE GEAR			
				93-80	Spicer 5052, 5252, 5552.....		F-81205
				COUNTERSHAFT			
				93-84	RVI BDSL2142, BDSL2152.....		(2)32210
				93-80	Spicer 5852.....(Front).....		M-1208-EL
							(Rear).....1308-SL
				93-80	Spicer 5052, 5252, 5552.....		(2)25584-25520
				REVERSE IDLER			
				93-84	RVI BDSL2142, BDSL2152.....		5207-W
				93-80	Spicer 5052, 5252, 5552.....		(2)WJ-162116

(Cont.) (Mid-Liner Series) **MEDIUM DUTY - MACK**

Year	Application	Seal	Bearing	Year	Application	Seal	Bearing
TRANSMISSION							
MANUAL / 5 Speed (Cont.)				MANUAL / 10 Speed			
REMOTE CONTROL				DRIVESHAFT / INPUT			
93-80	Spicer 5052, 5252, 5852..... (2)	350567		93-84	RVI BDSL2052R.....	225010	
						<i>Redi-Sleeve</i>	99196
MANUAL / 6 Speed				MAINSHAFT / OUTPUT			
DRIVESHAFT / INPUT				COUNTERSHAFT			
93-84	RVI BDSL181.....	225010		93-84	RVI BDSL2052R.....	226520	
MAINSHAFT / OUTPUT				REVERSE IDLER			
93-84	RVI BDSL181.....	226520		93-84	RVI BDSL2052R.....		(2) 32210
COUNTERSHAFT				REVERSE IDLER			
93-84	RVI BDSL181.....		(2) 32210	93-84	RVI BDSL2052R.....		5207-W
REVERSE IDLER				ENGINE			
93-84	RVI BDSL181.....		5207-W	CRANKSHAFT			
				6 CYLINDER			
				93-80 5491cc/5.5L (Turbo-Diesel)..... 325776			
				<i>Redi-Sleeve</i> 99435			

MASERATI

(Bi Turbo, GranTurismo, Karif, Kyalami, Quattroporte, Spyder, 222E, 225, 228 & 430)

WHEEL				TRANSMISSION			
FRONT WHEEL				AUTOMATIC / 3 Speed			
92-80	Bi Turbo, Kyalami, Quattroporte, Spyder, 228, 430			FRONT PUMP			
	(Inner).....		A-6	87-80	Chrysler A727.....	331227H	
	(Outer).....		A-2			<i>Redi-Sleeve</i>	99187
REAR WHEEL				EXTENSION HOUSING			
92-89	Spyder.....	(Inner).....	513185	87-80	Chrysler A727.....	7300S	
		(Outer).....	LM300849-LM300811			(Seal & Bushing Kit)	5206
91-88	228, 430.....	(Inner).....	A-18	CLUTCH CAM			
		(Outer).....	LM300849-LM300811	87-80	Chrysler A727.....		(12) W-585-Q
87-83	Bi Turbo.....	(Inner).....	513185	AUTOMATIC / 4 Speed			
		(Outer).....	LM300849-LM300811	FRONT PUMP			
86-80	Kyalami, Quattroporte	(Inner).....	JLM506849-JLM506810	87-83	ZF 4HP-22.....	224052	
		(Outer).....	JLM104948-JLM104910			<i>Redi-Sleeve</i>	99157
AXLE				EXTENSION HOUSING			
REAR AXLE				87-83	ZF 4HP-22.....	3459	
DIFFERENTIAL				AUTOMATIC / 6 Speed			
91-83	Bi Turbo, Spyder, 228, 430.....	(2)	LM501349-LM501311	FRONT PUMP			
1980	Salisbury 4HU.....	(2)	25577-25523	09-07	ZF 6HP-26.....	224510	
PINION						<i>Redi-Sleeve</i>	99177
91-83	Bi Turbo, Spyder, 228, 430	(Inner).....	HM88649-HM88610				
		(Outer).....	M86649-M86610				
1980	Salisbury 4HU.....	(Inner).....	HM89446-HM89410				
		(Outer).....	M88043-M88010				
TRANSAXLE							
AUTOMATIC / 4 Speed							
DIFFERENTIAL							
92-88	ZF 4HP-18.....	(Left).....	LM806649-LM806610				
		(Right).....	LM300849-LM300811				

() Indicates Quantity Required

MAYBACH (57 & 62)

Year	Application	Seal	Bearing	Year	Application	Seal	Bearing
TRANSMISSION				AUTOMATIC / 5 Speed (Cont.) OUTPUT SHAFT			
AUTOMATIC / 5 Speed FRONT PUMP				09-03	W5A580		206
09-03	W5A580	710608					

MAZDA - FRONT WHEEL DRIVE (GLC, Millenia, MX-3, MX-6, Protege, Protege AWD, 3, 323, 323 AWD, 5, 6, 6 MazdaSpeed & 626)

WHEEL				REAR WHEEL (Cont.)			
FRONT WHEEL				DIFFERENTIAL			
09-06	3 (ABS)		☆ 510096	88-87	323 (Sedan)	(Inner) 710311	A-15
09-06	3 (Exc. ABS)		510010			(Outer)	A-2
09-06	5		☆ 510096	88-87	323 (Station Wagon)	(Inner) 1973	15123-15245
08-06	6 MazdaSpeed		510063			(Outer)	A-2
08-03	6		510010	87-83	626	(Inner) 1126	A-4
05-04	3 (ABS)	Hub Assembly	513211			(Outer)	A-2
05-04	3 (Exc. ABS)	Hub Assembly	513212	1986	GLC	224210	RW-102-R
		Hub Assembly	513211	1986	323	(Inner) 710311	A-15
						(Outer)	A-2
03-90	MX-3, Protege, Protege AWD, 323	1932	510003	85-81	GLC	(Inner) 710311	A-4
02-01	Millenia (2.3L Eng.)	710392	511019			(Outer)	A-1
02-01	Millenia (2.5L Eng.)	1932	510010	AXLE			
02-01	626	1932	510010	REAR AXLE			
00-97	Millenia, MX-6, 626	1932	510010	PINION			
96-95	Millenia (2.3L Eng.)	710392	511019	91-88	6" R.G.	(2) 710218	
96-95	Millenia (2.5L Eng.)	1932	510010			Redi-Sleeve (2) 99139	
96-93	MX-6, 626	1932	510010	CLUTCH			
92-88	MX-6, 626	1932	513057	PILOT			
89-88	323 AWD	(Inner) 225220	A-18	4 CYLINDER			
		(Outer) 494123	A-18	09-07	122/2.0L (DOHC), 138/2.3L (DOHC), 138/2.3L (DOHC-Turbo)		202-SS
89-81	GLC, 323	(Inner) 4990	A-18	08-03	138/2.3L (DOHC), 138/2.3L (DOHC-Turbo)		FC-65354
		(Outer) 710323	A-18	06-04	122/2.0L (DOHC), 138/2.3L (DOHC)		202-SS
87-83	626		513014	03-81	1489cc/1.5L (DOHC), 1490cc/1.5L, 1597cc/1.6L, 1597cc/1.6L (DOHC), 1597cc/1.6L, 1597cc/1.6L (DOHC-Turbo), 1839cc/1.8L, 1839cc/1.8L (DOHC), 1991cc/2.0L (DOHC), 1991cc/2.0L (DOHC-Turbo), 1998cc/2.0L, 1998cc/2.0L (Turbo), 2184cc/2.2L, 2184cc/2.2L (Turbo)		202-SS
REAR WHEEL				6 CYLINDER			
09-06	5	Hub Assembly	512347	08-03	181/3.0L (DOHC)		FC-65354
09-04	3 (ABS)	Hub Assembly	512347	02-92	1844cc/1.8L (DOHC), 2497cc/2.5L (DOHC)		202-SS
09-04	3 (Exc. ABS)	Hub Assembly	512348	RELEASE			
08-06	6 MazdaSpeed		510010	4 CYLINDER			
08-03	6 (ABS)	Hub Assembly	512271	09-07	122/2.0L (DOHC), 138/2.3L (DOHC), 138/2.3L (DOHC-Turbo) (225mm Clutch)		Ⓢ 614128
08-03	6 (Exc. ABS)	Hub Assembly	512272	09-06	138/2.3L (DOHC) (225mm Clutch)		Ⓢ 614155
03-00	Protege (Disc Brakes)	Hub Assembly	512269	08-06	138/2.3L (DOHC-Turbo) (215mm Clutch)		Ⓢ 614128
03-95	MX-3, Protege (Drum Brakes)	Hub Assembly	513030	08-03	138/2.3L (DOHC) (215mm Clutch)		Ⓢ 614155
02-01	Millenia	Hub Assembly	512269	06-04	122/2.0L (DOHC), 138/2.3L (DOHC) (225mm Clutch)		Ⓢ 614128
02-98	626 (ABS)	Hub Assembly	512186	(Continued Next Page)			
02-93	MX-6, 626 (Exc. ABS)	Hub Assembly	512119				
00-95	Millenia	Hub Assembly	512118				
99-95	MX-3, Protege (Disc Brakes)	Hub Assembly	512161				
97-93	MX-6, 626 (ABS)	Hub Assembly	512118				
1995	323	Hub Assembly	513030				
94-92	MX-3 (Disc Brakes)	Hub Assembly	512161				
94-92	MX-3 (Drum Brakes)	Hub Assembly	513030				
94-90	Protege, 323	Hub Assembly	513030				
92-90	MX-6, 626 (2 Wheel Steering)	224235	513055				
92-90	MX-6, 626 (4 Wheel Steering)	710191	513245				
91-90	Protege AWD	1932	510003				
1989	323	(Inner) 710311	A-15				
		(Outer)	A-2				
89-88	323 AWD	(Inner) 225220	A-18				
		(Outer) 494123	A-18				
89-88	MX-6, 626	224235	513055				

(Continued Next Column)

FRONT WHEEL DRIVE - MAZDA

(Cont.) (GLC, Millenia, MX-3, MX-6, Protege, Protege AWD, 3, 323, 323 AWD, 5, 6, 6 MazdaSpeed & 626)

Year	Application	Seal	Bearing
CLUTCH			
RELEASE (Cont.)		<i>Bearing Only</i>	<i>Bearing Assembly</i>
4 CYLINDER			
03-01	1991cc/2.0L (DOHC), 1991cc/2.0L (DOHC-Turbo) (200mm Clutch)		Ⓢ 614155
03-99	1597cc/1.6L (DOHC), 1839cc/1.8L (DOHC) (200mm Clutch)		Ⓢ 614128
02-93	1991cc/2.0L (DOHC) (225mm Clutch)		Ⓢ 614155
98-95	1489cc/1.5L (DOHC), 1839cc/1.8L, 1839cc/1.8L (DOHC) (200mm Clutch)		Ⓢ 614128
96-90	1597cc/1.6L, 1597cc/1.6L (DOHC), 1597cc/1.6L (190mm Clutch)		Ⓢ 614128
94-90	1839cc/1.8L (DOHC) (215mm Clutch)		Ⓢ 614079
94-90	1489cc/1.5L (DOHC), 1839cc/1.8L (200mm Clutch)		Ⓢ 614128
92-88	2184cc/2.2L (Turbo) (240mm Clutch)		Ⓢ 614079
92-83	1998cc/2.0L, 1998cc/2.0L (Diesel), 2184cc/2.2L (225mm Clutch)		Ⓢ 614067
89-86	1597cc/1.6L (DOHC-Turbo), 1998cc/2.0L (Turbo) (225mm Clutch)		Ⓢ 614079
6 CYLINDER			
08-03	181/3.0L (DOHC) (215mm Clutch)		Ⓢ 614155
02-92	1844cc/1.8L (DOHC), 2497cc/2.5L (DOHC) (225mm Clutch)		Ⓢ 614155
DRIVESHAFT			
CENTER SUPPORT		<i>Bearing</i>	<i>Bearing & Support</i>
89-88	323 AWD		HB-29
CV JOINT HALF SHAFT			
95-92	MX-3 (1.6L Eng)		
	(Outer)	710223	
92-88	MX-6	(Dust Seal) 710253	
	(Outer)	710223	
92-88	626	(Dust Seal) 710253	
	(Outer)	710223	
TRANSAXLE			
AUTOMATIC / 3 Speed			
DIFFERENTIAL			
89-81	F3A		(2)32008
TORQUE CONVERTER			
89-81	F3A	1012N	
		Redi-Sleeve 99177	
OUTPUT SHAFT			
89-81	F3A	(2) 223543	
		Redi-Sleeve (2) 99139	
AUTOMATIC / 4 Speed			
DIFFERENTIAL			
02-95	LJ4A-EL		(2)30208
02-87	G4A-EL, GF4A-EL		(2)32008
98-88	Jatco F4A-EL		(2)A-17
92-87	G4A-HL		(2)32009-X

Year	Application	Seal	Bearing
AUTOMATIC / 4 Speed (Cont.)			
TORQUE CONVERTER			
09-99	FN4A-EL	710539	
02-95	LJ4A-EL	710442	
02-94	LA4A-EL	Viton® 4635V	
02-87	G4A-EL, G4A-HL, GF4A-EL	710446	
98-88	Jatco F4A-EL	710446	
OUTPUT SHAFT			
09-99	FN4A-EL	(2) 2007N	
		Redi-Sleeve (2) 99139	
02-95	LJ4A-EL	(2) 2007N	
		Redi-Sleeve (2) 99139	
02-94	LA4A-EL	(2) 3622	
02-87	G4A-EL, G4A-HL, GF4A-EL		
	(Left)	223543	
		Redi-Sleeve 99139	
	(Right)	2007N	
		Redi-Sleeve 99139	
98-88	Jatco F4A-EL	(Left) 223543	
		Redi-Sleeve 99139	
	(Right)	2007N	
		Redi-Sleeve 99139	
AUTOMATIC / 5 Speed			
TORQUE CONVERTER			
05-03	JA5A-EL	710442	
OUTPUT SHAFT			
09-06	FS5A-EL	(2) 2007N	
		Redi-Sleeve (2) 99139	
05-03	JA5A-EL	(2) 224026	
MANUAL SHAFT			
05-03	JA5A-EL	2027	
MANUAL / 4 Speed			
DIFFERENTIAL			
89-81	F4M-R		(2)A-17
INPUT SHAFT			
89-81	F4M-R	222430	
		Redi-Sleeve 99098	
OUTPUT SHAFT			
89-81	F4M-R	(Left) 223543	
		Redi-Sleeve 99139	
	(Right)	2007N	
		Redi-Sleeve 99139	
MANUAL / 5 Speed			
DIFFERENTIAL			
03-97	F25M-R		(2)A-17
03-83	G5M-R, G15M-R		(2)32008
96-81	F5M-R, F25M-R, G25M-R, G25MX-R		(2)A-17
92-88	H5M-R		(2)32009-X
INPUT SHAFT			
09-83	G5M-R, G35M-R (Inner)		513185
	(Outer)	1990	A-32
		Redi-Sleeve 99106	
03-97	F25M-R	222430	
		Redi-Sleeve 99098	
03-88	H5M-R, G15M-R (Outer)	1990	A-32
		Redi-Sleeve 99106	
		(Continued Next Page)	

() Indicates Quantity Required Ⓢ Sealed Self-Aligning Bearing

MAZDA - FRONT WHEEL DRIVE

(GLC, Millenia, MX-3, MX-6, Protege, Protege AWD, 3, 323, 323 AWD, 5, 6, 6 MazdaSpeed & 626)

(Cont.)

Year	Application	Seal	Bearing	Year	Application	Seal	Bearing
TRANSAXLE				ENGINE			
MANUAL / 5 Speed (Cont.)				CAMSHAFT			
INPUT SHAFT				4 CYLINDER			
96-81	F5M-R, F25M-R, G25M-R, G25MX-R	222430 Redi-Sleeve 99098		03-00	1597cc/1.6L (DOHC), 1991cc/2.0L (DOHC), 1991cc/2.0L (DOHC-Turbo)	(2) 223420 Redi-Sleeve (2) 99134	
OUTPUT SHAFT				2000	1839cc/1.8L (DOHC)	(Right) 223420 Redi-Sleeve 99134	
09-03	G35M-R	(2) 2007N Redi-Sleeve (2) 99139		99-88	1489cc/1.5L (DOHC), 1597cc/1.6L (DOHC), 1597cc/1.6L (DOHC-Turbo), 1839cc/1.8L (DOHC), 1991cc/2.0L (DOHC)	(2) 223420 Redi-Sleeve (2) 99134	
03-97	F25M-R, G15M-R	(Left) 223543 Redi-Sleeve 99139	513185	96-86	1597cc/1.6L, 1597cc/1.6L, 1839cc/1.8L	223012 Redi-Sleeve 99114	
02-83	G5M-R	(Left) 223543 Redi-Sleeve 99139	513185	92-84	1998cc/2.0L, 1998cc/2.0L (Diesel), 1998cc/2.0L (Turbo), 2184cc/2.2L, 2184cc/2.2L (Turbo)	223420 Redi-Sleeve 99134	
96-81	F5M-R, F25M-R, G15M-R, G25M-R	(Left) 223543 Redi-Sleeve 99139		6 CYLINDER			
		(Right) 2007N Redi-Sleeve 99139		02-93	2497cc/2.5L (DOHC)	(2) 223012 Redi-Sleeve (2) 99114	
92-89	H5M-R	(Left) 223543 Redi-Sleeve 99139	30306	02-92	1844cc/1.8L (DOHC), 2254cc/2.3L (DOHC)	(4) 223012 Redi-Sleeve (4) 99114	
		(Right) 2007N Redi-Sleeve 99139	30306	CRANKSHAFT			
91-88	G25MX-R	(2) 710218		4 CYLINDER			
1988	H5M-R	(Left) 223543 Redi-Sleeve 99139	30306	09-03	122/2.0L (DOHC), 138/2.3L (DOHC), 138/2.3L (DOHC-Turbo)	710600	
		(Right) 2007N		03-93	1991cc/2.0L (DOHC), 1991cc/2.0L (DOHC-Turbo)	229004 Redi-Sleeve 99347	
COUNTERSHAFT				03-86	1489cc/1.5L (DOHC), 1597cc/1.6L, 1597cc/1.6L (DOHC), 1597cc/1.6L, 1597cc/1.6L (DOHC-Turbo), 1839cc/1.8L, 1839cc/1.8L (DOHC)	228250	
03-97	F25M-R	(Front)	32205	92-84	1998cc/2.0L, 1998cc/2.0L (Diesel), 1998cc/2.0L (Turbo), 2184cc/2.2L, 2184cc/2.2L (Turbo)	229010 Redi-Sleeve 99354	
96-81	F5M-R, F25M-R, G25M-R, G25MX-R	(Front)	32205	86-81	1490cc/1.5L	227020 Redi-Sleeve 99272	
SHIFT SHAFT				6 CYLINDER			
03-83	G5M-R, H5M-R, G15M-R	221620		08-03	181/3.0L (DOHC)	3909 PTFE Rubber 5277 Redi-Sleeve 99363	
AIR CONDITIONING				02-92	1844cc/1.8L (DOHC), 2254cc/2.3L (DOHC), 2497cc/2.5L (DOHC)	1019 Redi-Sleeve 99298	
COMPRESSOR							
CLUTCH PULLEY							
92-86	Nippondenso 10P13		5000-KFF				
86-83	Sanden SD-508		5001-KFF				
86-83	Sanden SD-575		5001-KFF				
ELECTRICAL							
ALTERNATOR							
DRIVE END							
06-89	70, 80 Amp		303-CC				
02-90	65 Amp		303-CC				
89-86	60, 65, 70 Amp		302-CC				
89-83	60, 65 Amp		302-CC				
85-81	50, 55 Amp		202-SS				
REAR END							
85-81	50, 55, 60, 65 Amp		201-CC				

FRONT WHEEL DRIVE - MAZDA

(Cont.) (GLC, Millenia, MX-3, MX-6, Protege, Protege AWD, 3, 323, 323 AWD, 5, 6, 6 MazdaSpeed & 626)

Year	Application	Seal	Bearing	Year	Application	Seal	Bearing
ENGINE				TIMING COVER (Cont.)			
TIMING COVER				4 CYLINDER			
4 CYLINDER				1991 1839cc/1.8L (To Ser. No. 260401) 223012 Redi-Sleeve 99114			
03-93	1991cc/2.0L (DOHC), 1991cc/2.0L (DOHC-Turbo)	Viton® 2012V Redi-Sleeve 99166		1991	1839cc/1.8L (DOHC) (From Ser. No. 2372376)	710355 Redi-Sleeve 99145	
03-92	1489cc/1.5L (DOHC), 1597cc/1.6L, 1597cc/1.6L (DOHC), 1597cc/1.6L, 1839cc/1.8L, 1839cc/1.8L (DOHC).....	710355 Redi-Sleeve 99145		1991	1839cc/1.8L (DOHC) (To Ser. No. 237236)	223012 Redi-Sleeve 99114	
92-84	1998cc/2.0L, 1998cc/2.0L (Diesel), 1998cc/2.0L (Turbo), 2184cc/2.2L, 2184cc/2.2L (Turbo).....	223420 Redi-Sleeve 99134		90-84	1597cc/1.6L, 1597cc/1.6L (DOHC-Turbo), 1839cc/1.8L, 1839cc/1.8L (DOHC), 1998cc/2.0L (Diesel).....	223012 Redi-Sleeve 99114	
1991	1597cc/1.6L (From Ser. No. 221257)	710355 Redi-Sleeve 99145		86-81	1490cc/1.5L	224020 Redi-Sleeve 99157	
1991	1597cc/1.6L (To Ser. No. 221256)	223012 Redi-Sleeve 99114		6 CYLINDER			
1991	1839cc/1.8L (From Ser. No. 260402)	710355 Redi-Sleeve 99145		08-03	181/3.0L (DOHC).....	482041N Redi-Sleeve 99187 Harmonic Bal Sleeve 88187	
(Continued Next Column)				02-92	1844cc/1.8L (DOHC), 2254cc/2.3L (DOHC), 2497cc/2.5L (DOHC).....	Viton® 2012V Redi-Sleeve 99166	

(GLC, MX-5 Miata, RX-7, RX-8, 626 & 929) REAR WHEEL DRIVE - MAZDA

WHEEL				REAR WHEEL (Cont.)			
FRONT WHEEL				91-88	929		513057
05-99	MX-5 Miata (ABS).....	Hub Assembly	513155	85-84	GLC	224210	RW-102-R
05-99	MX-5 Miata (Exc. ABS).....	Hub Assembly	513152	85-84	RX-7	224210	511017
97-91	MX-5 Miata (ABS).....	Hub Assembly	513155	83-80	All	224210	RW-102-R
97-91	MX-5 Miata (Exc. ABS).....	Hub Assembly	513152	AXLE			
95-93	RX-7	Hub Assembly	512118	REAR AXLE			
95-92	929	Hub Assembly	513131	DIFFERENTIAL			
92-86	RX-7	(Inner) 1975 (Outer) 32204	A-18	09-04	8" R.G. (2) 223842		
91-88	929	1207N	510035		Redi-Sleeve (2) 99147		
1990	MX-5 Miata	Hub Assembly	513152	09-99	7" R.G. (2) 710218	(2) 32008	
85-84	RX-7	(Inner) 1213N (Outer) 32204	A-32		Redi-Sleeve (2) 99139		
85-80	GLC	(Inner) 1126 (Outer) 30205	A-1	97-86	7" R.G. (2) 710218	(2) 32008	
83-80	RX-7	(Inner) 1213N (Outer) A-1	A-32		Redi-Sleeve (2) 99139		
82-80	626	(Inner) 1213N (Outer) A-2	A-32	95-86	8" R.G. (2) 223842		
REAR WHEEL					Redi-Sleeve (2) 99147		
09-06	MX-5 Miata		510010	93-90	6" R.G. (2) 710218		
09-04	RX-8		511039		Redi-Sleeve (2) 99139		
05-99	MX-5 Miata	1932	510003	85-80	7" R.G. (2) 32008		
97-90	MX-5 Miata	1932	510003	PINION			
95-93	RX-7, 929		511019	09-04	8" R.G. (Inner)	32308-C	
1992	929		511019		(Outer)	30306	
92-86	RX-7		510010		(Pilot)	108	
(Continued Next Column)				09-99	7" R.G. (Inner)	32307	
					(Outer) 2008	32206	
					Redi-Sleeve 99128		
				(Continued Next Page)			

() Indicates Quantity Required

MAZDA - REAR WHEEL DRIVE (GLC, MX-5 Miata, RX-7, RX-8, 626 & 929) (Cont.)

Year	Application	Seal	Bearing
AXLE			
REAR AXLE (Cont.)			
PINION			
97-93	7" R.G.	(Inner)	32307
		(Outer)	32206
95-93	8" R.G.	(Inner)	32308-C
		(Outer)	30306
93-90	6" R.G.	(Inner)	32206
		(Outer)	710217
		Redi-Sleeve	99139
92-86	7" R.G.	(Inner)	32307
		(Outer)	710313
		Redi-Sleeve	99189
92-86	8" R.G.	(Inner)	32307
		(Outer)	30306
		(Pilot)	108
85-80	6" R.G.	(Inner)	32206
		(Outer)	2008
		Redi-Sleeve	99128
85-80	7" R.G.	(Inner)	32207
		(Outer)	710326
		Redi-Sleeve	99157
CLUTCH			
PILOT			
ROTARY			
09-04	1308cc/1.3L		152016
95-80	1146cc/1.1L, 1308cc/1.3L, 1308cc/1.3L (Turbo)		152016
4 CYLINDER			
05-99	1839cc/1.8L (DOHC), 1839cc/1.8L (DOHC-Turbo)		202-SS
97-90	1597cc/1.6L (DOHC), 1839cc/1.8L (DOHC)		202-SS
85-80	1415cc/1.4L, 1490cc/1.5L, 1970cc/2.0L		202-SS
6 CYLINDER			
89-88	2954cc/3.0L		202-SS
RELEASE			
		Bearing Only	Bearing Assembly
ROTARY			
92-90	1308cc/1.3L, 1308cc/1.3L (Turbo) (230mm Clutch)		Ⓢ614079
89-86	1308cc/1.3L (Turbo) (240mm Clutch)		Ⓢ614079
89-83	1146cc/1.1L, 1308cc/1.3L (225mm Clutch)		Ⓢ614067
82-80	1146cc/1.1L (215mm Clutch)		Ⓢ614067
4 CYLINDER			
05-99	1839cc/1.8L (DOHC), 1839cc/1.8L (DOHC-Turbo) (225mm Clutch)		Ⓢ614120
97-94	1839cc/1.8L (DOHC) (225mm Clutch)		Ⓢ614120
93-90	1597cc/1.6L (DOHC) (200mm Clutch)		Ⓢ614120
82-80	1970cc/2.0L (215mm Clutch)		Ⓢ614067
6 CYLINDER			
89-88	2954cc/3.0L (240mm Clutch)		Ⓢ614079
TRANSMISSION			
AUTOMATIC / 3 Speed			
FRONT PUMP			
85-80	Jatco 3N71B	2025	
		Redi-Sleeve	99166
EXTENSION HOUSING			
85-80	Jatco 3N71B	1216N	

Year	Application	Seal	Bearing
AUTOMATIC / 4 Speed			
FRONT PUMP			
05-99	A44DE	223830	
		Redi-Sleeve	99147
02-99	Jatco L4N71B	2025	
		Redi-Sleeve	99166
97-84	Jatco L4N71B	2025	
		Redi-Sleeve	99166
95-92	R4A-EL	224663	
		Redi-Sleeve	99181
EXTENSION HOUSING			
05-99	A44DE	710319	
02-99	Jatco L4N71B	223801	
97-84	Jatco L4N71B	223801	
95-92	R4A-EL	710517	
MANUAL SHAFT			
95-92	R4A-EL	2027	
MANUAL / 4 Speed			
DRIVESHAFT / INPUT			
85-80	M4M	1990	* 108-A
		Redi-Sleeve	99106
82-80	M4M-D	1990	306
		Redi-Sleeve	99106
MAINSHAFT / OUTPUT			
85-80	M4M	1215N	305
82-80	M4M-D	1215N	306-L
COUNTERSHAFT			
85-80	M4M	(Front)	5205-KLE
		(Rear)	304
82-80	M4M-D	(Front)	205-FF
		(Rear)	304
INTERMEDIATE SHAFT			
85-80	M4M		306-L
MANUAL / 5 Speed			
DRIVESHAFT / INPUT			
09-99	M15M-D	1990	306
		Redi-Sleeve	99106
97-94	M15M-D	1990	306
		Redi-Sleeve	99106
95-94	R15M-D	1990	
		Redi-Sleeve	99106
95-86	R5M-D, R15M-D	Redi-Sleeve	99106
93-86	R5M-D, M15M-D, R15M-D	1990	
		Redi-Sleeve	99106
86-80	M5M-D	1990	306-L
		Redi-Sleeve	99106
85-80	M5M	1990	* 108-A
		Redi-Sleeve	99106
MAINSHAFT / OUTPUT			
09-99	M15M-D		305
97-94	M15M-D		305
86-80	M5M, M5M-D	1215N	305
COUNTERSHAFT			
09-99	M15M-D	(Front)	205-FF
		(Rear)	304
97-94	M15M-D	(Front)	205-FF
		(Rear)	304
86-80	M5M-D	(Front)	205-FF
		(Rear)	304

(Continued Next Page)

(Cont.) (GLC, MX-5 Miata, RX-7, RX-8, 626 & 929) **REAR WHEEL DRIVE - MAZDA**

Year	Application	Seal	Bearing
------	-------------	------	---------

TRANSMISSION

MANUAL / 5 Speed (Cont.)

COUNTERSHAFT

85-80	M5M.....	(Front).....	5205-KLE
		(Rear).....	304

INTERMEDIATE SHAFT

09-99	M15M-D.....		306-L
97-94	M15M-D.....		306-L
86-80	M5M, M5M-D.....		306-L

MANUAL / 6 Speed

COUNTERSHAFT

06-01	Y16M-D.....	(Rear).....	205-FF
-------	-------------	-------------	--------

AIR CONDITIONING

COMPRESSOR

CLUTCH PULLEY

91-86	Sanden SD-708.....		5001-KFF
88-86	Sanden SD-510.....		5001-KFF
85-84	Nippondenso 10P13.....		5000-KFF
85-83	Sanden SD-575.....		5001-KFF
85-80	Sanden SD-508.....		5001-KFF
83-80	Nippondenso 6P134.....		5001-KFF

ELECTRICAL

ALTERNATOR

DRIVE END

97-90	65 Amp.....		303-CC
95-92	70, 80 Amp.....		303-CC
89-85	60, 65, 70 Amp.....		302-CC
85-84	55 Amp.....		202-FF
85-80	50, 55 Amp.....		202-SS
82-80	60, 65, 70 Amp.....		302-CC

REAR END

85-80	50, 55, 60, 65 Amp.....		201-CC
-------	-------------------------	--	--------

ENGINE

CAMSHAFT

4 CYLINDER

05-00	1839cc/1.8L (DOHC), 1839cc/1.8L (DOHC-Turbo)		
	(Right).....	223420	
1999	1839cc/1.8L (DOHC).....	(2) 223420	
97-90	1597cc/1.6L (DOHC), 1839cc/1.8L (DOHC).....	(2) 223420	

6 CYLINDER

95-90	2954cc/3.0L (DOHC)		
	(Left).....	(2) 226510	
	(Right).....	(2) 321416	

(Continued Next Column)

Year	Application	Seal	Bearing
------	-------------	------	---------

CAMSHAFT (Cont.)

6 CYLINDER

91-88	2954cc/3.0L.....	(2) 1940	
-------	------------------	----------	--

CRANKSHAFT

ROTARY

95-80	1146cc/1.1L, 1308cc/1.3L, 1308cc/1.3L (Turbo).....	226840	
-------	---	--------	--

4 CYLINDER

09-06	122/2.0L (DOHC).....	710600	
05-99	1839cc/1.8L (DOHC), 1839cc/1.8L (DOHC-Turbo)....	228250	
97-90	1597cc/1.6L (DOHC), 1839cc/1.8L (DOHC).....	228250	
85-80	1415cc/1.4L, 1490cc/1.5L.....	227020	
	Redi-Sleeve	99272	
82-80	1970cc/2.0L.....	228020	
	Redi-Sleeve	99315	

6 CYLINDER

95-88	2954cc/3.0L, 2954cc/3.0L (DOHC).....	1019	
	Redi-Sleeve	99298	

OIL PUMP

6 CYLINDER

95-88	2954cc/3.0L, 2954cc/3.0L (DOHC).....	710264	
-------	---	--------	--

TIMING COVER

ROTARY

95-80	1146cc/1.1L, 1308cc/1.3L, 1308cc/1.3L (Turbo).....	2025	
	Redi-Sleeve	99169	

4 CYLINDER

05-99	1839cc/1.8L (DOHC), 1839cc/1.8L (DOHC-Turbo)....	710355	
	Redi-Sleeve	99145	
97-92	1597cc/1.6L (DOHC), 1839cc/1.8L (DOHC).....	710355	
	Redi-Sleeve	99145	

1991	1597cc/1.6L (DOHC) (From Ser. No. 209447).....	710355	
	Redi-Sleeve	99145	

1991	1597cc/1.6L (DOHC) (To Ser. No. 209446).....	223012	
	Redi-Sleeve	99114	

1990	1597cc/1.6L (DOHC).....	223012	
	Redi-Sleeve	99114	

85-80	1415cc/1.4L, 1490cc/1.5L.....	224020	
	Redi-Sleeve	99157	

82-80	1970cc/2.0L.....	710313	
	Redi-Sleeve	99189	

6 CYLINDER

95-88	2954cc/3.0L, 2954cc/3.0L (DOHC).....	224660	
	Redi-Sleeve	99181	

MAZDA TRUCK - PICKUP/MINIVAN/CROSSOVER/SPORT UTILITY

(B2000, B2200, B2300, B2500, B2600, B3000, B4000, CX-7, CX-9, CX-9 AWD, MPV, MPV AWD, Navajo & Tribute)

Year	Application	Seal	Bearing
WHEEL			
FRONT WHEEL (2WD)			
09-08	Tribute		510072
			Hub Repair Kit 518515
09-07	CX-7, CX-9		510063
09-95	B2300, B2500, B3000, B4000, Navajo	(Inner) 9150S	A-5
		(Outer)	A-2
06-01	Tribute		510072
			Hub Repair Kit 518515
06-00	MPV	1932	510010
98-89	MPV		Hub Assembly 513131
94-92	B2300, B3000, B4000, Navajo	(Inner) 6815	A-6
		(Outer)	A-2
93-86	B2000, B2200, B2600		
		(Inner) 225225	A-5
		(Outer)	30205
84-80	All	(Inner) 1992	30206
		(Outer)	30204
FRONT WHEEL (4WD)			
09-08	Tribute		510072
			Hub Repair Kit 518515
09-07	CX-7, CX-9 AWD		510063
09-03	B3000, B4000 (4 Wheel ABS)	710519	Hub Assembly 515051
			Hub Assembly 515052
09-01	B3000, B4000 (Rear Wheel ABS)	710519	Hub Assembly 515014
06-01	Tribute		510072
			Hub Repair Kit 518515
02-01	B3000, B4000 (4 Wheel ABS)	710519	Hub Assembly 515013
2000	All (Rear Wheel ABS) (1st Design) (Pulse Vacuum Hub Locks)	710519	Hub Assembly 515026
2000	All (Rear Wheel ABS) (2nd Design) (Exc. Pulse Vacuum Hub Locks)	710519	Hub Assembly 515014
2000	All (4 Wheel ABS) (1st Design) (Pulse Vacuum Hub Locks)	710519	Hub Assembly 515027
2000	All (4 Wheel ABS) (2nd Design) (Exc. Pulse Vacuum Hub Locks)	710519	Hub Assembly 515013
99-98	B3000, B4000 (Rear Wheel ABS)	710519	Hub Assembly 515026
99-98	B3000, B4000 (4 Wheel ABS)	710519	Hub Assembly 515027
98-97	MPV AWD		510053
97-95	B2300, B3000, B4000		
		(Inner) 4250	A-37
		(Outer)	A-37
96-89	MPV AWD	(Inner) 1932	510010
		(Outer) 710225	
1995	Navajo		Hub Assembly 515003
			Hub Assembly 515052
94-91	B2300, B3000, B4000, Navajo	(Inner) 4250	A-37
		(Outer)	A-37
93-87	B2600	(Inner) 710094	LM102949-LM102910
		(Outer) 710093	A-18
REAR WHEEL			
09-08	Tribute		510029
09-07	CX-7		Hub Assembly 512349

(Continued Next Column)

Year	Application	Seal	Bearing
REAR WHEEL (Cont.)			
09-07	CX-7 AWD		Hub Assembly 512350
09-94	B2300, B2500, B3000, B4000	8660S	5707
			(Axle Repair Brg.) RP-5707
06-01	Tribute		510029
06-00	MPV (ABS)		Hub Assembly 512269
06-00	MPV (Exc. ABS)		Hub Assembly 512270
98-97	MPV	710320	511027
1996	MPV, MPV AWD	710320	511027
95-91	Navajo	8835S	6408
			(Axle Repair Brg.) RP-6408
95-89	MPV, MPV AWD	(Inner) 224820	
		(Outer) 710150	
93-87	B2200, B2600	(Inner) 223550	30208
		(Outer) 1994	
1987	B2000 (From Chassis No. 505889)	(Inner) 223550	30208
		(Outer) 1994	
1987	B2000 (To Chassis No. 505888)	(Inner) 225530	30208
		(Outer) 1994	
1986	All	(Inner) 225530	30208
		(Outer) 1994	
84-80	All	(Inner) 473823	30208
		(Outer) 1994	

AXLE

FRONT AXLE			
AXLE SHAFT			
09-98	Spicer 35-SLA	(Left) 710429	S-268
		(Right) 710428	5707
98-87	7" R.G.	(Inner)	RW-101
		(Outer)	206
97-94	Spicer 28-IFS	(Left) 3543	
		(Right) 710065	
97-91	Spicer 35-IFS	(Left) 710043	
		(Right) 470672	5707
1995	Spicer 35-SLA	(Left) 710429	S-268
		(Right) 710428	5707
SPINDLE KIT			
92-91	Spicer 35-IFS		<input checked="" type="checkbox"/> SBK-4
SPINDLE			
97-93	Spicer 28-IFS, 35-IFS		
		(Inner) 710453	B-2110
92-91	Spicer 35-IFS	(Inner) 722109	B-2110
		(Outer) 722108	
DIFFERENTIAL KIT			
09-91	Spicer 35-IFS, 35-SLA		<input checked="" type="checkbox"/> RA-335
97-94	Spicer 28-IFS		<input checked="" type="checkbox"/> RA-333
DIFFERENTIAL			
09-91	Spicer 35-IFS, 35-SLA	(2)LM501349-LM501314	
98-87	7" R.G.		(2)32008
97-94	Spicer 28-IFS	(2)LM29749-LM29710	
PINION			
09-91	Spicer 35-IFS, 35-SLA		
		(Inner) HM88648-HM88610	
		(Outer) 714675	M86649-M86610
98-87	7" R.G.	(Inner)	32207
		(Outer) 712011	32206
		Redi-Sleeve 99157	

(Continued Next Page)

PICKUP/MINIVAN/CROSSOVER/SPORT UTILITY - MAZDA TRUCK

(Cont.) (B2000, B2200, B2300, B2500, B2600, B3000, B4000, CX-7, CX-9, CX-9 AWD, MPV, MPV AWD, Navajo & Tribute)

Year	Application	Seal	Bearing
AXLE			
FRONT AXLE (Cont.)			
PINION			
97-94	Spicer 28-IFS..... (Inner)		M88048-M88010
	(Outer)	4244	M86649-M86610
	Redi-Sleeve 99155		
1995	Spicer 35-SLA..... (Inner)		HM88648-HM88610
	(Outer)	714675	M86649-M86610
REAR AXLE			
DIFFERENTIAL KIT			
09-94	Ford 7.5" R.G.		<input checked="" type="checkbox"/> RA-315
09-91	Ford 8.8" R.G.		<input checked="" type="checkbox"/> RA-311
	(Master Kit) RA-311MK		
DIFFERENTIAL			
09-08	Spicer 28	(2) 710429	(2) LM29749-LM29710
09-94	Ford 7.5" R.G.	(2)	LM501349-LM501314
09-91	Ford 8.8" R.G.		(2) A-36
06-01	Spicer 28	(2) 710429	(2) LM29749-LM29710
93-86	7.5" R.G., 7" R.G.		(2) 32008
PINION			
09-08	Spicer 28..... (Inner)		M88048-M88010
	(Outer)	100552	M86649-M86610
09-01	Visteon 7.5" R.G., 8.8" R.G.		
	(Inner)		M802048-M802011
	(Outer)	3604	M88048-M88010
	Redi-Sleeve 99181		
06-01	Spicer 28..... (Inner)		M88048-M88010
	(Outer)	100552	M86649-M86610
00-91	Ford 7.5" R.G., 8.8" R.G.		
	(Inner)		M802048-M802011
	(Outer)	3604	M88048-M88010
	Redi-Sleeve 99181		
98-87	7.2" R.G.		(Inner) 30307
	(Outer)	712011	30306
	Redi-Sleeve 99157		
93-87	7.5" R.G.		(Inner) 32207
	(Outer)	712011	32206
	Redi-Sleeve 99157		
93-86	7" R.G.		(Inner) 32307
	(Outer)	1216N	32206
	Redi-Sleeve 99157		
84-80	7.2" R.G.		(Inner) 30307
	(Outer)	712011	30306
	Redi-Sleeve 99157		
CLUTCH			
PILOT			
4 CYLINDER			
09-94	140/2.3L, 153/2.5L, 121/2.0L (DOHC), 138/2.3L (DOHC), 151.8/2.5L (DOHC).....		FC-65354
93-86	1998cc/2.0L, 2184cc/2.2L, 2606cc/2.6L		202-SS
88-87	2555cc/2.6L		102-CC
84-80	1970cc/2.0L, 2209cc/2.2L (Diesel)		202-SS
6 CYLINDER			
09-91	244/4.0L, 244/4.0L		F-33126
08-94	183/3.0L		FC-65354
91-89	2954cc/3.0L		202-SS

Year	Application	Seal	Bearing
RELEASE			
		<i>Bearing Only</i>	<i>Bearing Assembly</i>
4 CYLINDER			
2009	151.8/2.5L (DOHC).....		Ⓢ 614155
09-01	138/2.3L (DOHC)..... (Hyd. Clutch)		Ⓢ 614169
2008	138/2.3L (DOHC).....		Ⓢ 614155
06-05	138/2.3L (DOHC).....		Ⓢ 614155
04-01	121/2.0L (DOHC).....		Ⓢ 614155
01-94	140/2.3L, 153/2.5L (9" Clutch)..... (Hyd. Clutch)		Ⓢ 614169
93-89	2606cc/2.6L (250mm Clutch).....		Ⓢ 614079
93-87	2184cc/2.2L (225mm Clutch).....		Ⓢ 614079
1989	2606cc/2.6L (240mm Clutch).....		Ⓢ 614079
88-87	2555cc/2.6L (240mm Clutch).....		Ⓢ 614079
87-86	1998cc/2.0L (225mm Clutch).....		Ⓢ 614067
84-82	2209cc/2.2L (Diesel) (225mm Clutch)		Ⓢ 614067
84-80	1970cc/2.0L (215mm Clutch).....		Ⓢ 614067
6 CYLINDER			
09-94	183/3.0L, 244/4.0L	(Hyd. Clutch)	Ⓢ 614169
00-93	244/4.0L (10" Clutch).....	(Hyd. Clutch)	Ⓢ 614169
92-91	244/4.0L (10" Clutch).....	(Hyd. Clutch)	Ⓢ 614061
91-89	2954cc/3.0L (250mm Clutch).....		Ⓢ 614079
DRIVESHAFT			
CENTER SUPPORT			
		<i>Bearing</i>	<i>Bearing & Support</i>
1994	Spicer 1210 Series / Brg. ID 1.1811" (30mm)		HBD-206-FF
92-87	B2200 (M/T).....		HB-29
87-86	B2000 (M/T).....		HB-29
84-82	B2200 (M/T).....		HB-29
84-80	B2000	205-F	
TRANSFER CASE			
FULL TIME / PART TIME			
INPUT SHAFT			
09-91	Borg-Warner 1354.....	710403	
	Redi-Sleeve 99166		
	(Pilot)		M-18161
98-89	R5MX.....	710284	
	Redi-Sleeve 99157		
93-87	R5MXD		209
FRONT OUTPUT SHAFT			
09-91	Borg-Warner 1354.....	710403	206
	Redi-Sleeve 99166		
98-89	R5MX.....	710283	
93-87	R5MXD		309
REAR OUTPUT SHAFT			
09-91	Borg-Warner 1354.....	710403	206
	Redi-Sleeve 99166		
	(Pilot)		JH-1612
93-87	R5MXD		106
SHIFT SHAFT			
09-91	Borg-Warner 1354.....	330385	
DRIVE SPROCKET			
93-87	R5MXD	(Front)	108
		(Rear)	(2)209

() Indicates Quantity Required Ⓢ Sealed Self-Aligning Bearing Refer To Front Of Catalog For Kit Contents

MAZDA TRUCK - PICKUP/MINIVAN/CROSSOVER/SPORT UTILITY

(B2000, B2200, B2300, B2500, B2600, B3000, B4000, CX-7, CX-9, CX-9 AWD, MPV, MPV AWD, Navajo & Tribute) (Cont.)

Year	Application	Seal	Bearing
TRANSAXLE			
AUTOMATIC / 4 Speed			
DIFFERENTIAL			
01-00	GF4A-EL.....		(2)32008
TORQUE CONVERTER			
2008	LA4A-EL.....	Viton® 4635V	
06-01	LA4A-EL.....	Viton® 4635V	
01-00	GF4A-EL.....	710446	
OUTPUT SHAFT			
2008	LA4A-EL (FWD) ... (Left)	3622	
 (Right)	3622	
2008	LA4A-EL (4WD) ... (Left)	3622	
 (Right)	481191V	
06-01	LA4A-EL (FWD) ... (Left)	3622	
 (Right)	3622	
06-01	LA4A-EL (4WD) ... (Left)	3622	
 (Right)	481191V	
01-00	GF4A-EL.....	(Left) 223543	
		Redi-Sleeve 99139	
		(Right) 2007N	
		Redi-Sleeve 99139	
AUTOMATIC / 5 Speed			
TORQUE CONVERTER			
06-02	JA5A-EL.....	710442	
OUTPUT SHAFT			
06-02	JA5A-EL.....	(2) 224026	
MANUAL SHAFT			
06-02	JA5A-EL.....	2027	
AUTOMATIC / 6 Speed			
TORQUE CONVERTER			
2009	Ford 6F35.....	710561	
OUTPUT SHAFT			
2009	Ford 6F35.....	710546	
MANUAL / 5 Speed			
DIFFERENTIAL			
04-01	G15M-R, G25MX-R.....		(2)32008
INPUT SHAFT			
04-01	G15M-R, G25MX-R		
	(Inner)	513185	
	(Outer)	1990	A-32
		Redi-Sleeve 99106	
OUTPUT SHAFT			
04-01	G15M-R, G25MX-R.....	(2) 2007N	(2)513185
		Redi-Sleeve (2) 99139	
TRANSMISSION			
AUTOMATIC / 3 Speed			
FRONT PUMP			
88-87	Jatco L3N71B.....	2025	
		Redi-Sleeve 99166	
84-80	Jatco 3N71B.....	2025	
		Redi-Sleeve 99166	

Year	Application	Seal	Bearing
AUTOMATIC / 3 Speed (Cont.)			
EXTENSION HOUSING			
88-87	Jatco L3N71B.....	3771	
84-80	Jatco 3N71B.....	1216N	
AUTOMATIC / 4 Speed			
FRONT PUMP			
01-97	Ford 4R44E.....	710535	
98-89	R4A-EL.....	224663	
		Redi-Sleeve 99181	
96-91	Ford 4R44E, 4R55E, A4LD		
		Viton® 2658V	
95-87	N4A-EL, N4A-HL	2025	
		Redi-Sleeve 99166	
EXTENSION HOUSING			
01-91	Ford 4R44E, 4R55E, A4LD.....	2655	
98-89	R4A-EL (2WD).....	223801	
98-89	R4A-EL (4WD).....	224255	
95-89	N4A-HL.....	223801	
89-87	N4A-EL.....	1216N	
MANUAL SHAFT			
01-91	Ford 4R44E, 4R55E, A4LD.....	7929S	
98-89	R4A-EL.....	2027	
AUTOMATIC / 5 Speed			
FRONT PUMP			
09-07	Ford 5R44E, 5R55E.....	710535	
06-02	Ford 5R44E.....	710535	
EXTENSION HOUSING			
09-97	Ford 5R44E, 5R55E.....	2655	
MANUAL SHAFT			
09-97	Ford 5R44E, 5R55E.....	7929S	
MANUAL / 4 Speed			
DRIVESHAFT / INPUT			
93-86	M4M-D.....	1990	306-L
		Redi-Sleeve 99106	
84-82	R14M-D.....	1990	306
		Redi-Sleeve 99106	
84-80	M4M-D.....	1990	306-L
		Redi-Sleeve 99106	
MAINSHAFT / OUTPUT			
93-86	M4M-D.....	1215N	305
84-82	R14M-D.....	2443	305
84-80	M4M-D.....	1215N	305
COUNTERSHAFT			
93-86	M4M-D..... (Front)		5205-KLE
84-80	M4M-D, R14M-D (Front)		5205-KLE
INTERMEDIATE SHAFT			
93-86	M4M-D.....		306-L
84-80	M4M-D.....		306-L
MANUAL / 5 Speed			
DRIVESHAFT / INPUT			
09-87	M5R1, M5R1HD, R15M-D, R15MX-D	1990	
		Redi-Sleeve 99106	
93-86	M5M-D.....	1990	306-L
		Redi-Sleeve 99106	

(Continued Next Page)

PICKUP/MINIVAN/CROSSOVER/SPORT UTILITY - MAZDA TRUCK

(Cont.) (B2000, B2200, B2300, B2500, B2600, B3000, B4000, CX-7, CX-9, CX-9 AWD, MPV, MPV AWD, Navajo & Tribute)

Year	Application	Seal	Bearing	Year	Application	Seal	Bearing
TRANSMISSION				ELECTRICAL			
MANUAL / 5 Speed (Cont.)				ALTERNATOR			
DRIVESHAFT / INPUT				DRIVE END			
84-82	R15M-D	1990	306	89-87	60, 65, 70 Amp.		302-CC
		<i>Redi-Sleeve</i> 99106		84-82	55 Amp.		302-CC
84-80	M5M-D	1990	306-L	84-80	60, 65, 70 Amp.		302-CC
		<i>Redi-Sleeve</i> 99106		REAR END			
MAINSHAFT / OUTPUT				84-82	55 Amp.		202-FF
09-01	M5R1HD	7692S		84-80	55, 60, 63, 65 Amp.		201-CC
09-91	M5R1 (2WD)	7692S		ENGINE			
09-91	M5R1 (4WD)	1981		AUXILIARY SHAFT			
93-86	M5M-D	2443	305	4 CYLINDER			
84-82	R15M-D	2443	305	01-94	140/2.3L, 153/2.5L	2955	
84-80	M5M-D	2443		CAMSHAFT			
COUNTERSHAFT				4 CYLINDER			
09-91	M5R1, M5R1HD. (Rear)		304	04-01	121/2.0L (DOHC)	(2) 710550	
93-86	M5M-D. (Front)		5205-KLE			<i>Redi-Sleeve</i> (2) 99169	
	(Rear)		304	01-94	140/2.3L, 153/2.5L	2955	
84-82	R15M-D. (Front)		5205-KLE	93-86	1998cc/2.0L, 2184cc/2.2L	223420	
84-80	M5M-D. (Front)		205-FF			<i>Redi-Sleeve</i> 99134	
	(Rear)		304	88-87	2555cc/2.6L	222330	
INTERMEDIATE SHAFT				6 CYLINDER			
93-86	M5M-D		306-L	98-89	2954cc/3.0L	(2) 1940	
84-80	M5M-D		306-L	CRANKSHAFT			
STEERING				4 CYLINDER			
MANUAL STEERING				4 CYLINDER			
STEERING GEAR SECTOR SHAFT				09-01	138/2.3L (DOHC), 151.8/2.5L (DOHC)	710600	
95-94	B2300	223010		04-01	121/2.0L (DOHC)	3772	
STEERING GEAR WORM SHAFT						(Gskt. & PTFE Seal) 5287A	
95-94	B2300	221922				PTFE Rubber 5287	
84-80	B2000	221720		01-94	140/2.3L, 153/2.5L	3909	
POWER STEERING						PTFE Rubber 5277	
IDLER PULLEY						<i>Redi-Sleeve</i> 99363	
91-86	B2000, B2200		302-CC	95-86	1998cc/2.0L, 2184cc/2.2L, 2606cc/2.6L	229010	
STEERING GEAR INPUT SHAFT						<i>Redi-Sleeve</i> 99354	
03-94	B2300, B2500, B3000, B4000, Navajo (Ford Design)	471645	FC-65753	88-87	2555cc/2.6L	228005	
						<i>Redi-Sleeve</i> 99315	
STEERING PUMP SHAFT				84-80	1970cc/2.0L	228020	
03-94	B2300, B2500, B3000, B4000, Navajo (Ford Pump)	8773S				<i>Redi-Sleeve</i> 99315	
AIR CONDITIONING				6 CYLINDER			
COMPRESSOR				09-08	181/3.0L (DOHC)	3909	
CLUTCH PULLEY						PTFE Rubber 5277	
08-93	Ford FS-10		5106-WCC			<i>Redi-Sleeve</i> 99363	
97-91	Sanden SD-709		5001-KFF	09-91	244/4.0L, 244/4.0L	3393	
93-91	Ford FX-15		5106-WCC			PTFE Rubber 5288	
93-87	Sanden SD-708		5001-KFF			<i>Redi-Sleeve</i> 99237	
88-86	Sanden SD-508		5001-KFF	08-94	183/3.0L	3772	
84-82	Sanden SD-575		5001-KFF			(Gskt. & PTFE Seal) 5287A	
84-80	Sanden SD-508		5001-KFF			PTFE Rubber 5287	
				06-00	152/2.5L (DOHC), 181/3.0L (DOHC)	3909	
						PTFE Rubber 5277	
						<i>Redi-Sleeve</i> 99363	

(Continued Next Page)

() Indicates Quantity Required

MAZDA TRUCK - PICKUP/MINIVAN/CROSSOVER/SPORT UTILITY (B2000, B2200, B2300, B2500, B2600, B3000, B4000, CX-7, CX-9, CX-9 AWD, MPV, MPV AWD, Navajo & Tribute) (Cont.)

Year	Application	Seal	Bearing	Year	Application	Seal	Bearing	
ENGINE				TIMING COVER (Cont.)				
CRANKSHAFT (Cont.)				4 CYLINDER				
6 CYLINDER				84-82 2209cc/2.2L (Diesel) 8316				
98-89	2954cc/3.0L	1019				Redi-Sleeve	99199	
		Redi-Sleeve	99298			Harmonic Bal Sleeve	88199	
OIL PUMP				84-80 1970cc/2.0L 710313				
6 CYLINDER				Redi-Sleeve				99189
98-89	2954cc/3.0L	710264		6 CYLINDER				
TIMING COVER				09-08 181/3.0L (DOHC)..... 482041N				
4 CYLINDER				Redi-Sleeve				99187
04-01	121/2.0L (DOHC)	713771		Harmonic Bal Sleeve				88187
		Redi-Sleeve	99139	08-94 183/3.0L 2692				
01-94	140/2.3L, 153/2.5L	2955		Redi-Sleeve				99187
95-89	2606cc/2.6L	224660		Harmonic Bal Sleeve				88187
		Redi-Sleeve	99181	Harmonic Bal Kit <input checked="" type="checkbox"/> 5001				
93-86	1998cc/2.0L, 2184cc/2.2L	223420		06-00 152/2.5L (DOHC), 181/3.0L (DOHC)..... 482041N				
		Redi-Sleeve	99134	Redi-Sleeve				99187
88-87	2555cc/2.6L	224840		Harmonic Bal Sleeve				88187
		Redi-Sleeve	99189	2004 244/4.0L (To 02/28/04) 473560N				
(Continued Next Column)				Redi-Sleeve				99166
				03-91 244/4.0L, 244/4.0L 473560N				
				Redi-Sleeve				99166
				98-89 2954cc/3.0L 224660				
				Redi-Sleeve				99181

MERCEDES-BENZ - 100 SERIES (190D, 190E & 190TD)

WHEEL				CLUTCH			
FRONT WHEEL				PILOT			
93-89	All	(Inner) 239155	A-6	4 CYLINDER			
		(Outer) A-1		93-91 2299cc/2.3L 202-FF			
88-87	190E (2.6L Eng.)			88-84 2299cc/2.3L 202-FF			
		(Inner) 239155	A-6	6 CYLINDER			
		(Outer) A-1		93-87 2599cc/2.6L 202-FF			
88-86	190E (2.3L Eng.) (16 Valve Eng.)	(Inner) 239155	A-6	DRIVESHAFT			
		(Outer) A-2		CENTER SUPPORT			
88-86	190E (2.3L Eng.) (8 Valve Eng.)	(Inner) 239155	A-6	93-84 Brg. ID 0.9843" (25mm)..... 105-CC			
		(Outer) A-1		TRANSMISSION			
88-86	190D, 190TD	(Inner) 239155	A-6	AUTOMATIC / 4 Speed			
		(Outer) A-1		OUTPUT SHAFT			
85-84	All	(Inner) 239155	A-6	93-84 W4A020 206			
		(Outer) A-1		MANUAL / 5 Speed			
REAR WHEEL				DRIVESHAFT / INPUT			
93-84	All	513130		93-87 GL76/27 02474-02420			
AXLE				1989 GL68/20 (1st Design) 14124-14276			
REAR AXLE				88-84 GL68/20 14124-14276			
PINION				MAINSHAFT / OUTPUT			
93-84	190D, 190E, 190TD			93-91 GL68/20 32206			
		(Inner) HM89449-HM89410		93-87 GL76/27 02474-02420			
		(Outer) M86649-M86610		89-84 GL68/20 32206			

(Cont.) (190D, 190E & 190TD)

100 SERIES - MERCEDES-BENZ

Year	Application	Seal	Bearing
TRANSMISSION			
MANUAL / 5 Speed (Cont.)			
COUNTERSHAFT			
93-84	GL68/20, GL76/27		
	(Center)		32006
	(Front)		1380-1328
	(Rear)		B-1816
AIR CONDITIONING			
COMPRESSOR			
CLUTCH PULLEY			
89-84	Nippondenso 10P15.....		5000-KFF
1984	Harrison R-4		907257
FRONT HEAD MAIN			
1984	Harrison R-4		S-128
ELECTRICAL			
ALTERNATOR			
DRIVE END			
91-84	Bosch 55, 65, 70 Amp.....		303-CC
90-87	Motorola 55 Amp.....		203-FF
REAR END			
91-84	Bosch 65, 70 Amp.....		201-CC
90-84	Bosch 55 Amp.....		201-S
ENGINE			
CAMSHAFT			
6 CYLINDER			
93-87	2599cc/2.6L	223005	
	Redi-Sleeve 99114		

Year	Application	Seal	Bearing
CRANKSHAFT			
4 CYLINDER			
93-91	2299cc/2.3L	710288	
85-84	2197cc/2.2L (Diesel)	710288	
5 CYLINDER			
89-86	2497cc/2.5L (Diesel), 2497cc/2.5L (Turbo-Diesel).....	710288	
6 CYLINDER			
93-87	2599cc/2.6L	710288	
TIMING COVER			
4 CYLINDER			
93-91	2299cc/2.3L	710289	
	Redi-Sleeve 99177		
85-84	2197cc/2.2L (Diesel)	710289	
	Redi-Sleeve 99177		
5 CYLINDER			
89-86	2497cc/2.5L (Diesel), 2497cc/2.5L (Turbo-Diesel).....	710289	
	Redi-Sleeve 99177		
6 CYLINDER			
93-87	2599cc/2.6L	710289	
	Redi-Sleeve 99177		

200 SERIES - MERCEDES-BENZ

(C220, C230, C230 4-Matic, C240, C240 4-Matic, C280, C280 4-Matic, E280, E280 4-Matic, SLK230, SLK280, 240D, 260E, 280CE, 280E & 280SE)

WHEEL			
FRONT WHEEL			
09-03	C230 4-Matic, C240 4-Matic, C280 4-Matic.....		513130
09-94	C220, C230, C240, C280, SLK230, SLK280		
	(Inner)		A-17
	(Outer)		A-12
2007	E280		32008
	(Inner)		A-12
	(Outer)		A-12
2007	E280 4-Matic		510083
89-87	All.....	239155	A-6
	(Outer)		A-2
83-80	All.....		A-5
	(Outer)		A-3
REAR WHEEL			
09-94	C220, C230, C230 4-Matic, C240, C240 4-Matic, C280, C280 4-Matic, SLK230, SLK280		513130
89-87	All.....		513130
(Continued Next Column)			

REAR WHEEL (Cont.)			
83-80	All.....	(Inner) 1174	LM300849-LM300811
		(Outer)	LM503349A-LM503310
AXLE			
REAR AXLE			
DIFFERENTIAL			
81-80	240D, 280CE, 280E, 280SE.....	(2)	LM503349A-LM503310
PINION			
05-94	C220, C230, C240, C280, SLK230		
	(Inner)		HM89449-HM89410
	(Outer)		M86649-M86610
89-87	260E	(Inner)	HM89449-HM89410
		(Outer)	M86649-M86610
83-80	240D, 280CE, 280E, 280SE		
	(Inner)		HM89449-HM89410
	(Outer)		M86649-M86610

() Indicates Quantity Required * Not a Current Production Number, Check for Availability

MERCEDES-BENZ - 200 SERIES

(C220, C230, C230 4-Matic, C240, C240 4-Matic, C280, C280 4-Matic, E280, E280 4-Matic, SLK230, SLK280, 240D, 260E, 280CE, 280E & 280SE) (Cont.)

Year	Application	Seal	Bearing	Year	Application	Seal	Bearing
DRIVESHAFT				COMPRESSOR (Cont.)			
CENTER SUPPORT				CLUTCH PULLEY			
		<i>Bearing</i>	<i>Bearing & Support</i>				
09-94	Brg. ID 1.1811" (30mm)	106-CC		83-80	Harrison R-4		907257
96-94	Brg. ID 0.9843" (25mm)	105-CC		FRONT HEAD MAIN			
89-87	Brg. ID 0.9843" (25mm)	105-CC		1987	Harrison R-4		S-128
83-80	Brg. ID 1.1811" (30mm)	106-CC		83-80	Harrison R-4		S-128
TRANSMISSION				ELECTRICAL			
AUTOMATIC / 4 Speed				ALTERNATOR			
OUTPUT SHAFT				DRIVE END			
97-94	W4A020		206	89-87	Bosch 55, 65, 70 Amp		303-CC
89-87	W4A020		206	83-80	Motorola 55 Amp		203-FF
83-80	W4B025		206	83-80	Bosch 55, 65, 70 Amp		303-CC
AUTOMATIC / 5 Speed				REAR END			
FRONT PUMP				89-87	Bosch 65, 70 Amp		201-CC
07-98	W5A580	710608		83-80	Bosch 55 Amp		201-S
OUTPUT SHAFT				83-80	Bosch 65, 70 Amp		201-CC
07-98	W5A580		206	ENGINE			
MANUAL / 4 Speed				CAMSHAFT			
COUNTERSHAFT				6 CYLINDER			
83-80	G76/18		(2)305	97-94	2799cc/2.8L (DOHC)	223005	
MANUAL / 5 Speed							<i>Redi-Sleeve 99114</i>
DRIVESHAFT / INPUT				89-87	2599cc/2.6L	223005	
89-87	GL76/27		02474-02420				<i>Redi-Sleeve 99114</i>
MAINSHAFT / OUTPUT				CRANKSHAFT			
89-87	GL76/27		02474-02420	4 CYLINDER			
COUNTERSHAFT				03-94	2199cc/2.2L (DOHC), 2295cc/2.3L (DOHC)		710288
89-87	GL76/27	(Front)	1380-1328	6 CYLINDER			
		(Rear)	B-1816	97-94	2799cc/2.8L (DOHC)		710288
STEERING				89-87	2599cc/2.6L		710288
MANUAL STEERING				TIMING COVER			
STEERING COLUMN				4 CYLINDER			
81-80	280CE, 280E, 280SE		104	03-94	2199cc/2.2L (DOHC), 2295cc/2.3L (DOHC)		710289
POWER STEERING							<i>Redi-Sleeve 99177</i>
STEERING COLUMN				6 CYLINDER			
81-80	280CE, 280E, 280SE		104	97-94	2799cc/2.8L (DOHC)		710289
AIR CONDITIONING							<i>Redi-Sleeve 99177</i>
COMPRESSOR				97-94	2799cc/2.8L (DOHC)		710289
CLUTCH PULLEY							<i>Redi-Sleeve 99177</i>
1987	Harrison R-4		907257	89-87	2599cc/2.6L		710289
<i>(Continued Next Column)</i>							<i>Redi-Sleeve 99177</i>

300 SERIES - MERCEDES-BENZ

(C36, E300, E320, SL320, S320, 300CD, 300CDT, 300CE, 300D, 300E, 300E-4matic, 300SD, 300SDL, 300SE, 300SEL, 300SL, 300TD, 300TE, 380SE, 380SEC, 380SEL, 380SL & 380SLC)

Year	Application	Seal	Bearing
WHEEL			
FRONT WHEEL			
09-03	C300 4-Matic, C320 4-Matic, C350 4-Matic.....		513130
09-03	E300 4-Matic, E320 4-Matic, E350 4-Matic		510083
09-03	E300, E320, E320 CDI, E350, S350	(Inner)	32008
		(Outer)	A-12
09-03	CLK320, CLK350, C300, C32 AMG, C320, C350, SLK300, SLK32 AMG, SLK320, SLK350		
		(Inner)	A-17
		(Outer)	A-12
02-98	E320 4-Matic		513130
02-96	CLK320, C32 AMG, C320, C36 AMG, E320, SLK32 AMG, SLK320, SL320..	(Inner)	A-17
		(Outer)	A-12
99-96	E300	(Inner)	32008
		(Outer)	A-2
99-92	S320, S350, 300SD, 300SE	(Inner)	32008
		(Outer)	33205
1995	E300	(Inner)	A-17
		(Outer)	A-2
95-93	E320, 300CE (Convertible)	(Inner)	A-17
		(Outer)	A-12
95-93	E320, 300CE (Sedan)	(Inner)	239155
		(Outer)	A-6
		(Outer)	A-2
95-90	C36 AMG, SL320, 300SL	(Inner)	A-17
		(Outer)	A-12
1993	300D, 300E, 300TE	(Inner)	239155
		(Outer)	A-6
		(Outer)	A-2
93-90	300E 4-Matic, 300TE 4-Matic		511026
92-86	300CE, 300D, 300E, 300TD, 300TE	(Inner)	239155
		(Outer)	A-6
		(Outer)	A-2
91-85	300SD, 300SDL, 300SE, 300SEL, 350SD, 350SDL	(Inner)	3794
		(Outer)	A-5
		(Outer)	A-3
1985	300CDT	(Inner)	A-5
		(Outer)	A-3
85-82	300TD	(Inner)	A-5
85-81	380SE, 380SEC, 380SEL, 380SL, 380SLC..	(Inner)	1012N
		(Outer)	A-6
		(Outer)	A-2
84-82	300CDT, 300SD	(Inner)	A-5
		(Outer)	A-3
81-80	300CD, 300D, 300SD, 300TD	(Inner)	A-5
		(Outer)	A-3
REAR WHEEL			
09-08	CLK350, C300, C300 4-Matic, C350, C350 4-Matic, SLK300, SLK350		513130
07-98	CLK320, CLK350, C32 AMG, C320, C320 4-Matic, C350, C350 4-Matic, E300, SLK32 AMG, SLK320, SLK350.....		513130
2006	S350		510083
03-98	E320, E320 4-Matic (Station Wagon)		510083
02-98	E320, E320 4-Matic (Sedan)		513130
99-92	S320, S350, 300SD, 300SE		510083

(Continued Next Column)

Year	Application	Seal	Bearing
REAR WHEEL (Cont.)			
97-86	C36 AMG, E300, E320, SL320, 300CE, 300D, 300E, 300E 4-Matic, 300SL, 300TD, 300TE, 300TE 4-Matic, 350SD, 350SDL		513130
91-86	300SDL, 300SE, 300SEL	(Inner)	1174
		(Outer)	LM300849-LM300811
		(Outer)	LM503349A-LM503310
85-80	All	(Inner)	1174
		(Outer)	LM300849-LM300811
		(Outer)	LM503349A-LM503310
AXLE			
FRONT AXLE			
PINION			
93-90	300E 4-Matic, 300TE 4-Matic	(Inner)	HM88649-HM88610
		(Outer)	M84548-M84510
REAR AXLE			
DIFFERENTIAL			
05-90	CLK320, C320, C320 4-Matic, C36 AMG, E300, E320, SLK32 AMG, SLK320, SL320, S320, S350, 300SD, 300SE, 300SL		(2)387AS-382A
02-90	C32 AMG, E320, E320 4-Matic, 300CE, 300E, 300TE		(2)LM806649-LM806610
87-80	300CDT, 300SDL, 300CD, 300D, 300SD, 300TD		(2)LM503349A-LM503310
85-81	380SEC, 380SEL, 380SLC, 380SE, 380SL		(2)LM806649-LM806610
PINION			
05-90	CLK320, C320, C320 4-Matic, C36 AMG, E300, E320, SLK32 AMG, SLK320, SL320, S320, S350, 300SD, 300SE, 300SL	(Inner)	HM803149-HM803110
		(Outer)	HM88649-HM88610
02-90	C32 AMG, E320, E320 4-Matic, 300CE, 300E, 300TE	(Inner)	M802048-M802011
		(Outer)	M86649-M86610
97-80	E300, SL320, 300CDT, 300SDL, 300SEL, 300CD, 300CE, 300D, 300E, 300E 4-Matic, 300SD, 300SE, 300SL, 300TD, 300TE, 300TE 4-Matic, 350SDL, 350SD	(Inner)	HM89449-HM89410
		(Outer)	M86649-M86610
85-81	380SEC, 380SEL, 380SLC, 380SE, 380SL	(Inner)	M802048-M802011
		(Outer)	M86649-M86610
DRIVESHAFT			
CENTER SUPPORT			
		Bearing	Bearing & Support
09-01	Brg. ID 1.1811" (30mm).....	106-CC	
97-80	Brg. ID 1.1811" (30mm).....	106-CC	
TRANSFER CASE			
FULL TIME / PART TIME			
INPUT SHAFT			
93-90	4Matic		(2)L610549-L610510
FRONT OUTPUT SHAFT			
93-90	4Matic		A-18

MERCEDES-BENZ - 300 SERIES

(C36, E300, E320, SL320, S320, 300CD, 300CDT, 300CE, 300D, 300E, 300E-4matic, 300SD, 300SDL, 300SE, 300SEL, 300SL, 300TD, 300TE, 380SE, 380SEC, 380SEL, 380SL & 380SLC) (Cont.)

Year	Application	Seal	Bearing	Year	Application	Seal	Bearing
TRANSFER CASE				ELECTRICAL			
FULL TIME / PART TIME (Cont.)				ALTERNATOR			
REAR OUTPUT SHAFT				DRIVE END			
93-90	4Matic.....		A-18	93-80	Bosch 55, 65, 70 Amp.....		303-CC
INTERMEDIATE SHAFT				91-80	Motorola 55 Amp.....		203-FF
93-90	4Matic.....	(2)M84548-M84510		1990	Bosch 90 Amp.....		303-CC
TRANSMISSION				REAR END			
AUTOMATIC / 4 Speed				93-80	Bosch 65, 70 Amp.....		201-CC
FRONT PUMP				90-80	Bosch 55 Amp.....		201-S
97-81	W4A040.....	710608		ENGINE			
OUTPUT SHAFT				CAMSHAFT			
97-80	W4A020, W4B025, W4A040.....		206	6 CYLINDER			
AUTOMATIC / 5 Speed				99-86	2599cc/2.6L, 2799cc/2.8L (DOHC), 2962cc/3.0L, 2996cc/3.0L (DOHC-Diesel), 2996cc/3.0L (Turbo-Diesel), 2996cc/3.0L (DOHC-Turbo-Diesel), 3199cc/3.2L (DOHC).....	223005	
FRONT PUMP							Redi-Sleeve 99114
09-90	W5A030, W5A580.....	710608		CRANKSHAFT			
OUTPUT SHAFT				6 CYLINDER			
09-90	W5A030, W5A580.....		206	99-86	2599cc/2.6L, 2799cc/2.8L (DOHC), 2962cc/3.0L, 2996cc/3.0L (DOHC-Diesel), 2996cc/3.0L (Turbo-Diesel), 2996cc/3.0L (DOHC-Turbo-Diesel), 3199cc/3.2L (DOHC).....	710288	
MANUAL / 4 Speed				8 CYLINDER			
COUNTERSHAFT				85-81	3839cc/3.8L.....	710290	
85-80	G76/18.....		(2)305				Redi-Sleeve 99393
MANUAL / 5 Speed				TIMING COVER			
DRIVESHAFT / INPUT				6 CYLINDER			
93-86	GL76/27.....		02474-02420	99-86	2599cc/2.6L, 2799cc/2.8L (DOHC), 2962cc/3.0L, 2996cc/3.0L (DOHC-Diesel), 2996cc/3.0L (Turbo-Diesel), 2996cc/3.0L (DOHC-Turbo-Diesel), 3199cc/3.2L (DOHC).....	710289	
MAINSHAFT / OUTPUT							Redi-Sleeve 99177
93-90	GL68/20.....		32206	COMPRESSOR			
93-86	GL76/27.....		02474-02420	CLUTCH PULLEY			
COUNTERSHAFT				90-81	Nippondenso 10P15.....		5000-KFF
93-90	GL68/20.....	(Center)	32006	87-80	Harrison R-4.....		907257
		(Front)	1380-1328	85-80	Harrison A-6.....		907257
		(Rear)	B-1816	FRONT HEAD MAIN			
93-86	GL76/27.....	(Front)	1380-1328	87-80	Harrison R-4.....		S-128
		(Rear)	B-1816				
AIR CONDITIONING							

400 SERIES - MERCEDES-BENZ

(CLK430, C43 AMG, E420, E430, E430 4-Matic, S420, S430, S430 4-Matic, S450 4-Matic, 400E, 400SE, 400SEL, 420SEL, 450SE, 450SEL, 450SL & 450SLC)

Year	Application	Seal	Bearing
WHEEL			
FRONT WHEEL			
2009	All.....		510083
06-03	S430 4-Matic		510083
06-00	S430	(Inner)	32008
		(Outer)	A-12
03-92	CLK430, C43 AMG, E420, E430, 400E		
		(Inner)	A-17
		(Outer)	A-12
02-00	E430 4-Matic		513130
99-98	S420	(Inner)	32008
		(Outer)	A-12
97-92	S420, 400SE, 400SEL		
		(Inner) ☆ 710589	32008
		(Outer)	33205
91-86	All.....	(Inner) 3794	A-5
		(Outer)	A-3
1980	All.....	(Inner)	A-5
		(Outer)	A-3
REAR WHEEL			
06-92	S420, S430, 400SE, 400SEL		510083
03-92	CLK430, C43 AMG, E420, E430, E430 4-Matic, 400E, 400SEL		513130
91-86	All.....	(Inner) 1174	LM300849-LM300811
		(Outer)	LM503349A-LM503310
1980	All.....	(Inner) 1174	LM300849-LM300811
		(Outer)	LM503349A-LM503310
AXLE			
REAR AXLE			
DIFFERENTIAL			
05-98	CLK430, C43 AMG, S430, S430 4-Matic	(2)387AS-382A	
02-86	E420, E430, E430 4-Matic, S420, 400E, 420SEL	(2)LM806649-LM806610	
93-92	400SEL, 400SE, 400SEL	(2)387AS-382A	
1980	450SEL, 450SLC, 450SL	(2)LM806649-LM806610	
PINION			
05-98	CLK430, C43 AMG, S430, S430 4-Matic		
		(Inner)	HM803149-HM803110
		(Outer)	HM88649-HM88610
02-86	E420, E430, E430 4-Matic, S420, 400E, 420SEL		
		(Inner)	M802048-M802011
		(Outer)	M86649-M86610
93-92	400SEL, 400SE, 400SEL		
		(Inner)	HM803149-HM803110
		(Outer)	HM88649-HM88610
1980	450SEL, 450SLC, 450SL		
		(Inner)	M802048-M802011
		(Outer)	M86649-M86610
DRIVESHAFT			
CENTER SUPPORT			
		Bearing	Bearing & Support
97-86	Brg. ID 1.1811" (30mm).....	106-CC	
	(Continued Next Column)		

Year	Application	Seal	Bearing
CENTER SUPPORT (Cont.)			
		Bearing	Bearing & Support
1980	Brg. ID 1.1811" (30mm).....	106-CC	
TRANSMISSION			
AUTOMATIC / 4 Speed			
FRONT PUMP			
97-86	W4A040	710608	
OUTPUT SHAFT			
97-86	W4A040		206
1980	K4C025		206
AUTOMATIC / 5 Speed			
FRONT PUMP			
06-98	W5A580	710608	
OUTPUT SHAFT			
06-98	W5A580		206
ELECTRICAL			
ALTERNATOR			
DRIVE END			
90-86	Bosch 55, 65, 70 Amp.....		303-CC
REAR END			
90-86	Bosch 65, 70 Amp.....		201-CC
ENGINE			
CAMSHAFT			
8 CYLINDER			
99-86	4196cc/4.2L, 4196cc/4.2L (DOHC).....	223005	
		Redi-Sleeve 99114	
CRANKSHAFT			
8 CYLINDER			
99-86	4196cc/4.2L, 4196cc/4.2L (DOHC).....	710290	
		Redi-Sleeve 99393	
1980	4520cc/4.5L	710290	
		Redi-Sleeve 99393	
TIMING COVER			
8 CYLINDER			
99-92	4196cc/4.2L (DOHC).....	710289	

() Indicates Quantity Required ☆ New Item, Check for Availability ★ Not a Current Production Number, Check for Availability

MERCEDES-BENZ - 500 SERIES

(CLK500, CLK55 AMG, CL500, CL55 AMG, C55 AMG, E500, E55 AMG, SLK55 AMG, SL500, S500, S55 AMG, 500E, 500SEC, 500SEL, 500SL, 560SEC & 560SEL)

Year	Application	Seal	Bearing	Year	Application	Seal	Bearing
WHEEL				DRIVESHAFT			
FRONT WHEEL				CENTER SUPPORT			
09-03	E500 4-Matic, E550 4-Matic, S500 4-Matic, S550 4-Matic		510083	06-05	Brg. ID 1.1811" (30mm)	106-CC	Bearing & Support
09-03	CLK500, CLK55 AMG, CLK550, C55 AMG, SLK55 AMG			97-84	Brg. ID 1.1811" (30mm)	106-CC	
	(Inner)		A-17	TRANSMISSION			
	(Outer)		A-12	AUTOMATIC / 4 Speed			
09-03	CLS500, CLS55 AMG, CLS550, CL500, CL550, E500, E55 AMG, E550, SL500, SL55 AMG, SL550, S500, S55 AMG, S550		32008	FRONT PUMP			
	(Inner)		A-12	97-84	W4A040	710608	
	(Outer)		A-12	OUTPUT SHAFT			
06-03	CL55 AMG		32008	97-84	W4A040		206
	(Inner)		A-12	AUTOMATIC / 5 Speed			
02-00	CL500, S500, S55 AMG		32008	FRONT PUMP			
	(Inner)		A-12	09-98	W5A580	710608	
02-90	CLK55 AMG, CL55 AMG, E500, E55 AMG, SL500, 500E, 500SL		A-17	93-92	W5A030	710608	
	(Inner)		A-17	OUTPUT SHAFT			
	(Outer)		A-12	09-98	W5A580		206
99-92	CL500, S500, 500SEC, 500SEL		32008	93-92	W5A030		206
	(Inner) ☆ 710589		32008	AIR CONDITIONING			
	(Outer)		33205	COMPRESSOR			
91-85	500SEC, 500SEL, 560SEC, 560SEL		3794	CLUTCH PULLEY			
	(Inner)		A-5	90-86	Nippondenso 10P15		5000-KFF
	(Outer)		A-3	90-86	Nippondenso 10P17		5000-KFF
89-86	560SL		239155	85-84	Harrison A-6		907257
	(Inner)		A-6	ELECTRICAL			
	(Outer)		A-2	ALTERNATOR			
1984	All		A-5	DRIVE END			
REAR WHEEL				91-86	Bosch 80 Amp		303-CC
09-03	CLK500, CLK55 AMG, CLK550, C55 AMG, SLK55 AMG		513130	85-84	Bosch 55, 65, 70 Amp		303-CC
09-92	CL500, CL55 AMG, CL550, S500, S500 4-Matic, S55 AMG, S550, S550 4-Matic, 500SEC, 500SEL		510083	REAR END			
02-90	CLK55 AMG, E500, E55 AMG, SL500, 500E, 500SL		513130	85-84	Bosch 65, 70 Amp		201-CC
91-84	500SEC, 500SEL, 560SEC, 560SEL, 560SL		1174	ENGINE			
	(Inner)		LM300849-LM300811	CAMSHAFT			
	(Outer)		LM503349A-LM503310	8 CYLINDER			
AXLE				91-86	5547cc/5.6L	223005	
REAR AXLE					Redi-Sleeve	99114	
DIFFERENTIAL				CRANKSHAFT			
05-90	CL500, SL500, S500, S500 4-Matic, 500SEC, 500SEL, 500SL		(2)387AS-382A	8 CYLINDER			
02-99	CLK55 AMG, CL55 AMG, E55 AMG, S55 AMG		(2)LM806649-LM806610	99-84	4973cc/5.0L, 4973cc/5.0L (DOHC), 5547cc/5.6L	710290	
94-84	E500, 500SEC, 500SEL, 500E, 560SEC, 560SEL, 560SL		(2)LM806649-LM806610		Redi-Sleeve	99393	
PINION							
05-90	CL500, SL500, S500, S500 4-Matic, 500SEC, 500SEL, 500SL		HM803149-HM803110				
	(Inner)		HM88649-HM88610				
	(Outer)		M802048-M802011				
02-99	CLK55 AMG, CL55 AMG, E55 AMG, S55 AMG		M86649-M86610				
	(Inner)		M802048-M802011				
	(Outer)		M86649-M86610				
94-84	E500, 500SEC, 500SEL, 500E, 560SEC, 560SEL, 560SL		M802048-M802011				
	(Inner)		M86649-M86610				
	(Outer)						

500 SERIES - MERCEDES-BENZ

(Cont.) (CLK500, CLK55 AMG, CL500, CL55 AMG, C55 AMG, E500, E55 AMG, SLK55 AMG, SL500, S500, S55 AMG, 500E, 500SEC, 500SEL, 500SL, 560SEC & 560SEL)

Year	Application	Seal	Bearing	Year	Application	Seal	Bearing
ENGINE				TIMING COVER (Cont.)			
TIMING COVER				8 CYLINDER			
99-90 4973cc/5.0L (DOHC)..... 710289				85-84 4973cc/5.0L 710289			
Redi-Sleeve 99177				Redi-Sleeve 99177			
(Continued Next Column)							

600 SERIES - MERCEDES-BENZ

(CLK63 AMG, CLS63 AMG, CL600, CL63 AMG, CL65 AMG, C63 AMG, E63 AMG, SL 63, SL600, SL65 AMG, S600, S63 AMG, S65 AMG, 600SEC, 600SEL & 600SL)

WHEEL				DRIVESHAFT			
FRONT WHEEL				CENTER SUPPORT			
09-07 CLK63 AMG, C63 AMG				97-92 Brg. ID 1.1811" (30mm)..... 106-CC			
(Inner) A-17				<i>Bearing</i>			
(Outer) A-12				<i>Support</i>			
09-06 CLS63 AMG, CL600, CL63 AMG, CL65 AMG, E63 AMG, SL 63, SL600, SL65 AMG, S600, S63 AMG, S65 AMG				TRANSMISSION			
(Inner) 32008				AUTOMATIC / 4 Speed			
(Outer) A-12				FRONT PUMP			
2005 CL65 AMG..... (Inner) 32008				97-94 W4A040 710608			
(Outer) A-12				OUTPUT SHAFT			
05-04 CL600, SL600, SL65 AMG, S600 (Inner) 32008				97-94 W4A040 206			
(Outer) A-12				AUTOMATIC / 5 Speed			
03-00 CL600, S600..... (Inner) 32008				FRONT PUMP			
(Outer) A-12				09-98 W5A580 710608			
02-93 SL600, 600SL (Inner) A-17				93-92 W5A030 710608			
(Outer) A-12				OUTPUT SHAFT			
99-92 CL600, S600, 600SEC, 600SEL (Inner) ☆ 710589 32008				09-98 W5A580 206			
(Outer) 33205				93-92 W5A030 206			
REAR WHEEL				ENGINE			
09-07 CLK63 AMG, C63 AMG 513130				CRANKSHAFT			
09-92 CL600, CL63 AMG, CL65 AMG, SL 63, S600, S63 AMG, S65 AMG, 600SEC, 600SEL 510083				12 CYLINDER			
02-93 SL600, 600SL 513130				94-92 5987cc/6.0L (DOHC)..... 710288			
AXLE				TIMING COVER			
REAR AXLE				12 CYLINDER			
DIFFERENTIAL				94-92 5987cc/6.0L (DOHC)..... 710289			
02-92 CL600, SL600, S600, 600SEC, 600SEL, 600SL (2) 387AS-382A				Redi-Sleeve 99177			
PINION							
02-92 CL600, SL600, S600, 600SEC, 600SEL, 600SL							
(Inner) HM803149-HM803110							
(Outer) HM88649-HM88610							

MERCEDES-BENZ TRUCK - CROSSOVER/SPORT UTILITY

(GL320, GL450, GL550, G500, G55 AMG, G550, ML320, ML350, ML430, ML500, ML55 AMG, ML550, ML63 AMG, R320 4-Matic, R350, R350 4-Matic, R500 4-Matic & R63 AMG)

Year	Application	Seal	Bearing	Year	Application	Seal	Bearing
WHEEL				REAR WHEEL (Cont.)			
FRONT WHEEL				09-02	G500, G55 AMG, G550..... ☆	710468	516010
09-06	GL320, GL450, GL550, ML320, ML350, ML500, ML550, ML63 AMG, R320 4-Matic, R350 4-Matic, R500 4-Matic, R63 AMG..... ☆		510097	2006	ML500, R350 4-Matic, R500 4-Matic..... ☆		510097
09-02	G500, G55 AMG, G550 (Inner).....		32010-X	05-98	ML320, ML350, ML430, ML500, ML55 AMG.....		510083
	(Outer).....		32011-X	TRANSMISSION			
05-98	ML320, ML350, ML430, ML500, ML55 AMG.....		510083	AUTOMATIC / 5 Speed			
FRONT WHEEL (2WD)				FRONT PUMP			
09-08	All..... ☆		510097	09-00	W5A330, W5A580.....	710608	
REAR WHEEL				99-98	W5A330.....	710608	
09-07	GL320, GL450, GL550, ML320, ML350, ML500, ML550, ML63 AMG, R320 4-Matic, R350, R350 4-Matic, R500 4-Matic, R63 AMG..... ☆		510097	OUTPUT SHAFT			
	(Continued Next Column)			09-00	W5A330, W5A580.....		206
				99-98	W5A330.....		206

MERCEDES-BENZ TRUCK - MEDIUM DUTY

WHEEL				CLUTCH			
FRONT WHEEL				PILOT			
91-86	LP1419 (VL 3/8D-6)			6 CYLINDER			
	(Inner).....		33214	91-84	5958cc/6.0L (Turbo-Diesel).....		205-FF
	(Outer).....		33210		(Hi-Temp.)		205-VV
91-86	L1319 (VL 4/3-6)			84-80	5675cc/5.7L (Turbo-Diesel).....		204-FF
	(Inner).....		33214	TRANSMISSION			
	(Outer).....		32309	AUTOMATIC / 4 Speed			
91-84	L1117 (VL 2/11-3)			FRONT PUMP			
	(Inner).....		* 33211	91-84	Allison MT643 (2.250" Shaft).....	454136N	
91-84	L1117 (VL 3/11D-4)				Redi-Sleeve	99225	
	(Inner).....		33213	OUTPUT SHAFT			
	(Outer).....		33208	91-84	Allison MT643 (3.500" Shaft).....	476424N	209-L
91-80	LP1219, LP1419, LS1418, L1319, L1418 (VL 3/7D-5)			91-84	Allison MT643 (3.750" Shaft).....	455031	209-L
	(Inner).....		33213	EXTENSION HOUSING			
	(Outer).....		33208	91-84	Allison MT643.....	415988	
91-80	LS1418, L1013, L1113, L1317, L1319, L1418 (VL 3/4-5).....	417967	559-552A	MANUAL SHAFT			
	(Outer).....		32307	91-84	Allison MT643.....	340847	
88-80	L1013, L1113 (VL 3/1-3)			MANUAL / 5 Speed			
	(Outer).....		32307	DRIVESHAFT / INPUT			
REAR WHEEL				91-80	G3/40, G3/50, G3/60.....	710197	
91-86	LP1219 (HL 4/16-7)				Redi-Sleeve	99146	
	(Inner).....		580-572	88-80	GV4/65, G3/65, G4/65, G3/90.....	474216	
91-86	LP1219, L1319 (HL 5/1-10)				Redi-Sleeve	99162	
	(Inner).....		598-592A	TRANSMISSION			
	(Outer).....		32215	AUTOMATIC / 4 Speed			
91-84	L1117 (HL 4/28-7)			FRONT PUMP			
	(Inner).....		580-572	91-84	Allison MT643 (2.250" Shaft).....	454136N	
88-80	L1013, L1113.....				Redi-Sleeve	99225	
	(Inner).....		32216	OUTPUT SHAFT			
	(Outer).....		32213	91-84	Allison MT643 (3.500" Shaft).....	476424N	209-L
				91-84	Allison MT643 (3.750" Shaft).....	455031	209-L

(Cont.) **MEDIUM DUTY - MERCEDES-BENZ TRUCK**

Year	Application	Seal	Bearing	Year	Application	Seal	Bearing
TRANSMISSION				MANUAL / 5 Speed (Cont.)			
MANUAL / 5 Speed (Cont.)				COUNTERSHAFT			
MAINSHAFT / OUTPUT				88-80	GV4/65, G4/65..	(Front).....	30309
						(Rear).....	30308
91-80	G3/40, G3/50, G3/60, GV4/65, G3/65, G4/65, G3/90.....	225875		85-80	G3/65, G3/90....	(Front).....	30308
COUNTERSHAFT						(Rear).....	32210
91-80	G3/40, G3/50, G3/60.....		(2)30308	STEERING			
(Continued Next Column)				POWER STEERING			
				STEERING PUMP SHAFT			
				91-84	LPS1525, LP1419, L1117, L1319	(Vickers Pump).....	203

FRONT WHEEL DRIVE - MERCURY

(Cougar, Lynx, LN-7, Milan, Milan AWD, Montego, Montego AWD, Mystique, Sable, Sable AWD, Topaz, Topaz AWD & Tracer)

WHEEL				REAR WHEEL (Cont.)			
FRONT WHEEL				AXLE			
09-08	Sable, Sable AWD.....	Hub Assembly	513223	99-93	Sable (Disc Brakes).....	Hub Assembly	512107
09-06	Milan, Milan AWD.....		510010	99-90	Sable (Drum Brakes).....	Hub Assembly	512106
07-05	Montego, Montego AWD.....	Hub Assembly	513223	94-84	Lynx, Topaz.....	(Inner).....	473677
05-96	Sable.....	Hub Assembly	513100			(Outer).....	A-15
02-95	Cougar, Mystique.....		510029	93-91	Tracer.....	Hub Assembly	513030
99-91	Tracer.....	1932	510013	92-90	Sable (Disc Brakes).....	Hub Assembly	512105
95-92	Sable.....		513058	91-87	Topaz AWD.....		513001
		Hub Repair Kit	520100	89-87	Tracer (Sedan)		
94-84	Lynx, Topaz, Topaz AWD.....		513014			(Inner).....	710311
		Hub Repair Kit	518503			(Outer).....	A-15
1991	Sable (From 02/01/91).....		513058	89-87	Tracer (Station Wagon)		
		Hub Repair Kit	520100			(Inner).....	1973
1991	Sable (To 01/31/91).....		513058			(Outer).....	15123-15245
		Hub Repair Kit	520000	89-86	Sable.....	(Inner).....	6815
90-86	Sable.....		513058			(Outer).....	A-6
		Hub Repair Kit	520000	83-81	All.....	(Inner).....	473677
89-87	Tracer.....	(Inner).....	4990			(Outer).....	A-15
		(Outer).....	710323				A-1
1983	All (From 02/01/83).....		513014	REAR AXLE			
		Hub Repair Kit	518503	AXLE SHAFT			
1983	All (To 01/31/83)			91-87	Topaz AWD.....	(2) 3543	BH-2212
		(Inner).....	A-31			Redi-Sleeve (2) 99139	
		(Outer).....	A-31	DIFFERENTIAL			
82-81	All.....	(Inner).....	A-31	91-87	Topaz AWD.....	(2)A-18	
		(Outer).....	A-31	PINION			
REAR WHEEL				91-87	Topaz AWD.....	(Inner).....	M86649-M86610
09-08	Sable.....	Hub Assembly	512299			(Outer).....	472258
09-08	Sable AWD.....	Hub Assembly	512300			Redi-Sleeve	99139
09-07	Milan AWD.....		510010	CLUTCH			
09-06	Milan (ABS).....	Hub Assembly	512271	PILOT			
09-06	Milan (Exc. ABS).....	Hub Assembly	512272	4 CYLINDER			
07-05	Montego.....	Hub Assembly	512299	08-06	138/2.3L (DOHC).....		FC-65354
07-05	Montego AWD.....	Hub Assembly	512300	99-98	121/2.0L, 121/2.0L (DOHC).....		FC-65354
05-01	Sable (Disc Brakes).....	Hub Assembly	512107	97-91	114/1.9L, 121/2.0L.....		FC-65354
05-01	Sable (Drum Brakes) (ABS).....	Hub Assembly	512163	96-91	1839cc/1.8L (DOHC).....		202-SS
05-01	Sable (Drum Brakes) (Exc. ABS).....	Hub Assembly	512164	89-87	1597cc/1.6L.....		202-SS
02-95	Cougar, Mystique.....	Hub Assembly	512024	6 CYLINDER			
2000	Sable (Disc Brakes).....	Hub Assembly	512106	08-06	181/3.0L (DOHC).....		FC-65354
2000	Sable (Drum Brakes) (ABS).....	Hub Assembly	512162				
2000	Sable (Drum Brakes) (Exc. ABS).....	Hub Assembly	512106				
99-94	Tracer (Disc Brakes) (ABS).....	Hub Assembly	512161				
99-94	Tracer (Drum Brakes) (Exc. ABS).....	Hub Assembly	513030				
(Continued Next Column)							

() Indicates Quantity Required

MERCURY - FRONT WHEEL DRIVE

(Cougar, Lynx, LN-7, Milan, Milan AWD, Montego, Montego AWD, Mystique, Sable, Sable AWD, Topaz, Topaz AWD & Tracer) (Cont.)

Year	Application	Seal	Bearing
CLUTCH			
RELEASE			
		<i>Bearing Only</i>	<i>Bearing Assembly</i>
4 CYLINDER			
99-98	121/2.0L, 121/2.0L (DOHC)		Ⓢ 614155
1997	121/2.0L		Ⓢ 614155
96-91	114/1.9L		Ⓢ 614128
96-91	1839cc/1.8L (DOHC)		Ⓢ 614079
94-89	140/2.3L		Ⓢ 614060
		(Brg. & Sleeve Kit)	Ⓢ 614118
1988	140/2.3L (Centrifugal Cover)		Ⓢ 614060
		(Brg. & Sleeve Kit)	Ⓢ 614118
1988	140/2.3L (Non-Centrifugal Cover)		Ⓢ 614021
87-84	114/1.9L, 140/2.3L, 153/2.5L, 98/1.6L, 98/1.6L (Turbo), 1998cc/2.0L (Diesel)		Ⓢ 614021
1983	98/1.6L (RGT-AE-AH-AL & RWB Trans.)		Ⓢ 614021
6 CYLINDER			
95-90	183/3.0L, 232/3.8L		Ⓢ 614060
94-92	183/3.0L		(Brg. & Sleeve Kit) Ⓢ 614118
TRANSFER CASE			
FULL TIME / PART TIME INPUT SHAFT			
91-87	Spicer (AWD)		(2)A-2
	(Pilot)		206
FRONT OUTPUT SHAFT			
91-87	Spicer (AWD)		M86647-M86610
REAR OUTPUT SHAFT			
91-87	Spicer (AWD)		M86649-M86610
	(Pilot)		SCH-78
TRANSAXLE			
AUTOMATIC / 3 Speed			
DIFFERENTIAL			
94-84	ATX		(2)208
89-87	F3A		(2)32008
83-81	ATX		(2)A-35
TORQUE CONVERTER			
94-81	ATX	Viton® 4539V	
		Redi-Sleeve 99235	
89-87	F3A	1012N	
		Redi-Sleeve 99177	
OUTPUT SHAFT			
94-81	ATX		(2)3622
		Redi-Sleeve (2)99169	
89-87	F3A		(2)2007N
		Redi-Sleeve (2)99139	
MANUAL SHAFT			
94-81	ATX	342517	
		Redi-Sleeve 99101	
AUTOMATIC / 4 Speed			
DIFFERENTIAL			
05-86	4F50N, AXOD, AX4N, AX4S, AXOD-E		(2)208

(Continued Next Column)

Year	Application	Seal	Bearing
AUTOMATIC / 4 Speed (Cont.)			
DIFFERENTIAL			
99-91	4EAT-F		(2)A-17
TORQUE CONVERTER			
05-86	4F50N, AXOD, AX4N, AX4S, AXOD-E	4189H	
02-95	CD4E	Viton® 4635V	
99-91	4EAT-F		710446
OUTPUT SHAFT			
05-86	4F50N, AXOD, AX4N, AX4S, CD4E, AXOD-E	(2)3622	
		Redi-Sleeve (2)99169	
99-91	4EAT-F	(Left) 223543	
		Redi-Sleeve 99139	
		(Right) 2007N	
		Redi-Sleeve 99139	
AUTOMATIC / 5 Speed			
OUTPUT SHAFT			
09-06	FNR5	(2)2007N	
		Redi-Sleeve (2)99139	
AUTOMATIC / 6 Speed			
TORQUE CONVERTER			
09-08	6F50		710561
OUTPUT SHAFT			
09-08	6F50	(Left) 710546	
		(Right) 710583	
MANUAL / 4 Speed			
DIFFERENTIAL			
87-84	MTX-II (2 Pinion)		(2)A-35
87-84	MTX-II (4 Pinion)		(2)A-37
83-81	MTX-II		(2)A-35
INPUT SHAFT			
87-86	MTX-II	3638	
		Redi-Sleeve 99112	
1985	MTX-II (1st Design)		A-31
1985	MTX-II (2nd Design)	3638	
		Redi-Sleeve 99112	
84-81	MTX-II		A-31
OUTPUT SHAFT			
87-81	MTX-II	(2)3622	
		Redi-Sleeve (2)99169	
SHIFT SHAFT			
87-81	MTX-II		710274
MANUAL / 5 Speed			
DIFFERENTIAL			
99-91	Mazda F25M-R		(2)A-17
96-91	Mazda G5M-R		(2)32008
94-92	MTX-IV		(2)A-37
94-84	MTX-III (4 Pinion)		(2)A-37
94-83	MTX-III (2 Pinion)		(2)A-35
89-87	Mazda F5M-R		(2)A-17
INPUT SHAFT			
09-06	Mazda G35M-R (Inner)		513185
	(Outer)	1990	A-32
		Redi-Sleeve 99106	

(Continued Next Page)

FRONT WHEEL DRIVE - MERCURY

(Cont.) (Cougar, Lynx, LN-7, Milan, Milan AWD, Montego, Montego AWD, Mystique, Sable, Sable AWD, Topaz, Topaz AWD & Tracer)

Year	Application	Seal	Bearing
TRANSAXLE			
MANUAL / 5 Speed (Cont.)			
INPUT SHAFT			
96-91	Mazda G5M-R.. (Outer)	1990	A-32
	Redi-Sleeve	99106	
94-83	MTX-IV, MTX-III	3638	
	Redi-Sleeve	99112	
89-87	Mazda F5M-R	222430	
	Redi-Sleeve	99098	
OUTPUT SHAFT			
09-06	Mazda G35M-R	(2) 2007N	
	Redi-Sleeve (2)	99139	
	(Left)		513185
99-91	Mazda F25M-R	222430	
	Redi-Sleeve	99098	
	(Left)	223543	
	Redi-Sleeve	99139	
	(Right)	2007N	
	Redi-Sleeve	99139	
96-91	Mazda G5M-R	(Left) 223543	513185
	Redi-Sleeve	99139	
	(Right)	2007N	
	Redi-Sleeve	99139	
94-83	MTX-IV, MTX-III	(2) 3622	
	Redi-Sleeve (2)	99169	
89-87	Mazda F5M-R	(Left) 223543	
	Redi-Sleeve	99139	
	(Right)	2007N	
	Redi-Sleeve	99139	
COUNTERSHAFT			
99-91	Mazda F25M-R. (Front)		32205
94-83	MTX-IV, MTX-III		(2)A-16
89-87	Mazda F5M-R... (Front)		32205
SHIFT SHAFT			
96-91	Mazda G5M-R	221620	
94-83	MTX-III	710274	
STEERING			
POWER STEERING			
STEERING GEAR INPUT SHAFT			
1996	Tracer	471645	FC-65753
95-87	Lynx, Sable, Topaz, Topaz AWD, Tracer	471645	FC-65753
1986	Sable	471645	FC-65753
STEERING GEAR WORM SHAFT			
02-91	Cougar, Mystique, Tracer		100-CC4
95-81	Lynx, LN-7, Sable, Topaz, Topaz AWD		201-CC
STEERING GEAR PITMAN SHAFT			
02-93	Cougar, Mystique, Topaz	710504	
96-91	Tracer (1.9L Eng.)	710504	
92-84	Sable, Topaz	710504	
STEERING PUMP SHAFT			
02-96	Sable	8773S	
95-81	Lynx, LN-7, Sable, Topaz, Topaz AWD, Tracer	8773S	

Year	Application	Seal	Bearing
AIR CONDITIONING			
COMPRESSOR			
CLUTCH PULLEY			
07-93	Ford FS-10		5106-WCC
96-91	Nippondenso 10P13		5000-KFF
94-91	Sanden SD-708		5001-KFF
94-88	Sanden SD-709		5001-KFF
94-87	Nippondenso 10P15		5000-KFF
93-89	Ford FX-15		5106-WCC
91-81	Ford FS-6		5000-KFF
90-84	Nippondenso 6P148		5001-KFF
89-87	Nippondenso 10P13		5000-KFF
89-84	Sanden SD-508		5001-KFF
1987	Nippondenso 10P15		5001-KFF
85-81	York Mini 206		206-FF
ELECTRICAL			
ALTERNATOR			
DRIVE END			
1991	Mazda 65 Amp		303-CC
91-81	Motorcraft		203-FF
89-87	Mazda 65 Amp		303-CC
REAR END			
91-81	Motorcraft		MNJ-471-S
ENGINE			
CAMSHAFT			
4 CYLINDER			
02-95	121/2.0L (DOHC)	(2) 710550	
	Redi-Sleeve (2)	99169	
99-91	114/1.9L, 121/2.0L	3774	
	Redi-Sleeve	99169	
96-91	1839cc/1.8L (DOHC)	(2) 223420	
89-87	1597cc/1.6L	223012	
	Redi-Sleeve	99114	
87-84	1998cc/2.0L (Diesel)	223420	
	Redi-Sleeve	99134	
87-81	114/1.9L, 98/1.6L, 98/1.6L (Turbo)	3774	
	Redi-Sleeve	99169	
CRANKSHAFT			
4 CYLINDER			
09-06	138/2.3L (DOHC)		710600
02-81	114/1.9L, 121/2.0L, 140/2.3L, 153/2.5L, 121/2.0L (DOHC), 98/1.6L, 98/1.6L (Turbo)		3772
	(Gskt. & PTFE Seal)		5287A
	PTFE Rubber		5287
96-91	1839cc/1.8L (DOHC)		228250
89-87	1597cc/1.6L		228250
87-84	1998cc/2.0L (Diesel)		229010
	Redi-Sleeve		99354

() Indicates Quantity Required

MERCURY - FRONT WHEEL DRIVE

(Cougar, Lynx, LN-7, Milan, Milan AWD, Montego, Montego AWD, Mystique, Sable, Sable AWD, Topaz, Topaz AWD & Tracer) (Cont.)

Year	Application	Seal	Bearing	Year	Application	Seal	Bearing
ENGINE				TIMING COVER (Cont.)			
CRANKSHAFT (Cont.)				4 CYLINDER			
6 CYLINDER				1991	1839cc/1.8L (DOHC) (To 01/31/91)	223012	
09-88	152/2.5L (DOHC), 155/2.5L (DOHC), 181/3.0L (DOHC), 232/3.8L	3909			Redi-Sleeve	99114	
	PTFE Rubber	5277		89-84	1597cc/1.6L, 1998cc/2.0L (Diesel)	223012	
	Redi-Sleeve	99363			Redi-Sleeve	99114	
05-86	183/3.0L	3772		87-81	114/1.9L, 98/1.6L, 98/1.6L (Turbo)	3771	
	(Gskt. & PTFE Seal)	5287A			Redi-Sleeve	99139	
	PTFE Rubber	5287		6 CYLINDER			
TIMING COVER				09-95	152/2.5L (DOHC), 155/2.5L (DOHC), 181/3.0L (DOHC), 213.3/3.5L (DOHC)	482041N	
4 CYLINDER					Redi-Sleeve	99187	
02-95	121/2.0L (DOHC)	713771			Harmonic Bal Sleeve	88187	
	Redi-Sleeve	99139		05-96	183/3.0L	2692	
99-91	114/1.9L, 121/2.0L	3771		05-94	183/3.0L	88187	
	Redi-Sleeve	99139			Harmonic Bal Kit <input checked="" type="checkbox"/>	5001	
96-92	1839cc/1.8L (DOHC)	710355		05-86	183/3.0L	99187	
	Redi-Sleeve	99145		95-94	232/3.8L	712692	
94-84	140/2.3L, 153/2.5L	714075			Redi-Sleeve	99187	
	Redi-Sleeve	99177			Harmonic Bal Sleeve	88187	
1991	1839cc/1.8L (DOHC) (From 02/01/91)	710355		93-88	232/3.8L	2692	
	Redi-Sleeve	99145			Redi-Sleeve	99187	
	(Continued Next Column)			93-86	183/3.0L, 232/3.8L		
					Harmonic Bal Sleeve	88187	
					Harmonic Bal Kit <input checked="" type="checkbox"/>	5001	

MERCURY FULL SIZE - REAR WHEEL DRIVE

(Grand Marquis, Marauder & Marquis)

WHEEL				REAR AXLE (Cont.)			
FRONT WHEEL				DIFFERENTIAL			
09-06	All	Hub Assembly	513230	09-83	7.5" R.G.	(2)LM501349-LM501314	
2005	All (From 02/24/05)	Hub Assembly	513230	09-80	8.5" R.G., 8.8" R.G.	(2)A-36	
2005	All (To 02/23/05)	Hub Assembly	513196	81-80	7.5" R.G.	(2)LM501349-LM501314	
04-03	All	Hub Assembly	513196	PINION			
02-98	All	Hub Assembly	513202	09-80	7.5" R.G., 8.5" R.G., 8.8" R.G.		
1997	All (From 04/01/97)	Hub Assembly	513202		(Inner)	M802048-M802011	
1997	All (To 03/31/97)	Hub Assembly	513104		(Outer)	3604 M88048-M88010	
96-92	All	Hub Assembly	513104		Redi-Sleeve	99181	
91-80	All	(Inner)	6815				
		(Outer)	A-12	TRANSMISSION			
REAR WHEEL				AUTOMATIC / 3 Speed			
09-80	All	8660S	5707	FRONT PUMP			
		(Axle Repair Brg.)	RP-5707	1980	C4, C6	331107N	
					Redi-Sleeve	99199	
AXLE				EXTENSION HOUSING			
REAR AXLE				1980	C4	7692S	
DIFFERENTIAL KIT					(Seal & Bushing Kit)	5202	
09-83	7.5" R.G.	<input checked="" type="checkbox"/>	RA-315	1980	C6	7300S	
09-82	8.8" R.G.	(Master Kit)	RA-311MK		(Seal & Bushing Kit)	5203	
09-80	8.5" R.G., 8.8" R.G.	<input checked="" type="checkbox"/>	RA-311	MANUAL SHAFT			
81-80	7.5" R.G.	<input checked="" type="checkbox"/>	RA-315	1980	C4	240816	
					Redi-Sleeve	99076	
				1980	C6	7929S	

REAR WHEEL DRIVE - MERCURY FULL SIZE

(Cont.) (Grand Marquis, Marauder & Marquis)

Year	Application	Seal	Bearing
TRANSMISSION			
AUTOMATIC / 4 Speed			
FRONT PUMP			
09-92	4R70E, 4R70W, 4R75E, AOD-E, AOD-EW	3404	
91-81	AOD	331107N	
	Redi-Sleeve	99199	
EXTENSION HOUSING			
09-04	4R70E, 4R70W, 4R75E (Booted)	4765	
09-04	4R70E, 4R70W, 4R75E (Non-Booted)	4764	
03-95	AOD-EW	4764	
94-92	AOD-E	7692S	
	(Seal & Bushing Kit)	5202	
91-81	AOD (Booted)	7692S	
	(Seal & Bushing Kit)	5202	
91-81	AOD (Non-Booted)	2194	
MANUAL SHAFT			
09-81	AOD, 4R70E, 4R70W, 4R75E, AOD-E, AOD-EW	7929S	
STEERING			
POWER STEERING			
STEERING GEAR INPUT SHAFT			
94-80	All	471645	FC-65753
STEERING GEAR WORM SHAFT			
01-80	All		201-CC
STEERING PUMP SHAFT			
01-80	All	8773S	
AIR CONDITIONING			
COMPRESSOR			
CLUTCH PULLEY			
09-93	Ford FS-10		5106-WCC
93-89	Ford FX-15		5106-WCC
88-83	Ford FS-6		5000-KFF
88-83	Nippondenso 6E171		5000-KFF
84-80	Tecumseh & York		5106-WCC
1980	Harrison A-6		907257
REAR			
82-80	Tecumseh & York		203
ELECTRICAL			
ALTERNATOR			
DRIVE END			
91-80	Motorcraft		203-FF

Year	Application	Seal	Bearing
ALTERNATOR (Cont.)			
REAR END			
91-80	Motorcraft		MNJ-471-S
ENGINE			
CRANKSHAFT			
8 CYLINDER			
09-84	281/4.6L, 281/4.6L (DOHC), 281/4.6L, 302/5.0L	3909	
	PTFE Rubber	5277	
	Redi-Sleeve	99363	
91-84	351/5.8L(W)	2377	
	PTFE	5278	
	Redi-Sleeve	99372	
1983	302/5.0L (From 12/01/82)	3909	
	PTFE Rubber	5277	
	Redi-Sleeve	99363	
1983	302/5.0L (To 11/30/82)		
	(Rope Type)	5095	
	(Split Seal)	5108	
1983	351/5.8L(W) (From 07/11/83)	2377	
	PTFE	5278	
	Redi-Sleeve	99372	
1983	351/5.8L(W) (To 07/10/83)		
	(Rope Type)	5095	
	(Split Seal)	5117	
82-80	351/5.8L(W)	5095	
	(Rope Type)	5095	
	(Split Seal)	5117	
82-80	255/4.2L, 302/5.0L		
	(Rope Type)	5095	
	(Split Seal)	5108	
TIMING COVER			
8 CYLINDER			
09-92	281/4.6L, 281/4.6L (DOHC), 281/4.6L	482041N	
	Redi-Sleeve	99187	
	Harmonic Bal Sleeve	88187	
91-80	255/4.2L, 302/5.0L, 351/5.8L(W)	2692	
	Redi-Sleeve	99187	
	Harmonic Bal Sleeve	88187	
	Harmonic Bal Kit <input type="checkbox"/>	5001	

Refer To Front Of Catalog For Kit Contents

MERCURY MID SIZE - REAR WHEEL DRIVE (Marquis)

Year	Application	Seal	Bearing
------	-------------	------	---------

WHEEL

FRONT WHEEL

86-83 All..... (Inner) 6815 A-17
 (Outer) A-12

REAR WHEEL

86-83 All..... 8660S 5707
 (Axle Repair Brg.) RP-5707

AXLE

REAR AXLE

DIFFERENTIAL KIT

86-83 8.8" R.G. (Master Kit) RA-311MK
 86-83 8.5" R.G., 8.8" R.G. RA-311

DIFFERENTIAL

86-83 8.5" R.G., 8.8" R.G. (2)A-36

PINION

86-83 8.5" R.G., 8.8" R.G.
 (Inner) M802048-M802011
 (Outer) 3604 M88048-M88010
 Redi-Sleeve 99181

CLUTCH

PILOT

4 CYLINDER

86-83 140/2.3L FC-65354

TRANSMISSION

AUTOMATIC / 3 Speed

FRONT PUMP

86-83 C3..... Viton® 2658V
 86-83 C5..... 331107N
 Redi-Sleeve 99199

EXTENSION HOUSING

86-83 C3..... 2655
 86-83 C5..... 7692S
 (Seal & Bushing Kit) 5202

MANUAL SHAFT

86-83 C3..... 7929S
 86-83 C5..... 240816
 Redi-Sleeve 99076

AUTOMATIC / 4 Speed

FRONT PUMP

86-83 AOD..... 331107N
 Redi-Sleeve 99199

EXTENSION HOUSING

86-83 AOD (Booted)..... 7692S
 (Seal & Bushing Kit) 5202
 86-83 AOD (Non-Booted)..... 2194

MANUAL SHAFT

86-83 AOD..... 7929S

Year	Application	Seal	Bearing
------	-------------	------	---------

MANUAL / 4 Speed

DRIVESHAFT / INPUT

86-83 Type E (German Design)..... 2503N
 Redi-Sleeve 99111

MAINSHAFT / OUTPUT

86-83 Type E (German Design)..... 2443 * 108-A

COUNTERSHAFT

86-83 Type E (German Design)
 (Front) (21)C-407-Q
 (Rear) (21)B-1316-Q

STEERING

POWER STEERING

STEERING GEAR INPUT SHAFT

86-83 All..... 471645 FC-65753

STEERING GEAR WORM SHAFT

86-83 All..... 201-CC

STEERING PUMP SHAFT

86-83 All..... 8773S

AIR CONDITIONING

COMPRESSOR

CLUTCH PULLEY

86-84 Nippondenso 6P148..... 5001-KFF
 86-83 Tecumseh HR-980..... 5000-KFF
 84-83 Ford FS-6..... 5000-KFF
 84-83 Tecumseh & York..... 5106-WCC

REAR

84-83 Tecumseh & York..... 203

ELECTRICAL

ALTERNATOR

DRIVE END

86-83 Motorcraft 203-FF

REAR END

86-83 Motorcraft MNJ-471-S

ENGINE

AUXILIARY SHAFT

4 CYLINDER

86-83 140/2.3L, 140/2.3L (LPG)..... 2955

CAMSHAFT

4 CYLINDER

86-83 140/2.3L, 140/2.3L (LPG)..... 2955

CRANKSHAFT

4 CYLINDER

86-83 140/2.3L, 140/2.3L (LPG)..... 3909
 PTFE Rubber 5277
 Redi-Sleeve 99363

() Indicates Quantity Required * Not a Current Production Number, Check for Availability Refer To Front Of Catalog For Kit Contents

(Cont.) (Marquis) **REAR WHEEL DRIVE - MERCURY MID SIZE**

Year	Application	Seal	Bearing	Year	Application	Seal	Bearing
ENGINE				TIMING COVER			
CRANKSHAFT (Cont.)				4 CYLINDER			
6 CYLINDER				6 CYLINDER			
86-84	232/3.8L	3909		86-83	140/2.3L, 140/2.3L (LPG)	2955	
		PTFE Rubber 5277				Redi-Sleeve 99187	
		Redi-Sleeve 99363				Harmonic Bal Sleeve 88187	
1983	200/3.3L	5095		1983	200/3.3L	7486S	
		(Rope Seal) 5116				Redi-Sleeve 99174	
1983	232/3.8L (From 01/01/83)	3909					
		PTFE Rubber 5277		8 CYLINDER			
		Redi-Sleeve 99363		85-84	302/5.0L	2692	
1983	232/3.8L (To 12/31/82)	5095				Redi-Sleeve 99187	
		(Rope Type) 5108				Harmonic Bal Sleeve 88187	
		(Split Seal) 5108				Harmonic Bal Kit <input checked="" type="checkbox"/> 5001	
8 CYLINDER							
85-84	302/5.0L	3909					
		PTFE Rubber 5277					
		Redi-Sleeve 99363					

REAR WHEEL DRIVE - MERCURY COMPACT/SUBCOMPACT
(Bobcat, Monarch & Zephyr)

WHEEL			
FRONT WHEEL			
83-80	Zephyr	(Inner) 6815	A-17
		(Outer) 6815	A-12
1980	Bobcat, Monarch	(Inner) 6815	A-13
		(Outer) 6815	A-12
REAR WHEEL			
83-80	Zephyr (6.75" R.G.)	3214	RW-207-CCRA
82-80	Monarch, Zephyr (7.5" R.G.)	8660S	5707
		(Axle Repair Brg.)	RP-5707
1980	Bobcat	3214	RW-207-CCRA
1980	Monarch (8" R.G.) (9" R.G.)	9569S	RW-207-CCRA
AXLE			
REAR AXLE			
DIFFERENTIAL KIT			
83-80	7.5" R.G.	<input checked="" type="checkbox"/> RA-315	
1980	9" R.G.	<input checked="" type="checkbox"/> RA-313	
		(Master Kit)	RA-313MK
1980	8" R.G.	<input checked="" type="checkbox"/> RA-310	
DIFFERENTIAL			
83-80	6.75" R.G., 7.5" R.G.	(2)LM501349-LM501314	
1980	9" R.G.	(2)LM102949-LM102910	
1980	8" R.G.	(2)A-35	
PINION			
83-80	7.5" R.G.	(Inner) M802048-M802011	
		(Outer) 3604	M88048-M88010
		Redi-Sleeve 99181	
82-80	6.75" R.G.	(Inner) HM88648-HM88610	
		(Outer) 3618	M86649-M86610
		Redi-Sleeve 99181	
		(Continued Next Column)	

REAR AXLE (Cont.)			
PINION			
1980	9" R.G.	7044NA	(2)M88048-M88010
		Redi-Sleeve 99181	
		(Pilot)	R-1535-TAV
1980	8" R.G.	3618	(2)M86649-M86610
		Redi-Sleeve 99181	
		(Pilot)	R-1558-TAV
CLUTCH			
PILOT			
4 CYLINDER			
83-80	140/2.3L, 140/2.3L (Turbo)		FC-65354
6 CYLINDER			
81-80	200/3.3L, 250/4.1L		FC-65174
RELEASE			
		Bearing Only	Bearing Assembly
6 CYLINDER			
81-80	200/3.3L, 250/4.1L		Ⓢ 614014
TRANSMISSION			
AUTOMATIC / 3 Speed			
FRONT PUMP			
83-80	C3	Viton®	2658V
83-80	C4, C5		331107N
		Redi-Sleeve 99199	
1980	Jatco 3N71B		2025
		Redi-Sleeve 99166	
EXTENSION HOUSING			
83-80	C3		2655
83-80	C4, C5		7692S
		(Seal & Bushing Kit)	5202
1980	Jatco 3N71B		7692S
		(Seal & Bushing Kit)	5202

() Indicates Quantity Required Ⓢ Sealed Self-Aligning Bearing Refer To Front Of Catalog For Kit Contents

MERCURY COMPACT/SUBCOMPACT - REAR WHEEL DRIVE (Bobcat, Monarch & Zephyr) (Cont.)

Year	Application	Seal	Bearing
TRANSMISSION			
AUTOMATIC / 3 Speed (Cont.)			
MANUAL SHAFT			
83-80	C3.....	7929S	
83-80	C4, C5.....	240816	
		Redi-Sleeve 99076	
MANUAL / 4 Speed			
DRIVESHAFT / INPUT			
83-80	Tremec 171.....	3638	308-L4
		Redi-Sleeve 99112	
83-80	Type E (German Design).....	2503N	
		Redi-Sleeve 99111	
MAINSHAFT / OUTPUT			
83-80	Tremec 171.....	7692S	308-L4
		(Seal & Bushing Kit) 5202	
83-80	Type E (German Design).....	2443	* 108-A
MAINSHAFT PILOT			
83-80	Tremec 171.....		(15)QBR-23549
COUNTERSHAFT			
83-80	Tremec 171.....		(42)QAR-33724
83-80	Type E (German Design)		(21)C-407-Q
		(Front)	(21)B-1316-Q
		(Rear)	
REVERSE IDLER			
83-80	Tremec 171.....		(44)C-407-Q
SHIFT SHAFT			
83-80	Tremec 171.....	313156	
STEERING			
MANUAL STEERING			
STEERING GEAR SECTOR SHAFT			
1980	Monarch, Zephyr (Saginaw Design).....	340151	B-1816
POWER STEERING			
STEERING GEAR INPUT SHAFT			
83-80	All (Ford Design).....	471645	FC-65753
STEERING GEAR WORM SHAFT			
83-80	Monarch, Zephyr (Ford Design).....		201-CC
82-80	All (TRW Design).....	240733	
1980	Bobcat (Ford Design).....		201-CC
		(Thrust)	NTA-1423
STEERING PUMP SHAFT			
83-80	All (Ford Pump).....	8773S	
AIR CONDITIONING			
COMPRESSOR			
CLUTCH PULLEY			
1983	Ford FS-6.....		5000-KFF
1983	Tecumseh HR-980.....		5000-KFF
83-81	Nippondenso 6P148.....		5001-KFF
83-80	Tecumseh & York.....		5106-WCC
1980	Harrison A-6.....		907257

Year	Application	Seal	Bearing
COMPRESSOR (Cont.)			
REAR			
83-80	Tecumseh & York.....		203
ELECTRICAL			
ALTERNATOR			
DRIVE END			
83-80	Motorcraft.....		203-FF
REAR END			
83-80	Motorcraft.....		MNJ-471-S
ENGINE			
AUXILIARY SHAFT			
4 CYLINDER			
83-80	140/2.3L, 140/2.3L (Turbo).....	2955	
CAMSHAFT			
4 CYLINDER			
83-80	140/2.3L, 140/2.3L (Turbo).....	2955	
CRANKSHAFT			
4 CYLINDER			
1983	140/2.3L.....	3909	
		PTFE Rubber 5277	
		Redi-Sleeve 99363	
1982	140/2.3L (From 09/29/81).....	3909	
		PTFE Rubber 5277	
		Redi-Sleeve 99363	
1982	140/2.3L (To 09/28/81)		
		(Split Seal) 5108	
81-80	140/2.3L.....	(Split Seal) 5108	
1980	140/2.3L (Turbo).....	(Rope Type) 5095	
		(Split Seal) 5108	
6 CYLINDER			
83-80	200/3.3L.....	(Rope Type) 5095	
		(Split Seal) 5116	
1980	250/4.1L.....	(Rope Type) 5095	
		(Split Seal) 5108	
8 CYLINDER			
82-80	255/4.2L, 302/5.0L		
		(Rope Type) 5095	
		(Split Seal) 5108	
TIMING COVER			
4 CYLINDER			
83-80	140/2.3L, 140/2.3L (Turbo).....	2955	
6 CYLINDER			
83-80	200/3.3L.....	7486S	
		Redi-Sleeve 99174	
1980	250/4.1L.....	2942	
		Redi-Sleeve 99187	
		Harmonic Bal Sleeve 88187	
		Harmonic Bal Kit <input checked="" type="checkbox"/> 5001	

REAR WHEEL DRIVE - MERCURY COMPACT/SUBCOMPACT

(Cont.) (Bobcat, Monarch & Zephyr)

Year	Application	Seal	Bearing	Year	Application	Seal	Bearing
ENGINE							
TIMING COVER (Cont.)							
8 CYLINDER							
82-80	255/4.2L, 302/5.0L	2692					
		Redi-Sleeve 99187					
		Harmonic Bal Sleeve 88187					
		Harmonic Bal Kit <input checked="" type="checkbox"/> 5001					

(Includes RS) DOMESTIC - MERCURY CAPRI

WHEEL			
FRONT WHEEL			
86-85	All (2.3L Eng.)		
	(Inner)	6815	A-17
	(Outer)		A-12
86-84	All (3.8L Eng.)		
	(Inner)	6815	A-17
	(Outer)		A-12
86-84	All (5.0L Eng.)		
	(Inner)	9150S	A-5
	(Outer)		A-12
1984	All (2.3L Eng.) (Exc. Turbo Eng.)	6815	A-17
	(Outer)		A-12
1984	All (2.3L Eng.) (Turbo Eng.)	9150S	A-5
	(Outer)		A-12
83-80	All	6815	A-17
	(Outer)		A-12
REAR WHEEL			
86-84	All	8660S	5707
		(Axle Repair Brg.)	RP-5707
83-80	All (6.75" R.G.)	3214	RW-207-CCRA
83-80	All (7.5" R.G.)	8660S	5707
		(Axle Repair Brg.)	RP-5707

AXLE			
REAR AXLE			
DIFFERENTIAL KIT			
1986	8.8" R.G.	<input checked="" type="checkbox"/> RA-311	
		(Master Kit)	RA-311MK
86-80	7.5" R.G.	<input checked="" type="checkbox"/> RA-315	
DIFFERENTIAL			
1986	8.8" R.G.		(2)A-36
86-80	6.75" R.G., 7.5" R.G.		(2)LM501349-LM501314
PINION			
86-80	7.5" R.G., 8.8" R.G.		
	(Inner)	M802048-M802011	
	(Outer)	3604	M88048-M88010
		Redi-Sleeve 99181	
82-80	6.75" R.G.	(Inner)	HM88648-HM88610
		(Outer)	3618
		Redi-Sleeve 99181	M86649-M86610

CLUTCH			
PILOT			
4 CYLINDER			
86-80	140/2.3L, 140/2.3L (Turbo)		FC-65354
6 CYLINDER			
82-80	200/3.3L		FC-65174
8 CYLINDER			
86-82	302/5.0L		FC-65174
RELEASE			
		Bearing Only	Bearing Assembly
4 CYLINDER			
86-80	140/2.3L (Exc. German 4 Spd.)		Ⓢ 614014
84-83	140/2.3L (Turbo)		Ⓢ 614014
1980	140/2.3L (Turbo)		Ⓢ 614014
6 CYLINDER			
82-80	200/3.3L		Ⓢ 614014
8 CYLINDER			
86-82	302/5.0L		Ⓢ 614014

TRANSMISSION			
AUTOMATIC / 3 Speed			
FRONT PUMP			
86-80	C3	Viton® 2658V	
86-80	C4, C5	331107N	
		Redi-Sleeve 99199	
EXTENSION HOUSING			
86-80	C3	2655	
86-80	C4, C5	7692S	
		(Seal & Bushing Kit) 5202	
MANUAL SHAFT			
86-80	C3	7929S	
86-80	C4, C5	240816	
		Redi-Sleeve 99076	
AUTOMATIC / 4 Speed			
FRONT PUMP			
86-82	AOD	331107N	
		Redi-Sleeve 99199	
EXTENSION HOUSING			
86-82	AOD (Booted)	7692S	
		(Seal & Bushing Kit) 5202	
86-82	AOD (Non-Booted)	2194	

() Indicates Quantity Required Ⓢ Sealed Self-Aligning Bearing Refer To Front Of Catalog For Kit Contents

MERCURY CAPRI - DOMESTIC (Includes RS) (Cont.)

Year	Application	Seal	Bearing
TRANSMISSION			
AUTOMATIC / 4 Speed (Cont.)			
MANUAL SHAFT			
86-82	AOD.....	7929S.....	
MANUAL / 4 Speed			
DRIVESHAFT / INPUT			
86-80	Type E (German Design).....	2503N.....	
		Redi-Sleeve 99111.....	
83-82	Tremec 174.....	3638.....	209-L
		Redi-Sleeve 99112.....	
82-80	Borg-Warner SR4.....	3638.....	207-L
		Redi-Sleeve 99112.....	
82-80	Tremec 171.....	3638.....	308-L4
		Redi-Sleeve 99112.....	
MAINSHAFT / OUTPUT			
86-80	Type E (German Design).....	2443.....	* 108-A
83-82	Tremec 174.....	7692S.....	307-L
	(Seal & Bushing Kit) 5202.....		
82-80	Borg-Warner SR4.....	3116N.....	207-L
82-80	Tremec 171.....	7692S.....	308-L4
	(Seal & Bushing Kit) 5202.....		
MAINSHAFT PILOT			
83-80	Tremec 171, 174.....		(15)QBR-23549
82-80	Borg-Warner SR4.....		(15)QBR-23549
COUNTERSHAFT			
86-80	Type E (German Design)		
	(Front).....		(21)C-407-Q
	(Rear).....		(21)B-1316-Q
83-80	Tremec 171, 174.....		(42)QAR-33724
82-80	Borg-Warner SR4.....		(50)C-1086-Q
REVERSE IDLER			
83-80	Tremec 171, 174.....		(44)C-407-Q
SHIFT SHAFT			
83-80	Tremec 171, 174.....	313156.....	
MANUAL / 5 Speed			
DRIVESHAFT / INPUT			
86-83	Borg-Warner T5, T5WC.....	7412S.....	A-5
		Redi-Sleeve 99125.....	
	(Thrust).....		FA-55505
83-80	Tremec 140, 141.....	482163N.....	A-5
		Redi-Sleeve 99138.....	
MAINSHAFT / OUTPUT			
86-83	Borg-Warner T5, T5WC.....	7692S.....	25877-25821
	(Seal & Bushing Kit) 5202.....		
83-80	Tremec 140, 141.....	222820.....	A-5
MAINSHAFT PILOT			
86-83	Borg-Warner T5, T5WC.....		(15)QBR-23549
83-80	Tremec 140, 141.....		(15)QBR-23549
MAINSHAFT 1ST SPEED GEAR			
86-85	Borg-Warner T5WC.....		F-218255
MAINSHAFT 2ND SPEED GEAR			
86-85	Borg-Warner T5WC.....		F-93934
COUNTERSHAFT			
86-85	Borg-Warner T5WC		
	(Rear).....		A-6
	(Thrust).....		NTA-1423
	(Continued Next Column)		

Year	Application	Seal	Bearing
MANUAL / 5 Speed (Cont.)			
COUNTERSHAFT			
84-83	Borg-Warner T5		
	(Front).....		DK-55836
	(Rear).....		5707
	(Thrust).....		NTA-1423
83-80	Tremec 140, 141		
	(Front).....		A-2
	(Rear).....		A-6
SHIFT SHAFT			
83-80	Tremec 140, 141.....	314267N.....	
		Redi-Sleeve 99062.....	
STEERING			
POWER STEERING			
STEERING GEAR WORM SHAFT			
86-85	All.....	471645.....	201-CC
84-83	All.....	471645.....	201-CC
	(Thrust).....		NTA-1423
82-80	All (Ford Design).....	471645.....	201-CC
	(Thrust).....		NTA-1423
82-80	All (TRW Design).....	240733.....	
STEERING PUMP SHAFT			
86-83	All.....	8773S.....	
82-80	All (Ford Pump).....	8773S.....	
AIR CONDITIONING			
COMPRESSOR			
CLUTCH PULLEY			
86-83	Ford FS-6.....		5000-KFF
86-83	Tecumseh HR-980.....		5000-KFF
86-81	Nippondenso 6P148.....		5001-KFF
1980	Tecumseh & York.....		5106-WCC
REAR			
1980	Tecumseh & York.....		203
ELECTRICAL			
ALTERNATOR			
DRIVE END			
86-80	Motorcraft.....		203-FF
REAR END			
86-80	Motorcraft.....		MNJ-471-S
ENGINE			
AUXILIARY SHAFT			
4 CYLINDER			
86-83	140/2.3L, 140/2.3L (Turbo).....	2955.....	
82-81	140/2.3L.....	2955.....	
1980	140/2.3L, 140/2.3L (Turbo).....	2955.....	
CAMSHAFT			
4 CYLINDER			
86-83	140/2.3L, 140/2.3L (Turbo).....	2955.....	
82-81	140/2.3L.....	2955.....	
1980	140/2.3L, 140/2.3L (Turbo).....	2955.....	

(Cont.) (Includes RS) **DOMESTIC - MERCURY CAPRI**

Year	Application	Seal	Bearing	Year	Application	Seal	Bearing
ENGINE				CRANKSHAFT (Cont.)			
4 CYLINDER				8 CYLINDER			
86-83	140/2.3L, 140/2.3L (Turbo).....	3909		1983	302/5.0L (From 12/01/82).....	3909	
	PTFE Rubber	5277			PTFE Rubber	5277	
	Redi-Sleeve	99363			Redi-Sleeve	99363	
1982	140/2.3L (From 09/29/81).....	3909		1983	302/5.0L (To 11/30/82)		
	PTFE Rubber	5277			(Rope Type)	5095	
	Redi-Sleeve	99363			(Split Seal)	5108	
1982	140/2.3L (To 09/28/81)			82-80	255/4.2L, 302/5.0L		
	(Split Seal)	5108			(Rope Type)	5095	
81-80	140/2.3L.....	(Split Seal)	5108		(Split Seal)	5108	
1980	140/2.3L (Turbo).....	(Rope Type)	5095	TIMING COVER			
	(Split Seal)	5108		4 CYLINDER			
6 CYLINDER				86-83	140/2.3L, 140/2.3L (Turbo).....	2955	
86-84	232/3.8L.....	3909		82-81	140/2.3L.....	2955	
	PTFE Rubber	5277		1980	140/2.3L, 140/2.3L (Turbo).....	2955	
	Redi-Sleeve	99363		6 CYLINDER			
1983	232/3.8L (From 01/01/83).....	3909		86-83	232/3.8L.....	2692	
	PTFE Rubber	5277			Redi-Sleeve	99187	
	Redi-Sleeve	99363			Harmonic Bal Sleeve	88187	
1983	232/3.8L (To 12/31/82)				Harmonic Bal Kit <input checked="" type="checkbox"/>	5001	
	(Rope Type)	5095		82-80	200/3.3L.....	7486S	
	(Split Seal)	5108			Redi-Sleeve	99174	
82-80	200/3.3L.....	(Rope Type)	5095	8 CYLINDER			
	(Split Seal)	5116		86-80	255/4.2L, 302/5.0L.....	2692	
8 CYLINDER					Redi-Sleeve	99187	
86-84	302/5.0L.....	3909			Harmonic Bal Sleeve	88187	
	PTFE Rubber	5277			Harmonic Bal Kit <input checked="" type="checkbox"/>	5001	
	Redi-Sleeve	99363		(Continued Next Column)			

(Includes XR7) **REAR WHEEL DRIVE - MERCURY COUGAR**

WHEEL				AXLE			
FRONT WHEEL				REAR AXLE			
97-91	All.....	Hub Assembly	513092	AXLE SHAFT			
90-89	All (ABS).....	Hub Assembly	513076	97-89	IRS-8.8" R.G.....	(2) 100357	(2)FC-66998
90-89	All (Exc. ABS).....	Hub Assembly	513077		Redi-Sleeve (2)	99157	
88-87	All.....	(Inner)	6815	A-17	97-80	IRS-7.5" R.G.....	(2) 714569
		(Outer)		A-12		Redi-Sleeve (2)	99157
86-84	All (Exc. XR7 Turbo)			DIFFERENTIAL KIT			
	(Inner)	6815	A-17	97-80	IRS-7.5" R.G.....	<input checked="" type="checkbox"/>	RA-315
	(Outer)		A-12	92-87	IRS-8.8" R.G.....	<input checked="" type="checkbox"/>	RA-311
86-84	All (XR7 Turbo)			DIFFERENTIAL			
	(Inner)	9150S	A-5	97-80	IRS-7.5" R.G.....	(2)LM501349-LM501314	
	(Outer)		A-12	92-87	IRS-8.8" R.G.....	(2)A-36	
83-80	All.....	(Inner)	6815	A-17	PINION		
		(Outer)		A-12	97-80	IRS-7.5" R.G., IRS-8.8" R.G.	
REAR WHEEL					(Inner)	M802048-M802011	
97-89	All.....	513058			(Outer)	3604	M88048-M88010
88-80	All.....	8660S	5707		Redi-Sleeve	99181	
		(Axle Repair Brg.)	RP-5707				

() Indicates Quantity Required Refer To Front Of Catalog For Kit Contents

MERCURY COUGAR - REAR WHEEL DRIVE (Includes XR7) (Cont.)

Year	Application	Seal	Bearing
CLUTCH			
PILOT			
4 CYLINDER			
86-84	140/2.3L (Turbo)		FC-65354
82-81	140/2.3L		FC-65354
6 CYLINDER			
90-89	232/3.8L		FC-65174
RELEASE			
		<i>Bearing Only</i>	<i>Bearing Assembly</i>
4 CYLINDER			
86-84	140/2.3L (Turbo)		Ⓢ 614014
82-81	140/2.3L		Ⓢ 614014
6 CYLINDER			
90-89	232/3.8L		(Hyd. Clutch)Ⓢ 614061
TRANSMISSION			
AUTOMATIC / 3 Speed			
FRONT PUMP			
86-80	C3	Viton® 2658V	
1980	C4	331107N	
		Redi-Sleeve 99199	
EXTENSION HOUSING			
86-80	C3	2655	
1980	C4	7692S	
		(Seal & Bushing Kit) 5202	
MANUAL SHAFT			
86-80	C3	7929S	
1980	C4	240816	
		Redi-Sleeve 99076	
AUTOMATIC / 4 Speed			
FRONT PUMP			
97-94	AOD-E, AOD-EW	3404	
93-80	AOD	331107N	
		Redi-Sleeve 99199	
EXTENSION HOUSING			
97-94	AOD-E	7692S	
		(Seal & Bushing Kit) 5202	
97-94	AOD-EW	4764	
93-80	AOD (Booted)	7692S	
		(Seal & Bushing Kit) 5202	
93-80	AOD (Non-Booted)	2194	
MANUAL SHAFT			
97-80	AOD, AOD-E, AOD-EW	7929S	
MANUAL / 4 Speed			
DRIVESHAFT / INPUT			
82-81	Type E (German Design)	2503N	
		Redi-Sleeve 99111	
MAINSHAFT / OUTPUT			
82-81	Type E (German Design)	2443	* 108-A
COUNTERSHAFT			
82-81	Type E (German Design)		
	(Front)		(21)C-407-Q
	(Rear)		(21)B-1316-Q

Year	Application	Seal	Bearing
MANUAL / 5 Speed			
DRIVESHAFT / INPUT			
90-89	Mazda M5R2	223012	
		Redi-Sleeve 99114	
86-84	Borg-Warner T5, T5WC	7412S	A-5
		Redi-Sleeve 99125	
	(Thrust)		FA-55505
MAINSHAFT / OUTPUT			
86-84	Borg-Warner T5, T5WC	7692S	25877-25821
		(Seal & Bushing Kit) 5202	
MAINSHAFT PILOT			
86-84	Borg-Warner T5, T5WC		(15)QBR-23549
MAINSHAFT 1ST SPEED GEAR			
86-85	Borg-Warner T5WC		F-218255
MAINSHAFT 2ND SPEED GEAR			
86-85	Borg-Warner T5WC		F-93934
COUNTERSHAFT			
90-89	Mazda M5R2 .. (Center)		MR-1207-EL
	(Rear)		304
86-85	Borg-Warner T5WC		
	(Rear)		A-6
	(Thrust)		NTA-1423
1984	Borg-Warner T5		
	(Front)		DK-55836
	(Rear)		5707
	(Thrust)		NTA-1423
EXTENSION HOUSING			
90-89	Mazda M5R2	710415	
STEERING			
POWER STEERING			
STEERING GEAR INPUT SHAFT			
93-83	All	471645	FC-65753
82-80	All (Ford Design)	471645	FC-65753
STEERING GEAR WORM SHAFT			
97-85	All		201-CC
84-83	All		201-CC
	(Thrust)		NTA-1423
82-80	All (Ford Design)		201-CC
	(Thrust)		NTA-1423
82-80	All (TRW Design)	240733	201-CC
STEERING PUMP SHAFT			
97-83	All	8773S	
82-80	All (Ford Pump)	8773S	
AIR CONDITIONING			
COMPRESSOR			
CLUTCH PULLEY			
97-93	Ford FS-10		5106-WCC
93-89	Ford FX-15		5106-WCC
88-84	Tecumseh HR-980		5000-KFF
88-82	Nippondenso 6P148		5001-KFF
86-83	Ford FS-6		5000-KFF
84-80	Tecumseh & York		5106-WCC
REAR			
81-80	Tecumseh & York		203

() Indicates Quantity Required * Not a Current Production Number, Check for Availability Ⓢ Sealed Self-Aligning Bearing

(Cont.) (Includes XR7) **REAR WHEEL DRIVE - MERCURY COUGAR**

Year	Application	Seal	Bearing
ELECTRICAL			
ALTERNATOR			
DRIVE END			
95-94	Mitsubishi 110 Amp.....		303-CC
93-80	Motorcraft.....		203-FF
REAR END			
93-80	Motorcraft.....		MNJ-471-S
ENGINE			
AUXILIARY SHAFT			
4 CYLINDER			
86-84	140/2.3L (Turbo).....	2955	
82-81	140/2.3L, 140/2.3L (LPG).....	2955	
CAMSHAFT			
4 CYLINDER			
86-84	140/2.3L (Turbo).....	2955	
82-81	140/2.3L, 140/2.3L (LPG).....	2955	
CRANKSHAFT			
4 CYLINDER			
86-84	140/2.3L (Turbo).....	3909	
	PTFE Rubber	5277	
	Redi-Sleeve	99363	
1982	140/2.3L, 140/2.3L (LPG) (From 09/29/81).....	3909	
	PTFE Rubber	5277	
	Redi-Sleeve	99363	
1982	140/2.3L, 140/2.3L (LPG) (To 09/28/81).....	(Split Seal) 5108	
1981	140/2.3L.....	(Split Seal) 5108	
6 CYLINDER			
97-84	232/3.8L, 232/3.8L.....	3909	
	PTFE Rubber	5277	
	Redi-Sleeve	99363	
1983	232/3.8L (From 01/01/83).....	3909	
	PTFE Rubber	5277	
	Redi-Sleeve	99363	
	(Continued Next Column)		

Year	Application	Seal	Bearing
CRANKSHAFT (Cont.)			
6 CYLINDER			
1983	232/3.8L (To 12/31/82) (Rope Type)	5095	
	(Split Seal)	5108	
1982	232/3.8L.....	(Rope Type) 5095	
	(Split Seal)	5108	
82-80	200/3.3L.....	(Rope Type) 5095	
	(Split Seal)	5116	
8 CYLINDER			
97-84	281/4.6L, 302/5.0L.....	3909	
	PTFE Rubber	5277	
	Redi-Sleeve	99363	
1983	302/5.0L (From 12/01/82).....	3909	
	PTFE Rubber	5277	
	Redi-Sleeve	99363	
1983	302/5.0L (To 11/30/82) (Rope Type)	5095	
	(Split Seal)	5108	
82-80	255/4.2L, 302/5.0L (Rope Type)	5095	
	(Split Seal)	5108	
TIMING COVER			
4 CYLINDER			
86-84	140/2.3L (Turbo).....	2955	
82-81	140/2.3L, 140/2.3L (LPG).....	2955	
6 CYLINDER			
97-94	232/3.8L.....	712692	
	Redi-Sleeve	99187	
	Harmonic Bal Sleeve	88187	
93-82	232/3.8L, 232/3.8L.....	2692	
	Redi-Sleeve	99187	
	Harmonic Bal Sleeve	88187	
	Harmonic Bal Kit <input checked="" type="checkbox"/>	5001	
82-80	200/3.3L.....	7486S	
	Redi-Sleeve	99174	
8 CYLINDER			
97-94	281/4.6L.....	482041N	
	Redi-Sleeve	99187	
	Harmonic Bal Sleeve	88187	
93-80	255/4.2L, 302/5.0L.....	2692	
	Redi-Sleeve	99187	
	Harmonic Bal Sleeve	88187	
	Harmonic Bal Kit <input checked="" type="checkbox"/>	5001	

(Capri) **MERCURY IMPORTS**

WHEEL			
FRONT WHEEL			
94-91	All.....	(Inner) 4990	A-18
		(Outer) 710323	A-18
REAR WHEEL			
94-91	All.....	(Inner) 1213N	A-15
		(Outer)	A-2

CLUTCH			
PILOT			
4 CYLINDER			
94-91	1597cc/1.6L (DOHC), 1597cc/1.6L (DOHC-Turbo).....		202-SS
RELEASE			
		Bearing Only	Bearing Assembly
4 CYLINDER			
94-91	1597cc/1.6L (DOHC) (190mm Clutch).....		© 614128
94-91	1597cc/1.6L (DOHC-Turbo) (225mm Clutch).....		© 614079

MERCURY IMPORTS (Capri) (Cont.)

Year	Application	Seal	Bearing	Year	Application	Seal	Bearing
TRANSAXLE				ELECTRICAL			
AUTOMATIC / 4 Speed				ALTERNATOR			
DIFFERENTIAL				DRIVE END			
94-91	4HAT-G.....		(2)32009-X	94-91	Bosch 85 Amp.....		303-CC
TORQUE CONVERTER				94-91	Mitsubishi 70 Amp.....		303-CC
94-91	4HAT-G.....	710446		REAR END			
OUTPUT SHAFT				94-91	Bosch 85 Amp.....		201-S
94-91	4HAT-G.....	(Left) 223543		ENGINE			
		Redi-Sleeve 99139		CAMSHAFT			
		(Right) 2007N		4 CYLINDER			
		Redi-Sleeve 99139		94-91	1597cc/1.6L (DOHC),		
MANUAL / 5 Speed					1597cc/1.6L (DOHC-Turbo)	(2) 223420	
DIFFERENTIAL				CRANKSHAFT			
94-92	Mazda F25M-R.....		(2)A-17	4 CYLINDER			
94-91	Mazda G25M-R.....		(2)32008	94-91	1597cc/1.6L (DOHC),		
INPUT SHAFT					1597cc/1.6L (DOHC-Turbo)....	228250	
94-91	Mazda G25M-R (Outer).....	1990	A-32	TIMING COVER			
		Redi-Sleeve 99106		4 CYLINDER			
OUTPUT SHAFT				94-92	1597cc/1.6L (DOHC),		
94-92	Mazda F25M-R.....	222430			1597cc/1.6L (DOHC-Turbo)....	710355	
		Redi-Sleeve 99098		1991	1597cc/1.6L (DOHC),		
		(Left) 223543			1597cc/1.6L (DOHC-Turbo)		
		Redi-Sleeve 99139			(From 12/01/90).....	710355	
		(Right) 2007N		1991	1597cc/1.6L (DOHC),		
		Redi-Sleeve 99139			1597cc/1.6L (DOHC-Turbo)		
94-91	Mazda G25M-R.....	(Left) 223543			(To 11/30/90).....	223012	
		Redi-Sleeve 99139				Redi-Sleeve 99114	
		(Right) 2007N		COUNTERSHAFT			
		Redi-Sleeve 99139		94-92	Mazda F25M-R. (Front).....		32205
AIR CONDITIONING							
COMPRESSOR							
CLUTCH PULLEY							
94-91	Nippondenso 10P13.....		5000-KFF				

MERCURY TRUCK - MINIVAN/CROSSOVER/SPORT UTILITY (Mariner, Monterey, Mountaineer & Villager)

WHEEL		FRONT WHEEL (4WD) (Cont.)	
FRONT WHEEL (2WD)		09-05	Mariner..... 510072
09-06	Mountaineer..... Hub Assembly 515078		Hub Repair Kit 518515
09-05	Mariner..... 510072	05-02	Mountaineer..... Hub Assembly 515050
	Hub Repair Kit 518515	01-97	All..... Hub Assembly ♦ 515003
07-04	Monterey..... (Left)..... Hub Assembly 513232		Hub Assembly 515052
	(Right)..... Hub Assembly 513233	REAR WHEEL	
05-02	Mountaineer..... Hub Assembly 515050	09-06	Mountaineer..... 516008
02-93	Villager..... 510028		Hub Repair Kit ♦ 521001
01-97	Mountaineer..... (Inner) 9150S..... A-5		Hub Repair Kit 521000
	(Outer)..... A-2	09-05	Mariner..... 510029
FRONT WHEEL (4WD)		07-04	Monterey..... (Left)..... Hub Assembly 512312
09-06	Mountaineer..... Hub Assembly 515078		(Right)..... Hub Assembly 512313
	(Continued Next Column)	05-02	Mountaineer..... 516008
			Hub Repair Kit 521000
		02-97	Villager..... Hub Assembly 512219
			(Continued Next Page)

() Indicates Quantity Required ♦ When Depleted Use Number Listed Directly Below

MINIVAN/CROSSOVER/SPORT UTILITY - MERCURY TRUCK

(Cont.) (Mariner, Monterey, Mountaineer & Villager)

Year	Application	Seal	Bearing
WHEEL			
REAR WHEEL (Cont.)			
01-97	Mountaineer.....	8835S	6408
			(Axle Repair Brg.) RP-6408
96-93	All.....		511008
AXLE			
FRONT AXLE			
AXLE SHAFT			
09-97	Spicer 30-SF, 35-SLA		
	(Left).....	710429	S-268
	(Right).....	710428	5707
DIFFERENTIAL KIT			
01-97	Spicer 35-SLA.....		☒ RA-335
DIFFERENTIAL			
09-97	Spicer 30-SF, 35-SLA.....	(2)LM501349-LM501314	
PINION			
09-06	Spicer 30-SF..... (Outer).....	714675	
05-97	Spicer 30-SF, 35-SLA		
	(Inner).....	HM88648-HM88610	
	(Outer).....	714675	M86649-M86610
REAR AXLE			
AXLE SHAFT			
09-02	Visteon IRS-8.8" R.G.....	(2)FC-66998	
DIFFERENTIAL KIT			
01-97	8.8" R.G.....		☒ RA-311
			(Master Kit) RA-311MK
DIFFERENTIAL			
09-05	Spicer 28.....	(2)710429	(2)LM29749-LM29710
01-97	8.8" R.G.....		(2)A-36
PINION			
09-05	Spicer 28..... (Inner).....		M88048-M88010
	(Outer).....	100552	M86649-M86610
09-02	Visteon IRS-8.8" R.G.		
	(Outer).....	3604	M88048-M88010
	Redi-Sleeve	99181	
01-97	8.8" R.G..... (Inner).....		M802048-M802011
	(Outer).....	3604	M88048-M88010
	Redi-Sleeve	99181	
CLUTCH			
PILOT			
4 CYLINDER			
2005	138/2.3L (DOHC).....		FC-65354
6 CYLINDER			
06-98	244/4.0L.....		F-33126
RELEASE			
		Bearing Only	Bearing Assembly
4 CYLINDER			
2005	138/2.3L (DOHC).....		Ⓢ 614155
6 CYLINDER			
06-98	244/4.0L.....		(Hyd. Clutch)Ⓢ 614169

Year	Application	Seal	Bearing
TRANSFER CASE			
FULL TIME / PART TIME			
INPUT SHAFT			
09-97	Borg-Warner 4405, 4411, 4412.....	710403	§ 209-LO
	Redi-Sleeve	99166	
	(Pilot).....		M-18161
05-02	Borg-Warner 4410.....	710403	§ 209-LO
	Redi-Sleeve	99166	
01-99	Borg-Warner 4403.....	3946	109
	Redi-Sleeve	99187	
1998	Borg-Warner 4404 (Booted)....	4333N	109
	(Pilot).....		SCH-1310
1998	Borg-Warner 4404 (Non-Booted).....	3946	109
	Redi-Sleeve	99187	
	(Pilot).....		SCH-1310
FRONT OUTPUT SHAFT			
09-97	Borg-Warner 4405, 4411, 4412		
	(Inner).....		306
	(Outer).....	710403	206
	Redi-Sleeve	99166	
05-02	Borg-Warner 4410.....	710403	206
	Redi-Sleeve	99166	
01-98	Borg-Warner 4403, 4404		
	(Inner).....		206
	(Outer).....	710403	207
	Redi-Sleeve	99166	
REAR OUTPUT SHAFT			
09-97	Borg-Warner 4405, 4411, 4412.....	710403	306
	Redi-Sleeve	99166	
05-02	Borg-Warner 4410.....	710403	208-SL
	Redi-Sleeve	99166	
01-99	Borg-Warner 4403.....	710403	208
	Redi-Sleeve	99166	
1998	Borg-Warner 4404		
	(Inner).....		N-106-1
	(Outer).....	710403	208-SL
	Redi-Sleeve	99166	
SHIFT SHAFT			
09-97	Borg-Warner 4403, 4404, 4405, 4410, 4411, 4412.....	330385	
TRANSAXLE			
AUTOMATIC / 4 Speed			
DIFFERENTIAL			
07-04	4F50N.....		(2)208
98-93	RE4F04A.....		(2)32009-X
TORQUE CONVERTER			
08-05	CD4E.....	Viton®	4635V
07-04	4F50N.....		4189H
98-93	RE4F04A.....		224450
OUTPUT SHAFT			
08-05	CD4E (FWD)..... (Left).....	3622	
	(Right).....	3622	
08-05	CD4E (4WD)..... (Left).....	3622	
	(Right).....	481191V	
			(Continued Next Page)

() Indicates Quantity Required § Use Old Snap Ring Ⓢ Sealed Self-Aligning Bearing ☒ Refer To Front Of Catalog For Kit Contents

MERCURY TRUCK - MINIVAN/CROSSOVER/SPORT UTILITY

(Mariner, Monterey, Mountaineer & Villager) (Cont.)

Year	Application	Seal	Bearing	Year	Application	Seal	Bearing
TRANSAXLE				AIR CONDITIONING			
AUTOMATIC / 4 Speed (Cont.)				COMPRESSOR			
OUTPUT SHAFT				CLUTCH PULLEY			
07-04	4F50N.....	(2) 3622		08-93	Ford FS-10.....		5106-WCC
		Redi-Sleeve (2) 99169		1993	Ford FX-15.....		5106-WCC
02-93	RE4F04A.....	(Left) 710118		ELECTRICAL			
		(Right) 710124		ALTERNATOR			
MANUAL SHAFT				DRIVE END			
98-93	RE4F04A.....	221207		98-93	Mitsubishi 110 Amp.....		303-CC
		Redi-Sleeve 99049		ENGINE			
AUTOMATIC / 6 Speed				CAMSHAFT			
TORQUE CONVERTER				6 CYLINDER			
2009	6F35.....	710561		02-93	2960cc/3.0L, 3274cc/3.3L ..(2) 223420		
OUTPUT SHAFT						Redi-Sleeve (2) 99134	
2009	6F35.....	710546		CRANKSHAFT			
TRANSMISSION				4 CYLINDER			
AUTOMATIC / 4 Speed				6 CYLINDER			
FRONT PUMP				09-05 138/2.3L (DOHC), 151.8/2.5L (DOHC)..... 710600			
01-97	4R70W.....	3404		09-04 181/3.0L (DOHC), 256/4.2L..... 3909			
EXTENSION HOUSING				PTFE Rubber 5277			
01-97	4R70W (Booted).....	4765		Redi-Sleeve 99363			
01-97	4R70W (Non-Booted).....	4764		09-98	244/4.0L.....	3393	
MANUAL SHAFT				PTFE Rubber 5288			
01-97	4R70W.....	7929S		Redi-Sleeve 99237			
AUTOMATIC / 5 Speed				02-95 2960cc/3.0L, 3274cc/3.3L..... 228411			
FRONT PUMP				94-93 2960cc/3.0L..... 228410			
09-02	5R55S, 5R55W.....	710535		8 CYLINDER			
EXTENSION HOUSING				09-97 281/4.6L, 281/4.6L, 302/5.0L..... 3909			
09-04	5R55S.....	710541		PTFE Rubber 5277			
03-02	5R55W (Booted).....	4765		Redi-Sleeve 99363			
03-02	5R55W (Non-Booted).....	4764		09-98 244/4.0L..... 3393			
01-98	5R55E.....	2655		PTFE Rubber 5288			
MANUAL SHAFT				Redi-Sleeve 99237			
09-98	5R55E, 5R55S, 5R55W.....	7929S		02-95 2960cc/3.0L, 3274cc/3.3L..... 228411			
AUTOMATIC / 6 Speed				94-93 2960cc/3.0L..... 228410			
FRONT PUMP				8 CYLINDER			
09-06	6R60.....	710484		09-97 281/4.6L, 281/4.6L, 302/5.0L..... 3909			
EXTENSION HOUSING				PTFE Rubber 5277			
09-06	6R60 (2WD).....	710487		Redi-Sleeve 99363			
09-06	6R60 (4WD).....	710486		TIMING COVER			
STEERING				6 CYLINDER			
POWER STEERING				09-05 181/3.0L (DOHC)..... 482041N			
STEERING GEAR WORM SHAFT				Redi-Sleeve 99187			
98-93	Villager.....		201-CC	Harmonic Bal Sleeve 88187			
STEERING PUMP SHAFT				07-04 256/4.2L..... 712692			
01-97	Mountaineer.....	8773S		Redi-Sleeve 99187			
98-93	Villager.....	222036		Harmonic Bal Sleeve 88187			
				2004 244/4.0L (To 02/28/04)..... 473560N			
				Redi-Sleeve 99166			
				03-98 244/4.0L..... 473560N			
				Redi-Sleeve 99166			
				02-99 3274cc/3.3L..... 224052			
				Redi-Sleeve 99157			
				98-93 2960cc/3.0L..... 223340			
				8 CYLINDER			
				09-02 281/4.6L, 281/4.6L..... 482041N			
				Redi-Sleeve 99187			
				Harmonic Bal Sleeve 88187			
				<i>(Continued Next Page)</i>			

MINIVAN/CROSSOVER/SPORT UTILITY - MERCURY TRUCK

(Cont.) (Mariner, Monterey, Mountaineer & Villager)

Year	Application	Seal	Bearing	Year	Application	Seal	Bearing
ENGINE							
TIMING COVER (Cont.)							
8 CYLINDER							
01-97	302/5.0L	2692					
		<i>Redi-Sleeve</i> 99187					
		<i>Harmonic Bal Sleeve</i> 88187					
		<i>Harmonic Bal Kit</i> ☒ 5001					

(Scorpio & XR4Ti) MERKUR

WHEEL			
FRONT WHEEL			
89-85	XR4Ti		A-31
		<i>(Inner)</i>	A-31
		<i>(Outer)</i>	A-31
REAR WHEEL			
89-85	XR4Ti		A-31
		<i>(Inner)</i>	A-31
		<i>(Outer)</i>	A-31
AXLE			
REAR AXLE			
DIFFERENTIAL			
89-85	Salisbury 7.5" R.G.	(2)LM501349-LM501314	
PINION			
89-85	Salisbury 7.5" R.G.		
		<i>(Inner)</i>	HM89449-HM89410
		<i>(Outer)</i>	2011
		<i>Redi-Sleeve</i> 99157	HM88542-HM88510
CLUTCH			
PILOT			
4 CYLINDER			
89-85	140/2.3L (Turbo)		FC-65354
6 CYLINDER			
89-88	177/2.9L		F-33126
RELEASE			
		<i>Bearing Only</i>	<i>Bearing Assembly</i>
4 CYLINDER			
88-85	140/2.3L (Turbo) (230mm Clutch)		Ⓢ 614014
TRANSMISSION			
AUTOMATIC / 4 Speed			
FRONT PUMP			
89-85	A4LD, A4LD-E	<i>Viton</i> ® 2658V	
EXTENSION HOUSING			
89-85	A4LD, A4LD-E	2655	
MANUAL SHAFT			
89-85	A4LD, A4LD-E	7929S	

MANUAL / 5 Speed			
DRIVESHAFT / INPUT			
89-85	Type 9 (Hummer)	2503N	
MAINSHAFT / OUTPUT			
89-85	Type 9 (Hummer)	2443	
COUNTERSHAFT			
89-85	Type 9 (Hummer)		
	<i>(Front)</i>	(21)C-407-Q	
STEERING			
POWER STEERING			
STEERING PUMP SHAFT			
89-85	All (Ford Pump)	8773S	
AIR CONDITIONING			
COMPRESSOR			
CLUTCH PULLEY			
89-85	Nippondenso 10P15	5000-KFF	
ELECTRICAL			
ALTERNATOR			
DRIVE END			
89-88	Bosch 90 Amp	203-S	
89-85	Motorcraft	203-FF	
REAR END			
89-88	Bosch 90 Amp	201-S	
89-85	Motorcraft	MNJ-471-S	
ENGINE			
AUXILIARY SHAFT			
4 CYLINDER			
89-85	140/2.3L (Turbo)	2955	
CAMSHAFT			
4 CYLINDER			
89-85	140/2.3L (Turbo)	2955	

() Indicates Quantity Required Ⓢ Sealed Self-Aligning Bearing ☒ Refer To Front Of Catalog For Kit Contents

MERKUR (Scorpio & XR4Ti) (Cont.)

Year	Application	Seal	Bearing	Year	Application	Seal	Bearing
ENGINE				TIMING COVER			
CRANKSHAFT				4 CYLINDER			
89-85	140/2.3L (Turbo)	3909		89-85	140/2.3L (Turbo)	2955	
		PTFE Rubber 5277					
		Redi-Sleeve 99363					
6 CYLINDER				6 CYLINDER			
89-88	177/2.9L	3393		89-88	177/2.9L	473560N	
		PTFE Rubber 5288				Redi-Sleeve 99166	
		Redi-Sleeve 99237					

MG (Magnette, Midget, MGA, MGB & 1100)

WHEEL				TRANSMISSION			
FRONT WHEEL				AUTOMATIC / 3 Speed			
81-80	All	(Inner) 224820	A-6	FRONT PUMP			
		(Outer)	A-2	81-80	Borg-Warner T65	480479H	
REAR WHEEL				Redi-Sleeve 99168			
81-80	All (Tube Type Axle)	473234		MANUAL / 4 Speed			
AXLE				DRIVESHAFT / INPUT			
REAR AXLE				81-80	BH	480210	
DIFFERENTIAL				Redi-Sleeve 99106			
81-80	MGB		(2)A-36	MAINSHAFT / OUTPUT			
PINION				81-80	BH	472258	
81-80	MGB	(Inner) HM801346X-HM801310		Redi-Sleeve 99138			
		(Outer) M88048-M88010					

MINI (Cooper)

WHEEL				FRONT WHEEL (Cont.)			
FRONT WHEEL				06-02 All Hub Assembly 513226			
2007	All (Convertible) (Coupe)		Hub Assembly 513226	REAR WHEEL			
			(Continued Next Column)	2007	All (Convertible) (Coupe)		Hub Assembly 512304
				06-02	All		Hub Assembly 512304

MITSUBISHI - FRONT WHEEL DRIVE (Cordia, Diamante, Eclipse, Eclipse AWD, Expo, Expo AWD, Galant, Galant AWD, Galant Sigma, Lancer, Lancer AWD, Mirage, Precis, Tredia, 3000GT & 3000GT AWD)

WHEEL				FRONT WHEEL (Cont.)			
FRONT WHEEL				2006 Eclipse (To 10/31/05) Hub Assembly 513157			
09-08	Lancer		510090	06-03	Lancer AWD		Hub Assembly 513133
09-07	Eclipse		Hub Assembly 513219	05-04	Eclipse		Hub Assembly 513157
09-04	Galant (L4 Eng.)		Hub Assembly 513157	05-04	Lancer (Sportback)		510079
09-04	Galant (V6 Eng.)		Hub Assembly 513219	05-02	Lancer (LS)		510079
07-06	Lancer (SE)		510079	05-91	Diamante, 3000GT		
07-04	Lancer (O-Z Rally)(Ralliart)		510079			(Inner) 710182	510034
07-02	Lancer (ES)		510021			(Outer) 710183	
			510061	03-99	Eclipse, Eclipse AWD, Galant		Hub Assembly 513157
2006	Eclipse (From 11/01/05)		Hub Assembly 513219	02-00	Mirage		510021
			(Continued Next Column)				510061
				(Continued Next Page)			

FRONT WHEEL DRIVE - MITSUBISHI

(Cont.) (Cordia, Diamante, Eclipse, Eclipse AWD, Expo, Expo AWD, Galant, Galant AWD, Galant Sigma, Lancer, Lancer AWD, Mirage, Precis, Tredia, 3000GT & 3000GT AWD)

Year	Application	Seal	Bearing
WHEEL			
FRONT WHEEL (Cont.)			
99-93	Mirage	(Inner) 8430S (Outer) 4898	510016
99-91	3000GT AWD		Hub Assembly 513133
98-95	Eclipse, Eclipse AWD		Hub Assembly 513157
98-94	Galant		Hub Assembly 513135
96-95	Expo, Expo AWD	(Inner) 225450 (Outer) 225230	513036
1994	Eclipse, Eclipse AWD, Expo, Expo AWD	(Inner) 225450 (Outer) 225230	513036
94-93	Precis	(Inner) 229522 (Outer) 229522	A-41
93-88	Eclipse, Eclipse AWD, Expo, Expo AWD, Galant, Galant AWD, Galant Sigma	(Inner) 225450 (Outer) 225230	513036
92-83	Cordia, Mirage, Precis, Tredia	(Inner) 229522 (Outer) 229522	A-41
87-85	Galant	(Inner) 225082 (Outer) 225230	513036
REAR WHEEL			
09-07	Eclipse		Hub Assembly 512274
09-07	Galant (ABS)		Hub Assembly 512274
09-07	Galant (Exc. ABS)		Hub Assembly 512275
07-06	Lancer (Sedan) (O-Z Rally)		Hub Assembly 512277
07-06	Lancer (SE)		Hub Assembly 512277
07-04	Lancer (Ralliart)		Hub Assembly 512339
07-02	Lancer (Sedan) (ES)		Hub Assembly 512276
06-05	Eclipse, Galant (ABS)		Hub Assembly 512274
06-05	Eclipse, Galant (Exc. ABS)		Hub Assembly 512275
06-03	Lancer AWD		Hub Assembly 512181
05-04	Lancer (Sportback)		Hub Assembly 512339
05-02	Lancer (Sedan) (LS)(O-Z Rally)		Hub Assembly 512277
05-02	Lancer (Station Wagon) (ABS)		Hub Assembly 512339
05-02	Lancer (Station Wagon) (Exc. ABS)		Hub Assembly 512277
2004	Eclipse		Hub Assembly 512136
2004	Galant (ABS)		Hub Assembly 512274
2004	Galant (Exc. ABS)		Hub Assembly 512275
03-97	Eclipse, Galant		Hub Assembly 512136
02-97	Mirage (ABS)		Hub Assembly 512185
02-93	Mirage (Exc. ABS)		Hub Assembly 512148
99-95	Eclipse AWD		Hub Assembly 512181
99-95	3000GT AWD	(Inner) 710152 (Outer)	511014
99-91	3000GT		Hub Assembly 512039
1996	Galant (From 04/01/96)		Hub Assembly 512136
1996	Galant (To 03/31/96)		Hub Assembly 512235
96-95	Diamante (ABS)		Hub Assembly 512011
96-95	Diamante (Exc. ABS)		Hub Assembly 512010
96-95	Eclipse		Hub Assembly 512136
96-93	Mirage (ABS)		Hub Assembly 512033
96-92	Expo		Hub Assembly 512040
95-94	Galant		Hub Assembly 512235
95-92	Expo AWD		511013
94-90	Diamante, Eclipse (ABS)		Hub Assembly 512011
94-90	Diamante, Eclipse (Exc. ABS)		Hub Assembly 512010

(Continued Next Column)

Year	Application	Seal	Bearing
REAR WHEEL (Cont.)			
94-90	Eclipse AWD, Galant AWD, 3000GT AWD	(Inner) 710152 (Outer)	511014
94-89	Precis	(Inner) 710404 (Outer)	516000
93-89	Galant (Disc Brakes)		Hub Assembly 512158
93-89	Galant (Drum Brakes)	(Inner) 1196 (Outer)	A-4
92-91	Mirage (Drum Brakes) (Mfg. by Diamond-Star Motors)		A-1
92-91	Mirage (Drum Brakes) (Mfg. by Mitsubishi)	(Inner) 1205N (Outer)	516001
90-89	Mirage (Disc Brakes)	(Inner) 1205N (Outer)	516001
90-89	Mirage (Drum Brakes)	(Inner) 1205N (Outer)	516001
90-88	Galant Sigma	(Inner) 494122 (Outer)	A-6
1988	Precis	(Inner) 474134 (Outer)	A-4
1988	Cordia, Tredia	(Inner) 1196 (Outer)	A-4
88-85	Mirage	(Inner) 1205N (Outer)	513029
87-83	Cordia, Galant, Precis, Tredia	(Inner) 1196 (Outer)	A-4
AXLE			
REAR AXLE DIFFERENTIAL			
99-91	IRS-8" R.G.	(2) 710208	
99-90	Eclipse AWD, Expo AWD, Galant AWD	(2) 710396 Redi-Sleeve (2) 99139	(2) 30207
PINION			
99-91	IRS-8" R.G.	(Inner) 710207 (Outer)	HM89449-HM89410
		Redi-Sleeve 99166	M88043-M88010
99-90	Eclipse AWD, Expo AWD, Galant AWD	(Inner) 471847N (Outer)	32207
		Redi-Sleeve 99139	30305
CLUTCH			
RELEASE			
		Bearing Only	Bearing Assembly
4 CYLINDER			
02-97	1468cc/1.5L (200mm Clutch)		Ⓢ 614099
02-97	1834cc/1.8L (215mm Clutch)		Ⓢ 614099
01-96	2351cc/2.4L (DOHC), 2351cc/2.4L (225mm Clutch)		Ⓢ 614126
99-95	122/2.0L (DOHC)		Ⓢ 614121
99-90	1997cc/2.0L (DOHC-Turbo) (225mm Clutch) (AWD)		Ⓢ 614099

(Continued Next Page)

MITSUBISHI - FRONT WHEEL DRIVE

(Cordia, Diamante, Eclipse, Eclipse AWD, Expo, Expo AWD, Galant, Galant AWD, Galant Sigma, Lancer, Lancer AWD, Mirage, Precis, Tredia, 3000GT & 3000GT AWD) (Cont.)

Year	Application	Seal	Bearing	Year	Application	Seal	Bearing
CLUTCH				AUTOMATIC / 3 Speed (Cont.)			
RELEASE (Cont.)				OUTPUT SHAFT			
		<i>Bearing Only</i>	<i>Bearing Assembly</i>	97-83	F3A21-3, F3A22-2, KM171-0, KM171-1, KM171-2, KM171-5, KM172-0.....	(2) 223543	
						<i>Redi-Sleeve</i> (2) 99139	
4 CYLINDER				TRANSFER SHAFT			
99-90	1997cc/2.0L (DOHC-Turbo) (225mm Clutch) (2WD).....		Ⓢ 614126	97-90	F3A21-3.....		30207
96-93	1834cc/1.8L, 1997cc/2.0L (DOHC), 1997cc/2.0L (215mm Clutch).....		Ⓢ 614126	89-83	KM171-0, KM171-1, KM171-2, KM171-5, KM172-0		
96-91	1468cc/1.5L, 1595cc/1.6L (DOHC), 1755cc/1.8L (200mm Clutch).....		Ⓢ 614126			<i>(Inner)</i>	30206
96-85	1468cc/1.5L, 1468cc/1.5L (184mm Clutch).....		Ⓢ 614126			<i>(Outer)</i>	30304
95-93	2351cc/2.4L (225mm Clutch) (AWD).....		Ⓢ 614099	TRANSFER GEAR			
95-92	1834cc/1.8L, 2351cc/2.4L, 2351cc/2.4L (DOHC), 2351cc/2.4L (225mm Clutch).....		Ⓢ 614126	97-83	F3A21-3, KM171-0, KM171-1, KM171-2, KM171-5		
93-92	1834cc/1.8L (215mm Clutch) (AWD).....		Ⓢ 614099			<i>(Inner)</i>	207
92-90	1997cc/2.0L, 1997cc/2.0L (DOHC) (215mm Clutch).....		Ⓢ 614126			<i>(Outer)</i>	306-L
92-90	1997cc/2.0L (DOHC-Turbo), 2351cc/2.4L (225mm Clutch) (AWD).....		Ⓢ 614099	TRANSFER IDLER			
90-89	1468cc/1.5L, 1595cc/1.6L (DOHC), 1755cc/1.8L (200mm Clutch).....		Ⓢ 614126	97-90	F3A21-3.....		30206
1989	1595cc/1.6L (DOHC-Turbo), 1997cc/2.0L (215mm Clutch).....		Ⓢ 614126	AUTOMATIC / 4 Speed			
88-83	1468cc/1.5L, 1597cc/1.6L (Turbo), 1795cc/1.8L, 1795cc/1.8L (Turbo), 1997cc/2.0L (200mm Clutch).....		Ⓢ 614126	DIFFERENTIAL			
87-85	2351cc/2.4L (225mm Clutch).....		Ⓢ 614126	09-06	F5A5A.....	(2)32009-X	
6 CYLINDER				09-04	F4A4B.....	(2)30207	
99-91	2972cc/3.0L (DOHC-Turbo) (225mm Clutch).....		Ⓢ 614099	03-98	F4A42.....	(2)A-35	
99-88	2972cc/3.0L, 2972cc/3.0L (DOHC) (225mm Clutch).....		Ⓢ 614126	02-98	F4A41.....	(2)30207	
DRIVESHAFT				99-97	F4AC1.....	<i>(Right)</i>	A-18
CV JOINT HALF SHAFT				99-89	F4A23-1, F4A23-2, F4A21-2, F4A22-2, F4A33-1, KM176-5.....	(2)207	
97-91	3000GT.....	710221		96-95	F4AC1.....	(2)A-18	
97-91	3000GT AWD.....	710221		89-85	KM177-8.....	(2)206	
90-88	Galant Sigma.....	710244		87-85	KM177-0.....	(2)207	
TRANSAXLE				TORQUE CONVERTER			
AUTOMATIC / 1 Speed				09-04	F4A4B, F4A5A, F5A5A, F4A51	320583	
OUTPUT SHAFT						<i>Redi-Sleeve</i> 99157	
09-08	F1CJA.....	<i>(Left)</i> ☆ 710632		03-92	F4A41, F4A42, F4A51, F4A23-1, F4A23-2, F4A21-2, F4A22-2, W4A32-1, F4A33-1, W4A33-1.....	320583	
		<i>(Right)</i> ☆ 710633				<i>Redi-Sleeve</i> 99157	
MANUAL SHAFT				99-95	F4AC1.....	331228H	
09-08	F1CJA.....	221207				<i>Redi-Sleeve</i> 99149	
		<i>Redi-Sleeve</i> 99049		91-85	F4A21-2, F4A22-2, F4A33-1, W4A33-1, KM175-5, KM176-5, KM177-0, KM177-8.....	320583	
AUTOMATIC / 3 Speed						<i>Redi-Sleeve</i> 99157	
DIFFERENTIAL				INPUT SHAFT			
97-83	F3A21-3, F3A22-2, KM171-0, KM171-1, KM171-2, KM171-5.....		(2)207	05-97	F4A51.....		B-1816
88-84	KM172-0.....		(2)30207	99-92	W4A32-1, W4A33-1.....	223014	
TORQUE CONVERTER						<i>Redi-Sleeve</i> 99114	
97-83	F3A21-3, F3A22-2, KM171-0, KM171-1, KM171-2, KM171-5, KM172-0.....	320583		91-90	W4A33-1.....	223014	
		<i>Redi-Sleeve</i> 99157				<i>Redi-Sleeve</i> 99114	
OUTPUT SHAFT				OUTPUT SHAFT			
09-04	F4A4B.....	<i>(Front)</i>	32009-X	09-04	F4A4B.....	<i>(Front)</i>	32009-X
		<i>(Rear)</i>	32006			<i>(Rear)</i>	32006
06-04	F4A5A.....	<i>(Front)</i>	32010-X	06-04	F4A5A.....	<i>(Front)</i>	32010-X
		<i>(Rear)</i>	32006			<i>(Rear)</i>	32006
05-97	F4A51.....	<i>(Inner)</i>	32009-X	05-97	F4A51.....	<i>(Inner)</i>	32009-X
		<i>(Outer)</i>	32010-X			<i>(Outer)</i>	32010-X
03-98	F4A41, F4A42... <i>(Front)</i>		32009-X	03-98	F4A41, F4A42... <i>(Front)</i>		32009-X
		<i>(Rear)</i>	32006			<i>(Rear)</i>	32006
		(Continued Next Page)					

FRONT WHEEL DRIVE - MITSUBISHI

(Cont.) (Cordia, Diamante, Eclipse, Eclipse AWD, Expo, Expo AWD, Galant, Galant AWD, Galant Sigma, Lancer, Lancer AWD, Mirage, Precis, Tredia, 3000GT & 3000GT AWD)

Year	Application	Seal	Bearing	Year	Application	Seal	Bearing
TRANSAXLE							
AUTOMATIC / 4 Speed (Cont.)				MANUAL / 4 Speed (Cont.)			
OUTPUT SHAFT				SHIFT SHAFT			
99-95	F4AC1.....	(2) 3459		94-85	F4M21-1, KM161-0, KM200-0	710222	
		Redi-Sleeve (2) 99157		MANUAL / 5 Speed			
99-93	F4A33-1.....	(2) 710259		DIFFERENTIAL			
99-92	W4A32-1, W4A33-1			09-08	F5MBB.....		(2)A-18
		(Left) 223543		09-00	F5M51.....		(2)32207
		Redi-Sleeve 99139		06-97	F5M42.....		(2)30207
		(Right) 710199		02-92	F5M41, F5M21-1, F5M21-2, F5M22-2, W5M31-2, W5M33-2		(2)207
		Redi-Sleeve 99139		99-95	F5MC1.....		(2)A-18
98-92	F4A23-1, F4A23-2.....	(2) 223543		99-92	F5M31-2.....		(2)A-35
		Redi-Sleeve (2) 99139		93-91	W5MG1.....	(Left) 32008	
97-93	F4A21-2, F4A22-2.....	(2) 223543				(Right) 32009-X	
		Redi-Sleeve (2) 99139		91-84	F5M21-1, F5M22-2, W5M33-2, KM163-0, KM201-0.....		(2)207
92-85	F4A21-2, F4A22-2, F4A33-1, KM175-5, KM176-5, KM177-0, KM177-8.....	(2) 223543		90-87	F5M31-2, KM210-0.....		(2)A-35
		Redi-Sleeve (2) 99139		1989	KM206-0.....		(2)30207
91-90	W4A33-1.....	(Left) 223543		86-83	KM162-0.....		(2)207
		Redi-Sleeve 99139		PINION			
		(Right) 710199		99-92	W5M31-2, W5M33-2.....	223014	
		Redi-Sleeve 99139				Redi-Sleeve 99114	
TRANSFER SHAFT				93-91	W5MG1.....		(2)32009-X
05-97	F4A51.....		32006	91-90	W5M33-2.....	223014	
99-95	F4AC1.....		(2)A-18			Redi-Sleeve 99114	
97-91	F4A21-2.....		30207	INPUT SHAFT			
EXTENSION HOUSING				09-07	F5M51.....	712007	
99-90	W4A32-1, W4A33-1.....	710317				Redi-Sleeve 99098	
		Redi-Sleeve 99128		06-92	F5M41, F5M42, F5M51, F5M21-1, F5M21-2, F5M22-2, W5M31-2, F5M33-1, F5M33-2, W5M33-2.....	712007	
MANUAL SHAFT						Redi-Sleeve 99098	
99-95	F4AC1.....	8609		99-92	F5M31-2.....	712007	
TRANSFER IDLER						Redi-Sleeve 99098	
97-91	F4A21-2.....		30206			(Rear) 306-F	
MANUAL / 4 Speed				93-91	W5MG1.....	712007	
DIFFERENTIAL						Redi-Sleeve 99098	
94-90	F4M21-1.....		(2)207	91-90	F5M21-1, F5M22-2, F5M33-1, F5M33-2, W5M33-2.....	712007	
89-87	KM200-0.....		(2)30207			Redi-Sleeve 99098	
86-85	KM161-0.....		(2)207	90-87	F5M31-2, KM210-0.....	712007	
INPUT SHAFT						Redi-Sleeve 99098	
94-87	F4M21-1, KM200-0.....	712007				(Rear) 306-F	
		Redi-Sleeve 99098		1989	KM206-0.....	712007	
86-85	KM161-0.....	712007	304			Redi-Sleeve 99098	
		Redi-Sleeve 99098				(Front) 304	
INTERMEDIATE SHAFT						(Rear) * 108-A	
86-85	KM161-0.....		32004	89-87	KM201-0.....	712007	304
OUTPUT SHAFT						Redi-Sleeve 99098	
94-87	F4M21-1, KM200-0.....	(2) 223543	(2)30206			(Rear) * 108-A	
		Redi-Sleeve (2) 99139		88-84	KM163-0.....	712007	304
89-87	KM200-0.....	(2) 223543	* 108-A			Redi-Sleeve 99098	
		Redi-Sleeve (2) 99139		86-83	KM162-0.....	712007	304
86-85	KM161-0.....	(2) 223543				Redi-Sleeve 99098	
		Redi-Sleeve (2) 99139		INTERMEDIATE SHAFT			
COUNTERSHAFT				93-91	W5MG1.....	(Left) 32010-X	
89-87	KM200-0.....	(Front) RW-122				(Right) 32009-X	
		(Rear) * 108-A		88-84	KM163-0.....		30304
86-85	KM161-0.....		(2)32004	86-83	KM162-0.....		30304

() Indicates Quantity Required * Not a Current Production Number, Check for Availability

MITSUBISHI - FRONT WHEEL DRIVE

(Cordia, Diamante, Eclipse, Eclipse AWD, Expo, Expo AWD, Galant, Galant AWD, Galant Sigma, Lancer, Lancer AWD, Mirage, Precis, Tredia, 3000GT & 3000GT AWD) (Cont.)

Year	Application	Seal	Bearing	Year	Application	Seal	Bearing
TRANSAXLE							
MANUAL / 5 Speed (Cont.)				MANUAL / 6 Speed (Cont.)			
OUTPUT SHAFT				PINION			
99-95	F5MC1	(2) 3459		99-94	W6MG1		(2)32009-X
		Redi-Sleeve (2) 99157		INPUT SHAFT			
99-93	F5M33-2	(2) 223543		99-94	W6MG1	712007	
		Redi-Sleeve (2) 99139				Redi-Sleeve 99098	
99-93	F5M31-2, F5M33-1	(2) 710259		INTERMEDIATE SHAFT			
99-90	W5M33-2	(Left) 223543		99-94	W6MG1	(Left)	32010-X
		Redi-Sleeve 99139				(Right)	32009-X
		(Right) 710199		OUTPUT SHAFT			
		Redi-Sleeve 99139		99-94	W6MG1	(Right) 710353	
96-87	F5M21-1, F5M21-2, F5M22-2, KM201-0	(2) 223543	(2)30206	COUNTERSHAFT			
		Redi-Sleeve (2) 99139		99-94	W6MG1	(Front)	30209-A
1993	W5MG1	(Right) 710353				(Rear)	30208
93-92	W5M31-2	(Left) 223543		EXTENSION HOUSING			
		Redi-Sleeve 99139		99-94	W6MG1	712551	
		(Right) 1981				Redi-Sleeve 99157	
		Redi-Sleeve 99114		MANUAL / 8 Speed			
1992	F5M31-2	(2) 223543	(2)30306	DIFFERENTIAL			
		Redi-Sleeve (2) 99139		1983	KM165-2		(2)207
92-91	W5MG1	(2) 223543		INPUT SHAFT			
		Redi-Sleeve (2) 99139		1983	KM165-2	712007	304
92-90	F5M33-1, F5M33-2	(2) 223543				Redi-Sleeve 99098	
		Redi-Sleeve (2) 99139		OUTPUT SHAFT			
90-87	F5M31-2, KM210-0	(2) 223543	(2)30306	1983	KM165-2	(2) 223543	
		Redi-Sleeve (2) 99139				Redi-Sleeve (2) 99139	
1989	KM206-0	(2) 223543	(2)30206	COUNTERSHAFT			
		Redi-Sleeve (2) 99139		1983	KM165-2	(Front)	32205
88-84	KM163-0	(2) 223543	(2)30304			(Rear)	30304
		Redi-Sleeve (2) 99139		SHIFT SHAFT			
86-83	KM162-0	(2) 223543		1983	KM165-2	710222	
		Redi-Sleeve (2) 99139		STEERING			
COUNTERSHAFT				MANUAL STEERING			
93-91	W5MG1	(Front)	30209-A	STEERING GEAR PINION SHAFT			
		(Rear)	30207	95-93	Mirage	481481	
1989	KM206-0	(Front)	RW-122	92-85	Mirage	221720	
		(Rear)	* 108-A	POWER STEERING			
89-87	KM201-0	(Front)	RW-122	STEERING GEAR PINION SHAFT			
		(Rear)	* 108-A	95-93	Mirage	481481	
86-83	KM162-0	(Front)	32205	92-87	Mirage	221720	
		(Rear)	30304	1986	Mirage (From 02/01/86)	221720	
EXTENSION HOUSING				STEERING PUMP SHAFT			
93-92	W5M31-2	710317		95-93	Expo, Expo AWD, Mirage	221620	
		Redi-Sleeve 99128		95-90	Eclipse, Eclipse AWD (Atsugi Pump)	221830	
93-91	W5MG1	712551		93-89	Galant, Galant AWD (Saginaw Pump)	7013S	
		Redi-Sleeve 99157		1992	Expo, Expo AWD	221620	
SHIFT SHAFT							
99-95	F5MC1	3816					
96-87	F5M21-1, F5M21-2, F5M22-2, KM201-0	710222					
1989	KM206-0	710222					
86-83	KM162-0	710222					
MANUAL / 6 Speed							
DIFFERENTIAL							
99-94	W6MG1	(Left)	32008				
		(Right)	32009-X				

FRONT WHEEL DRIVE - MITSUBISHI

(Cont.) (Cordia, Diamante, Eclipse, Eclipse AWD, Expo, Expo AWD, Galant, Galant AWD, Galant Sigma, Lancer, Lancer AWD, Mirage, Precis, Tredia, 3000GT & 3000GT AWD)

Year	Application	Seal	Bearing	Year	Application	Seal	Bearing
AIR CONDITIONING				CAMSHAFT (Cont.)			
COMPRESSOR				6 CYLINDER			
CLUTCH PULLEY				09-91 2972cc/3.0L (DOHC), 2972cc/3.0L (DOHC-Turbo), 3497cc/3.5L, 3828cc/3.8L (Front)(2) 223010			
90-89	Nippondenso 10P17.....		5000-KFF	Redi-Sleeve (2) 99114			
90-85	Nippondenso 10P15.....		5000-KFF	09-91 2497cc/2.5L, 2972cc/3.0L (DOHC), 2972cc/3.0L (DOHC-Turbo), 3497cc/3.5L, 3828cc/3.8L (Rear)(2) 710302			
88-84	Nippondenso 10P13.....		5000-KFF	Redi-Sleeve (2) 99114			
ELECTRICAL				05-88 2972cc/3.0L, 2972cc/3.0L .. (2) 3771			
ALTERNATOR				Redi-Sleeve (2) 99139			
DRIVE END				98-95 2497cc/2.5L (Front)(2) 3771			
97-89	Mitsubishi 110 Amp.....		303-CC	Redi-Sleeve (2) 99139			
95-92	Mitsubishi 65, 75 Amp.....		303-CC	CRANKSHAFT			
94-84	Mitsubishi 65 Amp.....		302-CC	4 CYLINDER			
89-87	Mitsubishi 50, 55 Amp.....		203-FF	2009 2359cc/2.4L (DOHC)..... 710608			
86-85	Mitsubishi 45, 50, 55 Amp.....		202-FF	09-98 1834cc/1.8L, 1997cc/2.0L (DOHC-Turbo), 1998cc/2.0L (DOHC), 1998cc/2.0L (DOHC-Turbo), 1999cc/2.0L, 1999cc/2.0L (DOHC-Turbo), 2359cc/2.4L (DOHC), 2378cc/2.4L 710235			
85-83	Mitsubishi 55 Amp.....		302-SS	02-85 1468cc/1.5L, 1468cc/1.5L, 1597cc/1.6L (Turbo), 1755cc/1.8L 227235			
84-83	Mitsubishi 50 Amp.....		202-FF	99-95 122/2.0L (DOHC)..... 710056			
REAR END				PTFE Rubber 5279			
86-83	Mitsubishi 45, 50, 55 Amp.....		201-SS	97-93 1834cc/1.8L, 1997cc/2.0L, 1997cc/2.0L (DOHC), 1997cc/2.0L, 1997cc/2.0L (DOHC-Turbo), 2351cc/2.4L (DOHC), 2351cc/2.4L..... 710235			
ENGINE				92-83 1595cc/1.6L (DOHC), 1595cc/1.6L (DOHC-Turbo), 1795cc/1.8L, 1795cc/1.8L (Turbo), 1834cc/1.8L, 1997cc/2.0L, 1997cc/2.0L (DOHC), 1997cc/2.0L (DOHC-Turbo), 2351cc/2.4L ... 228005			
BALANCE SHAFT				Redi-Sleeve 99315			
4 CYLINDER				6 CYLINDER			
99-83	1795cc/1.8L, 1795cc/1.8L (Turbo), 1997cc/2.0L, 1997cc/2.0L (DOHC), 1997cc/2.0L, 1997cc/2.0L (DOHC-Turbo)..... 712007			09-88 2497cc/2.5L, 2972cc/3.0L, 2972cc/3.0L (DOHC), 2972cc/3.0L, 2972cc/3.0L (DOHC-Turbo), 3828cc/3.8L ... 710056			
	Redi-Sleeve 99098			PTFE Rubber 5279			
94-90	1755cc/1.8L 710325			05-97 3497cc/3.5L 229005			
	Redi-Sleeve 99111			Redi-Sleeve 99354			
88-85	1597cc/1.6L (Turbo)..... 710325						
	Redi-Sleeve 99111						
CAMSHAFT							
4 CYLINDER							
09-83	1468cc/1.5L, 1468cc/1.5L, 1597cc/1.6L (Turbo), 1755cc/1.8L, 1795cc/1.8L, 1795cc/1.8L (Turbo), 1834cc/1.8L, 1997cc/2.0L, 1997cc/2.0L, 1999cc/2.0L, 1999cc/2.0L (DOHC-Turbo), 2351cc/2.4L, 2351cc/2.4L, 2378cc/2.4L 3771						
	Redi-Sleeve 99139						
99-95	122/2.0L (DOHC).....(2) 320249						
	Redi-Sleeve (2) 99139						
99-89	1595cc/1.6L (DOHC), 1595cc/1.6L (DOHC-Turbo), 1997cc/2.0L (DOHC), 1997cc/2.0L (DOHC-Turbo), 2351cc/2.4L (DOHC).....(2) 3771						
	Redi-Sleeve (2) 99139						

() Indicates Quantity Required

MITSUBISHI - FRONT WHEEL DRIVE

(Cordia, Diamante, Eclipse, Eclipse AWD, Expo, Expo AWD, Galant, Galant AWD, Galant Sigma, Lancer, Lancer AWD, Mirage, Precis, Tredia, 3000GT & 3000GT AWD) (Cont.)

Year	Application	Seal	Bearing	Year	Application	Seal	Bearing
ENGINE				TIMING COVER (Cont.)			
OIL PUMP				4 CYLINDER			
09-84	1595cc/1.6L (DOHC), 1595cc/1.6L (DOHC-Turbo), 1997cc/2.0L, 1997cc/2.0L (DOHC), 1997cc/2.0L, 1997cc/2.0L (DOHC-Turbo), 2351cc/2.4L, 2351cc/2.4L (DOHC), 2351cc/2.4L, 2378cc/2.4L	222025		09-83	1595cc/1.6L (DOHC), 1595cc/1.6L (DOHC-Turbo), 1597cc/1.6L (Turbo), 1755cc/1.8L, 1795cc/1.8L, 1795cc/1.8L (Turbo), 1997cc/2.0L, 1997cc/2.0L (DOHC), 1997cc/2.0L, 1997cc/2.0L (DOHC-Turbo), 2351cc/2.4L, 2351cc/2.4L (DOHC), 2351cc/2.4L, 2378cc/2.4L	224460	
	Redi-Sleeve	99078		07-92	1834cc/1.8L, 1999cc/2.0L, 1999cc/2.0L (DOHC-Turbo)	223750	
94-90	1755cc/1.8L	221710		02-85	1468cc/1.5L, 1468cc/1.5L	223018	
	Redi-Sleeve	99068			Redi-Sleeve	99114	
88-83	1597cc/1.6L (Turbo), 1795cc/1.8L, 1795cc/1.8L (Turbo)	221710		99-95	122/2.0L (DOHC)	320348	
	Redi-Sleeve	99068			Redi-Sleeve	99128	
TIMING COVER				6 CYLINDER			
09-08	1998cc/2.0L (DOHC), 1998cc/2.0L (DOHC-Turbo)	710608		09-88	2497cc/2.5L, 2972cc/3.0L, 2972cc/3.0L (DOHC), 2972cc/3.0L, 2972cc/3.0L (DOHC-Turbo), 3497cc/3.5L, 3828cc/3.8L	223750	
(Continued Next Column)							

MITSUBISHI - REAR WHEEL DRIVE (Starion)

WHEEL				REAR AXLE (Cont.)			
FRONT WHEEL				PINION			
89-83	All	(Inner) 494122	A-6	84-83	8" R.G.	(Inner) HM89449-HM89410	
		(Outer) A-2				(Outer) 224255	M86649-M86610
						Redi-Sleeve	99169
REAR WHEEL				CLUTCH			
89-83	All	(Inner) 224100	206-F	PILOT			
		(Outer) 207-F		4 CYLINDER			
				89-83	2555cc/2.6L (Turbo)	102-CC	
AXLE				RELEASE			
REAR AXLE							
AXLE SHAFT							
89-83	8" R.G.	206-FF					
DIFFERENTIAL							
89-83	8" R.G.	(2) 471847N	■ (2) KC-11445-Y				
		Redi-Sleeve (2) 99139					
PINION							
89-88	8" R.G.	(Inner) HM89449-HM89410					
		(Outer) 224570	M88043-M88010				
		Redi-Sleeve	99177				
87-85	8" R.G. (Exc. Limited-Slip)	(Inner) HM89449-HM89410					
		(Outer) 224255	M86649-M86610				
		Redi-Sleeve	99169				
87-85	8" R.G. (Limited-Slip)	(Inner) HM89449-HM89410					
		(Outer) 224570	M88043-M88010				
		Redi-Sleeve	99177				
(Continued Next Column)				TRANSMISSION			
				AUTOMATIC / 4 Speed			
				FRONT PUMP			
89-83	Jatco L4N71B	2025					
		Redi-Sleeve	99166				
				EXTENSION HOUSING			
89-83	Jatco L4N71B	223801					
				MANUAL / 5 Speed			
				DRIVESHAFT / INPUT			
89-88	KM132-M	223014					
		Redi-Sleeve	99114				
(Continued Next Page)							

(Cont.) (Starion) **REAR WHEEL DRIVE - MITSUBISHI**

Year	Application	Seal	Bearing
TRANSMISSION			
MANUAL / 5 Speed (Cont.)			
DRIVESHAFT / INPUT			
87-85	KM132-G	223014	307-L
		<i>Redi-Sleeve</i> 99114	
1984	KM132-B	223014	207-L
		<i>Redi-Sleeve</i> 99114	
MAINSHAFT / OUTPUT			
89-84	KM132-B, KM132-G, KM132-M	223608	511014
COUNTERSHAFT			
89-85	KM132-G, KM132-M		
	(Center)		30205
	(Front)		30205
SHIFT SHAFT			
87-84	KM132-B, KM132-G	710222	
STEERING			
POWER STEERING			
STEERING GEAR WORM SHAFT			
89-83	All	710272	
STEERING GEAR PITMAN SHAFT			
89-83	All	223010	

Year	Application	Seal	Bearing
POWER STEERING (Cont.)			
STEERING PUMP SHAFT			
89-83	All (Atsugi Pump)	221830	
ELECTRICAL			
ALTERNATOR			
DRIVE END			
86-83	Mitsubishi 65 Amp		302-SS
REAR END			
86-83	Mitsubishi 65 Amp		201-S
ENGINE			
CAMSHAFT			
4 CYLINDER			
89-83	2555cc/2.6L (Turbo)	222330	
CRANKSHAFT			
4 CYLINDER			
89-83	2555cc/2.6L (Turbo)	228005	
		<i>Redi-Sleeve</i> 99315	
TIMING COVER			
4 CYLINDER			
89-83	2555cc/2.6L (Turbo)	224840	
		<i>Redi-Sleeve</i> 99139	

PICKUP/MINIVAN/CROSSOVER/SPORT UTILITY - MITSUBISHI TRUCK
(Endeavor, Endeavor AWD, Mighty Max, Montero, Montero Sport, Nativa, Outlander, Raider, Van & Wagon)

WHEEL			
FRONT WHEEL (2WD)			
09-07	Outlander		510090
09-06	Raider (Rear Wheel ABS)	Hub Assembly	513228
09-06	Raider (4 Wheel ABS)	Hub Assembly	513229
08-04	Endeavor	Hub Assembly	513219
06-03	Outlander		510079
04-97	Montero Sport, Nativa		
	(Inner)	225875	LM102949-LM102910
	(Outer)		LM102949-LM102910
96-83	All	225010	A-5
	(Outer)		A-3
FRONT WHEEL (4WD)			
09-07	Outlander		510090
09-06	Raider (Rear Wheel ABS)	Hub Assembly	513228
09-06	Raider (4 Wheel ABS)	Hub Assembly	513229
08-04	Endeavor AWD	Hub Assembly	513219
06-03	Outlander		510079
06-01	Montero	Hub Assembly	515074
04-01	Montero Sport, Nativa		
	(Inner)	225875	LM102949-LM102910
	(Outer)		LM102949-LM102910
00-83	All	225875	LM102949-LM102910
	(Outer)		LM102949-LM102910

REAR WHEEL			
09-06	Raider	8835S	6408
			(Axle Repair Brg.) RP-6408
08-04	Endeavor (ABS)		Hub Assembly 512289
08-04	Endeavor (Exc. ABS)		Hub Assembly ♦ 512290
			Hub Assembly 512289
08-04	Endeavor AWD		Hub Assembly 512291
06-03	Outlander		Hub Assembly 512339
			511013
04-01	Montero Sport, Nativa		
	(Exc. Limited-Slip)		
	(Inner)	4989	30208
	(Outer)	225010	
04-01	Montero Sport, Nativa		
	(Limited Slip)		
	(Inner)	4989	516006
	(Outer)	710437	
00-97	All (Exc. Limited-Slip)		
	(Inner)	4989	30208
	(Outer)	225010	
00-97	All (Limited Slip)		
	(Inner)	4989	516006
	(Outer)	710437	
96-92	Montero	4989	516006
	(Outer)	710437	
96-92	Mighty Max	4989	30208
	(Outer)	225010	

(Continued Next Page)

♦ When Depleted Use Number Listed Directly Below

MITSUBISHI TRUCK - PICKUP/MINIVAN/CROSSOVER/SPORT UTILITY (Endeavor, Endeavor AWD, Mighty Max, Montero, Montero Sport, Nativa, Outlander, Raider, Van & Wagon) (Cont.)

Year	Application	Seal	Bearing
------	-------------	------	---------

WHEEL

REAR WHEEL (Cont.)

91-83	Mighty Max, Montero		
	(Inner)	4989	30208
	(Outer)	225010	
90-87	Van, Wagon	223550	LM29749-LM29710
	(Outer)	224510	

AXLE

FRONT AXLE

AXLE SHAFT

09-06	Chrysler C205F	710489	B-228
06-83	IFS-7.25" R.G., IFS-8" R.G.	710213	107-DD

SPINDLE

06-83	IFS-7.25" R.G., IFS-8" R.G.	710146	B-2012
-------	-----------------------------	--------	--------

DIFFERENTIAL

09-06	Chrysler C205F	(2)LM102949-LM102911	
06-89	IFS-8" R.G.	(2)710151	■ (2)KC-11445-Y
93-83	IFS-7.25" R.G.	(2)471845N	■ (2)KC-11445-Y
	Redi-Sleeve (2)	99139	

PINION

09-06	Chrysler C205F		
	(Inner)	M88048-M88010	
	(Outer)	710476	
06-91	IFS-8" R.G.		HM89449-HM89410
	(Inner)		
	(Outer)	224570	M88043-M88010
	Redi-Sleeve	99169	
93-83	IFS-7.25" R.G.		
	(Inner)	HM89449-HM89410	
	(Outer)	224255	M86649-M86610
	Redi-Sleeve	99169	
90-89	IFS-8" R.G.		HM89449-HM89410
	(Outer)	1943	M88043-M88010
	Redi-Sleeve	99177	

REAR AXLE

DIFFERENTIAL KIT

09-06	Chrysler 9.25" R.G.		<input checked="" type="checkbox"/> RA-304-A
-------	---------------------	--	--

DIFFERENTIAL

09-06	Chrysler 8.25" R.G.		(2)A-36
09-06	Chrysler 9.25" R.G.	(2)JLM704649-JLM704610	
09-04	IRS-8" R.G.	(2)710208	
09-04	Outlander	(2)710396	(2)30207
	Redi-Sleeve (2)	99139	
04-91	9" R.G.		■ (2)KC-11445-Y
90-83	8" R.G., 9" R.G.		■ (2)KC-11445-Y

PINION

09-06	Chrysler 8.25" R.G.		
	(Inner)	M802048-M802011	
	(Outer)	710480	M86649-M86610
09-06	Chrysler 9.25" R.G.		
	(Inner)	M804049-M804010	
	(Outer)	710481	M88048-M88010
09-04	IRS-8" R.G.		HM89449-HM89410
	(Outer)	710207	M88043-M88010
	Redi-Sleeve	99166	
	(Continued Next Column)		

Year	Application	Seal	Bearing
------	-------------	------	---------

REAR AXLE (Cont.)

PINION

09-04	Outlander	(Inner)	32207
	(Outer)	471847N	30305
	Redi-Sleeve	99139	
04-87	9" R.G.	(Inner)	HM89249-HM89210
	(Outer)	224570	M88043-M88010
	Redi-Sleeve	99177	
90-83	8" R.G.	(Inner)	HM89449-HM89410
	(Outer)	224570	M88043-M88010
	Redi-Sleeve	99177	

CLUTCH

PILOT

4 CYLINDER

02-83	1997cc/2.0L, 2346cc/2.3L (Turbo-Diesel), 2351cc/2.4L, 2351cc/2.4L, 2555cc/2.6L		102-CC
-------	--	--	--------

6 CYLINDER

09-06	226/3.7L		SCE-1295
	(Brg. & Sleeve)	FC-69907	
99-89	2972cc/3.0L		203-FF

8 CYLINDER

09-06	287/4.7L		SCE-1295
	(Brg. & Sleeve)	FC-69907	

RELEASE

Bearing
Only Bearing
Assembly

4 CYLINDER

96-83	2346cc/2.3L (Turbo-Diesel), 2351cc/2.4L, 2555cc/2.6L (225mm Clutch)		⊗ 614016
89-83	1997cc/2.0L (215mm Clutch)		⊗ 614016

6 CYLINDER

09-06	226/3.7L		⊗ 614093
-------	----------	--	----------

8 CYLINDER

09-06	287/4.7L		⊗ 614093
-------	----------	--	----------

DRIVESHAFT

CENTER SUPPORT

Bearing Bearing &
Support

94-92	Mighty Max		HB-22
91-87	Mighty Max (2WD)		HB-22
91-87	Mighty Max (4WD)		HB-30
86-83	Mighty Max		HB-14

TRANSFER CASE

FULL TIME / PART TIME

INPUT SHAFT

09-06	New Process 233		N-5210-KLB
	(Pilot)		FC-66561
07-06	New Process 243		
	(Pilot)		FC-66561
07-06	New Process 244HD	(2) 3173	N-5210-KLB
	(Dual Lip) 710928		
	Redi-Sleeve	99133	
	(Pilot)		FC-66561
	(Continued Next Page)		

PICKUP/MINIVAN/CROSSOVER/SPORT UTILITY - MITSUBISHI TRUCK

(Cont.) (Endeavor, Endeavor AWD, Mighty Max, Montero, Montero Sport, Nativa, Outlander, Raider, Van & Wagon)

Year	Application	Seal	Bearing
TRANSFER CASE			
FULL TIME / PART TIME (Cont.)			
INPUT SHAFT			
03-90	V4AC1-2, V4AW2-2, V4AW2-3, V5M21-2	1992	
		Redi-Sleeve 99177	
97-90	V5MT1-2, V5MT1-3	224560	
		Redi-Sleeve 99177	
93-83	KM100 (65mm OD)	1992	
		Redi-Sleeve 99177	
93-83	KM100 (68mm OD)	224560	
		Redi-Sleeve 99177	
FRONT OUTPUT SHAFT			
09-06	New Process 233		206
	(Pilot)		J-2416
07-06	New Process 243		111
07-06	New Process 244HD	3946	
		Redi-Sleeve 99187	
		(Pilot)	J-2416
03-83	KM100, V4AC1-2, V4AW2-2, V4AW2-3, V5MT1-2, V5MT1-3, V5M21-2	223608	(2)306
		Redi-Sleeve 99146	
REAR OUTPUT SHAFT			
03-83	KM100, V4AC1-2, V4AW2-2, V4AW2-3, V5MT1-2, V5MT1-3, V5M21-2	224052	211
		Redi-Sleeve 99157	
DRIVE SPROCKET			
03-83	KM100, V4AC1-2, V4AW2-2, V4AW2-3, V5MT1-2, V5MT1-3, V5M21-2		307
TRANSAXLE			
AUTOMATIC / 1 Speed			
OUTPUT SHAFT			
09-08	F1CJA (AWD) (Left)	☆ 710632	
	(Right)	☆ 710634	
09-08	F1CJA (FWD) (Left)	☆ 710632	
	(Right)	☆ 710633	
MANUAL SHAFT			
09-08	F1CJA	221207	
		Redi-Sleeve 99049	
AUTOMATIC / 4 Speed			
DIFFERENTIAL			
06-03	F4A4B, W4A4B, F4A42, W4A42		(2)30207
TORQUE CONVERTER			
09-03	F4A4B, W4A4B, F4A42, W4A42, F4A5A, W4A5A	320583	
		Redi-Sleeve 99157	
OUTPUT SHAFT			
09-04	F4A5A, W4A5A (Front)		32010-X
	(Rear)		32006
06-03	F4A4B, W4A4B, F4A42, W4A42 (Front)		32009-X
	(Rear)		32006

Year	Application	Seal	Bearing
MANUAL / 5 Speed			
DIFFERENTIAL			
06-03	F5M42, W5M42		(2)30207
INPUT SHAFT			
06-03	F5M42, W5M42	712007	
		Redi-Sleeve 99098	
TRANSMISSION			
AUTOMATIC / 3 Speed			
FRONT PUMP			
86-83	Chrysler A94-1	331228H	
		Redi-Sleeve 99149	
EXTENSION HOUSING			
86-83	Chrysler A94-1	2506	§ 206-LOE
MANUAL SHAFT			
86-83	Chrysler A94-1	8609	
AUTOMATIC / 4 Speed			
FRONT PUMP			
09-06	Chrysler 42RLE	331228H	
		Redi-Sleeve 99149	
2004	V4A51	320583	
		Redi-Sleeve 99157	
03-97	R4A51, V4A51	320583	
		Redi-Sleeve 99157	
02-87	Aisin 03-72, 30-40FL	223830	
		Redi-Sleeve 99147	
96-90	A500	331228H	
		Redi-Sleeve 99149	
EXTENSION HOUSING			
09-06	Chrysler 42RLE (2WD)	7300S	
	(Seal & Bushing Kit)	5206	
09-06	Chrysler 42RLE (4WD)	710058	
02-94	Aisin 30-40FL	225005	
96-90	A500 (2WD) (Booted)	2465	
96-90	A500 (2WD) (Non-Booted)	7300S	
	(Seal & Bushing Kit)	5206	
96-90	A500 (4WD)	710058	
94-87	Aisin 03-72	710319	
MANUAL SHAFT			
02-94	Aisin 30-40FL	221207	
		Redi-Sleeve 99049	
96-90	A500	8609	
AUTOMATIC / 5 Speed			
FRONT PUMP			
09-06	Chrysler 545RFE	710557	
		Redi-Sleeve 99187	
06-01	V5A51	320583	
		Redi-Sleeve 99157	
EXTENSION HOUSING			
09-06	Chrysler 545RFE (2WD)	7300S	110
	(Seal & Bushing Kit)	5206	

() Indicates Quantity Required § Use Old Snap Ring ☆ New Item, Check for Availability

MITSUBISHI TRUCK - PICKUP/MINIVAN/CROSSOVER/SPORT UTILITY (Endeavor, Endeavor AWD, Mighty Max, Montero, Montero Sport, Nativa, Outlander, Raider, Van & Wagon) (Cont.)

Year	Application	Seal	Bearing
TRANSMISSION			
MANUAL / 4 Speed			
DRIVESHAFT / INPUT			
85-83	KM130-1, KM130-4, KM144-0, KM144-3	223014 <i>Redi-Sleeve</i> 99114	307-L
MAINSHAFT / OUTPUT			
85-83	KM130-1, KM130-4, KM144-0, KM144-3	223608	207-L
COUNTERSHAFT			
85-83	KM130-1, KM130-4 <i>(Front)</i>		5205-KLE
84-83	KM144-0, KM144-3 <i>(Center)</i>		5205-KLE
MANUAL / 5 Speed			
DRIVESHAFT / INPUT			
96-90	M1S5	223255 <i>Redi-Sleeve</i> 99128	
96-83	KM132-E, KM132-J, KM132-K, KM132-1, KM132-8, KM132-9, KM145-1, KM145-2, KM145-4, KM145-5, KM145-8, KM145-9	223014 <i>Redi-Sleeve</i> 99114	307-L
MAINSHAFT / OUTPUT			
96-87	KM132-1, KM145-8, KM145-9	223608	511014
89-83	KM132-J, KM132-K, KM132-8	223608	RW-122
86-83	KM132-E, KM132-9	223608	
86-83	KM145-1, KM145-2, KM145-4, KM145-5	223608	205
COUNTERSHAFT			
96-83	KM132-E, KM132-1, KM132-9, KM145-2, KM145-4, KM145-8 <i>(Center)</i>		30205
	<i>(Front)</i>		30205
89-83	KM132-J, KM132-K, KM132-8 <i>(Center)</i>		5205-KLE
89-83	KM145-1, KM145-5, KM145-9 <i>(Front)</i>		30205
	<i>(Rear)</i>		304
MANUAL / 6 Speed			
COUNTERSHAFT			
09-06	Getrag 238		207-FF
STEERING			
MANUAL STEERING			
STEERING GEAR WORM SHAFT			
94-83	Mighty Max	710273	
STEERING GEAR PITMAN SHAFT			
94-83	Mighty Max	222820	
POWER STEERING			
STEERING GEAR WORM SHAFT			
94-83	Mighty Max	710272	

Year	Application	Seal	Bearing
POWER STEERING (Cont.)			
STEERING PUMP SHAFT			
94-91	All	221620	
90-83	Mighty Max, Montero, Van <i>(Atsugi Pump)</i>	221830	
86-83	Mighty Max <i>(Saginaw Pump)</i>	7013S	
AIR CONDITIONING			
COMPRESSOR			
CLUTCH PULLEY			
89-87	Nippondenso 10P13		5000-KFF
87-83	Sanden SD-508		5001-KFF
ELECTRICAL			
ALTERNATOR			
DRIVE END			
91-86	Mitsubishi 65 Amp		302-CC
86-83	Mitsubishi 50 Amp		202-FF
85-83	Mitsubishi 55 Amp		302-SS
REAR END			
86-83	Mitsubishi 45, 50 Amp		201-SS
ENGINE			
BALANCE SHAFT			
4 CYLINDER			
89-83	1997cc/2.0L, 2346cc/2.3L <i>(Turbo-Diesel)</i>	712007 <i>Redi-Sleeve</i> 99098	
CAMSHAFT			
4 CYLINDER			
06-83	1997cc/2.0L, 2346cc/2.3L <i>(Turbo-Diesel)</i> , 2351cc/2.4L, 2351cc/2.4L, 2378cc/2.4L	3771 <i>Redi-Sleeve</i> 99139	
89-83	2555cc/2.6L	222330	
6 CYLINDER			
09-97	3497cc/3.5L, 3828cc/3.8L <i>(Front)</i>(2) 223010 <i>Redi-Sleeve</i> (2) 99114 <i>(Rear)</i>(2) 710302 <i>Redi-Sleeve</i> (2) 99114		
03-89	2972cc/3.0L, 2972cc/3.0L <i>(Rear)</i>(2) 3771 <i>Redi-Sleeve</i> (2) 99139		
96-94	3497cc/3.5L <i>(DOHC)</i> <i>(Front)</i>(4) 223010 <i>Redi-Sleeve</i> (4) 99114 <i>(Rear)</i>(4) 710302 <i>Redi-Sleeve</i> (4) 99114		
CRANKSHAFT			
4 CYLINDER			
09-08	2359cc/2.4L <i>(DOHC)</i>	710235 710608	
<i>(Continued Next Page)</i>			

PICKUP/MINIVAN/CROSSOVER/SPORT UTILITY - MITSUBISHI TRUCK

(Cont.) (Endeavor, Endeavor AWD, Mighty Max, Montero, Montero Sport, Nativa, Outlander, Raider, Van & Wagon)

Year	Application	Seal	Bearing	Year	Application	Seal	Bearing
ENGINE				OIL PUMP (Cont.)			
CRANKSHAFT (Cont.)				4 CYLINDER			
4 CYLINDER				89-83 1997cc/2.0L 221720			
06-93 2351cc/2.4L, 2351cc/2.4L,				Redi-Sleeve 99068			
2378cc/2.4L 710235				85-83 2346cc/2.3L (Turbo-Diesel)..... 221710			
92-83 1997cc/2.0L, 2346cc/2.3L				Redi-Sleeve 99068			
(Turbo-Diesel),				TIMING COVER			
2351cc/2.4L, 2555cc/2.6L 228005				4 CYLINDER			
Redi-Sleeve 99315				06-83 1997cc/2.0L, 2346cc/2.3L			
6 CYLINDER				(Turbo-Diesel),			
09-06 226/3.7L 710471				2351cc/2.4L, 2351cc/2.4L,			
Redi-Sleeve 99393				2378cc/2.4L 224460			
09-89 2972cc/3.0L, 2972cc/3.0L,				89-83 2555cc/2.6L 224840			
3828cc/3.8L 710056				Redi-Sleeve 99189			
PTFE Rubber 5279				6 CYLINDER			
04-94 3497cc/3.5L, 3497cc/3.5L				09-06 226/3.7L 710472			
(DOHC)..... 229005				Redi-Sleeve 99114			
Redi-Sleeve 99354				09-89 2972cc/3.0L, 2972cc/3.0L,			
OIL PUMP				3497cc/3.5L, 3497cc/3.5L			
4 CYLINDER				(DOHC), 3828cc/3.8L..... 223750			
06-87 2351cc/2.4L, 2351cc/2.4L,				8 CYLINDER			
2378cc/2.4L 222025				09-06 287/4.7L 710472			
Redi-Sleeve 99078							
(Continued Next Column)							

(Aero 8, Plus 8, Roadster & 4/4) MORGAN

WHEEL				CRANKSHAFT (Cont.)			
FRONT WHEEL				6 CYLINDER			
94-80 4/4 (Outer) 03062-03162				2006 181/3.0L (DOHC)..... 3909			
				PTFE Rubber 5277			
				Redi-Sleeve 99363			
AXLE				8 CYLINDER			
REAR AXLE				07-04 4398cc/4.4L (DOHC)..... 231003			
DIFFERENTIAL				Redi-Sleeve 99393			
96-80 Salisbury 7HA..... (2)14138A-14283				TIMING COVER			
PINION				4 CYLINDER			
96-80 Salisbury 7HA.... (Inner) 14130-14276				94-82 98/1.6L 3771			
(Outer) 15100-15245				Redi-Sleeve 99139			
ENGINE				6 CYLINDER			
CAMSHAFT				2006 181/3.0L (DOHC)..... 482041N			
4 CYLINDER				Redi-Sleeve 99187			
94-82 98/1.6L 3774				Harmonic Bal Sleeve 88187			
Redi-Sleeve 99169				8 CYLINDER			
CRANKSHAFT				07-04 4398cc/4.4L (DOHC)..... 716484			
4 CYLINDER				Redi-Sleeve 99189			
94-82 98/1.6L 3772							
(Gskt. & PTFE Seal) 5287A							
PTFE Rubber 5287							

() Indicates Quantity Required

NISSAN - FRONT WHEEL DRIVE

(Altima, Maxima, NX, Pulsar, Sentra, Sentra AWD, Stanza, Stanza Wagon, Stanza Wagon AWD, 200SX & 310)

Year	Application	Seal	Bearing
WHEEL			
FRONT WHEEL			
08-07	Maxima		510060
06-02	Altima, Maxima		510060
06-00	Sentra		510061
01-00	Altima (ABS)	(Inner) 710108	510009
		(Outer) 710108	
01-00	Altima (Exc. ABS)		
		(Inner) 710108	510068
		(Outer) 710108	
01-00	Maxima		510060
99-91	NX, Sentra, 200SX		
		(Inner) 710127	514002
		(Outer) 710125	
99-90	Altima, Maxima, Stanza		
		(Inner) 710108	510009
		(Outer) 710108	
90-87	Pulsar, Sentra, Sentra AWD	710107	§ 510008
1989	Maxima	(Inner) 710108	510009
		(Outer) 710108	
1989	Stanza	(Inner) 225650	§ 513015
		(Outer) 710069	
88-87	Maxima, Stanza, Stanza Wagon, Stanza Wagon AWD		
		(Inner) 225650	§ 513015
		(Outer) 710069	
86-85	Maxima, Stanza Wagon, Stanza Wagon AWD		
		(Inner) 225650	§ 513015
		(Outer) 710069	
86-82	Stanza	(Inner) 225650	LM300849-LM300811
		(Outer) 225225	LM300849-LM300811
86-80	Pulsar, Sentra, 310		
		(Inner) 710312	LM29748-LM29710
		(Outer)	LM29748-LM29710
REAR WHEEL			
08-04	Maxima		Hub Assembly 512292
06-02	Altima (ABS)		Hub Assembly 512201
06-02	Altima (Exc. ABS)		Hub Assembly 512202
06-00	Sentra (CA)(XE)(GXE)(S)		Hub Assembly 512303
03-00	Maxima		Hub Assembly 512203
01-93	Altima (Exc. ABS)		Hub Assembly 512016
99-97	Sentra, 200SX (Mfg. in USA)		Hub Assembly 512025
96-91	NX, Sentra, 200SX		Hub Assembly 512025
92-90	Stanza		Hub Assembly 512016
90-87	Sentra AWD	(Inner) 710069	§ 513015
		(Outer)	A-2
90-87	Pulsar, Sentra		§ 513071
1989	Stanza	(Inner) 224400	513007
		(Outer)	A-2
88-87	Maxima, Stanza, Stanza Wagon		
		(Inner) 224400	513007
		(Outer)	A-2
88-86	Stanza Wagon AWD	710069	§ 513015
86-85	Maxima, Stanza Wagon		
		(Inner) 224400	513007
		(Outer)	A-2
86-82	Stanza	(Inner) 334111	513007
		(Outer)	A-2
86-80	Pulsar, Sentra, 310		
		(Inner) 334111	A-15
		(Outer)	A-2

Year	Application	Seal	Bearing
AXLE			
REAR AXLE			
DIFFERENTIAL			
90-86	R180	(2) 1167	(2) 30208
		Redi-Sleeve (2) 99128	
82-80	H150		(2) 30206
PINION			
90-86	R180	(Inner)	32307
		(Outer) 1173	32305
		Redi-Sleeve 99139	
82-80	H150	(Inner)	32206
		(Outer) 223555	30305
		Redi-Sleeve 99139	
CLUTCH			
PILOT			
4 CYLINDER			
09-02	1769cc/1.8L (DOHC), 2488cc/2.5L (DOHC)		PB-22
01-80	1397cc/1.4L, 1487cc/1.5L, 1487cc/1.5L, 1487cc/1.5L (Turbo), 1597cc/1.6L, 1597cc/1.6L (DOHC), 1597cc/1.6L, 1598cc/1.6L (DOHC), 1680cc/1.7L (Diesel), 1769cc/1.8L (DOHC), 1809cc/1.8L (DOHC), 1974cc/2.0L, 1998cc/2.0L (DOHC), 2389cc/2.4L, 2389cc/2.4L (DOHC)		PB-22
6 CYLINDER			
09-93	2960cc/3.0L, 2960cc/3.0L (DOHC), 2988cc/3.0L (DOHC), 3498cc/3.5L (DOHC)		PB-22
92-85	2960cc/3.0L		PB-22
RELEASE			
		Bearing Only	Bearing Assembly
4 CYLINDER			
09-93	2389cc/2.4L (DOHC), 2488cc/2.5L (DOHC) (215mm Clutch)		Ⓢ 614124
06-02	1769cc/1.8L (DOHC) (215mm Clutch)		Ⓢ 614047
01-91	1769cc/1.8L (DOHC), 1998cc/2.0L (DOHC) (215mm Clutch)		Ⓢ 614047
99-87	1597cc/1.6L, 1597cc/1.6L (DOHC), 1597cc/1.6L (190mm Clutch)		Ⓢ 614047
92-90	2389cc/2.4L (225mm Clutch)		Ⓢ 614157
90-87	1597cc/1.6L, 1597cc/1.6L (200mm Clutch)		Ⓢ 614022
86-82	1487cc/1.5L (Turbo), 1974cc/2.0L (200mm Clutch)		Ⓢ 614022
86-82	1487cc/1.5L, 1487cc/1.5L, 1597cc/1.6L (180mm Clutch)		Ⓢ 614022
6 CYLINDER			
09-93	2960cc/3.0L, 2960cc/3.0L (DOHC), 2988cc/3.0L (DOHC), 3498cc/3.5L (DOHC) (240mm Clutch)		Ⓢ 614049
92-85	2960cc/3.0L (240mm Clutch)		Ⓢ 614049
DRIVESHAFT			
CENTER SUPPORT			
		Bearing	Bearing & Support
88-86	Stanza Wagon AWD		HB-6

FRONT WHEEL DRIVE - NISSAN

(Cont.) (Altima, Maxima, NX, Pulsar, Sentra, Sentra AWD, Stanza, Stanza Wagon, Stanza Wagon AWD, 200SX & 310)

Year	Application	Seal	Bearing
TRANSFER CASE			
FULL TIME / PART TIME			
INPUT SHAFT			
89-86	TY10	710120	
FRONT OUTPUT SHAFT			
89-86	TY10	225210	
REAR OUTPUT SHAFT			
89-86	TY10	710121	
		Redi-Sleeve 99235	
SHIFT SHAFT			
89-86	TY10	710243	
		Redi-Sleeve 99098	
PINION SHAFT			
89-86	TY10	(Inner)	30306
		(Outer)	2011 32307
		Redi-Sleeve 99157	
TRANSAXLE			
AUTOMATIC / 1 Speed			
OUTPUT SHAFT			
09-07	RE0F09A (AWD)	(Left) ☆ 710632	
		(Right) 710133	
09-07	RE0F09A (FWD)	(Left) ☆ 710632	
		(Right) ☆ 710633	
MANUAL SHAFT			
09-07	RE0F09A	221207	
		Redi-Sleeve 99049	
AUTOMATIC / 3 Speed			
DIFFERENTIAL			
92-81	RL3F01A, RN3F01A	(Left)	32013-X
		(Right)	30208
TORQUE CONVERTER			
92-81	RL3F01A, RN3F01A	224979	
OUTPUT SHAFT			
92-81	RL3F01A, RN3F01A	(Left)	224026 32007
		Redi-Sleeve 99157	
		(Right)	224026 32006
		Redi-Sleeve 99157	
MANUAL SHAFT			
92-81	RL3F01A, RN3F01A	2027	
AUTOMATIC / 4 Speed			
DIFFERENTIAL			
06-01	RE4F03B		(2)32008
06-92	RE4F04A, RE4F04B		(2)32009-X
00-98	RL4F03V	(Left)	32008
00-91	RL4F03A, RE4F03A		(2)208
99-92	RE4F04V	(Left)	32009-X
		(Right)	32013-X
94-91	RL4F03V	(Left)	32008
(Continued Next Column)			

Year	Application	Seal	Bearing
AUTOMATIC / 4 Speed (Cont.)			
DIFFERENTIAL			
94-85	RE4F02A, RL4F02A	(Left)	32013-X
		(Right)	30208
92-90	RE4F02V	(Left)	32010-X
		(Right)	32013-X
IDLER GEAR			
90-85	RL4F02A		(2)32008
TORQUE CONVERTER			
06-02	RE4F04B	224450	
06-91	RL4F03A, RE4F03A, RE4F03B, RL4F03V	710442	
01-92	RE4F04A	1992	
99-92	RE4F04V	224450	
94-85	RE4F02A, RE4F02V, RL4F02A	224663	
		Redi-Sleeve 99181	
OUTPUT SHAFT			
06-92	RE4F04A, RE4F04B	(Left)	710118
		(Right)	710124
00-98	RL4F03V	(Left)	710133
		(Right)	710132
00-91	RL4F03A		(2)224026
		Redi-Sleeve (2)	99157
99-92	RE4F04V	(Left)	710397
		(Right)	710124
98-95	RE4F03A	(Left)	224026
		(Right)	224026
94-91	RL4F03V	(Left)	710133
		(Right)	710132
94-89	RE4F02A, RE4F02V	(Left)	710123
		(Right)	710124
90-85	RL4F02A (2WD)	(Left)	710122
		(Right)	710124
90-85	RL4F02A (4WD)	(Left)	710118
		(Right)	710069
MANUAL SHAFT			
06-91	RL4F03A, RE4F03A, RL4F03V, RE4F04A, RE4F04B, RE4F04V	221207	
		Redi-Sleeve 99049	
AUTOMATIC / 5 Speed			
TORQUE CONVERTER			
06-04	RE5F22A	222830	
		Redi-Sleeve 99147	
OUTPUT SHAFT			
06-04	RE5F22A		(2)4764
MANUAL SHAFT			
06-04	RE5F22A	221207	
		Redi-Sleeve 99049	
MANUAL / 4 Speed			
DIFFERENTIAL			
96-82	RN4F30A, RN4F31A		(2)30208
82-80	F4WF60A		(2)209

() Indicates Quantity Required ☆ New Item, Check for Availability

NISSAN - FRONT WHEEL DRIVE

(Altima, Maxima, NX, Pulsar, Sentra, Sentra AWD, Stanza, Stanza Wagon, Stanza Wagon AWD, 200SX & 310) (Cont.)

Year	Application	Seal	Bearing
TRANSAXLE			
MANUAL / 4 Speed (Cont.)			
INPUT SHAFT			
96-82	RN4F30A, RN4F31A	710316	305
	Redi-Sleeve	99098	
82-80	F4WF60A	222820	306
OUTPUT SHAFT			
96-82	RN4F30A, RN4F31A	(2) 224026	
	Redi-Sleeve	(2) 99157	
82-80	F4WF60A	(2) 2003N	
	Redi-Sleeve	(2) 99146	
PRIMARY DRIVE			
82-80	F4WF60A	(Left)	106
		(Right)	206
PRIMARY MAIN			
82-80	F4WF60A		306
PRIMARY IDLER			
82-80	F4WF60A		305
MANUAL / 5 Speed			
DIFFERENTIAL			
06-90	RS5F50V, RS5F70A, RS5F70V		
	(Left)		32009-X
	(Right)		32013-X
06-90	RS5F50A, RS5F51A		(2)32009-X
99-95	RS5F32V	(Left)	32010-X
99-90	RS5F30A, RS5F32A		(2)32010-X
99-83	RS5F30A		(2)30208
93-91	RS5F32V	(Left)	32010-X
89-87	RS5F30A (2WD)		(2)32010-X
89-87	RS5F30A (4WD)		(2)30208
89-86	RS5F50A (2WD)		(2)A-140
86-82	RS5F30A		(2)32010-X
1985	RS5F50A		(2)A-140
82-80	F5WF60A		(2)209
INPUT SHAFT			
06-85	RS5F50A, RS5F50V, RS5F51A, RS5F70A, RS5F70V	710119	* 108-A
	Redi-Sleeve	99111	
99-82	RS5F30A, RS5F30A, RS5F32A, RS5F32V	710316	305
	Redi-Sleeve	99098	
82-80	F5WF60A	222820	306
OUTPUT SHAFT			
06-90	RS5F50A, RS5F51A, RS5F70A		
	(Left)	710118	32206
	(Right)	710124	30306
02-90	RS5F50V, RS5F70V		
	(Left)	710397	
	(Right)	710124	
99-95	RS5F32V	(Left)	710132
	(Right)	710133	
99-83	RS5F30A	(2) 224026	(2)30304
	Redi-Sleeve	(2) 99157	
99-82	RS5F30A	(Right)	710134
	Redi-Sleeve	99157	
98-95	RS5F32A	(Left)	710132
93-91	RS5F32V	(Left)	710132
	(Right)	710133	
		(Continued Next Column)	

Year	Application	Seal	Bearing
MANUAL / 5 Speed (Cont.)			
OUTPUT SHAFT			
89-86	RS5F50A	(Left)	710118 32206
89-86	RS5F50A (2WD)	(Left)	710118 32206
		(Right)	710124
89-86	RS5F50A (4WD)	(Left)	710133 32206
		(Right)	226018
1985	RS5F50A	(Left)	710118 32206
		(Right)	710124
82-80	F5WF60A	(2) 2003N	
	Redi-Sleeve	(2) 99146	
COUNTERSHAFT			
82-80	F5WF60A	(Center)	305
		(Front)	106
		(Rear)	206
PRIMARY MAIN			
82-80	F5WF60A		306
REVERSE IDLER			
82-80	F5WF60A		302
MANUAL / 6 Speed			
DIFFERENTIAL			
06-02	RS6F51A		(2)32009-X
INPUT SHAFT			
06-02	RS6F51A	710119	* 108-A
	Redi-Sleeve	99111	
OUTPUT SHAFT			
06-02	RS6F51A	(Left)	710118 32206
		(Right)	710124 30306
STEERING			
MANUAL STEERING			
STEERING GEAR PINION SHAFT			
89-87	Sentra	221540	
86-84	Sentra	221720	
STEERING GEAR WORM SHAFT			
88-85	Maxima	221735	
POWER STEERING			
STEERING PUMP SHAFT			
91-80	All	221820	202-S
ELECTRICAL			
ALTERNATOR			
DRIVE END			
97-87	Hitachi 90 Amp		303-CC
93-91	Mitsubishi		302-CC
93-87	Hitachi 70, 80 Amp		303-CC
93-85	Mitsubishi 70 Amp		302-CC
88-80	Hitachi 50, 60 Amp		203-FF
REAR END			
93-87	Hitachi 90 Amp		201-CC
88-80	Hitachi 50, 60 Amp		202-SS

FRONT WHEEL DRIVE - NISSAN

(Cont.) (Altima, Maxima, NX, Pulsar, Sentra, Sentra AWD, Stanza, Stanza Wagon, Stanza Wagon AWD, 200SX & 310)

Year	Application	Seal	Bearing	Year	Application	Seal	Bearing
ENGINE				CRANKSHAFT (Cont.)			
BALANCE SHAFT				4 CYLINDER			
4 CYLINDER				88-81 1487cc/1.5L, 1487cc/1.5L (Turbo), 1597cc/1.6L..... 228010			
90-83	1597cc/1.6L, 1597cc/1.6L	710415				Redi-Sleeve 99315	
		Redi-Sleeve 99128		82-80	1397cc/1.4L, 1487cc/1.5L	712006	
						Redi-Sleeve 99235	
CAMSHAFT				6 CYLINDER			
4 CYLINDER				09-95 2988cc/3.0L (DOHC), 3498cc/3.5L (DOHC)..... 710363			
02-88	1597cc/1.6L (DOHC), 1809cc/1.8L (DOHC), 1998cc/2.0L (DOHC)..... (2) 223420			94-85	2960cc/3.0L, 2960cc/3.0L (DOHC)..... 228410		
		Redi-Sleeve (2) 99134					
90-81	1487cc/1.5L, 1487cc/1.5L (Turbo), 1597cc/1.6L, 1597cc/1.6L	224020		TIMING COVER			
		Redi-Sleeve 99157		4 CYLINDER			
89-82	1974cc/2.0L	223420		09-90	1998cc/2.0L (DOHC), 2389cc/2.4L, 2389cc/2.4L (DOHC), 2488cc/2.5L (DOHC)	224650	
		Redi-Sleeve 99134				Redi-Sleeve 99181	
1987	1598cc/1.6L (DOHC)..... (2) 224052			06-91	1597cc/1.6L (DOHC), 1769cc/1.8L (DOHC).....	224052	
		Redi-Sleeve (2) 99157				Redi-Sleeve 99157	
87-83	1680cc/1.7L (Diesel)			90-89	1597cc/1.6L	710308	
	(Front)	223420				Redi-Sleeve 99157	
		Redi-Sleeve 99134		90-82	1809cc/1.8L (DOHC), 1974cc/2.0L	223340	
	(Rear)	710341		88-81	1487cc/1.5L, 1487cc/1.5L (Turbo), 1597cc/1.6L.....	223602	
		Redi-Sleeve 99146				Redi-Sleeve 99146	
6 CYLINDER				1987	1598cc/1.6L (DOHC).....	224052	
94-92	2960cc/3.0L (DOHC)..... (4) 224052					Redi-Sleeve 99157	
		Redi-Sleeve (4) 99157		87-83	1680cc/1.7L (Diesel).....	710308	
94-90	2960cc/3.0L	(2) 224052				Redi-Sleeve 99157	
		Redi-Sleeve (2) 99157		82-80	1397cc/1.4L, 1487cc/1.5L	223830	
89-85	2960cc/3.0L	(2) 223420				Redi-Sleeve 99147	
		Redi-Sleeve (2) 99134		6 CYLINDER			
CRANKSHAFT				09-95	2988cc/3.0L (DOHC), 3498cc/3.5L (DOHC).....	710356	
4 CYLINDER						Redi-Sleeve 99189	
09-95	1597cc/1.6L (DOHC), 1769cc/1.8L (DOHC), 1998cc/2.0L (DOHC), 2488cc/2.5L (DOHC).....	228411		94-85	2960cc/3.0L, 2960cc/3.0L (DOHC).....	223340	
01-90	2389cc/2.4L, 2389cc/2.4L (DOHC).....	228009					
		Redi-Sleeve 99315		REAR WHEEL DRIVE - NISSAN			
94-82	1597cc/1.6L (DOHC), 1597cc/1.6L, 1598cc/1.6L (DOHC), 1680cc/1.7L (Diesel), 1809cc/1.8L (DOHC), 1974cc/2.0L, 1998cc/2.0L (DOHC).....	228410		(Maxima, 200SX, 210, 240SX, 280ZX, 300ZX, 350Z, 370Z, 510 & 810)			
		(Continued Next Column)		WHEEL			

WHEEL	
FRONT WHEEL	
09-03	350Z Hub Assembly 513268
98-89	240SX 510031
96-90	300ZX 710108 513244
	(Continued Next Column)

FRONT WHEEL (Cont.)	
89-87	300ZX (Inner) 710126 A-6
	(Outer) A-2
88-87	200SX (Inner) 710128 A-6
	(Outer) A-2
86-84	All (Inner) 444116 A-6
	(Outer) A-2
	(Continued Next Page)

() Indicates Quantity Required

NISSAN - REAR WHEEL DRIVE

(Maxima, 200SX, 210, 240SX, 280ZX, 300ZX, 350Z, 370Z, 510 & 810) (Cont.)

Year	Application	Seal	Bearing
WHEEL			
FRONT WHEEL (Cont.)			
83-82	Maxima	(Inner) 444116 (Outer)	A-6 A-2
83-80	200SX, 280ZX, 510, 810	(Inner) 1188 (Outer)	A-6 A-2
82-80	210	(Inner) 1183 (Outer)	A-4 A-1
REAR WHEEL			
09-03	350Z	Hub Assembly	512346
96-90	300ZX (Turbo Eng.)	(Left) 710130 (Right) 710130	
89-87	300ZX	(Inner) 710131 (Outer)	RW-101 RW-132
88-87	200SX (L4 Eng.) (2.0L Eng.)		RW-114-R
88-87	200SX (V6 Eng.) (3.0L Eng.)	(Inner) 710131 (Outer)	RW-101 RW-132
86-84	200SX (L4 Eng.) (1.8L Eng.) (Turbo Eng.)	(Inner) 224045	RW-101
86-84	200SX (L4 Eng.) (2.0L Eng.)	(Outer)	RW-114-R 207-F
86-84	300ZX	(Inner) 224045 (Outer)	RW-101 207
84-80	Maxima, 810 (Sedan)	(Inner) 224045 (Outer)	RW-101 RW-125
84-80	Maxima, 810 (Station Wagon)		RW-114-R
83-80	280ZX	(Inner) 224045 (Outer)	RW-101 RW-125
83-80	200SX, 210, 510		RW-114-R

Year	Application	Seal	Bearing
AXLE			
REAR AXLE			
DIFFERENTIAL			
09-03	R230V		(2)32211
1998	R200	(2) 223542 Redi-Sleeve (2) 99139	(2)30209-C
97-80	R200, R200V	(2) 223542 Redi-Sleeve (2) 99139	(2)30209-C
96-90	R230V		(2)32211
88-80	H190, R180	(2) 1167 Redi-Sleeve (2) 99128	(2)30208
82-80	H150		(2)30206
81-80	H165B		(2)30207
PINION			
09-03	R230V	(Outer) 710117 Redi-Sleeve 99196	
98-89	R200	(Inner)	32307
		(Outer)	32306-C
97-89	R200V	(Inner)	A-45
		(Outer)	32306-C
96-90	R230V	(Outer) 710117 Redi-Sleeve 99196	
88-80	R200	(Inner)	32307
		(Outer) 2011 Redi-Sleeve 99157	32306-C

(Continued Next Column)

Year	Application	Seal	Bearing
REAR AXLE (Cont.)			
PINION			
88-80	R180	(Inner)	32307
		(Outer) 1173 Redi-Sleeve 99139	32305
86-80	H190	(Inner)	32307
		(Outer) 1979 Redi-Sleeve 99177	30306
82-80	H150	(Inner)	32206
		(Outer) 223555 Redi-Sleeve 99139	30305
81-80	H165B	(Inner)	32306-C
		(Outer) 223555 Redi-Sleeve 99139	32305

Year	Application	Seal	Bearing
CLUTCH			
PILOT			
4 CYLINDER			
98-80	1809cc/1.8L (Turbo), 1952cc/2.0L, 1974cc/2.0L, 2187cc/2.2L, 2389cc/2.4L, 2389cc/2.4L (DOHC)		PB-22
82-80	1237cc/1.2L, 1397cc/1.4L, 1487cc/1.5L		PB-21
6 CYLINDER			
96-84	2960cc/3.0L, 2960cc/3.0L (DOHC), 2960cc/3.0L (DOHC-Turbo), 2960cc/3.0L (Turbo)		PB-22
84-80	2393cc/2.4L, 2753cc/2.8L, 2753cc/2.8L (Turbo), 2793cc/2.8L (Diesel)		PB-22

Year	Application	Seal	Bearing
RELEASE			
		Bearing Only	Bearing Assembly
4 CYLINDER			
98-91	2389cc/2.4L (DOHC) (225mm Clutch)	613015	
90-89	2389cc/2.4L (225mm Clutch)	01576	DNE-01576-C
88-82	1809cc/1.8L (Turbo), 1974cc/2.0L, 2187cc/2.2L (225mm Clutch)	01576	
82-80	1237cc/1.2L, 1397cc/1.4L, 1487cc/1.5L (180mm Clutch)	01576	
81-80	1952cc/2.0L (Eng. Model Z20E) (200mm Clutch)	01576	
81-80	1952cc/2.0L (Eng. Model Z20S) (200mm Clutch)	01576	DNE-01576-C
6 CYLINDER			
96-90	2960cc/3.0L (DOHC) (240mm Clutch)	613015	
96-90	2960cc/3.0L (DOHC-Turbo) (250mm Clutch)	613015	
89-87	2960cc/3.0L (Turbo) (250mm Clutch)	01576	DNE-01576-C
89-87	2960cc/3.0L (240mm Clutch)	01576	DNE-01576-C
86-84	2960cc/3.0L, 2960cc/3.0L (Turbo) (240mm Clutch)	01576	DNE-01576-C
84-80	2393cc/2.4L, 2753cc/2.8L, 2793cc/2.8L (Diesel) (225mm Clutch)	01576	
83-80	2753cc/2.8L, 2753cc/2.8L (Turbo) (240mm Clutch)	01576	DNE-01576-C

REAR WHEEL DRIVE - NISSAN

(Cont.) (Maxima, 200SX, 210, 240SX, 280ZX, 300ZX, 350Z, 370Z, 510 & 810)

Year	Application	Seal	Bearing
DRIVESHAFT			
CENTER SUPPORT			
		<i>Bearing</i>	<i>Bearing & Support</i>
98-89	240SX		HB-6
88-84	200SX		HB-6
84-82	Maxima		HB-6
83-80	200SX		HB-19
81-80	810		HB-19
TRANSMISSION			
AUTOMATIC / 3 Speed			
FRONT PUMP			
84-80	L3N71B, 3N71B	2025	
		Redi-Sleeve 99166	
EXTENSION HOUSING			
84-80	L3N71B, 3N71B	710324	
AUTOMATIC / 4 Speed			
FRONT PUMP			
98-89	RE4R01A, RE4R03A	224663	
		Redi-Sleeve 99181	
89-83	E4N71B, L4N71B	2025	
		Redi-Sleeve 99166	
EXTENSION HOUSING			
98-84	RE4R01A, RE4R03A, E4N71B	223801	
88-83	L4N71B	710324	
MANUAL SHAFT			
98-89	RE4R01A, RE4R03A	2027	
AUTOMATIC / 5 Speed			
FRONT PUMP			
09-03	RE5R05A	224663	
		Redi-Sleeve 99181	
EXTENSION HOUSING			
09-03	RE5R05A	224464	
MANUAL SHAFT			
09-03	RE5R05A	221207	
		Redi-Sleeve 99049	
MANUAL / 4 Speed			
DRIVESHAFT / INPUT			
82-80	F4W56A (1.2L Eng.)	710316	305
		Redi-Sleeve 99098	
82-80	F4W56A (1.4L Eng.)	710316	206-L
		Redi-Sleeve 99098	
82-80	F4W56A (1.5L Eng.)	710316	206-L
		Redi-Sleeve 99098	
82-80	F4W60, F4W60L	1981	206-L
		Redi-Sleeve 99114	
81-80	F4W63L		207-L
1980	F4W71B	1981	306-L
		Redi-Sleeve 99114	
MAINSHAFT / OUTPUT			
82-80	F4W56A (1.4L Eng.)	2016	305-L
82-80	F4W56A (1.5L Eng.)	2016	305-L
82-80	F4W60, F4W60L	2016	305-L
81-80	F4W63L	710324	306-L

(Continued Next Column)

Year	Application	Seal	Bearing
MANUAL / 4 Speed (Cont.)			
MAINSHAFT / OUTPUT			
1980	F4W71B	710324	306
COUNTERSHAFT			
82-80	F4W56A (1.2L Eng.)		
	(Rear)		303-SS
82-80	F4W56A (1.4L Eng.)		
	(Rear)		304
82-80	F4W56A (1.5L Eng.)		
	(Rear)		304
82-80	F4W60, F4W60L		304-DD
1980	F4W71B		305
	(Rear)		204
EXTENSION HOUSING			
1980	F4W71B		205
MANUAL / 5 Speed			
DRIVESHAFT / INPUT			
98-95	FS5W71C	1981	
		Redi-Sleeve 99114	
96-87	FS5R30A	1981	1308-L
		Redi-Sleeve 99114	
94-80	FS5W71A, FS5W71B, FS5W71C		
		1981	306-L
		Redi-Sleeve 99114	
86-81	FS5R90A	7412S	A-5
		Redi-Sleeve 99125	
	(Thrust)		FA-55505
82-80	FS5W60A	1981	206-SL
		Redi-Sleeve 99114	
81-80	FSW63A		207-L
MAINSHAFT / OUTPUT			
98-80	FS5W71A, FS5W71B, FS5W71C	710324	306
96-87	FS5R30A		1308-L
86-81	FS5R90A		25877-25821
82-80	FS5W60A	2016	305-L
81-80	FSW63A	710324	§ 306-LO
MAINSHAFT PILOT			
86-81	FS5R90A		(15)QBR-23549
COUNTERSHAFT			
98-80	FS5W71A, FS5W71B, FS5W71C		
	(Center)		305
	(Rear)		204
86-81	FS5R90A		DK-55836
	(Front)		5707
	(Rear)		NTA-1423
	(Thrust)		304-DD
82-80	FS5W60A		B-1616
	(Center)		205
	(Rear)		30204
81-80	FSW63A		30204
	(Center)		30204
	(Front)		30204
	(Rear)		30204
EXTENSION HOUSING			
98-84	FS5W71C		205
96-87	FS5R30A	224215	307-L
86-80	FS5W71B (52mm OD)		205
86-80	FS5W71B (72mm OD)		207
81-80	FSW63A, FS5W71A		205

() Indicates Quantity Required § Use Old Snap Ring

NISSAN - REAR WHEEL DRIVE

(Maxima, 200SX, 210, 240SX, 280ZX, 300ZX, 350Z, 370Z, 510 & 810) (Cont.)

Year	Application	Seal	Bearing	Year	Application	Seal	Bearing
STEERING				CRANKSHAFT (Cont.)			
MANUAL STEERING				4 CYLINDER			
STEERING GEAR SECTOR SHAFT				88-84	1809cc/1.8L (Turbo), 1974cc/2.0L	228410	
82-80	210	222535		83-80	1952cc/2.0L, 1952cc/2.0L, 2187cc/2.2L	228010	
STEERING GEAR WORM SHAFT						Redi-Sleeve 99315	
88-84	200SX	221720		82-80	1237cc/1.2L, 1397cc/1.4L, 1487cc/1.5L	712006	
83-80	280ZX	221735				Redi-Sleeve 99235	
POWER STEERING				6 CYLINDER			
STEERING PUMP SHAFT				09-03	3498cc/3.5L (DOHC)	710363	
1984	Maxima	221730		96-95	2960cc/3.0L (DOHC), 2960cc/3.0L (DOHC-Turbo)	228411	
83-81	Maxima, 810 (2.4L Eng.)	221730		94-84	2960cc/3.0L, 2960cc/3.0L (DOHC), 2960cc/3.0L (DOHC-Turbo), 2960cc/3.0L (Turbo)	228410	
83-81	Maxima, 810 (2.8L Eng.)	221820	202-S	84-80	2393cc/2.4L, 2753cc/2.8L, 2753cc/2.8L (Turbo), 2793cc/2.8L (Diesel)	228010	
83-80	200SX, 280ZX	221820	202-S			Redi-Sleeve 99315	
1980	810	221730	202-S	TIMING COVER			
ELECTRICAL				4 CYLINDER			
ALTERNATOR				98-89	2389cc/2.4L, 2389cc/2.4L (DOHC)	224650	
DRIVE END						Redi-Sleeve 99181	
93-84	Hitachi 70, 80, 90 Amp		303-CC	88-84	1809cc/1.8L (Turbo), 1974cc/2.0L	223340	
93-80	Mitsubishi 70 Amp		302-CC	83-80	1952cc/2.0L, 1952cc/2.0L, 2187cc/2.2L	710313	
88-80	Hitachi 50, 60 Amp		203-FF			Redi-Sleeve 99189	
REAR END				82-80	1237cc/1.2L, 1397cc/1.4L, 1487cc/1.5L	223830	
88-80	Hitachi 50, 60 Amp		202-SS			Redi-Sleeve 99147	
ENGINE				6 CYLINDER			
CAMSHAFT				09-03	3498cc/3.5L (DOHC)	710356	
4 CYLINDER						Redi-Sleeve 99189	
88-84	1809cc/1.8L (Turbo), 1974cc/2.0L	223420		96-84	2960cc/3.0L, 2960cc/3.0L (DOHC), 2960cc/3.0L (DOHC-Turbo), 2960cc/3.0L (Turbo)	223340	
		Redi-Sleeve 99134		84-80	2393cc/2.4L, 2753cc/2.8L, 2753cc/2.8L (Turbo), 2793cc/2.8L (Diesel)	710313	
6 CYLINDER						Redi-Sleeve 99189	
96-90	2960cc/3.0L (DOHC), 2960cc/3.0L (DOHC-Turbo)	(4) 224052		CRANKSHAFT			
		Redi-Sleeve (4) 99157		4 CYLINDER			
89-84	2960cc/3.0L, 2960cc/3.0L (Turbo)	(2) 223420		98-89	2389cc/2.4L, 2389cc/2.4L (DOHC)	228009	
		Redi-Sleeve (2) 99134				Redi-Sleeve 99315	
CRANKSHAFT						(Continued Next Column)	
4 CYLINDER							

NISSAN - CANADIAN MODELS (Micra, Multi Wagon & Multi Wagon AWD)

WHEEL				FRONT WHEEL (Cont.)			
FRONT WHEEL				88-86	Multi Wagon AWD	710069	\$ 513015
92-89	All	(2) 710292		88-84	Micra (Inner)		A-13
88-86	Multi Wagon	(Outer) 225650	\$ 513015		(Outer)		A-13
		(Outer) 710069					
				(Continued Next Column)			

(Cont.) (Micra, Multi Wagon & Multi Wagon AWD) **CANADIAN MODELS - NISSAN**

Year	Application	Seal	Bearing
WHEEL			
REAR WHEEL			
88-86	Multi Wagon..... (Inner)	224400	513007
	(Outer)		A-2
88-86	Multi Wagon AWD		
	(Inner)	225650	§ 513015
	(Outer)	710069	
88-84	Micra..... (Inner)		A-4
	(Outer)		A-2
AXLE			
REAR AXLE			
DIFFERENTIAL			
88-86	R180	(2) 1167	(2)30208
		Redi-Sleeve (2) 99128	
PINION			
88-86	R180	(Inner)	32307
		(Outer)	32305
		Redi-Sleeve 99139	
CLUTCH			
PILOT			
4 CYLINDER			
92-84	1235cc/1.2L, 1974cc/2.0L		PB-22
DRIVESHAFT			
CENTER SUPPORT			
		Bearing	Bearing & Support
88-86	Multi Wagon AWD		HB-6
TRANSFER CASE			
FULL TIME / PART TIME			
INPUT SHAFT			
88-86	TY10	710120	
FRONT OUTPUT SHAFT			
88-86	TY10	225210	
REAR OUTPUT SHAFT			
88-86	TY10	710121	
		Redi-Sleeve 99235	
SHIFT SHAFT			
88-86	TY10	710243	
		Redi-Sleeve 99098	
PINION SHAFT			
88-86	TY10	(Inner)	30306
		(Outer)	2011
		Redi-Sleeve 99157	32307
TRANSAXLE			
AUTOMATIC / 4 Speed			
DIFFERENTIAL			
88-86	RL4F02A..... (Left)		32013-X
	(Right)		30208

Year	Application	Seal	Bearing
AUTOMATIC / 4 Speed (Cont.)			
IDLER GEAR			
88-86	RL4F02A.....		(2)32008
TORQUE CONVERTER			
88-86	RL4F02A.....	224663	
		Redi-Sleeve 99181	
OUTPUT SHAFT			
88-86	RL4F02A (2WD)... (Left)	710122	
	(Right)	710124	
88-86	RL4F02A (4WD)... (Left)	710118	
	(Right)	710069	
MANUAL / 5 Speed			
DIFFERENTIAL			
92-84	RS5F41A.....		(2)A-6
88-86	RS5F50A (2WD)		(2)A-140
INPUT SHAFT			
92-84	RS5F41A.....	222030	
		Redi-Sleeve 99114	
88-86	RS5F50A.....	710119	* 108-A
		Redi-Sleeve 99111	
OUTPUT SHAFT			
92-84	RS5F41A.....	(2) 1175	
88-86	RS5F50A..... (Left)	710118	32206
88-86	RS5F50A (2WD) .. (Left)	710118	32206
	(Right)	710124	
88-86	RS5F50A (4WD) .. (Left)	710133	32206
	(Right)	226018	
STEERING			
POWER STEERING			
STEERING PUMP SHAFT			
88-86	Multi Wagon, Multi Wagon AWD	221820	202-S
ELECTRICAL			
ALTERNATOR			
DRIVE END			
88-87	Hitachi 70, 80 Amp.....		303-CC
88-87	Mitsubishi 70 Amp.....		302-CC
88-86	Hitachi 50, 60 Amp.....		203-FF
REAR END			
88-86	Hitachi 50, 60 Amp.....		202-SS
ENGINE			
CAMSHAFT			
4 CYLINDER			
92-84	1235cc/1.2L	239146	
		Redi-Sleeve 99147	
88-86	1974cc/2.0L	223420	
		Redi-Sleeve 99134	
CRANKSHAFT			
4 CYLINDER			
88-86	1974cc/2.0L	228410	

() Indicates Quantity Required § Use Old Snap Ring * Not a Current Production Number, Check for Availability

NISSAN - CANADIAN MODELS (Micra, Multi Wagon & Multi Wagon AWD) (Cont.)

Year	Application	Seal	Bearing	Year	Application	Seal	Bearing
ENGINE				TIMING COVER (Cont.)			
TIMING COVER				4 CYLINDER			
4 CYLINDER				88-86 1974cc/2.0L 223340			
92-84	1235cc/1.2L	239146					
		Redi-Sleeve 99147					
	(Continued Next Column)						

NISSAN TRUCK - PICKUP/MINIVAN/CROSSOVER/SPORT UTILITY (Armada, Axxess, Axxess AWD, Frontier, Hardbody, Murano, Pathfinder, Pathfinder Armada, Quest, Rogue, Titan, Van, X-Trail, X-Trail AWD, Xterra & 720)

WHEEL				REAR WHEEL				
FRONT WHEEL (2WD)				09-05 Pathfinder Hub Assembly 541003				
09-05	Frontier, Pathfinder, Xterra	Hub Assembly	515064	09-05	Frontier, Xterra (A/T)	710479		
08-05	X-Trail		510060	09-05	Frontier, Xterra (M/T)	☆ 710499	A-10	
07-04	Armada, Pathfinder Armada, Titan	Hub Assembly	515066	09-04	Quest		Hub Assembly 512268	
04-00	Frontier (L4 Eng.)			09-04	Titan	☆ 710499	A-10	
	(Inner)	710478	A-5	09-04	Armada, Pathfinder Armada		Hub Assembly 541004	
	(Outer)		A-3	08-05	X-Trail		511037	
04-00	Frontier (V6 Eng.)			08-05	X-Trail AWD		511038	
	(Inner)	710072	A-37	04-00	Frontier, Xterra (L4 Eng.)	710305	513246	
	(Outer)	LM300849-LM300811		04-00	Frontier, Xterra (V6 Eng.)			
04-89	Pathfinder, Xterra				(Inner)	710176	516005	
	(Inner)	710072	A-37		(Outer)	710479		
	(Outer)	LM300849-LM300811		04-96	Pathfinder	(Inner) 710176	516005	
02-93	Quest		510028		(Outer)	710479		
99-98	Frontier	(Inner)	710478	02-97	Quest		Hub Assembly 512219	
		(Outer)	A-3	99-98	Frontier	710176	513246	
97-86	Hardbody	(Inner)	710073	97-96	Hardbody	(Inner) 473823	30208	
		(Outer)	A-3			(Outer)	710305	
95-90	Axxess	(Inner)	710108	96-93	Quest		511008	
		(Outer)	710108	95-90	Axxess		Hub Assembly 512016	
86-80	720	(Inner)	2002	95-87	Pathfinder (Disc Brakes)	710176	513246	
		(Outer)	A-3	95-87	Pathfinder (Drum Brakes)			
					(Inner)	473823	30208	
					(Outer)	710305		
				95-86	Hardbody (Dual Wheel)			
					(Inner)	226530	32010-X	
					(Outer)	223400	32010-X	
				95-86	Hardbody (Single Wheel)			
					(Inner)	473823	30208	
					(Outer)	710305		
				94-90	Axxess AWD	(Inner) 710108	510009	
						(Outer)	710108	
				90-87	Van	223542		
				86-80	720 (Dual Wheel)			
					(Inner)	226530	32010-X	
					(Outer)	710070	32010-X	
				86-80	720 (Single Wheel)			
					(Inner)	223542	30208	
					(Outer)	1974		
FRONT WHEEL (4WD)				AXLE				
09-05	Frontier, Pathfinder, Xterra	Hub Assembly	515065	FRONT AXLE				
08-05	X-Trail AWD		510060	AXLE SHAFT				
07-04	Armada, Pathfinder Armada, Titan	Hub Assembly	515066	04-86	R180A	(Outer)	710071	RW-114-R
04-00	Frontier (L4 Eng.)			04-86	R200A	(Outer)	710398	RW-114-R
	(Inner)	710478	A-5	1983	R180 (1st Design)		1985	B-2516
	(Outer)		A-3	82-80	R180		1985	B-2516
04-00	Frontier (V6 Eng.)							
	(Inner)	710072	A-37					
	(Outer)	LM300849-LM300811						
04-86	Hardbody, Pathfinder, Xterra	(Inner)	710072					
		(Outer)	LM300849-LM300811					
99-98	Frontier	(Inner)	710478					
		(Outer)	A-3					
94-90	Axxess AWD	(Inner)	710108					
		(Outer)	710108					
86-84	720	(Inner)	710398					
		(Outer)	710072					
1983	All (From 01/01/83)	(Inner)	710398					
		(Outer)	710072					
1983	All (To 12/31/82)	(Inner)	1986					
		(Outer)	LM300849-LM300811					
82-80	All	(Inner)	1986					
		(Outer)	LM300849-LM300811					

PICKUP/MINIVAN/CROSSOVER/SPORT UTILITY - NISSAN TRUCK

(Cont.) (Armada, Axxess, Axxess AWD, Frontier, Hardbody, Murano, Pathfinder, Pathfinder Armada, Quest, Rogue, Titan, Van, X-Trail, X-Trail AWD, Xterra & 720)

Year	Application	Seal	Bearing
AXLE			
FRONT AXLE (Cont.)			
DIFFERENTIAL			
04-86	R200, R200A	(2) 223542	(2) 30209-C
		Redi-Sleeve (2) 99139	
04-80	R180, R180A	(2) 1167	(2) 30208
		Redi-Sleeve (2) 99128	
PINION			
09-04	Spicer 44	(Inner) 02872-02820	
		(Outer) 31594-31520	
04-96	R200A	(Inner) 32307	
		(Outer) ☆ 710591	32306-C
04-80	R180, R180A	(Inner) 32307	
		(Outer) 2011	32305
		Redi-Sleeve 99139	
95-86	R200A	(Inner) 32307	
		(Outer) 32306-C	
1986	R200	(Inner) 32307	
		(Outer) 2011	32306-C
		Redi-Sleeve 99157	
REAR AXLE			
DIFFERENTIAL			
09-04	Spicer 44		(2) A-36
09-04	R230V		(2) 32211
04-00	H233BS	■ (2) KC-11445-Y	
04-98	C200B		(2) 30209-C
04-80	H190, H190A, H190B, R180		(2) 30208
99-86	H233, H233B, H233BS	■ (2) KC-11445-Y	
90-83	C200, C200B		(2) 30209-C
PINION			
09-04	Spicer 44	(Inner) M802048-M802011	
		(Outer) 100712V	M88048-M88010
09-04	R230V	(Outer) 710117	
		Redi-Sleeve 99196	
04-98	C200B	(Inner) 32307	
		(Outer) 710245	32306-C
		Redi-Sleeve 99166	
04-90	H233BS	(Inner) 32308-C	
		(Outer) 710245	32306-C
		Redi-Sleeve 99166	
04-80	H190, H190A, H190B	(Inner) 32307	
		(Outer) 1979	30306
		Redi-Sleeve 99177	
97-86	H233, H233B	(Inner) 32307	
		(Outer) 710245	32306-C
		Redi-Sleeve 99166	
94-90	R180	(Inner) 32307	
		(Outer) 1173	32305
		Redi-Sleeve 99139	
90-83	C200	(Inner) 32307	
		(Outer) 2011	32306-C
		Redi-Sleeve 99157	
89-87	C200B	(Outer) 710245	32306-C
		Redi-Sleeve 99166	

Year	Application	Seal	Bearing
CLUTCH			
PILOT			
4 CYLINDER			
09-80	1952cc/2.0L, 1952cc/2.0L, 2164cc/2.2L (Diesel), 2187cc/2.2L, 2389cc/2.4L, 2389cc/2.4L, 2389cc/2.4L (DOHC), 2488cc/2.5L (DOHC), 2488cc/2.5L (Diesel)		PB-22
6 CYLINDER			
07-86	2960cc/3.0L, 3274cc/3.3L, 3274cc/3.3L, 3498cc/3.5L (DOHC), 3954cc/4.0L (DOHC)		PB-22
RELEASE			
		Bearing Only	Bearing Assembly
4 CYLINDER			
09-05	2488cc/2.5L (DOHC) (215mm Clutch)		Ⓢ 614124
04-96	2389cc/2.4L, 2389cc/2.4L (DOHC) (240mm Clutch)	613015	
95-90	2389cc/2.4L (225mm Clutch) (FWD)		Ⓢ 614157
95-90	2389cc/2.4L (240mm Clutch)	01576	DNE-01576-C
94-90	2389cc/2.4L (225mm Clutch) (AWD)		Ⓢ 614049
1990	2389cc/2.4L (240mm Clutch)		DNE-01576-C
89-83	1952cc/2.0L, 1952cc/2.0L, 2389cc/2.4L (240mm Clutch)	01576	DNE-01576-C
86-83	2164cc/2.2L (Diesel), 2187cc/2.2L, 2488cc/2.5L (Diesel) (225mm Clutch)	01576	DNE-01576-C
82-80	1952cc/2.0L, 2164cc/2.2L (Diesel), 2187cc/2.2L (225mm Clutch)	01576	
6 CYLINDER			
04-96	3274cc/3.3L, 3274cc/3.3L, 3498cc/3.5L (DOHC) (250mm Clutch)	613015	
1996	2960cc/3.0L (250mm Clutch)	01576	
95-86	2960cc/3.0L (250mm Clutch)	01576	DNE-01576-C
DRIVESHAFT			
CENTER SUPPORT			
		Bearing	Bearing & Support
97-86	Hardbody Pickup (2WD) (L4 Eng.)		HB-6
95-89	Pathfinder (2WD) (L4 Eng.)		HB-6
95-86	Hardbody Pickup (4WD) (V6 Eng.)		HB-13
86-80	720 Pickup		HB-12
TRANSFER CASE			
FULL TIME / PART TIME			
INPUT SHAFT			
04-86	TX10, TX10A (50mm Shaft)	225030	(2) 306
		Redi-Sleeve 99196	
86-80	T100L	(Inner)	309
		(Outer)	306
FRONT OUTPUT SHAFT			
06-86	TX10, TX10A, TX14A, TX14B	710113	
94-90	TY10A	226018	
		Redi-Sleeve 99235	
86-80	T100L		206

() Indicates Quantity Required ■ Replace Complete Unit ☆ New Item, Check for Availability Ⓢ Sealed Self-Aligning Bearing

NISSAN TRUCK - PICKUP/MINIVAN/CROSSOVER/SPORT UTILITY

(Armada, Axxess, Axxess AWD, Frontier, Hardbody, Murano, Pathfinder, Pathfinder Armada, Quest, Rogue, Titan, Van, X-Trail, X-Trail AWD, Xterra & 720) (Cont.)

Year	Application	Seal	Bearing
TRANSFER CASE			
FULL TIME / PART TIME (Cont.)			
REAR OUTPUT SHAFT			
04-86	TX10, TX10A.....	224266	
		<i>Redi-Sleeve</i> 99166	
94-90	TY10A.....	710214	
86-80	T100L.....		(2)308
COUNTERSHAFT			
94-90	TY10A..... (Left)		32010-X
SHIFT SHAFT			
04-86	TX10, TX10A.....	221710	
		<i>Redi-Sleeve</i> 99068	
94-90	TY10A.....	710243	
DRIVE SPROCKET			
04-86	TX10, TX10A.....		(2)208
PINION SHAFT			
94-90	TY10A..... (Inner)		30306
			(Outer)..... 32307
TRANSAXLE			
AUTOMATIC / 1 Speed			
OUTPUT SHAFT			
09-03	RE0F09A (AWD)..... (Left) ☆	710632	
			(Right)..... ☆ 710634
09-03	RE0F09A (FWD)..... (Left) ☆	710632	
			(Right)..... ☆ 710633
MANUAL SHAFT			
09-03	RE0F09A.....	221207	
		<i>Redi-Sleeve</i> 99049	
AUTOMATIC / 4 Speed			
DIFFERENTIAL			
06-04	RE4F04B.....		(2)32009-X
98-93	RE4F04A.....		(2)32009-X
95-90	RL4F02A (2WD)..... (Left)		30208
			(Right)..... 32014
95-90	RL4F02A (4WD) (Right)		32013-X
IDLER GEAR			
95-90	RL4F02A.....		32008
TORQUE CONVERTER			
06-04	RE4F04B.....	224450	
98-93	RE4F04A.....	1992	
95-90	RL4F02A.....	224663	
		<i>Redi-Sleeve</i> 99181	
OUTPUT SHAFT			
06-04	RE4F04B..... (Left)	710118	
			(Right)..... 710124
02-93	RE4F04A..... (Left)	710118	
			(Right)..... 710124
95-90	RL4F02A (2WD)..... (Left)	710122	
			(Right)..... 710124
95-90	RL4F02A (4WD).....	226018	
MANUAL SHAFT			
06-04	RE4F04B.....	221207	
		<i>Redi-Sleeve</i> 99049	

(Continued Next Column)

Year	Application	Seal	Bearing
AUTOMATIC / 4 Speed (Cont.)			
MANUAL SHAFT			
02-93	RE4F04A.....	221207	
		<i>Redi-Sleeve</i> 99049	
AUTOMATIC / 5 Speed			
TORQUE CONVERTER			
09-04	RE5F22A.....	222830	
		<i>Redi-Sleeve</i> 99147	
OUTPUT SHAFT			
09-04	RE5F22A..... (2)	4764	
MANUAL SHAFT			
09-04	RE5F22A.....	221207	
		<i>Redi-Sleeve</i> 99049	
MANUAL / 5 Speed			
DIFFERENTIAL			
95-93	RS5F50A.....		(2)A-140
92-90	RS5F50A (2WD).....		(2)A-140
INPUT SHAFT			
95-90	RS5F50A.....	710119	* 108-A
		<i>Redi-Sleeve</i> 99111	
OUTPUT SHAFT			
95-93	RS5F50A..... (Left)	710122	32206
			(Right)..... 710124 30306
92-90	RS5F50A (2WD)..... (Left)	710122	32206
			(Right)..... 710124 30306
92-90	RS5F50A (4WD)..... (Left)	710246	32206
			(Right)..... 226018 30306
TRANSMISSION			
AUTOMATIC / 3 Speed			
FRONT PUMP			
88-80	L3N71B, 3N71B.....	2025	
		<i>Redi-Sleeve</i> 99166	
EXTENSION HOUSING			
88-80	L3N71B, 3N71B.....	710324	
AUTOMATIC / 4 Speed			
FRONT PUMP			
04-88	RE4R01A, RL4R01A.....	224663	
		<i>Redi-Sleeve</i> 99181	
90-83	E4N71B, L4N71B.....	2025	
		<i>Redi-Sleeve</i> 99166	
EXTENSION HOUSING			
04-88	RE4R01A, RL4R01A (2WD).....	223801	
04-88	RE4R01A, RL4R01A (4WD).....	224464	
90-83	L4N71B.....	710324	
1989	E4N71B.....	223801	
86-83	E4N71B.....	223801	
MANUAL SHAFT			
04-88	RE4R01A, RL4R01A.....	2027	
AUTOMATIC / 5 Speed			
FRONT PUMP			
09-04	RE5R05A.....	224663	
		<i>Redi-Sleeve</i> 99181	

() Indicates Quantity Required ☆ New Item, Check for Availability * Not a Current Production Number, Check for Availability

PICKUP/MINIVAN/CROSSOVER/SPORT UTILITY - NISSAN TRUCK

(Cont.) (Armada, Axxess, Axxess AWD, Frontier, Hardbody, Murano, Pathfinder, Pathfinder Armada, Quest, Rogue, Titan, Van, X-Trail, X-Trail AWD, Xterra & 720)

Year	Application	Seal	Bearing
TRANSMISSION			
AUTOMATIC / 5 Speed (Cont.)			
EXTENSION HOUSING			
09-04	RE5R05A (2WD)	224464	
09-04	RE5R05A (4WD)	1973	
MANUAL SHAFT			
09-04	RE5R05A	221207	
	Redi-Sleeve	99049	
MANUAL / 4 Speed			
DRIVESHAFT / INPUT			
89-80	F4W71B, F4W71C	1981	306-L
	Redi-Sleeve	99114	
MAINSHAFT / OUTPUT			
89-80	F4W71B, F4W71C	710324	306
COUNTERSHAFT			
89-80	F4W71B, F4W71C		
	(Center)		305
	(Rear)		204
EXTENSION HOUSING			
89-80	F4W71B, F4W71C		205
MANUAL / 5 Speed			
DRIVESHAFT / INPUT			
04-95	FS5W71C	1981	
	Redi-Sleeve	99114	
04-86	FS5R30A	1981	1308-L
	Redi-Sleeve	99114	
94-80	FS5W71A, FS5W71B, FS5W71C		
		1981	306-L
	Redi-Sleeve	99114	
MAINSHAFT / OUTPUT			
04-98	FS5W71C	710324	
04-86	FS5R30A		1308-L
97-80	FS5W71A, FS5W71B, FS5W71C		
		710324	306
COUNTERSHAFT			
04-98	FS5W71C		(Rear) 204
97-80	FS5W71A, FS5W71B, FS5W71C		
	(Center)		305
	(Rear)		204
EXTENSION HOUSING			
04-86	FS5R30A	224215	307-L
04-80	FS5W71A, FS5W71B, FS5W71C		205
STEERING			
MANUAL STEERING			
STEERING GEAR SECTOR SHAFT			
90-86	Hardbody, Pathfinder	710051	
STEERING GEAR WORM SHAFT			
90-80	Hardbody, Pathfinder, 720	221730	

Year	Application	Seal	Bearing
POWER STEERING			
STEERING GEAR SECTOR SHAFT			
94-86	Hardbody, Pathfinder, Van	223400	
STEERING GEAR WORM SHAFT			
98-93	Quest		201-CC
94-86	Hardbody, Pathfinder	221820	
STEERING PUMP SHAFT			
98-93	Quest	222036	
90-87	Van	221820	202-S
82-81	All	221820	202-S
AIR CONDITIONING			
COMPRESSOR			
CLUTCH PULLEY			
02-93	Ford FS-10		5106-WCC
1993	Ford FX-15		5106-WCC
ELECTRICAL			
ALTERNATOR			
DRIVE END			
98-90	Mitsubishi 110 Amp		303-CC
97-87	Hitachi 70, 80, 90 Amp		303-CC
90-81	Hitachi 50, 60 Amp		203-FF
1980	Hitachi 30, 33, 35, 45 Amp		202-FF
REAR END			
93-87	Hitachi 70, 80, 90 Amp		201-CC
90-81	Hitachi 50, 60 Amp		202-SS
1980	Hitachi 30, 33, 35, 45 Amp		201-SS
ENGINE			
CAMSHAFT			
6 CYLINDER			
04-86	2960cc/3.0L, 3274cc/3.3L, 3274cc/3.3L		
		(2) 223420	
	Redi-Sleeve (2)	99134	
CRANKSHAFT			
4 CYLINDER			
09-05	2488cc/2.5L (DOHC)	228411	
04-90	2389cc/2.4L, 2389cc/2.4L (DOHC)	228009	
	Redi-Sleeve	99315	
90-80	1952cc/2.0L, 1952cc/2.0L, 2187cc/2.2L, 2389cc/2.4L, 2488cc/2.5L (Diesel)	228010	
	Redi-Sleeve	99315	
6 CYLINDER			
09-01	3498cc/3.5L (DOHC)	710363	
09-95	2960cc/3.0L, 3274cc/3.3L, 3274cc/3.3L, 3954cc/4.0L (DOHC)	228411	
94-86	2960cc/3.0L	228410	
8 CYLINDER			
09-04	5552cc/5.6L (DOHC)	228411	

() Indicates Quantity Required

NISSAN TRUCK - PICKUP/MINIVAN/CROSSOVER/SPORT UTILITY

(Armada, Axxess, Axxess AWD, Frontier, Hardbody, Murano, Pathfinder, Pathfinder Armada, Quest, Rogue, Titan, Van, X-Trail, X-Trail AWD, Xterra & 720) (Cont.)

Year	Application	Seal	Bearing	Year	Application	Seal	Bearing
ENGINE				TIMING COVER (Cont.)			
TIMING COVER				4 CYLINDER			
4 CYLINDER				6 CYLINDER			
09-90	2389cc/2.4L, 2389cc/2.4L (DOHC), 2488cc/2.5L (DOHC)	224650		86-81	2164cc/2.2L (Diesel), 2488cc/2.5L (Diesel)	225880	
	Redi-Sleeve	99181		09-01	3498cc/3.5L (DOHC), 3954cc/4.0L (DOHC)	710356	
90-80	1952cc/2.0L, 1952cc/2.0L, 2187cc/2.2L, 2389cc/2.4L	710313		04-96	3274cc/3.3L, 3274cc/3.3L	224052	
	Redi-Sleeve	99189		98-86	2960cc/3.0L	223340	
(Continued Next Column)							

OLDSMOBILE - FRONT WHEEL DRIVE

(Achieva, Alero, Aurora, Cutlass, Cutlass Calais, Cutlass Ciera, Cutlass Supreme, Delta 88, Eighty Eight, Firenza, Intrigue, Ninety Eight, Omega & Toronado)

WHEEL		REAR WHEEL (Cont.)	
FRONT WHEEL		PILOT	
4 CYLINDER		4 CYLINDER	
04-97	Alero, Cutlass Hub Assembly 513137	87-82	151/2.5L PB-650
03-02	Aurora, Intrigue Hub Assembly 513179	1981	151/2.5L (X) PB-650
2001	Aurora Hub Assembly 513179	RELEASE	
2001	Intrigue (1st Design) (Steel Sensor Wire Clip) Hub Assembly 513121	4 CYLINDER	
2001	Intrigue (2nd Design) (Plastic Sensor Wire Clip) Hub Assembly 513179	1999	146/2.4L (DOHC) Hydra-Clutch® 619006
00-97	Aurora, Intrigue Hub Assembly 513121	(Continued Next Page)	
99-97	Eighty Eight Hub Assembly 513087		
98-85	Achieva, Cutlass Calais, Firenza (Kit) ☒ 5697 Hub Assembly 513017-K		
97-88	Cutlass Supreme Hub Assembly 513044		
96-94	Aurora, Cutlass Ciera, Eighty Eight, Ninety Eight Hub Assembly 513087		
1993	Eighty Eight, Ninety Eight Hub Assembly 513087		
93-92	Cutlass Ciera (Kit) ☒ 5698 Hub Assembly 513016-K		
1992	Eighty Eight (ABS) Hub Assembly 513087		
1992	Eighty Eight (Exc. ABS) Hub Assembly 513088		
1992	Ninety Eight, Toronado Hub Assembly 513087		
91-90	Cutlass Ciera, Eighty Eight, Ninety Eight (Kit) ☒ 5698 Hub Assembly 513016-K		
91-89	Toronado (Kit) ☒ 5698 Hub Assembly 513059		
1989	Delta 88, Ninety Eight (Kit) ☒ 5698 Hub Assembly 513016-K		
89-83	Cutlass Ciera (H/D Brakes) (10.25" Rotor) (Kit) ☒ 5698 Hub Assembly 513016-K		
89-83	Cutlass Ciera (L/D Brakes) (9.68" Rotor) (Kit) ☒ 5699 Hub Assembly 513011-K		
88-86	Delta 88, Ninety Eight, Toronado (Kit) ☒ 5698 Hub Assembly 513016-K		
1985	Ninety Eight (Kit) ☒ 5698 Hub Assembly 513016-K		
85-80	Toronado 3553 Hub Assembly 513013		
1984	Firenza (1st Design) (Kit) ☒ 5697		
1984	Firenza (2nd Design) (Kit) ☒ 5697 Hub Assembly 513017-K		
84-83	Omega (Kit) ☒ 5699 Hub Assembly 513011-K		
83-82	Firenza (Kit) ☒ 5697		
82-80	Cutlass Ciera, Omega (Kit) ☒ 5699 Hub Assembly 513011-K		
REAR WHEEL			
04-99	Alero Hub Assembly 512152		
03-01	Aurora Hub Assembly 512003		
(Continued Next Column)			

FRONT WHEEL DRIVE - OLDSMOBILE

(Cont.) (Achieva, Alero, Aurora, Cutlass, Cutlass Calais, Cutlass Ciera, Cutlass Supreme, Delta 88, Eighty Eight, Firenza, Intrigue, Ninety Eight, Omega & Toronado)

Year	Application	Seal	Bearing	Year	Application	Seal	Bearing
CLUTCH				AUTOMATIC / 3 Speed (Cont.)			
RELEASE (Cont.)				MANUAL SHAFT			
		<i>Bearing Only</i>	<i>Bearing Assembly</i>	83-80	THM325, THM125C.....	8792S	
4 CYLINDER				AUTOMATIC / 4 Speed			
98-95	138/2.3L (DOHC), 146/2.4L (DOHC) (Isuzu 5 Spd.)		Hydra-Clutch® 619006	DIFFERENTIAL			
			Ⓢ 614108	85-82	THM325-4L.....	(2)LM501349-LM501314	
94-92	138/2.3L (Isuzu 5 Spd.).....		Ⓢ 614108	TORQUE CONVERTER			
94-92	138/2.3L (DOHC) (NVG T550) (5 Speed)....		Hydra-Clutch® 619005	04-85	4T60, 4T40-E, 4T45-E,		
92-88	138/2.3L (DOHC) (Getrag 5 Spd.).....		Ⓢ 614069		4T60-E, 4T65-E, THM440-T4...	4072N	
91-88	121/2.0L, 138/2.3L (DOHC), 151/2.5L, 1998cc/2.0L		(Isuzu 5 Spd.).....	03-01	4T80-E.....	4577	
			Ⓢ 614108			Redi-Sleeve 99189	
1987	1998cc/2.0L (Muncie 4 Spd.).....		Ⓢ 614009	99-97	4T65E-HD.....	4918	
87-86	121/2.0L, 151/2.5L, 1796cc/1.8L, 1998cc/2.0L		(Isuzu 5 Spd.).....	99-95	4T80-E.....	4577	
			Ⓢ 614108			Redi-Sleeve 99189	
1986	121/2.0L (Muncie 4 Spd.).....		Ⓢ 614009	85-82	THM325-4L.....	4950	
85-83	121/2.0L, 1796cc/1.8L (Isuzu 5 Spd.).....		Ⓢ 614108			Redi-Sleeve 99174	
85-80	112/1.8L, 121/2.0L, 151/2.5L, 1796cc/1.8L (Muncie		4 Spd.).....	OUTPUT SHAFT			
			Ⓢ 614009	04-97	4T40-E, 4T45-E.....	(Kit) (2) 5693	
6 CYLINDER				03-01	4T80-E.....	(Left) 714679	
89-87	173/2.8L (Getrag 5 Spd.).....		Ⓢ 614069			(Right) 4674N	
86-80	173/2.8L, 262/4.3L (Diesel) (Muncie 4 Spd.).....		Ⓢ 614009	03-97	4T65-E, 4T65E-HD		
FORK SHAFT						(Left) 100165	
4 CYLINDER						Redi-Sleeve 99139	
84-80	151/2.5L.....	3667				(Right) 3543	
						Redi-Sleeve 99139	
6 CYLINDER				99-95	4T80-E.....	(Left) 714679	
84-80	173/2.8L.....	3667				(Right) 4674N	
TRANSAXLE				99-85	4T60, 4T60-E, THM440-T4		
AUTOMATIC / 3 Speed						(Left) 710096	
DIFFERENTIAL						Redi-Sleeve 99139	
81-80	THM325.....	(2)LM501349-LM501314		85-82	THM325-4L.....	(2) 3907	
						Redi-Sleeve (2) 99114	
TORQUE CONVERTER				PINION			
96-82	THM125, THM125C, 3T40.....	4072N		85-82	THM325-4L.....	(Front) 3606	M804049-M804010
81-80	THM325.....	6712NA				(Rear) 3606	M802048-M802011
				DRIVE SPROCKET			
				85-82	THM325-4L.....	(2)207-L	
				MANUAL SHAFT			
OUTPUT SHAFT				04-82	4T60, THM325-4L, 4T40-E,		
96-80	THM125, THM125C, 3T40... (2) 3543				4T45-E, 4T60-E, 4T65-E,		
					4T80-E, THM440-T4,		
					4T65E-HD.....	8792S	
81-80	THM325.....	(2) 3907		MANUAL / 4 Speed			
				DIFFERENTIAL			
				87-80	Muncie GMX-4 (76mm).....	(2)A-18	
				INPUT SHAFT			
				87-80	Muncie GMX-4 (76mm)		
						(Front) 3732S	A-4
						Redi-Sleeve 99106	
						(Rear) 15101-15245	
				OUTPUT SHAFT			
				87-80	Muncie GMX-4 (76mm)		
						(Left) 3543	A-5
						Redi-Sleeve 99139	
						(Right) 3543	15101-15245
						Redi-Sleeve 99139	

(Continued Next Column)

OLDSMOBILE - FRONT WHEEL DRIVE

(Achieva, Alero, Aurora, Cutlass, Cutlass Calais, Cutlass Ciera, Cutlass Supreme, Delta 88, Eighty Eight, Firenza, Intrigue, Ninety Eight, Omega & Toronado) (Cont.)

Year	Application	Seal	Bearing
TRANSAXLE			
MANUAL / 4 Speed (Cont.)			
SHIFT SHAFT			
87-80	Muncie GMX-4 (76mm)	3667	
MANUAL / 5 Speed			
DIFFERENTIAL			
04-00	Getrag 287		(2)A-35
99-83	Isuzu MFD5M		(2)32008
94-92	New Process T550		(2)A-18
93-87	Getrag 282, 284		(2)A-18
INPUT SHAFT			
99-95	Isuzu MFD5M	222835	306-VVL
	Redi-Sleeve	99111	
94-83	Isuzu MFD5M	222835	
	Redi-Sleeve	99111	
	(Front)		32206
	(Rear)		30306
91-87	Getrag 282		305-DD
OUTPUT SHAFT			
04-00	Getrag 287	(2) 3543	
	Redi-Sleeve (2)	99139	
99-83	Isuzu MFD5M	(Left) 3543	A-5
	Redi-Sleeve	99139	
	(Right)	3543	32206
	Redi-Sleeve	99139	
94-92	New Process T550	(2) 3543	
	Redi-Sleeve (2)	99139	
93-91	Getrag 284	(Left) 2003N	A-5
	Redi-Sleeve	99146	
	(Right)	2003N	LM503349A-LM503310
	Redi-Sleeve	99146	
91-87	Getrag 282	(2) 3543	5206-KZZLE
	Redi-Sleeve (2)	99139	
SHIFT SHAFT			
99-83	Isuzu MFD5M	3667	
94-92	New Process T550	3667	
91-87	Getrag 282	3667	
STEERING			
POWER STEERING			
STEERING GEAR HOUSING			
96-94	Aurora, Cutlass Ciera, Cutlass Supreme, Eighty Eight, Ninety Eight		(Adj. Plug) DB-53313
93-92	Eighty Eight, Ninety Eight		(Adj. Plug) DB-53313
91-86	Ninety Eight		(Adj. Plug) DB-53313
85-80	Ninety Eight, Toronado		(Adj. Plug) DB-53313
STEERING GEAR WORM SHAFT			
90-80	Cutlass Ciera, Cutlass Supreme, Delta 88, Firenza, Omega	222510	
85-80	Toronado	222025	
STEERING GEAR PITMAN SHAFT			
85-80	Toronado	(Kit) <input checked="" type="checkbox"/> PSK-1	
STEERING PUMP SHAFT			
04-92	All	7013S	
91-87	All		203-FF

(Continued Next Column)

Year	Application	Seal	Bearing
POWER STEERING (Cont.)			
STEERING PUMP SHAFT			
86-83	All (Integral Reservoir)		203-FF
86-83	All (Remote Reservoir)	7013S	
82-80	All	7013S	
AIR CONDITIONING			
COMPRESSOR			
CLUTCH PULLEY			
04-85	Harrison V-5		907257
03-01	Harrison HD-6		907257
02-99	Harrison V-7		907257
99-95	Harrison HD-6		907257
94-86	Harrison HR-6HE		907257
94-85	Harrison HR-6		907257
86-80	Harrison DA-6		907257
85-80	Harrison R-4		907257
FRONT HEAD MAIN			
85-80	Harrison R-4		S-128
ELECTRICAL			
ALTERNATOR			
DRIVE END			
92-83	AC-Delco		203-FF
82-80	AC-Delco		203-S
REAR END			
90-86	AC-Delco 108, 120 Amp.		100-CC4
89-80	AC-Delco (Exc. 108, 120 Amp.)		MNJ-471-S
ENGINE			
CAMSHAFT			
4 CYLINDER			
95-87	138/2.3L (DOHC)	(2) 713771	
	Redi-Sleeve (2)	99139	
88-82	1796cc/1.8L, 1998cc/2.0L	1108	
	Redi-Sleeve	99139	
6 CYLINDER			
03-99	214/3.5L (DOHC)	(2) 710261	
96-91	207/3.4L (DOHC)	Viton® (4) 474241V	
	Redi-Sleeve (4)	99166	
8 CYLINDER			
03-01	244/4.0L (DOHC)	(2) 710261	
99-95	244/4.0L (DOHC)	(2) 710261	
CRANKSHAFT			
4 CYLINDER			
04-02	2198cc/2.2L (DOHC)	710237	
	Redi-Sleeve	99354	
01-87	138/2.3L (DOHC), 138/2.3L, 146/2.4L (DOHC)	40375	
96-93	134/2.2L	PTFE Rubber 5273	
	Viton®	4307V	
	Redi-Sleeve	99298	
92-80	151/2.5L	3698	
	PTFE Rubber	5290	

(Continued Next Page)

FRONT WHEEL DRIVE - OLDSMOBILE

(Cont.) (Achieva, Alero, Aurora, Cutlass, Cutlass Calais, Cutlass Ciera, Cutlass Supreme, Delta 88, Eighty Eight, Firenza, Intrigue, Ninety Eight, Omega & Toronado)

Year	Application	Seal	Bearing	Year	Application	Seal	Bearing
ENGINE				CRANKSHAFT (Cont.)			
CRANKSHAFT (Cont.)				8 CYLINDER			
4 CYLINDER				03-01 244/4.0L (DOHC)..... 710262			
88-87	1998cc/2.0L	Redi-Sleeve 99354		99-95	244/4.0L (DOHC).....	710262	
88-85	121/2.0L	PTFE Rubber 5273		85-80	350/5.7L (Diesel).... (Rope Type)	5095	
		Viton® 4307V				(Split Seal) 5118	
		Redi-Sleeve 99298		85-80	307/5.0L, 350/5.7L		(Rope Type) 5095
86-82	1796cc/1.8L		710232	TIMING COVER			
1984	121/2.0L (1st Design)		5210	4 CYLINDER			
1984	121/2.0L (2nd Design)	PTFE Rubber 5273		04-02	2198cc/2.2L (DOHC).....	224020	
		Viton® 4307V				Redi-Sleeve 99157	
		Redi-Sleeve 99298		01-87	138/2.3L (DOHC), 138/2.3L,		
1983	121/2.0L		5210		146/2.4L (DOHC).....	320259	
1982	112/1.8L (1st Design)		5210	96-80	112/1.8L, 121/2.0L,		
1982	112/1.8L (2nd Design)	PTFE Rubber 5273			134/2.2L, 151/2.5L	9845	
		Viton® 4307V				Redi-Sleeve 99176	
		Redi-Sleeve 99298				Harmonic Bal Sleeve 88176	
						Harmonic Bal Kit <input checked="" type="checkbox"/> 5000	
				88-82	1796cc/1.8L, 1998cc/2.0L	710164	
						Redi-Sleeve 99128	
				6 CYLINDER			
04-86	173/2.8L, 189/3.1L,			04-80	173/2.8L, 189/3.1L,		
	207/3.4L, 207/3.4L (DOHC)	PTFE Rubber 5273			207/3.4L, 207/3.4L (DOHC),		
		Viton® 4307V			262/4.3L (Diesel).....	9845	
		Redi-Sleeve 99298				Redi-Sleeve 99176	
03-99	214/3.5L (DOHC).....		710262			Harmonic Bal Sleeve 88176	
99-91	204/3.3L, 231/3.8L,					Harmonic Bal Kit <input checked="" type="checkbox"/> 5000	
	231/3.8L		320691	03-99	214/3.5L (DOHC).....	710555	
		PTFE Rubber 5291		99-86	181/3.0L, 204/3.3L,		
		Redi-Sleeve 99328			231/3.8L, 231/3.8L	710162	
90-89	204/3.3L		320691			Redi-Sleeve 99193	
		PTFE Rubber 5291		85-82	181/3.0L, 231/3.8L	710163	
		Redi-Sleeve 99328		85-81	252/4.1L	471424	
90-81	181/3.0L, 231/3.8L,					Redi-Sleeve 99199	
	252/4.1L	(Split Seal) 5591				Harmonic Bal Sleeve 88199	
1985	173/2.8L (1st Design)		5210	8 CYLINDER			
1985	173/2.8L (2nd Design)	PTFE Rubber 5273		03-01	244/4.0L (DOHC).....	710555	
		Viton® 4307V		99-95	244/4.0L (DOHC).....	710263	
		Redi-Sleeve 99298				Redi-Sleeve 99199	
85-82	262/4.3L (Diesel).... (Rope Type)		5095			Harmonic Bal Sleeve 88199	
84-82	173/2.8L		5210	85-80	307/5.0L, 350/5.7L		
81-80	173/2.8L	(Radial) 5210			(Diesel), 350/5.7L	472082	
		(Split Seal) 5433				Redi-Sleeve 99199	
						Harmonic Bal Sleeve 88199	

REAR WHEEL DRIVE - OLDSMOBILE FULL SIZE (Custom Cruiser, Delta 88 & Ninety Eight)

WHEEL				REAR WHEEL (Cont.)			
FRONT WHEEL				85-80	Delta 88, Ninety Eight.....	8660S	5707
92-91	All.....	(Inner).....	4739				(Axle Repair Brg.) RP-5707
		(Outer).....	A-3	AXLE			
90-80	All.....	(Inner).....	8871	REAR AXLE			
		(Outer).....	A-3	DIFFERENTIAL KIT			
REAR WHEEL				92-80	8.5" R.G.	<input checked="" type="checkbox"/> RA-321	
92-80	Custom Cruiser.....	8835S	6408			(Master Kit) RA-321MK	
		(Axle Repair Brg.) RP-6408		(Continued Next Page)			
(Continued Next Column)							

Refer To Front Of Catalog For Kit Contents

OLDSMOBILE FULL SIZE - REAR WHEEL DRIVE

(Custom Cruiser, Delta 88 & Ninety Eight) (Cont.)

Year	Application	Seal	Bearing
AXLE			
REAR AXLE (Cont.)			
DIFFERENTIAL KIT			
85-81	7.5" R.G.		<input checked="" type="checkbox"/> RA-320 (Master Kit) RA-320MK
83-80	8.75" R.G., 8.875" R.G.		<input checked="" type="checkbox"/> RA-323
DIFFERENTIAL			
92-80	7.5" R.G., 8.5" R.G.	(2)	LM501349-LM501314
83-80	8.75" R.G., 8.875" R.G.	(2)	A-36
PINION			
92-80	8.5" R.G., 8.75" R.G.		
	(Inner)		M802048-M802011
	(Outer)	2043	M88048-M88010
	Redi-Sleeve	99193	
85-81	7.5" R.G.		
	(Inner)		HM89249-HM89210
	(Outer)	8610	M86649-M86610
	Redi-Sleeve	99152	
1980	7.5" R.G.		
	(Inner)		HM89449-HM89410
	(Outer)	8610	M86649-M86610
	Redi-Sleeve	99152	
TRANSMISSION			
AUTOMATIC / 3 Speed			
FRONT PUMP			
84-80	THM350, THM400, THM250C, THM350C, THM375B	6712NA	
	Redi-Sleeve	99187	
1980	THM200	4950	
	Redi-Sleeve	99174	
EXTENSION HOUSING			
84-82	THM250C, THM350C (Booted)	9613S	
	(Seal & Bushing Kit)	5200	
84-82	THM250C, THM350C (Non-Booted)	4583	
84-82	THM350, THM375B	9613S	
	(Seal & Bushing Kit)	5200	
81-80	THM200, THM350, THM250C, THM350C, THM375B	9613S	
	(Seal & Bushing Kit)	5200	
1980	THM400	9449	
	(Seal & Bushing Kit)	5208	
MANUAL SHAFT			
84-80	THM200, THM350, THM400, THM250C, THM350C, THM375B	8792S	
AUTOMATIC / 4 Speed			
FRONT PUMP			
92-81	THM200-4R, THM700-R4	4950	
	Redi-Sleeve	99174	
EXTENSION HOUSING			
92-88	THM700-R4 (Booted)	9613S	
	(Seal & Bushing Kit)	5200	
92-88	THM700-R4 (Non-Booted)	4583	
88-81	THM200-4R	9613S	
	(Seal & Bushing Kit)	5200	

Year	Application	Seal	Bearing
AUTOMATIC / 4 Speed (Cont.)			
MANUAL SHAFT			
92-81	THM200-4R, THM700-R4	8792S	
STEERING			
POWER STEERING			
STEERING GEAR HOUSING			
92-80	All		(Adj. Plug) DB-53313
STEERING GEAR WORM SHAFT			
92-80	All	222025	
STEERING GEAR PITMAN SHAFT			
92-80	All		(Kit) <input checked="" type="checkbox"/> PSK-1
STEERING PUMP SHAFT			
92-80	All	7013S	
AIR CONDITIONING			
COMPRESSOR			
CLUTCH PULLEY			
92-80	Harrison R-4		907257
85-80	Harrison HR-6		907257
FRONT HEAD MAIN			
92-80	Harrison R-4		S-128
ELECTRICAL			
ALTERNATOR			
DRIVE END			
92-83	AC-Delco		203-FF
82-80	AC-Delco		203-S
REAR END			
92-91	AC-Delco 108, 120 Amp.		100-CC4
90-80	AC-Delco (Exc. 108, 120 Amp.)		MNJ-471-S
ENGINE			
CRANKSHAFT			
6 CYLINDER			
85-80	231/3.8L, 252/4.1L ... (Split Seal)	5591	
8 CYLINDER			
92-91	305/5.0L, 350/5.7L		
	(Gkt. & PTFE Seal)	5274A	
	(Gkt. & Viton® Seal)	4359V	
	PTFE Rubber	5274	
	Redi-Sleeve	99364	
90-80	260/4.3L, 307/5.0L, 350/5.7L		
	(Rope Type)	5095	
85-80	350/5.7L (Diesel) ... (Rope Type)	5095	
	(Split Seal)	5118	
82-81	267/4.4L		(Split Seal) 5092
TIMING COVER			
6 CYLINDER			
85-80	231/3.8L	710163	
			(Continued Next Page)

REAR WHEEL DRIVE - OLDSMOBILE FULL SIZE

(Cont.) (Custom Cruiser, Delta 88 & Ninety Eight)

Year	Application	Seal	Bearing	Year	Application	Seal	Bearing
ENGINE				TIMING COVER (Cont.)			
TIMING COVER (Cont.)				8 CYLINDER			
6 CYLINDER				90-80 260/4.3L, 307/5.0L, 350/5.7L (Diesel), 350/5.7L 472082			
83-81 252/4.1L 471424				Redi-Sleeve 99199			
Redi-Sleeve 99199				Harmonic Bal Sleeve 88199			
Harmonic Bal Sleeve 88199				82-81 267/4.4L 9845			
8 CYLINDER				Redi-Sleeve 99176			
92-91 305/5.0L, 350/5.7L 9845				Harmonic Bal Sleeve 88176			
Redi-Sleeve 99176				Harmonic Bal Kit ☒ 5000			
Harmonic Bal Sleeve 88176							
Harmonic Bal Kit ☒ 5000							
(Continued Next Column)							

(Cutlass) REAR WHEEL DRIVE - OLDSMOBILE MID SIZE

WHEEL			
FRONT WHEEL			
88-82 All.....	(Inner) 8871		A-6
	(Outer) A-34		
81-80 All.....	(Inner) 8871		A-6
	(Outer) A-3		
REAR WHEEL			
88-80 All.....	8660S	5707	
	(Axle Repair Brg.)	RP-5707	

AXLE			
REAR AXLE			
DIFFERENTIAL KIT			
88-81 7.5" R.G., 7.625" R.G.		☒ RA-320	
	(Master Kit) RA-320MK		
87-84 8.5" R.G.		☒ RA-321	
	(Master Kit) RA-321MK		
DIFFERENTIAL			
88-80 7.5" R.G., 7.625" R.G., 8.5" R.G.	(2)LM501349-LM501314		
PINION			
88-81 7.5" R.G., 7.625" R.G.		HM89249-HM89210	
	(Inner) 8610	M86649-M86610	
	(Outer) 99152		
	Redi-Sleeve 99152		
87-84 8.5" R.G.		M802048-M802011	
	(Inner) 2043	M88048-M88010	
	(Outer) 99193		
	Redi-Sleeve 99193		
1980 7.5" R.G.		HM89449-HM89410	
	(Inner) 8610	M86649-M86610	
	(Outer) 99152		
	Redi-Sleeve 99152		

CLUTCH			
PILOT			
6 CYLINDER			
81-80 231/3.8L PB-656			
	(H/D) PB-656-HD		
8 CYLINDER			
1980 260/4.3L 7109			

RELEASE	Bearing Only	Bearing Assembly
6 CYLINDER		
81-80 231/3.8L (Angular Contact)		CC-1705-C
		Ⓢ 614018
8 CYLINDER		
1980 260/4.3L Ⓢ 614037		
	1697 (Thrust Type)	1697-C

TRANSMISSION			
AUTOMATIC / 3 Speed			
FRONT PUMP			
84-80 THM350, THM250C, THM350C, THM375B.....		6712NA	
	Redi-Sleeve 99187		
1980 THM200.....		4950	
	Redi-Sleeve 99174		
EXTENSION HOUSING			
84-82 THM250C, THM350C (Booted)		9613S	
	(Seal & Bushing Kit)	5200	
84-82 THM250C, THM350C (Non-Booted).....		4583	
84-82 THM350, THM375B.....		9613S	
	(Seal & Bushing Kit)	5200	
81-80 THM200, THM350, THM250C, THM350C, THM375B.....		9613S	
	(Seal & Bushing Kit)	5200	
MANUAL SHAFT			
84-80 THM200, THM350, THM250C, THM350C, THM375B.....		8792S	
AUTOMATIC / 4 Speed			
FRONT PUMP			
88-81 THM200-4R, THM700-R4.....		4950	
	Redi-Sleeve 99174		
EXTENSION HOUSING			
1988 THM700-R4 (Booted).....		9613S	
	(Seal & Bushing Kit)	5200	
1988 THM700-R4 (Non-Booted).....		4583	
88-81 THM200-4R.....		9613S	
	(Seal & Bushing Kit)	5200	

() Indicates Quantity Required Ⓢ Sealed Self-Aligning Bearing ☒ Refer To Front Of Catalog For Kit Contents

OLDSMOBILE MID SIZE - REAR WHEEL DRIVE (Cutlass) (Cont.)

Year	Application	Seal	Bearing	Year	Application	Seal	Bearing
TRANSMISSION				AIR CONDITIONING			
AUTOMATIC / 4 Speed (Cont.)				COMPRESSOR			
MANUAL SHAFT				CLUTCH PULLEY			
88-81	THM200-4R, THM700-R4	8792S		88-80	Harrison R-4	907257	
MANUAL / 3 Speed				FRONT HEAD MAIN			
DRIVESHAFT / INPUT				88-80	Harrison R-4		S-128
81-80	SM326	7412S		ELECTRICAL			
		Redi-Sleeve 99125		ALTERNATOR			
MAINSHAFT / OUTPUT				DRIVE END			
81-80	SM326	9613S		88-83	AC-Delco		203-FF
		(Seal & Bushing Kit) 5200		82-80	AC-Delco		203-S
COUNTERSHAFT				REAR END			
81-80	SM326		(54)C-407-Q	88-80	AC-Delco (Exc. 108, 120 Amp.)		MNJ-471-S
SHIFT SHAFT				ENGINE			
81-80	SM326	240735		CRANKSHAFT			
		Redi-Sleeve 99076		6 CYLINDER			
MANUAL / 4 Speed				87-80	231/3.8L	(Split Seal) 5591	
DRIVESHAFT / INPUT				85-82	262/4.3L (Diesel)	(Rope Type) 5095	
81-80	Saginaw	7412S		8 CYLINDER			
		Redi-Sleeve 99125		88-80	260/4.3L, 307/5.0L,		
MAINSHAFT / OUTPUT					350/5.7L	(Rope Type) 5095	
81-80	Saginaw	9613S		87-86	305/5.0L	(Gkt. & PTFE Seal) 5274A	
		(Seal & Bushing Kit) 5200				(Gkt. & Viton® Seal) 4359V	
COUNTERSHAFT						PTFE Rubber 5274	
81-80	Saginaw		(54)C-407-Q			Redi-Sleeve 99364	
SHIFT SHAFT				1985	305/5.0L (1st Design)		
81-80	Saginaw	240735				(Split Seal) 5092	
		Redi-Sleeve 99076		1985	305/5.0L (2nd Design)		
MANUAL / 5 Speed						(Gkt. & PTFE Seal) 5274A	
MAINSHAFT / OUTPUT						(Gkt. & Viton® Seal) 4359V	
1980	Borg-Warner T50	9613S				PTFE Rubber 5274	
		(Seal & Bushing Kit) 5200				Redi-Sleeve 99364	
STEERING				85-80	350/5.7L (Diesel)	(Rope Type) 5095	
MANUAL STEERING						(Split Seal) 5118	
STEERING GEAR WORM SHAFT				84-80	267/4.4L, 305/5.0L	(Split Seal) 5092	
81-80	All	474131		TIMING COVER			
STEERING GEAR PITMAN SHAFT				6 CYLINDER			
81-80	All	313842		87-86	231/3.8L	710162	
POWER STEERING						Redi-Sleeve 99193	
STEERING GEAR HOUSING				85-82	262/4.3L (Diesel)	9845	
88-80	All	(Adj. Plug) DB-53313				Redi-Sleeve 99176	
STEERING GEAR WORM SHAFT						Harmonic Bal Sleeve 88176	
88-80	All	222025				Harmonic Bal Kit [X] 5000	
STEERING GEAR PITMAN SHAFT				85-80	231/3.8L	710163	
88-84	All	(Kit) [X] PSK-1		8 CYLINDER			
83-80	All (Round Side Cover)	710285		88-80	260/4.3L, 307/5.0L,		
83-80	All (4 Bolt Cover)	(Kit) [X] PSK-1			350/5.7L (Diesel),		
STEERING PUMP SHAFT					350/5.7L	472082	
88-80	All	7013S				Redi-Sleeve 99199	
						Harmonic Bal Sleeve 88199	
				87-80	267/4.4L, 305/5.0L	9845	
						Redi-Sleeve 99176	
						Harmonic Bal Sleeve 88176	
						Harmonic Bal Kit [X] 5000	

(Starfire) REAR WHEEL DRIVE - OLDSMOBILE SUBCOMPACT

Year	Application	Seal	Bearing
WHEEL			
FRONT WHEEL			
1980	All.....	(Inner) 8705S	A-6
		(Outer)	A-1
REAR WHEEL			
1980	All.....	8660S	5707
		(Axle Repair Brg.)	RP-5707
AXLE			
REAR AXLE			
DIFFERENTIAL			
1980	7.5" R.G.	(2)LM501349-LM501314	
PINION			
1980	7.5" R.G.	(Inner) HM88649-HM88610	
		(Outer) 8610	M86649-M86610
		Redi-Sleeve 99152	
CLUTCH			
PILOT			
4 CYLINDER			
1980	151/2.5L	PB-656	
		(H/D) PB-656-HD	
6 CYLINDER			
1980	231/3.8L	PB-656	
		(H/D) PB-656-HD	
RELEASE			
		Bearing Only	Bearing Assembly
4 CYLINDER			
1980	151/2.5L	(Angular Contact) CC-1705-C	614018
6 CYLINDER			
1980	231/3.8L	(Angular Contact) CC-1705-C	614018
TRANSMISSION			
AUTOMATIC / 3 Speed			
FRONT PUMP			
1980	THM200.....	4950	
		Redi-Sleeve 99174	
1980	THM350, THM350C.....	6712NA	
		Redi-Sleeve 99187	
EXTENSION HOUSING			
1980	THM200, THM350, THM350C .	9613S	
		(Seal & Bushing Kit) 5200	
MANUAL SHAFT			
1980	THM200, THM350, THM350C .	8792S	
MANUAL / 4 Speed			
DRIVESHAFT / INPUT			
1980	Saginaw.....	7412S	
		Redi-Sleeve 99125	

Year	Application	Seal	Bearing
MANUAL / 4 Speed (Cont.)			
MAINSHAFT / OUTPUT			
1980	Saginaw.....	9613S	
		(Seal & Bushing Kit) 5200	
COUNTERSHAFT			
1980	Saginaw.....	(54)C-407-Q	
SHIFT SHAFT			
1980	Saginaw.....	240735	
		Redi-Sleeve 99076	
MANUAL / 5 Speed			
MAINSHAFT / OUTPUT			
1980	Borg-Warner T50.....	9613S	
		(Seal & Bushing Kit) 5200	
STEERING			
MANUAL STEERING			
STEERING GEAR WORM SHAFT			
1980	All.....	474131	
STEERING GEAR PITMAN SHAFT			
1980	All.....	313842	
POWER STEERING			
STEERING GEAR HOUSING			
1980	All.....	(Adj. Plug) DB-53313	
STEERING GEAR WORM SHAFT			
1980	All.....	222025	
STEERING GEAR PITMAN SHAFT			
1980	All (Round Side Cover).....	710285	
1980	All (4 Bolt Cover).....	(Kit) <input checked="" type="checkbox"/> PSK-1	
STEERING PUMP SHAFT			
1980	All (Saginaw Pump).....	7013S	
AIR CONDITIONING			
COMPRESSOR			
CLUTCH PULLEY			
1980	Harrison R-4	907257	
FRONT HEAD MAIN			
1980	Harrison R-4	S-128	
ELECTRICAL			
ALTERNATOR			
DRIVE END			
1980	AC-Delco.....	203-S	
REAR END			
1980	AC-Delco (Exc. 108, 120 Amp.).....	MNJ-471-S	
ENGINE			
CRANKSHAFT			
4 CYLINDER			
1980	151/2.5L	3698	
		PTFE Rubber 5290	

() Indicates Quantity Required Ⓢ Sealed Self-Aligning Bearing Refer To Front Of Catalog For Kit Contents

OLDSMOBILE SUBCOMPACT - REAR WHEEL DRIVE (Starfire) (Cont.)

Year	Application	Seal	Bearing	Year	Application	Seal	Bearing
ENGINE				TIMING COVER (Cont.)			
CRANKSHAFT (Cont.)				6 CYLINDER			
6 CYLINDER				1980 231/3.8L (Split Seal) 5591			
TIMING COVER							
4 CYLINDER							
1980 151/2.5L 9845							
Redi-Sleeve 99176							
Harmonic Bal Sleeve 88176							
Harmonic Bal Kit <input checked="" type="checkbox"/> 5000							

OLDSMOBILE TRUCK - MINIVAN/SPORT UTILITY (Bravada, Silhouette & Silhouette AWD)

WHEEL		AXLE	
FRONT WHEEL (2WD)		FRONT AXLE	
04-02 Bravada Hub Assembly 513188		AXLE SHAFT	
04-02 Silhouette Hub Assembly ♦ 513199		04-97 AAM IFS-7.25" R.G.	
		(1.3125" Shaft)	
		(Inner) (2) 710491 (2) B-2010	
		(Outer) SCH-208	
		(Pilot) SCH-78	
2001 All (1st Design) (Steel Sensor Wire Clip) Hub Assembly 513121		04-97 AAM IFS-7.25" R.G.	
2001 All (2nd Design) (Plastic Sensor Wire Clip) Hub Assembly ♦ 513199		(1.5748" Shaft)	
		(Inner) (2) 710491 (2) HK-4012	
		(Outer) SCH-208	
		(Pilot) SCH-78	
00-97 All Hub Assembly 513179		1996 AAM IFS-7.25" R.G.	
96-92 All Hub Assembly 513087		(Inner) (2) 223255 B-2010	
91-90 All (Kit) <input checked="" type="checkbox"/> 5698 Hub Assembly 513016-K		(Outer) SCH-208	
		(Pilot) SCH-78	
FRONT WHEEL (4WD)		DIFFERENTIAL KIT	
04-02 Bravada Hub Assembly 513188		01-96 AAM IFS-7.25" R.G. <input checked="" type="checkbox"/> RA-320-A	
04-02 Silhouette AWD Hub Assembly 513187		94-91 ICA-7.25" R.G. <input checked="" type="checkbox"/> RA-320-A	
01-98 All 3553 Hub Assembly 513124		DIFFERENTIAL	
1997 All (1st Design) (Toothed Sensor Ring) 3553 Hub Assembly 513061		04-96 AAM IFS-7.25" R.G. (2) A-18	
1997 All (2nd Design) (Integral Sensor) 3553 Hub Assembly 513124		94-91 ICA-7.25" R.G. (2) A-18	
1996 All 3553 Hub Assembly 513061		PINION	
94-91 All 3553 Hub Assembly 513061		04-02 AAM IFS-7.25" R.G.	
		(Inner) M88047-M88010	
		(Outer) 710547 M86649-M86610	
REAR WHEEL		01-96 AAM IFS-7.25" R.G.	
04-02 Silhouette AWD Hub Assembly 513121		(Inner) M88047-M88010	
04-02 Bravada 4762N 513067		(Outer) 710532 M86649-M86610	
		Redi-Sleeve 99152	
04-92 Silhouette Hub Assembly ♦ 512078		94-91 ICA-7.25" R.G.	
		(Inner) M88047-M88010	
01-96 Bravada (Axle Code "C") (Mfg. in USA) 710166 5707		(Outer) 710532 M86649-M86610	
		Redi-Sleeve 99152	
01-96 Bravada (Axle Code "K") (Mfg. in Can.) 8660S 5707		REAR AXLE	
		DIFFERENTIAL KIT	
		04-02 AAM 8.625" R.G. <input checked="" type="checkbox"/> RA-321-C	
		04-02 AAM 8" R.G. <input checked="" type="checkbox"/> RA-327	
		2001 AAM 7.625" R.G. (1st Design) <input checked="" type="checkbox"/> RA-320	
		(Master Kit) RA-320MK	
		2001 AAM 7.625" R.G. (2nd Design) <input checked="" type="checkbox"/> RA-320-B	
		(Continued Next Page)	

() Indicates Quantity Required ☆ New Item, Check for Availability ♦ When Depleted Use Number Listed Directly Below Refer To Front Of Catalog For Kit Contents

MINIVAN/SPORT UTILITY - OLDSMOBILE TRUCK

(Cont.) (Bravada, Silhouette & Silhouette AWD)

Year	Application	Seal	Bearing
AXLE			
REAR AXLE (Cont.)			
DIFFERENTIAL KIT			
00-96	AAM 7.625" R.G.		<input checked="" type="checkbox"/> RA-320 (Master Kit) RA-320MK
94-91	7.625" R.G.		<input checked="" type="checkbox"/> RA-320 (Master Kit) RA-320MK
DIFFERENTIAL			
04-02	AAM 8.625" R.G., 8" R.G.		(2)A-36
01-96	AAM 7.625" R.G.	(2)	LM501349-LM501314
94-91	7.625" R.G.	(2)	LM501349-LM501314
PINION			
04-02	AAM 8.625" R.G.		
	(Inner)		M802048-M802011
	(Outer)	710506	M88048-M88010
04-02	AAM 8" R.G.		
	(Inner)		M802048-M802011
	(Outer)	710474	M86649-M86610
2001	AAM 7.625" R.G. (1st Design)		
	(Inner)		HM89249-HM89210
	(Outer)	8610	M86649-M86610
	Redi-Sleeve	99152	
2001	AAM 7.625" R.G. (2nd Design)		
	(Inner)		HM89249-HM89210
	(Outer)	710474	M86649-M86610
00-96	AAM 7.625" R.G.		
	(Inner)		HM89249-HM89210
	(Outer)	8610	M86649-M86610
	Redi-Sleeve	99152	
94-91	7.625" R.G.		
	(Inner)		HM89249-HM89210
	(Outer)	8610	M86649-M86610
	Redi-Sleeve	99152	
CLUTCH			
RELEASE			
		Bearing Only	Bearing Assembly
4 CYLINDER			
96-93	138/2.3L (DOHC) (NVG T550) (5 Speed)...		Hydra-Clutch® 619005
DRIVESHAFT			
CENTER SUPPORT			
		Bearing	Bearing & Support
94-91	Spicer 1280, 1310, 1330, 1410 Series / Brg. ID 1.3780" (35mm)- Slip Yoke Style.....	88107	HB-88107-A (Opt. w/Slingers) HB-88107-E
TRANSFER CASE			
FULL TIME / PART TIME			
TRANSFER CASE KIT			
97-96	Borg-Warner 1372, 4472		<input checked="" type="checkbox"/> T-472
94-91	Borg-Warner 1372, 4472		<input checked="" type="checkbox"/> T-472
INPUT SHAFT			
04-02	New Process 126C		N-5210-KLB
01-98	New Process 136C	472636	110 (Pilot) FC-66561 (Continued Next Column)

Year	Application	Seal	Bearing
FULL TIME / PART TIME (Cont.)			
INPUT SHAFT			
97-96	Borg-Warner 1372, 4472	710062	109
	Redi-Sleeve	99175	
	(Pilot)		SCH-1310
94-91	Borg-Warner 1372, 4472	710062	109
	Redi-Sleeve	99175	
	(Pilot)		SCH-1310
FRONT OUTPUT SHAFT			
04-02	New Process 126C		107
01-98	New Process 136C		207
	(Pilot)		J-2416
97-96	Borg-Warner 1372, 4472	714503	207
	(Pilot)		JH-1612
94-91	Borg-Warner 1372, 4472	714503	207
	(Pilot)		JH-1612
REAR OUTPUT SHAFT			
01-98	New Process 136C	710496	
97-96	Borg-Warner 1372, 4472		
	(Booted)	4503N	208-SL
97-96	Borg-Warner 1372, 4472		
	(Non-Booted)	714503	208-SL
94-91	Borg-Warner 1372, 4472		
	(Booted)	4503N	208-SL
94-91	Borg-Warner 1372, 4472		
	(Non-Booted)	714503	208-SL
TRANSAXLE			
AUTOMATIC / 3 Speed			
TORQUE CONVERTER			
95-90	THM125C, 3T40	4072N	
OUTPUT SHAFT			
95-90	THM125C, 3T40	(2) 3543	
	Redi-Sleeve (2)	99139	
MANUAL SHAFT			
95-90	THM125C, 3T40	8792S	
AUTOMATIC / 4 Speed			
TORQUE CONVERTER			
04-99	4T65-E (Flanged Design)	4918	
04-99	4T65-E (Non-Flanged Design)	4072N	
98-92	4T60-E	4072N	
OUTPUT SHAFT			
04-99	4T65-E	(Left) 100165	
	Redi-Sleeve	99139	
	(Right)	3543	
	Redi-Sleeve	99139	
98-92	4T60-E	(Left) 710096	
	Redi-Sleeve	99139	
	(Right)	3543	
	Redi-Sleeve	99139	
MANUAL SHAFT			
04-92	4T60-E, 4T65-E	8792S	
MANUAL / 5 Speed			
DIFFERENTIAL			
96-93	New Process T550		(2)A-18

() Indicates Quantity Required Refer To Front Of Catalog For Kit Contents

OLDSMOBILE TRUCK - MINIVAN/SPORT UTILITY

(Bravada, Silhouette & Silhouette AWD) (Cont.)

Year	Application	Seal	Bearing
------	-------------	------	---------

TRANSAXLE

MANUAL / 5 Speed (Cont.)

OUTPUT SHAFT

96-93	New Process T550	(2) 3543	
		Redi-Sleeve (2) 99139	

SHIFT SHAFT

96-93	New Process T550	3667	
-------	------------------	------	--

TRANSMISSION

AUTOMATIC / 4 Speed

FRONT PUMP

04-96	4L60-E	4950	
		Redi-Sleeve 99174	
94-92	4L60-E	4950	
		Redi-Sleeve 99174	
1991	4L60	4950	
		Redi-Sleeve 99174	

EXTENSION HOUSING

04-96	4L60-E (Booted)	4934	
04-96	4L60-E (Non-Booted)	4583	
94-91	4L60, 4L60-E (Booted)	4934	
94-91	4L60, 4L60-E (Non-Booted)	4583	

MANUAL SHAFT

04-96	4L60-E	8792S	
94-91	4L60, 4L60-E	8792S	

STEERING

POWER STEERING

STEERING GEAR HOUSING

1996	Bravada	(Adj. Plug) DB-53313	
94-91	Bravada	(Adj. Plug) DB-53313	

STEERING GEAR WORM SHAFT

1996	Bravada	222025	
94-91	Bravada	222025	

STEERING GEAR PITMAN SHAFT

1996	Bravada	(Kit) <input checked="" type="checkbox"/> PSK-1	
94-91	Bravada	(Kit) <input checked="" type="checkbox"/> PSK-1	

STEERING PUMP SHAFT

04-96	All	7013S	
95-90	Silhouette (Saginaw Pump) (Integral Reservoir)	203-FF	
95-90	Silhouette (Saginaw Pump) (Remote Reservoir)	7013S	
94-91	Bravada	7013S	

AIR CONDITIONING

COMPRESSOR

CLUTCH PULLEY

04-96	Harrison HT-6	907257	
04-90	Harrison V-5	907257	

(Continued Next Column)

Year	Application	Seal	Bearing
------	-------------	------	---------

COMPRESSOR (Cont.)

CLUTCH PULLEY

96-92	Harrison HR-6	907257	
94-91	Harrison R-4	907257	
93-92	Harrison HR-6HE	907257	

FRONT HEAD MAIN

94-91	Harrison R-4	S-128	
-------	--------------	-------	--

ELECTRICAL

ALTERNATOR

DRIVE END

91-90	AC-Delco 37, 56, 66, 78 Amp.	203-FF	
-------	------------------------------	--------	--

REAR END

00-92	AC-Delco 140 Amp.	100-CC4	
-------	-------------------	---------	--

ENGINE

CAMSHAFT

4 CYLINDER

96-93	138/2.3L (DOHC)	713771	
		Redi-Sleeve 99139	

CRANKSHAFT

4 CYLINDER

96-93	138/2.3L (DOHC)	40375	
-------	-----------------	-------	--

6 CYLINDER

04-02	254/4.2L (DOHC)	710603	
04-90	189/3.1L, 207/3.4L		

PTFE Rubber 5273

Viton® 4307V

Redi-Sleeve 99298

01-96	262/4.3L	5512	
-------	----------	------	--

95-92	231/3.8L	320691	
-------	----------	--------	--

PTFE Rubber 5291

Redi-Sleeve 99328

94-91	262/4.3L	(Gkt. & PTFE Seal) 5274A	
-------	----------	--------------------------	--

(Gkt. & Viton® Seal) 4359V

PTFE Rubber 5274

Redi-Sleeve 99364

TIMING COVER

4 CYLINDER

96-93	138/2.3L (DOHC)	320259	
-------	-----------------	--------	--

6 CYLINDER

04-02	254/4.2L (DOHC) (38.4mm I.D.)	710605	
-------	-------------------------------	--------	--

04-02	254/4.2L (DOHC) (47.0mm I.D.)	710551	
-------	-------------------------------	--------	--

04-96	207/3.4L	9845	
-------	----------	------	--

Redi-Sleeve 99176

Harmonic Bal Sleeve 88176

Harmonic Bal Kit 5000

95-92	231/3.8L	710162	
-------	----------	--------	--

Redi-Sleeve 99193

95-90	189/3.1L, 262/4.3L	9845	
-------	--------------------	------	--

Redi-Sleeve 99176

Harmonic Bal Sleeve 88176

Harmonic Bal Kit 5000

(MT10FD, MT12FD, MT13FD & MT35FD) **LIGHT DUTY - OSHKOSH TRUCK**

Year	Application	Seal	Bearing
AXLE			
REAR AXLE			
DIFFERENTIAL KIT			
95-90	Spicer 60-HD.....		<input checked="" type="checkbox"/> RA-331 (Master Kit) RA-331MK
DIFFERENTIAL			
95-90	Spicer 60-HD.....	(2)387A-382S	
PINION			
95-90	Spicer 60-HD.....(Inner)	HM803146-HM803110	
	(Outer)	719316 HM88542-HM88510	
	Redi-Sleeve	99187	
TRANSMISSION			
AUTOMATIC / 3 Speed			
FRONT PUMP			
97-90	Chrysler A727, 36RH.....	331227H	
	Redi-Sleeve	99187	
EXTENSION HOUSING			
97-90	Chrysler A727, 36RH.....	7300S	
	(Seal & Bushing Kit)	5206	
CLUTCH CAM			
97-90	Chrysler A727, 36RH.....	(12)W-585-Q	
MANUAL / 4 Speed			
DRIVESHAFT / INPUT			
97-90	Borg-Warner T19.....	7412S	308-L4
	Redi-Sleeve	99125	

Year	Application	Seal	Bearing
MANUAL / 4 Speed (Cont.)			
MAINSHAFT / OUTPUT			
97-90	Borg-Warner T19.....	7692S	308-L1
	(Seal & Bushing Kit)	5202	
MAINSHAFT PILOT			
97-90	Borg-Warner T19.....	(22)C-436-Q	
COUNTERSHAFT			
97-90	Borg-Warner T19.....	(88)C-436-Q	
REVERSE IDLER			
97-90	Borg-Warner T19.....	(74)B-1316-Q	
ENGINE			
CRANKSHAFT			
8 CYLINDER			
92-90	360/5.9L.....	(Split Seal) 5106	
TIMING COVER			
8 CYLINDER			
1992	360/5.9L.....	713103	
	Redi-Sleeve	99218	
	Harmonic Bal Sleeve	88218	
91-90	360/5.9L.....	3103	
	Redi-Sleeve	99218	
	Harmonic Bal Sleeve	88218	

(Esperante & Roadster) **PANOZ**

Year	Application	Seal	Bearing
AXLE			
REAR AXLE			
AXLE SHAFT			
07-01	Visteon IRS-8.8" R.G.....	(2) 100537	
	Redi-Sleeve (2)	99157	
00-99	Ford IRS-8.8" R.G.....	(2) 100537	(2)FC-66998
	Redi-Sleeve (2)	99157	
DIFFERENTIAL			
00-99	Ford IRS-8.8" R.G.....	(2)LM501349-LM501314	
PINION			
07-99	Ford IRS-8.8" R.G.		
	(Inner)	M802048-M802011	
	(Outer)	3604 M88048-M88010	
	Redi-Sleeve	99181	
TRANSMISSION			
MANUAL / 5 Speed			
DRIVESHAFT / INPUT			
07-99	Tremec T45.....	7412S	M88048-M88010
	Redi-Sleeve	99125	
MAINSHAFT / OUTPUT			
07-99	Tremec T45.....	710431	25572-25520

Year	Application	Seal	Bearing
MANUAL / 5 Speed (Cont.)			
MAINSHAFT PILOT			
07-99	Tremec T45.....		A-1
COUNTERSHAFT			
07-99	Tremec T45.....	(Center)	A-6
	(Front)		A-6
REVERSE IDLER			
07-99	Tremec T45.....		207
MANUAL / 6 Speed			
DRIVESHAFT / INPUT			
05-04	Tremec T56.....	7412S	M88048-M88010
	Redi-Sleeve	99125	
MAINSHAFT / OUTPUT			
05-04	Tremec T56.....		25572-25520
MAINSHAFT PILOT			
05-04	Tremec T56.....		A-16
COUNTERSHAFT			
05-04	Tremec T56.....	(Front)	A-5
	(Rear)		32008

() Indicates Quantity Required Refer To Front Of Catalog For Kit Contents

PANOZ (Esperante & Roadster) (Cont.)

Year	Application	Seal	Bearing	Year	Application	Seal	Bearing
ENGINE				TIMING COVER			
CRANKSHAFT				8 CYLINDER			
07-99	281/4.6L (DOHC), 281/4.6L (DOHC)	PTFE Rubber Redi-Sleeve	3909 5277 99363	07-99	281/4.6L (DOHC), 281/4.6L (DOHC)	482041N 99187 88187	

PEUGEOT (405, 504, 505 & 604)

WHEEL			
FRONT WHEEL			
92-89	405		513073
92-87	505 (Exc. ABS)		
		(Inner)	A-33
		(Outer)	32005
86-80	504, 505	(Inner)	A-33
		(Outer)	32005
84-80	604	(Inner)	224520 A-33
		(Outer)	32005
REAR WHEEL			
92-82	505 (Sedan)	(Inner)	225460
84-81	604	(Inner)	225460
1981	505 (Sedan) (From Chassis No. 1214587)	(Inner)	225460
81-80	504 (Station Wagon)		308

AXLE			
REAR AXLE			
DIFFERENTIAL			
92-80	PC4, PC7, PC8		(2)A-37
PINION			
92-80	PC4, PC7, PC8	(Inner)	HM89449-HM89410
		(Outer)	1012N M88048-M88010
		Redi-Sleeve	99177

CLUTCH			
PILOT			
4 CYLINDER			
92-87	2165cc/2.2L		203-FF
92-85	2155cc/2.2L (Turbo)		103-CC
6 CYLINDER			
90-87	2849cc/2.8L		203-FF
81-80	2849cc/2.8L		203-FF

TRANSAXLE			
AUTOMATIC / 4 Speed			
DIFFERENTIAL			
92-89	ZF 4HP-14Q	(Left)	LM806649-LM806610
		(Right)	LM300849-LM300811
TORQUE CONVERTER			
92-89	ZF 4HP-14Q		225110
		Redi-Sleeve	99177

TRANSMISSION			
AUTOMATIC / 3 Speed			
FRONT PUMP			
86-80	ZF 3HP-22		224010
		Redi-Sleeve	99157
EXTENSION HOUSING			
86-80	ZF 3HP-22		3459 107
AUTOMATIC / 4 Speed			
FRONT PUMP			
92-84	ZF 4HP-22		224052
		Redi-Sleeve	99157
EXTENSION HOUSING			
92-89	ZF 4HP-22		710140
88-84	ZF 4HP-22		3459
MANUAL / 4 Speed			
DRIVESHAFT / INPUT			
83-80	BA7/4		710164
		Redi-Sleeve	99128
MAINSHAFT / OUTPUT			
83-80	BA7/4		3459
MANUAL / 5 Speed			
DRIVESHAFT / INPUT			
85-80	BA7/5		710164
		Redi-Sleeve	99128
MAINSHAFT / OUTPUT			
92-85	BA10/5		32008
85-80	BA7/5		3459
COUNTERSHAFT			
92-85	BA10/5	(Front)	32005

STEERING			
POWER STEERING			
STEERING PUMP SHAFT			
86-80	505 (Saginaw Pump)		7013S

AIR CONDITIONING			
COMPRESSOR			
CLUTCH PULLEY			
91-89	Sanden SD-709		5001-KFF
87-80	Sanden SD-508		5001-KFF

(Continued Next Page)

(Cont.) (405, 504, 505 & 604) **PEUGEOT**

Year	Application	Seal	Bearing
AIR CONDITIONING			
COMPRESSOR (Cont.)			
CLUTCH PULLEY			
87-80	Sanden SD-510		5001-KFF
86-80	York Mini 206		206-FF
ELECTRICAL			
ALTERNATOR			
DRIVE END			
91-82	Motorola 70 Amp		203-FF
85-80	Bosch		203-FF
85-80	Paris-Rhone 50, 70 & 75 Amp		203-FF
REAR END			
91-82	Motorola 70 Amp		200-CC
85-80	Bosch		201-CC
85-80	Paris-Rhone 50, 70 & 75 Amp		201-CC
ENGINE			
CAMSHAFT			
4 CYLINDER			
92-87	2165cc/2.2L	1172	
			Redi-Sleeve 99139
CRANKSHAFT			
4 CYLINDER			
92-80	1905cc/1.9L, 1905cc/1.9L (DOHC), 1971cc/2.0L, 2155cc/2.2L (Turbo), 2165cc/2.2L	229005	
			Redi-Sleeve 99354
			(Continued Next Column)

Year	Application	Seal	Bearing
CRANKSHAFT (Cont.)			
4 CYLINDER			
88-80	2304cc/2.3L (Diesel), 2304cc/2.3L (Turbo-Diesel), 2498cc/2.5L (Turbo-Diesel)	228010	
			Redi-Sleeve 99315
6 CYLINDER			
90-87	2849cc/2.8L	228010	
			Redi-Sleeve 99315
81-80	2849cc/2.8L	228010	
			Redi-Sleeve 99315
TIMING COVER			
4 CYLINDER			
92-89	1905cc/1.9L, 1905cc/1.9L (DOHC)	223605	
			Redi-Sleeve 99146
92-80	1971cc/2.0L, 2155cc/2.2L (Turbo), 2165cc/2.2L	225020	
			Redi-Sleeve 99196
88-80	2304cc/2.3L (Diesel), 2304cc/2.3L (Turbo-Diesel), 2498cc/2.5L (Turbo-Diesel)	1953	
			Redi-Sleeve 99166
6 CYLINDER			
90-87	2849cc/2.8L	224252	
			Redi-Sleeve 99169
81-80	2849cc/2.8L	224252	
			Redi-Sleeve 99169

(Azzurra) **PININFARINA**

WHEEL			
FRONT WHEEL			
85-84	All	(Inner) 472213	15579X-15520
		(Outer)	A-2
REAR WHEEL			
85-84	All	1981	
TRANSMISSION			
AUTOMATIC / 3 Speed			
FRONT PUMP			
85-84	GMC THM180C	6712NA	
			Redi-Sleeve 99187
EXTENSION HOUSING			
85-84	GMC THM180C	9613S	
			(Seal & Bushing Kit) 5200
MANUAL SHAFT			
85-84	GMC THM180C	8792S	

ELECTRICAL			
ALTERNATOR			
DRIVE END			
85-84	Bosch 55 & 60 Amp		303-S
ENGINE			
CAMSHAFT			
4 CYLINDER			
85-84	1995cc/2.0L (DOHC)	(2) 223035	
			Redi-Sleeve (2) 99114
CRANKSHAFT			
4 CYLINDER			
85-84	1995cc/2.0L (DOHC)	227040	
			Redi-Sleeve 99272

() Indicates Quantity Required

PININFARINA (Azzurra) (Cont.)

Year	Application	Seal	Bearing	Year	Application	Seal	Bearing
ENGINE							
TIMING COVER							
4 CYLINDER							
85-84	1995cc/2.0L (DOHC).....	224025					
	Redi-Sleeve	99157					

PLYMOUTH - FRONT WHEEL DRIVE (Acclaim, Breeze, Caravelle, Horizon, Neon, Reliant, Sundance, Turismo & TC3)

WHEEL			
FRONT WHEEL			
01-00	Neon.....	510057	
00-96	Breeze.....	Hub Assembly	513138
99-95	Neon.....	\$	510032
99-95	Neon (4 Stud Hub).....	Hub Repair Kit	518511
99-95	Neon (5 Stud Hub).....	Hub Repair Kit	518512
95-91	Acclaim, Sundance..... (Kit) <input checked="" type="checkbox"/> 5604	Hub Assembly	513075
90-84	Horizon, Turismo..... (Kit) <input checked="" type="checkbox"/> 5604		B-39
		Hub Repair Kit <input checked="" type="checkbox"/>	518500
90-84	Acclaim, Caravelle, Reliant, Sundance (4 Stud Hub)..... (Kit) <input checked="" type="checkbox"/> 5604		513006
		Hub Repair Kit <input checked="" type="checkbox"/>	518501
90-84	Acclaim, Caravelle, Reliant, Sundance (5 Stud Hub)..... (Kit) <input checked="" type="checkbox"/> 5604		513006
		Hub Repair Kit	518502
83-80	All..... (Kit) <input checked="" type="checkbox"/> 5604		B-39
		Hub Repair Kit <input checked="" type="checkbox"/>	518500

REAR WHEEL			
01-00	Neon.....	Hub Assembly	512167
00-98	Breeze (ABS).....	Hub Assembly	512220
00-96	Breeze (Exc. ABS).....	Hub Assembly	512154
99-98	Neon.....	Hub Assembly	512013
97-96	Breeze (ABS).....	Hub Assembly	512133
97-96	Neon.....	Hub Assembly	512023
1995	Neon (4 Stud Hub).....	Hub Assembly	512021
1995	Neon (5 Stud Hub).....	Hub Assembly	512023
95-83	Acclaim, Caravelle, Horizon, Reliant, Sundance, Turismo		
	(Inner).....	4099	A-39
	(Outer).....		A-16
82-80	All..... (Inner).....	3677	A-4
	(Outer).....		A-2

CLUTCH			
PILOT			
4 CYLINDER			
83-81	1715cc/1.7L (VW A412 Trans.).....	F-85265	
1980	1715cc/1.7L.....	F-85265	

Year	Application	Seal	Bearing
RELEASE			
4 CYLINDER			
01-95	122/2.0L, 122/2.0L (DOHC), 148/2.4L (DOHC).....		Ⓢ 614121
95-90	135/2.2L, 135/2.2L (Turbo), 153/2.5L, 153/2.5L (Turbo).....		Ⓢ 614092

(Continued Next Column)

Year	Application	Seal	Bearing Only	Bearing Assembly
RELEASE (Cont.)				
4 CYLINDER				
89-81	135/2.2L, 135/2.2L (Turbo), 153/2.5L, 153/2.5L (Turbo), 1592cc/1.6L.....			614007
83-81	1715cc/1.7L (NP A460 Trans.).....			614007
83-81	1715cc/1.7L (VW A412 Trans.).....	613000		
1980	1715cc/1.7L.....	613000		
6 CYLINDER				
94-92	2972cc/3.0L.....			Ⓢ 614092

TRANSAXLE				
AUTOMATIC / 3 Speed				
DIFFERENTIAL				
01-97	31TH..... (Right).....			A-18
96-80	A404, A413, A470, A670, 31TH.....			(2)A-18
TORQUE CONVERTER				
01-80	A404, A413, A470, A670, 31TH.....	331228H		
		Redi-Sleeve	99149	
OUTPUT SHAFT				
01-92	31TH..... (2)	3459		
		Redi-Sleeve (2)	99157	
91-80	A404, A413, A470, A670..... (2)	3459		(2)A-17
		Redi-Sleeve (2)	99157	
TRANSFER SHAFT				
01-80	A404, A413, A470, A670, 31TH.....			(2)A-18
MANUAL SHAFT				
01-80	A404, A413, A470, A670, 31TH.....	8609		
AUTOMATIC / 4 Speed				
DIFFERENTIAL				
00-97	41TE..... (Right).....			A-18
96-89	A604, 41TE.....			(2)A-18
TORQUE CONVERTER				
00-89	A604, 41TE.....	331228H		
		Redi-Sleeve	99149	
OUTPUT SHAFT				
00-92	41TE..... (2)	3459		
		Redi-Sleeve (2)	99157	
91-89	A604..... (2)	3459		(2)A-17
		Redi-Sleeve (2)	99157	
TRANSFER SHAFT				
00-92	41TE..... (Right).....			A-35
91-89	A604.....			(2)A-18

FRONT WHEEL DRIVE - PLYMOUTH

(Cont.) (Acclaim, Breeze, Caravelle, Horizon, Neon, Reliant, Sundance, Turismo & TC3)

Year	Application	Seal	Bearing
TRANSAXLE			
AUTOMATIC / 4 Speed (Cont.)			
MANUAL SHAFT			
00-89	A604, 41TE	8609	
MANUAL / 4 Speed			
DIFFERENTIAL			
86-81	A460		(2)A-18
83-80	A412	(2)LM29749-LM29710	
INPUT SHAFT			
86-81	A460	(Front) 3732S	A-4
		Redi-Sleeve 99106	
		(Rear)	A-5
83-80	A412	222240	
		Redi-Sleeve 99085	
INTERMEDIATE SHAFT			
86-81	A460	(Front)	5707
OUTPUT SHAFT			
86-81	A460	(2) 3459	
		Redi-Sleeve (2) 99157	
83-80	A412	(Left) 474288	A-15
		Redi-Sleeve 99146	
		(Right) 474288	
		Redi-Sleeve 99146	
SHIFT SHAFT			
86-81	A460	3816	
83-80	A412	221820	
MANUAL / 5 Speed			
DIFFERENTIAL			
01-95	A578		(2)A-18
95-83	A465, A520, A523, A525, A543, A555, A568		(2)A-18
INPUT SHAFT			
95-83	A465, A520, A523, A525, A543, A555, A568	(Front) 3732S	A-4
		Redi-Sleeve 99106	
		(Rear)	A-5
INTERMEDIATE SHAFT			
85-83	A465	(Front)	5707
OUTPUT SHAFT			
01-95	A578	(2) 3459	
		Redi-Sleeve (2) 99157	
95-87	A520, A523, A543, A555, A568	(2) 3459	
		Redi-Sleeve (2) 99157	
86-83	A465, A525	(2) 3459	
		Redi-Sleeve (2) 99157	
SHIFT SHAFT			
01-95	A578	3816	
95-83	A465, A520, A523, A525, A543, A555, A568	3816	

Year	Application	Seal	Bearing
STEERING			
POWER STEERING			
STEERING GEAR WORM SHAFT			
92-80	All	7188S	
STEERING PUMP SHAFT			
95-80	Acclaim, Caravelle, Horizon, Reliant, Sundance, Turismo, TC3	7013S	
AIR CONDITIONING			
COMPRESSOR			
CLUTCH PULLEY			
93-83	Nippondenso A590		5000-KFF
87-80	Nippondenso C171		5000-KFF
87-80	Sanden SD-508		5001-KFF
ELECTRICAL			
ALTERNATOR			
DRIVE END			
89-87	Bosch 40, 90 Amp. (Ser. #5233574)		203-FF
86-82	Mitsubishi 50, 75 Amp.		302-SS
86-80	Chrysler 60, 65, 78 Amp.		203-FF
REAR END			
89-88	Chrysler 40, 50, 90, 120 Amp.		203-FF
1987	Chrysler 60, 65, 70 Amp.		MNJ-471-S
87-86	Bosch 40, 90, 100 Amp.		201
87-82	Mitsubishi 50, 75 Amp.		201-S
87-80	Chrysler 60, 65, 78 Amp.		MNJ-471-S
ENGINE			
CAMSHAFT			
4 CYLINDER			
01-95	122/2.0L	320249	
		Redi-Sleeve 99139	
00-95	122/2.0L (DOHC), 148/2.4L (DOHC)	(2) 320249	
		Redi-Sleeve (2) 99139	
95-89	135/2.2L, 135/2.2L (Turbo), 153/2.5L, 153/2.5L (Turbo)	3655	
		Redi-Sleeve 99139	
88-86	153/2.5L	3655	
		Redi-Sleeve 99139	
88-81	135/2.2L, 135/2.2L (Turbo) (52.35mm OD).. (Front)	3655	
		Redi-Sleeve 99139	
		(Rear) 713655	
		Redi-Sleeve 99139	
88-81	135/2.2L, 135/2.2L (Turbo) (53.59mm OD).. (Front)	3655	
		Redi-Sleeve 99139	
		(Rear) 4040N	
		Redi-Sleeve 99139	
85-81	2555cc/2.6L	222330	
83-80	1715cc/1.7L	3476	
		Redi-Sleeve 99128	

() Indicates Quantity Required

PLYMOUTH - FRONT WHEEL DRIVE

(Acclaim, Breeze, Caravelle, Horizon, Neon, Reliant, Sundance, Turismo & TC3) (Cont.)

Year	Application	Seal	Bearing	Year	Application	Seal	Bearing
ENGINE				INTERMEDIATE SHAFT (Cont.)			
CAMSHAFT (Cont.)				4 CYLINDER			
6 CYLINDER				83-80 1715cc/1.7L 3476			
95-89 2972cc/3.0L (2) 3771				Redi-Sleeve 99128			
Redi-Sleeve (2) 99139				TIMING COVER			
CRANKSHAFT				4 CYLINDER			
4 CYLINDER				01-95 122/2.0L, 122/2.0L (DOHC),			
01-81 122/2.0L, 122/2.0L (DOHC),				148/2.4L (DOHC)..... 320348			
135/2.2L, 135/2.2L				Redi-Sleeve 99128			
(Turbo), 148/2.4L (DOHC),				95-89 135/2.2L, 135/2.2L			
153/2.5L, 153/2.5L (Turbo)..... 710056				(Turbo), 153/2.5L,			
PTFE Rubber 5279				153/2.5L (Turbo)..... 3638			
95-81 135/2.2L, 135/2.2L				Redi-Sleeve 99112			
(Turbo), 153/2.5L,				88-81 135/2.2L, 135/2.2L			
153/2.5L (Turbo)				(Turbo), 153/2.5L..... 3655			
(Gkt. & PTFE Seal) 5279A				Redi-Sleeve 99139			
85-81 2555cc/2.6L 228005				86-83 1592cc/1.6L 3459			
Redi-Sleeve 99315				Redi-Sleeve 99157			
83-80 1715cc/1.7L 716102				85-81 2555cc/2.6L 224840			
Redi-Sleeve 99333				Redi-Sleeve 99189			
6 CYLINDER				83-80 1715cc/1.7L 3476			
95-89 2972cc/3.0L 710056				Redi-Sleeve 99128			
PTFE Rubber 5279				6 CYLINDER			
INTERMEDIATE SHAFT				95-89 2972cc/3.0L 223750			
4 CYLINDER							
95-81 135/2.2L, 135/2.2L							
(Turbo), 153/2.5L,							
153/2.5L (Turbo)..... 3655							
Redi-Sleeve 99139							
(Continued Next Column)							

PLYMOUTH FULL SIZE - REAR WHEEL DRIVE (Caravelle & Gran Fury)

WHEEL				REAR AXLE (Cont.)			
FRONT WHEEL				DIFFERENTIAL KIT			
89-80 All..... (Inner) 5121 A-17				81-80 9.25" R.G. <input checked="" type="checkbox"/> RA-304			
(Outer) A-2				(Master Kit) RA-304MK			
REAR WHEEL				DIFFERENTIAL			
89-85 All..... 8835S 6408				89-80 7.25" R.G. (2) A-35			
(Axle Repair Brg.) RP-6408				89-80 8.25" R.G. (2) A-36			
84-82 All (8.25" R.G.)..... 8835S 6408				81-80 9.25" R.G. (2) JLM704649-JLM704610			
(Axle Repair Brg.) RP-6408				PINION			
84-80 All (7.25" R.G.)..... 8660S RWC-35-YYR				89-80 7.25" R.G. (Inner) HM88649-HM88610			
81-80 All (8.25" R.G.) (9.25" R.G.)..... 8835S 6408				(Outer) 8516N M86649-M86610			
(Axle Repair Brg.) RP-6408				Redi-Sleeve 99168			
AXLE				89-80 8.25" R.G. (Inner) M802048-M802011			
REAR AXLE				(Outer) 8516N M86649-M86610			
DIFFERENTIAL KIT				Redi-Sleeve 99168			
89-80 7.25" R.G. <input checked="" type="checkbox"/> RA-302				89-80 8.25" R.G. (Inner) M804049-M804010			
89-80 8.25" R.G. <input checked="" type="checkbox"/> RA-303				(Outer) 5126 M88048-M88010			
(Master Kit) RA-303MK				Redi-Sleeve 99187			
(Continued Next Column)							

REAR WHEEL DRIVE - PLYMOUTH FULL SIZE

(Cont.) (Caravelle & Gran Fury)

Year	Application	Seal	Bearing	Year	Application	Seal	Bearing
TRANSMISSION							
AUTOMATIC / 3 Speed				COMPRESSOR (Cont.)			
FRONT PUMP				CLUTCH PULLEY			
89-80	A727	331227H		89-80	Nippondenso C171		5000-KFF
		<i>Redi-Sleeve</i> 99187		83-80	Sanden SD-508		5001-KFF
89-80	A904, A999	331228H		ELECTRICAL			
		<i>Redi-Sleeve</i> 99149		ALTERNATOR			
EXTENSION HOUSING				DRIVE END			
89-80	A727	7300S		89-80	31, 41, 50, 60, 65, 78 Amp.		203-FF
		<i>(Seal & Bushing Kit)</i> 5206		89-80	86, 100, 114 Amp.		303-SS
89-80	A904, A999	2506	§ 206-LOE	REAR END			
MANUAL SHAFT				89-80	31, 41, 50, 60, 65, 78 Amp.		MNJ-471-S
89-80	A904, A999	8609		ENGINE			
CLUTCH CAM				CRANKSHAFT			
89-80	A727		(12)W-585-Q	6 CYLINDER			
STEERING				83-80	225/3.7L		5650
MANUAL STEERING				8 CYLINDER			
STEERING GEAR SECTOR SHAFT				89-80	318/5.2L		5414
1980	All	6859S		TIMING COVER			
STEERING GEAR WORM SHAFT				6 CYLINDER			
1980	All	7214		83-80	225/3.7L		3095
POWER STEERING						<i>Redi-Sleeve</i>	99226
STEERING GEAR SECTOR SHAFT				8 CYLINDER			
89-80	All	6859S		89-80	318/5.2L, 360/5.9L		3103
STEERING GEAR WORM SHAFT						<i>Redi-Sleeve</i>	99218
89-80	All	7188S				<i>Harmonic Bal Sleeve</i>	88218
STEERING PUMP SHAFT							
89-80	All	7013S					
AIR CONDITIONING							
COMPRESSOR							
CLUTCH PULLEY							
89-85	Nippondenso A590		5000-KFF				
<i>(Continued Next Column)</i>							

(Volare) REAR WHEEL DRIVE - PLYMOUTH COMPACT

WHEEL				AXLE			
FRONT WHEEL				REAR AXLE			
1980	All	(Inner) 5121	A-17	DIFFERENTIAL KIT			
		(Outer)	A-2	1980	7.25" R.G.		<input checked="" type="checkbox"/> RA-302
REAR WHEEL				1980	8.25" R.G.		<input checked="" type="checkbox"/> RA-303
1980	All (7.25" R.G.)	8660S	RWC-35-YYR	<i>(Master Kit)</i> RA-303MK			
1980	All (8.25" R.G.)	8835S	6408	DIFFERENTIAL			
			<i>(Axle Repair Brg.)</i> RP-6408	1980	7.25" R.G.		(2)A-35
				1980	8.25" R.G.		(2)A-36

() Indicates Quantity Required § Use Old Snap Ring ☒ Refer To Front Of Catalog For Kit Contents

PLYMOUTH COMPACT - REAR WHEEL DRIVE (Volare) (Cont.)

Year	Application	Seal	Bearing
------	-------------	------	---------

Year	Application	Seal	Bearing
------	-------------	------	---------

AXLE

REAR AXLE (Cont.)

PINION

1980	7.25" R.G.	(Inner)	HM88649-HM88610
		(Outer)	8516N M86649-M86610
		Redi-Sleeve	99168
1980	8.25" R.G.	(Inner)	M802048-M802011
		(Outer)	8516N M86649-M86610
		Redi-Sleeve	99168

CLUTCH

PILOT

6 CYLINDER

1980	225/3.7L		PB-286
			(H/D) PB-286-HD

RELEASE

Bearing Only	Bearing Assembly
-----------------	---------------------

6 CYLINDER

1980	225/3.7L	©614036
	1505	(Thrust Type) V-1505-C

TRANSMISSION

AUTOMATIC / 3 Speed

FRONT PUMP

1980	A727	331227H
		Redi-Sleeve 99187
1980	A904	331228H
		Redi-Sleeve 99149

EXTENSION HOUSING

1980	A727	7300S
		(Seal & Bushing Kit) 5206
1980	A904	2506 § 206-LOE

MANUAL SHAFT

1980	A904	8609
------	------	------

CLUTCH CAM

1980	A727	(12)W-585-Q
------	------	-------------

MANUAL / 3 Speed

DRIVESHAFT / INPUT

1980	New Process A230	9376
------	------------------	------

MAINSHAFT / OUTPUT

1980	New Process A230 (23 Spline)	8160S
		2506
1980	New Process A230 (26 Spline)	2506
		7300S
	(Seal & Bushing Kit)	5206

MAINSHAFT PILOT

1980	New Process A230	(15)QBR-23549
------	------------------	---------------

REVERSE IDLER

1980	New Process A230	(22)C-1086-Q
------	------------------	--------------

SHIFT SHAFT

1980	New Process A230	(2)7188S
		Redi-Sleeve (2)99062

MANUAL / 4 Speed

DRIVESHAFT / INPUT

1980	New Process A833 (23 Spline)	9376
		Redi-Sleeve 99106

MAINSHAFT / OUTPUT

1980	New Process A833 (26 Spline)	2506
------	------------------------------	------

MAINSHAFT PILOT

1980	New Process A833	(16)QBR-23549
------	------------------	---------------

STEERING

MANUAL STEERING

STEERING GEAR SECTOR SHAFT

1980	All	6859S
------	-----	-------

STEERING GEAR WORM SHAFT

1980	All	7214
------	-----	------

POWER STEERING

STEERING GEAR SECTOR SHAFT

1980	All	6859S
------	-----	-------

STEERING GEAR WORM SHAFT

1980	All	7188S
------	-----	-------

STEERING PUMP SHAFT

1980	All	7013S
------	-----	-------

AIR CONDITIONING

COMPRESSOR

CLUTCH PULLEY

1980	Nippondenso C171	5000-KFF
1980	Sanden SD-508	5001-KFF

ELECTRICAL

ALTERNATOR

DRIVE END

1980	31, 41, 50, 60, 65, 78 Amp.	203-FF
1980	86, 100, 114 Amp.	303-SS

REAR END

1980	31, 41, 50, 60, 65, 78 Amp.	MNJ-471-S
------	-----------------------------	-----------

ENGINE

CRANKSHAFT

6 CYLINDER

1980	225/3.7L	5650
------	----------	------

8 CYLINDER

1980	318/5.2L	5414
------	----------	------

TIMING COVER

6 CYLINDER

1980	225/3.7L	3095
		Redi-Sleeve 99226

(Cont.) (Volare) **REAR WHEEL DRIVE - PLYMOUTH COMPACT**

Year	Application	Seal	Bearing	Year	Application	Seal	Bearing
ENGINE							
TIMING COVER (Cont.)							
8 CYLINDER							
1980	318/5.2L, 360/5.9L	3103					
		Redi-Sleeve 99218					
		Harmonic Bal Sleeve 88218					

PLYMOUTH PROWLER

WHEEL				ENGINE			
FRONT WHEEL				CAMSHAFT			
01-97	All		Hub Assembly 513123	6 CYLINDER			
REAR WHEEL				01-97	215/3.5L	(2) 321417N	
01-97	All		Hub Assembly 513089			Redi-Sleeve (2) 99112	
TRANSAXLE				CRANKSHAFT			
AUTOMATIC / 4 Speed				6 CYLINDER			
DIFFERENTIAL				01-97	215/3.5L	710056	
01-97	42LE		(2)A-36			PTFE Rubber 5279	
TORQUE CONVERTER				TIMING COVER			
01-97	42LE	331228H		6 CYLINDER			
		Redi-Sleeve 99149		01-97	215/3.5L	3638	
OUTPUT SHAFT						Redi-Sleeve 99112	
01-97	42LE	(Left) 4738N					
		(Right) 4748N					
TRANSFER SHAFT							
01-97	42LE	(Inner) 4890					
		(Outer) 4889					
		(Right) M802048-M802011					

FRONT WHEEL DRIVE - PLYMOUTH IMPORTS
(Champ, Colt, Colt Vista, Colt Vista AWD, Colt Wagon AWD, Laser & Laser AWD)

WHEEL				FRONT WHEEL (Cont.)			
FRONT WHEEL				1984	Colt (Exc. Turbo Eng.)		
96-93	Colt	(Inner) 8430S	510016			(Inner) 229522	LM29748-LM29710
		(Outer) 4898				(Outer) 229522	LM29748-LM29710
94-92	Colt Vista, Colt Vista AWD, Laser, Laser AWD	(Inner) 225450	513036	1984	Colt (Turbo Eng.)	(Inner) 229522	A-41
		(Outer) 225230				(Outer) 229522	A-41
1992	Colt	(Inner) 229522	A-41	1984	Colt Vista	(Inner) 229522	A-41
		(Outer) 229522	A-41			(Outer) 229522	A-41
91-90	Laser, Laser AWD	(Inner) 225450	513036	83-80	All	(Inner) 229522	LM29748-LM29710
		(Outer) 225230				(Outer) 229522	LM29748-LM29710
91-85	Colt, Colt Vista	(Inner) 229522	A-41	REAR WHEEL			
		(Outer) 229522	A-41	96-93	Colt (ABS)		Hub Assembly 512033
91-84	Colt Vista AWD, Colt Wagon AWD	(Inner) 225082	513036	96-93	Colt (Exc. ABS)		Hub Assembly 512148
		(Outer) 225230		94-92	Colt Vista		Hub Assembly 512040
		(Continued Next Column)		94-92	Colt Vista AWD		511013
				94-92	Laser AWD	(Inner) 710152	511014
						(Outer)	511015
				94-90	Laser (ABS)		Hub Assembly 512011
				94-90	Laser (Exc. ABS)		Hub Assembly 512010
						(Continued Next Page)	

() Indicates Quantity Required

PLYMOUTH IMPORTS - FRONT WHEEL DRIVE

(Champ, Colt, Colt Vista, Colt Vista AWD, Colt Wagon AWD, Laser & Laser AWD) (Cont.)

Year	Application	Seal	Bearing
WHEEL			
REAR WHEEL (Cont.)			
92-91	Colt (Drum Brakes)		
	(Inner)	1205N	516001
	(Outer)		516001
91-85	Colt Vista	1196	A-4
	(Outer)		A-1
91-84	Colt Vista AWD, Laser AWD		
	(Inner)	710152	511014
	(Outer)		511015
90-89	Colt (2 Door) (Disc Brakes)	1205N	516000
	(Outer)		516000
90-89	Colt (2 Door) (Drum Brakes)	1205N	516001
	(Outer)		516001
90-89	Colt (4 Door) (Hatchback) (Sedan)	1205N	513029
	(Outer)		513029
90-89	Colt Wagon AWD		
	(Inner)	1955	
1988	Colt	1205N	513029
	(Outer)		513029
87-85	Colt	710338	513029
	(Outer)		513029
84-80	Champ, Colt, Colt Vista	1196	A-4
	(Outer)		A-1

AXLE

REAR AXLE			
DIFFERENTIAL			
94-84	Colt Wagon AWD, Colt Vista AWD, Laser AWD	(2) 710396	(2) 30207
	Redi-Sleeve (2)	99139	
PINION			
94-84	Colt Wagon AWD, Colt Vista AWD, Laser AWD		
	(Inner)		32207
	(Outer)	471847N	30305
	Redi-Sleeve	99139	

CLUTCH

Year	Application	Seal	Bearing
RELEASE			
4 CYLINDER			
96-94	1468cc/1.5L, 1834cc/1.8L (200mm Clutch)		614126
96-83	1410cc/1.4L, 1468cc/1.5L, 1468cc/1.5L (184mm Clutch)		614126
1994	1834cc/1.8L (215mm Clutch)		614126
94-93	2351cc/2.4L (225mm Clutch)		614126
94-93	1997cc/2.0L (DOHC-Turbo), 2351cc/2.4L (225mm Clutch) (AWD)		614099
93-92	1834cc/1.8L (215mm Clutch) (AWD)		614099
93-91	1834cc/1.8L, 1997cc/2.0L, 1997cc/2.0L (DOHC) (215mm Clutch)		614126
93-90	1997cc/2.0L (DOHC-Turbo) (225mm Clutch) (2WD)		614126
93-90	1468cc/1.5L, 1468cc/1.5L, 1595cc/1.6L (DOHC), 1597cc/1.6L (Turbo), 1755cc/1.8L, 1834cc/1.8L (200mm Clutch)		614126
1992	2351cc/2.4L (225mm Clutch)		614126

(Continued Next Column)

Year	Application	Seal	Bearing
RELEASE (Cont.)			
		Bearing Only	Bearing Assembly
4 CYLINDER			
92-90	1997cc/2.0L (DOHC-Turbo), 2351cc/2.4L (225mm Clutch) (AWD)		614099
90-84	1595cc/1.6L (DOHC-Turbo), 1755cc/1.8L, 1997cc/2.0L, 1997cc/2.0L (DOHC) (215mm Clutch)		614126
89-80	1410cc/1.4L, 1468cc/1.5L, 1595cc/1.6L (DOHC), 1597cc/1.6L, 1597cc/1.6L (Turbo) (200mm Clutch)		614126
82-80	1410cc/1.4L, 1597cc/1.6L (184mm Clutch)		614126

DRIVESHAFT

CENTER SUPPORT			
		Bearing	Bearing & Support
91-84	Colt Vista AWD		HB-25

TRANSAXLE

AUTOMATIC / 3 Speed			
DIFFERENTIAL			
96-80	F3A21-2, F3A22-2, KM170-0, KM170-1, KM170-2, KM171-0, KM171-1, M171-2, KM171-5		(2) 207
89-84	KM172-0, KM172-5		(2) 30207
TORQUE CONVERTER			
96-80	F3A21-2, F3A22-2, KM170-0, KM170-1, KM170-2, KM171-0, KM171-1, M171-2, KM171-5, KM172-0, KM172-5	320583	
	Redi-Sleeve	99157	
OUTPUT SHAFT			
96-80	F3A21-2, F3A22-2, KM170-0, KM170-1, KM170-2, KM171-0, KM171-1, M171-2, KM171-5, KM172-0, KM172-5	(2) 223543	
	Redi-Sleeve (2)	99139	
TRANSFER SHAFT			
96-90	F3A21-2		30207
89-80	KM170-0, KM170-1, KM170-2, KM171-0, KM171-1, M171-2, KM171-5, KM172-0, KM172-5		
	(Inner)		30206
	(Outer)		30304
TRANSFER GEAR			
96-80	F3A21-2, KM170-0, KM170-1, KM170-2, KM171-0, KM171-1, M171-2, KM171-5		
	(Inner)		207
	(Outer)		306-L
TRANSFER IDLER			
96-90	F3A21-2		30206
84-80	KM170-0, KM170-1, KM170-2		30206
AUTOMATIC / 4 Speed			
DIFFERENTIAL			
96-91	F4A21-2, F4A22-2, F4A33-1		(2) 207
90-89	F4A22-2, F4A33-1, KM176-5		(2) 207
TORQUE CONVERTER			
96-91	F4A21-2, F4A22-2, W4A32-1, F4A33-1, W4A33-1	320583	
	Redi-Sleeve	99157	

(Continued Next Page)

FRONT WHEEL DRIVE - PLYMOUTH IMPORTS

(Cont.) (Champ, Colt, Colt Vista, Colt Vista AWD, Colt Wagon AWD, Laser & Laser AWD)

Year	Application	Seal	Bearing	Year	Application	Seal	Bearing
TRANSAXLE				MANUAL / 4 Speed (Cont.)			
AUTOMATIC / 4 Speed (Cont.)				SHIFT SHAFT			
TORQUE CONVERTER				92-80 F4M21-1, KM160-2, KM161-0, KM200-0..... 710222			
INPUT SHAFT				MANUAL / 5 Speed			
90-89	F4A22-2, F4A33-1, W4A33-1, KM176-5.....	320583 Redi-Sleeve 99157		DIFFERENTIAL			
94-90	W4A32-1, W4A33-1.....	223014 Redi-Sleeve 99114		96-80 F5M21-1, F5M21-2, W5M31-2, W5M33-2, KM162-0, KM163-0, KM201-0..... (2) 207			
OUTPUT SHAFT				95-84 F5M22-2, KM182-0, KM182-2, KM206-0, KM221-1..... (2) 30207			
96-93	F4A21-2, F4A22-2..... (2) 223543 Redi-Sleeve (2) 99139			PINION			
94-93	F4A33-1..... (2) 710259			94-90 W5M31-2, W5M33-2..... 223014 Redi-Sleeve 99114			
94-90	W4A32-1, W4A33-1			INPUT SHAFT			
	(Left)..... 223543 Redi-Sleeve 99139			96-90 F5M21-1, F5M21-2, F5M22-2, F5M31-2, W5M31-2, F5M33-1, W5M33-2..... 712007 Redi-Sleeve 99098			
	(Right)..... 710199 Redi-Sleeve 99139			91-84 KM182-0, KM182-2, KM221-1. 712007 Redi-Sleeve 99098			
92-91	F4A21-2, F4A22-2, F4A33-1			(Front)..... 304 (Rear)..... 30304			
	(2) 223543 Redi-Sleeve (2) 99139			90-87 KM201-0, KM206-0..... 712007 Redi-Sleeve 99098			
90-89	F4A22-2, F4A33-1, KM176-5			(Front)..... 304 (Rear)..... * 108-A			
	(2) 223543 Redi-Sleeve (2) 99139			87-80 KM162-0, KM163-0..... 712007 Redi-Sleeve 99098			
TRANSFER SHAFT				INTERMEDIATE SHAFT			
96-91	F4A21-2.....		30207	87-80 KM162-0, KM163-0..... 30304			
EXTENSION HOUSING				OUTPUT SHAFT			
94-90	W4A32-1, W4A33-1.....	710317 Redi-Sleeve 99128		96-87 F5M21-1, F5M21-2, F5M22-2, KM201-0, KM206-0..... (2) 223543 Redi-Sleeve (2) 99139			
TRANSFER IDLER				94-93 F5M31-2, F5M33-1..... (2) 710259			
96-91	F4A21-2.....		30206	94-90 W5M33-2..... (Left)..... 223543 Redi-Sleeve 99139			
MANUAL / 4 Speed				(Right)..... 710199 Redi-Sleeve 99139			
DIFFERENTIAL				93-92 W5M31-2..... (Left)..... 223543 Redi-Sleeve 99139			
92-90	F4M21-1..... (2) 207			(Right)..... 1981 Redi-Sleeve 99114			
89-87	KM200-0..... (2) 30207			92-80 F5M31-2, F5M33-1, KM162-0, KM163-0, KM182-0, KM182-2, KM221-1..... (2) 223543 Redi-Sleeve (2) 99139			
86-80	KM160-2, KM161-0..... (2) 207			COUNTERSHAFT			
INPUT SHAFT				91-84 KM182-0, KM182-2, KM221-1..... (2) 30304			
92-87	F4M21-1, KM200-0.....	712007 Redi-Sleeve 99098		90-87 KM201-0, KM206-0			
86-80	KM160-2, KM161-0.....	712007 Redi-Sleeve 99098	304	(Front)..... RW-122 (Rear)..... * 108-A			
INTERMEDIATE SHAFT				87-80 KM162-0, KM163-0			
86-85	KM161-0.....		32004	(Front)..... 32205 (Rear)..... 30304			
84-80	KM160-2.....		30304	EXTENSION HOUSING			
OUTPUT SHAFT				93-92 W5M31-2..... 710317 Redi-Sleeve 99128			
92-87	F4M21-1, KM200-0..... (2) 223543 Redi-Sleeve (2) 99139		(2) 30206	91-84 KM182-0, KM182-2, KM221-1. 223240 Redi-Sleeve 99128			
89-87	KM200-0..... (2) 223543 Redi-Sleeve (2) 99139		* 108-A				
86-80	KM160-2, KM161-0..... (2) 223543 Redi-Sleeve (2) 99139						
COUNTERSHAFT							
89-87	KM200-0..... (Front).....		RW-122				
	(Rear).....		* 108-A				
86-85	KM161-0..... (2) 32004						
84-80	KM160-2..... (2) 30304						

() Indicates Quantity Required * Not a Current Production Number, Check for Availability

PLYMOUTH IMPORTS - FRONT WHEEL DRIVE

(Champ, Colt, Colt Vista, Colt Vista AWD, Colt Wagon AWD, Laser & Laser AWD) (Cont.)

Year	Application	Seal	Bearing	Year	Application	Seal	Bearing
TRANSAXLE				ELECTRICAL			
MANUAL / 5 Speed (Cont.)				ALTERNATOR			
SHIFT SHAFT				DRIVE END			
96-80	F5M21-1, F5M21-2, F5M22-2, KM162-0, KM163-0, KM182-0, KM182-2, KM201-0, KM206-0, KM221-1	710222		94-91	Mitsubishi 110 Amp		303-CC
MANUAL / 8 Speed				94-84	Mitsubishi 65 Amp		302-CC
DIFFERENTIAL				86-83	Mitsubishi 50, 55 Amp		202-FF
84-80	KM165-2, KM166-0		(2)207	82-81	Mitsubishi 50 Amp		202-FF
INPUT SHAFT				1980	Mitsubishi 50 Amp		302-S
84-80	KM165-2, KM166-0	712007	304	REAR END			
		Redi-Sleeve 99098		87-84	Mitsubishi 65 Amp		201-SS
OUTPUT SHAFT				86-83	Mitsubishi 50, 55 Amp		201-SS
84-80	KM165-2, KM166-0	(2)223543		82-80	Mitsubishi 50 Amp		201-SS
		Redi-Sleeve (2)99139		ENGINE			
COUNTERSHAFT				BALANCE SHAFT			
84-80	KM165-2, KM166-0			4 CYLINDER			
	(Front)		32205	94-89	1755cc/1.8L	710325	
	(Rear)		30304			Redi-Sleeve 99111	
SHIFT SHAFT				94-84	1997cc/2.0L, 1997cc/2.0L (DOHC), 1997cc/2.0L (DOHC-Turbo)	712007	
84-80	KM165-2, KM166-0	710222				Redi-Sleeve 99098	
STEERING				88-80	1597cc/1.6L, 1597cc/1.6L (Turbo)	710325	
MANUAL STEERING						Redi-Sleeve 99111	
STEERING GEAR PINION SHAFT				CAMSHAFT			
96-93	Colt	481481		4 CYLINDER			
92-87	Colt	221720		96-89	1468cc/1.5L, 1468cc/1.5L, 1755cc/1.8L, 1834cc/1.8L, 1997cc/2.0L, 2351cc/2.4L, 2351cc/2.4L	3771	
1986	Colt (From 02/01/86)	221720				Redi-Sleeve 99139	
POWER STEERING				94-89	1595cc/1.6L (DOHC), 1595cc/1.6L (DOHC-Turbo), 1997cc/2.0L (DOHC), 1997cc/2.0L (DOHC-Turbo)	(2)3771	
STEERING GEAR PINION SHAFT						Redi-Sleeve (2)99139	
96-93	Colt, Colt Vista, Colt Vista AWD	481481		88-80	1410cc/1.4L, 1468cc/1.5L, 1597cc/1.6L, 1597cc/1.6L (Turbo), 1997cc/2.0L	3771	
92-87	Colt, Colt Vista, Colt Vista AWD	221720				Redi-Sleeve 99139	
1986	All (From 02/01/86)	221720		CRANKSHAFT			
STEERING GEAR PITMAN SHAFT				4 CYLINDER			
1983	All	710272		96-89	1468cc/1.5L, 1468cc/1.5L, 1755cc/1.8L	227235	
STEERING PUMP SHAFT				95-93	1834cc/1.8L, 1997cc/2.0L (DOHC), 1997cc/2.0L (DOHC-Turbo), 2351cc/2.4L	710235	
94-93	Colt Vista, Colt Vista AWD	221620				710235	
94-90	Laser, Laser AWD (Atsugi Pump)	221830		1992	2351cc/2.4L	710235	
AIR CONDITIONING				92-84	1595cc/1.6L (DOHC), 1595cc/1.6L (DOHC-Turbo), 1834cc/1.8L, 1997cc/2.0L, 1997cc/2.0L (DOHC), 1997cc/2.0L (DOHC-Turbo), 2351cc/2.4L	228005	
COMPRESSOR						Redi-Sleeve 99315	
CLUTCH PULLEY						(Continued Next Page)	
87-84	Nippondenso 10P13		5000-KFF				
84-80	Sanden SD-508		5001-KFF				

FRONT WHEEL DRIVE - PLYMOUTH IMPORTS

(Cont.) (Champ, Colt, Colt Vista, Colt Vista AWD, Colt Wagon AWD, Laser & Laser AWD)

Year	Application	Seal	Bearing	Year	Application	Seal	Bearing
ENGINE							
CRANKSHAFT (Cont.)				OIL PUMP (Cont.)			
4 CYLINDER				4 CYLINDER			
88-80	1410cc/1.4L, 1468cc/1.5L, 1597cc/1.6L, 1597cc/1.6L (Turbo).....	227235		88-80	1597cc/1.6L, 1597cc/1.6L (Turbo).....	221710	
				<i>Redi-Sleeve 99068</i>			
OIL PUMP				TIMING COVER			
4 CYLINDER				4 CYLINDER			
94-89	1755cc/1.8L	221710		96-85	1468cc/1.5L, 1468cc/1.5L	223018	
				<i>Redi-Sleeve 99068</i>			
94-84	1595cc/1.6L (DOHC), 1595cc/1.6L (DOHC-Turbo), 1997cc/2.0L, 1997cc/2.0L (DOHC), 1997cc/2.0L (DOHC-Turbo), 2351cc/2.4L, 2351cc/2.4L	222025		95-92	1834cc/1.8L	223750	
				<i>Redi-Sleeve 99078</i>			
<i>(Continued Next Column)</i>							
				<i>Redi-Sleeve 99145</i>			
				224460			
				224460			
				712001			
				<i>Redi-Sleeve 99114</i>			

REAR WHEEL DRIVE - PLYMOUTH IMPORTS

(Arrow, Conquest, Lancer & Sapporo)

Year	Application	Seal	Bearing	Year	Application	Seal	Bearing
WHEEL							
FRONT WHEEL				REAR AXLE (Cont.)			
86-80	Conquest, Sapporo			PINION			
	(Inner)	494122	A-6	86-85	Mitsubishi 8" R.G. (Limited-Slip)		
	(Outer)		A-2		(Inner)	HM89449-HM89410	
1980	Arrow	1196	A-4		(Outer)	224570	M88043-M88010
	(Outer)		A-1		<i>Redi-Sleeve 99177</i>		
1980	Lancer (Sedan)			1984	Mitsubishi 8" R.G.		
	(Inner)	1196	A-4		(Inner)	HM89449-HM89410	
	(Outer)		A-1		(Outer)	224255	M86649-M86610
1980	Lancer (Station Wagon)				<i>Redi-Sleeve 99169</i>		
	(Inner)	494122	A-6	83-80	Mitsubishi 10-Bolt		
	(Outer)		A-2		(Inner)	HM89449-HM89410	
					(Outer)	224255	HM88649-HM88610
					<i>Redi-Sleeve 99169</i>		
REAR WHEEL				1980	Mitsubishi 8-Bolt		
86-84	All.....	(Inner) 224100	206-F		(Inner)	32207	
		(Outer)	207-F		(Outer)	471847N	30305
83-80	All.....	1955			<i>Redi-Sleeve 99139</i>		
AXLE				CLUTCH			
REAR AXLE				PILOT			
AXLE SHAFT				4 CYLINDER			
86-84	Mitsubishi 8" R.G.		206-FF	86-80	1597cc/1.6L, 2555cc/2.6L, 2555cc/2.6L (Turbo).....		102-CC
DIFFERENTIAL				RELEASE			
86-84	Mitsubishi 8" R.G.	(2) 471847N	■ (2) KC-11445-Y	4 CYLINDER			
	<i>Redi-Sleeve (2) 99139</i>			86-80	2555cc/2.6L, 2555cc/2.6L (Turbo) (225mm Clutch).....	Ⓢ	614016
83-80	Mitsubishi 10-Bolt.....		(2) 207	1980	1597cc/1.6L (200mm Clutch).....		01496
1980	Mitsubishi 8-Bolt.....		(2) 30207				
PINION							
86-85	Mitsubishi 8" R.G. (Exc. Limited-Slip)						
	(Inner)		HM89449-HM89410				
	(Outer)	224255	M86649-M86610				
	<i>Redi-Sleeve 99169</i>						
<i>(Continued Next Column)</i>							

() Indicates Quantity Required ■ Replace Complete Unit Ⓢ Sealed Self-Aligning Bearing

PLYMOUTH IMPORTS - REAR WHEEL DRIVE

(Arrow, Conquest, Lancer & Sapporo) (Cont.)

Year	Application	Seal	Bearing
TRANSMISSION			
AUTOMATIC / 3 Speed			
FRONT PUMP			
83-80	A94-1	331228H	
		Redi-Sleeve 99149	
EXTENSION HOUSING			
83-80	A94-1	2506	
MANUAL SHAFT			
83-80	A94-1	8609	
AUTOMATIC / 4 Speed			
FRONT PUMP			
86-84	Jatco L4N71B	2025	
		Redi-Sleeve 99166	
EXTENSION HOUSING			
86-84	Jatco L4N71B	223801	
MANUAL / 4 Speed			
DRIVESHAFT / INPUT			
1980	KM110	712007	307-L
		Redi-Sleeve 99098	
MAINSHAFT / OUTPUT			
1980	KM110	223240	306-L
MANUAL / 5 Speed			
DRIVESHAFT / INPUT			
86-85	KM132-G	223014	307-L
		Redi-Sleeve 99114	
86-80	KM132, KM132-B	223014	207-L
		Redi-Sleeve 99114	
83-80	KM119	712007	208-L
		Redi-Sleeve 99098	
MAINSHAFT / OUTPUT			
86-84	KM132-B, KM132-G	223608	511014
83-80	KM119	223240	205
83-80	KM132	223608	RW-122
COUNTERSHAFT			
86-85	KM132-G (Center)		30205
	(Front)		30205
83-80	KM119 (Center)		5205-KLE
	(Rear)		304
SHIFT SHAFT			
86-80	KM119, KM132, KM132-B, KM132-G	710222	
STEERING			
MANUAL STEERING			
STEERING GEAR PITMAN SHAFT			
83-80	Lancer, Sapporo	222820	
1980	Arrow (2.0L Eng.)	222820	
1980	Arrow (2.6L Eng.)	222820	
POWER STEERING			
STEERING GEAR WORM SHAFT			
86-84	All	710272	

Year	Application	Seal	Bearing
POWER STEERING (Cont.)			
STEERING GEAR PITMAN SHAFT			
86-84	All	223010	
STEERING PUMP SHAFT			
86-80	All (Atsugi Pump)	221830	
AIR CONDITIONING			
COMPRESSOR			
CLUTCH PULLEY			
83-81	Sanden SD-508		5001-KFF
ELECTRICAL			
ALTERNATOR			
DRIVE END			
85-84	Mitsubishi 65 Amp		302-SS
1983	Mitsubishi 50 Amp		202-FF
82-80	Mitsubishi 50 Amp		302-S
1980	Mitsubishi 45 Amp		203-FF
REAR END			
85-84	Mitsubishi 65 Amp		201-S
83-80	Mitsubishi 50 Amp		201-SS
1980	Mitsubishi 45 Amp		201-S
1980	Mitsubishi 45, 50, 55 Amp		201-SS
ENGINE			
BALANCE SHAFT			
4 CYLINDER			
1980	1597cc/1.6L	710325	
		Redi-Sleeve 99111	
CAMSHAFT			
4 CYLINDER			
86-80	2555cc/2.6L, 2555cc/2.6L (Turbo)	222330	
1980	1597cc/1.6L	3771	
		Redi-Sleeve 99139	
CRANKSHAFT			
4 CYLINDER			
86-80	2555cc/2.6L, 2555cc/2.6L (Turbo)	228005	
		Redi-Sleeve 99315	
1980	1597cc/1.6L	227235	
OIL PUMP			
4 CYLINDER			
1980	1597cc/1.6L	221710	
		Redi-Sleeve 99068	
TIMING COVER			
4 CYLINDER			
86-80	2555cc/2.6L, 2555cc/2.6L (Turbo)	224840	
		Redi-Sleeve 99189	
1980	1597cc/1.6L	224460	

(Arrow) COMPACT TRUCK - PLYMOUTH IMPORT TRUCK

Year	Application	Seal	Bearing
WHEEL			
FRONT WHEEL (2WD)			
82-80	All.....	(Inner) 225010	A-5
		(Outer)	A-3
REAR WHEEL			
82-80	All.....	(Inner) 4989	30208
		(Outer) 225010	
AXLE			
REAR AXLE DIFFERENTIAL			
82-80	Mitsubishi 8" R.G.		■ (2)KC-11445-Y
PINION			
82-80	Mitsubishi 8" R.G.	(Inner) HM89449-HM89410	
		(Outer) 224570	M88043-M88010
		Redi-Sleeve 99177	
CLUTCH			
PILOT 4 CYLINDER			
82-80	1995cc/2.0L, 2555cc/2.6L		102-CC
RELEASE			
		Bearing Only	Bearing Assembly
4 CYLINDER			
82-80	1995cc/2.0L (215mm Clutch).....		Ⓞ 614016
82-80	2555cc/2.6L (225mm Clutch).....		Ⓞ 614016
DRIVESHAFT			
CENTER SUPPORT			
82-80	Arrow	Bearing 206-FF	Bearing & Support HB-14
TRANSMISSION			
AUTOMATIC / 3 Speed FRONT PUMP			
82-80	A904, A94-1.....	331228H	
		Redi-Sleeve 99149	
EXTENSION HOUSING			
82-80	A904	2506	§ 206-LOE
81-80	A94-1	2506	
MANUAL SHAFT			
82-80	A904, A94-1.....	8609	

Year	Application	Seal	Bearing
MANUAL / 4 Speed DRIVESHAFT / INPUT			
82-80	KM110	712007	307-L
		Redi-Sleeve 99098	
MAINSHAFT / OUTPUT			
82-80	KM110	223240	306-L
MANUAL / 5 Speed DRIVESHAFT / INPUT			
82-80	KM119	712007	208-L
		Redi-Sleeve 99098	
MAINSHAFT / OUTPUT			
82-80	KM119	223240	205
COUNTERSHAFT			
82-80	KM119	(Center)	5205-KLE
		(Rear)	304
STEERING			
MANUAL STEERING STEERING GEAR PITMAN SHAFT			
82-80	All.....	222820	
POWER STEERING STEERING PUMP SHAFT			
82-80	All (Saginaw Pump).....	7013S	
AIR CONDITIONING			
COMPRESSOR CLUTCH PULLEY			
82-81	Sanden SD-508		5001-KFF
ENGINE			
CAMSHAFT 4 CYLINDER			
82-80	2555cc/2.6L	222330	
CRANKSHAFT 4 CYLINDER			
82-80	1995cc/2.0L, 2555cc/2.6L	228005	
		Redi-Sleeve 99315	
TIMING COVER 4 CYLINDER			
82-80	1995cc/2.0L, 2555cc/2.6L	224840	
		Redi-Sleeve 99189	

MINIVAN/SEDAN PICKUP - PLYMOUTH TRUCK (Scamp, Voyager & Voyager AWD)

Year	Application	Seal	Bearing
WHEEL			
FRONT WHEEL (2WD)			
00-96	All (Exc. 14" Wheel).....		Hub Assembly 513123
			(Continued Next Column)

Year	Application	Seal	Bearing
FRONT WHEEL (2WD) (Cont.)			
00-96	All (14" Wheel).....		Hub Assembly 513122
95-91	All (14" Wheel).....	(Kit) ☒ 5604	Hub Assembly 513075
95-89	All (15" Wheel).....	(Kit) ☒ 5604	Hub Assembly 513074
			(Continued Next Page)

() Indicates Quantity Required ■ Replace Complete Unit § Use Old Snap Ring Ⓞ Sealed Self-Aligning Bearing
☒ Refer To Front Of Catalog For Kit Contents

PLYMOUTH TRUCK - MINIVAN/SEDAN PICKUP

(Scamp, Voyager & Voyager AWD) (Cont.)

Year	Application	Seal	Bearing
WHEEL			
FRONT WHEEL (2WD) (Cont.)			
90-88	All (14" Wheel) (4 Stud Hub)	(Kit) <input checked="" type="checkbox"/> 5604	513006 Hub Repair Kit <input checked="" type="checkbox"/> 518501
90-88	All (14" Wheel) (5 Stud Hub)	(Kit) <input checked="" type="checkbox"/> 5604	513006 Hub Repair Kit <input checked="" type="checkbox"/> 518502
1988	All (15" Wheel)	(Kit) <input checked="" type="checkbox"/> 5604	Hub Assembly <input checked="" type="checkbox"/> 513231
87-84	All (4 Stud Hub)	(Kit) <input checked="" type="checkbox"/> 5604	513006 Hub Repair Kit <input checked="" type="checkbox"/> 518501
87-84	All (5 Stud Hub)	(Kit) <input checked="" type="checkbox"/> 5604	513006 Hub Repair Kit <input checked="" type="checkbox"/> 518502
1983	All	(Kit) <input checked="" type="checkbox"/> 5604	B-39 Hub Repair Kit <input checked="" type="checkbox"/> 518500
FRONT WHEEL (4WD)			
1996	All (Exc. 14" Wheel)		Hub Assembly 513123
1996	All (14" Wheel)		Hub Assembly 513122
95-91	All (14" Wheel)	(Kit) <input checked="" type="checkbox"/> 5604	Hub Assembly 513075
95-91	All (15" Wheel)	(Kit) <input checked="" type="checkbox"/> 5604	Hub Assembly 513074
REAR WHEEL			
00-96	Voyager (Exc. 14" Wheel)		Hub Assembly 512156
00-96	Voyager (14" Wheel)		Hub Assembly 512155
1996	Voyager AWD		Hub Assembly 512157
95-91	Voyager AWD		Hub Assembly 512125
95-84	Voyager	(Inner) 4249	A-17
		(Outer)	A-16
1983	All	(Inner) 4099	A-39
		(Outer)	A-16
AXLE			
REAR AXLE			
DIFFERENTIAL			
96-91	Getrag 640		(2)A-18
PINION			
96-91	Getrag 640	(Inner)	A-35
		(Outer)	A-17
CLUTCH			
RELEASE			
		Bearing Only	Bearing Assembly
4 CYLINDER			
95-90	153/2.5L, 153/2.5L (Turbo)		© 614092
89-83	135/2.2L, 153/2.5L, 153/2.5L (Turbo)		614007
TRANSFER CASE			
FULL TIME / PART TIME			
INPUT SHAFT			
96-92	PTU	710501	
FRONT OUTPUT SHAFT			
96-92	PTU	3459	106
		Redi-Sleeve 99157	

Year	Application	Seal	Bearing
TRANSAXLE			
AUTOMATIC / 3 Speed			
DIFFERENTIAL			
00-97	31TH	(Right)	A-18
96-83	A413, A470, A670, 31TH		(2)A-18
TORQUE CONVERTER			
00-83	A413, A470, A670, 31TH	331228H	
		Redi-Sleeve 99149	
OUTPUT SHAFT			
00-92	31TH	(2) 3459	
		Redi-Sleeve (2) 99157	
91-83	A413, A470, A670	(2) 3459	(2)A-17
		Redi-Sleeve (2) 99157	
TRANSFER SHAFT			
00-83	A413, A470, A670, 31TH		(2)A-18
MANUAL SHAFT			
00-83	A413, A470, A670, 31TH	8609	
AUTOMATIC / 4 Speed			
DIFFERENTIAL			
00-97	41TE	(Right)	A-18
96-87	A604, 41TE		(2)A-18
TORQUE CONVERTER			
00-87	A604, 41AE, 41TE	331228H	
		Redi-Sleeve 99149	
OUTPUT SHAFT			
00-92	41AE, 41TE	(2) 3459	
		Redi-Sleeve (2) 99157	
91-87	A604	(2) 3459	(2)A-17
		Redi-Sleeve (2) 99157	
TRANSFER SHAFT			
00-92	41AE, 41TE	(Right)	A-35
91-87	A604		(2)A-18
MANUAL SHAFT			
00-87	A604, 41AE, 41TE	8609	
MANUAL / 4 Speed			
DIFFERENTIAL			
85-84	A460		(2)A-18
INPUT SHAFT			
85-84	A460	(Front) 3732S	A-4
		Redi-Sleeve 99106	
		(Rear)	A-5
INTERMEDIATE SHAFT			
85-84	A460	(Front)	5707
OUTPUT SHAFT			
85-84	A460	(2) 3459	
		Redi-Sleeve (2) 99157	
SHIFT SHAFT			
85-84	A460	3816	
MANUAL / 5 Speed			
DIFFERENTIAL			
95-84	A465, A520, A523, A525, A555		(2)A-18

MINIVAN/SEDAN PICKUP - PLYMOUTH TRUCK

(Cont.) (Scamp, Voyager & Voyager AWD)

Year	Application	Seal	Bearing	Year	Application	Seal	Bearing
TRANSAXLE							
MANUAL / 5 Speed (Cont.)				CAMSHAFT (Cont.)			
INPUT SHAFT				4 CYLINDER			
95-84	A465, A520, A523, A525, A555	(Front) 3732S Redi-Sleeve 99106	A-4	95-87	153/2.5L, 153/2.5L (Turbo)	3655 Redi-Sleeve 99139	
		(Rear)	A-5	87-84	2555cc/2.6L	222330	
INTERMEDIATE SHAFT				87-83 135/2.2L (52.35mm OD)			
85-84	A465	(Front)	5707		(Front)	3655	
OUTPUT SHAFT						Redi-Sleeve 99139	
95-84	A465, A520, A523, A525, A555	(2) 3459 Redi-Sleeve (2) 99157			(Rear)	713655	
SHIFT SHAFT				87-83 135/2.2L (53.59mm OD)			
95-84	A465, A520, A523, A525, A555	3816			(Front)	3655	
STEERING				6 CYLINDER			
POWER STEERING				00-87 2972cc/3.0L (2) 3771 Redi-Sleeve (2) 99139			
STEERING GEAR WORM SHAFT				CRANKSHAFT			
92-83	All	7188S		4 CYLINDER			
STEERING PUMP SHAFT				00-83 135/2.2L, 148/2.4L (DOHC), 153/2.5L, 153/2.5L (Turbo)			
95-83	All (Saginaw Pump)	7013S				710056	
AIR CONDITIONING				PTFE Rubber 5279			
COMPRESSOR				95-83 135/2.2L, 153/2.5L, 153/2.5L (Turbo)			
CLUTCH PULLEY				(Gkt. & PTFE Seal) 5279A			
90-85	Nippondenso A590	5000-KFF		87-84	2555cc/2.6L	228005	
87-83	Nippondenso C171	5000-KFF			Redi-Sleeve 99315		
1983	Sanden SD-508	5001-KFF		6 CYLINDER			
ELECTRICAL				00-90 201/3.3L, 201/3.3L, 231/3.8L, 2972cc/3.0L			
ALTERNATOR				PTFE Rubber 5279			
DRIVE END				89-87 2972cc/3.0L			
89-87	Bosch 40, 90 Amp. (I.D. #5233574)	203-FF				710056	
86-83	Chrysler 60, 65, 78 Amp.	203-FF		PTFE Rubber 5279			
86-83	Mitsubishi 50, 75 Amp.	302-SS		89-87 2972cc/3.0L			
REAR END				PTFE Rubber 5279			
89-88	Chrysler 40, 50, 90, 120 Amp.	203-FF		INTERMEDIATE SHAFT			
1987	Bosch 40, 90, 100 Amp.	201		4 CYLINDER			
87-83	Chrysler 60, 65, 78 Amp.	MNJ-471-S		95-83 135/2.2L, 153/2.5L, 153/2.5L (Turbo)			
86-83	Mitsubishi 50, 75 Amp.	201-S				3655	
ENGINE				Redi-Sleeve 99139			
CAMSHAFT				6 CYLINDER			
4 CYLINDER				00-90 201/3.3L, 201/3.3L, 231/3.8L			
00-96	148/2.4L (DOHC)	(2) 320249 Redi-Sleeve (2) 99139				3655	
(Continued Next Column)				Redi-Sleeve 99139			
				TIMING COVER			
				4 CYLINDER			
				00-96 148/2.4L (DOHC)			
				95-89 153/2.5L, 153/2.5L (Turbo)			
				88-83 135/2.2L, 153/2.5L			
				87-84 2555cc/2.6L			
				6 CYLINDER			
				00-90 201/3.3L, 201/3.3L, 231/3.8L			
				00-87 2972cc/3.0L			

() Indicates Quantity Required

PLYMOUTH TRUCK - 100/200/300 SERIES FULL SIZE

(PB100, PB150, PB200, PB250, PB300, PB350, PD100 Trailduster & PW150 Trailduster)

Year	Application	Seal	Bearing
WHEEL			
FRONT WHEEL (2WD)			
83-82	PB150, PB250 (8 Stud Hub) (3,600 lb. Axle)	(Inner) 493291 (Outer) 15101-15245	A-35
83-82	All (5 Stud Hub) (3,300 lb. Axle)	(Inner) 3087 (Outer) A-16	A-18
83-80	PB300, PB350 (8 Stud Hub) (4,000 lb. Axle)	(Inner) 493291 (Outer) 15101-15245	A-35
81-80	PB150, PB250, PB350, PD100 Trailduster (8 Stud Hub) (3,300 lb. Axle)	(Inner) 3087 (Outer) A-16	A-18
81-80	PB100, PB150, PB200, PB250, PB300, PD100 Trailduster (8 Stud Hub) (3,600 lb. Axle)	(Inner) 3087 (Outer) A-16	A-18
81-80	All (5 Stud Hub) (3,300 lb. Axle)	(Inner) 5121 (Outer) A-16	A-17
1980	PB300 (5 Stud Hub) (3,000 lb. Axle)	(Inner) 5121 (Outer) A-16	A-17
FRONT WHEEL (4WD)			
81-80	All (Locking Hub)	(Inner) 471271 LM104949-JLM104910 (Outer) A-35	A-35
81-80	All (Non-Locking Hub)	(Inner) 413248 LM104949-JLM104910 (Outer) A-35	A-35
REAR WHEEL			
83-80	PB300, PB350 (Spicer 60) (12" X 2.5" Brakes)	(Inner) 4250 (Outer) A-38	A-38
83-80	PB300, PB350 (Spicer 60HD) (12" X 3" Brakes)	(Inner) 455086 45291-45220 (Outer) A-38	A-38
83-80	PB300, PB350 (Spicer 70) (12" X 3" Brakes)	(Inner) 417158 28682-28622 (Outer) A-38	A-38
83-80	PB100, PB150, PB200, PB250, PD100 Trailduster, PW150 Trailduster	8835S 6408 (Axle Repair Brg.) RP-6408	6408
AXLE			
FRONT AXLE			
AXLE SHAFT			
81-80	Spicer 44-FBJ	5131	

Year	Application	Seal	Bearing
FRONT AXLE (Cont.)			
SPINDLE KIT			
81-80	Spicer 44-FBJ		<input checked="" type="checkbox"/> SBK-1
SPINDLE			
81-80	Spicer 44-FBJ (Inner)	722109	B-2110
	(Outer)	722108	
DIFFERENTIAL KIT			
81-80	Spicer 44-FBJ		<input checked="" type="checkbox"/> RA-28
DIFFERENTIAL			
81-80	Spicer 44-FBJ	(2)25590-25523	
PINION			
81-80	Spicer 44-FBJ (Inner)		31594-31520
	(Outer)	5778	02872-02820
	Viton® 5778V		
	Redi-Sleeve 99155		
REAR AXLE			
DIFFERENTIAL KIT			
83-80	Spicer 60, 60-HD		<input checked="" type="checkbox"/> RA-331 (Master Kit) RA-331MK
83-80	8.375" R.G.		<input checked="" type="checkbox"/> RA-303 (Master Kit) RA-303MK
83-80	9.25" R.G.		<input checked="" type="checkbox"/> RA-304 (Master Kit) RA-304MK
DIFFERENTIAL			
83-80	Spicer 60, 60-HD	(2)387A-382S	
83-80	8.375" R.G.	(2)A-36	
83-80	9.25" R.G.	(2)JLM704649-JLM704610	
PINION			
83-80	Spicer 60 (Inner)	HM803146-HM803110	
	(Outer)	9316	HM88510
	Redi-Sleeve 99187		
83-80	Spicer 60-HD (Inner)	HM803146-HM803110	
	(Outer)	9316	HM88542-HM88510
	Redi-Sleeve 99187		
83-80	8.375" R.G. (Inner)	M802048-M802011	
	(Outer)	8516N	M86649-M86610
	Redi-Sleeve 99168		
83-80	9.25" R.G. (Inner)	M804049-M804010	
	(Outer)	5126	M88048-M88010
	Redi-Sleeve 99187		
CLUTCH			
PILOT			
6 CYLINDER			
83-80	225/3.7L		(H/D) PB-286-HD
8 CYLINDER			
83-80	318/5.2L, 360/5.9L		(H/D) PB-286-HD
RELEASE			
		Bearing Only	Bearing Assembly
6 CYLINDER			
83-80	225/3.7L		Ⓢ 614036
	1505		(Thrust Type) V-1505-C
8 CYLINDER			
83-80	318/5.2L, 360/5.9L		Ⓢ 614036
	1505		(Thrust Type) V-1505-C

() Indicates Quantity Required Ⓢ Sealed Self-Aligning Bearing Refer To Front Of Catalog For Kit Contents

100/200/300 SERIES FULL SIZE - PLYMOUTH TRUCK

(Cont.) (PB100, PB150, PB200, PB250, PB300, PB350, PD100 Trailduster & PW150 Trailduster)

Year	Application	Seal	Bearing
DRIVESHAFT			
CENTER SUPPORT			
		<i>Bearing</i>	<i>Bearing & Support</i>
83-80	Spicer 1280, 1310 Series / Brg. ID 1.3780" (35mm) Slip Yoke Style.....	88107	HB-88107-A (Opt. w/Slings) HB-88107-B
TRANSFER CASE			
FULL TIME / PART TIME TRANSFER CASE KIT			
81-80	New Process 208		<input checked="" type="checkbox"/> T-212
1980	New Process 205		(Gaskets & Seals) TK-205
1980	New Process 205 (Direct Mount)		<input checked="" type="checkbox"/> T-172-FG
1980	New Process 205 (Remote Mount).....		<input checked="" type="checkbox"/> T-172
INPUT SHAFT			
81-80	New Process 208	(2) 3173	(2) B-5020
	(Dual Lip) 710928		
	Redi-Sleeve 99193		
	(Pilot)		B-2012
	(Thrust)		AXK-5070
1980	New Process 205	(2) 473468	(2) 1307-L
	Redi-Sleeve 99212		
	(Pilot)		(15) QAR-29523
FRONT OUTPUT SHAFT			
81-80	New Process 208	3946	B-2816
	Redi-Sleeve 99187		
	(Pilot)		J-2416
	(Thrust)		(2) NTA-2840
1980	New Process 205	473313	307-L
	Redi-Sleeve 99174		
	(Pilot)		M-28161
REAR OUTPUT SHAFT			
81-80	New Process 208	3946	1207-L
	Redi-Sleeve 99187		
	(Pilot)		B-3616
	(Thrust)		TC-2435
1980	New Process 205	473468	307-L
	Redi-Sleeve 99212		
	(Pilot)		B-3216
IDLER SHAFT			
1980	New Process 205		(2) 2793-2720
LOW GEAR ROLLERS			
1980	New Process 205		(128) QBR-23549
OIL PUMP HOUSING			
81-80	New Process 208	341022	
	Redi-Sleeve 99225		
SHIFT SHAFT			
1980	New Process 205	(2) 2287	
	Redi-Sleeve (2) 99076		
DRIVE SPROCKET			
81-80	New Process 208		(82) C-1086-Q

Year	Application	Seal	Bearing
TRANSMISSION			
AUTOMATIC / 3 Speed			
FRONT PUMP			
83-80	A727	331227H	
		Redi-Sleeve 99187	
83-80	A904	331228H	
		Redi-Sleeve 99149	
EXTENSION HOUSING			
1983	A904 (2WD)	2506	§ 206-LOE
1983	A904 (4WD)	710058	§ 206-LOE
83-80	A727 (Booted)	7300S	
	(Seal & Bushing Kit) 5206		
83-80	A727 (Non-Booted)	8160S	* 206-1
82-80	A904	2506	§ 206-LOE
MANUAL SHAFT			
83-80	A904	8609	
CLUTCH CAM			
83-80	A727		(12) W-585-Q
MANUAL / 3 Speed			
DRIVESHAFT / INPUT			
1980	Tremec 150	3638	§ 208-LO
		Redi-Sleeve 99112	
1980	New Process A230	9376	
MAINSHAFT / OUTPUT			
1980	Tremec 150	7300S	207-L
	(Seal & Bushing Kit) 5206		
1980	New Process A230 (23 Spline)	8160S	
1980	New Process A230 (26 Spline)	2506	
1980	New Process A230 (30 Spline)	7300S	
	(Seal & Bushing Kit) 5206		
MAINSHAFT PILOT			
1980	Tremec 150		(15) QBR-23549
1980	New Process A230		(15) QBR-23549
COUNTERSHAFT			
1980	Tremec 150		(50) C-1086-Q
REVERSE IDLER			
1980	New Process A230		(22) C-1086-Q
SHIFT SHAFT			
1980	New Process A230	(2) 7188S	
	Redi-Sleeve (2) 99062		
MANUAL / 4 Speed			
TRANSMISSION KIT			
1981	New Process 435		<input checked="" type="checkbox"/> T-127
DRIVESHAFT / INPUT			
83-80	New Process A833	9376	
1981	New Process 435, 445	482163N	HM88649-HM88610
		Redi-Sleeve 99138	
MAINSHAFT / OUTPUT			
83-80	New Process A833	7300S	
	(Seal & Bushing Kit) 5206		
1981	New Process 445	8160S	M201047S-M201011
	(Thrust)		FA-35688

(Continued Next Page)

PLYMOUTH TRUCK - 100/200/300 SERIES FULL SIZE

(PB100, PB150, PB200, PB250, PB300, PB350, PD100 Trailduster & PW150 Trailduster) (Cont.)

Year	Application	Seal	Bearing	Year	Application	Seal	Bearing
TRANSMISSION				POWER STEERING (Cont.)			
MANUAL / 4 Speed (Cont.)				STEERING GEAR WORM SHAFT			
MAINSHAFT / OUTPUT				83-80 All (Chrysler Design) 7188S			
1981	New Process 435	8160S	1308-L	STEERING PUMP SHAFT			
MAINSHAFT PILOT				83-80 All (Saginaw Pump)..... 7013S			
83-80	New Process A833		(16)QBR-23549	AIR CONDITIONING			
1981	New Process 435, 445		(14)Q-15902	COMPRESSOR			
COUNTERSHAFT				CLUTCH PULLEY			
1981	New Process 445			83-80 Nippondenso C171 5000-KFF			
	(Front)		BCE-2416	1980 Chrysler/Airtemp RV-2..... 5206-DD			
	(Rear)		B-3216	ELECTRICAL			
1981	New Process 435			ALTERNATOR			
	(Front)		BCE-2416	DRIVE END			
	(Rear)		B-3216	83-80 100 & 114 Amp..... 303-SS			
	(Thrust)		NTA-2031	83-80 41, 53, 60 & 78 Amp..... 203-FF			
REVERSE IDLER				REAR END			
1981	New Process 435		(104)C-407-Q	83-80 100 & 114 Amp..... 303-CC			
REMOTE CONTROL				83-80 41, 53, 60 & 78 Amp..... MNJ-471-S			
1981	New Process 445	6835S		ENGINE			
	Redi-Sleeve	99076		CRANKSHAFT			
3RD SPEED GEAR				6 CYLINDER			
1981	New Process 435		FA-35688	83-80 225/3.7L 5650			
4TH SPEED GEAR				8 CYLINDER			
1981	New Process 435		FA-35688	83-80 318/5.2L 5414			
STEERING				TIMING COVER			
MANUAL STEERING				6 CYLINDER			
STEERING GEAR SECTOR SHAFT				83-80 225/3.7L 3095			
83-80	All (Chrysler Design)	6859S		Redi-Sleeve 99226			
STEERING GEAR WORM SHAFT				8 CYLINDER			
83-80	All (Saginaw Design)	323138		83-80 318/5.2L, 360/5.9L 3103			
POWER STEERING				Redi-Sleeve 99218			
STEERING GEAR SECTOR SHAFT				Harmonic Bal Sleeve 88218			
83-80	All (Chrysler Design)	6859S					

PONTIAC - FRONT WHEEL DRIVE

(Bonneville, Grand Am, Grand Prix, G6, J2000, Phoenix, Sunbird, Sunfire, Tempest, 6000 & 6000STE AWD)

WHEEL				FRONT WHEEL (Cont.)			
FRONT WHEEL				05-99 Grand Am Hub Assembly 513137			
09-08	G6		Hub Assembly 513214	05-99 Sunfire (Kit) <input checked="" type="checkbox"/> 5697 Hub Assembly 513017-K			
08-04	Grand Prix (ABS)		Hub Assembly 513199	2003 Bonneville Hub Assembly 513179			
			Hub Assembly 513179	2003 Grand Prix (ABS) Hub Assembly 513179			
08-03	Grand Prix (Exc. ABS)		Hub Assembly 513203	2002 Bonneville, Grand Prix Hub Assembly 513179			
07-05	G6 (ABS)		Hub Assembly 513214	2001 Bonneville, Grand Prix (1st Design) (Steel Sensor			
07-05	G6 (Exc. ABS)		Hub Assembly 513215	Wire Clip) Hub Assembly 513121			
05-04	Bonneville (SE)		Hub Assembly 513179	2001 Bonneville, Grand Prix (2nd Design) (Plastic			
05-04	Bonneville (SLE)(GPX)		Hub Assembly 513199	Sensor Wire Clip) Hub Assembly 513179			
			Hub Assembly 513179	2000 Bonneville, Grand Prix Hub Assembly 513121			
				99-97 Grand Prix Hub Assembly 513121			
				99-93 Bonneville Hub Assembly 513087			
(Continued Next Column)				(Continued Next Page)			

FRONT WHEEL DRIVE - PONTIAC

(Cont.) (Bonneville, Grand Am, Grand Prix, G6, J2000, Phoenix, Sunbird, Sunfire, Tempest, 6000 & 6000STE AWD)

Year	Application	Seal	Bearing	Year	Application	Seal	Bearing
WHEEL				AXLE			
FRONT WHEEL (Cont.)				REAR AXLE			
98-85 Grand Am, Sunfire, Tempest (Kit) <input checked="" type="checkbox"/> 5697 Hub Assembly 513017-K				AXLE SHAFT			
96-88 Grand Prix Hub Assembly 513044				90-88 7.25" R.G. (2) 3543 (2) B-2010			
94-85 Sunbird Hub Assembly 513017-K				DIFFERENTIAL KIT			
1992 Bonneville (ABS) Hub Assembly 513087				90-88 7.25" R.G. <input checked="" type="checkbox"/> RA-320-A			
1992 Bonneville (Exc. ABS) Hub Assembly 513088				DIFFERENTIAL			
91-90 Bonneville, 6000, 6000STE				90-88 7.25" R.G. (2) A-18			
AWD (Kit) <input checked="" type="checkbox"/> 5698 Hub Assembly 513016-K				PINION			
89-87 Bonneville, 6000STE AWD (Kit) <input checked="" type="checkbox"/> 5698 Hub Assembly 513016-K				90-88 7.25" R.G. (Inner) M88047-M88010 (Outer) 710532 M86649-M86610 Redi-Sleeve 99152			
89-83 6000 (H/D Brakes) (10.25" Rotor) (Kit) <input checked="" type="checkbox"/> 5698 Hub Assembly 513016-K				CLUTCH			
89-83 6000 (L/D Brakes) (9.68" Rotor) (Kit) <input checked="" type="checkbox"/> 5699 Hub Assembly 513011-K				PILOT			
1984 Sunbird (1st Design) (Kit) <input checked="" type="checkbox"/> 5697				4 CYLINDER			
1984 Sunbird (2nd Design) (Kit) <input checked="" type="checkbox"/> 5697 Hub Assembly 513017-K				91-82 151/2.5L PB-650			
84-83 Phoenix (Kit) <input checked="" type="checkbox"/> 5699 Hub Assembly 513011-K				1981 151/2.5L (X) PB-650			
83-82 J2000 (Kit) <input checked="" type="checkbox"/> 5697				RELEASE			
82-80 Phoenix, 6000 (Kit) <input checked="" type="checkbox"/> 5699 Hub Assembly 513011-K				4 CYLINDER			
REAR WHEEL				99-95 134/2.2L, 138/2.3L (DOHC), 146/2.4L (DOHC) Hydra-Clutch® 619006			
09-08 G6 Hub Assembly 512285				94-93 138/2.3L (DOHC) (NVG T550) (5 Speed) Hydra-Clutch® 619005			
08-04 Grand Prix (ABS) Hub Assembly ♦ 512244 Hub Assembly ☆ 512357				94-92 138/2.3L (DOHC), 138/2.3L, 1998cc/2.0L (Isuzu 5 Spd.) <input checked="" type="checkbox"/> 614108			
08-04 Grand Prix (Exc. ABS) Hub Assembly ♦ 512245 Hub Assembly 512221				92-88 138/2.3L (DOHC), 1998cc/2.0L (Turbo) (Getrag 5 Spd.) <input checked="" type="checkbox"/> 614069			
07-05 G6 (ABS) Hub Assembly 512285				91-85 134/2.2L, 151/2.5L, 1796cc/1.8L, 1796cc/1.8L (Turbo), 1998cc/2.0L (Isuzu 5 Spd.) <input checked="" type="checkbox"/> 614108			
07-05 G6 (Exc. ABS) Hub Assembly 512287				89-87 121/2.0L (K) (1) (Isuzu 5 Spd.) <input checked="" type="checkbox"/> 614108			
05-03 Sunfire (ABS) Hub Assembly 512001				89-87 121/2.0L (K) (1) (Muncie 5 Spd.) <input checked="" type="checkbox"/> 614069			
05-03 Sunfire (Exc. ABS) Hub Assembly 513012				1987 151/2.5L (Muncie 4 Spd.) <input checked="" type="checkbox"/> 614009			
05-01 Grand Am Hub Assembly 512152				1987 1998cc/2.0L (Turbo) (Getrag 5 Spd.) <input checked="" type="checkbox"/> 614069			
05-00 Bonneville Hub Assembly 512003				86-85 121/2.0L (Muncie 4 Spd.) <input checked="" type="checkbox"/> 614009			
2003 Grand Prix (ABS) Hub Assembly ♦ 512237 Hub Assembly ☆ 512357				84-83 121/2.0L, 1796cc/1.8L (Isuzu 5 Spd.) <input checked="" type="checkbox"/> 614108			
2003 Grand Prix (Exc. ABS) Hub Assembly 512221				84-83 121/2.0L, 151/2.5L, 1796cc/1.8L (Turbo) (Muncie 4 Spd.) <input checked="" type="checkbox"/> 614009			
02-99 Sunfire Hub Assembly 512001				1982 1796cc/1.8L (Isuzu 5 Spd.) <input checked="" type="checkbox"/> 614108			
02-97 Grand Prix Hub Assembly ♦ 512150 Hub Assembly ☆ 512357				82-80 112/1.8L, 151/2.5L, 1796cc/1.8L (Muncie 4 Spd.) <input checked="" type="checkbox"/> 614009			
00-99 Grand Am (Exc. GT) Hub Assembly 512003				6 CYLINDER			
00-99 Grand Am (GT) Hub Assembly 512152				94-93 189/3.1L (NVG T550) (5 Speed) Hydra-Clutch® 619005			
99-93 Bonneville Hub Assembly 513062				92-86 173/2.8L, 189/3.1L, 189/3.1L (Turbo) (Getrag 5 Spd.) <input checked="" type="checkbox"/> 614069			
98-92 Grand Am, Sunbird, Sunfire, Tempest Hub Assembly 512001				1987 173/2.8L (Isuzu 5 Spd.) <input checked="" type="checkbox"/> 614108			
96-92 Grand Prix (ABS) Hub Assembly 512004				84-80 173/2.8L, 262/4.3L (Diesel) (Muncie 4 Spd.) <input checked="" type="checkbox"/> 614009			
96-92 Grand Prix Hub Assembly 513018				FORK SHAFT			
92-91 Bonneville (ABS) Hub Assembly 513062				4 CYLINDER			
92-87 Bonneville (Exc. ABS) Hub Assembly 513018				84-80 151/2.5L 3667			
1991 Grand Am (ABS) Hub Assembly 512001				6 CYLINDER			
1991 Grand Am (Exc. ABS) Hub Assembly 513012				84-80 173/2.8L 3667			
1991 Sunbird, Tempest Hub Assembly 513012							
91-90 6000 Hub Assembly 513018							
91-88 Grand Prix (ABS) Hub Assembly ♦ 513042 Hub Assembly 512004							
91-88 Grand Prix Hub Assembly 513018							
90-88 6000STE AWD (Kit) <input checked="" type="checkbox"/> 5698 Hub Assembly 513016-K							
90-87 Bonneville (ABS) Hub Assembly 513041							
90-80 Grand Am, J2000, Phoenix, Sunbird, Tempest Hub Assembly 513012							
89-83 6000 (H/D Brakes) Hub Assembly 513018							

() Indicates Quantity Required ☆ New Item, Check for Availability ♦ When Depleted Use Number Listed Directly Below Ⓢ Sealed Self-Aligning Bearing
 Refer To Front Of Catalog For Kit Contents

PONTIAC - FRONT WHEEL DRIVE

(Bonneville, Grand Am, Grand Prix, G6, J2000, Phoenix, Sunbird, Sunfire, Tempest, 6000 & 6000STE AWD) (Cont.)

Year	Application	Seal	Bearing
TRANSFER CASE			
FULL TIME / PART TIME			
FRONT OUTPUT SHAFT			
90-88	6000STE AWD	M88048-M88010	
REAR OUTPUT SHAFT			
90-88	6000STE AWD	M86649-M86610	
PINION SHAFT			
90-88	6000STE AWD		32205
TRANSAXLE			
AUTOMATIC / 3 Speed			
TORQUE CONVERTER			
01-82	THM125, THM125C, 3T40, 3T40A	4072N	
OUTPUT SHAFT			
01-80	THM125, THM125C, 3T40, 3T40A	(2) 3543	
		Redi-Sleeve (2) 99139	
OIL PUMP			
1984	THM125C (1st Design)	253747	
		Redi-Sleeve 99062	
83-82	THM125	340849	
83-82	THM125C	253747	
		Redi-Sleeve 99062	
MANUAL SHAFT			
01-84	THM125, THM125C, 3T40, 3T40A	8792S	
83-82	THM125C	8792S	
83-80	THM125	240385	
AUTOMATIC / 4 Speed			
TORQUE CONVERTER			
09-06	4T45-E	4072N	
08-97	4T65E-HD	4918	
05-04	4T80-E	4577	
		Redi-Sleeve 99189	
05-87	4T60, 4T40-E, 4T45-E, 4T60-E, 4T65-E, THM440-T4	4072N	
OUTPUT SHAFT			
09-97	4T65-E, 4T65E-HD	(Left) 100165	
		Redi-Sleeve 99139	
		(Right) 3543	
		Redi-Sleeve 99139	
09-95	4T40-E, 4T45-E	(Kit) (2) 5693	
05-04	4T80-E	(Left) 714679	
		(Right) 4674N	
99-87	4T60, 4T60-E, THM440-T4	(Left) 710096	
		Redi-Sleeve 99139	
		(Right) 3543	
		Redi-Sleeve 99139	
MANUAL SHAFT			
09-87	4T60, 4T40-E, 4T45-E, 4T60-E, 4T65-E, 4T80-E, THM440-T4, 4T65E-HD	8792S	

Year	Application	Seal	Bearing
AUTOMATIC / 6 Speed			
TORQUE CONVERTER			
09-07	6T70	710561	
OUTPUT SHAFT			
09-07	6T70	(Left) 710546	
		(Right) 710583	
MANUAL / 4 Speed			
DIFFERENTIAL			
87-80	Muncie GMX-4 (76mm)		(2)A-18
INPUT SHAFT			
87-80	Muncie GMX-4 (76mm)	(Front) 3732S	A-4
		Redi-Sleeve 99106	
		(Rear) 15101-15245	
OUTPUT SHAFT			
87-80	Muncie GMX-4 (76mm)	(Left) 3543	A-5
		Redi-Sleeve 99139	
		(Right) 3543	15101-15245
		Redi-Sleeve 99139	
SHIFT SHAFT			
87-80	Muncie GMX-4 (76mm)	3667	
MANUAL / 5 Speed			
DIFFERENTIAL			
05-00	Getrag 287		(2)A-35
99-83	Isuzu MFD5M		(2)32008
94-93	New Process T550		(2)A-18
93-86	Getrag 282, 284		(2)A-18
INPUT SHAFT			
99-95	Isuzu MFD5M	222835	306-VVL
		Redi-Sleeve 99111	
94-83	Isuzu MFD5M	222835	
		Redi-Sleeve 99111	
		(Front) 32206	
		(Rear) 30306	
92-86	Getrag 282		305-DD
OUTPUT SHAFT			
05-00	Getrag 287	(2) 3543	
		Redi-Sleeve (2) 99139	
99-83	Isuzu MFD5M	(Left) 3543	A-5
		Redi-Sleeve 99139	
		(Right) 3543	32206
		Redi-Sleeve 99139	
94-93	New Process T550	(2) 3543	
		Redi-Sleeve (2) 99139	
93-91	Getrag 284	(Left) 2003N	A-5
		Redi-Sleeve 99146	
		(Right) 2003N	LM503349A-LM503310
		Redi-Sleeve 99146	
92-86	Getrag 282	(2) 3543	5206-KZZLE
		Redi-Sleeve (2) 99139	
SHIFT SHAFT			
99-83	Isuzu MFD5M	3667	
94-93	New Process T550	3667	
92-86	Getrag 282	3667	

FRONT WHEEL DRIVE - PONTIAC

(Cont.) (Bonneville, Grand Am, Grand Prix, G6, J2000, Phoenix, Sunbird, Sunfire, Tempest, 6000 & 6000STE AWD)

Year	Application	Seal	Bearing	Year	Application	Seal	Bearing
STEERING				CAMSHAFT (Cont.)			
POWER STEERING				6 CYLINDER			
STEERING GEAR HOUSING				96-91 207/3.4L (DOHC)..... Viton® (4) 474241V			
01-97	Sunfire	(Adj. Plug) DB-53313		Redi-Sleeve (4) 99166			
96-94	Grand Am, Grand Prix, Sunfire.....	(Adj. Plug) DB-53313		8 CYLINDER			
STEERING GEAR WORM SHAFT				05-04 281/4.6L (DOHC)..... (2) 710261			
87-80	Grand Am, J2000, Phoenix, Sunbird, 6000 (Exc. H/D Suspension).....	222510		CRANKSHAFT			
STEERING PUMP SHAFT				4 CYLINDER			
07-03	Bonneville, Grand Am, Grand Prix, G6.....	7013S		09-02 2198cc/2.2L (DOHC), 2384cc/2.4L (DOHC)..... 710237			
02-92	All.....	7013S		Redi-Sleeve 99354			
91-87	All.....	203-FF		02-95 134/2.2L PTFE Rubber 5273			
86-83	All (Integral Reservoir).....	203-FF		Viton® 4307V			
86-83	All (Remote Reservoir).....	7013S		Redi-Sleeve 99298			
82-80	All.....	7013S		02-88 138/2.3L (DOHC), 138/2.3L, 146/2.4L (DOHC)..... 40375			
AIR CONDITIONING				94-87 1998cc/2.0L, 1998cc/2.0L (Turbo)..... 710237			
COMPRESSOR				Redi-Sleeve 99354			
CLUTCH PULLEY				91-85 121/2.0L, 134/2.2L PTFE Rubber 5273			
05-85	Harrison V-5.....	907257		Viton® 4307V			
1995	Harrison HD-6.....	907257		Redi-Sleeve 99298			
94-87	Harrison HR-6HE.....	907257		91-80 151/2.5L PTFE Rubber 5290			
90-85	Harrison HR-6.....	907257		86-82 1796cc/1.8L, 1796cc/1.8L (Turbo)..... 710232			
86-83	Harrison DA-6.....	907257		1984 121/2.0L (1st Design)..... 5210			
85-80	Harrison R-4.....	907257		1984 121/2.0L (2nd Design) PTFE Rubber 5273			
FRONT HEAD MAIN				Viton® 4307V			
85-80	Harrison R-4.....	S-128		Redi-Sleeve 99298			
ELECTRICAL				6 CYLINDER			
ALTERNATOR				09-86 173/2.8L, 189/3.1L, 189/3.1L (Turbo), 207/3.4L, 207/3.4L (DOHC), 213/3.5L, 214/3.5L, 242/3.9L PTFE Rubber 5273			
DRIVE END				Viton® 4307V			
92-87	AC-Delco.....	203-FF		Redi-Sleeve 99298			
92-82	AC-Delco 56, 66, 78, 85, 94, 108, 120 Amp.	203-FF		08-91 204/3.3L, 231/3.8L, 231/3.8L 320691			
84-80	AC-Delco 42, 63 Amp.	203-S		PTFE Rubber 5291			
REAR END				Redi-Sleeve 99328			
97-92	AC-Delco 140 Amp.	100-CC4		90-85 181/3.0L, 231/3.8L ... (Split Seal) 5591			
90-87	AC-Delco 108, 120 Amp.	100-CC4		1985 173/2.8L (1st Design)..... 5210			
90-80	AC-Delco 42, 56, 63, 66, 70, 78, 85, 94 Amp.	MNJ-471-S		1985 173/2.8L (2nd Design) PTFE Rubber 5273			
89-87	AC-Delco.....	MNJ-471-S		Viton® 4307V			
ENGINE				Redi-Sleeve 99298			
CAMSHAFT				8 CYLINDER			
4 CYLINDER				08-05 325/5.3L 100085			
95-88	138/2.3L (DOHC)..... (2) 713771			(Continued Next Page)			
Redi-Sleeve (2) 99139							
94-82	1796cc/1.8L, 1796cc/1.8L (Turbo), 1998cc/2.0L, 1998cc/2.0L (Turbo).....	1108					
Redi-Sleeve 99139							

() Indicates Quantity Required

PONTIAC - FRONT WHEEL DRIVE

(Bonneville, Grand Am, Grand Prix, G6, J2000, Phoenix, Sunbird, Sunfire, Tempest, 6000 & 6000STE AWD) (Cont.)

Year	Application	Seal	Bearing	Year	Application	Seal	Bearing
ENGINE				TIMING COVER (Cont.)			
CRANKSHAFT (Cont.)				6 CYLINDER			
8 CYLINDER				09-80 173/2.8L, 189/3.1L, 189/3.1L (Turbo), 207/3.4L, 207/3.4L (DOHC), 213/3.5L, 214/3.5L, 242/3.9L, 262/4.3L (Diesel)..... 9845			
05-04 281/4.6L (DOHC)..... 710262				Redi-Sleeve 99176			
TIMING COVER				Harmonic Bal Sleeve 88176			
4 CYLINDER				Harmonic Bal Kit <input checked="" type="checkbox"/> 5000			
05-02 2198cc/2.2L (DOHC)..... 224020				08-86 181/3.0L, 204/3.3L, 231/3.8L, 231/3.8L..... 710162			
Redi-Sleeve 99157				Redi-Sleeve 99193			
02-95 134/2.2L..... 9845				1985 181/3.0L..... 710163			
Redi-Sleeve 99176				8 CYLINDER			
Harmonic Bal Sleeve 88176				08-05 325/5.3L..... 100470			
Harmonic Bal Kit <input checked="" type="checkbox"/> 5000				Redi-Sleeve 99210			
02-88 138/2.3L (DOHC), 138/2.3L, 146/2.4L (DOHC)..... 320259				05-04 281/4.6L (DOHC)..... 710555			
94-82 1796cc/1.8L, 1796cc/1.8L (Turbo), 1998cc/2.0L, 1998cc/2.0L (Turbo)..... 710164							
Redi-Sleeve 99128							
91-80 112/1.8L, 121/2.0L, 134/2.2L, 151/2.5L..... 9845							
Redi-Sleeve 99176							
Harmonic Bal Sleeve 88176							
Harmonic Bal Kit <input checked="" type="checkbox"/> 5000							

PONTIAC FULL SIZE - REAR WHEEL DRIVE

(Bonneville, Catalina, G8, Parisienne & Safari Wagon)

WHEEL				REAR AXLE (Cont.)			
FRONT WHEEL				DIFFERENTIAL			
89-80 All..... (Inner) 8871 A-6				89-80 7.5" R.G., 8.5" R.G. (2)LM501349-LM501314			
(Outer) A-3				81-80 8.875" R.G. (2)A-36			
REAR WHEEL				PINION			
89-87 All..... 8835S 6408				89-80 8.5" R.G., 8.875" R.G.			
(Axle Repair Brg.) RP-6408				(Inner) M802048-M802011			
86-82 All (Sedan)..... 8660S 5707				(Outer) 2043 M88048-M88010			
(Axle Repair Brg.) RP-5707				Redi-Sleeve 99193			
86-82 All (Station Wagon)..... 8835S 6408				86-81 7.5" R.G. (Inner) HM89249-HM89210			
(Axle Repair Brg.) RP-6408				(Outer) 8610 M86649-M86610			
81-80 All (7.5" R.G.) (8.5" R.G.) (Chevrolet Axle) 8660S 5707				Redi-Sleeve 99152			
(Axle Repair Brg.) RP-5707				1980 7.5" R.G. (Inner) HM89449-HM89410			
81-80 All (8.5" R.G.) (8.875" R.G.) (Pontiac Axle)..... 8835S 6408				(Outer) 8610 M86649-M86610			
(Axle Repair Brg.) RP-6408				Redi-Sleeve 99152			
AXLE				TRANSMISSION			
REAR AXLE				AUTOMATIC / 3 Speed			
DIFFERENTIAL KIT				FRONT PUMP			
89-80 8.5" R.G. <input checked="" type="checkbox"/> RA-321				84-80 THM350, THM400, THM250C, THM350C, THM375B 6712NA			
(Master Kit) RA-321MK				Redi-Sleeve 99187			
86-81 7.5" R.G. <input checked="" type="checkbox"/> RA-320				1980 THM200..... 4950			
(Master Kit) RA-320MK				Redi-Sleeve 99174			
81-80 8.875" R.G. <input checked="" type="checkbox"/> RA-323				EXTENSION HOUSING			
				84-82 THM250C, THM350C (Booted)..... 9613S			
				(Seal & Bushing Kit) 5200			
				(Continued Next Page)			

REAR WHEEL DRIVE - PONTIAC FULL SIZE

(Cont.) (Bonneville, Catalina, G8, Parisienne & Safari Wagon)

Year	Application	Seal	Bearing	Year	Application	Seal	Bearing
TRANSMISSION							
AUTOMATIC / 3 Speed (Cont.)				POWER STEERING (Cont.)			
EXTENSION HOUSING				STEERING PUMP SHAFT			
84-82	THM250C, THM350C (Non-Booted).....	4583		89-80	All.....	7013S	
84-82	THM350, THM375B (Seal & Bushing Kit).....	9613S	5200	AIR CONDITIONING			
81-80	THM200, THM350, THM250C, THM350C, THM375B (Seal & Bushing Kit).....	9613S	5200	COMPRESSOR			
1980	THM400 (Seal & Bushing Kit).....	9449	5208	CLUTCH PULLEY			
MANUAL SHAFT				89-80	Harrison R-4.....		907257
84-80	THM200, THM350, THM400, THM250C, THM350C, THM375B 8792S.....			81-80	Harrison A-6.....		SCE-108 907257
AUTOMATIC / 4 Speed				FRONT HEAD MAIN			
FRONT PUMP				89-80	Harrison R-4.....		S-128
89-80	THM200-4R, THM700-R4 Redi-Sleeve.....	4950	99174	81-80	Harrison A-6.....		SCE-108
EXTENSION HOUSING				ELECTRICAL			
89-88	THM700-R4 (Booted) (Seal & Bushing Kit).....	9613S	5200	ALTERNATOR			
89-88	THM700-R4 (Non-Booted).....	4583		DRIVE END			
89-80	THM200-4R (Seal & Bushing Kit).....	9613S	5200	89-80	AC-Delco.....		203-FF
86-83	THM700-R4 (Booted) (Seal & Bushing Kit).....	9613S	5200	81-80	AC-Delco.....		203-S
86-83	THM700-R4 (Non-Booted).....	4583		REAR END			
MANUAL SHAFT				89-80	AC-Delco.....		MNJ-471-S
89-80	THM200-4R, THM700-R4.....	8792S		ENGINE			
AUTOMATIC / 5 Speed				CRANKSHAFT			
FRONT PUMP				6 CYLINDER			
09-08	5L40-E.....	* 710559		1986	262/4.3L (Gkt. & PTFE Seal).....	5274A	
MANUAL SHAFT						(Gkt. & Viton® Seal).....	4359V
09-08	5L40-E.....	8792S				PTFE Rubber.....	5274
AUTOMATIC / 6 Speed						Redi-Sleeve.....	99364
EXTENSION HOUSING				86-80	231/3.8L (Split Seal).....	5591	
09-08	6L80.....	710533		1985	262/4.3L (Split Seal).....	5092	
MANUAL / 6 Speed				83-80	229/3.8L (Split Seal).....	5092	
MAINSHAFT / OUTPUT				8 CYLINDER			
09-08	Tremec 6060.....	710298		09-08	364/6.0L 100085		
STEERING				89-86	307/5.0L (Rope Type).....	5095	
POWER STEERING				1986	305/5.0L, 350/5.7L (Gkt. & PTFE Seal).....	5274A	
STEERING GEAR HOUSING						(Gkt. & Viton® Seal).....	4359V
89-80	All..... (Adj. Plug).....	DB-53313				PTFE Rubber.....	5274
STEERING GEAR WORM SHAFT						Redi-Sleeve.....	99364
89-80	All.....	222025		1985	305/5.0L (1st Design) (Split Seal).....	5092	
STEERING GEAR PITMAN SHAFT				1985	305/5.0L (2nd Design) (Gkt. & PTFE Seal).....	5274A	
89-84	All..... (Kit) <input checked="" type="checkbox"/>	PSK-1				(Gkt. & Viton® Seal).....	4359V
83-80	All (Round Side Cover).....	710285				PTFE Rubber.....	5274
83-80	All (4 Bolt Cover)..... (Kit) <input checked="" type="checkbox"/>	PSK-1				Redi-Sleeve.....	99364
				1985	350/5.7L (Split Seal).....	5092	
				85-80	350/5.7L (Diesel) (Rope Type).....	5095	
						(Split Seal).....	5118
				84-80	267/4.4L, 305/5.0L, 350/5.7L (Split Seal).....	5092	
				81-80	307/5.0L, 350/5.7L (Rope Type).....	5095	
				1980	350/5.7L (Split Seal).....	5591	

* Not a Current Production Number, Check for Availability Refer To Front Of Catalog For Kit Contents

PONTIAC FULL SIZE - REAR WHEEL DRIVE

(Bonneville, Catalina, G8, Parisienne & Safari Wagon) (Cont.)

Year	Application	Seal	Bearing	Year	Application	Seal	Bearing
ENGINE				TIMING COVER (Cont.)			
TIMING COVER				8 CYLINDER			
6 CYLINDER				89-80 307/5.0L, 350/5.7L (Diesel), 350/5.7L 472082			
1986 231/3.8L 710162				Redi-Sleeve 99199			
Redi-Sleeve 99193				Harmonic Bal Sleeve 88199			
86-85 262/4.3L 9845				86-80 267/4.4L, 305/5.0L, 350/5.7L 9845			
Redi-Sleeve 99176				Redi-Sleeve 99176			
Harmonic Bal Sleeve 88176				Harmonic Bal Sleeve 88176			
Harmonic Bal Kit <input checked="" type="checkbox"/> 5000				Harmonic Bal Kit <input checked="" type="checkbox"/> 5000			
85-80 231/3.8L 710163				81-80 265/4.3L, 301/4.9L 332062			
83-80 229/3.8L 9845				Redi-Sleeve 99186			
Redi-Sleeve 99176				Harmonic Bal Sleeve 88186			
Harmonic Bal Sleeve 88176				1980 350/5.7L 710173			
Harmonic Bal Kit <input checked="" type="checkbox"/> 5000				Redi-Sleeve 99196			
8 CYLINDER							
09-08 364/6.0L, 378/6.2L 100470							
Redi-Sleeve 99210							
(Continued Next Column)							

PONTIAC MID SIZE - REAR WHEEL DRIVE

(Bonneville, Grand Am, Grand Prix, GTO & LeMans)

WHEEL				REAR AXLE (Cont.)			
FRONT WHEEL				PINION			
06-04 All (Left) Hub Assembly 513217				1980 8.5" R.G. (Inner) M802048-M802011			
(Right) Hub Assembly 513218				(Outer) 2043 M88048-M88010			
87-82 All (Inner) 8871 A-6				Redi-Sleeve 99193			
(Outer) A-34				1980 7.5" R.G. (Inner) HM89449-HM89410			
81-80 All (Inner) 8871 A-6				(Outer) 8610 M86649-M86610			
(Outer) A-3				Redi-Sleeve 99152			
REAR WHEEL				CLUTCH			
06-04 All 511035				PILOT			
87-80 All 8660S 5707				6 CYLINDER			
(Axle Repair Brg.) RP-5707				81-80 229/3.8L, 231/3.8L PB-656			
				(H/D) PB-656-HD			
AXLE				8 CYLINDER			
REAR AXLE				06-04 346/5.7L, 364/6.0L 57080			
DIFFERENTIAL KIT				81-80 301/4.9L 7109			
87-82 8.5" R.G. <input checked="" type="checkbox"/> RA-321				RELEASE			
(Master Kit) RA-321MK				Bearing Only Bearing Assembly			
87-81 7.5" R.G., 7.625" R.G. <input checked="" type="checkbox"/> RA-320				6 CYLINDER			
(Master Kit) RA-320MK				81-80 229/3.8L, 231/3.8L (Angular Contact) CC-1705-C			
1980 8.5" R.G. <input checked="" type="checkbox"/> RA-321				Ⓢ 614018			
(Master Kit) RA-321MK				8 CYLINDER			
DIFFERENTIAL				81-80 301/4.9L (Angular Contact) CC-1705-C			
87-80 7.5" R.G., 7.625" R.G., 8.5" R.G. (2) LM501349-LM501314				Ⓢ 614018			
PINION				TRANSMISSION			
87-82 8.5" R.G. (Inner) M802048-M802011				AUTOMATIC / 3 Speed			
(Outer) 2043 M88048-M88010				FRONT PUMP			
Redi-Sleeve 99193				84-80 THM350, THM250C, THM350C, THM375B 6712NA			
87-81 7.5" R.G., 7.625" R.G. (Inner) HM89249-HM89210				Redi-Sleeve 99187			
(Outer) 8610 M86649-M86610				(Continued Next Page)			
Redi-Sleeve 99152							
(Continued Next Column)							

REAR WHEEL DRIVE - PONTIAC MID SIZE

(Cont.) (Bonneville, Grand Am, Grand Prix, GTO & LeMans)

Year	Application	Seal	Bearing
TRANSMISSION			
AUTOMATIC / 3 Speed (Cont.)			
FRONT PUMP			
81-80	THM200.....	4950	
		Redi-Sleeve 99174	
EXTENSION HOUSING			
84-82	THM250C, THM350C (Booted)	9613S	
	(Seal & Bushing Kit)	5200	
84-82	THM250C, THM350C (Non-Booted).....	4583	
84-82	THM350, THM375B	9613S	
	(Seal & Bushing Kit)	5200	
81-80	THM200, THM350, THM250C, THM350C, THM375B	9613S	
	(Seal & Bushing Kit)	5200	
MANUAL SHAFT			
84-80	THM200, THM350, THM250C, THM350C, THM375B	8792S	
AUTOMATIC / 4 Speed			
FRONT PUMP			
06-04	4L65E, 4L60-E	4950	
		Redi-Sleeve 99174	
87-80	THM200-4R	4950	
		Redi-Sleeve 99174	
EXTENSION HOUSING			
06-04	4L65E, 4L60-E (Booted).....	4934	
06-04	4L65E, 4L60-E (Non-Booted) ..	4583	
87-80	THM200-4R	9613S	
	(Seal & Bushing Kit)	5200	
MANUAL SHAFT			
06-04	4L65E, 4L60-E	8792S	
87-80	THM200-4R	8792S	
MANUAL / 3 Speed			
DRIVESHAFT / INPUT			
81-80	SM326	7412S	
		Redi-Sleeve 99125	
MAINSHAFT / OUTPUT			
81-80	SM326	9613S	
	(Seal & Bushing Kit)	5200	
COUNTERSHAFT			
81-80	SM326		(54)C-407-Q
SHIFT SHAFT			
81-80	SM326	240735	
		Redi-Sleeve 99076	
MANUAL / 4 Speed			
DRIVESHAFT / INPUT			
81-80	Saginaw	7412S	
		Redi-Sleeve 99125	
MAINSHAFT / OUTPUT			
81-80	Saginaw	9613S	
	(Seal & Bushing Kit)	5200	
COUNTERSHAFT			
81-80	Saginaw		(54)C-407-Q

Year	Application	Seal	Bearing
MANUAL / 4 Speed (Cont.)			
SHIFT SHAFT			
81-80	Saginaw	240735	
		Redi-Sleeve 99076	
MANUAL / 6 Speed			
DRIVESHAFT / INPUT			
06-04	Tremec T56	7412S	M88048-M88010
		Redi-Sleeve 99125	
MAINSHAFT / OUTPUT			
06-04	Tremec T56		25572-25520
MAINSHAFT PILOT			
06-04	Tremec T56		A-16
COUNTERSHAFT			
06-04	Tremec T56	(Front)	A-5
		(Rear)	32008
STEERING			
POWER STEERING			
STEERING GEAR HOUSING			
87-80	All		(Adj. Plug) DB-53313
STEERING GEAR WORM SHAFT			
87-80	All	222025	
STEERING GEAR PITMAN SHAFT			
87-84	All	(Kit) <input checked="" type="checkbox"/> PSK-1	
83-80	All (Round Side Cover).....	710285	
83-80	All (4 Bolt Cover)	(Kit) <input checked="" type="checkbox"/> PSK-1	
STEERING PUMP SHAFT			
87-80	All	7013S	
AIR CONDITIONING			
COMPRESSOR			
CLUTCH PULLEY			
87-80	Harrison R-4		907257
81-80	Harrison A-6		907257
FRONT HEAD MAIN			
87-80	Harrison R-4		S-128
81-80	Harrison A-6		SCE-108
ELECTRICAL			
ALTERNATOR			
DRIVE END			
87-83	AC-Delco		203-FF
82-80	AC-Delco		203-S
REAR END			
87-80	AC-Delco		MNJ-471-S

() Indicates Quantity Required Refer To Front Of Catalog For Kit Contents

PONTIAC MID SIZE - REAR WHEEL DRIVE

(Bonneville, Grand Am, Grand Prix, GTO & LeMans) (Cont.)

Year	Application	Seal	Bearing	Year	Application	Seal	Bearing
ENGINE				TIMING COVER (Cont.)			
CRANKSHAFT				6 CYLINDER			
6 CYLINDER				87-86 262/4.3L (Gkt. & PTFE Seal) 5274A			
			 (Gkt. & Viton® Seal) 4359V			
			 PTFE Rubber 5274			
			 Redi-Sleeve 99364			
87-80 231/3.8L, 252/4.1L ... (Split Seal) 5591				87-86 262/4.3L Redi-Sleeve 99176			
81-80 229/3.8L (Split Seal) 5092 Harmonic Bal Sleeve 88176			
			 Harmonic Bal Kit ☒ 5000			
8 CYLINDER				85-80 231/3.8L 710163			
06-04 346/5.7L, 364/6.0L 100085				83-82 252/4.1L 471424			
87-86 305/5.0L (Gkt. & PTFE Seal) 5274A Redi-Sleeve 99199			
..... (Gkt. & Viton® Seal) 4359V Harmonic Bal Sleeve 88199			
..... PTFE Rubber 5274				81-80 229/3.8L 9845			
..... Redi-Sleeve 99364 Redi-Sleeve 99176			
1985 305/5.0L (1st Design) (Split Seal) 5092 Harmonic Bal Sleeve 88176			
			 Harmonic Bal Kit ☒ 5000			
1985 305/5.0L (2nd Design) (Gkt. & PTFE Seal) 5274A				8 CYLINDER			
..... (Gkt. & Viton® Seal) 4359V				06-04 346/5.7L, 364/6.0L 100470			
..... PTFE Rubber 5274 Redi-Sleeve 99210			
..... Redi-Sleeve 99364				87-80 267/4.4L, 305/5.0L 9845			
84-81 350/5.7L (Diesel) (Rope Type) 5095 Redi-Sleeve 99176			
..... (Split Seal) 5118 Harmonic Bal Sleeve 88176			
84-80 267/4.4L, 305/5.0L ... (Split Seal) 5092 Harmonic Bal Kit ☒ 5000			
				84-81 350/5.7L (Diesel) 472082			
			 Redi-Sleeve 99199			
			 Harmonic Bal Sleeve 88199			
TIMING COVER				81-80 265/4.3L, 301/4.9L 332062			
6 CYLINDER			 Redi-Sleeve 99186			
87-86 231/3.8L 710162 Harmonic Bal Sleeve 88186			
..... Redi-Sleeve 99193							
(Continued Next Column)							

PONTIAC SUBCOMPACT - REAR WHEEL DRIVE

(Sunbird, T1000 & 1000)

WHEEL				REAR AXLE (Cont.)			
FRONT WHEEL				PINION			
87-81 All (Inner) 3357 A-4				1980 7.5" R.G. (Inner) HM88649-HM88610			
..... (Outer) A-1			 (Outer) 8610 M86649-M86610			
1980 All (Inner) 8705S A-6			 Redi-Sleeve 99152			
..... (Outer) A-1				CLUTCH			
REAR WHEEL				PILOT			
87-81 All 3348 C-5107-EV				4 CYLINDER			
1980 All 8660S 5707				87-81 98/1.6L PB-652			
(Axle Repair Brg.) RP-5707			 (H/D) PB-652-HD			
				86-81 1817cc/1.8L (Diesel) 203-FF			
AXLE				6 CYLINDER			
REAR AXLE				1980 231/3.8L PB-656			
DIFFERENTIAL			 (H/D) PB-656-HD			
87-81 Spicer 26 (2) LM29749-LM29711				RELEASE			
1980 7.5" R.G. (2) LM501349-LM501314				4 CYLINDER			
				87-81 98/1.6L (Angular Contact) CC-1705-C			
			 © 614018			
				86-81 1817cc/1.8L (Diesel) 01496			
87-81 Spicer 26 (Inner) M88047-M88010							
..... (Outer) 2440 M84548-M84510							
..... Redi-Sleeve 99177							
(Continued Next Column)							

REAR WHEEL DRIVE - PONTIAC SUBCOMPACT

(Cont.) (Sunbird, T1000 & 1000)

Year	Application	Seal	Bearing
CLUTCH			
RELEASE (Cont.)			
		<i>Bearing Only</i>	<i>Bearing Assembly</i>
6 CYLINDER			
1980	231/3.8L	(Angular Contact)	CC-1705-C Ⓢ614018
TRANSMISSION			
AUTOMATIC / 3 Speed			
FRONT PUMP			
87-80	THM350, THM180C, THM350C	6712NA	
		Redi-Sleeve 99187	
1980	THM200	4950	
		Redi-Sleeve 99174	
EXTENSION HOUSING			
87-80	THM200, THM350, THM180C, THM350C	9613S	
	(Seal & Bushing Kit)	5200	
MANUAL SHAFT			
87-80	THM200, THM350, THM180C, THM350C	8792S	
MANUAL / 4 Speed			
DRIVESHAFT / INPUT			
1980	Saginaw	7412S	
		Redi-Sleeve 99125	
MAINSHAFT / OUTPUT			
1980	Saginaw	9613S	
	(Seal & Bushing Kit)	5200	
COUNTERSHAFT			
1980	Saginaw	(54)C-407-Q	
SHIFT SHAFT			
1980	Saginaw	240735	
		Redi-Sleeve 99076	
MANUAL / 5 Speed			
DRIVESHAFT / INPUT			
87-82	Borg-Warner T5	7412S	A-5
		Redi-Sleeve 99125	
	(Thrust)		FA-55505
87-81	Opel Design (70mm)	483488	206-SL
86-81	Isuzu MSG5K	1990	§ 208-LO
		Redi-Sleeve 99106	
MAINSHAFT / OUTPUT			
87-82	Borg-Warner T5	9613S	25877-25821
	(Seal & Bushing Kit)	5200	
87-81	Opel Design (70mm)	9613S	206-L
	(Seal & Bushing Kit)	5200	
86-81	Isuzu MSG5K	1987	
MAINSHAFT PILOT			
87-82	Borg-Warner T5	(15)QBR-23549	
COUNTERSHAFT			
87-82	Borg-Warner T5	(Rear)	5707
	(Thrust)		NTA-1423
		(Continued Next Column)	

Year	Application	Seal	Bearing
MANUAL / 5 Speed (Cont.)			
COUNTERSHAFT			
86-81	Isuzu MSG5K	(Center)	5205-KLE
		(Rear)	204
STEERING			
POWER STEERING			
STEERING GEAR HOUSING			
87-80	All	(Adj. Plug)	DB-53313
STEERING GEAR WORM SHAFT			
87-80	All		222025
STEERING GEAR PITMAN SHAFT			
87-81	All	(Kit) <input checked="" type="checkbox"/>	PSK-1
1980	All (Round Side Cover)		710285
1980	All (4 Bolt Cover)	(Kit) <input checked="" type="checkbox"/>	PSK-1
STEERING PUMP SHAFT			
87-80	All		7013S
AIR CONDITIONING			
COMPRESSOR			
CLUTCH PULLEY			
87-80	Harrison R-4		907257
1980	Harrison A-6		907257
FRONT HEAD MAIN			
87-80	Harrison R-4		S-128
1980	Harrison A-6		SCE-108
ELECTRICAL			
ALTERNATOR			
DRIVE END			
87-83	AC-Delco		203-FF
82-80	AC-Delco		203-S
REAR END			
87-80	AC-Delco		MNJ-471-S
ENGINE			
CAMSHAFT			
4 CYLINDER			
87-81	98/1.6L		6936S
		Redi-Sleeve	99176
CRANKSHAFT			
4 CYLINDER			
87-80	151/2.5L, 98/1.6L		3698
		PTFE Rubber	5290
86-81	1817cc/1.8L (Diesel)		717005
		Redi-Sleeve	99364
6 CYLINDER			
1980	231/3.8L	(Split Seal)	5591

() Indicates Quantity Required § Use Old Snap Ring Ⓢ Sealed Self-Aligning Bearing Refer To Front Of Catalog For Kit Contents

PONTIAC SUBCOMPACT - REAR WHEEL DRIVE

(Sunbird, T1000 & 1000) (Cont.)

Year	Application	Seal	Bearing	Year	Application	Seal	Bearing
ENGINE				TIMING COVER (Cont.)			
TIMING COVER				4 CYLINDER			
4 CYLINDER				86-81 1817cc/1.8L (Diesel) 224025			
				Redi-Sleeve 99157			
				6 CYLINDER			
87-80 151/2.5L, 98/1.6L 9845				1980 231/3.8L 710163			
Redi-Sleeve 99176							
Harmonic Bal Sleeve 88176							
Harmonic Bal Kit ☒ 5000							
(Continued Next Column)							

PONTIAC FIERO

Year	Application	Seal	Bearing	Year	Application	Seal	Bearing
WHEEL				MANUAL / 4 Speed (Cont.)			
FRONT WHEEL				INPUT SHAFT			
87-84 All..... (Inner) 3357 A-4				86-84 Muncie GMX-4 (76mm)			
(Outer) A-1				(Front) 3732S A-4			
				Redi-Sleeve 99106			
				(Rear) 15101-15245			
REAR WHEEL				OUTPUT SHAFT			
88-84 All..... (Kit) ☒ 5699 Hub Assembly 513011-K				86-84 Muncie GMX-4 (76mm)			
				(Left) 3543 A-5			
				Redi-Sleeve 99139			
				(Right) 3543 15101-15245			
				Redi-Sleeve 99139			
CLUTCH				SHIFT SHAFT			
PILOT				86-84 Muncie GMX-4 (76mm) 3667			
4 CYLINDER							
88-84 151/2.5L PB-650				MANUAL / 5 Speed			
				DIFFERENTIAL			
RELEASE				88-86 Getrag 282 (2)A-18			
Bearing Only				88-85 Isuzu MFD5M (2)32008			
Bearing Assembly							
4 CYLINDER				INPUT SHAFT			
88-85 151/2.5L (Isuzu 5 Spd.) Ⓢ 614108				88-86 Getrag 282 305-DD			
86-84 151/2.5L (Muncie 4 Spd.) Ⓢ 614009				88-85 Isuzu MFD5M 222835			
				Redi-Sleeve 99111			
6 CYLINDER				(Front) 32206			
88-86 173/2.8L (Getrag 5 Spd.) Ⓢ 614069				(Rear) 30306			
1985 173/2.8L (Muncie 4 Spd.) Ⓢ 614009							
TRANSAXLE				OUTPUT SHAFT			
AUTOMATIC / 3 Speed				88-86 Getrag 282 (2) 3543 5206-KZZLE			
TORQUE CONVERTER				Redi-Sleeve (2) 99139			
88-84 THM125C 4072N				88-85 Isuzu MFD5M (Left) 3543 A-5			
				Redi-Sleeve 99139			
OUTPUT SHAFT				(Right) 3543 32206			
88-84 THM125C (2) 3543				Redi-Sleeve 99139			
Redi-Sleeve (2) 99139							
OIL PUMP				SHIFT SHAFT			
1984 THM125C (1st Design) 253747				88-86 Getrag 282 3667			
Redi-Sleeve 99062				88-85 Isuzu MFD5M 3667			
MANUAL SHAFT				AIR CONDITIONING			
88-84 THM125C 8792S				COMPRESSOR			
				CLUTCH PULLEY			
MANUAL / 4 Speed				88-86 Harrison V-5..... 907257			
DIFFERENTIAL				88-84 Harrison DA-6..... 907257			
86-84 Muncie GMX-4 (76mm) (2)A-18							

(Cont.) **PONTIAC FIERO**

Year	Application	Seal	Bearing	Year	Application	Seal	Bearing
ELECTRICAL				CRANKSHAFT (Cont.)			
ALTERNATOR				6 CYLINDER			
DRIVE END				1985	173/2.8L (1st Design)	5210	
88-84	AC-Delco 56, 66, 78, 85, 94, 108, 120 Amp.		203-FF	1985	173/2.8L (2nd Design)		
REAR END						PTFE Rubber 5273	
88-84	AC-Delco 42, 56, 63, 66, 70, 78, 85, 94 Amp.		MNJ-471-S			Viton® 4307V	
ENGINE						Redi-Sleeve 99298	
CRANKSHAFT				TIMING COVER			
4 CYLINDER				4 CYLINDER			
88-84	151/2.5L	3698		88-84	151/2.5L	9845	
	PTFE Rubber	5290				Redi-Sleeve 99176	
6 CYLINDER						Harmonic Bal Sleeve 88176	
88-86	173/2.8L	PTFE Rubber 5273				Harmonic Bal Kit ☒ 5000	
		Viton® 4307V		6 CYLINDER			
		Redi-Sleeve 99298		88-85	173/2.8L	9845	
		(Continued Next Column)				Redi-Sleeve 99176	
						Harmonic Bal Sleeve 88176	
						Harmonic Bal Kit ☒ 5000	

(Includes Trans Am) **PONTIAC FIREBIRD**

Year	Application	Seal	Bearing	Year	Application	Seal	Bearing
WHEEL				REAR AXLE (Cont.)			
FRONT WHEEL				DIFFERENTIAL KIT			
02-93	All		Hub Assembly 513090	81-80	8.5" R.G.		☒ RA-321 (Master Kit) RA-321MK
92-88	All (Exc. Performance Pkg.)	(Inner) 8871	A-6	DIFFERENTIAL			
		(Outer)	A-34	02-95	AAM 7.625" R.G.	(2)LM501349-LM501314	
92-88	All (Performance Pkg.)	(Inner) 8871	A-6	94-80	7.5" R.G., 7.625" R.G., 8.5" R.G.	(2)LM501349-LM501314	
		(Outer)	A-3	91-85	Borg-Warner M78	(2)LM102949-LM102910	
87-82	All	(Inner) 8871	A-6	PINION			
		(Outer)	A-34	2002	AAM 7.625" R.G.		
81-80	All	(Inner) 8871	A-6		(Inner)	HM89249-HM89210	
		(Outer)	A-34		(Outer)	710474	M86649-M86610
		(Outer)	A-3	2001	AAM 7.625" R.G. (1st Design)		
REAR WHEEL					(Inner)	HM89249-HM89210	
02-92	All	8660S	5707		(Outer)	8610	M86649-M86610
		(Axle Repair Brg.)	RP-5707		Redi-Sleeve	99152	
91-85	All (7.625" R.G.)	8660S	5707	2001	AAM 7.625" R.G. (2nd Design)		
		(Axle Repair Brg.)	RP-5707		(Inner)	HM89249-HM89210	
91-85	All (7.75" R.G.)	(Left) 224255	A-9		(Outer)	710474	M86649-M86610
		(Right) 710179	A-9	00-95	AAM 7.625" R.G.		
84-80	All	8660S	5707		(Inner)	HM89249-HM89210	
		(Axle Repair Brg.)	RP-5707		(Outer)	8610	M86649-M86610
					Redi-Sleeve	99152	
AXLE				94-82	7.5" R.G., 7.625" R.G.		
REAR AXLE					(Inner)	HM89249-HM89210	
DIFFERENTIAL KIT					(Outer)	8610	M86649-M86610
2002	AAM 7.625" R.G.		☒ RA-320-B		Redi-Sleeve	99152	
2001	AAM 7.625" R.G. (1st Design)		☒ RA-320	91-85	Borg-Warner M78		
		(Master Kit)	RA-320MK		(Inner)	HM89446-HM89410	
2001	AAM 7.625" R.G. (2nd Design)		☒ RA-320-B		(Outer)	7457N	M86649-M86610
00-95	AAM 7.625" R.G.		☒ RA-320	81-80	8.5" R.G.		
		(Master Kit)	RA-320MK		(Inner)	M802048-M802011	
94-82	7.5" R.G., 7.625" R.G.		☒ RA-320		(Outer)	2043	M88048-M88010
		(Master Kit)	RA-320MK		Redi-Sleeve	99193	
91-85	Borg-Warner M78		☒ RA-326	(Continued Next Column)			

() Indicates Quantity Required ☒ Refer To Front Of Catalog For Kit Contents

PONTIAC FIREBIRD (Includes Trans Am) (Cont.)

Year	Application	Seal	Bearing
------	-------------	------	---------

CLUTCH

PILOT

4 CYLINDER

86-82 151/2.5L **PB-656**
(H/D) **PB-656-HD**

6 CYLINDER

02-82 173/2.8L, 189/3.1L, 207/3.4L, 231/3.8L **PB-652**
(H/D) **PB-652-HD**

81-80 231/3.8L **PB-656**
(H/D) **PB-656-HD**

8 CYLINDER

02-87 305/5.0L, 346/5.7L, 350/5.7L **57080**

86-80 305/5.0L **PB-656**
(H/D) **PB-656-HD**

RELEASE

Bearing
Only Bearing
Assembly

4 CYLINDER

86-85 151/2.5L © **614083**
(Angular Contact) * **CD-1377-C**

84-82 151/2.5L (Angular Contact) **CC-1705-C**
© **614018**

6 CYLINDER

02-96 231/3.8L (Hyd. Clutch) © **614174**

95-85 173/2.8L, 189/3.1L, 207/3.4L © **614083**
(Angular Contact) * **CD-1377-C**

84-80 173/2.8L, 231/3.8L (Angular Contact) **CC-1705-C**
© **614018**

8 CYLINDER

02-98 346/5.7L (Hyd. Clutch) © **614174**

97-93 350/5.7L © **614116**

92-85 305/5.0L © **614083**

84-80 305/5.0L (Angular Contact) * **CD-1377-C**
(Angular Contact) **CC-1705-C**
© **614018**

TRANSMISSION

AUTOMATIC / 3 Speed

FRONT PUMP

84-82 THM200C **4950**
Redi-Sleeve **99174**

81-80 THM350, THM250C, THM350C,
THM375B **6712NA**
Redi-Sleeve **99187**

1980 THM200 **4950**
Redi-Sleeve **99174**

EXTENSION HOUSING

84-82 THM200C (Booted) **9613S**
(Seal & Bushing Kit) **5200**

84-82 THM200C (Non-Booted) **4583**

81-80 THM200, THM350, THM250C,
THM350C, THM375B **9613S**
(Seal & Bushing Kit) **5200**

MANUAL SHAFT

84-80 THM200, THM350, THM200C,
THM250C, THM350C, THM375B
8792S

Year	Application	Seal	Bearing
------	-------------	------	---------

AUTOMATIC / 4 Speed

FRONT PUMP

02-94 4L60-E **4950**
Redi-Sleeve **99174**

93-83 4L60, THM200-4R, THM700-R4
..... **4950**
Redi-Sleeve **99174**

81-80 THM200-4R **4950**
Redi-Sleeve **99174**

EXTENSION HOUSING

02-94 4L60-E (Booted) **4934**

02-94 4L60-E (Non-Booted) **4583**

1993 4L60 **4583**

92-83 THM700-R4 (Booted) **9613S**
(Seal & Bushing Kit) **5200**

92-83 THM700-R4 (Non-Booted) **4583**

89-88 THM200-4R **9613S**
(Seal & Bushing Kit) **5200**

81-80 THM200-4R **9613S**
(Seal & Bushing Kit) **5200**

MANUAL SHAFT

02-83 4L60, THM200-4R, 4L60-E,
THM700-R4 **8792S**

81-80 THM200-4R **8792S**

MANUAL / 3 Speed

DRIVESHAFT / INPUT

81-80 SM326 **7412S**
Redi-Sleeve **99125**

MAINSHAFT / OUTPUT

81-80 SM326 **9613S**
(Seal & Bushing Kit) **5200**

COUNTERSHAFT

81-80 SM326 (54) **C-407-Q**

SHIFT SHAFT

81-80 SM326 **240735**
Redi-Sleeve **99076**

MANUAL / 4 Speed

DRIVESHAFT / INPUT

84-82 Borg-Warner T4 **7412S** **A-5**
Redi-Sleeve **99125**

(Thrust) **FA-55505**

84-80 Saginaw **7412S**
Redi-Sleeve **99125**

82-81 Borg-Warner T10 **7412S**
Redi-Sleeve **99125**

MAINSHAFT / OUTPUT

1984 Saginaw **4583**

84-82 Borg-Warner T4 **9613S** **25877-25821**
(Seal & Bushing Kit) **5200**

83-80 Saginaw **9613S**
(Seal & Bushing Kit) **5200**

82-81 Borg-Warner T10 (32
Spline) **472572** **1307-L**

MAINSHAFT PILOT

84-82 Borg-Warner T4 (15) **QBR-23549**

COUNTERSHAFT

84-82 Borg-Warner T4
(Front) **DK-55836**
(Rear) **5707**

(Thrust) **NTA-1423**

(Continued Next Page)

(Cont.) (Includes Trans Am) **PONTIAC FIREBIRD**

Year	Application	Seal	Bearing
TRANSMISSION			
MANUAL / 4 Speed (Cont.)			
COUNTERSHAFT			
84-80	Saginaw.....	(54)	C-407-Q
82-81	Borg-Warner T10.....	(80)	S-443-Q
SHIFT SHAFT			
84-80	Saginaw.....	240735	
	Redi-Sleeve	99076	
82-81	Borg-Warner T10.....	(3) 7399S	
	Redi-Sleeve (3)	99062	
MANUAL / 5 Speed			
DRIVESHAFT / INPUT			
02-98	Tremec T5WC.....	7412S	A-5
	Redi-Sleeve	99125	
	(Thrust)		FA-55505
97-82	Borg-Warner T5, T5WC.....	7412S	A-5
	Redi-Sleeve	99125	
	(Thrust)		FA-55505
MAINSHAFT / OUTPUT			
02-98	Tremec T5WC.....	9613S	25877-25821
	(Seal & Bushing Kit)	5200	
97-82	Borg-Warner T5, T5WC.....	9613S	25877-25821
	(Seal & Bushing Kit)	5200	
MAINSHAFT PILOT			
02-98	Tremec T5WC.....	(15)	QBR-23549
97-82	Borg-Warner T5, T5WC.....	(15)	QBR-23549
MAINSHAFT 1ST SPEED GEAR			
02-98	Tremec T5WC.....	F-218255	
97-88	Borg-Warner T5WC.....	F-218255	
MAINSHAFT 2ND SPEED GEAR			
02-98	Tremec T5WC.....	F-93934	
97-88	Borg-Warner T5WC.....	F-93934	
COUNTERSHAFT			
02-98	Tremec T5WC.... (Rear).....		A-6
	(Thrust).....		NTA-1423
97-88	Borg-Warner T5WC.....		A-6
	(Rear).....		A-6
	(Thrust).....		NTA-1423
87-82	Borg-Warner T5.....		DK-55836
	(Rear).....		5707
	(Thrust).....		NTA-1423
MANUAL / 6 Speed			
DRIVESHAFT / INPUT			
02-98	Tremec T56.....	7412S	M88048-M88010
	Redi-Sleeve	99125	
97-93	Borg-Warner T56.....	7412S	M88048-M88010
	Redi-Sleeve	99125	
MAINSHAFT / OUTPUT			
02-98	Tremec T56.....		25572-25520
96-93	Borg-Warner T56.....	4333N	25572-25520
MAINSHAFT PILOT			
02-98	Tremec T56.....		A-16
96-93	Borg-Warner T56.....		A-16
COUNTERSHAFT			
02-98	Tremec T56..... (Front).....		A-5
	(Rear).....		32008
	(Continued Next Column)		

Year	Application	Seal	Bearing
MANUAL / 6 Speed (Cont.)			
COUNTERSHAFT			
97-93	Borg-Warner T56.....		A-5
	(Front).....		A-5
	(Rear).....		32008
STEERING			
POWER STEERING			
STEERING GEAR HOUSING			
92-80	All.....	(Adj. Plug)	DB-53313
STEERING GEAR WORM SHAFT			
92-80	All.....	222025	
STEERING GEAR PITMAN SHAFT			
92-84	All.....	(Kit) <input checked="" type="checkbox"/> PSK-1	
83-80	All (Round Side Cover).....	710285	
83-80	All (4 Bolt Cover).....	(Kit) <input checked="" type="checkbox"/> PSK-1	
STEERING PUMP SHAFT			
02-87	All.....	7013S	
86-83	All (Saginaw Pump) (Integral Reservoir).....		203-FF
86-83	All (Saginaw Pump) (Remote Reservoir).....	7013S	
82-80	All.....	7013S	
AIR CONDITIONING			
COMPRESSOR			
CLUTCH PULLEY			
02-95	Harrison V-5.....		907257
97-93	Harrison HD-6.....		907257
92-80	Harrison R-4.....		907257
86-84	Harrison DA-6.....		907257
81-80	Harrison A-6.....		907257
FRONT HEAD MAIN			
92-80	Harrison R-4.....		S-128
81-80	Harrison A-6.....		SCE-108
ELECTRICAL			
ALTERNATOR			
DRIVE END			
90-83	AC-Delco.....		203-FF
82-80	AC-Delco.....		203-S
REAR END			
01-92	AC-Delco 140 Amp.....		100-CC4
1989	AC-Delco (Exc. 108, 120 Amp.).....		MNJ-471-S
1989	AC-Delco 108, 120 Amp.....		100-CC4
88-80	AC-Delco.....		MNJ-471-S
ENGINE			
CRANKSHAFT			
4 CYLINDER			
86-82	151/2.5L.....	3698	
	PTFE Rubber	5290	
6 CYLINDER			
02-95	231/3.8L.....	320691	
	PTFE Rubber	5291	
	Redi-Sleeve	99328	
	(Continued Next Page)		

() Indicates Quantity Required Refer To Front Of Catalog For Kit Contents

PONTIAC FIREBIRD (Includes Trans Am) (Cont.)

Year	Application	Seal	Bearing	Year	Application	Seal	Bearing
ENGINE				CRANKSHAFT (Cont.)			
CRANKSHAFT (Cont.)				8 CYLINDER			
6 CYLINDER				84-80 267/4.4L, 305/5.0L ... (Split Seal) 5092			
95-86	173/2.8L, 189/3.1L, 207/3.4L	PTFE Rubber 5273		TIMING COVER			
		Viton® 4307V		4 CYLINDER			
		Redi-Sleeve 99298		86-82	151/2.5L	9845	
1989	231/3.8L (Turbo)..... (Split Seal)	5591				Redi-Sleeve 99176	
1985	173/2.8L (1st Design).....	5210				Harmonic Bal Sleeve 88176	
1985	173/2.8L (2nd Design)					Harmonic Bal Kit ☒ 5000	
		PTFE Rubber 5273		6 CYLINDER			
		Viton® 4307V		02-95	231/3.8L	710162	
		Redi-Sleeve 99298				Redi-Sleeve 99193	
84-82	173/2.8L	5210		95-82	173/2.8L, 189/3.1L, 207/3.4L	9845	
81-80	231/3.8L	(Split Seal) 5591				Redi-Sleeve 99176	
8 CYLINDER						Harmonic Bal Sleeve 88176	
02-98	346/5.7L	100085				Harmonic Bal Kit ☒ 5000	
97-86	305/5.0L, 350/5.7L, 350/5.7L	(Gkt. & PTFE Seal) 5274A		1989	231/3.8L (Turbo).....	710162	
		(Gkt. & Viton® Seal) 4359V				Redi-Sleeve 99193	
		PTFE Rubber 5274		81-80	231/3.8L	710163	
		Redi-Sleeve 99364		8 CYLINDER			
1985	305/5.0L (1st Design)			02-98	346/5.7L	100470	
		(Split Seal) 5092				Redi-Sleeve 99210	
1985	305/5.0L (2nd Design)			97-80	267/4.4L, 305/5.0L, 350/5.7L, 350/5.7L	9845	
		(Gkt. & PTFE Seal) 5274A				Redi-Sleeve 99176	
		(Gkt. & Viton® Seal) 4359V				Harmonic Bal Sleeve 88176	
		PTFE Rubber 5274				Harmonic Bal Kit ☒ 5000	
		Redi-Sleeve 99364		81-80	265/4.3L, 301/4.9L, 301/4.9L (Turbo).....	332062	
		(Continued Next Column)				Redi-Sleeve 99186	
						Harmonic Bal Sleeve 88186	

PONTIAC SOLSTICE

WHEEL				AUTOMATIC / 5 Speed (Cont.)			
FRONT WHEEL				MANUAL SHAFT			
2009	All.....	Hub Assembly 513259		09-06	5L40-E	8792S	
08-06	All (ABS).....	Hub Assembly 513259		ENGINE			
08-06	All (Exc. ABS).....	Hub Assembly 513260		CRANKSHAFT			
REAR WHEEL				4 CYLINDER			
2009	All.....	Hub Assembly 513259		09-06	1998cc/2.0L (DOHC-Turbo), 2384cc/2.4L (DOHC).....	710237	
08-06	All (ABS).....	Hub Assembly 513259				Redi-Sleeve 99354	
08-06	All (Exc. ABS).....	Hub Assembly 513260		TRANSMISSION			
AUTOMATIC / 5 Speed				FRONT PUMP			
09-06	5L40-E	* 710559		09-06 5L40-E			

PONTIAC - CANADIAN MODELS (G5 & Pursuit)

WHEEL				FRONT WHEEL (Cont.)			
FRONT WHEEL				09-05 All (Exc. ABS).....			
09-05	All (ABS).....	Hub Assembly 513204		2006 All (Supercharged).....			
		(Continued Next Column)		Hub Assembly 513206			

(Cont.) (G5 & Pursuit) **CANADIAN MODELS - PONTIAC**

Year	Application	Seal	Bearing
WHEEL			
REAR WHEEL			
09-05	All (ABS).....		Hub Assembly 512247
09-05	All (Exc. ABS).....		Hub Assembly 512248
2006	All (Supercharged).....		Hub Assembly 512250
TRANSAXLE			
AUTOMATIC / 4 Speed			
TORQUE CONVERTER			
08-05	4T45-E.....	4072N	
OUTPUT SHAFT			
08-05	4T45-E.....	(Kit) (2) 5693	
MANUAL SHAFT			
08-05	4T45-E.....	8792S	
AUTOMATIC / 5 Speed			
TORQUE CONVERTER			
2006	AF33-5.....	222830	
		Redi-Sleeve 99147	
OUTPUT SHAFT			
2006	AF33-5.....	(2) 4764	
MANUAL SHAFT			
2006	AF33-5.....	221207	
		Redi-Sleeve 99049	

Year	Application	Seal	Bearing
MANUAL / 5 Speed			
DIFFERENTIAL			
09-05	Getrag 287.....		(2)A-35
06-05	Saab F35.....		32010-X
INPUT SHAFT			
06-05	Saab F35.....	222630	A-4
		Redi-Sleeve 99103	
OUTPUT SHAFT			
09-05	Getrag 287.....	(2) 3543	
		Redi-Sleeve (2) 99139	
06-05	Saab F35.....	(2) 3543	
		Redi-Sleeve (2) 99138	
ENGINE			
CRANKSHAFT			
4 CYLINDER			
09-05	1998cc/2.0L (DOHC), 2198cc/2.2L (DOHC), 2384cc/2.4L (DOHC).....	710237	
		Redi-Sleeve 99354	
TIMING COVER			
4 CYLINDER			
09-05	2198cc/2.2L (DOHC).....	224020	
		Redi-Sleeve 99157	

(Acadian, LeMans, Vibe & Vibe AWD) **PONTIAC IMPORTS**

Year	Application	Seal	Bearing
WHEEL			
FRONT WHEEL			
2009	All (1.8L Eng.).....		510070
2009	All (2.4L Eng.).....		510063
08-03	All.....		510070
93-91	All.....		B-35
90-89	All (1.6L Eng.).....		B-35
90-89	All (2.0L Eng.).....		513113
1988	All.....		B-35
87-80	All.....	(Inner) 3357	A-4
		(Outer).....	A-1
REAR WHEEL			
08-03	Vibe (FWD) (ABS).....		Hub Assembly 512217
08-03	Vibe (FWD) (Exc. ABS).....		Hub Assembly 512218
93-88	All.....	(Inner) 4175	A-15
		(Outer).....	A-1
87-80	All.....	3348	C-5107-EV
AXLE			
REAR AXLE			
DIFFERENTIAL			
87-80	Spicer 26.....	(2)LM29749-LM29711	
PINION			
87-80	Spicer 26.....	(Inner) M88047-M88010	
		(Outer) 2440	M84548-M84510
		Redi-Sleeve 99177	

Year	Application	Seal	Bearing
CLUTCH			
PILOT			
4 CYLINDER			
87-80	98/1.6L.....		PB-652
			(H/D) PB-652-HD
86-81	1817cc/1.8L (Diesel).....		203-FF
RELEASE			
		Bearing Only	Bearing Assembly
4 CYLINDER			
09-03	1794cc/1.8L (DOHC), 1796cc/1.8L (DOHC), 1798cc/1.8L (DOHC).....		Ⓢ 614152
93-89	1598cc/1.6L (200mm Clutch).....		Ⓢ 614171
90-89	1998cc/2.0L (215mm Clutch).....		Ⓢ 614171
1988	1598cc/1.6L (200mm Clutch) (F13 Type Transaxle).....		Ⓢ 614172
1988	1598cc/1.6L (200mm Clutch) (F16 Type Transaxle).....		Ⓢ 614171
1987	98/1.6L.....		Ⓢ 614083
TRANSAXLE			
AUTOMATIC / 3 Speed			
TORQUE CONVERTER			
93-88	THM125C, 3T40.....	4072N	
OUTPUT SHAFT			
93-88	THM125C, 3T40.....	(2) 3543	
		Redi-Sleeve (2) 99139	

() Indicates Quantity Required Ⓢ Sealed Self-Aligning Bearing

PONTIAC IMPORTS (Acadian, LeMans, Vibe & Vibe AWD) (Cont.)

Year	Application	Seal	Bearing	Year	Application	Seal	Bearing
TRANSAXLE							
AUTOMATIC / 3 Speed (Cont.)				MANUAL / 6 Speed (Cont.)			
MANUAL SHAFT				OUTPUT SHAFT			
93-88	THM125C, 3T40	8792S		06-03	Aisin C60	(Left) 710109 (Right) 710110	
AUTOMATIC / 4 Speed				SHIFT SHAFT			
TORQUE CONVERTER				06-03 Aisin C60 1015N			
08-03	Aisin U240, A246	223830 Redi-Sleeve 99147		TRANSMISSION			
OUTPUT SHAFT				AUTOMATIC / 3 Speed			
08-03	Aisin U240, U341F	(2) 223540 Redi-Sleeve (2) 99139		FRONT PUMP			
06-03	Aisin A246	(Left) 710109 (Right) 710110		87-80	THM180C	6712NA Redi-Sleeve 99187	
TRANSFER SHAFT				1980 THM200 4950 Redi-Sleeve 99174			
06-03	Aisin A246	(2) 710416		EXTENSION HOUSING			
MANUAL SHAFT				87-80 THM200, THM180C 9613S (Seal & Bushing Kit) 5200			
08-03	Aisin U240, A246	221207 Redi-Sleeve 99049		MANUAL SHAFT			
AUTOMATIC / 5 Speed				87-80 THM200, THM180C 8792S			
TORQUE CONVERTER				AUTOMATIC / 4 Speed			
2009	Aisin U250	223830 Redi-Sleeve 99147		FRONT PUMP			
MANUAL SHAFT				84-81 THM200-4R 4950 Redi-Sleeve 99174			
2009	Aisin U250	221207 Redi-Sleeve 99049		EXTENSION HOUSING			
MANUAL / 4 Speed				84-81 THM200-4R 9613S (Seal & Bushing Kit) 5200			
DIFFERENTIAL				MANUAL SHAFT			
93-88	Getrag F13, F16	(2)A-18		84-81 THM200-4R 8792S			
OUTPUT SHAFT				MANUAL / 5 Speed			
93-88	Getrag F13, F16	(2) 3543 Redi-Sleeve (2) 99139		DRIVESHAFT / INPUT			
MANUAL / 5 Speed				87-82 Borg-Warner T5 7412S A-5 Redi-Sleeve 99125 FA-55505 (Thrust) FA-55505			
DIFFERENTIAL				87-80 Opel Design (70mm) 483488 206-SL			
93-89	Getrag F16	(2)A-18		86-81	Isuzu MSG5K	1990 § 208-LO Redi-Sleeve 99106	
1988	Getrag F13	(2)A-18		MAINSHAFT / OUTPUT			
INPUT SHAFT				87-82 Borg-Warner T5 9613S 25877-25821 (Seal & Bushing Kit) 5200			
09-03	C59	320603 101-SS Redi-Sleeve 99098		87-80	Opel Design (70mm)	9613S 206-L (Seal & Bushing Kit) 5200	
OUTPUT SHAFT				86-81 Isuzu MSG5K 1987			
09-03	C59	(Left) 710109 (Right) 710110		MAINSHAFT PILOT			
93-89	Getrag F16	(2) 3543 Redi-Sleeve (2) 99139		87-82 Borg-Warner T5 (15)QBR-23549			
1988	Getrag F13	(2) 3543 Redi-Sleeve (2) 99139		COUNTERSHAFT			
SHIFT SHAFT				87-82 Borg-Warner T5 (Rear) 5707 (Thrust) NTA-1423			
09-03	C59	1015N		86-81	Isuzu MSG5K (Center)	5205-KLE (Rear) 204	
MANUAL / 6 Speed				STEERING			
INPUT SHAFT				POWER STEERING			
06-03	Aisin C60	320603 101-SS Redi-Sleeve 99098		STEERING GEAR HOUSING			
				87-80 All (Adj. Plug) DB-53313			

(Cont.) (Acadian, LeMans, Vibe & Vibe AWD) **PONTIAC IMPORTS**

Year	Application	Seal	Bearing
STEERING			
POWER STEERING (Cont.)			
STEERING GEAR WORM SHAFT			
87-80	All.....	222025	
STEERING GEAR PITMAN SHAFT			
87-80	All.....	(Kit) <input checked="" type="checkbox"/> PSK-1	
STEERING PUMP SHAFT			
93-88	All.....		203-FF
87-80	All.....	7013S	
AIR CONDITIONING			
COMPRESSOR			
CLUTCH PULLEY			
93-88	Harrison V-5.....		907257
87-80	Harrison R-4.....		907257
1980	Harrison A-6.....		907257
FRONT HEAD MAIN			
87-80	Harrison R-4.....		S-128
1980	Harrison A-6.....		SCE-108
ELECTRICAL			
ALTERNATOR			
DRIVE END			
93-88	Bosch 55, 65 Amp.....		203-FF
87-80	AC-Delco.....		203-FF
REAR END			
93-88	Bosch 55, 65 Amp.....		201-CC
87-80	AC-Delco.....		MNJ-471-S
ENGINE			
CAMSHAFT			
4 CYLINDER			
93-88	1598cc/1.6L, 1998cc/2.0L.....	1108	
		Redi-Sleeve 99139	
(Continued Next Column)			

Year	Application	Seal	Bearing
CAMSHAFT (Cont.)			
4 CYLINDER			
87-80	98/1.6L.....	6936S	
		Redi-Sleeve 99176	
CRANKSHAFT			
4 CYLINDER			
08-03	1794cc/1.8L (DOHC).....	710465	
		Redi-Sleeve 99291	
06-03	1796cc/1.8L (DOHC).....	716102	
		Redi-Sleeve 99333	
93-88	1598cc/1.6L.....	228008	
		Redi-Sleeve 99315	
90-89	1998cc/2.0L.....	710237	
		Redi-Sleeve 99354	
87-80	98/1.6L.....	3698	
		PTFE Rubber 5290	
86-81	1817cc/1.8L (Diesel).....	717005	
		Redi-Sleeve 99364	
TIMING COVER			
4 CYLINDER			
08-03	1794cc/1.8L (DOHC), 1796cc/1.8L (DOHC).....	223800	
		Redi-Sleeve 99147	
93-88	1598cc/1.6L.....	710399	
		Redi-Sleeve 99166	
90-89	1998cc/2.0L.....	710164	
		Redi-Sleeve 99128	
87-80	98/1.6L.....	9845	
		Redi-Sleeve 99176	
		Harmonic Bal Sleeve 88176	
		Harmonic Bal Kit <input checked="" type="checkbox"/> 5000	
86-81	1817cc/1.8L (Diesel).....	224025	
		Redi-Sleeve 99157	

CANADIAN MODELS - PONTIAC IMPORTS
(Firefly, G3 Wave, Optima, Sunburst & Wave)

WHEEL			
FRONT WHEEL			
09-05	All.....		B-35
00-95	All.....	(Inner) 710394	510001
		(Outer) 710175	
94-89	Firefly.....	(Inner) 4904	510001
		(Outer) 710175	
1991	Optima.....		B-35
90-89	Optima (1.6L Eng.).....		B-35
90-89	Optima (2.0L Eng.).....		513113
89-85	Sunburst (Exc. Turbo Eng.) (Exc. H/D Suspension)		
		(Inner) 710098	B-35
(Continued Next Column)			

FRONT WHEEL (Cont.)			
89-85	Sunburst (Turbo Eng.) (H/D Suspension).....	(Inner) 710098	517006
1988	Optima.....		B-35
88-87	Firefly (Exc. Turbo Eng.)	(Inner) 224462	107-DD
		(Outer) 710175	107-DD
88-87	Firefly (Turbo Eng.)	(Inner) 4904	510001
		(Outer) 710175	
86-85	Firefly.....	(Inner) 224462	107-DD
		(Outer) 710175	107-DD

Refer To Front Of Catalog For Kit Contents

PONTIAC IMPORTS - CANADIAN MODELS

(Firefly, G3 Wave, Optima, Sunburst & Wave) (Cont.)

Year	Application	Seal	Bearing	Year	Application	Seal	Bearing
WHEEL				AUTOMATIC / 3 Speed (Cont.)			
REAR WHEEL				TORQUE CONVERTER			
00-95	All (Exc. ABS)			00-85	Aisin A210	223830	
	(Inner)		205-F		Redi-Sleeve	99147	
	(Outer)		204-F	91-88	THM125C, 3T40	4072N	
94-92	All	Hub Assembly	512182	89-85	Jatco F3A	710078	
91-89	Optima	(Inner)	4175		Redi-Sleeve	99177	
		(Outer)	A-1	OUTPUT SHAFT			
91-85	Firefly	(Inner)	205-F	00-85	Aisin A210	(2) 223540	
		(Outer)	204-F		Redi-Sleeve (2)	99139	
89-85	Sunburst	(Inner)	710309	91-88	THM125C, 3T40	(2) 3543	
		(Outer)	A-1		Redi-Sleeve (2)	99139	
				89-85	Jatco F3A	(2) 223542	
CLUTCH						Redi-Sleeve (2)	99139
PILOT				MANUAL SHAFT			
3 CYLINDER				00-85	Aisin A210	710116	
00-85	993cc/1.0L, 993cc/1.0L (Turbo)		200-CC	91-88	THM125C, 3T40	8792S	
4 CYLINDER				MANUAL / 4 Speed			
00-92	1324cc/1.3L, 1324cc/1.3L		200-CC	DIFFERENTIAL			
RELEASE				OUTPUT SHAFT			
		Bearing Only	Bearing Assembly	91-88	Getrag F13, F16		(2)A-18
3 CYLINDER				MANUAL / 5 Speed			
00-89	993cc/1.0L (170mm Clutch)		Ⓞ 614082	DIFFERENTIAL			
91-89	993cc/1.0L (Turbo) (190mm Clutch)		Ⓞ 614082	09-05	Getrag D16		(2)A-18
88-87	993cc/1.0L (Turbo) (190mm Clutch)		Ⓞ 614050	00-89	Suzuki MV2, M42, M58		
88-85	993cc/1.0L (160mm Clutch)		Ⓞ 614050		(Left)		207
4 CYLINDER					(Right)		107
00-92	1324cc/1.3L, 1324cc/1.3L (190mm Clutch)		Ⓞ 614082	91-89	Getrag F16		(2)A-18
91-89	1598cc/1.6L (200mm Clutch)		Ⓞ 614171	89-85	Isuzu MFD5M		(2)32008
91-89	1998cc/2.0L (215mm Clutch)		Ⓞ 614171	1988	Getrag F13		(2)A-18
89-85	1471cc/1.5L, 1471cc/1.5L (Turbo) (184mm Clutch)		Ⓞ 614108	88-86	Suzuki MV2		(2)207-S
1988	1598cc/1.6L, 1998cc/2.0L (200mm Clutch) (F13 Type Transaxle)		Ⓞ 614172	INPUT SHAFT			
1988	1598cc/1.6L, 1998cc/2.0L (200mm Clutch) (F16 Type Transaxle)		Ⓞ 614171	00-89	Suzuki MV2, M42, M58		
DRIVESHAFT					(Right)	222030	204
CV JOINT HALF SHAFT					Redi-Sleeve	99078	
1997	Firefly (MTX)		511014	89-85	Isuzu MFD5M	222835	
1996	Firefly	710505	511014		(Front)		32206
1995	Firefly (1st Design)				(Rear)		30306
	(Left)	710286		88-86	Suzuki MV2	(Left)	32204
	(Right)	710287			(Right)	222030	32004
1995	Firefly (2nd Design)	710505	511014		Redi-Sleeve	99078	
94-92	Firefly	(Left)	710286	OUTPUT SHAFT			
		(Right)	710287	00-89	Suzuki MV2, M42, M58		
TRANSAXLE					(Left)	223552	
AUTOMATIC / 3 Speed					Redi-Sleeve	99139	
DIFFERENTIAL					(Right)	223535	
00-92	Aisin A210		(2)207		Redi-Sleeve	99139	
91-87	Aisin A210 (Exc. Turbo Eng.)		(2)207-S	91-89	Getrag F16	(2) 3543	
91-87	Aisin A210 (Turbo Eng.)		(2)207		Redi-Sleeve (2)	99139	
89-85	Jatco F3A		(2)32008	89-85	Isuzu MFD5M	(Left)	3543
86-85	Aisin A210		(2)207-S		Redi-Sleeve	99139	A-5
					(Right)	3543	32206
					Redi-Sleeve	99139	
				1988	Getrag F13	(2) 3543	
					Redi-Sleeve (2)	99139	
				88-86	Suzuki MV2	(Left)	223552
					Redi-Sleeve	99139	

CANADIAN MODELS - PONTIAC IMPORTS

(Cont.) (Firefly, G3 Wave, Optima, Sunburst & Wave)

Year	Application	Seal	Bearing	Year	Application	Seal	Bearing
TRANSAXLE				CAMSHAFT (Cont.)			
MANUAL / 5 Speed (Cont.)				4 CYLINDER			
COUNTERSHAFT				91-88 1598cc/1.6L, 1998cc/2.0L 1108			
00-89 Suzuki MV2, M42, M58				Redi-Sleeve 99139			
(Left) 32004				89-85 1471cc/1.5L, 1471cc/1.5L			
88-86 Suzuki MV2..... (Left) 32204				(Turbo)..... 710308			
(Right) 32005-X				Redi-Sleeve 99157			
SHIFT SHAFT				CRANKSHAFT			
89-85 Isuzu MFD5M 3667				3 CYLINDER			
				00-85 993cc/1.0L, 993cc/1.0L			
				(Turbo)..... 710334			
STEERING				4 CYLINDER			
POWER STEERING				09-05 1598cc/1.6L (DOHC)..... 228008			
STEERING PUMP SHAFT				Redi-Sleeve 99315			
91-88 Optima..... 203-FF				00-92 1324cc/1.3L, 1324cc/1.3L 710334			
				91-88 1598cc/1.6L 228008			
				Redi-Sleeve 99315			
AIR CONDITIONING				91-88 1998cc/2.0L 710237			
COMPRESSOR				Redi-Sleeve 99354			
CLUTCH PULLEY				89-85 1471cc/1.5L, 1471cc/1.5L			
92-89 Nippondenso 10P08..... 5000-KFF				(Turbo)..... 228700			
91-88 Harrison V-5..... 907257							
ELECTRICAL				OIL PUMP			
ALTERNATOR				4 CYLINDER			
DRIVE END				89-85 1471cc/1.5L, 1471cc/1.5L			
97-85 Nippondenso 45, 50 Amp. 302-CC				(Turbo)..... 224020			
91-88 Bosch 55, 65 Amp. 203-FF				Redi-Sleeve 99157			
REAR END				TIMING COVER			
91-88 Bosch 55, 65 Amp. 201-CC				3 CYLINDER			
88-85 Nippondenso 45, 50 Amp. 201-CC				00-85 993cc/1.0L, 993cc/1.0L			
				(Turbo)..... 710310			
				Redi-Sleeve 99128			
ENGINE				4 CYLINDER			
CAMSHAFT				09-05 1598cc/1.6L (DOHC)..... 710399			
3 CYLINDER				Redi-Sleeve 99166			
00-85 993cc/1.0L, 993cc/1.0L				00-92 1324cc/1.3L, 1324cc/1.3L 710310			
(Turbo)..... 710310				Redi-Sleeve 99128			
Redi-Sleeve 99128				91-88 1598cc/1.6L 710399			
				Redi-Sleeve 99166			
				91-88 1998cc/2.0L 710164			
				Redi-Sleeve 99128			
				89-85 1471cc/1.5L, 1471cc/1.5L			
				(Turbo)..... 223220			
				Redi-Sleeve 99128			

(Sunrunner) CANADIAN MODELS - PONTIAC IMPORT TRUCK

WHEEL				FRONT WHEEL (4WD)			
FRONT WHEEL (2WD)				97-94 All..... (Inner) 710240 517009			
97-94 All..... (Inner) 710240 517009				(Outer) 710239			
(Outer) 710239				REAR WHEEL			
				97-94 All (Exc. ABS)			
				(Inner) 224820 511004			
				(Outer) 710193			

PONTIAC IMPORT TRUCK - CANADIAN MODELS (Sunrunner) (Cont.)

Year	Application	Seal	Bearing	Year	Application	Seal	Bearing
AXLE							
FRONT AXLE				AUTOMATIC / 3 Speed (Cont.)			
AXLE SHAFT				EXTENSION HOUSING			
97-94	Suzuki SK-F	223553	206-FF	95-94	3L30	710343	
DIFFERENTIAL				MANUAL SHAFT			
97-94	Suzuki SK-F		■ (2)KC-11445-Y	95-94	3L30	8792S	
PINION				AUTOMATIC / 4 Speed			
97-94	Suzuki SK-F	(Inner)	30307	FRONT PUMP			
		(Outer)	710523 30306	97-94	Aisin 03-72	223830	
STEERING KNUCKLE						Redi-Sleeve 99147	
97-94	Suzuki SK-F	(Inner)	710255	EXTENSION HOUSING			
		(Outer)	710256	97-94	Aisin 03-72	223605	
REAR AXLE				MANUAL / 5 Speed			
DIFFERENTIAL				DRIVESHAFT / INPUT			
97-94	Suzuki SK-R		■ (2)KC-11445-Y	97-94	Suzuki MM5, M59	222535	RW-122
PINION						Redi-Sleeve 99098	
97-94	Suzuki SK-R	(Inner)	30307	MAINSHAFT / OUTPUT			
		(Outer)	710523 30306	97-94	Suzuki MM5, M59	222580	
						Redi-Sleeve 99098	
						(Front)	306-L
						(Rear)	305
CLUTCH				COUNTERSHAFT			
PILOT				97-94	Suzuki MM5, M59		
4 CYLINDER						(Center)	M-1205-EL
97-94	1590cc/1.6L, 1590cc/1.6L		200-CC			(Rear)	304
RELEASE							
		Bearing Only	Bearing Assembly	STEERING			
4 CYLINDER				POWER STEERING			
97-94	1590cc/1.6L (215mm Clutch)		Ⓢ 614056	STEERING PUMP SHAFT			
95-94	1590cc/1.6L (200mm Clutch)		Ⓢ 614056	97-94	All	221730	
TRANSFER CASE				ELECTRICAL			
FULL TIME / PART TIME				ALTERNATOR			
INPUT SHAFT				DRIVE END			
97-94	Suzuki G130	223540	207	97-94	Nippondenso		303-CC
		Redi-Sleeve 99139		ENGINE			
FRONT OUTPUT SHAFT				CAMSHAFT			
97-94	Suzuki G130	1213N	(2)RW-122	4 CYLINDER			
		Redi-Sleeve 99157		97-94	1590cc/1.6L, 1590cc/1.6L	710310	
REAR OUTPUT SHAFT						Redi-Sleeve 99128	
97-94	Suzuki G130	(Inner)	306-L	CRANKSHAFT			
		(Outer)	1213N RW-122	4 CYLINDER			
		Redi-Sleeve 99157		97-94	1590cc/1.6L, 1590cc/1.6L	710334	
TRANSMISSION				TIMING COVER			
AUTOMATIC / 3 Speed				4 CYLINDER			
FRONT PUMP				97-94	1590cc/1.6L, 1590cc/1.6L	710310	
95-94	3L30	6712NA				Redi-Sleeve 99128	
		Redi-Sleeve 99187					

MINIVAN/CROSSOVER/SPORT UTILITY - PONTIAC TRUCK

(Aztek, Aztek AWD, Montana, Montana AWD, Montana SV6, Montana SV6 AWD, Torrent & Trans Sport)

Year	Application	Seal	Bearing
WHEEL			
FRONT WHEEL (2WD)			
09-07	Torrent		Hub Assembly ☆ 513276
09-06	Montana SV6		Hub Assembly 513236
2006	Torrent (ABS)		Hub Assembly 513189
2006	Torrent (Exc. ABS)		Hub Assembly 513190
2005	Montana SV6		Hub Assembly ◆ 513199 Hub Assembly 513179
05-03	Aztek (ABS)		Hub Assembly 513187
05-03	Montana (ABS)		Hub Assembly 513179
05-03	Aztek, Montana (Exc. ABS)		Hub Assembly 513203
2002	Montana		Hub Assembly 513179
02-01	Aztek		Hub Assembly 513187
2001	Montana (1st Design) (Steel Sensor Wire Clip)		Hub Assembly 513121
2001	Montana (2nd Design) (Plastic Sensor Wire Clip)		Hub Assembly 513179 Hub Assembly 513121
00-97	All		Hub Assembly 513121
96-92	All		Hub Assembly 513087
91-90	All	(Kit) ☒ 5698	Hub Assembly 513016-K
FRONT WHEEL (4WD)			
09-07	All		Hub Assembly ☆ 513276
2006	Montana SV6 AWD		Hub Assembly 513236
2006	Torrent (ABS)		Hub Assembly 513189
2006	Torrent (Exc. ABS)		Hub Assembly 513190
2005	Montana SV6 AWD		Hub Assembly ◆ 513199 Hub Assembly 513179
05-01	Aztek AWD, Montana AWD		Hub Assembly 513187
REAR WHEEL			
09-07	Torrent		Hub Assembly ☆ 512358
09-06	Montana SV6 (3 Hole Triangular Flange)		Hub Assembly ◆ 512308 Hub Assembly 513197
09-06	Montana SV6 (4 Hole Rectangular Flange)		Hub Assembly 512309
2006	Montana SV6 AWD		Hub Assembly 513236
2006	Torrent (ABS)		Hub Assembly 512229
2006	Torrent (Exc. ABS)		Hub Assembly 512230
2005	Montana		Hub Assembly ◆ 512150 Hub Assembly ☆ 512357
2005	Montana SV6 (3 Hole Triangular Flange)		Hub Assembly 512246
2005	Montana SV6 (4 Hole Rectangular Flange)		Hub Assembly ◆ 512244 Hub Assembly ☆ 512357
2005	Montana SV6 AWD		Hub Assembly ◆ 513199 Hub Assembly 513179
05-03	Aztek (ABS)		Hub Assembly ◆ 512237 Hub Assembly ☆ 512357
05-03	Aztek (Exc. ABS)		Hub Assembly 512221
05-01	Aztek AWD, Montana AWD		Hub Assembly 513121
04-97	Montana, Trans Sport (Disc Brakes)		Hub Assembly ◆ 512150 Hub Assembly ☆ 512357
04-97	Montana, Trans Sport (Drum Brakes)		Hub Assembly ◆ 512078 Hub Assembly ☆ 512357
02-01	Aztek		Hub Assembly ◆ 512237 Hub Assembly ☆ 512357
96-92	All		Hub Assembly ◆ 512078
91-90	All		Hub Assembly ☆ 512357 Hub Assembly 513018

Year	Application	Seal	Bearing
AXLE			
REAR AXLE			
PINION			
07-06	Getrag 660	(Inner)	M88048-M88010
		(Outer)	M86649-M86610
TRANSFER CASE			
FULL TIME / PART TIME			
INPUT SHAFT			
09-01	New Process 900		LM503349A-LM503310
FRONT OUTPUT SHAFT			
09-01	New Process 900		32006
TRANSAXLE			
AUTOMATIC / 3 Speed			
TORQUE CONVERTER			
95-90	THM125C, 3T40		4072N
OUTPUT SHAFT			
95-90	THM125C, 3T40	(2)	3543
		Redi-Sleeve (2)	99139
MANUAL SHAFT			
95-90	THM125C, 3T40		8792S
AUTOMATIC / 4 Speed			
TORQUE CONVERTER			
05-99	4T65-E (Flanged Design)		4918
05-99	4T65-E (Non-Flanged Design)		4072N
98-92	4T60-E		4072N
OUTPUT SHAFT			
09-99	4T65-E	(Left)	100165
		Redi-Sleeve	99139
		(Right)	3543
		Redi-Sleeve	99139
98-92	4T60-E	(Left)	710096
		Redi-Sleeve	99139
		(Right)	3543
		Redi-Sleeve	99139
MANUAL SHAFT			
09-92	4T60-E, 4T65-E		8792S
AUTOMATIC / 5 Speed			
TORQUE CONVERTER			
09-06	AF33-5		222830
		Redi-Sleeve	99147
OUTPUT SHAFT			
09-06	AF33-5	(2)	4764
MANUAL SHAFT			
09-06	AF33-5		221207
		Redi-Sleeve	99049

() Indicates Quantity Required ☆ New Item, Check for Availability ◆ When Depleted Use Number Listed Directly Below ☒ Refer To Front Of Catalog For Kit Contents

PONTIAC TRUCK - MINIVAN/CROSSOVER/SPORT UTILITY

(Aztek, Aztek AWD, Montana, Montana AWD, Montana SV6, Montana SV6 AWD, Torrent & Trans Sport) (Cont.)

Year	Application	Seal	Bearing	Year	Application	Seal	Bearing
TRANSAXLE				ALTERNATOR (Cont.)			
AUTOMATIC / 6 Speed				REAR END			
TORQUE CONVERTER				99-92 AC-Delco 140 Amp. 100-CC4			
09-08	6T75	710561		ENGINE			
OUTPUT SHAFT				CRANKSHAFT			
09-08	6T75	(Left) 710546		6 CYLINDER			
		(Right) 710583		09-90 189/3.1L, 207/3.4L, 213/3.5L, 242/3.9L			
STEERING				PTFE Rubber 5273			
POWER STEERING				Viton® 4307V			
STEERING PUMP SHAFT				Redi-Sleeve 99298			
06-96	All	7013S		95-92 231/3.8L			
95-90	All (Saginaw Pump) (Integral Reservoir)		203-FF	PTFE Rubber 5291			
95-90	All (Saginaw Pump) (Remote Reservoir)	7013S		Redi-Sleeve 99328			
AIR CONDITIONING				TIMING COVER			
COMPRESSOR				6 CYLINDER			
CLUTCH PULLEY				09-90 189/3.1L, 207/3.4L, 213/3.5L, 242/3.9L			
05-90	Harrison V-5		907257	Redi-Sleeve 99176			
96-92	Harrison HR-6		907257	Harmonic Bal Sleeve 88176			
94-92	Harrison HR-6HE		907257	Harmonic Bal Kit <input checked="" type="checkbox"/> 5000			
ELECTRICAL				95-92 231/3.8L			
ALTERNATOR				Redi-Sleeve 99193			
DRIVE END				91-90 AC-Delco 56, 66, 78 Amp. 203-FF			

PORSCHE

(Boxster, Carrera GT, Cayman, 911 Carrera, 911 Carrera 2, 911 Carrera 4, 911 Turbo, 911 Turbo 4, 911SC, 924, 924S, 928, 928GT, 928GTS, 928S, 928S4, 944, 944S, 944S2 & 968)

WHEEL				FRONT WHEEL (Cont.)			
FRONT WHEEL				1986 928S (To Chassis No. 92GS860999) (Inner) 1012N A-17			
09-05	All		513180	(Outer) A-16			
04-01	Carrera GT, 911 Turbo 4		513180	86-80 911 Carrera, 911 Turbo, 911SC, 944 (Inner) 1012N A-6			
04-98	Boxster, 911 Carrera 2, 911 Carrera 4		513106	(Outer) A-2			
97-90	Boxster, 911 Carrera 2, 911 Carrera 4, 911 Turbo, 911 Turbo 4		513106	85-80 928, 928S (Inner) 1012N A-17			
95-87	928GT, 928GTS, 928S, 928S4, 944, 944S, 944S2, 968	(Inner) 1012N	A-17	(Outer) A-16			
		(Outer)	A-3	82-80 924 (4 Stud Hub)			
1989	911 Carrera 4		513106	(Inner) 1012N A-6			
89-87	911 Carrera, 911 Turbo, 924S	(Inner) 1012N	A-6	(Outer) A-2			
		(Outer)	A-2	82-80 924 (5 Stud Hub)			
1986	928S (From Chassis No. 92GS861000) (Inner)	1012N	A-17	(Inner) 1174 A-15			
		(Outer)	A-3	(Outer) A-1			
(Continued Next Column)				REAR WHEEL			
				09-06 911 Carrera 4 § 513136			
				09-05 Boxster, Cayman 513180			
				05-99 911 Carrera 4, 911 Turbo 4 § 513136			
				04-00 Boxster (2.5L Eng.) 513180			
				(Continued Next Page)			

PORSCHE

(Cont.) (Boxster, Carrera GT, Cayman, 911 Carrera, 911 Carrera 2, 911 Carrera 4, 911 Turbo, 911 Turbo 4, 911SC, 924, 924S, 928, 928GT, 928GTS, 928S, 928S4, 944, 944S, 944S2 & 968)

Year	Application	Seal	Bearing
WHEEL			
REAR WHEEL (Cont.)			
99-97	Boxster		513106
98-89	911 Carrera 2, 911 Carrera 4		\$ 513136
95-90	911 Turbo, 944, 944S2, 968		513180
89-80	911 Turbo	(Inner) LLM503349A-LM503310	
		(Outer) JLM104948-JLM104910	
89-80	911 Carrera, 911SC, 924S, 944, 944S, 944S2		513180
82-80	924	(Inner) 224462	206
		(Outer) MA-1206-EF	
AXLE			
FRONT AXLE			
DIFFERENTIAL			
05-90	Getrag 630	(Left)	30210
		(Right)	32010-X
PINION			
05-90	Getrag 630	(Inner)	M88048-M88010
		(Outer)	HM89449-HM89410
CLUTCH			
PILOT			
4 CYLINDER			
95-89	2990cc/3.0L (DOHC)		202-SS
8 CYLINDER			
95-80	4474cc/4.5L, 4670cc/4.7L, 4957cc/5.0L (DOHC), 5397cc/5.4L (DOHC)		202-SS
RELEASE			
		Bearing Only	Bearing Assembly
4 CYLINDER			
82-80	1984cc/2.0L (215mm Clutch)		Ⓢ 614015
TRANSAXLE			
AUTOMATIC / 3 Speed			
DIFFERENTIAL			
90-80	087	(2)LM300849-LM300811	
83-80	Sportomatic	(2)32010-X	
TORQUE CONVERTER			
90-80	087	3083	
		Redi-Sleeve 99169	
83-80	Sportomatic	224520	204
		Redi-Sleeve 99177	
OUTPUT SHAFT			
90-80	087	(2)224520	
		Redi-Sleeve (2)99177	
83-80	Sportomatic	(2)224560	
		Redi-Sleeve (2)99177	
PINION			
90-80	087	(Front) 222820	M88048-M88010
		Redi-Sleeve 99111	
		(Rear) 1012N	M86649-M86610
		Redi-Sleeve 99177	

Year	Application	Seal	Bearing
AUTOMATIC / 4 Speed			
DIFFERENTIAL			
95-91	ZF 4HP-18	(Left)	LM806649-LM806610
		(Right)	LM300849-LM300811
TORQUE CONVERTER			
98-88	ZF 4HP-22HL	224052	
		Redi-Sleeve 99157	
95-91	ZF 4HP-18	225110	
		Redi-Sleeve 99177	
AUTOMATIC / 5 Speed			
TORQUE CONVERTER			
09-96	ZF 5HP-19FL, 5HP-19HL, 5HP-19HLA	224510	
		Redi-Sleeve 99177	
OUTPUT SHAFT			
09-96	ZF 5HP-19FL, 5HP-19HL, 5HP-19HLA	(2)223510	
		Redi-Sleeve (2)99139	
MANUAL / 4 Speed			
DIFFERENTIAL			
88-80	930		(2)32010-X
OUTPUT SHAFT			
88-80	930	(2)224560	
		Redi-Sleeve (2)99177	
MANUAL / 5 Speed			
DIFFERENTIAL			
98-80	Getrag G28, G50, G64, G64/20, G64/21, G64/51	(2)32010-X	
91-80	Audi 016	(Left) A-35	
		(Right) LM300849-LM300811	
86-80	915, 923		(2)32010-X
INPUT SHAFT			
91-80	Audi 016	222540	
		Redi-Sleeve 99098	
OUTPUT SHAFT			
98-87	Getrag G50, G64, G64/20, G64/21, G64/51	(2)224560	
		Redi-Sleeve (2)99177	
91-80	Audi 016	(2)224520	
		Redi-Sleeve (2)99177	
91-80	Getrag G28	(2)224820	
		Redi-Sleeve (2)99189	
86-80	915, 923	(2)224560	
		Redi-Sleeve (2)99177	
MANUAL / 6 Speed			
DIFFERENTIAL			
09-97	Getrag 256, 466	(2)LM503349A-LM503310	
95-92	Getrag G44/00	(2)32010-X	
INPUT SHAFT			
09-97	Getrag 256	222820	
		Redi-Sleeve 99111	
OUTPUT SHAFT			
09-97	Getrag 256, 466	(2)224520	
		Redi-Sleeve (2)99177	
95-92	Getrag G44/00	(2)224560	
		Redi-Sleeve (2)99177	

() Indicates Quantity Required § Use Old Snap Ring Ⓢ Sealed Self-Aligning Bearing

PORSCHE

(Boxster, Carrera GT, Cayman, 911 Carrera, 911 Carrera 2, 911 Carrera 4, 911 Turbo, 911 Turbo 4, 911SC, 924, 924S, 928, 928GT, 928GTS, 928S, 928S4, 944, 944S, 944S2 & 968) (Cont.)

Year	Application	Seal	Bearing	Year	Application	Seal	Bearing
AIR CONDITIONING				CRANKSHAFT (Cont.)			
COMPRESSOR				6 CYLINDER			
CLUTCH PULLEY				99-97 2480cc/2.5L (DOHC)..... 716102			
92-84	Nippondenso 10P15.....		5000-KFF			Redi-Sleeve 99333	
85-80	York Mini 206.....		206-FF	98-96	3608cc/3.6L	229010	
82-80	Nippondenso 6P134.....		5001-KFF			Redi-Sleeve 99354	
82-80	Sanden SD-507		5001-KFF	95-81	2994cc/3.0L, 3164cc/3.2L, 3299cc/3.3L (Turbo), 3608cc/3.6L, 3608cc/3.6L (Turbo).....	229010	
ELECTRICAL						Redi-Sleeve 99354	
ALTERNATOR				1980	2994cc/3.0L	229010	
DRIVE END						Redi-Sleeve 99354	
82-80	Bosch 75 Amp.....		200-CC	8 CYLINDER			
REAR END				95-80	4474cc/4.5L, 4670cc/4.7L, 4957cc/5.0L (DOHC), 5397cc/5.4L (DOHC).....	229010	
82-80	Bosch 75 Amp.....		200-CC			Redi-Sleeve 99354	
ENGINE				INTERMEDIATE SHAFT			
CAMSHAFT				4 CYLINDER			
4 CYLINDER				90-83	2479cc/2.5L, 2479cc/2.5L (DOHC), 2479cc/2.5L (Turbo).....	223020	
95-86	2479cc/2.5L (DOHC), 2479cc/2.5L (Turbo), 2990cc/3.0L (DOHC).....	(2)	223020			Redi-Sleeve 99114	
						Redi-Sleeve (2) 99114	
89-83	2479cc/2.5L		223020	TIMING COVER			
				4 CYLINDER			
				90-83	2479cc/2.5L, 2479cc/2.5L (DOHC), 2479cc/2.5L (Turbo).....	223830	
82-80	1984cc/2.0L, 1984cc/2.0L (Turbo).....		3476			Redi-Sleeve 99147	
				82-80	1984cc/2.0L, 1984cc/2.0L (Turbo).....	710331	
						Redi-Sleeve 99139	
8 CYLINDER				6 CYLINDER			
95-85	4957cc/5.0L (DOHC), 5397cc/5.4L (DOHC).....	(2)	223020	09-06	2687cc/2.7L (DOHC), 3387cc/3.4L (DOHC), 3596cc/3.6L (DOHC), 3824cc/3.8L (DOHC).....	710196	
						Redi-Sleeve 99157	
84-80	4474cc/4.5L, 4670cc/4.7L		223020	05-97	2480cc/2.5L (DOHC), 2687cc/2.7L (DOHC), 3596cc/3.6L (DOHC), 3824cc/3.8L (DOHC).....	710196	
						Redi-Sleeve 99157	
CRANKSHAFT				93-81	3164cc/3.2L, 3299cc/3.3L (Turbo).....	226020	
4 CYLINDER						Redi-Sleeve 99235	
95-83	2479cc/2.5L, 2479cc/2.5L (DOHC), 2479cc/2.5L (Turbo), 2990cc/3.0L (DOHC).....		229010	83-80	2994cc/3.0L	223050	
						Redi-Sleeve 99114	
						Redi-Sleeve 99354	
6 CYLINDER				(Continued Next Column)			
02-01	3608cc/3.6L (DOHC-Turbo)....		229010				

PORSCHE TRUCK - SPORT UTILITY (Cayenne)

WHEEL				REAR WHEEL			
FRONT WHEEL				09-03	All.....		510082
09-03	All.....		510082				

(GT) CANADIAN MODEL - PUMA

Year	Application	Seal	Bearing	Year	Application	Seal	Bearing
WHEEL				MANUAL / 4 Speed (Cont.)			
FRONT WHEEL				INPUT SHAFT			
82-81	All.....	(Inner) 1217	A-15	82-81	VW 002.....	222050	
		(Outer)	A-1			Redi-Sleeve 99085	
REAR WHEEL				ELECTRICAL			
82-81	All.....	(Inner) 1012N	206	ALTERNATOR			
		(Outer)	MA-1206-EF	DRIVE END			
CLUTCH				82-81 Bosch 30 Amp..... 201-S			
RELEASE		Bearing Only	Bearing Assembly	REAR END			
4 CYLINDER				82-81 Bosch 30 Amp..... 202-SS			
82-81	1584cc/1.6L (200mm Clutch).....		VW-1339-C	ENGINE			
TRANSAXLE				CRANKSHAFT			
MANUAL / 4 Speed				4 CYLINDER			
DIFFERENTIAL				82-81 1584cc/1.6L..... 227040			
82-81	VW 002.....	(2)LM300849-LM300811				Redi-Sleeve 99272	

(Alliance, Encore, Fuego, GTA, Le'Car, Medallion, Sportwagon & 18i) **RENAULT**

WHEEL				AUTOMATIC / 3 Speed (Cont.)			
FRONT WHEEL				TORQUE CONVERTER			
89-88	All.....		513144-K	89-83	MB1, MB3, MJ3.....	224266	
86-83	Fuego, Sportwagon, 18i.....		513144-K			Redi-Sleeve 99169	
1982	Fuego.....		513144-K	83-81	4139.....	716484	
REAR WHEEL						Redi-Sleeve 99189	
87-83	Alliance, Encore, GTA.....		513001	INPUT SHAFT			
85-80	Le'Car.....	(Inner)	32005	83-81	4139.....		306
		(Outer)	32004	MANUAL / 4 Speed			
1983	Fuego (1st Design)	(Inner)	30205	DIFFERENTIAL			
		(Outer)	30204	84-80	354.....		(2)30207
1983	18i.....	(Inner)	30205	INPUT SHAFT			
		(Outer)	30204	84-80	354.....	221710	
82-81	Fuego, 18i.....	(Inner)	30205			Redi-Sleeve 99068	
		(Outer)	30204	OUTPUT SHAFT			
CLUTCH				84-80	354.....	(2) 710197	
PILOT						Redi-Sleeve (2) 99146	
4 CYLINDER				COUNTERSHAFT			
89-88	2165cc/2.2L.....		203-FF	1981	352.....	(Front)	30203
86-81	1565cc/1.6L (Turbo), 1647cc/1.6L, 2165cc/2.2L.....		203-FF			(Rear)	32304
TRANSAXLE				MANUAL / 5 Speed			
AUTOMATIC / 3 Speed				DIFFERENTIAL			
DIFFERENTIAL				89-88	NG3.....	(Left)	30207
89-88	MJ3.....	(2)30207		86-81	NG0, NG1, NG3 ..	(Left)	30207
86-81	MJ3, 4139.....	(2)30207		COUNTERSHAFT			
				83-81	NG0.....	(Rear)	30205

() Indicates Quantity Required

RENAULT (Alliance, Encore, Fuego, GTA, Le'Car, Medallion, Sportwagon & 18i) (Cont.)

Year	Application	Seal	Bearing
STEERING			
POWER STEERING			
STEERING PUMP SHAFT			
89-84	Alliance, Encore, Fuego, GTA, Medallion, Sportwagon (Saginaw Pump)	7013S	
83-81	All (Saginaw Pump)	7013S	
AIR CONDITIONING			
COMPRESSOR			
CLUTCH PULLEY			
87-80	Sanden SD-508		5001-KFF
ELECTRICAL			
ALTERNATOR			
DRIVE END			
87-80	Ducellier 60, 70 Amp		204-FF
85-83	Ducellier 50 Amp		203-FF
83-81	S.E.V. Marchal		203-FF
REAR END			
87-83	Ducellier 60, 70 Amp		200-CC
85-83	Ducellier 50 Amp		200-CC
ENGINE			
CAMSHAFT			
4 CYLINDER			
89-88	2165cc/2.2L	1172	
		Redi-Sleeve 99139	

(Continued Next Column)

Year	Application	Seal	Bearing
CAMSHAFT (Cont.)			
4 CYLINDER			
87-80	1397cc/1.4L	223010	
		Redi-Sleeve 99114	
86-84	2165cc/2.2L	1172	
		Redi-Sleeve 99139	
85-82	1565cc/1.6L (Turbo)	223230	
		Redi-Sleeve 99128	
CRANKSHAFT			
4 CYLINDER			
89-88	2165cc/2.2L	229005	
		Redi-Sleeve 99354	
87-85	1721cc/1.7L, 1965cc/2.0L	716102	
		Redi-Sleeve 99333	
87-80	1397cc/1.4L, 1565cc/1.6L (Turbo), 1647cc/1.6L	228010	
		Redi-Sleeve 99315	
86-84	2165cc/2.2L	229005	
		Redi-Sleeve 99354	
INTERMEDIATE SHAFT			
4 CYLINDER			
87-85	1721cc/1.7L, 1965cc/2.0L	223005	
		Redi-Sleeve 99114	
TIMING COVER			
4 CYLINDER			
87-80	1397cc/1.4L	3771	
		Redi-Sleeve 99139	
85-81	1565cc/1.6L (Turbo), 1647cc/1.6L	224520	
		Redi-Sleeve 99177	

ROLLS ROYCE

(Camargue, Corniche, Flying Spur, Park Ward, Phantom, Silver Dawn, Silver Seraph, Silver Shadow, Silver Spirit, Silver Spirit Sedan, Silver Spur, Silver Wraith & Touring Limousine)

WHEEL			
FRONT WHEEL			
98-80	All	(Inner) LM29749-LM29710	
		(Outer) A-4	
REAR WHEEL			
98-80	All	(Inner) 18790-18720	
		(Outer) 18690-18620	
AXLE			
REAR AXLE			
DIFFERENTIAL			
98-80	All	(Left) 29590-29520	
		(Right) 368A-362A	
PINION			
98-80	All	(Inner) HM903249-HM903210	
		(Outer) HM88649-HM88610	

TRANSMISSION			
AUTOMATIC / 3 Speed			
FRONT PUMP			
90-80	GMC THM400	6712NA	
		Redi-Sleeve 99187	
EXTENSION HOUSING			
90-85	GMC THM400	9449	109
		(Seal & Bushing Kit) 5208	
84-80	GMC THM400	9449	
		(Seal & Bushing Kit) 5208	
MANUAL SHAFT			
90-80	GMC THM400	8792S	
AUTOMATIC / 4 Speed			
FRONT PUMP			
02-00	GMC 4L80-E	714598	
		Redi-Sleeve 99199	

(Continued Next Page)

ROLLS ROYCE

(Cont.) (Camargue, Corniche, Flying Spur, Park Ward, Phantom, Silver Dawn, Silver Seraph, Silver Shadow, Silver Spirit, Silver Spirit Sedan, Silver Spur, Silver Wraith & Touring Limousine)

Year	Application	Seal	Bearing	Year	Application	Seal	Bearing
TRANSMISSION				AUTOMATIC / 4 Speed (Cont.)			
FRONT PUMP				MANUAL SHAFT			
98-91	GMC 4L80-E.....	4598		98-91	GMC 4L80-E.....	8792S	
	<i>Redi-Sleeve</i>	99199		AUTOMATIC / 5 Speed			
OUTPUT SHAFT				FRONT PUMP			
02-00	GMC 4L80-E.....	4934		02-99	ZF 5HP-30	224052	
98-91	GMC 4L80-E.....	4934			<i>Redi-Sleeve</i>	99157	
EXTENSION HOUSING				AUTOMATIC / 6 Speed			
02-01	GMC 4L80-E.....	9449		FRONT PUMP			
	<i>(Seal & Bushing Kit)</i>	5208		09-04	ZF 6HP-32	224510	
2000	GMC 4L80-E.....	9449	109		<i>Redi-Sleeve</i>	99177	
	<i>(Seal & Bushing Kit)</i>	5208		AIR CONDITIONING			
98-91	GMC 4L80-E.....	9449	109	COMPRESSOR			
	<i>(Seal & Bushing Kit)</i>	5208		CLUTCH PULLEY			
MANUAL SHAFT				84-80	Harrison A-6		907257
02-00	GMC 4L80-E.....	8792S					
	<i>(Continued Next Column)</i>						

(100, 105, 2000, 3000, 3500, 60, 75, 80 & 90) ROVER

WHEEL		
FRONT WHEEL		
82-80	All.....	(Inner) A-6 (Outer) A-2
REAR WHEEL		
82-80	All.....	(Inner) 223535 (Outer) 224100
AXLE		
REAR AXLE		
DIFFERENTIAL		
82-80	3500	(2)LM29749-LM29710
PINION		
82-80	3500	(Outer) HM88649-HM88610
CLUTCH		
RELEASE		
		<i>Bearing Only</i> <i>Bearing Assembly</i>
8 CYLINDER		
82-80	3528cc/3.5L (240mm Clutch) ..	TR-1716.....
DRIVESHAFT		
CENTER SUPPORT		
		<i>Bearing</i> <i>Bearing & Support</i>
82-80	All.....	88506

TRANSMISSION		
AUTOMATIC / 3 Speed		
FRONT PUMP		
82-80	Borg-Warner T65	480479H
	<i>Redi-Sleeve</i>	99168
MANUAL / 5 Speed		
DRIVESHAFT / INPUT		
82-80	CL	15123-15245
MAINSHAFT / OUTPUT		
82-80	CL.....	(Inner) A-1 (Outer) A-6
COUNTERSHAFT		
82-80	CL.....	(2)A-4
ENGINE		
CRANKSHAFT		
8 CYLINDER		
82-80	3528cc/3.5L	(Split Seal) 5591

() Indicates Quantity Required

ROVER TRUCK - CROSSOVER/SPORT UTILITY

(Defender 110, Defender 90, Discovery, Freelander, LR2, LR3, Range Rover & Range Rover Sport)

Year	Application	Seal	Bearing	Year	Application	Seal	Bearing
WHEEL				TRANSMISSION			
FRONT WHEEL (4WD)				AUTOMATIC / 3 Speed			
09-05	LR3, Range Rover Sport.....	Hub Assembly	515067	FRONT PUMP			
09-03	Range Rover.....		510082	86-80	Chrysler A727.....	331227H	
05-02	Freelander.....		510087			Redi-Sleeve	99187
99-95	Defender 90, Discovery			EXTENSION HOUSING			
	(Inner).....		A-37	86-80	Chrysler A727.....	472164	
	(Outer).....		A-37	CLUTCH CAM			
94-80	All.....		A-37	86-80	Chrysler A727.....	(12)W-585-Q	
	(Inner).....		A-37	AUTOMATIC / 4 Speed			
	(Outer).....		A-37	FRONT PUMP			
REAR WHEEL				04-87	ZF 4HP-22, 4HP-24.....	224052	
09-08	LR2.....		510087			Redi-Sleeve	99157
09-03	Range Rover.....		510082	EXTENSION HOUSING			
05-02	Freelander.....		510087	04-89	ZF 4HP-22, 4HP-24.....	710140	
99-95	Defender 90, Discovery			88-87	ZF 4HP-22.....	3459	
	(Inner).....		A-37	AUTOMATIC / 5 Speed			
	(Outer).....		A-37	FRONT PUMP			
94-80	All.....		A-37	05-03	GMC 5L40-E.....	* 710559	
	(Inner).....		A-37	MANUAL SHAFT			
	(Outer).....		A-37	05-03	GMC 5L40-E.....	8792S	
AXLE				AUTOMATIC / 6 Speed			
FRONT AXLE				FRONT PUMP			
DIFFERENTIAL				09-05	ZF 6HP-26X.....	224510	
04-82	Salisbury 8HS.....	(2)A-35				Redi-Sleeve	99177
81-80	Salisbury 8HS.....	(2)2788-2729X		AIR CONDITIONING			
PINION				COMPRESSOR			
04-80	Salisbury 8HS...(Outer).....	HM801346X-HM801310		CLUTCH PULLEY			
STEERING KNUCKLE				95-89	Sanden SD-709.....	5001-KFF	
04-80	Salisbury 8HS.....	(2)11590-11520		ENGINE			
REAR AXLE				CRANKSHAFT			
DIFFERENTIAL				6 CYLINDER			
04-82	Salisbury 8HA.....	(2)A-35		08-05	244/4.0L.....	3393	
81-80	Salisbury 8HA.....	(2)2788-2729X				PTFE Rubber	5288
PINION						Redi-Sleeve	99237
04-80	Salisbury 8HA...(Outer).....	HM801346X-HM801310		8 CYLINDER			
TRANSFER CASE				05-03	4398cc/4.4L (DOHC).....	231003	
FULL TIME / PART TIME						Redi-Sleeve	99393
FRONT OUTPUT SHAFT				88-80	3528cc/3.5L.....	(Split Seal) 5591	
88-80	LT230.....	JLM506849-JLM506810		TIMING COVER			
REAR OUTPUT SHAFT				8 CYLINDER			
88-80	LT230.....	(Front) JLM104948-JLM104910		05-03	4398cc/4.4L (DOHC).....	716484	
		(Rear).....	207			Redi-Sleeve	99189
TRANSAXLE				AUTOMATIC / 5 Speed			
TORQUE CONVERTER				MANUAL SHAFT			
05-02	Jatco JF506EL.....	710442		05-02	Jatco JF506EL.....	221207	
MANUAL SHAFT						Redi-Sleeve	99049
05-02	Jatco JF506EL.....	221207					
		Redi-Sleeve	99049				

(9-2X, 9-3, 9-3 AWD, 9-5, 900, 9000 & 99) **SAAB**

Year	Application	Seal	Bearing
WHEEL			
FRONT WHEEL			
09-04	9-3, 9-3 AWD		Hub Assembly 513191
09-02	9-5		Hub Assembly 513192
06-05	9-2X	(Inner) 710464	517008
		(Outer) 710463	
2003	9-3 (Convertible)		510052
2003	9-3 (Sedan)		Hub Assembly 513191
2002	9-3		510052
01-94	9-3, 9-5, 900		510052
98-90	9000		Hub Assembly 513126
93-81	900		513106
89-86	9000		Hub Assembly 513127
REAR WHEEL			
09-04	9-3, 9-3 AWD		Hub Assembly 512307
09-99	9-5		Hub Assembly 512232
2006	9-2X (2.5i)	(Inner) 710529	513248
		(Outer) 710226	
06-05	9-2X (Aero)	(Inner) 710463	516003
		(Outer) 710464	
2005	9-2X (Linear)	(Inner) 710529	513248
		(Outer) 710226	
2003	9-3 (Convertible)		Hub Assembly 512145
2003	9-3 (Sedan)		Hub Assembly 512307
02-99	9-3		Hub Assembly 512145
98-94	900		Hub Assembly 512145
87-82	900		Hub Assembly * 512147
81-80	All	(Inner)	A-17
		(Outer)	A-16
AXLE			
REAR AXLE			
DIFFERENTIAL			
06-05	Subaru R180		(2)30208
06-05	9-2X (Exc. Posi-Trac)		(2)32007
06-05	9-2X (Posi-Trac)	(2)223255	(2)30208
PINION			
06-05	Subaru R180	(Inner)	32307
		(Outer) 1173	32305
		Redi-Sleeve 99139	
06-05	9-2X (Exc. Posi-Trac)	(Inner)	32305
		(Outer)	32206
06-05	9-2X (Posi-Trac)	(Inner)	32305
		(Outer)	32306
CLUTCH			
PILOT			
4 CYLINDER			
06-05	1994cc/2.0L (DOHC-Turbo), 2457cc/2.5L		201-CC
98-80	1985cc/2.0L (DOHC), 1985cc/2.0L (DOHC-Turbo), 1985cc/2.0L, 1985cc/2.0L (Turbo), 2119cc/2.1L (DOHC), 2290cc/2.3L (DOHC), 2290cc/2.3L (DOHC-Turbo)		202-FF

Year	Application	Seal	Bearing
RELEASE			
		Bearing Only	Bearing Assembly
4 CYLINDER			
06-05	1994cc/2.0L (DOHC-Turbo), 2457cc/2.5L (225mm Clutch)		Ⓢ 614159
98-94	1985cc/2.0L (DOHC-Turbo) (228mm Clutch)		Ⓢ 614171
98-94	2290cc/2.3L (DOHC) (215mm Clutch)		Ⓢ 614171
98-94	2290cc/2.3L (DOHC-Turbo) (228mm Clutch)		614080
94-90	1985cc/2.0L (DOHC), 2290cc/2.3L (DOHC) (215mm Clutch)		614080
94-86	1985cc/2.0L (DOHC), 1985cc/2.0L, 2119cc/2.1L (DOHC) (203mm Clutch)		614080
93-86	1985cc/2.0L (DOHC-Turbo), 2290cc/2.3L (DOHC-Turbo) (228mm Clutch)		614080
89-86	1985cc/2.0L (DOHC), 1985cc/2.0L (DOHC-Turbo) (215mm Clutch)		614080
1985	1985cc/2.0L (203mm Clutch) (From Chassis No. F1005757)		614080
1985	1985cc/2.0L (DOHC-Turbo) (215mm Clutch) (From Chassis No. F1005757)		614080
6 CYLINDER			
95-94	2498cc/2.5L (DOHC) (228mm Clutch)		Ⓢ 614171
TRANSAXLE			
AUTOMATIC / 3 Speed			
DIFFERENTIAL			
93-80	Borg-Warner T35TB, T37TB		(2)A-35
TORQUE CONVERTER			
93-80	Borg-Warner T35TB, T37TB	480479H	
		Redi-Sleeve 99168	
OUTPUT SHAFT			
93-80	Borg-Warner T35TB, T37TB	(2) 223510	
		Redi-Sleeve (2) 99139	
TURBINE SHAFT			
93-80	Borg-Warner T35TB, T37TB		206
PINION			
93-80	Borg-Warner T35TB, T37TB	(Front) 483230V	A-35
		Redi-Sleeve 99162	
AUTOMATIC / 4 Speed			
DIFFERENTIAL			
06-05	Subaru TZ1A2		(2)30208
98-86	ZF 4HP-18Q	(Left) LM806649-LM806610	
		(Right) LM300849-LM300811	
TORQUE CONVERTER			
06-05	Subaru TZ1A2	225010	
		Redi-Sleeve 99196	
03-94	Aisin 50-40LE, 50-42LE	223830	
		Redi-Sleeve 99147	
OUTPUT SHAFT			
06-05	Subaru TZ1A2	(Left) ☆ 223051	
		Redi-Sleeve 99114	
		(Right) 223050	
		Redi-Sleeve 99114	
03-94	Aisin 50-40LE, 50-42LE	(2) 4764	
OIL PUMP			
06-05	Subaru TZ1A2	710265	

() Indicates Quantity Required ☆ New Item, Check for Availability * Not a Current Production Number, Check for Availability Ⓢ Sealed Self-Aligning Bearing

SAAB (9-2X, 9-3, 9-3 AWD, 9-5, 900, 9000 & 99) (Cont.)

Year	Application	Seal	Bearing
TRANSAXLE			
AUTOMATIC / 4 Speed (Cont.)			
MANUAL SHAFT			
03-94	Aisin 50-40LE, 50-42LE	221207	
		Redi-Sleeve 99049	
AUTOMATIC / 5 Speed			
TORQUE CONVERTER			
09-02	Aisin 55-50SN	222830	
		Redi-Sleeve 99147	
OUTPUT SHAFT			
09-02	Aisin 55-50SN	(2) 4764	
MANUAL SHAFT			
09-02	Aisin 55-50SN	221207	
		Redi-Sleeve 99049	
MANUAL / 4 Speed			
DIFFERENTIAL			
85-80	G34, GM34		(2)A-35
INPUT SHAFT			
1985	GM34	(Inner)	A-3
		(Outer)	203-S
84-80	G34	(Inner)	A-3
		(Outer)	352560 208-S
OUTPUT SHAFT			
1985	GM34	(Left)	223510
		Redi-Sleeve 99139	
		(Right)	223510 (2)M88048-M88010
		Redi-Sleeve 99139	
84-80	G34	(Left)	(2) 223510
		Redi-Sleeve (2) 99139	
		(Right)	223510 (2)M88048-M88010
		Redi-Sleeve 99139	
MANUAL / 5 Speed			
DIFFERENTIAL			
09-94	F25, F35		(2)32010-X
06-05	Subaru TY754		(2)30208
98-91	GM55	(Left)	A-35
		(Right)	LM300849
90-86	GM55	(Left)	A-35
		(Right)	LM300849-LM300811
90-80	G45, GM45		(2)A-35
INPUT SHAFT			
09-94	F25, F35	222630	A-4
		Redi-Sleeve 99103	
06-05	Subaru TY754	222558	
		Redi-Sleeve 99098	
98-86	GM55	(Inner)	A-4
		(Outer)	15101-15245
90-85	GM45	(Inner)	(2)M84548-M84510
		(Outer)	303
84-80	G45	(Inner)	(2)M84548-M84510
		(Outer)	352560 303
		Redi-Sleeve 99112	
OUTPUT SHAFT			
09-94	F25, F35	(2) 3543	
		Redi-Sleeve (2) 99138	
		(Continued Next Column)	

Year	Application	Seal	Bearing
MANUAL / 5 Speed (Cont.)			
OUTPUT SHAFT			
06-05	Subaru TY754	(Left) ☆ 223051	
		Redi-Sleeve 99114	
		(Right) 223050	
		Redi-Sleeve 99114	
98-86	GM55	(Left) 223510	
		Redi-Sleeve 99139	
		(Right) 223510	32008
		Redi-Sleeve 99139	
90-80	G45, GM45	(Left) 223510	208-S
		Redi-Sleeve 99139	
		(Right) 223510	(2)M88048-M88010
		Redi-Sleeve 99139	
STEERING			
POWER STEERING			
STEERING PUMP SHAFT			
89-81	All (Saginaw Pump)	7013S	
AIR CONDITIONING			
COMPRESSOR			
CLUTCH PULLEY			
93-86	Sanden SD-709		5001-KFF
88-86	Sanden SD-510		5001-KFF
88-80	Sanden SD-508		5001-KFF
83-80	Sanden SD-510		5001-KFF
ELECTRICAL			
ALTERNATOR			
DRIVE END			
97-84	Bosch 80 Amp		303-CC
85-81	Bosch 70 Amp		203-FF
1980	Bosch 55 Amp		203-S
1980	S.E.V. Marchal		203-FF
1980	S.E.V. Marchal 55 Amp		203-FF
REAR END			
85-81	Bosch 70 Amp		201-CC
1980	Bosch 55 Amp		201-S
1980	Bosch 65 Amp		201-S
1980	Motorola		201-S
ENGINE			
CAMSHAFT			
4 CYLINDER			
06-05	2457cc/2.5L, 2457cc/2.5L (DOHC-Turbo)	(4) 223230	
		Redi-Sleeve (4) 99128	
2005	1994cc/2.0L (DOHC-Turbo)	(2) 223230	
		Redi-Sleeve (2) 99128	
6 CYLINDER			
09-06	2792cc/2.8L (DOHC-Turbo)	(2) 714436	
		Redi-Sleeve (2) 99139	
		(Continued Next Page)	

(Cont.) (9-2X, 9-3, 9-3 AWD, 9-5, 900, 9000 & 99) **SAAB**

Year	Application	Seal	Bearing	Year	Application	Seal	Bearing
ENGINE				CRANKSHAFT (Cont.)			
CAMSHAFT (Cont.)				6 CYLINDER			
04-99	2962cc/3.0L (DOHC), 2962cc/3.0L (DOHC-Turbo)	(2) 714436		04-99	2962cc/3.0L (DOHC), 2962cc/3.0L (DOHC-Turbo)....	710237	
		Redi-Sleeve (2) 99139		97-94	2498cc/2.5L (DOHC), 2962cc/3.0L (DOHC).....	710237	
97-94	2498cc/2.5L (DOHC), 2962cc/3.0L (DOHC).....	(2) 714436					
		Redi-Sleeve (2) 99139		OIL PUMP			
CRANKSHAFT				4 CYLINDER			
09-03	1998cc/2.0L (DOHC-Turbo)....	710237		06-05	1994cc/2.0L (DOHC-Turbo), 2457cc/2.5L, 2457cc/2.5L (DOHC-Turbo).....	710236	
		Redi-Sleeve 99354		TIMING COVER			
09-80	1985cc/2.0L (DOHC), 1985cc/2.0L (DOHC-Turbo), 1985cc/2.0L, 1985cc/2.0L (Turbo), 2119cc/2.1L (DOHC), 2290cc/2.3L (DOHC), 2290cc/2.3L (DOHC-Turbo).....	3772		4 CYLINDER			
06-05	1994cc/2.0L (DOHC-Turbo), 2457cc/2.5L, 2457cc/2.5L (DOHC-Turbo).....	710235		09-80	1985cc/2.0L (DOHC), 1985cc/2.0L (DOHC-Turbo), 1985cc/2.0L, 1985cc/2.0L (Turbo), 2119cc/2.1L (DOHC), 2290cc/2.3L (DOHC), 2290cc/2.3L (DOHC-Turbo).....	331227H	
09-06	2792cc/2.8L (DOHC-Turbo).... (Continued Next Column)	710237				Redi-Sleeve 99187	
						Harmonic Bal Sleeve 88187	
				6 CYLINDER			
04-99	2962cc/3.0L (DOHC), 2962cc/3.0L (DOHC-Turbo)....	710613		04-99	2962cc/3.0L (DOHC), 2962cc/3.0L (DOHC-Turbo)....	710613	
		Redi-Sleeve 99147		97-94	2498cc/2.5L (DOHC), 2962cc/3.0L (DOHC).....	710613	
						Redi-Sleeve 99147	

(9-7X) **SPORT UTILITY - SAAB**

WHEEL				FRONT AXLE (Cont.)			
FRONT WHEEL				PINION			
09-05	All.....		Hub Assembly 513188	09-05	AAM IFS-7.25" R.G.		
REAR WHEEL						(Inner)	M88047-M88010
09-05	All.....	4762N	513067			(Outer)	710547 M88649-M88610
			(Axle Repair Brg.) RP-513067	REAR AXLE			
AXLE				DIFFERENTIAL KIT			
FRONT AXLE				09-05	AAM 8.625" R.G.....	<input checked="" type="checkbox"/>	RA-321-C
AXLE SHAFT				09-05	AAM 8" R.G.....	<input checked="" type="checkbox"/>	RA-327
09-05	AAM IFS-7.25" R.G. (1.3125" Shaft)			DIFFERENTIAL			
		(Inner)	710491	09-05	AAM 8.625" R.G., 8" R.G.	(2)	A-36
		(Outer)	SCH-208	PINION			
		(Pilot)	SCH-78	09-05	AAM 8.625" R.G., 8" R.G.		
09-05	AAM IFS-7.25" R.G. (1.5748" Shaft)					(Inner)	M802048-M802011
		(Inner)	710491			(Outer)	710506 M88048-M88010
		(Outer)	SCH-208	TRANSFER CASE			
		(Pilot)	SCH-78	FULL TIME / PART TIME			
DIFFERENTIAL				INPUT SHAFT			
09-05	AAM IFS-7.25" R.G.	(2)	A-18	09-05	New Process 120C, 126C, 226C.....		N-5210-KLB
				FRONT OUTPUT SHAFT			
				09-05	New Process 120C, 126C, 226C.....		107

() Indicates Quantity Required Refer To Front Of Catalog For Kit Contents

SAAB - SPORT UTILITY (9-7X) (Cont.)

Year	Application	Seal	Bearing	Year	Application	Seal	Bearing
TRANSFER CASE				AIR CONDITIONING			
FULL TIME / PART TIME (Cont.)				COMPRESSOR			
REAR OUTPUT SHAFT				CLUTCH PULLEY			
09-08	New Process 120C (Pilot)		(2)B-5020	2005	Harrison HT-6		907257
TRANSMISSION				ENGINE			
AUTOMATIC / 4 Speed				CRANKSHAFT			
FRONT PUMP				6 CYLINDER			
09-05	GMC 4L70E, 4L60-E	4950		09-05	254/4.2L (DOHC)	710603	
	Redi-Sleeve 99174			8 CYLINDER			
EXTENSION HOUSING				09-05	325/5.3L, 364/6.0L	100085	
09-08	GMC 4L70E	4934		TIMING COVER			
09-05	GMC 4L60-E (Booted)	4934		6 CYLINDER			
09-05	GMC 4L60-E (Non-Booted)	4583		09-05	254/4.2L (DOHC)	710551	
MANUAL SHAFT				8 CYLINDER			
09-05	GMC 4L70E, 4L60-E	8792S		09-05	325/5.3L, 364/6.0L	100470	
					Redi-Sleeve 99210		
STEERING							
POWER STEERING							
STEERING PUMP SHAFT							
07-05	All	7013S					

SATURN

(Astra, Aura, Ion, LS, LS1, LS2, LW, LW1, LW100, LW2, LW200, LW300, L100, L200, L300, Sky, SC, SC1, SC2, SL, SL1, SL2, SW1 & SW2)

WHEEL				REAR WHEEL (Cont.)			
FRONT WHEEL				05-00	LS, LS1, LS2, LW, LW1, LW100, LW2, LW200, LW300, L100, L200, L300 (Exc. ABS)	Hub Assembly 512239	
2009	Sky	Hub Assembly 513259		2003	Ion (ABS)	Hub Assembly 512247	
09-07	Aura	Hub Assembly 513214		2003	Ion (Exc. ABS)	Hub Assembly 512248	
08-07	Sky (ABS)	Hub Assembly 513259		02-91	SC, SC1, SC2, SL, SL1, SL2, SW1, SW2 (ABS)	Hub Assembly 512002	
08-07	Sky (Exc. ABS)	Hub Assembly 513260		02-91	SC, SC1, SC2, SL, SL1, SL2, SW1, SW2 (Exc. ABS)	Hub Assembly 512000	
07-04	Ion (Coupe) (Sedan) (ABS)	Hub Assembly 513204		CLUTCH			
07-04	Ion (Coupe) (Sedan) (Exc. ABS)	Hub Assembly 513205		RELEASE			
07-04	Ion (Red Line)	Hub Assembly 513206				Bearing Only	Bearing Assembly
05-00	LS, LS1, LS2, LW, LW1, LW100, LW2, LW200, LW300, L100, L200, L300	510052		4 CYLINDER			
2003	Ion (ABS)	Hub Assembly 513204		02-91	116/1.9L, 116/1.9L (DOHC)		Ⓢ614161
2003	Ion (Exc. ABS)	Hub Assembly 513205		TRANSAXLE			
02-94	SC1, SC2, SL, SL1, SL2, SW1, SW2	510024		AUTOMATIC / 4 Speed			
		Hub Repair Kit 518514		DIFFERENTIAL			
93-91	All	510024		02-91	TAAT		(2)208
		Hub Repair Kit 518513		TORQUE CONVERTER			
REAR WHEEL				09-00	4T40-E, 4T45-E	4072N	
2009	Sky	Hub Assembly 513259		02-91	TAAT	4615V	
09-07	Aura	Hub Assembly 512285				Redi-Sleeve 99166	
08-07	Sky (ABS)	Hub Assembly 513259					
08-07	Sky (Exc. ABS)	Hub Assembly 513260					
07-04	Ion (Coupe) (Sedan) (ABS)	Hub Assembly 512247					
07-04	Ion (Coupe) (Sedan) (Exc. ABS)	Hub Assembly 512248					
07-04	Ion (Red Line)	Hub Assembly 512250					
05-00	LS, LS1, LS2, LW, LW1, LW100, LW2, LW200, LW300, L100, L200, L300 (ABS)	Hub Assembly 512238					
		(Continued Next Column)					

SATURN

(Cont.) (Astra, Aura, Ion, LS, LS1, LS2, LW, LW1, LW100, LW2, LW200, LW300, L100, L200, L300, Sky, SC, SC1, SC2, SL, SL1, SL2, SW1 & SW2)

Year	Application	Seal	Bearing	Year	Application	Seal	Bearing
TRANSAXLE							
AUTOMATIC / 4 Speed (Cont.)				AUTOMATIC / 5 Speed (Cont.)			
OUTPUT SHAFT				MANUAL SHAFT			
09-00	4T40-E, 4T45-E..... (Kit) (2)	5693		09-07	5L40-E.....	8792S	
02-91	TAAT..... (Left)	4613N		STEERING			
 (Right)	4614N		POWER STEERING			
EXTENSION HOUSING				STEERING PUMP SHAFT			
02-91	TAAT.....	714616		99-91	All (Saginaw Pump).....	7013S	
MANUAL SHAFT				ENGINE			
09-00	4T40-E, 4T45-E.....	8792S		CAMSHAFT			
02-95	TAAT.....	4701N		6 CYLINDER			
1994	TAAT (1st Design).....	718610		05-00	2962cc/3.0L (DOHC)..... (2)	714436	
1994	TAAT (2nd Design).....	4701N			Redi-Sleeve (2)	99139	
93-91	TAAT.....	718610		CRANKSHAFT			
AUTOMATIC / 5 Speed				4 CYLINDER			
DIFFERENTIAL				09-00	1796cc/1.8L (DOHC), 1998cc/2.0L (DOHC-Turbo), 1998cc/2.0L (DOHC), 2198cc/2.2L (DOHC), 2384cc/2.4L (DOHC).....	710237	
96-91	TAMT.....		208		Redi-Sleeve	99354	
AUTOMATIC / 6 Speed				02-91	116/1.9L, 116/1.9L (DOHC) PTFE Rubber	5273	
TORQUE CONVERTER					Viton®	4307V	
09-07	6T70.....	710561			Redi-Sleeve	99298	
OUTPUT SHAFT				6 CYLINDER			
09-07	6T70..... (Left)	710546		08-07	214/3.5L..... PTFE Rubber	5273	
 (Right)	710583			Viton®	4307V	
MANUAL / 5 Speed					Redi-Sleeve	99298	
DIFFERENTIAL				05-00	2962cc/3.0L (DOHC).....	710237	
07-04	Saab F35.....		32010-X	TIMING COVER			
07-03	Getrag 287.....		(2)A-35	4 CYLINDER			
03-00	Saab F25.....		(2)32010-X	07-00	2198cc/2.2L (DOHC).....	224020	
02-91	TAMT.....		(2)208		Redi-Sleeve	99157	
INPUT SHAFT				02-91	116/1.9L, 116/1.9L (DOHC).....	324204	
07-00	Saab F25, F35.....	222630	A-4	6 CYLINDER			
	Redi-Sleeve	99103		08-07	214/3.5L.....	9845	
OUTPUT SHAFT					Redi-Sleeve	99176	
07-03	Getrag 287..... (2)	3543			Harmonic Bal Sleeve	88176	
	Redi-Sleeve (2)	99139			Harmonic Bal Kit	5000	
07-00	Saab F25, F35..... (2)	3543		05-00	2962cc/3.0L (DOHC).....	710613	
	Redi-Sleeve (2)	99138			Redi-Sleeve	99147	
02-91	TAMT..... (Left)	4613N		TRANSMISSION			
 (Right)	4614N		AUTOMATIC / 5 Speed			
TRANSMISSION				FRONT PUMP			
09-07	5L40-E.....	* 710559					

() Indicates Quantity Required * Not a Current Production Number, Check for Availability ☒ Refer To Front Of Catalog For Kit Contents

SATURN TRUCK - MINIVAN/CROSSOVER/SPORT UTILITY

(Outlook, Outlook AWD, Relay, Relay AWD & VUE)

Year	Application	Seal	Bearing	Year	Application	Seal	Bearing
WHEEL							
FRONT WHEEL (2WD)				AUTOMATIC / 4 Speed (Cont.)			
09-08	VUE		Hub Assembly ☆ 513276	MANUAL SHAFT			
07-02	VUE (ABS)		Hub Assembly 513189	09-05	4T45-E, 4T65-E		8792S
07-02	VUE (Exc. ABS)		Hub Assembly 513190	AUTOMATIC / 5 Speed			
2006	Relay		Hub Assembly 513236	TORQUE CONVERTER			
2005	Relay		Hub Assembly ◆ 513199	07-02	AF33-5		222830
			Hub Assembly 513179				Redi-Sleeve 99147
FRONT WHEEL (4WD)				OUTPUT SHAFT			
09-08	VUE		Hub Assembly ☆ 513276	07-02	AF33-5	(2)	4764
07-02	VUE (ABS)		Hub Assembly 513189	MANUAL SHAFT			
07-02	VUE (Exc. ABS)		Hub Assembly 513190	07-02	AF33-5		221207
2006	Relay AWD		Hub Assembly 513236				Redi-Sleeve 99049
2005	Relay AWD		Hub Assembly ◆ 513199	AUTOMATIC / 6 Speed			
			Hub Assembly 513179	TORQUE CONVERTER			
REAR WHEEL				09-07	6T75		710561
09-08	VUE		Hub Assembly ☆ 512358	OUTPUT SHAFT			
2007	VUE		Hub Assembly ☆ 512358	09-07	6T75	(Left)	710546
07-02	VUE (ABS)		Hub Assembly 512229			(Right)	710583
07-02	VUE (Exc. ABS)		Hub Assembly 512230	MANUAL / 5 Speed			
2006	Relay AWD		Hub Assembly 513236	DIFFERENTIAL			
06-05	Relay (3 Hole Triangular Flange)		Hub Assembly 512246	07-06	Getrag 287		(2)A-35
06-05	Relay (4 Hole Rectangular Flange)		Hub Assembly ◆ 512244	OUTPUT SHAFT			
			Hub Assembly ☆ 512357	07-06	Getrag 287	(2)	3543
2005	Relay AWD		Hub Assembly ◆ 513199				Redi-Sleeve (2) 99139
			Hub Assembly 513179	STEERING			
AXLE				POWER STEERING			
REAR AXLE				STEERING PUMP SHAFT			
PINION				2005	Relay, Relay AWD		7013S
07-02	Getrag 660	(Inner)	M88048-M88010	AIR CONDITIONING			
		(Outer)	M86649-M86610	COMPRESSOR			
TRANSFER CASE				CLUTCH PULLEY			
FULL TIME / PART TIME				2005	Harrison V-5		907257
INPUT SHAFT				ENGINE			
09-02	New Process 900		LM503349A-LM503310	CAMSHAFT			
FRONT OUTPUT SHAFT				6 CYLINDER			
09-02	New Process 900		32006	07-04	3471cc/3.5L	(2)	710451
TRANSAXLE							Redi-Sleeve (2) 99147
AUTOMATIC / 4 Speed				03-02	2962cc/3.0L (DOHC)	(2)	714436
TORQUE CONVERTER							Redi-Sleeve (2) 99139
09-07	4T45-E		4072N	CRANKSHAFT			
2005	4T65-E (Flanged Design)		4918	4 CYLINDER			
2005	4T65-E (Non-Flanged Design)		4072N	09-02	2198cc/2.2L (DOHC),		
					2384cc/2.4L (DOHC)		710237
OUTPUT SHAFT							Redi-Sleeve 99354
09-07	4T45-E	(Kit) (2)	5693				
07-05	4T65-E	(Left)	100165				
			Redi-Sleeve 99139				
		(Right)	3543				
			Redi-Sleeve 99139				

MINIVAN/CROSSOVER/SPORT UTILITY - SATURN TRUCK

(Cont.) (Outlook, Outlook AWD, Relay, Relay AWD & VUE)

Year	Application	Seal	Bearing	Year	Application	Seal	Bearing
ENGINE				TIMING COVER			
CRANKSHAFT (Cont.)				4 CYLINDER			
6 CYLINDER				07-02 2198cc/2.2L (DOHC)..... 224020			
09-05 213/3.5L, 214/3.5L,				Redi-Sleeve 99157			
242/3.9LPTFE Rubber 5273				6 CYLINDER			
Viton® 4307V				09-05 213/3.5L, 214/3.5L,			
Redi-Sleeve 99298				242/3.9L 9845			
07-04 3471cc/3.5L 228008				Redi-Sleeve 99176			
Redi-Sleeve 99315				Harmonic Bal Sleeve 88176			
03-02 2962cc/3.0L (DOHC)..... 710237				Harmonic Bal Kit ☒ 5000			
OIL PUMP				03-02 2962cc/3.0L (DOHC)..... 710613			
6 CYLINDER				Redi-Sleeve 99147			
07-04 3471cc/3.5L 711181							

(tC, xA, xB & xD) SCION

WHEEL				AUTOMATIC / 5 Speed (Cont.)			
FRONT WHEEL				MANUAL SHAFT			
09-08 xB Hub Assembly 513257				09-06 E250E 221207			
09-08 xD 510094				Redi-Sleeve 99049			
09-05 tC 510070				MANUAL / 5 Speed			
07-03 xA, xB 510062				INPUT SHAFT			
REAR WHEEL				07-03 C50 320603 101-SS			
09-05 tC Hub Assembly 512329				Redi-Sleeve 99098			
07-03 xA, xB Hub Assembly 512209				OUTPUT SHAFT			
CLUTCH				07-03 C50 (Left) 710109			
RELEASE				Redi-Sleeve 99134			
Bearing Only				(Right) 710110			
4 CYLINDER				Redi-Sleeve 99134			
09-03 1497cc/1.5L (DOHC), 1798cc/1.8L (DOHC) (200mm				SHIFT SHAFT			
Clutch)..... ©614152				07-03 C50 1015N			
TRANSAXLE				MANUAL / 6 Speed			
AUTOMATIC / 4 Speed				INPUT SHAFT			
TORQUE CONVERTER				09-08 C60 320603 101-SS			
09-03 U241E, E340E, U341E..... 223830				Redi-Sleeve 99098			
Redi-Sleeve 99147				OUTPUT SHAFT			
OUTPUT SHAFT				09-08 C60 (Left) 710109			
09-08 U341E (Right) 223540				Redi-Sleeve 99134			
07-03 E340E (Right) 710110				(Right) 710110			
Redi-Sleeve 99134				Redi-Sleeve 99134			
MANUAL SHAFT				SHIFT SHAFT			
09-03 U241E, E340E, U341E..... 221207				09-08 C60 1015N			
Redi-Sleeve 99049				ENGINE			
AUTOMATIC / 5 Speed				CAMSHAFT			
TORQUE CONVERTER				4 CYLINDER			
09-06 E250E 223830				09-08 1798cc/1.8L (DOHC)..... (2) 223801			
Redi-Sleeve 99147				Redi-Sleeve (2) 99147			
				09-03 1497cc/1.5L (DOHC),			
				2362cc/2.4L (DOHC)..... (2) 1987			
				Redi-Sleeve (2) 99139			

SCION (tC, xA, xB & xD) (Cont.)

Year	Application	Seal	Bearing	Year	Application	Seal	Bearing
ENGINE				OIL PUMP (Cont.)			
CRANKSHAFT				4 CYLINDER			
09-05	2362cc/2.4L (DOHC)	710189		07-03	1497cc/1.5L (DOHC)	710450	
		Redi-Sleeve 99349				Redi-Sleeve 99078	
07-03	1497cc/1.5L (DOHC)	☆ 228013		TIMING COVER			
		Redi-Sleeve 99315		4 CYLINDER			
OIL PUMP				09-05	2362cc/2.4L (DOHC)	2025	
4 CYLINDER						Redi-Sleeve 99166	
09-05	2362cc/2.4L (DOHC)	221820		(Continued Next Column)			

SHELBY - (Series 1)

ENGINE				TIMING COVER			
CAMSHAFT				8 CYLINDER			
02-99	244/4.0L (DOHC), 244/4.0L (DOHC)	(2) 710261		02-00	244/4.0L (DOHC), 244/4.0L (DOHC)	710555	
CRANKSHAFT				1999	244/4.0L (DOHC)	710263	
8 CYLINDER						Redi-Sleeve 99199	
02-99	244/4.0L (DOHC), 244/4.0L (DOHC)	710262		Harmonic Bal Sleeve 88199			

SKODA - CANADIAN MODELS (120GLS, 120L, 120LS, 130 Rapid, 130C & 135GLI)

WHEEL				ELECTRICAL			
FRONT WHEEL				ALTERNATOR			
90-87	All	(Outer)	30304	DRIVE END			
85-84	All	(Inner)	30206	90-87	All		303-CC
		(Outer)	30304	REAR END			
CLUTCH				90-87	All		201-CC
PILOT							
4 CYLINDER							
90-87	1174cc/1.2L, 1289cc/1.3L		202-SS				
STEERING							
MANUAL STEERING							
STEERING GEAR WORM SHAFT							
90-87	All		203				

STERLING (825 & 827)

WHEEL				REAR WHEEL			
FRONT WHEEL				91-87 All			
91-87	All		513054	513051			

(Cont.) (825 & 827) **STERLING**

Year	Application	Seal	Bearing	Year	Application	Seal	Bearing
CLUTCH				STEERING			
RELEASE				POWER STEERING			
		<i>Bearing Only</i>	<i>Bearing Assembly</i>	STEERING PUMP SHAFT			
6 CYLINDER				AIR CONDITIONING			
91-87	2494cc/2.5L, 2675cc/2.7L (224mm Clutch)		Ⓢ614068	COMPRESSOR			
TRANSAXLE				CLUTCH PULLEY			
AUTOMATIC / 4 Speed				90-87 Nippondenso 10P15.....5000-KFF			
DIFFERENTIAL				90-87 Nippondenso 10P17.....5000-KFF			
91-89	G3T4.....		(2)30208	ELECTRICAL			
88-87	G4.....	(Left)	30208	ALTERNATOR			
		(Right)	32010-X	DRIVE END			
TORQUE CONVERTER				90-89 Nippondenso.....203-FF			
91-87	G4, G3T4.....		350609	REAR END			
OUTPUT SHAFT				90-89 Nippondenso.....201-CC			
91-87	G4, G3T4.....	(2)224026		ENGINE			
		Redi-Sleeve (2)99157		CAMSHAFT			
MANUAL SHAFT				6 CYLINDER			
91-87	G4, G3T4.....	221207		2494cc/2.5L, 2675cc/2.7L ..(2)713771			
		Redi-Sleeve 99049		Redi-Sleeve (2)99139			
MANUAL / 4 Speed				CRANKSHAFT			
DIFFERENTIAL				6 CYLINDER			
91-89	PL5X.....	(Left)	32008	2494cc/2.5L, 2675cc/2.7L228008			
		(Right)	32010-X	Redi-Sleeve 99315			
OUTPUT SHAFT				OIL PUMP			
91-89	PL5X.....	(2)224026		6 CYLINDER			
		Redi-Sleeve (2)99157		2494cc/2.5L, 2675cc/2.7L711181			
MANUAL / 5 Speed							
DIFFERENTIAL							
88-87	C3P4.....	(Left)	32008				
		(Right)	32010-X				
OUTPUT SHAFT							
88-87	C3P4.....	(2)224026					
		Redi-Sleeve (2)99157					

SUBARU

(Impreza 4WD, Justy 4WD, Legacy 4WD, Loyale 4WD, Outback, SVX, XT 4WD & XT6 4WD)

WHEEL				FRONT WHEEL (Cont.)			
FRONT WHEEL				94-89 Justy, Justy 4WD			
09-05	Legacy 4WD, Outback.....	Hub Assembly	513220	(Inner)1974206			
07-04	Impreza 4WD (Exc. WRX STI)			(Outer)224462206			
		(Inner)	710464	94-85 DL, DL 4WD, GL, GL 4WD,			
		(Outer)	710463	GL10, GL10 4WD, Hatchback,			
2004	Legacy 4WD, Outback			Loyale, Loyale 4WD, RX,			
		(Inner)	710464	XT, XT 4WD, 1600, 1800,			
		(Outer)	710463	1800 4WD..... (Inner)710230207			
03-90	Impreza, Impreza 4WD,			(Outer)225230207			
	Legacy, Legacy 4WD,			91-88 XT6, XT6 4WD ... (Inner)710230§ 513015			
	Outback.....	(Inner)	710464	(Outer)225230			
		(Outer)	710463	88-87 Justy, Justy 4WD			
97-92	SVX, SVX AWD ..	(Inner)	710229	(Inner)1974305			
		(Outer)	710231	(Outer)224462305			
				84-80 All..... (Inner)225230207			
				(Outer)225230207			
				(Continued Next Column)			

() Indicates Quantity Required § Use Old Snap Ring Ⓢ Sealed Self-Aligning Bearing

SUBARU

(Impreza 4WD, Justy 4WD, Legacy 4WD, Loyale 4WD, Outback, SVX, XT 4WD & XT6 4WD) (Cont.)

Year	Application	Seal	Bearing
WHEEL			
REAR WHEEL			
09-05	Legacy 4WD, Outback.....	Hub Assembly	512293
07-06	Impreza 4WD (Sedan) (2.5l)		
	(Inner).....	710529	513248
	(Intermediate).....	225005	
	(Outer).....	710226	
07-02	Impreza 4WD (Sedan) (RS Sport).....	(Inner).....	710529 513248
		(Intermediate).....	225005
		(Outer).....	710226
07-02	Impreza 4WD (Sedan) (WRX STi).....	(Inner).....	710463 516003
		(Outer).....	710464
07-02	Impreza 4WD (Sedan) (WRX)(WRX Sport)		
	(Inner).....	710529	513248
	(Intermediate).....	225005	
	(Outer).....	710226	
07-02	Impreza 4WD (Station Wagon) (Outback Sport)		
	(Inner).....	710529	513248
	(Intermediate).....	225005	
	(Outer).....	710226	
04-02	Impreza 4WD (Sedan) (TS Sport).....	(Inner).....	710529 513248
		(Outer).....	710226
04-00	Legacy 4WD, Outback.....	Hub Assembly	512183
01-00	Impreza 4WD.....	(Inner).....	710529 513248
		(Intermediate).....	225005
		(Outer).....	710226
99-90	Impreza 4WD, Legacy 4WD		
	(Inner).....	710529	513248
	(Intermediate).....	225005	
	(Outer).....	710226	
97-92	SVX, SVX AWD.....	(Inner).....	710463 516003
		(Outer).....	710464
96-90	Impreza, Legacy (Exc. ABS).....	Hub Assembly	512036
94-88	Justy 4WD.....	(Inner).....	710228 305
		(Outer).....	710227 206
94-87	Justy.....	(Inner).....	223830 30205
		(Outer).....	30204
94-80	DL 4WD, GL 4WD, GL10 4WD, Loyale 4WD, RX, Sedan 4WD, XT 4WD, XT6 4WD, 1600 4WD, 1800 4WD.....	(Inner).....	224015 513056
		(Outer).....	225005
93-80	DL, GL, GLF, GL10, Hatchback, Loyale, XT, XT6, 1600, 1800		
	(Inner).....	1984	30206
	(Outer).....		30204
AXLE			
REAR AXLE			
DIFFERENTIAL			
09-98	R180.....	(2)	30208
09-97	R160 (Exc. Posi-Trac).....	(2)	32007
09-97	R160 (Posi-Trac).....	(2)	223255 30208
96-80	R160.....	(2)	223255 30208
94-88	Justy 4WD.....	(2)	222745 32007
	Redi-Sleeve (2)		99106

Year	Application	Seal	Bearing
REAR AXLE (Cont.)			
PINION			
09-98	R180.....	(Inner).....	32307
		(Outer).....	1173 32305
		Redi-Sleeve	99139
09-97	R160 (Exc. Posi-Trac)		
	(Inner).....		32305
	(Outer).....		32206
09-97	R160 (Posi-Trac)		
	(Inner).....		32305
	(Outer).....		32306
96-80	R160.....	(Inner).....	32305
		(Outer).....	1173 32306
		Redi-Sleeve	99139
94-88	Justy 4WD.....	(Inner).....	30206
		(Outer).....	710267
CLUTCH			
PILOT			
3 CYLINDER			
94-87	1189cc/1.2L.....		100-CCB
4 CYLINDER			
09-80	1595cc/1.6L, 1781cc/1.8L, 1781cc/1.8L (Turbo), 1781cc/1.8L (Turbo), 1820cc/1.8L, 1994cc/2.0L (DOHC-Turbo), 2212cc/2.2L, 2212cc/2.2L (Turbo), 2457cc/2.5L, 2457cc/2.5L (DOHC), 2457cc/2.5L (DOHC-Turbo).....		201-CC
6 CYLINDER			
97-88	2672cc/2.7L, 3318cc/3.3L (DOHC).....		201-CC
RELEASE			
		Bearing Only	Bearing Assembly
3 CYLINDER			
94-91	1189cc/1.2L (180mm Clutch).....		Ⓢ 614160
4 CYLINDER			
09-90	1820cc/1.8L, 1994cc/2.0L (DOHC-Turbo), 2212cc/2.2L, 2457cc/2.5L, 2457cc/2.5L (DOHC), 2457cc/2.5L (DOHC-Turbo) (225mm Clutch).....		Ⓢ 614159
93-85	1781cc/1.8L, 1781cc/1.8L (Turbo) (225mm Clutch).....		Ⓢ 614059
84-83	1781cc/1.8L, 1781cc/1.8L (Turbo) (225mm Clutch).....	TO-1710	
6 CYLINDER			
91-88	2672cc/2.7L (225mm Clutch).....		Ⓢ 614059
TRANSAXLE			
AUTOMATIC / 1 Speed			
DIFFERENTIAL			
94-87	TB40 (ECVT), TS40 (ECVT)		
	(Left).....		207-S
	(Right).....		207
OUTPUT SHAFT			
94-87	TB40 (ECVT), TS40 (ECVT).....	(2)	222745
	Redi-Sleeve (2)		99106
COUNTERSHAFT			
94-87	TB40 (ECVT), TS40 (ECVT).....		* HK-1512

SUBARU

(Cont.) (Impreza 4WD, Justy 4WD, Legacy 4WD, Loyale 4WD, Outback, SVX, XT 4WD & XT6 4WD)

Year	Application	Seal	Bearing
TRANSAXLE			
AUTOMATIC / 3 Speed			
DIFFERENTIAL			
1980	T71T		(2)30207
TORQUE CONVERTER			
94-80	TA86, TX86, T71T, T81M, T81T, T81X, T81Z	2025 Redi-Sleeve 99169	
OUTPUT SHAFT			
94-80	TA86, TX86, T71T, T81M, T81T, T81X, T81Z	(2) 222745 Redi-Sleeve (2) 99106	
AUTOMATIC / 4 Speed			
DIFFERENTIAL			
09-85	TZ1A2, TZ102		(2)30208
TORQUE CONVERTER			
08-85	TZ1A2, TA102, TZ102	225010 Redi-Sleeve 99196	
OUTPUT SHAFT			
09-8	5TZ1A2, TA102, TZ102 (Left) ☆ 223051 Redi-Sleeve 99114 (Right) 223050 Redi-Sleeve 99114		
EXTENSION HOUSING			
99-85	TA102, TZ102	3771 Redi-Sleeve 99139	
OIL PUMP			
09-85	TZ1A2, TA102, TZ102	710265	
MANUAL / 4 Speed			
DIFFERENTIAL			
87-85	TW70F		(2)30208
1980	TM48F		(2)30207
INPUT SHAFT			
89-80	TM40F, TM45F	222558 Redi-Sleeve 99098	
1980	TM48F	222050 Redi-Sleeve 99078	
OUTPUT SHAFT			
89-80	TM40F, TM44F, TM45F, TM48F, TW70F, T71A, T72A, T81J, T81K, T81P, T81W	(2) 222745 Redi-Sleeve (2) 99106	
EXTENSION HOUSING			
88-80	TM45F, TM48F, TW70F, T81J, T81K, T81P, T81W	3771 Redi-Sleeve 99139	
88-80	TM44F, T71A, T72A	221820	
MANUAL / 5 Speed			
DIFFERENTIAL			
09-85	TM65F, TW75F, TY75F, TY752, TY754		(2)30208
94-87	TM64F, TW64F		207-S (Right) 207
1980	T71W		(2)30207

Year	Application	Seal	Bearing
MANUAL / 5 Speed (Cont.)			
INPUT SHAFT			
09-80	TM55F, TM65F, TM70F, TM75F, TY752, TY754	222558 Redi-Sleeve 99098	
96-90	TM702, TM752	222240 Redi-Sleeve 99085	
94-87	TM64F, TW64F	222030 Redi-Sleeve 99078	205
94-85	TW75F, TY75F	222558 Redi-Sleeve 99098	305
1980	T71W	222050 Redi-Sleeve 99078	
OUTPUT SHAFT			
09-90	TY752, TY754 ☆ 223051 Redi-Sleeve 99114 (Right) 223050 Redi-Sleeve 99114		
96-80	TM50F, TM55F, TM60F, TM64F, TW64F, TM70F, TM702, T71G, T71W, T72G, TM75F, TW75F, TM752, T81G (2) 222745 Redi-Sleeve (2) 99106		
EXTENSION HOUSING			
96-80	TM50F, TM60F, TM70F, TM702, T71G, T72G, TM75F, TW75F, TM752, T81G	221820	
94-80	TM55F, TM65F, T71W, TY75F, TY752	3771 Redi-Sleeve 99139	
STEERING			
MANUAL STEERING			
STEERING GEAR WORM SHAFT			
89-85	1600, 1800, 1800 4WD (Sedan) (Station Wagon)	221735	
89-85	Justy, Justy 4WD, XT, XT 4WD	221735	
AIR CONDITIONING			
COMPRESSOR			
CLUTCH PULLEY			
81-80	York Mini 206		206-FF
ELECTRICAL			
ALTERNATOR			
DRIVE END			
92-80	Hitachi 50, 55, 60, 65 Amp		303-CC
REAR END			
92-80	Hitachi 35, 50, 55, 60, 65 Amp		201-CC

() Indicates Quantity Required ☆ New Item, Check for Availability

SUBARU

(Impreza 4WD, Justy 4WD, Legacy 4WD, Loyale 4WD, Outback, SVX, XT 4WD & XT6 4WD) (Cont.)

Year	Application	Seal	Bearing	Year	Application	Seal	Bearing
ENGINE				CRANKSHAFT (Cont.)			
AUXILIARY SHAFT				4 CYLINDER			
3 CYLINDER				94-80 1781cc/1.8L, 1781cc/1.8L, 1781cc/1.8L (Turbo), 1781cc/1.8L (Turbo)..... 1019 Redi-Sleeve 99298			
94-87	1189cc/1.2L	222340		88-80 1595cc/1.6L <i>Viton®</i> 1021V Redi-Sleeve 99272			
CAMSHAFT				6 CYLINDER			
3 CYLINDER				09-01 2999cc/3.0L (DOHC)..... 710235			
94-87	1189cc/1.2L	223018		97-92 3318cc/3.3L (DOHC)..... 710235			
		Redi-Sleeve 99114		91-88 2672cc/2.7L 1019 Redi-Sleeve 99298			
4 CYLINDER				OIL PUMP			
09-96	2457cc/2.5L, 2457cc/2.5L (DOHC), 2457cc/2.5L (DOHC-Turbo)..... (4) 223230			4 CYLINDER			
		Redi-Sleeve (4) 99128		09-90 1820cc/1.8L, 1994cc/2.0L (DOHC-Turbo), 2212cc/2.2L, 2212cc/2.2L (Turbo)..... (2) 223230			
05-90	1820cc/1.8L, 1994cc/2.0L (DOHC-Turbo), 2212cc/2.2L, 2212cc/2.2L (Turbo)..... (2) 223230			2212cc/2.2L (Turbo), 2457cc/2.5L, 2457cc/2.5L (DOHC), 2457cc/2.5L (DOHC-Turbo)..... 710236			
		Redi-Sleeve (2) 99128		6 CYLINDER			
94-85	1781cc/1.8L, 1781cc/1.8L (Turbo)..... (2) 223830			09-01 2999cc/3.0L (DOHC)..... 710236			
		Redi-Sleeve (2) 99147		97-92 3318cc/3.3L (DOHC)..... 710236			
6 CYLINDER				TIMING COVER			
09-01	2999cc/3.0L (DOHC)..... (2) 223230			3 CYLINDER			
		Redi-Sleeve (2) 99128		94-87 1189cc/1.2L 710233			
97-92	3318cc/3.3L (DOHC)..... (2) 223230			4 CYLINDER			
		Redi-Sleeve (2) 99128		94-80 1781cc/1.8L, 1781cc/1.8L, 1781cc/1.8L (Turbo), 1781cc/1.8L (Turbo)..... 1038			
91-88	2672cc/2.7L (2) 223830			Redi-Sleeve 99147			
		Redi-Sleeve (2) 99147		88-80 1595cc/1.6L 223830			
CRANKSHAFT				Redi-Sleeve 99147			
3 CYLINDER				6 CYLINDER			
94-87	1189cc/1.2L 710234			09-01 2999cc/3.0L (DOHC)..... (2) 223230			
4 CYLINDER				Redi-Sleeve (2) 99128			
09-90	1820cc/1.8L, 1994cc/2.0L (DOHC-Turbo), 2212cc/2.2L, 2212cc/2.2L (Turbo), 2457cc/2.5L, 2457cc/2.5L (DOHC), 2457cc/2.5L (DOHC-Turbo)..... 710235			97-92 3318cc/3.3L (DOHC)..... (2) 223230			
		(Continued Next Column)		Redi-Sleeve (2) 99128			

SUBARU TRUCK - PICKUP/CROSSOVER/SPORT UTILITY

(Baja, Brat, B9 Tribeca, Forester & Tribeca)

WHEEL				REAR WHEEL (Cont.)			
FRONT WHEEL				06-03 Baja Hub Assembly 512183			
09-06	B9 Tribeca, Tribeca		Hub Assembly 513239	87-80 All (Inner) 224015 513056			
08-98	Baja, Forester			(Outer) 225005			
		(Inner) 710464 517008	AXLE			
		(Outer) 710463		REAR AXLE			
87-80	All	(Inner) 225230 207	DIFFERENTIAL			
		(Outer) 225230 207	09-98 R160 (2) 223255 (2) 30208			
REAR WHEEL				87-80 R160 (2) 223255 (2) 30208			
09-06	B9 Tribeca, Tribeca		Hub Assembly 512328				
08-98	Forester	(Inner) 710226 513248				
		(Intermediate) 225005					
		(Outer) 710529					
		(Continued Next Column)					

PICKUP/CROSSOVER/SPORT UTILITY - SUBARU TRUCK

(Cont.) (Baja, Brat, B9 Tribeca, Forester & Tribeca)

Year	Application	Seal	Bearing
AXLE			
REAR AXLE (Cont.)			
PINION			
09-98	R160	(Inner)	32305
		(Outer)	32306
		Redi-Sleeve 99139	
87-80	R160	(Inner)	32305
		(Outer)	32306
		Redi-Sleeve 99139	
CLUTCH			
PILOT			
4 CYLINDER			
09-98	2457cc/2.5L, 2457cc/2.5L (DOHC), 2457cc/2.5L (DOHC-Turbo).....		201-CC
87-80	1781cc/1.8L, 1781cc/1.8L (Turbo).....		201-CC
RELEASE			
		Bearing Only	Bearing Assembly
4 CYLINDER			
09-98	2457cc/2.5L, 2457cc/2.5L (DOHC), 2457cc/2.5L (DOHC-Turbo) (225mm Clutch).....		Ⓢ 614159
87-85	1781cc/1.8L (225mm Clutch).....		Ⓢ 614059
84-83	1781cc/1.8L (225mm Clutch).....	TO-1710	
84-83	1781cc/1.8L (Turbo) (225mm Clutch).....		Ⓢ 614059
TRANSAXLE			
AUTOMATIC / 3 Speed			
DIFFERENTIAL			
1980	T71T		(2)30207
TORQUE CONVERTER			
87-80	TX86, T71T, T81X, T81Z	2025	
		Redi-Sleeve 99169	
OUTPUT SHAFT			
87-80	TX86, T71T, T81X, T81Z	(2) 222745	
		Redi-Sleeve (2) 99106	
AUTOMATIC / 4 Speed			
DIFFERENTIAL			
09-98	TZ1A2, TZ102.....		(2)30208
TORQUE CONVERTER			
09-98	TZ1A2, TZ102.....	225010	
		Redi-Sleeve 99196	
OUTPUT SHAFT			
09-98	TZ1A2, TZ102.....	(Left) ☆ 223051	
		Redi-Sleeve 99114	
		(Right) 223050	
		Redi-Sleeve 99114	
OIL PUMP			
09-98	TZ1A2, TZ102.....		710265
MANUAL / 4 Speed			
DIFFERENTIAL			
87-85	TW70F		(2)30208
1980	TM48F.....		(2)30207

Year	Application	Seal	Bearing
MANUAL / 4 Speed (Cont.)			
INPUT SHAFT			
1980	TM48F.....	222050	
		Redi-Sleeve 99078	
OUTPUT SHAFT			
87-80	TM45F, TM48F, TW70F, T81J, T81K, T81P, T81W.....	(2) 222745	
		Redi-Sleeve (2) 99106	
EXTENSION HOUSING			
87-80	TM45F, TM48F, TW70F, T81J, T81K, T81P, T81W.....	3771	
		Redi-Sleeve 99139	
MANUAL / 5 Speed			
DIFFERENTIAL			
09-98	TY752, TY754		(2)30208
87-85	TM65F, TW75F, TY75F		(2)30208
1980	T71W		(2)30207
INPUT SHAFT			
09-98	TY752, TY754	222558	
		Redi-Sleeve 99098	
1980	T71W	222050	
		Redi-Sleeve 99078	
OUTPUT SHAFT			
09-98	TY752, TY754	(Left) ☆ 223051	
		Redi-Sleeve 99114	
		(Right) 223050	
		Redi-Sleeve 99114	
87-80	TM55F, TM65F, T71W, TM75F, TW75F, TY75F	(2) 222745	
		Redi-Sleeve (2) 99106	
EXTENSION HOUSING			
87-85	TM75F.....	221820	
87-80	TM55F, TM65F, T71W, TW75F, TY75F	3771	
		Redi-Sleeve 99139	
AIR CONDITIONING			
COMPRESSOR			
CLUTCH PULLEY			
81-80	York Mini 206.....		206-FF
ELECTRICAL			
ALTERNATOR			
DRIVE END			
87-80	Hitachi 50, 55, 60, 65 Amp.....		303-CC
REAR END			
87-80	Hitachi 35, 50, 55, 60, 65 Amp.....		201-CC

() Indicates Quantity Required ☆ New Item, Check for Availability Ⓢ Sealed Self-Aligning Bearing

SUBARU TRUCK - PICKUP/CROSSOVER/SPORT UTILITY

(Baja, Brat, B9 Tribeca, Forester & Tribeca) (Cont.)

Year	Application	Seal	Bearing	Year	Application	Seal	Bearing
ENGINE				CRANKSHAFT (Cont.)			
CAMSHAFT				4 CYLINDER			
4 CYLINDER				1980 1595cc/1.6L <i>Viton</i> ® 1021V			
09-98 2457cc/2.5L, 2457cc/2.5L (DOHC), 2457cc/2.5L (DOHC-Turbo).....(4) 223230				Redi-Sleeve 99272			
Redi-Sleeve (4) 99128				6 CYLINDER			
09-06 2999cc/3.0L (DOHC), 3630cc/3.6L (DOHC).....(2) 223230				09-06 2999cc/3.0L (DOHC), 3630cc/3.6L (DOHC)..... 710235			
Redi-Sleeve (2) 99128				OIL PUMP			
CRANKSHAFT				4 CYLINDER			
4 CYLINDER				09-98 2457cc/2.5L, 2457cc/2.5L (DOHC), 2457cc/2.5L (DOHC-Turbo)..... 710235			
09-98 2457cc/2.5L, 2457cc/2.5L (DOHC), 2457cc/2.5L (DOHC-Turbo)..... 710235				09-98 2457cc/2.5L, 2457cc/2.5L (DOHC), 2457cc/2.5L (DOHC-Turbo)..... 710236			
87-80 1781cc/1.8L, 1781cc/1.8L (Turbo)..... 1019				09-06 2999cc/3.0L (DOHC), 3630cc/3.6L (DOHC)..... 710236			
Redi-Sleeve 99298				TIMING COVER			
(Continued Next Column)				4 CYLINDER			
				87-80 1781cc/1.8L, 1781cc/1.8L (Turbo)..... 1038			
				Redi-Sleeve 99147			
				1980 1595cc/1.6L 223830			
				Redi-Sleeve 99147			

SUZUKI

(Aerio, Aerio AWD, Esteem, Forenza, Forsa, Reno, Swift, SA310, SX4, SX4 AWD & Verona)

WHEEL				REAR WHEEL (Cont.)			
FRONT WHEEL				01-95 Swift (Exc. ABS) (Inner) 205-F (Outer) 204-F			
09-04 Forenza, Reno, Swift..... 510052				94-89 All (Exc. GT, GTi) (Inner) 205-F (Outer) 204-F			
09-02 Aerio, Aerio AWD, SX4, SX4 AWD..... 510077				94-89 All (GT, GTi)..... Hub Assembly 512182			
06-04 Verona (ABS)..... Hub Assembly 513250				88-85 All..... (Inner) 205-F (Outer) 204-F			
06-04 Verona (Exc. ABS)..... Hub Assembly 513251				CLUTCH			
02-95 Esteem..... (Inner) 710459 510018				PILOT			
(Outer) 710393				3 CYLINDER			
01-95 Swift..... (Inner) 710394 510018				94-92 993cc/1.0L 200-CC			
(Outer) 710393				88-87 993cc/1.0L, 993cc/1.0L (Turbo)..... 200-CC			
94-89 All (Exc. GT & GTi) (Inner) 4904 510001				86-85 993cc/1.0L 200-CC			
(Outer) 710175				4 CYLINDER			
94-89 All (GT & GTi) (Inner) 4904 510018				07-99 1788cc/1.8L (DOHC), 1995cc/2.0L (DOHC), 2290cc/2.3L (DOHC)..... 102-CC			
(Outer) 710393				01-89 1298cc/1.3L (DOHC), 1324cc/1.3L, 1324cc/1.3L, 1590cc/1.6L 200-CC			
88-87 All (Exc. Turbo Eng.) (Inner) 224462 107-DD				RELEASE			
(Outer) 107-DD				Bearing Only Bearing Assembly			
88-87 All (Turbo Eng.) (Inner) 4904 510001				3 CYLINDER			
(Outer) 710175				94-92 993cc/1.0L (190mm Clutch)..... © 614082			
86-85 All..... (Inner) 224462 107-DD				88-87 993cc/1.0L (Turbo) (190mm Clutch)..... © 614050			
(Outer) 107-DD				88-85 993cc/1.0L (160mm Clutch)..... © 614050			
REAR WHEEL							
08-04 Forenza, Reno, Verona (ABS)..... Hub Assembly 512316							
08-04 Forenza, Reno, Verona (Exc. ABS)..... Hub Assembly 512317							
07-03 Aerio AWD..... (Inner) 4904 511034							
(Outer) 4904							
07-95 Aerio, Esteem..... Hub Assembly 512241							
(Continued Next Column)							

() Indicates Quantity Required © Sealed Self-Aligning Bearing

SUZUKI

(Cont.) (Aerio, Aerio AWD, Esteem, Forenza, Forsa, Reno, Swift, SA310, SX4, SX4 AWD & Verona)

Year	Application	Seal	Bearing
CLUTCH			
RELEASE (Cont.)		<i>Bearing Only</i>	<i>Bearing Assembly</i>
4 CYLINDER			
2007	1995cc/2.0L (DOHC).....		Ⓢ 614056
07-02	1995cc/2.0L (DOHC), 2290cc/2.3L (DOHC) (200mm Clutch).....		Ⓢ 614056
02-89	1298cc/1.3L (DOHC), 1324cc/1.3L, 1324cc/1.3L, 1590cc/1.6L, 1788cc/1.8L (DOHC) (190mm Clutch).....		Ⓢ 614082
DRIVESHAFT			
CV JOINT HALF SHAFT			
1997	Swift (MTX).....		511014
1996	Swift.....	710505	511014
1995	Swift (1st Design)		
	(Left).....	710286	
	(Right).....	710287	
1995	Swift (2nd Design).....	710505	511014
94-92	Swift.....	(Left) 710286	
		(Right) 710287	
TRANSAXLE			
AUTOMATIC / 3 Speed			
DIFFERENTIAL			
01-95	Aisin A210.....		(2)207
94-89	Aisin A210 (DOHC).....		(2)207
94-89	Aisin A210 (SOHC).....		(2)207-S
88-85	Aisin A210.....		(2)207-S
TORQUE CONVERTER			
01-85	Aisin A210.....	223830	
		Redi-Sleeve 99177	
OUTPUT SHAFT			
01-85	Aisin A210.....	(2) 223540	
		Redi-Sleeve (2) 99139	
MANUAL SHAFT			
01-85	Aisin A210.....	710116	
AUTOMATIC / 4 Speed			
DIFFERENTIAL			
09-95	Aisin 60-40LE.....		(2)207
TORQUE CONVERTER			
09-95	Aisin 60-40LE.....	710524	
07-04	Aisin 50-42LE.....	223830	
		Redi-Sleeve 99147	
OUTPUT SHAFT			
07-04	Aisin 50-42LE.....	(2) 4764	
MANUAL SHAFT			
09-95	Aisin 60-40LE, 50-42LE.....	221207	
		Redi-Sleeve 99049	
MANUAL / 5 Speed			
DIFFERENTIAL			
07-04	Getrag D16.....		(2)A-18
01-89	MV2, M42.....	(Left)	207
		(Right)	107
88-85	MV2.....		(2)207-S

Year	Application	Seal	Bearing
MANUAL / 5 Speed (Cont.)			
INPUT SHAFT			
01-89	MV2, M42.....	(Right) 222030	204
		Redi-Sleeve 99078	
88-85	MV2.....	(Left)	32204
		(Right) 222030	32004
		Redi-Sleeve 99078	
OUTPUT SHAFT			
01-89	MV2, M42.....	(Left) 223552	
		Redi-Sleeve 99139	
		(Right) 223535	
		Redi-Sleeve 99139	
88-85	MV2.....	(Left) 223552	
		Redi-Sleeve 99139	
COUNTERSHAFT			
01-89	MV2, M42.....	(Left)	32004
88-85	MV2.....	(Left)	32204
		(Right)	32005-X
AIR CONDITIONING			
COMPRESSOR			
CLUTCH PULLEY			
92-89	Nippondenso 10P08.....		5000-KFF
ELECTRICAL			
ALTERNATOR			
DRIVE END			
97-95	Nippondenso.....		303-CC
88-85	Nippondenso 45, 50 Amp.....		302-CC
REAR END			
88-85	Nippondenso 45, 50 Amp.....		201-CC
ENGINE			
CAMSHAFT			
3 CYLINDER			
94-92	993cc/1.0L.....	710310	
		Redi-Sleeve 99128	
88-85	993cc/1.0L, 993cc/1.0L (Turbo).....	710310	
		Redi-Sleeve 99128	
4 CYLINDER			
02-99	1788cc/1.8L (DOHC).....	(2) 710334	
		Redi-Sleeve (2) 99128	
02-89	1324cc/1.3L, 1324cc/1.3L, 1590cc/1.6L.....	710310	
		Redi-Sleeve 99128	
94-89	1298cc/1.3L (DOHC).....	(2) 710310	
		Redi-Sleeve (2) 99128	
CRANKSHAFT			
3 CYLINDER			
94-92	993cc/1.0L.....	710334	
88-85	993cc/1.0L, 993cc/1.0L (Turbo).....	710334	

() Indicates Quantity Required Ⓢ Sealed Self-Aligning Bearing

SUZUKI

(Aerio, Aerio AWD, Esteem, Forenza, Forsa, Reno, Swift, SA310, SX4, SX4 AWD & Verona) (Cont.)

Year	Application	Seal	Bearing	Year	Application	Seal	Bearing
ENGINE				TIMING COVER (Cont.)			
CRANKSHAFT (Cont.)				3 CYLINDER			
4 CYLINDER				88-85 993cc/1.0L, 993cc/1.0L (Turbo)..... 710310			
09-02 1995cc/2.0L (DOHC), 2290cc/2.3L (DOHC)..... 710520				Redi-Sleeve 99128			
08-04 1998cc/2.0L (DOHC)..... 710237				4 CYLINDER			
Redi-Sleeve 99354				09-02 1995cc/2.0L (DOHC), 2290cc/2.3L (DOHC)..... 710521			
02-89 1298cc/1.3L (DOHC), 1324cc/1.3L, 1324cc/1.3L, 1590cc/1.6L, 1788cc/1.8L (DOHC)..... 710334				Redi-Sleeve 99177			
TIMING COVER				02-89 1298cc/1.3L (DOHC), 1324cc/1.3L, 1324cc/1.3L, 1590cc/1.6L, 1788cc/1.8L (DOHC)..... 710310			
3 CYLINDER				Redi-Sleeve 99128			
94-92 993cc/1.0L 710310				(Continued Next Column)			
Redi-Sleeve 99128							
(Continued Next Column)							

SUZUKI TRUCK - SPORT UTILITY

(Equator, Grand Vitara, Samurai, Sidekick, SJ410, SJ413, Vitara, X-90 & XL-7)

WHEEL				AXLE			
FRONT WHEEL (2WD)				FRONT AXLE			
2009 Equator Hub Assembly 515064				AXLE SHAFT			
09-07 XL-7 Hub Assembly ☆ 513276				06-89 SK-F 223553 206-FF			
05-01 All Hub Assembly 513193				95-81 SJ-F 710330 206-FF			
00-90 Grand Vitara, Sidekick, Vitara, X-90 (Inner) 710240 517009				DIFFERENTIAL			
(Outer) 710239				06-81 SJ-F, SK-F ■ (2) KC-11445-Y			
93-91 Samurai (Inner) 1948 517004				PINION			
(Outer) 517004				06-89 SK-F (Inner) 30307			
FRONT WHEEL (4WD)				(Outer) 710523 30306			
2009 Equator Hub Assembly 515065				95-81 SJ-F (Inner) 30307			
09-07 XL-7 Hub Assembly ☆ 513276				(Outer) 350572 30306			
05-01 All Hub Assembly 513193				Redi-Sleeve 99147			
00-89 Grand Vitara, Sidekick, Vitara (Inner) 710240 517009				STEERING KNUCKLE			
(Outer) 710239				06-89 SK-F (Inner) 710255			
98-96 X-90 (Inner) 710255 517009				(Outer) 710256			
(Outer) 710256				95-81 SJ-F (2) 30302			
95-80 Samurai, SJ410, SJ413 (Inner) 1948 517004				(Inner) 710255			
(Outer) 517004				(Outer) 710256			
REAR WHEEL				REAR AXLE			
2009 Equator (M/T) A-10				DIFFERENTIAL			
09-07 XL-7 Hub Assembly ☆ 512358				06-81 SJ-R, SK-R ■ (2) KC-11445-Y			
05-01 XL-7 (Exc. ABS) 511030				PINION			
05-99 Grand Vitara, Vitara (Exc. ABS) 710522 511024				06-89 SK-R (Inner) 30307			
98-89 Sidekick, X-90 (Exc. ABS) (Inner) 224820 511004				(Outer) 710523 30306			
(Outer) 710193				95-81 SJ-R (Inner) 30307			
95-80 Samurai, SJ410, SJ413 224820 511002				(Outer) 350572 30306			
				Redi-Sleeve 99147			

SPORT UTILITY - SUZUKI TRUCK

(Cont.) (Equator, Grand Vitara, Samurai, Sidekick, SJ410, SJ413, Vitara, X-90 & XL-7)

Year	Application	Seal	Bearing
CLUTCH			
PILOT			
4 CYLINDER			
02-80	1324cc/1.3L, 1590cc/1.6L, 1590cc/1.6L, 1788cc/1.8L (DOHC), 970cc/1.0L.....		200-CC
6 CYLINDER			
08-99	2492cc/2.5L (DOHC), 2736cc/2.7L (DOHC).....		102-CC
RELEASE			
		Bearing Only	Bearing Assembly
4 CYLINDER			
98-92	1590cc/1.6L, 1788cc/1.8L (DOHC) (215mm Clutch).....		Ⓢ 614056
95-89	1590cc/1.6L (200mm Clutch).....		Ⓢ 614056
95-85	1324cc/1.3L (190mm Clutch).....		Ⓢ 614056
85-80	1590cc/1.6L, 970cc/1.0L (180mm Clutch).....	01496	
TRANSFER CASE			
FULL TIME / PART TIME			
INPUT SHAFT			
05-99	G130 (35mm Shaft).....	223540	207
		Redi-Sleeve 99139	
05-99	G130 (40mm Shaft).....		208
95-85	Samurai.....	223843	RW-122
		Redi-Sleeve 99147	
FRONT OUTPUT SHAFT			
05-89	G130.....	1213N	(2)RW-122
		Redi-Sleeve 99157	
95-85	Samurai.....	(Inner).....	306-L
		(Outer).....	1965 RW-122
		Redi-Sleeve 99147	
REAR OUTPUT SHAFT			
05-89	G130.....	(Inner).....	306-L
		(Outer).....	1213N RW-122
		Redi-Sleeve 99157	
95-85	Samurai.....	1965	RW-122
		Redi-Sleeve 99147	
TRANSAXLE			
AUTOMATIC / 5 Speed			
TORQUE CONVERTER			
09-07	AF33-5.....	222830	
		Redi-Sleeve 99147	
OUTPUT SHAFT			
09-07	AF33-5.....	(2) 4764	
MANUAL SHAFT			
09-07	AF33-5.....	221207	
		Redi-Sleeve 99049	
TRANSMISSION			
AUTOMATIC / 3 Speed			
FRONT PUMP			
95-89	GMC THM180C, 3L30.....	6712NA	
		Redi-Sleeve 99187	

Year	Application	Seal	Bearing
AUTOMATIC / 3 Speed (Cont.)			
EXTENSION HOUSING			
95-91	GMC 3L30.....	473823	
90-89	GMC THM180C.....	9613S	
	(Seal & Bushing Kit) 5200		
MANUAL SHAFT			
95-89	GMC THM180C, 3L30.....	8792S	
AUTOMATIC / 4 Speed			
FRONT PUMP			
06-92	Aisin 03-72.....	223830	
		Redi-Sleeve 99147	
88-85	A440H.....	2025	
		Redi-Sleeve 99169	
EXTENSION HOUSING			
06-92	Aisin 03-72.....	223605	
88-85	A440H.....	224820	
MANUAL SHAFT			
88-85	A440H.....	221207	
		Redi-Sleeve 99049	
MANUAL / 5 Speed			
DRIVESHAFT / INPUT			
04-85	MM5, M59.....	222535	RW-122
		Redi-Sleeve 99098	
MAINSHAFT / OUTPUT			
04-96	M59.....	222580	
		Redi-Sleeve 99098	
		(Front).....	306-L
		(Rear).....	305
95-85	MM5.....	223215	
		(Front).....	306-L
		(Rear).....	305
COUNTERSHAFT			
04-85	MM5, M59.....	(Center).....	M-1205-EL
		(Rear).....	304
STEERING			
POWER STEERING			
STEERING PUMP SHAFT			
00-99	Vitara.....	221730	
98-96	Sidekick (Atsugi Pump).....	221730	
95-89	Sidekick.....	221730	
AIR CONDITIONING			
COMPRESSOR			
CLUTCH PULLEY			
1993	Sanden SD-505.....		5001-KFF
92-89	Nippondenso 10P08.....		5000-KFF
88-85	Nippondenso 10P13.....		5000-KFF
ELECTRICAL			
ALTERNATOR			
DRIVE END			
01-94	Nippondenso.....		303-CC
(Continued Next Page)			

() Indicates Quantity Required Ⓢ Sealed Self-Aligning Bearing

SUZUKI TRUCK - SPORT UTILITY

(Equator, Grand Vitara, Samurai, Sidekick, SJ410, SJ413, Vitara, X-90 & XL-7) (Cont.)

Year	Application	Seal	Bearing	Year	Application	Seal	Bearing
ELECTRICAL				CRANKSHAFT (Cont.)			
ALTERNATOR (Cont.)				4 CYLINDER			
DRIVE END				02-80 1324cc/1.3L, 1590cc/1.6L, 1590cc/1.6L, 970cc/1.0L 710334			
91-80	All.....		202-FF	6 CYLINDER			
ENGINE				2009 3954cc/4.0L (DOHC)..... 228411			
CAMSHAFT				05-99 2492cc/2.5L (DOHC)..... 710520			
4 CYLINDER				TIMING COVER			
02-80	1324cc/1.3L, 1590cc/1.6L, 1590cc/1.6L, 970cc/1.0L 710310			4 CYLINDER			
	<i>Redi-Sleeve</i> 99128			2009 2488cc/2.5L (DOHC)..... 224650			
CRANKSHAFT				<i>Redi-Sleeve</i> 99181			
4 CYLINDER				04-96 1788cc/1.8L (DOHC), 1995cc/2.0L (DOHC)..... 710521			
2009	2488cc/2.5L (DOHC)..... 228411			<i>Redi-Sleeve</i> 99177			
04-96	1788cc/1.8L (DOHC), 1995cc/2.0L (DOHC)..... 710520			02-80 1324cc/1.3L, 1590cc/1.6L, 1590cc/1.6L, 970cc/1.0L 710310			
	<i>(Continued Next Column)</i>			<i>Redi-Sleeve</i> 99128			
				6 CYLINDER			
				2009 3954cc/4.0L (DOHC)..... 710356			
				<i>Redi-Sleeve</i> 99189			
				05-99 2492cc/2.5L (DOHC)..... 710521			
				<i>Redi-Sleeve</i> 99177			

TOYOTA MID SIZE - FRONT WHEEL DRIVE

(Avalon, Camry, Camry All-Trac & Solara)

WHEEL				REAR WHEEL (Cont.)			
FRONT WHEEL				91-88 Camry All-Trac			
09-05	All.....		510063	<i>(Inner)</i> 4899 514002			
2004	Avalon.....		510006	<i>(Outer)</i> 225275			
				91-87 Camry (Sedan) 224210 513022			
2004	Camry, Solara.....		510063	91-87 Camry (Station Wagon) 224210 <i>Hub Assembly</i> 512009			
03-95	Avalon, Solara.....		510006	86-83 All..... 224210 513022			
				CLUTCH			
				RELEASE			
				<i>Bearing Only</i>			
				<i>Bearing Assembly</i>			
				4 CYLINDER			
				09-02 2362cc/2.4L (DOHC) (225mm Clutch)..... 614084			
				01-92 2164cc/2.2L (DOHC) (225mm Clutch)..... 614091			
				92-83 1839cc/1.8L (Turbo-Diesel), 1974cc/2.0L (Turbo-Diesel), 1995cc/2.0L, 1998cc/2.0L (DOHC) (225mm Clutch)..... 614147			
				91-88 1998cc/2.0L (DOHC) (235mm Clutch)..... 614084			
				6 CYLINDER			
				01-92 2958cc/3.0L (DOHC), 2995cc/3.0L (DOHC) (225mm Clutch)..... 614167			
				92-88 2507cc/2.5L (DOHC) (235mm Clutch)..... 614084			
REAR WHEEL				TRANSFER CASE			
09-05	Avalon, Solara <i>(Left)</i>		<i>Hub Assembly</i> 512206	FULL TIME / PART TIME			
				INPUT SHAFT			
				91-88 S110, S120 (47mm Shaft)..... 710143			
				91-88 S110, S120 (61mm Shaft)..... 710528			
				FRONT OUTPUT SHAFT			
				91-88 S110, S120 710137			
				<i>(Continued Next Column)</i>			

FRONT WHEEL DRIVE - TOYOTA MID SIZE

(Cont.) (Avalon, Camry, Camry All-Trac & Solara)

Year	Application	Seal	Bearing
TRANSFER CASE			
FULL TIME / PART TIME (Cont.)			
REAR OUTPUT SHAFT			
91-88	S110, S120	710527	
EXTENSION			
91-88	S110, S120	223840	
TRANSAXLE			
AUTOMATIC / 4 Speed			
TORQUE CONVERTER			
06-90	A140E, U140E, U241E, A540E, A540H, A541E	223830 Redi-Sleeve 99147	
89-83	A140E, A140L, A540H	223830 Redi-Sleeve 99147	
OUTPUT SHAFT			
06-90	U140E, A540E, A541E	(Left) 710112 Redi-Sleeve 99196 (Right) 712551 Redi-Sleeve 99157	
01-83	A140E, A140L	(2) 223540 Redi-Sleeve (2) 99139	
91-88	A540H	(Left) 710115 (Right) 710137	
TRANSFER SHAFT			
86-84	A140L	(2) 710416	
EXTENSION HOUSING			
91-88	A540H	223840 Redi-Sleeve 99147	
MANUAL SHAFT			
06-90	A140E, U140E, U241E, A540E, A540H, A541E	221207 Redi-Sleeve 99049	
89-83	A140E, A140L, A540H	221207 Redi-Sleeve 99049	
AUTOMATIC / 5 Speed			
TORQUE CONVERTER			
09-08	E250E	223830 Redi-Sleeve 99147	
07-04	U151E, E250E	223830 Redi-Sleeve 99147	
OUTPUT SHAFT			
07-04	U151E	(Left) 710112 Redi-Sleeve 99196 (Right) 712551 Redi-Sleeve 99157	
MANUAL SHAFT			
09-08	E250E	221207 Redi-Sleeve 99049	
07-04	U151E, E250E	221207 Redi-Sleeve 99049	
MANUAL / 5 Speed			
INPUT SHAFT			
01-94	E153	710143	

(Continued Next Column)

Year	Application	Seal	Bearing
MANUAL / 5 Speed (Cont.)			
INPUT SHAFT			
01-83	S51, E53	223010 Redi-Sleeve 99114	
91-88	E55F5, E56F2, E56F5	710172 Redi-Sleeve 99123	
OUTPUT SHAFT			
01-94	E153	(2) 710112 Redi-Sleeve (2) 99196	
01-83	S51	(2) 223540 Redi-Sleeve (2) 99139	
93-92	E53	(Left) 223540 Redi-Sleeve 99139 (Right) 224026 Redi-Sleeve 99157	
92-88	E52	(2) 710112 Redi-Sleeve 99196	
91-88	E55F5 (40mm Shaft)	(Left) 710115 Redi-Sleeve 99157 (Right) 710143	
91-88	E55F5 (50mm Shaft)	(Left) 710112 Redi-Sleeve 99196 (Right) 710143	
91-88	E56F2, E56F5	(Left) 710115 (Right) 710143	
EXTENSION HOUSING			
91-88	E55F5, E56F2, E56F5	1175	
SHIFT SHAFT			
01-88	E52, E53, E55F5, E56F2, E56F5, E153	1015N	
01-83	S51	221207 Redi-Sleeve 99049	
STEERING			
POWER STEERING			
STEERING GEAR SECTOR SHAFT			
96-83	Camry, Camry All-Trac	222820	
STEERING GEAR PITMAN SHAFT			
96-83	Camry, Camry All-Trac	221510	
STEERING PUMP SHAFT			
02-97	Avalon, Camry	710412	
96-95	Avalon	710412	
96-83	Camry, Camry All-Trac	710156	
AIR CONDITIONING			
COMPRESSOR			
CLUTCH PULLEY			
86-83	Nippondenso 10P15		5000-KFF
86-83	Sanden SD-507		5001-KFF
ELECTRICAL			
ALTERNATOR			
DRIVE END			
86-83	Nippondenso 55, 60 Amp		302-CC

() Indicates Quantity Required

TOYOTA MID SIZE - FRONT WHEEL DRIVE

(Avalon, Camry, Camry All-Trac & Solara) (Cont.)

Year	Application	Seal	Bearing	Year	Application	Seal	Bearing
ELECTRICAL				CRANKSHAFT (Cont.)			
ALTERNATOR (Cont.)				4 CYLINDER			
REAR END				86-83 1839cc/1.8L (Turbo-Diesel), 1995cc/2.0L 229010			
02-97	Nippondenso 90 Amp.		302-CC	Redi-Sleeve 99354			
96-87	Nippondenso 70 Amp.		302-CC	6 CYLINDER			
86-83	Nippondenso 55, 60 Amp.		204-FF	09-88 2507cc/2.5L (DOHC), 2958cc/3.0L (DOHC), 2995cc/3.0L (DOHC), 3311cc/3.3L (DOHC), 3456cc/3.5L (DOHC)..... 229210			
ENGINE				OIL PUMP			
CAMSHAFT				4 CYLINDER			
4 CYLINDER				09-83 1995cc/2.0L, 1998cc/2.0L (DOHC), 2164cc/2.2L (DOHC), 2362cc/2.4L (DOHC) 221820			
09-02	2362cc/2.4L (DOHC).....(2) 1987			6 CYLINDER			
	Redi-Sleeve (2) 99139			08-94 2995cc/3.0L (DOHC), 3311cc/3.3L (DOHC).....(2) 223801			
01-92	2164cc/2.2L (DOHC)..... 223801			Redi-Sleeve 99157			
	Redi-Sleeve 99147			TIMING COVER			
92-87	1998cc/2.0L (DOHC).....(2) 223801			4 CYLINDER			
	Redi-Sleeve (2) 99147			09-83 1839cc/1.8L (Turbo-Diesel), 1974cc/2.0L (Turbo-Diesel), 1995cc/2.0L, 1998cc/2.0L (DOHC), 2164cc/2.2L (DOHC), 2362cc/2.4L (DOHC) 2025			
86-83	1839cc/1.8L (Turbo-Diesel), 1974cc/2.0L (Turbo-Diesel), 1995cc/2.0L 223801			Redi-Sleeve 99166			
	Redi-Sleeve 99147			6 CYLINDER			
6 CYLINDER				09-05 3456cc/3.5L (DOHC)..... 2025			
08-88	2507cc/2.5L (DOHC), 2958cc/3.0L (DOHC), 2995cc/3.0L (DOHC), 3311cc/3.3L (DOHC).....(2) 223801			Redi-Sleeve 99166			
	Redi-Sleeve (2) 99147			6 CYLINDER			
CRANKSHAFT				93-88 2507cc/2.5L (DOHC), 2958cc/3.0L (DOHC)..... 224020			
4 CYLINDER				Redi-Sleeve 99157			
09-02	2362cc/2.4L (DOHC)..... 710189						
	Redi-Sleeve 99349						
01-87	1998cc/2.0L (DOHC), 2164cc/2.2L (DOHC)..... 716102						
	Redi-Sleeve 99333						
	(Continued Next Column)						

TOYOTA COMPACT/SUBCOMPACT - FRONT WHEEL DRIVE

(Celica, Celica All-Trac, Corolla, Corolla All-Trac, Corolla FX, Echo, Matrix, Matrix AWD, Paseo, Prius, Tercel, Tercel Wagon 4WD & Yaris)

WHEEL				FRONT WHEEL (Cont.)			
FRONT WHEEL				02-93 Corolla (Exc. ABS)..... (Kit) <input checked="" type="checkbox"/> 5696			
2009	Corolla, Matrix (1.8L Eng.).....		510070	Hub Repair Kit <input checked="" type="checkbox"/> 518507			
2009	Corolla, Matrix (2.4L Eng.).....		510063	(Inner) 1993			
09-06	Yaris.....		510094	(Outer) 4898			
09-04	Prius..... Hub Assembly		513265	99-93 Paseo, Tercel (ABS)			
08-04	Celica, Corolla, Matrix, Matrix AWD		510070	(Inner) 712938			
05-00	Echo		510062	(Outer) 225410			
2003	Celica, Corolla, Matrix, Matrix AWD, Prius		510070	99-93 Paseo, Tercel (Exc. ABS)			
02-00	Celica, Prius		510070	(Inner) 225673			
02-93	Corolla (ABS).....		510007	(Outer) 225410			
	(Inner) 225673			99-90 Celica, Celica All-Trac			
	(Outer) 4898			(ABS)..... (Kit) <input checked="" type="checkbox"/> 5694			
	(Continued Next Column)			514002			
				(Inner) 4899			
				(Outer) 225220			
				(Continued Next Page)			

FRONT WHEEL DRIVE - TOYOTA COMPACT/SUBCOMPACT

(Cont.) (Celica, Celica All-Trac, Corolla, Corolla All-Trac, Corolla FX, Echo, Matrix, Matrix AWD, Paseo, Prius, Tercel, Tercel Wagon 4WD & Yaris)

Year	Application	Seal	Bearing
WHEEL			
FRONT WHEEL (Cont.)			
99-90	Celica, Celica All-Trac (Exc. ABS).....(Kit) ☒	5686	514002
	(Inner).....	4899	
	(Outer).....	225220	
1993	Corolla All-Trac.....(Kit) ☒	5696	510007
	(Inner).....	1993	
	(Outer).....	4898	
92-88	Corolla.....(Kit) ☒	5696	Hub Repair Kit ☒ 518507
92-88	Corolla, Corolla All-Trac (Kit) ☒	5696	510007
	(Inner).....	1993	
	(Outer).....	4898	
92-87	Paseo, Tercel.....(Inner)	225673	510002
	(Outer).....	225410	
89-88	Celica, Celica All-Trac, Corolla FX.....(Kit) ☒	5686	514002
	(Inner).....	4899	
	(Outer).....	225220	
88-87	Tercel Wagon 4WD.....(Kit) ☒	5695	513002
87-84	Celica, Corolla, Corolla FX.....(Kit) ☒	5686	514002
	(Inner).....	4899	
	(Outer).....	225220	
86-83	Tercel, Tercel Wagon 4WD (Kit) ☒	5695	513002
82-80	All.....(Inner)	225110	A-18
	(Outer).....	225110	A-18
REAR WHEEL			
08-03	Corolla (ABS).....		Hub Assembly 512217
08-03	Matrix (FWD) (ABS).....		Hub Assembly 512217
08-03	Matrix (FWD) (Exc. ABS).....		Hub Assembly 512218
08-03	Celica, Corolla (Exc. ABS).....		Hub Assembly 512218
05-00	Celica (ABS).....		Hub Assembly 512329
05-00	Echo (ABS).....		Hub Assembly 512209
05-00	Echo (Exc. ABS).....		Hub Assembly 512210
02-00	Celica (Exc. ABS).....		Hub Assembly 512218
02-93	Corolla (Exc. ABS).....		Hub Assembly 512018
99-94	Celica.....		Hub Assembly 512137
99-91	Paseo, Tercel.....(Inner)	710642	A-149
	(Outer).....		A-1
95-93	Corolla (ABS).....		Hub Assembly 512019
93-88	Celica All-Trac (Inner).....	4899	514002
	(Outer).....	225275	
93-86	Celica.....	224210	513022
93-83	Corolla All-Trac, Tercel Wagon 4WD.....	224210	(Brg. & Ring) 88506-BR
92-84	Corolla, Corolla FX.....	1180	513031
90-88	Tercel.....(Inner)	223605	32005
	(Outer).....		A-1
87-84	Tercel (Hatchback) (Sedan) (Inner).....	223605	32005
	(Outer).....		A-1
87-84	Tercel (Station Wagon).....	1180	513031
83-80	Tercel.....(Inner)	223605	32005
	(Outer).....		A-1

Year	Application	Seal	Bearing
AXLE			
REAR AXLE			
DIFFERENTIAL			
88-83	6.2" R.G.		(2)A-5
PINION			
88-83	6.2" R.G.(Inner)		M86649-M86610
	(Outer).....	223542	
	Redi-Sleeve 99139.....		
CLUTCH			
PILOT			
4 CYLINDER			
05-03	1497cc/1.5L (DOHC).....		MSNB-5305-GTBV
02-98	1497cc/1.5L (DOHC), 1497cc/1.5L (DOHC), 1794cc/1.8L (DOHC), 1796cc/1.8L (DOHC).....		MSNB-5305-GTBV
97-84	1456cc/1.5L, 1497cc/1.5L (DOHC), 1587cc/1.6L, 1587cc/1.6L (DOHC), 1762cc/1.8L (DOHC).....		MSNB-5305-GTBV
88-80	1452cc/1.5L.....		101-SS
RELEASE			
		Bearing Only	Bearing Assembly
4 CYLINDER			
09-92	1587cc/1.6L (DOHC), 1762cc/1.8L (DOHC), 1794cc/1.8L (DOHC), 1796cc/1.8L (DOHC), 1798cc/1.8L (DOHC) (200mm Clutch).....		Ⓢ 614152
99-90	2164cc/2.2L (DOHC) (232mm Clutch).....		Ⓢ 614091
99-88	1456cc/1.5L, 1497cc/1.5L (DOHC) (190mm Clutch).....		Ⓢ 614043
94-92	1456cc/1.5L (200mm Clutch).....		Ⓢ 614043
93-90	1998cc/2.0L (DOHC-Turbo) (225mm Clutch).....		Ⓢ 614167
93-88	1587cc/1.6L (DOHC) (225mm Clutch).....		Ⓢ 614084
1991	1456cc/1.5L, 1587cc/1.6L (DOHC) (200mm Clutch).....		Ⓢ 614043
90-89	1456cc/1.5L (212mm Clutch).....		Ⓢ 614043
90-84	1587cc/1.6L, 1587cc/1.6L (DOHC) (200mm Clutch).....		Ⓢ 614043
89-88	1998cc/2.0L (DOHC-Turbo) (235mm Clutch).....		Ⓢ 614084
89-87	1998cc/2.0L (DOHC) (225mm Clutch).....		Ⓢ 614147
88-80	1452cc/1.5L (190mm Clutch).....	613010	
1986	1995cc/2.0L (225mm Clutch).....		Ⓢ 614147
85-84	1839cc/1.8L (Diesel) (212mm Clutch).....		Ⓢ 614147
DRIVESHAFT			
CENTER SUPPORT			
		Bearing	Bearing & Support
88-83	Tercel Wagon AWD.....		HB-7
TRANSFER CASE			
FULL TIME / PART TIME			
INPUT SHAFT			
93-88	Aisin S125 (47mm Shaft).....	710143	
93-88	Aisin S125 (61mm Shaft).....	710528	
FRONT OUTPUT SHAFT			
93-88	Aisin S125.....	710137	
REAR OUTPUT SHAFT			
93-88	Aisin S125.....	710527	
93-88	S100.....	710143	

() Indicates Quantity Required Ⓢ Sealed Self-Aligning Bearing ☒ Refer To Front Of Catalog For Kit Contents

TOYOTA COMPACT/SUBCOMPACT - FRONT WHEEL DRIVE

(Celica, Celica All-Trac, Corolla, Corolla All-Trac, Corolla FX, Echo, Matrix, Matrix AWD, Paseo, Prius, Tercel, Tercel Wagon 4WD & Yaris) (Cont.)

Year	Application	Seal	Bearing
TRANSFER CASE			
FULL TIME / PART TIME (Cont.)			
EXTENSION			
93-88	Aisin S125.....	223840	
93-88	S100.....	223840	
TRANSAXLE			
AUTOMATIC / 3 Speed			
TORQUE CONVERTER			
01-80	A55, A55F, A130L, A131L, A132L.....	223830	
	Redi-Sleeve	99147	
OUTPUT SHAFT			
01-98	A131L, A132L... (Right).....	710110	
	Redi-Sleeve	99134	
97-84	A130L, A131L, A132L..... (2)	710110	
	Redi-Sleeve (2)	99134	
88-80	A55, A55F..... (2)	223240	
	Redi-Sleeve (2)	99128	
TRANSFER SHAFT			
01-84	A130L, A131L, A132L..... (2)	710416	
PINION			
01-84	A130L, A131L, A132L (Rear).....		30208
EXTENSION HOUSING			
88-83	A55F.....	223252	
MANUAL SHAFT			
01-84	A130L, A131L, A132L.....	221207	
	Redi-Sleeve	99049	
88-80	A55, A55F.....	220818	
AUTOMATIC / 4 Speed			
TORQUE CONVERTER			
09-85	A140E, A140L, U140F, A240E, A240L, U240E, A241E, A241H, A241L, A242L, A243L, A244E, A245E, A246E, E340E, U341E, U341F.....	223830	
	Redi-Sleeve	99147	
OUTPUT SHAFT			
2009	U140F..... (Left).....	710112	
	Redi-Sleeve	99196	
	(Right).....	710392	
	Redi-Sleeve	99242	
2009	U341E..... (Right).....	223540	
09-00	E340E..... (Right).....	710110	
	Redi-Sleeve	99134	
08-00	U240E..... (2)	223540	
	Redi-Sleeve (2)	99139	
08-92	A242L, A244E, A245E, A246E (Left).....	710109	
	Redi-Sleeve	99134	
	(Right).....	710110	
	Redi-Sleeve	99134	
05-00	U341E..... (Right).....	223540	
	(Continued Next Column)		

Year	Application	Seal	Bearing
AUTOMATIC / 4 Speed (Cont.)			
OUTPUT SHAFT			
98-90	A241E, A241L, A243L (Left).....	710138	
	(Right)..... (2)	223540	
97-94	A140E..... (2)	223540	
	Redi-Sleeve (2)	99139	
93-88	A241H..... (Left).....	710115	
	(Right).....	710110	
	Redi-Sleeve	99134	
89-86	A140E, A140L..... (2)	223540	
	Redi-Sleeve (2)	99139	
89-85	A240E, A240L..... (Left).....	710109	
	Redi-Sleeve	99134	
	(Right).....	710110	
	Redi-Sleeve	99134	
TRANSFER SHAFT			
08-93	A242L, A245E..... (2)	710416	
89-86	A140L..... (2)	710416	
PINION			
99-95	A242L..... (Rear).....		30208
EXTENSION HOUSING			
93-88	A241H.....	223840	
	Redi-Sleeve	99147	
MANUAL SHAFT			
09-85	A140E, A140L, U140F, A240E, A240L, U240E, A241E, A241H, A241L, A242L, A243L, A244E, A245E, A246E, E340E, U341E, U341F.....	221207	
	Redi-Sleeve	99049	
AUTOMATIC / 5 Speed			
TORQUE CONVERTER			
2009	E250E.....	223830	
	Redi-Sleeve	99147	
MANUAL SHAFT			
2009	E250E.....	221207	
	Redi-Sleeve	99049	
MANUAL / 4 Speed			
DIFFERENTIAL			
99-87	C141..... (Left).....		32207
INPUT SHAFT			
99-87	C140, C141.....	320603	101-SS
	Redi-Sleeve	99098	
88-80	Z41, Z42, Z44, Z46.....	222655	
	Redi-Sleeve	99103	
OUTPUT SHAFT			
99-87	C140, C141..... (Left).....	710109	
	Redi-Sleeve	99134	
	(Right).....	710110	
	Redi-Sleeve	99134	
88-80	Z41, Z42, Z44, Z46..... (2)	223240	
	Redi-Sleeve (2)	99128	
EXTENSION HOUSING			
88-80	Z41, Z42, Z44, Z46.....	221410	

FRONT WHEEL DRIVE - TOYOTA COMPACT/SUBCOMPACT

(Cont.) (Celica, Celica All-Trac, Corolla, Corolla All-Trac, Corolla FX, Echo, Matrix, Matrix AWD, Paseo, Prius, Tercel, Tercel Wagon 4WD & Yaris)

Year	Application	Seal	Bearing
TRANSAXLE			
MANUAL / 4 Speed (Cont.)			
SHIFT SHAFT			
99-87	C140, C141	1015N	
MANUAL / 5 Speed			
DIFFERENTIAL			
05-87	C150, C151 (Left)		32207
INPUT SHAFT			
09-84	C50, C51, C52, C56, C59, C150, C151	320603	101-SS
		Redi-Sleeve 99098	
99-86	E50F2, S54, E55F2, E57F5, E150F	710172	
		Redi-Sleeve 99123	
93-84	S50, S53	223010	
		Redi-Sleeve 99114	
88-80	Z51, Z52, Z53	222655	
		Redi-Sleeve 99103	
OUTPUT SHAFT			
09-06	C50 (Left)	710109	
		Redi-Sleeve 99134	
	(Right)	710110	
		Redi-Sleeve 99134	
09-84	C51, C52, C56, C59, C150, C151 (Left)	710109	
		Redi-Sleeve 99134	
	(Right)	710110	
		Redi-Sleeve 99134	
02-88	C50 (Left)	710109	
		Redi-Sleeve 99134	
	(Right)	710110	
		Redi-Sleeve 99134	
99-84	S50, S53, S54 (2)	223540	
		Redi-Sleeve (2) 99139	
93-88	E57F5 (Left)	710115	
		(Right) 710143	
93-88	E50F2, E55F2 (40mm Shaft) (Left)	710115	
		Redi-Sleeve 99157	
	(Right)	710143	
93-88	E50F2, E55F2 (50mm Shaft) (Left)	710112	
		Redi-Sleeve 99196	
	(Right)	710143	
89-86	E150F (2)	710112	
		Redi-Sleeve (2) 99196	
88-80	Z51, Z52, Z53 (2)	223240	
		Redi-Sleeve (2) 99128	
EXTENSION HOUSING			
93-86	E50F2, E55F2, E57F5, E150F	1175	
88-85	Z53	221410	
82-80	Z51	221410	
SHIFT SHAFT			
09-84	C50, E50F2, C51, C52, E55F2, C56, E57F5, C59, C150, E150F, C151	1015N	
99-84	S50, S53, S54	221207	
		Redi-Sleeve 99049	

Year	Application	Seal	Bearing
MANUAL / 6 Speed			
INPUT SHAFT			
06-00	C60	320603	101-SS
		Redi-Sleeve 99098	
88-83	Z52F, Z54F	222655	
		Redi-Sleeve 99103	
OUTPUT SHAFT			
06-00	C60 (Left)	710109	
		Redi-Sleeve 99134	
	(Right)	710110	
		Redi-Sleeve 99134	
88-83	Z52F, Z54F (2)	223240	
		Redi-Sleeve (2) 99128	
EXTENSION HOUSING			
88-83	Z52F, Z54F	221410	
SHIFT SHAFT			
06-00	C60	1015N	
STEERING			
POWER STEERING			
STEERING GEAR WORM SHAFT			
02-93	Corolla	222630	
99-86	Celica	710303	
92-86	Corolla, Corolla All-Trac (Upper)	710154	
STEERING GEAR PITMAN SHAFT			
02-00	Corolla	221510	
99-98	Celica, Corolla	221510	
97-83	All	221510	
STEERING PUMP SHAFT			
02-84	Corolla, Corolla All-Trac	710412	
99-97	Celica	710156	
1997	Paseo, Tercel	710151	
96-83	Celica, Celica All-Trac, Corolla FX, Paseo, Tercel, Tercel Wagon 4WD	710156	
AIR CONDITIONING			
COMPRESSOR			
CLUTCH PULLEY			
88-86	Nippondenso 10P15		5000-KFF
88-83	Nippondenso 10P13		5000-KFF
82-80	Nippondenso 6P127		5001-KFF
ELECTRICAL			
ALTERNATOR			
DRIVE END			
89-87	Nippondenso 55, 60 Amp		204-FF
88-85	Nippondenso 50, 55, Amp		303-CC
88-85	Nippondenso 50 Amp		303-CC
86-80	Nippondenso 55 Amp		203-FF
84-83	Nippondenso 50, 55 Amp		203-FF
REAR END			
02-97	Nippondenso 90 Amp		302-CC

(Continued Next Page)

() Indicates Quantity Required

TOYOTA COMPACT/SUBCOMPACT - FRONT WHEEL DRIVE

(Celica, Celica All-Trac, Corolla, Corolla All-Trac, Corolla FX, Echo, Matrix, Matrix AWD, Paseo, Prius, Tercel, Tercel Wagon 4WD & Yaris) (Cont.)

Year	Application	Seal	Bearing	Year	Application	Seal	Bearing
ELECTRICAL				CRANKSHAFT (Cont.)			
ALTERNATOR (Cont.)				4 CYLINDER			
REAR END				06-86	1796cc/1.8L (DOHC), 1998cc/2.0L (DOHC), 2164cc/2.2L (DOHC).....	716102 Redi-Sleeve 99333	
97-88	Nippondenso 70 Amp.....		302-CC	98-80	1452cc/1.5L, 1587cc/1.6L, 1587cc/1.6L (DOHC), 1762cc/1.8L (DOHC).....	227045 Redi-Sleeve 99272	
93-88	Nippondenso 90 Amp.....		302-CC	93-88	1998cc/2.0L (DOHC-Turbo)....	710189 Redi-Sleeve 99349	
89-87	Nippondenso 55, 60 Amp.....		302-CC	86-84	1839cc/1.8L (Diesel), 1995cc/2.0L.....	229010 Redi-Sleeve 99354	
88-85	Nippondenso 50 Amp.....		201-CC	OIL PUMP			
88-83	Nippondenso 50, 55 Amp.....		201-CC	4 CYLINDER			
86-80	Nippondenso 55 Amp.....		201-CC	2009	2362cc/2.4L (DOHC).....	221820	
ENGINE				09-87	1456cc/1.5L, 1497cc/1.5L (DOHC), 1497cc/1.5L (DOHC)	710450 Redi-Sleeve 99078	
CAMSHAFT				99-86	1995cc/2.0L, 1998cc/2.0L (DOHC), 1998cc/2.0L (DOHC-Turbo), 2164cc/2.2L (DOHC).....	221820	
4 CYLINDER				98-84	1587cc/1.6L, 1587cc/1.6L (DOHC).....	223235 Redi-Sleeve 99128	
2009	1798cc/1.8L (DOHC)..... (2)	223801		TIMING COVER			
	Redi-Sleeve (2) 99147			4 CYLINDER			
09-86	1497cc/1.5L (DOHC), 1497cc/1.5L (DOHC), 1587cc/1.6L (DOHC), 1762cc/1.8L (DOHC), 1998cc/2.0L (DOHC-Turbo), 2362cc/2.4L (DOHC)..... (2)	1987		2009	2362cc/2.4L (DOHC).....	2025 Redi-Sleeve 99166	
	Redi-Sleeve (2) 99139			08-98	1794cc/1.8L (DOHC), 1796cc/1.8L (DOHC).....	223800 Redi-Sleeve 99147	
99-90	2164cc/2.2L (DOHC).....	223801		99-84	1839cc/1.8L (Diesel), 1995cc/2.0L, 1998cc/2.0L (DOHC), 1998cc/2.0L (DOHC-Turbo), 2164cc/2.2L (DOHC).....	2025 Redi-Sleeve 99166	
	Redi-Sleeve 99147			97-93	1762cc/1.8L (DOHC).....	223235 Redi-Sleeve 99128	
94-80	1452cc/1.5L, 1456cc/1.5L, 1587cc/1.6L.....	1987		88-80	1452cc/1.5L.....	223235 Redi-Sleeve 99128	
	Redi-Sleeve 99139			CRANKSHAFT			
89-86	1998cc/2.0L (DOHC)..... (2)	223801		4 CYLINDER			
	Redi-Sleeve (2) 99147			2009	2362cc/2.4L (DOHC).....	710189 Redi-Sleeve 99349	
86-84	1839cc/1.8L (Diesel), 1995cc/2.0L.....	223801		09-87	1456cc/1.5L, 1497cc/1.5L (DOHC), 1497cc/1.5L (DOHC)	228013 Redi-Sleeve 99315	
	Redi-Sleeve 99147			08-98	1794cc/1.8L (DOHC).....	710465 Redi-Sleeve 99291	
CRANKSHAFT				(Continued Next Column)			
4 CYLINDER							

TOYOTA - REAR WHEEL DRIVE

(Celica, Corolla, Corona, Cressida, MR2, Starlet & Supra)

WHEEL				FRONT WHEEL (Cont.)			
FRONT WHEEL				87-80	Corolla..... (Inner).....	1950	A-15
05-00	All.....	Hub Assembly	513162		(Outer).....		A-1
98-87	Supra.....	1941	510017	86-80	Celica, Corona, Cressida, Supra..... (Inner).....	224820	A-6
95-90	MR2.....	224210	513022		(Outer).....		A-2
92-89	Cressida.....	224870	513150	84-81	Starlet..... (Inner).....	224015	A-4
89-85	MR2.....	1180	513031		(Outer).....		A-1
88-87	Cressida..... (Inner).....	224820	A-6				
	(Outer).....		A-2				
				(Continued Next Column)			

REAR WHEEL DRIVE - TOYOTA

(Cont.) (Celica, Corolla, Corona, Cressida, MR2, Starlet & Supra)

Year	Application	Seal	Bearing
WHEEL			
REAR WHEEL			
05-00	All		510070
98-89	Cressida, Supra		
	(Inner)	1935	511007
	(Outer)	1928	
95-90	MR2		510006
89-87	MR2	(Kit) 5696	514002
	(Inner)	1993	
	(Outer)	4898	
1988	Cressida		
	(Inner)	223840	32006
	(Outer)	224820	A-17
88-87	Supra		
	(Inner)	1935	511007
	(Outer)	1928	
87-85	Corolla (Exc. GTS)	224210	(Brg. & Ring) 88506-BR
87-85	Corolla (GTS)	1955	514000
87-83	Cressida (Sedan)		
	(Inner)	223840	32006
	(Outer)	224820	A-17
87-83	Cressida (Station Wagon)	1955	(Brg. & Ring) RW-124-R
86-85	MR2	(Kit) 5685	514002
86-82	Supra		
	(Inner)	223840	32006
	(Outer)	224820	A-17
85-82	Celica (Independent Suspension)		
	(Inner)	223840	32006
	(Outer)	224820	A-17
85-82	Celica (Semi-Floating)	1955	(Brg. & Ring) RW-124-R
1984	Corolla	1955	(Brg. & Ring) 88506-BR
84-81	Starlet	224210	(Brg. & Ring) 88506-BR
83-80	Corolla (Coupe)		
	(Hatchback) (Sedan)	224210	(Brg. & Ring) 88506-BR
83-80	Corolla (Station Wagon)	224210	RW-129-R
1982	Corona, Cressida	1955	(Brg. & Ring) RW-124-R
81-80	Supra	1955	514000
81-80	Celica, Corona, Cressida	1955	(Brg. & Ring) RW-124-R
AXLE			
REAR AXLE			
DIFFERENTIAL KIT			
88-80	7.1" R.G.		(Master Kit) RA-350MK
DIFFERENTIAL			
98-93	8" R.G.	(2) 224772	
92-87	7.8" R.G.	(2) 710142	
88-83	7.3" R.G.	(2) 223843	
	Redi-Sleeve (2)	99147	
88-80	7.1" R.G.		■ (2)KC-11445-Y
87-80	6.7" R.G.		(2)A-35
86-84	7.5" R.G.	(2) 2009	■ (2)KC-11445-Y
84-80	6.38" R.G., 6" R.G.		(2)A-5
83-82	7.5" R.G. (Exc. Posi-Trac)		■ (2)KC-11445-Y
83-82	7.5" R.G. (Posi-Trac)		(2)32010-X
82-81	5.6" R.G.		(2)15123-15245
PINION			
98-93	8" R.G.	(Outer) 710525	HM88649-HM88610
92-87	7.8" R.G.	(Inner)	35028
		(Outer)	1177
88-82	7.3" R.G., 7.5" R.G.		
	(Inner)		32307
	(Outer)	1177	30306
88-80	7.1" R.G.	(Inner)	32307
		(Outer)	1177
			(Continued Next Column)

Year	Application	Seal	Bearing
REAR AXLE (Cont.)			
PINION			
87-80	6.7" R.G.	(Inner)	HM88649-HM88610
		(Outer)	1176
		Redi-Sleeve	99147
84-81	5.6" R.G., 6" R.G.		
		(Inner)	M86649-M86610
		(Outer)	223542
		Redi-Sleeve	99139
83-80	6.38" R.G.	(Inner)	M88048-M88010
		(Outer)	1176
		Redi-Sleeve	99147
CLUTCH			
PILOT			
4 CYLINDER			
89-85	1587cc/1.6L (DOHC)		MSNB-5305-GTBV
87-80	1290cc/1.3L, 1587cc/1.6L, 1587cc/1.6L (DOHC), 1770cc/1.8L		101-SS
85-80	2189cc/2.2L, 2366cc/2.4L		201-CC
6 CYLINDER			
98-80	2563cc/2.6L, 2759cc/2.8L, 2759cc/2.8L (DOHC), 2954cc/3.0L (DOHC), 2954cc/3.0L (DOHC-Turbo), 2997cc/3.0L (DOHC), 2997cc/3.0L (DOHC-Turbo)		201-CC
RELEASE			
		Bearing Only	Bearing Assembly
4 CYLINDER			
05-00	1794cc/1.8L (DOHC) (212mm Clutch)		Ⓢ 614152
95-90	1998cc/2.0L (DOHC-Turbo) (235mm Clutch)		Ⓢ 614167
95-90	2164cc/2.2L (DOHC) (232mm Clutch)		Ⓢ 614091
89-88	1587cc/1.6L (DOHC) (225mm Clutch)		Ⓢ 614084
89-86	1587cc/1.6L (DOHC) (212mm Clutch)		Ⓢ 614043
87-83	1587cc/1.6L, 1587cc/1.6L (DOHC) (200mm Clutch)	613010	
1985	1587cc/1.6L (DOHC) (200mm Clutch)		Ⓢ 614043
85-80	2189cc/2.2L, 2366cc/2.4L (224mm Clutch)	613010	
82-80	1770cc/1.8L (212mm Clutch)	613010	
6 CYLINDER			
98-89	2954cc/3.0L (DOHC), 2997cc/3.0L (DOHC), 2997cc/3.0L (DOHC-Turbo) (236mm Clutch)		Ⓢ 614088
92-87	2954cc/3.0L (DOHC-Turbo) (240mm Clutch)		Ⓢ 614085
88-82	2759cc/2.8L (DOHC), 2954cc/3.0L (DOHC) (236mm Clutch)	613010	
81-80	2563cc/2.6L, 2759cc/2.8L (224mm Clutch)	613010	
DRIVESHAFT			
CENTER SUPPORT			
		Bearing	Bearing & Support
85-82	Celica		HB-7
85-82	Supra		HB-7
84-80	Cressida		HB-8
83-80	Corolla		HB-11

() Indicates Quantity Required ■ Replace Complete Unit Ⓢ Sealed Self-Aligning Bearing ☒ Refer To Front Of Catalog For Kit Contents

TOYOTA - REAR WHEEL DRIVE

(Celica, Corolla, Corona, Cressida, MR2, Starlet & Supra) (Cont.)

Year	Application	Seal	Bearing	Year	Application	Seal	Bearing
TRANSAXLE				TRANSMISSION			
AUTOMATIC / 4 Speed				AUTOMATIC / 3 Speed			
TORQUE CONVERTER				FRONT PUMP			
95-85	A141E, A240E, A241E.....	223830		82-80	A40.....	223830	
	Redi-Sleeve	99147			Redi-Sleeve	99147	
OUTPUT SHAFT				EXTENSION HOUSING			
95-88	A241E.....	710138		82-80	A40.....	710319	
	(Left)						
	(Right)	223540					
89-87	A240E.....	710109					
	(Left)						
	Redi-Sleeve	99134					
	(Right)	710110					
	Redi-Sleeve	99134					
86-85	A141E.....	(2) 710110					
	Redi-Sleeve (2)	99134					
TRANSFER SHAFT				AUTOMATIC / 4 Speed			
86-85	A141E.....	(2) 710416		FRONT PUMP			
MANUAL SHAFT				98-80 A42DL, A43D, A43DL, A43DE, A40D, A340E.....			
95-85	A141E, A240E, A241E.....	221207				223830	
	Redi-Sleeve	99049				Redi-Sleeve	99147
MANUAL / 5 Speed				EXTENSION HOUSING			
INPUT SHAFT				98-86 A340E.....			
05-00	C56.....	320603	101-SS	87-80	A42DL, A43D, A43DL, A43DE, A40D.....	224205	
	Redi-Sleeve	99098				710319	
05-00	C56M.....	320603		MANUAL SHAFT			
	Redi-Sleeve	99098		98-86	A340E.....	221207	
95-90	E153.....	710143			Redi-Sleeve	99049	
95-90	S54.....	710172		MANUAL / 4 Speed			
	Redi-Sleeve	99123		DRIVESHAFT / INPUT			
89-88	E51.....	223010		84-80	K40, T40.....	222535	206-L
	Redi-Sleeve	99114			Redi-Sleeve	99098	
89-85	C52.....	320603	101-SS	1980	W40.....	223240	
	Redi-Sleeve	99098			Redi-Sleeve	99128	
OUTPUT SHAFT				MAINSHAFT / OUTPUT			
05-00	C56.....	(Left) 710109		84-80	K40, T40.....	710306	305-L
	Redi-Sleeve	99134		1980	W40.....	710319	RW-122
	(Right)	710110		COUNTERSHAFT			
	Redi-Sleeve	99134		82-80	T40.....	(Front)	304-L
95-90	E153.....	(2) 710112		1980	W40.....	(Front)	205-L
	Redi-Sleeve (2)	99196		SHIFT SHAFT			
95-90	S54.....	(2) 223540		84-80	K40, T40.....	221122	
	Redi-Sleeve (2)	99139		MANUAL / 5 Speed			
89-88	E51.....	(Left) 710109		DRIVESHAFT / INPUT			
	Redi-Sleeve	99134		98-80	W50, W55, W58.....	1981	
	(Right)	224026			Redi-Sleeve	99114	
	Redi-Sleeve	99157		92-87	R154.....	223253	
89-85	C52.....	(Left) 710109		87-80	T50, T50A, K51.....	222535	
	Redi-Sleeve	99134			Redi-Sleeve	99098	
	(Right)	710110		MAINSHAFT / OUTPUT			
	Redi-Sleeve	99134		98-81	W55, W58.....	223840	
SHIFT SHAFT				92-87	R154.....	3459	
05-00	C56.....	1015N		87-80	T50, T50A, K51.....	710306	305-L
95-90	S54.....	221207		81-80	W50.....	710319	RW-122
	Redi-Sleeve	99049		COUNTERSHAFT			
95-85	C52, E153.....	1015N		87-80	T50.....	(Front)	304-L
						(Rear)	204
MANUAL / 6 Speed				MANUAL / 6 Speed			
INPUT SHAFT				DRIVESHAFT / INPUT			
05-00	Aisin C65.....	320603		98-93	V160.....	223608	
	Redi-Sleeve	99098			Redi-Sleeve	99146	

REAR WHEEL DRIVE - TOYOTA

(Cont.) (Celica, Corolla, Corona, Cressida, MR2, Starlet & Supra)

Year	Application	Seal	Bearing
STEERING			
MANUAL STEERING			
STEERING GEAR SECTOR SHAFT			
82-80	Celica, Corolla, Corona	222820	
STEERING GEAR WORM SHAFT			
84-81	Starlet	223005	
POWER STEERING			
STEERING GEAR SECTOR SHAFT			
92-89	Cressida	710153	
88-83	Cressida	222820	
STEERING GEAR WORM SHAFT			
84-81	Starlet	1129	
STEERING GEAR PITMAN SHAFT			
94-81	MR2, Starlet	221510	
STEERING PUMP SHAFT			
98-93	Supra	710251	
92-89	Cressida, Supra	710156	
88-80	Celica, Corolla, Corona, Cressida, Starlet, Supra	222450	203

AIR CONDITIONING

COMPRESSOR			
CLUTCH PULLEY			
90-83	Nippondenso 10P13		5000-KFF
1986	Nippondenso 10P17		5000-KFF
86-82	Nippondenso 10P15		5000-KFF
82-80	Nippondenso 6E171		5000-KFF
82-80	Nippondenso 6P127		5001-KFF
81-80	Nippondenso 6P148		5001-KFF

ELECTRICAL

ALTERNATOR			
DRIVE END			
1987	Nippondenso 50, 55, 60 Amp		303-CC
86-80	Nippondenso 50, 55 Amp		203-FF
84-80	Nippondenso 50, 55, 60 Amp		303-CC
82-81	Nippondenso 40, 45 Amp. (Non-Integral Type)		203-FF
REAR END			
95-90	Nippondenso 70 Amp		302-CC
92-82	Nippondenso 70, 80, 100 Amp		302-CC
87-80	Nippondenso 50, 55 Amp		201-SS
85-80	Nippondenso 50, 55, 60 Amp		201-CC
82-81	Nippondenso 30, 40, 45 Amp		201-S

ENGINE

CAMSHAFT			
4 CYLINDER			
95-90	2164cc/2.2L (DOHC)	223801	
		Redi-Sleeve 99147	

(Continued Next Column)

Year	Application	Seal	Bearing
CAMSHAFT (Cont.)			
4 CYLINDER			
95-85	1587cc/1.6L (DOHC), 1587cc/1.6L (DOHC), 1998cc/2.0L (DOHC-Turbo)		(2) 1987
		Redi-Sleeve (2) 99139	
87-83	1587cc/1.6L		1987
		Redi-Sleeve 99139	
6 CYLINDER			
98-93	2997cc/3.0L (DOHC), 2997cc/3.0L (DOHC-Turbo)		(2) 710436
92-86	2954cc/3.0L (DOHC), 2954cc/3.0L (DOHC-Turbo)		(2) 1987
		Redi-Sleeve (2) 99139	
92-82	2759cc/2.8L (DOHC)		(2) 710318
		Redi-Sleeve (2) 99147	
CRANKSHAFT			
4 CYLINDER			
05-00	1794cc/1.8L (DOHC)	710465	
		Redi-Sleeve 99291	
95-90	1998cc/2.0L (DOHC-Turbo)	710189	
		Redi-Sleeve 99349	
95-90	2164cc/2.2L (DOHC)	716102	
		Redi-Sleeve 99333	
89-81	1290cc/1.3L, 1587cc/1.6L, 1587cc/1.6L (DOHC), 1587cc/1.6L (DOHC)	227045	
		Redi-Sleeve 99272	
85-80	2189cc/2.2L, 2366cc/2.4L	228010	
		Redi-Sleeve 99315	
82-80	1770cc/1.8L	227550	
		Redi-Sleeve 99294	
6 CYLINDER			
98-93	2997cc/3.0L (DOHC), 2997cc/3.0L (DOHC-Turbo)	229005	
		Redi-Sleeve 99354	
92-80	2563cc/2.6L, 2759cc/2.8L, 2759cc/2.8L (DOHC), 2954cc/3.0L (DOHC), 2954cc/3.0L (DOHC-Turbo)	228010	
		Redi-Sleeve 99315	
OIL PUMP			
4 CYLINDER			
95-90	1998cc/2.0L (DOHC-Turbo), 2164cc/2.2L (DOHC)	221820	
89-83	1587cc/1.6L, 1587cc/1.6L (DOHC), 1587cc/1.6L (DOHC)	223235	
		Redi-Sleeve 99128	
TIMING COVER			
4 CYLINDER			
05-00	1794cc/1.8L (DOHC)	223800	
		Redi-Sleeve 99147	
95-90	1998cc/2.0L (DOHC-Turbo), 2164cc/2.2L (DOHC)	2025	
		Redi-Sleeve 99166	
85-80	2189cc/2.2L, 2366cc/2.4L	710345	
		Redi-Sleeve 99177	

(Continued Next Page)

() Indicates Quantity Required

TOYOTA - REAR WHEEL DRIVE

(Celica, Corolla, Corona, Cressida, MR2, Starlet & Supra) (Cont.)

Year	Application	Seal	Bearing	Year	Application	Seal	Bearing
ENGINE				TIMING COVER (Cont.)			
TIMING COVER (Cont.)				6 CYLINDER			
4 CYLINDER				98-93 2997cc/3.0L (DOHC), 2997cc/3.0L (DOHC-Turbo).... 224663			
84-83 1290cc/1.3L 223842				Redi-Sleeve 99147			
82-81 1290cc/1.3L 710318				92-86 2954cc/3.0L (DOHC), 2954cc/3.0L (DOHC-Turbo).... 710187			
Redi-Sleeve 99147				Redi-Sleeve 99204			
82-80 1770cc/1.8L 710318				92-82 2759cc/2.8L (DOHC)..... 710313			
Redi-Sleeve 99147				Redi-Sleeve 99189			
				82-80 2563cc/2.6L, 2759cc/2.8L 710345			
				Redi-Sleeve 99177			

TOYOTA TRUCK - PICKUP/MINIVAN/CROSSOVER/SPORT UTILITY

(FJ Cruiser, Highlander, Highlander AWD, Land Cruiser, Pickup, Previa, Previa All-Trac, RAV4, RAV4 AWD, Sequoia, Sienna, Sienna AWD, Tacoma, Tundra, T100, Van Wagon & 4Runner)

WHEEL				FRONT WHEEL (4WD) (Cont.)			
FRONT WHEEL (2WD)				09-07 Tundra (Inner) ☆ 710626 .. Hub Assembly ☆ 515103			
09-08 Sienna..... 510063				(Outer) 710569			
09-07 Tundra (Inner) ☆ 710626 .. Hub Assembly ☆ 515103				09-06 RAV4 AWD (L4 Eng.)..... Hub Assembly 513257			
(Outer) 710569				09-06 RAV4 AWD (V6 Eng.) Hub Assembly 513258			
09-06 RAV4 (L4 Eng.)..... Hub Assembly 513257				09-05 FJ Cruiser, Tacoma, 4Runner (Inner) 710573 Hub Assembly 515040			
09-06 RAV4 (V6 Eng.)..... Hub Assembly 513258				(Outer) 710477			
09-05 Tacoma (Exc. PreRunner) ☆ 517013				2007 Sequoia (Inner) 710570 517011			
09-05 Tacoma (PreRunner) 710477 Hub Assembly 515040				(Outer) 710571			
09-03 FJ Cruiser, 4Runner 710477 Hub Assembly 515040				07-01 Highlander AWD, Sienna AWD 510063			
2007 Sequoia 710571 517011				07-98 Land Cruiser..... (Inner) 710456 ... JLM506849-JLM506810			
07-04 Highlander, Sienna..... 510063				(Outer) LM102949-LM102910			
06-03 Sequoia, Tundra 710571 517011				06-05 Sequoia, Tundra			
05-01 RAV4 510006				(Inner) 710570 517011			
04-98 Tacoma (Exc. Extra Cab & PreRunner) (Inner) 1948 A-5				(Outer) 710571			
(Outer) A-3				05-01 RAV4 AWD 510006			
04-98 Tacoma (Extra Cab & PreRunner) 710571 517011				04-03 4Runner (Inner) 710573 Hub Assembly 515040			
03-01 Highlander 510063				(Outer) 710477			
03-98 Sienna..... 510006				04-03 Sequoia, Tacoma, Tundra			
Hub Repair Kit 518509				(Inner) 710570 517011			
02-96 Sequoia, Tundra, 4Runner 710571 517011				(Outer) 710571			
00-96 RAV4 (ABS) (Kit) ☒ 5694 514002				02-96 Sequoia, Tacoma, Tundra, 4Runner (Inner) 710570 517011			
(Inner) 4899				(Outer) 710571			
(Outer) 225220				00-96 RAV4 AWD (ABS) (Kit) ☒ 5694 514002			
00-96 RAV4 (Exc. ABS) (Kit) ☒ 5686 514002				(Inner) 4899			
(Inner) 4899				(Outer) 225220			
(Outer) 225220				00-96 RAV4 AWD (Exc. ABS) (Kit) ☒ 5686 514002			
98-93 T100 (Inner) 1948 A-54				(Inner) 4899			
(Outer) 1380-1328				(Outer) 225220			
97-96 Tacoma..... (Inner) 1948 A-5				98-95 T100 (ABS) (Inner) 710092 ... JLM104948-JLM104910			
(Outer) A-3				(Outer) LM102949-LM102910			
97-91 Previa..... (Inner) 225678 517003				98-95 T100 (Exc. ABS)			
(Outer) 226150				(Inner) 710092 ... JLM104948-JLM104910			
95-80 Pickup, Tacoma, 4Runner				(Outer) 710266 ... LM102949-LM102910			
(Inner) 1948 A-5				97-91 Previa All-Trac			
(Outer) A-3				(Inner) 225678 517003			
90-84 Van Wagon (Inner) 224820 A-6				(Outer) 226150			
(Outer) A-2				97-86 Land Cruiser..... (Inner) 226285 ... JLM104948-JLM104910			
FRONT WHEEL (4WD)				(Outer) LM102949-LM102910			
09-08 Land Cruiser (Inner) ☆ 710626				1995 Tacoma..... (Inner) 710570 517011			
(Outer) 710569				(Outer) 710571			
09-08 Sienna AWD 510063				95-86 Pickup, 4Runner			
(Continued Next Column)				(Inner) 710092 ... JLM104948-JLM104910			
				(Outer) LM102949-LM102910			
				(Continued Next Page)			

PICKUP/MINIVAN/CROSSOVER/SPORT UTILITY - TOYOTA TRUCK

(Cont.) (FJ Cruiser, Highlander, Highlander AWD, Land Cruiser, Pickup, Previa, Previa All-Trac, RAV4, RAV4 AWD, Sequoia, Sienna, Sienna AWD, Tacoma, Tundra, T100, Van Wagon & 4Runner)

Year	Application	Seal	Bearing
WHEEL			
FRONT WHEEL (4WD) (Cont.)			
94-93	T100	(Inner) 710092 JLM104948-JLM104910 (Outer) 710266 LM102949-LM102910	
90-87	Van Wagon	(Inner) 226610 517012 (Outer) LM102949-LM102910	
85-80	All	(Inner) 226285 JLM104948-JLM104910 (Outer) LM102949-LM102910	
REAR WHEEL			
09-08	Land Cruiser	☆ 710576	
09-07	Tundra	(Left) Hub Assembly 512352 (Right) Hub Assembly 512351	
09-05	Tacoma	(Left) Hub Assembly 512294 (Right) Hub Assembly 512295	
09-04	Sienna	Hub Assembly 512280	
09-04	Sienna AWD	Hub Assembly 512281	
09-03	FJ Cruiser, 4Runner	(Left) 225875 Hub Assembly 512227 (Right) 225875 Hub Assembly 512228	
07-04	Highlander	(Left) Hub Assembly 512282 (Right) Hub Assembly 512283	
07-04	Highlander AWD	Hub Assembly 512284	
07-01	Sequoia	Hub Assembly 512211	
07-98	Land Cruiser	(Inner) 510011 (Outer) 710384	
06-05	Tundra	(Inner) 511031 (Outer) 1956	
05-01	RAV4 (FWD) (ABS)	Hub Assembly 512212	
05-01	RAV4 (FWD) (Exc. ABS)	Hub Assembly 512213	
05-01	RAV4 AWD	Hub Assembly ☆ 512338	
04-03	Tacoma, Tundra	(Inner) 511031 (Outer) 1956	
03-01	Highlander	(Left) Hub Assembly 512206 (Right) Hub Assembly 512207	
03-01	Highlander AWD	(Inner) 514002 (Outer) 225275	
03-98	Sienna	Hub Assembly 512041	
02-01	Tacoma, Tundra, 4Runner	(Inner) 511031 (Outer) 1956	
2000	Tundra	(Inner) 511031 (Outer) 1956	
2000	Tacoma, 4Runner (ABS)	(Inner) 511021 (Outer) 1956	
2000	Tacoma, 4Runner (Exc. ABS)	(Inner) RW-130-R (Outer) 1956	
00-96	RAV4 (ABS)	Hub Assembly 512212	
00-96	RAV4 (Exc. ABS)	Hub Assembly 512213	
00-96	RAV4 AWD	Hub Assembly 512038	
99-90	Tacoma, T100, 4Runner (ABS)	(Inner) 1960 511021 (Outer) 1956	
99-90	Tacoma, T100, 4Runner (Exc. ABS)	(Inner) 1960 RW-130-R (Outer) 1956	
97-91	Previa, Previa All-Trac (Disc Brakes)	(Inner) 710178 510005 (Outer) 1955	

(Continued Next Column)

Year	Application	Seal	Bearing
REAR WHEEL (Cont.)			
97-91	Previa, Previa All-Trac (Drum Brakes)	(Inner) 710178 511001 (Outer) 1955	
97-80	Land Cruiser (Full-Floating)	(Inner) 226285 JLM104948-JLM104910 (Outer) 710076 LM102949-LM102910	
97-80	Land Cruiser (Semi-Floating)	1959 513008	
95-91	Pickup (Single Wheel) (ABS)	(Inner) 1960 511021 (Outer) 1956	
95-91	Pickup (Single Wheel) (Exc. ABS)	(Inner) 1960 RW-130-R (Outer) 1956	
95-86	Pickup (Dual Wheel)	(Inner) 226285 JLM104948-JLM104910 (Outer) 710076 LM102949-LM102910	
90-86	Pickup (Single Wheel)	(Inner) 1960 RW-130-R (Outer) 1956	
90-86	Van Wagon	1955 514001	
89-86	4Runner	(Inner) 1960 RW-130-R (Outer) 1956	
85-84	Van Wagon	1955 (Brg. & Ring) RW-124-R	
85-80	Pickup, 4Runner	(Inner) 1960 RW-130-R (Outer) 1956	

AXLE

FRONT AXLE			
AXLE SHAFT			
09-03	IFS-8" R.G.	(Right) ☆ 710596	
04-00	IFS-7.5" R.G.	(Right) ☆ 710596	B-30
99-86	IFS-7.5" R.G., 6.7" R.G.		B-30
85-80	7.8" R.G.	(2) 710070	
DIFFERENTIAL KIT			
89-80	IFS-7.5" R.G., 7.8" R.G.		RA-350 (Master Kit) RA-350MK
DIFFERENTIAL			
02-91	8.875" R.G.		(2) 32010-X
90-80	7.8" R.G., 9.25" R.G., 9.5" R.G.		■ (2) KC-11445-Y
89-86	IFS-7.5" R.G.	(2) 710419	■ (2) KC-11445-Y
PINION			
09-03	IFS-8" R.G.	(Inner) HM88649-HM88610 (Outer) 710525	
04-86	IFS-7.5" R.G.	(Inner) 32307 (Outer) 1177	30025
02-82	8.875" R.G., 9.5" R.G.	(Inner) 35028 (Outer) 1177	30306
97-87	6.7" R.G.	(Inner) HM88649-HM88610 (Outer) 1176 M86649-M86610	
		Redi-Sleeve 99147	
85-80	7.8" R.G.	(Inner) 32307 (Outer) 1177	30306
81-80	9.25" R.G.	(Inner) 31308-A (Outer) 1177	

() Indicates Quantity Required ■ Replace Complete Unit ☆ New Item, Check for Availability

TOYOTA TRUCK - PICKUP/MINIVAN/CROSSOVER/SPORT UTILITY

(FJ Cruiser, Highlander, Highlander AWD, Land Cruiser, Pickup, Previa, Previa All-Trac, RAV4, RAV4 AWD, Sequoia, Sienna, Sienna AWD, Tacoma, Tundra, T100, Van Wagon & 4Runner)
(Cont.)

Year	Application	Seal	Bearing	Year	Application	Seal	Bearing
AXLE				CLUTCH			
FRONT AXLE (Cont.)				PILOT			
STEERING KNUCKLE				4 CYLINDER			
90-80	9.25" R.G., 9.5" R.G.		(2)30303	09-86	2237cc/2.2L, 2366cc/2.4L, 2366cc/2.4L (Turbo), 2438cc/2.4L (DOHC), 2446cc/2.4L (Diesel), 2446cc/2.4L (Turbo-Diesel), 2693cc/2.7L (DOHC)		201-CC
REAR AXLE				85-80	1998cc/2.0L, 2189cc/2.2L, 2366cc/2.4L, 2366cc/2.4L (Turbo), 2446cc/2.4L (Diesel), 2446cc/2.4L (Turbo-Diesel), 3168cc/3.2L (Diesel), 3431cc/3.4L (Diesel)		201-CC
DIFFERENTIAL KIT				6 CYLINDER			
1990	7.1" R.G.		RA-350 (Master Kit) RA-350MK	09-88	2958cc/3.0L, 3378cc/3.4L (DOHC), 3955cc/4.0L (DOHC)		201-CC
89-84	7.1" R.G., 7.5" R.G.		RA-350 (Master Kit) RA-350MK	87-80	4230cc/4.2L		202-SS
89-84	7.8" R.G. (2 Pinion)		RA-350 (Master Kit) RA-350MK	8 CYLINDER			
89-84	7.8" R.G. (4 Pinion)		RA-352 (Master Kit) RA-352MK	09-00	4663cc/4.7L (DOHC)		201-CC
83-80	7.8" R.G.		RA-351 (Master Kit) RA-351MK	RELEASE			
DIFFERENTIAL						Bearing Only	Bearing Assembly
09-96	6.7" R.G.	(2) 710419	(2)A-35	4 CYLINDER			
		Redi-Sleeve (2) 99139		09-05	2693cc/2.7L (DOHC) (236mm Clutch)		Ⓢ 614086
02-91	8.875" R.G.		(2)32010-X	05-96	1998cc/2.0L (DOHC), 2362cc/2.4L (DOHC) (235mm Clutch)		Ⓢ 614084
02-84	7.8" R.G. (2 Pinion)		■ (2)KC-11445-Y	04-03	2693cc/2.7L (DOHC) (236mm Clutch)		Ⓢ 614088
02-84	7.8" R.G. (4 Pinion)		(2)32010-X	02-91	2438cc/2.4L (DOHC), 2693cc/2.7L (DOHC) (236mm Clutch)		Ⓢ 614088
90-85	7.1" R.G., 9.5" R.G.		■ (2)KC-11445-Y	00-96	2693cc/2.7L (DOHC) (236mm Clutch)		Ⓢ 614162
89-84	7.5" R.G.	(2) 2009	■ (2)KC-11445-Y	95-89	2366cc/2.4L, 2366cc/2.4L (Turbo) (224mm Clutch)		Ⓢ 614086
84-80	7.8" R.G., 9.25" R.G., 9.5" R.G.		■ (2)KC-11445-Y	90-89	2237cc/2.2L (224mm Clutch)		Ⓢ 614088
PINION				88-81	1998cc/2.0L, 2188cc/2.2L (Diesel), 2237cc/2.2L, 2366cc/2.4L, 2366cc/2.4L (Turbo), 2446cc/2.4L (Diesel), 2446cc/2.4L (Turbo-Diesel) (224mm Clutch)		613010
09-96	6.7" R.G.	(Inner)	HM88649-HM88610	87-85	2366cc/2.4L (Turbo) (236mm Clutch)		613010
		(Outer)	1176 M86649-M86610	1980	2189cc/2.2L (224mm Clutch) (2WD)		613010
		Redi-Sleeve	99147	1980	2189cc/2.2L (224mm Clutch) (4WD)		TO-1710
09-95	8" R.G.	(Inner)	HM88649-HM88610	1980	3168cc/3.2L (Diesel) (275mm Clutch)		1773
		(Outer)	710525	6 CYLINDER			
02-88	7.8" R.G. (2 Pinion)		(Inner) 32307-W	05-95	3378cc/3.4L (DOHC), 3955cc/4.0L (DOHC) (236mm Clutch)		Ⓢ 614162
			(Outer) 1177 30306	95-89	2958cc/3.0L (236mm Clutch)		Ⓢ 614086
02-88	7.8" R.G. (4 Pinion)		(Inner) 32307	1988	2958cc/3.0L (224mm Clutch)		613010
			(Outer) 1177 30306	1988	2958cc/3.0L (236mm Clutch)		Ⓢ 614086
02-82	8.875" R.G., 9.5" R.G.		(Inner) 35028	88-80	3955cc/4.0L, 4230cc/4.2L (275mm Clutch)		613008
			(Outer) 1177 30306	8 CYLINDER			
90-87	7.1" R.G.		(Inner) 32307	05-00	4663cc/4.7L (DOHC) (236mm Clutch)		Ⓢ 614162
			(Outer) 1177 30025				
89-84	7.5" R.G.		(Inner) 30025				
			(Outer) 1177 30306				
87-84	7.8" R.G. (2 Pinion)		(Inner) 32307-W				
			(Outer) 1177 30025				
87-84	7.8" R.G. (4 Pinion)		(Inner) 32307				
			(Outer) 1177 30025				
83-80	7.8" R.G.		(Inner) 32307				
			(Outer) 1177 30025				
81-80	9.25" R.G.		(Inner) 31308-A				
			(Outer) 1177				

PICKUP/MINIVAN/CROSSOVER/SPORT UTILITY - TOYOTA TRUCK

(Cont.) (FJ Cruiser, Highlander, Highlander AWD, Land Cruiser, Pickup, Previa, Previa All-Trac, RAV4, RAV4 AWD, Sequoia, Sienna, Sienna AWD, Tacoma, Tundra, T100, Van Wagon & 4Runner)

Year	Application	Seal	Bearing
DRIVESHAFT			
CENTER SUPPORT			
		<i>Bearing</i>	<i>Bearing & Support</i>
04-95	Tacoma (2WD)		HB-31
04-95	Tacoma (4WD)		HB-26
03-00	Tundra (V6 Eng.)		HB-26
98-93	T100 (2WD)		HB-26
98-93	T100 (4WD)		HB-28
95-89	Pickup (2WD) (L4 Eng.)		HB-9
95-89	Pickup (2WD) (V6 Eng.)		HB-27
95-89	Pickup (4WD)		HB-24
88-84	Pickup (2WD)		HB-10
88-84	Pickup (4WD)		HB-17
83-80	Pickup		HB-9
TRANSFER CASE			
FULL TIME / PART TIME			
INPUT SHAFT			
04-80	RF1A (35mm Shaft)		307-L
97-90	HF2A, HF2AV	224810	
		<i>Redi-Sleeve</i> 99189	
89-82	H55F	224872	
		<i>Redi-Sleeve</i> 99189	
FRONT OUTPUT SHAFT			
04-88	VF1A, VF2A (40.5mm Shaft)	710140	
04-88	VF1A, VF2A (41mm Shaft)	710114	
04-80	RF1A (38mm Shaft)	223840	
04-80	RF1A (40mm Shaft)		308-L
97-91	TF1AV	710139	
97-90	HF2A, HF2AV	224815	208-S
		<i>Redi-Sleeve</i> 99189	
89-86	H55F	224815	207
		<i>Redi-Sleeve</i> 99189	
1985	H55F (1st Design)	224874	
		<i>Redi-Sleeve</i> 99189	
1985	H55F (2nd Design)	224815	207
		<i>Redi-Sleeve</i> 99189	
84-82	H55F	224874	
		<i>Redi-Sleeve</i> 99189	
REAR OUTPUT SHAFT			
04-88	VF1A, VF2A (40.5mm Shaft)	710140	
04-88	VF1A, VF2A (41mm Shaft)	710114	
04-80	RF1A	223840	
97-91	TF1AV	710254	
97-90	HF2A, HF2AV	710173	110
89-82	H55F		30307
IDLER SHAFT			
04-80	RF1A (30mm Shaft)		306-L
SHIFT SHAFT			
04-85	RF1A, VF1A, VF2A	221510	
COMPANION FLANGE			
04-85	RF1A, VF1A, VF2A	710254	
CHAIN CASE			
04-88	VF1A, VF2A	710136	
EXTENSION			
04-88	VF1A, VF2A (41mm Shaft)	710141	
	<i>(Continued Next Column)</i>		

Year	Application	Seal	Bearing
FULL TIME / PART TIME (Cont.)			
EXTENSION			
04-80	RF1A	224810	
97-91	TF1AV	471950	
MOUNTING ADAPTOR			
04-90	RF1A	710306	
97-90	HF2A, HF2AV	710144	
89-85	RF1A (32mm Shaft)	710306	
89-85	RF1A (34mm Shaft)	710418	
84-80	RF1A	710306	
TRANSAXLE			
AUTOMATIC / 4 Speed			
TORQUE CONVERTER			
09-00	U140E, U140F, U241E, A540E	223830	
		<i>Redi-Sleeve</i> 99147	
99-96	A241E, A247E, A540E, A540H	223830	
		<i>Redi-Sleeve</i> 99147	
OUTPUT SHAFT			
09-00	U140F	(Left) 710112	
		<i>Redi-Sleeve</i> 99196	
		(Right) 710392	
		<i>Redi-Sleeve</i> 99242	
03-98	U140E, A540E	(Left) 710112	
		<i>Redi-Sleeve</i> 99196	
		(Right) 712551	
		<i>Redi-Sleeve</i> 99157	
99-96	A540H	(Left) 710109	
		<i>Redi-Sleeve</i> 99134	
		(Right) 710110	
		<i>Redi-Sleeve</i> 99134	
99-96	A241E, A247E	(Left) 710138	
		(Right) 223540	
EXTENSION HOUSING			
99-96	A540H	223840	
		<i>Redi-Sleeve</i> 99147	
MANUAL SHAFT			
09-00	U140E, U140F, U241E, A540E	221207	
		<i>Redi-Sleeve</i> 99049	
99-96	A241E, A247E, A540E, A540H	221207	
		<i>Redi-Sleeve</i> 99049	
AUTOMATIC / 5 Speed			
TORQUE CONVERTER			
09-04	U151E, U151F	223830	
		<i>Redi-Sleeve</i> 99147	
OUTPUT SHAFT			
09-04	U151E	(Left) 710112	
		<i>Redi-Sleeve</i> 99196	
		(Right) 712551	
		<i>Redi-Sleeve</i> 99157	
	<i>(Continued Next Page)</i>		

TOYOTA TRUCK - PICKUP/MINIVAN/CROSSOVER/SPORT UTILITY

(FJ Cruiser, Highlander, Highlander AWD, Land Cruiser, Pickup, Previa, Previa All-Trac, RAV4, RAV4 AWD, Sequoia, Sienna, Sienna AWD, Tacoma, Tundra, T100, Van Wagon & 4Runner)
(Cont.)

Year	Application	Seal	Bearing	Year	Application	Seal	Bearing
TRANSAXLE				AUTOMATIC / 4 Speed (Cont.)			
AUTOMATIC / 5 Speed (Cont.)				MANUAL SHAFT			
OUTPUT SHAFT				09-95 A442F, A340F, A340E, A343F. 221207			
				<i>Redi-Sleeve</i> 99049			
09-04	U151F.....	(Left) 710112		94-85	A440F, A440L, A442F, A340E, A340H.....	221207	
				<i>Redi-Sleeve</i> 99049			
				<i>Redi-Sleeve</i> 99196			
				<i>Redi-Sleeve</i> 223830			
				<i>Redi-Sleeve</i> 710392			
MANUAL SHAFT				AUTOMATIC / 5 Speed			
09-04	U151E, U151F.....	221207		FRONT PUMP			
				09-03 A750E, A750F..... 223830			
				<i>Redi-Sleeve</i> 99049			
MANUAL / 5 Speed				EXTENSION HOUSING			
INPUT SHAFT				09-03 A750E, A750F..... 3459			
03-96	E250, E250F.....	710172		MANUAL SHAFT			
				09-03 A750E, A750F..... 221207			
				<i>Redi-Sleeve</i> 99123			
OUTPUT SHAFT				<i>Redi-Sleeve</i> 99049			
03-96	E250, E250F (40mm Shaft)			MANUAL / 4 Speed			
				DRIVESHAFT / INPUT			
				95-81 G40, N40, W42, W46..... 1981			
				<i>Redi-Sleeve</i> 99114			
				89-80 H41, H42..... 1989			
				<i>Redi-Sleeve</i> 99112			
03-96	E250, E250F (50mm Shaft)			83-81	L45, L48.....	223240	
				<i>Redi-Sleeve</i> 99128			
				1980 L43..... 207-L			
				MAINSHAFT / OUTPUT			
EXTENSION HOUSING				95-84 G40, W46..... 223840			
03-96	E250, E250F.....	1175		89-80	H41, H42.....	710321	
SHIFT SHAFT				84-83 W42..... 223840			
03-96	E250, E250F.....	1015N		RW-122			
TRANSMISSION				83-81 L45, L48..... 710319			
AUTOMATIC / 3 Speed				82-81 N40..... 1177			
FRONT PUMP				1980 L43..... 710319			
1980	A40.....	223830		MANUAL / 5 Speed			
				DRIVESHAFT / INPUT			
				04-85 R150, R150F, R151F, R154..... 223253			
				04-80 G50, W50, G52, W52, G53, G54, W55, W56, G57, G58, W58, G59, W59.....			
				1981			
				<i>Redi-Sleeve</i> 99114			
EXTENSION HOUSING				87-82 H52..... 1989			
1980	A40.....	710319		<i>Redi-Sleeve</i> 99112			
AUTOMATIC / 4 Speed				84-80 L50, L52..... 223240			
FRONT PUMP				<i>Redi-Sleeve</i> 99128			
09-95	A43DF, A46DE, A340F, A340E, A343F.....	223830		MAINSHAFT / OUTPUT			
				04-85 R150, R150F, R151F, R154..... 3459			
				04-83 G50, G52, G53, G54, W55, W56, G57, G58, W58, G59, W59.....			
				223840			
97-85	A440F, A440L, A442F.....	2025		87-82	H52.....	710321	
				<i>Redi-Sleeve</i> 99169			
94-81	A43D, A43DF, A46DE, A44DL, A45DF, A340E, A340H.....	223830		85-80	W50, W52.....	710319	RW-122
				<i>Redi-Sleeve</i> 99147			
EXTENSION HOUSING				84-80	L50, L52.....	710319	
09-95	A340F, A343F.....	3459		COUNTERSHAFT			
09-85	A340E.....	224205		95-88 R154..... (<i>Front</i>)..... MSNB-5305-GTBV			
97-85	A440F, A440L, A442F.....	224820					
96-81	A43D, A43DF, A46DE, A44DL, A45DF.....	710319					
94-85	A340H.....	3459					

PICKUP/MINIVAN/CROSSOVER/SPORT UTILITY - TOYOTA TRUCK

(Cont.) (FJ Cruiser, Highlander, Highlander AWD, Land Cruiser, Pickup, Previa, Previa All-Trac, RAV4, RAV4 AWD, Sequoia, Sienna, Sienna AWD, Tacoma, Tundra, T100, Van Wagon & 4Runner)

Year	Application	Seal	Bearing
STEERING			
MANUAL STEERING			
STEERING GEAR SECTOR SHAFT			
91-83	Pickup, 4Runner	223400	
82-80	Pickup	222820	
STEERING GEAR WORM SHAFT			
88-80	Pickup, 4Runner	221820	
STEERING GEAR PITMAN SHAFT			
97-93	Tacoma, T100	221510	
91-86	Land Cruiser, Pickup, 4Runner	710343	
85-83	Pickup, 4Runner	710343	
85-80	Land Cruiser	223605	
POWER STEERING			
STEERING GEAR HOUSING			
94-90	Land Cruiser, Pickup	710252	
89-80	Pickup	223210	
STEERING GEAR SECTOR SHAFT			
91-83	Pickup	223400	
91-81	Land Cruiser	223210	
82-80	Pickup	222820	
STEERING GEAR WORM SHAFT			
00-96	RAV4, RAV4 AWD (Upper)	710154	
STEERING PUMP SHAFT			
02-98	Land Cruiser, Sienna	710412	
01-96	Tacoma, T100, 4Runner (L4 Eng.)	710251	
01-96	Tacoma, T100, 4Runner (V6 Eng.)	710412	
00-96	RAV4, RAV4 AWD	710156	
97-91	Previa, Previa All-Trac	710251	
1995	4Runner	710156	
95-93	Tacoma, T100 (L4 Eng.)	710251	
95-93	Tacoma, T100 (V6 Eng.)	710412	
94-90	Land Cruiser, Pickup, Van Wagon, 4Runner	710156	
89-80	All	222450	203
AIR CONDITIONING			
COMPRESSOR			
CLUTCH PULLEY			
89-84	Nippondenso 10P15		5000-KFF
88-84	Nippondenso 10P13		5000-KFF
85-80	Nippondenso 6P148		5001-KFF
83-80	Nippondenso 6P127		5001-KFF
ELECTRICAL			
ALTERNATOR			
DRIVE END			
97-90	Nippondenso 90 Amp		302-CC
97-84	Nippondenso 60, 70 Amp		302-CC
91-87	Nippondenso 80 Amp		303-CC
(Continued Next Column)			

Year	Application	Seal	Bearing
ALTERNATOR (Cont.)			
DRIVE END			
87-80	Nippondenso 55, 60 Amp. (Integral Type)		303-CC
1984	Nippondenso 55 Amp. (H/D)		304-DD
84-80	Nippondenso 40, 45, 50 Amp. (Non-Integral Type)		203-FF
83-80	Nippondenso 55 Amp. (H/D)		305-DD
REAR END			
01-91	Nippondenso 70 Amp		302-CC
91-87	Nippondenso 80 Amp		201-CC
87-80	Nippondenso 55, 60 Amp. (Integral Type)		201-CC
84-80	Nippondenso 40, 45, 50 Amp. (Non-Integral Type)		201-S
ENGINE			
CAMSHAFT			
4 CYLINDER			
09-01	2362cc/2.4L (DOHC)	(2) 1987	
		Redi-Sleeve (2) 99139	
03-96	1998cc/2.0L (DOHC)	(2) 223801	
		Redi-Sleeve (2) 99147	
87-81	2188cc/2.2L (Diesel), 2446cc/2.4L (Diesel), 2446cc/2.4L (Turbo-Diesel)	2025	
		Redi-Sleeve 99169	
6 CYLINDER			
09-95	2995cc/3.0L (DOHC), 3311cc/3.3L (DOHC), 3378cc/3.4L (DOHC)	(2) 223801	
		Redi-Sleeve (2) 99147	
95-88	2958cc/3.0L	(2) 224205	
		Redi-Sleeve (2) 99166	
8 CYLINDER			
09-98	4663cc/4.7L (DOHC)	(2) 223802	
		Redi-Sleeve (2) 99147	
CRANKSHAFT			
4 CYLINDER			
09-01	1998cc/2.0L (DOHC), 2362cc/2.4L (DOHC)	710189	
		Redi-Sleeve 99349	
09-91	2438cc/2.4L (DOHC), 2438cc/2.4L (DOHC), 2693cc/2.7L (DOHC)	710188	
00-96	1998cc/2.0L (DOHC)	716102	
95-80	2189cc/2.2L, 2366cc/2.4L, 2366cc/2.4L (Turbo)	228010	
		Redi-Sleeve 99315	
90-81	1998cc/2.0L, 2188cc/2.2L (Diesel), 2237cc/2.2L, 2446cc/2.4L (Diesel), 2446cc/2.4L (Turbo-Diesel)	716102	
		Redi-Sleeve 99333	
6 CYLINDER			
09-88	2958cc/3.0L, 2995cc/3.0L (DOHC), 3311cc/3.3L (DOHC), 3378cc/3.4L (DOHC), 3456cc/3.5L (DOHC)	229210	
97-93	4476cc/4.5L (DOHC)	710526	
(Continued Next Page)			

() Indicates Quantity Required

TOYOTA TRUCK - PICKUP/MINIVAN/CROSSOVER/SPORT UTILITY

(FJ Cruiser, Highlander, Highlander AWD, Land Cruiser, Pickup, Previa, Previa All-Trac, RAV4, RAV4 AWD, Sequoia, Sienna, Sienna AWD, Tacoma, Tundra, T100, Van Wagon & 4Runner)
(Cont.)

Year	Application	Seal	Bearing	Year	Application	Seal	Bearing
ENGINE				TIMING COVER (Cont.)			
CRANKSHAFT (Cont.)				4 CYLINDER			
6 CYLINDER				95-80 2189cc/2.2L, 2366cc/2.4L, 2366cc/2.4L (Turbo)..... 710345 <i>Redi-Sleeve 99177</i>			
1985	4230cc/4.2L (To 10/01/84).....	231004		90-81	1998cc/2.0L, 2188cc/2.2L (Diesel), 2237cc/2.2L, 2446cc/2.4L (Diesel), 2446cc/2.4L (Turbo-Diesel).....	2025	
	<i>Redi-Sleeve</i>	99393			<i>Redi-Sleeve</i>	99169	
84-80	4230cc/4.2L	231004		85-80	3168cc/3.2L (Diesel), 3431cc/3.4L (Diesel)	225040	
	<i>Redi-Sleeve</i>	99393			<i>Redi-Sleeve</i>	99196	
8 CYLINDER				6 CYLINDER			
09-98	4663cc/4.7L (DOHC).....	710352		09-03	3456cc/3.5L (DOHC), 3955cc/4.0L (DOHC).....	2025	
	<i>Redi-Sleeve</i>	99364			<i>Redi-Sleeve</i>	99166	
OIL PUMP				4 CYLINDER			
4 CYLINDER				6 CYLINDER			
09-96	1998cc/2.0L (DOHC), 2362cc/2.4L (DOHC).....	221820		04-88	2958cc/3.0L, 3378cc/3.4L (DOHC).....	224020	
	<i>Redi-Sleeve</i>	99157			<i>Redi-Sleeve</i>	99157	
09-98	2995cc/3.0L (DOHC), 3311cc/3.3L (DOHC).....	224020		97-93	4476cc/4.5L (DOHC).....	710187	
	<i>Redi-Sleeve</i>	99157			<i>Redi-Sleeve</i>	99204	
TIMING COVER				8 CYLINDER			
4 CYLINDER				8 CYLINDER			
09-96	1998cc/2.0L (DOHC), 2362cc/2.4L (DOHC).....	2025		09-07	5663cc/5.7L (DOHC).....	2025	
	<i>Redi-Sleeve</i>	99166			<i>Redi-Sleeve</i>	99166	
09-91	2438cc/2.4L (DOHC), 2438cc/2.4L (DOHC), 2693cc/2.7L (DOHC).....	☆ 710644		09-98	4663cc/4.7L (DOHC).....	☆ 710615	
	<i>Redi-Sleeve</i>	99189					
			(Continued Next Column)				

TRIUMPH (Spitfire, TR7 & TR8)

WHEEL				REAR AXLE (Cont.)			
FRONT WHEEL				PINION			
82-80	TR7, TR8.....	(Inner) 480991	A-4	82-80	TR7, TR8.....	(Outer) 223020	HM88649-HM88610
		(Outer) A-1				<i>Redi-Sleeve</i>	99114
1980	Spitfire	(Inner) 223822	07100S-07210X	1980	FH.....	(Outer) M84548-M84510	
		(Outer) 03062-03162					
REAR WHEEL				CLUTCH			
82-80	TR7 (5 Spd. M/T)	(Inner) 223535		PILOT			
		(Outer) 224100		4 CYLINDER			
82-80	TR8	(Inner) 223535		81-80	1998cc/2.0L		203-FF
		(Outer) 224100		RELEASE			
1980	Spitfire	(Inner) 471224	B-168	4 CYLINDER			
		(Outer) 6370N		81-80	1998cc/2.0L (215mm Clutch)..	TR-1716	
AXLE				8 CYLINDER			
REAR AXLE				81-80	3528cc/3.5L (240mm Clutch)..	TR-1716	
DIFFERENTIAL							
82-80	TR7, TR8.....		(2) A-13				
1980	FH.....		(2) A-13				

(Cont.) (Spitfire, TR7 & TR8) **TRIUMPH**

Year	Application	Seal	Bearing	Year	Application	Seal	Bearing
TRANSMISSION				ELECTRICAL			
AUTOMATIC / 3 Speed				ALTERNATOR			
FRONT PUMP				DRIVE END			
82-80	Borg-Warner T65, T66	480479H		1980	Lucas 34 Amp. (16ACR)		203
		Redi-Sleeve 99168					
MANUAL / 4 Speed				ENGINE			
MAINSHAFT / OUTPUT				CRANKSHAFT			
1980	FT	480570		8 CYLINDER			
MANUAL / 5 Speed				81-80 3528cc/3.5L (Split Seal) 5591			
DRIVESHAFT / INPUT				TIMING COVER			
82-80	Rover CL		15123-15245	4 CYLINDER			
MAINSHAFT / OUTPUT				82-80 1998cc/2.0L 50266			
82-80	Rover CL (Inner)		A-1	Redi-Sleeve 99179			
	(Outer)		A-6	Harmonic Bal Sleeve 88179			
COUNTERSHAFT				1980 1493cc/1.5L 472397			
82-80	Rover CL		(2)A-4	Redi-Sleeve 99199			
EXTENSION HOUSING				Harmonic Bal Sleeve 88199			
82-80	Rover CL		205				

(Taimar, Tasmin, 280i & 3000) **TVR**

WHEEL				AUTOMATIC / 3 Speed (Cont.)			
FRONT WHEEL				EXTENSION HOUSING			
88-82	All (Inner)		A-15	86-80	Borg-Warner T35		1097N
	(Outer)		A-1	MANUAL SHAFT			
81-80	All (Inner)	340823	07100S-07210X	86-80	Borg-Warner T35		311189
	(Outer)		03062-03162	MANUAL / 5 Speed			
REAR WHEEL				DRIVESHAFT / INPUT			
88-82	All (Inner)		18590-18520	88-87	Type 9 (Hummer)		2503N
	(Outer)		18690-18620	MAINSHAFT / OUTPUT			
81-80	All (Inner)	223510	A-4	88-87	Type 9 (Hummer)		2443
	(Outer)		LM29749-LM29710	COUNTERSHAFT			
AXLE				88-87	Type 9 (Hummer)		(Front) (21)C-407-Q
REAR AXLE				ENGINE			
DIFFERENTIAL				CRANKSHAFT			
88-80	Salisbury 4HU		(2)25577-25523	6 CYLINDER			
PINION				88-80 2994cc/3.0L, 171/2.8L,			
88-80	Salisbury 4HU (Inner)		HM89446-HM89410	177/2.9L 3393			
	(Outer)		M88043-M88010	PTFE Rubber 5288			
TRANSMISSION				Redi-Sleeve 99237			
AUTOMATIC / 3 Speed				TIMING COVER			
FRONT PUMP				6 CYLINDER			
86-80	Borg-Warner T35	480479H		88-80	2994cc/3.0L, 171/2.8L,		473560N
		Redi-Sleeve 99168		177/2.9L Redi-Sleeve 99166			

() Indicates Quantity Required

UD TRUCK - LIGHT DUTY (1100, 1200 & 1300)

Year	Application	Seal	Bearing	Year	Application	Seal	Bearing
WHEEL				PILOT (Cont.)			
FRONT WHEEL				6 CYLINDER			
93-89	All.....	(Inner)	32208	93-92	4169cc/4.2L (Turbo-Diesel).....		PB-22
		(Outer)	32305	RELEASE			
REAR WHEEL						Bearing Only	Bearing Assembly
04-01	All.....	(Inner)	33013	4 CYLINDER			
93-92	All.....	(Inner)	228025	91-89	3465cc/3.5L (Turbo-Diesel)		
		(Outer)	32012-X		(275mm Clutch).....	613015	
91-89	All.....	(Inner)	228025	6 CYLINDER			
		(Outer)	32011-X	93-92	4169cc/4.2L (Turbo-Diesel)....	01576	
CLUTCH							
PILOT							
4 CYLINDER							
91-89	3465cc/3.5L (Turbo-Diesel).....		PB-22				

UD TRUCK - MEDIUM DUTY

(CLA83, CMA83, CPB12, CPC12, CPC12T, Xpress, 550T, 600T, 1800, 2000, 2300, 2600, 2800, 3000, 3000HD, 3000SD & 3300)

WHEEL				CLUTCH			
FRONT WHEEL				PILOT			
98-95	1800	(Inner)	32211	4 CYLINDER			
94-89	2300	(Inner)	32211	00-96	4617cc/4.6L (Turbo-Diesel).....		PB-22
		(Outer)	* 33211	6 CYLINDER			
94-87	1800	(Inner)	* 33211	95-93	4169cc/4.2L (Turbo-Diesel).....		PB-22
93-89	2600, 2800	(Inner)	710405	RELEASE			
88-86	CLA83, CMA83..	(Inner)	32211			Bearing Only	Bearing Assembly
		(Outer)	32211	6 CYLINDER			
REAR WHEEL				95-93	4169cc/4.2L (Turbo-Diesel).....	01576	
94-86	CLA83, CMA83, 1800, 2000, 2300	(Inner)	32215	88-86	6925cc/6.9L (Diesel)		
		(Outer)	32213		(325mm Clutch).....	613011	
93-89	2600, 2800	(Inner)	710406	TRANSMISSION			
		(Outer)	710407	AUTOMATIC / 4 Speed			
93-86	3300, 600T	(Inner)	32215	FRONT PUMP			
		(Outer)	32217	93-87	Allison AT542, AT545	6712NA	
91-85	CPB12, CPC12, CPC12T, 3000, 550T	(Outer)	32217			Redi-Sleeve 99187	
AXLE				93-86	Allison MT643	454136N	
REAR AXLE						Redi-Sleeve 99225	
DIFFERENTIAL				OUTPUT SHAFT			
93-87	LFE500	(Inner)	30311-A	93-86	Allison MT643	476424N	209-L
		(Outer)	30309	EXTENSION HOUSING			
PINION				93-87	Allison AT542, AT545	415988	109
93-87	LFE400	(Inner)	30311-A	MANUAL SHAFT			
		(Outer)	30309	93-86	Allison AT542, AT545,		
93-87	LFE700	(Inner)	30311-A		MT643.....	340847	
				AUTOMATIC / 5 Speed			
				FRONT PUMP			
				93-86	Allison MT653	454136N	
						Redi-Sleeve 99225	

MEDIUM DUTY - UD TRUCK

(Cont.) (CLA83, CMA83, CPB12, CPC12, CPC12T, Xpress, 550T, 600T, 1800, 2000, 2300, 2600, 2800, 3000, 3000HD, 3000SD & 3300)

Year	Application	Seal	Bearing	Year	Application	Seal	Bearing
TRANSMISSION				MANUAL / 10 Speed (Cont.)			
AUTOMATIC / 5 Speed (Cont.)				AUXILIARY DRIVESHAFT			
OUTPUT SHAFT				MAINSHAFT / OUTPUT			
93-86	Allison MT653	476424N	209-L	91-89	Fuller RT6610	455088V	117-L
MANUAL SHAFT				AUXILIARY MAINSHAFT			
93-86	Allison MT653	340847		91-89	Fuller RT6610 (Pilot)		MU-1307-V
MANUAL / 10 Speed				(Rear) 415991N 1212-L			
TRANSMISSION KIT				COUNTERSHAFT			
91-89	Fuller RT6610		T-145-A	91-89	Fuller RT6610 (Front)		(2)MU-1207-UGV
DRIVESHAFT / INPUT				(Rear) (2)MU-1306-UGV			
91-89	Fuller RT6610	452554N	209-SLV	AUXILIARY COUNTERSHAFT			
	Redi-Sleeve	99149		91-89	Fuller RT6610 (Front)		(2)MR-1206-RUGV
	(Pilot)		BS-61		(Rear)		(2)MR-1308-TV
				REVERSE IDLER			
				91-89	Fuller RT6610		(2)WJ-162116

FRONT WHEEL DRIVE - VOLKSWAGEN

(Cabrio, Cabriolet, Corrado, Dasher, Eos, Fox, Golf, Golf R32, GTI, Jetta, New Beetle, Passat, Passat Syncro, Passat 4motion, Phaeton, Quantum, Quantum Syncro, Rabbit & Scirocco)

WHEEL				REAR WHEEL (Cont.)			
FRONT WHEEL				2005	Jetta (1st Design)		Hub Assembly 512012
09-06	New Beetle		510003	2005	Jetta (2nd Design)		Hub Assembly 512319
09-06	Jetta, Passat, Passat 4motion		Hub Assembly 513253	2005	Golf, New Beetle		Hub Assembly 512012
09-06	Eos, Golf, Golf R32, GTI, Rabbit		Hub Assembly 513262	05-04	Passat 4motion (1.8L Eng.)		510020
06-04	Phaeton		Hub Assembly 513227	05-02	Passat 4motion (2.8L Eng.)		510020
2005	Jetta (1st Design)		510003	05-02	Passat 4motion (4.0L Eng.)		510019
2005	Jetta (2nd Design)		Hub Assembly 513253	05-98	Passat		Hub Assembly 512187
2005	Golf, New Beetle		510003	2004	Golf R32		510003
05-02	Passat, Passat 4motion		510019	04-00	Golf, Jetta, New Beetle		Hub Assembly 512012
04-00	Golf, Golf R32, Jetta, New Beetle		510003	02-99	Cabrio	1962	A-15
02-99	Cabrio		510004		(Outer)		A-1
2001	Passat, Passat 4motion (1st Design) (L4 Eng.)		510020	2001	Passat 4motion (1st Design)		510019
2001	Passat, Passat 4motion (1st Design) (V6 Eng.)		510019	2001	Passat 4motion (2nd Design) (2.8L Eng.)		510020
2001	Passat, Passat 4motion (2nd Design)		510019	2001	Passat 4motion (2nd Design) (4.0L Eng.)		510019
00-98	Passat, Passat 4motion (L4 Eng.)		510020	00-98	Passat Syncro, Passat 4motion		510019
00-98	Passat, Passat 4motion (V6 Eng.)		510019	1999	Golf, Jetta (1st Design)		
1999	Golf, Jetta (1st Design) (72mm OD)		510004		(Inner)	1962	A-15
1999	Golf, Jetta (2nd Design) (74mm OD)		510003		(Outer)		A-1
99-98	New Beetle		510003	1999	Golf, Jetta (2nd Design)		Hub Assembly 512012
99-98	Passat Syncro		510020	99-98	New Beetle		Hub Assembly 512012
1998	Cabrio, Golf, Jetta		510004	1998	Cabrio, Golf, Jetta		
97-89	Cabrio, Corrado, Golf, Jetta, Passat		510004		(Inner)	1962	A-15
93-85	Cabriolet, Scirocco		B-35		(Outer)		A-1
93-80	Dasher, Fox, Quantum, Quantum Syncro		B-38	97-80	Cabrio, Cabriolet, Corrado, Dasher, Golf, Jetta, Passat, Quantum, Rabbit, Scirocco		
1992	Passat Syncro		510019		(Inner)	1962	A-15
1988	Golf, Jetta (From Chassis No. 17J013201)		510004		(Outer)		A-1
1988	Golf, Jetta (To Chassis No. 17J013200)		513021	93-87	Fox	1174	A-15
87-85	Golf, Jetta		513021		(Inner)		A-15
84-80	Jetta, Rabbit, Scirocco		B-35		(Outer)		A-1
REAR WHEEL				1992	Passat Syncro		510019
09-06	New Beetle		Hub Assembly 512012	88-85	Quantum Syncro		B-38
09-06	Golf R32, Passat 4motion		Hub Assembly 513253				
09-06	Jetta, Passat		Hub Assembly 512319				
09-06	Eos, Golf, GTI, Rabbit		Hub Assembly 512336				
06-04	Phaeton		Hub Assembly 513227				

(Continued Next Column)

VOLKSWAGEN - FRONT WHEEL DRIVE

(Cabrio, Cabriolet, Corrado, Dasher, Eos, Fox, Golf, Golf R32, GTI, Jetta, New Beetle, Passat, Passat Syncro, Passat 4motion, Phaeton, Quantum, Quantum Syncro, Rabbit & Scirocco) (Cont.)

Year	Application	Seal	Bearing
AXLE			
REAR AXLE			
DIFFERENTIAL			
09-00	Haldex AWD	(2)LM503349A-LM503310	
06-04	Torsen T2	(Left) LM300849-LM300811	
		(Right) 224520	A-35
		Redi-Sleeve 99177	
99-98	Torsen T1	(Left) A-37	
		(Right) A-35	
88-85	Torsen T1	(Left) A-37	
		(Right) 224520	A-35
		Redi-Sleeve 99177	
PINION			
09-00	Haldex AWD	710538	
06-04	Torsen T2	(Inner) HM801346X-HM801310	
		(Outer) 710538	M88048-M88010
99-98	Torsen T1	(Inner) HM801346X-HM801310	
		(Outer) 710538	M88048-M88010
		(Pilot) 206	
88-85	Torsen T1	(Inner) HM801346X-HM801310	
		(Outer) 710538	M88048-M88010
		(Pilot) 206	
CLUTCH			
PILOT			
4 CYLINDER			
05-99	1780cc/1.8L (DOHC-Turbo), 1969cc/2.0L (Turbo-Diesel)		F-85265
98-94	1780cc/1.8L, 1780cc/1.8L (DOHC-Turbo), 1896cc/1.9L (Diesel), 1896cc/1.9L (Turbo-Diesel)		F-85265
93-91	1780cc/1.8L, 1780cc/1.8L, 1896cc/1.9L (Diesel)		F-85265
90-87	1780cc/1.8L		F-85265
85-84	1588cc/1.6L (Turbo-Diesel), 1780cc/1.8L		F-85265
83-82	1588cc/1.6L (Turbo-Diesel), 1715cc/1.7L		F-85265
81-80	1471cc/1.5L (Diesel), 1588cc/1.6L, 1588cc/1.6L (Diesel)		F-85265
5 CYLINDER			
88-85	2226cc/2.2L		F-85706
84-83	2144cc/2.1L		F-85706
RELEASE			
		Bearing Only	Bearing Assembly
4 CYLINDER			
05-01	1780cc/1.8L (DOHC-Turbo), 1896cc/1.9L (Turbo-Diesel) (220mm Clutch)		Ⓢ 614111
05-98	1780cc/1.8L (DOHC-Turbo), 1896cc/1.9L (Turbo-Diesel), 1984cc/2.0L (215mm Clutch)		Ⓢ 614111
02-01	1984cc/2.0L (210mm Clutch)		614041
2000	1780cc/1.8L (DOHC-Turbo), 1896cc/1.9L (Turbo-Diesel), 1984cc/2.0L (210mm Clutch)		614041
99-93	1780cc/1.8L, 1896cc/1.9L (Diesel), 1896cc/1.9L (Turbo-Diesel), 1984cc/2.0L (210mm Clutch)		614041
96-94	1780cc/1.8L, 1896cc/1.9L (Diesel), 1984cc/2.0L, 1984cc/2.0L (DOHC) (228mm Clutch)		Ⓢ 614111
1993	1780cc/1.8L, 1896cc/1.9L (Diesel), 1984cc/2.0L (DOHC) (228mm Clutch)		Ⓢ 614111
93-87	1780cc/1.8L (210mm Clutch) (VW 014 Trans.)		Ⓢ 614015
92-91	1780cc/1.8L, 1780cc/1.8L, 1896cc/1.9L (Diesel), 1984cc/2.0L (DOHC) (228mm Clutch)		Ⓢ 614111

(Continued Next Column)

Year	Application	Seal	Bearing
RELEASE (Cont.)			
		Bearing Only	Bearing Assembly
4 CYLINDER			
92-89	1588cc/1.6L (Diesel), 1780cc/1.8L, 1780cc/1.8L (DOHC), 1984cc/2.0L (DOHC) (210mm Clutch)		614041
1990	1780cc/1.8L, 1984cc/2.0L (DOHC) (228mm Clutch)		Ⓢ 614111
88-87	1588cc/1.6L (Turbo-Diesel), 1780cc/1.8L, 1780cc/1.8L (DOHC) (210mm Clutch)		614041
88-85	1588cc/1.6L (Diesel) (190mm Clutch)		614041
86-85	1588cc/1.6L (Turbo-Diesel), 1780cc/1.8L (210mm Clutch)		614041
85-84	1588cc/1.6L (Turbo-Diesel) (200mm Clutch) (VW 014 Trans.)		Ⓢ 614015
85-84	1780cc/1.8L (228mm Clutch)		Ⓢ 614015
84-83	1780cc/1.8L (210mm Clutch)		614041
84-83	1588cc/1.6L (Diesel), 1588cc/1.6L (Turbo-Diesel), 1715cc/1.7L, 1780cc/1.8L (210mm Clutch) (5 Speed)		614041
84-83	1588cc/1.6L (Diesel), 1588cc/1.6L (Turbo-Diesel), 1715cc/1.7L (200mm Clutch) (4 Speed)		613000
84-81	1715cc/1.7L (200mm Clutch) (5 Speed)		614041
84-80	1588cc/1.6L, 1588cc/1.6L (Diesel), 1715cc/1.7L (190mm Clutch) (5 Speed)		614041
84-80	1457cc/1.5L, 1471cc/1.5L (Diesel), 1588cc/1.6L, 1715cc/1.7L (190mm Clutch) (4 Speed)		613000
83-82	1588cc/1.6L (Turbo-Diesel), 1715cc/1.7L (200mm Clutch) (VW 014 Trans.)		Ⓢ 614015
82-81	1588cc/1.6L (Diesel), 1715cc/1.7L (210mm Clutch) (5 Speed)		614041
82-81	1588cc/1.6L (Diesel), 1715cc/1.7L (200mm Clutch) (4 Speed)		613000
81-80	1471cc/1.5L (Diesel), 1588cc/1.6L, 1588cc/1.6L (Diesel) (200mm Clutch) (VW 014 Trans.)		Ⓢ 614015
5 CYLINDER			
88-85	2226cc/2.2L (228mm Clutch)		Ⓢ 614015
84-83	2144cc/2.1L (215mm Clutch)		Ⓢ 614015
6 CYLINDER			
05-01	2792cc/2.8L (DOHC) (228mm Clutch)		Ⓢ 614111
00-92	2792cc/2.8L (228mm Clutch)		Ⓢ 614111
TRANSAXLE			
AUTOMATIC / 3 Speed			
DIFFERENTIAL			
93-87	089	(2)LM29749-LM29710	
92-80	010	(2)LM29749-LM29710	
88-83	087	(2)LM300849-LM300811	
85-80	089	(2)LM29749-LM29710	
TORQUE CONVERTER			
93-80	087, 089	3083	
		Redi-Sleeve 99169	
92-80	010	3083	
		Redi-Sleeve 99169	
OUTPUT SHAFT			
93-80	087, 089	(2) 224520	
		Redi-Sleeve (2) 99177	

(Continued Next Page)

FRONT WHEEL DRIVE - VOLKSWAGEN

(Cont.) (Cabrio, Cabriolet, Corrado, Dasher, Eos, Fox, Golf, Golf R32, GTI, Jetta, New Beetle, Passat, Passat Syncro, Passat 4motion, Phaeton, Quantum, Quantum Syncro, Rabbit & Scirocco)

Year	Application	Seal	Bearing
TRANSAXLE			
AUTOMATIC / 3 Speed (Cont.)			
OUTPUT SHAFT			
92-84	010	(2) 225010	
		Redi-Sleeve (2) 99196	
83-80	010	(2) 1965	
		Redi-Sleeve (2) 99146	
PINION			
93-87	089	(Front) 222535	M86649-M86610
		Redi-Sleeve 99098	
		(Rear) 239146	M86649-M86610
92-80	010	(Front) 223010	A-6
		Redi-Sleeve 99114	
		(Rear) 1174	A-6
		Redi-Sleeve 99147	
88-83	087	(Front) 222820	M88048-M88010
		Redi-Sleeve 99111	
		(Rear) 1012N	M86649-M86610
		Redi-Sleeve 99177	
85-80	089	(Front) 222535	M86649-M86610
		Redi-Sleeve 99098	
		(Rear) 239146	M86649-M86610
AUTOMATIC / 4 Speed			
DIFFERENTIAL			
05-95	01M	(2) LM29749-LM29710	
95-93	01M	(2) LM29749-LM29710	
92-90	095	(2) LM300849-LM300811	
TORQUE CONVERTER			
05-95	01M	225110	
		Redi-Sleeve 99177	
95-93	01M	225110	
		Redi-Sleeve 99177	
92-90	095	225110	
		Redi-Sleeve 99177	
OUTPUT SHAFT			
92-90	095	(2) 225010	
		Redi-Sleeve (2) 99196	
AUTOMATIC / 5 Speed			
TORQUE CONVERTER			
06-02	09A	710442	
05-98	ZF 5HP-19FL, 5HP-19FLA	224510	
		Redi-Sleeve 99177	
OUTPUT SHAFT			
05-98	ZF 5HP-19FL, 5HP-19FLA	(2) 223510	
		Redi-Sleeve (2) 99139	
MANUAL SHAFT			
06-02	09A	2027	
AUTOMATIC / 6 Speed			
TORQUE CONVERTER			
06-04	ZF 6HP-32A	224510	
		Redi-Sleeve 99177	
06-04	02E	224510	
		Redi-Sleeve 99177	

Year	Application	Seal	Bearing
AUTOMATIC / 6 Speed (Cont.)			
OUTPUT SHAFT			
06-04	ZF 6HP-32A	(2) 223510	
		Redi-Sleeve (2) 99139	
06-04	02E	(2) 223510	
		Redi-Sleeve (2) 99139	
MANUAL / 4 Speed			
DIFFERENTIAL			
02-80	020	(2) LM29749-LM29710	
93-87	014	(2) LM300849-LM300811	
81-80	014	(2) LM300849-LM300811	
INPUT SHAFT			
02-80	020	222240	
		Redi-Sleeve 99085	
93-87	014	222030	
		Redi-Sleeve 99078	
81-80	014	222030	
		Redi-Sleeve 99078	
OUTPUT SHAFT			
02-85	020	(Left) 1965	A-15
		Redi-Sleeve 99146	
		(Right) 1965	
		Redi-Sleeve 99146	
93-87	014	(2) 224052	
		Redi-Sleeve (2) 99157	
84-80	020	(Left) 474288	A-15
		Redi-Sleeve 99146	
		(Right) 474288	
		Redi-Sleeve 99146	
81-80	014	(2) 224052	
		Redi-Sleeve (2) 99157	
SHIFT SHAFT			
02-80	020	221820	
MANUAL / 5 Speed			
DIFFERENTIAL			
05-98	01A, 01W, 012	(Left)	A-35
		(Right)	LM300849-LM300811
05-90	02A, 02J, 02M	(2) LM300849-LM300811	
93-89	013	(2) LM300849-LM300811	
88-83	093	(Left)	A-35
		(Right)	LM300849-LM300811
85-82	013	(2) LM300849-LM300811	
INPUT SHAFT			
05-98	01A, 01W, 012	222540	
		Redi-Sleeve 99098	
93-89	013	222030	
		Redi-Sleeve 99078	
88-83	093	222540	
		Redi-Sleeve 99098	
85-82	013	222030	
		Redi-Sleeve 99078	
OUTPUT SHAFT			
05-98	01A, 01W, 012	(2) 224520	
		Redi-Sleeve (2) 99177	
05-90	02A, 02J, 02M	(2) 710147	
		Redi-Sleeve (2) 99157	
93-89	013	(2) 224052	
		Redi-Sleeve (2) 99157	

(Continued Next Page)

() Indicates Quantity Required

VOLKSWAGEN - FRONT WHEEL DRIVE

(Cabrio, Cabriolet, Corrado, Dasher, Eos, Fox, Golf, Golf R32, GTI, Jetta, New Beetle, Passat, Passat Syncro, Passat 4motion, Phaeton, Quantum, Quantum Syncro, Rabbit & Scirocco) (Cont.)

Year	Application	Seal	Bearing
TRANSAXLE			
MANUAL / 5 Speed (Cont.)			
OUTPUT SHAFT			
88-83	093	(2) 224520	
		Redi-Sleeve (2) 99177	
85-82	013	(2) 224052	
		Redi-Sleeve (2) 99157	
MANUAL / 6 Speed			
DIFFERENTIAL			
09-98	02M	(2) LM300849-LM300811	
05-98	01E	(Left) A-35	
		(Right) LM300849-LM300811	
INPUT SHAFT			
05-98	01E	222540	
		Redi-Sleeve 99098	
OUTPUT SHAFT			
09-98	02M	(2) 710147	
		Redi-Sleeve (2) 99157	
05-98	01E	(2) 224520	
		Redi-Sleeve (2) 99177	
AIR CONDITIONING			
COMPRESSOR			
CLUTCH PULLEY			
93-90	Sanden SD-709		5001-KFF
93-81	Sanden SD-508		5001-KFF
91-87	Nippondenso 6P148		5001-KFF
89-80	York Mini 206		206-FF
ELECTRICAL			
ALTERNATOR			
DRIVE END			
93-85	Bosch 65 Amp		203-FF
93-85	Bosch 90 Amp		303-CC
91-80	Bosch 55, 65 Amp		203-FF
91-80	Bosch 75, 90 Amp		303-CC
1984	Bosch 35, 45, 55, 65 Amp		203-FF
83-80	Bosch 55, 65 Amp		203-SS
1981	Bosch 75 Amp		303-CC
1981	Bosch 90 Amp		303-CC
81-80	Motorola 55, 65 Amp		203-SS
1980	Bosch 55 Amp		203-FF
1980	Bosch 65 Amp		203-FF
1980	Motorola 55 Amp		203-SS
1980	Motorola 65 Amp		203-SS
REAR END			
93-85	Bosch 65 Amp		200-CC
93-85	Bosch 90 Amp		201-S
91-85	Bosch 75, 90 Amp		201-S
91-84	Bosch 55, 65 Amp		200-CC
83-80	Bosch 35, 45, 55, 65 Amp		201-S
81-80	Motorola 55, 65 Amp		203-SS
1980	Bosch 55 Amp		201-S
1980	Bosch 65 Amp		201-S
1980	Motorola 55 Amp		202

(Continued Next Column)

Year	Application	Seal	Bearing
ALTERNATOR (Cont.)			
REAR END			
1980	Motorola 65 Amp		202
ENGINE			
CAMSHAFT			
4 CYLINDER			
06-03	1896cc/1.9L (Turbo-Diesel)	3476	
		Redi-Sleeve 99128	
06-98	1780cc/1.8L (DOHC-Turbo)	(2) 3476	
		Redi-Sleeve (2) 99128	
02-80	1457cc/1.5L, 1471cc/1.5L (Diesel), 1588cc/1.6L, 1588cc/1.6L (Diesel), 1588cc/1.6L (Turbo-Diesel), 1715cc/1.7L, 1780cc/1.8L, 1780cc/1.8L, 1896cc/1.9L (Turbo-Diesel), 1984cc/2.0L	3476	
		Redi-Sleeve 99128	
94-86	1780cc/1.8L (DOHC), 1984cc/2.0L (DOHC)	(2) 3476	
		Redi-Sleeve (2) 99128	
5 CYLINDER			
88-83	2144cc/2.1L, 2226cc/2.2L	3476	
		Redi-Sleeve 99128	
6 CYLINDER			
05-01	2792cc/2.8L (DOHC)	(4) 3476	
		Redi-Sleeve (4) 99128	
05-98	2771cc/2.8L (DOHC)	(2) 3476	
		Redi-Sleeve (2) 99128	
00-92	2792cc/2.8L	(4) 3476	
		Redi-Sleeve (4) 99128	
8 CYLINDER			
05-04	4172cc/4.2L (DOHC)	(4) 3476	
		Redi-Sleeve (4) 99128	
CRANKSHAFT			
4 CYLINDER			
09-98	1780cc/1.8L (DOHC-Turbo), 1984cc/2.0L (DOHC-Turbo)	☆ 710617	
06-98	1896cc/1.9L (Turbo-Diesel)	716102	
		Redi-Sleeve 99333	
02-98	1984cc/2.0L (105mm OD)	716102	
		Redi-Sleeve 99333	
02-98	1984cc/2.0L (131mm OD)	☆ 710617	
97-80	1457cc/1.5L, 1471cc/1.5L (Diesel), 1588cc/1.6L, 1588cc/1.6L (Diesel), 1588cc/1.6L (Turbo-Diesel), 1715cc/1.7L, 1780cc/1.8L, 1780cc/1.8L (DOHC), 1780cc/1.8L, 1896cc/1.9L (Turbo-Diesel), 1984cc/2.0L, 1984cc/2.0L (DOHC)	716102	
		Redi-Sleeve 99333	

FRONT WHEEL DRIVE - VOLKSWAGEN

(Cont.) (Cabrio, Cabriolet, Corrado, Dasher, Eos, Fox, Golf, Golf R32, GTI, Jetta, New Beetle, Passat, Passat Syncro, Passat 4motion, Phaeton, Quantum, Quantum Syncro, Rabbit & Scirocco)

Year	Application	Seal	Bearing	Year	Application	Seal	Bearing
ENGINE				INTERMEDIATE SHAFT (Cont.)			
CRANKSHAFT (Cont.)				6 CYLINDER			
5 CYLINDER				05-01 2792cc/2.8L (DOHC)..... 1108			
				Redi-Sleeve 99139			
88-83	2144cc/2.1L, 2226cc/2.2L	716102		00-92 2792cc/2.8L		1108	
		Redi-Sleeve 99333				Redi-Sleeve 99139	
6 CYLINDER				TIMING COVER			
5 CYLINDER				4 CYLINDER			
05-01	2771cc/2.8L (DOHC), 2792cc/2.8L (DOHC).....	716102		06-98 1780cc/1.8L (DOHC-Turbo), 1896cc/1.9L (Turbo-Diesel)....		3476	
		Redi-Sleeve 99333				Redi-Sleeve 99128	
00-98	2771cc/2.8L (DOHC), 2792cc/2.8L	716102		06-98 1984cc/2.0L (35mm Shaft) .. ☆	710618		
		Redi-Sleeve 99333		02-98 1984cc/2.0L (32mm Shaft).....	3476		
97-92	2792cc/2.8L	716102				Redi-Sleeve 99128	
		Redi-Sleeve 99333		8 CYLINDER			
05-04	4172cc/4.2L (DOHC).....	716102		97-80 1457cc/1.5L, 1471cc/1.5L (Diesel), 1588cc/1.6L, 1588cc/1.6L (Diesel), 1588cc/1.6L (Turbo-Diesel), 1715cc/1.7L, 1780cc/1.8L, 1780cc/1.8L (DOHC), 1780cc/1.8L, 1780cc/1.8L (DOHC-Turbo), 1896cc/1.9L (Turbo-Diesel), 1984cc/2.0L, 1984cc/2.0L (DOHC).....		3476	
		Redi-Sleeve 99333				Redi-Sleeve 99128	
INTERMEDIATE SHAFT				5 CYLINDER			
4 CYLINDER				88-83 2144cc/2.1L, 2226cc/2.2L			
06-03	1780cc/1.8L (DOHC-Turbo), 1896cc/1.9L (Turbo-Diesel)....	3476				Redi-Sleeve 99139	
		Redi-Sleeve 99128		6 CYLINDER			
02-80	1457cc/1.5L, 1471cc/1.5L (Diesel), 1588cc/1.6L, 1588cc/1.6L (Diesel), 1588cc/1.6L (Turbo-Diesel), 1715cc/1.7L, 1780cc/1.8L, 1780cc/1.8L (DOHC), 1780cc/1.8L, 1780cc/1.8L (DOHC-Turbo), 1896cc/1.9L (Turbo-Diesel), 1984cc/2.0L, 1984cc/2.0L (DOHC).....	3476		05-01 2792cc/2.8L (DOHC).....		1108	
		Redi-Sleeve 99128				Redi-Sleeve 99139	
5 CYLINDER				05-98 2771cc/2.8L (DOHC)..... ☆	710618		
88-83	2144cc/2.1L, 2226cc/2.2L	3476		00-92 2792cc/2.8L		1108	
		Redi-Sleeve 99128				Redi-Sleeve 99139	
8 CYLINDER				05-04 4172cc/4.2L (DOHC).....		1108	
						Redi-Sleeve 99139	

REAR WHEEL DRIVE - VOLKSWAGEN

(Beetle, Fastback, Karmann Ghia, Squareback, Super Beetle, Thing, 411 & 412)

WHEEL			CLUTCH		
FRONT WHEEL			RELEASE		
1980	All (Disc Brakes)			Bearing Only	Bearing Assembly
	(Inner)	1174			
	(Outer)				A-15
1980	All (Drum Brakes)				A-1
	(Inner)	1217			
	(Outer)				A-15
					A-1
REAR WHEEL			TRANSAXLE		
1980	All.....	(Inner)	1012N		206
		(Outer)			MA-1206-EF
			AUTOMATIC / 2 Speed		
			DIFFERENTIAL		
1980	Auto-Stick				(2)LM300849-LM300811

() Indicates Quantity Required ☆ New Item, Check for Availability

VOLKSWAGEN - REAR WHEEL DRIVE

(Beetle, Fastback, Karmann Ghia, Squareback, Super Beetle, Thing, 411 & 412) (Cont.)

Year	Application	Seal	Bearing	Year	Application	Seal	Bearing
TRANSAXLE				ALTERNATOR (Cont.)			
MANUAL / 4 Speed				REAR END			
DIFFERENTIAL				1980	Bosch 35, 55, 65 Amp. (Integral Type)		202-SS
1980	002		(2)LM300849-LM300811	ENGINE			
INPUT SHAFT				CRANKSHAFT			
1980	002	222050		4 CYLINDER			
		Redi-Sleeve 99085		1980	1584cc/1.6L	227040	
ELECTRICAL						Redi-Sleeve 99272	
ALTERNATOR				DRIVE END			
1980	Bosch 35, 55, 65 Amp. (Integral Type)		201-S				

VOLKSWAGEN TRUCK - PICKUP/MINIVAN/SPORT UTILITY

(EuroVan, Rabbit Pickup, Routan, Tiguan, Tiguan 4motion, Touareg, Vanagon & Vanagon Syncro)

WHEEL				RELEASE		
					Bearing Only	Bearing Assembly
FRONT WHEEL (2WD)				4 CYLINDER		
2009	Routan		Hub Assembly ☆ 513273	91-80	1915cc/1.9L, 1970cc/2.0L, 2109cc/2.1L (228mm Clutch)	Ⓢ 614015
2009	Tiguan		Hub Assembly 513253	85-82	1588cc/1.6L (Diesel) (215mm Clutch)	Ⓢ 614015
03-92	All		510051	83-81	1588cc/1.6L (Diesel), 1715cc/1.7L (200mm Clutch)	
91-85	All	(Inner) 225500	LM300849-LM300811		(4 Speed).....	613000
		(Outer)	A-12	83-81	1588cc/1.6L (Diesel), 1715cc/1.7L (200mm Clutch)	
1984	All (From Chassis No. 24E023828)	(Inner) 225500	LM300849-LM300811		(5 Speed).....	614041
		(Outer)	A-12	1980	1471cc/1.5L (Diesel), 1588cc/1.6L (190mm Clutch)	
1984	All (To Chassis No. 24E023827)	(Inner) 225500	LM300849-LM300811		(5 Speed).....	614041
		(Outer)	A-2	1980	1457cc/1.5L, 1471cc/1.5L (Diesel), 1588cc/1.6L (190mm Clutch) (4 Speed)	613000
83-80	Rabbit Pickup		B-35	5 CYLINDER		
83-80	Vanagon	(Inner) 225500	LM300849-LM300811	1995	2461cc/2.5L (228mm Clutch)	Ⓢ 614111
		(Outer)	A-2	1993	2461cc/2.5L (228mm Clutch)	Ⓢ 614111
FRONT WHEEL (4WD)				DRIVESHAFT		
2009	Tiguan 4motion		Hub Assembly 513253	CENTER SUPPORT		
09-04	Touareg		510082		Bearing	Bearing & Support
91-86	All		513180	91-86	Vanagon Synchro	
REAR WHEEL					(Front) 107	
2009	Tiguan, Tiguan 4motion		Hub Assembly 513253		(Rear) 206	
09-04	Touareg		510082	TRANSAXLE		
03-92	All		510051	AUTOMATIC / 3 Speed		
91-80	Vanagon, Vanagon Syncro	(Inner) 1208	207	DIFFERENTIAL		
		(Outer) 1208	RW-111	91-80	090	(2)LM300849-LM300811
83-80	Rabbit Pickup	(Inner) 1962	A-15	83-80	010	(2)LM29749-LM29710
		(Outer)	A-1	TORQUE CONVERTER		
CLUTCH				91-80	090	3051N
PILOT						Redi-Sleeve 99169
91-86	2109cc/2.1L		* HK-1512	83-80	010	3083
84-82	1588cc/1.6L (Diesel)		F-85265			Redi-Sleeve 99169

() Indicates Quantity Required ☆ New Item, Check for Availability * Not a Current Production Number, Check for Availability Ⓢ Sealed Self-Aligning Bearing

PICKUP/MINIVAN/SPORT UTILITY - VOLKSWAGEN TRUCK

(Cont.) (EuroVan, Rabbit Pickup, Routan, Tiguan, Tiguan 4motion, Touareg, Vanagon & Vanagon Syncro)

Year	Application	Seal	Bearing	Year	Application	Seal	Bearing
TRANSAXLE							
AUTOMATIC / 3 Speed (Cont.)				MANUAL / 5 Speed (Cont.)			
OUTPUT SHAFT				INPUT SHAFT			
91-80	090	(2) 224520		91-86	094	222050	
		Redi-Sleeve (2) 99177				Redi-Sleeve 99085	
83-80	010	(2) 1965		AIR CONDITIONING			
		Redi-Sleeve (2) 99146		COMPRESSOR			
PINION				CLUTCH PULLEY			
91-80	090	(Front) 223010	M86649-M86610	91-86	Sanden SD-510		5001-KFF
		Redi-Sleeve 99114		91-86	Sanden SD-709		5001-KFF
		(Rear) 239146	M86649-M86610	85-84	Sanden SD-708		5001-KFF
83-80	010	(Front) 223010	A-6	83-80	Sanden SD-508		5001-KFF
		Redi-Sleeve 99114		83-80	York Mini 206		206-FF
		(Rear) 1174	A-6	ELECTRICAL			
		Redi-Sleeve 99147		ALTERNATOR			
AUTOMATIC / 4 Speed				DRIVE END			
DIFFERENTIAL				91-84	Bosch 55, 65 Amp		203-FF
03-92	01P, 098	(2) LM503349A-LM503310		91-82	Bosch 90 Amp		303-CC
TORQUE CONVERTER				83-80	Bosch 35, 45, 55, 65 Amp		203-SS
03-92	01P, 098	225110		81-80	Motorola 55, 65 Amp		203-SS
		Redi-Sleeve 99177		REAR END			
OUTPUT SHAFT				91-84	Bosch 55, 65 Amp		200-CC
03-92	01P, 098	(2) 224520		91-82	Bosch 90 Amp		201-S
		Redi-Sleeve 99177		83-80	Bosch 35, 45, 55, 65 Amp		201-S
AUTOMATIC / 6 Speed				83-80	Bosch 45, 63, 65 Amp		201-S
TORQUE CONVERTER				81-80	Motorola 55, 65 Amp		203-SS
2009	Chrysler 62TE	710628		ENGINE			
OUTPUT SHAFT				CAMSHAFT			
2009	Chrysler 62TE	(2) 3459		4 CYLINDER			
		Redi-Sleeve (2) 99157		85-80	1457cc/1.5L, 1471cc/1.5L (Diesel), 1588cc/1.6L, 1588cc/1.6L (Diesel), 1715cc/1.7L	3476	
MANUAL SHAFT						Redi-Sleeve 99128	
2009	Chrysler 62TE	8609		5 CYLINDER			
MANUAL / 4 Speed				96-92	2461cc/2.5L	3476	
DIFFERENTIAL						Redi-Sleeve 99128	
85-80	091	(2) 32010-X		6 CYLINDER			
83-80	020	(2) LM29749-LM29710		2009	241.1/4.0L	(2) 321417N	
INPUT SHAFT						Redi-Sleeve (2) 99112	
85-80	091	222050		03-97	2792cc/2.8L, 2792cc/2.8L (DOHC)	(4) 3476	
85-80	020, 091	Redi-Sleeve 99085				Redi-Sleeve (4) 99128	
83-80	020	222240		8 CYLINDER			
OUTPUT SHAFT				07-04	4172cc/4.2L (DOHC)	(4) 3476	
83-80	020	(Left) 474288	A-15			Redi-Sleeve (4) 99128	
		Redi-Sleeve 99146		CRANKSHAFT			
		(Right) 474288		4 CYLINDER			
		Redi-Sleeve 99146		91-80	1915cc/1.9L, 1970cc/2.0L, 2109cc/2.1L	227530	
SHIFT SHAFT						Redi-Sleeve 99294	
83-80	020	221820				(Continued Next Page)	
MANUAL / 5 Speed							
DIFFERENTIAL							
97-93	02B, 02G	(2) LM503349A-LM503310					
91-86	094	(2) 32010-X					

() Indicates Quantity Required

VOLKSWAGEN TRUCK - PICKUP/MINIVAN/SPORT UTILITY

(EuroVan, Rabbit Pickup, Routan, Tiguan, Tiguan 4motion, Touareg, Vanagon & Vanagon Syncro) (Cont.)

Year	Application	Seal	Bearing	Year	Application	Seal	Bearing
ENGINE				INTERMEDIATE SHAFT (Cont.)			
CRANKSHAFT (Cont.)				6 CYLINDER			
4 CYLINDER				03-97 2792cc/2.8L, 2792cc/2.8L (DOHC)..... 1108			
85-80 1457cc/1.5L, 1471cc/1.5L (Diesel), 1588cc/1.6L, 1588cc/1.6L (Diesel), 1715cc/1.7L 716102				Redi-Sleeve 99139			
6 CYLINDER				TIMING COVER			
2009 231/3.8L, 241.1/4.0L 710056				4 CYLINDER			
PTFE Rubber 5279				91-83 1915cc/1.9L, 2109cc/2.1L 1973			
03-97 2792cc/2.8L, 2792cc/2.8L (DOHC)..... 716102				Redi-Sleeve 99189			
Redi-Sleeve 99333				85-80 1457cc/1.5L, 1471cc/1.5L (Diesel), 1588cc/1.6L, 1588cc/1.6L (Diesel), 1715cc/1.7L 3476			
8 CYLINDER				Redi-Sleeve 99128			
07-04 4172cc/4.2L (DOHC)..... 716102				83-80 1970cc/2.0L 224250			
Redi-Sleeve 99333				Redi-Sleeve 99166			
INTERMEDIATE SHAFT				5 CYLINDER			
4 CYLINDER				96-92 2461cc/2.5L 1108			
85-80 1457cc/1.5L, 1471cc/1.5L (Diesel), 1588cc/1.6L, 1588cc/1.6L (Diesel), 1715cc/1.7L 3476				Redi-Sleeve 99139			
Redi-Sleeve 99128				6 CYLINDER			
5 CYLINDER				2009 241.1/4.0L 1987			
96-92 2461cc/2.5L 3476				Redi-Sleeve 99139			
Redi-Sleeve 99128				2009 231/3.8L, 241.1/4.0L 3638			
6 CYLINDER				Redi-Sleeve 99112			
2009 231/3.8L 3655				03-97 2792cc/2.8L, 2792cc/2.8L (DOHC)..... 1108			
Redi-Sleeve 99139				Redi-Sleeve 99139			
(Continued Next Column)				8 CYLINDER			
				07-04 4172cc/4.2L (DOHC)..... 1108			
				Redi-Sleeve 99139			

VOLVO - FRONT WHEEL DRIVE

(C30, C70, S40, S40 AWD, S60, S60 AWD, S70, S70 AWD, S80, S80 AWD, V40, V50, V50 AWD, V70, V70 AWD, 850 & 850 AWD)

WHEEL		REAR WHEEL (Cont.)	
FRONT WHEEL		06-01 S60, S80, V70 Hub Assembly 512233	
09-08 S60, S60 AWD Hub Assembly 513194		06-01 S60 AWD, S80 AWD, V70 AWD Hub Assembly 512253	
09-05 C30, C70, S40, S40 AWD, V50, V50 AWD .. Hub Assembly 513255		04-01 C70 Hub Assembly 512254	
2007 S60, S60 AWD, V70, V70 AWD Hub Assembly 513194		04-00 S40, V40 Hub Assembly 512252	
06-01 S60, S60 AWD, S80, S80 AWD, V70, V70 AWD Hub Assembly 513194		00-99 S80 Hub Assembly 512233	
04-01 C70 Hub Assembly 513175		00-97 S70 AWD, V70 AWD, 850 AWD..... 513130	
04-00 S40, V40 (Inner) 225450 510029		00-93 C70, S70, V70, 850..... Hub Assembly 512254	
00-99 S80 Hub Assembly 513194		AXLE	
00-99 C70, S70, S70 AWD, V70, V70 AWD..... Hub Assembly 513175		REAR AXLE	
98-94 All..... Hub Assembly 513174		DIFFERENTIAL	
1993 All..... Hub Assembly 513216		01-97 1041 (2)LM501349-LM501314	
REAR WHEEL		PINION	
09-08 S60 Hub Assembly 512233		01-97 1041 (Inner) HM89449-HM89410	
09-08 S60 AWD Hub Assembly 512253		(Outer) 4941V M86647-M86610	
2007 S60, V70 Hub Assembly 512233		Redi-Sleeve 99155	
2007 S60 AWD, V70 AWD Hub Assembly 512253			
(Continued Next Column)			

FRONT WHEEL DRIVE - VOLVO

(Cont.) (C30, C70, S40, S40 AWD, S60, S60 AWD, S70, S70 AWD, S80, S80 AWD, V40, V50, V50 AWD, V70, V70 AWD, 850 & 850 AWD)

Year	Application	Seal	Bearing	Year	Application	Seal	Bearing
CLUTCH				CAMSHAFT (Cont.)			
PILOT				5 CYLINDER			
4 CYLINDER				09-93 2319cc/2.3L (DOHC-Turbo), 2435cc/2.4L (DOHC), 2435cc/2.4L (DOHC-Turbo), 2521cc/2.5L (DOHC-Turbo)			
04-00	1948cc/1.9L (DOHC-Turbo)		202-SS	(Front) 321460 Redi-Sleeve 99179			
5 CYLINDER				(Rear) (2) 223020 Redi-Sleeve (2) 99114			
04-98	2319cc/2.3L (DOHC-Turbo), 2435cc/2.4L (DOHC), 2435cc/2.4L (DOHC-Turbo)		202-SS	6 CYLINDER			
TRANSAXLE				09-08 2953cc/3.0L (DOHC-Turbo)			
AUTOMATIC / 4 Speed				(Front) 321460 Redi-Sleeve 99179			
TORQUE CONVERTER				(Rear) (2) 223020 Redi-Sleeve (2) 99114			
06-99	GMC 4T65-E, 4T65-EG	4072N		06-99 2783cc/2.8L (DOHC-Turbo), 2922cc/2.9L (DOHC), 2922cc/2.9L (DOHC-Turbo)			
00-93	Aisin 50-42LE	223830		(Front) 321460 Redi-Sleeve 99179			
	Redi-Sleeve	99147		(Rear) 223020 Redi-Sleeve 99114			
OUTPUT SHAFT				CRANKSHAFT			
06-99	GMC 4T65-E, 4T65-EG			4 CYLINDER			
	(Left)	100165		04-00 1948cc/1.9L (DOHC-Turbo).... 229210			
	Redi-Sleeve	99139		5 CYLINDER			
04-99	GMC 4T65-EG.. (Right)	3543		09-93 2319cc/2.3L (DOHC-Turbo), 2435cc/2.4L (DOHC), 2435cc/2.4L (DOHC-Turbo), 2521cc/2.5L (DOHC-Turbo).... 229210			
	Redi-Sleeve	99139		6 CYLINDER			
00-93	Aisin 50-42LE	(2) 4764		09-08 2953cc/3.0L (DOHC-Turbo).... 229210 06-02 2922cc/2.9L (DOHC-Turbo).... 229210			
MANUAL SHAFT				TIMING COVER			
06-99	GMC 4T65-E, 4T65-EG	8792S		4 CYLINDER			
00-93	Aisin 50-42LE	221207		04-00 1948cc/1.9L (DOHC-Turbo).... 223601 Redi-Sleeve 99146			
	Redi-Sleeve	99049		5 CYLINDER			
AUTOMATIC / 5 Speed				09-93 2319cc/2.3L (DOHC-Turbo), 2435cc/2.4L (DOHC), 2435cc/2.4L (DOHC-Turbo), 2521cc/2.5L (DOHC-Turbo).... 223601 Redi-Sleeve 99146			
TORQUE CONVERTER				6 CYLINDER			
09-01	Aisin 55-50SN, 55-51SN	222830		09-08 2953cc/3.0L (DOHC-Turbo).... 223601 Redi-Sleeve 99146			
	Redi-Sleeve	99147		06-99 2783cc/2.8L (DOHC-Turbo), 2922cc/2.9L (DOHC), 2922cc/2.9L (DOHC-Turbo).... 223601 Redi-Sleeve 99146			
MANUAL SHAFT				ENGINE			
09-01	Aisin 55-50SN, 55-51SN	221207		CAMSHAFT			
	Redi-Sleeve	99049		4 CYLINDER			
MANUAL / 5 Speed				04-00 1948cc/1.9L (DOHC-Turbo)			
DIFFERENTIAL				(Front) 321460 Redi-Sleeve 99179			
09-93	M56		(2)32008	(Rear) (2) 223020 Redi-Sleeve (2) 99114			
INPUT SHAFT							
09-93	M56	(Inner)	32005-X				
	(Outer)		32007				
OUTPUT SHAFT							
09-93	M56	(2) 224040					
	Redi-Sleeve (2)	99157					

() Indicates Quantity Required

VOLVO - REAR WHEEL DRIVE

(Coupe, S90, V90, 242, 244, 245, 262, 264, 265, 744, 745, 764, 765, 780, 944, 945, 964 & 965)

Year	Application	Seal	Bearing
WHEEL			
FRONT WHEEL			
1995	944, 945	Hub Assembly	513170
94-91	944, 945, 964, 965	Hub Assembly	513170
93-82	242, 244, 245, 264		
	(Inner)	482126	A-17
	(Outer)		A-16
92-89	744, 745 (ABS)	Hub Assembly	513170
92-88	744, 745 (Exc. ABS)	Hub Assembly	513128
91-88	Coupe, 764, 765, 780	Hub Assembly	513128
1988	744, 745 (ABS)	Hub Assembly	513213
87-83	744, 745, 764, 765, 780		
	(Inner)	710215	A-17
	(Outer)		A-16
1981	All (1st Design)		
	(Inner)	482126	A-6
	(Outer)		A-2
1981	All (2nd Design)		
	(Inner)	482126	A-17
	(Outer)		A-16
1980	All	482126	A-6
	(Outer)		A-2
REAR WHEEL			
98-95	S90, V90, 964, 965	Hub Assembly	512234
1995	944, 945	(Inner)	1955 RW-131-R
		(Outer)	9912
94-86	244, 245, 944, 945, 964, 965		
	(Inner)	1955	RW-131-R
	(Outer)	9912	
92-88	744, 745 (Electronic Traction Control)		
	(Inner)	1955	RW-131-R
	(Outer)	9912	
92-88	744, 745 (Exc. Electronic Traction Control)		
	(Inner)	1176	RW-131-R
	(Outer)	9912	
91-88	Coupe, 764, 765, 780		513130
87-86	744, 745, 764, 765, 780 (Electronic Traction Control)		
	(Inner)	1955	RW-131-R
	(Outer)	9912	
87-86	744, 745, 764, 765, 780 (Exc. Electronic Traction Control)		
	(Inner)	1176	RW-131-R
	(Outer)	9912	
85-80	242, 244, 245, 262, 264, 265, 764, 765		
	(Inner)	1955	RW-131-R
	(Outer)	9912	
AXLE			
REAR AXLE			
DIFFERENTIAL KIT			
93-80	1030		<input checked="" type="checkbox"/> RA-338
DIFFERENTIAL			
98-80	1030, 1031, 1041	(2)LM501349-LM501314	
94-88	1045	(2)A-35	

Year	Application	Seal	Bearing
REAR AXLE (Cont.)			
PINION			
98-80	1031, 1041, 1045		
	(Inner)		HM89449-HM89410
	(Outer)	4941V	M86647-M86610
	Redi-Sleeve	99155	
93-80	1030		
	(Inner)		HM88649-HM88610
	(Outer)	4941V	M86647-M86610
	Redi-Sleeve	99155	
CLUTCH			
PILOT			
4 CYLINDER			
95-80	2127cc/2.1L, 2127cc/2.1L (Turbo), 2316cc/2.3L, 2316cc/2.3L (DOHC), 2316cc/2.3L (Turbo)		202-FF
6 CYLINDER			
97-92	2922cc/2.9L (DOHC)		202-FF
86-80	2383cc/2.4L (Diesel), 2383cc/2.4L (Turbo-Diesel)		F-85706
84-80	2849cc/2.8L		203-FF
DRIVESHAFT			
CENTER SUPPORT			
		Bearing	Bearing & Support
93-80	Type 02HD	107-DD	
TRANSAXLE			
AUTOMATIC / 4 Speed			
TORQUE CONVERTER			
1998	Aisin 50-42LE	223830	
	Redi-Sleeve	99147	
OUTPUT SHAFT			
1998	Aisin 50-42LE	(2) 4764	
MANUAL SHAFT			
1998	Aisin 50-42LE	221207	
	Redi-Sleeve	99049	
TRANSMISSION			
AUTOMATIC / 3 Speed			
FRONT PUMP			
85-80	Borg-Warner T55	224320	
82-80	Aisin 03-55	223830	
	Redi-Sleeve	99147	
EXTENSION HOUSING			
85-80	Borg-Warner T55	1097N	
AUTOMATIC / 4 Speed			
FRONT PUMP			
97-81	Aisin 03-70, 03-71, 03-72, 30-40LE	223830	
	Redi-Sleeve	99147	
90-85	ZF 4HP-22	224052	
	Redi-Sleeve	99157	
EXTENSION HOUSING			
97-92	Aisin 30-40LE	224205	
		(Continued Next Page)	

REAR WHEEL DRIVE - VOLVO

(Cont.) (Coupe, S90, V90, 242, 244, 245, 262, 264, 265, 744, 745, 764, 765, 780, 944, 945, 964 & 965)

Year	Application	Seal	Bearing	Year	Application	Seal	Bearing
TRANSMISSION				ELECTRICAL			
AUTOMATIC / 4 Speed (Cont.)				ALTERNATOR			
EXTENSION HOUSING				DRIVE END			
90-89	ZF 4HP-22	710140		97-94	Bosch 120 Amp		303-CC
88-85	ZF 4HP-22	3459		96-86	Bosch 100 Amp		305-DD
MANUAL SHAFT				93-85	Bosch 80 Amp		305-DD
97-92	Aisin 30-40LE	221207		92-80	Bosch 70 Amp		303-CC
	<i>Redi-Sleeve</i>	99049		87-80	Bosch 55 Amp		303-CC
MANUAL / 4 Speed				82-80	S.E.V. Marchal 55 Amp		303-CC
DRIVESHAFT / INPUT				REAR END			
95-80	M45, M46	222820		97-94	Bosch 120 Amp		203-FF
	<i>Redi-Sleeve</i>	99111		96-86	Bosch 100 Amp		201-CC
MAINSHAFT / OUTPUT				93-85	Bosch 80 Amp		201-CC
95-80	M45, M46	224010		1991	Bosch 90, 100 Amp		201-CC
COUNTERSHAFT				87-80	Bosch 55 Amp		201-CC
95-85	M46		A-4	82-80	S.E.V. Marchal 55 Amp		200-CC
	(Center)		A-4				
	(Rear)		A-4				
84-80	M46		A-4				
	(Center)		A-14				
	(Rear)		A-4				
81-80	M45		A-4				
	(Center)		A-4				
	(Front)		A-4				
MANUAL / 5 Speed				ENGINE			
DRIVESHAFT / INPUT				AUXILIARY SHAFT			
95-87	M47	222820		4 CYLINDER			
	<i>Redi-Sleeve</i>	99111		95-80	2127cc/2.1L, 2127cc/2.1L		
MAINSHAFT / OUTPUT					(Turbo), 2316cc/2.3L,		
95-87	M47	1962			2316cc/2.3L (DOHC),		
COUNTERSHAFT					2316cc/2.3L (Turbo)	1172	
95-87	M47		A-4		<i>Redi-Sleeve</i>	99139	
	(Center)		A-17				
	(Rear)		A-17				
STEERING				CAMSHAFT			
MANUAL STEERING				4 CYLINDER			
STEERING GEAR WORM SHAFT				95-89	2316cc/2.3L (DOHC)	(2) 1172	
84-80	242, 244, 245, 262, 264,				<i>Redi-Sleeve</i>	(2) 99139	
	265	441130					
POWER STEERING				95-80	2127cc/2.1L, 2127cc/2.1L		
STEERING PUMP SHAFT					(Turbo), 2316cc/2.3L,		
90-80	All (Saginaw Pump)	7013S			2316cc/2.3L (Turbo)	1172	
					<i>Redi-Sleeve</i>	99139	
AIR CONDITIONING				6 CYLINDER			
COMPRESSOR				98-92	2922cc/2.9L (DOHC)		
CLUTCH PULLEY					(Front)	321460	
93-88	Sanden SD-709		5001-KFF		<i>Redi-Sleeve</i>	99179	
93-85	Sanden SD-508		5001-KFF		(Rear)	223020	
89-80	Sanden SD-510		5001-KFF		<i>Redi-Sleeve</i>	99114	
88-83	Harrison R-4		907257	86-80	2383cc/2.4L (Diesel),		
84-80	York Mini 206		206-FF		2383cc/2.4L (Turbo-Diesel)	3476	
82-80	Harrison A-6		907257		<i>Redi-Sleeve</i>	99128	
FRONT HEAD MAIN				CRANKSHAFT			
88-83	Harrison R-4		S-128	4 CYLINDER			
				95-94	2316cc/2.3L, 2316cc/2.3L		
					(DOHC), 2316cc/2.3L		
					(Turbo)	229210	
				93-80	2127cc/2.1L, 2127cc/2.1L		
					(Turbo), 2316cc/2.3L,		
					2316cc/2.3L (DOHC),		
					2316cc/2.3L (Turbo)	355660H	
				6 CYLINDER			
				91-80	2849cc/2.8L		228010
					<i>Redi-Sleeve</i>	99315	
				86-80	2383cc/2.4L (Diesel),		
					2383cc/2.4L (Turbo-Diesel)	716102	
					<i>Redi-Sleeve</i>	99333	

() Indicates Quantity Required

VOLVO - REAR WHEEL DRIVE

(Coupe, S90, V90, 242, 244, 245, 262, 264, 265, 744, 745, 764, 765, 780, 944, 945, 964 & 965) (Cont.)

Year	Application	Seal	Bearing	Year	Application	Seal	Bearing
ENGINE				TIMING COVER (Cont.)			
TIMING COVER				6 CYLINDER			
4 CYLINDER				98-92 2922cc/2.9L (DOHC)..... 223601			
1995 2316cc/2.3L, 2316cc/2.3L (DOHC), 2316cc/2.3L (Turbo)..... 223542				Redi-Sleeve 99146			
Redi-Sleeve 99139				86-80 2383cc/2.4L (Diesel), 2383cc/2.4L (Turbo-Diesel)..... 1108			
94-80 2127cc/2.1L, 2127cc/2.1L (Turbo), 2316cc/2.3L, 2316cc/2.3L (DOHC), 2316cc/2.3L (Turbo)..... 710190				Redi-Sleeve 99139			
Redi-Sleeve 99204							

VOLVO TRUCK - CROSSOVER/SPORT UTILITY (XC70, XC90 & XC90 AWD)

WHEEL		ENGINE	
FRONT WHEEL (2WD)		CAMSHAFT	
08-03 All..... Hub Assembly 513208		5 CYLINDER	
FRONT WHEEL (4WD)		07-03 2521cc/2.5L (DOHC-Turbo)	
08-03 XC90 AWD..... Hub Assembly 513208		(Front) 321460	
07-03 XC70..... Hub Assembly 513194		Redi-Sleeve 99179	
REAR WHEEL		(Rear) (2) 223020	
08-03 XC90, XC90 AWD..... Hub Assembly 512273		Redi-Sleeve (2) 99114	
07-03 XC70..... Hub Assembly 512253		6 CYLINDER	
TRANSAXLE		06-03 2922cc/2.9L (DOHC-Turbo)	
AUTOMATIC / 4 Speed		(Front) 321460	
TORQUE CONVERTER		Redi-Sleeve 99179	
06-03 GMC 4T65-E..... 4072N		(Rear) 223020	
OUTPUT SHAFT		Redi-Sleeve 99114	
06-03 GMC 4T65-E..... (Left) 100165		CRANKSHAFT	
Redi-Sleeve 99139		5 CYLINDER	
(Right) 3543		07-03 2521cc/2.5L (DOHC-Turbo).... 229210	
Redi-Sleeve 99139		6 CYLINDER	
MANUAL SHAFT		06-03 2922cc/2.9L (DOHC-Turbo).... 229210	
06-03 GMC 4T65-E..... 8792S		TIMING COVER	
AUTOMATIC / 5 Speed		5 CYLINDER	
TORQUE CONVERTER		07-03 2521cc/2.5L (DOHC-Turbo).... 223601	
07-03 Aisin 55-51SN..... 222830		Redi-Sleeve 99146	
Redi-Sleeve 99147		6 CYLINDER	
MANUAL SHAFT		06-03 2922cc/2.9L (DOHC-Turbo).... 223601	
07-03 Aisin 55-51SN..... 221207		Redi-Sleeve 99146	
Redi-Sleeve 99049			

VOLVO TRUCK - MEDIUM DUTY (F & FE Series)

WHEEL		FRONT WHEEL (Cont.)	
FRONT WHEEL		91-87 FE715, FE716T (FA6.5 Axle)	
91-87 FE615 (Inner) HM212044-HM212011		(Inner) 6386-6320	
(Outer) JM205149-JM205110		(Outer) 537-532X	
(Continued Next Column)		91-87 FE715, FE716T (FA7.5 Axle)	
		(Outer) 39580-29520	
		(Continued Next Page)	

(Cont.) (F & FE Series)

MEDIUM DUTY - VOLVO TRUCK

Year	Application	Seal	Bearing
------	-------------	------	---------

Year	Application	Seal	Bearing
------	-------------	------	---------

WHEEL

FRONT WHEEL (Cont.)

91-87	FE613, FE613H, FE614T		
	(Inner)	JM207049-JM207010	
	(Outer)		32208
86-80	All (3.740" Brg. O.D.)		
	(Inner)	JM207049-JM207010	
	(Outer)		32208
86-80	All (3.937" Brg. O.D.)		
	(Inner)	228520	32211
	(Outer)		32208

REAR WHEEL

91-87	FE615		594-592A
	(Outer)		580-572
91-87	FE715, FE716T		683-672
	(Outer)		663-653
91-80	FE613, FE613H, FE614T, F611, F612, F613, F614, F614T		
	(Inner)	231004	* 33018
	(Outer)		33015

AXLE

REAR AXLE

DIFFERENTIAL

93-92	Rockwell 21145	(2)JM716649-JM716610	
93-92	Eaton 21065S, 23070S		
	(Left)		598-592A
	(Right)		497-493
91-87	EV85B	(2)687-672	
91-87	EV80	(2)594-592A	
91-80	EV75		56425-56650
	(Left)		497-493
	(Right)		42687-42620
86-80	EV41, EV45	(2)42687-42620	

PINION

93-92	Eaton 21065S		78215C-78551
	(Outer)	9773	55200C-55437
	Redi-Sleeve	99262	
	(Pilot)		MUS-1308-UM
93-92	Eaton 23070S		H913842-H913810
	(Outer)	712937	72212C-72487
	Redi-Sleeve	99293	
	(Pilot)		MUS-1308-UM
93-92	Rockwell 21145		
	(Inner)		72212C-72487
	(Outer)	3905	55206C-55437
	Redi-Sleeve	99300	
	(Pilot)		RU-1570-UM
91-87	EV85B		H913842-H913810
91-87	EV80		HM911245-HM911210
91-80	EV75		9773
	Redi-Sleeve	99262	
	(Pilot)		MUS-1307-UM
86-80	EV41, EV45		55187C-55443

CLUTCH

PILOT

6 CYLINDER

93-80	5478cc/5.5L (Turbo-Diesel), 6725cc/6.7L (Turbo-Diesel)		205-FF (Hi-Temp.) 205-VV
-------	---	--	-----------------------------

TRANSMISSION

AUTOMATIC / 4 Speed

FRONT PUMP

93-87	Allison MT640, MT643	710180	
	Redi-Sleeve	99325	
91-80	Allison AT545	6712NA	
	Redi-Sleeve	99187	

OUTPUT SHAFT

93-87	Allison MT640, MT643	476424N	209-L
-------	----------------------	---------	-------

EXTENSION HOUSING

91-80	Allison AT545, MT640	415988	
-------	----------------------	--------	--

MANUAL SHAFT

93-80	Allison AT545, MT640, MT643	340847	
-------	--------------------------------	--------	--

AUTOMATIC / 5 Speed

FRONT PUMP

91-87	Allison MT650	710180	
	Redi-Sleeve	99325	

OUTPUT SHAFT

91-87	Allison MT650	476424N	209-L
-------	---------------	---------	-------

MANUAL SHAFT

91-87	Allison MT650	340847	
-------	---------------	--------	--

MANUAL / 5 Speed

DRIVESHAFT / INPUT

91-80	ZF S5-35	224252	
	Redi-Sleeve	99169	

COUNTERSHAFT

91-80	ZF S5-35		(2)30208
-------	----------	--	----------

MANUAL / 6 Speed

DRIVESHAFT / INPUT

93-92	Fuller FS6206		39590-39520
91-80	ZF S6-65	1973	
	Redi-Sleeve	99189	

MAINSHAFT / OUTPUT

91-80	ZF S6-65	227040	311-L
-------	----------	--------	-------

COUNTERSHAFT

93-92	Fuller FS6206	(Front)	25590-25522
		(Rear)	3782-3720
91-80	ZF S6-65	(Front)	203-FF

SHIFT SHAFT

91-80	ZF S6-65	222510	
	Redi-Sleeve	99098	

MANUAL / 8 Speed

DRIVESHAFT / INPUT

91-87	R52, R62, SR62	226020	
	Redi-Sleeve	99235	

MAINSHAFT / OUTPUT

91-87	R52, R62, SR62	228010	
	Redi-Sleeve	99315	

REVERSE IDLER

91-87	R62, SR62		310-L
91-87	R52		309-L

() Indicates Quantity Required * Not a Current Production Number, Check for Availability

VOLVO TRUCK - MEDIUM DUTY (F & FE Series) (Cont.)

Year	Application	Seal	Bearing	Year	Application	Seal	Bearing
ELECTRICAL				TIMING COVER			
ALTERNATOR				6 CYLINDER			
DRIVE END				97-92 403/6.6L (Turbo-Diesel)..... 3945			
91-80 Bosch 45, 55, 70 & 90 Amp. 303-CC				Redi-Sleeve 99233			
ENGINE				Harmonic Bal Sleeve 88233			
CRANKSHAFT							
6 CYLINDER							
97-92 403/6.6L (Turbo-Diesel)..... 325776							
Redi-Sleeve 99435							

WINNEBAGO - MOTORHOME (Le Sharo, Rialta & W800)

WHEEL				CAMSHAFT			
FRONT WHEEL				4 CYLINDER			
96-95 All..... 510051				92-83 2068cc/2.1L (Turbo-Diesel), 2165cc/2.2L 1172			
REAR WHEEL				Redi-Sleeve 99139			
96-95 All..... 510051				5 CYLINDER			
TRANSAXLE				96-95 2461cc/2.5L 3476			
AUTOMATIC / 4 Speed				Redi-Sleeve 99128			
DIFFERENTIAL				CRANKSHAFT			
96-95 VW 01P (2)LM503349A-LM503310				4 CYLINDER			
TORQUE CONVERTER				92-83 2068cc/2.1L (Turbo-Diesel), 2165cc/2.2L 229005			
96-95 VW 01P 225110				Redi-Sleeve 99354			
Redi-Sleeve 99177				8 CYLINDER			
OUTPUT SHAFT				92-90 351/5.8L(W) 2377			
96-95 VW 01P (2)224520				PTFE 5278			
Redi-Sleeve 99177				Redi-Sleeve 99372			
TRANSMISSION				INTERMEDIATE SHAFT			
AUTOMATIC / 4 Speed				5 CYLINDER			
FRONT PUMP				96-95 2461cc/2.5L 3476			
92-90 Ford E4OD 3404				Redi-Sleeve 99128			
EXTENSION HOUSING				TIMING COVER			
92-90 Ford E4OD 7300S				5 CYLINDER			
(Seal & Bushing Kit) 5203				96-95 2461cc/2.5L 1108			
MANUAL SHAFT				Redi-Sleeve 99139			
92-90 Ford E4OD 7929S				8 CYLINDER			
ENGINE				92-90 351/5.8L(W) 2692			
AUXILIARY SHAFT				Redi-Sleeve 99187			
4 CYLINDER				Harmonic Bal Sleeve 88187			
86-83 2068cc/2.1L (Turbo-Diesel)..... 223005				Harmonic Bal Kit <input checked="" type="checkbox"/> 5001			
Redi-Sleeve 99114							

(P32) **STRIPPED CHASSIS - WORKHORSE**

Year	Application	Seal	Bearing
AXLE			
REAR AXLE			
DIFFERENTIAL KIT			
06-99	AAM 10.5" R.G.		☒ RA-325-B
DIFFERENTIAL			
06-99	AAM 10.5" R.G.		(2)387AS-382A
PINION			
06-99	AAM 10.5" R.G.		
	(Inner)		HM903249-HM903210
	(Outer)	710508	M802048-M802011
	(Pilot)		R-1581-TV
TRANSMISSION			
AUTOMATIC / 4 Speed			
FRONT PUMP			
06-00	GMC 4L80-E, 4L85-E	714598	
	Redi-Sleeve	99199	
1999	GMC 4L80-E	4598	
	Redi-Sleeve	99199	
OUTPUT SHAFT			
03-99	GMC 4L80-E	4934	
EXTENSION HOUSING			
06-03	GMC 4L85-E	4934	
03-01	GMC 4L80-E (Booted)	4333N	
03-01	GMC 4L80-E (Non-Booted) (Over 15,000 GVW)	2457	
(Continued Next Column)			

Year	Application	Seal	Bearing
AUTOMATIC / 4 Speed (Cont.)			
EXTENSION HOUSING			
03-01	GMC 4L80-E (Non-Booted) (Under 15,000 GVW)	9449	
	(Seal & Bushing Kit)	5208	
00-99	GMC 4L80-E (Booted)	4333N	109
00-99	GMC 4L80-E (Non-Booted) (Over 15,000 GVW)	2457	109
00-99	GMC 4L80-E (Non-Booted) (Under 15,000 GVW)	9449	109
	(Seal & Bushing Kit)	5208	
MANUAL SHAFT			
06-99	GMC 4L80-E, 4L85-E	8792S	
ENGINE			
CRANKSHAFT			
8 CYLINDER			
03-99	395/6.5L (Turbo-Diesel)	710258	
	Redi-Sleeve	99452	
02-01	350/5.7L	5512	
00-99	454/7.4L	325776	
	Redi-Sleeve	99435	
TIMING COVER			
8 CYLINDER			
03-99	395/6.5L (Turbo-Diesel), 454/7.4L	3945	
	Redi-Sleeve	99233	
	Harmonic Bal Sleeve	88233	

(Cabrio & GV) **YUGO**

WHEEL			
FRONT WHEEL			
92-86	All		513116
TRANSAXLE			
MANUAL / 5 Speed			
INPUT SHAFT			
92-86	MTX	222240	
	Redi-Sleeve	99085	
OUTPUT SHAFT			
92-86	MTX	(2)222510	
	Redi-Sleeve (2)	99098	
ELECTRICAL			
ALTERNATOR			
DRIVE END			
92-86	Marelli 55 Amp.		203-S

ALTERNATOR (Cont.)			
REAR END			
92-86	Marelli 55 Amp.		201-SS
ENGINE			
CAMSHAFT			
4 CYLINDER			
92-90	1290cc/1.3L	223035	
	Redi-Sleeve	99114	
89-86	1116cc/1.1L, 1290cc/1.3L	223035	
	Redi-Sleeve	99114	
TIMING COVER			
4 CYLINDER			
92-90	1290cc/1.3L	224025	
	Redi-Sleeve	99157	
89-86	1116cc/1.1L, 1290cc/1.3L	224025	
	Redi-Sleeve	99157	

() Indicates Quantity Required ☒ Refer To Front Of Catalog For Kit Contents

Hub Assembly Images

512000	512001	512002	512003	512004
				
512006	512008	512009	512010	512011
				
512012	512013	512016	512018	512019
				
512020	512021	512022	512023	512024
				
512025	512026	512027	512029	512030
				

Hub Assembly Images

512031	512032	512033	512034	512036
				
512037	512038	512039	512040	512041
				
512105	512106	512107	512118	512119
				
512120	512121	512122	512123	512124
				
512125	512133	512136	512137	512144
				

Hub Assembly Images

512145	512148	512149	512151	512152
				
512153	512154	512155	512156	512157
				
512158	512159	512160	512161	512162
				
512163	512164	512165	512166	512167
				
512168	512169	512170	512171	512172
				

Hub Assembly Images

512173	512174	512175	512176	512177
				
512178	512179	512180	512181	512182
				
512183	512185	512186	512187	512188
				
512189	512190	512191	512192	512193
				
512194	512195	512196	512197	512198
				

Hub Assembly Images

512199	512200	512201	512202	512203
				
512205	512206	512207	512208	512209
				
512210	512211	512213	512217	512218
				
512219	512220	512221	512222	512223
				
512225	512226	512227	512228	512229
				

Hub Assembly Images

512230	512231	512232	512233	512234
				
512235	512236	512238	512239	512240
				
512241	512242	512243	512246	512247
				
512248	512250	512251	512252	512253
				
512254	512256	512257	512258	512259
				

Hub Assembly Images

512260	512262	512263	512264	512265
				
512266	512267	512268	512269	512270
				
512271	512272	512273	512274	512275
				
512276	512277	512280	512281	512282
				
512283	512284	512285	512286	512287
				

Hub Assembly Images

512288	512289	512291	512292	512293
				
512294	512295	512299	512300	512301
				
512302	512303	512304	512305	512306
				
512307	512309	512310	512311	512312
				
512313	512316	512317	512319	512320
				

Hub Assembly Images

512322	512324	512325	512326	512327
				
512328	512329	512330	512331	512333
				
512334	512335	512336	512337	512339
				
512340	512341	512342	512343	512344
				
512345	512349	512350	512351	512352
				

Hub Assembly Images

512354	513009	513011K	513012	513013
				
513016K	513017K	513018	513019	513030
				
513033	513034	513035	513041	513044
				
513050	513059	513061	513062	513074
				
513075	513076	513077	513079	513080
				

Hub Assembly Images

513081	513082	513084	513085	513087
				
513088	513089	513090	513092	513093
				
513094	513096	513098	513099	513100
				
513104	513105	513107	513109	513111
				
513115	513121	513122	513123	513124
				

Hub Assembly Images

513125	513126	513127	513128	513131
				
513132	513133	513135	513137	513138
				
513139	513152	513155	513156	513157
				
513158	513159	513161	513162	513164
				
513165	513166	513167	513170	513171
				

Hub Assembly Images

513172	513173	513174	513175	513176
				
513177	513178	513179	513187	513188
				
513189	513190	513191	513192	513193
				
513194	513196	513197	513198	513200
				
513201	513202	513203	513204	513205
				

Hub Assembly Images

513206	513207	513208	513209	513210
				
513211	513212	513213	513214	513215
				
513216	513217	513218	513219	513220
				
513221	513222	513223	513224	513225
				
513226	513227	513228	513229	513231
				

Hub Assembly Images

513232	513233	513234	513236	513237
				
513238	513239	513250	513251	513252
				
513253	513254	513255	513256	513257
				
513258	513259	513260	513262	513263
				
513264	513265	513266	513267	513269
				


























Hub Assembly Images

515000	515001	515002	515004	515005
				
515006	515007	515008	515009	515010
				
515011	515012	515013	515014	515015
				
515016	515017	515018	515019	515020
				
515021	515022	515023	515024	515026
				

Hub Assembly Images

515027	515028	515029	515030	515031
				
515032	515033	515034	515035	515036
				
515037	515038	515039	515040	515041
				
515042	515043	515044	515046	515047
				
515049	515050	515052	515054	515056
				

Hub Assembly Images

515057	515058	515059	515060	515061
				
515062	515063	515064	515065	515066
				
515067	515068	515069	515070	515071
				
515072	515073	515074	515075	515076
				
515077	515078	515079	515080	515081
				

Hub Assembly Images

515082	515083	515084	515085	515086
				
515090	518501	518502	518503	518505
				
518506	518507	518508	518509	518510
				
518511	518512	518513	518514	518515
				
520000	520100	521000	521002	541001
				

Hub Assembly Images

541002



541003



541004



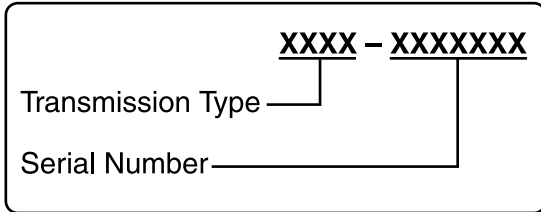
541007



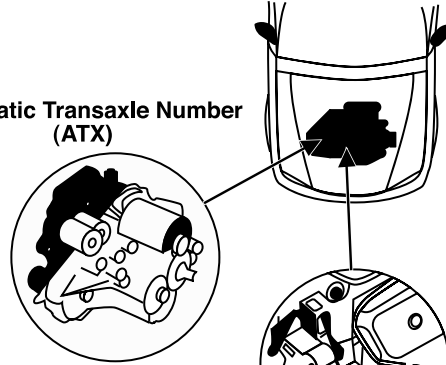
Import Identification Guide Axle/Transaxle/Transmission

TRANSAXLE TAG LOCATION – **ACURA**

Transaxle Number

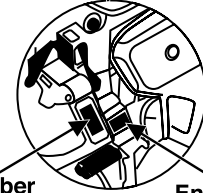


Automatic Transaxle Number (ATX)



Manual Transaxle Number (MTX)

Engine Number

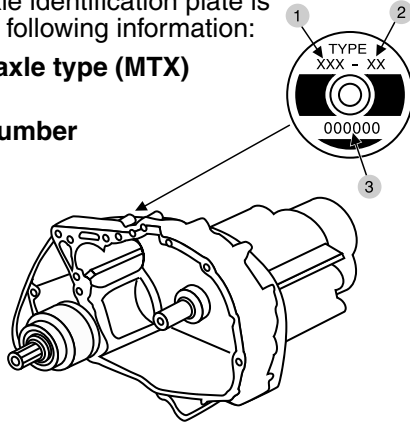


TRANSAXLE TAG LOCATION – **AMC IMPORTS**

Manual Transaxle (MTX)

The MTX transaxle identification plate is stamped with the following information:

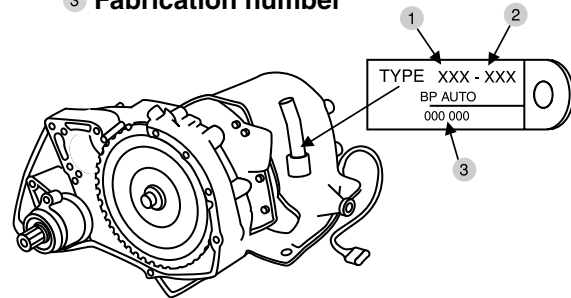
- 1 Manual transaxle type (MTX)
- 2 Type suffix
- 3 Fabrication number



Automatic Transaxle (ATX)

The ATX transaxle identification plate is stamped with the following information:

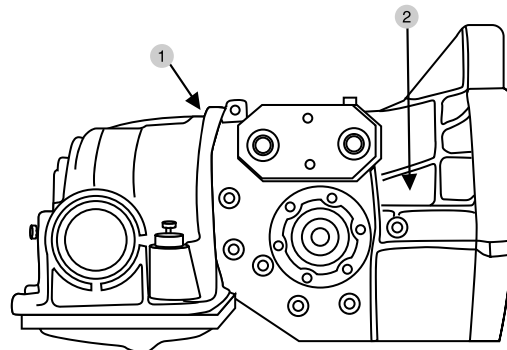
- 1 Automatic transaxle type (ATX)
- 2 Type suffix
- 3 Fabrication number



TRANSAXLE CODE LOCATION – **AUDI**

The transaxle code or type is stamped on the transaxle housing.

- 1 Automatic Transaxle (ATX)
- 2 Manual Transaxle (MTX)

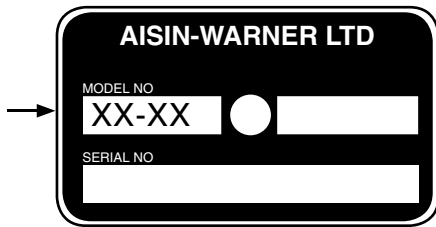


Import Identification Guide Axle/Transaxle/Transmission

TRANSAXLE TAG LOCATION – CHEVROLET IMPORTS

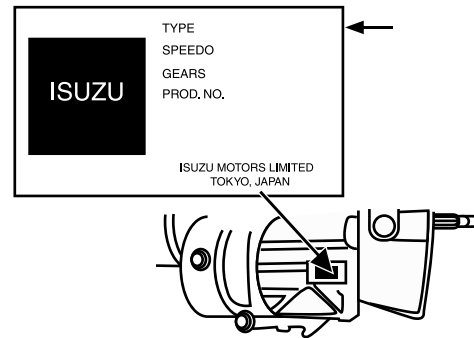
Automatic Transmission

The identification tag for Automatic Transmissions is located on the bottom of the Transmission Housing.



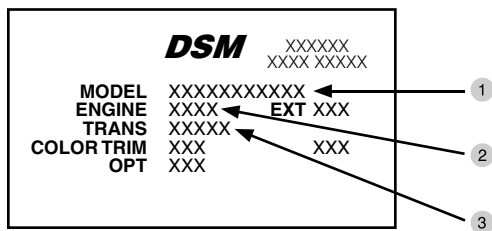
Manual Transmission

The identification tag for Manual Transmissions is located on the bottom of the side of the Transmission Housing.

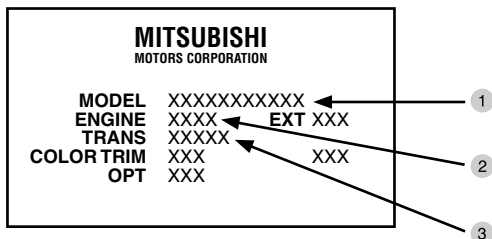


VEHICLE IDENTIFICATION PLATE – DODGE IMPORTS

Vehicle information code plate is riveted onto the bulkhead in the engine compartment. The plate shows model code, engine model & transaxle model.



- 1 **Model** XXXXXX XXXXXX
Model series
Vehicle model
- 2 **Engine** XXXX
Engine model
- 3 **Transaxle** XXXXXX
Transaxle model

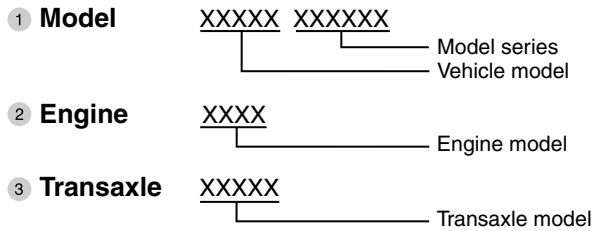
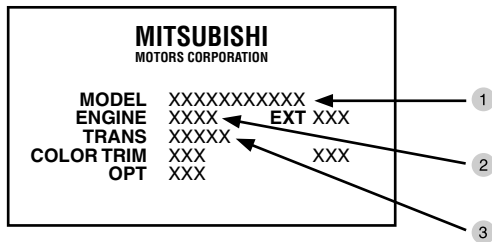
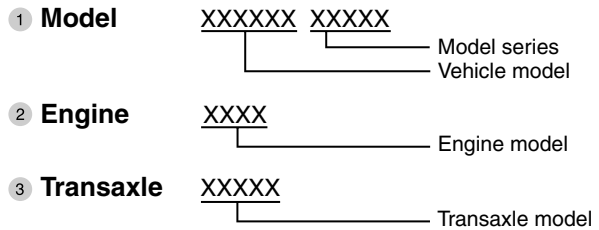
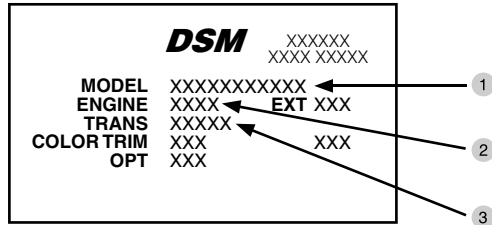


- 1 **Model** XXXXX XXXXXX
Model series
Vehicle model
- 2 **Engine** XXXX
Engine model
- 3 **Transaxle** XXXXXX
Transaxle model

Import Identification Guide Axle/Transaxle/Transmission

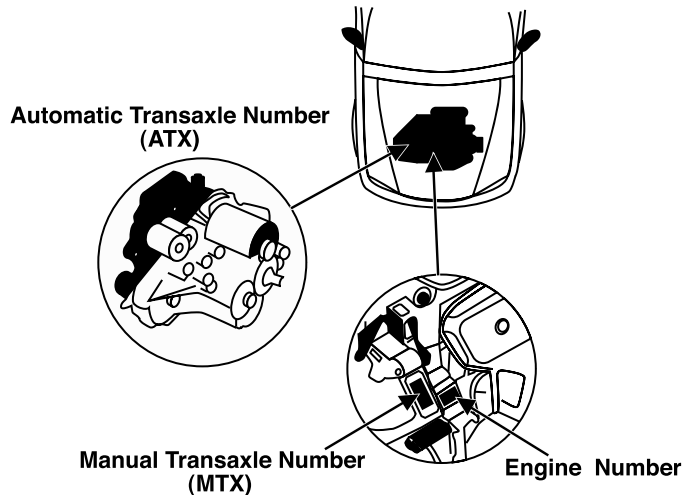
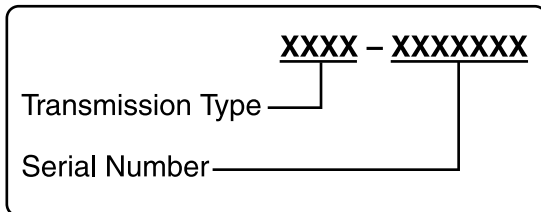
VEHICLE IDENTIFICATION PLATE – **EAGLE IMPORTS**

Vehicle information code plate is riveted onto the bulkhead in the engine compartment. The plate shows model code, engine model & transaxle model.



TRANSAXLE TAG LOCATION – **HONDA**

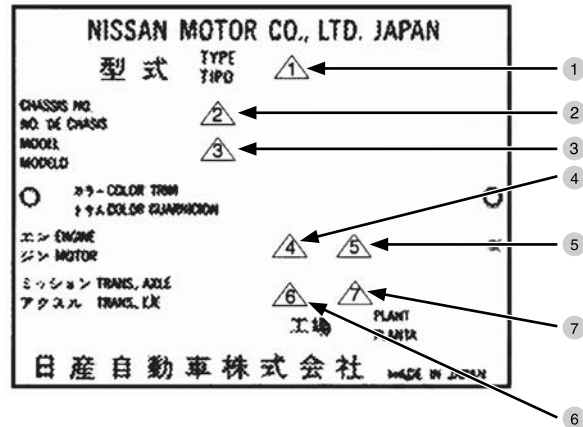
Transaxle Number



Import Identification Guide Axle/Transaxle/Transmission

VEHICLE IDENTIFICATION PLATE – **INFINITI**

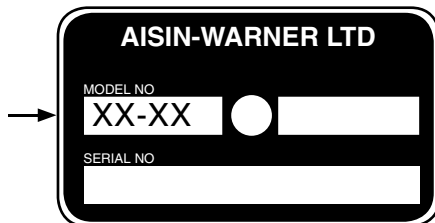
- 1 Type
- 2 Vehicle identification number (Chassis Number)
- 3 Model
- 4 Engine Model
- 5 Engine Displacement
- 6 Transmission/Transaxle Model
- 7 Axle Model



TRANSMISSION TAG LOCATION – **ISUZU**

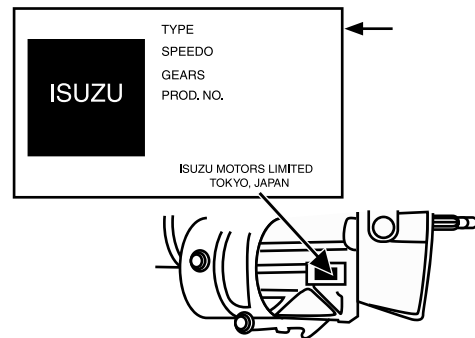
Automatic Transmission

The identification tag for Automatic Transmissions is located on the bottom of the Transmission Housing.



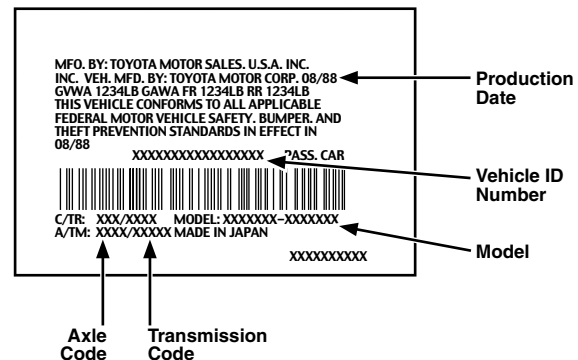
Manual Transmission

The identification tag for Manual Transmissions is located on the bottom of the side of the Transmission Housing.



VEHICLE IDENTIFICATION LABEL – **LEXUS**

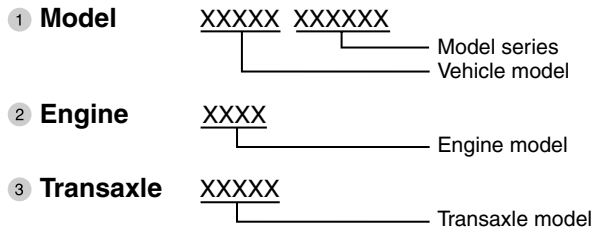
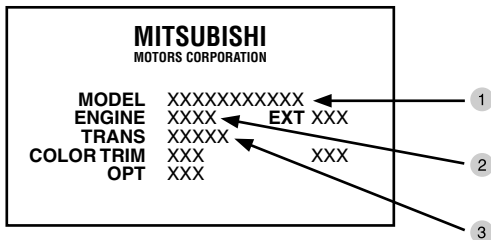
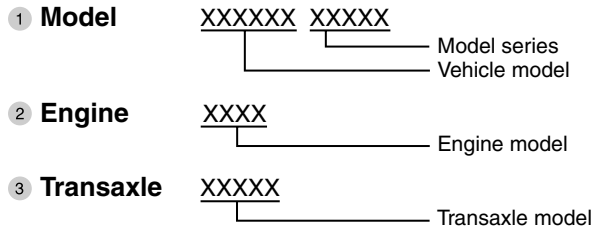
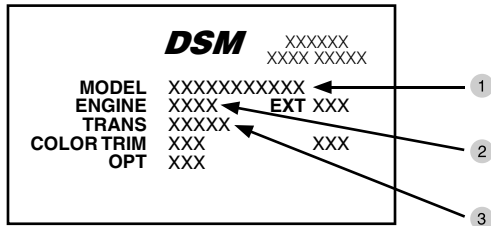
On Passenger Cars, the I.D. Label is located on the inside of the driver's door.
On Trucks, Vans and Land Cruisers, the Label is located on the lower part of the driver's door pillar.



Import Identification Guide Axle/Transaxle/Transmission

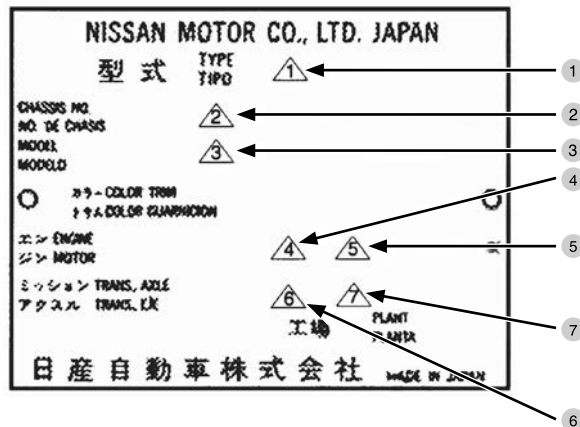
VEHICLE IDENTIFICATION PLATE – MITSUBISHI

Vehicle information code plate is riveted onto the bulkhead in the engine compartment. The plate shows model code, engine model & transaxle model.



VEHICLE IDENTIFICATION PLATE – NISSAN

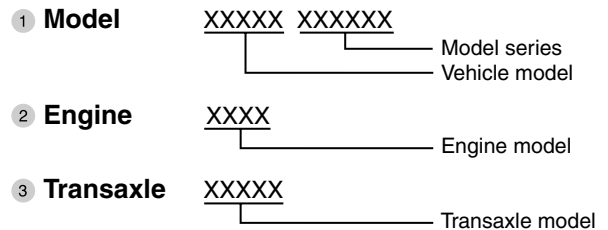
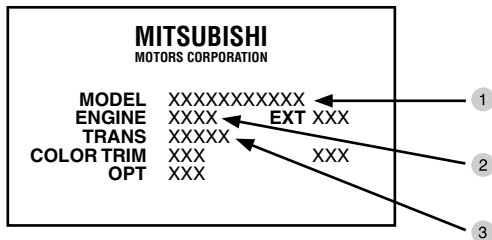
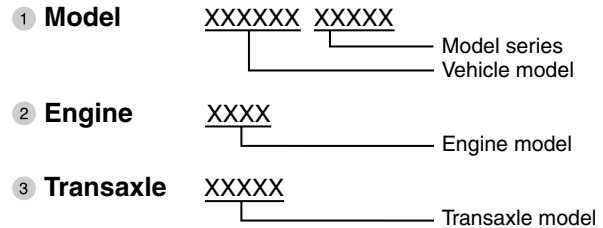
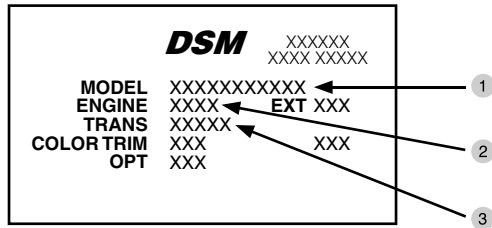
- 1 Type
- 2 Vehicle identification number (Chassis Number)
- 3 Model
- 4 Engine Model
- 5 Engine Displacement
- 6 Transmission/Transaxle Model
- 7 Axle Model



Import Identification Guide Axle/Transaxle/Transmission

VEHICLE IDENTIFICATION PLATE – **PLYMOUTH IMPORTS**

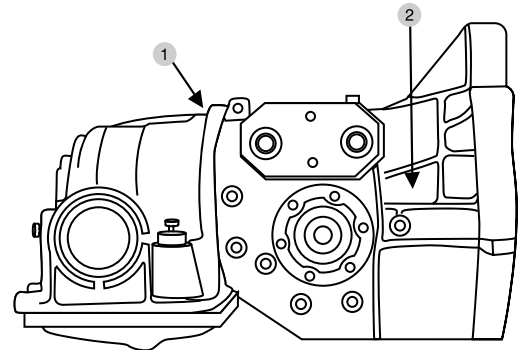
Vehicle information code plate is riveted onto the bulkhead in the engine compartment. The plate shows model code, engine model & transaxle model.



TRANSAXLE CODE LOCATION – **PORSCHE**

The transaxle code or type is stamped on the transaxle housing.

- 1 Automatic Transaxle (ATX)
- 2 Manual Transaxle (MTX)



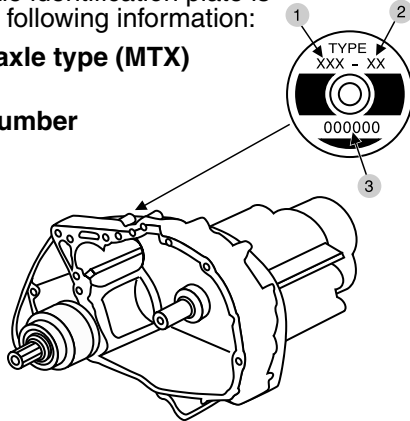
Import Identification Guide Axle/Transaxle/Transmission

TRANSAXLE TAG LOCATION – **RENAULT IMPORTS**

Manual Transaxle (MTX)

The MTX transaxle identification plate is stamped with the following information:

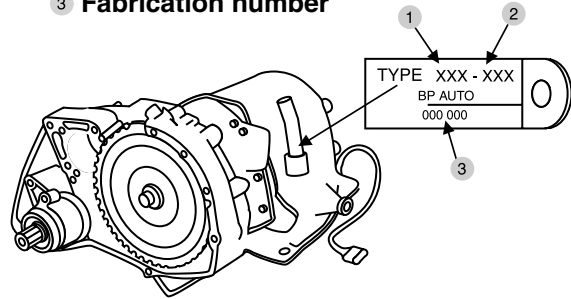
- 1 Manual transaxle type (MTX)
- 2 Type suffix
- 3 Fabrication number



Automatic Transaxle (ATX)

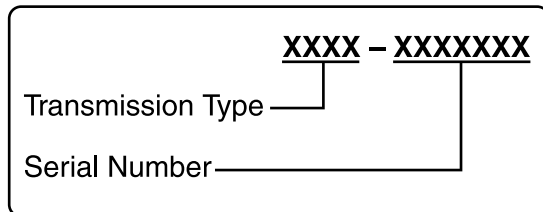
The ATX transaxle identification plate is stamped with the following information:

- 1 Automatic transaxle type (ATX)
- 2 Type suffix
- 3 Fabrication number

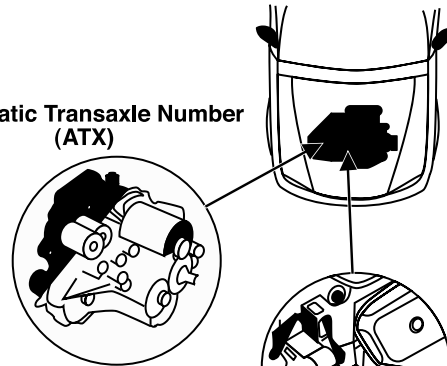


TRANSAXLE TAG LOCATION – **STERLING**

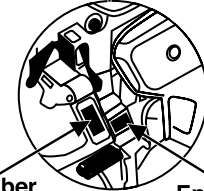
Transaxle Number



Automatic Transaxle Number (ATX)



Manual Transaxle Number (MTX)

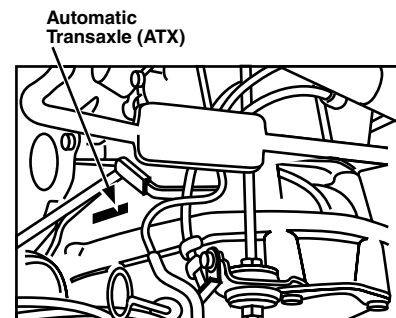
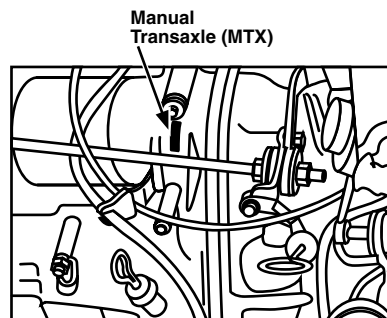


Engine Number

TRANSAXLE TAG LOCATION – **SUBARU**

Transaxle Number

The transaxle number label is attached on the right upper surface of main case (MTX) or converter housing (ATX).

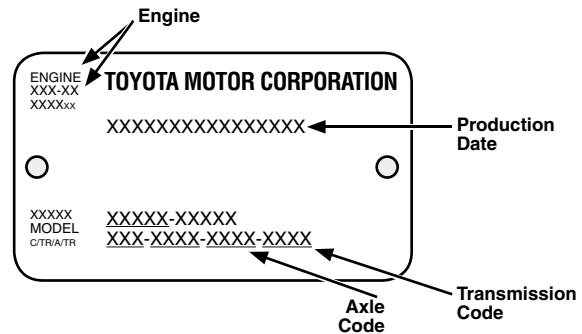


Import Identification Guide Axle/Transaxle/Transmission

VEHICLE IDENTIFICATION LABEL/PLATE – **TOYOTA**

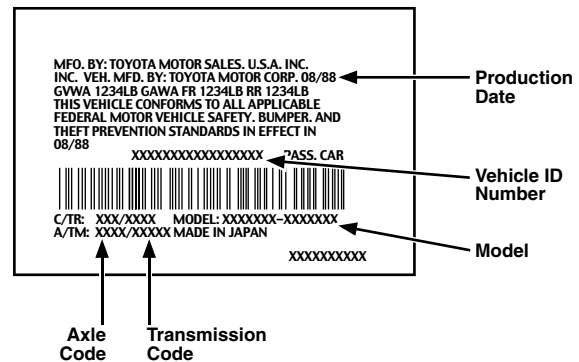
For Vehicles Up to 1988

On Passenger Cars, Trucks and Land Cruisers, the I.D. Label is located on or adjacent to the firewall within the engine compartment. On Vans, the Plate is located on the body, under a carpet flap directly below the front of the front passenger seat.



For Vehicles From 1989 On

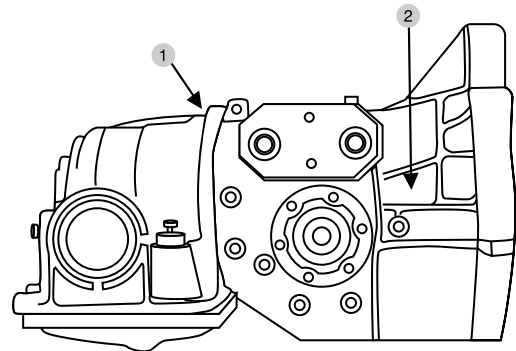
On Passenger Cars, the I.D. Label is located on the inside of the driver's door. On Trucks, Vans and Land Cruisers, the Label is located on the lower part of the driver's door pillar.



TRANSAXLE CODE LOCATION – **VOLKSWAGEN**

The transaxle code or type is stamped on the transaxle housing.

- 1 Automatic Transaxle (ATX)
- 2 Manual Transaxle (MTX)

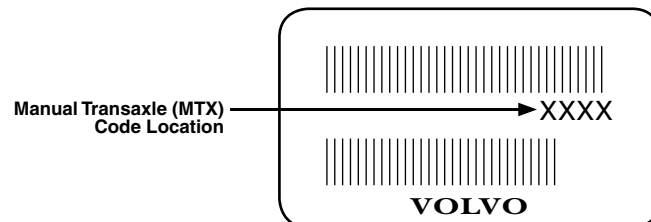
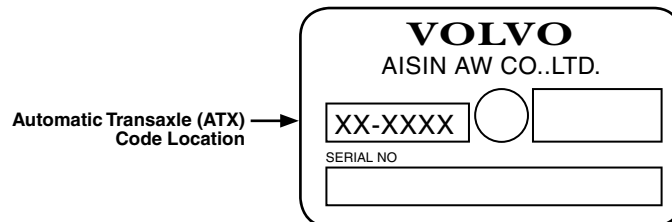
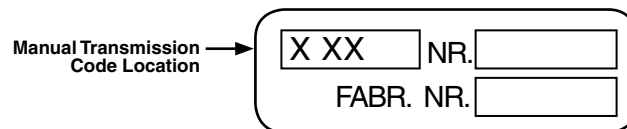
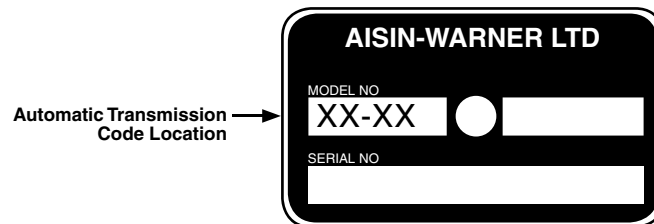


Import Identification Guide

Axle/Transaxle/Transmission

TRANSAXLE & TRANSMISSION TAG LOCATION – **VOLVO**

The Transmission/Transaxle code, serial number and assembly number are listed on the metal tag riveted to the bottom side of the housing.



Domestic Identification Guide

Axle Information

REAR AXLE IDENTIFICATION – GENERAL MOTORS

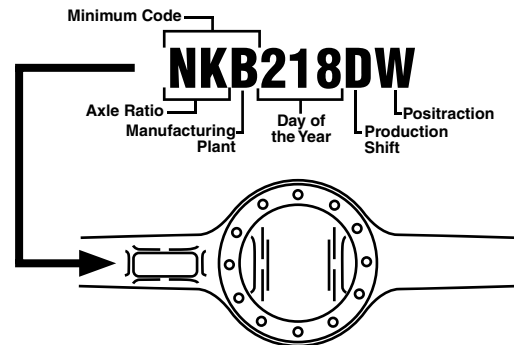
The rear axles used in General Motors vehicles are produced by various GM plants. The manufacturing plant may be determined from the axle code number. In general, this number is stamped on the rear of the left side axle tube near the differential carrier. It may, however, be

found in other locations such as the front of the right side tube or on a tag attached to a differential cover bolt.

An example of the code system used on Buick, Oldsmobile, Pontiac and Cadillac axles is given below. The third letter identifies the axle manufacturer.

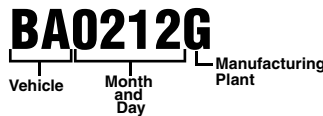
Manufacturing Plant Code	Manufacturing Plant	Positraction Code	Positraction Mfg.
B	Buick	W	Borg-Warner
O	Oldsmobile	E	Eaton
P	Pontiac	O	Oldsmobile
G	Chevrolet Gear and Axle		
C	Chevrolet Buffalo		
K	GM of Canada, St. Catherines, McKinnon		
W	Chevrolet Warren		
M	Pontiac/Canada		

Not all axles will be stamped with the full code. The minimum, however, is the first three letters.



The Chevrolet system is slightly different in that the code contains less information and the manufacturing plant is identified by the last letter in the code.

It is also important to note that in this case a "B" axle is made by Chevrolet rather than Buick.

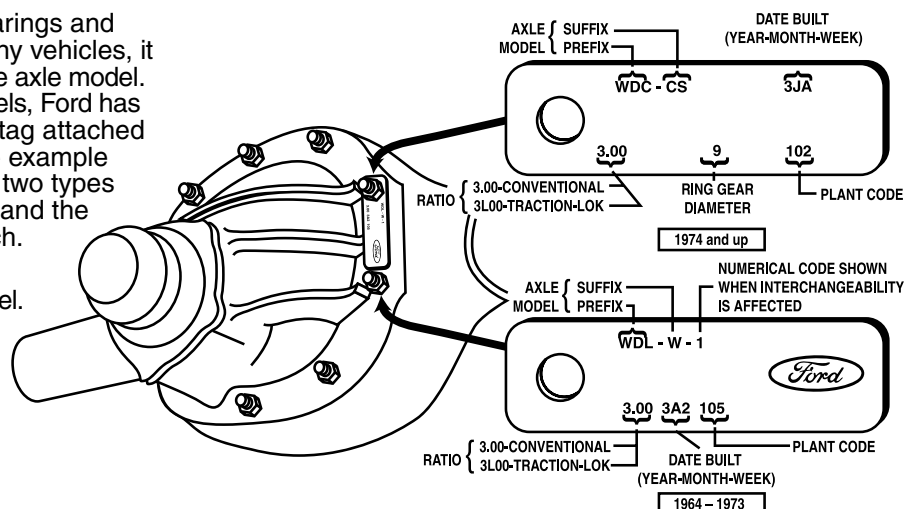


Manufacturing Plant Code	Manufacturing Plant
B	Chevrolet Buffalo
G	Chevrolet Gear and Axle
W	Chevrolet Warren
K	McKinnon

REAR AXLE IDENTIFICATION – FORD

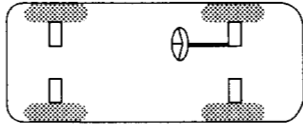
To determine the correct bearings and seals for Ford Motor Company vehicles, it is often necessary to know the axle model. Beginning with the 1964 models, Ford has placed this information on a tag attached to the differential carrier. The example shown at right illustrates the two types of tags that have been used and the information imprinted on each.

The axle model prefix and suffix will identify the axle model. In addition, the tag provides the gear ratio and indicates whether it is a conventional or "Traction-Lok" axle. Beginning in 1974, the diameter of the ring gear is also provided.

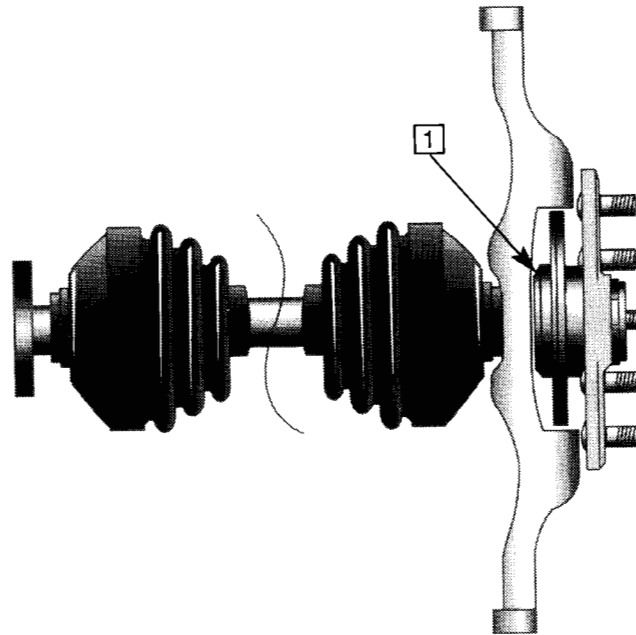


TECHNICAL ILLUSTRATIONS

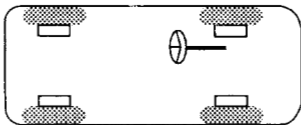
FRONT/REAR WHEEL (SEALED BEARING OR HUB ASSEMBLY)



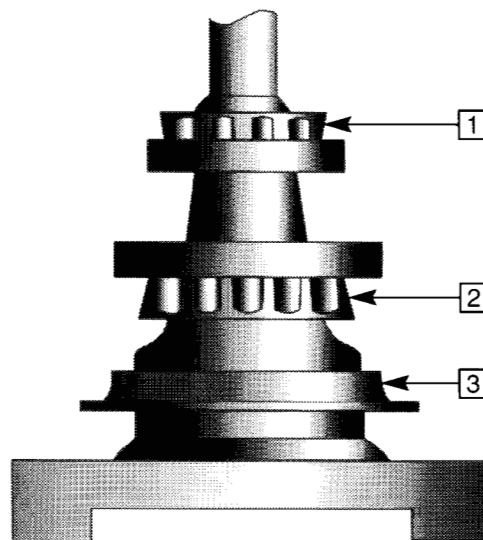
1. Wheel Bearing or Hub Assembly.



FRONT/REAR WHEEL (BEARINGS & OIL SEAL)

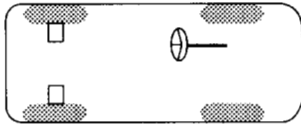


1. Wheel Outer Bearing
2. Wheel Inner Bearing
3. Wheel Inner Oil Seal

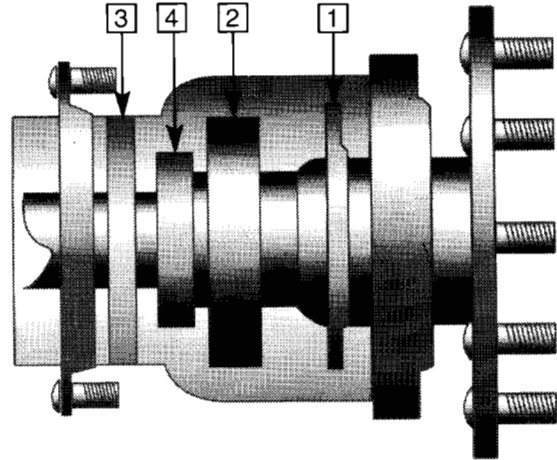


TECHNICAL ILLUSTRATIONS

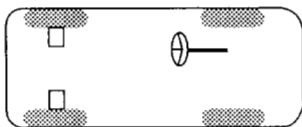
REAR WHEEL (SEMI-FLOATING AXLE)



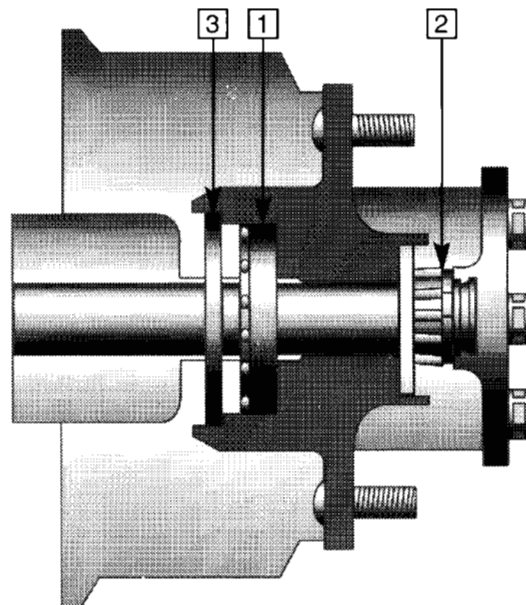
1. Wheel Outer Oil Seal
2. Wheel Bearing
3. Wheel Inner Oil Seal
4. Collar



REAR WHEEL (FULL FLOATING AXLE)

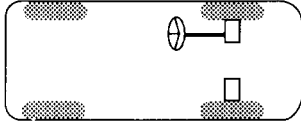


1. Wheel Inner Bearing
2. Wheel Outer Bearing
3. Wheel Inner Oil Seal

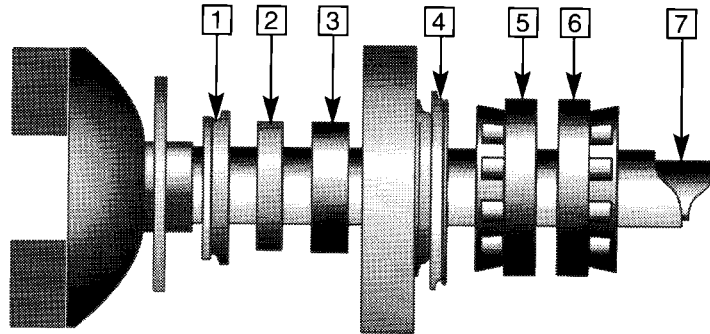


TECHNICAL ILLUSTRATIONS

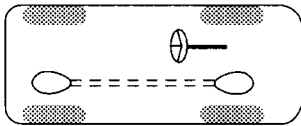
FRONT AXLE (4WD)



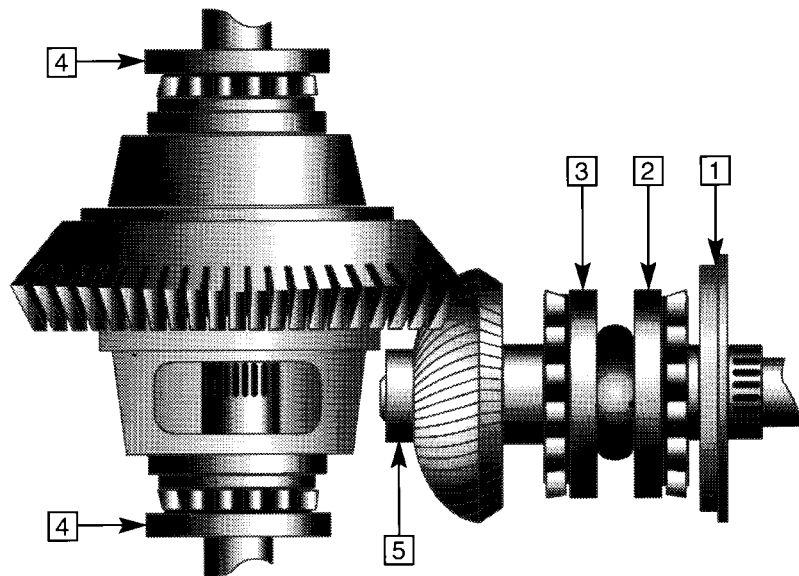
1. Spindle Outer Oil Seal
2. Spindle Inner Oil Seal
3. Spindle Bearing
4. Wheel Inner Seal
5. Wheel Inner Bearing
6. Wheel Outer Bearing
7. Wheel Side



DIFFERENTIAL (FRONT OR REAR AXLE)

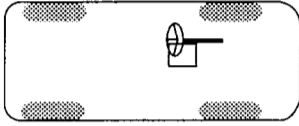


1. Pinion Oil Seal
2. Pinion Bearing Outer
3. Pinion Bearing Inner
4. Differential Side Bearing
5. Pilot Bearing
6. Crush Sleeve

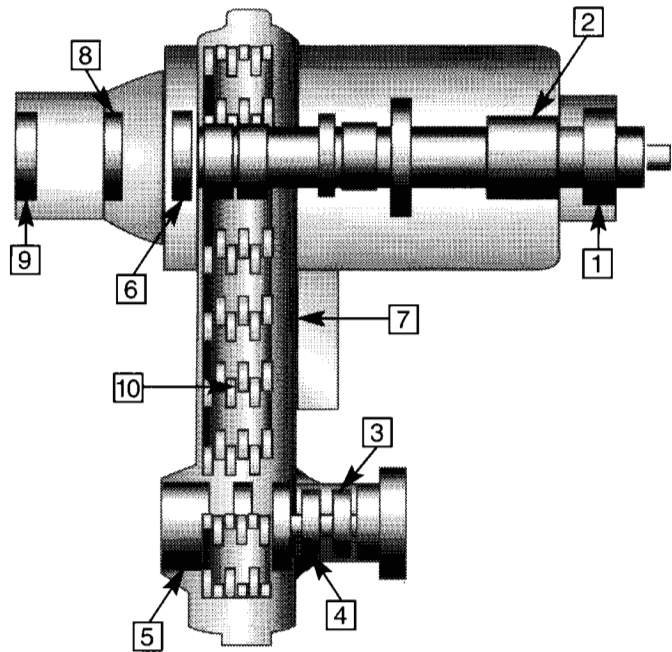


TECHNICAL ILLUSTRATIONS

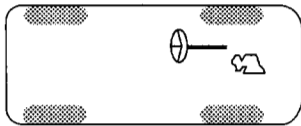
TRANSFER CASE (4WD)



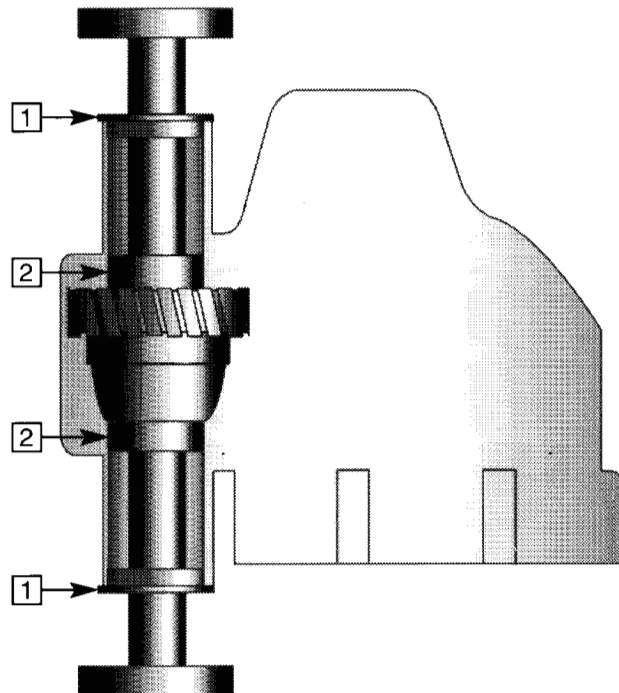
1. Input Shaft Seal
2. Input Shaft Bearing
3. Front Output Shaft Oil Seal
4. Front Output Shaft Bearing
5. Front Output Shaft Pilot Bearing
6. Rear Output Shaft Bearing
7. Idler Gear Bearing
8. Rear Output Shaft Pilot Bearing
9. Rear Output Shaft Seal
10. Drive Chain



TRANSAXLE

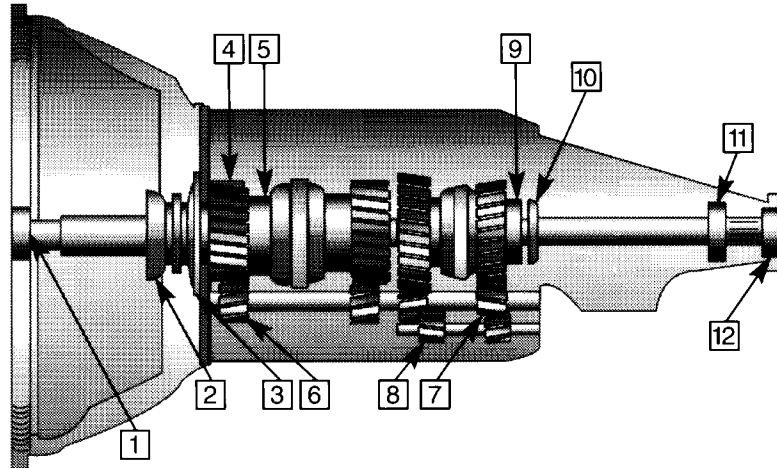
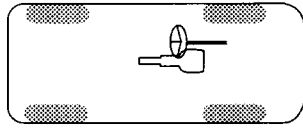


1. Output Oil Seal
2. Differential Side Bearings



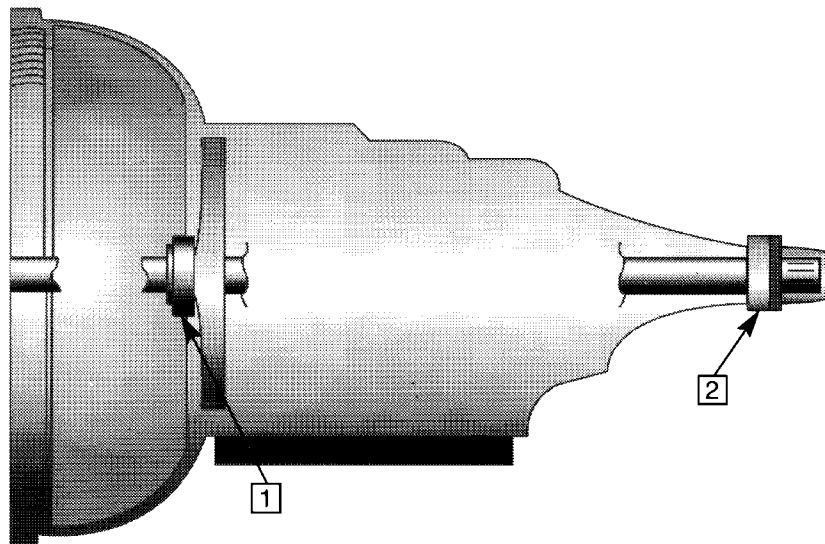
TECHNICAL ILLUSTRATIONS

MANUAL TRANSMISSION & CLUTCH



- | | |
|---------------------------------|-------------------------------|
| 1. Clutch Pilot Bearing/Bushing | 7. Countershaft Rear Bearing |
| 2. Clutch Release Bearing | 8. Reverse Idler Bearing |
| 3. Driveshaft/Input Seal | 9. Mainshaft/Output Bearing |
| 4. Driveshaft/Input Bearing | 10. Mainshaft/Output Seal |
| 5. Mainshaft Pilot Bearing | 11. Extension Housing Bearing |
| 6. Countershaft Front Bearing | 12. Extension Housing Seal |

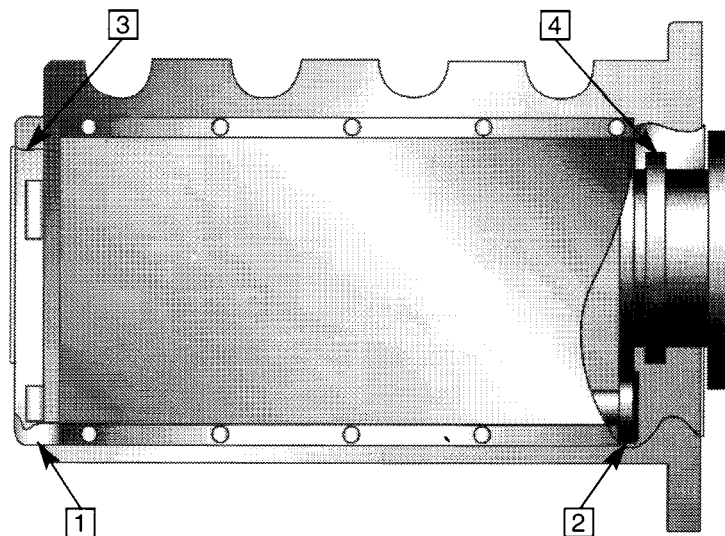
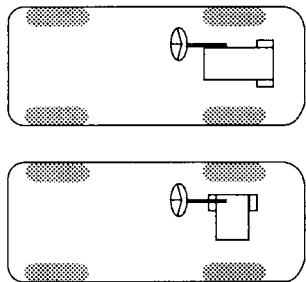
AUTOMATIC TRANSMISSION



1. Front Pump Oil Seal
2. Extension Housing Seal

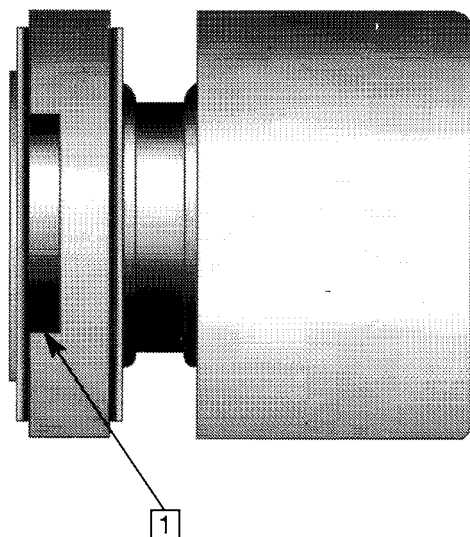
TECHNICAL ILLUSTRATIONS

ENGINE SEALS



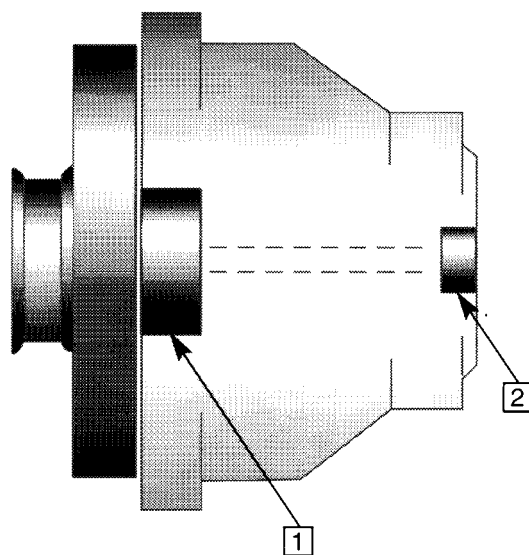
1. Camshaft Front Oil Seal
2. Camshaft Rear Oil Seal
3. Timing Cover, Crankshaft Front Oil Seal
4. Crankshaft Rear Oil Seal

AIR CONDITIONING



1. Clutch Pulley Bearing

ALTERNATOR

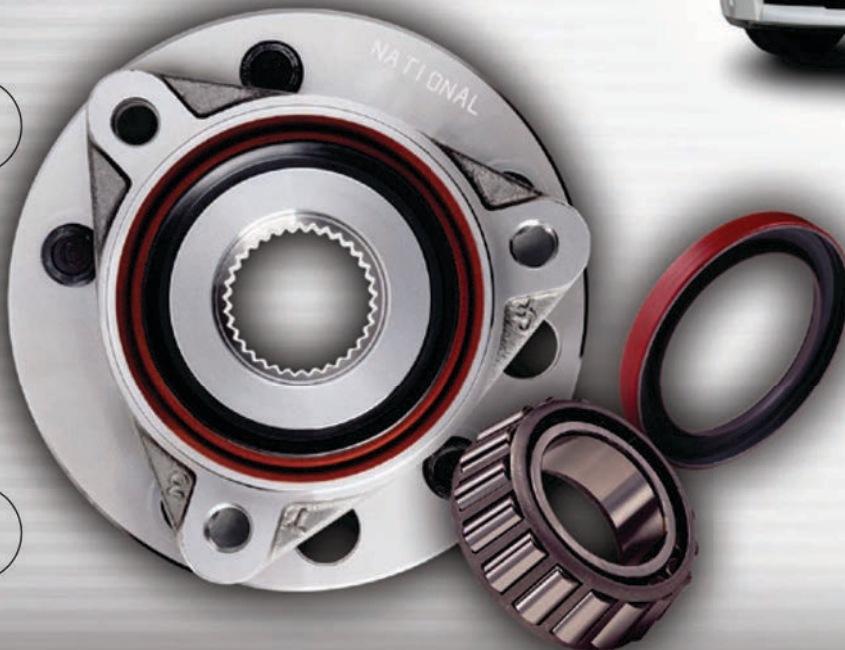


1. Drive End Bearing
2. Rear End Bearing

TAPERED ASSEMBLIES & COMPONENT PARTS

ASSEMBLY NO.	CONE	CUP
A-1	LM 11749	LM 11710
A-2	LM 11949	LM 11910
A-2L	LM 11949-XL	LM 11910-XL
A-3	M 12649	M 12610
A-4	L 44649	L 44610
A-5	LM 48548	LM 48510
A-5L	LM 48548-XL	LM 48510-XL
A-6	LM 67048	LM 67010
A-6L	LM 67048-SL	LM 67010-XL
A-7 (Includes Lock Ring R 201047*)	M 201047S	M 201011
A-9 (Includes Lock Ring TKB-2943*)	U 298*	U 261-L*
A-10 (Includes Lock Ring TKB-2935*)	U 399*	U 360-L*
A-12	LM 12749	LM 12710
A-13	L 68149	L 68110
A-14	L 44643	L 44610
A-15	L 45449	L 45410
A-16	LM 12749	LM 12711
A-17	L 68149	L 68111
A-18	JL 69349	JL 69310
A-19	07100	07196
A-20 (Includes Lock Ring TKB-2944*)	U 399-A**	U 365-L*
+A-22 (Includes (1) K518780R* Spacer)	JLM 506848E*	JLM 506810
+A-23 (Includes (1) X-2446-6* Spacer)	LM 104949E*	LM 104911
A-24 Not Available Separately		
A-29	LM 67045*	LM 67010
A-31	JL 68145*	JM 68111-Z*
A-32 Not Available Separately		
A-33 Not Available Separately		
A-34	LM 12749*	LM 12710
A-35	LM 501349	LM 501310
A-36	LM 603049	LM 603012
A-37	LM 603049	LM 603011
A-38	LM 104949	LM 104911
A-39	JL 26749F*	JL 26710*
A-40	JLM 104946*	JLM 104910Z*
A-41 Not Available Separately		
A-42	JLM 506849A	JLM 506811
A-44 Not Available Separately		
A-46 Not Available Separately	NP 706218	NP910345
A-47 Not Available Separately	NP145100	NP913325
A-48 Not Available Separately		
A-49 Not Available Separately	NP182140	NP645406
A-50 Not Available Separately	NP197868	NP802507
A-51 Not Available Separately	14585	14525
A-53 Not Available Separately	NP114036	NP0643
A-140 Not Available Separately		

Coverage that Spans the Globe...



The Leaders in Wheel End Technology™

National Wheel End Components comprehensive line of hub assemblies, seals and bearings provide the Original Equipment quality you need for today's vehicles. Whatever make or model — we've got you covered.



The Leaders in Wheel End Technology[™]



www.federalmogul.com

 **FEDERAL
MOGUL**