

Weatherly Index No. 002

CATALOG NO.
CA0050

MAY 2012



INTERNATIONAL/NAVISTAR[®] ENGINES

Replacement Parts Catalog

GLOBAL TECHNOLOGY behind every part

**FEDERAL
MOGUL[®]**

RELY ON US TO MAXIMIZE PERFORMANCE.



It takes advanced replacement parts to get top performance from an International/Navistar® diesel engine. So choose the brand service fleets trust to get the most from these engines: FP Diesel®

FP Diesel components and kits have been proven for years in medium and heavy-duty fleet engines across the country. These parts are designed using the latest in computer-aided design (CAD) and computer-aided engineering (CAE) technology, and are thoroughly researched to meet the most demanding specifications.

With FP Diesel you get a better solution: premium technologies engineered to address the unique demands placed on all diesel engines. It's a rebuild parts choice you can make with confidence.



In-frame and Overhaul Kits | Camshafts | Oil Coolers
Engine Bearings | Engine Oil Seals | Expansion Plugs
Fuel Pumps | Fuel Injector Components | Gaskets
Lifters | Oil Pumps | Piston Rings | Pistons | Push Rods
Rocker Arm Parts | Sleeves | Timing Components
Turbocharger Components | Valvetrain Parts
Water Pumps & Thermostats

Rely on us today for the complete range of FP Diesel replacement engine components!

**FP
DIESEL®**



Table of Contents

Global Technology Behind Every Part

Using the Catalog

How To Use This Catalog	II
How to Order Engine Kits	XII
Abbreviations	XV
Conversion Tables	XVII
Coverage	V
FP Diesel Philosophy / Manufacturing / Customer Service	III
FP Diesel Products	
Engine Bearings	X
Engine Kits	XI
Heavy Duty Pistons	VII
Sleeve Assemblies	VIII
Piston Rings	IX
Piston Ring Instructions	XIII
Warranty	XVIII

Product Information

Applications	1-181
DT360 Engine	43
DT408 Engine	62
6.9L Engine	69
7.3L / T444E Engine	80
DT466 Engine	116
I530 Engine	148
9.0L Engine	165
Engine Kit Bill of Materials	182
Numerical Listing	184
www.FMe-cat	188





FP Diesel CA0050 International/Navistar Engine Parts Catalog

Global Technology Behind Every Part

The header for each block listed is designed to help you identify the correct engine application. Special information regarding a specific part is located to the far right of the part number listing. Also included for help in finding the correct parts are engine illustrations that contain reference numbers corresponding to the reference numbers located next to the part number listings. If available, ENGINE KIT listings are located at the beginning of the engine listing.

Engine components are grouped in the following order:

- 1st** Cylinder Head and Parts
- 2nd** Intake & Exhaust Manifolds
- 3rd** Camshaft Group
- 4th** Fuel System and Parts
- 5th** Cooling System
- 6th** Engine Block and Parts
- 7th** Crankshaft/Oil Pump and Related Parts
- 8th** Cylinder Components (incl. Rod Bearings, Cylinder Sleeves, Pistons, Plston Rings)

The catalog is sorted as follows::

- 1st** by ENGINE DISPLACEMENT.
- 2nd** by BORE DIAMETER. Engines with the same displacement are sorted by bore diameter.
- 3rd** By USAGE. Engines used in Medium Duty Truck applications will be listed before engines used in Heavy Duty Truck applications.
- 4th** By INDUCTION SYSTEM. Naturally aspirated engines will be listed before Turbocharged engines.

Many of the headers will include serial number listings to provide added assurance that the correct listing is being used.

General Information

This catalog is designed to identify the major components, assemblies and kits used in International/Navistar's older engines as well as the newer 6.9 Liter, 7.3 Liter, 9.0 Liter, DT360, DT408, DT466, I530 and their respective variants. The catalog includes all of the parts and kits available from FP Diesel for International/Navistar on-highway engines. For reference purposes, the illustrations and tables in this catalog may also include parts and assemblies not currently available from FP Diesel, so that you can identify other parts as needed.

The catalog is organized by engine model. Each section is subdivided into groups that coincide with the various engine assemblies and components.

FP Diesel uses a part numbering system similar to International's OEM number. In most instances, the FP Diesel part number is the same except that the suffix of the International/Navistar number is omitted (when it serves no applicable purpose). For example:

International/Navistar Part Number 1809 583 C93
FP Diesel Part Number FP-1809583

All manufacturers numbers, names, symbols and descriptions are used for reference purposes only. It is not implied that any part listed is the product of any specific manufacturer.

All information contained in this catalog is based on the latest data available at the time of printing. Although care has been taken to ensure the accuracy of the data compiled in this catalog, Federal-Mogul does not assume liability for errors or omissions.

IMPORTANT NOTICE

This catalog does not replace the International/Navistar parts catalogs or service materials. If in doubt, reference your International/Navistar publications.





FP Diesel Philosophy

Global Technology Behind Every Part

FP Diesel – part of the Federal-Mogul Engine Systems group – is the industry's leading brand of premium heavy-duty replacement engine parts and gaskets, providing total engine system solutions for such well-known brands as Case®, Caterpillar®, Cummins®, Detroit Diesel®, IH/Navistar®, John Deere®, Komatsu®, Mack®, Waukesha® and White Superior®.

Federal-Mogul maintains a steadfast commitment to unsurpassed product quality and customer service. We serve construction, marine, agricultural, mining, gas compression, trucking and industrial markets around the globe. As the global leader in heavy-duty powertrain systems, Federal-Mogul is instrumental in the development of every new generation of gasoline and diesel engine technology. When you choose FP Diesel, you get unparalleled global engineering and manufacturing resources built into every product.

Today's medium and heavy duty commercial markets demand performance. Performance means precision-engineered parts that meet your demanding specifications; and are backed by a team of knowledgeable customer service representatives who can provide technical information and assistance; computerized order and inventory tracking for fast and accurate order fill; unprecedented warranty programs and a company-wide commitment to customer satisfaction.



Construction



Agriculture



On-Highway



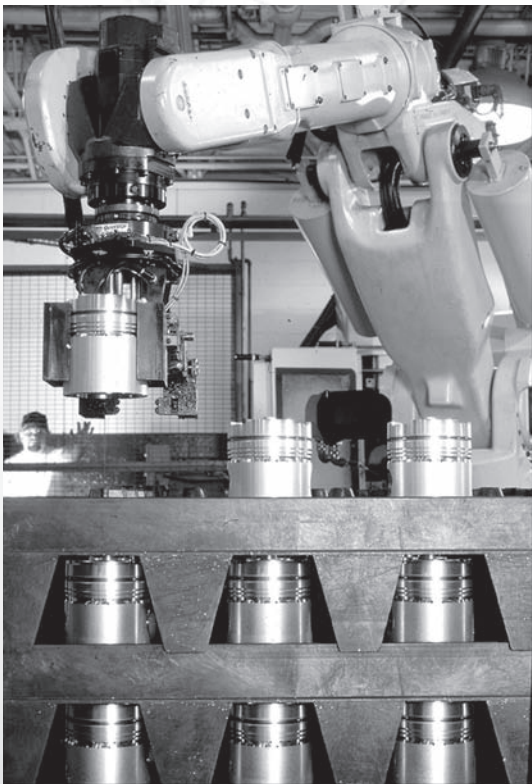
Marine

©2012 Federal-Mogul Corporation. FP Diesel and their respective designs are registered trademarks of Federal-Mogul Corporation. Case® is the registered trademark of Case Corporation, Inc.; Cat® and Caterpillar® are the registered trademarks of the Caterpillar, Inc.; Cummins® is the registered trademark of Cummins Engine Company; Detroit Diesel® is the registered trademark of Detroit Diesel Corporation; IH/Navistar® is the registered trademark of International Truck and Engine Corporation; John Deere® is the registered trademark of Deere & Company; Komatsu® is the registered trademark of Komatsu Limited, Inc.; Mack® is the registered trademark of Mack Trucks, Inc.; Waukesha® is the registered trademark of the Waukesha Engine Division of Dresser Industries, Inc.; White Superior® is the registered trademark of White Superior Corporation, Inc. Jacobs® is a registered trademark of Jacobs Vehicle Systems. All rights reserved.



Manufacturing

Global Technology Behind Every Part



Precise manufacturing and fabricating techniques, rigorous quality control procedures, utilization of the latest CAD technology and innovative solutions to industry challenges – coupled with Federal-Mogul's global manufacturing capabilities – have established FP Diesel as the industry leader in the medium and heavy duty commercial market.

FP Diesel applies stringent quality control procedures with expertly skilled technicians supervising the manufacturing process in all phases to ensure that our parts will perform and last.

FP Diesel is a military approved supplier for the 53 Series Detroit Diesel engine. But the parts we supply for the 53 aren't the only ones that go through government testing. Every FP Diesel part must pass through high-level quality control. Plus, every part is tracked throughout the entire distribution process.

Customer Service

FP Diesel customer service representatives are among the most experienced and knowledgeable in the industry, with hands-on medium and heavy-duty experience and in-depth knowledge of engine parts and applications. With one call to your

representative you'll have answers to any product, technical, order processing, billing, warranty, pricing, order tracking or availability questions you may have. Customer service that goes the extra mile also means you not only get the parts you need, but expert assistance from a person who knows the market.



Plus, our computerized inventory system allows us to ship orders promptly anywhere in the world, while our easy-to-use cataloging system makes ordering FP Diesel parts fast and simple. For the parts and information you need, count on FP Diesel to go the extra mile.





Coverage

Global Technology Behind Every Part

The FP Diesel product offering is a comprehensive line of diesel and natural gas engine replacement parts that provide all the coverage necessary to meet your heavy-duty engine rebuilding needs. FP Diesel also offers a full line of gaskets and elastomeric products. For more specific information, please refer to our full-line catalogs, which are engine and machine specific and follow OEM format. To ensure exact part number replacement, these catalogs reference OEM part numbers and features technical information relating to the specific engine being serviced.



Products and Catalogs

Caterpillar

Replacement Caterpillar products cover 3200, 3300, 3400, 3500, D Series and G Series engines. This coverage extends from cylinder heads, fuel injection, cam and crankshafts, cylinder kits, valvetrain and electrical to engine bearings, transmission, hydraulic gasket sets and more. **Refer to FP Diesel catalog No. CA0010 (parts) and CA0020 (gaskets).**

Cummins

FP Diesel provides replacement parts coverage for V378, V504, V555, Small Vee Engines, V/VT 903, 855 Series, N14, L10, B Series, C Series, V/VT1710, N743 and K/KTA 19-, 38- and 50-liter engines, as well as components for Jacobs® brakes. **Refer to FP Diesel catalog No. CA0030.**

Detroit Diesel

FP Diesel offers the most complete coverage in the replacement parts industry for Detroit Diesel, with an extensive line of components and kits for the 8.2-liter, 53 Series, 60 Series, 71 Series, 92 Series and 149 Series engines. **Refer to FP Diesel catalog No. CA0040 for 2-cycle engines or FP Diesel catalog No. CA0045 for 4-cycle engines.**

John Deere

FP Diesel offers a broad range of in-frame and complete overhaul kits and related components for 300 Series, 400 Series, 500 Series and Powertech engines. **Refer to FP Diesel catalog No. CA0085.**

Komatsu

Extensive coverage for Komatsu S6D155 and SA6D155 engines, as well as a full line of replacement parts for Komatsu machines using Cummins N743, KT/KTA 19-, 38- and 50-liter engines, and the Cummins 855. **Refer to FP Diesel catalog No. CA0085.**

Mack

FP Diesel has a broad line for Mack, early ENDT 675 and 676 engines, as well as parts for later EM6 with both two- and four-valve head configurations. **Refer to FP Diesel catalog No. CA0060.**

International/Navistar

International coverage extends from the 6.9 and 7.3 liter, DT-360 and DT-466 through the 9.0 liter engine. **Refer to FP Diesel catalog No. CA0050.** For agricultural applications, FP Diesel also services the DT-414 and DT-436 Case/I.H. engines. **For industrial and agricultural applications, refer to FP Diesel catalog No. CA0188.**

Case

FP Diesel has a complete range of kits and components for the 188, 207, 301, 366, 451 and 504-Case engines along with the 4-390 & 4T-390, 6-590 & 6T-590, 6T-830 & 6TA-830, LTA 10 and NTA 855 B/C III Cummins engines. **Refer to FP Diesel catalog No. CA0095.**

Commercial, Ag, Industrial Engines

The FP Diesel CA0188 catalog includes all the engine manufacturers not covered in the FP Diesel name-plate specific catalogs. Replacement engine components for Allis-Chalmers, Bedford, Bendix-Westinghouse, Briggs & Stratton, Buda, Case Tractor, Chevrolet MD Truck, Climax, Continental, Dodge MD Truck, Ford Tractor, GMC MD Truck, Hercules, IHC Tractor, Isuzu Forklift, KHD, Kohler, LeRoi, Massey Ferguson, Mercedes, Mazda Forklift, Minneapolis-Moline, Mitsubishi, Novo, Oliver, Perkins, Superior, Thermo-King, Volvo, Waukesha, White and Wisconsin are included in the **FP Diesel CA0188 catalog.**



Repowering your heavy-duty engines

Any high-horsepower engine, regardless of age, represents a brutal operating environment for pistons, rings, bearings, liners and other internal components. Yet not nearly as demanding as the engine durability and performance labs at Federal-Mogul Corporation's

Advanced Technology Centers

in Burscheid and Nuremberg, Germany; and Ann Arbor, Michigan, U.S.A.

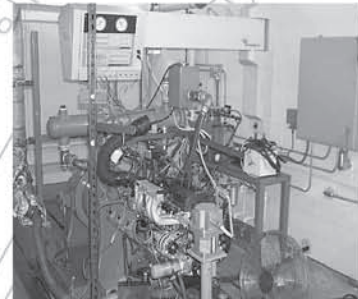
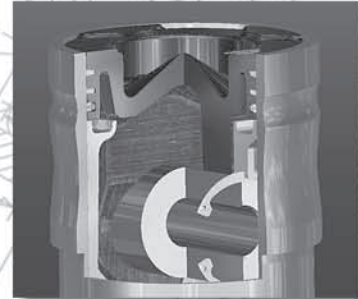
Being a global manufacturer means investing in advanced technologies worldwide. On a daily basis, our engineers work to create engine and sealing systems solutions that address the dynamic forces found in each generation of diesel engines.

As the Global Leader in Heavy-duty Powertrain Systems,

Federal-Mogul is instrumental in the development of every new generation of gasoline and diesel engine technology. Our global research centers are pioneering the use of new materials and designs that will become tomorrow's standards. And the consistent deployment of these advanced technologies throughout our technology centers means better designs for replacement applications. These include:

- Advanced-design articulated and POWERFORGED® pistons for on- and off-highway engines.
- Space-age ring coatings to resist the corrosion and abrasion associated with EGR and other engine emissions solutions.
- Thinner, stronger cylinder liners that allow customers to maximize bore size.

When you choose FP Diesel, you receive much more than premium-quality engine parts. Each component is the product of the industry's very best ideas — powertrain technologies that won't merely survive, but thrive in today's hardest-working engines.





Heavy Duty Pistons

Global Technology Behind Every Part

FP Diesel heavy duty pistons are designed and produced for severe operating conditions. Federal-Mogul is one of the world's leading manufacturers of heavy duty pistons offering one and two-piece designs including aluminum, articulated, cast iron and steel materials. For severe and high load applications, FP Diesel pistons include a metallurgically bonded NI-resist insert in the top and in some cases, the second ring groove. The NI-resist insert minimizes groove wear and reduces pound-out from the compression ring. Anodized heads and graphite-coated skirts offer additional durability in severe applications. Federal-Mogul also utilizes an in-house, patented magnesium-

phosphate coating to reduce the piston corrosion caused by high-sulfate diesel fuels and break-in wear on problematic applications.

We design our heavy duty pistons using the latest in computer aided design (CAD) software. Each application is thoroughly researched to ensure the proper dimensional and metallurgical requirements. And since we also design and manufacture cylinder liners and piston rings, our engineers can make sure each piston we develop provides optimum performance as part of the "power-cylinder" system.





Sleeve Assemblies

Global Technology Behind Every Part

Cylinder sleeves are produced by Federal-Mogul in a QS9000 registered facility complete with casting, induction hardening, machining, measurement and design capabilities. We start with raw castings produced on a state-of-the-art molding line specifically designed for the manufacture of static cast cylinder liners. The static castings produced by our foundry have a very consistent microstructure and superior scuffing resistance.

Certain applications are induction hardened or thru-hardened to enhance the wear characteristics and strength of the liner. Hardened liners are typically used in engines highly susceptible to dirt contamination, such as construction or agricultural applications.

Machining is performed on modern CNC equipment to ensure dimensional stability and exacting tolerances. Cylinder liners are typically finish honed to generate a plateau finish. The

plateau finish promotes rapid ring seating during break-in while providing a long-wearing sealing surface.

FP Diesel offers sleeves for wet, dry and repair applications. Sleeve assemblies or kits include the sleeve, piston, piston pin and lock rings, piston rings and sealing rings.





Piston Rings

Global Technology Behind Every Part

FP Diesel offers a broad range of piston rings that dominate the industry with technically advanced design, dedicated research and superior quality. Our rings minimize cylinder leakage under true operating conditions, and provide maximum oil control.

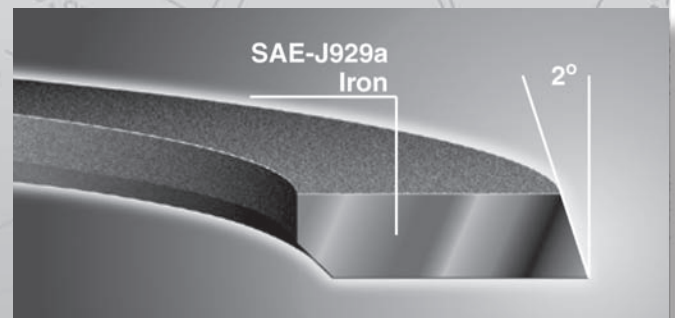
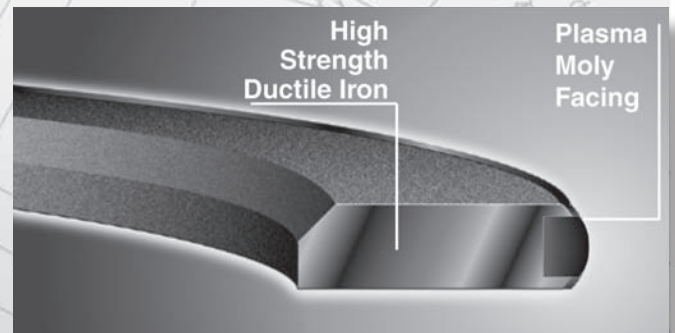
Top Ring

FP Diesel top rings provide reliable compression sealing and maximum power output, and control "blow-by." They are engineered for instant seating, superior cylinder sealing and optimum durability. We offer cast iron, high strength ductile iron, and steel material choices. All premium ring sets feature moly, chrome or plasma-moly facings for enhanced performance under demanding conditions. The inherent strength of our materials provides sealing integrity at extreme pressures and RPM. We supply rings for all popular applications: including medium and heavy duty, agricultural and high performance.

Second Ring

Second rings are manufactured from SAE-J929a iron to provide excellent durability and superior oil control. The primary function of the second ring is oil control. Our tapered face design makes this ring work as a "scraper," reducing the potential for oil migration into the combustion chamber.

The race-proven gap design creates an escape path for residual combustion gases, reducing inter-ring pressure and keeping the top ring seated against its groove. Without this escape path, trapped pressure will unseat the top ring, causing ring flutter and reduced cylinder seating at high RPM. Our one-piece second rings are far more effective and reliable than competitive designs which attempt to retain combustion pressure lost through ineffective top rings. Beware: cylinder leakage tests are steady-state; they do not account for time, piston movement or true operating pressures.





Engine Bearings

Global Technology Behind Every Part

Engine Bearing Material Selection

When selecting engine bearings, most rebuilders concentrate on getting the proper clearances and maintaining adequate oil pressure. Durability is expected from any bearing chosen, and the advantages of different bearing materials may not be considered. If engine operating conditions are considered and bearing materials chosen accordingly, the likelihood of engine longevity is greater. No single material can be correct for every application. FP Diesel engine bearings are equal to or better than the

original equipment specifications for material and design. We also provide alternatives to address unique problems and special needs.

In heavy duty applications there are a number of materials that will do an excellent job. Each alloy has advantages in terms of resistance to corrosion, rate of wear and fatigue strength. The latter characteristic is critical in engines that operate under high loads, generate considerable heat and may be subjected to occasional detonation.

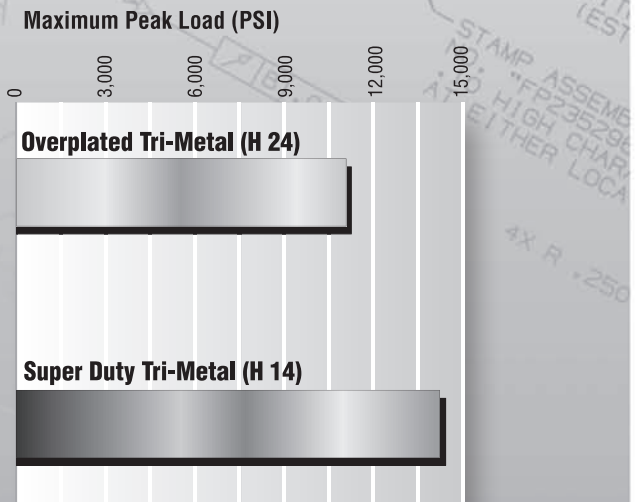
Bi-Metal Aluminum Alloys – Plated and Unplated

Diesel fuels, moisture, and engine “blow-by” introduce many contaminants into the crankcase. Aluminum engine bearing materials provide outstanding resistance to the corrosive effects of these substances, and are the product of choice for most current original equipment vehicle manufacturers. The modern bi-metal aluminum engine bearing contains silicon. As a result of using silicon, the alloy resists seizure and dramatically reduces or

eliminates bearing wear. This contributes to today’s extended engine life. Aluminum is often the best material for a daily driven vehicle. Adding an overplate to an aluminum engine bearing will further enhance embedability and conformability. Continued efforts to remove lead from our environment guarantee that aluminum will become the preferred engine bearing material for most applications.

Tri-Metal Alloys

Tri-Metal engine bearings, such as our H-14 and H-24 alloys, have excellent fatigue resistance, but are less resistant to corrosion damage than aluminum bearings. These bearing materials are accepted by engine builders worldwide, and are proven to be reliable in a wide range of uses. While OE manufacturers are moving to aluminum for their needs, many rebuilders still specify the tri-metal bearings for older engines.





Engine Kits

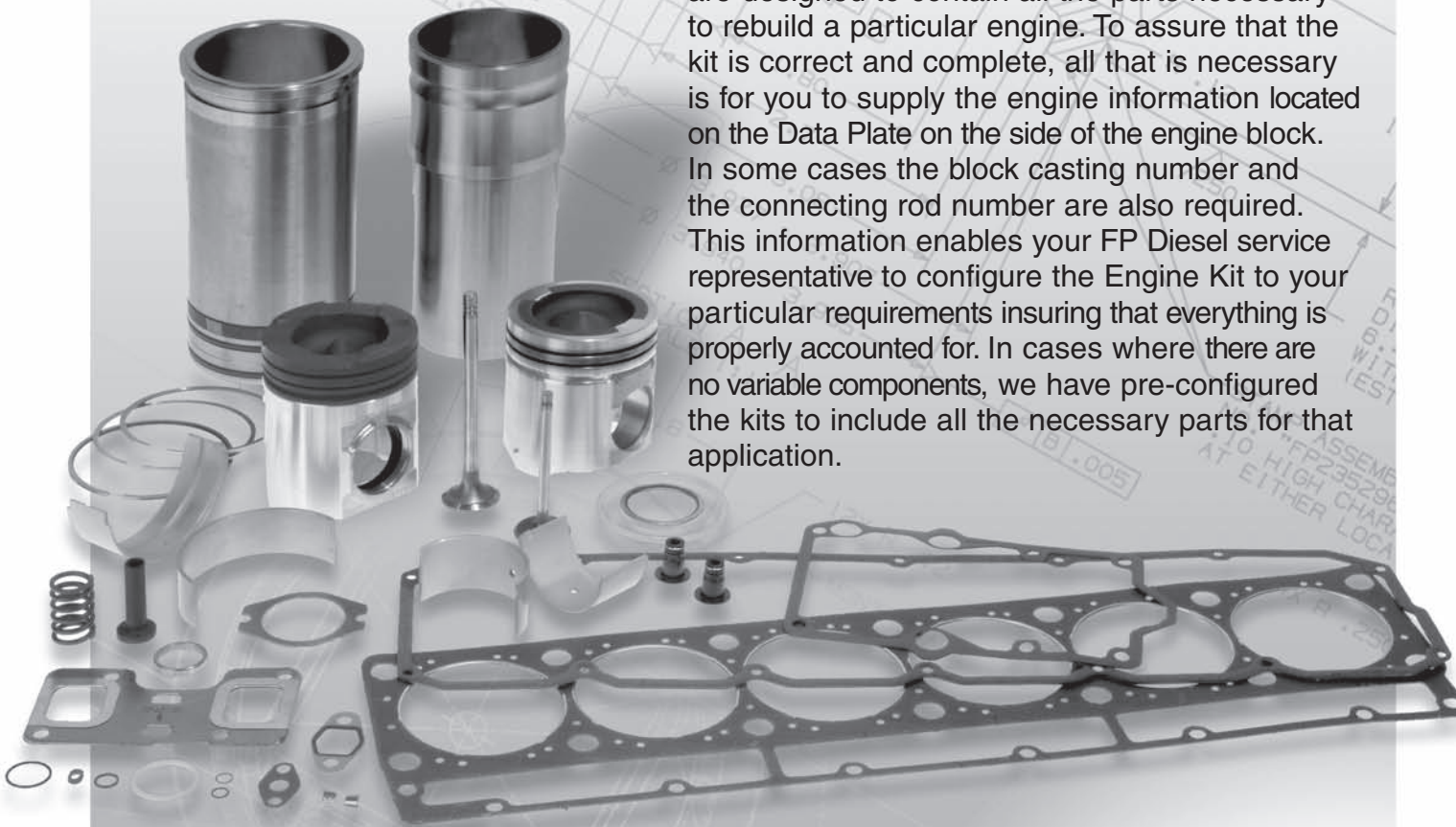
Global Technology Behind Every Part

The FP Diesel Engine Kit program allows you to select a kit tailored to the job at hand. Whether performing a complete overhaul or in-frame repair, FP Diesel engine kits contain all the necessary components to complete the rebuild job. This comprehensive program provides you with the following:

- Concise application information
- One price look-up
- A full complement of oversizes and undersizes
- Master kits that include full gasket sets

How To Specify FP Diesel Engine Kits

Many FP Diesel engine kits have several variations in components that are available depending on the specific engine. Overhaul Kits are designed to contain all the parts necessary to rebuild a particular engine. To assure that the kit is correct and complete, all that is necessary is for you to supply the engine information located on the Data Plate on the side of the engine block. In some cases the block casting number and the connecting rod number are also required. This information enables your FP Diesel service representative to configure the Engine Kit to your particular requirements insuring that everything is properly accounted for. In cases where there are no variable components, we have pre-configured the kits to include all the necessary parts for that application.





How To Order Overhaul & In-frame Kits

Global Technology Behind Every Part

Global Technology Behind Every Part

The FP Diesel® Engine Kit program allows you to select a kit tailored to the job at hand. Whether performing a complete overhaul or in-frame repair, our engine kits contains all of the necessary components to complete the rebuild.

STEP ONE Gather the necessary engine information

To make sure you order and receive the exact kit you need, be sure to have these important answers for each major engine nameplate:

STEP TWO Consult the FP Diesel print or online catalog

Federal-Mogul offers the industry's most convenient and up-to-date product lookup tools through the powerful www.FMe-cat.com website. Simply choose your region and then click on the "Commercial, Ag and Industrial" link. You can use the fast, easy electronic lookup and interchange tools or click "Digital Catalogs" to access "virtual" print catalogs.

STEP THREE Call us today!

Call 800-237-7425 to place your order. Before you know it, your custom engine overhaul kit will be delivered!

Navistar®
Engine
Serial Number
Piston Number
DT-466 – Valve Cover or Crankcase-Mounted Breather
Crank Size
In-Frame Gasket Set or Complete Gasket Set
Caterpillar®
Engine/Machine
Serial & Arrangement Number
3200 Series – Std. or Oversize Pistons and Ring Sets (2- or 3-Ring)
Crank Size
In-Frame Gasket Set or Complete Gasket Set
Cummins®
Engine
CPL or Piston Number
Big or Small Cam
Liner Size
Crank Size
In-Frame Gasket Set or Complete Gasket Set
Head Set w/Std. Water Grommets or 0.010" Oversize
Detroit Diesel®
Engine
Model & Serial Number
Turbo or Natural
Trunk or Crosshead Piston
Liner Size
Crank Size
Head Set & Pan Gasket or Complete Overhaul Gasket Set
If Complete, Crank Seals Not Included – Need Them
Steel or Aluminum Valve Covers
Mack®
Engine
Model Number
Piston Number
Liner Size
Crank Size
In-Frame Gasket Set or Complete Gasket Set





Piston Ring Set Instructions

Global Technology Behind Every Part

FP-1802208 Ring Set Instructions STD. – (6.9L V8)

FP-1802210 Ring Set Instructions .020 – (6.9L V8)

FP-1802211 Ring Set Instructions .030 – (6.9L V8)

FP-1802212 Ring Set Instructions .040 – (6.9L V8)

The top ring or fire ring is a black rectangular ring with a chrome face and marked “up” and “top” with a green paint dot. Install with markings facing up. The second ring or compression ring is a metal colored rectangular ring with a chamfer and marked “2nd” and “up” with a blue paint dot. Install with markings and chamfer facing up. The oil ring has no markings and can be installed either side up with the expander gap 180 degrees from the ring gap. All ring gaps should be installed 90 degrees apart.

FP-1809146 Ring Set Instructions STD. – (7.3L V8 EARLY)

FP-1809147 Ring Set Instructions .010 – (7.3L V8 EARLY)

FP-1809148 Ring Set Instructions .020 – (7.3L V8 EARLY)

FP-1809149 Ring Set Instructions .030 – (7.3L V8 EARLY)

The top ring or fire ring is a metal colored rectangular ring with a chrome face and marked with a dot. Install with the dot facing up. The second ring or compression ring is a black rectangular ring marked with a dot. Install with the dot facing up. The oil ring has no markings and can be installed either side up with the expander gap 180 degrees from the ring gap. All ring gaps should be installed 90 degrees apart.

FP-1813171 Ring Set Instructions STD. – (7.3L V8 LATE)

FP-1813173 Ring Set Instructions .020 – (7.3L V8 LATE)

FP-1813174 Ring Set Instructions .030 – (7.3L V8 LATE)

The top ring or fire ring is a black rectangular ring with a chrome face, chamfer, and marked with a dot. Install with the chamfer and dot facing up. The second ring or compression ring is a metal colored rectangular ring marked with two circles. Install with the markings facing up. The oil ring has no markings and can be installed either side up with the expander gap 180 degrees from the ring gap. All ring gaps should be installed 90 degrees apart.

FP-1809919 Ring Set Instructions (DT-360 EARLY)

The top ring or fire ring is a metal colored keystone ring marked with a circle. Install with the circle or markings facing up. The second ring or compression ring is a black keystone ring marked with a circle. Install with the circle and markings facing up. The oil ring has no markings and can be installed either side up with the expander gap 180 degrees from the ring gap. All ring gaps should be installed 90 degrees apart.



Piston Ring Set Instructions

Global Technology Behind Every Part

FP-1817251 Ring Set Instructions (DT-360 LATE)

The top ring or fire ring is a metal colored keystone ring marked with a circle. Install with the circle or markings facing up. The second ring or compression ring is a black keystone ring marked with a circle. Install with the circle and markings facing up. The oil ring has no markings and can be installed either side up with the expander gap 180 degrees from the ring gap. All ring gaps should be installed 90 degrees apart.

FP-1817247 Ring Set Instructions (DT-466)

The top ring or fire ring is a black keystone ring with a chrome face, chamfer, and is marked “up” and “1st groove”. Install with the chamfer and markings facing up. The second ring or compression ring is a black keystone ring marked “up” and “2nd groove”. Install with the chamfer and markings facing up. The oil ring has no markings and can be installed either side up with the expander gap 180 degrees from the ring gap. All ring gaps should be installed 90 degrees apart.

FP-684256 Ring Set Instructions (DT-466)

The top ring or fire ring is a black keystone ring with a chrome face, chamfer, and is marked “up” and “1st groove”. Install with the chamfer and markings facing up. The second ring or compression ring is a black keystone ring marked with a circle. Install with the circle and markings facing up. The oil ring has no markings and can be installed either side up with the expander gap 180 degrees from the ring gap. All ring gaps should be installed 90 degrees apart.

FP-1801358-4R Ring Set Instructions (DT-466 – 4 ring piston)

The top ring or fire ring is a metal colored keystone ring marked “top”. Install with the marking facing up. The second and third rings or compression rings are black rectangular rings with a chamfer and marked “top”. Install with the chamfer and marking facing up. The oil ring has no markings and can be installed either side up with the expander gap 180 degrees from the ring gap. All ring gaps should be installed 90 degrees apart.

FP-1801358 Ring Set Instructions (DT-466)

The top ring or fire ring is a black keystone ring with a chrome face, chamfer, and is marked “up” and “1st groove”. Install with the chamfer and markings facing up. The second ring or compression ring is a black keystone ring marked “up” and “2nd groove”. Install with the chamfer and markings facing up. The oil ring has no markings and can be installed either side up with the expander gap 180 degrees from the ring gap. All ring gaps should be installed 90 degrees apart.

FP-80004 Ring Set Instructions (DT-466)

The top ring or fire ring is a black keystone ring with a chrome face, chamfer, and is marked “up” and “1st groove”. Install with the chamfer and markings facing up. The second ring or compression ring is a black keystone ring marked with a circle. Install with the circle and markings facing up. The oil ring has no markings and can be installed either side up with the expander gap 180 degrees from the ring gap. All ring gaps should be installed 90 degrees apart.



Abbreviations Used

Global Technology Behind Every Part

ABBREVIATION DESCRIPTION

&	And
2WD	Two Wheel Drive
4WD	Four Wheel Drive
A.I.R.	Air Injector Reactor
A/C	Air Conditioning
A/R	As Required
A/T	Automatic Transmission
ABS	Anti-lock Brake System
AC	Alternating Current
Acc.	Accessory
Adj.	Adjustable
Adv.	Advance
Aft.	After
Alt.	Altitude
Alum.	Aluminum
Amp.	Ampere
AOD	Automatic Overdrive
Appl.	Application
Approx.	Approximately
Asst.	Assist
Assy.	Assembly
ATV	All Terrain Vehicle
Auto.	Automatic
Auto. Trans.	Automatic Transmission
Aux.	Auxiliary
Avail.	Available
Avg.	Average
AWD	All Wheel Drive
Bal.	Balance
Batt.	Battery
Bbl.	Barrel
Bbl. Carb.	Barrel Carburetor
Bef.	Before
Brg.	Bearing
Brkt.	Bracket
C	Celsius
C.I.	Cast Iron
C.R.	Compression Ratio
C/L	Centerline
Calib.	Calibration
Calif.	California
Cam	Camshaft
Can.	Canada
Carb.	Carburetor
Cat.	Catalytic
cc	Cubic Centimeter
CCW	Counter Clockwise
CD	Compression Distance
CFFI	Cross Fire Fuel Injection
CFI	Central Fuel Injection
CFM	Cubic Feet per Minute
CID	Cubic Inch (Displacement)
Cld.	Cooled
Clg.	Cooling
Clr.	Cooler
cm	Centimeter
Cntr. Bore	Counter Bore
Compl.	Complete

ABBREVIATION DESCRIPTION

Con. Rod	Connecting Rod
Cruise	Cruise Control
Ctr.	Center
CW	Clockwise
Cyl.	Cylinder
Cyl. Hd.	Cylinder Head
DC	Direct Current
Deg.	Degree
DFI	Digital Fuel Injection
DI	Direct Injection
Dia.	Diameter
Dim.	Dimension
Dir. Inj.	Direct Injection
Disc.	Discontinued
Dist.	Distributor
DOHC	Dual Overhead Camshaft
Dr.	Door or Drive
E.E.C.	Electronic Engine Control
E.I.S.	Electronic Ignition System
Ea.	Each
Ecc.	Eccentric
ECM	Electronic Computer Module
ECM	Electronic Control Module
ECM	Engine Control Module
Econ.	Economy
ECS	Electronic Controlled Spark
EFI	Electronic Fuel Injection
Elec.	Electric
Emis.	Emission
Eng.	Engine
Equip.	Equipment
Etc.	Et Cetera
Exc.	Except
Exh.	Exhaust
Exp.	Export
Ext.	Exterior
Ext.	External
F	Fahrenheit
Fed.	Federal
FI	Fuel Injection
Flex.	Flexible
Flg.	Flange
Flwr.	Follower
Frg.	Forged or Forging
Frt.	Front
FWD	Front Wheel Drive
Gal.	Gallon
Gas	Gasoline
GPH	Gallons Per Hour
GPM	Gallons Per Minute
Grv(s)	Groove(s)
Gskt.	Gasket
GVW	Gross Vehicle Weight
H/D	Heavy Duty
Hd.	Head
HEL	High Energy Ignition
Hi	High



Abbreviations Used

Global Technology Behind Every Part

ABBREVIATION DESCRIPTION

Hi Alt.....	High Altitude
Hi-Perf.....	High Performance
Hi-Temp.....	High Temperature
HO.....	High Output
Horiz.....	Horizontal
HP.....	Horsepower
HSC.....	High Swirl Combustion
Hyd.....	Hydraulic
I/C.....	Intercooler
I.D.....	Identification
ID.....	Inside Diameter
IDI.....	Indirect Injection
In. Frm.....	In Frame
in.....	Inch
Incl.....	Includes
Ind.....	Industrial
Inj.....	Injection
Int.....	Intake
Inter.....	Intermediate
L.....	Liter
L.H.....	Left Hand
L/D.....	Light Duty
Lgth.....	Length
LPG.....	Liquid Propane Gas
M/D.....	Medium Duty
M/T.....	Manual Transmission
Man.....	Manual
Man. Trans.....	Manual Transmission
Max.....	Maximum
Mech.....	Mechanical
MFI.....	Multi-Port Fuel Injection
Min.....	Minimum
mm.....	Millimeters
MPH.....	Miles Per Hour
Mtl.....	Material
N/A.....	Not Available
N/R.....	Not Required
Nat.....	Natural
Nat. Asp.....	Naturally Aspirated
Neg.....	Negative
Neut.....	Neutral
No.....	Number
Nom.....	Nominal
Norm.....	Normal
O.A.L.....	Overall Length
O.E.....	Original Equipment
O/D.....	Overdrive
O/S.....	Oversize
Obs.....	Obsolete
OD.....	Outside Diameter
OEM.....	Original Equipment Manufacturer
OHC.....	Overhead Cam
OHV.....	Overhead Valve
Opt.....	Optional
Orig.....	Original
oz.....	Ounce

ABBREVIATION DESCRIPTION

P.T.O.....	Power Take Off
P/S.....	Power Steering
Pass.....	Passenger
Pc(s).....	Piece(s)
PCV.....	Positive Crankcase Ventilation
Perf.....	Performance
Pkg.....	Package
Pos.....	Positive
Prem.....	Premium
Pri.....	Primary
PSI.....	Pound Per Square Inch
Pwr.....	Power
Qtr.....	Quarter
Qty.....	Quantity
R.B.P.....	Ring Below Pin
R.H.....	Right Hand
Ref.....	Reference
Reg.....	Regular
Reman.....	Remanufactured
Req'd.....	Required
Rev.....	Revision
Rev. Rot.....	Reverse Rotation
Rlr.....	Roller
RMB.....	Rear Main Bearing
Rot.....	Rotation
RPM.....	Revolutions Per Minute
Rr.....	Rear
RWD.....	Rear Wheel Drive
S/C.....	Supercharged
Seal. Rings.....	Sealing Rings
Ser.....	Serial or Series
Ser. No.....	Serial Number
SFI.....	Sequential Fuel Injection
Siv.....	Sleeve
SOHC.....	Single Overhead Cam
Spd.....	Speed
Spec.....	Special
Sta.....	Station
Std.....	Standard
Sys.....	System
T/C.....	Turbocharged
Tach.....	Tachometer
TBI.....	Throttle Body Injection
Temp.....	Temperature
TPI.....	Tuned Port Injection
Trans.....	Transmission
Trk.....	Truck
TTY.....	Torque-to-Yield
TURBO.....	Turbocharged
U/S.....	Under Size
Veh.....	Vehicle
VIN.....	Vehicle Identification Number
Vlv.....	Valve
VSS.....	Valve Stem Seal
w/.....	With
w/o.....	Without
Wagon.....	Station Wagon
Wt.....	Weight



Conversion Tables

Decimal Equivalents

Global Technology Behind Every Part

8THS.	16THS.	32NDS.	64THS.	DECIMALS	mm
		1/32	1/64	.015625	.396875
			3/64	.031250	.793750
	1/16		5/64	.046875	1.190625
		3/32	7/64	.062500	1.587500
			9/64	.078125	1.984375
1/8		5/32	11/64	.093750	2.381250
			13/64	.109375	2.778125
	3/16		15/64	.125000	3.175000
		7/32	17/64	.140625	3.571875
1/4		9/32	19/64	.156250	3.968750
			21/64	.171875	4.365625
	5/16	11/32	23/64	.187500	4.762500
			25/64	.203125	5.159375
		13/32	27/64	.218750	5.556250
			29/64	.234375	5.953125
			31/64	.250000	6.350000
3/8		15/32	33/64	.265625	6.746875
			35/64	.281250	7.143750
	7/16	17/32	37/64	.296875	7.540625
			39/64	.312500	7.937500
		9/16	41/64	.328125	8.334375
			43/64	.343750	8.731250
		19/32	45/64	.359375	9.128125
			47/64	.375000	9.525000
		23/32	49/64	.390625	9.921875
			51/64	.406250	10.318750
		11/16	53/64	.421875	10.715625
			55/64	.437500	11.112500
		13/16	57/64	.453125	11.509375
			59/64	.468750	11.906250
		15/32	61/64	.484375	12.303125
1/2			63/64	.500000	12.700000
		17/32		.515625	13.096875
				.531250	13.493750
		9/16		.546875	13.890625
				.562500	14.287500
				.578125	14.684375
		19/32		.593750	15.081250
				.609375	15.478125
5/8				.625000	15.875000
		21/32		.640625	16.271875
				.656250	16.668750
		11/16		.671875	17.065625
				.687500	17.462500
		23/32		.703125	17.859375
				.718750	18.256250
				.734375	18.653125
3/4				.750000	19.050000
				.765625	19.446875
		25/32		.781250	19.843750
				.796875	20.240625
		13/16		.812500	20.637500
				.828125	21.034375
				.843750	21.431250
		27/32		.859375	21.828125
				.875000	22.225000
7/8				.890625	22.621875
		29/32		.906250	23.018750
				.921875	23.415625
		15/16		.937500	23.812500
				.953125	24.209375
				.968750	24.606250
		31/32		.984375	25.003125
1				1.000000	25.003125

Inches to Millimeters

.001	0.0254mm
.002	0.0508mm
.003	0.0762mm
.004	0.1016mm
.005	0.1270mm
.006	0.1524mm
.007	0.1778mm
.008	0.2032mm
.009	0.2286mm
.010	0.2540mm
.020	0.5080mm
.030	0.7620mm
.040	1.0160mm
.050	1.2700mm
.060	1.5240mm
.070	1.7780mm
.080	2.0320mm
.090	2.2860mm
.100	2.5400mm

Millimeters to Inches

0.025mm	.000984
0.050mm	.001968
0.075mm	.002952
0.100mm	.003937
0.125mm	.004921
0.150mm	.005905
0.175mm	.006889
0.200mm	.007874
0.225mm	.008858
0.250mm	.009842
0.500mm	.019685
0.750mm	.029527
1.000mm	.039370
1.250mm	.049212
1.500mm	.059055
1.750mm	.068897
2.000mm	.078740
2.250mm	.088582
2.500mm	.098425

Conversion Formulae

28.349 gm./oz. 453.592 gm./lb.
16.387 cc/in. ³ 61.024 in. ³ /L
3.785 L/U.S. gal. 4.546 L/Imp. gal. 0.264 U.S. gal./L 0.220 Imp. gal./L





Warranty

Global Technology Behind Every Part

The products listed in this catalog are warranted to be free from defects in material and workmanship, under normal use and service, for two years from date of installation in an engine, without mileage or hour qualification in accordance with the following limited warranty. This warranty is the sole and exclusive warranty for failure of the above parts. This exclusive remedy shall not be deemed to have failed of its essential purpose so long as Federal-Mogul is willing and able to provide the remedy provided below.

WARRANTY LIMITATIONS

Federal-Mogul agrees to only pay for parts and labor needed to repair engine damages that result from the defined warranty failure. The costs are limited to parts and labor necessary for restoring the engine to its condition immediately prior to the failure. Labor costs are determined by current published rates and standards in the geographic area in which repairs are performed. Overtime or holiday rate charges are not allowed.

We will also pay for maintenance products such as oil, antifreeze, belts, hoses and filter elements that are damaged because of a defined warranty failure.

Federal-Mogul is not responsible for engine failure resulting from owner, operator or third party neglect or abuse, improper installation or repair procedures, alteration or misapplication of parts, failure to properly service or maintain the engine and vehicle in accordance with applicable OEM operation and maintenance manuals or use in engine modified for competition purposes or used in competition.

OTHER THAN AS EXPRESSLY PROVIDED HEREBY, FEDERAL-MOGUL SHALL NOT, UNDER ANY CIRCUMSTANCES, BE LIABLE FOR ANY SPECIAL, INDIRECT, INCIDENTAL, OR CONSEQUENTIAL DAMAGES, INCLUDING, BUT NOT LIMITED TO, DAMAGE OR LOSS OF OTHER PROPERTY OR EQUIPMENT, LOSS OF PROFITS OR REVENUE, TRANSPORTATION AND TOWING COSTS, COST OF PURCHASED OR REPLACED GOOD, OR CLAIMS OF CUSTOMERS OF THE PURCHASER, WHICH MAY ARISE OR RESULT FROM THE SALE, INSTALLATION, OR USE OF THESE PARTS. Some jurisdictions do not allow limitations on how long an implied warranty will last or the exclusion or limitation of incidental or consequential damages, so the limitations or exclusions contained herein may or may not apply to you. This warranty gives you specific legal rights. You may also have other rights depending on the state or province in which you reside.

THIS WARRANTY IS IN LIEU OF ALL OTHER WARRANTIES, EXPRESS AND/OR IMPLIED, INCLUDING, WITHOUT LIMITATION, WARRANTIES OF MERCHANTABILITY AND OF FITNESS FOR A PARTICULAR PURPOSE AND THEY ARE EXCLUDED TO THE EXTENT THEY EXCEED THE WARRANTY COVERAGE DESCRIBED BY THIS WARRANTY.

This warranty and remedy apply to new FP Diesel engine parts from Federal-Mogul sold directly to our authorized aftermarket customers as evidenced by completed claim documentation.

No agent or sales representative of Federal-Mogul Corporation has the authority to modify this warranty. Other Federal-Mogul parts may carry different warranties.

Federal-Mogul must be notified by the customer: (i) before filing a warranty claim, (ii) within one year of the date that the claim accrues, and (iii) before any work has been performed. All claims must be submitted in writing and Federal-Mogul reserves the right to examine all parts, systems and related information associated with the claim. (Note all shipping charges are the responsibility of the end-user or distributor, Federal-Mogul will not accept collect shipments). See your sales representative for detailed claim submission procedures and forms.

Use parts only for applications and interchanges in this catalog.

Failure to heed this warning could result in reduced life or failure of the part. All parts listed in this catalog are not for use in space program, atomic energy/nuclear reactor equipment, medical or aircraft applications.

Federal-Mogul reserves the right to make product improvements/changes, with respect to similar products previously manufactured, without notice and without incurring liability.





Warranty

Global Technology Behind Every Part

Les produits indiqués dans ce catalogue sont garantis contre toute défectuosité de matériel et de fabrication, dans des conditions d'utilisation et d'entretien normales, sur une période de deux ans à partir de la date d'installation dans un moteur, sans qualification de kilométrage ou horaire, conformément à la garantie limitée suivante.

Cette garantie est la garantie unique et exclusive pour la défaillance des pièces précitées.
Ce recours exclusif ne doit pas être présumé comme ayant échoué à son objectif essentiel, tant que Federal-Mogul approuve et est capable de fournir le recours fourni ci-dessous.

LIMITATIONS DE GARANTIE

Federal-Mogul accepte uniquement de payer les pièces et la main-d'œuvre nécessaires pour réparer les dommages de moteur qui résultent de la défaillance de la garantie définie. Les coûts sont limités aux pièces et à la main-d'œuvre nécessaires pour la restauration du moteur à l'état auquel il se trouvait juste avant la défaillance.

Les frais de main-d'œuvre sont déterminés par les prix et normes publiés à l'heure actuelle dans la zone géographique dans laquelle les réparations sont effectuées. Les heures supplémentaires ou les frais de jours fériés ne sont pas permis. Nous payons également les produits d'entretien, tels que l'huile, l'antigel, les courroies, les tuyaux et les éléments de filtre qui sont endommagés en raison d'une défaillance de garantie définie.

Federal-Mogul décline toute responsabilité pour une défaillance de moteur découlant d'une négligence ou d'un abus infligés par le propriétaire, l'opérateur ou une tierce partie, de procédures d'installation ou de réparations incorrectes, de l'altération ou d'une application incorrecte de pièces, d'un manque de réparation ou d'entretien adéquat du moteur et du véhicule conformément aux manuels d'utilisation et d'entretien OEM applicables, ou de l'utilisation dans un moteur modifié à des fins de compétition ou utilisé en compétition.

SAUF SUR SPÉCIFICATION EXPRESSE DANS LA PRÉSENTE, FEDERAL-MOGUL NE SERA RESPONSABLE, EN AUCUNE CIRCONSTANCE, POUR DES DOMMAGES SPÉCIAUX, INDIRECTS, ACCESSOIRES OU CONSÉCUTIFS, Y COMPRIS, SANS S'Y LIMITER, DES DOMMAGES OU LA PERTE D'UNE AUTRE PROPRIÉTÉ OU D'UN AUTRE ÉQUIPEMENT, LA PERTE DE PROFITS OU DE REVENUS, LES FRAIS DE TRANSPORT ET DE REMORQUAGE, LES FRAIS DE BIENS ACHETÉS OU REMPLACÉS, OU LES DEMANDES DE CLIENTS DE L'ACHETEUR, QUI PEUVENT SE PRÉSENTER OU RÉSULTER DE LA VENTE, DE L'INSTALLATION OU DE L'UTILISATION DE CES PIÈCES.

Certaines juridictions ne permettent pas les limites sur la durée d'une garantie implicite, ni l'exclusion ou la limitation de dommages accessoires ou consécutifs, et, par conséquent, les limitations ou exclusions ci-inclues peuvent s'appliquer ou non pour votre cas. Cette garantie vous octroie des droits légaux spécifiques.

Vous disposez également d'autres droits en fonction de l'état ou de la province de votre résidence.
LA PRÉSENTE GARANTIE REMPLACE TOUTES AUTRES GARANTIES, EXPRESSES ET/OU IMPLICITES, Y COMPRIS, SANS S'Y LIMITER, LES GARANTIES DE QUALITÉ MARCHANDE OU D'ADAPTATION À UN USAGE PARTICULIER, ET ELLES SONT EXCLUES SI ELLES DEVAIENT DÉPASSER LA COUVERTURE DE GARANTIE DÉCRITE PAR LA PRÉSENTE GARANTIE.

Cette garantie et le recours s'appliquent aux nouvelles pièces du moteur diesel FP de Federal-Mogul vendu directement à nos clients de pièces de rechange autorisés, tel qu'attesté par les documents de demande dûment remplis. Aucun agent ou représentant de ventes de Federal-Mogul Corporation ne dispose du droit de modifier la présente garantie. D'autres pièces de Federal-Mogul peuvent être couvertes par des garanties différentes.

PROCÉDURES DE DEMANDE

Le client doit notifier Federal-Mogul : (i) avant de remplir une demande au titre de la garantie, (ii) en l'espace d'un an à partir de la date à laquelle la demande est exercée, et (iii) avant l'exécution d'un travail quelconque. Toutes les demandes doivent être soumises par écrit et Federal-Mogul se réserve le droit d'examiner toutes les pièces, tous les systèmes et toutes les informations associées à la demande.

(Veuillez noter que l'utilisateur final ou le distributeur est responsable pour tous les frais d'expédition; Federal-Mogul n'accepte aucun envoi en port-dû). Veuillez consulter votre représentant des ventes pour les formulaires et les procédures de soumission de demande détaillés.

AVERTISSEMENT

Utilisez uniquement les pièces pour les applications et les échanges de ce catalogue. Un manque de respect de cet avertissement pourrait résulter en une durée de vie réduite ou une défaillance de la pièce. Aucune des pièces indiquées dans ce catalogue n'est destinée à être utilisée dans un programme d'espace, pour du matériel de réacteur nucléaire/d'énergie atomique, ou des applications médicales ou d'aéronefs. Federal-Mogul se réserve le droit d'effectuer des améliorations/changements de produits, en ce qui concerne des produits similaires fabriqués auparavant, sans avis et sans assumer de responsabilité.



Warranty

Global Technology Behind Every Part

Se garantiza que todos los productos presentados en este catálogo no presentaran defecto alguno, ya sea en su material ni en su fabricación, bajo condiciones de uso y servicio normales. La garantía es de dos años de la fecha de la instalación en el motor, sin límites en el kilometraje o en las horas de funcionamiento. Esta es la única y exclusiva garantía si alguna de las partes listadas fuese a fallar. Este recurso exclusivo no se tomará como una falta, siempre y cuando Federal Mogul pueda remediarlo con las provisiones enumeradas mas abajo.

LIMITACIONES DE LA GARANTIA

Federal-Mogul pagará solo por las partes y la mano de obra necesarias para reparar daños al motor que resulten de una falla definida sobre la parte vendida. Los costos quedarán limitados a las partes y la mano de obra necesarias para restaurar el motor a la condición en la cual se encontraba inmediatamente antes de la falla.

Los costos de la mano de obra se determinarán por medio de precios publicados y estándares del área geográfica en la cual las reparaciones se lleven a cabo. No se permitirá agregar costos de tiempo extra ni por trabajo durante días festivos. Pagaremos por productos de mantenimiento tales como aceite, anti-congelantes, correas, mangueras y filtros dañados debido a alguna falla definida del producto vendido.

Federal-Mogul no se hará responsable por una falla de motor causada por el dueño, operador o un tercero, ya sea por su propia negligencia, abuso o instalación inadecuada o procedimientos de reparación inadecuados, por alteración o aplicación incorrecta de las partes, falta de servicio necesario o mantenimiento del motor o de el vehículo de acuerdo a los manuales de operación y mantenimiento de acuerdo fabricante original, o por la modificación de un motor para su uso en competencias o por haber sido usado en competencias.

FEDERAL-MOGUL NO SERÁ RESPONSABLE, BAJO NINGUNA CIRCUNSTANCIA, OTRO QUE NO SEA LO QUE SE HA MENCIONADO EXPLÍCITAMENTE EN ÉSTA GARANTÍA, POR CUALQUIER DAÑO INDIRECTO, ESPECIAL, ACCIDENTAL O CÓMO CONSECUENCIA DE OTROS DAÑOS, INCLUYENDO, PERO SIN QUE QUÉDE LIMITADO A DAÑOS O PÉRDIDAS DE BIENES O DE EQUIPO, PÉRDIDA DE GANANCIAS O INGRESOS, COSTOS DE GRÚA O TRANSPORTACIÓN, DE PARTES REEMPLAZADAS, O RECLAMOS DE CLIENTES DEL COMPRADOR, QUE PUEDAN RESULTAR DE LA VENTA, INSTALACIÓN, O USO DE ÉSTAS PARTES.

Algunas jurisdicciones no permiten limitaciones con respecto a la duración de garantías implícitas, o a la exclusión o limitación de daños accidentales, por lo tanto puede que las limitaciones o exclusiones contenidas en el presente no le apliquen a Ud. Esta garantía le ofrece derechos específicos. Ud. puede gozar de derechos adicionales dependiendo del estado o provincia en la cual viva.

ÉSTA GARANTIA REEMPLAZARA CUALQUIER Y TODA OTRA GARANTÍA, YA SEA EXPLÍCITA U IMPLÍCITA, INCLUYENDO, PERO NO LIMITANDOSE A GARANTÍAS PARA LA MERCANCÍA Y USO DE LA MISMA CON UN PROPÓSITO EN PARTICULAR, Y ESAS MISMAS QUEDARAN EXCLUIDAS SI EXCEDEN LA COBERTURA DESCRITA EN ÉSTA GARANTÍA.

Ésta garantía y recurso aplican a partes nuevas de motores de FP Diésel, vendidas directamente a nuestros clientes autorizados del mercado de reposición, lo cual será corroborado por medio de documentación usada en el reclamo.

Ningún agente o representante de la empresa Federal-Mogul tiene autoridad para modificar ésta garantía.

Otras partes de Federal-Mogul pueden tener garantías diferentes.

PROCEDIMIENTO PARA PRESENTAR UN RECLAMO

Federal-Mogul debe ser notificado por el cliente: (i) antes de presentar un reclamo cubierto en la garantía, (ii) dentro del plazo de un año de ocurrida la falla, y (iii) antes de que se haya hecho algún trabajo.

Todo reclamo debe ser entregado por escrito y Federal-Mogul reserva el derecho a examinar todas las partes, sistemas e información relacionados y asociados al reclamo. (Todo cargo de envío será responsabilidad del usuario final o distribuidor, Federal-Mogul no aceptará envíos a cobrar). Contacte a su representante de ventas para conseguir el formulario de reclamos con el procedimiento detallado.

ADVERTENCIA

Las partes deben ser usadas sólo para las aplicaciones mencionadas en éste catálogo. El no seguir ésta advertencia puede que resulte en que le falle la parte o a que su vida quede reducida. Todas las partes listadas en éste catálogo no están hechas para el uso en programas espaciales, para equipos de energía atómica, o reactores nucleares, o para aplicaciones médicas ni en naves aéreas. Federal-Mogul se reserva el derecho de hacerle mejoras y cambios a los productos, con respecto a productos similares que se hayan fabricado previamente, sin notificación o responsabilidad legal alguna.



International/Navistar Truck

Engine Finding Index					
Engine	Years	Line No.	Engine	Years	Line No.
2.9L 175 L-HEAD L6 3" Bore (12 Valve) M/D Truck		1	7.3L 444 OHV Turbo-Diesel V8 4.11" Bore (IDI) M/D Truck	1993-94	34
3.5L 214 L-HEAD L6 3.3125" Bore (12 Valve) M/D Truck		2	7.3L 444 OHV Turbo-Diesel V8 4.11" Bore (DI) M/D Truck	1994-2003	35
3.6L 220 OHV L6 3.5625" Bore (12 Valve) M/D Truck	1965-68	3	7.3L 446 OHV V8 4.125" Bore (16 Valve) H/D Truck	1975-81	36
3.8L 233 L-HEAD L6 3.3125" Bore (12 Valve) M/D Truck		4	7.3L 446 OHV NG V8 4.125" Bore (16 Valve) H/D Truck	1975-81	37
3.9L 240 OHV L6 3.5625" Bore (12 Valve) M/D Truck	1960-68	5	7.4L 450 OHV L6 4.375" Bore (12 Valve) M/D Truck	1961-73	38
4.1L 250 OHV L6 3.4375" Bore (12 Valve) M/D Truck		6	7.4L 450 OHV L6 4.375" Bore (12 Valve) H/D Truck	1960-74	39
4.3L 264 OHV L6 3.6875" Bore (12 Valve) M/D Truck	1960-68	7	7.6L 461 OHV V8 4.125" Bore (16 Valve) M/D Truck	1961-64	40
4.4L 266 OHV V8 3.625" Bore (16 Valve) M/D Truck	1960-70	8	7.6L 461 OHV V8 4.125" Bore (16 Valve) H/D Truck	1960-64	41
4.4L 269 OHV L6 3.5625" Bore (12 Valve) M/D Truck		9	7.6L 461 OHV Diesel V8 4.125" Bore (16 Valve) M/D Truck	1966-73	42
4.4L 269 OHV L6 3.5625" Bore (12 Valve) M/D Truck		10	7.6L 461 OHV Diesel V8 4.125" Bore (16 Valve) H/D Truck	1966-73	42
4.6L 282 OHV L6 3.8125" Bore (12 Valve) M/D Truck	1960-71	11	7.6L 466 OHV Turbo-Diesel L6 4.3005" Bore (12 Valve) H/D Truck	1975-83	43
4.6L 282 OHV L6 3.8125" Bore (12 Valve) H/D Truck	1960-71	11	7.6L 466 OHV Turbo-Diesel L6 4.3005" Bore (12 Valve) M/D Truck	1975-97	44
4.9L 301 OHV Diesel L6 3.8125" Bore (12 Valve) M/D Truck	1963-70	12	7.6L 466 OHV Turbo-Diesel L6 4.3005" Bore (12 Valve) H/D Truck	1975-97	44
5.0L 304 OHV V8 3.875" Bore (16 Valve) M/D Truck	1960-75	13	7.6L 466 OHV Turbo-Diesel L6 4.3005" Bore (Intercooled) M/D Truck	1993-2004	45
5.0L 304 OHV V8 3.875" Bore (16 Valve) H/D Truck	1960-75	13	7.6L 466 OHV Turbo-Diesel L6 4.3005" Bore (Intercooled) H/D Truck	1993-2004	45
5.0L 304 OHV LPG V8 3.875" Bore (16 Valve) M/D Truck	1967-74	14	7.6L 466 OHV Turbo-Diesel L6 4.587" Bore (Big Bore) M/D Truck	2000-2007	46
5.0L 308 OHV L6 3.8125" Bore (12 Valve) M/D Truck	1960-71	15	7.6L 466 OHV Turbo-Diesel L6 4.587" Bore (Big Bore) H/D Truck	2000-2007	46
5.0L 308 OHV L6 3.8125" Bore (12 Valve) H/D Truck	1960-71	15	7.8L 478 OHV V8 4.5" Bore (16 Valve) H/D Truck	1965-76	47
5.2L 318 OHV L6 3.875" Bore (12 Valve) M/D Truck		16	8.2L 501 OHV L6 4.5" Bore (12 Valve) M/D Truck	1961-73	48
5.7L 345 OHV V8 3.875" Bore (16 Valve) M/D Truck	1961-85	17	8.2L 501 OHV L6 4.5" Bore (12 Valve) H/D Truck	1960-74	48
5.7L 345 OHV V8 3.875" Bore (16 Valve) H/D Truck	1961-85	17	8.7L 530 OHV Turbo-Diesel L6 4.587" Bore (12 Valve) M/D Truck	1993-97	49
5.7L 345 OHV LPG V8 3.875" Bore (16 Valve) M/D Truck	1967-74	18	8.7L 530 OHV Turbo-Diesel L6 4.587" Bore (12 Valve) H/D Truck	1993-97	49
5.9L 360 OHV Turbo-Diesel L6 4.01" Bore (12 Valve) M/D Truck	1987-93	19	8.7L 530 OHV Turbo-Diesel L6 4.587" Bore (Intercooled) M/D Truck	1995-2005	50
5.9L 360 OHV Turbo-Diesel L6 4.01" Bore (12 Valve) H/D Truck	1987-93	19	8.7L 530 OHV Turbo-Diesel L6 4.587" Bore (Intercooled) H/D Truck	1995-2005	50
5.9L 361 OHV L6 4.125" Bore (12 Valve) M/D Truck		20	8.8L 537 OHV V8 4.625" Bore (16 Valve) H/D Truck	1977-81	51
6.1L 372 OHV L6 4.375" Bore (12 Valve) M/D Truck	1960-69	21	9.0L 549 OHV V8 4.5" Bore (16 Valve) M/D Truck	1961-64	52
6.1L 372 OHV L6 4.375" Bore (12 Valve) H/D Truck	1960-69	21	9.0L 549 OHV V8 4.5" Bore (16 Valve) H/D Truck	1961-76	53
6.4L 392 OHV V8 4.125" Bore (16 Valve) M/D Truck	1969-85	22	9.0L 549 OHV Diesel V8 4.5" Bore (16 Valve) M/D Truck	1969-79	54
6.4L 392 OHV V8 4.125" Bore (16 Valve) H/D Truck	1966-82	23	9.0L 549 OHV Diesel V8 4.5" Bore (16 Valve) H/D Truck	1968-79	54
6.6L 401 OHV L6 4.125" Bore (12 Valve) M/D Truck	1949-69	24	9.0L 549 OHV LPG V8 4.5" Bore (16 Valve) M/D Truck		55
6.6L 401 OHV V8 4.125" Bore (16 Valve) M/D Truck	1960-64	25	9.0L 549 OHV LPG V8 4.5" Bore (16 Valve) H/D Truck		55
6.6L 401 OHV V8 4.125" Bore (16 Valve) H/D Truck	1960-74	26	9.0L 551 OHV Diesel V8 4.5" Bore (16 Valve) M/D Truck	1980-88	56
6.6L 404 OHV V8 4.125" Bore (16 Valve) M/D Truck	1979-81	27	9.0L 551 OHV Diesel V8 4.5" Bore (16 Valve) H/D Truck	1980-88	56
6.6L 404 OHV V8 4.125" Bore (16 Valve) H/D Truck	1975-82	28	9.3L 570 OHV Turbo-Diesel L6 4.587" Bore (Intercooled) M/D Truck	2004-2007	57
6.7L 406 OHV L6 4.375" Bore (12 Valve) M/D Truck	1961-74	29	9.3L 570 OHV Turbo-Diesel L6 4.587" Bore (Intercooled) H/D Truck	2004-2007	57
6.7L 406 OHV L6 4.375" Bore (12 Valve) H/D Truck	1960-74	30	9.3L 570 OHV Turbo-Diesel L6 4.587" Bore (Intercooled) M/D Truck	2004-2007	58
6.7L 408 OHV Turbo-Diesel L6 4.3005" Bore (12 Valve) M/D Truck	1993-97	31	9.3L 570 OHV Turbo-Diesel L6 4.587" Bore (Intercooled) H/D Truck	2004-2007	58
6.7L 408 OHV Turbo-Diesel L6 4.3005" Bore (12 Valve) H/D Truck	1993-97	31	9.4L 573 OHV Diesel V8 4.5" Bore (16 Valve) H/D Truck	1968-71	59
6.9L 420 OHV Diesel V8 4" Bore (IDI) M/D Truck	1980-90	32	9.4L 573 OHV Turbo-Diesel V8 4.5" Bore (International Tractor Eng.) H/D Truck	1968-71	60
6.9L 420 OHV Diesel V8 4" Bore (IDI) H/D Truck	1980-90	32	9.9L 605 OHV V8 4.625" Bore (16 Valve) H/D Truck	1977-81	61
7.3L 444 OHV Diesel V8 4.11" Bore (IDI) M/D Truck	1988-93	33			

(continued on next page)

Engine Finding Index					
Engine	Years	Line No.	Engine	Years	Line No.
9.9L 605 OHV NG V8 4.625" Bore (16 Valve) H/D Truck	1977-81	62	13.1L 800 OHV Diesel V8 5.3125" Bore (16 Valve) H/D Truck		63

Engine Code Index

Engine Code	Engine Description	Line No.	Engine Code	Engine Description	Line No.
BD220	3.6L 220 OHV L6 3.5625" Bore (12 Valve) M/D Truck	3	DT466B	7.6L 466 OHV Turbo-Diesel L6 4.3005" Bore (12 Valve) M/D Truck	44
BD240	3.9L 240 OHV L6 3.5625" Bore (12 Valve) M/D Truck	5	DT466B	7.6L 466 OHV Turbo-Diesel L6 4.3005" Bore (12 Valve) H/D Truck	44
BD264	4.3L 264 OHV L6 3.6875" Bore (12 Valve) M/D Truck	7	DT466C	7.6L 466 OHV Turbo-Diesel L6 4.3005" Bore (12 Valve) M/D Truck	44
BD269	4.4L 269 OHV L6 3.5625" Bore (12 Valve) M/D Truck	9	DT466C	7.6L 466 OHV Turbo-Diesel L6 4.3005" Bore (12 Valve) H/D Truck	44
BD282	4.6L 282 OHV L6 3.8125" Bore (12 Valve) M/D Truck	11	DT466E	7.6L 466 OHV Turbo-Diesel L6 4.3005" Bore (Intercooled) M/D Truck	45
BD282	4.6L 282 OHV L6 3.8125" Bore (12 Valve) H/D Truck	11	DT466E	7.6L 466 OHV Turbo-Diesel L6 4.3005" Bore (Intercooled) H/D Truck	45
BD308	5.0L 308 OHV L6 3.8125" Bore (12 Valve) M/D Truck	15	DT466E	7.6L 466 OHV Turbo-Diesel L6 4.587" Bore (Big Bore) M/D Truck	46
BD308	5.0L 308 OHV L6 3.8125" Bore (12 Valve) H/D Truck	15	DT466E	7.6L 466 OHV Turbo-Diesel L6 4.587" Bore (Big Bore) H/D Truck	46
BG220	3.6L 220 OHV L6 3.5625" Bore (12 Valve) M/D Truck	3	DT466P	7.6L 466 OHV Turbo-Diesel L6 4.3005" Bore (12 Valve) M/D Truck	44
BG241	3.9L 240 OHV L6 3.5625" Bore (12 Valve) M/D Truck	5	DT466P	7.6L 466 OHV Turbo-Diesel L6 4.3005" Bore (12 Valve) H/D Truck	44
BG264	4.3L 264 OHV L6 3.6875" Bore (12 Valve) M/D Truck	7	DT530E	8.7L 530 OHV Turbo-Diesel L6 4.587" Bore (Intercooled) M/D Truck	50
BG265	4.3L 264 OHV L6 3.6875" Bore (12 Valve) M/D Truck	7	DT530E	8.7L 530 OHV Turbo-Diesel L6 4.587" Bore (Intercooled) H/D Truck	50
BLD250	4.1L 250 OHV L6 3.4375" Bore (12 Valve) M/D Truck	6	DT570	9.3L 570 OHV Turbo-Diesel L6 4.587" Bore (Intercooled) M/D Truck	57
BLD269	4.4L 269 OHV L6 3.5625" Bore (12 Valve) M/D Truck	9	DT570	9.3L 570 OHV Turbo-Diesel L6 4.587" Bore (Intercooled) H/D Truck	57
BLD269A	4.4L 269 OHV L6 3.5625" Bore (12 Valve) M/D Truck	9	DVTI573B	9.4L 573 OHV Diesel V8 4.5" Bore (16 Valve) H/D Truck	59
C605 Natural Gas	9.9L 605 OHV NG V8 4.625" Bore (16 Valve) H/D Truck	62	DVTI573B	9.4L 573 OHV Turbo-Diesel V8 4.5" Bore (International Tractor Eng.) H/D Truck	60
DTA466	7.6L 466 OHV Turbo-Diesel L6 4.3005" Bore (12 Valve) M/D Truck	44	DVT573	9.4L 573 OHV Diesel V8 4.5" Bore (16 Valve) H/D Truck	59
DTA466	7.6L 466 OHV Turbo-Diesel L6 4.3005" Bore (12 Valve) H/D Truck	44	DVT573	9.4L 573 OHV Turbo-Diesel V8 4.5" Bore (International Tractor Eng.) H/D Truck	60
DTA466C	7.6L 466 OHV Turbo-Diesel L6 4.3005" Bore (12 Valve) M/D Truck	44	DV462	7.6L 461 OHV Diesel V8 4.125" Bore (16 Valve) M/D Truck	42
DTA466C	7.6L 466 OHV Turbo-Diesel L6 4.3005" Bore (12 Valve) H/D Truck	44	DV462	7.6L 461 OHV Diesel V8 4.125" Bore (16 Valve) H/D Truck	42
DTI466B	7.6L 466 OHV Turbo-Diesel L6 4.3005" Bore (12 Valve) M/D Truck	44	DV462B	7.6L 461 OHV Diesel V8 4.125" Bore (16 Valve) M/D Truck	42
DTI466B	7.6L 466 OHV Turbo-Diesel L6 4.3005" Bore (12 Valve) H/D Truck	44	DV462B	7.6L 461 OHV Diesel V8 4.125" Bore (16 Valve) H/D Truck	42
DTI466C	7.6L 466 OHV Turbo-Diesel L6 4.3005" Bore (12 Valve) M/D Truck	44	DV550	9.0L 549 OHV Diesel V8 4.5" Bore (16 Valve) M/D Truck	54
DTI466C	7.6L 466 OHV Turbo-Diesel L6 4.3005" Bore (12 Valve) H/D Truck	44	DV550	9.0L 549 OHV Diesel V8 4.5" Bore (16 Valve) H/D Truck	54
DT360	5.9L 360 OHV Turbo-Diesel L6 4.01" Bore (12 Valve) M/D Truck	19	DV550B	9.0L 549 OHV Diesel V8 4.5" Bore (16 Valve) M/D Truck	54
DT360	5.9L 360 OHV Turbo-Diesel L6 4.01" Bore (12 Valve) H/D Truck	19	DV550B	9.0L 549 OHV Diesel V8 4.5" Bore (16 Valve) H/D Truck	54
DT408	6.7L 408 OHV Turbo-Diesel L6 4.3005" Bore (12 Valve) M/D Truck	31	DV573	9.4L 573 OHV Diesel V8 4.5" Bore (16 Valve) H/D Truck	59
DT408	6.7L 408 OHV Turbo-Diesel L6 4.3005" Bore (12 Valve) H/D Truck	31	D150	9.0L 549 OHV Diesel V8 4.5" Bore (16 Valve) M/D Truck	54
DT466	7.6L 466 OHV Turbo-Diesel L6 4.3005" Bore (12 Valve) M/D Truck	44	D150	9.0L 549 OHV Diesel V8 4.5" Bore (16 Valve) H/D Truck	54
DT466	7.6L 466 OHV Turbo-Diesel L6 4.3005" Bore (12 Valve) H/D Truck	44	D170	9.0L 549 OHV Diesel V8 4.5" Bore (16 Valve) M/D Truck	54
DT466A	7.6L 466 OHV Turbo-Diesel L6 4.3005" Bore (12 Valve) M/D Truck	44	D170	9.0L 549 OHV Diesel V8 4.5" Bore (16 Valve) H/D Truck	54
DT466A	7.6L 466 OHV Turbo-Diesel L6 4.3005" Bore (12 Valve) H/D Truck	44	D190	9.0L 549 OHV Diesel V8 4.5" Bore (16 Valve) M/D Truck	54

(continued on next page)



International/Navistar Truck

Engine Code Index					
Engine Code	Engine Description	Line No.	Engine Code	Engine Description	Line No.
D190	9.0L 549 OHV Diesel V8 4.5" Bore (16 Valve) H/D Truck	54	RED318A	5.2L 318 OHV L6 3.875" Bore (12 Valve) M/D Truck	16
D301	4.9L 301 OHV Diesel L6 3.8125" Bore (12 Valve) M/D Truck	12	RED361	5.9L 361 OHV L6 4.125" Bore (12 Valve) M/D Truck	20
D466	7.6L 466 OHV Diesel L6 4.3005" Bore (12 Valve) H/D Truck	43	RED361A	5.9L 361 OHV L6 4.125" Bore (12 Valve) M/D Truck	20
FAC269	4.4L 269 OHV L6 3.5625" Bore (12 Valve) M/D Truck	10	RED401	6.6L 401 OHV L6 4.125" Bore (12 Valve) M/D Truck	24
FTVS549	9.0L 549 OHV V8 4.5" Bore (16 Valve) M/D Truck	52	RED401A	6.6L 401 OHV L6 4.125" Bore (12 Valve) M/D Truck	24
FTVS549	9.0L 549 OHV V8 4.5" Bore (16 Valve) H/D Truck	53	RED401B	6.6L 401 OHV L6 4.125" Bore (12 Valve) M/D Truck	24
FTV549	9.0L 549 OHV V8 4.5" Bore (16 Valve) M/D Truck	52	RED450	7.4L 450 OHV L6 4.375" Bore (12 Valve) M/D Truck	38
FTV549	9.0L 549 OHV V8 4.5" Bore (16 Valve) H/D Truck	53	RED450	7.4L 450 OHV L6 4.375" Bore (12 Valve) H/D Truck	39
GRD175	2.9L 175 L-HEAD L6 3" Bore (12 Valve) M/D Truck	1	RED450A	7.4L 450 OHV L6 4.375" Bore (12 Valve) M/D Truck	38
GRD175A	2.9L 175 L-HEAD L6 3" Bore (12 Valve) M/D Truck	1	RED450A	7.4L 450 OHV L6 4.375" Bore (12 Valve) H/D Truck	39
GRD214	3.5L 214 L-HEAD L6 3.3125" Bore (12 Valve) M/D Truck	2	SD220	3.6L 220 OHV L6 3.5625" Bore (12 Valve) M/D Truck	3
GRD214A	3.5L 214 L-HEAD L6 3.3125" Bore (12 Valve) M/D Truck	2	SD240	3.9L 240 OHV L6 3.5625" Bore (12 Valve) M/D Truck	5
GRD233	3.8L 233 L-HEAD L6 3.3125" Bore (12 Valve) M/D Truck	4	SD264	4.3L 264 OHV L6 3.6875" Bore (12 Valve) M/D Truck	7
GRD233A	3.8L 233 L-HEAD L6 3.3125" Bore (12 Valve) M/D Truck	4	U220	3.6L 220 OHV L6 3.5625" Bore (12 Valve) M/D Truck	3
HT570	9.3L 570 OHV Turbo-Diesel L6 4.587" Bore (Intercooled) M/D Truck	58	VS401	6.6L 401 OHV V8 4.125" Bore (16 Valve) M/D Truck	25
HT570	9.3L 570 OHV Turbo-Diesel L6 4.587" Bore (Intercooled) H/D Truck	58	VS401	6.6L 401 OHV V8 4.125" Bore (16 Valve) H/D Truck	26
I530	8.7L 530 OHV Turbo-Diesel L6 4.587" Bore (12 Valve) M/D Truck	49	VS478	7.8L 478 OHV V8 4.5" Bore (16 Valve) H/D Truck	47
I530	8.7L 530 OHV Turbo-Diesel L6 4.587" Bore (12 Valve) H/D Truck	49	VS537	8.8L 537 OHV V8 4.625" Bore (16 Valve) H/D Truck	51
I530E	8.7L 530 OHV Turbo-Diesel L6 4.587" Bore (Intercooled) M/D Truck	50	VS549	9.0L 549 OHV V8 4.5" Bore (16 Valve) M/D Truck	52
I530E	8.7L 530 OHV Turbo-Diesel L6 4.587" Bore (Intercooled) H/D Truck	50	VS549	9.0L 549 OHV V8 4.5" Bore (16 Valve) H/D Truck	53
I530P	8.7L 530 OHV Turbo-Diesel L6 4.587" Bore (12 Valve) M/D Truck	49	VS549 LPG	9.0L 549 OHV LPG V8 4.5" Bore (16 Valve) M/D Truck	55
I530P	8.7L 530 OHV Turbo-Diesel L6 4.587" Bore (12 Valve) H/D Truck	49	VS549 LPG	9.0L 549 OHV LPG V8 4.5" Bore (16 Valve) H/D Truck	55
MV404	6.6L 404 OHV V8 4.125" Bore (16 Valve) M/D Truck	27	V266	4.4L 266 OHV V8 3.625" Bore (16 Valve) M/D Truck	8
MV404	6.6L 404 OHV V8 4.125" Bore (16 Valve) H/D Truck	28	V304	5.0L 304 OHV V8 3.875" Bore (16 Valve) M/D Truck	13
MV446	7.3L 446 OHV V8 4.125" Bore (16 Valve) H/D Truck	36	V304	5.0L 304 OHV V8 3.875" Bore (16 Valve) H/D Truck	13
MV446 LPG	7.3L 446 OHV NG V8 4.125" Bore (16 Valve) H/D Truck	37	V304 LPG	5.0L 304 OHV LPG V8 3.875" Bore (16 Valve) M/D Truck	14
MV446 Natural Gas	7.3L 446 OHV NG V8 4.125" Bore (16 Valve) H/D Truck	37	V304E	5.0L 304 OHV V8 3.875" Bore (16 Valve) M/D Truck	13
RD372	6.1L 372 OHV L6 4.375" Bore (12 Valve) M/D Truck	21	V304E	5.0L 304 OHV V8 3.875" Bore (16 Valve) H/D Truck	13
RD372	6.1L 372 OHV L6 4.375" Bore (12 Valve) H/D Truck	21	V304E LPG	5.0L 304 OHV LPG V8 3.875" Bore (16 Valve) M/D Truck	14
RD406	6.7L 406 OHV L6 4.375" Bore (12 Valve) M/D Truck	29	V345	5.7L 345 OHV V8 3.875" Bore (16 Valve) M/D Truck	17
RD406	6.7L 406 OHV L6 4.375" Bore (12 Valve) H/D Truck	30	V345	5.7L 345 OHV V8 3.875" Bore (16 Valve) H/D Truck	17
RD450	7.4L 450 OHV L6 4.375" Bore (12 Valve) M/D Truck	38	V345 LPG	5.7L 345 OHV LPG V8 3.875" Bore (16 Valve) M/D Truck	18
RD450	7.4L 450 OHV L6 4.375" Bore (12 Valve) H/D Truck	39	V345E	5.7L 345 OHV V8 3.875" Bore (16 Valve) M/D Truck	17
RD501	8.2L 501 OHV L6 4.5" Bore (12 Valve) M/D Truck	48	V345E	5.7L 345 OHV V8 3.875" Bore (16 Valve) H/D Truck	17
RD501	8.2L 501 OHV L6 4.5" Bore (12 Valve) H/D Truck	48	V345E LPG	5.7L 345 OHV LPG V8 3.875" Bore (16 Valve) M/D Truck	18
RED318	5.2L 318 OHV L6 3.875" Bore (12 Valve) M/D Truck	16	V392	6.4L 392 OHV V8 4.125" Bore (16 Valve) M/D Truck	22

(continued on next page)

Engine Code Index					
Engine Code	Engine Description	Line No.	Engine Code	Engine Description	Line No.
V392	6.4L 392 OHV V8 4.125" Bore (16 Valve) H/D Truck	23	V605	9.9L 605 OHV V8 4.625" Bore (16 Valve) H/D Truck	61
V392E	6.4L 392 OHV V8 4.125" Bore (16 Valve) M/D Truck	22	V605 Natural Gas	9.9L 605 OHV NG V8 4.625" Bore (16 Valve) H/D Truck	62
V392E	6.4L 392 OHV V8 4.125" Bore (16 Valve) H/D Truck	23	V800	13.1L 800 OHV Diesel V8 5.3125" Bore (16 Valve) H/D Truck	63
V401	6.6L 401 OHV V8 4.125" Bore (16 Valve) M/D Truck	25	6.9L Diesel	6.9L 420 OHV Diesel V8 4" Bore (IDI) M/D Truck	32
V401	6.6L 401 OHV V8 4.125" Bore (16 Valve) H/D Truck	26	6.9L Diesel	6.9L 420 OHV Diesel V8 4" Bore (IDI) H/D Truck	32
V461	7.6L 461 OHV V8 4.125" Bore (16 Valve) M/D Truck	40	7.3L Diesel	7.3L 444 OHV Diesel V8 4.11" Bore (IDI) M/D Truck	33
V461	7.6L 461 OHV V8 4.125" Bore (16 Valve) H/D Truck	41	7.3L Turbo-Diesel	7.3L 444 OHV Turbo-Diesel V8 4.11" Bore (IDI) M/D Truck	34
V478	7.8L 478 OHV V8 4.5" Bore (16 Valve) H/D Truck	47	7.3L Turbo-Diesel	7.3L 444 OHV Turbo-Diesel V8 4.11" Bore (DI) M/D Truck	35
V537	8.8L 537 OHV V8 4.625" Bore (16 Valve) H/D Truck	51	9.0L Diesel	9.0L 551 OHV Diesel V8 4.5" Bore (16 Valve) M/D Truck	56
V549	9.0L 549 OHV V8 4.5" Bore (16 Valve) M/D Truck	52	9.0L Diesel	9.0L 551 OHV Diesel V8 4.5" Bore (16 Valve) H/D Truck	56
V549	9.0L 549 OHV V8 4.5" Bore (16 Valve) H/D Truck	53			
V549 LPG	9.0L 549 OHV LPG V8 4.5" Bore (16 Valve) M/D Truck	55			
V549 LPG	9.0L 549 OHV LPG V8 4.5" Bore (16 Valve) H/D Truck	55			

Model Index					
Model	Engine Description	Line No.	Model	Engine Description	Line No.
AB120	3.6L 220 OHV L6 3.5625" Bore (12 Valve) M/D Truck	3	ACO195	6.6L 401 OHV V8 4.125" Bore (16 Valve) M/D Truck	25
AB120	3.9L 240 OHV L6 3.5625" Bore (12 Valve) M/D Truck	5	ACO195	7.6L 461 OHV V8 4.125" Bore (16 Valve) M/D Truck	40
AB120	4.3L 264 OHV L6 3.6875" Bore (12 Valve) M/D Truck	7	ACO195	9.0L 549 OHV V8 4.5" Bore (16 Valve) M/D Truck	52
AB1200	3.6L 220 OHV L6 3.5625" Bore (12 Valve) M/D Truck	3	ACO200	6.6L 401 OHV V8 4.125" Bore (16 Valve) H/D Truck	26
AB1200	3.9L 240 OHV L6 3.5625" Bore (12 Valve) M/D Truck	5	ACO200	7.6L 461 OHV V8 4.125" Bore (16 Valve) H/D Truck	41
AB1200	4.3L 264 OHV L6 3.6875" Bore (12 Valve) M/D Truck	7	ACO200	9.0L 549 OHV V8 4.5" Bore (16 Valve) H/D Truck	53
AB140	3.6L 220 OHV L6 3.5625" Bore (12 Valve) M/D Truck	3	ACO220	7.6L 461 OHV V8 4.125" Bore (16 Valve) H/D Truck	41
AB140	3.9L 240 OHV L6 3.5625" Bore (12 Valve) M/D Truck	5	ACO220	9.0L 549 OHV V8 4.5" Bore (16 Valve) H/D Truck	53
AB140	4.3L 264 OHV L6 3.6875" Bore (12 Valve) M/D Truck	7	AC150	3.9L 240 OHV L6 3.5625" Bore (12 Valve) M/D Truck	5
AB1400	3.6L 220 OHV L6 3.5625" Bore (12 Valve) M/D Truck	3	AC150	4.3L 264 OHV L6 3.6875" Bore (12 Valve) M/D Truck	7
AB1400	3.9L 240 OHV L6 3.5625" Bore (12 Valve) M/D Truck	5	AC160	3.9L 240 OHV L6 3.5625" Bore (12 Valve) M/D Truck	5
AB1400	4.3L 264 OHV L6 3.6875" Bore (12 Valve) M/D Truck	7	AC160	4.3L 264 OHV L6 3.6875" Bore (12 Valve) M/D Truck	7
ACOF190	6.6L 401 OHV V8 4.125" Bore (16 Valve) H/D Truck	26	AC170	4.6L 282 OHV L6 3.8125" Bore (12 Valve) M/D Truck	11
ACOF190	7.6L 461 OHV V8 4.125" Bore (16 Valve) H/D Truck	41	AC170	5.0L 308 OHV L6 3.8125" Bore (12 Valve) M/D Truck	15
ACOF190	9.0L 549 OHV V8 4.5" Bore (16 Valve) H/D Truck	53	AC180	4.6L 282 OHV L6 3.8125" Bore (12 Valve) M/D Truck	11
ACOF200	7.6L 461 OHV V8 4.125" Bore (16 Valve) H/D Truck	41	AC180	5.0L 308 OHV L6 3.8125" Bore (12 Valve) M/D Truck	15
ACOF200	9.0L 549 OHV V8 4.5" Bore (16 Valve) H/D Truck	53	AC1890	5.0L 308 OHV L6 3.8125" Bore (12 Valve) M/D Truck	15
ACO190	6.6L 401 OHV V8 4.125" Bore (16 Valve) M/D Truck	25	AMC150	3.6L 220 OHV L6 3.5625" Bore (12 Valve) M/D Truck	3
ACO190	7.6L 461 OHV V8 4.125" Bore (16 Valve) M/D Truck	40	AMC150	3.9L 240 OHV L6 3.5625" Bore (12 Valve) M/D Truck	5
ACO190	9.0L 549 OHV V8 4.5" Bore (16 Valve) M/D Truck	52	AMC160	3.9L 240 OHV L6 3.5625" Bore (12 Valve) M/D Truck	5

(continued on next page)



International/Navistar Truck

Model Index					
Model	Engine Description	Line No.	Model	Engine Description	Line No.
AMC160	4.3L 264 OHV L6 3.6875" Bore (12 Valve) M/D Truck	7	A130	3.9L 240 OHV L6 3.5625" Bore (12 Valve) M/D Truck	5
AMC160	5.0L 304 OHV V8 3.875" Bore (16 Valve) M/D Truck	13	A130	4.3L 264 OHV L6 3.6875" Bore (12 Valve) M/D Truck	7
AMC170	4.3L 264 OHV L6 3.6875" Bore (12 Valve) M/D Truck	7	A132	3.6L 220 OHV L6 3.5625" Bore (12 Valve) M/D Truck	3
AMC170	5.0L 304 OHV V8 3.875" Bore (16 Valve) M/D Truck	13	A132	3.9L 240 OHV L6 3.5625" Bore (12 Valve) M/D Truck	5
AM120	3.6L 220 OHV L6 3.5625" Bore (12 Valve) M/D Truck	3	A132	4.3L 264 OHV L6 3.6875" Bore (12 Valve) M/D Truck	7
AM120	3.9L 240 OHV L6 3.5625" Bore (12 Valve) M/D Truck	5	A160	3.6L 220 OHV L6 3.5625" Bore (12 Valve) M/D Truck	3
AM130	3.6L 220 OHV L6 3.5625" Bore (12 Valve) M/D Truck	3	A160	3.9L 240 OHV L6 3.5625" Bore (12 Valve) M/D Truck	5
AM130	3.9L 240 OHV L6 3.5625" Bore (12 Valve) M/D Truck	5	A160	4.3L 264 OHV L6 3.6875" Bore (12 Valve) M/D Truck	7
AM132	3.6L 220 OHV L6 3.5625" Bore (12 Valve) M/D Truck	3	A170	4.6L 282 OHV L6 3.8125" Bore (12 Valve) M/D Truck	11
AM132	3.9L 240 OHV L6 3.5625" Bore (12 Valve) M/D Truck	5	A170	5.0L 308 OHV L6 3.8125" Bore (12 Valve) M/D Truck	15
AM150	3.6L 220 OHV L6 3.5625" Bore (12 Valve) M/D Truck	3	A180	4.6L 282 OHV L6 3.8125" Bore (12 Valve) M/D Truck	11
AM150	3.9L 240 OHV L6 3.5625" Bore (12 Valve) M/D Truck	5	A180	5.0L 308 OHV L6 3.8125" Bore (12 Valve) M/D Truck	15
AM160	3.9L 240 OHV L6 3.5625" Bore (12 Valve) M/D Truck	5	A800	3.9L 240 OHV L6 3.5625" Bore (12 Valve) M/D Truck	5
AM160	4.3L 264 OHV L6 3.6875" Bore (12 Valve) M/D Truck	7	BCF170	4.4L 266 OHV V8 3.625" Bore (16 Valve) M/D Truck	8
AM160	5.0L 304 OHV V8 3.875" Bore (16 Valve) M/D Truck	13	BCF170	4.6L 282 OHV L6 3.8125" Bore (12 Valve) M/D Truck	11
AM170	4.3L 264 OHV L6 3.6875" Bore (12 Valve) M/D Truck	7	BCF170	5.0L 304 OHV V8 3.875" Bore (16 Valve) M/D Truck	13
AM170	5.0L 304 OHV V8 3.875" Bore (16 Valve) M/D Truck	13	BCF170	5.0L 308 OHV L6 3.8125" Bore (12 Valve) M/D Truck	15
A100	3.6L 220 OHV L6 3.5625" Bore (12 Valve) M/D Truck	3	BCF170	5.7L 345 OHV V8 3.875" Bore (16 Valve) M/D Truck	17
A100	3.9L 240 OHV L6 3.5625" Bore (12 Valve) M/D Truck	5	BCF180	4.6L 282 OHV L6 3.8125" Bore (12 Valve) H/D Truck	11
A100	4.3L 264 OHV L6 3.6875" Bore (12 Valve) M/D Truck	7	BCF180	5.0L 304 OHV V8 3.875" Bore (16 Valve) H/D Truck	13
A102	3.6L 220 OHV L6 3.5625" Bore (12 Valve) M/D Truck	3	BCF180	5.0L 308 OHV L6 3.8125" Bore (12 Valve) H/D Truck	15
A102	3.9L 240 OHV L6 3.5625" Bore (12 Valve) M/D Truck	5	BCF180	5.7L 345 OHV V8 3.875" Bore (16 Valve) H/D Truck	17
A102	4.3L 264 OHV L6 3.6875" Bore (12 Valve) M/D Truck	7	BC150	3.6L 220 OHV L6 3.5625" Bore (12 Valve) M/D Truck	3
A110	3.6L 220 OHV L6 3.5625" Bore (12 Valve) M/D Truck	3	BC150	3.9L 240 OHV L6 3.5625" Bore (12 Valve) M/D Truck	5
A110	3.9L 240 OHV L6 3.5625" Bore (12 Valve) M/D Truck	5	BC150	4.3L 264 OHV L6 3.6875" Bore (12 Valve) M/D Truck	7
A110	4.3L 264 OHV L6 3.6875" Bore (12 Valve) M/D Truck	7	BC150	4.4L 266 OHV V8 3.625" Bore (16 Valve) M/D Truck	8
A112	3.6L 220 OHV L6 3.5625" Bore (12 Valve) M/D Truck	3	BC150	4.9L 301 OHV Diesel L6 3.8125" Bore (12 Valve) M/D Truck	12
A112	3.9L 240 OHV L6 3.5625" Bore (12 Valve) M/D Truck	5	BC150	5.0L 304 OHV V8 3.875" Bore (16 Valve) M/D Truck	13
A112	4.3L 264 OHV L6 3.6875" Bore (12 Valve) M/D Truck	7	BC150	5.7L 345 OHV V8 3.875" Bore (16 Valve) M/D Truck	17
A120	3.6L 220 OHV L6 3.5625" Bore (12 Valve) M/D Truck	3	BC160	3.6L 220 OHV L6 3.5625" Bore (12 Valve) M/D Truck	3
A120	3.9L 240 OHV L6 3.5625" Bore (12 Valve) M/D Truck	5	BC160	3.9L 240 OHV L6 3.5625" Bore (12 Valve) M/D Truck	5
A120	4.3L 264 OHV L6 3.6875" Bore (12 Valve) M/D Truck	7	BC160	4.3L 264 OHV L6 3.6875" Bore (12 Valve) M/D Truck	7
A122	3.6L 220 OHV L6 3.5625" Bore (12 Valve) M/D Truck	3	BC160	4.4L 266 OHV V8 3.625" Bore (16 Valve) M/D Truck	8
A122	3.9L 240 OHV L6 3.5625" Bore (12 Valve) M/D Truck	5	BC160	4.9L 301 OHV Diesel L6 3.8125" Bore (12 Valve) M/D Truck	12
A122	4.3L 264 OHV L6 3.6875" Bore (12 Valve) M/D Truck	7	BC160	5.0L 304 OHV V8 3.875" Bore (16 Valve) M/D Truck	13
A130	3.6L 220 OHV L6 3.5625" Bore (12 Valve) M/D Truck	3	BC160	5.7L 345 OHV V8 3.875" Bore (16 Valve) M/D Truck	17

(continued on next page)

Model Index

Model	Engine Description	Line No.	Model	Engine Description	Line No.
BC170	4.4L 266 OHV V8 3.625" Bore (16 Valve) M/D Truck	8	B110	4.3L 264 OHV L6 3.6875" Bore (12 Valve) M/D Truck	7
BC170	4.6L 282 OHV L6 3.8125" Bore (12 Valve) M/D Truck	11	B110	4.4L 266 OHV V8 3.625" Bore (16 Valve) M/D Truck	8
BC170	4.9L 301 OHV Diesel L6 3.8125" Bore (12 Valve) M/D Truck	12	B110	4.9L 301 OHV Diesel L6 3.8125" Bore (12 Valve) M/D Truck	12
BC170	5.0L 304 OHV V8 3.875" Bore (16 Valve) M/D Truck	13	B110	5.0L 304 OHV V8 3.875" Bore (16 Valve) M/D Truck	13
BC170	5.0L 308 OHV L6 3.8125" Bore (12 Valve) M/D Truck	15	B110	5.7L 345 OHV V8 3.875" Bore (16 Valve) M/D Truck	17
BC170	5.7L 345 OHV V8 3.875" Bore (16 Valve) M/D Truck	17	B112	3.6L 220 OHV L6 3.5625" Bore (12 Valve) M/D Truck	3
BC173	4.6L 282 OHV L6 3.8125" Bore (12 Valve) M/D Truck	11	B112	3.9L 240 OHV L6 3.5625" Bore (12 Valve) M/D Truck	5
BC173	5.0L 304 OHV V8 3.875" Bore (16 Valve) M/D Truck	13	B112	4.3L 264 OHV L6 3.6875" Bore (12 Valve) M/D Truck	7
BC180	4.4L 266 OHV V8 3.625" Bore (16 Valve) M/D Truck	8	B112	4.4L 266 OHV V8 3.625" Bore (16 Valve) M/D Truck	8
BC180	4.6L 282 OHV L6 3.8125" Bore (12 Valve) M/D Truck	11	B112	4.9L 301 OHV Diesel L6 3.8125" Bore (12 Valve) M/D Truck	12
BC180	4.9L 301 OHV Diesel L6 3.8125" Bore (12 Valve) M/D Truck	12	B112	5.0L 304 OHV V8 3.875" Bore (16 Valve) M/D Truck	13
BC180	5.0L 304 OHV V8 3.875" Bore (16 Valve) M/D Truck	13	B112	5.7L 345 OHV V8 3.875" Bore (16 Valve) M/D Truck	17
BC180	5.0L 308 OHV L6 3.8125" Bore (12 Valve) M/D Truck	15	B120	3.6L 220 OHV L6 3.5625" Bore (12 Valve) M/D Truck	3
BC180	5.7L 345 OHV V8 3.875" Bore (16 Valve) M/D Truck	17	B120	3.9L 240 OHV L6 3.5625" Bore (12 Valve) M/D Truck	5
BC1890	5.0L 308 OHV L6 3.8125" Bore (12 Valve) M/D Truck	15	B120	4.3L 264 OHV L6 3.6875" Bore (12 Valve) M/D Truck	7
BC1890	5.7L 345 OHV V8 3.875" Bore (16 Valve) M/D Truck	17	B120	4.4L 266 OHV V8 3.625" Bore (16 Valve) M/D Truck	8
BD110	3.9L 240 OHV L6 3.5625" Bore (12 Valve) M/D Truck	5	B120	4.9L 301 OHV Diesel L6 3.8125" Bore (12 Valve) M/D Truck	12
BD110	4.3L 264 OHV L6 3.6875" Bore (12 Valve) M/D Truck	7	B120	5.0L 304 OHV V8 3.875" Bore (16 Valve) M/D Truck	13
BD110	4.4L 266 OHV V8 3.625" Bore (16 Valve) M/D Truck	8	B120	5.7L 345 OHV V8 3.875" Bore (16 Valve) M/D Truck	17
BD110	5.0L 304 OHV V8 3.875" Bore (16 Valve) M/D Truck	13	B122	3.6L 220 OHV L6 3.5625" Bore (12 Valve) M/D Truck	3
B100	3.6L 220 OHV L6 3.5625" Bore (12 Valve) M/D Truck	3	B122	3.9L 240 OHV L6 3.5625" Bore (12 Valve) M/D Truck	5
B100	3.9L 240 OHV L6 3.5625" Bore (12 Valve) M/D Truck	5	B122	4.3L 264 OHV L6 3.6875" Bore (12 Valve) M/D Truck	7
B100	4.3L 264 OHV L6 3.6875" Bore (12 Valve) M/D Truck	7	B122	4.4L 266 OHV V8 3.625" Bore (16 Valve) M/D Truck	8
B100	4.4L 266 OHV V8 3.625" Bore (16 Valve) M/D Truck	8	B122	4.9L 301 OHV Diesel L6 3.8125" Bore (12 Valve) M/D Truck	12
B100	4.9L 301 OHV Diesel L6 3.8125" Bore (12 Valve) M/D Truck	12	B122	5.0L 304 OHV V8 3.875" Bore (16 Valve) M/D Truck	13
B100	5.0L 304 OHV V8 3.875" Bore (16 Valve) M/D Truck	13	B122	5.7L 345 OHV V8 3.875" Bore (16 Valve) M/D Truck	17
B100	5.7L 345 OHV V8 3.875" Bore (16 Valve) M/D Truck	17	B130	3.6L 220 OHV L6 3.5625" Bore (12 Valve) M/D Truck	3
B102	3.6L 220 OHV L6 3.5625" Bore (12 Valve) M/D Truck	3	B130	3.9L 240 OHV L6 3.5625" Bore (12 Valve) M/D Truck	5
B102	3.9L 240 OHV L6 3.5625" Bore (12 Valve) M/D Truck	5	B130	4.3L 264 OHV L6 3.6875" Bore (12 Valve) M/D Truck	7
B102	4.3L 264 OHV L6 3.6875" Bore (12 Valve) M/D Truck	7	B130	4.4L 266 OHV V8 3.625" Bore (16 Valve) M/D Truck	8
B102	4.4L 266 OHV V8 3.625" Bore (16 Valve) M/D Truck	8	B130	4.9L 301 OHV Diesel L6 3.8125" Bore (12 Valve) M/D Truck	12
B102	4.9L 301 OHV Diesel L6 3.8125" Bore (12 Valve) M/D Truck	12	B130	5.0L 304 OHV V8 3.875" Bore (16 Valve) M/D Truck	13
B102	5.0L 304 OHV V8 3.875" Bore (16 Valve) M/D Truck	13	B130	5.7L 345 OHV V8 3.875" Bore (16 Valve) M/D Truck	17
B102	5.7L 345 OHV V8 3.875" Bore (16 Valve) M/D Truck	17	B132	3.6L 220 OHV L6 3.5625" Bore (12 Valve) M/D Truck	3
B110	3.6L 220 OHV L6 3.5625" Bore (12 Valve) M/D Truck	3	B132	3.9L 240 OHV L6 3.5625" Bore (12 Valve) M/D Truck	5
B110	3.9L 240 OHV L6 3.5625" Bore (12 Valve) M/D Truck	5	B132	4.3L 264 OHV L6 3.6875" Bore (12 Valve) M/D Truck	7

(continued on next page)



International/Navistar Truck

Model Index					
Model	Engine Description	Line No.	Model	Engine Description	Line No.
B132	4.4L 266 OHV V8 3.625" Bore (16 Valve) M/D Truck	8	B170	4.6L 282 OHV L6 3.8125" Bore (12 Valve) M/D Truck	11
B132	4.9L 301 OHV Diesel L6 3.8125" Bore (12 Valve) M/D Truck	12	B170	5.0L 304 OHV V8 3.875" Bore (16 Valve) M/D Truck	13
B132	5.0L 304 OHV V8 3.875" Bore (16 Valve) M/D Truck	13	B170	5.0L 308 OHV L6 3.8125" Bore (12 Valve) M/D Truck	15
B132	5.7L 345 OHV V8 3.875" Bore (16 Valve) M/D Truck	17	B170	5.7L 345 OHV V8 3.875" Bore (16 Valve) M/D Truck	17
B140	3.6L 220 OHV L6 3.5625" Bore (12 Valve) M/D Truck	3	B173	4.6L 282 OHV L6 3.8125" Bore (12 Valve) M/D Truck	11
B140	3.9L 240 OHV L6 3.5625" Bore (12 Valve) M/D Truck	5	B173	5.0L 304 OHV V8 3.875" Bore (16 Valve) M/D Truck	13
B140	4.3L 264 OHV L6 3.6875" Bore (12 Valve) M/D Truck	7	B180	4.4L 266 OHV V8 3.625" Bore (16 Valve) M/D Truck	8
B140	4.4L 266 OHV V8 3.625" Bore (16 Valve) M/D Truck	8	B180	4.6L 282 OHV L6 3.8125" Bore (12 Valve) M/D Truck	11
B140	4.9L 301 OHV Diesel L6 3.8125" Bore (12 Valve) M/D Truck	12	B180	4.9L 301 OHV Diesel L6 3.8125" Bore (12 Valve) M/D Truck	12
B140	5.0L 304 OHV V8 3.875" Bore (16 Valve) M/D Truck	13	B180	5.0L 304 OHV V8 3.875" Bore (16 Valve) M/D Truck	13
B140	5.7L 345 OHV V8 3.875" Bore (16 Valve) M/D Truck	17	B180	5.0L 308 OHV L6 3.8125" Bore (12 Valve) M/D Truck	15
B150	3.6L 220 OHV L6 3.5625" Bore (12 Valve) M/D Truck	3	B180	5.7L 345 OHV V8 3.875" Bore (16 Valve) M/D Truck	17
B150	3.9L 240 OHV L6 3.5625" Bore (12 Valve) M/D Truck	5	B183	5.0L 304 OHV V8 3.875" Bore (16 Valve) M/D Truck	13
B150	4.3L 264 OHV L6 3.6875" Bore (12 Valve) M/D Truck	7	B183	5.0L 308 OHV L6 3.8125" Bore (12 Valve) M/D Truck	15
B150	4.4L 266 OHV V8 3.625" Bore (16 Valve) M/D Truck	8	B183	5.7L 345 OHV V8 3.875" Bore (16 Valve) M/D Truck	17
B150	4.9L 301 OHV Diesel L6 3.8125" Bore (12 Valve) M/D Truck	12	B1853	6.1L 372 OHV L6 4.375" Bore (12 Valve) M/D Truck	21
B150	5.0L 304 OHV V8 3.875" Bore (16 Valve) M/D Truck	13	B1890	5.7L 345 OHV V8 3.875" Bore (16 Valve) M/D Truck	17
B150	5.7L 345 OHV V8 3.875" Bore (16 Valve) M/D Truck	17	CH90	3.6L 220 OHV L6 3.5625" Bore (12 Valve) M/D Truck	3
B153	3.6L 220 OHV L6 3.5625" Bore (12 Valve) M/D Truck	3	CMU85	3.6L 220 OHV L6 3.5625" Bore (12 Valve) M/D Truck	3
B153	3.9L 240 OHV L6 3.5625" Bore (12 Valve) M/D Truck	5	CM110	3.6L 220 OHV L6 3.5625" Bore (12 Valve) M/D Truck	3
B153	4.3L 264 OHV L6 3.6875" Bore (12 Valve) M/D Truck	7	CM75	3.6L 220 OHV L6 3.5625" Bore (12 Valve) M/D Truck	3
B153	4.4L 266 OHV V8 3.625" Bore (16 Valve) M/D Truck	8	CM80	3.6L 220 OHV L6 3.5625" Bore (12 Valve) M/D Truck	3
B153	4.9L 301 OHV Diesel L6 3.8125" Bore (12 Valve) M/D Truck	12	COF1810A	6.4L 392 OHV V8 4.125" Bore (16 Valve) H/D Truck	23
B153	5.0L 304 OHV V8 3.875" Bore (16 Valve) M/D Truck	13	COF1810A	6.6L 404 OHV V8 4.125" Bore (16 Valve) H/D Truck	28
B153	5.7L 345 OHV V8 3.875" Bore (16 Valve) M/D Truck	17	COF1810A	7.3L 446 OHV V8 4.125" Bore (16 Valve) H/D Truck	36
B160	3.6L 220 OHV L6 3.5625" Bore (12 Valve) M/D Truck	3	COF1810B	6.4L 392 OHV V8 4.125" Bore (16 Valve) H/D Truck	23
B160	3.9L 240 OHV L6 3.5625" Bore (12 Valve) M/D Truck	5	COF1810B	6.6L 404 OHV V8 4.125" Bore (16 Valve) H/D Truck	28
B160	4.3L 264 OHV L6 3.6875" Bore (12 Valve) M/D Truck	7	COF1810B	7.3L 446 OHV V8 4.125" Bore (16 Valve) H/D Truck	36
B160	4.4L 266 OHV V8 3.625" Bore (16 Valve) M/D Truck	8	COF190	6.1L 372 OHV L6 4.375" Bore (12 Valve) H/D Truck	21
B160	4.9L 301 OHV Diesel L6 3.8125" Bore (12 Valve) M/D Truck	12	COF190	6.7L 406 OHV L6 4.375" Bore (12 Valve) H/D Truck	30
B160	5.0L 304 OHV V8 3.875" Bore (16 Valve) M/D Truck	13	COF190	7.4L 450 OHV L6 4.375" Bore (12 Valve) H/D Truck	39
B160	5.7L 345 OHV V8 3.875" Bore (16 Valve) M/D Truck	17	COF190	8.2L 501 OHV L6 4.5" Bore (12 Valve) H/D Truck	48
B163	4.3L 264 OHV L6 3.6875" Bore (12 Valve) M/D Truck	7	COF1910A	6.6L 401 OHV V8 4.125" Bore (16 Valve) H/D Truck	26
B163	4.4L 266 OHV V8 3.625" Bore (16 Valve) M/D Truck	8	COF1910A	7.6L 466 OHV Turbo-Diesel L6 4.3005" Bore (12 Valve) H/D Truck	44
B163	5.0L 304 OHV V8 3.875" Bore (16 Valve) M/D Truck	13	COF1910A	7.8L 478 OHV V8 4.5" Bore (16 Valve) H/D Truck	47
B170	4.4L 266 OHV V8 3.625" Bore (16 Valve) M/D Truck	8	COF1910A	8.8L 537 OHV V8 4.625" Bore (16 Valve) H/D Truck	51

(continued on next page)

Model Index

Model	Engine Description	Line No.	Model	Engine Description	Line No.
COF1910A.....	9.0L 549 OHV V8 4.5" Bore (16 Valve) H/D Truck.....	53	COF4000D	9.0L 549 OHV V8 4.5" Bore (16 Valve) H/D Truck.....	53
COF1910A.....	9.9L 605 OHV V8 4.625" Bore (16 Valve) H/D Truck.....	61	COF4000D	9.4L 573 OHV Diesel V8 4.5" Bore (16 Valve) H/D Truck	59
COF1910B.....	6.6L 401 OHV V8 4.125" Bore (16 Valve) H/D Truck.....	26	COF4000D	9.4L 573 OHV Turbo-Diesel V8 4.5" Bore (International Tractor Eng.) H/D Truck	60
COF1910B.....	7.6L 466 OHV Turbo-Diesel L6 4.3005" Bore (12 Valve) H/D Truck	44	COF4070A.....	9.4L 573 OHV Diesel V8 4.5" Bore (16 Valve) H/D Truck	59
COF1910B.....	7.8L 478 OHV V8 4.5" Bore (16 Valve) H/D Truck.....	47	COF4070A.....	9.4L 573 OHV Turbo-Diesel V8 4.5" Bore (International Tractor Eng.) H/D Truck	60
COF1910B.....	8.8L 537 OHV V8 4.625" Bore (16 Valve) H/D Truck.....	51	COF4090A.....	9.4L 573 OHV Diesel V8 4.5" Bore (16 Valve) H/D Truck	59
COF1910B.....	9.0L 549 OHV V8 4.5" Bore (16 Valve) H/D Truck.....	53	COF4090A.....	9.4L 573 OHV Turbo-Diesel V8 4.5" Bore (International Tractor Eng.) H/D Truck	60
COF1910B.....	9.9L 605 OHV V8 4.625" Bore (16 Valve) H/D Truck.....	61	COF9670	7.6L 466 OHV Turbo-Diesel L6 4.3005" Bore (12 Valve) H/D Truck	44
COF1950	6.6L 401 OHV V8 4.125" Bore (16 Valve) H/D Truck.....	26	COF9670	9.0L 551 OHV Diesel V8 4.5" Bore (16 Valve) H/D Truck	56
COF1950	7.6L 466 OHV Turbo-Diesel L6 4.3005" Bore (12 Valve) H/D Truck	44	COF9700	7.6L 466 OHV Turbo-Diesel L6 4.3005" Bore (12 Valve) H/D Truck	44
COF1950	7.8L 478 OHV V8 4.5" Bore (16 Valve) H/D Truck.....	47	COF9700	9.0L 551 OHV Diesel V8 4.5" Bore (16 Valve) H/D Truck	56
COF1950	8.8L 537 OHV V8 4.625" Bore (16 Valve) H/D Truck.....	51	COT195	6.7L 406 OHV L6 4.375" Bore (12 Valve) H/D Truck.....	30
COF1950	9.0L 549 OHV V8 4.5" Bore (16 Valve) H/D Truck.....	53	COT195	7.4L 450 OHV L6 4.375" Bore (12 Valve) H/D Truck.....	39
COF1950	9.0L 549 OHV Diesel V8 4.5" Bore (16 Valve) H/D Truck	54	COT195	8.2L 501 OHV L6 4.5" Bore (12 Valve) H/D Truck.....	48
COF1950	9.9L 605 OHV V8 4.625" Bore (16 Valve) H/D Truck.....	61	COT4000	7.8L 478 OHV V8 4.5" Bore (16 Valve) H/D Truck.....	47
COF1950A.....	6.6L 401 OHV V8 4.125" Bore (16 Valve) H/D Truck.....	26	COT4000	9.0L 549 OHV V8 4.5" Bore (16 Valve) H/D Truck.....	53
COF1950A.....	7.6L 466 OHV Turbo-Diesel L6 4.3005" Bore (12 Valve) H/D Truck	44	COT4000	9.4L 573 OHV Diesel V8 4.5" Bore (16 Valve) H/D Truck	59
COF1950A.....	7.8L 478 OHV V8 4.5" Bore (16 Valve) H/D Truck.....	47	COT4000D	7.8L 478 OHV V8 4.5" Bore (16 Valve) H/D Truck.....	47
COF1950A.....	8.8L 537 OHV V8 4.625" Bore (16 Valve) H/D Truck.....	51	COT4000D	9.4L 573 OHV Diesel V8 4.5" Bore (16 Valve) H/D Truck	59
COF1950A.....	9.0L 549 OHV V8 4.5" Bore (16 Valve) H/D Truck.....	53	COT4000D	9.4L 573 OHV Turbo-Diesel V8 4.5" Bore (International Tractor Eng.) H/D Truck	60
COF1950A.....	9.0L 549 OHV Diesel V8 4.5" Bore (16 Valve) H/D Truck	54	COT4010	7.8L 478 OHV V8 4.5" Bore (16 Valve) H/D Truck.....	47
COF1950A.....	9.9L 605 OHV V8 4.625" Bore (16 Valve) H/D Truck.....	61	COT4010	9.0L 549 OHV V8 4.5" Bore (16 Valve) H/D Truck.....	53
COF1950B.....	7.6L 466 OHV Turbo-Diesel L6 4.3005" Bore (12 Valve) H/D Truck	44	CO1600	4.3L 264 OHV L6 3.6875" Bore (12 Valve) M/D Truck.....	7
COF1950B.....	9.0L 549 OHV Diesel V8 4.5" Bore (16 Valve) H/D Truck	54	CO1600	4.4L 266 OHV V8 3.625" Bore (16 Valve) M/D Truck.....	8
COF1950B.....	9.0L 551 OHV Diesel V8 4.5" Bore (16 Valve) H/D Truck	56	CO1600	5.0L 304 OHV V8 3.875" Bore (16 Valve) M/D Truck.....	13
COF200	6.1L 372 OHV L6 4.375" Bore (12 Valve) H/D Truck.....	21	CO1610A.....	4.3L 264 OHV L6 3.6875" Bore (12 Valve) M/D Truck.....	7
COF200	6.7L 406 OHV L6 4.375" Bore (12 Valve) H/D Truck.....	30	CO1610A.....	4.4L 266 OHV V8 3.625" Bore (16 Valve) M/D Truck.....	8
COF200	7.4L 450 OHV L6 4.375" Bore (12 Valve) H/D Truck.....	39	CO1610A.....	5.0L 304 OHV V8 3.875" Bore (16 Valve) M/D Truck.....	13
COF200	8.2L 501 OHV L6 4.5" Bore (12 Valve) H/D Truck.....	48	CO1610B.....	5.7L 345 OHV V8 3.875" Bore (16 Valve) M/D Truck.....	17
COF205	6.1L 372 OHV L6 4.375" Bore (12 Valve) H/D Truck.....	21	CO1610B.....	6.4L 392 OHV V8 4.125" Bore (16 Valve) M/D Truck.....	22
COF205	6.7L 406 OHV L6 4.375" Bore (12 Valve) H/D Truck.....	30	CO1650B.....	4.3L 264 OHV L6 3.6875" Bore (12 Valve) M/D Truck.....	7
COF205	7.4L 450 OHV L6 4.375" Bore (12 Valve) H/D Truck.....	39	CO1650B.....	4.4L 266 OHV V8 3.625" Bore (16 Valve) M/D Truck.....	8
COF205	8.2L 501 OHV L6 4.5" Bore (12 Valve) H/D Truck.....	48	CO1650B.....	5.0L 304 OHV V8 3.875" Bore (16 Valve) M/D Truck.....	13
COF4000	7.8L 478 OHV V8 4.5" Bore (16 Valve) H/D Truck.....	47	CO1700	5.0L 304 OHV V8 3.875" Bore (16 Valve) H/D Truck.....	13
COF4000	9.0L 549 OHV V8 4.5" Bore (16 Valve) H/D Truck.....	53	CO1700	5.7L 345 OHV V8 3.875" Bore (16 Valve) H/D Truck.....	17
COF4000D	7.8L 478 OHV V8 4.5" Bore (16 Valve) H/D Truck.....	47	CO1700	6.4L 392 OHV V8 4.125" Bore (16 Valve) H/D Truck.....	23

(continued on next page)



International/Navistar Truck

Model Index					
Model	Engine Description	Line No.	Model	Engine Description	Line No.
CO1700	6.6L 404 OHV V8 4.125" Bore (16 Valve) H/D Truck	28	CO1850	9.0L 549 OHV Diesel V8 4.5" Bore (16 Valve) M/D Truck	54
CO1710A	5.0L 304 OHV V8 3.875" Bore (16 Valve) H/D Truck	13	CO1850	9.0L 549 OHV Diesel V8 4.5" Bore (16 Valve) H/D Truck	54
CO1710A	5.7L 345 OHV V8 3.875" Bore (16 Valve) H/D Truck	17	CO1850A	9.0L 549 OHV Diesel V8 4.5" Bore (16 Valve) H/D Truck	54
CO1710A	6.4L 392 OHV V8 4.125" Bore (16 Valve) H/D Truck	23	CO1850B	7.6L 466 OHV Turbo-Diesel L6 4.3005" Bore (12 Valve) H/D Truck	44
CO1710A	6.6L 404 OHV V8 4.125" Bore (16 Valve) H/D Truck	28	CO1850B	9.0L 549 OHV Diesel V8 4.5" Bore (16 Valve) H/D Truck	54
CO1710B	6.4L 392 OHV V8 4.125" Bore (16 Valve) H/D Truck	23	CO1850B	9.0L 551 OHV Diesel V8 4.5" Bore (16 Valve) H/D Truck	56
CO1710B	6.6L 404 OHV V8 4.125" Bore (16 Valve) H/D Truck	28	CO1853	7.6L 466 OHV Turbo-Diesel L6 4.3005" Bore (12 Valve) H/D Truck	44
CO1750	4.3L 264 OHV L6 3.6875" Bore (12 Valve) M/D Truck	7	CO1853	9.0L 551 OHV Diesel V8 4.5" Bore (16 Valve) H/D Truck	56
CO1750	4.4L 266 OHV V8 3.625" Bore (16 Valve) M/D Truck	8	CO190	6.1L 372 OHV L6 4.375" Bore (12 Valve) H/D Truck	21
CO1750	5.0L 304 OHV V8 3.875" Bore (16 Valve) M/D Truck	13	CO190	6.7L 406 OHV L6 4.375" Bore (12 Valve) H/D Truck	30
CO1750A	5.0L 304 OHV V8 3.875" Bore (16 Valve) H/D Truck	13	CO190	7.4L 450 OHV L6 4.375" Bore (12 Valve) H/D Truck	39
CO1750A	5.7L 345 OHV V8 3.875" Bore (16 Valve) H/D Truck	17	CO190	8.2L 501 OHV L6 4.5" Bore (12 Valve) H/D Truck	48
CO1750A	6.6L 404 OHV V8 4.125" Bore (16 Valve) H/D Truck	28	CO1910A	6.6L 401 OHV V8 4.125" Bore (16 Valve) H/D Truck	26
CO1750B	6.4L 392 OHV V8 4.125" Bore (16 Valve) M/D Truck	22	CO1910A	7.6L 466 OHV Turbo-Diesel L6 4.3005" Bore (12 Valve) H/D Truck	44
CO1750B	9.0L 551 OHV Diesel V8 4.5" Bore (16 Valve) M/D Truck	56	CO1910A	7.8L 478 OHV V8 4.5" Bore (16 Valve) H/D Truck	47
CO180	4.4L 269 OHV L6 3.5625" Bore (12 Valve) M/D Truck	9	CO1910A	8.8L 537 OHV V8 4.625" Bore (16 Valve) H/D Truck	51
CO180	4.6L 282 OHV L6 3.8125" Bore (12 Valve) M/D Truck	11	CO1910A	9.0L 549 OHV V8 4.5" Bore (16 Valve) H/D Truck	53
CO180	5.0L 308 OHV L6 3.8125" Bore (12 Valve) M/D Truck	15	CO1910A	9.9L 605 OHV V8 4.625" Bore (16 Valve) H/D Truck	61
CO1800	6.4L 392 OHV V8 4.125" Bore (16 Valve) H/D Truck	23	CO1910B	6.6L 401 OHV V8 4.125" Bore (16 Valve) H/D Truck	26
CO1800	9.0L 551 OHV Diesel V8 4.5" Bore (16 Valve) H/D Truck	56	CO1910B	7.6L 466 OHV Turbo-Diesel L6 4.3005" Bore (12 Valve) H/D Truck	44
CO1810	6.4L 392 OHV V8 4.125" Bore (16 Valve) H/D Truck	23	CO1910B	7.8L 478 OHV V8 4.5" Bore (16 Valve) H/D Truck	47
CO1810	6.6L 404 OHV V8 4.125" Bore (16 Valve) H/D Truck	28	CO1910B	8.8L 537 OHV V8 4.625" Bore (16 Valve) H/D Truck	51
CO1810	7.3L 446 OHV V8 4.125" Bore (16 Valve) H/D Truck	36	CO1910B	9.0L 549 OHV V8 4.5" Bore (16 Valve) H/D Truck	53
CO1810A	6.4L 392 OHV V8 4.125" Bore (16 Valve) H/D Truck	23	CO1910B	9.9L 605 OHV V8 4.625" Bore (16 Valve) H/D Truck	61
CO1810A	6.6L 404 OHV V8 4.125" Bore (16 Valve) H/D Truck	28	CO1950	7.6L 466 OHV Turbo-Diesel L6 4.3005" Bore (12 Valve) H/D Truck	44
CO1810A	7.3L 446 OHV V8 4.125" Bore (16 Valve) H/D Truck	36	CO1950	9.0L 549 OHV Diesel V8 4.5" Bore (16 Valve) H/D Truck	54
CO1810A	7.6L 466 OHV Turbo-Diesel L6 4.3005" Bore (12 Valve) H/D Truck	44	CO1950	9.0L 551 OHV Diesel V8 4.5" Bore (16 Valve) H/D Truck	56
CO1810A	9.0L 549 OHV Diesel V8 4.5" Bore (16 Valve) H/D Truck	54	CO1950A	7.6L 466 OHV Turbo-Diesel L6 4.3005" Bore (12 Valve) H/D Truck	44
CO1810B	6.4L 392 OHV V8 4.125" Bore (16 Valve) H/D Truck	23	CO1950A	9.0L 549 OHV Diesel V8 4.5" Bore (16 Valve) H/D Truck	54
CO1810B	6.6L 404 OHV V8 4.125" Bore (16 Valve) H/D Truck	28	CO1950A	9.0L 551 OHV Diesel V8 4.5" Bore (16 Valve) H/D Truck	56
CO1810B	7.3L 446 OHV V8 4.125" Bore (16 Valve) H/D Truck	36	CO1950B	7.6L 466 OHV Turbo-Diesel L6 4.3005" Bore (12 Valve) H/D Truck	44
CO184	4.4L 269 OHV L6 3.5625" Bore (12 Valve) M/D Truck	9	CO1950B	9.0L 549 OHV Diesel V8 4.5" Bore (16 Valve) H/D Truck	54
CO184	4.6L 282 OHV L6 3.8125" Bore (12 Valve) M/D Truck	11	CO1950B	9.0L 551 OHV Diesel V8 4.5" Bore (16 Valve) H/D Truck	56
CO184	5.0L 308 OHV L6 3.8125" Bore (12 Valve) M/D Truck	15	CO200	6.1L 372 OHV L6 4.375" Bore (12 Valve) H/D Truck	21
CO1850	7.6L 466 OHV Turbo-Diesel L6 4.3005" Bore (12 Valve) M/D Truck	44	CO200	6.7L 406 OHV L6 4.375" Bore (12 Valve) H/D Truck	30
CO1850	7.6L 466 OHV Turbo-Diesel L6 4.3005" Bore (12 Valve) H/D Truck	44	CO200	7.4L 450 OHV L6 4.375" Bore (12 Valve) H/D Truck	39

(continued on next page)

Model Index

Model	Engine Description	Line No.	Model	Engine Description	Line No.
CO200	8.2L 501 OHV L6 4.5" Bore (12 Valve) H/D Truck	48	C1000	5.0L 304 OHV V8 3.875" Bore (16 Valve) M/D Truck	13
CO201	6.6L 401 OHV V8 4.125" Bore (16 Valve) H/D Truck	26	C110	3.6L 220 OHV L6 3.5625" Bore (12 Valve) M/D Truck	3
CO201	6.7L 406 OHV L6 4.375" Bore (12 Valve) H/D Truck	30	C110	3.9L 240 OHV L6 3.5625" Bore (12 Valve) M/D Truck	5
CO201	7.4L 450 OHV L6 4.375" Bore (12 Valve) H/D Truck	39	C110	4.4L 266 OHV V8 3.625" Bore (16 Valve) M/D Truck	8
CO201	7.6L 461 OHV V8 4.125" Bore (16 Valve) H/D Truck	41	C110	5.0L 304 OHV V8 3.875" Bore (16 Valve) M/D Truck	13
CO205	6.6L 401 OHV V8 4.125" Bore (16 Valve) H/D Truck	26	C1100	3.6L 220 OHV L6 3.5625" Bore (12 Valve) M/D Truck	3
CO205	6.7L 406 OHV L6 4.375" Bore (12 Valve) H/D Truck	30	C1100	3.9L 240 OHV L6 3.5625" Bore (12 Valve) M/D Truck	5
CO205	7.4L 450 OHV L6 4.375" Bore (12 Valve) H/D Truck	39	C1100	4.4L 266 OHV V8 3.625" Bore (16 Valve) M/D Truck	8
CO205	7.6L 461 OHV V8 4.125" Bore (16 Valve) H/D Truck	41	C1100	5.0L 304 OHV V8 3.875" Bore (16 Valve) M/D Truck	13
CO220	6.1L 372 OHV L6 4.375" Bore (12 Valve) H/D Truck	21	C120	3.6L 220 OHV L6 3.5625" Bore (12 Valve) M/D Truck	3
CO220	6.7L 406 OHV L6 4.375" Bore (12 Valve) H/D Truck	30	C120	3.9L 240 OHV L6 3.5625" Bore (12 Valve) M/D Truck	5
CO220	7.4L 450 OHV L6 4.375" Bore (12 Valve) H/D Truck	39	C120	4.4L 266 OHV V8 3.625" Bore (16 Valve) M/D Truck	8
CO220	8.2L 501 OHV L6 4.5" Bore (12 Valve) H/D Truck	48	C120	5.0L 304 OHV V8 3.875" Bore (16 Valve) M/D Truck	13
CO225	6.1L 372 OHV L6 4.375" Bore (12 Valve) H/D Truck	21	C1200	3.6L 220 OHV L6 3.5625" Bore (12 Valve) M/D Truck	3
CO225	6.7L 406 OHV L6 4.375" Bore (12 Valve) H/D Truck	30	C1200	3.9L 240 OHV L6 3.5625" Bore (12 Valve) M/D Truck	5
CO225	7.4L 450 OHV L6 4.375" Bore (12 Valve) H/D Truck	39	C1200	4.4L 266 OHV V8 3.625" Bore (16 Valve) M/D Truck	8
CO225	8.2L 501 OHV L6 4.5" Bore (12 Valve) H/D Truck	48	C1200	5.0L 304 OHV V8 3.875" Bore (16 Valve) M/D Truck	13
CO4000	7.8L 478 OHV V8 4.5" Bore (16 Valve) H/D Truck	47	C130	3.6L 220 OHV L6 3.5625" Bore (12 Valve) M/D Truck	3
CO4000	9.0L 549 OHV V8 4.5" Bore (16 Valve) H/D Truck	53	C130	3.9L 240 OHV L6 3.5625" Bore (12 Valve) M/D Truck	5
CO4000D	7.8L 478 OHV V8 4.5" Bore (16 Valve) H/D Truck	47	C130	4.4L 266 OHV V8 3.625" Bore (16 Valve) M/D Truck	8
CO4000D	9.0L 549 OHV V8 4.5" Bore (16 Valve) H/D Truck	53	C130	5.0L 304 OHV V8 3.875" Bore (16 Valve) M/D Truck	13
CO4000D	9.4L 573 OHV Diesel V8 4.5" Bore (16 Valve) H/D Truck	59	C1300	3.6L 220 OHV L6 3.5625" Bore (12 Valve) M/D Truck	3
CO4000D	9.4L 573 OHV Turbo-Diesel V8 4.5" Bore (International Tractor Eng.) H/D Truck	60	C1300	3.9L 240 OHV L6 3.5625" Bore (12 Valve) M/D Truck	5
CO4070	9.4L 573 OHV Diesel V8 4.5" Bore (16 Valve) H/D Truck	59	C1300	4.4L 266 OHV V8 3.625" Bore (16 Valve) M/D Truck	8
CO4070	9.4L 573 OHV Turbo-Diesel V8 4.5" Bore (International Tractor Eng.) H/D Truck	60	C1300	5.0L 304 OHV V8 3.875" Bore (16 Valve) M/D Truck	13
CO4070A	9.4L 573 OHV Diesel V8 4.5" Bore (16 Valve) H/D Truck	59	C150	3.6L 220 OHV L6 3.5625" Bore (12 Valve) M/D Truck	3
CO4070A	9.4L 573 OHV Turbo-Diesel V8 4.5" Bore (International Tractor Eng.) H/D Truck	60	C150	3.9L 240 OHV L6 3.5625" Bore (12 Valve) M/D Truck	5
CO4070D	9.4L 573 OHV Diesel V8 4.5" Bore (16 Valve) H/D Truck	59	C150	4.4L 266 OHV V8 3.625" Bore (16 Valve) M/D Truck	8
CO4070D	9.4L 573 OHV Turbo-Diesel V8 4.5" Bore (International Tractor Eng.) H/D Truck	60	C150	5.0L 304 OHV V8 3.875" Bore (16 Valve) M/D Truck	13
C100	3.6L 220 OHV L6 3.5625" Bore (12 Valve) M/D Truck	3	C1500	3.6L 220 OHV L6 3.5625" Bore (12 Valve) M/D Truck	3
C100	3.9L 240 OHV L6 3.5625" Bore (12 Valve) M/D Truck	5	C1500	3.9L 240 OHV L6 3.5625" Bore (12 Valve) M/D Truck	5
C100	4.4L 266 OHV V8 3.625" Bore (16 Valve) M/D Truck	8	C1500	4.4L 266 OHV V8 3.625" Bore (16 Valve) M/D Truck	8
C100	5.0L 304 OHV V8 3.875" Bore (16 Valve) M/D Truck	13	C1500	5.0L 304 OHV V8 3.875" Bore (16 Valve) M/D Truck	13
C1000	3.6L 220 OHV L6 3.5625" Bore (12 Valve) M/D Truck	3	C1710B	6.6L 404 OHV V8 4.125" Bore (16 Valve) H/D Truck	28
C1000	3.9L 240 OHV L6 3.5625" Bore (12 Valve) M/D Truck	5	C1710B	7.3L 446 OHV V8 4.125" Bore (16 Valve) H/D Truck	36
C1000	4.4L 266 OHV V8 3.625" Bore (16 Valve) M/D Truck	8	C1810B	6.6L 404 OHV V8 4.125" Bore (16 Valve) H/D Truck	28

(continued on next page)



International/Navistar Truck

Model Index					
Model	Engine Description	Line No.	Model	Engine Description	Line No.
C1810B	7.3L 446 OHV V8 4.125" Bore (16 Valve) H/D Truck	36	F1700	5.7L 345 OHV V8 3.875" Bore (16 Valve) H/D Truck	17
C405 L	6.7L 406 OHV L6 4.375" Bore (12 Valve) M/D Truck	29	F1700	6.4L 392 OHV V8 4.125" Bore (16 Valve) H/D Truck	23
C405 L	7.4L 450 OHV L6 4.375" Bore (12 Valve) M/D Truck	38	F1700	6.6L 404 OHV V8 4.125" Bore (16 Valve) H/D Truck	28
C405 L	8.2L 501 OHV L6 4.5" Bore (12 Valve) M/D Truck	48	F1700	7.3L 446 OHV V8 4.125" Bore (16 Valve) H/D Truck	36
DCF400	9.4L 573 OHV Diesel V8 4.5" Bore (16 Valve) H/D Truck	59	F1800	4.4L 266 OHV V8 3.625" Bore (16 Valve) M/D Truck	8
DCF400	9.4L 573 OHV Turbo-Diesel V8 4.5" Bore (International Tractor Eng.) H/D Truck	60	F1800	4.6L 282 OHV L6 3.8125" Bore (12 Valve) H/D Truck	11
DCF405	9.4L 573 OHV Diesel V8 4.5" Bore (16 Valve) H/D Truck	59	F1800	5.0L 304 OHV V8 3.875" Bore (16 Valve) H/D Truck	13
DCF405	9.4L 573 OHV Turbo-Diesel V8 4.5" Bore (International Tractor Eng.) H/D Truck	60	F1800	5.0L 308 OHV L6 3.8125" Bore (12 Valve) H/D Truck	15
DC400	9.4L 573 OHV Diesel V8 4.5" Bore (16 Valve) H/D Truck	59	F1800	5.7L 345 OHV V8 3.875" Bore (16 Valve) H/D Truck	17
DC400	9.4L 573 OHV Turbo-Diesel V8 4.5" Bore (International Tractor Eng.) H/D Truck	60	F1800	6.4L 392 OHV V8 4.125" Bore (16 Valve) H/D Truck	23
DC405	9.4L 573 OHV Diesel V8 4.5" Bore (16 Valve) H/D Truck	59	F1800	6.6L 404 OHV V8 4.125" Bore (16 Valve) H/D Truck	28
DC405	9.4L 573 OHV Turbo-Diesel V8 4.5" Bore (International Tractor Eng.) H/D Truck	60	F1800	7.3L 446 OHV V8 4.125" Bore (16 Valve) H/D Truck	36
D1000	3.9L 240 OHV L6 3.5625" Bore (12 Valve) M/D Truck	5	F1800D	4.4L 266 OHV V8 3.625" Bore (16 Valve) M/D Truck	8
D1000	4.4L 266 OHV V8 3.625" Bore (16 Valve) M/D Truck	8	F1800D	4.6L 282 OHV L6 3.8125" Bore (12 Valve) H/D Truck	11
D1000	5.0L 304 OHV V8 3.875" Bore (16 Valve) M/D Truck	13	F1800D	5.0L 304 OHV V8 3.875" Bore (16 Valve) H/D Truck	13
D1100	3.9L 240 OHV L6 3.5625" Bore (12 Valve) M/D Truck	5	F1800D	5.0L 308 OHV L6 3.8125" Bore (12 Valve) H/D Truck	15
D1100	4.4L 266 OHV V8 3.625" Bore (16 Valve) M/D Truck	8	F1800D	5.7L 345 OHV V8 3.875" Bore (16 Valve) H/D Truck	17
D1100	5.0L 304 OHV V8 3.875" Bore (16 Valve) M/D Truck	13	F1800D	6.4L 392 OHV V8 4.125" Bore (16 Valve) H/D Truck	23
D1200	3.9L 240 OHV L6 3.5625" Bore (12 Valve) M/D Truck	5	F1800D	6.6L 404 OHV V8 4.125" Bore (16 Valve) H/D Truck	28
D1200	4.4L 266 OHV V8 3.625" Bore (16 Valve) M/D Truck	8	F1800D	7.3L 446 OHV V8 4.125" Bore (16 Valve) H/D Truck	36
D1200	5.0L 304 OHV V8 3.875" Bore (16 Valve) M/D Truck	13	F1810	4.4L 266 OHV V8 3.625" Bore (16 Valve) M/D Truck	8
D1300	3.9L 240 OHV L6 3.5625" Bore (12 Valve) M/D Truck	5	F1810	4.6L 282 OHV L6 3.8125" Bore (12 Valve) H/D Truck	11
D1300	4.4L 266 OHV V8 3.625" Bore (16 Valve) M/D Truck	8	F1810	5.0L 304 OHV V8 3.875" Bore (16 Valve) H/D Truck	13
D1300	5.0L 304 OHV V8 3.875" Bore (16 Valve) M/D Truck	13	F1810	5.0L 308 OHV L6 3.8125" Bore (12 Valve) H/D Truck	15
D1500	3.9L 240 OHV L6 3.5625" Bore (12 Valve) M/D Truck	5	F1810	5.7L 345 OHV V8 3.875" Bore (16 Valve) H/D Truck	17
D1500	4.4L 266 OHV V8 3.625" Bore (16 Valve) M/D Truck	8	F1810	6.4L 392 OHV V8 4.125" Bore (16 Valve) H/D Truck	23
FC402L	6.7L 406 OHV L6 4.375" Bore (12 Valve) M/D Truck	29	F1810	6.6L 404 OHV V8 4.125" Bore (16 Valve) H/D Truck	28
FC402L	7.4L 450 OHV L6 4.375" Bore (12 Valve) M/D Truck	38	F1810	7.3L 446 OHV V8 4.125" Bore (16 Valve) H/D Truck	36
FC402L	8.2L 501 OHV L6 4.5" Bore (12 Valve) M/D Truck	48	F1850	7.6L 466 OHV Turbo-Diesel L6 4.3005" Bore (12 Valve) H/D Truck	44
FC405L	6.7L 406 OHV L6 4.375" Bore (12 Valve) M/D Truck	29	F1850	9.0L 549 OHV Diesel V8 4.5" Bore (16 Valve) H/D Truck	54
FC405L	7.4L 450 OHV L6 4.375" Bore (12 Valve) M/D Truck	38	F1853 S	7.6L 466 OHV Turbo-Diesel L6 4.3005" Bore (12 Valve) H/D Truck	44
FC405L	8.2L 501 OHV L6 4.5" Bore (12 Valve) M/D Truck	48	F1853 S	9.0L 551 OHV Diesel V8 4.5" Bore (16 Valve) H/D Truck	56
F1700	4.4L 266 OHV V8 3.625" Bore (16 Valve) M/D Truck	8	F1890D	4.4L 266 OHV V8 3.625" Bore (16 Valve) M/D Truck	8
F1700	4.6L 282 OHV L6 3.8125" Bore (12 Valve) H/D Truck	11	F1890D	4.6L 282 OHV L6 3.8125" Bore (12 Valve) H/D Truck	11
F1700	5.0L 304 OHV V8 3.875" Bore (16 Valve) H/D Truck	13	F1890D	5.0L 304 OHV V8 3.875" Bore (16 Valve) H/D Truck	13
F1700	5.0L 308 OHV L6 3.8125" Bore (12 Valve) H/D Truck	15	F1890D	5.0L 308 OHV L6 3.8125" Bore (12 Valve) H/D Truck	15

(continued on next page)

Model Index

Model	Engine Description	Line No.	Model	Engine Description	Line No.
F1890D	5.7L 345 OHV V8 3.875" Bore (16 Valve) H/D Truck	17	F1954 6 X 6	7.6L 466 OHV Turbo-Diesel L6 4.3005" Bore (12 Valve) H/D Truck	44
F1890D	6.4L 392 OHV V8 4.125" Bore (16 Valve) H/D Truck	23	F1954 6 X 6	9.0L 551 OHV Diesel V8 4.5" Bore (16 Valve) H/D Truck	56
F1890D	6.6L 404 OHV V8 4.125" Bore (16 Valve) H/D Truck	28	F2010A	6.6L 401 OHV V8 4.125" Bore (16 Valve) H/D Truck	26
F1890D	7.3L 446 OHV V8 4.125" Bore (16 Valve) H/D Truck	36	F2010A	6.7L 406 OHV L6 4.375" Bore (12 Valve) H/D Truck	30
F1900	6.6L 401 OHV V8 4.125" Bore (16 Valve) H/D Truck	26	F2010A	7.4L 450 OHV L6 4.375" Bore (12 Valve) H/D Truck	39
F1900	6.7L 406 OHV L6 4.375" Bore (12 Valve) H/D Truck	30	F2010A	7.8L 478 OHV V8 4.5" Bore (16 Valve) H/D Truck	47
F1900	7.4L 450 OHV L6 4.375" Bore (12 Valve) H/D Truck	39	F2010A	8.2L 501 OHV L6 4.5" Bore (12 Valve) H/D Truck	48
F1900	7.8L 478 OHV V8 4.5" Bore (16 Valve) H/D Truck	47	F2010A	8.8L 537 OHV V8 4.625" Bore (16 Valve) H/D Truck	51
F1900	8.2L 501 OHV L6 4.5" Bore (12 Valve) H/D Truck	48	F2010A	9.0L 549 OHV V8 4.5" Bore (16 Valve) H/D Truck	53
F1900	9.0L 549 OHV V8 4.5" Bore (16 Valve) H/D Truck	53	F2010A	9.9L 605 OHV V8 4.625" Bore (16 Valve) H/D Truck	61
F1910A	6.6L 401 OHV V8 4.125" Bore (16 Valve) H/D Truck	26	F2050A	7.6L 466 OHV Turbo-Diesel L6 4.3005" Bore (12 Valve) H/D Truck	44
F1910A	6.7L 406 OHV L6 4.375" Bore (12 Valve) H/D Truck	30	F2050A	9.0L 549 OHV Diesel V8 4.5" Bore (16 Valve) H/D Truck	54
F1910A	7.4L 450 OHV L6 4.375" Bore (12 Valve) H/D Truck	39	F2070A	7.6L 466 OHV Turbo-Diesel L6 4.3005" Bore (12 Valve) H/D Truck	44
F1910A	7.8L 478 OHV V8 4.5" Bore (16 Valve) H/D Truck	47	F2070A	9.0L 549 OHV Diesel V8 4.5" Bore (16 Valve) H/D Truck	54
F1924	4.4L 266 OHV V8 3.625" Bore (16 Valve) M/D Truck	8	F210	7.4L 450 OHV L6 4.375" Bore (12 Valve) H/D Truck	39
F1924	4.6L 282 OHV L6 3.8125" Bore (12 Valve) H/D Truck	11	F210	7.6L 461 OHV V8 4.125" Bore (16 Valve) H/D Truck	41
F1924	5.0L 304 OHV V8 3.875" Bore (16 Valve) H/D Truck	13	F210	7.8L 478 OHV V8 4.5" Bore (16 Valve) H/D Truck	47
F1924	5.0L 308 OHV L6 3.8125" Bore (12 Valve) H/D Truck	15	F210	8.2L 501 OHV L6 4.5" Bore (12 Valve) H/D Truck	48
F1924	5.7L 345 OHV V8 3.875" Bore (16 Valve) H/D Truck	17	F210	9.0L 549 OHV V8 4.5" Bore (16 Valve) H/D Truck	53
F1924	6.4L 392 OHV V8 4.125" Bore (16 Valve) H/D Truck	23	F2275	8.8L 537 OHV V8 4.625" Bore (16 Valve) H/D Truck	51
F1924	6.6L 404 OHV V8 4.125" Bore (16 Valve) H/D Truck	28	F230	8.2L 501 OHV L6 4.5" Bore (12 Valve) H/D Truck	48
F1924	7.3L 446 OHV V8 4.125" Bore (16 Valve) H/D Truck	36	F230	9.0L 549 OHV V8 4.5" Bore (16 Valve) H/D Truck	53
F1924 S	6.4L 392 OHV V8 4.125" Bore (16 Valve) H/D Truck	23	F230D	9.0L 549 OHV V8 4.5" Bore (16 Valve) H/D Truck	53
F1924 S	6.6L 404 OHV V8 4.125" Bore (16 Valve) H/D Truck	28	F230V	9.0L 549 OHV V8 4.5" Bore (16 Valve) H/D Truck	53
F1924 S	7.3L 446 OHV V8 4.125" Bore (16 Valve) H/D Truck	36	F2375 S	5.9L 360 OHV Turbo-Diesel L6 4.01" Bore (12 Valve) H/D Truck	19
F1950	6.7L 406 OHV L6 4.375" Bore (12 Valve) H/D Truck	30	F2375 S	9.0L 551 OHV Diesel V8 4.5" Bore (16 Valve) H/D Truck	56
F1950	7.4L 450 OHV L6 4.375" Bore (12 Valve) H/D Truck	39	F2524 S	8.8L 537 OHV V8 4.625" Bore (16 Valve) H/D Truck	51
F1950	7.8L 478 OHV V8 4.5" Bore (16 Valve) H/D Truck	47	F2554	7.6L 466 OHV Turbo-Diesel L6 4.3005" Bore (12 Valve) H/D Truck	44
F1950	8.2L 501 OHV L6 4.5" Bore (12 Valve) H/D Truck	48	F2574	8.8L 537 OHV V8 4.625" Bore (16 Valve) H/D Truck	51
F1950	9.0L 549 OHV Diesel V8 4.5" Bore (16 Valve) H/D Truck	54	F2575	8.8L 537 OHV V8 4.625" Bore (16 Valve) H/D Truck	51
F1954	7.6L 466 OHV Turbo-Diesel L6 4.3005" Bore (12 Valve) H/D Truck	44	F2624 S	8.8L 537 OHV V8 4.625" Bore (16 Valve) H/D Truck	51
F1954	9.0L 549 OHV Diesel V8 4.5" Bore (16 Valve) H/D Truck	54	F2654	7.6L 466 OHV Turbo-Diesel L6 4.3005" Bore (12 Valve) H/D Truck	44
F1954	9.0L 551 OHV Diesel V8 4.5" Bore (16 Valve) H/D Truck	56	F2674	7.6L 466 OHV Turbo-Diesel L6 4.3005" Bore (12 Valve) H/D Truck	44
F1954 S	7.6L 466 OHV Turbo-Diesel L6 4.3005" Bore (12 Valve) H/D Truck	44	F2674	8.8L 537 OHV V8 4.625" Bore (16 Valve) H/D Truck	51
F1954 S	9.0L 549 OHV Diesel V8 4.5" Bore (16 Valve) H/D Truck	54	F4200	13.1L 800 OHV Diesel V8 5.3125" Bore (16 Valve) H/D Truck	63
F1954 S	9.0L 551 OHV Diesel V8 4.5" Bore (16 Valve) H/D Truck	56	F4300	13.1L 800 OHV Diesel V8 5.3125" Bore (16 Valve) H/D Truck	63

(continued on next page)



International/Navistar Truck

Model Index					
Model	Engine Description	Line No.	Model	Engine Description	Line No.
F4370	9.0L 551 OHV Diesel V8 4.5" Bore (16 Valve) H/D Truck	56	KBS8 From Ser. No. 641	6.6L 401 OHV L6 4.125" Bore (12 Valve) M/D Truck	24
F5010	9.0L 549 OHV V8 4.5" Bore (16 Valve) H/D Truck	53	KB1	3.5L 214 L-HEAD L6 3.3125" Bore (12 Valve) M/D Truck	2
F5020A	7.6L 466 OHV Turbo-Diesel L6 4.3005" Bore (12 Valve) H/D Truck	44	KB10 From Ser. No. 1538	5.9L 361 OHV L6 4.125" Bore (12 Valve) M/D Truck	20
F5050	7.6L 466 OHV Turbo-Diesel L6 4.3005" Bore (12 Valve) H/D Truck	44	KB10 From Ser. No. 1538	6.6L 401 OHV L6 4.125" Bore (12 Valve) M/D Truck	24
F5050	9.0L 549 OHV Diesel V8 4.5" Bore (16 Valve) H/D Truck	54	KB11 From Ser. No. 3639	7.4L 450 OHV L6 4.375" Bore (12 Valve) M/D Truck	38
F5050F	7.6L 466 OHV Turbo-Diesel L6 4.3005" Bore (12 Valve) H/D Truck	44	KB11F	6.6L 401 OHV L6 4.125" Bore (12 Valve) M/D Truck	24
F5050SF	7.6L 466 OHV Turbo-Diesel L6 4.3005" Bore (12 Valve) H/D Truck	44	KB11F	7.4L 450 OHV L6 4.375" Bore (12 Valve) M/D Truck	38
F5050SF	9.0L 549 OHV Diesel V8 4.5" Bore (16 Valve) H/D Truck	54	KB2	3.5L 214 L-HEAD L6 3.3125" Bore (12 Valve) M/D Truck	2
F5070WW	7.6L 466 OHV Turbo-Diesel L6 4.3005" Bore (12 Valve) H/D Truck	44	KB3	3.5L 214 L-HEAD L6 3.3125" Bore (12 Valve) M/D Truck	2
F5070WW	9.0L 549 OHV Diesel V8 4.5" Bore (16 Valve) H/D Truck	54	KB3M	2.9L 175 L-HEAD L6 3" Bore (12 Valve) M/D Truck	1
F9370	9.0L 551 OHV Diesel V8 4.5" Bore (16 Valve) H/D Truck	56	KB3M	3.5L 214 L-HEAD L6 3.3125" Bore (12 Valve) M/D Truck	2
KBR10 From Ser. No. 618	5.9L 361 OHV L6 4.125" Bore (12 Valve) M/D Truck	20	KB4	2.9L 175 L-HEAD L6 3" Bore (12 Valve) M/D Truck	1
KBR10 From Ser. No. 618	6.6L 401 OHV L6 4.125" Bore (12 Valve) M/D Truck	24	KB4	3.5L 214 L-HEAD L6 3.3125" Bore (12 Valve) M/D Truck	2
KBR11	5.9L 361 OHV L6 4.125" Bore (12 Valve) M/D Truck	20	KB5	3.8L 233 L-HEAD L6 3.3125" Bore (12 Valve) M/D Truck	4
KBR11	6.6L 401 OHV L6 4.125" Bore (12 Valve) M/D Truck	24	KB5B	3.8L 233 L-HEAD L6 3.3125" Bore (12 Valve) M/D Truck	4
KBR12F	7.4L 450 OHV L6 4.375" Bore (12 Valve) M/D Truck	38	KB5S	3.8L 233 L-HEAD L6 3.3125" Bore (12 Valve) M/D Truck	4
KBR8 From Ser. No. 1976	5.9L 361 OHV L6 4.125" Bore (12 Valve) M/D Truck	20	KB6	4.1L 250 OHV L6 3.4375" Bore (12 Valve) M/D Truck	6
KBR8 From Ser. No. 1976	6.6L 401 OHV L6 4.125" Bore (12 Valve) M/D Truck	24	KB6	4.4L 269 OHV L6 3.5625" Bore (12 Valve) M/D Truck	9
KBS10 From Ser. No. 618	5.9L 361 OHV L6 4.125" Bore (12 Valve) M/D Truck	20	KB6B	4.1L 250 OHV L6 3.4375" Bore (12 Valve) M/D Truck	6
KBS10 From Ser. No. 618	6.6L 401 OHV L6 4.125" Bore (12 Valve) M/D Truck	24	KB6B	4.4L 269 OHV L6 3.5625" Bore (12 Valve) M/D Truck	9
KBS11	6.6L 401 OHV L6 4.125" Bore (12 Valve) M/D Truck	24	KB6F	4.1L 250 OHV L6 3.4375" Bore (12 Valve) M/D Truck	6
KBS11	7.4L 450 OHV L6 4.375" Bore (12 Valve) M/D Truck	38	KB6F	4.4L 269 OHV L6 3.5625" Bore (12 Valve) M/D Truck	9
KBS4	3.5L 214 L-HEAD L6 3.3125" Bore (12 Valve) M/D Truck	2	KB7	4.4L 269 OHV L6 3.5625" Bore (12 Valve) M/D Truck	9
KBS5	3.8L 233 L-HEAD L6 3.3125" Bore (12 Valve) M/D Truck	4	KB8 From Ser. No. 2321	5.9L 361 OHV L6 4.125" Bore (12 Valve) M/D Truck	20
KBS6	4.1L 250 OHV L6 3.4375" Bore (12 Valve) M/D Truck	6	KB8 From Ser. No. 2321	6.6L 401 OHV L6 4.125" Bore (12 Valve) M/D Truck	24
KBS6	4.4L 269 OHV L6 3.5625" Bore (12 Valve) M/D Truck	9	KB8-1 From Ser. No. 2321	5.9L 361 OHV L6 4.125" Bore (12 Valve) M/D Truck	20
KBS6T	4.1L 250 OHV L6 3.4375" Bore (12 Valve) M/D Truck	6	KB8-1 From Ser. No. 2321	6.6L 401 OHV L6 4.125" Bore (12 Valve) M/D Truck	24
KBS6T	4.4L 269 OHV L6 3.5625" Bore (12 Valve) M/D Truck	9	KB8F From Ser. No. 641	6.6L 401 OHV L6 4.125" Bore (12 Valve) M/D Truck	24
KBS7	4.1L 250 OHV L6 3.4375" Bore (12 Valve) M/D Truck	6	KB8FAR	5.9L 361 OHV L6 4.125" Bore (12 Valve) M/D Truck	20
KBS7	4.4L 269 OHV L6 3.5625" Bore (12 Valve) M/D Truck	9			
KBS8 From Ser. No. 641	5.9L 361 OHV L6 4.125" Bore (12 Valve) M/D Truck	20			

(continued on next page)

Model Index

Model	Engine Description	Line No.	Model	Engine Description	Line No.
KB8T	5.9L 361 OHV L6 4.125" Bore (12 Valve) M/D Truck	20	KS8 From Ser. No. 1976	6.6L 401 OHV L6 4.125" Bore (12 Valve) M/D Truck	24
KR10 From Ser. No. 1538	5.9L 361 OHV L6 4.125" Bore (12 Valve) M/D Truck	20	KS8 From Ser. No. 1976	7.4L 450 OHV L6 4.375" Bore (12 Valve) M/D Truck	38
KR10 From Ser. No. 1538	6.6L 401 OHV L6 4.125" Bore (12 Valve) M/D Truck	24	K1	2.9L 175 L-HEAD L6 3" Bore (12 Valve) M/D Truck	1
KR10 From Ser. No. 1538	7.4L 450 OHV L6 4.375" Bore (12 Valve) M/D Truck	38	K1	3.5L 214 L-HEAD L6 3.3125" Bore (12 Valve) M/D Truck	2
KR11 From Ser. No. 3639	6.6L 401 OHV L6 4.125" Bore (12 Valve) M/D Truck	24	K1	3.8L 233 L-HEAD L6 3.3125" Bore (12 Valve) M/D Truck	4
KR11 From Ser. No. 3639	7.4L 450 OHV L6 4.375" Bore (12 Valve) M/D Truck	38	K1M	2.9L 175 L-HEAD L6 3" Bore (12 Valve) M/D Truck	1
KR8 From Ser. No. 2321	5.9L 361 OHV L6 4.125" Bore (12 Valve) M/D Truck	20	K1M	3.5L 214 L-HEAD L6 3.3125" Bore (12 Valve) M/D Truck	2
KR8 From Ser. No. 2321	6.6L 401 OHV L6 4.125" Bore (12 Valve) M/D Truck	24	K1M	3.8L 233 L-HEAD L6 3.3125" Bore (12 Valve) M/D Truck	4
KR8 From Ser. No. 2321	7.4L 450 OHV L6 4.375" Bore (12 Valve) M/D Truck	38	K10 From Ser. No. 641	5.9L 361 OHV L6 4.125" Bore (12 Valve) M/D Truck	20
KS10 From Ser. No. 618	5.9L 361 OHV L6 4.125" Bore (12 Valve) M/D Truck	20	K10 From Ser. No. 641	6.6L 401 OHV L6 4.125" Bore (12 Valve) M/D Truck	24
KS10 From Ser. No. 618	6.6L 401 OHV L6 4.125" Bore (12 Valve) M/D Truck	24	K10 From Ser. No. 641	7.4L 450 OHV L6 4.375" Bore (12 Valve) M/D Truck	38
KS10 From Ser. No. 618	7.4L 450 OHV L6 4.375" Bore (12 Valve) M/D Truck	38	K11	7.4L 450 OHV L6 4.375" Bore (12 Valve) M/D Truck	38
KS11 From Ser. No. 513	7.4L 450 OHV L6 4.375" Bore (12 Valve) M/D Truck	38	K11F From Ser. No. 604	6.6L 401 OHV L6 4.125" Bore (12 Valve) M/D Truck	24
KS4	2.9L 175 L-HEAD L6 3" Bore (12 Valve) M/D Truck	1	K11F From Ser. No. 604	7.4L 450 OHV L6 4.375" Bore (12 Valve) M/D Truck	38
KS4	3.5L 214 L-HEAD L6 3.3125" Bore (12 Valve) M/D Truck	2	K2	2.9L 175 L-HEAD L6 3" Bore (12 Valve) M/D Truck	1
KS4	3.8L 233 L-HEAD L6 3.3125" Bore (12 Valve) M/D Truck	4	K2	3.5L 214 L-HEAD L6 3.3125" Bore (12 Valve) M/D Truck	2
KS5	2.9L 175 L-HEAD L6 3" Bore (12 Valve) M/D Truck	1	K2	3.8L 233 L-HEAD L6 3.3125" Bore (12 Valve) M/D Truck	4
KS5	3.5L 214 L-HEAD L6 3.3125" Bore (12 Valve) M/D Truck	2	K3	2.9L 175 L-HEAD L6 3" Bore (12 Valve) M/D Truck	1
KS5	3.8L 233 L-HEAD L6 3.3125" Bore (12 Valve) M/D Truck	4	K3	3.5L 214 L-HEAD L6 3.3125" Bore (12 Valve) M/D Truck	2
KS6	4.1L 250 OHV L6 3.4375" Bore (12 Valve) M/D Truck	6	K3	3.8L 233 L-HEAD L6 3.3125" Bore (12 Valve) M/D Truck	4
KS6	4.4L 269 OHV L6 3.5625" Bore (12 Valve) M/D Truck	9	K3M	2.9L 175 L-HEAD L6 3" Bore (12 Valve) M/D Truck	1
KS6B	4.1L 250 OHV L6 3.4375" Bore (12 Valve) M/D Truck	6	K3M	3.5L 214 L-HEAD L6 3.3125" Bore (12 Valve) M/D Truck	2
KS6B	4.4L 269 OHV L6 3.5625" Bore (12 Valve) M/D Truck	9	K3M	3.8L 233 L-HEAD L6 3.3125" Bore (12 Valve) M/D Truck	4
KS6T	4.1L 250 OHV L6 3.4375" Bore (12 Valve) M/D Truck	6	K4	2.9L 175 L-HEAD L6 3" Bore (12 Valve) M/D Truck	1
KS6T	4.4L 269 OHV L6 3.5625" Bore (12 Valve) M/D Truck	9	K4	3.5L 214 L-HEAD L6 3.3125" Bore (12 Valve) M/D Truck	2
KS7	4.4L 269 OHV L6 3.5625" Bore (12 Valve) M/D Truck	9	K4	3.8L 233 L-HEAD L6 3.3125" Bore (12 Valve) M/D Truck	4
KS8 From Ser. No. 1976	5.9L 361 OHV L6 4.125" Bore (12 Valve) M/D Truck	20	K5	2.9L 175 L-HEAD L6 3" Bore (12 Valve) M/D Truck	1
			K5	3.5L 214 L-HEAD L6 3.3125" Bore (12 Valve) M/D Truck	2
			K5	3.8L 233 L-HEAD L6 3.3125" Bore (12 Valve) M/D Truck	4
			K5B	2.9L 175 L-HEAD L6 3" Bore (12 Valve) M/D Truck	1
			K5B	3.5L 214 L-HEAD L6 3.3125" Bore (12 Valve) M/D Truck	2
			K5B	3.8L 233 L-HEAD L6 3.3125" Bore (12 Valve) M/D Truck	4
			K5M	2.9L 175 L-HEAD L6 3" Bore (12 Valve) M/D Truck	1



International/Navistar Truck

Model Index					
Model	Engine Description	Line No.	Model	Engine Description	Line No.
K5M	3.5L 214 L-HEAD L6 3.3125" Bore (12 Valve) M/D Truck	2	LC200	7.4L 450 OHV L6 4.375" Bore (12 Valve) M/D Truck	38
K5M	3.8L 233 L-HEAD L6 3.3125" Bore (12 Valve) M/D Truck	4	LF170	4.4L 269 OHV L6 3.5625" Bore (12 Valve) M/D Truck	9
K6	4.1L 250 OHV L6 3.4375" Bore (12 Valve) M/D Truck	6	LF175	4.4L 269 OHV L6 3.5625" Bore (12 Valve) M/D Truck	9
K6	4.4L 269 OHV L6 3.5625" Bore (12 Valve) M/D Truck	9	LF190	6.1L 372 OHV L6 4.375" Bore (12 Valve) M/D Truck	21
K6B	4.1L 250 OHV L6 3.4375" Bore (12 Valve) M/D Truck	6	LF190	6.7L 406 OHV L6 4.375" Bore (12 Valve) M/D Truck	29
K6B	4.4L 269 OHV L6 3.5625" Bore (12 Valve) M/D Truck	9	LF190	7.4L 450 OHV L6 4.375" Bore (12 Valve) M/D Truck	38
K6F	4.1L 250 OHV L6 3.4375" Bore (12 Valve) M/D Truck	6	LF212	6.1L 372 OHV L6 4.375" Bore (12 Valve) M/D Truck	21
K6F	4.4L 269 OHV L6 3.5625" Bore (12 Valve) M/D Truck	9	LF212	6.7L 406 OHV L6 4.375" Bore (12 Valve) M/D Truck	29
K6T	4.1L 250 OHV L6 3.4375" Bore (12 Valve) M/D Truck	6	LF212	7.4L 450 OHV L6 4.375" Bore (12 Valve) M/D Truck	38
K6T	4.4L 269 OHV L6 3.5625" Bore (12 Valve) M/D Truck	9	LM120	3.6L 220 OHV L6 3.5625" Bore (12 Valve) M/D Truck	3
K7	4.4L 269 OHV L6 3.5625" Bore (12 Valve) M/D Truck	9	LM120	3.9L 240 OHV L6 3.5625" Bore (12 Valve) M/D Truck	5
K8 From Ser. No. 3234	5.9L 361 OHV L6 4.125" Bore (12 Valve) M/D Truck	20	LM121	3.6L 220 OHV L6 3.5625" Bore (12 Valve) M/D Truck	3
K8 From Ser. No. 3234	6.6L 401 OHV L6 4.125" Bore (12 Valve) M/D Truck	24	LM121	3.9L 240 OHV L6 3.5625" Bore (12 Valve) M/D Truck	5
K8 From Ser. No. 3234	7.4L 450 OHV L6 4.375" Bore (12 Valve) M/D Truck	38	LM122	3.6L 220 OHV L6 3.5625" Bore (12 Valve) M/D Truck	3
K8-1 From Ser. No. 501	5.9L 361 OHV L6 4.125" Bore (12 Valve) M/D Truck	20	LM122	3.9L 240 OHV L6 3.5625" Bore (12 Valve) M/D Truck	5
K8-1 From Ser. No. 501	6.6L 401 OHV L6 4.125" Bore (12 Valve) M/D Truck	24	LM150	3.6L 220 OHV L6 3.5625" Bore (12 Valve) M/D Truck	3
K8-1 From Ser. No. 501	7.4L 450 OHV L6 4.375" Bore (12 Valve) M/D Truck	38	LM150	3.9L 240 OHV L6 3.5625" Bore (12 Valve) M/D Truck	5
K8F From Ser. No. 872	6.6L 401 OHV L6 4.125" Bore (12 Valve) M/D Truck	24	LM151	3.6L 220 OHV L6 3.5625" Bore (12 Valve) M/D Truck	3
LB140	3.9L 240 OHV L6 3.5625" Bore (12 Valve) M/D Truck	5	LM151	3.9L 240 OHV L6 3.5625" Bore (12 Valve) M/D Truck	5
LC160	3.9L 240 OHV L6 3.5625" Bore (12 Valve) M/D Truck	5	LM152	3.6L 220 OHV L6 3.5625" Bore (12 Valve) M/D Truck	3
LC161	3.9L 240 OHV L6 3.5625" Bore (12 Valve) M/D Truck	5	LM152	3.9L 240 OHV L6 3.5625" Bore (12 Valve) M/D Truck	5
LC162	3.9L 240 OHV L6 3.5625" Bore (12 Valve) M/D Truck	5	LM153	3.6L 220 OHV L6 3.5625" Bore (12 Valve) M/D Truck	3
LC170	4.4L 269 OHV L6 3.5625" Bore (12 Valve) M/D Truck	9	LM153	3.9L 240 OHV L6 3.5625" Bore (12 Valve) M/D Truck	5
LC170	4.6L 282 OHV L6 3.8125" Bore (12 Valve) M/D Truck	11	LM210	3.6L 220 OHV L6 3.5625" Bore (12 Valve) M/D Truck	3
LC180	4.4L 269 OHV L6 3.5625" Bore (12 Valve) M/D Truck	9	L110	3.6L 220 OHV L6 3.5625" Bore (12 Valve) M/D Truck	3
LC180	4.6L 282 OHV L6 3.8125" Bore (12 Valve) M/D Truck	11	L110	3.9L 240 OHV L6 3.5625" Bore (12 Valve) M/D Truck	5
LC181	4.4L 269 OHV L6 3.5625" Bore (12 Valve) M/D Truck	9	L111	3.6L 220 OHV L6 3.5625" Bore (12 Valve) M/D Truck	3
LC181	4.6L 282 OHV L6 3.8125" Bore (12 Valve) M/D Truck	11	L111	3.9L 240 OHV L6 3.5625" Bore (12 Valve) M/D Truck	5
LC182	4.4L 269 OHV L6 3.5625" Bore (12 Valve) M/D Truck	9	L112	3.6L 220 OHV L6 3.5625" Bore (12 Valve) M/D Truck	3
LC182	4.6L 282 OHV L6 3.8125" Bore (12 Valve) M/D Truck	11	L112	3.9L 240 OHV L6 3.5625" Bore (12 Valve) M/D Truck	5
LC190	6.1L 372 OHV L6 4.375" Bore (12 Valve) M/D Truck	21	L120	3.6L 220 OHV L6 3.5625" Bore (12 Valve) M/D Truck	3
LC190	7.4L 450 OHV L6 4.375" Bore (12 Valve) M/D Truck	38	L120	3.9L 240 OHV L6 3.5625" Bore (12 Valve) M/D Truck	5
LC200	6.1L 372 OHV L6 4.375" Bore (12 Valve) M/D Truck	21	L130	3.6L 220 OHV L6 3.5625" Bore (12 Valve) M/D Truck	3
			L130	3.9L 240 OHV L6 3.5625" Bore (12 Valve) M/D Truck	5
			L150	3.6L 220 OHV L6 3.5625" Bore (12 Valve) M/D Truck	3
			L150	3.9L 240 OHV L6 3.5625" Bore (12 Valve) M/D Truck	5

(continued on next page)

Model Index

Model	Engine Description	Line No.	Model	Engine Description	Line No.
L151	3.6L 220 OHV L6 3.5625" Bore (12 Valve) M/D Truck	3	MC1700	4.4L 266 OHV V8 3.625" Bore (16 Valve) M/D Truck	8
L151	3.9L 240 OHV L6 3.5625" Bore (12 Valve) M/D Truck	5	MC1700	5.0L 304 OHV V8 3.875" Bore (16 Valve) M/D Truck	13
L153	3.6L 220 OHV L6 3.5625" Bore (12 Valve) M/D Truck	3	MC1700	5.7L 345 OHV V8 3.875" Bore (16 Valve) M/D Truck	17
L153	3.9L 240 OHV L6 3.5625" Bore (12 Valve) M/D Truck	5	MC1700	7.4L 450 OHV L6 4.375" Bore (12 Valve) M/D Truck	38
L165	3.6L 220 OHV L6 3.5625" Bore (12 Valve) M/D Truck	3	MC1700	8.2L 501 OHV L6 4.5" Bore (12 Valve) M/D Truck	48
L165	3.9L 240 OHV L6 3.5625" Bore (12 Valve) M/D Truck	5	MS1210	5.7L 345 OHV V8 3.875" Bore (16 Valve) M/D Truck	17
L170	4.4L 269 OHV L6 3.5625" Bore (12 Valve) M/D Truck	9	M1100	3.6L 220 OHV L6 3.5625" Bore (12 Valve) M/D Truck	3
L170	4.6L 282 OHV L6 3.8125" Bore (12 Valve) M/D Truck	11	M1100	3.9L 240 OHV L6 3.5625" Bore (12 Valve) M/D Truck	5
L184	4.4L 269 OHV L6 3.5625" Bore (12 Valve) M/D Truck	9	M1100	4.3L 264 OHV L6 3.6875" Bore (12 Valve) M/D Truck	7
L184	4.6L 282 OHV L6 3.8125" Bore (12 Valve) M/D Truck	11	M1100	4.4L 266 OHV V8 3.625" Bore (16 Valve) M/D Truck	8
L185	6.1L 372 OHV L6 4.375" Bore (12 Valve) M/D Truck	21	M1100	5.0L 304 OHV V8 3.875" Bore (16 Valve) M/D Truck	13
L185	6.7L 406 OHV L6 4.375" Bore (12 Valve) M/D Truck	29	M1100	5.7L 345 OHV V8 3.875" Bore (16 Valve) M/D Truck	17
L185	7.4L 450 OHV L6 4.375" Bore (12 Valve) M/D Truck	38	M1200	3.6L 220 OHV L6 3.5625" Bore (12 Valve) M/D Truck	3
L1853	4.4L 269 OHV L6 3.5625" Bore (12 Valve) M/D Truck	9	M1200	3.9L 240 OHV L6 3.5625" Bore (12 Valve) M/D Truck	5
L1853	6.1L 372 OHV L6 4.375" Bore (12 Valve) M/D Truck	21	M1200	4.3L 264 OHV L6 3.6875" Bore (12 Valve) M/D Truck	7
L190	6.1L 372 OHV L6 4.375" Bore (12 Valve) M/D Truck	21	M1200	4.4L 266 OHV V8 3.625" Bore (16 Valve) M/D Truck	8
L190	6.7L 406 OHV L6 4.375" Bore (12 Valve) M/D Truck	29	M1200	5.0L 304 OHV V8 3.875" Bore (16 Valve) M/D Truck	13
L190	7.4L 450 OHV L6 4.375" Bore (12 Valve) M/D Truck	38	M1200	5.7L 345 OHV V8 3.875" Bore (16 Valve) M/D Truck	17
L212	6.1L 372 OHV L6 4.375" Bore (12 Valve) M/D Truck	21	M1400	3.6L 220 OHV L6 3.5625" Bore (12 Valve) M/D Truck	3
L212	6.7L 406 OHV L6 4.375" Bore (12 Valve) M/D Truck	29	M1400	3.9L 240 OHV L6 3.5625" Bore (12 Valve) M/D Truck	5
L212	7.4L 450 OHV L6 4.375" Bore (12 Valve) M/D Truck	38	M1400	4.3L 264 OHV L6 3.6875" Bore (12 Valve) M/D Truck	7
L300	4.4L 269 OHV L6 3.5625" Bore (12 Valve) M/D Truck	9	M1400	4.4L 266 OHV V8 3.625" Bore (16 Valve) M/D Truck	8
L400	4.4L 269 OHV L6 3.5625" Bore (12 Valve) M/D Truck	9	M1400	5.0L 304 OHV V8 3.875" Bore (16 Valve) M/D Truck	13
MA1200	3.6L 220 OHV L6 3.5625" Bore (12 Valve) M/D Truck	3	M1400	5.7L 345 OHV V8 3.875" Bore (16 Valve) M/D Truck	17
MA1500	3.6L 220 OHV L6 3.5625" Bore (12 Valve) M/D Truck	3	M1400	6.9L 420 OHV Diesel V8 4" Bore (IDI) M/D Truck	32
MA1500	4.4L 266 OHV V8 3.625" Bore (16 Valve) M/D Truck	8	M1400	7.3L 444 OHV Diesel V8 4.11" Bore (IDI) M/D Truck	33
MA1500	5.0L 304 OHV V8 3.875" Bore (16 Valve) M/D Truck	13	M1500	3.6L 220 OHV L6 3.5625" Bore (12 Valve) M/D Truck	3
MC1600	3.6L 220 OHV L6 3.5625" Bore (12 Valve) M/D Truck	3	M1500	3.9L 240 OHV L6 3.5625" Bore (12 Valve) M/D Truck	5
MC1600	3.9L 240 OHV L6 3.5625" Bore (12 Valve) M/D Truck	5	M1500	4.3L 264 OHV L6 3.6875" Bore (12 Valve) M/D Truck	7
MC1600	4.3L 264 OHV L6 3.6875" Bore (12 Valve) M/D Truck	7	M1500	4.4L 266 OHV V8 3.625" Bore (16 Valve) M/D Truck	8
MC1600	4.4L 266 OHV V8 3.625" Bore (16 Valve) M/D Truck	8	M1500	5.0L 304 OHV V8 3.875" Bore (16 Valve) M/D Truck	13
MC1600	5.0L 304 OHV V8 3.875" Bore (16 Valve) M/D Truck	13	M1500	5.7L 345 OHV V8 3.875" Bore (16 Valve) M/D Truck	17
MC1600	5.7L 345 OHV V8 3.875" Bore (16 Valve) M/D Truck	17	M1600	3.6L 220 OHV L6 3.5625" Bore (12 Valve) M/D Truck	3
MC1700	3.6L 220 OHV L6 3.5625" Bore (12 Valve) M/D Truck	3	M1600	3.9L 240 OHV L6 3.5625" Bore (12 Valve) M/D Truck	5
MC1700	3.9L 240 OHV L6 3.5625" Bore (12 Valve) M/D Truck	5	M1600	4.3L 264 OHV L6 3.6875" Bore (12 Valve) M/D Truck	7
MC1700	4.3L 264 OHV L6 3.6875" Bore (12 Valve) M/D Truck	7	M1600	4.4L 266 OHV V8 3.625" Bore (16 Valve) M/D Truck	8

(continued on next page)



International/Navistar Truck

Model Index					
Model	Engine Description	Line No.	Model	Engine Description	Line No.
M1600	5.0L 304 OHV V8 3.875" Bore (16 Valve) M/D Truck	13	M6123-10	9.0L 549 OHV V8 4.5" Bore (16 Valve) H/D Truck	53
M1600	5.7L 345 OHV V8 3.875" Bore (16 Valve) M/D Truck	17	M6123-10	9.0L 549 OHV Diesel V8 4.5" Bore (16 Valve) H/D Truck	54
M1600	6.9L 420 OHV Diesel V8 4" Bore (IDI) M/D Truck	32	M6123-50	7.6L 461 OHV V8 4.125" Bore (16 Valve) H/D Truck	41
M1600	7.3L 444 OHV Diesel V8 4.11" Bore (IDI) M/D Truck	33	M6123-50	9.0L 549 OHV V8 4.5" Bore (16 Valve) H/D Truck	53
M1700	3.6L 220 OHV L6 3.5625" Bore (12 Valve) M/D Truck	3	M6123-50	9.0L 549 OHV Diesel V8 4.5" Bore (16 Valve) H/D Truck	54
M1700	3.9L 240 OHV L6 3.5625" Bore (12 Valve) M/D Truck	5	M613	7.4L 450 OHV L6 4.375" Bore (12 Valve) H/D Truck	39
M1700	4.3L 264 OHV L6 3.6875" Bore (12 Valve) M/D Truck	7	M613	7.6L 461 OHV V8 4.125" Bore (16 Valve) H/D Truck	41
M1700	4.4L 266 OHV V8 3.625" Bore (16 Valve) M/D Truck	8	M613	8.2L 501 OHV L6 4.5" Bore (12 Valve) H/D Truck	48
M1700	5.0L 304 OHV V8 3.875" Bore (16 Valve) M/D Truck	13	M613	9.0L 549 OHV V8 4.5" Bore (16 Valve) H/D Truck	53
M1700	5.7L 345 OHV V8 3.875" Bore (16 Valve) M/D Truck	17	M623	7.4L 450 OHV L6 4.375" Bore (12 Valve) H/D Truck	39
M1700	7.4L 450 OHV L6 4.375" Bore (12 Valve) M/D Truck	38	M623	7.6L 461 OHV V8 4.125" Bore (16 Valve) H/D Truck	41
M1700	8.2L 501 OHV L6 4.5" Bore (12 Valve) M/D Truck	48	M623	8.2L 501 OHV L6 4.5" Bore (12 Valve) H/D Truck	48
M412-CBE	6.7L 406 OHV L6 4.375" Bore (12 Valve) H/D Truck	30	M623	9.0L 549 OHV V8 4.5" Bore (16 Valve) H/D Truck	53
M412-CBE	7.4L 450 OHV L6 4.375" Bore (12 Valve) H/D Truck	39	M623-CBE	7.4L 450 OHV L6 4.375" Bore (12 Valve) H/D Truck	39
M412-CBE	7.8L 478 OHV V8 4.5" Bore (16 Valve) H/D Truck	47	M623-CBE	7.6L 461 OHV V8 4.125" Bore (16 Valve) H/D Truck	41
M412-CBE	9.0L 549 OHV V8 4.5" Bore (16 Valve) H/D Truck	53	M623-CBE	7.8L 478 OHV V8 4.5" Bore (16 Valve) H/D Truck	47
M412-CBE	9.0L 549 OHV Diesel V8 4.5" Bore (16 Valve) H/D Truck	54	M623-CBE	8.2L 501 OHV L6 4.5" Bore (12 Valve) H/D Truck	48
M412-10	6.7L 406 OHV L6 4.375" Bore (12 Valve) H/D Truck	30	M623-CBE	9.0L 549 OHV V8 4.5" Bore (16 Valve) H/D Truck	53
M412-10	7.4L 450 OHV L6 4.375" Bore (12 Valve) H/D Truck	39	M623-CBE	9.0L 549 OHV Diesel V8 4.5" Bore (16 Valve) H/D Truck	54
M412-10	7.8L 478 OHV V8 4.5" Bore (16 Valve) H/D Truck	47	M623-10	7.4L 450 OHV L6 4.375" Bore (12 Valve) H/D Truck	39
M412-10	8.2L 501 OHV L6 4.5" Bore (12 Valve) H/D Truck	48	M623-10	7.6L 461 OHV V8 4.125" Bore (16 Valve) H/D Truck	41
M412-10	9.0L 549 OHV V8 4.5" Bore (16 Valve) H/D Truck	53	M623-10	7.8L 478 OHV V8 4.5" Bore (16 Valve) H/D Truck	47
M412-50	9.0L 549 OHV Diesel V8 4.5" Bore (16 Valve) H/D Truck	54	M623-10	8.2L 501 OHV L6 4.5" Bore (12 Valve) H/D Truck	48
M6123	7.6L 461 OHV V8 4.125" Bore (16 Valve) H/D Truck	41	M623-10	9.0L 549 OHV V8 4.5" Bore (16 Valve) H/D Truck	53
M6123	9.0L 549 OHV V8 4.5" Bore (16 Valve) H/D Truck	53	M623-50	9.0L 549 OHV Diesel V8 4.5" Bore (16 Valve) H/D Truck	54
M6123	9.0L 549 OHV Diesel V8 4.5" Bore (16 Valve) H/D Truck	54	M700	3.6L 220 OHV L6 3.5625" Bore (12 Valve) M/D Truck	3
M6123-CBE	7.4L 450 OHV L6 4.375" Bore (12 Valve) H/D Truck	39	M700	3.9L 240 OHV L6 3.5625" Bore (12 Valve) M/D Truck	5
M6123-CBE	7.6L 461 OHV V8 4.125" Bore (16 Valve) H/D Truck	41	M700	4.3L 264 OHV L6 3.6875" Bore (12 Valve) M/D Truck	7
M6123-CBE	7.8L 478 OHV V8 4.5" Bore (16 Valve) H/D Truck	47	M700	4.4L 266 OHV V8 3.625" Bore (16 Valve) M/D Truck	8
M6123-CBE	8.2L 501 OHV L6 4.5" Bore (12 Valve) H/D Truck	48	M700	5.0L 304 OHV V8 3.875" Bore (16 Valve) M/D Truck	13
M6123-CBE	9.0L 549 OHV V8 4.5" Bore (16 Valve) H/D Truck	53	M700	5.7L 345 OHV V8 3.875" Bore (16 Valve) M/D Truck	17
M6123-CBE	9.0L 549 OHV Diesel V8 4.5" Bore (16 Valve) H/D Truck	54	M800	3.6L 220 OHV L6 3.5625" Bore (12 Valve) M/D Truck	3
M6123-10	7.4L 450 OHV L6 4.375" Bore (12 Valve) H/D Truck	39	M800	3.9L 240 OHV L6 3.5625" Bore (12 Valve) M/D Truck	5
M6123-10	7.6L 461 OHV V8 4.125" Bore (16 Valve) H/D Truck	41	M800	4.3L 264 OHV L6 3.6875" Bore (12 Valve) M/D Truck	7
M6123-10	7.8L 478 OHV V8 4.5" Bore (16 Valve) H/D Truck	47	M800	4.4L 266 OHV V8 3.625" Bore (16 Valve) M/D Truck	8
M6123-10	8.2L 501 OHV L6 4.5" Bore (12 Valve) H/D Truck	48	M800	5.0L 304 OHV V8 3.875" Bore (16 Valve) M/D Truck	13

(continued on next page)

Model Index

Model	Engine Description	Line No.	Model	Engine Description	Line No.
M800	5.7L 345 OHV V8 3.875" Bore (16 Valve) M/D Truck	17	RF200	6.7L 406 OHV L6 4.375" Bore (12 Valve) H/D Truck	30
M8324-CBE	7.4L 450 OHV L6 4.375" Bore (12 Valve) H/D Truck	39	RF200	7.4L 450 OHV L6 4.375" Bore (12 Valve) H/D Truck	39
M8324-CBE	7.6L 461 OHV V8 4.125" Bore (16 Valve) H/D Truck	41	RF200	8.2L 501 OHV L6 4.5" Bore (12 Valve) H/D Truck	48
M8324-CBE	8.2L 501 OHV L6 4.5" Bore (12 Valve) H/D Truck	48	RF210	6.1L 372 OHV L6 4.375" Bore (12 Valve) H/D Truck	21
M8324-CBE	9.0L 549 OHV V8 4.5" Bore (16 Valve) H/D Truck	53	RF210	6.7L 406 OHV L6 4.375" Bore (12 Valve) H/D Truck	30
RA120	3.6L 220 OHV L6 3.5625" Bore (12 Valve) M/D Truck	3	RF210	7.4L 450 OHV L6 4.375" Bore (12 Valve) H/D Truck	39
RA121	3.6L 220 OHV L6 3.5625" Bore (12 Valve) M/D Truck	3	RF210	8.2L 501 OHV L6 4.5" Bore (12 Valve) H/D Truck	48
RA122	3.6L 220 OHV L6 3.5625" Bore (12 Valve) M/D Truck	3	RF230	6.1L 372 OHV L6 4.375" Bore (12 Valve) H/D Truck	21
RA140	3.6L 220 OHV L6 3.5625" Bore (12 Valve) M/D Truck	3	RF230	6.7L 406 OHV L6 4.375" Bore (12 Valve) H/D Truck	30
RB140	3.9L 240 OHV L6 3.5625" Bore (12 Valve) M/D Truck	5	RF230	7.4L 450 OHV L6 4.375" Bore (12 Valve) H/D Truck	39
RC160	3.9L 240 OHV L6 3.5625" Bore (12 Valve) M/D Truck	5	RF230	8.2L 501 OHV L6 4.5" Bore (12 Valve) H/D Truck	48
RC161	3.9L 240 OHV L6 3.5625" Bore (12 Valve) M/D Truck	5	RM120	3.6L 220 OHV L6 3.5625" Bore (12 Valve) M/D Truck	3
RC162	3.9L 240 OHV L6 3.5625" Bore (12 Valve) M/D Truck	5	RM120	3.9L 240 OHV L6 3.5625" Bore (12 Valve) M/D Truck	5
RC180	4.6L 282 OHV L6 3.8125" Bore (12 Valve) M/D Truck	11	RM121	3.6L 220 OHV L6 3.5625" Bore (12 Valve) M/D Truck	3
RC180	5.0L 308 OHV L6 3.8125" Bore (12 Valve) M/D Truck	15	RM121	3.9L 240 OHV L6 3.5625" Bore (12 Valve) M/D Truck	5
RC181	4.6L 282 OHV L6 3.8125" Bore (12 Valve) M/D Truck	11	RM122	3.6L 220 OHV L6 3.5625" Bore (12 Valve) M/D Truck	3
RC181	5.0L 308 OHV L6 3.8125" Bore (12 Valve) M/D Truck	15	RM122	3.9L 240 OHV L6 3.5625" Bore (12 Valve) M/D Truck	5
RC182	4.6L 282 OHV L6 3.8125" Bore (12 Valve) M/D Truck	11	RM160	3.6L 220 OHV L6 3.5625" Bore (12 Valve) M/D Truck	3
RC182	5.0L 308 OHV L6 3.8125" Bore (12 Valve) M/D Truck	15	RM160	3.9L 240 OHV L6 3.5625" Bore (12 Valve) M/D Truck	5
RC190	6.1L 372 OHV L6 4.375" Bore (12 Valve) M/D Truck	21	RT195	6.7L 406 OHV L6 4.375" Bore (12 Valve) H/D Truck	30
RC190	6.7L 406 OHV L6 4.375" Bore (12 Valve) M/D Truck	29	RT195	7.4L 450 OHV L6 4.375" Bore (12 Valve) H/D Truck	39
RC190	7.4L 450 OHV L6 4.375" Bore (12 Valve) M/D Truck	38	RT195	8.2L 501 OHV L6 4.5" Bore (12 Valve) H/D Truck	48
RC200	6.1L 372 OHV L6 4.375" Bore (12 Valve) M/D Truck	21	R100	3.6L 220 OHV L6 3.5625" Bore (12 Valve) M/D Truck	3
RC200	6.7L 406 OHV L6 4.375" Bore (12 Valve) M/D Truck	29	R100	3.9L 240 OHV L6 3.5625" Bore (12 Valve) M/D Truck	5
RC200	7.4L 450 OHV L6 4.375" Bore (12 Valve) M/D Truck	38	R102	3.6L 220 OHV L6 3.5625" Bore (12 Valve) M/D Truck	3
RF170	4.4L 269 OHV L6 3.5625" Bore (12 Valve) M/D Truck	9	R102	3.9L 240 OHV L6 3.5625" Bore (12 Valve) M/D Truck	5
RF170	4.6L 282 OHV L6 3.8125" Bore (12 Valve) M/D Truck	11	R110	3.6L 220 OHV L6 3.5625" Bore (12 Valve) M/D Truck	3
RF170	5.0L 308 OHV L6 3.8125" Bore (12 Valve) M/D Truck	15	R110	3.9L 240 OHV L6 3.5625" Bore (12 Valve) M/D Truck	5
RF187	4.4L 269 OHV L6 3.5625" Bore (12 Valve) M/D Truck	9	R111	3.6L 220 OHV L6 3.5625" Bore (12 Valve) M/D Truck	3
RF187	4.6L 282 OHV L6 3.8125" Bore (12 Valve) M/D Truck	11	R111	3.9L 240 OHV L6 3.5625" Bore (12 Valve) M/D Truck	5
RF187	5.0L 308 OHV L6 3.8125" Bore (12 Valve) M/D Truck	15	R112	3.6L 220 OHV L6 3.5625" Bore (12 Valve) M/D Truck	3
RF190	6.1L 372 OHV L6 4.375" Bore (12 Valve) H/D Truck	21	R112	3.9L 240 OHV L6 3.5625" Bore (12 Valve) M/D Truck	5
RF190	6.7L 406 OHV L6 4.375" Bore (12 Valve) H/D Truck	30	R120	3.6L 220 OHV L6 3.5625" Bore (12 Valve) M/D Truck	3
RF190	7.4L 450 OHV L6 4.375" Bore (12 Valve) H/D Truck	39	R120	3.9L 240 OHV L6 3.5625" Bore (12 Valve) M/D Truck	5
RF190	8.2L 501 OHV L6 4.5" Bore (12 Valve) H/D Truck	48	R121	3.6L 220 OHV L6 3.5625" Bore (12 Valve) M/D Truck	3
RF200	6.1L 372 OHV L6 4.375" Bore (12 Valve) H/D Truck	21	R121	3.9L 240 OHV L6 3.5625" Bore (12 Valve) M/D Truck	5

(continued on next page)



International/Navistar Truck

Model Index					
Model	Engine Description	Line No.	Model	Engine Description	Line No.
R122	3.6L 220 OHV L6 3.5625" Bore (12 Valve) M/D Truck	3	R190	7.4L 450 OHV L6 4.375" Bore (12 Valve) H/D Truck	39
R122	3.9L 240 OHV L6 3.5625" Bore (12 Valve) M/D Truck	5	R190	8.2L 501 OHV L6 4.5" Bore (12 Valve) H/D Truck	48
R130	3.6L 220 OHV L6 3.5625" Bore (12 Valve) M/D Truck	3	R200	6.1L 372 OHV L6 4.375" Bore (12 Valve) H/D Truck	21
R130	3.9L 240 OHV L6 3.5625" Bore (12 Valve) M/D Truck	5	R200	6.7L 406 OHV L6 4.375" Bore (12 Valve) H/D Truck	30
R131	3.6L 220 OHV L6 3.5625" Bore (12 Valve) M/D Truck	3	R200	7.4L 450 OHV L6 4.375" Bore (12 Valve) H/D Truck	39
R131	3.9L 240 OHV L6 3.5625" Bore (12 Valve) M/D Truck	5	R200	8.2L 501 OHV L6 4.5" Bore (12 Valve) H/D Truck	48
R132	3.6L 220 OHV L6 3.5625" Bore (12 Valve) M/D Truck	3	R210	6.1L 372 OHV L6 4.375" Bore (12 Valve) H/D Truck	21
R132	3.9L 240 OHV L6 3.5625" Bore (12 Valve) M/D Truck	5	R210	6.7L 406 OHV L6 4.375" Bore (12 Valve) H/D Truck	30
R153	3.6L 220 OHV L6 3.5625" Bore (12 Valve) M/D Truck	3	R210	7.4L 450 OHV L6 4.375" Bore (12 Valve) H/D Truck	39
R153	3.9L 240 OHV L6 3.5625" Bore (12 Valve) M/D Truck	5	R210	8.2L 501 OHV L6 4.5" Bore (12 Valve) H/D Truck	48
R160	3.9L 240 OHV L6 3.5625" Bore (12 Valve) M/D Truck	5	R225	6.1L 372 OHV L6 4.375" Bore (12 Valve) H/D Truck	21
R160	4.3L 264 OHV L6 3.6875" Bore (12 Valve) M/D Truck	7	R225	6.7L 406 OHV L6 4.375" Bore (12 Valve) H/D Truck	30
R165	3.9L 240 OHV L6 3.5625" Bore (12 Valve) M/D Truck	5	R225	7.4L 450 OHV L6 4.375" Bore (12 Valve) H/D Truck	39
R165	4.3L 264 OHV L6 3.6875" Bore (12 Valve) M/D Truck	7	R225	8.2L 501 OHV L6 4.5" Bore (12 Valve) H/D Truck	48
R170	4.4L 269 OHV L6 3.5625" Bore (12 Valve) M/D Truck	9	SA120	3.6L 220 OHV L6 3.5625" Bore (12 Valve) M/D Truck	3
R170	4.6L 282 OHV L6 3.8125" Bore (12 Valve) M/D Truck	11	SA120	3.9L 240 OHV L6 3.5625" Bore (12 Valve) M/D Truck	5
R170	5.0L 308 OHV L6 3.8125" Bore (12 Valve) M/D Truck	15	SA120	4.3L 264 OHV L6 3.6875" Bore (12 Valve) M/D Truck	7
R1700	4.3L 264 OHV L6 3.6875" Bore (12 Valve) M/D Truck	7	SA122	3.6L 220 OHV L6 3.5625" Bore (12 Valve) M/D Truck	3
R1705	4.3L 264 OHV L6 3.6875" Bore (12 Valve) M/D Truck	7	SA122	3.9L 240 OHV L6 3.5625" Bore (12 Valve) M/D Truck	5
R184	4.4L 269 OHV L6 3.5625" Bore (12 Valve) M/D Truck	9	SA122	4.3L 264 OHV L6 3.6875" Bore (12 Valve) M/D Truck	7
R184	4.6L 282 OHV L6 3.8125" Bore (12 Valve) M/D Truck	11	SC164	3.6L 220 OHV L6 3.5625" Bore (12 Valve) M/D Truck	3
R184	5.0L 308 OHV L6 3.8125" Bore (12 Valve) M/D Truck	15	SC164	3.9L 240 OHV L6 3.5625" Bore (12 Valve) M/D Truck	5
R185	6.1L 372 OHV L6 4.375" Bore (12 Valve) M/D Truck	21	SC164	4.3L 264 OHV L6 3.6875" Bore (12 Valve) M/D Truck	7
R185	6.7L 406 OHV L6 4.375" Bore (12 Valve) M/D Truck	29	SC180	4.6L 282 OHV L6 3.8125" Bore (12 Valve) M/D Truck	11
R185	7.4L 450 OHV L6 4.375" Bore (12 Valve) M/D Truck	38	SC180	5.0L 308 OHV L6 3.8125" Bore (12 Valve) M/D Truck	15
R185	8.2L 501 OHV L6 4.5" Bore (12 Valve) M/D Truck	48	SC184	4.6L 282 OHV L6 3.8125" Bore (12 Valve) M/D Truck	11
R1853	6.1L 372 OHV L6 4.375" Bore (12 Valve) M/D Truck	21	SC184	5.0L 308 OHV L6 3.8125" Bore (12 Valve) M/D Truck	15
R1853	6.7L 406 OHV L6 4.375" Bore (12 Valve) M/D Truck	29	SF180	4.6L 282 OHV L6 3.8125" Bore (12 Valve) M/D Truck	11
R1853	7.4L 450 OHV L6 4.375" Bore (12 Valve) M/D Truck	38	SF180	5.0L 308 OHV L6 3.8125" Bore (12 Valve) M/D Truck	15
R1853	8.2L 501 OHV L6 4.5" Bore (12 Valve) M/D Truck	48	SF181	4.6L 282 OHV L6 3.8125" Bore (12 Valve) M/D Truck	11
R1856	6.1L 372 OHV L6 4.375" Bore (12 Valve) M/D Truck	21	SF181	5.0L 308 OHV L6 3.8125" Bore (12 Valve) M/D Truck	15
R1856	6.7L 406 OHV L6 4.375" Bore (12 Valve) M/D Truck	29	SF182	4.6L 282 OHV L6 3.8125" Bore (12 Valve) M/D Truck	11
R1856	7.4L 450 OHV L6 4.375" Bore (12 Valve) M/D Truck	38	SF182	5.0L 308 OHV L6 3.8125" Bore (12 Valve) M/D Truck	15
R1856	8.2L 501 OHV L6 4.5" Bore (12 Valve) M/D Truck	48	SM120	3.6L 220 OHV L6 3.5625" Bore (12 Valve) M/D Truck	3
R190	6.1L 372 OHV L6 4.375" Bore (12 Valve) H/D Truck	21	SM120	3.9L 240 OHV L6 3.5625" Bore (12 Valve) M/D Truck	5
R190	6.7L 406 OHV L6 4.375" Bore (12 Valve) H/D Truck	30	SM120	4.3L 264 OHV L6 3.6875" Bore (12 Valve) M/D Truck	7

(continued on next page)

Model Index

Model	Engine Description	Line No.	Model	Engine Description	Line No.
SM122	3.6L 220 OHV L6 3.5625" Bore (12 Valve) M/D Truck	3	S166	4.3L 264 OHV L6 3.6875" Bore (12 Valve) M/D Truck	7
SM122	3.9L 240 OHV L6 3.5625" Bore (12 Valve) M/D Truck	5	S170	4.4L 269 OHV L6 3.5625" Bore (12 Valve) M/D Truck	9
SM122	4.3L 264 OHV L6 3.6875" Bore (12 Valve) M/D Truck	7	S170	4.6L 282 OHV L6 3.8125" Bore (12 Valve) M/D Truck	11
SM130	3.6L 220 OHV L6 3.5625" Bore (12 Valve) M/D Truck	3	S1700	4.3L 264 OHV L6 3.6875" Bore (12 Valve) M/D Truck	7
SM130	3.9L 240 OHV L6 3.5625" Bore (12 Valve) M/D Truck	5	S1700	5.7L 345 OHV V8 3.875" Bore (16 Valve) M/D Truck	17
SM130	4.3L 264 OHV L6 3.6875" Bore (12 Valve) M/D Truck	7	S1700	6.4L 392 OHV V8 4.125" Bore (16 Valve) M/D Truck	22
SM132	3.6L 220 OHV L6 3.5625" Bore (12 Valve) M/D Truck	3	S1700	9.0L 551 OHV Diesel V8 4.5" Bore (16 Valve) M/D Truck	56
SM132	3.9L 240 OHV L6 3.5625" Bore (12 Valve) M/D Truck	5	S1705	4.3L 264 OHV L6 3.6875" Bore (12 Valve) M/D Truck	7
SM132	4.3L 264 OHV L6 3.6875" Bore (12 Valve) M/D Truck	7	S1705	5.7L 345 OHV V8 3.875" Bore (16 Valve) M/D Truck	17
SM162	3.6L 220 OHV L6 3.5625" Bore (12 Valve) M/D Truck	3	S1705	6.4L 392 OHV V8 4.125" Bore (16 Valve) M/D Truck	22
SM162	3.9L 240 OHV L6 3.5625" Bore (12 Valve) M/D Truck	5	S1705	9.0L 551 OHV Diesel V8 4.5" Bore (16 Valve) M/D Truck	56
SM162	4.3L 264 OHV L6 3.6875" Bore (12 Valve) M/D Truck	7	S176	4.4L 269 OHV L6 3.5625" Bore (12 Valve) M/D Truck	9
SM264	4.3L 264 OHV L6 3.6875" Bore (12 Valve) M/D Truck	7	S176	4.6L 282 OHV L6 3.8125" Bore (12 Valve) M/D Truck	11
S100	3.6L 220 OHV L6 3.5625" Bore (12 Valve) M/D Truck	3	S180	4.4L 269 OHV L6 3.5625" Bore (12 Valve) M/D Truck	9
S100	3.9L 240 OHV L6 3.5625" Bore (12 Valve) M/D Truck	5	S180	4.6L 282 OHV L6 3.8125" Bore (12 Valve) M/D Truck	11
S100	4.3L 264 OHV L6 3.6875" Bore (12 Valve) M/D Truck	7	S180	5.0L 308 OHV L6 3.8125" Bore (12 Valve) M/D Truck	15
S102	3.6L 220 OHV L6 3.5625" Bore (12 Valve) M/D Truck	3	S1800	5.7L 345 OHV V8 3.875" Bore (16 Valve) M/D Truck	17
S102	3.9L 240 OHV L6 3.5625" Bore (12 Valve) M/D Truck	5	S1800	6.4L 392 OHV V8 4.125" Bore (16 Valve) M/D Truck	22
S102	4.3L 264 OHV L6 3.6875" Bore (12 Valve) M/D Truck	7	S1800	7.6L 466 OHV Turbo-Diesel L6 4.3005" Bore (12 Valve) M/D Truck	44
S110	3.6L 220 OHV L6 3.5625" Bore (12 Valve) M/D Truck	3	S1800	9.0L 551 OHV Diesel V8 4.5" Bore (16 Valve) M/D Truck	56
S110	3.9L 240 OHV L6 3.5625" Bore (12 Valve) M/D Truck	5	S1840	5.0L 308 OHV L6 3.8125" Bore (12 Valve) M/D Truck	15
S110	4.3L 264 OHV L6 3.6875" Bore (12 Valve) M/D Truck	7	S1853	6.1L 372 OHV L6 4.375" Bore (12 Valve) M/D Truck	21
S112	3.6L 220 OHV L6 3.5625" Bore (12 Valve) M/D Truck	3	S186	4.4L 269 OHV L6 3.5625" Bore (12 Valve) M/D Truck	9
S112	3.9L 240 OHV L6 3.5625" Bore (12 Valve) M/D Truck	5	S186	4.6L 282 OHV L6 3.8125" Bore (12 Valve) M/D Truck	11
S112	4.3L 264 OHV L6 3.6875" Bore (12 Valve) M/D Truck	7	S186	5.0L 308 OHV L6 3.8125" Bore (12 Valve) M/D Truck	15
S120	3.6L 220 OHV L6 3.5625" Bore (12 Valve) M/D Truck	3	S1900	7.6L 466 OHV Turbo-Diesel L6 4.3005" Bore (12 Valve) M/D Truck	44
S120	3.9L 240 OHV L6 3.5625" Bore (12 Valve) M/D Truck	5	S2100	7.6L 466 OHV Turbo-Diesel L6 4.3005" Bore (12 Valve) M/D Truck	44
S120	4.3L 264 OHV L6 3.6875" Bore (12 Valve) M/D Truck	7	TC405L	6.7L 406 OHV L6 4.375" Bore (12 Valve) H/D Truck	30
S130	3.6L 220 OHV L6 3.5625" Bore (12 Valve) M/D Truck	3	T1900	6.7L 406 OHV L6 4.375" Bore (12 Valve) H/D Truck	30
S130	3.9L 240 OHV L6 3.5625" Bore (12 Valve) M/D Truck	5	T1900	7.4L 450 OHV L6 4.375" Bore (12 Valve) H/D Truck	39
S130	4.3L 264 OHV L6 3.6875" Bore (12 Valve) M/D Truck	7	T1900	8.2L 501 OHV L6 4.5" Bore (12 Valve) H/D Truck	48
S132	3.6L 220 OHV L6 3.5625" Bore (12 Valve) M/D Truck	3	VCOF190	6.6L 401 OHV V8 4.125" Bore (16 Valve) H/D Truck	26
S132	3.9L 240 OHV L6 3.5625" Bore (12 Valve) M/D Truck	5	VCOF190	7.6L 461 OHV V8 4.125" Bore (16 Valve) H/D Truck	41
S132	4.3L 264 OHV L6 3.6875" Bore (12 Valve) M/D Truck	7	VCOF190	7.8L 478 OHV V8 4.5" Bore (16 Valve) H/D Truck	47
S166	3.6L 220 OHV L6 3.5625" Bore (12 Valve) M/D Truck	3	VCOF190	9.0L 549 OHV V8 4.5" Bore (16 Valve) H/D Truck	53
S166	3.9L 240 OHV L6 3.5625" Bore (12 Valve) M/D Truck	5	VCOF200	6.6L 401 OHV V8 4.125" Bore (16 Valve) H/D Truck	26

(continued on next page)



International/Navistar Truck

Model Index					
Model	Engine Description	Line No.	Model	Engine Description	Line No.
VCOF200	7.6L 461 OHV V8 4.125" Bore (16 Valve) H/D Truck	41	VCO220	7.6L 461 OHV V8 4.125" Bore (16 Valve) H/D Truck	41
VCOF200	7.8L 478 OHV V8 4.5" Bore (16 Valve) H/D Truck	47	VCO220	7.8L 478 OHV V8 4.5" Bore (16 Valve) H/D Truck	47
VCOF200	9.0L 549 OHV V8 4.5" Bore (16 Valve) H/D Truck	53	VCO220	9.0L 549 OHV V8 4.5" Bore (16 Valve) H/D Truck	53
VCOF405L	6.6L 401 OHV V8 4.125" Bore (16 Valve) H/D Truck	26	VCO225	6.6L 401 OHV V8 4.125" Bore (16 Valve) H/D Truck	26
VCOF405L	7.6L 461 OHV V8 4.125" Bore (16 Valve) H/D Truck	41	VCO225	7.6L 461 OHV V8 4.125" Bore (16 Valve) H/D Truck	41
VCOF405L	7.8L 478 OHV V8 4.5" Bore (16 Valve) H/D Truck	47	VCO225	7.8L 478 OHV V8 4.5" Bore (16 Valve) H/D Truck	47
VCOF405L	9.0L 549 OHV V8 4.5" Bore (16 Valve) H/D Truck	53	VCO225	9.0L 549 OHV V8 4.5" Bore (16 Valve) H/D Truck	53
VCOT195	6.6L 401 OHV V8 4.125" Bore (16 Valve) H/D Truck	26	VCO405	6.6L 401 OHV V8 4.125" Bore (16 Valve) H/D Truck	26
VCOT195	7.6L 461 OHV V8 4.125" Bore (16 Valve) H/D Truck	41	VCO405	7.6L 461 OHV V8 4.125" Bore (16 Valve) H/D Truck	41
VCOT195	7.8L 478 OHV V8 4.5" Bore (16 Valve) H/D Truck	47	VCO405	7.8L 478 OHV V8 4.5" Bore (16 Valve) H/D Truck	47
VCOT195	9.0L 549 OHV V8 4.5" Bore (16 Valve) H/D Truck	53	VCO405	9.0L 549 OHV V8 4.5" Bore (16 Valve) H/D Truck	53
VCOT405	6.6L 401 OHV V8 4.125" Bore (16 Valve) H/D Truck	26	VCO405L	6.6L 401 OHV V8 4.125" Bore (16 Valve) H/D Truck	26
VCOT405	7.6L 461 OHV V8 4.125" Bore (16 Valve) H/D Truck	41	VCO405L	7.6L 461 OHV V8 4.125" Bore (16 Valve) H/D Truck	41
VCOT405	7.8L 478 OHV V8 4.5" Bore (16 Valve) H/D Truck	47	VCO405L	7.8L 478 OHV V8 4.5" Bore (16 Valve) H/D Truck	47
VCOT405	9.0L 549 OHV V8 4.5" Bore (16 Valve) H/D Truck	53	VCO405L	9.0L 549 OHV V8 4.5" Bore (16 Valve) H/D Truck	53
VCOT405L	6.6L 401 OHV V8 4.125" Bore (16 Valve) H/D Truck	26	VF190	6.6L 401 OHV V8 4.125" Bore (16 Valve) H/D Truck	26
VCOT405L	7.6L 461 OHV V8 4.125" Bore (16 Valve) H/D Truck	41	VF190	7.6L 461 OHV V8 4.125" Bore (16 Valve) H/D Truck	41
VCOT405L	7.8L 478 OHV V8 4.5" Bore (16 Valve) H/D Truck	47	VF190	7.8L 478 OHV V8 4.5" Bore (16 Valve) H/D Truck	47
VCOT405L	9.0L 549 OHV V8 4.5" Bore (16 Valve) H/D Truck	53	VF190	9.0L 549 OHV V8 4.5" Bore (16 Valve) H/D Truck	53
VCOT450	6.6L 401 OHV V8 4.125" Bore (16 Valve) H/D Truck	26	VF200	6.6L 401 OHV V8 4.125" Bore (16 Valve) H/D Truck	26
VCOT450	7.6L 461 OHV V8 4.125" Bore (16 Valve) H/D Truck	41	VF200	7.6L 461 OHV V8 4.125" Bore (16 Valve) H/D Truck	41
VCOT450	7.8L 478 OHV V8 4.5" Bore (16 Valve) H/D Truck	47	VF200	7.8L 478 OHV V8 4.5" Bore (16 Valve) H/D Truck	47
VCOT450	9.0L 549 OHV V8 4.5" Bore (16 Valve) H/D Truck	53	VF200	9.0L 549 OHV V8 4.5" Bore (16 Valve) H/D Truck	53
VCO190	6.6L 401 OHV V8 4.125" Bore (16 Valve) H/D Truck	26	VF210	6.6L 401 OHV V8 4.125" Bore (16 Valve) H/D Truck	26
VCO190	7.6L 461 OHV V8 4.125" Bore (16 Valve) H/D Truck	41	VF210	7.6L 461 OHV V8 4.125" Bore (16 Valve) H/D Truck	41
VCO190	7.8L 478 OHV V8 4.5" Bore (16 Valve) H/D Truck	47	VF210	7.8L 478 OHV V8 4.5" Bore (16 Valve) H/D Truck	47
VCO190	9.0L 549 OHV V8 4.5" Bore (16 Valve) H/D Truck	53	VF210	9.0L 549 OHV V8 4.5" Bore (16 Valve) H/D Truck	53
VCO195	6.6L 401 OHV V8 4.125" Bore (16 Valve) M/D Truck	25	VF230	6.6L 401 OHV V8 4.125" Bore (16 Valve) H/D Truck	26
VCO195	7.6L 461 OHV V8 4.125" Bore (16 Valve) M/D Truck	40	VF230	7.6L 461 OHV V8 4.125" Bore (16 Valve) H/D Truck	41
VCO195	7.8L 478 OHV V8 4.5" Bore (16 Valve) H/D Truck	47	VF230	7.8L 478 OHV V8 4.5" Bore (16 Valve) H/D Truck	47
VCO195	9.0L 549 OHV V8 4.5" Bore (16 Valve) M/D Truck	52	VF230	9.0L 549 OHV V8 4.5" Bore (16 Valve) H/D Truck	53
VCO200	6.6L 401 OHV V8 4.125" Bore (16 Valve) H/D Truck	26	VL90	6.6L 401 OHV V8 4.125" Bore (16 Valve) H/D Truck	26
VCO200	7.6L 461 OHV V8 4.125" Bore (16 Valve) H/D Truck	41	VL90	7.6L 461 OHV V8 4.125" Bore (16 Valve) H/D Truck	41
VCO200	7.8L 478 OHV V8 4.5" Bore (16 Valve) H/D Truck	47	VL90	7.8L 478 OHV V8 4.5" Bore (16 Valve) H/D Truck	47
VCO200	9.0L 549 OHV V8 4.5" Bore (16 Valve) H/D Truck	53	VL90	9.0L 549 OHV V8 4.5" Bore (16 Valve) H/D Truck	53
VCO220	6.6L 401 OHV V8 4.125" Bore (16 Valve) H/D Truck	26	VT195	6.6L 401 OHV V8 4.125" Bore (16 Valve) H/D Truck	26

(continued on next page)

Model Index

Model	Engine Description	Line No.	Model	Engine Description	Line No.
VT195	7.6L 461 OHV V8 4.125" Bore (16 Valve) H/D Truck	41	1000	4.4L 266 OHV V8 3.625" Bore (16 Valve) M/D Truck	8
VT195	7.8L 478 OHV V8 4.5" Bore (16 Valve) H/D Truck	47	1000	5.0L 304 OHV V8 3.875" Bore (16 Valve) M/D Truck	13
VT195	9.0L 549 OHV V8 4.5" Bore (16 Valve) H/D Truck	53	1000	5.7L 345 OHV V8 3.875" Bore (16 Valve) M/D Truck	17
V190	6.6L 401 OHV V8 4.125" Bore (16 Valve) H/D Truck	26	1000	6.4L 392 OHV V8 4.125" Bore (16 Valve) M/D Truck	22
V190	7.6L 461 OHV V8 4.125" Bore (16 Valve) H/D Truck	41	1000A	3.9L 240 OHV L6 3.5625" Bore (12 Valve) M/D Truck	5
V190	7.8L 478 OHV V8 4.5" Bore (16 Valve) H/D Truck	47	1000A	4.3L 264 OHV L6 3.6875" Bore (12 Valve) M/D Truck	7
V190	9.0L 549 OHV V8 4.5" Bore (16 Valve) H/D Truck	53	1000A	4.4L 266 OHV V8 3.625" Bore (16 Valve) M/D Truck	8
V195	6.6L 401 OHV V8 4.125" Bore (16 Valve) H/D Truck	26	1000A	5.0L 304 OHV V8 3.875" Bore (16 Valve) M/D Truck	13
V195	7.6L 461 OHV V8 4.125" Bore (16 Valve) H/D Truck	41	1000A	5.7L 345 OHV V8 3.875" Bore (16 Valve) M/D Truck	17
V195	7.8L 478 OHV V8 4.5" Bore (16 Valve) H/D Truck	47	1000A	6.4L 392 OHV V8 4.125" Bore (16 Valve) M/D Truck	22
V195	9.0L 549 OHV V8 4.5" Bore (16 Valve) H/D Truck	53	1010	3.9L 240 OHV L6 3.5625" Bore (12 Valve) M/D Truck	5
V200	6.6L 401 OHV V8 4.125" Bore (16 Valve) H/D Truck	26	1010	4.3L 264 OHV L6 3.6875" Bore (12 Valve) M/D Truck	7
V200	7.6L 461 OHV V8 4.125" Bore (16 Valve) H/D Truck	41	1010	4.4L 266 OHV V8 3.625" Bore (16 Valve) M/D Truck	8
V200	7.8L 478 OHV V8 4.5" Bore (16 Valve) H/D Truck	47	1010	5.0L 304 OHV V8 3.875" Bore (16 Valve) M/D Truck	13
V200	9.0L 549 OHV V8 4.5" Bore (16 Valve) H/D Truck	53	1010	5.7L 345 OHV V8 3.875" Bore (16 Valve) M/D Truck	17
V210	6.6L 401 OHV V8 4.125" Bore (16 Valve) H/D Truck	26	1010	6.4L 392 OHV V8 4.125" Bore (16 Valve) M/D Truck	22
V210	7.6L 461 OHV V8 4.125" Bore (16 Valve) H/D Truck	41	1010A	3.9L 240 OHV L6 3.5625" Bore (12 Valve) M/D Truck	5
V210	7.8L 478 OHV V8 4.5" Bore (16 Valve) H/D Truck	47	1010A	4.3L 264 OHV L6 3.6875" Bore (12 Valve) M/D Truck	7
V210	9.0L 549 OHV V8 4.5" Bore (16 Valve) H/D Truck	53	1010A	4.4L 266 OHV V8 3.625" Bore (16 Valve) M/D Truck	8
V220	6.6L 401 OHV V8 4.125" Bore (16 Valve) H/D Truck	26	1010A	5.0L 304 OHV V8 3.875" Bore (16 Valve) M/D Truck	13
V220	7.6L 461 OHV V8 4.125" Bore (16 Valve) H/D Truck	41	1010A	5.7L 345 OHV V8 3.875" Bore (16 Valve) M/D Truck	17
V220	7.8L 478 OHV V8 4.5" Bore (16 Valve) H/D Truck	47	1010A	6.4L 392 OHV V8 4.125" Bore (16 Valve) M/D Truck	22
V220	9.0L 549 OHV V8 4.5" Bore (16 Valve) H/D Truck	53	1100	3.9L 240 OHV L6 3.5625" Bore (12 Valve) M/D Truck	5
V225	6.6L 401 OHV V8 4.125" Bore (16 Valve) H/D Truck	26	1100	4.3L 264 OHV L6 3.6875" Bore (12 Valve) M/D Truck	7
V225	7.6L 461 OHV V8 4.125" Bore (16 Valve) H/D Truck	41	1100	4.4L 266 OHV V8 3.625" Bore (16 Valve) M/D Truck	8
V225	7.8L 478 OHV V8 4.5" Bore (16 Valve) H/D Truck	47	1100	5.0L 304 OHV V8 3.875" Bore (16 Valve) M/D Truck	13
V225	9.0L 549 OHV V8 4.5" Bore (16 Valve) H/D Truck	53	1100	5.7L 345 OHV V8 3.875" Bore (16 Valve) M/D Truck	17
V230	6.6L 401 OHV V8 4.125" Bore (16 Valve) H/D Truck	26	1100	6.4L 392 OHV V8 4.125" Bore (16 Valve) M/D Truck	22
V230	7.6L 461 OHV V8 4.125" Bore (16 Valve) H/D Truck	41	1100A	3.9L 240 OHV L6 3.5625" Bore (12 Valve) M/D Truck	5
V230	7.8L 478 OHV V8 4.5" Bore (16 Valve) H/D Truck	47	1100A	4.3L 264 OHV L6 3.6875" Bore (12 Valve) M/D Truck	7
V230	9.0L 549 OHV V8 4.5" Bore (16 Valve) H/D Truck	53	1100A	4.4L 266 OHV V8 3.625" Bore (16 Valve) M/D Truck	8
100	5.0L 304 OHV V8 3.875" Bore (16 Valve) M/D Truck	13	1100A	5.0L 304 OHV V8 3.875" Bore (16 Valve) M/D Truck	13
100	5.7L 345 OHV V8 3.875" Bore (16 Valve) M/D Truck	17	1100A	5.7L 345 OHV V8 3.875" Bore (16 Valve) M/D Truck	17
100	6.4L 392 OHV V8 4.125" Bore (16 Valve) M/D Truck	22	1100A	6.4L 392 OHV V8 4.125" Bore (16 Valve) M/D Truck	22
1000	3.9L 240 OHV L6 3.5625" Bore (12 Valve) M/D Truck	5	1100B	3.9L 240 OHV L6 3.5625" Bore (12 Valve) M/D Truck	5
1000	4.3L 264 OHV L6 3.6875" Bore (12 Valve) M/D Truck	7	1100C	3.9L 240 OHV L6 3.5625" Bore (12 Valve) M/D Truck	5

(continued on next page)



International/Navistar Truck

Model Index					
Model	Engine Description	Line No.	Model	Engine Description	Line No.
1100D	5.7L 345 OHV V8 3.875" Bore (16 Valve) M/D Truck	17	1300	4.3L 264 OHV L6 3.6875" Bore (12 Valve) M/D Truck	7
1100D	6.4L 392 OHV V8 4.125" Bore (16 Valve) M/D Truck	22	1300	4.4L 266 OHV V8 3.625" Bore (16 Valve) M/D Truck	8
1110	3.9L 240 OHV L6 3.5625" Bore (12 Valve) M/D Truck	5	1300	5.0L 304 OHV V8 3.875" Bore (16 Valve) M/D Truck	13
1110	4.3L 264 OHV L6 3.6875" Bore (12 Valve) M/D Truck	7	1300	5.7L 345 OHV V8 3.875" Bore (16 Valve) M/D Truck	17
1110	4.4L 266 OHV V8 3.625" Bore (16 Valve) M/D Truck	8	1300	6.4L 392 OHV V8 4.125" Bore (16 Valve) M/D Truck	22
1110	5.0L 304 OHV V8 3.875" Bore (16 Valve) M/D Truck	13	1300A	3.9L 240 OHV L6 3.5625" Bore (12 Valve) M/D Truck	5
1110	5.7L 345 OHV V8 3.875" Bore (16 Valve) M/D Truck	17	1300A	4.3L 264 OHV L6 3.6875" Bore (12 Valve) M/D Truck	7
1110	6.4L 392 OHV V8 4.125" Bore (16 Valve) M/D Truck	22	1300A	4.4L 266 OHV V8 3.625" Bore (16 Valve) M/D Truck	8
1200	3.9L 240 OHV L6 3.5625" Bore (12 Valve) M/D Truck	5	1300A	5.0L 304 OHV V8 3.875" Bore (16 Valve) M/D Truck	13
1200	4.3L 264 OHV L6 3.6875" Bore (12 Valve) M/D Truck	7	1300A	5.7L 345 OHV V8 3.875" Bore (16 Valve) M/D Truck	17
1200	4.4L 266 OHV V8 3.625" Bore (16 Valve) M/D Truck	8	1300A	6.4L 392 OHV V8 4.125" Bore (16 Valve) M/D Truck	22
1200	5.0L 304 OHV V8 3.875" Bore (16 Valve) M/D Truck	13	1300C	3.9L 240 OHV L6 3.5625" Bore (12 Valve) M/D Truck	5
1200	5.7L 345 OHV V8 3.875" Bore (16 Valve) M/D Truck	17	1300D	5.0L 304 OHV V8 3.875" Bore (16 Valve) M/D Truck	13
1200	6.4L 392 OHV V8 4.125" Bore (16 Valve) M/D Truck	22	1310	3.9L 240 OHV L6 3.5625" Bore (12 Valve) M/D Truck	5
1200A	3.9L 240 OHV L6 3.5625" Bore (12 Valve) M/D Truck	5	1310	4.3L 264 OHV L6 3.6875" Bore (12 Valve) M/D Truck	7
1200A	4.3L 264 OHV L6 3.6875" Bore (12 Valve) M/D Truck	7	1310	4.4L 266 OHV V8 3.625" Bore (16 Valve) M/D Truck	8
1200A	4.4L 266 OHV V8 3.625" Bore (16 Valve) M/D Truck	8	1310	5.0L 304 OHV V8 3.875" Bore (16 Valve) M/D Truck	13
1200A	5.0L 304 OHV V8 3.875" Bore (16 Valve) M/D Truck	13	1310	5.7L 345 OHV V8 3.875" Bore (16 Valve) M/D Truck	17
1200A	5.7L 345 OHV V8 3.875" Bore (16 Valve) M/D Truck	17	1310	6.4L 392 OHV V8 4.125" Bore (16 Valve) M/D Truck	22
1200A	6.4L 392 OHV V8 4.125" Bore (16 Valve) M/D Truck	22	1310MHC	5.7L 345 OHV V8 3.875" Bore (16 Valve) M/D Truck	17
1200B	3.9L 240 OHV L6 3.5625" Bore (12 Valve) M/D Truck	5	1310MHC	6.4L 392 OHV V8 4.125" Bore (16 Valve) M/D Truck	22
1200C	3.9L 240 OHV L6 3.5625" Bore (12 Valve) M/D Truck	5	1452SC	6.9L 420 OHV Diesel V8 4" Bore (IDI) M/D Truck	32
1200D	4.4L 266 OHV V8 3.625" Bore (16 Valve) M/D Truck	8	1452SC	7.3L 444 OHV Diesel V8 4.11" Bore (IDI) M/D Truck	33
1210	3.9L 240 OHV L6 3.5625" Bore (12 Valve) M/D Truck	5	150	5.0L 304 OHV V8 3.875" Bore (16 Valve) M/D Truck	13
1210	4.3L 264 OHV L6 3.6875" Bore (12 Valve) M/D Truck	7	150	5.7L 345 OHV V8 3.875" Bore (16 Valve) M/D Truck	17
1210	4.4L 266 OHV V8 3.625" Bore (16 Valve) M/D Truck	8	150	6.4L 392 OHV V8 4.125" Bore (16 Valve) M/D Truck	22
1210	5.0L 304 OHV V8 3.875" Bore (16 Valve) M/D Truck	13	1500	3.9L 240 OHV L6 3.5625" Bore (12 Valve) M/D Truck	5
1210	5.7L 345 OHV V8 3.875" Bore (16 Valve) M/D Truck	17	1500	4.3L 264 OHV L6 3.6875" Bore (12 Valve) M/D Truck	7
1210	6.4L 392 OHV V8 4.125" Bore (16 Valve) M/D Truck	22	1500	4.4L 266 OHV V8 3.625" Bore (16 Valve) M/D Truck	8
1210 4 X 4	3.9L 240 OHV L6 3.5625" Bore (12 Valve) M/D Truck	5	1500	5.0L 304 OHV V8 3.875" Bore (16 Valve) M/D Truck	13
1210 4 X 4	4.3L 264 OHV L6 3.6875" Bore (12 Valve) M/D Truck	7	1500	5.7L 345 OHV V8 3.875" Bore (16 Valve) M/D Truck	17
1210 4 X 4	4.4L 266 OHV V8 3.625" Bore (16 Valve) M/D Truck	8	1500	6.4L 392 OHV V8 4.125" Bore (16 Valve) M/D Truck	22
1210 4 X 4	5.0L 304 OHV V8 3.875" Bore (16 Valve) M/D Truck	13	1500A	3.9L 240 OHV L6 3.5625" Bore (12 Valve) M/D Truck	5
1210 4 X 4	5.7L 345 OHV V8 3.875" Bore (16 Valve) M/D Truck	17	1500A	4.3L 264 OHV L6 3.6875" Bore (12 Valve) M/D Truck	7
1210 4 X 4	6.4L 392 OHV V8 4.125" Bore (16 Valve) M/D Truck	22	1500A	4.4L 266 OHV V8 3.625" Bore (16 Valve) M/D Truck	8
1300	3.9L 240 OHV L6 3.5625" Bore (12 Valve) M/D Truck	5	1500A	5.0L 304 OHV V8 3.875" Bore (16 Valve) M/D Truck	13

(continued on next page)

Model Index

Model	Engine Description	Line No.	Model	Engine Description	Line No.
1500A	5.7L 345 OHV V8 3.875" Bore (16 Valve) M/D Truck	17	1700	6.6L 404 OHV V8 4.125" Bore (16 Valve) H/D Truck	28
1500A	6.4L 392 OHV V8 4.125" Bore (16 Valve) M/D Truck	22	1700	7.3L 446 OHV V8 4.125" Bore (16 Valve) H/D Truck	36
1500C	3.9L 240 OHV L6 3.5625" Bore (12 Valve) M/D Truck	5	1700 4 X 4	4.3L 264 OHV L6 3.6875" Bore (12 Valve) M/D Truck	7
1500D	6.4L 392 OHV V8 4.125" Bore (16 Valve) M/D Truck	22	1700 4 X 4	5.0L 304 OHV V8 3.875" Bore (16 Valve) H/D Truck	13
1510	5.0L 304 OHV V8 3.875" Bore (16 Valve) M/D Truck	13	1700 4 X 4	5.7L 345 OHV V8 3.875" Bore (16 Valve) H/D Truck	17
1510	5.7L 345 OHV V8 3.875" Bore (16 Valve) M/D Truck	17	1702	4.4L 266 OHV V8 3.625" Bore (16 Valve) M/D Truck	8
1510	6.4L 392 OHV V8 4.125" Bore (16 Valve) M/D Truck	22	1702	4.6L 282 OHV L6 3.8125" Bore (12 Valve) M/D Truck	11
1600	4.3L 264 OHV L6 3.6875" Bore (12 Valve) M/D Truck	7	1702	5.0L 304 OHV V8 3.875" Bore (16 Valve) M/D Truck	13
1600	4.4L 266 OHV V8 3.625" Bore (16 Valve) M/D Truck	8	1702	5.0L 308 OHV L6 3.8125" Bore (12 Valve) M/D Truck	15
1600	4.9L 301 OHV Diesel L6 3.8125" Bore (12 Valve) M/D Truck	12	1702	5.7L 345 OHV V8 3.875" Bore (16 Valve) M/D Truck	17
1600	5.0L 304 OHV V8 3.875" Bore (16 Valve) M/D Truck	13	1702	6.4L 392 OHV V8 4.125" Bore (16 Valve) M/D Truck	22
1603	4.3L 264 OHV L6 3.6875" Bore (12 Valve) M/D Truck	7	1702	6.6L 404 OHV V8 4.125" Bore (16 Valve) M/D Truck	27
1603	4.4L 266 OHV V8 3.625" Bore (16 Valve) M/D Truck	8	1702	7.3L 446 OHV V8 4.125" Bore (16 Valve) H/D Truck	36
1603	4.9L 301 OHV Diesel L6 3.8125" Bore (12 Valve) M/D Truck	12	1703	4.4L 266 OHV V8 3.625" Bore (16 Valve) M/D Truck	8
1603	5.0L 304 OHV V8 3.875" Bore (16 Valve) M/D Truck	13	1703	4.6L 282 OHV L6 3.8125" Bore (12 Valve) M/D Truck	11
1610B	5.7L 345 OHV V8 3.875" Bore (16 Valve) H/D Truck	17	1703	5.0L 304 OHV V8 3.875" Bore (16 Valve) M/D Truck	13
1610FC	5.7L 345 OHV V8 3.875" Bore (16 Valve) H/D Truck	17	1703	5.0L 308 OHV L6 3.8125" Bore (12 Valve) M/D Truck	15
1610FL	5.7L 345 OHV V8 3.875" Bore (16 Valve) H/D Truck	17	1703	5.7L 345 OHV V8 3.875" Bore (16 Valve) M/D Truck	17
1624 S	5.7L 345 OHV V8 3.875" Bore (16 Valve) M/D Truck	17	1703	6.4L 392 OHV V8 4.125" Bore (16 Valve) M/D Truck	22
1650	9.0L 549 OHV Diesel V8 4.5" Bore (16 Valve) M/D Truck	54	1703	6.6L 404 OHV V8 4.125" Bore (16 Valve) M/D Truck	27
1650	9.0L 549 OHV LPG V8 4.5" Bore (16 Valve) M/D Truck	55	1703	7.3L 446 OHV V8 4.125" Bore (16 Valve) H/D Truck	36
1652SC	5.9L 360 OHV Turbo-Diesel L6 4.01" Bore (12 Valve) M/D Truck	19	1723	4.4L 266 OHV V8 3.625" Bore (16 Valve) M/D Truck	8
1652SC	6.9L 420 OHV Diesel V8 4" Bore (IDI) M/D Truck	32	1723	4.6L 282 OHV L6 3.8125" Bore (12 Valve) M/D Truck	11
1652SC	7.3L 444 OHV Diesel V8 4.11" Bore (IDI) M/D Truck	33	1723	4.6L 282 OHV L6 3.8125" Bore (12 Valve) H/D Truck	11
1652UPS	6.9L 420 OHV Diesel V8 4" Bore (IDI) M/D Truck	32	1723	5.0L 304 OHV V8 3.875" Bore (16 Valve) M/D Truck	13
1652UPS	7.3L 444 OHV Diesel V8 4.11" Bore (IDI) M/D Truck	33	1723	5.0L 304 OHV V8 3.875" Bore (16 Valve) H/D Truck	13
1654	6.9L 420 OHV Diesel V8 4" Bore (IDI) M/D Truck	32	1723	5.0L 308 OHV L6 3.8125" Bore (12 Valve) M/D Truck	15
1654	7.3L 444 OHV Diesel V8 4.11" Bore (IDI) M/D Truck	33	1723	5.0L 308 OHV L6 3.8125" Bore (12 Valve) H/D Truck	15
1654	9.0L 551 OHV Diesel V8 4.5" Bore (16 Valve) M/D Truck	56	1723	5.7L 345 OHV V8 3.875" Bore (16 Valve) M/D Truck	17
1654LP	6.9L 420 OHV Diesel V8 4" Bore (IDI) M/D Truck	32	1723	5.7L 345 OHV V8 3.875" Bore (16 Valve) H/D Truck	17
1654LP	7.3L 444 OHV Diesel V8 4.11" Bore (IDI) M/D Truck	33	1723	6.4L 392 OHV V8 4.125" Bore (16 Valve) M/D Truck	22
1700	4.6L 282 OHV L6 3.8125" Bore (12 Valve) H/D Truck	11	1723	6.4L 392 OHV V8 4.125" Bore (16 Valve) H/D Truck	23
1700	5.0L 304 OHV V8 3.875" Bore (16 Valve) H/D Truck	13	1723	6.6L 404 OHV V8 4.125" Bore (16 Valve) M/D Truck	27
1700	5.0L 308 OHV L6 3.8125" Bore (12 Valve) H/D Truck	15	1723	6.6L 404 OHV V8 4.125" Bore (16 Valve) H/D Truck	28
1700	5.7L 345 OHV V8 3.875" Bore (16 Valve) H/D Truck	17	1723	7.3L 446 OHV V8 4.125" Bore (16 Valve) H/D Truck	36
1700	6.4L 392 OHV V8 4.125" Bore (16 Valve) H/D Truck	23	1724	4.4L 266 OHV V8 3.625" Bore (16 Valve) M/D Truck	8

(continued on next page)



International/Navistar Truck

Model Index					
Model	Engine Description	Line No.	Model	Engine Description	Line No.
1724	4.6L 282 OHV L6 3.8125" Bore (12 Valve) M/D Truck	11	1803	5.0L 304 OHV V8 3.875" Bore (16 Valve) H/D Truck	13
1724	5.0L 304 OHV V8 3.875" Bore (16 Valve) M/D Truck	13	1803	5.0L 308 OHV L6 3.8125" Bore (12 Valve) H/D Truck	15
1724	5.0L 308 OHV L6 3.8125" Bore (12 Valve) M/D Truck	15	1803	5.7L 345 OHV V8 3.875" Bore (16 Valve) H/D Truck	17
1724	5.7L 345 OHV V8 3.875" Bore (16 Valve) M/D Truck	17	1803	6.4L 392 OHV V8 4.125" Bore (16 Valve) H/D Truck	23
1724	6.4L 392 OHV V8 4.125" Bore (16 Valve) M/D Truck	22	1803	6.6L 404 OHV V8 4.125" Bore (16 Valve) H/D Truck	28
1724	6.6L 404 OHV V8 4.125" Bore (16 Valve) M/D Truck	27	1803	7.3L 446 OHV V8 4.125" Bore (16 Valve) H/D Truck	36
1724	7.3L 446 OHV V8 4.125" Bore (16 Valve) H/D Truck	36	1823	5.7L 345 OHV V8 3.875" Bore (16 Valve) H/D Truck	17
1724 S	4.6L 282 OHV L6 3.8125" Bore (12 Valve) H/D Truck	11	1823	6.4L 392 OHV V8 4.125" Bore (16 Valve) H/D Truck	23
1724 S	5.0L 304 OHV V8 3.875" Bore (16 Valve) H/D Truck	13	1823	6.6L 404 OHV V8 4.125" Bore (16 Valve) H/D Truck	28
1724 S	5.0L 308 OHV L6 3.8125" Bore (12 Valve) H/D Truck	15	1823	7.3L 446 OHV V8 4.125" Bore (16 Valve) H/D Truck	36
1724 S	5.7L 345 OHV V8 3.875" Bore (16 Valve) H/D Truck	17	1824	5.7L 345 OHV V8 3.875" Bore (16 Valve) M/D Truck	17
1724 S	6.4L 392 OHV V8 4.125" Bore (16 Valve) H/D Truck	23	1824	6.4L 392 OHV V8 4.125" Bore (16 Valve) M/D Truck	22
1724 S	6.6L 404 OHV V8 4.125" Bore (16 Valve) H/D Truck	28	1824	6.6L 404 OHV V8 4.125" Bore (16 Valve) M/D Truck	27
1724 S	7.3L 446 OHV V8 4.125" Bore (16 Valve) H/D Truck	36	1824 S	5.7L 345 OHV V8 3.875" Bore (16 Valve) H/D Truck	17
173FC	4.6L 282 OHV L6 3.8125" Bore (12 Valve) M/D Truck	11	1824 S	6.4L 392 OHV V8 4.125" Bore (16 Valve) H/D Truck	23
173FC	5.0L 308 OHV L6 3.8125" Bore (12 Valve) M/D Truck	15	1824 S	6.6L 404 OHV V8 4.125" Bore (16 Valve) H/D Truck	28
1750	7.6L 466 OHV Turbo-Diesel L6 4.3005" Bore (12 Valve) M/D Truck	44	1824 S	7.3L 446 OHV V8 4.125" Bore (16 Valve) H/D Truck	36
1750	9.0L 549 OHV Diesel V8 4.5" Bore (16 Valve) M/D Truck	54	183FC	4.6L 282 OHV L6 3.8125" Bore (12 Valve) M/D Truck	11
1750	9.0L 551 OHV Diesel V8 4.5" Bore (16 Valve) M/D Truck	56	183FC	5.0L 308 OHV L6 3.8125" Bore (12 Valve) M/D Truck	15
1753	6.9L 420 OHV Diesel V8 4" Bore (IDI) M/D Truck	32	183RE	5.7L 345 OHV V8 3.875" Bore (16 Valve) H/D Truck	17
1753	7.3L 444 OHV Diesel V8 4.11" Bore (IDI) M/D Truck	33	183RE	6.4L 392 OHV V8 4.125" Bore (16 Valve) H/D Truck	23
1753 S	6.9L 420 OHV Diesel V8 4" Bore (IDI) H/D Truck	32	1850	7.6L 466 OHV Turbo-Diesel L6 4.3005" Bore (12 Valve) H/D Truck	44
1754	5.9L 360 OHV Turbo-Diesel L6 4.01" Bore (12 Valve) M/D Truck	19	1850	9.0L 549 OHV Diesel V8 4.5" Bore (16 Valve) H/D Truck	54
1754	7.6L 466 OHV Turbo-Diesel L6 4.3005" Bore (12 Valve) M/D Truck	44	1850	9.0L 549 OHV LPG V8 4.5" Bore (16 Valve) H/D Truck	55
1754	9.0L 549 OHV Diesel V8 4.5" Bore (16 Valve) M/D Truck	54	1853	5.9L 360 OHV Turbo-Diesel L6 4.01" Bore (12 Valve) M/D Truck	19
1754	9.0L 551 OHV Diesel V8 4.5" Bore (16 Valve) M/D Truck	56	1853	6.1L 372 OHV L6 4.375" Bore (12 Valve) M/D Truck	21
1754 S	9.0L 549 OHV Diesel V8 4.5" Bore (16 Valve) H/D Truck	54	1853	6.4L 392 OHV V8 4.125" Bore (16 Valve) M/D Truck	22
1754 S	9.0L 551 OHV Diesel V8 4.5" Bore (16 Valve) M/D Truck	56	1853	6.7L 406 OHV L6 4.375" Bore (12 Valve) M/D Truck	29
1800	4.6L 282 OHV L6 3.8125" Bore (12 Valve) H/D Truck	11	1853	7.6L 466 OHV Turbo-Diesel L6 4.3005" Bore (12 Valve) M/D Truck	44
1800	5.0L 304 OHV V8 3.875" Bore (16 Valve) H/D Truck	13	1853	9.0L 549 OHV Diesel V8 4.5" Bore (16 Valve) M/D Truck	54
1800	5.0L 308 OHV L6 3.8125" Bore (12 Valve) H/D Truck	15	1853	9.0L 551 OHV Diesel V8 4.5" Bore (16 Valve) M/D Truck	56
1800	5.7L 345 OHV V8 3.875" Bore (16 Valve) H/D Truck	17	1853 S	6.1L 372 OHV L6 4.375" Bore (12 Valve) H/D Truck	21
1800	6.4L 392 OHV V8 4.125" Bore (16 Valve) H/D Truck	23	1853 S	6.4L 392 OHV V8 4.125" Bore (16 Valve) H/D Truck	23
1800	6.6L 404 OHV V8 4.125" Bore (16 Valve) H/D Truck	28	1853 S	6.7L 406 OHV L6 4.375" Bore (12 Valve) H/D Truck	30
1800	7.3L 446 OHV V8 4.125" Bore (16 Valve) H/D Truck	36	1853 S	7.6L 466 OHV Turbo-Diesel L6 4.3005" Bore (12 Valve) H/D Truck	44
1803	4.6L 282 OHV L6 3.8125" Bore (12 Valve) H/D Truck	11	1853 S	9.0L 549 OHV Diesel V8 4.5" Bore (16 Valve) H/D Truck	54

(continued on next page)

Model Index

Model	Engine Description	Line No.	Model	Engine Description	Line No.
1853 S	9.0L 551 OHV Diesel V8 4.5" Bore (16 Valve) H/D Truck	56	1954	7.6L 466 OHV Turbo-Diesel L6 4.3005" Bore (12 Valve) M/D Truck	44
1853FC	6.1L 372 OHV L6 4.375" Bore (12 Valve) M/D Truck	21	1954 S	7.6L 466 OHV Turbo-Diesel L6 4.3005" Bore (12 Valve) H/D Truck	44
1853FC	6.7L 406 OHV L6 4.375" Bore (12 Valve) M/D Truck	29	1955	7.6L 466 OHV Diesel L6 4.3005" Bore (12 Valve) H/D Truck	43
1853FC	7.4L 450 OHV L6 4.375" Bore (12 Valve) M/D Truck	38	1955	7.6L 466 OHV Turbo-Diesel L6 4.3005" Bore (12 Valve) M/D Truck	44
1854	5.9L 360 OHV Turbo-Diesel L6 4.01" Bore (12 Valve) M/D Truck	19	1955	7.6L 466 OHV Turbo-Diesel L6 4.3005" Bore (12 Valve) H/D Truck	44
1854	7.6L 466 OHV Turbo-Diesel L6 4.3005" Bore (12 Valve) M/D Truck	44	1955	9.0L 549 OHV Diesel V8 4.5" Bore (16 Valve) M/D Truck	54
1854	9.0L 549 OHV Diesel V8 4.5" Bore (16 Valve) M/D Truck	54	1955	9.0L 549 OHV Diesel V8 4.5" Bore (16 Valve) H/D Truck	54
1854	9.0L 551 OHV Diesel V8 4.5" Bore (16 Valve) M/D Truck	56	1955	9.0L 551 OHV Diesel V8 4.5" Bore (16 Valve) M/D Truck	56
1854 S	7.6L 466 OHV Turbo-Diesel L6 4.3005" Bore (12 Valve) H/D Truck	44	1955	9.0L 551 OHV Diesel V8 4.5" Bore (16 Valve) H/D Truck	56
1854 S	9.0L 549 OHV Diesel V8 4.5" Bore (16 Valve) H/D Truck	54	1955 S	7.6L 466 OHV Diesel L6 4.3005" Bore (12 Valve) H/D Truck	43
1854 S	9.0L 551 OHV Diesel V8 4.5" Bore (16 Valve) H/D Truck	56	1955 S	7.6L 466 OHV Turbo-Diesel L6 4.3005" Bore (12 Valve) H/D Truck	44
1854 4 X 4	7.6L 466 OHV Turbo-Diesel L6 4.3005" Bore (12 Valve) M/D Truck	44	1955 S	9.0L 549 OHV Diesel V8 4.5" Bore (16 Valve) H/D Truck	54
1854 4 X 4	9.0L 549 OHV Diesel V8 4.5" Bore (16 Valve) M/D Truck	54	1955 S	9.0L 551 OHV Diesel V8 4.5" Bore (16 Valve) H/D Truck	56
1854 4 X 4	9.0L 551 OHV Diesel V8 4.5" Bore (16 Valve) M/D Truck	56	200	5.0L 304 OHV V8 3.875" Bore (16 Valve) M/D Truck	13
1890	5.0L 308 OHV L6 3.8125" Bore (12 Valve) H/D Truck	15	200	5.7L 345 OHV V8 3.875" Bore (16 Valve) M/D Truck	17
1890	5.7L 345 OHV V8 3.875" Bore (16 Valve) H/D Truck	17	200	6.4L 392 OHV V8 4.125" Bore (16 Valve) M/D Truck	22
1890	6.4L 392 OHV V8 4.125" Bore (16 Valve) H/D Truck	23	2000	6.6L 401 OHV V8 4.125" Bore (16 Valve) H/D Truck	26
1900	6.1L 372 OHV L6 4.375" Bore (12 Valve) H/D Truck	21	2000	7.4L 450 OHV L6 4.375" Bore (12 Valve) H/D Truck	39
1900	6.7L 406 OHV L6 4.375" Bore (12 Valve) H/D Truck	30	2000	7.8L 478 OHV V8 4.5" Bore (16 Valve) H/D Truck	47
1900	7.4L 450 OHV L6 4.375" Bore (12 Valve) H/D Truck	39	2000	8.2L 501 OHV L6 4.5" Bore (12 Valve) H/D Truck	48
1910A	6.7L 406 OHV L6 4.375" Bore (12 Valve) H/D Truck	30	2000	8.7L 530 OHV Turbo-Diesel L6 4.587" Bore (12 Valve) M/D Truck	49
1910A	7.4L 450 OHV L6 4.375" Bore (12 Valve) H/D Truck	39	2000	8.7L 530 OHV Turbo-Diesel L6 4.587" Bore (12 Valve) H/D Truck	49
1924 S	6.6L 404 OHV V8 4.125" Bore (16 Valve) H/D Truck	28	2000	8.7L 530 OHV Turbo-Diesel L6 4.587" Bore (Intercooled) M/D Truck	50
1924 S	7.3L 446 OHV V8 4.125" Bore (16 Valve) H/D Truck	36	2000	8.7L 530 OHV Turbo-Diesel L6 4.587" Bore (Intercooled) H/D Truck	50
1925	6.6L 404 OHV V8 4.125" Bore (16 Valve) H/D Truck	28	2000	9.0L 549 OHV V8 4.5" Bore (16 Valve) H/D Truck	53
1925 S	6.6L 404 OHV V8 4.125" Bore (16 Valve) H/D Truck	28	2010A	6.7L 406 OHV L6 4.375" Bore (12 Valve) H/D Truck	30
1925 S	7.3L 446 OHV V8 4.125" Bore (16 Valve) H/D Truck	36	2010A	7.4L 450 OHV L6 4.375" Bore (12 Valve) H/D Truck	39
193RE	6.6L 401 OHV V8 4.125" Bore (16 Valve) H/D Truck	26	2010A	7.8L 478 OHV V8 4.5" Bore (16 Valve) H/D Truck	47
193RE	7.6L 461 OHV V8 4.125" Bore (16 Valve) H/D Truck	41	2010A	8.2L 501 OHV L6 4.5" Bore (12 Valve) H/D Truck	48
193RE	7.8L 478 OHV V8 4.5" Bore (16 Valve) H/D Truck	47	2010A	8.8L 537 OHV V8 4.625" Bore (16 Valve) H/D Truck	51
193RE	9.0L 549 OHV V8 4.5" Bore (16 Valve) H/D Truck	53	2010A	9.0L 549 OHV V8 4.5" Bore (16 Valve) H/D Truck	53
193RE S	6.6L 401 OHV V8 4.125" Bore (16 Valve) H/D Truck	26	2010A	9.9L 605 OHV V8 4.625" Bore (16 Valve) H/D Truck	61
193RE S	7.6L 461 OHV V8 4.125" Bore (16 Valve) H/D Truck	41	2050A	7.6L 466 OHV Diesel L6 4.3005" Bore (12 Valve) H/D Truck	43
193RE S	7.8L 478 OHV V8 4.5" Bore (16 Valve) H/D Truck	47	2050A	7.6L 466 OHV Turbo-Diesel L6 4.3005" Bore (12 Valve) H/D Truck	44
193RE S	9.0L 549 OHV V8 4.5" Bore (16 Valve) H/D Truck	53	2050A	9.0L 549 OHV Diesel V8 4.5" Bore (16 Valve) H/D Truck	54
1950	9.0L 549 OHV Diesel V8 4.5" Bore (16 Valve) H/D Truck	54	210	7.4L 450 OHV L6 4.375" Bore (12 Valve) H/D Truck	39

(continued on next page)



International/Navistar Truck

Model Index					
Model	Engine Description	Line No.	Model	Engine Description	Line No.
210	7.6L 461 OHV V8 4.125" Bore (16 Valve) H/D Truck	41	2674 6X4	8.7L 530 OHV Turbo-Diesel L6 4.587" Bore (12 Valve) H/D Truck	49
210	7.8L 478 OHV V8 4.5" Bore (16 Valve) H/D Truck	47	3000FE	7.6L 466 OHV Turbo-Diesel L6 4.3005" Bore (12 Valve) H/D Truck	44
210	8.2L 501 OHV L6 4.5" Bore (12 Valve) H/D Truck	48	3400	7.3L 444 OHV Turbo-Diesel V8 4.11" Bore (DI) M/D Truck	35
210	9.0L 549 OHV V8 4.5" Bore (16 Valve) H/D Truck	53	3400	7.6L 466 OHV Turbo-Diesel L6 4.3005" Bore (12 Valve) M/D Truck	44
2110A	7.4L 450 OHV L6 4.375" Bore (12 Valve) H/D Truck	39	3600	5.9L 360 OHV Turbo-Diesel L6 4.01" Bore (12 Valve) M/D Truck	19
2110A	7.8L 478 OHV V8 4.5" Bore (16 Valve) H/D Truck	47	3600	7.3L 444 OHV Diesel V8 4.11" Bore (IDI) M/D Truck	33
2110A	8.2L 501 OHV L6 4.5" Bore (12 Valve) H/D Truck	48	3600SC	5.9L 360 OHV Turbo-Diesel L6 4.01" Bore (12 Valve) M/D Truck	19
2110A	9.0L 549 OHV V8 4.5" Bore (16 Valve) H/D Truck	53	3600SC	6.7L 408 OHV Turbo-Diesel L6 4.3005" Bore (12 Valve) M/D Truck	31
2125	8.8L 537 OHV V8 4.625" Bore (16 Valve) H/D Truck	51	3600SC	6.7L 408 OHV Turbo-Diesel L6 4.3005" Bore (12 Valve) H/D Truck	31
2125	9.9L 605 OHV V8 4.625" Bore (16 Valve) H/D Truck	61	3600SC	7.3L 444 OHV Diesel V8 4.11" Bore (IDI) M/D Truck	33
2125 S	8.8L 537 OHV V8 4.625" Bore (16 Valve) H/D Truck	51	3600SC	7.6L 466 OHV Turbo-Diesel L6 4.3005" Bore (12 Valve) M/D Truck	44
2125 S	9.9L 605 OHV V8 4.625" Bore (16 Valve) H/D Truck	61	3700	5.9L 360 OHV Turbo-Diesel L6 4.01" Bore (12 Valve) M/D Truck	19
2150A	9.0L 549 OHV Diesel V8 4.5" Bore (16 Valve) H/D Truck	54	3700	6.9L 420 OHV Diesel V8 4" Bore (IDI) M/D Truck	32
2155	7.6L 466 OHV Turbo-Diesel L6 4.3005" Bore (12 Valve) H/D Truck	44	3700	7.3L 444 OHV Diesel V8 4.11" Bore (IDI) M/D Truck	33
2155 S	7.6L 466 OHV Turbo-Diesel L6 4.3005" Bore (12 Valve) H/D Truck	44	3700	7.6L 466 OHV Turbo-Diesel L6 4.3005" Bore (12 Valve) M/D Truck	44
220	8.2L 501 OHV L6 4.5" Bore (12 Valve) M/D Truck	48	3800	5.9L 360 OHV Turbo-Diesel L6 4.01" Bore (12 Valve) M/D Truck	19
230	8.2L 501 OHV L6 4.5" Bore (12 Valve) M/D Truck	48	3800	6.7L 408 OHV Turbo-Diesel L6 4.3005" Bore (12 Valve) M/D Truck	31
230V	6.6L 401 OHV V8 4.125" Bore (16 Valve) M/D Truck	25	3800	6.7L 408 OHV Turbo-Diesel L6 4.3005" Bore (12 Valve) H/D Truck	31
230V	7.6L 461 OHV V8 4.125" Bore (16 Valve) M/D Truck	40	3800	7.3L 444 OHV Diesel V8 4.11" Bore (IDI) M/D Truck	33
230V	7.8L 478 OHV V8 4.5" Bore (16 Valve) H/D Truck	47	3800	7.6L 466 OHV Turbo-Diesel L6 4.3005" Bore (12 Valve) M/D Truck	44
230V	9.0L 549 OHV V8 4.5" Bore (16 Valve) M/D Truck	52	3800SC	6.7L 408 OHV Turbo-Diesel L6 4.3005" Bore (12 Valve) M/D Truck	31
2524	8.8L 537 OHV V8 4.625" Bore (16 Valve) H/D Truck	51	3800SC	6.7L 408 OHV Turbo-Diesel L6 4.3005" Bore (12 Valve) H/D Truck	31
2524	9.9L 605 OHV V8 4.625" Bore (16 Valve) H/D Truck	61	3800SC	7.3L 444 OHV Turbo-Diesel V8 4.11" Bore (DI) M/D Truck	35
2524 S	8.8L 537 OHV V8 4.625" Bore (16 Valve) H/D Truck	51	3800SC	7.6L 466 OHV Turbo-Diesel L6 4.3005" Bore (12 Valve) M/D Truck	44
2524 S	9.9L 605 OHV V8 4.625" Bore (16 Valve) H/D Truck	61	3900FC	5.9L 360 OHV Turbo-Diesel L6 4.01" Bore (12 Valve) H/D Truck	19
2554	7.6L 466 OHV Turbo-Diesel L6 4.3005" Bore (12 Valve) H/D Truck	44	3900FC	7.6L 466 OHV Turbo-Diesel L6 4.3005" Bore (12 Valve) H/D Truck	44
2554 S	7.6L 466 OHV Turbo-Diesel L6 4.3005" Bore (12 Valve) H/D Truck	44	3900FWD	5.9L 360 OHV Turbo-Diesel L6 4.01" Bore (12 Valve) H/D Truck	19
2554 4 X 2	8.7L 530 OHV Turbo-Diesel L6 4.587" Bore (12 Valve) H/D Truck	49	4200	13.1L 800 OHV Diesel V8 5.3125" Bore (16 Valve) H/D Truck	63
2554 6 X 4	8.7L 530 OHV Turbo-Diesel L6 4.587" Bore (12 Valve) H/D Truck	49	4300	7.6L 466 OHV Turbo-Diesel L6 4.3005" Bore (12 Valve) H/D Truck	44
2574	7.6L 466 OHV Turbo-Diesel L6 4.3005" Bore (12 Valve) H/D Truck	44	4300	7.6L 466 OHV Turbo-Diesel L6 4.587" Bore (Big Bore) M/D Truck	46
2574 4X2	8.7L 530 OHV Turbo-Diesel L6 4.587" Bore (12 Valve) H/D Truck	49	4300	7.6L 466 OHV Turbo-Diesel L6 4.587" Bore (Big Bore) H/D Truck	46
2574 6X4	8.7L 530 OHV Turbo-Diesel L6 4.587" Bore (12 Valve) H/D Truck	49	4300	13.1L 800 OHV Diesel V8 5.3125" Bore (16 Valve) H/D Truck	63
2654	7.6L 466 OHV Turbo-Diesel L6 4.3005" Bore (12 Valve) H/D Truck	44	4400	7.6L 466 OHV Turbo-Diesel L6 4.3005" Bore (12 Valve) H/D Truck	44
2654 4X2	8.7L 530 OHV Turbo-Diesel L6 4.587" Bore (12 Valve) H/D Truck	49	4400	7.6L 466 OHV Turbo-Diesel L6 4.587" Bore (Big Bore) M/D Truck	46
2654 6X4	8.7L 530 OHV Turbo-Diesel L6 4.587" Bore (12 Valve) H/D Truck	49	4400	7.6L 466 OHV Turbo-Diesel L6 4.587" Bore (Big Bore) H/D Truck	46
2674 4X2	8.7L 530 OHV Turbo-Diesel L6 4.587" Bore (12 Valve) H/D Truck	49	4400	9.3L 570 OHV Turbo-Diesel L6 4.587" Bore (Intercooled) M/D Truck	57

(continued on next page)

Model Index

Model	Engine Description	Line No.	Model	Engine Description	Line No.
4400	9.3L 570 OHV Turbo-Diesel L6 4.587" Bore (Intercooled) H/D Truck	57	5000	8.7L 530 OHV Turbo-Diesel L6 4.587" Bore (12 Valve) M/D Truck	49
4400 6 X 4	7.6L 466 OHV Turbo-Diesel L6 4.3005" Bore (12 Valve) H/D Truck	44	5000	8.7L 530 OHV Turbo-Diesel L6 4.587" Bore (12 Valve) H/D Truck	49
4600	7.3L 444 OHV Diesel V8 4.11" Bore (IDI) M/D Truck	33	5000	8.7L 530 OHV Turbo-Diesel L6 4.587" Bore (Intercooled) M/D Truck	50
4600LP	7.3L 444 OHV Diesel V8 4.11" Bore (IDI) M/D Truck	33	5000	8.7L 530 OHV Turbo-Diesel L6 4.587" Bore (Intercooled) H/D Truck	50
4600UH	7.3L 444 OHV Diesel V8 4.11" Bore (IDI) M/D Truck	33	5000 4 X 4	8.7L 530 OHV Turbo-Diesel L6 4.587" Bore (12 Valve) H/D Truck	49
4700	5.9L 360 OHV Turbo-Diesel L6 4.01" Bore (12 Valve) M/D Truck	19	5000 6 X 4	8.7L 530 OHV Turbo-Diesel L6 4.587" Bore (12 Valve) H/D Truck	49
4700	6.7L 408 OHV Turbo-Diesel L6 4.3005" Bore (12 Valve) M/D Truck	31	5000 6 X 6	8.7L 530 OHV Turbo-Diesel L6 4.587" Bore (12 Valve) H/D Truck	49
4700	6.7L 408 OHV Turbo-Diesel L6 4.3005" Bore (12 Valve) H/D Truck	31	5000SFA 6X4	8.7L 530 OHV Turbo-Diesel L6 4.587" Bore (12 Valve) H/D Truck	49
4700	7.3L 444 OHV Diesel V8 4.11" Bore (IDI) M/D Truck	33	5050	7.6L 466 OHV Turbo-Diesel L6 4.3005" Bore (12 Valve) H/D Truck	44
4700	7.3L 444 OHV Turbo-Diesel V8 4.11" Bore (IDI) M/D Truck	34	5050	9.0L 549 OHV Diesel V8 4.5" Bore (16 Valve) H/D Truck	54
4700	7.3L 444 OHV Turbo-Diesel V8 4.11" Bore (DI) M/D Truck	35	5500I 4X4	8.7L 530 OHV Turbo-Diesel L6 4.587" Bore (12 Valve) H/D Truck	49
4700	7.6L 466 OHV Turbo-Diesel L6 4.3005" Bore (12 Valve) M/D Truck	44	5500I 6X4 SFA	8.7L 530 OHV Turbo-Diesel L6 4.587" Bore (12 Valve) H/D Truck	49
4700	8.7L 530 OHV Turbo-Diesel L6 4.587" Bore (12 Valve) M/D Truck	49	5500I 6X6	8.7L 530 OHV Turbo-Diesel L6 4.587" Bore (12 Valve) H/D Truck	49
4700	8.7L 530 OHV Turbo-Diesel L6 4.587" Bore (12 Valve) H/D Truck	49	5600I 4X4	8.7L 530 OHV Turbo-Diesel L6 4.587" Bore (12 Valve) H/D Truck	49
4700 4 X 2	6.7L 408 OHV Turbo-Diesel L6 4.3005" Bore (12 Valve) M/D Truck	31	5600I 6X4 SFA	8.7L 530 OHV Turbo-Diesel L6 4.587" Bore (12 Valve) H/D Truck	49
4700 4 X 2	6.7L 408 OHV Turbo-Diesel L6 4.3005" Bore (12 Valve) H/D Truck	31	5600I 6X6	8.7L 530 OHV Turbo-Diesel L6 4.587" Bore (12 Valve) H/D Truck	49
4700LP	5.9L 360 OHV Turbo-Diesel L6 4.01" Bore (12 Valve) M/D Truck	19	5600I 8X4	8.7L 530 OHV Turbo-Diesel L6 4.587" Bore (12 Valve) H/D Truck	49
4700LP	6.7L 408 OHV Turbo-Diesel L6 4.3005" Bore (12 Valve) M/D Truck	31	5600I 8X6	8.7L 530 OHV Turbo-Diesel L6 4.587" Bore (12 Valve) H/D Truck	49
4700LP	6.7L 408 OHV Turbo-Diesel L6 4.3005" Bore (12 Valve) H/D Truck	31	5600I 8X6 Tridem	8.7L 530 OHV Turbo-Diesel L6 4.587" Bore (12 Valve) H/D Truck	49
4700LP	7.3L 444 OHV Diesel V8 4.11" Bore (IDI) M/D Truck	33	7100	7.6L 466 OHV Turbo-Diesel L6 4.3005" Bore (12 Valve) H/D Truck	44
4700LP	7.6L 466 OHV Turbo-Diesel L6 4.3005" Bore (12 Valve) M/D Truck	44	7300	7.6L 466 OHV Turbo-Diesel L6 4.3005" Bore (12 Valve) H/D Truck	44
4700LP	8.7L 530 OHV Turbo-Diesel L6 4.587" Bore (12 Valve) M/D Truck	49	7300	7.6L 466 OHV Turbo-Diesel L6 4.587" Bore (Big Bore) M/D Truck	46
4700LP	8.7L 530 OHV Turbo-Diesel L6 4.587" Bore (12 Valve) H/D Truck	49	7300	7.6L 466 OHV Turbo-Diesel L6 4.587" Bore (Big Bore) H/D Truck	46
4700LPX	7.3L 444 OHV Diesel V8 4.11" Bore (IDI) M/D Truck	33	7400	7.6L 466 OHV Turbo-Diesel L6 4.3005" Bore (12 Valve) H/D Truck	44
4700LPX	7.6L 466 OHV Turbo-Diesel L6 4.3005" Bore (12 Valve) M/D Truck	44	7400	7.6L 466 OHV Turbo-Diesel L6 4.587" Bore (Big Bore) M/D Truck	46
4700LPX	8.7L 530 OHV Turbo-Diesel L6 4.587" Bore (12 Valve) M/D Truck	49	7400	7.6L 466 OHV Turbo-Diesel L6 4.587" Bore (Big Bore) H/D Truck	46
4800	5.9L 360 OHV Turbo-Diesel L6 4.01" Bore (12 Valve) H/D Truck	19	7400	9.3L 570 OHV Turbo-Diesel L6 4.587" Bore (Intercooled) M/D Truck	57
4800	7.6L 466 OHV Turbo-Diesel L6 4.3005" Bore (12 Valve) H/D Truck	44	7400	9.3L 570 OHV Turbo-Diesel L6 4.587" Bore (Intercooled) H/D Truck	57
4800 4 X 4	6.7L 408 OHV Turbo-Diesel L6 4.3005" Bore (12 Valve) H/D Truck	31	7400 4 X 2	8.7L 530 OHV Turbo-Diesel L6 4.587" Bore (12 Valve) H/D Truck	49
4900	5.9L 360 OHV Turbo-Diesel L6 4.01" Bore (12 Valve) H/D Truck	19	7400 6 X 4	8.7L 530 OHV Turbo-Diesel L6 4.587" Bore (12 Valve) H/D Truck	49
4900	7.6L 466 OHV Turbo-Diesel L6 4.3005" Bore (12 Valve) H/D Truck	44	7400 6 X 6	8.7L 530 OHV Turbo-Diesel L6 4.587" Bore (12 Valve) H/D Truck	49
4900 4 X 2	8.7L 530 OHV Turbo-Diesel L6 4.587" Bore (12 Valve) M/D Truck	49	7500	9.3L 570 OHV Turbo-Diesel L6 4.587" Bore (Intercooled) M/D Truck	58
4900 4 X 2	8.7L 530 OHV Turbo-Diesel L6 4.587" Bore (12 Valve) H/D Truck	49	7500	9.3L 570 OHV Turbo-Diesel L6 4.587" Bore (Intercooled) H/D Truck	58
4900 6 X 4	6.7L 408 OHV Turbo-Diesel L6 4.3005" Bore (12 Valve) H/D Truck	31	7500 4 X 2	8.7L 530 OHV Turbo-Diesel L6 4.587" Bore (12 Valve) H/D Truck	49
4900 6 X 4	8.7L 530 OHV Turbo-Diesel L6 4.587" Bore (12 Valve) H/D Truck	49	7500 6 X 4	8.7L 530 OHV Turbo-Diesel L6 4.587" Bore (12 Valve) H/D Truck	49
4900 6 X 6	6.7L 408 OHV Turbo-Diesel L6 4.3005" Bore (12 Valve) H/D Truck	31			



International/Navistar Truck

Model Index					
Model	Engine Description	Line No.	Model	Engine Description	Line No.
8000	8.7L 530 OHV Turbo-Diesel L6 4.587" Bore (12 Valve) M/D Truck	49	8500	8.7L 530 OHV Turbo-Diesel L6 4.587" Bore (12 Valve) H/D Truck	49
8000	8.7L 530 OHV Turbo-Diesel L6 4.587" Bore (12 Valve) H/D Truck	49	8500	8.7L 530 OHV Turbo-Diesel L6 4.587" Bore (Intercooled) M/D Truck	50
8000	8.7L 530 OHV Turbo-Diesel L6 4.587" Bore (Intercooled) M/D Truck	50	8500	8.7L 530 OHV Turbo-Diesel L6 4.587" Bore (Intercooled) H/D Truck	50
8000	8.7L 530 OHV Turbo-Diesel L6 4.587" Bore (Intercooled) H/D Truck	50	8500	9.3L 570 OHV Turbo-Diesel L6 4.587" Bore (Intercooled) M/D Truck	58
8100	7.6L 466 OHV Turbo-Diesel L6 4.3005" Bore (12 Valve) H/D Truck	44	8500	9.3L 570 OHV Turbo-Diesel L6 4.587" Bore (Intercooled) H/D Truck	58
8100 4 X 2	8.7L 530 OHV Turbo-Diesel L6 4.587" Bore (12 Valve) H/D Truck	49	8500 4 X 2		
8100 6 X 4	8.7L 530 OHV Turbo-Diesel L6 4.587" Bore (12 Valve) H/D Truck	49	SBA	8.7L 530 OHV Turbo-Diesel L6 4.587" Bore (12 Valve) H/D Truck	49
8100 6 X 4 CH	8.7L 530 OHV Turbo-Diesel L6 4.587" Bore (12 Valve) H/D Truck	49	8500 6 X 4		
8100CH	7.6L 466 OHV Turbo-Diesel L6 4.3005" Bore (12 Valve) H/D Truck	44	SBA	8.7L 530 OHV Turbo-Diesel L6 4.587" Bore (12 Valve) H/D Truck	49
8200 4 X 2	8.7L 530 OHV Turbo-Diesel L6 4.587" Bore (12 Valve) H/D Truck	49	900	4.4L 266 OHV V8 3.625" Bore (16 Valve) M/D Truck	8
8200 6 X 4	8.7L 530 OHV Turbo-Diesel L6 4.587" Bore (12 Valve) H/D Truck	49	900A	4.4L 266 OHV V8 3.625" Bore (16 Valve) M/D Truck	8
8500	8.7L 530 OHV Turbo-Diesel L6 4.587" Bore (12 Valve) M/D Truck	49	908B	4.4L 266 OHV V8 3.625" Bore (16 Valve) M/D Truck	8
			908C	4.4L 266 OHV V8 3.625" Bore (16 Valve) M/D Truck	8

M/D Truck GRD175, GRD175A Eng. 1
2.9L 175 L-HEAD L6 (12 Valve), 3" Bore

CYL. HEAD & PARTS

QTY	VALVE SEAL	PART NO.	SIZE	DESCRIPTION
12	O-Ring	FP-111024		Rubber
12	Valve Stem Seal Bulk	FP-111024B		O-Ring; Carton of 100; Rubber

ENGINE BLOCK & PARTS

QTY	CAM BEARINGS	PART NO.	SIZE	DESCRIPTION
1	Cam Set	FP-1228M		

CRANKSHAFT/OIL PUMP

QTY	MAIN BEARINGS	PART NO.	SIZE	DESCRIPTION
1	Main Set	FP-941M		
1	Main Set	FP-941M10		
1	Main Set	FP-941M20		
1	Main Set	FP-941M30		

CYLINDER COMPONENTS

QTY	CONNECTING RODS & BRGS.	PART NO.	SIZE	DESCRIPTION
6	Rod Pair	FP-2105CP		
6	Rod Pair	FP-2105CP10		
6	Rod Pair	FP-2105CP2		
6	Rod Pair	FP-2105CP20		
6	Rod Pair	FP-2105CP30		

M/D Truck GRD214, GRD214A Eng. 2
3.5L 214 L-HEAD L6 (12 Valve), 3.3125" Bore

CYL. HEAD & PARTS

QTY	VALVE SEAL	PART NO.	SIZE	DESCRIPTION
12	O-Ring	FP-111024		Rubber
12	Valve Stem Seal Bulk	FP-111024B		O-Ring; Carton of 100; Rubber

ENGINE BLOCK & PARTS

QTY	CAM BEARINGS	PART NO.	SIZE	DESCRIPTION
1	Cam Set	1091M Std Only		

CYLINDER COMPONENTS

QTY	PISTONS	PART NO.	SIZE	DESCRIPTION
6	Pin Bushing	9219X		Full round bushing w/1.110" length
6	Pin Bushing	9219V		Split type bushing w/1.120" length

International/Navistar Truck



3 M/D Truck BD220, BG220, SD220, U220 Engs. 3.6L 220 OHV L6 (12 Valve), 3.5625" Bore 1965-68

CYL. HEAD & PARTS

QTY	VALVE	YEARS	PART NO.	SIZE	DESCRIPTION
6	Intake	68-65	V-1542 Std Only		1.6560" Head Dia., .3720" Stem Dia., 5.0860" O.A.L. Rototype; Free valve; 1.5160" Head Dia., .3715" Stem Dia., 4.9910" O.A.L.
6	Exhaust	68-65	V-1327X Std Only		
24	Keeper	68-65	FP-41339		1 groove; Square cut key groove
24	Keeper	68-65	VK-138		1 groove; Square cut key groove; Carton pack 32
24	Keeper	68-65	VK-138R		1 groove; Square cut key groove; Hardened
24	Keeper, Bulk	68-65	VK-138B		1 groove; Square cut key groove; Carton of 1000
QTY	VALVE GUIDE	YEARS	PART NO.	SIZE	DESCRIPTION
12	Guide	68-65	VG-499		.3760" ID, 2.4100" O.A.L.
QTY	VALVE SPRING	YEARS	PART NO.	SIZE	DESCRIPTION
12	Spring	68-65	VS-389		w/o rotocap; 2.6870" Free Height
QTY	PUSH RODS	YEARS	PART NO.	SIZE	DESCRIPTION
12	Push Rod	68-65	FP-RP3127		BD Engs.; "A" & "B" Series; 12.6860" O.A.L.
QTY	VALVE SEAL	YEARS	PART NO.	SIZE	DESCRIPTION
6	O-Ring	68-65	FP-111024		Int.; Rubber
6	Valve Stem Seal Bulk	68-65	FP-111024B		Int.; O-Ring; Carton of 100; Rubber

CAMSHAFT GROUP

QTY	CAMSHAFT/LIFTER	YEARS	PART NO.	SIZE	DESCRIPTION
12	Lifter	68-65	FP-911776		Mech.; .997" dia. body

ENGINE BLOCK & PARTS

QTY	CAM BEARINGS	YEARS	PART NO.	SIZE	DESCRIPTION
1	Cam Set	68-65	FP-1209M	STD	

CRANKSHAFT/OIL PUMP

QTY	SEALS - FRONT CRANK	YEARS	PART NO.	SIZE	DESCRIPTION
1	Redi-Sleeve	68-65	99240		
1	Oil Seal	68-65	472856		
QTY	MAIN BEARINGS	YEARS	PART NO.	SIZE	DESCRIPTION
1	Main Set	68-65	935M Std-10-20		Partial grooved; w/std. oil pump
QTY	OIL PUMP	YEARS	PART NO.	SIZE	DESCRIPTION
1	Oil Pump	68-65	224-41185		Eng. Code "BD220"; Replaces O.E. No. 230421R91
1	Pump Repair Kit	68-65	224-51185		Eng. Code "BD220"

CYLINDER COMPONENTS

QTY	PISTONS	YEARS	PART NO.	SIZE	DESCRIPTION
6	Pin Bushing	68-65	1579V		
QTY	PISTON RINGS	YEARS	PART NO.	SIZE	DESCRIPTION
1	Standard Set	68-65	E-135X Std-30		1-3/32, 1-1/8, 1-3/16

4 M/D Truck GRD233, GRD233A Engs. 3.8L 233 L-HEAD L6 (12 Valve), 3.3125" Bore

CYL. HEAD & PARTS

QTY	VALVE SEAL	YEARS	PART NO.	SIZE	DESCRIPTION
12	O-Ring		FP-111024		Rubber
12	Valve Stem Seal Bulk		FP-111024B		O-Ring; Carton of 100; Rubber

ENGINE BLOCK & PARTS

QTY	CAM BEARINGS	YEARS	PART NO.	SIZE	DESCRIPTION
1	Cam Set		1091M Std Only		

CYLINDER COMPONENTS

QTY	PISTONS	YEARS	PART NO.	SIZE	DESCRIPTION
6	Pin Bushing		9219X		Full round bushing w/1.110" length
6	Pin Bushing		9219V		Split type bushing w/1.120" length

5 M/D Truck BD240, BG241, SD240 Engs. 3.9L 240 OHV L6 (12 Valve), 3.5625" Bore 1960-68

CYL. HEAD & PARTS

QTY	VALVE	YEARS	PART NO.	SIZE	DESCRIPTION
6	Intake	68-60	V-1542 Std Only		SD240 Engs. to Ser. No. 118158; 1.6560" Head Dia., .3720" Stem Dia., 5.0860" O.A.L.

(continued on next page)

M/D Truck BD240, BG241, SD240 Eng. 5
 3.9L 240 OHV L6 (12 Valve), 3.5625" Bore 1960-68 (cont.)

CYL. HEAD & PARTS (cont.)

QTY	VALVE (cont.)	YEARS	PART NO.	SIZE	DESCRIPTION
6	Intake	68-60	FP-V1543		SD240 Engs. From Ser. No. 118159; BD240 Engs.; 1.7810" Head Dia., .3720" Stem Dia., 5.0720" O.A.L.
6	Exhaust	68-60	V-1327X Std Only		Rototype; Free valve; 1.5160" Head Dia., .3715" Stem Dia., 4.9910" O.A.L.
12	Keeper	68-60	FP-41339		w/o Rototype Free valve; 1 groove; Square cut key groove
12	Keeper	68-60	VK-138		w/o Rototype Free valve; 1 groove; Square cut key groove; Carton pack 32
12	Keeper	68-60	VK-138R		w/o Rototype Free valve; 1 groove; Square cut key groove; Hardened
12	Keeper, Bulk	68-60	VK-138B		w/o Rototype Free valve; 1 groove; Square cut key groove; Carton of 1000
QTY	VALVE SEAT	YEARS	PART NO.	SIZE	DESCRIPTION
6	Int.	68-60	245-1875-1N Std Only		Premium Material; 1.8810" OD, 1.6100" ID, .2485" Depth
6	Int.	68-60	245-1875-1 Std Only		1.8810" OD, 1.6100" ID, .2485" Depth
QTY	VALVE GUIDE	YEARS	PART NO.	SIZE	DESCRIPTION
12	Guide	68-60	VG-499		.3760" ID, 2.4100" O.A.L.
QTY	VALVE SPRING	YEARS	PART NO.	SIZE	DESCRIPTION
12	Spring	68-60	VS-547		Rototype; Free valve; 2.2650" Free Height
12	Spring	68-60	VS-389		2.6870" Free Height
QTY	PUSH RODS	YEARS	PART NO.	SIZE	DESCRIPTION
12	Push Rod	68-60	FP-RP3127		12.6860" O.A.L.
QTY	VALVE SEAL	YEARS	PART NO.	SIZE	DESCRIPTION
6	O-Ring	68-60	FP-111024		Int.; "A" & "B" Series; Rubber
12	Valve Stem Seal	68-60	FP-156541		Installation requires valve guide machining; Polyacrylate
12	Valve Stem Seal Bulk	68-60	ST-2002BC		Positive type; Installation requires valve guide machining; Carton of 100; Polyacrylate
6	Valve Stem Seal Bulk	68-60	FP-111024B		Int.; "A" & "B" Series; O-Ring; Carton of 100; Rubber

CAMSHAFT GROUP

QTY	CAMSHAFT/LIFTER	YEARS	PART NO.	SIZE	DESCRIPTION
12	Lifter	68-60	FP-911776		Mech.; .997" dia. body

ENGINE BLOCK & PARTS

QTY	CAM BEARINGS	YEARS	PART NO.	SIZE	DESCRIPTION
1	Cam Set	68-60	FP-1209M	STD	

CRANKSHAFT/OIL PUMP

QTY	SEALS - FRONT CRANK	YEARS	PART NO.	SIZE	DESCRIPTION
1	Redi-Sleeve	68-60	99272		
1	Oil Seal	68-60	417316		
QTY	MAIN BEARINGS	YEARS	PART NO.	SIZE	DESCRIPTION
1	Main Set	68-60	935M Std-10-20		Partial grooved; w/std. oil pump
QTY	OIL PUMP	YEARS	PART NO.	SIZE	DESCRIPTION
1	Oil Pump	68-60	224-41185		Eng. Code "BD240"; Replaces O.E. No. 230421R91
1	Pump Repair Kit	68-60	224-51185		Eng. Code "BD240"

CYLINDER COMPONENTS

QTY	PISTONS	YEARS	PART NO.	SIZE	DESCRIPTION
6	Pin Bushing	68-60	1579V		
QTY	PISTON RINGS	YEARS	PART NO.	SIZE	DESCRIPTION
1	Standard Set	68-60	E-135X Std-30		"A" & "B" Series; Check piston grooving before supplying ring set; 1-3/32, 1-1/8, 1-3/16
1	Standard Set	64-61	677X Std Only		"R" & "S" Series; Check piston grooving before supplying ring set; 1-3/32, 2-1/8, 1-3/16

M/D Truck BLD250 Eng. 6
 4.1L 250 OHV L6 (12 Valve), 3.4375" Bore

CYL. HEAD & PARTS

QTY	VALVE	PART NO.	SIZE	DESCRIPTION
24	Keeper	VK-63		2 groove; Round key groove

CYLINDER COMPONENTS

QTY	PISTONS	PART NO.	SIZE	DESCRIPTION
6	Pin Bushing	1269Y		

International/Navistar Truck



7 M/D Truck BD264, BG264, BG265, SD264 Engs. 4.3L 264 OHV L6 (12 Valve), 3.6875" Bore 1960-68

CYL. HEAD & PARTS

QTY	VALVE	YEARS	PART NO.	SIZE	DESCRIPTION
6	Intake	68-60	FP-V1543		1.7810" Head Dia., .3720" Stem Dia., 5.0720" O.A.L. Rototype; Free valve; 1.5160" Head Dia., .3715" Stem Dia., 4.9910" O.A.L.
6	Exhaust	68-60	V-1327X Std Only		
24	Keeper	68-60	FP-41339		w/o Rototype Free valve; 1 groove; Square cut key groove
24	Keeper	68-60	VK-138		
24	Keeper	68-60	VK-138R		w/o Rototype Free valve; 1 groove; Square cut key groove; Hardened
24	Keeper, Bulk	68-60	VK-138B		w/o Rototype Free valve; 1 groove; Square cut key groove; Carton of 1000
QTY	VALVE SEAT	YEARS	PART NO.	SIZE	DESCRIPTION
6	Int.	68-60	245-1875-1N Std Only		Premium Material; 1.8810" OD, 1.6100" ID, .2485" Depth
6	Int.	68-60	245-1875-1 Std Only		
QTY	VALVE GUIDE	YEARS	PART NO.	SIZE	DESCRIPTION
12	Guide	68-60	VG-499		.3760" ID, 2.4100" O.A.L.
QTY	VALVE SPRING	YEARS	PART NO.	SIZE	DESCRIPTION
12	Spring	68-60	VS-547		Rototype; Free valve; 2.2650" Free Height
12	Spring	68-60	VS-389		2.6870" Free Height
QTY	PUSH RODS	YEARS	PART NO.	SIZE	DESCRIPTION
12	Push Rod	68-60	FP-RP3127		12.6860" O.A.L.
QTY	VALVE SEAL	YEARS	PART NO.	SIZE	DESCRIPTION
6	O-Ring	68-60	FP-111024		Int.; Rubber
12	Valve Stem Seal	68-60	FP-156541		Installation requires valve guide machining; Polyacrylate
12	Valve Stem Seal	68-60	FP-MV1902		Umbrella type; Rubber
12	Valve Stem Seal Bulk	68-60	ST-2002BC		Positive type; Installation requires valve guide machining; Carton of 100; Polyacrylate
6	Valve Stem Seal Bulk	68-60	FP-111024B		Int.; O-Ring; Carton of 100; Rubber

CAMSHAFT GROUP

QTY	CAMSHAFT/LIFTER	YEARS	PART NO.	SIZE	DESCRIPTION
12	Lifter	68-60	FP-911776		Mech.; .997" dia. body

ENGINE BLOCK & PARTS

QTY	CAM BEARINGS	YEARS	PART NO.	SIZE	DESCRIPTION
1	Cam Set	68-60	FP-1209M	STD	

CRANKSHAFT/OIL PUMP

QTY	SEALS - FRONT CRANK	YEARS	PART NO.	SIZE	DESCRIPTION
1	Redi-Sleeve	68-60	99260		
1	Oil Seal	68-60	410708		
QTY	MAIN BEARINGS	YEARS	PART NO.	SIZE	DESCRIPTION
1	Main Set	68-60	935M Std-10-20		Partial grooved; w/std. oil pump
QTY	OIL PUMP	YEARS	PART NO.	SIZE	DESCRIPTION
1	Oil Pump	68-60	224-41185		Eng. Code "BD264"; Replaces O.E. No. 230421R91
1	Pump Repair Kit	68-60	224-51185		

CYLINDER COMPONENTS

QTY	LINERS	YEARS	PART NO.	SIZE	DESCRIPTION
6	Repair Sleeve	68-60	SL-18M Std Only		Eng. Codes "BD264" & "BG265"; 3/32" wall, must be cut to correct length
QTY	PISTONS	YEARS	PART NO.	SIZE	DESCRIPTION
6	Pin Bushing	68-60	1579V		
QTY	PISTON RINGS	YEARS	PART NO.	SIZE	DESCRIPTION
1	Premium Set	68-60	5576KX Std-30		Eng. Codes "BD264" & "BG265"; "A" & "B" Series; 1-3/32, 1-1/8, 1-3/16

8 M/D Truck V266 Eng. 4.4L 266 OHV V8 (16 Valve), 3.625" Bore 1960-70

CYL. HEAD & PARTS

QTY	VALVE	YEARS	PART NO.	SIZE	DESCRIPTION
32	Keeper	70-61	FP-41339		1 groove; Square cut key groove
32	Keeper	70-61	VK-138		1 groove; Square cut key groove; Carton pack 32
32	Keeper	70-61	VK-138R		1 groove; Square cut key groove; Hardened
32	Keeper, Bulk	70-61	VK-138B		1 groove; Square cut key groove; Carton of 1000

(continued on next page)

M/D Truck V266 Eng. 8
4.4L 266 OHV V8 (16 Valve), 3.625" Bore 1960-70 (cont.)

CYL. HEAD & PARTS (cont.)					
QTY	VALVE GUIDE	YEARS	PART NO.	SIZE	DESCRIPTION
16	Guide	70-61	VG-581		.3755" ID, 2.9060" O.A.L.
QTY	VALVE SPRING	YEARS	PART NO.	SIZE	DESCRIPTION
16	Spring	70-61	FP-317365		Incl. damper; 2.0500" Free Height
QTY	PUSH RODS	YEARS	PART NO.	SIZE	DESCRIPTION
16	Push Rod	70-61	RP-3131		Ball & socket type; Use w/fabricated arm w/welded ball; 8.9500" O.A.L.
QTY	VALVE MISC.	YEARS	PART NO.	SIZE	DESCRIPTION
8	Rotocap Assy.	70-61	FP-RC126SA		Exh.; Incl. Rotocap & Valve Spring
8	Rotocap	70-61	FP-443128		Exh.
QTY	VALVE SEAL	YEARS	PART NO.	SIZE	DESCRIPTION
16	Valve Stem Seal	70-61	ST-2004		Positive type; Installation requires valve guide machining; Rubber/PTFE
16	O-Ring	70-61	FP-111024		Rubber
16	Valve Stem Seal Bulk	70-61	FP-111024B		O-Ring; Carton of 100; Rubber
16	Valve Stem Seal Bulk	70-61	ST-2004BC		Positive type; Installation requires valve guide machining; Carton of 100; Rubber/PTFE
QTY	ROCKER PARTS	YEARS	PART NO.	SIZE	DESCRIPTION
8	Arm	70-61	R-884		Int.; Boat type rocker arm; Stamped steel; Use w/Ball & ball end push rod
CAMSHAFT GROUP					
QTY	TIMING	YEARS	PART NO.	SIZE	DESCRIPTION
1	Gear Set	70-60	221-3336S		
QTY	CAMSHAFT/LIFTER	YEARS	PART NO.	SIZE	DESCRIPTION
1	Camshaft	70-60	CS-415		
16	Lifter	70-60	HT-855	Std Only	Hyd.
16	Lifter, Bulk	70-60	HT-855B	Std Only	Hyd.; Carton of 96
1	Prelube	70-60	55-400		4 oz. bottle; 1.5 oz. packet No. 55-403 also avail.
COOLING SYSTEM					
QTY	WATER PUMP	YEARS	PART NO.	SIZE	DESCRIPTION
4	O-Ring	70-60	FP-356005		Water pipe seal
ENGINE BLOCK & PARTS					
QTY	GASKET SETS	YEARS	PART NO.	SIZE	DESCRIPTION
1	Kit Gasket Set	70-60	260-1075		
QTY	CAM BEARINGS	YEARS	PART NO.	SIZE	DESCRIPTION
1	Cam Set	70-60	1218M	Std Only	
QTY	FREEZE PLUGS	YEARS	PART NO.	SIZE	DESCRIPTION
1	Brass Block Plug Kit	70-61	381-8083		
CRANKSHAFT/OIL PUMP					
QTY	SEALS - FRONT CRANK	YEARS	PART NO.	SIZE	DESCRIPTION
1	Redi-Sleeve	70-60	99248		
1	Oil Seal	70-60	7581H		
QTY	SEALS - REAR CRANK	YEARS	PART NO.	SIZE	DESCRIPTION
1	Oil Seal	70-60	2218		
1	Wear Sleeve	70-60	FP-1816569		
QTY	MAIN BEARINGS	YEARS	PART NO.	SIZE	DESCRIPTION
1	Main Set	70-60	4070M	Std-10-20-30	
QTY	OIL PUMP	YEARS	PART NO.	SIZE	DESCRIPTION
1	Oil Pump	68-60	224-41187		Repl. O.E. No. 151075R93
1	Pump Repair Kit	68-60	224-51187		
CYLINDER COMPONENTS					
QTY	LINERS	YEARS	PART NO.	SIZE	DESCRIPTION
6	Repair Sleeve	70-60	SL-17M	Std Only	3/32" wall, must be cut to correct length & notched
QTY	CONNECTING RODS & BRGS.	YEARS	PART NO.	SIZE	DESCRIPTION
1	Rod Set	70-60	8-2410CP	Std-10-20	
8	Rod Pair	70-60	2410CP	Std-2-10-20-30-40	
QTY	PISTON RINGS	YEARS	PART NO.	SIZE	DESCRIPTION
1	Standard Set	70-61	5155X	Std Only	2-3/32, 1-3/16

International/Navistar Truck



9 <i>M/D Truck</i> BD269, BLD269, BLD269A Engs. 4.4L 269 OHV L6 (12 Valve), 3.5625" Bore						
CYL. HEAD & PARTS						
	QTY	VALVE	PART NO.	SIZE	DESCRIPTION	
	24	Keeper	VK-63		2 groove; Round key groove	
	QTY	VALVE SEAT	PART NO.	SIZE	DESCRIPTION	
	6	Exh.	245-1562-1N Std Only		Premium Material; 1.5675" OD, 1.3125" ID, .2160" Depth	
	6	Exh.	245-1562-1 Std Only		1.5675" OD, 1.3125" ID, .2160" Depth	
	6	Int.	245-1750-2N Std Only		Premium Material; 1.7550" OD, 1.5000" ID, .2160" Depth	
	6	Int.	245-1750-2 Std Only		1.7550" OD, 1.5000" ID, .2160" Depth	
	QTY	VALVE SEAL	PART NO.	SIZE	DESCRIPTION	
	12	Valve Stem Seal	ST-2001		BD269 Engs.; Positive type; Installation requires valve guide machining; Rubber/PTFE	
	12	O-Ring	FP-111024		BD269 Engs. from Ser. No. 64775; Rubber	
	12	Valve Stem Seal Bulk	FP-111024B		BD269 Engs. from Ser. No. 64775; O-Ring; Carton of 100; Rubber	
CYLINDER COMPONENTS						
	QTY	PISTONS	PART NO.	SIZE	DESCRIPTION	
	6	Pin Bushing	1269Y			
	QTY	PISTON RINGS	PART NO.	SIZE	DESCRIPTION	
	1	Standard Set	677X Std Only		1-3/32, 2-1/8, 1-3/16	
10 <i>M/D Truck</i> FAC269 Eng. 4.4L 269 OHV L6 (12 Valve), 3.5625" Bore						
CYL. HEAD & PARTS						
	QTY	VALVE	PART NO.	SIZE	DESCRIPTION	
	24	Keeper	VK-63		2 groove; Round key groove	
	QTY	VALVE SEAT	PART NO.	SIZE	DESCRIPTION	
	6	Exh.	245-1562-1N Std Only		Premium Material; 1.5675" OD, 1.3125" ID, .2160" Depth	
	6	Exh.	245-1562-1 Std Only		1.5675" OD, 1.3125" ID, .2160" Depth	
	6	Int.	245-1750-2N Std Only		Premium Material; 1.7550" OD, 1.5000" ID, .2160" Depth	
	6	Int.	245-1750-2 Std Only		1.7550" OD, 1.5000" ID, .2160" Depth	
	QTY	VALVE SEAL	PART NO.	SIZE	DESCRIPTION	
	6	O-Ring	FP-111024		Int.; Rubber	
	6	Valve Stem Seal Bulk	FP-111024B		Int.; O-Ring; Carton of 100; Rubber	
CYLINDER COMPONENTS						
	QTY	PISTONS	PART NO.	SIZE	DESCRIPTION	
	6	Pin Bushing	1269Y			
	QTY	PISTON RINGS	PART NO.	SIZE	DESCRIPTION	
	1	Standard Set	677X Std Only		1-3/32, 2-1/8, 1-3/16	
11 <i>M/D Truck</i> BD282 Eng. H/D Truck BD282 Eng. 4.6L 282 OHV L6 (12 Valve), 3.8125" Bore 1960-71						
CYL. HEAD & PARTS						
	QTY	VALVE	YEARS	PART NO.	SIZE	DESCRIPTION
	12	Keeper	71-60	FP-41339		Int.; 1 groove; Square cut key groove
	12	Keeper	71-60	VK-138		Int.; 1 groove; Square cut key groove; Carton pack 32
	12	Keeper	71-60	VK-138R		Int.; 1 groove; Square cut key groove; Hardened
	12	Keeper, Bulk	71-60	VK-138B		Int.; 1 groove; Square cut key groove; Carton of 1000
	QTY	VALVE SEAT	YEARS	PART NO.	SIZE	DESCRIPTION
	6	Exh.	71-60	245-1750-3N Std Only		Premium Material; 1.7555" OD, 1.4375" ID, .2160" Depth
	6	Exh.	71-60	245-1750-3 Std Only		1.7555" OD, 1.4375" ID, .2160" Depth
	6	Int.	71-60	245-1875-1N Std Only		Premium Material; 1.8810" OD, 1.6100" ID, .2485" Depth
	6	Int.	71-60	245-1875-1 Std Only		1.8810" OD, 1.6100" ID, .2485" Depth
	QTY	VALVE SEAL	YEARS	PART NO.	SIZE	DESCRIPTION
	6	O-Ring	71-60	FP-111024		Int.; Rubber
	12	Valve Stem Seal	71-60	FP-156541		Installation requires valve guide machining; Polyacrylate
	12	Valve Stem Seal Bulk	71-60	ST-2002BC		Positive type; Installation requires valve guide machining; Carton of 100; Polyacrylate
	6	Valve Stem Seal Bulk	71-60	FP-111024B		Int.; O-Ring; Carton of 100; Rubber
CAMSHAFT GROUP						
	QTY	CAMSHAFT/LIFTER	YEARS	PART NO.	SIZE	DESCRIPTION
	12	Lifter	71-60	FP-911776		Mech.; .997" dia. body

(continued on next page)



International/Navistar Truck

M/D Truck **BD282 Eng. 11**
4.6L 282 OHV L6 (12 Valve), 3.8125" Bore 1960-71 (cont.)

CYLINDER COMPONENTS

QTY	LINERS	YEARS	PART NO.	SIZE	DESCRIPTION
1	Repair Sleeve	71-60	SL-93M Std Only		3/32" wall, must be cut to correct length
QTY	PISTONS	YEARS	PART NO.	SIZE	DESCRIPTION
6	Pin Bushing	71-60	1269Y		Steel back bushing w/2 oil holes

M/D Truck **D301 Eng. 12**
4.9L 301 OHV Diesel L6 (12 Valve), 3.8125" Bore 1963-70

CYL. HEAD & PARTS

QTY	VALVE	YEARS	PART NO.	SIZE	DESCRIPTION
24	Keeper	70-63	FP-41339		1 groove; Square cut key groove
24	Keeper	70-63	VK-138		1 groove; Square cut key groove; Carton pack 32
24	Keeper	70-63	VK-138R		1 groove; Square cut key groove; Hardened
24	Keeper, Bulk	70-63	VK-138B		1 groove; Square cut key groove; Carton of 1000
QTY	VALVE SEAT	YEARS	PART NO.	SIZE	DESCRIPTION
6	Exh.	70-63	FP-24513121		1.3170" OD, 1.0625" ID, .1855" Depth
6	Exh.	70-63	245-1312-1 Std Only		1.3170" OD, 1.0625" ID, .1855" Depth
6	Exh.	70-63	245-1375-4 Std Only		1.3795" OD, 1.1250" ID, .1855" Depth
6	Int.	70-63	245-1687-2N Std Only		Premium Material; 1.6925" OD, 1.4375" ID, .2160" Depth
6	Int.	70-63	245-1687-2 Std Only		1.6925" OD, 1.4375" ID, .2160" Depth
QTY	VALVE SPRING	YEARS	PART NO.	SIZE	DESCRIPTION
12	Spring	70-63	VS-547		From Eng. No. 3229; Rototype; Free valve; 2.2650" Free Height
QTY	PUSH RODS	YEARS	PART NO.	SIZE	DESCRIPTION
12	Push Rod	70-63	FP-RP3127		12.6860" O.A.L.
QTY	VALVE MISC.	YEARS	PART NO.	SIZE	DESCRIPTION
6	Rotocap	70-63	RC-107		Exh.; To Eng. No. 3228
QTY	VALVE SEAL	YEARS	PART NO.	SIZE	DESCRIPTION
12	Valve Stem Seal	70-63	MV-1796A		From Eng. No. 3229; Umbrella type; Fits Std. to .015" O/S valve stem
12	Valve Stem Seal	70-63	FP-1804420		From Eng. No. 3229; Umbrella type; Fits Std. to .015" O/S valve stem; Rubber.
12	Valve Stem Seal	70-63	FP-156541		Installation requires valve guide machining; Polyacrylate
12	Valve Stem Seal	70-63	FP-MV1902		To Eng. No. 3228; Umbrella type; Rubber
12	Valve Stem Seal Bulk	70-63	MV-1796		From Eng. No. 3229; Umbrella type; Fits Std. to .015" O/S valve stem; Carton of 100; Rubber
12	Valve Stem Seal Bulk	70-63	ST-2002BC		Positive type; Installation requires valve guide machining; Carton of 100; Polyacrylate

CAMSHAFT GROUP

QTY	CAMSHAFT/LIFTER	YEARS	PART NO.	SIZE	DESCRIPTION
12	Lifter	70-63	FP-911776		Mech.; .997" dia. body

ENGINE BLOCK & PARTS

QTY	GASKET SETS	YEARS	PART NO.	SIZE	DESCRIPTION
1	Kit Gasket Set	70-63	260-1374		
QTY	CAM BEARINGS	YEARS	PART NO.	SIZE	DESCRIPTION
1	Cam Set	70-63	FP-1209M	STD	

CRANKSHAFT/OIL PUMP

QTY	OIL PUMP	YEARS	PART NO.	SIZE	DESCRIPTION
1	Oil Pump	70-63	224-41185		Replaces O.E. No. 230421R91
1	Pump Repair Kit	70-63	224-51185		

CYLINDER COMPONENTS

QTY	LINERS	YEARS	PART NO.	SIZE	DESCRIPTION
6	Repair Sleeve	70-63	SL-93M Std Only		3/32" wall, must be cut to correct length
QTY	CONNECTING RODS & BRGS.	YEARS	PART NO.	SIZE	DESCRIPTION
6	Rod Pair	70-63	2410CP Std-2-10-20-30-40		

International/Navistar Truck



13 M/D Truck V304, V304E Engs. H/D Truck V304, V304E Engs. 5.0L 304 OHV V8 (16 Valve), 3.875" Bore 1960-75

CYL. HEAD & PARTS					
QTY	VALVE	YEARS	PART NO.	SIZE	DESCRIPTION
8	Intake	75-60	V-2525 Std Only		Chrome plated stem; 1.9690" Head Dia., .3725" Stem Dia., 5.2230" O.A.L.
8	Exhaust	75-60	V-2524X Std Only		Chrome plated stem; 1.6090" Head Dia., .3720" Stem Dia., 5.4730" O.A.L.
32	Keeper	75-60	FP-41339		1 groove; Square cut key groove
32	Keeper	75-60	VK-138		1 groove; Square cut key groove; Carton pack 32
32	Keeper	75-60	VK-138R		1 groove; Square cut key groove; Hardened
32	Keeper, Bulk	75-60	VK-138B		1 groove; Square cut key groove; Carton of 1000
QTY	VALVE GUIDE	YEARS	PART NO.	SIZE	DESCRIPTION
16	Guide	75-60	VG-581		.3755" ID, 2.9060" O.A.L.
QTY	VALVE SPRING	YEARS	PART NO.	SIZE	DESCRIPTION
16	Spring	75-60	FP-317365		Incl. damper; 2.0500" Free Height
QTY	PUSH RODS	YEARS	PART NO.	SIZE	DESCRIPTION
16	Push Rod	75-60	RP-3131		Ball & socket type; Use w/fabricated arm w/welded ball; 8.9500" O.A.L.
QTY	VALVE MISC.	YEARS	PART NO.	SIZE	DESCRIPTION
8	Rotocap Assy.	75-60	FP-RC126SA		Exh.; Incl. Rotocap & Valve Spring
8	Rotocap	75-60	FP-443128		Exh.
QTY	VALVE SEAL	YEARS	PART NO.	SIZE	DESCRIPTION
16	Valve Stem Seal	75-60	ST-2004		Positive type; Installation requires valve guide machining; Rubber/PTFE
16	O-Ring	75-60	FP-111024		Rubber
16	Valve Stem Seal Bulk	75-60	FP-111024B		O-Ring; Carton of 100; Rubber
16	Valve Stem Seal Bulk	75-60	ST-2004BC		Positive type; Installation requires valve guide machining; Carton of 100; Rubber/PTFE
QTY	ROCKER PARTS	YEARS	PART NO.	SIZE	DESCRIPTION
8	Arm	75-60	R-884		Int.; Boat type rocker arm; Stamped steel; Use w/Ball & ball end push rod
CAMSHAFT GROUP					
QTY	TIMING	YEARS	PART NO.	SIZE	DESCRIPTION
1	Gear Set	75-60	221-3336S		
QTY	CAMSHAFT/LIFTER	YEARS	PART NO.	SIZE	DESCRIPTION
1	Camshaft	75-60	CS-415		
16	Lifter	75-60	HT-855 Std Only		Hyd.
16	Lifter, Bulk	75-60	HT-855B Std Only		Hyd.; Carton of 96
1	Prelube	75-60	55-400		4 oz. bottle; 1.5 oz. packet No. 55-403 also avail.
COOLING SYSTEM					
QTY	WATER PUMP	YEARS	PART NO.	SIZE	DESCRIPTION
4	O-Ring	75-60	FP-356005		Water pipe seal
ENGINE BLOCK & PARTS					
QTY	GASKET SETS	YEARS	PART NO.	SIZE	DESCRIPTION
1	Kit Gasket Set	75-60	260-1075		
QTY	CAM BEARINGS	YEARS	PART NO.	SIZE	DESCRIPTION
1	Cam Set	75-60	1218M Std Only		
QTY	FREEZE PLUGS	YEARS	PART NO.	SIZE	DESCRIPTION
1	Brass Block Plug Kit	75-61	381-8083		
CRANKSHAFT/OIL PUMP					
QTY	SEALS - FRONT CRANK	YEARS	PART NO.	SIZE	DESCRIPTION
1	Redi-Sleeve	75-60	99248		
1	Oil Seal	75-60	7581H		
QTY	SEALS - REAR CRANK	YEARS	PART NO.	SIZE	DESCRIPTION
1	Oil Seal	75-60	2218		
1	Wear Sleeve	75-60	FP-1816569		
QTY	MAIN BEARINGS	YEARS	PART NO.	SIZE	DESCRIPTION
1	Main Set	75-60	4070M Std-10-20-30		
QTY	OIL PUMP	YEARS	PART NO.	SIZE	DESCRIPTION
1	Oil Pump	75-60	224-41187		Repl. O.E. No. 151075R93
1	Pump Repair Kit	75-60	224-51187		

(continued on next page)



International/Navistar Truck

M/D Truck V304, V304E Engs. H/D Truck V304, V304E Engs. **13**
5.0L 304 OHV V8 (16 Valve), 3.875" Bore 1960-75 (cont.)

CYLINDER COMPONENTS

QTY	LINERS	YEARS	PART NO.	SIZE	DESCRIPTION
8	Repair Sleeve	75-60	SL-20Y Std Only		1/8" wall, must be cut to correct length
QTY	PISTONS	YEARS	PART NO.	SIZE	DESCRIPTION
8	Cast Piston	75-60	HLC997CP Std-40-60		From Chassis No. H668260; w/Exh. Emis.; Hypereutectic; 2-3/32", 1-3/16" Ring Groove, 1.825" CD, 1.0627" Pin Dia., Flat Head; Low Compression; DUROSHIELD® skirt coated piston
8	Cast Piston	75-60	H997CP Std-20-30-40-60		From Chassis No. H668260; w/Exh. Emis.; Hypereutectic; 2-3/32", 1-3/16" Ring Groove, 1.876" CD, 1.0627" Pin Dia., Flat Head; DUROSHIELD® skirt coated piston
8	Cast Piston - Individual	75-60	WH997CP Std-20-30-40-60		From Chassis No. H668260; w/Exh. Emis.; Hypereutectic; 2-3/32", 1-3/16" Ring Groove, 1.876" CD, 1.0627" Pin Dia., Flat Head; DUROSHIELD® skirt coated piston
QTY	CONNECTING RODS & BRGS.	YEARS	PART NO.	SIZE	DESCRIPTION
1	Rod Set	75-60	8-2410CP Std-10-20		
8	Rod Pair	75-60	2410CP Std-2-10-20-30-40		
QTY	PISTON RINGS	YEARS	PART NO.	SIZE	DESCRIPTION
1	Premium Set	75-60	E-270K Std-20-30-40-60		2-3/32, 1-3/16
1	Standard Set	75-60	E-270X Std-20-30-40-60		2-3/32, 1-3/16
8	Premium Single Cylinder Set	75-60	WE-270K Std-20-30-40-60		2-3/32, 1-3/16
8	Standard Single Cylinder Set	75-60	WE-270X Std-30-40-60		2-3/32, 1-3/16

KITS

RE-RING KIT YEARS	DESCRIPTION	QTY	PREMIUM KIT NO.	QTY	ECONOMY KIT NO.
75-60	Re-ring	1	205-670		----
75-60	Re-ring		----	1	205-170
	Re-ring w/Mains	1	205-670M	1	205-170M

M/D Truck V304, V304E Engs. (LPG) **14**
5.0L 304 OHV LPG V8 (16 Valve), 3.875" Bore 1967-74

CYL. HEAD & PARTS

QTY	VALVE	YEARS	PART NO.	SIZE	DESCRIPTION
8	Intake	74-67	V-2525 Std Only		Chrome plated stem; 1.9690" Head Dia., .3725" Stem Dia., 5.2230" O.A.L.
8	Exhaust	74-67	V-2524X Std Only		Chrome plated stem; 1.6090" Head Dia., .3720" Stem Dia., 5.4730" O.A.L.
32	Keeper	74-67	FP-41339		1 groove; Square cut key groove
32	Keeper	74-67	VK-138		1 groove; Square cut key groove; Carton pack 32
32	Keeper	74-67	VK-138R		1 groove; Square cut key groove; Hardened
32	Keeper, Bulk	74-67	VK-138B		1 groove; Square cut key groove; Carton of 1000
QTY	VALVE GUIDE	YEARS	PART NO.	SIZE	DESCRIPTION
16	Guide	74-67	VG-581		.3755" ID, 2.9060" O.A.L.
QTY	VALVE SPRING	YEARS	PART NO.	SIZE	DESCRIPTION
16	Spring	74-67	FP-317365		Incl. damper; 2.0500" Free Height
QTY	PUSH RODS	YEARS	PART NO.	SIZE	DESCRIPTION
16	Push Rod	74-67	RP-3131		Ball & socket type; Use w/fabricated arm w/welded ball; 8.9500" O.A.L.
QTY	VALVE MISC.	YEARS	PART NO.	SIZE	DESCRIPTION
8	Rotocap Assy.	74-67	FP-RC126SA		Exh.; Incl. Rotocap & Valve Spring
8	Rotocap	74-67	FP-443128		Exh.
QTY	VALVE SEAL	YEARS	PART NO.	SIZE	DESCRIPTION
16	Valve Stem Seal	74-67	ST-2004		Positive type; Installation requires valve guide machining; Rubber/PTFE
16	O-Ring	74-67	FP-111024		Rubber
16	Valve Stem Seal Bulk	74-67	FP-111024B		O-Ring; Carton of 100; Rubber
16	Valve Stem Seal Bulk	74-67	ST-2004BC		Positive type; Installation requires valve guide machining; Carton of 100; Rubber/PTFE
QTY	ROCKER PARTS	YEARS	PART NO.	SIZE	DESCRIPTION
8	Arm	74-67	R-884		Int.; Boat type rocker arm; Stamped steel; Use w/Ball & ball end push rod

(continued on next page)

International/Navistar Truck



14 M/D Truck V304, V304E Engs. (LPG)
 (cont.) 5.0L 304 OHV LPG V8 (16 Valve), 3.875" Bore 1967-74

CAMSHAFT GROUP							
QTY	TIMING	YEARS	PART NO.	SIZE	DESCRIPTION		
1	Gear Set	74-67	221-3336S				
QTY	CAMSHAFT/LIFTER	YEARS	PART NO.	SIZE	DESCRIPTION		
1	Camshaft	74-67	CS-415				
16	Lifter	74-67	HT-855 Std Only		Hyd.		
16	Lifter, Bulk	74-67	HT-855B Std Only		Hyd.; Carton of 96		
1	Prelube	74-67	55-400		4 oz. bottle; 1.5 oz. packet No. 55-403 also avail.		
COOLING SYSTEM							
QTY	WATER PUMP	YEARS	PART NO.	SIZE	DESCRIPTION		
4	O-Ring	74-67	FP-356005		Water pipe seal		
ENGINE BLOCK & PARTS							
QTY	GASKET SETS	YEARS	PART NO.	SIZE	DESCRIPTION		
1	Kit Gasket Set	74-67	260-1075		Int. manifold gskts. not incl.		
QTY	CAM BEARINGS	YEARS	PART NO.	SIZE	DESCRIPTION		
1	Cam Set	74-67	1218M Std Only				
QTY	FREEZE PLUGS	YEARS	PART NO.	SIZE	DESCRIPTION		
1	Brass Block Plug Kit	74-67	381-8083				
CRANKSHAFT/OIL PUMP							
QTY	SEALS - FRONT CRANK	YEARS	PART NO.	SIZE	DESCRIPTION		
1	Redi-Sleeve	74-67	99248				
1	Oil Seal	74-67	7581H				
QTY	SEALS - REAR CRANK	YEARS	PART NO.	SIZE	DESCRIPTION		
1	Oil Seal	74-67	2218				
1	Wear Sleeve	74-67	FP-1816569				
QTY	MAIN BEARINGS	YEARS	PART NO.	SIZE	DESCRIPTION		
1	Main Set	74-67	4070M Std-10-20-30				
QTY	OIL PUMP	YEARS	PART NO.	SIZE	DESCRIPTION		
1	Oil Pump	74-67	224-41187		Repl. O.E. No. 151075R93		
1	Pump Repair Kit	74-67	224-51187				
CYLINDER COMPONENTS							
QTY	LINERS	YEARS	PART NO.	SIZE	DESCRIPTION		
8	Repair Sleeve	74-67	SL-20Y Std Only		1/8" wall, must be cut to correct length		
QTY	PISTONS	YEARS	PART NO.	SIZE	DESCRIPTION		
8	Cast Piston	74-67	HLC997CP Std-40-60		From Chassis No. H668260; w/Exh. Emis.; Hypereutectic; 2-3/32", 1-3/16" Ring Groove, 1.825" CD, 1.0627" Pin Dia., Flat Head; Low Compression; DUROSHIELD® skirt coated piston		
8	Cast Piston	74-67	H997CP Std-20-30-40-60		From Chassis No. H668260; w/Exh. Emis.; Hypereutectic; 2-3/32", 1-3/16" Ring Groove, 1.876" CD, 1.0627" Pin Dia., Flat Head; DUROSHIELD® skirt coated piston		
8	Cast Piston - Individual	74-67	WH997CP Std-20-30-40-60		From Chassis No. H668260; w/Exh. Emis.; Hypereutectic; 2-3/32", 1-3/16" Ring Groove, 1.876" CD, 1.0627" Pin Dia., Flat Head; DUROSHIELD® skirt coated piston		
QTY	CONNECTING RODS & BRGS.	YEARS	PART NO.	SIZE	DESCRIPTION		
1	Rod Set	74-67	8-2410CP Std-10-20				
8	Rod Pair	74-67	2410CP Std-2-10-20-30-40				
QTY	PISTON RINGS	YEARS	PART NO.	SIZE	DESCRIPTION		
1	Premium Set	74-67	E-270K Std-20-30-40-60		2-3/32, 1-3/16		
1	Standard Set	74-67	E-270X Std-20-30-40-60		2-3/32, 1-3/16		
8	Premium Single Cylinder Set	74-67	WE-270K Std-20-30-40-60		2-3/32, 1-3/16		
8	Standard Single Cylinder Set	74-67	WE-270X Std-30-40-60		2-3/32, 1-3/16		
KITS							
RE-RING KIT	YEARS	DESCRIPTION	QTY	PREMIUM KIT NO.	QTY	ECONOMY KIT NO.	
74-67		Int. manifold gskts. not incl.					
				Re-ring	1	205-670	----

(continued on next page)



International/Navistar Truck

M/D Truck V304, V304E Engs. (LPG) 14
5.0L 304 OHV LPG V8 (16 Valve), 3.875" Bore 1967-74 (cont.)

KITS (cont.)

RE-RING KIT (cont.)	YEARS	DESCRIPTION	QTY	PREMIUM KIT NO.	QTY	ECONOMY KIT NO.
74-67	Int. manifold gskts. not incl.	Re-ring		----	1	205-170
		Re-ring w/Mains	1	205-670M	1	205-170M

M/D Truck BD308 Eng. H/D Truck BD308 Eng. 15
5.0L 308 OHV L6 (12 Valve), 3.8125" Bore 1960-71

CYL. HEAD & PARTS

QTY	VALVE	YEARS	PART NO.	SIZE	DESCRIPTION
12	Keeper	71-60	FP-41339		Int.; 1 groove; Square cut key groove
12	Keeper	71-60	VK-138		Int.; 1 groove; Square cut key groove; Carton pack 32
12	Keeper	71-60	VK-138R		Int.; 1 groove; Square cut key groove; Hardened
12	Keeper, Bulk	71-60	VK-138B		Int.; 1 groove; Square cut key groove; Carton of 1000
QTY	VALVE SEAT	YEARS	PART NO.	SIZE	DESCRIPTION
6	Exh.	71-60	245-1750-3N Std Only		Premium Material; 1.7555" OD, 1.4375" ID, .2160" Depth
6	Exh.	71-60	245-1750-3 Std Only		1.7555" OD, 1.4375" ID, .2160" Depth
6	Int.	71-60	245-1875-1N Std Only		Premium Material; 1.8810" OD, 1.6100" ID, .2485" Depth
6	Int.	71-60	245-1875-1 Std Only		1.8810" OD, 1.6100" ID, .2485" Depth
QTY	VALVE SEAL	YEARS	PART NO.	SIZE	DESCRIPTION
6	O-Ring	71-60	FP-111024		Int.; Rubber
12	Valve Stem Seal	71-60	FP-156541		Installation requires valve guide machining; Polyacrylate
12	Valve Stem Seal Bulk	71-60	ST-2002BC		Positive type; Installation requires valve guide machining; Carton of 100; Polyacrylate
6	Valve Stem Seal Bulk	71-60	FP-111024B		Int.; O-Ring; Carton of 100; Rubber

CAMSHAFT GROUP

QTY	CAMSHAFT/LIFTER	YEARS	PART NO.	SIZE	DESCRIPTION
12	Lifter	71-60	FP-911776		Mech.; .997" dia. body

CRANKSHAFT/OIL PUMP

QTY	SEALS - FRONT CRANK	YEARS	PART NO.	SIZE	DESCRIPTION
1	Redi-Sleeve	71-60	99272		
1	Oil Seal	71-60	417316		

CYLINDER COMPONENTS

QTY	LINERS	YEARS	PART NO.	SIZE	DESCRIPTION
6	Repair Sleeve	71-60	SL-93M Std Only		3/32" wall, must be cut to correct length
QTY	PISTONS	YEARS	PART NO.	SIZE	DESCRIPTION
6	Pin Bushing	71-60	1269Y		Steel back bushing w/2 oil holes

M/D Truck RED318, RED318A Engs. 16
5.2L 318 OHV L6 (12 Valve), 3.875" Bore

CYL. HEAD & PARTS

QTY	VALVE SEAL	PART NO.	SIZE	DESCRIPTION
12	O-Ring	FP-111024		Rubber
12	Valve Stem Seal Bulk	FP-111024B		O-Ring; Carton of 100; Rubber

M/D Truck V345, V345E Engs. H/D Truck V345, V345E Engs. 17
5.7L 345 OHV V8 (16 Valve), 3.875" Bore 1961-85

CYL. HEAD & PARTS

QTY	VALVE	YEARS	PART NO.	SIZE	DESCRIPTION
8	Intake	85-61	V-2525 Std Only		Chrome plated stem; 1.9690" Head Dia., .3725" Stem Dia., 5.2230" O.A.L.
8	Exhaust	85-61	V-2524X Std Only		Chrome plated stem; 1.6090" Head Dia., .3720" Stem Dia., 5.4730" O.A.L.
32	Keeper	85-61	FP-41339		1 groove; Square cut key groove
32	Keeper	85-61	VK-138		1 groove; Square cut key groove; Carton pack 32
32	Keeper	85-61	VK-138R		1 groove; Square cut key groove; Hardened
32	Keeper, Bulk	85-61	VK-138B		1 groove; Square cut key groove; Carton of 1000
QTY	VALVE GUIDE	YEARS	PART NO.	SIZE	DESCRIPTION
16	Guide	85-61	VG-581		.3755" ID, 2.9060" O.A.L.
QTY	VALVE SPRING	YEARS	PART NO.	SIZE	DESCRIPTION
16	Spring	85-61	FP-317365		Incl. damper; 2.0500" Free Height

(continued on next page)

International/Navistar Truck



17 M/D Truck V345, V345E Engs. H/D Truck V345, V345E Engs.
 (cont.) 5.7L 345 OHV V8 (16 Valve), 3.875" Bore 1961-85

CYL. HEAD & PARTS (cont.)					
QTY	PUSH RODS	YEARS	PART NO.	SIZE	DESCRIPTION
16	Push Rod	85-61	RP-3133		Ball & ball type ends; Use w/boat type rocker arms; 9.7790" O.A.L.
16	Push Rod	85-61	RP-3132		Ball & socket type; Use w/fabricated arm w/welded ball; 9.7500" O.A.L.
QTY	VALVE MISC.	YEARS	PART NO.	SIZE	DESCRIPTION
8	Rotocap Assy.	85-61	FP-RC126SA		Exh.; Incl. Rotocap & Valve Spring
8	Rotocap	85-61	FP-443128		Exh.
QTY	VALVE SEAL	YEARS	PART NO.	SIZE	DESCRIPTION
16	Valve Stem Seal	85-61	ST-2004		Positive type; Installation requires valve guide machining; Rubber/PTFE
16	O-Ring	85-61	FP-111024		Rubber
16	Valve Stem Seal Bulk	85-61	FP-111024B		O-Ring; Carton of 100; Rubber
16	Valve Stem Seal Bulk	85-61	ST-2004BC		Positive type; Installation requires valve guide machining; Carton of 100; Rubber/PTFE
QTY	ROCKER PARTS	YEARS	PART NO.	SIZE	DESCRIPTION
8	Arm	85-61	R-884		Int.; Boat type rocker arm; Stamped steel; Use w/Ball & ball end push rod
CAMSHAFT GROUP					
QTY	TIMING	YEARS	PART NO.	SIZE	DESCRIPTION
1	Gear Set	85-61	221-3336S		
QTY	CAMSHAFT/LIFTER	YEARS	PART NO.	SIZE	DESCRIPTION
1	Camshaft	85-61	CS-415		
16	Lifter	85-61	HT-855 Std Only		Hyd.
16	Lifter, Bulk	85-61	HT-855B Std Only		Hyd.; Carton of 96
1	Prelube	85-61	55-400		4 oz. bottle; 1.5 oz. packet No. 55-403 also avail.
COOLING SYSTEM					
QTY	WATER PUMP	YEARS	PART NO.	SIZE	DESCRIPTION
4	O-Ring	85-61	FP-356005		Water pipe seal
ENGINE BLOCK & PARTS					
QTY	GASKET SETS	YEARS	PART NO.	SIZE	DESCRIPTION
1	Kit Gasket Set	85-61	260-1075		
QTY	CAM BEARINGS	YEARS	PART NO.	SIZE	DESCRIPTION
1	Cam Set	85-61	1218M Std Only		
QTY	FREEZE PLUGS	YEARS	PART NO.	SIZE	DESCRIPTION
1	Brass Block Plug Kit	85-61	381-8083		
CRANKSHAFT/OIL PUMP					
QTY	SEALS - FRONT CRANK	YEARS	PART NO.	SIZE	DESCRIPTION
1	Redi-Sleeve	85-61	99248		
1	Oil Seal	85-61	7581H		
QTY	SEALS - REAR CRANK	YEARS	PART NO.	SIZE	DESCRIPTION
1	Oil Seal	85-61	2218		
1	Wear Sleeve	85-61	FP-1816569		
QTY	MAIN BEARINGS	YEARS	PART NO.	SIZE	DESCRIPTION
1	Main Set	85-61	4070M Std-10-20-30		
QTY	OIL PUMP	YEARS	PART NO.	SIZE	DESCRIPTION
1	Oil Pump	85-61	224-41187		Repl. O.E. No. 151075R93
1	Pump Repair Kit	85-61	224-51187		To Eng. Ser. No. 1342934
CYLINDER COMPONENTS					
QTY	LINERS	YEARS	PART NO.	SIZE	DESCRIPTION
8	Repair Sleeve	85-61	SL-20Y Std Only		1/8" wall, must be cut to correct length
QTY	PISTONS	YEARS	PART NO.	SIZE	DESCRIPTION
8	Cast Piston	80-67	HLC997CP Std-40-60		From Chassis No. H765354; /Exh. Emis.; Hypereutectic; 2-3/32", 1-3/16" Ring Groove, 1.825" CD, 1.0627" Pin Dia., Flat Head; Low Compression; DUROSHIELD® skirt coated piston
8	Cast Piston	80-67	H997CP Std-20-30-40-60		From Chassis No. H765354; w/Exh. Emis.; Hypereutectic; 2-3/32", 1-3/16" Ring Groove, 1.876" CD, 1.0627" Pin Dia., Flat Head; DUROSHIELD® skirt coated piston

(continued on next page)



International/Navistar Truck

M/D Truck V345, V345E Engs. H/D Truck V345, V345E Engs. **17**
5.7L 345 OHV V8 (16 Valve), 3.875" Bore 1961-85 (cont.)

CYLINDER COMPONENTS (cont.)

QTY	PISTONS (cont.)	YEARS	PART NO.	SIZE	DESCRIPTION
8	Cast Piston - Individual	80-67	WH997CP Std-20-30-40-60		From Chassis No. H765354; w/Exh. Emis.; Hypereutectic; 2-3/32", 1-3/16" Ring Groove, 1.876" CD, 1.0627" Pin Dia., Flat Head; DUROSHIELD® skirt coated piston
QTY	CONNECTING RODS & BRGS.	YEARS	PART NO.	SIZE	DESCRIPTION
1	Rod Set	85-61	8-2410CP Std-10-20		
8	Rod Pair	85-61	2410CP Std-2-10-20-30-40		
QTY	PISTON RINGS	YEARS	PART NO.	SIZE	DESCRIPTION
1	Premium Set	85-61	E-270K Std-20-30-40-60		2-3/32, 1-3/16
1	Standard Set	85-61	E-270X Std-20-30-40-60		2-3/32, 1-3/16
8	Premium Single Cylinder Set	85-61	WE-270K Std-20-30-40-60		2-3/32, 1-3/16
8	Standard Single Cylinder Set	85-61	WE-270X Std-30-40-60		2-3/32, 1-3/16

KITS

RE-RING KIT YEARS	DESCRIPTION	QTY	PREMIUM KIT NO.	QTY	ECONOMY KIT NO.
85-61	Re-ring	1	205-670		----
85-61	Re-ring		----	1	205-170
	Re-ring w/Mains	1	205-670M	1	205-170M

M/D Truck V345, V345E Engs. (LPG) **18**
5.7L 345 OHV LPG V8 (16 Valve), 3.875" Bore 1967-74

CYL. HEAD & PARTS

QTY	VALVE	YEARS	PART NO.	SIZE	DESCRIPTION
8	Intake	74-67	V-2525 Std Only		Chrome plated stem; 1.9690" Head Dia., .3725" Stem Dia., 5.2230" O.A.L.
8	Exhaust	74-67	V-2524X Std Only		Chrome plated stem; 1.6090" Head Dia., .3720" Stem Dia., 5.4730" O.A.L.
32	Keeper	74-67	FP-41339		1 groove; Square cut key groove
32	Keeper	74-67	VK-138		1 groove; Square cut key groove; Carton pack 32
32	Keeper	74-67	VK-138R		1 groove; Square cut key groove; Hardened
32	Keeper, Bulk	74-67	VK-138B		1 groove; Square cut key groove; Carton of 1000
QTY	VALVE GUIDE	YEARS	PART NO.	SIZE	DESCRIPTION
16	Guide	74-67	VG-581		.3755" ID, 2.9060" O.A.L.
QTY	VALVE SPRING	YEARS	PART NO.	SIZE	DESCRIPTION
16	Spring	74-67	FP-317365		Incl. damper; 2.0500" Free Height
QTY	PUSH RODS	YEARS	PART NO.	SIZE	DESCRIPTION
16	Push Rod	74-67	RP-3133		Ball & ball type ends; Use w/boat type rocker arms; 9.7790" O.A.L.
16	Push Rod	74-67	RP-3132		Ball & socket type; Use w/fabricated arm w/welded ball; 9.7500" O.A.L.
QTY	VALVE MISC.	YEARS	PART NO.	SIZE	DESCRIPTION
8	Rotocap Assy.	74-67	FP-RC126SA		Exh.; Incl. Rotocap & Valve Spring
8	Rotocap	74-67	FP-443128		Exh.
QTY	VALVE SEAL	YEARS	PART NO.	SIZE	DESCRIPTION
16	Valve Stem Seal	74-67	ST-2004		Positive type; Installation requires valve guide machining; Rubber/PTFE
16	O-Ring	74-67	FP-111024		Rubber
16	Valve Stem Seal Bulk	74-67	FP-111024B		O-Ring; Carton of 100; Rubber
16	Valve Stem Seal Bulk	74-67	ST-2004BC		Positive type; Installation requires valve guide machining; Carton of 100; Rubber/PTFE
QTY	ROCKER PARTS	YEARS	PART NO.	SIZE	DESCRIPTION
8	Arm	74-67	R-884		Int.; Boat type rocker arm; Stamped steel; Use w/Ball & ball end push rod

CAMSHAFT GROUP

QTY	TIMING	YEARS	PART NO.	SIZE	DESCRIPTION
1	Gear Set	74-67	221-3336S		
QTY	CAMSHAFT/LIFTER	YEARS	PART NO.	SIZE	DESCRIPTION
1	Camshaft	74-67	CS-415		
16	Lifter	74-67	HT-855 Std Only		Hyd.

(continued on next page)

International/Navistar Truck



18 M/D Truck V345, V345E Engs. (LPG)
 (cont.) 5.7L 345 OHV LPG V8 (16 Valve), 3.875" Bore 1967-74

CAMSHAFT GROUP (cont.)							
QTY	CAMSHAFT/LIFTER (cont.)	YEARS	PART NO.	SIZE	DESCRIPTION		
16	Lifter, Bulk	74-67	HT-855B Std Only		Hyd.; Carton of 96		
1	Prelube	74-67	55-400		4 oz. bottle; 1.5 oz. packet No. 55-403 also avail.		
COOLING SYSTEM							
QTY	WATER PUMP	YEARS	PART NO.	SIZE	DESCRIPTION		
4	O-Ring	74-67	FP-356005		Water pipe seal		
ENGINE BLOCK & PARTS							
QTY	GASKET SETS	YEARS	PART NO.	SIZE	DESCRIPTION		
1	Kit Gasket Set	74-67	260-1075		Int. manifold gskts. not incl.		
QTY	CAM BEARINGS	YEARS	PART NO.	SIZE	DESCRIPTION		
1	Cam Set	74-67	1218M Std Only				
QTY	FREEZE PLUGS	YEARS	PART NO.	SIZE	DESCRIPTION		
1	Brass Block Plug Kit	74-67	381-8083				
CRANKSHAFT/OIL PUMP							
QTY	SEALS - FRONT CRANK	YEARS	PART NO.	SIZE	DESCRIPTION		
1	Redi-Sleeve	74-67	99248				
1	Oil Seal	74-67	7581H				
QTY	SEALS - REAR CRANK	YEARS	PART NO.	SIZE	DESCRIPTION		
1	Oil Seal	74-67	2218				
1	Wear Sleeve	74-67	FP-1816569				
QTY	MAIN BEARINGS	YEARS	PART NO.	SIZE	DESCRIPTION		
1	Main Set	74-67	4070M Std-10-20-30				
QTY	OIL PUMP	YEARS	PART NO.	SIZE	DESCRIPTION		
1	Oil Pump	74-67	224-41187		Repl. O.E. No. 151075R93		
1	Pump Repair Kit	74-67	224-51187		To Eng. Ser. No. 1342934		
CYLINDER COMPONENTS							
QTY	LINERS	YEARS	PART NO.	SIZE	DESCRIPTION		
8	Repair Sleeve	74-67	SL-20Y Std Only		1/8" wall, must be cut to correct length		
QTY	PISTONS	YEARS	PART NO.	SIZE	DESCRIPTION		
8	Cast Piston	74-67	HLC997CP Std-40-60		From Chassis No. H765354; w/Exh. Emis.; Hypereutectic; 2-3/32", 1-3/16" Ring Groove, 1.825" CD, 1.0627" Pin Dia., Flat Head; Low Compression; DUROSHIELD® skirt coated piston		
8	Cast Piston	74-67	H997CP Std-20-30-40-60		From Chassis No. H765354; w/Exh. Emis.; Hypereutectic; 2-3/32", 1-3/16" Ring Groove, 1.876" CD, 1.0627" Pin Dia., Flat Head; DUROSHIELD® skirt coated piston		
8	Cast Piston - Individual	74-67	WH997CP Std-20-30-40-60		From Chassis No. H765354; w/Exh. Emis.; Hypereutectic; 2-3/32", 1-3/16" Ring Groove, 1.876" CD, 1.0627" Pin Dia., Flat Head; DUROSHIELD® skirt coated piston		
QTY	CONNECTING RODS & BRGS.	YEARS	PART NO.	SIZE	DESCRIPTION		
1	Rod Set	74-67	8-2410CP Std-10-20				
8	Rod Pair	74-67	2410CP Std-2-10-20-30-40				
QTY	PISTON RINGS	YEARS	PART NO.	SIZE	DESCRIPTION		
1	Premium Set	74-67	E-270K Std-20-30-40-60		2-3/32, 1-3/16		
1	Standard Set	74-67	E-270X Std-20-30-40-60		2-3/32, 1-3/16		
8	Premium Single Cylinder Set	74-67	WE-270K Std-20-30-40-60		2-3/32, 1-3/16		
8	Standard Single Cylinder Set	74-67	WE-270X Std-30-40-60		2-3/32, 1-3/16		
KITS							
RE-RING KIT	YEARS	DESCRIPTION		QTY	PREMIUM KIT NO.	QTY	ECONOMY KIT NO.
	74-67	Int. manifold gskts. not incl.	Re-ring	1	205-670		----
	74-67	Int. manifold gskts. not incl.	Re-ring		----	1	205-170
			Re-ring w/Mains	1	205-670M	1	205-170M



DT-360 Engine

Global Technology Behind Every Part

Overview

The DT-360 diesel engine was first introduced in 1987. It is used in On-Highway truck and bus applications.

The DT-360 can be identified by the permanent engine number stamped on a pad located on the upper left hand side of the engine crankcase, below the intake manifold.

Engine Type Diesel, 4-cycle
 Configuration..... In-Line 6-Cylinder
 Displacement 360 cu. In. (5.9L)
 Bore and Stroke..... 4.010 x 4.750 in.
 (101.9 x 120.65 mm)
 Combustion System..... Direct Injection
 Total Engine Weight (Dry)..... 1200 lb. (544.3 kg)

DT-360 In-Frame Overhaul – Early engines

KIT NUMBER	COMPONENT NO.	QTY.	PART SIZE	PART DESCRIPTION	PART APPLICATION
FP-IFK-DT360	FP-1809920	6		Liner Kit w/o Rings	For engines with S/N 39374 and below
	FP-1809919	6		Ring Set, Single Cylinder	
	FP-1823863	6	Std.	Rod Bearing Pair	
	FP-1823864	6	10	Rod Bearing Pair	
	FP-1823865	6	20	Rod Bearing Pair	
	FP-1823866	6	30	Rod Bearing Pair	
	FP-1823859	1	Std.	Main Bearing Set	
	FP-1823860	1	10	Main Bearing Set	
	FP-1823861	1	20	Main Bearing Set	
	PGN360-IF	1	10	In-Frame Gasket Set	





DT-360 Engine

Global Technology Behind Every Part

DT-360 In-Frame Overhaul – Late engines

KIT NUMBER	COMPONENT NO.	QTY.	PART SIZE	PART DESCRIPTION	PART APPLICATION
FP-IFK-DT360L	FP-1811894	6		Liner Kit w/o Rings	For engines with S/N 39375 thru 72706
	FP-1815404	6		Liner Kit w/o Rings	For engines with S/N 72707 thru 90975
	FP-1817250	6		Liner Kit w/o Rings	For engines with S/N 90976 and above
	FP-1809919	6		Ring Set, Single Cylinder	For engines with S/N 90975 and below
	FP-1817251	6		Ring Set, Single Cylinder	For engines with S/N 90976 and above
	FP-1823863	6	Std.	Rod Bearing Pair	
	FP-1823864	6	10	Rod Bearing Pair	
	FP-1823865	6	20	Rod Bearing Pair	
	FP-1823866	1	30	Rod Bearing Pair	
	FP-1823859	1	Std.	Main Bearing Set	
	FP-1823860	1	10	Main Bearing Set	
	FP-1823861	1	20	Main Bearing Set	
	PGN360-IF	1		In-Frame Gasket Set	

DT-360 Complete Overhaul – Early engines

KIT NUMBER	COMPONENT NO.	QTY.	PART SIZE	PART DESCRIPTION	PART APPLICATION
FP-IFK-DT360-OH	FP-1809920	6		Liner Kit w/o Rings	For engines with S/N 39374 and below
	FP-1809919	6		Ring Set, Single Cylinder	
	FP-1823863	6	Std.	Rod Bearing Pair	
	FP-1823864	6	10	Rod Bearing Pair	
	FP-1823865	6	20	Rod Bearing Pair	
	FP-1823866	1	30	Rod Bearing Pair	
	FP-1823859	1	Std.	Main Bearing Set	
	FP-1823860	1	10	Main Bearing Set	
	FP-1823861	1	20	Main Bearing Set	
	FP-1817256			Overhaul Gasket Set	





DT-360 Engine

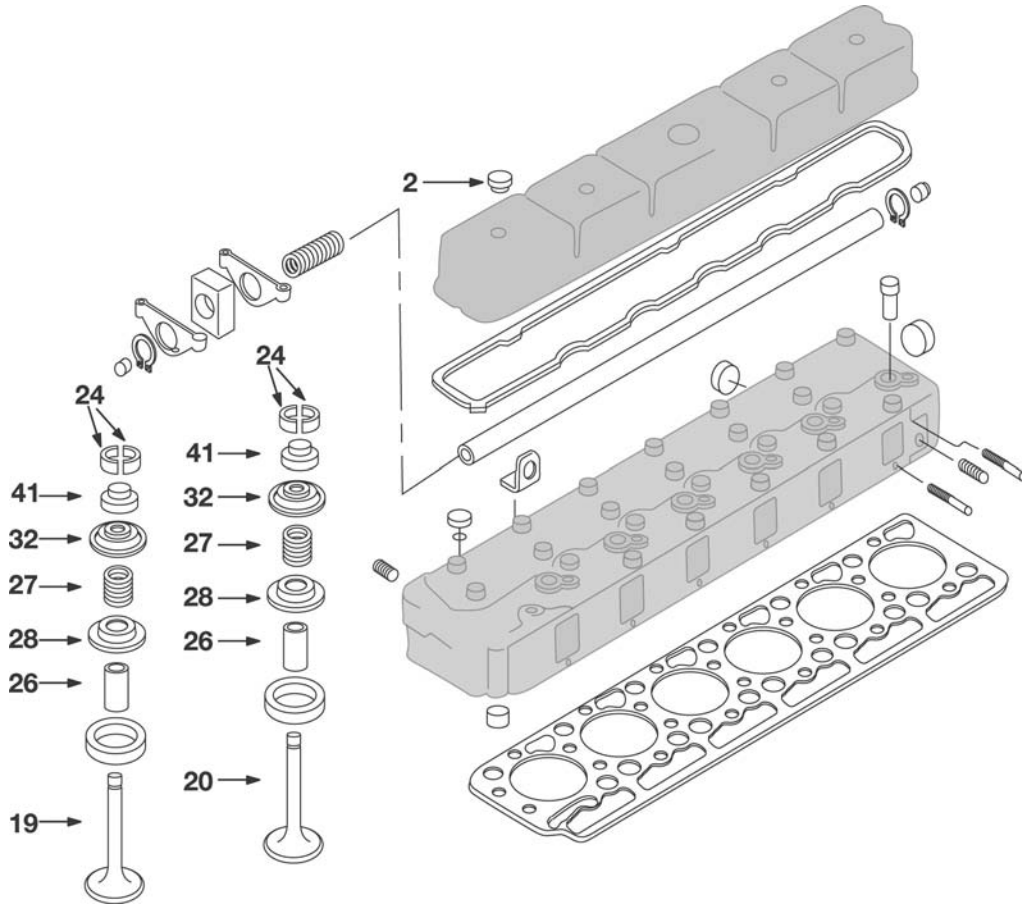
Global Technology Behind Every Part

DT-360 Complete Overhaul – Late engines

KIT NUMBER	COMPONENT NO.	QTY.	PART SIZE	PART DESCRIPTION	PART APPLICATION
FP-IFK-DT360L-OH	FP-1811894	6		Liner Kit w/o Rings	For engines with S/N 39375 thru 72706
	FP-1815404	6		Liner Kit w/o Rings	For engines with S/N 72707 thru 90975
	FP-1817250	6		Liner Kit w/o Rings	For engines with S/N 90976 and above
	FP-1809919	6		Ring Set, Single Cylinder	For engines with S/N 90975 and below
	FP-1817251	6		Ring Set, Single Cylinder	For engines with S/N 90976 and above
	FP-1823863	6	Std.	Rod Bearing Pair	
	FP-1823864	6	10	Rod Bearing Pair	
	FP-1823865	6	20	Rod Bearing Pair	
	FP-1823866	6	30	Rod Bearing Pair	
	FP-1823859	1	Std.	Main Bearing Set	
	FP-1823860	1	10	Main Bearing Set	
	FP-1823861	1	20	Main Bearing Set	
	FP-1817256	1		Overhaul Gasket Set	

19 M/D Truck DT360 Eng. H/D Truck DT360 Eng. 5.9L 360 OHV Turbo-Diesel L6 (12 Valve), 4.01" Bore 1987-93

CYL. HEAD & PARTS

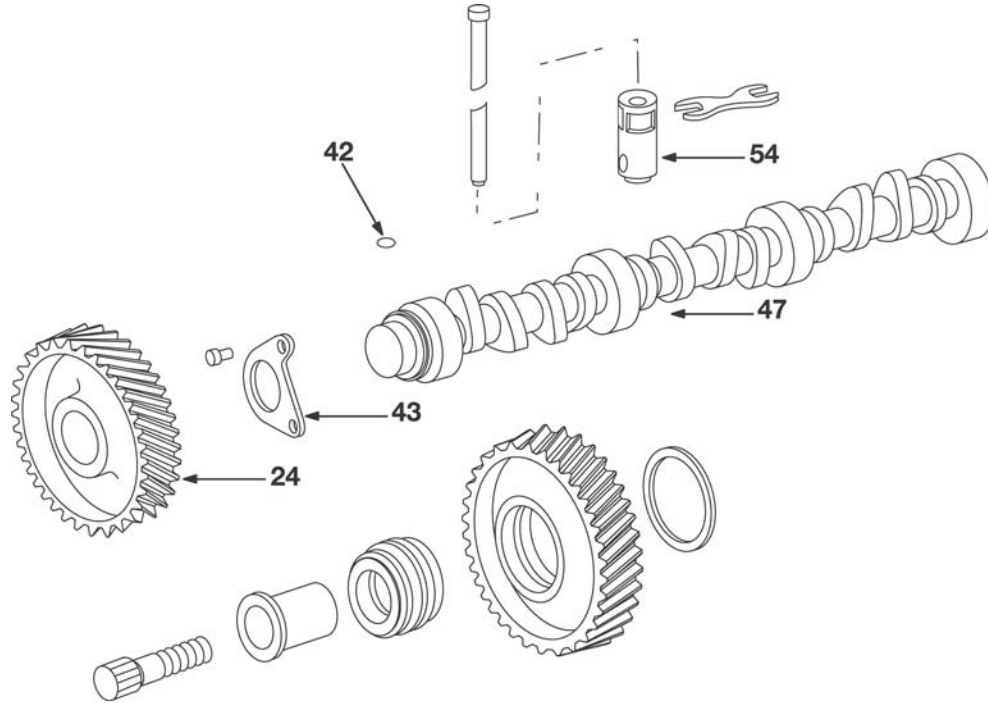


REF #	QTY	GASKETS	YEARS	PART NO.	SIZE	DESCRIPTION
2	6	Grommet	93-87	FP-677692		
	1	Head Set	93-87	FP-1817255		Valve Cover Bolt
REF #	QTY	VALVE	YEARS	PART NO.	SIZE	DESCRIPTION
19	6	Intake	93-87	FP-676687		
20	6	Exhaust	93-87	FP-1810086		
24	24	Keeper	93-87	FP-41339		1 groove; Square cut key groove
24	24	Keeper	93-87	VK-138		1 groove; Square cut key groove; Carton pack 32
24	24	Keeper	93-87	VK-138R		1 groove; Square cut key groove; Hardened
24	24	Keeper, Bulk	93-87	VK-138B		1 groove; Square cut key groove; Carton of 1000
REF #	QTY	VALVE GUIDE	YEARS	PART NO.	SIZE	DESCRIPTION
26	12	Guide	93	FP-1815264		From Ser. No. 72707; 2.610" O.A.L.
26	12	Guide	93-87	FP-675439		To Ser. No. 72706; 2.750" O.A.L.; .3745" ID, 2.7500" O.A.L.
REF #	QTY	VALVE SPRING	YEARS	PART NO.	SIZE	DESCRIPTION
27	12	Spring	93-87	FP-682064		2.3400" Free Height
REF #	QTY	VALVE MISC.	YEARS	PART NO.	SIZE	DESCRIPTION
32	6	Rotocap Assy.	93-87	FP-1811581		Exh.; To Ser. No. 72706
	12	Bushing	93-87	FP-1818509		Valve Rotator bushing kit; From Ser. No. 98372
REF #	QTY	VALVE SEAL	YEARS	PART NO.	SIZE	DESCRIPTION
41	12	Valve Stem Seal	93-87	FP-1815374		From Ser. No. 72707
41	12	Valve Stem Seal	93-87	FP-681234		To Ser. No. 72706; Umbrella type
INT & EXH MANIFOLDS						
	QTY	INT. & EXH. MANIFOLDS	YEARS	PART NO.	SIZE	DESCRIPTION
	1	Intake Manifold Gasket	93-87	FP-682198		

(continued on next page)

M/D Truck DT360 Eng. H/D Truck DT360 Eng. **19**
 5.9L 360 OHV Turbo-Diesel L6 (12 Valve), 4.01" Bore 1987-93 (cont.)

CAMSHAFT GROUP



REF #	QTY	TIMING	YEARS	PART NO.	SIZE	DESCRIPTION
24	1	Cam Gear	93-87	FP-675600		66 Teeth
42	1	CAMSHAFT TIMING	YEARS	PART NO.	SIZE	DESCRIPTION
		Woodruff Key	93-87	FP-218211		1/4" x 3/4"
54	12	CAMSHAFT/LIFTER	YEARS	PART NO.	SIZE	DESCRIPTION
		Lifter	93-87	FP-1802340		From Ser. No. 140087 to 532980 w/o valve train improvement package; Mech.; 1.120" dia. body
	1	Prelube	93-87	55-400		4 oz. bottle; 1.5 oz. packet No. 55-403 also avail.

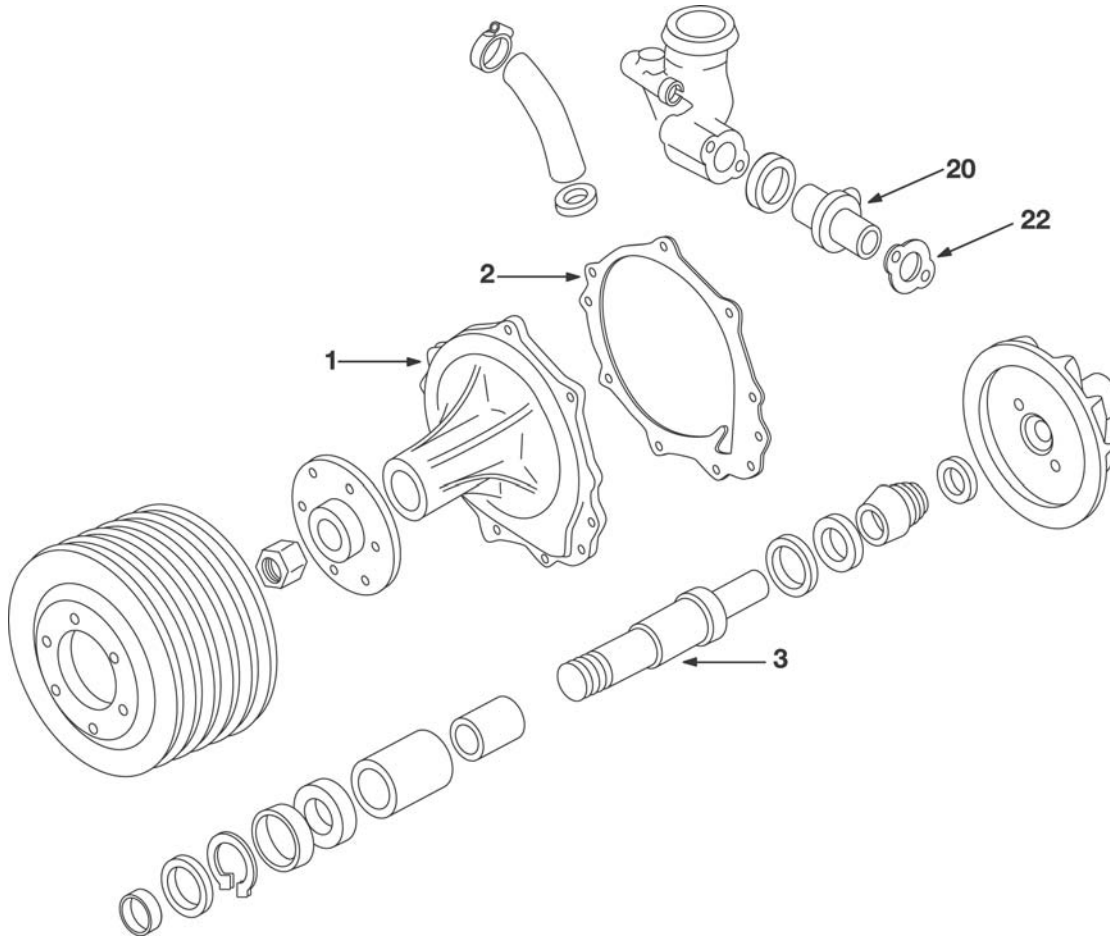
FUEL SYSTEM & PARTS

QTY	FUEL INJECTION	YEARS	PART NO.	SIZE	DESCRIPTION
6	Injector Nozzle Seat Gasket	93-87	FP-675477		.060" thick
6	Grommet	93-87	FP-682810		
6	Fuel Injector Sleeve	93-87	FP-675442		
QTY	FUEL FILTERS & PUMP	YEARS	PART NO.	SIZE	DESCRIPTION
1	Injector Pump Mount Gasket	93-87	FP-675609		
1	Fuel Pump Access Gasket	93-87	FP-675816		
QTY	TURBOCHARGER	YEARS	PART NO.	SIZE	DESCRIPTION
1	Turbocharger Oil Inlet Gasket	93-87	FP-253660		
1	Turbocharger Mounting Gasket	93-87	FP-670073		

(continued on next page)

19 M/D Truck DT360 Eng. H/D Truck DT360 Eng.
 (cont.) 5.9L 360 OHV Turbo-Diesel L6 (12 Valve), 4.01" Bore 1987-93

COOLING SYSTEM

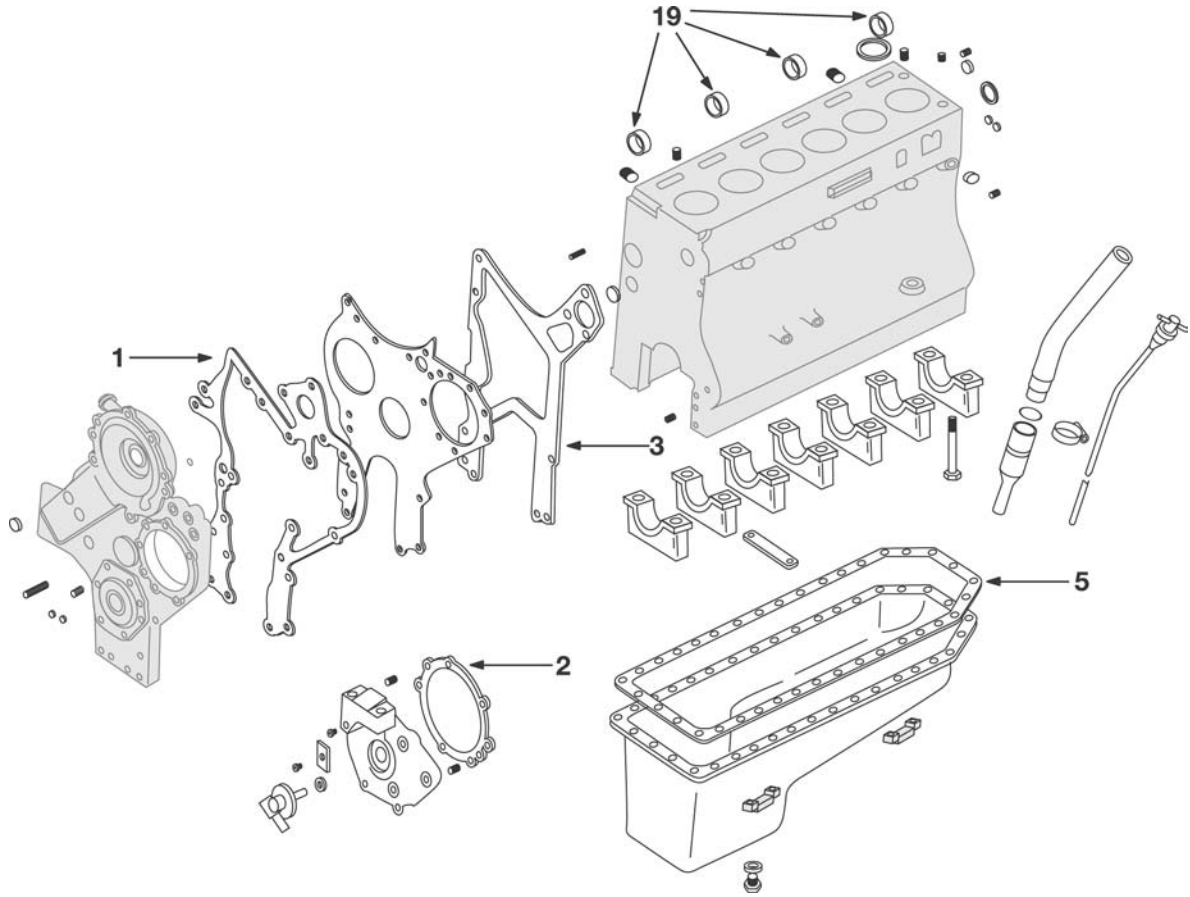


REF #	QTY	WATER PUMP	YEARS	PART NO.	SIZE	DESCRIPTION
1	1	Water Pump - Heavy Duty	93-92	FP-1815538		From 10/91; w/screw-on fan drive
1	1	Water Pump - Heavy Duty	92-87	FP-685155		To Ser. No. 108649; w/six bolt fan drive mounting
3	1	Water Pump Shaft	93-87	FP-685153		To Ser. No. 108649
2	1	Water Pump Housing Gasket	93-87	FP-675808		
REF #	QTY	THERMOSTAT	YEARS	PART NO.	SIZE	DESCRIPTION
20	1	Thermostat	93-87	FP-1801191		180 Deg., Incl. seal
22	1	Thermostat Gasket	93-87	FP-675384		

(continued on next page)

M/D Truck DT360 Eng. H/D Truck DT360 Eng. **19**
 5.9L 360 OHV Turbo-Diesel L6 (12 Valve), 4.01" Bore 1987-93 (cont.)

ENGINE BLOCK & PARTS

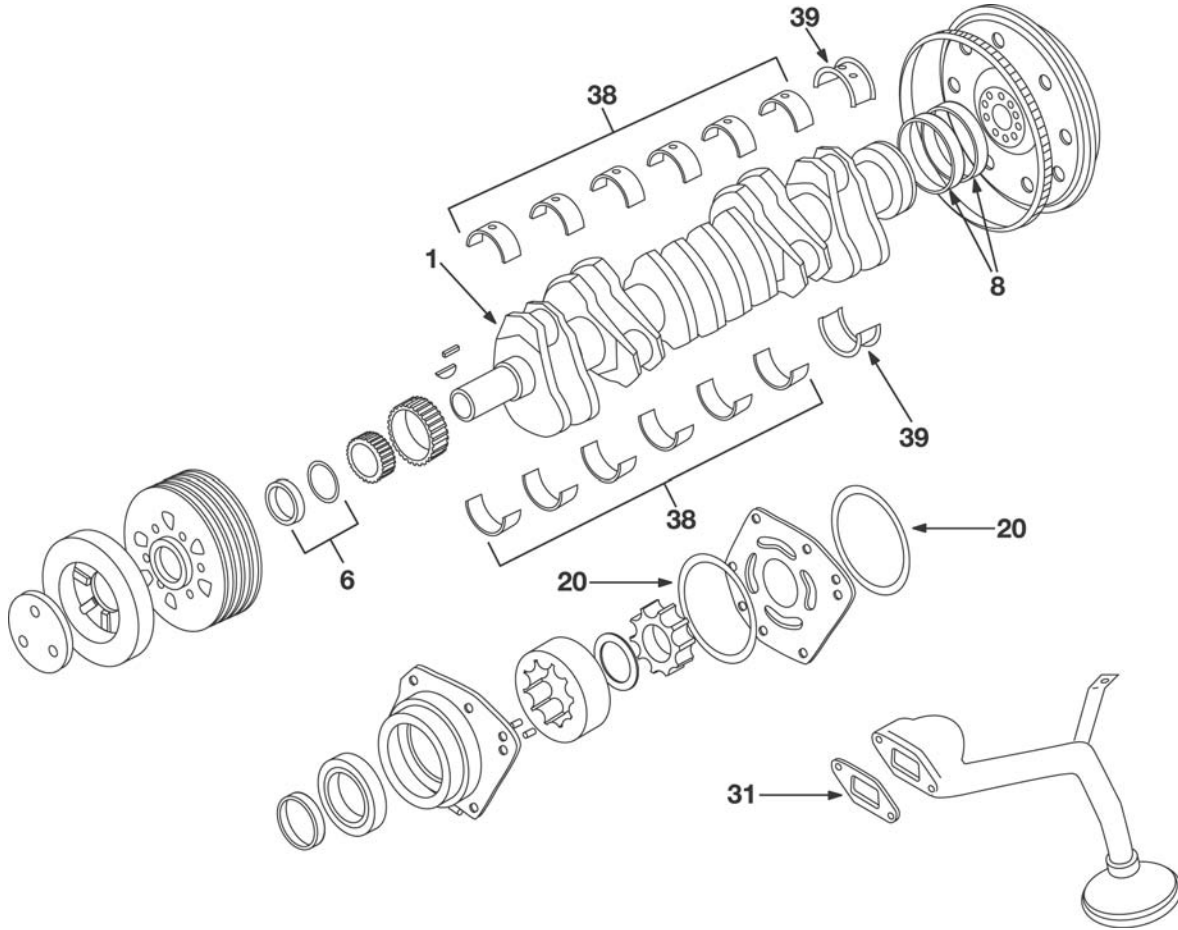


REF #	QTY	GASKETS	YEARS	PART NO.	SIZE	DESCRIPTION
1	1	Front Cover Gasket	93-87	FP-1810510		Cover to plate
1	1	Front Cover Gasket	93-87	FP-675812		To Ser. No. 54458; Plate to block
2	1	Fuel Pump Access Gasket	93-87	FP-675816		
1	1	Crankcase Cover Set	93-87	FP-1813933		
5	1	Oil Pan Gasket	93-87	FP-671825		
REF #	QTY	GASKET SETS	YEARS	PART NO.	SIZE	DESCRIPTION
	1	Lower Gasket Set	93-87	FP-1815668		Incl. front & rear crankshaft seals, valve stem seals, camshaft seals, liner sealing rings, and oil cooler & filter mounting gsks.
	1	In-Frame Gasket Set	93-87	FP-1823140		
	1	Complete Overhaul Gasket Set	93-87	FP-1817256		Incl. 1 pc. PTFE RMB seal, wear sleeve & gskt.
	1	Kit Gasket Set	93-87	260-1665		
REF #	QTY	CAM BEARINGS	YEARS	PART NO.	SIZE	DESCRIPTION
19	1	Cam Set	93-87	FP-680117	STD	

(continued on next page)

19 M/D Truck DT360 Eng. H/D Truck DT360 Eng.
 (cont.) 5.9L 360 OHV Turbo-Diesel L6 (12 Valve), 4.01" Bore 1987-93

CRANKSHAFT/OIL PUMP

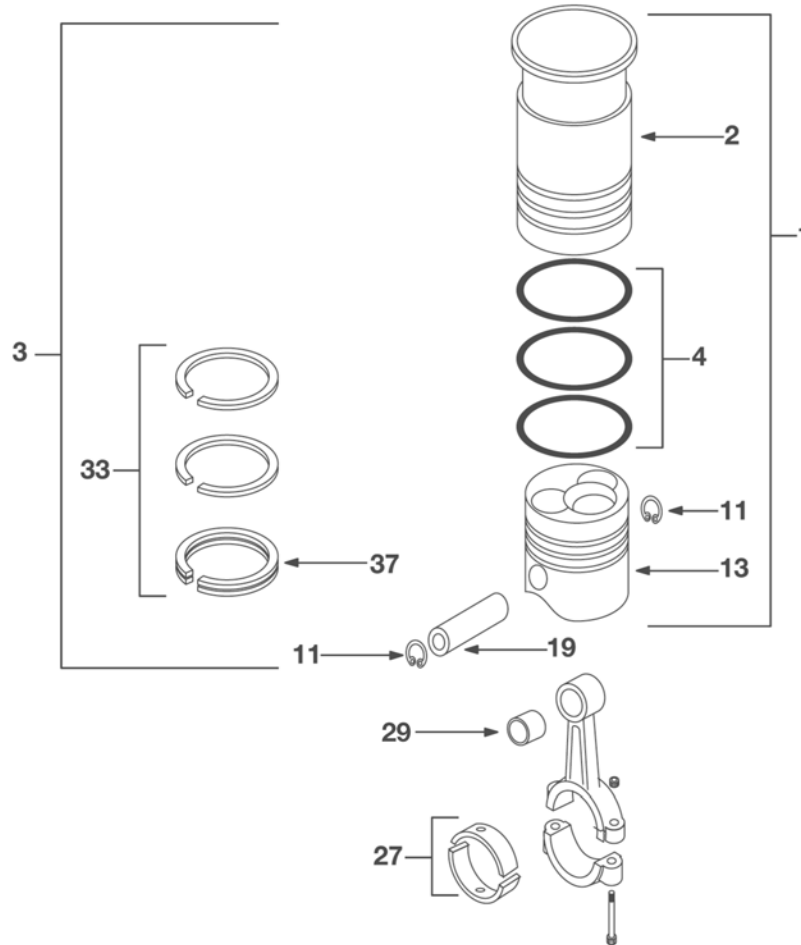


REF #	QTY	CRANKSHAFT	YEARS	PART NO.	SIZE	DESCRIPTION
1	1	Crankshaft	93-87	FP-1809953		
6	1	SEALS - FRONT CRANK	93-87	FP-690437		
47	1	Oil Seal Kit	93-87	714470		Incl. seal & wear sleeve
7	1	SEALS - REAR CRANK	93-87	39958		
8	1	Oil Seal	93-87	FP-1809964		
9	1	Oil Seal Kit	93-87	99298		Incl. seal & wear sleeve
9	1	Redi-Sleeve	93-87			
38	6	MAIN BEARINGS	93-87	FP-1823859	STD	
38	1	Main Set	93-87	FP-1823860	10	
38	1	Main Set	93-87	FP-1823861	20	
38	6	Plain Main Brg.	93-87	FP-684552	STD	Position 1-2-3-4-5-6
38	6	Plain Main Brg.	93-87	FP-684555	10	Position 1-2-3-4-5-6
38	6	Plain Main Brg.	93-87	FP-687385	20	Position 1-2-3-4-5-6
39	1	Flanged Main Brg.	93-87	FP-684561	STD	Position 7
39	1	Flanged Main Brg.	93-87	FP-684564	10	Position 7
39	1	Flanged Main Brg.	93-87	FP-687388	20	Position 7
20	2	OIL PUMP	93-87	FP-675860		
31	1	O-Ring	93-87	FP-1802867		Oil pump housing
31	1	Oil Inlet Elbow Gasket	93-87			

(continued on next page)

M/D Truck DT360 Eng. H/D Truck DT360 Eng. **19**
 5.9L 360 OHV Turbo-Diesel L6 (12 Valve), 4.01" Bore 1987-93 (cont.)

CYLINDER COMPONENTS



REF #	QTY	LINERS	YEARS	PART NO.	SIZE	DESCRIPTION
1	6	Piston & Liner Kit w/o Rings	93-87	FP-1811894		From Ser. No. 39375 through Ser. No. 72706
1	6	Piston & Liner Kit w/o Rings	93-87	FP-1815404		From Ser. No. 72707 through Ser. No. 90975
1	6	Piston & Liner Kit w/o Rings	93-87	FP-1817250		From Ser. No. 90976
1	6	Piston & Liner Kit w/o Rings	93-87	FP-1809920		To Ser. No. 39374
2	6	Liner w/o Sealing Ring	93-87	FP-1809935		
3	6	Cylinder Kit Complete	93-87	FP-1817250WR		From Ser. No. 90976
3	6	Cylinder Kit Complete	93-87	FP-1809920WR		To Ser. No. 39374
4	6	Cyl. Liner Sealing Ring Kit	93-87	FP-1809938		
4	18	Sealing Ring, Liner	93-87	FP-1809936		
REF #	QTY	PISTONS	YEARS	PART NO.	SIZE	DESCRIPTION
13	6	Piston Body w/o Pin	93-87	FP-1811749		From Ser. No. 39375 through Ser. No. 72706
13	6	Piston Body w/o Pin	93-87	FP-1815309		From Ser. No. 72707 through Ser. No. 90975
13	6	Piston Body w/o Pin	93-87	FP-1817178		From Ser. No. 90976
13	6	Piston Body w/o Pin	93-87	FP-1809912		To Ser. No. 39374
19	6	Pin	93-87	FP-1809914		
11	12	Piston Pin Retainer	93-87	FP-326751		
29	6	Pin Bushing	93-87	FP-1810049		
REF #	QTY	CONNECTING RODS & BRGS.	YEARS	PART NO.	SIZE	DESCRIPTION
27	6	Rod Pair	93-87	FP-1823863	STD	
27	6	Rod Pair	93-87	FP-1823864	10	
27	6	Rod Pair	93-87	FP-1823865	20	
27	6	Rod Pair	93-87	FP-1823866	30	
REF #	QTY	PISTON RINGS	YEARS	PART NO.	SIZE	DESCRIPTION
33	6	Ring Set Single Cylinder	93-87	FP-1817251		From Ser. No. 90976
33	6	Ring Set Single Cylinder	93-87	FP-1809919		To Ser. No. 90975
37	6	Oil Ring	93-87	FP-1815638		To Ser. No. 90975

(continued on next page)

International/Navistar Truck



19 M/D Truck DT360 Eng. H/D Truck DT360 Eng. (cont.) 5.9L 360 OHV Turbo-Diesel L6 (12 Valve), 4.01" Bore 1987-93

KITS					
QTY	OVERHAUL KIT	YEARS	PART NO.	SIZE	DESCRIPTION
1	In-Frame Overhaul Kit	93-87	FP-IFKDT360		For engines with S/N 39374 and below
1	In-Frame Overhaul Kit	93-87	FP-IFKDT360L		For engines with S/N 39375 and above
1	Complete Overhaul Kit	93-87	FP-IFKDT360OH		For engines with S/N 39374 and below
1	Complete Overhaul Kit	93-87	FP-IFKDT360LOH		For engines with S/N 39375 and above

20 M/D Truck RED361, RED361A Engs. 5.9L 361 OHV L6 (12 Valve), 4.125" Bore

CYL. HEAD & PARTS					
QTY	VALVE		PART NO.	SIZE	DESCRIPTION
6	Intake		V-1926	Std-3-15	Chrome plated stem; 1.9400" Head Dia., .3414" Stem Dia., 4.8800" O.A.L.
6	Exhaust		V-4081	Std Only	1.5390" Head Dia., .4340" Stem Dia., 5.8380" O.A.L.
QTY	VALVE SPRING		PART NO.	SIZE	DESCRIPTION
12	Spring		VS-336		2.3430" Free Height
12	Spring		VS-337		2.5620" Free Height
12	Spring Insert		259-303C		.015"; ID .703"; Carton of 100
12	Spring Insert		259-303B		.030"; ID .703"; Carton of 100
12	Spring Insert		259-303A		.060"; ID .703"; Carton of 100
12	Spring Insert		259-303ARS		.060"; ID .703"; Carton of 500
QTY	VALVE SEAL		PART NO.	SIZE	DESCRIPTION
12	O-Ring		FP-111024		Rubber
12	Valve Stem Seal Bulk		FP-111024B		O-Ring; Carton of 100; Rubber

21 M/D Truck RD372 Eng. H/D Truck RD372 Eng. 6.1L 372 OHV L6 (12 Valve), 4.375" Bore 1960-69

CYL. HEAD & PARTS					
QTY	VALVE SEAT	YEARS	PART NO.	SIZE	DESCRIPTION
6	Exh.	69-60	245-1875-1N	Std Only	Premium Material; 1.8810" OD, 1.6100" ID, .2485" Depth
6	Exh.	69-60	245-1875-1	Std Only	1.8810" OD, 1.6100" ID, .2485" Depth
QTY	VALVE SPRING	YEARS	PART NO.	SIZE	DESCRIPTION
12	Spring	69-60	VS-336		Inner; 2.3430" Free Height
12	Spring	69-60	VS-337		Outer; 2.5620" Free Height
12	Spring Insert	69-60	259-303C		.015"; ID .703"; Carton of 100
12	Spring Insert	69-60	259-303B		.030"; ID .703"; Carton of 100
12	Spring Insert	69-60	259-303A		.060"; ID .703"; Carton of 100
12	Spring Insert	69-60	259-303ARS		.060"; ID .703"; Carton of 500
QTY	VALVE SEAL	YEARS	PART NO.	SIZE	DESCRIPTION
12	Valve Stem Seal	69-60	ST-2007		Positive type; Rubber
6	O-Ring	69-60	FP-111024		Int.; Rubber
6	Valve Stem Seal Bulk	69-60	FP-111024B		Int.; O-Ring; Carton of 100; Rubber

CRANKSHAFT/OIL PUMP

QTY	SEALS - FRONT CRANK	YEARS	PART NO.	SIZE	DESCRIPTION
1	Wear Sleeve	69-60	FP-1816569		
1	Oil Seal	69-60	417316		

CYLINDER COMPONENTS

QTY	PISTON RINGS	YEARS	PART NO.	SIZE	DESCRIPTION
1	Premium Set	69-60	5642KX	Std Only	2-3/32, 1-3/16
6	Premium Single Cylinder Set	69-60	W-5642KX	Std Only	2-3/32, 1-3/16

22 M/D Truck V392, V392E Engs. 6.4L 392 OHV V8 (16 Valve), 4.125" Bore 1969-85

CYL. HEAD & PARTS					
QTY	VALVE	YEARS	PART NO.	SIZE	DESCRIPTION
8	Exhaust	85-69	V-1834X	Std Only	1.7340" Head Dia., .4145" Stem Dia., 5.4800" O.A.L.
32	Keeper	85-69	FP-41339		1 groove; Square cut key groove
32	Keeper	85-69	VK-138		1 groove; Square cut key groove; Carton pack 32
32	Keeper	85-69	VK-138R		1 groove; Square cut key groove; Hardened
32	Keeper, Bulk	85-69	VK-138B		1 groove; Square cut key groove; Carton of 1000
QTY	VALVE GUIDE	YEARS	PART NO.	SIZE	DESCRIPTION
8	Guide	85-69	VG-646		Exh.; .4180" ID, 2.9060" O.A.L.

(continued on next page)

M/D Truck V392, V392E Engs. 22
6.4L 392 OHV V8 (16 Valve), 4.125" Bore 1969-85 (cont.)

CYL. HEAD & PARTS (cont.)					
QTY	VALVE GUIDE (cont.)	YEARS	PART NO.	SIZE	DESCRIPTION
8	Guide	85-69	VG-581		Int.; .3755" ID, 2.9060" O.A.L.
QTY	VALVE SPRING	YEARS	PART NO.	SIZE	DESCRIPTION
16	Spring	85-69	FP-317365		Incl. damper; 2.0500" Free Height
QTY	PUSH RODS	YEARS	PART NO.	SIZE	DESCRIPTION
16	Push Rod	85-69	RP-3133		Ball & ball type ends; Use w/boat type rocker arms; 9.7790" O.A.L.
16	Push Rod	85-69	RP-3132		Ball & socket type; Use w/fabricated arm w/welded ball; 9.7500" O.A.L.
QTY	VALVE MISC.	YEARS	PART NO.	SIZE	DESCRIPTION
8	Rotocap Assy.	85-69	FP-RC126SA		Exh.; Incl. Rotocap & Valve Spring
8	Rotocap	85-69	FP-443128		Exh.
QTY	VALVE SEAL	YEARS	PART NO.	SIZE	DESCRIPTION
16	O-Ring	85-69	FP-111024		Rubber
16	Valve Stem Seal Bulk	85-69	FP-111024B		O-Ring; Carton of 100; Rubber
QTY	ROCKER PARTS	YEARS	PART NO.	SIZE	DESCRIPTION
8	Arm	85-69	R-884		Int.; Boat type rocker arm; Stamped steel; Use w/Ball & ball end push rod
CAMSHAFT GROUP					
QTY	TIMING	YEARS	PART NO.	SIZE	DESCRIPTION
1	Gear Set	85-69	221-3336S		
QTY	CAMSHAFT/LIFTER	YEARS	PART NO.	SIZE	DESCRIPTION
1	Camshaft	85-69	CS-415		
16	Lifter	85-69	HT-855 Std Only		Hyd.
16	Lifter, Bulk	85-69	HT-855B Std Only		Hyd.; Carton of 96
1	Prelube	85-69	55-400		4 oz. bottle; 1.5 oz. packet No. 55-403 also avail.
COOLING SYSTEM					
QTY	WATER PUMP	YEARS	PART NO.	SIZE	DESCRIPTION
4	O-Ring	85-69	FP-356005		Water pipe seal
ENGINE BLOCK & PARTS					
QTY	GASKET SETS	YEARS	PART NO.	SIZE	DESCRIPTION
1	Kit Gasket Set	85-69	260-1050		From Ser. No. 1013197; w/Improved cooling
1	Kit Gasket Set	85-69	260-1076		To Ser. No. 1013196; w/o Improved cooling
QTY	CAM BEARINGS	YEARS	PART NO.	SIZE	DESCRIPTION
1	Cam Set	85-69	1218M Std Only		
QTY	FREEZE PLUGS	YEARS	PART NO.	SIZE	DESCRIPTION
1	Brass Block Plug Kit	85-69	381-8083		
CRANKSHAFT/OIL PUMP					
QTY	SEALS - FRONT CRANK	YEARS	PART NO.	SIZE	DESCRIPTION
1	Redi-Sleeve	82-69	99248		
1	Oil Seal	82-69	7581H		
QTY	SEALS - REAR CRANK	YEARS	PART NO.	SIZE	DESCRIPTION
1	Oil Seal	82-69	2218		
1	Wear Sleeve	85-69	FP-1816569		
QTY	MAIN BEARINGS	YEARS	PART NO.	SIZE	DESCRIPTION
1	Main Set	85-69	4070M Std-10-20-30		
QTY	OIL PUMP	YEARS	PART NO.	SIZE	DESCRIPTION
1	Oil Pump	85-69	224-41187		To Eng. Ser. No. 1343145; Repl. O.E. No. 151075R93
1	Pump Repair Kit	85-69	224-51187		To Eng. Ser. No. 1343145
CYLINDER COMPONENTS					
QTY	LINERS	YEARS	PART NO.	SIZE	DESCRIPTION
8	Repair Sleeve	85-69	SL-23Y Std Only		1/8" wall, must be cut to correct length
8	Repair Sleeve	85-69	SL-23M Std Only		3/32" wall, must be cut to correct length
QTY	PISTONS	YEARS	PART NO.	SIZE	DESCRIPTION
8	Cast Piston	75-69	H996CP Std-20-30-40-60		Eng. Code "V392E"; w/Exh. Emis.; Hypereutectic; 2-3/32", 1-3/16" Ring Groove, 1.886" CD, 1.0624" Pin Dia., Recessed Head; DUROSHIELD® skirt coated piston
8	Cast Piston - Individual	75-69	WH996CP Std-20-30-40-60		Eng. Code "V392E"; w/Exh. Emis.; Hypereutectic; 2-3/32", 1-3/16" Ring Groove, 1.886" CD, 1.0624" Pin Dia., Recessed Head; DUROSHIELD® skirt coated piston

(continued on next page)

International/Navistar Truck



22 M/D Truck V392, V392E Engs. (cont.) 6.4L 392 OHV V8 (16 Valve), 4.125" Bore 1969-85

CYLINDER COMPONENTS (cont.)								
CONNECTING RODS & BRGS.								
QTY		YEARS	PART NO.	SIZE	DESCRIPTION			
1	Rod Set	85-69	8-2410CP Std-10-20					
8	Rod Pair	85-69	2410CP Std-2-10-20-30-40					
PISTON RINGS								
QTY		YEARS	PART NO.	SIZE	DESCRIPTION			
1	Premium Set	85-69	E-404K Std-60		H/D use; Highway use; 2-3/32, 1-3/16			
1	Premium Set	85-69	E-273K Std-20-30-40-60		L/D; 2-3/32, 1-3/16			
1	Standard Set	85-69	E-422X30 30		Nat. Gas or LPG; 2-3/32, 1-3/16			
8	Premium Single Cylinder Set	85-69	WE-404K Std-30		H/D use; Highway use; 2-3/32, 1-3/16			
8	Premium Single Cylinder Set	85-69	WE-273K Std-20-30-40-60		L/D; 2-3/32, 1-3/16			
KITS								
RE-RING KIT								
YEARS	DESCRIPTION				QTY	PREMIUM KIT NO.	QTY	ECONOMY KIT NO.
85-69	To Ser. No. 1013196; w/o Improved cooling		Re-ring		1	FP-205671		----
85-69	From Ser. No. 1013197		Re-ring		1	FP-205673		----
85-69	L/D; To Ser. No. 1013196; w/o Improved cooling		Re-ring		1	205-675		----
85-69	L/D; To Ser. No. 1013197; w/Improved cooling		Re-ring		1	205-676		----

23 H/D Truck V392, V392E Engs. 6.4L 392 OHV V8 (16 Valve), 4.125" Bore 1966-82

CYL. HEAD & PARTS							
QTY	VALVE	YEARS	PART NO.	SIZE	DESCRIPTION		
8	Exhaust	82-66	V-1834X Std Only		1.7340" Head Dia., .4145" Stem Dia., 5.4800" O.A.L.		
32	Keeper	82-66	FP-41339		1 groove; Square cut key groove		
32	Keeper	82-66	VK-138		1 groove; Square cut key groove; Carton pack 32		
32	Keeper	82-66	VK-138R		1 groove; Square cut key groove; Hardened		
32	Keeper, Bulk	82-66	VK-138B		1 groove; Square cut key groove; Carton of 1000		
QTY	VALVE GUIDE	YEARS	PART NO.	SIZE	DESCRIPTION		
8	Guide	82-66	VG-646		Exh.; .4180" ID, 2.9060" O.A.L.		
8	Guide	82-66	VG-581		Int.; .3755" ID, 2.9060" O.A.L.		
QTY	VALVE SPRING	YEARS	PART NO.	SIZE	DESCRIPTION		
16	Spring	82-66	FP-317365		Incl. damper; 2.0500" Free Height		
QTY	PUSH RODS	YEARS	PART NO.	SIZE	DESCRIPTION		
16	Push Rod	82-66	RP-3133		Ball & ball type ends; Use w/boat type rocker arms; 9.7790" O.A.L.		
16	Push Rod	82-66	RP-3132		Ball & socket type; Use w/fabricated arm w/welded ball; 9.7500" O.A.L.		
QTY	VALVE MISC.	YEARS	PART NO.	SIZE	DESCRIPTION		
8	Rotacap Assy.	82-66	FP-RC126SA		Exh.; Incl. Rotacap & Valve Spring		
8	Rotacap	82-66	FP-443128		Exh.		
QTY	VALVE SEAL	YEARS	PART NO.	SIZE	DESCRIPTION		
16	O-Ring	82-66	FP-111024		Rubber		
16	Valve Stem Seal Bulk	82-66	FP-111024B		O-Ring; Carton of 100; Rubber		
QTY	ROCKER PARTS	YEARS	PART NO.	SIZE	DESCRIPTION		
8	Arm	82-66	R-884		Int.; Boat type rocker arm; Stamped steel; Use w/Ball & ball end push rod		
CAMSHAFT GROUP							
QTY	TIMING	YEARS	PART NO.	SIZE	DESCRIPTION		
1	Gear Set	82-66	221-3336S				
QTY	CAMSHAFT/LIFTER	YEARS	PART NO.	SIZE	DESCRIPTION		
1	Camshaft	82-66	CS-415				
16	Lifter	82-66	HT-855 Std Only		Hyd.		
16	Lifter, Bulk	82-66	HT-855B Std Only		Hyd.; Carton of 96		
1	Prelube	82-66	55-400		4 oz. bottle; 1.5 oz. packet No. 55-403 also avail.		
COOLING SYSTEM							
QTY	WATER PUMP	YEARS	PART NO.	SIZE	DESCRIPTION		
4	O-Ring	82-66	FP-356005		Water pipe seal		

(continued on next page)



International/Navistar Truck

H/D Truck V392, V392E Engs. 23
6.4L 392 OHV V8 (16 Valve), 4.125" Bore 1966-82 (cont.)

ENGINE BLOCK & PARTS					
QTY	GASKET SETS	YEARS	PART NO.	SIZE	DESCRIPTION
1	Kit Gasket Set	82-66	260-1050		From Ser. No. 1013197; w/Improved cooling
1	Kit Gasket Set	82-66	260-1076		To Ser. No. 1013196; w/o Improved cooling
QTY	CAM BEARINGS	YEARS	PART NO.	SIZE	DESCRIPTION
1	Cam Set	82-66	1218M	Std Only	
QTY	FREEZE PLUGS	YEARS	PART NO.	SIZE	DESCRIPTION
1	Brass Block Plug Kit	82-66	381-8083		
CRANKSHAFT/OIL PUMP					
QTY	SEALS - FRONT CRANK	YEARS	PART NO.	SIZE	DESCRIPTION
1	Redi-Sleeve	82-68	99248		
1	Oil Seal	82-68	7581H		
QTY	SEALS - REAR CRANK	YEARS	PART NO.	SIZE	DESCRIPTION
1	Oil Seal	82-68	2218		
1	Wear Sleeve	82-66	FP-1816569		
QTY	MAIN BEARINGS	YEARS	PART NO.	SIZE	DESCRIPTION
1	Main Set	82-66	4070M	Std-10-20-30	
QTY	OIL PUMP	YEARS	PART NO.	SIZE	DESCRIPTION
1	Oil Pump	82-66	224-41187		To Eng. Ser. No. 1343145; Repl. O.E. No. 151075R93
1	Pump Repair Kit	82-66	224-51187		To Eng. Ser. No. 1343145
CYLINDER COMPONENTS					
QTY	LINERS	YEARS	PART NO.	SIZE	DESCRIPTION
8	Repair Sleeve	82-66	SL-23Y	Std Only	1/8" wall, must be cut to correct length
8	Repair Sleeve	82-66	SL-23M	Std Only	3/32" wall, must be cut to correct length
QTY	PISTONS	YEARS	PART NO.	SIZE	DESCRIPTION
8	Cast Piston	75-68	H996CP	Std-20-30-40-60	Eng. Code "V392E"; w/Exh. Emis.; Hypereutectic; 2-3/32", 1-3/16" Ring Groove, 1.886" CD, 1.0624" Pin Dia., Recessed Head; DUROSHIELD® skirt coated piston
8	Cast Piston - Individual	75-68	WH996CP	Std-20-30-40-60	Eng. Code "V392E"; w/Exh. Emis.; Hypereutectic; 2-3/32", 1-3/16" Ring Groove, 1.886" CD, 1.0624" Pin Dia., Recessed Head; DUROSHIELD® skirt coated piston
QTY	CONNECTING RODS & BRGS.	YEARS	PART NO.	SIZE	DESCRIPTION
1	Rod Set	82-66	8-2410CP	Std-10-20	
8	Rod Pair	82-66	2410CP	Std-2-10-20-30-40	
QTY	PISTON RINGS	YEARS	PART NO.	SIZE	DESCRIPTION
1	Premium Set	82-66	E-404K	Std-60	H/D use; Highway use; 2-3/32, 1-3/16
1	Premium Set	82-66	E-273K	Std-20-30-40-60	L/D; 2-3/32, 1-3/16
1	Standard Set	82-66	E-422X30	30	Nat. Gas or LPG; 2-3/32, 1-3/16
8	Premium Single Cylinder Set	82-66	WE-404K	Std-30	H/D use; Highway use; 2-3/32, 1-3/16
8	Premium Single Cylinder Set	82-66	WE-273K	Std-20-30-40-60	L/D; 2-3/32, 1-3/16
KITS					
RE-RING KIT					
YEARS	DESCRIPTION			QTY	PREMIUM KIT NO.
82-66	To Ser. No. 1013196; w/o Improved cooling	Re-ring		1	FP-205671
82-66	From Ser. No. 1013197	Re-ring		1	FP-205673

<i>M/D Truck FBB401, FBC401, RED401, RED401A, RED401B Engs. 24</i>					
6.6L 401 OHV L6 (12 Valve), 4.125" Bore 1949-69					
CYL. HEAD & PARTS					
QTY	VALVE	YEARS	PART NO.	SIZE	DESCRIPTION
6	Exhaust	69-49	V-4081	Std Only	1.5390" Head Dia., .4340" Stem Dia., 5.8380" O.A.L.
24	Keeper		VK-66		FBB401 Engs.; 2 groove
24	Keeper		VK-66R		FBB401 Engs.; 2 groove; Hardened
24	Keeper		FP-127554		Int.; FBC401 & RED401 Engs.
QTY	VALVE SPRING	YEARS	PART NO.	SIZE	DESCRIPTION
12	Spring		VS-336		Inner; 2.3430" Free Height
12	Spring		VS-337		Outer; 2.5620" Free Height
12	Spring Insert		259-303C		.015"; ID .703"; Carton of 100
12	Spring Insert		259-303B		.030"; ID .703"; Carton of 100
12	Spring Insert		259-303A		.060"; ID .703"; Carton of 100

(continued on next page)

International/Navistar Truck



24 M/D Truck FBB401, FBC401, RED401, RED401A, RED401B Engs.					
(cont.) 6.6L 401 OHV L6 (12 Valve), 4.125" Bore 1949-69					
CYL. HEAD & PARTS (cont.)					
QTY	VALVE SPRING (cont.)	YEARS	PART NO.	SIZE	DESCRIPTION
12	Spring Insert		259-303ARS		.060"; ID .703"; Carton of 500
QTY	VALVE SEAL	YEARS	PART NO.	SIZE	DESCRIPTION
6	O-Ring		FP-111024		Int.; FBC401 & RED401 Engs.; Rubber
6	Valve Stem Seal Bulk		FP-111024B		Int.; FBC401 & RED401 Engs.; O-Ring; Carton of 100; Rubber
CYLINDER COMPONENTS					
QTY	LINERS	YEARS	PART NO.	SIZE	DESCRIPTION
6	Repair Sleeve		SL-23Y Std Only		1/8" wall, must be cut to correct length
6	Repair Sleeve		SL-23M Std Only		3/32" wall, must be cut to correct length
25 M/D Truck V401, VS401 Engs.					
6.6L 401 OHV V8 (16 Valve), 4.125" Bore 1960-64					
CYL. HEAD & PARTS					
QTY	VALVE	YEARS	PART NO.	SIZE	DESCRIPTION
32	Keeper	64-60	VK-140		
QTY	VALVE SEAT	YEARS	PART NO.	SIZE	DESCRIPTION
8	Int.	64-60	245-2250-1 Std Only		Machine ID to fit; 2.2555" OD, 1.9375" ID, .1855" Depth
QTY	VALVE SPRING	YEARS	PART NO.	SIZE	DESCRIPTION
16	Spring	64-60	FP-317365		Late Engs.; Incl. damper; 2.0500" Free Height
QTY	VALVE MISC.	YEARS	PART NO.	SIZE	DESCRIPTION
8	Rotocap Assy.	64-60	FP-RC126SA		Exh.; Incl. Rotocap & Valve Spring
8	Rotocap	64-60	FP-443128		Exh.
QTY	VALVE SEAL	YEARS	PART NO.	SIZE	DESCRIPTION
16	Valve Stem Seal	64-60	ST-2007		Positive type; Rubber
16	O-Ring	64-60	FP-111024		VS401 Engs.; Rubber
16	Valve Stem Seal	64-60	MV-1551		V401 Late Engs.; O-Ring; Carton of 50; Rubber
16	Valve Stem Seal Bulk	64-60	FP-111024B		VS401 Engs.; O-Ring; Carton of 100; Rubber
CAMSHAFT GROUP					
QTY	CAMSHAFT/LIFTER	YEARS	PART NO.	SIZE	DESCRIPTION
1	Camshaft	64-60	CS-218		Use iron oil pump drive gear.
1	Prelube	64-60	55-400		4 oz. bottle; 1.5 oz. packet No. 55-403 also avail.
ENGINE BLOCK & PARTS					
QTY	GASKETS	YEARS	PART NO.	SIZE	DESCRIPTION
1	Oil Pan Gasket	64-60	FP-448428		
QTY	CAM BEARINGS	YEARS	PART NO.	SIZE	DESCRIPTION
1	Cam Set	64-60	FP-448139	STD	
CRANKSHAFT/OIL PUMP					
QTY	SEALS - FRONT CRANK	YEARS	PART NO.	SIZE	DESCRIPTION
1	Oil Seal	64-60	710447		
QTY	SEALS - REAR CRANK	YEARS	PART NO.	SIZE	DESCRIPTION
1	Oil Seal	64-60	5112S		
CYLINDER COMPONENTS					
QTY	PISTONS	YEARS	PART NO.	SIZE	DESCRIPTION
8	Pin Bushing	64-60	2199Y20		
QTY	PISTON RINGS	YEARS	PART NO.	SIZE	DESCRIPTION
1	Premium Set	64-60	E-404K Std-60		H/D use; Highway use; 2-3/32, 1-3/16
1	Premium Set	64-60	E-273K Std-20-30-40-60		L/D Pick-up & Delivery Service; 2-3/32, 1-3/16
1	Standard Set	64-60	E-422X30 30		Nat. Gas or LPG; 2-3/32, 1-3/16
8	Premium Single Cylinder Set	64-60	WE-404K Std-30		H/D use; Highway use; 2-3/32, 1-3/16
8	Premium Single Cylinder Set	64-60	WE-273K Std-20-30-40-60		L/D Pick-up & Delivery Service; 2-3/32, 1-3/16
26 H/D Truck V401, VS401 Engs.					
6.6L 401 OHV V8 (16 Valve), 4.125" Bore 1960-74					
CYL. HEAD & PARTS					
QTY	VALVE	YEARS	PART NO.	SIZE	DESCRIPTION
32	Keeper	74-60	VK-140		

(continued on next page)

H/D Truck V401, VS401 Engs. 26
6.6L 401 OHV V8 (16 Valve), 4.125" Bore 1960-74 (cont.)

CYL. HEAD & PARTS (cont.)					
QTY	VALVE SEAT	YEARS	PART NO.	SIZE	DESCRIPTION
8	Int.	74-60	245-2250-1	Std Only	Machine ID to fit; 2.2555" OD, 1.9375" ID, .1855" Depth
QTY	VALVE SPRING	YEARS	PART NO.	SIZE	DESCRIPTION
16	Spring	74-60	FP-317365		Late Engs.; Incl. damper; 2.0500" Free Height
QTY	VALVE MISC.	YEARS	PART NO.	SIZE	DESCRIPTION
8	Rotocap Assy.	74-60	FP-RC126SA		Exh.; Incl. Rotocap & Valve Spring
8	Rotocap	74-60	FP-443128		Exh.
QTY	VALVE SEAL	YEARS	PART NO.	SIZE	DESCRIPTION
16	Valve Stem Seal	74-60	ST-2007		Positive type; Rubber
16	O-Ring	74-60	FP-111024		VS401 Engs.; Rubber
16	Valve Stem Seal	74-60	MV-1551		V401 Late Engs.; O-Ring; Carton of 50; Rubber
16	Valve Stem Seal Bulk	74-60	FP-111024B		VS401 Engs.; O-Ring; Carton of 100; Rubber
CAMSHAFT GROUP					
QTY	CAMSHAFT/LIFTER	YEARS	PART NO.	SIZE	DESCRIPTION
1	Camshaft	74-60	CS-218		Use iron oil pump drive gear.
1	Prelube	74-60	55-400		4 oz. bottle; 1.5 oz. packet No. 55-403 also avail.
ENGINE BLOCK & PARTS					
QTY	GASKETS	YEARS	PART NO.	SIZE	DESCRIPTION
1	Oil Pan Gasket	64-60	FP-448428		
QTY	CAM BEARINGS	YEARS	PART NO.	SIZE	DESCRIPTION
1	Cam Set	74-60	FP-448139	STD	
CRANKSHAFT/OIL PUMP					
QTY	SEALS - FRONT CRANK	YEARS	PART NO.	SIZE	DESCRIPTION
1	Oil Seal	74-60	710447		
QTY	SEALS - REAR CRANK	YEARS	PART NO.	SIZE	DESCRIPTION
1	Oil Seal	74-60	5112S		
CYLINDER COMPONENTS					
QTY	PISTONS	YEARS	PART NO.	SIZE	DESCRIPTION
8	Pin Bushing	74-60	2199Y20		
QTY	PISTON RINGS	YEARS	PART NO.	SIZE	DESCRIPTION
1	Premium Set	74-60	E-404K	Std-60	H/D use; Highway use; 2-3/32, 1-3/16
1	Premium Set	74-60	E-273K	Std-20-30-40-60	L/D Pick-up & delivery Service; 2-3/32, 1-3/16
1	Standard Set	74-60	E-422X30	30	Nat. Gas or LPG; 2-3/32, 1-3/16
8	Premium Single Cylinder Set	74-60	WE-404K	Std-30	H/D use; Highway use; 2-3/32, 1-3/16
8	Premium Single Cylinder Set	74-60	WE-273K	Std-20-30-40-60	L/D Pick-up & delivery Service; 2-3/32, 1-3/16

M/D Truck MV404 Eng. 27
6.6L 404 OHV V8 (16 Valve), 4.125" Bore 1979-81

CYL. HEAD & PARTS					
QTY	VALVE	YEARS	PART NO.	SIZE	DESCRIPTION
8	Intake	81-79	V-2523	Std Only	Chrome plated stem; 2.0540" Head Dia., .3725" Stem Dia., 5.4670" O.A.L.
8	Exhaust	81-79	V-2090X	Std Only	Chrome plated stem; 1.5350" Head Dia., .3720" Stem Dia., 5.4820" O.A.L.
32	Keeper	81-79	FP-41339		1 groove; Square cut key groove
32	Keeper	81-79	VK-138		1 groove; Square cut key groove; Carton pack 32
32	Keeper	81-79	VK-138R		1 groove; Square cut key groove; Hardened
32	Keeper, Bulk	81-79	VK-138B		1 groove; Square cut key groove; Carton of 1000
QTY	VALVE SEAT	YEARS	PART NO.	SIZE	DESCRIPTION
8	Int.	81-79	245-2125-1	Std Only	2.1305" OD, 1.8125" ID, .2480" Depth
QTY	VALVE GUIDE	YEARS	PART NO.	SIZE	DESCRIPTION
16	Guide	81-79	VG-660		.3745" ID, 2.6000" O.A.L.
QTY	VALVE SPRING	YEARS	PART NO.	SIZE	DESCRIPTION
16	Spring	81-79	FP-317365		Incl. damper; 2.0500" Free Height
QTY	PUSH RODS	YEARS	PART NO.	SIZE	DESCRIPTION
16	Push Rod	81-79	RP-3201		10.3460" O.A.L.
QTY	VALVE MISC.	YEARS	PART NO.	SIZE	DESCRIPTION
8	Rotocap Assy.	81-79	FP-RC126SA		Exh.; Incl. Rotocap & Valve Spring

(continued on next page)

International/Navistar Truck



27 M/D Truck MV404 Eng.
(cont.) 6.6L 404 OHV V8 (16 Valve), 4.125" Bore 1979-81

CYL. HEAD & PARTS (cont.)							
QTY	VALVE MISC. (cont.)	YEARS	PART NO.	SIZE	DESCRIPTION		
8	Rotocap	81-79	FP-443128		Exh.		
16	Valve Stem Seal	81-79	FP-156541		Installation requires valve guide machining; Polyacrylate		
CAMSHAFT GROUP							
QTY	TIMING	YEARS	PART NO.	SIZE	DESCRIPTION		
1	Gear Set	81-79	221-3335S		Incl. (1) 221-3329A, (1) 221-3334		
16	Lifter	81-79	FP-446571		Hyd.; w/2 grooves		
1	Prelube	81-79	55-400		4 oz. bottle; 1.5 oz. packet No. 55-403 also avail.		
ENGINE BLOCK & PARTS							
QTY	GASKETS	YEARS	PART NO.	SIZE	DESCRIPTION		
1	Oil Pan Gasket Set	81-79	260-6054				
1	Kit Gasket Set	81-79	260-1117		Int. manifold gskt. not incl.; Premium valve stem seals incl.		
QTY	CAM BEARINGS	YEARS	PART NO.	SIZE	DESCRIPTION		
1	Cam Set	81-79	1467M		Std Only		
1	Cam Set	81-79	FP-1804475		STD		
CRANKSHAFT/OIL PUMP							
QTY	SEALS - FRONT CRANK	YEARS	PART NO.	SIZE	DESCRIPTION		
1	Oil Seal	81-79	FP-1804009		Viton®		
1	Oil Seal Kit	81-79	FP-1808751				
1	Oil Seal Kit	81-79	5064		(Seal & Sleeve)		
QTY	SEALS - REAR CRANK	YEARS	PART NO.	SIZE	DESCRIPTION		
1	Oil Seal	81-79	2218				
1	Oil Seal	81-79	39608		PTFE		
1	Wear Sleeve	81-79	FP-1816569				
QTY	MAIN BEARINGS	YEARS	PART NO.	SIZE	DESCRIPTION		
1	Main Set	81-79	5082M		Std-10-20		
QTY	OIL PUMP	YEARS	PART NO.	SIZE	DESCRIPTION		
1	Oil Pump	81-79	224-41189		Repl. O.E. No. 446455C91		
CYLINDER COMPONENTS							
QTY	LINERS	YEARS	PART NO.	SIZE	DESCRIPTION		
8	Repair Sleeve	81-79	SL-23Y		Std Only 1/8" wall, must be cut to correct length		
8	Repair Sleeve	81-79	SL-23M		Std Only 3/32" wall, must be cut to correct length		
QTY	PISTONS	YEARS	PART NO.	SIZE	DESCRIPTION		
8	Cast Piston - Individual	81-79	WH999P		Std-20-30-40-60 Hypereutectic; 2-3/32", 1-3/16" Ring Groove, 1.900" CD, 1.0200" Pin Dia., Recessed Head .327" deep x 3.320" dia.		
QTY	CONNECTING RODS & BRGS.	YEARS	PART NO.	SIZE	DESCRIPTION		
8	Rod Pair	81-79	FP-3730CP				
8	Rod Pair	81-79	FP-3730CP10				
8	Rod Pair	81-79	FP-3730CP20				
8	Rod Pair	81-79	FP-3730CP30				
8	Rod Pair	81-79	FP-3730CP40				
QTY	PISTON RINGS	YEARS	PART NO.	SIZE	DESCRIPTION		
1	Premium Set	81-79	E-404K		Std-60 H/D use; Highway use; 2-3/32, 1-3/16		
1	Premium Set	81-79	E-273K		Std-20-30-40-60 L/D Pick-up & Delivery Service; 2-3/32, 1-3/16		
1	Standard Set	81-79	E-422X30		30 Nat. Gas or LPG; 2-3/32, 1-3/16		
8	Premium Single Cylinder Set	81-79	WE-404K		Std-30 H/D use; Highway use; 2-3/32, 1-3/16		
8	Premium Single Cylinder Set	81-79	WE-273K		Std-20-30-40-60 L/D Pick-up & Delivery Service; 2-3/32, 1-3/16		
KITS							
RE-RING KIT	YEARS	DESCRIPTION		QTY	PREMIUM KIT NO.	QTY	ECONOMY KIT NO.
	81-79	L/D or pick-up & delivery use; Int. manifold gskt. not incl.	Re-ring	1	FP-2056043		----
	81-79	H/D or Highway use; Int. manifold gskt. not incl.	Re-ring	1	FP-205705		----
	81-79	Nat. Gas or LPG; Int. manifold gskt. not incl.	Re-ring		----	1	FP-205205

H/D Truck MV404 Eng. 28
6.6L 404 OHV V8 (16 Valve), 4.125" Bore 1975-82

CYL. HEAD & PARTS					
QTY	VALVE	YEARS	PART NO.	SIZE	DESCRIPTION
8	Intake	82-75	V-2523 Std Only		Chrome plated stem; 2.0540" Head Dia., .3725" Stem Dia., 5.4670" O.A.L.
8	Exhaust	82-75	V-2090X Std Only		Chrome plated stem; 1.5350" Head Dia., .3720" Stem Dia., 5.4820" O.A.L.
32	Keeper	82-75	FP-41339		1 groove; Square cut key groove
32	Keeper	82-75	VK-138		1 groove; Square cut key groove; Carton pack 32
32	Keeper	82-75	VK-138R		1 groove; Square cut key groove; Hardened
32	Keeper, Bulk	82-75	VK-138B		1 groove; Square cut key groove; Carton of 1000
QTY	VALVE SEAT	YEARS	PART NO.	SIZE	DESCRIPTION
8	Int.	82-75	245-2125-1 Std Only		2.1305" OD, 1.8125" ID, .2480" Depth
QTY	VALVE GUIDE	YEARS	PART NO.	SIZE	DESCRIPTION
16	Guide	82-75	VG-660		.3745" ID, 2.6000" O.A.L.
QTY	VALVE SPRING	YEARS	PART NO.	SIZE	DESCRIPTION
16	Spring	82-75	FP-317365		Incl. damper; 2.0500" Free Height
QTY	PUSH RODS	YEARS	PART NO.	SIZE	DESCRIPTION
16	Push Rod	82-75	RP-3201		10.3460" O.A.L.
QTY	VALVE MISC.	YEARS	PART NO.	SIZE	DESCRIPTION
8	Rotocap Assy.	82-75	FP-RC126SA		Exh.; Incl. Rotocap & Valve Spring
8	Rotocap	82-75	FP-443128		Exh.
QTY	VALVE SEAL	YEARS	PART NO.	SIZE	DESCRIPTION
16	Valve Stem Seal	82-75	FP-156541		Installation requires valve guide machining; Polyacrylate
CAMSHAFT GROUP					
QTY	TIMING	YEARS	PART NO.	SIZE	DESCRIPTION
1	Gear Set	82-75	221-3335S		Incl. (1) 221-3329A, (1) 221-3334
QTY	CAMSHAFT/LIFTER	YEARS	PART NO.	SIZE	DESCRIPTION
16	Lifter	82-75	FP-446571		Hyd.; w/2 grooves
1	Prelube	82-75	55-400		4 oz. bottle; 1.5 oz. packet No. 55-403 also avail.
ENGINE BLOCK & PARTS					
QTY	GASKETS	YEARS	PART NO.	SIZE	DESCRIPTION
1	Oil Pan Gasket Set	82-75	260-6054		
QTY	GASKET SETS	YEARS	PART NO.	SIZE	DESCRIPTION
1	Kit Gasket Set	82-75	260-1117		Int. manifold gskt. not incl.; Premium valve stem seals incl.
QTY	CAM BEARINGS	YEARS	PART NO.	SIZE	DESCRIPTION
1	Cam Set	82-75	1467M Std Only		
1	Cam Set	82-75	FP-1804475	STD	
CRANKSHAFT/OIL PUMP					
QTY	SEALS - FRONT CRANK	YEARS	PART NO.	SIZE	DESCRIPTION
1	Oil Seal	82-75	FP-1804009		Viton®
1	Oil Seal Kit	82-75	FP-1808751		
1	Oil Seal Kit	82-75	5064		(Seal & Sleeve)
QTY	SEALS - REAR CRANK	YEARS	PART NO.	SIZE	DESCRIPTION
1	Oil Seal	82-75	2218		
1	Oil Seal	82-75	39608		PTFE
1	Wear Sleeve	82-75	FP-1816569		
QTY	MAIN BEARINGS	YEARS	PART NO.	SIZE	DESCRIPTION
1	Main Set	82-75	5082M Std-10-20		
QTY	OIL PUMP	YEARS	PART NO.	SIZE	DESCRIPTION
1	Oil Pump	82-75	224-41189		Repl. O.E. No. 446455C91
CYLINDER COMPONENTS					
QTY	LINERS	YEARS	PART NO.	SIZE	DESCRIPTION
8	Repair Sleeve	82-75	SL-23Y Std Only		1/8" wall, must be cut to correct length
8	Repair Sleeve	82-75	SL-23M Std Only		3/32" wall, must be cut to correct length
QTY	PISTONS	YEARS	PART NO.	SIZE	DESCRIPTION
8	Cast Piston - Individual	81-75	WH999P Std-20-30-40-60		Hypereutectic; 2-3/32", 1-3/16" Ring Groove, 1.900" CD, 1.0200" Pin Dia., Recessed Head .327" deep x 3.320" dia.
QTY	CONNECTING RODS & BRGS.	YEARS	PART NO.	SIZE	DESCRIPTION
8	Rod Pair	82-75	FP-3730CP		
8	Rod Pair	82-75	FP-3730CP10		
8	Rod Pair	82-75	FP-3730CP20		

(continued on next page)

International/Navistar Truck



28 H/D Truck MV404 Eng. (cont.) 6.6L 404 OHV V8 (16 Valve), 4.125" Bore 1975-82

CYLINDER COMPONENTS (cont.)								
	QTY	CONNECTING RODS & BRGS. (cont.)	YEARS	PART NO.	SIZE	DESCRIPTION		
	8	Rod Pair	82-75	FP-3730CP30				
	8	Rod Pair	82-75	FP-3730CP40				
	QTY	PISTON RINGS	YEARS	PART NO.	SIZE	DESCRIPTION		
	1	Premium Set	82-75	E-404K Std-60		H/D use; Highway use; 2-3/32, 1-3/16		
	1	Premium Set	82-75	E-273K Std-20-30-40-60		L/D Pick-up & Delivery Service; 2-3/32, 1-3/16		
	1	Standard Set	82-75	E-422X30 30		Nat. Gas or LPG; 2-3/32, 1-3/16		
	8	Premium Single Cylinder Set	82-75	WE-404K Std-30		H/D use; Highway use; 2-3/32, 1-3/16		
	8	Premium Single Cylinder Set	82-75	WE-273K Std-20-30-40-60		L/D Pick-up & Delivery Service; 2-3/32, 1-3/16		
KITS								
	RE-RING KIT	YEARS	DESCRIPTION		QTY	PREMIUM KIT NO.	QTY	ECONOMY KIT NO.
	82-75		L/D or pick-up & delivery use; Int. manifold gskt. not incl.	Re-ring	1	FP-2056043		----
	82-75		H/D or Highway use; Int. manifold gskt. not incl.	Re-ring	1	FP-205705		----
	82-75		Nat. Gas or LPG; Int. manifold gskt. not incl.	Re-ring		----	1	FP-205205

29 M/D Truck RD406 Eng. 6.7L 406 OHV L6 (12 Valve), 4.375" Bore 1961-74

CYL. HEAD & PARTS							
	QTY	VALVE SEAT	YEARS	PART NO.	SIZE	DESCRIPTION	
	6	Exh.	74-61	245-1875-1N Std Only		Premium Material; 1.8810" OD, 1.6100" ID, .2485" Depth	
	6	Exh.	74-61	245-1875-1 Std Only		1.8810" OD, 1.6100" ID, .2485" Depth	
	QTY	VALVE SPRING	YEARS	PART NO.	SIZE	DESCRIPTION	
	12	Spring	74-61	VS-336		Inner; 2.3430" Free Height	
	12	Spring	74-61	VS-337		Outer; 2.5620" Free Height	
	12	Spring Insert	74-61	259-303C		.015"; ID .703"; Carton of 100	
	12	Spring Insert	74-61	259-303B		.030"; ID .703"; Carton of 100	
	12	Spring Insert	74-61	259-303A		.060"; ID .703"; Carton of 100	
	12	Spring Insert	74-61	259-303ARS		.060"; ID .703"; Carton of 500	
	QTY	VALVE SEAL	YEARS	PART NO.	SIZE	DESCRIPTION	
	12	Valve Stem Seal	74-61	ST-2007		Positive type; Rubber	
	6	O-Ring	74-61	FP-111024		Int.; Rubber	
	6	Valve Stem Seal Bulk	74-61	FP-111024B		Int.; O-Ring; Carton of 100; Rubber	

CRANKSHAFT/OIL PUMP

CRANKSHAFT/OIL PUMP							
	QTY	SEALS - FRONT CRANK	YEARS	PART NO.	SIZE	DESCRIPTION	
	1	Wear Sleeve	74-61	FP-1816569			
	1	Oil Seal	74-61	417316			

CYLINDER COMPONENTS

CYLINDER COMPONENTS							
	QTY	PISTON RINGS	YEARS	PART NO.	SIZE	DESCRIPTION	
	1	Premium Set	74-61	5642KX Std Only		From Ser. No. 119594; 2-3/32, 1-3/16	
	6	Premium Single Cylinder Set	74-61	W-5642KX Std Only		From Ser. No. 119594; 2-3/32, 1-3/16	

30 H/D Truck RD406 Eng. 6.7L 406 OHV L6 (12 Valve), 4.375" Bore 1960-74

CYL. HEAD & PARTS							
	QTY	VALVE SEAT	YEARS	PART NO.	SIZE	DESCRIPTION	
	6	Exh.	74-60	245-1875-1N Std Only		Premium Material; 1.8810" OD, 1.6100" ID, .2485" Depth	
	6	Exh.	74-60	245-1875-1 Std Only		1.8810" OD, 1.6100" ID, .2485" Depth	
	QTY	VALVE SPRING	YEARS	PART NO.	SIZE	DESCRIPTION	
	12	Spring	74-60	VS-336		Inner; 2.3430" Free Height	
	12	Spring	74-60	VS-337		Outer; 2.5620" Free Height	
	12	Spring Insert	74-60	259-303C		.015"; ID .703"; Carton of 100	
	12	Spring Insert	74-60	259-303B		.030"; ID .703"; Carton of 100	
	12	Spring Insert	74-60	259-303A		.060"; ID .703"; Carton of 100	
	12	Spring Insert	74-60	259-303ARS		.060"; ID .703"; Carton of 500	
	QTY	VALVE SEAL	YEARS	PART NO.	SIZE	DESCRIPTION	
	12	Valve Stem Seal	74-60	ST-2007		Positive type; Rubber	
	6	O-Ring	74-60	FP-111024		Int.; Rubber	

(continued on next page)



International/Navistar Truck

H/D Truck RD406 Eng. 30
6.7L 406 OHV L6 (12 Valve), 4.375" Bore 1960-74 (cont.)

CYL. HEAD & PARTS (cont.)

QTY	VALVE SEAL (cont.)	YEARS	PART NO.	SIZE	DESCRIPTION
6	Valve Stem Seal Bulk	74-60	FP-111024B		Int.; O-Ring; Carton of 100; Rubber

CRANKSHAFT/OIL PUMP

QTY	SEALS - FRONT CRANK	YEARS	PART NO.	SIZE	DESCRIPTION
1	Wear Sleeve	74-60	FP-1816569		
1	Oil Seal	74-60	417316		

CYLINDER COMPONENTS

QTY	PISTON RINGS	YEARS	PART NO.	SIZE	DESCRIPTION
1	Premium Set	74-60	5642KX Std Only		Std. Engs. From Ser. No. 119594; 2-3/32, 1-3/16
6	Premium Single Cylinder Set	74-60	W-5642KX Std Only		Std. Engs. From Ser. No. 119594; 2-3/32, 1-3/16



DT-408 Engine

Global Technology Behind Every Part

Overview

The DT-408 diesel engine was first introduced in 1993. It is used in On-Highway truck and bus applications. This engine is also part of the PLN or "Pump Line Nozzle" engine family that includes the DT-466P (NGD) and I530P (NGD) engines. These three engines share many internal engine parts.

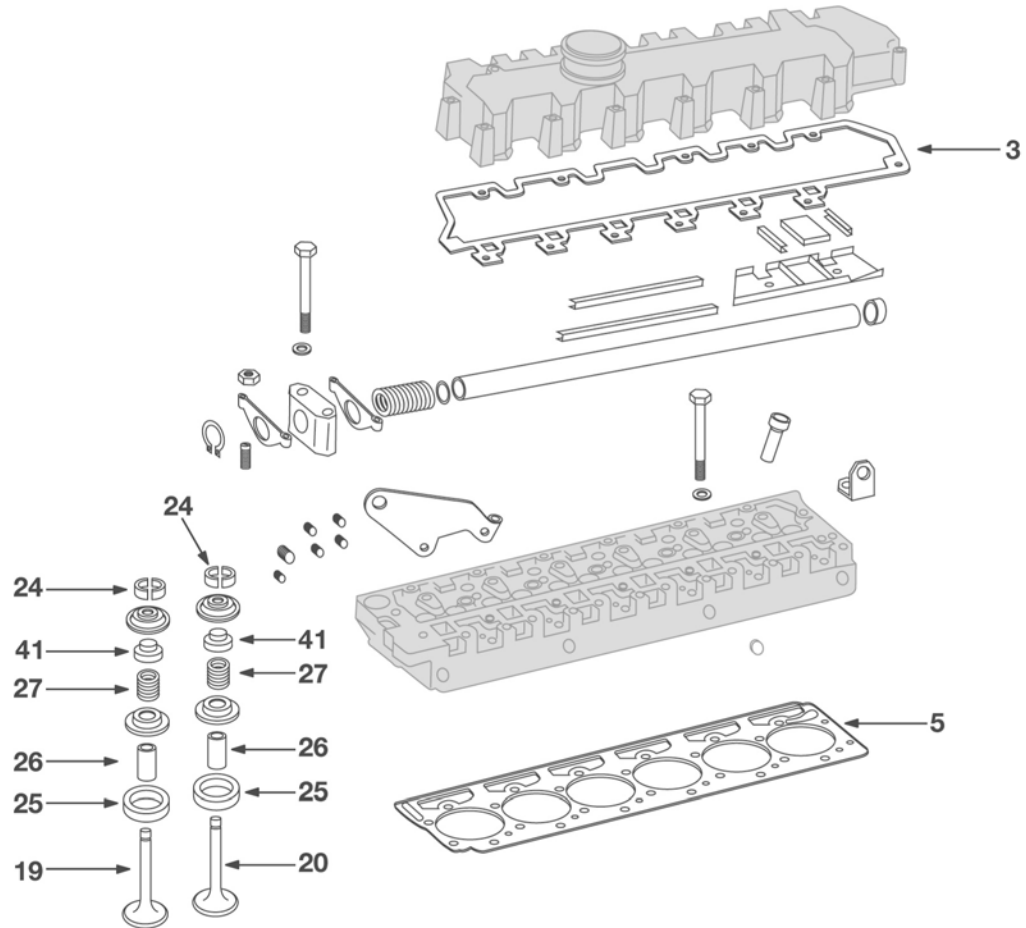
- Engine TypeDiesel, 4-cycle
- Configuration.....In-Line 6-Cylinder
- Displacement 408 cu. In. (6.7L)
- Bore and Stroke 4.301 x 4.680 in
(109.2 x 118.9 mm)
- Combustion System..... Direct Injection
- Total Engine Weight (Dry)..... 1250 lb. (567.5 kg)

The DT-408 can be identified by the permanent engine number stamped on the center top left side of the engine crankcase. The first three positions indicate the engine displacement. The fourth digit indicates either turbocharged, air-to-air charge air cooled or mechanical fuel injection engine. The fifth digit indicates the use of the engine, for example M would indicate that the engine was built for truck use. The rest of the digits represent the specific engine serial number. A typical serial number would look like this: 408GM456789.



M/D Truck DT408 Eng. H/D Truck DT408 Eng. **31**
 6.7L 408 OHV Turbo-Diesel L6 (12 Valve), 4.3005" Bore 1993-97

CYL. HEAD & PARTS

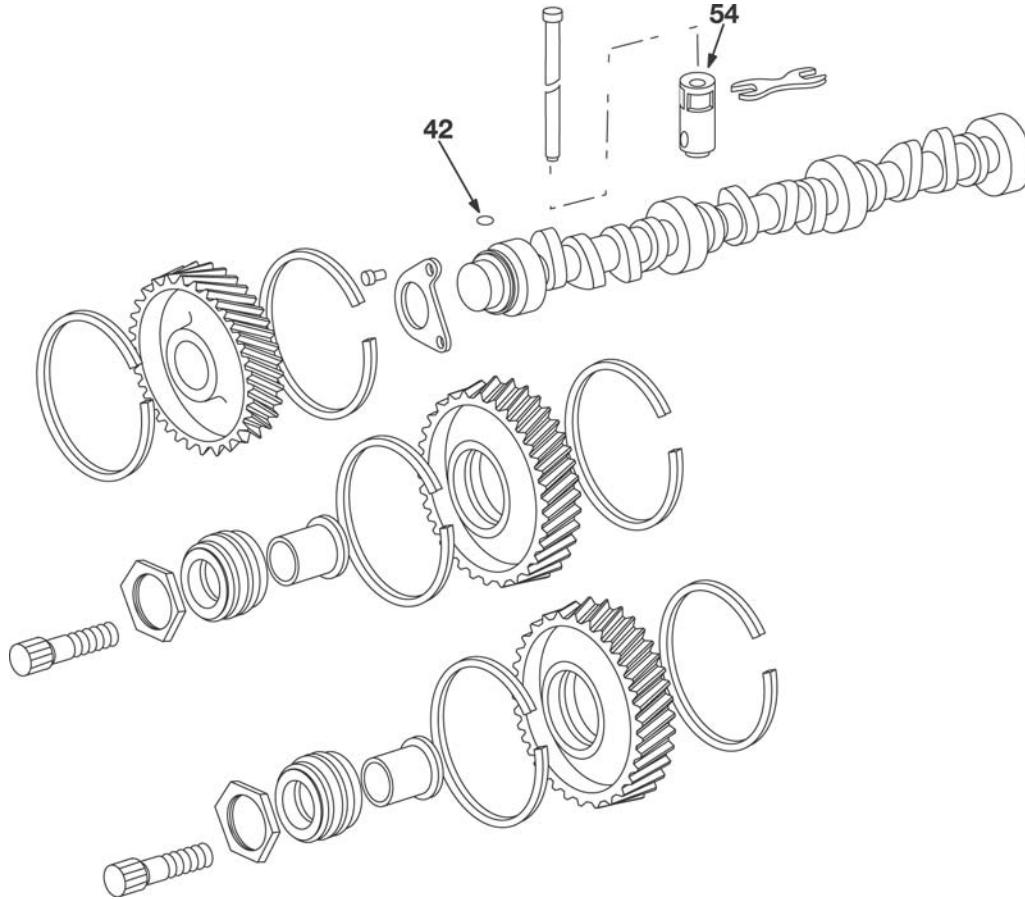


REF #	QTY	GASKETS	YEARS	PART NO.	SIZE	DESCRIPTION
3	1	Valve Cover Gasket	97-93	FP-1817510		
5	1	Head Gasket	97-93	FP-1817562		
	1	Head Set	97-93	FP-1822328		
REF #	QTY	VALVE	YEARS	PART NO.	SIZE	DESCRIPTION
19	6	Intake	97-93	FP-1818580		5/16" valve stem
20	6	Exhaust	97-93	FP-1824838		5/16" valve stem
24	24	Keeper	97-93	FP-1810944		5/16" valve stem
REF #	QTY	VALVE SEAT	YEARS	PART NO.	SIZE	DESCRIPTION
25	6	Exh.	97-93	FP-675450	STD	I.D. Top taper 1.524"; 1.6285" OD, 1.3480" ID, .3650" Depth
25	6	Int.	97-93	FP-675043	STD	I.D. Top taper 1.767"; 1.9990" OD, 1.7120" ID, .3860" Depth
REF #	QTY	VALVE GUIDE	YEARS	PART NO.	SIZE	DESCRIPTION
26	12	Guide	97-93	FP-1820264		.315" ID, .565" OD, 2.391" O.A.L.
REF #	QTY	VALVE SPRING	YEARS	PART NO.	SIZE	DESCRIPTION
27	6	Spring	97-93	FP-677349		Int.
REF #	QTY	VALVE SEAL	YEARS	PART NO.	SIZE	DESCRIPTION
41	12	Valve Stem Seal	97-93	FP-1822245 *		Exh. & Int.; To Ser. No. 956463; 5/16" Valve Stem

(continued on next page)

31 M/D Truck DT408 Eng. H/D Truck DT408 Eng.
 (cont.) 6.7L 408 OHV Turbo-Diesel L6 (12 Valve), 4.3005" Bore 1993-97

CAMSHAFT GROUP

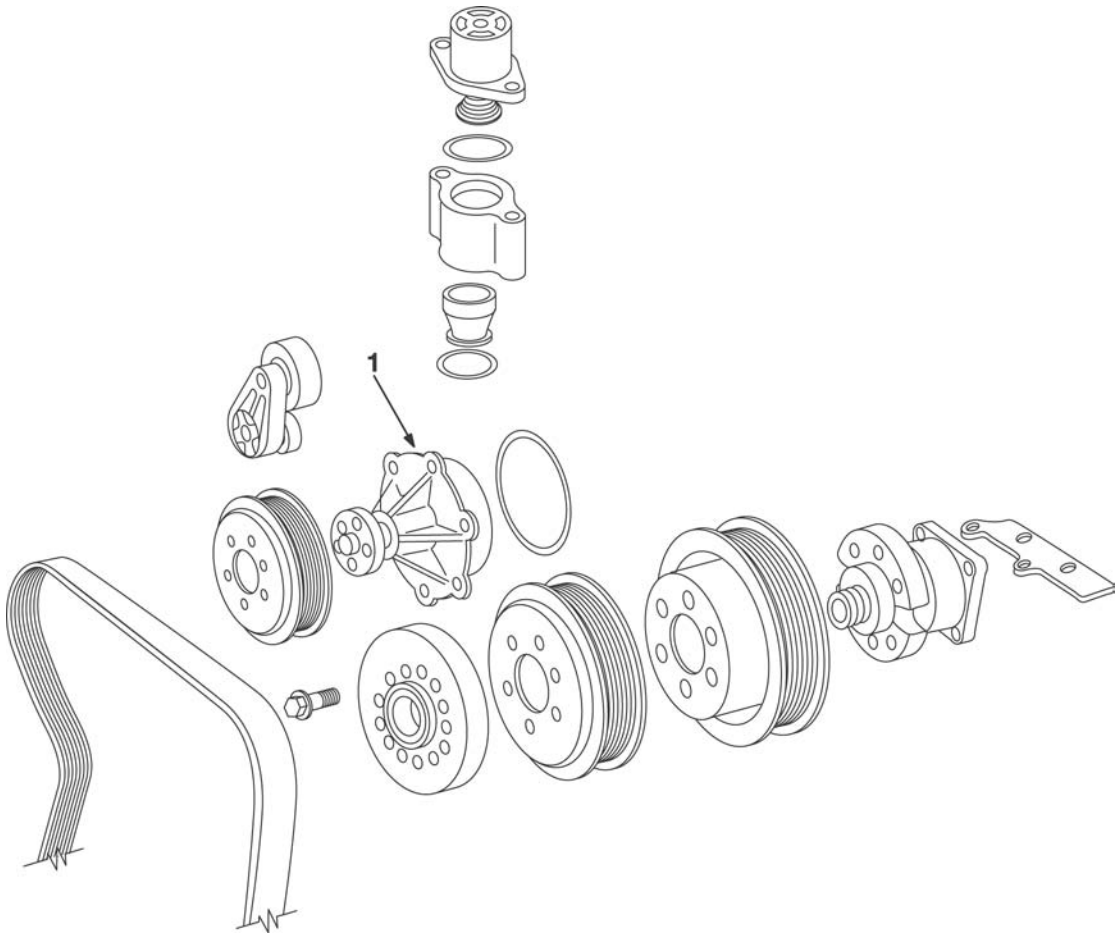


REF #	QTY	CAMSHAFT TIMING	YEARS	PART NO.	SIZE	DESCRIPTION
42	1	Woodruff Key	97-93	FP-218211		Cam gear; 1/4" x 3/4"
REF #	QTY	CAMSHAFT/LIFTER	YEARS	PART NO.	SIZE	DESCRIPTION
54	12	Lifter	97-93	FP-1809570		Roller type
FUEL SYSTEM & PARTS						
	QTY	FUEL INJECTION	YEARS	PART NO.	SIZE	DESCRIPTION
	1	Injector Nozzle Seat Gasket	97-93	FP-675477		.060" thick
	6	Grommet	97-93	FP-682810		Dust cover
	6	Fuel Injector Sleeve	97-93	FP-675442		
	QTY	TURBOCHARGER	YEARS	PART NO.	SIZE	DESCRIPTION
	1	Turbocharger Oil Inlet Gasket	97-93	FP-253660		
	1	Turbocharger Mounting Gasket	97-93	FP-1822120		

(continued on next page)

M/D Truck DT408 Eng. H/D Truck DT408 Eng. 31
 6.7L 408 OHV Turbo-Diesel L6 (12 Valve), 4.3005" Bore 1993-97 (cont.)

COOLING SYSTEM

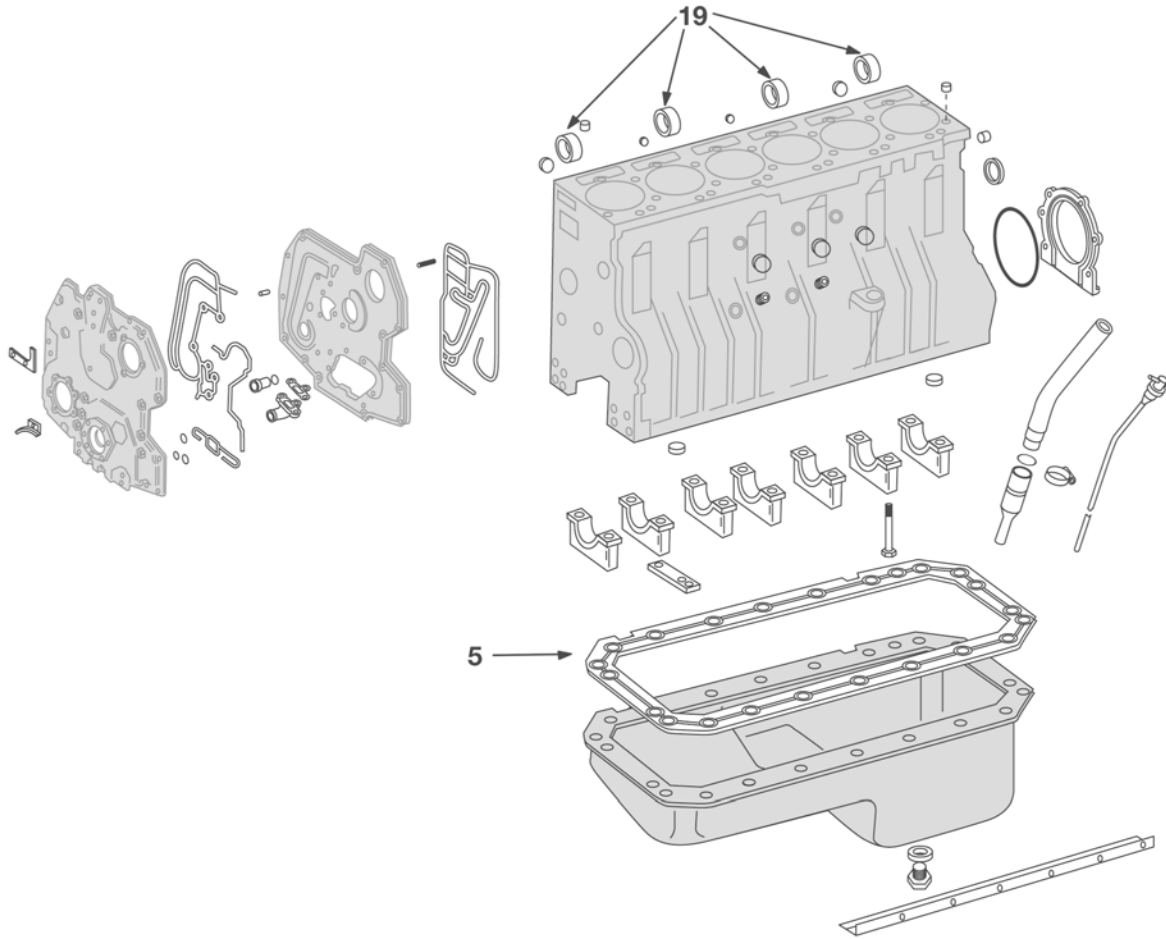


REF #	QTY	WATER PUMP	YEARS	PART NO.	SIZE	DESCRIPTION
1	1	Water Pump - Heavy Duty	97-93	FP-1817687		w/7 bolt mounting flange

(continued on next page)

31 M/D Truck DT408 Eng. H/D Truck DT408 Eng.
 (cont.) 6.7L 408 OHV Turbo-Diesel L6 (12 Valve), 4.3005" Bore 1993-97

ENGINE BLOCK & PARTS

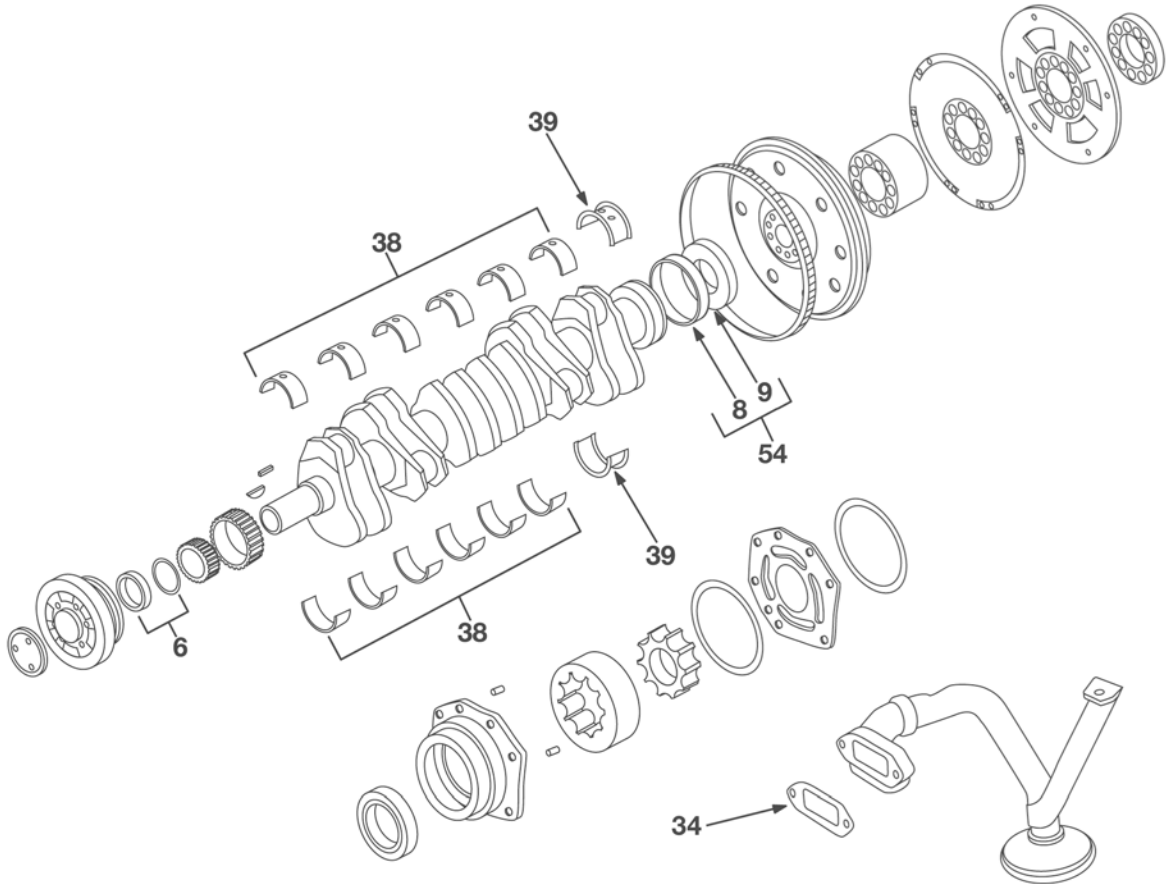


REF #	QTY	GASKETS	YEARS	PART NO.	SIZE	DESCRIPTION
5	1	Oil Pan Gasket	97-93	FP-1826587		
	1	Chemicals	97-93	FP-1816593		Oil pan; RTV Sealant
	1	Oil Seal Kit	97-93	FP-690437		Oil pump; Incl. seal & wear sleeve
REF #	QTY	CAM BEARINGS	YEARS	PART NO.	SIZE	DESCRIPTION
19	1	Cam Set	97-93	FP-680117	STD	

(continued on next page)

M/D Truck DT408 Eng. H/D Truck DT408 Eng. **31**
 6.7L 408 OHV Turbo-Diesel L6 (12 Valve), 4.3005" Bore 1993-97 (cont.)

CRANKSHAFT/OIL PUMP



REF #	QTY	SEALS - FRONT CRANK	YEARS	PART NO.	SIZE	DESCRIPTION
6	1	Oil Seal Kit	97-93	FP-690437		Incl. seal & wear sleeve
REF #	QTY	SEALS - REAR CRANK	YEARS	PART NO.	SIZE	DESCRIPTION
54	1	Oil Seal Kit	97-93	FP-1817867		Incl. seal & wear sleeve
9	1	Wear Sleeve	97-93	FP-1816569		
REF #	QTY	MAIN BEARINGS	YEARS	PART NO.	SIZE	DESCRIPTION
38	6	Plain Main Brg.	97-93	FP-1822321	STD	Position 1-2-3-4-5-6
38	6	Plain Main Brg.	97-93	FP-1822490	10	Position 1-2-3-4-5-6
38	6	Plain Main Brg.	97-93	FP-1822491	20	Position 1-2-3-4-5-6
38	6	Plain Main Brg.	97-93	FP-1822492	30	Position 1-2-3-4-5-6
39	1	Flanged Main Brg.	97-93	FP-1822379	STD	Position 7
39	1	Flanged Main Brg.	97-93	FP-1822494	10	Position 7
39	1	Flanged Main Brg.	97-93	FP-1822495	20	Position 7
39	1	Flanged Main Brg.	97-93	FP-1822496	30	Position 7
REF #	QTY	OIL PUMP	YEARS	PART NO.	SIZE	DESCRIPTION
34	1	Gasket	97-93	FP-1816722		Oil Suction Tube gasket

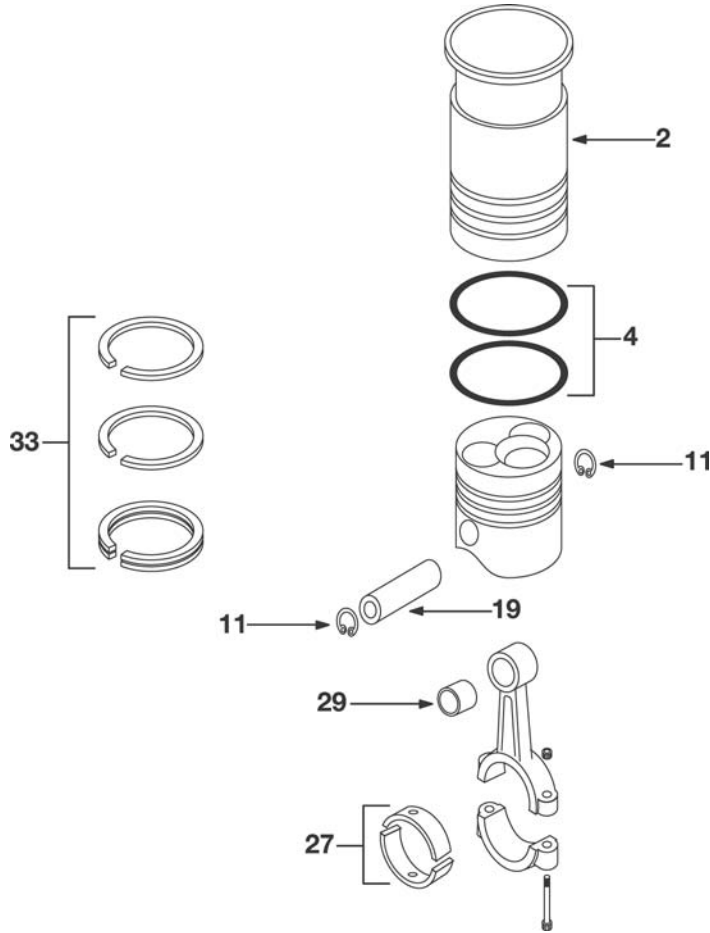
(continued on next page)

International/Navistar Truck



31 M/D Truck DT408 Eng. H/D Truck DT408 Eng.
 (cont.) 6.7L 408 OHV Turbo-Diesel L6 (12 Valve), 4.3005" Bore 1993-97

CYLINDER COMPONENTS



REF #	QTY	LINERS	YEARS	PART NO.	SIZE	DESCRIPTION
2	6	Liner w/o Sealing Ring	97-93	FP-1815674		
3	6	Cylinder Kit Complete	94-93	FP-1822332	STD	DT408 NGD Engs.; All HP Engs.
4	6	Cyl. Liner Sealing Ring Kit	97-93	FP-1822322		
4	6	Sealing Ring, Liner	97-93	FP-1817633		
4	6	Sealing Ring, Liner	97-93	FP-1842115		PTFE
REF #	QTY	PISTONS	YEARS	PART NO.	SIZE	DESCRIPTION
13	6	Piston Body w/o Pin	94-93	FP-1822217	STD	DT408 NGD Engs.; All HP Engs.
19	6	Pin	97-93	FP-1818552		
11	12	Piston Pin Retainer	97-93	FP-1818702		
29	6	Pin Bushing	97-93	FP-1818598		
REF #	QTY	CONNECTING RODS & BRGS.	YEARS	PART NO.	SIZE	DESCRIPTION
27	6	Rod Pair	97-93	FP-1822389	STD	
27	6	Rod Pair	97-93	FP-1822486	10	
27	6	Rod Pair	97-93	FP-1822487	20	
REF #	QTY	PISTON RINGS	YEARS	PART NO.	SIZE	DESCRIPTION
33	6	Ring Set Single Cylinder	97-93	FP-1817247		
KITS						
	QTY	OVERHAUL KIT	YEARS	PART NO.	SIZE	DESCRIPTION
	1	In-Frame Overhaul Kit	97-93	FP-IFKDT408NGD		
	1	In-Frame Overhaul Kit	97-93	FP-1826322		Equal to IH/Navistar "Work Kit"



6.9L Engine

Global Technology Behind Every Part

Overview

The 6.9 LITER diesel engine was first introduced in 1983. It is used in On-Highway truck and bus applications.

Engine Type	Diesel, 4-cycle
Configuration.....	V8
Displacement	420 cu. In. (6.9 Liters)
Bore and Stroke.....	4.000 x 4.180 in. (101.6 x 106.2 mm)
Combustion System.....	Direct Injection
Total Engine Weight (Dry).....	860 lb. (390 kg)

The 6.9L can be identified by the permanent engine number stamped on the front top left side of the engine. The first three positions indicate the engine displacement. The fourth digit indicates either naturally aspirated or turbocharged. The fifth and sixth digits indicate the use of the engine, for example M2 would indicate that the engine was built for truck use. The seventh digit indicates what country the engine was built in, for example the letter U indicates that the engine was built in the U.S.A. The rest of the digits represent the specific engine serial number. Early 6.9L engines with serial numbers below 59208 are known as 6.9A series and engines with serial number 59209 and higher are known as B engines. A typical serial number would look like this: 69LDM2U456789.

6.9L In-Frame Overhaul – Early engines

KIT NUMBER	COMPONENT NO.	QTY.	PART SIZE	PART DESCRIPTION	PART APPLICATION
FP-IFK-6.9E	FP-1805944-WR	8	Std.	Piston w/Pin, Retainer & Rings	For engines with S/N 59208 and below
	FP-1805946-WR	8	20	Piston w/Pin, Retainer & Rings	For engines with S/N 59208 and below
	FP-1805947-WR	8	30	Piston w/Pin, Retainer & Rings	For engines with S/N 59208 and below
	FP-1805944WR 40	8	40	Piston w/Pin, Retainer & Rings	For engines with S/N 59208 and below
	FP-1802200	8	Std.	Rod Bearing Pair	
	FP-1802201	8	10	Rod Bearing Pair	
	FP-1802202	8	20	Rod Bearing Pair	
	FP-1802203	8	30	Rod Bearing Pair	
	FP-1802220	1	Std.	Main Bearing, Flanged	
	FP-1802221	1	10	Main Bearing, Flanged	
	FP-1802222	1	20	Main Bearing, Flanged	
	FP-1802223	1	30	Main Bearing, Flanged	
	FP-1802216	4	Std.	Main Bearing, Plain	
	FP-1802217	4	10	Main Bearing, Plain	
	FP-1802218	4	20	Main Bearing, Plain	
	FP-1802219	4	30	Main Bearing, Plain	
	260-6054	1		Oil Pan Gasket Set	
	FP-1811049	1		Head Gasket Set	
	FP-1813067	1		Valley Pan Gasket Set	
	FP-1807974	1		Thermostat Kit	192 degree Thermostat





6.9L Engine

Global Technology Behind Every Part

6.9L In-Frame Overhaul – Late engines

KIT NUMBER	COMPONENT NO.	QTY.	PART SIZE	PART DESCRIPTION	PART APPLICATION
FP-IFK-6.9L	FP-1805816-WR	8	Std.	Piston w/Pin, Retainer & Rings	For engines with S/N 59209 and above
	FP-1805818-WR	8	20	Piston w/Pin, Retainer	For engines with S/N 59209
	FP-1805819-WR	8	30	Piston w/Pin, Retainer	For engines with S/N 59209
	FP-1805816WR 40	8	40	Piston w/Pin, Retainer	For engines with S/N 59209
	FP-1802200	8	Std.	Rod Bearing Pair	
	FP-1802201	8	10	Rod Bearing Pair	
	FP-1802202	8	20	Rod Bearing Pair	
	FP-1802203	8	30	Rod Bearing Pair	
	FP-1802220	1	Std.	Main Bearing, Flanged	
	FP-1802221	1	10	Main Bearing, Flanged	
	FP-1802222	1	20	Main Bearing, Flanged	
	FP-1802223	1	30	Main Bearing, Flanged	
	FP-1802216	4	Std.	Main Bearing, Plain	
	FP-1802217	4	10	Main Bearing, Plain	
	FP-1802218	4	20	Main Bearing, Plain	
	FP-1802219	4	30	Main Bearing, Plain	
	260-6054	1		Oil Pan Gasket Set	
	FP-1811049	1		Head Gasket Set	
	FP-1813067	1		Valley Pan Gasket Set	
	FP-1807974	1		Thermostat Kit	192 degree Thermostat





6.9L Engine

Global Technology Behind Every Part

6.9L Complete Overhaul – Early engines

KIT NUMBER	COMPONENT NO.	QTY.	PART SIZE	PART DESCRIPTION	PART APPLICATION
FP-IFK-6.9E-OH	FP-1805944-WR	8	Std.	Piston w/Pin, Retainer & Rings	For engines with S/N 59208 and below
	FP-1805946-WR	8	20	Piston w/Pin, Retainer & Rings	For engines with S/N 59208 and below
	FP-1805947-WR	8	30	Piston w/Pin, Retainer & Rings	For engines with S/N 59208 and below
	FP-1805944WR 40	8	40	Piston w/Pin, Retainer & Rings	For engines with S/N 59208 and below
	FP-1804000	8		Piston Pin Bushing	
	FP-1802200	8	Std.	Rod Bearing Pair	
	FP-1802201	8	10	Rod Bearing Pair	
	FP-1802202	8	20	Rod Bearing Pair	
	FP-1802203	8	30	Rod Bearing Pair	
	FP-1802220	1	Std.	Main Bearing, Flanged	
	FP-1802221	1	10	Main Bearing, Flanged	
	FP-1802222	1	20	Main Bearing, Flanged	
	FP-1802223	1	30	Main Bearing, Flanged	
	FP-1802216	4	Std.	Main Bearing, Plain	
	FP-1802217	4	10	Main Bearing, Plain	
	FP-1802218	4	20	Main Bearing, Plain	
	FP-1802219	4	30	Main Bearing, Plain	
	PGN6.9C	1		Overhaul Gasket Set	
	FP-1804003	16		Connecting Rod Bolt	
	FP-1805866	16		Connecting Rod Nut	
FP-1807974	1		Thermostat Kit	192 degree Thermostat	



6.9L Engine

Global Technology Behind Every Part

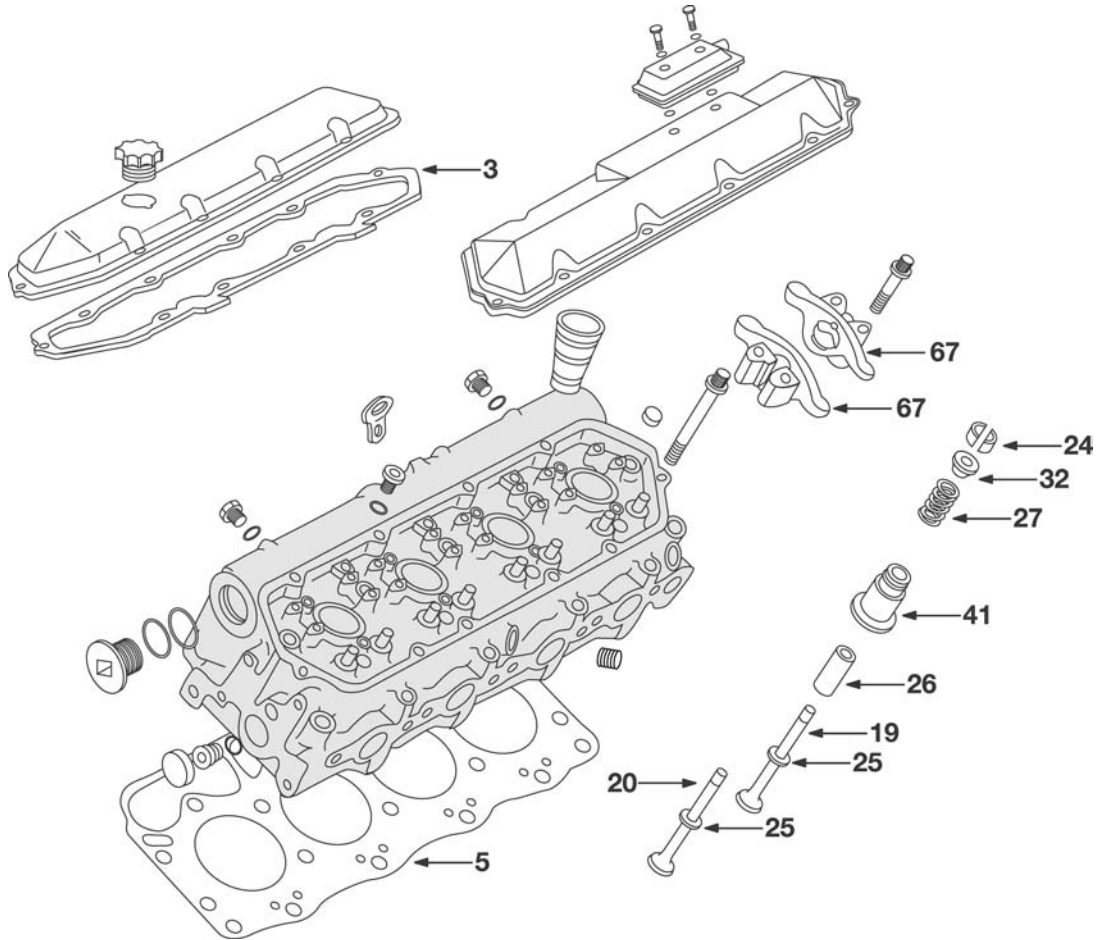
6.9L Complete Overhaul – Late engines

KIT NUMBER	COMPONENT NO.	QTY.	PART SIZE	PART DESCRIPTION	PART APPLICATION
FP-IFK-6.9E-OH	FP-1805944-WR	8	Std.	Piston w/Pin, Retainer & Rings	For engines with S/N 59208 and below
	FP-1805946-WR	8	20	Piston w/Pin, Retainer & Rings	For engines with S/N 59208 and below
	FP-1805947-WR	8	30	Piston w/Pin, Retainer & Rings	For engines with S/N 59208 and below
	FP-1805944WR 40	8	40	Piston w/Pin, Retainer & Rings	For engines with S/N 59208 and below
	FP-1804000	8		Piston Pin Bushing	
	FP-1802200	8	Std.	Rod Bearing Pair	
	FP-1802201	8	10	Rod Bearing Pair	
	FP-1802202	8	20	Rod Bearing Pair	
	FP-1802203	8	30	Rod Bearing Pair	
	FP-1802220	1	Std.	Main Bearing, Flanged	
	FP-1802221	1	10	Main Bearing, Flanged	
	FP-1802222	1	20	Main Bearing, Flanged	
	FP-1802223	1	30	Main Bearing, Flanged	
	FP-1802216	4	Std.	Main Bearing, Plain	
	FP-1802217	4	10	Main Bearing, Plain	
	FP-1802218	4	20	Main Bearing, Plain	
	FP-1802219	4	30	Main Bearing, Plain	
	PGN6.9C	1		Overhaul Gasket Set	
	FP-1804003	16		Connecting Rod Bolt	
	FP-1805866	16		Connecting Rod Nut	
	FP-1807974	1		Thermostat Kit	192 degree Thermostat



M/D Truck 6.9L Diesel Eng. H/D Truck 6.9L Diesel Eng. 32
6.9L 420 OHV Diesel V8 (IDI), 4" Bore 1980-90

CYL. HEAD & PARTS



REF #	QTY	GASKETS	YEARS	PART NO.	SIZE	DESCRIPTION
3	2	Valve Cover Gasket	88-82	FP-1804052		
5	2	Head Gasket	88-82	FP-1804259		
	1	Head Set	88-82	FP-1811049		Int. manifold gskt. not incl.
REF #	QTY	VALVE	YEARS	PART NO.	SIZE	DESCRIPTION
19	8	Intake	88-82	FP-1804330		Chrome plated stem; 1.8770" Head Dia., .3719" Stem Dia., 5.6880" O.A.L.
20	8	Exhaust	88-82	FP-1811191		Chrome plated stem; 1.5950" Head Dia., .3719" Stem Dia., 5.6700" O.A.L.
24	32	Keeper	88-82	FP-41339		1 groove; Square cut key groove
24	32	Keeper	88-82	VK-138		1 groove; Square cut key groove; Carton pack 32
24	32	Keeper	88-82	VK-138R		1 groove; Square cut key groove; Hardened
24	32	Keeper, Bulk	88-82	VK-138B		1 groove; Square cut key groove; Carton of 1000
REF #	QTY	VALVE SEAT	YEARS	PART NO.	SIZE	DESCRIPTION
25	8	Exh.	88-83	FP-1805249		1.6690" OD, 1.3700" ID, .2710" Depth
25	8	Int.	88-83	FP-1805250		1.9425" OD, 1.6875" ID, .2480" Depth
REF #	QTY	VALVE GUIDE	YEARS	PART NO.	SIZE	DESCRIPTION
26	16	Guide	88-83	FP-1805407		Exh. & Int.; .3750" ID, 2.6000" O.A.L.
REF #	QTY	VALVE SPRING	YEARS	PART NO.	SIZE	DESCRIPTION
27	16	Spring	88-83	FP-317365		Incl. damper; 2.0500" Free Height
REF #	QTY	PUSH RODS	YEARS	PART NO.	SIZE	DESCRIPTION
	16	Push Rod	88-82	FP-1804338		Install w/copper colored ball toward rocker arm; 9.9890" O.A.L.
REF #	QTY	VALVE MISC.	YEARS	PART NO.	SIZE	DESCRIPTION
32	16	Rotocap	88-83	FP-1804467		
REF #	QTY	VALVE SEAL	YEARS	PART NO.	SIZE	DESCRIPTION
41	16	Valve Stem Seal	88-83	FP-681234		Umbrella type
41	16	Valve Stem Seal	88-83	FP-1804420		Umbrella type; Fits Std. to .015" O/S valve stem; Rubber.

(continued on next page)

International/Navistar Truck



32 M/D Truck 6.9L Diesel Eng. H/D Truck 6.9L Diesel Eng.
 (cont.) 6.9L 420 OHV Diesel V8 (IDI), 4" Bore 1980-90

CYL. HEAD & PARTS (cont.)

REF #	QTY	ROCKER PARTS	YEARS	PART NO.	SIZE	DESCRIPTION
	8	Arm Assy.	88-82	R-1119		Incl. 2-arms, 2-pivots & 1-retainer
67	16	Arm	88-82	R-949		Incl. 1-rocker arm

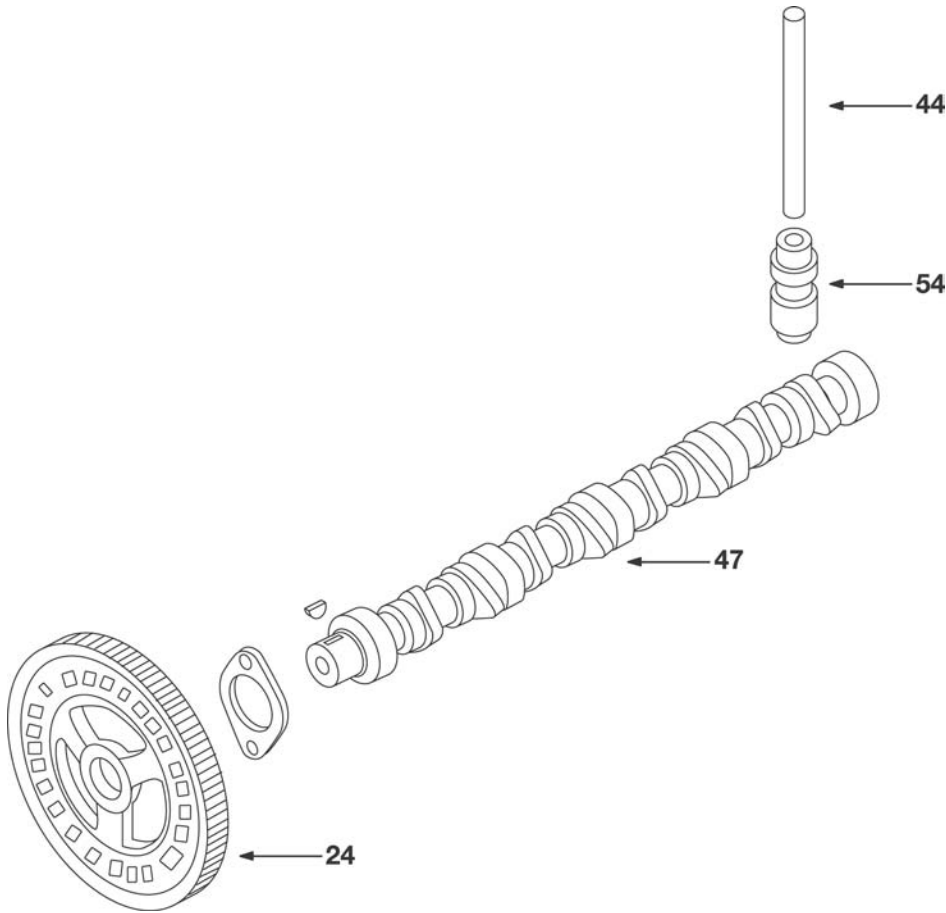
IGNITION

QTY	IGNITION	YEARS	PART NO.	SIZE	DESCRIPTION
8	Glow Plug	88-82	FP-1819649		From Ser. No. 246734; Exc. Ser. Nos. 256300 through 256314, 256493, 268092 through 268106
8	Glow Plug	88-82	FP-1804211		To Ser. No. 246733 and Ser. Nos. 256300 through 256314, 256493, 268092 through 268106

INT & EXH MANIFOLDS

QTY	INT. & EXH. MANIFOLDS	YEARS	PART NO.	SIZE	DESCRIPTION
1	Valley Pan Gasket Set	90-80	FP-1813067		

CAMSHAFT GROUP



REF #	QTY	TIMING	YEARS	PART NO.	SIZE	DESCRIPTION
	1	Gear Set	88-82	221-3342S		Incl. (1) 221-3342S
REF #	QTY	CAMSHAFT/LIFTER	YEARS	PART NO.	SIZE	DESCRIPTION
47	1	Camshaft	88-82	CS-771		
54	16	Lifter	88-82	FP-1804353		Hyd. rlr.
	1	Prelube	88-82	55-400		4 oz. bottle; 1.5 oz. packet No. 55-403 also avail.

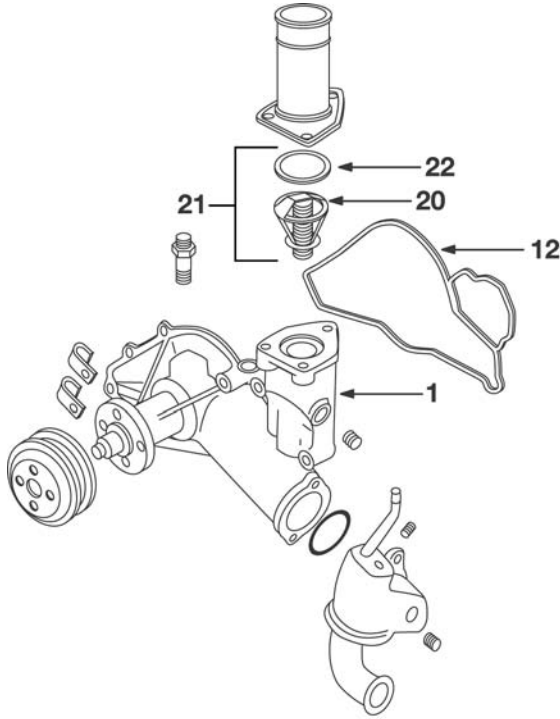
FUEL SYSTEM & PARTS

QTY	FUEL FILTERS & PUMP	YEARS	PART NO.	SIZE	DESCRIPTION
1	Mechanical Fuel Pump	88-83	FP-1804495		

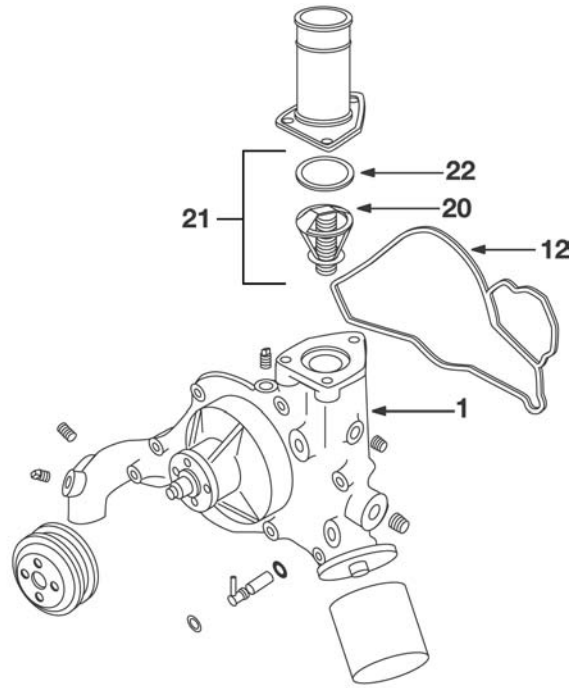
(continued on next page)

M/D Truck 6.9L Diesel Eng. H/D Truck 6.9L Diesel Eng. **32**
 6.9L 420 OHV Diesel V8 (IDI), 4" Bore 1980-90 (cont.)

COOLING SYSTEM



**UP TO SERIAL NO.
58558**



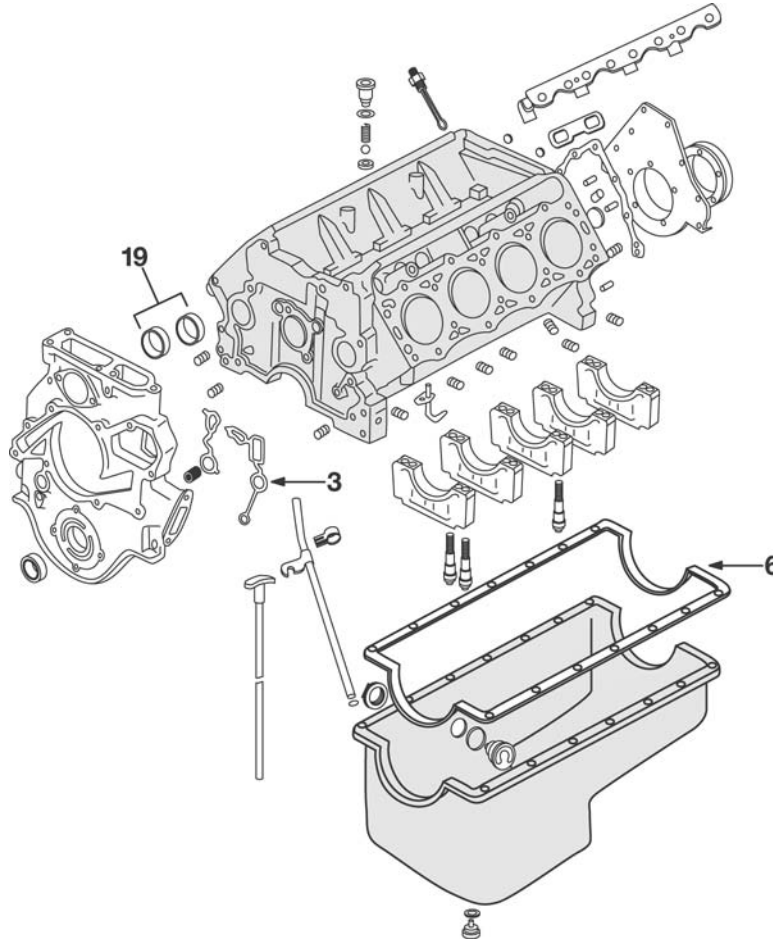
**FROM SERIAL NO.
58559**

REF #	QTY	WATER PUMP	YEARS	PART NO.	SIZE	DESCRIPTION
1	1	Water Pump - Heavy Duty	88-83	FP-1809374		
12	1	Water Pump Gasket	88-83	FP-1804136		
REF #	QTY	THERMOSTAT	YEARS	PART NO.	SIZE	DESCRIPTION
20	1	Thermostat	88-82	FP-1807945		192 Deg.
21	1	Thermostat Kit	88-82	FP-1807974		192 Deg.; Incl. gskt.
22	1	Thermostat Gasket	88-82	FP-1804032		

(continued on next page)

32 M/D Truck 6.9L Diesel Eng. H/D Truck 6.9L Diesel Eng.
 (cont.) 6.9L 420 OHV Diesel V8 (IDI), 4" Bore 1980-90

ENGINE BLOCK & PARTS

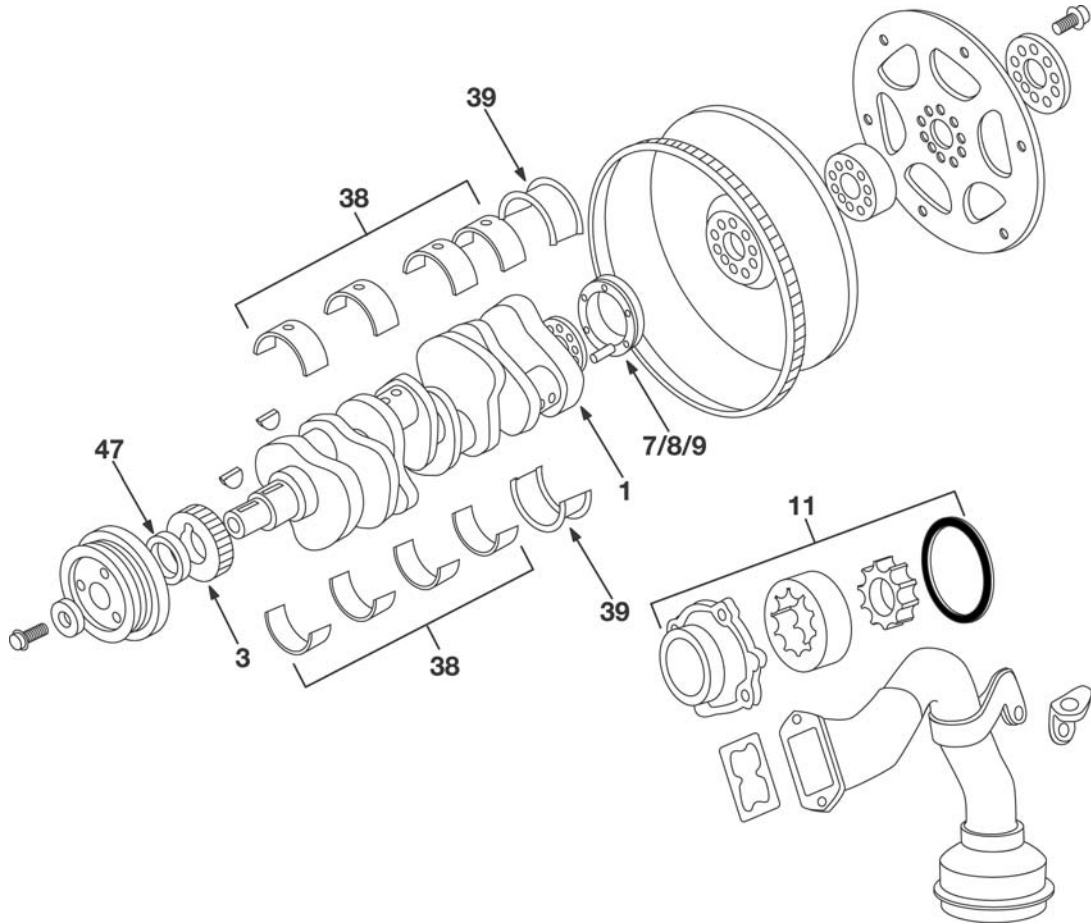


REF #	QTY	GASKETS	YEARS	PART NO.	SIZE	DESCRIPTION
3	1	Front Crankcase Cover Gasket	88-82	FP-1804480		
6	1	Oil Pan Gasket Set	90-80	260-6054		
	1	Chemicals	88-82	FP-446839		Front cover; RTV Sealant
REF #	QTY	GASKET SETS	YEARS	PART NO.	SIZE	DESCRIPTION
	1	Lower Gasket Set	88-82	FP-1802213		
	1	Kit Gasket Set	90-80	260-1672		Int. manifold gskt. not incl.; Premium valve stem seals incl.
REF #	QTY	CAM BEARINGS	YEARS	PART NO.	SIZE	DESCRIPTION
19	1	Cam Set	88-82	FP-1804475	STD	
REF #	QTY	FREEZE PLUGS	YEARS	PART NO.	SIZE	DESCRIPTION
	1	Stainless Block Plug Kit	88-84	381-8056		Incl. 7 centerless ground OD, stainless steel block plugs

(continued on next page)

M/D Truck 6.9L Diesel Eng. H/D Truck 6.9L Diesel Eng. **32**
 6.9L 420 OHV Diesel V8 (IDI), 4" Bore 1980-90 (cont.)

CRANKSHAFT/OIL PUMP

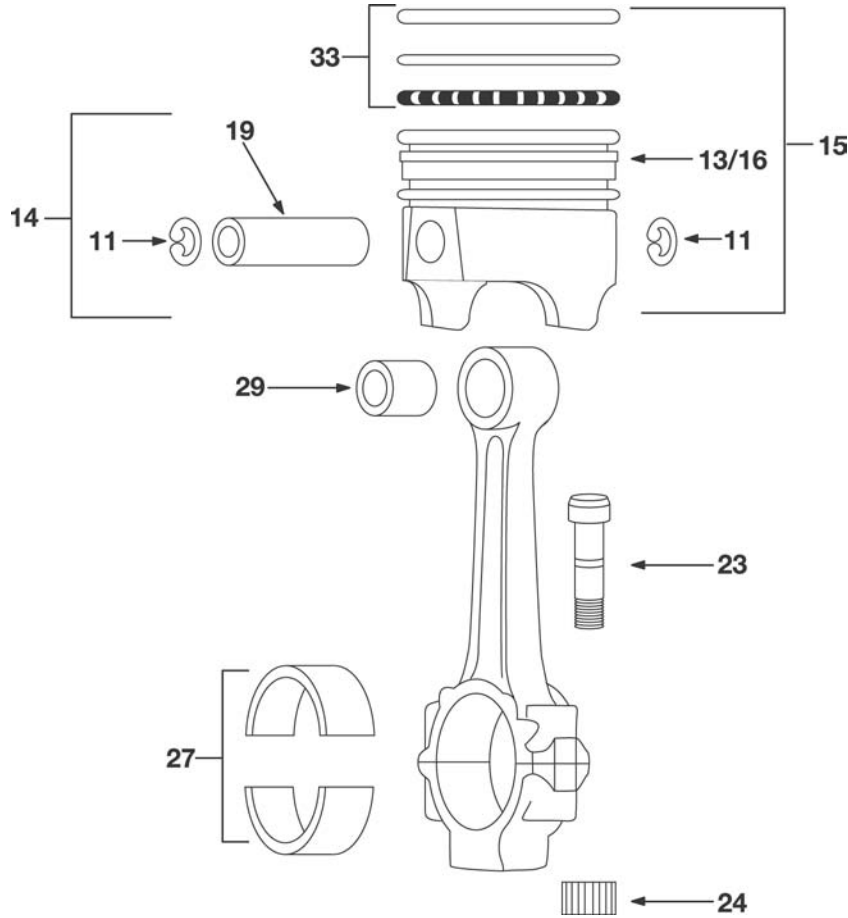


REF #	QTY	SEALS - FRONT CRANK	YEARS	PART NO.	SIZE	DESCRIPTION
47	1	Oil Seal	88-83	FP-1804009		Viton®
	1	Oil Seal Kit	88-82	5066		(Seal & Sleeve)
REF #	QTY	SEALS - REAR CRANK	YEARS	PART NO.	SIZE	DESCRIPTION
7	1	Oil Seal	88-83	FP-1816559		
7	1	Oil Seal	88-82	39608		PTFE
7	1	Oil Seal	88-82	3893V		Viton®
8	1	Oil Seal Kit	88-83	FP-1819733		
9	1	Wear Sleeve	88-83	FP-1816569		
REF #	QTY	MAIN BEARINGS	YEARS	PART NO.	SIZE	DESCRIPTION
	1	Main Set	88-82	5110M	Std-10-20-30	
38	4	Plain Main Brg.	88-82	FP-1802216	STD	Position 1-2-4-5
38	4	Plain Main Brg.	88-82	FP-1802217	10	Position 1-2-4-5
38	4	Plain Main Brg.	88-82	FP-1802218	20	Position 1-2-4-5
38	4	Plain Main Brg.	88-82	FP-1802219	30	Position 1-2-4-5
39	1	Flanged Main Brg.	88-82	FP-1802220	STD	Position 3
39	1	Flanged Main Brg.	88-82	FP-1802221	10	Position 3
39	1	Flanged Main Brg.	88-82	FP-1802222	20	Position 3
39	1	Flanged Main Brg.	88-82	FP-1802223	30	Position 3
REF #	QTY	OIL PUMP	YEARS	PART NO.	SIZE	DESCRIPTION
11	1	Oil Pump	88-83	FP-1805398		

(continued on next page)

32 M/D Truck 6.9L Diesel Eng. H/D Truck 6.9L Diesel Eng. (cont.) 6.9L 420 OHV Diesel V8 (IDI), 4" Bore 1980-90

CYLINDER COMPONENTS



REF #	QTY	PISTONS	YEARS	PART NO.	SIZE	DESCRIPTION
13	8	Piston Body w/o Pin	88-84	FP-1805851	STD	From Ser. No. 59208
13	8	Piston Body w/o Pin	88-84	FP-1441102	20	From Ser. No. 59208
13	8	Piston Body w/o Pin	88-84	FP-1805854	30	From Ser. No. 59208
13	8	Piston Body w/o Pin	88-84	FP-180585140	40	From Ser. No. 59208
13	8	Piston Body w/o Pin	83-82	FP-1805231	20	To Ser. No. 59207
13	8	Piston Body w/o Pin	83-82	FP-1805232	30	To Ser. No. 59207
13	8	Piston Body w/o Pin	83-82	FP-180521240	40	To Ser. No. 59207
13	8	Piston Body w/o Pin	83-82	FP-1805851	STD	To Ser. No. 59207; Replace in sets only
13	8	Piston Body w/o Pin	83-82	FP-1441102	20	To Ser. No. 59207; Replace in sets only
13	8	Piston Body w/o Pin	83-82	FP-1805854	30	To Ser. No. 59207; Replace in sets only
13	8	Piston Body w/o Pin	83-82	FP-180585140	40	To Ser. No. 59207; Replace in sets only
14	8	Piston Kit w/Pin & Retainers	88-84	FP-1805816	STD	From Ser. No. 59208
14	8	Piston Kit w/Pin & Retainers	88-84	FP-1805818	20	From Ser. No. 59208
14	8	Piston Kit w/Pin & Retainers	88-84	FP-1805819	30	From Ser. No. 59208
14	8	Piston Kit w/Pin & Retainers	83-82	FP-1805816	STD	To Ser. No. 59207; Replace in sets only
14	8	Piston Kit w/Pin & Retainers	83-82	FP-1805818	20	To Ser. No. 59207; Replace in sets only
14	8	Piston Kit w/Pin & Retainers	83-82	FP-1805819	30	To Ser. No. 59207; Replace in sets only
15	8	Piston w/Pin, Retainer, Rings	88-84	FP-1805816WR	STD	From Ser. No. 59208
15	8	Piston w/Pin, Retainer, Rings	88-84	FP-1805818WR	20	From Ser. No. 59208
15	8	Piston w/Pin, Retainer, Rings	88-84	FP-1805819WR	30	From Ser. No. 59208
15	8	Piston w/Pin, Retainer, Rings	83-82	FP-1805816WR	STD	To Ser. No. 59207; Replace in sets only
15	8	Piston w/Pin, Retainer, Rings	83-82	FP-1805818WR	20	To Ser. No. 59207; Replace in sets only
15	8	Piston w/Pin, Retainer, Rings	83-82	FP-1805819WR	30	To Ser. No. 59207; Replace in sets only
16	8	Cast Piston	88-84	FP-H729CP	STD	From 10/3/83; Hypereutectic; 2-5/64", 1-7/64" Ring Groove, 1.937" CD, 1.1100" Pin Dia., Ricardo Cup Head; DUROSHIELD® skirt coated piston
16	8	Cast Piston	88-84	FP-H729CP20	20	From 10/3/83; Hypereutectic; 2-5/64", 1-7/64" Ring Groove, 1.937" CD, 1.1100" Pin Dia., Ricardo Cup Head; DUROSHIELD® skirt coated piston

(continued on next page)

M/D Truck 6.9L Diesel Eng. H/D Truck 6.9L Diesel Eng. **32**
6.9L 420 OHV Diesel V8 (IDI), 4" Bore 1980-90 (cont.)

CYLINDER COMPONENTS (cont.)

REF #	QTY	PISTONS (cont.)	YEARS	PART NO.	SIZE	DESCRIPTION
16	8	Cast Piston	88-84	FP-H729CP30	30	From 10/3/83; Hypereutectic; 2-5/64", 1-7/64" Ring Groove, 1.937" CD, 1.1100" Pin Dia., Ricardo Cup Head; DUROSHIELD® skirt coated piston
16	8	Cast Piston - Individual	88-84	FP-WH729CP	STD	From 10/3/83; Hypereutectic; 2-5/64", 1-7/64" Ring Groove, 1.937" CD, 1.1100" Pin Dia., Ricardo Cup Head; DUROSHIELD® skirt coated piston
16	8	Cast Piston - Individual	88-84	FP-WH729CP20	20	From 10/3/83; Hypereutectic; 2-5/64", 1-7/64" Ring Groove, 1.937" CD, 1.1100" Pin Dia., Ricardo Cup Head; DUROSHIELD® skirt coated piston
16	8	Cast Piston - Individual	88-84	FP-WH729CP30	30	From 10/3/83; Hypereutectic; 2-5/64", 1-7/64" Ring Groove, 1.937" CD, 1.1100" Pin Dia., Ricardo Cup Head; DUROSHIELD® skirt coated piston
19	8	Pin	88-82	FP-1804321		
11	16	Piston Pin Retainer	88-82	FP-1804308		
29	8	Pin Bushing	88-82	FP-1804000		
REF #	QTY	CONNECTING RODS & BRGS.	YEARS	PART NO.	SIZE	DESCRIPTION
23	16	Con. Rod Bolt	88-83	FP-1804003		
24	16	Con. Rod Nut	88-83	FP-1805866		
27	8	Rod Pair	88-82	FP-1802200	STD	
27	8	Rod Pair	88-82	FP-1802201	10	
27	8	Rod Pair	88-82	FP-1802202	20	
27	8	Rod Pair	88-82	FP-1802203	30	
REF #	QTY	PISTON RINGS	YEARS	PART NO.	SIZE	DESCRIPTION
33	8	Ring Set Single Cylinder	88-84	FP-1802210	20	
33	8	Ring Set Single Cylinder	88-84	FP-1802211	30	
33	8	Ring Set Single Cylinder	88-84	FP-1802212	40	
33	8	Ring Set Single Cylinder	88-84	FP-1802208	STD	2-5/64, 1-7/64; 2nd ring gap is .060-.075" like O.E. ring
33	8	Ring Set Single Cylinder	83-82	FP-1802210	20	Use w/FP1441102 or FP1805818
33	8	Ring Set Single Cylinder	83-82	FP-1802208	STD	Use w/FP1805851 or FP1805816; 2-5/64, 1-7/64; 2nd ring gap is .060-.075" like O.E. ring
33	8	Ring Set Single Cylinder	83-82	FP-1802212	40	Use w/FP1805851-40 or FP1805816-40
33	8	Ring Set Single Cylinder	83-82	FP-1802211	30	Use w/FP1805854 or FP1805819
KITS						
	QTY	OVERHAUL KIT	YEARS	PART NO.	SIZE	DESCRIPTION
	1	In-Frame Overhaul Kit	88-82	FP-IFK69L		
	1	Complete Overhaul Kit	88-82	FP-IFK69LOH		



7.3L/T444E Engine

Global Technology Behind Every Part

Overview

The 7.3 LITER diesel engine was first introduced in 1988. The 7.3 Liter designation was used until 1995. In late 1993, the 7.3L DIT/T444E version of the engine family was introduced and continues today as the T444E. Both versions are used in On-Highway truck and bus applications.

Engine Type	Diesel, 4-cycle
Configuration.....	V8
Displacement	444 cu. In. (7.3 Liters)
Bore and Stroke	4.110 x 4.180 in. (104.4 x 106.2 mm)
Combustion System.....	7.3L = Direct Injection and Indirect Injection T444E = Direct Injection only.
Total Engine Weight (Dry)	7.3L = 860 lb. (390 kg) T444E = 930 lb. (422 kg)

The 7.3L can be identified by the permanent engine number stamped on the front top left side of the engine. The first three positions indicate the engine displacement. The fourth digit indicates either naturally aspirated or turbocharged. The fifth and sixth digits indicate the use of the engine, for example M2 would indicate that the engine was built for truck use. The seventh digit indicates what country the engine was built in, for example the letter U indicates that the engine was built in the U.S.A. The rest of the digits represent the specific engine serial number. The 7.3L engine serial numbers begin with 500001. A typical serial number would look like this: 73LFM2U456789.

The T444E can be identified by the serial number stamped on the lower rear left hand side of the engine crankcase, just right of the lube oil filter header. The 7.3DIT/T444E engine serial numbers begin with 000500.



7.3L/T444E Engine

Global Technology Behind Every Part

7.3L In-Frame Overhaul – Early engines

KIT NUMBER	COMPONENT NO.	QTY.	PART SIZE	PART DESCRIPTION	PART APPLICATION
FP-IFK-7.3E	FP-1813119-WR	8	Std.	Piston w/Pin, Retainer & Rings	To Serial No 598753
	FP-1813120-WR	8	10	Piston w/Pin, Retainer & Rings	To Serial No 598753
	FP-1813121-WR	8	20	Piston w/Pin, Retainer & Rings	To Serial No 598753
	FP-1813122-WR	8	30	Piston w/Pin, Retainer & Rings	To Serial No 598753
	FP-1802200	8	Std.	Rod Bearing Pair	
	FP-1802201	8	10	Rod Bearing Pair	
	FP-1802202	8	20	Rod Bearing Pair	
	FP-1802203	8	30	Rod Bearing Pair	
	FP-1802220	1	Std.	Main Bearing, Flanged	
	FP-1802221	1	10	Main Bearing, Flanged	
	FP-1802222	1	20	Main Bearing, Flanged	
	FP-1802223	1	30	Main Bearing, Flanged	
	FP-1802216	4	Std.	Main Bearing, Plain	
	FP-1802217	4	10	Main Bearing, Plain	
	FP-1802218	4	20	Main Bearing, Plain	
	FP-1802219	4	30	Main Bearing, Plain	
	260-6054	1		Oil Pan Gasket Set	
	FP-1811050	1		Head Gasket Set	
	FP-1813067	1		Valley Pan Gasket Set	
	FP-1807974	1		Thermostat Kit	192 degree Thermostat



7.3L/T444E Engine

Global Technology Behind Every Part

7.3L In-Frame Overhaul – Late engines

KIT NUMBER	COMPONENT NO.	QTY.	PART SIZE	PART DESCRIPTION	PART APPLICATION
FP-IFK-7.3L	FP-1816674-WR	8	Std.	Piston w/Pin, Retainer & Rings	From Serial No 598754
	FP-1816676-WR	8	20	Piston w/Pin, Retainer & Rings	From Serial No 598754
	FP-1816677-WR	8	30	Piston w/Pin, Retainer & Rings	From Serial No 598754
	FP-1802200	8	Std.	Rod Bearing Pair	
	FP-1802201	8	10	Rod Bearing Pair	
	FP-1802202	8	20	Rod Bearing Pair	
	FP-1802203	8	30	Rod Bearing Pair	
	FP-1802220	1	Std.	Main Bearing, Flanged	
	FP-1802221	1	10	Main Bearing, Flanged	
	FP-1802222	1	20	Main Bearing, Flanged	
	FP-1802223	1	30	Main Bearing, Flanged	
	FP-1802216	4	Std.	Main Bearing, Plain	
	FP-1802217	4	10	Main Bearing, Plain	
	FP-1802218	4	20	Main Bearing, Plain	
	FP-1802219	4	30	Main Bearing, Plain	
	260-6054	1		Oil Pan Gasket Set	
	FP-1811050	1		Head Gasket Set	
	FP-1813067	1		Valley Pan Gasket Set	
	FP-1807974	1		Thermostat Kit	192 degree Thermostat



7.3L/T444E Engine

Global Technology Behind Every Part

T444E In-Frame Overhaul

KIT NUMBER	COMPONENT NO.	QTY.	PART SIZE	PART DESCRIPTION	PART APPLICATION
FP-IFK-T444E	FP-1830953	8	Std.	Piston w/Pin, Retainer & Rings	
	FP-1830954	8	20	Piston w/Pin, Retainer	
	FP-1830955	8	30	Piston w/Pin, Retainer	
	FP-1830956	8	40	Piston w/Pin, Retainer	
	FP-1812301	8	Std.	Rod Bearing Pair	
	FP-1812302	8	10	Rod Bearing Pair	
	FP-1812303	8	20	Rod Bearing Pair	
	FP-1812304	8	30	Rod Bearing Pair	
	FP-1812325	1	Std.	Main Bearing, Flanged	
	FP-1812326	1	10	Main Bearing, Flanged	
	FP-1812327	1	20	Main Bearing, Flanged	
	FP-1812328	1	30	Main Bearing, Flanged	
	FP-1812321	4	Std.	Main Bearing, Plain	
	FP-1812322	4	10	Main Bearing, Plain	
	FP-1812323	4	20	Main Bearing, Plain	
	FP-1812324	4	30	Main Bearing, Plain	
	PGT444S	1		In-Frame Gasket Set	



7.3L/T444E Engine

Global Technology Behind Every Part

7.3L Complete Overhaul – Early engines

KIT NUMBER	COMPONENT NO.	QTY.	PART SIZE	PART DESCRIPTION	PART APPLICATION
FP-IFK-7.3E-OH	FP-1813119-WR	8	Std.	Piston w/Pin, Retainer & Rings	To Serial No 598753
	FP-1813120-WR	8	10	Piston w/Pin, Retainer & Rings	To Serial No 598753
	FP-1813121-WR	8	20	Piston w/Pin, Retainer & Rings	To Serial No 598753
	FP-1813122-WR	8	30	Piston w/Pin, Retainer & Rings	To Serial No 598753
	FP-1804000	8		Piston Pin Bushing	
	FP-1802200	8	Std.	Rod Bearing Pair	
	FP-1802201	8	10	Rod Bearing Pair	
	FP-1802202	8	20	Rod Bearing Pair	
	FP-1802203	8	30	Rod Bearing Pair	
	FP-1802220	1	Std.	Main Bearing, Flanged	
	FP-1802221	1	10	Main Bearing, Flanged	
	FP-1802222	1	20	Main Bearing, Flanged	
	FP-1802223	1	30	Main Bearing, Flanged	
	FP-1802216	4	Std.	Main Bearing, Plain	
	FP-1802217	4	10	Main Bearing, Plain	
	FP-1802218	4	20	Main Bearing, Plain	
	FP-1802219	4	30	Main Bearing, Plain	
	PGN7.3C	1		Overhaul Gasket Set	
	FP-1813067	1		Valley Pan Gasket Set	
	FP-1804003	16		Connecting Rod Bolt	
	FP-1805866	16		Connecting Rod Nut	
	FP-1807974	1		Thermostat Kit	192 degree Thermostat



7.3L/T444E Engine

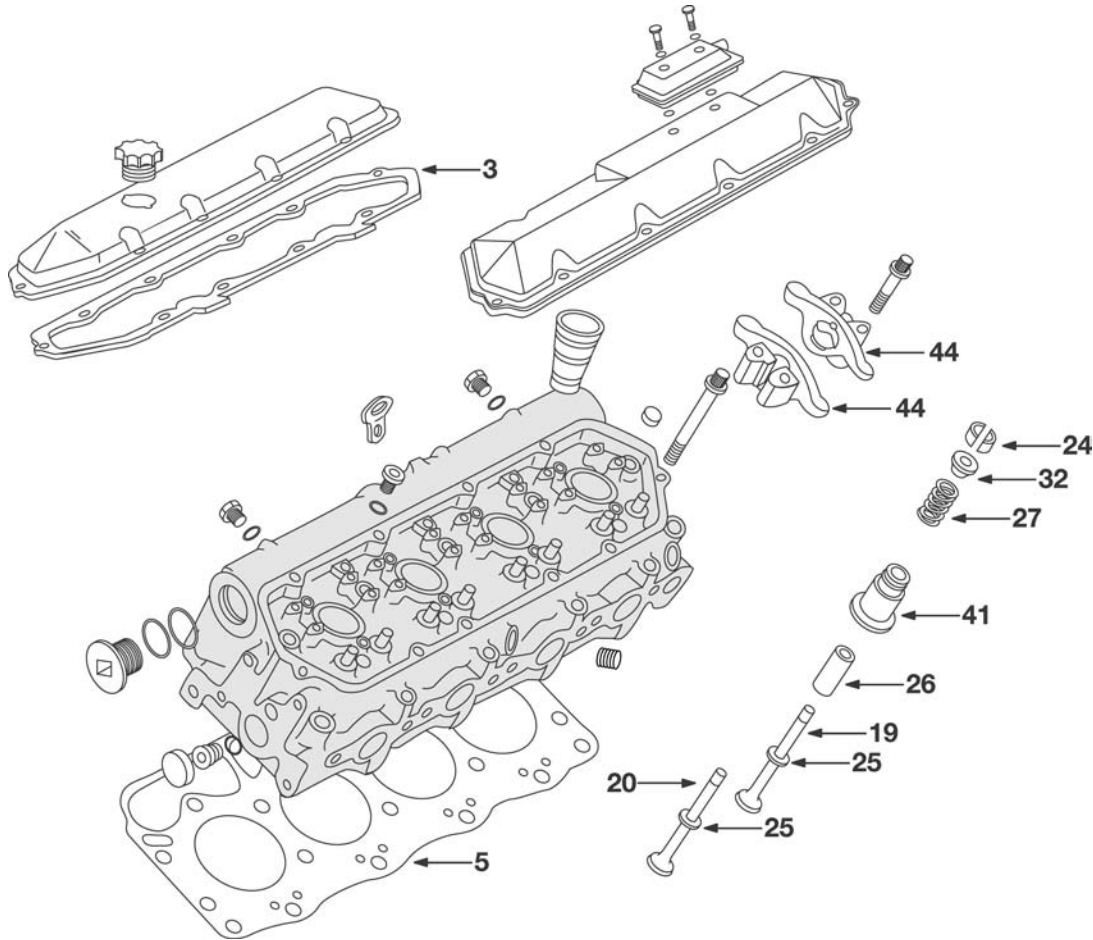
Global Technology Behind Every Part

7.3L Complete Overhaul – Late engines

KIT NUMBER	COMPONENT NO.	QTY.	PART SIZE	PART DESCRIPTION	PART APPLICATION
FP-IFK-7.3L-OH	FP-1816674-WR	8	Std.	Piston w/Pin, Retainer & Rings	From Serial No 598754
	FP-1816676-WR	8	20	Piston w/Pin, Retainer & Rings	From Serial No 598754
	FP-1816677-WR	8	30	Piston w/Pin, Retainer & Rings	From Serial No 598754
	FP-1804000	8		Piston Pin Bushing	
	FP-1802200	8	Std.	Rod Bearing Pair	
	FP-1802201	8	10	Rod Bearing Pair	
	FP-1802202	8	20	Rod Bearing Pair	
	FP-1802203	8	30	Rod Bearing Pair	
	FP-1802220	1	Std.	Main Bearing, Flanged	
	FP-1802221	1	10	Main Bearing, Flanged	
	FP-1802222	1	20	Main Bearing, Flanged	
	FP-1802223	1	30	Main Bearing, Flanged	
	FP-1802216	4	Std.	Main Bearing, Plain	
	FP-1802217	4	10	Main Bearing, Plain	
	FP-1802218	4	20	Main Bearing, Plain	
	FP-1802219	4	30	Main Bearing, Plain	
	PGN7.3C	1		Overhaul Gasket Set	
	FP-1813067	1		Valley Pan Gasket Set	
	FP-1804003	16		Connecting Rod Bolt	
	FP-1805866	16		Connecting Rod Nut	
FP-1807974	1		Thermostat Kit	192 degree Thermostat	

33 M/D Truck 7.3L Diesel Eng. 7.3L 444 OHV Diesel V8 (IDI), 4.11" Bore 1988-93

CYL. HEAD & PARTS



REF #	QTY	GASKETS	YEARS	PART NO.	SIZE	DESCRIPTION
3	1	Valve Cover Gasket	93-88	FP-1804052		
5	2	Head Gasket	93-88	FP-1809057		
	1	Head Set	93-88	FP-1811050		Int. manifold gskt. not incl.
REF #	QTY	VALVE	YEARS	PART NO.	SIZE	DESCRIPTION
19	8	Intake	93-88	FP-1804330		Chrome plated stem; 1.8770" Head Dia., .3719" Stem Dia., 5.6880" O.A.L.
20	8	Exhaust	93-88	FP-1811191		Chrome plated stem; 1.5950" Head Dia., .3719" Stem Dia., 5.6700" O.A.L.
24	32	Keeper	93-88	FP-41339		1 groove; Square cut key groove
24	32	Keeper	93-88	VK-138		1 groove; Square cut key groove; Carton pack 32
24	32	Keeper	93-88	VK-138R		1 groove; Square cut key groove; Hardened
24	32	Keeper, Bulk	93-88	VK-138B		1 groove; Square cut key groove; Carton of 1000
REF #	QTY	VALVE SEAT	YEARS	PART NO.	SIZE	DESCRIPTION
25	8	Exh.	93-88	FP-1805249		1.6690" OD, 1.3700" ID, .2710" Depth
25	8	Int.	93-88	FP-1805250		1.9425" OD, 1.6875" ID, .2480" Depth
REF #	QTY	VALVE GUIDE	YEARS	PART NO.	SIZE	DESCRIPTION
26	16	Guide	93-88	FP-1805407		Exh. & Int.; .3750" ID, 2.6000" O.A.L.
REF #	QTY	VALVE SPRING	YEARS	PART NO.	SIZE	DESCRIPTION
27	16	Spring	93-88	FP-317365		Incl. damper; 2.0500" Free Height
REF #	QTY	PUSH RODS	YEARS	PART NO.	SIZE	DESCRIPTION
	16	Push Rod	93-88	FP-1804338		Install w/copper colored ball toward rocker arm; 9.9890" O.A.L.
REF #	QTY	VALVE MISC.	YEARS	PART NO.	SIZE	DESCRIPTION
32	16	Rotocap	93-88	FP-1804467		
REF #	QTY	VALVE SEAL	YEARS	PART NO.	SIZE	DESCRIPTION
41	8	Valve Stem Seal	93-88	FP-681234		Int.; Umbrella type

(continued on next page)

M/D Truck 7.3L Diesel Eng. **33**
 7.3L 444 OHV Diesel V8 (IDI), 4.11" Bore 1988-93 (cont.)

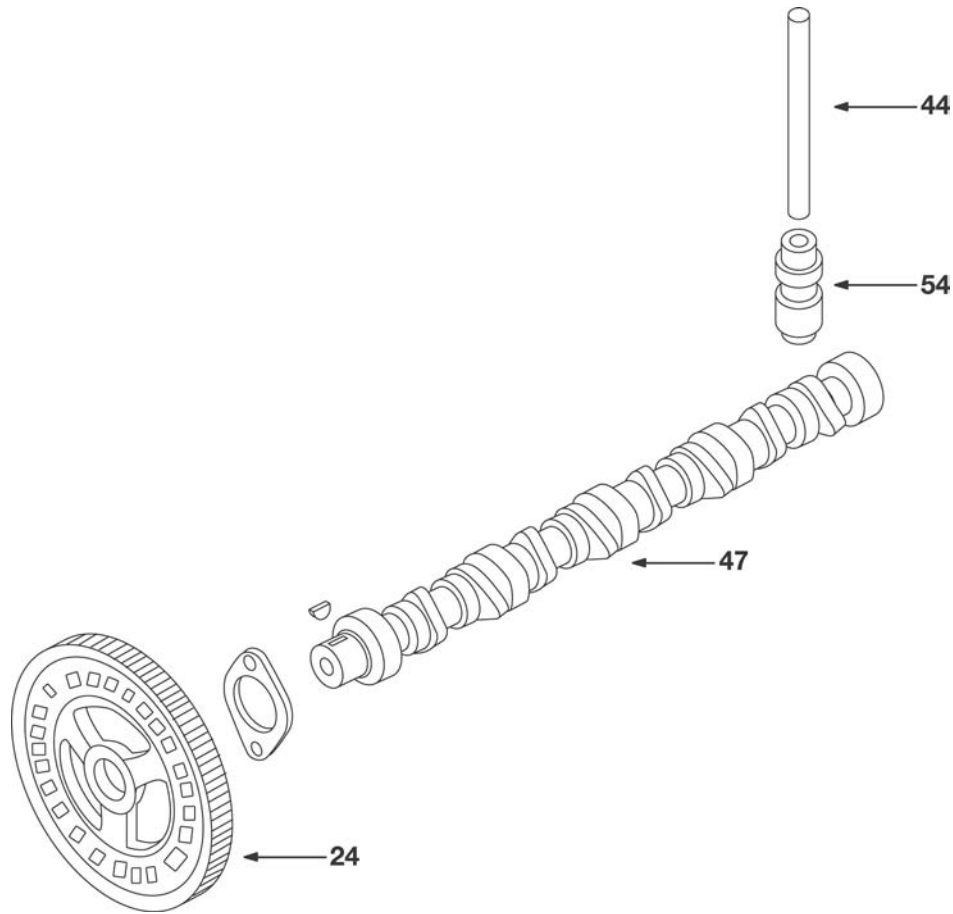
CYL. HEAD & PARTS (cont.)

REF #	QTY	VALVE SEAL (cont.)	YEARS	PART NO.	SIZE	DESCRIPTION
41	8	Valve Stem Seal	93-88	FP-1804420		Int.; Umbrella type; Fits Std. to .015" O/S valve stem; Rubber.
REF #	QTY	ROCKER PARTS	YEARS	PART NO.	SIZE	DESCRIPTION
44	8	Arm Assy.	93-88	R-1119		Incl. 2-arms, 2-pivots & 1-retainer
	16	Arm	93-88	R-949		Incl. 1-rocker arm

INT & EXH MANIFOLDS

QTY	INT. & EXH. MANIFOLDS	YEARS	PART NO.	SIZE	DESCRIPTION
1	Valley Pan Gasket Set	93-88	FP-1813067		

CAMSHAFT GROUP



REF #	QTY	TIMING	YEARS	PART NO.	SIZE	DESCRIPTION
	1	Gear Set	93-88	221-3342S		Incl. (1) 221-3342S
REF #	QTY	CAMSHAFT/LIFTER	YEARS	PART NO.	SIZE	DESCRIPTION
47	1	Camshaft	93-88	CS-771		
54	16	Lifter	93-88	FP-1804353		Hyd. rlr.
	1	Prelube	93-88	55-400		4 oz. bottle; 1.5 oz. packet No. 55-403 also avail.

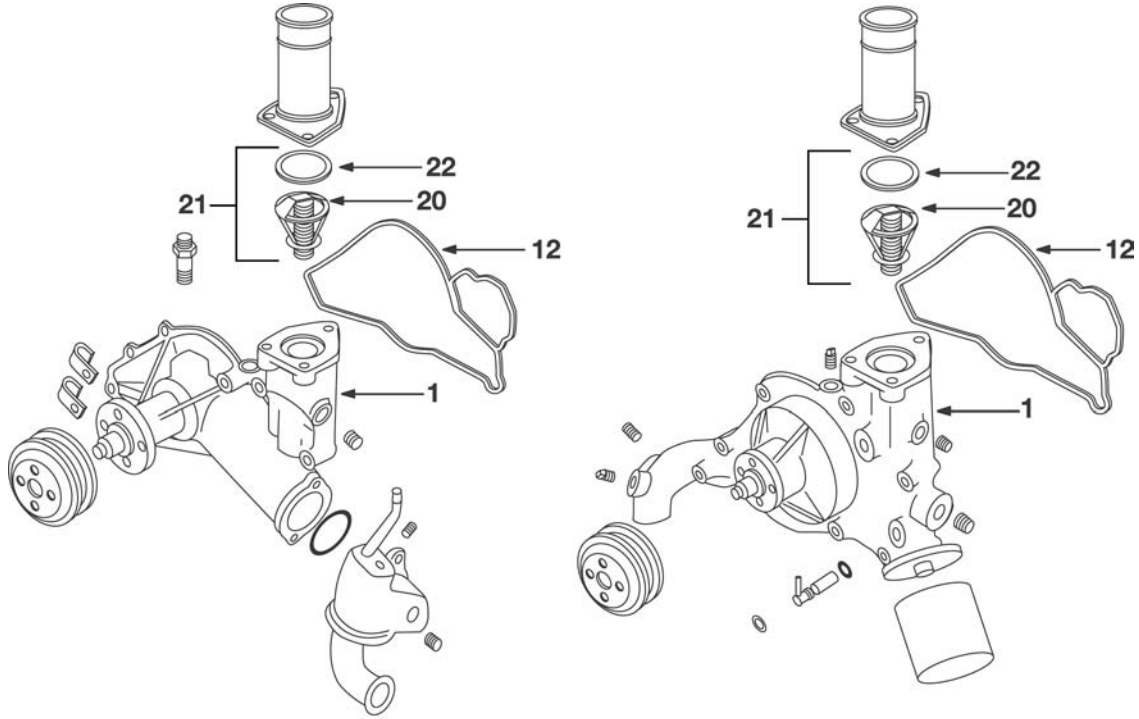
FUEL SYSTEM & PARTS

QTY	FUEL FILTERS & PUMP	YEARS	PART NO.	SIZE	DESCRIPTION
1	Mechanical Fuel Pump	93-88	FP-1804495		

(continued on next page)

33 M/D Truck 7.3L Diesel Eng.
 (cont.) 7.3L 444 OHV Diesel V8 (IDI), 4.11" Bore 1988-93

COOLING SYSTEM



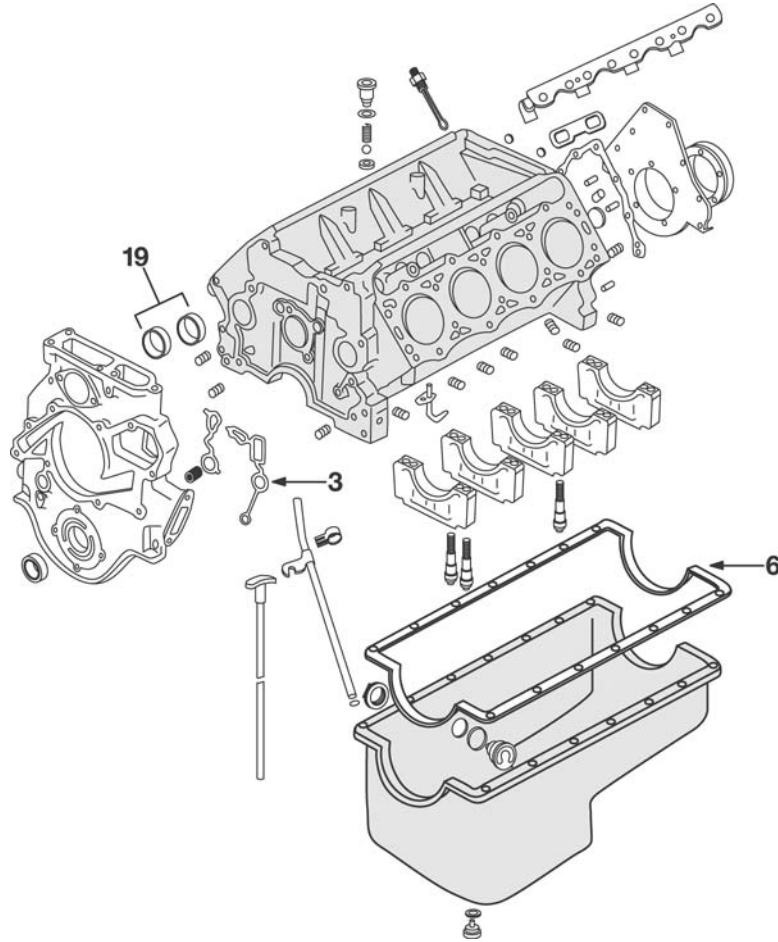
**UP TO SERIAL NO.
58558**

**FROM SERIAL NO.
58559**

REF #	QTY	WATER PUMP	YEARS	PART NO.	SIZE	DESCRIPTION
1	1	Water Pump - Heavy Duty	93-88	FP-1809374		
12	1	Water Pump Gasket	93-88	FP-1804136		
REF #	QTY	THERMOSTAT	YEARS	PART NO.	SIZE	DESCRIPTION
20	1	Thermostat	93-88	FP-1807945		192 Deg.
21	1	Thermostat Kit	93-88	FP-1807974		192 Deg.; Incl. gskt.
22	1	Thermostat Gasket	93-88	FP-1804032		

(continued on next page)

ENGINE BLOCK & PARTS

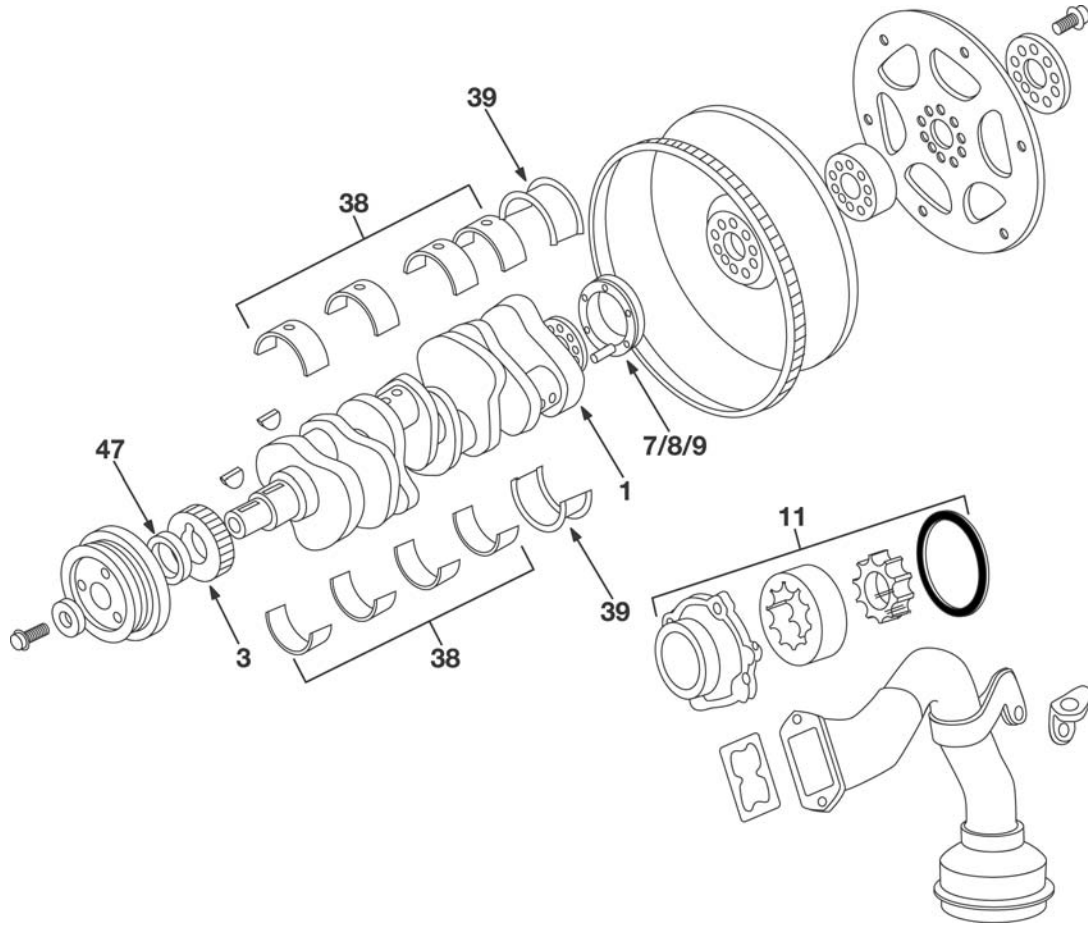


REF #	QTY	GASKETS	YEARS	PART NO.	SIZE	DESCRIPTION
3	1	Front Crankcase Cover Gasket	93-88	FP-1804480		
6	1	Oil Pan Gasket Set	93-88	260-6054		
REF #	QTY	GASKET SETS	YEARS	PART NO.	SIZE	DESCRIPTION
	1	Lower Gasket Set	93-88	FP-1802213		
	1	Kit Gasket Set	93-88	260-1673		Int. manifold gskt. not incl.; Premium valve stem seals incl.
REF #	QTY	CAM BEARINGS	YEARS	PART NO.	SIZE	DESCRIPTION
19	1	Cam Set	93-88	FP-1804475	STD	
REF #	QTY	FREEZE PLUGS	YEARS	PART NO.	SIZE	DESCRIPTION
	1	Stainless Block Plug Kit	93-88	381-8056		Incl. 7 centerless ground OD, stainless steel block plugs

(continued on next page)

33 M/D Truck 7.3L Diesel Eng.
 (cont.) 7.3L 444 OHV Diesel V8 (IDI), 4.11" Bore 1988-93

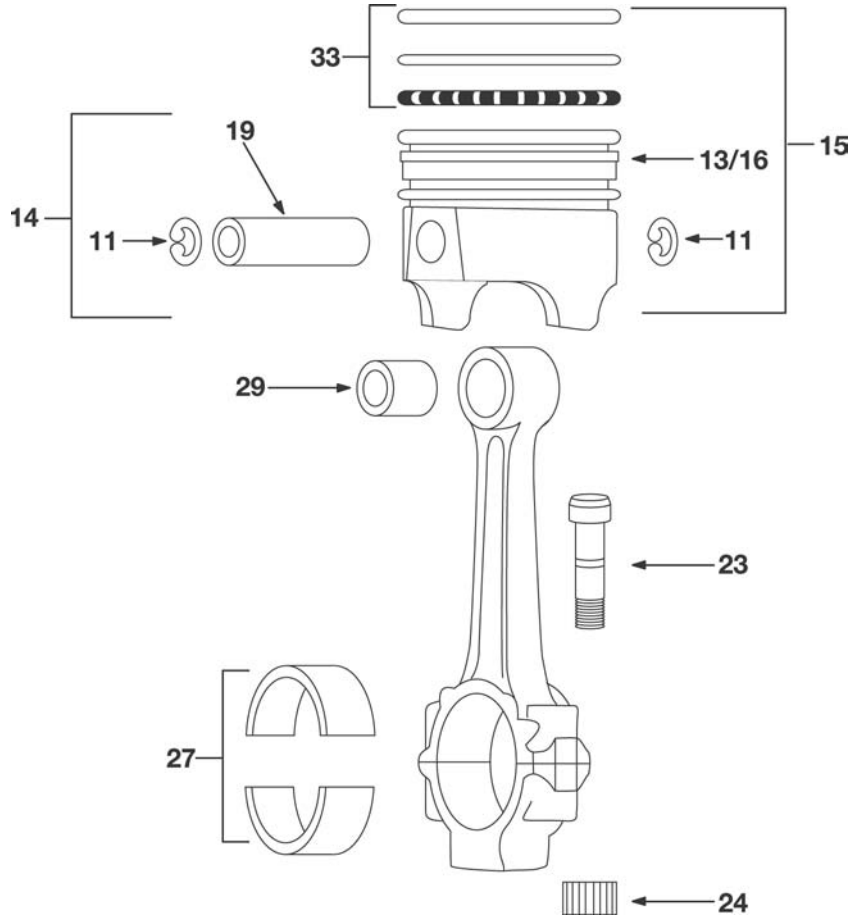
CRANKSHAFT/OIL PUMP



REF #	QTY	SEALS - FRONT CRANK	YEARS	PART NO.	SIZE	DESCRIPTION
47	1	Oil Seal	93-88	FP-1804009		Viton®
	1	Oil Seal Kit	93-88	5066		(Seal & Sleeve)
REF #	QTY	SEALS - REAR CRANK	YEARS	PART NO.	SIZE	DESCRIPTION
7	1	Oil Seal	93-88	FP-1816559		
7	1	Oil Seal	93-88	39608		PTFE
7	1	Oil Seal	93-88	3893V		Viton®
8	1	Oil Seal Kit	93-88	FP-1819733		
9	1	Wear Sleeve	93-88	FP-1816569		
REF #	QTY	MAIN BEARINGS	YEARS	PART NO.	SIZE	DESCRIPTION
	1	Main Set	93-88	5110M	Std-10-20-30	
38	4	Plain Main Brg.	93-88	FP-1802216	STD	Position 1-2-4-5
38	4	Plain Main Brg.	93-88	FP-1802217	10	Position 1-2-4-5
38	4	Plain Main Brg.	93-88	FP-1802218	20	Position 1-2-4-5
38	4	Plain Main Brg.	93-88	FP-1802219	30	Position 1-2-4-5
39	1	Flanged Main Brg.	93-88	FP-1802220	STD	Position 3
39	1	Flanged Main Brg.	93-88	FP-1802221	10	Position 3
39	1	Flanged Main Brg.	93-88	FP-1802222	20	Position 3
39	1	Flanged Main Brg.	93-88	FP-1802223	30	Position 3
REF #	QTY	OIL PUMP	YEARS	PART NO.	SIZE	DESCRIPTION
11	1	Oil Pump	93-88	FP-1805398		

(continued on next page)

CYLINDER COMPONENTS



REF #	QTY	PISTONS	YEARS	PART NO.	SIZE	DESCRIPTION
13	8	Piston Body w/o Pin	93-88	FP-1816562	STD	From Ser. No. 598754
13	8	Piston Body w/o Pin	93-88	FP-1816658	20	From Ser. No. 598754
13	8	Piston Body w/o Pin	93-88	FP-1441703	30	From Ser. No. 598754
13	8	Piston Body w/o Pin	93-88	FP-1809109	20	To Ser. No. 598753
13	8	Piston Body w/o Pin	93-88	FP-1809110	30	To Ser. No. 598753
14	8	Piston Kit w/Pin & Retainers	93-88	FP-1816674	STD	From Ser. No. 598754
14	8	Piston Kit w/Pin & Retainers	93-88	FP-1816676	20	From Ser. No. 598754
14	8	Piston Kit w/Pin & Retainers	93-88	FP-1816677	30	From Ser. No. 598754
14	8	Piston Kit w/Pin & Retainers	93-88	FP-1813121	20	To Ser. No. 598753
14	8	Piston Kit w/Pin & Retainers	93-88	FP-1813122	30	To Ser. No. 598753
15	8	Piston w/Pin, Retainer, Rings	93-88	FP-1816674WR	STD	From Ser. No. 598754
15	8	Piston w/Pin, Retainer, Rings	93-88	FP-1816676WR	20	From Ser. No. 598754
15	8	Piston w/Pin, Retainer, Rings	93-88	FP-1816677WR	30	From Ser. No. 598754
15	8	Piston w/Pin, Retainer, Rings	93-88	FP-1813121WR	20	To Ser. No. 598753
15	8	Piston w/Pin, Retainer, Rings	93-88	FP-1813122WR	30	To Ser. No. 598753
19	8	Pin	93-88	FP-1804321		
11	16	Piston Pin Retainer	93-88	FP-1804308		
29	8	Pin Bushing	93-88	FP-1804000		
REF #	QTY	CONNECTING RODS & BRGS.	YEARS	PART NO.	SIZE	DESCRIPTION
23	16	Con. Rod Bolt	93-88	FP-1804003		
24	16	Con. Rod Nut	93-88	FP-1805866		
27	8	Rod Pair	93-88	FP-1802200	STD	
27	8	Rod Pair	93-88	FP-1802201	10	
27	8	Rod Pair	93-88	FP-1802202	20	
27	8	Rod Pair	93-88	FP-1802203	30	
REF #	QTY	PISTON RINGS	YEARS	PART NO.	SIZE	DESCRIPTION
33	8	Ring Set Single Cylinder	93-88	FP-1813173	20	From Ser. No. 598754
33	8	Ring Set Single Cylinder	93-88	FP-1813174	30	From Ser. No. 598754

(continued on next page)

33 M/D Truck 7.3L Diesel Eng. (cont.) 7.3L 444 OHV Diesel V8 (IDI), 4.11" Bore 1988-93

CYLINDER COMPONENTS (cont.)

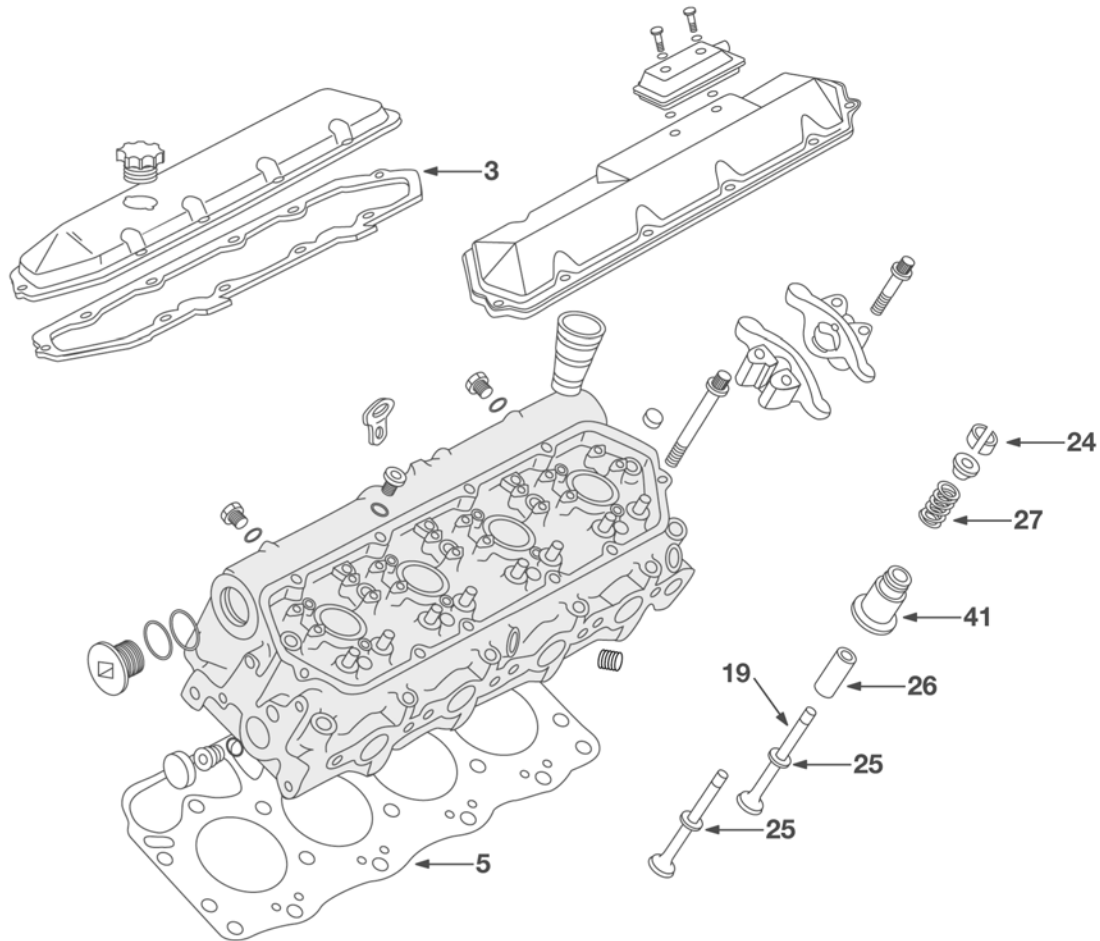
REF #	QTY	PISTON RINGS (cont.)	YEARS	PART NO.	SIZE	DESCRIPTION
33	8	Ring Set Single Cylinder	93-88	FP-1813171	STD	From Ser. No. 598754; 1-.118, 1-.078, 1-.136; 2nd ring gap is .060-.075" like O.E. ring
33	8	Ring Set Single Cylinder	93-88	FP-1809146	STD	To Ser. No. 598753
33	8	Ring Set Single Cylinder	93-88	FP-1809147	10	To Ser. No. 598753
33	8	Ring Set Single Cylinder	93-88	FP-1809148	20	To Ser. No. 598753
33	8	Ring Set Single Cylinder	93-88	FP-1809149	30	To Ser. No. 598753

KITS

QTY	OVERHAUL KIT	YEARS	PART NO.	SIZE	DESCRIPTION
1	In-Frame Overhaul Kit	93-88	FP-IFK73L		From Ser. No. 598754
1	In-Frame Overhaul Kit	93-88	FP-IFK73E		To Ser. No. 598753
1	Complete Overhaul Kit	93-88	FP-IFK73LOH		From Ser. No. 598754
1	Complete Overhaul Kit	93-88	FP-IFK73EOH		To Ser. No. 598753

34 M/D Truck 7.3L Turbo-Diesel Eng. 7.3L 444 OHV Turbo-Diesel V8 (IDI), 4.11" Bore 1993-94

CYL. HEAD & PARTS



REF #	QTY	GASKETS	YEARS	PART NO.	SIZE	DESCRIPTION
3	2	Valve Cover Gasket	94-93	FP-1804052		
5	2	Head Gasket	94-93	FP-1809057		
	1	Head Set	94-93	FP-1811050		Int. manifold gskt. not incl.
REF #	QTY	VALVE	YEARS	PART NO.	SIZE	DESCRIPTION
19	8	Intake	94-93	FP-1804330		Chrome plated stem; 1.8770" Head Dia., .3719" Stem Dia., 5.6880" O.A.L.
24	32	Keeper	94-93	FP-41339		1 groove; Square cut key groove
REF #	QTY	VALVE SEAT	YEARS	PART NO.	SIZE	DESCRIPTION
25	8	Exh.	94-93	FP-1805249		1.6690" OD, 1.3700" ID, .2710" Depth

(continued on next page)

M/D Truck 7.3L Turbo-Diesel Eng. 34
7.3L 444 OHV Turbo-Diesel V8 (IDI), 4.11" Bore 1993-94 (cont.)

CYL. HEAD & PARTS (cont.)

REF #	QTY	VALVE SEAT (cont.)	YEARS	PART NO.	SIZE	DESCRIPTION
25	8	Int.	94-93	FP-1805250		1.9425" OD, 1.6875" ID, .2480" Depth
REF #	QTY	VALVE GUIDE	YEARS	PART NO.	SIZE	DESCRIPTION
26	16	Guide	94-93	FP-1805407		Int. & Exh.; .3750" ID, 2.6000" O.A.L.
REF #	QTY	VALVE SPRING	YEARS	PART NO.	SIZE	DESCRIPTION
27	16	Spring	94-93	FP-317365		Int. & Exh.; Incl. damper; 2.0500" Free Height
REF #	QTY	PUSH RODS	YEARS	PART NO.	SIZE	DESCRIPTION
	16	Push Rod	94-93	FP-1804338		Install w/copper colored ball toward rocker arm; 9.9890" O.A.L.
REF #	QTY	VALVE SEAL	YEARS	PART NO.	SIZE	DESCRIPTION
41	16	Valve Stem Seal	94-93	MV-1796C		Umbrella type; Fits Std. to .015" O/S valve stem; Rubber
41	16	Valve Stem Seal	94-93	FP-1804420		Umbrella type; Fits Std. to .015" O/S valve stem; Rubber.

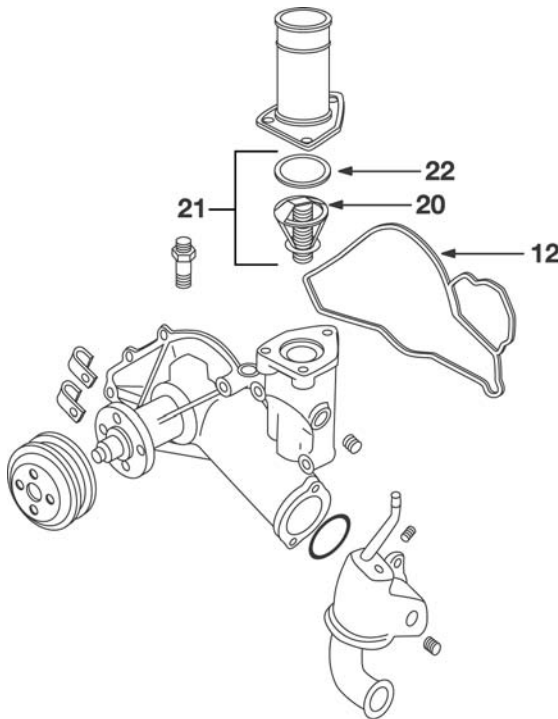
INT & EXH MANIFOLDS

QTY	INT. & EXH. MANIFOLDS	YEARS	PART NO.	SIZE	DESCRIPTION
1	Valley Pan Gasket Set	94-93	FP-1813067		

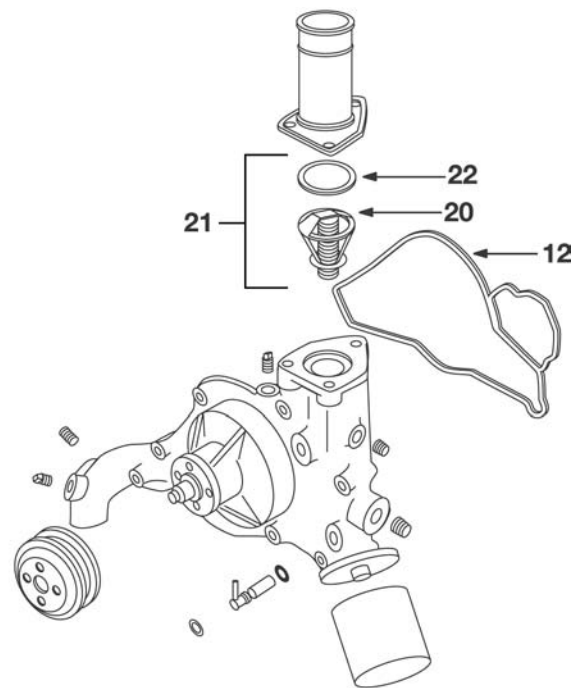
FUEL SYSTEM & PARTS

QTY	FUEL FILTERS & PUMP	YEARS	PART NO.	SIZE	DESCRIPTION
1	Mechanical Fuel Pump	94-93	FP-1804495		

COOLING SYSTEM



**UP TO SERIAL NO.
58558**



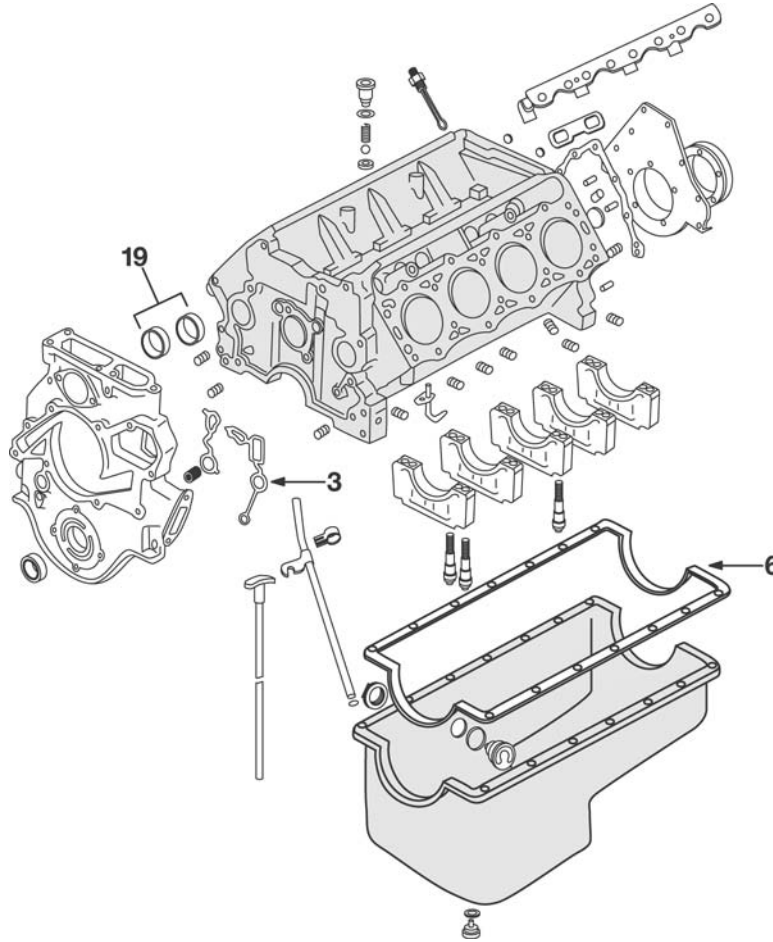
**FROM SERIAL NO.
58559**

REF #	QTY	WATER PUMP	YEARS	PART NO.	SIZE	DESCRIPTION
12	1	Water Pump Gasket	94-93	FP-1804136		
REF #	QTY	THERMOSTAT	YEARS	PART NO.	SIZE	DESCRIPTION
20	1	Thermostat	94-93	FP-1807945		192 Deg.
21	1	Thermostat Kit	94-93	FP-1807974		192 Deg.; Incl. gskt.
22	1	Thermostat Gasket	94-93	FP-1804032		

(continued on next page)

34 M/D Truck 7.3L Turbo-Diesel Eng. (cont.) 7.3L 444 OHV Turbo-Diesel V8 (IDI), 4.11" Bore 1993-94

ENGINE BLOCK & PARTS

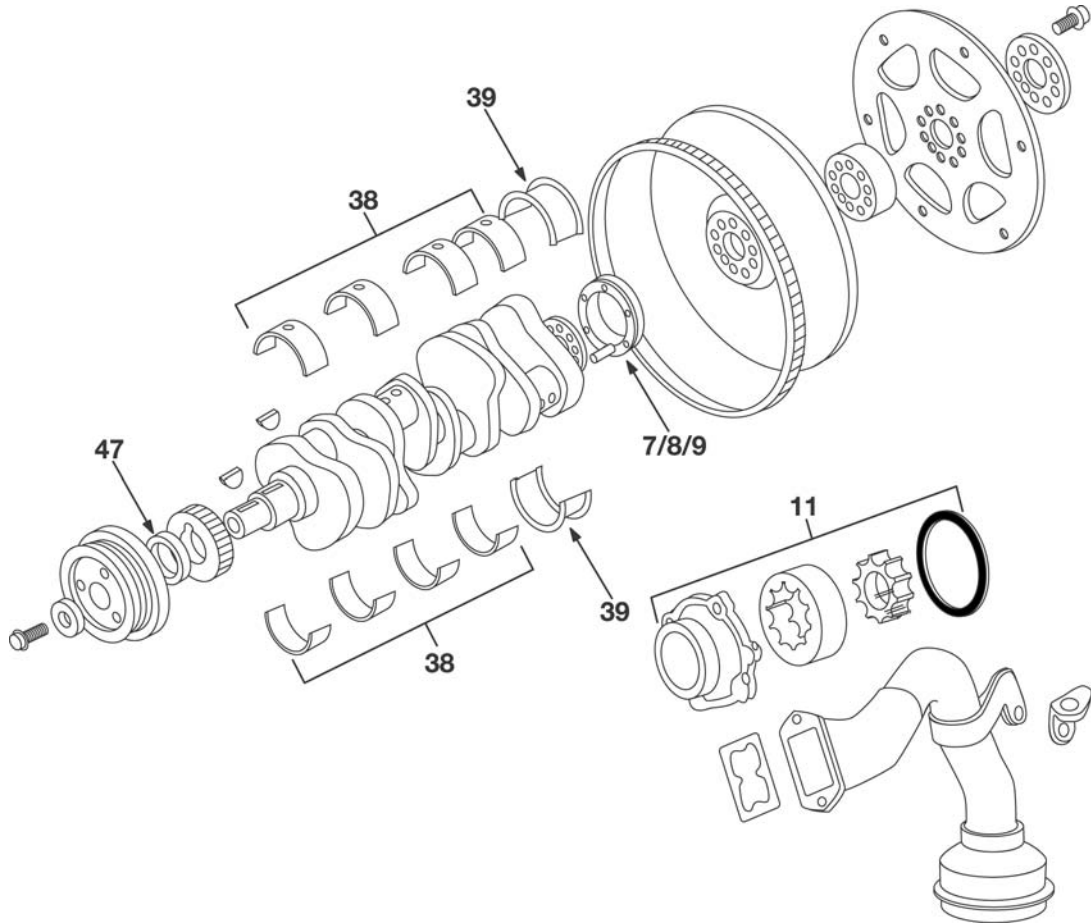


REF #	QTY	GASKETS	YEARS	PART NO.	SIZE	DESCRIPTION
3	1	Front Crankcase Cover Gasket	94-93	FP-1804480		
6	1	Oil Pan Gasket Set	94-93	260-6054		
	1	Chemicals	94-93	FP-446839		Front Cover; RTV Sealant
REF #	QTY	GASKET SETS	YEARS	PART NO.	SIZE	DESCRIPTION
	1	Lower Gasket Set	94-93	FP-1802213		
	1	Complete Overhaul Gasket Set	94-93	FP-PGN73C		
	1	Kit Gasket Set	94-93	260-1673		Turbo mtg. gskts. not incl.; Int. manifold gskt. not incl.; Premium valve stem seals incl.
REF #	QTY	CAM BEARINGS	YEARS	PART NO.	SIZE	DESCRIPTION
19	1	Cam Set	94-93	FP-1804475	STD	
REF #	QTY	FREEZE PLUGS	YEARS	PART NO.	SIZE	DESCRIPTION
	1	Stainless Block Plug Kit	94-93	381-8056		Incl. 7 centerless ground OD, stainless steel block plugs

(continued on next page)

M/D Truck 7.3L Turbo-Diesel Eng. **34**
 7.3L 444 OHV Turbo-Diesel V8 (IDI), 4.11" Bore 1993-94 (cont.)

CRANKSHAFT/OIL PUMP

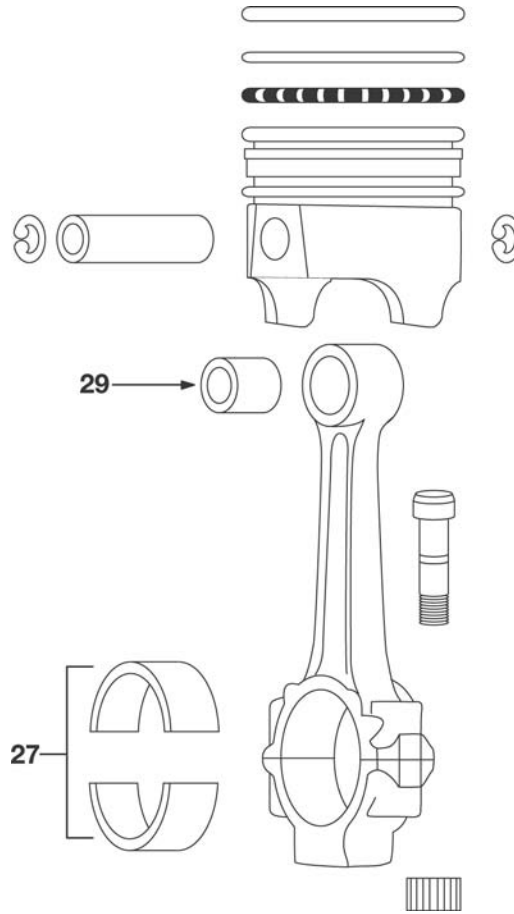


REF #	QTY	SEALS - FRONT CRANK	YEARS	PART NO.	SIZE	DESCRIPTION
47	1	Oil Seal	94-93	FP-1804009		Viton®
REF #	QTY	SEALS - REAR CRANK	YEARS	PART NO.	SIZE	DESCRIPTION
7	1	Oil Seal	94-93	FP-1816559		
8	1	Oil Seal Kit	94-93	FP-1819733		
9	1	Wear Sleeve	94-93	FP-1816569		
REF #	QTY	MAIN BEARINGS	YEARS	PART NO.	SIZE	DESCRIPTION
38	4	Plain Main Brg.	94-93	FP-1802216	STD	Position 1-2-4-5
38	4	Plain Main Brg.	94-93	FP-1802217	10	Position 1-2-4-5
38	4	Plain Main Brg.	94-93	FP-1802218	20	Position 1-2-4-5
38	4	Plain Main Brg.	94-93	FP-1802219	30	Position 1-2-4-5
39	1	Flanged Main Brg.	94-93	FP-1802220	STD	Position 3
39	1	Flanged Main Brg.	94-93	FP-1802221	10	Position 3
39	1	Flanged Main Brg.	94-93	FP-1802222	20	Position 3
39	1	Flanged Main Brg.	94-93	FP-1802223	30	Position 3
REF #	QTY	OIL PUMP	YEARS	PART NO.	SIZE	DESCRIPTION
11	1	Oil Pump	94-93	FP-1805398		

(continued on next page)

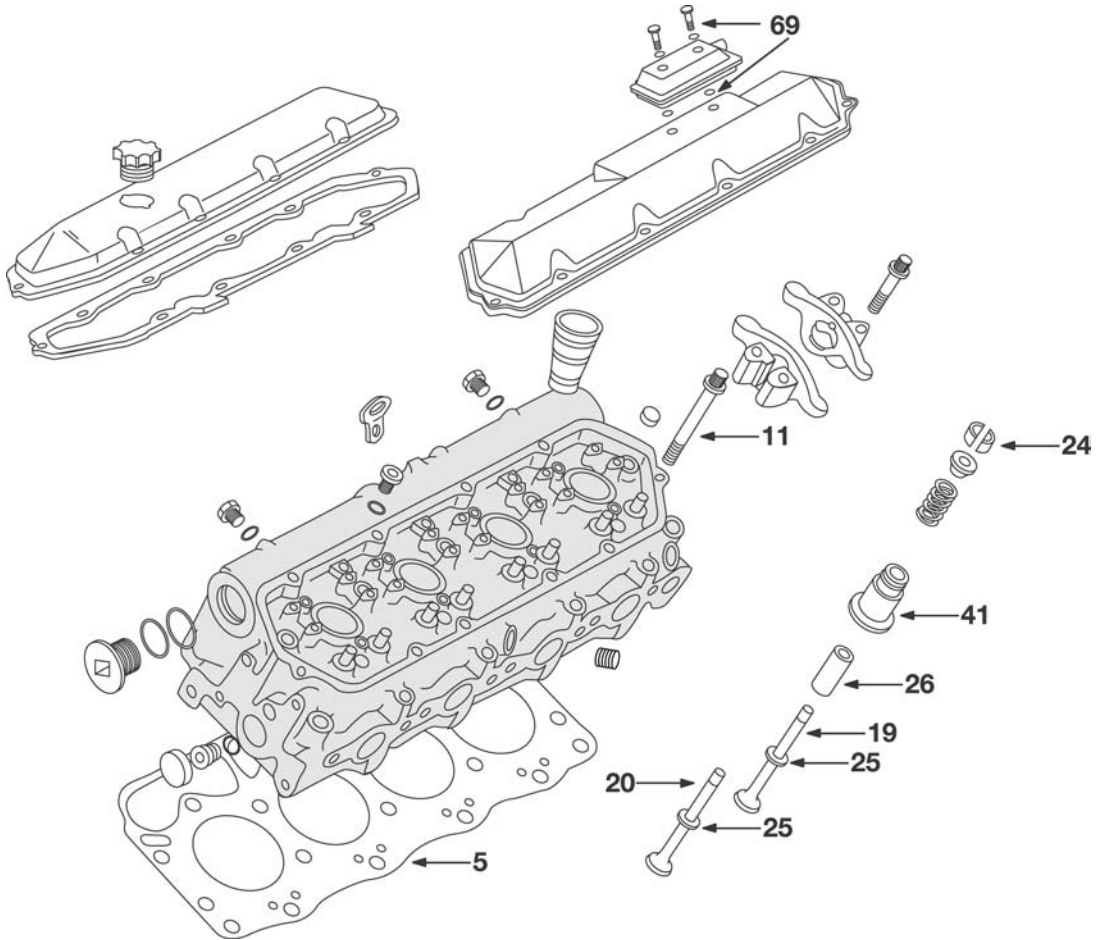
34 *M/D Truck 7.3L Turbo-Diesel Eng.*
 (cont.) 7.3L 444 OHV Turbo-Diesel V8 (IDI), 4.11" Bore 1993-94

CYLINDER COMPONENTS



REF #	QTY	PISTONS	YEARS	PART NO.	SIZE	DESCRIPTION
29	8	Pin Bushing	94-93	FP-1804000		
REF #	QTY	CONNECTING RODS & BRGS.	YEARS	PART NO.	SIZE	DESCRIPTION
23	16	Con. Rod Bolt	94-93	FP-1804003		
24	16	Con. Rod Nut	94-93	FP-1805866		
27	8	Rod Pair	94-93	FP-1802200	STD	
27	8	Rod Pair	94-93	FP-1802201	10	
27	8	Rod Pair	94-93	FP-1802202	20	
27	8	Rod Pair	94-93	FP-1802203	30	

CYL. HEAD & PARTS

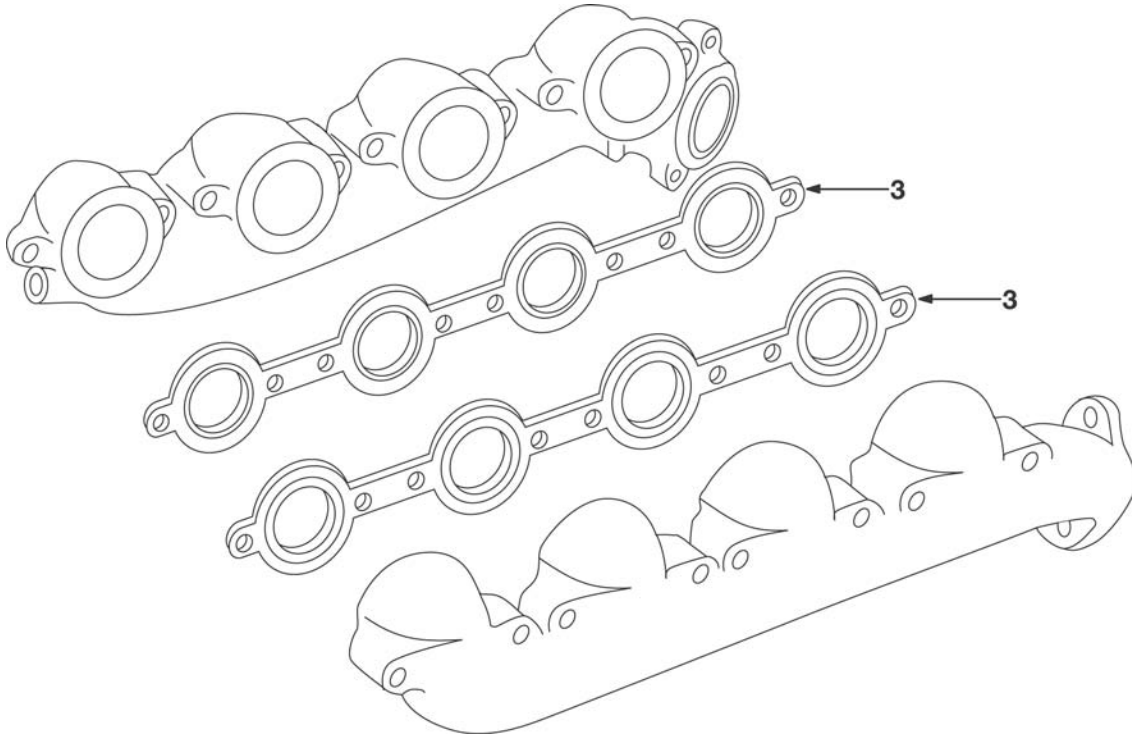


REF #	QTY	GASKETS	YEARS	PART NO.	SIZE	DESCRIPTION
5	2	Head Gasket	03-94	FP-1826672		
	1	Head Set	03-94	FP-1830826		Contains head gaskets & valve stem seals only
69	1	Breather Seal Ring	03-94	FP-1824452		Inner crankcase vent
69	1	Breather Seal Ring	03-94	FP-1820784		Outer crankcase vent
REF #	QTY	HEAD BOLTS	YEARS	PART NO.	SIZE	DESCRIPTION
11	36	Head Bolt	03-94	FP-1818092		
REF #	QTY	VALVE	YEARS	PART NO.	SIZE	DESCRIPTION
19	8	Intake	03-94	FP-1823453		
20	8	Exhaust	03-94	FP-1823452		
24	32	Keeper	03-94	FP-1810944		5/16" valve stem
REF #	QTY	VALVE GUIDE	YEARS	PART NO.	SIZE	DESCRIPTION
26	16	Guide	03-94	FP-1822862		.3146" ID, 2.4450" O.A.L.
REF #	QTY	VALVE SEAL	YEARS	PART NO.	SIZE	DESCRIPTION
41	16	Valve Stem Seal	03-94	FP-1816179		Exh. & Int.
IGNITION						
	QTY	IGNITION	YEARS	PART NO.	SIZE	DESCRIPTION
	8	Glow Plug	03-94	FP-1820697		

(continued on next page)

35 M/D Truck 7.3L Turbo-Diesel Eng.
 (cont.) 7.3L 444 OHV Turbo-Diesel V8 (DI), 4.11" Bore 1994-2003

INT & EXH MANIFOLDS

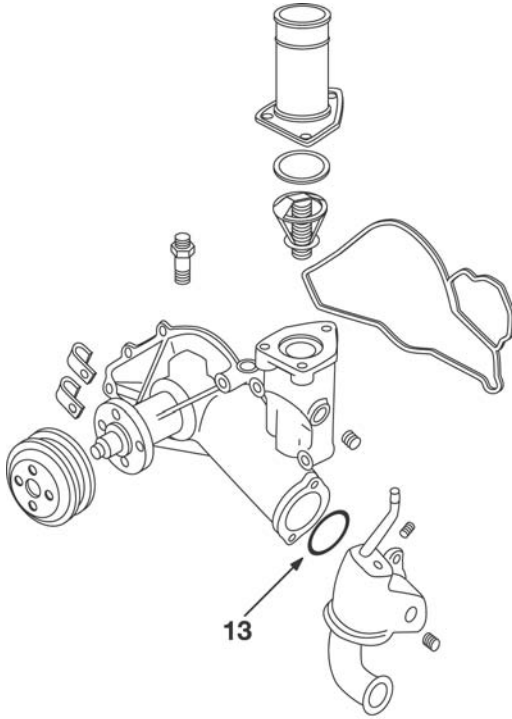


REF #	QTY	INT. & EXH. MANIFOLDS	YEARS	PART NO.	SIZE	DESCRIPTION
3	2	Exhaust Manifold Gasket	03-94	FP-1814219		
FUEL SYSTEM & PARTS						
	QTY	FUEL INJECTION	YEARS	PART NO.	SIZE	DESCRIPTION
	8	Fuel Injector Seal	03-94	FP-1814695		Lower
	QTY	FUEL FILTERS & PUMP	YEARS	PART NO.	SIZE	DESCRIPTION
	1	Mechanical Fuel Pump	03-94	FP-1824415		
	1	O-Ring	03-94	FP-1822708		Fuel pump seal
	QTY	TURBOCHARGER	YEARS	PART NO.	SIZE	DESCRIPTION
	2	Turbo Ring	03-94	FP-702299		Turbo sealing ring
	1	Turbocharger Mounting Gasket	03-94	FP-1822120		
	1	Rect. or Square Seal	03-94	FP-1818372		Compressor outlet
	2	O-Ring	03-94	FP-1815561		Oil drain
	2	O-Ring	03-94	FP-1815560		Oil supply
	1	Turbo Oil Injection Pump Gskt	03-94	FP-1825163		From Ser. No. 213855 through Ser. No. 214133 and from Ser. No. 216544

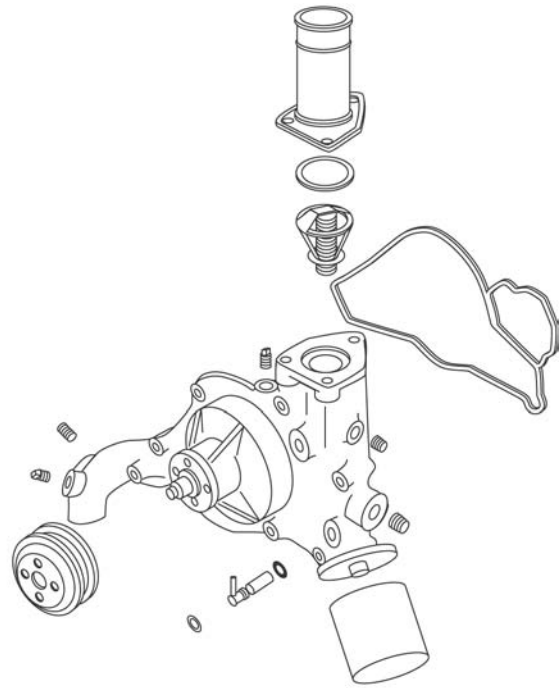
(continued on next page)

M/D Truck 7.3L Turbo-Diesel Eng. 35
 7.3L 444 OHV Turbo-Diesel V8 (DI), 4.11" Bore 1994-2003 (cont.)

COOLING SYSTEM



**UP TO SERIAL NO.
58558**



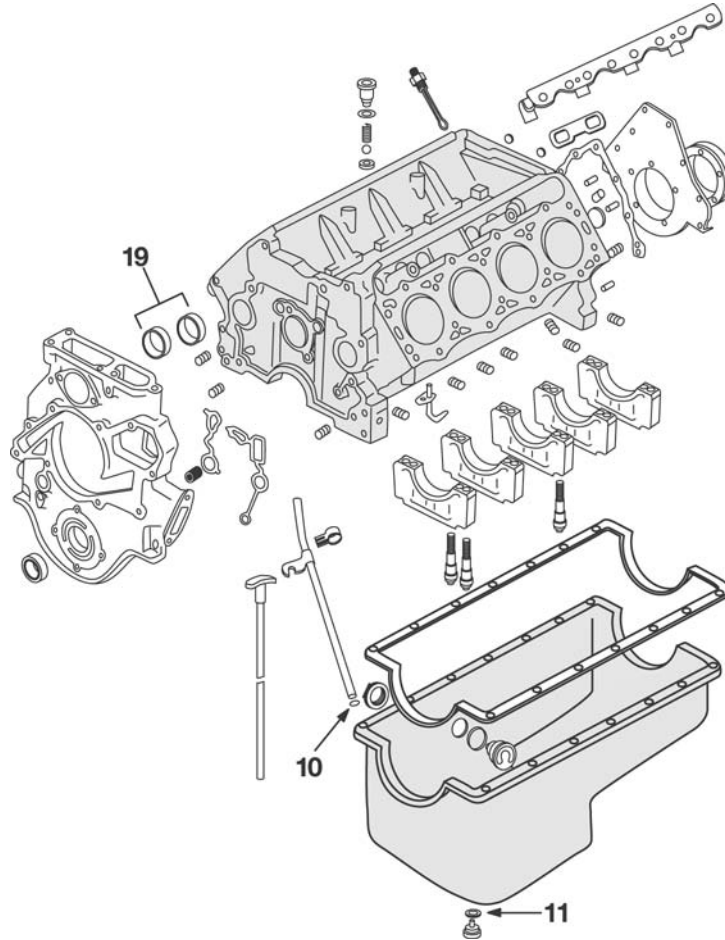
**FROM SERIAL NO.
58559**

REF #	QTY	WATER PUMP	YEARS	PART NO.	SIZE	DESCRIPTION
13	1	Rect. or Square Seal	03-94	FP-1818397		Water pump inlet
	1	Water Pump Seal Ring	03-94	FP-1831713		
REF #	QTY	THERMOSTAT	YEARS	PART NO.	SIZE	DESCRIPTION
	1	Water Outlet Gasket	03-94	FP-1821880		

(continued on next page)

35 M/D Truck 7.3L Turbo-Diesel Eng.
 (cont.) 7.3L 444 OHV Turbo-Diesel V8 (DI), 4.11" Bore 1994-2003

ENGINE BLOCK & PARTS

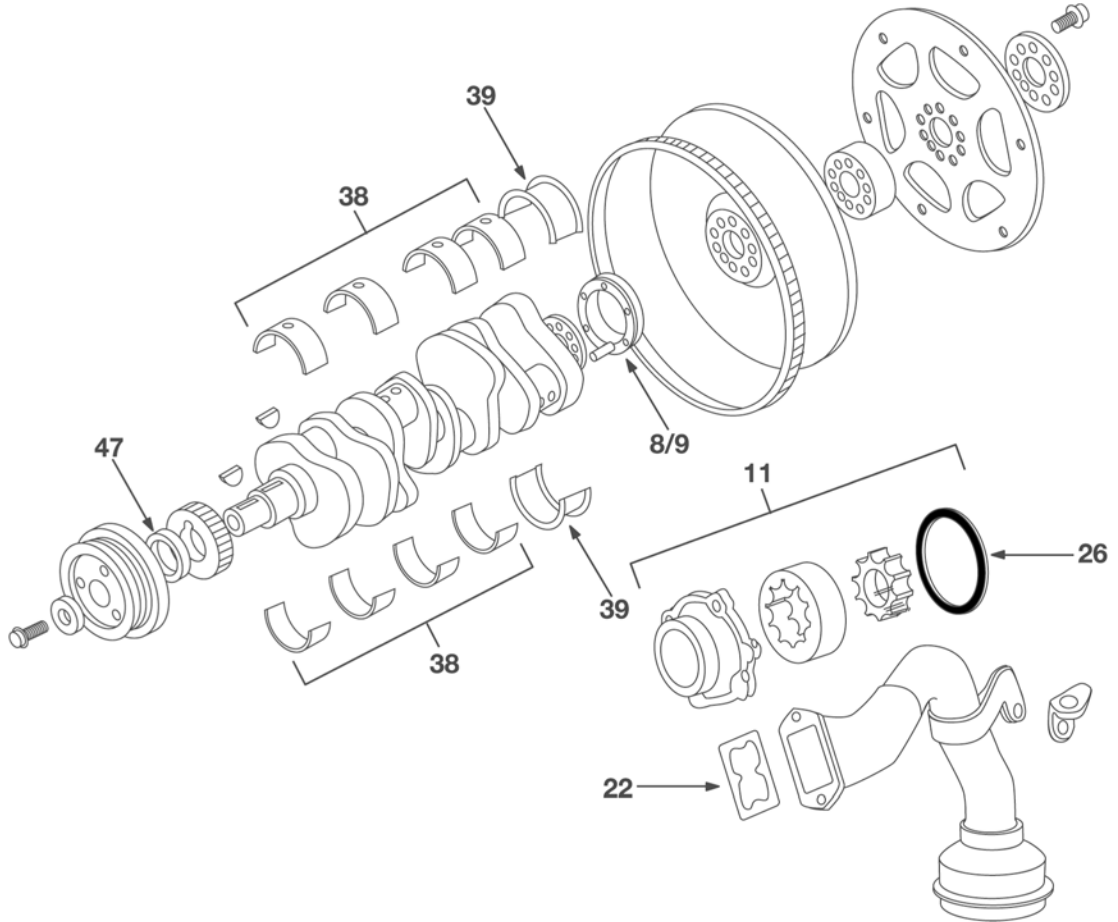


REF #	QTY	GASKETS	YEARS	PART NO.	SIZE	DESCRIPTION
	1	Chemicals	03-94	FP-1816593		Oil pan; RTV Sealant
10	1	O-Ring	03-94	FP-875519		Dipstick
11	1	Drain Plug Gasket	03-94	FP-1822712		
REF #	QTY	GASKET SETS	YEARS	PART NO.	SIZE	DESCRIPTION
	1	In-Frame Gasket Set	03-94	FP-PGT444S		Valve cover gskts. not incl.; Head bolts not incl.; Premium valve stem seals incl.
REF #	QTY	CAM BEARINGS	YEARS	PART NO.	SIZE	DESCRIPTION
19	1	Cam Set	03-94	FP-1812317	STD	
REF #	QTY	FREEZE PLUGS	YEARS	PART NO.	SIZE	DESCRIPTION
	1	Stainless Block Plug Kit	03-94	381-8088		Incl. 7 centerless ground OD, stainless steel block plugs

(continued on next page)

M/D Truck 7.3L Turbo-Diesel Eng. 35
7.3L 444 OHV Turbo-Diesel V8 (DI), 4.11" Bore 1994-2003 (cont.)

CRANKSHAFT/OIL PUMP

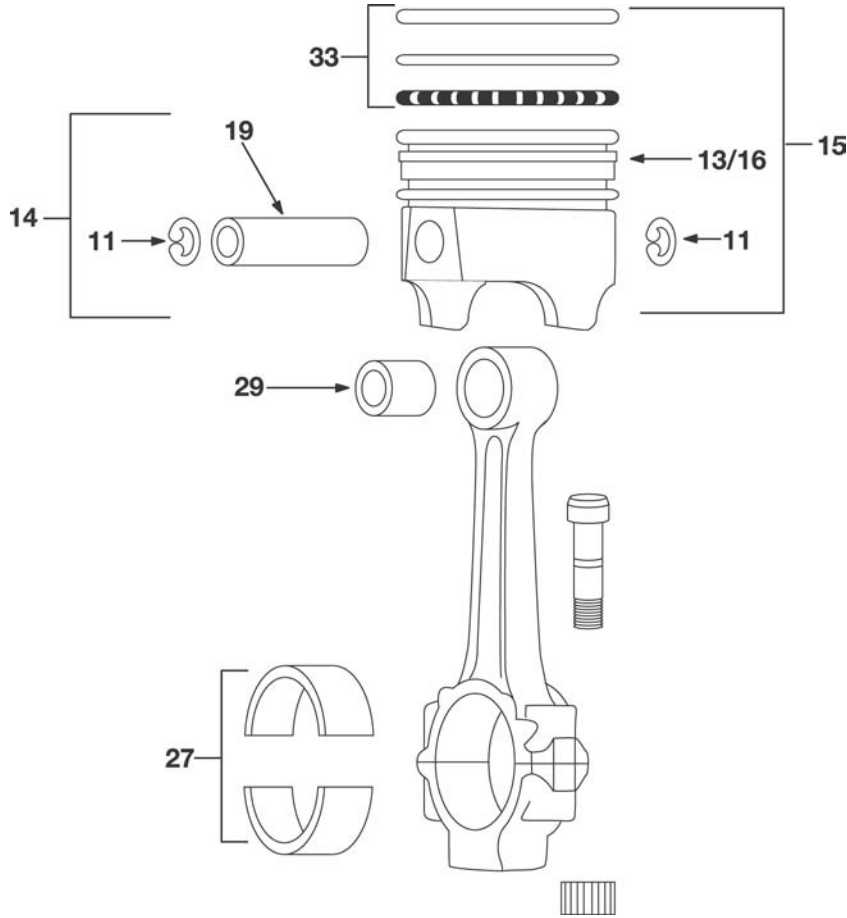


REF #	QTY	SEALS - FRONT CRANK	YEARS	PART NO.	SIZE	DESCRIPTION
47	1	Oil Seal Kit	03-94	FP-1812376		
	1	Wear Sleeve	03-94	FP-1814607		
REF #	QTY	SEALS - REAR CRANK	YEARS	PART NO.	SIZE	DESCRIPTION
8	1	Oil Seal Kit	03-94	FP-1812329		
REF #	QTY	MAIN BEARINGS	YEARS	PART NO.	SIZE	DESCRIPTION
38	4	Plain Main Brg.	03-94	FP-1812321	STD	Position 1-2-3-4
38	4	Plain Main Brg.	03-94	FP-1812322	10	Position 1-2-3-4
38	4	Plain Main Brg.	03-94	FP-1812323	20	Position 1-2-3-4
38	4	Plain Main Brg.	03-94	FP-1812324	30	Position 1-2-3-4
39	1	Flanged Main Brg.	03-94	FP-1812325	STD	Position 5
39	1	Flanged Main Brg.	03-94	FP-1812326	10	Position 5
39	1	Flanged Main Brg.	03-94	FP-1812327	20	Position 5
39	1	Flanged Main Brg.	03-94	FP-1812328	30	Position 5
REF #	QTY	OIL PUMP	YEARS	PART NO.	SIZE	DESCRIPTION
11	1	Oil Pump	03-94	FP-1830813		
22	1	Oil Pump Inlet Tube Gasket	03-94	FP-1823671		Oil suction tube to oil pump; From Ser. No. 375550
22	1	Oil Pump Inlet Tube Gasket	03-94	FP-1815899		Oil suction tube to oil pump; To Ser. No. 375549
	1	Lo Filter Adapter Gasket	03-94	FP-1831665		
26	1	Oil Pump Gasket	03-94	FP-1815898		High pressure pump flange gasket
26	1	Oil Pump Gasket	03-94	FP-1831516		Pump mounting

(continued on next page)

35 M/D Truck 7.3L Turbo-Diesel Eng. (cont.) 7.3L 444 OHV Turbo-Diesel V8 (DI), 4.11" Bore 1994-2003

CYLINDER COMPONENTS



REF #	QTY	PISTONS	YEARS	PART NO.	SIZE	DESCRIPTION
13	8	Piston Body w/o Pin	03-94	FP-1824284	STD	
13	8	Piston Body w/o Pin	03-94	FP-1830898	10	
13	8	Piston Body w/o Pin	03-94	FP-1830899	20	
13	8	Piston Body w/o Pin	03-94	FP-1830900	30	
14	8	Piston Kit w/Pin & Retainers	03-94	FP-1830898WP	10	
14	8	Piston Kit w/Pin & Retainers	03-94	FP-1824284WP	STD	Also available as Sealed Power No. 2767PN
14	8	Piston Kit w/Pin & Retainers	03-94	FP-1830899WP	20	Also available as Sealed Power No. 2767PN 20
14	8	Piston Kit w/Pin & Retainers	03-94	FP-1830900WP	30	Also available as Sealed Power No. 2767PN 30
15	8	Piston w/Pin, Retainer, Rings	03-94	FP-1830953	STD	
15	8	Piston w/Pin, Retainer, Rings	03-94	FP-1830954	10	
15	8	Piston w/Pin, Retainer, Rings	03-94	FP-1830955	20	
15	8	Piston w/Pin, Retainer, Rings	03-94	FP-1830956	30	
19	8	Pin	03-94	FP-1809339		
11	16	Piston Pin Retainer	03-94	FP-1814326		
29	8	Pin Bushing	03-94	FP-1812457		
REF #	QTY	CONNECTING RODS & BRGS.	YEARS	PART NO.	SIZE	DESCRIPTION
27	8	Rod Pair	03-94	FP-1812301	STD	
27	8	Rod Pair	03-94	FP-1812302	10	
27	8	Rod Pair	03-94	FP-1812303	20	
27	8	Rod Pair	03-94	FP-1812304	30	
REF #	QTY	PISTON RINGS	YEARS	PART NO.	SIZE	DESCRIPTION
33	8	Ring Set Single Cylinder	03-94	FP-1830950	10	1-1/8, 1-5/64, 1-.136
33	8	Ring Set Single Cylinder	03-94	FP-1830951	20	1-1/8, 1-5/64, 1-.136
33	8	Ring Set Single Cylinder	03-94	FP-1830952	30	1-1/8, 1-5/64, 1-.136
33	8	Ring Set Single Cylinder	03-94	FP-1830949	STD	1-1/8, 1-5/64, 1-.136; 2nd ring gap is .060-.075" like O.E. ring

(continued on next page)



International/Navistar Truck

M/D Truck 7.3L Turbo-Diesel Eng. 35
7.3L 444 OHV Turbo-Diesel V8 (DI), 4.11" Bore 1994-2003 (cont.)

KITS

QTY	OVERHAUL KIT	YEARS	PART NO.	SIZE	DESCRIPTION
1	In-Frame Overhaul Kit	03-94	FP-IFKT444E		

H/D Truck MV446 Eng. 36
7.3L 446 OHV V8 (16 Valve), 4.125" Bore 1975-81

CYL. HEAD & PARTS

QTY	VALVE	YEARS	PART NO.	SIZE	DESCRIPTION
8	Intake	81-75	V-2523 Std Only		Chrome plated stem; 2.0540" Head Dia., .3725" Stem Dia., 5.4670" O.A.L.
8	Exhaust	81-75	V-2090X Std Only		Chrome plated stem; 1.5350" Head Dia., .3720" Stem Dia., 5.4820" O.A.L.
32	Keeper	81-75	FP-41339		1 groove; Square cut key groove
32	Keeper	81-75	VK-138		1 groove; Square cut key groove; Carton pack 32
32	Keeper	81-75	VK-138R		1 groove; Square cut key groove; Hardened
32	Keeper, Bulk	81-75	VK-138B		1 groove; Square cut key groove; Carton of 1000
QTY	VALVE SEAT	YEARS	PART NO.	SIZE	DESCRIPTION
8	Int.	81-75	245-2125-1 Std Only		2.1305" OD, 1.8125" ID, .2480" Depth
QTY	VALVE GUIDE	YEARS	PART NO.	SIZE	DESCRIPTION
16	Guide	81-75	VG-660		.3745" ID, 2.6000" O.A.L.
QTY	VALVE SPRING	YEARS	PART NO.	SIZE	DESCRIPTION
16	Spring	81-75	FP-317365		Incl. damper; 2.0500" Free Height
QTY	PUSH RODS	YEARS	PART NO.	SIZE	DESCRIPTION
16	Push Rod	81-75	RP-3201		10.3460" O.A.L.
QTY	VALVE MISC.	YEARS	PART NO.	SIZE	DESCRIPTION
8	Rotocap Assy.	81-75	FP-RC126SA		Exh.; Incl. Rotocap & Valve Spring
8	Rotocap	81-75	FP-443128		Exh.
QTY	VALVE SEAL	YEARS	PART NO.	SIZE	DESCRIPTION
16	Valve Stem Seal	81-75	FP-156541		Installation requires valve guide machining; Polyacrylate

CAMSHAFT GROUP

QTY	TIMING	YEARS	PART NO.	SIZE	DESCRIPTION
1	Gear Set	81-75	221-3335S		Incl. (1) 221-3329A, (1) 221-3334
QTY	CAMSHAFT/LIFTER	YEARS	PART NO.	SIZE	DESCRIPTION
16	Lifter	81-75	FP-446571		Hyd.; w/2 grooves
1	Prelube	81-75	55-400		4 oz. bottle; 1.5 oz. packet No. 55-403 also avail.

ENGINE BLOCK & PARTS

QTY	GASKETS	YEARS	PART NO.	SIZE	DESCRIPTION
1	Oil Pan Gasket Set	81-75	260-6054		
QTY	GASKET SETS	YEARS	PART NO.	SIZE	DESCRIPTION
1	Kit Gasket Set	81-75	260-1117		Int. manifold gskt. not incl.; Premium valve stem seals incl.
QTY	CAM BEARINGS	YEARS	PART NO.	SIZE	DESCRIPTION
1	Cam Set	81-75	FP-1804475	STD	

CRANKSHAFT/OIL PUMP

QTY	SEALS - FRONT CRANK	YEARS	PART NO.	SIZE	DESCRIPTION
1	Oil Seal	81-75	FP-1804009		Viton®
1	Oil Seal Kit	81-75	FP-1808751		
1	Oil Seal Kit	81-75	5064		(Seal & Sleeve)
QTY	SEALS - REAR CRANK	YEARS	PART NO.	SIZE	DESCRIPTION
1	Oil Seal	81-75	2218		
1	Wear Sleeve	81-75	FP-1816569		
QTY	MAIN BEARINGS	YEARS	PART NO.	SIZE	DESCRIPTION
1	Main Set	81-75	5082M Std-10-20		
QTY	OIL PUMP	YEARS	PART NO.	SIZE	DESCRIPTION
1	Oil Pump	81-75	224-41189		Repl. O.E. No. 446455C91

CYLINDER COMPONENTS

QTY	LINERS	YEARS	PART NO.	SIZE	DESCRIPTION
8	Repair Sleeve	81-75	SL-23Y Std Only		1/8" wall, must be cut to correct length
8	Repair Sleeve	81-75	SL-23M Std Only		3/32" wall, must be cut to correct length

(continued on next page)

36 H/D Truck MV446 Eng. (cont.) 7.3L 446 OHV V8 (16 Valve), 4.125" Bore 1975-81

CYLINDER COMPONENTS (cont.)								
	QTY	PISTONS	YEARS	PART NO.	SIZE	DESCRIPTION		
	8	Cast Piston - Individual	81-75	WH999P Std-20-30-40-60		MV446 Engs.; Hypereutectic; 2-3/32", 1-3/16" Ring Groove, 1.900" CD, 1.0200" Pin Dia., Recessed Head .327" deep x 3.320" dia.		
	QTY	CONNECTING RODS & BRGS.	YEARS	PART NO.	SIZE	DESCRIPTION		
	8	Rod Pair	81-75	FP-3730CP				
	8	Rod Pair	81-75	FP-3730CP10				
	8	Rod Pair	81-75	FP-3730CP20				
	8	Rod Pair	81-75	FP-3730CP30				
	8	Rod Pair	81-75	FP-3730CP40				
	QTY	PISTON RINGS	YEARS	PART NO.	SIZE	DESCRIPTION		
	1	Premium Set	81-75	E-404K Std-60		H/D use; Highway use; 2-3/32, 1-3/16		
	1	Premium Set	81-75	E-273K Std-20-30-40-60		L/D, Pick-up & Delivery Service; 2-3/32, 1-3/16		
	1	Standard Set	81-75	E-422X30 30		L/D, Pick-up & Delivery Service; 2-3/32, 1-3/16		
	8	Premium Single Cylinder Set	81-75	WE-404K Std-30		H/D use; Highway use; 2-3/32, 1-3/16		
	8	Premium Single Cylinder Set	81-75	WE-273K Std-20-30-40-60		L/D, Pick-up & Delivery Service; 2-3/32, 1-3/16		
KITS								
	RE-RING KIT	YEARS	DESCRIPTION		QTY	PREMIUM KIT NO.	QTY	ECONOMY KIT NO.
		81-75	L/D or pick-up & delivery use; Int. manifold gskt. not incl. Re-ring		1	FP-2056043		----
		81-75	H/D or Highway use; Int. manifold gskt. not incl. Re-ring		1	FP-205705		----
		81-75	Nat. Gas or LPG; Int. manifold gskt. not incl. Re-ring			----	1	FP-205205
37 H/D Truck MV446 Eng. (LPG or Natural Gas) 7.3L 446 OHV NG V8 (16 Valve), 4.125" Bore 1975-81								
CYL. HEAD & PARTS								
	QTY	VALVE	YEARS	PART NO.	SIZE	DESCRIPTION		
	8	Intake		V-2523 Std Only		Chrome plated stem; 2.0540" Head Dia., .3725" Stem Dia., 5.4670" O.A.L.		
	8	Exhaust		V-2090X Std Only		Chrome plated stem; 1.5350" Head Dia., .3720" Stem Dia., 5.4820" O.A.L.		
	32	Keeper		FP-41339		1 groove; Square cut key groove		
	32	Keeper		VK-138		1 groove; Square cut key groove; Carton pack 32		
	32	Keeper		VK-138R		1 groove; Square cut key groove; Hardened		
	32	Keeper, Bulk		VK-138B		1 groove; Square cut key groove; Carton of 1000		
	QTY	VALVE SEAT	YEARS	PART NO.	SIZE	DESCRIPTION		
	8	Int.		245-2125-1 Std Only		2.1305" OD, 1.8125" ID, .2480" Depth		
	QTY	VALVE GUIDE	YEARS	PART NO.	SIZE	DESCRIPTION		
	16	Guide		VG-660		.3745" ID, 2.6000" O.A.L.		
	QTY	VALVE SPRING	YEARS	PART NO.	SIZE	DESCRIPTION		
	16	Spring		FP-317365		Incl. damper; 2.0500" Free Height		
	QTY	PUSH RODS	YEARS	PART NO.	SIZE	DESCRIPTION		
	16	Push Rod		RP-3201		10.3460" O.A.L.		
	QTY	VALVE SEAL	YEARS	PART NO.	SIZE	DESCRIPTION		
	16	Valve Stem Seal		ST-2002		Installation requires valve guide machining; Polyacrylate		
	16	Valve Stem Seal		FP-156541		Installation requires valve guide machining; Polyacrylate		
	16	Valve Stem Seal Bulk		ST-2002BC		Positive type; Installation requires valve guide machining; Carton of 100; Polyacrylate		
CAMSHAFT GROUP								
	QTY	TIMING	YEARS	PART NO.	SIZE	DESCRIPTION		
	1	Gear Set		221-3335S		Incl. (1) 221-3329A, (1) 221-3334		
	QTY	CAMSHAFT/LIFTER	YEARS	PART NO.	SIZE	DESCRIPTION		
	16	Lifter		FP-446571		Hyd.; w/2 grooves		
	1	Prelube		55-400		4 oz. bottle; 1.5 oz. packet No. 55-403 also avail.		
ENGINE BLOCK & PARTS								
	QTY	GASKETS	YEARS	PART NO.	SIZE	DESCRIPTION		
	1	Oil Pan Gasket Set	81-75	260-6054				

(continued on next page)



International/Navistar Truck

H/D Truck MV446 Eng. (LPG or Natural Gas) 37
7.3L 446 OHV NG V8 (16 Valve), 4.125" Bore 1975-81 (cont.)

ENGINE BLOCK & PARTS (cont.)

QTY	GASKET SETS	YEARS	PART NO.	SIZE	DESCRIPTION
1	Kit Gasket Set		260-1117		Premium valve stem seals incl.
QTY	CAM BEARINGS	YEARS	PART NO.	SIZE	DESCRIPTION
1	Cam Set		FP-1804475	STD	

CRANKSHAFT/OIL PUMP

QTY	SEALS - FRONT CRANK	YEARS	PART NO.	SIZE	DESCRIPTION
1	Oil Seal	81-75	FP-1804009		Viton®
1	Oil Seal Kit	81-75	FP-1808751		
QTY	SEALS - REAR CRANK	YEARS	PART NO.	SIZE	DESCRIPTION
1	Oil Seal	81-75	2218		
1	Wear Sleeve	81-75	FP-1816569		
QTY	MAIN BEARINGS	YEARS	PART NO.	SIZE	DESCRIPTION
1	Main Set		5082M	Std-10-20	
QTY	OIL PUMP	YEARS	PART NO.	SIZE	DESCRIPTION
1	Oil Pump		224-41189		Repl. O.E. No. 446455C91

CYLINDER COMPONENTS

QTY	LINERS	YEARS	PART NO.	SIZE	DESCRIPTION
8	Repair Sleeve		SL-23Y	Std Only	1/8" wall, must be cut to correct length
8	Repair Sleeve		SL-23M	Std Only	3/32" wall, must be cut to correct length
QTY	CONNECTING RODS & BRGS.	YEARS	PART NO.	SIZE	DESCRIPTION
8	Rod Pair	81-75	FP-3730CP40		
8	Rod Pair		FP-3730CP		
8	Rod Pair		FP-3730CP10		
8	Rod Pair		FP-3730CP20		
8	Rod Pair		FP-3730CP30		
QTY	PISTON RINGS	YEARS	PART NO.	SIZE	DESCRIPTION
1	Standard Set		E-422X30	30	2-3/32, 1-3/16

M/D Truck RD450, RED450, RED450A Engs. 38
7.4L 450 OHV L6 (12 Valve), 4.375" Bore 1961-73

CYL. HEAD & PARTS

QTY	VALVE SEAT	YEARS	PART NO.	SIZE	DESCRIPTION
6	Exh.	73-61	245-1875-1N	Std Only	Premium Material; 1.8810" OD, 1.6100" ID, .2485" Depth
6	Exh.	73-61	245-1875-1	Std Only	1.8810" OD, 1.6100" ID, .2485" Depth
QTY	VALVE SPRING	YEARS	PART NO.	SIZE	DESCRIPTION
12	Spring	73-61	VS-336		Inner; 2.3430" Free Height
12	Spring	73-61	VS-337		Outer; 2.5620" Free Height
12	Spring Insert	73-61	259-303C		.015"; ID .703"; Carton of 100
12	Spring Insert	73-61	259-303B		.030"; ID .703"; Carton of 100
12	Spring Insert	73-61	259-303A		.060"; ID .703"; Carton of 100
12	Spring Insert	73-61	259-303ARS		.060"; ID .703"; Carton of 500
QTY	VALVE SEAL	YEARS	PART NO.	SIZE	DESCRIPTION
12	Valve Stem Seal	73-61	ST-2007		Positive type; Rubber
6	O-Ring	73-61	FP-111024		Int.; Rubber
6	Valve Stem Seal Bulk	73-61	FP-111024B		Int.; O-Ring; Carton of 100; Rubber

CRANKSHAFT/OIL PUMP

QTY	SEALS - FRONT CRANK	YEARS	PART NO.	SIZE	DESCRIPTION
1	Wear Sleeve	73-61	FP-1816569		
1	Oil Seal	73-61	417316		

CYLINDER COMPONENTS

QTY	PISTON RINGS	YEARS	PART NO.	SIZE	DESCRIPTION
1	Premium Set	69-61	5642KX	Std Only	Eng. Ser. Nos. 118530 to 118542, 118562 to 119569, 119634 to 119666 & From 119670; 2-3/32, 1-3/16
6	Premium Single Cylinder Set	69-61	W-5642KX	Std Only	Eng. Ser. Nos. 118530 to 118542, 118562 to 119569, 119634 to 119666 & From 119670; 2-3/32, 1-3/16

International/Navistar Truck



39 H/D Truck RD450, RED450, RED450A Engs. 7.4L 450 OHV L6 (12 Valve), 4.375" Bore 1960-74

CYL. HEAD & PARTS

QTY	VALVE SEAT	YEARS	PART NO.	SIZE	DESCRIPTION
6	Exh.	73-60	245-1875-1N Std Only		Premium Material; 1.8810" OD, 1.6100" ID, .2485" Depth
6	Exh.	73-60	245-1875-1 Std Only		1.8810" OD, 1.6100" ID, .2485" Depth
QTY	VALVE SPRING	YEARS	PART NO.	SIZE	DESCRIPTION
12	Spring	73-60	VS-336		Inner; 2.3430" Free Height
12	Spring	73-60	VS-337		Outer; 2.5620" Free Height
12	Spring Insert	73-60	259-303C		.015"; ID .703"; Carton of 100
12	Spring Insert	73-60	259-303B		.030"; ID .703"; Carton of 100
12	Spring Insert	73-60	259-303A		.060"; ID .703"; Carton of 100
12	Spring Insert	73-60	259-303ARS		.060"; ID .703"; Carton of 500
QTY	VALVE SEAL	YEARS	PART NO.	SIZE	DESCRIPTION
12	Valve Stem Seal	73-60	ST-2007		Positive type; Rubber
6	O-Ring	73-60	FP-111024		Int.; Rubber
6	Valve Stem Seal Bulk	73-60	FP-111024B		Int.; O-Ring; Carton of 100; Rubber

CRANKSHAFT/OIL PUMP

QTY	SEALS - FRONT CRANK	YEARS	PART NO.	SIZE	DESCRIPTION
1	Wear Sleeve	74-60	FP-1816569		
1	Oil Seal	74-60	417316		

CYLINDER COMPONENTS

QTY	PISTON RINGS	YEARS	PART NO.	SIZE	DESCRIPTION
1	Premium Set	73-60	5642KX Std Only		Eng. Ser. Nos. 118530 to 118542, 118562 to 119569, 119634 to 119666 & From 119670; 2-3/32, 1-3/16
6	Premium Single Cylinder Set	73-60	W-5642KX Std Only		Eng. Ser. Nos. 118530 to 118542, 118562 to 119569, 119634 to 119666 & From 119670; 2-3/32, 1-3/16

40 M/D Truck V461 Eng. 7.6L 461 OHV V8 (16 Valve), 4.125" Bore 1961-64

CYL. HEAD & PARTS

QTY	VALVE	YEARS	PART NO.	SIZE	DESCRIPTION
32	Keeper	64-61	VK-140		
QTY	VALVE SPRING	YEARS	PART NO.	SIZE	DESCRIPTION
16	Spring	64-61	FP-317365		Late Engs.; Incl. damper; 2.0500" Free Height
QTY	VALVE MISC.	YEARS	PART NO.	SIZE	DESCRIPTION
8	Rotocap Assy.	64-61	FP-RC126SA		Exh.; Late Engs.; Incl. Rotocap & Valve Spring
8	Rotocap	64-61	FP-443128		Exh.; Late Engs.
QTY	VALVE SEAL	YEARS	PART NO.	SIZE	DESCRIPTION
16	Valve Stem Seal	64-61	ST-2007		Positive type; Rubber
16	O-Ring	64-61	FP-111024		From Ser. No. 139494; Rubber
16	Valve Stem Seal	64-61	MV-1551		Late Engs.; O-Ring; Carton of 50; Rubber
16	Valve Stem Seal Bulk	64-61	FP-111024B		From Ser. No. 139494; O-Ring; Carton of 100; Rubber

CAMSHAFT GROUP

QTY	CAMSHAFT/LIFTER	YEARS	PART NO.	SIZE	DESCRIPTION
1	Camshaft	64-61	CS-218		Use iron oil pump drive gear.
1	Prelube	64-61	55-400		4 oz. bottle; 1.5 oz. packet No. 55-403 also avail.

ENGINE BLOCK & PARTS

QTY	GASKETS	YEARS	PART NO.	SIZE	DESCRIPTION
1	Oil Pan Gasket	64-61	FP-448428		
QTY	CAM BEARINGS	YEARS	PART NO.	SIZE	DESCRIPTION
1	Cam Set	64-61	FP-448139	STD	

CRANKSHAFT/OIL PUMP

QTY	SEALS - FRONT CRANK	YEARS	PART NO.	SIZE	DESCRIPTION
1	Redi-Sleeve	64-61	99248		
1	Oil Seal	64-61	7581H		

QTY	SEALS - REAR CRANK	YEARS	PART NO.	SIZE	DESCRIPTION
1	Oil Seal	64-61	5112S		

CYLINDER COMPONENTS

QTY	PISTONS	YEARS	PART NO.	SIZE	DESCRIPTION
8	Pin Bushing	64-61	2199Y20		
QTY	PISTON RINGS	YEARS	PART NO.	SIZE	DESCRIPTION
1	Premium Set	64-61	E-404K Std-60		H/D use; Highway use; 2-3/32, 1-3/16

(continued on next page)



International/Navistar Truck

M/D Truck V461 Eng. 40
7.6L 461 OHV V8 (16 Valve), 4.125" Bore 1961-64 (cont.)

CYLINDER COMPONENTS (cont.)

QTY	PISTON RINGS (cont.)	YEARS	PART NO.	SIZE	DESCRIPTION
1	Premium Set	64-61	E-273K Std-20-30-40-60		L/D, Pick-up & Delivery Service; 2-3/32, 1-3/16
1	Standard Set	64-61	E-422X30 30		L/D, Pick-up & Delivery Service; 2-3/32, 1-3/16
8	Premium Single Cylinder Set	64-61	WE-404K Std-30		H/D use; Highway use; 2-3/32, 1-3/16
8	Premium Single Cylinder Set	64-61	WE-273K Std-20-30-40-60		L/D, Pick-up & Delivery Service; 2-3/32, 1-3/16

H/D Truck V461 Eng. 41
7.6L 461 OHV V8 (16 Valve), 4.125" Bore 1960-64

CYL. HEAD & PARTS

QTY	VALVE	YEARS	PART NO.	SIZE	DESCRIPTION
32	Keeper	64-60	VK-140		
QTY	VALVE SPRING	YEARS	PART NO.	SIZE	DESCRIPTION
16	Spring	64-60	FP-317365		Late Eng.s.; Incl. damper; 2.0500" Free Height
16	Spring	64-60	VS-693		Late Eng.s.; Incl. damper; 2.0500" Free Height
QTY	VALVE MISC.	YEARS	PART NO.	SIZE	DESCRIPTION
8	Rotocap Assy.	64-60	FP-RC126SA		Exh.; Late Eng.s.; Incl. Rotocap & Valve Spring
8	Rotocap	64-60	FP-443128		Exh.; Late Eng.s.
QTY	VALVE SEAL	YEARS	PART NO.	SIZE	DESCRIPTION
16	Valve Stem Seal	64-60	ST-2007		Positive type; Rubber
16	O-Ring	64-60	FP-111024		From Ser. No. 139494; Rubber
16	Valve Stem Seal	64-60	MV-1551		Late Eng.s.; O-Ring; Carton of 50; Rubber
16	Valve Stem Seal Bulk	64-60	FP-111024B		From Ser. No. 139494; O-Ring; Carton of 100; Rubber

CAMSHAFT GROUP

QTY	CAMSHAFT/LIFTER	YEARS	PART NO.	SIZE	DESCRIPTION
1	Camshaft	64-60	CS-218		Use iron oil pump drive gear.
1	Prelube	64-60	55-400		4 oz. bottle; 1.5 oz. packet No. 55-403 also avail.

ENGINE BLOCK & PARTS

QTY	GASKETS	YEARS	PART NO.	SIZE	DESCRIPTION
1	Oil Pan Gasket	64-60	FP-448428		
QTY	CAM BEARINGS	YEARS	PART NO.	SIZE	DESCRIPTION
1	Cam Set	64-60	FP-448139	STD	

CRANKSHAFT/OIL PUMP

QTY	SEALS - FRONT CRANK	YEARS	PART NO.	SIZE	DESCRIPTION
1	Redi-Sleeve	64-60	99248		
1	Oil Seal	64-60	7581H		
QTY	SEALS - REAR CRANK	YEARS	PART NO.	SIZE	DESCRIPTION
1	Oil Seal	64-60	5112S		

CYLINDER COMPONENTS

QTY	PISTONS	YEARS	PART NO.	SIZE	DESCRIPTION
8	Pin Bushing	64-60	2199Y20		
QTY	PISTON RINGS	YEARS	PART NO.	SIZE	DESCRIPTION
1	Premium Set	64-60	E-404K Std-60		H/D use; Highway use; 2-3/32, 1-3/16
1	Premium Set	64-60	E-273K Std-20-30-40-60		L/D, Pick-up & Delivery Service; 2-3/32, 1-3/16
1	Standard Set	64-60	E-422X30 30		L/D, Pick-up & Delivery Service; 2-3/32, 1-3/16
8	Premium Single Cylinder Set	64-60	WE-404K Std-30		H/D use; Highway use; 2-3/32, 1-3/16
8	Premium Single Cylinder Set	64-60	WE-273K Std-20-30-40-60		L/D, Pick-up & Delivery Service; 2-3/32, 1-3/16

M/D Truck DV462, DV462B Eng.s. H/D Truck DV462, DV462B Eng.s. 42
7.6L 461 OHV Diesel V8 (16 Valve), 4.125" Bore 1966-73

CYL. HEAD & PARTS

QTY	VALVE	YEARS	PART NO.	SIZE	DESCRIPTION
32	Keeper	73-66	FP-41339		1 groove; Square cut key groove
32	Keeper	73-66	VK-138		1 groove; Square cut key groove; Carton pack 32
32	Keeper	73-66	VK-138R		1 groove; Square cut key groove; Hardened
32	Keeper, Bulk	73-66	VK-138B		1 groove; Square cut key groove; Carton of 1000
QTY	VALVE SPRING	YEARS	PART NO.	SIZE	DESCRIPTION
16	Spring	73-66	FP-317365		Incl. damper; 2.0500" Free Height

(continued on next page)

42 M/D Truck DV462, DV462B Engs. H/D Truck DV462, DV462B Engs.
(cont.) 7.6L 461 OHV Diesel V8 (16 Valve), 4.125" Bore 1966-73

CYL. HEAD & PARTS (cont.)

QTY	VALVE MISC.	YEARS	PART NO.	SIZE	DESCRIPTION
8	Rotocap Assy.	73-66	FP-RC126SA		Exh.; Incl. Rotocap & Valve Spring
8	Rotocap	73-66	FP-443128		Exh.
QTY	VALVE SEAL	YEARS	PART NO.	SIZE	DESCRIPTION
16	O-Ring	73-66	FP-111024		Rubber
16	Valve Stem Seal Bulk	73-66	FP-111024B		O-Ring; Carton of 100; Rubber

ENGINE BLOCK & PARTS

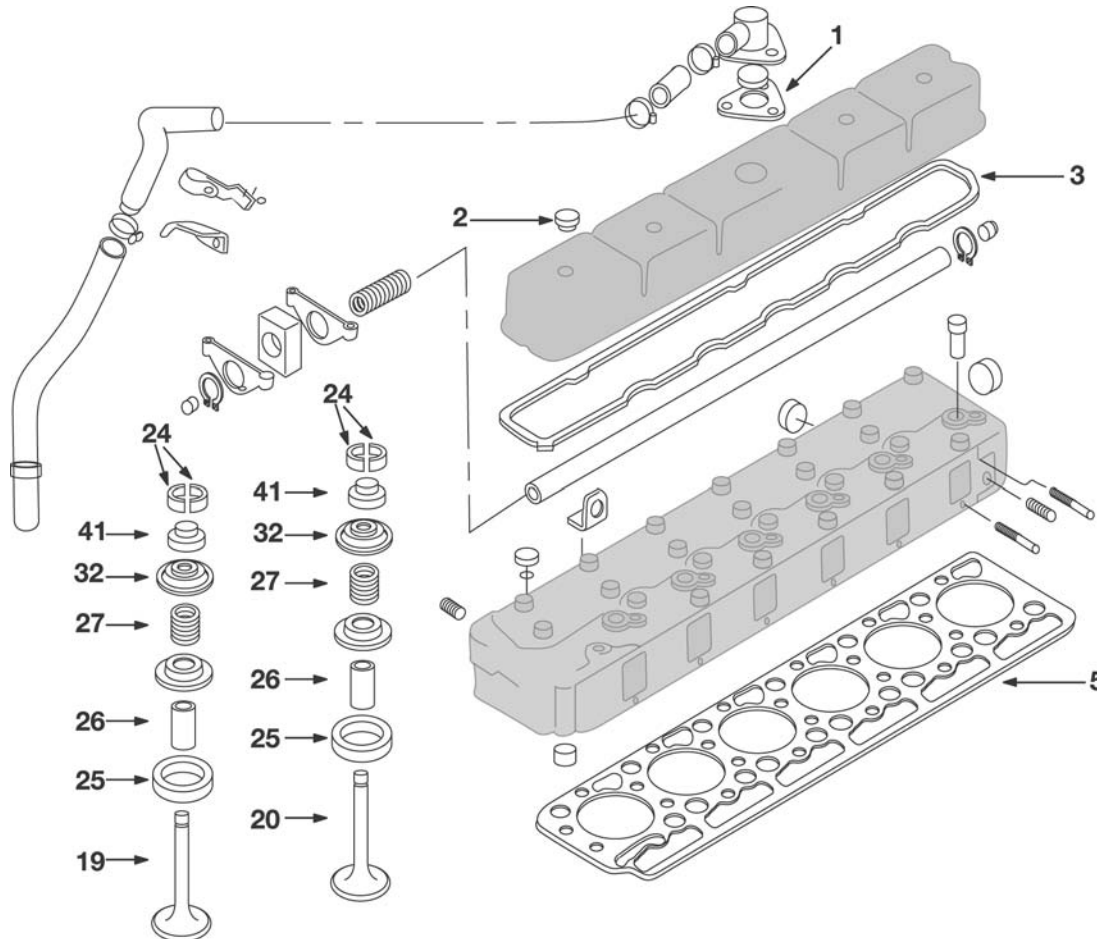
QTY	CAM BEARINGS	YEARS	PART NO.	SIZE	DESCRIPTION
1	Cam Set	73-66	FP-448139	STD	

CRANKSHAFT/OIL PUMP

QTY	SEALS - FRONT CRANK	YEARS	PART NO.	SIZE	DESCRIPTION
1	Redi-Sleeve	73-66	99248		
1	Oil Seal	73-66	7581H		
QTY	SEALS - REAR CRANK	YEARS	PART NO.	SIZE	DESCRIPTION
1	Oil Seal Kit	73-66	5065		
QTY	MAIN BEARINGS	YEARS	PART NO.	SIZE	DESCRIPTION
1	Main Set	73-66	FP-5032M	STD	
1	Main Set	73-66	FP-5032M10	10	
1	Main Set	73-66	FP-5032M20	20	
1	Main Set	73-66	FP-5032M30	30	

43 H/D Truck D466 Eng.
7.6L 466 OHV Diesel L6 (12 Valve), 4.3005" Bore 1975-83

CYL. HEAD & PARTS



REF #	QTY	GASKETS	YEARS	PART NO.	SIZE	DESCRIPTION
1	1	Breather Housing Gasket	83-75	FP-673973		

(continued on next page)

H/D Truck D466 Eng. 43
7.6L 466 OHV Diesel L6 (12 Valve), 4.3005" Bore 1975-83 (cont.)

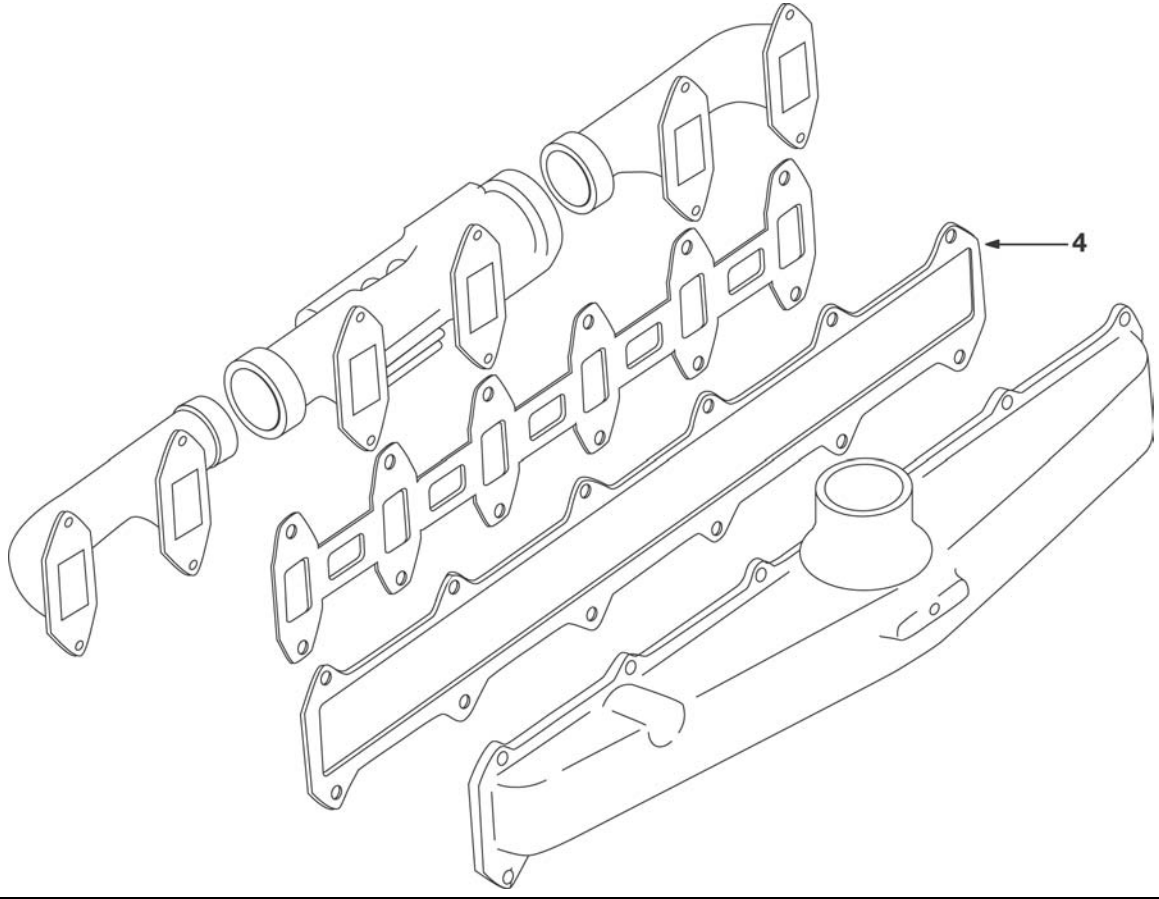
CYL. HEAD & PARTS (cont.)

REF #	QTY	GASKETS (cont.)	YEARS	PART NO.	SIZE	DESCRIPTION
2	6	Grommet	83-75	FP-677692		Valve Cover Bolt
3	1	Valve Cover Gasket	83-75	FP-675109		
5	1	Head Gasket	83-75	FP-1819547		
	1	Head Set	83-75	FP-1808973		
REF #	QTY	VALVE	YEARS	PART NO.	SIZE	DESCRIPTION
19	6	Intake	83-75	FP-675046		
20	6	Exhaust	83-75	FP-676865		
24	24	Keeper	83-75	FP-41339		1 groove; Square cut key groove
24	24	Keeper	83-75	VK-138		1 groove; Square cut key groove; Carton pack 32
24	24	Keeper	83-75	VK-138R		1 groove; Square cut key groove; Hardened
24	24	Keeper, Bulk	83-75	VK-138B		1 groove; Square cut key groove; Carton of 1000
REF #	QTY	VALVE SEAT	YEARS	PART NO.	SIZE	DESCRIPTION
25	6	Exh.	83-75	FP-671563	2	
25	6	Exh.	83-75	FP-671565	15	
25	6	Int.	83-75	FP-671559	2	
25	6	Int.	83-75	FP-671561	15	
REF #	QTY	VALVE GUIDE	YEARS	PART NO.	SIZE	DESCRIPTION
26	12	Guide	83-75	FP-675439		2.750" O.A.L.; .3745" ID, 2.7500" O.A.L.
REF #	QTY	VALVE SPRING	YEARS	PART NO.	SIZE	DESCRIPTION
27	12	Spring	83-75	FP-682064		To Ser. No. 74999; 2.3400" Free Height
REF #	QTY	PUSH RODS	YEARS	PART NO.	SIZE	DESCRIPTION
	12	Push Rod	83-75	FP-675621		To Ser. No. 532980; 11.4000" O.A.L.
REF #	QTY	VALVE MISC.	YEARS	PART NO.	SIZE	DESCRIPTION
32	6	Rotocap Assy.	83-75	FP-1811581		Exh.
REF #	QTY	VALVE SEAL	YEARS	PART NO.	SIZE	DESCRIPTION
41	12	Valve Stem Seal	83-75	FP-1815374		From Ser. No. 594840
41	12	Valve Stem Seal	83-75	FP-681234		To Ser. No. 594839; Umbrella type

(continued on next page)

43 *H/D Truck D466 Eng.*
 (cont.) 7.6L 466 OHV Diesel L6 (12 Valve), 4.3005" Bore 1975-83

INT & EXH MANIFOLDS

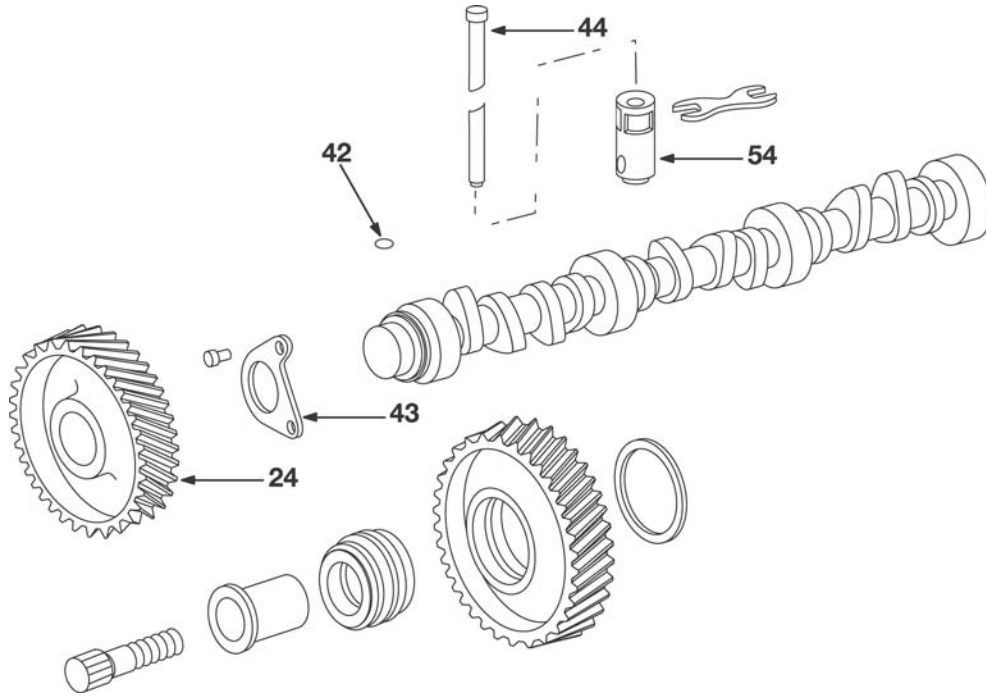


REF #	QTY	INT. & EXH. MANIFOLDS	YEARS	PART NO.	SIZE	DESCRIPTION
4	1	Intake Manifold Gasket	83-75	FP-682199		

(continued on next page)

H/D Truck D466 Eng. 43
7.6L 466 OHV Diesel L6 (12 Valve), 4.3005" Bore 1975-83 (cont.)

CAMSHAFT GROUP



REF #	QTY	TIMING	YEARS	PART NO.	SIZE	DESCRIPTION
24	1	Cam Gear	83-75	FP-675600		66 Teeth
42	1	CAMSHAFT TIMING	83-75	FP-218211		Cam gear; 1/4" x 3/4"
54	12	CAMSHAFT/LIFTER	83-75	FP-911776		Mech.; .997" dia. body

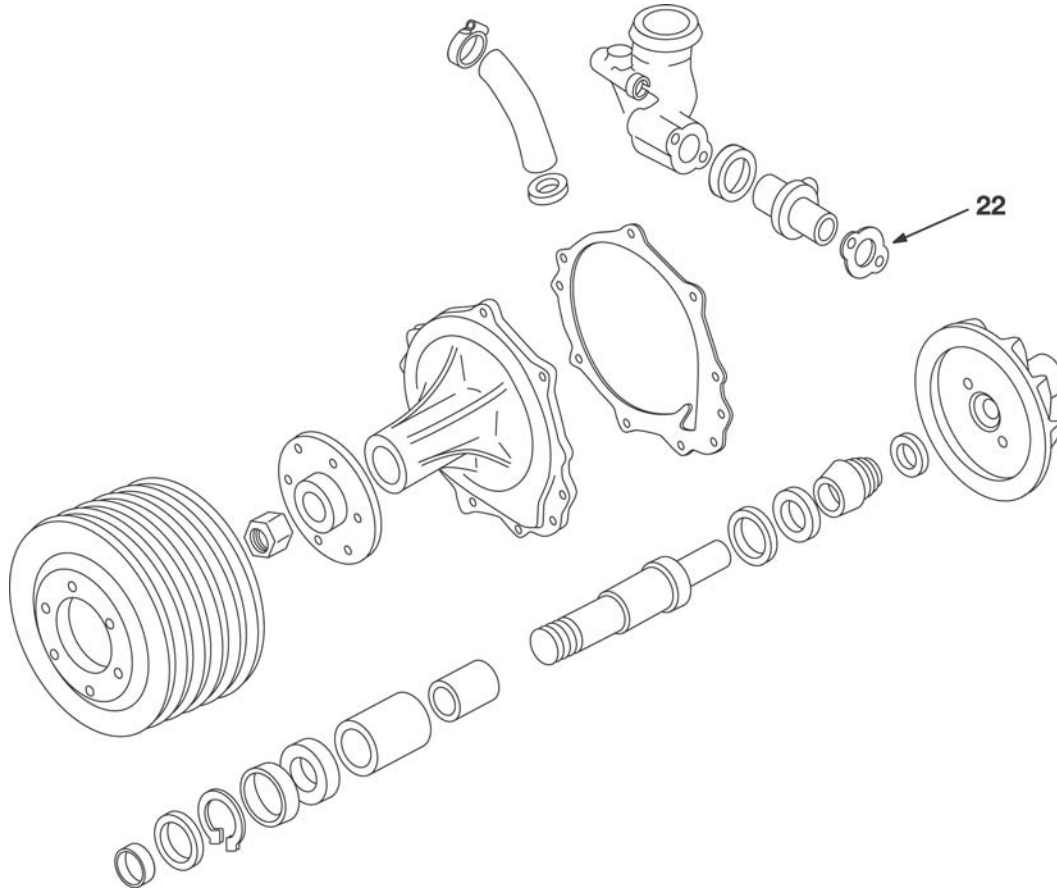
FUEL SYSTEM & PARTS

	QTY	FUEL INJECTION	YEARS	PART NO.	SIZE	DESCRIPTION
	6	Fuel Injector Sleeve	83-75	FP-675442		

(continued on next page)

43 H/D Truck D466 Eng.
 (cont.) 7.6L 466 OHV Diesel L6 (12 Valve), 4.3005" Bore 1975-83

COOLING SYSTEM

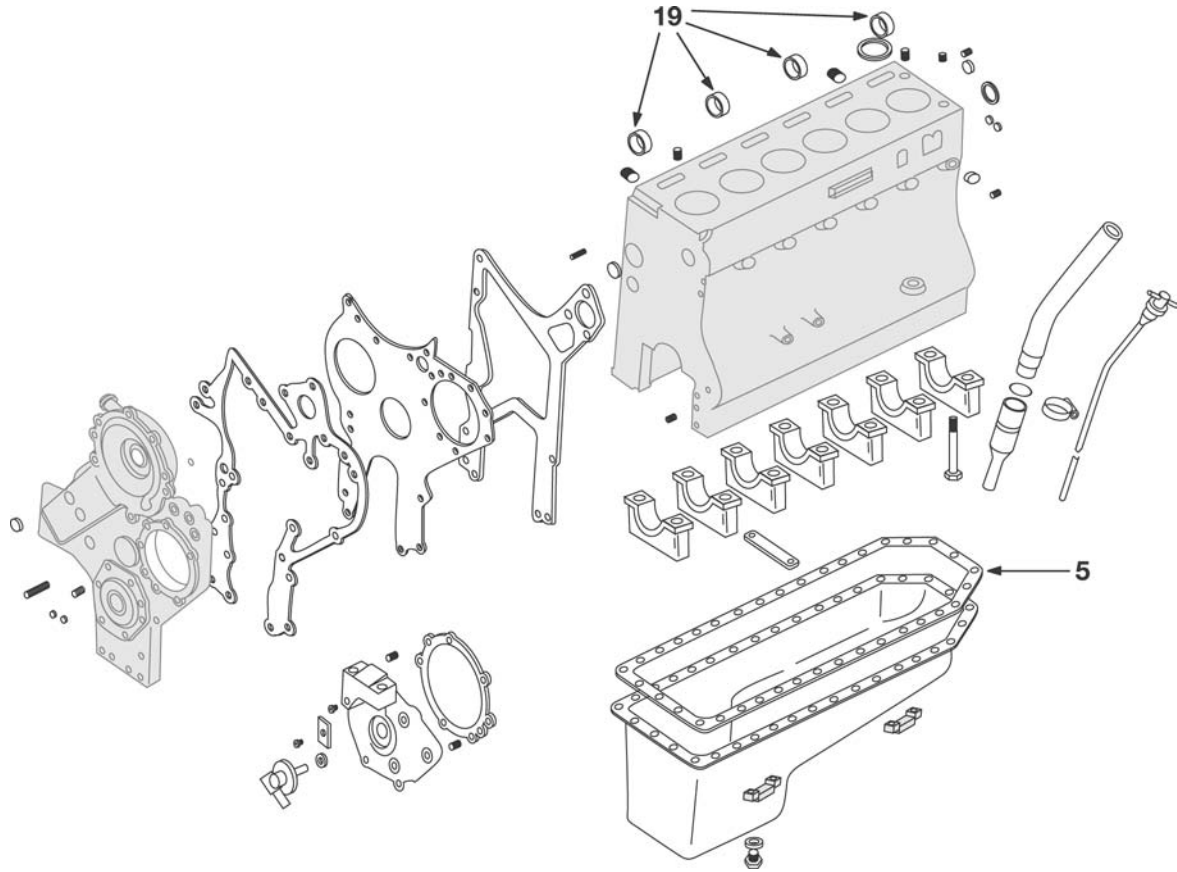


REF #	QTY	THERMOSTAT	YEARS	PART NO.	SIZE	DESCRIPTION
22	1	Thermostat Gasket	83-75	FP-675384		

(continued on next page)

H/D Truck D466 Eng. **43**
 7.6L 466 OHV Diesel L6 (12 Valve), 4.3005" Bore 1975-83 (cont.)

ENGINE BLOCK & PARTS

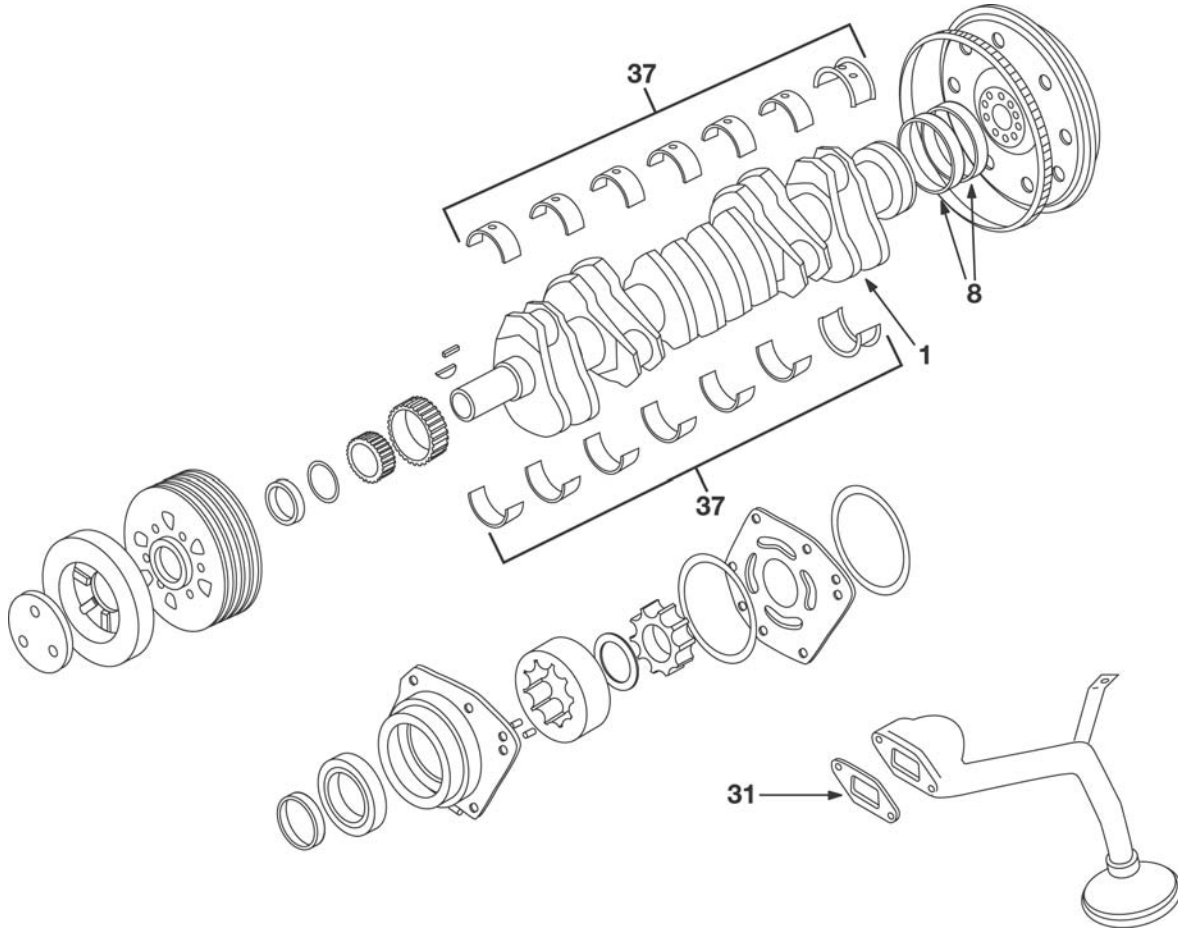


REF #	QTY	GASKETS	YEARS	PART NO.	SIZE	DESCRIPTION
5	1	Oil Pan Gasket	83-75	FP-671825		
REF #	QTY	GASKET SETS	YEARS	PART NO.	SIZE	DESCRIPTION
	1	Lower Gasket Set	83-75	FP-674399		Crankshaft seals not incl.
REF #	QTY	CAM BEARINGS	YEARS	PART NO.	SIZE	DESCRIPTION
19	1	Cam Set	83-75	FP-680117	STD	

(continued on next page)

43 H/D Truck D466 Eng.
 (cont.) 7.6L 466 OHV Diesel L6 (12 Valve), 4.3005" Bore 1975-83

CRANKSHAFT/OIL PUMP

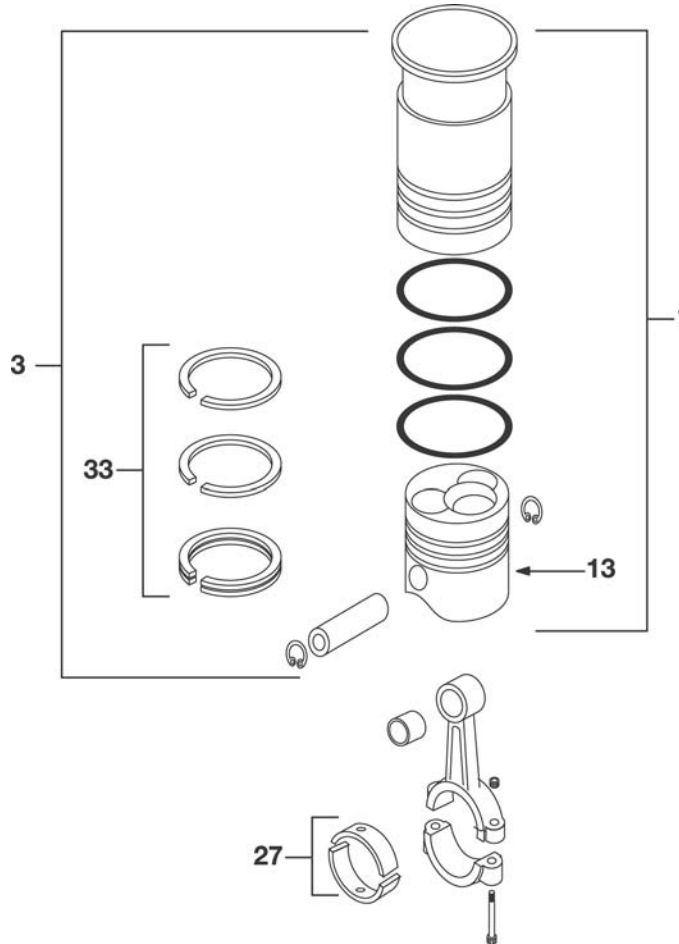


REF #	QTY	CRANKSHAFT	YEARS	PART NO.	SIZE	DESCRIPTION
1	1	Crankshaft	83-75	FP-675669		
8	1	SEALS - REAR CRANK Oil Seal Kit	83-75	FP-1809964		Incl. seal & wear sleeve
37	1	MAIN BEARINGS Main Set	83-75	FP-1823847	STD	Narrow
37	1	Main Set	83-75	FP-1823848	10	Narrow
37	1	Main Set	83-75	FP-1823849	20	Narrow
37	1	Main Set	83-75	FP-1823850	30	Narrow
31	1	OIL PUMP Oil Inlet Elbow Gasket	83-75	FP-671821		Oil inlet elbow

(continued on next page)

H/D Truck D466 Eng. 43
7.6L 466 OHV Diesel L6 (12 Valve), 4.3005" Bore 1975-83 (cont.)

CYLINDER COMPONENTS



REF #	QTY	LINERS	YEARS	PART NO.	SIZE	DESCRIPTION
1	6	Piston & Liner Kit w/o Rings	83-75	FP-1802580		To Ser. No. 74999; 15.2:1 C.R.
3	6	Cylinder Kit Complete	83-75	FP-687432	STD	To Ser. No. 74999; For Engs. equipped w/side mounted breather; 15.2:1 C.R.
REF #	QTY	PISTONS	YEARS	PART NO.	SIZE	DESCRIPTION
13	6	Piston Body w/o Pin	83-75	FP-684255		To Ser. No. 74999; 15.2:1 C.R.
REF #	QTY	CONNECTING RODS & BRGS.	YEARS	PART NO.	SIZE	DESCRIPTION
27	6	Rod Pair	83-75	FP-681314	STD	Narrow
27	6	Rod Pair	83-75	FP-681315	10	Narrow
27	6	Rod Pair	83-75	FP-687382	20	Narrow
27	6	Rod Pair	83-75	FP-681316	30	Narrow
27	6	Rod Pair	83-75	FP-68131440	40	Narrow
REF #	QTY	PISTON RINGS	YEARS	PART NO.	SIZE	DESCRIPTION
33	6	Ring Set Single Cylinder	83-75	FP-684256	STD	Engs. w/side mounted breather; 2-1/8, 1-1/4; Incl. narrow gap intermediate rings
	1	Premium Set	83-75	FP-684256S	STD	Engs. w/side mounted breather; 2-1/8, 1-1/4; Incl. narrow gap intermediate rings



DT-466 Engine

Global Technology Behind Every Part

Overview

The DT-466 diesel engine was first introduced in 1975. It is used in On-Highway truck and bus applications as well as agricultural and construction equipment.

Engine Type	Diesel, 4-cycle
Configuration.....	In-Line 6-cylinder
Displacement	466.4 cu. In. (7.6 Liters)
Bore and Stroke.....	4.30 x 5.35 in. (109.2 x 135.9 mm)
Combustion System.....	Direct Injection
Total Engine Weight (Dry).....	All except DT-466E = 1400 lb. (636 kg) DT-466E only = 1275 lb. (578 kg)

The DT-466 engine has been supplied in various configurations:

D-466	Naturally Aspirated
DT-466.....	Turbocharged
DT-466B	Turbocharged, "B" Series
DTI-466B.....	Turbocharged Intercooled, "B" Series
DT-466C	Turbocharged, "C" Series
DTA-466C	Turbocharged Intercooled, "C" Series
DT-466E	Turbocharged Intercooled
DT-466P(NGD).....	Turbocharged Intercooled

Early model DT-466 engines use "Cutback Land" pistons. The cutback refers to the smaller diameter above the top ring compared to the diameter below the top ring. Late model DT-466 engines use "Balance Pressure" pistons. These pistons incorporate the cutback land design and a wide groove below the top piston ring. A new intermediate piston ring, with a wider end gap, is used with the "Balance Pressure" piston. The purpose of this configuration is to prevent cylinder pressure from building up below the top ring. This helps prevent cylinder pressure leakage and top ring land wear. The early type piston can be replaced with a "Balance Pressure" piston, but the rocker cover breather must be used.

DT-466 engines also use different crankshafts and bearings. Early model DT-466 engines use crankshafts with large fillet radii at the journals and narrow bearings. The later models use crankshafts with small fillet radii at the journals and wide bearings. The change to wider bearings provided greater load bearing capabilities.

The replaceable wet type cylinder sleeves, gaskets and valve train are the same for all DT-466 engines. A new version of the engine, the DTA-466C, was introduced in 1986, which features a new design liner and a new piston. FP Diesel provides the new style liner to update older engines.

In late 1993, the DT-466P (NGD) was introduced as part of the PLN or "Pump Line Nozzle" engine family that includes the DT-408 and I530P (NGD) engines. These three engines share many internal engine parts. This engine was produced until 1997.

In May 1995, the newest version of the 466 family was introduced labeled the DT-466E, this engine has the electro-hydraulic HEUI fuel system. The HEUI system provides unaided cold starts down to 10 degrees Fahrenheit. As in previous versions of the engine, the DT-466E has wet sleeve cylinders and Plasma-faced top rings to increase power cylinder life. The DT-466E is over 150 lbs lighter than previous generation engines and is available in standard torque and high torque ratings.





DT-466 Engine

Global Technology Behind Every Part

Overhaul Tips

NOTES ON DT-466 OVERHAUL KITS AND COMPONENTS

FP Diesel offers In-Frame Kits under two part numbers – FP-IFK-DT466

FP-IFK-DT466-4R (4 ring piston)

These kits include:

Cylinder kits (piston and sleeve assemblies for narrow gap ring set applications)

Main Bearings (Available in Std, .010, .020, .030)

Rod Bearings (Available in Std, .010, .020, .030)

In-Frame Gasket Set

For Complete Engine Overhaul Kit simply add the suffix – OH to the In-Frame Kit number –

FP-IFK-DT466-OH

FP-IFK-DT466-4R -OH (4 ring piston)

INSPECTION OF ENGINE AND COMPONENTS DURING OVERHAUL

Camshaft:

Visually inspect the camshaft. Replace it if any lobes are scuffed, scored or cracked. Measure the camshaft lobe lift. Replace the camshaft if the lift is below minimum specification:

Camshaft lift specifications:

- Intake = 0.2735"
- Exhaust = 0.2707"

Replace any tappets that are pitted, scuffed, scored, cracked or otherwise worn.

Intake and Exhaust Manifolds:

Inspect manifold bodies and flanges for cracks and distortions. The intake and exhaust manifold maximum allowable warpage is 0.10". Replace standard intake manifold mounting bolts with prevailing torque (patch type) bolts only.

Piston and Rings:

IMPORTANT: DT-466 engines S/N 76440 and newer use a wider gap (0.065/0.078") second ring and valve cover mounted breather. It is not mandatory that older engines be updated at rebuild. However, if the ring set with the wide gap second ring (part number FP-1810358) is used, the valve cover mounted breather must be used.

Connecting Rods:

Visually inspect connecting rod bolts for damage. The bolts must screw into the rod by hand when lubricated. If resistance is met, re-clean the rod threads and try a new bolt. If the new bolt binds, the rod must be discarded. Do not re-tap rod bolt holes as this is a special rolled thread.

Visually inspect the rod and cap mating surfaces for fretting. If any fretting is observed, discard the rod.

Inspect the connecting rod for straightness. Replace if necessary.

Inspect the piston pin bushing for wear. Replace any worn bushings.

Connecting rod journal bore specifications:

- Connecting rod journal bore is 3.200/3.201"
- Connecting rod journal bore maximum out-of-round is 0.002"
- Connecting rod journal bore maximum taper is 0.0004"

The numbers on the large end of the rod face must be opposite the "camside" of the piston.

The piston is installed with "camside" wording on the camshaft side of the engine.

Cylinder Sleeves:

Visually inspect the inside surface of the sleeve for scuffing or scoring. Inspect the outer surface for cavitation erosion. Replace as required.

Check the cylinder sleeves for I.D. wear (taper).

Using a dial indicator, check cylinder sleeve protrusion at three points around the sleeve, and use the average reading to determine if protrusion is within the specified range of 0.002/0.005". Install shim(s) as required to bring the protrusion of the sleeves above the block deck within specifications.





DT-466 Engine

Global Technology Behind Every Part

Overhaul Tips

Viscous Damper:

Visually inspect the vibration damper inner and outer member alignment marks. If marks are misaligned by more than 0.060", replace the damper.

Visually inspect the damper for dents or leaks. Replace as required.

Check for housing distortion by measuring damper thickness at 4 points with a micrometer. If there is more than 0.002" variation between points, replace the damper.

Crankshaft:

Visually inspect the crankshaft journals (main and rod) for scratches, grooves or scoring.

Measure the diameter of each journal. If the journals exceed the maximum out-of-round specification (0.0013"), the crankshaft must be reground or replaced.

Replace crankshafts that have incurred a bearing failure and show discoloration or metal transfer to the fillet area.

Visually inspect crankshaft gears for chipping or wear. Replace gears if necessary.

Bearing Running Clearance:

Check bearing-to-crankshaft clearance with Plastigage®. If bearing clearance is not within specifications, the crankshaft must be replaced or reground and the correct undersized bearings installed.

Journal and Clearance Specifications:

- Connecting rod bearing clearance 0.0018/0.0051".
Maximum allowed before reconditioning is 0.007".
- Connecting rod side clearance 0.007/0.0015".
Maximum allowed is 0.018".
- Main bearing clearance 0.0018/0.0051".
Maximum allowed before reconditioning is 0.006".
- Crankshaft end play 0.006/0.012".
Maximum allowed is 0.020".

Crankshafts with journal radii of 0.192/0.208" (S/N 439619 and above) use wide rod and main bearings.

Crankshafts with journal radii of 0.220/0.235" (S/N 439618 and below) use narrow rod and main bearings.

Engine Block:

Inspect the block head surface for flatness using a straight edge and feeler gauge. If a 0.003" feeler gauge can pass, replace the block.

Inspect lower cylinder sleeve pilot bore for erosion. If a possibility exists that sleeve "O" rings may not seal against the bore due to erosion, machine the lower bore and install a lower bore insert.

Measure block cylinder sleeve counterbore depth at four points. Resurface counterbores that vary more than 0.001" between the four points.

Oil Pan:

Check turbocharger oil drain tapping block area for leakage or cracking. If defective, the oil pan should be replaced. International dealers offer an oil pan service package consisting of oil pan without tapping block and bulkhead type fitting. Use OE kit part no. 1806664C91 for rear sump pan: use OE kit part no. 1806663C91 for front sump pan.

Cooling System:

Cleaning cooling system: Engines equipped with a coolant filter should be drained and flushed every two years. Engines not equipped with a coolant filter should be drained and flushed once a year.

Antifreeze: Always use antifreeze made with ethylene glycol. Antifreeze made with methoxy propanol or propylene glycol can damage internal engine seals and coolant hoses, and create a potential fire hazard due to lower flash points.

Always refer to the original equipment manufacturer's repair manuals for exact procedures and specifications on any engine repair operation.





DT-466 Engine Family Quick Reference Guide

Global Technology Behind Every Part

ENGINE YEAR/ DESCRIPTION	ENGINE S/N	PISTON	PISTON & SLEEVE (W/O RINGS)	RING SET	CYL. KIT
**1975-1978 DT-466 "A"	Below 76440	FP-684255	FP-1802580	FP-1810358	**FP-687432
1978-1988 DT-466 B&C DTI-466 B&C	76441 thru 439617	FP-1817520	FP-1817646	FP-1817247	FP-1817645
1989 DT/DTA-466C	439618 thru 532980	FP-1817520	FP-1817646	FP-1817247	FP-1817645
1989 DT/DTA-466C Exc. NAP & NAR	532981 thru 594840	FP-1817520	FP-1817646	FP-1817247	FP-1817645
1990 DTA-466 Exc. 270HP	594841 thru 618495	1815345	1815396	FP-1810358	N/A
1990 DTA-466 Exc. 270HP	594841 thru 618495	1815330	1815399	FP-1810358	N/A
1991-1993 DTA-466	618496 and above	FP-1817520	FP-1817646	FP-1817247	FP-1817645
1993-2002 DT-466E	980819 and below 980820 thru 1194038	FP-1823313 FP-1825585	N/A N/A	FP-1817247 FP-1825461	FP-1824966 FP-1825690
1993-1997 DT-466P NGD	888340 and below 888341 and above	FP-1822097 FP-1824810	N/A N/A	FP-1817247 FP-1825461	FP-1822340 FP-1824823
DT/DTA-466 DINA	645484 and below	FP-1817188	FP-1817339	FP-1817247	FP-1817189
DT/DTA-466	645485 and above	FP-1817520	FP-1817646	FP-1817247	FP-1817645

**Note: Engines equipped with side-mounted breather. All others use valve cover mounted breather.
Part numbers without FP- prefix are for reference only. Call for availability.



DT-466 Engine

Global Technology Behind Every Part

DT-466 In-Frame Overhaul

KIT NUMBER	COMPONENT NO.	QTY.	PART SIZE	PART DESCRIPTION	PART APPLICATION
FP-IFK-DT466	FP-1817189	6		Liner Kit	DT-DTA466, DINA, To Ser. No. 645484
	FP-1817645	6		Liner Kit	DT-466B & DTI-466B From Ser. No. 76440 To 439617. DT-466C & DTI-466C From Ser. No. 439618 To 532980. DTA-466C To Ser. No. 532980. Contains 3-ring original piston.
	FP-687432	6		Liner Kit	DT-466 To Ser. No. 74999, 15.2:1 C.R. piston
	FP-1808059	6	Std.	Rod Bearing Pair	From Ser. No. 439619, wide
	FP-1808060	6	10	Rod Bearing Pair	From Ser. No. 439619, wide
	FP-1808061	6	20	Rod Bearing Pair	From Ser. No. 439619, wide
	FP-1808062	6	30	Rod Bearing Pair	From Ser. No. 439619, wide
	FP-681314	6	Std.	Rod Bearing Pair	To Ser. No. 439618, narrow
	FP-681315	6	10	Rod Bearing Pair	To Ser. No. 439618, narrow
	FP-687382	6	20	Rod Bearing Pair	To Ser. No. 439618, narrow
	FP-681316	6	30	Rod Bearing Pair	To Ser. No. 439618, narrow
	FP-1823843	1	Std.	Main Bearing Set	From Ser. No. 439619, wide
	FP-1823844	1	10	Main Bearing Set	From Ser. No. 439619, wide
	FP-1823845	1	20	Main Bearing Set	From Ser. No. 439619, wide
	FP-1823846	1	30	Main Bearing Set	From Ser. No. 439619, wide
	FP-1823847	1	Std.	Main Bearing Set	To Ser. No. 439618, narrow
	FP-1823848	1	10	Main Bearing Set	To Ser. No. 439618, narrow
	FP-1823849	1	20	Main Bearing Set	To Ser. No. 439618, narrow
	FP-1823850	1	30	Main Bearing Set	To Ser. No. 439618, narrow
	PGN466-IF	1		In-Frame Gasket Set	





DT-466 Engine

Global Technology Behind Every Part

DT-466 In-Frame Overhaul – 4 Ring Piston

KIT NUMBER	COMPONENT NO.	QTY.	PART SIZE	PART DESCRIPTION	PART APPLICATION
FP-IFK-DT466-4R	FP-1810359-4R	6		Liner Kit	For 4-Ring Piston Applications
	FP-1808059	6	Std.	Rod Bearing Pair	From Ser. No. 439619, wide
	FP-1808060	6	10	Rod Bearing Pair	From Ser. No. 439619, wide
	FP-1808061	6	20	Rod Bearing Pair	From Ser. No. 439619, wide
	FP-1808062	6	30	Rod Bearing Pair	From Ser. No. 439619, wide
	FP-681314	6	Std.	Rod Bearing Pair	To Ser. No. 439618, narrow
	FP-681315	6	10	Rod Bearing Pair	To Ser. No. 439618, narrow
	FP-687382	6	20	Rod Bearing Pair	To Ser. No. 439618, narrow
	FP-681316	6	30	Rod Bearing Pair	To Ser. No. 439618, narrow
	FP-1823843	1	Std.	Main Bearing Set	From Ser. No. 439619, wide
	FP-1823844	1	10	Main Bearing Set	From Ser. No. 439619, wide
	FP-1823845	1	20	Main Bearing Set	From Ser. No. 439619, wide
	FP-1823846	1	30	Main Bearing Set	From Ser. No. 439619, wide
	FP-1823847	1	Std.	Main Bearing Set	To Ser. No. 439618, narrow
	FP-1823848	1	10	Main Bearing Set	To Ser. No. 439618, narrow
	FP-1823849	1	20	Main Bearing Set	To Ser. No. 439618, narrow
	FP-1823850	1	30	Main Bearing Set	To Ser. No. 439618, narrow
	PGN466-IF	1		In-Frame Gasket Set	



DT-466 Engine

Global Technology Behind Every Part

DT-466 Complete Overhaul

KIT NUMBER	COMPONENT NO.	QTY.	PART SIZE	PART DESCRIPTION	PART APPLICATION
FP-IFK-DT466-OH	FP-1817189	6		Liner Kit	DT-DTA466, DINA, To Ser. No. 645484
	FP-1817645	6		Liner Kit	DT-466B & DTI-466B From Ser. No. 76440 To 439617. DT-466C & DTI-466C From Ser. No. 439618 To 532980. DTA-466C To Ser. No. 532980. Contains 3-ring original piston.
	FP-687432	6		Liner Kit	DT-466 To Ser. No. 74999, 15.2:1 C.R. piston
	FP-1808059	6	Std.	Rod Bearing Pair	From Ser. No. 439619, wide
	FP-1808060	6	10	Rod Bearing Pair	From Ser. No. 439619, wide
	FP-1808061	6	20	Rod Bearing Pair	From Ser. No. 439619, wide
	FP-1808062	6	30	Rod Bearing Pair	From Ser. No. 439619, wide
	FP-681314	6	Std.	Rod Bearing Pair	To Ser. No. 439618, narrow
	FP-681315	6	10	Rod Bearing Pair	To Ser. No. 439618, narrow
	FP-687382	6	20	Rod Bearing Pair	To Ser. No. 439618, narrow
	FP-681316	6	30	Rod Bearing Pair	To Ser. No. 439618, narrow
	FP-1823843	1	Std.	Main Bearing Set	From Ser. No. 439619, wide
	FP-1823844	1	10	Main Bearing Set	From Ser. No. 439619, wide
	FP-1823845	1	20	Main Bearing Set	From Ser. No. 439619, wide
	FP-1823846	1	30	Main Bearing Set	From Ser. No. 439619, wide
	FP-1823847	1	Std.	Main Bearing Set	To Ser. No. 439618, narrow
	FP-1823848	1	10	Main Bearing Set	To Ser. No. 439618, narrow
	FP-1823849	1	20	Main Bearing Set	To Ser. No. 439618, narrow
	FP-1823850	1	30	Main Bearing Set	To Ser. No. 439618, narrow
	PGN466-C	1		Overhaul Gasket Set	





DT-466 Engine

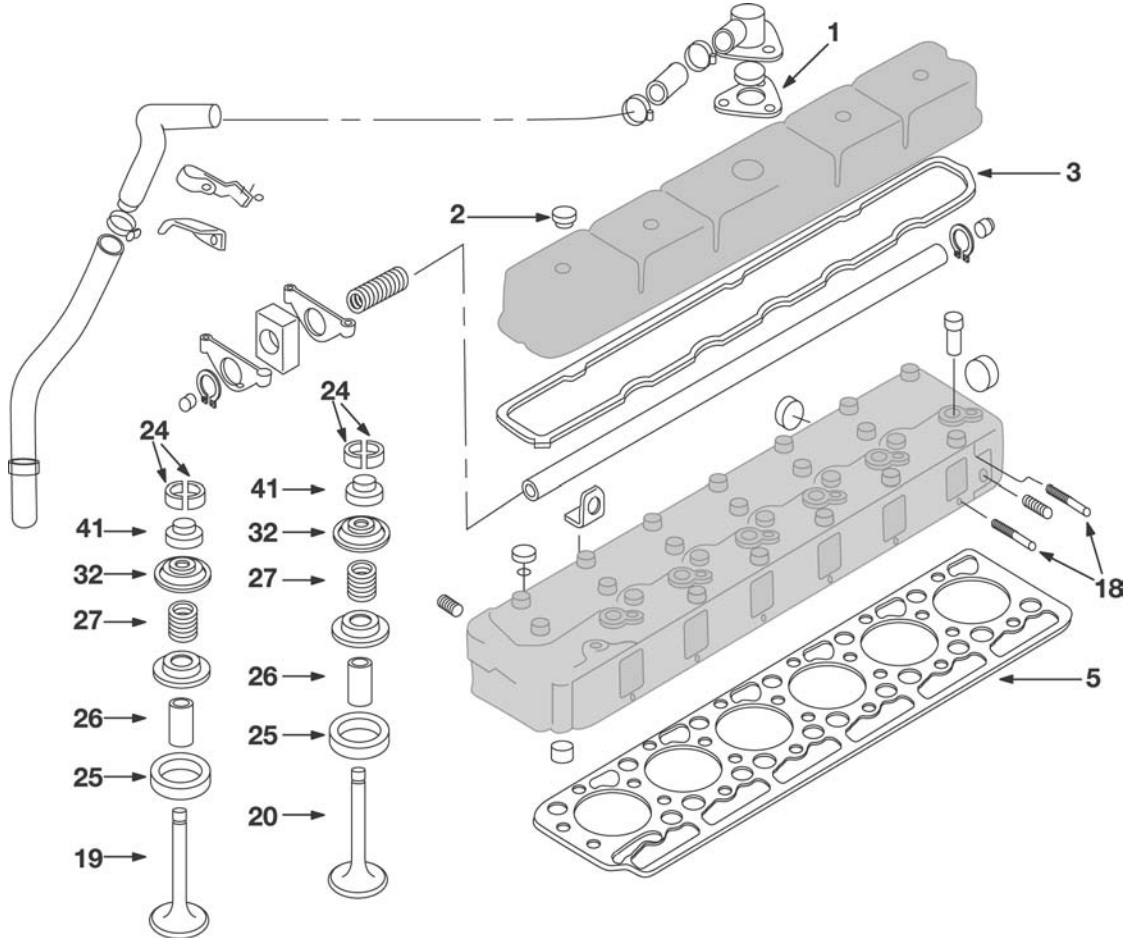
Global Technology Behind Every Part

DT-466 Complete Overhaul – 4 Ring Piston

KIT NUMBER	COMPONENT NO.	QTY.	PART SIZE	PART DESCRIPTION	PART APPLICATION
FP-IFK-DT466-4R-OH	FP-1810359-4R	6		Liner Kit	For 4-Ring Piston Applications
	FP-1808059	6	Std.	Rod Bearing Pair	From Ser. No. 439619, wide
	FP-1808060	6	10	Rod Bearing Pair	From Ser. No. 439619, wide
	FP-1808061	6	20	Rod Bearing Pair	From Ser. No. 439619, wide
	FP-1808062	6	30	Rod Bearing Pair	From Ser. No. 439619, wide
	FP-681314	6	Std.	Rod Bearing Pair	To Ser. No. 439618, narrow
	FP-681315	6	10	Rod Bearing Pair	To Ser. No. 439618, narrow
	FP-687382	6	20	Rod Bearing Pair	To Ser. No. 439618, narrow
	FP-681316	6	30	Rod Bearing Pair	To Ser. No. 439618, narrow
	FP-1823843	1	Std.	Main Bearing Set	From Ser. No. 439619, wide
	FP-1823844	1	10	Main Bearing Set	From Ser. No. 439619, wide
	FP-1823845	1	20	Main Bearing Set	From Ser. No. 439619, wide
	FP-1823846	1	30	Main Bearing Set	From Ser. No. 439619, wide
	FP-1823847	1	Std.	Main Bearing Set	To Ser. No. 439618, narrow
	FP-1823848	1	10	Main Bearing Set	To Ser. No. 439618, narrow
	FP-1823849	1	20	Main Bearing Set	To Ser. No. 439618, narrow
	FP-1823850	1	30	Main Bearing Set	To Ser. No. 439618, narrow
	PGN466-C	1		Overhaul Gasket Set	

44 *M/D Truck* DT466 To Ser. No. 76439, DT466A To Ser. No. 76439, DT466B To Ser. No. 439617, DT466C To Ser. No. 594840, DTA466 From Ser. No. 594841 to 669279, DTA466C From Ser. No. 439618 to 594840, DTI466B To Ser. No. 439617, DTI466C To Ser. No. 439617, DT466P (NGD) Engs. *H/D Truck* DT466 To Ser. No. 76439, DT466A To Ser. No. 76439, DT466B To Ser. No. 439617, DT466C To Ser. No. 594840, DTA466 From Ser. No. 594841 to 669279, DTA466C From Ser. No. 439618 to 594840, DTI466B To Ser. No. 439617, DTI466C To Ser. No. 439617, DT466P (NGD) Engs.
7.6L 466 OHV Turbo-Diesel L6 (12 Valve), 4.3005" Bore 1975-97

CYL. HEAD & PARTS



REF #	QTY	GASKETS	YEARS	PART NO.	SIZE	DESCRIPTION
1	1	Breather Housing Gasket	93-75	FP-673973		
2	6	Grommet	93-75	FP-677692		Valve cover bolt
3	1	Valve Cover Gasket	97-93	FP-1817510		DT466P (NGD) Engs.
3	1	Valve Cover Gasket	93-75	FP-675109		
5	1	Head Gasket	97-93	FP-1817562		DT466P (NGD) Engs.
5	1	Head Gasket	93-75	FP-1819547		
1	1	Head Set	97-93	FP-1822328		DT466P (NGD) Engs.
1	1	Head Set	93-75	FP-1808973		
REF #	QTY	MANIFOLD STUDS	YEARS	PART NO.	SIZE	DESCRIPTION
18	1	Exhaust Manifold Stud	93-75	FP-682840		From Ser. No. 571742
REF #	QTY	VALVE	YEARS	PART NO.	SIZE	DESCRIPTION
19	6	Intake	97-94	FP-1824642		DT466P (NGD) Engs.; From Ser. No. 956464; 3/8" valve stem
19	6	Intake	97-94	FP-1818580		DT466P (NGD) Engs.; To Ser. No. 956463; 5/16" valve stem
19	6	Intake	93-75	FP-675046		
20	6	Exhaust	97-94	FP-1824842		DT466P (NGD) Engs.; From Ser. No. 956464; 3/8" valve stem
20	6	Exhaust	97-94	FP-1824838		DT466P (NGD) Engs.; To Ser. No. 956463; 5/16" valve stem
20	6	Exhaust	93-75	FP-676865		

(continued on next page)

M/D Truck DT466 To Ser. No. 76439, DT466A To Ser. No. 76439, DT466B To Ser. No. **44**
 439617, DT466C To Ser. No. 594840, DTA466 From Ser. No. 594841 to 669279, DTA466C (cont.)
 From Ser. No. 439618 to 594840, DTI466B To Ser. No. 439617, DTI466C To Ser. No.
 439617, DT466P (NGD) Engs. H/D Truck DT466 To Ser. No. 76439, DT466A To Ser. No.
 76439, DT466B To Ser. No. 439617, DT466C To Ser. No. 594840, DTA466 From Ser. No.
 594841 to 669279, DTA466C From Ser. No. 439618 to 594840, DTI466B To Ser. No.
 439617, DTI466C To Ser. No. 439617, DT466P (NGD) Engs.
 7.6L 466 OHV Turbo-Diesel L6 (12 Valve), 4.3005" Bore 1975-97

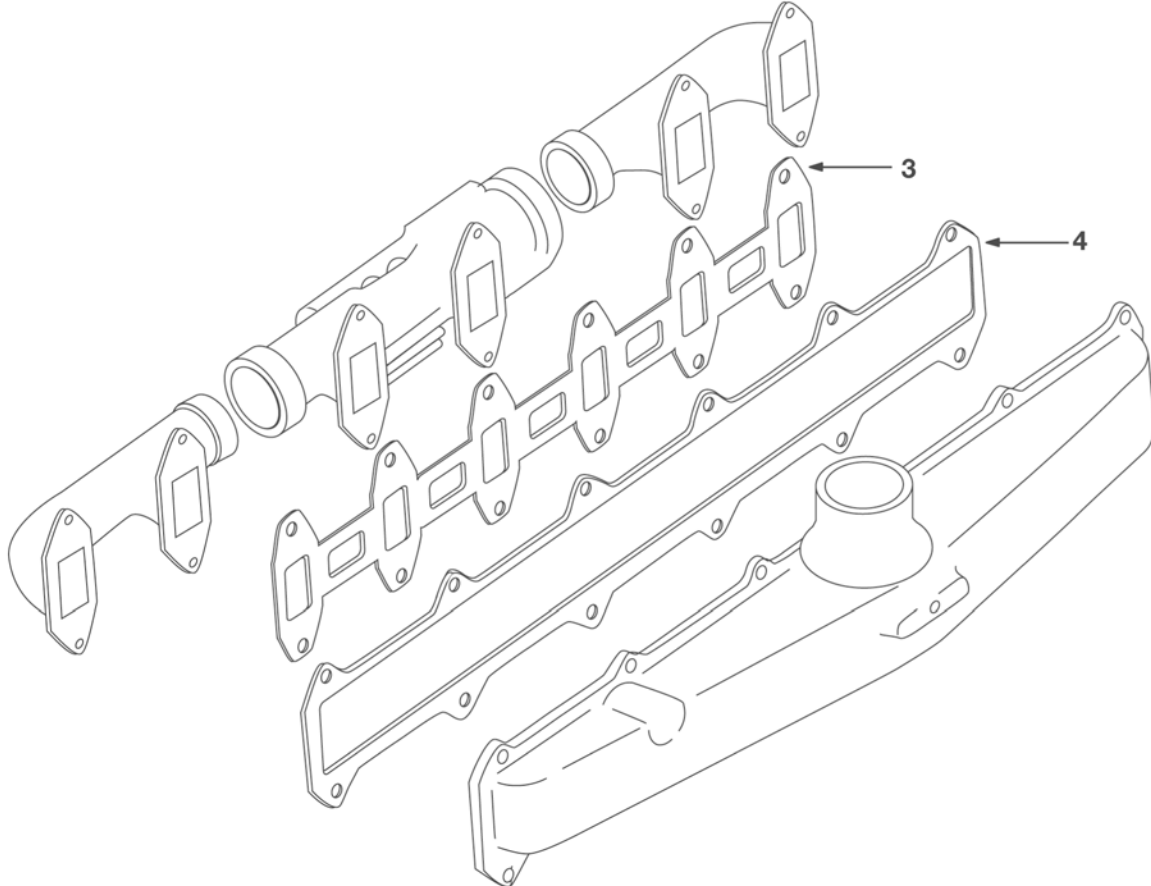
CYL. HEAD & PARTS (cont.)

REF #	QTY	VALVE (cont.)	YEARS	PART NO.	SIZE	DESCRIPTION
24	24	Keeper	97-94	FP-1824644		DT466P (NGD) Engs.; From Ser. No. 956464; 3/8" valve stem
24	24	Keeper	97-94	FP-1810944		DT466P (NGD) Engs.; To Ser. No. 956463; 5/16" valve stem
24	24	Keeper	93-75	FP-41339		1 groove; Square cut key groove
24	24	Keeper	93-75	VK-138		1 groove; Square cut key groove; Carton pack 32
24	24	Keeper	93-75	VK-138R		1 groove; Square cut key groove; Hardened
24	24	Keeper, Bulk	93-75	VK-138B		1 groove; Square cut key groove; Carton of 1000
REF #	QTY	VALVE SEAT	YEARS	PART NO.	SIZE	DESCRIPTION
25	6	Exh.	97-94	FP-675450	STD	DT466P (NGD) Engs.; I.D. Top taper 1.524"; 1.6285" OD, 1.3480" ID, .3650" Depth
25	6	Int.	97-94	FP-675043	STD	DT466P (NGD) Engs.; I.D. Top taper 1.767"; 1.9990" OD, 1.7120" ID, .3860" Depth
25	6	Exh.	93-75	FP-671563	2	
25	6	Exh.	93-75	FP-671565	15	
25	6	Int.	93-75	FP-671559	2	
25	6	Int.	93-75	FP-671561	15	
REF #	QTY	VALVE GUIDE	YEARS	PART NO.	SIZE	DESCRIPTION
26	12	Guide	97-94	FP-1824646		DT466P (NGD) Engs.; From Ser. No. 956464; .375" ID, .6262" OD, 2.39" O.A.L.; .3750" ID, 2.3900" O.A.L.
26	12	Guide	97-94	FP-1820264		DT466P (NGD) Engs.; To Ser. No. 956463; .315" ID, .565" OD, 2.391" O.A.L.
26	12	Guide	93-89	FP-1815264		From 6/89, new style, cut for valve stem seal; From Ser. No. 594840; 2.610" O.A.L.
26	12	Guide	89-75	FP-675439		To 5/89; To Ser. No. 594839; 2.750" O.A.L.; .3745" ID, 2.7500" O.A.L.
REF #	QTY	VALVE SPRING	YEARS	PART NO.	SIZE	DESCRIPTION
27	6	Spring	97-94	FP-1825540		Exh.; DT466P (NGD) Engs.
27	6	Spring	97-94	FP-677349		Int.; DT466P (NGD) Engs.
27	12	Spring	93-75	FP-677349		From Ser. No. 532981
27	12	Spring	93-75	FP-682064		To Ser. No. 532980; 2.3400" Free Height
27	12	Valve Spring Seat	90-75	FP-675443		
REF #	QTY	PUSH RODS	YEARS	PART NO.	SIZE	DESCRIPTION
	12	Push Rod	93-75	FP-675621		To Ser. No. 532980; 11.4000" O.A.L.
REF #	QTY	VALVE MISC.	YEARS	PART NO.	SIZE	DESCRIPTION
32	12	Rotocap Assy.	91-75	FP-1811581		To Ser. No. 594839
32	12	Rotocap	97-94	FP-1824680		DT466P (NGD); From Ser. No. 956464; Valve stem seal incl.
	12	Bushing	97-89	FP-1818446		From Ser. No. 594840; Use w/FP-1817661 rotocap or 1817661C91 O.E. rotocap; Exc. DT466P (NGD) Engs.
	1	Bushing	97-89	FP-1818509		Valve Rotator bushing kit; From Ser. No. 626213; Incl. 12 of FP-1818446 bushings
	12	Valve Rotator Seal	97-94	FP-1824683		DT466P (NGD); From Ser. No. 956464
REF #	QTY	VALVE SEAL	YEARS	PART NO.	SIZE	DESCRIPTION
41	12	Valve Stem Seal	93-75	ST-2002		Installation requires valve guide machining; Polyacrylate
41	12	Valve Stem Seal	97-93	FP-1822245 *		Exh. & Int.; DT466P (NGD) To Ser. No. 956463; 5/16" Valve Stem
41	12	Valve Stem Seal	93-75	FP-1815374		From Ser. No. 594840
41	12	Valve Stem Seal	93-75	FP-156541		Installation requires valve guide machining; Polyacrylate
41	12	Valve Stem Seal	93-75	FP-681234		To Ser. No. 594839; Umbrella type
41	12	Valve Stem Seal Bulk	93-75	ST-2002BC		Positive type; Installation requires valve guide machining; Carton of 100; Polyacrylate

(continued on next page)

44 *M/D Truck* DT466 To Ser. No. 76439, DT466A To Ser. No. 76439, DT466B To Ser. No. 439617, DT466C To Ser. No. 594840, DTA466 From Ser. No. 594841 to 669279, DTA466C From Ser. No. 439618 to 594840, DTI466B To Ser. No. 439617, DTI466C To Ser. No. 439617, DT466P (NGD) Engs. *H/D Truck* DT466 To Ser. No. 76439, DT466A To Ser. No. 76439, DT466B To Ser. No. 439617, DT466C To Ser. No. 594840, DTA466 From Ser. No. 594841 to 669279, DTA466C From Ser. No. 439618 to 594840, DTI466B To Ser. No. 439617, DTI466C To Ser. No. 439617, DT466P (NGD) Engs.
7.6L 466 OHV Turbo-Diesel L6 (12 Valve), 4.3005" Bore 1975-97

INT & EXH MANIFOLDS

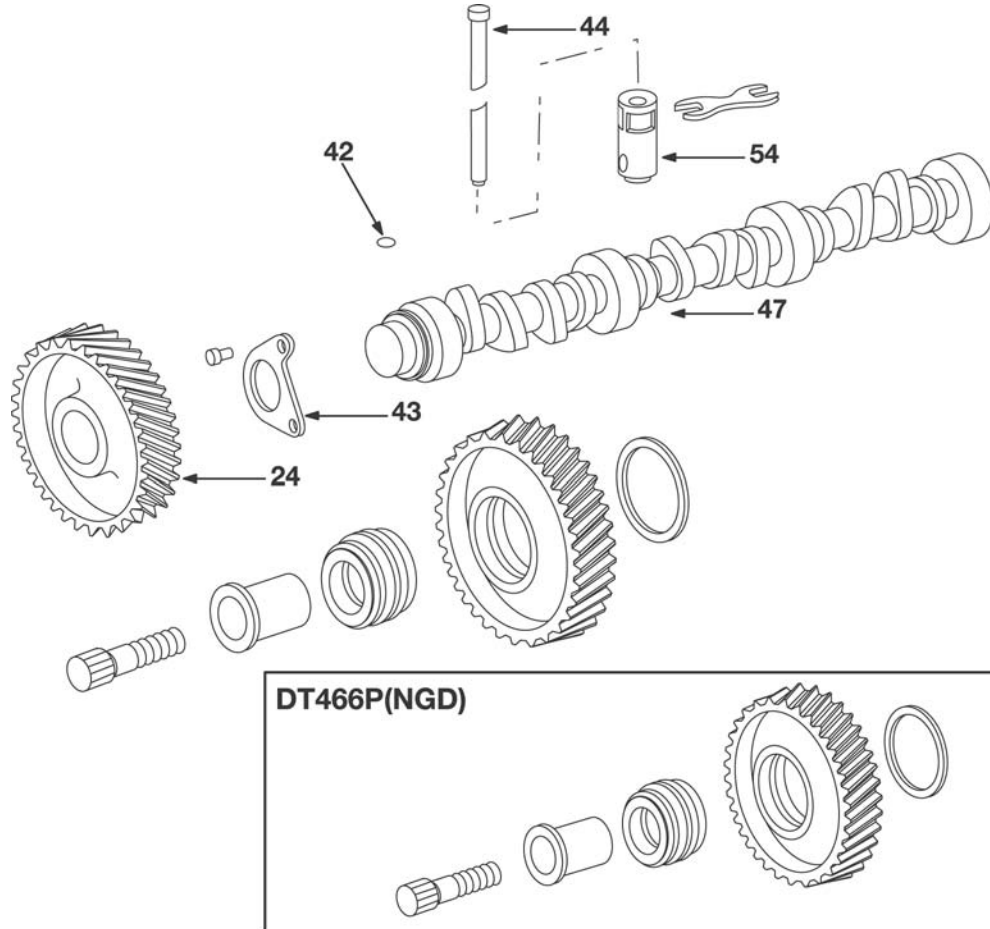


REF #	QTY	INT. & EXH. MANIFOLDS	YEARS	PART NO.	SIZE	DESCRIPTION
3	1	Exhaust Manifold Gasket	97-94	FP-1825436		
3	6	Exhaust Manifold Gasket	93-75	FP-688928		To Ser. No. 532980
4	1	Intake Manifold Gasket	93-75	FP-682199		To Ser. No. 532980

(continued on next page)

M/D Truck DT466 To Ser. No. 76439, DT466A To Ser. No. 76439, DT466B To Ser. No. **44**
 439617, DT466C To Ser. No. 594840, DTA466 From Ser. No. 594841 to 669279, DTA466C (cont.)
 From Ser. No. 439618 to 594840, DTI466B To Ser. No. 439617, DTI466C To Ser. No.
 439617, DT466P (NGD) Engs. *H/D Truck* DT466 To Ser. No. 76439, DT466A To Ser. No.
 76439, DT466B To Ser. No. 439617, DT466C To Ser. No. 594840, DTA466 From Ser. No.
 594841 to 669279, DTA466C From Ser. No. 439618 to 594840, DTI466B To Ser. No.
 439617, DTI466C To Ser. No. 439617, DT466P (NGD) Engs.
 7.6L 466 OHV Turbo-Diesel L6 (12 Valve), 4.3005" Bore 1975-97

CAMSHAFT GROUP



REF #	QTY	TIMING	YEARS	PART NO.	SIZE	DESCRIPTION
24	1	Cam Gear	93-78	FP-675600		Exc. DT466P; 66 Teeth
REF #	QTY	CAMSHAFT TIMING	YEARS	PART NO.	SIZE	DESCRIPTION
42	1	Woodruff Key	97-94	FP-218211		Cam gear; DT466P (NGD) Engs.; 1/4" x 3/4"
42	1	Woodruff Key	93-75	FP-218211		Cam gear; 1/4" x 3/4"
REF #	QTY	CAMSHAFT/LIFTER	YEARS	PART NO.	SIZE	DESCRIPTION
47	1	Camshaft	93-78	FP-1802337		Use w/Mechanical lifters
47	1	Camshaft	93-75	FP-1810744		Use w/Roller lifters
54	12	Lifter	97-94	FP-1809570		DT466P (NGD) Engs.; Roller type
54	12	Lifter	93-88	FP-1809570		From Ser. No. 532981; Roller type
54	12	Lifter	93-78	FP-1802340		From Ser. No. 140087 to 532980 w/o valve train improvement package; Mech.; 1.120" dia. body
54	12	Lifter	93-78	FP-911776		To Ser. No. 140086; Mech.; .997" dia. body
	1	Prelube	93-78	55-400		4 oz. bottle; 1.5 oz. packet No. 55-403 also avail.
REF #	QTY	CAMSHAFT KIT	YEARS	PART NO.	SIZE	DESCRIPTION
	1	Cam/Lifter Kit	93-75	FP-1802337WL		Incl. (1) FP-1802337, (12) FP-911776
FUEL SYSTEM & PARTS						
	QTY	FUEL INJECTION	YEARS	PART NO.	SIZE	DESCRIPTION
	6	Injector Nozzle Seat Gasket	97-94	FP-675477		DT466P (NGD) Engs.; .060" thick
	6	Injector Nozzle Seat Gasket	93-75	FP-675477		.060" thick
	6	Grommet	97-94	FP-682810		Injector dust seal; DT466P (NGD) Engs.

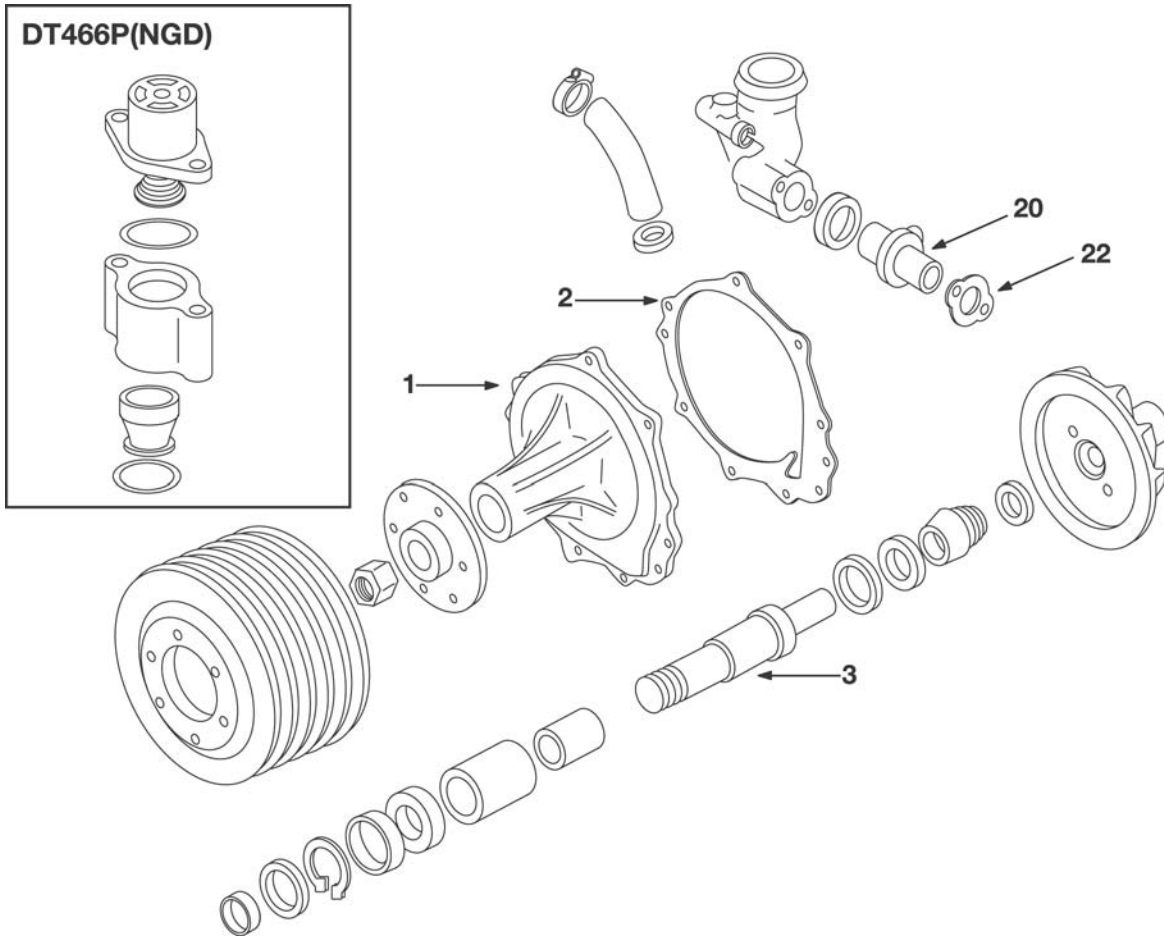
(continued on next page)

44 M/D Truck DT466 To Ser. No. 76439, DT466A To Ser. No. 76439, DT466B To Ser. No. 439617, DT466C To Ser. No. 594840, DTA466 From Ser. No. 594841 to 669279, DTA466C From Ser. No. 439618 to 594840, DTI466B To Ser. No. 439617, DTI466C To Ser. No. 439617, DT466P (NGD) Engs. H/D Truck DT466 To Ser. No. 76439, DT466A To Ser. No. 76439, DT466B To Ser. No. 439617, DT466C To Ser. No. 594840, DTA466 From Ser. No. 594841 to 669279, DTA466C From Ser. No. 439618 to 594840, DTI466B To Ser. No. 439617, DTI466C To Ser. No. 439617, DT466P (NGD) Engs.
7.6L 466 OHV Turbo-Diesel L6 (12 Valve), 4.3005" Bore 1975-97

FUEL SYSTEM & PARTS (cont.)

QTY	FUEL INJECTION (cont.)	YEARS	PART NO.	SIZE	DESCRIPTION
6	Grommet	93-75	FP-682810		Injector dust seal
6	Fuel Injector Sleeve	97-94	FP-675442		DT466P (NGD) Engs.
6	Fuel Injector Sleeve	93-75	FP-675442		
QTY	FUEL FILTERS & PUMP	YEARS	PART NO.	SIZE	DESCRIPTION
1	Injector Pump Mount Gasket	93-75	FP-675609		
1	Fuel Pump Access Gasket	93-75	FP-675816		
QTY	TURBOCHARGER	YEARS	PART NO.	SIZE	DESCRIPTION
1	Turbocharger Oil Drain Gasket	93-75	FP-670079		
1	Turbocharger Oil Inlet Gasket	93-75	FP-253660		
1	Turbocharger Mounting Gasket	97-94	FP-1822120		DT466P (NGD) Engs.
1	Turbocharger Mounting Gasket	93-75	FP-670073		
1	Air Intake Elbow Gasket	93-75	FP-686181		Ser. No. 143536 to 567491

COOLING SYSTEM



REF #	QTY	WATER PUMP	YEARS	PART NO.	SIZE	DESCRIPTION
1	1	Water Pump - Heavy Duty	97-94	FP-1817687		DT466P (NGD) Engs.; w/7 bolt mounting flange
1	1	Water Pump - Heavy Duty	93-75	FP-680899		Cargostar, To Ser. No. 642459
1	1	Water Pump - Heavy Duty	93-75	FP-1815538		From Ser. No. 642460. Exc. LPE Engs. for trucks built from 10/4/91
1	1	Water Pump - Heavy Duty	93-75	FP-685155		S-Series & Paystar; To Ser. No. 638215
3	1	Water Pump Shaft	93-75	FP-685153		To Ser. No. 638217

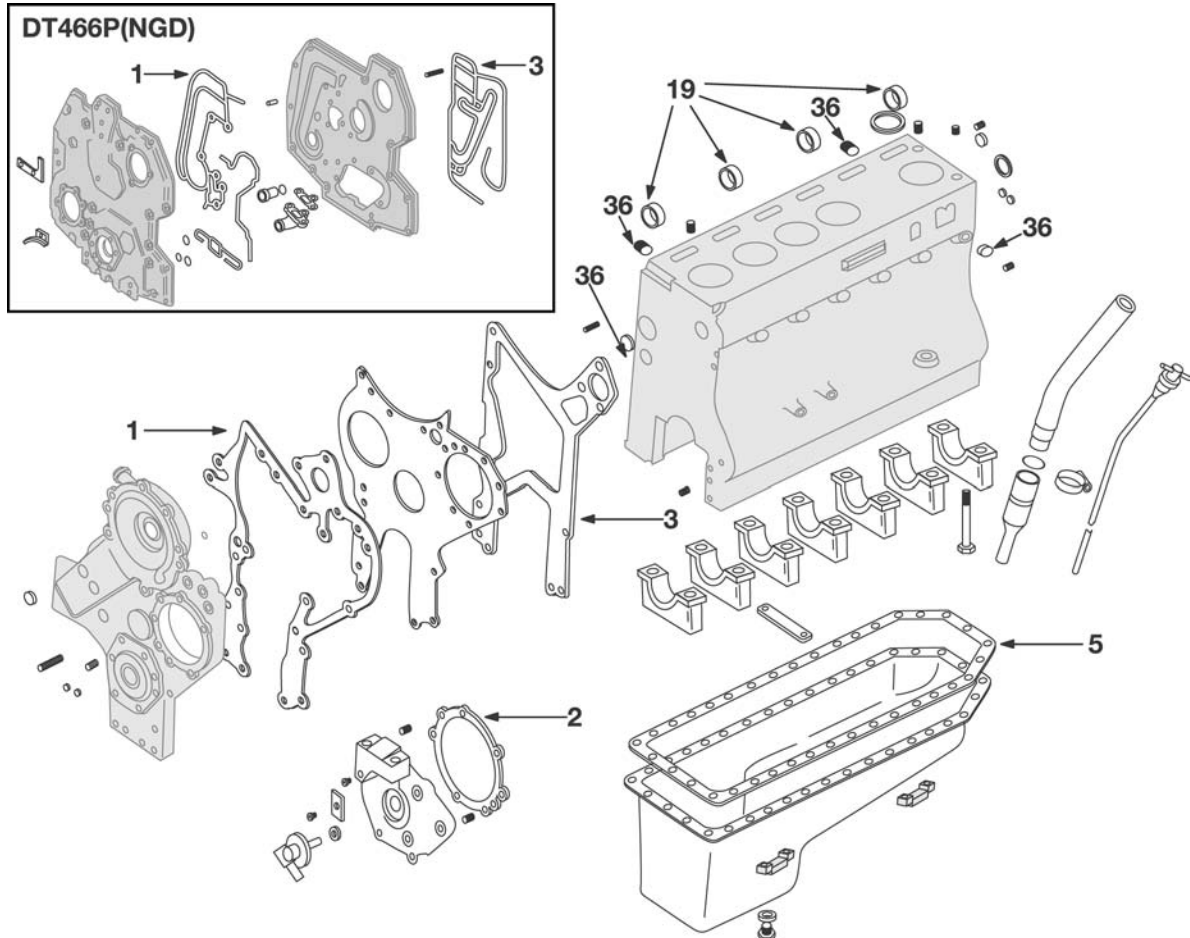
(continued on next page)

M/D Truck DT466 To Ser. No. 76439, DT466A To Ser. No. 76439, DT466B To Ser. No. **44**
 439617, DT466C To Ser. No. 594840, DTA466 From Ser. No. 594841 to 669279, DTA466C (cont.)
 From Ser. No. 439618 to 594840, DTI466B To Ser. No. 439617, DTI466C To Ser. No.
 439617, DT466P (NGD) Engs. H/D Truck DT466 To Ser. No. 76439, DT466A To Ser. No.
 76439, DT466B To Ser. No. 439617, DT466C To Ser. No. 594840, DTA466 From Ser. No.
 594841 to 669279, DTA466C From Ser. No. 439618 to 594840, DTI466B To Ser. No.
 439617, DTI466C To Ser. No. 439617, DT466P (NGD) Engs.
 7.6L 466 OHV Turbo-Diesel L6 (12 Valve), 4.3005" Bore 1975-97

COOLING SYSTEM (cont.)

REF #	QTY	WATER PUMP (cont.)	YEARS	PART NO.	SIZE	DESCRIPTION
2	1	Water Pump Housing Gasket	93-75	FP-675808		S-Series & Paystar; From Ser. No. 567492
REF #	QTY	THERMOSTAT	YEARS	PART NO.	SIZE	DESCRIPTION
20	1	Thermostat	93-75	FP-1801191		180 Deg., Incl. seal
22	1	Thermostat Gasket	93-75	FP-675384		

ENGINE BLOCK & PARTS



REF #	QTY	GASKETS	YEARS	PART NO.	SIZE	DESCRIPTION
1	1	Front Cover Gasket	93-75	FP-1810510		Exc. S-Series & Paystar
1	1	Front Cover Gasket	93-75	FP-675812		S-Series & Paystar; From Ser. No. 532981
1	1	Front Cover Gasket	93-75	FP-675813		S-Series & Paystar; To Ser. No. 532980
2	1	Fuel Pump Access Gasket	93-75	FP-675816		
3	1	Front Crankcase Cover Gasket	93-75	FP-677082		Cargostar w/alternator bracket
3	1	Front Crankcase Cover Gasket	93-75	FP-680084		To Ser. No. 532980
	1	Crankcase Cover Set	93-75	FP-1813933		From Ser. No. 532981
	1	Flywheel Housing Gasket	93-75	FP-682945		Exc. 270 HP Engs. w/MT654CR and FC Bus
5	1	Oil Pan Gasket	97-94	FP-1826587		DT466P Engs.
5	1	Oil Pan Gasket	93-75	FP-671827		
	1	Chemicals	97-94	FP-1816593		Oil Pan; DT466P Engs.; For oil pan w/o mounting bars; RTV Sealant
REF #	QTY	GASKET SETS	YEARS	PART NO.	SIZE	DESCRIPTION
	1	Lower Gasket Set	93-75	FP-1815668		From Ser. No. 532981

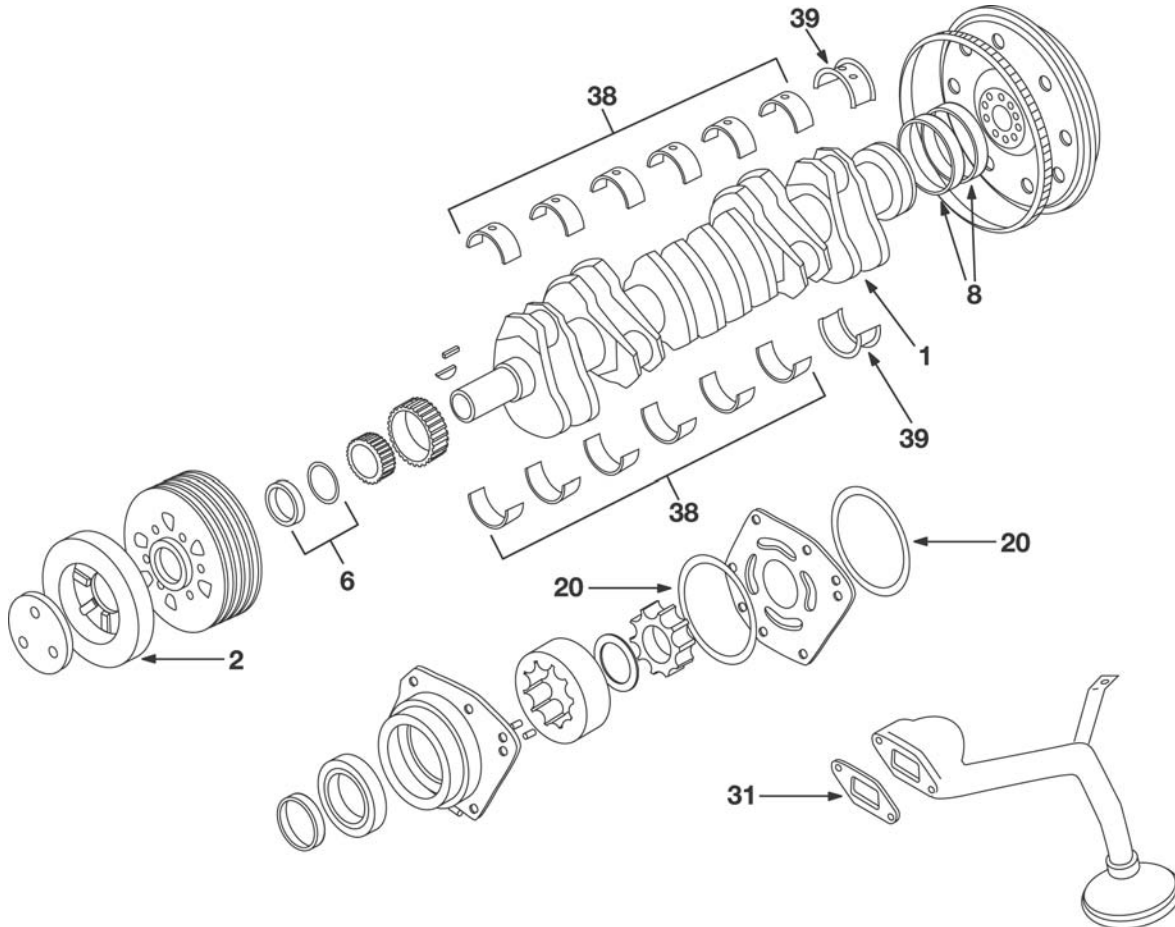
(continued on next page)

44 M/D Truck DT466 To Ser. No. 76439, DT466A To Ser. No. 76439, DT466B To Ser. No. 439617, DT466C To Ser. No. 594840, DTA466 From Ser. No. 594841 to 669279, DTA466C From Ser. No. 439618 to 594840, DTI466B To Ser. No. 439617, DTI466C To Ser. No. 439617, DT466P (NGD) Engs. H/D Truck DT466 To Ser. No. 76439, DT466A To Ser. No. 76439, DT466B To Ser. No. 439617, DT466C To Ser. No. 594840, DTA466 From Ser. No. 594841 to 669279, DTA466C From Ser. No. 439618 to 594840, DTI466B To Ser. No. 439617, DTI466C To Ser. No. 439617, DT466P (NGD) Engs.
7.6L 466 OHV Turbo-Diesel L6 (12 Valve), 4.3005" Bore 1975-97

ENGINE BLOCK & PARTS (cont.)

REF #	QTY	GASKET SETS (cont.)	YEARS	PART NO.	SIZE	DESCRIPTION
	1	Lower Gasket Set	93-75	FP-674399WS		To Ser. No. 532980; Crankshaft seals incl.
	1	Lower Gasket Set	93-75	FP-674399		To Ser. No. 532980; Crankshaft seals not incl.
	1	In-Frame Gasket Set	97-93	FP-PGN466NGDIF		DT466P (NGD) Engs.
	1	In-Frame Gasket Set	93-78	FP-PGN466IF		Head set & bearing roll-in
	1	In-Frame Gasket Set	93-75	FP-PGN4661F		Head set & front crankshaft seal
	1	Complete Overhaul Gasket Set	93-78	FP-PGN466C		Does not incl. rear seal for DT466P Engs.
REF #	QTY	CAM BEARINGS	YEARS	PART NO.	SIZE	DESCRIPTION
19	1	Cam Set	97-94	FP-680117	STD	DT466P (NGD) Engs.
19	1	Cam Set	93-75	FP-680117	STD	
REF #	QTY	OIL COOLERS & FILTERS	YEARS	PART NO.	SIZE	DESCRIPTION
	1	O-Ring	93-75	FP-252483		Oil cooler tube

CRANKSHAFT/OIL PUMP



REF #	QTY	CRANKSHAFT	YEARS	PART NO.	SIZE	DESCRIPTION
1	1	Crankshaft	93-75	FP-675669		Exc. DT466P Engs.
REF #	QTY	SEALS - FRONT CRANK	YEARS	PART NO.	SIZE	DESCRIPTION
6	1	Oil Seal Kit	97-94	FP-690437		DT466P Engs.; Incl. seal & wear sleeve
6	1	Oil Seal Kit	93-75	FP-690437		Incl. seal & wear sleeve
6	1	Oil Seal	92-78	714470		
REF #	QTY	SEALS - REAR CRANK	YEARS	PART NO.	SIZE	DESCRIPTION
8	1	Oil Seal Kit	97-94	FP-1817867		DT466P Engs.; Incl. seal & wear sleeve

(continued on next page)



International/Navistar Truck

M/D Truck DT466 To Ser. No. 76439, DT466A To Ser. No. 76439, DT466B To Ser. No. **44**
 439617, DT466C To Ser. No. 594840, DTA466 From Ser. No. 594841 to 669279, DTA466C (cont.)
 From Ser. No. 439618 to 594840, DTI466B To Ser. No. 439617, DTI466C To Ser. No.
 439617, DT466P (NGD) Engs. *H/D Truck* DT466 To Ser. No. 76439, DT466A To Ser. No.
 76439, DT466B To Ser. No. 439617, DT466C To Ser. No. 594840, DTA466 From Ser. No.
 594841 to 669279, DTA466C From Ser. No. 439618 to 594840, DTI466B To Ser. No.
 439617, DTI466C To Ser. No. 439617, DT466P (NGD) Engs.
 7.6L 466 OHV Turbo-Diesel L6 (12 Valve), 4.3005" Bore 1975-97

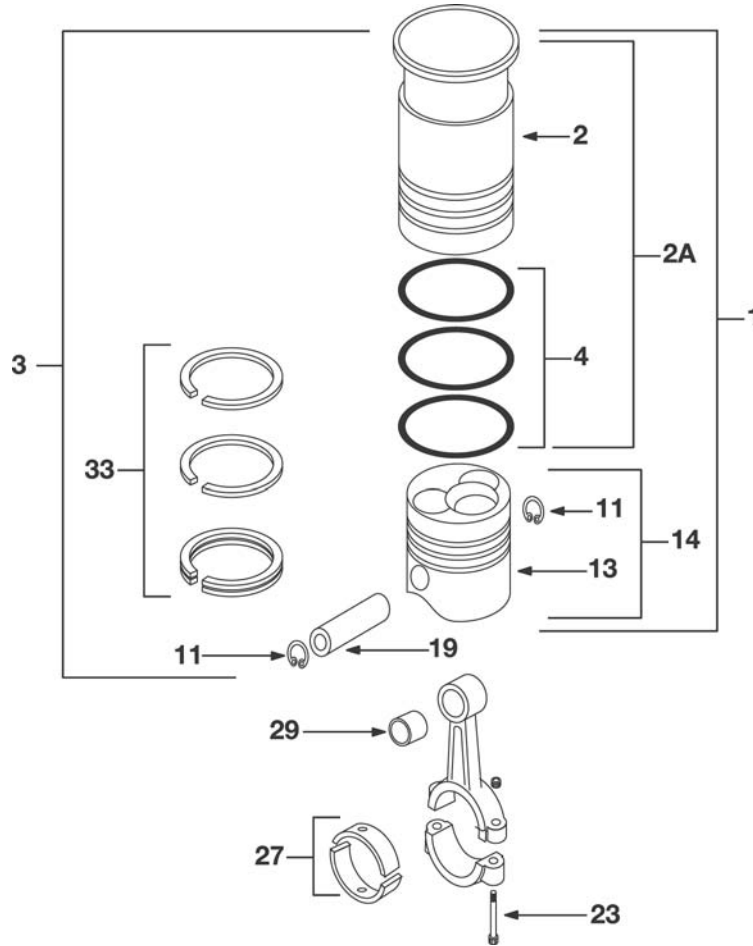
CRANKSHAFT/OIL PUMP (cont.)

REF #	QTY	SEALS - REAR CRANK (cont.)	YEARS	PART NO.	SIZE	DESCRIPTION
8	1	Oil Seal Kit	93-75	FP-1809964		Exc. DT466P Engs.; Incl. seal & wear sleeve
REF #	QTY	MAIN BEARINGS	YEARS	PART NO.	SIZE	DESCRIPTION
	1	Main Set	93-75	FP-1823843	STD	From Ser. No. 439619; Wide
	1	Main Set	93-75	FP-1823844	10	From Ser. No. 439619; Wide
	1	Main Set	93-75	FP-1823845	20	From Ser. No. 439619; Wide
	1	Main Set	93-75	FP-1823846	30	From Ser. No. 439619; Wide
	1	Main Set	93-75	FP-1823847	STD	To Ser. No. 439618; Narrow
	1	Main Set	93-75	FP-1823848	10	To Ser. No. 439618; Narrow
	1	Main Set	93-75	FP-1823849	20	To Ser. No. 439618; Narrow
	1	Main Set	93-75	FP-1823850	30	To Ser. No. 439618; Narrow
38	6	Plain Main Brg.	97-94	FP-1822321	STD	Position 1-2-3-4-5-6; DT466P (NGD) Engs.
38	6	Plain Main Brg.	97-94	FP-1822490	10	Position 1-2-3-4-5-6; DT466P (NGD) Engs.
38	6	Plain Main Brg.	97-94	FP-1822491	20	Position 1-2-3-4-5-6; DT466P (NGD) Engs.
38	6	Plain Main Brg.	97-94	FP-1822492	30	Position 1-2-3-4-5-6; DT466P (NGD) Engs.
38	6	Plain Main Brg.	93-75	FP-1808069	STD	Position 1-2-3-4-5-6; From Ser. No. 439619; Wide
38	6	Plain Main Brg.	93-75	FP-1808070	10	Position 1-2-3-4-5-6; From Ser. No. 439619; Wide
38	6	Plain Main Brg.	93-75	FP-1808071	20	Position 1-2-3-4-5-6; From Ser. No. 439619; Wide
38	6	Plain Main Brg.	93-75	FP-1808072	30	Position 1-2-3-4-5-6; From Ser. No. 439619; Wide
38	6	Plain Main Brg.	93-75	FP-684570	STD	Position 1-2-3-4-5-6; To Ser. No. 439618; Narrow
38	6	Plain Main Brg.	93-75	FP-684573	10	Position 1-2-3-4-5-6; To Ser. No. 439618; Narrow
38	6	Plain Main Brg.	93-75	FP-687391	20	Position 1-2-3-4-5-6; To Ser. No. 439618; Narrow
38	6	Plain Main Brg.	93-75	FP-684576	30	Position 1-2-3-4-5-6; To Ser. No. 439618; Narrow
39	1	Flanged Main Brg.	97-94	FP-1822379	STD	Position 7; DT466P (NGD) Engs.
39	1	Flanged Main Brg.	97-94	FP-1822494	10	Position 7; DT466P (NGD) Engs.
39	1	Flanged Main Brg.	97-94	FP-1822495	20	Position 7; DT466P (NGD) Engs.
39	1	Flanged Main Brg.	97-94	FP-1822496	30	Position 7; DT466P (NGD) Engs.
39	1	Flanged Main Brg.	93-75	FP-684579	STD	Position 7
39	1	Flanged Main Brg.	93-75	FP-684582	10	Position 7
39	1	Flanged Main Brg.	93-75	FP-687394	20	Position 7
39	1	Flanged Main Brg.	93-75	FP-684585	30	Position 7
REF #	QTY	OIL PUMP	YEARS	PART NO.	SIZE	DESCRIPTION
20	2	O-Ring	93-75	FP-675860		Oil pump housing
31	1	Oil Inlet Elbow Gasket	93-75	FP-1802867		From Ser. No. 488776
31	1	Oil Inlet Elbow Gasket	93-75	FP-671821		To Ser. No. 488775

(continued on next page)

44 *M/D Truck* DT466 To Ser. No. 76439, DT466A To Ser. No. 76439, DT466B To Ser. No. 439617, DT466C To Ser. No. 594840, DTA466 From Ser. No. 594841 to 669279, DTA466C From Ser. No. 439618 to 594840, DTI466B To Ser. No. 439617, DTI466C To Ser. No. 439617, DT466P (NGD) Engs. *H/D Truck* DT466 To Ser. No. 76439, DT466A To Ser. No. 76439, DT466B To Ser. No. 439617, DT466C To Ser. No. 594840, DTA466 From Ser. No. 594841 to 669279, DTA466C From Ser. No. 439618 to 594840, DTI466B To Ser. No. 439617, DTI466C To Ser. No. 439617, DT466P (NGD) Engs.
7.6L 466 OHV Turbo-Diesel L6 (12 Valve), 4.3005" Bore 1975-97

CYLINDER COMPONENTS



REF #	QTY	LINERS	YEARS	PART NO.	SIZE	DESCRIPTION
1	6	Piston & Liner Kit w/o Rings	93-78	FP-1817339		DT466, DTA466, DT466C, DTA466C, DINA To Ser. No. 645484; 16.5:1 C.R.
1	6	Piston & Liner Kit w/o Rings	93-78	FP-1817646		DT466B & DT466C From Ser. No. 76441 through 594840; DT466, DTA466, DT466C, DTA466C From Ser. No. 618496; Exc. NAP & NAR; 16.5:1 C.R.
1	6	Piston & Liner Kit w/o Rings	93-78	FP-18025814R		DT466B, DTA466B, DTI466B, DT466C, DTA466C, DTI466C From Ser. No. 76441 through 532980; 4 ring applications; 16.3:1 C.R.
1	6	Piston & Liner Kit w/o Rings	78-75	FP-1802580		To Ser. No. 76440; 15.2:1 C.R.
2	6	Liner w/o Sealing Ring	97-94	FP-1815674		DT466P (NGD) Engs.
2	6	Liner w/o Sealing Ring	93-75	FP-1810504		
2A	6	Liner w/Sealing Rings	93-75	FP-1810504WS		
3	6	Cylinder Kit Complete	97-94	FP-1824823	STD	DT466P (NGD) Engs.; From Ser. No. 888341 to 933833; 1 Keystone ring; Barrel skirt; Bowl Dia. 2.540"
3	6	Cylinder Kit Complete	97-94	FP-1824820	STD	DT466P (NGD) Engs.; From Ser. No. 888341; 2 Keystone rings; Barrel skirt; Bowl Dia. 2.580"
3	6	Cylinder Kit Complete	97-94	FP-1822340	STD	DT466P (NGD) Engs.; To Ser. No. 888340; 2 Keystone rings; Tapered skirt; Bowl Dia. 2.519"
3	6	Cylinder Kit Complete	93-78	FP-1817189		DT466, DTA466, DT466C, DTA466C, DINA To Ser. No. 645484; 16.5:1 C.R.

(continued on next page)

M/D Truck DT466 To Ser. No. 76439, DT466A To Ser. No. 76439, DT466B To Ser. No. 44 439617, DT466C To Ser. No. 594840, DTA466 From Ser. No. 594841 to 669279, DTA466C (cont.) From Ser. No. 439618 to 594840, DTI466B To Ser. No. 439617, DTI466C To Ser. No. 439617, DT466P (NGD) Engs. H/D Truck DT466 To Ser. No. 76439, DT466A To Ser. No. 76439, DT466B To Ser. No. 439617, DT466C To Ser. No. 594840, DTA466 From Ser. No. 594841 to 669279, DTA466C From Ser. No. 439618 to 594840, DTI466B To Ser. No. 439617, DTI466C To Ser. No. 439617, DT466P (NGD) Engs. 7.6L 466 OHV Turbo-Diesel L6 (12 Valve), 4.3005" Bore 1975-97

CYLINDER COMPONENTS (cont.)

REF #	QTY	LINERS (cont.)	YEARS	PART NO.	SIZE	DESCRIPTION
3	6	Cylinder Kit Complete	93-78	FP-1817645		DT466B & DT466C From Ser. No. 76441 through 594840; DT466, DTA466, DT466C, DTA466C From Ser. No. 618496 Exc. NAP & NAR; 16.5:1 C.R.
3	6	Cylinder Kit Complete	93-78	FP-18103594R	STD	DT466B, DTA466B, DTI466B, DT466C, DTA466C, DTI466C From Ser. No. 76441 through 532980; 4 ring piston applications; 16.3:1 C.R.
3	6	Cylinder Kit Complete	78-75	FP-687432	STD	To Ser. No. 76440; for Engs. equipped with side mounted breather. Purchase ring set FP-1810358 for Engs. w/valve cover mounted breather; 15.2:1 C.R.
4	6	Cyl. Liner Sealing Ring Kit	97-94	FP-1822322		DT466P (NGD) Engs.
4	6	Cyl. Liner Sealing Ring Kit	93-75	FP-680086		
4	18	Sealing Ring, Liner	93-75	FP-675774		
	1	Flange Shim	93-75	FP-671505	2	
	1	Flange Shim	93-75	FP-671506	4	
	1	Flange Shim	93-75	FP-684930	10	
	1	Flange Shim	93-75	FP-684931	20	
REF #	QTY	PISTONS	YEARS	PART NO.	SIZE	DESCRIPTION
13	6	Piston Body w/o Pin	97-95	FP-1824810	STD	DT466P (NGD) Engs.; From Ser. No. 888341; 1 Keystone ring; Barrel skirt; Bowl Dia. 2.540"
13	6	Piston Body w/o Pin	97-95	FP-1823930	STD	DT466P (NGD) Engs.; From Ser. No. 888341; 2 Keystone rings; Barrel skirt; Bowl Dia. 2.580"
13	6	Piston Body w/o Pin	94-93	FP-1822097	STD	DT466P (NGD) Engs.; To Ser. No. 888340; 2 Keystone rings; Tapered skirt; Bowl Dia. 2.519"
13	6	Piston Body w/o Pin	93-78	FP-1817520		DT466 To Ser. No. 74999; Use w/FP-1817247 ring set
13	6	Piston Body w/o Pin	93-78	FP-1817188		DT466, DTA466, DT466C, DTA466C, DINA To Ser. No. 645484; 16.5:1 C.R.
13	6	Piston Body w/o Pin	93-78	FP-18096834R		DT466B & DTI466B Engs. From Ser. No. 76440 to 439617. DT466C & DTI466C Engs. From Ser. No. 439618 to 532980 DTA466C Engs. To Ser. No. 532980. 4-ring replacement piston (Can replace 3-ring original piston in sets)
13	6	Piston Body w/o Pin	78-75	FP-684255		To Ser. No. 76440; 15.2:1 C.R.
14	6	Piston Kit w/Pin & Retainers	97-95	FP-1824810WP		DT466P (NGD) Engs.; From Ser. No. 888341; 1 Keystone ring
14	6	Piston Kit w/Pin & Retainers	94-93	FP-1822097WP		DT466P (NGD) Engs.; To Ser. No. 888340
14	6	Piston Kit w/Pin & Retainers	93-78	FP-1817520WP		DT466 To Ser. No. 74999; Use w/FP-1817247 ring set
14	6	Piston Kit w/Pin & Retainers	93-78	FP-1817188WP		DT466B & DTI466B Engs. From Ser. No. 76440 to 439617. DT466C & DTI466C Engs. From Ser. No. 439618 to 532980 DTA466C Engs. To Ser. No. 532980. 4-ring replacement piston (Can replace 3-ring original piston in sets); 16.5:1 C.R.
14	6	Piston Kit w/Pin & Retainers	78-75	FP-684255WP		To Ser. No. 76440; 15.2:1 C.R.
19	6	Pin	97-94	FP-1818552		DT466P (NGD) Engs.
19	6	Pin	93-75	FP-670675		
11	12	Piston Pin Retainer	97-94	FP-1818702		DT466P (NGD) Engs.
11	12	Piston Pin Retainer	93-75	FP-326874		
29	6	Pin Bushing	97-94	FP-1818598		DT466P (NGD) Engs.
29	6	Pin Bushing	93-78	FP-675006		
REF #	QTY	CONNECTING RODS & BRGS.	YEARS	PART NO.	SIZE	DESCRIPTION
23	12	Con. Rod Bolt	93-85	FP-676679		Exc. DT466P (NGD) Engs.
27	6	Rod Pair	97-94	FP-1822389	STD	DT466P (NGD) Engs.
27	6	Rod Pair	97-94	FP-1822486	10	DT466P (NGD) Engs.
27	6	Rod Pair	97-94	FP-1822487	20	DT466P (NGD) Engs.
27	6	Rod Pair	93-85	FP-1808059	STD	From Ser. No. 439619; Wide
27	6	Rod Pair	93-85	FP-1808060	10	From Ser. No. 439619; Wide
27	6	Rod Pair	93-85	FP-1808061	20	From Ser. No. 439619; Wide
27	6	Rod Pair	93-85	FP-1808062	30	From Ser. No. 439619; Wide
27	6	Rod Pair	84-75	FP-681314	STD	To Ser. No. 439618; Narrow
27	6	Rod Pair	84-75	FP-681315	10	To Ser. No. 439618; Narrow
27	6	Rod Pair	84-75	FP-687382	20	To Ser. No. 439618; Narrow
27	6	Rod Pair	84-75	FP-681316	30	To Ser. No. 439618; Narrow

(continued on next page)

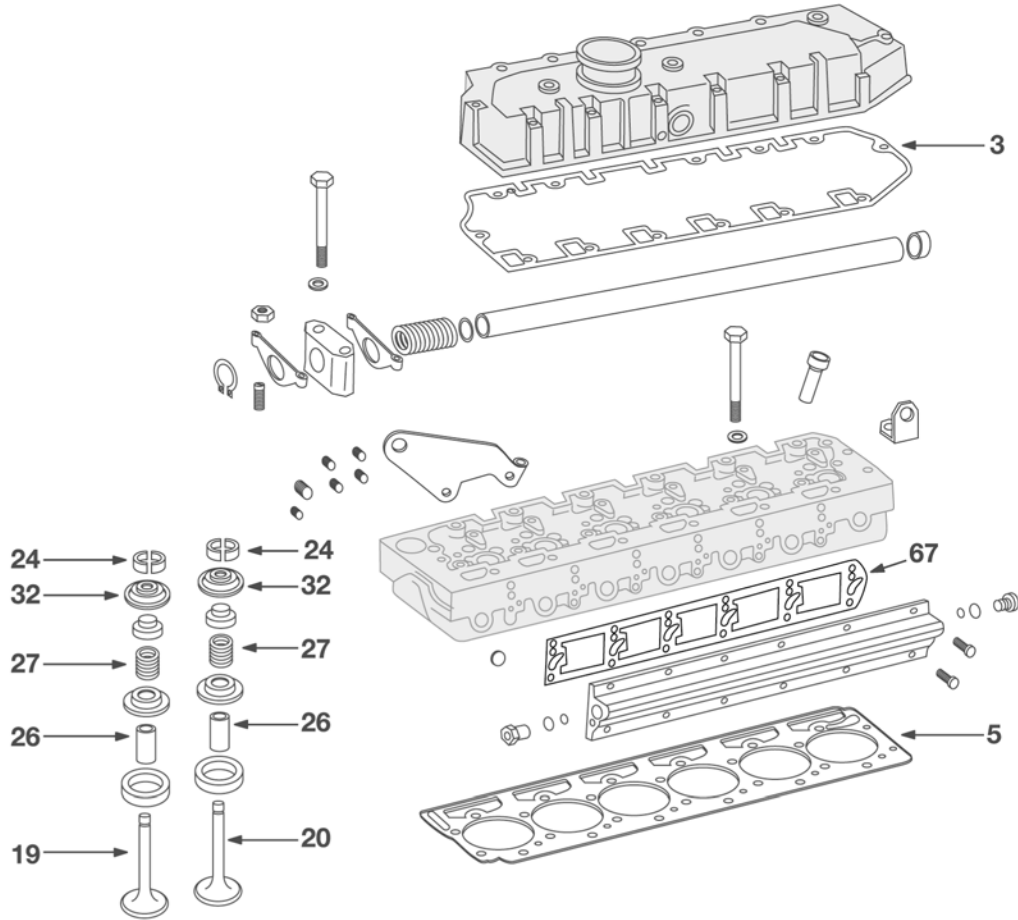
44 *M/D Truck* DT466 To Ser. No. 76439, DT466A To Ser. No. 76439, DT466B To Ser. No. 439617, DT466C To Ser. No. 594840, DTA466 From Ser. No. 594841 to 669279, DTA466C From Ser. No. 439618 to 594840, DTI466B To Ser. No. 439617, DTI466C To Ser. No. 439617, DT466P (NGD) Engs. *H/D Truck* DT466 To Ser. No. 76439, DT466A To Ser. No. 76439, DT466B To Ser. No. 439617, DT466C To Ser. No. 594840, DTA466 From Ser. No. 594841 to 669279, DTA466C From Ser. No. 439618 to 594840, DTI466B To Ser. No. 439617, DTI466C To Ser. No. 439617, DT466P (NGD) Engs.
7.6L 466 OHV Turbo-Diesel L6 (12 Valve), 4.3005" Bore 1975-97

CYLINDER COMPONENTS (cont.)

REF #	QTY	CONNECTING RODS & BRGS. (cont.)	YEARS	PART NO.	SIZE	DESCRIPTION
27	6	Rod Pair	84-75	FP-68131440	40	To Ser. No. 439618; Narrow
REF #	QTY	PISTON RINGS	YEARS	PART NO.	SIZE	DESCRIPTION
33	6	Ring Set Single Cylinder	97-94	FP-1825461		DT466P (NGD) Engs.; From Ser. No. 888341
33	6	Ring Set Single Cylinder	97-94	FP-1817247		DT466P (NGD) Engs.; To Ser. No. 888340
33	6	Ring Set Single Cylinder	93-75	FP-684256	STD	Engs. w/side mounted breather; 2-1/8, 1-1/4; Incl. narrow gap intermediate rings
33	6	Ring Set Single Cylinder	93-75	FP-18103584R		For 4-Ring pistons only
33	6	Ring Set Single Cylinder	93-75	FP-1817247		From Ser. No. 618496; Exc. Ser. No. 618498 & 618499
33	6	Ring Set Single Cylinder	93-75	FP-1810358		To Ser. No. 618495, Ser. No. 618498 & 618499; Incl. wide gap intermediate rings
	1	Premium Set	97-75	FP-684256S	STD	Engs. w/side mounted breather; 2-1/8, 1-1/4; Incl. narrow gap intermediate rings
	1	Premium Set	93-75	FP-684065S	STD	Check piston grooving before supplying ring sets; 1-1/8, 1-3/32, 1-1/4
	6	Premium Single Cylinder Set	93-75	W-9618KX Std Only		Check piston grooving before supplying ring set; 2-1/8, 1-1/4
	6	Premium Single Cylinder Set	93-75	W-9520KX Std Only		Check piston grooving before supplying ring sets; 1-1/8, 1-3/32, 1-1/4
KITS						
	QTY	OVERHAUL KIT	YEARS	PART NO.	SIZE	DESCRIPTION
	1	In-Frame Overhaul Kit	97-94	FP-IFKDT466PNGD		From Ser. No. 850654 to 933833
	1	In-Frame Overhaul Kit	93-75	FP-IFKDT466		
	1	In-Frame Overhaul Kit	93-75	FP-IFKDT4664R		Incl. 4-Ring pistons
	1	Complete Overhaul Kit	93-75	FP-IFKDT466OH		
	1	Complete Overhaul Kit	93-75	FP-IFKDT4664ROH		Incl. 4-Ring pistons

M/D Truck DT466E Eng. H/D Truck DT466E Eng. **45**
 7.6L 466 OHV Turbo-Diesel L6 (Intercooled), 4.3005" Bore 1993-2004

CYL. HEAD & PARTS



REF #	QTY	GASKETS	YEARS	PART NO.	SIZE	DESCRIPTION
3	1	Valve Cover Gasket Set	04-93	FP-1825602		Incl. valve cover gasket & O-Ring
5	1	Head Gasket	99-93	FP-1817562		
	1	Head Set	04-00	FP-1830720		Eng. Ser. No. 1194038-2000000
	1	Head Set	99-93	FP-1824970		Eng. Ser. No. 980820-1194038
67	1	Fuel Manifold Gasket	99-93	FP-1822577		Fuel & oil supply
REF #	QTY	VALVE	YEARS	PART NO.	SIZE	DESCRIPTION
19	6	Intake	04-00	FP-1842913		Eng. Ser. No. 1194038-2000000
19	6	Intake	99-93	FP-1823875		Eng. Ser. No. 980820-1194038
20	6	Exhaust	04-00	FP-1842912		Eng. Ser. No. 1194038-2000000
20	6	Exhaust	99-93	FP-1824840		Eng. Ser. No. 980820-1194038
24	24	Keeper	04-93	FP-1824644		3/8" valve stem
REF #	QTY	VALVE SEAT	YEARS	PART NO.	SIZE	DESCRIPTION
25	6	Exh.	99-93	FP-1821903	STD	Eng. Ser. No. 980820-1194038; 1.8110" OD, 1.5525" ID, .3340" Depth
25	6	Exh.	99-93	FP-1821904	2	Eng. Ser. No. 980820-1194038; 1.8130" OD, 1.5525" ID, .3340" Depth
25	6	Exh.	99-93	FP-1821905	15	Eng. Ser. No. 980820-1194038; 1.8260" OD, 1.5525" ID, .3340" Depth
25	6	Int.	99-93	FP-1821900	STD	Eng. Ser. No. 980820-1194038; 1.8210" OD, 1.5600" ID, .2740" Depth
25	6	Int.	99-93	FP-1821901	2	Eng. Ser. No. 980820-1194038; 1.8230" OD, 1.5600" ID, .2740" Depth
25	6	Int.	99-93	FP-1821902	15	Eng. Ser. No. 980820-1194038; 1.8360" OD, 1.5600" ID, .2740" Depth
REF #	QTY	VALVE GUIDE	YEARS	PART NO.	SIZE	DESCRIPTION
26	12	Guide	04-93	FP-1824647		Exh. & Int.; .375" ID, .6262" OD, 2.61" O.A.L.
26	12	Guide	04-93	FP-1824646		Exh. & Int.; From Ser. No. 956464; .375" ID, .6262" OD, 2.39" O.A.L.; .3750" ID, 2.3900" O.A.L.

(continued on next page)

International/Navistar Truck

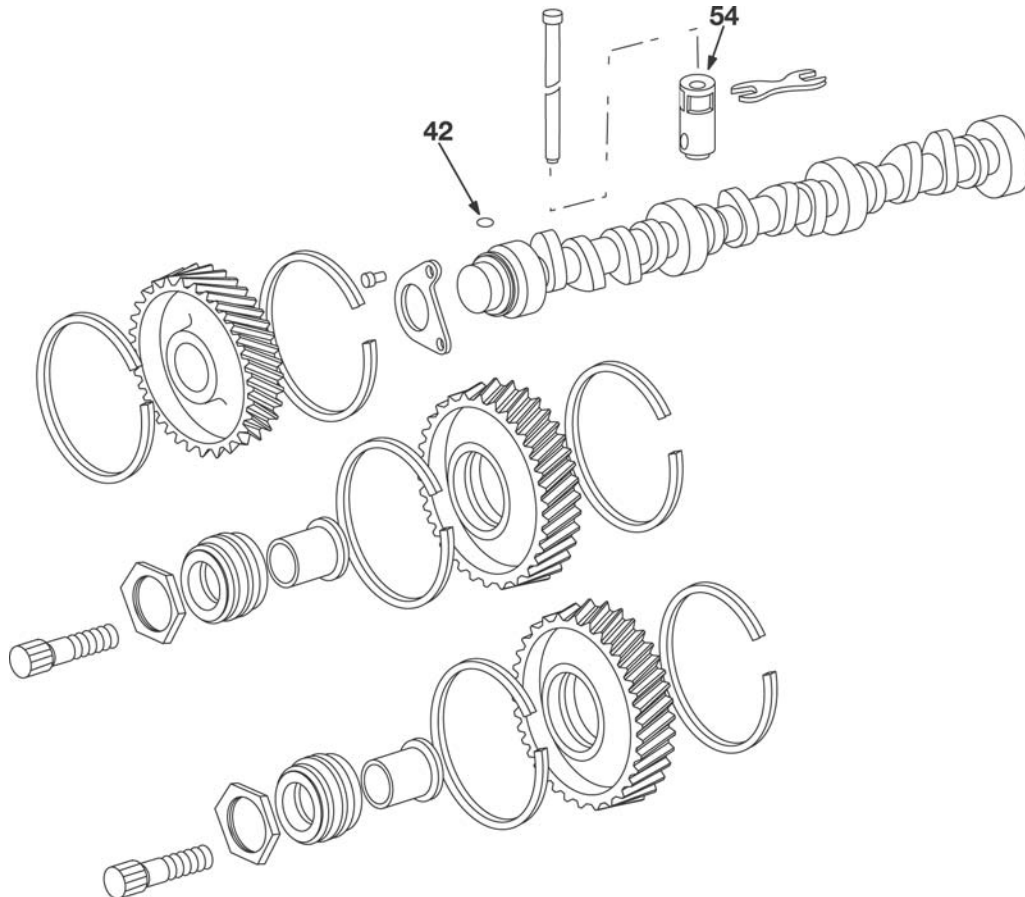


45 M/D Truck DT466E Eng. H/D Truck DT466E Eng.
 (cont.) 7.6L 466 OHV Turbo-Diesel L6 (Intercooled), 4.3005" Bore 1993-2004

CYL. HEAD & PARTS (cont.)

REF #	QTY	VALVE SPRING	YEARS	PART NO.	SIZE	DESCRIPTION
27	6	Spring	04-93	FP-1825540		Exh.
27	6	Spring	04-93	FP-677349		Int.
REF #	QTY	VALVE MISC.	YEARS	PART NO.	SIZE	DESCRIPTION
32	12	Rotocap	04-93	FP-1824680		Exh. & Int.; From Ser. No. 956464; Valve stem seal incl.
	12	Valve Rotator Seal	04-93	FP-1824683		Exh. & Int.; From Ser. No. 956464
REF #	QTY	VALVE SEAL	YEARS	PART NO.	SIZE	DESCRIPTION
41	12	Valve Stem Seal	04-93	FP-1823925		Exh. & Int.; Use w/Valve Rotator; Positive; Viton®

CAMSHAFT GROUP



REF #	QTY	CAMSHAFT TIMING	YEARS	PART NO.	SIZE	DESCRIPTION
42	1	Woodruff Key	99-93	FP-218211		Cam gear; 1/4" x 3/4"
REF #	QTY	CAMSHAFT/LIFTER	YEARS	PART NO.	SIZE	DESCRIPTION
54	12	Lifter	04-93	FP-1809570		Roller type

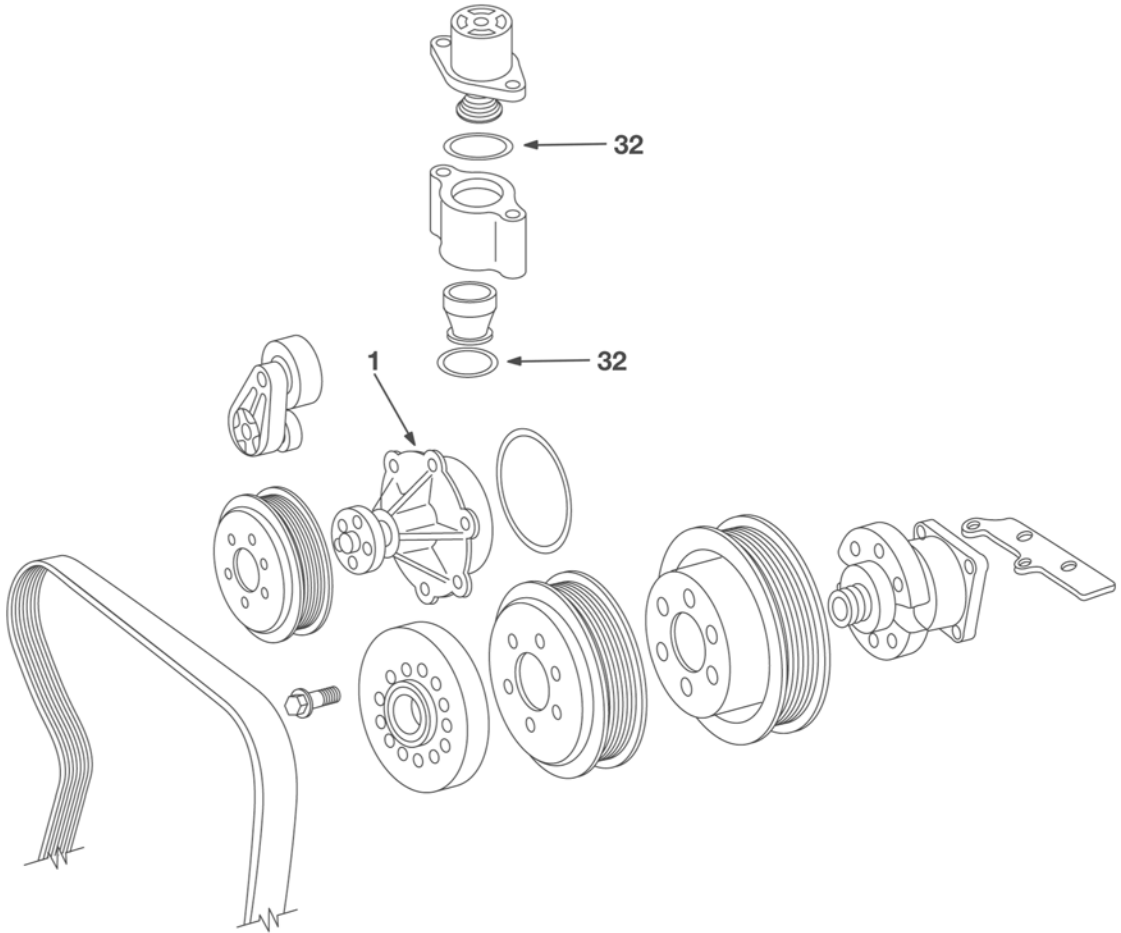
FUEL SYSTEM & PARTS

QTY	FUEL INJECTION	YEARS	PART NO.	SIZE	DESCRIPTION
6	Fuel Injector Sleeve	04-00	FP-1833382		Eng. Ser. No. 1194038-2000000
6	Fuel Injector Sleeve	99-93	FP-1818778		Eng. Ser. No. 980820-1194038
6	Fuel Injector Repair Kit	99-93	FP-1833564		Incl. all seals to repair/replace Fuel Injector
QTY	TURBOCHARGER	YEARS	PART NO.	SIZE	DESCRIPTION
1	Turbocharger Oil Inlet Gasket	04-93	FP-253660		
1	Turbocharger Mounting Gasket	99-93	FP-1822120		
1	O-Ring	99-93	FP-1824908		CMP Transducer; 1.443" O.D., 1.237" I.D., .103" cross section

(continued on next page)

M/D Truck DT466E Eng. H/D Truck DT466E Eng. **45**
 7.6L 466 OHV Turbo-Diesel L6 (Intercooled), 4.3005" Bore 1993-2004 (cont.)

COOLING SYSTEM

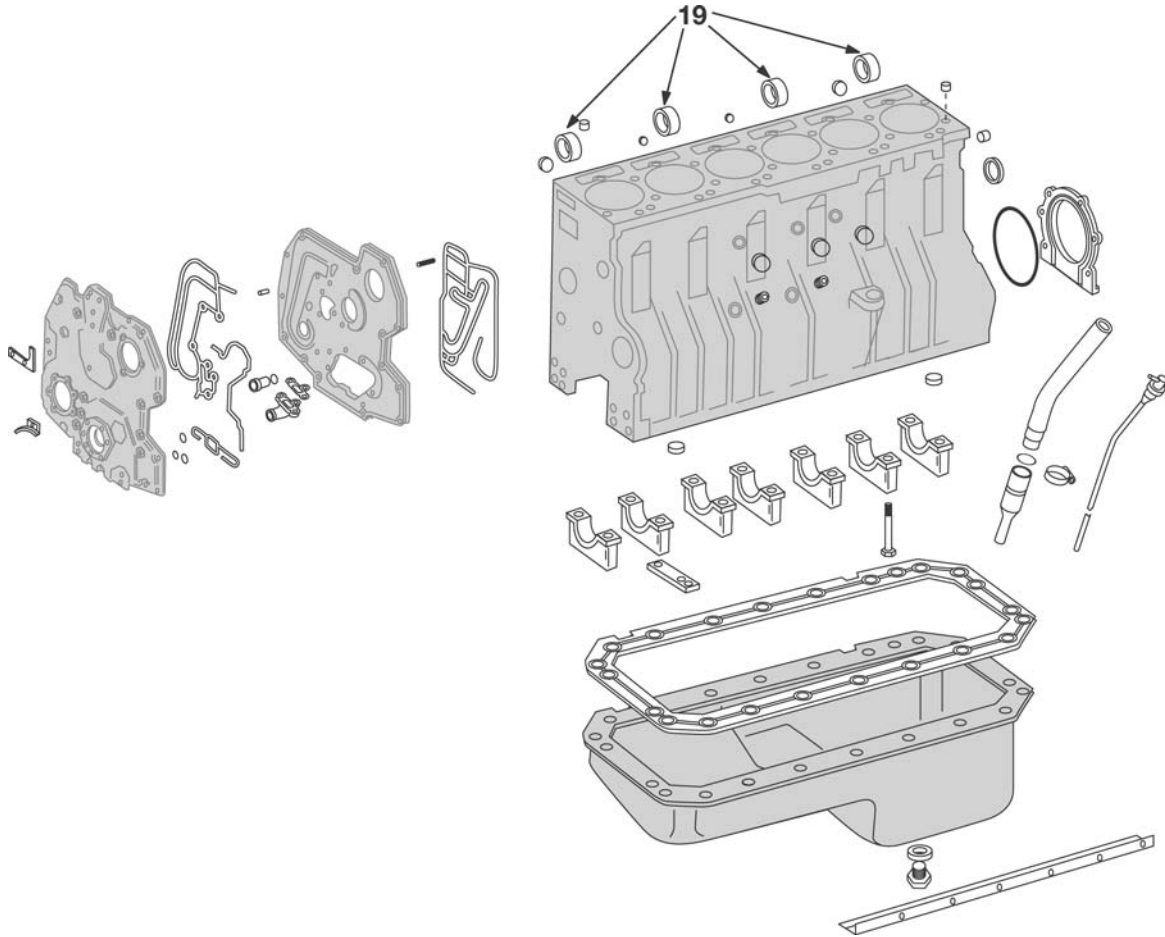


REF #	QTY	WATER PUMP	YEARS	PART NO.	SIZE	DESCRIPTION
1	1	Water Pump - Heavy Duty	99-93	FP-1817687		w/7 bolt mounting flange
REF #	QTY	MISCELLANEOUS	YEARS	PART NO.	SIZE	DESCRIPTION
32	2	O-Ring	02-93	FP-1836075		Thermostat & Bypass Housing O-Rings

(continued on next page)

45 M/D Truck DT466E Eng. H/D Truck DT466E Eng.
 (cont.) 7.6L 466 OHV Turbo-Diesel L6 (Intercooled), 4.3005" Bore 1993-2004

ENGINE BLOCK & PARTS

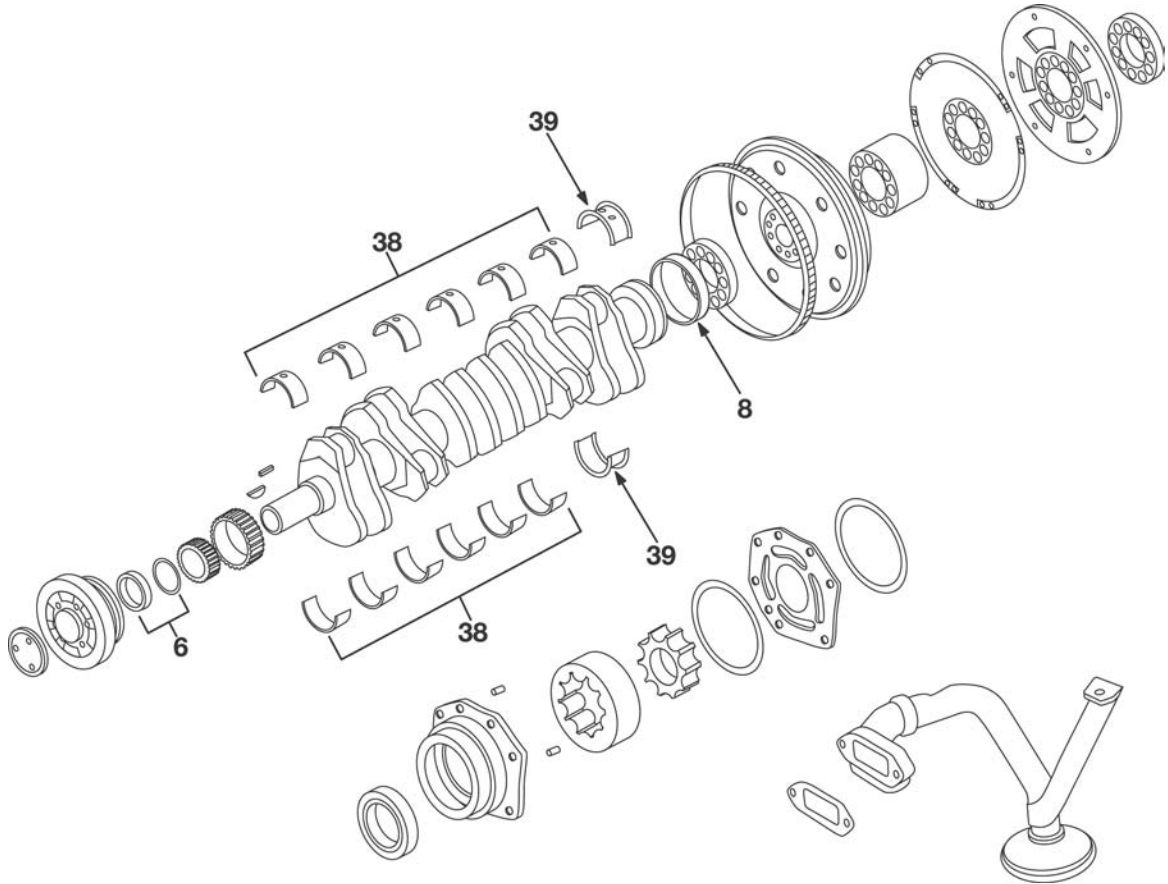


REF #	QTY	GASKETS	YEARS	PART NO.	SIZE	DESCRIPTION
5	1	Oil Pan Gasket	02-93	FP-1826587		
REF #	QTY	GASKET SETS	YEARS	PART NO.	SIZE	DESCRIPTION
	1	In-Frame Gasket Set	02-93	FP-PGN466EIF		
REF #	QTY	CAM BEARINGS	YEARS	PART NO.	SIZE	DESCRIPTION
19	1	Cam Set	99-93	FP-680117	STD	
REF #	QTY	OIL COOLERS & FILTERS	YEARS	PART NO.	SIZE	DESCRIPTION
	1	O-Ring	99-93	FP-1822708		Filter head check valve

(continued on next page)

M/D Truck DT466E Eng. H/D Truck DT466E Eng. **45**
 7.6L 466 OHV Turbo-Diesel L6 (Intercooled), 4.3005" Bore 1993-2004 (cont.)

CRANKSHAFT/OIL PUMP

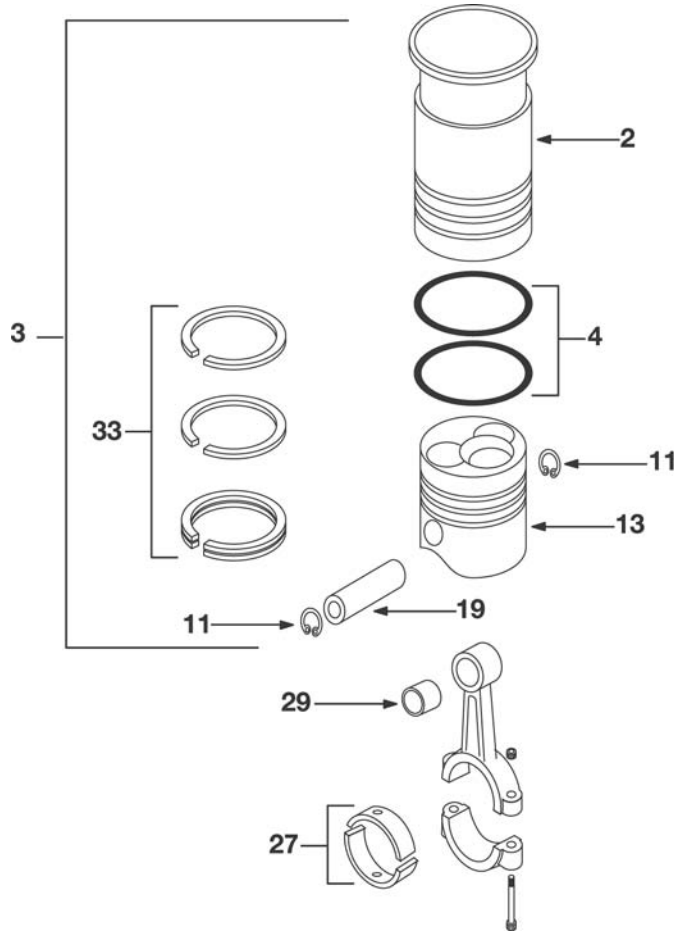


REF #	QTY	SEALS - FRONT CRANK	YEARS	PART NO.	SIZE	DESCRIPTION
6	1	Oil Seal Kit	99-93	FP-690437		Incl. seal & wear sleeve
REF #	QTY	SEALS - REAR CRANK	YEARS	PART NO.	SIZE	DESCRIPTION
8	1	Oil Seal Kit	99-93	FP-1817867		Incl. seal & wear sleeve
REF #	QTY	MAIN BEARINGS	YEARS	PART NO.	SIZE	DESCRIPTION
38	6	Plain Main Brg.	99-93	FP-1822321	STD	Position 1-2-3-4-5-6
38	6	Plain Main Brg.	99-93	FP-1822490	10	Position 1-2-3-4-5-6
38	6	Plain Main Brg.	99-93	FP-1822491	20	Position 1-2-3-4-5-6
38	6	Plain Main Brg.	99-93	FP-1822492	30	Position 1-2-3-4-5-6
39	1	Flanged Main Brg.	99-93	FP-1822379	STD	Position 7
39	1	Flanged Main Brg.	99-93	FP-1822494	10	Position 7
39	1	Flanged Main Brg.	99-93	FP-1822495	20	Position 7
39	1	Flanged Main Brg.	99-93	FP-1822496	30	Position 7
REF #	QTY	OIL PUMP	YEARS	PART NO.	SIZE	DESCRIPTION
20	1	O-Ring	02-93	FP-1822135		Breather Tube
	1	Oil Pump Gasket	99-93	FP-1815898		High pressure oil pump flange gskt.

(continued on next page)

45 M/D Truck DT466E Eng. H/D Truck DT466E Eng.
 (cont.) 7.6L 466 OHV Turbo-Diesel L6 (Intercooled), 4.3005" Bore 1993-2004

CYLINDER COMPONENTS



REF #	QTY	LINERS	YEARS	PART NO.	SIZE	DESCRIPTION
1	6	Piston & Liner Kit w/o Rings	99-93	FP-1830564	STD	Eng. Ser. No. 1126949-1194038; w/HEUI Injector, 230 HP High Torque; All 250 HP; 2 Keystone rings
2	6	Liner w/o Sealing Ring	99-93	FP-1815674		
3	6	Cylinder Kit Complete	99	FP-1830565	STD	Eng. Ser. No. 1126949-1194038; w/HEUI Injector, 230 HP High Torque; All 250 HP; 2 Keystone rings
3	6	Cylinder Kit Complete	99-95	FP-1825690		Eng. Ser. No. 980820-1194038; w/HEUI Injector, 175 HP to 230 HP Std. Torque; 1 Keystone Ring
3	6	Cylinder Kit Complete	98-95	FP-1824966		Eng. Ser. No. 1126948 & below; w/HEUI Injector, 210 HP High Torque; All 230 & 250 HP; 2 Keystone rings
4	6	Cyl. Liner Sealing Ring Kit	99-93	FP-1822322		
REF #	QTY	PISTONS	YEARS	PART NO.	SIZE	DESCRIPTION
13	6	Piston Body w/o Pin	99-93	FP-1830375	STD	Eng. Ser. No. 1126949-1194038; w/HEUI Injector, 230 HP High Torque; All 250 HP; 2 Keystone rings
13	6	Piston Body w/o Pin	99-93	FP-1825585		From Ser. No. 980820 through Ser. No. 1194038; 1 Keystone ring
13	6	Piston Body w/o Pin	99-93	FP-1823313		To Ser. No. 1126948; 2 Keystone rings
14	6	Piston Kit w/Pin & Retainers	99-93	FP-1830375WP	STD	Eng. Ser. No. 1126949-1194038; w/HEUI Injector, 230 HP High Torque; All 250 HP; 2 Keystone rings
14	6	Piston Kit w/Pin & Retainers	99-93	FP-1825585WP		From Ser. No. 980820 through Ser. No. 1194038; 1 Keystone ring
14	6	Piston Kit w/Pin & Retainers	99-93	FP-1823313WP		To Ser. No. 1126948; 2 Keystone rings
19	6	Pin	99-93	FP-1818552		
11	12	Piston Pin Retainer	99-93	FP-1818702		
29	6	Pin Bushing	99-93	FP-1818598		
REF #	QTY	CONNECTING RODS & BRGS.	YEARS	PART NO.	SIZE	DESCRIPTION
27	6	Rod Pair	99-93	FP-1822389	STD	
27	6	Rod Pair	99-93	FP-1822486	10	
27	6	Rod Pair	99-93	FP-1822487	20	

(continued on next page)

M/D Truck DT466E Eng. H/D Truck DT466E Eng. 45
7.6L 466 OHV Turbo-Diesel L6 (Intercooled), 4.3005" Bore 1993-2004 (cont.)

CYLINDER COMPONENTS (cont.)

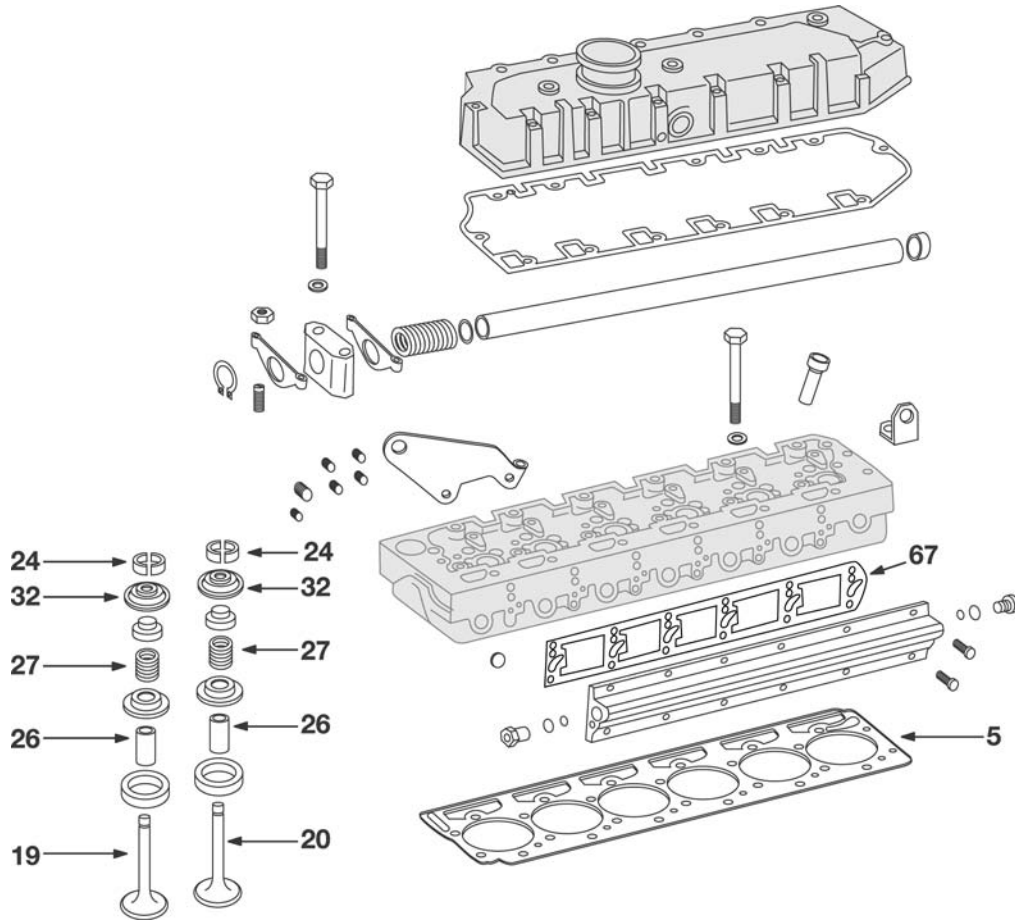
REF #	QTY	PISTON RINGS	YEARS	PART NO.	SIZE	DESCRIPTION
33	6	Ring Set Single Cylinder	02-93	FP-1825461		From Ser. No. 980820 through Ser. No. 1194038; 1 Keystone ring
33	6	Ring Set Single Cylinder	02-93	FP-1817247		To Ser. No. 1194038; 2 Keystone rings

KITS

REF #	QTY	OVERHAUL KIT	YEARS	PART NO.	SIZE	DESCRIPTION
	1	In-Frame Overhaul Kit	99-93	FP-IFKDT466E		From Ser. No. 933834 to 1194038; Use Cyl. Kit FP-1830565 for 1999 w/HEUI Inj., 230HP Hi Torque, and all w/250HP; S/N 1126949 to 1194038.

M/D Truck DT466E Eng. H/D Truck DT466E Eng. 46
7.6L 466 OHV Turbo-Diesel L6 (Big Bore), 4.587" Bore 2000-2007

CYL. HEAD & PARTS



REF #	QTY	GASKETS	YEARS	PART NO.	SIZE	DESCRIPTION
5	1	Head Gasket	04-00	FP-1830327		
	1	Head Set	07-05	FP-1889247 *		From 2005 - 5/1/2007; Eng. Ser. No. 2148234 & above
	1	Head Set	07-05	FP-1876103 +		From 2005 - 5/1/2007; Eng. Ser. No. 2148234 & above; When depleted use FP-1889247
	1	Head Set	07-04	FP-1842648 *		From 2/16/2004 - 5/1/2007; Eng. Ser. No. 2000001 & above
	1	Head Set	04-00	FP-1830720		From Ser. No. 1194039 to 2000000
67	1	Fuel Manifold Gasket	04-00	FP-1822577		Fuel & oil supply
REF #	QTY	VALVE	YEARS	PART NO.	SIZE	DESCRIPTION
19	6	Intake	04-00	FP-1823875		
20	6	Exhaust	04-00	FP-1824840		
24	24	Keeper	04-00	FP-1824644		3/8" valve stem
REF #	QTY	VALVE GUIDE	YEARS	PART NO.	SIZE	DESCRIPTION
26	12	Guide	04-00	FP-1824647		Exh. & Int.; .375" ID, .6262" OD, 2.61" O.A.L.

(continued on next page)

46 M/D Truck DT466E Eng. H/D Truck DT466E Eng.
 (cont.) 7.6L 466 OHV Turbo-Diesel L6 (Big Bore), 4.587" Bore 2000-2007

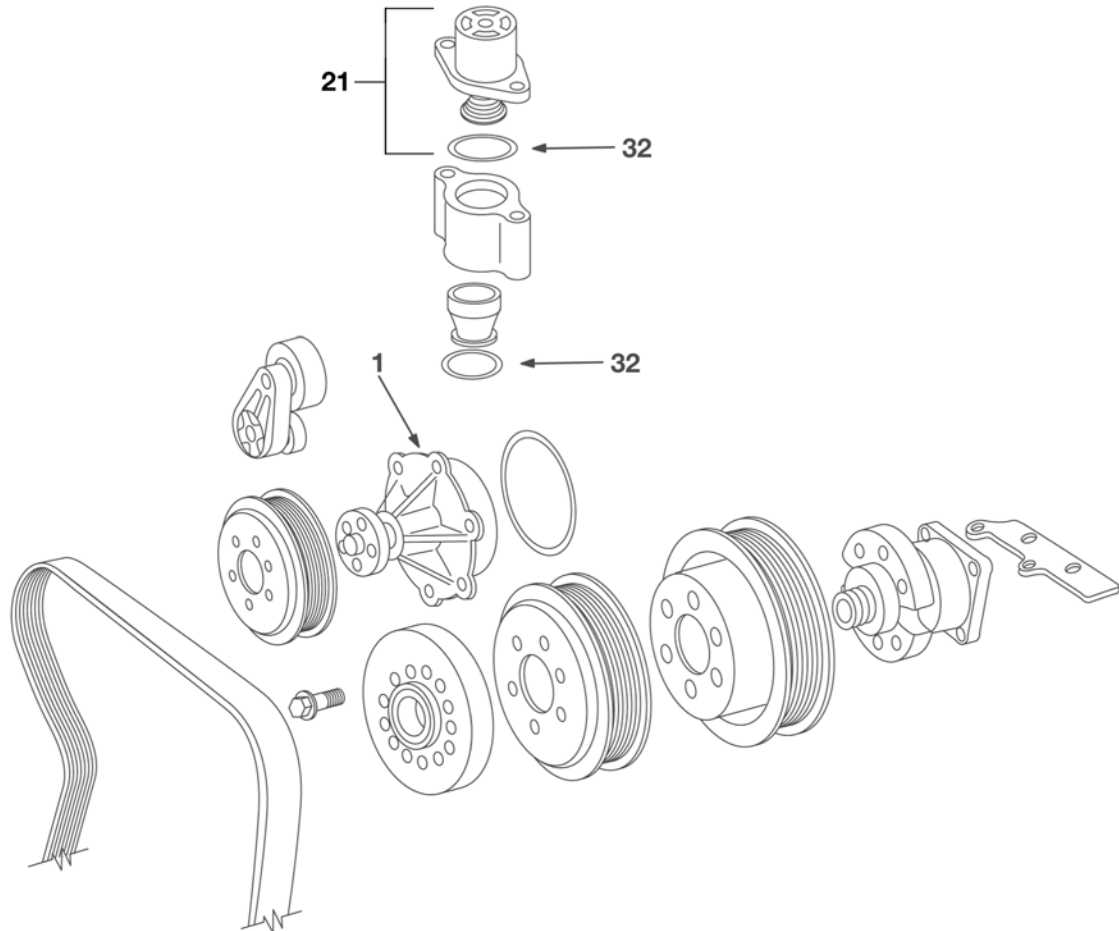
CYL. HEAD & PARTS (cont.)

REF #	QTY	VALVE GUIDE (cont.)	YEARS	PART NO.	SIZE	DESCRIPTION
26	12	Guide	04-00	FP-1824646		Exh. & Int.; From Ser. No. 956464; .375" ID, .6262" OD, 2.39" O.A.L.; .3750" ID, 2.3900" O.A.L.
27	6	Spring	04-00	FP-1825540		Exh.
27	6	Spring	04-00	FP-677349		Int.
32	12	Rotocap	04-00	FP-1824680		Exh. & Int.; From Ser. No. 956464; Valve stem seal incl.
	12	Valve Rotator Seal	04-00	FP-1824683		Exh. & Int.; From Ser. No. 956464

FUEL SYSTEM & PARTS

QTY	FUEL INJECTION	YEARS	PART NO.	SIZE	DESCRIPTION
6	Fuel Injector Sleeve	04-00	FP-1833382		
6	Fuel Injector Repair Kit	04-00	FP-1830742		Incl. all seals to repair/replace fuel injector
1	TURBOCHARGER	YEARS	PART NO.	SIZE	DESCRIPTION
	Turbocharger Mounting Gasket	04-00	FP-1822120		

COOLING SYSTEM

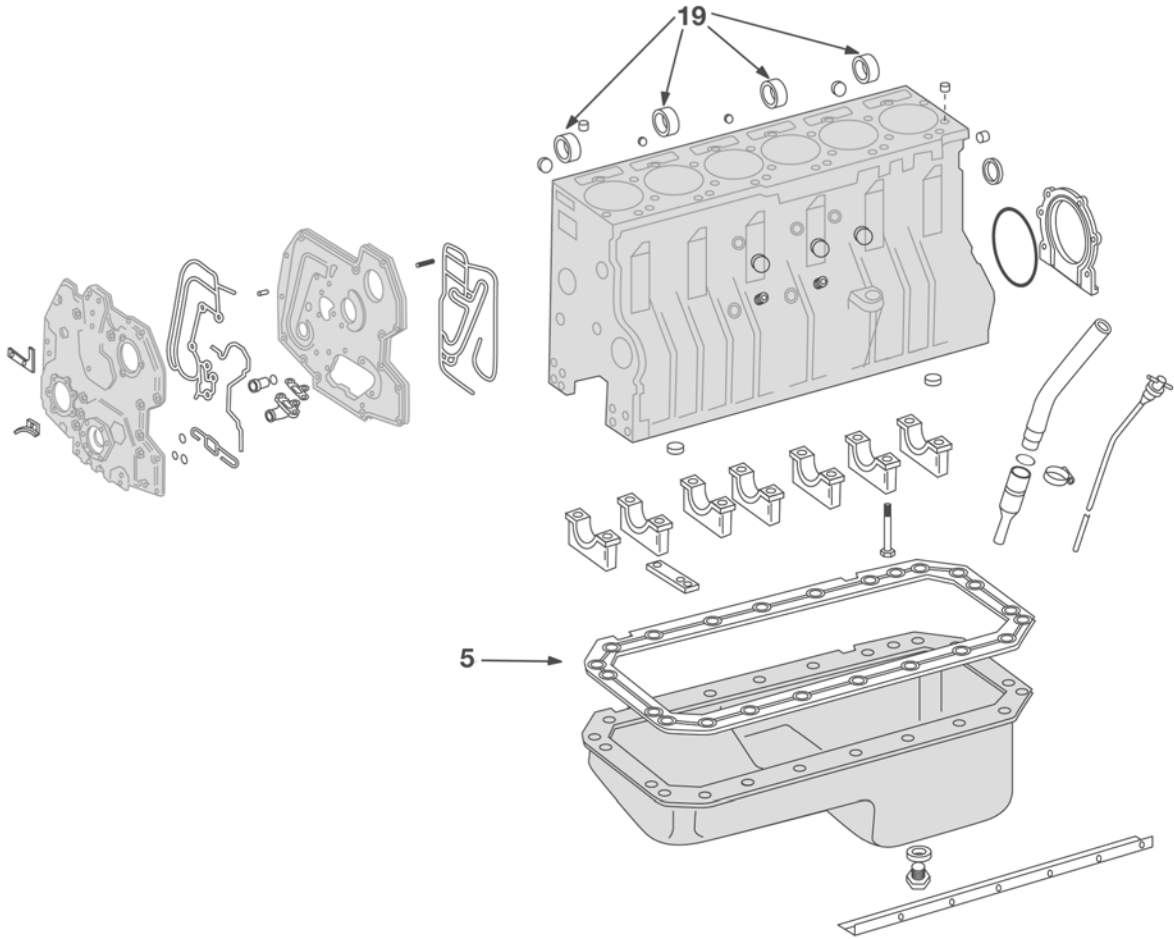


REF #	QTY	WATER PUMP	YEARS	PART NO.	SIZE	DESCRIPTION
1	1	Water Pump - Heavy Duty	04-00	FP-1817687		w/7 bolt mounting flange
21	1	THERMOSTAT	YEARS	PART NO.	SIZE	DESCRIPTION
		Thermostat Kit	04-00	FP-1830256		Incl. thermostat & seal
32	2	MISCELLANEOUS	YEARS	PART NO.	SIZE	DESCRIPTION
		O-Ring	04-00	FP-1836075		Thermostat & Bypass Housing O-Rings

(continued on next page)

M/D Truck DT466E Eng. H/D Truck DT466E Eng. **46**
 7.6L 466 OHV Turbo-Diesel L6 (Big Bore), 4.587" Bore 2000-2007 (cont.)

ENGINE BLOCK & PARTS

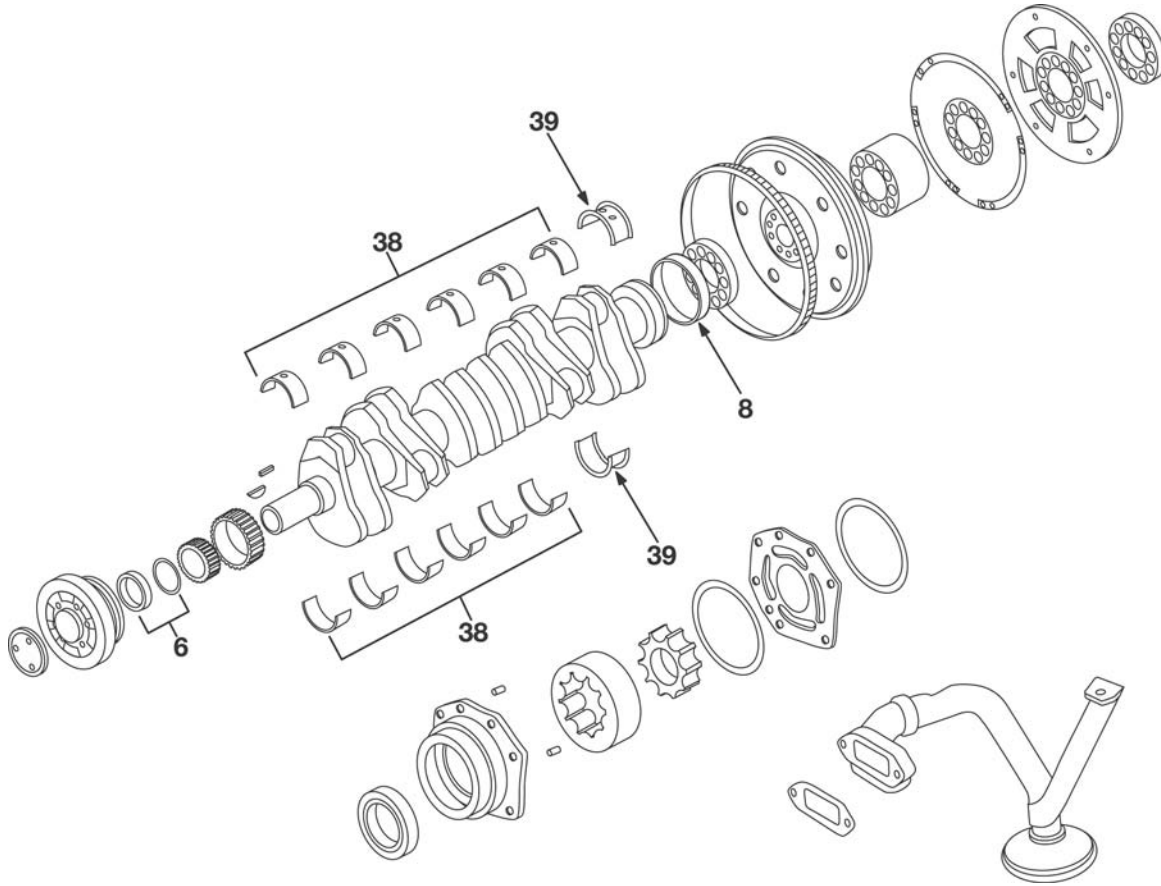


REF #	QTY	GASKETS	YEARS	PART NO.	SIZE	DESCRIPTION
5	1	Oil Pan Gasket	04-00	FP-1826587		

(continued on next page)

46 M/D Truck DT466E Eng. H/D Truck DT466E Eng.
 (cont.) 7.6L 466 OHV Turbo-Diesel L6 (Big Bore), 4.587" Bore 2000-2007

CRANKSHAFT/OIL PUMP

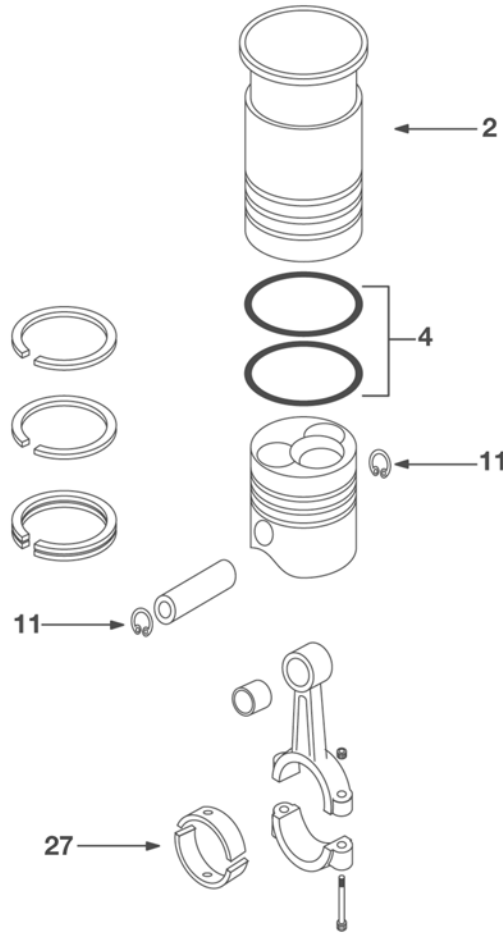


REF #	QTY	SEALS - FRONT CRANK	YEARS	PART NO.	SIZE	DESCRIPTION
6	1	Oil Seal Kit	04-00	FP-690437		Incl. seal & wear sleeve
REF #	QTY	SEALS - REAR CRANK	YEARS	PART NO.	SIZE	DESCRIPTION
8	1	Oil Seal Kit	04-00	FP-1817867		Incl. seal & wear sleeve
REF #	QTY	MAIN BEARINGS	YEARS	PART NO.	SIZE	DESCRIPTION
38	6	Plain Main Brg.	04-00	FP-1830725	STD	
38	6	Plain Main Brg.	04-00	FP-1833364	.25MM	
38	6	Plain Main Brg.	04-00	FP-1833365	.50MM	
38	6	Plain Main Brg.	04-00	FP-1833366	.75MM	
39	1	Flanged Main Brg.	04-00	FP-1830726	STD	
39	1	Flanged Main Brg.	04-00	FP-1833361	.25MM	
39	1	Flanged Main Brg.	04-00	FP-1833362	.50MM	
39	1	Flanged Main Brg.	04-00	FP-1833363	.75MM	

(continued on next page)

M/D Truck DT466E Eng. H/D Truck DT466E Eng. **46**
 7.6L 466 OHV Turbo-Diesel L6 (Big Bore), 4.587" Bore 2000-2007 (cont.)

CYLINDER COMPONENTS



REF #	QTY	LINERS	YEARS	PART NO.	SIZE	DESCRIPTION
2	6	Liner w/o Sealing Ring	07-00	FP-1841326	STD	
3	6	Cylinder Kit Complete	07-05	FP-1850403 *	STD	To 5/1/2007, Eng. Ser. No. 2046901 & above; High HP Eng.
3	6	Cylinder Kit Complete	07-05	FP-1850401 *	STD	To 5/1/2007, Eng. Ser. No. 2046902 & above; 215 HP & below
3	6	Cylinder Kit Complete	07-05	FP-1876101 *	STD	To 5/1/2007, Eng. Ser. No. 2148234 & above; 245 HP & above
3	6	Cylinder Kit Complete	07-05	FP-1876100 *	STD	To 5/1/2007, Eng. Ser. No. 2148234 & above; 245 HP & below
3	6	Cylinder Kit Complete	04-00	FP-1836299	STD	Eng. Ser. No. 1194039 & above; w/HEUI Injector, All 230 HP & 250 HP Eng.
3	6	Cylinder Kit Complete	04-00	FP-1836192	STD	Eng. Ser. No. 1194039 & above; w/HEUI Injector, 215 HP & below, High Torque
3	6	Cylinder Kit Complete	04-00	FP-1842556	STD	Eng. Ser. No. 2000000 & above
3	6	Cylinder Kit Complete	04-00	FP-1842554	STD	Eng. Ser. No. 2000001-2076442; 210-225 HP; Big Bore Engines, 225 HP and below.
3	6	Cylinder Kit Complete	04-00	FP-1842555	STD	Eng. Ser. No. 2000001-2076442; 245-300 HP
4	6	Cyl. Liner Sealing Ring Kit	04-00	FP-1822322		
REF #	QTY	PISTONS	YEARS	PART NO.	SIZE	DESCRIPTION
13	6	Piston Body w/o Pin	04-00	FP-1833092	STD	Eng. Ser. No. 1194039 & above; w/HEUI Injector, All 230 HP & 250 HP Eng.
13	6	Piston Body w/o Pin	04-00	FP-1836321	STD	Eng. Ser. No. 1194039 & above; w/HEUI Injector, 215 HP & below, High Torque
13	6	Piston Body w/o Pin	04-00	FP-1842227	STD	Eng. Ser. No. 2000001-2076442; 210-225 HP
13	6	Piston Body w/o Pin	04-00	FP-1842622	STD	Eng. Ser. No. 2000001-2076442; 245-300 HP
19	6	Pin	04-00	FP-1830060		
11	12	Piston Pin Retainer	04-00	FP-1818702		

(continued on next page)

International/Navistar Truck



46 M/D Truck DT466E Eng. H/D Truck DT466E Eng.
 (cont.) 7.6L 466 OHV Turbo-Diesel L6 (Big Bore), 4.587" Bore 2000-2007

CYLINDER COMPONENTS (cont.)						
REF #	QTY	CONNECTING RODS & BRGS.	YEARS	PART NO.	SIZE	DESCRIPTION
27	6	Rod Pair	04-00	FP-1842570	STD	Eng. Ser. No. 1194039 & above
REF #	QTY	PISTON RINGS	YEARS	PART NO.	SIZE	DESCRIPTION
33	6	Ring Set Single Cylinder	07-05	FP-1850402 *		To 5/1/2007, Eng. Ser. No. 2046901 & above; High HP Eng.
33	6	Ring Set Single Cylinder	05-04	FP-1830724	STD	Eng. Ser. No. 2000001-2076442; 210-225 HP; 245-300 HP; From 2/16/2004-2005
33	6	Ring Set Single Cylinder	04-00	FP-1830723	STD	Eng. Ser. No. 1194039 & above; w/HEUI Injector, All 230 HP & 250 HP Eng.; Use w/FP-1833092 Piston Body
33	6	Ring Set Single Cylinder	04-00	FP-1836193	STD	Eng. Ser. No. 1194039 & above; w/HEUI Injector, 215 HP & below, High Torque; Use w/FP-1836321 Piston Body
33	6	Ring Set Single Cylinder	04-00	FP-1842551 *		Eng. Ser. No. 2000000 & above
33	6	Ring Set Single Cylinder	04-00	FP-1842549		Eng. Ser. No. 2000001-2076442; 210-225 HP; Use w/FP-1842227 Piston Body
33	6	Ring Set Single Cylinder	04-00	FP-1842550	STD	Eng. Ser. No. 2000001-2076442; 245-300 HP
KITS						
	QTY	OVERHAUL KIT	YEARS	PART NO.	SIZE	DESCRIPTION
	1	In-Frame Overhaul Kit	04-00	FP-IFKDT466EBB		Eng. Ser. No. 1194039-2000000
	1	In-Frame Overhaul Kit	04-00	FP-1836300		Equal to IH/Navistar 'Works Kit'; Eng. Ser. No. 1194039 & above; w/HEUI Injector, All 230 HP & 250 HP Eng.
	1	In-Frame Overhaul Kit	04-00	FP-1836195		Equal to IH/Navistar "Works Kit"; Eng. Ser. No. 1194039 & above; w/HEUI Injector, 215 HP & below, High Torque

47 H/D Truck V478, VS478 Engs.
 7.8L 478 OHV V8 (16 Valve), 4.5" Bore 1965-76

CYL. HEAD & PARTS						
	QTY	VALVE	YEARS	PART NO.	SIZE	DESCRIPTION
	32	Keeper	73-65	VK-140		
	QTY	VALVE SEAT	YEARS	PART NO.	SIZE	DESCRIPTION
	8	Int.	73-65	245-2250-1	Std Only	Machine ID to fit; 2.2555" OD, 1.9375" ID, .1855" Depth
	QTY	VALVE SPRING	YEARS	PART NO.	SIZE	DESCRIPTION
	16	Spring	73-65	FP-317365		Late Eng.; Incl. damper; 2.0500" Free Height
	QTY	VALVE MISC.	YEARS	PART NO.	SIZE	DESCRIPTION
	8	Rotocap Assy.	73-65	FP-RC126SA		Exh.; Late Eng.; Incl. Rotocap & Valve Spring
	8	Rotocap	73-65	FP-443128		Exh.; Late Eng.
	QTY	VALVE SEAL	YEARS	PART NO.	SIZE	DESCRIPTION
	16	Valve Stem Seal	73-65	ST-2007		Positive type; Rubber
	16	O-Ring	73-65	FP-111024		Rubber
	16	Valve Stem Seal	73-65	MV-1551		Late Eng.; O-Ring; Carton of 50; Rubber
	16	Valve Stem Seal Bulk	73-65	FP-111024B		O-Ring; Carton of 100; Rubber
CAMSHAFT GROUP						
	QTY	CAMSHAFT/LIFTER	YEARS	PART NO.	SIZE	DESCRIPTION
	1	Camshaft	73-65	CS-218		
	1	Prelube	73-65	55-400		4 oz. bottle; 1.5 oz. packet No. 55-403 also avail.
ENGINE BLOCK & PARTS						
	QTY	GASKETS	YEARS	PART NO.	SIZE	DESCRIPTION
	1	Oil Pan Gasket	76-65	FP-448428		
	QTY	GASKET SETS	YEARS	PART NO.	SIZE	DESCRIPTION
	1	Kit Gasket Set	76-65	260-1115		Note: head gskt. requires retorque; Valve stem seals from Ser. No. 139494 not incl.
	QTY	CAM BEARINGS	YEARS	PART NO.	SIZE	DESCRIPTION
	1	Cam Set	76-65	FP-448139	STD	
CYLINDER COMPONENTS						
	QTY	PISTONS	YEARS	PART NO.	SIZE	DESCRIPTION
	8	Pin Bushing	76-65	2199Y20		



International/Navistar Truck

M/D Truck RD501 Eng. H/D Truck RD501 Eng. **48**
 8.2L 501 OHV L6 (12 Valve), 4.5" Bore 1960-74

CYL. HEAD & PARTS

QTY	VALVE SEAT	YEARS	PART NO.	SIZE	DESCRIPTION
6	Exh.	73-61	245-1875-1N Std Only		Premium Material; 1.8810" OD, 1.6100" ID, .2485" Depth 1.8810" OD, 1.6100" ID, .2485" Depth
6	Exh.	73-61	245-1875-1 Std Only		
QTY	VALVE SPRING	YEARS	PART NO.	SIZE	DESCRIPTION
12	Spring	73-61	VS-336		Inner; 2.3430" Free Height
12	Spring	73-61	VS-337		Outer; 2.5620" Free Height
12	Spring Insert	73-61	259-303C		.015"; ID .703"; Carton of 100
12	Spring Insert	73-61	259-303B		.030"; ID .703"; Carton of 100
12	Spring Insert	73-61	259-303A		.060"; ID .703"; Carton of 100
12	Spring Insert	73-61	259-303ARS		.060"; ID .703"; Carton of 500
QTY	VALVE SEAL	YEARS	PART NO.	SIZE	DESCRIPTION
12	Valve Stem Seal	73-61	ST-2007		Positive type; Rubber
6	O-Ring	73-61	FP-111024		Int.; Rubber
6	Valve Stem Seal Bulk	73-61	FP-111024B		Int.; O-Ring; Carton of 100; Rubber
CRANKSHAFT/OIL PUMP					
QTY	SEALS - FRONT CRANK	YEARS	PART NO.	SIZE	DESCRIPTION
1	Wear Sleeve	69-61	FP-1816569		
1	Oil Seal	69-61	417316		



I530 Engine

Global Technology Behind Every Part

Overview

The I530 diesel engine was first introduced in 1993. It is used in On-Highway truck and bus applications. The I530P (NGD) engine is also part of the PLN or "Pump Line Nozzle" engine family that includes the DT-408 and DT-466P (NGD) engines. These three engines share many internal engine parts. The newest version of the I530 engine family is the I530E. The I530E comes equipped with the electro-hydraulic HEUI fuel system. The HEUI system provides unaided cold starts down to 10 degrees Fahrenheit.

Engine Type	Diesel, 4-cycle
Configuration.....	In-Line 6-Cylinder
Displacement	530 cu. In. (8.7L)
Bore and Stroke	4.590 x 5.350 in. (116.6 x 135.9 mm)
Combustion System.....	Direct Injection
Total Engine Weight (Dry).....	1275 lb. (578 kg)

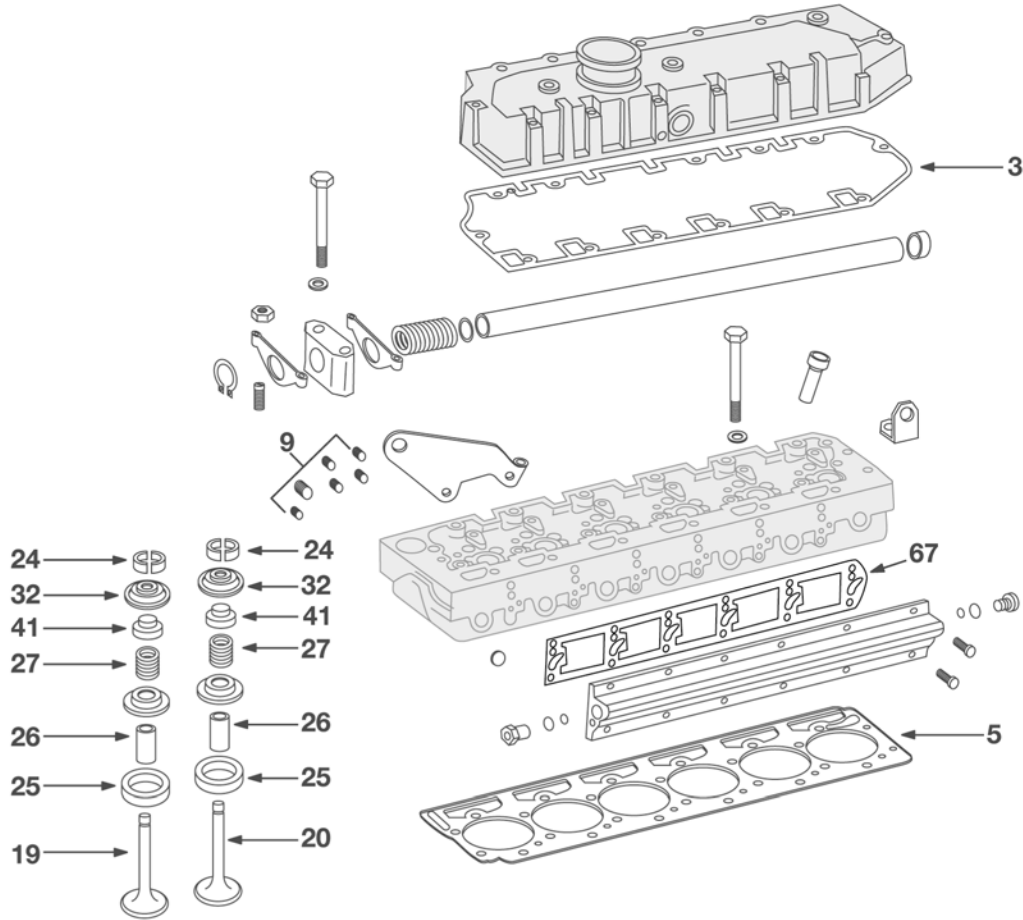
The I530 can be identified by the permanent engine number stamped on the center top left side of the engine crankcase. The first three positions indicate the engine displacement. The fourth digit indicates either turbocharged, air-to-air charge air cooled or mechanical fuel injection engine. The fifth digit indicates the use of the engine, for example M would indicate that the engine was built for truck use. The rest of the digits represent the specific engine serial number. A typical serial number would look like this: 530GM456789.

Like other engines in the International engine families, the I530 has wet-sleeve cylinders and Plasma faced top rings to increase power cylinder life. Engines rated at 300 horsepower feature two-piece articulated pistons that combine the strength of forged steel crowns with lightweight aluminum piston skirts.



M/D Truck I530, I530P (NGD) Engs. H/D Truck I530, I530P (NGD) Engs. **49**
 8.7L 530 OHV Turbo-Diesel L6 (12 Valve), 4.587" Bore 1993-97

CYL. HEAD & PARTS



REF #	QTY	GASKETS	YEARS	PART NO.	SIZE	DESCRIPTION
3	1	Valve Cover Gasket	97-93	FP-1817510		I530P(NGD) Engs. Only
5	1	Head Gasket	97-93	FP-1817562		
	1	Head Set	97-93	FP-1822328		I530P (NGD) Engs. only
67	1	Fuel Manifold Gasket	97-93	FP-1822577		
REF #	QTY	VALVE	YEARS	PART NO.	SIZE	DESCRIPTION
19	6	Intake	97-93	FP-1818580		I530 & I530P (NGD) Engs.; Eng. Ser. No. 956463 & below; 5/16" valve stem
19	6	Intake	97-93	FP-1824642		I530 & I530P (NGD) Engs.; Eng. Ser. No. 956464 & above; 3/8" valve stem
20	6	Exhaust	97-93	FP-1824838		I530 & I530P (NGD) Engs.; Eng. Ser. No. 956463 & below; 5/16" valve stem
20	6	Exhaust	97-93	FP-1824842		I530 & I530P (NGD) Engs.; Eng. Ser. No. 956464 & above; 3/8" valve stem
24	24	Keeper	97-93	FP-1824644		I530 & I530P (NGD) Engs.; 3/8" valve stem
24	24	Keeper	97-93	FP-1810944		I530 & I530P (NGD) Engs.; 5/16" valve stem
REF #	QTY	VALVE SEAT	YEARS	PART NO.	SIZE	DESCRIPTION
25	6	Exh.	97-93	FP-675450	STD	I.D. Top taper 1.524"; 1.6285" OD, 1.3480" ID, .3650" Depth
25	6	Int.	97-93	FP-675043	STD	I.D. Top taper 1.767"; 1.9990" OD, 1.7120" ID, .3860" Depth
REF #	QTY	VALVE GUIDE	YEARS	PART NO.	SIZE	DESCRIPTION
26	12	Guide	97-93	FP-1820264		I530 & I530P (NGD) Engs.; Eng. Ser. No. 956463 & below; .315" ID, .565" OD, 2.391" O.A.L.
26	12	Guide	97-93	FP-1824646		I530 & I530P (NGD) Engs.; Eng. Ser. No. 956464 & above; .375" ID, .6262" OD, 2.39" O.A.L.; .3750" ID, 2.3900" O.A.L.
REF #	QTY	VALVE SPRING	YEARS	PART NO.	SIZE	DESCRIPTION
27	6	Spring	97-93	FP-1825540		Exh.
27	6	Spring	97-93	FP-677349		Int.

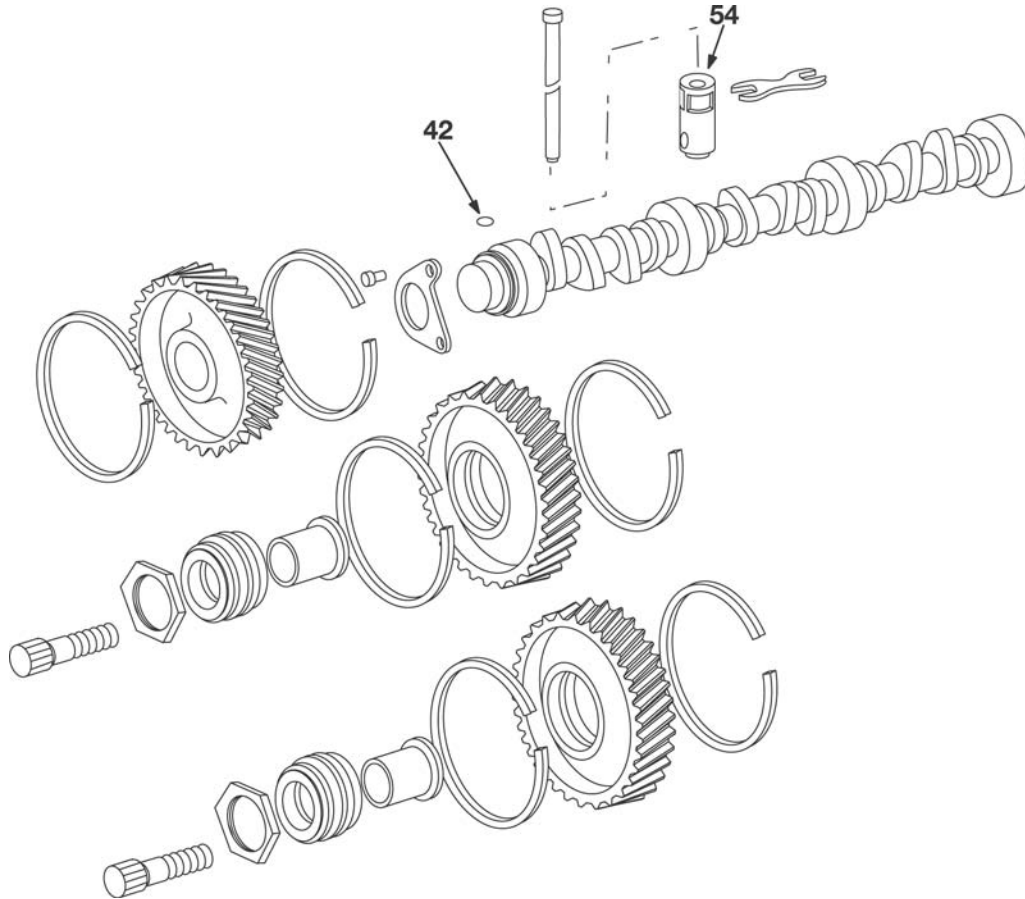
(continued on next page)

49 M/D Truck I530, I530P (NGD) Engs. H/D Truck I530, I530P (NGD) Engs.
 (cont.) 8.7L 530 OHV Turbo-Diesel L6 (12 Valve), 4.587" Bore 1993-97

CYL. HEAD & PARTS (cont.)

REF #	QTY	VALVE MISC.	YEARS	PART NO.	SIZE	DESCRIPTION
	32	12 Rotocap	97-93	FP-1824680		Exh. & Int.; Eng. Ser. No. 956464 & above; Valve stem seal incl.
	12	Valve Rotator Seal	97-93	FP-1824683		Exh. & Int.; Eng. Ser. No. 956464 & above
REF #	QTY	VALVE SEAL	YEARS	PART NO.	SIZE	DESCRIPTION
	41	12 Valve Stem Seal	97-93	FP-1823925		Exh. & Int.; I530 & I530P (NGD) Engs.; Eng. Ser. No. 956464 & above; Positive; Viton®
	41	12 Valve Stem Seal	97-93	FP-1822245 *		Exh. & Int.; I530 & I530P (NGD) Engs.; To Eng. Ser. No. 956463; 5/16" Valve Stem

CAMSHAFT GROUP



REF #	QTY	CAMSHAFT TIMING	YEARS	PART NO.	SIZE	DESCRIPTION
	42	1 Woodruff Key	97-93	FP-218211		Cam gear; 1/4" x 3/4"

REF #	QTY	CAMSHAFT/LIFTER	YEARS	PART NO.	SIZE	DESCRIPTION
	54	12 Lifter	97-93	FP-1809570		Roller type

FUEL SYSTEM & PARTS

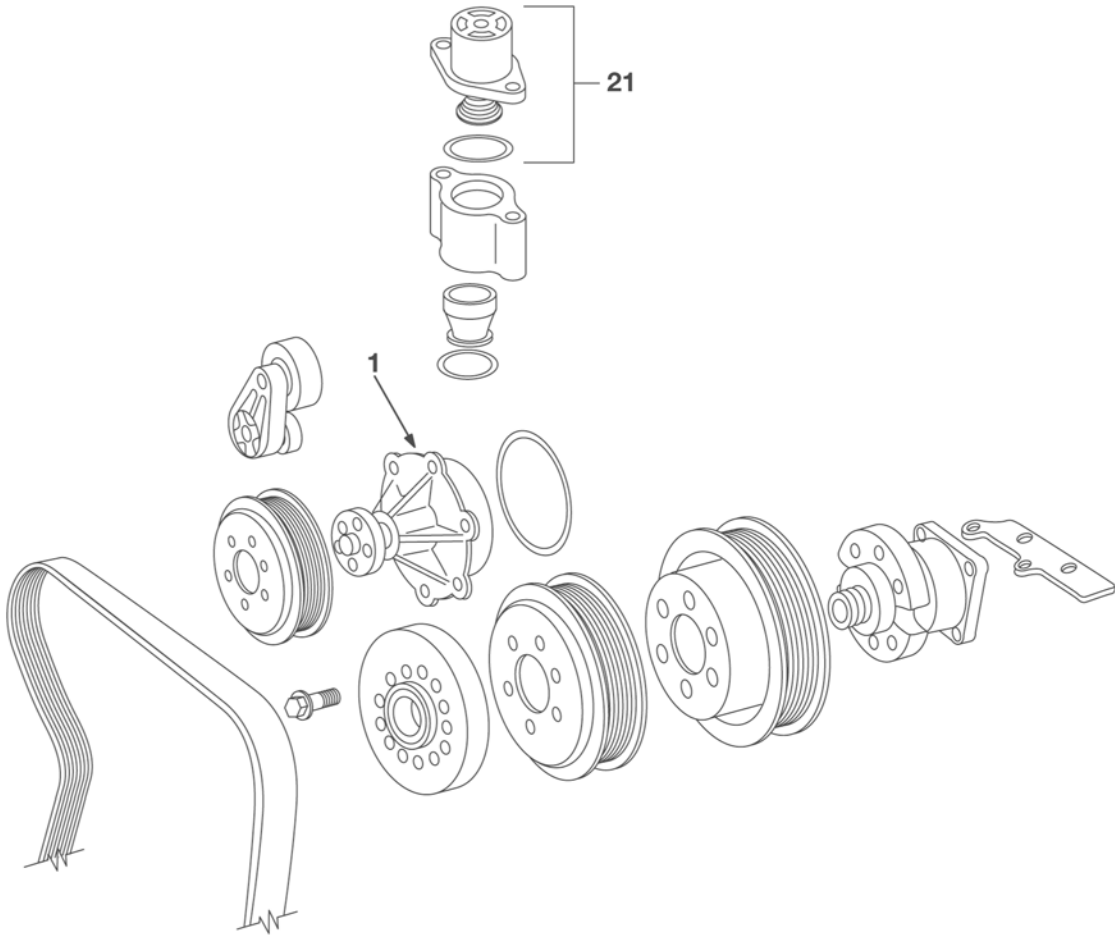
	QTY	FUEL INJECTION	YEARS	PART NO.	SIZE	DESCRIPTION
	6	Injector Nozzle Seat Gasket	97-93	FP-675477		.060" thick
	6	Grommet	97-93	FP-682810		Injector dust cover
	6	Fuel Injector Sleeve	97-93	FP-675442		

	QTY	TURBOCHARGER	YEARS	PART NO.	SIZE	DESCRIPTION
	1	Turbocharger Oil Inlet Gasket	97-93	FP-253660		
	1	Turbocharger Mounting Gasket	97-93	FP-1822120		

(continued on next page)

M/D Truck I530, I530P (NGD) Engs. H/D Truck I530, I530P (NGD) Engs. **49**
 8.7L 530 OHV Turbo-Diesel L6 (12 Valve), 4.587" Bore 1993-97 (cont.)

COOLING SYSTEM

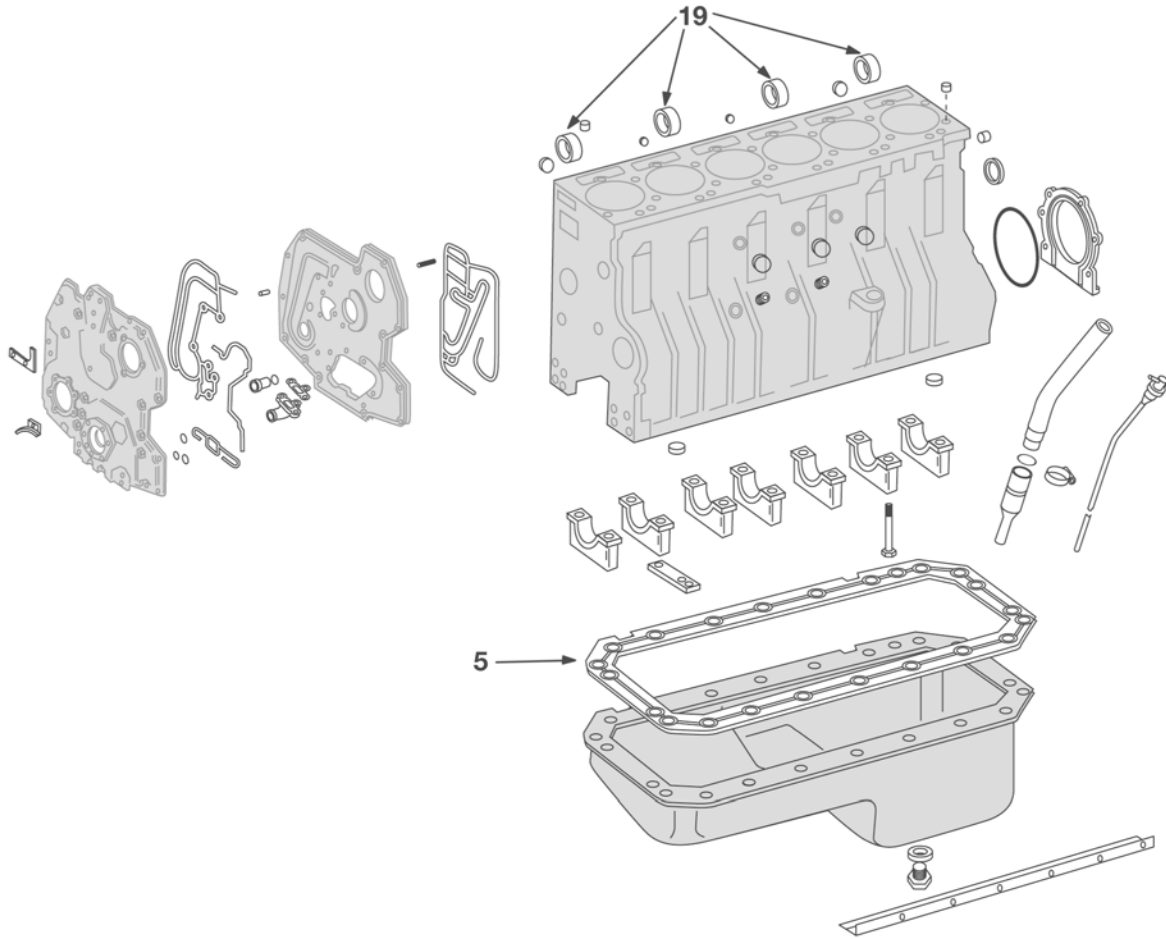


REF #	QTY	WATER PUMP	YEARS	PART NO.	SIZE	DESCRIPTION
1	1	Water Pump - Heavy Duty	97-93	FP-1817687		w/7 bolt mounting flange
REF #	QTY	THERMOSTAT	YEARS	PART NO.	SIZE	DESCRIPTION
21	1	Thermostat Kit	97-93	FP-1830256		Incl. thermostat & seal

(continued on next page)

49 M/D Truck I530, I530P (NGD) Engs. H/D Truck I530, I530P (NGD) Engs.
 (cont.) 8.7L 530 OHV Turbo-Diesel L6 (12 Valve), 4.587" Bore 1993-97

ENGINE BLOCK & PARTS

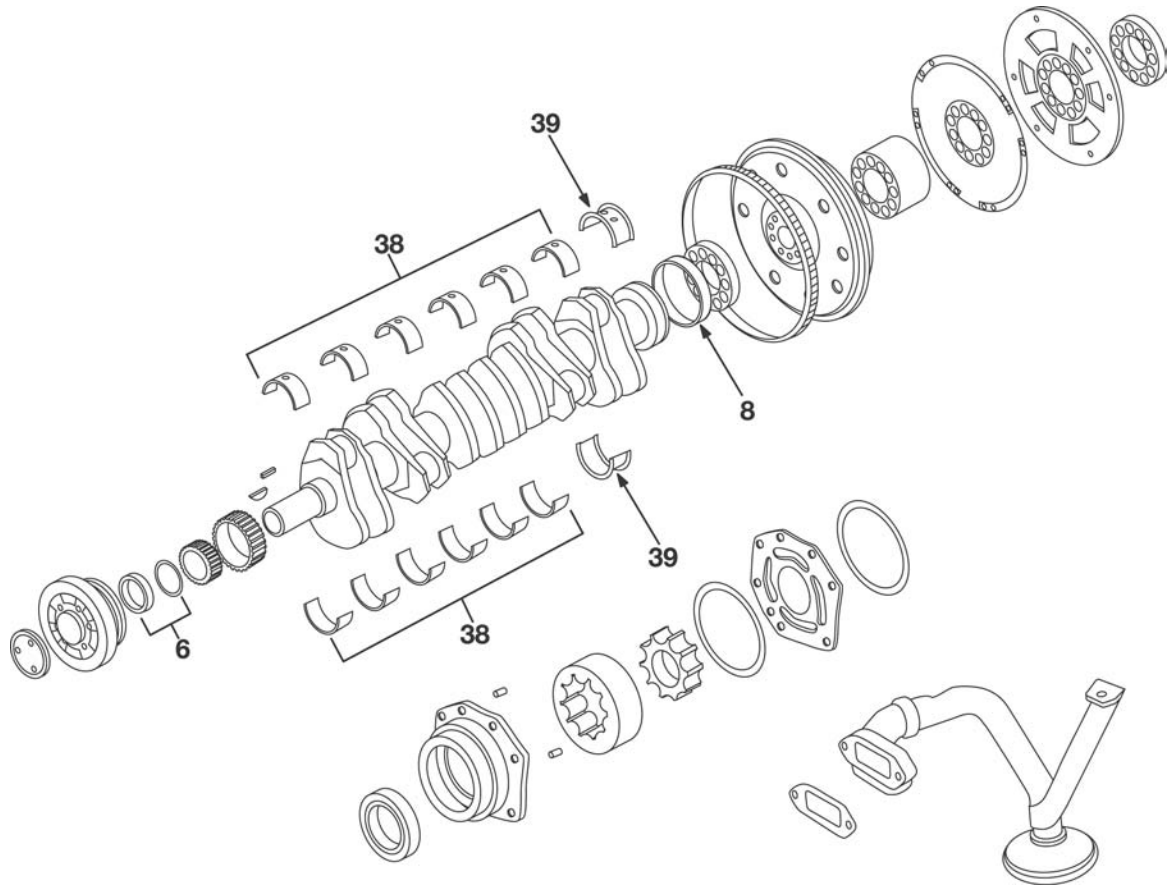


REF #	QTY	GASKETS	YEARS	PART NO.	SIZE	DESCRIPTION
	5	Oil Pan Gasket	97-93	FP-1826587		
	1	Chemicals	97-93	FP-1816593		Oil Pan; RTV Sealant
	1	Oil Seal Kit	97-93	FP-690437		Oil pump; Incl. seal & wear sleeve
REF #	QTY	CAM BEARINGS	YEARS	PART NO.	SIZE	DESCRIPTION
	19	Cam Set	97-93	FP-680117	STD	
REF #	QTY	OIL COOLERS & FILTERS	YEARS	PART NO.	SIZE	DESCRIPTION
	1	O-Ring	97-93	FP-1822708		Oil cooler filter head check valve

(continued on next page)

M/D Truck I530, I530P (NGD) Engs. H/D Truck I530, I530P (NGD) Engs. **49**
 8.7L 530 OHV Turbo-Diesel L6 (12 Valve), 4.587" Bore 1993-97 (cont.)

CRANKSHAFT/OIL PUMP

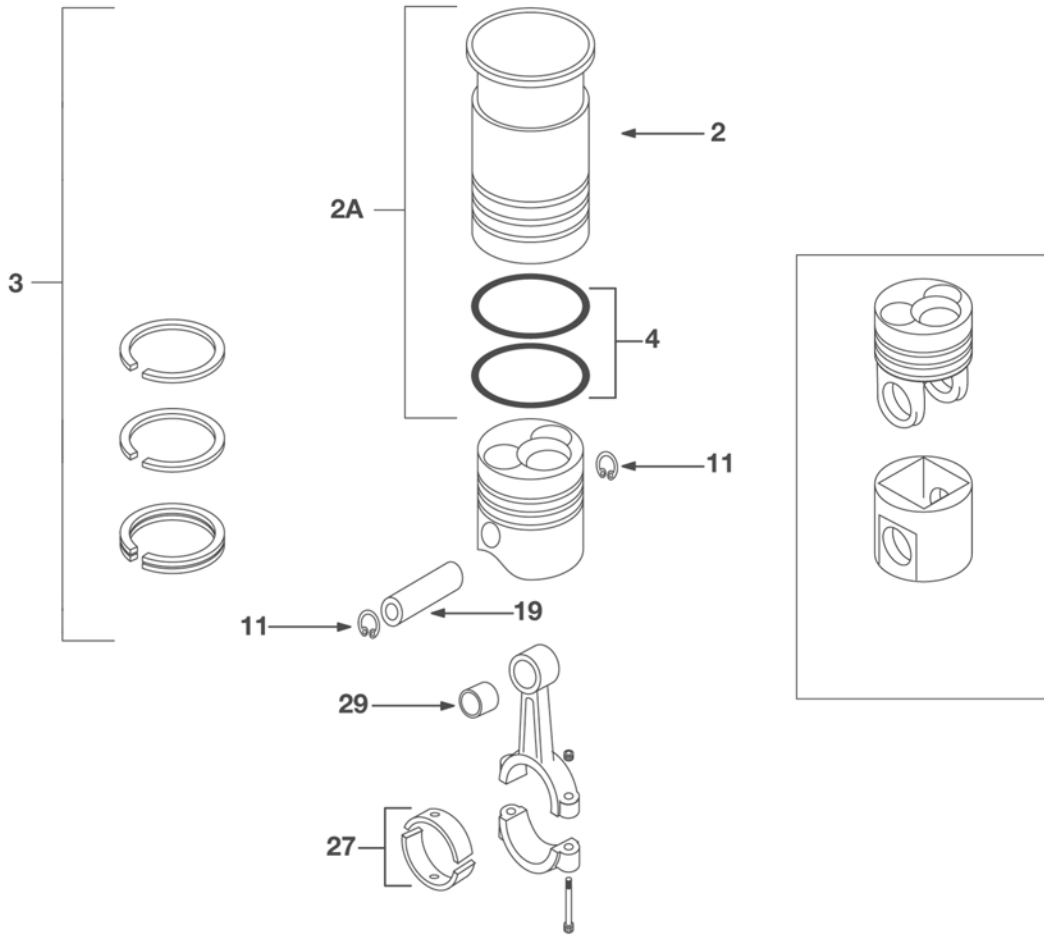


REF #	QTY	SEALS - FRONT CRANK	YEARS	PART NO.	SIZE	DESCRIPTION
6	1	Oil Seal Kit	97-93	FP-690437		Incl. seal & wear sleeve
REF #	QTY	SEALS - REAR CRANK	YEARS	PART NO.	SIZE	DESCRIPTION
8	1	Oil Seal Kit	97-93	FP-1817867		Incl. seal & wear sleeve
REF #	QTY	MAIN BEARINGS	YEARS	PART NO.	SIZE	DESCRIPTION
38	6	Plain Main Brg.	97-93	FP-1822321	STD	Position 1-2-3-4-5-6; I530P (NGD) Engs.
38	6	Plain Main Brg.	97-93	FP-1822490	10	Position 1-2-3-4-5-6; I530P (NGD) Engs.
38	6	Plain Main Brg.	97-93	FP-1822491	20	Position 1-2-3-4-5-6; I530P (NGD) Engs.
38	6	Plain Main Brg.	97-93	FP-1822492	30	Position 1-2-3-4-5-6; I530P (NGD) Engs.
39	1	Flanged Main Brg.	97-93	FP-1822379	STD	Position 7; I530P (NGD) Engs.
39	1	Flanged Main Brg.	97-93	FP-1822494	10	Position 7; I530P (NGD) Engs.
39	1	Flanged Main Brg.	97-93	FP-1822495	20	Position 7; I530P (NGD) Engs.
39	1	Flanged Main Brg.	97-93	FP-1822496	30	Position 7; I530P (NGD) Engs.
REF #	QTY	OIL PUMP	YEARS	PART NO.	SIZE	DESCRIPTION
1	1	Oil Pump Gasket	97-93	FP-1815898		I530E Engs.; High pressure oil pump flange gskt.

(continued on next page)

49 M/D Truck I530, I530P (NGD) Engs. H/D Truck I530, I530P (NGD) Engs.
 (cont.) 8.7L 530 OHV Turbo-Diesel L6 (12 Valve), 4.587" Bore 1993-97

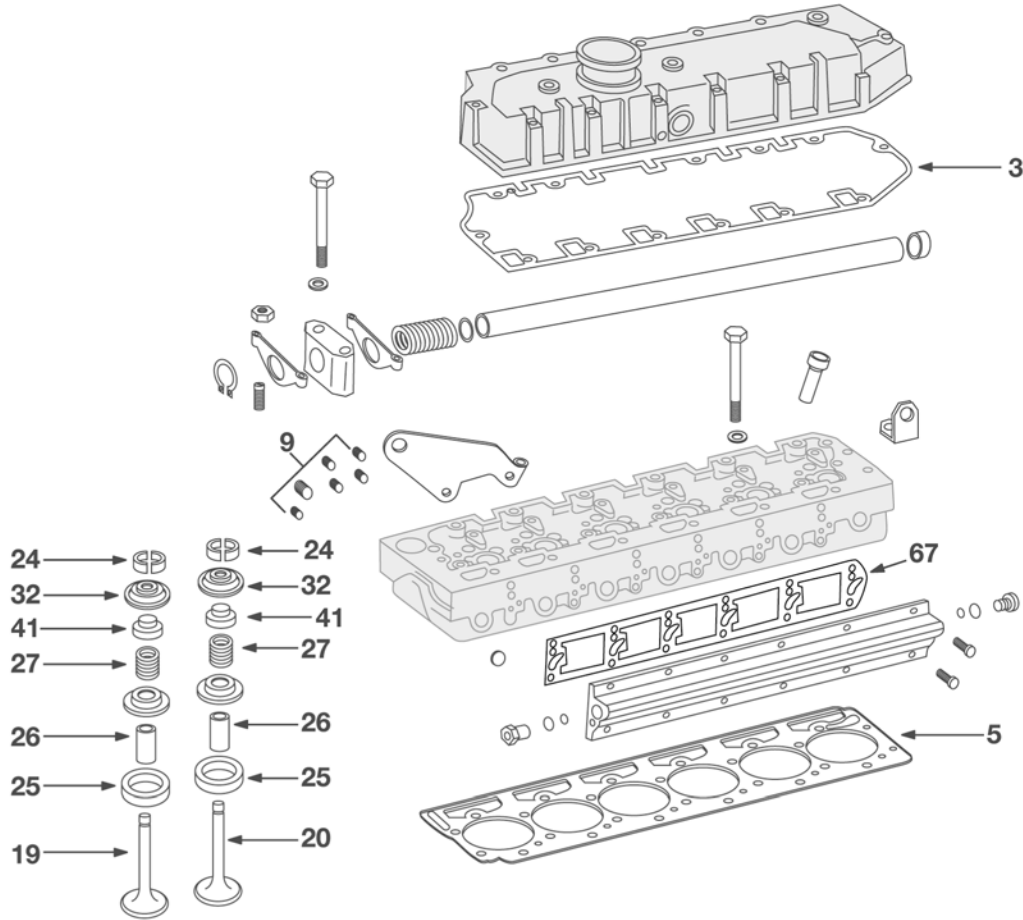
CYLINDER COMPONENTS



REF #	QTY	LINERS	YEARS	PART NO.	SIZE	DESCRIPTION
2	6	Liner w/o Sealing Ring	97-93	FP-1841326	STD	
2A	6	Liner w/Sealing Rings	97-93	FP-1842553	STD	
3	6	Cylinder Kit Complete	97-93	FP-1824757 *	STD	I530P (NGD) Eng. Ser. No. 915841 & above; 300 HP & above; Articulated Piston
3	6	Cylinder Kit Complete	97-93	FP-1822333	STD	I530P (NGD) Engs., below 300 HP; Exc. HEUI Injector
4	6	Cyl. Liner Sealing Ring Kit	97-93	FP-1822322		
4	6	Sealing Ring, Liner	97-93	FP-1817633		
4	6	Sealing Ring, Liner	97-93	FP-1842115		PTFE
REF #	QTY	PISTONS	YEARS	PART NO.	SIZE	DESCRIPTION
13	6	Piston Body w/o Pin	97-93	FP-1822098	STD	I530P NGD Engs., below 300 HP; Exc. HEUI Injector
19	6	Pin	97-93	FP-1830060		Use w/Articulated Pistons only
19	6	Pin	97-93	FP-1818552		Use w/FP-1822098 Piston
11	12	Piston Pin Retainer	97-93	FP-1818702		
29	6	Pin Bushing	97-93	FP-1818598		
REF #	QTY	CONNECTING RODS & BRGS.	YEARS	PART NO.	SIZE	DESCRIPTION
27	6	Rod Pair	97-93	FP-1822389	STD	I530P (NGD) Engs.
27	6	Rod Pair	97-93	FP-1822486	10	I530P (NGD) Engs.
27	6	Rod Pair	97-93	FP-1822487	20	I530P (NGD) Engs.
REF #	QTY	PISTON RINGS	YEARS	PART NO.	SIZE	DESCRIPTION
33	6	Ring Set Single Cylinder	97-93	FP-1822337		I530P (NGD) Engs. only
KITS						
	QTY	OVERHAUL KIT	YEARS	PART NO.	SIZE	DESCRIPTION
	1	In-Frame Overhaul Kit	97-93	FP-IFKI530NGD		I530P (NGD) Engs. only
	1	In-Frame Overhaul Kit	97-93	FP-1833447		I530P (NGD) Engs. only; Equal to IH/Navistar "Work Kit"

M/D Truck DT530E, I530E, HEUI Engs. H/D Truck DT530E, I530E, HEUI Engs. **50**
 8.7L 530 OHV Turbo-Diesel L6 (Intercooled), 4.587" Bore 1995-2005

CYL. HEAD & PARTS



REF #	QTY	GASKETS	YEARS	PART NO.	SIZE	DESCRIPTION
3	1	Valve Cover Gasket Set	05-95	FP-1825602		Incl. valve cover gasket & O-Ring
5	1	Head Gasket	99-95	FP-1817562		
	1	Head Set	05-00	FP-1830721		Eng. Ser. No. 1194039-2000000
	1	Head Set	99-95	FP-1824970		To Eng. Ser. No. 1194038
67	1	Fuel Manifold Gasket	05-95	FP-1822577		
REF #	QTY	VALVE	YEARS	PART NO.	SIZE	DESCRIPTION
19	6	Intake	05-00	FP-1842913		Eng. Ser. No. 1194039-2000000
19	6	Intake	99-95	FP-1823875		To Eng. Ser. No. 1194038
20	6	Exhaust	05-00	FP-1842912		Eng. Ser. No. 1194039-2000000
20	6	Exhaust	99-95	FP-1824840		To Eng. Ser. No. 1194038
24	24	Keeper	05-95	FP-1824644		3/8" valve stem
REF #	QTY	VALVE SEAT	YEARS	PART NO.	SIZE	DESCRIPTION
25	6	Exh.	99-95	FP-1821903	STD	To Eng. Ser. No. 1194038; 1.8110" OD, 1.5525" ID, .3340" Depth
25	6	Exh.	99-95	FP-1821904	2	To Eng. Ser. No. 1194038; 1.8130" OD, 1.5525" ID, .3340" Depth
25	6	Exh.	99-95	FP-1821905	15	To Eng. Ser. No. 1194038; 1.8260" OD, 1.5525" ID, .3340" Depth
25	6	Int.	99-95	FP-1821900	STD	To Eng. Ser. No. 1194038; 1.8210" OD, 1.5600" ID, .2740" Depth
25	6	Int.	99-95	FP-1821901	2	To Eng. Ser. No. 1194038; 1.8230" OD, 1.5600" ID, .2740" Depth
25	6	Int.	99-95	FP-1821902	15	To Eng. Ser. No. 1194038; 1.8360" OD, 1.5600" ID, .2740" Depth
REF #	QTY	VALVE GUIDE	YEARS	PART NO.	SIZE	DESCRIPTION
26	12	Guide	05-95	FP-1824647		.375" ID, .6262" OD, 2.61" O.A.L.
REF #	QTY	VALVE SPRING	YEARS	PART NO.	SIZE	DESCRIPTION
27	6	Spring	05-95	FP-1825540		Exh.
27	6	Spring	05-95	FP-677349		Int.

(continued on next page)

International/Navistar Truck

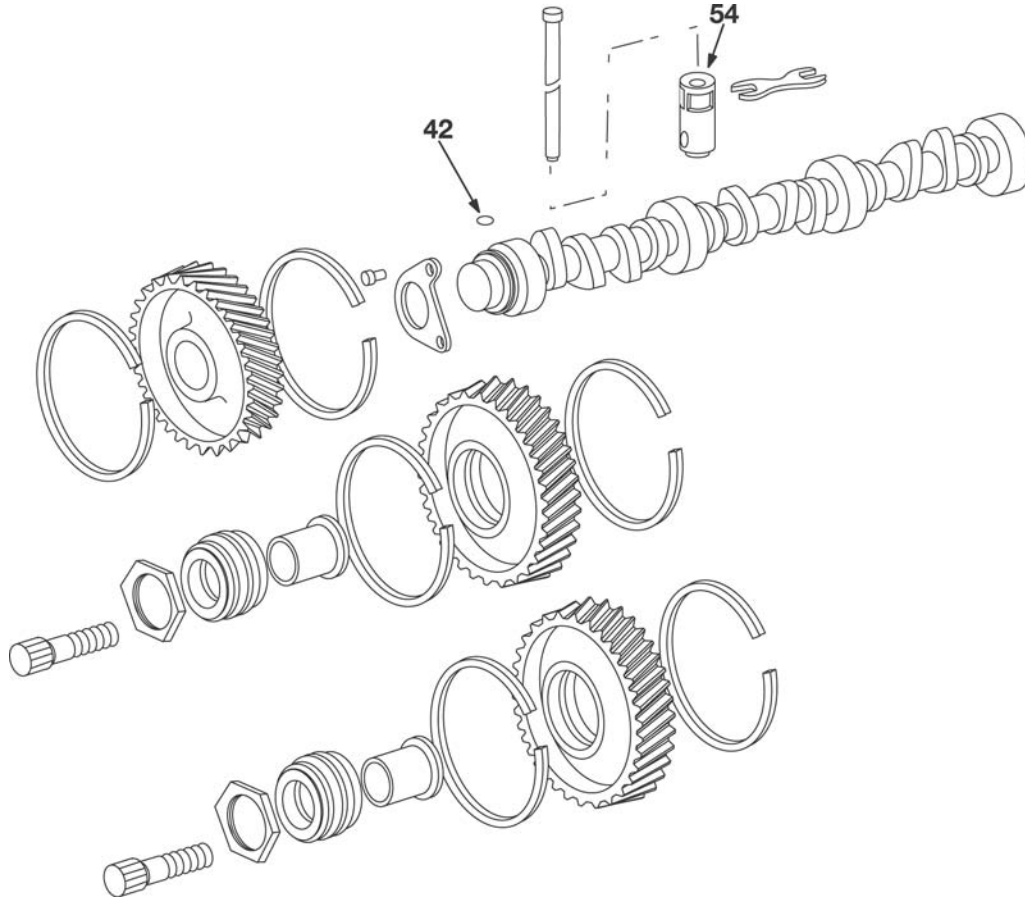


50 M/D Truck DT530E, I530E, HEUI Engs. H/D Truck DT530E, I530E, HEUI Engs.
(cont.) 8.7L 530 OHV Turbo-Diesel L6 (Intercooled), 4.587" Bore 1995-2005

CYL. HEAD & PARTS (cont.)

REF #	QTY	VALVE MISC.	YEARS	PART NO.	SIZE	DESCRIPTION
32	6	Rotocap	05-95	FP-1824680		Exh.; Valve stem seal incl.
	12	Valve Rotator Seal	05-95	FP-1824683		Exh. & Int.
REF #	QTY	VALVE SEAL	YEARS	PART NO.	SIZE	DESCRIPTION
41	12	Valve Stem Seal	05-95	FP-1823925		Int. & Exh.; Positive; Viton®

CAMSHAFT GROUP



REF #	QTY	CAMSHAFT TIMING	YEARS	PART NO.	SIZE	DESCRIPTION
42	1	Woodruff Key	05-95	FP-218211		Cam gear; 1/4" x 3/4"
REF #	QTY	CAMSHAFT/LIFTER	YEARS	PART NO.	SIZE	DESCRIPTION
54	12	Lifter	05-95	FP-1809570		Roller type

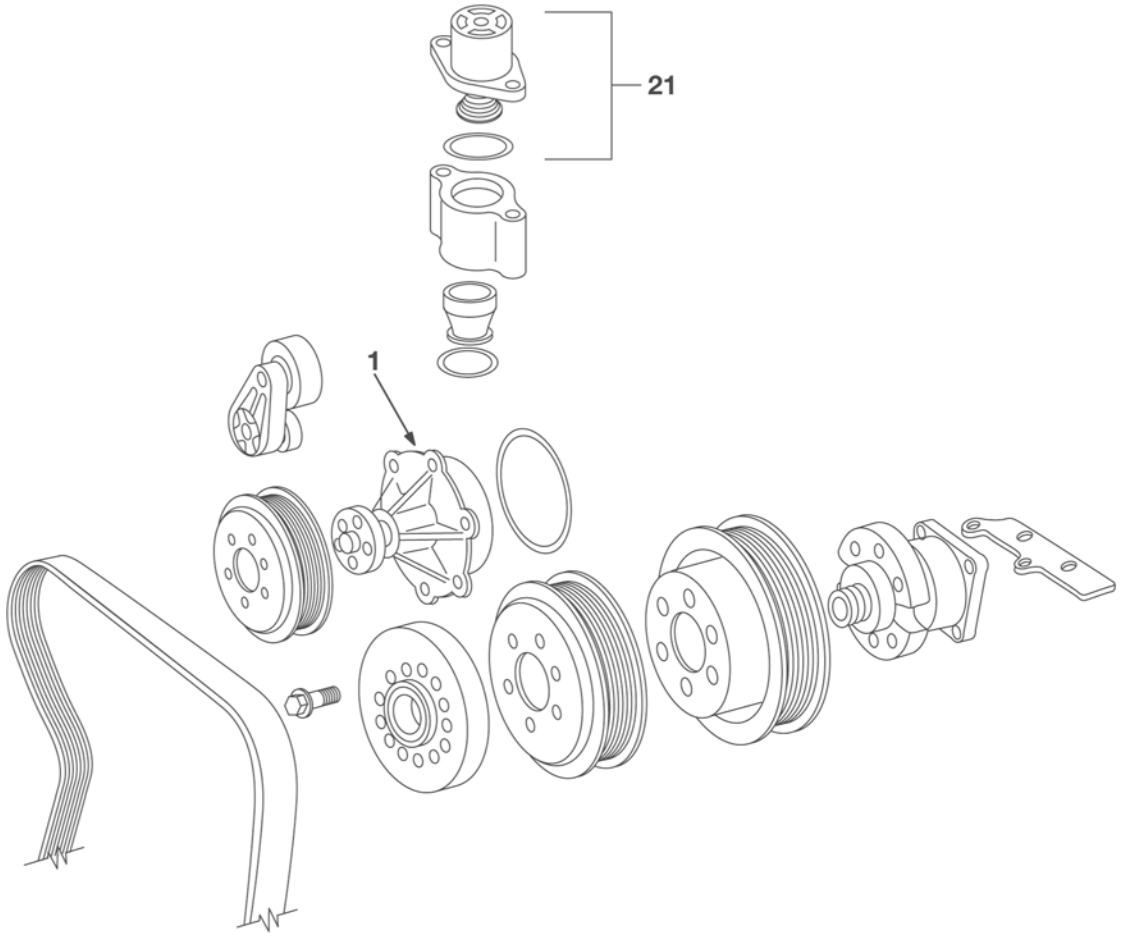
FUEL SYSTEM & PARTS

QTY	FUEL INJECTION	YEARS	PART NO.	SIZE	DESCRIPTION
6	Injector Nozzle Seat Gasket	05-95	FP-675477		.060" thick
6	Grommet	05-95	FP-682810		Injector dust cover
6	Fuel Injector Sleeve	05-00	FP-1833382		Eng. Ser. No. 1194039-2000000
6	Fuel Injector Sleeve	99-95	FP-1818778		To Eng. Ser. No. 1194038
6	Fuel Injector Repair Kit	05-95	FP-1833564		Incl. all seals to repair/replace Fuel Injector
QTY	TURBOCHARGER	YEARS	PART NO.	SIZE	DESCRIPTION
1	Turbocharger Oil Inlet Gasket	05-95	FP-253660		
1	Turbocharger Mounting Gasket	05-95	FP-1822120		

(continued on next page)

M/D Truck DT530E, I530E, HEUI Engs. H/D Truck DT530E, I530E, HEUI Engs. **50**
 8.7L 530 OHV Turbo-Diesel L6 (Intercooled), 4.587" Bore 1995-2005 (cont.)

COOLING SYSTEM

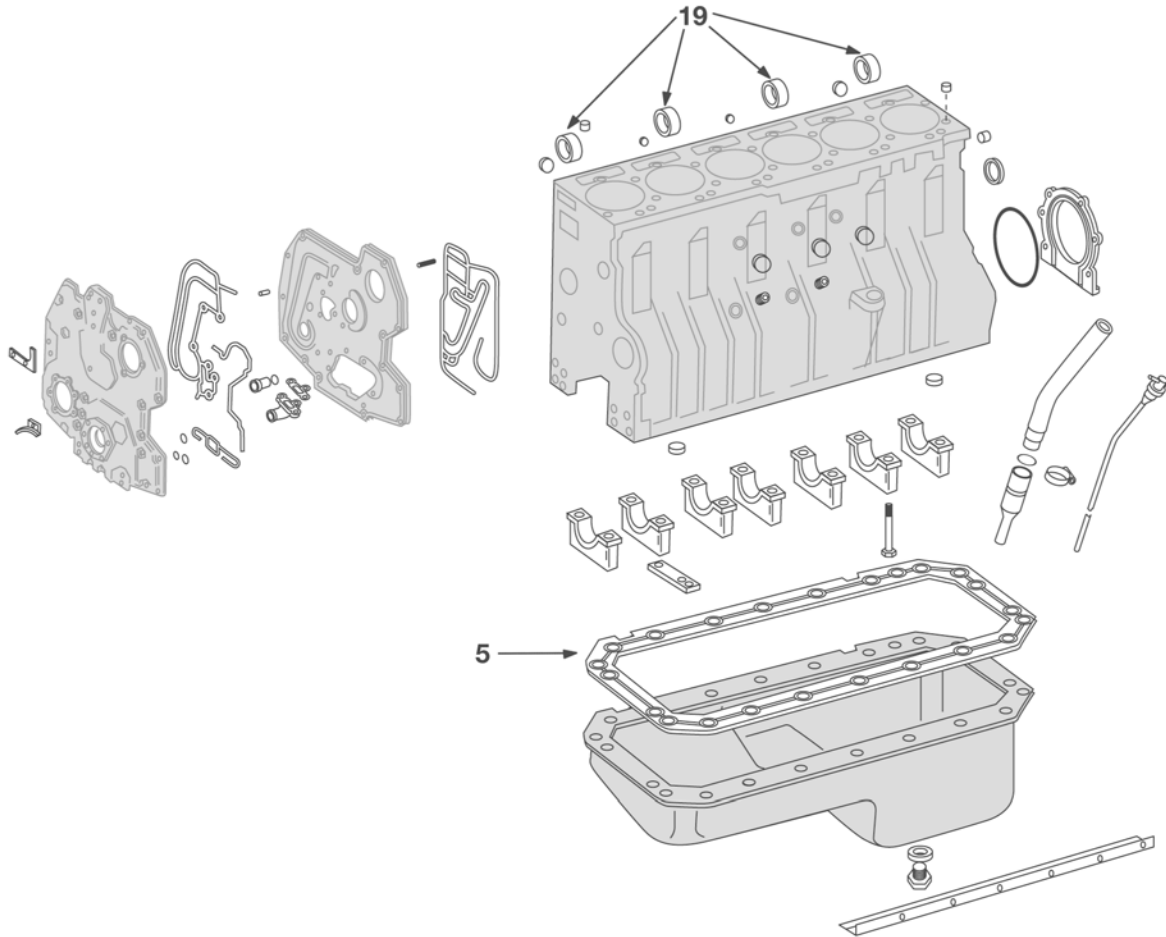


REF #	QTY	WATER PUMP	YEARS	PART NO.	SIZE	DESCRIPTION
1	1	Water Pump - Heavy Duty	05-95	FP-1817687		w/7 bolt mounting flange
REF #	QTY	THERMOSTAT	YEARS	PART NO.	SIZE	DESCRIPTION
21	1	Thermostat Kit	05-95	FP-1830256		Incl. thermostat & seal

(continued on next page)

50 M/D Truck DT530E, I530E, HEUI Engs. H/D Truck DT530E, I530E, HEUI Engs.
 (cont.) 8.7L 530 OHV Turbo-Diesel L6 (Intercooled), 4.587" Bore 1995-2005

ENGINE BLOCK & PARTS

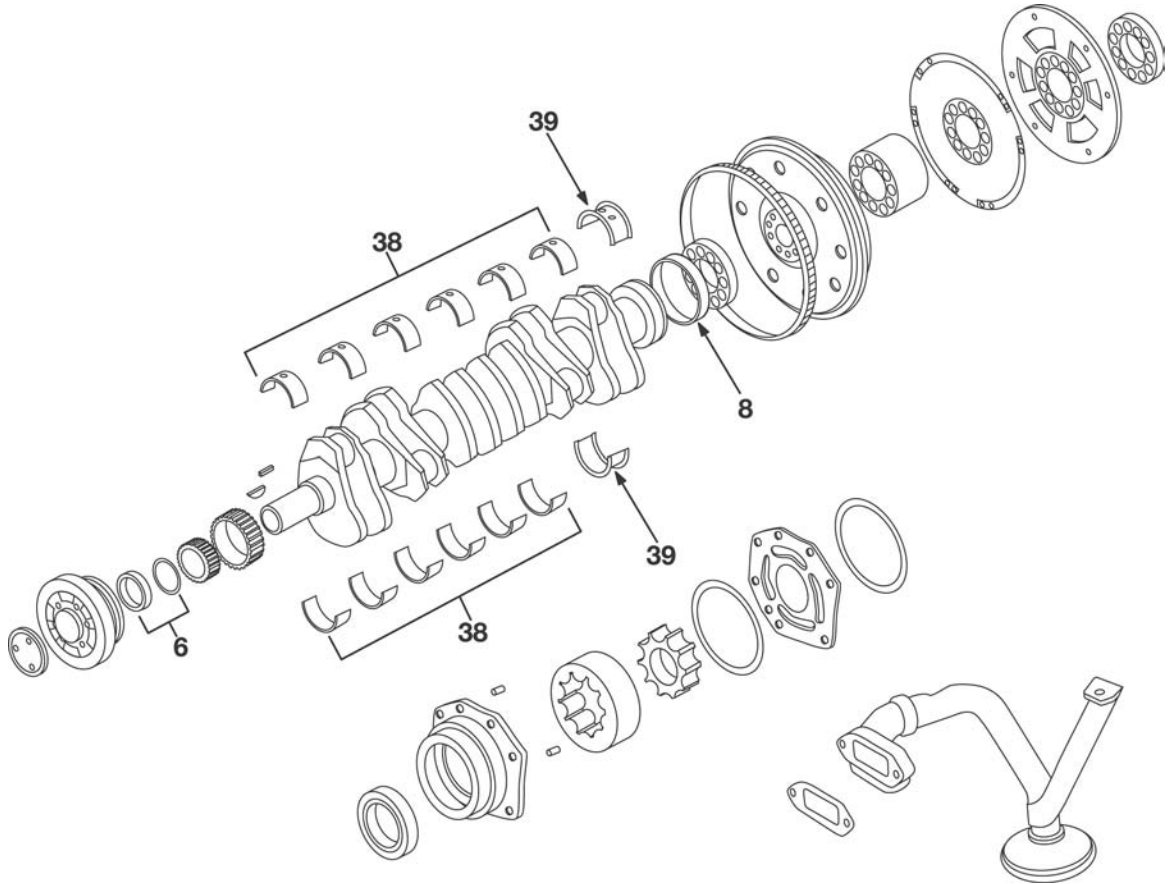


REF #	QTY	GASKETS	YEARS	PART NO.	SIZE	DESCRIPTION
5	1	Oil Pan Gasket	05-95	FP-1826587		
	1	Chemicals	05-95	FP-1816593		Oil Pan; RTV Sealant
REF #	QTY	CAM BEARINGS	YEARS	PART NO.	SIZE	DESCRIPTION
19	1	Cam Set	05-95	FP-680117	STD	
REF #	QTY	OIL COOLERS & FILTERS	YEARS	PART NO.	SIZE	DESCRIPTION
	1	O-Ring	05-95	FP-1822708		Oil cooler filter head check valve

(continued on next page)

M/D Truck DT530E, I530E, HEUI Engs. H/D Truck DT530E, I530E, HEUI Engs. **50**
 8.7L 530 OHV Turbo-Diesel L6 (Intercooled), 4.587" Bore 1995-2005 (cont.)

CRANKSHAFT/OIL PUMP

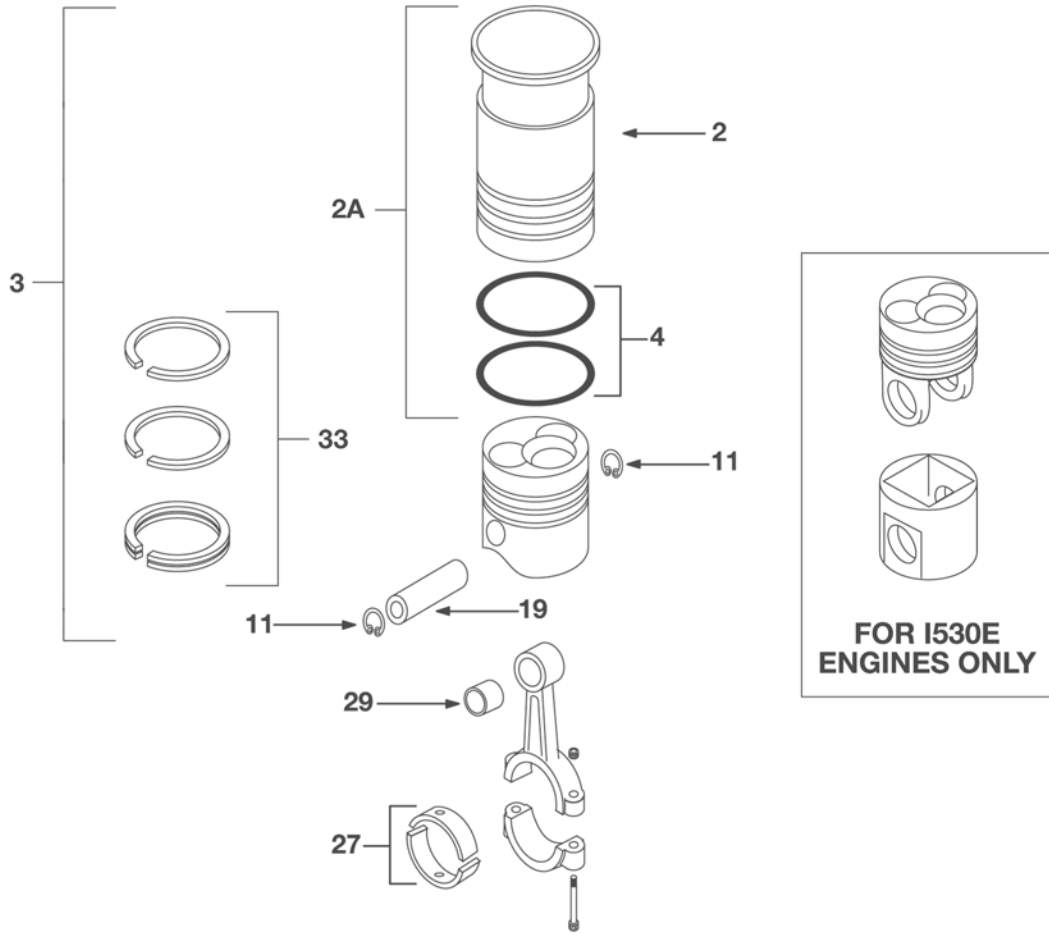


REF #	QTY	SEALS - FRONT CRANK	YEARS	PART NO.	SIZE	DESCRIPTION
6	1	Oil Seal Kit	05-95	FP-690437		Incl. seal & wear sleeve
REF #	QTY	SEALS - REAR CRANK	YEARS	PART NO.	SIZE	DESCRIPTION
8	1	Oil Seal Kit	05-95	FP-1817867		Incl. seal & wear sleeve
REF #	QTY	MAIN BEARINGS	YEARS	PART NO.	SIZE	DESCRIPTION
38	6	Plain Main Brg.	05-00	FP-1830725	STD	Eng. Ser. No. 1194039-2000000
38	6	Plain Main Brg.	05-00	FP-1833364	.25MM	Eng. Ser. No. 1194039-2000000
38	6	Plain Main Brg.	05-00	FP-1833365	.50MM	Eng. Ser. No. 1194039-2000000
38	6	Plain Main Brg.	05-00	FP-1833366	.75MM	Eng. Ser. No. 1194039-2000000
38	6	Plain Main Brg.	99-95	FP-1822321	STD	Position 1-2-3-4-5-6; To Eng. Ser. No. 1194038
38	6	Plain Main Brg.	99-95	FP-1822490	10	Position 1-2-3-4-5-6; To Eng. Ser. No. 1194038
38	6	Plain Main Brg.	99-95	FP-1822491	20	Position 1-2-3-4-5-6; To Eng. Ser. No. 1194038
38	6	Plain Main Brg.	99-95	FP-1822492	30	Position 1-2-3-4-5-6; To Eng. Ser. No. 1194038
39	1	Flanged Main Brg.	05-00	FP-1830726	STD	Eng. Ser. No. 1194039-2000000
39	1	Flanged Main Brg.	05-00	FP-1833361	.25MM	Eng. Ser. No. 1194039-2000000
39	1	Flanged Main Brg.	05-00	FP-1833362	.50MM	Eng. Ser. No. 1194039-2000000
39	1	Flanged Main Brg.	05-00	FP-1833363	.75MM	Eng. Ser. No. 1194039-2000000
39	1	Flanged Main Brg.	99-95	FP-1822379	STD	Position 7; To Eng. Ser. No. 1194038
39	1	Flanged Main Brg.	99-95	FP-1822494	10	Position 7; To Eng. Ser. No. 1194038
39	1	Flanged Main Brg.	99-95	FP-1822495	20	Position 7; To Eng. Ser. No. 1194038
39	1	Flanged Main Brg.	99-95	FP-1822496	30	Position 7; To Eng. Ser. No. 1194038
REF #	QTY	OIL PUMP	YEARS	PART NO.	SIZE	DESCRIPTION
1	1	Oil Pump Gasket	05-95	FP-1815898		High pressure oil pump flange gskt.

(continued on next page)

50 M/D Truck DT530E, I530E, HEUI Engs. H/D Truck DT530E, I530E, HEUI Engs.
(cont.) 8.7L 530 OHV Turbo-Diesel L6 (Intercooled), 4.587" Bore 1995-2005

CYLINDER COMPONENTS



REF #	QTY	LINERS	YEARS	PART NO.	SIZE	DESCRIPTION
2	6	Liner w/o Sealing Ring	05-95	FP-1841326	STD	
2A	6	Liner w/Sealing Rings	05-95	FP-1842553	STD	
3	6	Cylinder Kit Complete	05-00	FP-1830715 *	STD	Eng. Ser. No. 1194039 & above; 275 HP & below
3	6	Cylinder Kit Complete	05-00	FP-1841896	STD	Eng. Ser. No. 1194039 & above; 300 HP & above
3	6	Cylinder Kit Complete	05-00	FP-1830716	STD	Incl. Articulated Piston; Eng. Ser. No. 1194039 & above; 300 HP & above
3	6	Cylinder Kit Complete	99-95	FP-1825547 *	STD	Eng. Ser. No. 1194038 & below; 250 HP & 275 HP
3	6	Cylinder Kit Complete	99-95	FP-1825548 *	STD	Eng. Ser. No. 1194038 & below; 300 HP & above
4	6	Cyl. Liner Sealing Ring Kit	05-95	FP-1822322		
4	6	Sealing Ring, Liner	05-95	FP-1817633		
4	6	Sealing Ring, Liner	05-95	FP-1842115		PTFE
REF #	QTY	PISTONS	YEARS	PART NO.	SIZE	DESCRIPTION
11	12	Piston Pin Retainer	05-95	FP-1818702		
29	6	Pin Bushing	02-95	FP-1818598		
REF #	QTY	CONNECTING RODS & BRGS.	YEARS	PART NO.	SIZE	DESCRIPTION
27	6	Rod Pair	05-00	FP-1842570	STD	I530E Eng. Ser. No. 1194039-2000000
27	6	Rod Pair	99-95	FP-1822389	STD	To Eng. Ser. No. 1194038
27	6	Rod Pair	99-95	FP-1822486	10	To Eng. Ser. No. 1194038
27	6	Rod Pair	99-95	FP-1822487	20	To Eng. Ser. No. 1194038
REF #	QTY	PISTON RINGS	YEARS	PART NO.	SIZE	DESCRIPTION
33	6	Ring Set Single Cylinder	05-00	FP-1836193	STD	Eng. Ser. No. 1194039-2000000; Use w/Articulated Piston FP-1836320
33	6	Ring Set Single Cylinder	05-00	FP-1830723	STD	Eng. Ser. No. 1194039-2000000; Use w/FP-1830532 (O.E. 1830532C2) Piston
33	6	Ring Set Single Cylinder	05-00	FP-1830724	STD	Eng. Ser. No. 1305095-2000000; Use w/Articulated Piston FP-1827245
33	6	Ring Set Single Cylinder	99-95	FP-1822337		Eng. Ser. No. 1194038 & below



International/Navistar Truck

H/D Truck V537, VS537 Eng. 51
8.8L 537 OHV V8 (16 Valve), 4.625" Bore 1977-81

CYL. HEAD & PARTS					
QTY	VALVE	YEARS	PART NO.	SIZE	DESCRIPTION
32	Keeper	81-77	VK-140		
QTY	VALVE GUIDE	YEARS	PART NO.	SIZE	DESCRIPTION
8	Guide	81-77	VG-549		Int.; .4385" ID, 3.0900" O.A.L.
QTY	VALVE SPRING	YEARS	PART NO.	SIZE	DESCRIPTION
16	Spring	81-77	FP-317365		Incl. damper; 2.0500" Free Height
QTY	VALVE MISC.	YEARS	PART NO.	SIZE	DESCRIPTION
8	Rotocap Assy.	81-77	FP-RC126SA		Exh.; Incl. Rotocap & Valve Spring
8	Rotocap	81-77	FP-443128		Exh.
QTY	VALVE SEAL	YEARS	PART NO.	SIZE	DESCRIPTION
16	Valve Stem Seal	81-77	MV-1914		Umbrella type; Nylon

ENGINE BLOCK & PARTS					
QTY	GASKETS	YEARS	PART NO.	SIZE	DESCRIPTION
1	Oil Pan Gasket	81-77	FP-448428		
QTY	CAM BEARINGS	YEARS	PART NO.	SIZE	DESCRIPTION
1	Cam Set	81-77	FP-448139	STD	

CRANKSHAFT/OIL PUMP					
QTY	SEALS - REAR CRANK	YEARS	PART NO.	SIZE	DESCRIPTION
1	Rear Main Seal Set	81-77	260-6017		Rubber; One-piece; Wear sleeve incl.
QTY	MAIN BEARINGS	YEARS	PART NO.	SIZE	DESCRIPTION
1	Main Set	81-77	FP-5032M	STD	
1	Main Set	81-77	FP-5032M10	10	
1	Main Set	81-77	FP-5032M20	20	
1	Main Set	81-77	FP-5032M30	30	
4	Plain Main Brg.	81-77	FP-480842	STD	Position 1-2-4-5
4	Plain Main Brg.	81-77	FP-480843	10	Position 1-2-4-5
4	Plain Main Brg.	81-77	FP-480844	20	Position 1-2-4-5
4	Plain Main Brg.	81-77	FP-480845	30	Position 1-2-4-5
1	Flanged Main Brg.	81-77	FP-448064	STD	Position 3
1	Flanged Main Brg.	81-77	FP-480847	10	Position 3
1	Flanged Main Brg.	81-77	FP-480848	20	Position 3
1	Flanged Main Brg.	81-77	FP-480849	30	Position 3

M/D Truck FTV549, FTVS549, V549, VS549 Eng. 52
9.0L 549 OHV V8 (16 Valve), 4.5" Bore 1961-64

CYL. HEAD & PARTS					
QTY	VALVE	YEARS	PART NO.	SIZE	DESCRIPTION
32	Keeper	64-61	VK-140		
QTY	VALVE SEAT	YEARS	PART NO.	SIZE	DESCRIPTION
8	Int.	64-61	245-2250-1	Std Only	Machine ID to fit; 2.2555" OD, 1.9375" ID, .1855" Depth
QTY	VALVE SPRING	YEARS	PART NO.	SIZE	DESCRIPTION
16	Spring	64-61	FP-317365		Late Eng.s.; Incl. damper; 2.0500" Free Height
QTY	VALVE MISC.	YEARS	PART NO.	SIZE	DESCRIPTION
8	Rotocap Assy.	64-61	FP-RC126SA		Exh.; Incl. Rotocap & Valve Spring
8	Rotocap	64-61	FP-443128		Exh.
QTY	VALVE SEAL	YEARS	PART NO.	SIZE	DESCRIPTION
16	Valve Stem Seal	64-61	ST-2007		Positive type; Rubber
16	O-Ring	64-61	FP-111024		Rubber
16	Valve Stem Seal	64-61	MV-1551		Late Eng.s.; O-Ring; Carton of 50; Rubber
16	Valve Stem Seal Bulk	64-61	FP-111024B		O-Ring; Carton of 100; Rubber

CAMSHAFT GROUP					
QTY	CAMSHAFT/LIFTER	YEARS	PART NO.	SIZE	DESCRIPTION
1	Camshaft	64-61	CS-218		
1	Prelube	64-61	55-400		4 oz. bottle; 1.5 oz. packet No. 55-403 also avail.

ENGINE BLOCK & PARTS					
QTY	GASKETS	YEARS	PART NO.	SIZE	DESCRIPTION
1	Oil Pan Gasket	64-61	FP-448428		
QTY	GASKET SETS	YEARS	PART NO.	SIZE	DESCRIPTION
1	Kit Gasket Set	64-61	260-1115		Note: head gskt. requires retorque; Valve stem seals from Ser. No. 139494 not incl.

(continued on next page)

52 M/D Truck FTV549, FTVS549, V549, VS549 Engs.						
(cont.) 9.0L 549 OHV V8 (16 Valve), 4.5" Bore 1961-64						
ENGINE BLOCK & PARTS (cont.)						
QTY	CAM BEARINGS	YEARS	PART NO.	SIZE	DESCRIPTION	
1	Cam Set	64-61	FP-448139	STD		
CRANKSHAFT/OIL PUMP						
QTY	SEALS - FRONT CRANK	YEARS	PART NO.	SIZE	DESCRIPTION	
1	Redi-Sleeve	64-61	99248			
1	Oil Seal	64-61	7581H			
QTY	SEALS - REAR CRANK	YEARS	PART NO.	SIZE	DESCRIPTION	
1	Oil Seal Kit	64-61	5065			
CYLINDER COMPONENTS						
QTY	PISTONS	YEARS	PART NO.	SIZE	DESCRIPTION	
8	Pin Bushing	64-61	2199Y20			
QTY	CONNECTING RODS & BRGS.	YEARS	PART NO.	SIZE	DESCRIPTION	
8	Rod Pair	64-61	FP-2195CP	STD		
1	Rod Pair	64-61	FP-2195CP10	10		
QTY	PISTON RINGS	YEARS	PART NO.	SIZE	DESCRIPTION	
1	Premium Set	64-61	FP-E308K	STD	Check piston grooving before supplying ring set; 2-3/32, 1-3/16	
KITS						
RE-RING KIT				QTY	PREMIUM KIT NO.	ECONOMY KIT NO.
YEARS	DESCRIPTION					
64-61	Note: head gskt. requires retorque; Valve stem seals from Ser. No. 139494 not incl.		Re-ring	1	FP-205701	----
53 H/D Truck FTV549, FTVS549, V549, VS549 Engs.						
9.0L 549 OHV V8 (16 Valve), 4.5" Bore 1961-76						
CYL. HEAD & PARTS						
QTY	VALVE	YEARS	PART NO.	SIZE	DESCRIPTION	
32	Keeper	76-61	VK-140			
QTY	VALVE SEAT	YEARS	PART NO.	SIZE	DESCRIPTION	
8	Int.	76-61	245-2250-1	Std Only	Machine ID to fit; 2.2555" OD, 1.9375" ID, .1855" Depth	
QTY	VALVE SPRING	YEARS	PART NO.	SIZE	DESCRIPTION	
16	Spring	76-61	FP-317365		Late Engs.; Incl. damper; 2.0500" Free Height	
QTY	VALVE MISC.	YEARS	PART NO.	SIZE	DESCRIPTION	
8	Rotocap Assy.	76-61	FP-RC126SA		Exh.; Late Engs.; Incl. Rotocap & Valve Spring	
8	Rotocap	76-61	FP-443128		Exh.; Late Engs.	
QTY	VALVE SEAL	YEARS	PART NO.	SIZE	DESCRIPTION	
16	Valve Stem Seal	76-61	ST-2007		Positive type; Rubber	
16	O-Ring	76-61	FP-111024		From Ser. No. 139494; Rubber	
16	Valve Stem Seal	76-61	MV-1551		Late Engs.; O-Ring; Carton of 50; Rubber	
16	Valve Stem Seal Bulk	76-61	FP-111024B		From Ser. No. 139494; O-Ring; Carton of 100; Rubber	
CAMSHAFT GROUP						
QTY	CAMSHAFT/LIFTER	YEARS	PART NO.	SIZE	DESCRIPTION	
1	Camshaft	76-61	CS-218			
1	Prelube	76-61	55-400		4 oz. bottle; 1.5 oz. packet No. 55-403 also avail.	
ENGINE BLOCK & PARTS						
QTY	GASKETS	YEARS	PART NO.	SIZE	DESCRIPTION	
1	Oil Pan Gasket	76-61	FP-448428			
QTY	GASKET SETS	YEARS	PART NO.	SIZE	DESCRIPTION	
1	Kit Gasket Set	76-61	260-1115		Note: head gskt. requires retorque; Valve stem seals from Ser. No. 139494 not incl.	
QTY	CAM BEARINGS	YEARS	PART NO.	SIZE	DESCRIPTION	
1	Cam Set	76-61	FP-448139	STD		
CRANKSHAFT/OIL PUMP						
QTY	SEALS - FRONT CRANK	YEARS	PART NO.	SIZE	DESCRIPTION	
1	Redi-Sleeve	76-61	99248			
1	Oil Seal	76-61	7581H			
QTY	SEALS - REAR CRANK	YEARS	PART NO.	SIZE	DESCRIPTION	
1	Oil Seal Kit	76-61	5065			

(continued on next page)



International/Navistar Truck

H/D Truck **FTV549, FTVS549, V549, VS549 Engs. 53**
 9.0L 549 OHV V8 (16 Valve), 4.5" Bore 1961-76 (cont.)

CYLINDER COMPONENTS

QTY	PISTONS	YEARS	PART NO.	SIZE	DESCRIPTION
8	Pin Bushing	76-61	2199Y20		
QTY	CONNECTING RODS & BRGS.	YEARS	PART NO.	SIZE	DESCRIPTION
8	Rod Pair	76-61	FP-2195CP	STD	
1	Rod Pair	76-61	FP-2195CP10	10	
QTY	PISTON RINGS	YEARS	PART NO.	SIZE	DESCRIPTION
1	Premium Set	76-61	FP-E308K	STD	Check piston grooving before supplying ring set; 2-3/32, 1-3/16

KITS

RE-RING KIT	YEARS	DESCRIPTION	QTY	PREMIUM KIT NO.	QTY	ECONOMY KIT NO.
76-61	Note: head gskt. requires retorque; Valve stem seals from Ser. No. 139494 not incl.	Re-ring	1	FP-205701		----

M/D Truck **D150, D170, D190, DV550, DV550B Engs. H/D Truck D150, D170, D190, DV550, DV550B Engs. 54**
 9.0L 549 OHV Diesel V8 (16 Valve), 4.5" Bore 1968-79

CYL. HEAD & PARTS

QTY	VALVE	YEARS	PART NO.	SIZE	DESCRIPTION
32	Keeper	79-69	FP-41339		1 groove; Square cut key groove
32	Keeper	79-69	VK-138		1 groove; Square cut key groove; Carton pack 32
32	Keeper	79-69	VK-138R		1 groove; Square cut key groove; Hardened
32	Keeper, Bulk	79-69	VK-138B		1 groove; Square cut key groove; Carton of 1000
QTY	VALVE SPRING	YEARS	PART NO.	SIZE	DESCRIPTION
16	Spring	79-69	FP-317365		Incl. damper; 2.0500" Free Height
QTY	VALVE MISC.	YEARS	PART NO.	SIZE	DESCRIPTION
8	Rotocap Assy.	79-69	FP-RC126SA		Exh.; Incl. Rotocap & Valve Spring
8	Rotocap	79-69	FP-443128		Exh.
QTY	VALVE SEAL	YEARS	PART NO.	SIZE	DESCRIPTION
16	O-Ring	79-69	FP-111024		Rubber
16	Valve Stem Seal Bulk	79-69	FP-111024B		O-Ring; Carton of 100; Rubber

ENGINE BLOCK & PARTS

QTY	GASKETS	YEARS	PART NO.	SIZE	DESCRIPTION
1	Oil Pan Gasket	79-69	FP-448428		
QTY	CAM BEARINGS	YEARS	PART NO.	SIZE	DESCRIPTION
1	Cam Set	79-69	FP-448139	STD	

CRANKSHAFT/OIL PUMP

QTY	SEALS - FRONT CRANK	YEARS	PART NO.	SIZE	DESCRIPTION
1	Redi-Sleeve	79-75	99248		
1	Oil Seal	79-75	7581H		
QTY	SEALS - REAR CRANK	YEARS	PART NO.	SIZE	DESCRIPTION
1	Oil Seal Kit	79-75	5065		
1	Rear Main Seal Set	79-69	260-6017		Rubber; One-piece; Wear sleeve incl.
QTY	MAIN BEARINGS	YEARS	PART NO.	SIZE	DESCRIPTION
1	Main Set	79-69	FP-5032M	STD	
1	Main Set	79-69	FP-5032M10	10	
1	Main Set	79-69	FP-5032M20	20	
1	Main Set	79-69	FP-5032M30	30	
4	Plain Main Brg.	79-69	FP-480842	STD	Position 1-2-4-5
4	Plain Main Brg.	79-69	FP-480843	10	Position 1-2-4-5
4	Plain Main Brg.	79-69	FP-480844	20	Position 1-2-4-5
4	Plain Main Brg.	79-69	FP-480845	30	Position 1-2-4-5
1	Flanged Main Brg.	79-69	FP-448064	STD	Position 3
1	Flanged Main Brg.	79-69	FP-480847	10	Position 3
1	Flanged Main Brg.	79-69	FP-480848	20	Position 3
1	Flanged Main Brg.	79-69	FP-480849	30	Position 3

International/Navistar Truck



55 M/D Truck V549, VS549 Engs. (LPG). H/D Truck V549, VS549 Engs. (LPG).
9.0L 549 OHV LPG V8 (16 Valve), 4.5" Bore

CYL. HEAD & PARTS				
	QTY	VALVE	PART NO.	SIZE DESCRIPTION
	32	Keeper	VK-140	
	QTY	VALVE SEAT	PART NO.	SIZE DESCRIPTION
	8	Int.	245-2250-1	Std Only Machine ID to fit; 2.2555" OD, 1.9375" ID, .1855" Depth
	QTY	VALVE SPRING	PART NO.	SIZE DESCRIPTION
	16	Spring	FP-317365	Late Engs.; Incl. damper; 2.0500" Free Height
	QTY	VALVE SEAL	PART NO.	SIZE DESCRIPTION
	16	Valve Stem Seal	ST-2007	Positive type; Rubber
	16	O-Ring	FP-111024	From Ser. No. 139494; Rubber
	16	Valve Stem Seal	MV-1551	Late Engs.; O-Ring; Carton of 50; Rubber
	16	Valve Stem Seal Bulk	FP-111024B	From Ser. No. 139494; O-Ring; Carton of 100; Rubber
CAMSHAFT GROUP				
	QTY	CAMSHAFT/LIFTER	PART NO.	SIZE DESCRIPTION
	1	Camshaft	CS-218	
	1	Prelube	55-400	4 oz. bottle; 1.5 oz. packet No. 55-403 also avail.
ENGINE BLOCK & PARTS				
	QTY	GASKETS	PART NO.	SIZE DESCRIPTION
	1	Oil Pan Gasket	FP-448428	
	QTY	GASKET SETS	PART NO.	SIZE DESCRIPTION
	1	Kit Gasket Set	260-1115	Note: head gskt. requires retorque; Valve stem seals from Ser. No. 139494 not incl.
	QTY	CAM BEARINGS	PART NO.	SIZE DESCRIPTION
	1	Cam Set	FP-448139	STD
CYLINDER COMPONENTS				
	QTY	PISTONS	PART NO.	SIZE DESCRIPTION
	8	Pin Bushing	2199Y20	



9.0L Engine

Global Technology Behind Every Part

Overview

The 9.0 LITER diesel engine was first introduced in 1983. It is used in On-Highway truck and bus applications.

The 9.0L can be identified by the permanent engine number stamped on the right bank, upper front of the engine.

Engine Type Diesel, 4-cycle
 Configuration..... V8
 Displacement 551 cu. In. (9.0 Liters)
 Bore and Stroke 4.510 x 4.313 in.
 (114.6 x 109.6 mm)
 Combustion System..... Direct Injection
 Total Engine Weight (Dry)..... 1270 lb. (576 kg)

9.0L Re-Ring Kit

KIT NUMBER	COMPONENT NO.	QTY.	PART SIZE	PART DESCRIPTION	PART APPLICATION
FP-RR-9.0	FP-434466	8	Std.	Ring Set, Single Cylinder	
	FP-434467	8	10	Ring Set, Single Cylinder	
	FP-434468	8	20	Ring Set, Single Cylinder	
	FP-434469	8	30	Ring Set, Single Cylinder	
	FP-1700248	8	Std.	Rod Bearing Pair	
	FP-1700702	8	10	Rod Bearing Pair	
	FP-1700703	8	20	Rod Bearing Pair	
	FP-1700704	8	30	Rod Bearing Pair	
	FP-5032M	1	Std.	Main Bearing Set	
	FP-5032M 10	1	10	Main Bearing Set	
	FP-5032M 20	1	20	Main Bearing Set	
	FP-5032M 30	1	30	Main Bearing Set	
	FP-448428	1		Oil Pan Gasket Set	
	FP-1814913	1		Head Gasket Set	





9.0L Engine

Global Technology Behind Every Part

9.0L In-Frame Overhaul

KIT NUMBER	COMPONENT NO.	QTY.	PART SIZE	PART DESCRIPTION	PART APPLICATION
FP-IFK-9.0	FP-1700236-WR	8	Std.	Piston w/Pin, Retainer & Rings	
	FP-1700237-WR	8	10	Piston w/Pin, Retainer & Rings	
	FP-1700238-WR	8	20	Piston w/Pin, Retainer & Rings	
	FP-1700239-WR	8	30	Piston w/Pin, Retainer & Rings	
	FP-1700248	8	Std.	Rod Bearing Pair	
	FP-1700702	8	10	Rod Bearing Pair	
	FP-1700703	8	20	Rod Bearing Pair	
	FP-1700704	8	30	Rod Bearing Pair	
	FP-5032M	1	Std.	Main Bearing Set	
	FP-5032M 10	1	10	Main Bearing Set	
	FP-5032M 20	1	20	Main Bearing Set	
	FP-5032M 30	1	30	Main Bearing Set	
	FP-448428	1		Oil Pan Gasket Set	
	FP-1814913	1		Head Gasket Set	

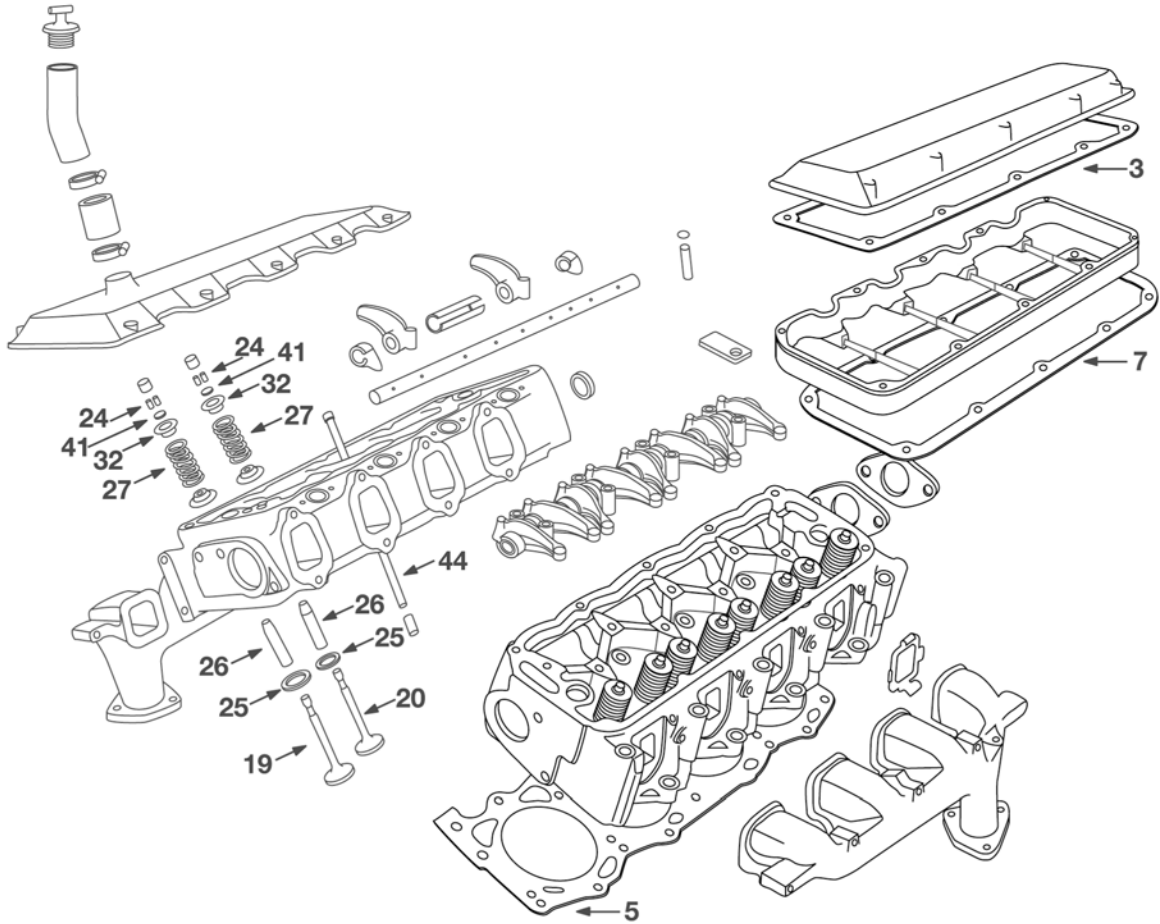
9.0L Complete Overhaul

KIT NUMBER	COMPONENT NO.	QTY.	PART SIZE	PART DESCRIPTION	PART APPLICATION
FP-IFK-9.0-OH	FP-1700236-WR	8	Std.	Piston w/Pin, Retainer & Rings	
	FP-1700237-WR	8	10	Piston w/Pin, Retainer & Rings	
	FP-1700238-WR	8	20	Piston w/Pin, Retainer & Rings	
	FP-1700239-WR	8	30	Piston w/Pin, Retainer & Rings	
	FP-1700248	8	Std.	Rod Bearing Pair	
	FP-1700702	8	10	Rod Bearing Pair	
	FP-1700703	8	20	Rod Bearing Pair	
	FP-1700704	8	30	Rod Bearing Pair	
	FP-5032M	1	Std.	Main Bearing Set	
	FP-5032M 10	1	10	Main Bearing Set	
	FP-5032M 20	1	20	Main Bearing Set	
	FP-5032M 30	1	30	Main Bearing Set	
	FP-1700549	1		Lower Gasket Set	
	FP-1814913	1		Head Gasket Set	



M/D Truck 9.0L Diesel Eng. H/D Truck 9.0L Diesel Eng. 56
9.0L 551 OHV Diesel V8 (16 Valve), 4.5" Bore 1980-88

CYL. HEAD & PARTS

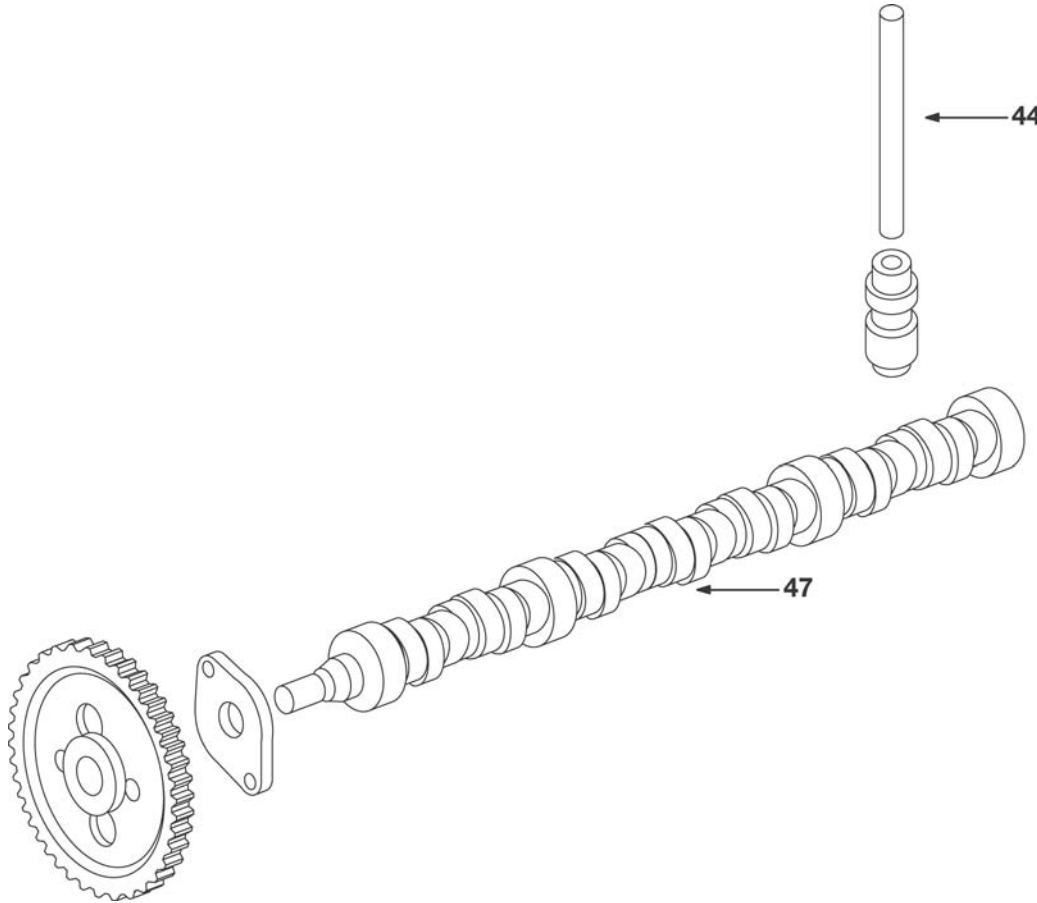


REF #	QTY	GASKETS	YEARS	PART NO.	SIZE	DESCRIPTION
3	2	Valve Cover Gasket	88-80	FP-489105		
5	2	Head Gasket	88-80	FP-1813654		
	1	Head Set	88-80	FP-1814913		
7	2	Cylinder Head Extension Gskt.	88-80	FP-489104		
REF #	QTY	VALVE	YEARS	PART NO.	SIZE	DESCRIPTION
19	8	Intake	88-80	FP-489101		
20	8	Exhaust	88-80	FP-1701325		
24	32	Keeper	88-80	FP-41339		1 groove; Square cut key groove
24	32	Keeper	88-80	VK-138		1 groove; Square cut key groove; Carton pack 32
24	32	Keeper	88-80	VK-138R		1 groove; Square cut key groove; Hardened
24	32	Keeper, Bulk	88-80	VK-138B		1 groove; Square cut key groove; Carton of 1000
REF #	QTY	VALVE SEAT	YEARS	PART NO.	SIZE	DESCRIPTION
25	8	Exh.	88-80	FP-1700609	2	
25	8	Int.	88-80	FP-1700591	2	
REF #	QTY	VALVE GUIDE	YEARS	PART NO.	SIZE	DESCRIPTION
26	16	Guide	88-80	FP-428046		Exh. & Int.; .3753" ID, 2.9600" O.A.L.
REF #	QTY	VALVE SPRING	YEARS	PART NO.	SIZE	DESCRIPTION
27	16	Spring	88-80	FP-317365		Incl. damper; 2.0500" Free Height
REF #	QTY	PUSH RODS	YEARS	PART NO.	SIZE	DESCRIPTION
44	16	Push Rod	88-80	FP-280623		10.6400" O.A.L.
REF #	QTY	VALVE MISC.	YEARS	PART NO.	SIZE	DESCRIPTION
32	8	Rotocap Assy.	88-80	FP-RC126SA		Exh.; Incl. Rotocap & Valve Spring
32	8	Rotocap	88-80	FP-443128		Exh.
REF #	QTY	VALVE SEAL	YEARS	PART NO.	SIZE	DESCRIPTION
41	16	O-Ring	88-80	FP-111024		Rubber
41	16	Valve Stem Seal Bulk	88-80	FP-111024B		O-Ring; Carton of 100; Rubber

(continued on next page)

56 *M/D Truck 9.0L Diesel Eng. H/D Truck 9.0L Diesel Eng.*
 (cont.) 9.0L 551 OHV Diesel V8 (16 Valve), 4.5" Bore 1980-88

CAMSHAFT GROUP



REF #	QTY	CAMSHAFT/LIFTER	YEARS	PART NO.	SIZE	DESCRIPTION
47	1	Camshaft	88-80	FP-489172		
	1	Prelube	88-80	55-400		4 oz. bottle; 1.5 oz. packet No. 55-403 also avail.

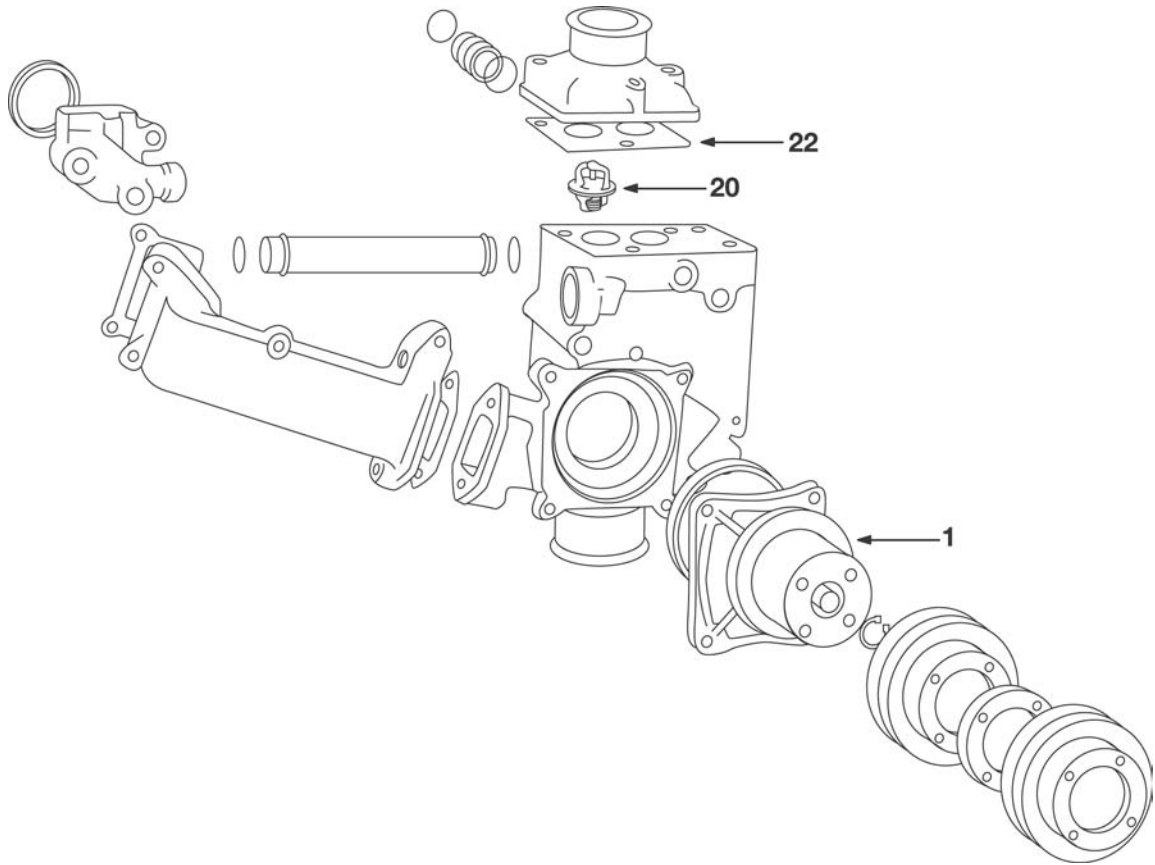
FUEL SYSTEM & PARTS

QTY	FUEL INJECTION	YEARS	PART NO.	SIZE	DESCRIPTION
8	Fuel Injector Seal	88-80	FP-489120		
QTY	FUEL FILTERS & PUMP	YEARS	PART NO.	SIZE	DESCRIPTION
1	O-Ring	88-80	FP-489256		Inj. to cyl. head

(continued on next page)

M/D Truck 9.0L Diesel Eng. H/D Truck 9.0L Diesel Eng. **56**
 9.0L 551 OHV Diesel V8 (16 Valve), 4.5" Bore 1980-88 (cont.)

COOLING SYSTEM

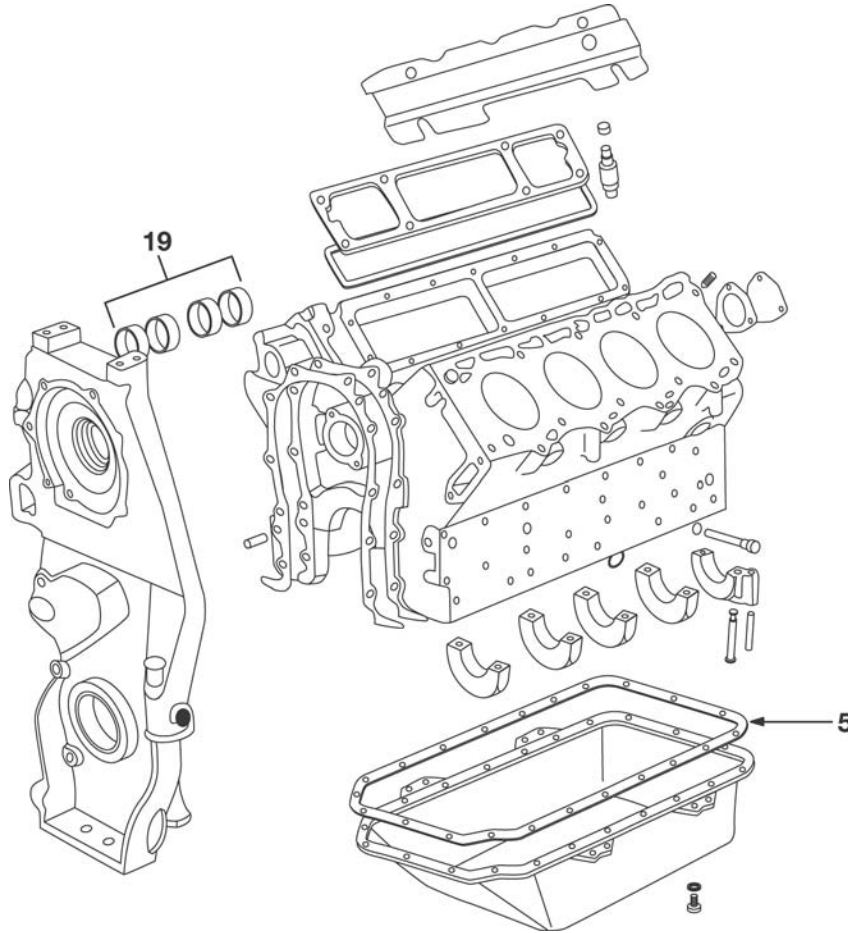


REF #	QTY	WATER PUMP	YEARS	PART NO.	SIZE	DESCRIPTION
1	1	Water Pump - Heavy Duty	88-80	FP-1700594		
REF #	QTY	THERMOSTAT	YEARS	PART NO.	SIZE	DESCRIPTION
20	1	Thermostat	88-80	FP-446437		180 Deg.
22	1	Thermostat Gasket	88-80	FP-489193		

(continued on next page)

56 M/D Truck 9.0L Diesel Eng. H/D Truck 9.0L Diesel Eng.
 (cont.) 9.0L 551 OHV Diesel V8 (16 Valve), 4.5" Bore 1980-88

ENGINE BLOCK & PARTS

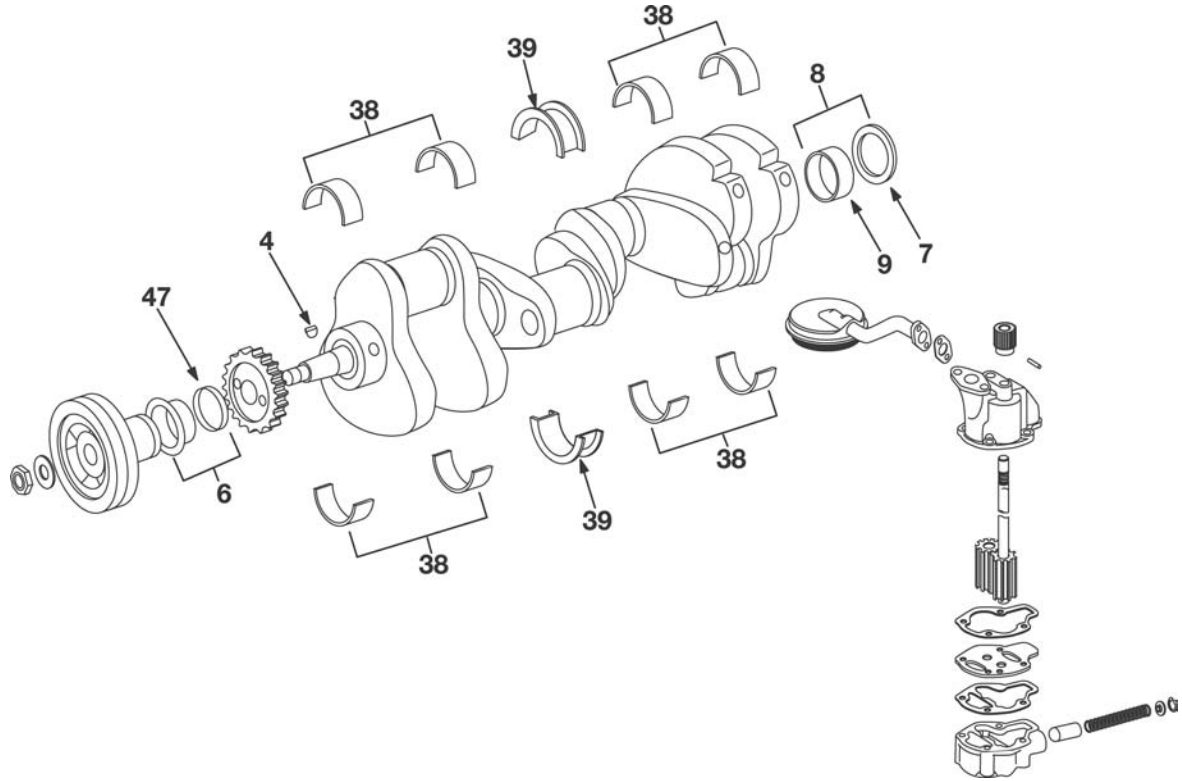


REF #	QTY	GASKETS	YEARS	PART NO.	SIZE	DESCRIPTION
	5	Oil Pan Gasket	88-80	FP-448428		
REF #	QTY	GASKET SETS	YEARS	PART NO.	SIZE	DESCRIPTION
	1	Lower Gasket Set	88-80	FP-1700549		
REF #	QTY	CAM BEARINGS	YEARS	PART NO.	SIZE	DESCRIPTION
	19	Cam Set	88-80	FP-448139	STD	
REF #	QTY	OIL COOLERS & FILTERS	YEARS	PART NO.	SIZE	DESCRIPTION
	1	Oil Cooler Gasket	88-80	FP-448427		

(continued on next page)

M/D Truck 9.0L Diesel Eng. H/D Truck 9.0L Diesel Eng. **56**
 9.0L 551 OHV Diesel V8 (16 Valve), 4.5" Bore 1980-88 (cont.)

CRANKSHAFT/OIL PUMP

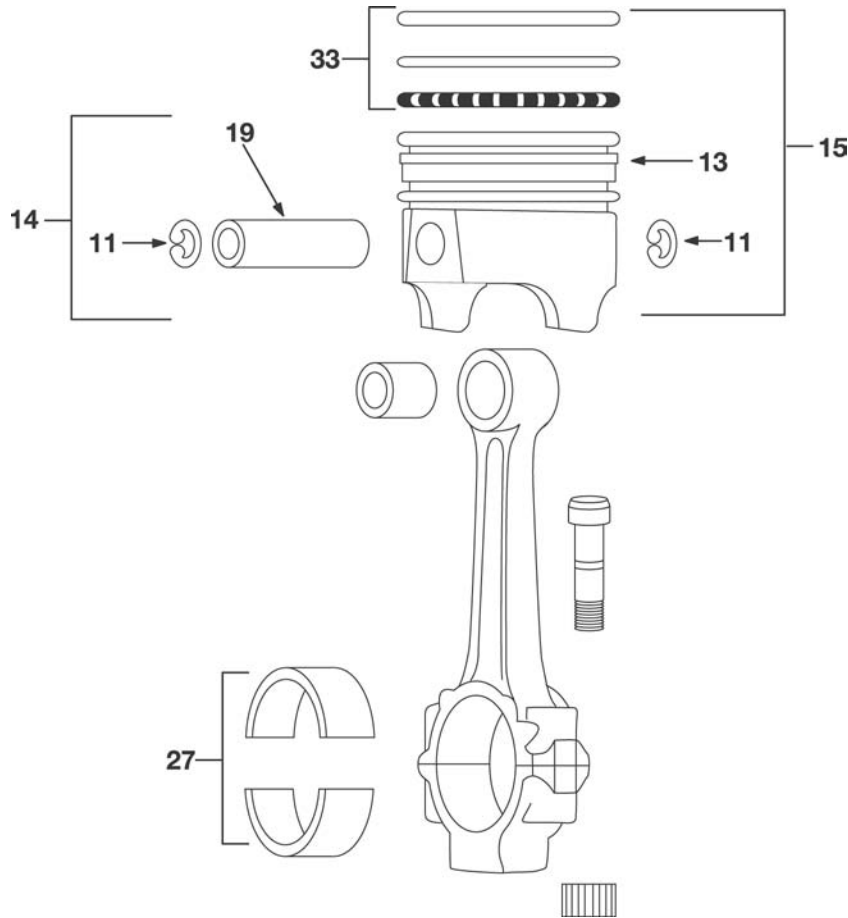


REF #	QTY	CRANKSHAFT	YEARS	PART NO.	SIZE	DESCRIPTION
4	1	Woodruff Key	88-80	FP-218211		Position Crank gear; 1/4" x 3/4"
REF #	QTY	SEALS - FRONT CRANK	YEARS	PART NO.	SIZE	DESCRIPTION
47	1	Oil Seal	88-80	FP-1804009		Viton®
6	1	Oil Seal Kit	88-80	FP-1808751		
6	1	Oil Seal Kit	88-80	5064		(Seal & Sleeve)
REF #	QTY	SEALS - REAR CRANK	YEARS	PART NO.	SIZE	DESCRIPTION
7	1	Oil Seal	88-80	FP-317749		To Ser. No. 79883
8	1	Oil Seal Kit	88-80	5065		
8	1	Rear Main Seal Set	88-80	260-6017		Rubber; One-piece; Wear sleeve incl.
9	1	Redi-Sleeve	88-80	FP-1810508		
REF #	QTY	MAIN BEARINGS	YEARS	PART NO.	SIZE	DESCRIPTION
	1	Main Set	88-80	FP-5032M	STD	
	1	Main Set	88-80	FP-5032M10	10	
	1	Main Set	88-80	FP-5032M20	20	
	1	Main Set	88-80	FP-5032M30	30	
38	4	Plain Main Brg.	88-80	FP-480842	STD	Position 1-2-4-5
38	4	Plain Main Brg.	88-80	FP-480843	10	Position 1-2-4-5
38	4	Plain Main Brg.	88-80	FP-480844	20	Position 1-2-4-5
38	4	Plain Main Brg.	88-80	FP-480845	30	Position 1-2-4-5
39	1	Flanged Main Brg.	88-80	FP-448064	STD	Position 3
39	1	Flanged Main Brg.	88-80	FP-480847	10	Position 3
39	1	Flanged Main Brg.	88-80	FP-480848	20	Position 3
39	1	Flanged Main Brg.	88-80	FP-480849	30	Position 3

(continued on next page)

56 M/D Truck 9.0L Diesel Eng. H/D Truck 9.0L Diesel Eng.
 (cont.) 9.0L 551 OHV Diesel V8 (16 Valve), 4.5" Bore 1980-88

CYLINDER COMPONENTS



REF #	QTY	PISTONS	YEARS	PART NO.	SIZE	DESCRIPTION
13	8	Piston Body w/o Pin	88-80	FP-1700203	STD	
13	8	Piston Body w/o Pin	88-80	FP-1700233	10	
13	8	Piston Body w/o Pin	88-80	FP-1700234	20	
13	8	Piston Body w/o Pin	88-80	FP-1700235	30	
14	8	Piston Kit w/Pin & Retainers	88-80	FP-1700236	STD	
14	8	Piston Kit w/Pin & Retainers	88-80	FP-1700237	10	
14	8	Piston Kit w/Pin & Retainers	88-80	FP-1700238	20	
14	8	Piston Kit w/Pin & Retainers	88-80	FP-1700239	30	
15	8	Piston w/Pin, Retainer, Rings	88-80	FP-1700236WR	STD	
15	8	Piston w/Pin, Retainer, Rings	88-80	FP-1700237WR	10	
15	8	Piston w/Pin, Retainer, Rings	88-80	FP-1700238WR	20	
15	8	Piston w/Pin, Retainer, Rings	88-80	FP-1700239WR	30	
19	8	Pin	88-80	FP-427231		
11	16	Piston Pin Retainer	88-80	FP-160094		
REF #	QTY	CONNECTING RODS & BRGS.	YEARS	PART NO.	SIZE	DESCRIPTION
27	8	Rod Pair	88-80	FP-1700248	STD	
27	8	Rod Pair	88-80	FP-1700702	10	
27	8	Rod Pair	88-80	FP-1700703	20	
27	8	Rod Pair	88-80	FP-1700704	30	
REF #	QTY	PISTON RINGS	YEARS	PART NO.	SIZE	DESCRIPTION
33	8	Ring Set Single Cylinder	88-80	FP-434466	STD	
33	8	Ring Set Single Cylinder	88-80	FP-434467	10	
33	8	Ring Set Single Cylinder	88-80	FP-434468	20	
33	8	Ring Set Single Cylinder	88-80	FP-434469	30	
33	1	Premium Set	88-80	FP-434467S	10	
33	1	Premium Set	88-80	FP-434466S	STD	1-1/8, 1-3/32, 1-.1865
33	1	Premium Set	88-80	FP-434468S	20	1-1/8, 1-3/32, 1-.1865
33	1	Premium Set	88-80	FP-434469S	30	1-1/8, 1-3/32, 1-.1865

(continued on next page)

M/D Truck 9.0L Diesel Eng. H/D Truck 9.0L Diesel Eng. **56**
 9.0L 551 OHV Diesel V8 (16 Valve), 4.5" Bore 1980-88 (cont.)

CYLINDER COMPONENTS (cont.)

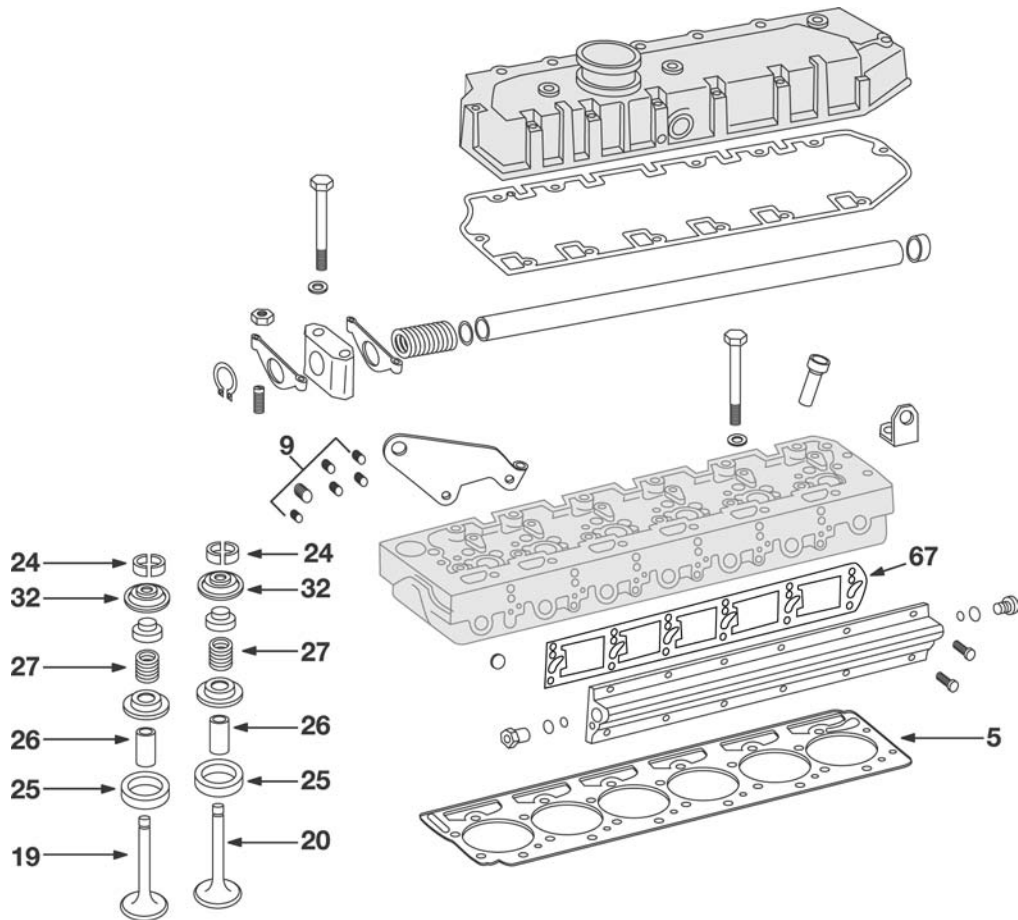
REF #	QTY	PISTON RINGS (cont.)	YEARS	PART NO.	SIZE	DESCRIPTION
	8	Premium Single Cylinder Set	88-80	W-10333KX + Std-20-30		1-1/8, 1-3/32, 1-.1865; When depleted use FP-434466

KITS

QTY	OVERHAUL KIT	YEARS	PART NO.	SIZE	DESCRIPTION
1	In-Frame Overhaul Kit	88-80	FP-IFK90		

M/D Truck DT570 Eng. H/D Truck DT570 Eng. **57**
 9.3L 570 OHV Turbo-Diesel L6 (Intercooled), 4.587" Bore 2004-2007

CYL. HEAD & PARTS

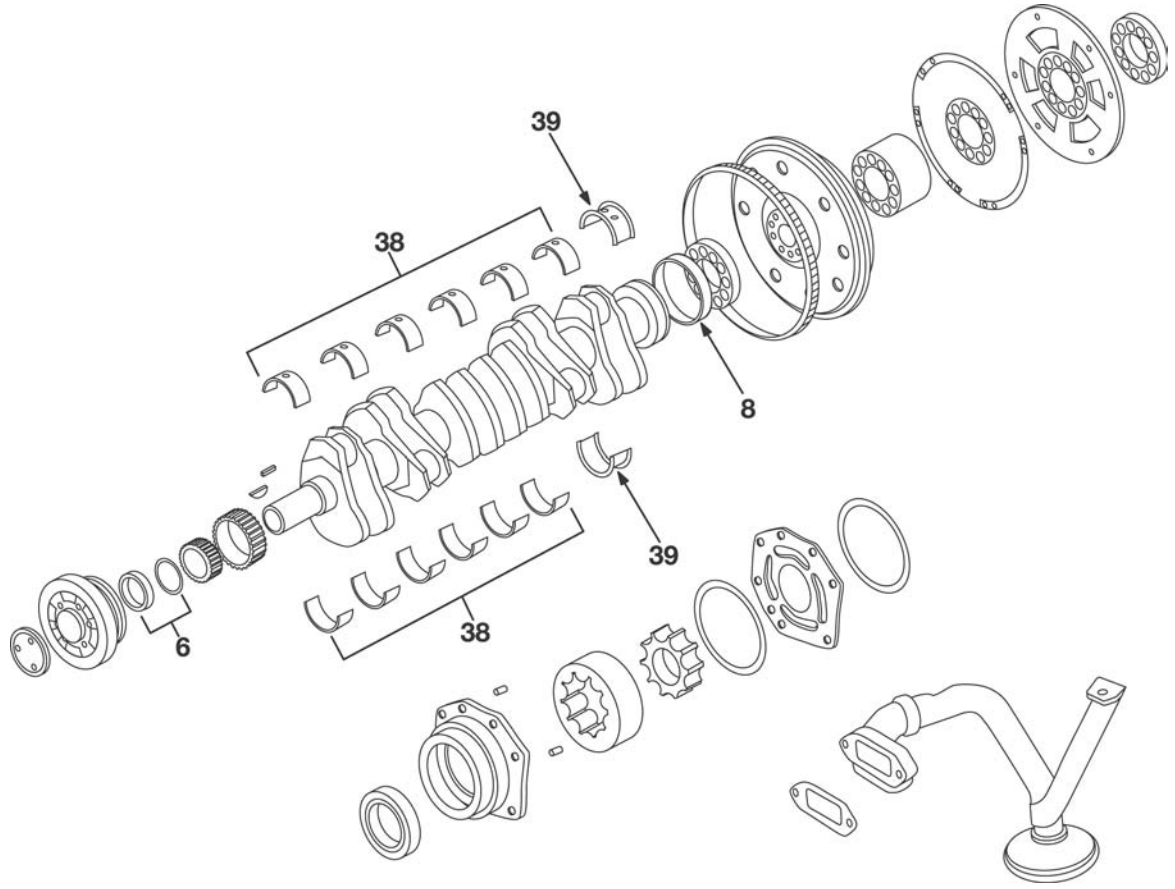


REF #	QTY	GASKETS	YEARS	PART NO.	SIZE	DESCRIPTION
	1	Head Set	07	FP-1889247 *		Use w/One-piece Steel Pistons
	1	Head Set	07	FP-1876103 +		Use w/One-piece Steel Pistons; When depleted use FP-1889247
	1	Head Set	07-04	FP-1842648 *		Use w/Articulated Pistons

(continued on next page)

57 M/D Truck DT570 Eng. H/D Truck DT570 Eng.
 (cont.) 9.3L 570 OHV Turbo-Diesel L6 (Intercooled), 4.587" Bore 2004-2007

CRANKSHAFT/OIL PUMP

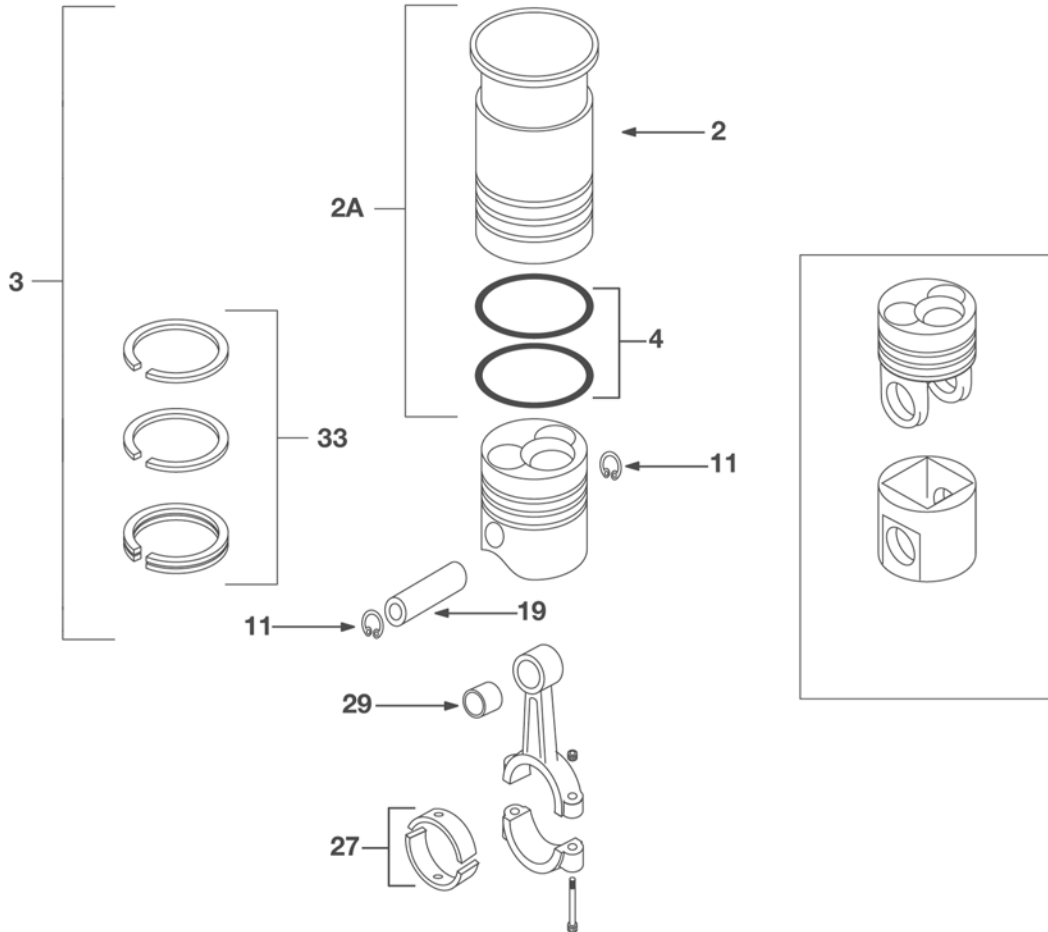


REF #	QTY	MAIN BEARINGS	YEARS	PART NO.	SIZE	DESCRIPTION
38	6	Plain Main Brg.	07-04	FP-1842566 *	STD	
39	1	Flanged Main Brg.	07-04	FP-1842567 *	STD	

(continued on next page)

M/D Truck DT570 Eng. H/D Truck DT570 Eng. **57**
 9.3L 570 OHV Turbo-Diesel L6 (Intercooled), 4.587" Bore 2004-2007 (cont.)

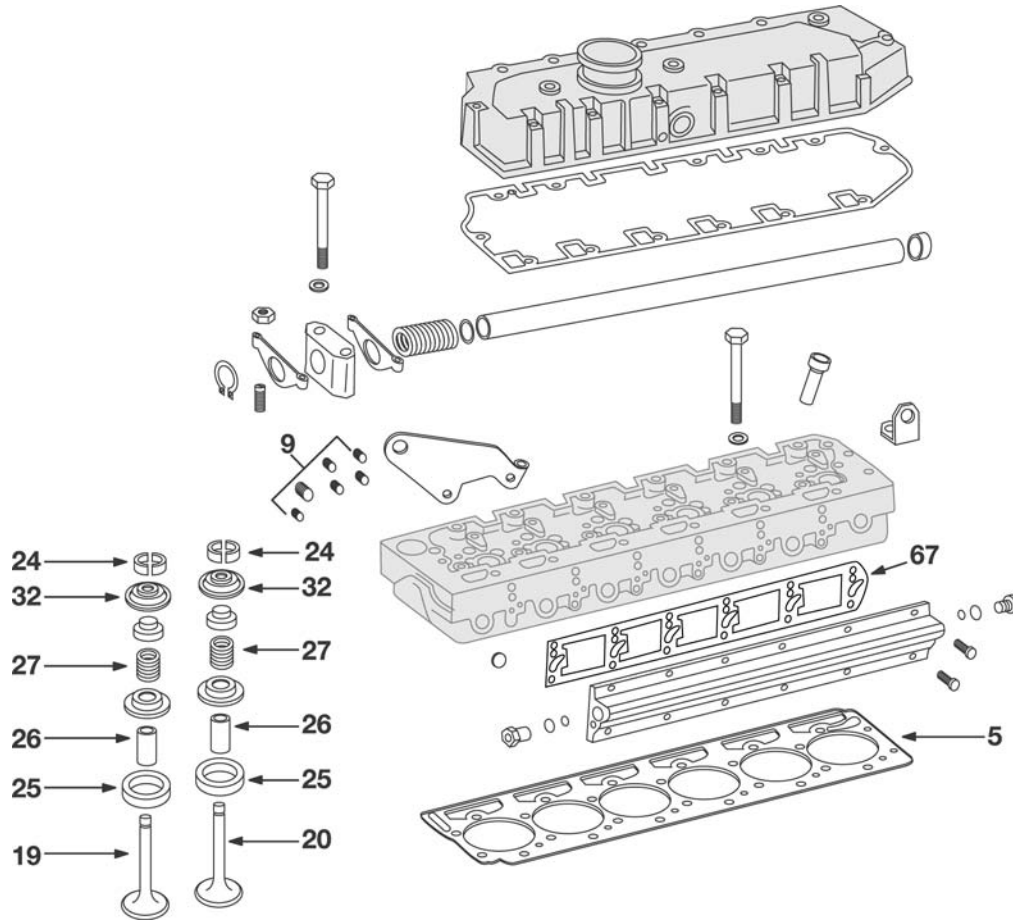
CYLINDER COMPONENTS



REF #	QTY	LINERS	YEARS	PART NO.	SIZE	DESCRIPTION
2	6	Liner w/o Sealing Ring	07-04	FP-1841326	STD	
2A	6	Liner w/Sealing Rings	07-04	FP-1842553	STD	
3	6	Cylinder Kit Complete	07-04	FP-1842557 *	STD	Eng. Ser. No. 2000000 & above; From 2/16/04 - 2007; Incl. Articulated Piston
4	6	Sealing Ring, Liner	07-04	FP-1842115		PTFE
REF #	QTY	PISTONS	YEARS	PART NO.	SIZE	DESCRIPTION
19	6	Pin	07-04	FP-1874253 *		For Articulated Pistons only
REF #	QTY	CONNECTING RODS & BRGS.	YEARS	PART NO.	SIZE	DESCRIPTION
27	6	Rod Pair	07-04	FP-1842570	STD	
REF #	QTY	PISTON RINGS	YEARS	PART NO.	SIZE	DESCRIPTION
33	6	Premium Set	07-04	FP-1842552 *		Eng. Ser. No. 2000000 & above; From 2/16/04 - 2007; For Articulated Pistons only

58 M/D Truck HT570 Eng. H/D Truck HT570 Eng.
9.3L 570 OHV Turbo-Diesel L6 (Intercooled), 4.587" Bore 2004-2007

CYL. HEAD & PARTS

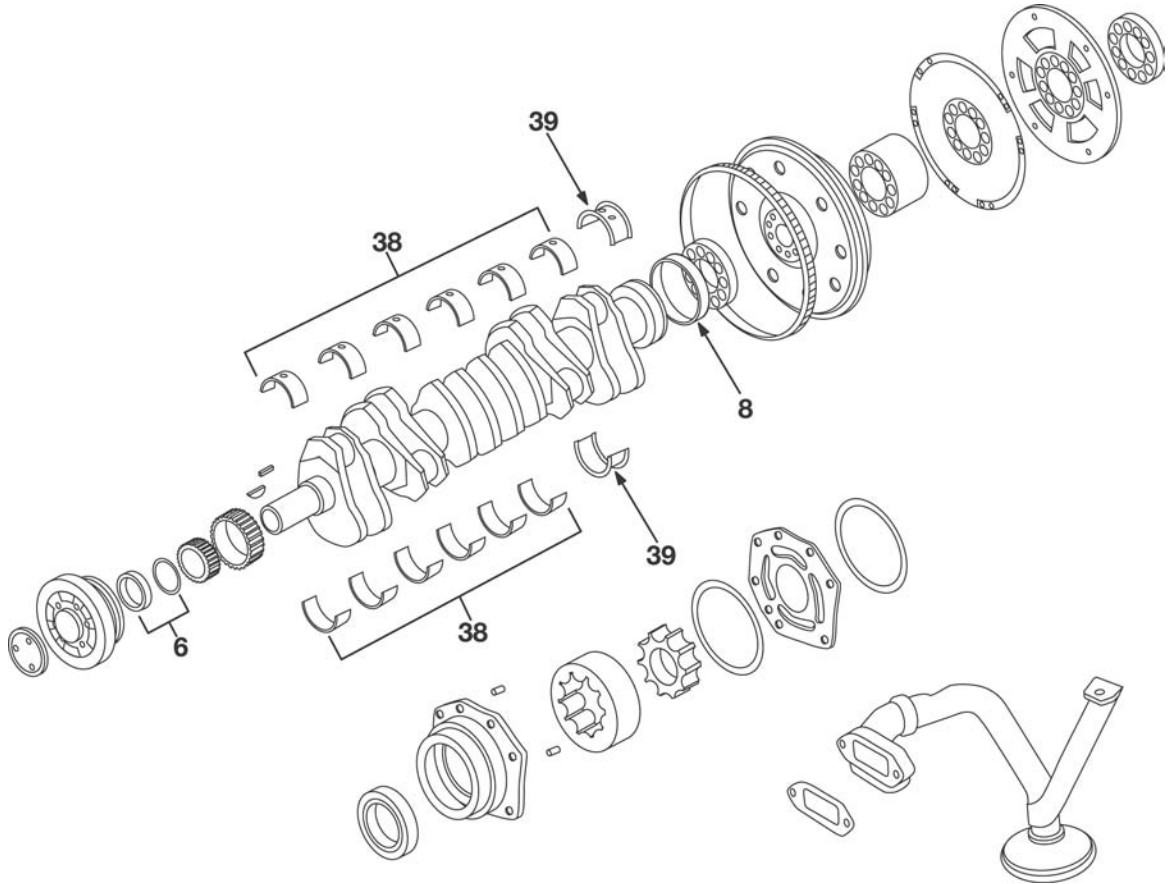


REF #	QTY	GASKETS	YEARS	PART NO.	SIZE	DESCRIPTION
	1	Head Set	07	FP-1889247 *		Use w/One-piece Steel Pistons
	1	Head Set	07	FP-1876103 +		Use w/One-piece Steel Pistons; When depleted use FP-1889247
	1	Head Set	07-04	FP-1842648 *		Use w/Articulated Pistons

(continued on next page)

M/D Truck HT570 Eng. H/D Truck HT570 Eng. **58**
 9.3L 570 OHV Turbo-Diesel L6 (Intercooled), 4.587" Bore 2004-2007 (cont.)

CRANKSHAFT/OIL PUMP

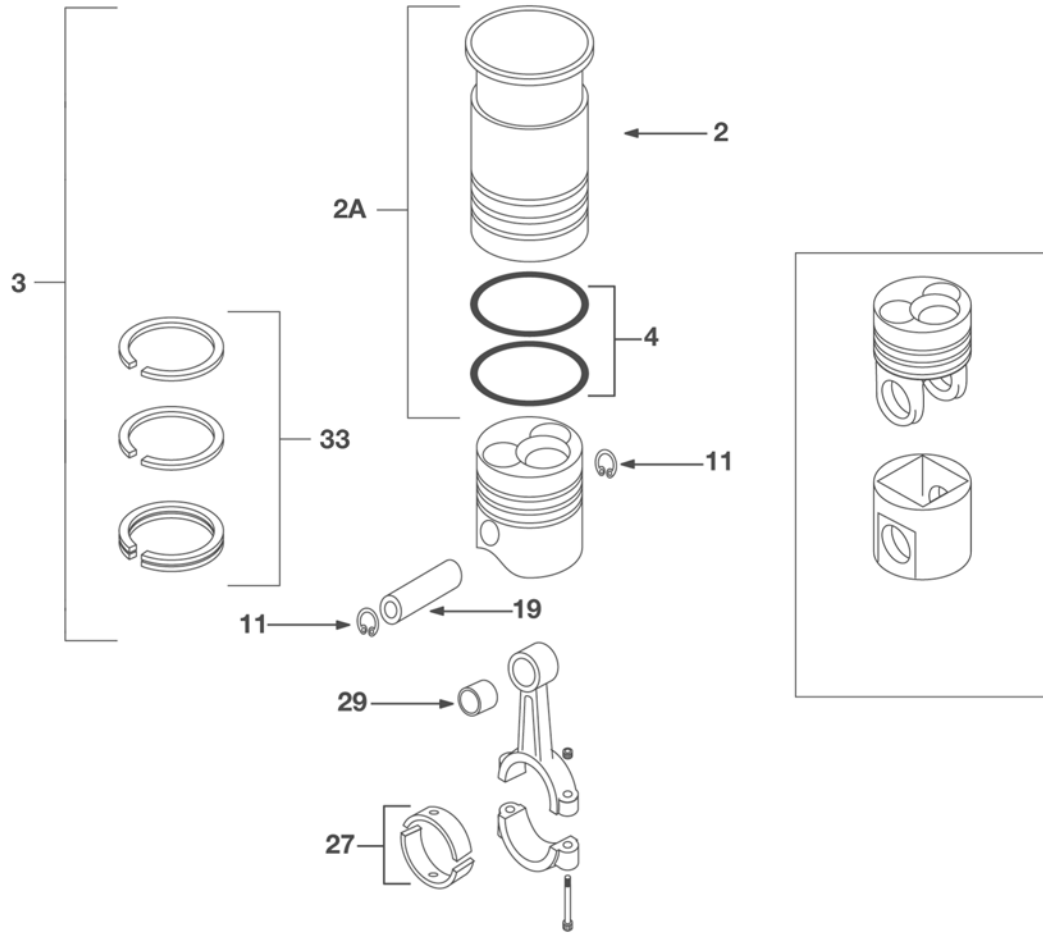


REF #	QTY	MAIN BEARINGS	YEARS	PART NO.	SIZE	DESCRIPTION
38	6	Plain Main Brg.	07-04	FP-1842566 *	STD	
39	1	Flanged Main Brg.	07-04	FP-1842567 *	STD	

(continued on next page)

58 M/D Truck HT570 Eng. H/D Truck HT570 Eng.
(cont.) 9.3L 570 OHV Turbo-Diesel L6 (Intercooled), 4.587" Bore 2004-2007

CYLINDER COMPONENTS



REF #	QTY	LINERS	YEARS	PART NO.	SIZE	DESCRIPTION
2	6	Liner w/o Sealing Ring	07-04	FP-1841326	STD	
2A	6	Liner w/Sealing Rings	07-04	FP-1842553	STD	
3	6	Cylinder Kit Complete	07-04	FP-1842557 *	STD	Eng. Ser. No. 2000000 & above; From 2/16/04 - 2007; Incl. Articulated Piston
4	6	Sealing Ring, Liner	07-04	FP-1842115		PTFE
REF #	QTY	PISTONS	YEARS	PART NO.	SIZE	DESCRIPTION
19	6	Pin	07-04	FP-1874253 *		For Articulated Pistons only
REF #	QTY	CONNECTING RODS & BRGS.	YEARS	PART NO.	SIZE	DESCRIPTION
27	6	Rod Pair	07-04	FP-1842570	STD	
REF #	QTY	PISTON RINGS	YEARS	PART NO.	SIZE	DESCRIPTION
33	6	Premium Set	07-04	FP-1842552 *		Eng. Ser. No. 2000000 & above; From 2/16/04 - 2007; For Articulated Pistons only

59 H/D Truck DV573, DVT573, DVT573B, DVTI573B Engs.
9.4L 573 OHV Diesel V8 (16 Valve), 4.5" Bore 1968-71

CYL. HEAD & PARTS

QTY	VALVE	YEARS	PART NO.	SIZE	DESCRIPTION
8	Exhaust	71-68	FP-V2158X	STD	From Ser. No. 2330; 1.7000" Head Dia., .4351" Stem Dia., 6.6240" O.A.L.

CRANKSHAFT/OIL PUMP

QTY	SEALS - REAR CRANK	YEARS	PART NO.	SIZE	DESCRIPTION
1	Oil Seal Kit	71-68	FP-1809964		Incl. seal & wear sleeve
QTY	MAIN BEARINGS	YEARS	PART NO.	SIZE	DESCRIPTION
1	Main Set	71-68	FP-5084M	STD	
1	Main Set	71-68	FP-5084M10	10	

(continued on next page)



International/Navistar Truck

H/D Truck DV573, DVT573, DVT573B, DVTI573B Eng. 59
9.4L 573 OHV Diesel V8 (16 Valve), 4.5" Bore 1968-71 (cont.)

CRANKSHAFT/OIL PUMP (cont.)

QTY	MAIN BEARINGS (cont.)	YEARS	PART NO.	SIZE	DESCRIPTION
1	Main Set	71-68	FP-5084M20	20	

CYLINDER COMPONENTS

QTY	LINERS	YEARS	PART NO.	SIZE	DESCRIPTION
8	Liner w/Sealing Rings	71-68	FP-SO2443		From Ser. No. 2330; Incl. (3) FP-SLR2443 sealing rings.
8	Sleeve Assy.	71-68	FP-SL2444		From Ser. No. 2330

QTY	CONNECTING RODS & BRGS.	YEARS	PART NO.	SIZE	DESCRIPTION
8	Rod Pair	71-68	FP-3210CP	STD	
8	Rod Pair	71-68	FP-3210CP10	10	
8	Rod Pair	71-68	FP-3210CP20	20	
8	Rod Pair	71-68	FP-3210CP30	30	

H/D Truck DVT573, DVT573B, DVTI573B Eng. 60
9.4L 573 OHV Turbo-Diesel V8, 4.5" Bore (International Tractor Eng.) 1968-71

CYL. HEAD & PARTS

QTY	VALVE	YEARS	PART NO.	SIZE	DESCRIPTION
8	Exhaust	71-68	FP-V2158X	STD	From Ser. No. 2330; 1.7000" Head Dia., .4351" Stem Dia., 6.6240" O.A.L.

CRANKSHAFT/OIL PUMP

QTY	SEALS - REAR CRANK	YEARS	PART NO.	SIZE	DESCRIPTION
1	Oil Seal Kit	71-68	FP-1809964		Incl. seal & wear sleeve

QTY	MAIN BEARINGS	YEARS	PART NO.	SIZE	DESCRIPTION
1	Main Set	71-68	FP-5084M	STD	
1	Main Set	71-68	FP-5084M10	10	
1	Main Set	71-68	FP-5084M20	20	

CYLINDER COMPONENTS

QTY	LINERS	YEARS	PART NO.	SIZE	DESCRIPTION
8	Liner w/Sealing Rings	71-68	FP-SO2443		From Ser. No. 2330; Incl. (3) FP-SLR2443 sealing rings.
8	Sleeve Assy.	71-68	FP-SL2444		From Ser. No. 2330

QTY	CONNECTING RODS & BRGS.	YEARS	PART NO.	SIZE	DESCRIPTION
8	Rod Pair	71-68	FP-3210CP	STD	
8	Rod Pair	71-68	FP-3210CP10	10	
8	Rod Pair	71-68	FP-3210CP20	20	
8	Rod Pair	71-68	FP-3210CP30	30	

H/D Truck V605 Eng. 61
9.9L 605 OHV V8 (16 Valve), 4.625" Bore 1977-81

CYL. HEAD & PARTS

QTY	VALVE	YEARS	PART NO.	SIZE	DESCRIPTION
32	Keeper		VK-140		
8	VALVE GUIDE	YEARS	PART NO.	SIZE	DESCRIPTION
	Guide		VG-549		Int.; .4385" ID, 3.0900" O.A.L.
16	VALVE SPRING	YEARS	PART NO.	SIZE	DESCRIPTION
	Spring		FP-317365		Incl. damper; 2.0500" Free Height
8	VALVE MISC.	YEARS	PART NO.	SIZE	DESCRIPTION
	Rotocap Assy.		FP-RC126SA		Exh.; Incl. Rotocap & Valve Spring
8	Rotocap		FP-443128		Exh.
16	VALVE SEAL	YEARS	PART NO.	SIZE	DESCRIPTION
	Valve Stem Seal		MV-1914		Umbrella type; Nylon

CAMSHAFT GROUP

QTY	CAMSHAFT/LIFTER	YEARS	PART NO.	SIZE	DESCRIPTION
1	Prelube		55-400		4 oz. bottle; 1.5 oz. packet No. 55-403 also avail.

ENGINE BLOCK & PARTS

QTY	GASKETS	YEARS	PART NO.	SIZE	DESCRIPTION
1	Oil Pan Gasket	81-77	FP-448428		

(continued on next page)

61 H/D Truck V605 Eng.					
(cont.) 9.9L 605 OHV V8 (16 Valve), 4.625" Bore 1977-81					
ENGINE BLOCK & PARTS (cont.)					
QTY	GASKET SETS	YEARS	PART NO.	SIZE	DESCRIPTION
1	Kit Gasket Set		260-1114		Incl. LPG Eng's.; Exc. Irrigation Eng's.; Incl. RMB seal & wear sleeve; Incl. timing seal & wear sleeve
QTY	CAM BEARINGS	YEARS	PART NO.	SIZE	DESCRIPTION
1	Cam Set		FP-448139	STD	
CRANKSHAFT/OIL PUMP					
QTY	SEALS - REAR CRANK	YEARS	PART NO.	SIZE	DESCRIPTION
1	Rear Main Seal Set	81-77	260-6017		Rubber; One-piece; Wear sleeve incl.
QTY	MAIN BEARINGS	YEARS	PART NO.	SIZE	DESCRIPTION
1	Main Set	81-77	FP-5032M	STD	
1	Main Set	81-77	FP-5032M10	10	
1	Main Set	81-77	FP-5032M20	20	
1	Main Set	81-77	FP-5032M30	30	
4	Plain Main Brg.	81-77	FP-480842	STD	Position 1-2-4-5
4	Plain Main Brg.	81-77	FP-480843	10	Position 1-2-4-5
4	Plain Main Brg.	81-77	FP-480844	20	Position 1-2-4-5
4	Plain Main Brg.	81-77	FP-480845	30	Position 1-2-4-5
1	Flanged Main Brg.	81-77	FP-448064	STD	Position 3
1	Flanged Main Brg.	81-77	FP-480847	10	Position 3
1	Flanged Main Brg.	81-77	FP-480848	20	Position 3
1	Flanged Main Brg.	81-77	FP-480849	30	Position 3
62 H/D Truck C605, V605 Engs. (Natural Gas)					
9.9L 605 OHV NG V8 (16 Valve), 4.625" Bore 1977-81					
CYL. HEAD & PARTS					
QTY	VALVE	YEARS	PART NO.	SIZE	DESCRIPTION
32	Keeper		VK-140		
QTY	VALVE GUIDE	YEARS	PART NO.	SIZE	DESCRIPTION
8	Guide		VG-549		Int.; .4385" ID, 3.0900" O.A.L.
QTY	VALVE SPRING	YEARS	PART NO.	SIZE	DESCRIPTION
16	Spring		FP-317365		Incl. damper; 2.0500" Free Height
QTY	VALVE SEAL	YEARS	PART NO.	SIZE	DESCRIPTION
16	Valve Stem Seal		MV-1914		Umbrella type; Nylon
CAMSHAFT GROUP					
QTY	CAMSHAFT/LIFTER	YEARS	PART NO.	SIZE	DESCRIPTION
1	Prelube		55-400		4 oz. bottle; 1.5 oz. packet No. 55-403 also avail.
ENGINE BLOCK & PARTS					
QTY	GASKETS	YEARS	PART NO.	SIZE	DESCRIPTION
1	Oil Pan Gasket	81-77	FP-448428		
QTY	GASKET SETS	YEARS	PART NO.	SIZE	DESCRIPTION
1	Kit Gasket Set		260-1114		Incl. LPG Eng's.; Exc. Irrigation Eng's.; Incl. RMB seal & wear sleeve; Incl. timing seal & wear sleeve
QTY	CAM BEARINGS	YEARS	PART NO.	SIZE	DESCRIPTION
1	Cam Set		FP-448139	STD	
CRANKSHAFT/OIL PUMP					
QTY	SEALS - REAR CRANK	YEARS	PART NO.	SIZE	DESCRIPTION
1	Rear Main Seal Set	81-77	260-6017		Rubber; One-piece; Wear sleeve incl.
QTY	MAIN BEARINGS	YEARS	PART NO.	SIZE	DESCRIPTION
1	Main Set	81-77	FP-5032M	STD	
1	Main Set	81-77	FP-5032M10	10	
1	Main Set	81-77	FP-5032M20	20	
1	Main Set	81-77	FP-5032M30	30	
4	Plain Main Brg.	81-77	FP-480842	STD	Position 1-2-4-5
4	Plain Main Brg.	81-77	FP-480843	10	Position 1-2-4-5
4	Plain Main Brg.	81-77	FP-480844	20	Position 1-2-4-5
4	Plain Main Brg.	81-77	FP-480845	30	Position 1-2-4-5
1	Flanged Main Brg.	81-77	FP-448064	STD	Position 3
1	Flanged Main Brg.	81-77	FP-480847	10	Position 3
1	Flanged Main Brg.	81-77	FP-480848	20	Position 3
1	Flanged Main Brg.	81-77	FP-480849	30	Position 3



International/Navistar Truck

H/D Truck V800 Eng. **63**
13.1L 800 OHV Diesel V8 (16 Valve), 5.3125" Bore

CRANKSHAFT/OIL PUMP

QTY	MAIN BEARINGS	PART NO.	SIZE	DESCRIPTION
1	Main Set	FP-5084M	STD	
1	Main Set	FP-5084M10	10	
1	Main Set	FP-5084M20	20	

CYLINDER COMPONENTS

QTY	CONNECTING RODS & BRGS.	PART NO.	SIZE	DESCRIPTION
8	Rod Pair	FP-3210CP	STD	
8	Rod Pair	FP-3210CP10	10	
8	Rod Pair	FP-3210CP20	20	
8	Rod Pair	FP-3210CP30	30	

Engine Kit Bill of Material



Qty.	Part No.	Description	Qty.	Part No.	Description	Qty.	Part No.	Description	Qty.	Part No.	Description
FP-IFKDT360			FP-IFKDT408NGD (cont'd.)			FP-IFKDT466OH			FP-IFKDT4664ROH (cont'd.)		
(6)	FP-1809920	Piston & Liner Kit w/o Rings	(6)	FP-1822486	Connecting Rod Bearing Pair	(6)	FP-1817189	Cylinder Kit Complete	(6)	FP-1808061	Connecting Rod Bearing Pair
(6)	FP-1809919	Ring Set, Single Cylinder	(6)	FP-1822487	Connecting Rod Bearing Pair	(6)	FP-1817645	Cylinder Kit Complete	(6)	FP-1808062	Connecting Rod Bearing Pair
(6)	FP-1823863	Connecting Rod Bearing Pair	(1)	FP-1822379	Main Bearing, Flanged	(6)	FP-687432	Cylinder Kit Complete	(6)	FP-681314	Connecting Rod Bearing Pair
(6)	FP-1823864	Connecting Rod Bearing Pair	(1)	FP-1822494	Main Bearing, Flanged	(6)	FP-1808059	Connecting Rod Bearing Pair	(6)	FP-681315	Connecting Rod Bearing Pair
(6)	FP-1823865	Connecting Rod Bearing Pair	(1)	FP-1822495	Main Bearing, Flanged	(6)	FP-1808060	Connecting Rod Bearing Pair	(6)	FP-681316	Connecting Rod Bearing Pair
(6)	FP-1823866	Connecting Rod Bearing Pair	(1)	FP-1822496	Main Bearing, Flanged	(6)	FP-1808061	Connecting Rod Bearing Pair	(6)	FP-687382	Connecting Rod Bearing Pair
(1)	FP-1823859	Main Bearing Set	(6)	FP-1822321	Main Bearing, Plain	(6)	FP-1808062	Connecting Rod Bearing Pair	(1)	FP-1823843	Main Bearing Set
(1)	FP-1823860	Main Bearing Set	(6)	FP-1822490	Main Bearing, Plain	(6)	FP-681314	Connecting Rod Bearing Pair	(1)	FP-1823844	Main Bearing Set
(1)	FP-1823861	Main Bearing Set	(6)	FP-1822491	Main Bearing, Plain	(6)	FP-681315	Connecting Rod Bearing Pair	(1)	FP-1823845	Main Bearing Set
(1)	FP-PGN360IF	In-Frame Gasket Set	(1)	FP-1822492	Main Bearing, Plain	(6)	FP-681316	Connecting Rod Bearing Pair	(1)	FP-1823846	Main Bearing Set
(1)	FP-1823861	Main Bearing Set	(1)	FP-1823228	Head Gasket Set	(6)	FP-681316	Connecting Rod Bearing Pair	(1)	FP-1823847	Main Bearing Set
(1)	FP-PGN360IF	In-Frame Gasket Set	(1)	FP-1816722	Miscellaneous Gasket	(6)	FP-681316	Connecting Rod Bearing Pair	(1)	FP-1823848	Main Bearing Set
FP-IFKDT360L			FP-IFKDT466			FP-IFKDT466PNGD			FP-IFKI530NGD		
(6)	FP-1811894	Piston & Liner Kit w/o Rings	(6)	FP-1817189	Cylinder Kit Complete	(6)	FP-1822340	Cylinder Kit Complete	(1)	FP-1822587	Oil Pan Gasket
(6)	FP-1815404	Piston & Liner Kit w/o Rings	(6)	FP-1817645	Cylinder Kit Complete	(6)	FP-1824820	Cylinder Kit Complete	(6)	FP-1822333	Cylinder Kit Complete
(6)	FP-1817250	Piston & Liner Kit w/o Rings	(6)	FP-687432	Cylinder Kit Complete	(6)	FP-1824823	Cylinder Kit Complete	(6)	FP-1822389	Connecting Rod Bearing Pair
(6)	FP-1809919	Ring Set, Single Cylinder	(6)	FP-1808059	Connecting Rod Bearing Pair	(1)	FP-1823843	Main Bearing Set	(6)	FP-1822486	Connecting Rod Bearing Pair
(6)	FP-1817251	Ring Set, Single Cylinder	(6)	FP-1808060	Connecting Rod Bearing Pair	(1)	FP-1823844	Main Bearing Set	(1)	FP-1822487	Connecting Rod Bearing Pair
(6)	FP-1823863	Connecting Rod Bearing Pair	(6)	FP-1808061	Connecting Rod Bearing Pair	(1)	FP-1823845	Main Bearing Set	(1)	FP-1822379	Main Bearing, Flanged
(6)	FP-1823864	Connecting Rod Bearing Pair	(6)	FP-1808062	Connecting Rod Bearing Pair	(1)	FP-1823846	Main Bearing Set	(1)	FP-1822494	Main Bearing, Flanged
(6)	FP-1823865	Connecting Rod Bearing Pair	(6)	FP-681314	Connecting Rod Bearing Pair	(1)	FP-1823847	Main Bearing Set	(1)	FP-1822495	Main Bearing, Flanged
(6)	FP-1823866	Connecting Rod Bearing Pair	(6)	FP-681315	Connecting Rod Bearing Pair	(1)	FP-1823848	Main Bearing Set	(1)	FP-1822496	Main Bearing, Flanged
(1)	FP-1823859	Main Bearing Set	(6)	FP-681316	Connecting Rod Bearing Pair	(1)	FP-1823849	Main Bearing Set	(6)	FP-1822321	Main Bearing, Plain
(1)	FP-1823860	Main Bearing Set	(6)	FP-681316	Connecting Rod Bearing Pair	(1)	FP-1823850	Main Bearing Set	(6)	FP-1822490	Main Bearing, Plain
(1)	FP-1823861	Main Bearing Set	(6)	FP-687382	Connecting Rod Bearing Pair	(1)	FP-PGN466C	Complete Overhaul Gasket Set	(6)	FP-1822491	Main Bearing, Plain
(1)	FP-PGN360IF	In-Frame Gasket Set	(1)	FP-1823843	Main Bearing Set	(6)	FP-1822486	Connecting Rod Bearing Pair	(6)	FP-1822492	Main Bearing, Plain
FP-IFKDT360LOH			FP-IFKDT466E			FP-IFKDT4664R			FP-IFKT444E		
(6)	FP-1811894	Piston & Liner Kit w/o Rings	(6)	FP-1824966	Cylinder Kit Complete	(6)	FP-18103594R	Cylinder Kit Complete	(8)	FP-1830953	Piston w/Pin, Retainer & Rings
(6)	FP-1815404	Piston & Liner Kit w/o Rings	(6)	FP-1825690	Cylinder Kit Complete	(6)	FP-1808059	Connecting Rod Bearing Pair	(8)	FP-1830954	Piston w/Pin, Retainer & Rings
(6)	FP-1817250	Piston & Liner Kit w/o Rings	(6)	FP-1830565	Cylinder Kit Complete	(6)	FP-1808060	Connecting Rod Bearing Pair	(8)	FP-1830955	Piston w/Pin, Retainer & Rings
(6)	FP-1809919	Ring Set, Single Cylinder	(6)	FP-1822389	Connecting Rod Bearing Pair	(6)	FP-1808061	Connecting Rod Bearing Pair	(8)	FP-1830956	Piston w/Pin, Retainer & Rings
(6)	FP-1817251	Ring Set, Single Cylinder	(6)	FP-1822486	Connecting Rod Bearing Pair	(6)	FP-1808062	Connecting Rod Bearing Pair	(8)	FP-1812301	Connecting Rod Bearing Pair
(6)	FP-1823863	Connecting Rod Bearing Pair	(6)	FP-1822487	Connecting Rod Bearing Pair	(6)	FP-681314	Connecting Rod Bearing Pair	(8)	FP-1812302	Connecting Rod Bearing Pair
(6)	FP-1823864	Connecting Rod Bearing Pair	(1)	FP-1822379	Main Bearing, Flanged	(6)	FP-681315	Connecting Rod Bearing Pair	(8)	FP-1812303	Connecting Rod Bearing Pair
(6)	FP-1823865	Connecting Rod Bearing Pair	(1)	FP-1822494	Main Bearing, Flanged	(6)	FP-681316	Connecting Rod Bearing Pair	(8)	FP-1812304	Connecting Rod Bearing Pair
(6)	FP-1823866	Connecting Rod Bearing Pair	(1)	FP-1822495	Main Bearing, Flanged	(6)	FP-687382	Connecting Rod Bearing Pair	(1)	FP-1812325	Main Bearing, Flanged
(1)	FP-1823859	Main Bearing Set	(6)	FP-1822496	Main Bearing, Flanged	(1)	FP-18103594R	Cylinder Kit Complete	(1)	FP-1812326	Main Bearing, Flanged
(1)	FP-1823860	Main Bearing Set	(6)	FP-1822321	Main Bearing, Plain	(6)	FP-1808059	Connecting Rod Bearing Pair	(1)	FP-1812327	Main Bearing, Flanged
(1)	FP-1823861	Main Bearing Set	(6)	FP-1822490	Main Bearing, Plain	(6)	FP-1808060	Connecting Rod Bearing Pair	(1)	FP-1812328	Main Bearing, Flanged
(1)	FP-1817256	Complete Overhaul Gasket Set	(6)	FP-1822491	Main Bearing, Plain	(6)	FP-1808061	Connecting Rod Bearing Pair	(4)	FP-1812321	Main Bearing, Plain
FP-IFKDT360OH			FP-IFKDT466EBB			FP-IFKDT4664ROH			FP-IFK69L		
(6)	FP-1809920	Piston & Liner Kit w/o Rings	(1)	FP-1826587	Oil Pan Gasket	(6)	FP-18103594R	Cylinder Kit Complete	(1)	260-6054	Oil Pan Gasket Set
(6)	FP-1809919	Ring Set, Single Cylinder	(6)	FP-1836192	Cylinder Kit Complete	(6)	FP-1808059	Connecting Rod Bearing Pair	(8)	FP-1805816WR	Piston w/Pin, Retainer & Rings
(6)	FP-1823863	Connecting Rod Bearing Pair	(6)	FP-1836299	Cylinder Kit Complete	(6)	FP-1808060	Connecting Rod Bearing Pair	(8)	FP-1805818WR	Piston w/Pin, Retainer & Rings
(6)	FP-1823864	Connecting Rod Bearing Pair	(6)	FP-1842554	Cylinder Kit Complete	(6)	FP-1808061	Connecting Rod Bearing Pair	(8)	FP-1805819WR	Piston w/Pin, Retainer & Rings
(6)	FP-1823865	Connecting Rod Bearing Pair	(6)	FP-1842555	Cylinder Kit Complete	(6)	FP-1808062	Connecting Rod Bearing Pair	(8)	FP-1802200	Connecting Rod Bearing Pair
(1)	FP-1823859	Main Bearing Set	(6)	FP-1842570	Connecting Rod Bearing Pair	(6)	FP-681314	Connecting Rod Bearing Pair	(8)	FP-1802201	Connecting Rod Bearing Pair
(1)	FP-1823860	Main Bearing Set	(1)	FP-1830726	Main Bearing, Flanged	(6)	FP-681315	Connecting Rod Bearing Pair	(8)	FP-1802202	Connecting Rod Bearing Pair
(1)	FP-1823861	Main Bearing Set	(1)	FP-1833361	Main Bearing, Flanged	(6)	FP-681316	Connecting Rod Bearing Pair			
(1)	FP-1817256	Complete Overhaul Gasket Set	(1)	FP-1833362	Main Bearing, Flanged	(6)	FP-687382	Connecting Rod Bearing Pair			
FP-IFKDT408NGD			FP-IFKDT4666BB			FP-IFKDT4664ROH			FP-IFK69L		
(1)	FP-1826587	Oil Pan Gasket	(6)	FP-1836192	Cylinder Kit Complete	(6)	FP-18103594R	Cylinder Kit Complete			
(6)	FP-1822332	Cylinder Kit Complete	(6)	FP-1836299	Cylinder Kit Complete	(6)	FP-1808059	Connecting Rod Bearing Pair			
(6)	FP-1822389	Connecting Rod Bearing Pair	(6)	FP-1842554	Cylinder Kit Complete	(6)	FP-1808060	Connecting Rod Bearing Pair			
(cont'd. next column)			FP-IFKDT4666BB			(cont'd. next column)			(cont'd. next page)		



Engine Kit Bill of Material

Qty.	Part No.	Description	Qty.	Part No.	Description	Qty.	Part No.	Description	Qty.	Part No.	Description
FP-IFK69L (cont'd.)			FP-IFK73EOH (cont'd.)			FP-IFK90 (cont'd.)			205-170		
(8)	FP-1802203	Connecting Rod Bearing Pair	(1)	FP-1802221	Main Bearing, Flanged	(8)	FP-1700248	Connecting Rod Bearing Pair	(1)	E-270X	Standard Piston Ring Set
(1)	FP-1802220	Main Bearing, Flanged	(1)	FP-1802222	Main Bearing, Flanged	(8)	FP-1700702	Connecting Rod Bearing Pair	(1)	8-2410CP	Connecting Rod Bearing Set
(1)	FP-1802221	Main Bearing, Flanged	(1)	FP-1802223	Main Bearing, Flanged	(8)	FP-1700703	Connecting Rod Bearing Pair	(1)	260-1075	Gasket Kit
(1)	FP-1802222	Main Bearing, Flanged	(4)	FP-1802216	Main Bearing, Plain	(8)	FP-1700704	Connecting Rod Bearing Pair	(1)	55-403B	Prelube
(1)	FP-1802223	Main Bearing, Flanged	(4)	FP-1802217	Main Bearing, Plain	(1)	FP-5032M	Main Bearing Set	205-170M		
(4)	FP-1802216	Main Bearing, Plain	(4)	FP-1802218	Main Bearing, Plain	(1)	FP-5032M10	Main Bearing Set	(1)	E-270X	Standard Piston Ring Set
(4)	FP-1802217	Main Bearing, Plain	(4)	FP-1802219	Main Bearing, Plain	(1)	FP-5032M20	Main Bearing Set	(1)	8-2410CP	Connecting Rod Bearing Set
(4)	FP-1802218	Main Bearing, Plain	(8)	FP-1804000	Piston Pin Bushing	(1)	FP-5032M30	Main Bearing Set	(1)	260-1075	Gasket Kit
(4)	FP-1802219	Main Bearing, Plain	(1)	FP-1813067	Valley Pan Gasket Set	(1)	FP-1814913	Head Gasket Set	(1)	4070M	Main Bearing Set
(1)	FP-1813067	Valley Pan Gasket Set	(16)	FP-1804003	Connecting Rod Bolt				(1)	55-403B	Prelube
(1)	FP-1811049	Head Gasket Set	(1)	FP-1807974	Thermostat Kit	FP-1826322			205-670		
(1)	FP-1807974	Thermostat Kit	(16)	FP-1805866	Connecting Rod Nut	(1)	FP-1826587	Oil Pan Gasket	(1)	E-270K	Premium Piston Ring Set
FP-IFK69LOH			FP-IFK73L			(6)	FP-1822332	Cylinder Kit Complete	(1)	8-2410CP	Connecting Rod Bearing Set
(8)	FP-1805816WR	Piston w/Pin, Retainer & Rings	(1)	260-6054	Oil Pan Gasket Set	(6)	FP-1822389	Connecting Rod Bearing Pair	(1)	260-1075	Gasket Kit
(8)	FP-1805818WR	Piston w/Pin, Retainer & Rings	(8)	FP-1816674WR	Piston w/Pin, Retainer & Rings	(6)	FP-1822379	Main Bearing, Flanged	(1)	55-403B	Prelube
(8)	FP-1805819WR	Piston w/Pin, Retainer & Rings	(8)	FP-1816676WR	Piston w/Pin, Retainer & Rings	(6)	FP-1822321	Main Bearing, Plain	205-670M		
(8)	FP-1802200	Connecting Rod Bearing Pair	(8)	FP-1816677WR	Piston w/Pin, Retainer & Rings	(1)	FP-1822328	Head Gasket Set	(1)	E-270K	Premium Piston Ring Set
(8)	FP-1802201	Connecting Rod Bearing Pair	(8)	FP-1802200	Connecting Rod Bearing Pair	(1)	FP-1816722	Miscellaneous Gasket	(1)	8-2410CP	Connecting Rod Bearing Set
(8)	FP-1802202	Connecting Rod Bearing Pair	(8)	FP-1802201	Connecting Rod Bearing Pair	(6)	FP-1822379	Main Bearing, Flanged	(1)	260-1075	Gasket Kit
(8)	FP-1802203	Connecting Rod Bearing Pair	(8)	FP-1802202	Connecting Rod Bearing Pair	(6)	FP-1822321	Main Bearing, Plain	(1)	4070M	Main Bearing Set
(1)	FP-1802220	Main Bearing, Flanged	(8)	FP-1802203	Connecting Rod Bearing Pair	(1)	FP-1816722	Miscellaneous Gasket	(1)	55-403B	Prelube
(1)	FP-1802221	Main Bearing, Flanged	(1)	FP-1802220	Connecting Rod Bearing Pair	FP-1833447			205-675		
(1)	FP-1802222	Main Bearing, Flanged	(1)	FP-1802221	Main Bearing, Flanged	(1)	FP-1826587	Oil Pan Gasket	(1)	E-273K	Premium Piston Ring Set
(4)	FP-1802216	Main Bearing, Plain	(1)	FP-1802222	Main Bearing, Flanged	(6)	FP-1822333	Cylinder Kit Complete	(1)	8-2410CP	Connecting Rod Bearing Set
(4)	FP-1802217	Main Bearing, Plain	(1)	FP-1802223	Main Bearing, Flanged	(6)	FP-1822389	Connecting Rod Bearing Pair	(1)	260-1076	Gasket Kit
(4)	FP-1802218	Main Bearing, Plain	(1)	FP-1802224	Main Bearing, Flanged	(1)	FP-1822379	Main Bearing, Flanged	(1)	55-403B	Prelube
(4)	FP-1802219	Main Bearing, Plain	(1)	FP-1802225	Main Bearing, Flanged	(6)	FP-1822321	Main Bearing, Plain	205-676		
(8)	FP-1804000	Piston Pin Bushing	(1)	FP-1802226	Main Bearing, Flanged	(6)	FP-1842570	Connecting Rod Bearing Pair	(1)	E-273K	Premium Piston Ring Set
(1)	FP-PGN69C	Complete Overhaul Gasket Set	(4)	FP-1802216	Main Bearing, Plain	(1)	FP-1830726	Main Bearing, Flanged	(1)	8-2410CP	Connecting Rod Bearing Set
(16)	FP-1804003	Connecting Rod Bolt	(4)	FP-1802217	Main Bearing, Plain	(6)	FP-1830725	Main Bearing, Plain	(1)	260-1050	Gasket Kit
(1)	FP-1807974	Thermostat Kit	(4)	FP-1802218	Main Bearing, Plain	(1)	FP-1830720	Head Gasket Set	(1)	55-403B	Prelube
(16)	FP-1805866	Connecting Rod Nut	(1)	FP-1802219	Main Bearing, Plain	(1)	FP-1816722	Miscellaneous Gasket	FP-1836195		
FP-IFK73E			FP-IFK73LOH			FP-1836300			FP-205205		
(1)	260-6054	Oil Pan Gasket Set	(8)	FP-1816674WR	Piston w/Pin, Retainer & Rings	(1)	FP-1826587	Oil Pan Gasket	(1)	E-422X 30	Standard Piston Ring Set
(8)	FP-1813121WR	Piston w/Pin, Retainer & Rings	(8)	FP-1816676WR	Piston w/Pin, Retainer & Rings	(6)	FP-1836192	Cylinder Kit Complete	(8)	FP-3730CP	Connecting Rod Bearing Pair
(8)	FP-1813122WR	Piston w/Pin, Retainer & Rings	(8)	FP-1816677WR	Piston w/Pin, Retainer & Rings	(6)	FP-1842570	Connecting Rod Bearing Pair	(1)	260-1117	Gasket Kit
(8)	FP-1802200	Connecting Rod Bearing Pair	(8)	FP-1802200	Connecting Rod Bearing Pair	(1)	FP-1830726	Main Bearing, Flanged	(1)	55-403B	Prelube
(8)	FP-1802201	Connecting Rod Bearing Pair	(8)	FP-1802201	Connecting Rod Bearing Pair	(6)	FP-1830725	Main Bearing, Plain	FP-2056043		
(8)	FP-1802202	Connecting Rod Bearing Pair	(8)	FP-1802202	Connecting Rod Bearing Pair	(1)	FP-1830720	Head Gasket Set	(1)	E-273K	Premium Piston Ring Set
(8)	FP-1802203	Connecting Rod Bearing Pair	(8)	FP-1802203	Connecting Rod Bearing Pair	(1)	FP-1816722	Miscellaneous Gasket	(8)	FP-3730CP	Connecting Rod Bearing Pair
(1)	FP-1802220	Main Bearing, Flanged	(8)	FP-1802204	Connecting Rod Bearing Pair	(1)	FP-1830726	Main Bearing, Flanged	(1)	260-1117	Gasket Kit
(1)	FP-1802221	Main Bearing, Flanged	(8)	FP-1802205	Connecting Rod Bearing Pair	(6)	FP-1830725	Main Bearing, Plain	(1)	55-403B	Prelube
(1)	FP-1802222	Main Bearing, Flanged	(8)	FP-1802206	Connecting Rod Bearing Pair	(1)	FP-1830720	Head Gasket Set	FP-205701		
(1)	FP-1802223	Main Bearing, Flanged	(8)	FP-1802207	Connecting Rod Bearing Pair	(1)	FP-1816722	Miscellaneous Gasket	(1)	FP-E308K	Premium Piston Ring Set
(4)	FP-1802216	Main Bearing, Plain	(8)	FP-1802208	Connecting Rod Bearing Pair	(8)	FP-2195CP	Connecting Rod Bearing Pair	(1)	260-1115	Gasket Kit
(4)	FP-1802217	Main Bearing, Plain	(8)	FP-1802209	Connecting Rod Bearing Pair	(1)	260-1115	Gasket Kit	(1)	55-403B	Prelube
(4)	FP-1802218	Main Bearing, Plain	(8)	FP-1802210	Connecting Rod Bearing Pair	FP-205705			FP-205705		
(4)	FP-1802219	Main Bearing, Plain	(8)	FP-1802211	Connecting Rod Bearing Pair	(1)	E-404K	Premium Piston Ring Set	(8)	FP-3730CP	Connecting Rod Bearing Pair
(1)	FP-1813067	Valley Pan Gasket Set	(8)	FP-1802212	Connecting Rod Bearing Pair	(1)	260-1117	Gasket Kit	(1)	260-1117	Gasket Kit
(1)	FP-1811050	Head Gasket Set	(8)	FP-1802213	Connecting Rod Bearing Pair	(1)	55-403B	Prelube	(1)	55-403B	Prelube
(1)	FP-1807974	Thermostat Kit	(8)	FP-1802214	Connecting Rod Bearing Pair	FP-205701			FP-205701		
FP-IFK73EOH			FP-IFK90			FP-205701			FP-205705		
(8)	FP-1813121WR	Piston w/Pin, Retainer & Rings	(1)	FP-448428	Oil Pan Gasket	(1)	FP-E308K	Premium Piston Ring Set	(1)	E-404K	Premium Piston Ring Set
(8)	FP-1813122WR	Piston w/Pin, Retainer & Rings	(8)	FP-1700236WR	Piston w/Pin, Retainer & Rings	(8)	FP-2195CP	Connecting Rod Bearing Pair	(8)	FP-3730CP	Connecting Rod Bearing Pair
(8)	FP-1802200	Connecting Rod Bearing Pair	(8)	FP-1700237WR	Piston w/Pin, Retainer & Rings	(1)	260-1115	Gasket Kit	(1)	260-1117	Gasket Kit
(8)	FP-1802201	Connecting Rod Bearing Pair	(8)	FP-1700238WR	Piston w/Pin, Retainer & Rings	(1)	55-403B	Prelube	(1)	55-403B	Prelube
(8)	FP-1802202	Connecting Rod Bearing Pair	(8)	FP-1700239WR	Piston w/Pin, Retainer & Rings	FP-205705			FP-205705		
(8)	FP-1802203	Connecting Rod Bearing Pair	(8)	FP-1700238WR	Piston w/Pin, Retainer & Rings	(1)	260-1117	Gasket Kit	(1)	260-1117	Gasket Kit
(1)	FP-1802220	Main Bearing, Flanged	(8)	FP-1700239WR	Piston w/Pin, Retainer & Rings	(1)	55-403B	Prelube	(1)	55-403B	Prelube
(cont'd. next column)			(cont'd. next column)			(cont'd. next column)			(cont'd. next column)		

Numerical List



Part		Part		Part	
No.	Line No.	No.	Line No.	No.	Line No.
CS-218	25, 26, 40, 41, 47, 52, 53, 55	FP-1701325	56	FP-1809912	19
CS-415	8, 13, 14, 17, 18, 22, 23	FP-1801191	19, 44	FP-1809914	19
CS-771	32, 33	FP-1802200	32-34	FP-1809919	19
E-135X	3, 5	FP-1802201	32-34	FP-1809920	19
E-270K	13, 14, 17, 18	FP-1802202	32-34	FP-1809920WR	19
E-270X	13, 14, 17, 18	FP-1802203	32-34	FP-1809935	19
E-273K	22, 23, 25-28, 36, 40, 41	FP-1802208	32	FP-1809936	19
E-404K	22, 23, 25-28, 36, 40, 41	FP-1802210	32	FP-1809938	19
E-422X 30	22, 23, 25-28, 36, 37, 40, 41	FP-1802211	32	FP-1809953	19
FP-E308K	52, 53	FP-1802212	32	FP-1809964	19, 43, 44, 59, 60
FP-H729CP	32	FP-1802213	32-34	FP-1810049	19
FP-H729CP20	32	FP-1802216	32-34	FP-1810086	19
FP-H729CP30	32	FP-1802217	32-34	FP-1810358	44
FP-IFKDT360	19	FP-1802218	32-34	FP-18103584R	44
FP-IFKDT360L	19	FP-1802219	32-34	FP-18103594R	44
FP-IFKDT360LOH	19	FP-1802220	32-34	FP-1810504	44
FP-IFKDT360OH	19	FP-1802221	32-34	FP-1810504WS	44
FP-IFKDT408NGD*	31	FP-1802222	32-34	FP-1810508	56
FP-IFKDT466	44	FP-1802223	32-34	FP-1810510	19, 44
FP-IFKDT466E	45	FP-1802337	44	FP-1810744	44
FP-IFKDT466EBB*	46	FP-1802337WL	44	FP-1810944	31, 35, 44, 49
FP-IFKDT466OH	44	FP-1802340	19, 44	FP-1811049	32
FP-IFKDT466PNGD	44	FP-1802580	43, 44	FP-1811050	33, 34
FP-IFKDT4664R	44	FP-18025814R	44	FP-1811191	32, 33
FP-IFKDT4664ROH	44	FP-1802867	19, 44	FP-1811581	19, 43, 44
FP-IFK530NGD*	49	FP-1804000	32-34	FP-1811749	19
FP-IFK444E	35	FP-1804003	32-34	FP-1811894	19
FP-IFK69L	32	FP-1804009	27, 28, 32-34, 36, 37, 56	FP-1812301	35
FP-IFK69LOH	32	FP-1804032	32-34	FP-1812302	35
FP-IFK73E	33	FP-1804052	32-34	FP-1812303	35
FP-IFK73EOH	33	FP-1804136	32-34	FP-1812304	35
FP-IFK73L	33	FP-1804211	32	FP-1812317	35
FP-IFK73LOH	33	FP-1804259	32	FP-1812321	35
FP-IFK90	56	FP-1804308	32, 33	FP-1812322	35
FP-MV1902	7, 12	FP-1804321	32, 33	FP-1812323	35
FP-PGN466C	44	FP-1804330	32-34	FP-1812324	35
FP-PGN466EIF	45	FP-1804338	32-34	FP-1812325	35
FP-PGN466IF	44	FP-1804353	32, 33	FP-1812326	35
FP-PGN466NGDIF	44	FP-1804420	12, 32-34	FP-1812327	35
FP-PGN4661	44	FP-1804467	32, 33	FP-1812328	35
FP-PGN73C	34	FP-1804475	27, 28, 32-34, 36, 37	FP-1812329	35
FP-PGT444S	35	FP-1804480	32-34	FP-1812376	35
FP-RC126SA	8, 13, 14, 17, 18, 22, 23, 25-28, 36, 40-42, 47, 51-54, 56, 61	FP-1804495	32-34	FP-1812457	35
FP-RP3127	3, 5, 7, 12	FP-180521240	32	FP-1813067	32-34
FP-SL2444	59, 60	FP-1805231	32	FP-1813121	33
FP-SO2443	59, 60	FP-1805232	32	FP-1813121WR	33
FP-V1543	5, 7	FP-1805249	32-34	FP-1813122	33
FP-V2158X	59, 60	FP-1805250	32-34	FP-1813122WR	33
FP-WH729CP	32	FP-1805398	32-34	FP-1813171	33
FP-WH729CP20	32	FP-1805407	32-34	FP-1813173	33
FP-WH729CP30	32	FP-1805816	32	FP-1813174	33
FP-111024	1-5, 7-11, 13-18, 20-26, 29, 30, 38-42, 47, 48, 52-56	FP-1805816WR	32	FP-1813654	56
FP-111024B*	1-5, 7-11, 13-18, 20-26, 29, 30, 38-42, 47, 48, 52-56	FP-1805818	32	FP-1813933	19, 44
FP-1209M	3, 5, 7, 12	FP-1805818WR	32	FP-1814219	35
FP-1228M	1	FP-1805819	32	FP-1814326	35
FP-127554	24	FP-1805819WR	32	FP-1814607	35
FP-1441102	32	FP-1805851	32	FP-1814695	35
FP-1441703	33	FP-180585140	32	FP-1814913	56
FP-156541	5, 7, 11, 12, 15, 27, 28, 36, 37, 44	FP-1805854	32	FP-1815264	19, 44
FP-160094	56	FP-1805866	32-34	FP-1815309	19
FP-1700203	56	FP-1807945	32-34	FP-1815374	19, 43, 44
FP-1700233	56	FP-1807974	32-34	FP-1815404	19
FP-1700234	56	FP-1808059	44	FP-1815538	19, 44
FP-1700235	56	FP-1808060	44	FP-1815560	35
FP-1700236	56	FP-1808061	44	FP-1815561	35
FP-1700236WR	56	FP-1808062	44	FP-1815638	19
FP-1700237	56	FP-1808069	44	FP-1815668	19, 44
FP-1700237WR	56	FP-1808070	44	FP-1815674	31, 44, 45
FP-1700238	56	FP-1808071	44	FP-1815898	35, 45, 49, 50
FP-1700238WR	56	FP-1808072	44	FP-1815899	35
FP-1700239	56	FP-1808751	27, 28, 36, 37, 56	FP-1816179	35
FP-1700239WR	56	FP-1808973	43, 44	FP-1816559	32-34
FP-1700248	56	FP-1809057	33, 34	FP-1816562	33
FP-1700549	56	FP-1809109	33	FP-1816569	8, 13, 14, 17, 18, 21-23, 27-34, 36-39, 48
FP-1700591	56	FP-1809110	33	FP-1816593	31, 35, 44, 49, 50
FP-1700594	56	FP-1809146	33	FP-1816658	33
FP-1700609	56	FP-1809147	33	FP-1816674	33
FP-1700702	56	FP-1809148	33	FP-1816674WR	33
FP-1700703	56	FP-1809149	33	FP-1816676	33
FP-1700704	56	FP-1809339	35	FP-1816676WR	33
		FP-1809374	32, 33	FP-1816677	33
		FP-1809570*	31, 44, 45, 49, 50	FP-1816677WR	33
		FP-18096834R	44		

Part No.	Line No.	Part No.	Line No.	Part No.	Line No.
FP-1816722	31	FP-1823848	43, 44	FP-1833361*	46, 50
FP-1817178	19	FP-1823849	43, 44	FP-1833362*	46, 50
FP-1817188	44	FP-1823850	43, 44	FP-1833363*	46, 50
FP-1817188WP	44	FP-1823859	19	FP-1833364*	46, 50
FP-1817189	44	FP-1823860	19	FP-1833365*	46, 50
FP-1817247	31, 44, 45	FP-1823861	19	FP-1833366*	46, 50
FP-1817250	19	FP-1823863	19	FP-1833382*	45, 46, 50
FP-1817250WR	19	FP-1823864	19	FP-1833447*	49
FP-1817251	19	FP-1823865	19	FP-1833564	45, 50
FP-1817255	19	FP-1823866	19	FP-1836075	45, 46
FP-1817256	19	FP-1823875	45, 46, 50	FP-1836192*	46
FP-1817339	44	FP-1823925	45, 49, 50	FP-1836193	46, 50
FP-1817510	31, 44, 49	FP-1823930	44	FP-1836195*	46
FP-1817520	44	FP-1824284	35	FP-1836299	46
FP-1817520WP	44	FP-1824284WP	35	FP-1836300*	46
FP-1817562	31, 44, 45, 49, 50	FP-1824415	35	FP-1836321*	46
FP-1817633	31, 49, 50	FP-1824452	35	FP-1841326	46, 49, 50, 57, 58
FP-1817645	44	FP-1824642	44, 49	FP-1841896*	50
FP-1817646	44	FP-1824644	44-46, 49, 50	FP-1842115	31, 49, 50, 57, 58
FP-1817687	31, 44-46, 49, 50	FP-1824646	44-46, 49	FP-1842227*	46
FP-1817867	31, 44-46, 49, 50	FP-1824647	45, 46, 50	FP-1842549	46
FP-1818092	35	FP-1824680	44-46, 49, 50	FP-1842550	46
FP-1818372	35	FP-1824683	44-46, 49, 50	FP-1842551*	46
FP-1818397	35	FP-1824757*	49	FP-1842552*	57, 58
FP-1818446	44	FP-1824810	44	FP-1842553	49, 50, 57, 58
FP-1818509	19, 44	FP-1824810WP	44	FP-1842554*	46
FP-1818552	31, 44, 45, 49	FP-1824820	44	FP-1842555*	46
FP-1818580	31, 44, 49	FP-1824823	44	FP-1842556*	46
FP-1818598	31, 44, 45, 49, 50	FP-1824838	31, 44, 49	FP-1842557*	57, 58
FP-1818702	31, 44-46, 49, 50	FP-1824840	45, 46, 50	FP-1842566*	57, 58
FP-1818778	45, 50	FP-1824842	44, 49	FP-1842567*	57, 58
FP-1819547	43, 44	FP-1824908	45	FP-1842570*	46, 50, 57, 58
FP-1819649	32	FP-1824966	45	FP-1842622*	46
FP-1819733	32-34	FP-1824970	45, 50	FP-1842648*	46, 57, 58
FP-1820264	31, 44, 49	FP-1825163	35	FP-1842912	45, 50
FP-1820697	35	FP-1825436	44	FP-1842913	45, 50
FP-1820784	35	FP-1825461	44, 45	FP-1850401*	46
FP-1821880	35	FP-1825540	44-46, 49, 50	FP-1850402*	46
FP-1821900	45, 50	FP-1825547*	50	FP-1850403*	46
FP-1821901	45, 50	FP-1825548*	50	FP-1874253*	57, 58
FP-1821902	45, 50	FP-1825585	45	FP-1876100*	46
FP-1821903	45, 50	FP-1825585WP	45	FP-1876101*	46
FP-1821904	45, 50	FP-1825602	45, 50	FP-1876103+	46, 57, 58
FP-1821905	45, 50	FP-1825690	45	FP-1889247*	46, 57, 58
FP-1822097	44	FP-1826322*	31	FP-205205	27, 28, 36
FP-1822097WP	44	FP-1826587	31, 44-46, 49, 50	FP-2056043	27, 28, 36
FP-1822098*	49	FP-1826672	35	FP-205671	22, 23
FP-1822120	31, 35, 44-46, 49, 50	FP-1830060	46, 49	FP-205673	22, 23
FP-1822135	45	FP-1830256	46, 49, 50	FP-205701	52, 53
FP-1822217*	31	FP-1830327	46	FP-205705*	27, 28, 36
FP-1822245*	31, 44, 49	FP-1830375	45	FP-2105CP	1
FP-1822321	31, 44, 45, 49, 50	FP-1830375WP	45	FP-2105CP10	1
FP-1822322	31, 44-46, 49, 50	FP-1830564	45	FP-2105CP2	1
FP-1822328	31, 44, 49	FP-1830565	45	FP-2105CP20	1
FP-1822332*	31	FP-1830715*	50	FP-2105CP30	1
FP-1822333*	49	FP-1830716*	50	FP-218211	19, 31, 43-45, 49, 50, 56
FP-1822337*	49, 50	FP-1830720	45, 46	FP-2195CP	52, 53
FP-1822340	44	FP-1830721*	50	FP-2195CP10	52, 53
FP-1822379	31, 44, 45, 49, 50	FP-1830723	46, 50	FP-24513121	12
FP-1822389	31, 44, 45, 49, 50	FP-1830724	46, 50	FP-252483	44
FP-1822486	31, 44, 45, 49, 50	FP-1830725*	46, 50	FP-253660	19, 31, 44, 45, 49, 50
FP-1822487	31, 44, 45, 49, 50	FP-1830726*	46, 50	FP-280623	56
FP-1822490	31, 44, 45, 49, 50	FP-1830742	46	FP-317365	8, 13, 14, 17, 18, 22, 23, 25-28, 32-34, 36, 37, 40-42, 47, 51-56, 61, 62
FP-1822491	31, 44, 45, 49, 50	FP-1830813	35	FP-317749	56
FP-1822492	31, 44, 45, 49, 50	FP-1830826	35	FP-3210CP	59, 60, 63
FP-1822494	31, 44, 45, 49, 50	FP-1830898	35	FP-3210CP10	59, 60, 63
FP-1822495	31, 44, 45, 49, 50	FP-1830898WP	35	FP-3210CP20	59, 60, 63
FP-1822496	31, 44, 45, 49, 50	FP-1830899	35	FP-3210CP30	59, 60, 63
FP-1822577	45, 46, 49, 50	FP-1830899WP	35	FP-326751	19
FP-1822708	35, 45, 49, 50	FP-1830900	35	FP-326874	44
FP-1822712	35	FP-1830900WP	35	FP-356005	8, 13, 14, 17, 18, 22, 23
FP-1822862	35	FP-1830949	35	FP-3730CP	27, 28, 36, 37
FP-1823140	19	FP-1830950	35	FP-3730CP10	27, 28, 36, 37
FP-1823313	45	FP-1830951	35	FP-3730CP20	27, 28, 36, 37
FP-1823313WP	45	FP-1830952	35	FP-3730CP30	27, 28, 36, 37
FP-1823452	35	FP-1830953	35	FP-3730CP40	27, 28, 36, 37
FP-1823453	35	FP-1830954	35	FP-41339	3, 5, 7, 8, 11-15, 17-19, 22, 23, 27, 28, 32-34, 36, 37, 42-44, 54, 56
FP-1823671	35	FP-1830955	35	FP-427231	56
FP-1823843	44	FP-1830956	35	FP-428046	56
FP-1823844	44	FP-1831516	35	FP-434466	56
FP-1823845	44	FP-1831665	35		
FP-1823846	44	FP-1831713	35		
FP-1823847	43, 44	FP-1833092*	46		

Numerical List



Part No.	Line No.	Part No.	Line No.	Part No.	Line No.
FP-434466S	56	FP-681314	43, 44	VK-138B	3, 5, 7, 8, 11-15, 17-19, 22, 23, 27, 28, 32, 33, 36, 37, 42-44, 54, 56
FP-434467	56	FP-68131440	43, 44	VK-138R	3, 5, 7, 8, 11-15, 17-19, 22, 23, 27, 28, 32, 33, 36, 37, 42-44, 54, 56
FP-434467S	56	FP-681315	43, 44	VK-140	25, 26, 40, 41, 47, 51-53, 55, 61, 62
FP-434468	56	FP-681316	43, 44	VK-63	6, 9, 10
FP-434468S	56	FP-682064	19, 43, 44	VK-66	24
FP-434469	56	FP-682198	19	VK-66R	24
FP-434469S	56	FP-682199	43, 44	VS-336	20, 21, 24, 29, 30, 38, 39, 48
FP-443128	8, 13, 14, 17, 18, 22, 23, 25-28, 36, 40-42, 47, 51-54, 56, 61	FP-682810	19, 31, 44, 49, 50	VS-337	20, 21, 24, 29, 30, 38, 39, 48
FP-446437	56	FP-682840	44	VS-389	3, 5, 7
FP-446571	27, 28, 36, 37	FP-682945	44	VS-547	5, 7, 12
FP-446839	32, 34	FP-684065S	44	VS-693	41
FP-448064	51, 54, 56, 61, 62	FP-684255	43, 44	V-1327X	3, 5, 7
FP-448139	25, 26, 40-42, 47, 51-56, 61, 62	FP-684255WP	44	V-1542	3, 5
FP-448427	56	FP-684256	43, 44	V-1834X	22, 23
FP-448428	25, 26, 40, 41, 47, 51-56, 61, 62	FP-684256S	43, 44	V-1926	20
FP-480842	51, 54, 56, 61, 62	FP-684552	19	V-2090X	27, 28, 36, 37
FP-480843	51, 54, 56, 61, 62	FP-684555	19	V-2523	27, 28, 36, 37
FP-480844	51, 54, 56, 61, 62	FP-684561	19	V-2524X	13, 14, 17, 18
FP-480845	51, 54, 56, 61, 62	FP-684564	19	V-2525	13, 14, 17, 18
FP-480847	51, 54, 56, 61, 62	FP-684570	44	V-4081	20, 24
FP-480848	51, 54, 56, 61, 62	FP-684573	44	WE-270K	13, 14, 17, 18
FP-480848	51, 54, 56, 61, 62	FP-684576	44	WE-270X	13, 14, 17, 18
FP-480849	51, 54, 56, 61, 62	FP-684579	44	WE-273K	22, 23, 25-28, 36, 40, 41
FP-489101	56	FP-684582	44	WE-404K	22, 23, 25-28, 36, 40, 41
FP-489104	56	FP-684585	44	WH996CP	22, 23
FP-489105	56	FP-684930	44	WH997CP	13, 14, 17, 18
FP-489120	56	FP-684931	44	WH999P	27, 28, 36
FP-489172	56	FP-685153	19, 44	W-10333KX+	56
FP-489193	56	FP-685155	19, 44	W-5642KX	21, 29, 30, 38, 39
FP-489256	56	FP-686181	44	W-9520KX	44
FP-5032M	42, 51, 54, 56, 61, 62	FP-687382	43, 44	W-9618KX	44
FP-5032M10	42, 51, 54, 56, 61, 62	FP-687385	19	1091M	2, 4
FP-5032M20	42, 51, 54, 56, 61, 62	FP-687388	19	1218M	8, 13, 14, 17, 18, 22, 23
FP-5032M30	42, 51, 54, 56, 61, 62	FP-687391	44	1269Y	6, 9-11, 15
FP-5084M	59, 60, 63	FP-687394	44	1467M	27, 28
FP-5084M10	59, 60, 63	FP-687432	43, 44	1579V	3, 5, 7
FP-5084M20	59, 60, 63	FP-688928	44	205-170	13, 14, 17, 18
FP-670073	19, 44	FP-690437	19, 31, 44-46, 49, 50	205-170M	13, 14, 17, 18
FP-670079	44	FP-702299	35	205-670	13, 14, 17, 18
FP-670675	44	FP-875519	35	205-670M	13, 14, 17, 18
FP-671505	44	FP-911776	3, 5, 7, 11, 12, 15, 43, 44	205-675	22
FP-671506	44	FP-941M	1	205-676	22
FP-671559	43, 44	FP-941M10	1	2199Y20	25, 26, 40, 41, 47, 52, 53, 55
FP-671561	43, 44	FP-941M20	1	221-3335S	27, 28, 36, 37
FP-671563	43, 44	FP-941M30	1	221-3336S	8, 13, 14, 17, 18, 22, 23
FP-671565	43, 44	HLC997CP	13, 14, 17, 18	221-3342S	32, 33
FP-671821	43, 44	HT-855	8, 13, 14, 17, 18, 22, 23	2218	8, 13, 14, 17, 18, 22, 23, 27, 28, 36, 37
FP-671825	19, 43	HT-855B	8, 13, 14, 17, 18, 22, 23	224-41185	3, 5, 7, 12
FP-671827	44	H996CP	22, 23	224-41187	8, 13, 14, 17, 18, 22, 23
FP-673973	43, 44	H997CP	13, 14, 17, 18	224-41189	27, 28, 36, 37
FP-674399	43, 44	MV-1551	25, 26, 40, 41, 47, 52, 53, 55	224-51185	3, 5, 7, 12
FP-674399WS	44	MV-1796	12	224-51187	8, 13, 14, 17, 18, 22, 23
FP-675006	44	MV-1796A	12	2410CP	8, 12-14, 17, 18, 22, 23
FP-675043	31, 44, 49	MV-1796C	34	245-1312-1	12
FP-675046	43, 44	MV-1914	51, 61, 62	245-1375-4	12
FP-675109	43, 44	RC-107	12	245-1562-1	9, 10
FP-675384	19, 43, 44	RP-3131	8, 13, 14	245-1562-1N	9, 10
FP-675439	19, 43, 44	RP-3132	17, 18, 22, 23	245-1687-2	12
FP-675442	19, 31, 43, 44, 49	RP-3133	17, 18, 22, 23	245-1687-2N	12
FP-675443	44	RP-3201	27, 28, 36, 37	245-1750-2	9, 10
FP-675450	31, 44, 49	R-1119	32, 33	245-1750-2N	9, 10
FP-675477	19, 31, 44, 49, 50	R-884	8, 13, 14, 17, 18, 22, 23	245-1750-3	11, 15
FP-675600	19, 43, 44	R-949	32, 33	245-1750-3N	11, 15
FP-675609	19, 44	SL-17M	8	245-1875-1	5, 7, 11, 15, 21, 29, 30, 38, 39, 48
FP-675621	43, 44	SL-18M	7	245-1875-1N	5, 7, 11, 15, 21, 29, 30, 38, 39, 48
FP-675669	43, 44	SL-20Y	13, 14, 17, 18	245-2125-1	27, 28, 36, 37
FP-675774	44	SL-23M	22-24, 27, 28, 36, 37	245-2250-1	25, 26, 47, 52, 53, 55
FP-675808	19, 44	SL-23Y	22-24, 27, 28, 36, 37	259-303A	20, 21, 24, 29, 30, 38, 39, 48
FP-675812	19, 44	SL-93M	11, 12, 15	259-303ARS	20, 21, 24, 29, 30, 38, 39, 48
FP-675813	44	ST-2001	9	259-303B	20, 21, 24, 29, 30, 38, 39, 48
FP-675816	19, 44	ST-2002	37, 44	259-303C	20, 21, 24, 29, 30, 38, 39, 48
FP-675860	19, 44	ST-2002BC	5, 7, 11, 12, 15, 37, 44	260-1050	22, 23
FP-676679	44	ST-2004	8, 13, 14, 17, 18	260-1075	8, 13, 14, 17, 18
FP-676687	19	ST-2004BC	8, 13, 14, 17, 18	260-1076	22, 23
FP-676865	43, 44	ST-2007	21, 25, 26, 29, 30, 38-41, 47, 48, 52, 53, 55	260-1114	61, 62
FP-677082	44	VG-499	3, 5, 7	260-1115	47, 52, 53, 55
FP-677349	31, 44-46, 49, 50	VG-549	51, 61, 62	260-1117	27, 28, 36, 37
FP-677692	19, 43, 44	VG-581	8, 13, 14, 17, 18, 22, 23	260-1374	12
FP-680084	44	VG-646	22, 23	260-1665	19
FP-680086	44	VG-660	27, 28, 36, 37	260-1672	32
FP-680117	19, 31, 43-45, 49, 50	VK-138	3, 5, 7, 8, 11-15, 17-19, 22, 23, 27, 28, 32, 33, 36, 37, 42-44, 54, 56		
FP-680899	44				
FP-681234	19, 32, 33, 43, 44				

Part No.	Line No.	Part No.	Line No.	Part No.	Line No.
260-1673	33, 34				
260-6017	51, 54, 56, 61, 62				
260-6054	27, 28, 32-34, 36, 37				
381-8056	32-34				
381-8083	8, 13, 14, 17, 18, 22, 23				
381-8088	35				
3893V	32, 33				
39608	27, 28, 32, 33				
39958	19				
4070M	8, 13, 14, 17, 18, 22, 23				
410708	7				
417316	5, 15, 21, 29, 30, 38, 39, 48				
472856	3				
5064	27, 28, 36, 56				
5065	42, 52-54, 56				
5066	32, 33				
5082M	27, 28, 36, 37				
5110M	32, 33				
5112S	25, 26, 40, 41				
5155X	8				
5576KX	7				
5642KX	21, 29, 30, 38, 39				
677X	5, 9, 10				
710447	25, 26				
714470	19, 44				
7581H	8, 13, 14, 17, 18, 22, 23, 40-42, 52-54				
8-2410CP	8, 13, 14, 17, 18, 22, 23				
9219V	2, 4				
9219X	2, 4				
935M	3, 5, 7				
99240	3				
99248	8, 13, 14, 17, 18, 22, 23, 40-42, 52-54				
99260	7				
99272	5, 15				
99298	19				

FIND ALL THE PARTS YOU NEED

Look Up Any Part, Any Time. www.FMe-cat.com

FMe-cat is the online solution that offers fast, easy access to virtual catalog pages covering thousands of FP Diesel® replacement engine parts for commercial vehicles. The interactive catalog simplifies the process of locating engine components for medium- and heavy-duty applications and enables users to easily navigate in a virtual catalog environment.

The user-friendly interface always features the most complete product offering and latest coverage data.

A variety of lookup tools will help you, whatever information you may have:

- Application Lookup** – By make, engine code, engine
- Part Number Lookup** – By inputting the part number
- Interchange Lookup** – By inputting a competitor or OEM's part number

This helpful online tool also provides:

- Personal Parts List
- Technical Tips and Product Bulletins
- Digital Catalogs
- New Number Announcements
- Newsletters

Order All The Parts – With Just One Call!

Many FP Diesel® Engine Kits have several variations in components available, depending on the specific engine. Overhaul Kits are designed to contain all the parts necessary to rebuild a particular engine. To assure that the kit is correct and complete, reference the “How To Order Overhaul and In-frame Kits” guide found on page XII in the front section of this catalog.

This information enables your FP Diesel service representative to configure the Engine Kit to your particular requirements, ensuring that everything is properly accounted for. In cases where there are no variable components, we have pre-configured the kits to include all the necessary parts for that application.



800.237.7425

*HOURS: 8 am-6:30 pm EST, 7 am-5:30 pm CST,
6 am-4:30 pm MST, 5 am-3:30 pm PST*



FMe-cat.com
Your 24/7 FP Diesel
Resource

Available 24/7, the interactive e-Catalog features a highly intuitive interface and advanced functionality that enable distributors and repair professionals to access the latest and most complete product data and to quickly and easily find the right FP Diesel components. **The catalog's comprehensive interchange and numerical lookup tools help identify the correct part even when complete application information is not available.**



Part Number FP-1810359-4R
Cylinder Kit Complete

Commercial Applications	
Make	Model
IHC Tractor	Combine
	Crawler Tractor
	Power Unit
	Scraper
	Wheel Loader
International/Navistar Truck	Wheel Tractor

Cylinder Kit Complete	Part Number	Quantity	Model
	FP-1810359-4R	6	Model 1750; Years 93-78; DT466B, DTA466B, DT1466B, DT466C, DTA466C, DT1466C From Ser. No. 76441 through 532980; 4 ring piston applications; 16.3:1 C.R.; Also available as Sealed Power No. SL-2761
	FP-1810359-4R	6	Model 1754; Years 93-78; DT466B, DTA466B, DT1466B, DT466C, DTA466C, DT1466C From Ser. No. 76441 through 532980; 4 ring piston applications; 16.3:1 C.R.; Also available as Sealed Power No. SL-2761
	FP-1810359-4R	6	Model 1850; Years 93-78; DT466B, DTA466B, DT1466B, DT466C, DTA466C, DT1466C From Ser. No. 76441 through 532980; 4 ring piston applications; 16.3:1 C.R.; Also available as Sealed Power No. SL-2761
	FP-1810359-4R	6	Model 1853; Years 93-78; DT466B, DTA466B, DT1466B, DT466C, DTA466C, DT1466C From Ser. No. 76441 through 532980; 4 ring piston applications; 16.3:1 C.R.; Also available as Sealed Power No. SL-2761
	FP-1810359-4R	6	Model 1853 4 X 4; Years 93-78; DT466B, DTA466B, DT1466B, DT466C, DTA466C, DT1466C From Ser. No. 76441 through 532980; 4 ring piston applications; 16.3:1 C.R.; Also available as Sealed Power No. SL-2761

Download the latest new product announcements



Access new number bulletins



Get your copy of "The Source" Newsletter



Flip through virtual paper catalogs

Visit **FMe-cat.com** and click on the **Commercial vehicle!**





FP Diesel ML7™ Head Gaskets

- Patented multi-layer design provides unprecedented strength
- Expanded graphite outer facings fills in minor voids in sealing surfaces
- Stainless steel armors provide robust, long lasting combustion seal
- Solid steel core provides enhanced lateral stability



Valvetrain Components

- Manufactured to the highest quality standards
- OEM specification materials used with upgrades to super alloys such as stellite, nickel, nimonic and inconel where needed for problem applications
- Available parts include valves, springs, guides, keepers, rotocaps, rocker parts, lifters, seals, seats and more



www.FMe-cat.com

- Commercial vehicle electronic catalog – available at www.FMe-cat.com
- User friendly interface features the most complete product offering and latest coverage data
- Online solution offers fast, easy access to virtual catalog pages covering the thousands of FP Diesel® components
- Eases locating components for heavy-duty applications and enables users to accurately navigate in a virtual catalog environment of commercial vehicles

GLOBAL TECHNOLOGY behind every part