

WALKER

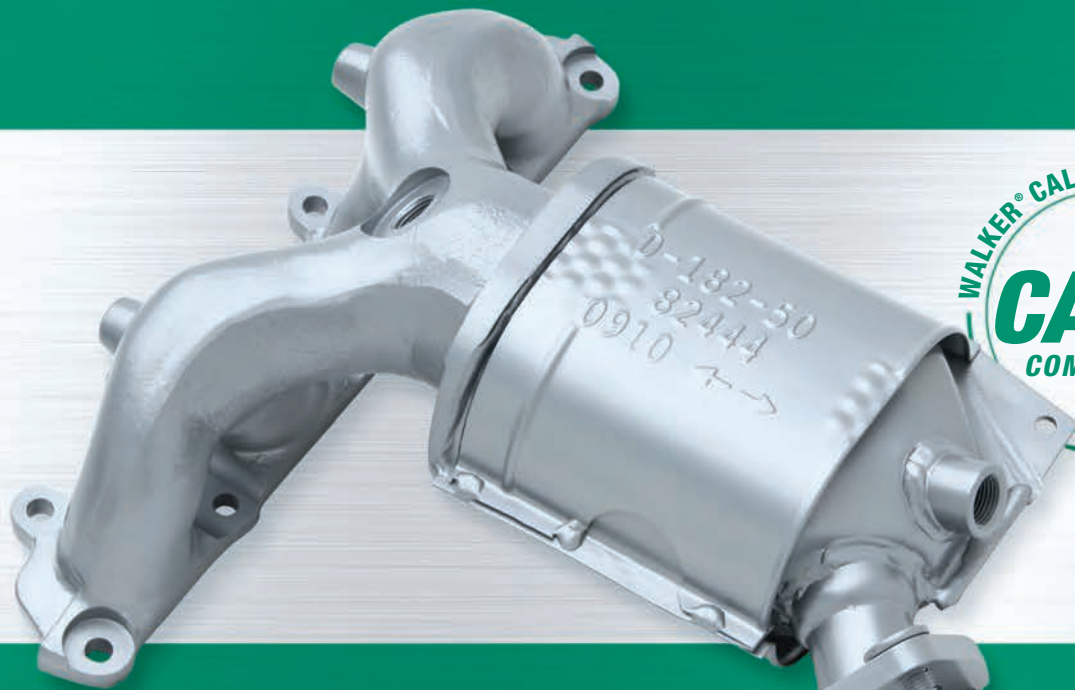
CalCat

CATALYTIC CONVERTERS

Digital Edition
WCC-0618 (CARB)
June, 2018

CARB-COMPLIANT CONVERTER CATALOG

CATALOG DE CONVERTISSEUR CONFORMES AUX EXIGENCES DU CARB
CATÁLOGO DE CONVERTIDORES QUE CUMPLEN CON LOS REQUISITOS CARB



Solutions from a Leading Full-Line Supplier

Les solutions d'un fournisseur reconnu de gammes complètes de produits

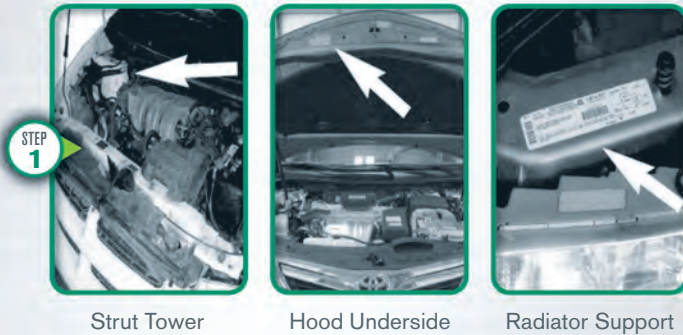
Soluciones de un proveedor líder de línea completa

walkerexhaust.com



CONVERTER INSTALLATION GUIDELINES

DETERMINING THE RIGHT REPLACEMENT CATALYTIC CONVERTER



Strut Tower

Hood Underside

Radiator Support

STEP 1)

LOCATE THE VEHICLE'S EMISSIONS CONTROL INFORMATION LABEL

To determine which catalytic converter to use on a vehicle, it is necessary to determine the specific emissions system installed by the OE manufacturer.

This information is provided on the vehicle's Emissions Control Information Label, as required by the U.S. EPA.

This label is located in the engine compartment in a visible location - usually on the hood underside, strut tower, radiator support, fan shroud or firewall.

STEP 2)

LOCATE THE ENGINE FAMILY NUMBER

The EFN, also referred to as the Engine Family Number, Engine Family Code, or Group Number is prominently located on the Emission Control Information Label, along with other important emissions specifications. This is vital information if regulations in your state mandate replacement converters be CARB-compliant. All OBDII applications in the Walker® CalCat® CARB-compliant catalog reference the EFN. **Be sure to verify the vehicle's EFN to avoid misapplication of the replacement catalytic converter.** If the label is missing, it is necessary to contact the OE dealer for the information, or to order a new Emission Control Information Label.

STEP 3)

CONSULT STATE REGULATIONS PERTAINING TO AFTERMARKET REPLACEMENT CONVERTERS

The states referenced below currently have active programs in place to oversee their aftermarket part regulations.

California (Effective 1 / 1 / 09)

- Aftermarket replacement converters for any vehicle licensed in the state of California must, by law, be CARB-compliant.

New York (Enforced as of 1 / 1 / 14)

- For model years 1993, 1994, or 1996 and newer, aftermarket replacement converters for California Emissions Certified vehicles licensed in the state of New York must, by law, be CARB-compliant. It is, however, still legal to use EPA-compliant converters in these two circumstances:

- 1) Vehicle model year 1995, or vehicle models older than 1993
- 2) Federal / EPA Only Emissions Certified vehicles, regardless of model year

Maine (Effective as of 6 / 1 / 18)

- Aftermarket replacement converters for any vehicle licensed in the state of Maine must, by law, be CARB-compliant.

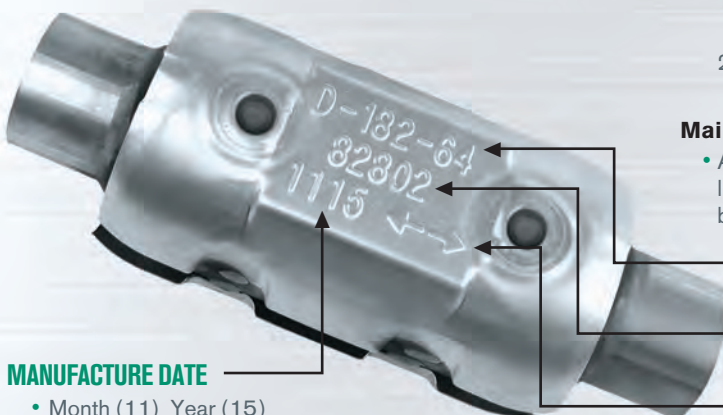
CALIFORNIA EMISSIONS CERTIFIED LABELS

| INFORMATION | VEHICLE EMISSION CONTROL INFORMATION |
|---|--|
| <p>▶ THE FACTORY INSTALLED LONG-LIFE COOLANT MUST BE REPLACED ACCORDING TO MAINTENANCE SCHEDULE SUB CODE 9, OR AT 10 YEARS WHOEVER COMES FIRST THEREAFTER EVERY 9 YEARS.</p> <p>▶ WHEN ADDING OR REPLACING THE COOLANT ALWAYS USE WALKER RECOMMENDED GENUINE LONG-LIFE ANTI-FREEZE/COOLANT TYPE 2. THIS COOLANT IS PRE-MIXED WITH 50% DISTILLED WATER. IT DOES NOT REQUIRE ANY ADDITIONAL MIXING.</p> <p>▶ NEVER DILUTE THE COOLANT, OR THE LIFE OF THE ENGINE MAY BE SERIOUSLY SHORTENED.</p> <p>▶ CHECK OR ADD THE COOLANT AT THE RESERVE TANK, NOT THE RADIATOR.</p> <p>▶ FOR FURTHER INFORMATION ON THE COOLING SYSTEM, READ THE OWNER'S MANUAL, OR CHECK WITH YOUR WALKER DEALER.</p> | <p>CONFORMS TO REGULATIONS: 2011MY HEV</p> <p>U.S. EPA: T2B2 LDV OBD: CA OBD II FUEL: GASOLINE ARB: LEV II SULEV / AT P2EV PC OBD: CA OBD II FUEL: GASOLINE</p> <p>WU-TWC, TWC, A/F SENSOR, HO2S, EGR, SFI</p> <p>SAMPLE STEP 2 BHNXV0151D3 K-F BHNXR0096VZA RTW-ADD 1.5L</p> |

| SAMPLE | VEHICLE EMISSION CONTROL INFORMATION |
|---|--|
| <p>ENGINE FAMILY : XTYXV01.8DXB FAMILY : XTYXR0115AK1 SFI, HO2S(2), TWC LITER</p> <p>ENGINE TUNE - UP SPECIFICATIONS FOR ALL ALTITUDES</p> <p>VALVE CLEARANCE INTAKE 0.15 - 0.25 mm (0.006 - 0.010 in.) (ENGINE AT COLD) EXHAUST 0.25 - 0.35 mm (0.010 - 0.014 in.)</p> <p>NO OTHER ADJUSTMENTS NEEDED.</p> <p>THIS VEHICLE CONFORMS TO CALIFORNIA REGULATIONS APPLICABLE TO 1999 MODEL YEAR NEW TLEV PASSENGER CARS AND TO U.S. EPA NLEV PROGRAM REGULATIONS APPLICABLE TO GASOLINE-FUELED 1999 MODEL YEAR NEW TLEV PASSENGER CARS. THIS VEHICLE MAY ONLY BE INTRODUCED INTO COMMERCE FOR SALE IN CALIFORNIA, A STATE THAT HAS THE CALIFORNIA STANDARDS IN EFFECT TO WHICH THIS VEHICLE HAS BEEN CERTIFIED, A STATE THAT HAS OPTED INTO THE NLEV PROGRAM, OR A STATE CONTIGUOUS THERETO.</p> | <p>CATALYST (OBD II CERTIFIED)</p> <p>22041 1ZZ-FE CAL&OTC HW</p> |

CARB CONVERTER LABELING REQUIREMENTS

A manufacturer shall label each new aftermarket converter with a permanent, non-destructible label or stamp identifying the EO number issued by ARB, the catalytic converter part number, the date (month and year) of manufacture, and a directional flow arrow.



MANUFACTURE DATE

- Month (11) Year (15)

CALIFORNIA EXECUTIVE ORDER NUMBER

- D-182-64

WALKER PART NUMBER

- 82802

EXHAUST FLOW INDICATOR

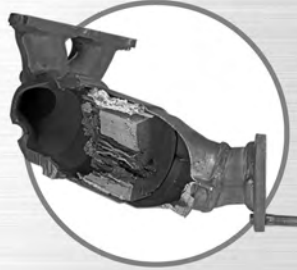
COMMON TYPES OF CONVERTER FAILURE

DIAGNOSING CONVERTER EFFICIENCY ISSUES

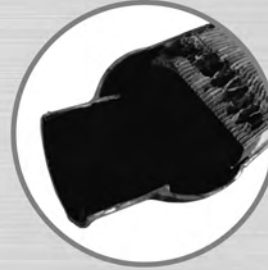
Since converters have no moving parts,
a converter failure is usually a symptom of a larger problem.



Thermal Shock



Overheated, Melted or Broken



Coated / Oil-Fouled Substrate



Structural Damage

Obtain vehicle repair history / use

- Reduced fuel economy?
- Is the engine hard to start?
- Scheduled maintenance history?
- Cooling system condition?
- Fuel-related problems?
(E85, diesel, moisture in the tank)
- Performance parts?

Correct all other engine codes first

Make sure that other trouble codes are fixed prior to diagnosing or replacing a converter

Repair all exhaust system leaks

- Exhaust system leaks will adversely affect oxygen sensor readings
- If required, use "Sensor Safe" sealants to fix leaks

Check converter temperature

- Determine if the converter is "Lighting Off"
- Excessive temperatures indicate an emissions issue
- Shell discoloration (bronze / blue tint) can indicate internal converter damage

Check exhaust back pressure

- High pressure before the converter indicates a clogged converter
- High pressure after the converter indicates a blockage in the muffler
- Typical back pressure readings should be less than 5 psi

Inspect / test cooling system

- Pressure test the cooling system to check for internal leaks
- Most systems should hold the radiator cap pressure for 15 minutes
- Coolant entering the exhaust system will damage a converter and O₂ sensors

Cylinder balance / exhaust temperature balance

- Check the temperatures at each leg of the exhaust manifold
- Look for cylinders that are running hotter or colder than others, or that may be operating at a lower efficiency

Check fuel system

- A fuel pressure and leak-down test will help identify fuel system problems
- Fuel pressure should hold steady after the fuel pump is shut off

Check air / fuel ratio

- The average air-to-fuel ratio should be 14.7 : 1
- Anything other than this ratio will increase emissions

Check O₂ sensors

- Once the vehicle is warmed up, is the front O₂ sensor switching from rich to lean?
- If the front O₂ sensor is sluggish, the converter will not work at peak efficiency
- A visual inspection of the front sensor will help diagnose issues

Check emissions / emissions analyzer

- The most effective way to resolve emissions issues is by sampling the exhaust gases with a 4- or 5-gas analyzer
- Make sure the tool has been recently calibrated

Check mechanical condition

- Inspect vacuum hose routing, ignition timing, and the EGR valve
- Check engine compression; if high, clean carbon deposits
- If compression is low, major engine repair may be required
- On modern vehicles, compare mass airflow readings to determine volumetric efficiency

Re-flash the PCM (if necessary)

- In some cases, manufacturers have released Technical Service Bulletins indicating that a re-flash of the PCM will help resolve emissions problems

CALIFORNIA CONVERTER WARRANTY CARD

CALIFORNIA CONVERTER WARRANTY CARD REQUIREMENTS

The manufacturer shall provide a warranty card with each new aftermarket catalytic converter intended for California sale or use.

THE WARRANTY CARD SHALL INCLUDE:

- 1) The general terms and conditions of the catalytic converter warranty
- 2) A statement that the catalytic converter has been designed and manufactured to meet the warranty requirements
- 3) A place for the customer's signature in acknowledgement of the catalytic converter warranty
- 4) The catalytic converter part number
- 5) The make, model, year, VIN and odometer reading of the vehicle on which the catalytic converter was installed
- 6) The date of installation
- 7) The name of the repair shop or installation facility

The warranty card shall be supplied and filled out in triplicate; the original for the customer, one copy for the installer to keep, and one copy to be sent back to the manufacturer. The copy to be returned to the manufacturer shall have pre-paid postage, and be of sufficient size to allow for mailing without the use of a separate envelope.

Walker also includes a copy to meet EPA guidelines. If a California-compliant converter is installed in an EPA-compliant state, the fourth copy (pink form) should be attached to the "old, removed converter" and retained by the installer for 15 days, per EPA requirements.

HOW TO USE THE WALKER® CALIFORNIA CONVERTER WARRANTY FORM

Original converter registration is to be filled out **completely** and the carbon copies distributed as follows:

U.S. WARRANTY ONLY

NO POSTAGE NECESSARY IF MAILED IN THE UNITED STATES

BUSINESS REPLY MAIL
FIRST-CLASS MAIL PERMIT NO. 13 MONROE, MI
POSTAGE WILL BE PAID BY ADDRESSEE

Converter Warranty Dept.
1 International Drive
Monroe, MI 48161-9922

White Card (Front)

Mail this pre-addressed card to the manufacturer

CATALYTIC CONVERTER LIMITED WARRANTY REGISTRATION

VEHICLE OWNER:

Name _____
Street Address _____
City _____ State _____ ZIP _____
Vehicle Owner Signature _____

PURCHASED AT / INSTALLED BY:

Name _____
Street Address _____
City _____ State _____ ZIP _____

VEHICLE INFORMATION:

Vehicle Identification Number (VIN) _____
Year _____ Make _____ Model _____ Engine Size _____ Mileage _____ Converter Part No. _____
Engine Family # / Test Group # _____ Date Installed _____

**THIS FORM MUST BE COMPLETELY FILLED IN BY INSTALLER
MAIL THIS COMPLETED CARD**

White Card (Back)

Warranty registration must be completely filled in by the installer

CATALYTIC CONVERTER LIMITED WARRANTY REGISTRATION

VEHICLE OWNER:

Name _____
Street Address _____
City _____ State _____ ZIP _____
Vehicle Owner Signature _____

PURCHASED AT / INSTALLED BY:

Name _____
Street Address _____
City _____ State _____ ZIP _____

VEHICLE INFORMATION:

Vehicle Identification Number (VIN) _____
Year _____ Make _____ Model _____ Engine Size _____ Mileage _____ Converter Part No. _____
Engine Family # / Test Group # _____ Date Installed _____

**THIS FORM MUST BE COMPLETELY FILLED IN BY INSTALLER
INSTALLER - ATTACH COPY TO CONVERTER & RETAIN FOR 15 DAYS**

Pink Carbon Copy

Installer to attach to old converter, and retain for 15 days

CATALYTIC CONVERTER LIMITED WARRANTY REGISTRATION

VEHICLE OWNER:

Name _____
Street Address _____
City _____ State _____ ZIP _____
Vehicle Owner Signature _____

PURCHASED AT / INSTALLED BY:

Name _____
Street Address _____
City _____ State _____ ZIP _____

VEHICLE INFORMATION:

Vehicle Identification Number (VIN) _____
Year _____ Make _____ Model _____ Engine Size _____ Mileage _____ Converter Part No. _____
Engine Family # / Test Group # _____ Date Installed _____

**THIS FORM MUST BE COMPLETELY FILLED IN BY INSTALLER
INSTALLER - ATTACH TO INVOICE & RETAIN FOR 4 YEARS**

Yellow Carbon Copy

Installer to attach to invoice, and retain on file for four (4) years

CATALYTIC CONVERTER LIMITED WARRANTY REGISTRATION

VEHICLE OWNER:

Name _____
Street Address _____
City _____ State _____ ZIP _____
Vehicle Owner Signature _____

PURCHASED AT / INSTALLED BY:

Name _____
Street Address _____
City _____ State _____ ZIP _____

VEHICLE INFORMATION:

Vehicle Identification Number (VIN) _____
Year _____ Make _____ Model _____ Engine Size _____ Mileage _____ Converter Part No. _____
Engine Family # / Test Group # _____ Date Installed _____

**THIS FORM MUST BE COMPLETELY FILLED IN BY INSTALLER
CUSTOMER - RETAIN FOR YOUR RECORDS**

White Carbon Copy

Customer to retain this copy for their records

IMPORTANT -

THE FOLLOWING STATEMENT MUST BE READ AND SIGNED BY THE VEHICLE OWNER AND THE INSTALLER OF THE REPLACEMENT CATALYTIC CONVERTER.

Catalytic converters and associated system devices that are designed to help the life of the vehicle and to cut harmful engine emissions. Furthermore, the engine is designed and the replacement catalytic converter is designed for the maximum engine operating RPM and engine speed. The engine speed should not be exceeded for longer periods. Consult the vehicle owner's manual for your specific converter. An engine that operates near maximum RPM for extended periods may cause engine damage.

In order to verify that the proper conversion level has been achieved, the vehicle owner should have the vehicle inspected by a qualified mechanic or other authorized professional.

The vehicle is subject to the manufacturer's warranty and the catalytic converter replacement requirement. However, replacement of the catalytic converter is not covered by the manufacturer's warranty.

Vehicle Owner Signature _____
Date _____
Installer Signature _____
Date _____

The installer must retain this statement and a copy of the invoice for 4 years and the vehicle owner must retain a copy of this statement for 4 years from the date of installation of the replacement catalytic converter. The installer must retain a copy of this statement for 4 years from the date of installation of the replacement catalytic converter.

Yellow Warranty Statement

Consumer and installer both read and sign; installer to retain on file for four (4) years

GUIDE D'INSTALLATION DU CATALYSEUR

DÉTERMINER LE CATALYSEUR DE REMPLACEMENT APPROPRIÉ



ÉTAPE 1

La jambe de suspension



La surface intérieure du capot



Le support du radiateur

ÉTAPE 1) LOCALISEZ L'ÉTIQUETTE D'INFORMATION SUR LE CONTRÔLE DES ÉMISSIONS DU VÉHICULE

Pour déterminer quel catalyseur utiliser sur un véhicule, il faut déterminer quel système de contrôle des émissions est installé par le manufacturier d'ÉO.

Cette information se trouve sur l'étiquette d'information sur le contrôle des émissions, tel qu'exigé par l'agence de protection de l'environnement des É.-U. (l'EPA).

L'étiquette se trouve dans le compartiment moteur à un endroit visible, soit sur la surface intérieure du capot, près de la jambe de suspension, sur le support du radiateur, sur la buse du ventilateur ou sur la cloison pare-feu.

ÉTIQUETTE AVEC CERTIFICATION DES ÉMISSIONS « CALIFORNIA »

| INFORMATION | VEHICLE EMISSION CONTROL INFORMATION | | |
|--|---|---|---|
| <p>▶ THE FACTORY INSTALLED LONG-LIFE COOLANT MUST BE REPLACED ACCORDING TO MAINTENANCE MINDER SUB CODE 5, THEREAFTER EVERY 5 YEARS.</p> <p>▶ WHEN ADDING OR REPLACING THE COOLANT, ALWAYS USE MAKE RECOMMENDED GENUINE LONG-LIFE ANTI-FREEZE/COOLANT TYPE 2. THIS COOLANT IS PRE-MIXED WITH 50% DISTILLED WATER. IT DOES NOT REQUIRE ANY ADDITIONAL MIXING.</p> <p>▶ NEVER DILUTE THE COOLANT. ON THE LIFE OF THE ENGINE MAY BE SERIOUSLY SHORTENED.</p> <p>▶ CHECK OR ADD THE COOLANT AT THE RESERVE TANK NOT THE RADIATOR.</p> <p>▶ FOR FURTHER INFORMATION ON THE COOLING SYSTEM READ THE OWNER'S MANUAL OR CHECK WITH YOUR Honda DEALER.</p> | <p>CONFORMS TO REGULATIONS: 2011MY HEV</p> | | |
| | <p>U.S. EPA: T2B2 LDV</p> <p>ARB: LEV II SULEV / AT PZEV PC</p> | <p>OBD: CA OBD II</p> <p>OBD: CA OBD II</p> | <p>FUEL: GASOLINE</p> <p>FUEL: GASOLINE</p> |
| | <p>WU-TWC, TWC, A/F SENSOR, H2S, EGR, SFI</p> | | |
| | <p>SAMPLE</p> | | <p>ÉTAPE 2</p> <p>BHNXXV01.5103</p> <p>BHNXR0096VZA</p> <p>1.5L</p> |

| SAMPLE | VEHICLE EMISSION CONTROL INFORMATION | |
|---|---|--|
| <p>ENGINE FAMILY: XTYXXV01.8DXB</p> <p>SFI, HO2S(2), TWC</p> | <p>ÉTAPE 2</p> <p>FAMILY: XTYXR0115AK1</p> <p>ITER</p> | |
| <p>ENGINE TUNE - UP SPECIFICATIONS FOR ALL ALTITUDES</p> | | |
| <p>VALVE CLEARANCE INTAKE</p> <p>(ENGINE AT COLD) EXHAUST</p> | <p>0.15 - 0.25 mm (0.006 - 0.010 in.)</p> <p>0.25 - 0.35 mm (0.010 - 0.014 in.)</p> | |
| <p>NO OTHER ADJUSTMENTS NEEDED.</p> | | |
| <p>THIS VEHICLE CONFORMS TO CALIFORNIA REGULATIONS APPLICABLE TO 1999 MODEL YEAR NEW TLEV PASSENGER CARS AND TO U.S. EPA NLEV PROGRAM REGULATIONS APPLICABLE TO GASOLINE-FUELED 1999 MODEL YEAR NEW TLEV PASSENGER CARS. THIS VEHICLE MAY ONLY BE INTRODUCED INTO COMMERCE FOR SALE IN CALIFORNIA, A STATE THAT HAS THE CALIFORNIA STANDARDS IN EFFECT TO WHICH THIS VEHICLE HAS BEEN CERTIFIED, A STATE THAT HAS OPTED INTO THE NLEV PROGRAM, OR A STATE CONTIGUOUS THERETO.</p> | | |

| | | | |
|-------|--------|---|----|
| | | <p>CATALYST</p> <p>OBD II CERTIFIED</p> | |
| 22041 | 1ZZ-FE | CAL&OTC | HW |

ÉTAPE 2) LOCALISEZ LE NUMÉRO DE FAMILLE DU MOTEUR

Le numéro de famille du moteur (EFN - Engine family number) est visiblement situé sur l'étiquette d'information sur le contrôle des émissions, avec d'autres spécifications importantes sur les émissions. Cette information est essentielle si les autorités de votre État ou province exigent que les catalyseurs de remplacement soient certifiés CARB. Toutes les applications OBDII dans le catalogue des produits CalCat® de Walker® (conformes aux exigences du CARB) font référence au numéro de famille du moteur (EFN). **Assurez-vous de vérifier l'EFN du véhicule pour éviter des erreurs dans le choix du catalyseur de remplacement.** Si l'étiquette est absente, il faut communiquer avec le concessionnaire pour obtenir l'information, ou commander une nouvelle étiquette d'information sur le contrôle des émissions.

ÉTAPE 3) CONSULTEZ LES RÈGLEMENTS DE VOTRE ÉTAT CONCERNANT LES CATALYSEURS DE REMPLACEMENT DU MARCHÉ SECONDAIRE

Les États mentionnés plus bas ont actuellement des programmes actifs pour superviser les règlements du marché secondaire.

Californie (en vigueur le 1^{er} janvier 2009)

- Les catalyseurs de remplacement du marché secondaire pour tout véhicule immatriculé en Californie doivent être conformes aux exigences du CARB.

New York (appliquée à partir du 1^{er} janvier 2014)

- Pour les années modèles 1993, 1994, ou 1996 et subséquentes, les catalyseurs de remplacement du marché secondaire pour les véhicules certifiés conformes aux exigences de la Californie et immatriculés dans l'État de New York doivent obligatoirement être conformes aux exigences du CARB. Il est cependant toujours légal d'utiliser des catalyseurs conformes aux exigences de l'EPA dans ces deux circonstances :
 - 1) Véhicules de l'année modèle 1995 ou avant 1993
 - 2) Véhicules certifiés conformes aux normes fédérales de l'EPA seulement, sans égard à l'année modèle.

Maine (appliquée à partir du 1^{er} juin 2018)

- Les catalyseurs de remplacement du marché secondaire pour tout véhicule immatriculé en Maine doivent être conformes aux exigences du CARB.

EXIGENCES CONCERNANT L'ÉTIQUETTE DU CARB SUR UN CATALYSEUR

Le manufacturier doit marquer chaque nouveau catalyseur du marché secondaire par une étiquette permanente non destructible ou une estampe portant le numéro d'ÉO émis par le CARB, le numéro de pièce du catalyseur, la date de fabrication (mois et année) et une flèche indiquant la direction du flux des gaz.



DATE DE FABRICATION

- Mois (11) Année (15)

NUMÉRO DE LA LOI DE CALIFORNIE

- D-182-64

NUMÉRO DE PIÈCE WALKER

- 82802

DIRECTION DU FLUX DES GAZ

CAS TYPES DE DÉFAILLANCE DU CATALYSEUR

DIAGNOSTIQUER UN PROBLÈME DE CATALYSEUR

Étant donné que les catalyseurs n'ont aucune pièce mobile, une défaillance du catalyseur est généralement le symptôme d'un problème plus important.



Choc thermique



Surchauffé, fondu ou cassé



Substrat recouvert / encrassé d'huile



Dommages structurels

Obtenez l'historique des réparations et d'utilisation du véhicule

- Le véhicule consomme-t-il plus de carburant?
- Le moteur est-il difficile à démarrer?
- L'entretien du véhicule est-il régulier?
- Quel est l'état du système de refroidissement moteur?
- Y a-t-il des problèmes liés au système de carburant? (E85, diesel, moisissures dans le réservoir)
- Des pièces de performance sont-elles installées?

Réglez d'abord tous les autres codes de problèmes liés au moteur

Assurez-vous d'avoir réglé tous les autres codes de problèmes avant d'établir votre diagnostic ou de remplacer un catalyseur

Réparez toutes les fuites d'échappement

Les fuites dans le système d'échappement nuisent aux lectures de la sonde d'oxygène
Au besoin, réparez les fuites à l'aide de produits antifuite sans danger pour les sondes d'oxygène

Vérifiez la température du catalyseur

Vérifiez si le catalyseur s'enflamme
Une température excessive indique un problème d'émissions
La décoloration du catalyseur (teinte bronzée ou bleutée) peut indiquer des dommages internes du catalyseur

Vérifiez la contrepression à l'échappement

Une haute pression avant le catalyseur indique que le catalyseur est bouché
Une haute pression après le catalyseur indique que le silencieux est bouché
La contrepression normale est de moins de 5 psi

Inspectez / testez le système de refroidissement

Vérifiez la pression du système de refroidissement pour trouver des fuites internes éventuelles
La plupart des systèmes de refroidissement doivent pouvoir maintenir une pression introduite par le couvert du radiateur pendant 15 minutes
Si le liquide de refroidissement pénètre dans le système d'échappement, il endommage les catalyseurs et les sondes d'oxygène

Réglage des cylindres et des températures d'échappement

Vérifiez la température de chaque cylindre du collecteur d'échappement
Vérifiez si des cylindres sont plus chauds ou plus froids que d'autres, ou s'ils sont moins efficaces

Vérifiez le système de carburant

Un test de la pression et des fuites d'essence aidera à identifier les problèmes du système de carburant
La pression d'essence doit se maintenir une fois que la pompe à essence est désactivée

Vérifiez le ratio air / essence

Le ratio air / essence moyen doit être de 14,7 : 1
Tout autre ratio augmentera le niveau d'émissions

Vérifiez les sondes d'oxygène

Quand le moteur est réchauffé, la sonde d'oxygène avant passe-t-elle d'un mélange riche à un mélange pauvre?
Si la sonde d'oxygène avant est lente, le catalyseur n'est pas aussi efficace qu'il le devrait
Une inspection visuelle de la sonde avant aide à diagnostiquer les problèmes

Vérifiez les émissions / analyseur de gaz

Le moyen le plus efficace de résoudre les problèmes d'émissions est d'analyser les gaz d'échappement à l'aide d'un analyseur de 4 ou 5 gaz
Assurez-vous que cet outil a été calibré récemment

Vérifiez la condition mécanique

Inspectez le flexible à dépression, la séquence d'allumage et la soupape RGE
Vérifiez le taux de compression du moteur.
S'il est élevé, nettoyez les dépôts de carbone
S'il est faible, des réparations importantes du moteur sont peut-être nécessaires
Sur les véhicules récents, comparez les lectures de débit massique d'air pour déterminer le rendement volumétrique

Faites une mise à jour du PCM (si nécessaire)

Dans certains cas, le fabricant a émis un bulletin technique indiquant qu'une mise à jour du PCM (module de commande du groupe motopropulseur) aide à résoudre les problèmes d'émissions

CARTE DE GARANTIE DU CATALYSEUR EN CALIFORNIE

EXIGENCES DE LA CARTE DE GARANTIE DU CATALYSEUR EN CALIFORNIE

Le fabricant doit fournir une carte de garantie pour chaque catalyseur neuf du marché secondaire destiné à la vente ou à l'utilisation en Californie.

LA CARTE DE GARANTIE DOIT INDIQUER :

- 1) Les modalités générales de la garantie du catalyseur
- 2) Une déclaration indiquant que le catalyseur a été conçu et fabriqué pour répondre aux exigences de la garantie
- 3) Un espace pour la signature du client, qui accepte les modalités de la garantie du catalyseur
- 4) Le numéro de pièce du catalyseur
- 5) La marque, le modèle, l'année, le NIV et la lecture à l'odomètre du véhicule sur lequel le catalyseur est installé
- 6) La date d'installation
- 7) Le nom de l'atelier de réparation ou d'installation

La carte de garantie doit être fournie et remplie en trois copies; l'original pour le client, une copie à conserver par l'installateur et une copie à envoyer au fabricant. La copie à retourner au fabricant doit avoir un port prépayé, et être d'un format suffisamment grand pour être postée sans nécessiter une enveloppe.

Walker inclut aussi une copie pour répondre aux exigences de l'EPA. Si un catalyseur conforme aux normes de la Californie est installé dans un État se conformant aux normes de l'EPA, la quatrième copie (rose) doit être jointe au vieux catalyseur déposé, et conservée par l'installateur pendant 15 jours, selon les exigences de l'EPA.

COMMENT UTILISER LE FORMULAIRE DE GARANTIE D'UN CATALYSEUR WALKER® CONFORME AUX NORMES DE LA CALIFORNIE

Le formulaire d'enregistrement initial du catalyseur doit être **rempli** et les copies au carbone distribuées ainsi :

Carte blanche (recto)

Postez cette carte préadressée au fabricant

Carte blanche (verso)

L'enregistrement de la garantie doit être rempli par l'installateur

Copie rose

L'installateur la joint au vieux catalyseur, et la conserve pendant 15 jours

Copie jaune

L'installateur la joint à la facture et la conserve au dossier pendant quatre (4) ans

Copie blanche

Le client conserve cette copie dans ses dossiers

Déclaration sur la copie jaune

Le consommateur et l'installateur lisent et signent cette déclaration; l'installateur conserve cette copie au dossier pendant quatre (4) ans

PAUTAS PARA LA INSTALACIÓN DE CONVERTIDORES

DETERMINACIÓN DEL CONVERTIDOR CATALÍTICO DE REPUESTO ADECUADO



La torre del strut



La parte inferior del capó



El soporte del radiador

PASO 1) LOCALICE LA ETIQUETA DE INFORMACIÓN SOBRE EL CONTROL DE EMISIONES DEL VEHÍCULO

Para determinar qué convertidor catalítico utilizar en un vehículo, es necesario determinar el sistema de emisiones específico instalado por el fabricante de equipo original.

Esta información se suministra en la etiqueta de información sobre el control de emisiones del vehículo, tal y como lo requiere la EPA de los EE.UU.

Esta etiqueta está ubicada en el compartimiento del motor en un lugar visible, generalmente en la parte inferior del capó, la torre del strut, el soporte del radiador, el protector para el ventilador o la pared para detener fuegos.

PASO 2) LOCALICE EL NÚMERO DE FAMILIA DEL MOTOR

El EFN (Engine Family Number), conocido también como número de familia del motor, código de familia del motor o número de grupo, está ubicado de manera prominente en la etiqueta de información sobre el control de emisiones, junto con otras especificaciones importantes sobre emisiones. Esto es información vital si los reglamentos de su estado exigen que los convertidores de repuesto cumplan con los requisitos CARB. Todas las aplicaciones OBDII incluidas en el catálogo de convertidores Walker® CalCat® que cumplen con los requisitos CARB hacen referencia al EFN. **Asegúrese de verificar el EFN del vehículo para evitar una aplicación incorrecta del convertidor catalítico de repuesto.** Si falta la etiqueta, es necesario contactar al distribuidor del equipo original para obtener la información o solicitar una etiqueta de información sobre el control de emisiones nueva.

PASO 3) CONSULTE LOS REGLAMENTOS ESTATALES RELACIONADOS CON LOS CONVERTIDORES DE REPUESTO DEL MERCADO DE ACCESORIOS

Los estados que se citan a continuación tienen establecidos en la actualidad programas activos para supervisar sus reglamentos para las piezas del mercado de accesorios.

California (entrada en vigor el 1 de enero de 2009)

- Los convertidores de repuesto del mercado de accesorios para cualquier vehículo con licencia en el estado de California deben, por ley, cumplir con los requisitos CARB.

Nueva York (aplicación a fecha de 1 de enero de 2014)

- Para los años modelo 1993, 1994 ó 1996 y más nuevos, los convertidores de repuesto del mercado de accesorios para vehículos certificados para emisiones de California con licencia en el estado de Nueva York deben, por ley, cumplir con los requisitos CARB. Sin embargo, sigue siendo legal usar convertidores que cumplen con los requisitos EPA en estas dos circunstancias:

- Año modelo del vehículo 1995 o vehículos anteriores a 1993
- Vehículos con certificación federal / EPA de emisiones solamente, independientemente del año modelo.

Maine (aplicación a fecha de 1 de junio de 2018)

- Los convertidores de repuesto del mercado de accesorios para cualquier vehículo con licencia en el estado de Maine deben, por ley, cumplir con los requisitos CARB.

NÚMERO DE ORDEN EJECUTIVA DE CALIFORNIA

- D-182-64

NÚMERO DE PIEZA WALKER

- 82802

INDICADOR DE FLUJO DEL ESCAPE

ETIQUETAS DE CERTIFICACIÓN DE EMISIONES DE CALIFORNIA

| INFORMATION | VEHICLE EMISSION CONTROL INFORMATION |
|---|---|
| <p>▶ THE FACTORY INSTALLED LONG-LIFE COOLANT MUST BE REPLACED ACCORDING TO MAINTENANCE MINDER SUB CODE 5, OR AT 10 YEARS WHICHEVER COMES FIRST THEREAFTER EVERY 8 YEARS.</p> <p>▶ WHEN ADDING OR REPLACING THE COOLANT, ALWAYS USE Honda RECOMMENDED GENUINE LONG-LIFE ANTI-FREEZE/COOLANT TYPE 2. THIS COOLANT IS PRE-MIXED WITH 50% DISTILLED WATER. IT DOES NOT REQUIRE ANY ADDITIONAL MIXING.</p> <p>▶ NEVER DILUTE THE COOLANT, OR THE LIFE OF THE ENGINE MAY BE SERIOUSLY SHORTENED.</p> <p>▶ CHECK OR ADD THE COOLANT AT THE RESERVE TANK, NOT THE RADIATOR.</p> <p>▶ FOR FURTHER INFORMATION ON THE COOLING SYSTEM, READ THE OWNER'S MANUAL, OR CHECK WITH YOUR Honda DEALER.</p> | <p>CONFORMS TO REGULATIONS: 2011MY HEV</p> <p>U.S. EPA: T2B2 LDV OBD: CA OBD II FUEL: GASOLINE ARB: LEV II SULEV/AT P2EV PC OBD: CA OBD II FUEL: GASOLINE</p> <p>WU-TWC, TWC, A/F SENSOR, HO2S, EGR, SFI</p> <p>SAMPLE PASO 2 BHNXV01.51D3 RTV-A02 BHNXK0096VZA 1.5L</p> |

| SAMPLE | VEHICLE EMISSION CONTROL INFORMATION |
|---|--------------------------------------|
| <p>ENGINE FAMILY: XTYXV01.8DXB FAMILY: XTYXR0115AK1 SFI, HO2S(2), TWC LITER</p> <p>ENGINE TUNE - UP SPECIFICATIONS FOR ALL ALTITUDES</p> <p>VALVE CLEARANCE INTAKE 0.15 - 0.25 mm (0.006 - 0.010 in.) (ENGINE AT COLD) EXHAUST 0.25 - 0.35 mm (0.010 - 0.014 in.)</p> <p>NO OTHER ADJUSTMENTS NEEDED.</p> <p>THIS VEHICLE CONFORMS TO CALIFORNIA REGULATIONS APPLICABLE TO 1999 MODEL YEAR NEW TLEV PASSENGER CARS AND TO U.S. EPA NLEV PROGRAM REGULATIONS APPLICABLE TO GASOLINE-FUELED 1999 MODEL YEAR NEW TLEV PASSENGER CARS. THIS VEHICLE MAY ONLY BE INTRODUCED INTO COMMERCE FOR SALE IN CALIFORNIA, A STATE THAT HAS THE CALIFORNIA STANDARDS IN EFFECT TO WHICH THIS VEHICLE HAS BEEN CERTIFIED. A STATE THAT HAS OPTED INTO THE NLEV PROGRAM, OR A STATE CONTIGUOUS THERETO.</p> | <p>PASO 2</p> |

| | |
|--|---|
| <p>1 8 V B G D D W</p> <p>22041 1ZZ-FE CAL&OTC HW</p> | <p>CATALYST OBD II CERTIFIED</p> |
|--|---|

REQUISITOS CARB PARA EL ETIQUETADO DE CONVERTIDORES

Un fabricante etiquetará cada convertidor nuevo del mercado de accesorios con una etiqueta o un sello permanente e indestructible que identifique el número de equipo original emitido por la ARB, el número de pieza del convertidor catalítico, la fecha (mes y año) de fabricación y la flecha de flujo direccional.



FECHA DE FABRICACIÓN

- Mes (11) Año (15)

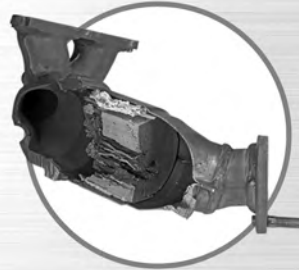
TIPOS COMUNES DE FALLA DE LOS CONVERTIDORES

DIAGNÓSTICO DE LOS PROBLEMAS DE EFICIENCIA DE LOS CONVERTIDORES

Como los convertidores no tienen piezas móviles, la falla de un convertidor es generalmente un síntoma de un problema más grande.



Choque térmico



Sobrecalentado,
derretido o roto



Substrato recubierto /
contaminado con aceite



Daño estructural

Obtenga la historia de reparación / uso del vehículo

- ¿Reducción en la economía de combustible?
- ¿Es difícil arrancar el motor?
- ¿Historia de mantenimiento programado?
- ¿Estado del sistema de enfriamiento?
- ¿Problemas relacionados con el combustible? (E85, diesel, humedad en el tanque)
- ¿Piezas de repuesto de alto rendimiento?

Corrija primero todos los demás códigos del motor

Asegúrese de que otros códigos de problemas se hayan solucionado antes de diagnosticar o reemplazar un convertidor

Repare todas las fugas del sistema de escape

Las fugas del sistema de escape afectarán adversamente las lecturas de los sensores de oxígeno. Si es necesario, use sellantes "seguros para sensores" para reparar las fugas.

Compruebe la temperatura del convertidor

Determine si el convertidor se está activando. Las temperaturas excesivas indican un problema de emisiones. La descoloración de la carcasa (tinte bronce / azul) puede indicar daños internos en el convertidor.

Compruebe la contrapresión del escape

Una presión alta antes del convertidor indica que el convertidor está obstruido. Las presiones altas después del convertidor indican un bloqueo en el silenciador. Las lecturas de contrapresión típicas deben ser de menos de 5 psi.

Inspeccione / Pruebe el sistema de enfriamiento

Compruebe la presión del sistema de enfriamiento para verificar si existen fugas internas. La mayoría de los sistemas debe mantener la presión de la tapa del radiador durante 15 minutos. La entrada de refrigerante en el sistema de escape dañará un convertidor y los sensores de O₂.

Equilibrio de los cilindros / Equilibrio de las temperaturas del escape

Compruebe las temperaturas en cada tramo del múltiple del escape. Compruebe si hay cilindros que estén funcionando más calientes o más fríos que los demás, o que puedan estar funcionando a una eficiencia más baja.

Compruebe el sistema de combustible

Una prueba de presión del combustible y las fugas de combustible ayudará a identificar los problemas en el sistema de combustible. La presión del combustible se debe mantener estable después de apagar la bomba de combustible.

Compruebe la relación de aire / combustible

La relación aire-combustible promedio debería ser 14.7 : 1. Cualquier relación distinta a ésta aumentará las emisiones.

Compruebe los sensores de O₂

Una vez que el vehículo se ha calentado, ¿está el sensor de O₂ delantero cambiando de mezcla rica a mezcla pobre? Si el sensor de O₂ delantero funciona con dificultad, el convertidor no funcionará con la máxima eficiencia. Una inspección visual del sensor delantero ayudará a diagnosticar los problemas.

Compruebe las emisiones / analizador de emisiones

La manera más efectiva de resolver los problemas de emisiones es medir muestras de los gases de escape con un analizador de 4 ó 5 gases. Asegúrese de que la herramienta haya sido calibrada recientemente.

Compruebe el estado mecánico

Inspeccione el encaminamiento de la manguera de aspiración, la sincronización del tiempo del encendido y la válvula de EGR. Compruebe la compresión del motor; si es alta, retire los depósitos de carbono. Si la compresión es baja, puede que se requiera una reparación importante del motor. En los vehículos modernos, compare las lecturas de flujo de masa de aire para determinar la eficiencia volumétrica.

Reprograme el PCM (módulo de control del tren de potencia) (si es necesario)

En algunos casos, los fabricantes han publicado Boletines de Servicio Técnico que indican que una reprogramación del PCM ayudará a resolver los problemas de emisiones.

TARJETA DE GARANTÍA PARA CONVERTIDORES DE CALIFORNIA

REQUISITOS DE LA TARJETA DE GARANTÍA PARA CONVERTIDORES DE CALIFORNIA

El fabricante proveerá una tarjeta de garantía con cada convertidor catalítico nuevo del mercado de accesorios destinado para la venta o el uso en California.

LA TARJETA DE GARANTÍA INCLUIRÁ:

- 1) Los términos y condiciones generales de la garantía del convertidor catalítico
- 2) Una declaración de que el convertidor catalítico ha sido diseñado y fabricado para cumplir con los requisitos de la garantía
- 3) Un lugar para la firma del cliente en reconocimiento de la garantía del convertidor catalítico
- 4) El número de pieza del convertidor catalítico
- 5) La marca, el modelo, el año, el número de identificación del vehículo (VIN) y la lectura del odómetro del vehículo en el cual se instaló el convertidor catalítico
- 6) La fecha de instalación
- 7) El nombre del taller de reparaciones o el centro de instalación

La tarjeta de garantía se suministrará y llenará por triplicado; el original para el cliente, una copia para que la guarde el instalador y una copia para enviarla de vuelta al fabricante. La copia que se debe enviar al fabricante tendrá el franqueo prepagado y será de tamaño suficiente para permitir enviarla por correo sin tener que usar un sobre aparte.

Walker también incluye una copia para cumplir con las directrices EPA. Si un convertidor que cumple con los requisitos de California se instala en un estado que cumple con los requisitos EPA, la cuarta copia (el formulario rosado) debería ser en el "convertidor viejo retirado" y retenida por el instalador durante 15 días, de acuerdo con los requisitos EPA.

CÓMO USAR EL FORMULARIO DE GARANTÍA PARA CONVERTIDORES DE CALIFORNIA DE WALKER®

El registro del convertidor original deberá ser llenado **completamente** y las copias de papel carbón se deberán distribuir de la manera siguiente:

Tarjeta blanca (frente)

Envíe por correo esta tarjeta predirigida al fabricante

Tarjeta blanca (dorso)

El registro de la garantía debe ser llenado completamente por el instalador

Copia de papel carbón rosado

El instalador deberá colocar esta copia en el convertidor viejo y retenerla durante 15 días

Copia de papel carbón amarillo

El instalador deberá adjuntar esta copia a la factura y retenerla en sus archivos durante cuatro (4) años

Copia de papel carbón blanco

El cliente deberá retener esta copia para sus registros

Declaración de garantía amarilla

Tanto el consumidor como el instalador deberán leer y entender esta declaración; el instalador deberá retenerla en sus archivos durante cuatro (4) años

ATTENTION:

It is illegal to install a catalytic converter based solely on physical shape, size, configuration, or pipe diameter. See the application section of this catalog for specific part numbers for a specific vehicle.

ATTENTION :

Il est illégal d'installer un convertisseur catalytique basé seulement sur sa forme physique, sa taille, sa configuration ou le diamètre de son tuyau. Voir la section de ce catalogue consacrée aux applications afin d'identifier les numéros de pièce spécifiques pour un véhicule particulier.

ATENCIÓN:

Es ilegal instalar un convertidor catalítico basándose únicamente en la forma, el tamaño, la configuración o el diámetro del tubo. Consulte la sección de aplicaciones de este catálogo para obtener números de pieza específicos para un vehículo específico.

TABLE OF CONTENTS TABLE DES MATIÈRES CONTENIDOS

| | PAGE |
|--|------------------|
| HOW TO USE THIS CATALOG / COMMENT UTILISER CE CATALOGUE / CÓMO UTILIZAR ESTE CATÁLOGO . . . | ii/iv/vi |
| INSTALLATION GUIDELINES / DIRECTIVES D'INSTALLATION / PAUTAS PARA LA INSTALACIÓN | iii/v/vii |
| VEHICLE MODEL INDEX / INDEX DU MODÈLE DE VÉHICULE / ÍNDICE DEL MODELO DE VEHÍCULO | viii/xi |
| APPLICATION LISTING / LISTE D'APPLICATIONS / LISTA DE APLICACIONES | |
| OBDII | 1 |
| NON-OBDII | 393 |
| NUMERICAL LISTING / LISTE NUMÉRIQUE / LISTA NUMÉRICA | 552 |
| INSTALLATION HARDWARE / LE MATÉRIEL D'INSTALLATION / ACCESORIOS DE INSTALACIÓN | 747 |



Support Technique, Lundi-Vendredi

Soporte Técnico, Lunes-Viernes

The sole intent of this catalog is to aid in NAPA AUTO PARTS stores and their customers in the resale of the automotive and automotive related parts. This catalog, or any part thereof, may not be reproduced in any form without written permission of the National Automotive Parts Association (NAPA).

Copyright 2017 by the National Automotive Parts Association, 2999 Circle 75 Parkway, Atlanta, GA 30339

HOW TO USE THIS CATALOG

- Applications in this catalog are divided into two separate sections OBDII and Non-OBDII.
- Applications in each Make are divided into sections by Model.
- Applications in each Model section are sorted first by Year and then by Engine and then by Engine Family Number.

FOLLOW THESE STEPS TO FIND A SPECIFIC APPLICATION

① OBDII PASSENGER CAR & TRUCK

| Years | Cyl. | Eng. | Engine Family No. | Application | Position | Direct-Fit | | Universal Part No. | Executive Order |
|-------|------|------|-------------------|-------------|----------|------------|----------|--------------------|-----------------|
| | | | | | | Part No. | Hardware | | |

② TOYOTA (Cont.)

③ Solara (Cont.)

| | ④ | ⑤ | ⑥ | | ⑦ | | | ⑧ | |
|-----------------|----|------|--------------|--------------------------|-------------|-------|-----------------|-------|----------|
| 2006 (Cont.) | V6 | 3.3L | 6TYXV03.3BEA | Includes Gasket | Front Left | 83152 | 31332 | | D-182-62 |
| | V6 | 3.3L | 6TYXV03.3BEA | Includes Gasket | Front Right | 83153 | 31332 | | D-182-62 |
| | V6 | 3.3L | 6TYXV03.3BEA | | Rear | | | 83206 | D-182-62 |
| 2005 | L4 | 2.4L | 5TYXV02.4PEB | | Rear | 83282 | 31585 (2) | | D-182-62 |
| | L4 | 2.4L | 5TYXV02.4PEB | | Rear | | | 83206 | D-182-62 |
| | L4 | 2.4L | 5TYXV02.4PEB | To 5/06; Includes Gasket | Front | 83189 | 31585 | | D-182-62 |
| 2004 | L4 | 2.4L | 4TYXV02.4PEB | | Rear | 83282 | 31585 (2) | | D-182-62 |
| | L4 | 2.4L | 4TYXV02.4PEB | Includes Gasket | Front | 83189 | 31585 | | D-182-62 |
| | L4 | 2.4L | 4TYXV02.4PEB | | Rear | | | 83206 | D-182-62 |
| | V6 | 3.3L | 4TYXV03.3PEA | Includes Gasket | Front Left | 83152 | 31332 | | D-182-62 |
| | V6 | 3.3L | 4TYXV03.3PEA | | Rear | 83288 | (2)31332, 31585 | | D-182-62 |
| | V6 | 3.3L | 4TYXV03.3PEA | Includes Gasket | Front Right | 83153 | 31332 | | D-182-62 |
| | V6 | 3.3L | 4TYXV03.3PEA | | Rear | | | 83206 | D-182-62 |

For vehicles licensed in the state of California or Maine, or vehicles requiring CARB-compliant converters in the state of New York, the parts in this catalog must be installed as specifically listed.

Parts cannot be substituted, nor can they be installed on California or Maine licensed vehicles not listed in this catalog.

Universal Converters May Require Modifications to Complete Installation.

- ① Locate the OBDII or Non-OBDII section.
- ② Locate the vehicle MANUFACTURER.
- ③ Locate the appropriate MODEL section.
- ④ Locate the appropriate YEAR section.
- ⑤ Locate the specific ENGINE.
- ⑥ Locate the specific ENGINE FAMILY NUMBER.
- ⑦ Locate part position.
- ⑧ UNIVERSAL CONVERTERS are used with additional exhaust system fabrication required.

CALIFORNIA INSTALLATION REQUIREMENTS

Note: Other states have adopted these California aftermarket catalytic converter requirements. Please consult your individual state authority.

Effective January 1, 2009, new aftermarket catalytic converters sold or installed in California must be designed to meet the following requirements:

Aftermarket converters are required to last for 5 years/50,000 miles

Aftermarket converters for newer vehicles must be compatible with OBDII catalyst monitors. This includes making sure converters won't cause false catalyst fault codes, while also making sure that the OBDII system will correctly set a catalyst fault code if the aftermarket converter fails.

The warranty must be for five years/50,000 miles and cover the cost of parts and labor if a replacement is needed.

Determining the proper replacement converter for a particular vehicle takes a little research. This catalog will specifically indicate which converter models are legal for use in California and which exact vehicle models they may be installed on.

| Installer's Checklist for New Aftermarket Catalytic Converters | |
|---|--|
| 1 | The vehicle is specifically included in the application list for the catalytic converter and the converter is legal for use in California. |
| 2 | The vehicle's warranty for the OE converter has expired. Warranties range from 7 years/70,000 miles to 15 years/150,000 miles. Consult the owner's manual. |
| 3 | The installer has confirmed the need for a replacement catalytic converter. If the OEM converter is still present, a diagnosis that it is malfunctioning is required. |
| 4 | The replacement converter will be installed in the same location as the OE converter (the front face location will be within three inches compared to the OE). |
| 5 | All oxygen sensors will remain installed in their OE location(s). |
| 6 | The catalytic converter will be installed on a "one-for-one" basis (a new converter is installed for each OE converter being replaced). Decreasing or increasing the number of catalytic converters (compared to the OE configuration) is prohibited. |
| 7 | Warranty Card - Installer must: (a) Fill out the warranty card (b) Obtain the customer's signature on the card (c) Give the original to customer (d) Attach a copy to the original repair invoice (e) Return the pre-paid postage copy of the warranty card to the catalytic converter manufacturer |
| 8 | The installer must file and maintain a copy of all documentation for a period of at least four years from the date of installation. |

ATTENTION:

It is illegal to install a catalytic converter based solely on physical shape, size, configuration, or pipe diameter. See the application section of this catalog for specific part numbers for a specific vehicle.

COMMENT UTILISER CE CATALOGUE

- Les applications dans ce catalogue sont divisées en deux sections distinctes : OBDII et Non-OBDII.
- Les applications pour chaque constructeur sont divisées en sections par modèle.
- Les applications pour chaque section de modèle sont séparées d'abord par moteur, puis par année, puis par numéro de famille du moteur.

SUIVEZ LES ÉTAPES CI-DESSOUS POUR TROUVER UNE APPLICATION PARTICULIÈRE

① OBDII PASSENGER CAR & TRUCK

| Years | Cyl. | Eng. | Engine Family No. | Application | Position | Direct-Fit | | Universal Part No. | Executive Order |
|-------------------------|------|------|-------------------|-------------|----------|------------|----------|--------------------|-----------------|
| | | | | | | Part No. | Hardware | | |
| ② TOYOTA (Cont.) | | | | | | | | | |

③ Solara (Cont.)

| | ④ | ⑤ | ⑥ | | ⑦ | | ⑧ | | |
|--------------|----|------|--------------|--------------------------|-------------|-------|-----------------|-------|----------|
| 2006 (Cont.) | V6 | 3.3L | 6TYXV03.3BEA | Includes Gasket | Front Left | 83152 | 31332 | | D-182-62 |
| | V6 | 3.3L | 6TYXV03.3BEA | Includes Gasket | Front Right | 83153 | 31332 | | D-182-62 |
| | V6 | 3.3L | 6TYXV03.3BEA | | Rear | | | 83206 | D-182-62 |
| 2005 | L4 | 2.4L | 5TYXV02.4PEB | | Rear | 83282 | 31585 (2) | | D-182-62 |
| | L4 | 2.4L | 5TYXV02.4PEB | | Rear | | | 83206 | D-182-62 |
| | L4 | 2.4L | 5TYXV02.4PEB | To 5/06; Includes Gasket | Front | 83189 | 31585 | | D-182-62 |
| 2004 | L4 | 2.4L | 4TYXV02.4PEB | | Rear | 83282 | 31585 (2) | | D-182-62 |
| | L4 | 2.4L | 4TYXV02.4PEB | Includes Gasket | Front | 83189 | 31585 | | D-182-62 |
| | L4 | 2.4L | 4TYXV02.4PEB | | Rear | | | 83206 | D-182-62 |
| | V6 | 3.3L | 4TYXV03.3PEA | Includes Gasket | Front Left | 83152 | 31332 | | D-182-62 |
| | V6 | 3.3L | 4TYXV03.3PEA | | Rear | 83288 | (2)31332, 31585 | | D-182-62 |
| | V6 | 3.3L | 4TYXV03.3PEA | Includes Gasket | Front Right | 83153 | 31332 | | D-182-62 |
| | V6 | 3.3L | 4TYXV03.3PEA | | Rear | | | 83206 | D-182-62 |

Para los vehículos que tengan licencia del estado de California o Maine, o los vehículos que requieran convertidores que cumplan con los requisitos CARB en el estado de Nueva York, las piezas incluidas en este catálogo se deben instalar tal y como se indica específicamente.

Pour les véhicules immatriculés dans l'État de Californie ou Maine, ou les véhicules nécessitant des convertisseurs conformes à la norme CARB dans l'État de New York, les pièces de ce catalogue doivent être installées tel qu'indiqué spécifiquement.

Les convertisseurs universels peuvent nécessiter des modifications pour permettre l'installation.

- ① Localisez la section OBDII ou Non-OBDII.
- ② Localisez le CONSTRUCTEUR du véhicule.
- ③ Localisez la section correspondant au MODÈLE approprié.
- ④ Localisez la section correspondant à l'ANNÉE appropriée.
- ⑤ Localisez le MOTEUR spécifique.
- ⑥ Localisez le NUMÉRO DE FAMILLE DU MOTEUR spécifique.
- ⑦ Localisez la position de la pièce.
- ⑧ Les CONVERTISSEURS UNIVERSELS sont utilisés avec un système d'échappement additionnel devant être mis en place.

STIPULATIONS RELATIVES À L'INSTALLATION EN CALIFORNIE

Remarque : D'autres États et provinces ont adopté ces stipulations de l'État de Californie relatives au marché des pièces de rechange pour les convertisseurs catalytiques. Veuillez consulter l'autorité responsable en la matière dans votre État ou province.

Depuis le 1er janvier 2009, les nouveaux convertisseurs catalytiques du marché des pièces de rechange vendus ou installés en Californie doivent être conçus pour répondre aux critères suivants :

Les convertisseurs du marché des pièces de rechange doivent durer au moins 5 ans/50 000 miles (80 000 km).

Les convertisseurs du marché des pièces de rechange pour les véhicules de modèles récents doivent être compatibles avec les moniteurs de catalyseurs OBDII. Ceci comprend le fait de s'assurer que les convertisseurs ne causeront pas le déclenchement incorrect de codes d'erreur de catalyseur tout en s'assurant que le système OBDII déclenchera correctement un code d'erreur de catalyseur en cas de défaillance du convertisseur du marché des pièces de rechange.

La garantie doit couvrir cinq ans/50 000 miles (80 000 km) et prendre en charge le coût des pièces de rechange et de la main-d'œuvre si un remplacement est nécessaire.

La détermination du convertisseur de remplacement approprié pour un véhicule particulier nécessite un peu de recherches. Ce catalogue indiquera spécifiquement quels modèles de convertisseurs peuvent légalement être utilisés en Californie et sur quels modèles de véhicules exactement ils peuvent être installés.

| Liste de contrôle de l'installateur pour les nouveaux convertisseurs catalytiques du marché des pièces de rechange | |
|---|---|
| 1 | Le véhicule est inclus spécifiquement sur la liste des applications pour le convertisseur catalytique, et le convertisseur peut être utilisé légalement en Californie. |
| 2 | La garantie du véhicule pour convertisseur de première monte a expiré. Les garanties vont de 7 ans/70 000 miles (110 000 km) à 15 ans/150 000 miles (240 000 km). Consultez le mode d'emploi. |
| 3 | L'installateur a confirmé le besoin de remplacer le convertisseur catalytique. Si le convertisseur de première monte est toujours présent, un diagnostic de dysfonctionnement est nécessaire. |
| 4 | Le convertisseur de rechange sera installé au même endroit que le convertisseur de première monte (la partie du nouveau convertisseur orientée vers l'avant sera au même endroit que la partie orientée vers l'avant du convertisseur de première monte, à 7,5 cm près). |
| 5 | Tous les capteurs d'oxygène resteront installés aux endroits où les capteurs de première monte étaient installés. |
| 6 | Le convertisseur catalytique sera installé sur une base de remplacement unitaire (un nouveau convertisseur est installé pour remplacer chaque convertisseur de première monte retiré). Il est interdit de réduire ou d'accroître le nombre de convertisseurs catalytiques (par rapport à la configuration des équipements de première monte). |
| 7 | Carte de garantie – L'installateur doit : (a) Remplir la carte de garantie (b) Obtenir la signature du client sur la carte (c) Remettre l'original au client (d) Joindre une copie à la facture de réparation d'origine (e) Renvoyer la copie de la carte de garantie en port payé au fabricant du convertisseur catalytique |
| 8 | L'installateur doit classer et conserver une copie de toute la documentation pendant une période d'au moins quatre ans à compter de la date de l'installation. |

ATTENTION :

Il est illégal d'installer un convertisseur catalytique basé seulement sur sa forme physique, sa taille, sa configuration ou le diamètre de son tuyau. Voir la section de ce catalogue consacrée aux applications afin d'identifier les numéros de pièce spécifiques pour un véhicule particulier.

CÓMO USAR ESTE CATÁLOGO

- Las aplicaciones incluidas en este catálogo están divididas en dos secciones separadas, OBDII y No OBDII.
- Las aplicaciones incluidas en cada Marca están divididas en secciones por Modelo.
- Las aplicaciones incluidas en cada sección Modelo están organizadas primero por Motor, luego por Año y luego por el Número de familia del motor.

SIGA ESTOS PASOS PARA ENCONTRAR UNA APLICACIÓN ESPECÍFICA

① OBDII PASSENGER CAR & TRUCK

| Years | Cyl. | Eng. | Engine Family No. | Application | Position | Direct-Fit | | Universal Part No. | Executive Order |
|-------|------|------|-------------------|-------------|----------|------------|----------|--------------------|-----------------|
| | | | | | | Part No. | Hardware | | |

② TOYOTA (Cont.)

③ Solara (Cont.)

| | ④ | ⑤ | ⑥ | | ⑦ | | | ⑧ | |
|-----------------|----|------|--------------|--------------------------|-------------|-------|-----------------|-------|----------|
| 2006 (Cont.) | V6 | 3.3L | 6TYXV03.3BEA | Includes Gasket | Front Left | 83152 | 31332 | | D-182-62 |
| | V6 | 3.3L | 6TYXV03.3BEA | Includes Gasket | Front Right | 83153 | 31332 | | D-182-62 |
| | V6 | 3.3L | 6TYXV03.3BEA | | Rear | | | 83206 | D-182-62 |
| 2005 | L4 | 2.4L | 5TYXV02.4PEB | | Rear | 83282 | 31585 (2) | | D-182-62 |
| | L4 | 2.4L | 5TYXV02.4PEB | | Rear | | | 83206 | D-182-62 |
| | L4 | 2.4L | 5TYXV02.4PEB | To 5/06; Includes Gasket | Front | 83189 | 31585 | | D-182-62 |
| 2004 | L4 | 2.4L | 4TYXV02.4PEB | | Rear | 83282 | 31585 (2) | | D-182-62 |
| | L4 | 2.4L | 4TYXV02.4PEB | Includes Gasket | Front | 83189 | 31585 | | D-182-62 |
| | L4 | 2.4L | 4TYXV02.4PEB | | Rear | | | 83206 | D-182-62 |
| | V6 | 3.3L | 4TYXV03.3PEA | Includes Gasket | Front Left | 83152 | 31332 | | D-182-62 |
| | V6 | 3.3L | 4TYXV03.3PEA | | Rear | 83288 | (2)31332, 31585 | | D-182-62 |
| | V6 | 3.3L | 4TYXV03.3PEA | Includes Gasket | Front Right | 83153 | 31332 | | D-182-62 |
| | V6 | 3.3L | 4TYXV03.3PEA | | Rear | | | 83206 | D-182-62 |

Para los vehículos que tengan licencia del estado de California o Maine, o los vehículos que requieran convertidores que cumplan con los requisitos CARB en el estado de Nueva York, las piezas incluidas en este catálogo se deben instalar tal y como se indica específicamente.

Las piezas no pueden ser sustituidas ni se pueden instalar en vehículos que tengan licencia de California o Maine y no estén incluidos en este catálogo.

Es posible que los convertidores universales requieran modificaciones para completar la instalación.

- ① Localice la sección OBDII o No OBDII.
- ② Localice el FABRICANTE del vehículo.
- ③ Localice la sección MODELO apropiada.
- ④ Localice la sección AÑO apropiada.
- ⑤ Localice el MOTOR específico.
- ⑥ Localice el NÚMERO DE FAMILIA DEL MOTOR específico.
- ⑦ Localice la posición de las piezas.
- ⑧ LOS CONVERTIDORES UNIVERSALES se utilizan de manera que se requiere fabricación adicional del sistema de escape

REQUISITOS DE INSTALACIÓN DE CALIFORNIA

Nota: Otros estados han adoptado estos requisitos para convertidores catalíticos del mercado de accesorios de California. Sírvase consultar a su autoridad estatal individual.

Con fecha de entrada en vigor el de 1 de enero de 2009, los convertidores catalíticos nuevos del mercado de accesorios que se vendan o instalen en California deben estar diseñados para cumplir con los siguientes requisitos:

Se requiere que los convertidores del mercado de accesorios duren 5 años/50,000 millas

Los convertidores del mercado de accesorios para vehículos más nuevos deben ser compatibles con los monitores de catalizador OBDII. Esto incluye asegurarse de que los convertidores no causen códigos falsos de falla del catalizador, a la vez que aseguran que el sistema OBDII establecerá correctamente un código de falla del catalizador si el convertidor del mercado de accesorios falla.

La garantía debe ser por cinco años/50,000 millas y cubrir el costo de las piezas y la mano de obra si se necesita un reemplazo.

La determinación del convertidor de repuesto apropiado para un vehículo en particular requiere un poco de investigación. Este catálogo indicará específicamente qué modelos de convertidor son legales para utilizarse en California y exactamente en qué modelos de vehículo se podrán instalar.

| Lista de verificación del instalador para convertidores catalíticos nuevos del mercado de accesorios | |
|---|--|
| 1 | El vehículo está incluido específicamente en la lista de aplicaciones para el convertidor catalítico y el convertidor es legal para utilizarlo en California. |
| 2 | La garantía del vehículo para el convertidor de equipo original ha vencido. Las garantías varían de 7 años/70,000 millas a 15 años/150,000 millas. Consulte el manual del usuario. |
| 3 | El instalador ha confirmado la necesidad de un convertidor catalítico de repuesto. Si el convertidor del fabricante de equipo original aún está presente, se requiere un diagnóstico de que está funcionando incorrectamente. |
| 4 | El convertidor de repuesto se instalará en la misma ubicación que el convertidor de equipo original (la ubicación de la cara delantera estará a tres pulgadas o menos en comparación con el equipo original). |
| 5 | Todos los sensores de oxígeno permanecerán instalados en su ubicación o ubicaciones de equipo original. |
| 6 | El convertidor catalítico se instalará sobre la base de "uno por uno" (se instala un convertidor nuevo por cada convertidor de equipo original que se esté reemplazando). Está prohibido reducir o aumentar el número de convertidores catalíticos (comparado con la configuración de equipo original). |
| 7 | Tarjeta de garantía. El instalador debe: (a) Llenar la tarjeta de garantía (b) Obtener la firma del cliente en la tarjeta (c) Entregar el original al cliente (d) Adjuntar una copia a la factura de reparación original (e) Enviar la copia de la tarjeta de garantía, con el franqueo prepago, al fabricante del convertidor catalítico |
| 8 | El instalador debe archivar y mantener una copia de toda la documentación durante un período de por lo menos cuatro años a partir de la fecha de instalación. |

ATENCIÓN:

Es ilegal instalar un convertidor catalítico basándose únicamente en la forma, el tamaño, la configuración o el diámetro del tubo. Consulte la sección de aplicaciones de este catálogo para obtener números de pieza específicos para un vehículo específico.

VEHICLE MODEL INDEX (OBDII)

| Make/Model | Page | Make/Model | Page | Make/Model | Page |
|-----------------|------|----------------------|------|----------------------------|------|
| ACURA | | BUICK (Cont.) | | CHEVROLET (Cont.) | |
| CL | 1 | LeSabre | 17 | Tahoe | 55 |
| Integra | 1 | Park Avenue | 18 | Tracker | 57 |
| NSX | 2 | Rainier | 18 | Trailblazer | 57 |
| RL | 3 | Regal | 19 | Trailblazer EXT | 57 |
| RSX | 4 | Rendezvous | 19 | Venture | 57 |
| SLX | 4 | Riviera | 19 | CHRYSLER | |
| TL | 4 | Roadmaster | 20 | 300 | 57 |
| TSX | 5 | Skylark | 20 | 300M | 58 |
| AUDI | | CADILLAC | | Cirrus | 59 |
| 100 | 5 | Catera | 20 | Concorde | 59 |
| 100 Quattro | 5 | Commercial Chassis | 20 | Crossfire | 60 |
| A3 | 5 | CTS | 20 | Grand Voyager | 61 |
| A3 Quattro | 5 | DeVille | 21 | LHS | 61 |
| A4 | 5 | Eldorado | 21 | New Yorker | 61 |
| A4 Quattro | 6 | Escalade | 22 | Prowler | 61 |
| A6 | 6 | Fleetwood | 22 | PT Cruiser | 61 |
| A6 Quattro | 7 | Seville | 22 | Sebring | 62 |
| A8 | 8 | STS | 22 | Town & Country | 63 |
| A8 Quattro | 9 | CHEVROLET | | Voyager | 65 |
| Allroad Quattro | 9 | Astro | 23 | DAEWOO | |
| Cabriolet | 10 | Avalanche 1500 | 24 | Lanos | 66 |
| RS6 | 10 | Avalanche 2500 | 24 | Leganza | 66 |
| S4 | 10 | Aveo | 25 | Nubira | 66 |
| S6 | 10 | Aveo5 | 25 | DODGE | |
| S8 | 10 | Beretta | 25 | Avenger | 66 |
| TT | 11 | Blazer | 25 | B1500 | 67 |
| TT Quattro | 11 | C35 | 28 | B2500 | 67 |
| BMW | | C1500 | 26 | B3500 | 67 |
| 135i | 11 | C1500 Suburban | 26 | Caliber | 67 |
| 318i | 12 | C2500 | 27 | Caravan | 67 |
| 318is | 12 | C2500 Suburban | 28 | Charger | 69 |
| 318ti | 12 | C3500 | 29 | Dakota | 69 |
| 323i | 12 | C3500HD | 30 | Durango | 72 |
| 323is | 12 | Camaro | 30 | Grand Caravan | 73 |
| 328i | 12 | Caprice | 30 | Intrepid | 75 |
| 328is | 12 | Cavalier | 30 | Magnum | 76 |
| 335i | 13 | Cobalt | 32 | Neon | 77 |
| 335xi | 13 | Corsica | 32 | Ram 1500 | 78 |
| 528i | 13 | Corvette | 32 | Ram 1500 Van | 80 |
| 535i | 13 | Express 1500 | 32 | Ram 2500 | 81 |
| 535xi | 13 | Express 2500 | 35 | Ram 2500 Van | 82 |
| 540i | 13 | Express 3500 | 38 | Ram 3500 | 83 |
| 545i | 13 | G30 | 39 | Ram 3500 Van | 84 |
| 645Ci | 14 | HHR | 39 | Stratus | 85 |
| 740i | 14 | Impala | 39 | Viper | 86 |
| 740iL | 14 | K1500 | 40 | EAGLE | |
| 745i | 14 | K1500 Suburban | 41 | Summit | 87 |
| 745Li | 14 | K2500 | 41 | Talon | 87 |
| 750iL | 14 | K2500 Suburban | 42 | Vision | 87 |
| 760i | 15 | K3500 | 42 | FORD | |
| 760Li | 15 | Lumina | 43 | Aerostar | 88 |
| 840Ci | 15 | Lumina APV | 44 | Aspire | 88 |
| 850Ci | 15 | Malibu | 44 | Bronco | 88 |
| M3 | 15 | Monte Carlo | 45 | Contour | 88 |
| M5 | 16 | Prizm | 45 | Crown Victoria | 89 |
| X3 | 16 | S10 | 46 | E-150 | 91 |
| X5 | 16 | Silverado 1500 | 47 | E-150 Club Wagon | 92 |
| Z3 | 16 | Silverado 1500 HD | 50 | E-150 Econoline | 92 |
| Z4 | 17 | Silverado 2500 | 51 | E-150 Econoline Club Wagon | 94 |
| Z8 | 17 | Silverado 2500 HD | 52 | E-250 | 97 |
| BUICK | | Silverado 3500 | 53 | E-250 Econoline | 97 |
| Century | 17 | SSR | 54 | E-350 Econoline | 98 |
| LaCrosse | 17 | Suburban 1500 | 54 | E-350 Econoline Club Wagon | 98 |
| | | Suburban 2500 | 54 | | |

VEHICLE MODEL INDEX (OBDII)

| Make/Model | Page | Make/Model | Page | Make/Model | Page |
|---------------------|------|----------------------|------|----------------------|------|
| FORD (Cont.) | | HONDA (Cont.) | | LEXUS | |
| Econoline | 98 | Fit | 161 | ES300 | 180 |
| Escape | 98 | Odyssey | 161 | ES330 | 180 |
| Escort | 99 | Passport | 162 | ES350 | 181 |
| Expedition | 100 | Pilot | 162 | GS400 | 181 |
| Explorer | 102 | Prelude | 162 | LS400 | 181 |
| Explorer Sport Trac | 106 | S2000 | 163 | LX450 | 181 |
| F-150 | 106 | HUMMER | | LX470 | 181 |
| F-150 Heritage | 113 | H2 | 163 | RX300 | 182 |
| F-250 | 113 | HYUNDAI | | SC400 | 183 |
| F-250 HD | 114 | Accent | 163 | LINCOLN | |
| F-250 Super Duty | 114 | Elantra | 163 | Aviator | 183 |
| F-350 | 115 | Sonata | 164 | Blackwood | 183 |
| F-350 Super Duty | 115 | Tiburon | 164 | Continental | 184 |
| Five Hundred | 115 | INFINITI | | LS | 184 |
| Focus | 116 | G20 | 164 | Mark VIII | 185 |
| Freestyle | 117 | G35 | 165 | Navigator | 185 |
| Fusion | 117 | I30 | 165 | Town Car | 186 |
| GT | 117 | I35 | 165 | MAZDA | |
| Mustang | 117 | I35 | 165 | 6 | 190 |
| Probe | 120 | J30 | 165 | 626 | 190 |
| Ranger | 120 | Q45 | 166 | B2300 | 191 |
| Taurus | 126 | QX4 | 166 | B2500 | 191 |
| Thunderbird | 129 | ISUZU | | B3000 | 191 |
| Windstar | 130 | Amigo | 167 | B4000 | 194 |
| GEO | | Ascender | 167 | Miata | 196 |
| Metro | 131 | Axiom | 167 | Millenia | 197 |
| Prizm | 131 | Hombre | 167 | MPV | 197 |
| Tracker | 131 | Oasis | 168 | MX-6 | 197 |
| GMC | | Rodeo | 168 | Protege | 197 |
| C1500 | 131 | Rodeo Sport | 169 | Protege5 | 198 |
| C1500 Suburban | 132 | Trooper | 169 | RX-8 | 198 |
| C2500 | 132 | VehiCROSS | 170 | Tribute | 198 |
| C2500 Suburban | 133 | JAGUAR | | MERCEDES-BENZ | |
| C3500 | 133 | S-Type | 170 | C32 AMG | 200 |
| C3500HD | 134 | Super V8 | 170 | C36 AMG | 201 |
| Envoy | 134 | Vanden Plas | 171 | C43 AMG | 201 |
| Envoy XL | 134 | XJ6 | 171 | C55 AMG | 202 |
| G3500 | 135 | XJ8 | 172 | C63 AMG | 202 |
| Jimmy | 135 | XJ12 | 171 | C220 | 199 |
| K1500 | 135 | XJR | 172 | C230 | 199 |
| K1500 Suburban | 136 | XJS | 172 | C240 | 199 |
| K2500 | 136 | XK8 | 172 | C280 | 199 |
| K2500 Suburban | 137 | XKR | 173 | C320 | 200 |
| K3500 | 138 | JEEP | | C350 | 201 |
| Safari | 139 | Cherokee | 173 | CL55 AMG | 203 |
| Savana 1500 | 140 | Grand Cherokee | 173 | CL65 AMG | 204 |
| Savana 2500 | 142 | Liberty | 175 | CL500 | 202 |
| Savana 3500 | 145 | Wrangler | 175 | CL600 | 203 |
| Sierra 1500 | 146 | KIA | | CLK55 AMG | 205 |
| Sierra 1500 HD | 149 | Amanti | 176 | CLK63 AMG | 206 |
| Sierra 2500 | 150 | Optima | 177 | CLK320 | 204 |
| Sierra 2500 HD | 150 | Rio | 177 | CLK430 | 205 |
| Sierra 3500 | 151 | Rondo | 177 | CLK500 | 205 |
| Sonoma | 153 | Sephia | 177 | CLS63 AMG | 206 |
| Yukon | 154 | Spectra | 177 | E55 AMG | 208 |
| Yukon XL 1500 | 155 | Sportage | 178 | E63 AMG | 209 |
| Yukon XL 2500 | 156 | LAND ROVER | | E320 | 206 |
| HONDA | | Defender 90 | 178 | E350 | 207 |
| Accord | 157 | Discovery | 178 | E420 | 207 |
| Civic | 159 | Freelander | 179 | E430 | 207 |
| Civic del Sol | 160 | Range Rover | 179 | E500 | 208 |
| CR-V | 161 | LEXUS | | E550 | 209 |
| Element | 161 | | | G55 AMG | 210 |

VEHICLE MODEL INDEX (OBDII)

| Make/Model | Page | Make/Model | Page | Make/Model | Page |
|------------------------------|------|-------------------|------|-------------------|------|
| MERCEDES-BENZ (Cont.) | | OLDSMOBILE | | SCION | |
| G500 | 209 | 88 | 236 | tC | 253 |
| ML55 AMG | 212 | 98 | 236 | xA | 253 |
| ML320 | 210 | Achieva | 236 | xB | 253 |
| ML350 | 211 | Alero | 236 | xD | 253 |
| ML430 | 211 | Aurora | 237 | SUBARU | |
| ML500 | 211 | Bravada | 237 | Baja | 253 |
| S55 AMG | 214 | Cutlass | 237 | Forester | 254 |
| S65 AMG | 215 | Cutlass Ciera | 238 | Impreza | 254 |
| S320 | 212 | Intrigue | 238 | Legacy | 255 |
| S350 | 212 | LSS | 238 | Outback | 256 |
| S420 | 212 | Regency | 238 | SVX | 257 |
| S430 | 213 | Silhouette | 238 | SUZUKI | |
| S500 | 213 | PLYMOUTH | | Aerio | 257 |
| S600 | 215 | Breeze | 239 | Forenza | 257 |
| SL55 AMG | 216 | Grand Voyager | 239 | Reno | 257 |
| SL65 AMG | 217 | Neon | 239 | Sidekick | 257 |
| SL500 | 215 | Prowler | 240 | Swift | 258 |
| SL600 | 217 | Voyager | 240 | SX4 | 258 |
| SLK32 AMG | 217 | PONTIAC | | Vitara | 258 |
| SLK230 | 217 | Aztek | 241 | X-90 | 258 |
| SLK320 | 218 | Bonneville | 241 | TOYOTA | |
| SLK350 | 218 | Firebird | 241 | 4Runner | 258 |
| MERCURY | | G3 | 242 | Avalon | 259 |
| Cougar | 218 | G5 | 242 | Camry | 260 |
| Grand Marquis | 219 | G6 | 242 | Celica | 262 |
| Marauder | 222 | Grand Am | 243 | Corolla | 263 |
| Milan | 222 | Grand Prix | 244 | Echo | 263 |
| Montego | 222 | Montana | 245 | Highlander | 264 |
| Mountaineer | 222 | Solstice | 245 | Land Cruiser | 264 |
| Mystique | 224 | Sunfire | 245 | Matrix | 265 |
| Sable | 225 | Trans Sport | 246 | Paseo | 266 |
| Tracer | 227 | Vibe | 246 | Previa | 266 |
| Villager | 227 | PORSCHE | | RAV4 | 266 |
| MINI | | 911 | 247 | Sienna | 266 |
| Cooper | 228 | Boxster | 248 | Solara | 267 |
| MITSUBISHI | | SAAB | | T100 | 268 |
| Diamante | 228 | 9-2X | 248 | Tacoma | 268 |
| Eclipse | 228 | 9-3 | 249 | Tercel | 270 |
| Galant | 228 | 9-5 | 249 | Tundra | 270 |
| Lancer | 229 | 900 | 248 | Yaris | 270 |
| Mighty Max | 229 | 9000 | 248 | VOLKSWAGEN | |
| Montero | 229 | SATURN | | Beetle | 271 |
| Outlander | 229 | Aura | 249 | Cabrio | 271 |
| Raider | 229 | Ion | 249 | Eos | 271 |
| MORGAN | | L100 | 250 | EuroVan | 272 |
| Plus 8 | 230 | L200 | 250 | Golf | 272 |
| NISSAN | | L300 | 250 | GTI | 273 |
| 200SX | 230 | LS | 250 | Jetta | 273 |
| 240SX | 230 | LS1 | 250 | Passat | 274 |
| 300ZX | 230 | LW1 | 251 | Phaeton | 276 |
| 350Z | 230 | LW200 | 251 | Tiguan | 276 |
| Altima | 230 | LW300 | 251 | Touareg | 276 |
| Cube | 231 | SC1 | 251 | VOLVO | |
| Frontier | 231 | SC2 | 251 | 850 | 276 |
| Maxima | 232 | SL | 251 | C70 | 276 |
| Pathfinder | 233 | SL1 | 252 | S40 | 277 |
| Pickup | 234 | SL2 | 252 | S60 | 277 |
| Quest | 234 | SW1 | 252 | S70 | 277 |
| Sentra | 234 | SW2 | 252 | S80 | 277 |
| Versa | 235 | Vue | 252 | V40 | 278 |
| Xterra | 235 | | | V70 | 278 |

VEHICLE MODEL INDEX (NON-OBDII)

| Make/Model | Page | Make/Model | Page | Make/Model | Page |
|------------------------|------|--------------------|------|--------------------------|------|
| ACURA | | BMW (Cont.) | | CHEVROLET (Cont.) | |
| Integra | 279 | 540i | 289 | Corsica | 318 |
| Legend | 279 | 633CSi | 289 | Corvette | 318 |
| NSX | 280 | 635CSi | 289 | El Camino | 319 |
| Vigor | 280 | 733i | 289 | G10 | 320 |
| ALFA ROMEO | | 735i | 289 | G20 | 321 |
| 164 | 281 | 735iL | 289 | G30 | 321 |
| Alfetta | 281 | 740i | 289 | Impala | 322 |
| GTV-6 | 281 | 740iL | 289 | K5 Blazer | 326 |
| Milano | 281 | 750iL | 289 | K10 | 323 |
| Spider | 281 | 840Ci | 289 | K10 Suburban | 324 |
| Sprint | 281 | 850Ci | 290 | K20 | 324 |
| AMERICAN MOTORS | | 850CSi | 290 | K20 Suburban | 325 |
| AMX | 281 | 850i | 290 | K1500 | 324 |
| Concord | 281 | M3 | 290 | K1500 Suburban | 324 |
| Eagle | 282 | M5 | 290 | K2500 | 325 |
| Gremlin | 282 | M6 | 290 | K2500 Suburban | 325 |
| Hornet | 282 | BUICK | | K3500 | 325 |
| Matador | 282 | Apollo | 290 | Laguna | 326 |
| Pacer | 283 | Century | 290 | LLV | 326 |
| Spirit | 283 | Electra | 292 | Lumina | 326 |
| AUDI | | Estate Wagon | 293 | Lumina APV | 327 |
| 80 | 285 | LeSabre | 293 | Lumina Van | 327 |
| 80 Quattro | 285 | Park Avenue | 295 | LUV | 327 |
| 90 | 286 | Reatta | 295 | Malibu | 327 |
| 90 Quattro | 286 | Regal | 295 | Monte Carlo | 329 |
| 100 | 284 | Riviera | 297 | Monza | 330 |
| 100 Quattro | 284 | Roadmaster | 298 | Nova | 331 |
| 100 Series | 284 | Skyhawk | 298 | P20 | 331 |
| 200 | 284 | Skylark | 299 | P30 | 331 |
| 200 Quattro | 284 | Somerset | 301 | R10 | 331 |
| 4000 | 284 | Somerset Regal | 301 | R10 Suburban | 331 |
| 4000 Quattro | 285 | CADILLAC | | R20 | 332 |
| 5000 | 285 | Allante | 301 | R20 Suburban | 332 |
| 5000 Quattro | 285 | Brougham | 301 | R30 | 332 |
| Cabriolet | 286 | Calais | 301 | R1500 Suburban | 332 |
| Coupe | 286 | Cimarron | 301 | R2500 | 332 |
| Coupe Quattro | 286 | Commercial Chassis | 302 | R2500 Suburban | 332 |
| Fox | 286 | DeVille | 302 | R3500 | 332 |
| Quattro | 287 | Eldorado | 303 | S10 | 333 |
| S4 | 287 | Fleetwood | 304 | S10 Blazer | 333 |
| S6 | 287 | Seville | 304 | Spectrum | 333 |
| V8 Quattro | 287 | CHEVROLET | | Sprint | 334 |
| BERTONE | | Astro | 305 | Tahoe | 334 |
| X-1/9 | 287 | Bel Air | 305 | V10 | 334 |
| BMW | | Beretta | 305 | V10 Suburban | 334 |
| 318i | 287 | Blazer | 306 | V20 | 334 |
| 318is | 287 | C10 | 306 | V20 Suburban | 334 |
| 318ti | 287 | C10 Suburban | 306 | V30 | 334 |
| 320i | 287 | C20 | 307 | V1500 Suburban | 334 |
| 325 | 287 | C20 Suburban | 308 | V2500 Suburban | 334 |
| 325e | 287 | C35 | 309 | V3500 | 335 |
| 325es | 288 | C1500 | 307 | Vega | 335 |
| 325i | 288 | C1500 Suburban | 307 | CHRYSLER | |
| 325is | 288 | C2500 | 308 | Cirrus | 335 |
| 325iX | 288 | C2500 Suburban | 309 | Concorde | 335 |
| 525i | 288 | C3500 | 309 | Conquest | 335 |
| 525iT | 288 | Camaro | 309 | Cordoba | 335 |
| 528e | 288 | Caprice | 313 | E Class | 336 |
| 528i | 288 | Cavalier | 315 | Executive Limousine | 336 |
| 530i | 288 | Celebrity | 316 | Executive Sedan | 336 |
| 533i | 289 | Chevette | 317 | Fifth Avenue | 336 |
| 535i | 289 | Citation | 317 | Imperial | 337 |
| 535is | 289 | Citation II | 318 | Laser | 337 |
| | | | | LeBaron | 337 |

VEHICLE MODEL INDEX (NON-OBDI)

| Make/Model | Page | Make/Model | Page | Make/Model | Page |
|-------------------------|------|----------------------------|------|----------------------|------|
| CHRYSLER (Cont.) | | DODGE (Cont.) | | GMC | |
| LHS | 340 | W250 | 371 | C15 | 399 |
| New Yorker | 340 | W350 | 372 | C15 Suburban | 399 |
| Newport | 342 | EAGLE | | C25 | 400 |
| TC Maserati | 343 | Medallion | 372 | C25 Suburban | 400 |
| Town & Country | 343 | Premier | 372 | C1500 | 399 |
| DAIHATSU | | Summit | 373 | C1500 Suburban | 400 |
| Charade | 343 | Talon | 373 | C2500 | 400 |
| DODGE | | Vision | 373 | C2500 Suburban | 401 |
| 400 | 343 | FIAT | | C3500 | 401 |
| 600 | 344 | 124 | 373 | Caballero | 401 |
| Aries | 344 | 128 | 373 | G15 | 403 |
| Aspen | 345 | 131 | 374 | G25 | 403 |
| B100 | 346 | Brava | 374 | G35 | 404 |
| B150 | 346 | Strada | 374 | G1500 | 403 |
| B200 | 347 | X-1/9 | 374 | G2500 | 403 |
| B250 | 348 | FORD | | G3500 | 404 |
| B300 | 349 | Aerostar | 374 | Jimmy | 404 |
| B350 | 350 | Aspire | 375 | K15 | 405 |
| B1500 | 347 | Bronco | 375 | K25 | 406 |
| B2500 | 349 | Bronco II | 376 | K1500 | 405 |
| B3500 | 351 | Crown Victoria | 376 | K1500 Suburban | 406 |
| Caravan | 351 | Custom 500 | 376 | K2500 | 406 |
| Challenger | 352 | E-100 Econoline | 376 | K2500 Suburban | 407 |
| Charger | 352 | E-100 Econoline Club Wagon | 377 | K3500 | 407 |
| Colt | 352 | E-150 Econoline | 377 | P2500 | 407 |
| Conquest | 353 | E-150 Econoline Club Wagon | 378 | P3500 | 407 |
| Coronet | 353 | E-250 Econoline | 379 | R1500 | 407 |
| D100 | 353 | E-250 Econoline Club Wagon | 380 | R1500 Suburban | 407 |
| D100 Panel | 354 | E-350 Econoline | 381 | R2500 | 407 |
| D150 | 355 | E-350 Econoline Club Wagon | 381 | R2500 Suburban | 408 |
| D200 | 356 | Elite | 381 | R3500 | 408 |
| D250 | 356 | Escort | 382 | S15 | 408 |
| D350 | 357 | EXP | 382 | S15 Jimmy | 408 |
| Dakota | 358 | Explorer | 382 | Safari | 409 |
| Dart | 358 | F-100 | 383 | Sonoma | 409 |
| Daytona | 358 | F-150 | 383 | Sprint | 409 |
| Diplomat | 360 | F-250 | 385 | V1500 | 409 |
| Dynasty | 361 | F-350 | 386 | V1500 Suburban | 409 |
| Grand Caravan | 361 | Fairmont | 386 | V2500 | 409 |
| Intrepid | 361 | Festiva | 387 | V2500 Suburban | 409 |
| Lancer | 361 | Fiesta | 387 | V3500 | 410 |
| Magnum | 362 | Gran Torino | 387 | Yukon | 410 |
| Mini Ram | 362 | Granada | 387 | HONDA | |
| Mirada | 363 | LTD | 388 | Accord | 410 |
| Monaco | 363 | LTD Crown Victoria | 390 | Civic | 411 |
| Omni | 364 | LTD II | 390 | Civic del Sol | 412 |
| Power Ram 50 | 364 | Maverick | 391 | CRX | 413 |
| Raider | 364 | Mustang | 391 | Odyssey | 413 |
| Ram 50 | 365 | Mustang II | 392 | Passport | 413 |
| Ram 1500 | 364 | Pinto | 392 | Prelude | 413 |
| Ram 2500 | 364 | Probe | 392 | HYUNDAI | |
| Ram 3500 | 365 | Ranchero | 393 | Accent | 413 |
| Ramcharger | 365 | Ranger | 393 | Elantra | 413 |
| Rampage | 366 | Taurus | 394 | Excel | 414 |
| Royal Monaco | 366 | Tempo | 395 | Scoupe | 414 |
| Shadow | 367 | Thunderbird | 396 | Sonata | 414 |
| Spirit | 368 | Torino | 398 | INFINITI | |
| St. Regis | 369 | GEO | | G20 | 414 |
| Stealth | 369 | Metro | 398 | J30 | 414 |
| Stratus | 369 | Prizm | 398 | M30 | 414 |
| Viper | 370 | Spectrum | 398 | Q45 | 414 |
| W100 | 370 | Storm | 398 | INTERNATIONAL | |
| W150 | 370 | Tracker | 399 | Scout II | 414 |
| W200 | 371 | | | | |

VEHICLE MODEL INDEX (NON-OBDII)

| Make/Model | Page | Make/Model | Page | Make/Model | Page |
|-------------------|------|----------------------|------|------------------------|------|
| ISUZU | | MAZDA (Cont.) | | MERCURY (Cont.) | |
| Amigo | 415 | MPV | 424 | Zephyr | 437 |
| I-Mark | 415 | MX-3 | 424 | MERKUR | |
| Impulse | 415 | MX-6 | 425 | Scorpio | 438 |
| Pickup | 415 | Navajo | 425 | XR4Ti | 438 |
| Rodeo | 416 | Protege | 425 | MG | |
| Stylus | 416 | RX-7 | 425 | MGB | 438 |
| Trooper | 416 | MERCEDES-BENZ | | Midget | 438 |
| JAGUAR | | 190E | 425 | MITSUBISHI | |
| Vanden Plas | 416 | 230 | 425 | 3000GT | 438 |
| XJ6 | 416 | 260E | 425 | Cordia | 438 |
| XJS | 417 | 280 | 426 | Diamante | 438 |
| JEEP | | 280C | 426 | Eclipse | 438 |
| Cherokee | 417 | 280CE | 426 | Expo | 439 |
| CJ5 | 417 | 280E | 426 | Expo LRV | 439 |
| CJ6 | 417 | 280S | 426 | Galant | 439 |
| CJ7 | 417 | 280SE | 426 | Mighty Max | 439 |
| Comanche | 418 | 300CE | 426 | Mirage | 439 |
| Grand Cherokee | 418 | 300E | 426 | Montero | 440 |
| Grand Wagoneer | 418 | 300SE | 426 | Precis | 440 |
| J10 | 418 | 300SEL | 426 | Sigma | 440 |
| J20 | 418 | 300SL | 427 | Starion | 440 |
| Scrambler | 419 | 300TE | 427 | Tredia | 440 |
| Wagoneer | 419 | 380SL | 427 | Van | 440 |
| Wrangler | 419 | 380SLC | 427 | NISSAN | |
| KIA | | 400E | 427 | 200SX | 440 |
| Sephia | 419 | 400SE | 427 | 210 | 441 |
| LAFORZA | | 400SE | 427 | 240SX | 441 |
| Laforza | 419 | 400SEL | 427 | 260Z | 441 |
| LANCIA | | 420SEL | 427 | 280Z | 441 |
| Beta | 420 | 450SE | 427 | 280ZX | 441 |
| Zagato | 420 | 450SEL | 427 | 300ZX | 441 |
| LAND ROVER | | 450SL | 428 | 310 | 442 |
| Range Rover | 420 | 450SLC | 428 | 510 | 442 |
| LEXUS | | 500E | 428 | 610 | 442 |
| ES250 | 420 | 500SEC | 428 | 710 | 442 |
| ES300 | 420 | 500SEL | 428 | 720 | 442 |
| GS300 | 420 | 500SL | 429 | 810 | 442 |
| LS400 | 420 | 560SEC | 429 | Altima | 442 |
| SC300 | 420 | 560SEL | 429 | Axxess | 442 |
| SC400 | 420 | 600SEC | 429 | B210 | 442 |
| LINCOLN | | 600SEL | 429 | D21 | 442 |
| Continental | 420 | 600SL | 429 | F10 | 443 |
| Mark VI | 421 | E320 | 429 | Maxima | 443 |
| Mark VII | 422 | E420 | 429 | NX | 443 |
| Mark VIII | 422 | E500 | 429 | Pathfinder | 443 |
| Town Car | 422 | S420 | 429 | Pickup | 443 |
| Versailles | 422 | S500 | 429 | Pulsar | 443 |
| MAZDA | | S600 | 430 | Pulsar NX | 443 |
| 323 | 423 | SL500 | 430 | Quest | 444 |
| 626 | 423 | SL600 | 430 | Sentra | 444 |
| 808 | 423 | MERCURY | | Stanza | 444 |
| 929 | 423 | Bobcat | 430 | Van | 445 |
| B2000 | 423 | Capri | 430 | OLDSMOBILE | |
| B2200 | 423 | Comet | 431 | 88 | 445 |
| B2300 | 423 | Cougar | 432 | 98 | 445 |
| B2600 | 424 | Grand Marquis | 434 | Achieva | 445 |
| B3000 | 424 | LN7 | 434 | Aurora | 446 |
| B4000 | 424 | Lynx | 434 | Bravada | 446 |
| GLC | 424 | Marquis | 434 | Calais | 446 |
| Miata | 424 | Monarch | 435 | Custom Cruiser | 446 |
| Mizer | 424 | Montego | 436 | Cutlass | 446 |
| | | Sable | 436 | Cutlass Calais | 448 |
| | | Topaz | 437 | Cutlass Ciera | 449 |
| | | Tracer | 437 | | |
| | | Villager | 437 | | |

VEHICLE MODEL INDEX (NON-OBDI)

| Make/Model | Page | Make/Model | Page | Make/Model | Page |
|---------------------------|------|------------------------|------|-----------------------|------|
| OLDSMOBILE (Cont.) | | PONTIAC (Cont.) | | TOYOTA (Cont.) | |
| Cutlass Cruiser | 450 | Phoenix | 485 | Camry | 494 |
| Cutlass Salon | 452 | Safari | 486 | Celica | 495 |
| Cutlass Supreme | 453 | Sunbird | 486 | Corolla | 496 |
| Cutlass Tiara | 455 | Sunfire | 487 | Corona | 496 |
| Delta 88 | 455 | T1000 | 487 | Cressida | 496 |
| Firenza | 456 | Trans Sport | 487 | Land Cruiser | 496 |
| Omega | 457 | Ventura | 487 | MR2 | 497 |
| Silhouette | 458 | PORSCHE | | Paseo | 497 |
| Starfire | 458 | 911 | 488 | Pickup | 497 |
| Toronado | 458 | 914 | 488 | Previa | 497 |
| Vista Cruiser | 459 | 924 | 488 | Starlet | 497 |
| PEUGEOT | | 928 | 488 | Supra | 498 |
| 504 | 459 | 930 | 489 | T100 | 498 |
| 505 | 459 | 944 | 489 | Tercel | 498 |
| 604 | 460 | 968 | 489 | Van | 498 |
| PLYMOUTH | | RENAULT | | Van Wagon | 498 |
| Acclaim | 460 | Alliance | 489 | TRIUMPH | |
| Arrow | 460 | Encore | 490 | Spitfire | 498 |
| Arrow Pickup | 460 | Fuego | 490 | TR6 | 499 |
| Caravelle | 460 | LeCar | 490 | TR7 | 499 |
| Champ | 461 | R12 | 490 | TR8 | 499 |
| Colt | 461 | R15 | 490 | VOLKSWAGEN | |
| Conquest | 462 | R17 | 490 | Beetle | 499 |
| Duster | 462 | R18i | 490 | Cabrio | 499 |
| Fury | 463 | SAAB | | Cabriolet | 499 |
| Gran Fury | 463 | 99 | 492 | Corrado | 499 |
| Grand Voyager | 464 | 900 | 490 | Dasher | 499 |
| Horizon | 464 | 9000 | 491 | Fox | 499 |
| Laser | 465 | SATURN | | Golf | 500 |
| PB100 | 465 | SC | 492 | Jetta | 500 |
| PB150 | 465 | SC1 | 492 | Passat | 501 |
| PB200 | 466 | SC2 | 492 | Quantum | 501 |
| PB250 | 466 | SL | 492 | Rabbit | 502 |
| PB300 | 467 | SL1 | 492 | Rabbit Convertible | 502 |
| PB350 | 467 | SL2 | 492 | Scirocco | 502 |
| Reliant | 468 | SW1 | 492 | Super Beetle | 503 |
| Sapporo | 468 | SW2 | 492 | Transporter | 503 |
| Scamp | 468 | STERLING | | Vanagon | 503 |
| Sundance | 468 | 825 | 493 | VOLVO | |
| Trailduster | 469 | 827 | 493 | 164 | 503 |
| Turismo | 469 | SUBARU | | 240 | 504 |
| Valiant | 470 | Brat | 493 | 242 | 504 |
| Volare | 470 | DL | 493 | 244 | 504 |
| Voyager | 471 | GL | 493 | 245 | 505 |
| PONTIAC | | GL-10 | 493 | 262 | 505 |
| 6000 | 471 | GLF | 493 | 264 | 506 |
| Astre | 472 | Justy | 493 | 265 | 506 |
| Bonneville | 472 | Legacy | 493 | 740 | 506 |
| Catalina | 473 | Loyale | 493 | 745 | 506 |
| Fiero | 474 | RX | 493 | 760 | 506 |
| Firebird | 474 | Standard | 493 | 780 | 506 |
| Grand Am | 479 | SVX | 494 | 850 | 507 |
| Grand LeMans | 480 | XT | 494 | 940 | 507 |
| Grand Prix | 481 | SUZUKI | | 960 | 507 |
| Grand Safari | 483 | Esteem | 494 | YUGO | |
| Grandville | 483 | Samurai | 494 | Cabrio | 507 |
| J2000 | 483 | Sidekick | 494 | GV | 507 |
| J2000 Sunbird | 483 | Swift | 494 | GVL | 507 |
| LeMans | 483 | TOYOTA | | GVS | 508 |
| Optima | 485 | 4Runner | 494 | GVX | 508 |
| Parisienne | 485 | | | | |

OBDII PASSENGER CAR & TRUCK

| Years | Engine | Engine Family No. | Application | Position | Direct-Fit | | Universal Part No. | Executive Order |
|----------------|---------|-------------------|--|----------|--------------|--------------|--------------------|-----------------|
| | | | | | Part No. | Hardware | | |
| ACURA | | | | | | | | |
| CL | | | | | | | | |
| 2003 | 3.2L V6 | 3HNXV03.2AYC | Executive Order # D-182-45 | | 81756 | 31645, 31383 | | D-182-45 |
| | | | Executive Order # D-182-57 | | | | 82608 | D-182-57 |
| | | 3HNXV03.2BYT | Executive Order # D-182-67 | | 82997 | 31645, 31383 | 82902 | D-182-67 |
| | | 3HNXV03.2CYC | Executive Order # D-182-45 | | 81756 | 31645, 31383 | | D-182-45 |
| | | | Executive Order # D-182-57 | | | | 82608 | D-182-57 |
| 2002 | 3.2L V6 | 2HNXV03.2HYT | Executive Order # D-182-67 | | 82997 | 31645, 31383 | 82902 | D-182-67 |
| | | | Executive Order # D-182-45 | | 81756 | 31645, 31383 | | D-182-45 |
| | | 2HNXV03.2JYC | Executive Order # D-182-57 | | | | 82608 | D-182-57 |
| | | 2HNXV03.2X21 | Executive Order # D-182-45 | | 81756 | 31645, 31383 | | D-182-45 |
| | | | Executive Order # D-182-57 | | | | 82608 | D-182-57 |
| 2001 | 3.2L V6 | 1HNXV03.2K5U | Executive Order # D-182-45 | | 81756 | 31645, 31383 | | D-182-45 |
| | | | Executive Order # D-182-57 | | | | 82608 | D-182-57 |
| | | 1HNXV03.2K88 | Executive Order # D-182-67 | | 82997 | 31645, 31383 | 82902 | D-182-67 |
| 1999 | 2.3L L4 | XHNXV02.3RA1 | Executive Order # D-182-45 | | 81750 | 31378, 31383 | | D-182-45 |
| | | | Executive Order # D-182-58 | | | | 82506 | D-182-58 |
| | 3.0L V6 | XHNXV03.0ZL2 | Executive Order # D-182-57 | | | | 82607 | D-182-57 |
| 1998 | 2.3L L4 | WHNXV02.3RA1 | Executive Order # D-182-45 | | 81750 | 31378, 31383 | | D-182-45 |
| | | | Executive Order # D-182-58 | | | | 82506 | D-182-58 |
| | 3.0L V6 | WHNXV03.0ZL2 | Executive Order # D-182-57 | | | | 82607 | D-182-57 |
| 1997 | 2.2L L4 | VHN2.2VJGKEK | Executive Order # D-182-45 | | 81750 | 31378, 31383 | | D-182-45 |
| | | | Executive Order # D-182-57 | | | | 82605 | D-182-57 |
| | 3.0L V6 | VHN3.0VJG2EK | Executive Order # D-182-57 | | | | 82607 | D-182-57 |
| Integra | | | | | | | | |
| 2001 | 1.8L L4 | 1HNXV01.833E | GS Model; Executive Order # D-182-45 | | 81799 | 31357, 31383 | | D-182-45 |
| | | | GS Model; Executive Order # D-182-57 | | | | 82605 | D-182-57 |
| | | | GS-R Model; Executive Order # D-182-45 | | 81799 | 31357, 31383 | | D-182-45 |
| | | | LS Model; Executive Order # D-182-45 | | 81799 | 31357, 31383 | | D-182-45 |
| | | | LS Model; Executive Order # D-182-57 | | | | 82605 | D-182-57 |
| | | 1HNXV01.843E | GS Model; Executive Order # D-182-45 | | 81799 | 31357, 31383 | | D-182-45 |
| | | | GS-R Model; Executive Order # D-182-45 | | 81799 | 31357, 31383 | | D-182-45 |
| | | | GS-R Model; Executive Order # D-182-57 | | | | 82605 | D-182-57 |
| | | | LS Model; Executive Order # D-182-45 | | 81799 | 31357, 31383 | | D-182-45 |
| | | 1HNXV01.8512 | Executive Order # D-182-58 | | | | 82506 | D-182-58 |
| | | | GS Model; Executive Order # D-182-45 | | 81799 | 31357, 31383 | | D-182-45 |
| | | | GS-R Model; Executive Order # D-182-45 | | 81799 | 31357, 31383 | | D-182-45 |
| | | | LS Model; Executive Order # D-182-45 | | 81799 | 31357, 31383 | | D-182-45 |
| | | | | | | | | |

For vehicles licensed in the state of California or Maine, or vehicles requiring CARB-compliant converters in the state of New York, the parts in this catalog must be installed as specifically listed. Parts cannot be substituted, nor can they be installed on California or Maine licensed vehicles not listed in this catalog.

OBDII APPLICATIONS

NON-OBDII APPLICATIONS

NUMERICAL

UNIVERSAL SPECIFICATIONS

OBDII PASSENGER CAR & TRUCK

| Years | Engine | Engine Family No. | Application | Position | Direct-Fit | | Universal Part No. | Executive Order | | |
|------------------------|--|-------------------|--|--------------|--|--------------|--------------------|-----------------|--------------|----------|
| | | | | | Part No. | Hardware | | | | |
| ACURA (Cont.) | | | | | | | | | | |
| Integra (Cont.) | | | | | | | | | | |
| 2000 | 1.8L L4 | YHNXV01.8WA2 | GS Model; Executive Order # D-182-45 | | 81799 | 31357, 31383 | | D-182-45 | | |
| | | | GS Model; Executive Order # D-182-57 | | | | 82605 | D-182-57 | | |
| | | | GS-R Model; Executive Order # D-182-45 | | 81799 | 31357, 31383 | | D-182-45 | | |
| | | | LS Model; Executive Order # D-182-45 | | 81799 | 31357, 31383 | | D-182-45 | | |
| | | | LS Model; Executive Order # D-182-57 | | | | 82605 | D-182-57 | | |
| | | YHNXV01.8XA1 | Executive Order # D-182-58 | | | 82506 | D-182-58 | | | |
| | | | GS Model; Executive Order # D-182-45 | | 81799 | 31357, 31383 | D-182-45 | | | |
| | | | GS-R Model; Executive Order # D-182-45 | | 81799 | 31357, 31383 | D-182-45 | | | |
| | | | LS Model; Executive Order # D-182-45 | | 81799 | 31357, 31383 | D-182-45 | | | |
| | | YHNXV01.8XA2 | GS Model; Executive Order # D-182-45 | | 81799 | 31357, 31383 | D-182-45 | | | |
| | | | GS-R Model; Executive Order # D-182-45 | | 81799 | 31357, 31383 | D-182-45 | | | |
| | | | GS-R Model; Executive Order # D-182-57 | | | 82605 | D-182-57 | | | |
| | | | LS Model; Executive Order # D-182-45 | | 81799 | 31357, 31383 | D-182-45 | | | |
| | | 1999 | 1.8L L4 | XHNXV01.8WA1 | Automatic Trans.; Executive Order # D-182-45 | | 81781 | 31357, 31383 | | D-182-45 |
| | | | | | Executive Order # D-182-58 | | | | 82506 | D-182-58 |
| | | | | | GS-R Model; Executive Order # D-182-45 | | 81799 | 31357, 31383 | | D-182-45 |
| XHNXV01.8XA1 | Automatic Trans.; Executive Order # D-182-45 | | | | 81781 | 31357, 31383 | | D-182-45 | | |
| | Executive Order # D-182-58 | | | | | | 82506 | D-182-58 | | |
| | GS-R Model; Executive Order # D-182-45 | | | | 81799 | 31357, 31383 | | D-182-45 | | |
| 1998 | 1.8L L4 | WHNXV01.8WA1 | Automatic Trans.; Executive Order # D-182-45 | | 81781 | 31357, 31383 | | D-182-45 | | |
| | | | Executive Order # D-182-58 | | | | 82506 | D-182-58 | | |
| | | | GS-R Model; Executive Order # D-182-45 | | 81799 | 31357, 31383 | | D-182-45 | | |
| | | WHNXV01.8XA1 | Automatic Trans.; Executive Order # D-182-45 | | 81781 | 31357, 31383 | | D-182-45 | | |
| | | | Executive Order # D-182-58 | | | | 82506 | D-182-58 | | |
| | | | GS-R Model; Executive Order # D-182-45 | | 81799 | 31357, 31383 | | D-182-45 | | |
| 1997 | 1.8L L4 | VHN1.8VJGKEK | Automatic Trans.; Executive Order # D-182-45 | | 81781 | 31357, 31383 | | D-182-45 | | |
| | | | Executive Order # D-182-58 | | | | 82506 | D-182-58 | | |
| | | | GS-R Model; Executive Order # D-182-45 | | 81799 | 31357, 31383 | | D-182-45 | | |
| | | VHN1.8VJGKFK | Automatic Trans.; Executive Order # D-182-45 | | 81781 | 31357, 31383 | | D-182-45 | | |

For vehicles licensed in the state of California or Maine, or vehicles requiring CARB-compliant converters in the state of New York, the parts in this catalog must be installed as specifically listed. Parts cannot be substituted, nor can they be installed on California or Maine licensed vehicles not listed in this catalog.

OBDII PASSENGER CAR & TRUCK

| Years | Engine | Engine Family No. | Application | Position | Direct-Fit | | Universal Part No. | Executive Order | |
|------------------------|---------|-------------------|--|----------|--------------|--------------|--------------------|-----------------|----------|
| | | | | | Part No. | Hardware | | | |
| ACURA (Cont.) | | | | | | | | | |
| Integra (Cont.) | | | | | | | | | |
| 1997 (Cont.) | 1.8L L4 | VHN1.8VJGKFK | Executive Order # D-182-58 | | | | 82506 | D-182-58 | |
| | | | GS-R Model; Executive Order # D-182-45 | | 81799 | 31357, 31383 | | | D-182-45 |
| 1996 | 1.8L L4 | THN1.8VJGFEK | Automatic Trans.; Executive Order # D-182-45 | | 81781 | 31357, 31383 | | D-182-45 | |
| | | | Executive Order # D-182-58 | | | | 82506 | D-182-58 | |
| | | | GS-R Model; Executive Order # D-182-45 | | 81799 | 31357, 31383 | | | D-182-45 |
| | | THN1.8VJGFFK | Automatic Trans.; Executive Order # D-182-45 | | 81781 | 31357, 31383 | | | D-182-45 |
| | | | Executive Order # D-182-58 | | | | 82506 | | D-182-58 |
| | | | GS-R Model; Executive Order # D-182-45 | | 81799 | 31357, 31383 | | | D-182-45 |
| NSX | | | | | | | | | |
| 2005 | 3.0L V6 | 5HNXV03.2CJE | Executive Order # D-182-57 | Left | | | 82609 | D-182-57 | |
| | | | | Right | | | 82609 | D-182-57 | |
| | 3.2L V6 | 5HNXV03.2CJE | Executive Order # D-182-57 | Left | | | 82609 | D-182-57 | |
| | | | | Right | | | 82609 | D-182-57 | |
| 2004 | 3.0L V6 | 4HNXV03.2MJE | Executive Order # D-182-57 | Left | | | 82609 | D-182-57 | |
| | | | | Right | | | 82609 | D-182-57 | |
| | 3.2L V6 | 4HNXV03.2MJE | Executive Order # D-182-57 | Left | | | 82609 | D-182-57 | |
| | | | | Right | | | 82609 | D-182-57 | |
| 2003 | 3.0L V6 | 3HNXV03.2MYC | Executive Order # D-182-57 | Left | | | 82609 | D-182-57 | |
| | | | | Right | | | 82609 | D-182-57 | |
| | 3.2L V6 | 3HNXV03.2MYC | Executive Order # D-182-57 | Left | | | 82609 | D-182-57 | |
| | | | | Right | | | 82609 | D-182-57 | |
| 2002 | 3.0L V6 | 2HNXV03.2AYC | Executive Order # D-182-57 | Left | | | 82609 | D-182-57 | |
| | | | | Right | | | 82609 | D-182-57 | |
| | 3.2L V6 | 2HNXV03.2AYC | Executive Order # D-182-57 | Left | | | 82609 | D-182-57 | |
| | | | | Right | | | 82609 | D-182-57 | |
| 2001 | 3.0L V6 | 1HNXV03.215U | Executive Order # D-182-57 | Left | | | 82609 | D-182-57 | |
| | | | | Right | | | 82609 | D-182-57 | |
| | 3.2L V6 | 1HNXV03.215U | Executive Order # D-182-57 | Left | | | 82609 | D-182-57 | |
| | | | | Right | | | 82609 | D-182-57 | |
| 2000 | 3.0L V6 | YHNXV03.2AA3 | Executive Order # D-182-57 | Left | | | 82609 | D-182-57 | |
| | | | | Right | | | 82609 | D-182-57 | |
| | 3.2L V6 | YHNXV03.2AA3 | Executive Order # D-182-57 | Left | | | 82609 | D-182-57 | |
| | | | | Right | | | 82609 | D-182-57 | |
| 1999 | 3.0L V6 | XHNXV03.0AA1 | Executive Order # D-182-58 | Left | | | 82508 | D-182-58 | |
| | | | | Right | | | 82508 | D-182-58 | |
| | 3.2L V6 | XHNXV03.2AA1 | Executive Order # D-182-58 | Left | | | 82508 | D-182-58 | |
| | | | | Right | | | 82508 | D-182-58 | |
| 1998 | 3.0L V6 | WHNXV03.0AA1 | Executive Order # D-182-58 | Left | | | 82508 | D-182-58 | |
| | | | | Right | | | 82508 | D-182-58 | |
| | 3.2L V6 | WHNXV03.2AA1 | Executive Order # D-182-58 | Left | | | 82508 | D-182-58 | |
| | | | | Right | | | 82508 | D-182-58 | |
| 1997 | 3.0L V6 | VHN3.0VJGKFK | Executive Order # D-182-58 | Left | | | 82508 | D-182-58 | |

For vehicles licensed in the state of California or Maine, or vehicles requiring CARB-compliant converters in the state of New York, the parts in this catalog must be installed as specifically listed. Parts cannot be substituted, nor can they be installed on California or Maine licensed vehicles not listed in this catalog.

OBDII APPLICATIONS

NON-OBDII APPLICATIONS

NUMERICAL

UNIVERSAL SPECIFICATIONS

OBDII PASSENGER CAR & TRUCK

| Years | Engine | Engine Family No. | Application | Position | Direct-Fit | | Universal Part No. | Executive Order |
|----------------------|---------|-------------------|----------------------------|----------|--------------|--------------|--------------------|-----------------|
| | | | | | Part No. | Hardware | | |
| ACURA (Cont.) | | | | | | | | |
| NSX (Cont.) | | | | | | | | |
| 1997 (Cont.) | 3.0L V6 | VHN3.0VJGKFK | Executive Order # D-182-58 | Right | | | 82508 | D-182-58 |
| | 3.2L V6 | VHN3.2VJGKFK | Executive Order # D-182-58 | Left | | | 82508 | D-182-58 |
| | | | | Right | | | 82508 | D-182-58 |
| 1996 | 3.0L V6 | THN3.0VJGKEK | Executive Order # D-182-58 | Left | | | 82508 | D-182-58 |
| | | | | Right | | | 82508 | D-182-58 |
| 1995 | 3.0L V6 | SHN3.0VJGKEK | Executive Order # D-182-58 | Left | | | 82508 | D-182-58 |
| | | | | Right | | | 82508 | D-182-58 |
| RL | | | | | | | | |
| 2008 | 3.5L V6 | 8HNXV03.5HKR | Executive Order # D-182-62 | Rear | | | 83206 | D-182-62 |
| 2007 | 3.5L V6 | 7HNXV03.5NKR | Executive Order # D-182-62 | Rear | | | 83206 | D-182-62 |
| 2006 | 3.5L V6 | 6HNXV03.5MKR | Executive Order # D-182-62 | Rear | | | 83206 | D-182-62 |
| 2005 | 3.5L V6 | 5HNXV03.5PB4 | Executive Order # D-182-62 | Rear | | | 83206 | D-182-62 |
| 2004 | 3.5L V6 | 4HNXV03.5BJE | Executive Order # D-182-45 | | 81788 | 31615, 31616 | | D-182-45 |
| | | | Executive Order # D-182-57 | | | | 82640 | D-182-57 |
| 2003 | 3.5L V6 | 3HNXV03.5NYC | Executive Order # D-182-45 | | 81788 | 31615, 31616 | | D-182-45 |
| | | | Executive Order # D-182-57 | | | | 82640 | D-182-57 |
| 2002 | 3.5L V6 | 2HNXV03.5BYC | Executive Order # D-182-45 | | 81788 | 31615, 31616 | | D-182-45 |
| | | | Executive Order # D-182-57 | | | | 82640 | D-182-57 |
| 2001 | 3.5L V6 | 1HNXV03.5A5U | Executive Order # D-182-45 | | 81788 | 31615, 31616 | | D-182-45 |
| | | | Executive Order # D-182-57 | | | | 82640 | D-182-57 |
| 2000 | 3.5L V6 | YHNXV03.5YA3 | Executive Order # D-182-45 | | 81788 | 31615, 31616 | | D-182-45 |
| | | | Executive Order # D-182-57 | | | | 82640 | D-182-57 |
| 1999 | 3.5L V6 | XHNXV03.5YA1 | Executive Order # D-182-45 | | 81788 | 31615, 31616 | | D-182-45 |
| | | | Executive Order # D-182-57 | | | | 82640 | D-182-57 |
| 1998 | 3.5L V6 | WHNXV03.5YA1 | Executive Order # D-182-45 | | 81788 | 31615, 31616 | | D-182-45 |
| | | | Executive Order # D-182-57 | | | | 82640 | D-182-57 |
| 1997 | 3.5L V6 | VHN3.5VJGKEK | Executive Order # D-182-45 | | 81788 | 31615, 31616 | | D-182-45 |
| | | | Executive Order # D-182-57 | | | | 82640 | D-182-57 |
| 1996 | 3.5L V6 | THN3.5VJGKEK | Executive Order # D-182-45 | | 81788 | 31615, 31616 | | D-182-45 |
| | | | Executive Order # D-182-57 | | | | 82640 | D-182-57 |
| RSX | | | | | | | | |
| 2006 | 2.0L L4 | 6HNXV02.0DKC | Executive Order # D-182-64 | | 82889 | 31531, 31383 | 82806 | D-182-64 |
| 2005 | 2.0L L4 | 5HNXV02.0HKC | Executive Order # D-182-64 | | | | 82806 | D-182-64 |
| | | 5HNXV02.4KBP | Executive Order # D-182-64 | | 82889 | 31531, 31383 | 82806 | D-182-64 |
| 2004 | 2.0L L4 | 4HNXV02.0RKC | Executive Order # D-182-64 | | | | 82806 | D-182-64 |
| | | 4HNXV02.0XKC | Executive Order # D-182-64 | | 82889 | 31531, 31383 | 82806 | D-182-64 |
| 2003 | 2.0L L4 | 3HNXV02.0SKC | Executive Order # D-182-64 | | | | 82806 | D-182-64 |
| | | 3HNXV02.0XKC | Executive Order # D-182-64 | | 82889 | 31531, 31383 | 82806 | D-182-64 |
| 2002 | 2.0L L4 | 2HNXV02.0EKC | Executive Order # D-182-64 | | | | 82806 | D-182-64 |
| | | 2HNXV02.0VBP | Executive Order # D-182-64 | | 82889 | 31531, 31383 | 82806 | D-182-64 |
| SLX | | | | | | | | |
| 1999 | 3.5L V6 | XSZXT03.52GK | Executive Order # D-182-47 | Left | | | 81712 | D-182-47 |
| | | | | Right | | | 81712 | D-182-47 |
| | | | Executive Order # D-182-69 | Left | | | 83402 | D-182-69 |
| | | | | Right | | | 83402 | D-182-69 |

For vehicles licensed in the state of California or Maine, or vehicles requiring CARB-compliant converters in the state of New York, the parts in this catalog must be installed as specifically listed. Parts cannot be substituted, nor can they be installed on California or Maine licensed vehicles not listed in this catalog.

OBDII PASSENGER CAR & TRUCK

| Years | Engine | Engine Family No. | Application | Position | Direct-Fit | | Universal Part No. | Executive Order |
|----------------------|----------------------------|-------------------|----------------------------|--------------|--------------|--------------|--------------------|-----------------|
| | | | | | Part No. | Hardware | | |
| ACURA (Cont.) | | | | | | | | |
| SLX (Cont.) | | | | | | | | |
| 1998 | 3.5L V6 | WSZXT03.52GK | Executive Order # D-182-47 | Left | | | 81712 | D-182-47 |
| | | | | Right | | | 81712 | D-182-47 |
| | | | Executive Order # D-182-69 | Left | | | 83402 | D-182-69 |
| | | | | Right | | | 83402 | D-182-69 |
| 1997 | 3.2L V6 | VSZ3.22JGKEK | Executive Order # D-182-47 | Left | | | 81712 | D-182-47 |
| | | | | Right | | | 81712 | D-182-47 |
| | | | Executive Order # D-182-69 | Left | | | 83402 | D-182-69 |
| | | | | Right | | | 83402 | D-182-69 |
| | | VSZ3.22JGKFK | Executive Order # D-182-47 | | | 81712 | D-182-47 | |
| | | | Executive Order # D-182-69 | | | 83402 | D-182-69 | |
| 1996 | 3.2L V6 | TSZ3.22JGKEK | Executive Order # D-182-47 | Left | | | 81712 | D-182-47 |
| | | | | Right | | | 81712 | D-182-47 |
| | | | Executive Order # D-182-69 | Left | | | 83402 | D-182-69 |
| | | | | Right | | | 83402 | D-182-69 |
| | | TSZ3.22JGKFK | Executive Order # D-182-47 | | | 81712 | D-182-47 | |
| | | | Executive Order # D-182-69 | | | 83402 | D-182-69 | |
| TL | | | | | | | | |
| 2009 | 3.5L V6 | 9HNXV03.56B9 | Executive Order # D-182-62 | Rear | 83291 | 31602, 31589 | 83206 | D-182-62 |
| 2008 | 3.2L V6 | 8HNXV03.5HKR | Executive Order # D-182-62 | Front Left | 83188 | 31724, 31377 | | D-182-62 |
| | | | | Front Right | 83187 | 31724, 31377 | | D-182-62 |
| | | | | Rear | 83299 | 31602, 31589 | 83206 | D-182-62 |
| 2007 | 3.2L V6 | 7HNXV03.5NKR | Executive Order # D-182-62 | Front Left | 83188 | 31724, 31377 | | D-182-62 |
| | | | | Front Right | 83187 | 31724, 31377 | | D-182-62 |
| | | | | Rear | 83299 | 31602, 31589 | 83206 | D-182-62 |
| 2006 | 3.2L V6 | 6HNXV03.2NKR | Executive Order # D-182-62 | Front Left | 83188 | 31724, 31377 | | D-182-62 |
| | | | | Front Right | 83187 | 31724, 31377 | | D-182-62 |
| | | | | Rear | 83299 | 31602, 31589 | 83206 | D-182-62 |
| 2005 | 3.2L V6 | 5HNXV03.24B4 | Executive Order # D-182-62 | Front Left | 83188 | 31724, 31377 | | D-182-62 |
| | | | | Front Right | 83187 | 31724, 31377 | | D-182-62 |
| | | | | Rear | 83299 | 31602, 31589 | 83206 | D-182-62 |
| 2004 | 3.2L V6 | 4HNXV03.2CKR | Executive Order # D-182-62 | Front Left | 83188 | 31724, 31377 | | D-182-62 |
| | | | | Front Right | 83187 | 31724, 31377 | | D-182-62 |
| | | | | Rear | 83299 | 31602, 31589 | 83206 | D-182-62 |
| 2003 | 3.2L V6 | 3HNXV03.2AYC | Executive Order # D-182-45 | | 81756 | 31645, 31383 | | D-182-45 |
| | | | Executive Order # D-182-57 | | | 82608 | D-182-57 | |
| | | 3HNXV03.2BYT | Executive Order # D-182-67 | | 82997 | 31645, 31383 | 82902 | D-182-67 |
| | | 3HNXV03.2CYC | Executive Order # D-182-45 | | 81756 | 31645, 31383 | | D-182-45 |
| 2002 | 3.2L V6 | 2HNXV03.2HYT | Executive Order # D-182-67 | | 82997 | 31645, 31383 | 82902 | D-182-67 |
| | | | Executive Order # D-182-57 | | | 82608 | D-182-57 | |
| | | 2HNXV03.2JYC | Executive Order # D-182-45 | | 81756 | 31645, 31383 | | D-182-45 |
| | | | Executive Order # D-182-57 | | | 82608 | D-182-57 | |
| 2HNXV03.2X21 | Executive Order # D-182-45 | | 81756 | 31645, 31383 | | D-182-45 | | |
| | Executive Order # D-182-57 | | | 82608 | D-182-57 | | | |

For vehicles licensed in the state of California or Maine, or vehicles requiring CARB-compliant converters in the state of New York, the parts in this catalog must be installed as specifically listed. Parts cannot be substituted, nor can they be installed on California or Maine licensed vehicles not listed in this catalog.

OBDII APPLICATIONS

NON-OBDII APPLICATIONS

NUMERICAL

UNIVERSAL SPECIFICATIONS

OBDII PASSENGER CAR & TRUCK

| Years | Engine | Engine Family No. | Application | Position | Direct-Fit | | Universal Part No. | Executive Order |
|----------------------|---------|-------------------|----------------------------|----------|--------------|--------------|--------------------|-----------------|
| | | | | | Part No. | Hardware | | |
| ACURA (Cont.) | | | | | | | | |
| TL (Cont.) | | | | | | | | |
| 2001 | 3.2L V6 | 1HNXV03.2K88 | Executive Order # D-182-67 | | 82997 | 31645, 31383 | 82902 | D-182-67 |
| 2000 | 3.2L V6 | YHNXV03.2GL4 | Executive Order # D-182-67 | | 82997 | 31645, 31383 | 82902 | D-182-67 |
| 1999 | 3.2L V6 | XHNXV03.2GL2 | Executive Order # D-182-57 | | | | 82614 | D-182-57 |
| 1998 | 3.2L V6 | WHNXV03.2HA1 | Executive Order # D-182-57 | | | | 82611 | D-182-57 |
| 1997 | 3.2L V6 | VHN3.2VJGKEK | Executive Order # D-182-57 | | | | 82611 | D-182-57 |
| 1996 | 3.2L V6 | THN3.2VJGKEK | Executive Order # D-182-57 | | | | 82611 | D-182-57 |

TSX

| | | | | | | | | |
|------|---------|--------------|---|-------|--------------|--------------|--------------|----------|
| 2009 | 2.4L L4 | 9HNXV02.44B9 | Executive Order # D-182-62 | Rear | 83292 | 31644, 31589 | 83205 | D-182-62 |
| | | | Includes Front Gasket; Executive Order # D-182-62 | Front | 83177 | 31556 | | D-182-62 |

AUDI

100

| | | | | | | | | |
|------|---------|--------------|---------------------------------|-------|--|--|--------------|----------|
| 1994 | 2.8L V6 | RAD2.8V8GFEM | FWD; Executive Order # D-182-58 | Left | | | 82505 | D-182-58 |
| | | | | Right | | | 82505 | D-182-58 |

100 Quattro

| | | | | | | | | |
|------|---------|--------------|---|-------|--|--|--------------|----------|
| 1994 | 2.8L V6 | RAD2.8V8GFEM | CS Model; AWD; Executive Order # D-182-58 | Left | | | 82505 | D-182-58 |
| | | | | Right | | | 82505 | D-182-58 |

A3

| | | | | | | | | |
|------|---------|--------------|----------------------------|------|--|--|--------------|----------|
| 2009 | 2.0L L4 | 9ADXV02.03UA | Executive Order # D-182-62 | Rear | | | 83205 | D-182-62 |
| 2008 | 2.0L L4 | 8ADXV02.03UA | Executive Order # D-182-62 | Rear | | | 83205 | D-182-62 |

A3 Quattro

| | | | | | | | | |
|------|---------|--------------|----------------------------|------|--|--|--------------|----------|
| 2009 | 2.0L L4 | 9ADXV02.03UA | Executive Order # D-182-62 | Rear | | | 83205 | D-182-62 |
|------|---------|--------------|----------------------------|------|--|--|--------------|----------|

A4

| | | | | | | | | | | | |
|------------|---------|--------------|---------------------------------|-------------|--------------|---------------------------------|--------------|----------|--------------|--------------|----------|
| 2006 | 1.8L L4 | 6ADXV01.8342 | FWD; Executive Order # D-182-57 | | 82667 | 31611, 31390 | | D-182-57 | | | |
| 2005 | 1.8L L4 | 5ADXV01.8342 | FWD; Executive Order # D-182-57 | | 82667 | 31611, 31390 | | D-182-57 | | | |
| | | | | 3.0L V6 | 5ADXV03.0354 | Executive Order # D-182-63 | Front Left | | 83304 | D-182-63 | |
| | | | | Front Right | | | 83304 | D-182-63 | | | |
| 2004 | 1.8L L4 | 4ADXV01.8342 | FWD; Executive Order # D-182-57 | | 82667 | 31611, 31390 | | D-182-57 | | | |
| 2003 | 1.8L L4 | 3ADXV01.8342 | FWD; Executive Order # D-182-57 | | 82667 | 31611, 31390 | | D-182-57 | | | |
| 2002 | 1.8L L4 | 2ADXV01.8342 | FWD; Executive Order # D-182-57 | | 82667 | 31611, 31390 | | D-182-57 | | | |
| 2001 | 1.8L L4 | 1ADXV01.8342 | FWD; Executive Order # D-182-57 | | 82667 | 31611, 31390 | | D-182-57 | | | |
| | | | | 2.8L V6 | 1ADXV02.8334 | FWD; Executive Order # D-182-48 | Front Left | | | 81804 | D-182-48 |
| | | | | | | | Front Right | | | 81804 | D-182-48 |
| | | | | | | | Rear Left | | | 81660 | D-182-48 |
| Rear Right | | | 81660 | | | | D-182-48 | | | | |
| 2000 | 1.8L L4 | YADXV01.8332 | FWD; Executive Order # D-182-57 | | 82667 | 31611, 31390 | | D-182-57 | | | |
| | | | | 2.8L V6 | YADXV02.8334 | FWD; Executive Order # D-182-48 | Front Left | | | 81804 | D-182-48 |
| | | | | | | | Front Right | | | 81804 | D-182-48 |
| | | | | | | | Rear Left | | | 81660 | D-182-48 |
| Rear Right | | | 81660 | | | | D-182-48 | | | | |
| 1999 | 1.8L L4 | XADXV01.8322 | FWD; Executive Order # D-182-57 | | 82667 | 31611, 31390 | | D-182-57 | | | |
| | | | | 2.8L V6 | XADXV02.8324 | FWD; Executive Order # D-182-58 | Left | | | 82526 | D-182-58 |
| Right | | | 82526 | | | | D-182-58 | | | | |

For vehicles licensed in the state of California or Maine, or vehicles requiring CARB-compliant converters in the state of New York, the parts in this catalog must be installed as specifically listed. Parts cannot be substituted, nor can they be installed on California or Maine licensed vehicles not listed in this catalog.

OBDII PASSENGER CAR & TRUCK

| Years | Engine | Engine Family No. | Application | Position | Direct-Fit | | Universal Part No. | Executive Order |
|---------------------|-----------|-------------------|---|-------------|--------------|--------------|--------------------|-----------------|
| | | | | | Part No. | Hardware | | |
| AUDI (Cont.) | | | | | | | | |
| A4 (Cont.) | | | | | | | | |
| 1998 | 1.8L L4 | WADXV01.8322 | FWD; Executive Order # D-182-57 | | 82667 | 31611, 31390 | | D-182-57 |
| | 2.8L V6 | WADXV02.8324 | FWD; Executive Order # D-182-58 | Left | | | 82526 | D-182-58 |
| Right | | | | | | 82526 | D-182-58 | |
| 1997 | 1.8L L4 | VAD1.8VJGKEM | FWD; Executive Order # D-182-57 | | 82667 | 31611, 31390 | | D-182-57 |
| | 2.8L V6 | VAD2.8V8GKFM | FWD; Executive Order # D-182-58 | Left | | | 82526 | D-182-58 |
| Right | | | | | | 82526 | D-182-58 | |
| 1996 | 2.8L V6 | TAD2.8V8GFFM | FWD; Executive Order # D-182-58 | Left | | | 82526 | D-182-58 |
| | | | | Right | | | 82526 | D-182-58 |
| A4 Quattro | | | | | | | | |
| 2006 | 3.0L V6 | 6ADXV03.0354 | AWD; Executive Order # D-182-63 | Front Left | | | 83304 | D-182-63 |
| | | | | Front Right | | | 83304 | D-182-63 |
| 2005 | 3.0L V6 | 5ADXV03.0354 | Executive Order # D-182-63 | Front Left | | | 83304 | D-182-63 |
| | | | | Front Right | | | 83304 | D-182-63 |
| 2004 | 1.8L L4 | 4ADXV01.8342 | Base Model; AWD; Executive Order # D-182-57 | | 82667 | 31611, 31390 | | D-182-57 |
| 2003 | 1.8L L4 | 3ADXV01.8342 | Base Model; AWD; Executive Order # D-182-57 | | 82667 | 31611, 31390 | | D-182-57 |
| 2000 | 1.8L L4 | YADXV01.8332 | Base Model; AWD; Executive Order # D-182-57 | | 82667 | 31611, 31390 | | D-182-57 |
| 1999 | 1.8L L4 | XADXV01.8322 | Base Model; AWD; Executive Order # D-182-57 | | 82667 | 31611, 31390 | | D-182-57 |
| | 2.8L V6 | XADXV02.8324 | Base Model; AWD; Executive Order # D-182-58 | Left | | | 82506 | D-182-58 |
| Right | | | | | | 82506 | D-182-58 | |
| 1998 | 1.8L L4 | WADXV01.8322 | Base Model; AWD; Executive Order # D-182-57 | | 82667 | 31611, 31390 | | D-182-57 |
| | 2.8L V6 | WADXV02.8324 | AWD; Executive Order # D-182-58 | Left | | | 82506 | D-182-58 |
| Right | | | | | | 82506 | D-182-58 | |
| 1997 | 1.8L L4 | VAD1.8VJGKEM | Base Model; AWD; Executive Order # D-182-57 | | 82667 | 31611, 31390 | | D-182-57 |
| | 2.8L V6 | VAD2.8V8GKFM | Base Model; AWD; Executive Order # D-182-58 | Left | | | 82506 | D-182-58 |
| Right | | | | | | 82506 | D-182-58 | |
| 1996 | 2.8L V6 | TAD2.8V8GFFM | Base Model; AWD; Executive Order # D-182-58 | Left | | | 82506 | D-182-58 |
| | | | | Right | | | 82506 | D-182-58 |
| A6 | | | | | | | | |
| 2001 | 2.8L V6 | 1ADXV02.8334 | FWD; Automatic Trans.; Executive Order # D-182-48 | Left | 81668 | | | D-182-48 |
| | | | | Right | 81669 | | | D-182-48 |
| | | | FWD; Executive Order # D-182-48 | Front Left | | 81804 | D-182-48 | |
| | | | | Front Right | | 81804 | D-182-48 | |
| | | | | Rear Left | | 81660 | D-182-48 | |
| | | | | Rear Right | | 81660 | D-182-48 | |
| 2000 | 2.8L V6 | YADXV02.8324 | FWD; Executive Order # D-182-58 | Left | | | 82506 | D-182-58 |
| | | | | Right | | | 82506 | D-182-58 |
| | | YADXV02.8334 | FWD; Automatic Trans.; Executive Order # D-182-48 | Left | 81668 | | | D-182-48 |
| | | | | Right | 81669 | | | D-182-48 |
| | | | FWD; Executive Order # D-182-48 | Front Left | | 81804 | D-182-48 | |
| | | | | Front Right | | 81804 | D-182-48 | |
| | Rear Left | | 81660 | D-182-48 | | | | |

For vehicles licensed in the state of California or Maine, or vehicles requiring CARB-compliant converters in the state of New York, the parts in this catalog must be installed as specifically listed. Parts cannot be substituted, nor can they be installed on California or Maine licensed vehicles not listed in this catalog.

OBDII APPLICATIONS

NON-OBDII APPLICATIONS

NUMERICAL

UNIVERSAL SPECIFICATIONS

OBDII PASSENGER CAR & TRUCK

| Years | Engine | Engine Family No. | Application | Position | Direct-Fit | | Universal Part No. | Executive Order |
|---------------------|---------|-------------------|---------------------------------|------------|------------|----------|--------------------|-----------------|
| | | | | | Part No. | Hardware | | |
| AUDI (Cont.) | | | | | | | | |
| A6 (Cont.) | | | | | | | | |
| 2000 (Cont.) | 2.8L V6 | YAD XV02.8334 | FWD; Executive Order # D-182-48 | Rear Right | | | 81660 | D-182-48 |
| 1999 | 2.8L V6 | XAD XV02.8324 | FWD; Executive Order # D-182-58 | Left | | | 82506 | D-182-58 |
| | | | | Right | | | 82506 | D-182-58 |
| 1998 | 2.8L V6 | WAD XV02.8324 | FWD; Executive Order # D-182-58 | Left | | | 82506 | D-182-58 |
| | | | | Right | | | 82506 | D-182-58 |
| | | WAD XV02.8327 | FWD; Executive Order # D-182-58 | Left | | | 82506 | D-182-58 |
| | | | | Right | | | 82506 | D-182-58 |
| 1997 | 2.8L V6 | VAD 2.8V8G2EM | FWD; Executive Order # D-182-58 | Left | | | 82506 | D-182-58 |
| | | | | Right | | | 82506 | D-182-58 |
| | | VAD 2.8V8GKEM | FWD; Executive Order # D-182-58 | Left | | | 82506 | D-182-58 |
| | | | | Right | | | 82506 | D-182-58 |
| 1996 | 2.8L V6 | TAD 2.8V8G2EM | FWD; Executive Order # D-182-58 | Left | | | 82506 | D-182-58 |
| | | | | Right | | | 82506 | D-182-58 |
| | | TAD 2.8V8GFEM | FWD; Executive Order # D-182-58 | Left | | | 82506 | D-182-58 |
| | | | | Right | | | 82506 | D-182-58 |
| 1995 | 2.8L V6 | SAD 2.8V8G2EA | Executive Order # D-182-65 | Left | | | 81101 | D-182-65 |
| | | | | Right | | | 81101 | D-182-65 |
| | | SAD 2.8V8GFEM | FWD; Executive Order # D-182-58 | Left | | | 82506 | D-182-58 |
| | | | | Right | | | 82506 | D-182-58 |

A6 Quattro

| | | | | | | | | | |
|------|---------|---------------|---|----------------------------|--------------|----------|--------------|--------------|----------|
| 2004 | 2.7L V6 | 4AD XV02.7343 | Base Model; AWD; Executive Order # D-182-48 | Front Left | | | 81804 | D-182-48 | |
| | | | | Front Right | | | 81804 | D-182-48 | |
| | | | | Rear Left | | | 81660 | D-182-48 | |
| | | | | Rear Right | | | 81660 | D-182-48 | |
| | 4.2L V8 | 4AD XV04.2345 | Base Model; AWD; Executive Order # D-182-48 | Executive Order # D-182-48 | Front Left | | | 81804 | D-182-48 |
| | | | | | Front Right | | | 81804 | D-182-48 |
| | | | | Executive Order # D-182-48 | Rear Left | | | 81660 | D-182-48 |
| | | | | | Rear Right | | | 81660 | D-182-48 |
| 2003 | 2.7L V6 | 3AD XV02.7343 | Base Model; AWD; Executive Order # D-182-48 | Front Left | | | 81804 | D-182-48 | |
| | | | | Front Right | | | 81804 | D-182-48 | |
| | | | | Rear Left | | | 81660 | D-182-48 | |
| | | | | Rear Right | | | 81660 | D-182-48 | |
| 2002 | 2.7L V6 | 2AD XV02.7333 | Executive Order # D-182-48 | Front Left | | | 81804 | D-182-48 | |
| | | | | Front Right | | | 81804 | D-182-48 | |
| | | | | Rear Left | | | 81660 | D-182-48 | |
| | | | | Rear Right | | | 81660 | D-182-48 | |
| 2001 | 2.7L V6 | 1AD XV02.7333 | Executive Order # D-182-48 | Front Left | | | 81804 | D-182-48 | |
| | | | | Front Right | | | 81804 | D-182-48 | |
| | | | | Rear Left | | | 81660 | D-182-48 | |
| | | | | Rear Right | | | 81660 | D-182-48 | |
| | 2.8L V6 | 1AD XV02.8334 | AWD; Automatic Trans.; Executive Order # D-182-48 | Left | 81668 | | | D-182-48 | |
| | | | | Right | 81669 | | | D-182-48 | |
| | | | Base Model; AWD; Executive Order # D-182-48 | Front Left | | | 81804 | D-182-48 | |
| | | | | Front Right | | | 81804 | D-182-48 | |
| | | Rear Left | | | 81660 | D-182-48 | | | |

For vehicles licensed in the state of California or Maine, or vehicles requiring CARB-compliant converters in the state of New York, the parts in this catalog must be installed as specifically listed. Parts cannot be substituted, nor can they be installed on California or Maine licensed vehicles not listed in this catalog.

OBDII PASSENGER CAR & TRUCK

| Years | Engine | Engine Family No. | Application | Position | Direct-Fit | | Universal Part No. | Executive Order | |
|---------------------------|---------|-------------------|---|-------------|--------------|---|--------------------|-----------------|----------|
| | | | | | Part No. | Hardware | | | |
| AUDI (Cont.) | | | | | | | | | |
| A6 Quattro (Cont.) | | | | | | | | | |
| 2001 (Cont.) | 2.8L V6 | 1ADXV02.8334 | Base Model; AWD; Executive Order # D-182-48 | Rear Right | | | 81660 | D-182-48 | |
| | | | | 4.2L V8 | 1ADXV04.2345 | Base Model; AWD; Executive Order # D-182-48 | Front Left | | |
| | | | Executive Order # D-182-48 | Front Right | | | 81804 | D-182-48 | |
| | | | | Rear Left | | | 81660 | D-182-48 | |
| | | | | Rear Right | | | 81660 | D-182-48 | |
| 2000 | 2.7L V6 | YADXV02.7333 | Executive Order # D-182-48 | Front Left | | | 81804 | D-182-48 | |
| | | | | Front Right | | | 81804 | D-182-48 | |
| | | | | Rear Left | | | 81660 | D-182-48 | |
| | | | | Rear Right | | | 81660 | D-182-48 | |
| | 2.8L V6 | YADXV02.8324 | Base Model; AWD; Executive Order # D-182-58 | Left | | | 82506 | D-182-58 | |
| | | | | Right | | | 82506 | D-182-58 | |
| | | YADXV02.8334 | AWD; Automatic Trans.; Executive Order # D-182-48 | Left | 81668 | | | | D-182-48 |
| | | | | Right | 81669 | | | | D-182-48 |
| | | | Base Model; AWD; Executive Order # D-182-48 | Front Left | | | 81804 | D-182-48 | |
| | | | | Front Right | | | 81804 | D-182-48 | |
| | | Rear Left | | | 81660 | D-182-48 | | | |
| | | | Rear Right | | | 81660 | D-182-48 | | |
| | 4.2L V8 | YADXV04.2335 | Base Model; AWD; Executive Order # D-182-57 | Left | | | 82629 | D-182-57 | |
| Right | | | | | | 82629 | D-182-57 | | |
| 1999 | 2.8L V6 | XADXV02.8324 | Base Model; AWD; Executive Order # D-182-58 | Left | | | 82506 | D-182-58 | |
| | | | | Right | | | 82506 | D-182-58 | |
| 1998 | 2.8L V6 | WADXV02.8324 | Base Model; AWD; Executive Order # D-182-58 | Left | | | 82506 | D-182-58 | |
| | | | | Right | | | 82506 | D-182-58 | |
| | | WADXV02.8327 | Base Model; AWD; Executive Order # D-182-58 | Left | | | 82506 | D-182-58 | |
| | | | | Right | | | 82506 | D-182-58 | |
| 1997 | 2.8L V6 | VAD2.8V8G2EM | Avant Model; AWD; Executive Order # D-182-58 | Left | | | 82506 | D-182-58 | |
| | | | | Right | | | 82506 | D-182-58 | |
| | | VAD2.8V8GKEM | Avant Model; AWD; Executive Order # D-182-58 | Left | | | 82506 | D-182-58 | |
| | | | | Right | | | 82506 | D-182-58 | |
| 1996 | 2.8L V6 | TAD2.8V8G2EM | Base Model; AWD; Executive Order # D-182-58 | Left | | | 82506 | D-182-58 | |
| | | | | Right | | | 82506 | D-182-58 | |
| | | TAD2.8V8GFEM | Base Model; AWD; Executive Order # D-182-58 | Left | | | 82506 | D-182-58 | |
| | | | | Right | | | 82506 | D-182-58 | |
| 1995 | 2.8L V6 | SAD2.8V8G2EA | Executive Order # D-182-65 | Left | | | 81101 | D-182-65 | |
| | | | | Right | | | 81101 | D-182-65 | |
| | | SAD2.8V8GFEM | Base Model; AWD; Executive Order # D-182-58 | Left | | | 82506 | D-182-58 | |
| | | | | Right | | | 82506 | D-182-58 | |
| A8 | | | | | | | | | |
| 1999 | 3.7L V8 | XADXV04.2325 | Executive Order # D-182-58 | Left | | | 82529 | D-182-58 | |
| | | | | Right | | | 82529 | D-182-58 | |
| 1998 | 3.7L V8 | WADXV04.2325 | Executive Order # D-182-58 | Left | | | 82529 | D-182-58 | |
| | | | | Right | | | 82529 | D-182-58 | |
| 1997 | 3.7L V8 | VAD4.2VJGKEM | Executive Order # D-182-58 | Left | | | 82529 | D-182-58 | |
| | | | | Right | | | 82529 | D-182-58 | |

For vehicles licensed in the state of California or Maine, or vehicles requiring CARB-compliant converters in the state of New York, the parts in this catalog must be installed as specifically listed. Parts cannot be substituted, nor can they be installed on California or Maine licensed vehicles not listed in this catalog.

OBDII APPLICATIONS

NON-OBDII APPLICATIONS

NUMERICAL

UNIVERSAL SPECIFICATIONS

OBDII PASSENGER CAR & TRUCK

| Years | Engine | Engine Family No. | Application | Position | Direct-Fit | | Universal Part No. | Executive Order |
|---------------------|---------|-------------------|---|-------------|------------|----------|--------------------|-----------------|
| | | | | | Part No. | Hardware | | |
| AUDI (Cont.) | | | | | | | | |
| A8 Quattro | | | | | | | | |
| 2003 | 4.2L V8 | 3ADXV04.2345 | Base Model; AWD; Executive Order # D-182-48 | Front Left | | | 81804 | D-182-48 |
| | | | | Front Right | | | 81804 | D-182-48 |
| | | | | Rear Left | | | 81660 | D-182-48 |
| | | | | Rear Right | | | 81660 | D-182-48 |
| 2002 | 4.2L V8 | 2ADXV04.2345 | Base Model; AWD; Executive Order # D-182-48 | Front Left | | | 81804 | D-182-48 |
| | | | | Front Right | | | 81804 | D-182-48 |
| | | | | Rear Left | | | 81660 | D-182-48 |
| | | | | Rear Right | | | 81660 | D-182-48 |
| 2000 | 4.2L V8 | YADXV04.2335 | Base Model; AWD; Executive Order # D-182-57 | Left | | | 82629 | D-182-57 |
| | | | | Right | | | 82629 | D-182-57 |
| 1999 | 4.2L V8 | XADXV04.2325 | Base Model; AWD; Executive Order # D-182-57 | Left | | | 82629 | D-182-57 |
| | | | | Right | | | 82629 | D-182-57 |
| 1998 | 4.2L V8 | WADXV04.2325 | Base Model; AWD; Executive Order # D-182-57 | Left | | | 82629 | D-182-57 |
| | | | | Right | | | 82629 | D-182-57 |
| 1997 | 4.2L V8 | VAD4.2VJGKEM | Base Model; AWD; Executive Order # D-182-57 | Left | | | 82629 | D-182-57 |
| | | | | Right | | | 82629 | D-182-57 |

Allroad Quattro

| | | | | | | | | |
|------|---------|--------------|---|-------------|--|--|--------------|----------|
| 2005 | 2.7L V6 | 5ADXV02.7343 | Base Model; AWD; Executive Order # D-182-48 | Front Left | | | 81804 | D-182-48 |
| | | | | Front Right | | | 81804 | D-182-48 |
| | | | | Rear Left | | | 81660 | D-182-48 |
| | | | | Rear Right | | | 81660 | D-182-48 |
| | 4.2L V8 | 5ADXV04.2345 | Base Model; AWD; Executive Order # D-182-48 | Front Left | | | 81804 | D-182-48 |
| | | | | Front Right | | | 81804 | D-182-48 |
| | | | | Rear Left | | | 81660 | D-182-48 |
| | | | | Rear Right | | | 81660 | D-182-48 |
| 2004 | 2.7L V6 | 4ADXV02.7343 | Base Model; AWD; Executive Order # D-182-48 | Front Left | | | 81804 | D-182-48 |
| | | | | Front Right | | | 81804 | D-182-48 |
| | | | | Rear Left | | | 81660 | D-182-48 |
| | | | | Rear Right | | | 81660 | D-182-48 |
| | 4.2L V8 | 4ADXV04.2345 | Base Model; AWD; Executive Order # D-182-48 | Front Left | | | 81804 | D-182-48 |
| | | | | Front Right | | | 81804 | D-182-48 |
| | | | | Rear Left | | | 81660 | D-182-48 |
| | | | | Rear Right | | | 81660 | D-182-48 |
| 2003 | 2.7L V6 | 3ADXV02.7343 | Base Model; AWD; Executive Order # D-182-48 | Front Left | | | 81804 | D-182-48 |
| | | | | Front Right | | | 81804 | D-182-48 |
| | | | | Rear Left | | | 81660 | D-182-48 |
| | | | | Rear Right | | | 81660 | D-182-48 |
| 2002 | 2.7L V6 | 2ADXV02.7333 | Base Model; AWD; Executive Order # D-182-48 | Front Left | | | 81804 | D-182-48 |
| | | | | Front Right | | | 81804 | D-182-48 |
| | | | | Rear Left | | | 81660 | D-182-48 |
| | | | | Rear Right | | | 81660 | D-182-48 |
| 2001 | 2.7L V6 | 1ADXV02.7333 | Base Model; AWD; Executive Order # D-182-48 | Front Left | | | 81804 | D-182-48 |
| | | | | Front Right | | | 81804 | D-182-48 |
| | | | | Rear Left | | | 81660 | D-182-48 |
| | | | | Rear Right | | | 81660 | D-182-48 |

For vehicles licensed in the state of California or Maine, or vehicles requiring CARB-compliant converters in the state of New York, the parts in this catalog must be installed as specifically listed. Parts cannot be substituted, nor can they be installed on California or Maine licensed vehicles not listed in this catalog.

OBDII PASSENGER CAR & TRUCK

| Years | Engine | Engine Family No. | Application | Position | Direct-Fit | | Universal Part No. | Executive Order |
|---------------------|--------------|----------------------------|---------------------------------|-------------|--------------|--------------|--------------------|-----------------|
| | | | | | Part No. | Hardware | | |
| AUDI (Cont.) | | | | | | | | |
| Cabriolet | | | | | | | | |
| 1997 | 2.8L V6 | VAD2.8V8GKGM | Executive Order # D-182-67 | Left | | | 82907 | D-182-67 |
| | | | | Right | | | 82907 | D-182-67 |
| RS6 | | | | | | | | |
| 2004 | 4.2L V8 | 4ADXV04.2345 | Executive Order # D-182-48 | Front Left | | | 81807 | D-182-48 |
| | | | | Front Right | | | 81807 | D-182-48 |
| | | | | Rear Left | | | 81652 | D-182-48 |
| | | | | Rear Right | | | 81652 | D-182-48 |
| S4 | | | | | | | | |
| 2004 | 4.2L V8 | 4ADXV04.2345 | Executive Order # D-182-48 | Front Left | | | 81804 | D-182-48 |
| | | | | Front Right | | | 81804 | D-182-48 |
| | | | | Rear Left | | | 81652 | D-182-48 |
| | | | | Rear Right | | | 81652 | D-182-48 |
| 2002 | 2.7L V6 | 2ADXV02.7333 | Executive Order # D-182-48 | Front Left | | | 81804 | D-182-48 |
| | | | | Front Right | | | 81804 | D-182-48 |
| | | | | Rear Left | | | 81660 | D-182-48 |
| | | | | Rear Right | | | 81660 | D-182-48 |
| 2001 | 2.7L V6 | 1ADXV02.7333 | Executive Order # D-182-48 | Front Left | | | 81804 | D-182-48 |
| | | | | Front Right | | | 81804 | D-182-48 |
| | | | | Rear Left | | | 81660 | D-182-48 |
| | | | | Rear Right | | | 81660 | D-182-48 |
| 2000 | 2.7L V6 | YADXV02.7333 | Executive Order # D-182-48 | Front Left | | | 81804 | D-182-48 |
| | | | | Front Right | | | 81804 | D-182-48 |
| | | | | Rear Left | | | 81660 | D-182-48 |
| | | | | Rear Right | | | 81660 | D-182-48 |
| | YADXV02.7339 | Executive Order # D-182-48 | Front Left | | | 81804 | D-182-48 | |
| | | | Front Right | | | 81804 | D-182-48 | |
| | | | Rear Left | | | 81660 | D-182-48 | |
| | | | Rear Right | | | 81660 | D-182-48 | |
| S6 | | | | | | | | |
| 2003 | 4.2L V8 | 3ADXV04.2335 | Executive Order # D-182-57 | Left | | | 82629 | D-182-57 |
| | | | | Right | | | 82629 | D-182-57 |
| 2002 | 4.2L V8 | 2ADXV04.2335 | Executive Order # D-182-57 | Left | | | 82629 | D-182-57 |
| | | | | Right | | | 82629 | D-182-57 |
| S8 | | | | | | | | |
| 2003 | 4.2L V8 | 3ADXV04.2335 | Executive Order # D-182-57 | Left | | | 82629 | D-182-57 |
| | | | | Right | | | 82629 | D-182-57 |
| 2002 | 4.2L V8 | 2ADXV04.2335 | Executive Order # D-182-57 | Left | | | 82629 | D-182-57 |
| | | | | Right | | | 82629 | D-182-57 |
| 2001 | 4.2L V8 | 1ADXV04.2335 | Executive Order # D-182-57 | Left | | | 82629 | D-182-57 |
| | | | | Right | | | 82629 | D-182-57 |
| TT | | | | | | | | |
| 2009 | 2.0L L4 | 9ADXV02.03UA | Executive Order # D-182-62 | Rear | | | 83205 | D-182-62 |
| 2005 | 1.8L L4 | 5ADXV01.8346 | FWD; Executive Order # D-182-57 | | | | 82609 | D-182-57 |
| 2004 | 1.8L L4 | 4ADXV01.8346 | FWD; Executive Order # D-182-45 | | 81775 | 31597 | | D-182-45 |

For vehicles licensed in the state of California or Maine, or vehicles requiring CARB-compliant converters in the state of New York, the parts in this catalog must be installed as specifically listed. Parts cannot be substituted, nor can they be installed on California or Maine licensed vehicles not listed in this catalog.

OBDII APPLICATIONS

NON-OBDII APPLICATIONS

NUMERICAL

UNIVERSAL SPECIFICATIONS

OBDII PASSENGER CAR & TRUCK

| Years | Engine | Engine Family No. | Application | Position | Direct-Fit | | Universal Part No. | Executive Order |
|-------|--------|-------------------|-------------|----------|------------|----------|--------------------|-----------------|
| | | | | | Part No. | Hardware | | |

AUDI (Cont.)

TT (Cont.)

| | | | | | | | | | |
|--------------|---------|--------------|---------------------------------|---------------------------------|--------------|--------------|--------------|--------------|----------|
| 2004 (Cont.) | 1.8L L4 | 4ADXV01.8346 | FWD; Executive Order # D-182-57 | | | | 82609 | D-182-57 | |
| 2003 | 1.8L L4 | 3ADXV01.8346 | FWD; Executive Order # D-182-45 | | 81775 | 31597 | | D-182-45 | |
| | | | FWD; Executive Order # D-182-57 | | | | 82609 | D-182-57 | |
| 2002 | 1.8L L4 | 2ADXV01.8346 | FWD; Executive Order # D-182-45 | | 81775 | 31597 | | D-182-45 | |
| | | | FWD; Executive Order # D-182-57 | | | | 82609 | D-182-57 | |
| 2001 | 1.8L L4 | 1ADXV01.8336 | FWD; Executive Order # D-182-57 | | | | 82609 | D-182-57 | |
| | | | 1ADXV01.8346 | FWD; Executive Order # D-182-45 | | 81775 | 31597 | | D-182-45 |
| | | | | FWD; Executive Order # D-182-57 | | | | 82609 | D-182-57 |
| 2000 | 1.8L L4 | YADXV01.8336 | FWD; Executive Order # D-182-45 | | 81775 | 31597 | | D-182-45 | |
| | | | FWD; Executive Order # D-182-57 | | | | 82609 | D-182-57 | |

TT Quattro

| | | | | | | | | |
|------|---------|--------------|---|-------|--|--|--------------|----------|
| 2009 | 2.0L L4 | 9ADXV02.03UA | Executive Order # D-182-62 | Rear | | | 83205 | D-182-62 |
| 2005 | 1.8L L4 | 5ADXV01.8346 | Base Model; AWD; Executive Order # D-182-58 | Left | | | 82508 | D-182-58 |
| | | | | Right | | | 82508 | D-182-58 |
| | 3.2L V6 | 5VWXV03.2220 | Base Model; AWD; Executive Order # D-182-57 | Left | | | 82609 | D-182-57 |
| | | | | Right | | | 82609 | D-182-57 |
| 2004 | 1.8L L4 | 4ADXV01.8346 | Base Model; AWD; Executive Order # D-182-58 | Left | | | 82508 | D-182-58 |
| | | | | Right | | | 82508 | D-182-58 |
| | 3.2L V6 | 4VWXV03.2220 | Base Model; AWD; Executive Order # D-182-57 | Left | | | 82609 | D-182-57 |
| | | | | Right | | | 82609 | D-182-57 |
| 2003 | 1.8L L4 | 3ADXV01.8346 | Base Model; AWD; Executive Order # D-182-58 | Left | | | 82508 | D-182-58 |
| | | | | Right | | | 82508 | D-182-58 |
| 2002 | 1.8L L4 | 2ADXV01.8336 | Base Model; AWD; Executive Order # D-182-58 | Left | | | 82508 | D-182-58 |
| | | | | Right | | | 82508 | D-182-58 |
| | | 2ADXV01.8347 | Base Model; AWD; Executive Order # D-182-58 | Left | | | 82508 | D-182-58 |
| | | | | Right | | | 82508 | D-182-58 |
| 2001 | 1.8L L4 | 1ADXV01.8336 | Base Model; AWD; Executive Order # D-182-58 | Left | | | 82508 | D-182-58 |
| | | | | Right | | | 82508 | D-182-58 |
| | | 1ADXV01.8347 | Base Model; AWD; Executive Order # D-182-58 | Left | | | 82508 | D-182-58 |
| | | | | Right | | | 82508 | D-182-58 |
| 2000 | 1.8L L4 | YADXV01.8336 | Base Model; AWD; Executive Order # D-182-58 | Left | | | 82508 | D-182-58 |
| | | | | Right | | | 82508 | D-182-58 |

BMW

135i

| | | | | | | | | |
|------|---------|--------------|----------------------------|------------|--|--|--------------|----------|
| 2009 | 3.0L L6 | 9BMXV03.054R | Executive Order # D-182-63 | Rear Left | | | 83212 | D-182-63 |
| | | | | Rear Right | | | 83211 | D-182-63 |
| 2008 | 3.0L L6 | 8BMXV03.054R | Executive Order # D-182-63 | Rear Left | | | 83212 | D-182-63 |
| | | | | Rear Right | | | 83211 | D-182-63 |
| | | 8BMXV03.0N54 | Executive Order # D-182-63 | Rear Left | | | 83212 | D-182-63 |
| | | | | Rear Right | | | 83211 | D-182-63 |

318i

| | | | | | | | | |
|------|---------|--------------|----------------------------|--|--|--|--------------|----------|
| 1998 | 1.9L L4 | WBMXV01.9M44 | Executive Order # D-182-57 | | | | 82629 | D-182-57 |
| 1997 | 1.9L L4 | VBM1.9VJGFEK | Executive Order # D-182-57 | | | | 82629 | D-182-57 |

For vehicles licensed in the state of California or Maine, or vehicles requiring CARB-compliant converters in the state of New York, the parts in this catalog must be installed as specifically listed. Parts cannot be substituted, nor can they be installed on California or Maine licensed vehicles not listed in this catalog.

OBDII PASSENGER CAR & TRUCK

| Years | Engine | Engine Family No. | Application | Position | Direct-Fit | | Universal Part No. | Executive Order |
|---------------------|---------|-------------------|----------------------------|------------|------------|----------|--------------------|-----------------|
| | | | | | Part No. | Hardware | | |
| BMW (Cont.) | | | | | | | | |
| 318i (Cont.) | | | | | | | | |
| 1997 (Cont.) | 1.9L L4 | VBM1.9VJGKFK | Executive Order # D-182-57 | | | | 82629 | D-182-57 |
| 1996 | 1.9L L4 | TBM1.9VJGKEK | Executive Order # D-182-57 | | | | 82629 | D-182-57 |
| 318is | | | | | | | | |
| 1997 | 1.9L L4 | VBM1.9VJGFEK | Executive Order # D-182-57 | | | | 82629 | D-182-57 |
| | | VBM1.9VJGKFK | Executive Order # D-182-57 | | | | 82629 | D-182-57 |
| 1996 | 1.9L L4 | TBM1.9VJGKEK | Executive Order # D-182-57 | | | | 82629 | D-182-57 |
| 318ti | | | | | | | | |
| 1999 | 1.9L L4 | XBMXV01.9M44 | Executive Order # D-182-57 | | | | 82629 | D-182-57 |
| 1998 | 1.9L L4 | WBMXV01.9M44 | Executive Order # D-182-57 | | | | 82629 | D-182-57 |
| 1997 | 1.9L L4 | VBM1.9VJGFEK | Executive Order # D-182-57 | | | | 82629 | D-182-57 |
| | | VBM1.9VJGKFK | Executive Order # D-182-57 | | | | 82629 | D-182-57 |
| 1996 | 1.9L L4 | TBM1.9VJGKEK | Executive Order # D-182-57 | | | | 82629 | D-182-57 |
| 323i | | | | | | | | |
| 1999 | 2.5L L6 | XBMXV02.5M52 | Executive Order # D-182-57 | | | | 82629 | D-182-57 |
| 1998 | 2.5L L6 | WBMXV02.8Z35 | Executive Order # D-182-57 | | | | 82629 | D-182-57 |
| 323is | | | | | | | | |
| 1999 | 2.5L L6 | XBMXV02.5M52 | Executive Order # D-182-57 | | | | 82629 | D-182-57 |
| 1998 | 2.5L L6 | WBMXV02.8Z35 | Executive Order # D-182-57 | | | | 82629 | D-182-57 |
| 328i | | | | | | | | |
| 1999 | 2.8L L6 | XBMXV02.8M52 | Executive Order # D-182-58 | Left | | | 82505 | D-182-58 |
| | | | | Right | | | 82505 | D-182-58 |
| 1998 | 2.8L L6 | WBMXV02.8M52 | Executive Order # D-182-58 | Left | | | 82505 | D-182-58 |
| | | | | Right | | | 82505 | D-182-58 |
| 1997 | 2.8L L6 | VBM2.8VJGKEK | Executive Order # D-182-58 | Left | | | 82505 | D-182-58 |
| | | | | Right | | | 82505 | D-182-58 |
| 1996 | 2.8L L6 | TBM2.8VJGKEK | Executive Order # D-182-58 | Left | | | 82505 | D-182-58 |
| | | | | Right | | | 82505 | D-182-58 |
| 328is | | | | | | | | |
| 1999 | 2.8L L6 | XBMXV02.8M52 | Executive Order # D-182-58 | Left | | | 82505 | D-182-58 |
| | | | | Right | | | 82505 | D-182-58 |
| 1998 | 2.8L L6 | WBMXV02.8M52 | Executive Order # D-182-58 | Left | | | 82505 | D-182-58 |
| | | | | Right | | | 82505 | D-182-58 |
| 1997 | 2.8L L6 | VBM2.8VJGKEK | Executive Order # D-182-58 | Left | | | 82505 | D-182-58 |
| | | | | Right | | | 82505 | D-182-58 |
| 1996 | 2.8L L6 | TBM2.8VJGKEK | Executive Order # D-182-58 | Left | | | 82505 | D-182-58 |
| | | | | Right | | | 82505 | D-182-58 |
| 335i | | | | | | | | |
| 2008 | 3.0L L6 | 8BMXV03.054R | Executive Order # D-182-63 | Rear Left | | | 83212 | D-182-63 |
| | | | | Rear Right | | | 83211 | D-182-63 |
| | | 8BMXV03.0N54 | Executive Order # D-182-63 | Rear Left | | | 83212 | D-182-63 |
| | | | | Rear Right | | | 83211 | D-182-63 |
| 2007 | 3.0L L6 | 7BMXV03.0N54 | Executive Order # D-182-63 | Rear Left | | | 83212 | D-182-63 |
| | | | | Rear Right | | | 83211 | D-182-63 |

For vehicles licensed in the state of California or Maine, or vehicles requiring CARB-compliant converters in the state of New York, the parts in this catalog must be installed as specifically listed. Parts cannot be substituted, nor can they be installed on California or Maine licensed vehicles not listed in this catalog.

OBDII PASSENGER CAR & TRUCK

| Years | Engine | Engine Family No. | Application | Position | Direct-Fit | | Universal Part No. | Executive Order |
|--------------------|---------|-------------------|----------------------------|-------------|------------|----------|--------------------|-----------------|
| | | | | | Part No. | Hardware | | |
| BMW (Cont.) | | | | | | | | |
| 335xi | | | | | | | | |
| 2008 | 3.0L L6 | 8BMXV03.054R | Executive Order # D-182-63 | Rear Left | | | 83212 | D-182-63 |
| | | | | Rear Right | | | 83211 | D-182-63 |
| | | 8BMXV03.0N54 | Executive Order # D-182-63 | Rear Left | | | 83212 | D-182-63 |
| | | | | Rear Right | | | 83211 | D-182-63 |
| 2007 | 3.0L L6 | 7BMXV03.0N54 | Executive Order # D-182-63 | Rear Left | | | 83212 | D-182-63 |
| | | | | Rear Right | | | 83211 | D-182-63 |
| 528i | | | | | | | | |
| 1998 | 2.8L L6 | WBMXV02.8M52 | Executive Order # D-182-58 | Left | | | 82505 | D-182-58 |
| | | | | Right | | | 82505 | D-182-58 |
| 1997 | 2.8L L6 | VBM2.8VJGKEK | Executive Order # D-182-58 | Left | | | 82505 | D-182-58 |
| | | | | Right | | | 82505 | D-182-58 |
| 535i | | | | | | | | |
| 2009 | 3.0L L6 | 9BMXV03.054R | Executive Order # D-182-63 | Front Right | | | 83302 | D-182-63 |
| | | | | Rear Left | | | 83212 | D-182-63 |
| | | | | Rear Right | | | 83211 | D-182-63 |
| 2008 | 3.0L L6 | 8BMXV03.054R | Executive Order # D-182-63 | Front Right | | | 83302 | D-182-63 |
| | | | | Rear Left | | | 83212 | D-182-63 |
| | | | | Rear Right | | | 83211 | D-182-63 |
| | | 8BMXV03.0N54 | Executive Order # D-182-63 | Front Right | | | 83302 | D-182-63 |
| | | | | Rear Left | | | 83212 | D-182-63 |
| | | | | Rear Right | | | 83211 | D-182-63 |
| 535xi | | | | | | | | |
| 2008 | 3.0L L6 | 8BMXV03.054R | Executive Order # D-182-63 | Front Right | | | 83302 | D-182-63 |
| | | | | Rear Left | | | 83212 | D-182-63 |
| | | | | Rear Right | | | 83211 | D-182-63 |
| | | 8BMXV03.0N54 | Executive Order # D-182-63 | Front Right | | | 83302 | D-182-63 |
| | | | | Rear Left | | | 83212 | D-182-63 |
| | | | | Rear Right | | | 83211 | D-182-63 |
| 540i | | | | | | | | |
| 1998 | 4.4L V8 | WBMXV04.4M62 | Executive Order # D-182-57 | Left | | | 82613 | D-182-57 |
| | | | | Right | | | 82613 | D-182-57 |
| 1997 | 4.4L V8 | VBM4.4VJGKEK | Executive Order # D-182-57 | Left | | | 82613 | D-182-57 |
| | | | | Right | | | 82613 | D-182-57 |
| 545i | | | | | | | | |
| 2005 | 4.4L V8 | 5BMXV04.4LEV | Executive Order # D-182-57 | Left | | | 82619 | D-182-57 |
| | | | | Right | | | 82619 | D-182-57 |
| 2004 | 4.4L V8 | 4BMXV04.4LEV | Executive Order # D-182-57 | Left | | | 82619 | D-182-57 |
| | | | | Right | | | 82619 | D-182-57 |
| 645Ci | | | | | | | | |
| 2005 | 4.4L V8 | 5BMXV04.4LEV | Executive Order # D-182-57 | Left | | | 82619 | D-182-57 |
| | | | | Right | | | 82619 | D-182-57 |
| 2004 | 4.4L V8 | 4BMXV04.4LEV | Executive Order # D-182-57 | Left | | | 82619 | D-182-57 |
| | | | | Right | | | 82619 | D-182-57 |

For vehicles licensed in the state of California or Maine, or vehicles requiring CARB-compliant converters in the state of New York, the parts in this catalog must be installed as specifically listed. Parts cannot be substituted, nor can they be installed on California or Maine licensed vehicles not listed in this catalog.

OBDII PASSENGER CAR & TRUCK

| Years | Engine | Engine Family No. | Application | Position | Direct-Fit | | Universal Part No. | Executive Order |
|--------------------|----------|-------------------|----------------------------|----------|------------|----------|--------------------|-----------------|
| | | | | | Part No. | Hardware | | |
| BMW (Cont.) | | | | | | | | |
| 740i | | | | | | | | |
| 1998 | 4.4L V8 | WBMXV04.4M62 | Executive Order # D-182-57 | Left | | | 82613 | D-182-57 |
| | | | | Right | | | 82613 | D-182-57 |
| 1997 | 4.4L V8 | VBM4.4VJGKEK | Executive Order # D-182-57 | Left | | | 82613 | D-182-57 |
| | | | | Right | | | 82613 | D-182-57 |
| 740iL | | | | | | | | |
| 1998 | 4.4L V8 | WBMXV04.4M62 | Executive Order # D-182-57 | Left | | | 82613 | D-182-57 |
| | | | | Right | | | 82613 | D-182-57 |
| 1997 | 4.4L V8 | VBM4.4VJGKEK | Executive Order # D-182-57 | Left | | | 82613 | D-182-57 |
| | | | | Right | | | 82613 | D-182-57 |
| 1996 | 4.4L V8 | TBM4.4VJGFEK | Executive Order # D-182-57 | Left | | | 82611 | D-182-57 |
| | | | | Right | | | 82611 | D-182-57 |
| 745i | | | | | | | | |
| 2005 | 4.4L V8 | 5BMXV04.4LEV | Executive Order # D-182-57 | Left | | | 82619 | D-182-57 |
| | | | | Right | | | 82619 | D-182-57 |
| 2004 | 4.4L V8 | 4BMXV04.4LEV | Executive Order # D-182-57 | Left | | | 82619 | D-182-57 |
| | | | | Right | | | 82619 | D-182-57 |
| 2003 | 4.4L V8 | 3BMXV04.4LEV | Executive Order # D-182-57 | Left | | | 82619 | D-182-57 |
| | | | | Right | | | 82619 | D-182-57 |
| 2002 | 4.4L V8 | 2BMXV04.4LEV | Executive Order # D-182-57 | Left | | | 82619 | D-182-57 |
| | | | | Right | | | 82619 | D-182-57 |
| 745Li | | | | | | | | |
| 2005 | 4.4L V8 | 5BMXV04.4LEV | Executive Order # D-182-57 | Left | | | 82619 | D-182-57 |
| | | | | Right | | | 82619 | D-182-57 |
| 2004 | 4.4L V8 | 4BMXV04.4LEV | Executive Order # D-182-57 | Left | | | 82619 | D-182-57 |
| | | | | Right | | | 82619 | D-182-57 |
| 2003 | 4.4L V8 | 3BMXV04.4LEV | Executive Order # D-182-57 | Left | | | 82619 | D-182-57 |
| | | | | Right | | | 82619 | D-182-57 |
| 2002 | 4.4L V8 | 2BMXV04.4LEV | Executive Order # D-182-57 | Left | | | 82619 | D-182-57 |
| | | | | Right | | | 82619 | D-182-57 |
| 750iL | | | | | | | | |
| 1998 | 5.4L V12 | WBMXV05.4M73 | Executive Order # D-182-57 | Left | | | 82611 | D-182-57 |
| | | | | Right | | | 82611 | D-182-57 |
| 1997 | 5.4L V12 | VBM5.4V8GFEK | Executive Order # D-182-57 | Left | | | 82611 | D-182-57 |
| | | | | Right | | | 82611 | D-182-57 |
| 1996 | 5.4L V12 | TBM5.4V8GFEK | Executive Order # D-182-57 | Left | | | 82611 | D-182-57 |
| | | | | Right | | | 82611 | D-182-57 |
| 1995 | 5.4L V12 | SBM5.4V8GAEK | Executive Order # D-182-57 | Left | | | 82611 | D-182-57 |
| | | | | Right | | | 82611 | D-182-57 |
| 760i | | | | | | | | |
| 2006 | 6.0L V12 | 6BMXV06.0N73 | Executive Order # D-182-57 | Left | | | 82617 | D-182-57 |
| | | | | Right | | | 82617 | D-182-57 |
| 2005 | 6.0L V12 | 5BMXV06.0N73 | Executive Order # D-182-57 | Left | | | 82617 | D-182-57 |
| | | | | Right | | | 82617 | D-182-57 |
| 2004 | 6.0L V12 | 4BMXV06.0N73 | Executive Order # D-182-57 | Left | | | 82617 | D-182-57 |

For vehicles licensed in the state of California or Maine, or vehicles requiring CARB-compliant converters in the state of New York, the parts in this catalog must be installed as specifically listed. Parts cannot be substituted, nor can they be installed on California or Maine licensed vehicles not listed in this catalog.

OBDII APPLICATIONS

NON-OBDII APPLICATIONS

NUMERICAL

UNIVERSAL SPECIFICATIONS

OBDII PASSENGER CAR & TRUCK

| Years | Engine | Engine Family No. | Application | Position | Direct-Fit | | Universal Part No. | Executive Order |
|---------------------|----------|-------------------|----------------------------|------------|------------|----------|--------------------|-----------------|
| | | | | | Part No. | Hardware | | |
| BMW (Cont.) | | | | | | | | |
| 760i (Cont.) | | | | | | | | |
| 2004 (Cont.) | 6.0L V12 | 4BMXV06.0N73 | Executive Order # D-182-57 | Right | | | 82617 | D-182-57 |
| 760Li | | | | | | | | |
| 2006 | 6.0L V12 | 6BMXV06.0N73 | Executive Order # D-182-57 | Left | | | 82617 | D-182-57 |
| | | | | Right | | | 82617 | D-182-57 |
| 2005 | 6.0L V12 | 5BMXV06.0N73 | Executive Order # D-182-57 | Left | | | 82617 | D-182-57 |
| | | | | Right | | | 82617 | D-182-57 |
| 2004 | 6.0L V12 | 4BMXV06.0N73 | Executive Order # D-182-57 | Left | | | 82617 | D-182-57 |
| | | | | Right | | | 82617 | D-182-57 |
| 2003 | 6.0L V12 | 3BMXV06.0N73 | Executive Order # D-182-57 | Left | | | 82617 | D-182-57 |
| | | | | Right | | | 82617 | D-182-57 |
| 840Ci | | | | | | | | |
| 1997 | 4.4L V8 | VBM4.4VJGKEK | Executive Order # D-182-57 | Left | | | 82611 | D-182-57 |
| | | | | Right | | | 82611 | D-182-57 |
| 1996 | 4.4L V8 | TBM4.4VJGFEK | Executive Order # D-182-57 | Left | | | 82611 | D-182-57 |
| | | | | Right | | | 82611 | D-182-57 |
| 850Ci | | | | | | | | |
| 1997 | 5.4L V12 | VBM5.4V8GFEK | Executive Order # D-182-57 | Left | | | 82611 | D-182-57 |
| | | | | Right | | | 82611 | D-182-57 |
| 1996 | 5.4L V12 | TBM5.4V8GFEK | Executive Order # D-182-57 | Left | | | 82611 | D-182-57 |
| | | | | Right | | | 82611 | D-182-57 |
| 1995 | 5.4L V12 | SBM5.4V8GAEK | Executive Order # D-182-57 | Left | | | 82611 | D-182-57 |
| | | | | Right | | | 82611 | D-182-57 |
| M3 | | | | | | | | |
| 2009 | 4.0L V8 | 9BMXV04.0S65 | Executive Order # D-182-63 | Rear Left | | | 83213 | D-182-63 |
| | | | | Rear Right | | | 83213 | D-182-63 |
| 2008 | 4.0L V8 | 8BMXV04.0S65 | Executive Order # D-182-63 | Rear Left | | | 83213 | D-182-63 |
| | | | | Rear Right | | | 83213 | D-182-63 |
| 1999 | 3.2L L6 | XBMXV02.8M52 | Executive Order # D-182-58 | Left | | | 82512 | D-182-58 |
| | | | | Right | | | 82512 | D-182-58 |
| 1998 | 3.2L L6 | WBMXV02.8M52 | Executive Order # D-182-58 | Left | | | 82512 | D-182-58 |
| | | | | Right | | | 82512 | D-182-58 |
| 1997 | 3.2L L6 | VBM2.8VJGKEK | Executive Order # D-182-58 | Left | | | 82512 | D-182-58 |
| | | | | Right | | | 82512 | D-182-58 |
| 1996 | 3.2L L6 | TBM2.8VJGKEK | Executive Order # D-182-58 | Left | | | 82512 | D-182-58 |
| | | | | Right | | | 82512 | D-182-58 |
| M5 | | | | | | | | |
| 2003 | 5.0L V8 | 3BMXV04.9S62 | Executive Order # D-182-57 | Left | | | 82611 | D-182-57 |
| | | | | Right | | | 82611 | D-182-57 |
| 2002 | 5.0L V8 | 2BMXV04.9S62 | Executive Order # D-182-57 | Left | | | 82611 | D-182-57 |
| | | | | Right | | | 82611 | D-182-57 |
| 2000 | 5.0L V8 | YBMXV04.9S62 | Executive Order # D-182-57 | Left | | | 82611 | D-182-57 |
| | | | | Right | | | 82611 | D-182-57 |

For vehicles licensed in the state of California or Maine, or vehicles requiring CARB-compliant converters in the state of New York, the parts in this catalog must be installed as specifically listed. Parts cannot be substituted, nor can they be installed on California or Maine licensed vehicles not listed in this catalog.

OBDII PASSENGER CAR & TRUCK

| Years | Engine | Engine Family No. | Application | Position | Direct-Fit | | Universal Part No. | Executive Order |
|----------------------------|---------|----------------------------|----------------------------|--------------|------------|--------------|--------------------|-----------------|
| | | | | | Part No. | Hardware | | |
| BMW (Cont.) | | | | | | | | |
| X3 | | | | | | | | |
| 2006 | 3.0L L6 | 6BMXT03.0E83 | Executive Order # D-182-69 | Front | | | 83402 | D-182-69 |
| | | | | Rear | | | 83402 | D-182-69 |
| 2005 | 2.5L L6 | 5BMXT03.0E83 | Executive Order # D-182-47 | Left | | | 81712 | D-182-47 |
| | | | | Right | | | 81712 | D-182-47 |
| | | | Executive Order # D-182-69 | Front | | | 83402 | D-182-69 |
| | | | | Rear | | | 83402 | D-182-69 |
| | 3.0L L6 | 5BMXT03.0E83 | Executive Order # D-182-47 | Left | | | 81712 | D-182-47 |
| | | | | Right | | | 81712 | D-182-47 |
| Executive Order # D-182-69 | Front | | | 83402 | D-182-69 | | | |
| | Rear | | | 83402 | D-182-69 | | | |
| 2004 | 2.5L L6 | 4BMXT03.0E83 | Executive Order # D-182-69 | Front | | | 83402 | D-182-69 |
| | | | | Rear | | | 83402 | D-182-69 |
| | 3.0L L6 | 4BMXT03.0E83 | Executive Order # D-182-69 | Front | | | 83402 | D-182-69 |
| | | | | Rear | | | 83402 | D-182-69 |
| X5 | | | | | | | | |
| 2006 | 3.0L L6 | 6BMXT03.0E53 | Executive Order # D-182-69 | Front | | | 83402 | D-182-69 |
| | | | | Rear | | | 83402 | D-182-69 |
| | | 6BMXT03.0E5R | Executive Order # D-182-69 | Front | | | 83402 | D-182-69 |
| | | | | Rear | | | 83402 | D-182-69 |
| | 4.4L V8 | 6BMXT04.8N62 | Executive Order # D-182-52 | Left | | | 81716 | D-182-52 |
| | | | | Right | | | 81716 | D-182-52 |
| | | Executive Order # D-182-69 | Left | | | 83402 | D-182-69 | |
| | | | Right | | | 83402 | D-182-69 | |
| | 4.8L V8 | 6BMXT04.8N62 | Executive Order # D-182-52 | Left | | | 81716 | D-182-52 |
| | | | | Right | | | 81716 | D-182-52 |
| | | Executive Order # D-182-69 | Left | | | 83402 | D-182-69 | |
| | | | Right | | | 83402 | D-182-69 | |
| 2005 | 3.0L L6 | 5BMXT03.0E53 | Executive Order # D-182-69 | Front | | | 83402 | D-182-69 |
| | | | | Rear | | | 83402 | D-182-69 |
| | | 5BMXT03.0E5R | Executive Order # D-182-69 | Front | | | 83402 | D-182-69 |
| | | | | Rear | | | 83402 | D-182-69 |
| | 4.4L V8 | 5BMXT04.8N62 | Executive Order # D-182-47 | Left | | | 81712 | D-182-47 |
| | | | | Right | | | 81712 | D-182-47 |
| | | Executive Order # D-182-69 | Left | | | 83402 | D-182-69 | |
| | | | Right | | | 83402 | D-182-69 | |
| | 4.8L V8 | 5BMXT04.8N62 | Executive Order # D-182-47 | Left | | | 81712 | D-182-47 |
| | | | | Right | | | 81712 | D-182-47 |
| | | Executive Order # D-182-69 | Left | | | 83402 | D-182-69 | |
| | | | Right | | | 83402 | D-182-69 | |
| 2004 | 3.0L L6 | 4BMXT03.0E53 | Executive Order # D-182-69 | Front | | | 83402 | D-182-69 |
| | | | | Rear | | | 83402 | D-182-69 |
| | | 4BMXT03.0E5R | Executive Order # D-182-69 | Front | | | 83402 | D-182-69 |
| | | | | Rear | | | 83402 | D-182-69 |
| | 4.4L V8 | 4BMXT04.4N62 | Executive Order # D-182-47 | Left | | | 81712 | D-182-47 |
| | | | | Right | | | 81712 | D-182-47 |

OBDII APPLICATIONS

NON-OBDII APPLICATIONS

NUMERICAL

UNIVERSAL SPECIFICATIONS

For vehicles licensed in the state of California or Maine, or vehicles requiring CARB-compliant converters in the state of New York, the parts in this catalog must be installed as specifically listed. Parts cannot be substituted, nor can they be installed on California or Maine licensed vehicles not listed in this catalog.

OBDII PASSENGER CAR & TRUCK

| Years | Engine | Engine Family No. | Application | Position | Direct-Fit | | Universal Part No. | Executive Order | | | |
|----------------------------|----------------------------|-------------------|----------------------------|----------------------------|--------------|----------------------------|--------------------|-----------------|----------|--------------|----------|
| | | | | | Part No. | Hardware | | | | | |
| BMW (Cont.) | | | | | | | | | | | |
| X5 (Cont.) | | | | | | | | | | | |
| 2004 (Cont.) | 4.4L V8 | 4BMXT04.4N62 | Executive Order # D-182-69 | Left | | | 83402 | D-182-69 | | | |
| | | | | Right | | | 83402 | D-182-69 | | | |
| | 4.8L V8 | 4BMXT04.4N62 | Executive Order # D-182-47 | Left | | | 81712 | D-182-47 | | | |
| | | | | Right | | | 81712 | D-182-47 | | | |
| | | | Executive Order # D-182-69 | Left | | | 83402 | D-182-69 | | | |
| Right | | | | 83402 | D-182-69 | | | | | | |
| 2003 | 3.0L L6 | 3BMXT03.0E5R | Executive Order # D-182-69 | Front | | | 83402 | D-182-69 | | | |
| | | | | Rear | | | 83402 | D-182-69 | | | |
| | 4.4L V8 | 3BMXT04.4E53 | Executive Order # D-182-47 | Left | | | 81712 | D-182-47 | | | |
| | | | | Right | | | 81712 | D-182-47 | | | |
| | | | Executive Order # D-182-69 | Left | | | 83402 | D-182-69 | | | |
| | | | | Right | | | 83402 | D-182-69 | | | |
| | 4.6L V8 | 3BMXT04.6XHP | Executive Order # D-182-47 | Left | | | 81712 | D-182-47 | | | |
| | | | | Right | | | 81712 | D-182-47 | | | |
| | | | Executive Order # D-182-69 | Left | | | 83402 | D-182-69 | | | |
| | | | | Right | | | 83402 | D-182-69 | | | |
| | 2002 | 3.0L L6 | 2BMXT03.0E5R | Executive Order # D-182-69 | Front | | | 83402 | D-182-69 | | |
| | | | | | Rear | | | 83402 | D-182-69 | | |
| 4.4L V8 | | 2BMXT04.4E53 | Executive Order # D-182-47 | Left | | | 81712 | D-182-47 | | | |
| | | | | Right | | | 81712 | D-182-47 | | | |
| | | | Executive Order # D-182-69 | Left | | | 83402 | D-182-69 | | | |
| | | | | Right | | | 83402 | D-182-69 | | | |
| 4.6L V8 | | 2BMXT04.6XHP | Executive Order # D-182-47 | Left | | | 81712 | D-182-47 | | | |
| | | | | Right | | | 81712 | D-182-47 | | | |
| | | | Executive Order # D-182-69 | Left | | | 83402 | D-182-69 | | | |
| | | | | Right | | | 83402 | D-182-69 | | | |
| 2001 | | 3.0L L6 | 1BMXT03.0E53 | Executive Order # D-182-69 | Front | | | 83402 | D-182-69 | | |
| | | | | | Rear | | | 83402 | D-182-69 | | |
| | 1BMXT03.0E5R | | Executive Order # D-182-69 | Front | | | 83402 | D-182-69 | | | |
| | | | | Rear | | | 83402 | D-182-69 | | | |
| | 4.4L V8 | 1BMXT04.4E53 | Executive Order # D-182-47 | Left | | | 81712 | D-182-47 | | | |
| | | | | Right | | | 81712 | D-182-47 | | | |
| | | | Executive Order # D-182-69 | Left | | | 83402 | D-182-69 | | | |
| | | | | Right | | | 83402 | D-182-69 | | | |
| | | | 2000 | 4.4L V8 | YBMXT04.453M | Executive Order # D-182-47 | Left | | | 81712 | D-182-47 |
| | | | | | | | Right | | | 81712 | D-182-47 |
| Executive Order # D-182-69 | Left | | | | | 83402 | D-182-69 | | | | |
| | Right | | | | | 83402 | D-182-69 | | | | |
| YBMXT04.4E53 | Executive Order # D-182-47 | Left | | | | 81712 | D-182-47 | | | | |
| | | Right | | | | 81712 | D-182-47 | | | | |
| | Executive Order # D-182-69 | Left | | | | 83402 | D-182-69 | | | | |
| | | Right | | | | 83402 | D-182-69 | | | | |
| Z3 | | | | | | | | | | | |
| 2000 | 3.2L L6 | YBMXV03.2S52 | Executive Order # D-182-58 | Left | | | 82512 | D-182-58 | | | |
| | | | | Right | | | 82512 | D-182-58 | | | |

For vehicles licensed in the state of California or Maine, or vehicles requiring CARB-compliant converters in the state of New York, the parts in this catalog must be installed as specifically listed. Parts cannot be substituted, nor can they be installed on California or Maine licensed vehicles not listed in this catalog.

OBDII PASSENGER CAR & TRUCK

| Years | Engine | Engine Family No. | Application | Position | Direct-Fit | | Universal Part No. | Executive Order |
|--------------------|---------|-------------------|----------------------------|-------------|--------------|--------------|--------------------|-----------------|
| | | | | | Part No. | Hardware | | |
| BMW (Cont.) | | | | | | | | |
| Z3 (Cont.) | | | | | | | | |
| 1999 | 3.2L L6 | XBMXV02.8M52 | Executive Order # D-182-58 | Left | | | 82512 | D-182-58 |
| | | | | Right | | | 82512 | D-182-58 |
| 1998 | 1.9L L4 | WBMXV01.9M44 | Executive Order # D-182-57 | | | | 82609 | D-182-57 |
| | 2.8L L6 | WBMXV02.8Z35 | Executive Order # D-182-57 | | | | 82629 | D-182-57 |
| 1997 | 1.9L L4 | VBM1.9VJGFEK | Executive Order # D-182-57 | | | | 82609 | D-182-57 |
| | | VBM1.9VJGKFK | Executive Order # D-182-57 | | | | 82609 | D-182-57 |
| | 2.8L L6 | VBM2.8VJGKFK | Executive Order # D-182-57 | | | | 82629 | D-182-57 |
| 1996 | 1.9L L4 | TBM1.9VJGKEK | Executive Order # D-182-57 | | | | 82609 | D-182-57 |
| Z4 | | | | | | | | |
| 2009 | 3.0L L6 | 9BMXV03.054R | Executive Order # D-182-63 | Front Left | | | 83302 | D-182-63 |
| | | | | Front Right | | | 83302 | D-182-63 |
| | | | | Rear Left | | | 83212 | D-182-63 |
| | | | | Rear Right | | | 83211 | D-182-63 |
| Z8 | | | | | | | | |
| 2003 | 5.0L V8 | 3BMXV04.9S62 | Executive Order # D-182-57 | Left | | | 82611 | D-182-57 |
| | | | | Right | | | 82611 | D-182-57 |
| 2002 | 5.0L V8 | 2BMXV04.9S62 | Executive Order # D-182-57 | Left | | | 82611 | D-182-57 |
| | | | | Right | | | 82611 | D-182-57 |
| 2000 | 5.0L V8 | YBMXV04.9S62 | Executive Order # D-182-57 | Left | | | 82611 | D-182-57 |
| | | | | Right | | | 82611 | D-182-57 |
| BUICK | | | | | | | | |
| Century | | | | | | | | |
| 2005 | 3.1L V6 | 5GMXV03.8041 | Executive Order # D-182-57 | | | | 82618 | D-182-57 |
| 2004 | 3.1L V6 | 4GMXV03.8041 | Executive Order # D-182-57 | | | | 82618 | D-182-57 |
| 2003 | 3.1L V6 | 3GMXV03.8043 | Executive Order # D-182-45 | | 81760 | 31602, 31532 | | D-182-45 |
| | | | Executive Order # D-182-57 | | | | 82618 | D-182-57 |
| 2002 | 3.1L V6 | 2GMXV03.8043 | Executive Order # D-182-45 | | 81760 | 31602, 31532 | | D-182-45 |
| | | | Executive Order # D-182-57 | | | | 82618 | D-182-57 |
| 2001 | 3.1L V6 | 1GMXV03.8043 | Executive Order # D-182-45 | | 81760 | 31602, 31532 | | D-182-45 |
| | | | Executive Order # D-182-57 | | | | 82618 | D-182-57 |
| 2000 | 3.1L V6 | YGMXV03.8043 | Executive Order # D-182-45 | | 81760 | 31602, 31532 | | D-182-45 |
| | | | Executive Order # D-182-57 | | | | 82618 | D-182-57 |
| 1999 | 3.1L V6 | XGMXV03.4042 | Executive Order # D-182-45 | | 81760 | 31602, 31532 | | D-182-45 |
| | | | Executive Order # D-182-57 | | | | 82618 | D-182-57 |
| 1998 | 3.1L V6 | WGMXV03.1043 | Executive Order # D-182-45 | | 81760 | 31602, 31532 | | D-182-45 |
| | | | Executive Order # D-182-58 | | | | 82512 | D-182-58 |
| | | WGMXV03.1044 | Executive Order # D-182-45 | | 81760 | 31602, 31532 | | D-182-45 |
| | | | Executive Order # D-182-57 | | | | 82618 | D-182-57 |
| 1997 | 3.1L V6 | VGM3.1V8G1EK | Executive Order # D-182-45 | | 81760 | 31602, 31532 | | D-182-45 |
| | | | Executive Order # D-182-58 | | | | 82512 | D-182-58 |
| 1996 | 2.2L L4 | TGM2.2V8GKEK | Executive Order # D-182-58 | | | | 82526 | D-182-58 |
| | 3.1L V6 | TGM3.1V8GFEK | Executive Order # D-182-58 | | | | 82508 | D-182-58 |
| LaCrosse | | | | | | | | |
| 2006 | 3.6L V6 | 6GMXV03.9041 | Executive Order # D-182-57 | | | | 82617 | D-182-57 |

For vehicles licensed in the state of California or Maine, or vehicles requiring CARB-compliant converters in the state of New York, the parts in this catalog must be installed as specifically listed. Parts cannot be substituted, nor can they be installed on California or Maine licensed vehicles not listed in this catalog.

OBDII APPLICATIONS

NON-OBDII APPLICATIONS

NUMERICAL

UNIVERSAL SPECIFICATIONS

OBDII PASSENGER CAR & TRUCK

| Years | Engine | Engine Family No. | Application | Position | Direct-Fit | | Universal Part No. | Executive Order |
|-------------------------|----------------------------|----------------------------|----------------------------|----------|--------------|--------------|--------------------|-----------------|
| | | | | | Part No. | Hardware | | |
| BUICK (Cont.) | | | | | | | | |
| LaCrosse (Cont.) | | | | | | | | |
| 2005 | 3.6L V6 | 5GMXV03.8041 | Executive Order # D-182-57 | | | | 82617 | D-182-57 |
| LeSabre | | | | | | | | |
| 2003 | 3.8L V6 | 3GMXV03.8044 | Executive Order # D-182-57 | | | | 82637 | D-182-57 |
| 2002 | 3.8L V6 | 2GMXV03.8044 | Executive Order # D-182-67 | | 82999 | 31587 | 82917 | D-182-67 |
| 2001 | 3.8L V6 | 1GMXV03.8044 | Executive Order # D-182-67 | | 82999 | 31587 | 82917 | D-182-67 |
| 2000 | 3.8L V6 | YGMXV03.8044 | Executive Order # D-182-67 | | 82999 | 31587 | 82917 | D-182-67 |
| | | YGMXV03.8901 | Executive Order # D-182-67 | | 82999 | 31587 | 82917 | D-182-67 |
| 1999 | 3.8L V6 | XGMXV03.8048 | Executive Order # D-182-45 | | 81967 | 31587 | | D-182-45 |
| | | | Executive Order # D-182-57 | | | | 82637 | D-182-57 |
| | | XGMXV03.8049 | Executive Order # D-182-57 | | | | 82637 | D-182-57 |
| 1998 | 3.8L V6 | WGMXV03.8048 | Executive Order # D-182-45 | | 81967 | 31587 | | D-182-45 |
| | | | Executive Order # D-182-57 | | | | 82637 | D-182-57 |
| 1997 | 3.8L V6 | VGM3.8V8G2EK | Executive Order # D-182-45 | | 81967 | 31587 | | D-182-45 |
| | | | Executive Order # D-182-57 | | | | 82637 | D-182-57 |
| | | VGM3.8V8GKEK | Executive Order # D-182-43 | | | | 81507 | D-182-43 |
| 1996 | 3.8L V6 | TGM3.8V8GKEK | Executive Order # D-182-43 | | | | 81506 | D-182-43 |
| Park Avenue | | | | | | | | |
| 2005 | 3.8L V6 | 5GMXV03.8041 | Executive Order # D-182-57 | | | | 82637 | D-182-57 |
| 2004 | 3.8L V6 | 4GMXV03.8041 | Executive Order # D-182-57 | | | | 82637 | D-182-57 |
| 2003 | 3.8L V6 | 3GMXV03.8044 | Executive Order # D-182-57 | | | | 82637 | D-182-57 |
| 2002 | 3.8L V6 | 2GMXV03.8043 | Executive Order # D-182-45 | | 81982 | 31587 | | D-182-45 |
| | | | Executive Order # D-182-57 | | | | 82637 | D-182-57 |
| | | 2GMXV03.8044 | Executive Order # D-182-67 | | 82999 | 31587 | 82917 | D-182-67 |
| 2001 | 3.8L V6 | 1GMXV03.8043 | Executive Order # D-182-45 | | 81982 | 31587 | | D-182-45 |
| | | | Executive Order # D-182-57 | | | | 82637 | D-182-57 |
| | | 1GMXV03.8044 | Executive Order # D-182-67 | | 82999 | 31587 | 82917 | D-182-67 |
| 2000 | 3.8L V6 | YGMXV03.8043 | Executive Order # D-182-45 | | 81982 | 31587 | | D-182-45 |
| | | | Executive Order # D-182-57 | | | | 82637 | D-182-57 |
| | | YGMXV03.8044 | Executive Order # D-182-67 | | 82999 | 31587 | 82917 | D-182-67 |
| | | YGMXV03.8045 | Executive Order # D-182-57 | | | | 82637 | D-182-57 |
| | | YGMXV03.8901 | Executive Order # D-182-67 | | 82999 | 31587 | 82917 | D-182-67 |
| 1999 | 3.8L V6 | XGMXV03.8048 | Executive Order # D-182-45 | | 81967 | 31587 | | D-182-45 |
| | | | Executive Order # D-182-57 | | | | 82637 | D-182-57 |
| | | XGMXV03.8049 | Executive Order # D-182-57 | | | | 82637 | D-182-57 |
| | | XGMXV03.8051 | Executive Order # D-182-45 | | 81967 | 31587 | | D-182-45 |
| | | Executive Order # D-182-57 | | | | 82637 | D-182-57 | |
| XGMXV03.8053 | Executive Order # D-182-57 | | | | 82637 | D-182-57 | | |
| 1998 | 3.8L V6 | WGMXV03.8048 | Executive Order # D-182-45 | | 81967 | 31587 | | D-182-45 |
| | | | Executive Order # D-182-57 | | | | 82637 | D-182-57 |
| | | WGMXV03.8051 | Executive Order # D-182-43 | | | | 81507 | D-182-43 |
| 1997 | 3.8L V6 | VGM3.8V8G1FK | Executive Order # D-182-45 | | 81967 | 31587 | | D-182-45 |
| | | | Executive Order # D-182-57 | | | | 82637 | D-182-57 |
| | | VGM3.8V8G2EK | Executive Order # D-182-45 | | 81967 | 31587 | | D-182-45 |
| | | | Executive Order # D-182-57 | | | | 82637 | D-182-57 |

For vehicles licensed in the state of California or Maine, or vehicles requiring CARB-compliant converters in the state of New York, the parts in this catalog must be installed as specifically listed. Parts cannot be substituted, nor can they be installed on California or Maine licensed vehicles not listed in this catalog.

OBDII PASSENGER CAR & TRUCK

| Years | Engine | Engine Family No. | Application | Position | Direct-Fit | | Universal Part No. | Executive Order |
|----------------------------|----------------------------|-------------------|----------------------------|----------------------------|--------------|--------------|--------------------|-----------------|
| | | | | | Part No. | Hardware | | |
| BUICK (Cont.) | | | | | | | | |
| Park Avenue (Cont.) | | | | | | | | |
| 1996 | 3.8L V6 | TGM3.8V8GFFK | Executive Order # D-182-43 | | | | 81506 | D-182-43 |
| | | TGM3.8V8GKEK | Executive Order # D-182-43 | | | | 81506 | D-182-43 |
| Rainier | | | | | | | | |
| 2006 | 5.3L V8 | 6GMXT06.0387 | Executive Order # D-182-69 | Left | | | 83508 | D-182-69 |
| | | | | Right | | | 83508 | D-182-69 |
| 2005 | 5.3L V8 | 5GMXT06.0187 | Executive Order # D-182-69 | Left | | | 83508 | D-182-69 |
| | | | | Right | | | 83508 | D-182-69 |
| 2004 | 5.3L V8 | 4GMXT05.3170 | Executive Order # D-182-47 | Left | | | 81918 | D-182-47 |
| | | | | Right | | | 81918 | D-182-47 |
| | | | Executive Order # D-182-69 | Left | | | 83508 | D-182-69 |
| | | | | Right | | | 83508 | D-182-69 |
| Regal | | | | | | | | |
| 2004 | 3.8L V6 | 4GMXV03.8041 | Executive Order # D-182-57 | | | | 82618 | D-182-57 |
| 2003 | 3.8L V6 | 3GMXV03.8044 | Executive Order # D-182-57 | | | | 82618 | D-182-57 |
| 2002 | 3.8L V6 | 2GMXV03.8043 | Executive Order # D-182-45 | | 81758 | 31605, 31578 | | D-182-45 |
| | | | Executive Order # D-182-57 | | | | 82618 | D-182-57 |
| | | 2GMXV03.8044 | Executive Order # D-182-67 | | 82994 | 31605, 31532 | 82904 | D-182-67 |
| 2001 | 3.8L V6 | 1GMXV03.8043 | Executive Order # D-182-45 | | 81758 | 31605, 31578 | | D-182-45 |
| | | | Executive Order # D-182-57 | | | | 82618 | D-182-57 |
| | | | 1GMXV03.8044 | Executive Order # D-182-67 | | 82994 | 31605, 31532 | 82904 |
| 2000 | 3.8L V6 | YGMXV03.8043 | Executive Order # D-182-45 | | 81758 | 31605, 31578 | | D-182-45 |
| | | | Executive Order # D-182-57 | | | | 82618 | D-182-57 |
| | | | YGMXV03.8044 | Executive Order # D-182-67 | | 82994 | 31605, 31532 | 82904 |
| | | YGMXV03.8901 | Executive Order # D-182-67 | | 82994 | 31605, 31532 | 82904 | D-182-67 |
| 1999 | 3.8L V6 | XGMXV03.8048 | Executive Order # D-182-45 | | 81758 | 31605, 31578 | | D-182-45 |
| | | | Executive Order # D-182-57 | | | | 82618 | D-182-57 |
| | | XGMXV03.8049 | Executive Order # D-182-57 | | | | 82618 | D-182-57 |
| | | XGMXV03.8051 | Executive Order # D-182-45 | | 81758 | 31605, 31578 | | D-182-45 |
| | | | Executive Order # D-182-57 | | | | 82618 | D-182-57 |
| XGMXV03.8053 | Executive Order # D-182-57 | | | | 82618 | D-182-57 | | |
| 1998 | 3.8L V6 | WGMXV03.8048 | Executive Order # D-182-45 | | 81758 | 31605, 31578 | | D-182-45 |
| | | | Executive Order # D-182-57 | | | | 82618 | D-182-57 |
| | | WGMXV03.8051 | Executive Order # D-182-45 | | 81758 | 31605, 31578 | | D-182-45 |
| | | | Executive Order # D-182-58 | | | | 82512 | D-182-58 |
| 1997 | 3.8L V6 | VGM3.8V8G1FK | Executive Order # D-182-45 | | 81758 | 31605, 31578 | | D-182-45 |
| | | | Executive Order # D-182-58 | | | | 82512 | D-182-58 |
| | | VGM3.8V8G2EK | Executive Order # D-182-45 | | 81758 | 31605, 31578 | | D-182-45 |
| | | | Executive Order # D-182-57 | | | | 82618 | D-182-57 |
| 1996 | 3.1L V6 | TGM3.1V8GFEK | Executive Order # D-182-45 | | 81784 | 31600, 31601 | | D-182-45 |
| | | | Executive Order # D-182-58 | | | | 82508 | D-182-58 |
| | 3.8L V6 | TGM3.8V8GKEK | Executive Order # D-182-43 | | | | 81507 | D-182-43 |
| Rendezvous | | | | | | | | |
| 2006 | 3.6L V6 | 6GMXT03.6143 | Executive Order # D-182-69 | | | | 83408 | D-182-69 |
| 2005 | 3.4L V6 | 5GMXT03.6143 | Executive Order # D-182-69 | | | | 83408 | D-182-69 |
| | 3.6L V6 | 5GMXT03.6143 | Executive Order # D-182-69 | | | | 83408 | D-182-69 |

For vehicles licensed in the state of California or Maine, or vehicles requiring CARB-compliant converters in the state of New York, the parts in this catalog must be installed as specifically listed. Parts cannot be substituted, nor can they be installed on California or Maine licensed vehicles not listed in this catalog.

OBDII APPLICATIONS

NON-OBDII APPLICATIONS

NUMERICAL

UNIVERSAL SPECIFICATIONS

OBDII PASSENGER CAR & TRUCK

| Years | Engine | Engine Family No. | Application | Position | Direct-Fit | | Universal Part No. | Executive Order |
|-------|--------|-------------------|-------------|----------|------------|----------|--------------------|-----------------|
| | | | | | Part No. | Hardware | | |

BUICK (Cont.)

Rendezvous (Cont.)

| | | | | | | | | |
|------|---------|--------------|---------------------------------|--|--------------|--------------|--------------|----------|
| 2004 | 3.4L V6 | 4GMXT03.6143 | Executive Order # D-182-69 | | | | 83408 | D-182-69 |
| | 3.6L V6 | 4GMXT03.6143 | Executive Order # D-182-69 | | | | 83408 | D-182-69 |
| 2003 | 3.4L V6 | 3GMXT03.4141 | Executive Order # D-182-47 | | | | 81712 | D-182-47 |
| | | | Executive Order # D-182-69 | | | | 83408 | D-182-69 |
| | | | FWD; Executive Order # D-182-52 | | 81772 | 31602, 31532 | | D-182-52 |

Riviera

| | | | | | | | | |
|------|---------|--------------|----------------------------|--|--------------|-------|--------------|----------|
| 1999 | 3.8L V6 | XGMXV03.8051 | Executive Order # D-182-45 | | 81967 | 31587 | | D-182-45 |
| | | | Executive Order # D-182-57 | | | | 82637 | D-182-57 |
| | | XGMXV03.8053 | Executive Order # D-182-57 | | | | 82637 | D-182-57 |
| 1998 | 3.8L V6 | WGMXV03.8051 | Executive Order # D-182-43 | | | | 81507 | D-182-43 |
| | | | Executive Order # D-182-45 | | 81967 | 31587 | | D-182-45 |
| 1997 | 3.8L V6 | VGM3.8V8G1FK | Executive Order # D-182-45 | | 81967 | 31587 | | D-182-45 |
| | | | Executive Order # D-182-57 | | | | 82637 | D-182-57 |
| | | VGM3.8V8G2EK | Executive Order # D-182-45 | | 81967 | 31587 | | D-182-45 |
| | | | Executive Order # D-182-57 | | | | 82637 | D-182-57 |
| 1996 | 3.8L V6 | TGM3.8V8GFFK | Executive Order # D-182-43 | | | | 81506 | D-182-43 |
| | | TGM3.8V8GKEK | Executive Order # D-182-43 | | | | 81507 | D-182-43 |

Roadmaster

| | | | | | | | | |
|------|---------|--------------|----------------------------|-------|--|--|--------------|----------|
| 1996 | 5.7L V8 | TGM5.7V8GFEK | Executive Order # D-182-58 | Left | | | 82529 | D-182-58 |
| | | | | Right | | | 82529 | D-182-58 |

Skylark

| | | | | | | | | |
|------|---------|--------------|----------------------------|--|--------------|--------------|--------------|----------|
| 1998 | 2.4L L4 | WGMXV02.4026 | Executive Order # D-182-45 | | 81782 | 31606, 31369 | | D-182-45 |
| | | | Executive Order # D-182-57 | | | | 82603 | D-182-57 |
| | 3.1L V6 | WGMXV03.1042 | Executive Order # D-182-58 | | | | 82505 | D-182-58 |
| 1997 | 2.4L L4 | VGM2.4VJG2EK | Executive Order # D-182-45 | | 81782 | 31606, 31369 | | D-182-45 |
| | | | Executive Order # D-182-57 | | | | 82603 | D-182-57 |
| | 3.1L V6 | VGM3.1V8G1EK | Executive Order # D-182-58 | | | | 82508 | D-182-58 |
| 1996 | 2.4L L4 | TGM2.4VJG2EK | Executive Order # D-182-45 | | 81782 | 31606, 31369 | | D-182-45 |
| | | | Executive Order # D-182-57 | | | | 82603 | D-182-57 |
| | 3.1L V6 | TGM3.1V8GFEK | Executive Order # D-182-58 | | | | 82508 | D-182-58 |

CADILLAC

Catera

| | | | | | | | | |
|------|---------|--------------|----------------------------|-------|--|--|--------------|----------|
| 2001 | 3.0L V6 | 1GMXV03.0061 | Executive Order # D-182-59 | Left | | | 82630 | D-182-59 |
| | | | | Right | | | 82630 | D-182-59 |
| 2000 | 3.0L V6 | YGMXV03.0061 | Executive Order # D-182-59 | Left | | | 82630 | D-182-59 |
| | | | | Right | | | 82630 | D-182-59 |
| 1999 | 3.0L V6 | XGMXV03.0061 | Executive Order # D-182-59 | Left | | | 82630 | D-182-59 |
| | | | | Right | | | 82630 | D-182-59 |
| 1998 | 3.0L V6 | WGMXV03.0061 | Executive Order # D-182-58 | Left | | | 82526 | D-182-58 |
| | | | | Right | | | 82526 | D-182-58 |
| 1997 | 3.0L V6 | VGM3.0VJGFEK | Executive Order # D-182-58 | Left | | | 82526 | D-182-58 |
| | | | | Right | | | 82526 | D-182-58 |

For vehicles licensed in the state of California or Maine, or vehicles requiring CARB-compliant converters in the state of New York, the parts in this catalog must be installed as specifically listed. Parts cannot be substituted, nor can they be installed on California or Maine licensed vehicles not listed in this catalog.

OBDII PASSENGER CAR & TRUCK

| Years | Engine | Engine Family No. | Application | Position | Direct-Fit | | Universal Part No. | Executive Order |
|---------------------------|---------|-------------------|----------------------------|----------|--------------|--------------|--------------------|-----------------|
| | | | | | Part No. | Hardware | | |
| CADILLAC (Cont.) | | | | | | | | |
| Commercial Chassis | | | | | | | | |
| 1996 | 5.7L V8 | TGM5.7V8GFEK | Executive Order # D-182-58 | Left | | | 82529 | D-182-58 |
| | | | | Right | | | 82529 | D-182-58 |
| CTS | | | | | | | | |
| 2011 | 3.6L V6 | BGMXV03.6053 | Executive Order # D-182-64 | Left | | | 82815 | D-182-64 |
| | | | | Right | | | 82815 | D-182-64 |
| 2010 | 3.6L V6 | AGMXV03.6053 | Executive Order # D-182-64 | Left | | | 82815 | D-182-64 |
| | | | | Right | | | 82815 | D-182-64 |
| 2009 | 3.6L V6 | 9GMXJ03.9148 | Executive Order # D-182-64 | Left | | | 82815 | D-182-64 |
| | | | | Right | | | 82815 | D-182-64 |
| | | 9GMXV03.6053 | Executive Order # D-182-64 | Left | | | 82815 | D-182-64 |
| | | | | Right | | | 82815 | D-182-64 |
| 2008 | 3.6L V6 | 8GMXB03.6148 | Executive Order # D-182-64 | Left | | | 82815 | D-182-64 |
| | | | | Right | | | 82815 | D-182-64 |
| | | 8GMXV03.6053 | Executive Order # D-182-64 | Left | | | 82815 | D-182-64 |
| | | | | Right | | | 82815 | D-182-64 |
| 2007 | 2.8L V6 | 7GMXB03.6149 | Executive Order # D-182-64 | Left | 82882 | 31357 | 82815 | D-182-64 |
| | | | | Right | 82883 | 31357 | 82815 | D-182-64 |
| | 3.6L V6 | 7GMXB03.6149 | Executive Order # D-182-64 | Left | 82882 | 31357 | 82815 | D-182-64 |
| | | | | Right | 82883 | 31357 | 82815 | D-182-64 |
| 2006 | 2.8L V6 | 6GMXB03.6149 | Executive Order # D-182-64 | Left | 82882 | 31357 | 82815 | D-182-64 |
| | | | | Right | 82883 | 31357 | 82815 | D-182-64 |
| | 3.6L V6 | 6GMXB03.6149 | Executive Order # D-182-64 | Left | 82882 | 31357 | 82815 | D-182-64 |
| | | | | Right | 82883 | 31357 | 82815 | D-182-64 |
| | 6.0L V8 | 6GMXV06.0081 | Executive Order # D-182-67 | Left | | | 82916 | D-182-67 |
| | | | | Right | | | 82916 | D-182-67 |
| 2005 | 2.8L V6 | 5GMXX03.6149 | Executive Order # D-182-64 | Left | 82882 | 31357 | 82815 | D-182-64 |
| | | | | Right | 82883 | 31357 | 82815 | D-182-64 |
| | 3.6L V6 | 5GMXX03.6149 | Executive Order # D-182-64 | Left | 82882 | 31357 | 82815 | D-182-64 |
| | | | | Right | 82883 | 31357 | 82815 | D-182-64 |
| | 5.7L V8 | 5GMXV06.0081 | Executive Order # D-182-67 | Left | | | 82916 | D-182-67 |
| | | | | Right | | | 82916 | D-182-67 |
| 2004 | 3.2L V6 | 4GMXV03.2061 | Executive Order # D-182-57 | Left | | | 82603 | D-182-57 |
| | | | | Right | | | 82603 | D-182-57 |
| | 3.6L V6 | 4GMXV03.8042 | Executive Order # D-182-64 | Left | 82882 | 31357 | 82815 | D-182-64 |
| | | | | Right | 82883 | 31357 | 82815 | D-182-64 |
| | 5.7L V8 | 4GMXV05.7083 | Executive Order # D-182-67 | Left | | | 82916 | D-182-67 |
| | | | | Right | | | 82916 | D-182-67 |
| 2003 | 3.2L V6 | 3GMXV03.2061 | Executive Order # D-182-57 | Left | | | 82603 | D-182-57 |
| | | | | Right | | | 82603 | D-182-57 |
| DeVille | | | | | | | | |
| 2003 | 4.6L V8 | 3GMXV04.6065 | Executive Order # D-182-45 | | 81976 | 31587 | | D-182-45 |
| | | | Executive Order # D-182-57 | | | 82637 | D-182-57 | |
| 2002 | 4.6L V8 | 2GMXV04.6065 | Executive Order # D-182-45 | | 81976 | 31587 | | D-182-45 |
| | | | Executive Order # D-182-57 | | | 82637 | D-182-57 | |
| | | 2GMXV04.6066 | Executive Order # D-182-45 | | 81976 | 31587 | | D-182-45 |

For vehicles licensed in the state of California or Maine, or vehicles requiring CARB-compliant converters in the state of New York, the parts in this catalog must be installed as specifically listed. Parts cannot be substituted, nor can they be installed on California or Maine licensed vehicles not listed in this catalog.

OBDII APPLICATIONS

NON-OBDII APPLICATIONS

NUMERICAL

UNIVERSAL SPECIFICATIONS

OBDII PASSENGER CAR & TRUCK

| Years | Engine | Engine Family No. | Application | Position | Direct-Fit | | Universal Part No. | Executive Order |
|-------|--------|-------------------|-------------|----------|------------|----------|--------------------|-----------------|
| | | | | | Part No. | Hardware | | |

CADILLAC (Cont.)

DeVille (Cont.)

| | | | | | | | | | |
|--------------|---------|--------------|----------------------------|----------------------------|--------------|--------------|--------------|--------------|----------|
| 2002 (Cont.) | 4.6L V8 | 2GMXV04.6066 | Executive Order # D-182-57 | | | | 82637 | D-182-57 | |
| 2001 | 4.6L V8 | 1GMXV04.6065 | Executive Order # D-182-45 | | 81976 | 31587 | | D-182-45 | |
| | | | Executive Order # D-182-57 | | | | 82637 | D-182-57 | |
| 2000 | 4.6L V8 | YGMXV04.6065 | Executive Order # D-182-43 | | | | 81507 | D-182-43 | |
| | | | YGMXV04.6066 | Executive Order # D-182-45 | | 81976 | 31587 | | D-182-45 |
| | | | | Executive Order # D-182-57 | | | | 82637 | D-182-57 |
| 1999 | 4.6L V8 | XGMXV04.6067 | Executive Order # D-182-43 | | 81541 | 31587 | 81507 | D-182-43 | |
| | | | XGMXV04.6068 | Executive Order # D-182-43 | | 81541 | 31587 | 81507 | D-182-43 |
| 1998 | 4.6L V8 | WGMXV04.6065 | Executive Order # D-182-43 | | 81541 | 31587 | 81507 | D-182-43 | |
| | | | WGMXV04.6066 | Executive Order # D-182-43 | | 81541 | 31587 | 81507 | D-182-43 |
| 1997 | 4.6L V8 | VGM4.6VJG1EK | Executive Order # D-182-43 | | 81541 | 31587 | 81507 | D-182-43 | |
| | | | VGM4.6VJGKEK | Executive Order # D-182-43 | | 81541 | 31587 | 81507 | D-182-43 |
| 1996 | 4.6L V8 | TGM4.6VJGFEL | Executive Order # D-182-43 | | 81541 | 31587 | 81507 | D-182-43 | |

Eldorado

| | | | | | | | | |
|------|---------|--------------|----------------------------|----------------------------|--------------|-------|--------------|--------------|
| 2002 | 4.6L V8 | 2GMXV04.6065 | Executive Order # D-182-57 | | | | 82637 | D-182-57 |
| 2001 | 4.6L V8 | 1GMXV04.6065 | Executive Order # D-182-57 | | | | 82637 | D-182-57 |
| 2000 | 4.6L V8 | YGMXV04.6065 | Executive Order # D-182-43 | | | | 81507 | D-182-43 |
| | | | YGMXV04.6066 | Executive Order # D-182-57 | | | | 82637 |
| 1999 | 4.6L V8 | XGMXV04.6068 | Executive Order # D-182-43 | | 81541 | 31587 | 81507 | D-182-43 |
| 1998 | 4.6L V8 | WGMXV04.6066 | Executive Order # D-182-43 | | 81541 | 31587 | 81507 | D-182-43 |
| 1997 | 4.6L V8 | VGM4.6VJG1EK | Executive Order # D-182-43 | | 81541 | 31587 | 81507 | D-182-43 |
| 1996 | 4.6L V8 | TGM4.6VJGFEL | Executive Order # D-182-43 | | 81541 | 31587 | 81507 | D-182-43 |

Escalade

| | | | | | | | | |
|--|---------|--------------|----------------------------|--|--------------|----------------------------|--------------|----------|
| 2006 | 6.0L V8 | 6GMXT06.2390 | Executive Order # D-182-69 | Left | 83497 | 31718 | 83403 | D-182-69 |
| | | | | Right | 83457 | 31610 | 83403 | D-182-69 |
| 2005 | 5.3L V8 | 5GMXT05.3175 | Executive Order # D-182-52 | | 81761 | 31554 (RH), 31718 (LH) | | D-182-52 |
| | | | | Left | | | 81923 | D-182-52 |
| | | | | Right | | | 81923 | D-182-52 |
| | | | | Executive Order # D-182-69 | Left | | 83508 | D-182-69 |
| | | | | | Right | | 83508 | D-182-69 |
| | | | | Fits Fed. & Calif. Emiss. Models.; Not legal for sale in the state of California. Not legal for use on California emission vehicles in New York. Legal for use on Federal/EPA emission vehicles in New York.; Legal for use in th | | 83482 | | D-182-69 |
| | | | | | 5GMXT06.0187 | Executive Order # D-182-69 | Left | |
| | Right | | 83508 | | | D-182-69 | | |
| Fits Fed. & Calif. Emiss. Models.; Not legal for sale in the state of California. Not legal for use on California emission vehicles in New York. Legal for use on Federal/EPA emission vehicles in New York.; Legal for use in th | | 83482 | | D-182-69 | | | | |
| | 6.0L V8 | 5GMXT06.0187 | Executive Order # D-182-69 | Left | 83497 | 31718 | 83403 | D-182-69 |

For vehicles licensed in the state of California or Maine, or vehicles requiring CARB-compliant converters in the state of New York, the parts in this catalog must be installed as specifically listed. Parts cannot be substituted, nor can they be installed on California or Maine licensed vehicles not listed in this catalog.

OBDII PASSENGER CAR & TRUCK

| Years | Engine | Engine Family No. | Application | Position | Direct-Fit | | Universal Part No. | Executive Order | | | |
|-------------------------|---------|-------------------|----------------------------|------------|--------------|---|--------------------|-----------------|--|--------------|----------|
| | | | | | Part No. | Hardware | | | | | |
| CADILLAC (Cont.) | | | | | | | | | | | |
| Escalade (Cont.) | | | | | | | | | | | |
| 2005 (Cont.) | 6.0L V8 | 5GMXT06.0187 | Executive Order # D-182-69 | Right | 83457 | 31610 | 83403 | D-182-69 | | | |
| 2004 | 5.3L V8 | 4GMXT06.0187 | Executive Order # D-182-69 | Left | | | 83508 | D-182-69 | | | |
| | | | | Right | | | 83508 | D-182-69 | | | |
| | | | | | | | | D-182-69 | | | |
| | 6.0L V8 | 4GMXT06.0187 | Executive Order # D-182-69 | Left | 83497 | 31718 | 83403 | D-182-69 | | | |
| | | | | Right | 83457 | 31610 | 83403 | D-182-69 | | | |
| 2003 | 5.3L V8 | 3GMXT05.3185 | Executive Order # D-182-52 | | 81761 | 31554 (RH), 31718 (LH) | | D-182-52 | | | |
| | | | | Left | | | 81723 | D-182-52 | | | |
| | | | | Right | | | 81723 | D-182-52 | | | |
| | | | | | | Executive Order # D-182-69 | Left | | | 83403 | D-182-69 |
| | | | | | | | Right | | | 83403 | D-182-69 |
| | | | | | | Fits Fed. & Calif. Emiss. Models.; Not legal for sale in the state of California. Not legal for use on California emission vehicles in New York. Legal for use on Federal/EPA emission vehicles in New York.; Legal for use in th | | 83482 | | | D-182-69 |
| | | | | 6.0L V8 | 3GMXT06.0187 | Executive Order # D-182-47 | Left | | | 81713 | D-182-47 |
| | | | | Right | | | 81713 | D-182-47 | | | |
| | | | Executive Order # D-182-69 | Left | 83497 | 31718 | 83403 | D-182-69 | | | |
| | | | | Right | 83457 | 31610 | 83403 | D-182-69 | | | |
| 2002 | 5.3L V8 | 2GMXA05.3185 | Executive Order # D-182-57 | Rear Left | | | 82606 | D-182-57 | | | |
| | | | | Rear Right | | | 82606 | D-182-57 | | | |
| | 6.0L V8 | 2GMXA06.0194 | Executive Order # D-182-47 | Left | | | 81714 | D-182-47 | | | |
| | | | | Right | | | 81714 | D-182-47 | | | |
| | | | | | | | | | | | |
| | | | Executive Order # D-182-69 | Left | 83497 | 31718 | 83403 | D-182-69 | | | |
| | | | | Right | 83457 | 31610 | 83403 | D-182-69 | | | |
| 2000 | 5.7L V8 | YGMXA05.7185 | Executive Order # D-182-52 | Left | | | 81723 | D-182-52 | | | |
| | | | | Right | | | 81723 | D-182-52 | | | |
| | | | Executive Order # D-182-69 | Left | | | 83403 | D-182-69 | | | |
| | | | | Right | | | 83403 | D-182-69 | | | |
| | | YGMXT05.7189 | Executive Order # D-182-52 | Left | | | 81723 | D-182-52 | | | |
| | | | | Right | | | 81723 | D-182-52 | | | |
| | | | Executive Order # D-182-69 | Left | | | 83403 | D-182-69 | | | |
| | | | | Right | | | 83403 | D-182-69 | | | |
| 1999 | 5.7L V8 | XGMXA05.7186 | Executive Order # D-182-52 | Left | | | 81723 | D-182-52 | | | |
| | | | | Right | | | 81723 | D-182-52 | | | |
| | | | Executive Order # D-182-69 | Left | | | 83403 | D-182-69 | | | |
| | | | | Right | | | 83403 | D-182-69 | | | |

OBDII APPLICATIONS

NON-OBDII APPLICATIONS

NUMERICAL

UNIVERSAL SPECIFICATIONS

For vehicles licensed in the state of California or Maine, or vehicles requiring CARB-compliant converters in the state of New York, the parts in this catalog must be installed as specifically listed. Parts cannot be substituted, nor can they be installed on California or Maine licensed vehicles not listed in this catalog.

OBDII PASSENGER CAR & TRUCK

| Years | Engine | Engine Family No. | Application | Position | Direct-Fit | | Universal Part No. | Executive Order |
|-------------------------|---------|-------------------|----------------------------|----------|--------------|----------|--------------------|-----------------|
| | | | | | Part No. | Hardware | | |
| CADILLAC (Cont.) | | | | | | | | |
| Escalade ESV | | | | | | | | |
| 2006 | 6.0L V8 | 6GMXT06.2390 | Executive Order # D-182-69 | Left | 83497 | 31718 | 83403 | D-182-69 |
| | | | | Right | 83457 | 31610 | 83403 | D-182-69 |
| 2005 | 6.0L V8 | 5GMXT06.0187 | Executive Order # D-182-69 | Left | 83497 | 31718 | 83403 | D-182-69 |
| | | | | Right | 83457 | 31610 | 83403 | D-182-69 |
| 2004 | 6.0L V8 | 4GMXT06.0187 | Executive Order # D-182-69 | Left | 83497 | 31718 | 83403 | D-182-69 |
| | | | | Right | 83457 | 31610 | 83403 | D-182-69 |
| 2003 | 6.0L V8 | 3GMXT06.0187 | Executive Order # D-182-69 | Left | 83497 | 31718 | 83403 | D-182-69 |
| | | | | Right | 83457 | 31610 | 83403 | D-182-69 |
| Escalade EXT | | | | | | | | |
| 2006 | 6.0L V8 | 6GMXT06.2390 | Executive Order # D-182-69 | Left | 83497 | 31718 | 83403 | D-182-69 |
| | | | | Right | 83457 | 31610 | 83403 | D-182-69 |
| 2005 | 6.0L V8 | 5GMXT06.0187 | Executive Order # D-182-69 | Left | 83497 | 31718 | 83403 | D-182-69 |
| | | | | Right | 83457 | 31610 | 83403 | D-182-69 |
| 2004 | 6.0L V8 | 4GMXT06.0187 | Executive Order # D-182-69 | Left | 83497 | 31718 | 83403 | D-182-69 |
| | | | | Right | 83457 | 31610 | 83403 | D-182-69 |
| 2003 | 6.0L V8 | 3GMXT06.0187 | Executive Order # D-182-69 | Left | 83497 | 31718 | 83403 | D-182-69 |
| | | | | Right | 83457 | 31610 | 83403 | D-182-69 |
| 2002 | 6.0L V8 | 2GMXA06.0194 | Executive Order # D-182-69 | Left | 83497 | 31718 | 83403 | D-182-69 |
| | | | | Right | 83457 | 31610 | 83403 | D-182-69 |
| Fleetwood | | | | | | | | |
| 1996 | 5.7L V8 | TGM5.7V8GFEK | Executive Order # D-182-58 | Left | | | 82529 | D-182-58 |
| | | | | Right | | | 82529 | D-182-58 |
| Seville | | | | | | | | |
| 2003 | 4.6L V8 | 3GMXV04.6065 | Executive Order # D-182-57 | | | | 82637 | D-182-57 |
| 2002 | 4.6L V8 | 2GMXV04.6065 | Executive Order # D-182-57 | | | | 82637 | D-182-57 |
| 2001 | 4.6L V8 | 1GMXV04.6065 | Executive Order # D-182-57 | | | | 82637 | D-182-57 |
| 2000 | 4.6L V8 | YGMXV04.6065 | Executive Order # D-182-43 | | | | 81507 | D-182-43 |
| | | YGMXV04.6066 | Executive Order # D-182-57 | | | | 82637 | D-182-57 |
| 1999 | 4.6L V8 | XGMXV04.6068 | Executive Order # D-182-43 | | | | 81507 | D-182-43 |
| 1998 | 4.6L V8 | WGMXV04.6066 | Executive Order # D-182-43 | | | | 81507 | D-182-43 |
| 1997 | 4.6L V8 | VGM4.6VJG1EK | Executive Order # D-182-43 | | 81541 | 31587 | 81507 | D-182-43 |
| 1996 | 4.6L V8 | TGM4.6VJGFEL | Executive Order # D-182-43 | | 81541 | 31587 | 81507 | D-182-43 |
| SRX | | | | | | | | |
| 2006 | 4.6L V8 | 6GMXT04.6161 | Executive Order # D-182-69 | Left | | | 83502 | D-182-69 |
| | | | | Right | | | 83502 | D-182-69 |
| 2005 | 4.6L V8 | 5GMXT04.6161 | Executive Order # D-182-69 | Left | | | 83502 | D-182-69 |
| | | | | Right | | | 83502 | D-182-69 |
| 2004 | 4.6L V8 | 4GMXT04.6161 | Executive Order # D-182-69 | Left | | | 83502 | D-182-69 |
| | | | | Right | | | 83502 | D-182-69 |
| STS | | | | | | | | |
| 2011 | 3.6L V6 | BGMXV03.6053 | Executive Order # D-182-64 | Left | | | 82815 | D-182-64 |
| | | | | Right | | | 82815 | D-182-64 |
| 2010 | 3.6L V6 | AGMXV03.6053 | Executive Order # D-182-64 | Left | | | 82815 | D-182-64 |
| | | | | Right | | | 82815 | D-182-64 |

For vehicles licensed in the state of California or Maine, or vehicles requiring CARB-compliant converters in the state of New York, the parts in this catalog must be installed as specifically listed. Parts cannot be substituted, nor can they be installed on California or Maine licensed vehicles not listed in this catalog.

OBDII PASSENGER CAR & TRUCK

| Years | Engine | Engine Family No. | Application | Position | Direct-Fit | | Universal Part No. | Executive Order |
|-------------------------|---------|-------------------|----------------------------|----------|------------|----------|--------------------|-----------------|
| | | | | | Part No. | Hardware | | |
| CADILLAC (Cont.) | | | | | | | | |
| STS (Cont.) | | | | | | | | |
| 2009 | 3.6L V6 | 9GMXV03.6053 | Executive Order # D-182-64 | Left | | | 82815 | D-182-64 |
| | | | | Right | | | 82815 | D-182-64 |
| 2008 | 3.6L V6 | 8GMXV03.6053 | Executive Order # D-182-64 | Left | | | 82815 | D-182-64 |
| | | | | Right | | | 82815 | D-182-64 |
| 2007 | 3.6L V6 | 7GMXB03.6149 | Executive Order # D-182-64 | Left | | | 82815 | D-182-64 |
| | | | | Right | | | 82815 | D-182-64 |
| 2006 | 3.6L V6 | 6GMXB03.6149 | Executive Order # D-182-64 | Left | | | 82815 | D-182-64 |
| | | | | Right | | | 82815 | D-182-64 |

CHEVROLET

Astro

| | | | | | | | | |
|----------------------------|---------|--------------|----------------------------|-------|--------------|------------------|--------------|--------------|
| 2005 | 4.3L V6 | 5GMXT04.3181 | Executive Order # D-182-52 | | 81947 | 31588 (2), 31571 | | D-182-52 |
| | | | | Front | | | 81723 | D-182-52 |
| | | | Rear | | | 81924 | D-182-52 | |
| | | | Executive Order # D-182-69 | | Front | | | 83403 |
| | | | | Rear | | | 83509 | D-182-69 |
| | | 5GMXT04.3187 | Executive Order # D-182-52 | | 81947 | 31588 (2), 31571 | | D-182-52 |
| | | | | Front | | | 81723 | D-182-52 |
| | | | Rear | | | 81924 | D-182-52 | |
| Executive Order # D-182-69 | | | Front | | | 83403 | D-182-69 | |
| | | Rear | | | 83509 | D-182-69 | | |
| 2004 | 4.3L V6 | 4GMXT04.3181 | Executive Order # D-182-52 | | 81947 | 31588 (2), 31571 | | D-182-52 |
| | | | | Front | | | 81723 | D-182-52 |
| | | | Rear | | | 81924 | D-182-52 | |
| | | | Executive Order # D-182-69 | | Front | | | 83403 |
| | | | | Rear | | | 83509 | D-182-69 |
| | | 4GMXT04.3187 | Executive Order # D-182-52 | | 81947 | 31588 (2), 31571 | | D-182-52 |
| | | | | Front | | | 81723 | D-182-52 |
| | | | Rear | | | 81924 | D-182-52 | |
| Executive Order # D-182-69 | | | Front | | | 83403 | D-182-69 | |
| | | Rear | | | 83509 | D-182-69 | | |
| 2003 | 4.3L V6 | 3GMXT04.3181 | Executive Order # D-182-52 | | 81947 | 31588 (2), 31571 | | D-182-52 |
| | | | | Front | | | 81723 | D-182-52 |
| | | | Rear | | | 81924 | D-182-52 | |
| | | | Executive Order # D-182-69 | | Front | | | 83403 |
| | | | | Rear | | | 83509 | D-182-69 |
| | | 3GMXT04.3187 | Executive Order # D-182-52 | | 81947 | 31588 (2), 31571 | | D-182-52 |
| | | | | Front | | | 81723 | D-182-52 |
| | | | Rear | | | 81924 | D-182-52 | |
| Executive Order # D-182-69 | | | Front | | | 83403 | D-182-69 | |
| | | Rear | | | 83509 | D-182-69 | | |
| 2002 | 4.3L V6 | 2GMXA04.3189 | Executive Order # D-182-52 | | 81947 | 31588 (2), 31571 | | D-182-52 |
| | | | | Front | | | 81723 | D-182-52 |
| | | | Rear | | | 81924 | D-182-52 | |
| | | | Executive Order # D-182-69 | | Front | | | 83403 |
| | | Rear | | | 83509 | D-182-69 | | |

For vehicles licensed in the state of California or Maine, or vehicles requiring CARB-compliant converters in the state of New York, the parts in this catalog must be installed as specifically listed. Parts cannot be substituted, nor can they be installed on California or Maine licensed vehicles not listed in this catalog.

OBDII APPLICATIONS

NON-OBDII APPLICATIONS

NUMERICAL

UNIVERSAL SPECIFICATIONS

OBDII PASSENGER CAR & TRUCK

| Years | Engine | Engine Family No. | Application | Position | Direct-Fit | | Universal Part No. | Executive Order | | |
|----------------------------|----------------------------|----------------------------|----------------------------|----------------------------|----------------------------|----------------------------|--------------------|------------------|------------------|--------------|
| | | | | | Part No. | Hardware | | | | |
| CHEVROLET (Cont.) | | | | | | | | | | |
| Astro (Cont.) | | | | | | | | | | |
| 2002 (Cont.) | 4.3L V6 | 2GMXT04.3188 | Executive Order # D-182-52 | | 81947 | 31588 (2), 31571 | | D-182-52 | | |
| | | | | Front | | | 81723 | D-182-52 | | |
| | | | Rear | | | 81924 | D-182-52 | | | |
| | | | Executive Order # D-182-69 | Front | | | 83403 | D-182-69 | | |
| Rear | | | | 83509 | D-182-69 | | | | | |
| 2001 | 4.3L V6 | 1GMXA04.3189 | Executive Order # D-182-52 | | 81947 | 31588 (2), 31571 | | D-182-52 | | |
| | | | | Front | | | 81723 | D-182-52 | | |
| | | | Rear | | | 81924 | D-182-52 | | | |
| | | | Executive Order # D-182-69 | Front | | | 83403 | D-182-69 | | |
| | | | | Rear | | | 83509 | D-182-69 | | |
| | | | 1GMXT04.3187 | Executive Order # D-182-52 | | 81947 | 31588 (2), 31571 | | D-182-52 | |
| | | Front | | | | | 81723 | D-182-52 | | |
| | | Rear | | | | 81924 | D-182-52 | | | |
| | | Executive Order # D-182-69 | | Front | | | 83403 | D-182-69 | | |
| | | | | Rear | | | 83509 | D-182-69 | | |
| | | 2000 | | 4.3L V6 | YGMXA04.3189 | Executive Order # D-182-52 | | 81947 | 31588 (2), 31571 | |
| | | | Front | | | | | | 81723 | D-182-52 |
| Rear | | | | | | 81924 | D-182-52 | | | |
| Executive Order # D-182-69 | Front | | | | | | 83403 | D-182-69 | | |
| | Rear | | | | | | 83509 | D-182-69 | | |
| YGMXT04.3188 | Executive Order # D-182-52 | | | | | 81947 | 31588 (2), 31571 | | D-182-52 | |
| | | | Front | | | | 81723 | D-182-52 | | |
| | Rear | | | | | 81924 | D-182-52 | | | |
| | Executive Order # D-182-69 | | Front | | | | 83403 | D-182-69 | | |
| | | | Rear | | | | 83509 | D-182-69 | | |
| | 1999 | | 4.3L V6 | | XGMXA04.3188 | Executive Order # D-182-47 | | | | 81919 |
| Executive Order # D-182-52 | | | | | | | 81956 | 31588 (2), 31571 | | D-182-52 |
| Executive Order # D-182-69 | | | | | | | 83509 | D-182-69 | | |
| XGMXT04.3187 | | Executive Order # D-182-47 | | | | | 81919 | D-182-47 | | |
| | | Executive Order # D-182-52 | | | 81956 | 31588 (2), 31571 | | D-182-52 | | |
| | | Executive Order # D-182-69 | | | | | 83509 | D-182-69 | | |
| 1998 | | 4.3L V6 | | WGMXA04.3188 | Executive Order # D-182-47 | | | | 81919 | D-182-47 |
| | | | | | Executive Order # D-182-52 | | 81956 | 31588 (2), 31571 | | D-182-52 |
| | | | | | Executive Order # D-182-69 | | | | 83509 | D-182-69 |
| | WGMXT04.3187 | | Executive Order # D-182-47 | | | | 81919 | D-182-47 | | |
| | | | Executive Order # D-182-52 | | 81956 | 31588 (2), 31571 | | D-182-52 | | |
| | | | Executive Order # D-182-69 | | | | 83509 | D-182-69 | | |
| 1997 | 4.3L V6 | VGM4.32PG2EK | Executive Order # D-182-47 | | | | 81919 | D-182-47 | | |
| | | | Executive Order # D-182-52 | | 81956 | 31588 (2), 31571 | | D-182-52 | | |
| | | | Executive Order # D-182-69 | | | | 83509 | D-182-69 | | |
| | | VGM4.3HPG3EK | Executive Order # D-182-47 | | | | 81919 | D-182-47 | | |
| | | | Executive Order # D-182-52 | | 81956 | 31588 (2), 31571 | | D-182-52 | | |
| | | | Executive Order # D-182-69 | | | | 83509 | D-182-69 | | |
| 1996 | 4.3L V6 | TGM4.32PGKEL | Executive Order # D-182-47 | | | | 81919 | D-182-47 | | |
| | | | Executive Order # D-182-52 | | 81956 | 31588 (2), 31571 | | D-182-52 | | |

For vehicles licensed in the state of California or Maine, or vehicles requiring CARB-compliant converters in the state of New York, the parts in this catalog must be installed as specifically listed. Parts cannot be substituted, nor can they be installed on California or Maine licensed vehicles not listed in this catalog.

OBDII PASSENGER CAR & TRUCK

| Years | Engine | Engine Family No. | Application | Position | Direct-Fit | | Universal Part No. | Executive Order | |
|--------------------------|---------|---|---|----------------------------|--------------|---------------------------|--------------------|-----------------|--------------|
| | | | | | Part No. | Hardware | | | |
| CHEVROLET (Cont.) | | | | | | | | | |
| Astro (Cont.) | | | | | | | | | |
| 1996 (Cont.) | 4.3L V6 | TGM4.32PGKEL | Executive Order # D-182-69 | | | | 83509 | D-182-69 | |
| | | | Executive Order # D-182-47 | | | | 81919 | D-182-47 | |
| | | TGM4.35PGFEK | Executive Order # D-182-52 | | 81956 | 31588 (2), 31571 | | | D-182-52 |
| | | | Executive Order # D-182-69 | | | | | 83509 | D-182-69 |
| Avalanche 1500 | | | | | | | | | |
| 2006 | 5.3L V8 | 6GMXT05.3375 | Executive Order # D-182-69 | | 83481 | 31554 (RH), 31718 (LH) | | D-182-69 | |
| | | | Left | | | | 83508 | D-182-69 | |
| | | | Right | | | | 83508 | D-182-69 | |
| | | 6GMXT05.3379 | Executive Order # D-182-69 | | 83481 | 31554 (RH), 31718 (LH) | | | D-182-69 |
| | | | Left | | | | | 83508 | D-182-69 |
| | | | Right | | | | | 83508 | D-182-69 |
| 2005 | 5.3L V8 | 5GMXT05.3175 | Executive Order # D-182-52 | | 81761 | 31554 (RH), 31718 (LH) | | D-182-52 | |
| | | | Left | | | | 81923 | D-182-52 | |
| | | | Right | | | | 81923 | D-182-52 | |
| | | | Executive Order # D-182-69 | Left | | | | 83508 | D-182-69 |
| | | Right | | | | | 83508 | D-182-69 | |
| | | 5GMXT06.0187 | Fits Fed. & Calif. Emiss. Models.; Not legal for sale in the state of California. Not legal for use on California emission vehicles in New York. Legal for use on Federal/EPA emission vehicles in New York.; Legal for use in th | | 83482 | | | | D-182-69 |
| | | | Executive Order # D-182-69 | Left | | | | 83508 | D-182-69 |
| | | | | Right | | | | | 83508 |
| | | | Fits Fed. & Calif. Emiss. Models.; Not legal for sale in the state of California. Not legal for use on California emission vehicles in New York. Legal for use on Federal/EPA emission vehicles in New York.; Legal for use in th | | 83482 | | | | D-182-69 |
| 2004 | 5.3L V8 | | 4GMXT06.0187 | Executive Order # D-182-69 | Left | | | | 83508 |
| | | Right | | | | | | 83508 | D-182-69 |
| | | Fits Fed. & Calif. Emiss. Models.; Not legal for sale in the state of California. Not legal for use on California emission vehicles in New York. Legal for use on Federal/EPA emission vehicles in New York.; Legal for use in th | | | 83482 | | | | D-182-69 |
| 2003 | 5.3L V8 | 3GMXT05.3185 | Executive Order # D-182-52 | | 81761 | 31554 (RH), 31718 (LH) | | D-182-52 | |
| | | | Left | | | | 81723 | D-182-52 | |
| | | | Right | | | | 81723 | D-182-52 | |
| | | | Executive Order # D-182-69 | Left | | | | 83403 | D-182-69 |
| | | | | Right | | | | | 83403 |

OBDII APPLICATIONS

NON-OBDII APPLICATIONS

NUMERICAL

UNIVERSAL SPECIFICATIONS

For vehicles licensed in the state of California or Maine, or vehicles requiring CARB-compliant converters in the state of New York, the parts in this catalog must be installed as specifically listed. Parts cannot be substituted, nor can they be installed on California or Maine licensed vehicles not listed in this catalog.

OBDII PASSENGER CAR & TRUCK

| Years | Engine | Engine Family No. | Application | Position | Direct-Fit | | Universal Part No. | Executive Order |
|-------|--------|-------------------|-------------|----------|------------|----------|--------------------|-----------------|
| | | | | | Part No. | Hardware | | |

CHEVROLET (Cont.)

Avalanche 1500 (Cont.)

| | | | | | | | | |
|-----------------|---------|--------------|---|------------|--------------|--|--------------|----------|
| 2003 (Cont.) | 5.3L V8 | 3GMXT05.3185 | Fits Fed. & Calif. Emiss. Models.; Not legal for sale in the state of California. Not legal for use on California emission vehicles in New York. Legal for use on Federal/EPA emission vehicles in New York.; Legal for use in th | | 83482 | | | D-182-69 |
| 2002 | 5.3L V8 | 2GMXA05.3185 | Executive Order # D-182-57 | Rear Left | | | 82606 | D-182-57 |
| | | | | Rear Right | | | 82606 | D-182-57 |

Avalanche 2500

| | | | | | | | | |
|------|---------|--------------|----------------------------|-------------|--|--|--------------|----------|
| 2006 | 8.1L V8 | 6GMXT08.1201 | Executive Order # D-182-52 | Left | | | 81724 | D-182-52 |
| | | | | Right | | | 81724 | D-182-52 |
| | | | Executive Order # D-182-69 | Left | | | 83404 | D-182-69 |
| | | | | Right | | | 83404 | D-182-69 |
| 2005 | 8.1L V8 | 5GMXT08.1201 | Executive Order # D-182-52 | Front Left | | | 81724 | D-182-52 |
| | | | | Front Right | | | 81724 | D-182-52 |
| | | | | Rear Left | | | 81724 | D-182-52 |
| | | | | Rear Right | | | 81724 | D-182-52 |
| | | | Executive Order # D-182-69 | Front Left | | | 83404 | D-182-69 |
| | | | | Front Right | | | 83404 | D-182-69 |
| | | | | Rear Left | | | 83404 | D-182-69 |
| | | | | Rear Right | | | 83404 | D-182-69 |
| 2004 | 8.1L V8 | 4GMXT08.1201 | Executive Order # D-182-52 | Front Left | | | 81724 | D-182-52 |
| | | | | Front Right | | | 81724 | D-182-52 |
| | | | | Rear Left | | | 81724 | D-182-52 |
| | | | | Rear Right | | | 81724 | D-182-52 |
| | | | Executive Order # D-182-69 | Front Left | | | 83404 | D-182-69 |
| | | | | Front Right | | | 83404 | D-182-69 |
| | | | | Rear Left | | | 83404 | D-182-69 |
| | | | | Rear Right | | | 83404 | D-182-69 |
| 2003 | 8.1L V8 | 3GMXA08.1201 | Executive Order # D-182-52 | Front Left | | | 81724 | D-182-52 |
| | | | | Front Right | | | 81724 | D-182-52 |
| | | | | Rear Left | | | 81724 | D-182-52 |
| | | | | Rear Right | | | 81724 | D-182-52 |
| | | | Executive Order # D-182-69 | Front Left | | | 83404 | D-182-69 |
| | | | | Front Right | | | 83404 | D-182-69 |
| | | | | Rear Left | | | 83404 | D-182-69 |
| | | | | Rear Right | | | 83404 | D-182-69 |
| 2002 | 8.1L V8 | 2GMXA08.1201 | Executive Order # D-182-52 | Front Left | | | 81724 | D-182-52 |
| | | | | Front Right | | | 81724 | D-182-52 |
| | | | | Rear Left | | | 81724 | D-182-52 |
| | | | | Rear Right | | | 81724 | D-182-52 |
| | | | Executive Order # D-182-69 | Front Left | | | 83404 | D-182-69 |
| | | | | Front Right | | | 83404 | D-182-69 |
| | | | | Rear Left | | | 83404 | D-182-69 |
| | | | | Rear Right | | | 83404 | D-182-69 |

For vehicles licensed in the state of California or Maine, or vehicles requiring CARB-compliant converters in the state of New York, the parts in this catalog must be installed as specifically listed. Parts cannot be substituted, nor can they be installed on California or Maine licensed vehicles not listed in this catalog.

OBDII PASSENGER CAR & TRUCK

| Years | Engine | Engine Family No. | Application | Position | Direct-Fit | | Universal Part No. | Executive Order |
|--------------------------|---------|-------------------|---|--------------|------------|--------------|--------------------|-----------------|
| | | | | | Part No. | Hardware | | |
| CHEVROLET (Cont.) | | | | | | | | |
| Aveo | | | | | | | | |
| 2009 | 1.6L L4 | 9GD XV01.6004 | Executive Order # D-182-62 | Rear | | | 83202 | D-182-62 |
| Aveo5 | | | | | | | | |
| 2009 | 1.6L L4 | 9GD XV01.6004 | Executive Order # D-182-62 | Rear | | | 83202 | D-182-62 |
| Beretta | | | | | | | | |
| 1996 | 2.2L L4 | TGM2.2V8G2EK | Executive Order # D-182-57 | | | | 82627 | D-182-57 |
| | | TGM2.2V8GKEK | Executive Order # D-182-58 | | | | 82526 | D-182-58 |
| | 3.1L V6 | TGM3.1V8GFEK | Executive Order # D-182-58 | | | | 82508 | D-182-58 |
| Blazer | | | | | | | | |
| 2005 | 4.3L V6 | 5GMXT04.3187 | 2 Door; 4WD; Executive Order # D-182-52 | | | 81986 | 31588 (2), 31574 | D-182-52 |
| | | | 4 Door; 4WD; Executive Order # D-182-52 | | | 81943 | 31588 (2), 31574 | D-182-52 |
| | | | Executive Order # D-182-52 | Front | | | 81723 | D-182-52 |
| | | | | Rear | | | 81923 | D-182-52 |
| | | | Executive Order # D-182-69 | Front | | | 83403 | D-182-69 |
| Rear | | | | 83508 | D-182-69 | | | |
| 2004 | 4.3L V6 | 4GMXT04.3187 | 2 Door; 4WD; Executive Order # D-182-52 | | | 81986 | 31588 (2), 31574 | D-182-52 |
| | | | 4 Door; 4WD; Executive Order # D-182-52 | | | 81943 | 31588 (2), 31574 | D-182-52 |
| | | | Executive Order # D-182-52 | Front | | | 81723 | D-182-52 |
| | | | | Rear | | | 81923 | D-182-52 |
| | | | Executive Order # D-182-69 | Front | | | 83403 | D-182-69 |
| Rear | | | | 83508 | D-182-69 | | | |
| 2003 | 4.3L V6 | 3GMXT04.3187 | 2 Door; 4WD; Executive Order # D-182-52 | | | 81986 | 31588 (2), 31574 | D-182-52 |
| | | | 4 Door; 4WD; Executive Order # D-182-52 | | | 81943 | 31588 (2), 31574 | D-182-52 |
| | | | Executive Order # D-182-52 | Front | | | 81723 | D-182-52 |
| | | | | Rear | | | 81923 | D-182-52 |
| | | | Executive Order # D-182-69 | Front | | | 83403 | D-182-69 |
| Rear | | | | 83508 | D-182-69 | | | |
| 2002 | 4.3L V6 | 2GMXT04.3187 | 2 Door; 4WD; Executive Order # D-182-52 | | | 81986 | 31588 (2), 31574 | D-182-52 |
| | | | 4 Door; 4WD; Executive Order # D-182-52 | | | 81943 | 31588 (2), 31574 | D-182-52 |
| | | | Executive Order # D-182-52 | Front | | | 81723 | D-182-52 |
| | | | | Rear | | | 81923 | D-182-52 |
| | | | Executive Order # D-182-69 | Front | | | 83403 | D-182-69 |
| Rear | | | | 83508 | D-182-69 | | | |
| 2001 | 4.3L V6 | 1GMXT04.3187 | 2 Door; 4WD; Executive Order # D-182-52 | | | 81986 | 31588 (2), 31574 | D-182-52 |
| | | | 4 Door; 4WD; Executive Order # D-182-52 | | | 81943 | 31588 (2), 31574 | D-182-52 |
| | | | Executive Order # D-182-52 | Front | | | 81723 | D-182-52 |
| | | | | Rear | | | 81923 | D-182-52 |
| | | | Executive Order # D-182-69 | Front | | | 83403 | D-182-69 |

OBDII APPLICATIONS

NON-OBDII APPLICATIONS

NUMERICAL

UNIVERSAL SPECIFICATIONS

For vehicles licensed in the state of California or Maine, or vehicles requiring CARB-compliant converters in the state of New York, the parts in this catalog must be installed as specifically listed. Parts cannot be substituted, nor can they be installed on California or Maine licensed vehicles not listed in this catalog.

OBDII PASSENGER CAR & TRUCK

| Years | Engine | Engine Family No. | Application | Position | Direct-Fit | | Universal Part No. | Executive Order | |
|--------------------------|---------|-------------------|---|--------------|--------------|------------------|--------------------|-----------------|----------|
| | | | | | Part No. | Hardware | | | |
| CHEVROLET (Cont.) | | | | | | | | | |
| Blazer (Cont.) | | | | | | | | | |
| 2001 (Cont.) | 4.3L V6 | 1GMXT04.3187 | Executive Order # D-182-69 | Rear | | | 83508 | D-182-69 | |
| 2000 | 4.3L V6 | YGMXT04.3188 | 2 Door; 4WD; Executive Order # D-182-52 | | 81986 | 31588 (2), 31574 | | D-182-52 | |
| | | | 4 Door; 4WD; Executive Order # D-182-52 | | 81943 | 31588 (2), 31574 | | D-182-52 | |
| | | | Executive Order # D-182-52 | Front | | | 81723 | | D-182-52 |
| | | | | Rear | | | 81923 | | D-182-52 |
| | | | Executive Order # D-182-69 | Front | | | 83403 | | D-182-69 |
| Rear | | | | 83508 | | D-182-69 | | | |
| 1999 | 4.3L V6 | XGMXT04.3184 | Executive Order # D-182-52 | Front | | | 81723 | D-182-52 | |
| | | | | Rear | | | 81923 | D-182-52 | |
| | | | Executive Order # D-182-69 | Front | | | 83403 | | D-182-69 |
| | | | | Rear | | | 83508 | | D-182-69 |
| | | XGMXT04.3185 | Executive Order # D-182-52 | Front | | | 81723 | D-182-52 | |
| | | | | Rear | | | 81923 | D-182-52 | |
| | | | Executive Order # D-182-69 | Front | | | 83403 | | D-182-69 |
| | | | | Rear | | | 83508 | | D-182-69 |
| 1998 | 4.3L V6 | WGMXT04.3184 | Executive Order # D-182-47 | | | | 81919 | D-182-47 | |
| | | | Executive Order # D-182-52 | | 81963 | 31589, 31571 | | D-182-52 | |
| | | | Executive Order # D-182-69 | | | | 83509 | D-182-69 | |
| | | WGMXT04.3185 | Executive Order # D-182-52 | Front | | | 81723 | D-182-52 | |
| | | | | Rear | | | 81923 | D-182-52 | |
| | | | Executive Order # D-182-69 | Front | | | 83403 | | D-182-69 |
| Rear | | | | 83508 | | D-182-69 | | | |
| 1997 | 4.3L V6 | VGM4.32PG1EK | Executive Order # D-182-47 | | | | 81919 | D-182-47 | |
| | | | Executive Order # D-182-52 | | 81963 | 31589, 31571 | | D-182-52 | |
| | | | Executive Order # D-182-69 | | | | 83509 | D-182-69 | |
| 1996 | 4.3L V6 | TGM4.32PGKEK | Executive Order # D-182-47 | | | | 81919 | D-182-47 | |
| | | | Executive Order # D-182-52 | | 81963 | 31589, 31571 | | D-182-52 | |
| | | | Executive Order # D-182-69 | | | | 83509 | D-182-69 | |
| | | TGM4.38PGBEK | Executive Order # D-182-69 | | | | 83509 | D-182-69 | |
| 1995 | 4.3L V6 | S3G4.329FGJ | 4WD; Executive Order # D-182-52 | | 81957 | 31571 | | D-182-52 | |
| | | | Executive Order # D-182-47 | | | | 81919 | D-182-47 | |
| | | | Executive Order # D-182-69 | | | | 83509 | D-182-69 | |

C1500

| | | | | | | | | |
|------|---------|--------------|----------------------------|-------|--------------|------------------|--------------|----------|
| 1999 | 5.0L V8 | XGMXA05.0182 | Executive Order # D-182-47 | | | | 81919 | D-182-47 |
| | | | Executive Order # D-182-69 | | | | 83509 | D-182-69 |
| | 5.7L V8 | XGMXA05.7182 | Executive Order # D-182-47 | Left | | | 81916 | D-182-47 |
| | | | | Right | | | 81916 | D-182-47 |
| | | | Executive Order # D-182-52 | | 81961 | 31588 (2), 31575 | | D-182-52 |
| | | | Executive Order # D-182-69 | Left | | | 83506 | D-182-69 |
| | | | | Right | | | 83506 | D-182-69 |
| 1998 | 4.3L V6 | WGMXA04.3190 | Executive Order # D-182-47 | | | | 81919 | D-182-47 |
| | | | Executive Order # D-182-52 | | 81948 | 31588 (2), 31574 | | D-182-52 |

For vehicles licensed in the state of California or Maine, or vehicles requiring CARB-compliant converters in the state of New York, the parts in this catalog must be installed as specifically listed. Parts cannot be substituted, nor can they be installed on California or Maine licensed vehicles not listed in this catalog.

OBDII PASSENGER CAR & TRUCK

| Years | Engine | Engine Family No. | Application | Position | Direct-Fit | | Universal Part No. | Executive Order | |
|----------------------------|---------|-------------------|----------------------------|----------------------------|----------------------------|------------------|--------------------|------------------|----------|
| | | | | | Part No. | Hardware | | | |
| CHEVROLET (Cont.) | | | | | | | | | |
| C1500 (Cont.) | | | | | | | | | |
| 1998 (Cont.) | 4.3L V6 | WGMXA04.3190 | Executive Order # D-182-69 | | | | 83509 | D-182-69 | |
| | | | 5.0L V8 | WGMXA05.0182 | Executive Order # D-182-47 | | | 81919 | D-182-47 |
| | | | | | Executive Order # D-182-52 | | 81948 | 31588 (2), 31574 | |
| | 5.7L V8 | WGMXA05.7182 | Executive Order # D-182-69 | | | | 83509 | D-182-69 | |
| | | | Executive Order # D-182-47 | Left | | | 81916 | D-182-47 | |
| | | | | Right | | | 81916 | D-182-47 | |
| | | | Executive Order # D-182-52 | | 81961 | 31588 (2), 31575 | | D-182-52 | |
| | | | Executive Order # D-182-69 | Left | | | 83506 | D-182-69 | |
| | | | | Right | | | 83506 | D-182-69 | |
| | 1997 | 4.3L V6 | VGM4.3HPG1EK | Executive Order # D-182-47 | | | | 81919 | D-182-47 |
| Executive Order # D-182-52 | | | | | 81948 | 31588 (2), 31574 | | D-182-52 | |
| Executive Order # D-182-69 | | | | | | | 83509 | D-182-69 | |
| 5.0L V8 | | VGM5.0HPG1EK | Executive Order # D-182-47 | | | | 81919 | D-182-47 | |
| | | | Executive Order # D-182-52 | | 81948 | 31588 (2), 31574 | | D-182-52 | |
| | | | Executive Order # D-182-69 | | | | 83509 | D-182-69 | |
| 5.7L V8 | | VGM5.7HPG1EK | Executive Order # D-182-47 | Left | | | 81916 | D-182-47 | |
| | | | | Right | | | 81916 | D-182-47 | |
| | | | Executive Order # D-182-52 | | 81961 | 31588 (2), 31575 | | D-182-52 | |
| | | | Executive Order # D-182-69 | Left | | | 83506 | D-182-69 | |
| Right | | | | 83506 | D-182-69 | | | | |
| 1996 | 4.3L V6 | TGM4.35PGFEK | Executive Order # D-182-47 | | | | 81919 | D-182-47 | |
| | | | Executive Order # D-182-52 | | 81948 | 31588 (2), 31574 | | D-182-52 | |
| | | | Executive Order # D-182-69 | | | | 83509 | D-182-69 | |
| | 5.0L V8 | TGM5.0HPG1EK | Executive Order # D-182-47 | | | | 81919 | D-182-47 | |
| | | | Executive Order # D-182-52 | | 81948 | 31588 (2), 31574 | | D-182-52 | |
| | | | Executive Order # D-182-69 | | | | 83509 | D-182-69 | |
| | 5.7L V8 | TGM5.75PGFEK | Executive Order # D-182-47 | Left | | | 81916 | D-182-47 | |
| | | | | Right | | | 81916 | D-182-47 | |
| | | | Executive Order # D-182-52 | | 81961 | 31588 (2), 31575 | | D-182-52 | |
| | | | Executive Order # D-182-69 | Left | | | 83506 | D-182-69 | |
| Right | | | | 83506 | D-182-69 | | | | |
| C1500 Suburban | | | | | | | | | |
| 1999 | 5.7L V8 | XGMXA05.7186 | Executive Order # D-182-52 | Left | | | 81723 | D-182-52 | |
| | | | | Right | | | 81723 | D-182-52 | |
| | | | Executive Order # D-182-69 | Left | | | 83403 | D-182-69 | |
| | | | | Right | | | 83403 | D-182-69 | |
| 1998 | 5.7L V8 | WGMXA05.7186 | Executive Order # D-182-52 | Left | | | 81723 | D-182-52 | |
| | | | | Right | | | 81723 | D-182-52 | |
| | | | Executive Order # D-182-69 | Left | | | 83403 | D-182-69 | |
| | | | | Right | | | 83403 | D-182-69 | |
| 1997 | 5.7L V8 | VGM5.7JPG1GK | Executive Order # D-182-47 | Left | | | 81916 | D-182-47 | |
| | | | | Right | | | 81916 | D-182-47 | |
| | | | Executive Order # D-182-52 | | 81961 | 31588 (2), 31575 | | D-182-52 | |
| | | | Executive Order # D-182-69 | Left | | | 83506 | D-182-69 | |
| Right | | | | 83506 | D-182-69 | | | | |

OBDII APPLICATIONS

NON-OBDII APPLICATIONS

NUMERICAL

UNIVERSAL SPECIFICATIONS

For vehicles licensed in the state of California or Maine, or vehicles requiring CARB-compliant converters in the state of New York, the parts in this catalog must be installed as specifically listed. Parts cannot be substituted, nor can they be installed on California or Maine licensed vehicles not listed in this catalog.

OBDII PASSENGER CAR & TRUCK

| Years | Engine | Engine Family No. | Application | Position | Direct-Fit | | Universal Part No. | Executive Order | |
|---|--------------|----------------------------|---|----------|--------------|------------------|--------------------|-----------------|----------|
| | | | | | Part No. | Hardware | | | |
| CHEVROLET (Cont.) | | | | | | | | | |
| C1500 Suburban (Cont.) | | | | | | | | | |
| 1996 | 5.7L V8 | TGM5.76PGFEK | Executive Order # D-182-47 | Left | | | 81916 | D-182-47 | |
| | | | | Right | | | 81916 | D-182-47 | |
| | | | Executive Order # D-182-69 | Left | | | 83506 | D-182-69 | |
| | | | | Right | | | 83506 | D-182-69 | |
| Under 8,500 lb. GVW; Executive Order # D-182-52 | | | | | 81961 | 31588 (2), 31575 | | D-182-52 | |
| C2500 | | | | | | | | | |
| 2000 | 5.7L V8 | YGMXA05.7191 | Executive Order # D-182-52 | Left | | | 81924 | D-182-52 | |
| | | | | Right | | | 81924 | D-182-52 | |
| | | | Executive Order # D-182-69 | Left | | | 83509 | D-182-69 | |
| | | | | Right | | | 83509 | D-182-69 | |
| | | | Over 8500 GVW; Executive Order # D-182-52 | Left | 81950 | 31511 (2), 31618 | | D-182-52 | |
| | | | | Right | 81946 | 31618 | | D-182-52 | |
| | 7.4L V8 | YGMXA07.4201 | Executive Order # D-182-47 | Left | | | 81919 | D-182-47 | |
| | | | | Right | | | 81919 | D-182-47 | |
| | | | Executive Order # D-182-52 | Left | 81988 | 31668 (2), 31618 | | D-182-52 | |
| | | | | Right | | | | | |
| | | | Executive Order # D-182-69 | Left | | | 83509 | D-182-69 | |
| | | | | Right | | | 83509 | D-182-69 | |
| Over 8500 GVW; Executive Order # D-182-52 | Right | 81946 | 31618 | | D-182-52 | | | | |
| 1999 | 5.7L V8 | XGMXA05.7187 | Executive Order # D-182-52 | Left | | | 81924 | D-182-52 | |
| | | | | Right | | | 81924 | D-182-52 | |
| | | | Executive Order # D-182-69 | Left | | | 83509 | D-182-69 | |
| | | | | Right | | | 83509 | D-182-69 | |
| | | | Over 8500 GVW; Executive Order # D-182-52 | Left | 81950 | 31511 (2), 31618 | | D-182-52 | |
| | | | | Right | | | | | |
| | 7.4L V8 | XGMXA07.4201 | Executive Order # D-182-47 | Left | | | 81919 | D-182-47 | |
| | | | | Right | | | 81919 | D-182-47 | |
| | | | Executive Order # D-182-52 | Left | 81988 | 31668 (2), 31618 | | D-182-52 | |
| | | | | Right | | | | | |
| | | | Executive Order # D-182-69 | Left | | | 83509 | D-182-69 | |
| | | | | Right | | | 83509 | D-182-69 | |
| Over 8500 GVW; Executive Order # D-182-52 | Right | 81946 | 31618 | | D-182-52 | | | | |
| 1998 | 5.0L V8 | WGMXA05.0184 | Executive Order # D-182-47 | | | | 81919 | D-182-47 | |
| | | | Executive Order # D-182-69 | | | | 83509 | D-182-69 | |
| | 5.7L V8 | WGMXA05.7184 | Executive Order # D-182-47 | Left | | | | 81916 | D-182-47 |
| | | | | Right | | | | 81916 | D-182-47 |
| | | | Executive Order # D-182-69 | Left | | | | 83506 | D-182-69 |
| | | | | Right | | | | 83506 | D-182-69 |
| | | | Over 8500 GVW; Executive Order # D-182-52 | Left | 81950 | 31511 (2), 31618 | | D-182-52 | |
| | | | Under 8,500 lb. GVW; Executive Order # D-182-52 | | 81961 | 31588 (2), 31575 | | D-182-52 | |
| | WGMXA05.7187 | Executive Order # D-182-52 | Left | | | | 81924 | D-182-52 | |
| | | | Right | | | | 81924 | D-182-52 | |
| | | Executive Order # D-182-69 | Left | | | | 83509 | D-182-69 | |
| | | | Right | | | | 83509 | D-182-69 | |

For vehicles licensed in the state of California or Maine, or vehicles requiring CARB-compliant converters in the state of New York, the parts in this catalog must be installed as specifically listed. Parts cannot be substituted, nor can they be installed on California or Maine licensed vehicles not listed in this catalog.

OBDII PASSENGER CAR & TRUCK

| Years | Engine | Engine Family No. | Application | Position | Direct-Fit | | Universal Part No. | Executive Order | |
|---|---|---|---|----------------------------|------------------|------------------|--------------------|-----------------|----------|
| | | | | | Part No. | Hardware | | | |
| CHEVROLET (Cont.) | | | | | | | | | |
| C2500 (Cont.) | | | | | | | | | |
| 1998 (Cont.) | 5.7L V8 | WGMXA05.7187 | Over 8500 GVW; Executive Order # D-182-52 | Left | 81950 | 31511 (2), 31618 | | D-182-52 | |
| | | | Executive Order # D-182-47 | Left | | | 81919 | D-182-47 | |
| | Right | | | | 81919 | D-182-47 | | | |
| | Left | 81988 | | 31668 (2), 31618 | | D-182-52 | | | |
| | Left | | | | 83509 | D-182-69 | | | |
| | 7.4L V8 | WGMXA07.4201 | Executive Order # D-182-69 | Right | | | 83509 | D-182-69 | |
| Over 8500 GVW; Executive Order # D-182-52 | | | Right | 81946 | 31618 | | D-182-52 | | |
| 1997 | 5.0L V8 | VGM5.0JPG1EK | Executive Order # D-182-47 | | | | 81919 | D-182-47 | |
| | | | Executive Order # D-182-69 | | | | 83509 | D-182-69 | |
| | 5.7L V8 | VGM5.7JPG1EK | Executive Order # D-182-52 | Left | | | 81924 | D-182-52 | |
| | | | Right | | | 81924 | D-182-52 | | |
| | | | Executive Order # D-182-69 | Left | | | 83509 | D-182-69 | |
| | | | Right | | | 83509 | D-182-69 | | |
| | | | Over 8500 GVW; Executive Order # D-182-52 | Left | 81950 | 31511 (2), 31618 | | D-182-52 | |
| | | | Right | 81946 | 31618 | | D-182-52 | | |
| | VGM5.7JPG1GK | Executive Order # D-182-47 | Left | | | 81916 | D-182-47 | | |
| | | | Right | | | 81916 | D-182-47 | | |
| | | Executive Order # D-182-69 | Left | | | 83506 | D-182-69 | | |
| | | | Right | | | 83506 | D-182-69 | | |
| | | Over 8500 GVW; Executive Order # D-182-52 | Left | 81950 | 31511 (2), 31618 | | D-182-52 | | |
| | | | Right | 81946 | 31618 | | D-182-52 | | |
| | Under 8,500 lb. GVW; Executive Order # D-182-52 | | 81961 | 31588 (2), 31575 | | D-182-52 | | | |
| | | | | | | | | | |
| | 7.4L V8 | VGM7.4J8G1EK | Executive Order # D-182-47 | Left | | | 81919 | D-182-47 | |
| | | | Right | | | 81919 | D-182-47 | | |
| | | | Executive Order # D-182-52 | Left | 81988 | 31668 (2), 31618 | | D-182-52 | |
| | | | Executive Order # D-182-69 | Left | | | 83509 | D-182-69 | |
| | | | Right | | | 83509 | D-182-69 | | |
| | | | Over 8500 GVW; Executive Order # D-182-52 | Right | 81946 | 31618 | | D-182-52 | |
| | 1996 | 5.0L V8 | TGM5.0HPG1EK | Executive Order # D-182-47 | | | | 81919 | D-182-47 |
| | | | | Executive Order # D-182-69 | | | | 83509 | D-182-69 |
| TGM5.0JPG1EK | | | Executive Order # D-182-47 | | | | 81919 | D-182-47 | |
| | | | Executive Order # D-182-69 | | | | 83509 | D-182-69 | |
| 5.7L V8 | | TGM5.76PGFEK | Executive Order # D-182-47 | Left | | | 81916 | D-182-47 | |
| | | | Right | | | 81916 | D-182-47 | | |
| | | | Executive Order # D-182-69 | Left | | | 83506 | D-182-69 | |
| | | | | Right | | | 83506 | D-182-69 | |
| | | | Over 8500 GVW; Executive Order # D-182-52 | Left | 81950 | 31511 (2), 31618 | | D-182-52 | |
| | | | | Right | 81946 | 31618 | | D-182-52 | |
| | | Under 8,500 lb. GVW; Executive Order # D-182-52 | | 81961 | 31588 (2), 31575 | | D-182-52 | | |
| | | | | | | | | | |
| TGM5.7JPG1EK | Executive Order # D-182-52 | Left | | | 81924 | D-182-52 | | | |
| | Right | | | 81924 | D-182-52 | | | | |
| | Executive Order # D-182-69 | Left | | | 83509 | D-182-69 | | | |

OBDII APPLICATIONS

NON-OBDII APPLICATIONS

NUMERICAL

UNIVERSAL SPECIFICATIONS

For vehicles licensed in the state of California or Maine, or vehicles requiring CARB-compliant converters in the state of New York, the parts in this catalog must be installed as specifically listed. Parts cannot be substituted, nor can they be installed on California or Maine licensed vehicles not listed in this catalog.

OBDII PASSENGER CAR & TRUCK

| Years | Engine | Engine Family No. | Application | Position | Direct-Fit | | Universal Part No. | Executive Order | | |
|----------------------------|----------------------------|----------------------------|---|----------------------------|----------------------------|------------------|--------------------|-----------------|--------------|----------|
| | | | | | Part No. | Hardware | | | | |
| CHEVROLET (Cont.) | | | | | | | | | | |
| C2500 (Cont.) | | | | | | | | | | |
| 1996 (Cont.) | 5.7L V8 | TGM5.7JPG1EK | Executive Order # D-182-69 | Right | | | 83509 | D-182-69 | | |
| | | | Over 8500 GVW; Executive Order # D-182-52 | Left | 81950 | 31511 (2), 31618 | | D-182-52 | | |
| | | | | Right | 81946 | 31618 | | D-182-52 | | |
| C2500 Suburban | | | | | | | | | | |
| 1999 | 5.7L V8 | XGMXA05.7187 | Executive Order # D-182-52 | Left | | | 81924 | D-182-52 | | |
| | | | | Right | | | 81924 | D-182-52 | | |
| | | | Executive Order # D-182-69 | Left | | | 83509 | D-182-69 | | |
| | | | | Right | | | 83509 | D-182-69 | | |
| | | | 7.4L V8 | XGMXA07.4201 | Executive Order # D-182-47 | Left | | | 81919 | D-182-47 |
| | | | | | | Right | | | 81919 | D-182-47 |
| | Executive Order # D-182-52 | Left | | | 81988 | 31668 (2), 31618 | | D-182-52 | | |
| | | Executive Order # D-182-69 | | | Left | | | 83509 | D-182-69 | |
| | Right | | | | 83509 | D-182-69 | | | | |
| | 1998 | 5.7L V8 | WGMXA05.7187 | Executive Order # D-182-52 | Left | | | 81924 | D-182-52 | |
| | | | | | Right | | | 81924 | D-182-52 | |
| | | | | Executive Order # D-182-69 | Left | | | 83509 | D-182-69 | |
| Right | | | | | | | 83509 | D-182-69 | | |
| 7.4L V8 | | | | WGMXA07.4201 | Executive Order # D-182-47 | Left | | | 81919 | D-182-47 |
| | | | | | | Right | | | 81919 | D-182-47 |
| | | Executive Order # D-182-52 | Left | | 81988 | 31668 (2), 31618 | | D-182-52 | | |
| | | | Executive Order # D-182-69 | | Left | | | 83509 | D-182-69 | |
| Right | | | | | 83509 | D-182-69 | | | | |
| 1997 | | 5.7L V8 | VGM5.7JPG1EK | Executive Order # D-182-52 | Left | | | 81924 | D-182-52 | |
| | | | | | Right | | | 81924 | D-182-52 | |
| | | | | Executive Order # D-182-69 | Left | | | 83509 | D-182-69 | |
| | Right | | | | | | 83509 | D-182-69 | | |
| | 7.4L V8 | | | VGM7.4J8G1EK | Executive Order # D-182-47 | Left | | | 81919 | D-182-47 |
| | | | | | | Right | | | 81919 | D-182-47 |
| | | Executive Order # D-182-52 | Left | | 81988 | 31668 (2), 31618 | | D-182-52 | | |
| | | | Executive Order # D-182-69 | | Left | | | 83509 | D-182-69 | |
| | Right | | | | 83509 | D-182-69 | | | | |
| | 1996 | 5.7L V8 | TGM5.7CPGAEA | Executive Order # D-182-69 | Left | | | 83509 | D-182-69 | |
| | | | | | Right | | | 83509 | D-182-69 | |
| | | | | TGM5.7JPG1EK | Executive Order # D-182-52 | Left | | | 81924 | D-182-52 |
| Right | | | | | | | | 81924 | D-182-52 | |
| Executive Order # D-182-69 | | | | | Left | | | 83509 | D-182-69 | |
| | | | | | Right | | | 83509 | D-182-69 | |
| 7.4L V8 | | TGM7.4J8G1EK | Executive Order # D-182-47 | Left | | | 81919 | D-182-47 | | |
| | | | | Right | | | 81919 | D-182-47 | | |
| | | | Executive Order # D-182-52 | Left | 81988 | 31668 (2), 31618 | | D-182-52 | | |
| | | | | Executive Order # D-182-69 | Left | | | 83509 | D-182-69 | |
| Right | | | | | 83509 | D-182-69 | | | | |
| C35 | | | | | | | | | | |
| 2000 | 5.7L V8 | YGMXA05.7191 | Executive Order # D-182-52 | Left | | | 81924 | D-182-52 | | |
| | | | | Right | | | 81924 | D-182-52 | | |

For vehicles licensed in the state of California or Maine, or vehicles requiring CARB-compliant converters in the state of New York, the parts in this catalog must be installed as specifically listed. Parts cannot be substituted, nor can they be installed on California or Maine licensed vehicles not listed in this catalog.

OBDII PASSENGER CAR & TRUCK

| Years | Engine | Engine Family No. | Application | Position | Direct-Fit | | Universal Part No. | Executive Order | |
|---|--------------|----------------------------|---|---|--------------|------------------|--------------------|-----------------|----------|
| | | | | | Part No. | Hardware | | | |
| CHEVROLET (Cont.) | | | | | | | | | |
| C35 (Cont.) | | | | | | | | | |
| 2000 (Cont.) | 5.7L V8 | YGMXA05.7191 | Executive Order # D-182-69 | Left | | | 83509 | D-182-69 | |
| | | | | Right | | | 83509 | D-182-69 | |
| | | | Over 8500 GVW; Executive Order # D-182-52 | Left | 81950 | 31511 (2), 31618 | | | D-182-52 |
| | | | | Right | 81946 | 31618 | | | D-182-52 |
| 1999 | 5.7L V8 | XGMXA05.7187 | Executive Order # D-182-52 | Left | | | 81924 | D-182-52 | |
| | | | | Right | | | 81924 | D-182-52 | |
| | | | Executive Order # D-182-69 | Left | | | 83509 | D-182-69 | |
| | | | | Right | | | 83509 | D-182-69 | |
| | | | Over 8500 GVW; Executive Order # D-182-52 | Left | 81950 | 31511 (2), 31618 | | | D-182-52 |
| | | | | Right | 81946 | 31618 | | | D-182-52 |
| 1998 | 5.7L V8 | WGMXA05.7187 | Executive Order # D-182-52 | Left | | | 81924 | D-182-52 | |
| | | | | Right | | | 81924 | D-182-52 | |
| | | | Executive Order # D-182-69 | Left | | | 83509 | D-182-69 | |
| | | | | Right | | | 83509 | D-182-69 | |
| Over 8500 GVW; Executive Order # D-182-52 | Left | 81950 | 31511 (2), 31618 | | | D-182-52 | | | |
| | Right | 81946 | 31618 | | | D-182-52 | | | |
| 1997 | 5.7L V8 | VGM5.7JPG1EK | Executive Order # D-182-52 | Left | | | 81924 | D-182-52 | |
| | | | | Right | | | 81924 | D-182-52 | |
| | | | Executive Order # D-182-69 | Right | | | 83509 | D-182-69 | |
| | | | | Over 8500 GVW; Executive Order # D-182-52 | Left | 81950 | 31511 (2), 31618 | | D-182-52 |
| Right | 81946 | 31618 | | | D-182-52 | | | | |
| 1996 | 5.7L V8 | TGM5.7CPGAEA | Executive Order # D-182-69 | Left | | | 83509 | D-182-69 | |
| | | | | Right | | | 83509 | D-182-69 | |
| | | | Executive Order # D-182-52 | Left | | | 81924 | D-182-52 | |
| | | | | Right | | | 81924 | D-182-52 | |
| | | Executive Order # D-182-69 | Left | | | 83509 | D-182-69 | | |
| | | | Right | | | 83509 | D-182-69 | | |
| | | | Over 8500 GVW; Executive Order # D-182-52 | Left | 81950 | 31511 (2), 31618 | | D-182-52 | |
| | | | | Right | 81946 | 31618 | | D-182-52 | |
| C3500 | | | | | | | | | |
| 2001 | 8.1L V8 | 1GMXA08.1203 | Executive Order # D-182-52 | Front Left | | | 81724 | D-182-52 | |
| | | | | Front Right | | | 81724 | D-182-52 | |
| | | | | Rear Left | | | 81724 | D-182-52 | |
| | | | | Rear Right | | | 81724 | D-182-52 | |
| | | | Executive Order # D-182-69 | Front Left | | | 83404 | D-182-69 | |
| | | | | Front Right | | | 83404 | D-182-69 | |
| | | | | Rear Left | | | 83404 | D-182-69 | |
| | | | | Rear Right | | | 83404 | D-182-69 | |
| 2000 | 5.7L V8 | YGMXA05.7191 | Executive Order # D-182-52 | Left | | | 81924 | D-182-52 | |
| | | | | Right | | | 81924 | D-182-52 | |
| | | | Executive Order # D-182-69 | Left | | | 83509 | D-182-69 | |
| | | | | Right | | | 83509 | D-182-69 | |
| | | | Over 8500 GVW; Executive Order # D-182-52 | Left | 81950 | 31511 (2), 31618 | | D-182-52 | |
| | | | | Right | 81946 | 31618 | | D-182-52 | |
| 7.4L V8 | YGMXA07.4201 | Executive Order # D-182-47 | Left | | | 81919 | D-182-47 | | |

For vehicles licensed in the state of California or Maine, or vehicles requiring CARB-compliant converters in the state of New York, the parts in this catalog must be installed as specifically listed. Parts cannot be substituted, nor can they be installed on California or Maine licensed vehicles not listed in this catalog.

OBDII APPLICATIONS

NON-OBDII APPLICATIONS

NUMERICAL

UNIVERSAL SPECIFICATIONS

OBDII PASSENGER CAR & TRUCK

| Years | Engine | Engine Family No. | Application | Position | Direct-Fit | | Universal Part No. | Executive Order |
|---|----------------------------|----------------------------|---|----------------------------|----------------------------|------------------|--------------------|-----------------|
| | | | | | Part No. | Hardware | | |
| CHEVROLET (Cont.) | | | | | | | | |
| C3500 (Cont.) | | | | | | | | |
| 2000 (Cont.) | 7.4L V8 | YGMXA07.4201 | Executive Order # D-182-47 | Right | | | 81919 | D-182-47 |
| | | | Executive Order # D-182-52 | Left | 81988 | 31668 (2), 31618 | | D-182-52 |
| | | | Executive Order # D-182-69 | Left | | | 83509 | D-182-69 |
| | | | | Right | | | 83509 | D-182-69 |
| Over 8500 GVW; Executive Order # D-182-52 | Right | 81946 | 31618 | | D-182-52 | | | |
| 1999 | 5.7L V8 | XGMXA05.7187 | Executive Order # D-182-52 | Left | | | 81924 | D-182-52 |
| | | | | Right | | | 81924 | D-182-52 |
| | | | Executive Order # D-182-69 | Left | | | 83509 | D-182-69 |
| | | | | Right | | | 83509 | D-182-69 |
| | | | Over 8500 GVW; Executive Order # D-182-52 | Left | 81950 | 31511 (2), 31618 | | D-182-52 |
| | | | | Right | 81946 | 31618 | | D-182-52 |
| | 7.4L V8 | XGMXA07.4201 | Executive Order # D-182-47 | Left | | | 81919 | D-182-47 |
| | | | | Right | | | 81919 | D-182-47 |
| | | | Executive Order # D-182-52 | Left | 81988 | 31668 (2), 31618 | | D-182-52 |
| | | | | Executive Order # D-182-69 | Left | | | 83509 |
| Right | | | 83509 | D-182-69 | | | | |
| Over 8500 GVW; Executive Order # D-182-52 | Right | 81946 | 31618 | | D-182-52 | | | |
| 1998 | 5.7L V8 | WGMXA05.7187 | Executive Order # D-182-52 | Left | | | 81924 | D-182-52 |
| | | | | Right | | | 81924 | D-182-52 |
| | | | Executive Order # D-182-69 | Left | | | 83509 | D-182-69 |
| | | | | Right | | | 83509 | D-182-69 |
| | | | Over 8500 GVW; Executive Order # D-182-52 | Left | 81950 | 31511 (2), 31618 | | D-182-52 |
| | | | 7.4L V8 | WGMXA07.4201 | Executive Order # D-182-47 | Left | | |
| | Right | | | | | | 81919 | D-182-47 |
| | Executive Order # D-182-52 | Left | | | 81988 | 31668 (2), 31618 | | D-182-52 |
| | | Executive Order # D-182-69 | | | Left | | | 83509 |
| | Right | | | 83509 | D-182-69 | | | |
| Over 8500 GVW; Executive Order # D-182-52 | Right | 81946 | 31618 | | D-182-52 | | | |
| 1997 | 5.7L V8 | VGM5.7JPG1EK | Executive Order # D-182-52 | Left | | | 81924 | D-182-52 |
| | | | | Right | | | 81924 | D-182-52 |
| | | | Executive Order # D-182-69 | Right | | | 83509 | D-182-69 |
| | | | Over 8500 GVW; Executive Order # D-182-52 | Left | 81950 | 31511 (2), 31618 | | D-182-52 |
| | | | | Right | 81946 | 31618 | | D-182-52 |
| | | | 7.4L V8 | VGM7.4J8G1EK | Executive Order # D-182-47 | Left | | |
| | Right | | | | | | 81919 | D-182-47 |
| | Executive Order # D-182-52 | Left | | | 81988 | 31668 (2), 31618 | | D-182-52 |
| | | Executive Order # D-182-69 | | | Left | | | 83509 |
| | Right | | | 83509 | D-182-69 | | | |
| Over 8500 GVW; Executive Order # D-182-52 | Right | 81946 | 31618 | | D-182-52 | | | |
| 1996 | 5.7L V8 | TGM5.7CPGAEA | Executive Order # D-182-69 | Left | | | 83509 | D-182-69 |
| | | | | Right | | | 83509 | D-182-69 |
| | | TGM5.7JPG1EK | Executive Order # D-182-52 | Left | | | 81924 | D-182-52 |

For vehicles licensed in the state of California or Maine, or vehicles requiring CARB-compliant converters in the state of New York, the parts in this catalog must be installed as specifically listed. Parts cannot be substituted, nor can they be installed on California or Maine licensed vehicles not listed in this catalog.

OBDII PASSENGER CAR & TRUCK

| Years | Engine | Engine Family No. | Application | Position | Direct-Fit | | Universal Part No. | Executive Order |
|--------------------------|---------|---|---|--------------|--------------|------------------|--------------------|-----------------|
| | | | | | Part No. | Hardware | | |
| CHEVROLET (Cont.) | | | | | | | | |
| C3500 (Cont.) | | | | | | | | |
| 1996 (Cont.) | 5.7L V8 | TGM5.7JPG1EK | Executive Order # D-182-52 | Right | | | 81924 | D-182-52 |
| | | | Executive Order # D-182-69 | Left | | | 83509 | D-182-69 |
| | | | | Right | | | 83509 | D-182-69 |
| | | | Over 8500 GVW; Executive Order # D-182-52 | Left | 81950 | 31511 (2), 31618 | | D-182-52 |
| | | | | Right | 81946 | 31618 | | D-182-52 |
| | 7.4L V8 | TGM7.4J8G1EK | Executive Order # D-182-47 | Left | | | 81919 | D-182-47 |
| | | | | Right | | | 81919 | D-182-47 |
| | | | Executive Order # D-182-52 | Left | 81988 | 31668 (2), 31618 | | D-182-52 |
| | | | Executive Order # D-182-69 | Left | | | 83509 | D-182-69 |
| | | | | Right | | | 83509 | D-182-69 |
| | | Over 8500 GVW; Executive Order # D-182-52 | Right | 81946 | 31618 | | D-182-52 | |
| C3500HD | | | | | | | | |
| 2001 | 8.1L V8 | 1GMXA08.1203 | Executive Order # D-182-52 | Front Left | | | 81724 | D-182-52 |
| | | | | Front Right | | | 81724 | D-182-52 |
| | | | | Rear Left | | | 81724 | D-182-52 |
| | | | | Rear Right | | | 81724 | D-182-52 |
| | | | Executive Order # D-182-69 | Front Left | | | 83404 | D-182-69 |
| | | | | Front Right | | | 83404 | D-182-69 |
| | | | | Rear Left | | | 83404 | D-182-69 |
| | | | | Rear Right | | | 83404 | D-182-69 |
| 1999 | 7.4L V8 | XGMXA07.4201 | Executive Order # D-182-69 | Left | | | 83509 | D-182-69 |
| | | | | Right | | | 83509 | D-182-69 |
| 1998 | 7.4L V8 | WGMXA07.4201 | Executive Order # D-182-69 | Left | | | 83509 | D-182-69 |
| | | | | Right | | | 83509 | D-182-69 |
| 1997 | 7.4L V8 | VGM7.4J8G1EK | Executive Order # D-182-69 | Left | | | 83509 | D-182-69 |
| | | | | Right | | | 83509 | D-182-69 |
| 1996 | 7.4L V8 | TGM7.4J8G1EK | Executive Order # D-182-69 | Left | | | 83509 | D-182-69 |
| | | | | Right | | | 83509 | D-182-69 |
| Camaro | | | | | | | | |
| 2002 | 3.8L V6 | 2GMXV03.8043 | Executive Order # D-182-57 | | | | 82637 | D-182-57 |
| | 5.7L V8 | 2GMXV05.7081 | Executive Order # D-182-58 | Left | 82598 | | 82532 | D-182-58 |
| Right | | | | 82595 | | 82532 | D-182-58 | |
| 2001 | 3.8L V6 | 1GMXV03.8043 | Executive Order # D-182-57 | | | | 82637 | D-182-57 |
| | 5.7L V8 | 1GMXV05.7081 | Executive Order # D-182-58 | Left | 82598 | | 82532 | D-182-58 |
| Right | | | | 82595 | | 82532 | D-182-58 | |
| 2000 | 3.8L V6 | YGMXV03.8043 | Executive Order # D-182-57 | | | | 82637 | D-182-57 |
| | 5.7L V8 | YGMXV05.7083 | Executive Order # D-182-58 | Left | 82598 | | 82532 | D-182-58 |
| Right | | | | 82595 | | 82532 | D-182-58 | |
| 1999 | 3.8L V6 | XGMXV03.8048 | Executive Order # D-182-57 | | | | 82637 | D-182-57 |
| | | XGMXV03.8049 | Executive Order # D-182-57 | | | | 82637 | D-182-57 |
| | 5.7L V8 | XGMXV05.7082 | Executive Order # D-182-45 | Right | 81989 | 31589 | | D-182-45 |
| | | | Executive Order # D-182-58 | Left | 82598 | | 82532 | D-182-58 |
| | | | Right | | | 82529 | D-182-58 | |
| 1998 | 3.8L V6 | WGMXV03.8049 | Executive Order # D-182-43 | | | | 81507 | D-182-43 |

For vehicles licensed in the state of California or Maine, or vehicles requiring CARB-compliant converters in the state of New York, the parts in this catalog must be installed as specifically listed. Parts cannot be substituted, nor can they be installed on California or Maine licensed vehicles not listed in this catalog.

OBDII APPLICATIONS

NON-OBDII APPLICATIONS

NUMERICAL

UNIVERSAL SPECIFICATIONS

OBDII PASSENGER CAR & TRUCK

| Years | Engine | Engine Family No. | Application | Position | Direct-Fit | | Universal Part No. | Executive Order |
|----------------------------|--------------|----------------------------|-------------------------------------|----------------------------|--------------|--------------|--------------------|-----------------|
| | | | | | Part No. | Hardware | | |
| CHEVROLET (Cont.) | | | | | | | | |
| Camaro (Cont.) | | | | | | | | |
| 1998 (Cont.) | 5.7L V8 | WGMXV05.7082 | Executive Order # D-182-45 | Right | 81989 | 31589 | | D-182-45 |
| | | | Executive Order # D-182-58 | Left | 82598 | | 82532 | D-182-58 |
| | | | | Right | | | 82529 | D-182-58 |
| 1997 | 3.8L V6 | VGM3.8V8GKEK | Executive Order # D-182-43 | | | | 81507 | D-182-43 |
| | 5.7L V8 | VGM5.7V8G1EK | Executive Order # D-182-58 | Left | | | 82537 | D-182-58 |
| | | | | Right | | | 82536 | D-182-58 |
| 1996 | 3.8L V6 | TGM3.8V8GKEK | Executive Order # D-182-43 | | | | 81507 | D-182-43 |
| | 5.7L V8 | TGM5.7V8GFEK | Executive Order # D-182-58 | Left | | | 82537 | D-182-58 |
| | | | | Right | | | 82536 | D-182-58 |
| 1995 | 3.8L V6 | S1G3.8V8G1EK | Executive Order # D-182-57 | | | | 82637 | D-182-57 |
| Caprice | | | | | | | | |
| 1996 | 4.3L V8 | TGM4.3V8GFEK | Executive Order # D-182-58 | Left | | | 82529 | D-182-58 |
| | | | | Right | | | 82529 | D-182-58 |
| | 5.7L V8 | TGM5.7V8GFEK | Executive Order # D-182-58 | Left | | | 82529 | D-182-58 |
| | | | | Right | | | 82529 | D-182-58 |
| Cavalier | | | | | | | | |
| 2005 | 2.2L L4 | 5GMXV02.2025 | Executive Order # D-182-57 | | | | 82604 | D-182-57 |
| 2004 | 2.2L L4 | 4GMXV02.2025 | Executive Order # D-182-57 | | | | 82604 | D-182-57 |
| 2003 | 2.2L L4 | 3GMXV02.2025 | Executive Order # D-182-45 | | 81773 | 31643, 31369 | | D-182-45 |
| | | | Executive Order # D-182-57 | | | | 82604 | D-182-57 |
| 2002 | 2.2L L4 | 2GMXV02.2024 | Executive Order # D-182-57 | | | | 82604 | D-182-57 |
| | | | VIN "4"; Executive Order # D-182-45 | | 81759 | 31643, 31369 | | D-182-45 |
| | | | VIN "F"; Executive Order # D-182-45 | | 81773 | 31643, 31369 | | D-182-45 |
| | 2GMXV02.4022 | Executive Order # D-182-45 | | 81773 | 31643, 31369 | | D-182-45 | |
| | | Executive Order # D-182-57 | | | | 82604 | D-182-57 | |
| | 2TJXV02.2022 | Executive Order # D-182-57 | | | | 82604 | D-182-57 | |
| | | 2.4L L4 | 2GMXV02.4022 | Executive Order # D-182-45 | | 81763 | 31629, 31369 | |
| | | | Executive Order # D-182-57 | | | | 82603 | D-182-57 |
| 2001 | 2.2L L4 | 1GMXV02.2024 | Executive Order # D-182-45 | | 81759 | 31643, 31369 | | D-182-45 |
| | | | Executive Order # D-182-57 | | | | 82604 | D-182-57 |
| | 1GMXV02.4022 | Executive Order # D-182-45 | | 81759 | 31643, 31369 | | D-182-45 | |
| | | Executive Order # D-182-57 | | | | 82604 | D-182-57 | |
| | 2.4L L4 | 1GMXV02.4022 | Executive Order # D-182-45 | | 81763 | 31629, 31369 | | D-182-45 |
| Executive Order # D-182-57 | | | | | | 82603 | D-182-57 | |
| 2000 | 2.2L L4 | YGMXV02.4022 | Executive Order # D-182-45 | | 81759 | 31643, 31369 | | D-182-45 |
| | | | Executive Order # D-182-57 | | | | 82604 | D-182-57 |
| | | YGMXX02.2023 | Executive Order # D-182-45 | | 81759 | 31643, 31369 | | D-182-45 |
| | | Executive Order # D-182-57 | | | | 82604 | D-182-57 | |
| | 2.4L L4 | YGMXV02.4022 | Executive Order # D-182-45 | | 81763 | 31629, 31369 | | D-182-45 |
| | | | Executive Order # D-182-57 | | | | 82603 | D-182-57 |
| 1999 | 2.2L L4 | XGMXV02.2022 | Executive Order # D-182-45 | | 81759 | 31643, 31369 | | D-182-45 |
| | | | Executive Order # D-182-57 | | | | 82604 | D-182-57 |
| | | XGMXV02.2023 | Executive Order # D-182-45 | | 81759 | 31643, 31369 | | D-182-45 |

For vehicles licensed in the state of California or Maine, or vehicles requiring CARB-compliant converters in the state of New York, the parts in this catalog must be installed as specifically listed. Parts cannot be substituted, nor can they be installed on California or Maine licensed vehicles not listed in this catalog.

OBDII PASSENGER CAR & TRUCK

| Years | Engine | Engine Family No. | Application | Position | Direct-Fit | | Universal Part No. | Executive Order | |
|--------------------------|---------|-------------------|----------------------------|----------|--------------|--------------|--------------------|-----------------|----------|
| | | | | | Part No. | Hardware | | | |
| CHEVROLET (Cont.) | | | | | | | | | |
| Cavalier (Cont.) | | | | | | | | | |
| 1999 (Cont.) | 2.2L L4 | XGMXV02.2023 | Executive Order # D-182-57 | | | | 82604 | D-182-57 | |
| | 2.4L L4 | XGMXV02.4027 | Executive Order # D-182-45 | | 81763 | 31629, 31369 | | D-182-45 | |
| | | | Executive Order # D-182-57 | | | | 82603 | D-182-57 | |
| 1998 | 2.2L L4 | WGMXV02.2022 | Executive Order # D-182-45 | | 81964 | 31369 (2) | | D-182-45 | |
| | | | Executive Order # D-182-58 | | | | 82526 | D-182-58 | |
| | | | Executive Order # D-182-45 | | 81964 | 31369 (2) | | 82627 | D-182-45 |
| | 2.4L L4 | WGMXV02.4025 | Executive Order # D-182-58 | | | | 82505 | D-182-58 | |
| | | | Executive Order # D-182-57 | | 82690 | 31606, 31369 | 82603 | D-182-57 | |
| | | | Executive Order # D-182-57 | | | | | | |
| 1997 | 2.2L L4 | VGM2.2V8G1EK | Executive Order # D-182-45 | | 81964 | 31369 (2) | | D-182-45 | |
| | | | Executive Order # D-182-58 | | | | 82526 | D-182-58 | |
| | | | Executive Order # D-182-45 | | 81964 | 31369 (2) | | | D-182-45 |
| | 2.4L L4 | VGM2.4VJG1EK | Executive Order # D-182-58 | | | | 82505 | D-182-58 | |
| | | | Executive Order # D-182-57 | | 82690 | 31606, 31369 | 82603 | D-182-57 | |
| | | | Executive Order # D-182-57 | | | | | | |
| 1996 | 2.2L L4 | TGM2.2V8G2EK | Executive Order # D-182-45 | | 81964 | 31369 (2) | | D-182-45 | |
| | | | Executive Order # D-182-57 | | | | 82627 | D-182-57 | |
| | | | Executive Order # D-182-45 | | 81964 | 31369 (2) | | | D-182-45 |
| | 2.4L L4 | TGM2.4VJG2EK | Executive Order # D-182-57 | | 82690 | 31606, 31369 | 82603 | D-182-57 | |
| | | | Executive Order # D-182-58 | | | | 82505 | D-182-58 | |
| | | | Executive Order # D-182-57 | | | | | | |
| 1995 | 2.3L L4 | S1G2.3VJG2GK | Executive Order # D-182-57 | | | | 82627 | D-182-57 | |
| | | | | | | | | | |
| | | | | | | | | | |
| | | | | | | | | | |
| Cobalt | | | | | | | | | |
| 2009 | 2.0L L4 | 9GMXV02.0021 | Executive Order # D-182-63 | Front | | | 83302 | D-182-63 | |
| | 2.2L L4 | 9GMXV02.4027 | Executive Order # D-182-63 | Front | 83387 | 31643, 31311 | | D-182-63 | |
| | | | | Rear | | | | 83216 | D-182-63 |
| 2008 | 2.0L L4 | 8GMXV02.0021 | Executive Order # D-182-63 | Front | | | 83302 | D-182-63 | |
| | 2.2L L4 | 8GMXV02.4025 | Executive Order # D-182-63 | Front | 83387 | 31643, 31311 | | D-182-63 | |
| | | | | Front | | | | 83302 | D-182-63 |
| | | | | Rear | | | | 83216 | D-182-63 |
| | 2.4L L4 | 8GMXV02.4025 | Executive Order # D-182-63 | Front | 83387 | 31643, 31311 | | D-182-63 | |
| | | | | Front | | | | 83302 | D-182-63 |
| Rear | | | | | | | 83216 | D-182-63 | |
| 2007 | 2.0L L4 | 7GMXV02.0018 | Executive Order # D-182-64 | | | | 82809 | D-182-64 | |
| | 2.4L L4 | 7GMXV02.4029 | Executive Order # D-182-64 | | | | 82809 | D-182-64 | |
| 2006 | 2.0L L4 | 6GMXV02.0018 | Executive Order # D-182-57 | | | | 82609 | D-182-57 | |
| | 2.4L L4 | 6GMXV02.4029 | Executive Order # D-182-64 | | | | 82809 | D-182-64 | |
| 2005 | 2.0L L4 | 5GMXV02.0018 | Executive Order # D-182-57 | | | | 82609 | D-182-57 | |
| | 2.2L L4 | 5GMXV02.2026 | Executive Order # D-182-64 | | 82891 | 31643, 31311 | 82809 | D-182-64 | |
| Corsica | | | | | | | | | |
| 1996 | 2.2L L4 | TGM2.2V8G2EK | Executive Order # D-182-57 | | | | 82627 | D-182-57 | |
| | | TGM2.2V8GKEK | Executive Order # D-182-58 | | | | 82526 | D-182-58 | |
| | 3.1L V6 | TGM3.1V8GFEK | Executive Order # D-182-58 | | | | 82508 | D-182-58 | |

For vehicles licensed in the state of California or Maine, or vehicles requiring CARB-compliant converters in the state of New York, the parts in this catalog must be installed as specifically listed. Parts cannot be substituted, nor can they be installed on California or Maine licensed vehicles not listed in this catalog.

OBDII APPLICATIONS

NON-OBDII APPLICATIONS

NUMERICAL

UNIVERSAL SPECIFICATIONS

OBDII PASSENGER CAR & TRUCK

| Years | Engine | Engine Family No. | Application | Position | Direct-Fit | | Universal Part No. | Executive Order |
|--------------------------|----------------------------|----------------------------|----------------------------|----------------------------|--------------|---------------------------|---------------------------|-----------------|
| | | | | | Part No. | Hardware | | |
| CHEVROLET (Cont.) | | | | | | | | |
| Corvette | | | | | | | | |
| 2006 | 6.0L V8 | 6GMXV06.0081 | Executive Order # D-182-67 | Left | | | 82916 | D-182-67 |
| | | | | Right | | | 82916 | D-182-67 |
| 2005 | 6.0L V8 | 5GMXV06.0081 | Executive Order # D-182-67 | Left | | | 82916 | D-182-67 |
| | | | | Right | | | 82916 | D-182-67 |
| 2004 | 5.7L V8 | 4GMXV05.7082 | Executive Order # D-182-57 | Left | | | 82633 | D-182-57 |
| | | | | Right | | | 82633 | D-182-57 |
| 2003 | 5.7L V8 | 3GMXV05.7082 | Executive Order # D-182-57 | Left | | | 82633 | D-182-57 |
| | | | | Right | | | 82633 | D-182-57 |
| 2002 | 5.7L V8 | 2GMXV05.7082 | Executive Order # D-182-57 | Left | | | 82633 | D-182-57 |
| | | | | Right | | | 82633 | D-182-57 |
| 2000 | 5.7L V8 | YGMXV05.7084 | Executive Order # D-182-57 | Left | | | 82633 | D-182-57 |
| | | | | Right | | | 82633 | D-182-57 |
| 1999 | 5.7L V8 | XGMXV05.7084 | Executive Order # D-182-57 | Left | | | 82633 | D-182-57 |
| | | | | Right | | | 82633 | D-182-57 |
| 1998 | 5.7L V8 | WGMXV05.7081 | Executive Order # D-182-57 | Left | | | 82633 | D-182-57 |
| | | | | Right | | | 82633 | D-182-57 |
| 1997 | 5.7L V8 | VGM5.7V8G1EK | Executive Order # D-182-57 | Left | | | 82633 | D-182-57 |
| | | | | Right | | | 82633 | D-182-57 |
| 1996 | 5.7L V8 | TGM5.7V8GFGK | Executive Order # D-182-57 | Left | | | 82617 | D-182-57 |
| | | | | Right | | | 82617 | D-182-57 |
| Express 1500 | | | | | | | | |
| 2006 | 4.3L V6 | 6GMXT04.3181 | Executive Order # D-182-52 | | 81980 | 31554 (RH), 31718 (LH) | | D-182-52 |
| | | | | Left | | | 81923 | D-182-52 |
| | | | | Right | | | 81923 | D-182-52 |
| | | 6GMXT04.3184 | Executive Order # D-182-69 | Left | | | 83508 | D-182-69 |
| | | | | Right | | | 83508 | D-182-69 |
| | | | | Left | | | 83508 | D-182-69 |
| 5.3L V8 | 6GMXT05.3379 | Executive Order # D-182-69 | Left | | | 83508 | D-182-69 | |
| | | | Right | | | 83508 | D-182-69 | |
| 2005 | 4.3L V6 | 5GMXT04.3184 | Executive Order # D-182-47 | Left | | | 81713 | D-182-47 |
| | | | | Right | | | 81713 | D-182-47 |
| | | | | Executive Order # D-182-52 | | 81980 | 31554 (RH), 31718 (LH) | |
| | | Executive Order # D-182-69 | Left | | | 83508 | D-182-69 | |
| | | | Right | | | 83508 | D-182-69 | |
| | | | Left | | | 83508 | D-182-69 | |
| | 5.3L V8 | 5GMXT05.3170 | Executive Order # D-182-47 | Left | | | 81713 | D-182-47 |
| | | | | Right | | | 81713 | D-182-47 |
| | | | | Executive Order # D-182-52 | | 81980 | 31554 (RH), 31718 (LH) | |
| | | Executive Order # D-182-69 | | 83589 | 31554, 31718 | | D-182-69 | |
| | | | Left | | | 83508 | D-182-69 | |
| | | | Right | | | 83508 | D-182-69 | |
| 5GMXT05.3174 | Executive Order # D-182-52 | | 81980 | 31554 (RH), 31718 (LH) | | D-182-52 | | |
| | | Left | | | 81923 | D-182-52 | | |
| | | Right | | | 81923 | D-182-52 | | |

For vehicles licensed in the state of California or Maine, or vehicles requiring CARB-compliant converters in the state of New York, the parts in this catalog must be installed as specifically listed. Parts cannot be substituted, nor can they be installed on California or Maine licensed vehicles not listed in this catalog.

OBDII PASSENGER CAR & TRUCK

| Years | Engine | Engine Family No. | Application | Position | Direct-Fit | | Universal Part No. | Executive Order | | |
|-----------------------------|----------------------------|----------------------------|----------------------------|----------------------------|----------------------------|---------------------------|--------------------|-----------------|--------------|----------|
| | | | | | Part No. | Hardware | | | | |
| CHEVROLET (Cont.) | | | | | | | | | | |
| Express 1500 (Cont.) | | | | | | | | | | |
| 2005 (Cont.) | 5.3L V8 | 5GMXT05.3174 | Executive Order # D-182-69 | | 83589 | 31554, 31718 | | D-182-69 | | |
| | | | | Left | | | 83508 | D-182-69 | | |
| | | | | Right | | | 83508 | D-182-69 | | |
| 2004 | 4.3L V6 | 4GMXT04.3184 | Executive Order # D-182-47 | Left | | | 81918 | D-182-47 | | |
| | | | | Right | | | 81918 | D-182-47 | | |
| | | | Executive Order # D-182-52 | | 81980 | 31554 (RH), 31718 (LH) | | | D-182-52 | |
| | | | | Executive Order # D-182-69 | Left | | | 83508 | D-182-69 | |
| | | | Right | | | | 83508 | D-182-69 | | |
| | | | 5.3L V8 | 4GMXT05.3170 | Executive Order # D-182-47 | Left | | | 81918 | D-182-47 |
| | Right | | | | | | 81918 | D-182-47 | | |
| | Executive Order # D-182-52 | | | | 81980 | 31554 (RH), 31718 (LH) | | | D-182-52 | |
| | | Executive Order # D-182-69 | | | | 83589 | 31554, 31718 | | D-182-69 | |
| | | | | | Left | | | 83508 | D-182-69 | |
| | | Right | | | | | 83508 | D-182-69 | | |
| | 4GMXT05.3174 | Executive Order # D-182-52 | | 81980 | 31554 (RH), 31718 (LH) | | | D-182-52 | | |
| Left | | | | | 81923 | D-182-52 | | | | |
| Right | | | | 81923 | D-182-52 | | | | | |
| Executive Order # D-182-69 | | | 83589 | 31554, 31718 | | | D-182-69 | | | |
| | | Left | | | 83508 | D-182-69 | | | | |
| Right | | | | 83508 | D-182-69 | | | | | |
| 2003 | 4.3L V6 | 3GMXT04.3184 | Executive Order # D-182-52 | Left | | | 81923 | D-182-52 | | |
| | | | | Right | | | 81923 | D-182-52 | | |
| | | | Executive Order # D-182-69 | Left | | | 83508 | D-182-69 | | |
| | | | | Right | | | 83508 | D-182-69 | | |
| | | | 5.3L V8 | 3GMXT05.3183 | Executive Order # D-182-47 | Left | | | 81713 | D-182-47 |
| | | | | | | Right | | | 81713 | D-182-47 |
| | Executive Order # D-182-52 | | | | 81980 | 31554 (RH), 31718 (LH) | | | D-182-52 | |
| | | Executive Order # D-182-69 | | | | 83589 | 31554, 31718 | | D-182-69 | |
| | | | | | Left | | | 83508 | D-182-69 | |
| | | Right | | | | | 83508 | D-182-69 | | |
| | 3GMXT05.3184 | Executive Order # D-182-47 | Left | | | 81713 | D-182-47 | | | |
| | | | Right | | | 81713 | D-182-47 | | | |
| Executive Order # D-182-52 | | | 81980 | 31554 (RH), 31718 (LH) | | | D-182-52 | | | |
| | | Executive Order # D-182-69 | | 83589 | 31554, 31718 | | D-182-69 | | | |
| | | | Left | | | 83508 | D-182-69 | | | |
| | | Right | | | 83508 | D-182-69 | | | | |
| 2002 | 4.3L V6 | 2GMXA04.3192 | Executive Order # D-182-47 | | | | 81919 | D-182-47 | | |
| | | | Executive Order # D-182-52 | | 81954 | 31588 (2), 31574 | | D-182-52 | | |
| | | | Executive Order # D-182-69 | | | | 83509 | D-182-69 | | |
| | 5.0L V8 | 2GMXT05.0181 | Executive Order # D-182-47 | | | | 81919 | D-182-47 | | |
| | | | Executive Order # D-182-52 | | 81954 | 31588 (2), 31574 | | D-182-52 | | |
| | | | Executive Order # D-182-69 | | | | 83509 | D-182-69 | | |

OBDII APPLICATIONS

NON-OBDII APPLICATIONS

NUMERICAL

UNIVERSAL SPECIFICATIONS

For vehicles licensed in the state of California or Maine, or vehicles requiring CARB-compliant converters in the state of New York, the parts in this catalog must be installed as specifically listed. Parts cannot be substituted, nor can they be installed on California or Maine licensed vehicles not listed in this catalog.

OBDII PASSENGER CAR & TRUCK

| Years | Engine | Engine Family No. | Application | Position | Direct-Fit | | Universal Part No. | Executive Order | | |
|-----------------------------|----------------------------|-------------------|----------------------------|----------------------------|--------------|------------------|--------------------|-----------------|--------------|----------|
| | | | | | Part No. | Hardware | | | | |
| CHEVROLET (Cont.) | | | | | | | | | | |
| Express 1500 (Cont.) | | | | | | | | | | |
| 2002 (Cont.) | 5.0L V8 | 2GMXT05.0182 | Executive Order # D-182-47 | | | | 81919 | D-182-47 | | |
| | | | Executive Order # D-182-52 | | 81954 | 31588 (2), 31574 | | D-182-52 | | |
| | | | Executive Order # D-182-69 | | | | 83509 | D-182-69 | | |
| | 5.7L V8 | 2GMXA06.0188 | Executive Order # D-182-52 | Front Left | | | | 81724 | D-182-52 | |
| | | | | Front Right | | | | 81724 | D-182-52 | |
| | | | | Rear Left | | | | 81924 | D-182-52 | |
| | | | | Rear Right | | | | 81924 | D-182-52 | |
| | | | Executive Order # D-182-69 | Front Left | | | | 83404 | D-182-69 | |
| | | | | Front Right | | | | 83404 | D-182-69 | |
| | | | | Rear Left | | | | 83509 | D-182-69 | |
| | | | | Rear Right | | | | 83509 | D-182-69 | |
| | | | 2GMXA06.0194 | Executive Order # D-182-47 | Left | | | | 81713 | D-182-47 |
| | | | | | Right | | | | 81713 | D-182-47 |
| | Executive Order # D-182-69 | Left | | | | | 83403 | D-182-69 | | |
| | | Right | | | | | 83403 | D-182-69 | | |
| | 2001 | 4.3L V6 | 1GMXA04.3192 | Executive Order # D-182-47 | | | | 81919 | D-182-47 | |
| Executive Order # D-182-52 | | | | | 81954 | 31588 (2), 31574 | | D-182-52 | | |
| Executive Order # D-182-69 | | | | | | | 83509 | D-182-69 | | |
| 5.0L V8 | | 1GMXT05.0181 | Executive Order # D-182-47 | | | | 81919 | D-182-47 | | |
| | | | Executive Order # D-182-52 | | 81954 | 31588 (2), 31574 | | D-182-52 | | |
| | | | Executive Order # D-182-69 | | | | 83509 | D-182-69 | | |
| | | 1GMXT05.0182 | Executive Order # D-182-47 | | | | 81919 | D-182-47 | | |
| | | | Executive Order # D-182-52 | | 81954 | 31588 (2), 31574 | | D-182-52 | | |
| | | | Executive Order # D-182-69 | | | | 83509 | D-182-69 | | |
| 5.7L V8 | | 1GMXA06.0188 | Executive Order # D-182-52 | Front Left | | | | 81724 | D-182-52 | |
| | | | | Front Right | | | | 81724 | D-182-52 | |
| | | | | Rear Left | | | | 81924 | D-182-52 | |
| | | | | Rear Right | | | | 81924 | D-182-52 | |
| | | | Executive Order # D-182-69 | Front Left | | | | 83404 | D-182-69 | |
| | | | | Front Right | | | | 83404 | D-182-69 | |
| | | | | Rear Left | | | | 83509 | D-182-69 | |
| | Rear Right | | | | | | 83509 | D-182-69 | | |
| | 1GMXA06.0194 | | Executive Order # D-182-47 | Left | | | | 81713 | D-182-47 | |
| | | | | Right | | | | 81713 | D-182-47 | |
| Executive Order # D-182-69 | | Left | | | | 83403 | D-182-69 | | | |
| | | Right | | | | 83403 | D-182-69 | | | |
| 2000 | 4.3L V6 | YGMXA04.3192 | Executive Order # D-182-52 | Front | | | 81724 | D-182-52 | | |
| | | | | Rear | | | | 81924 | D-182-52 | |
| | | | Executive Order # D-182-69 | Front | | | | 83404 | D-182-69 | |
| | | | | Rear | | | | 83509 | D-182-69 | |
| | 5.0L V8 | YGMXT05.7188 | Executive Order # D-182-47 | | | | 81919 | D-182-47 | | |
| | | | Executive Order # D-182-52 | | 81954 | 31588 (2), 31574 | | D-182-52 | | |
| | | | Executive Order # D-182-69 | | | | 83509 | D-182-69 | | |
| | | YGMXT05.7189 | Executive Order # D-182-47 | | | | 81919 | D-182-47 | | |
| | | | Executive Order # D-182-52 | | 81954 | 31588 (2), 31574 | | D-182-52 | | |

For vehicles licensed in the state of California or Maine, or vehicles requiring CARB-compliant converters in the state of New York, the parts in this catalog must be installed as specifically listed. Parts cannot be substituted, nor can they be installed on California or Maine licensed vehicles not listed in this catalog.

OBDII PASSENGER CAR & TRUCK

| Years | Engine | Engine Family No. | Application | Position | Direct-Fit | | Universal Part No. | Executive Order | |
|-----------------------------|----------------------------|----------------------------|----------------------------|----------------------------|----------------------------|--------------|--------------------|-----------------|--------------|
| | | | | | Part No. | Hardware | | | |
| CHEVROLET (Cont.) | | | | | | | | | |
| Express 1500 (Cont.) | | | | | | | | | |
| 2000 (Cont.) | 5.0L V8 | YGMXT05.7189 | Executive Order # D-182-69 | | | | 83509 | D-182-69 | |
| | | | 5.7L V8 | YGMXA05.7185 | Executive Order # D-182-47 | | Left | | 81713 |
| | Executive Order # D-182-69 | | | | Right | | 81713 | D-182-47 | |
| | Executive Order # D-182-69 | | | Left | | 83403 | D-182-69 | | |
| | Executive Order # D-182-69 | | | Right | | 83403 | D-182-69 | | |
| | YGMXA05.7191 | | | Executive Order # D-182-52 | | Left | | 81924 | D-182-52 |
| | Executive Order # D-182-69 | | | Executive Order # D-182-69 | | Right | | 81924 | D-182-52 |
| | Executive Order # D-182-69 | | Executive Order # D-182-69 | | Left | | 83509 | D-182-69 | |
| Executive Order # D-182-69 | | Executive Order # D-182-69 | | Right | | 83509 | D-182-69 | | |
| 1999 | 4.3L V6 | XGMXA04.3190 | Executive Order # D-182-47 | | | | 81919 | D-182-47 | |
| | | | Executive Order # D-182-69 | | | | 83509 | D-182-69 | |
| | | XGMXA04.3192 | Executive Order # D-182-47 | | | | 81919 | D-182-47 | |
| | | | Executive Order # D-182-69 | | | | 83509 | D-182-69 | |
| | 5.0L V8 | XGMXA05.0182 | Executive Order # D-182-47 | | | | 81919 | D-182-47 | |
| | | | Executive Order # D-182-69 | | | | 83509 | D-182-69 | |
| | | XGMXA05.0184 | Executive Order # D-182-47 | | | | 81919 | D-182-47 | |
| | | | Executive Order # D-182-69 | | | | 83509 | D-182-69 | |
| | 5.7L V8 | XGMXA05.7184 | Executive Order # D-182-47 | | Left | | 81918 | D-182-47 | |
| | | | Executive Order # D-182-69 | | Right | | 81918 | D-182-47 | |
| | | | Executive Order # D-182-69 | | Left | | 83508 | D-182-69 | |
| | | | Executive Order # D-182-69 | | Right | | 83508 | D-182-69 | |
| | | XGMXA05.7187 | Executive Order # D-182-52 | | Left | | 81924 | D-182-52 | |
| | | | Executive Order # D-182-69 | | Right | | 81924 | D-182-52 | |
| | | | Executive Order # D-182-69 | | Left | | 83509 | D-182-69 | |
| | | | Executive Order # D-182-69 | | Right | | 83509 | D-182-69 | |
| 1998 | 4.3L V6 | WGMXA04.3190 | Executive Order # D-182-47 | | | | 81919 | D-182-47 | |
| | | | Executive Order # D-182-69 | | | | 83509 | D-182-69 | |
| | | WGMXA04.3192 | Executive Order # D-182-47 | | | | 81919 | D-182-47 | |
| | | | Executive Order # D-182-69 | | | | 83509 | D-182-69 | |
| | 5.0L V8 | WGMXA05.0182 | Executive Order # D-182-47 | | | | 81919 | D-182-47 | |
| | | | Executive Order # D-182-69 | | | | 83509 | D-182-69 | |
| | | WGMXA05.0184 | Executive Order # D-182-47 | | | | 81919 | D-182-47 | |
| | | | Executive Order # D-182-69 | | | | 83509 | D-182-69 | |
| | 5.7L V8 | WGMXA05.7184 | Executive Order # D-182-47 | | Left | | 81918 | D-182-47 | |
| | | | Executive Order # D-182-69 | | Right | | 81918 | D-182-47 | |
| | | | Executive Order # D-182-69 | | Left | | 83508 | D-182-69 | |
| | | | Executive Order # D-182-69 | | Right | | 83508 | D-182-69 | |
| | | WGMXA05.7187 | Executive Order # D-182-52 | | Left | | 81924 | D-182-52 | |
| | | | Executive Order # D-182-69 | | Right | | 81924 | D-182-52 | |
| | | | Executive Order # D-182-69 | | Left | | 83509 | D-182-69 | |
| | | | Executive Order # D-182-69 | | Right | | 83509 | D-182-69 | |
| 1997 | 4.3L V6 | VGM4.3HPG1EK | Executive Order # D-182-47 | | | | 81919 | D-182-47 | |
| | | | Executive Order # D-182-69 | | | | 83509 | D-182-69 | |
| | | VGM4.3JPG1EK | Executive Order # D-182-47 | | | | 81919 | D-182-47 | |
| | | | Executive Order # D-182-69 | | | | 83509 | D-182-69 | |

OBDII APPLICATIONS

NON-OBDII APPLICATIONS

NUMERICAL

UNIVERSAL SPECIFICATIONS

For vehicles licensed in the state of California or Maine, or vehicles requiring CARB-compliant converters in the state of New York, the parts in this catalog must be installed as specifically listed. Parts cannot be substituted, nor can they be installed on California or Maine licensed vehicles not listed in this catalog.

OBDII PASSENGER CAR & TRUCK

| Years | Engine | Engine Family No. | Application | Position | Direct-Fit | | Universal Part No. | Executive Order | | | |
|-----------------------------|----------------------------|-------------------|----------------------------|----------------------------|--------------|----------------------------|--------------------|-----------------|----------|----------|----------|
| | | | | | Part No. | Hardware | | | | | |
| CHEVROLET (Cont.) | | | | | | | | | | | |
| Express 1500 (Cont.) | | | | | | | | | | | |
| 1997 (Cont.) | 5.0L V8 | VGM5.0HPG1EK | Executive Order # D-182-47 | | | | 81919 | D-182-47 | | | |
| | | | Executive Order # D-182-69 | | | | 83509 | D-182-69 | | | |
| | | VGM5.0JPG1EK | Executive Order # D-182-47 | | | | 81919 | D-182-47 | | | |
| | | | Executive Order # D-182-69 | | | | 83509 | D-182-69 | | | |
| | 5.7L V8 | VGM5.7JPG1EK | Executive Order # D-182-52 | Left | | | | 81924 | D-182-52 | | |
| | | | | Right | | | | 81924 | D-182-52 | | |
| | | | Executive Order # D-182-69 | Left | | | | 83509 | D-182-69 | | |
| | | | | Right | | | | 83509 | D-182-69 | | |
| | | VGM5.7JPG1GK | Executive Order # D-182-47 | Left | | | | 81918 | D-182-47 | | |
| | | | | Right | | | | 81918 | D-182-47 | | |
| | | | Executive Order # D-182-69 | Left | | | | 83508 | D-182-69 | | |
| | | | | Right | | | | 83508 | D-182-69 | | |
| | 1996 | 4.3L V6 | TGM4.32PGKEK | Executive Order # D-182-69 | | | | 83509 | D-182-69 | | |
| | | | TGM4.35PGFEK | Executive Order # D-182-47 | | | | 81919 | D-182-47 | | |
| Executive Order # D-182-69 | | | | | | | 83509 | D-182-69 | | | |
| TGM4.38PGBEK | | | Executive Order # D-182-47 | | | | 81919 | D-182-47 | | | |
| 5.0L V8 | | TGM5.0HPG1EK | Executive Order # D-182-47 | | | | 81919 | D-182-47 | | | |
| | | | Executive Order # D-182-69 | | | | 83509 | D-182-69 | | | |
| | | TGM5.0JPG1EK | Executive Order # D-182-47 | | | | 81919 | D-182-47 | | | |
| | | | Executive Order # D-182-69 | | | | 83509 | D-182-69 | | | |
| 5.7L V8 | | TGM5.76PGFEK | Executive Order # D-182-47 | Left | | | | 81918 | D-182-47 | | |
| | | | | Right | | | | 81918 | D-182-47 | | |
| | | | Executive Order # D-182-69 | Left | | | | 83508 | D-182-69 | | |
| | | | | Right | | | | 83508 | D-182-69 | | |
| | | TGM5.7JPG1EK | Executive Order # D-182-52 | Left | | | | 81924 | D-182-52 | | |
| | | | | Right | | | | 81924 | D-182-52 | | |
| | Executive Order # D-182-69 | | Left | | | | 83509 | D-182-69 | | | |
| | | | Right | | | | 83509 | D-182-69 | | | |
| Express 2500 | | | | | | | | | | | |
| 2005 | 4.3L V6 | 5GMXT04.3184 | Executive Order # D-182-47 | Left | | | | 81713 | D-182-47 | | |
| | | | | Right | | | | 81713 | D-182-47 | | |
| | | | Executive Order # D-182-52 | | 81980 | 31554 (RH), 31718 (LH) | | | | D-182-52 | |
| | | | | Executive Order # D-182-69 | | 83589 | 31554, 31718 | | | D-182-69 | |
| | | | Left | | | | | 83508 | D-182-69 | | |
| | | | Right | | | | | 83508 | D-182-69 | | |
| | | | 4.8L V8 | | 5GMXA04.8172 | Executive Order # D-182-52 | Left | 81958 | 31718 | | |
| | | | | Right | | | 81959 | 31610, 31571 | | | D-182-52 |
| | Front Left | | | | | | | 81724 | D-182-52 | | |
| | Front Right | | | | | | | 81724 | D-182-52 | | |
| | Rear Left | | | | | | | 81924 | D-182-52 | | |
| | Rear Right | | | | | | | 81924 | D-182-52 | | |
| | Executive Order # D-182-69 | Front Left | | | | | | 83404 | D-182-69 | | |
| | | Front Right | | | | | | 83404 | D-182-69 | | |
| | | Rear Left | | | | 83509 | D-182-69 | | | | |

For vehicles licensed in the state of California or Maine, or vehicles requiring CARB-compliant converters in the state of New York, the parts in this catalog must be installed as specifically listed. Parts cannot be substituted, nor can they be installed on California or Maine licensed vehicles not listed in this catalog.

OBDII PASSENGER CAR & TRUCK

| Years | Engine | Engine Family No. | Application | Position | Direct-Fit | | Universal Part No. | Executive Order | | |
|-----------------------------|----------------------------|----------------------------|----------------------------|----------------------------|----------------------------|--------------|---------------------------|---------------------------|--------------|----------|
| | | | | | Part No. | Hardware | | | | |
| CHEVROLET (Cont.) | | | | | | | | | | |
| Express 2500 (Cont.) | | | | | | | | | | |
| 2005 (Cont.) | 4.8L V8 | 5GMXA04.8172 | Executive Order # D-182-69 | Rear Right | | | 83509 | D-182-69 | | |
| | | | 5GMXT06.0191 | Executive Order # D-182-52 | Left | 81958 | 31718 | | D-182-52 | |
| | | | | Right | 81959 | 31610, 31571 | | D-182-52 | | |
| | | | | Front Left | | | 81724 | D-182-52 | | |
| | | | | Front Right | | | 81724 | D-182-52 | | |
| | | | | Rear Left | | | 81924 | D-182-52 | | |
| | | | | Rear Right | | | 81924 | D-182-52 | | |
| | | Executive Order # D-182-69 | Front Left | | | 83404 | D-182-69 | | | |
| | | | Front Right | | | 83404 | D-182-69 | | | |
| | | | Rear Left | | | 83509 | D-182-69 | | | |
| | | | Rear Right | | | 83509 | D-182-69 | | | |
| | | 5.3L V8 | 5GMXT05.3170 | Executive Order # D-182-47 | Left | | | 81713 | D-182-47 | |
| | | | | | Right | | | 81713 | D-182-47 | |
| | | | | Executive Order # D-182-52 | | | 81980 | 31554 (RH), 31718 (LH) | | D-182-52 |
| | Executive Order # D-182-69 | | | | | | 83589 | 31554, 31718 | D-182-69 | |
| | | | | Left | | | 83508 | D-182-69 | | |
| | | | | Right | | | 83508 | D-182-69 | | |
| | 5GMXT05.3174 | | Executive Order # D-182-52 | | | 81980 | 31554 (RH), 31718 (LH) | D-182-52 | | |
| | | | | Left | | | 81923 | D-182-52 | | |
| | | | | Right | | | 81923 | D-182-52 | | |
| | | | Executive Order # D-182-69 | | | 83589 | 31554, 31718 | D-182-69 | | |
| | | | | Left | | | 83508 | D-182-69 | | |
| | | | | Right | | | 83508 | D-182-69 | | |
| | 6.0L V8 | | 5GMXT06.0191 | Executive Order # D-182-52 | Left | 81958 | 31718 | | D-182-52 | |
| | | | | | Right | 81959 | 31610, 31571 | | D-182-52 | |
| | | Front Left | | | | | 81724 | D-182-52 | | |
| | | Front Right | | | | | 81724 | D-182-52 | | |
| | | Rear Left | | | | | 81924 | D-182-52 | | |
| Rear Right | | | | | | 81924 | D-182-52 | | | |
| Executive Order # D-182-69 | | Front Left | | | | 83404 | D-182-69 | | | |
| | | Front Right | | | | 83404 | D-182-69 | | | |
| | | Rear Left | | | | 83509 | D-182-69 | | | |
| | | Rear Right | | | | 83509 | D-182-69 | | | |
| 2004 | | 4.3L V6 | | 4GMXT04.3184 | Executive Order # D-182-47 | Left | | | 81918 | D-182-47 |
| | | | | | | Right | | | 81918 | D-182-47 |
| | | | | Executive Order # D-182-52 | | | 81980 | 31554 (RH), 31718 (LH) | | D-182-52 |
| | | | | | Executive Order # D-182-69 | | | 83589 | 31554, 31718 | D-182-69 |
| | | | Left | | | 83508 | D-182-69 | | | |
| | | | Right | | | 83508 | D-182-69 | | | |
| | 4.8L V8 | | 4GMXA04.8172 | Executive Order # D-182-52 | Left | 81958 | 31718 | | D-182-52 | |
| | | | | | Right | 81959 | 31610, 31571 | | D-182-52 | |
| | | | | Front Left | | | 81724 | D-182-52 | | |
| | | | | Front Right | | | 81724 | D-182-52 | | |

OBDII APPLICATIONS

NON-OBDII APPLICATIONS

NUMERICAL

UNIVERSAL SPECIFICATIONS

For vehicles licensed in the state of California or Maine, or vehicles requiring CARB-compliant converters in the state of New York, the parts in this catalog must be installed as specifically listed. Parts cannot be substituted, nor can they be installed on California or Maine licensed vehicles not listed in this catalog.

OBDII PASSENGER CAR & TRUCK

| Years | Engine | Engine Family No. | Application | Position | Direct-Fit | | Universal Part No. | Executive Order | | |
|-----------------------------|----------------------------|----------------------------|----------------------------|----------------------------|----------------------------|----------------------------|---------------------------|-----------------|--------------|----------|
| | | | | | Part No. | Hardware | | | | |
| CHEVROLET (Cont.) | | | | | | | | | | |
| Express 2500 (Cont.) | | | | | | | | | | |
| 2004 (Cont.) | 4.8L V8 | 4GMXA04.8172 | Executive Order # D-182-52 | Rear Left | | | 81924 | D-182-52 | | |
| | | | | Rear Right | | | 81924 | D-182-52 | | |
| | | | Executive Order # D-182-69 | Front Left | | | 83404 | D-182-69 | | |
| | | | | Front Right | | | 83404 | D-182-69 | | |
| | | | | Rear Left | | | 83509 | D-182-69 | | |
| | | | | Rear Right | | | 83509 | D-182-69 | | |
| | 5.3L V8 | 4GMXT05.3170 | Executive Order # D-182-47 | Left | | | 81918 | D-182-47 | | |
| | | | | Right | | | 81918 | D-182-47 | | |
| | | | Executive Order # D-182-52 | | 81980 | 31554 (RH), 31718 (LH) | | D-182-52 | | |
| | | | | Executive Order # D-182-69 | | 83589 | 31554, 31718 | | D-182-69 | |
| | | | Left | | | | 83508 | D-182-69 | | |
| | | | Right | | | | 83508 | D-182-69 | | |
| | | 4GMXT05.3174 | Executive Order # D-182-52 | | | 81980 | 31554 (RH), 31718 (LH) | | D-182-52 | |
| | | | | Left | | | 81923 | D-182-52 | | |
| | | | | Right | | | 81923 | D-182-52 | | |
| | | | Executive Order # D-182-69 | | 83589 | 31554, 31718 | | D-182-69 | | |
| | | | | Left | | | 83508 | D-182-69 | | |
| | | | | Right | | | 83508 | D-182-69 | | |
| 2003 | 4.3L V6 | 3GMXT04.3184 | Executive Order # D-182-52 | Left | | | 81923 | D-182-52 | | |
| | | | | Right | | | 81923 | D-182-52 | | |
| | | | Executive Order # D-182-69 | | 83589 | 31554, 31718 | | D-182-69 | | |
| | | | | Left | | | 83508 | D-182-69 | | |
| | | | | Right | | | 83508 | D-182-69 | | |
| | | | | 4.8L V8 | 3GMXA04.8172 | Executive Order # D-182-52 | Left | 81958 | 31718 | |
| | Right | 81959 | 31610, 31571 | | | | | D-182-52 | | |
| | Front Left | | | | | | 81724 | D-182-52 | | |
| | Front Right | | | | | | 81724 | D-182-52 | | |
| | Rear Left | | | | | | 81924 | D-182-52 | | |
| | Rear Right | | | | | | 81924 | D-182-52 | | |
| | Executive Order # D-182-69 | Front Left | | | | 83404 | D-182-69 | | | |
| | | Front Right | | | | 83404 | D-182-69 | | | |
| | | Rear Left | | | | 83509 | D-182-69 | | | |
| | | Rear Right | | | | 83509 | D-182-69 | | | |
| | | 5.3L V8 | 3GMXT05.3183 | | Executive Order # D-182-47 | Left | | | 81713 | D-182-47 |
| | | | | | | Right | | | 81713 | D-182-47 |
| | Executive Order # D-182-52 | | | | 81980 | 31554 (RH), 31718 (LH) | | D-182-52 | | |
| Executive Order # D-182-69 | | | | | 83589 | 31554, 31718 | | D-182-69 | | |
| | Left | | | | | 83508 | D-182-69 | | | |
| | Right | | | | | 83508 | D-182-69 | | | |
| | 3GMXT05.3184 | Executive Order # D-182-47 | Left | | | 81713 | D-182-47 | | | |
| Right | | | | | 81713 | D-182-47 | | | | |
| Executive Order # D-182-52 | | | 81980 | 31554 (RH), 31718 (LH) | | D-182-52 | | | | |
| Executive Order # D-182-69 | | | 83589 | 31554, 31718 | | D-182-69 | | | | |

For vehicles licensed in the state of California or Maine, or vehicles requiring CARB-compliant converters in the state of New York, the parts in this catalog must be installed as specifically listed. Parts cannot be substituted, nor can they be installed on California or Maine licensed vehicles not listed in this catalog.

OBDII PASSENGER CAR & TRUCK

| Years | Engine | Engine Family No. | Application | Position | Direct-Fit | | Universal Part No. | Executive Order | | |
|-----------------------------|------------|-------------------|----------------------------|----------------------------|----------------------------|------------------|--------------------|-----------------|----------|----------|
| | | | | | Part No. | Hardware | | | | |
| CHEVROLET (Cont.) | | | | | | | | | | |
| Express 2500 (Cont.) | | | | | | | | | | |
| 2003 (Cont.) | 5.3L V8 | 3GMXT05.3184 | Executive Order # D-182-69 | Left | | | 83508 | D-182-69 | | |
| | | | | Right | | | 83508 | D-182-69 | | |
| | 6.0L V8 | 3GMXA06.0189 | Executive Order # D-182-52 | Left | 81958 | 31718 | | | D-182-52 | |
| | | | | Right | 81959 | 31610, 31571 | | | D-182-52 | |
| | | | | Front Left | | | 81724 | | D-182-52 | |
| | | | | Front Right | | | 81724 | | D-182-52 | |
| | | | | Rear Left | | | 81924 | | D-182-52 | |
| | | | | Rear Right | | | 81924 | | D-182-52 | |
| | | | | Executive Order # D-182-69 | Front Left | | | 83404 | | D-182-69 |
| | | | | | Front Right | | | 83404 | | D-182-69 |
| | Rear Left | | | | 83509 | | D-182-69 | | | |
| | Rear Right | | | | 83509 | | D-182-69 | | | |
| | 2002 | 4.3L V6 | 2GMXA04.3192 | Executive Order # D-182-47 | | | | 81919 | D-182-47 | |
| | | | | Executive Order # D-182-52 | | 81954 | 31588 (2), 31574 | | D-182-52 | |
| 5.0L V8 | | 2GMXT05.0181 | Executive Order # D-182-47 | | | | 81919 | D-182-47 | | |
| | | | Executive Order # D-182-52 | | 81954 | 31588 (2), 31574 | | D-182-52 | | |
| | | | Executive Order # D-182-69 | | | | 83509 | D-182-69 | | |
| | | | 2GMXT05.0182 | Executive Order # D-182-47 | | | 81919 | D-182-47 | | |
| | | | | Executive Order # D-182-52 | | 81954 | 31588 (2), 31574 | D-182-52 | | |
| | | | | Executive Order # D-182-69 | | | 83509 | D-182-69 | | |
| 5.7L V8 | | 2GMXA06.0188 | Executive Order # D-182-52 | Front Left | | | 81724 | D-182-52 | | |
| | | | | Front Right | | | 81724 | D-182-52 | | |
| | | | | Rear Left | | | 81924 | D-182-52 | | |
| | | | | Rear Right | | | 81924 | D-182-52 | | |
| | | | Executive Order # D-182-69 | Front Left | | | 83404 | D-182-69 | | |
| | | | | Front Right | | | 83404 | D-182-69 | | |
| | | | | Rear Left | | | 83509 | D-182-69 | | |
| | | | | Rear Right | | | 83509 | D-182-69 | | |
| | | | | 2GMXA06.0194 | Executive Order # D-182-47 | Left | | 81713 | D-182-47 | |
| | | | | | | Right | | 81713 | D-182-47 | |
| Executive Order # D-182-69 | Left | | 83403 | | D-182-69 | | | | | |
| | Right | | 83403 | | D-182-69 | | | | | |
| 2001 | 4.3L V6 | 1GMXA04.3192 | Executive Order # D-182-47 | | | | 81919 | D-182-47 | | |
| | | | Executive Order # D-182-52 | | 81954 | 31588 (2), 31574 | | D-182-52 | | |
| | 5.0L V8 | 1GMXT05.0181 | Executive Order # D-182-47 | | | | 81919 | D-182-47 | | |
| | | | Executive Order # D-182-52 | | 81954 | 31588 (2), 31574 | | D-182-52 | | |
| | | | 1GMXT05.0182 | Executive Order # D-182-47 | | | 81919 | D-182-47 | | |
| | | | | Executive Order # D-182-52 | | 81954 | 31588 (2), 31574 | D-182-52 | | |
| | 5.7L V8 | 1GMXA06.0188 | Executive Order # D-182-52 | Front Left | | | 81724 | D-182-52 | | |
| | | | | Front Right | | | 81724 | D-182-52 | | |
| | | | | Rear Left | | | 81924 | D-182-52 | | |
| | | | | Rear Right | | | 81924 | D-182-52 | | |
| | | | Executive Order # D-182-69 | Front Left | | | 83404 | D-182-69 | | |
| | | | | Front Right | | | 83404 | D-182-69 | | |

OBDII APPLICATIONS

NON-OBDII APPLICATIONS

NUMERICAL

UNIVERSAL SPECIFICATIONS

For vehicles licensed in the state of California or Maine, or vehicles requiring CARB-compliant converters in the state of New York, the parts in this catalog must be installed as specifically listed. Parts cannot be substituted, nor can they be installed on California or Maine licensed vehicles not listed in this catalog.

OBDII PASSENGER CAR & TRUCK

| Years | Engine | Engine Family No. | Application | Position | Direct-Fit | | Universal Part No. | Executive Order | |
|-----------------------------|----------------------------|----------------------------|----------------------------|----------------------------|--------------|--------------|--------------------|-----------------|----------|
| | | | | | Part No. | Hardware | | | |
| CHEVROLET (Cont.) | | | | | | | | | |
| Express 2500 (Cont.) | | | | | | | | | |
| 2001 (Cont.) | 5.7L V8 | 1GMXA06.0188 | Executive Order # D-182-69 | Rear Left | | | 83509 | D-182-69 | |
| | | | | Rear Right | | | 83509 | D-182-69 | |
| | | 1GMXA06.0194 | Executive Order # D-182-47 | Left | | | 81713 | D-182-47 | |
| | | | | Right | | | 81713 | D-182-47 | |
| | | | Executive Order # D-182-69 | Left | | | 83403 | D-182-69 | |
| Right | | | | 83403 | D-182-69 | | | | |
| 2000 | 4.3L V6 | YGMXA04.3192 | Executive Order # D-182-52 | Front | | | 81724 | D-182-52 | |
| | | | | Rear | | | 81924 | D-182-52 | |
| | | | Executive Order # D-182-69 | Front | | | 83404 | D-182-69 | |
| | 5.0L V8 | YGMXT05.7189 | Executive Order # D-182-47 | | | | 81919 | D-182-47 | |
| | | | | Executive Order # D-182-52 | | 81954 | 31588 (2), 31574 | | D-182-52 |
| | | | Executive Order # D-182-69 | | | | 83509 | D-182-69 | |
| | 5.7L V8 | YGMXA05.7185 | Executive Order # D-182-47 | Left | | | 81713 | D-182-47 | |
| | | | | Right | | | 81713 | D-182-47 | |
| | | | Executive Order # D-182-69 | Left | | | 83403 | D-182-69 | |
| | | | | Right | | | 83403 | D-182-69 | |
| | | | YGMXA05.7191 | Executive Order # D-182-52 | Left | | | 81924 | D-182-52 |
| | | | | | Right | | | 81924 | D-182-52 |
| | Executive Order # D-182-69 | Left | | | | 83509 | D-182-69 | | |
| | | Right | | | | 83509 | D-182-69 | | |
| | 1999 | 4.3L V6 | XGMXA04.3192 | Executive Order # D-182-47 | | | | 81919 | D-182-47 |
| | | 5.0L V8 | XGMXA05.0182 | Executive Order # D-182-47 | | | | 81919 | D-182-47 |
| | | | | Executive Order # D-182-69 | | | | 83509 | D-182-69 |
| XGMXA05.0184 | | | | Executive Order # D-182-47 | | | | 81919 | D-182-47 |
| | | Executive Order # D-182-69 | | | | 83509 | D-182-69 | | |
| 5.7L V8 | | XGMXA05.7184 | Executive Order # D-182-47 | Left | | | 81918 | D-182-47 | |
| | | | | Right | | | 81918 | D-182-47 | |
| | | | Executive Order # D-182-69 | Left | | | 83508 | D-182-69 | |
| | | | | Right | | | 83508 | D-182-69 | |
| | | | XGMXA05.7187 | Executive Order # D-182-52 | Left | | | 81924 | D-182-52 |
| | | | | | Right | | | 81924 | D-182-52 |
| Executive Order # D-182-69 | | Left | | | | 83509 | D-182-69 | | |
| | | Right | | | 83509 | D-182-69 | | | |
| 1998 | 4.3L V6 | WGMXA04.3192 | Executive Order # D-182-47 | | | | 81919 | D-182-47 | |
| | 5.0L V8 | WGMXA05.0182 | Executive Order # D-182-47 | | | | 81919 | D-182-47 | |
| | | | Executive Order # D-182-69 | | | | 83509 | D-182-69 | |
| | | | WGMXA05.0184 | Executive Order # D-182-47 | | | | 81919 | D-182-47 |
| | Executive Order # D-182-69 | | | | | 83509 | D-182-69 | | |
| | 5.7L V8 | WGMXA05.7184 | Executive Order # D-182-47 | Left | | | 81918 | D-182-47 | |
| | | | | Right | | | 81918 | D-182-47 | |
| | | | Executive Order # D-182-69 | Left | | | 83508 | D-182-69 | |
| | | | | Right | | | 83508 | D-182-69 | |
| | | | WGMXA05.7187 | Executive Order # D-182-52 | Left | | | 81924 | D-182-52 |
| | | | | | Right | | | 81924 | D-182-52 |
| Executive Order # D-182-69 | Left | | | | 83509 | D-182-69 | | | |

For vehicles licensed in the state of California or Maine, or vehicles requiring CARB-compliant converters in the state of New York, the parts in this catalog must be installed as specifically listed. Parts cannot be substituted, nor can they be installed on California or Maine licensed vehicles not listed in this catalog.

OBDII PASSENGER CAR & TRUCK

| Years | Engine | Engine Family No. | Application | Position | Direct-Fit | | Universal Part No. | Executive Order |
|-----------------------------|--------------|----------------------------|----------------------------|-------------|--------------|--------------|--------------------|-----------------|
| | | | | | Part No. | Hardware | | |
| CHEVROLET (Cont.) | | | | | | | | |
| Express 2500 (Cont.) | | | | | | | | |
| 1998 (Cont.) | 5.7L V8 | WGMXA05.7187 | Executive Order # D-182-69 | Right | | | 83509 | D-182-69 |
| 1997 | 4.3L V6 | VGM4.3HPG1EK | Executive Order # D-182-47 | | | | 81919 | D-182-47 |
| | | VGM4.3JPG1EK | Executive Order # D-182-47 | | | | 81919 | D-182-47 |
| | 5.0L V8 | VGM5.0JPG1EK | Executive Order # D-182-47 | | | | 81919 | D-182-47 |
| | | | Executive Order # D-182-69 | | | | 83509 | D-182-69 |
| | 5.7L V8 | VGM5.7JPG1EK | Executive Order # D-182-52 | Left | | | 81924 | D-182-52 |
| | | | | Right | | | 81924 | D-182-52 |
| | | Executive Order # D-182-69 | Left | | | 83509 | D-182-69 | |
| | | | Right | | | 83509 | D-182-69 | |
| | | VGM5.7JPG1GK | Executive Order # D-182-47 | Left | | | 81918 | D-182-47 |
| | | | | Right | | | 81918 | D-182-47 |
| | | Executive Order # D-182-69 | Left | | | 83508 | D-182-69 | |
| | | | Right | | | 83508 | D-182-69 | |
| 1996 | 4.3L V6 | TGM4.35PGFEK | Executive Order # D-182-47 | | | | 81919 | D-182-47 |
| | | TGM4.38PGBEK | Executive Order # D-182-47 | | | | 81919 | D-182-47 |
| | 5.0L V8 | TGM5.0HPG1EK | Executive Order # D-182-47 | | | | 81919 | D-182-47 |
| | | | Executive Order # D-182-69 | | | | 83509 | D-182-69 |
| | | | Executive Order # D-182-47 | | | | 81919 | D-182-47 |
| | | | Executive Order # D-182-69 | | | | 83509 | D-182-69 |
| | 5.7L V8 | TGM5.76PGFEK | Executive Order # D-182-47 | Left | | | 81918 | D-182-47 |
| | | | | Right | | | 81918 | D-182-47 |
| | | Executive Order # D-182-69 | Left | | | 83508 | D-182-69 | |
| | | | Right | | | 83508 | D-182-69 | |
| | | TGM5.7JPG1EK | Executive Order # D-182-52 | Left | | | 81924 | D-182-52 |
| | | | | Right | | | 81924 | D-182-52 |
| | | Executive Order # D-182-69 | Left | | | 83509 | D-182-69 | |
| | | | Right | | | 83509 | D-182-69 | |
| Express 3500 | | | | | | | | |
| 2007 | 4.8L V8 | 7GMXH04.8581 | Executive Order # D-182-69 | Left | | | 83509 | D-182-69 |
| | | | | Right | | | 83509 | D-182-69 |
| | 6.0L V8 | 7GMXH06.0583 | Executive Order # D-182-69 | Left | | | 83404 | D-182-69 |
| | | | | Right | | | 83404 | D-182-69 |
| 2006 | 4.8L V8 | 6GMXH04.8581 | Executive Order # D-182-69 | Left | | | 83509 | D-182-69 |
| | | | | Right | | | 83509 | D-182-69 |
| | 6GMXH04.8591 | Executive Order # D-182-69 | Left | | | 83509 | D-182-69 | |
| | | | Right | | | 83509 | D-182-69 | |
| | 6.0L V8 | 6GMXH06.0583 | Executive Order # D-182-69 | Left | | | 83404 | D-182-69 |
| | | | | Right | | | 83404 | D-182-69 |
| | 6GMXH06.0593 | Executive Order # D-182-69 | Left | | | 83404 | D-182-69 | |
| | | | Right | | | 83404 | D-182-69 | |
| 2005 | 4.8L V8 | 5GMXA04.8172 | Executive Order # D-182-52 | Left | 81958 | 31718 | | D-182-52 |
| | | | | Right | 81959 | 31610, 31571 | | D-182-52 |
| | | | | Front Left | | | 81724 | D-182-52 |
| | | | | Front Right | | | 81724 | D-182-52 |
| | | | | Rear Left | | | 81924 | D-182-52 |

For vehicles licensed in the state of California or Maine, or vehicles requiring CARB-compliant converters in the state of New York, the parts in this catalog must be installed as specifically listed. Parts cannot be substituted, nor can they be installed on California or Maine licensed vehicles not listed in this catalog.

OBDII APPLICATIONS

NON-OBDII APPLICATIONS

NUMERICAL

UNIVERSAL SPECIFICATIONS

OBDII PASSENGER CAR & TRUCK

| Years | Engine | Engine Family No. | Application | Position | Direct-Fit | | Universal Part No. | Executive Order | | |
|-----------------------------|-------------|-------------------|----------------------------|----------------------------|----------------------------|--------------|--------------------|-----------------|--------------|----------|
| | | | | | Part No. | Hardware | | | | |
| CHEVROLET (Cont.) | | | | | | | | | | |
| Express 3500 (Cont.) | | | | | | | | | | |
| 2005 (Cont.) | 4.8L V8 | 5GMXA04.8172 | Executive Order # D-182-52 | Rear Right | | | 81924 | D-182-52 | | |
| | | | | Front Left | | | 83404 | D-182-69 | | |
| | | | Executive Order # D-182-69 | Front Right | | | 83404 | D-182-69 | | |
| | | | | Rear Left | | | 83509 | D-182-69 | | |
| | | | | Rear Right | | | 83509 | D-182-69 | | |
| | | 5GMXH04.8581 | Executive Order # D-182-69 | Left | | | 83509 | D-182-69 | | |
| | | | | Right | | | 83509 | D-182-69 | | |
| | | 5GMXT06.0191 | Executive Order # D-182-52 | Left | 81958 | 31718 | | D-182-52 | | |
| | | | | Right | 81959 | 31610, 31571 | | D-182-52 | | |
| | | | | Front Left | | | 81724 | D-182-52 | | |
| | | | | Front Right | | | 81724 | D-182-52 | | |
| | | | | Rear Left | | | 81924 | D-182-52 | | |
| | | | | Rear Right | | | 81924 | D-182-52 | | |
| | | | | Executive Order # D-182-69 | Front Left | | | 83404 | D-182-69 | |
| | Front Right | | | | | | 83404 | D-182-69 | | |
| | Rear Left | | | | | | 83509 | D-182-69 | | |
| | Rear Right | | | | | | 83509 | D-182-69 | | |
| | 6.0L V8 | 5GMXH06.0583 | Executive Order # D-182-69 | Left | | | 83404 | D-182-69 | | |
| | | | | Right | | | 83404 | D-182-69 | | |
| | | 5GMXT06.0191 | Executive Order # D-182-52 | Left | 81958 | 31718 | | D-182-52 | | |
| | | | | Right | 81959 | 31610, 31571 | | D-182-52 | | |
| | | | | Front Left | | | 81724 | D-182-52 | | |
| | | | | Front Right | | | 81724 | D-182-52 | | |
| | | | | Rear Left | | | 81924 | D-182-52 | | |
| | | | | Rear Right | | | 81924 | D-182-52 | | |
| | | | | Executive Order # D-182-69 | Front Left | | | 83404 | D-182-69 | |
| | | | | | Front Right | | | 83404 | D-182-69 | |
| | | | | | Rear Left | | | 83509 | D-182-69 | |
| Rear Right | | | | | | | 83509 | D-182-69 | | |
| 2004 | | 6.0L V8 | 4GMXH06.0583 | Executive Order # D-182-69 | Left | | | 83404 | D-182-69 | |
| | | | | | Right | | | 83404 | D-182-69 | |
| 2003 | 6.0L V8 | 3GMXA06.0189 | Executive Order # D-182-52 | Left | 81958 | 31718 | | D-182-52 | | |
| | | | | Right | 81959 | 31610, 31571 | | D-182-52 | | |
| | | | | Front Left | | | 81724 | D-182-52 | | |
| | | | | Front Right | | | 81724 | D-182-52 | | |
| | | | | Rear Left | | | 81924 | D-182-52 | | |
| | | | | Rear Right | | | 81924 | D-182-52 | | |
| | | | | Executive Order # D-182-69 | Front Left | | | 83404 | D-182-69 | |
| | | | | | Front Right | | | 83404 | D-182-69 | |
| | | | | | Rear Left | | | 83509 | D-182-69 | |
| | | | | | Rear Right | | | 83509 | D-182-69 | |
| | | 3GMXH06.0583 | Executive Order # D-182-69 | Left | | | 83404 | D-182-69 | | |
| | | | | Right | | | 83404 | D-182-69 | | |
| | | 2002 | 5.7L V8 | 2GMXA06.0188 | Executive Order # D-182-52 | Front Left | | | 81724 | D-182-52 |
| | | | | | | Front Right | | | 81724 | D-182-52 |

For vehicles licensed in the state of California or Maine, or vehicles requiring CARB-compliant converters in the state of New York, the parts in this catalog must be installed as specifically listed. Parts cannot be substituted, nor can they be installed on California or Maine licensed vehicles not listed in this catalog.

OBDII PASSENGER CAR & TRUCK

| Years | Engine | Engine Family No. | Application | Position | Direct-Fit | | Universal Part No. | Executive Order | |
|-----------------------------|---------|-------------------|----------------------------|----------------------------|------------|--------------|--------------------|-----------------|----------|
| | | | | | Part No. | Hardware | | | |
| CHEVROLET (Cont.) | | | | | | | | | |
| Express 3500 (Cont.) | | | | | | | | | |
| 2002 (Cont.) | 5.7L V8 | 2GMXA06.0188 | Executive Order # D-182-52 | Rear Left | | | 81924 | D-182-52 | |
| | | | | Rear Right | | | 81924 | D-182-52 | |
| | | | Executive Order # D-182-69 | Front Left | | | 83404 | D-182-69 | |
| | | | | Front Right | | | 83404 | D-182-69 | |
| | | | | Rear Left | | | 83509 | D-182-69 | |
| | | | | Rear Right | | | 83509 | D-182-69 | |
| | | | 2GMXH05.7582 | Executive Order # D-182-69 | Left | | | 83509 | D-182-69 |
| | | | | | Right | | | 83509 | D-182-69 |
| | 8.1L V8 | 2GMXA08.1201 | Executive Order # D-182-52 | Front Left | | | 81724 | D-182-52 | |
| | | | | Front Right | | | 81724 | D-182-52 | |
| | | | | Rear Left | | | 81724 | D-182-52 | |
| | | | | Rear Right | | | 81724 | D-182-52 | |
| | | | Executive Order # D-182-69 | Front Left | | | 83404 | D-182-69 | |
| | | | | Front Right | | | 83404 | D-182-69 | |
| Rear Left | | | | | | 83404 | D-182-69 | | |
| Rear Right | | | | | | 83404 | D-182-69 | | |
| 2001 | 5.7L V8 | 1GMXA06.0188 | Executive Order # D-182-52 | Front Left | | | 81724 | D-182-52 | |
| | | | | Front Right | | | 81724 | D-182-52 | |
| | | | | Rear Left | | | 81924 | D-182-52 | |
| | | | | Rear Right | | | 81924 | D-182-52 | |
| | | | Executive Order # D-182-69 | Front Left | | | 83404 | D-182-69 | |
| | | | | Front Right | | | 83404 | D-182-69 | |
| | | | | Rear Left | | | 83509 | D-182-69 | |
| | | | | Rear Right | | | 83509 | D-182-69 | |
| | 8.1L V8 | 1GMXA08.1202 | Executive Order # D-182-47 | Left | | | 81919 | D-182-47 | |
| | | | | Right | | | 81919 | D-182-47 | |
| | | | Executive Order # D-182-69 | Left | | | 83509 | D-182-69 | |
| | | | | Right | | | 83509 | D-182-69 | |
| 2000 | 5.7L V8 | YGMXA05.7191 | Executive Order # D-182-47 | Left | | | 81919 | D-182-47 | |
| | | | | Right | | | 81919 | D-182-47 | |
| | | | Executive Order # D-182-69 | Left | | | 83509 | D-182-69 | |
| | | | | Right | | | 83509 | D-182-69 | |
| | 7.4L V8 | YGMXA07.4201 | Executive Order # D-182-47 | Left | | | 81919 | D-182-47 | |
| | | | | Right | | | 81919 | D-182-47 | |
| | | | Executive Order # D-182-69 | Left | | | 83509 | D-182-69 | |
| | | | | Right | | | 83509 | D-182-69 | |
| 1999 | 5.7L V8 | XGMXA05.7187 | Executive Order # D-182-47 | Left | | | 81919 | D-182-47 | |
| | | | | Right | | | 81919 | D-182-47 | |
| | | | Executive Order # D-182-69 | Left | | | 83509 | D-182-69 | |
| | | | | Right | | | 83509 | D-182-69 | |
| | 7.4L V8 | XGMXA07.4201 | Executive Order # D-182-47 | Left | | | 81919 | D-182-47 | |
| | | | | Right | | | 81919 | D-182-47 | |
| | | | Executive Order # D-182-69 | Left | | | 83509 | D-182-69 | |
| | | | | Right | | | 83509 | D-182-69 | |
| 1998 | 5.7L V8 | WGMXA05.7187 | Executive Order # D-182-47 | Left | | | 81919 | D-182-47 | |

OBDII APPLICATIONS

NON-OBDII APPLICATIONS

NUMERICAL

UNIVERSAL SPECIFICATIONS

For vehicles licensed in the state of California or Maine, or vehicles requiring CARB-compliant converters in the state of New York, the parts in this catalog must be installed as specifically listed. Parts cannot be substituted, nor can they be installed on California or Maine licensed vehicles not listed in this catalog.

OBDII PASSENGER CAR & TRUCK

| Years | Engine | Engine Family No. | Application | Position | Direct-Fit | | Universal Part No. | Executive Order |
|-----------------------------|----------------------------|----------------------------|----------------------------|----------|--------------|--------------|--------------------|-----------------|
| | | | | | Part No. | Hardware | | |
| CHEVROLET (Cont.) | | | | | | | | |
| Express 3500 (Cont.) | | | | | | | | |
| 1998 (Cont.) | 5.7L V8 | WGMXA05.7187 | Executive Order # D-182-47 | Right | | | 81919 | D-182-47 |
| | | | Executive Order # D-182-69 | Left | | | 83509 | D-182-69 |
| | | | | Right | | | 83509 | D-182-69 |
| | 7.4L V8 | WGMXA07.4201 | Executive Order # D-182-47 | Left | | | 81919 | D-182-47 |
| | | | | Right | | | 81919 | D-182-47 |
| | | | Executive Order # D-182-69 | Left | | | 83509 | D-182-69 |
| | | | Right | | | 83509 | D-182-69 | |
| 1997 | 5.7L V8 | VGM5.7JPG1EK | Executive Order # D-182-47 | Left | | | 81919 | D-182-47 |
| | | | | Right | | | 81919 | D-182-47 |
| | | | Executive Order # D-182-69 | Left | | | 83509 | D-182-69 |
| | | Right | | | 83509 | D-182-69 | | |
| | 7.4L V8 | VGM7.4J8G1EK | Executive Order # D-182-47 | Left | | | 81919 | D-182-47 |
| | | | | Right | | | 81919 | D-182-47 |
| Executive Order # D-182-69 | | | Left | | | 83509 | D-182-69 | |
| | | | Right | | | 83509 | D-182-69 | |
| 1996 | 5.7L V8 | TGM5.7CPGAEA | Executive Order # D-182-69 | Left | | | 83509 | D-182-69 |
| | | | | Right | | | 83509 | D-182-69 |
| | | TGM5.7JPG1EK | Executive Order # D-182-47 | Left | | | 81919 | D-182-47 |
| | | | | Right | | | 81919 | D-182-47 |
| | Executive Order # D-182-69 | Left | | | 83509 | D-182-69 | | |
| | | Right | | | 83509 | D-182-69 | | |
| | 7.4L V8 | TGM7.4J8G1EK | Executive Order # D-182-47 | Left | | | 81919 | D-182-47 |
| | | | | Right | | | 81919 | D-182-47 |
| | | | Executive Order # D-182-69 | Left | | | 83509 | D-182-69 |
| | | | Right | | | 83509 | D-182-69 | |
| G30 | | | | | | | | |
| 1996 | 5.7L V8 | TGM5.7CPGAEA | Executive Order # D-182-69 | Left | | | 83509 | D-182-69 |
| | | | | Right | | | 83509 | D-182-69 |
| | | TGM5.7JPG1EK | Executive Order # D-182-47 | Left | | | 81919 | D-182-47 |
| | | | | Right | | | 81919 | D-182-47 |
| | Executive Order # D-182-69 | Left | | | 83509 | D-182-69 | | |
| | | Right | | | 83509 | D-182-69 | | |
| | 7.4L V8 | TGM7.4J8G1EK | Executive Order # D-182-47 | Left | | | 81919 | D-182-47 |
| | | | | Right | | | 81919 | D-182-47 |
| Executive Order # D-182-69 | | | Left | | | 83509 | D-182-69 | |
| | | | Right | | | 83509 | D-182-69 | |
| GP3500 | | | | | | | | |
| 1996 | 5.7L V8 | TGM5.7CPGAEA | Executive Order # D-182-69 | Left | | | 83509 | D-182-69 |
| HHR | | | | | | | | |
| 2009 | 2.0L L4 | 9GMXV02.0021 | Executive Order # D-182-63 | Front | | | 83302 | D-182-63 |
| | | | | | | | | |
| | 2.2L L4 | 9GMXV02.4033 | Executive Order # D-182-62 | Front | | | 83101 | D-182-62 |
| | | | | Rear | | | 83205 | D-182-62 |
| 2.4L L4 | 9GMXV02.4033 | Executive Order # D-182-62 | Front | | | 83101 | D-182-62 | |
| | | | Rear | | | 83205 | D-182-62 | |
| 2008 | 2.0L L4 | 8GMXV02.0021 | Executive Order # D-182-63 | Front | | | 83302 | D-182-63 |

For vehicles licensed in the state of California or Maine, or vehicles requiring CARB-compliant converters in the state of New York, the parts in this catalog must be installed as specifically listed. Parts cannot be substituted, nor can they be installed on California or Maine licensed vehicles not listed in this catalog.

OBDII PASSENGER CAR & TRUCK

| Years | Engine | Engine Family No. | Application | Position | Direct-Fit | | Universal Part No. | Executive Order | |
|--------------------------|--------------|----------------------------|----------------------------|--------------|--------------|------------------|--------------------|-----------------|----------|
| | | | | | Part No. | Hardware | | | |
| CHEVROLET (Cont.) | | | | | | | | | |
| HHR (Cont.) | | | | | | | | | |
| 2008 (Cont.) | 2.2L L4 | 8GMXV02.4032 | Executive Order # D-182-62 | Front | | | 83101 | D-182-62 | |
| | | | | Rear | | | 83205 | D-182-62 | |
| | 2.4L L4 | 8GMXV02.4032 | Executive Order # D-182-62 | Front | | | 83101 | D-182-62 | |
| | | | | Rear | | | 83205 | D-182-62 | |
| 2007 | 2.2L L4 | 7GMXV02.4029 | Executive Order # D-182-64 | | 82891 | 31643, 31311 | 82809 | D-182-64 | |
| | 2.4L L4 | 7GMXV02.4029 | Executive Order # D-182-64 | | | | 82809 | D-182-64 | |
| 2006 | 2.2L L4 | 6GMXV02.4029 | Executive Order # D-182-64 | | 82891 | 31643, 31311 | 82809 | D-182-64 | |
| | 2.4L L4 | 6GMXV02.4029 | Executive Order # D-182-64 | | | | 82809 | D-182-64 | |
| Impala | | | | | | | | | |
| 2006 | 3.5L V6 | 6GMXV03.5051 | Executive Order # D-182-57 | | | | 82617 | D-182-57 | |
| 2005 | 3.8L V6 | 5GMXV03.8041 | Executive Order # D-182-57 | | | | 82618 | D-182-57 | |
| 2004 | 3.8L V6 | 4GMXV03.8041 | Executive Order # D-182-57 | | | | 82618 | D-182-57 | |
| 2003 | 3.4L V6 | 3GMXV03.8044 | Executive Order # D-182-57 | | | | 82618 | D-182-57 | |
| | 3.8L V6 | 3GMXV03.8044 | Executive Order # D-182-57 | | | | 82618 | D-182-57 | |
| 2002 | 3.4L V6 | 2GMXV03.8043 | Executive Order # D-182-45 | | 81760 | 31602, 31532 | | D-182-45 | |
| | | | Executive Order # D-182-57 | | | | 82618 | D-182-57 | |
| | 3.8L V6 | 2GMXV03.8043 | Executive Order # D-182-45 | | 81758 | 31605, 31578 | | D-182-45 | |
| | | | Executive Order # D-182-57 | | | | 82618 | D-182-57 | |
| | 2GMXV03.8044 | Executive Order # D-182-67 | | 82994 | 31605, 31532 | 82904 | D-182-67 | | |
| 2001 | 3.4L V6 | 1GMXV03.8043 | Executive Order # D-182-45 | | 81760 | 31602, 31532 | | D-182-45 | |
| | | | Executive Order # D-182-57 | | | | 82618 | D-182-57 | |
| | 3.8L V6 | 1GMXV03.8044 | Executive Order # D-182-67 | | 82994 | 31605, 31532 | 82904 | D-182-67 | |
| 2000 | 3.4L V6 | YGMXV03.8043 | Executive Order # D-182-45 | | 81760 | 31602, 31532 | | D-182-45 | |
| | | | Executive Order # D-182-57 | | | | 82618 | D-182-57 | |
| | 3.8L V6 | YGMXV03.8044 | Executive Order # D-182-67 | | 82994 | 31605, 31532 | 82904 | D-182-67 | |
| YGMXV03.8901 | | | Executive Order # D-182-67 | | 82994 | 31605, 31532 | 82904 | D-182-67 | |
| 1996 | 5.7L V8 | TGM5.7V8GFEK | Executive Order # D-182-58 | Left | | | 82529 | D-182-58 | |
| | | | | Right | | | 82529 | D-182-58 | |
| K1500 | | | | | | | | | |
| 1999 | 5.0L V8 | XGMXA05.0182 | Executive Order # D-182-47 | | | | 81919 | D-182-47 | |
| | | | Executive Order # D-182-69 | | | | 83509 | D-182-69 | |
| | | XGMXA05.0184 | Executive Order # D-182-47 | | | | 81919 | D-182-47 | |
| | | | Executive Order # D-182-69 | | | | 83509 | D-182-69 | |
| | 5.7L V8 | XGMXA05.7182 | Executive Order # D-182-47 | Left | | | | 81916 | D-182-47 |
| | | | | Right | | | 81916 | D-182-47 | |
| | | | Executive Order # D-182-52 | | 81961 | 31588 (2), 31575 | | D-182-52 | |
| | | | Executive Order # D-182-69 | Left | | | 83506 | D-182-69 | |
| | | | Right | | | 83506 | D-182-69 | | |
| 1998 | 4.3L V6 | WGMXA04.3190 | Executive Order # D-182-47 | | | | 81919 | D-182-47 | |
| | | | Executive Order # D-182-52 | | 81948 | 31588 (2), 31574 | | D-182-52 | |
| | | | Executive Order # D-182-69 | | | | 83509 | D-182-69 | |
| | 5.0L V8 | WGMXA05.0182 | Executive Order # D-182-47 | | | | 81919 | D-182-47 | |
| | | | Executive Order # D-182-52 | | 81948 | 31588 (2), 31574 | | D-182-52 | |
| | | | Executive Order # D-182-69 | | | | 83509 | D-182-69 | |
| | WGMXA05.0184 | Executive Order # D-182-47 | | | | 81919 | D-182-47 | | |

For vehicles licensed in the state of California or Maine, or vehicles requiring CARB-compliant converters in the state of New York, the parts in this catalog must be installed as specifically listed. Parts cannot be substituted, nor can they be installed on California or Maine licensed vehicles not listed in this catalog.

OBDII APPLICATIONS

NON-OBDII APPLICATIONS

NUMERICAL

UNIVERSAL SPECIFICATIONS

OBDII PASSENGER CAR & TRUCK

| Years | Engine | Engine Family No. | Application | Position | Direct-Fit | | Universal Part No. | Executive Order | | |
|----------------------------|----------------------------|----------------------------|----------------------------|----------------------------|------------------|------------------|--------------------|-----------------|--------------|----------|
| | | | | | Part No. | Hardware | | | | |
| CHEVROLET (Cont.) | | | | | | | | | | |
| K1500 (Cont.) | | | | | | | | | | |
| 1998 (Cont.) | 5.0L V8 | WGMXA05.0184 | Executive Order # D-182-52 | | 81948 | 31588 (2), 31574 | | D-182-52 | | |
| | | | Executive Order # D-182-69 | | | | 83509 | D-182-69 | | |
| | 5.7L V8 | WGMXA05.7182 | Executive Order # D-182-47 | Left | | | | 81916 | D-182-47 | |
| | | | | Right | | | | 81916 | D-182-47 | |
| | | | Executive Order # D-182-52 | | 81961 | 31588 (2), 31575 | | | D-182-52 | |
| | | | | Executive Order # D-182-69 | Left | | | | 83506 | D-182-69 |
| | | | Right | | | | | 83506 | D-182-69 | |
| | | | WGMXA05.7184 | Executive Order # D-182-47 | Left | | | | 81916 | D-182-47 |
| | | | | | Right | | | | 81916 | D-182-47 |
| | | | | Executive Order # D-182-52 | | 81961 | 31588 (2), 31575 | | | D-182-52 |
| | Executive Order # D-182-69 | Left | | | | | | 83506 | D-182-69 | |
| | | Right | | | | 83506 | D-182-69 | | | |
| | 1997 | 4.3L V6 | VGM4.3HPG1EK | Executive Order # D-182-47 | | | | 81919 | D-182-47 | |
| | | | | Executive Order # D-182-52 | | 81948 | 31588 (2), 31574 | | D-182-52 | |
| Executive Order # D-182-69 | | | | | | | 83509 | D-182-69 | | |
| 5.0L V8 | | VGM5.0HPG1EK | Executive Order # D-182-47 | | | | 81919 | D-182-47 | | |
| | | | Executive Order # D-182-52 | | 81948 | 31588 (2), 31574 | | D-182-52 | | |
| | | | Executive Order # D-182-69 | | | | 83509 | D-182-69 | | |
| | | VGM5.0JPG1EK | Executive Order # D-182-47 | | | | 81919 | D-182-47 | | |
| | | | Executive Order # D-182-52 | | 81948 | 31588 (2), 31574 | | D-182-52 | | |
| | | | Executive Order # D-182-69 | | | | 83509 | D-182-69 | | |
| 5.7L V8 | | VGM5.7HPG1EK | Executive Order # D-182-47 | Left | | | | 81916 | D-182-47 | |
| | | | | Right | | | | 81916 | D-182-47 | |
| | | | Executive Order # D-182-52 | | 81961 | 31588 (2), 31575 | | | D-182-52 | |
| | | | | Executive Order # D-182-69 | Left | | | | 83506 | D-182-69 |
| | | | Right | | | | | 83506 | D-182-69 | |
| | VGM5.7JPG1GK | | Executive Order # D-182-47 | Left | | | | 81916 | D-182-47 | |
| | | Right | | | | | 81916 | D-182-47 | | |
| | | Executive Order # D-182-52 | | 81961 | 31588 (2), 31575 | | | D-182-52 | | |
| | Executive Order # D-182-69 | | Left | | | | 83506 | D-182-69 | | |
| Right | | | | | 83506 | D-182-69 | | | | |
| 1996 | 4.3L V6 | TGM4.35PGFEK | Executive Order # D-182-47 | | | | 81919 | D-182-47 | | |
| | | | Executive Order # D-182-52 | | 81948 | 31588 (2), 31574 | | D-182-52 | | |
| | | | Executive Order # D-182-69 | | | | 83509 | D-182-69 | | |
| | 5.0L V8 | TGM5.0HPG1EK | Executive Order # D-182-47 | | | | 81919 | D-182-47 | | |
| | | | Executive Order # D-182-52 | | 81948 | 31588 (2), 31574 | | D-182-52 | | |
| | | | Executive Order # D-182-69 | | | | 83509 | D-182-69 | | |
| | | TGM5.0JPG1EK | Executive Order # D-182-47 | | | | 81919 | D-182-47 | | |
| | | | Executive Order # D-182-52 | | 81948 | 31588 (2), 31574 | | D-182-52 | | |
| | | | Executive Order # D-182-69 | | | | 83509 | D-182-69 | | |
| | 5.7L V8 | TGM5.75PGFEK | Executive Order # D-182-47 | Left | | | | 81916 | D-182-47 | |
| | | | | Right | | | | 81916 | D-182-47 | |
| | | | Executive Order # D-182-52 | | 81961 | 31588 (2), 31575 | | | D-182-52 | |
| | | | | Executive Order # D-182-69 | Left | | | | 83506 | D-182-69 |
| | | | Right | | | | | 83506 | D-182-69 | |

For vehicles licensed in the state of California or Maine, or vehicles requiring CARB-compliant converters in the state of New York, the parts in this catalog must be installed as specifically listed. Parts cannot be substituted, nor can they be installed on California or Maine licensed vehicles not listed in this catalog.

OBDII PASSENGER CAR & TRUCK

| Years | Engine | Engine Family No. | Application | Position | Direct-Fit | | Universal Part No. | Executive Order | |
|--------------------------|---------|-------------------|---|----------------------------|--------------|------------------|--------------------|-----------------|----------|
| | | | | | Part No. | Hardware | | | |
| CHEVROLET (Cont.) | | | | | | | | | |
| K1500 (Cont.) | | | | | | | | | |
| 1996 (Cont.) | 5.7L V8 | TGM5.76PGFEK | Executive Order # D-182-47 | Left | | | 81916 | D-182-47 | |
| | | | | Right | | | 81916 | D-182-47 | |
| | | | Executive Order # D-182-52 | | 81961 | 31588 (2), 31575 | | D-182-52 | |
| | | | | Executive Order # D-182-69 | Left | | | 83506 | D-182-69 |
| | | | | | Right | | | 83506 | D-182-69 |
| K1500 Suburban | | | | | | | | | |
| 1999 | 5.7L V8 | XGMXA05.7186 | Executive Order # D-182-52 | Left | | | 81723 | D-182-52 | |
| | | | | Right | | | 81723 | D-182-52 | |
| | | | Executive Order # D-182-69 | Left | | | 83403 | D-182-69 | |
| | | | | Right | | | 83403 | D-182-69 | |
| 1998 | 5.7L V8 | WGMXA05.7186 | Executive Order # D-182-52 | Left | | | 81723 | D-182-52 | |
| | | | | Right | | | 81723 | D-182-52 | |
| | | | Executive Order # D-182-69 | Left | | | 83403 | D-182-69 | |
| | | | | Right | | | 83403 | D-182-69 | |
| 1997 | 5.7L V8 | VGM5.7JPG1GK | Executive Order # D-182-47 | Left | | | 81916 | D-182-47 | |
| | | | | Right | | | 81916 | D-182-47 | |
| | | | Executive Order # D-182-52 | | 81961 | 31588 (2), 31575 | | D-182-52 | |
| | | | | Executive Order # D-182-69 | Left | | | 83506 | D-182-69 |
| Right | | | 83506 | | D-182-69 | | | | |
| 1996 | 5.7L V8 | TGM5.76PGFEK | Executive Order # D-182-47 | Left | | | 81916 | D-182-47 | |
| | | | | Right | | | 81916 | D-182-47 | |
| | | | Executive Order # D-182-69 | Left | | | 83506 | D-182-69 | |
| | | | | Right | | | 83506 | D-182-69 | |
| | | | Under 8,500 lb. GVW; Executive Order # D-182-52 | | 81961 | 31588 (2), 31575 | | D-182-52 | |
| | | | | | | | | | |
| K2500 | | | | | | | | | |
| 2000 | 5.7L V8 | YGMXA05.7191 | Executive Order # D-182-52 | Left | | | 81924 | D-182-52 | |
| | | | | Right | | | 81924 | D-182-52 | |
| | | | Executive Order # D-182-69 | Left | | | 83509 | D-182-69 | |
| | | | | Right | | | 83509 | D-182-69 | |
| | | | Over 8500 GVW; Executive Order # D-182-52 | Left | 81950 | 31511 (2), 31618 | | D-182-52 | |
| | | | | Right | 81946 | 31618 | | D-182-52 | |
| | 7.4L V8 | YGMXA07.4201 | Executive Order # D-182-47 | Left | | | 81919 | D-182-47 | |
| | | | | Right | | | 81919 | D-182-47 | |
| | | | Executive Order # D-182-52 | Left | 81988 | 31668 (2), 31618 | | D-182-52 | |
| | | | | Executive Order # D-182-69 | Left | | | 83509 | D-182-69 |
| | | | Right | | | | 83509 | D-182-69 | |
| | | | Over 8500 GVW; Executive Order # D-182-52 | Right | 81946 | 31618 | | D-182-52 | |
| 1999 | 5.7L V8 | XGMXA05.7187 | Executive Order # D-182-52 | Left | | | 81924 | D-182-52 | |
| | | | | Right | | | 81924 | D-182-52 | |
| | | | Executive Order # D-182-69 | Left | | | 83509 | D-182-69 | |
| | | | | Right | | | 83509 | D-182-69 | |
| | | | Over 8500 GVW; Executive Order # D-182-52 | Left | 81950 | 31511 (2), 31618 | | D-182-52 | |
| | | | | Right | 81946 | 31618 | | D-182-52 | |

For vehicles licensed in the state of California or Maine, or vehicles requiring CARB-compliant converters in the state of New York, the parts in this catalog must be installed as specifically listed. Parts cannot be substituted, nor can they be installed on California or Maine licensed vehicles not listed in this catalog.

OBDII APPLICATIONS

NON-OBDII APPLICATIONS

NUMERICAL

UNIVERSAL SPECIFICATIONS

OBDII PASSENGER CAR & TRUCK

| Years | Engine | Engine Family No. | Application | Position | Direct-Fit | | Universal Part No. | Executive Order |
|---|---------|---|---|------------------|------------------|------------------|--------------------|-----------------|
| | | | | | Part No. | Hardware | | |
| CHEVROLET (Cont.) | | | | | | | | |
| K2500 (Cont.) | | | | | | | | |
| 1999 (Cont.) | 7.4L V8 | XGMXA07.4201 | Executive Order # D-182-47 | Left | | | 81919 | D-182-47 |
| | | | | Right | | | 81919 | D-182-47 |
| | | | Executive Order # D-182-52 | Left | 81988 | 31668 (2), 31618 | | D-182-52 |
| | | | Executive Order # D-182-69 | Left | | | 83509 | D-182-69 |
| | | | | Right | | | 83509 | D-182-69 |
| Over 8500 GVW; Executive Order # D-182-52 | Right | 81946 | 31618 | | D-182-52 | | | |
| 1998 | 5.7L V8 | WGMXA05.7187 | Executive Order # D-182-52 | Left | | | 81924 | D-182-52 |
| | | | | Right | | | 81924 | D-182-52 |
| | | | Executive Order # D-182-69 | Left | | | 83509 | D-182-69 |
| | | | | Right | | | 83509 | D-182-69 |
| | | | Over 8500 GVW; Executive Order # D-182-52 | Left | 81950 | 31511 (2), 31618 | | D-182-52 |
| | 7.4L V8 | WGMXA07.4201 | Executive Order # D-182-47 | Left | | | 81919 | D-182-47 |
| | | | | Right | | | 81919 | D-182-47 |
| | | | Executive Order # D-182-52 | Left | 81988 | 31668 (2), 31618 | | D-182-52 |
| | | | Executive Order # D-182-69 | Left | | | 83509 | D-182-69 |
| | | | | Right | | | 83509 | D-182-69 |
| Over 8500 GVW; Executive Order # D-182-52 | Right | 81946 | 31618 | | D-182-52 | | | |
| 1997 | 5.7L V8 | VGM5.7JPG1EK | Executive Order # D-182-52 | Left | | | 81924 | D-182-52 |
| | | | | Right | | | 81924 | D-182-52 |
| | | | Executive Order # D-182-69 | Left | | | 83509 | D-182-69 |
| | | | | Right | | | 83509 | D-182-69 |
| | | | Over 8500 GVW; Executive Order # D-182-52 | Left | 81950 | 31511 (2), 31618 | | D-182-52 |
| | Right | 81946 | | 31618 | | D-182-52 | | |
| | 7.4L V8 | VGM7.4J8G1EK | Executive Order # D-182-47 | Left | | | 81919 | D-182-47 |
| | | | | Right | | | 81919 | D-182-47 |
| | | | Executive Order # D-182-52 | Left | 81988 | 31668 (2), 31618 | | D-182-52 |
| | | | Executive Order # D-182-69 | Left | | | 83509 | D-182-69 |
| Right | | | | | | 83509 | D-182-69 | |
| Over 8500 GVW; Executive Order # D-182-52 | Right | 81946 | 31618 | | D-182-52 | | | |
| 1996 | 5.7L V8 | TGM5.76PGFEK | Executive Order # D-182-47 | Left | | | 81916 | D-182-47 |
| | | | | Right | | | 81916 | D-182-47 |
| | | | Executive Order # D-182-52 | | 81961 | 31588 (2), 31575 | | D-182-52 |
| | | | Executive Order # D-182-69 | Left | | | 83506 | D-182-69 |
| | | | | Right | | | 83506 | D-182-69 |
| | | Over 8500 GVW; Executive Order # D-182-52 | Left | 81950 | 31511 (2), 31618 | | D-182-52 | |
| | | | Right | 81946 | 31618 | | D-182-52 | |
| | | TGM5.7JPG1EK | Executive Order # D-182-52 | Left | | | 81924 | D-182-52 |
| | | | | Right | | | 81924 | D-182-52 |
| | | | Executive Order # D-182-69 | Left | | | 83509 | D-182-69 |
| Right | | | | | 83509 | D-182-69 | | |
| Over 8500 GVW; Executive Order # D-182-52 | Left | | 81950 | 31511 (2), 31618 | | D-182-52 | | |
| | Right | 81946 | 31618 | | D-182-52 | | | |

For vehicles licensed in the state of California or Maine, or vehicles requiring CARB-compliant converters in the state of New York, the parts in this catalog must be installed as specifically listed. Parts cannot be substituted, nor can they be installed on California or Maine licensed vehicles not listed in this catalog.

OBDII PASSENGER CAR & TRUCK

| Years | Engine | Engine Family No. | Application | Position | Direct-Fit | | Universal Part No. | Executive Order | | |
|----------------------------|----------------------------|----------------------------|---|----------------------------|----------------------------|------------------|--------------------|-----------------|--------------|----------|
| | | | | | Part No. | Hardware | | | | |
| CHEVROLET (Cont.) | | | | | | | | | | |
| K2500 Suburban | | | | | | | | | | |
| 1999 | 5.7L V8 | XGMXA05.7187 | Executive Order # D-182-52 | Left | | | 81924 | D-182-52 | | |
| | | | | Right | | | 81924 | D-182-52 | | |
| | | | Executive Order # D-182-69 | Left | | | 83509 | D-182-69 | | |
| | | | | Right | | | 83509 | D-182-69 | | |
| | | | 7.4L V8 | XGMXA07.4201 | Executive Order # D-182-47 | Left | | | 81919 | D-182-47 |
| | | | | | | Right | | | 81919 | D-182-47 |
| | Executive Order # D-182-52 | Left | | | 81988 | 31668 (2), 31618 | | D-182-52 | | |
| | | Right | | | | | | D-182-52 | | |
| | Executive Order # D-182-69 | Left | | | 83509 | D-182-69 | | | | |
| | | Right | | | 83509 | D-182-69 | | | | |
| | 1998 | 5.7L V8 | WGMXA05.7187 | Executive Order # D-182-52 | Left | | | 81924 | D-182-52 | |
| | | | | | Right | | | 81924 | D-182-52 | |
| Executive Order # D-182-69 | | | | Left | | | 83509 | D-182-69 | | |
| | | | | Right | | | 83509 | D-182-69 | | |
| 7.4L V8 | | | | WGMXA07.4201 | Executive Order # D-182-47 | Left | | | 81919 | D-182-47 |
| | | | | | | Right | | | 81919 | D-182-47 |
| | | Executive Order # D-182-52 | Left | | 81988 | 31668 (2), 31618 | | D-182-52 | | |
| | | | Right | | | | | D-182-52 | | |
| Executive Order # D-182-69 | | Left | | | 83509 | D-182-69 | | | | |
| | | Right | | | 83509 | D-182-69 | | | | |
| 1997 | | 5.7L V8 | VGM5.7JPG1EK | Executive Order # D-182-52 | Left | | | 81924 | D-182-52 | |
| | | | | | Right | | | 81924 | D-182-52 | |
| | Executive Order # D-182-69 | | | Left | | | 83509 | D-182-69 | | |
| | | | | Right | | | 83509 | D-182-69 | | |
| | 7.4L V8 | | | VGM7.4J8G1EK | Executive Order # D-182-47 | Left | | | 81919 | D-182-47 |
| | | | | | | Right | | | 81919 | D-182-47 |
| | | Executive Order # D-182-52 | Left | | 81988 | 31668 (2), 31618 | | D-182-52 | | |
| | | | Right | | | | | D-182-52 | | |
| | Executive Order # D-182-69 | Left | | | 83509 | D-182-69 | | | | |
| | | Right | | | 83509 | D-182-69 | | | | |
| | 1996 | 5.7L V8 | TGM5.7CPGAEA | Executive Order # D-182-69 | Left | | | 83509 | D-182-69 | |
| | | | | | Right | | | 83509 | D-182-69 | |
| Executive Order # D-182-52 | | | | Left | | | 81924 | D-182-52 | | |
| | | | | Right | | | 81924 | D-182-52 | | |
| Executive Order # D-182-69 | | | | Left | | | 83509 | D-182-69 | | |
| | | | | Right | | | 83509 | D-182-69 | | |
| 7.4L V8 | | TGM7.4J8G1EK | Executive Order # D-182-47 | Left | | | 81919 | D-182-47 | | |
| | | | | Right | | | 81919 | D-182-47 | | |
| | | | Executive Order # D-182-52 | Left | 81988 | 31668 (2), 31618 | | D-182-52 | | |
| | | | | Right | | | | D-182-52 | | |
| Executive Order # D-182-69 | | Left | | | 83509 | D-182-69 | | | | |
| | | Right | | | 83509 | D-182-69 | | | | |
| K3500 | | | | | | | | | | |
| 2000 | 5.7L V8 | YGMXA05.7191 | Executive Order # D-182-52 | Left | | | 81924 | D-182-52 | | |
| | | | | Right | | | 81924 | D-182-52 | | |
| | | | Executive Order # D-182-69 | Left | | | 83509 | D-182-69 | | |
| | | | | Right | | | 83509 | D-182-69 | | |
| | | | Over 8500 GVW; Executive Order # D-182-52 | Left | 81950 | 31511 (2), 31618 | | D-182-52 | | |
| | | | | Right | 81946 | 31618 | | D-182-52 | | |

For vehicles licensed in the state of California or Maine, or vehicles requiring CARB-compliant converters in the state of New York, the parts in this catalog must be installed as specifically listed. Parts cannot be substituted, nor can they be installed on California or Maine licensed vehicles not listed in this catalog.

OBDII APPLICATIONS

NON-OBDII APPLICATIONS

NUMERICAL

UNIVERSAL SPECIFICATIONS

OBDII PASSENGER CAR & TRUCK

| Years | Engine | Engine Family No. | Application | Position | Direct-Fit | | Universal Part No. | Executive Order |
|---|---------|-------------------|---|----------|--------------|------------------|--------------------|-----------------|
| | | | | | Part No. | Hardware | | |
| CHEVROLET (Cont.) | | | | | | | | |
| K3500 (Cont.) | | | | | | | | |
| 2000 (Cont.) | 7.4L V8 | YGMXA07.4201 | Executive Order # D-182-47 | Left | | | 81919 | D-182-47 |
| | | | | Right | | | 81919 | D-182-47 |
| | | | Executive Order # D-182-52 | Left | 81988 | 31668 (2), 31618 | | D-182-52 |
| | | | Executive Order # D-182-69 | Left | | | 83509 | D-182-69 |
| | | | | Right | | | 83509 | D-182-69 |
| Over 8500 GVW; Executive Order # D-182-52 | Right | 81946 | 31618 | | D-182-52 | | | |
| 1999 | 5.7L V8 | XGMXA05.7187 | Executive Order # D-182-52 | Left | | | 81924 | D-182-52 |
| | | | | Right | | | 81924 | D-182-52 |
| | | | Executive Order # D-182-69 | Left | | | 83509 | D-182-69 |
| | | | | Right | | | 83509 | D-182-69 |
| | | | Over 8500 GVW; Executive Order # D-182-52 | Left | 81950 | 31511 (2), 31618 | | D-182-52 |
| | Right | 81946 | | 31618 | | D-182-52 | | |
| | 7.4L V8 | XGMXA07.4201 | Executive Order # D-182-47 | Left | | | 81919 | D-182-47 |
| | | | | Right | | | 81919 | D-182-47 |
| | | | Executive Order # D-182-52 | Left | 81988 | 31668 (2), 31618 | | D-182-52 |
| | | | Executive Order # D-182-69 | Left | | | 83509 | D-182-69 |
| Right | | | | | | 83509 | D-182-69 | |
| Over 8500 GVW; Executive Order # D-182-52 | Right | 81946 | 31618 | | D-182-52 | | | |
| 1998 | 5.7L V8 | WGMXA05.7187 | Executive Order # D-182-52 | Left | | | 81924 | D-182-52 |
| | | | | Right | | | 81924 | D-182-52 |
| | | | Executive Order # D-182-69 | Left | | | 83509 | D-182-69 |
| | | | | Right | | | 83509 | D-182-69 |
| | | | Over 8500 GVW; Executive Order # D-182-52 | Left | 81950 | 31511 (2), 31618 | | D-182-52 |
| | Right | | | | | | | |
| | 7.4L V8 | WGMXA07.4201 | Executive Order # D-182-47 | Left | | | 81919 | D-182-47 |
| | | | | Right | | | 81919 | D-182-47 |
| | | | Executive Order # D-182-52 | Left | 81988 | 31668 (2), 31618 | | D-182-52 |
| | | | Executive Order # D-182-69 | Left | | | 83509 | D-182-69 |
| Right | | | | | | 83509 | D-182-69 | |
| Over 8500 GVW; Executive Order # D-182-52 | Right | 81946 | 31618 | | D-182-52 | | | |
| 1997 | 5.7L V8 | VGM5.7JPG1EK | Executive Order # D-182-52 | Left | | | 81924 | D-182-52 |
| | | | | Right | | | 81924 | D-182-52 |
| | | | Executive Order # D-182-69 | Left | | | 83509 | D-182-69 |
| | | | | Right | | | 83509 | D-182-69 |
| | | | Over 8500 GVW; Executive Order # D-182-52 | Left | 81950 | 31511 (2), 31618 | | D-182-52 |
| | Right | 81946 | | 31618 | | D-182-52 | | |
| | 7.4L V8 | VGM7.4J8G1EK | Executive Order # D-182-47 | Left | | | 81919 | D-182-47 |
| | | | | Right | | | 81919 | D-182-47 |
| | | | Executive Order # D-182-52 | Left | 81988 | 31668 (2), 31618 | | D-182-52 |
| | | | Executive Order # D-182-69 | Left | | | 83509 | D-182-69 |
| Right | | | | | | 83509 | D-182-69 | |
| Over 8500 GVW; Executive Order # D-182-52 | Right | 81946 | 31618 | | D-182-52 | | | |
| 1996 | 5.7L V8 | TGM5.7JPG1EK | Executive Order # D-182-52 | Left | | | 81924 | D-182-52 |

For vehicles licensed in the state of California or Maine, or vehicles requiring CARB-compliant converters in the state of New York, the parts in this catalog must be installed as specifically listed. Parts cannot be substituted, nor can they be installed on California or Maine licensed vehicles not listed in this catalog.

OBDII PASSENGER CAR & TRUCK

| Years | Engine | Engine Family No. | Application | Position | Direct-Fit | | Universal Part No. | Executive Order | |
|--------------------------|--------------|---|---|----------------------------|--------------|------------------|--------------------|-----------------|----------|
| | | | | | Part No. | Hardware | | | |
| CHEVROLET (Cont.) | | | | | | | | | |
| K3500 (Cont.) | | | | | | | | | |
| 1996 (Cont.) | 5.7L V8 | TGM5.7JPG1EK | Executive Order # D-182-52 | Right | | | 81924 | D-182-52 | |
| | | | Executive Order # D-182-69 | Left | | | 83509 | D-182-69 | |
| | | | | Right | | | 83509 | D-182-69 | |
| | | | Over 8500 GVW; Executive Order # D-182-52 | Left | 81950 | 31511 (2), 31618 | | D-182-52 | |
| | | | | Right | 81946 | 31618 | | D-182-52 | |
| | 7.4L V8 | TGM7.4J8G1EK | Executive Order # D-182-47 | Left | | | 81919 | D-182-47 | |
| | | | | Right | | | 81919 | D-182-47 | |
| | | | Executive Order # D-182-52 | Left | 81988 | 31668 (2), 31618 | | D-182-52 | |
| | | | Executive Order # D-182-69 | Left | | | 83509 | D-182-69 | |
| | | | | Right | | | 83509 | D-182-69 | |
| | | Over 8500 GVW; Executive Order # D-182-52 | Right | 81946 | 31618 | | D-182-52 | | |
| Lumina | | | | | | | | | |
| 2001 | 3.1L V6 | 1GMXV03.8043 | Executive Order # D-182-45 | | 81776 | 31602, 31601 | | D-182-45 | |
| | | | Executive Order # D-182-57 | | | | 82609 | D-182-57 | |
| 2000 | 3.1L V6 | YGMXV03.8043 | Executive Order # D-182-57 | | | | 82609 | D-182-57 | |
| 1999 | 3.1L V6 | XGMXV03.4042 | Executive Order # D-182-45 | | 81776 | 31602, 31601 | | D-182-45 | |
| | | | Executive Order # D-182-57 | | | | 82609 | D-182-57 | |
| | 3.8L V6 | XGMXV03.8048 | Executive Order # D-182-57 | | | | 82618 | D-182-57 | |
| | | XGMXV03.8049 | Executive Order # D-182-57 | | | | 82618 | D-182-57 | |
| 1998 | 3.1L V6 | WGMXV03.1043 | Executive Order # D-182-45 | | 81776 | 31602, 31601 | | D-182-45 | |
| | | | Executive Order # D-182-58 | | | | 82508 | D-182-58 | |
| | WGMXV03.1044 | Executive Order # D-182-45 | | 81776 | 31602, 31601 | | D-182-45 | | |
| | | Executive Order # D-182-57 | | | | 82609 | D-182-57 | | |
| 3.8L V6 | WGMXV03.8048 | Executive Order # D-182-57 | | | | 82618 | D-182-57 | | |
| 1997 | 3.1L V6 | VGM3.1V8G1EK | Executive Order # D-182-45 | | 81776 | 31602, 31601 | | D-182-45 | |
| | | | Executive Order # D-182-58 | | | | 82508 | D-182-58 | |
| | 3.4L V6 | VGM3.4VJG1EK | Executive Order # D-182-58 | | | | 82508 | D-182-58 | |
| 1996 | 3.1L V6 | TGM3.1V8GF EK | Executive Order # D-182-45 | | 81784 | 31600, 31601 | | D-182-45 | |
| | | | Executive Order # D-182-58 | | | | 82508 | D-182-58 | |
| | 3.4L V6 | TGM3.4VJGF EK | Executive Order # D-182-58 | | | | 82508 | D-182-58 | |
| Lumina APV | | | | | | | | | |
| 1996 | 3.4L V6 | TGM3.428GF EK | Executive Order # D-182-47 | | | | 81918 | D-182-47 | |
| | | | Executive Order # D-182-69 | | | | 83508 | D-182-69 | |
| Malibu | | | | | | | | | |
| 2009 | 2.4L L4 | 9GMXV02.4027 | 6 Speed Trans.; Executive Order # D-182-63 | Front | | | 83302 | D-182-63 | |
| | | | Executive Order # D-182-63 | Rear | | | 83225 | D-182-63 | |
| | | | If welded assembly, replace all required parts.; Executive Order # D-182-63 | Rear | 83268 | 31574 | | D-182-63 | |
| | | | 9GMXV02.4040 | Executive Order # D-182-63 | Rear | | | 83225 | D-182-63 |
| | 3.5L V6 | 9GMXJ03.9142 | Executive Order # D-182-63 | Front Left | | | | 83302 | D-182-63 |
| | | | | Front Right | | | | 83302 | D-182-63 |
| | | 9GMXV03.5045 | Executive Order # D-182-62 | Front Left | | | | 83100 | D-182-62 |
| | | | | Front Right | | | | 83100 | D-182-62 |

For vehicles licensed in the state of California or Maine, or vehicles requiring CARB-compliant converters in the state of New York, the parts in this catalog must be installed as specifically listed. Parts cannot be substituted, nor can they be installed on California or Maine licensed vehicles not listed in this catalog.

OBDII APPLICATIONS

NON-OBDII APPLICATIONS

NUMERICAL

UNIVERSAL SPECIFICATIONS

OBDII PASSENGER CAR & TRUCK

| Years | Engine | Engine Family No. | Application | Position | Direct-Fit | | Universal Part No. | Executive Order |
|----------------------------|--------------|----------------------------|---|--------------|--------------|---------------------|--------------------|-----------------|
| | | | | | Part No. | Hardware | | |
| CHEVROLET (Cont.) | | | | | | | | |
| Malibu (Cont.) | | | | | | | | |
| 2009 (Cont.) | 3.5L V6 | 9GMXV03.5045 | Executive Order # D-182-62 | Rear | | | 83208 | D-182-62 |
| | 3.6L V6 | 9GMXJ03.9142 | Executive Order # D-182-63 | Front Left | | | 83302 | D-182-63 |
| Front Right | | | | | | 83302 | D-182-63 | |
| 2008 | 2.4L L4 | 8GMXV02.4027 | Executive Order # D-182-63 | Rear | | | 83225 | D-182-63 |
| | | | If welded assembly, replace all required parts.; Executive Order # D-182-63 | Rear | 83268 | 31574 | | D-182-63 |
| | 8GMXV02.4040 | Executive Order # D-182-63 | Rear | | | 83225 | D-182-63 | |
| | 3.5L V6 | 8GMXV03.5043 | Executive Order # D-182-62 | Front Left | | | 83100 | D-182-62 |
| | | | | Front Right | | | 83100 | D-182-62 |
| | | | | Rear | | | 83208 | D-182-62 |
| 3.6L V6 | 8GMXB03.6148 | Executive Order # D-182-64 | Left | | | 82803 | D-182-64 | |
| | | | Right | | | 82816 | D-182-64 | |
| 2007 | 3.9L V6 | 7GMXB03.9142 | Executive Order # D-182-64 | Left | | | 82803 | D-182-64 |
| | | | | Right | | | 82816 | D-182-64 |
| 2006 | 3.5L V6 | 6GMXB03.9146 | Executive Order # D-182-64 | Left | 82880 | 31589, 31310 | 82803 | D-182-64 |
| | | | | Right | 82881 | 31310, 31721, 31311 | 82816 | D-182-64 |
| | 3.9L V6 | 6GMXB03.9146 | Executive Order # D-182-64 | Left | | | 82803 | D-182-64 |
| | | | | Right | | | 82816 | D-182-64 |
| 2005 | 3.5L V6 | 5GMXX03.8148 | Executive Order # D-182-64 | Left | 82880 | 31589, 31310 | 82803 | D-182-64 |
| | | | | Right | 82881 | 31310, 31721, 31311 | 82816 | D-182-64 |
| 2004 | 3.5L V6 | 4GMXV03.8041 | Executive Order # D-182-58 | Left | | | 82527 | D-182-58 |
| | | | | Right | | | 82527 | D-182-58 |
| 2003 | 3.1L V6 | 3GMXV03.8043 | Executive Order # D-182-45 | | 81757 | 31602, 31369 | | D-182-45 |
| | | | Executive Order # D-182-57 | | | 82604 | D-182-57 | |
| 2002 | 3.1L V6 | 2GMXV03.8043 | Executive Order # D-182-45 | | 81757 | 31602, 31369 | | D-182-45 |
| | | | Executive Order # D-182-57 | | | 82604 | D-182-57 | |
| 2001 | 3.1L V6 | 1GMXV03.8043 | Executive Order # D-182-45 | | 81757 | 31602, 31369 | | D-182-45 |
| | | | Executive Order # D-182-57 | | | 82604 | D-182-57 | |
| 2000 | 3.1L V6 | YGMXV03.8043 | Executive Order # D-182-45 | | 81757 | 31602, 31369 | | D-182-45 |
| | | | Executive Order # D-182-57 | | | 82604 | D-182-57 | |
| 1999 | 2.4L L4 | XGMXV02.4027 | Executive Order # D-182-45 | | 81763 | 31629, 31369 | | D-182-45 |
| | | | Executive Order # D-182-57 | | | 82603 | D-182-57 | |
| | 3.1L V6 | XGMXV03.1043 | Executive Order # D-182-45 | | 81757 | 31602, 31369 | | D-182-45 |
| | | | Executive Order # D-182-57 | | | 82604 | D-182-57 | |
| 1998 | 2.4L L4 | WGMXV02.4026 | Executive Order # D-182-57 | | 82690 | 31606, 31369 | 82603 | D-182-57 |
| | | | Executive Order # D-182-58 | | | 82505 | D-182-58 | |
| | 3.1L V6 | WGMXV03.1043 | Executive Order # D-182-45 | | 81757 | 31602, 31369 | | D-182-45 |
| | | | Executive Order # D-182-57 | | | 82604 | D-182-57 | |
| 3.1L V6 | WGMXV03.1044 | Executive Order # D-182-45 | | 81757 | 31602, 31369 | | D-182-45 | |
| | | Executive Order # D-182-57 | | | 82604 | D-182-57 | | |
| 1997 | 2.4L L4 | VGM2.4VJG2EK | Executive Order # D-182-57 | | 82690 | 31606, 31369 | 82603 | D-182-57 |
| | | | Executive Order # D-182-58 | | | 82505 | D-182-58 | |
| | 3.1L V6 | VGM3.1V8G1EK | Executive Order # D-182-45 | | 81757 | 31602, 31369 | | D-182-45 |
| Executive Order # D-182-58 | | | | | 82505 | D-182-58 | | |

For vehicles licensed in the state of California or Maine, or vehicles requiring CARB-compliant converters in the state of New York, the parts in this catalog must be installed as specifically listed. Parts cannot be substituted, nor can they be installed on California or Maine licensed vehicles not listed in this catalog.

OBDII PASSENGER CAR & TRUCK

| Years | Engine | Engine Family No. | Application | Position | Direct-Fit | | Universal Part No. | Executive Order |
|--------------------------|---------|----------------------------|----------------------------|----------|--------------|--------------|--------------------|-----------------|
| | | | | | Part No. | Hardware | | |
| CHEVROLET (Cont.) | | | | | | | | |
| Monte Carlo | | | | | | | | |
| 2006 | 3.5L V6 | 6GMXV03.5051 | Executive Order # D-182-57 | | | | 82617 | D-182-57 |
| 2005 | 3.8L V6 | 5GMXV03.8041 | Executive Order # D-182-57 | | | | 82618 | D-182-57 |
| 2004 | 3.8L V6 | 4GMXV03.8041 | Executive Order # D-182-57 | | | | 82618 | D-182-57 |
| 2003 | 3.4L V6 | 3GMXV03.8044 | Executive Order # D-182-57 | | | | 82618 | D-182-57 |
| | 3.8L V6 | 3GMXV03.8044 | Executive Order # D-182-57 | | | | 82618 | D-182-57 |
| 2002 | 3.4L V6 | 2GMXV03.8043 | Executive Order # D-182-45 | | 81760 | 31602, 31532 | | D-182-45 |
| | | | Executive Order # D-182-57 | | | | 82618 | D-182-57 |
| | 3.8L V6 | 2GMXV03.8044 | Executive Order # D-182-67 | | 82994 | 31605, 31532 | 82904 | D-182-67 |
| 2001 | 3.4L V6 | 1GMXV03.8043 | Executive Order # D-182-45 | | 81760 | 31602, 31532 | | D-182-45 |
| | | | Executive Order # D-182-57 | | | | 82618 | D-182-57 |
| | 3.8L V6 | 1GMXV03.8044 | Executive Order # D-182-67 | | 82994 | 31605, 31532 | 82904 | D-182-67 |
| 2000 | 3.4L V6 | YGMXV03.8043 | Executive Order # D-182-45 | | 81760 | 31602, 31532 | | D-182-45 |
| | | | Executive Order # D-182-57 | | | | 82618 | D-182-57 |
| | 3.8L V6 | YGMXV03.8044 | Executive Order # D-182-67 | | 82994 | 31605, 31532 | 82904 | D-182-67 |
| YGMXV03.8045 | | Executive Order # D-182-57 | | | | 82618 | D-182-57 | |
| 1999 | 3.1L V6 | XGMXV03.4042 | Executive Order # D-182-45 | | 81776 | 31602, 31601 | | D-182-45 |
| | | | Executive Order # D-182-57 | | | | 82609 | D-182-57 |
| | 3.8L V6 | XGMXV03.8048 | Executive Order # D-182-57 | | | | 82618 | D-182-57 |
| | | XGMXV03.8049 | Executive Order # D-182-57 | | | | 82618 | D-182-57 |
| 1998 | 3.1L V6 | WGMXV03.1043 | Executive Order # D-182-45 | | 81776 | 31602, 31601 | | D-182-45 |
| | | | Executive Order # D-182-58 | | | | 82508 | D-182-58 |
| | | WGMXV03.1044 | Executive Order # D-182-45 | | 81776 | 31602, 31601 | | D-182-45 |
| | 3.8L V6 | WGMXV03.8048 | Executive Order # D-182-57 | | | | 82609 | D-182-57 |
| | | | Executive Order # D-182-57 | | | | 82618 | D-182-57 |
| 1997 | 3.1L V6 | VGM3.1V8G1EK | Executive Order # D-182-45 | | 81776 | 31602, 31601 | | D-182-45 |
| | | | Executive Order # D-182-58 | | | | 82508 | D-182-58 |
| | 3.4L V6 | VGM3.4VJG1EK | Executive Order # D-182-58 | | | | 82508 | D-182-58 |
| 1996 | 3.1L V6 | TGM3.1V8GFEK | Executive Order # D-182-58 | | | | 82508 | D-182-58 |
| | 3.4L V6 | TGM3.4VJGFEK | Executive Order # D-182-58 | | | | 82508 | D-182-58 |
| Prizm | | | | | | | | |
| 2002 | 1.8L L4 | 2NTXV01.8FFA | Executive Order # D-182-45 | | 81764 | 31604 | | D-182-45 |
| | | | Executive Order # D-182-57 | | | | 82603 | D-182-57 |
| 2001 | 1.8L L4 | 1NTXV01.8FFA | Executive Order # D-182-45 | | 81764 | 31604 | | D-182-45 |
| | | | Executive Order # D-182-57 | | | | 82603 | D-182-57 |
| 2000 | 1.8L L4 | YNTXV01.8FFA | Executive Order # D-182-45 | | 81764 | 31604 | | D-182-45 |
| | | | Executive Order # D-182-57 | | | | 82603 | D-182-57 |
| 1999 | 1.8L L4 | XNTXV01.8DXB | Executive Order # D-182-45 | | 81764 | 31604 | | D-182-45 |
| | | | Executive Order # D-182-58 | | | | 82505 | D-182-58 |
| 1998 | 1.8L L4 | WNTXV01.8DXB | Executive Order # D-182-45 | | 81764 | 31604 | | D-182-45 |
| | | | Executive Order # D-182-58 | | | | 82505 | D-182-58 |
| S10 | | | | | | | | |
| 2004 | 4.3L V6 | 4GMXT04.3187 | Executive Order # D-182-52 | Front | | | 81723 | D-182-52 |
| | | | | Rear | | | 81923 | D-182-52 |
| | | | Executive Order # D-182-69 | Front | | | 83403 | D-182-69 |
| | | | | Rear | | | 83508 | D-182-69 |

For vehicles licensed in the state of California or Maine, or vehicles requiring CARB-compliant converters in the state of New York, the parts in this catalog must be installed as specifically listed. Parts cannot be substituted, nor can they be installed on California or Maine licensed vehicles not listed in this catalog.

OBDII APPLICATIONS

NON-OBDII APPLICATIONS

NUMERICAL

UNIVERSAL SPECIFICATIONS

OBDII PASSENGER CAR & TRUCK

| Years | Engine | Engine Family No. | Application | Position | Direct-Fit | | Universal Part No. | Executive Order | |
|----------------------------|----------------------------|-------------------|---|---------------------------------|--------------|------------------|--------------------|-----------------|----------|
| | | | | | Part No. | Hardware | | | |
| CHEVROLET (Cont.) | | | | | | | | | |
| S10 (Cont.) | | | | | | | | | |
| 2003 | 2.2L L4 | 3GMXT02.2121 | Executive Order # D-182-45 | | 81962 | 31369 (2) | | D-182-45 | |
| | | | Executive Order # D-182-57 | | | | 82629 | D-182-57 | |
| | | 3GMXT02.2122 | Executive Order # D-182-45 | | 81962 | 31369 (2) | | | D-182-45 |
| | | | Executive Order # D-182-57 | | | | | 82629 | D-182-57 |
| | 4.3L V6 | 3GMXT04.3186 | Executive Order # D-182-53 | Front | | | | 82515 | D-182-53 |
| | | | RWD; Automatic Trans.; Executive Order # D-182-53 | | 82675 | 31588 (2), 31574 | | | D-182-53 |
| | | 3GMXT04.3187 | 4WD; Executive Order # D-182-52 | | 81952 | 31588 (2), 31574 | | | D-182-52 |
| | | | Executive Order # D-182-52 | Front | | | | 81723 | D-182-52 |
| | | | | Rear | | | | 81923 | D-182-52 |
| | | | Executive Order # D-182-69 | Front | | | | 83403 | D-182-69 |
| Rear | | | | | 83508 | D-182-69 | | | |
| 2002 | 2.2L L4 | 2GMXT02.2122 | Executive Order # D-182-45 | | 81962 | 31369 (2) | | D-182-45 | |
| | | | Executive Order # D-182-57 | | | | 82629 | D-182-57 | |
| | 4.3L V6 | 2GMXT04.3186 | Executive Order # D-182-53 | Front | | | | 82515 | D-182-53 |
| | | | RWD; Automatic Trans.; Executive Order # D-182-53 | | 82675 | 31588 (2), 31574 | | | D-182-53 |
| | | 2GMXT04.3187 | 4WD; Executive Order # D-182-52 | | 81952 | 31588 (2), 31574 | | | D-182-52 |
| | | | Executive Order # D-182-52 | Front | | | | 81723 | D-182-52 |
| | | | | Rear | | | | 81923 | D-182-52 |
| | | | Executive Order # D-182-69 | Front | | | | 83403 | D-182-69 |
| | Rear | | | | | 83508 | D-182-69 | | |
| | 2001 | 2.2L L4 | 1GMXT02.2122 | Executive Order # D-182-45 | | 81962 | 31369 (2) | | D-182-45 |
| Executive Order # D-182-57 | | | | | | | 82629 | D-182-57 | |
| 4.3L V6 | | 1GMXT04.3186 | Executive Order # D-182-53 | Front | | | | 82515 | D-182-53 |
| | | | RWD; Automatic Trans.; Executive Order # D-182-53 | | 82675 | 31588 (2), 31574 | | | D-182-53 |
| | | 1GMXT04.3187 | 4WD; Executive Order # D-182-52 | | 81952 | 31588 (2), 31574 | | | D-182-52 |
| | | | Executive Order # D-182-52 | Front | | | | 81723 | D-182-52 |
| | | | | Rear | | | | 81923 | D-182-52 |
| | | | Executive Order # D-182-69 | Front | | | | 83403 | D-182-69 |
| Rear | | | | | | 83508 | D-182-69 | | |
| 2000 | | 2.2L L4 | YGMXT02.2122 | Executive Order # D-182-45 | | 81962 | 31369 (2) | | D-182-45 |
| | Executive Order # D-182-57 | | | | | | 82629 | D-182-57 | |
| | YGMXX02.2023 | | Executive Order # D-182-45 | | 81962 | 31369 (2) | | | D-182-45 |
| | | | Executive Order # D-182-57 | | | | | 82629 | D-182-57 |
| | 4.3L V6 | YGMXT04.3186 | Executive Order # D-182-53 | Front | | | | 82515 | D-182-53 |
| | | | RWD; Automatic Trans.; Executive Order # D-182-53 | | 82675 | 31588 (2), 31574 | | | D-182-53 |
| | | YGMXT04.3187 | Executive Order # D-182-53 | Front | | | | 82515 | D-182-53 |
| | | | RWD; Automatic Trans.; Executive Order # D-182-53 | | 82675 | 31588 (2), 31574 | | | D-182-53 |
| | | | | | | | | | |
| | | | YGMXT04.3188 | 4WD; Executive Order # D-182-52 | | 81952 | 31588 (2), 31574 | | |
| Executive Order # D-182-52 | Front | | | | | 81723 | D-182-52 | | |

For vehicles licensed in the state of California or Maine, or vehicles requiring CARB-compliant converters in the state of New York, the parts in this catalog must be installed as specifically listed. Parts cannot be substituted, nor can they be installed on California or Maine licensed vehicles not listed in this catalog.

OBDII PASSENGER CAR & TRUCK

| Years | Engine | Engine Family No. | Application | Position | Direct-Fit | | Universal Part No. | Executive Order | |
|----------------------------|----------------------------|----------------------------|---------------------------------|----------|--------------|--------------|--------------------|-----------------|----------|
| | | | | | Part No. | Hardware | | | |
| CHEVROLET (Cont.) | | | | | | | | | |
| S10 (Cont.) | | | | | | | | | |
| 2000 (Cont.) | 4.3L V6 | YGMXT04.3188 | Executive Order # D-182-52 | Rear | | | 81923 | D-182-52 | |
| | | | Executive Order # D-182-69 | Front | | | 83403 | D-182-69 | |
| | | | | Rear | | | 83508 | D-182-69 | |
| 1999 | 2.2L L4 | XGMXT02.2122 | Executive Order # D-182-45 | | 81962 | 31369 (2) | | D-182-45 | |
| | | | Executive Order # D-182-57 | | | | 82629 | D-182-57 | |
| | 4.3L V6 | XGMXT04.3182 | Executive Order # D-182-53 | Front | | | | 82515 | D-182-53 |
| | | | Executive Order # D-182-52 | Front | | | | 81723 | D-182-52 |
| | | | | Rear | | | | 81923 | D-182-52 |
| | | Executive Order # D-182-69 | Front | | | | 83403 | D-182-69 | |
| | | | Rear | | | | 83508 | D-182-69 | |
| | | | | | | | | | |
| | XGMXT04.3185 | Executive Order # D-182-52 | Front | | | | | 81723 | D-182-52 |
| | | | Rear | | | | | 81923 | D-182-52 |
| | | Executive Order # D-182-69 | Front | | | | | 83403 | D-182-69 |
| | | | | | | | | 83508 | D-182-69 |
| 1998 | 2.2L L4 | WGMXT02.2122 | Executive Order # D-182-43 | | | | 81505 | D-182-43 | |
| | | | Executive Order # D-182-45 | | 81962 | 31369 (2) | | D-182-45 | |
| | | WGMXT02.2124 | Executive Order # D-182-45 | | 81962 | 31369 (2) | | D-182-45 | |
| | | | Executive Order # D-182-57 | | | | 82629 | D-182-57 | |
| | 4.3L V6 | WGMXT04.3182 | Executive Order # D-182-43 | | | | 81506 | D-182-43 | |
| | | | RWD; Executive Order # D-182-43 | | 81546 | 31589, 31571 | | D-182-43 | |
| | | WGMXT04.3184 | Executive Order # D-182-47 | | | | 81918 | D-182-47 | |
| | | | Executive Order # D-182-69 | | | | 83508 | D-182-69 | |
| | | WGMXT04.3185 | Executive Order # D-182-52 | Front | | | | 81723 | D-182-52 |
| | | | | Rear | | | | 81923 | D-182-52 |
| | Executive Order # D-182-69 | Front | | | | 83403 | D-182-69 | | |
| | | Rear | | | | 83508 | D-182-69 | | |
| WGMXT04.3193 | Executive Order # D-182-53 | Front | | | | 82515 | D-182-53 | | |
| 1997 | 2.2L L4 | VGM2.218G1EK | Executive Order # D-182-43 | | | | 81505 | D-182-43 | |
| | 4.3L V6 | VGM4.31PG1EK | Executive Order # D-182-43 | | | | 81506 | D-182-43 | |
| | | | RWD; Executive Order # D-182-43 | | 81545 | 31589, 31571 | | D-182-43 | |
| | | VGM4.32PG1EK | Executive Order # D-182-47 | | | | 81918 | D-182-47 | |
| Executive Order # D-182-69 | | | | | 83508 | D-182-69 | | | |
| 1996 | 2.2L L4 | TGM2.218GFEK | Executive Order # D-182-43 | | | | 81505 | D-182-43 | |
| | 4.3L V6 | TGM4.31PGFEK | Executive Order # D-182-43 | | | | 81506 | D-182-43 | |
| | | | RWD; Executive Order # D-182-43 | | 81545 | 31589, 31571 | | D-182-43 | |
| | | TGM4.32PGKEK | Executive Order # D-182-47 | | | | 81918 | D-182-47 | |
| | | | Executive Order # D-182-69 | | | | 83508 | D-182-69 | |
| | TGM4.38PGBEK | Executive Order # D-182-69 | | | | 83508 | D-182-69 | | |
| 1995 | 4.3L V6 | S3G4.315GEEA | Executive Order # D-182-55 | | | | 80906 | D-182-55 | |
| | | S3G4.319GFEJ | Executive Order # D-182-57 | | | | 82637 | D-182-57 | |
| | | S3G4.325GEEA | Executive Order # D-182-55 | | | | 80906 | D-182-55 | |
| | | S3G4.329GFEA | Executive Order # D-182-55 | | | | 80906 | D-182-55 | |
| | | S3G4.329GFGJ | Executive Order # D-182-47 | | | | 81918 | D-182-47 | |

OBDII APPLICATIONS

NON-OBDII APPLICATIONS

NUMERICAL

UNIVERSAL SPECIFICATIONS

For vehicles licensed in the state of California or Maine, or vehicles requiring CARB-compliant converters in the state of New York, the parts in this catalog must be installed as specifically listed. Parts cannot be substituted, nor can they be installed on California or Maine licensed vehicles not listed in this catalog.

OBDII PASSENGER CAR & TRUCK

| Years | Engine | Engine Family No. | Application | Position | Direct-Fit | | Universal Part No. | Executive Order | | |
|----------------------------|----------------------------|----------------------------|----------------------------|--------------|----------------------------|---------------------------|--------------------|---------------------------|--------------|----------|
| | | | | | Part No. | Hardware | | | | |
| CHEVROLET (Cont.) | | | | | | | | | | |
| S10 (Cont.) | | | | | | | | | | |
| 1995 (Cont.) | 4.3L V6 | S3G4.329GFGJ | Executive Order # D-182-69 | | | | 83508 | D-182-69 | | |
| Silverado 1500 | | | | | | | | | | |
| 2006 | 4.3L V6 | 6GMXT04.3181 | Executive Order # D-182-69 | Left | | | 83508 | D-182-69 | | |
| | | | | Right | | | 83508 | D-182-69 | | |
| | 4.8L V8 | 6GMXT05.3379 | Executive Order # D-182-69 | | 83481 | 31554 (RH), 31718 (LH) | | D-182-69 | | |
| | | | | Left | | | 83508 | D-182-69 | | |
| | | | | Right | | | 83508 | D-182-69 | | |
| | | | | | 83481 | 31554 (RH), 31718 (LH) | | D-182-69 | | |
| | 5.3L V8 | 6GMXT05.3375 | Executive Order # D-182-69 | | 83481 | 31554 (RH), 31718 (LH) | | D-182-69 | | |
| | | | | Left | | | 83508 | D-182-69 | | |
| | | | | Right | | | 83508 | D-182-69 | | |
| | | | | | 83481 | 31554 (RH), 31718 (LH) | | D-182-69 | | |
| | | 6GMXT05.3378 | Executive Order # D-182-69 | Left | | | 83508 | D-182-69 | | |
| | | | | Right | | | 83508 | D-182-69 | | |
| | | | | 6GMXT05.3379 | Executive Order # D-182-69 | | 83481 | 31554 (RH), 31718 (LH) | | D-182-69 |
| | | | | | | Left | | | 83508 | D-182-69 |
| | 6.0L V8 | 6GMXK06.0388 | Executive Order # D-182-52 | Front Left | | | 81724 | D-182-52 | | |
| | | | | Front Right | | | 81724 | D-182-52 | | |
| | | | | Rear Left | | | 81724 | D-182-52 | | |
| | | | | Rear Right | | | 81724 | D-182-52 | | |
| | | | Executive Order # D-182-69 | Front Left | | | 83404 | D-182-69 | | |
| | | | | Front Right | | | 83404 | D-182-69 | | |
| Rear Left | | | | | | 83404 | D-182-69 | | | |
| Rear Right | | | | | | 83404 | D-182-69 | | | |
| 6GMXT06.2390 | | Executive Order # D-182-69 | Left | | | 83403 | D-182-69 | | | |
| | | | Right | | | 83403 | D-182-69 | | | |
| | | | 4.3L V6 | 5GMXT04.3184 | Executive Order # D-182-47 | Left | | | 81713 | D-182-47 |
| | | | | | | Right | | | 81713 | D-182-47 |
| Executive Order # D-182-52 | | 81761 | 31554 (RH), 31718 (LH) | | | D-182-52 | | | | |
| | Executive Order # D-182-69 | Left | | | | 83508 | D-182-69 | | | |
| | | Right | | | | 83508 | D-182-69 | | | |
| | 4.8L V8 | 5GMXT05.3170 | Executive Order # D-182-47 | | Left | | | 81713 | D-182-47 | |
| Right | | | | | | 81713 | D-182-47 | | | |
| Executive Order # D-182-52 | | | | 81761 | 31554 (RH), 31718 (LH) | | D-182-52 | | | |
| | | | Executive Order # D-182-69 | Left | | | 83508 | D-182-69 | | |
| Right | | | | | 83508 | D-182-69 | | | | |
| 5GMXT05.3174 | | Executive Order # D-182-52 | | 81761 | 31554 (RH), 31718 (LH) | | D-182-52 | | | |
| | | | Left | | | 81923 | D-182-52 | | | |
| | | Executive Order # D-182-69 | Left | | | 83508 | D-182-69 | | | |
| | Right | | | | 83508 | D-182-69 | | | | |

For vehicles licensed in the state of California or Maine, or vehicles requiring CARB-compliant converters in the state of New York, the parts in this catalog must be installed as specifically listed. Parts cannot be substituted, nor can they be installed on California or Maine licensed vehicles not listed in this catalog.

OBDII PASSENGER CAR & TRUCK

| Years | Engine | Engine Family No. | Application | Position | Direct-Fit | | Universal Part No. | Executive Order | | |
|-------------------------------|----------------------------|----------------------------|----------------------------|----------------------------|----------------------------|---------------------------|---------------------------|-----------------|--------------|--------------|
| | | | | | Part No. | Hardware | | | | |
| CHEVROLET (Cont.) | | | | | | | | | | |
| Silverado 1500 (Cont.) | | | | | | | | | | |
| 2005 (Cont.) | 5.3L V8 | 5GMXT05.3175 | Executive Order # D-182-52 | | 81761 | 31554 (RH), 31718 (LH) | | D-182-52 | | |
| | | | | Left | | | 81923 | D-182-52 | | |
| | | | Right | | | 81923 | D-182-52 | | | |
| | | | Executive Order # D-182-69 | Left | | | 83508 | D-182-69 | | |
| | | | | Right | | | 83508 | D-182-69 | | |
| | | | 5GMXT05.3177 | Executive Order # D-182-52 | | 81761 | 31554 (RH), 31718 (LH) | | D-182-52 | |
| | | Left | | | | | 81923 | D-182-52 | | |
| | | Right | | | | 81923 | D-182-52 | | | |
| | | Executive Order # D-182-69 | | Left | | | 83508 | D-182-69 | | |
| | | | | Right | | | 83508 | D-182-69 | | |
| | | 5GMXT05.3178 | | Executive Order # D-182-69 | Left | | | 83508 | D-182-69 | |
| | | | Right | | | | 83508 | D-182-69 | | |
| | 5GMXT06.0187 | Executive Order # D-182-69 | Left | | | 83508 | D-182-69 | | | |
| | | | Right | | | 83508 | D-182-69 | | | |
| | | | 6.0L V8 | 5GMXT06.0187 | Executive Order # D-182-69 | Left | | | 83403 | D-182-69 |
| | | | | | | Right | | | 83403 | D-182-69 |
| | 5GMXT06.0188 | Executive Order # D-182-52 | Front Left | | | | 81724 | D-182-52 | | |
| | | | Front Right | | | | 81724 | D-182-52 | | |
| | | | Rear Left | | | | 81724 | D-182-52 | | |
| | | | Rear Right | | | | 81724 | D-182-52 | | |
| Executive Order # D-182-69 | | Front Left | | | | 83404 | D-182-69 | | | |
| | | Front Right | | | | 83404 | D-182-69 | | | |
| | | Rear Left | | | | 83404 | D-182-69 | | | |
| | | Rear Right | | | | 83404 | D-182-69 | | | |
| 2004 | 4.3L V6 | 4GMXT04.3184 | Executive Order # D-182-47 | Left | | | | 81713 | D-182-47 | |
| | | | | Right | | | | 81713 | D-182-47 | |
| | | Executive Order # D-182-52 | | 81761 | 31554 (RH), 31718 (LH) | | | D-182-52 | | |
| | | | Executive Order # D-182-69 | Left | | | | 83508 | D-182-69 | |
| | | | | Right | | | | 83508 | D-182-69 | |
| | | | 4.8L V8 | 4GMXT05.3170 | Executive Order # D-182-47 | Left | | | | 81713 |
| | Right | | | | | | | 81713 | D-182-47 | |
| | Executive Order # D-182-52 | | | 81761 | 31554 (RH), 31718 (LH) | | | D-182-52 | | |
| | | Executive Order # D-182-69 | | Left | | | | 83508 | D-182-69 | |
| | Right | | | | | 83508 | D-182-69 | | | |
| 4GMXT05.3174 | Executive Order # D-182-52 | | 81761 | 31554 (RH), 31718 (LH) | | D-182-52 | | | | |
| | | Left | | | | 81923 | D-182-52 | | | |
| | Right | | | | 81923 | D-182-52 | | | | |
| | Executive Order # D-182-69 | Left | | | | 83508 | D-182-69 | | | |
| | | Right | | | | 83508 | D-182-69 | | | |
| | 5.3L V8 | 4GMXT05.3178 | Executive Order # D-182-69 | Left | | | | 83508 | D-182-69 | |
| Right | | | | | | | 83508 | D-182-69 | | |
| 4GMXT06.0187 | | Executive Order # D-182-69 | Left | | | | 83508 | D-182-69 | | |

OBDII APPLICATIONS

NON-OBDII APPLICATIONS

NUMERICAL

UNIVERSAL SPECIFICATIONS

For vehicles licensed in the state of California or Maine, or vehicles requiring CARB-compliant converters in the state of New York, the parts in this catalog must be installed as specifically listed. Parts cannot be substituted, nor can they be installed on California or Maine licensed vehicles not listed in this catalog.

OBDII PASSENGER CAR & TRUCK

| Years | Engine | Engine Family No. | Application | Position | Direct-Fit | | Universal Part No. | Executive Order | | |
|-------------------------------|--------------|----------------------------|----------------------------|--------------|----------------------------|---------------------------|--------------------|---------------------------|--------------|----------|
| | | | | | Part No. | Hardware | | | | |
| CHEVROLET (Cont.) | | | | | | | | | | |
| Silverado 1500 (Cont.) | | | | | | | | | | |
| 2004 (Cont.) | 5.3L V8 | 4GMXT06.0187 | Executive Order # D-182-69 | Right | | | 83508 | D-182-69 | | |
| | | | | Left | | | 83404 | D-182-69 | | |
| | 6.0L V8 | 4GMXH06.0583 | Executive Order # D-182-69 | Right | | | 83404 | D-182-69 | | |
| | | | | Left | | | 83403 | D-182-69 | | |
| | | 4GMXT06.0187 | Executive Order # D-182-69 | Left | | | 83403 | D-182-69 | | |
| | | | | Right | | | 83403 | D-182-69 | | |
| | | 4GMXT06.0188 | Executive Order # D-182-52 | Front Left | | | 81724 | D-182-52 | | |
| | | | | Front Right | | | 81724 | D-182-52 | | |
| | | | | Rear Left | | | 81724 | D-182-52 | | |
| | | | | Rear Right | | | 81724 | D-182-52 | | |
| | | | Executive Order # D-182-69 | Front Left | | | 83404 | D-182-69 | | |
| | | | | Front Right | | | 83404 | D-182-69 | | |
| | | | | Rear Left | | | 83404 | D-182-69 | | |
| | | | | Rear Right | | | 83404 | D-182-69 | | |
| | | 2003 | 4.3L V6 | 3GMXT04.3184 | Executive Order # D-182-52 | | 81761 | 31554 (RH), 31718 (LH) | | D-182-52 |
| | | | | | | Left | | | 81923 | D-182-52 |
| Right | | | | | | | 81923 | D-182-52 | | |
| Executive Order # D-182-69 | Left | | | | | | | 83508 | D-182-69 | |
| Right | | | | | | 83508 | D-182-69 | | | |
| 4.8L V8 | 3GMXT05.3183 | | | | Executive Order # D-182-47 | Left | | | 81713 | D-182-47 |
| | | | | | | Right | | | 81713 | D-182-47 |
| | | | | | Executive Order # D-182-52 | | 81761 | 31554 (RH), 31718 (LH) | | D-182-52 |
| | | Executive Order # D-182-69 | Left | | | | 83508 | D-182-69 | | |
| | Right | | | 83508 | D-182-69 | | | | | |
| | 3GMXT05.3184 | Executive Order # D-182-47 | Left | | | 81713 | D-182-47 | | | |
| | | | Right | | | 81713 | D-182-47 | | | |
| | | Executive Order # D-182-52 | | 81761 | 31554 (RH), 31718 (LH) | | D-182-52 | | | |
| Executive Order # D-182-69 | | | Left | | | 83508 | D-182-69 | | | |
| Right | | | 83508 | D-182-69 | | | | | | |
| 5.3L V8 | 3GMXT05.3176 | Executive Order # D-182-52 | | 81761 | 31554 (RH), 31718 (LH) | | D-182-52 | | | |
| | | | Left | | | 81723 | D-182-52 | | | |
| | | | Right | | | 81723 | D-182-52 | | | |
| | | | Executive Order # D-182-69 | Left | | | 83403 | D-182-69 | | |
| | | | | Right | | | 83403 | D-182-69 | | |
| | | | Executive Order # D-182-52 | | 81761 | 31554 (RH), 31718 (LH) | | D-182-52 | | |
| | | | | Left | | | 81723 | D-182-52 | | |
| | | | | Right | | | 81723 | D-182-52 | | |
| | | Executive Order # D-182-69 | | Left | | | 83403 | D-182-69 | | |
| | | | | Right | | | 83403 | D-182-69 | | |
| | | 6.0L V8 | | 3GMXA06.0188 | Executive Order # D-182-52 | Front Left | | | 81724 | D-182-52 |
| | | | | | | Front Right | | | 81724 | D-182-52 |
| | | | | | | Rear Left | | | 81724 | D-182-52 |
| | | | Rear Right | | | | | 81724 | D-182-52 | |

For vehicles licensed in the state of California or Maine, or vehicles requiring CARB-compliant converters in the state of New York, the parts in this catalog must be installed as specifically listed. Parts cannot be substituted, nor can they be installed on California or Maine licensed vehicles not listed in this catalog.

OBDII PASSENGER CAR & TRUCK

| Years | Engine | Engine Family No. | Application | Position | Direct-Fit | | Universal Part No. | Executive Order | |
|-------------------------------|----------------------------|----------------------------|----------------------------|----------------------------|--------------|---------------------------|--------------------|-----------------|----------|
| | | | | | Part No. | Hardware | | | |
| CHEVROLET (Cont.) | | | | | | | | | |
| Silverado 1500 (Cont.) | | | | | | | | | |
| 2003 (Cont.) | 6.0L V8 | 3GMXA06.0188 | Executive Order # D-182-69 | Front Left | | | 83404 | D-182-69 | |
| | | | | Front Right | | | 83404 | D-182-69 | |
| | | | | Rear Left | | | 83404 | D-182-69 | |
| | | | | Rear Right | | | 83404 | D-182-69 | |
| | | 3GMXH06.0583 | Executive Order # D-182-69 | Left | | | 83404 | D-182-69 | |
| | | | | Right | | | 83404 | D-182-69 | |
| | | 3GMXT06.0187 | Executive Order # D-182-47 | Executive Order # D-182-47 | Left | | | 81714 | D-182-47 |
| | | | | | Right | | | 81714 | D-182-47 |
| | | | | Executive Order # D-182-69 | Left | | | 83403 | D-182-69 |
| | | | | | Right | | | 83403 | D-182-69 |
| 2002 | 4.8L V8 | 2GMXA04.8183 | Executive Order # D-182-57 | Rear Left | | | 82606 | D-182-57 | |
| | | | | Rear Right | | | 82606 | D-182-57 | |
| | | 2GMXA04.8184 | Executive Order # D-182-57 | Rear Left | | | 82606 | D-182-57 | |
| | | | | Rear Right | | | 82606 | D-182-57 | |
| | 5.3L V8 | 2GMXA05.3185 | Executive Order # D-182-57 | Rear Left | | | 82606 | D-182-57 | |
| | | | | Rear Right | | | 82606 | D-182-57 | |
| | | 2GMXA05.3187 | Executive Order # D-182-57 | Rear Left | | | 82606 | D-182-57 | |
| | | | | Rear Right | | | 82606 | D-182-57 | |
| | 2001 | 4.3L V6 | 1GMXA04.3190 | Executive Order # D-182-47 | Left | | | 81713 | D-182-47 |
| | | | | | Right | | | 81713 | D-182-47 |
| Executive Order # D-182-52 | | | | | 81761 | 31554 (RH), 31718 (LH) | | D-182-52 | |
| | | | | | | | | | |
| Executive Order # D-182-69 | | | Left | | | 83403 | D-182-69 | | |
| | | | Right | | | 83403 | D-182-69 | | |
| 4.8L V8 | | | 1GMXA05.3183 | Executive Order # D-182-47 | Left | | | 81713 | D-182-47 |
| | | | | | Right | | | 81713 | D-182-47 |
| | | | Executive Order # D-182-52 | | 81761 | 31554 (RH), 31718 (LH) | | D-182-52 | |
| | | | | | | | | | |
| | | Executive Order # D-182-69 | Left | | | 83403 | D-182-69 | | |
| | | | Right | | | 83403 | D-182-69 | | |
| 5.3L V8 | | 1GMXA05.3184 | Executive Order # D-182-47 | Left | | | 81713 | D-182-47 | |
| | | | | Right | | | 81713 | D-182-47 | |
| | | | Executive Order # D-182-52 | | 81761 | 31554 (RH), 31718 (LH) | | D-182-52 | |
| | | | | | | | | | |
| | | Executive Order # D-182-69 | Left | | | 83403 | D-182-69 | | |
| | | | Right | | | 83403 | D-182-69 | | |
| | | 1GMXA05.3183 | Executive Order # D-182-47 | Left | | | 81713 | D-182-47 | |
| | | | | Right | | | 81713 | D-182-47 | |
| Executive Order # D-182-52 | | | 81761 | 31554 (RH), 31718 (LH) | | D-182-52 | | | |
| | | | | | | | | | |
| 1GMXA05.3184 | Executive Order # D-182-47 | Left | | | 81713 | D-182-47 | | | |
| | | Right | | | 81713 | D-182-47 | | | |
| | Executive Order # D-182-52 | | 81761 | 31554 (RH), 31718 (LH) | | D-182-52 | | | |
| | | | | | | | | | |

OBDII APPLICATIONS

NON-OBDII APPLICATIONS

NUMERICAL

UNIVERSAL SPECIFICATIONS

For vehicles licensed in the state of California or Maine, or vehicles requiring CARB-compliant converters in the state of New York, the parts in this catalog must be installed as specifically listed. Parts cannot be substituted, nor can they be installed on California or Maine licensed vehicles not listed in this catalog.

OBDII PASSENGER CAR & TRUCK

| Years | Engine | Engine Family No. | Application | Position | Direct-Fit | | Universal Part No. | Executive Order |
|-------------------------------|----------------------------|----------------------------|----------------------------|--------------|---------------------------|---------------------------|--------------------|-----------------|
| | | | | | Part No. | Hardware | | |
| CHEVROLET (Cont.) | | | | | | | | |
| Silverado 1500 (Cont.) | | | | | | | | |
| 2001 (Cont.) | 5.3L V8 | 1GMYA05.3184 | Executive Order # D-182-69 | Right | | | 83403 | D-182-69 |
| 2000 | 4.3L V6 | YGMXA04.3190 | Executive Order # D-182-47 | Left | | | 81713 | D-182-47 |
| | | | | Right | | | 81713 | D-182-47 |
| | | | Executive Order # D-182-52 | | 81761 | 31554 (RH), 31718 (LH) | | D-182-52 |
| | | | Executive Order # D-182-69 | Left | | 83403 | D-182-69 | |
| | | Right | | | 83403 | D-182-69 | | |
| | | YGMXT04.3184 | Executive Order # D-182-47 | Left | | 81713 | D-182-47 | |
| | | | | Right | | 81713 | D-182-47 | |
| | | | Executive Order # D-182-52 | | 81761 | 31554 (RH), 31718 (LH) | D-182-52 | |
| | Executive Order # D-182-69 | | Left | | 83403 | D-182-69 | | |
| | | Right | | 83403 | D-182-69 | | | |
| | 4.8L V8 | YGMXA05.3183 | Executive Order # D-182-47 | Left | | 81713 | D-182-47 | |
| | | | | Right | | 81713 | D-182-47 | |
| | | | Executive Order # D-182-52 | | 81761 | 31554 (RH), 31718 (LH) | D-182-52 | |
| | | | Executive Order # D-182-69 | Left | | 83403 | D-182-69 | |
| | | Right | | | 83403 | D-182-69 | | |
| | | YGMXT05.3181 | Executive Order # D-182-47 | Left | | 81713 | D-182-47 | |
| Right | | | | | 81713 | D-182-47 | | |
| Executive Order # D-182-52 | | | | 81761 | 31554 (RH), 31718 (LH) | D-182-52 | | |
| Executive Order # D-182-69 | Left | | | 83403 | D-182-69 | | | |
| | Right | | 83403 | D-182-69 | | | | |
| 5.3L V8 | YGMXA05.3183 | Executive Order # D-182-47 | Left | | 81713 | D-182-47 | | |
| | | | Right | | 81713 | D-182-47 | | |
| | | Executive Order # D-182-52 | | 81761 | 31554 (RH), 31718 (LH) | D-182-52 | | |
| | | Executive Order # D-182-69 | Left | | 83403 | D-182-69 | | |
| | Right | | | 83403 | D-182-69 | | | |
| | YGMXT05.3181 | Executive Order # D-182-47 | Left | | 81713 | D-182-47 | | |
| | | | Right | | 81713 | D-182-47 | | |
| | | Executive Order # D-182-52 | | 81761 | 31554 (RH), 31718 (LH) | D-182-52 | | |
| Executive Order # D-182-69 | | Left | | 83403 | D-182-69 | | | |
| | Right | | 83403 | D-182-69 | | | | |
| 1999 | 4.3L V6 | XGMXA04.3194 | Executive Order # D-182-47 | Left | | | 81713 | D-182-47 |
| | | | | Right | | | 81713 | D-182-47 |
| | | | Executive Order # D-182-52 | | 81761 | 31554 (RH), 31718 (LH) | D-182-52 | |
| | | | Executive Order # D-182-69 | Left | | 83403 | D-182-69 | |
| | | Right | | | 83403 | D-182-69 | | |
| | | XGMXA04.3195 | Executive Order # D-182-47 | Left | | 81713 | D-182-47 | |
| | | | | Right | | 81713 | D-182-47 | |
| | | | Executive Order # D-182-52 | | 81761 | 31554 (RH), 31718 (LH) | D-182-52 | |

For vehicles licensed in the state of California or Maine, or vehicles requiring CARB-compliant converters in the state of New York, the parts in this catalog must be installed as specifically listed. Parts cannot be substituted, nor can they be installed on California or Maine licensed vehicles not listed in this catalog.

OBDII PASSENGER CAR & TRUCK

| Years | Engine | Engine Family No. | Application | Position | Direct-Fit | | Universal Part No. | Executive Order | |
|-------------------------------|----------------------------|-------------------|----------------------------|----------------------------|----------------------------|---------------------------|---------------------------|-----------------|----------|
| | | | | | Part No. | Hardware | | | |
| CHEVROLET (Cont.) | | | | | | | | | |
| Silverado 1500 (Cont.) | | | | | | | | | |
| 1999 (Cont.) | 4.3L V6 | XGMXA04.3195 | Executive Order # D-182-69 | Left | | | 83403 | D-182-69 | |
| | | | | Right | | | 83403 | D-182-69 | |
| | 4.8L V8 | XGMXA04.8184 | Executive Order # D-182-47 | Left | | | 81713 | D-182-47 | |
| | | | | Right | | | 81713 | D-182-47 | |
| | | | | Executive Order # D-182-52 | | 81761 | 31554 (RH), 31718 (LH) | | D-182-52 |
| | | | | Executive Order # D-182-69 | Left | | 83403 | D-182-69 | |
| | | | | Right | | 83403 | D-182-69 | | |
| | | | | XGMXA05.3183 | Executive Order # D-182-47 | Left | | 81713 | D-182-47 |
| | | | | | | Right | | 81713 | D-182-47 |
| | | | | Executive Order # D-182-52 | | 81761 | 31554 (RH), 31718 (LH) | | D-182-52 |
| | Executive Order # D-182-69 | Left | | | 83403 | D-182-69 | | | |
| | Right | | 83403 | D-182-69 | | | | | |
| | 5.3L V8 | XGMXA05.3183 | Executive Order # D-182-47 | Left | | 81713 | D-182-47 | | |
| | | | | Right | | 81713 | D-182-47 | | |
| | | | Executive Order # D-182-52 | | 81761 | 31554 (RH), 31718 (LH) | | D-182-52 | |
| | | | | Executive Order # D-182-69 | Left | | 83403 | D-182-69 | |
| | | | Right | | 83403 | D-182-69 | | | |
| | | | XGMXA05.3185 | Executive Order # D-182-47 | Left | | 81713 | D-182-47 | |
| | | | | | Right | | 81713 | D-182-47 | |
| | | | Executive Order # D-182-52 | | 81761 | 31554 (RH), 31718 (LH) | | D-182-52 | |
| | | | | Executive Order # D-182-69 | Left | | 83403 | D-182-69 | |
| | | | Right | | 83403 | D-182-69 | | | |

Silverado 1500 HD

| | | | | | | | | | | |
|----------------------------|------------|--------------|----------------------------|----------------------------|----------------------------|--------------|--------------|--------------|--------------|----------|
| 2006 | 6.0L V8 | 6GMXH06.0583 | Executive Order # D-182-69 | Left | | | 83404 | D-182-69 | | |
| | | | | Right | | | 83404 | D-182-69 | | |
| | | 6GMXH06.0593 | Executive Order # D-182-69 | Left | | | 83404 | D-182-69 | | |
| | | | | Right | | | 83404 | D-182-69 | | |
| | | 6GMXK06.0388 | Executive Order # D-182-52 | Front Left | | | 81724 | D-182-52 | | |
| | | | | Front Right | | | 81724 | D-182-52 | | |
| | | | | Rear Left | | | 81724 | D-182-52 | | |
| | | | | Rear Right | | | 81724 | D-182-52 | | |
| | | | | Executive Order # D-182-69 | Front Left | | | 83404 | D-182-69 | |
| | | | | | Front Right | | | 83404 | D-182-69 | |
| | | | | | Rear Left | | | 83404 | D-182-69 | |
| | | | | | Rear Right | | | 83404 | D-182-69 | |
| | | 2005 | 6.0L V8 | 5GMXH06.0583 | Executive Order # D-182-69 | Left | | | 83404 | D-182-69 |
| | | | | | | Right | | | 83404 | D-182-69 |
| | | | | 5GMXT06.0188 | Executive Order # D-182-52 | Front Left | | | 81724 | D-182-52 |
| | | | | | | Front Right | | | 81724 | D-182-52 |
| Rear Left | | | | | | | 81724 | D-182-52 | | |
| Rear Right | | | | | | | 81724 | D-182-52 | | |
| Executive Order # D-182-69 | Front Left | | | | | 83404 | D-182-69 | | | |

For vehicles licensed in the state of California or Maine, or vehicles requiring CARB-compliant converters in the state of New York, the parts in this catalog must be installed as specifically listed. Parts cannot be substituted, nor can they be installed on California or Maine licensed vehicles not listed in this catalog.

OBDII APPLICATIONS

NON-OBDII APPLICATIONS

NUMERICAL

UNIVERSAL SPECIFICATIONS

OBDII PASSENGER CAR & TRUCK

| Years | Engine | Engine Family No. | Application | Position | Direct-Fit | | Universal Part No. | Executive Order | | |
|----------------------------------|---------|----------------------------------|----------------------------|--------------|----------------------------|----------|--------------------|-----------------|--------------|----------|
| | | | | | Part No. | Hardware | | | | |
| CHEVROLET (Cont.) | | | | | | | | | | |
| Silverado 1500 HD (Cont.) | | | | | | | | | | |
| 2005 (Cont.) | 6.0L V8 | 5GMXT06.0188 | Executive Order # D-182-69 | Front Right | | | 83404 | D-182-69 | | |
| | | | | Rear Left | | | 83404 | D-182-69 | | |
| | | | | Rear Right | | | 83404 | D-182-69 | | |
| 2003 | 6.0L V8 | 3GMXA06.0188 | Executive Order # D-182-52 | Front Left | | | 81724 | D-182-52 | | |
| | | | | Front Right | | | 81724 | D-182-52 | | |
| | | | | Rear Left | | | 81724 | D-182-52 | | |
| | | | | Rear Right | | | 81724 | D-182-52 | | |
| | | | Executive Order # D-182-69 | Front Left | | | 83404 | D-182-69 | | |
| | | | | Front Right | | | 83404 | D-182-69 | | |
| | | | | Rear Left | | | 83404 | D-182-69 | | |
| | | | | Rear Right | | | 83404 | D-182-69 | | |
| | | 3GMXH06.0583 | Executive Order # D-182-69 | Left | | | 83404 | D-182-69 | | |
| | | | | Right | | | 83404 | D-182-69 | | |
| 2002 | 6.0L V8 | 2GMXA06.0188 | Executive Order # D-182-52 | Front Left | | | 81724 | D-182-52 | | |
| | | | | Front Right | | | 81724 | D-182-52 | | |
| | | | | Rear Left | | | 81724 | D-182-52 | | |
| | | | | Rear Right | | | 81724 | D-182-52 | | |
| | | | Executive Order # D-182-69 | Front Left | | | 83404 | D-182-69 | | |
| | | | | Front Right | | | 83404 | D-182-69 | | |
| | | | | Rear Left | | | 83404 | D-182-69 | | |
| | | | | Rear Right | | | 83404 | D-182-69 | | |
| | | 2GMXH06.0583 | Executive Order # D-182-69 | Left | | | 83404 | D-182-69 | | |
| | | | | Right | | | 83404 | D-182-69 | | |
| 2001 | 6.0L V8 | 1GMXA06.0188 | Executive Order # D-182-52 | Front Left | | | 81724 | D-182-52 | | |
| | | | | Front Right | | | 81724 | D-182-52 | | |
| | | | | Rear Left | | | 81724 | D-182-52 | | |
| | | | | Rear Right | | | 81724 | D-182-52 | | |
| | | | Executive Order # D-182-69 | Front Left | | | 83404 | D-182-69 | | |
| | | | | Front Right | | | 83404 | D-182-69 | | |
| | | | | Rear Left | | | 83404 | D-182-69 | | |
| | | | | Rear Right | | | 83404 | D-182-69 | | |
| | | Silverado 1500 HD Classic | | | | | | | | |
| | | 2007 | 6.0L V8 | 7GMXH06.0583 | Executive Order # D-182-69 | Left | | | 83404 | D-182-69 |
| Right | | | | | | | 83404 | D-182-69 | | |
| Silverado 2500 | | | | | | | | | | |
| 2004 | 6.0L V8 | 4GMXH06.0583 | Executive Order # D-182-69 | Left | | | 83404 | D-182-69 | | |
| | | | | Right | | | 83404 | D-182-69 | | |
| | | 4GMXT06.0188 | Executive Order # D-182-52 | Front Left | | | 81724 | D-182-52 | | |
| | | | | Front Right | | | 81724 | D-182-52 | | |
| | | | | Rear Left | | | 81724 | D-182-52 | | |
| | | | | Rear Right | | | 81724 | D-182-52 | | |
| | | | Executive Order # D-182-69 | Front Left | | | 83404 | D-182-69 | | |
| | | | | Front Right | | | 83404 | D-182-69 | | |
| | | | | Rear Left | | | 83404 | D-182-69 | | |
| | | | | Rear Right | | | 83404 | D-182-69 | | |

For vehicles licensed in the state of California or Maine, or vehicles requiring CARB-compliant converters in the state of New York, the parts in this catalog must be installed as specifically listed. Parts cannot be substituted, nor can they be installed on California or Maine licensed vehicles not listed in this catalog.

OBDII PASSENGER CAR & TRUCK

| Years | Engine | Engine Family No. | Application | Position | Direct-Fit | | Universal Part No. | Executive Order | | |
|-------------------------------|---|----------------------------|----------------------------|--------------|----------------------------|---------------------------|--------------------|-----------------|--------------|----------|
| | | | | | Part No. | Hardware | | | | |
| CHEVROLET (Cont.) | | | | | | | | | | |
| Silverado 2500 (Cont.) | | | | | | | | | | |
| 2003 | 6.0L V8 | 3GMXA06.0188 | Executive Order # D-182-52 | Front Left | | | 81724 | D-182-52 | | |
| | | | | Front Right | | | 81724 | D-182-52 | | |
| | | | | Rear Left | | | 81724 | D-182-52 | | |
| | | | | Rear Right | | | 81724 | D-182-52 | | |
| | | | Executive Order # D-182-69 | Front Left | | | 83404 | D-182-69 | | |
| | | | | Front Right | | | 83404 | D-182-69 | | |
| | | | | Rear Left | | | 83404 | D-182-69 | | |
| | | | | Rear Right | | | 83404 | D-182-69 | | |
| | | 3GMXH06.0583 | Executive Order # D-182-69 | Left | | | 83404 | D-182-69 | | |
| | | | | Right | | | 83404 | D-182-69 | | |
| 2002 | 6.0L V8 | 2GMXA06.0188 | Executive Order # D-182-52 | Front Left | | | 81724 | D-182-52 | | |
| | | | | Front Right | | | 81724 | D-182-52 | | |
| | | | | Rear Left | | | 81724 | D-182-52 | | |
| | | | | Rear Right | | | 81724 | D-182-52 | | |
| | | | Executive Order # D-182-69 | Front Left | | | 83404 | D-182-69 | | |
| | | | | Front Right | | | 83404 | D-182-69 | | |
| | | | | Rear Left | | | 83404 | D-182-69 | | |
| | | | | Rear Right | | | 83404 | D-182-69 | | |
| | | 2GMXH06.0583 | Executive Order # D-182-69 | Left | | | 83404 | D-182-69 | | |
| | | | | Right | | | 83404 | D-182-69 | | |
| 2001 | 6.0L V8 | 1GMXA06.0188 | Executive Order # D-182-52 | Front Left | | | 81724 | D-182-52 | | |
| | | | | Front Right | | | 81724 | D-182-52 | | |
| | | | | Rear Left | | | 81724 | D-182-52 | | |
| | | | | Rear Right | | | 81724 | D-182-52 | | |
| | | | Executive Order # D-182-69 | Front Left | | | 83404 | D-182-69 | | |
| | | | | Front Right | | | 83404 | D-182-69 | | |
| | | | | Rear Left | | | 83404 | D-182-69 | | |
| | | | | Rear Right | | | 83404 | D-182-69 | | |
| | | 2000 | 5.3L V8 | YGMXA05.3183 | Executive Order # D-182-47 | Left | | | 81713 | D-182-47 |
| | | | | | | Right | | | 81713 | D-182-47 |
| Executive Order # D-182-52 | | | | | 81761 | 31554 (RH), 31718 (LH) | | D-182-52 | | |
| | Fits Fed. & Calif. Emiss. Models.; Not legal for sale in the state of California. Not legal for use on California emission vehicles in New York. Legal for use on Federal/EPA emission vehicles in New York.; Legal for use in th | | | | 83482 | | | D-182-69 | | |
| YGMXT05.3181 | Executive Order # D-182-47 | Left | | | 81713 | D-182-47 | | | | |
| | | Right | | | 81713 | D-182-47 | | | | |
| | | Executive Order # D-182-52 | | 81761 | 31554 (RH), 31718 (LH) | | D-182-52 | | | |

OBDII APPLICATIONS

NON-OBDII APPLICATIONS

NUMERICAL

UNIVERSAL SPECIFICATIONS

For vehicles licensed in the state of California or Maine, or vehicles requiring CARB-compliant converters in the state of New York, the parts in this catalog must be installed as specifically listed. Parts cannot be substituted, nor can they be installed on California or Maine licensed vehicles not listed in this catalog.

OBDII PASSENGER CAR & TRUCK

| Years | Engine | Engine Family No. | Application | Position | Direct-Fit | | Universal Part No. | Executive Order | |
|-------------------------------|----------------------------|----------------------------|---|--------------|----------------------------|---------------------------|--------------------|-----------------|--------------|
| | | | | | Part No. | Hardware | | | |
| CHEVROLET (Cont.) | | | | | | | | | |
| Silverado 2500 (Cont.) | | | | | | | | | |
| 2000 (Cont.) | 5.3L V8 | YGMXT05.3181 | Fits Fed. & Calif. Emiss. Models.; Not legal for sale in the state of California. Not legal for use on California emission vehicles in New York. Legal for use on Federal/EPA emission vehicles in New York.; Legal for use in th | | 83482 | | | D-182-69 | |
| | 6.0L V8 | YGMXT06.0192 | Executive Order # D-182-47 | Left | | | 81714 | D-182-47 | |
| | | | | Right | | | 81714 | D-182-47 | |
| | | | Executive Order # D-182-52 | Left | 81745 | 31718 | | | D-182-52 |
| | | | Executive Order # D-182-69 | Left | | | 83404 | | D-182-69 |
| | | | Right | | | 83404 | D-182-69 | | |
| 1999 | 5.3L V8 | XGMXA05.3185 | Executive Order # D-182-47 | Left | | | 81713 | D-182-47 | |
| | | | | Right | | | 81713 | D-182-47 | |
| | | | Executive Order # D-182-52 | | 81761 | 31554 (RH), 31718 (LH) | | | D-182-52 |
| | | | Fits Fed. & Calif. Emiss. Models.; Not legal for sale in the state of California. Not legal for use on California emission vehicles in New York. Legal for use on Federal/EPA emission vehicles in New York.; Legal for use in th | | 83482 | | | | D-182-69 |
| | | | | | | | | | |
| | | | 6.0L V8 | XGMXA06.0182 | Executive Order # D-182-47 | Left | | | 81714 |
| | Right | | | | | | 81714 | D-182-47 | |
| | Executive Order # D-182-52 | Left | | | 81745 | 31718 | | | D-182-52 |
| | Executive Order # D-182-69 | Left | | | | | 83404 | | D-182-69 |
| | | Right | | | | | 83404 | | D-182-69 |
| | XGMXA06.0183 | Executive Order # D-182-47 | | | Left | | | 81714 | D-182-47 |
| | | | | | Right | | | 81714 | D-182-47 |
| | | Executive Order # D-182-52 | Left | 81745 | 31718 | | | D-182-52 | |
| | | Executive Order # D-182-69 | Left | | | 83404 | D-182-69 | | |
| | | | Right | | | 83404 | D-182-69 | | |

Silverado 2500 HD

| | | | | | | | | | |
|------|---------|--------------|----------------------------|----------------------------|--------------|----------|--------------|--------------|----------|
| 2007 | 6.0L V8 | 7GMXH06.0584 | Executive Order # D-182-69 | Left | | | 83404 | D-182-69 | |
| | | | | Right | | | 83404 | D-182-69 | |
| 2006 | 6.0L V8 | 6GMXH06.0583 | Executive Order # D-182-69 | Left | | | 83404 | D-182-69 | |
| | | | | Right | | | 83404 | D-182-69 | |
| | | | 6GMXH06.0593 | Executive Order # D-182-69 | Left | | | 83404 | D-182-69 |
| | | | | | Right | | | 83404 | D-182-69 |
| | | 6GMXK06.0388 | Executive Order # D-182-52 | Front Left | | | 81724 | D-182-52 | |
| | | | | | Front Right | | | 81724 | D-182-52 |
| | | | | Rear Left | | | 81724 | D-182-52 | |
| | | | | Rear Right | | | 81724 | D-182-52 | |
| | | | Executive Order # D-182-69 | Front Left | | | 83404 | D-182-69 | |
| | | | | | Front Right | | | 83404 | D-182-69 |
| | | Rear Left | | | 83404 | D-182-69 | | | |
| | | Rear Right | | | 83404 | D-182-69 | | | |
| | | 6GMXT08.1201 | Executive Order # D-182-69 | Front Left | | | 83404 | D-182-69 | |

For vehicles licensed in the state of California or Maine, or vehicles requiring CARB-compliant converters in the state of New York, the parts in this catalog must be installed as specifically listed. Parts cannot be substituted, nor can they be installed on California or Maine licensed vehicles not listed in this catalog.

OBDII PASSENGER CAR & TRUCK

| Years | Engine | Engine Family No. | Application | Position | Direct-Fit | | Universal Part No. | Executive Order | |
|----------------------------------|--------------|----------------------------|----------------------------|----------------------------|--------------|--------------|--------------------|-----------------|----------|
| | | | | | Part No. | Hardware | | | |
| CHEVROLET (Cont.) | | | | | | | | | |
| Silverado 2500 HD (Cont.) | | | | | | | | | |
| 2006 (Cont.) | 6.0L V8 | 6GMXT08.1201 | Executive Order # D-182-69 | Front Right | | | 83404 | D-182-69 | |
| | | | | Rear Left | | | 83404 | D-182-69 | |
| | | | | Rear Right | | | 83404 | D-182-69 | |
| | 8.1L V8 | 6GMXH08.1501 | Executive Order # D-182-69 | Left | | | 83404 | D-182-69 | |
| | | | | Right | | | 83404 | D-182-69 | |
| | | 6GMXH08.1511 | Executive Order # D-182-69 | Left | | | 83404 | D-182-69 | |
| | | | | Right | | | 83404 | D-182-69 | |
| | | 6GMXT08.1201 | Executive Order # D-182-52 | Front Left | | | 81724 | D-182-52 | |
| | | | | Front Right | | | 81724 | D-182-52 | |
| | Rear Left | | | | | 81724 | D-182-52 | | |
| | 2005 | 6.0L V8 | 5GMXH06.0583 | Executive Order # D-182-69 | Left | | | 83404 | D-182-69 |
| | | | | | Right | | | 83404 | D-182-69 |
| 5GMXT06.0188 | | | Executive Order # D-182-52 | Front Left | | | 81724 | D-182-52 | |
| | | | | Front Right | | | 81724 | D-182-52 | |
| | | | | Rear Left | | | 81724 | D-182-52 | |
| | | | | Rear Right | | | 81724 | D-182-52 | |
| | | | | Executive Order # D-182-69 | Front Left | | | 83404 | D-182-69 |
| | | | | | Front Right | | | 83404 | D-182-69 |
| Rear Left | | | | | | 83404 | D-182-69 | | |
| 5GMXT08.1201 | | | Executive Order # D-182-69 | Front Left | | | 83404 | D-182-69 | |
| | | | | Front Right | | | 83404 | D-182-69 | |
| | | | | Rear Left | | | 83404 | D-182-69 | |
| | Rear Right | | | | 83404 | D-182-69 | | | |
| 8.1L V8 | 5GMXH08.1501 | Executive Order # D-182-69 | Left | | | 83404 | D-182-69 | | |
| | | | Right | | | 83404 | D-182-69 | | |
| | 5GMXT08.1201 | Executive Order # D-182-52 | Front Left | | | 81724 | D-182-52 | | |
| | | | Front Right | | | 81724 | D-182-52 | | |
| | | | Rear Left | | | 81724 | D-182-52 | | |
| | | | Rear Right | | | 81724 | D-182-52 | | |
| 2004 | 6.0L V8 | 4GMXH06.0583 | Executive Order # D-182-69 | Left | | | 83404 | D-182-69 | |
| | | | | Right | | | 83404 | D-182-69 | |
| | | 4GMXT06.0188 | Executive Order # D-182-52 | Front Left | | | 81724 | D-182-52 | |
| | | | | Front Right | | | 81724 | D-182-52 | |
| | | | | Rear Left | | | 81724 | D-182-52 | |
| | | | | Rear Right | | | 81724 | D-182-52 | |
| | | | | Executive Order # D-182-69 | Front Left | | | 83404 | D-182-69 |
| | | | | | Front Right | | | 83404 | D-182-69 |
| | | Rear Left | | | | 83404 | D-182-69 | | |
| | | 4GMXT08.1201 | Executive Order # D-182-69 | Front Left | | | 83404 | D-182-69 | |
| | | | | Front Right | | | 83404 | D-182-69 | |
| | | | | Rear Left | | | 83404 | D-182-69 | |
| Rear Right | | | | | 83404 | D-182-69 | | | |

OBDII APPLICATIONS

NON-OBDII APPLICATIONS

NUMERICAL

UNIVERSAL SPECIFICATIONS

For vehicles licensed in the state of California or Maine, or vehicles requiring CARB-compliant converters in the state of New York, the parts in this catalog must be installed as specifically listed. Parts cannot be substituted, nor can they be installed on California or Maine licensed vehicles not listed in this catalog.

OBDII PASSENGER CAR & TRUCK

| Years | Engine | Engine Family No. | Application | Position | Direct-Fit | | Universal Part No. | Executive Order | |
|----------------------------------|--------------|----------------------------|----------------------------|----------------------------|-------------|--------------|--------------------|-----------------|----------|
| | | | | | Part No. | Hardware | | | |
| CHEVROLET (Cont.) | | | | | | | | | |
| Silverado 2500 HD (Cont.) | | | | | | | | | |
| 2004 (Cont.) | 8.1L V8 | 4GMXH08.1501 | Executive Order # D-182-69 | Left | | | 83404 | D-182-69 | |
| | | | | Right | | | 83404 | D-182-69 | |
| | | 4GMXT08.1201 | Executive Order # D-182-52 | Front Left | | | 81724 | D-182-52 | |
| | | | | Front Right | | | 81724 | D-182-52 | |
| | | | | Rear Left | | | 81724 | D-182-52 | |
| | Rear Right | | | 81724 | D-182-52 | | | | |
| 2003 | 6.0L V8 | 3GMXA06.0188 | Executive Order # D-182-52 | Front Left | | | 81724 | D-182-52 | |
| | | | | Front Right | | | 81724 | D-182-52 | |
| | | | | Rear Left | | | 81724 | D-182-52 | |
| | | | | Rear Right | | | 81724 | D-182-52 | |
| | | Executive Order # D-182-69 | Front Left | | | 83404 | D-182-69 | | |
| | | | Front Right | | | 83404 | D-182-69 | | |
| | | | Rear Left | | | 83404 | D-182-69 | | |
| | | | Rear Right | | | 83404 | D-182-69 | | |
| | | 3GMXA08.1201 | Executive Order # D-182-69 | Front Left | | | 83404 | D-182-69 | |
| | | | | Front Right | | | 83404 | D-182-69 | |
| | | | | Rear Left | | | 83404 | D-182-69 | |
| | | | | Rear Right | | | 83404 | D-182-69 | |
| | | 3GMXH06.0583 | Executive Order # D-182-69 | Left | | | 83404 | D-182-69 | |
| | Right | | | | | 83404 | D-182-69 | | |
| | 8.1L V8 | 3GMXA08.1201 | Executive Order # D-182-52 | Front Left | | | 81724 | D-182-52 | |
| | | | | Front Right | | | 81724 | D-182-52 | |
| | | | | Rear Left | | | 81724 | D-182-52 | |
| | | | | Rear Right | | | 81724 | D-182-52 | |
| | | 3GMXH08.1501 | Executive Order # D-182-69 | Left | | | 83404 | D-182-69 | |
| | | | | Right | | | 83404 | D-182-69 | |
| | | | | | | | | | |
| | 2002 | 6.0L V8 | 2GMXA06.0188 | Executive Order # D-182-52 | Front Left | | | 81724 | D-182-52 |
| | | | | | Front Right | | | 81724 | D-182-52 |
| Rear Left | | | | | | | 81724 | D-182-52 | |
| Rear Right | | | | | | | 81724 | D-182-52 | |
| Executive Order # D-182-69 | | | Front Left | | | 83404 | D-182-69 | | |
| | | | Front Right | | | 83404 | D-182-69 | | |
| | | | Rear Left | | | 83404 | D-182-69 | | |
| | | | Rear Right | | | 83404 | D-182-69 | | |
| 2GMXA08.1201 | | | Executive Order # D-182-69 | Front Left | | | 83404 | D-182-69 | |
| | | | | Front Right | | | 83404 | D-182-69 | |
| | | | | Rear Left | | | 83404 | D-182-69 | |
| | | | | Rear Right | | | 83404 | D-182-69 | |
| 2GMXH06.0583 | | Executive Order # D-182-69 | Left | | | 83404 | D-182-69 | | |
| | | | Right | | | 83404 | D-182-69 | | |
| 8.1L V8 | | 2GMXA08.1201 | Executive Order # D-182-52 | Front Left | | | 81724 | D-182-52 | |
| | | | | Front Right | | | 81724 | D-182-52 | |
| | Rear Left | | | | | 81724 | D-182-52 | | |
| | Rear Right | | | | | 81724 | D-182-52 | | |
| | 2GMXH08.1501 | Executive Order # D-182-69 | Left | | | 83404 | D-182-69 | | |

For vehicles licensed in the state of California or Maine, or vehicles requiring CARB-compliant converters in the state of New York, the parts in this catalog must be installed as specifically listed. Parts cannot be substituted, nor can they be installed on California or Maine licensed vehicles not listed in this catalog.

OBDII PASSENGER CAR & TRUCK

| Years | Engine | Engine Family No. | Application | Position | Direct-Fit | | Universal Part No. | Executive Order | |
|----------------------------------|--------------|----------------------------|----------------------------|----------------------------|--------------|--------------|--------------------|-----------------|----------|
| | | | | | Part No. | Hardware | | | |
| CHEVROLET (Cont.) | | | | | | | | | |
| Silverado 2500 HD (Cont.) | | | | | | | | | |
| 2002 (Cont.) | 8.1L V8 | 2GMXH08.1501 | Executive Order # D-182-69 | Right | | | 83404 | D-182-69 | |
| 2001 | 6.0L V8 | 1GMXA06.0188 | Executive Order # D-182-52 | Front Left | | | 81724 | D-182-52 | |
| | | | | Front Right | | | 81724 | D-182-52 | |
| | | | | Rear Left | | | 81724 | D-182-52 | |
| | | | | Rear Right | | | 81724 | D-182-52 | |
| | | | Executive Order # D-182-69 | Front Left | | | 83404 | D-182-69 | |
| | | | | Front Right | | | 83404 | D-182-69 | |
| | | | | Rear Left | | | 83404 | D-182-69 | |
| | | | | Rear Right | | | 83404 | D-182-69 | |
| | 1GMXA08.1201 | Executive Order # D-182-69 | Front Left | | | 83404 | D-182-69 | | |
| | | | Front Right | | | 83404 | D-182-69 | | |
| | | | Rear Left | | | 83404 | D-182-69 | | |
| | | | Rear Right | | | 83404 | D-182-69 | | |
| | 8.1L V8 | 1GMXA08.1201 | Executive Order # D-182-52 | Front Left | | | 81724 | D-182-52 | |
| | | | | Front Right | | | 81724 | D-182-52 | |
| Rear Left | | | | | | 81724 | D-182-52 | | |
| Rear Right | | | | | | 81724 | D-182-52 | | |
| Silverado 2500 HD Classic | | | | | | | | | |
| 2007 | 6.0L V8 | 7GMXH06.0583 | Executive Order # D-182-69 | Left | | | 83404 | D-182-69 | |
| | | | | Right | | | 83404 | D-182-69 | |
| | | 7GMXH06.0584 | Executive Order # D-182-69 | Left | | | 83404 | D-182-69 | |
| | | | | Right | | | 83404 | D-182-69 | |
| | 8.1L V8 | 7GMXH08.1501 | Executive Order # D-182-69 | Left | | | 83404 | D-182-69 | |
| | | | | Right | | | 83404 | D-182-69 | |
| Silverado 3500 | | | | | | | | | |
| 2006 | 6.0L V8 | 6GMXH06.0583 | Executive Order # D-182-69 | Left | | | 83404 | D-182-69 | |
| | | | | Right | | | 83404 | D-182-69 | |
| | | 6GMXH06.0593 | Executive Order # D-182-69 | Left | | | 83404 | D-182-69 | |
| | | | | Right | | | 83404 | D-182-69 | |
| | | 6GMXK06.0388 | Executive Order # D-182-52 | Front Left | | | 81724 | D-182-52 | |
| | | | | Front Right | | | 81724 | D-182-52 | |
| | | | | Rear Left | | | 81724 | D-182-52 | |
| | | | | Rear Right | | | 81724 | D-182-52 | |
| | | | | Executive Order # D-182-69 | Front Left | | | 83404 | D-182-69 |
| | | | | | Front Right | | | 83404 | D-182-69 |
| | | Rear Left | | | | 83404 | D-182-69 | | |
| | | Rear Right | | | | 83404 | D-182-69 | | |
| | 8.1L V8 | 6GMXH08.1501 | Executive Order # D-182-69 | Left | | | 83404 | D-182-69 | |
| | | | | Right | | | 83404 | D-182-69 | |
| | | 6GMXH08.1511 | Executive Order # D-182-69 | Left | | | 83404 | D-182-69 | |
| | | | | Right | | | 83404 | D-182-69 | |
| | | 6GMXT08.1201 | Executive Order # D-182-52 | Front Left | | | 81724 | D-182-52 | |
| | | | | Front Right | | | 81724 | D-182-52 | |
| | | Rear Left | | | 81724 | D-182-52 | | | |

OBDII APPLICATIONS

NON-OBDII APPLICATIONS

NUMERICAL

UNIVERSAL SPECIFICATIONS

For vehicles licensed in the state of California or Maine, or vehicles requiring CARB-compliant converters in the state of New York, the parts in this catalog must be installed as specifically listed. Parts cannot be substituted, nor can they be installed on California or Maine licensed vehicles not listed in this catalog.

OBDII PASSENGER CAR & TRUCK

| Years | Engine | Engine Family No. | Application | Position | Direct-Fit | | Universal Part No. | Executive Order | |
|-------------------------------|-------------|----------------------------|----------------------------|----------------------------|--------------|--------------|--------------------|-----------------|----------|
| | | | | | Part No. | Hardware | | | |
| CHEVROLET (Cont.) | | | | | | | | | |
| Silverado 3500 (Cont.) | | | | | | | | | |
| 2006 (Cont.) | 8.1L V8 | 6GMXT08.1201 | Executive Order # D-182-52 | Rear Right | | | 81724 | D-182-52 | |
| | | | Executive Order # D-182-69 | Front Left | | | 83404 | D-182-69 | |
| | | | | Front Right | | | 83404 | D-182-69 | |
| | | | | Rear Left | | | 83404 | D-182-69 | |
| | | | | Rear Right | | | 83404 | D-182-69 | |
| 2005 | 6.0L V8 | 5GMXH06.0583 | Executive Order # D-182-69 | Left | | | 83404 | D-182-69 | |
| | | | | Right | | | 83404 | D-182-69 | |
| | | 5GMXT06.0188 | Executive Order # D-182-52 | Front Left | | | 81724 | D-182-52 | |
| | | | | Front Right | | | 81724 | D-182-52 | |
| | | | | Rear Left | | | 81724 | D-182-52 | |
| | | | | Rear Right | | | 81724 | D-182-52 | |
| | | Executive Order # D-182-69 | Front Left | | | 83404 | D-182-69 | | |
| | | | Front Right | | | 83404 | D-182-69 | | |
| | | | Rear Left | | | 83404 | D-182-69 | | |
| | | | Rear Right | | | 83404 | D-182-69 | | |
| | 8.1L V8 | | 5GMXH08.1501 | Executive Order # D-182-69 | Left | | | 83404 | D-182-69 |
| | | Right | | | | | 83404 | D-182-69 | |
| | | 5GMXT08.1201 | Executive Order # D-182-52 | Front Left | | | 81724 | D-182-52 | |
| | | | | Front Right | | | 81724 | D-182-52 | |
| | | | | Rear Left | | | 81724 | D-182-52 | |
| | | | | Rear Right | | | 81724 | D-182-52 | |
| | | | | Executive Order # D-182-69 | Front Left | | | 83404 | D-182-69 |
| Front Right | | | 83404 | | D-182-69 | | | | |
| Rear Left | | | 83404 | | D-182-69 | | | | |
| 2004 | 6.0L V8 | 4GMXH06.0583 | Executive Order # D-182-69 | Left | | | 83404 | D-182-69 | |
| | | | | Right | | | 83404 | D-182-69 | |
| | | 4GMXT06.0188 | Executive Order # D-182-52 | Front Left | | | 81724 | D-182-52 | |
| | | | | Front Right | | | 81724 | D-182-52 | |
| | | | | Rear Left | | | 81724 | D-182-52 | |
| | | | | Rear Right | | | 81724 | D-182-52 | |
| | | Executive Order # D-182-69 | Front Left | | | 83404 | D-182-69 | | |
| | | | Front Right | | | 83404 | D-182-69 | | |
| | | | Rear Left | | | 83404 | D-182-69 | | |
| | | | Rear Right | | | 83404 | D-182-69 | | |
| | 8.1L V8 | | 4GMXH08.1501 | Executive Order # D-182-69 | Left | | | 83404 | D-182-69 |
| | | | | | Right | | | 83404 | D-182-69 |
| | | 4GMXT08.1201 | Executive Order # D-182-52 | Front Left | | | 81724 | D-182-52 | |
| | | | | Front Right | | | 81724 | D-182-52 | |
| Rear Left | | | | | 81724 | D-182-52 | | | |
| Rear Right | | | | | 81724 | D-182-52 | | | |
| Executive Order # D-182-69 | Front Left | | | | | 83404 | D-182-69 | | |
| | Front Right | | | | | 83404 | D-182-69 | | |
| | Rear Left | | | 83404 | D-182-69 | | | | |
| | Rear Right | | | 83404 | D-182-69 | | | | |

For vehicles licensed in the state of California or Maine, or vehicles requiring CARB-compliant converters in the state of New York, the parts in this catalog must be installed as specifically listed. Parts cannot be substituted, nor can they be installed on California or Maine licensed vehicles not listed in this catalog.

OBDII PASSENGER CAR & TRUCK

| Years | Engine | Engine Family No. | Application | Position | Direct-Fit | | Universal Part No. | Executive Order |
|-------------------------------|----------------------------|----------------------------|----------------------------|-------------|--------------|--------------|--------------------|-----------------|
| | | | | | Part No. | Hardware | | |
| CHEVROLET (Cont.) | | | | | | | | |
| Silverado 3500 (Cont.) | | | | | | | | |
| 2003 | 6.0L V8 | 3GMXA06.0188 | Executive Order # D-182-52 | Front Left | | | 81724 | D-182-52 |
| | | | | Front Right | | | 81724 | D-182-52 |
| | | | | Rear Left | | | 81724 | D-182-52 |
| | | | | Rear Right | | | 81724 | D-182-52 |
| | | | Executive Order # D-182-69 | Front Left | | | 83404 | D-182-69 |
| | | | | Front Right | | | 83404 | D-182-69 |
| | | | | Rear Left | | | 83404 | D-182-69 |
| | | | | Rear Right | | | 83404 | D-182-69 |
| | 3GMXH06.0583 | Executive Order # D-182-69 | Left | | | 83404 | D-182-69 | |
| | | | Right | | | 83404 | D-182-69 | |
| | 8.1L V8 | 3GMXA08.1203 | Executive Order # D-182-52 | Front Left | | | 81724 | D-182-52 |
| | | | | Front Right | | | 81724 | D-182-52 |
| | | | | Rear Left | | | 81724 | D-182-52 |
| | | | | Rear Right | | | 81724 | D-182-52 |
| | | | Executive Order # D-182-69 | Front Left | | | 83404 | D-182-69 |
| | | | | Front Right | | | 83404 | D-182-69 |
| Rear Left | | | | | | 83404 | D-182-69 | |
| Rear Right | | | | | | 83404 | D-182-69 | |
| 3GMXH08.1501 | Executive Order # D-182-69 | Left | | | 83404 | D-182-69 | | |
| | | Right | | | 83404 | D-182-69 | | |
| 2002 | 6.0L V8 | 2GMXA06.0188 | Executive Order # D-182-52 | Front Left | | | 81724 | D-182-52 |
| | | | | Front Right | | | 81724 | D-182-52 |
| | | | | Rear Left | | | 81724 | D-182-52 |
| | | | | Rear Right | | | 81724 | D-182-52 |
| | | | Executive Order # D-182-69 | Front Right | | | 83404 | D-182-69 |
| | | | | Rear Left | | | 83404 | D-182-69 |
| | | | | Rear Right | | | 83404 | D-182-69 |
| | | | | Left | | | 83404 | D-182-69 |
| | 2GMXH06.0583 | Executive Order # D-182-69 | Right | | | 83404 | D-182-69 | |
| | | | Left | | | 83404 | D-182-69 | |
| | 8.1L V8 | 2GMXA08.1203 | Executive Order # D-182-52 | Front Left | | | 81724 | D-182-52 |
| | | | | Front Right | | | 81724 | D-182-52 |
| | | | | Rear Left | | | 81724 | D-182-52 |
| | | | | Rear Right | | | 81724 | D-182-52 |
| | | | Executive Order # D-182-69 | Front Left | | | 83404 | D-182-69 |
| | | | | Front Right | | | 83404 | D-182-69 |
| Rear Left | | | | | | 83404 | D-182-69 | |
| Rear Right | | | | | | 83404 | D-182-69 | |
| 2GMXH08.1501 | Executive Order # D-182-69 | Left | | | 83404 | D-182-69 | | |
| | | Right | | | 83404 | D-182-69 | | |
| 2001 | 6.0L V8 | 1GMXA06.0188 | Executive Order # D-182-52 | Front Left | | | 81724 | D-182-52 |
| | | | | Front Right | | | 81724 | D-182-52 |
| | | | | Rear Left | | | 81724 | D-182-52 |
| | | | | Rear Right | | | 81724 | D-182-52 |
| | | | Executive Order # D-182-69 | Front Left | | | 83404 | D-182-69 |
| | | | | Front Right | | | 83404 | D-182-69 |
| | | | | Rear Left | | | 83404 | D-182-69 |
| | | | | Rear Right | | | 83404 | D-182-69 |

OBDII APPLICATIONS

NON-OBDII APPLICATIONS

NUMERICAL

UNIVERSAL SPECIFICATIONS

For vehicles licensed in the state of California or Maine, or vehicles requiring CARB-compliant converters in the state of New York, the parts in this catalog must be installed as specifically listed. Parts cannot be substituted, nor can they be installed on California or Maine licensed vehicles not listed in this catalog.

OBDII PASSENGER CAR & TRUCK

| Years | Engine | Engine Family No. | Application | Position | Direct-Fit | | Universal Part No. | Executive Order | | |
|-------------------------------|---------|-------------------|----------------------------|----------------------------|----------------------------|---------------------------|--------------------|---------------------------|--------------|----------|
| | | | | | Part No. | Hardware | | | | |
| CHEVROLET (Cont.) | | | | | | | | | | |
| Silverado 3500 (Cont.) | | | | | | | | | | |
| 2001 (Cont.) | 6.0L V8 | 1GMXA06.0188 | Executive Order # D-182-69 | Rear Left | | | 83404 | D-182-69 | | |
| | | | | Rear Right | | | 83404 | D-182-69 | | |
| | 8.1L V8 | 1GMXA08.1203 | Executive Order # D-182-52 | Front Left | | | 81724 | D-182-52 | | |
| | | | | Front Right | | | 81724 | D-182-52 | | |
| | | | | Rear Left | | | 81724 | D-182-52 | | |
| | | | | Rear Right | | | 81724 | D-182-52 | | |
| | | | | Executive Order # D-182-69 | Front Left | | | 83404 | D-182-69 | |
| | | | | | Front Right | | | 83404 | D-182-69 | |
| | | | | | Rear Left | | | 83404 | D-182-69 | |
| | | | | | Rear Right | | | 83404 | D-182-69 | |
| Silverado 3500 Classic | | | | | | | | | | |
| 2007 | 6.0L V8 | 7GMXH06.0583 | Executive Order # D-182-69 | Left | | | 83404 | D-182-69 | | |
| | | | | Right | | | 83404 | D-182-69 | | |
| | | 7GMXH06.0584 | Executive Order # D-182-69 | Left | | | 83404 | D-182-69 | | |
| | | | | Right | | | 83404 | D-182-69 | | |
| | 8.1L V8 | 7GMXH08.1501 | Executive Order # D-182-69 | Left | | | 83404 | D-182-69 | | |
| | | | | Right | | | 83404 | D-182-69 | | |
| Silverado 3500 HD | | | | | | | | | | |
| 2007 | 6.0L V8 | 7GMXH06.0584 | Executive Order # D-182-69 | Left | | | 83404 | D-182-69 | | |
| | | | | Right | | | 83404 | D-182-69 | | |
| SSR | | | | | | | | | | |
| 2006 | 6.0L V8 | 6GMXT06.0387 | Executive Order # D-182-69 | Left | | | 83404 | D-182-69 | | |
| | | | | Right | | | 83404 | D-182-69 | | |
| 2005 | 6.0L V8 | 5GMXT06.0187 | Executive Order # D-182-69 | Left | | | 83404 | D-182-69 | | |
| | | | | Right | | | 83404 | D-182-69 | | |
| 2004 | 5.3L V8 | 4GMXT05.3170 | Executive Order # D-182-47 | Left | | | 81918 | D-182-47 | | |
| | | | | Right | | | 81918 | D-182-47 | | |
| | | | Executive Order # D-182-69 | Left | | | 83508 | D-182-69 | | |
| | | | | Right | | | 83508 | D-182-69 | | |
| 2003 | 5.3L V8 | 3GMXT05.3183 | Executive Order # D-182-47 | Left | | | 81918 | D-182-47 | | |
| | | | | Right | | | 81918 | D-182-47 | | |
| | | | Executive Order # D-182-69 | Left | | | 83508 | D-182-69 | | |
| | | | | Right | | | 83508 | D-182-69 | | |
| Suburban 1500 | | | | | | | | | | |
| 2006 | 5.3L V8 | 6GMXT05.3375 | Executive Order # D-182-69 | | 83481 | 31554 (RH), 31718 (LH) | | D-182-69 | | |
| | | | | Left | | | 83508 | D-182-69 | | |
| | | | | Right | | | 83508 | D-182-69 | | |
| | | | | 6GMXT05.3379 | Executive Order # D-182-69 | | 83481 | 31554 (RH), 31718 (LH) | | D-182-69 |
| | | | | | | Left | | | 83508 | D-182-69 |
| | | | | Right | | | 83508 | D-182-69 | | |
| | 6.0L V8 | 6GMXT06.2390 | Executive Order # D-182-69 | Left | 83497 | 31718 | 83403 | D-182-69 | | |
| | | | | Right | 83457 | 31610 | 83403 | D-182-69 | | |

For vehicles licensed in the state of California or Maine, or vehicles requiring CARB-compliant converters in the state of New York, the parts in this catalog must be installed as specifically listed. Parts cannot be substituted, nor can they be installed on California or Maine licensed vehicles not listed in this catalog.

OBDII PASSENGER CAR & TRUCK

| Years | Engine | Engine Family No. | Application | Position | Direct-Fit | | Universal Part No. | Executive Order | | | |
|------------------------------|---------|-------------------|---|------------|--------------|----------------------------|--------------------|-----------------|----------|--------------|----------|
| | | | | | Part No. | Hardware | | | | | |
| CHEVROLET (Cont.) | | | | | | | | | | | |
| Suburban 1500 (Cont.) | | | | | | | | | | | |
| 2005 | 5.3L V8 | 5GMXT05.3175 | Executive Order # D-182-52 | | 81761 | 31554 (RH), 31718 (LH) | | D-182-52 | | | |
| | | | | Left | | | 81923 | D-182-52 | | | |
| | | | | Right | | | 81923 | D-182-52 | | | |
| | | | Executive Order # D-182-69 | Left | | | 83508 | D-182-69 | | | |
| | | | | Right | | | 83508 | D-182-69 | | | |
| | | | | | | | | D-182-69 | | | |
| | | 5GMXT06.0187 | Executive Order # D-182-69 | Left | | | 83508 | D-182-69 | | | |
| | | | | Right | | | 83508 | D-182-69 | | | |
| | | | Fits Fed. & Calif. Emiss. Models.; Not legal for sale in the state of California. Not legal for use on California emission vehicles in New York. Legal for use on Federal/EPA emission vehicles in New York.; Legal for use in th | | | 83482 | | | D-182-69 | | |
| | | | | | | | | | | | |
| 2004 | 5.3L V8 | 4GMXT06.0187 | Executive Order # D-182-69 | Left | | | 83508 | D-182-69 | | | |
| | | | | Right | | | 83508 | D-182-69 | | | |
| | | | Fits Fed. & Calif. Emiss. Models.; Not legal for sale in the state of California. Not legal for use on California emission vehicles in New York. Legal for use on Federal/EPA emission vehicles in New York.; Legal for use in th | | | 83482 | | | D-182-69 | | |
| | | | | | | | | | | | |
| | | | | | | | | | | | |
| | | | | | | | | | | | |
| 2003 | 5.3L V8 | 3GMXT05.3185 | Executive Order # D-182-52 | | 81761 | 31554 (RH), 31718 (LH) | | D-182-52 | | | |
| | | | | Left | | | 81723 | D-182-52 | | | |
| | | | | Right | | | 81723 | D-182-52 | | | |
| | | | Executive Order # D-182-69 | Left | | | 83403 | D-182-69 | | | |
| | | | | Right | | | 83403 | D-182-69 | | | |
| | | | | | | | | D-182-69 | | | |
| | | | Fits Fed. & Calif. Emiss. Models.; Not legal for sale in the state of California. Not legal for use on California emission vehicles in New York. Legal for use on Federal/EPA emission vehicles in New York.; Legal for use in th | | | 83482 | | | D-182-69 | | |
| | | | | | | | | | | | |
| | | | 2002 | 5.3L V8 | 2GMXA05.3185 | Executive Order # D-182-57 | Rear Left | | | 82606 | D-182-57 |
| | | | | | | | Rear Right | | | 82606 | D-182-57 |
| 2001 | 5.3L V8 | 1GMXA05.3185 | Executive Order # D-182-57 | Rear Left | | | 82606 | D-182-57 | | | |
| | | | | Rear Right | | | 82606 | D-182-57 | | | |
| 2000 | 5.3L V8 | YGMXA05.3184 | Executive Order # D-182-47 | Left | | | 81713 | D-182-47 | | | |
| | | | | Right | | | 81713 | D-182-47 | | | |
| | | | Executive Order # D-182-52 | | 81761 | 31554 (RH), 31718 (LH) | | D-182-52 | | | |
| | | | Executive Order # D-182-69 | Left | | | 83403 | D-182-69 | | | |

OBDII APPLICATIONS

NON-OBDII APPLICATIONS

NUMERICAL

UNIVERSAL SPECIFICATIONS

For vehicles licensed in the state of California or Maine, or vehicles requiring CARB-compliant converters in the state of New York, the parts in this catalog must be installed as specifically listed. Parts cannot be substituted, nor can they be installed on California or Maine licensed vehicles not listed in this catalog.

OBDII PASSENGER CAR & TRUCK

| Years | Engine | Engine Family No. | Application | Position | Direct-Fit | | Universal Part No. | Executive Order |
|------------------------------|---------|-------------------|---|-------------|--------------|----------|--------------------|-----------------|
| | | | | | Part No. | Hardware | | |
| CHEVROLET (Cont.) | | | | | | | | |
| Suburban 1500 (Cont.) | | | | | | | | |
| 2000 (Cont.) | 5.3L V8 | YGMXA05.3184 | Executive Order # D-182-69 | Right | | | 83403 | D-182-69 |
| | | | Fits Fed. & Calif. Emiss. Models.; Not legal for sale in the state of California. Not legal for use on California emission vehicles in New York. Legal for use on Federal/EPA emission vehicles in New York.; Legal for use in th | | 83482 | | | D-182-69 |
| Suburban 2500 | | | | | | | | |
| 2006 | 6.0L V8 | 6GMXT06.0394 | Executive Order # D-182-52 | Left | | | 81724 | D-182-52 |
| | | | | Right | | | 81724 | D-182-52 |
| | | | Executive Order # D-182-69 | Left | | | 83404 | D-182-69 |
| | | | | Right | | | 83404 | D-182-69 |
| | 8.1L V8 | 6GMXT08.1201 | Executive Order # D-182-52 | Left | | | 81724 | D-182-52 |
| | | | | Right | | | 81724 | D-182-52 |
| | | | Executive Order # D-182-69 | Left | | | 83404 | D-182-69 |
| | | | | Right | | | 83404 | D-182-69 |
| 2005 | 6.0L V8 | 5GMXT06.0188 | Executive Order # D-182-52 | Front Left | | | 81724 | D-182-52 |
| | | | | Front Right | | | 81724 | D-182-52 |
| | | | | Rear Left | | | 81724 | D-182-52 |
| | | | | Rear Right | | | 81724 | D-182-52 |
| | | | Executive Order # D-182-69 | Front Left | | | 83404 | D-182-69 |
| | | | | Front Right | | | 83404 | D-182-69 |
| | | | | Rear Left | | | 83404 | D-182-69 |
| | | | | Rear Right | | | 83404 | D-182-69 |
| | 8.1L V8 | 5GMXT08.1201 | Executive Order # D-182-52 | Front Left | | | 81724 | D-182-52 |
| | | | | Front Right | | | 81724 | D-182-52 |
| | | | | Rear Left | | | 81724 | D-182-52 |
| | | | | Rear Right | | | 81724 | D-182-52 |
| | | | Executive Order # D-182-69 | Front Left | | | 83404 | D-182-69 |
| | | | | Front Right | | | 83404 | D-182-69 |
| | | | | Rear Left | | | 83404 | D-182-69 |
| | | | | Rear Right | | | 83404 | D-182-69 |
| 2004 | 6.0L V8 | 4GMXT06.0188 | Executive Order # D-182-52 | Front Left | | | 81724 | D-182-52 |
| | | | | Front Right | | | 81724 | D-182-52 |
| | | | | Rear Left | | | 81724 | D-182-52 |
| | | | | Rear Right | | | 81724 | D-182-52 |
| | | | Executive Order # D-182-69 | Front Left | | | 83404 | D-182-69 |
| | | | | Front Right | | | 83404 | D-182-69 |
| | | | | Rear Left | | | 83404 | D-182-69 |
| | | | | Rear Right | | | 83404 | D-182-69 |
| | 8.1L V8 | 4GMXT08.1201 | Executive Order # D-182-52 | Front Left | | | 81724 | D-182-52 |
| | | | | Front Right | | | 81724 | D-182-52 |
| | | | | Rear Left | | | 81724 | D-182-52 |
| | | | | Rear Right | | | 81724 | D-182-52 |
| | | | Executive Order # D-182-69 | Front Left | | | 83404 | D-182-69 |
| | | | | Front Right | | | 83404 | D-182-69 |
| | | | | Rear Left | | | 83404 | D-182-69 |
| | | | | Rear Right | | | 83404 | D-182-69 |

For vehicles licensed in the state of California or Maine, or vehicles requiring CARB-compliant converters in the state of New York, the parts in this catalog must be installed as specifically listed. Parts cannot be substituted, nor can they be installed on California or Maine licensed vehicles not listed in this catalog.

OBDII PASSENGER CAR & TRUCK

| Years | Engine | Engine Family No. | Application | Position | Direct-Fit | | Universal Part No. | Executive Order |
|------------------------------|---------|----------------------------|----------------------------|-------------|------------|--------------|--------------------|-----------------|
| | | | | | Part No. | Hardware | | |
| CHEVROLET (Cont.) | | | | | | | | |
| Suburban 2500 (Cont.) | | | | | | | | |
| 2003 | 6.0L V8 | 3GMXA06.0188 | Executive Order # D-182-52 | Front Left | | | 81724 | D-182-52 |
| | | | | Front Right | | | 81724 | D-182-52 |
| | | | | Rear Left | | | 81724 | D-182-52 |
| | | | | Rear Right | | | 81724 | D-182-52 |
| | | | Executive Order # D-182-69 | Front Left | | | 83404 | D-182-69 |
| | | | | Front Right | | | 83404 | D-182-69 |
| | | | | Rear Left | | | 83404 | D-182-69 |
| | | | | Rear Right | | | 83404 | D-182-69 |
| | 8.1L V8 | Executive Order # D-182-52 | Front Left | | | 81724 | D-182-52 | |
| | | | Front Right | | | 81724 | D-182-52 | |
| | | | Rear Left | | | 81724 | D-182-52 | |
| | | | Rear Right | | | 81724 | D-182-52 | |
| | | Executive Order # D-182-69 | Front Left | | | 83404 | D-182-69 | |
| | | | Front Right | | | 83404 | D-182-69 | |
| | | | Rear Left | | | 83404 | D-182-69 | |
| | | | Rear Right | | | 83404 | D-182-69 | |
| 2002 | 6.0L V8 | 2GMXA06.0188 | Executive Order # D-182-52 | Front Left | | | 81724 | D-182-52 |
| | | | | Front Right | | | 81724 | D-182-52 |
| | | | | Rear Left | | | 81724 | D-182-52 |
| | | | | Rear Right | | | 81724 | D-182-52 |
| | | | Executive Order # D-182-69 | Front Left | | | 83404 | D-182-69 |
| | | | | Front Right | | | 83404 | D-182-69 |
| | | | | Rear Left | | | 83404 | D-182-69 |
| | | | | Rear Right | | | 83404 | D-182-69 |
| | 8.1L V8 | Executive Order # D-182-52 | Front Left | | | 81724 | D-182-52 | |
| | | | Front Right | | | 81724 | D-182-52 | |
| | | | Rear Left | | | 81724 | D-182-52 | |
| | | | Rear Right | | | 81724 | D-182-52 | |
| | | Executive Order # D-182-69 | Front Left | | | 83404 | D-182-69 | |
| | | | Front Right | | | 83404 | D-182-69 | |
| | | | Rear Left | | | 83404 | D-182-69 | |
| | | | Rear Right | | | 83404 | D-182-69 | |
| 2001 | 6.0L V8 | 1GMXA06.0188 | Executive Order # D-182-52 | Front Left | | | 81724 | D-182-52 |
| | | | | Front Right | | | 81724 | D-182-52 |
| | | | | Rear Left | | | 81724 | D-182-52 |
| | | | | Rear Right | | | 81724 | D-182-52 |
| | | | Executive Order # D-182-69 | Front Left | | | 83404 | D-182-69 |
| | | | | Front Right | | | 83404 | D-182-69 |
| | | | | Rear Left | | | 83404 | D-182-69 |
| | | | | Rear Right | | | 83404 | D-182-69 |
| | 8.1L V8 | Executive Order # D-182-52 | Front Left | | | 81724 | D-182-52 | |
| | | | Front Right | | | 81724 | D-182-52 | |
| | | | Rear Left | | | 81724 | D-182-52 | |
| | | | Rear Right | | | 81724 | D-182-52 | |
| | | Executive Order # D-182-69 | Front Left | | | 83404 | D-182-69 | |

OBDII APPLICATIONS

NON-OBDII APPLICATIONS

NUMERICAL

UNIVERSAL SPECIFICATIONS

For vehicles licensed in the state of California or Maine, or vehicles requiring CARB-compliant converters in the state of New York, the parts in this catalog must be installed as specifically listed. Parts cannot be substituted, nor can they be installed on California or Maine licensed vehicles not listed in this catalog.

OBDII PASSENGER CAR & TRUCK

| Years | Engine | Engine Family No. | Application | Position | Direct-Fit | | Universal Part No. | Executive Order |
|------------------------------|---------|-------------------|----------------------------|-------------|------------|----------|--------------------|-----------------|
| | | | | | Part No. | Hardware | | |
| CHEVROLET (Cont.) | | | | | | | | |
| Suburban 2500 (Cont.) | | | | | | | | |
| 2001 (Cont.) | 8.1L V8 | 1GMXA08.1201 | Executive Order # D-182-69 | Front Right | | | 83404 | D-182-69 |
| | | | | Rear Left | | | 83404 | D-182-69 |
| | | | | Rear Right | | | 83404 | D-182-69 |
| 2000 | 6.0L V8 | YGMXT06.0192 | Executive Order # D-182-47 | Left | | | 81714 | D-182-47 |
| | | | | Right | | | 81714 | D-182-47 |
| | | | Executive Order # D-182-69 | Left | | | 83404 | D-182-69 |
| | | | | Right | | | 83404 | D-182-69 |

Tahoe

| | | | | | | | | |
|--------------|----------------------------|----------------------------|---|---|---------------------------|---------------------------|--------------|----------|
| 2006 | 4.8L V8 | 6GMXT05.3379 | Executive Order # D-182-69 | | 83481 | 31554 (RH), 31718 (LH) | | D-182-69 |
| | | | | Left | | | 83508 | D-182-69 |
| | | | | Right | | | 83508 | D-182-69 |
| | 5.3L V8 | 6GMXT05.3375 | Executive Order # D-182-69 | | 83481 | 31554 (RH), 31718 (LH) | | D-182-69 |
| | | | | Left | | | 83508 | D-182-69 |
| | | | | Right | | | 83508 | D-182-69 |
| | 6GMXT05.3379 | Executive Order # D-182-69 | | 83481 | 31554 (RH), 31718 (LH) | | D-182-69 | |
| | | | Left | | | 83508 | D-182-69 | |
| | | | Right | | | 83508 | D-182-69 | |
| 2005 | 4.8L V8 | 5GMXT05.3174 | Executive Order # D-182-52 | | 81761 | 31554 (RH), 31718 (LH) | | D-182-52 |
| | | | | Left | | | 81923 | D-182-52 |
| | | | Right | | | 81923 | D-182-52 | |
| | | | Executive Order # D-182-69 | Left | | | 83508 | D-182-69 |
| | | | | Right | | | 83508 | D-182-69 |
| | | | Fits Fed. & Calif. Emiss. Models.; Not legal for sale in the state of California. Not legal for use on California emission vehicles in New York. Legal for use on Federal/EPA emission vehicles in New York.; Legal for use in th | | 83482 | | | D-182-69 |
| | 5.3L V8 | 5GMXT05.3175 | Executive Order # D-182-52 | | 81761 | 31554 (RH), 31718 (LH) | | D-182-52 |
| | | | | Left | | | 81923 | D-182-52 |
| | | | | Right | | | 81923 | D-182-52 |
| | | | Executive Order # D-182-69 | Left | | | 83508 | D-182-69 |
| Right | | | | | | 83508 | D-182-69 | |
| | | | | Fits Fed. & Calif. Emiss. Models.; Not legal for sale in the state of California. Not legal for use on California emission vehicles in New York. Legal for use on Federal/EPA emission vehicles in New York.; Legal for use in th | | 83482 | | |
| 5GMXT05.3177 | Executive Order # D-182-52 | | 81761 | 31554 (RH), 31718 (LH) | | D-182-52 | | |
| | | Left | | | 81923 | D-182-52 | | |
| | | Right | | | 81923 | D-182-52 | | |

For vehicles licensed in the state of California or Maine, or vehicles requiring CARB-compliant converters in the state of New York, the parts in this catalog must be installed as specifically listed. Parts cannot be substituted, nor can they be installed on California or Maine licensed vehicles not listed in this catalog.

OBDII PASSENGER CAR & TRUCK

| Years | Engine | Engine Family No. | Application | Position | Direct-Fit | | Universal Part No. | Executive Order | | |
|----------------------------|---|---|---|--------------|--------------|----------------------------|--------------------|-----------------|--------------|--------------|
| | | | | | Part No. | Hardware | | | | |
| CHEVROLET (Cont.) | | | | | | | | | | |
| Tahoe (Cont.) | | | | | | | | | | |
| 2005 (Cont.) | 5.3L V8 | 5GMXT05.3177 | Executive Order # D-182-69 | Left | | | 83508 | D-182-69 | | |
| | | | | Right | | | 83508 | D-182-69 | | |
| | | | Fits Fed. & Calif. Emiss. Models.; Not legal for sale in the state of California. Not legal for use on California emission vehicles in New York. Legal for use on Federal/EPA emission vehicles in New York.; Legal for use in th | | 83482 | | | D-182-69 | | |
| | | 5GMXT06.0187 | Executive Order # D-182-69 | Left | | | 83508 | D-182-69 | | |
| | | | | Right | | | 83508 | D-182-69 | | |
| | | | Fits Fed. & Calif. Emiss. Models.; Not legal for sale in the state of California. Not legal for use on California emission vehicles in New York. Legal for use on Federal/EPA emission vehicles in New York.; Legal for use in th | | 83482 | | | D-182-69 | | |
| 2004 | 4.8L V8 | 4GMXT05.3174 | Executive Order # D-182-52 | | 81761 | 31554 (RH), 31718 (LH) | | D-182-52 | | |
| | | | | Left | | | 81923 | D-182-52 | | |
| | | | | Right | | | 81923 | D-182-52 | | |
| | | | Executive Order # D-182-69 | Left | | | 83508 | D-182-69 | | |
| | | | | Right | | | 83508 | D-182-69 | | |
| | | Fits Fed. & Calif. Emiss. Models.; Not legal for sale in the state of California. Not legal for use on California emission vehicles in New York. Legal for use on Federal/EPA emission vehicles in New York.; Legal for use in th | | 83482 | | | D-182-69 | | | |
| | 5.3L V8 | 4GMXT06.0187 | Executive Order # D-182-69 | Left | | | | 83508 | D-182-69 | |
| | | | | Right | | | | 83508 | D-182-69 | |
| | | | Fits Fed. & Calif. Emiss. Models.; Not legal for sale in the state of California. Not legal for use on California emission vehicles in New York. Legal for use on Federal/EPA emission vehicles in New York.; Legal for use in th | | 83482 | | | D-182-69 | | |
| | | | 2003 | 4.8L V8 | 3GMXT05.3184 | Executive Order # D-182-47 | Left | | | 81713 |
| | | | | | | Right | | | 81713 | D-182-47 |
| Executive Order # D-182-52 | | 81761 | | | | 31554 (RH), 31718 (LH) | | D-182-52 | | |
| | Executive Order # D-182-69 | Left | | | | 83508 | D-182-69 | | | |
| | | Right | | | | 83508 | D-182-69 | | | |
| | Fits Fed. & Calif. Emiss. Models.; Not legal for sale in the state of California. Not legal for use on California emission vehicles in New York. Legal for use on Federal/EPA emission vehicles in New York.; Legal for use in th | | 83482 | | | | D-182-69 | | | |

OBDII APPLICATIONS

NON-OBDII APPLICATIONS

NUMERICAL

UNIVERSAL SPECIFICATIONS

For vehicles licensed in the state of California or Maine, or vehicles requiring CARB-compliant converters in the state of New York, the parts in this catalog must be installed as specifically listed. Parts cannot be substituted, nor can they be installed on California or Maine licensed vehicles not listed in this catalog.

OBDII PASSENGER CAR & TRUCK

| Years | Engine | Engine Family No. | Application | Position | Direct-Fit | | Universal Part No. | Executive Order |
|--------------------------|---------|--|--|--------------|--------------|---------------------------|--------------------|-----------------|
| | | | | | Part No. | Hardware | | |
| CHEVROLET (Cont.) | | | | | | | | |
| Tahoe (Cont.) | | | | | | | | |
| 2003 (Cont.) | 5.3L V8 | 3GMXT05.3185 | Executive Order # D-182-52 | | 81761 | 31554 (RH), 31718 (LH) | | D-182-52 |
| | | | | Left | | | 81723 | D-182-52 |
| | | | | Right | | | 81723 | D-182-52 |
| | | | Executive Order # D-182-69 | Left | | | 83403 | D-182-69 |
| | | | | Right | | | 83403 | D-182-69 |
| | | Fits Fed. & Calif. Emiss. Models.; Not legal for sale in the state of California. Not legal for use on California emission vehicles in New York. Legal for use on Federal/EPA emission vehicles in New York.; Legal for use in th | | 83482 | | | D-182-69 | |
| 2002 | 4.8L V8 | 2GMXA04.8184 | Executive Order # D-182-57 | Rear Left | | | 82606 | D-182-57 |
| | | | | Rear Right | | | 82606 | D-182-57 |
| | 5.3L V8 | 2GMXA05.3185 | Executive Order # D-182-57 | Rear Left | | | 82606 | D-182-57 |
| | | | | Rear Right | | | 82606 | D-182-57 |
| 2001 | 4.8L V8 | 1GMXA05.3184 | Executive Order # D-182-47 | Left | | | 81713 | D-182-47 |
| | | | | Right | | | 81713 | D-182-47 |
| | | | Executive Order # D-182-52 | | 81761 | 31554 (RH), 31718 (LH) | | D-182-52 |
| | | | Executive Order # D-182-69 | Left | | | 83403 | D-182-69 |
| | | | | Right | | | 83403 | D-182-69 |
| | | | Fits Fed. & Calif. Emiss. Models.; Not legal for sale in the state of California. Not legal for use on California emission vehicles in New York. Legal for use on Federal/EPA emission vehicles in New York.; Legal for use in th | | 83482 | | | D-182-69 |
| | 5.3L V8 | 1GMXA05.3184 | Executive Order # D-182-47 | Left | | | 81713 | D-182-47 |
| | | | | Right | | | 81713 | D-182-47 |
| | | | Executive Order # D-182-52 | | 81761 | 31554 (RH), 31718 (LH) | | D-182-52 |
| | | | Executive Order # D-182-69 | Left | | | 83403 | D-182-69 |
| Right | | | | | | 83403 | D-182-69 | |
| | | Fits Fed. & Calif. Emiss. Models.; Not legal for sale in the state of California. Not legal for use on California emission vehicles in New York. Legal for use on Federal/EPA emission vehicles in New York.; Legal for use in th | | 83482 | | | D-182-69 | |
| 2000 | 5.3L V8 | YGMXA05.3184 | Executive Order # D-182-47 | Left | | | 81713 | D-182-47 |
| | | | | Right | | | 81713 | D-182-47 |
| | | | Executive Order # D-182-52 | | 81761 | 31554 (RH), 31718 (LH) | | D-182-52 |
| | | | Executive Order # D-182-69 | Left | | | 83403 | D-182-69 |
| | | | | Right | | | 83403 | D-182-69 |

For vehicles licensed in the state of California or Maine, or vehicles requiring CARB-compliant converters in the state of New York, the parts in this catalog must be installed as specifically listed. Parts cannot be substituted, nor can they be installed on California or Maine licensed vehicles not listed in this catalog.

OBDII PASSENGER CAR & TRUCK

| Years | Engine | Engine Family No. | Application | Position | Direct-Fit | | Universal Part No. | Executive Order | |
|----------------------------|--------------|----------------------------|---|----------------------------|--------------|------------------|--------------------|-----------------|----------|
| | | | | | Part No. | Hardware | | | |
| CHEVROLET (Cont.) | | | | | | | | | |
| Tahoe (Cont.) | | | | | | | | | |
| 2000 (Cont.) | 5.3L V8 | YGMXA05.3184 | Fits Fed. & Calif. Emiss. Models.; Not legal for sale in the state of California. Not legal for use on California emission vehicles in New York. Legal for use on Federal/EPA emission vehicles in New York.; Legal for use in th | | 83482 | | | D-182-69 | |
| | 5.7L V8 | YGMXA05.7185 | Executive Order # D-182-52 | Left | | | 81723 | D-182-52 | |
| | | | | Right | | | | 81723 | D-182-52 |
| | | | Executive Order # D-182-69 | Left | | | 83403 | D-182-69 | |
| | | | | Right | | | 83403 | D-182-69 | |
| | | YGMXA05.7194 | Executive Order # D-182-52 | Left | | | 81723 | D-182-52 | |
| | | | | Right | | | 81723 | D-182-52 | |
| | | | Executive Order # D-182-69 | Left | | | 83403 | D-182-69 | |
| | | | | Right | | | 83403 | D-182-69 | |
| | | YGMXT05.7188 | Executive Order # D-182-52 | Left | | | 81723 | D-182-52 | |
| | | | | Right | | | 81723 | D-182-52 | |
| | | | Executive Order # D-182-69 | Left | | | 83403 | D-182-69 | |
| | | | | Right | | | 83403 | D-182-69 | |
| | YGMXT05.7189 | | Executive Order # D-182-52 | Left | | | 81723 | D-182-52 | |
| | | | | Right | | | 81723 | D-182-52 | |
| | | Executive Order # D-182-69 | Left | | | 83403 | D-182-69 | | |
| | | | Right | | | 83403 | D-182-69 | | |
| | 1999 | 5.7L V8 | XGMXA05.7185 | Executive Order # D-182-52 | Left | | | 81723 | D-182-52 |
| | | | | | Right | | | 81723 | D-182-52 |
| | | | | Executive Order # D-182-69 | Left | | | 83403 | D-182-69 |
| Right | | | | | | | 83403 | D-182-69 | |
| XGMXA05.7186 | | | Executive Order # D-182-52 | Left | | | 81723 | D-182-52 | |
| | | | | Right | | | 81723 | D-182-52 | |
| Executive Order # D-182-69 | | Left | | | 83403 | D-182-69 | | | |
| | | Right | | | 83403 | D-182-69 | | | |
| 5.7L V8 | | WGMXA05.7185 | Executive Order # D-182-52 | Left | | | 81723 | D-182-52 | |
| | | | | Right | | | 81723 | D-182-52 | |
| | | | Executive Order # D-182-69 | Left | | | 83403 | D-182-69 | |
| | | | | Right | | | 83403 | D-182-69 | |
| | WGMXA05.7186 | Executive Order # D-182-52 | Left | | | 81723 | D-182-52 | | |
| | | | Right | | | 81723 | D-182-52 | | |
| Executive Order # D-182-69 | Left | | | 83403 | D-182-69 | | | | |
| | Right | | | 83403 | D-182-69 | | | | |
| 1997 | 5.7L V8 | VGM5.7HPG1EK | Executive Order # D-182-47 | Left | | | 81916 | D-182-47 | |
| | | | | Right | | | 81916 | D-182-47 | |
| | | | Executive Order # D-182-52 | | 81961 | 31588 (2), 31575 | | D-182-52 | |
| | | | | Executive Order # D-182-69 | Left | | | 83506 | D-182-69 |
| | | Right | | | | 83506 | D-182-69 | | |
| | | VGM5.7JPG1GK | Executive Order # D-182-47 | Left | | | 81916 | D-182-47 | |
| | | | | Right | | | 81916 | D-182-47 | |
| | | | Executive Order # D-182-52 | | 81961 | 31588 (2), 31575 | | D-182-52 | |

OBDII APPLICATIONS

NON-OBDII APPLICATIONS

NUMERICAL

UNIVERSAL SPECIFICATIONS

For vehicles licensed in the state of California or Maine, or vehicles requiring CARB-compliant converters in the state of New York, the parts in this catalog must be installed as specifically listed. Parts cannot be substituted, nor can they be installed on California or Maine licensed vehicles not listed in this catalog.

OBDII PASSENGER CAR & TRUCK

| Years | Engine | Engine Family No. | Application | Position | Direct-Fit | | Universal Part No. | Executive Order |
|-------|--------|-------------------|-------------|----------|------------|----------|--------------------|-----------------|
| | | | | | Part No. | Hardware | | |

CHEVROLET (Cont.)

Tahoe (Cont.)

| | | | | | | | | |
|----------------------------|---------|--------------|----------------------------|--------------|--------------|------------------|--------------|----------|
| 1997 (Cont.) | 5.7L V8 | VGM5.7JPG1GK | Executive Order # D-182-69 | Left | | | 83506 | D-182-69 |
| | | | | Right | | | 83506 | D-182-69 |
| 1996 | 5.7L V8 | TGM5.75PGFEK | Executive Order # D-182-47 | Left | | | 81916 | D-182-47 |
| | | | | Right | | | 81916 | D-182-47 |
| | | | Executive Order # D-182-52 | | 81961 | 31588 (2), 31575 | | D-182-52 |
| | | | Executive Order # D-182-69 | Left | | 83506 | D-182-69 | |
| | | | Right | | 83506 | D-182-69 | | |
| | | TGM5.76PGFEK | Executive Order # D-182-47 | Left | | 81916 | D-182-47 | |
| | | | | Right | | 81916 | D-182-47 | |
| | | | Executive Order # D-182-52 | | 81961 | 31588 (2), 31575 | D-182-52 | |
| Executive Order # D-182-69 | Left | | | 83506 | D-182-69 | | | |
| | Right | | 83506 | D-182-69 | | | | |

Tracker

| | | | | | | | | |
|------|---------|--------------|----------------------------|--------------|--------------|--------------|--------------|----------|
| 2003 | 2.0L L4 | 3SKXX2.00LC2 | Executive Order # D-182-53 | Front | 82572 | 31599, 31557 | | D-182-53 |
| | | | | Rear | 82668 | 31557, 31332 | | D-182-53 |
| 2002 | 2.0L L4 | 2SKXX2.00LC4 | Executive Order # D-182-53 | Front | 82572 | 31599, 31557 | | D-182-53 |
| | | | | Rear | 82668 | 31557, 31332 | | D-182-53 |
| 2001 | 2.0L L4 | 1SKXX2.00LC4 | Executive Order # D-182-53 | Front | 82572 | 31599, 31557 | | D-182-53 |
| | | | | Rear | 82668 | 31557, 31332 | | D-182-53 |
| 2000 | 1.6L L4 | YSKXT1.59LMA | Executive Order # D-182-53 | Front | 82572 | 31599, 31557 | | D-182-53 |
| | 2.0L L4 | YSKXT2.00LMA | Executive Order # D-182-53 | Front | 82572 | 31599, 31557 | | D-182-53 |
| Rear | | | | 82668 | 31557, 31332 | | D-182-53 | |
| 1999 | 1.6L L4 | XSKXT1.59LMA | Executive Order # D-182-53 | Front | 82572 | 31599, 31557 | | D-182-53 |
| | 2.0L L4 | XSKXT2.00LMA | Executive Order # D-182-53 | Front | 82572 | 31599, 31557 | | D-182-53 |
| | | | | Rear | 82668 | 31557, 31332 | | D-182-53 |
| 1998 | 1.6L L4 | WSKXT1.59CMC | Executive Order # D-182-58 | | | | 82526 | D-182-58 |

Trailblazer

| | | | | | | | | |
|------|---------|--------------|----------------------------|-------|--------------|-------|--------------|----------|
| 2006 | 5.3L V8 | 6GMXT06.0387 | Executive Order # D-182-69 | Left | | | 83508 | D-182-69 |
| | | | | Right | | | 83508 | D-182-69 |
| | 6.0L V8 | 6GMXT06.0387 | Executive Order # D-182-69 | Left | | | 83508 | D-182-69 |
| | | | | Right | | | 83508 | D-182-69 |
| 2003 | 4.2L L6 | 3GMXT04.2185 | Executive Order # D-182-51 | | 82352 | 31657 | 82303 | D-182-51 |
| | | | Executive Order # D-182-69 | | | | 83403 | D-182-69 |
| 2002 | 4.2L L6 | 2GMXT04.2185 | Executive Order # D-182-51 | | 82352 | 31657 | 82303 | D-182-51 |
| | | | Executive Order # D-182-69 | | | | 83403 | D-182-69 |

Trailblazer EXT

| | | | | | | | | |
|------|---------|--------------|----------------------------|-------|--------------|-------|--------------|----------|
| 2006 | 5.3L V8 | 6GMXT06.0387 | Executive Order # D-182-69 | Left | | | 83508 | D-182-69 |
| | | | | Right | | | 83508 | D-182-69 |
| 2005 | 5.3L V8 | 5GMXT06.0187 | Executive Order # D-182-69 | Left | | | 83508 | D-182-69 |
| | | | | Right | | | 83508 | D-182-69 |
| 2004 | 5.3L V8 | 4GMXT05.3170 | Executive Order # D-182-69 | Left | | | 83508 | D-182-69 |
| | | | | Right | | | 83508 | D-182-69 |
| 2003 | 4.2L L6 | 3GMXA04.2187 | Executive Order # D-182-51 | | 82360 | 31657 | 82303 | D-182-51 |
| | | | Executive Order # D-182-69 | | | | 83403 | D-182-69 |
| | 5.3L V8 | 3GMXT05.3183 | Executive Order # D-182-69 | Left | | | 83508 | D-182-69 |

For vehicles licensed in the state of California or Maine, or vehicles requiring CARB-compliant converters in the state of New York, the parts in this catalog must be installed as specifically listed. Parts cannot be substituted, nor can they be installed on California or Maine licensed vehicles not listed in this catalog.

OBDII PASSENGER CAR & TRUCK

| Years | Engine | Engine Family No. | Application | Position | Direct-Fit | | Universal Part No. | Executive Order |
|--------------------------------|---------|-------------------|----------------------------|--------------|----------------------------|--------------|--------------------|-----------------|
| | | | | | Part No. | Hardware | | |
| CHEVROLET (Cont.) | | | | | | | | |
| Trailblazer EXT (Cont.) | | | | | | | | |
| 2003 (Cont.) | 5.3L V8 | 3GMXT05.3183 | Executive Order # D-182-69 | Right | | | 83508 | D-182-69 |
| 2002 | 4.2L L6 | 2GMXA04.2187 | Executive Order # D-182-51 | | 82360 | 31657 | 82303 | D-182-51 |
| | | | Executive Order # D-182-69 | | | | 83403 | D-182-69 |
| Venture | | | | | | | | |
| 2005 | 3.4L V6 | 5GMXT03.6143 | Executive Order # D-182-69 | | | | 83408 | D-182-69 |
| 2004 | 3.4L V6 | 4GMXT03.6143 | Executive Order # D-182-69 | | | | 83408 | D-182-69 |
| 2003 | 3.4L V6 | 3GMXT03.4141 | Executive Order # D-182-47 | | | | 81712 | D-182-47 |
| | | | Executive Order # D-182-69 | | | | 83408 | D-182-69 |
| 2000 | 3.4L V6 | YGMXT03.4142 | Executive Order # D-182-47 | | | | 81918 | D-182-47 |
| | | | Executive Order # D-182-52 | | 81953 | 31602, 31532 | | D-182-52 |
| | | | Executive Order # D-182-69 | | | | 83508 | D-182-69 |
| 1999 | 3.4L V6 | XGMXT03.4142 | Executive Order # D-182-47 | | | | 81918 | D-182-47 |
| | | | Executive Order # D-182-52 | | 81953 | 31602, 31532 | | D-182-52 |
| | | | Executive Order # D-182-69 | | | | 83508 | D-182-69 |
| 1998 | 3.4L V6 | WGMXT03.4142 | Executive Order # D-182-47 | | | | 81918 | D-182-47 |
| | | | Executive Order # D-182-52 | | 81953 | 31602, 31532 | | D-182-52 |
| | | | Executive Order # D-182-69 | | | | 83508 | D-182-69 |
| 1997 | 3.4L V6 | VGM3.428G2EK | Executive Order # D-182-47 | | | | 81918 | D-182-47 |
| | | | Executive Order # D-182-52 | | 81953 | 31602, 31532 | | D-182-52 |
| | | | Executive Order # D-182-69 | | | | 83508 | D-182-69 |
| W3500 Tiltmaster | | | | | | | | |
| 2007 | 6.0L V8 | 7GMXH06.0583 | Executive Order # D-182-69 | Left | | | 83404 | D-182-69 |
| | | | | Right | | | 83404 | D-182-69 |
| 2006 | 6.0L V8 | 6GMXH06.0583 | Executive Order # D-182-69 | Left | | | 83404 | D-182-69 |
| | | | | Right | | | 83404 | D-182-69 |
| | | | | 6GMXH06.0593 | Executive Order # D-182-69 | Left | | |
| | | | | Right | | | 83404 | D-182-69 |
| 2005 | 6.0L V8 | 5GMXH06.0583 | Executive Order # D-182-69 | Left | | | 83404 | D-182-69 |
| | | | | Right | | | 83404 | D-182-69 |
| 2004 | 6.0L V8 | 4GMXH06.0583 | Executive Order # D-182-69 | Left | | | 83404 | D-182-69 |
| | | | | Right | | | 83404 | D-182-69 |
| W4500 Tiltmaster | | | | | | | | |
| 2002 | 5.7L V8 | 2GMXH05.7582 | Executive Order # D-182-69 | Left | | | 83509 | D-182-69 |
| | | | | Right | | | 83509 | D-182-69 |
| CHRYSLER | | | | | | | | |
| 300 | | | | | | | | |
| 2010 | 2.7L V6 | ACRXV02.74P0 | Executive Order # D-182-64 | Left | | | 82810 | D-182-64 |
| | | | | Right | | | 82810 | D-182-64 |
| 2009 | 2.7L V6 | 9CRXV02.72P0 | Executive Order # D-182-64 | Left | | | 82810 | D-182-64 |
| | | | | Right | | | 82810 | D-182-64 |
| 2008 | 2.7L V6 | 8CRXV02.7ME0 | Executive Order # D-182-64 | Left | | | 82810 | D-182-64 |
| | | | | Right | | | 82810 | D-182-64 |
| 2007 | 2.7L V6 | 7CRXV0167M71 | Executive Order # D-182-64 | Left | 82884 | | 82810 | D-182-64 |

For vehicles licensed in the state of California or Maine, or vehicles requiring CARB-compliant converters in the state of New York, the parts in this catalog must be installed as specifically listed. Parts cannot be substituted, nor can they be installed on California or Maine licensed vehicles not listed in this catalog.

OBDII APPLICATIONS

NON-OBDII APPLICATIONS

NUMERICAL

UNIVERSAL SPECIFICATIONS

OBDII PASSENGER CAR & TRUCK

| Years | Engine | Engine Family No. | Application | Position | Direct-Fit | | Universal Part No. | Executive Order | |
|-------------------------|---------------------------------|---------------------------------|---------------------------------|----------------------------|------------|----------|--------------------|-----------------|----------|
| | | | | | Part No. | Hardware | | | |
| CHRYSLER (Cont.) | | | | | | | | | |
| 300 (Cont.) | | | | | | | | | |
| 2007 (Cont.) | 2.7L V6 | 7CRXV0167M71 | Executive Order # D-182-64 | Right | 82885 | | 82810 | D-182-64 | |
| 2006 | 2.7L V6 | 6CRXV03.5VE0 | Executive Order # D-182-64 | Left | 82884 | | 82810 | D-182-64 | |
| | | | | Right | 82885 | | 82810 | D-182-64 | |
| | | 6CRXV03.5VH0 | Executive Order # D-182-57 | Left | | | 82617 | D-182-57 | |
| | | | | Right | | | 82617 | D-182-57 | |
| | | | RWD; Executive Order # D-182-57 | Left | 82685 | | | | D-182-57 |
| | | | | Right | 82686 | | | | D-182-57 |
| | 3.5L V6 | 6CRXV03.5VE0 | Executive Order # D-182-64 | Left | 82884 | | 82810 | D-182-64 | |
| | | | | Right | 82885 | | 82810 | D-182-64 | |
| | | 6CRXV03.5VE1 | Executive Order # D-182-64 | Left | 82884 | | 82810 | D-182-64 | |
| | | | | Right | 82885 | | 82810 | D-182-64 | |
| 6CRXV03.5VH0 | | Executive Order # D-182-57 | Left | | | 82617 | D-182-57 | | |
| | | | Right | | | 82617 | D-182-57 | | |
| | | RWD; Executive Order # D-182-57 | Left | 82685 | | | | D-182-57 | |
| | | | Right | 82686 | | | | D-182-57 | |
| 6.1L V8 | 6CRXV06.1VH0 | Executive Order # D-182-67 | Left | | | 82908 | D-182-67 | | |
| | | | Right | | | 82908 | D-182-67 | | |
| 2005 | 2.7L V6 | 5CRXV03.5VH0 | Executive Order # D-182-57 | Left | | | 82617 | D-182-57 | |
| | | | | Right | | | 82617 | D-182-57 | |
| | | | RWD; Executive Order # D-182-57 | Left | 82685 | | | | D-182-57 |
| | | | | Right | 82686 | | | | D-182-57 |
| | | 5CRXV03.5VH1 | Executive Order # D-182-57 | Left | | | 82617 | D-182-57 | |
| | | | | Right | | | 82617 | D-182-57 | |
| | | RWD; Executive Order # D-182-57 | Left | 82685 | | | | D-182-57 | |
| | | | Right | 82686 | | | | D-182-57 | |
| | | 3.5L V6 | 5CRXV03.5VH0 | Executive Order # D-182-57 | Left | | | 82617 | D-182-57 |
| | | | | | Right | | | 82617 | D-182-57 |
| | RWD; Executive Order # D-182-57 | | | Left | 82685 | | | | D-182-57 |
| | | | | Right | 82686 | | | | D-182-57 |
| | 5CRXV03.5VH1 | | Executive Order # D-182-57 | Left | | | 82617 | D-182-57 | |
| | | | | Right | | | 82617 | D-182-57 | |
| | | | RWD; Executive Order # D-182-57 | Left | 82685 | | | | D-182-57 |
| | | | | Right | 82686 | | | | D-182-57 |
| | 5.7L V8 | 5CRXV05.7VH0 | Executive Order # D-182-67 | Left | | | 82908 | D-182-67 | |
| | | | | Right | | | 82908 | D-182-67 | |
| | | 6.1L V8 | 5CRXV05.7VH0 | Executive Order # D-182-67 | Left | | | 82908 | D-182-67 |
| | | | | | Right | | | 82908 | D-182-67 |
| 300M | | | | | | | | | |
| 2004 | 3.5L V6 | 4CRXV03.5VM0 | Executive Order # D-182-58 | Left | | | 82508 | D-182-58 | |
| | | | | Right | | | 82508 | D-182-58 | |
| 2003 | 3.5L V6 | 3CRXV03.5VD0 | Executive Order # D-182-58 | Left | | | 82508 | D-182-58 | |
| | | | | Right | | | 82508 | D-182-58 | |
| 2002 | 3.5L V6 | 2CRXV03.5VD0 | Executive Order # D-182-58 | Left | | | 82508 | D-182-58 | |
| | | | | Right | | | 82508 | D-182-58 | |
| | | 2CRXV03.5VD1 | Executive Order # D-182-58 | Left | | | 82508 | D-182-58 | |

For vehicles licensed in the state of California or Maine, or vehicles requiring CARB-compliant converters in the state of New York, the parts in this catalog must be installed as specifically listed. Parts cannot be substituted, nor can they be installed on California or Maine licensed vehicles not listed in this catalog.

OBDII PASSENGER CAR & TRUCK

| Years | Engine | Engine Family No. | Application | Position | Direct-Fit | | Universal Part No. | Executive Order |
|-------------------------|---------|-------------------|----------------------------|----------|--------------|--------------|--------------------|-----------------|
| | | | | | Part No. | Hardware | | |
| CHRYSLER (Cont.) | | | | | | | | |
| 300M (Cont.) | | | | | | | | |
| 2002 (Cont.) | 3.5L V6 | 2CRXV03.5VD1 | Executive Order # D-182-58 | Right | | | 82508 | D-182-58 |
| 2001 | 3.5L V6 | 1CRXV03.5VD0 | Executive Order # D-182-58 | Left | | | 82508 | D-182-58 |
| | | | | Right | | | 82508 | D-182-58 |
| 2000 | 3.5L V6 | YCRXV0215V30 | Executive Order # D-182-58 | Left | | | 82508 | D-182-58 |
| | | | | Right | | | 82508 | D-182-58 |
| 1999 | 3.5L V6 | XCRXV0215V20 | Executive Order # D-182-45 | Left | 81771 | | | D-182-45 |
| | | | | Right | 81777 | | | D-182-45 |
| | | | Executive Order # D-182-58 | Left | | | 82508 | D-182-58 |
| | | | | Right | | | 82508 | D-182-58 |
| Cirrus | | | | | | | | |
| 2000 | 2.4L L4 | YCRXV0148V30 | Executive Order # D-182-57 | | | | 82629 | D-182-57 |
| | 2.5L V6 | YCRXV0152V20 | Executive Order # D-182-45 | | 81968 | 31597 | | D-182-45 |
| | | | Executive Order # D-182-57 | | | 82629 | D-182-57 | |
| 1999 | 2.5L V6 | XCRXV0152V20 | Executive Order # D-182-45 | | 81968 | 31597 | | D-182-45 |
| | | | Executive Order # D-182-57 | | | 82629 | D-182-57 | |
| 1998 | 2.5L V6 | WCRXV0152V20 | Executive Order # D-182-45 | | 81968 | 31597 | | D-182-45 |
| | | | Executive Order # D-182-57 | | | 82629 | D-182-57 | |
| 1997 | 2.4L L4 | VCR148VJG1EK | Executive Order # D-182-45 | | 81968 | 31597 | | D-182-45 |
| | | | Executive Order # D-182-58 | | | 82529 | D-182-58 | |
| | 2.5L V6 | VCR152VJG1EK | Executive Order # D-182-45 | | 81968 | 31597 | | D-182-45 |
| | | | Executive Order # D-182-58 | | | 82529 | D-182-58 | |
| 1996 | 2.4L L4 | TCR148VJG1EK | Executive Order # D-182-45 | | 81968 | 31597 | | D-182-45 |
| | | | Executive Order # D-182-58 | | | 82529 | D-182-58 | |
| | 2.5L V6 | TCR152VJG1EK | Executive Order # D-182-45 | | 81968 | 31597 | | D-182-45 |
| | | | Executive Order # D-182-58 | | | | 82529 | D-182-58 |
| Concorde | | | | | | | | |
| 2004 | 2.7L V6 | 4CRXV02.7VM1 | Executive Order # D-182-58 | Left | 82544 | 36364 | 82508 | D-182-58 |
| | | | | Right | 82543 | 36364 | 82508 | D-182-58 |
| | 3.5L V6 | 4CRXV03.5VM0 | Executive Order # D-182-58 | Left | | | 82508 | D-182-58 |
| | | | | Right | | | 82508 | D-182-58 |
| 2003 | 2.7L V6 | 3CRXV02.7VD0 | Executive Order # D-182-58 | Left | 82544 | 36364 | 82508 | D-182-58 |
| | | | | Right | 82543 | 36364 | 82508 | D-182-58 |
| | | 3CRXV02.7VD1 | Executive Order # D-182-58 | Left | 82544 | 36364 | 82508 | D-182-58 |
| | | | | Right | 82543 | 36364 | 82508 | D-182-58 |
| | 3.5L V6 | 3CRXV03.5VD0 | Executive Order # D-182-58 | Left | | | 82508 | D-182-58 |
| | | | | Right | | | 82508 | D-182-58 |
| 2002 | 2.7L V6 | 2CRXV02.7VD1 | Executive Order # D-182-58 | Left | 82544 | 36364 | 82508 | D-182-58 |
| | | | | Right | 82543 | 36364 | 82508 | D-182-58 |
| | | 2CRXV03.5VD0 | Executive Order # D-182-58 | Left | 82544 | 36364 | 82508 | D-182-58 |
| | | | | Right | 82543 | 36364 | 82508 | D-182-58 |
| | 3.5L V6 | 2CRXV03.5VD0 | Executive Order # D-182-58 | Left | | | 82508 | D-182-58 |
| | | | | Right | | | 82508 | D-182-58 |
| | | 2CRXV03.5VD1 | Executive Order # D-182-58 | Left | | | 82508 | D-182-58 |
| | | | | Right | | | 82508 | D-182-58 |

For vehicles licensed in the state of California or Maine, or vehicles requiring CARB-compliant converters in the state of New York, the parts in this catalog must be installed as specifically listed. Parts cannot be substituted, nor can they be installed on California or Maine licensed vehicles not listed in this catalog.

OBDII APPLICATIONS

NON-OBDII APPLICATIONS

NUMERICAL

UNIVERSAL SPECIFICATIONS

OBDII PASSENGER CAR & TRUCK

| Years | Engine | Engine Family No. | Application | Position | Direct-Fit | | Universal Part No. | Executive Order |
|-------------------------|--------------|----------------------------|----------------------------|-------------|--------------|--------------|--------------------|-----------------|
| | | | | | Part No. | Hardware | | |
| CHRYSLER (Cont.) | | | | | | | | |
| Concorde (Cont.) | | | | | | | | |
| 2001 | 2.7L V6 | 1CRXV03.5VDO | Executive Order # D-182-58 | Left | 82544 | 36364 | 82508 | D-182-58 |
| | | | | Right | 82543 | 36364 | 82508 | D-182-58 |
| | 3.2L V6 | 1CRXV03.5VDO | Executive Order # D-182-58 | Left | | | 82508 | D-182-58 |
| | | | | Right | | | 82508 | D-182-58 |
| 2000 | 2.7L V6 | YCRXV0165V30 | Executive Order # D-182-58 | Left | 82542 | 36364 | 82508 | D-182-58 |
| | | | | Right | 82541 | 36364 | 82508 | D-182-58 |
| | 3.2L V6 | YCRXV0215V30 | Executive Order # D-182-58 | Left | | | 82508 | D-182-58 |
| | | | | Right | | | 82508 | D-182-58 |
| 1999 | 2.7L V6 | XCRXV0165V20 | Executive Order # D-182-58 | Left | 82542 | 36364 | 82508 | D-182-58 |
| | | | | Right | 82541 | 36364 | 82508 | D-182-58 |
| | 3.2L V6 | XCRXV0215V20 | Executive Order # D-182-45 | Left | 81771 | | | D-182-45 |
| | | | | Right | 81777 | | | D-182-45 |
| | | | Executive Order # D-182-58 | Left | | | 82508 | D-182-58 |
| | | | | Right | | | 82508 | D-182-58 |
| 1998 | 2.7L V6 | WCRXV0165V20 | Executive Order # D-182-58 | Left | 82542 | 36364 | 82508 | D-182-58 |
| | | | | Right | 82541 | 36364 | 82508 | D-182-58 |
| | 3.2L V6 | WCRXV0195V20 | Executive Order # D-182-45 | Left | 81771 | | | D-182-45 |
| | | | | Right | 81777 | | | D-182-45 |
| | | | Executive Order # D-182-58 | Left | | | 82508 | D-182-58 |
| | | | | Right | | | 82508 | D-182-58 |
| 1997 | 3.5L V6 | VCR215VJG1EK | Executive Order # D-182-48 | Front Left | 81847 | | 81807 | D-182-48 |
| | | | | Front Right | 81845 | | 81807 | D-182-48 |
| | | | | Rear | 81673 | | 81613 | D-182-48 |
| 1996 | 3.3L V6 | TCR201V8G2EK | Executive Order # D-182-58 | Left | | | 82505 | D-182-58 |
| | | | | Right | | | 82505 | D-182-58 |
| | 3.5L V6 | TCR215VJG1EK | Executive Order # D-182-48 | Front Left | 81847 | | 81807 | D-182-48 |
| | | | | Front Right | 81845 | | 81807 | D-182-48 |
| | | | | Rear | 81673 | | 81613 | D-182-48 |
| Crossfire | | | | | | | | |
| 2008 | 3.2L V6 | 8CRXV03.2ME0 | Executive Order # D-182-63 | Front Left | | | 83300 | D-182-63 |
| | | | | Front Right | | | 83300 | D-182-63 |
| | | | | Rear Left | | | 83213 | D-182-63 |
| | | | | Rear Right | | | 83213 | D-182-63 |
| 2007 | 3.2L V6 | 7CRXV03.2ME0 | Executive Order # D-182-63 | Front Left | | | 83300 | D-182-63 |
| | | | | Front Right | | | 83300 | D-182-63 |
| | | | | Rear Left | | | 83213 | D-182-63 |
| | | | | Rear Right | | | 83213 | D-182-63 |
| 2006 | 3.2L V6 | 6CRXV03.2VH0 | Executive Order # D-182-53 | Front Left | | | 82502 | D-182-53 |
| | | | | Front Right | | | 82502 | D-182-53 |
| | | | | Rear Left | | | 82600 | D-182-53 |
| | | | | Rear Right | | | 82600 | D-182-53 |
| | 6CRXV03.2VM0 | Executive Order # D-182-53 | Front Left | | | 82502 | D-182-53 | |
| | | | Front Right | | | 82502 | D-182-53 | |
| | | | Rear Left | | | 82600 | D-182-53 | |
| | | | Rear Right | | | 82600 | D-182-53 | |

For vehicles licensed in the state of California or Maine, or vehicles requiring CARB-compliant converters in the state of New York, the parts in this catalog must be installed as specifically listed. Parts cannot be substituted, nor can they be installed on California or Maine licensed vehicles not listed in this catalog.

OBDII PASSENGER CAR & TRUCK

| Years | Engine | Engine Family No. | Application | Position | Direct-Fit | | Universal Part No. | Executive Order |
|--------------------------|---------|----------------------------|----------------------------|-------------|--------------|--------------|--------------------|-----------------|
| | | | | | Part No. | Hardware | | |
| CHRYSLER (Cont.) | | | | | | | | |
| Crossfire (Cont.) | | | | | | | | |
| 2005 | 3.2L V6 | 5CRXV03.2VH0 | Executive Order # D-182-53 | Front Left | | | 82502 | D-182-53 |
| | | | | Front Right | | | 82502 | D-182-53 |
| | | | | Rear Left | | | 82600 | D-182-53 |
| | | | | Rear Right | | | 82600 | D-182-53 |
| | | 5CRXV03.2VM0 | Executive Order # D-182-53 | Front Left | | | 82502 | D-182-53 |
| | | | | Front Right | | | 82502 | D-182-53 |
| | | | | Rear Left | | | 82600 | D-182-53 |
| | | | | Rear Right | | | 82600 | D-182-53 |
| 2004 | 3.2L V6 | 4CRXV03.2VH0 | Executive Order # D-182-53 | Front Left | | | 82502 | D-182-53 |
| | | | | Front Right | | | 82502 | D-182-53 |
| | | | | Rear Left | | | 82600 | D-182-53 |
| | | | | Rear Right | | | 82600 | D-182-53 |
| Grand Voyager | | | | | | | | |
| 2000 | 3.3L V6 | YCRXT0201230 | Executive Order # D-182-51 | | 82356 | 31597 | 82311 | D-182-51 |
| LHS | | | | | | | | |
| 2001 | 3.5L V6 | 1CRXV03.5VD0 | Executive Order # D-182-58 | Left | | | 82508 | D-182-58 |
| | | | | Right | | | 82508 | D-182-58 |
| 2000 | 3.5L V6 | YCRXV0215V30 | Executive Order # D-182-58 | Left | | | 82508 | D-182-58 |
| | | | | Right | | | 82508 | D-182-58 |
| 1999 | 3.5L V6 | XCRXV0215V20 | Executive Order # D-182-45 | Left | 81771 | | | D-182-45 |
| | | | | Right | 81777 | | | D-182-45 |
| | | Executive Order # D-182-58 | Left | | | 82508 | D-182-58 | |
| | | | Right | | | 82508 | D-182-58 | |
| 1997 | 3.5L V6 | VCR215VJG1EK | Executive Order # D-182-48 | Front Left | | | 81807 | D-182-48 |
| | | | | Front Right | | | 81807 | D-182-48 |
| | | | | Rear | 81673 | | 81613 | D-182-48 |
| 1996 | 3.5L V6 | TCR215VJG1EK | Executive Order # D-182-48 | Front Left | | | 81807 | D-182-48 |
| | | | | Front Right | | | 81807 | D-182-48 |
| | | | | Rear | 81673 | | 81613 | D-182-48 |
| New Yorker | | | | | | | | |
| 1996 | 3.5L V6 | TCR215VJG1EK | Executive Order # D-182-48 | Front Left | 81847 | | 81807 | D-182-48 |
| | | | | Front Right | 81845 | | 81807 | D-182-48 |
| | | | | Rear | 81673 | | 81613 | D-182-48 |
| Pacifica | | | | | | | | |
| 2006 | 3.5L V6 | 6CRXT03.52N0 | Executive Order # D-182-69 | | | | 83413 | D-182-69 |
| 2005 | 3.5L V6 | 5CRXT03.52N0 | Executive Order # D-182-69 | | | | 83413 | D-182-69 |
| 2004 | 3.5L V6 | 4CRXT03.82N0 | Executive Order # D-182-69 | | | | 83413 | D-182-69 |
| Prowler | | | | | | | | |
| 2002 | 3.5L V6 | 2CRXV03.5VB0 | Executive Order # D-182-58 | Left | | | 82508 | D-182-58 |
| | | | | Right | | | 82508 | D-182-58 |
| 2001 | 3.5L V6 | 1CRXV03.5VB0 | Executive Order # D-182-58 | Left | | | 82505 | D-182-58 |
| | | | | Right | | | 82505 | D-182-58 |
| PT Cruiser | | | | | | | | |
| 2009 | 2.4L L4 | 9CRXV02.41P0 | Executive Order # D-182-64 | | | | 82813 | D-182-64 |

For vehicles licensed in the state of California or Maine, or vehicles requiring CARB-compliant converters in the state of New York, the parts in this catalog must be installed as specifically listed. Parts cannot be substituted, nor can they be installed on California or Maine licensed vehicles not listed in this catalog.

OBDII APPLICATIONS

NON-OBDII APPLICATIONS

NUMERICAL

UNIVERSAL SPECIFICATIONS

OBDII PASSENGER CAR & TRUCK

| Years | Engine | Engine Family No. | Application | Position | Direct-Fit | | Universal Part No. | Executive Order |
|---------------------------|---------|-------------------|---|---|--------------|--------------|--------------------|-----------------|
| | | | | | Part No. | Hardware | | |
| CHRYSLER (Cont.) | | | | | | | | |
| PT Cruiser (Cont.) | | | | | | | | |
| 2009 (Cont.) | 2.4L L4 | 9CRXV02.42P1 | Executive Order # D-182-64 | | | | 82813 | D-182-64 |
| | | | Naturally Aspirated; Executive Order # D-182-64 | | 82892 | 31597 | | D-182-64 |
| 2008 | 2.4L L4 | 8CRXV02.4ME1 | Executive Order # D-182-64 | | | | 82813 | D-182-64 |
| | | | 8CRXV02.4ME3 | Executive Order # D-182-64 | | | 82813 | D-182-64 |
| | | | Naturally Aspirated; Executive Order # D-182-64 | | 82892 | 31597 | | D-182-64 |
| 2007 | 2.4L L4 | 7CRXV0148M70 | Executive Order # D-182-64 | | | | 82813 | D-182-64 |
| | | | 7CRXV0148M71 | Executive Order # D-182-64 | | | 82813 | D-182-64 |
| | | | Naturally Aspirated; Executive Order # D-182-64 | | 82892 | 31597 | | D-182-64 |
| 2006 | 2.4L L4 | 6CRXV02.4VE0 | Executive Order # D-182-64 | | | | 82813 | D-182-64 |
| | | | 6CRXV02.4VE1 | Executive Order # D-182-64 | | | 82813 | D-182-64 |
| | | | Naturally Aspirated; Executive Order # D-182-64 | | 82892 | 31597 | | D-182-64 |
| 2005 | 2.4L L4 | 5CRXV02.4VE0 | Executive Order # D-182-64 | | | | 82813 | D-182-64 |
| | | | | Naturally Aspirated; Executive Order # D-182-64 | | 82892 | 31597 | |
| | | 5CRXV02.4VE1 | Executive Order # D-182-64 | | | 82813 | D-182-64 | |
| | | 5CRXV02.4VH0 | Turbocharged; Executive Order # D-182-57 | | | 82640 | D-182-57 | |
| 2004 | 2.4L L4 | 4CRXV02.4VE0 | Executive Order # D-182-64 | | 82892 | 31597 | 82813 | D-182-64 |
| | | | 4CRXV02.4VH0 | Turbocharged; Executive Order # D-182-57 | | | 82640 | D-182-57 |
| | | 4CRXV02.4VH1 | Turbocharged; Executive Order # D-182-57 | | | 82640 | D-182-57 | |
| 2003 | 2.4L L4 | 3CRXV02.4VD0 | Executive Order # D-182-57 | | | | 82640 | D-182-57 |
| | | | | Naturally Aspirated; Executive Order # D-182-57 | | 82680 | 31597 | |
| | | 3CRXV02.4VD1 | Executive Order # D-182-57 | | | 82640 | D-182-57 | |
| 2002 | 2.4L L4 | 2CRXV0148V40 | Executive Order # D-182-67 | | 82998 | 31597 | 82905 | D-182-67 |
| | | | 2CRXV0148V41 | Executive Order # D-182-67 | | 82998 | 31597 | 82905 |
| | | 2CRXV02.4VD0 | Executive Order # D-182-57 | | | 82640 | D-182-57 | |
| | | | Naturally Aspirated; Executive Order # D-182-57 | | 82680 | 31597 | | D-182-57 |
| 2001 | 2.4L L4 | 1CRXV0148V40 | Executive Order # D-182-67 | | 82998 | 31597 | 82905 | D-182-67 |
| | | | 1CRXV02.4VD0 | Executive Order # D-182-57 | | | 82640 | D-182-57 |
| | | | Naturally Aspirated; Executive Order # D-182-57 | | 82680 | 31597 | | D-182-57 |

Sebring

| | | | | | | | | |
|------|--------------|----------------------------|----------------------------|----------------------------|--------------|--------------|--------------|--------------|
| 2006 | 2.4L L4 | 6CRXV02.4VE1 | Executive Order # D-182-64 | | | | 82813 | D-182-64 |
| 2005 | 2.4L L4 | 5CRXV02.4VE0 | Executive Order # D-182-64 | | | | 82813 | D-182-64 |
| | | | 5CRXV02.7VE0 | Executive Order # D-182-58 | Left | 82590 | 31653, 31387 | |
| | | | | Right | 82591 | 31653, 31534 | | D-182-58 |
| | 5CRXV02.7VHP | Executive Order # D-182-58 | Left | 82590 | 31653, 31387 | | D-182-58 | |
| | | Right | 82591 | 31653, 31534 | | D-182-58 | | |
| 2004 | 2.4L L4 | 4CRXV02.4VE0 | Executive Order # D-182-64 | | | | 82813 | D-182-64 |
| | | | 4CRXV02.4VMO | Executive Order # D-182-57 | | 82683 | 31597 | 82640 |

For vehicles licensed in the state of California or Maine, or vehicles requiring CARB-compliant converters in the state of New York, the parts in this catalog must be installed as specifically listed. Parts cannot be substituted, nor can they be installed on California or Maine licensed vehicles not listed in this catalog.

OBDII PASSENGER CAR & TRUCK

| Years | Engine | Engine Family No. | Application | Position | Direct-Fit | | Universal Part No. | Executive Order |
|----------------------------|---------|-------------------|-------------------------------------|--------------|--------------|--------------|--------------------|-----------------|
| | | | | | Part No. | Hardware | | |
| CHRYSLER (Cont.) | | | | | | | | |
| Sebring (Cont.) | | | | | | | | |
| 2004 (Cont.) | 2.7L V6 | 4CRXV02.7VH0 | Executive Order # D-182-58 | Left | 82590 | 31653, 31387 | | D-182-58 |
| | | | | Right | 82591 | 31653, 31534 | | D-182-58 |
| | | 4CRXV02.7VHP | Executive Order # D-182-58 | Left | 82590 | 31653, 31387 | | D-182-58 |
| | | | | Right | 82591 | 31653, 31534 | | D-182-58 |
| 2003 | 2.4L L4 | 3CRXV02.4VD0 | Executive Order # D-182-57 | | 82683 | 31597 | 82640 | D-182-57 |
| | | 3CRXV02.4VD1 | Executive Order # D-182-57 | | 82683 | 31597 | 82640 | D-182-57 |
| | 2.7L V6 | 3CRXV02.7VD0 | Executive Order # D-182-58 | Left | 82590 | 31653, 31387 | | D-182-58 |
| | | | | Right | 82591 | 31653, 31534 | | D-182-58 |
| | | 3CRXV02.7VDP | Executive Order # D-182-58 | Left | 82590 | 31653, 31387 | | D-182-58 |
| | | | | Right | 82591 | 31653, 31534 | | D-182-58 |
| 2002 | 2.4L L4 | 2CRXV02.4VD0 | Executive Order # D-182-57 | | 82683 | 31597 | 82640 | D-182-57 |
| | 2.7L V6 | 2CRXV02.7VD0 | Executive Order # D-182-58 | Left | 82590 | 31653, 31387 | | D-182-58 |
| Right | | | | 82591 | 31653, 31534 | | D-182-58 | |
| 2001 | 2.4L L4 | 1CRXV0148V40 | VIN "X"; Executive Order # D-182-67 | | | | 82905 | D-182-67 |
| | | 1CRXV02.4VD0 | Executive Order # D-182-57 | | 82683 | 31597 | 82640 | D-182-57 |
| | 2.7L V6 | 1CRXV03.5VD0 | Executive Order # D-182-58 | Left | 82590 | 31653, 31387 | | D-182-58 |
| | | | | Right | 82591 | 31653, 31534 | | D-182-58 |
| 2000 | 2.5L V6 | YCRXV0152V20 | Executive Order # D-182-45 | | 81968 | 31597 | | D-182-45 |
| | | | Executive Order # D-182-57 | | | 82629 | D-182-57 | |
| 1999 | 2.0L L4 | XDSXV02.0GBK | Coupe; Executive Order # D-182-45 | | 81965 | 31307 (2) | | D-182-45 |
| | | | Executive Order # D-182-58 | | | 82529 | D-182-58 | |
| | 2.5L V6 | XCRXV0152V20 | Executive Order # D-182-45 | | 81968 | 31597 | | D-182-45 |
| Executive Order # D-182-57 | | | | | 82629 | D-182-57 | | |
| 1998 | 2.0L L4 | WDSXV02.0GBK | Coupe; Executive Order # D-182-45 | | 81965 | 31307 (2) | | D-182-45 |
| | | | Executive Order # D-182-58 | | | 82529 | D-182-58 | |
| | 2.4L L4 | WCRXV0148V20 | Executive Order # D-182-45 | | 81968 | 31597 | | D-182-45 |
| | | | Executive Order # D-182-57 | | | 82629 | D-182-57 | |
| | 2.5L V6 | WCRXV0152V20 | Executive Order # D-182-45 | | 81968 | 31597 | | D-182-45 |
| | | | Executive Order # D-182-57 | | | 82629 | D-182-57 | |
| 1997 | 2.0L L4 | VDS2.0VJGKEK | Coupe; Executive Order # D-182-45 | | 81965 | 31307 (2) | | D-182-45 |
| | | | Executive Order # D-182-58 | | | 82529 | D-182-58 | |
| | 2.4L L4 | VCR148VJG1EK | Executive Order # D-182-45 | | 81968 | 31597 | | D-182-45 |
| | | | Executive Order # D-182-58 | | | 82529 | D-182-58 | |
| | 2.5L V6 | VCR152VJG1EK | Executive Order # D-182-45 | | 81968 | 31597 | | D-182-45 |
| | | | Executive Order # D-182-58 | | | 82529 | D-182-58 | |
| 1996 | 2.0L L4 | TDS2.0VJGFKEK | Coupe; Executive Order # D-182-45 | | 81965 | 31307 (2) | | D-182-45 |
| | | | Executive Order # D-182-58 | | | 82529 | D-182-58 | |
| | 2.4L L4 | TCR148VJG1EK | Executive Order # D-182-45 | | 81968 | 31597 | | D-182-45 |
| | | | Executive Order # D-182-58 | | | 82529 | D-182-58 | |
| | 2.5L V6 | TCR152VJG1EK | Executive Order # D-182-45 | | 81968 | 31597 | | D-182-45 |
| | | | Executive Order # D-182-58 | | | 82529 | D-182-58 | |
| | | TDS2.5VJGFKEK | Executive Order # D-182-48 | Front Left | | | 81807 | D-182-48 |

OBDII APPLICATIONS

NON-OBDII APPLICATIONS

NUMERICAL

UNIVERSAL SPECIFICATIONS

For vehicles licensed in the state of California or Maine, or vehicles requiring CARB-compliant converters in the state of New York, the parts in this catalog must be installed as specifically listed. Parts cannot be substituted, nor can they be installed on California or Maine licensed vehicles not listed in this catalog.

OBDII PASSENGER CAR & TRUCK

| Years | Engine | Engine Family No. | Application | Position | Direct-Fit | | Universal Part No. | Executive Order |
|-------------------------|---------|-------------------|-----------------------------------|-------------|--------------|--------------|--------------------|-----------------|
| | | | | | Part No. | Hardware | | |
| CHRYSLER (Cont.) | | | | | | | | |
| Sebring (Cont.) | | | | | | | | |
| 1996 (Cont.) | 2.5L V6 | TDS2.5VJGFEK | Executive Order # D-182-48 | Front Right | | | 81807 | D-182-48 |
| | | | | Rear | | | 81652 | D-182-48 |
| 1995 | 2.0L L4 | SDS2.0VJGFEK | Coupe; Executive Order # D-182-45 | | 81965 | 31307 (2) | | D-182-45 |
| | | | Executive Order # D-182-58 | | | 82529 | D-182-58 | |

Town & Country

| | | | | | | | | | |
|------|---------|--------------|--|--|--------------|-------|--------------|--------------|----------|
| 2005 | 3.8L V6 | 5CRXT03.82N0 | Executive Order # D-182-69 | | | | 83413 | D-182-69 | |
| 2004 | 3.8L V6 | 4CRXT03.82N0 | Executive Order # D-182-69 | | | | 83413 | D-182-69 | |
| 2003 | 3.3L V6 | 3CRXT03.32DP | Executive Order # D-182-51 | | | | 82311 | D-182-51 | |
| | | | Executive Order # D-182-69 | | | | 83413 | D-182-69 | |
| | | | w/o Stow & Go Seats; Requires Pipe 55356 to Connect Converter to Muffler; Executive Order # D-182-51 | | 82350 | 31597 | | | D-182-51 |
| | | 3CRXT03.32DR | Executive Order # D-182-51 | | | | | 82311 | D-182-51 |
| | | | Executive Order # D-182-69 | | | | | 83413 | D-182-69 |
| | | | w/o Stow & Go Seats; Requires Pipe 55356 to Connect Converter to Muffler; Executive Order # D-182-51 | | 82350 | 31597 | | | D-182-51 |
| | | 3CRXT03.82D0 | Executive Order # D-182-51 | | | | | 82311 | D-182-51 |
| | | | Executive Order # D-182-69 | | | | | 83413 | D-182-69 |
| | | | w/o Stow & Go Seats; Requires Pipe 55356 to Connect Converter to Muffler; Executive Order # D-182-51 | | 82350 | 31597 | | | D-182-51 |
| | | 3CRXT03.82D1 | Executive Order # D-182-51 | | | | | 82311 | D-182-51 |
| | | | Executive Order # D-182-69 | | | | | 83413 | D-182-69 |
| | | | w/o Stow & Go Seats; Requires Pipe 55356 to Connect Converter to Muffler; Executive Order # D-182-51 | | 82350 | 31597 | | | D-182-51 |
| 2002 | 3.8L V6 | 3CRXT03.82D0 | Executive Order # D-182-51 | | | | 82311 | D-182-51 | |
| | | | Executive Order # D-182-69 | | | | 83413 | D-182-69 | |
| | | | Requires Pipe 55354 to Connect Converter to Muffler; Executive Order # D-182-51 | | 82350 | 31597 | | | D-182-51 |
| | | 3CRXT03.82D1 | Executive Order # D-182-51 | | | | | 82311 | D-182-51 |
| | | | Executive Order # D-182-69 | | | | | 83413 | D-182-69 |
| | | | Requires Pipe 55354 to Connect Converter to Muffler; Executive Order # D-182-51 | | 82350 | 31597 | | | D-182-51 |
| 2002 | 3.3L V6 | 2CRXT03.32DP | Executive Order # D-182-51 | | | | 82311 | D-182-51 | |
| | | | Executive Order # D-182-69 | | | | 83413 | D-182-69 | |
| | | | w/o Stow & Go Seats; Requires Pipe 55356 to Connect Converter to Muffler; Executive Order # D-182-51 | | 82350 | 31597 | | | D-182-51 |
| | | 2CRXT03.82D0 | Executive Order # D-182-51 | | | | 82311 | D-182-51 | |

For vehicles licensed in the state of California or Maine, or vehicles requiring CARB-compliant converters in the state of New York, the parts in this catalog must be installed as specifically listed. Parts cannot be substituted, nor can they be installed on California or Maine licensed vehicles not listed in this catalog.

OBDII PASSENGER CAR & TRUCK

| Years | Engine | Engine Family No. | Application | Position | Direct-Fit | | Universal Part No. | Executive Order | |
|-----------------------------------|---------|--|--|--|--------------|--------------|--------------------|-----------------|----------|
| | | | | | Part No. | Hardware | | | |
| CHRYSLER (Cont.) | | | | | | | | | |
| Town & Country (Cont.) | | | | | | | | | |
| 2002 (Cont.) | 3.3L V6 | 2CRXT03.82D0 | w/o Stow & Go Seats; Requires Pipe 55356 to Connect Converter to Muffler; Executive Order # D-182-51 | | 82350 | 31597 | | D-182-51 | |
| | | | Executive Order # D-182-51 | | | | 82311 | D-182-51 | |
| | | 2CRXT03.82D1 | w/o Stow & Go Seats; Requires Pipe 55356 to Connect Converter to Muffler; Executive Order # D-182-51 | | 82350 | 31597 | | D-182-51 | |
| | 3.8L V6 | 2CRXT03.82D0 | Executive Order # D-182-51 | | | | 82311 | D-182-51 | |
| | | | Executive Order # D-182-69 | | | | 83413 | D-182-69 | |
| | | | Requires Pipe 55354 to Connect Converter to Muffler; Executive Order # D-182-51 | | 82350 | 31597 | | D-182-51 | |
| | | 2CRXT03.82D1 | Executive Order # D-182-51 | | | | 82311 | D-182-51 | |
| | | | Executive Order # D-182-69 | | | | 83413 | D-182-69 | |
| | | | Requires Pipe 55354 to Connect Converter to Muffler; Executive Order # D-182-51 | | 82350 | 31597 | | D-182-51 | |
| | 2001 | 3.3L V6 | 1CRXT03.32DP | Executive Order # D-182-51 | | | | 82311 | D-182-51 |
| | | | | Executive Order # D-182-69 | | | | 83413 | D-182-69 |
| | | | | w/o Stow & Go Seats; Requires Pipe 55356 to Connect Converter to Muffler; Executive Order # D-182-51 | | 82350 | 31597 | | D-182-51 |
| 1CRXT03.32DT | | | Executive Order # D-182-51 | | | | 82311 | D-182-51 | |
| | | | Executive Order # D-182-69 | | | | 83413 | D-182-69 | |
| | | | w/o Stow & Go Seats; Requires Pipe 55356 to Connect Converter to Muffler; Executive Order # D-182-51 | | 82350 | 31597 | | D-182-51 | |
| 1CRXT03.82D0 | | Executive Order # D-182-51 | | | | 82311 | D-182-51 | | |
| | | Executive Order # D-182-69 | | | | 83413 | D-182-69 | | |
| | | w/o Stow & Go Seats; Requires Pipe 55356 to Connect Converter to Muffler; Executive Order # D-182-51 | | 82350 | 31597 | | D-182-51 | | |
| 3.8L V6 | | 1CRXT03.82D0 | Executive Order # D-182-51 | | | | 82311 | D-182-51 | |
| | | | Executive Order # D-182-69 | | | | 83413 | D-182-69 | |
| | | | Requires Pipe 55354 to Connect Converter to Muffler; Executive Order # D-182-51 | | 82350 | 31597 | | D-182-51 | |
| 2000 | 3.3L V6 | YCRXT0201230 | Executive Order # D-182-51 | | 82356 | 31597 | 82311 | D-182-51 | |
| | | | Executive Order # D-182-69 | | | | 83510 | D-182-69 | |
| | 3.8L V6 | YCRXT0232230 | Executive Order # D-182-51 | | 82356 | 31597 | 82311 | D-182-51 | |
| | | | Executive Order # D-182-69 | | | | 83510 | D-182-69 | |
| | | YCRXT03.82B0 | Executive Order # D-182-42 | | | | 81502 | D-182-42 | |
| | | | Executive Order # D-182-51 | | 82356 | 31597 | | D-182-51 | |
| 1999 | 3.3L V6 | XCRXT0201230 | Executive Order # D-182-51 | | 82356 | 31597 | 82311 | D-182-51 | |
| | | | Executive Order # D-182-69 | | | | 83510 | D-182-69 | |

OBDII APPLICATIONS

NON-OBDII APPLICATIONS

NUMERICAL

UNIVERSAL SPECIFICATIONS

For vehicles licensed in the state of California or Maine, or vehicles requiring CARB-compliant converters in the state of New York, the parts in this catalog must be installed as specifically listed. Parts cannot be substituted, nor can they be installed on California or Maine licensed vehicles not listed in this catalog.

OBDII PASSENGER CAR & TRUCK

| Years | Engine | Engine Family No. | Application | Position | Direct-Fit | | Universal Part No. | Executive Order | |
|-----------------------------------|--------------|----------------------------|----------------------------|--------------|--------------|--------------|--------------------|-----------------|----------|
| | | | | | Part No. | Hardware | | | |
| CHRYSLER (Cont.) | | | | | | | | | |
| Town & Country (Cont.) | | | | | | | | | |
| 1999 (Cont.) | 3.8L V6 | XCRXT0232220 | Executive Order # D-182-51 | | 82356 | 31597 | 82311 | D-182-51 | |
| | | | Executive Order # D-182-69 | | | | 83510 | D-182-69 | |
| | | XCRXT0232230 | Executive Order # D-182-51 | | 82356 | 31597 | | | D-182-51 |
| | | | Executive Order # D-182-69 | | | | 83510 | | D-182-69 |
| | | XCRXT03.82B0 | Executive Order # D-182-42 | | | | | 81502 | D-182-42 |
| | | | Executive Order # D-182-51 | | 82356 | 31597 | | | D-182-51 |
| | | | Executive Order # D-182-69 | | | | 83518 | | D-182-69 |
| | | XCRXT03.82B1 | Executive Order # D-182-42 | | | | | 81502 | D-182-42 |
| Executive Order # D-182-51 | | | 82356 | 31597 | | | D-182-51 | | |
| 1998 | 3.3L V6 | WCRXT0201230 | Executive Order # D-182-51 | | 82356 | 31597 | 82311 | D-182-51 | |
| | | | Executive Order # D-182-69 | | | | 83510 | D-182-69 | |
| | 3.8L V6 | WCRXT0232220 | Executive Order # D-182-51 | | | | 82311 | D-182-51 | |
| | | | Executive Order # D-182-69 | | | | 83510 | D-182-69 | |
| | WCRXT03.82B0 | Executive Order # D-182-51 | | 82356 | 31597 | | | D-182-51 | |
| | | Executive Order # D-182-69 | | | | 83518 | | D-182-69 | |
| 1997 | 3.3L V6 | VCR20128G2FL | Executive Order # D-182-51 | | 82356 | 31597 | 82311 | D-182-51 | |
| | | | Executive Order # D-182-69 | | | | 83510 | D-182-69 | |
| | | VCR23228G1EK | Executive Order # D-182-42 | | | | 81502 | | D-182-42 |
| | | | Executive Order # D-182-51 | | 82356 | 31597 | | | D-182-51 |
| | 3.8L V6 | VCR23228G1EK | Executive Order # D-182-42 | | | | 81502 | D-182-42 | |
| | | | Executive Order # D-182-51 | | 82356 | 31597 | | D-182-51 | |
| | | VCR23228G1EK | Executive Order # D-182-69 | | | | 83518 | | D-182-69 |
| | | | Executive Order # D-182-42 | | | | 81502 | | D-182-42 |
| 1996 | 3.3L V6 | TCR20128G2FL | Executive Order # D-182-51 | | 82356 | 31597 | 82311 | D-182-51 | |
| | | | Executive Order # D-182-69 | | | | 83510 | D-182-69 | |
| | | TCR23228G1EK | Executive Order # D-182-42 | | | | 81502 | | D-182-42 |
| | | | Executive Order # D-182-51 | | 82356 | 31597 | | | D-182-51 |
| | 3.8L V6 | TCR23228G1EK | Executive Order # D-182-69 | | | | 83518 | D-182-69 | |
| | | | Executive Order # D-182-42 | | | | 81502 | D-182-42 | |
| | | TCR23228G1EK | Executive Order # D-182-51 | | 82356 | 31597 | | | D-182-51 |
| | | | Executive Order # D-182-69 | | | | 83518 | | D-182-69 |

Voyager

| | | | | | | | | |
|------|--------------|---|---|--------------|--------------|--------------|--------------|----------|
| 2003 | 2.4L L4 | 3CRXT02.42D0 | Executive Order # D-182-51 | | | | 82311 | D-182-51 |
| | | | Executive Order # D-182-69 | | | | 83413 | D-182-69 |
| | 3.3L V6 | 3CRXT03.32DP | Executive Order # D-182-51 | | | | 82311 | D-182-51 |
| | | | Executive Order # D-182-69 | | | | 83413 | D-182-69 |
| | | | Requires Pipe 55356 to Connect Converter to Muffler; Executive Order # D-182-51 | | 82350 | 31597 | | |
| | 3CRXT03.32DR | Executive Order # D-182-51 | | | | 82311 | | D-182-51 |
| | | Executive Order # D-182-69 | | | | 83413 | | D-182-69 |
| | | Requires Pipe 55356 to Connect Converter to Muffler; Executive Order # D-182-51 | | 82350 | 31597 | | | D-182-51 |
| | 3CRXT03.82D0 | Executive Order # D-182-51 | | | | 82311 | | D-182-51 |
| | | Executive Order # D-182-69 | | | | 83413 | | D-182-69 |

For vehicles licensed in the state of California or Maine, or vehicles requiring CARB-compliant converters in the state of New York, the parts in this catalog must be installed as specifically listed. Parts cannot be substituted, nor can they be installed on California or Maine licensed vehicles not listed in this catalog.

OBDII PASSENGER CAR & TRUCK

| Years | Engine | Engine Family No. | Application | Position | Direct-Fit | | Universal Part No. | Executive Order | |
|---|---|---|---|----------------------------|----------------------------|--------------|--------------------|-----------------|--------------|
| | | | | | Part No. | Hardware | | | |
| CHRYSLER (Cont.) | | | | | | | | | |
| Voyager (Cont.) | | | | | | | | | |
| 2003 (Cont.) | 3.3L V6 | 3CRXT03.82D0 | Requires Pipe 55356 to Connect Converter to Muffler; Executive Order # D-182-51 | | 82350 | 31597 | | D-182-51 | |
| | | | Executive Order # D-182-51 | | | | 82311 | D-182-51 | |
| | | 3CRXT03.82D1 | Executive Order # D-182-69 | | | | 83413 | D-182-69 | |
| | | | Requires Pipe 55356 to Connect Converter to Muffler; Executive Order # D-182-51 | | 82350 | 31597 | | D-182-51 | |
| 2002 | 2.4L L4 | 2CRXT02.42D0 | Executive Order # D-182-51 | | | | 82311 | D-182-51 | |
| | | | Executive Order # D-182-69 | | | | 83413 | D-182-69 | |
| | | 3.3L V6 | 2CRXT03.32DP | Executive Order # D-182-51 | | | | 82311 | D-182-51 |
| | | | | Executive Order # D-182-69 | | | | 83413 | D-182-69 |
| | 3.3L V6 | 2CRXT03.32DP | Requires Pipe 55356 to Connect Converter to Muffler; Executive Order # D-182-51 | | 82350 | 31597 | | D-182-51 | |
| | | | 2CRXT03.82D0 | Executive Order # D-182-51 | | | | 82311 | D-182-51 |
| | 2CRXT03.82D0 | Requires Pipe 55356 to Connect Converter to Muffler; Executive Order # D-182-51 | | 82350 | 31597 | | D-182-51 | | |
| | | 2CRXT03.82D1 | Executive Order # D-182-51 | | | | 82311 | D-182-51 | |
| | 2CRXT03.82D1 | Requires Pipe 55356 to Connect Converter to Muffler; Executive Order # D-182-51 | | 82350 | 31597 | | D-182-51 | | |
| | | 2001 | 2.4L L4 | 1CRXT02.42D0 | Executive Order # D-182-51 | | | | 82311 |
| | Executive Order # D-182-69 | | | | | | | 83413 | D-182-69 |
| | 3.3L V6 | | 1CRXT03.32DP | Executive Order # D-182-51 | | | | 82311 | D-182-51 |
| Executive Order # D-182-69 | | | | | | | 83413 | D-182-69 | |
| Requires Pipe 55356 to Connect Converter to Muffler; Executive Order # D-182-51 | | | | | 82350 | 31597 | | D-182-51 | |
| 1CRXT03.32DT | Executive Order # D-182-51 | | | | | | 82311 | D-182-51 | |
| | Executive Order # D-182-69 | | | | | | 83413 | D-182-69 | |
| | Requires Pipe 55356 to Connect Converter to Muffler; Executive Order # D-182-51 | | | 82350 | 31597 | | D-182-51 | | |
| 1CRXT03.82D0 | Executive Order # D-182-51 | | | | | 82311 | D-182-51 | | |
| | Executive Order # D-182-69 | | | | | 83413 | D-182-69 | | |
| | Requires Pipe 55356 to Connect Converter to Muffler; Executive Order # D-182-51 | | 82350 | 31597 | | D-182-51 | | | |
| 2000 | 2.4L L4 | YCRXT0148230 | Executive Order # D-182-51 | | 82355 | 31597 | 82311 | D-182-51 | |

DAEWOO

| | | | | | | | | |
|--------------|---------|--------------|----------------------------|-------|--|--|--------------|----------|
| Lanos | | | | | | | | |
| 2002 | 1.6L L4 | 2DWXV01.6D02 | Executive Order # D-182-53 | Front | | | 82500 | D-182-53 |
| | | | | Rear | | | 82620 | D-182-53 |
| 2001 | 1.6L L4 | 1DWXV01.6D02 | Executive Order # D-182-53 | Front | | | 82500 | D-182-53 |
| | | | | Rear | | | 82620 | D-182-53 |
| 2000 | 1.6L L4 | YDWXV01.6D01 | Executive Order # D-182-53 | Front | | | 82500 | D-182-53 |
| | | | | Rear | | | 82620 | D-182-53 |

For vehicles licensed in the state of California or Maine, or vehicles requiring CARB-compliant converters in the state of New York, the parts in this catalog must be installed as specifically listed. Parts cannot be substituted, nor can they be installed on California or Maine licensed vehicles not listed in this catalog.

OBDII APPLICATIONS

NON-OBDII APPLICATIONS

NUMERICAL

UNIVERSAL SPECIFICATIONS

OBDII PASSENGER CAR & TRUCK

| Years | Engine | Engine Family No. | Application | Position | Direct-Fit | | Universal Part No. | Executive Order |
|-------|--------|-------------------|-------------|----------|------------|----------|--------------------|-----------------|
| | | | | | Part No. | Hardware | | |

DAEWOO (Cont.)

Lanos (Cont.)

| | | | | | | | | |
|--------------|---------|--------------|----------------------------|-------|--|--|--------------|----------|
| 2000 (Cont.) | 1.6L L4 | YDWXV01.6D02 | Executive Order # D-182-53 | Front | | | 82500 | D-182-53 |
| | | | | Rear | | | 82620 | D-182-53 |
| 1999 | 1.6L L4 | XDWXV01.6D01 | Executive Order # D-182-53 | Front | | | 82500 | D-182-53 |
| | | | | Rear | | | 82620 | D-182-53 |
| | | XDWXV01.6D02 | Executive Order # D-182-53 | Front | | | 82500 | D-182-53 |
| | | | | Rear | | | 82620 | D-182-53 |

Leganza

| | | | | | | | | |
|------|---------|--------------|----------------------------|-------|--|--|--------------|----------|
| 2002 | 2.2L L4 | 2DWXV02.2D02 | Executive Order # D-182-53 | Front | | | 82500 | D-182-53 |
| 2001 | 2.2L L4 | 1DWXV02.2D02 | Executive Order # D-182-53 | Front | | | 82500 | D-182-53 |
| 2000 | 2.2L L4 | YDWXV02.2D01 | Executive Order # D-182-53 | Front | | | 82500 | D-182-53 |
| | | YDWXV02.2D02 | Executive Order # D-182-53 | Front | | | 82500 | D-182-53 |
| 1999 | 2.2L L4 | XDWXV02.0D02 | Executive Order # D-182-53 | Front | | | 82500 | D-182-53 |
| | | XDWXV02.2D01 | Executive Order # D-182-53 | Front | | | 82500 | D-182-53 |

Nubira

| | | | | | | | | |
|------|---------|--------------|----------------------------|-------|--|--|--------------|----------|
| 2002 | 2.0L L4 | 2DWXV02.0D03 | Executive Order # D-182-53 | Front | | | 82500 | D-182-53 |
| | | 2DWXV02.2D02 | Executive Order # D-182-53 | Front | | | 82500 | D-182-53 |
| 2001 | 2.0L L4 | 1DWXV02.2D02 | Executive Order # D-182-53 | Front | | | 82500 | D-182-53 |
| 2000 | 2.0L L4 | YDWXV02.2D01 | Executive Order # D-182-53 | Front | | | 82500 | D-182-53 |
| | | YDWXV02.2D02 | Executive Order # D-182-53 | Front | | | 82500 | D-182-53 |
| 1999 | 2.0L L4 | XDWXV02.0D02 | Executive Order # D-182-53 | Front | | | 82500 | D-182-53 |
| | | XDWXV02.2D01 | Executive Order # D-182-53 | Front | | | 82500 | D-182-53 |

DODGE

Avenger

| | | | | | | | | | | |
|------|---------|--------------|----------------------------|-------------|--|--------------|-----------|--------------|--------------|----------|
| 1999 | 2.0L L4 | XDSXV02.0GBK | Executive Order # D-182-45 | | | 81965 | 31307 (2) | | D-182-45 | |
| | | | Executive Order # D-182-57 | | | | | 82629 | D-182-57 | |
| 1998 | 2.0L L4 | WDSXV02.0GBK | Executive Order # D-182-45 | | | 81965 | 31307 (2) | | D-182-45 | |
| | | | Executive Order # D-182-57 | | | | | 82629 | D-182-57 | |
| 1997 | 2.0L L4 | VDS2.0VJGKEK | Executive Order # D-182-45 | | | 81965 | 31307 (2) | | D-182-45 | |
| | | | Executive Order # D-182-57 | | | | | 82629 | D-182-57 | |
| 1996 | 2.0L L4 | TDS2.0VJGFEK | Executive Order # D-182-45 | | | 81965 | 31307 (2) | | D-182-45 | |
| | | | Executive Order # D-182-57 | | | | | 82629 | D-182-57 | |
| | 2.5L V6 | TDS2.5VJGFEK | Executive Order # D-182-48 | Front Left | | | | | 81807 | D-182-48 |
| | | | | Front Right | | | | | 81807 | D-182-48 |
| 1995 | 2.0L L4 | SDS2.0VJGFEK | Executive Order # D-182-45 | | | 81965 | 31307 (2) | | D-182-45 | |
| | | | Executive Order # D-182-57 | | | | | 82629 | D-182-57 | |

B1500

| | | | | | | | | | |
|------|---------|--------------|----------------------------|--|--|--|--|--------------|----------|
| 1998 | 3.9L V6 | WCRXA0239H11 | Executive Order # D-182-42 | | | | | 81512 | D-182-42 |
| | 5.2L V8 | WCRXA0318H11 | Executive Order # D-182-42 | | | | | 81512 | D-182-42 |
| 1997 | 3.9L V6 | VCR239H8G1EK | Executive Order # D-182-42 | | | | | 81512 | D-182-42 |
| | 5.2L V8 | VCR360H8G1EL | Executive Order # D-182-42 | | | | | 81512 | D-182-42 |
| 1996 | 3.9L V6 | TCR23928G1EK | Executive Order # D-182-42 | | | | | 81512 | D-182-42 |
| | | TCR239H8G1EK | Executive Order # D-182-42 | | | | | 81512 | D-182-42 |
| | 5.2L V8 | TCR31828G1EK | Executive Order # D-182-42 | | | | | 81512 | D-182-42 |

For vehicles licensed in the state of California or Maine, or vehicles requiring CARB-compliant converters in the state of New York, the parts in this catalog must be installed as specifically listed. Parts cannot be substituted, nor can they be installed on California or Maine licensed vehicles not listed in this catalog.

OBDII PASSENGER CAR & TRUCK

| Years | Engine | Engine Family No. | Application | Position | Direct-Fit | | Universal Part No. | Executive Order |
|----------------------|--------------|---|---|--------------|--------------|----------|--------------------|-----------------|
| | | | | | Part No. | Hardware | | |
| DODGE (Cont.) | | | | | | | | |
| B1500 (Cont.) | | | | | | | | |
| 1996 (Cont.) | 5.2L V8 | TCR360H8G1EK | Executive Order # D-182-42 | | | | 81512 | D-182-42 |
| B2500 | | | | | | | | |
| 1998 | 5.2L V8 | WCRXA0360J11 | Executive Order # D-182-42 | | | | 81512 | D-182-42 |
| | 5.9L V8 | WCRXA0360J11 | Executive Order # D-182-42 | | | | 81512 | D-182-42 |
| 1997 | 3.9L V6 | VCR239H8G1EK | Executive Order # D-182-42 | | | | 81512 | D-182-42 |
| | 5.2L V8 | VCR360H8G1EL | Executive Order # D-182-42 | | | | 81512 | D-182-42 |
| | 5.9L V8 | VCR360H8G1EL | Executive Order # D-182-42 | | | | 81512 | D-182-42 |
| 1996 | 3.9L V6 | TCR239H8G1EK | Executive Order # D-182-42 | | | | 81512 | D-182-42 |
| | 5.2L V8 | TCR360H8G1EK | Executive Order # D-182-42 | | | | 81512 | D-182-42 |
| | | TCR360J8G1EK | Executive Order # D-182-42 | | | | 81512 | D-182-42 |
| | 5.9L V8 | TCR360H8G1EK | Executive Order # D-182-42 | | | | 81512 | D-182-42 |
| | | TCR360J8G1EK | Executive Order # D-182-42 | | | | 81512 | D-182-42 |
| B3500 | | | | | | | | |
| 1998 | 5.2L V8 | WCRXA0360J11 | Executive Order # D-182-42 | | | | 81512 | D-182-42 |
| | 5.9L V8 | WCRXA0360J11 | Executive Order # D-182-42 | | | | 81512 | D-182-42 |
| 1997 | 5.2L V8 | VCR360J8G1EL | Executive Order # D-182-42 | | | | 81512 | D-182-42 |
| | 5.9L V8 | VCR360J8G1EL | Executive Order # D-182-42 | | | | 81512 | D-182-42 |
| 1996 | 5.2L V8 | TCR360J8G1EK | Executive Order # D-182-42 | | | | 81512 | D-182-42 |
| | 5.9L V8 | TCR360J8G1EK | Executive Order # D-182-42 | | | | 81512 | D-182-42 |
| Caliber | | | | | | | | |
| 2011 | 2.0L L4 | BCRXJ02.44P1 | Executive Order # D-182-64 | | | | 82813 | D-182-64 |
| 2010 | 2.0L L4 | ACRXJ02.04P0 | Executive Order # D-182-64 | | | | 82813 | D-182-64 |
| 2009 | 1.8L L4 | 9CRXV01.81P0 | Executive Order # D-182-64 | | | | 82813 | D-182-64 |
| | 2.0L L4 | 9CRXV01.81P0 | Executive Order # D-182-64 | | | | 82813 | D-182-64 |
| | 2.4L L4 | 9CRXV02.42P0 | Executive Order # D-182-64 | | | | 82813 | D-182-64 |
| 2008 | 1.8L L4 | 8CRXB02.4ME0 | Executive Order # D-182-64 | | | | 82813 | D-182-64 |
| | 2.4L L4 | 8CRXV02.4ME2 | Executive Order # D-182-64 | | | | 82813 | D-182-64 |
| Caravan | | | | | | | | |
| 2005 | 2.4L L4 | 5CRXT02.42N0 | Executive Order # D-182-69 | | | | 83413 | D-182-69 |
| | 3.3L V6 | 5CRXT03.32NP | Executive Order # D-182-69 | | | | 83413 | D-182-69 |
| 2004 | 2.4L L4 | 4CRXT02.42N0 | Executive Order # D-182-69 | | | | 83413 | D-182-69 |
| 2003 | 2.4L L4 | 3CRXT02.42D0 | Executive Order # D-182-51 | | | | 82311 | D-182-51 |
| | | | Executive Order # D-182-69 | | | | 83413 | D-182-69 |
| | 3.3L V6 | 3CRXT03.32DP | Executive Order # D-182-51 | | | | 82311 | D-182-51 |
| | | | Executive Order # D-182-69 | | | | 83413 | D-182-69 |
| | | | Requires Pipe 55356 to Connect Converter to Muffler; Executive Order # D-182-51 | | 82350 | 31597 | | D-182-51 |
| | 3CRXT03.32DR | Executive Order # D-182-51 | | | | | 82311 | D-182-51 |
| | | Executive Order # D-182-69 | | | | | 83413 | D-182-69 |
| | | Requires Pipe 55356 to Connect Converter to Muffler; Executive Order # D-182-51 | | 82350 | 31597 | | D-182-51 | |
| | 3CRXT03.82D0 | Executive Order # D-182-51 | | | | | 82311 | D-182-51 |
| | | Executive Order # D-182-69 | | | | | 83413 | D-182-69 |

For vehicles licensed in the state of California or Maine, or vehicles requiring CARB-compliant converters in the state of New York, the parts in this catalog must be installed as specifically listed. Parts cannot be substituted, nor can they be installed on California or Maine licensed vehicles not listed in this catalog.

OBDII APPLICATIONS

NON-OBDII APPLICATIONS

NUMERICAL

UNIVERSAL SPECIFICATIONS

OBDII PASSENGER CAR & TRUCK

| Years | Engine | Engine Family No. | Application | Position | Direct-Fit | | Universal Part No. | Executive Order | |
|---|--------------|---|---|----------------------------|----------------------------|--------------|--------------------|-----------------|--------------|
| | | | | | Part No. | Hardware | | | |
| DODGE (Cont.) | | | | | | | | | |
| Caravan (Cont.) | | | | | | | | | |
| 2003 (Cont.) | 3.3L V6 | 3CRXT03.82D0 | Requires Pipe 55356 to Connect Converter to Muffler; Executive Order # D-182-51 | | 82350 | 31597 | | D-182-51 | |
| | | | Executive Order # D-182-51 | | | | 82311 | D-182-51 | |
| | | 3CRXT03.82D1 | Executive Order # D-182-69 | | | | 83413 | D-182-69 | |
| | | | Requires Pipe 55356 to Connect Converter to Muffler; Executive Order # D-182-51 | | 82350 | 31597 | | D-182-51 | |
| 2002 | 2.4L L4 | 2CRXT02.42D0 | Executive Order # D-182-51 | | | | 82311 | D-182-51 | |
| | | | Executive Order # D-182-69 | | | | 83413 | D-182-69 | |
| | 3.3L V6 | 2CRXT03.32DP | Executive Order # D-182-51 | | | | 82311 | D-182-51 | |
| | | | Executive Order # D-182-69 | | | | 83413 | D-182-69 | |
| | | | Requires Pipe 55356 to Connect Converter to Muffler; Executive Order # D-182-51 | | 82350 | 31597 | | D-182-51 | |
| | 2CRXT03.82D0 | Executive Order # D-182-51 | | | | | 82311 | D-182-51 | |
| | | | Executive Order # D-182-69 | | | | 83413 | D-182-69 | |
| | | Requires Pipe 55356 to Connect Converter to Muffler; Executive Order # D-182-51 | | 82350 | 31597 | | D-182-51 | | |
| | | | Executive Order # D-182-51 | | | | 82311 | D-182-51 | |
| | | Executive Order # D-182-69 | | | | 83413 | D-182-69 | | |
| | | | Requires Pipe 55356 to Connect Converter to Muffler; Executive Order # D-182-51 | | 82350 | 31597 | | D-182-51 | |
| | 2CRXT03.82D1 | Executive Order # D-182-51 | | | | | 82311 | D-182-51 | |
| | | | Executive Order # D-182-69 | | | | 83413 | D-182-69 | |
| | | Requires Pipe 55356 to Connect Converter to Muffler; Executive Order # D-182-51 | | 82350 | 31597 | | D-182-51 | | |
| | | | Executive Order # D-182-51 | | | | 82311 | D-182-51 | |
| | | Executive Order # D-182-69 | | | | 83413 | D-182-69 | | |
| Requires Pipe 55356 to Connect Converter to Muffler; Executive Order # D-182-51 | | | | 82350 | 31597 | | D-182-51 | | |
| 2001 | 2.4L L4 | 1CRXT02.42D0 | Executive Order # D-182-51 | | | | 82311 | D-182-51 | |
| | | | Executive Order # D-182-69 | | | | 83413 | D-182-69 | |
| | 3.3L V6 | 1CRXT03.32DP | Executive Order # D-182-51 | | | | 82311 | D-182-51 | |
| | | | Executive Order # D-182-69 | | | | 83413 | D-182-69 | |
| | | | Requires Pipe 55356 to Connect Converter to Muffler; Executive Order # D-182-51 | | 82350 | 31597 | | D-182-51 | |
| | 1CRXT03.32DT | Executive Order # D-182-51 | | | | | 82311 | D-182-51 | |
| | | | Executive Order # D-182-69 | | | | 83413 | D-182-69 | |
| | | Requires Pipe 55356 to Connect Converter to Muffler; Executive Order # D-182-51 | | 82350 | 31597 | | D-182-51 | | |
| | | | Executive Order # D-182-51 | | | | 82311 | D-182-51 | |
| | | Executive Order # D-182-69 | | | | 83413 | D-182-69 | | |
| | | | Requires Pipe 55356 to Connect Converter to Muffler; Executive Order # D-182-51 | | 82350 | 31597 | | D-182-51 | |
| | 2000 | 2.4L L4 | YCRXT0148230 | Executive Order # D-182-51 | | 82355 | 31597 | 82311 | D-182-51 |
| | | | | Executive Order # D-182-69 | | | | 83510 | D-182-69 |
| | | 3.3L V6 | YCRXT0201230 | Executive Order # D-182-51 | | 82356 | 31597 | 82311 | D-182-51 |
| | | | | Executive Order # D-182-69 | | | | 83510 | D-182-69 |
| | | 1999 | 2.4L L4 | XCRXT0148230 | Executive Order # D-182-51 | | 82355 | 31597 | 82311 |
| Executive Order # D-182-69 | | | | | | | | 83510 | D-182-69 |
| 3.3L V6 | | | XCRXT0201230 | Executive Order # D-182-51 | | 82356 | 31597 | 82311 | D-182-51 |
| | | | | Executive Order # D-182-69 | | | | 83510 | D-182-69 |

For vehicles licensed in the state of California or Maine, or vehicles requiring CARB-compliant converters in the state of New York, the parts in this catalog must be installed as specifically listed. Parts cannot be substituted, nor can they be installed on California or Maine licensed vehicles not listed in this catalog.

OBDII PASSENGER CAR & TRUCK

| Years | Engine | Engine Family No. | Application | Position | Direct-Fit | | Universal Part No. | Executive Order | |
|----------------------------|----------------------------|-------------------|----------------------------|----------------------------|--------------|--------------|--------------------|-----------------|----------|
| | | | | | Part No. | Hardware | | | |
| DODGE (Cont.) | | | | | | | | | |
| Caravan (Cont.) | | | | | | | | | |
| 1999 (Cont.) | 3.8L V6 | XCRXT0232230 | Executive Order # D-182-51 | | 82356 | 31597 | 82311 | D-182-51 | |
| | | | Executive Order # D-182-69 | | | | 83510 | D-182-69 | |
| | | XCRXT03.82B0 | Executive Order # D-182-42 | | | | | 81502 | D-182-42 |
| | | | Executive Order # D-182-51 | | 82356 | 31597 | | | D-182-51 |
| 1998 | 2.4L L4 | WCRXT02.42B0 | Executive Order # D-182-42 | | | | 81502 | D-182-42 | |
| | | | Executive Order # D-182-51 | | 82355 | 31597 | | D-182-51 | |
| | | | Executive Order # D-182-69 | | | | 83518 | D-182-69 | |
| | 3.3L V6 | WCRXT0201230 | Executive Order # D-182-51 | | 82356 | 31597 | 82311 | D-182-51 | |
| | | | Executive Order # D-182-69 | | | | 83510 | D-182-69 | |
| | 3.8L V6 | WCRXT0232220 | Executive Order # D-182-51 | | 82356 | 31597 | 82311 | D-182-51 | |
| | | | Executive Order # D-182-69 | | | | 83510 | D-182-69 | |
| | 1997 | 2.4L L4 | VCR14828G1EK | Executive Order # D-182-42 | | | | 81502 | D-182-42 |
| | | | | Executive Order # D-182-51 | | 82355 | 31597 | | D-182-51 |
| Executive Order # D-182-69 | | | | | | | 83518 | D-182-69 | |
| 3.3L V6 | | VCR20128G2FL | Executive Order # D-182-51 | | 82356 | 31597 | 82311 | D-182-51 | |
| | | | Executive Order # D-182-69 | | | | 83510 | D-182-69 | |
| | | VCR23228G1EK | Executive Order # D-182-42 | | | | | 81502 | D-182-42 |
| | | | Executive Order # D-182-51 | | 82356 | 31597 | | | D-182-51 |
| Executive Order # D-182-69 | | | | | | 83518 | D-182-69 | | |
| | | 3.8L V6 | VCR23228G1EK | Executive Order # D-182-42 | | | | 81502 | D-182-42 |
| Executive Order # D-182-51 | | | | 82356 | 31597 | | D-182-51 | | |
| Executive Order # D-182-69 | | | | | | 83518 | D-182-69 | | |
| 1996 | 2.4L L4 | TCR2.428GFEK | Executive Order # D-182-42 | | | | 81502 | D-182-42 | |
| | | | Executive Order # D-182-51 | | 82355 | 31597 | | D-182-51 | |
| | | | Executive Order # D-182-69 | | | | 83518 | D-182-69 | |
| | 3.0L V6 | TCR18128G1EK | Executive Order # D-182-42 | | | | 81502 | D-182-42 | |
| | | | Executive Order # D-182-69 | | | | 83518 | D-182-69 | |
| | 3.3L V6 | TCR20128G2FL | Executive Order # D-182-51 | | 82356 | 31597 | 82311 | D-182-51 | |
| | | | Executive Order # D-182-69 | | | | 83510 | D-182-69 | |
| | | TCR23228G1EK | Executive Order # D-182-42 | | | | | 81502 | D-182-42 |
| | | | Executive Order # D-182-51 | | 82356 | 31597 | | | D-182-51 |
| | Executive Order # D-182-69 | | | | 83518 | D-182-69 | | | |
| | 3.8L V6 | TCR23228G1EK | Executive Order # D-182-42 | | | | 81502 | D-182-42 | |
| | | | Executive Order # D-182-51 | | 82356 | 31597 | | D-182-51 | |
| Executive Order # D-182-69 | | | | | | 83518 | D-182-69 | | |
| Charger | | | | | | | | | |
| 2009 | 2.7L V6 | 9CRXV02.72P0 | Executive Order # D-182-64 | Left | | | 82810 | D-182-64 | |
| | | | | Right | | | 82810 | D-182-64 | |
| 2008 | 2.7L V6 | 8CRXV02.7ME0 | Executive Order # D-182-64 | Left | | | 82810 | D-182-64 | |
| | | | | Right | | | 82810 | D-182-64 | |
| 2007 | 2.7L V6 | 7CRXV0167M71 | Executive Order # D-182-64 | Left | 82884 | | 82810 | D-182-64 | |
| | | | | Right | 82885 | | 82810 | D-182-64 | |
| 2006 | 2.7L V6 | 6CRXV03.5VE0 | Executive Order # D-182-64 | Left | 82884 | | 82810 | D-182-64 | |
| | | | | Right | 82885 | | 82810 | D-182-64 | |
| | | 6CRXV03.5VH0 | Executive Order # D-182-57 | Left | | | 82617 | D-182-57 | |

For vehicles licensed in the state of California or Maine, or vehicles requiring CARB-compliant converters in the state of New York, the parts in this catalog must be installed as specifically listed. Parts cannot be substituted, nor can they be installed on California or Maine licensed vehicles not listed in this catalog.

OBDII APPLICATIONS

NON-OBDII APPLICATIONS

NUMERICAL

UNIVERSAL SPECIFICATIONS

OBDII PASSENGER CAR & TRUCK

| Years | Engine | Engine Family No. | Application | Position | Direct-Fit | | Universal Part No. | Executive Order | |
|----------------------------|---------------------------------|-------------------|---------------------------------|---------------------------------|--------------|--------------|--------------------|-----------------|----------|
| | | | | | Part No. | Hardware | | | |
| DODGE (Cont.) | | | | | | | | | |
| Charger (Cont.) | | | | | | | | | |
| 2006 (Cont.) | 2.7L V6 | 6CRXV03.5VHO | Executive Order # D-182-57 | Right | | | 82617 | D-182-57 | |
| | | | RWD; Executive Order # D-182-57 | Left | 82685 | | | D-182-57 | |
| | | | | Right | 82686 | | | D-182-57 | |
| | 3.5L V6 | 6CRXV03.5VE0 | Executive Order # D-182-64 | Left | 82884 | | 82810 | D-182-64 | |
| | | | | Right | 82885 | | 82810 | D-182-64 | |
| | | 6CRXV03.5VE1 | Executive Order # D-182-64 | Left | 82884 | | 82810 | D-182-64 | |
| | | | | Right | 82885 | | 82810 | D-182-64 | |
| | | 6CRXV03.5VHO | Executive Order # D-182-57 | Left | | | 82617 | D-182-57 | |
| | | | | Right | | | 82617 | D-182-57 | |
| | RWD; Executive Order # D-182-57 | | | Left | 82685 | | | D-182-57 | |
| | | Right | 82686 | | | | D-182-57 | | |
| | 6.1L V8 | 6CRXV06.1VHO | Executive Order # D-182-67 | Left | | | 82908 | D-182-67 | |
| | | | | Right | | | 82908 | D-182-67 | |
| | Dakota | | | | | | | | |
| 2006 | 3.7L V6 | 6CRXT03.75S2 | 4WD; Executive Order # D-182-52 | | 81748 | | | D-182-52 | |
| | | | Executive Order # D-182-52 | Left | | | 81711 | D-182-52 | |
| | | | | Right | | | 81711 | D-182-52 | |
| | | | Executive Order # D-182-69 | Left | | | 83401 | D-182-69 | |
| | | Right | | | 83401 | D-182-69 | | | |
| | 4.7L V8 | 6CRXT04.75S2 | 4WD; Executive Order # D-182-52 | | 81748 | | | D-182-52 | |
| | | | | Executive Order # D-182-52 | Left | | | 81711 | D-182-52 |
| | | | | | Right | | | 81711 | D-182-52 |
| | | | | Executive Order # D-182-69 | Left | | | 83401 | D-182-69 |
| | | Right | | | 83401 | D-182-69 | | | |
| | 2005 | 3.7L V6 | 5CRXT03.75S0 | 4WD; Executive Order # D-182-52 | | 81748 | | | D-182-52 |
| | | | | Executive Order # D-182-47 | Left | | | 81712 | D-182-47 |
| | | | | Right | | | 81712 | D-182-47 | |
| Executive Order # D-182-69 | | | | Left | | | 83401 | D-182-69 | |
| | | Right | | | 83401 | D-182-69 | | | |
| 4.7L V8 | | 5CRXT04.75S0 | 4WD; Executive Order # D-182-52 | | 81748 | | | D-182-52 | |
| | | | | Executive Order # D-182-47 | Left | | | 81712 | D-182-47 |
| | | | | | Right | | | 81712 | D-182-47 |
| | Executive Order # D-182-69 | | | Left | | | 83401 | D-182-69 | |
| | Right | | | 83401 | D-182-69 | | | | |
| 2004 | 3.7L V6 | 4CRXT03.72N0 | Executive Order # D-182-69 | Left | | | 83401 | D-182-69 | |
| | | | | Right | | | 83401 | D-182-69 | |
| | | 4CRXT03.75J0 | Executive Order # D-182-69 | Left | | | 83401 | D-182-69 | |
| | | | | Right | | | 83401 | D-182-69 | |
| | 4.7L V8 | 4CRXT04.72N0 | Executive Order # D-182-69 | Left | | | 83401 | D-182-69 | |
| | | | | Right | | | 83401 | D-182-69 | |
| | | 4CRXT04.75J0 | Executive Order # D-182-69 | Left | | | 83401 | D-182-69 | |
| | | | | Right | | | 83401 | D-182-69 | |

For vehicles licensed in the state of California or Maine, or vehicles requiring CARB-compliant converters in the state of New York, the parts in this catalog must be installed as specifically listed. Parts cannot be substituted, nor can they be installed on California or Maine licensed vehicles not listed in this catalog.

OBDII PASSENGER CAR & TRUCK

| Years | Engine | Engine Family No. | Application | Position | Direct-Fit | | Universal Part No. | Executive Order | |
|---------------------------------|---------------------------------|---------------------------------|---------------------------------|--------------|--------------|--------------|--------------------|-----------------|----------|
| | | | | | Part No. | Hardware | | | |
| DODGE (Cont.) | | | | | | | | | |
| Dakota (Cont.) | | | | | | | | | |
| 2003 | 3.9L V6 | 3CRXT03.92D0 | 4WD; Executive Order # D-182-60 | | 82798 | | | D-182-60 | |
| | | | Executive Order # D-182-60 | Front Left | | | 81823 | D-182-60 | |
| | | | | Front Right | | | 81824 | D-182-60 | |
| | | | Rear | | | 82712 | D-182-60 | | |
| | | 3CRXT03.95B1 | Executive Order # D-182-42 | | | | 81502 | D-182-42 | |
| | | | Executive Order # D-182-69 | | | | 83518 | D-182-69 | |
| | 4.7L V8 | 3CRXT04.72D1 | 4WD; Executive Order # D-182-60 | Front Left | | | 81820 | D-182-60 | |
| | | | | Front Right | | | 81821 | D-182-60 | |
| | | | Executive Order # D-182-60 | Rear | | | 82712 | D-182-60 | |
| | | | RWD; Executive Order # D-182-60 | Front Left | | | 81824 | D-182-60 | |
| | | | Front Right | | | 81822 | D-182-60 | | |
| | | 3CRXT04.75B0 | Executive Order # D-182-42 | | | | 81502 | D-182-42 | |
| | 5.9L V8 | 3CRXA0360H40 | Executive Order # D-182-60 | Front Left | | | 81823 | D-182-60 | |
| | | | | Front Right | | | 81824 | D-182-60 | |
| | | | | Rear | | | 82712 | D-182-60 | |
| | | 3CRXT05.92D0 | Executive Order # D-182-60 | Front Left | | | 81823 | D-182-60 | |
| | | | | Front Right | | | 81824 | D-182-60 | |
| | | | | Rear | | | 82712 | D-182-60 | |
| 2002 | 2.5L L4 | 2CRXT02.51C0 | Executive Order # D-182-48 | Front | | | 81807 | D-182-48 | |
| | | | | Rear | | | 81653 | D-182-48 | |
| | 3.9L V6 | 2CRXA0239H41 | 4WD; Executive Order # D-182-60 | | 82798 | | | D-182-60 | |
| | | | Executive Order # D-182-60 | Front Left | | | 81823 | D-182-60 | |
| | | | | Front Right | | | 81824 | D-182-60 | |
| | | | Rear | | | 82712 | D-182-60 | | |
| | | 2CRXT03.92D0 | 4WD; Executive Order # D-182-60 | | 82798 | | | | D-182-60 |
| | | | Executive Order # D-182-60 | Front Left | | | 81823 | D-182-60 | |
| | | | Front Right | | | 81824 | D-182-60 | | |
| | | Rear | | | 82712 | D-182-60 | | | |
| | 4.7L V8 | 2CRXA0287H40 | 4WD; Executive Order # D-182-60 | Front Left | | | 81820 | D-182-60 | |
| | | | | Front Right | | | 81821 | D-182-60 | |
| Executive Order # D-182-60 | | | Rear | | | 82712 | D-182-60 | | |
| RWD; Executive Order # D-182-60 | | | Front Left | | | 81824 | D-182-60 | | |
| | | Front Right | | | 81822 | D-182-60 | | | |
| 2CRXT04.72D1 | | 4WD; Executive Order # D-182-60 | Front Left | | | 81820 | D-182-60 | | |
| | | | Front Right | | | 81821 | D-182-60 | | |
| | | Executive Order # D-182-60 | Rear | | | 82712 | D-182-60 | | |
| | RWD; Executive Order # D-182-60 | Front Left | | | 81824 | D-182-60 | | | |
| | Front Right | | | 81822 | D-182-60 | | | | |
| 5.9L V8 | 2CRXA0360H41 | Executive Order # D-182-60 | Front Left | | | 81823 | D-182-60 | | |
| | | | Front Right | | | 81824 | D-182-60 | | |
| | | | Rear | | | 82712 | D-182-60 | | |
| | 2CRXT05.92D0 | Executive Order # D-182-60 | Front Left | | | 81823 | D-182-60 | | |
| | | | Front Right | | | 81824 | D-182-60 | | |
| | | | | | | | | | |

OBDII APPLICATIONS

NON-OBDII APPLICATIONS

NUMERICAL

UNIVERSAL SPECIFICATIONS

For vehicles licensed in the state of California or Maine, or vehicles requiring CARB-compliant converters in the state of New York, the parts in this catalog must be installed as specifically listed. Parts cannot be substituted, nor can they be installed on California or Maine licensed vehicles not listed in this catalog.

OBDII PASSENGER CAR & TRUCK

| Years | Engine | Engine Family No. | Application | Position | Direct-Fit | | Universal Part No. | Executive Order | |
|---------------------------------|----------------------------|---------------------------------|---|---------------------------------|----------------------------|--------------|--------------------|-----------------|----------|
| | | | | | Part No. | Hardware | | | |
| DODGE (Cont.) | | | | | | | | | |
| Dakota (Cont.) | | | | | | | | | |
| 2002 (Cont.) | 5.9L V8 | 2CRXT05.92D0 | Executive Order # D-182-60 | Rear | | | 82712 | D-182-60 | |
| 2001 | 2.5L L4 | 1CRXT02.51C0 | Executive Order # D-182-48 | Front | | | 81807 | D-182-48 | |
| | | | | Rear | | | 81653 | D-182-48 | |
| | 3.9L V6 | 1CRXT03.92D1 | 4WD; Executive Order # D-182-60 | | 82798 | | | D-182-60 | |
| | | | | Executive Order # D-182-60 | Front Left | | 81823 | D-182-60 | |
| | | | | | Front Right | | 81824 | D-182-60 | |
| | | | Rear | | | 82712 | D-182-60 | | |
| | | | 1CRXT03.95B5 | 4WD; Executive Order # D-182-60 | | 82798 | | | D-182-60 |
| | | | | | Executive Order # D-182-60 | Front Left | | 81823 | D-182-60 |
| | Front Right | | | | | 81824 | D-182-60 | | |
| | Rear | | 82712 | D-182-60 | | | | | |
| | 4.7L V8 | 1CRXT04.72D2 | 4WD; Executive Order # D-182-60 | Front Left | | 81820 | D-182-60 | | |
| | | | | Front Right | | 81821 | D-182-60 | | |
| | | | | Rear | | 82712 | D-182-60 | | |
| | | | Executive Order # D-182-60 | Front Left | | 81824 | D-182-60 | | |
| Front Right | | | | | 81822 | D-182-60 | | | |
| 1CRXT04.75B5 | | | 4WD; Executive Order # D-182-60 | Front Left | | 81820 | D-182-60 | | |
| | | | | Front Right | | 81821 | D-182-60 | | |
| | | | | Rear | | 82712 | D-182-60 | | |
| RWD; Executive Order # D-182-60 | Front Left | | 81824 | D-182-60 | | | | | |
| | Front Right | | 81822 | D-182-60 | | | | | |
| | 5.9L V8 | 1CRXT05.92D1 | Executive Order # D-182-60 | Front Left | | 81823 | D-182-60 | | |
| | | | | Front Right | | 81824 | D-182-60 | | |
| 1CRXT05.95B5 | Executive Order # D-182-60 | Rear | | 82712 | D-182-60 | | | | |
| | | Front Left | | 81823 | D-182-60 | | | | |
| | | Front Right | | 81824 | D-182-60 | | | | |
| Rear | | 82712 | D-182-60 | | | | | | |
| | 2000 | 2.5L L4 | YCRXT0150120 | Executive Order # D-182-48 | Front | | 81807 | D-182-48 | |
| | | | | | Rear | | 81653 | D-182-48 | |
| 3.9L V6 | YCRXT03.92C1 | Executive Order # D-182-42 | | | 81502 | D-182-42 | | | |
| | | | Executive Order # D-182-69 | | 83518 | D-182-69 | | | |
| 4.7L V8 | YCRXT0287232 | 4WD; Executive Order # D-182-60 | Front Left | | 81820 | D-182-60 | | | |
| | | | Front Right | | 81821 | D-182-60 | | | |
| | | Executive Order # D-182-60 | Rear | | 82712 | D-182-60 | | | |
| | | RWD; Executive Order # D-182-60 | Front Left | | 81824 | D-182-60 | | | |
| | | | Front Right | | 81822 | D-182-60 | | | |
| 5.9L V8 | YCRXA0360H32 | Executive Order # D-182-51 | | | 82302 | D-182-51 | | | |
| | | | Executive Order # D-182-69 | | 83518 | D-182-69 | | | |
| | | YCRXT0360221 | Executive Order # D-182-42 | | | 81502 | D-182-42 | | |
| | | | | Executive Order # D-182-69 | | 83518 | D-182-69 | | |
| 1999 | 2.5L L4 | XCRXT0150120 | Executive Order # D-182-48 | Front | | 81807 | D-182-48 | | |
| | | | | Rear | | 81653 | D-182-48 | | |
| | 3.9L V6 | XCRXT0239211 | 4WD; 123.9" Wheelbase; Executive Order # D-182-42 | | 81543 | | D-182-42 | | |

For vehicles licensed in the state of California or Maine, or vehicles requiring CARB-compliant converters in the state of New York, the parts in this catalog must be installed as specifically listed. Parts cannot be substituted, nor can they be installed on California or Maine licensed vehicles not listed in this catalog.

OBDII PASSENGER CAR & TRUCK

| Years | Engine | Engine Family No. | Application | Position | Direct-Fit | | Universal Part No. | Executive Order | |
|-----------------------|--|--|--|--|--------------|--------------|--------------------|-----------------|----------|
| | | | | | Part No. | Hardware | | | |
| DODGE (Cont.) | | | | | | | | | |
| Dakota (Cont.) | | | | | | | | | |
| 1999 (Cont.) | 3.9L V6 | XCRXT0239211 | 4WD; 131.0" Wheelbase; Executive Order # D-182-42 | | 81543 | | | D-182-42 | |
| | | | Executive Order # D-182-42 | | | | 81502 | D-182-42 | |
| | | | Executive Order # D-182-69 | | | | 83518 | D-182-69 | |
| | | | RWD; Executive Order # D-182-42 | | 81544 | | | D-182-42 | |
| | 5.2L V8 | XCRXT0360211 | Executive Order # D-182-42 | | | | 81502 | D-182-42 | |
| | | | Executive Order # D-182-69 | | | | 83518 | D-182-69 | |
| | 5.9L V8 | XCRXT0360211 | Executive Order # D-182-42 | | | | 81502 | D-182-42 | |
| | | | Executive Order # D-182-69 | | | | 83518 | D-182-69 | |
| | 1998 | 2.5L L4 | WCRXT0150110 | Executive Order # D-182-57 | | | | 82627 | D-182-57 |
| 3.9L V6 | | WCRXA0239H11 | 4WD; 123.9" Wheelbase; Executive Order # D-182-42 | | 81543 | | | D-182-42 | |
| | | | 4WD; 131.0" Wheelbase; Executive Order # D-182-42 | | 81543 | | | D-182-42 | |
| | | | Executive Order # D-182-42 | | | | 81502 | D-182-42 | |
| | | | Executive Order # D-182-69 | | | | 83518 | D-182-69 | |
| | | | RWD; Executive Order # D-182-42 | | 81544 | | | D-182-42 | |
| | | | WCRXT0239211 | 4WD; 123.9" Wheelbase; Executive Order # D-182-42 | | 81543 | | | D-182-42 |
| | | 4WD; 131.0" Wheelbase; Executive Order # D-182-42 | | 81543 | | | D-182-42 | | |
| | | Executive Order # D-182-42 | | | | 81502 | D-182-42 | | |
| | | Executive Order # D-182-69 | | | | 83518 | D-182-69 | | |
| | | RWD; Executive Order # D-182-42 | | 81544 | | | D-182-42 | | |
| 5.2L V8 | | WCRXA0318H11 | Executive Order # D-182-42 | | | | 81502 | D-182-42 | |
| | | | Executive Order # D-182-69 | | | | 83518 | D-182-69 | |
| | | WCRXT0360211 | Executive Order # D-182-42 | | | | 81502 | D-182-42 | |
| | | | Executive Order # D-182-69 | | | | 83518 | D-182-69 | |
| 5.9L V8 | | WCRXT0360211 | Executive Order # D-182-42 | | | | 81502 | D-182-42 | |
| 1997 | | 2.5L L4 | VCR15018G1EK | Executive Order # D-182-57 | | | | 82627 | D-182-57 |
| | | 3.9L V6 | VCR23928G1EK | 4WD; 123.9" Wheelbase; Executive Order # D-182-42 | | 81543 | | | D-182-42 |
| | 4WD; 131.0" Wheelbase; Executive Order # D-182-42 | | | | 81543 | | | D-182-42 | |
| | Executive Order # D-182-42 | | | | | | 81502 | D-182-42 | |
| | Executive Order # D-182-69 | | | | | | 83518 | D-182-69 | |
| | RWD; Executive Order # D-182-42 | | | | 81544 | | | D-182-42 | |
| | VCR239H8G1EK | | | 4WD; 123.9" Wheelbase; Executive Order # D-182-42 | | 81543 | | | D-182-42 |
| | | 4WD; 131.0" Wheelbase; Executive Order # D-182-42 | | 81543 | | | D-182-42 | | |
| | | Executive Order # D-182-42 | | | | 81502 | D-182-42 | | |
| | | Executive Order # D-182-69 | | | | 83518 | D-182-69 | | |
| | | RWD; Executive Order # D-182-42 | | 81544 | | | D-182-42 | | |
| | 5.2L V8 | VCR318H8G1EK | Executive Order # D-182-42 | | | | 81502 | D-182-42 | |

OBDII APPLICATIONS

NON-OBDII APPLICATIONS

NUMERICAL

UNIVERSAL SPECIFICATIONS

For vehicles licensed in the state of California or Maine, or vehicles requiring CARB-compliant converters in the state of New York, the parts in this catalog must be installed as specifically listed. Parts cannot be substituted, nor can they be installed on California or Maine licensed vehicles not listed in this catalog.

OBDII PASSENGER CAR & TRUCK

| Years | Engine | Engine Family No. | Application | Position | Direct-Fit | | Universal Part No. | Executive Order | |
|----------------------------|--------------|----------------------------|--|----------|--------------|--------------|--------------------|-----------------|----------|
| | | | | | Part No. | Hardware | | | |
| DODGE (Cont.) | | | | | | | | | |
| Dakota (Cont.) | | | | | | | | | |
| 1997 (Cont.) | 5.2L V8 | VCR318H8G1EK | Executive Order # D-182-69 | | | | 83518 | D-182-69 | |
| | | VCR36028G1EK | Executive Order # D-182-42 | | | | 81502 | D-182-42 | |
| | | | Executive Order # D-182-69 | | | | 83518 | D-182-69 | |
| | | VCR360H8G1EL | Executive Order # D-182-69 | | | | 83518 | D-182-69 | |
| 1996 | 2.5L L4 | TCR15018G1EK | Executive Order # D-182-57 | | | | 82627 | D-182-57 | |
| | | | 4WD; 123.9" Wheelbase; Executive Order # D-182-42 | | 81543 | | | D-182-42 | |
| | 3.9L V6 | TCR23928G1EK | 4WD; 131.0" Wheelbase; Executive Order # D-182-42 | | 81543 | | | | D-182-42 |
| | | | Executive Order # D-182-42 | | | | 81502 | D-182-42 | |
| | | | Executive Order # D-182-69 | | | | 83518 | D-182-69 | |
| | | | 4WD; 123.9" Wheelbase; Executive Order # D-182-42 | | 81543 | | | | D-182-42 |
| | | | 4WD; 131.0" Wheelbase; Executive Order # D-182-42 | | 81543 | | | | D-182-42 |
| | | | Executive Order # D-182-42 | | | | 81502 | D-182-42 | |
| | 5.2L V8 | TCR31828G1EK | Executive Order # D-182-42 | | | | 81502 | D-182-42 | |
| | | | Executive Order # D-182-69 | | | | 83518 | D-182-69 | |
| | | | 4WD; 123.9" Wheelbase; Executive Order # D-182-42 | | 81543 | | | | D-182-42 |
| | | | 4WD; 131.0" Wheelbase; Executive Order # D-182-42 | | 81543 | | | | D-182-42 |
| | | | Executive Order # D-182-42 | | | | 81502 | D-182-42 | |
| | | | Executive Order # D-182-69 | | | | 83518 | D-182-69 | |
| | TCR31828G1EL | TCR31828G1EL | Executive Order # D-182-42 | | | | 81502 | D-182-42 | |
| | | | Executive Order # D-182-69 | | | | 83518 | D-182-69 | |
| Executive Order # D-182-42 | | | | | | 81502 | D-182-42 | | |
| Executive Order # D-182-69 | | | | | | 83518 | D-182-69 | | |
| TCR360H8G1EK | TCR360H8G1EK | Executive Order # D-182-42 | | | | 81502 | D-182-42 | | |
| | | Executive Order # D-182-69 | | | | 83518 | D-182-69 | | |

Durango

| | | | | | | | | |
|---------|--------------|----------------------------|--|---------------------------------|----------------------------|--------------|--------------|----------|
| 2006 | 3.7L V6 | 6CRXT03.75S0 | Executive Order # D-182-52 | Left | | | 81716 | D-182-52 |
| | | | | Right | | | 81716 | D-182-52 |
| | 5.7L V8 | 6CRXT05.75J0 | Executive Order # D-182-69 Must Use w/ Aftermarket Y Pipe 50348; Executive Order # D-182-69 | Left | | | 83402 | D-182-69 |
| | | | | Right | | | 83402 | D-182-69 |
| 2005 | 3.7L V6 | 5CRXT03.75S0 | Executive Order # D-182-47 | Left | | | 81712 | D-182-47 |
| | | | | Right | | | 81712 | D-182-47 |
| | 5.7L V8 | 5CRXT05.75J1 | Executive Order # D-182-69 Must Use w/ Aftermarket Y Pipe 50348; Executive Order # D-182-69 | Left | | | 83402 | D-182-69 |
| | | | | Right | | | 83402 | D-182-69 |
| 2004 | 5.7L V8 | 4CRXT05.75J0 | Executive Order # D-182-69 Must Use w/ Aftermarket Y Pipe 50348; Executive Order # D-182-69 | Left | | | 83402 | D-182-69 |
| | | | | Right | | | 83402 | D-182-69 |
| 2003 | 4.7L V8 | 3CRXA0287H40 | 4WD; Executive Order # D-182-60 | Front Left | | | 81820 | D-182-60 |
| | | | | Front Right | | | 81821 | D-182-60 |
| | | | | Executive Order # D-182-60 | Rear | | 82712 | D-182-60 |
| | | | | RWD; Executive Order # D-182-60 | Front Left | | 81824 | D-182-60 |
| | | | | | Front Right | | 81822 | D-182-60 |
| | | | | 3CRXT04.75B0 | Executive Order # D-182-42 | | 81502 | D-182-42 |
| 5.9L V8 | 3CRXA0360H40 | Executive Order # D-182-60 | Front Left | | | 81823 | D-182-60 | |
| | | | Front Right | | | 81824 | D-182-60 | |

For vehicles licensed in the state of California or Maine, or vehicles requiring CARB-compliant converters in the state of New York, the parts in this catalog must be installed as specifically listed. Parts cannot be substituted, nor can they be installed on California or Maine licensed vehicles not listed in this catalog.

OBDII PASSENGER CAR & TRUCK

| Years | Engine | Engine Family No. | Application | Position | Direct-Fit | | Universal Part No. | Executive Order | |
|----------------------------|--------------|---------------------------------|---------------------------------|---------------------------------|--------------|--------------|--------------------|-----------------|----------|
| | | | | | Part No. | Hardware | | | |
| DODGE (Cont.) | | | | | | | | | |
| Durango (Cont.) | | | | | | | | | |
| 2003 (Cont.) | 5.9L V8 | 3CRXA0360H40 | Executive Order # D-182-60 | Rear | | | 82712 | D-182-60 | |
| 2002 | 4.7L V8 | 2CRXA0287H40 | 4WD; Executive Order # D-182-60 | Front Left | | | 81820 | D-182-60 | |
| | | | | Front Right | | | 81821 | D-182-60 | |
| | | | Executive Order # D-182-60 | Rear | | | 82712 | D-182-60 | |
| | | | | RWD; Executive Order # D-182-60 | Front Left | | | 81824 | D-182-60 |
| | Front Right | | | 81822 | D-182-60 | | | | |
| | | 5.9L V8 | 2CRXA0360H41 | Executive Order # D-182-60 | Front Left | | | 81823 | D-182-60 |
| Front Right | | | | | | 81824 | D-182-60 | | |
| Rear | | | | | | 82712 | D-182-60 | | |
| 2001 | 4.7L V8 | 1CRXA0287H41 | 4WD; Executive Order # D-182-60 | Front Left | | | 81820 | D-182-60 | |
| | | | | Front Right | | | 81821 | D-182-60 | |
| | | | Executive Order # D-182-60 | Rear | | | 82712 | D-182-60 | |
| | | | | RWD; Executive Order # D-182-60 | Front Left | | | 81824 | D-182-60 |
| | Front Right | | | 81822 | D-182-60 | | | | |
| | | 5.9L V8 | 1CRXA0360H41 | Executive Order # D-182-60 | Front Left | | | 81823 | D-182-60 |
| Front Right | | | | | | 81824 | D-182-60 | | |
| Rear | | | | | | 82712 | D-182-60 | | |
| 2000 | 4.7L V8 | YCRXA0287H41 | 4WD; Executive Order # D-182-60 | Front Left | | | 81820 | D-182-60 | |
| | | | | Front Right | | | 81821 | D-182-60 | |
| | | | Executive Order # D-182-60 | Rear | | | 82712 | D-182-60 | |
| | | | | RWD; Executive Order # D-182-60 | Front Left | | | 81824 | D-182-60 |
| | Front Right | | | 81822 | D-182-60 | | | | |
| | | 5.2L V8 | YCRXA0360H32 | Executive Order # D-182-51 | | | | 82302 | D-182-51 |
| Executive Order # D-182-69 | | | | | | | 83408 | D-182-69 | |
| 1999 | 3.9L V6 | XCRXA0239H12 | 4WD; Executive Order # D-182-51 | | | 82351 | | D-182-51 | |
| | | | | Executive Order # D-182-42 | | | | 81502 | D-182-42 |
| | | | | Executive Order # D-182-69 | | | | 83408 | D-182-69 |
| | 5.2L V8 | XCRXA0360H32 | 4WD; Executive Order # D-182-51 | | | 82351 | | D-182-51 | |
| Executive Order # D-182-51 | | | | | | | 82302 | D-182-51 | |
| Executive Order # D-182-69 | | | | | | | 83408 | D-182-69 | |
| 5.9L V8 | XCRXA0360H32 | 4WD; Executive Order # D-182-51 | | | 82351 | | D-182-51 | | |
| | | | Executive Order # D-182-51 | | | | 82302 | D-182-51 | |
| | | | Executive Order # D-182-69 | | | | 83408 | D-182-69 | |
| 1998 | 5.2L V8 | WCRXA0360H32 | 4WD; Executive Order # D-182-51 | | | 82351 | | D-182-51 | |
| | | | | Executive Order # D-182-51 | | | | 82302 | D-182-51 |
| | 5.9L V8 | WCRXA0360H32 | 4WD; Executive Order # D-182-51 | | | 82351 | | D-182-51 | |
| | | | | Executive Order # D-182-51 | | | | 82302 | D-182-51 |
| Executive Order # D-182-69 | | | | 83408 | D-182-69 | | | | |

OBDII APPLICATIONS

NON-OBDII APPLICATIONS

NUMERICAL

UNIVERSAL SPECIFICATIONS

For vehicles licensed in the state of California or Maine, or vehicles requiring CARB-compliant converters in the state of New York, the parts in this catalog must be installed as specifically listed. Parts cannot be substituted, nor can they be installed on California or Maine licensed vehicles not listed in this catalog.

OBDII PASSENGER CAR & TRUCK

| Years | Engine | Engine Family No. | Application | Position | Direct-Fit | | Universal Part No. | Executive Order | | |
|---|--------------|---|---|---|--------------|--------------|--------------------|-----------------|--------------|----------|
| | | | | | Part No. | Hardware | | | | |
| DODGE (Cont.) | | | | | | | | | | |
| Grand Caravan | | | | | | | | | | |
| 2005 | 3.8L V6 | 5CRXT03.82NO | Executive Order # D-182-69 | | | | 83413 | D-182-69 | | |
| 2004 | 3.8L V6 | 4CRXT03.82NO | Executive Order # D-182-69 | | | | 83413 | D-182-69 | | |
| 2003 | 3.3L V6 | 3CRXT03.32DP | Executive Order # D-182-51 | | | | 82311 | D-182-51 | | |
| | | | Requires Pipe 55356 to Connect Converter to Muffler; Executive Order # D-182-51 | | 82350 | 31597 | | D-182-51 | | |
| | | 3CRXT03.32DR | Executive Order # D-182-51 | | | | | 82311 | D-182-51 | |
| | | | Requires Pipe 55356 to Connect Converter to Muffler; Executive Order # D-182-51 | | 82350 | 31597 | | | D-182-51 | |
| | | 3CRXT03.82D0 | Executive Order # D-182-51 | | | | | 82311 | D-182-51 | |
| | | | Requires Pipe 55356 to Connect Converter to Muffler; Executive Order # D-182-51 | | 82350 | 31597 | | | D-182-51 | |
| | 3CRXT03.82D1 | Executive Order # D-182-51 | | | | | 82311 | D-182-51 | | |
| | | Requires Pipe 55356 to Connect Converter to Muffler; Executive Order # D-182-51 | | 82350 | 31597 | | | D-182-51 | | |
| | 3.8L V6 | 3CRXT03.82D0 | Executive Order # D-182-51 | | | | | 82311 | D-182-51 | |
| | | | Executive Order # D-182-69 | | | | | 83413 | D-182-69 | |
| | | | Requires Pipe 55354 to Connect Converter to Muffler; Executive Order # D-182-51 | | 82350 | 31597 | | | D-182-51 | |
| | | 3CRXT03.82D1 | Executive Order # D-182-51 | | | | | 82311 | D-182-51 | |
| Executive Order # D-182-69 | | | | | | | 83413 | D-182-69 | | |
| Requires Pipe 55354 to Connect Converter to Muffler; Executive Order # D-182-51 | | | | 82350 | 31597 | | | D-182-51 | | |
| 2002 | 3.3L V6 | 2CRXT03.32DP | Executive Order # D-182-51 | | | | 82311 | D-182-51 | | |
| | | | Executive Order # D-182-69 | | | | 83413 | D-182-69 | | |
| | | | Requires Pipe 55356 to Connect Converter to Muffler; Executive Order # D-182-51 | | 82350 | 31597 | | D-182-51 | | |
| | | 2CRXT03.82D0 | Executive Order # D-182-51 | | | | | 82311 | D-182-51 | |
| | | | Executive Order # D-182-69 | | | | | 83413 | D-182-69 | |
| | | | Requires Pipe 55356 to Connect Converter to Muffler; Executive Order # D-182-51 | | 82350 | 31597 | | | D-182-51 | |
| | | 2CRXT03.82D1 | Executive Order # D-182-51 | | | | | 82311 | D-182-51 | |
| | | | Executive Order # D-182-69 | | | | | 83413 | D-182-69 | |
| | | | Requires Pipe 55356 to Connect Converter to Muffler; Executive Order # D-182-51 | | 82350 | 31597 | | | D-182-51 | |
| | | 3.8L V6 | 2CRXT03.82D0 | Executive Order # D-182-51 | | | | | 82311 | D-182-51 |
| | | | | Executive Order # D-182-69 | | | | | 83413 | D-182-69 |
| | | | | Requires Pipe 55354 to Connect Converter to Muffler; Executive Order # D-182-51 | | 82350 | 31597 | | | D-182-51 |
| | 2CRXT03.82D1 | | Executive Order # D-182-51 | | | | | 82311 | D-182-51 | |
| | | | Executive Order # D-182-69 | | | | | 83413 | D-182-69 | |

For vehicles licensed in the state of California or Maine, or vehicles requiring CARB-compliant converters in the state of New York, the parts in this catalog must be installed as specifically listed. Parts cannot be substituted, nor can they be installed on California or Maine licensed vehicles not listed in this catalog.

OBDII PASSENGER CAR & TRUCK

| Years | Engine | Engine Family No. | Application | Position | Direct-Fit | | Universal Part No. | Executive Order | |
|---|---------|-------------------|---|----------------------------|--------------|--------------|--------------------|-----------------|----------|
| | | | | | Part No. | Hardware | | | |
| DODGE (Cont.) | | | | | | | | | |
| Grand Caravan (Cont.) | | | | | | | | | |
| 2002 (Cont.) | 3.8L V6 | 2CRXT03.82D1 | Requires Pipe 55354 to Connect Converter to Muffler; Executive Order # D-182-51 | | 82350 | 31597 | | D-182-51 | |
| 2001 | 3.3L V6 | 1CRXT03.32DP | Executive Order # D-182-51 | | 82350 | 31597 | 82311 | D-182-51 | |
| | | | Executive Order # D-182-69 | | | | 83413 | D-182-69 | |
| | | 1CRXT03.32DT | Executive Order # D-182-51 | | 82350 | 31597 | 82311 | D-182-51 | |
| | | | Executive Order # D-182-69 | | | | 83413 | D-182-69 | |
| | | 1CRXT03.82D0 | Executive Order # D-182-51 | | 82350 | 31597 | 82311 | D-182-51 | |
| | | | Executive Order # D-182-69 | | | | 83413 | D-182-69 | |
| | 3.8L V6 | 1CRXT03.82D0 | Executive Order # D-182-51 | | | | 82311 | D-182-51 | |
| | | | Executive Order # D-182-69 | | | | 83413 | D-182-69 | |
| Requires Pipe 55354 to Connect Converter to Muffler; Executive Order # D-182-51 | | | | 82350 | 31597 | | D-182-51 | | |
| 2000 | 3.3L V6 | YCRXT0201230 | Executive Order # D-182-51 | | 82356 | 31597 | 82311 | D-182-51 | |
| | | | Executive Order # D-182-69 | | | | 83510 | D-182-69 | |
| | 3.8L V6 | YCRXT0232230 | Executive Order # D-182-51 | | 82356 | 31597 | 82311 | D-182-51 | |
| | | | Executive Order # D-182-69 | | | | 83510 | D-182-69 | |
| | | YCRXT03.82B0 | Executive Order # D-182-42 | | | | 81502 | D-182-42 | |
| | | | Executive Order # D-182-51 | | 82356 | 31597 | | D-182-51 | |
| | | | Executive Order # D-182-69 | | | | 83518 | D-182-69 | |
| | | | Executive Order # D-182-69 | | | | 83518 | D-182-69 | |
| 1999 | 3.3L V6 | XCRXT0201230 | Executive Order # D-182-51 | | 82356 | 31597 | 82311 | D-182-51 | |
| | | | Executive Order # D-182-69 | | | | 83510 | D-182-69 | |
| | 3.8L V6 | XCRXT0232230 | Executive Order # D-182-51 | | 82356 | 31597 | 82311 | D-182-51 | |
| | | | Executive Order # D-182-69 | | | | 83510 | D-182-69 | |
| | | XCRXT03.82B0 | Executive Order # D-182-42 | | | | 81502 | D-182-42 | |
| | | | Executive Order # D-182-51 | | 82356 | 31597 | | D-182-51 | |
| | | | Executive Order # D-182-42 | | | | 81502 | D-182-42 | |
| | | | Executive Order # D-182-51 | | 82356 | 31597 | | D-182-51 | |
| | | | Executive Order # D-182-69 | | | | 83518 | D-182-69 | |
| | | | Executive Order # D-182-69 | | | | 83518 | D-182-69 | |
| 1998 | 3.3L V6 | WCRXT0201230 | Executive Order # D-182-51 | | 82356 | 31597 | 82311 | D-182-51 | |
| | | | Executive Order # D-182-69 | | | | 83510 | D-182-69 | |
| | 3.8L V6 | WCRXT0232220 | Executive Order # D-182-51 | | 82356 | 31597 | 82311 | D-182-51 | |
| | | | Executive Order # D-182-69 | | | | 83510 | D-182-69 | |
| | | WCRXT03.82B0 | Executive Order # D-182-42 | | | | 81502 | D-182-42 | |
| | | | Executive Order # D-182-51 | | 82356 | 31597 | | D-182-51 | |
| | | | Executive Order # D-182-69 | | | | 83518 | D-182-69 | |
| | | | Executive Order # D-182-69 | | | | 83518 | D-182-69 | |
| | 1997 | 2.4L L4 | VCR14828G1EK | Executive Order # D-182-42 | | | | 81502 | D-182-42 |
| | | | | Executive Order # D-182-51 | | 82355 | 31597 | | D-182-51 |
| Executive Order # D-182-69 | | | | | | | 83518 | D-182-69 | |
| 3.3L V6 | | VCR20128G2FL | Executive Order # D-182-51 | | 82356 | 31597 | 82311 | D-182-51 | |
| | | | Executive Order # D-182-69 | | | | 83510 | D-182-69 | |
| | | VCR23228G1EK | Executive Order # D-182-42 | | | | 81502 | D-182-42 | |
| | | | Executive Order # D-182-51 | | 82356 | 31597 | | D-182-51 | |
| | | | Executive Order # D-182-69 | | | | 83518 | D-182-69 | |
| | | | Executive Order # D-182-69 | | | | 83518 | D-182-69 | |
| 3.8L V6 | | VCR23228G1EK | Executive Order # D-182-42 | | | | 81502 | D-182-42 | |
| | | | Executive Order # D-182-51 | | 82356 | 31597 | | D-182-51 | |

OBDII APPLICATIONS

NON-OBDII APPLICATIONS

NUMERICAL

UNIVERSAL SPECIFICATIONS

For vehicles licensed in the state of California or Maine, or vehicles requiring CARB-compliant converters in the state of New York, the parts in this catalog must be installed as specifically listed. Parts cannot be substituted, nor can they be installed on California or Maine licensed vehicles not listed in this catalog.

OBDII PASSENGER CAR & TRUCK

| Years | Engine | Engine Family No. | Application | Position | Direct-Fit | | Universal Part No. | Executive Order |
|------------------------------|---------|-------------------|----------------------------|--------------|--------------|--------------|--------------------|-----------------|
| | | | | | Part No. | Hardware | | |
| DODGE (Cont.) | | | | | | | | |
| Grand Caravan (Cont.) | | | | | | | | |
| 1997 (Cont.) | 3.8L V6 | VCR23228G1EK | Executive Order # D-182-69 | | | | 83518 | D-182-69 |
| 1996 | 2.4L L4 | TCR2.428GFEK | Executive Order # D-182-42 | | | | 81502 | D-182-42 |
| | | | Executive Order # D-182-51 | | 82355 | 31597 | | D-182-51 |
| | | | Executive Order # D-182-69 | | | | 83518 | D-182-69 |
| | 3.0L V6 | TCR18128G1EK | Executive Order # D-182-42 | | | | 81502 | D-182-42 |
| | | | Executive Order # D-182-69 | | | | 83518 | D-182-69 |
| | 3.3L V6 | TCR20128G2FL | Executive Order # D-182-51 | | 82356 | 31597 | 82311 | D-182-51 |
| | | | Executive Order # D-182-69 | | | | 83510 | D-182-69 |
| | | TCR23228G1EK | Executive Order # D-182-69 | | | | 83518 | D-182-69 |
| | 3.8L V6 | TCR23228G1EK | Executive Order # D-182-42 | | | | 81502 | D-182-42 |
| Executive Order # D-182-51 | | | | 82356 | 31597 | | D-182-51 | |
| Executive Order # D-182-69 | | | | | | 83518 | D-182-69 | |

Intrepid

| | | | | | | | | | | |
|------|---------|--------------|----------------------------|--------------|----------------------------|--------------|--------------|--------------|--------------|----------|
| 2004 | 2.7L V6 | 4CRXV02.7VM1 | Executive Order # D-182-58 | Left | 82544 | 36364 | 82508 | D-182-58 | | |
| | | | | Right | 82543 | 36364 | 82508 | D-182-58 | | |
| | 3.5L V6 | 4CRXV03.5VM0 | Executive Order # D-182-58 | Left | | | 82508 | D-182-58 | | |
| | | | | Right | | | 82508 | D-182-58 | | |
| 2003 | 2.7L V6 | 3CRXV02.7VD0 | Executive Order # D-182-58 | Left | 82544 | 36364 | 82508 | D-182-58 | | |
| | | | | Right | 82543 | 36364 | 82508 | D-182-58 | | |
| | | | | 3CRXV02.7VD1 | Executive Order # D-182-58 | Left | 82544 | 36364 | 82508 | D-182-58 |
| | | Right | 82543 | 36364 | 82508 | D-182-58 | | | | |
| | 3.5L V6 | 3CRXV03.5VD0 | Executive Order # D-182-58 | Left | | | 82508 | D-182-58 | | |
| | | | | Right | | | 82508 | D-182-58 | | |
| 2002 | 2.7L V6 | 2CRXV02.7VD1 | Executive Order # D-182-58 | Left | 82544 | 36364 | 82508 | D-182-58 | | |
| | | | | Right | 82543 | 36364 | 82508 | D-182-58 | | |
| | | | | 2CRXV03.5VD0 | Executive Order # D-182-58 | Left | 82544 | 36364 | 82508 | D-182-58 |
| | | | | | Right | 82543 | 36364 | 82508 | D-182-58 | |
| | 3.5L V6 | 2CRXV03.5VD0 | Executive Order # D-182-58 | Left | | | 82508 | D-182-58 | | |
| | | | | Right | | | 82508 | D-182-58 | | |
| | | | | 2CRXV03.5VD1 | Executive Order # D-182-58 | Left | | | 82508 | D-182-58 |
| | | | | | Right | | | 82508 | D-182-58 | |
| 2001 | 2.7L V6 | 1CRXV03.5VD0 | Executive Order # D-182-58 | Left | 82544 | 36364 | 82508 | D-182-58 | | |
| | | | | Right | 82543 | 36364 | 82508 | D-182-58 | | |
| | 3.5L V6 | 1CRXV03.5VD0 | Executive Order # D-182-58 | Left | | | 82508 | D-182-58 | | |
| | | | | Right | | | 82508 | D-182-58 | | |
| 2000 | 2.7L V6 | YCRXV0165V30 | Executive Order # D-182-58 | Left | 82542 | 36364 | 82508 | D-182-58 | | |
| | | | | Right | 82541 | 36364 | 82508 | D-182-58 | | |
| | 3.2L V6 | YCRXV0215V30 | Executive Order # D-182-58 | Left | | | 82508 | D-182-58 | | |
| | | | | Right | | | 82508 | D-182-58 | | |
| | 3.5L V6 | YCRXV0215V30 | Executive Order # D-182-58 | Left | | | 82508 | D-182-58 | | |
| | | | | Right | | | 82508 | D-182-58 | | |
| 1999 | 2.7L V6 | XCRXV0165V20 | Executive Order # D-182-58 | Left | 82542 | 36364 | 82508 | D-182-58 | | |
| | | | | Right | 82541 | 36364 | 82508 | D-182-58 | | |
| | 3.2L V6 | XCRXV0215V20 | Executive Order # D-182-45 | Left | 81771 | | | D-182-45 | | |
| | | | | Right | 81777 | | | D-182-45 | | |

For vehicles licensed in the state of California or Maine, or vehicles requiring CARB-compliant converters in the state of New York, the parts in this catalog must be installed as specifically listed. Parts cannot be substituted, nor can they be installed on California or Maine licensed vehicles not listed in this catalog.

OBDII PASSENGER CAR & TRUCK

| Years | Engine | Engine Family No. | Application | Position | Direct-Fit | | Universal Part No. | Executive Order |
|---------------------------------|--------------|---------------------------------|----------------------------|--------------|--------------|--------------|--------------------|-----------------|
| | | | | | Part No. | Hardware | | |
| DODGE (Cont.) | | | | | | | | |
| Intrepid (Cont.) | | | | | | | | |
| 1999 (Cont.) | 3.2L V6 | XCRXV0215V20 | Executive Order # D-182-58 | Left | | | 82508 | D-182-58 |
| | | | | Right | | | 82508 | D-182-58 |
| 1998 | 2.7L V6 | WCRXV0165V20 | Executive Order # D-182-58 | Left | 82542 | 36364 | 82508 | D-182-58 |
| | | | | Right | 82541 | 36364 | 82508 | D-182-58 |
| | 3.2L V6 | WCRXV0195V20 | Executive Order # D-182-45 | Left | 81771 | | | D-182-45 |
| | | | | Right | 81777 | | | D-182-45 |
| | | | Executive Order # D-182-58 | Left | | | 82508 | D-182-58 |
| | | | | Right | | | 82508 | D-182-58 |
| 1997 | 3.3L V6 | VCR201V8G2EK | Executive Order # D-182-58 | Left | | | 82505 | D-182-58 |
| | | | | Right | | | 82505 | D-182-58 |
| | 3.5L V6 | VCR215VJG1EK | Executive Order # D-182-48 | Front Left | 81847 | | 81807 | D-182-48 |
| | | | | Front Right | 81845 | | 81807 | D-182-48 |
| Rear | | | | 81673 | | 81613 | D-182-48 | |
| 1996 | 3.3L V6 | TCR201V8G2EK | Executive Order # D-182-58 | Left | | | 82505 | D-182-58 |
| | | | | Right | | | 82505 | D-182-58 |
| | 3.5L V6 | TCR215VJG1EK | Executive Order # D-182-48 | Front Left | 81847 | | 81807 | D-182-48 |
| | | | | Front Right | 81845 | | 81807 | D-182-48 |
| | | | | Rear | 81673 | | 81613 | D-182-48 |
| | | | | | | | | |
| Magnum | | | | | | | | |
| 2008 | 2.7L V6 | 8CRXV02.7ME0 | Executive Order # D-182-64 | Left | | | 82810 | D-182-64 |
| | | | | Right | | | 82810 | D-182-64 |
| 2007 | 2.7L V6 | 7CRXV0167M71 | Executive Order # D-182-64 | Left | 82884 | | 82810 | D-182-64 |
| | | | | Right | 82885 | | 82810 | D-182-64 |
| 2006 | 2.7L V6 | 6CRXV03.5VE0 | Executive Order # D-182-64 | Left | 82884 | | 82810 | D-182-64 |
| | | | | Right | 82885 | | 82810 | D-182-64 |
| | | 6CRXV03.5VH0 | Executive Order # D-182-57 | Left | | | 82617 | D-182-57 |
| | | | | Right | | | 82617 | D-182-57 |
| | | RWD; Executive Order # D-182-57 | | Left | 82685 | | | D-182-57 |
| | | | | Right | 82686 | | | D-182-57 |
| | 3.5L V6 | 6CRXV03.5VE0 | Executive Order # D-182-64 | Left | 82884 | | 82810 | D-182-64 |
| | | | | Right | 82885 | | 82810 | D-182-64 |
| | | 6CRXV03.5VE1 | Executive Order # D-182-64 | Left | 82884 | | 82810 | D-182-64 |
| | | | | Right | 82885 | | 82810 | D-182-64 |
| | | 6CRXV03.5VH0 | Executive Order # D-182-57 | Left | | | 82617 | D-182-57 |
| | | | | Right | | | 82617 | D-182-57 |
| RWD; Executive Order # D-182-57 | | Left | 82685 | | | D-182-57 | | |
| | | Right | 82686 | | | D-182-57 | | |
| 6.1L V8 | 6CRXV06.1VH0 | Executive Order # D-182-67 | Left | | | 82908 | D-182-67 | |
| | | | Right | | | 82908 | D-182-67 | |
| 2005 | 2.7L V6 | 5CRXV03.5VH0 | Executive Order # D-182-57 | Left | | | 82617 | D-182-57 |
| | | | | Right | | | 82617 | D-182-57 |
| | | RWD; Executive Order # D-182-57 | | Left | 82685 | | | D-182-57 |
| | | | | Right | 82686 | | | D-182-57 |
| | | 5CRXV03.5VH1 | Executive Order # D-182-57 | Left | | | 82617 | D-182-57 |
| | | | | Right | | | 82617 | D-182-57 |

For vehicles licensed in the state of California or Maine, or vehicles requiring CARB-compliant converters in the state of New York, the parts in this catalog must be installed as specifically listed. Parts cannot be substituted, nor can they be installed on California or Maine licensed vehicles not listed in this catalog.

OBDII APPLICATIONS

NON-OBDII APPLICATIONS

NUMERICAL

UNIVERSAL SPECIFICATIONS

OBDII PASSENGER CAR & TRUCK

| Years | Engine | Engine Family No. | Application | Position | Direct-Fit | | Universal Part No. | Executive Order | | |
|----------------------------|---------------------------------|-------------------|--|---------------------------------|----------------------------|--------------|--------------------|-----------------|--------------|----------|
| | | | | | Part No. | Hardware | | | | |
| DODGE (Cont.) | | | | | | | | | | |
| Magnum (Cont.) | | | | | | | | | | |
| 2005 (Cont.) | 2.7L V6 | 5CRXV03.5VH1 | RWD; Executive Order # D-182-57 | Left | 82685 | | | D-182-57 | | |
| | | | | Right | 82686 | | | D-182-57 | | |
| | 3.5L V6 | 5CRXV03.5VH0 | Executive Order # D-182-57 | Left | | | 82617 | D-182-57 | | |
| | | | | Right | | | 82617 | D-182-57 | | |
| | | | | RWD; Executive Order # D-182-57 | Left | 82685 | | | D-182-57 | |
| | | | | | Right | 82686 | | | D-182-57 | |
| | | | | 5CRXV03.5VH1 | Executive Order # D-182-57 | Left | | | 82617 | D-182-57 |
| | | | | | | Right | | | 82617 | D-182-57 |
| | RWD; Executive Order # D-182-57 | Left | 82685 | | | D-182-57 | | | | |
| | | Right | 82686 | | | D-182-57 | | | | |
| | 5.7L V8 | 5CRXV05.7VH0 | Executive Order # D-182-67 | Left | | | 82908 | D-182-67 | | |
| | | | | Right | | | 82908 | D-182-67 | | |
| Neon | | | | | | | | | | |
| 2005 | 2.0L L4 | 5CRXV02.0VH0 | Executive Order # D-182-57 | | | | 82640 | D-182-57 | | |
| | | | SOHC; Executive Order # D-182-57 | | 82678 | 31597 | | D-182-57 | | |
| | | 5CRXV02.4VE0 | Executive Order # D-182-64 | | | | 82813 | D-182-64 | | |
| | 2.4L L4 | 5CRXV02.4VH0 | Turbocharged; Executive Order # D-182-57 | | | | 82640 | D-182-57 | | |
| 2004 | 2.0L L4 | 4CRXV02.0VH0 | Executive Order # D-182-57 | | | | 82640 | D-182-57 | | |
| | | | SOHC; Executive Order # D-182-57 | | 82678 | 31597 | | D-182-57 | | |
| | 2.4L L4 | 4CRXV02.4VH0 | Turbocharged; Executive Order # D-182-57 | | | | 82640 | D-182-57 | | |
| 2003 | 2.0L L4 | 3CRXV02.0VD0 | Executive Order # D-182-57 | | | | 82640 | D-182-57 | | |
| | | | SOHC; Executive Order # D-182-57 | | 82678 | 31597 | | D-182-57 | | |
| | | 3CRXV02.0VD1 | Executive Order # D-182-67 | | | | 82905 | D-182-67 | | |
| | 2.4L L4 | 3CRXV02.4VD1 | Executive Order # D-182-57 | | | | 82640 | D-182-57 | | |
| 2002 | 2.0L L4 | 2CRXV02.0VD0 | Executive Order # D-182-57 | | | | 82640 | D-182-57 | | |
| | | | SOHC; Executive Order # D-182-57 | | 82678 | 31597 | | D-182-57 | | |
| | | 2CRXV02.0VD1 | Executive Order # D-182-57 | | | | 82640 | D-182-57 | | |
| | | | SOHC; Executive Order # D-182-57 | | 82678 | 31597 | | D-182-57 | | |
| 2001 | 2.0L L4 | 1CRXV02.0VD0 | Executive Order # D-182-57 | | | | 82640 | D-182-57 | | |
| | | | SOHC; After 10-00; Executive Order # D-182-57 | | 82678 | 31597 | | D-182-57 | | |
| | | | SOHC; Before 10-00; Executive Order # D-182-57 | | 82677 | 31597 | | D-182-57 | | |
| 2000 | 2.0L L4 | YCRXV0122V30 | Executive Order # D-182-57 | | 82677 | 31597 | 82640 | D-182-57 | | |
| | | YCRXV0122V40 | Executive Order # D-182-57 | | | | 82640 | D-182-57 | | |
| 1999 | 2.0L L4 | XCRXV0122V30 | Executive Order # D-182-57 | | | | 82640 | D-182-57 | | |
| | | XCRXV02.0VB0 | Executive Order # D-182-45 | | 81969 | 31531 | | D-182-45 | | |
| | | | Executive Order # D-182-58 | | | | 82536 | D-182-58 | | |
| | | XCRXV02.0VB2 | Executive Order # D-182-45 | | 81969 | 31531 | | D-182-45 | | |
| Executive Order # D-182-58 | | | | | 82536 | D-182-58 | | | | |
| 1998 | 2.0L L4 | WCRXV0122V30 | Executive Order # D-182-57 | | | | 82640 | D-182-57 | | |

For vehicles licensed in the state of California or Maine, or vehicles requiring CARB-compliant converters in the state of New York, the parts in this catalog must be installed as specifically listed. Parts cannot be substituted, nor can they be installed on California or Maine licensed vehicles not listed in this catalog.

OBDII PASSENGER CAR & TRUCK

| Years | Engine | Engine Family No. | Application | Position | Direct-Fit | | Universal Part No. | Executive Order | |
|----------------------|----------|-------------------|---|----------------------------|--------------|--------------|--------------------|-----------------|----------|
| | | | | | Part No. | Hardware | | | |
| DODGE (Cont.) | | | | | | | | | |
| Neon (Cont.) | | | | | | | | | |
| 1998 (Cont.) | 2.0L L4 | WCRXV02.0VB0 | Executive Order # D-182-58 | | | | 82536 | D-182-58 | |
| | | | WCRXV02.0VB2 | Executive Order # D-182-45 | | 81969 | 31531 | | D-182-45 |
| | | | | Executive Order # D-182-58 | | | | 82536 | D-182-58 |
| 1997 | 2.0L L4 | VCR122VJG1EK | Executive Order # D-182-45 | | 81969 | 31531 | | D-182-45 | |
| | | | | Executive Order # D-182-58 | | | | 82536 | D-182-58 |
| | | VCR122VJG1EL | Executive Order # D-182-45 | | 81969 | 31531 | | D-182-45 | |
| | | | | Executive Order # D-182-58 | | | | 82536 | D-182-58 |
| | | VCR122VJG2EK | Executive Order # D-182-45 | | 81969 | 31531 | | D-182-45 | |
| | | | | Executive Order # D-182-57 | | | | 82633 | D-182-57 |
| 1996 | 2.0L L4 | TCR122VJG1EK | Executive Order # D-182-45 | | 81969 | 31531 | | D-182-45 | |
| | | | | Executive Order # D-182-58 | | | | 82536 | D-182-58 |
| | | TCR122VJG2EK | Executive Order # D-182-45 | | 81969 | 31531 | | D-182-45 | |
| | | | | Executive Order # D-182-57 | | | | 82633 | D-182-57 |
| | | TCR2.0VJGFEL | Executive Order # D-182-45 | | 81969 | 31531 | | D-182-45 | |
| | | | | Executive Order # D-182-58 | | | | 82536 | D-182-58 |
| 1995 | 2.0L L4 | SCR122VJG2EK | Executive Order # D-182-45 | | 81969 | 31531 | | D-182-45 | |
| | | | | Executive Order # D-182-57 | | | | 82633 | D-182-57 |
| | | SCR2.0VJGFEL | Executive Order # D-182-45 | | 81969 | 31531 | | D-182-45 | |
| | | | | Executive Order # D-182-58 | | | | 82536 | D-182-58 |
| | | SCR2.0VJGFEL | Executive Order # D-182-45 | | 81969 | 31531 | | D-182-45 | |
| | | | | Executive Order # D-182-58 | | | | 82536 | D-182-58 |
| Ram 1500 | | | | | | | | | |
| 2006 | 3.7L V6 | 6CRXT03.75S0 | Executive Order # D-182-52 | Left | | | 81722 | D-182-52 | |
| | | | | Right | | | 81722 | D-182-52 | |
| | | | Executive Order # D-182-69 | Left | | | 83402 | D-182-69 | |
| | | | | Right | | | 83402 | D-182-69 | |
| | | | If welded assembly, replace all required parts.; Executive Order # D-182-69 | Right | 83477 | | | | D-182-69 |
| | 4.7L V8 | 6CRXT04.75S0 | Executive Order # D-182-69 | Left | | | 83402 | D-182-69 | |
| | | | | Right | | | 83402 | D-182-69 | |
| | | 6CRXT04.76U0 | Executive Order # D-182-69 | Left | | | 83402 | D-182-69 | |
| | | | | Right | | | 83402 | D-182-69 | |
| | 5.7L V8 | 6CRXT05.75J0 | Executive Order # D-182-69 | Left | | | 83402 | D-182-69 | |
| | | | | Right | | | 83402 | D-182-69 | |
| | 8.3L V10 | 6CRXT08.36U0 | Executive Order # D-182-69 | Front Left | | | 83404 | D-182-69 | |
| | | | | Front Right | | | 83404 | D-182-69 | |
| | | | | Rear Left | | | 83404 | D-182-69 | |
| Rear Right | | | | | | 83404 | D-182-69 | | |
| 2005 | 3.7L V6 | 5CRXT03.75S0 | Executive Order # D-182-47 | Left | | | 81712 | D-182-47 | |
| | | | | Right | | | 81712 | D-182-47 | |
| | | | Executive Order # D-182-69 | Left | | | 83402 | D-182-69 | |
| | | | | Right | | | 83402 | D-182-69 | |
| | | | If welded assembly, replace all required parts.; Executive Order # D-182-69 | Right | 83477 | | | | D-182-69 |

OBDII APPLICATIONS

NON-OBDII APPLICATIONS

NUMERICAL

UNIVERSAL SPECIFICATIONS

For vehicles licensed in the state of California or Maine, or vehicles requiring CARB-compliant converters in the state of New York, the parts in this catalog must be installed as specifically listed. Parts cannot be substituted, nor can they be installed on California or Maine licensed vehicles not listed in this catalog.

OBDII PASSENGER CAR & TRUCK

| Years | Engine | Engine Family No. | Application | Position | Direct-Fit | | Universal Part No. | Executive Order | |
|-------------------------|---|-------------------|---|----------------------------|--------------|--------------|--------------------|-----------------|----------|
| | | | | | Part No. | Hardware | | | |
| DODGE (Cont.) | | | | | | | | | |
| Ram 1500 (Cont.) | | | | | | | | | |
| 2005 (Cont.) | 3.7L V6 | 5CRXT03.76U0 | Executive Order # D-182-69 | Left | | | 83402 | D-182-69 | |
| | | | | Right | | | 83402 | D-182-69 | |
| | | | If welded assembly, replace all required parts.; Executive Order # D-182-69 | Right | 83477 | | | | D-182-69 |
| | 4.7L V8 | 5CRXT04.75S0 | Executive Order # D-182-47 | Left | | | 81712 | D-182-47 | |
| | | | | Right | | | 81712 | D-182-47 | |
| | | | Executive Order # D-182-69 | Left | | | 83402 | D-182-69 | |
| | | | | Right | | | 83402 | D-182-69 | |
| | | | If welded assembly, replace all required parts.; Executive Order # D-182-69 | Right | 83477 | | | | D-182-69 |
| | | | 5CRXT04.76U0 | Executive Order # D-182-69 | Left | | | 83402 | D-182-69 |
| | Right | | | | | 83402 | D-182-69 | | |
| | If welded assembly, replace all required parts.; Executive Order # D-182-69 | Right | | 83477 | | | | D-182-69 | |
| | 5.7L V8 | 5CRXT05.75J1 | Executive Order # D-182-69 | Left | | | 83402 | D-182-69 | |
| | | | | Right | | | 83402 | D-182-69 | |
| | | | If welded assembly, replace all required parts.; Executive Order # D-182-69 | Right | 83477 | | | | D-182-69 |
| | 8.3L V10 | 5CRXT08.36U0 | Executive Order # D-182-69 | Front Left | | | 83404 | D-182-69 | |
| | | | | Front Right | | | 83404 | D-182-69 | |
| Rear Left | | | | | | 83404 | D-182-69 | | |
| Rear Right | | | | | | 83404 | D-182-69 | | |
| 2004 | 3.7L V6 | 4CRXT03.75J0 | Executive Order # D-182-69 | Left | | | 83402 | D-182-69 | |
| | | | | Right | | | 83402 | D-182-69 | |
| | | | If welded assembly, replace all required parts.; Executive Order # D-182-69 | Right | 83477 | | | | D-182-69 |
| | 4.7L V8 | 4CRXT04.75J0 | Executive Order # D-182-69 | Left | | | 83402 | D-182-69 | |
| | | | | Right | | | 83402 | D-182-69 | |
| | | | If welded assembly, replace all required parts.; Executive Order # D-182-69 | Right | 83477 | | | | D-182-69 |
| | 5.7L V8 | 4CRXT05.75J0 | Executive Order # D-182-69 | Left | | | 83402 | D-182-69 | |
| | | | | Right | | | 83402 | D-182-69 | |
| | | | If welded assembly, replace all required parts.; Executive Order # D-182-69 | Right | 83477 | | | | D-182-69 |
| | 8.3L V10 | 4CRXT08.35T0 | Executive Order # D-182-52 | Left | | | 81723 | D-182-52 | |
| | | | | Right | | | 81723 | D-182-52 | |
| | | | Executive Order # D-182-69 | Left | | | 83404 | D-182-69 | |
| Right | | | | | | 83404 | D-182-69 | | |
| 2003 | 3.7L V6 | 3CRXT03.75B0 | Executive Order # D-182-42 | | | 81502 | D-182-42 | | |
| | | | Executive Order # D-182-69 | | | 83518 | D-182-69 | | |
| | 4.7L V8 | 3CRXA0287H41 | Executive Order # D-182-60 | Front Left | | | 81825 | D-182-60 | |
| | | | | Front Right | | | 81825 | D-182-60 | |
| | | | | | | | | | |

For vehicles licensed in the state of California or Maine, or vehicles requiring CARB-compliant converters in the state of New York, the parts in this catalog must be installed as specifically listed. Parts cannot be substituted, nor can they be installed on California or Maine licensed vehicles not listed in this catalog.

OBDII PASSENGER CAR & TRUCK

| Years | Engine | Engine Family No. | Application | Position | Direct-Fit | | Universal Part No. | Executive Order | |
|----------------------------|----------------------------|----------------------------|----------------------------|----------------------------|--------------|--------------|--------------------|-----------------|----------|
| | | | | | Part No. | Hardware | | | |
| DODGE (Cont.) | | | | | | | | | |
| Ram 1500 (Cont.) | | | | | | | | | |
| 2003 (Cont.) | 4.7L V8 | 3CRXA0287H41 | Executive Order # D-182-60 | Rear | | | 82713 | D-182-60 | |
| | | 3CRXA0287J40 | Executive Order # D-182-60 | Front Left | | | 81825 | D-182-60 | |
| | | | | Front Right | | | 81825 | D-182-60 | |
| | | | | Rear | | | 82713 | D-182-60 | |
| | 5.7L V8 | 3CRXT05.95B1 | Executive Order # D-182-69 | | | | 83418 | D-182-69 | |
| | | 3CRXT05.96B1 | Executive Order # D-182-42 | | | | 81502 | D-182-42 | |
| | | | Executive Order # D-182-69 | | | | 83418 | D-182-69 | |
| | 5.9L V8 | 3CRXT05.95B1 | Executive Order # D-182-42 | | | | 81502 | D-182-42 | |
| | | | Executive Order # D-182-69 | | | | 83518 | D-182-69 | |
| | | 3CRXT05.96B1 | Executive Order # D-182-42 | | | | 81502 | D-182-42 | |
| | | | Executive Order # D-182-69 | | | | 83518 | D-182-69 | |
| | 2002 | 3.7L V6 | 2CRXT03.75B0 | Executive Order # D-182-42 | | | | 81502 | D-182-42 |
| Executive Order # D-182-69 | | | | | | | 83518 | D-182-69 | |
| 4.7L V8 | | 2CRXA0287H41 | Executive Order # D-182-60 | Front Left | | | 81825 | D-182-60 | |
| | | | | Front Right | | | 81825 | D-182-60 | |
| | | | | Rear | | | 82713 | D-182-60 | |
| 5.9L V8 | | 2CRXA0360H40 | Executive Order # D-182-60 | Front Left | | | 81825 | D-182-60 | |
| | | | | Front Right | | | 81825 | D-182-60 | |
| | | | | Rear | | | 82713 | D-182-60 | |
| 2001 | | 3.9L V6 | 1CRXT03.95B2 | Executive Order # D-182-42 | | | | 81502 | D-182-42 |
| | | | | Executive Order # D-182-69 | | | | 83518 | D-182-69 |
| | 1CRXT03.95B9 | | Executive Order # D-182-42 | | | | 81502 | D-182-42 | |
| | | | Executive Order # D-182-69 | | | | 83518 | D-182-69 | |
| | 5.2L V8 | 1CRXA0318H31 | Executive Order # D-182-60 | Front Left | | | 81825 | D-182-60 | |
| | | | | Front Right | | | 81825 | D-182-60 | |
| | | | | Rear | | | 82703 | D-182-60 | |
| | | 1CRXA0360H38 | Executive Order # D-182-60 | Front Left | | | | 81825 | D-182-60 |
| | | | | Front Right | | | | 81825 | D-182-60 |
| | | | | Rear | | | | 82703 | D-182-60 |
| | | 1CRXA0360J11 | Executive Order # D-182-42 | | | 81542 | 35337 | 81502 | D-182-42 |
| | | | Executive Order # D-182-69 | | | | | 83518 | D-182-69 |
| | | 1CRXA0360J18 | Executive Order # D-182-42 | | | 81542 | 35337 | 81502 | D-182-42 |
| | Executive Order # D-182-69 | | | | | | 83518 | D-182-69 | |
| | 1CRXA0360J38 | Executive Order # D-182-60 | Front Left | | | | 81825 | D-182-60 | |
| | | | Front Right | | | | 81825 | D-182-60 | |
| | | | Rear | | | | 82703 | D-182-60 | |
| | 1CRXT05.95B1 | Executive Order # D-182-42 | | | 81542 | 35337 | 81502 | D-182-42 | |
| | | | Executive Order # D-182-69 | | | | 83518 | D-182-69 | |
| | | | Executive Order # D-182-42 | | | 81542 | 35337 | 81502 | D-182-42 |
| 1CRXT05.95B8 | Executive Order # D-182-69 | | | | | 83518 | D-182-69 | | |
| | | | | | | 83518 | D-182-69 | | |
| 5.9L V8 | 1CRXA0360H38 | Executive Order # D-182-60 | Front Left | | | | 81825 | D-182-60 | |
| | | | Front Right | | | | 81825 | D-182-60 | |
| | | | Rear | | | | 82703 | D-182-60 | |
| | 1CRXA0360H41 | Executive Order # D-182-60 | Front Left | | | | 81825 | D-182-60 | |
| | | | Front Right | | | | 81825 | D-182-60 | |

OBDII APPLICATIONS

NON-OBDII APPLICATIONS

NUMERICAL

UNIVERSAL SPECIFICATIONS

For vehicles licensed in the state of California or Maine, or vehicles requiring CARB-compliant converters in the state of New York, the parts in this catalog must be installed as specifically listed. Parts cannot be substituted, nor can they be installed on California or Maine licensed vehicles not listed in this catalog.

OBDII PASSENGER CAR & TRUCK

| Years | Engine | Engine Family No. | Application | Position | Direct-Fit | | Universal Part No. | Executive Order | |
|-------------------------------------|----------------------------|----------------------------|----------------------------|----------------------------|----------------------------|--------------|--------------------|-----------------|--------------|
| | | | | | Part No. | Hardware | | | |
| DODGE (Cont.) | | | | | | | | | |
| Ram 1500 (Cont.) | | | | | | | | | |
| 2001 (Cont.) | 5.9L V8 | 1CRXA0360H41 | Executive Order # D-182-60 | Rear | | | 82703 | D-182-60 | |
| | | | Executive Order # D-182-42 | | 81542 | 35337 | 81502 | D-182-42 | |
| | | 1CRXA0360J11 | Executive Order # D-182-69 | | | | | 83518 | D-182-69 |
| | | | Executive Order # D-182-42 | | 81542 | 35337 | 81502 | D-182-42 | |
| | | 1CRXA0360J38 | Executive Order # D-182-60 | Front Left | | | | 81825 | D-182-60 |
| | | | | Front Right | | | | 81825 | D-182-60 |
| | | | | Rear | | | | 82703 | D-182-60 |
| | | 1CRXA0360J41 | Executive Order # D-182-60 | Front Left | | | | 81825 | D-182-60 |
| | | | | Front Right | | | | 81825 | D-182-60 |
| | | | | Rear | | | | 82703 | D-182-60 |
| | | 1CRXT05.95B1 | Executive Order # D-182-42 | | | 81542 | 35337 | 81502 | D-182-42 |
| | | | | Executive Order # D-182-69 | | | | 83518 | D-182-69 |
| | | 1CRXT05.95B8 | Executive Order # D-182-42 | | | 81542 | 35337 | 81502 | D-182-42 |
| | | | | Executive Order # D-182-69 | | | | 83518 | D-182-69 |
| | | 2000 | 3.9L V6 | YCRXA0239H11 | Executive Order # D-182-42 | | | | 81502 |
| Executive Order # D-182-69 | | | | | | | 83518 | D-182-69 | |
| 5.2L V8 | YCRXA0360H11 | | Executive Order # D-182-42 | | 81542 | 35337 | 81502 | D-182-42 | |
| | | | Executive Order # D-182-69 | | | | 83518 | D-182-69 | |
| YCRXA0360H31 | Executive Order # D-182-60 | | Front Left | | | | 81825 | D-182-60 | |
| | | | Front Right | | | | 81825 | D-182-60 | |
| | | | Rear | | | | 82703 | D-182-60 | |
| YCRXA0360J11 | Executive Order # D-182-42 | | | | 81542 | 35337 | 81502 | D-182-42 | |
| | | | Executive Order # D-182-69 | | | | 83518 | D-182-69 | |
| YCRXA0360J31 | Executive Order # D-182-60 | | Front Left | | | | 81825 | D-182-60 | |
| | | | Front Right | | | | 81825 | D-182-60 | |
| | | | Rear | | | | 82703 | D-182-60 | |
| 5.9L V8 | YCRXA0360H11 | | Executive Order # D-182-42 | | 81542 | 35337 | 81502 | D-182-42 | |
| | | | Executive Order # D-182-69 | | | | 83518 | D-182-69 | |
| YCRXA0360H31 | Executive Order # D-182-60 | | Front Left | | | | 81825 | D-182-60 | |
| | | Front Right | | | | 81825 | D-182-60 | | |
| | | Rear | | | | 82703 | D-182-60 | | |
| YCRXA0360J11 | Executive Order # D-182-42 | | | 81542 | 35337 | 81502 | D-182-42 | | |
| | | Executive Order # D-182-69 | | | | 83518 | D-182-69 | | |
| 1999 | 3.9L V6 | XCRXA0239H11 | Executive Order # D-182-42 | | | | 81512 | D-182-42 | |
| | | | Executive Order # D-182-51 | | 82354 | | | D-182-51 | |
| | 5.2L V8 | XCRXA0318H11 | Executive Order # D-182-42 | | | | 81512 | D-182-42 | |
| | | | Executive Order # D-182-51 | | 82354 | | | D-182-51 | |
| | XCRXA0360J11 | Executive Order # D-182-42 | | | | | 81512 | D-182-42 | |
| | | | Executive Order # D-182-51 | | 82354 | | | D-182-51 | |
| 5.9L V8 | XCRXA0360H31 | Executive Order # D-182-51 | | 82354 | | 82312 | D-182-51 | | |
| | | XCRXA0360J11 | Executive Order # D-182-42 | | | | 81512 | D-182-42 | |
| VIN "Z"; Executive Order # D-182-51 | | | 82354 | | | | D-182-51 | | |
| XCRXA0360J31 | Executive Order # D-182-51 | | 82354 | | | 82312 | D-182-51 | | |
| 1998 | 3.9L V6 | WCRXA0239H11 | Executive Order # D-182-42 | | | | 81512 | D-182-42 | |
| | | | Executive Order # D-182-51 | | 82354 | | | D-182-51 | |

For vehicles licensed in the state of California or Maine, or vehicles requiring CARB-compliant converters in the state of New York, the parts in this catalog must be installed as specifically listed. Parts cannot be substituted, nor can they be installed on California or Maine licensed vehicles not listed in this catalog.

OBDII PASSENGER CAR & TRUCK

| Years | Engine | Engine Family No. | Application | Position | Direct-Fit | | Universal Part No. | Executive Order | |
|-------------------------|--------------|-------------------------------------|-------------------------------------|-------------------------------------|--------------|--------------|--------------------|-----------------|----------|
| | | | | | Part No. | Hardware | | | |
| DODGE (Cont.) | | | | | | | | | |
| Ram 1500 (Cont.) | | | | | | | | | |
| 1998 (Cont.) | 5.2L V8 | WCRXA0318H11 | Executive Order # D-182-42 | | | | 81512 | D-182-42 | |
| | | | Executive Order # D-182-51 | | 82354 | | | D-182-51 | |
| | | WCRXA0360J11 | Executive Order # D-182-42 | | | 81512 | | D-182-42 | |
| | 5.9L V8 | WCRXA0360H31 | Executive Order # D-182-51 | | 82354 | | 82312 | D-182-51 | |
| | | | WCRXA0360J11 | Executive Order # D-182-42 | | | 81512 | D-182-42 | |
| | | WCRXA0360J31 | VIN "Z"; Executive Order # D-182-51 | | 82354 | | | D-182-51 | |
| 1997 | 3.9L V6 | VCR239H8G1EK | Executive Order # D-182-42 | | | | 81512 | D-182-42 | |
| | | | Executive Order # D-182-51 | | 82354 | | | D-182-51 | |
| | 5.2L V8 | VCR318H8G1EK | Executive Order # D-182-42 | | | | 81512 | D-182-42 | |
| | | | VIN "Y"; Executive Order # D-182-51 | | 82354 | | | D-182-51 | |
| | | VCR360H8G1EL | Executive Order # D-182-42 | | | | 81512 | D-182-42 | |
| | | | VIN "Y"; Executive Order # D-182-51 | | 82354 | | | D-182-51 | |
| | | VCR360J8G1EK | Executive Order # D-182-42 | | | | 81512 | D-182-42 | |
| | | | VIN "Y"; Executive Order # D-182-51 | | 82354 | | | D-182-51 | |
| | 5.9L V8 | VCR360H8G1EL | Executive Order # D-182-42 | | | | 81512 | D-182-42 | |
| | | | Executive Order # D-182-51 | | 82354 | | | D-182-51 | |
| | | VCR360J8G1EK | Executive Order # D-182-42 | | | | 81512 | D-182-42 | |
| | 1996 | 3.9L V6 | TCR239H8G1EK | Executive Order # D-182-42 | | | | 81512 | D-182-42 |
| | | | | Executive Order # D-182-51 | | 82354 | | | D-182-51 |
| | | 5.2L V8 | TCR360H8G1EK | Executive Order # D-182-42 | | | | 81512 | D-182-42 |
| | | | | VIN "Y"; Executive Order # D-182-51 | | 82354 | | | D-182-51 |
| TCR360J8G1EK | | Executive Order # D-182-42 | | | | 81512 | D-182-42 | | |
| | | VIN "Y"; Executive Order # D-182-51 | | 82354 | | | D-182-51 | | |
| 5.9L V8 | TCR360H8G1EK | Executive Order # D-182-42 | | | | 81512 | D-182-42 | | |
| | | VIN "Z"; Executive Order # D-182-51 | | 82354 | | | D-182-51 | | |
| | TCR360J8G1EK | Executive Order # D-182-42 | | | | 81512 | D-182-42 | | |
| | | VIN "Z"; Executive Order # D-182-51 | | 82354 | | | D-182-51 | | |
| Ram 1500 Van | | | | | | | | | |
| 2003 | 3.9L V6 | 3CRXT03.95B0 | Executive Order # D-182-42 | | | | 81502 | D-182-42 | |
| | | | Executive Order # D-182-69 | | | | 83518 | D-182-69 | |
| | 5.2L V8 | 3CRXT05.95B0 | Executive Order # D-182-42 | | | | 81502 | D-182-42 | |
| | | | Executive Order # D-182-69 | | | | 83518 | D-182-69 | |

For vehicles licensed in the state of California or Maine, or vehicles requiring CARB-compliant converters in the state of New York, the parts in this catalog must be installed as specifically listed. Parts cannot be substituted, nor can they be installed on California or Maine licensed vehicles not listed in this catalog.

OBDII APPLICATIONS

NON-OBDII APPLICATIONS

NUMERICAL

UNIVERSAL SPECIFICATIONS

OBDII PASSENGER CAR & TRUCK

| Years | Engine | Engine Family No. | Application | Position | Direct-Fit | | Universal Part No. | Executive Order | |
|-----------------------------|--------------|----------------------------|----------------------------|----------------------------|------------|----------|--------------------|-----------------|----------|
| | | | | | Part No. | Hardware | | | |
| DODGE (Cont.) | | | | | | | | | |
| Ram 1500 Van (Cont.) | | | | | | | | | |
| 2003 (Cont.) | 5.2L V8 | 3CRXT05.96B0 | Executive Order # D-182-42 | | | | 81502 | D-182-42 | |
| | | | Executive Order # D-182-69 | | | | 83518 | D-182-69 | |
| | 5.9L V8 | 3CRXT05.95B0 | Executive Order # D-182-42 | | | | 81502 | D-182-42 | |
| | | | Executive Order # D-182-69 | | | | 83518 | D-182-69 | |
| | | 3CRXT05.96B0 | Executive Order # D-182-42 | | | | 81502 | D-182-42 | |
| | 2002 | 3.9L V6 | 2CRXT03.95B0 | Executive Order # D-182-42 | | | | 81502 | D-182-42 |
| Executive Order # D-182-69 | | | | | | | 83518 | D-182-69 | |
| 5.2L V8 | | 2CRXA0360J10 | Executive Order # D-182-42 | | | | 81502 | D-182-42 | |
| | | | Executive Order # D-182-69 | | | | 83518 | D-182-69 | |
| | | 2CRXT05.95B0 | Executive Order # D-182-42 | | | | 81502 | D-182-42 | |
| | | | Executive Order # D-182-69 | | | | 83518 | D-182-69 | |
| 5.9L V8 | | 2CRXA0360H41 | Executive Order # D-182-60 | Front Left | | | | 81824 | D-182-60 |
| | | | | Front Right | | | | 81824 | D-182-60 |
| | | | | Rear | | | | 82703 | D-182-60 |
| | | 2CRXA0360J40 | Executive Order # D-182-60 | Front Left | | | | 81824 | D-182-60 |
| | | | | Front Right | | | | 81824 | D-182-60 |
| | | | | Rear | | | | 82703 | D-182-60 |
| 2CRXT05.95B0 | | Executive Order # D-182-42 | Executive Order # D-182-42 | | | | 81502 | D-182-42 | |
| | | | Executive Order # D-182-69 | | | | 83518 | D-182-69 | |
| 2001 | | 3.9L V6 | 1CRXT03.95B2 | Executive Order # D-182-42 | | | | 81502 | D-182-42 |
| | | | | Executive Order # D-182-69 | | | | 83518 | D-182-69 |
| | | 5.2L V8 | 1CRXA0360J11 | Executive Order # D-182-42 | | | | 81502 | D-182-42 |
| | | | | Executive Order # D-182-69 | | | | 83518 | D-182-69 |
| | 1CRXT05.95B1 | | Executive Order # D-182-42 | | | | 81502 | D-182-42 | |
| | | | Executive Order # D-182-69 | | | | 83518 | D-182-69 | |
| | 5.9L V8 | 1CRXA0360H41 | Executive Order # D-182-60 | Front Left | | | | 81824 | D-182-60 |
| | | | | Front Right | | | | 81824 | D-182-60 |
| | | | | Rear | | | | 82703 | D-182-60 |
| | | 1CRXA0360J11 | Executive Order # D-182-42 | Executive Order # D-182-42 | | | | 81502 | D-182-42 |
| | | | | Executive Order # D-182-69 | | | | 83518 | D-182-69 |
| | | 1CRXA0360J41 | Executive Order # D-182-60 | Front Left | | | | 81824 | D-182-60 |
| | Front Right | | | | | | 81824 | D-182-60 | |
| | Rear | | | | | | 82703 | D-182-60 | |
| | 1CRXT05.95B1 | Executive Order # D-182-42 | Executive Order # D-182-42 | | | | 81502 | D-182-42 | |
| | | | Executive Order # D-182-69 | | | | 83518 | D-182-69 | |
| | 2000 | 3.9L V6 | YCRXA0239H11 | Executive Order # D-182-42 | | | | 81502 | D-182-42 |
| | | | | Executive Order # D-182-69 | | | | 83518 | D-182-69 |
| 5.2L V8 | | YCRXA0360H11 | Executive Order # D-182-42 | | | | 81502 | D-182-42 | |
| | | | Executive Order # D-182-69 | | | | 83518 | D-182-69 | |
| | | YCRXA0360J11 | Executive Order # D-182-42 | | | | 81502 | D-182-42 | |
| | | | Executive Order # D-182-69 | | | | 83518 | D-182-69 | |
| | | YCRXA0360J31 | Executive Order # D-182-60 | Front Left | | | | 81824 | D-182-60 |
| | | | | Front Right | | | | 81824 | D-182-60 |
| Rear | | | | | | | 82703 | D-182-60 | |
| 5.9L V8 | | YCRXA0360H11 | Executive Order # D-182-42 | | | | 81502 | D-182-42 | |

For vehicles licensed in the state of California or Maine, or vehicles requiring CARB-compliant converters in the state of New York, the parts in this catalog must be installed as specifically listed. Parts cannot be substituted, nor can they be installed on California or Maine licensed vehicles not listed in this catalog.

OBDII PASSENGER CAR & TRUCK

| Years | Engine | Engine Family No. | Application | Position | Direct-Fit | | Universal Part No. | Executive Order |
|-----------------------------|--------------|----------------------------|--|-------------|--------------|--------------|--------------------|-----------------|
| | | | | | Part No. | Hardware | | |
| DODGE (Cont.) | | | | | | | | |
| Ram 1500 Van (Cont.) | | | | | | | | |
| 2000 (Cont.) | 5.9L V8 | YCRXA0360H11 | Executive Order # D-182-69 | | | | 83518 | D-182-69 |
| | | YCRXA0360J11 | Executive Order # D-182-42 | | | | 81502 | D-182-42 |
| | | | Executive Order # D-182-69 | | | | 83518 | D-182-69 |
| | | YCRXA0360J31 | Executive Order # D-182-60 | Front Left | | | 81824 | D-182-60 |
| | | | | Front Right | | | 81824 | D-182-60 |
| | | | | Rear | | | 82703 | D-182-60 |
| 1999 | 3.9L V6 | XCRXA0239H11 | Executive Order # D-182-42 | | | | 81512 | D-182-42 |
| | 5.2L V8 | XCRXA0318H11 | Executive Order # D-182-42 | | | | 81512 | D-182-42 |
| | | XCRXA0360J11 | Executive Order # D-182-42 | | | | 81512 | D-182-42 |
| | 5.9L V8 | XCRXA0360H31 | Executive Order # D-182-51 | | | | 82312 | D-182-51 |
| | | XCRXA0360J11 | Executive Order # D-182-42 | | | | 81512 | D-182-42 |
| | | XCRXA0360J31 | Executive Order # D-182-51 | | | | 82312 | D-182-51 |
| Ram 2500 | | | | | | | | |
| 2005 | 5.7L V8 | 5CRXK05.7TX0 | Executive Order # D-182-47 | Left | | | 81712 | D-182-47 |
| | | | | Right | | | 81712 | D-182-47 |
| | | | Executive Order # D-182-69 | Left | | | 83402 | D-182-69 |
| | | | | Right | | | 83402 | D-182-69 |
| 2004 | 5.7L V8 | 4CRXT05.77X0 | Executive Order # D-182-52 | Left | | | 81722 | D-182-52 |
| | | | | Right | | | 81722 | D-182-52 |
| | | | Executive Order # D-182-69 | Left | | | 83402 | D-182-69 |
| | | | | Right | | | 83402 | D-182-69 |
| 2003 | 5.7L V8 | 3CRXT05.96B1 | Executive Order # D-182-42 | | | | 81502 | D-182-42 |
| | | | Executive Order # D-182-69 | | | | 83509 | D-182-69 |
| | 8.0L V10 | 3CRXT08.06B1 | Executive Order # D-182-60 | Front Left | | | 81825 | D-182-60 |
| | | | | Front Right | | | 81825 | D-182-60 |
| | | | Rear | | | 82703 | D-182-60 | |
| 2002 | 5.9L V8 | 2CRXA0360J40 | Executive Order # D-182-60 | Front Left | | | 81825 | D-182-60 |
| | | | | Front Right | | | 81825 | D-182-60 |
| | | | | Rear | | | 82703 | D-182-60 |
| | 8.0L V10 | 2CRXA0488J11 | Executive Order # D-182-42 | | | | 81512 | D-182-42 |
| 2001 | 5.9L V8 | 1CRXA0360J11 | Executive Order # D-182-69 | | | | 83518 | D-182-69 |
| | | | Gas Eng.; Executive Order # D-182-42 | | | | 81502 | D-182-42 |
| | | | VIN "Z"; Except Heavy Duty; Executive Order # D-182-42 | | 81542 | 35337 | | D-182-42 |
| | | 1CRXA0360J18 | Executive Order # D-182-69 | | | | 83518 | D-182-69 |
| | | | VIN "Z"; Except Heavy Duty; Executive Order # D-182-42 | | 81542 | 35337 | | D-182-42 |
| | | | | | | | | |
| | | 1CRXA0360J38 | Executive Order # D-182-60 | Front Left | | | 81825 | D-182-60 |
| | | | | Front Right | | | 81825 | D-182-60 |
| | | | | Rear | | | 82703 | D-182-60 |
| | | 1CRXA0360J41 | Executive Order # D-182-60 | Front Left | | | 81825 | D-182-60 |
| | Front Right | | | | 81825 | D-182-60 | | |
| | Rear | | | | 82703 | D-182-60 | | |
| 8.0L V10 | 1CRXA0488J18 | Executive Order # D-182-42 | | | | 81512 | D-182-42 | |

For vehicles licensed in the state of California or Maine, or vehicles requiring CARB-compliant converters in the state of New York, the parts in this catalog must be installed as specifically listed. Parts cannot be substituted, nor can they be installed on California or Maine licensed vehicles not listed in this catalog.

OBDII APPLICATIONS

NON-OBDII APPLICATIONS

NUMERICAL

UNIVERSAL SPECIFICATIONS

OBDII PASSENGER CAR & TRUCK

| Years | Engine | Engine Family No. | Application | Position | Direct-Fit | | Universal Part No. | Executive Order | |
|-------------------------|--------------|----------------------------|--|-------------|--------------|--------------|--------------------|-----------------|----------|
| | | | | | Part No. | Hardware | | | |
| DODGE (Cont.) | | | | | | | | | |
| Ram 2500 (Cont.) | | | | | | | | | |
| 2000 | 5.9L V8 | YCRXA0360J11 | Except Heavy Duty; Executive Order # D-182-42 | | 81542 | 35337 | 81502 | D-182-42 | |
| | | | Executive Order # D-182-69 | | | | 83518 | D-182-69 | |
| | | YCRXA0360J31 | Executive Order # D-182-60 | Front Left | | | | 81825 | D-182-60 |
| | | | | Front Right | | | | 81825 | D-182-60 |
| | | | Rear | | | | 82703 | D-182-60 | |
| 8.0L V10 | YCRXA0488J11 | Executive Order # D-182-42 | | | | 81512 | D-182-42 | | |
| 1999 | 5.9L V8 | XCRXA0360J11 | Gas Eng.; Executive Order # D-182-42 | | | | 81512 | D-182-42 | |
| | | | VIN "Z"; Under 8,500 lb. GVW; Executive Order # D-182-51 | | 82354 | | | D-182-51 | |
| | | XCRXA0360J31 | Executive Order # D-182-51 | | 82354 | | 82312 | D-182-51 | |
| | 8.0L V10 | XCRXA0488J11 | Executive Order # D-182-42 | | | | 81512 | D-182-42 | |
| 1998 | 5.9L V8 | WCRXA0360J11 | Gas Eng.; Executive Order # D-182-42 | | | | 81512 | D-182-42 | |
| | | | VIN "Z"; Under 8,500 lb. GVW; Executive Order # D-182-51 | | 82354 | | | D-182-51 | |
| | | WCRXA0360J31 | Executive Order # D-182-51 | | | | 82312 | D-182-51 | |
| | | | Gas Eng.; Executive Order # D-182-51 | | 82354 | | | D-182-51 | |
| | 8.0L V10 | WCRXA0488J11 | Executive Order # D-182-42 | | | | 81512 | D-182-42 | |
| 1997 | 5.9L V8 | VCR360J8G1EK | Executive Order # D-182-42 | | | | 81512 | D-182-42 | |
| | | | VIN "Z"; Under 8,500 lb. GVW; Executive Order # D-182-51 | | 82354 | | | D-182-51 | |
| | | VCR360J8G1EL | Executive Order # D-182-42 | | | | 81512 | D-182-42 | |
| | | | VIN "Z"; Under 8,500 lb. GVW; Executive Order # D-182-51 | | 82354 | | | D-182-51 | |
| | 8.0L V10 | VCR488J8G1EK | Executive Order # D-182-42 | | | | 81512 | D-182-42 | |
| 1996 | 5.2L V8 | TCR360J8G1EK | Executive Order # D-182-42 | | | | 81512 | D-182-42 | |
| | | | VIN "Y"; Under 8,500 lb. GVW; Executive Order # D-182-51 | | 82354 | | | D-182-51 | |
| | 5.9L V8 | TCR360J8G1EK | Executive Order # D-182-42 | | | | 81512 | D-182-42 | |
| | | | VIN "Z"; Under 8,500 lb. GVW; Executive Order # D-182-51 | | 82354 | | | D-182-51 | |
| | 8.0L V10 | TCR488J8G1EK | Executive Order # D-182-42 | | | | 81512 | D-182-42 | |

Ram 2500 Van

| | | | | | | | | |
|------|---------|--------------|----------------------------|-------------|--|--|--------------|----------|
| 2003 | 5.2L V8 | 3CRXT05.96B0 | Executive Order # D-182-42 | | | | 81502 | D-182-42 |
| | | | Executive Order # D-182-69 | | | | 83518 | D-182-69 |
| | 5.9L V8 | 3CRXT05.96B0 | Executive Order # D-182-42 | | | | 81502 | D-182-42 |
| | | | Executive Order # D-182-69 | | | | 83518 | D-182-69 |
| 2002 | 5.2L V8 | 2CRXA0360J10 | Executive Order # D-182-42 | | | | 81502 | D-182-42 |
| | | | Executive Order # D-182-69 | | | | 83518 | D-182-69 |
| | 5.9L V8 | 2CRXA0360J40 | Executive Order # D-182-60 | Front Left | | | 81824 | D-182-60 |
| | | | | Front Right | | | 81824 | D-182-60 |
| | | | | Rear | | | 82703 | D-182-60 |
| 2001 | 5.2L V8 | 1CRXA0360J11 | Executive Order # D-182-42 | | | | 81502 | D-182-42 |
| | | | Executive Order # D-182-69 | | | | 83518 | D-182-69 |
| | 5.9L V8 | 1CRXA0360J11 | Executive Order # D-182-42 | | | | 81502 | D-182-42 |

For vehicles licensed in the state of California or Maine, or vehicles requiring CARB-compliant converters in the state of New York, the parts in this catalog must be installed as specifically listed. Parts cannot be substituted, nor can they be installed on California or Maine licensed vehicles not listed in this catalog.

OBDII PASSENGER CAR & TRUCK

| Years | Engine | Engine Family No. | Application | Position | Direct-Fit | | Universal Part No. | Executive Order | | |
|-----------------------------|-------------|-------------------|----------------------------|--|--|----------------------------|----------------------------|-----------------|--------------|--------------|
| | | | | | Part No. | Hardware | | | | |
| DODGE (Cont.) | | | | | | | | | | |
| Ram 2500 Van (Cont.) | | | | | | | | | | |
| 2001 (Cont.) | 5.9L V8 | 1CRXA0360J11 | Executive Order # D-182-69 | | | | 83518 | D-182-69 | | |
| | | | | 1CRXA0360J38 | Executive Order # D-182-60 | Front Left | | | 81824 | D-182-60 |
| | | | | | | Front Right | | | 81824 | D-182-60 |
| | | Rear | | | 82703 | D-182-60 | | | | |
| | | 1CRXA0360J41 | Executive Order # D-182-60 | Front Left | | | 81824 | D-182-60 | | |
| | | | | Front Right | | | 81824 | D-182-60 | | |
| Rear | | | | | 82703 | D-182-60 | | | | |
| 2000 | 5.2L V8 | YCRXA0360J11 | Executive Order # D-182-42 | | | | 81502 | D-182-42 | | |
| | | | | YCRXA0360J31 | Executive Order # D-182-60 | Front Left | | | 81824 | D-182-60 |
| | | | | | | Front Right | | | 81824 | D-182-60 |
| | | Rear | | | 82703 | D-182-60 | | | | |
| | | 5.9L V8 | YCRXA0360J11 | Executive Order # D-182-42 | | | | 81502 | D-182-42 | |
| | | | | | YCRXA0360J31 | Executive Order # D-182-60 | Front Left | | | 81824 |
| | Front Right | | | | | | | | 81824 | D-182-60 |
| | Rear | | | 82703 | D-182-60 | | | | | |
| | 1999 | 5.2L V8 | XCRXA0360J11 | Executive Order # D-182-42 | | | | 81512 | D-182-42 | |
| 5.9L V8 | | XCRXA0360J31 | Executive Order # D-182-51 | | | | 82312 | D-182-51 | | |
| Ram 3500 | | | | | | | | | | |
| 2005 | 5.7L V8 | 5CRXK05.7TX0 | Executive Order # D-182-47 | Left | | | 81712 | D-182-47 | | |
| | | | | Right | | | 81712 | D-182-47 | | |
| | | | | Executive Order # D-182-69 | Left | | | 83402 | D-182-69 | |
| | | | | | Right | | | 83402 | D-182-69 | |
| 2004 | 5.7L V8 | 4CRXT05.77X0 | Executive Order # D-182-52 | Left | | | 81722 | D-182-52 | | |
| | | | | Right | | | 81722 | D-182-52 | | |
| | | | | Executive Order # D-182-69 | Left | | | 83402 | D-182-69 | |
| | | | | | Right | | | 83402 | D-182-69 | |
| 2003 | 5.7L V8 | 3CRXT05.96B1 | Executive Order # D-182-42 | | | | 81502 | D-182-42 | | |
| | | | | Executive Order # D-182-69 | | | | 83509 | D-182-69 | |
| | | | | | 8.0L V10 | 3CRXT08.06B1 | Executive Order # D-182-60 | Front Left | | |
| | Front Right | | | 81825 | | | | D-182-60 | | |
| | Rear | | | 82703 | | | | D-182-60 | | |
| 2002 | 5.9L V8 | 2CRXA0360J10 | Executive Order # D-182-42 | | | | 81502 | D-182-42 | | |
| | | | | Executive Order # D-182-69 | | | | 83518 | D-182-69 | |
| | | | | | VIN "Z"; Except Heavy Duty; Executive Order # D-182-42 | 81542 | 35337 | | D-182-42 | |
| | | 2CRXA0360K10 | Executive Order # D-182-42 | | | | 81502 | D-182-42 | | |
| | | | | Executive Order # D-182-69 | | | | 83518 | D-182-69 | |
| | | | | | VIN "Z"; Except Heavy Duty; Executive Order # D-182-42 | 81542 | 35337 | | D-182-42 | |
| | 8.0L V10 | 2CRXA0488J11 | Executive Order # D-182-42 | | | | 81512 | D-182-42 | | |
| 2CRXA0488K11 | | | | Executive Order # D-182-42 | | | 81512 | D-182-42 | | |
| 2001 | 5.9L V8 | 1CRXA0360J11 | Executive Order # D-182-69 | | | | 83518 | D-182-69 | | |
| | | | | VIN "Z"; Except Heavy Duty; Executive Order # D-182-42 | 81542 | 35337 | | D-182-42 | | |

For vehicles licensed in the state of California or Maine, or vehicles requiring CARB-compliant converters in the state of New York, the parts in this catalog must be installed as specifically listed. Parts cannot be substituted, nor can they be installed on California or Maine licensed vehicles not listed in this catalog.

OBDII APPLICATIONS

NON-OBDII APPLICATIONS

NUMERICAL

UNIVERSAL SPECIFICATIONS

OBDII PASSENGER CAR & TRUCK

| Years | Engine | Engine Family No. | Application | Position | Direct-Fit | | Universal Part No. | Executive Order | | |
|-------------------------|--------------|----------------------------|--|--|--------------|--------------|--------------------|-----------------|----------|----------|
| | | | | | Part No. | Hardware | | | | |
| DODGE (Cont.) | | | | | | | | | | |
| Ram 3500 (Cont.) | | | | | | | | | | |
| 2001 (Cont.) | 5.9L V8 | 1CRXA0360J18 | Executive Order # D-182-69 | | | | 83518 | D-182-69 | | |
| | | | Gas Eng.; Executive Order # D-182-42 | | | | 81502 | D-182-42 | | |
| | | | VIN "Z"; Except Heavy Duty; Executive Order # D-182-42 | | 81542 | 35337 | | | D-182-42 | |
| | | 1CRXA0360J38 | Executive Order # D-182-60 | Front Left | | | | 81825 | D-182-60 | |
| | | | | Front Right | | | | 81825 | D-182-60 | |
| | | | | Rear | | | | 82703 | D-182-60 | |
| | | 1CRXA0360J41 | Executive Order # D-182-60 | Front Left | | | | 81825 | D-182-60 | |
| | | | | Front Right | | | | 81825 | D-182-60 | |
| | | | | Rear | | | | 82703 | D-182-60 | |
| | | 1CRXA0360K11 | Executive Order # D-182-69 | Gas Eng.; Executive Order # D-182-42 | | | | 83518 | D-182-69 | |
| | | | | VIN "Z"; Except Heavy Duty; Executive Order # D-182-42 | | 81542 | 35337 | | | D-182-42 |
| | | | | Executive Order # D-182-42 | | | | 81502 | D-182-42 | |
| | 1CRXA0360K18 | Executive Order # D-182-42 | Executive Order # D-182-69 | | | | 83518 | D-182-69 | | |
| | | | VIN "Z"; Except Heavy Duty; Executive Order # D-182-42 | | 81542 | 35337 | | | D-182-42 | |
| | | | Executive Order # D-182-42 | | | | 81502 | D-182-42 | | |
| | 1CRXA0360K38 | Executive Order # D-182-60 | Front Left | | | | 81825 | D-182-60 | | |
| | | | Front Right | | | | 81825 | D-182-60 | | |
| | | | Rear | | | | 82703 | D-182-60 | | |
| | 1CRXA0360K41 | Executive Order # D-182-60 | Front Left | | | | 81825 | D-182-60 | | |
| | | | Front Right | | | | 81825 | D-182-60 | | |
| Rear | | | | | | 82703 | D-182-60 | | | |
| 8.0L V10 | 1CRXA0488J18 | Executive Order # D-182-42 | | | | 81512 | D-182-42 | | | |
| | 1CRXA0488K18 | Executive Order # D-182-42 | | | | 81512 | D-182-42 | | | |
| 2000 | 5.9L V8 | YCRXA0360J11 | Executive Order # D-182-42 | | | | 81502 | D-182-42 | | |
| | | | Executive Order # D-182-69 | | | | 83518 | D-182-69 | | |
| | | | VIN "Z"; Except Heavy Duty; Executive Order # D-182-42 | | 81542 | 35337 | | | D-182-42 | |
| | | YCRXA0360J31 | Executive Order # D-182-60 | Front Left | | | | 81825 | D-182-60 | |
| | | | | Front Right | | | | 81825 | D-182-60 | |
| | | | | Rear | | | | 82703 | D-182-60 | |
| | 8.0L V10 | YCRXA0488J11 | Executive Order # D-182-42 | | | | 81512 | D-182-42 | | |
| | | YCRXA0488K11 | Executive Order # D-182-42 | | | | 81512 | D-182-42 | | |
| | 1999 | 5.9L V8 | XCRXA0360J11 | Executive Order # D-182-42 | | | | 81512 | D-182-42 | |
| | | | | VIN "Z"; Under 8,500 lb. GVW; Executive Order # D-182-51 | | 82354 | | | D-182-51 | |
| XCRXA0360J31 | | | Executive Order # D-182-51 | | | | 82312 | D-182-51 | | |
| | | | Gas Eng.; Executive Order # D-182-51 | | 82354 | | | D-182-51 | | |
| 8.0L V10 | | XCRXA0488J11 | Executive Order # D-182-42 | | | | 81512 | D-182-42 | | |
| | | XCRXA0488K11 | Executive Order # D-182-42 | | | | 81512 | D-182-42 | | |
| 1998 | 5.9L V8 | WCRXA0360J11 | Gas Eng.; Executive Order # D-182-42 | | | | 81512 | D-182-42 | | |

For vehicles licensed in the state of California or Maine, or vehicles requiring CARB-compliant converters in the state of New York, the parts in this catalog must be installed as specifically listed. Parts cannot be substituted, nor can they be installed on California or Maine licensed vehicles not listed in this catalog.

OBDII PASSENGER CAR & TRUCK

| Years | Engine | Engine Family No. | Application | Position | Direct-Fit | | Universal Part No. | Executive Order | |
|-------------------------|--------------|----------------------------|--|----------------------------|------------|--------------|--------------------|-----------------|--------------|
| | | | | | Part No. | Hardware | | | |
| DODGE (Cont.) | | | | | | | | | |
| Ram 3500 (Cont.) | | | | | | | | | |
| 1998 (Cont.) | 5.9L V8 | WCRXA0360J11 | VIN "Z"; Under 8500 GVW; Executive Order # D-182-51 | | | 82354 | | D-182-51 | |
| | | WCRXA0360J31 | Executive Order # D-182-51 | | | | 82312 | D-182-51 | |
| | | | Gas Eng.; Executive Order # D-182-51 | | | 82354 | | | D-182-51 |
| | 8.0L V10 | WCRXA0488J11 | Executive Order # D-182-42 | | | | | 81512 | D-182-42 |
| | | WCRXA0488K11 | Executive Order # D-182-42 | | | | | 81512 | D-182-42 |
| 1997 | 5.9L V8 | VCR360J8G1EK | Gas Eng.; Executive Order # D-182-42 | | | | | 81512 | D-182-42 |
| | | | VIN "Z"; Under 8,500 lb. GVW; Executive Order # D-182-51 | | | 82354 | | | D-182-51 |
| | | VCR360J8G1EL | Gas Eng.; Executive Order # D-182-42 | | | | | 81512 | D-182-42 |
| | 8.0L V10 | | VIN "Z"; Under 8,500 lb. GVW; Executive Order # D-182-51 | | | 82354 | | | D-182-51 |
| | | VCR488J8G1EK | Executive Order # D-182-42 | | | | | 81512 | D-182-42 |
| | | VCR488K8G1EK | Executive Order # D-182-42 | | | | | 81512 | D-182-42 |
| 1996 | 5.9L V8 | TCR360J8G1EK | Engine VIN Z; Under 8,500 lb. GVW; Executive Order # D-182-51 | | | 82354 | | D-182-51 | |
| | | | Gas Eng.; Executive Order # D-182-42 | | | | | 81512 | D-182-42 |
| | 8.0L V10 | TCR488J8G1EK | Executive Order # D-182-42 | | | | | 81512 | D-182-42 |
| | | TCR488K8G1EK | Executive Order # D-182-42 | | | | | 81512 | D-182-42 |
| Ram 3500 Van | | | | | | | | | |
| 2003 | 5.2L V8 | 3CRXT05.96B0 | Executive Order # D-182-42 | | | | | 81502 | D-182-42 |
| | | | Executive Order # D-182-69 | | | | | 83518 | D-182-69 |
| | 5.9L V8 | 3CRXT05.96B0 | Executive Order # D-182-42 | | | | | 81502 | D-182-42 |
| | | | Executive Order # D-182-69 | | | | | 83518 | D-182-69 |
| 2002 | 5.2L V8 | 2CRXA0360J10 | Executive Order # D-182-42 | | | | | 81502 | D-182-42 |
| | | | Executive Order # D-182-69 | | | | | 83518 | D-182-69 |
| | 5.9L V8 | 2CRXA0360J40 | Executive Order # D-182-60 | Front Left | | | | 81824 | D-182-60 |
| | | | | Front Right | | | | 81824 | D-182-60 |
| | | | | Rear | | | | 82703 | D-182-60 |
| 2001 | 5.2L V8 | 1CRXA0360J11 | Executive Order # D-182-42 | | | | | 81502 | D-182-42 |
| | | | Executive Order # D-182-69 | | | | | 83518 | D-182-69 |
| | 5.9L V8 | 1CRXA0360J11 | Executive Order # D-182-42 | | | | | 81502 | D-182-42 |
| | | | Executive Order # D-182-69 | | | | | 83518 | D-182-69 |
| | | | 1CRXA0360J41 | Executive Order # D-182-60 | Front Left | | | | 81824 |
| | | | Front Right | | | | 81824 | D-182-60 | |
| | | | Rear | | | | 82703 | D-182-60 | |
| | | 1CRXA0360K38 | Executive Order # D-182-60 | Front Left | | | | 81824 | D-182-60 |
| | | | Front Right | | | | 81824 | D-182-60 | |
| | | | Rear | | | | 82703 | D-182-60 | |
| | 1CRXA0360K41 | Executive Order # D-182-60 | Front Left | | | | 81824 | D-182-60 | |
| Front Right | | | | | | 81824 | D-182-60 | | |
| Rear | | | | | | 82703 | D-182-60 | | |
| 2000 | 5.2L V8 | YCRXA0360J11 | Executive Order # D-182-42 | | | | 81502 | D-182-42 | |

For vehicles licensed in the state of California or Maine, or vehicles requiring CARB-compliant converters in the state of New York, the parts in this catalog must be installed as specifically listed. Parts cannot be substituted, nor can they be installed on California or Maine licensed vehicles not listed in this catalog.

OBDII APPLICATIONS

NON-OBDII APPLICATIONS

NUMERICAL

UNIVERSAL SPECIFICATIONS

OBDII PASSENGER CAR & TRUCK

| Years | Engine | Engine Family No. | Application | Position | Direct-Fit | | Universal Part No. | Executive Order |
|-----------------------------|--------------|----------------------------|-------------------------------------|--------------|--------------|--------------|--------------------|-----------------|
| | | | | | Part No. | Hardware | | |
| DODGE (Cont.) | | | | | | | | |
| Ram 3500 Van (Cont.) | | | | | | | | |
| 2000 (Cont.) | 5.2L V8 | YCRXA0360J11 | Executive Order # D-182-69 | | | | 83518 | D-182-69 |
| | | YCRXA0360J31 | Executive Order # D-182-60 | Front Left | | | 81824 | D-182-60 |
| | | | | Front Right | | | 81824 | D-182-60 |
| | | | | Rear | | | 82703 | D-182-60 |
| | 5.9L V8 | YCRXA0360J11 | Executive Order # D-182-42 | | | | 81502 | D-182-42 |
| | | | Executive Order # D-182-69 | | | | 83518 | D-182-69 |
| | | YCRXA0360J31 | Executive Order # D-182-60 | Front Left | | | 81824 | D-182-60 |
| | | | | Front Right | | | 81824 | D-182-60 |
| | | | | Rear | | | 82703 | D-182-60 |
| | | | | | | | | |
| 1999 | 5.2L V8 | XCRXA0360J11 | Executive Order # D-182-42 | | | | 81512 | D-182-42 |
| | 5.9L V8 | XCRXA0360J11 | Executive Order # D-182-42 | | | | 81512 | D-182-42 |
| | | XCRXA0360J31 | Executive Order # D-182-51 | | | | 82312 | D-182-51 |
| Stratus | | | | | | | | |
| 2005 | 2.4L L4 | 5CRXV02.4VE0 | Executive Order # D-182-64 | | | | 82813 | D-182-64 |
| | 2.7L V6 | 5CRXV02.7VE0 | Executive Order # D-182-58 | Left | 82590 | 31653, 31387 | | D-182-58 |
| | | | | Right | 82591 | 31653, 31534 | | D-182-58 |
| | 5CRXV02.7VHP | Executive Order # D-182-58 | Left | 82590 | 31653, 31387 | | D-182-58 | |
| Right | | | 82591 | 31653, 31534 | | D-182-58 | | |
| 2004 | 2.4L L4 | 4CRXV02.4VE0 | Executive Order # D-182-64 | | | | 82813 | D-182-64 |
| | | 4CRXV02.4VM0 | Executive Order # D-182-57 | | 82683 | 31597 | 82640 | D-182-57 |
| | 2.7L V6 | 4CRXV02.7VH0 | Executive Order # D-182-58 | Left | 82590 | 31653, 31387 | | D-182-58 |
| | | | | Right | 82591 | 31653, 31534 | | D-182-58 |
| | | 4CRXV02.7VHP | Executive Order # D-182-58 | Left | 82590 | 31653, 31387 | | D-182-58 |
| | | | | Right | 82591 | 31653, 31534 | | D-182-58 |
| 2003 | 2.4L L4 | 3CRXV02.4VD0 | Executive Order # D-182-57 | | 82683 | 31597 | 82640 | D-182-57 |
| | 2.7L V6 | 3CRXV02.7VD0 | Executive Order # D-182-58 | Left | 82590 | 31653, 31387 | | D-182-58 |
| | | | | Right | 82591 | 31653, 31534 | | D-182-58 |
| | 3CRXV02.7VDP | Executive Order # D-182-58 | Left | 82590 | 31653, 31387 | | D-182-58 | |
| Right | | | 82591 | 31653, 31534 | | D-182-58 | | |
| 2002 | 2.4L L4 | 2CRXV02.4VD0 | Executive Order # D-182-57 | | 82683 | 31597 | 82640 | D-182-57 |
| | 2.7L V6 | 2CRXV02.7VD0 | Executive Order # D-182-58 | Left | 82590 | 31653, 31387 | | D-182-58 |
| | | | | Right | 82591 | 31653, 31534 | | D-182-58 |
| 2001 | 2.4L L4 | 1CRXV0148V40 | VIN "X"; Executive Order # D-182-67 | | | | 82905 | D-182-67 |
| | | 1CRXV02.4VD0 | Executive Order # D-182-57 | | 82683 | 31597 | 82640 | D-182-57 |
| | 2.7L V6 | 1CRXV03.5VD0 | Executive Order # D-182-58 | Left | 82590 | 31653, 31387 | | D-182-58 |
| | | | | Right | 82591 | 31653, 31534 | | D-182-58 |
| 2000 | 2.0L L4 | YCRXV0122V31 | Executive Order # D-182-57 | | 82682 | 31597 | 82629 | D-182-57 |
| | | YCRXV02.0VB1 | Executive Order # D-182-57 | | 82682 | 31597 | | D-182-57 |
| | | | Executive Order # D-182-58 | | | | 82529 | D-182-58 |
| | 2.4L L4 | YCRXV0148V30 | Executive Order # D-182-57 | | | | 82629 | D-182-57 |
| | 2.5L V6 | YCRXV0152V20 | Executive Order # D-182-45 | | 81968 | 31597 | | D-182-45 |
| | | | Executive Order # D-182-57 | | | | 82629 | D-182-57 |
| 1999 | 2.0L L4 | XCRXV0122V30 | Executive Order # D-182-57 | | 82682 | 31597 | 82629 | D-182-57 |
| | | XCRXV02.0VB1 | Executive Order # D-182-57 | | 82682 | 31597 | | D-182-57 |

For vehicles licensed in the state of California or Maine, or vehicles requiring CARB-compliant converters in the state of New York, the parts in this catalog must be installed as specifically listed. Parts cannot be substituted, nor can they be installed on California or Maine licensed vehicles not listed in this catalog.

OBDII PASSENGER CAR & TRUCK

| Years | Engine | Engine Family No. | Application | Position | Direct-Fit | | Universal Part No. | Executive Order |
|----------------------------|----------|-------------------|----------------------------|-------------|--------------|--------------|--------------------|-----------------|
| | | | | | Part No. | Hardware | | |
| DODGE (Cont.) | | | | | | | | |
| Stratus (Cont.) | | | | | | | | |
| 1999 (Cont.) | 2.0L L4 | XCRXV02.0VB1 | Executive Order # D-182-58 | | | | 82529 | D-182-58 |
| | 2.4L L4 | XCRXV0148V30 | Executive Order # D-182-45 | | 81968 | 31597 | | D-182-45 |
| | | | Executive Order # D-182-57 | | | 82629 | D-182-57 | |
| | 2.5L V6 | XCRXV0152V20 | Executive Order # D-182-45 | | 81968 | 31597 | | D-182-45 |
| Executive Order # D-182-57 | | | | | 82629 | D-182-57 | | |
| 1998 | 2.0L L4 | WCRXV0122V30 | Executive Order # D-182-57 | | 82682 | 31597 | 82629 | D-182-57 |
| | | | Executive Order # D-182-57 | | 82682 | 31597 | | D-182-57 |
| | | | Executive Order # D-182-58 | | | 82529 | D-182-58 | |
| | 2.4L L4 | WCRXV0148V20 | Executive Order # D-182-45 | | 81968 | 31597 | | D-182-45 |
| | | | Executive Order # D-182-57 | | | 82629 | D-182-57 | |
| | 2.5L V6 | WCRXV0152V20 | Executive Order # D-182-45 | | 81968 | 31597 | | D-182-45 |
| Executive Order # D-182-57 | | | | | 82629 | D-182-57 | | |
| 1997 | 2.0L L4 | VCR122VJG1EK | Executive Order # D-182-58 | | | | 82529 | D-182-58 |
| | 2.4L L4 | VCR148VJG1EK | Executive Order # D-182-45 | | 81968 | 31597 | | D-182-45 |
| | | | Executive Order # D-182-58 | | | 82529 | D-182-58 | |
| | 2.5L V6 | VCR152VJG1EK | Executive Order # D-182-45 | | 81968 | 31597 | | D-182-45 |
| Executive Order # D-182-58 | | | | | 82529 | D-182-58 | | |
| 1996 | 2.0L L4 | TCR122VJG1EK | Executive Order # D-182-58 | | | | 82529 | D-182-58 |
| | 2.4L L4 | TCR148VJG1EK | Executive Order # D-182-45 | | 81968 | 31597 | | D-182-45 |
| | | | Executive Order # D-182-58 | | | 82529 | D-182-58 | |
| | 2.5L V6 | TCR152VJG1EK | Executive Order # D-182-45 | | 81968 | 31597 | | D-182-45 |
| Executive Order # D-182-58 | | | | | 82529 | D-182-58 | | |
| Viper | | | | | | | | |
| 2006 | 8.3L V10 | 6CRXV08.3VM0 | Executive Order # D-182-53 | Front Left | | | 82515 | D-182-53 |
| | | | | Front Right | | | 82515 | D-182-53 |
| | | | | Rear Left | | | 82602 | D-182-53 |
| | | | | Rear Right | | | 82602 | D-182-53 |
| 2005 | 8.3L V10 | 5CRXV08.3VM0 | Executive Order # D-182-53 | Front Left | | | 82515 | D-182-53 |
| | | | | Front Right | | | 82515 | D-182-53 |
| | | | | Rear Left | | | 82602 | D-182-53 |
| | | | | Rear Right | | | 82602 | D-182-53 |
| 2004 | 8.3L V10 | 4CRXV08.3VM0 | Executive Order # D-182-53 | Front Left | | | 82515 | D-182-53 |
| | | | | Front Right | | | 82515 | D-182-53 |
| | | | | Rear Left | | | 82602 | D-182-53 |
| | | | | Rear Right | | | 82602 | D-182-53 |
| 2003 | 8.3L V10 | 3CRXV08.3VB1 | Executive Order # D-182-53 | Front Left | | | 82515 | D-182-53 |
| | | | | Front Right | | | 82515 | D-182-53 |
| | | | | Rear Left | | | 82602 | D-182-53 |
| | | | | Rear Right | | | 82602 | D-182-53 |
| 2002 | 8.0L V10 | 2CRXV08.0VB1 | Executive Order # D-182-57 | Left | | | 82643 | D-182-57 |
| | | | | Right | | | 82643 | D-182-57 |
| 2001 | 8.0L V10 | 1CRXV08.0VB1 | Executive Order # D-182-57 | Left | | | 82643 | D-182-57 |
| | | | | Right | | | 82643 | D-182-57 |
| 2000 | 8.0L V10 | YCRXV08.0VB1 | Executive Order # D-182-57 | Left | | | 82643 | D-182-57 |
| | | | | Right | | | 82643 | D-182-57 |

For vehicles licensed in the state of California or Maine, or vehicles requiring CARB-compliant converters in the state of New York, the parts in this catalog must be installed as specifically listed. Parts cannot be substituted, nor can they be installed on California or Maine licensed vehicles not listed in this catalog.

OBDII APPLICATIONS

NON-OBDII APPLICATIONS

NUMERICAL

UNIVERSAL SPECIFICATIONS

OBDII PASSENGER CAR & TRUCK

| Years | Engine | Engine Family No. | Application | Position | Direct-Fit | | Universal Part No. | Executive Order |
|-------|--------|-------------------|-------------|----------|------------|----------|--------------------|-----------------|
| | | | | | Part No. | Hardware | | |

DODGE (Cont.)

Viper (Cont.)

| | | | | | | | | |
|------|----------|--------------|----------------------------|-------|--|--|--------------|----------|
| 1999 | 8.0L V10 | XCRXV08.OVB1 | Executive Order # D-182-57 | Left | | | 82643 | D-182-57 |
| | | | | Right | | | 82643 | D-182-57 |
| 1998 | 8.0L V10 | WCRXV08.OVB1 | Executive Order # D-182-57 | Left | | | 82643 | D-182-57 |
| | | | | Right | | | 82643 | D-182-57 |
| 1997 | 8.0L V10 | VCR8.0V8GFEK | Executive Order # D-182-57 | Left | | | 82643 | D-182-57 |
| | | | | Right | | | 82643 | D-182-57 |
| 1996 | 8.0L V10 | TCR8.0V8GFEK | Executive Order # D-182-57 | Left | | | 82643 | D-182-57 |
| | | | | Right | | | 82643 | D-182-57 |

EAGLE

Summit

| | | | | | | | | |
|------|---------|--------------|----------------------------|--|--|--|--------------|----------|
| 1996 | 2.4L L4 | TMT2.4VJGKEK | Executive Order # D-182-58 | | | | 82529 | D-182-58 |
|------|---------|--------------|----------------------------|--|--|--|--------------|----------|

Talon

| | | | | | | | | |
|------|---------|--------------|----------------------------|--|--------------|-----------|--------------|----------|
| 1998 | 2.0L L4 | WDSXV02.OGBK | Executive Order # D-182-45 | | 81965 | 31307 (2) | | D-182-45 |
| | | | Executive Order # D-182-58 | | | | 82529 | D-182-58 |
| | | WDSXV02.OGBP | Executive Order # D-182-45 | | 81965 | 31307 (2) | | D-182-45 |
| | | | Executive Order # D-182-58 | | | | 82529 | D-182-58 |
| 1997 | 2.0L L4 | VDS2.0VJGFEK | Executive Order # D-182-45 | | 81965 | 31307 (2) | | D-182-45 |
| | | | Executive Order # D-182-58 | | | | 82529 | D-182-58 |
| | | VDS2.0VJGKEK | Executive Order # D-182-45 | | 81965 | 31307 (2) | | D-182-45 |
| | | | Executive Order # D-182-58 | | | | 82529 | D-182-58 |
| 1996 | 2.0L L4 | TDS2.0VJGFEK | Executive Order # D-182-45 | | 81965 | 31307 (2) | | D-182-45 |
| | | | Executive Order # D-182-58 | | | | 82529 | D-182-58 |
| | | TDS2.0VJGFEL | Executive Order # D-182-45 | | 81965 | 31307 (2) | | D-182-45 |
| | | | Executive Order # D-182-58 | | | | 82529 | D-182-58 |
| 1995 | 2.0L L4 | SDS2.0VJGFEK | Executive Order # D-182-45 | | 81965 | 31307 (2) | | D-182-45 |
| | | | Executive Order # D-182-58 | | | | 82529 | D-182-58 |
| | | SDS2.0VJGFFK | Executive Order # D-182-45 | | 81965 | 31307 (2) | | D-182-45 |
| | | | Executive Order # D-182-58 | | | | 82529 | D-182-58 |

Vision

| | | | | | | | | |
|------|---------|--------------|----------------------------|--------------|--------------|--------------|--------------|----------|
| 1997 | 3.3L V6 | VCR201V8G2EK | Executive Order # D-182-58 | Left | | | 82505 | D-182-58 |
| | | | | Right | | | 82505 | D-182-58 |
| | 3.5L V6 | VCR215VJG1EK | Executive Order # D-182-48 | Front Left | 81847 | | 81807 | D-182-48 |
| | | | | Front Right | 81845 | | 81807 | D-182-48 |
| | | | Rear | 81673 | | 81613 | D-182-48 | |
| 1996 | 3.3L V6 | TCR201V8G2EK | Executive Order # D-182-58 | Left | | | 82505 | D-182-58 |
| | | | | Right | | | 82505 | D-182-58 |
| | 3.5L V6 | TCR215VJG1EK | Executive Order # D-182-48 | Front Left | 81847 | | 81807 | D-182-48 |
| | | | | Front Right | 81845 | | 81807 | D-182-48 |
| | | | Rear | 81673 | | 81613 | D-182-48 | |

FORD

Aerostar

| | | | | | | | | |
|------|---------|--------------|----------------------------|-------|--|--|--------------|----------|
| 1997 | 3.0L V6 | VFM3.028G1GK | Executive Order # D-182-52 | Front | | | 81901 | D-182-52 |
| | | | | Rear | | | 81901 | D-182-52 |

For vehicles licensed in the state of California or Maine, or vehicles requiring CARB-compliant converters in the state of New York, the parts in this catalog must be installed as specifically listed. Parts cannot be substituted, nor can they be installed on California or Maine licensed vehicles not listed in this catalog.

OBDII PASSENGER CAR & TRUCK

| Years | Engine | Engine Family No. | Application | Position | Direct-Fit | | Universal Part No. | Executive Order |
|-------------------------|---|-------------------|----------------------------|---|--------------|----------------------------|--------------------|-----------------|
| | | | | | Part No. | Hardware | | |
| FORD (Cont.) | | | | | | | | |
| Aerostar (Cont.) | | | | | | | | |
| 1997 (Cont.) | 3.0L V6 | VFM3.028G1GK | Executive Order # D-182-69 | Front | | | 83501 | D-182-69 |
| | | | | Rear | | | 83501 | D-182-69 |
| | 4.0L V6 | VFM4.028G1GK | Executive Order # D-182-52 | Front | | | 81901 | D-182-52 |
| | | | | Rear | | | 81901 | D-182-52 |
| 1996 | 3.0L V6 | TFM3.028G1GK | Executive Order # D-182-52 | Front | | | 81901 | D-182-52 |
| | | | | Rear | | | 81901 | D-182-52 |
| | 4.0L V6 | TFM4.028G1GK | Executive Order # D-182-52 | Front | | | 81901 | D-182-52 |
| | | | | Rear | | | 81901 | D-182-52 |
| Aspire | | | | | | | | |
| 1997 | 1.3L L4 | VFM1.3V8G1EK | Executive Order # D-182-58 | | | | 82526 | D-182-58 |
| 1996 | 1.3L L4 | TFM1.3V8G1EK | Executive Order # D-182-58 | | | | 82526 | D-182-58 |
| Bronco | | | | | | | | |
| 1996 | 5.0L V8 | TFM5.0H8G1EK | Executive Order # D-182-51 | Front | | | 82312 | D-182-51 |
| | | | | Rear | | | 82302 | D-182-51 |
| | 5.8L V8 | TFM5.8H8G1EK | Executive Order # D-182-51 | Front | | | 82312 | D-182-51 |
| | | | | Rear | | | 82302 | D-182-51 |
| Contour | | | | | | | | |
| 2000 | 2.0L L4 | YFMXV02.0VDC | Executive Order # D-182-58 | | 82589 | 31617, 31578 | | D-182-58 |
| | | | | 2.5L V6 | YFMXV02.5VBC | Executive Order # D-182-53 | Rear | |
| | Includes Front Gasket; Executive Order # D-182-53 | Front Left | 82557 | | | | | |
| | | Front Right | 82558 | | | D-182-53 | | |
| 1999 | 2.0L L4 | XFMXV02.0VDC | Executive Order # D-182-58 | | 82589 | 31617, 31578 | | D-182-58 |
| | | | | 2.5L V6 | XFMXV02.5VBC | Executive Order # D-182-53 | Rear | |
| | Includes Front Gasket; Executive Order # D-182-53 | Front Left | 82557 | | | | | |
| | | Front Right | 82558 | | | D-182-53 | | |
| 1998 | 2.0L L4 | WFMXV02.0AFA | Executive Order # D-182-58 | | 82589 | 31617, 31578 | | D-182-58 |
| | | WFMXV02.0AGA | Executive Order # D-182-58 | | 82589 | 31617, 31578 | | D-182-58 |
| | 2.5L V6 | WFMXV02.5AFA | Executive Order # D-182-53 | Rear | | | 82622 | D-182-53 |
| | | | | Includes Front Gasket; Executive Order # D-182-53 | Front Left | 82557 | | |
| Front Right | 82558 | | | | D-182-53 | | | |
| 1997 | 2.0L L4 | VFM2.0VJG1EK | Executive Order # D-182-58 | | 82588 | 31617, 31578 | | D-182-58 |
| | | | | 2.5L V6 | VFM2.5VJG1EK | Executive Order # D-182-53 | Rear | |
| | Includes Front Gasket; Executive Order # D-182-53 | Front Left | 82557 | | | | | |
| | | Front Right | 82558 | | | D-182-53 | | |
| 1996 | 2.0L L4 | TFM2.0VJG1EK | Executive Order # D-182-58 | | 82588 | 31617, 31578 | | D-182-58 |
| | | | | 2.5L V6 | TFM2.5VJG1EK | Executive Order # D-182-53 | Rear | |

For vehicles licensed in the state of California or Maine, or vehicles requiring CARB-compliant converters in the state of New York, the parts in this catalog must be installed as specifically listed. Parts cannot be substituted, nor can they be installed on California or Maine licensed vehicles not listed in this catalog.

OBDII APPLICATIONS

NON-OBDII APPLICATIONS

NUMERICAL

UNIVERSAL SPECIFICATIONS

OBDII PASSENGER CAR & TRUCK

| Years | Engine | Engine Family No. | Application | Position | Direct-Fit | | Universal Part No. | Executive Order | | | | |
|------------------------|----------------------------|-------------------|---|-------------|--------------|--------------|----------------------------|-----------------|--------------|-------|--|----------|
| | | | | | Part No. | Hardware | | | | | | |
| FORD (Cont.) | | | | | | | | | | | | |
| Contour (Cont.) | | | | | | | | | | | | |
| 1996 (Cont.) | 2.5L V6 | TFM2.5VJG1EK | Includes Front Gasket; Executive Order # D-182-53 | Front Left | 82557 | | | D-182-53 | | | | |
| | | | | Front Right | 82558 | | | D-182-53 | | | | |
| Crown Victoria | | | | | | | | | | | | |
| 2008 | 4.6L V8 | 8FMXV04.6VEF | Executive Order # D-182-63 | Left | 83383 | 31336 | | D-182-63 | | | | |
| | | | | Right | 83384 | 31336 | | D-182-63 | | | | |
| | | | | Front Left | | | 83308 | D-182-63 | | | | |
| | | | | Front Right | | | 83308 | D-182-63 | | | | |
| | | | | Rear Left | | | 83220 | D-182-63 | | | | |
| | | | | Rear Right | | | 83220 | D-182-63 | | | | |
| 2007 | 4.6L V8 | 7FMXV04.6VE8 | Executive Order # D-182-63 | Left | 83383 | 31336 | | D-182-63 | | | | |
| | | | | Right | 83384 | 31336 | | D-182-63 | | | | |
| | | | | Front Left | | | 83308 | D-182-63 | | | | |
| | | | | Front Right | | | 83308 | D-182-63 | | | | |
| | | | | Rear Left | | | 83220 | D-182-63 | | | | |
| | | | | Rear Right | | | 83220 | D-182-63 | | | | |
| | | 7FMXV04.6VE9 | Executive Order # D-182-63 | Left | 83383 | 31336 | | D-182-63 | | | | |
| | | | | Right | 83384 | 31336 | | D-182-63 | | | | |
| | | | | Front Left | | | 83308 | D-182-63 | | | | |
| | | | | Front Right | | | 83308 | D-182-63 | | | | |
| | | | | Rear Left | | | 83220 | D-182-63 | | | | |
| | | | | Rear Right | | | 83220 | D-182-63 | | | | |
| | | 7FMXV04.6VEF | Executive Order # D-182-63 | Left | 83383 | 31336 | | D-182-63 | | | | |
| | | | | Right | 83384 | 31336 | | D-182-63 | | | | |
| | | | | Front Left | | | 83308 | D-182-63 | | | | |
| | | | | Front Right | | | 83308 | D-182-63 | | | | |
| | | | | Rear Left | | | 83220 | D-182-63 | | | | |
| | | | | Rear Right | | | 83220 | D-182-63 | | | | |
| 2006 | 4.6L V8 | 6FMXV04.6VE8 | Executive Order # D-182-63 | Left | 83383 | 31336 | | D-182-63 | | | | |
| | | | | Right | 83384 | 31336 | | D-182-63 | | | | |
| | | | | Front Left | | | 83308 | D-182-63 | | | | |
| | | | | Front Right | | | 83308 | D-182-63 | | | | |
| | | | | Rear Left | | | 83220 | D-182-63 | | | | |
| | | | | Rear Right | | | 83220 | D-182-63 | | | | |
| | | 6FMXV04.6VG8 | Executive Order # D-182-53 | Left | 82698 | 31336 | | D-182-53 | | | | |
| | | | | Right | 82699 | 31336 | | D-182-53 | | | | |
| | | | | Front Left | | | 82522 | D-182-53 | | | | |
| | | | | Front Right | | | 82522 | D-182-53 | | | | |
| | | | | 2005 | 4.6L V8 | 5FMXV04.6VE8 | Executive Order # D-182-63 | Left | 83383 | 31336 | | D-182-63 |
| | | | | | | | | Right | 83384 | 31336 | | D-182-63 |
| Front Left | | | 83308 | | | | | D-182-63 | | | | |
| Front Right | | | 83308 | | | | | D-182-63 | | | | |
| Rear Left | | | 83220 | | | | | D-182-63 | | | | |
| Rear Right | | | 83220 | | | | | D-182-63 | | | | |
| 5FMXV04.6VG8 | Executive Order # D-182-53 | Left | 82698 | 31336 | | D-182-53 | | | | | | |
| | | Right | 82699 | 31336 | | D-182-53 | | | | | | |

For vehicles licensed in the state of California or Maine, or vehicles requiring CARB-compliant converters in the state of New York, the parts in this catalog must be installed as specifically listed. Parts cannot be substituted, nor can they be installed on California or Maine licensed vehicles not listed in this catalog.

OBDII PASSENGER CAR & TRUCK

| Years | Engine | Engine Family No. | Application | Position | Direct-Fit | | Universal Part No. | Executive Order | | | | |
|-------------------------------|---------|-------------------|----------------------------|-------------|--------------|--------------|----------------------------|-----------------|--------------|-------|--|----------|
| | | | | | Part No. | Hardware | | | | | | |
| FORD (Cont.) | | | | | | | | | | | | |
| Crown Victoria (Cont.) | | | | | | | | | | | | |
| 2005 (Cont.) | 4.6L V8 | 5FMXV04.6VG8 | Executive Order # D-182-53 | Front Left | | | 82522 | D-182-53 | | | | |
| | | | | Front Right | | | 82522 | D-182-53 | | | | |
| 2004 | 4.6L V8 | 4FMXV04.6VE5 | Executive Order # D-182-63 | Left | 83383 | 31336 | | D-182-63 | | | | |
| | | | | Right | 83384 | 31336 | | D-182-63 | | | | |
| | | | | Front Left | | | 83308 | D-182-63 | | | | |
| | | | | Front Right | | | 83308 | D-182-63 | | | | |
| | | | | Rear Left | | | 83220 | D-182-63 | | | | |
| | | | | Rear Right | | | 83220 | D-182-63 | | | | |
| | | 4FMXV04.6VG6 | Executive Order # D-182-53 | Left | 82698 | 31336 | | D-182-53 | | | | |
| | | | | Right | 82699 | 31336 | | D-182-53 | | | | |
| | | | | Front Left | | | 82522 | D-182-53 | | | | |
| | | | | Front Right | | | 82522 | D-182-53 | | | | |
| 2003 | 4.6L V8 | 3FMXV04.6VG5 | Executive Order # D-182-53 | Left | 82698 | 31336 | | D-182-53 | | | | |
| | | | | Right | 82699 | 31336 | | D-182-53 | | | | |
| | | | | Front Left | | | 82522 | D-182-53 | | | | |
| | | | | Front Right | | | 82522 | D-182-53 | | | | |
| | | 3FMXV04.6VH5 | Executive Order # D-182-53 | Left | 82698 | 31336 | | D-182-53 | | | | |
| | | | | Right | 82699 | 31336 | | D-182-53 | | | | |
| | | | | Front Left | | | 82522 | D-182-53 | | | | |
| | | | | Front Right | | | 82522 | D-182-53 | | | | |
| | | | | 2002 | 4.6L V8 | 2FMXV04.6VF5 | Executive Order # D-182-48 | Left | 81662 | 31336 | | D-182-48 |
| | | | | | | | | Right | 81661 | 31336 | | D-182-48 |
| Front Left | | | 81802 | | | | | D-182-48 | | | | |
| Front Right | | | 81802 | | | | | D-182-48 | | | | |
| Rear Left | | | 81656 | | | | | D-182-48 | | | | |
| Rear Right | | | 81656 | | | | | D-182-48 | | | | |
| 2001 | 4.6L V8 | 1FMXV04.6VF5 | Executive Order # D-182-48 | Left | 81662 | 31336 | | D-182-48 | | | | |
| | | | | Right | 81661 | 31336 | | D-182-48 | | | | |
| | | | | Front Left | | | 81802 | D-182-48 | | | | |
| | | | | Front Right | | | 81802 | D-182-48 | | | | |
| | | | | Rear Left | | | 81656 | D-182-48 | | | | |
| | | | | Rear Right | | | 81656 | D-182-48 | | | | |
| | | 1FMXV04.6VF7 | Executive Order # D-182-48 | Left | 81662 | 31336 | | D-182-48 | | | | |
| | | | | Right | 81661 | 31336 | | D-182-48 | | | | |
| | | | | Front Left | | | 81802 | D-182-48 | | | | |
| | | | | Front Right | | | 81802 | D-182-48 | | | | |
| | | | | Rear Left | | | 81656 | D-182-48 | | | | |
| | | | | Rear Right | | | 81656 | D-182-48 | | | | |
| 2000 | 4.6L V8 | YFMXV04.6VB5 | Executive Order # D-182-48 | Left | 81662 | 31336 | | D-182-48 | | | | |
| | | | | Right | 81661 | 31336 | | D-182-48 | | | | |
| | | | | Front Left | | | 81802 | D-182-48 | | | | |
| | | | | Front Right | | | 81802 | D-182-48 | | | | |
| | | | | Rear Left | | | 81656 | D-182-48 | | | | |
| | | | | Rear Right | | | 81656 | D-182-48 | | | | |
| | | YFMXV04.6VFR | Executive Order # D-182-48 | Left | 81662 | 31336 | | D-182-48 | | | | |

For vehicles licensed in the state of California or Maine, or vehicles requiring CARB-compliant converters in the state of New York, the parts in this catalog must be installed as specifically listed. Parts cannot be substituted, nor can they be installed on California or Maine licensed vehicles not listed in this catalog.

OBDII APPLICATIONS

NON-OBDII APPLICATIONS

NUMERICAL

UNIVERSAL SPECIFICATIONS

OBDII PASSENGER CAR & TRUCK

| Years | Engine | Engine Family No. | Application | Position | Direct-Fit | | Universal Part No. | Executive Order |
|-------------------------------|---------|-------------------|----------------------------|-------------|--------------|----------|--------------------|-----------------|
| | | | | | Part No. | Hardware | | |
| FORD (Cont.) | | | | | | | | |
| Crown Victoria (Cont.) | | | | | | | | |
| 2000 (Cont.) | 4.6L V8 | YFMXV04.6VFR | Executive Order # D-182-48 | Right | 81661 | 31336 | | D-182-48 |
| | | | | Front Left | | | 81802 | D-182-48 |
| | | | | Front Right | | | 81802 | D-182-48 |
| | | | | Rear Left | | | 81656 | D-182-48 |
| | | | | Rear Right | | | 81656 | D-182-48 |
| 1999 | 4.6L V8 | XFMXV04.6VG5 | Executive Order # D-182-48 | Left | 81662 | 31336 | | D-182-48 |
| | | | | Right | 81661 | 31336 | | D-182-48 |
| | | | | Front Left | | | 81802 | D-182-48 |
| | | | | Front Right | | | 81802 | D-182-48 |
| | | | | Rear Left | | | 81656 | D-182-48 |
| | | | | Rear Right | | | 81656 | D-182-48 |
| 1998 | 4.6L V8 | WFMXV04.6AAA | Executive Order # D-182-48 | Left | 81662 | 31336 | | D-182-48 |
| | | | | Right | 81661 | 31336 | | D-182-48 |
| | | | | Front Left | | | 81802 | D-182-48 |
| | | | | Front Right | | | 81802 | D-182-48 |
| | | | | Rear Left | | | 81656 | D-182-48 |
| | | | | Rear Right | | | 81656 | D-182-48 |
| 1997 | 4.6L V8 | VFM4.6V8G2EL | Executive Order # D-182-48 | Left | 81662 | 31336 | | D-182-48 |
| | | | | Right | 81661 | 31336 | | D-182-48 |
| | | | | Front Left | | | 81802 | D-182-48 |
| | | | | Front Right | | | 81802 | D-182-48 |
| | | | | Rear Left | | | 81656 | D-182-48 |
| | | | | Rear Right | | | 81656 | D-182-48 |
| 1996 | 4.6L V8 | TFM4.6V8G2EL | Executive Order # D-182-48 | Left | 81662 | 31336 | | D-182-48 |
| | | | | Right | 81661 | 31336 | | D-182-48 |
| | | | | Front Left | | | 81802 | D-182-48 |
| | | | | Front Right | | | 81802 | D-182-48 |
| | | | | Rear Left | | | 81656 | D-182-48 |
| | | | | Rear Right | | | 81656 | D-182-48 |
| 1995 | 4.6L V8 | SFM4.6V8G1GK | Executive Order # D-182-48 | Left | 81662 | 31336 | | D-182-48 |
| | | | | Right | 81661 | 31336 | | D-182-48 |
| | | | | Front Left | | | 81802 | D-182-48 |
| | | | | Front Right | | | 81802 | D-182-48 |
| | | | | Rear Left | | | 81656 | D-182-48 |
| | | | | Rear Right | | | 81656 | D-182-48 |

E-150

| | | | | | | | | |
|------|---------|--------------|----------------------------|-------------|--|--|--------------|----------|
| 2006 | 4.6L V8 | 6FMXT04.6RPE | Executive Order # D-182-69 | Front Left | | | 83402 | D-182-69 |
| | | | | Front Right | | | 83402 | D-182-69 |
| | | | | Rear Left | | | 83402 | D-182-69 |
| | | | | Rear Right | | | 83402 | D-182-69 |
| | 5.4L V8 | 6FMXT05.4RM6 | Executive Order # D-182-69 | Front Left | | | 83402 | D-182-69 |
| | | | | Front Right | | | 83402 | D-182-69 |
| | | | | Rear Left | | | 83402 | D-182-69 |
| | | | | Rear Right | | | 83402 | D-182-69 |
| 2005 | 4.6L V8 | 5FMXT04.6RPE | Executive Order # D-182-69 | Front Left | | | 83402 | D-182-69 |

For vehicles licensed in the state of California or Maine, or vehicles requiring CARB-compliant converters in the state of New York, the parts in this catalog must be installed as specifically listed. Parts cannot be substituted, nor can they be installed on California or Maine licensed vehicles not listed in this catalog.

OBDII PASSENGER CAR & TRUCK

| Years | Engine | Engine Family No. | Application | Position | Direct-Fit | | Universal Part No. | Executive Order |
|----------------------|---------|-------------------|----------------------------|-------------|--------------|----------|--------------------|-----------------|
| | | | | | Part No. | Hardware | | |
| FORD (Cont.) | | | | | | | | |
| E-150 (Cont.) | | | | | | | | |
| 2005 (Cont.) | 4.6L V8 | 5FMXT04.6RPE | Executive Order # D-182-69 | Front Right | | | 83402 | D-182-69 |
| | | | | Rear Left | | | 83402 | D-182-69 |
| | | | | Rear Right | | | 83402 | D-182-69 |
| | 5.4L V8 | 5FMXT05.4RM6 | Executive Order # D-182-69 | Front Left | | | 83402 | D-182-69 |
| | | | | Front Right | | | 83402 | D-182-69 |
| | | | | Rear Left | | | 83402 | D-182-69 |
| 2004 | 4.6L V8 | 4FMXT04.6RP9 | Executive Order # D-182-69 | Left | | | 83403 | D-182-69 |
| | | | | Right | | | 83403 | D-182-69 |
| | | | | Rear Left | | | 83418 | D-182-69 |
| | 5.4L V8 | 4FMXT05.4RM6 | Executive Order # D-182-69 | Rear Right | | | 83418 | D-182-69 |
| | | | | Front Left | | | 83403 | D-182-69 |
| | | | | Front Right | | | 83403 | D-182-69 |
| 2003 | 4.2L V6 | 3FMXT04.2HF5 | Executive Order # D-182-44 | Rear Left | | | 83403 | D-182-69 |
| | | | | Rear Right | | | 83403 | D-182-69 |
| | | | | Left | 82280 | | | D-182-44 |
| | | | | Right | 82279 | | | D-182-44 |
| | | | | Front Left | | | 82113 | D-182-44 |
| | | | | Front Right | | | 82113 | D-182-44 |
| 2003 | 4.2L V6 | 3FMXT04.2JF5 | Executive Order # D-182-44 | Rear Left | | | 82208 | D-182-44 |
| | | | | Rear Right | | | 82208 | D-182-44 |
| | | | | Left | 82280 | | | D-182-44 |
| | | | | Right | 82279 | | | D-182-44 |
| | | | | Front Left | | | 82113 | D-182-44 |
| | | | | Front Right | | | 82113 | D-182-44 |
| 2003 | 4.6L V8 | 3FMXT05.4RF9 | Executive Order # D-182-69 | Rear Left | | | 82208 | D-182-44 |
| | | | | Rear Right | | | 82208 | D-182-44 |
| | | | | Left | | | 83403 | D-182-69 |
| | | | | Right | | | 83403 | D-182-69 |
| | | | | Rear Left | | | 83418 | D-182-69 |
| | | | | Rear Right | | | 83418 | D-182-69 |
| 2002 | 4.2L V6 | 2FMXT04.2HF5 | Executive Order # D-182-44 | Left | 82280 | | | D-182-44 |
| | | | | Right | 82279 | | | D-182-44 |
| | | | | Front Left | | | 82113 | D-182-44 |
| | | | | Front Right | | | 82113 | D-182-44 |
| | | | | Rear Left | | | 82208 | D-182-44 |
| | | | | Rear Right | | | 82208 | D-182-44 |
| | 4.2L V6 | 2FMXT04.2JF5 | Executive Order # D-182-44 | Left | 82280 | | | D-182-44 |
| | | | | Right | 82279 | | | D-182-44 |
| | | | | Front Left | | | 82113 | D-182-44 |
| | | | | Front Right | | | 82113 | D-182-44 |
| | | | | Rear Left | | | 82208 | D-182-44 |
| | | | | Rear Right | | | 82208 | D-182-44 |

E-150 Club Wagon

| | | | | | | | | |
|------|---------|--------------|----------------------------|------------|--|--|--------------|----------|
| 2005 | 4.6L V8 | 5FMXT04.6RPE | Executive Order # D-182-69 | Front Left | | | 83402 | D-182-69 |
|------|---------|--------------|----------------------------|------------|--|--|--------------|----------|

For vehicles licensed in the state of California or Maine, or vehicles requiring CARB-compliant converters in the state of New York, the parts in this catalog must be installed as specifically listed. Parts cannot be substituted, nor can they be installed on California or Maine licensed vehicles not listed in this catalog.

OBDII APPLICATIONS

NON-OBDII APPLICATIONS

NUMERICAL

UNIVERSAL SPECIFICATIONS

OBDII PASSENGER CAR & TRUCK

| Years | Engine | Engine Family No. | Application | Position | Direct-Fit | | Universal Part No. | Executive Order | | |
|---------------------------------|---------|-------------------|----------------------------|----------------------------|----------------------------|--------------|--------------------|-----------------|--------------|----------|
| | | | | | Part No. | Hardware | | | | |
| FORD (Cont.) | | | | | | | | | | |
| E-150 Club Wagon (Cont.) | | | | | | | | | | |
| 2005 (Cont.) | 4.6L V8 | 5FMXT04.6RPE | Executive Order # D-182-69 | Front Right | | | 83402 | D-182-69 | | |
| | | | | Rear Left | | | 83402 | D-182-69 | | |
| | | | | Rear Right | | | 83402 | D-182-69 | | |
| | 5.4L V8 | 5FMXT05.4RM6 | Executive Order # D-182-69 | Front Left | | | 83402 | D-182-69 | | |
| | | | | Front Right | | | 83402 | D-182-69 | | |
| | | | | Rear Left | | | 83402 | D-182-69 | | |
| 2004 | 4.6L V8 | 4FMXT04.6RP9 | Executive Order # D-182-69 | Left | | | 83403 | D-182-69 | | |
| | | | | Right | | | 83403 | D-182-69 | | |
| | | | | Rear Left | | | 83418 | D-182-69 | | |
| | | | | Rear Right | | | 83418 | D-182-69 | | |
| | 5.4L V8 | 4FMXT05.4RM6 | Executive Order # D-182-69 | Front Left | | | 83403 | D-182-69 | | |
| | | | | Front Right | | | 83403 | D-182-69 | | |
| | | | | Rear Left | | | 83403 | D-182-69 | | |
| | | | | Rear Right | | | 83403 | D-182-69 | | |
| | 2003 | 4.2L V6 | 3FMXT04.2HF5 | Executive Order # D-182-44 | Left | 82280 | | | D-182-44 | |
| | | | | | Right | 82279 | | | D-182-44 | |
| | | | | | Front Left | | | 82113 | D-182-44 | |
| | | | | | Front Right | | | 82113 | D-182-44 | |
| Rear Left | | | | | | | 82208 | D-182-44 | | |
| Rear Right | | | | | | | 82208 | D-182-44 | | |
| 3FMXT04.2JF5 | | | | | Executive Order # D-182-44 | Left | 82280 | | | D-182-44 |
| | | | | | | Right | 82279 | | | D-182-44 |
| | | Front Left | | | | 82113 | D-182-44 | | | |
| | | Front Right | | | | 82113 | D-182-44 | | | |
| | | Rear Left | | | | 82208 | D-182-44 | | | |
| | | Rear Right | | | | 82208 | D-182-44 | | | |
| | | 4.6L V8 | 3FMXT05.4RF9 | Executive Order # D-182-69 | | Left | | | 83403 | D-182-69 |
| | | | | | | Right | | | 83403 | D-182-69 |
| Rear Left | | | | | | | 83418 | D-182-69 | | |
| Rear Right | | | | | | | 83418 | D-182-69 | | |

E-150 Econoline

| | | | | | | | | | | |
|------|-------------|--------------|----------------------------|--------------|----------------------------|--------------|--------------|----------|--------------|----------|
| 2002 | 4.2L V6 | 2FMXT04.2HF5 | Executive Order # D-182-44 | Left | 82280 | | | D-182-44 | | |
| | | | | Right | 82279 | | | D-182-44 | | |
| | | | | Front Left | | | 82113 | D-182-44 | | |
| | | | | Front Right | | | 82113 | D-182-44 | | |
| | | | | Rear Left | | | 82208 | D-182-44 | | |
| | | | | Rear Right | | | 82208 | D-182-44 | | |
| | | | | 2FMXT04.2JF5 | Executive Order # D-182-44 | Left | 82280 | | | D-182-44 |
| | | | | | | Right | 82279 | | | D-182-44 |
| | Front Left | | | | | 82113 | D-182-44 | | | |
| | Front Right | | | | | 82113 | D-182-44 | | | |
| | Rear Left | | | | | 82208 | D-182-44 | | | |
| | Rear Right | | | | | 82208 | D-182-44 | | | |
| | 4.6L V8 | 2FMXT05.4RF9 | Executive Order # D-182-44 | | | Front Left | | | 82113 | D-182-44 |

For vehicles licensed in the state of California or Maine, or vehicles requiring CARB-compliant converters in the state of New York, the parts in this catalog must be installed as specifically listed. Parts cannot be substituted, nor can they be installed on California or Maine licensed vehicles not listed in this catalog.

OBDII PASSENGER CAR & TRUCK

| Years | Engine | Engine Family No. | Application | Position | Direct-Fit | | Universal Part No. | Executive Order |
|--------------------------------|---------|-------------------|----------------------------|-------------|------------|----------|--------------------|-----------------|
| | | | | | Part No. | Hardware | | |
| FORD (Cont.) | | | | | | | | |
| E-150 Econoline (Cont.) | | | | | | | | |
| 2002 (Cont.) | 4.6L V8 | 2FMXT05.4RF9 | Executive Order # D-182-44 | Front Right | | | 82113 | D-182-44 |
| | | | | Rear Left | | | 82213 | D-182-44 |
| | | | | Rear Right | | | 82213 | D-182-44 |
| 2001 | 4.2L V6 | 1FMXT04.2HG5 | Executive Order # D-182-44 | Left | 82280 | | | D-182-44 |
| | | | | Right | 82279 | | | D-182-44 |
| | | | | Front Left | | | 82113 | D-182-44 |
| | | | | Front Right | | | 82113 | D-182-44 |
| | | | | Rear Left | | | 82208 | D-182-44 |
| | | | | Rear Right | | | 82208 | D-182-44 |
| | | | | Left | 82280 | | | D-182-44 |
| | | | | Right | 82279 | | | D-182-44 |
| | | | | Front Left | | | 82113 | D-182-44 |
| | | | | Front Right | | | 82113 | D-182-44 |
| | | | | Rear Left | | | 82208 | D-182-44 |
| | | | | Rear Right | | | 82208 | D-182-44 |
| | 4.6L V8 | 1FMXT04.6JF5 | Executive Order # D-182-44 | Front Left | | | 82113 | D-182-44 |
| | | | | Front Right | | | 82113 | D-182-44 |
| | | | | Rear Left | | | 82208 | D-182-44 |
| Rear Right | | | | | | 82208 | D-182-44 | |
| 2000 | 4.2L V6 | YFMXT04.2HGC | Executive Order # D-182-44 | Left | 82280 | | | D-182-44 |
| | | | | Right | 82279 | | | D-182-44 |
| | | | | Front Left | | | 82113 | D-182-44 |
| | | | | Front Right | | | 82113 | D-182-44 |
| | | | | Rear Left | | | 82208 | D-182-44 |
| | | | | Rear Right | | | 82208 | D-182-44 |
| | | | | Left | 82280 | | | D-182-44 |
| | | | | Right | 82279 | | | D-182-44 |
| | | | | Front Left | | | 82113 | D-182-44 |
| | | | | Front Right | | | 82113 | D-182-44 |
| | | | | Rear Left | | | 82208 | D-182-44 |
| | | | | Rear Right | | | 82208 | D-182-44 |
| | 4.6L V8 | YFMXT04.66FF | Executive Order # D-182-44 | Front Left | | | 82113 | D-182-44 |
| | | | | Front Right | | | 82113 | D-182-44 |
| | | | | Rear Left | | | 82213 | D-182-44 |
| | | | | Rear Right | | | 82213 | D-182-44 |
| | | | | Left | 82280 | | | D-182-44 |
| | | | | Right | 82279 | | | D-182-44 |
| 1999 | 4.2L V6 | XFMXA04.2HGC | Executive Order # D-182-44 | Left | 82280 | | | D-182-44 |
| | | | | Right | 82279 | | | D-182-44 |
| | | | | Front Left | | | 82113 | D-182-44 |
| | | | | Front Right | | | 82113 | D-182-44 |
| | | | | Rear Left | | | 82208 | D-182-44 |
| | | | | Rear Right | | | 82208 | D-182-44 |
| | | | | Left | 82280 | | | D-182-44 |
| | | | | Right | 82279 | | | D-182-44 |
| | | | | Front Left | | | 82113 | D-182-44 |
| | | | | Front Right | | | 82113 | D-182-44 |
| | | | | Rear Left | | | 82208 | D-182-44 |
| | | | | Rear Right | | | 82208 | D-182-44 |

OBDII APPLICATIONS

NON-OBDII APPLICATIONS

NUMERICAL

UNIVERSAL SPECIFICATIONS

For vehicles licensed in the state of California or Maine, or vehicles requiring CARB-compliant converters in the state of New York, the parts in this catalog must be installed as specifically listed. Parts cannot be substituted, nor can they be installed on California or Maine licensed vehicles not listed in this catalog.

OBDII PASSENGER CAR & TRUCK

| Years | Engine | Engine Family No. | Application | Position | Direct-Fit | | Universal Part No. | Executive Order | | |
|--------------------------------|----------------------------|-------------------|----------------------------|--------------|----------------------------|--------------|--------------------|-----------------|--------------|----------|
| | | | | | Part No. | Hardware | | | | |
| FORD (Cont.) | | | | | | | | | | |
| E-150 Econoline (Cont.) | | | | | | | | | | |
| 1999 (Cont.) | 4.2L V6 | XFMXA04.2JGC | Executive Order # D-182-44 | Rear Left | | | 82208 | D-182-44 | | |
| | | | | Rear Right | | | 82208 | D-182-44 | | |
| | 4.6L V8 | XFMXA04.6JBC | Executive Order # D-182-44 | Front Left | | | 82113 | D-182-44 | | |
| | | | | Front Right | | | 82113 | D-182-44 | | |
| | | | | Rear Left | | | 82208 | D-182-44 | | |
| | | | Rear Right | | | 82208 | D-182-44 | | | |
| 1998 | 4.2L V6 | WFMXA04.2AAA | Executive Order # D-182-44 | Left | 82290 | | | D-182-44 | | |
| | | | | Right | 82291 | | | D-182-44 | | |
| | | | | Front Left | | | 82113 | D-182-44 | | |
| | | | | Front Right | | | 82113 | D-182-44 | | |
| | | | | Rear Left | | | 82208 | D-182-44 | | |
| | | | | Rear Right | | | 82208 | D-182-44 | | |
| | | | | WFMXA04.2ABA | Executive Order # D-182-44 | Left | 82290 | | | D-182-44 |
| | | | | | | Right | 82291 | | | D-182-44 |
| | | | | | | Front Left | | | 82113 | D-182-44 |
| | | | | | | Front Right | | | 82113 | D-182-44 |
| | Rear Left | | | | | 82208 | D-182-44 | | | |
| | | | | Rear Right | | | 82208 | D-182-44 | | |
| | 4.6L V8 | WFMXA04.6BAA | Executive Order # D-182-44 | Front Left | | | 82113 | D-182-44 | | |
| | | | | Front Right | | | 82113 | D-182-44 | | |
| | | | | Rear Left | | | 82208 | D-182-44 | | |
| Rear Right | | | | | | 82208 | D-182-44 | | | |
| 1997 | 4.2L V6 | VFM4.2H8G1EK | Executive Order # D-182-44 | Left | 82290 | | | D-182-44 | | |
| | | | | Right | 82291 | | | D-182-44 | | |
| | | | | Front Left | | | 82113 | D-182-44 | | |
| | | | | Front Right | | | 82113 | D-182-44 | | |
| | | | | Rear Left | | | 82208 | D-182-44 | | |
| | | | | Rear Right | | | 82208 | D-182-44 | | |
| | | | | VFM4.2J8G1EK | Executive Order # D-182-44 | Left | 82290 | | | D-182-44 |
| | | | | | | Right | 82291 | | | D-182-44 |
| | | | | | | Front Left | | | 82113 | D-182-44 |
| | | | | | | Front Right | | | 82113 | D-182-44 |
| | Rear Left | | | | | 82208 | D-182-44 | | | |
| | | | | Rear Right | | | 82208 | D-182-44 | | |
| | 4.6L V8 | VFM4.6J8G1EK | Executive Order # D-182-44 | Front Left | | | 82113 | D-182-44 | | |
| | | | | Front Right | | | 82113 | D-182-44 | | |
| | | | | Rear Left | | | 82208 | D-182-44 | | |
| Rear Right | | | | | | 82208 | D-182-44 | | | |
| 1996 | 4.9L L6 | TFM4.958GFJK | Executive Order # D-182-51 | Front | | | 82312 | D-182-51 | | |
| | | | | Rear | | | 82302 | D-182-51 | | |
| | | | Executive Order # D-182-69 | Rear | | | 83518 | D-182-69 | | |
| | | | | TFM4.968GFJK | Executive Order # D-182-51 | Front | | | 82312 | D-182-51 |
| | | | | | | Rear | | | 82302 | D-182-51 |
| | Executive Order # D-182-69 | Rear | | | 83518 | D-182-69 | | | | |
| | 5.0L V8 | TFM5.0J8G1EK | Executive Order # D-182-51 | Front | | | 82312 | D-182-51 | | |

For vehicles licensed in the state of California or Maine, or vehicles requiring CARB-compliant converters in the state of New York, the parts in this catalog must be installed as specifically listed. Parts cannot be substituted, nor can they be installed on California or Maine licensed vehicles not listed in this catalog.

OBDII PASSENGER CAR & TRUCK

| Years | Engine | Engine Family No. | Application | Position | Direct-Fit | | Universal Part No. | Executive Order | | | | |
|-----------------------------------|----------------------------|-------------------|----------------------------|--------------|--------------|--------------|----------------------------|-----------------|--------------|--|--|----------|
| | | | | | Part No. | Hardware | | | | | | |
| FORD (Cont.) | | | | | | | | | | | | |
| E-150 Econoline (Cont.) | | | | | | | | | | | | |
| 1996 (Cont.) | 5.0L V8 | TFM5.0J8G1EK | Executive Order # D-182-51 | Rear | | | 82302 | D-182-51 | | | | |
| | | | Executive Order # D-182-69 | Rear | | | 83518 | D-182-69 | | | | |
| | 5.8L V8 | TFM5.8J8G1EK | Executive Order # D-182-51 | Front | | | 82312 | D-182-51 | | | | |
| | | | Executive Order # D-182-69 | Rear | | | 82302 | D-182-51 | | | | |
| | | | Executive Order # D-182-69 | Rear | | | 83518 | D-182-69 | | | | |
| E-150 Econoline Club Wagon | | | | | | | | | | | | |
| 2002 | 4.2L V6 | 2FMXT04.2HF5 | Executive Order # D-182-44 | Left | 82280 | | | D-182-44 | | | | |
| | | | | Right | 82279 | | | D-182-44 | | | | |
| | | | | Front Left | | | 82113 | D-182-44 | | | | |
| | | | | Front Right | | | 82113 | D-182-44 | | | | |
| | | | | Rear Left | | | 82208 | D-182-44 | | | | |
| | | Rear Right | | | 82208 | D-182-44 | | | | | | |
| | | 2FMXT04.2JF5 | Executive Order # D-182-44 | Left | 82280 | | | D-182-44 | | | | |
| | | | | Right | 82279 | | | D-182-44 | | | | |
| | | | | Front Left | | | 82113 | D-182-44 | | | | |
| | | | | Front Right | | | 82113 | D-182-44 | | | | |
| | Rear Left | | | | | 82208 | D-182-44 | | | | | |
| | Rear Right | | | 82208 | D-182-44 | | | | | | | |
| | 4.6L V8 | 2FMXT05.4RF9 | Executive Order # D-182-44 | Front Left | | | 82113 | D-182-44 | | | | |
| | | | | Front Right | | | 82113 | D-182-44 | | | | |
| | | | | Rear Left | | | 82213 | D-182-44 | | | | |
| | | | | Rear Right | | | 82213 | D-182-44 | | | | |
| 2001 | 4.2L V6 | 1FMXT04.2HG5 | Executive Order # D-182-44 | Left | 82280 | | | D-182-44 | | | | |
| | | | | Right | 82279 | | | D-182-44 | | | | |
| | | | | Front Left | | | 82113 | D-182-44 | | | | |
| | | | | Front Right | | | 82113 | D-182-44 | | | | |
| | | | | Rear Left | | | 82208 | D-182-44 | | | | |
| | | | | Rear Right | | | 82208 | D-182-44 | | | | |
| | | 1FMXT04.2JG5 | Executive Order # D-182-44 | Left | 82280 | | | D-182-44 | | | | |
| | | | | Right | 82279 | | | D-182-44 | | | | |
| | 4.6L V8 | 1FMXT04.6JF5 | Executive Order # D-182-44 | Front Left | | | 82113 | D-182-44 | | | | |
| | | | | Front Right | | | 82113 | D-182-44 | | | | |
| | | | | Rear Left | | | 82208 | D-182-44 | | | | |
| | | | | Rear Right | | | 82208 | D-182-44 | | | | |
| | | | | 2000 | 4.2L V6 | YFMXT04.2HGC | Executive Order # D-182-44 | Left | 82280 | | | D-182-44 |
| | | | | | | | | Right | 82279 | | | D-182-44 |
| Front Left | | | 82113 | | | | | D-182-44 | | | | |
| Front Right | | | 82113 | | | | | D-182-44 | | | | |
| Rear Left | | | 82208 | | | | | D-182-44 | | | | |
| Rear Right | | | 82208 | | | | | D-182-44 | | | | |
| YFMXT04.2JGC | Executive Order # D-182-44 | Left | 82280 | | | | D-182-44 | | | | | |

OBDII APPLICATIONS

NON-OBDII APPLICATIONS

NUMERICAL

UNIVERSAL SPECIFICATIONS

For vehicles licensed in the state of California or Maine, or vehicles requiring CARB-compliant converters in the state of New York, the parts in this catalog must be installed as specifically listed. Parts cannot be substituted, nor can they be installed on California or Maine licensed vehicles not listed in this catalog.

OBDII PASSENGER CAR & TRUCK

| Years | Engine | Engine Family No. | Application | Position | Direct-Fit | | Universal Part No. | Executive Order | | |
|---|-------------|-------------------|----------------------------|--------------|----------------------------|--------------|--------------------|-----------------|--------------|----------|
| | | | | | Part No. | Hardware | | | | |
| FORD (Cont.) | | | | | | | | | | |
| E-150 Econoline Club Wagon (Cont.) | | | | | | | | | | |
| 2000 (Cont.) | 4.2L V6 | YFMXT04.2JGC | Executive Order # D-182-44 | Right | 82279 | | | D-182-44 | | |
| | | | | Front Left | | | 82113 | D-182-44 | | |
| | | | | Front Right | | | 82113 | D-182-44 | | |
| | | | | Rear Left | | | 82208 | D-182-44 | | |
| | | | | Rear Right | | | 82208 | D-182-44 | | |
| | 4.6L V8 | YFMXT04.66FF | Executive Order # D-182-44 | Front Left | | | 82113 | D-182-44 | | |
| | | | | Front Right | | | 82113 | D-182-44 | | |
| | | | | Rear Left | | | 82213 | D-182-44 | | |
| Rear Right | | | | | | 82213 | D-182-44 | | | |
| 1999 | 4.2L V6 | XFMXA04.2HGC | Executive Order # D-182-44 | Left | 82280 | | | D-182-44 | | |
| | | | | Right | 82279 | | | D-182-44 | | |
| | | | | Front Left | | | 82113 | D-182-44 | | |
| | | | | Front Right | | | 82113 | D-182-44 | | |
| | | | | Rear Left | | | 82208 | D-182-44 | | |
| | | | | Rear Right | | | 82208 | D-182-44 | | |
| | | | | XFMXA04.2JGC | Executive Order # D-182-44 | Left | 82280 | | | D-182-44 |
| | | | | | | Right | 82279 | | | D-182-44 |
| | Front Left | | | | | 82113 | D-182-44 | | | |
| | Front Right | | | | | 82113 | D-182-44 | | | |
| | Rear Left | | | | | 82208 | D-182-44 | | | |
| | Rear Right | | | | | 82208 | D-182-44 | | | |
| | 4.6L V8 | XFMXA04.6JBC | Executive Order # D-182-44 | | | Front Left | | | 82113 | D-182-44 |
| | | | | | | Front Right | | | 82113 | D-182-44 |
| | | | | Rear Left | | | 82208 | D-182-44 | | |
| | | | | Rear Right | | | 82208 | D-182-44 | | |
| 1998 | 4.2L V6 | WFMXA04.2AAA | Executive Order # D-182-44 | Left | 82290 | | | D-182-44 | | |
| | | | | Right | 82291 | | | D-182-44 | | |
| | | | | Front Left | | | 82113 | D-182-44 | | |
| | | | | Front Right | | | 82113 | D-182-44 | | |
| | | | | Rear Left | | | 82208 | D-182-44 | | |
| | | | | Rear Right | | | 82208 | D-182-44 | | |
| | | | | WFMXA04.2ABA | Executive Order # D-182-44 | Left | 82290 | | | D-182-44 |
| | | | | | | Right | 82291 | | | D-182-44 |
| | Front Left | | | | | 82113 | D-182-44 | | | |
| | Front Right | | | | | 82113 | D-182-44 | | | |
| | Rear Left | | | | | 82208 | D-182-44 | | | |
| | Rear Right | | | | | 82208 | D-182-44 | | | |
| | 4.6L V8 | WFMXA04.6BAA | Executive Order # D-182-44 | | | Front Left | | | 82113 | D-182-44 |
| | | | | | | Front Right | | | 82113 | D-182-44 |
| | | | | Rear Left | | | 82208 | D-182-44 | | |
| | | | | Rear Right | | | 82208 | D-182-44 | | |
| 1997 | 4.2L V6 | VFM4.2H8G1EK | Executive Order # D-182-44 | Left | 82290 | | | D-182-44 | | |
| | | | | Right | 82291 | | | D-182-44 | | |
| | | | | Front Left | | | 82113 | D-182-44 | | |
| | | | | Front Right | | | 82113 | D-182-44 | | |

For vehicles licensed in the state of California or Maine, or vehicles requiring CARB-compliant converters in the state of New York, the parts in this catalog must be installed as specifically listed. Parts cannot be substituted, nor can they be installed on California or Maine licensed vehicles not listed in this catalog.

OBDII PASSENGER CAR & TRUCK

| Years | Engine | Engine Family No. | Application | Position | Direct-Fit | | Universal Part No. | Executive Order | | | | |
|---|--------------|----------------------------|----------------------------|----------------------------|----------------------------|----------------------------|----------------------------|-----------------|--------------|--------------|--------------|----------|
| | | | | | Part No. | Hardware | | | | | | |
| FORD (Cont.) | | | | | | | | | | | | |
| E-150 Econoline Club Wagon (Cont.) | | | | | | | | | | | | |
| 1997 (Cont.) | 4.2L V6 | VFM4.2H8G1EK | Executive Order # D-182-44 | Rear Left | | | 82208 | D-182-44 | | | | |
| | | | | Rear Right | | | 82208 | D-182-44 | | | | |
| | | VFM4.2J8G1EK | Executive Order # D-182-44 | Left | 82290 | | | | D-182-44 | | | |
| | | | | Right | 82291 | | | | D-182-44 | | | |
| | | | | Front Left | | | 82113 | | D-182-44 | | | |
| | | | | Front Right | | | 82113 | | D-182-44 | | | |
| | | | | Rear Left | | | 82208 | | D-182-44 | | | |
| | | | | Rear Right | | | 82208 | | D-182-44 | | | |
| | 4.6L V8 | VFM4.6J8G1EK | Executive Order # D-182-44 | Front Left | | | 82113 | D-182-44 | | | | |
| | | | | Front Right | | | 82113 | D-182-44 | | | | |
| | | | | Rear Left | | | 82208 | D-182-44 | | | | |
| | | | | Rear Right | | | 82208 | D-182-44 | | | | |
| | | | | 1996 | 4.9L L6 | TFM4.958GFJK | Executive Order # D-182-51 | Front | | | 82312 | D-182-51 |
| | | | | | | | | Rear | | | 82302 | D-182-51 |
| Executive Order # D-182-69 | Rear | | | | | | 83518 | | D-182-69 | | | |
| | TFM4.968GFJK | Executive Order # D-182-51 | Front | | | | | | 82312 | D-182-51 | | |
| Rear | | | | | | 82302 | D-182-51 | | | | | |
| Executive Order # D-182-69 | Rear | | | | | | 83518 | | D-182-69 | | | |
| | 5.0L V8 | | TFM5.0J8G1EK | | | Executive Order # D-182-51 | Front | | | 82312 | D-182-51 | |
| Rear | | | | | | | | 82302 | D-182-51 | | | |
| Executive Order # D-182-69 | | Rear | | | | 83518 | | D-182-69 | | | | |
| | | 5.8L V8 | | TFM5.8J8G1EK | Executive Order # D-182-51 | Front | | | 82312 | D-182-51 | | |
| Rear | | | | | | 82302 | D-182-51 | | | | | |
| Executive Order # D-182-69 | Rear | | | | | 83518 | | D-182-69 | | | | |
| | E-250 | | 2006 | | 4.6L V8 | 6FMXT04.6RPE | Executive Order # D-182-69 | Front Left | | | 83402 | D-182-69 |
| | | | | | | | | Front Right | | | 83402 | D-182-69 |
| | | | | | | | | Rear Left | | | 83402 | D-182-69 |
| Rear Right | | | | | | | | 83402 | D-182-69 | | | |
| 6FMXT04.6TPE | | Executive Order # D-182-69 | | Front Left | | | | 83402 | D-182-69 | | | |
| | | | | Front Right | | | | 83402 | D-182-69 | | | |
| | | | | Rear Left | | | | 83402 | D-182-69 | | | |
| | | | | Rear Right | | | | 83402 | D-182-69 | | | |
| 2005 | | 4.6L V8 | 5FMXT04.6RPE | Executive Order # D-182-69 | Front Left | | | 83402 | D-182-69 | | | |
| | | | | | Front Right | | | 83402 | D-182-69 | | | |
| | | | | | Rear Left | | | 83402 | D-182-69 | | | |
| | | | | | Rear Right | | | 83402 | D-182-69 | | | |
| | | | 5FMXT04.6TPE | Executive Order # D-182-69 | Front Left | | | 83402 | D-182-69 | | | |
| | | | | | Front Right | | | 83402 | D-182-69 | | | |
| | Rear Left | | | | | | 83402 | D-182-69 | | | | |
| | Rear Right | | | | | | 83402 | D-182-69 | | | | |
| 5.4L V8 | 5FMXT05.4SP6 | Executive Order # D-182-69 | Front Left | | | 83402 | D-182-69 | | | | | |
| | | | Front Right | | | 83402 | D-182-69 | | | | | |
| | | | Rear Left | | | 83402 | D-182-69 | | | | | |
| | | | Rear Right | | | 83402 | D-182-69 | | | | | |

For vehicles licensed in the state of California or Maine, or vehicles requiring CARB-compliant converters in the state of New York, the parts in this catalog must be installed as specifically listed. Parts cannot be substituted, nor can they be installed on California or Maine licensed vehicles not listed in this catalog.

OBDII APPLICATIONS

NON-OBDII APPLICATIONS

NUMERICAL

UNIVERSAL SPECIFICATIONS

OBDII PASSENGER CAR & TRUCK

| Years | Engine | Engine Family No. | Application | Position | Direct-Fit | | Universal Part No. | Executive Order |
|----------------------|---------|-------------------|----------------------------|-------------|--------------|----------|--------------------|-----------------|
| | | | | | Part No. | Hardware | | |
| FORD (Cont.) | | | | | | | | |
| E-250 (Cont.) | | | | | | | | |
| 2004 | 4.6L V8 | 4FMXT04.6RP9 | Executive Order # D-182-69 | Front Left | | | 83403 | D-182-69 |
| | | | | Front Right | | | 83403 | D-182-69 |
| | | | | Rear Left | | | 83418 | D-182-69 |
| | | | | Rear Right | | | 83418 | D-182-69 |
| | | 4FMXT05.4SP6 | Executive Order # D-182-69 | Front Left | | | 83403 | D-182-69 |
| | | | | Front Right | | | 83403 | D-182-69 |
| | | | | Rear Left | | | 83403 | D-182-69 |
| | | | | Rear Right | | | 83403 | D-182-69 |
| 2003 | 4.2L V6 | 3FMXT04.2JF5 | Executive Order # D-182-44 | Left | 82280 | | | D-182-44 |
| | | | | Right | 82279 | | | D-182-44 |
| | | | | Front Left | | | 82113 | D-182-44 |
| | | | | Front Right | | | 82113 | D-182-44 |
| | | | | Rear Left | | | 82208 | D-182-44 |
| | | | | Rear Right | | | 82208 | D-182-44 |
| | 4.6L V8 | 3FMXT05.4RF9 | Executive Order # D-182-69 | Front Left | | | 83403 | D-182-69 |
| | | | | Front Right | | | 83403 | D-182-69 |
| | | | | Rear Left | | | 83418 | D-182-69 |
| | | | | Rear Right | | | 83418 | D-182-69 |

E-250 Econoline

| | | | | | | | | |
|------|---------|--------------|----------------------------|-------------|--------------|--|--------------|----------|
| 2002 | 4.2L V6 | 2FMXT04.2JF5 | Executive Order # D-182-44 | Left | 82280 | | | D-182-44 |
| | | | | Right | 82279 | | | D-182-44 |
| | | | | Front Left | | | 82113 | D-182-44 |
| | | | | Front Right | | | 82113 | D-182-44 |
| | | | | Rear Left | | | 82208 | D-182-44 |
| | | | | Rear Right | | | 82208 | D-182-44 |
| 2001 | 4.2L V6 | 1FMXT04.2JG5 | Executive Order # D-182-44 | Left | 82280 | | | D-182-44 |
| | | | | Right | 82279 | | | D-182-44 |
| | | | | Front Left | | | 82113 | D-182-44 |
| | | | | Front Right | | | 82113 | D-182-44 |
| | | | | Rear Left | | | 82208 | D-182-44 |
| | | | | Rear Right | | | 82208 | D-182-44 |
| 2000 | 4.2L V6 | YFMXT04.2JGC | Executive Order # D-182-44 | Left | 82280 | | | D-182-44 |
| | | | | Right | 82279 | | | D-182-44 |
| | | | | Front Left | | | 82113 | D-182-44 |
| | | | | Front Right | | | 82113 | D-182-44 |
| | | | | Rear Left | | | 82208 | D-182-44 |
| | | | | Rear Right | | | 82208 | D-182-44 |
| 1999 | 4.2L V6 | XFMXA04.2JGC | Executive Order # D-182-44 | Left | 82280 | | | D-182-44 |
| | | | | Right | 82279 | | | D-182-44 |
| | | | | Front Left | | | 82113 | D-182-44 |
| | | | | Front Right | | | 82113 | D-182-44 |
| | | | | Rear Left | | | 82208 | D-182-44 |
| | | | | Rear Right | | | 82208 | D-182-44 |
| 1998 | 4.2L V6 | WFMXA04.2ABA | Executive Order # D-182-44 | Left | 82290 | | | D-182-44 |
| | | | | Right | 82291 | | | D-182-44 |

For vehicles licensed in the state of California or Maine, or vehicles requiring CARB-compliant converters in the state of New York, the parts in this catalog must be installed as specifically listed. Parts cannot be substituted, nor can they be installed on California or Maine licensed vehicles not listed in this catalog.

OBDII PASSENGER CAR & TRUCK

| Years | Engine | Engine Family No. | Application | Position | Direct-Fit | | Universal Part No. | Executive Order |
|-----------------------------------|--------------|----------------------------|----------------------------|-------------|--------------|--------------|--------------------|-----------------|
| | | | | | Part No. | Hardware | | |
| FORD (Cont.) | | | | | | | | |
| E-250 Econoline (Cont.) | | | | | | | | |
| 1998 (Cont.) | 4.2L V6 | WFMXA04.2ABA | Executive Order # D-182-44 | Front Left | | | 82113 | D-182-44 |
| | | | | Front Right | | | 82113 | D-182-44 |
| | | | | Rear Left | | | 82208 | D-182-44 |
| | | | | Rear Right | | | 82208 | D-182-44 |
| 1997 | 4.2L V6 | VFM4.2J8G1EK | Executive Order # D-182-44 | Left | 82290 | | | D-182-44 |
| | | | | Right | 82291 | | | D-182-44 |
| | | | | Front Left | | | 82113 | D-182-44 |
| | | | | Front Right | | | 82113 | D-182-44 |
| | | | | Rear Left | | | 82208 | D-182-44 |
| | | | | Rear Right | | | 82208 | D-182-44 |
| 1996 | 4.9L L6 | TFM4.968GFJK | Executive Order # D-182-51 | Front | | | 82312 | D-182-51 |
| | | | | Rear | | | 82302 | D-182-51 |
| | | | Executive Order # D-182-69 | Rear | | | 83518 | D-182-69 |
| | 5.8L V8 | TFM5.8J8G1EK | Executive Order # D-182-51 | Front | | | 82312 | D-182-51 |
| | | | | Rear | | | 82302 | D-182-51 |
| | | | Executive Order # D-182-69 | Rear | | | 83518 | D-182-69 |
| E-350 Econoline | | | | | | | | |
| 1996 | 4.9L L6 | TFM4.968GFJK | Executive Order # D-182-51 | Front | | | 82312 | D-182-51 |
| | | | | Rear | | | 82302 | D-182-51 |
| | 5.8L V8 | TFM5.8J8G1EK | Executive Order # D-182-51 | Front | | | 82312 | D-182-51 |
| | | | | Rear | | | 82302 | D-182-51 |
| E-350 Econoline Club Wagon | | | | | | | | |
| 1996 | 4.9L L6 | TFM4.968GFJK | Executive Order # D-182-51 | Front | | | 82312 | D-182-51 |
| | | | | Rear | | | 82302 | D-182-51 |
| | 5.8L V8 | TFM5.8J8G1EK | Executive Order # D-182-51 | Front | | | 82312 | D-182-51 |
| | | | | Rear | | | 82302 | D-182-51 |
| E-350 Super Duty | | | | | | | | |
| 2006 | 5.4L V8 | 6FMXK05.4TF5 | Executive Order # D-182-69 | Front Left | | | 83402 | D-182-69 |
| | | | | Front Right | | | 83402 | D-182-69 |
| | | | | Rear Left | | | 83402 | D-182-69 |
| | | | | Rear Right | | | 83402 | D-182-69 |
| | 6FMXT05.4SP6 | Executive Order # D-182-69 | Front Left | | | 83402 | D-182-69 | |
| | | | Front Right | | | 83402 | D-182-69 | |
| | | | Rear Left | | | 83402 | D-182-69 | |
| | | | Rear Right | | | 83402 | D-182-69 | |
| 2005 | 5.4L V8 | 5FMXK05.4TF5 | Executive Order # D-182-69 | Front Left | | | 83402 | D-182-69 |
| | | | | Front Right | | | 83402 | D-182-69 |
| | | | | Rear Left | | | 83402 | D-182-69 |
| | | | | Rear Right | | | 83402 | D-182-69 |
| | 5FMXT05.4SP6 | Executive Order # D-182-69 | Front Left | | | 83402 | D-182-69 | |
| | | | Front Right | | | 83402 | D-182-69 | |
| | | | Rear Left | | | 83402 | D-182-69 | |
| | | | Rear Right | | | 83402 | D-182-69 | |
| 2004 | 5.4L V8 | 4FMXT05.4SP6 | Executive Order # D-182-69 | Front Left | | | 83403 | D-182-69 |
| | | | | Front Right | | | 83403 | D-182-69 |

For vehicles licensed in the state of California or Maine, or vehicles requiring CARB-compliant converters in the state of New York, the parts in this catalog must be installed as specifically listed. Parts cannot be substituted, nor can they be installed on California or Maine licensed vehicles not listed in this catalog.

OBDII APPLICATIONS

 NON-OBDII APPLICATIONS

 NUMERICAL

 UNIVERSAL SPECIFICATIONS

OBDII PASSENGER CAR & TRUCK

| Years | Engine | Engine Family No. | Application | Position | Direct-Fit | | Universal Part No. | Executive Order |
|---------------------------------|--------------|----------------------------|----------------------------|--------------|--------------|--------------|--------------------|-----------------|
| | | | | | Part No. | Hardware | | |
| FORD (Cont.) | | | | | | | | |
| E-350 Super Duty (Cont.) | | | | | | | | |
| 2004 (Cont.) | 5.4L V8 | 4FMXT05.4SP6 | Executive Order # D-182-69 | Rear Left | | | 83403 | D-182-69 |
| | | | | Rear Right | | | 83403 | D-182-69 |
| | 6.8L V10 | 4FMXT06.8TP5 | Executive Order # D-182-69 | Front Left | | | 83403 | D-182-69 |
| | | | | Front Right | | | 83403 | D-182-69 |
| | | | | Rear Left | | | 83403 | D-182-69 |
| | | | | Rear Right | | | 83403 | D-182-69 |
| Econoline | | | | | | | | |
| 2006 | 4.6L V8 | 6FMXT04.6RPE | Executive Order # D-182-69 | Front Left | | | 83402 | D-182-69 |
| | | | | Front Right | | | 83402 | D-182-69 |
| | | | | Rear Left | | | 83402 | D-182-69 |
| | | | | Rear Right | | | 83402 | D-182-69 |
| | 5.4L V8 | 6FMXT05.4RM6 | Executive Order # D-182-69 | Front Left | | | 83402 | D-182-69 |
| | | | | Front Right | | | 83402 | D-182-69 |
| | | | | Rear Left | | | 83402 | D-182-69 |
| | | | | Rear Right | | | 83402 | D-182-69 |
| 2005 | 4.6L V8 | 5FMXT04.6RPE | Executive Order # D-182-69 | Front Left | | | 83402 | D-182-69 |
| | | | | Front Right | | | 83402 | D-182-69 |
| | | | | Rear Left | | | 83402 | D-182-69 |
| | | | | Rear Right | | | 83402 | D-182-69 |
| | 5.4L V8 | 5FMXT05.4RM6 | Executive Order # D-182-69 | Front Left | | | 83402 | D-182-69 |
| | | | | Front Right | | | 83402 | D-182-69 |
| | | | | Rear Left | | | 83402 | D-182-69 |
| | | | | Rear Right | | | 83402 | D-182-69 |
| 2004 | 4.6L V8 | 4FMXT04.6RP9 | Executive Order # D-182-69 | Left | | | 83403 | D-182-69 |
| | | | | Right | | | 83403 | D-182-69 |
| | | | | Rear Left | | | 83418 | D-182-69 |
| | | | | Rear Right | | | 83418 | D-182-69 |
| | 5.4L V8 | 4FMXT05.4RM6 | Executive Order # D-182-69 | Front Left | | | 83403 | D-182-69 |
| | | | | Front Right | | | 83403 | D-182-69 |
| | | | | Rear Left | | | 83403 | D-182-69 |
| | | | | Rear Right | | | 83403 | D-182-69 |
| 2003 | 4.2L V6 | 3FMXT04.2HF5 | Executive Order # D-182-44 | Left | 82280 | | | D-182-44 |
| | | | | Right | 82279 | | | D-182-44 |
| | | | | Front Left | | | 82113 | D-182-44 |
| | | | | Front Right | | | 82113 | D-182-44 |
| | | | | Rear Left | | | 82208 | D-182-44 |
| | | | | Rear Right | | | 82208 | D-182-44 |
| | 3FMXT04.2JF5 | Executive Order # D-182-44 | Left | 82280 | | | D-182-44 | |
| | | | Right | 82279 | | | D-182-44 | |
| | | | Front Left | | | 82113 | D-182-44 | |
| | | | Front Right | | | 82113 | D-182-44 | |
| | | | Rear Left | | | 82208 | D-182-44 | |
| | | | Rear Right | | | 82208 | D-182-44 | |
| 2001 | 4.2L V6 | 1FMXT04.2HG5 | Executive Order # D-182-44 | Left | 82280 | | | D-182-44 |
| | | | | Right | 82279 | | | D-182-44 |

For vehicles licensed in the state of California or Maine, or vehicles requiring CARB-compliant converters in the state of New York, the parts in this catalog must be installed as specifically listed. Parts cannot be substituted, nor can they be installed on California or Maine licensed vehicles not listed in this catalog.

OBDII PASSENGER CAR & TRUCK

| Years | Engine | Engine Family No. | Application | Position | Direct-Fit | | Universal Part No. | Executive Order | | | |
|--------------------------|--------------|----------------------------|----------------------------|--------------|--------------|--------------|--------------------|-----------------|--------------|----------|--|
| | | | | | Part No. | Hardware | | | | | |
| FORD (Cont.) | | | | | | | | | | | |
| Econoline (Cont.) | | | | | | | | | | | |
| 2001 (Cont.) | 4.2L V6 | 1FMXT04.2HG5 | Executive Order # D-182-44 | Front Left | | | 82113 | D-182-44 | | | |
| | | | | Front Right | | | 82113 | D-182-44 | | | |
| | | | | Rear Left | | | 82208 | D-182-44 | | | |
| | | | | Rear Right | | | 82208 | D-182-44 | | | |
| | | 1FMXT04.2JG5 | Executive Order # D-182-44 | Left | 82280 | | | | D-182-44 | | |
| | | | | Right | 82279 | | | | D-182-44 | | |
| | | | | Front Left | | | 82113 | D-182-44 | | | |
| | | | | Front Right | | | 82113 | D-182-44 | | | |
| | | | | | Rear Left | | | 82208 | D-182-44 | | |
| | | | | | Rear Right | | | 82208 | D-182-44 | | |
| | | | | | | | | | | | |
| | | | | | | | | | | | |
| 2000 | 4.2L V6 | YFMXT04.2HGC | Executive Order # D-182-44 | Left | 82280 | | | D-182-44 | | | |
| | | | | Right | 82279 | | | D-182-44 | | | |
| | | | | Front Left | | | 82113 | D-182-44 | | | |
| | | | | Front Right | | | 82113 | D-182-44 | | | |
| | | | | | | Rear Left | | | 82208 | D-182-44 | |
| | | | | | | Rear Right | | | 82208 | D-182-44 | |
| | | | | | | | | | | | |
| | | | | | | | | | | | |
| | YFMXT04.2JGC | Executive Order # D-182-44 | Left | 82280 | | | | D-182-44 | | | |
| | | | Right | 82279 | | | | D-182-44 | | | |
| | | | Front Left | | | 82113 | D-182-44 | | | | |
| | | | Front Right | | | 82113 | D-182-44 | | | | |
| | | | Rear Left | | | 82208 | D-182-44 | | | | |
| | | | Rear Right | | | 82208 | D-182-44 | | | | |
| | | | | | | | | | | | |
| | | | | | | | | | | | |
| 1999 | 4.2L V6 | XFMXA04.2HGC | Executive Order # D-182-44 | Left | 82280 | | | D-182-44 | | | |
| | | | | Right | 82279 | | | D-182-44 | | | |
| | | | | Front Left | | | 82113 | D-182-44 | | | |
| | | | | Front Right | | | 82113 | D-182-44 | | | |
| | | | | | | Rear Left | | | 82208 | D-182-44 | |
| | | | | | | Rear Right | | | 82208 | D-182-44 | |
| | | | | | | | | | | | |
| | | | | | | | | | | | |
| | XFMXA04.2JGC | Executive Order # D-182-44 | Left | 82280 | | | | D-182-44 | | | |
| | | | Right | 82279 | | | | D-182-44 | | | |
| | | | Front Left | | | 82113 | D-182-44 | | | | |
| | | | Front Right | | | 82113 | D-182-44 | | | | |
| | | | Rear Left | | | 82208 | D-182-44 | | | | |
| | | | Rear Right | | | 82208 | D-182-44 | | | | |
| | | | | | | | | | | | |
| | | | | | | | | | | | |

Econoline Super Duty

| | | | | | | | | |
|------|---------|--------------|----------------------------|------|--|--|--------------|----------|
| 1996 | 5.8L V8 | TFM5.8J8G1EK | Executive Order # D-182-69 | Rear | | | 83518 | D-182-69 |
|------|---------|--------------|----------------------------|------|--|--|--------------|----------|

Escape

| | | | | | | | | |
|------|---------|--------------|---------------------------------|-------|--------------|--------------|--------------|----------|
| 2008 | 2.3L L4 | 8FMXT02.31EF | FWD; Executive Order # D-182-62 | Front | 83182 | 31725, 31369 | | D-182-62 |
| | | | | Rear | 83277 | 31578 | 83209 | D-182-62 |
| 2007 | 2.3L L4 | 7FMXT02.31EF | Executive Order # D-182-62 | Front | 83182 | 31725, 31369 | | D-182-62 |
| | | | | Rear | 83277 | 31578 | 83209 | D-182-62 |
| 2006 | 2.3L L4 | 6FMXT02.31EF | Executive Order # D-182-62 | Front | 83182 | 31725, 31369 | | D-182-62 |
| | | | | Rear | 83277 | 31578 | 83209 | D-182-62 |
| 2005 | 2.3L L4 | 5FMXT02.31EF | Executive Order # D-182-62 | Front | 83182 | 31725, 31369 | | D-182-62 |
| | | | | Rear | 83277 | 31578 | 83209 | D-182-62 |

For vehicles licensed in the state of California or Maine, or vehicles requiring CARB-compliant converters in the state of New York, the parts in this catalog must be installed as specifically listed. Parts cannot be substituted, nor can they be installed on California or Maine licensed vehicles not listed in this catalog.

OBDII APPLICATIONS

NON-OBDII APPLICATIONS

NUMERICAL

UNIVERSAL SPECIFICATIONS

OBDII PASSENGER CAR & TRUCK

| Years | Engine | Engine Family No. | Application | Position | Direct-Fit | | Universal Part No. | Executive Order |
|-----------------------|---------|-------------------|---|----------------------------|--------------|--------------|--------------------|-----------------|
| | | | | | Part No. | Hardware | | |
| FORD (Cont.) | | | | | | | | |
| Escape (Cont.) | | | | | | | | |
| 2005 (Cont.) | 3.0L V6 | 5FMXT03.01FE | Executive Order # D-182-61 | Rear | 82693 | 31578 | 82639 | D-182-61 |
| | | | Includes Front Gasket; Executive Order # D-182-61 | Front Left | 82560 | 31632 | | D-182-61 |
| | | | | Front Right | 82561 | 31632 | | D-182-61 |
| 2004 | 2.0L L4 | 4FMXT02.01F5 | Executive Order # D-182-57 | | | | 82628 | D-182-57 |
| | 3.0L V6 | 4FMXT03.01FE | Executive Order # D-182-61 | Rear | 82693 | 31578 | 82639 | D-182-61 |
| | | | Includes Front Gasket; Executive Order # D-182-61 | Front Left | 82560 | 31632 | | D-182-61 |
| | | | | Front Right | 82561 | 31632 | | D-182-61 |
| | | | | Executive Order # D-182-57 | | | | 82628 |
| 2003 | 2.0L L4 | 3FMXT02.01F5 | Executive Order # D-182-57 | | | | 82628 | D-182-57 |
| | 3.0L V6 | 3FMXT03.01F7 | Executive Order # D-182-61 | Rear | 82693 | 31578 | 82639 | D-182-61 |
| | | | Includes Front Gasket; Executive Order # D-182-61 | Front Left | 82560 | 31632 | | D-182-61 |
| | | | | Front Right | 82561 | 31632 | | D-182-61 |
| | | | | Executive Order # D-182-57 | | | | 82628 |
| 2002 | 2.0L L4 | 2FMXT02.01F5 | Executive Order # D-182-57 | | | | 82628 | D-182-57 |
| | 3.0L V6 | 2FMXT03.01F6 | Executive Order # D-182-61 | Rear | 82693 | 31578 | 82639 | D-182-61 |
| | | | Includes Front Gasket; Executive Order # D-182-61 | Front Left | 82560 | 31632 | | D-182-61 |
| | | | | Front Right | 82561 | 31632 | | D-182-61 |
| | | 2FMXT03.01F7 | Executive Order # D-182-61 | Rear | 82693 | 31578 | 82639 | D-182-61 |
| | | | Includes Front Gasket; Executive Order # D-182-61 | Front Left | 82560 | 31632 | | D-182-61 |
| | | | | Front Right | 82561 | 31632 | | D-182-61 |
| 2001 | 2.0L L4 | 1FMXT02.01F5 | Executive Order # D-182-57 | | | | 82628 | D-182-57 |
| | 3.0L V6 | 1FMXT03.01F6 | Executive Order # D-182-61 | Rear | 82693 | 31578 | 82639 | D-182-61 |
| | | | Includes Front Gasket; Executive Order # D-182-61 | Front Left | 82560 | 31632 | | D-182-61 |
| | | | | Front Right | 82561 | 31632 | | D-182-61 |
| | | | | Escort | | | | |
| 2003 | 2.0L L4 | 3FMXV02.0VF3 | Executive Order # D-182-57 | | 82673 | 31640, 31307 | 82628 | D-182-57 |
| | | 3FMXV02.0VF6 | Executive Order # D-182-57 | | 82673 | 31640, 31307 | 82628 | D-182-57 |
| 2002 | 2.0L L4 | 2FMXV02.0VF3 | Executive Order # D-182-57 | | | | 82628 | D-182-57 |
| | | | VIN "3"; Executive Order # D-182-57 | | 82673 | 31640, 31307 | | D-182-57 |
| | | | VIN "P"; Executive Order # D-182-57 | | 82672 | 31635, 31307 | | D-182-57 |
| | | 2FMXV02.0VF6 | Executive Order # D-182-57 | | | | 82628 | D-182-57 |
| | | | VIN "3"; Executive Order # D-182-57 | | 82673 | 31640, 31307 | | D-182-57 |
| | | | VIN "P"; Executive Order # D-182-57 | | 82672 | 31635, 31307 | | D-182-57 |
| 2001 | 2.0L L4 | 1FMXV02.0VF2 | Executive Order # D-182-57 | | | | 82628 | D-182-57 |
| | | | VIN "P"; Executive Order # D-182-57 | | 82672 | 31635, 31307 | | D-182-57 |
| | | 1FMXV02.0VF3 | Executive Order # D-182-57 | | | | 82628 | D-182-57 |
| | | | VIN "3"; Executive Order # D-182-57 | | 82673 | 31640, 31307 | | D-182-57 |
| 2000 | 2.0L L4 | YFMXV02.0VF2 | Executive Order # D-182-57 | | | | 82628 | D-182-57 |
| | | | VIN "P"; Executive Order # D-182-57 | | 82672 | 31635, 31307 | | D-182-57 |
| | | YFMXV02.0VF5 | Executive Order # D-182-57 | | | | 82628 | D-182-57 |
| | | | VIN "3"; Executive Order # D-182-57 | | 82673 | 31640, 31307 | | D-182-57 |

For vehicles licensed in the state of California or Maine, or vehicles requiring CARB-compliant converters in the state of New York, the parts in this catalog must be installed as specifically listed. Parts cannot be substituted, nor can they be installed on California or Maine licensed vehicles not listed in this catalog.

OBDII PASSENGER CAR & TRUCK

| Years | Engine | Engine Family No. | Application | Position | Direct-Fit | | Universal Part No. | Executive Order | | | |
|-----------------------|----------------------------|----------------------------|-------------------------------------|-------------|--------------|----------------------------|--------------------|-----------------|----------|--------------|----------|
| | | | | | Part No. | Hardware | | | | | |
| FORD (Cont.) | | | | | | | | | | | |
| Escort (Cont.) | | | | | | | | | | | |
| 1999 | 2.0L L4 | XFMXV02.0VDN | Executive Order # D-182-57 | | | | 82628 | D-182-57 | | | |
| | | | VIN "3"; Executive Order # D-182-57 | | 82673 | 31640, 31307 | | D-182-57 | | | |
| | | XFMXV02.0VG5 | Executive Order # D-182-57 | | | 82673 | 31640, 31307 | | D-182-57 | | |
| | | | VIN "3"; Executive Order # D-182-57 | | | 82673 | 31640, 31307 | | D-182-57 | | |
| | | XFMXV02.0VGC | Executive Order # D-182-57 | | | 82672 | 31635, 31307 | | D-182-57 | | |
| | | | VIN "P"; Executive Order # D-182-57 | | | 82672 | 31635, 31307 | | D-182-57 | | |
| 1998 | 2.0L L4 | WFMXV02.0ALA | VIN "P"; Executive Order # D-182-57 | | 82672 | 31635, 31307 | | D-182-57 | | | |
| | | | Executive Order # D-182-57 | | | | 82628 | D-182-57 | | | |
| | | WFMXV02.0ATA | VIN "P"; Executive Order # D-182-57 | | 82672 | 31635, 31307 | | D-182-57 | | | |
| | | | Executive Order # D-182-57 | | | | 82628 | D-182-57 | | | |
| | | WFMXV02.0BTA | Executive Order # D-182-57 | | | 82673 | 31640, 31307 | | D-182-57 | | |
| | | | VIN "3"; Executive Order # D-182-57 | | | 82673 | 31640, 31307 | | D-182-57 | | |
| 1997 | 2.0L L4 | VFM2.0V8G2EK | Executive Order # D-182-57 | | 82672 | 31635, 31307 | 82628 | D-182-57 | | | |
| | | VFM2.0V8G3FK | Executive Order # D-182-57 | | 82672 | 31635, 31307 | 82628 | D-182-57 | | | |
| 1996 | 1.8L L4 | TFM1.8VJG1EK | Executive Order # D-182-58 | | | | 82529 | D-182-58 | | | |
| | 1.9L L4 | TFM1.9V8GKEK | Executive Order # D-182-58 | | 82594 | 31534 | 82527 | D-182-58 | | | |
| Expedition | | | | | | | | | | | |
| 2006 | 5.4L V8 | 6FMXT05.4RI7 | Executive Order # D-182-69 | Left | | | 83413 | D-182-69 | | | |
| | | | | Right | | | 83413 | D-182-69 | | | |
| 2005 | 5.4L V8 | 5FMXT05.4RI7 | Executive Order # D-182-69 | Left | | | 83413 | D-182-69 | | | |
| | | | | Right | | | 83413 | D-182-69 | | | |
| 2004 | 4.6L V8 | 4FMXT05.4RFC | Executive Order # D-182-69 | Front Left | | | 83513 | D-182-69 | | | |
| | | | | Front Right | | | 83513 | D-182-69 | | | |
| | | | | Rear Left | | | 83418 | D-182-69 | | | |
| | | | | Rear Right | | | 83418 | D-182-69 | | | |
| | 5.4L V8 | 4FMXT05.4RFC | Executive Order # D-182-69 | Front Left | | | 83513 | D-182-69 | | | |
| | | | | Front Right | | | 83513 | D-182-69 | | | |
| | | | | Rear Left | | | 83418 | D-182-69 | | | |
| | | | | Rear Right | | | 83418 | D-182-69 | | | |
| | | | 2003 | 4.6L V8 | 3FMXT05.4RF5 | Executive Order # D-182-69 | Front Left | | | 83513 | D-182-69 |
| | | | | | | | Front Right | | | 83513 | D-182-69 |
| | Rear Left | | | | | | 83418 | D-182-69 | | | |
| | Rear Right | | | | | | 83418 | D-182-69 | | | |
| 5.4L V8 | 3FMXT05.4RFC | Executive Order # D-182-69 | Front Left | | | 83513 | D-182-69 | | | | |
| | | | Front Right | | | 83513 | D-182-69 | | | | |
| | | | Rear Left | | | 83418 | D-182-69 | | | | |
| | | | Rear Right | | | 83418 | D-182-69 | | | | |
| | 3FMXT05.4RF5 | Executive Order # D-182-69 | Front Left | | | 83513 | D-182-69 | | | | |
| | | | Front Right | | | 83513 | D-182-69 | | | | |
| | | | Rear Left | | | 83418 | D-182-69 | | | | |
| | | | Rear Right | | | 83418 | D-182-69 | | | | |
| 2003 | 5.4L V8 | 3FMXT05.4RF5 | Executive Order # D-182-69 | Front Left | | | 83513 | D-182-69 | | | |
| | | | | Front Right | | | 83513 | D-182-69 | | | |
| 3FMXT05.4RFC | Executive Order # D-182-69 | Front Left | | | 83513 | D-182-69 | | | | | |
| | | Front Left | | | 83513 | D-182-69 | | | | | |

OBDII APPLICATIONS

NON-OBDII APPLICATIONS

NUMERICAL

UNIVERSAL SPECIFICATIONS

For vehicles licensed in the state of California or Maine, or vehicles requiring CARB-compliant converters in the state of New York, the parts in this catalog must be installed as specifically listed. Parts cannot be substituted, nor can they be installed on California or Maine licensed vehicles not listed in this catalog.

OBDII PASSENGER CAR & TRUCK

| Years | Engine | Engine Family No. | Application | Position | Direct-Fit | | Universal Part No. | Executive Order | |
|---------------------------------|---------------------------------|---------------------------------|---------------------------------|---------------------------------|--------------|--------------|--------------------|-----------------|----------|
| | | | | | Part No. | Hardware | | | |
| FORD (Cont.) | | | | | | | | | |
| Expedition (Cont.) | | | | | | | | | |
| 2003 (Cont.) | 5.4L V8 | 3FMXT05.4RFC | Executive Order # D-182-69 | Front Right | | | 83513 | D-182-69 | |
| | | | | Rear Left | | | 83418 | D-182-69 | |
| | | | | Rear Right | | | 83418 | D-182-69 | |
| 2002 | 4.6L V8 | 2FMXT04.66F7 | 4WD; Executive Order # D-182-44 | Left | 82267 | | | D-182-44 | |
| | | | | Right | 82266 | | | D-182-44 | |
| | | | Executive Order # D-182-44 | Front Left | | | 82113 | D-182-44 | |
| | | | | Front Right | | | 82113 | D-182-44 | |
| | | | | Rear Left | | | 82213 | D-182-44 | |
| | | | | Rear Right | | | 82213 | D-182-44 | |
| | | | RWD; Executive Order # D-182-44 | Left | 82263 | | | D-182-44 | |
| | | | | Right | 82262 | | | D-182-44 | |
| | 5.4L V8 | 2FMXT05.4RF8 | Executive Order # D-182-44 | Front Left | | | 82113 | D-182-44 | |
| | | | | Front Right | | | 82113 | D-182-44 | |
| | | | | Rear Left | | | 82208 | D-182-44 | |
| | | | | Rear Right | | | 82208 | D-182-44 | |
| RWD; Executive Order # D-182-44 | | | Left | 82251 | | | D-182-44 | | |
| | | | Right | 82250 | 35337 | | D-182-44 | | |
| 2001 | 4.6L V8 | 1FMXT04.66F5 | 4WD; Executive Order # D-182-44 | Left | 82267 | | | D-182-44 | |
| | | | | Right | 82266 | | | D-182-44 | |
| | | | Executive Order # D-182-44 | Front Left | | | 82113 | D-182-44 | |
| | | | | Front Right | | | 82113 | D-182-44 | |
| | | | | Rear Left | | | 82213 | D-182-44 | |
| | | | | Rear Right | | | 82213 | D-182-44 | |
| | | | RWD; Executive Order # D-182-44 | Left | 82263 | | | D-182-44 | |
| | | | | Right | 82262 | | | D-182-44 | |
| | | | 1FMXT04.66F7 | 4WD; Executive Order # D-182-44 | Left | 82267 | | | D-182-44 |
| | | | | | Right | 82266 | | | D-182-44 |
| | | | | Executive Order # D-182-44 | Front Left | | | 82113 | D-182-44 |
| | | | | | Front Right | | | 82113 | D-182-44 |
| | | Rear Left | | | | | 82213 | D-182-44 | |
| | | Rear Right | | | | | 82213 | D-182-44 | |
| | | RWD; Executive Order # D-182-44 | Left | 82263 | | | D-182-44 | | |
| | | | Right | 82262 | | | D-182-44 | | |
| | | 1FMXT05.4RF8 | 4WD; Executive Order # D-182-44 | Left | 82267 | | | D-182-44 | |
| | | | | Right | 82266 | | | D-182-44 | |
| | Executive Order # D-182-44 | | Front Left | | | 82113 | D-182-44 | | |
| | | | Front Right | | | 82113 | D-182-44 | | |
| | | | Rear Left | | | 82213 | D-182-44 | | |
| | | | Rear Right | | | 82213 | D-182-44 | | |
| | RWD; Executive Order # D-182-44 | | Left | 82263 | | | D-182-44 | | |
| | | | Right | 82262 | | | D-182-44 | | |
| 5.4L V8 | 1FMXT05.4RF7 | | Executive Order # D-182-44 | Front Left | | | 82113 | D-182-44 | |
| | | | | Front Right | | | 82113 | D-182-44 | |
| | | Rear Left | | | | 82208 | D-182-44 | | |
| | | Rear Right | | | | 82208 | D-182-44 | | |

For vehicles licensed in the state of California or Maine, or vehicles requiring CARB-compliant converters in the state of New York, the parts in this catalog must be installed as specifically listed. Parts cannot be substituted, nor can they be installed on California or Maine licensed vehicles not listed in this catalog.

OBDII PASSENGER CAR & TRUCK

| Years | Engine | Engine Family No. | Application | Position | Direct-Fit | | Universal Part No. | Executive Order | |
|---------------------------|---------------------------------|---------------------------------|---------------------------------|---------------------------------|--------------|--------------|--------------------|-----------------|----------|
| | | | | | Part No. | Hardware | | | |
| FORD (Cont.) | | | | | | | | | |
| Expedition (Cont.) | | | | | | | | | |
| 2001 (Cont.) | 5.4L V8 | 1FMXT05.4RF7 | RWD; Executive Order # D-182-44 | Left | 82251 | | | D-182-44 | |
| | | | | Right | 82250 | 35337 | | D-182-44 | |
| | | 1FMXT05.4RF8 | Executive Order # D-182-44 | Front Left | | | 82113 | | D-182-44 |
| | | | | Front Right | | | 82113 | | D-182-44 |
| | | | | Rear Left | | | 82208 | | D-182-44 |
| | | | | Rear Right | | | 82208 | | D-182-44 |
| | | RWD; Executive Order # D-182-44 | Left | 82251 | | | | | D-182-44 |
| | | | Right | 82250 | 35337 | | | | D-182-44 |
| 2000 | 4.6L V8 | YFMXT04.66FF | Executive Order # D-182-44 | Front Left | | | 82113 | D-182-44 | |
| | | | | Front Right | | | 82113 | D-182-44 | |
| | | | | Rear Left | | | 82213 | D-182-44 | |
| | | | | Rear Right | | | 82213 | D-182-44 | |
| | | RWD; Executive Order # D-182-44 | Right | 82273 | | | | | D-182-44 |
| | | | | | | | | | |
| | | 5.4L V8 | YFMXT05.4RF7 | 4WD; Executive Order # D-182-44 | Left | 82253 | | | D-182-44 |
| | | | | | Right | 82254 | | | D-182-44 |
| | Executive Order # D-182-44 | | | Front Left | | | 82113 | | D-182-44 |
| | | | | Front Right | | | 82113 | | D-182-44 |
| | | | | Rear Left | | | 82208 | | D-182-44 |
| | | | | Rear Right | | | 82208 | | D-182-44 |
| | RWD; Executive Order # D-182-44 | Left | 82268 | | | | | D-182-44 | |
| | | Right | 82250 | 35337 | | | | D-182-44 | |
| 1999 | 4.6L V8 | XFMXA04.6JGC | Executive Order # D-182-44 | Front Left | | | 82113 | D-182-44 | |
| | | | | Front Right | | | 82113 | D-182-44 | |
| | | | | Rear Left | | | 82213 | D-182-44 | |
| | | | | Rear Right | | | 82213 | D-182-44 | |
| | | RWD; Executive Order # D-182-44 | Right | 82273 | | | | | D-182-44 |
| | | | | | | | | | |
| | | 5.4L V8 | XFMXA05.4JGC | 4WD; Executive Order # D-182-44 | Left | 82253 | | | D-182-44 |
| | | | | | Right | 82254 | | | D-182-44 |
| | Executive Order # D-182-44 | | | Front Left | | | 82113 | | D-182-44 |
| | | | | Front Right | | | 82113 | | D-182-44 |
| | | | | Rear Left | | | 82208 | | D-182-44 |
| | | | | Rear Right | | | 82208 | | D-182-44 |
| | RWD; Executive Order # D-182-44 | Left | 82268 | | | | | D-182-44 | |
| | | Right | 82250 | 35337 | | | | D-182-44 | |
| 1998 | 4.6L V8 | WFMXA04.6BAA | 4WD; Executive Order # D-182-44 | Left | 82256 | | | D-182-44 | |
| | | | | Right | 82255 | | | D-182-44 | |
| | | Executive Order # D-182-44 | Front Left | | | 82113 | | D-182-44 | |
| | | | Front Right | | | 82113 | | D-182-44 | |
| | | | Rear Left | | | 82208 | | D-182-44 | |
| | | | Rear Right | | | 82208 | | D-182-44 | |
| | | RWD; Executive Order # D-182-44 | Left | 82257 | | | | | D-182-44 |
| | | | Right | 82258 | | | | | D-182-44 |
| | | 5.4L V8 | WFMXA05.4JGC | 4WD; Executive Order # D-182-44 | Left | 82284 | | | D-182-44 |
| | | | | | Right | 82261 | | | D-182-44 |
| | | | | | | | | | |
| | | | | | | | | | |

OBDII APPLICATIONS

NON-OBDII APPLICATIONS

NUMERICAL

UNIVERSAL SPECIFICATIONS

For vehicles licensed in the state of California or Maine, or vehicles requiring CARB-compliant converters in the state of New York, the parts in this catalog must be installed as specifically listed. Parts cannot be substituted, nor can they be installed on California or Maine licensed vehicles not listed in this catalog.

OBDII PASSENGER CAR & TRUCK

| Years | Engine | Engine Family No. | Application | Position | Direct-Fit | | Universal Part No. | Executive Order |
|---------------------------------|---------------------------------|----------------------------|---------------------------------|--------------|----------------------------|--------------|--------------------|-----------------|
| | | | | | Part No. | Hardware | | |
| FORD (Cont.) | | | | | | | | |
| Expedition (Cont.) | | | | | | | | |
| 1998 (Cont.) | 5.4L V8 | WFMXA05.4JGC | Executive Order # D-182-44 | Front Left | | | 82113 | D-182-44 |
| | | | | Front Right | | | 82113 | D-182-44 |
| | | | | Rear Left | | | 82208 | D-182-44 |
| | | | | Rear Right | | | 82208 | D-182-44 |
| | | | RWD; Executive Order # D-182-44 | Left | 82252 | | D-182-44 | |
| | | | | Right | 82259 | | D-182-44 | |
| 1997 | 4.6L V8 | VFM4.6J8G1EK | 4WD; Executive Order # D-182-44 | Left | 82256 | | | D-182-44 |
| | | | | Right | 82255 | | | D-182-44 |
| | | | Executive Order # D-182-44 | Front Left | | | 82113 | D-182-44 |
| | | | | Front Right | | | 82113 | D-182-44 |
| | | | | Rear Left | | | 82208 | D-182-44 |
| | | | | Rear Right | | | 82208 | D-182-44 |
| | RWD; Executive Order # D-182-44 | Left | 82257 | | D-182-44 | | | |
| | | Right | 82258 | | D-182-44 | | | |
| | 5.4L V8 | VFM5.4J8G1FK | 4WD; Executive Order # D-182-44 | Left | 82284 | | | D-182-44 |
| | | | | Right | 82261 | | | D-182-44 |
| | | | Executive Order # D-182-44 | Front Left | | | 82113 | D-182-44 |
| | | | | Front Right | | | 82113 | D-182-44 |
| Rear Left | | | | | | 82208 | D-182-44 | |
| Rear Right | | | | | | 82208 | D-182-44 | |
| RWD; Executive Order # D-182-44 | Left | 82252 | | D-182-44 | | | | |
| | Right | 82259 | | D-182-44 | | | | |
| Explorer | | | | | | | | |
| 2005 | 4.0L V6 | 5FMXT04.02K8 | Executive Order # D-182-69 | Left | | | 83402 | D-182-69 |
| | | | | Right | | | 83402 | D-182-69 |
| | | 5FMXT04.02L2 | Executive Order # D-182-69 | Left | | | 83402 | D-182-69 |
| | | | | Right | | | 83402 | D-182-69 |
| 2004 | 4.0L V6 | 4FMXT04.02K6 | Executive Order # D-182-69 | | 83574 | 31372 | | D-182-69 |
| | | | | Front Left | | | 83402 | D-182-69 |
| | | | | Front Right | | | 83402 | D-182-69 |
| | | Rear | | | 83509 | D-182-69 | | |
| | | 4FMXT04.02K8 | Executive Order # D-182-69 | Left | | | 83402 | D-182-69 |
| | | | | Right | | | 83402 | D-182-69 |
| | 4FMXT04.02L2 | Executive Order # D-182-69 | Left | | | 83402 | D-182-69 | |
| | | | Right | | | 83402 | D-182-69 | |
| | 4.6L V8 | 4FMXT04.62H2 | Executive Order # D-182-69 | Front Left | | | 83403 | D-182-69 |
| | | | | Front Right | | | 83403 | D-182-69 |
| Rear | | | | | | 83518 | D-182-69 | |
| 2003 | 4.0L V6 | 3FMXT04.02F3 | Executive Order # D-182-44 | Right Center | | | 82208 | D-182-44 |
| | | | | Front Left | | | 82116 | D-182-44 |
| | | | | Front Right | | | 82116 | D-182-44 |
| | | | | Rear | 82260 | 31637, 31372 | | D-182-44 |
| | | | | Rear Right | | | 82208 | D-182-44 |
| | | | | 3FMXT04.02F7 | Executive Order # D-182-52 | | 81942 | 31372 |
| | Front Left | | | | | 81722 | D-182-52 | |

For vehicles licensed in the state of California or Maine, or vehicles requiring CARB-compliant converters in the state of New York, the parts in this catalog must be installed as specifically listed. Parts cannot be substituted, nor can they be installed on California or Maine licensed vehicles not listed in this catalog.

OBDII PASSENGER CAR & TRUCK

| Years | Engine | Engine Family No. | Application | Position | Direct-Fit | | Universal Part No. | Executive Order | | |
|-------------------------|----------------------------|----------------------------|----------------------------|----------------------------|----------------------------|--------------|--------------------|-----------------|--------------|----------|
| | | | | | Part No. | Hardware | | | | |
| FORD (Cont.) | | | | | | | | | | |
| Explorer (Cont.) | | | | | | | | | | |
| 2003 (Cont.) | 4.0L V6 | 3FMXT04.02F7 | Executive Order # D-182-52 | Front Right | | | 81722 | D-182-52 | | |
| | | | | Rear | | | 81924 | D-182-52 | | |
| | | | Executive Order # D-182-69 | | 83574 | 31372 | | D-182-69 | | |
| | | | | Front Left | | | 83402 | D-182-69 | | |
| | | | | Front Right | | | 83402 | D-182-69 | | |
| | | | | Rear | | | 83509 | D-182-69 | | |
| | | | 3FMXT04.02F8 | Executive Order # D-182-52 | | 81942 | 31372 | D-182-52 | | |
| | | | | | Front Left | | | 81722 | D-182-52 | |
| | | | | | Front Right | | | 81722 | D-182-52 | |
| | | | | | Rear | | | 81924 | D-182-52 | |
| | | Executive Order # D-182-69 | | | 83574 | 31372 | | D-182-69 | | |
| | | | | Front Left | | | 83402 | D-182-69 | | |
| | | | | Front Right | | | 83402 | D-182-69 | | |
| | | | | Rear | | | 83509 | D-182-69 | | |
| | | | | 3FMXT04.02FA | Executive Order # D-182-44 | Right Center | | | 82208 | D-182-44 |
| | | | | | | Front Left | | | 82116 | D-182-44 |
| | | Front Right | | | | | 82116 | D-182-44 | | |
| | | Rear | 82260 | | | 31637, 31372 | | D-182-44 | | |
| | | Rear Right | | | | 82208 | D-182-44 | | | |
| | | 3FMXT04.02FB | Executive Order # D-182-52 | | | 81942 | 31372 | D-182-52 | | |
| | | | | Front Left | | | 81722 | D-182-52 | | |
| | | | | Front Right | | | 81722 | D-182-52 | | |
| | | | | Rear | | | 81924 | D-182-52 | | |
| | | | Executive Order # D-182-69 | | 83574 | 31372 | | D-182-69 | | |
| | | | | Front Left | | | 83402 | D-182-69 | | |
| | | | | Front Right | | | 83402 | D-182-69 | | |
| | | | | Rear | | | 83509 | D-182-69 | | |
| | | 3FMXT04.02FC | Executive Order # D-182-52 | | 81942 | 31372 | D-182-52 | | | |
| | | | | Front Left | | | 81722 | D-182-52 | | |
| | | | | Front Right | | | 81722 | D-182-52 | | |
| | | | | Rear | | | 81924 | D-182-52 | | |
| | | | | Executive Order # D-182-69 | | 83574 | 31372 | | D-182-69 | |
| | | | | | Front Left | | | 83402 | D-182-69 | |
| | | | Front Right | | | | 83402 | D-182-69 | | |
| | | | Rear | | | | 83509 | D-182-69 | | |
| | | | 4.6L V8 | 3FMXT04.62F6 | Executive Order # D-182-52 | | 81983 | 31372 | D-182-52 | |
| | | | | | | Front Left | | | 81723 | D-182-52 |
| | | Front Right | | | | | | 81723 | D-182-52 | |
| | | Rear | | | | | | 81924 | D-182-52 | |
| | | Executive Order # D-182-69 | | | Front Left | | | 83403 | D-182-69 | |
| Front Right | | | | | | 83403 | D-182-69 | | | |
| Rear | | | | | | 83518 | D-182-69 | | | |
| 3FMXT04.62F7 | Executive Order # D-182-52 | | | | | 81983 | 31372 | D-182-52 | | |
| | | | | | Front Left | | | 81723 | D-182-52 | |
| | | | | | Front Right | | | 81723 | D-182-52 | |

OBDII APPLICATIONS

NON-OBDII APPLICATIONS

NUMERICAL

UNIVERSAL SPECIFICATIONS

For vehicles licensed in the state of California or Maine, or vehicles requiring CARB-compliant converters in the state of New York, the parts in this catalog must be installed as specifically listed. Parts cannot be substituted, nor can they be installed on California or Maine licensed vehicles not listed in this catalog.

OBDII PASSENGER CAR & TRUCK

| Years | Engine | Engine Family No. | Application | Position | Direct-Fit | | Universal Part No. | Executive Order | | |
|-------------------------|----------------------------|-------------------|----------------------------|----------------------------|----------------------------|--------------|--------------------|-----------------|--------------|----------|
| | | | | | Part No. | Hardware | | | | |
| FORD (Cont.) | | | | | | | | | | |
| Explorer (Cont.) | | | | | | | | | | |
| 2003 (Cont.) | 4.6L V8 | 3FMXT04.62F7 | Executive Order # D-182-52 | Rear | | | 81924 | D-182-52 | | |
| | | | Executive Order # D-182-69 | Front Left | | | 83403 | D-182-69 | | |
| | | | | Front Right | | | 83403 | D-182-69 | | |
| | | | | Rear | | | 83518 | D-182-69 | | |
| 2002 | 4.0L V6 | 2FMXT04.02F3 | Executive Order # D-182-44 | Right Center | | | 82208 | D-182-44 | | |
| | | | | Front Left | | | 82116 | D-182-44 | | |
| | | | | Front Right | | | 82116 | D-182-44 | | |
| | | | | Rear | 82260 | 31637, 31372 | | D-182-44 | | |
| | | | Rear Right | | | 82208 | D-182-44 | | | |
| | | | 2FMXT04.02F5 | Executive Order # D-182-44 | Right Center | | | 82208 | D-182-44 | |
| | | | | | Front Left | | | 82116 | D-182-44 | |
| | | | | | Front Right | | | 82116 | D-182-44 | |
| | | | | | Rear | 82260 | 31637, 31372 | | D-182-44 | |
| | | | Rear Right | | | 82208 | D-182-44 | | | |
| | | | 2FMXT04.02F7 | Executive Order # D-182-52 | | | 81942 | 31372 | | D-182-52 |
| | | | | | Front Left | | | 81722 | D-182-52 | |
| | | | | | Front Right | | | 81722 | D-182-52 | |
| | | | | | Rear | | | 81924 | D-182-52 | |
| | | | | Executive Order # D-182-69 | | | 83574 | 31372 | | D-182-69 |
| | | | | | Front Left | | | 83402 | D-182-69 | |
| | | Front Right | | | | | 83402 | D-182-69 | | |
| | | Rear | | | | | 83509 | D-182-69 | | |
| | | 2FMXT04.02F8 | | Executive Order # D-182-52 | | | 81942 | 31372 | | D-182-52 |
| | | | | | Front Left | | | 81722 | D-182-52 | |
| | | | | | Front Right | | | 81722 | D-182-52 | |
| | | | | | Rear | | | 81924 | D-182-52 | |
| | | | Executive Order # D-182-69 | | | 83574 | 31372 | | D-182-69 | |
| | | | | Front Left | | | 83402 | D-182-69 | | |
| | | | | Front Right | | | 83402 | D-182-69 | | |
| | | | | Rear | | | 83509 | D-182-69 | | |
| | | 4.6L V8 | 2FMXT04.62F5 | Executive Order # D-182-52 | | | 81983 | 31372 | | D-182-52 |
| | | | | | Front Left | | | 81723 | D-182-52 | |
| | | | | | Front Right | | | 81723 | D-182-52 | |
| | | | | | Rear | | | 81924 | D-182-52 | |
| | | | | Executive Order # D-182-69 | Front Left | | | 83403 | D-182-69 | |
| | | | | | Front Right | | | 83403 | D-182-69 | |
| Rear | | | | | | 83518 | D-182-69 | | | |
| | | | | | | | | | | |
| 2FMXT04.62F6 | Executive Order # D-182-52 | | | | | 81983 | 31372 | | D-182-52 | |
| | | | | Front Left | | | 81723 | D-182-52 | | |
| | | | | Front Right | | | 81723 | D-182-52 | | |
| | | | | Rear | | | 81924 | D-182-52 | | |
| | Executive Order # D-182-69 | | Front Left | | | 83403 | D-182-69 | | | |
| | | | Front Right | | | 83403 | D-182-69 | | | |
| | | | Rear | | | 83518 | D-182-69 | | | |
| | | | | | | | | | | |
| | 2001 | | 4.0L V6 | 1FMXT04.02F4 | Executive Order # D-182-44 | Right Center | | | 82208 | D-182-44 |

For vehicles licensed in the state of California or Maine, or vehicles requiring CARB-compliant converters in the state of New York, the parts in this catalog must be installed as specifically listed. Parts cannot be substituted, nor can they be installed on California or Maine licensed vehicles not listed in this catalog.

OBDII PASSENGER CAR & TRUCK

| Years | Engine | Engine Family No. | Application | Position | Direct-Fit | | Universal Part No. | Executive Order | |
|---|---------|-------------------|---|----------------------------|--------------|--------------|--------------------|-----------------|----------|
| | | | | | Part No. | Hardware | | | |
| FORD (Cont.) | | | | | | | | | |
| Explorer (Cont.) | | | | | | | | | |
| 2001 (Cont.) | 4.0L V6 | 1FMXT04.02F4 | Executive Order # D-182-44 | Front Left | | | 82116 | D-182-44 | |
| | | | | Front Right | | | 82116 | D-182-44 | |
| | | | | Rear | 82260 | 31637, 31372 | | D-182-44 | |
| | | | | Rear Right | | | 82208 | D-182-44 | |
| | | 1FMXT04.02F5 | Executive Order # D-182-44 | Right Center | | | 82208 | D-182-44 | |
| | | | | Front Left | | | 82116 | D-182-44 | |
| | | | | Front Right | | | 82116 | D-182-44 | |
| | | | | Rear | 82260 | 31637, 31372 | | D-182-44 | |
| | | 1FMXT04.02F6 | Executive Order # D-182-44 | Right Center | | | 82208 | D-182-44 | |
| | | | | Front Left | | | 82116 | D-182-44 | |
| | | | | Front Right | | | 82116 | D-182-44 | |
| | | | | Rear | 82260 | 31637, 31372 | 82208 | D-182-44 | |
| | 5.0L V8 | 1FMXT05.02F5 | Executive Order # D-182-44 | Left | 82287 | | | D-182-44 | |
| | | | | Right | 82152 | | | D-182-44 | |
| | | | | Front Left | | | 82112 | D-182-44 | |
| | | | | Front Right | | | 82112 | D-182-44 | |
| | | | | Rear Left | | | 82207 | D-182-44 | |
| | | | | Rear Right | | | 82207 | D-182-44 | |
| | 2000 | 4.0L V6 | YFMXT04.02D5 | Executive Order # D-182-69 | Left | | | 83507 | D-182-69 |
| | | | | | Right | | | 83507 | D-182-69 |
| YFMXT04.02D6 | | | Executive Order # D-182-47 | Left | | | 81917 | D-182-47 | |
| | | | | Right | | | 81917 | D-182-47 | |
| | | | Executive Order # D-182-69 | Left | | | 83507 | D-182-69 | |
| | | | | Right | | | 83507 | D-182-69 | |
| VIN "E"; To 11/7/99; Executive Order # D-182-52 | | | Left | 81971 | 31311 | 81922 | D-182-52 | | |
| | | | Right | 81970 | 31311 | 81922 | D-182-52 | | |
| YFMXT04.02F2 | | | Executive Order # D-182-44 | Right Center | | | 82208 | D-182-44 | |
| | | | | Front Left | | | 82116 | D-182-44 | |
| | | | | Front Right | | | 82116 | D-182-44 | |
| | | | | Rear | | | 82208 | D-182-44 | |
| YFMXT04.02F3 | | | Executive Order # D-182-47 | Left | | | 81917 | D-182-47 | |
| | | | | Right | | | 81917 | D-182-47 | |
| | | | Executive Order # D-182-69 | Left | | | 83507 | D-182-69 | |
| | | | | Right | | | 83507 | D-182-69 | |
| | | | VIN "E"; To 11/7/99; Executive Order # D-182-52 | Left | 81971 | 31311 | 81922 | D-182-52 | |
| | | | | Right | 81970 | 31311 | 81922 | D-182-52 | |
| YFMXT04.02F4 | | | Executive Order # D-182-44 | Right Center | | | 82208 | D-182-44 | |
| | | | | Front Left | | | 82116 | D-182-44 | |
| | | Front Right | | | | 82116 | D-182-44 | | |
| | | Rear | | 82260 | 31637, 31372 | | D-182-44 | | |
| | | Rear Right | | | | 82208 | D-182-44 | | |
| | | | | | | | | | |
| 5.0L V8 | | YFMXT05.02F5 | Executive Order # D-182-44 | Left | 82287 | | | D-182-44 | |
| | | | | Right | 82152 | | | D-182-44 | |
| | | | | Front Left | | | 82112 | D-182-44 | |

OBDII APPLICATIONS

NON-OBDII APPLICATIONS

NUMERICAL

UNIVERSAL SPECIFICATIONS

For vehicles licensed in the state of California or Maine, or vehicles requiring CARB-compliant converters in the state of New York, the parts in this catalog must be installed as specifically listed. Parts cannot be substituted, nor can they be installed on California or Maine licensed vehicles not listed in this catalog.

OBDII PASSENGER CAR & TRUCK

| Years | Engine | Engine Family No. | Application | Position | Direct-Fit | | Universal Part No. | Executive Order | |
|----------------------------|------------|----------------------------|-------------------------------------|----------------------------|--------------|--------------|--------------------|-----------------|----------|
| | | | | | Part No. | Hardware | | | |
| FORD (Cont.) | | | | | | | | | |
| Explorer (Cont.) | | | | | | | | | |
| 2000 (Cont.) | 5.0L V8 | YFMXT05.02F5 | Executive Order # D-182-44 | Front Right | | | 82112 | D-182-44 | |
| | | | | Rear Left | | | 82207 | D-182-44 | |
| | | | | Rear Right | | | 82207 | D-182-44 | |
| 1999 | 4.0L V6 | XFMXT04.02GF | Executive Order # D-182-47 | Left | | | 81917 | D-182-47 | |
| | | | | Right | | | 81917 | D-182-47 | |
| | | | Executive Order # D-182-69 | Left | | | 83507 | D-182-69 | |
| | | | | Right | | | 83507 | D-182-69 | |
| | | | VIN "E"; Executive Order # D-182-52 | Left | 81971 | 31311 | | D-182-52 | |
| | | | | Right | 81970 | 31311 | | D-182-52 | |
| | 5.0L V8 | XFMXT05.02GF | Executive Order # D-182-44 | Left | 82287 | | | D-182-44 | |
| | | | | Right | 82152 | | | D-182-44 | |
| | | | | Front Left | | | 82112 | D-182-44 | |
| | | | | Front Right | | | 82112 | D-182-44 | |
| | | | | Rear Left | | | 82207 | D-182-44 | |
| | | | | Rear Right | | | 82207 | D-182-44 | |
| 1998 | 4.0L V6 | WFMXT04.02DC | Executive Order # D-182-52 | | 81955 | 31609, 31372 | | D-182-52 | |
| | | | | Front | | | 81923 | D-182-52 | |
| | | | | Rear | | | 81923 | D-182-52 | |
| | | | Executive Order # D-182-69 | Front | | | 83508 | D-182-69 | |
| | | | | Rear | | | 83508 | D-182-69 | |
| | | | WFMXT04.0CAA | Executive Order # D-182-52 | Front | 81955 | 31609, 31372 | | D-182-52 |
| | | Rear | | | | | 81923 | D-182-52 | |
| | | Executive Order # D-182-69 | | Front | | | 83508 | D-182-69 | |
| | | | | Rear | | | 83508 | D-182-69 | |
| | | WFMXT04.0FAA | Executive Order # D-182-47 | Left | | | 81917 | D-182-47 | |
| | | | | Right | | | 81917 | D-182-47 | |
| | | | Executive Order # D-182-69 | Left | | | 83507 | D-182-69 | |
| | | | | Right | | | 83507 | D-182-69 | |
| | | | VIN "E"; Executive Order # D-182-52 | Left | 81971 | 31311 | | D-182-52 | |
| | | | | Right | 81970 | 31311 | | D-182-52 | |
| | | 5.0L V8 | WFMXT05.02DC | Executive Order # D-182-44 | Front Left | 82151 | 31512 | 82112 | D-182-44 |
| | | | | | Front Right | 82150 | 31512 | 82112 | D-182-44 |
| | | | | | Rear | 82289 | 31512 (2), 31573 | | D-182-44 |
| | Rear Left | | | | | | 82207 | D-182-44 | |
| | Rear Right | | | | | | 82207 | D-182-44 | |
| | | | | | | | | | |
| | 1997 | 4.0L V6 | VFM4.028G1FK | Executive Order # D-182-52 | | 81955 | 31609, 31372 | | D-182-52 |
| | | | | | Front | | | 81923 | D-182-52 |
| | | | | Rear | | | 81923 | D-182-52 | |
| Executive Order # D-182-69 | | | | Front | | | 83508 | D-182-69 | |
| | | | Rear | | | 83508 | D-182-69 | | |
| VFM4.028G2FK | | | Executive Order # D-182-52 | | 81955 | 31609, 31372 | | D-182-52 | |
| | | | | Front | | | 81923 | D-182-52 | |
| | | | Rear | | | 81923 | D-182-52 | | |
| | | Executive Order # D-182-69 | Front | | | 83508 | D-182-69 | | |

For vehicles licensed in the state of California or Maine, or vehicles requiring CARB-compliant converters in the state of New York, the parts in this catalog must be installed as specifically listed. Parts cannot be substituted, nor can they be installed on California or Maine licensed vehicles not listed in this catalog.

OBDII PASSENGER CAR & TRUCK

| Years | Engine | Engine Family No. | Application | Position | Direct-Fit | | Universal Part No. | Executive Order | |
|----------------------------|---------|-------------------------------------|----------------------------|----------------------------|--------------|------------------|--------------------|-----------------|----------|
| | | | | | Part No. | Hardware | | | |
| FORD (Cont.) | | | | | | | | | |
| Explorer (Cont.) | | | | | | | | | |
| 1997 (Cont.) | 4.0L V6 | VFM4.028G2FK | Executive Order # D-182-69 | Rear | | | 83508 | D-182-69 | |
| | | | Executive Order # D-182-47 | Left | | | 81917 | D-182-47 | |
| | | VFM4.028G2HK | Executive Order # D-182-69 | Right | | | 81917 | D-182-47 | |
| | | | Executive Order # D-182-69 | Left | | | 83507 | D-182-69 | |
| | | VIN "E"; Executive Order # D-182-52 | Executive Order # D-182-69 | Right | | | 83507 | D-182-69 | |
| | | | Executive Order # D-182-52 | Left | 81971 | 31311 | | D-182-52 | |
| | 5.0L V8 | VFM5.028GFEK | Executive Order # D-182-44 | Executive Order # D-182-52 | Right | 81970 | 31311 | | D-182-52 |
| | | | | Executive Order # D-182-44 | Front Left | 82151 | 31512 | 82112 | D-182-44 |
| | | | Executive Order # D-182-44 | Front Right | 82150 | 31512 | 82112 | D-182-44 | |
| | | | Executive Order # D-182-44 | Rear | 82289 | 31512 (2), 31573 | | D-182-44 | |
| 1996 | 4.0L V6 | TFM4.028G1FK | Executive Order # D-182-52 | Front | | | 81923 | D-182-52 | |
| | | | Executive Order # D-182-52 | Rear | | | 81923 | D-182-52 | |
| | | | Executive Order # D-182-69 | Front | | | 83508 | D-182-69 | |
| | | | Executive Order # D-182-69 | Rear | | | 83508 | D-182-69 | |
| | | TFM4.028G2FK | Executive Order # D-182-52 | Front | 81955 | 31609, 31372 | | D-182-52 | |
| | | | Executive Order # D-182-52 | Rear | | | 81923 | D-182-52 | |
| Executive Order # D-182-52 | Front | | | 81923 | D-182-52 | | | | |
| Executive Order # D-182-69 | Front | | | 83508 | D-182-69 | | | | |
| Executive Order # D-182-69 | Rear | | | 83508 | D-182-69 | | | | |
| Explorer Sport Trac | | | | | | | | | |
| 2005 | 4.0L V6 | 5FMXT04.02K4 | Executive Order # D-182-60 | Right Center | | | 82702 | D-182-60 | |
| | | | | Front Left | | | 81810 | D-182-60 | |
| | | | | Front Right | | | 81810 | D-182-60 | |
| | | | | Rear | | | 82702 | D-182-60 | |
| 2004 | 4.0L V6 | 4FMXT04.02K4 | Executive Order # D-182-60 | Right Center | | | 82702 | D-182-60 | |
| | | | | Front Left | | | 81810 | D-182-60 | |
| | | | | Front Right | | | 81810 | D-182-60 | |
| | | | | Rear | | | 82702 | D-182-60 | |
| 2003 | 4.0L V6 | 3FMXT04.02F3 | Executive Order # D-182-44 | Right Center | | | 82208 | D-182-44 | |
| | | | | Front Left | | | 82116 | D-182-44 | |
| | | | | Front Right | | | 82116 | D-182-44 | |
| | | | | Rear | 82260 | 31637, 31372 | | D-182-44 | |
| | | 3FMXT04.02FA | Executive Order # D-182-44 | Right Center | | | 82208 | D-182-44 | |
| | | | | Front Left | | | 82116 | D-182-44 | |
| | | | | Front Right | | | 82116 | D-182-44 | |
| | | | | Rear | 82260 | 31637, 31372 | | D-182-44 | |
| 2002 | 4.0L V6 | 2FMXT04.02F3 | Executive Order # D-182-44 | Right Center | | | 82208 | D-182-44 | |
| | | | | Front Left | | | 82116 | D-182-44 | |
| | | | | Front Right | | | 82116 | D-182-44 | |
| | | | | Rear | 82260 | 31637, 31372 | | D-182-44 | |

For vehicles licensed in the state of California or Maine, or vehicles requiring CARB-compliant converters in the state of New York, the parts in this catalog must be installed as specifically listed. Parts cannot be substituted, nor can they be installed on California or Maine licensed vehicles not listed in this catalog.

OBDII APPLICATIONS

NON-OBDII APPLICATIONS

NUMERICAL

UNIVERSAL SPECIFICATIONS

OBDII PASSENGER CAR & TRUCK

| Years | Engine | Engine Family No. | Application | Position | Direct-Fit | | Universal Part No. | Executive Order |
|------------------------------------|---------|-------------------|----------------------------|--------------|--------------|--------------|--------------------|-----------------|
| | | | | | Part No. | Hardware | | |
| FORD (Cont.) | | | | | | | | |
| Explorer Sport Trac (Cont.) | | | | | | | | |
| 2002 (Cont.) | 4.0L V6 | 2FMXT04.02F3 | Executive Order # D-182-44 | Rear Right | | | 82208 | D-182-44 |
| | | 2FMXT04.02F5 | Executive Order # D-182-44 | Right Center | | | 82208 | D-182-44 |
| | | | | Front Left | | | 82116 | D-182-44 |
| | | | | Front Right | | | 82116 | D-182-44 |
| | | | | Rear | 82260 | 31637, 31372 | | D-182-44 |
| Rear Right | | | 82208 | D-182-44 | | | | |
| 2001 | 4.0L V6 | 1FMXT04.02F4 | Executive Order # D-182-44 | Right Center | | | 82208 | D-182-44 |
| | | | | Front Left | | | 82116 | D-182-44 |
| | | | | Front Right | | | 82116 | D-182-44 |
| | | | | Rear | 82260 | 31637, 31372 | | D-182-44 |
| | | | | Rear Right | | | 82208 | D-182-44 |
| | | 1FMXT04.02F5 | Executive Order # D-182-44 | Right Center | | | 82208 | D-182-44 |
| | | | | Front Left | | | 82116 | D-182-44 |
| | | | | Front Right | | | 82116 | D-182-44 |
| | | | | Rear | 82260 | 31637, 31372 | | D-182-44 |
| | | | | Rear Right | | | 82208 | D-182-44 |

F-150

| | | | | | | | | | |
|---------|---------------------------------------|----------------------------|--|--|--------------|--------------|--------------|--------------|----------|
| 2006 | 4.2L V6 | 6FMXT04.2PH4 | Executive Order # D-182-69 | Left | | | 83413 | D-182-69 | |
| | | | | Right | | | 83413 | D-182-69 | |
| | 4.6L V8 | 6FMXT04.63HC | Executive Order # D-182-69 | Left | | | 83413 | D-182-69 | |
| | | | | Right | | | 83413 | D-182-69 | |
| | | 6FMXT04.6RHC | Executive Order # D-182-69 | Left | | | 83413 | D-182-69 | |
| | | | | Right | | | 83413 | D-182-69 | |
| | 5.4L V8 | 6FMXT05.4RI7 | Executive Order # D-182-69 | Left | | | 83413 | D-182-69 | |
| | | | | Right | | | 83413 | D-182-69 | |
| 2005 | 4.2L V6 | 5FMXT04.2PH4 | Executive Order # D-182-69 | Left | | | 83413 | D-182-69 | |
| | | | | Right | | | 83413 | D-182-69 | |
| | 4.6L V8 | 5FMXT04.6RMC | Executive Order # D-182-69 | Left | | | 83413 | D-182-69 | |
| | | | | Right | | | 83413 | D-182-69 | |
| 2004 | 4.2L V6 | 4FMXT04.2PN2 | RWD; Heritage Models; Executive Order # D-182-69 | Front Left | | | 83513 | D-182-69 | |
| | | | | Front Right | | | 83513 | D-182-69 | |
| | 4.6L V8 | 4FMXT05.4RFC | Heritage Models; Executive Order # D-182-69 | Front Left | | | 83513 | D-182-69 | |
| | | | | Front Right | | | 83513 | D-182-69 | |
| | | | | New Body Style; Executive Order # D-182-69 | Front Left | | | 83513 | D-182-69 |
| | | | | | Front Right | | | 83513 | D-182-69 |
| | | | | STX Model; Executive Order # D-182-69 | Rear Left | | | 83418 | D-182-69 |
| | | | | | Rear Right | | | 83418 | D-182-69 |
| | XL Model; Executive Order # D-182-69 | Rear Left | | | 83418 | D-182-69 | | | |
| | | Rear Right | | | 83418 | D-182-69 | | | |
| | XLT Model; Executive Order # D-182-69 | Rear Left | | | 83418 | D-182-69 | | | |
| | | Rear Right | | | 83418 | D-182-69 | | | |
| 5.4L V8 | 4FMXT05.4PP7 | Executive Order # D-182-44 | Front Left | | | 82113 | D-182-44 | | |
| | | | Front Right | | | 82113 | D-182-44 | | |
| | | | Rear Left | | | 82208 | D-182-44 | | |
| | | | Rear Right | | | 82208 | D-182-44 | | |

For vehicles licensed in the state of California or Maine, or vehicles requiring CARB-compliant converters in the state of New York, the parts in this catalog must be installed as specifically listed. Parts cannot be substituted, nor can they be installed on California or Maine licensed vehicles not listed in this catalog.

OBDII PASSENGER CAR & TRUCK

| Years | Engine | Engine Family No. | Application | Position | Direct-Fit | | Universal Part No. | Executive Order | |
|--|----------------------------|---------------------------------|--|---------------------------------|--------------|--------------|--------------------|-----------------|----------|
| | | | | | Part No. | Hardware | | | |
| FORD (Cont.) | | | | | | | | | |
| F-150 (Cont.) | | | | | | | | | |
| 2004 (Cont.) | 5.4L V8 | 4FMXT05.4RI7 | Executive Order # D-182-69 | Rear Left | | | 83418 | D-182-69 | |
| | | | | Rear Right | | | 83418 | D-182-69 | |
| | | | New Body Style; Executive Order # D-182-69 | Front Left | | | 83513 | D-182-69 | |
| | | 4FMXT05.4RPB | Executive Order # D-182-69 | Front Right | | | 83513 | D-182-69 | |
| | | | | Rear Left | | | 83418 | D-182-69 | |
| | | | Rear Right | | | 83418 | D-182-69 | | |
| New Body Style; Executive Order # D-182-69 | Front Left | | | 83513 | D-182-69 | | | | |
| | Front Right | | | 83513 | D-182-69 | | | | |
| 2003 | 4.2L V6 | 3FMXT04.22H6 | Executive Order # D-182-69 | Rear Left | | | 83510 | D-182-69 | |
| | | | | Rear Right | | | 83510 | D-182-69 | |
| | | | RWD; Executive Order # D-182-69 | Left | 83568 | | | | D-182-69 |
| | | | | Right | 83557 | | | | D-182-69 |
| | | Executive Order # D-182-69 | Front Left | | | 83513 | D-182-69 | | |
| | | | Front Right | | | 83513 | D-182-69 | | |
| | | 4.6L V8 | 3FMXT05.4PFB | 4WD; Executive Order # D-182-44 | Left | 82281 | | | D-182-44 |
| | | | | | Right | 82278 | | | D-182-44 |
| | Executive Order # D-182-44 | | | Front Left | | | 82113 | D-182-44 | |
| | | | Front Right | | | 82113 | D-182-44 | | |
| | 3FMXT05.4RFC | | Executive Order # D-182-69 | Front Left | | | 83513 | D-182-69 | |
| | | | | Front Right | | | 83513 | D-182-69 | |
| | | Rear Left | | | | 83510 | D-182-69 | | |
| | 5.4L V8 | 3FMXA05.4HJD | 4WD; Executive Order # D-182-69 | Front Left | | | 83513 | D-182-69 | |
| Front Right | | | | | | 83513 | D-182-69 | | |
| Executive Order # D-182-69 | | | Rear Left | | | 83418 | D-182-69 | | |
| | | | Rear Right | | | 83418 | D-182-69 | | |
| 3FMXT05.42F5 | | | Executive Order # D-182-44 | Front Left | | | 82113 | D-182-44 | |
| | | | | Front Right | | | 82113 | D-182-44 | |
| | | | | Rear Left | | | 82208 | D-182-44 | |
| | | | | Rear Right | | | 82208 | D-182-44 | |
| 3FMXT05.4RF6 | | Executive Order # D-182-69 | Front Left | | | 83513 | D-182-69 | | |
| | | | Front Right | | | 83513 | D-182-69 | | |
| | | | Rear Left | | | 83418 | D-182-69 | | |
| | | | Rear Right | | | 83418 | D-182-69 | | |
| 3FMXT05.4RF8 | | Executive Order # D-182-44 | Front Left | | | 82113 | D-182-44 | | |
| | | | Front Right | | | 82113 | D-182-44 | | |
| | | | Rear Left | | | 82208 | D-182-44 | | |
| | | | Rear Right | | | 82208 | D-182-44 | | |
| 3FMXT05.4RFC | Executive Order # D-182-69 | Front Left | | | 83513 | D-182-69 | | | |
| | | Front Right | | | 83513 | D-182-69 | | | |
| | | Rear Left | | | 83418 | D-182-69 | | | |
| | | Rear Right | | | 83418 | D-182-69 | | | |
| 2002 | 4.2L V6 | 2FMXT04.22H5 | Executive Order # D-182-69 | Rear Left | | | 83510 | D-182-69 | |
| | | | | Rear Right | | | 83510 | D-182-69 | |
| | | RWD; Executive Order # D-182-69 | Left | 83568 | | | | D-182-69 | |

OBDII APPLICATIONS

NON-OBDII APPLICATIONS

NUMERICAL

UNIVERSAL SPECIFICATIONS

For vehicles licensed in the state of California or Maine, or vehicles requiring CARB-compliant converters in the state of New York, the parts in this catalog must be installed as specifically listed. Parts cannot be substituted, nor can they be installed on California or Maine licensed vehicles not listed in this catalog.

OBDII PASSENGER CAR & TRUCK

| Years | Engine | Engine Family No. | Application | Position | Direct-Fit | | Universal Part No. | Executive Order | | |
|----------------------|--------------|---------------------------------|---------------------------------|---------------------------------|---------------------------------|--------------|--------------------|-----------------|--------------|----------|
| | | | | | Part No. | Hardware | | | | |
| FORD (Cont.) | | | | | | | | | | |
| F-150 (Cont.) | | | | | | | | | | |
| 2002 (Cont.) | 4.2L V6 | 2FMXT04.22H5 | RWD; Executive Order # D-182-69 | Right | 83557 | | | D-182-69 | | |
| | | | | Front Left | | | 83513 | D-182-69 | | |
| | | | | Front Right | | | 83513 | D-182-69 | | |
| | | | 2FMXT04.22H6 | Executive Order # D-182-69 | Rear Left | | | 83510 | D-182-69 | |
| | | Rear Right | | | | | 83510 | D-182-69 | | |
| | | | | | RWD; Executive Order # D-182-69 | Left | 83568 | | | D-182-69 |
| | | Right | 83557 | | | | D-182-69 | | | |
| | | Front Left | | | | 83513 | D-182-69 | | | |
| | | Front Right | | | | 83513 | D-182-69 | | | |
| | | | 4.6L V8 | 2FMXT05.4PF5 | 4WD; Executive Order # D-182-44 | Left | 82267 | | | D-182-44 |
| | | Right | | | | 82266 | | | D-182-44 | |
| | | | | | Executive Order # D-182-44 | Front Left | | | 82113 | D-182-44 |
| | Front Right | | | | | | 82113 | D-182-44 | | |
| | Rear Left | | | | | | 82213 | D-182-44 | | |
| | Rear Right | | | | | | 82213 | D-182-44 | | |
| | | RWD; Executive Order # D-182-44 | | Left | 82263 | | | D-182-44 | | |
| | Right | | | 82262 | | | D-182-44 | | | |
| | | 2FMXT05.4PF6 | | 4WD; Executive Order # D-182-44 | Left | 82267 | | | D-182-44 | |
| | Right | | | | 82266 | | | D-182-44 | | |
| | | | | Executive Order # D-182-44 | Front Left | | | 82113 | D-182-44 | |
| | Front Right | | | | | | 82113 | D-182-44 | | |
| | Rear Left | | | | | | 82213 | D-182-44 | | |
| | Rear Right | | | | | | 82213 | D-182-44 | | |
| | | | | RWD; Executive Order # D-182-44 | Left | 82263 | | | D-182-44 | |
| | Right | | | | 82262 | | | D-182-44 | | |
| | | 2FMXT05.4RF6 | | 4WD; Executive Order # D-182-44 | Left | 82267 | | | D-182-44 | |
| | Right | | | | 82266 | | | D-182-44 | | |
| | | | | Executive Order # D-182-44 | Front Left | | | 82113 | D-182-44 | |
| | Front Right | | | | | | 82113 | D-182-44 | | |
| | Rear Left | | | | | | 82213 | D-182-44 | | |
| | Rear Right | | | | | | 82213 | D-182-44 | | |
| | | | | RWD; Executive Order # D-182-44 | Right | 82262 | | | D-182-44 | |
| | | | | | | | | | | |
| | 2FMXT05.4RF8 | 4WD; Executive Order # D-182-44 | Left | 82267 | | | D-182-44 | | | |
| Right | | | 82266 | | | D-182-44 | | | | |
| | | Executive Order # D-182-44 | Front Left | | | 82113 | D-182-44 | | | |
| Front Right | | | | | 82113 | D-182-44 | | | | |
| Rear Left | | | | | 82213 | D-182-44 | | | | |
| Rear Right | | | | | 82213 | D-182-44 | | | | |
| | | RWD; Executive Order # D-182-44 | Right | 82262 | | | D-182-44 | | | |
| | | | | | | | | | | |
| | 5.4L V8 | 2FMXA05.4HJD | 4WD; Executive Order # D-182-69 | Front Left | | | 83513 | D-182-69 | | |
| Front Right | | | | | | 83513 | D-182-69 | | | |
| | | | Executive Order # D-182-69 | Rear Left | | | 83418 | D-182-69 | | |
| Rear Right | | | | | | 83418 | D-182-69 | | | |
| | | 2FMXT05.42F5 | Executive Order # D-182-44 | Front Left | | | 82113 | D-182-44 | | |
| | | | | | | | | | | |
| | | | | | | | | | | |
| | | | | | | | | | | |

For vehicles licensed in the state of California or Maine, or vehicles requiring CARB-compliant converters in the state of New York, the parts in this catalog must be installed as specifically listed. Parts cannot be substituted, nor can they be installed on California or Maine licensed vehicles not listed in this catalog.

OBDII PASSENGER CAR & TRUCK

| Years | Engine | Engine Family No. | Application | Position | Direct-Fit | | Universal Part No. | Executive Order | |
|---------------------------------|---------------------------------|---------------------------------|---------------------------------|---------------------------------|--------------|--------------|--------------------|-----------------|----------|
| | | | | | Part No. | Hardware | | | |
| FORD (Cont.) | | | | | | | | | |
| F-150 (Cont.) | | | | | | | | | |
| 2002 (Cont.) | 5.4L V8 | 2FMXT05.42F5 | Executive Order # D-182-44 | Front Right | | | 82113 | D-182-44 | |
| | | | | Rear Left | | | 82208 | D-182-44 | |
| | | | | Rear Right | | | 82208 | D-182-44 | |
| | | | RWD; Executive Order # D-182-44 | Left | 82251 | | | D-182-44 | |
| | | | 2FMXT05.4PF5 | Executive Order # D-182-44 | Front Left | | | 82113 | D-182-44 |
| | | | | | Front Right | | | 82113 | D-182-44 |
| | | Rear Left | | | | | 82208 | D-182-44 | |
| | | Rear Right | | | | 82208 | D-182-44 | | |
| | | RWD; Executive Order # D-182-44 | | Left | 82251 | | | D-182-44 | |
| | | Right | | 82250 | 35337 | | | D-182-44 | |
| | | 2FMXT05.4PF6 | Executive Order # D-182-44 | Front Left | | | 82113 | D-182-44 | |
| | | | | Front Right | | | 82113 | D-182-44 | |
| | | | | Rear Left | | | 82208 | D-182-44 | |
| | | | Rear Right | | | 82208 | D-182-44 | | |
| | | | RWD; Executive Order # D-182-44 | Left | 82251 | | | D-182-44 | |
| | | | Right | 82250 | 35337 | | | D-182-44 | |
| | | 2FMXT05.4RF6 | Executive Order # D-182-44 | Front Left | | | 82113 | D-182-44 | |
| | | | | Front Right | | | 82113 | D-182-44 | |
| | | | | Rear Left | | | 82208 | D-182-44 | |
| | | | Rear Right | | | 82208 | D-182-44 | | |
| | | | RWD; Executive Order # D-182-44 | Left | 82251 | | | D-182-44 | |
| | | | Right | 82250 | 35337 | | | D-182-44 | |
| | | 2FMXT05.4RF8 | Executive Order # D-182-44 | Front Left | | | 82113 | D-182-44 | |
| | | | | Front Right | | | 82113 | D-182-44 | |
| Rear Left | | | | | 82208 | D-182-44 | | | |
| Rear Right | | | | 82208 | D-182-44 | | | | |
| RWD; Executive Order # D-182-44 | Left | | 82251 | | | D-182-44 | | | |
| Right | 82250 | | 35337 | | | D-182-44 | | | |
| 2001 | 4.2L V6 | 1FMXT04.22F5 | Executive Order # D-182-44 | Front Left | | | 82113 | D-182-44 | |
| | | | | Front Right | | | 82113 | D-182-44 | |
| | | | RWD; Executive Order # D-182-44 | Left | 82282 | 35337 | | D-182-44 | |
| | | Right | 82283 | | | | D-182-44 | | |
| | | 4.6L V8 | 1FMXT04.6PF5 | 4WD; Executive Order # D-182-44 | Left | 82267 | | | D-182-44 |
| | | | | | Right | 82266 | | | D-182-44 |
| | Executive Order # D-182-44 | | | Front Left | | | 82113 | D-182-44 | |
| | Front Right | | | | 82113 | D-182-44 | | | |
| | Rear Left | | | | 82213 | D-182-44 | | | |
| | Rear Right | | | | 82213 | D-182-44 | | | |
| | RWD; Executive Order # D-182-44 | Left | 82263 | | | D-182-44 | | | |
| | Right | 82262 | | | | D-182-44 | | | |
| 1FMXT04.6PF6 | 4WD; Executive Order # D-182-44 | Left | 82267 | | | D-182-44 | | | |
| | | Right | 82266 | | | D-182-44 | | | |
| | Executive Order # D-182-44 | Front Left | | | 82113 | D-182-44 | | | |
| Front Right | | | 82113 | D-182-44 | | | | | |

OBDII APPLICATIONS

NON-OBDII APPLICATIONS

NUMERICAL

UNIVERSAL SPECIFICATIONS

For vehicles licensed in the state of California or Maine, or vehicles requiring CARB-compliant converters in the state of New York, the parts in this catalog must be installed as specifically listed. Parts cannot be substituted, nor can they be installed on California or Maine licensed vehicles not listed in this catalog.

OBDII PASSENGER CAR & TRUCK

| Years | Engine | Engine Family No. | Application | Position | Direct-Fit | | Universal Part No. | Executive Order | |
|---------------------------------|---|---------------------------------|---|----------------------------|-------------|----------|--------------------|-----------------|----------|
| | | | | | Part No. | Hardware | | | |
| FORD (Cont.) | | | | | | | | | |
| F-150 (Cont.) | | | | | | | | | |
| 2001 (Cont.) | 4.6L V8 | 1FMXT04.6PF6 | RWD; Executive Order # D-182-44 | Left | 82263 | | | D-182-44 | |
| | | | | Right | 82262 | | | D-182-44 | |
| | | 1FMXT05.4PF5 | 4WD; Executive Order # D-182-44 | Left | 82267 | | | D-182-44 | |
| | | | | Right | 82266 | | | D-182-44 | |
| | | | Executive Order # D-182-44 | Front Left | | | 82113 | D-182-44 | |
| | | | | Front Right | | | 82113 | D-182-44 | |
| | | | | Rear Left | | | 82213 | D-182-44 | |
| | | | | Rear Right | | | 82213 | D-182-44 | |
| | | RWD; Executive Order # D-182-44 | Left | 82263 | | | D-182-44 | | |
| | | | Right | 82262 | | | D-182-44 | | |
| | | 1FMXT05.4RF8 | 4WD; Executive Order # D-182-44 | Left | 82267 | | | D-182-44 | |
| | | | | Right | 82266 | | | D-182-44 | |
| | | | Executive Order # D-182-44 | Front Left | | | 82113 | D-182-44 | |
| | | | | Front Right | | | 82113 | D-182-44 | |
| | | | | Rear Left | | | 82213 | D-182-44 | |
| | | | | Rear Right | | | 82213 | D-182-44 | |
| | | | RWD; Executive Order # D-182-44 | Right | 82262 | | | D-182-44 | |
| | | | | | | | | | |
| | 5.4L V8 | | 1FMXT05.42F5 | Executive Order # D-182-44 | Front Left | | | 82113 | D-182-44 |
| | | | | | Front Right | | | 82113 | D-182-44 |
| | | Rear Left | | | | | 82208 | D-182-44 | |
| | | Rear Right | | | | | 82208 | D-182-44 | |
| | | RWD; Executive Order # D-182-44 | | Left | 82251 | | | D-182-44 | |
| | | | | | | | | | |
| | | 1FMXT05.4PF4 | 4WD; 4R70W Trans.; Executive Order # D-182-44 | Left | 82264 | | | D-182-44 | |
| | | | | Right | 82265 | | | D-182-44 | |
| | | | Executive Order # D-182-44 | Front Left | | | 82113 | D-182-44 | |
| | | | | Front Right | | | 82113 | D-182-44 | |
| | | | | Rear Left | | | 82208 | D-182-44 | |
| | | | | Rear Right | | | 82208 | D-182-44 | |
| | | | RWD; Executive Order # D-182-44 | Left | 82251 | | | D-182-44 | |
| | | | | Right | 82250 | 35337 | | D-182-44 | |
| | | 1FMXT05.4PF5 | 4WD; 4R70W Trans.; Executive Order # D-182-44 | Left | 82264 | | | D-182-44 | |
| | | | | Right | 82265 | | | D-182-44 | |
| | | | Executive Order # D-182-44 | Front Left | | | 82113 | D-182-44 | |
| | | | | Front Right | | | 82113 | D-182-44 | |
| Rear Left | | | | | 82208 | D-182-44 | | | |
| Rear Right | | | | | 82208 | D-182-44 | | | |
| RWD; Executive Order # D-182-44 | Left | | 82251 | | | D-182-44 | | | |
| | Right | | 82250 | 35337 | | D-182-44 | | | |
| 1FMXT05.4RF7 | 4WD; 4R70W Trans.; Executive Order # D-182-44 | Left | 82264 | | | D-182-44 | | | |
| | | Right | 82265 | | | D-182-44 | | | |
| | Executive Order # D-182-44 | Front Left | | | 82113 | D-182-44 | | | |
| | | Front Right | | | 82113 | D-182-44 | | | |
| | | Rear Left | | | 82208 | D-182-44 | | | |
| | | Rear Right | | | 82208 | D-182-44 | | | |
| | RWD; Executive Order # D-182-44 | Left | 82251 | | | D-182-44 | | | |
| | | Right | 82250 | 35337 | | D-182-44 | | | |

For vehicles licensed in the state of California or Maine, or vehicles requiring CARB-compliant converters in the state of New York, the parts in this catalog must be installed as specifically listed. Parts cannot be substituted, nor can they be installed on California or Maine licensed vehicles not listed in this catalog.

OBDII PASSENGER CAR & TRUCK

| Years | Engine | Engine Family No. | Application | Position | Direct-Fit | | Universal Part No. | Executive Order | | |
|---------------------------------|---|---|---|--------------|---------------------------------|--------------|--------------------|-----------------|--------------|----------|
| | | | | | Part No. | Hardware | | | | |
| FORD (Cont.) | | | | | | | | | | |
| F-150 (Cont.) | | | | | | | | | | |
| 2001 (Cont.) | 5.4L V8 | 1FMXT05.4RF7 | RWD; Executive Order # D-182-44 | Left | 82251 | | | D-182-44 | | |
| | | | | Right | 82250 | 35337 | | D-182-44 | | |
| | | 1FMXT05.4RF8 | 4WD; 4R70W Trans.; Executive Order # D-182-44 | Left | 82264 | | | | D-182-44 | |
| | | | | Right | 82265 | | | | D-182-44 | |
| | | | Executive Order # D-182-44 | Front Left | | | | 82113 | | D-182-44 |
| | | | | Front Right | | | | 82113 | | D-182-44 |
| | | | | Rear Left | | | | 82208 | | D-182-44 |
| | | | | Rear Right | | | | 82208 | | D-182-44 |
| | | RWD; Executive Order # D-182-44 | Left | 82251 | | | | D-182-44 | | |
| | | 2000 | 4.2L V6 | YFMXT04.22FC | Executive Order # D-182-44 | Front Left | | | 82113 | D-182-44 |
| | Front Right | | | | | | 82113 | D-182-44 | | |
| RWD; Executive Order # D-182-44 | Left | | | 82270 | | | | | D-182-44 | |
| | Right | | | 82269 | | | | | D-182-44 | |
| | 4.6L V8 | | | YFMXA04.6HGC | 4WD; Executive Order # D-182-44 | Left | 82275 | | | D-182-44 |
| | | | | | | Right | 82276 | | | D-182-44 |
| Executive Order # D-182-44 | | | Front Left | | | | 82113 | | D-182-44 | |
| | | | Front Right | | | | 82113 | | D-182-44 | |
| | Rear Left | | | | | 82208 | | D-182-44 | | |
| | Rear Right | | | | | 82208 | | D-182-44 | | |
| RWD; Executive Order # D-182-44 | Left | | 82277 | | | | | D-182-44 | | |
| | Right | | 82274 | | | | | D-182-44 | | |
| 5.4L V8 | YFMXA05.4HGC | | 4WD; 4R100 Trans.; Executive Order # D-182-44 | Left | 82253 | | | | D-182-44 | |
| | | | | Right | 82254 | | | | D-182-44 | |
| | | 4WD; 4R70W Trans.; Executive Order # D-182-44 | Left | 82264 | | | | | D-182-44 | |
| | | | Right | 82265 | | | | | D-182-44 | |
| | | Executive Order # D-182-44 | Front Left | | | | 82113 | | D-182-44 | |
| | | | Front Right | | | | 82113 | | D-182-44 | |
| | | | Rear Left | | | | 82208 | | D-182-44 | |
| | | | Rear Right | | | | 82208 | | D-182-44 | |
| | | RWD; Executive Order # D-182-44 | Left | 82268 | | | | | D-182-44 | |
| | | | Right | 82250 | 35337 | | | | D-182-44 | |
| | | YFMXT05.4PF5 | 4WD; 4R100 Trans.; Executive Order # D-182-44 | Left | 82253 | | | | D-182-44 | |
| | | | | Right | 82254 | | | | D-182-44 | |
| | | | 4WD; 4R70W Trans.; Executive Order # D-182-44 | Left | 82264 | | | | | D-182-44 |
| | | | | Right | 82265 | | | | | D-182-44 |
| | | | Executive Order # D-182-44 | Front Left | | | | 82113 | | D-182-44 |
| | | | | Front Right | | | | 82113 | | D-182-44 |
| | | | | Rear Left | | | | 82208 | | D-182-44 |
| | | | | Rear Right | | | | 82208 | | D-182-44 |
| RWD; Executive Order # D-182-44 | Left | 82268 | | | | | D-182-44 | | | |
| | Right | 82250 | 35337 | | | | D-182-44 | | | |
| YFMXT05.4RF7 | 4WD; 4R100 Trans.; Executive Order # D-182-44 | Left | 82253 | | | | D-182-44 | | | |
| | | Right | 82254 | | | | D-182-44 | | | |
| | 4WD; 4R70W Trans.; Executive Order # D-182-44 | Left | 82264 | | | | | D-182-44 | | |
| | | Right | 82265 | | | | | D-182-44 | | |

OBDII APPLICATIONS

NON-OBDII APPLICATIONS

NUMERICAL

UNIVERSAL SPECIFICATIONS

For vehicles licensed in the state of California or Maine, or vehicles requiring CARB-compliant converters in the state of New York, the parts in this catalog must be installed as specifically listed. Parts cannot be substituted, nor can they be installed on California or Maine licensed vehicles not listed in this catalog.

OBDII PASSENGER CAR & TRUCK

| Years | Engine | Engine Family No. | Application | Position | Direct-Fit | | Universal Part No. | Executive Order | | |
|---------------------------------|---|-------------------|---------------------------------|---|---|--------------|--------------------|-----------------|--------------|----------|
| | | | | | Part No. | Hardware | | | | |
| FORD (Cont.) | | | | | | | | | | |
| F-150 (Cont.) | | | | | | | | | | |
| 2000 (Cont.) | 5.4L V8 | YFMXT05.4RF7 | Executive Order # D-182-44 | Front Left | | | 82113 | D-182-44 | | |
| | | | | Front Right | | | 82113 | D-182-44 | | |
| | | | | Rear Left | | | 82208 | D-182-44 | | |
| | | | | Rear Right | | | 82208 | D-182-44 | | |
| | | | RWD; Executive Order # D-182-44 | Left | 82268 | | | D-182-44 | | |
| | | | | Right | 82250 | 35337 | | D-182-44 | | |
| 1999 | 4.2L V6 | XFMXT04.22GC | Executive Order # D-182-44 | Front Left | | | 82113 | D-182-44 | | |
| | | | | Front Right | | | 82113 | D-182-44 | | |
| | | | RWD; Executive Order # D-182-44 | Left | 82270 | | | D-182-44 | | |
| | | | | Right | 82269 | | | D-182-44 | | |
| | | | 4.6L V8 | XFMXA04.6HGC | 4WD; Executive Order # D-182-44 | Left | 82275 | | | D-182-44 |
| | | | | | | Right | 82276 | | | D-182-44 |
| | Executive Order # D-182-44 | Front Left | | | | | 82113 | D-182-44 | | |
| | | Front Right | | | | | 82113 | D-182-44 | | |
| | | Rear Left | | | | | 82208 | D-182-44 | | |
| | | Rear Right | | | | | 82208 | D-182-44 | | |
| | RWD; Executive Order # D-182-44 | Left | | | 82277 | | | D-182-44 | | |
| | | Right | | | 82274 | | | D-182-44 | | |
| | 5.4L V8 | XFMXA05.4HGC | | | 4WD; 4R100 Trans.; Executive Order # D-182-44 | Left | 82253 | | | D-182-44 |
| | | | | | | Right | 82254 | | | D-182-44 |
| | | | | | Executive Order # D-182-44 | Front Left | | | 82113 | D-182-44 |
| | | | | | | Front Right | | | 82113 | D-182-44 |
| | | | Rear Left | | | | 82208 | D-182-44 | | |
| | | | Rear Right | | | | 82208 | D-182-44 | | |
| | | | RWD; Executive Order # D-182-44 | Left | 82268 | | | D-182-44 | | |
| | | | | Right | 82250 | 35337 | | D-182-44 | | |
| | | | XFMXA05.4JGC | 4WD; 4R100 Trans.; Executive Order # D-182-44 | Left | 82253 | | | D-182-44 | |
| | | | | | Right | 82254 | | | D-182-44 | |
| | | | | Executive Order # D-182-44 | Front Left | | | 82113 | D-182-44 | |
| | | | | | Front Right | | | 82113 | D-182-44 | |
| Rear Left | | | | | | | 82208 | D-182-44 | | |
| Rear Right | | | | | | | 82208 | D-182-44 | | |
| RWD; Executive Order # D-182-44 | | | | Left | 82268 | | | D-182-44 | | |
| | | | | Right | 82254 | | | D-182-44 | | |
| XFMXT05.42BF | 4WD; 4R100 Trans.; Executive Order # D-182-44 | Front Left | | | | 82113 | D-182-44 | | | |
| | | Front Right | | | | 82113 | D-182-44 | | | |
| | | Rear Left | | | 82208 | D-182-44 | | | | |
| | | Rear Right | | | 82208 | D-182-44 | | | | |
| 1998 | 4.2L V6 | WFMXT04.2AAA | Executive Order # D-182-44 | Front Left | | | 82113 | D-182-44 | | |
| | | | | Front Right | | | 82113 | D-182-44 | | |
| | | | | Rear Left | | | 82208 | D-182-44 | | |
| | | | | Rear Right | | | 82208 | D-182-44 | | |
| | | | RWD; Executive Order # D-182-44 | Left | 82271 | | | D-182-44 | | |
| | | | | Right | 82272 | | | D-182-44 | | |

For vehicles licensed in the state of California or Maine, or vehicles requiring CARB-compliant converters in the state of New York, the parts in this catalog must be installed as specifically listed. Parts cannot be substituted, nor can they be installed on California or Maine licensed vehicles not listed in this catalog.

OBDII PASSENGER CAR & TRUCK

| Years | Engine | Engine Family No. | Application | Position | Direct-Fit | | Universal Part No. | Executive Order | | |
|---------------------------------|---------------------------------|-------------------|---------------------------------|--------------|---------------------------------|--------------|--------------------|-----------------|--|----------|
| | | | | | Part No. | Hardware | | | | |
| FORD (Cont.) | | | | | | | | | | |
| F-150 (Cont.) | | | | | | | | | | |
| 1998 (Cont.) | 4.6L V8 | WFMXA04.6AAA | 4WD; Executive Order # D-182-44 | Left | 82256 | | | D-182-44 | | |
| | | | | Right | 82255 | | | D-182-44 | | |
| | | | Executive Order # D-182-44 | Front Left | | | 82113 | D-182-44 | | |
| | | | | Front Right | | | 82113 | D-182-44 | | |
| | | | | Rear Left | | | 82208 | D-182-44 | | |
| | | | | Rear Right | | | 82208 | D-182-44 | | |
| | | | RWD; Executive Order # D-182-44 | Left | 82257 | | | D-182-44 | | |
| | | | | Right | 82258 | | | D-182-44 | | |
| | | WFMXT04.6AAA | 4WD; Executive Order # D-182-44 | Left | 82256 | | | D-182-44 | | |
| | | | | Right | 82255 | | | D-182-44 | | |
| | | | Executive Order # D-182-44 | Front Left | | | 82113 | D-182-44 | | |
| | | | | Front Right | | | 82113 | D-182-44 | | |
| | | | | Rear Left | | | 82208 | D-182-44 | | |
| | | | | Rear Right | | | 82208 | D-182-44 | | |
| | | | RWD; Executive Order # D-182-44 | Left | 82257 | | | D-182-44 | | |
| | | | | Right | 82258 | | | D-182-44 | | |
| | 5.4L V8 | WFMXA05.4HBC | 4WD; Executive Order # D-182-44 | Left | 82284 | | | D-182-44 | | |
| | | | | Right | 82261 | | | D-182-44 | | |
| | | | Executive Order # D-182-44 | Front Left | | | 82113 | D-182-44 | | |
| | | | | Front Right | | | 82113 | D-182-44 | | |
| | | | | Rear Left | | | 82208 | D-182-44 | | |
| | | | | Rear Right | | | 82208 | D-182-44 | | |
| | | | RWD; Executive Order # D-182-44 | Left | 82252 | | | D-182-44 | | |
| | | | | Right | 82259 | | | D-182-44 | | |
| | | WFMXA05.4JBN | 4WD; Executive Order # D-182-44 | Left | 82284 | | | D-182-44 | | |
| | | | | Right | 82261 | | | D-182-44 | | |
| | | | Executive Order # D-182-44 | Front Left | | | 82113 | D-182-44 | | |
| | | | | Front Right | | | 82113 | D-182-44 | | |
| Rear Left | | | | | | 82208 | D-182-44 | | | |
| Rear Right | | | | | | 82208 | D-182-44 | | | |
| RWD; Executive Order # D-182-44 | | | Left | 82252 | | | D-182-44 | | | |
| | | | Right | 82259 | | | D-182-44 | | | |
| 1997 | 4.2L V6 | VFM4.228G1EK | Executive Order # D-182-44 | Front Left | | | 82113 | D-182-44 | | |
| | | | | Front Right | | | 82113 | D-182-44 | | |
| | | | | Rear Left | | | 82208 | D-182-44 | | |
| | | | | Rear Right | | | 82208 | D-182-44 | | |
| | | | RWD; Executive Order # D-182-44 | Left | 82271 | | | D-182-44 | | |
| | | | | Right | 82272 | | | D-182-44 | | |
| | | | 4.6L V8 | VFM4.628G1EK | 4WD; Executive Order # D-182-44 | Left | 82256 | | | D-182-44 |
| | | | | | | Right | 82255 | | | D-182-44 |
| | Executive Order # D-182-44 | Front Left | | | | | 82113 | D-182-44 | | |
| | | Front Right | | | | | 82113 | D-182-44 | | |
| | | Rear Left | | | | | 82208 | D-182-44 | | |
| | | Rear Right | | | | | 82208 | D-182-44 | | |
| | RWD; Executive Order # D-182-44 | Left | | | 82257 | | | D-182-44 | | |

OBDII APPLICATIONS

NON-OBDII APPLICATIONS

NUMERICAL

UNIVERSAL SPECIFICATIONS

For vehicles licensed in the state of California or Maine, or vehicles requiring CARB-compliant converters in the state of New York, the parts in this catalog must be installed as specifically listed. Parts cannot be substituted, nor can they be installed on California or Maine licensed vehicles not listed in this catalog.

OBDII PASSENGER CAR & TRUCK

| Years | Engine | Engine Family No. | Application | Position | Direct-Fit | | Universal Part No. | Executive Order | | |
|--|--|--|---|--|---|--------------|--------------------|-----------------|----------|----------|
| | | | | | Part No. | Hardware | | | | |
| FORD (Cont.) | | | | | | | | | | |
| F-150 (Cont.) | | | | | | | | | | |
| 1997 (Cont.) | 4.6L V8 | VFM4.628G1EK | RWD; Executive Order # D-182-44 | Right | 82258 | | | D-182-44 | | |
| | | | VFM4.6H8G1EK | 4WD; Executive Order # D-182-44 | Left | 82256 | | | D-182-44 | |
| | | | | Right | 82255 | | | D-182-44 | | |
| | | Executive Order # D-182-44 | | Front Left | | | 82113 | | D-182-44 | |
| | | | | Front Right | | | 82113 | | D-182-44 | |
| | | | | Rear Left | | | 82208 | | D-182-44 | |
| | | | | Rear Right | | | 82208 | | D-182-44 | |
| | | RWD; Executive Order # D-182-44 | Left | 82257 | | | | D-182-44 | | |
| | Right | | 82258 | | | | D-182-44 | | | |
| | 5.4L V8 | VFM5.4H8G1EK | 4WD; Executive Order # D-182-44 | Left | 82284 | | | D-182-44 | | |
| | | | | Right | 82261 | | | D-182-44 | | |
| | | Executive Order # D-182-44 | Front Left | | | 82113 | | D-182-44 | | |
| | | | Front Right | | | 82113 | | D-182-44 | | |
| | | | Rear Left | | | 82208 | | D-182-44 | | |
| Rear Right | | | | | 82208 | | D-182-44 | | | |
| RWD; Executive Order # D-182-44 | | Left | 82252 | | | | D-182-44 | | | |
| | | Right | 82259 | | | | D-182-44 | | | |
| 1996 | 4.9L L6 | TFM4.958GFJK | Executive Order # D-182-51 | Front | | | 82312 | D-182-51 | | |
| | | | | Rear | | | 82302 | D-182-51 | | |
| | | Executive Order # D-182-69 | Rear | | | 83518 | D-182-69 | | | |
| | | 5.0L V8 | TFM5.0H8G1EK | Executive Order # D-182-51 | Front | | | 82312 | D-182-51 | |
| | | | | Rear | | | 82302 | D-182-51 | | |
| | Executive Order # D-182-69 | | Rear | | | 83518 | D-182-69 | | | |
| | 5.8L V8 | | TFM5.8H8G1EK | Executive Order # D-182-51 | Front | | | 82312 | D-182-51 | |
| | | | | Rear | | | 82302 | D-182-51 | | |
| | | Executive Order # D-182-69 | Rear | | | 83518 | D-182-69 | | | |
| | | F-150 Heritage | | | | | | | | |
| | 2004 | 4.2L V6 | 4FMXT04.2PN2 | RWD; Heritage Models; Executive Order # D-182-69 | Front Left | | | 83513 | D-182-69 | |
| | | | | | Front Right | | | 83513 | D-182-69 | |
| XL Model; Executive Order # D-182-69 | | | | Rear Left | | | 83510 | D-182-69 | | |
| | | | | Rear Right | | | 83510 | D-182-69 | | |
| XL Model; RWD; Executive Order # D-182-69 | | | | Left | 83568 | | | D-182-69 | | |
| | | | | Right | 83557 | | | D-182-69 | | |
| XLT Model; Executive Order # D-182-69 | | | | Rear Left | | | 83510 | D-182-69 | | |
| | | | | Rear Right | | | 83510 | D-182-69 | | |
| XLT Model; RWD; Executive Order # D-182-69 | | | | Left | 83568 | | | D-182-69 | | |
| | | | | Right | 83557 | | | D-182-69 | | |
| 4.6L V8 | | | | 4FMXT04.6PNB | XL Model; 4WD; Executive Order # D-182-44 | Left | 82281 | | | D-182-44 |
| | | | | | | Right | 82278 | | | D-182-44 |
| | | XLT Model; 4WD; Executive Order # D-182-44 | Left | | 82281 | | | D-182-44 | | |
| | | | Right | | 82278 | | | D-182-44 | | |
| | | 4FMXT05.4RFC | Heritage Models; Executive Order # D-182-69 | Front Left | | | 83513 | D-182-69 | | |
| | | | | Front Right | | | 83513 | D-182-69 | | |
| | New Body Style; Executive Order # D-182-69 | Front Left | | | 83513 | D-182-69 | | | | |

For vehicles licensed in the state of California or Maine, or vehicles requiring CARB-compliant converters in the state of New York, the parts in this catalog must be installed as specifically listed. Parts cannot be substituted, nor can they be installed on California or Maine licensed vehicles not listed in this catalog.

OBDII PASSENGER CAR & TRUCK

| Years | Engine | Engine Family No. | Application | Position | Direct-Fit | | Universal Part No. | Executive Order | |
|--|------------|-------------------|--|--|--------------|--------------|--------------------|-----------------|----------|
| | | | | | Part No. | Hardware | | | |
| FORD (Cont.) | | | | | | | | | |
| F-150 Heritage (Cont.) | | | | | | | | | |
| 2004 (Cont.) | 4.6L V8 | 4FMXT05.4RFC | New Body Style; Executive Order # D-182-69 | Front Right | | | 83513 | D-182-69 | |
| | | | | XL Model; Executive Order # D-182-69 | Rear Left | | | 83510 | D-182-69 |
| | | | XL Model; Executive Order # D-182-69 | Rear Right | | | 83510 | D-182-69 | |
| | | | | Rear Left | | | 83510 | D-182-69 | |
| | Rear Right | | | 83510 | D-182-69 | | | | |
| | | Rear Left | | | 83510 | D-182-69 | | | |
| | 5.4L V8 | 4FMXT05.4PP7 | Executive Order # D-182-44 | Front Left | | | 82113 | D-182-44 | |
| | | | | Front Right | | | 82113 | D-182-44 | |
| | | | | Rear Left | | | 82208 | D-182-44 | |
| | | | | Rear Right | | | 82208 | D-182-44 | |
| | | 4FMXT05.4RI7 | Executive Order # D-182-69 | Rear Left | | | 83418 | D-182-69 | |
| | | | | Rear Right | | | 83418 | D-182-69 | |
| | | | | New Body Style; Executive Order # D-182-69 | Front Left | | | 83513 | D-182-69 |
| | | | | Front Right | | | 83513 | D-182-69 | |
| | | 4FMXT05.4RPB | Executive Order # D-182-69 | Rear Left | | | 83418 | D-182-69 | |
| | | | | Rear Right | | | 83418 | D-182-69 | |
| New Body Style; Executive Order # D-182-69 | | | | Front Left | | | 83513 | D-182-69 | |
| Front Right | | | | | | 83513 | D-182-69 | | |

F-250

| | | | | | | | | | |
|---------------------------------|---------|---------------------------------|---------------------------------|---------------------------------|--------------|--------------|--------------|----------|----------|
| 1999 | 4.6L V8 | XFMXA04.6JGC | Executive Order # D-182-44 | Front Left | | | 82113 | D-182-44 | |
| | | | | Front Right | | | 82113 | D-182-44 | |
| | | | | Rear Left | | | 82213 | D-182-44 | |
| | | | | Rear Right | | | 82213 | D-182-44 | |
| | 5.4L V8 | XFMXA05.4JGC | Executive Order # D-182-44 | Front Left | | | 82113 | D-182-44 | |
| | | | | Front Right | | | 82113 | D-182-44 | |
| | | | | Rear Left | | | 82208 | D-182-44 | |
| | | | | Rear Right | | | 82208 | D-182-44 | |
| RWD; Executive Order # D-182-44 | Left | 82268 | | | | D-182-44 | | | |
| | Right | 82250 | 35337 | | | D-182-44 | | | |
| 1998 | 4.6L V8 | WFMXA04.6BAA | 4WD; Executive Order # D-182-44 | Left | 82256 | | | D-182-44 | |
| | | | | Right | 82255 | | | D-182-44 | |
| | | | Executive Order # D-182-44 | Front Left | | | 82113 | D-182-44 | |
| | | | | Front Right | | | 82113 | D-182-44 | |
| | | Rear Left | | | | 82208 | D-182-44 | | |
| | | Rear Right | | | | 82208 | D-182-44 | | |
| | | RWD; Executive Order # D-182-44 | Left | 82257 | | | | D-182-44 | |
| | | | Right | 82258 | | | | D-182-44 | |
| | 5.4L V8 | | WFMXA05.4JBN | 4WD; Executive Order # D-182-44 | Left | 82284 | | | D-182-44 |
| | | | | | Right | 82261 | | | D-182-44 |
| | | Executive Order # D-182-44 | Front Left | | | 82113 | D-182-44 | | |
| | | | Front Right | | | 82113 | D-182-44 | | |
| Rear Left | | | | 82208 | D-182-44 | | | | |
| Rear Right | | | | 82208 | D-182-44 | | | | |
| RWD; Executive Order # D-182-44 | Left | 82252 | | | | D-182-44 | | | |
| | Right | 82259 | | | | D-182-44 | | | |

For vehicles licensed in the state of California or Maine, or vehicles requiring CARB-compliant converters in the state of New York, the parts in this catalog must be installed as specifically listed. Parts cannot be substituted, nor can they be installed on California or Maine licensed vehicles not listed in this catalog.

OBDII APPLICATIONS

NON-OBDII APPLICATIONS

NUMERICAL

UNIVERSAL SPECIFICATIONS

OBDII PASSENGER CAR & TRUCK

| Years | Engine | Engine Family No. | Application | Position | Direct-Fit | | Universal Part No. | Executive Order |
|-------|--------|-------------------|-------------|----------|------------|----------|--------------------|-----------------|
| | | | | | Part No. | Hardware | | |

FORD (Cont.)

F-250 (Cont.)

| | | | | | | | | |
|---------------------------------|---------------------------------|----------------------------|---------------------------------|-------------|--------------|--------------|--------------|----------|
| 1997 | 4.6L V8 | VFM4.6J8G1EK | 4WD; Executive Order # D-182-44 | Left | 82256 | | | D-182-44 |
| | | | | Right | 82255 | | | D-182-44 |
| | | | Executive Order # D-182-44 | Front Left | | | 82113 | D-182-44 |
| | | | | Front Right | | | 82113 | D-182-44 |
| | | | | Rear Left | | | 82208 | D-182-44 |
| | RWD; Executive Order # D-182-44 | Left | 82257 | | | D-182-44 | | |
| | | Right | 82258 | | | D-182-44 | | |
| | 5.4L V8 | VFM5.4J8G1FK | 4WD; Executive Order # D-182-44 | Left | 82284 | | | D-182-44 |
| | | | | Right | 82261 | | | D-182-44 |
| | | | Executive Order # D-182-44 | Front Left | | | 82113 | D-182-44 |
| Front Right | | | | | | 82113 | D-182-44 | |
| Rear Left | | | | | 82208 | D-182-44 | | |
| RWD; Executive Order # D-182-44 | | Left | 82252 | | | D-182-44 | | |
| | | Right | 82259 | | | D-182-44 | | |
| 5.8L V8 | | VFM5.8J8G1EK | Executive Order # D-182-69 | Rear | | | 83518 | D-182-69 |
| 1996 | 4.9L L6 | TFM4.958GFJK | Executive Order # D-182-51 | Front | | | 82312 | D-182-51 |
| | | | | Rear | | | 82302 | D-182-51 |
| | | | Executive Order # D-182-69 | Rear | | | 83518 | D-182-69 |
| | | TFM4.968GFJK | Executive Order # D-182-51 | Front | | | 82312 | D-182-51 |
| | | | | Rear | | | 82302 | D-182-51 |
| | | | Executive Order # D-182-69 | Rear | | | 83518 | D-182-69 |
| | 5.0L V8 | TFM5.0H8G1EK | Executive Order # D-182-51 | Front | | | 82312 | D-182-51 |
| | | | | Rear | | | 82302 | D-182-51 |
| | | | Executive Order # D-182-69 | Rear | | | 83518 | D-182-69 |
| | | | | Rear | | | 83518 | D-182-69 |
| 5.8L V8 | TFM5.8H8G1EK | Executive Order # D-182-51 | Front | | | 82312 | D-182-51 | |
| | | | Rear | | | 82302 | D-182-51 | |
| | | Executive Order # D-182-69 | Rear | | | 83518 | D-182-69 | |
| | TFM5.8J8G1EK | Executive Order # D-182-51 | Front | | | 82312 | D-182-51 | |
| | | | Rear | | | 82302 | D-182-51 | |
| | | Executive Order # D-182-69 | Rear | | | 83518 | D-182-69 | |

F-250 HD

| | | | | | | | | |
|------|---------|--------------|----------------------------|-------|--|--|--------------|----------|
| 1997 | 5.8L V8 | VFM5.8J8G1EK | Executive Order # D-182-51 | Front | | | 82312 | D-182-51 |
| | | | | Rear | | | 82302 | D-182-51 |

F-250 Super Duty

| | | | | | | | | |
|-------|----------------------------|--------------|----------------------------|----------|--------------|----------|--------------|----------|
| 2006 | 6.8L V10 | 6FMXK06.8RF2 | Executive Order # D-182-52 | | 81972 | 31530 | | D-182-52 |
| | | | | Left | | | 81902 | D-182-52 |
| | | | Executive Order # D-182-69 | Right | | | 81902 | D-182-52 |
| | | | | Left | | | 83502 | D-182-69 |
| Right | | | 83502 | D-182-69 | | | | |
| | Executive Order # D-182-52 | | 81972 | 31530 | | D-182-52 | | |
| 2005 | 5.4L V8 | 5FMXK05.4SF5 | Executive Order # D-182-52 | Left | | | 81902 | D-182-52 |
| | | | | Right | | | 81902 | D-182-52 |
| | | | Executive Order # D-182-69 | Left | | | 83502 | D-182-69 |

For vehicles licensed in the state of California or Maine, or vehicles requiring CARB-compliant converters in the state of New York, the parts in this catalog must be installed as specifically listed. Parts cannot be substituted, nor can they be installed on California or Maine licensed vehicles not listed in this catalog.

OBDII PASSENGER CAR & TRUCK

| Years | Engine | Engine Family No. | Application | Position | Direct-Fit | | Universal Part No. | Executive Order | |
|---------------------------------|----------------------------|----------------------------|----------------------------|----------------------------|--------------|--------------|--------------------|-----------------|----------|
| | | | | | Part No. | Hardware | | | |
| FORD (Cont.) | | | | | | | | | |
| F-250 Super Duty (Cont.) | | | | | | | | | |
| 2005 (Cont.) | 5.4L V8 | 5FMXK05.4SF5 | Executive Order # D-182-69 | Right | | | 83502 | D-182-69 | |
| | | | 5FMXK05.4TF9 | Executive Order # D-182-52 | | 81972 | 31530 | | D-182-52 |
| | | | | | Left | | | 81902 | D-182-52 |
| | | | Right | | | 81902 | D-182-52 | | |
| | | Executive Order # D-182-69 | Left | | | 83502 | D-182-69 | | |
| | | | Right | | | 83502 | D-182-69 | | |
| | 6.8L V10 | | 5FMXK06.8RF2 | Executive Order # D-182-52 | | 81972 | 31530 | | D-182-52 |
| | | | | Left | | | 81902 | D-182-52 | |
| | | | | Right | | | 81902 | D-182-52 | |
| | Executive Order # D-182-69 | Left | | | 83502 | D-182-69 | | | |
| | | Right | | | 83502 | D-182-69 | | | |
| | | 5FMXK06.8SF2 | Executive Order # D-182-52 | | 81972 | 31530 | | D-182-52 | |
| | | | Left | | | 81902 | D-182-52 | | |
| | | | Right | | | 81902 | D-182-52 | | |
| | Executive Order # D-182-69 | Left | | | 83502 | D-182-69 | | | |
| Right | | | | 83502 | D-182-69 | | | | |

F-350

| | | | | | | | | |
|------|---------|--------------|----------------------------|-------|--|--|--------------|----------|
| 1997 | 5.8L V8 | VFM5.8J8G1EK | Executive Order # D-182-51 | Front | | | 82312 | D-182-51 |
| | | | | Rear | | | 82302 | D-182-51 |
| | | | Executive Order # D-182-69 | Rear | | | 83518 | D-182-69 |
| 1996 | 4.9L L6 | TFM4.968GFJK | Executive Order # D-182-51 | Front | | | 82312 | D-182-51 |
| | | | | Rear | | | 82302 | D-182-51 |
| | | | Executive Order # D-182-69 | Rear | | | 83518 | D-182-69 |
| | 5.8L V8 | TFM5.8J8G1EK | Executive Order # D-182-51 | Front | | | 82312 | D-182-51 |
| | | | | Rear | | | 82302 | D-182-51 |
| | | | Executive Order # D-182-69 | Rear | | | 83518 | D-182-69 |

F-350 Super Duty

| | | | | | | | | |
|------|----------------------------|----------------------------|----------------------------|----------------------------|----------------------------|--------------|--------------|----------|
| 2006 | 5.4L V8 | 6FMXK05.4LFD | Executive Order # D-182-52 | | 81972 | 31530 | | D-182-52 |
| | | | | Left | | | 81902 | D-182-52 |
| | | | | Right | | | 81902 | D-182-52 |
| | | Executive Order # D-182-69 | Left | | | 83502 | D-182-69 | |
| | | | Right | | | 83502 | D-182-69 | |
| | | | 6.8L V10 | 6FMXK06.8RF2 | Executive Order # D-182-52 | | 81972 | 31530 |
| | | Left | | | | | 81902 | D-182-52 |
| | | Right | | | | | 81902 | D-182-52 |
| | Executive Order # D-182-69 | Left | | | 83502 | D-182-69 | | |
| | | Right | | | 83502 | D-182-69 | | |
| | | 6FMXK06.8SF2 | Executive Order # D-182-52 | | 81972 | 31530 | | D-182-52 |
| | | | Left | | | 81902 | D-182-52 | |
| | | | Right | | | 81902 | D-182-52 | |
| | Executive Order # D-182-69 | Left | | | 83502 | D-182-69 | | |
| | | Right | | | 83502 | D-182-69 | | |
| 2005 | | 5.4L V8 | 5FMXK05.4LFD | Executive Order # D-182-52 | | 81972 | 31530 | |
| | | | | Left | | | 81902 | D-182-52 |
| | | | | Right | | | 81902 | D-182-52 |

For vehicles licensed in the state of California or Maine, or vehicles requiring CARB-compliant converters in the state of New York, the parts in this catalog must be installed as specifically listed. Parts cannot be substituted, nor can they be installed on California or Maine licensed vehicles not listed in this catalog.

OBDII PASSENGER CAR & TRUCK

| Years | Engine | Engine Family No. | Application | Position | Direct-Fit | | Universal Part No. | Executive Order | |
|---------------------------------|----------------------------|-------------------|----------------------------|----------------------------|--------------|--------------|--------------------|-----------------|----------|
| | | | | | Part No. | Hardware | | | |
| FORD (Cont.) | | | | | | | | | |
| F-350 Super Duty (Cont.) | | | | | | | | | |
| 2005 (Cont.) | 5.4L V8 | 5FMXK05.4LFD | Executive Order # D-182-69 | Left | | | 83502 | D-182-69 | |
| | | | | Right | | | 83502 | D-182-69 | |
| | | 5FMXK05.4SF5 | Executive Order # D-182-52 | Left | 81972 | 31530 | | D-182-52 | |
| | | | | Right | | | 81902 | D-182-52 | |
| | | | Executive Order # D-182-69 | Left | | | 83502 | D-182-69 | |
| | | | | Right | | | 83502 | D-182-69 | |
| | | 5FMXK05.4TF9 | Executive Order # D-182-52 | Left | 81972 | 31530 | | D-182-52 | |
| | | | | Right | | | 81902 | D-182-52 | |
| | | | Executive Order # D-182-69 | Left | | | 83502 | D-182-69 | |
| | | | | Right | | | 83502 | D-182-69 | |
| | | 6.8L V10 | 5FMXK06.8RF2 | Executive Order # D-182-52 | Left | 81972 | 31530 | | D-182-52 |
| | | | | | Right | | | 81902 | D-182-52 |
| | Executive Order # D-182-69 | | | Left | | | 83502 | D-182-69 | |
| | | | | Right | | | 83502 | D-182-69 | |
| | 5FMXK06.8SF2 | | Executive Order # D-182-52 | Left | 81972 | 31530 | | D-182-52 | |
| | | | | Right | | | 81902 | D-182-52 | |
| | | | Executive Order # D-182-69 | Left | | | 83502 | D-182-69 | |
| | | | | Right | | | 83502 | D-182-69 | |

Five Hundred

| | | | | | | | | |
|------|---------|--------------|---------------------------------|-------------|--------------|-------|--------------|----------|
| 2007 | 3.0L V6 | 7FMXV03.0VED | Executive Order # D-182-63 | Front Left | | | 83304 | D-182-63 |
| | | | | Front Right | | | 83302 | D-182-63 |
| | | | | Rear | 83273 | 31512 | 83225 | D-182-63 |
| | | | FWD; Executive Order # D-182-63 | Front Left | 83380 | 31709 | | D-182-63 |
| | | | | Front Right | 83379 | 31616 | | D-182-63 |
| 2006 | 3.0L V6 | 6FMXV03.02EC | Executive Order # D-182-63 | Front Left | | | 83304 | D-182-63 |
| | | | | Front Right | | | 83302 | D-182-63 |
| | | | | Rear | 83273 | 31512 | 83225 | D-182-63 |
| | | | FWD; Executive Order # D-182-63 | Front Left | 83380 | 31709 | | D-182-63 |
| | | | | Front Right | 83379 | 31616 | | D-182-63 |
| 2005 | 3.0L V6 | 5FMXV03.02EC | Executive Order # D-182-63 | Front Left | | | 83304 | D-182-63 |
| | | | | Front Right | | | 83302 | D-182-63 |
| | | | | Rear | 83273 | 31512 | 83225 | D-182-63 |
| | | | FWD; Executive Order # D-182-63 | Front Left | 83380 | 31709 | | D-182-63 |
| | | | | Front Right | 83379 | 31616 | | D-182-63 |

Focus

| | | | | | | | | |
|------|---------|--------------|----------------------------|------|--------------|-------|--------------|----------|
| 2007 | 2.0L L4 | 7FMXV02.0VD4 | Executive Order # D-182-62 | Rear | 83286 | 31540 | 83205 | D-182-62 |
| | 2.3L L4 | 7FMXV02.3VD5 | Executive Order # D-182-62 | Rear | 83286 | 31540 | 83205 | D-182-62 |
| 2006 | 2.0L L4 | 6FMXV02.0VD4 | Executive Order # D-182-62 | Rear | 83286 | 31540 | 83205 | D-182-62 |
| | 2.3L L4 | 6FMXV02.3VD5 | Executive Order # D-182-62 | Rear | 83286 | 31540 | 83205 | D-182-62 |
| 2005 | 2.0L L4 | 5FMXV02.31D4 | Executive Order # D-182-63 | Rear | 83265 | 31540 | 83216 | D-182-63 |

For vehicles licensed in the state of California or Maine, or vehicles requiring CARB-compliant converters in the state of New York, the parts in this catalog must be installed as specifically listed. Parts cannot be substituted, nor can they be installed on California or Maine licensed vehicles not listed in this catalog.

OBDII PASSENGER CAR & TRUCK

| Years | Engine | Engine Family No. | Application | Position | Direct-Fit | | Universal Part No. | Executive Order |
|----------------------|--|-------------------|--|--------------|--------------|--------------|--------------------|-----------------|
| | | | | | Part No. | Hardware | | |
| FORD (Cont.) | | | | | | | | |
| Focus (Cont.) | | | | | | | | |
| 2005 (Cont.) | 2.0L L4 | 5FMXV02.31D4 | Includes Front & Rear Gasket; Executive Order # D-182-63 | Front | 83378 | | | D-182-63 |
| | 2.3L L4 | 5FMXV02.31D4 | Executive Order # D-182-63 | Rear | 83265 | 31540 | 83216 | D-182-63 |
| | | | Includes Front & Rear Gasket; Executive Order # D-182-63 | Front | 83378 | | | D-182-63 |
| 2004 | 2.0L L4 | 4FMXV02.0VH1 | Executive Order # D-182-59 | | | | 82635 | D-182-59 |
| | | | VIN "3"; DOHC; Automatic Trans.; Executive Order # D-182-59 | | 82669 | 31634, 31632 | | D-182-59 |
| | | | VIN "P"; SOHC; Executive Order # D-182-59 | | 82671 | 31635, 31632 | | D-182-59 |
| 2003 | 2.0L L4 | 3FMXV02.0VH1 | Executive Order # D-182-59 | | | | 82635 | D-182-59 |
| | | | VIN "3"; DOHC; Automatic Trans.; Executive Order # D-182-59 | | 82669 | 31634, 31632 | | D-182-59 |
| | | | VIN "P"; SOHC; Executive Order # D-182-59 | | 82671 | 31635, 31632 | | D-182-59 |
| 2002 | 2.0L L4 | 2FMXV02.0VF3 | Executive Order # D-182-59 | | | | 82635 | D-182-59 |
| | | | VIN "3"; DOHC; Automatic Trans.; Executive Order # D-182-59 | | 82669 | 31634, 31632 | | D-182-59 |
| | | 2FMXV02.0VF6 | Executive Order # D-182-59 | | | | 82635 | D-182-59 |
| | | | VIN "P"; SOHC; Executive Order # D-182-59 | | 82671 | 31635, 31632 | | D-182-59 |
| | | 2FMXV02.0VJ3 | Executive Order # D-182-59 | | | | 82635 | D-182-59 |
| | | | VIN "3"; DOHC; Standard Trans.; Executive Order # D-182-59 | | 82670 | 31634, 31632 | | D-182-59 |
| 2FMXV02.0VJ4 | Executive Order # D-182-59 | | | | 82635 | D-182-59 | | |
| | VIN "3"; DOHC; Automatic Trans.; Executive Order # D-182-59 | | 82669 | 31634, 31632 | | D-182-59 | | |
| 2001 | 2.0L L4 | 1FMXV02.0VF2 | Executive Order # D-182-59 | | | | 82635 | D-182-59 |
| | | | VIN "P"; SOHC; Executive Order # D-182-59 | | 82671 | 31635, 31632 | | D-182-59 |
| | | 1FMXV02.0VF3 | Automatic Trans.; Executive Order # D-182-59 | | | | 82635 | D-182-59 |
| | | | VIN "3"; DOHC; Automatic Trans.; Executive Order # D-182-59 | | 82669 | 31634, 31632 | | D-182-59 |
| | | 1FMXV02.0VJ2 | Automatic Trans.; Executive Order # D-182-59 | | | | 82635 | D-182-59 |
| | | | VIN "3"; DOHC; Automatic Trans.; Executive Order # D-182-59 | | 82669 | 31634, 31632 | | D-182-59 |
| | | 1FMXV02.0VJ3 | Standard Trans.; Executive Order # D-182-59 | | | | 82635 | D-182-59 |
| | | | VIN "3"; DOHC; Standard Trans.; Executive Order # D-182-59 | | 82670 | 31634, 31632 | | D-182-59 |
| | | 1FMXV02.0VJ4 | Automatic Trans.; Executive Order # D-182-59 | | | | 82635 | D-182-59 |
| | | | VIN "3"; DOHC; Automatic Trans.; Executive Order # D-182-59 | | 82669 | 31634, 31632 | | D-182-59 |
| 1FMXV02.0VJ5 | Executive Order # D-182-59 | | | | 82635 | D-182-59 | | |
| | VIN "P"; SOHC; Executive Order # D-182-59 | | 82671 | 31635, 31632 | | D-182-59 | | |
| 2000 | 2.0L L4 | YFMXV02.0VF2 | Executive Order # D-182-59 | | | | 82635 | D-182-59 |
| | | | VIN "P"; SOHC; Executive Order # D-182-59 | | 82671 | 31635, 31632 | | D-182-59 |

OBDII APPLICATIONS

NON-OBDII APPLICATIONS

NUMERICAL

UNIVERSAL SPECIFICATIONS

For vehicles licensed in the state of California or Maine, or vehicles requiring CARB-compliant converters in the state of New York, the parts in this catalog must be installed as specifically listed. Parts cannot be substituted, nor can they be installed on California or Maine licensed vehicles not listed in this catalog.

OBDII PASSENGER CAR & TRUCK

| Years | Engine | Engine Family No. | Application | Position | Direct-Fit | | Universal Part No. | Executive Order |
|----------------------|---------|-------------------|--|-------------|--------------|--------------|--------------------|-----------------|
| | | | | | Part No. | Hardware | | |
| FORD (Cont.) | | | | | | | | |
| Focus (Cont.) | | | | | | | | |
| 2000 (Cont.) | 2.0L I4 | YFMXV02.0VF3 | Executive Order # D-182-59 | | | | 82635 | D-182-59 |
| | | | VIN "3"; DOHC; Automatic Trans.; Executive Order # D-182-59 | | 82669 | 31634, 31632 | | D-182-59 |
| | | | VIN "3"; DOHC; Standard Trans.; Executive Order # D-182-59 | | 82670 | 31634, 31632 | | D-182-59 |
| Freestar | | | | | | | | |
| 2005 | 4.2L V6 | 5FMXT04.22HB | Executive Order # D-182-69 | Left | | | 83411 | D-182-69 |
| | | | | Right | | | 83411 | D-182-69 |
| 2004 | 3.9L V6 | 4FMXT04.22HB | Executive Order # D-182-69 | Left | | | 83410 | D-182-69 |
| | | | | Right | | | 83410 | D-182-69 |
| | 4.2L V6 | 4FMXT04.22HB | Executive Order # D-182-69 | Left | | | 83411 | D-182-69 |
| | | | | Right | | | 83411 | D-182-69 |
| Freestyle | | | | | | | | |
| 2007 | 3.0L V6 | 7FMXV03.0VED | Executive Order # D-182-63 | Front Left | | | 83304 | D-182-63 |
| | | | | Front Right | | | 83302 | D-182-63 |
| | | | | Rear | 83273 | 31512 | 83225 | D-182-63 |
| 2006 | 3.0L V6 | 6FMXV03.02EC | Executive Order # D-182-63 | Front Left | | | 83304 | D-182-63 |
| | | | | Front Right | | | 83302 | D-182-63 |
| | | | | Rear | 83273 | 31512 | 83225 | D-182-63 |
| 2005 | 3.0L V6 | 5FMXV03.02EC | Executive Order # D-182-63 | Front Left | | | 83304 | D-182-63 |
| | | | | Front Right | | | 83302 | D-182-63 |
| | | | | Rear | 83273 | 31512 | 83225 | D-182-63 |
| Fusion | | | | | | | | |
| 2009 | 3.0L V6 | 9FMXV03.0VEK | Executive Order # D-182-62 | Rear | | | 83209 | D-182-62 |
| | | | Radiator Side; Includes Front Gasket; Executive Order # D-182-62 | Front | 83184 | 31709 | | D-182-62 |
| 2008 | 3.0L V6 | 8FMXV03.0VEK | Executive Order # D-182-62 | Rear | | | 83209 | D-182-62 |
| | | | Radiator Side; Includes Front Gasket; Executive Order # D-182-62 | Front | 83184 | 31709 | | D-182-62 |
| 2007 | 3.0L V6 | 7FMXV03.0VEK | Executive Order # D-182-62 | Rear | | | 83209 | D-182-62 |
| | | | Radiator Side; Includes Front Gasket; Executive Order # D-182-62 | Front | 83184 | 31709 | | D-182-62 |
| 2006 | 3.0L V6 | 6FMXV03.01EA | Located on Firewall Side; Executive Order # D-182-63 | Front Right | 83391 | 31602 | | D-182-63 |
| | | | Radiator Side; Executive Order # D-182-63 | Front Right | 83392 | 31709 | | D-182-63 |
| GT | | | | | | | | |
| 2006 | 5.4L V8 | 6FMXV05.41H4 | Executive Order # D-182-67 | Left | | | 82903 | D-182-67 |
| | | | | Right | | | 82903 | D-182-67 |
| 2005 | 5.4L V8 | 5FMXV05.41H4 | Executive Order # D-182-67 | Left | | | 82903 | D-182-67 |
| | | | | Right | | | 82903 | D-182-67 |
| Mustang | | | | | | | | |
| 2006 | 4.0L V6 | 6FMXV04.01ED | Executive Order # D-182-64 | Left | | | 82807 | D-182-64 |
| | | | | Right | | | 82807 | D-182-64 |

For vehicles licensed in the state of California or Maine, or vehicles requiring CARB-compliant converters in the state of New York, the parts in this catalog must be installed as specifically listed. Parts cannot be substituted, nor can they be installed on California or Maine licensed vehicles not listed in this catalog.

OBDII PASSENGER CAR & TRUCK

| Years | Engine | Engine Family No. | Application | Position | Direct-Fit | | Universal Part No. | Executive Order | | |
|------------------------|--------------|-------------------|----------------------------|----------------------------|----------------------------|----------------------------|--------------------|-----------------|--------------|--------------|
| | | | | | Part No. | Hardware | | | | |
| FORD (Cont.) | | | | | | | | | | |
| Mustang (Cont.) | | | | | | | | | | |
| 2005 | 4.0L V6 | 5FMXV04.01ED | Executive Order # D-182-64 | Left | | | 82807 | D-182-64 | | |
| | | | | Right | | | 82807 | D-182-64 | | |
| 2004 | 3.8L V6 | 4FMXV03.9VH3 | Executive Order # D-182-53 | Front Left | | | 82524 | D-182-53 | | |
| | | | | Front Right | | | 82522 | D-182-53 | | |
| | | 4FMXV03.9VJC | Executive Order # D-182-48 | | 81663 | | | | D-182-48 | |
| | | | | Front Left | | | 81802 | D-182-48 | | |
| | | | | Front Right | | | 81802 | D-182-48 | | |
| | | | | Rear Left | | | 81657 | D-182-48 | | |
| | Rear Right | | | 81657 | D-182-48 | | | | | |
| | 3.9L V6 | 4FMXV03.9VH3 | Executive Order # D-182-53 | Front Left | | | 82524 | D-182-53 | | |
| | | | | Front Right | | | 82522 | D-182-53 | | |
| | 4.6L V8 | 4FMXV04.6VHA | Executive Order # D-182-53 | | 81663 | | | D-182-48 | | |
| Front Left | | | | | | 81802 | D-182-48 | | | |
| Front Right | | | | | | 81802 | D-182-48 | | | |
| Rear Left | | | | | | 81657 | D-182-48 | | | |
| Rear Right | | | | | | 81657 | D-182-48 | | | |
| | | | | | | 81663 | | | D-182-48 | |
| 2003 | 3.8L V6 | 3FMXV03.8VFA | Executive Order # D-182-48 | | 81663 | | | D-182-48 | | |
| | | | | Front Left | | | 81802 | D-182-48 | | |
| | | | | Front Right | | | 81802 | D-182-48 | | |
| | | | | Rear Left | | | 81657 | D-182-48 | | |
| | | Rear Right | | | 81657 | D-182-48 | | | | |
| | | 3FMXV03.8VH5 | Executive Order # D-182-53 | Front Left | | | 82524 | D-182-53 | | |
| | | | | Front Right | | | 82522 | D-182-53 | | |
| | | 4.6L V8 | 3FMXV04.6VD4 | Executive Order # D-182-48 | Front Left | | | 81802 | D-182-48 | |
| | Front Right | | | | | | 81802 | D-182-48 | | |
| | Rear Left | | | | | | 81657 | D-182-48 | | |
| | Rear Right | | | | | | 81657 | D-182-48 | | |
| | 3FMXV04.6VDN | | | | Executive Order # D-182-48 | Front Left | | | 81802 | D-182-48 |
| | | | | | | Front Right | | | 81802 | D-182-48 |
| | | Rear Left | | | | 81657 | D-182-48 | | | |
| Rear Right | | | | 81657 | | D-182-48 | | | | |
| 2002 | 3.8L V6 | 2FMXV03.8VFB | Executive Order # D-182-48 | | 81663 | | | D-182-48 | | |
| | | | | Front Left | | | 81802 | D-182-48 | | |
| | | | | Front Right | | | 81802 | D-182-48 | | |
| | | | | Rear Left | | | 81657 | D-182-48 | | |
| | | | | Rear Right | | | 81657 | D-182-48 | | |
| | | | | 2FMXV03.8VH5 | Executive Order # D-182-53 | Front Left | | | 82524 | D-182-53 |
| | | | | | | Front Right | | | 82522 | D-182-53 |
| | | | | 4.6L V8 | 2FMXV04.6VD4 | Executive Order # D-182-48 | Front Left | | | 81802 |
| | Front Right | | | | | | 81802 | D-182-48 | | |
| | Rear Left | | | | | | 81657 | D-182-48 | | |
| Rear Right | | | 81657 | | | | D-182-48 | | | |
| 2001 | 3.8L V6 | 1FMXV03.8VFA | Executive Order # D-182-48 | | 81663 | | | D-182-48 | | |

OBDII APPLICATIONS

NON-OBDII APPLICATIONS

NUMERICAL

UNIVERSAL SPECIFICATIONS

For vehicles licensed in the state of California or Maine, or vehicles requiring CARB-compliant converters in the state of New York, the parts in this catalog must be installed as specifically listed. Parts cannot be substituted, nor can they be installed on California or Maine licensed vehicles not listed in this catalog.

OBDII PASSENGER CAR & TRUCK

| Years | Engine | Engine Family No. | Application | Position | Direct-Fit | | Universal Part No. | Executive Order |
|------------------------|--------------|----------------------------|----------------------------|-------------|------------|--------------|--------------------|-----------------|
| | | | | | Part No. | Hardware | | |
| FORD (Cont.) | | | | | | | | |
| Mustang (Cont.) | | | | | | | | |
| 2001 (Cont.) | 3.8L V6 | 1FMXV03.8VFA | Executive Order # D-182-48 | Front Left | | | 81802 | D-182-48 |
| | | | | Front Right | | | 81802 | D-182-48 |
| | | | | Rear Left | | | 81657 | D-182-48 |
| | | | | Rear Right | | | 81657 | D-182-48 |
| | 4.6L V8 | 1FMXV04.6VD4 | Executive Order # D-182-48 | Front Left | | | 81802 | D-182-48 |
| | | | | Front Right | | | 81802 | D-182-48 |
| | | | | Rear Left | | | 81657 | D-182-48 |
| | | | | Rear Right | | | 81657 | D-182-48 |
| 2000 | 3.8L V6 | YFMXV03.8VF5 | Executive Order # D-182-48 | Front Left | | | 81802 | D-182-48 |
| | | | | Front Right | | | 81802 | D-182-48 |
| | | | | Rear Left | | | 81657 | D-182-48 |
| | | | | Rear Right | | | 81657 | D-182-48 |
| | 4.6L V8 | YFMXV04.6VB4 | Executive Order # D-182-48 | Front Left | | | 81802 | D-182-48 |
| | | | | Front Right | | | 81802 | D-182-48 |
| | | | | Rear Left | | | 81657 | D-182-48 |
| | | | | Rear Right | | | 81657 | D-182-48 |
| | | YFMXV04.6VDN | Executive Order # D-182-48 | Front Left | | | 81802 | D-182-48 |
| | | | | Front Right | | | 81802 | D-182-48 |
| | | | | Rear Left | | | 81657 | D-182-48 |
| | | | | Rear Right | | | 81657 | D-182-48 |
| | 5.4L V8 | YFMXV05.4VBA | Executive Order # D-182-48 | Front Left | | | 81802 | D-182-48 |
| | | | | Front Right | | | 81802 | D-182-48 |
| | | | | Rear Left | | | 81658 | D-182-48 |
| | | | | Rear Right | | | 81657 | D-182-48 |
| 1999 | 3.8L V6 | XFMXV03.8VGC | Executive Order # D-182-48 | Front Left | | | 81802 | D-182-48 |
| | | | | Front Right | | | 81802 | D-182-48 |
| | | | | Rear Left | | | 81657 | D-182-48 |
| | | | | Rear Right | | | 81657 | D-182-48 |
| | 4.6L V8 | XFMXV04.6VB4 | Executive Order # D-182-48 | Front Left | | | 81802 | D-182-48 |
| | | | | Front Right | | | 81802 | D-182-48 |
| | | | | Rear Left | | | 81657 | D-182-48 |
| | | | | Rear Right | | | 81657 | D-182-48 |
| | | XFMXV04.6VDN | Executive Order # D-182-48 | Front Left | | | 81802 | D-182-48 |
| | | | | Front Right | | | 81802 | D-182-48 |
| | | | | Rear Left | | | 81657 | D-182-48 |
| | | | | Rear Right | | | 81657 | D-182-48 |
| 1998 | 3.8L V6 | WFMXV03.8AAA | Executive Order # D-182-48 | Front Left | | | 81802 | D-182-48 |
| | | | | Front Right | | | 81802 | D-182-48 |
| | | | | Rear Left | | | 81657 | D-182-48 |
| | | | | Rear Right | | | 81658 | D-182-48 |
| | WFMXV03.8ABA | Executive Order # D-182-48 | Front Left | | | 81802 | D-182-48 | |
| | | | Front Right | | | 81802 | D-182-48 | |
| | | | Rear Left | | | 81657 | D-182-48 | |
| | | | | | | | | |

For vehicles licensed in the state of California or Maine, or vehicles requiring CARB-compliant converters in the state of New York, the parts in this catalog must be installed as specifically listed. Parts cannot be substituted, nor can they be installed on California or Maine licensed vehicles not listed in this catalog.

OBDII PASSENGER CAR & TRUCK

| Years | Engine | Engine Family No. | Application | Position | Direct-Fit | | Universal Part No. | Executive Order | | | |
|------------------------|--------------|----------------------------|----------------------------|--------------|----------------------------|----------------------------|--------------------|-----------------|--------------|--------------|----------|
| | | | | | Part No. | Hardware | | | | | |
| FORD (Cont.) | | | | | | | | | | | |
| Mustang (Cont.) | | | | | | | | | | | |
| 1998 (Cont.) | 3.8L V6 | WFMXV03.8ABA | Executive Order # D-182-48 | Rear Right | | | 81657 | D-182-48 | | | |
| | | | | Front Left | | | 81802 | D-182-48 | | | |
| | | WFMXV03.8ACA | Executive Order # D-182-48 | Front Right | | | 81802 | D-182-48 | | | |
| | | | | Rear Left | | | 81657 | D-182-48 | | | |
| | | | | Rear Right | | | 81658 | D-182-48 | | | |
| | 4.6L V8 | WFMXV04.6DAA | Executive Order # D-182-48 | Left Center | | | 81652 | D-182-48 | | | |
| | | | | Right Center | | | 81652 | D-182-48 | | | |
| | | | | Front Left | | | 81807 | D-182-48 | | | |
| | | | | Front Right | | | 81807 | D-182-48 | | | |
| | | | | Rear Left | | | 81652 | D-182-48 | | | |
| | | | | Rear Right | | | 81652 | D-182-48 | | | |
| | | | | WFMXV04.6DBA | Executive Order # D-182-48 | Left Center | | | 81652 | D-182-48 | |
| | | | | | | Right Center | | | 81652 | D-182-48 | |
| | | | | | | Front Left | | | 81807 | D-182-48 | |
| | | | | | | Front Right | | | 81807 | D-182-48 | |
| | | Rear Left | | | | | 81652 | D-182-48 | | | |
| | | WFMXV04.6DCA | Executive Order # D-182-48 | Left Center | | | 81652 | D-182-48 | | | |
| | | | | Right Center | | | 81652 | D-182-48 | | | |
| | | | | Front Left | | | 81807 | D-182-48 | | | |
| | | | | Front Right | | | 81807 | D-182-48 | | | |
| | Rear Left | | | | | 81652 | D-182-48 | | | | |
| | WFMXV04.6SAA | Executive Order # D-182-48 | Front Left | | | 81802 | D-182-48 | | | | |
| | | | Front Right | | | 81802 | D-182-48 | | | | |
| | | | Rear Left | | | 81657 | D-182-48 | | | | |
| | | | Rear Right | | | 81658 | D-182-48 | | | | |
| | | | 1997 | 3.8L V6 | VFM3.8V8G1EK | Executive Order # D-182-48 | Front Left | | | 81802 | D-182-48 |
| | | | | | | | Front Right | | | 81802 | D-182-48 |
| | | | | | | | Rear Left | | | 81657 | D-182-48 |
| Rear Right | | | | | | | | | 81657 | D-182-48 | |
| 4.6L V8 | VFM4.6V8G1FK | Executive Order # D-182-48 | Front Left | | | 81802 | D-182-48 | | | | |
| | | | Front Right | | | 81802 | D-182-48 | | | | |
| | | | Rear Left | | | 81657 | D-182-48 | | | | |
| | | | Rear Right | | | 81658 | D-182-48 | | | | |
| | VFM4.6VJGKEK | Executive Order # D-182-48 | Front Left | | | 81802 | D-182-48 | | | | |
| | | | Front Right | | | 81802 | D-182-48 | | | | |
| | | | Rear Left | | | 81657 | D-182-48 | | | | |
| | | | Rear Right | | | 81658 | D-182-48 | | | | |
| 1996 | 3.8L V6 | TFM3.8V8G1EK | Executive Order # D-182-48 | Front Left | | | 81802 | D-182-48 | | | |
| | | | | Front Right | | | 81802 | D-182-48 | | | |
| | | | | Rear Left | | | 81657 | D-182-48 | | | |
| | | | | Rear Right | | | 81657 | D-182-48 | | | |
| | 4.6L V8 | TFM4.6V8G1FK | Executive Order # D-182-48 | Front Left | | | 81802 | D-182-48 | | | |
| | | | | Front Right | | | 81802 | D-182-48 | | | |

OBDII APPLICATIONS

NON-OBDII APPLICATIONS

NUMERICAL

UNIVERSAL SPECIFICATIONS

For vehicles licensed in the state of California or Maine, or vehicles requiring CARB-compliant converters in the state of New York, the parts in this catalog must be installed as specifically listed. Parts cannot be substituted, nor can they be installed on California or Maine licensed vehicles not listed in this catalog.

OBDII PASSENGER CAR & TRUCK

| Years | Engine | Engine Family No. | Application | Position | Direct-Fit | | Universal Part No. | Executive Order |
|------------------------|--------------|----------------------------|----------------------------|----------------------------|--------------|--------------|--------------------|-----------------|
| | | | | | Part No. | Hardware | | |
| FORD (Cont.) | | | | | | | | |
| Mustang (Cont.) | | | | | | | | |
| 1996 (Cont.) | 4.6L V8 | TFM4.6V8G1FK | Executive Order # D-182-48 | Rear Left | | | 81657 | D-182-48 |
| | | | | Rear Right | | | 81657 | D-182-48 |
| | | TFM4.6VJGFEK | Executive Order # D-182-48 | Front Left | | | 81802 | D-182-48 |
| | | | | Front Right | | | 81802 | D-182-48 |
| | | | | Rear Left | | | 81657 | D-182-48 |
| | | Rear Right | | | 81657 | D-182-48 | | |
| 1995 | 3.8L V6 | SFM3.8V8G1EK | Executive Order # D-182-48 | Front Left | | | 81802 | D-182-48 |
| | | | | Front Right | | | 81802 | D-182-48 |
| | | | | Rear Left | | | 81657 | D-182-48 |
| | | | | Rear Right | | | 81657 | D-182-48 |
| Probe | | | | | | | | |
| 1997 | 2.5L V6 | VFM2.5VJG1HK | Executive Order # D-182-57 | | | | 82634 | D-182-57 |
| Ranger | | | | | | | | |
| 2006 | 2.3L L4 | 6FMXT02.31J2 | Executive Order # D-182-53 | Front | | | 82523 | D-182-53 |
| | | | | Rear | | | 82626 | D-182-53 |
| | 3.0L V6 | 6FMXT03.01HA | Executive Order # D-182-53 | Front Left | | | 82520 | D-182-53 |
| | | | | Front Right | | | 82521 | D-182-53 |
| | | | | Rear | 82656 | 31637, 31372 | | D-182-53 |
| | 6FMXT03.02KA | Executive Order # D-182-69 | Front Left | | | 83502 | D-182-69 | |
| | | | Front Right | | | 83502 | D-182-69 | |
| | | | Rear | | | 83508 | D-182-69 | |
| | 4.0L V6 | 6FMXT04.02KM | Executive Order # D-182-69 | Front Left | | | 83502 | D-182-69 |
| | | | | Front Right | | | 83502 | D-182-69 |
| | | | | Rear | | | 83508 | D-182-69 |
| | 2005 | 2.3L L4 | 5FMXT02.31J2 | Executive Order # D-182-53 | Front | | | 82523 |
| Rear | | | | | | | 82626 | D-182-53 |
| 3.0L V6 | | 5FMXT03.01HA | Executive Order # D-182-53 | Front Left | | | 82520 | D-182-53 |
| | | | | Front Right | | | 82521 | D-182-53 |
| | | | | Rear | 82656 | 31637, 31372 | | D-182-53 |
| 5FMXT03.02KA | | Executive Order # D-182-69 | Front Left | | | 83502 | D-182-69 | |
| | | | Front Right | | | 83502 | D-182-69 | |
| | | | Rear | | | 83508 | D-182-69 | |
| 4.0L V6 | | 5FMXT04.02KM | Executive Order # D-182-69 | Front Left | | | 83502 | D-182-69 |
| | | | | Front Right | | | 83502 | D-182-69 |
| | | | | Rear | | | 83508 | D-182-69 |
| 2004 | | 2.3L L4 | 4FMXT02.31J2 | Executive Order # D-182-53 | Front | | | 82523 |
| | Rear | | | | | | 82626 | D-182-53 |
| | 3.0L V6 | 4FMXT03.01HA | Executive Order # D-182-53 | Front Left | | | 82520 | D-182-53 |
| | | | | Front Right | | | 82521 | D-182-53 |
| | | | | Rear | 82656 | 31637, 31372 | | D-182-53 |
| | 4FMXT03.01JA | Executive Order # D-182-48 | Front Left | | | 81806 | D-182-48 | |
| | | | Front Right | | | 81806 | D-182-48 | |
| | | | Rear | | | 81651 | D-182-48 | |
| | 4FMXT03.02KA | Executive Order # D-182-69 | Front Left | | | 83502 | D-182-69 | |
| | | | Front Right | | | 83502 | D-182-69 | |

For vehicles licensed in the state of California or Maine, or vehicles requiring CARB-compliant converters in the state of New York, the parts in this catalog must be installed as specifically listed. Parts cannot be substituted, nor can they be installed on California or Maine licensed vehicles not listed in this catalog.

OBDII PASSENGER CAR & TRUCK

| Years | Engine | Engine Family No. | Application | Position | Direct-Fit | | Universal Part No. | Executive Order | |
|-----------------------|-------------|----------------------------|----------------------------|----------------------------|--------------|----------------------------|--------------------|-----------------|----------|
| | | | | | Part No. | Hardware | | | |
| FORD (Cont.) | | | | | | | | | |
| Ranger (Cont.) | | | | | | | | | |
| 2004 (Cont.) | 3.0L V6 | 4FMXT03.02KA | Executive Order # D-182-69 | Rear | | | 83508 | D-182-69 | |
| | | | | 4.0L V6 | 4FMXT04.02K2 | Executive Order # D-182-69 | Front Left | | |
| | | Front Right | | | | | 83502 | D-182-69 | |
| | | Rear | | | | | 83508 | D-182-69 | |
| | | | 4FMXT04.02KM | Executive Order # D-182-69 | Front Left | | | 83502 | D-182-69 |
| | | Front Right | | | | | 83502 | D-182-69 | |
| | Rear | | | | | 83508 | D-182-69 | | |
| 2003 | 2.3L L4 | 3FMXT02.31F5 | Executive Order # D-182-53 | Front | | | 82523 | D-182-53 | |
| | | | | Rear | | | 82626 | D-182-53 | |
| | 3.0L V6 | 3FMXT03.01F5 | Executive Order # D-182-48 | Left Center | | | 81806 | D-182-48 | |
| | | | | Right Center | | | 81651 | D-182-48 | |
| | | | | Front Left | | | 81806 | D-182-48 | |
| | | | | Front Right | | | 81806 | D-182-48 | |
| | | | | Rear | 81666 | 31637, 31372 | 81651 | D-182-48 | |
| | | | | Center | | | 81658 | D-182-48 | |
| | | 3FMXT03.01FA | Executive Order # D-182-48 | Front Left | | | 81801 | D-182-48 | |
| | | | | Front Right | | | 81801 | D-182-48 | |
| | | | | Rear | 81666 | 31637, 31372 | 81658 | D-182-48 | |
| | | 3FMXT03.02F5 | Executive Order # D-182-44 | Left Center | | | 82116 | D-182-44 | |
| | | | | Right Center | | | 82208 | D-182-44 | |
| | | | | Front Left | | | 82116 | D-182-44 | |
| | | | | Front Right | | | 82116 | D-182-44 | |
| | | | | Rear | 82286 | 31637, 31372 | | D-182-44 | |
| | | | | Rear Right | | | 82208 | D-182-44 | |
| | | 3FMXT03.02F6 | Executive Order # D-182-44 | Left Center | | | 82116 | D-182-44 | |
| | | | | Right Center | | | 82208 | D-182-44 | |
| | | | | Front Left | | | 82116 | D-182-44 | |
| | Front Right | | | | | 82116 | D-182-44 | | |
| | Rear | | | 82286 | 31637, 31372 | | D-182-44 | | |
| | Rear Right | | | | | 82208 | D-182-44 | | |
| | 4.0L V6 | 3FMXT04.01F6 | Executive Order # D-182-48 | Center | | | 81658 | D-182-48 | |
| | | | | Front Left | | | 81801 | D-182-48 | |
| | | | | Front Right | | | 81801 | D-182-48 | |
| | | | | Rear | 81666 | 31637, 31372 | 81658 | D-182-48 | |
| | | | | Center | | | 81658 | D-182-48 | |
| | | | | Front Left | | | 81801 | D-182-48 | |
| | | 3FMXT04.01FA | Executive Order # D-182-48 | Front Right | | | 81801 | D-182-48 | |
| | | | | Rear | 81666 | 31637, 31372 | 81658 | D-182-48 | |
| | | | | Center | | | 81658 | D-182-48 | |
| | | 3FMXT04.02F3 | Executive Order # D-182-44 | Front Left | | | 82208 | D-182-44 | |
| | | | | Front Right | | | 82116 | D-182-44 | |
| | | | | Rear | 82286 | 31637, 31372 | 82208 | D-182-44 | |
| | | | | Front | 81862 | 31637 | | D-182-60 | |
| Center | | | | | | 82208 | D-182-44 | | |
| Front Left | | | | | | 82116 | D-182-44 | | |
| 3FMXT04.02FA | | Executive Order # D-182-44 | Center | | | 82208 | D-182-44 | | |
| | | | Front Left | | | 82116 | D-182-44 | | |

OBDII APPLICATIONS

NON-OBDII APPLICATIONS

NUMERICAL

UNIVERSAL SPECIFICATIONS

For vehicles licensed in the state of California or Maine, or vehicles requiring CARB-compliant converters in the state of New York, the parts in this catalog must be installed as specifically listed. Parts cannot be substituted, nor can they be installed on California or Maine licensed vehicles not listed in this catalog.

OBDII PASSENGER CAR & TRUCK

| Years | Engine | Engine Family No. | Application | Position | Direct-Fit | | Universal Part No. | Executive Order | | |
|-----------------------|----------------------------|-------------------|----------------------------|----------------------------|----------------------------|--------------|--------------------|-----------------|--------------|----------|
| | | | | | Part No. | Hardware | | | | |
| FORD (Cont.) | | | | | | | | | | |
| Ranger (Cont.) | | | | | | | | | | |
| 2003 (Cont.) | 4.0L V6 | 3FMXT04.02FA | Executive Order # D-182-44 | Front Right | | | 82116 | D-182-44 | | |
| | | | | Rear | 82286 | 31637, 31372 | 82208 | D-182-44 | | |
| | | | Executive Order # D-182-60 | Front | 81862 | 31637 | | | D-182-60 | |
| 2002 | 2.3L L4 | 2FMXT02.31F5 | Executive Order # D-182-53 | Front | | | 82523 | D-182-53 | | |
| | | | | Rear | | | 82626 | D-182-53 | | |
| | 3.0L V6 | 2FMXT03.01F5 | Executive Order # D-182-48 | Left Center | | | 81806 | D-182-48 | | |
| | | | | Right Center | | | 81651 | D-182-48 | | |
| | | | | Front Left | | | 81806 | D-182-48 | | |
| | | | | Front Right | | | 81806 | D-182-48 | | |
| | | | | Rear | 81666 | 31637, 31372 | 81651 | D-182-48 | | |
| | | | | 2FMXT03.02F5 | Executive Order # D-182-44 | Center | | | 82208 | D-182-44 |
| | | | | | | Front Left | | | 82116 | D-182-44 |
| | | | | | | Front Right | | | 82116 | D-182-44 |
| | | | | | | Rear | 82286 | 31637, 31372 | 82208 | D-182-44 |
| | | | | 2FMXT03.02F6 | Executive Order # D-182-44 | Left Center | | | 82116 | D-182-44 |
| | | | | | | Right Center | | | 82208 | D-182-44 |
| | | | | | | Front Left | | | 82116 | D-182-44 |
| | | | | | | Front Right | | | 82116 | D-182-44 |
| | | | | | | Rear | 82286 | 31637, 31372 | | D-182-44 |
| | | | | | | Rear Right | | | 82208 | D-182-44 |
| | 4.0L V6 | 2FMXT04.01F6 | Executive Order # D-182-48 | Center | | | 81658 | D-182-48 | | |
| | | | | Front Left | | | 81801 | D-182-48 | | |
| | | | | Front Right | | | 81801 | D-182-48 | | |
| | | | | Rear | 81666 | 31637, 31372 | 81658 | D-182-48 | | |
| | | | | 2FMXT04.02F3 | Executive Order # D-182-44 | Center | | | 82208 | D-182-44 |
| | | | | | | Front Left | | | 82116 | D-182-44 |
| | | | | | | Front Right | | | 82116 | D-182-44 |
| | | | | | | Rear | 82286 | 31637, 31372 | 82208 | D-182-44 |
| | Executive Order # D-182-60 | Front | 81862 | 31637 | | | D-182-60 | | | |
| | 2001 | 2.3L L4 | 1FMXT02.31F5 | Executive Order # D-182-53 | Front | | | 82523 | D-182-53 | |
| Rear | | | | | | | 82626 | D-182-53 | | |
| 2.5L L4 | | 1FMXT02.51BA | Executive Order # D-182-48 | Front | | | 81806 | D-182-48 | | |
| | | | | Rear | | | 81651 | D-182-48 | | |
| | | 1FMXT02.51D5 | Executive Order # D-182-48 | Front | | | 81806 | D-182-48 | | |
| | | | | Rear | | | 81651 | D-182-48 | | |
| | | 1FMXT02.51F5 | Executive Order # D-182-53 | Front | | | 82523 | D-182-53 | | |
| | | | | Rear | | | 82622 | D-182-53 | | |
| 3.0L V6 | | 1FMXT03.01F5 | Executive Order # D-182-48 | Left Center | | | 81806 | D-182-48 | | |
| | | | | Right Center | | | 81651 | D-182-48 | | |
| | | | | Front Left | | | 81806 | D-182-48 | | |
| | | | | Front Right | | | 81806 | D-182-48 | | |
| | | | | Rear | | | 81651 | D-182-48 | | |
| | | | | 1FMXT03.02F4 | Executive Order # D-182-44 | Left Center | | | 82116 | D-182-44 |
| | | | | | | Right Center | | | 82208 | D-182-44 |
| Front Left | | | 82116 | | | D-182-44 | | | | |

For vehicles licensed in the state of California or Maine, or vehicles requiring CARB-compliant converters in the state of New York, the parts in this catalog must be installed as specifically listed. Parts cannot be substituted, nor can they be installed on California or Maine licensed vehicles not listed in this catalog.

OBDII PASSENGER CAR & TRUCK

| Years | Engine | Engine Family No. | Application | Position | Direct-Fit | | Universal Part No. | Executive Order | | |
|-----------------------|--------------|----------------------------|----------------------------|----------------------------|----------------------------|--------------|--------------------|-----------------|--------------|----------|
| | | | | | Part No. | Hardware | | | | |
| FORD (Cont.) | | | | | | | | | | |
| Ranger (Cont.) | | | | | | | | | | |
| 2001 (Cont.) | 3.0L V6 | 1FMXT03.02F4 | Executive Order # D-182-44 | Front Right | | | 82116 | D-182-44 | | |
| | | | | Rear | 82286 | 31637, 31372 | 82208 | D-182-44 | | |
| | | 1FMXT03.02F5 | Executive Order # D-182-44 | Center | | | 82208 | D-182-44 | | |
| | | | | Front Left | | | 82116 | D-182-44 | | |
| | | | | Front Right | | | 82116 | D-182-44 | | |
| | | | | Rear | 82286 | 31637, 31372 | 82208 | D-182-44 | | |
| | | 1FMXT03.02F6 | Executive Order # D-182-60 | Left Center | | | 81810 | D-182-60 | | |
| | | | | Right Center | | | 82702 | D-182-60 | | |
| | | | | Front Left | | | 81810 | D-182-60 | | |
| | | | | Front Right | | | 81810 | D-182-60 | | |
| | | 4.0L V6 | 1FMXT04.01F5 | Executive Order # D-182-48 | Center | | | 81658 | D-182-48 | |
| | | | | | Front Left | | | 81801 | D-182-48 | |
| | Front Right | | | | | | 81801 | D-182-48 | | |
| | Rear | | | | 81666 | 31637, 31372 | 81658 | D-182-48 | | |
| | 1FMXT04.01F6 | | Executive Order # D-182-48 | Center | | | 81658 | D-182-48 | | |
| | | | | Front Left | | | 81801 | D-182-48 | | |
| | | | | Front Right | | | 81801 | D-182-48 | | |
| | | | | Rear | 81666 | 31637, 31372 | 81657 | D-182-48 | | |
| | 1FMXT04.02F5 | | Executive Order # D-182-44 | Center | | | 82208 | D-182-44 | | |
| | | | | Front Left | | | 82116 | D-182-44 | | |
| | | | | Front Right | | | 82116 | D-182-44 | | |
| | | | | Rear | 82286 | 31637, 31372 | 82208 | D-182-44 | | |
| | 1FMXT04.02F7 | | Executive Order # D-182-60 | Front | 81862 | 31637 | | D-182-60 | | |
| | | | | Center | | | 82208 | D-182-44 | | |
| | | | | Front Left | | | 82116 | D-182-44 | | |
| | | | | Front Right | | | 82116 | D-182-44 | | |
| | 2000 | | 2.5L L4 | YFMXT02.51D5 | Executive Order # D-182-48 | Front | | | 81806 | D-182-48 |
| | | | | | | Rear | | | 81651 | D-182-48 |
| | | YFMXT02.51DC | | Executive Order # D-182-48 | Front | | | 81806 | D-182-48 | |
| | | | | | Rear | | | 81651 | D-182-48 | |
| YFMXT02.51F5 | | Executive Order # D-182-53 | | Front | | | 82523 | D-182-53 | | |
| | | | | Rear | | | 82622 | D-182-53 | | |
| YFMXT02.51FC | | Executive Order # D-182-53 | | Front | | | 82523 | D-182-53 | | |
| | | | | Rear | | | 82622 | D-182-53 | | |
| 3.0L V6 | | YFMXT03.01D5 | Executive Order # D-182-53 | Front Left | | | 82521 | D-182-53 | | |
| | | | | Front Right | | | 82521 | D-182-53 | | |
| | | | | Rear | 82655 | 31609, 31372 | | D-182-53 | | |
| | | YFMXT03.02D5 | Executive Order # D-182-60 | Front Left | | | 81810 | D-182-60 | | |
| | Front Right | | | | | 81810 | D-182-60 | | | |
| | Rear | | | | | 82702 | D-182-60 | | | |
| 4.0L V6 | YFMXT04.01DC | Executive Order # D-182-48 | Front Left | | | 81801 | D-182-48 | | | |
| | | | Front Right | | | 81801 | D-182-48 | | | |

OBDII APPLICATIONS

NON-OBDII APPLICATIONS

NUMERICAL

UNIVERSAL SPECIFICATIONS

For vehicles licensed in the state of California or Maine, or vehicles requiring CARB-compliant converters in the state of New York, the parts in this catalog must be installed as specifically listed. Parts cannot be substituted, nor can they be installed on California or Maine licensed vehicles not listed in this catalog.

OBDII PASSENGER CAR & TRUCK

| Years | Engine | Engine Family No. | Application | Position | Direct-Fit | | Universal Part No. | Executive Order | | |
|-----------------------|----------------------------|----------------------------|----------------------------|----------------------------|----------------------------|--------------|--------------------|-----------------|--------------|----------|
| | | | | | Part No. | Hardware | | | | |
| FORD (Cont.) | | | | | | | | | | |
| Ranger (Cont.) | | | | | | | | | | |
| 2000 (Cont.) | 4.0L V6 | YFMXT04.01DC | Executive Order # D-182-48 | Rear | 81674 | 31609, 31372 | | D-182-48 | | |
| | | | | Rear Left | | | 81658 | D-182-48 | | |
| | | | | Rear Right | | | 81658 | D-182-48 | | |
| | | YFMXT04.01F5 | Executive Order # D-182-48 | Front Left | | | 81801 | | D-182-48 | |
| | | | | Front Right | | | 81801 | D-182-48 | | |
| | | | | Rear | 81674 | 31609, 31372 | | D-182-48 | | |
| | | | | Rear Left | | | 81658 | D-182-48 | | |
| | | | | Rear Right | | | 81657 | D-182-48 | | |
| | | | | YFMXT04.02DN | Executive Order # D-182-44 | Right Center | | | 82208 | D-182-44 |
| | | YFMXT04.02F2 | Executive Order # D-182-44 | Front Left | | | 82116 | D-182-44 | | |
| | | | | Front Right | | | 82116 | D-182-44 | | |
| | | | | Rear | 82288 | 31609, 31372 | 82208 | D-182-44 | | |
| | 1999 | 2.5L L4 | XFMXT02.51DC | Executive Order # D-182-48 | Front | | | 81806 | D-182-48 | |
| | | | | | Rear | | | 81651 | D-182-48 | |
| | | | XFMXT02.51GC | Executive Order # D-182-53 | Front | | | 82523 | D-182-53 | |
| | | | | | Rear | | | 82622 | D-182-53 | |
| | | 3.0L V6 | XFMXT03.01DC | Executive Order # D-182-53 | Front Left | | | 82521 | D-182-53 | |
| | | | | | Front Right | | | 82521 | D-182-53 | |
| | | | | | Rear | 82655 | 31609, 31372 | | D-182-53 | |
| | | XFMXT03.02DC | Executive Order # D-182-60 | Front Left | | | 81810 | D-182-60 | | |
| Front Right | | | | | | 81810 | D-182-60 | | | |
| Rear | | | | | | 82702 | D-182-60 | | | |
| 4.0L V6 | | | | XFMXT04.01DC | Executive Order # D-182-48 | Front Left | | | 81801 | D-182-48 |
| | | | | | | Front Right | | | 81801 | D-182-48 |
| | | | | | | Rear | 81674 | 31609, 31372 | | D-182-48 |
| | | Rear Left | | | | | 81658 | D-182-48 | | |
| XFMXT04.01G5 | | Executive Order # D-182-48 | Rear Right | | | 81658 | D-182-48 | | | |
| | | | Front Left | | | 81801 | D-182-48 | | | |
| | | | Front Right | | | 81801 | D-182-48 | | | |
| | | | Rear | 81674 | 31609, 31372 | | D-182-48 | | | |
| | Rear Left | | | | 81658 | D-182-48 | | | | |
| | Rear Right | | | | 81658 | D-182-48 | | | | |
| XFMXT04.02DN | Executive Order # D-182-44 | Right Center | | | 82208 | D-182-44 | | | | |
| | | Front Left | | | 82116 | D-182-44 | | | | |
| | | Front Right | | | 82116 | D-182-44 | | | | |
| | | Rear | 82288 | 31609, 31372 | | D-182-44 | | | | |
| | | Rear Right | | | 82208 | D-182-44 | | | | |
| | | XFMXT04.02GC | Executive Order # D-182-44 | Right Center | | | 82208 | D-182-44 | | |
| | | | | Front Left | | | 82116 | D-182-44 | | |
| | | | | Front Right | | | 82116 | D-182-44 | | |
| Rear | 82288 | | | 31609, 31372 | | D-182-44 | | | | |

For vehicles licensed in the state of California or Maine, or vehicles requiring CARB-compliant converters in the state of New York, the parts in this catalog must be installed as specifically listed. Parts cannot be substituted, nor can they be installed on California or Maine licensed vehicles not listed in this catalog.

OBDII PASSENGER CAR & TRUCK

| Years | Engine | Engine Family No. | Application | Position | Direct-Fit | | Universal Part No. | Executive Order |
|-----------------------|------------|----------------------------|----------------------------|----------------------------|--------------|--------------|--------------------|-----------------|
| | | | | | Part No. | Hardware | | |
| FORD (Cont.) | | | | | | | | |
| Ranger (Cont.) | | | | | | | | |
| 1999 (Cont.) | 4.0L V6 | XFMXT04.02GC | Executive Order # D-182-44 | Rear Right | | | 82208 | D-182-44 |
| 1998 | 2.5L L4 | WFMXT02.5AAA | Executive Order # D-182-48 | Front | | | 81806 | D-182-48 |
| | | | | Rear | | | 81651 | D-182-48 |
| | | WFMXT02.5BAA | Executive Order # D-182-53 | Front | | | 82523 | D-182-53 |
| | | | | Rear | | | 82622 | D-182-53 |
| | 3.0L V6 | WFMXT03.0FAA | Executive Order # D-182-53 | Front Left | | | 82521 | D-182-53 |
| | | | | Front Right | | | 82521 | D-182-53 |
| | | | | Rear | 82655 | 31609, 31372 | | D-182-53 |
| | | WFMXT03.0HAA | Executive Order # D-182-60 | Front Left | | | 81810 | D-182-60 |
| | | | | Front Right | | | 81810 | D-182-60 |
| | | | | Rear | | | 82702 | D-182-60 |
| | 4.0L V6 | WFMXT04.0AAA | Executive Order # D-182-48 | Front Left | | | 81801 | D-182-48 |
| | | | | Front Right | | | 81801 | D-182-48 |
| | | | | Rear | 81674 | 31609, 31372 | | D-182-48 |
| | | | | Rear Left | | | 81658 | D-182-48 |
| | | | | Rear Right | | | 81658 | D-182-48 |
| WFMXT04.0DAA | | Executive Order # D-182-44 | Right Center | | | 82208 | D-182-44 | |
| | | | Front Left | | | 82116 | D-182-44 | |
| | | | Front Right | | | 82116 | D-182-44 | |
| | | | Rear | 82288 | 31609, 31372 | 82208 | D-182-44 | |
| WFMXT04.0EAA | | Executive Order # D-182-44 | Right Center | | | 82208 | D-182-44 | |
| | | | Front Left | | | 82116 | D-182-44 | |
| | | | Front Right | | | 82116 | D-182-44 | |
| | Rear | | 82288 | 31609, 31372 | | D-182-44 | | |
| | Rear Right | | | | 82208 | D-182-44 | | |
| 1997 | 2.3L L4 | VFM2.318G1EK | Executive Order # D-182-45 | | 81973 | 31372 | | D-182-45 |
| | | | Executive Order # D-182-57 | | | 82629 | D-182-57 | |
| | 3.0L V6 | VFM3.018G1EK | Executive Order # D-182-45 | | 81975 | 31609, 31372 | | D-182-45 |
| | | | | Executive Order # D-182-58 | Front | | 82536 | D-182-58 |
| | | VFM3.028G1FK | Executive Order # D-182-52 | | 81987 | 31609, 31372 | | D-182-52 |
| | | | | Front | | | 81923 | D-182-52 |
| | | | | Rear | | | 81923 | D-182-52 |
| | | | | Executive Order # D-182-69 | Front | | 83508 | D-182-69 |
| | 4.0L V6 | VFM4.018G1EK | Executive Order # D-182-45 | | 81975 | 31609, 31372 | | D-182-45 |
| | | | | Executive Order # D-182-58 | Front | | 82536 | D-182-58 |
| | | VFM4.028G1EK | Executive Order # D-182-52 | | 81987 | 31609, 31372 | | D-182-52 |
| | | | | Front | | | 81923 | D-182-52 |
| | | | | Rear | | | 81923 | D-182-52 |
| | | | | Executive Order # D-182-69 | Front | | 83508 | D-182-69 |
| Rear | | | | | | 83508 | D-182-69 | |
| VFM4.028G2EK | | | | Executive Order # D-182-52 | | 81987 | 31609, 31372 | |
| Front | | | 81923 | D-182-52 | | | | |

OBDII APPLICATIONS

NON-OBDII APPLICATIONS

NUMERICAL

UNIVERSAL SPECIFICATIONS

For vehicles licensed in the state of California or Maine, or vehicles requiring CARB-compliant converters in the state of New York, the parts in this catalog must be installed as specifically listed. Parts cannot be substituted, nor can they be installed on California or Maine licensed vehicles not listed in this catalog.

OBDII PASSENGER CAR & TRUCK

| Years | Engine | Engine Family No. | Application | Position | Direct-Fit | | Universal Part No. | Executive Order | |
|----------------------------|----------------------------|----------------------------|----------------------------|----------------------------|----------------------------|--------------|--------------------|-----------------|----------|
| | | | | | Part No. | Hardware | | | |
| FORD (Cont.) | | | | | | | | | |
| Ranger (Cont.) | | | | | | | | | |
| 1997 (Cont.) | 4.0L V6 | VFM4.028G2EK | Executive Order # D-182-52 | Rear | | | 81923 | D-182-52 | |
| | | | Executive Order # D-182-69 | Front | | | 83508 | D-182-69 | |
| | | | | Rear | | | 83508 | D-182-69 | |
| 1996 | 2.3L L4 | TFM2.318G1EK | Executive Order # D-182-45 | | 81973 | 31372 | | D-182-45 | |
| | | | Executive Order # D-182-57 | | | | 82629 | D-182-57 | |
| | 3.0L V6 | TFM3.018G1EK | Executive Order # D-182-45 | | 81975 | 31609, 31372 | | D-182-45 | |
| | | | Executive Order # D-182-58 | Front | | | 82536 | D-182-58 | |
| | | | | Rear | | | 82536 | D-182-58 | |
| | | | TFM3.028G1FK | Executive Order # D-182-52 | | 81987 | 31609, 31372 | | D-182-52 |
| | | Executive Order # D-182-52 | | Front | | | 81923 | D-182-52 | |
| | | | | Rear | | | 81923 | D-182-52 | |
| | | Executive Order # D-182-69 | | Front | | | 83508 | D-182-69 | |
| | | | Rear | | | 83508 | D-182-69 | | |
| | | 4.0L V6 | TFM4.018G1EK | Executive Order # D-182-45 | | 81975 | 31609, 31372 | | D-182-45 |
| | | | | Executive Order # D-182-58 | Front | | | 82536 | D-182-58 |
| | | | | | Rear | | | 82536 | D-182-58 |
| | | | | TFM4.028G1EK | Executive Order # D-182-52 | | 81987 | 31609, 31372 | |
| | Executive Order # D-182-52 | | Front | | | | 81923 | D-182-52 | |
| | | | Rear | | | | 81923 | D-182-52 | |
| | Executive Order # D-182-69 | | Front | | | | 83508 | D-182-69 | |
| | | | Rear | | | 83508 | D-182-69 | | |
| | TFM4.028G2EK | | Executive Order # D-182-52 | | 81987 | 31609, 31372 | | D-182-52 | |
| | | | Executive Order # D-182-52 | Front | | | 81923 | D-182-52 | |
| | | | | Rear | | | 81923 | D-182-52 | |
| | | | Executive Order # D-182-69 | Front | | | 83508 | D-182-69 | |
| | | | | Rear | | | 83508 | D-182-69 | |
| | 1995 | 2.3L L4 | SFM2.318G1EK | Executive Order # D-182-45 | | 81973 | 31372 | | D-182-45 |
| | | | | Executive Order # D-182-57 | | | | 82629 | D-182-57 |
| | | 3.0L V6 | SFM3.018G1EK | Executive Order # D-182-45 | | 81975 | 31609, 31372 | | D-182-45 |
| | | | | Executive Order # D-182-58 | Front | | | 82536 | D-182-58 |
| Rear | | | | | | | 82536 | D-182-58 | |
| SFM3.028G1FK | | | Executive Order # D-182-52 | | 81987 | 31609, 31372 | | D-182-52 | |
| | | | Executive Order # D-182-52 | Front | | | 81923 | D-182-52 | |
| | | | | Rear | | | 81923 | D-182-52 | |
| Executive Order # D-182-69 | | Front | | | 83508 | D-182-69 | | | |
| | | Rear | | | 83508 | D-182-69 | | | |
| 4.0L V6 | | SFM4.018G1EK | Executive Order # D-182-45 | | 81975 | 31609, 31372 | | D-182-45 | |
| | | | Executive Order # D-182-58 | Front | | | 82536 | D-182-58 | |
| | | | | Rear | | | 82536 | D-182-58 | |
| | | | SFM4.028G1EK | Executive Order # D-182-52 | | 81987 | 31609, 31372 | | D-182-52 |
| | | Executive Order # D-182-52 | | Front | | | 81923 | D-182-52 | |
| | | | | Rear | | | 81923 | D-182-52 | |
| | | Executive Order # D-182-69 | | Front | | | 83508 | D-182-69 | |
| | | | Rear | | | 83508 | D-182-69 | | |

For vehicles licensed in the state of California or Maine, or vehicles requiring CARB-compliant converters in the state of New York, the parts in this catalog must be installed as specifically listed. Parts cannot be substituted, nor can they be installed on California or Maine licensed vehicles not listed in this catalog.

OBDII PASSENGER CAR & TRUCK

| Years | Engine | Engine Family No. | Application | Position | Direct-Fit | | Universal Part No. | Executive Order | | |
|--|-------------------------------------|-------------------|--|--------------|-------------------------------------|------------------|--------------------|------------------|----------|----------|
| | | | | | Part No. | Hardware | | | | |
| FORD (Cont.) | | | | | | | | | | |
| Taurus | | | | | | | | | | |
| 2007 | 3.0L V6 | 7FMXV03.0VEY | Executive Order # D-182-63 | Rear | 83266 | 31616 | 83220 | D-182-63 | | |
| | | | VIN "U"; Executive Order # D-182-63 | Front | 83388 | 31610, 31616 | | D-182-63 | | |
| 2006 | 3.0L V6 | 6FMXV03.0VEY | Executive Order # D-182-63 | Rear | 83266 | 31616 | 83220 | D-182-63 | | |
| | | | VIN "U"; Executive Order # D-182-63 | Front | 83388 | 31610, 31616 | | D-182-63 | | |
| 2005 | 3.0L V6 | 5FMXV03.0VE3 | Executive Order # D-182-53 | Rear | 82657 | 31616 | | D-182-53 | | |
| | | | VIN "S"; Executive Order # D-182-53 | Front Left | 82575 | 31355 (2), 31616 | | D-182-53 | | |
| | | | VIN "S"; Includes Front Gasket; Executive Order # D-182-53 | Front Right | 82556 | | | D-182-53 | | |
| | | | VIN "U"; Executive Order # D-182-53 | Front | 82573 | 31610, 31616 | | D-182-53 | | |
| | | 5FMXV03.0VEY | Executive Order # D-182-63 | Rear | 83266 | 31616 | 83220 | D-182-63 | | |
| | | | VIN "U"; Executive Order # D-182-63 | Front | 83388 | 31610, 31616 | | D-182-63 | | |
| | | 5FMXV03.0VFZ | Executive Order # D-182-53 | Rear | 82657 | 31616 | | D-182-53 | | |
| | | | VIN "2"; Executive Order # D-182-53 | Front | 82573 | 31610, 31616 | | D-182-53 | | |
| | | | | Rear | | | | 82621 | D-182-53 | |
| | | | | | | | | | D-182-53 | |
| 2004 | 3.0L V6 | 4FMXV03.0VE8 | Executive Order # D-182-53 | Rear | 82657 | 31616 | | D-182-53 | | |
| | | | VIN "S"; Executive Order # D-182-53 | Front Left | 82575 | 31355 (2), 31616 | | D-182-53 | | |
| | | | VIN "S"; Includes Front Gasket; Executive Order # D-182-53 | Front Right | 82556 | | | D-182-53 | | |
| | | | VIN "U"; Executive Order # D-182-53 | Front | 82573 | 31610, 31616 | | D-182-53 | | |
| | | 4FMXV03.0VEM | Executive Order # D-182-63 | Rear | 83266 | 31616 | 83220 | D-182-63 | | |
| | | | VIN "U"; Executive Order # D-182-63 | Front | 83388 | 31610, 31616 | | D-182-63 | | |
| | | 4FMXV03.0VEY | Executive Order # D-182-63 | Rear | 83266 | 31616 | 83220 | D-182-63 | | |
| | | | VIN "U"; Executive Order # D-182-63 | Front | 83388 | 31610, 31616 | | D-182-63 | | |
| | | 4FMXV03.0VFZ | Executive Order # D-182-53 | Rear | 82657 | 31616 | | D-182-53 | | |
| | | | VIN "2"; Executive Order # D-182-53 | Front | 82573 | 31610, 31616 | | D-182-53 | | |
| | | | | Rear | | | | 82621 | D-182-53 | |
| | | | | | | | | | D-182-53 | |
| | | 2003 | 3.0L V6 | 3FMXV03.0VF3 | Executive Order # D-182-53 | Rear | 82657 | 31616 | | D-182-53 |
| | | | | | VIN "S"; Executive Order # D-182-53 | Front Left | 82575 | 31355 (2), 31616 | | D-182-53 |
| VIN "S"; Includes Front Gasket; Executive Order # D-182-53 | Front Right | | | | 82556 | | D-182-53 | | | |
| VIN "U"; Executive Order # D-182-53 | Front | | | | 82573 | 31610, 31616 | D-182-53 | | | |
| 3FMXV03.0VF4 | Executive Order # D-182-53 | | | Rear | 82657 | 31616 | | D-182-53 | | |
| | VIN "S"; Executive Order # D-182-53 | | | Front Left | 82575 | 31355 (2), 31616 | | D-182-53 | | |
| VIN "S"; Includes Front Gasket; Executive Order # D-182-53 | Front Right | | | 82556 | | D-182-53 | | | | |
| | VIN "U"; Executive Order # D-182-53 | | | Front | 82573 | 31610, 31616 | D-182-53 | | | |
| | Rear | | | | | 82621 | D-182-53 | | | |

For vehicles licensed in the state of California or Maine, or vehicles requiring CARB-compliant converters in the state of New York, the parts in this catalog must be installed as specifically listed. Parts cannot be substituted, nor can they be installed on California or Maine licensed vehicles not listed in this catalog.

OBDII APPLICATIONS

NON-OBDII APPLICATIONS

NUMERICAL

UNIVERSAL SPECIFICATIONS

OBDII PASSENGER CAR & TRUCK

| Years | Engine | Engine Family No. | Application | Position | Direct-Fit | | Universal Part No. | Executive Order | | |
|--|-------------------------------------|-------------------|--|--------------|-------------------------------------|------------------|--------------------|------------------|--|----------|
| | | | | | Part No. | Hardware | | | | |
| FORD (Cont.) | | | | | | | | | | |
| Taurus (Cont.) | | | | | | | | | | |
| 2003 (Cont.) | 3.0L V6 | 3FMXV03.0VFY | Executive Order # D-182-53 | Rear | 82657 | 31616 | | D-182-53 | | |
| | | | VIN "S"; Executive Order # D-182-53 | Front Left | 82575 | 31355 (2), 31616 | | D-182-53 | | |
| | | | VIN "S"; Includes Front Gasket; Executive Order # D-182-53 | Front Right | 82556 | | | D-182-53 | | |
| | | | VIN "U"; Executive Order # D-182-53 | Front | 82573 | 31610, 31616 | | D-182-53 | | |
| | | | Rear | | | 82621 | D-182-53 | | | |
| | | 3FMXV03.0VFZ | Executive Order # D-182-53 | Rear | 82657 | 31616 | | D-182-53 | | |
| | | | VIN "2"; Executive Order # D-182-53 | Front | 82573 | 31610, 31616 | | D-182-53 | | |
| | | | | Rear | | | 82621 | D-182-53 | | |
| 2002 | 3.0L V6 | 2FMXV03.0VF3 | Executive Order # D-182-53 | Rear | 82657 | 31616 | | D-182-53 | | |
| | | | VIN "S"; Executive Order # D-182-53 | Front Left | 82575 | 31355 (2), 31616 | | D-182-53 | | |
| | | | VIN "S"; Includes Front Gasket; Executive Order # D-182-53 | Front Right | 82556 | | | D-182-53 | | |
| | | | VIN "U"; Executive Order # D-182-53 | Front | 82573 | 31610, 31616 | | D-182-53 | | |
| | | | Rear | | | 82621 | D-182-53 | | | |
| | | 2FMXV03.0VF4 | Executive Order # D-182-53 | Rear | 82657 | 31616 | | D-182-53 | | |
| | | | VIN "S"; Executive Order # D-182-53 | Front Left | 82575 | 31355 (2), 31616 | | D-182-53 | | |
| | | | VIN "S"; Includes Front Gasket; Executive Order # D-182-53 | Front Right | 82556 | | | D-182-53 | | |
| | | | VIN "U"; Executive Order # D-182-53 | Front | 82573 | 31610, 31616 | | D-182-53 | | |
| | | | Rear | | | 82621 | D-182-53 | | | |
| | | 2FMXV03.0VF8 | Executive Order # D-182-53 | Rear | 82657 | 31616 | | D-182-53 | | |
| | | | VIN "2"; Executive Order # D-182-53 | Front | 82573 | 31610, 31616 | | D-182-53 | | |
| | | | | Rear | | | 82621 | D-182-53 | | |
| | | | | | | | | | | |
| | | 2FMXV03.0VF9 | Executive Order # D-182-53 | Rear | 82657 | 31616 | | D-182-53 | | |
| | | | VIN "2"; Executive Order # D-182-53 | Front | 82573 | 31610, 31616 | | D-182-53 | | |
| | | | | Rear | | | 82621 | D-182-53 | | |
| | | | | | | | | | | |
| | | 2001 | 3.0L V6 | 1FMXV03.0VF3 | Executive Order # D-182-53 | Rear | 82657 | 31616 | | D-182-53 |
| | | | | | VIN "S"; Executive Order # D-182-53 | Front Left | 82575 | 31355 (2), 31616 | | D-182-53 |
| VIN "S"; Includes Front Gasket; Executive Order # D-182-53 | Front Right | | | | 82556 | | | D-182-53 | | |
| VIN "U"; Executive Order # D-182-53 | Front | | | | 82573 | 31610, 31616 | | D-182-53 | | |
| | Rear | | | | | 82621 | D-182-53 | | | |
| 1FMXV03.0VF9 | Executive Order # D-182-53 | | | Rear | 82657 | 31616 | | D-182-53 | | |
| | VIN "2"; Executive Order # D-182-53 | | | Front | 82573 | 31610, 31616 | | D-182-53 | | |
| | | | | Rear | | | 82621 | D-182-53 | | |
| | | | | | | | | | | |
| 2000 | 3.0L V6 | YFMXV03.0VF3 | Executive Order # D-182-53 | Rear | 82657 | 31616 | | D-182-53 | | |
| | | | VIN "S"; Executive Order # D-182-53 | Front Left | 82575 | 31355 (2), 31616 | | D-182-53 | | |
| | | | VIN "S"; Includes Front Gasket; Executive Order # D-182-53 | Front Right | 82556 | | | D-182-53 | | |
| | | | VIN "U"; Executive Order # D-182-53 | Front | 82573 | 31610, 31616 | | D-182-53 | | |
| | | | Rear | | | 82621 | D-182-53 | | | |
| | | YFMXV03.0VF5 | Executive Order # D-182-53 | Rear | 82657 | 31616 | | D-182-53 | | |
| | | | | | | | | | | |
| | | | | | | | | | | |

For vehicles licensed in the state of California or Maine, or vehicles requiring CARB-compliant converters in the state of New York, the parts in this catalog must be installed as specifically listed. Parts cannot be substituted, nor can they be installed on California or Maine licensed vehicles not listed in this catalog.

OBDII PASSENGER CAR & TRUCK

| Years | Engine | Engine Family No. | Application | Position | Direct-Fit | | Universal Part No. | Executive Order | | |
|-----------------------|---|---|--|----------------------------|----------------------------------|------------------|--------------------|-----------------|--------------|----------|
| | | | | | Part No. | Hardware | | | | |
| FORD (Cont.) | | | | | | | | | | |
| Taurus (Cont.) | | | | | | | | | | |
| 2000 (Cont.) | 3.0L V6 | YFMXV03.0VF5 | VIN "S"; Executive Order # D-182-53 | Front Left | 82575 | 31355 (2), 31616 | | D-182-53 | | |
| | | | VIN "S"; Includes Front Gasket; Executive Order # D-182-53 | Front Right | 82556 | | | D-182-53 | | |
| | | | VIN "U"; Executive Order # D-182-53 | Front | 82573 | 31610, 31616 | | D-182-53 | | |
| | | | | Rear | | | 82621 | D-182-53 | | |
| | | YFMXV03.0VF9 | Executive Order # D-182-53 | Rear | 82657 | 31616 | | D-182-53 | | |
| | | | VIN "2"; Executive Order # D-182-53 | Front | 82573 | 31610, 31616 | | D-182-53 | | |
| | | | | Rear | | | 82621 | D-182-53 | | |
| | | YFMXV03.0VFA | Executive Order # D-182-53 | Rear | 82657 | 31616 | | D-182-53 | | |
| | | | VIN "S"; Executive Order # D-182-53 | Front Left | 82575 | 31355 (2), 31616 | | D-182-53 | | |
| | | | VIN "S"; Includes Front Gasket; Executive Order # D-182-53 | Front Right | 82556 | | | D-182-53 | | |
| | | | VIN "U"; Executive Order # D-182-53 | Front | 82573 | 31610, 31616 | | D-182-53 | | |
| | | | | Rear | | | 82621 | D-182-53 | | |
| | | 1999 | 3.0L V6 | XFMXV03.0VBZ | DOHC; Executive Order # D-182-45 | | 81974 | 31512 | | D-182-45 |
| | | | | | Executive Order # D-182-58 | Left | | | 82529 | D-182-58 |
| Right | | | | | | | 82529 | D-182-58 | | |
| XFMXV03.0VGC | Executive Order # D-182-58 | | | | Left | | | 82529 | D-182-58 | |
| | | | | Right | | | 82529 | D-182-58 | | |
| | VIN "U"; AX4N Trans.; Engine Code U w/AX4N Code X; Executive Order # D-182-58 | | | | 82593 | 31512 | | D-182-58 | | |
| | VIN "U"; AX4S Trans.; Executive Order # D-182-58 | | | | 82592 | 31512 | | D-182-58 | | |
| 3.4L V8 | XFMXV03.4VBC | | | Executive Order # D-182-48 | Front Left | | | 81806 | D-182-48 | |
| | | | | | Front Right | | | 81806 | D-182-48 | |
| | | | | | Rear | | | 81652 | D-182-48 | |
| 1998 | 3.0L V6 | WFMXV03.0AEA | DOHC; Executive Order # D-182-45 | | 81974 | 31512 | | D-182-45 | | |
| | | | Executive Order # D-182-58 | Left | | | 82529 | D-182-58 | | |
| | | | | Right | | | 82529 | D-182-58 | | |
| | | | WFMXV03.0CAA | Executive Order # D-182-58 | Left | | | 82529 | D-182-58 | |
| | | | | Right | | | 82529 | D-182-58 | | |
| | | VIN "U"; AX4N Trans.; Engine Code U w/AX4N Code X; Executive Order # D-182-58 | | | 82593 | 31512 | | D-182-58 | | |
| | | | VIN "U"; AX4S Trans.; Executive Order # D-182-58 | | 82592 | 31512 | | D-182-58 | | |
| | | WFMXV03.0PAA | DOHC; Executive Order # D-182-45 | | 81974 | 31512 | | D-182-45 | | |
| | | | Executive Order # D-182-58 | Left | | | 82529 | D-182-58 | | |
| | | | | Right | | | 82529 | D-182-58 | | |
| | | | | | | | | | | |
| | | 3.4L V8 | WFMXV03.4BAA | Executive Order # D-182-48 | Front Left | | | 81806 | D-182-48 | |
| | | | | | Front Right | | | 81806 | D-182-48 | |
| Rear | | | | | | 81652 | D-182-48 | | | |

OBDII APPLICATIONS

NON-OBDII APPLICATIONS

NUMERICAL

UNIVERSAL SPECIFICATIONS

For vehicles licensed in the state of California or Maine, or vehicles requiring CARB-compliant converters in the state of New York, the parts in this catalog must be installed as specifically listed. Parts cannot be substituted, nor can they be installed on California or Maine licensed vehicles not listed in this catalog.

OBDII PASSENGER CAR & TRUCK

| Years | Engine | Engine Family No. | Application | Position | Direct-Fit | | Universal Part No. | Executive Order |
|-----------------------|--|--|---|--------------|--------------|--------------|--------------------|-----------------|
| | | | | | Part No. | Hardware | | |
| FORD (Cont.) | | | | | | | | |
| Taurus (Cont.) | | | | | | | | |
| 1997 | 3.0L V6 | VFM3.0V8G2EK | DOHC; Executive Order # D-182-45 | | 81974 | 31512 | | D-182-45 |
| | | | Executive Order # D-182-58 | Left | | | 82529 | D-182-58 |
| | | | | Right | | | 82529 | D-182-58 |
| | | | VIN "U"; AX4N Trans.; Engine Code U w/AX4N Code X; Executive Order # D-182-58 | | 82593 | 31512 | | D-182-58 |
| | | VIN "U"; AX4S Trans.; Executive Order # D-182-58 | | 82592 | 31512 | | D-182-58 | |
| | | VFM3.0V8G3EK | Executive Order # D-182-58 | Left | | | 82529 | D-182-58 |
| | | | | Right | | | 82529 | D-182-58 |
| | | | VIN "U"; AX4N Trans.; Engine Code U w/AX4N Code X; Executive Order # D-182-58 | | 82593 | 31512 | | D-182-58 |
| | | | VIN "U"; AX4S Trans.; Executive Order # D-182-58 | | 82592 | 31512 | | D-182-58 |
| | | VFM3.0V8NKGK | DOHC; Executive Order # D-182-45 | | 81974 | 31512 | | D-182-45 |
| | | | Executive Order # D-182-58 | Left | | | 82529 | D-182-58 |
| | | | | Right | | | 82529 | D-182-58 |
| | VIN "U"; AX4S Trans.; Executive Order # D-182-58 | | | 81974 | 31512 | | D-182-45 | |
| | VFM3.0VJG1EK | DOHC; Executive Order # D-182-45 | | 81974 | 31512 | | D-182-45 | |
| | | Executive Order # D-182-58 | Left | | | 82529 | D-182-58 | |
| | | | Right | | | 82529 | D-182-58 | |
| | | VIN "U"; AX4S Trans.; Executive Order # D-182-58 | | 81974 | 31512 | | D-182-45 | |
| | 3.4L V8 | VFM3.4VJG1EK | Executive Order # D-182-48 | Front Left | | | 81806 | D-182-48 |
| Front Right | | | | | | 81806 | D-182-48 | |
| Rear | | | | | | 81652 | D-182-48 | |
| 1996 | 3.0L V6 | TFM3.0V8GKEK | DOHC; Executive Order # D-182-45 | | 81974 | 31512 | | D-182-45 |
| | | | Executive Order # D-182-58 | Left | | | 82529 | D-182-58 |
| | | | | Right | | | 82529 | D-182-58 |
| | | | VIN "U"; AX4N Trans.; Engine Code U w/AX4N Code X; Executive Order # D-182-58 | | 82593 | 31512 | | D-182-58 |
| | | VIN "U"; AX4S Trans.; Executive Order # D-182-58 | | 82592 | 31512 | | D-182-58 | |
| | | TFM3.0VJG1EK | DOHC; Executive Order # D-182-45 | | 81974 | 31512 | | D-182-45 |
| | | | Executive Order # D-182-58 | Left | | | 82529 | D-182-58 |
| | | | | Right | | | 82529 | D-182-58 |
| | VIN "U"; AX4S Trans.; Executive Order # D-182-58 | | | 81974 | 31512 | | D-182-45 | |
| | 3.4L V8 | TFM3.4VJG1EK | Executive Order # D-182-48 | Front Left | | | 81806 | D-182-48 |
| | | | | Front Right | | | 81806 | D-182-48 |
| | | | | Rear | | | 81652 | D-182-48 |

Thunderbird

| | | | | | | | | |
|------|---------|--------------|----------------------------|-------|--------------|--|--------------|----------|
| 2005 | 3.9L V8 | 5FMXV03.91H5 | Executive Order # D-182-59 | Left | | | 82632 | D-182-59 |
| | | | | Right | | | 82631 | D-182-59 |
| 2004 | 3.9L V8 | 4FMXV03.91H5 | Executive Order # D-182-59 | Left | | | 82632 | D-182-59 |
| | | | | Right | | | 82631 | D-182-59 |
| 2002 | 3.9L V8 | 2FMXV03.9VF5 | Executive Order # D-182-59 | Left | 82687 | | 82632 | D-182-59 |

For vehicles licensed in the state of California or Maine, or vehicles requiring CARB-compliant converters in the state of New York, the parts in this catalog must be installed as specifically listed. Parts cannot be substituted, nor can they be installed on California or Maine licensed vehicles not listed in this catalog.

OBDII PASSENGER CAR & TRUCK

| Years | Engine | Engine Family No. | Application | Position | Direct-Fit | | Universal Part No. | Executive Order |
|----------------------------|---------|-------------------|----------------------------|-------------|--------------|----------|--------------------|-----------------|
| | | | | | Part No. | Hardware | | |
| FORD (Cont.) | | | | | | | | |
| Thunderbird (Cont.) | | | | | | | | |
| 2002 (Cont.) | 3.9L V8 | 2FMXV03.9VF5 | Executive Order # D-182-59 | Right | 82688 | | 82631 | D-182-59 |
| 1997 | 3.8L V6 | VFM3.8V8G1FK | Executive Order # D-182-48 | Rear | | | 81612 | D-182-48 |
| | | | Executive Order # D-182-58 | Front Left | | | 82533 | D-182-58 |
| | | | | Front Right | | | 82533 | D-182-58 |
| | 4.6L V8 | VFM4.6V8G1EK | Executive Order # D-182-48 | Rear | | | 81613 | D-182-48 |
| | | | Executive Order # D-182-58 | Front Left | | | 82533 | D-182-58 |
| | | | | Front Right | | | 82532 | D-182-58 |
| 1996 | 3.8L V6 | TFM3.8V8G1FK | Executive Order # D-182-48 | Rear | | | 81612 | D-182-48 |
| | | | Executive Order # D-182-58 | Front Left | | | 82533 | D-182-58 |
| | | | | Front Right | | | 82533 | D-182-58 |
| | 4.6L V8 | TFM4.6V8G1EK | Executive Order # D-182-48 | Rear | | | 81613 | D-182-48 |
| | | | Executive Order # D-182-58 | Front Left | | | 82533 | D-182-58 |
| | | | | Front Right | | | 82532 | D-182-58 |
| 1995 | 4.6L V8 | SFM4.6V8G1EK | Executive Order # D-182-48 | Rear | | | 81613 | D-182-48 |
| | | | Executive Order # D-182-58 | Front Left | | | 82533 | D-182-58 |
| | | | | Front Right | | | 82532 | D-182-58 |
| 1994 | 4.6L V8 | RFM4.6V8G1EK | Executive Order # D-182-58 | Front Left | | | 82533 | D-182-58 |
| | | | | Front Right | | | 82532 | D-182-58 |

Windstar

| | | | | | | | | |
|------|---------|--------------|----------------------------|-------|--|--|--------------|----------|
| 2003 | 3.8L V6 | 3FMXT03.82H7 | Executive Order # D-182-69 | Left | | | 83411 | D-182-69 |
| | | | | Right | | | 83411 | D-182-69 |
| | | 3FMXT03.82HA | Executive Order # D-182-69 | Left | | | 83411 | D-182-69 |
| | | | | Right | | | 83411 | D-182-69 |
| 2000 | 3.0L V6 | YFMXT03.02F5 | Executive Order # D-182-47 | Left | | | 81910 | D-182-47 |
| | | | Executive Order # D-182-52 | Right | | | 81901 | D-182-52 |
| | | | Executive Order # D-182-69 | Right | | | 83501 | D-182-69 |
| 1999 | 3.0L V6 | XFMXT03.02GC | Executive Order # D-182-47 | Left | | | 81910 | D-182-47 |
| | | | Executive Order # D-182-52 | Right | | | 81901 | D-182-52 |
| | | | Executive Order # D-182-69 | Right | | | 83501 | D-182-69 |
| 1998 | 3.0L V6 | WFMXT03.0AAA | Executive Order # D-182-47 | Left | | | 81910 | D-182-47 |
| | | | Executive Order # D-182-52 | Right | | | 81901 | D-182-52 |
| | | | Executive Order # D-182-69 | Right | | | 83501 | D-182-69 |
| | | WFMXT03.0CAA | Executive Order # D-182-47 | Left | | | 81910 | D-182-47 |
| | | | Executive Order # D-182-52 | Right | | | 81901 | D-182-52 |
| | | | Executive Order # D-182-69 | Right | | | 83501 | D-182-69 |
| | 3.8L V6 | WFMXT03.8AAA | Executive Order # D-182-52 | Left | | | 81911 | D-182-52 |
| | | | | Right | | | 81901 | D-182-52 |
| | | | Executive Order # D-182-69 | Right | | | 83501 | D-182-69 |
| 1997 | 3.0L V6 | VFM3.028G1EK | Executive Order # D-182-47 | Left | | | 81910 | D-182-47 |
| | | | Executive Order # D-182-52 | Right | | | 81901 | D-182-52 |
| | | | Executive Order # D-182-69 | Right | | | 83501 | D-182-69 |
| | 3.8L V6 | VFM3.828G1EK | Executive Order # D-182-52 | Left | | | 81911 | D-182-52 |
| | | | | Right | | | 81901 | D-182-52 |
| | | | Executive Order # D-182-69 | Right | | | 83501 | D-182-69 |

For vehicles licensed in the state of California or Maine, or vehicles requiring CARB-compliant converters in the state of New York, the parts in this catalog must be installed as specifically listed. Parts cannot be substituted, nor can they be installed on California or Maine licensed vehicles not listed in this catalog.

OBDII PASSENGER CAR & TRUCK

| Years | Engine | Engine Family No. | Application | Position | Direct-Fit | | Universal Part No. | Executive Order | |
|----------------------------|---------|-------------------|----------------------------|--------------|--------------|------------------|--------------------|-----------------|----------|
| | | | | | Part No. | Hardware | | | |
| FORD (Cont.) | | | | | | | | | |
| Windstar (Cont.) | | | | | | | | | |
| 1997 (Cont.) | 3.8L V6 | VFM3.828G1EK | Executive Order # D-182-52 | Right | | | 81901 | D-182-52 | |
| | | | Executive Order # D-182-69 | Right | | | 83501 | D-182-69 | |
| 1996 | 3.0L V6 | TFM3.028G1EK | Executive Order # D-182-47 | Left | | | 81910 | D-182-47 | |
| | | | Executive Order # D-182-52 | Right | | | 81901 | D-182-52 | |
| | | | Executive Order # D-182-69 | Right | | | 83501 | D-182-69 | |
| | 3.8L V6 | TFM3.828G1EK | Executive Order # D-182-52 | | 81951 | 31532 | | D-182-52 | |
| | | | Left | | | | 81911 | D-182-52 | |
| | | | Right | | | | 81901 | D-182-52 | |
| Executive Order # D-182-69 | Right | | | 83501 | | D-182-69 | | | |
| 1995 | 3.0L V6 | SFM3.028G1EK | Executive Order # D-182-47 | Left | | | 81910 | D-182-47 | |
| | | | Executive Order # D-182-52 | Right | | | 81901 | D-182-52 | |
| | | | Executive Order # D-182-69 | Right | | | 83501 | D-182-69 | |
| | 3.8L V6 | SFM3.828G1EK | Executive Order # D-182-52 | | 81951 | 31532 | | D-182-52 | |
| | | | Left | | | | 81911 | D-182-52 | |
| | | | Right | | | | 81901 | D-182-52 | |
| Executive Order # D-182-69 | Right | | | 83501 | | D-182-69 | | | |
| GEO | | | | | | | | | |
| Metro | | | | | | | | | |
| 1996 | 1.3L L4 | TSK1.3V5GDFB | Executive Order # D-182-58 | | | | 82526 | D-182-58 | |
| Prizm | | | | | | | | | |
| 1997 | 1.6L L4 | VNT1.8VJGKEK | Executive Order # D-182-45 | Rear | 81966 | 31320, 31332 | | D-182-45 | |
| | | | Executive Order # D-182-58 | | | | 82526 | D-182-58 | |
| | 1.8L L4 | VNT1.8VJGKEK | Executive Order # D-182-45 | Rear | 81966 | 31320, 31332 | | D-182-45 | |
| | | | Executive Order # D-182-58 | | | | 82526 | D-182-58 | |
| 1996 | 1.6L L4 | TNT1.8VJG1GK | Executive Order # D-182-45 | Rear | 81966 | 31320, 31332 | | D-182-45 | |
| | | | Executive Order # D-182-58 | | | | 82526 | D-182-58 | |
| | 1.8L L4 | TNT1.8VJG1GK | Executive Order # D-182-45 | Rear | 81966 | 31320, 31332 | | D-182-45 | |
| | | | Executive Order # D-182-58 | | | | 82526 | D-182-58 | |
| Tracker | | | | | | | | | |
| 1997 | 1.6L L4 | VSK1.61JGKHK | Executive Order # D-182-58 | | | | 82526 | D-182-58 | |
| 1996 | 1.6L L4 | TSK1.61JGHHB | Executive Order # D-182-58 | | | | 82526 | D-182-58 | |
| GMC | | | | | | | | | |
| C1500 | | | | | | | | | |
| 1999 | 5.0L V8 | XGMXA05.0182 | Executive Order # D-182-47 | | | | 81919 | D-182-47 | |
| | | | Executive Order # D-182-69 | | | | 83509 | D-182-69 | |
| | 5.7L V8 | XGMXA05.7182 | Executive Order # D-182-47 | Left | | | | 81916 | D-182-47 |
| | | | Right | | | | 81916 | D-182-47 | |
| | | | Executive Order # D-182-52 | | 81961 | 31588 (2), 31575 | | D-182-52 | |
| | | | Executive Order # D-182-69 | Left | | | 83506 | D-182-69 | |
| Right | | | | 83506 | D-182-69 | | | | |
| 1998 | 4.3L V6 | WGMXA04.3190 | Executive Order # D-182-47 | | | | 81919 | D-182-47 | |
| | | | Executive Order # D-182-52 | | 81948 | 31588 (2), 31574 | | D-182-52 | |
| | | | Executive Order # D-182-69 | | | | 83509 | D-182-69 | |

For vehicles licensed in the state of California or Maine, or vehicles requiring CARB-compliant converters in the state of New York, the parts in this catalog must be installed as specifically listed. Parts cannot be substituted, nor can they be installed on California or Maine licensed vehicles not listed in this catalog.

OBDII PASSENGER CAR & TRUCK

| Years | Engine | Engine Family No. | Application | Position | Direct-Fit | | Universal Part No. | Executive Order | |
|----------------------------|---------|----------------------------|----------------------------|----------------------------|--------------|------------------|--------------------|-----------------|----------|
| | | | | | Part No. | Hardware | | | |
| GMC (Cont.) | | | | | | | | | |
| C1500 (Cont.) | | | | | | | | | |
| 1998 (Cont.) | 5.0L V8 | WGMXA05.0182 | Executive Order # D-182-47 | | | | 81919 | D-182-47 | |
| | | | Executive Order # D-182-52 | | 81948 | 31588 (2), 31574 | | D-182-52 | |
| | | | Executive Order # D-182-69 | | | | 83509 | D-182-69 | |
| | 5.7L V8 | WGMXA05.7182 | Executive Order # D-182-47 | Left | | | | 81916 | D-182-47 |
| | | | | Right | | | | 81916 | D-182-47 |
| | | | Executive Order # D-182-52 | | 81961 | 31588 (2), 31575 | | D-182-52 | |
| | | Executive Order # D-182-69 | Left | | | | 83506 | D-182-69 | |
| | | | Right | | | | 83506 | D-182-69 | |
| 1997 | 4.3L V6 | VGM4.3HPG1EK | Executive Order # D-182-47 | | | | 81919 | D-182-47 | |
| | | | Executive Order # D-182-52 | | 81948 | 31588 (2), 31574 | | D-182-52 | |
| | | | Executive Order # D-182-69 | | | | 83509 | D-182-69 | |
| | 5.0L V8 | VGM5.0HPG1EK | Executive Order # D-182-47 | | | | | 81919 | D-182-47 |
| | | | Executive Order # D-182-52 | | 81948 | 31588 (2), 31574 | | D-182-52 | |
| | | | Executive Order # D-182-69 | | | | 83509 | D-182-69 | |
| | 5.7L V8 | VGM5.7HPG1EK | Executive Order # D-182-47 | Left | | | | 81916 | D-182-47 |
| | | | | Right | | | | 81916 | D-182-47 |
| | | | Executive Order # D-182-52 | | 81961 | 31588 (2), 31575 | | D-182-52 | |
| | | | Executive Order # D-182-69 | Left | | | | 83506 | D-182-69 |
| | | | | Right | | | | 83506 | D-182-69 |
| | 1996 | 4.3L V6 | TGM4.35PGFEK | Executive Order # D-182-47 | | | | 81919 | D-182-47 |
| Executive Order # D-182-52 | | | | | 81948 | 31588 (2), 31574 | | D-182-52 | |
| Executive Order # D-182-69 | | | | | | | 83509 | D-182-69 | |
| 5.0L V8 | | TGM5.0HPG1EK | Executive Order # D-182-47 | | | | | 81919 | D-182-47 |
| | | | Executive Order # D-182-52 | | 81948 | 31588 (2), 31574 | | D-182-52 | |
| | | | Executive Order # D-182-69 | | | | 83509 | D-182-69 | |
| 5.7L V8 | | TGM5.75PGFEK | Executive Order # D-182-47 | Left | | | | 81916 | D-182-47 |
| | | | | Right | | | | 81916 | D-182-47 |
| | | | Executive Order # D-182-52 | | 81961 | 31588 (2), 31575 | | D-182-52 | |
| | | | Executive Order # D-182-69 | Left | | | | 83506 | D-182-69 |
| | | | | Right | | | | 83506 | D-182-69 |

C1500 Suburban

| | | | | | | | | | |
|------|---------|--------------|----------------------------|-------|--------------|------------------|--------------|--------------|----------|
| 1999 | 5.7L V8 | XGMXA05.7186 | Executive Order # D-182-47 | Left | | | 81916 | D-182-47 | |
| | | | | Right | | | | 81916 | D-182-47 |
| | | | Executive Order # D-182-69 | Left | | | | 83403 | D-182-69 |
| | | | | Right | | | | 83403 | D-182-69 |
| 1998 | 5.7L V8 | WGMXA05.7186 | Executive Order # D-182-52 | Left | | | 81723 | D-182-52 | |
| | | | | Right | | | | 81723 | D-182-52 |
| | | | Executive Order # D-182-69 | Left | | | | 83403 | D-182-69 |
| | | | | Right | | | | 83403 | D-182-69 |
| 1997 | 5.7L V8 | VGM5.7JPG1GK | Executive Order # D-182-47 | Left | | | 81916 | D-182-47 | |
| | | | | Right | | | | 81916 | D-182-47 |
| | | | Executive Order # D-182-52 | | 81961 | 31588 (2), 31575 | | D-182-52 | |
| | | | Executive Order # D-182-69 | Left | | | | 83506 | D-182-69 |
| | | | Right | | | | 83506 | D-182-69 | |
| 1996 | 5.7L V8 | TGM5.76PGFEK | Executive Order # D-182-47 | Left | | | 81916 | D-182-47 | |

For vehicles licensed in the state of California or Maine, or vehicles requiring CARB-compliant converters in the state of New York, the parts in this catalog must be installed as specifically listed. Parts cannot be substituted, nor can they be installed on California or Maine licensed vehicles not listed in this catalog.

OBDII APPLICATIONS

NON-OBDII APPLICATIONS

NUMERICAL

UNIVERSAL SPECIFICATIONS

OBDII PASSENGER CAR & TRUCK

| Years | Engine | Engine Family No. | Application | Position | Direct-Fit | | Universal Part No. | Executive Order |
|---|--------------|----------------------------|---|------------------|--------------|------------------|--------------------|-----------------|
| | | | | | Part No. | Hardware | | |
| GMC (Cont.) | | | | | | | | |
| C1500 Suburban (Cont.) | | | | | | | | |
| 1996 (Cont.) | 5.7L V8 | TGM5.76PGFEK | Executive Order # D-182-47 | Right | | | 81916 | D-182-47 |
| | | | Executive Order # D-182-52 | | 81961 | 31588 (2), 31575 | | D-182-52 |
| | | | Executive Order # D-182-69 | Left | | | 83506 | D-182-69 |
| | | | | Right | | | 83506 | D-182-69 |
| C2500 | | | | | | | | |
| 2000 | 5.7L V8 | YGMXA05.7191 | Executive Order # D-182-52 | Left | | | 81924 | D-182-52 |
| | | | | Right | | | 81924 | D-182-52 |
| | | | Executive Order # D-182-69 | Left | | | 83509 | D-182-69 |
| | | | | Right | | | 83509 | D-182-69 |
| | | | Over 8500 GVW; Executive Order # D-182-52 | Left | 81950 | 31511 (2), 31618 | | D-182-52 |
| | | | | Right | 81946 | 31618 | | D-182-52 |
| | 7.4L V8 | YGMXA07.4201 | Executive Order # D-182-47 | Left | | | 81919 | D-182-47 |
| | | | | Right | | | 81919 | D-182-47 |
| | | | Executive Order # D-182-52 | Left | 81988 | 31668 (2), 31618 | | D-182-52 |
| | | | | Right | | | | |
| | | | Executive Order # D-182-69 | Left | | | 83509 | D-182-69 |
| | | | | Right | | | 83509 | D-182-69 |
| Over 8500 GVW; Executive Order # D-182-52 | Right | 81946 | 31618 | | D-182-52 | | | |
| 1999 | 5.7L V8 | XGMXA05.7187 | Executive Order # D-182-52 | Left | | | 81924 | D-182-52 |
| | | | | Right | | | 81924 | D-182-52 |
| | | | Executive Order # D-182-69 | Left | | | 83509 | D-182-69 |
| | | | | Right | | | 83509 | D-182-69 |
| | | | Over 8500 GVW; Executive Order # D-182-52 | Left | 81950 | 31511 (2), 31618 | | D-182-52 |
| | | | | Right | 81946 | 31618 | | D-182-52 |
| | 7.4L V8 | XGMXA07.4201 | Executive Order # D-182-47 | Left | | | 81919 | D-182-47 |
| | | | | Right | | | 81919 | D-182-47 |
| | | | Executive Order # D-182-52 | Left | 81988 | 31668 (2), 31618 | | D-182-52 |
| | | | | Right | | | | |
| | | | Executive Order # D-182-69 | Left | | | 83509 | D-182-69 |
| | | | | Right | | | 83509 | D-182-69 |
| Over 8500 GVW; Executive Order # D-182-52 | Right | 81946 | 31618 | | D-182-52 | | | |
| 1998 | 5.0L V8 | WGMXA05.0184 | Executive Order # D-182-47 | | | | 81919 | D-182-47 |
| | | | Executive Order # D-182-69 | | | | 83509 | D-182-69 |
| | 5.7L V8 | WGMXA05.7184 | Executive Order # D-182-47 | Left | | | 81916 | D-182-47 |
| | | | | Right | | | 81916 | D-182-47 |
| | | | Executive Order # D-182-52 | | 81961 | 31588 (2), 31575 | | D-182-52 |
| | | | Executive Order # D-182-69 | Left | | | 83506 | D-182-69 |
| | | | | Right | | | 83506 | D-182-69 |
| | | | Over 8500 GVW; Executive Order # D-182-52 | Left | 81950 | 31511 (2), 31618 | | D-182-52 |
| | WGMXA05.7187 | Executive Order # D-182-47 | Left | | | 81916 | D-182-47 | |
| | | | Right | | | 81916 | D-182-47 | |
| | | Executive Order # D-182-69 | Left | | | 83509 | D-182-69 | |
| | | | Right | | | 83509 | D-182-69 | |
| Over 8500 GVW; Executive Order # D-182-52 | | Left | 81950 | 31511 (2), 31618 | | D-182-52 | | |

For vehicles licensed in the state of California or Maine, or vehicles requiring CARB-compliant converters in the state of New York, the parts in this catalog must be installed as specifically listed. Parts cannot be substituted, nor can they be installed on California or Maine licensed vehicles not listed in this catalog.

OBDII PASSENGER CAR & TRUCK

| Years | Engine | Engine Family No. | Application | Position | Direct-Fit | | Universal Part No. | Executive Order | |
|---|--------------|---|---|--------------|------------------|------------------|--------------------|-----------------|----------|
| | | | | | Part No. | Hardware | | | |
| GMC (Cont.) | | | | | | | | | |
| C2500 (Cont.) | | | | | | | | | |
| 1998 (Cont.) | 7.4L V8 | WGMXA07.4201 | Executive Order # D-182-47 | Left | | | 81919 | D-182-47 | |
| | | | | Right | | | 81919 | D-182-47 | |
| | | | Executive Order # D-182-52 | Left | 81988 | 31668 (2), 31618 | | | D-182-52 |
| | | | Executive Order # D-182-69 | Left | | | 83509 | | D-182-69 |
| | | | | Right | | | 83509 | | D-182-69 |
| Over 8500 GVW; Executive Order # D-182-52 | Right | 81946 | 31618 | | | D-182-52 | | | |
| 1997 | 5.0L V8 | VGM5.0JPG1EK | Executive Order # D-182-47 | | | | 81919 | D-182-47 | |
| | | | Executive Order # D-182-69 | | | | 83509 | D-182-69 | |
| | 5.7L V8 | VGM5.7JPG1EK | Executive Order # D-182-52 | Left | | | | 81924 | D-182-52 |
| | | | | Right | | | | 81924 | D-182-52 |
| | | | Executive Order # D-182-69 | Left | | | | 83509 | D-182-69 |
| | | | | Right | | | | 83509 | D-182-69 |
| | | | Over 8500 GVW; Executive Order # D-182-52 | Left | 81950 | 31511 (2), 31618 | | | D-182-52 |
| | | | | Right | 81946 | 31618 | | | D-182-52 |
| | VGM5.7JPG1GK | Executive Order # D-182-47 | Left | | | | 81916 | D-182-47 | |
| | | | Right | | | | 81916 | D-182-47 | |
| | | Executive Order # D-182-52 | | 81961 | 31588 (2), 31575 | | | D-182-52 | |
| | | Executive Order # D-182-69 | Left | | | | 83506 | D-182-69 | |
| | | | Right | | | | 83506 | D-182-69 | |
| | | Over 8500 GVW; Executive Order # D-182-52 | Left | 81950 | 31511 (2), 31618 | | | D-182-52 | |
| | Right | | 81946 | 31618 | | | D-182-52 | | |
| | 7.4L V8 | VGM7.4J8G1EK | Executive Order # D-182-47 | Left | | | | 81919 | D-182-47 |
| | | | | Right | | | | 81919 | D-182-47 |
| | | | Executive Order # D-182-52 | Left | 81988 | 31668 (2), 31618 | | | D-182-52 |
| | | | Executive Order # D-182-69 | Left | | | | 83509 | D-182-69 |
| Right | | | | | | | 83509 | D-182-69 | |
| Over 8500 GVW; Executive Order # D-182-52 | | | Right | 81946 | 31618 | | | D-182-52 | |
| 1996 | 5.0L V8 | TGM5.0HPG1EK | Executive Order # D-182-47 | | | | 81919 | D-182-47 | |
| | | | Executive Order # D-182-69 | | | | 83509 | D-182-69 | |
| | | TGM5.0JPG1EK | Executive Order # D-182-47 | | | | 81919 | D-182-47 | |
| | | | Executive Order # D-182-69 | | | | 83509 | D-182-69 | |
| | 5.7L V8 | TGM5.76PGFEK | Executive Order # D-182-47 | Left | | | | 81916 | D-182-47 |
| | | | | Right | | | | 81916 | D-182-47 |
| | | | Executive Order # D-182-52 | | 81961 | 31588 (2), 31575 | | | D-182-52 |
| | | | Executive Order # D-182-69 | Left | | | | 83506 | D-182-69 |
| | | | | Right | | | | 83506 | D-182-69 |
| | | | Over 8500 GVW; Executive Order # D-182-52 | Left | 81950 | 31511 (2), 31618 | | | D-182-52 |
| | Right | 81946 | | 31618 | | | D-182-52 | | |
| | TGM5.7JPG1EK | Executive Order # D-182-47 | Left | | | | 81919 | D-182-47 | |
| | | | Right | | | | 81919 | D-182-47 | |
| Executive Order # D-182-69 | | Left | | | | 83509 | D-182-69 | | |
| | | Right | | | | 83509 | D-182-69 | | |
| C2500 Suburban | | | | | | | | | |
| 1999 | 5.7L V8 | XGMXA05.7187 | Executive Order # D-182-52 | Left | | | 81924 | D-182-52 | |

For vehicles licensed in the state of California or Maine, or vehicles requiring CARB-compliant converters in the state of New York, the parts in this catalog must be installed as specifically listed. Parts cannot be substituted, nor can they be installed on California or Maine licensed vehicles not listed in this catalog.

OBDII APPLICATIONS

NON-OBDII APPLICATIONS

NUMERICAL

UNIVERSAL SPECIFICATIONS

OBDII PASSENGER CAR & TRUCK

| Years | Engine | Engine Family No. | Application | Position | Direct-Fit | | Universal Part No. | Executive Order |
|-------------------------------|---------|-------------------|----------------------------|--------------|--------------|------------------|--------------------|-----------------|
| | | | | | Part No. | Hardware | | |
| GMC (Cont.) | | | | | | | | |
| C2500 Suburban (Cont.) | | | | | | | | |
| 1999 (Cont.) | 5.7L V8 | XGMXA05.7187 | Executive Order # D-182-52 | Right | | | 81924 | D-182-52 |
| | | | Executive Order # D-182-69 | Left | | | 83509 | D-182-69 |
| | | | | Right | | | 83509 | D-182-69 |
| | 7.4L V8 | XGMXA07.4201 | Executive Order # D-182-47 | Left | | | 81919 | D-182-47 |
| | | | Executive Order # D-182-52 | Right | | | 81919 | D-182-47 |
| | | | | Left | 81988 | 31668 (2), 31618 | | D-182-52 |
| Executive Order # D-182-69 | Left | | | 83509 | D-182-69 | | | |
| | Right | | | 83509 | D-182-69 | | | |
| 1998 | 5.7L V8 | WGMXA05.7187 | Executive Order # D-182-47 | Left | | | 81916 | D-182-47 |
| | | | Executive Order # D-182-69 | Right | | | 81916 | D-182-47 |
| | | | | Left | | | 83509 | D-182-69 |
| | | | Executive Order # D-182-52 | Right | | | 83509 | D-182-69 |
| | | | | Left | 81988 | 31668 (2), 31618 | | D-182-52 |
| | | | Executive Order # D-182-69 | Left | | | 83509 | D-182-69 |
| | Right | | | | 83509 | D-182-69 | | |
| | 7.4L V8 | WGMXA07.4201 | Executive Order # D-182-47 | Left | | | 81919 | D-182-47 |
| | | | Executive Order # D-182-52 | Right | | | 81919 | D-182-47 |
| | | | | Left | 81988 | 31668 (2), 31618 | | D-182-52 |
| | | | Executive Order # D-182-69 | Left | | | 83509 | D-182-69 |
| | | | | Right | | | 83509 | D-182-69 |
| Executive Order # D-182-69 | | | Right | | | 83509 | D-182-69 | |
| 1997 | 5.7L V8 | VGM5.7JPG1EK | Executive Order # D-182-52 | Left | | | 81924 | D-182-52 |
| | | | Executive Order # D-182-69 | Right | | | 81924 | D-182-52 |
| | | | | Left | | | 83509 | D-182-69 |
| | | | Executive Order # D-182-52 | Right | | | 83509 | D-182-69 |
| | | | | Left | 81988 | 31668 (2), 31618 | | D-182-52 |
| | | | Executive Order # D-182-69 | Left | | | 83509 | D-182-69 |
| | Right | | | | 83509 | D-182-69 | | |
| | 7.4L V8 | VGM7.4J8G1EK | Executive Order # D-182-47 | Left | | | 81919 | D-182-47 |
| | | | Executive Order # D-182-52 | Right | | | 81919 | D-182-47 |
| | | | | Left | 81988 | 31668 (2), 31618 | | D-182-52 |
| | | | Executive Order # D-182-69 | Left | | | 83509 | D-182-69 |
| | | | | Right | | | 83509 | D-182-69 |
| Executive Order # D-182-69 | | | Right | | | 83509 | D-182-69 | |
| 1996 | 5.7L V8 | TGM5.7CPGAEA | Executive Order # D-182-69 | Left | | | 83509 | D-182-69 |
| | | | Executive Order # D-182-52 | Right | | | 83509 | D-182-69 |
| | | | | Left | | | 81924 | D-182-52 |
| | | | Executive Order # D-182-69 | Right | | | 81924 | D-182-52 |
| | | | | Left | | | 83509 | D-182-69 |
| | | | Right | | | 83509 | D-182-69 | |
| | 7.4L V8 | TGM7.4J8G1EK | Executive Order # D-182-69 | Left | | | 83509 | D-182-69 |
| | | | Executive Order # D-182-52 | Right | | | 83509 | D-182-69 |
| | | | | Left | | | 81924 | D-182-52 |
| | | | Executive Order # D-182-69 | Right | | | 81924 | D-182-52 |
| | | | | Left | | | 83509 | D-182-69 |
| | | | Right | | | 83509 | D-182-69 | |
| C3500 | | | | | | | | |
| 2000 | 5.7L V8 | YGMXA05.7191 | Executive Order # D-182-52 | Left | | | 81924 | D-182-52 |
| | | | Executive Order # D-182-69 | Right | | | 81924 | D-182-52 |
| | | | | Left | | | 83509 | D-182-69 |
| | | | Executive Order # D-182-52 | Right | | | 83509 | D-182-69 |
| | | | | Left | 81950 | 31511 (2), 31618 | | D-182-52 |
| | | | Right | 81946 | 31618 | | D-182-52 | |
| | 7.4L V8 | YGMXA07.4201 | Executive Order # D-182-47 | Left | | | 81919 | D-182-47 |
| | | | Executive Order # D-182-52 | Right | | | 81919 | D-182-47 |
| | | | | Left | 81988 | 31668 (2), 31618 | | D-182-52 |
| | | | Executive Order # D-182-69 | Left | | | 83509 | D-182-69 |
| | | | | Left | | | 83509 | D-182-69 |

For vehicles licensed in the state of California or Maine, or vehicles requiring CARB-compliant converters in the state of New York, the parts in this catalog must be installed as specifically listed. Parts cannot be substituted, nor can they be installed on California or Maine licensed vehicles not listed in this catalog.

OBDII PASSENGER CAR & TRUCK

| Years | Engine | Engine Family No. | Application | Position | Direct-Fit | | Universal Part No. | Executive Order |
|---|---------|-------------------|---|--------------|--------------|------------------|--------------------|-----------------|
| | | | | | Part No. | Hardware | | |
| GMC (Cont.) | | | | | | | | |
| C3500 (Cont.) | | | | | | | | |
| 2000 (Cont.) | 7.4L V8 | YGMXA07.4201 | Executive Order # D-182-69 | Right | | | 83509 | D-182-69 |
| | | | Over 8500 GVW; Executive Order # D-182-52 | Right | 81946 | 31618 | | D-182-52 |
| 1999 | 5.7L V8 | XGMXA05.7187 | Executive Order # D-182-52 | Left | | | 81924 | D-182-52 |
| | | | | Right | | | 81924 | D-182-52 |
| | | | Executive Order # D-182-69 | Left | | | 83509 | D-182-69 |
| | | | | Right | | | 83509 | D-182-69 |
| | | | Over 8500 GVW; Executive Order # D-182-52 | Left | 81950 | 31511 (2), 31618 | | D-182-52 |
| | | | | Right | 81946 | 31618 | | D-182-52 |
| | 7.4L V8 | XGMXA07.4201 | Executive Order # D-182-47 | Left | | | 81919 | D-182-47 |
| | | | | Right | | | 81919 | D-182-47 |
| | | | Executive Order # D-182-52 | Left | 81988 | 31668 (2), 31618 | | D-182-52 |
| | | | Executive Order # D-182-69 | Left | | | 83509 | D-182-69 |
| | | | Right | | | 83509 | D-182-69 | |
| Over 8500 GVW; Executive Order # D-182-52 | | | Right | 81946 | 31618 | | D-182-52 | |
| 1998 | 5.7L V8 | WGMXA05.7187 | Executive Order # D-182-47 | Left | | | 81916 | D-182-47 |
| | | | | Right | | | 81916 | D-182-47 |
| | | | Executive Order # D-182-69 | Left | | | 83509 | D-182-69 |
| | | | | Right | | | 83509 | D-182-69 |
| | 7.4L V8 | WGMXA07.4201 | Over 8500 GVW; Executive Order # D-182-52 | Left | 81950 | 31511 (2), 31618 | | D-182-52 |
| | | | Executive Order # D-182-47 | Left | | | 81919 | D-182-47 |
| | | | | Right | | | 81919 | D-182-47 |
| | | | Executive Order # D-182-52 | Left | 81988 | 31668 (2), 31618 | | D-182-52 |
| | | | Executive Order # D-182-69 | Left | | | 83509 | D-182-69 |
| | | | | Right | | | 83509 | D-182-69 |
| 1997 | 5.7L V8 | VGM5.7JPG1EK | Executive Order # D-182-52 | Left | | | 81924 | D-182-52 |
| | | | | Right | | | 81924 | D-182-52 |
| | | | Executive Order # D-182-69 | Left | | | 83509 | D-182-69 |
| | | | | Right | | | 83509 | D-182-69 |
| | | | Over 8500 GVW; Executive Order # D-182-52 | Left | 81950 | 31511 (2), 31618 | | D-182-52 |
| | | | | Right | 81946 | 31618 | | D-182-52 |
| | 7.4L V8 | VGM7.4J8G1EK | Executive Order # D-182-47 | Left | | | 81919 | D-182-47 |
| | | | | Right | | | 81919 | D-182-47 |
| | | | Executive Order # D-182-52 | Left | 81988 | 31668 (2), 31618 | | D-182-52 |
| | | | Executive Order # D-182-69 | Left | | | 83509 | D-182-69 |
| | Right | | | 83509 | D-182-69 | | | |
| | Right | 81946 | 31618 | | D-182-52 | | | |
| 1996 | 5.7L V8 | TGM5.7CPGAEA | Executive Order # D-182-69 | Left | | | 83509 | D-182-69 |
| | | | | Right | | | 83509 | D-182-69 |
| | | TGM5.7JPG1EK | Executive Order # D-182-52 | Left | | | 81924 | D-182-52 |
| | | | | Right | | | 81924 | D-182-52 |
| | | | Executive Order # D-182-69 | Left | | | 83509 | D-182-69 |
| | | | | Right | | | 83509 | D-182-69 |

OBDII APPLICATIONS

NON-OBDII APPLICATIONS

NUMERICAL

UNIVERSAL SPECIFICATIONS

For vehicles licensed in the state of California or Maine, or vehicles requiring CARB-compliant converters in the state of New York, the parts in this catalog must be installed as specifically listed. Parts cannot be substituted, nor can they be installed on California or Maine licensed vehicles not listed in this catalog.

OBDII PASSENGER CAR & TRUCK

| Years | Engine | Engine Family No. | Application | Position | Direct-Fit | | Universal Part No. | Executive Order |
|-------|--------|-------------------|-------------|----------|------------|----------|--------------------|-----------------|
| | | | | | Part No. | Hardware | | |

GMC (Cont.)

C3500 (Cont.)

| | | | | | | | | |
|---|---------|--------------|---|--------------|--------------|------------------|--------------|----------|
| 1996 (Cont.) | 5.7L V8 | TGM5.7JPG1EK | Executive Order # D-182-69 | Right | | | 83509 | D-182-69 |
| | | | Over 8500 GVW; Executive Order # D-182-52 | Left | 81950 | 31511 (2), 31618 | | D-182-52 |
| | | | | Right | 81946 | 31618 | | D-182-52 |
| | 7.4L V8 | TGM7.4J8G1EK | Executive Order # D-182-47 | Left | | | 81919 | D-182-47 |
| | | | | Right | | | 81919 | D-182-47 |
| | | | Executive Order # D-182-52 | Left | 81988 | 31668 (2), 31618 | | D-182-52 |
| Executive Order # D-182-69 | Left | | | 83509 | D-182-69 | | | |
| | Right | | | 83509 | D-182-69 | | | |
| Over 8500 GVW; Executive Order # D-182-52 | Right | 81946 | 31618 | | D-182-52 | | | |

C3500HD

| | | | | | | | | |
|------|---------|--------------|----------------------------|-------------|--|--|--------------|----------|
| 2001 | 8.1L V8 | 1GMXA08.1203 | Executive Order # D-182-52 | Front Left | | | 81724 | D-182-52 |
| | | | | Front Right | | | 81724 | D-182-52 |
| | | | | Rear Left | | | 81724 | D-182-52 |
| | | | | Rear Right | | | 81724 | D-182-52 |
| | | | Executive Order # D-182-69 | Front Left | | | 83404 | D-182-69 |
| | | | | Front Right | | | 83404 | D-182-69 |
| | | | | Rear Left | | | 83404 | D-182-69 |
| | | | | Rear Right | | | 83404 | D-182-69 |
| 1999 | 7.4L V8 | XGMXA07.4201 | Executive Order # D-182-69 | Left | | | 83509 | D-182-69 |
| | | | | Right | | | 83509 | D-182-69 |
| 1998 | 7.4L V8 | WGMXA07.4201 | Executive Order # D-182-69 | Left | | | 83509 | D-182-69 |
| | | | | Right | | | 83509 | D-182-69 |
| 1997 | 7.4L V8 | VGM7.4J8G1EK | Executive Order # D-182-69 | Left | | | 83509 | D-182-69 |
| | | | | Right | | | 83509 | D-182-69 |
| 1996 | 7.4L V8 | TGM7.4J8G1EK | Executive Order # D-182-69 | Left | | | 83509 | D-182-69 |
| | | | | Right | | | 83509 | D-182-69 |

Envoy

| | | | | | | | | |
|------|---------|--------------|----------------------------|-------|--------------|-------|--------------|----------|
| 2006 | 5.3L V8 | 6GMXT06.0387 | Executive Order # D-182-69 | Left | | | 83508 | D-182-69 |
| | | | | Right | | | 83508 | D-182-69 |
| 2005 | 5.3L V8 | 5GMXT06.0187 | Executive Order # D-182-69 | Left | | | 83508 | D-182-69 |
| | | | | Right | | | 83508 | D-182-69 |
| 2003 | 4.2L L6 | 3GMXT04.2185 | Executive Order # D-182-51 | | 82352 | 31657 | 82303 | D-182-51 |
| | | | Executive Order # D-182-69 | | | | 83403 | D-182-69 |
| 2002 | 4.2L L6 | 2GMXT04.2185 | Executive Order # D-182-51 | | 82352 | 31657 | 82303 | D-182-51 |
| | | | Executive Order # D-182-69 | | | | 83403 | D-182-69 |

Envoy XL

| | | | | | | | | |
|------|---------|--------------|----------------------------|-------|--------------|-------|--------------|----------|
| 2006 | 5.3L V8 | 6GMXT06.0387 | Executive Order # D-182-69 | Left | | | 83508 | D-182-69 |
| | | | | Right | | | 83508 | D-182-69 |
| 2005 | 5.3L V8 | 5GMXT06.0187 | Executive Order # D-182-69 | Left | | | 83508 | D-182-69 |
| | | | | Right | | | 83508 | D-182-69 |
| 2004 | 5.3L V8 | 4GMXT05.3170 | Executive Order # D-182-69 | Left | | | 83508 | D-182-69 |
| | | | | Right | | | 83508 | D-182-69 |
| 2003 | 4.2L L6 | 3GMXA04.2187 | Executive Order # D-182-51 | | 82360 | 31657 | 82303 | D-182-51 |
| | | | Executive Order # D-182-69 | | | | 83403 | D-182-69 |

For vehicles licensed in the state of California or Maine, or vehicles requiring CARB-compliant converters in the state of New York, the parts in this catalog must be installed as specifically listed. Parts cannot be substituted, nor can they be installed on California or Maine licensed vehicles not listed in this catalog.

OBDII PASSENGER CAR & TRUCK

| Years | Engine | Engine Family No. | Application | Position | Direct-Fit | | Universal Part No. | Executive Order | | | |
|----------------------------|---------|----------------------------|---|----------|--------------|---|--------------------|-----------------|------------------|--------------|----------|
| | | | | | Part No. | Hardware | | | | | |
| GMC (Cont.) | | | | | | | | | | | |
| Envoy XL (Cont.) | | | | | | | | | | | |
| 2003 (Cont.) | 5.3L V8 | 3GMXT05.3183 | Executive Order # D-182-69 | Left | | | 83508 | D-182-69 | | | |
| | | | | Right | | | 83508 | D-182-69 | | | |
| 2002 | 4.2L L6 | 2GMXA04.2187 | Executive Order # D-182-51 | | 82360 | 31657 | 82303 | D-182-51 | | | |
| | | | Executive Order # D-182-69 | | | | 83403 | D-182-69 | | | |
| Envoy XUV | | | | | | | | | | | |
| 2005 | 5.3L V8 | 5GMXT06.0187 | Executive Order # D-182-69 | Left | | | 83508 | D-182-69 | | | |
| | | | | Right | | | 83508 | D-182-69 | | | |
| 2004 | 5.3L V8 | 4GMXT05.3170 | Executive Order # D-182-69 | Left | | | 83508 | D-182-69 | | | |
| | | | | Right | | | 83508 | D-182-69 | | | |
| G3500 | | | | | | | | | | | |
| 1996 | 5.7L V8 | TGM5.7CPGAEA | Executive Order # D-182-69 | Left | | | 83509 | D-182-69 | | | |
| | | | | Right | | | 83509 | D-182-69 | | | |
| | | TGM5.7JPG1EK | Executive Order # D-182-47 | Left | | 81919 | D-182-47 | | | | |
| | | | | Right | | 81919 | D-182-47 | | | | |
| | | | Executive Order # D-182-69 | Left | | 83509 | D-182-69 | | | | |
| | | | | Right | | 83509 | D-182-69 | | | | |
| | 7.4L V8 | TGM7.4J8G1EK | Executive Order # D-182-47 | Left | | 81919 | D-182-47 | | | | |
| | | | | Right | | 81919 | D-182-47 | | | | |
| | | Executive Order # D-182-69 | Left | | 83509 | D-182-69 | | | | | |
| | | | Right | | 83509 | D-182-69 | | | | | |
| Jimmy | | | | | | | | | | | |
| 2001 | 4.3L V6 | 1GMXT04.3187 | 2 Door; 4WD; Executive Order # D-182-52 | | 81986 | 31588 (2), 31574 | | D-182-52 | | | |
| | | | 4 Door; 4WD; Executive Order # D-182-52 | | 81943 | 31588 (2), 31574 | | D-182-52 | | | |
| | | | Executive Order # D-182-52 | Front | | 81723 | D-182-52 | | | | |
| | | | | Rear | | 81923 | D-182-52 | | | | |
| | | | Executive Order # D-182-69 | Front | | 83403 | D-182-69 | | | | |
| | | | | Rear | | 83508 | D-182-69 | | | | |
| | | | 2000 | 4.3L V6 | YGMXT04.3188 | 2 Door; 4WD; Executive Order # D-182-52 | | 81986 | 31588 (2), 31574 | | D-182-52 |
| | | | | | | 4 Door; 4WD; Executive Order # D-182-52 | | 81943 | 31588 (2), 31574 | | D-182-52 |
| Executive Order # D-182-52 | Front | | | | | 81723 | D-182-52 | | | | |
| | Rear | | | | | 81923 | D-182-52 | | | | |
| Executive Order # D-182-69 | Front | | | | | 83403 | D-182-69 | | | | |
| | Rear | | | | | 83508 | D-182-69 | | | | |
| 1999 | 4.3L V6 | XGMXT04.3184 | | | | Executive Order # D-182-52 | Front | | | 81723 | D-182-52 |
| | | | | | | | Rear | | 81923 | D-182-52 | |
| | | | Executive Order # D-182-69 | Front | | 83403 | D-182-69 | | | | |
| | | | | Rear | | 83508 | D-182-69 | | | | |
| | | XGMXT04.3185 | Executive Order # D-182-52 | Front | | 81723 | D-182-52 | | | | |
| | | | | Rear | | 81923 | D-182-52 | | | | |
| | | | Executive Order # D-182-69 | Front | | 83403 | D-182-69 | | | | |
| | | | | Rear | | 83508 | D-182-69 | | | | |
| 1998 | 4.3L V6 | WGMXT04.3184 | Executive Order # D-182-47 | | | 81919 | D-182-47 | | | | |

For vehicles licensed in the state of California or Maine, or vehicles requiring CARB-compliant converters in the state of New York, the parts in this catalog must be installed as specifically listed. Parts cannot be substituted, nor can they be installed on California or Maine licensed vehicles not listed in this catalog.

OBDII APPLICATIONS

NON-OBDII APPLICATIONS

NUMERICAL

UNIVERSAL SPECIFICATIONS

OBDII PASSENGER CAR & TRUCK

| Years | Engine | Engine Family No. | Application | Position | Direct-Fit | | Universal Part No. | Executive Order | |
|----------------------|---------|-------------------|---------------------------------|----------|--------------|--------------|--------------------|-----------------|----------|
| | | | | | Part No. | Hardware | | | |
| GMC (Cont.) | | | | | | | | | |
| Jimmy (Cont.) | | | | | | | | | |
| 1998 (Cont.) | 4.3L V6 | WGMXT04.3184 | Executive Order # D-182-52 | | 81963 | 31589, 31571 | | D-182-52 | |
| | | | Executive Order # D-182-69 | | | | 83509 | D-182-69 | |
| | | WGMXT04.3185 | Executive Order # D-182-52 | Front | | | | 81723 | D-182-52 |
| | | | | Rear | | | | 81923 | D-182-52 |
| | | | Executive Order # D-182-69 | Front | | | | 83403 | D-182-69 |
| | | Rear | | | | 83508 | D-182-69 | | |
| 1997 | 4.3L V6 | VGM4.32PG1EK | Executive Order # D-182-47 | | | | 81919 | D-182-47 | |
| | | | Executive Order # D-182-52 | | 81963 | 31589, 31571 | | D-182-52 | |
| | | | Executive Order # D-182-69 | | | | 83509 | D-182-69 | |
| 1996 | 4.3L V6 | TGM4.32PGKEK | Executive Order # D-182-47 | | | | 81919 | D-182-47 | |
| | | | Executive Order # D-182-52 | | 81963 | 31589, 31571 | | D-182-52 | |
| | | | Executive Order # D-182-69 | | | | 83509 | D-182-69 | |
| | | TGM4.38PGBEK | Executive Order # D-182-69 | | | | 83509 | D-182-69 | |
| 1995 | 4.3L V6 | S3G4.329GFGJ | 4WD; Executive Order # D-182-52 | | 81957 | 31571 | | D-182-52 | |
| | | | Executive Order # D-182-47 | | | | 81919 | D-182-47 | |
| | | | Executive Order # D-182-69 | | | | 83509 | D-182-69 | |

K1500

| | | | | | | | | | |
|----------------------------|----------------------------|--------------|----------------------------|----------------------------|--------------|------------------|--------------|--------------|----------|
| 1999 | 5.0L V8 | XGMXA05.0182 | Executive Order # D-182-47 | | | | 81919 | D-182-47 | |
| | | | Executive Order # D-182-69 | | | | 83509 | D-182-69 | |
| | | XGMXA05.0184 | Executive Order # D-182-47 | | | | | 81919 | D-182-47 |
| | | | Executive Order # D-182-69 | | | | | 83509 | D-182-69 |
| | 5.7L V8 | XGMXA05.7182 | Executive Order # D-182-47 | Left | | | | 81916 | D-182-47 |
| | | | | Right | | | | 81916 | D-182-47 |
| | | | Executive Order # D-182-52 | | 81961 | 31588 (2), 31575 | | D-182-52 | |
| | | | Executive Order # D-182-69 | Left | | | 83506 | D-182-69 | |
| | | | Right | | | | 83506 | D-182-69 | |
| | 1998 | 4.3L V6 | WGMXA04.3190 | Executive Order # D-182-47 | | | | 81919 | D-182-47 |
| Executive Order # D-182-52 | | | | | 81948 | 31588 (2), 31574 | | D-182-52 | |
| Executive Order # D-182-69 | | | | | | | 83509 | D-182-69 | |
| 5.0L V8 | | WGMXA05.0182 | Executive Order # D-182-47 | | | | 81919 | D-182-47 | |
| | | | Executive Order # D-182-52 | | 81948 | 31588 (2), 31574 | | D-182-52 | |
| | | | Executive Order # D-182-69 | | | | 83509 | D-182-69 | |
| 5.7L V8 | | WGMXA05.0184 | Executive Order # D-182-47 | | | | 81919 | D-182-47 | |
| | | | Executive Order # D-182-52 | | 81948 | 31588 (2), 31574 | | D-182-52 | |
| | | | Executive Order # D-182-69 | | | | 83509 | D-182-69 | |
| | | WGMXA05.7184 | Executive Order # D-182-47 | Left | | | | 81916 | D-182-47 |
| | | | | Right | | | | 81916 | D-182-47 |
| | | | Executive Order # D-182-52 | | 81961 | 31588 (2), 31575 | | D-182-52 | |
| | | | Executive Order # D-182-69 | Left | | | 83506 | D-182-69 | |
| | | | | Right | | | 83506 | D-182-69 | |
| Executive Order # D-182-47 | Left | | | 81916 | D-182-47 | | | | |
| | Right | | | 81916 | D-182-47 | | | | |
| | Executive Order # D-182-52 | | 81961 | 31588 (2), 31575 | | D-182-52 | | | |
| Executive Order # D-182-69 | Left | | | 83506 | D-182-69 | | | | |

For vehicles licensed in the state of California or Maine, or vehicles requiring CARB-compliant converters in the state of New York, the parts in this catalog must be installed as specifically listed. Parts cannot be substituted, nor can they be installed on California or Maine licensed vehicles not listed in this catalog.

OBDII PASSENGER CAR & TRUCK

| Years | Engine | Engine Family No. | Application | Position | Direct-Fit | | Universal Part No. | Executive Order | |
|----------------------------|---------|-------------------|----------------------------|--------------|------------------|------------------|--------------------|-----------------|----------|
| | | | | | Part No. | Hardware | | | |
| GMC (Cont.) | | | | | | | | | |
| K1500 (Cont.) | | | | | | | | | |
| 1998 (Cont.) | 5.7L V8 | WGMXA05.7184 | Executive Order # D-182-69 | Right | | | 83506 | D-182-69 | |
| 1997 | 4.3L V6 | VGM4.3HPG1EK | Executive Order # D-182-47 | | | | 81919 | D-182-47 | |
| | | | Executive Order # D-182-52 | | 81948 | 31588 (2), 31574 | | D-182-52 | |
| | | | Executive Order # D-182-69 | | | | 83509 | D-182-69 | |
| | 5.0L V8 | VGM5.0HPG1EK | Executive Order # D-182-47 | | | | | 81919 | D-182-47 |
| | | | Executive Order # D-182-52 | | 81948 | 31588 (2), 31574 | | D-182-52 | |
| | | | Executive Order # D-182-69 | | | | 83509 | D-182-69 | |
| | | VGM5.0JPG1EK | Executive Order # D-182-47 | | | | | 81919 | D-182-47 |
| | | | Executive Order # D-182-52 | | 81948 | 31588 (2), 31574 | | D-182-52 | |
| | | | Executive Order # D-182-69 | | | | 83509 | D-182-69 | |
| | 5.7L V8 | VGM5.7HPG1EK | Executive Order # D-182-47 | Left | | | | 81916 | D-182-47 |
| | | | | Right | | | | 81916 | D-182-47 |
| | | | Executive Order # D-182-52 | | 81961 | 31588 (2), 31575 | | D-182-52 | |
| | | | Executive Order # D-182-69 | Left | | | 83506 | D-182-69 | |
| | | VGM5.7JPG1GK | Executive Order # D-182-47 | Left | | | | 81916 | D-182-47 |
| | | | | Right | | | | 81916 | D-182-47 |
| Executive Order # D-182-52 | | | | 81961 | 31588 (2), 31575 | | D-182-52 | | |
| Executive Order # D-182-69 | | | Left | | | 83506 | D-182-69 | | |
| | | Right | | | | 83506 | D-182-69 | | |
| 1996 | 4.3L V6 | TGM4.35PGFEK | Executive Order # D-182-47 | | | | 81919 | D-182-47 | |
| | | | Executive Order # D-182-52 | | 81948 | 31588 (2), 31574 | | D-182-52 | |
| | | | Executive Order # D-182-69 | | | | 83509 | D-182-69 | |
| | 5.0L V8 | TGM5.0HPG1EK | Executive Order # D-182-47 | | | | | 81919 | D-182-47 |
| | | | Executive Order # D-182-52 | | 81948 | 31588 (2), 31574 | | D-182-52 | |
| | | | Executive Order # D-182-69 | | | | 83509 | D-182-69 | |
| | | TGM5.0JPG1EK | Executive Order # D-182-47 | | | | | 81919 | D-182-47 |
| | | | Executive Order # D-182-52 | | 81948 | 31588 (2), 31574 | | D-182-52 | |
| | | | Executive Order # D-182-69 | | | | 83509 | D-182-69 | |
| | 5.7L V8 | TGM5.75PGFEK | Executive Order # D-182-47 | Left | | | | 81916 | D-182-47 |
| | | | | Right | | | | 81916 | D-182-47 |
| | | | Executive Order # D-182-52 | | 81961 | 31588 (2), 31575 | | D-182-52 | |
| | | | Executive Order # D-182-69 | Left | | | 83506 | D-182-69 | |
| | | TGM5.76PGFEK | Executive Order # D-182-47 | Left | | | | 81916 | D-182-47 |
| | | | | Right | | | | 81916 | D-182-47 |
| Executive Order # D-182-69 | | | Left | | | 83506 | D-182-69 | | |
| | | | | Right | | | | 83506 | D-182-69 |
| K1500 Suburban | | | | | | | | | |
| 1999 | 5.7L V8 | XGMXA05.7186 | Executive Order # D-182-52 | Left | | | 81723 | D-182-52 | |
| | | | | Right | | | | 81723 | D-182-52 |
| | | | Executive Order # D-182-69 | Left | | | 83403 | D-182-69 | |
| | | | | Right | | | | 83403 | D-182-69 |
| 1998 | 5.7L V8 | WGMXA05.7186 | Executive Order # D-182-52 | Left | | | 81723 | D-182-52 | |
| | | | | Right | | | | 81723 | D-182-52 |

OBDII APPLICATIONS

NON-OBDII APPLICATIONS

NUMERICAL

UNIVERSAL SPECIFICATIONS

For vehicles licensed in the state of California or Maine, or vehicles requiring CARB-compliant converters in the state of New York, the parts in this catalog must be installed as specifically listed. Parts cannot be substituted, nor can they be installed on California or Maine licensed vehicles not listed in this catalog.

OBDII PASSENGER CAR & TRUCK

| Years | Engine | Engine Family No. | Application | Position | Direct-Fit | | Universal Part No. | Executive Order | |
|-------------------------------|---------|-------------------|----------------------------|----------|------------|--------------|--------------------|-----------------|----------|
| | | | | | Part No. | Hardware | | | |
| GMC (Cont.) | | | | | | | | | |
| K1500 Suburban (Cont.) | | | | | | | | | |
| 1998 (Cont.) | 5.7L V8 | WGMXA05.7186 | Executive Order # D-182-69 | Left | | | 83403 | D-182-69 | |
| | | | | Right | | | 83403 | D-182-69 | |
| 1997 | 5.7L V8 | VGM5.7JPG1GK | Executive Order # D-182-47 | Left | | | 81916 | D-182-47 | |
| | | | | Right | | | 81916 | D-182-47 | |
| | | | Executive Order # D-182-52 | | | 81961 | 31588 (2), 31575 | | D-182-52 |
| | | | Executive Order # D-182-69 | Left | | | | 83506 | D-182-69 |
| | | | | Right | | | 83506 | D-182-69 | |
| 1996 | 5.7L V8 | TGM5.76PGFEK | Executive Order # D-182-47 | Left | | | 81916 | D-182-47 | |
| | | | | Right | | | 81916 | D-182-47 | |
| | | | Executive Order # D-182-52 | | | 81961 | 31588 (2), 31575 | | D-182-52 |
| | | | Executive Order # D-182-69 | Left | | | | 83506 | D-182-69 |
| | | | | Right | | | 83506 | D-182-69 | |

K2500

| | | | | | | | | |
|---|---|--------------|----------------------------|----------------------------|------------------|--------------|--------------|--------------|
| 2000 | 5.7L V8 | YGMXA05.7191 | Executive Order # D-182-52 | Left | | | 81924 | D-182-52 |
| | | | | Right | | | 81924 | D-182-52 |
| | | | Executive Order # D-182-69 | Left | | | 83509 | D-182-69 |
| | | | | Right | | | 83509 | D-182-69 |
| | Over 8500 GVW; Executive Order # D-182-52 | Left | 81950 | 31511 (2), 31618 | | D-182-52 | | |
| | | Right | 81946 | 31618 | | D-182-52 | | |
| | 7.4L V8 | YGMXA07.4201 | Executive Order # D-182-47 | Left | | | 81919 | D-182-47 |
| | | | | Right | | | 81919 | D-182-47 |
| Executive Order # D-182-52 | | | Left | 81988 | 31668 (2), 31618 | | D-182-52 | |
| Executive Order # D-182-69 | | | Left | | | 83509 | D-182-69 | |
| | | | Right | | | 83509 | D-182-69 | |
| Over 8500 GVW; Executive Order # D-182-52 | | | Right | 81946 | 31618 | | D-182-52 | |
| 1999 | 5.7L V8 | XGMXA05.7187 | Executive Order # D-182-52 | Left | | | 81924 | D-182-52 |
| | | | | Right | | | 81924 | D-182-52 |
| | | | Executive Order # D-182-69 | Left | | | 83509 | D-182-69 |
| | | | | Right | | | 83509 | D-182-69 |
| | Over 8500 GVW; Executive Order # D-182-52 | Left | 81950 | 31511 (2), 31618 | | D-182-52 | | |
| | | Right | 81946 | 31618 | | D-182-52 | | |
| | 7.4L V8 | XGMXA07.4201 | Executive Order # D-182-47 | Left | | | 81919 | D-182-47 |
| | | | | Right | | | 81919 | D-182-47 |
| Executive Order # D-182-52 | | | Left | 81988 | 31668 (2), 31618 | | D-182-52 | |
| Executive Order # D-182-69 | | | Left | | | 83509 | D-182-69 | |
| | | | Right | | | 83509 | D-182-69 | |
| Over 8500 GVW; Executive Order # D-182-52 | | | Right | 81946 | 31618 | | D-182-52 | |
| 1998 | 5.7L V8 | WGMXA05.7187 | Executive Order # D-182-47 | Left | | | 81916 | D-182-47 |
| | | | | Right | | | 81916 | D-182-47 |
| | | | Executive Order # D-182-69 | Left | | | 83509 | D-182-69 |
| | | | | Right | | | 83509 | D-182-69 |
| | Over 8500 GVW; Executive Order # D-182-52 | Left | 81950 | 31511 (2), 31618 | | D-182-52 | | |
| | | 7.4L V8 | WGMXA07.4201 | Executive Order # D-182-47 | Left | | | 81919 |

For vehicles licensed in the state of California or Maine, or vehicles requiring CARB-compliant converters in the state of New York, the parts in this catalog must be installed as specifically listed. Parts cannot be substituted, nor can they be installed on California or Maine licensed vehicles not listed in this catalog.

OBDII PASSENGER CAR & TRUCK

| Years | Engine | Engine Family No. | Application | Position | Direct-Fit | | Universal Part No. | Executive Order |
|---|---|-------------------|---|------------------|--------------|------------------|--------------------|-----------------|
| | | | | | Part No. | Hardware | | |
| GMC (Cont.) | | | | | | | | |
| K2500 (Cont.) | | | | | | | | |
| 1998 (Cont.) | 7.4L V8 | WGMXA07.4201 | Executive Order # D-182-47 | Right | | | 81919 | D-182-47 |
| | | | Executive Order # D-182-52 | Left | 81988 | 31668 (2), 31618 | | D-182-52 |
| | | | Executive Order # D-182-69 | Left | | | 83509 | D-182-69 |
| | | | | Right | | | 83509 | D-182-69 |
| Over 8500 GVW; Executive Order # D-182-52 | Right | 81946 | 31618 | | D-182-52 | | | |
| 1997 | 5.7L V8 | VGM5.7JPG1EK | Executive Order # D-182-52 | Left | | | 81924 | D-182-52 |
| | | | Executive Order # D-182-52 | Right | | | 81924 | D-182-52 |
| | | | Executive Order # D-182-69 | Left | | | 83509 | D-182-69 |
| | | | | Right | | | 83509 | D-182-69 |
| | | | Over 8500 GVW; Executive Order # D-182-52 | Left | 81950 | 31511 (2), 31618 | | D-182-52 |
| | | | | Right | 81946 | 31618 | | D-182-52 |
| | 7.4L V8 | VGM7.4J8G1EK | Executive Order # D-182-47 | Left | | | 81919 | D-182-47 |
| | | | Executive Order # D-182-47 | Right | | | 81919 | D-182-47 |
| | | | Executive Order # D-182-52 | Left | 81988 | 31668 (2), 31618 | | D-182-52 |
| | | | Executive Order # D-182-69 | Left | | | 83509 | D-182-69 |
| Right | | | | 83509 | D-182-69 | | | |
| Over 8500 GVW; Executive Order # D-182-52 | Right | 81946 | 31618 | | D-182-52 | | | |
| 1996 | 5.7L V8 | TGM5.76PGFEK | Executive Order # D-182-47 | Left | | | 81916 | D-182-47 |
| | | | Executive Order # D-182-47 | Right | | | 81916 | D-182-47 |
| | | | Executive Order # D-182-52 | | 81961 | 31588 (2), 31575 | | D-182-52 |
| | | | Over 8500 GVW; Executive Order # D-182-52 | Left | 81950 | 31511 (2), 31618 | | D-182-52 |
| | | Right | | 81946 | 31618 | | D-182-52 | |
| | | TGM5.7JPG1EK | Executive Order # D-182-52 | Left | | | 81924 | D-182-52 |
| | | | Executive Order # D-182-52 | Right | | | 81924 | D-182-52 |
| | | | Executive Order # D-182-69 | Left | | | 83509 | D-182-69 |
| | Right | | | | | 83509 | D-182-69 | |
| | Over 8500 GVW; Executive Order # D-182-52 | Left | 81950 | 31511 (2), 31618 | | D-182-52 | | |
| Over 8500 GVW; Executive Order # D-182-52 | Right | 81946 | 31618 | | D-182-52 | | | |
| K2500 Suburban | | | | | | | | |
| 1999 | 5.7L V8 | XGMXA05.7187 | Executive Order # D-182-52 | Left | | | 81924 | D-182-52 |
| | | | Executive Order # D-182-52 | Right | | | 81924 | D-182-52 |
| | | | Executive Order # D-182-69 | Left | | | 83509 | D-182-69 |
| | | | | Right | | | 83509 | D-182-69 |
| | 7.4L V8 | XGMXA07.4201 | Executive Order # D-182-47 | Left | | | 81919 | D-182-47 |
| | | | Executive Order # D-182-47 | Right | | | 81919 | D-182-47 |
| | | | Executive Order # D-182-52 | Left | 81988 | 31668 (2), 31618 | | D-182-52 |
| | | | Executive Order # D-182-69 | Left | | | 83509 | D-182-69 |
| | | | | Right | | | 83509 | D-182-69 |
| | | | Over 8500 GVW; Executive Order # D-182-52 | Right | 81946 | 31618 | | D-182-52 |
| 1998 | 5.7L V8 | WGMXA05.7187 | Executive Order # D-182-47 | Left | | | 81916 | D-182-47 |
| | | | Executive Order # D-182-47 | Right | | | 81916 | D-182-47 |
| | | | Executive Order # D-182-69 | Left | | | 83509 | D-182-69 |
| | | | | Right | | | 83509 | D-182-69 |
| | 7.4L V8 | WGMXA07.4201 | Executive Order # D-182-47 | Left | | | 81919 | D-182-47 |
| | | | Executive Order # D-182-47 | Right | | | 81919 | D-182-47 |

OBDII APPLICATIONS

NON-OBDII APPLICATIONS

NUMERICAL

UNIVERSAL SPECIFICATIONS

For vehicles licensed in the state of California or Maine, or vehicles requiring CARB-compliant converters in the state of New York, the parts in this catalog must be installed as specifically listed. Parts cannot be substituted, nor can they be installed on California or Maine licensed vehicles not listed in this catalog.

OBDII PASSENGER CAR & TRUCK

| Years | Engine | Engine Family No. | Application | Position | Direct-Fit | | Universal Part No. | Executive Order | |
|-------------------------------|---------|-------------------|----------------------------|----------------------------|--------------|------------------|--------------------|-----------------|----------|
| | | | | | Part No. | Hardware | | | |
| GMC (Cont.) | | | | | | | | | |
| K2500 Suburban (Cont.) | | | | | | | | | |
| 1998 (Cont.) | 7.4L V8 | WGMXA07.4201 | Executive Order # D-182-52 | Left | 81988 | 31668 (2), 31618 | | D-182-52 | |
| | | | Executive Order # D-182-69 | Left | | | | 83509 | D-182-69 |
| | | | | Right | | | | 83509 | D-182-69 |
| 1997 | 5.7L V8 | VGM5.7JPG1EK | Executive Order # D-182-52 | Left | | | 81924 | D-182-52 | |
| | | | | Right | | | 81924 | D-182-52 | |
| | | | Executive Order # D-182-69 | Left | | | 83509 | D-182-69 | |
| | | | | Right | | | 83509 | D-182-69 | |
| | 7.4L V8 | VGM7.4J8G1EK | Executive Order # D-182-47 | Left | | | | 81919 | D-182-47 |
| | | | | Right | | | | 81919 | D-182-47 |
| | | | Executive Order # D-182-52 | Left | 81988 | 31668 (2), 31618 | | | D-182-52 |
| | | | | Executive Order # D-182-69 | Left | | | 83509 | D-182-69 |
| | | | | | Right | | | 83509 | D-182-69 |
| 1996 | 5.7L V8 | TGM5.7CPGAEA | Executive Order # D-182-69 | Left | | | 83509 | D-182-69 | |
| | | | | Right | | | 83509 | D-182-69 | |
| | | TGM5.7JPG1EK | Executive Order # D-182-52 | Left | | | | 81924 | D-182-52 |
| | | | | Right | | | | 81924 | D-182-52 |
| | 7.4L V8 | TGM7.4J8G1EK | Executive Order # D-182-69 | Left | | | | 83509 | D-182-69 |
| | | | | Right | | | | 83509 | D-182-69 |

K3500

| | | | | | | | | | |
|---|----------------------------|--------------|---|----------------------------|--------------|------------------|--------------|--------------|----------|
| 2000 | 5.7L V8 | YGMXA05.7191 | Executive Order # D-182-52 | Left | | | 81924 | D-182-52 | |
| | | | | Right | | | 81924 | D-182-52 | |
| | | | Executive Order # D-182-69 | Left | | | 83509 | D-182-69 | |
| | | | | Right | | | 83509 | D-182-69 | |
| | | | Over 8500 GVW; Executive Order # D-182-52 | Left | 81950 | 31511 (2), 31618 | | | D-182-52 |
| | | | | Right | 81946 | 31618 | | | D-182-52 |
| | 7.4L V8 | YGMXA07.4201 | Executive Order # D-182-47 | Left | | | | 81919 | D-182-47 |
| | | | | Right | | | | 81919 | D-182-47 |
| | | | Executive Order # D-182-52 | Left | 81988 | 31668 (2), 31618 | | | D-182-52 |
| | | | | Executive Order # D-182-69 | Left | | | 83509 | D-182-69 |
| Right | | | 83509 | | D-182-69 | | | | |
| Over 8500 GVW; Executive Order # D-182-52 | Right | 81946 | 31618 | | | D-182-52 | | | |
| | 1999 | 5.7L V8 | XGMXA05.7187 | Executive Order # D-182-52 | Left | | | 81924 | D-182-52 |
| Right | | | | | | | 81924 | D-182-52 | |
| Executive Order # D-182-69 | | | | Left | | | 83509 | D-182-69 | |
| | | | | Right | | | 83509 | D-182-69 | |
| Over 8500 GVW; Executive Order # D-182-52 | | | | Left | 81950 | 31511 (2), 31618 | | | D-182-52 |
| | | | | Right | 81946 | 31618 | | | D-182-52 |
| 7.4L V8 | | XGMXA07.4201 | Executive Order # D-182-47 | Left | | | | 81919 | D-182-47 |
| | | | | Right | | | | 81919 | D-182-47 |
| Executive Order # D-182-52 | Left | 81988 | 31668 (2), 31618 | | | D-182-52 | | | |
| | Executive Order # D-182-69 | Left | | | 83509 | D-182-69 | | | |
| Right | | | | 83509 | D-182-69 | | | | |

For vehicles licensed in the state of California or Maine, or vehicles requiring CARB-compliant converters in the state of New York, the parts in this catalog must be installed as specifically listed. Parts cannot be substituted, nor can they be installed on California or Maine licensed vehicles not listed in this catalog.

OBDII PASSENGER CAR & TRUCK

| Years | Engine | Engine Family No. | Application | Position | Direct-Fit | | Universal Part No. | Executive Order | |
|---|---|-------------------|---|------------------|--------------|------------------|--------------------|-----------------|----------|
| | | | | | Part No. | Hardware | | | |
| GMC (Cont.) | | | | | | | | | |
| K3500 (Cont.) | | | | | | | | | |
| 1999 (Cont.) | 7.4L V8 | XGMXA07.4201 | Over 8500 GVW; Executive Order # D-182-52 | Right | 81946 | 31618 | | D-182-52 | |
| 1998 | 5.7L V8 | WGMXA05.7187 | Executive Order # D-182-47 | Left | | | 81916 | D-182-47 | |
| | | | | Right | | | 81916 | D-182-47 | |
| | | | Executive Order # D-182-69 | Left | | | 83509 | D-182-69 | |
| | | | | Right | | | 83509 | D-182-69 | |
| | Over 8500 GVW; Executive Order # D-182-52 | Left | 81950 | 31511 (2), 31618 | | | | D-182-52 | |
| | | | | | | | | | |
| | 7.4L V8 | WGMXA07.4201 | Executive Order # D-182-47 | Left | | | | 81919 | D-182-47 |
| | | | | Right | | | | 81919 | D-182-47 |
| | | | Executive Order # D-182-52 | Left | 81988 | 31668 (2), 31618 | | | D-182-52 |
| | | | | Right | | | | | |
| Executive Order # D-182-69 | | | Left | | | | 83509 | D-182-69 | |
| | | | Right | | | | 83509 | D-182-69 | |
| Over 8500 GVW; Executive Order # D-182-52 | Right | 81946 | 31618 | | | D-182-52 | | | |
| 1997 | 5.7L V8 | VGM5.7JPG1EK | Executive Order # D-182-52 | Left | | | 81924 | D-182-52 | |
| | | | | Right | | | 81924 | D-182-52 | |
| | | | Executive Order # D-182-69 | Left | | | 83509 | D-182-69 | |
| | | | | Right | | | 83509 | D-182-69 | |
| | | | Over 8500 GVW; Executive Order # D-182-52 | Left | 81950 | 31511 (2), 31618 | | | D-182-52 |
| | | | | Right | 81946 | 31618 | | | D-182-52 |
| | 7.4L V8 | VGM7.4J8G1EK | Executive Order # D-182-47 | Left | | | 81919 | D-182-47 | |
| | | | | Right | | | 81919 | D-182-47 | |
| | | | Executive Order # D-182-52 | Left | 81988 | 31668 (2), 31618 | | | D-182-52 |
| | | | | Right | | | | | |
| Executive Order # D-182-69 | Left | | | | 83509 | D-182-69 | | | |
| | Right | | | | 83509 | D-182-69 | | | |
| | Over 8500 GVW; Executive Order # D-182-52 | Right | 81946 | 31618 | | | D-182-52 | | |
| | | | | | | | | | |
| 1996 | 5.7L V8 | TGM5.7JPG1EK | Executive Order # D-182-52 | Left | | | 81924 | D-182-52 | |
| | | | | Right | | | 81924 | D-182-52 | |
| | | | Executive Order # D-182-69 | Left | | | 83509 | D-182-69 | |
| | | | | Right | | | 83509 | D-182-69 | |
| | | | Over 8500 GVW; Executive Order # D-182-52 | Left | 81950 | 31511 (2), 31618 | | | D-182-52 |
| | | | | Right | 81946 | 31618 | | | D-182-52 |
| | 7.4L V8 | TGM7.4J8G1EK | Executive Order # D-182-47 | Left | | | 81919 | D-182-47 | |
| | | | | Right | | | 81919 | D-182-47 | |
| | | | Executive Order # D-182-52 | Left | 81988 | 31668 (2), 31618 | | | D-182-52 |
| | | | | Right | | | | | |
| Executive Order # D-182-69 | Left | | | | 83509 | D-182-69 | | | |
| | Right | | | | 83509 | D-182-69 | | | |
| Over 8500 GVW; Executive Order # D-182-52 | Right | 81946 | 31618 | | | D-182-52 | | | |
| Safari | | | | | | | | | |
| 2005 | 4.3L V6 | 5GMXT04.3181 | Executive Order # D-182-52 | | 81947 | 31588 (2), 31571 | | D-182-52 | |
| | | | | Front | | | 81723 | D-182-52 | |
| | | | Executive Order # D-182-69 | Rear | | | 81924 | D-182-52 | |
| | | | | Front | | | 83403 | D-182-69 | |
| | | | | Rear | | | 83509 | D-182-69 | |

OBDII APPLICATIONS

NON-OBDII APPLICATIONS

NUMERICAL

UNIVERSAL SPECIFICATIONS

For vehicles licensed in the state of California or Maine, or vehicles requiring CARB-compliant converters in the state of New York, the parts in this catalog must be installed as specifically listed. Parts cannot be substituted, nor can they be installed on California or Maine licensed vehicles not listed in this catalog.

OBDII PASSENGER CAR & TRUCK

| Years | Engine | Engine Family No. | Application | Position | Direct-Fit | | Universal Part No. | Executive Order | | |
|----------------------------|----------------------------|----------------------------|----------------------------|----------------------------|--------------|----------------------------|--------------------|-----------------|------------------|----------|
| | | | | | Part No. | Hardware | | | | |
| GMC (Cont.) | | | | | | | | | | |
| Safari (Cont.) | | | | | | | | | | |
| 2005 (Cont.) | 4.3L V6 | 5GMXT04.3187 | Executive Order # D-182-52 | | 81947 | 31588 (2), 31571 | | D-182-52 | | |
| | | | | Front | | | 81723 | D-182-52 | | |
| | | | Rear | | | 81924 | D-182-52 | | | |
| | | | Executive Order # D-182-69 | Front | | | 83403 | D-182-69 | | |
| Rear | | | | 83509 | D-182-69 | | | | | |
| 2004 | 4.3L V6 | 4GMXT04.3181 | Executive Order # D-182-52 | | 81947 | 31588 (2), 31571 | | D-182-52 | | |
| | | | | Front | | | 81723 | D-182-52 | | |
| | | | Rear | | | 81924 | D-182-52 | | | |
| | | | Executive Order # D-182-69 | Front | | | 83403 | D-182-69 | | |
| | | | | Rear | | | 83509 | D-182-69 | | |
| | | | 4GMXT04.3187 | Executive Order # D-182-52 | | 81947 | 31588 (2), 31571 | | D-182-52 | |
| | | Front | | | | | 81723 | D-182-52 | | |
| | | Rear | | | | 81924 | D-182-52 | | | |
| | | Executive Order # D-182-69 | | Front | | | 83403 | D-182-69 | | |
| | | | | Rear | | | 83509 | D-182-69 | | |
| | | 2003 | | 4.3L V6 | 3GMXT04.3181 | Executive Order # D-182-52 | | 81947 | 31588 (2), 31571 | |
| | | | Front | | | | | | 81723 | D-182-52 |
| Rear | | | | | | 81924 | D-182-52 | | | |
| Executive Order # D-182-69 | Front | | | | | | 83403 | D-182-69 | | |
| | Rear | | | | | | 83509 | D-182-69 | | |
| 3GMXT04.3187 | Executive Order # D-182-52 | | | | | 81947 | 31588 (2), 31571 | | D-182-52 | |
| | | | Front | | | | 81723 | D-182-52 | | |
| | Rear | | | | | 81924 | D-182-52 | | | |
| | Executive Order # D-182-69 | | Front | | | | 83403 | D-182-69 | | |
| Rear | | | | | | 83509 | D-182-69 | | | |
| 2002 | 4.3L V6 | 2GMXA04.3189 | Executive Order # D-182-52 | | 81947 | 31588 (2), 31571 | | D-182-52 | | |
| | | | | Front | | | 81723 | D-182-52 | | |
| | | | Rear | | | 81924 | D-182-52 | | | |
| | | | Executive Order # D-182-69 | Front | | | 83403 | D-182-69 | | |
| | | | | Rear | | | 83509 | D-182-69 | | |
| | | | 2GMXT04.3188 | Executive Order # D-182-52 | | 81947 | 31588 (2), 31571 | | D-182-52 | |
| | | Front | | | | | 81723 | D-182-52 | | |
| | | Rear | | | | 81924 | D-182-52 | | | |
| | | Executive Order # D-182-69 | | Front | | | 83403 | D-182-69 | | |
| | | | | Rear | | | 83509 | D-182-69 | | |
| | | 2001 | | 4.3L V6 | 1GMXA04.3189 | Executive Order # D-182-52 | | 81947 | 31588 (2), 31571 | |
| | | | Front | | | | | | 81723 | D-182-52 |
| Rear | | | | | | 81924 | D-182-52 | | | |
| Executive Order # D-182-69 | Front | | | | | | 83403 | D-182-69 | | |
| | Rear | | | | | | 83509 | D-182-69 | | |
| 1GMXT04.3187 | Executive Order # D-182-52 | | | | | 81947 | 31588 (2), 31571 | | D-182-52 | |
| | | | Front | | | | 81723 | D-182-52 | | |
| | Rear | | | | | 81924 | D-182-52 | | | |
| | Executive Order # D-182-69 | | Front | | | | 83403 | D-182-69 | | |
| Rear | | | | | | 83509 | D-182-69 | | | |

For vehicles licensed in the state of California or Maine, or vehicles requiring CARB-compliant converters in the state of New York, the parts in this catalog must be installed as specifically listed. Parts cannot be substituted, nor can they be installed on California or Maine licensed vehicles not listed in this catalog.

OBDII PASSENGER CAR & TRUCK

| Years | Engine | Engine Family No. | Application | Position | Direct-Fit | | Universal Part No. | Executive Order | | | |
|-----------------------|----------------------------|-------------------|----------------------------|----------------------------|----------------------------|----------------------------|----------------------------|-----------------|------------------|--------------|--------------|
| | | | | | Part No. | Hardware | | | | | |
| GMC (Cont.) | | | | | | | | | | | |
| Safari (Cont.) | | | | | | | | | | | |
| 2000 | 4.3L V6 | YGMXA04.3189 | Executive Order # D-182-52 | | 81947 | 31588 (2), 31571 | | D-182-52 | | | |
| | | | | Front | | | 81723 | D-182-52 | | | |
| | | | | Rear | | | 81924 | D-182-52 | | | |
| | | | Executive Order # D-182-69 | Front | | | 83403 | D-182-69 | | | |
| | | | | Rear | | | 83509 | D-182-69 | | | |
| | | | | | | | | | | | |
| | | YGMXT04.3188 | Executive Order # D-182-52 | | 81947 | 31588 (2), 31571 | | D-182-52 | | | |
| | | | | Front | | | 81723 | D-182-52 | | | |
| | | | | Rear | | | 81924 | D-182-52 | | | |
| | | | Executive Order # D-182-69 | Front | | | 83403 | D-182-69 | | | |
| | | | | Rear | | | 83509 | D-182-69 | | | |
| | | | | | | | | | | | |
| 1999 | 4.3L V6 | XGMXA04.3188 | Executive Order # D-182-47 | | | | 81919 | D-182-47 | | | |
| | | | | Executive Order # D-182-52 | | 81956 | 31588 (2), 31571 | | D-182-52 | | |
| | | | | | Executive Order # D-182-69 | | | | 83509 | D-182-69 | |
| | | XGMXT04.3187 | Executive Order # D-182-47 | | | | | 81919 | D-182-47 | | |
| | | | | Executive Order # D-182-52 | | 81956 | 31588 (2), 31571 | | D-182-52 | | |
| | | | | | Executive Order # D-182-69 | | | | 83509 | D-182-69 | |
| | | 1998 | 4.3L V6 | WGMXA04.3188 | | Executive Order # D-182-47 | | | | 81919 | D-182-47 |
| | | | | | Executive Order # D-182-52 | | | 81956 | 31588 (2), 31571 | | D-182-52 |
| | | | | | | | Executive Order # D-182-69 | | | | 83509 |
| WGMXT04.3187 | Executive Order # D-182-47 | | | | | | | 81919 | D-182-47 | | |
| | | | | Executive Order # D-182-52 | | 81956 | 31588 (2), 31571 | | D-182-52 | | |
| | | | | | Executive Order # D-182-69 | | | | 83509 | D-182-69 | |
| 1997 | 4.3L V6 | VGM4.32PG2EK | Executive Order # D-182-47 | | | | | 81919 | D-182-47 | | |
| | | | | Executive Order # D-182-52 | | 81956 | 31588 (2), 31571 | | D-182-52 | | |
| | | | | | Executive Order # D-182-69 | | | | 83509 | D-182-69 | |
| | | VGM4.3HPG3EK | Executive Order # D-182-47 | | | | | 81919 | D-182-47 | | |
| | | | | Executive Order # D-182-52 | | 81956 | 31588 (2), 31571 | | D-182-52 | | |
| | | | | | Executive Order # D-182-69 | | | | 83509 | D-182-69 | |
| 1996 | 4.3L V6 | TGM4.32PGKEL | Executive Order # D-182-47 | | | | | 81919 | D-182-47 | | |
| | | | | Executive Order # D-182-52 | | 81956 | 31588 (2), 31571 | | D-182-52 | | |
| | | | | | Executive Order # D-182-69 | | | | 83509 | D-182-69 | |
| | | TGM4.35PGFEK | Executive Order # D-182-47 | | | | | 81919 | D-182-47 | | |
| | | | | Executive Order # D-182-52 | | 81956 | 31588 (2), 31571 | | D-182-52 | | |
| | | | | | Executive Order # D-182-69 | | | | 83509 | D-182-69 | |
| Savana 1500 | | | | | | | | | | | |
| 2006 | 4.3L V6 | 6GMXT04.3181 | Executive Order # D-182-52 | | 81980 | 31554 (RH), 31718 (LH) | | D-182-52 | | | |
| | | | | Left | | | 81923 | D-182-52 | | | |
| | | | | Right | | | 81923 | D-182-52 | | | |
| | | | | 6GMXT04.3184 | Executive Order # D-182-69 | Left | | | 83508 | D-182-69 | |
| | | | | | | Right | | | 83508 | D-182-69 | |
| | | | | 5.3L V8 | 6GMXT05.3379 | Executive Order # D-182-69 | Left | | | 83508 | D-182-69 |
| Right | | | 83508 | | | | D-182-69 | | | | |
| 2005 | 4.3L V6 | 5GMXT04.3184 | Executive Order # D-182-47 | Left | | | 81713 | D-182-47 | | | |
| | | | | Right | | | 81713 | D-182-47 | | | |

OBDII APPLICATIONS

NON-OBDII APPLICATIONS

NUMERICAL

UNIVERSAL SPECIFICATIONS

For vehicles licensed in the state of California or Maine, or vehicles requiring CARB-compliant converters in the state of New York, the parts in this catalog must be installed as specifically listed. Parts cannot be substituted, nor can they be installed on California or Maine licensed vehicles not listed in this catalog.

OBDII PASSENGER CAR & TRUCK

| Years | Engine | Engine Family No. | Application | Position | Direct-Fit | | Universal Part No. | Executive Order |
|----------------------------|----------------------------|----------------------------|----------------------------|----------------------------|--------------|---------------------------|--------------------|-----------------|
| | | | | | Part No. | Hardware | | |
| GMC (Cont.) | | | | | | | | |
| Savana 1500 (Cont.) | | | | | | | | |
| 2005 (Cont.) | 4.3L V6 | 5GMXT04.3184 | Executive Order # D-182-52 | | 81980 | 31554 (RH), 31718 (LH) | | D-182-52 |
| | | | Executive Order # D-182-69 | | 83589 | 31554, 31718 | | D-182-69 |
| | | | | Left | | | 83508 | D-182-69 |
| | | | | Right | | | 83508 | D-182-69 |
| | 5.3L V8 | 5GMXT05.3170 | Executive Order # D-182-47 | Left | | | 81713 | D-182-47 |
| | | | | Right | | | 81713 | D-182-47 |
| | | | Executive Order # D-182-52 | | 81980 | 31554 (RH), 31718 (LH) | | D-182-52 |
| | | | Executive Order # D-182-69 | | 83589 | 31554, 31718 | | D-182-69 |
| | | | Left | | | 83508 | D-182-69 | |
| | | | Right | | | 83508 | D-182-69 | |
| | | 5GMXT05.3174 | Executive Order # D-182-52 | | 81980 | 31554 (RH), 31718 (LH) | | D-182-52 |
| | | | | Left | | | 81923 | D-182-52 |
| | | | Right | | | 81923 | D-182-52 | |
| | Executive Order # D-182-69 | | | 83589 | 31554, 31718 | | D-182-69 | |
| | | Left | | | 83508 | D-182-69 | | |
| | | Right | | | 83508 | D-182-69 | | |
| 2004 | 4.3L V6 | 4GMXT04.3184 | Executive Order # D-182-47 | Left | | | 81918 | D-182-47 |
| | | | | Right | | | 81918 | D-182-47 |
| | | | Executive Order # D-182-52 | | 81980 | 31554 (RH), 31718 (LH) | | D-182-52 |
| | | Executive Order # D-182-69 | | 83589 | 31554, 31718 | | D-182-69 | |
| | | | Left | | | 83508 | D-182-69 | |
| | | | Right | | | 83508 | D-182-69 | |
| | 5.3L V8 | 4GMXT05.3170 | Executive Order # D-182-47 | Left | | | 81918 | D-182-47 |
| | | | | Right | | | 81918 | D-182-47 |
| | | | Executive Order # D-182-52 | | 81980 | 31554 (RH), 31718 (LH) | | D-182-52 |
| | | | Executive Order # D-182-69 | | 83589 | 31554, 31718 | | D-182-69 |
| | | | Left | | | 83508 | D-182-69 | |
| | | | Right | | | 83508 | D-182-69 | |
| | | 4GMXT05.3174 | Executive Order # D-182-52 | | 81980 | 31554 (RH), 31718 (LH) | | D-182-52 |
| | | | | Left | | | 81923 | D-182-52 |
| | | | | Right | | | 81923 | D-182-52 |
| | | | Executive Order # D-182-69 | | 83589 | 31554, 31718 | | D-182-69 |
| | Left | | | | 83508 | D-182-69 | | |
| | Right | | | | 83508 | D-182-69 | | |
| 2003 | 4.3L V6 | 3GMXT04.3184 | Executive Order # D-182-52 | Left | | | 81923 | D-182-52 |
| | | | | Right | | | 81923 | D-182-52 |
| | | | Executive Order # D-182-69 | | 83589 | 31554, 31718 | | D-182-69 |
| | | | Left | | | 83508 | D-182-69 | |
| | | | Right | | | 83508 | D-182-69 | |
| | | 5.3L V8 | 3GMXT05.3183 | Executive Order # D-182-47 | Left | | | 81713 |
| | | | | Right | | | 81713 | D-182-47 |

For vehicles licensed in the state of California or Maine, or vehicles requiring CARB-compliant converters in the state of New York, the parts in this catalog must be installed as specifically listed. Parts cannot be substituted, nor can they be installed on California or Maine licensed vehicles not listed in this catalog.

OBDII PASSENGER CAR & TRUCK

| Years | Engine | Engine Family No. | Application | Position | Direct-Fit | | Universal Part No. | Executive Order | |
|----------------------------|----------------------------|-------------------|----------------------------|----------------------------|--------------|---------------------------|---------------------------|-----------------|----------|
| | | | | | Part No. | Hardware | | | |
| GMC (Cont.) | | | | | | | | | |
| Savana 1500 (Cont.) | | | | | | | | | |
| 2003 (Cont.) | 5.3L V8 | 3GMXT05.3183 | Executive Order # D-182-52 | | 81980 | 31554 (RH), 31718 (LH) | | D-182-52 | |
| | | | Executive Order # D-182-69 | | 83589 | 31554, 31718 | | D-182-69 | |
| | | | | Left | | | 83508 | D-182-69 | |
| | | | | Right | | | 83508 | D-182-69 | |
| | | | 3GMXT05.3184 | Executive Order # D-182-47 | Left | | | 81713 | D-182-47 |
| | | | | Right | | | 81713 | D-182-47 | |
| | | | | Executive Order # D-182-52 | | 81980 | 31554 (RH), 31718 (LH) | | D-182-52 |
| | | | | Executive Order # D-182-69 | | 83589 | 31554, 31718 | | D-182-69 |
| | | | | | Left | | | 83508 | D-182-69 |
| | | | | | Right | | | 83508 | D-182-69 |
| 2002 | 4.3L V6 | 2GMXA04.3192 | Executive Order # D-182-47 | | | | 81919 | D-182-47 | |
| | | | Executive Order # D-182-52 | | 81954 | 31588 (2), 31574 | | D-182-52 | |
| | | | Executive Order # D-182-69 | | | | 83509 | D-182-69 | |
| | 5.0L V8 | 2GMXT05.0181 | Executive Order # D-182-47 | | | | 81919 | D-182-47 | |
| | | | Executive Order # D-182-52 | | 81954 | 31588 (2), 31574 | | D-182-52 | |
| | | | Executive Order # D-182-69 | | | | 83509 | D-182-69 | |
| | | 2GMXT05.0182 | Executive Order # D-182-47 | | | | 81919 | D-182-47 | |
| | | | Executive Order # D-182-52 | | 81954 | 31588 (2), 31574 | | D-182-52 | |
| | | | Executive Order # D-182-69 | | | | 83509 | D-182-69 | |
| | 5.7L V8 | 2GMXA06.0188 | Executive Order # D-182-52 | Front Left | | | | 81724 | D-182-52 |
| | | | | Front Right | | | | 81724 | D-182-52 |
| | | | | Rear Left | | | | 81924 | D-182-52 |
| | | | | Rear Right | | | | 81924 | D-182-52 |
| | | | Executive Order # D-182-69 | Front Left | | | | 83404 | D-182-69 |
| | | | | Front Right | | | | 83404 | D-182-69 |
| | | | | Rear Left | | | | 83509 | D-182-69 |
| Rear Right | | | | | | | 83509 | D-182-69 | |
| 2GMXA06.0194 | | | | Executive Order # D-182-47 | Left | | | 81713 | D-182-47 |
| | | Right | | | 81713 | D-182-47 | | | |
| | Executive Order # D-182-69 | Left | | | 83403 | D-182-69 | | | |
| | | Right | | | 83403 | D-182-69 | | | |
| 2001 | 4.3L V6 | 1GMXA04.3192 | Executive Order # D-182-47 | | | | 81919 | D-182-47 | |
| | | | Executive Order # D-182-52 | | 81954 | 31588 (2), 31574 | | D-182-52 | |
| | | | Executive Order # D-182-69 | | | | 83509 | D-182-69 | |
| | 5.0L V8 | 1GMXT05.0181 | Executive Order # D-182-47 | | | | 81919 | D-182-47 | |
| | | | Executive Order # D-182-52 | | 81954 | 31588 (2), 31574 | | D-182-52 | |
| | | | Executive Order # D-182-69 | | | | 83509 | D-182-69 | |
| | | 1GMXT05.0182 | Executive Order # D-182-47 | | | | 81919 | D-182-47 | |
| | | | Executive Order # D-182-52 | | 81954 | 31588 (2), 31574 | | D-182-52 | |
| | | | Executive Order # D-182-69 | | | | 83509 | D-182-69 | |
| | 5.7L V8 | 1GMXA06.0188 | Executive Order # D-182-52 | Front Left | | | | 81724 | D-182-52 |
| | | | | Front Right | | | | 81724 | D-182-52 |
| | | | | Rear Left | | | | 81924 | D-182-52 |
| Rear Right | | | | | | | 81924 | D-182-52 | |

OBDII APPLICATIONS

NON-OBDII APPLICATIONS

NUMERICAL

UNIVERSAL SPECIFICATIONS

For vehicles licensed in the state of California or Maine, or vehicles requiring CARB-compliant converters in the state of New York, the parts in this catalog must be installed as specifically listed. Parts cannot be substituted, nor can they be installed on California or Maine licensed vehicles not listed in this catalog.

OBDII PASSENGER CAR & TRUCK

| Years | Engine | Engine Family No. | Application | Position | Direct-Fit | | Universal Part No. | Executive Order | | |
|----------------------------|----------------------------|----------------------------|----------------------------|----------------------------|--------------|------------------|--------------------|-----------------|--------------|----------|
| | | | | | Part No. | Hardware | | | | |
| GMC (Cont.) | | | | | | | | | | |
| Savana 1500 (Cont.) | | | | | | | | | | |
| 2001 (Cont.) | 5.7L V8 | 1GMXA06.0188 | Executive Order # D-182-69 | Front Left | | | 83404 | D-182-69 | | |
| | | | | Rear Left | | | 83509 | D-182-69 | | |
| | | | | Rear Right | | | 83509 | D-182-69 | | |
| | | 1GMXA06.0194 | Executive Order # D-182-47 | Left | | | 81713 | D-182-47 | | |
| | | | | Right | | | 81713 | D-182-47 | | |
| | | | Executive Order # D-182-69 | Left | | | 83403 | D-182-69 | | |
| Right | | | | 83403 | D-182-69 | | | | | |
| 2000 | 4.3L V6 | YGMXA04.3192 | Executive Order # D-182-52 | Front | | | 81724 | D-182-52 | | |
| | | | | Rear | | | 81924 | D-182-52 | | |
| | | | Executive Order # D-182-69 | Front | | | 83404 | D-182-69 | | |
| | | | | Rear | | | 83509 | D-182-69 | | |
| | | 5.0L V8 | YGMXT05.7188 | Executive Order # D-182-47 | | | | 81919 | D-182-47 | |
| | | | | Executive Order # D-182-52 | | 81954 | 31588 (2), 31574 | | D-182-52 | |
| | Executive Order # D-182-69 | | | | | | 83509 | D-182-69 | | |
| | YGMXT05.7189 | Executive Order # D-182-47 | | | | | 81919 | D-182-47 | | |
| | | | Executive Order # D-182-52 | | 81954 | 31588 (2), 31574 | | D-182-52 | | |
| | | Executive Order # D-182-69 | | | | 83509 | D-182-69 | | | |
| | 5.7L V8 | YGMXA05.7185 | Executive Order # D-182-47 | Left | | | | 81713 | D-182-47 | |
| | | | | Right | | | | 81713 | D-182-47 | |
| | | | | Executive Order # D-182-69 | Left | | | 83403 | D-182-69 | |
| | | | Right | | | | 83403 | D-182-69 | | |
| | | | YGMXA05.7191 | Executive Order # D-182-52 | Left | | | | 81924 | D-182-52 |
| | | | | | Right | | | | 81924 | D-182-52 |
| | Executive Order # D-182-69 | Left | | | | 83509 | D-182-69 | | | |
| | Right | | | | 83509 | D-182-69 | | | | |
| 1999 | 4.3L V6 | XGMXA04.3190 | Executive Order # D-182-47 | | | | 81919 | D-182-47 | | |
| | | | Executive Order # D-182-69 | | | | 83509 | D-182-69 | | |
| | | XGMXA04.3192 | Executive Order # D-182-47 | | | | 81919 | D-182-47 | | |
| | | | Executive Order # D-182-69 | | | | 83509 | D-182-69 | | |
| | 5.0L V8 | XGMXA05.0182 | Executive Order # D-182-47 | | | | 81919 | D-182-47 | | |
| | | | Executive Order # D-182-69 | | | | 83509 | D-182-69 | | |
| | | XGMXA05.0184 | Executive Order # D-182-47 | | | | 81919 | D-182-47 | | |
| | | | Executive Order # D-182-69 | | | | 83509 | D-182-69 | | |
| | 5.7L V8 | XGMXA05.7184 | Executive Order # D-182-47 | Left | | | | 81918 | D-182-47 | |
| | | | | Right | | | | 81918 | D-182-47 | |
| | | | Executive Order # D-182-69 | Left | | | 83508 | D-182-69 | | |
| | | | | Right | | | 83508 | D-182-69 | | |
| XGMXA05.7187 | | Executive Order # D-182-52 | Left | | | | 81924 | D-182-52 | | |
| | | | Right | | | | 81924 | D-182-52 | | |
| Executive Order # D-182-69 | Left | | | 83509 | D-182-69 | | | | | |
| | Right | | | 83509 | D-182-69 | | | | | |
| 1998 | 4.3L V6 | WGMXA04.3190 | Executive Order # D-182-47 | | | | 81919 | D-182-47 | | |
| | | | Executive Order # D-182-69 | | | | 83509 | D-182-69 | | |
| | | WGMXA04.3192 | Executive Order # D-182-47 | | | | 81919 | D-182-47 | | |
| | | | Executive Order # D-182-69 | | | | 83509 | D-182-69 | | |

For vehicles licensed in the state of California or Maine, or vehicles requiring CARB-compliant converters in the state of New York, the parts in this catalog must be installed as specifically listed. Parts cannot be substituted, nor can they be installed on California or Maine licensed vehicles not listed in this catalog.

OBDII PASSENGER CAR & TRUCK

| Years | Engine | Engine Family No. | Application | Position | Direct-Fit | | Universal Part No. | Executive Order | |
|----------------------------|----------------------------|-------------------|----------------------------|----------------------------|--------------|--------------|--------------------|-----------------|----------|
| | | | | | Part No. | Hardware | | | |
| GMC (Cont.) | | | | | | | | | |
| Savana 1500 (Cont.) | | | | | | | | | |
| 1998 (Cont.) | 5.0L V8 | WGMXA05.0182 | Executive Order # D-182-47 | | | | 81919 | D-182-47 | |
| | | | Executive Order # D-182-69 | | | | 83509 | D-182-69 | |
| | | WGMXA05.0184 | Executive Order # D-182-47 | | | | 81919 | D-182-47 | |
| | | | Executive Order # D-182-69 | | | | 83509 | D-182-69 | |
| | 5.7L V8 | WGMXA05.7184 | Executive Order # D-182-47 | Left | | | | 81918 | D-182-47 |
| | | | | Right | | | | 81918 | D-182-47 |
| | | | Executive Order # D-182-69 | Left | | | | 83508 | D-182-69 |
| | | | | Right | | | | 83508 | D-182-69 |
| | | WGMXA05.7187 | Executive Order # D-182-52 | Left | | | | 81924 | D-182-52 |
| | | | | Right | | | | 81924 | D-182-52 |
| | Executive Order # D-182-69 | Left | | | | 83509 | D-182-69 | | |
| | | Right | | | | 83509 | D-182-69 | | |
| 1997 | 4.3L V6 | VGM4.3HPG1EK | Executive Order # D-182-47 | | | | 81919 | D-182-47 | |
| | | | Executive Order # D-182-69 | | | | 83509 | D-182-69 | |
| | | VGM4.3JPG1EK | Executive Order # D-182-47 | | | | 81919 | D-182-47 | |
| | | | Executive Order # D-182-69 | | | | 83509 | D-182-69 | |
| | 5.0L V8 | VGM5.0HPG1EK | Executive Order # D-182-47 | | | | 81919 | D-182-47 | |
| | | | Executive Order # D-182-69 | | | | 83509 | D-182-69 | |
| | | VGM5.0JPG1EK | Executive Order # D-182-47 | | | | 81919 | D-182-47 | |
| | | | Executive Order # D-182-69 | | | | 83509 | D-182-69 | |
| | 5.7L V8 | VGM5.7JPG1EK | Executive Order # D-182-52 | Left | | | | 81924 | D-182-52 |
| | | | | Right | | | | 81924 | D-182-52 |
| | | | Executive Order # D-182-69 | Left | | | | 83509 | D-182-69 |
| | | | | Right | | | | 83509 | D-182-69 |
| | | VGM5.7JPG1GK | Executive Order # D-182-47 | Left | | | | 81918 | D-182-47 |
| | | | | Right | | | | 81918 | D-182-47 |
| | Executive Order # D-182-69 | Left | | | | 83508 | D-182-69 | | |
| | | Right | | | | 83508 | D-182-69 | | |
| | 1996 | 4.3L V6 | TGM4.32PGKEK | Executive Order # D-182-69 | | | | 83509 | D-182-69 |
| | | | | Executive Order # D-182-47 | | | | 81919 | D-182-47 |
| TGM4.35PGFEK | | | Executive Order # D-182-69 | | | | 83509 | D-182-69 | |
| | | | Executive Order # D-182-47 | | | | 81919 | D-182-47 | |
| 5.0L V8 | | TGM5.0HPG1EK | Executive Order # D-182-47 | | | | 81919 | D-182-47 | |
| | | | Executive Order # D-182-69 | | | | 83509 | D-182-69 | |
| | | TGM5.0JPG1EK | Executive Order # D-182-47 | | | | 81919 | D-182-47 | |
| | | | Executive Order # D-182-69 | | | | 83509 | D-182-69 | |
| 5.7L V8 | | TGM5.76PGFEK | Executive Order # D-182-47 | Left | | | | 81918 | D-182-47 |
| | | | | Right | | | | 81918 | D-182-47 |
| | | | Executive Order # D-182-69 | Left | | | | 83508 | D-182-69 |
| | | | | Right | | | | 83508 | D-182-69 |
| | | TGM5.7JPG1EK | Executive Order # D-182-52 | Left | | | | 81924 | D-182-52 |
| | | | | Right | | | | 81924 | D-182-52 |
| Executive Order # D-182-69 | Left | | | | 83509 | D-182-69 | | | |
| | Right | | | | 83509 | D-182-69 | | | |

OBDII APPLICATIONS

NON-OBDII APPLICATIONS

NUMERICAL

UNIVERSAL SPECIFICATIONS

For vehicles licensed in the state of California or Maine, or vehicles requiring CARB-compliant converters in the state of New York, the parts in this catalog must be installed as specifically listed. Parts cannot be substituted, nor can they be installed on California or Maine licensed vehicles not listed in this catalog.

OBDII PASSENGER CAR & TRUCK

| Years | Engine | Engine Family No. | Application | Position | Direct-Fit | | Universal Part No. | Executive Order | | | |
|--------------------|--------------|----------------------------|----------------------------|----------------------------|----------------------------|---------------------------|--------------------|---------------------------|--------------|----------|----------|
| | | | | | Part No. | Hardware | | | | | |
| GMC (Cont.) | | | | | | | | | | | |
| Savana 2500 | | | | | | | | | | | |
| 2005 | 4.3L V6 | 5GMXT04.3184 | Executive Order # D-182-47 | Left | | | 81713 | D-182-47 | | | |
| | | | | Right | | | 81713 | D-182-47 | | | |
| | | | Executive Order # D-182-52 | | 81980 | 31554 (RH), 31718 (LH) | | | D-182-52 | | |
| | | | | Executive Order # D-182-69 | | 83589 | 31554, 31718 | | D-182-69 | | |
| | | | Left | | | | 83508 | | D-182-69 | | |
| | | | Right | | | 83508 | | D-182-69 | | | |
| | 4.8L V8 | 5GMXA04.8172 | Executive Order # D-182-52 | Left | 81958 | 31718 | | | D-182-52 | | |
| | | | | Right | 81959 | 31610, 31571 | | | D-182-52 | | |
| | | | | Front Left | | | 81724 | | D-182-52 | | |
| | | | | Front Right | | | 81724 | | D-182-52 | | |
| | | | | Rear Left | | | 81924 | | D-182-52 | | |
| | | | | Rear Right | | | 81924 | | D-182-52 | | |
| | | | Executive Order # D-182-69 | Front Left | | | 83404 | | D-182-69 | | |
| | | | | Front Right | | | 83404 | | D-182-69 | | |
| | | | | Rear Left | | | 83509 | | D-182-69 | | |
| | | | | Rear Right | | | 83509 | | D-182-69 | | |
| | | | 5GMXT06.0191 | 5GMXT06.0191 | Executive Order # D-182-52 | Left | 81958 | 31718 | | | D-182-52 |
| | | | | | | Right | 81959 | 31610, 31571 | | | D-182-52 |
| | | | | | Front Left | | | 81724 | | D-182-52 | |
| | | | | | Front Right | | | 81724 | | D-182-52 | |
| | | | | | Rear Left | | | 81924 | | D-182-52 | |
| | | | | | Rear Right | | | 81924 | | D-182-52 | |
| | | | | | Executive Order # D-182-69 | Front Left | | | 83404 | | D-182-69 |
| | | | | | | Front Right | | | 83404 | | D-182-69 |
| | Rear Left | | | | | | 83509 | | D-182-69 | | |
| | Rear Right | | | | | | 83509 | | D-182-69 | | |
| | 5.3L V8 | 5GMXT05.3170 | Executive Order # D-182-47 | Left | | | 81713 | D-182-47 | | | |
| | | | | Right | | | 81713 | D-182-47 | | | |
| | | | Executive Order # D-182-52 | | 81980 | 31554 (RH), 31718 (LH) | | | D-182-52 | | |
| | | | | Executive Order # D-182-69 | | 83589 | 31554, 31718 | | D-182-69 | | |
| | | | Left | | | | 83508 | | D-182-69 | | |
| | | | Right | | | 83508 | | D-182-69 | | | |
| | | | 5GMXT05.3174 | 5GMXT05.3174 | Executive Order # D-182-52 | | 81980 | 31554 (RH), 31718 (LH) | | D-182-52 | |
| | | | | | | Left | | | 81923 | D-182-52 | |
| | | | | | Right | | | 81923 | D-182-52 | | |
| | | | | | Executive Order # D-182-69 | | 83589 | 31554, 31718 | | D-182-69 | |
| Left | | | | | | | | 83508 | D-182-69 | | |
| Right | | | | | | | 83508 | D-182-69 | | | |
| 6.0L V8 | 5GMXT06.0191 | Executive Order # D-182-52 | Left | 81958 | 31718 | | D-182-52 | | | | |
| | | | Right | 81959 | 31610, 31571 | | D-182-52 | | | | |
| | | Front Left | | | 81724 | D-182-52 | | | | | |
| | | Front Right | | | 81724 | D-182-52 | | | | | |
| | | Rear Left | | | 81924 | D-182-52 | | | | | |

For vehicles licensed in the state of California or Maine, or vehicles requiring CARB-compliant converters in the state of New York, the parts in this catalog must be installed as specifically listed. Parts cannot be substituted, nor can they be installed on California or Maine licensed vehicles not listed in this catalog.

OBDII PASSENGER CAR & TRUCK

| Years | Engine | Engine Family No. | Application | Position | Direct-Fit | | Universal Part No. | Executive Order | | |
|----------------------------|----------------------------|-------------------|----------------------------|----------------------------|----------------------------|--------------|---------------------------|-----------------|----------|----------|
| | | | | | Part No. | Hardware | | | | |
| GMC (Cont.) | | | | | | | | | | |
| Savana 2500 (Cont.) | | | | | | | | | | |
| 2005 (Cont.) | 6.0L V8 | 5GMXT06.0191 | Executive Order # D-182-52 | Rear Right | | | 81924 | D-182-52 | | |
| | | | Executive Order # D-182-69 | Left | | | 83509 | D-182-69 | | |
| | | | | Right | | | 83509 | D-182-69 | | |
| | | | | Front Left | | | 83404 | D-182-69 | | |
| | | | | Front Right | | | 83404 | D-182-69 | | |
| 2004 | 4.3L V6 | 4GMXT04.3184 | Executive Order # D-182-47 | Left | | | 81918 | D-182-47 | | |
| | | | Executive Order # D-182-52 | Right | | | 81918 | D-182-47 | | |
| | | | | | | 81980 | 31554 (RH), 31718 (LH) | | D-182-52 | |
| | | | Executive Order # D-182-69 | | | 83589 | 31554, 31718 | | D-182-69 | |
| | | | | Left | | | 83508 | | D-182-69 | |
| | | | | Right | | | 83508 | | D-182-69 | |
| | 4.8L V8 | 4GMXA04.8172 | Executive Order # D-182-52 | Left | 81958 | 31718 | | | D-182-52 | |
| | | | | Right | 81959 | 31610, 31571 | | | D-182-52 | |
| | | | | Front Left | | | 81724 | | D-182-52 | |
| | | | | Front Right | | | 81724 | | D-182-52 | |
| | | | | Rear Left | | | 81924 | | D-182-52 | |
| | | | | Rear Right | | | 81924 | | D-182-52 | |
| | | | Executive Order # D-182-69 | Front Left | | | 83404 | | D-182-69 | |
| | | | | Front Right | | | 83404 | | D-182-69 | |
| | | | | Rear Left | | | 83509 | | D-182-69 | |
| 2003 | 4.3L V6 | 3GMXT04.3184 | Executive Order # D-182-47 | Left | | | 81918 | D-182-47 | | |
| | | | Executive Order # D-182-52 | Right | | | 81918 | D-182-47 | | |
| | | | | | | 81980 | 31554 (RH), 31718 (LH) | | D-182-52 | |
| | | | Executive Order # D-182-69 | | | 83589 | 31554, 31718 | | D-182-69 | |
| | | | | Left | | | 83508 | | D-182-69 | |
| | | | | Right | | | 83508 | | D-182-69 | |
| | | 4.8L V8 | 3GMXA04.8172 | Executive Order # D-182-52 | | 81980 | 31554 (RH), 31718 (LH) | | | D-182-52 |
| | | | | | Left | | | 81923 | | D-182-52 |
| | | | | | Right | | | 81923 | | D-182-52 |
| | Executive Order # D-182-69 | | | | | 83589 | 31554, 31718 | | D-182-69 | |
| | | | | Left | | | 83508 | | D-182-69 | |
| | | | | Right | | | 83508 | | D-182-69 | |
| | 4.3L V6 | 3GMXT04.3184 | Executive Order # D-182-52 | Left | | | 81923 | D-182-52 | | |
| | | | | Right | | | 81923 | D-182-52 | | |
| | | | | Executive Order # D-182-69 | | | 83589 | 31554, 31718 | | D-182-69 |
| Left | | | | | | | 83508 | | D-182-69 | |
| Right | | | | | | | 83508 | | D-182-69 | |
| 4.8L V8 | | | | 3GMXA04.8172 | Executive Order # D-182-52 | Left | 81958 | 31718 | | D-182-52 |
| | | | Right | | | 81959 | 31610, 31571 | | D-182-52 | |
| | | | Front Left | | | | | 81724 | | D-182-52 |
| Front Right | | | | | 81724 | | D-182-52 | | | |
| Rear Left | | | 81924 | | D-182-52 | | | | | |

OBDII APPLICATIONS

NON-OBDII APPLICATIONS

NUMERICAL

UNIVERSAL SPECIFICATIONS

For vehicles licensed in the state of California or Maine, or vehicles requiring CARB-compliant converters in the state of New York, the parts in this catalog must be installed as specifically listed. Parts cannot be substituted, nor can they be installed on California or Maine licensed vehicles not listed in this catalog.

OBDII PASSENGER CAR & TRUCK

| Years | Engine | Engine Family No. | Application | Position | Direct-Fit | | Universal Part No. | Executive Order | |
|----------------------------|----------------------------|----------------------------|----------------------------|----------------------------|----------------------------|------------------|---------------------------|-----------------|----------|
| | | | | | Part No. | Hardware | | | |
| GMC (Cont.) | | | | | | | | | |
| Savana 2500 (Cont.) | | | | | | | | | |
| 2003 (Cont.) | 4.8L V8 | 3GMXA04.8172 | Executive Order # D-182-52 | Rear Right | | | 81924 | D-182-52 | |
| | | | Executive Order # D-182-69 | Front Left | | | 83404 | D-182-69 | |
| | | | | Front Right | | | 83404 | D-182-69 | |
| | | | | Rear Left | | | 83509 | D-182-69 | |
| | | | | Rear Right | | | 83509 | D-182-69 | |
| | 5.3L V8 | 3GMXT05.3183 | Executive Order # D-182-47 | Left | | | 81713 | D-182-47 | |
| | | | | Right | | | 81713 | D-182-47 | |
| | | Executive Order # D-182-52 | | | | 81980 | 31554 (RH), 31718 (LH) | | D-182-52 |
| | | | Executive Order # D-182-69 | | | 83589 | 31554, 31718 | | D-182-69 |
| | | | | Left | | | 83508 | | D-182-69 |
| | | | | Right | | | 83508 | | D-182-69 |
| | | | | 3GMXT05.3184 | Executive Order # D-182-47 | Left | | | |
| | | | Right | | | | | 81713 | D-182-47 |
| | | Executive Order # D-182-52 | | | | 81980 | 31554 (RH), 31718 (LH) | | D-182-52 |
| | | | Executive Order # D-182-69 | | | | 83589 | 31554, 31718 | |
| | | Left | | | | | 83508 | | D-182-69 |
| | | Right | | | | | 83508 | | D-182-69 |
| | | 6.0L V8 | | 3GMXA06.0189 | Executive Order # D-182-52 | Left | 81958 | 31718 | |
| | Right | | 81959 | | | 31610, 31571 | | D-182-52 | |
| | Front Left | | | | | | 81724 | D-182-52 | |
| | Front Right | | | | | | 81724 | D-182-52 | |
| | Rear Left | | | | | | 81924 | D-182-52 | |
| | Rear Right | | | | | 81924 | D-182-52 | | |
| | Executive Order # D-182-69 | | Left | | | | 83509 | | D-182-69 |
| Right | | | | | | 83509 | | D-182-69 | |
| Front Left | | | | | | 83404 | | D-182-69 | |
| Front Right | | | | | | 83404 | | D-182-69 | |
| 2002 | | 4.3L V6 | 2GMXA04.3192 | Executive Order # D-182-47 | | | | 81919 | D-182-47 |
| | Executive Order # D-182-52 | | | | 81954 | 31588 (2), 31574 | | D-182-52 | |
| | Executive Order # D-182-69 | | | Left | | | 83509 | D-182-69 | |
| | 5.0L V8 | 2GMXT05.0181 | Executive Order # D-182-47 | | | | 81919 | D-182-47 | |
| | | | Executive Order # D-182-52 | | 81954 | 31588 (2), 31574 | | D-182-52 | |
| | | | Executive Order # D-182-69 | | | | 83509 | D-182-69 | |
| | | 2GMXT05.0182 | Executive Order # D-182-47 | | | | | 81919 | D-182-47 |
| | | | Executive Order # D-182-52 | | 81954 | 31588 (2), 31574 | | D-182-52 | |
| | | | Executive Order # D-182-69 | | | | 83509 | D-182-69 | |
| | 5.7L V8 | 2GMXA06.0188 | Executive Order # D-182-52 | Front Left | | | | 81724 | D-182-52 |
| Front Right | | | | | | | 81724 | D-182-52 | |
| Rear Left | | | | | | | 81924 | D-182-52 | |
| Rear Right | | | | | | | 81924 | D-182-52 | |
| Executive Order # D-182-69 | | | Front Left | | | 83404 | | D-182-69 | |
| | | | Front Right | | | 83404 | | D-182-69 | |
| | | | Rear Left | | | 83509 | | D-182-69 | |
| | | | Rear Right | | | 83509 | D-182-69 | | |

For vehicles licensed in the state of California or Maine, or vehicles requiring CARB-compliant converters in the state of New York, the parts in this catalog must be installed as specifically listed. Parts cannot be substituted, nor can they be installed on California or Maine licensed vehicles not listed in this catalog.

OBDII PASSENGER CAR & TRUCK

| Years | Engine | Engine Family No. | Application | Position | Direct-Fit | | Universal Part No. | Executive Order | |
|----------------------------|----------------------------|----------------------------|----------------------------|-------------|--------------|------------------|--------------------|-----------------|----------|
| | | | | | Part No. | Hardware | | | |
| GMC (Cont.) | | | | | | | | | |
| Savana 2500 (Cont.) | | | | | | | | | |
| 2002 (Cont.) | 5.7L V8 | 2GMXA06.0194 | Executive Order # D-182-47 | Left | | | 81713 | D-182-47 | |
| | | | | Right | | | 81713 | D-182-47 | |
| | | | Executive Order # D-182-69 | Left | | | 83403 | D-182-69 | |
| | | | | Right | | | 83403 | D-182-69 | |
| 2001 | 4.3L V6 | 1GMXA04.3192 | Executive Order # D-182-47 | | | | 81919 | D-182-47 | |
| | | | Executive Order # D-182-52 | | 81954 | 31588 (2), 31574 | | D-182-52 | |
| | | | Executive Order # D-182-69 | Left | | | 83509 | D-182-69 | |
| | 5.0L V8 | 1GMXT05.0181 | Executive Order # D-182-47 | | | | 81919 | D-182-47 | |
| | | | Executive Order # D-182-52 | | 81954 | 31588 (2), 31574 | | D-182-52 | |
| | | | Executive Order # D-182-69 | | | | 83509 | D-182-69 | |
| | | 1GMXT05.0182 | Executive Order # D-182-47 | | | | 81919 | D-182-47 | |
| | | | Executive Order # D-182-52 | | 81954 | 31588 (2), 31574 | | D-182-52 | |
| | | | Executive Order # D-182-69 | | | | 83509 | D-182-69 | |
| | 5.7L V8 | 1GMXA06.0188 | Executive Order # D-182-52 | Front Left | | | | 81724 | D-182-52 |
| | | | | Front Right | | | | 81724 | D-182-52 |
| | | | | Rear Left | | | | 81924 | D-182-52 |
| | | | | Rear Right | | | | 81924 | D-182-52 |
| | | | Executive Order # D-182-69 | Front Left | | | | 83404 | D-182-69 |
| | | | | Front Right | | | | 83404 | D-182-69 |
| | | | | Rear Left | | | | 83509 | D-182-69 |
| Rear Right | | | | | | | 83509 | D-182-69 | |
| 1GMXA06.0194 | | Executive Order # D-182-47 | Left | | | | 81713 | D-182-47 | |
| | | | Right | | | | 81713 | D-182-47 | |
| | Executive Order # D-182-69 | Left | | | | 83403 | D-182-69 | | |
| | | Right | | | | 83403 | D-182-69 | | |
| 2000 | 4.3L V6 | YGMXA04.3192 | Executive Order # D-182-52 | Front | | | 81724 | D-182-52 | |
| | | | | Rear | | | 81924 | D-182-52 | |
| | | Executive Order # D-182-69 | Rear | | | 83509 | D-182-69 | | |
| | | | Front and Rear | | | 83404 | D-182-69 | | |
| | 5.0L V8 | YGMXT05.7189 | Executive Order # D-182-47 | | | | 81919 | D-182-47 | |
| | | | Executive Order # D-182-52 | | 81954 | 31588 (2), 31574 | | D-182-52 | |
| | | | Executive Order # D-182-69 | | | | 83509 | D-182-69 | |
| | 5.7L V8 | YGMXA05.7185 | Executive Order # D-182-47 | Left | | | | 81713 | D-182-47 |
| | | | | Right | | | | 81713 | D-182-47 |
| | | | Executive Order # D-182-69 | Left | | | | 83403 | D-182-69 |
| | | | | Right | | | | 83403 | D-182-69 |
| | | YGMXA05.7191 | Executive Order # D-182-52 | Left | | | | 81924 | D-182-52 |
| Right | | | | | | | 81924 | D-182-52 | |
| Executive Order # D-182-69 | | | Left | | | | 83509 | D-182-69 | |
| | | | Right | | | | 83509 | D-182-69 | |
| 1999 | 4.3L V6 | XGMXA04.3192 | Executive Order # D-182-47 | | | | 81919 | D-182-47 | |
| | | | Executive Order # D-182-69 | Left | | | 83509 | D-182-69 | |
| | 5.0L V8 | XGMXA05.0182 | Executive Order # D-182-47 | | | | 81919 | D-182-47 | |
| | | | Executive Order # D-182-69 | | | | 83509 | D-182-69 | |
| | | XGMXA05.0184 | Executive Order # D-182-47 | | | | 81919 | D-182-47 | |

OBDII APPLICATIONS

NON-OBDII APPLICATIONS

NUMERICAL

UNIVERSAL SPECIFICATIONS

For vehicles licensed in the state of California or Maine, or vehicles requiring CARB-compliant converters in the state of New York, the parts in this catalog must be installed as specifically listed. Parts cannot be substituted, nor can they be installed on California or Maine licensed vehicles not listed in this catalog.

OBDII PASSENGER CAR & TRUCK

| Years | Engine | Engine Family No. | Application | Position | Direct-Fit | | Universal Part No. | Executive Order | |
|----------------------------|----------------------------|----------------------------|----------------------------|----------------------------|------------|--------------|--------------------|-----------------|----------|
| | | | | | Part No. | Hardware | | | |
| GMC (Cont.) | | | | | | | | | |
| Savana 2500 (Cont.) | | | | | | | | | |
| 1999 (Cont.) | 5.0L V8 | XGMXA05.0184 | Executive Order # D-182-69 | | | | 83509 | D-182-69 | |
| | 5.7L V8 | XGMXA05.7184 | Executive Order # D-182-47 | Left | | | 81918 | D-182-47 | |
| | | | | Right | | | 81918 | D-182-47 | |
| | | | Executive Order # D-182-69 | Left | | | 83508 | D-182-69 | |
| | | | | Right | | | 83508 | D-182-69 | |
| | XGMXA05.7187 | Executive Order # D-182-52 | Left | | | 81924 | D-182-52 | | |
| | | | Right | | | 81924 | D-182-52 | | |
| | | | Executive Order # D-182-69 | Left | | | 83509 | D-182-69 | |
| | | | Right | | | 83509 | D-182-69 | | |
| 1998 | 4.3L V6 | WGMXA04.3192 | Executive Order # D-182-47 | | | | 81919 | D-182-47 | |
| | | | Executive Order # D-182-69 | Left | | | 83509 | D-182-69 | |
| | 5.0L V8 | WGMXA05.0182 | Executive Order # D-182-47 | | | | 81919 | D-182-47 | |
| | | | Executive Order # D-182-69 | | | | 83509 | D-182-69 | |
| | | | WGMXA05.0184 | Executive Order # D-182-47 | | | | 81919 | D-182-47 |
| | | | | Executive Order # D-182-69 | | | | 83509 | D-182-69 |
| | 5.7L V8 | WGMXA05.7184 | Executive Order # D-182-47 | Left | | | 81918 | D-182-47 | |
| | | | | Right | | | 81918 | D-182-47 | |
| | | | Executive Order # D-182-69 | Left | | | 83508 | D-182-69 | |
| | | | | Right | | | 83508 | D-182-69 | |
| | | | WGMXA05.7187 | Executive Order # D-182-52 | Left | | | 81924 | D-182-52 |
| | | | | | Right | | | 81924 | D-182-52 |
| | Executive Order # D-182-69 | Left | | | | | 83509 | D-182-69 | |
| | | Right | | | | | 83509 | D-182-69 | |
| | 1997 | 4.3L V6 | VGM4.3HPG1EK | Executive Order # D-182-47 | | | | 81919 | D-182-47 |
| | | | | Executive Order # D-182-69 | Left | | | 83509 | D-182-69 |
| VGM4.3JPG1EK | | | | Executive Order # D-182-47 | | | | 81919 | D-182-47 |
| | | | | Executive Order # D-182-69 | Left | | | 83509 | D-182-69 |
| 5.0L V8 | | VGM5.0JPG1EK | Executive Order # D-182-47 | | | | 81919 | D-182-47 | |
| | | | Executive Order # D-182-69 | | | | 83509 | D-182-69 | |
| 5.7L V8 | | VGM5.7JPG1EK | Executive Order # D-182-52 | Left | | | 81924 | D-182-52 | |
| | | | | Right | | | 81924 | D-182-52 | |
| | | | Executive Order # D-182-69 | Left | | | 83509 | D-182-69 | |
| | | | | Right | | | 83509 | D-182-69 | |
| | | | VGM5.7JPG1GK | Executive Order # D-182-47 | Left | | | 81918 | D-182-47 |
| | | | | | Right | | | 81918 | D-182-47 |
| Executive Order # D-182-69 | Left | | | | | 83508 | D-182-69 | | |
| | Right | | | | | 83508 | D-182-69 | | |
| 1996 | 4.3L V6 | TGM4.35PGFEK | Executive Order # D-182-47 | | | | 81919 | D-182-47 | |
| | | | Executive Order # D-182-69 | Left | | | 83509 | D-182-69 | |
| | | | TGM4.38PGBEK | Executive Order # D-182-47 | | | | 81919 | D-182-47 |
| | 5.0L V8 | TGM5.0HPG1EK | Executive Order # D-182-47 | | | | 81919 | D-182-47 | |
| | | | Executive Order # D-182-69 | | | | 83509 | D-182-69 | |
| | | | TGM5.0JPG1EK | Executive Order # D-182-47 | | | | 81919 | D-182-47 |
| | Executive Order # D-182-69 | | | | | 83509 | D-182-69 | | |
| | 5.7L V8 | TGM5.76PGFEK | Executive Order # D-182-47 | Left | | | 81918 | D-182-47 | |

For vehicles licensed in the state of California or Maine, or vehicles requiring CARB-compliant converters in the state of New York, the parts in this catalog must be installed as specifically listed. Parts cannot be substituted, nor can they be installed on California or Maine licensed vehicles not listed in this catalog.

OBDII PASSENGER CAR & TRUCK

| Years | Engine | Engine Family No. | Application | Position | Direct-Fit | | Universal Part No. | Executive Order | |
|----------------------------|----------------------------|----------------------------|----------------------------|----------------------------|--------------|--------------|--------------------|-----------------|----------|
| | | | | | Part No. | Hardware | | | |
| GMC (Cont.) | | | | | | | | | |
| Savana 2500 (Cont.) | | | | | | | | | |
| 1996 (Cont.) | 5.7L V8 | TGM5.76PGFEK | Executive Order # D-182-47 | Right | | | 81918 | D-182-47 | |
| | | | Executive Order # D-182-69 | Left | | | 83508 | D-182-69 | |
| | | | | Right | | | 83508 | D-182-69 | |
| | | TGM5.7JPG1EK | Executive Order # D-182-52 | Left | | | 81924 | D-182-52 | |
| | | | | Right | | | 81924 | D-182-52 | |
| | | | Executive Order # D-182-69 | Left | | | 83509 | D-182-69 | |
| | | Right | | | 83509 | D-182-69 | | | |
| Savana 3500 | | | | | | | | | |
| 2007 | 4.8L V8 | 7GMXH04.8581 | Executive Order # D-182-69 | Left | | | 83509 | D-182-69 | |
| | | | | Right | | | 83509 | D-182-69 | |
| | 6.0L V8 | 7GMXH06.0583 | Executive Order # D-182-69 | Left | | | 83404 | D-182-69 | |
| | | | | Right | | | 83404 | D-182-69 | |
| 2006 | 4.8L V8 | 6GMXH04.8581 | Executive Order # D-182-69 | Left | | | 83509 | D-182-69 | |
| | | | | Right | | | 83509 | D-182-69 | |
| | | 6GMXH04.8591 | Executive Order # D-182-69 | Left | | | 83509 | D-182-69 | |
| | | | | Right | | | 83509 | D-182-69 | |
| | 6.0L V8 | 6GMXH06.0583 | Executive Order # D-182-69 | Left | | | 83404 | D-182-69 | |
| | | | | Right | | | 83404 | D-182-69 | |
| | 6GMXH06.0593 | Executive Order # D-182-69 | Left | | | 83404 | D-182-69 | | |
| | | | Right | | | 83404 | D-182-69 | | |
| 2005 | 4.8L V8 | 5GMXA04.8172 | Executive Order # D-182-52 | Left | 81958 | 31718 | | D-182-52 | |
| | | | | Right | 81959 | 31610, 31571 | | D-182-52 | |
| | | | | Front Left | | | 81724 | D-182-52 | |
| | | | | Front Right | | | 81724 | D-182-52 | |
| | | | | Rear Left | | | 81924 | D-182-52 | |
| | | | | Rear Right | | | 81924 | D-182-52 | |
| | | | | Executive Order # D-182-69 | Front Left | | | 83404 | D-182-69 |
| | | | | Front Right | | | 83404 | D-182-69 | |
| | | | | Rear Left | | | 83509 | D-182-69 | |
| | | | | Rear Right | | | 83509 | D-182-69 | |
| | | | 5GMXH04.8581 | Executive Order # D-182-69 | Left | | | 83509 | D-182-69 |
| | | | | | Right | | | 83509 | D-182-69 |
| | | | 5GMXT06.0191 | Executive Order # D-182-52 | Left | 81958 | 31718 | | D-182-52 |
| | | | | | Right | 81959 | 31610, 31571 | | D-182-52 |
| | Front Left | | | | | 81724 | D-182-52 | | |
| | Front Right | | | | | 81724 | D-182-52 | | |
| | Executive Order # D-182-69 | Rear Left | | | | 81924 | D-182-52 | | |
| | | Rear Right | | | | 81924 | D-182-52 | | |
| | | Front Left | | | | 83404 | D-182-69 | | |
| | | Front Right | | | | 83404 | D-182-69 | | |
| | Rear Left | | | 83509 | D-182-69 | | | | |
| | Rear Right | | | 83509 | D-182-69 | | | | |
| 6.0L V8 | 5GMXH06.0583 | Executive Order # D-182-69 | Left | | | 83404 | D-182-69 | | |
| | | | Right | | | 83404 | D-182-69 | | |
| | 5GMXT06.0191 | Executive Order # D-182-52 | Left | 81958 | 31718 | | D-182-52 | | |
| | | | Right | | | | | | |

OBDII APPLICATIONS

NON-OBDII APPLICATIONS

NUMERICAL

UNIVERSAL SPECIFICATIONS

For vehicles licensed in the state of California or Maine, or vehicles requiring CARB-compliant converters in the state of New York, the parts in this catalog must be installed as specifically listed. Parts cannot be substituted, nor can they be installed on California or Maine licensed vehicles not listed in this catalog.

OBDII PASSENGER CAR & TRUCK

| Years | Engine | Engine Family No. | Application | Position | Direct-Fit | | Universal Part No. | Executive Order | | |
|----------------------------|----------------------------|----------------------------|----------------------------|--------------|--------------|--------------|--------------------|-----------------|--------------|----------|
| | | | | | Part No. | Hardware | | | | |
| GMC (Cont.) | | | | | | | | | | |
| Savana 3500 (Cont.) | | | | | | | | | | |
| 2005 (Cont.) | 6.0L V8 | 5GMXT06.0191 | Executive Order # D-182-52 | Right | 81959 | 31610, 31571 | | D-182-52 | | |
| | | | | Front Left | | | 81724 | D-182-52 | | |
| | | | | Front Right | | | 81724 | D-182-52 | | |
| | | | | Rear Left | | | 81924 | D-182-52 | | |
| | | | | | | Rear Right | | | 81924 | D-182-52 |
| | | | Executive Order # D-182-69 | Front Left | | | 83404 | D-182-69 | | |
| | | | | Front Right | | | 83404 | D-182-69 | | |
| | | | | Rear Left | | | 83509 | D-182-69 | | |
| Rear Right | | | | 83509 | D-182-69 | | | | | |
| 2004 | 4.8L V8 | 4GMXH04.8581 | Executive Order # D-182-69 | Left | | | 83509 | D-182-69 | | |
| | | | | Right | | | 83509 | D-182-69 | | |
| | 6.0L V8 | 4GMXH06.0583 | Executive Order # D-182-69 | Left | | | 83404 | D-182-69 | | |
| | | | | Right | | | 83404 | D-182-69 | | |
| 2003 | 4.8L V8 | 3GMXH04.8581 | Executive Order # D-182-69 | Left | | | 83509 | D-182-69 | | |
| | | | | Right | | | 83509 | D-182-69 | | |
| | 6.0L V8 | 3GMXA06.0189 | Executive Order # D-182-52 | Left | 81958 | 31718 | | D-182-52 | | |
| | | | | Right | 81959 | 31610, 31571 | | D-182-52 | | |
| | | | | Front Left | | | 81724 | D-182-52 | | |
| | | | | Front Right | | | 81724 | D-182-52 | | |
| | | | | Rear Left | | | 81924 | D-182-52 | | |
| | | | | Rear Right | | | 81924 | D-182-52 | | |
| | Executive Order # D-182-69 | Front Left | | | 83404 | D-182-69 | | | | |
| | | Front Right | | | 83404 | D-182-69 | | | | |
| | | Rear Left | | | 83509 | D-182-69 | | | | |
| | | Rear Right | | | 83509 | D-182-69 | | | | |
| | 3GMXH06.0583 | Executive Order # D-182-69 | Left | | | 83404 | D-182-69 | | | |
| | | | Right | | | 83404 | D-182-69 | | | |
| 2002 | 5.7L V8 | 2GMXA06.0188 | Executive Order # D-182-52 | Front Left | | | 81724 | D-182-52 | | |
| | | | | Front Right | | | 81724 | D-182-52 | | |
| | | | | Rear Left | | | 81924 | D-182-52 | | |
| | | | | Rear Right | | | 81924 | D-182-52 | | |
| | | | Executive Order # D-182-69 | Front Left | | | 83404 | D-182-69 | | |
| | | | | Front Right | | | 83404 | D-182-69 | | |
| | | | | Rear Left | | | 83509 | D-182-69 | | |
| | | | | Rear Right | | | 83509 | D-182-69 | | |
| | 2GMXH05.7582 | Executive Order # D-182-69 | Left | | | 83509 | D-182-69 | | | |
| | | | Right | | | 83509 | D-182-69 | | | |
| | 8.1L V8 | 2GMXA08.1201 | Executive Order # D-182-52 | Front Left | | | 81724 | D-182-52 | | |
| | | | | Front Right | | | 81724 | D-182-52 | | |
| | | | | Rear Left | | | 81724 | D-182-52 | | |
| | | | | Rear Right | | | 81724 | D-182-52 | | |
| Executive Order # D-182-69 | | | Front Left | | | 83404 | D-182-69 | | | |
| | | | Front Right | | | 83404 | D-182-69 | | | |
| | Rear Right | | | 83404 | D-182-69 | | | | | |
| 2001 | 5.7L V8 | 1GMXA06.0188 | Executive Order # D-182-52 | Front Left | | | 81724 | D-182-52 | | |

For vehicles licensed in the state of California or Maine, or vehicles requiring CARB-compliant converters in the state of New York, the parts in this catalog must be installed as specifically listed. Parts cannot be substituted, nor can they be installed on California or Maine licensed vehicles not listed in this catalog.

OBDII PASSENGER CAR & TRUCK

| Years | Engine | Engine Family No. | Application | Position | Direct-Fit | | Universal Part No. | Executive Order | | | | |
|----------------------------|--------------|----------------------------|----------------------------|-------------|------------|--------------|----------------------------|-----------------|--|--|--------------|----------|
| | | | | | Part No. | Hardware | | | | | | |
| GMC (Cont.) | | | | | | | | | | | | |
| Savana 3500 (Cont.) | | | | | | | | | | | | |
| 2001 (Cont.) | 5.7L V8 | 1GMXA06.0188 | Executive Order # D-182-52 | Front Right | | | 81724 | D-182-52 | | | | |
| | | | | Rear Left | | | 81924 | D-182-52 | | | | |
| | | | | Rear Right | | | 81924 | D-182-52 | | | | |
| | | | Executive Order # D-182-69 | Front Left | | | 83404 | D-182-69 | | | | |
| | | | | Front Right | | | 83404 | D-182-69 | | | | |
| | | | | Rear Left | | | 83509 | D-182-69 | | | | |
| | 8.1L V8 | 1GMXA08.1202 | Executive Order # D-182-47 | Left | | | 81919 | D-182-47 | | | | |
| | | | | Right | | | 81919 | D-182-47 | | | | |
| | | | Executive Order # D-182-69 | Left | | | 83509 | D-182-69 | | | | |
| | | | | Right | | | 83509 | D-182-69 | | | | |
| | | | | 2000 | 5.7L V8 | YGMXA05.7191 | Executive Order # D-182-47 | Left | | | 81919 | D-182-47 |
| | | | | | | | | Right | | | 81919 | D-182-47 |
| Executive Order # D-182-69 | Left | | | | | 83509 | D-182-69 | | | | | |
| | Right | | | | | 83509 | D-182-69 | | | | | |
| 7.4L V8 | YGMXA07.4201 | Executive Order # D-182-47 | Left | | | | 81919 | D-182-47 | | | | |
| | | | Right | | | | 81919 | D-182-47 | | | | |
| | | Executive Order # D-182-69 | Left | | | 83509 | D-182-69 | | | | | |
| | | | Right | | | 83509 | D-182-69 | | | | | |
| 1999 | 5.7L V8 | XGMXA05.7187 | Executive Order # D-182-47 | Left | | | 81919 | D-182-47 | | | | |
| | | | | Right | | | 81919 | D-182-47 | | | | |
| | | | Executive Order # D-182-69 | Left | | | 83509 | D-182-69 | | | | |
| | | | | Right | | | 83509 | D-182-69 | | | | |
| | 7.4L V8 | XGMXA07.4201 | Executive Order # D-182-47 | Left | | | 81919 | D-182-47 | | | | |
| | | | | Right | | | 81919 | D-182-47 | | | | |
| | | | Executive Order # D-182-69 | Left | | | 83509 | D-182-69 | | | | |
| | | | | Right | | | 83509 | D-182-69 | | | | |
| 1998 | 5.7L V8 | WGMXA05.7187 | Executive Order # D-182-47 | Left | | | 81919 | D-182-47 | | | | |
| | | | | Right | | | 81919 | D-182-47 | | | | |
| | | | Executive Order # D-182-69 | Left | | | 83509 | D-182-69 | | | | |
| | | | | Right | | | 83509 | D-182-69 | | | | |
| | 7.4L V8 | WGMXA07.4201 | Executive Order # D-182-47 | Left | | | 81919 | D-182-47 | | | | |
| | | | | Right | | | 81919 | D-182-47 | | | | |
| | | | Executive Order # D-182-69 | Left | | | 83509 | D-182-69 | | | | |
| | | | | Right | | | 83509 | D-182-69 | | | | |
| 1997 | 5.7L V8 | VGM5.7JPG1EK | Executive Order # D-182-47 | Left | | | 81919 | D-182-47 | | | | |
| | | | | Right | | | 81919 | D-182-47 | | | | |
| | | | Executive Order # D-182-69 | Left | | | 83509 | D-182-69 | | | | |
| | | | | Right | | | 83509 | D-182-69 | | | | |
| | 7.4L V8 | VGM7.4J8G1EK | Executive Order # D-182-47 | Left | | | 81919 | D-182-47 | | | | |
| | | | | Right | | | 81919 | D-182-47 | | | | |
| | | | Executive Order # D-182-69 | Left | | | 83509 | D-182-69 | | | | |
| | | | | Right | | | 83509 | D-182-69 | | | | |
| 1996 | 5.7L V8 | TGM5.7CPGAEA | Executive Order # D-182-69 | Left | | | 83509 | D-182-69 | | | | |
| | | | | Right | | | 83509 | D-182-69 | | | | |

OBDII APPLICATIONS

NON-OBDII APPLICATIONS

NUMERICAL

UNIVERSAL SPECIFICATIONS

For vehicles licensed in the state of California or Maine, or vehicles requiring CARB-compliant converters in the state of New York, the parts in this catalog must be installed as specifically listed. Parts cannot be substituted, nor can they be installed on California or Maine licensed vehicles not listed in this catalog.

OBDII PASSENGER CAR & TRUCK

| Years | Engine | Engine Family No. | Application | Position | Direct-Fit | | Universal Part No. | Executive Order |
|----------------------------|---------|-------------------|----------------------------|----------|------------|----------|--------------------|-----------------|
| | | | | | Part No. | Hardware | | |
| GMC (Cont.) | | | | | | | | |
| Savana 3500 (Cont.) | | | | | | | | |
| 1996 (Cont.) | 5.7L V8 | TGM5.7JPG1EK | Executive Order # D-182-47 | Left | | | 81919 | D-182-47 |
| | | | | Right | | | 81919 | D-182-47 |
| | | | Executive Order # D-182-69 | Left | | | 83509 | D-182-69 |
| | | | | Right | | | 83509 | D-182-69 |
| | 7.4L V8 | TGM7.4J8G1EK | Executive Order # D-182-47 | Left | | | 81919 | D-182-47 |
| | | | | Right | | | 81919 | D-182-47 |
| | | | Executive Order # D-182-69 | Left | | | 83509 | D-182-69 |
| | | | | Right | | | 83509 | D-182-69 |

Sierra 1500

| | | | | | | | | | |
|--------------|---------|----------------------------|---|----------------------------|--------------|---------------------------|---------------------------|----------|----------|
| 2006 | 4.3L V6 | 6GMXT04.3181 | Executive Order # D-182-69 | Left | | | 83508 | D-182-69 | |
| | | | | Right | | | 83508 | D-182-69 | |
| | | | Fits Fed. & Calif. Emiss. Models.; Not legal for sale in the state of California. Not legal for use on California emission vehicles in New York. Legal for use on Federal/EPA emission vehicles in New York.; Legal for use in th | | | 83482 | | | D-182-69 |
| | 4.8L V8 | 6GMXT05.3379 | Executive Order # D-182-69 | | 83481 | 31554 (RH), 31718 (LH) | | D-182-69 | |
| | | | | Left | | | 83508 | D-182-69 | |
| | | | | Right | | | 83508 | D-182-69 | |
| | 5.3L V8 | 6GMXT05.3375 | Executive Order # D-182-69 | | 83481 | 31554 (RH), 31718 (LH) | | D-182-69 | |
| | | | | Left | | | 83508 | D-182-69 | |
| | | | | Right | | | 83508 | D-182-69 | |
| | | 6GMXT05.3378 | Executive Order # D-182-69 | Left | | | 83508 | D-182-69 | |
| | | | | Right | | | 83508 | D-182-69 | |
| | | | Fits Fed. & Calif. Emiss. Models.; Not legal for sale in the state of California. Not legal for use on California emission vehicles in New York. Legal for use on Federal/EPA emission vehicles in New York.; Legal for use in th | | | 83482 | | | D-182-69 |
| | | | 6GMXT05.3379 | Executive Order # D-182-69 | | 83481 | 31554 (RH), 31718 (LH) | | D-182-69 |
| | Left | | | | | 83508 | D-182-69 | | |
| | Right | | | | | 83508 | D-182-69 | | |
| | 6.0L V8 | 6GMXK06.0388 | Executive Order # D-182-52 | Front Left | | | 81724 | D-182-52 | |
| | | | | Front Right | | | 81724 | D-182-52 | |
| | | | | Rear Left | | | 81724 | D-182-52 | |
| | | | | Rear Right | | | 81724 | D-182-52 | |
| | | | Executive Order # D-182-69 | Front Left | | | 83404 | D-182-69 | |
| Front Right | | | | | | 83404 | D-182-69 | | |
| Rear Left | | | | | | 83404 | D-182-69 | | |
| Rear Right | | | | | | 83404 | D-182-69 | | |
| 6GMXT06.2390 | | Executive Order # D-182-69 | Left | 83497 | 31718 | 83403 | D-182-69 | | |
| | | | Right | 83457 | 31610 | 83403 | D-182-69 | | |

For vehicles licensed in the state of California or Maine, or vehicles requiring CARB-compliant converters in the state of New York, the parts in this catalog must be installed as specifically listed. Parts cannot be substituted, nor can they be installed on California or Maine licensed vehicles not listed in this catalog.

OBDII PASSENGER CAR & TRUCK

| Years | Engine | Engine Family No. | Application | Position | Direct-Fit | | Universal Part No. | Executive Order | | | | |
|---|---|---|---|----------------------------|----------------------------|--------------|--------------------|---------------------------|---------------------------|---------------------------|--------------|----------|
| | | | | | Part No. | Hardware | | | | | | |
| GMC (Cont.) | | | | | | | | | | | | |
| Sierra 1500 (Cont.) | | | | | | | | | | | | |
| 2005 | 4.3L V6 | 5GMXT04.3184 | Executive Order # D-182-47 | Left | | | 81713 | D-182-47 | | | | |
| | | | | Right | | | 81713 | D-182-47 | | | | |
| | | | Executive Order # D-182-52 | | | | 81761 | 31554 (RH), 31718 (LH) | | D-182-52 | | |
| | | | Executive Order # D-182-69 | | Left | | | | 83508 | D-182-69 | | |
| | | | | | Right | | | | 83508 | D-182-69 | | |
| | | | Fits Fed. & Calif. Emiss. Models.; Not legal for sale in the state of California. Not legal for use on California emission vehicles in New York. Legal for use on Federal/EPA emission vehicles in New York.; Legal for use in th | | | | 83482 | | | D-182-69 | | |
| | | | 4.8L V8 | 5GMXT05.3170 | Executive Order # D-182-47 | Left | | | | 81713 | D-182-47 | |
| | | | | | | Right | | | | 81713 | D-182-47 | |
| | | | | | Executive Order # D-182-52 | | | | 81761 | 31554 (RH), 31718 (LH) | | D-182-52 |
| | | | | | Executive Order # D-182-69 | | Left | | | | 83508 | D-182-69 |
| | | | | | Right | | | | 83508 | D-182-69 | | |
| | Fits Fed. & Calif. Emiss. Models.; Not legal for sale in the state of California. Not legal for use on California emission vehicles in New York. Legal for use on Federal/EPA emission vehicles in New York.; Legal for use in th | | | | | | 83482 | | | D-182-69 | | |
| | 5GMXT05.3174 | Executive Order # D-182-52 | | | | | 81761 | 31554 (RH), 31718 (LH) | | D-182-52 | | |
| | | | | | Left | | | | 81923 | D-182-52 | | |
| | | | | | Right | | | | 81923 | D-182-52 | | |
| | | Executive Order # D-182-69 | | | Left | | | | 83508 | D-182-69 | | |
| | | | | Right | | | | 83508 | D-182-69 | | | |
| | | Fits Fed. & Calif. Emiss. Models.; Not legal for sale in the state of California. Not legal for use on California emission vehicles in New York. Legal for use on Federal/EPA emission vehicles in New York.; Legal for use in th | | | | 83482 | | | D-182-69 | | | |
| | | 5.3L V8 | 5GMXT05.3175 | Executive Order # D-182-52 | | | | 81761 | 31554 (RH), 31718 (LH) | D-182-52 | | |
| | | | | | | Left | | | | 81923 | D-182-52 | |
| | | | | Right | | | | 81923 | D-182-52 | | | |
| Executive Order # D-182-69 | | | | Left | | | | 83508 | D-182-69 | | | |
| | | | | Right | | | | 83508 | D-182-69 | | | |
| Fits Fed. & Calif. Emiss. Models.; Not legal for sale in the state of California. Not legal for use on California emission vehicles in New York. Legal for use on Federal/EPA emission vehicles in New York.; Legal for use in th | | | | | | 83482 | | | D-182-69 | | | |

OBDII APPLICATIONS

NON-OBDII APPLICATIONS

NUMERICAL

UNIVERSAL SPECIFICATIONS

For vehicles licensed in the state of California or Maine, or vehicles requiring CARB-compliant converters in the state of New York, the parts in this catalog must be installed as specifically listed. Parts cannot be substituted, nor can they be installed on California or Maine licensed vehicles not listed in this catalog.

OBDII PASSENGER CAR & TRUCK

| Years | Engine | Engine Family No. | Application | Position | Direct-Fit | | Universal Part No. | Executive Order | | |
|----------------------------|---|---|----------------------------|----------------------------|----------------------------|---------------------------|--------------------|-----------------|--------------|----------|
| | | | | | Part No. | Hardware | | | | |
| GMC (Cont.) | | | | | | | | | | |
| Sierra 1500 (Cont.) | | | | | | | | | | |
| 2005 (Cont.) | 5.3L V8 | 5GMXT05.3177 | Executive Order # D-182-52 | | 81761 | 31554 (RH), 31718 (LH) | | D-182-52 | | |
| | | | | Left | | | 81923 | D-182-52 | | |
| | | | | Right | | | 81923 | D-182-52 | | |
| | | | Executive Order # D-182-69 | Left | | | 83508 | D-182-69 | | |
| | | | | Right | | | 83508 | D-182-69 | | |
| | | Fits Fed. & Calif. Emiss. Models.; Not legal for sale in the state of California. Not legal for use on California emission vehicles in New York. Legal for use on Federal/EPA emission vehicles in New York.; Legal for use in th | | 83482 | | | D-182-69 | | | |
| | | | 5GMXT05.3178 | Executive Order # D-182-69 | Left | | | 83508 | D-182-69 | |
| | | | | | Right | | | 83508 | D-182-69 | |
| | | Fits Fed. & Calif. Emiss. Models.; Not legal for sale in the state of California. Not legal for use on California emission vehicles in New York. Legal for use on Federal/EPA emission vehicles in New York.; Legal for use in th | | 83482 | | | D-182-69 | | | |
| | | | 5GMXT06.0187 | Executive Order # D-182-69 | Left | | | 83508 | D-182-69 | |
| | Right | | | | | | 83508 | D-182-69 | | |
| | Fits Fed. & Calif. Emiss. Models.; Not legal for sale in the state of California. Not legal for use on California emission vehicles in New York. Legal for use on Federal/EPA emission vehicles in New York.; Legal for use in th | | | 83482 | | | D-182-69 | | | |
| | | 6.0L V8 | 5GMXT06.0187 | Executive Order # D-182-69 | Left | 83497 | 31718 | 83403 | D-182-69 | |
| | Right | | | | 83457 | 31610 | 83403 | D-182-69 | | |
| | 5GMXT06.0188 | | Executive Order # D-182-69 | Front Left | | | 83404 | D-182-69 | | |
| Front Right | | | | | | 83404 | D-182-69 | | | |
| Rear Left | | | | 83404 | D-182-69 | | | | | |
| Rear Right | | | | 83404 | D-182-69 | | | | | |
| 2004 | 4.3L V6 | 4GMXT04.3184 | Executive Order # D-182-47 | Left | | | 81713 | D-182-47 | | |
| | | | | Right | | | 81713 | D-182-47 | | |
| | | | Executive Order # D-182-52 | | 81761 | 31554 (RH), 31718 (LH) | | D-182-52 | | |
| | | | | Executive Order # D-182-69 | Left | | | 83508 | D-182-69 | |
| | | | | | Right | | | 83508 | D-182-69 | |
| | | Fits Fed. & Calif. Emiss. Models.; Not legal for sale in the state of California. Not legal for use on California emission vehicles in New York. Legal for use on Federal/EPA emission vehicles in New York.; Legal for use in th | | 83482 | | | D-182-69 | | | |
| | | | 4.8L V8 | 4GMXT05.3170 | Executive Order # D-182-47 | Left | | | 81713 | D-182-47 |
| | | | | | | Right | | | 81713 | D-182-47 |

For vehicles licensed in the state of California or Maine, or vehicles requiring CARB-compliant converters in the state of New York, the parts in this catalog must be installed as specifically listed. Parts cannot be substituted, nor can they be installed on California or Maine licensed vehicles not listed in this catalog.

OBDII PASSENGER CAR & TRUCK

| Years | Engine | Engine Family No. | Application | Position | Direct-Fit | | Universal Part No. | Executive Order | |
|----------------------------|----------------------------|---|---|----------------------------|--------------|---------------------------|--------------------|-----------------|----------|
| | | | | | Part No. | Hardware | | | |
| GMC (Cont.) | | | | | | | | | |
| Sierra 1500 (Cont.) | | | | | | | | | |
| 2004 (Cont.) | 4.8L V8 | 4GMXT05.3170 | Executive Order # D-182-52 | | 81761 | 31554 (RH), 31718 (LH) | | D-182-52 | |
| | | | Executive Order # D-182-69 | Left | | | 83508 | D-182-69 | |
| | | | | Right | | | 83508 | D-182-69 | |
| | | Fits Fed. & Calif. Emiss. Models.; Not legal for sale in the state of California. Not legal for use on California emission vehicles in New York. Legal for use on Federal/EPA emission vehicles in New York.; Legal for use in th | | | 83482 | | | D-182-69 | |
| | | 4GMXT05.3174 | Executive Order # D-182-52 | | 81761 | 31554 (RH), 31718 (LH) | | D-182-52 | |
| | | | | Left | | | 81923 | D-182-52 | |
| | | | | Right | | | 81923 | D-182-52 | |
| | | | Executive Order # D-182-69 | Left | | | 83508 | D-182-69 | |
| | | Right | | | | 83508 | D-182-69 | | |
| | | Fits Fed. & Calif. Emiss. Models.; Not legal for sale in the state of California. Not legal for use on California emission vehicles in New York. Legal for use on Federal/EPA emission vehicles in New York.; Legal for use in th | | | 83482 | | | D-182-69 | |
| | 5.3L V8 | 4GMXT05.3178 | Executive Order # D-182-69 | Left | | | 83508 | D-182-69 | |
| | | | | Right | | | 83508 | D-182-69 | |
| | | | Fits Fed. & Calif. Emiss. Models.; Not legal for sale in the state of California. Not legal for use on California emission vehicles in New York. Legal for use on Federal/EPA emission vehicles in New York.; Legal for use in th | | | 83482 | | | D-182-69 |
| | | 4GMXT06.0187 | Executive Order # D-182-69 | Left | | | 83508 | D-182-69 | |
| | | | | Right | | | 83508 | D-182-69 | |
| | | | Fits Fed. & Calif. Emiss. Models.; Not legal for sale in the state of California. Not legal for use on California emission vehicles in New York. Legal for use on Federal/EPA emission vehicles in New York.; Legal for use in th | | | 83482 | | | D-182-69 |
| | | 6.0L V8 | 4GMXH06.0583 | Executive Order # D-182-69 | Left | | | 83404 | D-182-69 |
| | | | | | Right | | | 83404 | D-182-69 |
| | | | 4GMXT06.0187 | Executive Order # D-182-69 | Left | 83497 | 31718 | 83403 | D-182-69 |
| | | | | | Right | 83457 | 31610 | 83403 | D-182-69 |
| 4GMXT06.0188 | Executive Order # D-182-52 | | Front Left | | | 81724 | D-182-52 | | |
| | | | Front Right | | | 81724 | D-182-52 | | |
| | | | Rear Left | | | 81724 | D-182-52 | | |
| | | | Rear Right | | | 81724 | D-182-52 | | |
| Executive Order # D-182-69 | | Front Left | | | 83404 | D-182-69 | | | |
| | | Front Right | | | 83404 | D-182-69 | | | |

OBDII APPLICATIONS

NON-OBDII APPLICATIONS

NUMERICAL

UNIVERSAL SPECIFICATIONS

For vehicles licensed in the state of California or Maine, or vehicles requiring CARB-compliant converters in the state of New York, the parts in this catalog must be installed as specifically listed. Parts cannot be substituted, nor can they be installed on California or Maine licensed vehicles not listed in this catalog.

OBDII PASSENGER CAR & TRUCK

| Years | Engine | Engine Family No. | Application | Position | Direct-Fit | | Universal Part No. | Executive Order | | | | |
|----------------------------|---|---|---|--------------|----------------------------|---|---------------------------|-----------------|--------------|---------------------------|--------------|----------|
| | | | | | Part No. | Hardware | | | | | | |
| GMC (Cont.) | | | | | | | | | | | | |
| Sierra 1500 (Cont.) | | | | | | | | | | | | |
| 2004 (Cont.) | 6.0L V8 | 4GMXT06.0188 | Executive Order # D-182-69 | Rear Left | | | 83404 | D-182-69 | | | | |
| | | | | Rear Right | | | 83404 | D-182-69 | | | | |
| 2003 | 4.3L V6 | 3GMXT04.3184 | Executive Order # D-182-52 | | 81761 | 31554 (RH), 31718 (LH) | | D-182-52 | | | | |
| | | | | Left | | | 81923 | D-182-52 | | | | |
| | | | | Right | | | 81923 | D-182-52 | | | | |
| | | | Executive Order # D-182-69 | Left | | | 83508 | D-182-69 | | | | |
| | | | | Right | | | 83508 | D-182-69 | | | | |
| | | | Fits Fed. & Calif. Emiss. Models.; Not legal for sale in the state of California. Not legal for use on California emission vehicles in New York. Legal for use on Federal/EPA emission vehicles in New York.; Legal for use in th | | | | | 83482 | | | D-182-69 | |
| | | | 4.8L V8 | 3GMXT05.3183 | Executive Order # D-182-47 | Left | | | | 81713 | D-182-47 | |
| | | | | | | Right | | | | 81713 | D-182-47 | |
| | | | | | | Executive Order # D-182-52 | | | 81761 | 31554 (RH), 31718 (LH) | | D-182-52 |
| | | | | | | Executive Order # D-182-69 | | Left | | | 83508 | D-182-69 |
| | | | | | | | | Right | | | 83508 | D-182-69 |
| | | | | | | Fits Fed. & Calif. Emiss. Models.; Not legal for sale in the state of California. Not legal for use on California emission vehicles in New York. Legal for use on Federal/EPA emission vehicles in New York.; Legal for use in th | | | | | 83482 | |
| 3GMXT05.3184 | Executive Order # D-182-47 | | | | Left | | | | 81713 | D-182-47 | | |
| | | | | | Right | | | | 81713 | D-182-47 | | |
| | Executive Order # D-182-52 | | | | | 81761 | 31554 (RH), 31718 (LH) | | D-182-52 | | | |
| | Executive Order # D-182-69 | | | | Left | | | 83508 | D-182-69 | | | |
| | | | | | Right | | | 83508 | D-182-69 | | | |
| | Fits Fed. & Calif. Emiss. Models.; Not legal for sale in the state of California. Not legal for use on California emission vehicles in New York. Legal for use on Federal/EPA emission vehicles in New York.; Legal for use in th | | | | | 83482 | | D-182-69 | | | | |
| 5.3L V8 | 3GMXT05.3176 | Executive Order # D-182-52 | | | 81761 | 31554 (RH), 31718 (LH) | | D-182-52 | | | | |
| | | | | Left | | | 81723 | D-182-52 | | | | |
| | | | | Right | | | 81723 | D-182-52 | | | | |
| | | Executive Order # D-182-69 | | Left | | | 83403 | D-182-69 | | | | |
| | | | | Right | | | 83403 | D-182-69 | | | | |
| | | Fits Fed. & Calif. Emiss. Models.; Not legal for sale in the state of California. Not legal for use on California emission vehicles in New York. Legal for use on Federal/EPA emission vehicles in New York.; Legal for use in th | | | | | 83482 | | D-182-69 | | | |

For vehicles licensed in the state of California or Maine, or vehicles requiring CARB-compliant converters in the state of New York, the parts in this catalog must be installed as specifically listed. Parts cannot be substituted, nor can they be installed on California or Maine licensed vehicles not listed in this catalog.

OBDII PASSENGER CAR & TRUCK

| Years | Engine | Engine Family No. | Application | Position | Direct-Fit | | Universal Part No. | Executive Order | | |
|----------------------------|--------------|----------------------------|---|----------------------------|----------------------------|--------------|--------------------|---------------------------|--------------|----------|
| | | | | | Part No. | Hardware | | | | |
| GMC (Cont.) | | | | | | | | | | |
| Sierra 1500 (Cont.) | | | | | | | | | | |
| 2003 (Cont.) | 5.3L V8 | 3GMXT05.3176 | Fits Fed. & Calif. Emiss. Models.; Not legal for sale in the state of California. Not legal for use on California emission vehicles in New York. Legal for use on Federal/EPA emission vehicles in New York.; Legal for use in th | | 83482 | | | D-182-69 | | |
| | | | | 3GMXT05.3185 | Executive Order # D-182-52 | | 81761 | 31554 (RH), 31718 (LH) | | D-182-52 |
| | | Left | | | | | | 81723 | D-182-52 | |
| | | Right | | | | | 81723 | D-182-52 | | |
| | | Executive Order # D-182-69 | | | Left | | | 83403 | D-182-69 | |
| | | | | Right | | | 83403 | D-182-69 | | |
| | | 6.0L V8 | | 3GMXA06.0188 | Executive Order # D-182-69 | Front Left | | | 83404 | D-182-69 |
| | | | | | | Front Right | | | 83404 | D-182-69 |
| | | | | | | Rear Left | | | 83404 | D-182-69 |
| | | | | | | Rear Right | | | 83404 | D-182-69 |
| | 3GMXH06.0583 | | Executive Order # D-182-69 | Left | | | | 83404 | D-182-69 | |
| | | | | Right | | | | 83404 | D-182-69 | |
| | 3GMXT06.0187 | | Executive Order # D-182-47 | Left | | | | 81714 | D-182-47 | |
| | | | | Right | | | | 81714 | D-182-47 | |
| | | | Executive Order # D-182-69 | Left | | 83497 | 31718 | 83403 | D-182-69 | |
| | | | | Right | | 83457 | 31610 | 83403 | D-182-69 | |
| | 2002 | 4.8L V8 | 2GMXA04.8183 | Executive Order # D-182-57 | Rear Left | | | 82606 | D-182-57 | |
| | | | | | Rear Right | | | 82606 | D-182-57 | |
| | | | 2GMXA04.8184 | | Rear Left | | | 82606 | D-182-57 | |
| | | | | | Rear Right | | | 82606 | D-182-57 | |
| 5.3L V8 | | 2GMXA05.3185 | Executive Order # D-182-57 | Rear Left | | | 82606 | D-182-57 | | |
| | | | | Rear Right | | | 82606 | D-182-57 | | |
| | | 2GMXA05.3187 | | Rear Left | | | 82606 | D-182-57 | | |
| | | | | Rear Right | | | 82606 | D-182-57 | | |
| 6.0L V8 | | 2GMXA06.0188 | Executive Order # D-182-69 | Front Left | | | 83404 | D-182-69 | | |
| | | | | Front Right | | | 83404 | D-182-69 | | |
| | | | | Rear Left | | | 83404 | D-182-69 | | |
| | | | | Rear Right | | | 83404 | D-182-69 | | |
| | | 2GMXA06.0194 | | Executive Order # D-182-47 | Left | | | 81714 | D-182-47 | |
| | | | | | Right | | | 81714 | D-182-47 | |
| | | Executive Order # D-182-69 | | Left | 83497 | 31718 | 83403 | D-182-69 | | |
| | | | | Right | 83457 | 31610 | 83403 | D-182-69 | | |
| 2001 | | 4.3L V6 | 1GMXA04.3190 | Executive Order # D-182-47 | Left | | | 81713 | D-182-47 | |
| | | | | | Right | | | 81713 | D-182-47 | |

OBDII APPLICATIONS

NON-OBDII APPLICATIONS

NUMERICAL

UNIVERSAL SPECIFICATIONS

For vehicles licensed in the state of California or Maine, or vehicles requiring CARB-compliant converters in the state of New York, the parts in this catalog must be installed as specifically listed. Parts cannot be substituted, nor can they be installed on California or Maine licensed vehicles not listed in this catalog.

OBDII PASSENGER CAR & TRUCK

| Years | Engine | Engine Family No. | Application | Position | Direct-Fit | | Universal Part No. | Executive Order | |
|----------------------------|---------|--|--|--|--------------|---------------------------|--------------------|-----------------|----------|
| | | | | | Part No. | Hardware | | | |
| GMC (Cont.) | | | | | | | | | |
| Sierra 1500 (Cont.) | | | | | | | | | |
| 2001 (Cont.) | 4.3L V6 | 1GMXA04.3190 | Executive Order # D-182-52 | | 81761 | 31554 (RH), 31718 (LH) | | D-182-52 | |
| | | | Executive Order # D-182-69 | Left | | | 83403 | D-182-69 | |
| | | | | Right | | | 83403 | D-182-69 | |
| | | | Fits Fed. & Calif. Emiss. Models.; Not legal for sale in the state of California. Not legal for use on California emission vehicles in New York. Legal for use on Federal/EPA emission vehicles in New York.; Legal for use in th | | 83482 | | | D-182-69 | |
| | 4.8L V8 | 1GMXA05.3183 | Executive Order # D-182-47 | Left | | | | 81713 | D-182-47 |
| | | | | Right | | | | 81713 | D-182-47 |
| | | | Executive Order # D-182-52 | | 81761 | 31554 (RH), 31718 (LH) | | | D-182-52 |
| | | | Executive Order # D-182-69 | Left | | | | 83403 | D-182-69 |
| | | | | Right | | | | 83403 | D-182-69 |
| | | | | Fits Fed. & Calif. Emiss. Models.; Not legal for sale in the state of California. Not legal for use on California emission vehicles in New York. Legal for use on Federal/EPA emission vehicles in New York.; Legal for use in th | | 83482 | | | |
| | | 1GMXA05.3184 | Executive Order # D-182-47 | Left | | | | 81713 | D-182-47 |
| | | | | Right | | | | 81713 | D-182-47 |
| | | | Executive Order # D-182-52 | | 81761 | 31554 (RH), 31718 (LH) | | | D-182-52 |
| | | | Executive Order # D-182-69 | Left | | | | 83403 | D-182-69 |
| | Right | | | | | 83403 | D-182-69 | | |
| | | Fits Fed. & Calif. Emiss. Models.; Not legal for sale in the state of California. Not legal for use on California emission vehicles in New York. Legal for use on Federal/EPA emission vehicles in New York.; Legal for use in th | | 83482 | | | | D-182-69 | |
| | 5.3L V8 | 1GMXA05.3183 | Executive Order # D-182-47 | Left | | | | 81713 | D-182-47 |
| | | | | Right | | | | 81713 | D-182-47 |
| | | | Executive Order # D-182-52 | | 81761 | 31554 (RH), 31718 (LH) | | | D-182-52 |
| | | | Executive Order # D-182-69 | Left | | | | 83403 | D-182-69 |
| Right | | | | | | | 83403 | D-182-69 | |
| | | | Fits Fed. & Calif. Emiss. Models.; Not legal for sale in the state of California. Not legal for use on California emission vehicles in New York. Legal for use on Federal/EPA emission vehicles in New York.; Legal for use in th | | 83482 | | | | D-182-69 |
| 1GMXA05.3184 | | Executive Order # D-182-47 | Left | | | | 81713 | D-182-47 | |
| | | | Right | | | | 81713 | D-182-47 | |

For vehicles licensed in the state of California or Maine, or vehicles requiring CARB-compliant converters in the state of New York, the parts in this catalog must be installed as specifically listed. Parts cannot be substituted, nor can they be installed on California or Maine licensed vehicles not listed in this catalog.

OBDII PASSENGER CAR & TRUCK

| Years | Engine | Engine Family No. | Application | Position | Direct-Fit | | Universal Part No. | Executive Order | |
|---|--------------|---|---|----------------------------|---------------------------|---------------------------|---------------------------|-----------------|----------|
| | | | | | Part No. | Hardware | | | |
| GMC (Cont.) | | | | | | | | | |
| Sierra 1500 (Cont.) | | | | | | | | | |
| 2001 (Cont.) | 5.3L V8 | 1GMXA05.3184 | Executive Order # D-182-52 | | 81761 | 31554 (RH), 31718 (LH) | | D-182-52 | |
| | | | Executive Order # D-182-69 | Left | | | 83403 | D-182-69 | |
| | | | | Right | | | 83403 | D-182-69 | |
| | | | Fits Fed. & Calif. Emiss. Models.; Not legal for sale in the state of California. Not legal for use on California emission vehicles in New York. Legal for use on Federal/EPA emission vehicles in New York.; Legal for use in th | | 83482 | | | D-182-69 | |
| | 6.0L V8 | 1GMXA06.0194 | Executive Order # D-182-69 | Left | 83497 | 31718 | 83403 | D-182-69 | |
| | | | | Right | 83457 | 31610 | 83403 | D-182-69 | |
| 2000 | 4.3L V6 | YGMXA04.3190 | Executive Order # D-182-47 | Left | | | 81713 | D-182-47 | |
| | | | | Right | | | 81713 | D-182-47 | |
| | | | Executive Order # D-182-52 | | 81761 | 31554 (RH), 31718 (LH) | | D-182-52 | |
| | | | | Left | | | 83403 | D-182-69 | |
| | | | Executive Order # D-182-69 | Left | | | 83403 | D-182-69 | |
| | | | | Right | | | 83403 | D-182-69 | |
| | | | Fits Fed. & Calif. Emiss. Models.; Not legal for sale in the state of California. Not legal for use on California emission vehicles in New York. Legal for use on Federal/EPA emission vehicles in New York.; Legal for use in th | | 83482 | | | D-182-69 | |
| | | | | | | | | | |
| | | | YGMXT04.3184 | Executive Order # D-182-47 | Left | | | 81713 | D-182-47 |
| | | | | | Right | | | 81713 | D-182-47 |
| | | | | Executive Order # D-182-52 | | 81761 | 31554 (RH), 31718 (LH) | | D-182-52 |
| | | | Executive Order # D-182-69 | Left | | | 83403 | D-182-69 | |
| Right | | | | 83403 | D-182-69 | | | | |
| Fits Fed. & Calif. Emiss. Models.; Not legal for sale in the state of California. Not legal for use on California emission vehicles in New York. Legal for use on Federal/EPA emission vehicles in New York.; Legal for use in th | | 83482 | | | D-182-69 | | | | |
| | | | | | | | | | |
| 4.8L V8 | YGMXA05.3183 | Executive Order # D-182-47 | Left | | | | 81713 | D-182-47 | |
| | | | Right | | | | 81713 | D-182-47 | |
| | | Executive Order # D-182-52 | | 81761 | 31554 (RH), 31718 (LH) | | D-182-52 | | |
| | | | Left | | | 83403 | D-182-69 | | |
| | | Executive Order # D-182-69 | Left | | | 83403 | D-182-69 | | |
| | | | Right | | | 83403 | D-182-69 | | |
| | | Fits Fed. & Calif. Emiss. Models.; Not legal for sale in the state of California. Not legal for use on California emission vehicles in New York. Legal for use on Federal/EPA emission vehicles in New York.; Legal for use in th | | 83482 | | | D-182-69 | | |
| | | | | | | | | | |
| | YGMXT05.3181 | Executive Order # D-182-47 | Left | | | | 81713 | D-182-47 | |

OBDII APPLICATIONS

NON-OBDII APPLICATIONS

NUMERICAL

UNIVERSAL SPECIFICATIONS

For vehicles licensed in the state of California or Maine, or vehicles requiring CARB-compliant converters in the state of New York, the parts in this catalog must be installed as specifically listed. Parts cannot be substituted, nor can they be installed on California or Maine licensed vehicles not listed in this catalog.

OBDII PASSENGER CAR & TRUCK

| Years | Engine | Engine Family No. | Application | Position | Direct-Fit | | Universal Part No. | Executive Order |
|---|---|---|---|--------------|--------------|---------------------------|--------------------|-----------------|
| | | | | | Part No. | Hardware | | |
| GMC (Cont.) | | | | | | | | |
| Sierra 1500 (Cont.) | | | | | | | | |
| 2000 (Cont.) | 4.8L V8 | YGMXT05.3181 | Executive Order # D-182-47 | Right | | | 81713 | D-182-47 |
| | | | Executive Order # D-182-52 | | 81761 | 31554 (RH), 31718 (LH) | | D-182-52 |
| | | | Executive Order # D-182-69 | Left | | | 83403 | D-182-69 |
| | | | | Right | | | 83403 | D-182-69 |
| | | | Fits Fed. & Calif. Emiss. Models.; Not legal for sale in the state of California. Not legal for use on California emission vehicles in New York. Legal for use on Federal/EPA emission vehicles in New York.; Legal for use in th | | 83482 | | | D-182-69 |
| | 5.3L V8 | YGMXA05.3183 | Executive Order # D-182-47 | Left | | | 81713 | D-182-47 |
| | | | | Right | | | 81713 | D-182-47 |
| | | | Executive Order # D-182-52 | | 81761 | 31554 (RH), 31718 (LH) | | D-182-52 |
| | | | Executive Order # D-182-69 | Left | | | 83403 | D-182-69 |
| | | | | Right | | | 83403 | D-182-69 |
| | | Fits Fed. & Calif. Emiss. Models.; Not legal for sale in the state of California. Not legal for use on California emission vehicles in New York. Legal for use on Federal/EPA emission vehicles in New York.; Legal for use in th | | 83482 | | | D-182-69 | |
| | | YGMXT05.3181 | Executive Order # D-182-47 | Left | | | 81713 | D-182-47 |
| | | | | Right | | | 81713 | D-182-47 |
| | | | Executive Order # D-182-52 | | 81761 | 31554 (RH), 31718 (LH) | | D-182-52 |
| Executive Order # D-182-69 | | | Left | | | 83403 | D-182-69 | |
| | Right | | | | 83403 | D-182-69 | | |
| Fits Fed. & Calif. Emiss. Models.; Not legal for sale in the state of California. Not legal for use on California emission vehicles in New York. Legal for use on Federal/EPA emission vehicles in New York.; Legal for use in th | | 83482 | | | D-182-69 | | | |
| 1999 | 4.3L V6 | XGMXA04.3194 | Executive Order # D-182-47 | Left | | | 81713 | D-182-47 |
| | | | | Right | | | 81713 | D-182-47 |
| | | | Executive Order # D-182-52 | | 81761 | 31554 (RH), 31718 (LH) | | D-182-52 |
| | | | Executive Order # D-182-69 | Left | | | 83403 | D-182-69 |
| | | | | Right | | | 83403 | D-182-69 |
| | Fits Fed. & Calif. Emiss. Models.; Not legal for sale in the state of California. Not legal for use on California emission vehicles in New York. Legal for use on Federal/EPA emission vehicles in New York.; Legal for use in th | | 83482 | | | D-182-69 | | |
| | XGMXA04.3195 | Executive Order # D-182-47 | Left | | | 81713 | D-182-47 | |
| | | | Right | | | 81713 | D-182-47 | |

For vehicles licensed in the state of California or Maine, or vehicles requiring CARB-compliant converters in the state of New York, the parts in this catalog must be installed as specifically listed. Parts cannot be substituted, nor can they be installed on California or Maine licensed vehicles not listed in this catalog.

OBDII PASSENGER CAR & TRUCK

| Years | Engine | Engine Family No. | Application | Position | Direct-Fit | | Universal Part No. | Executive Order | | | |
|---|--------------|---|---|--------------|---|---------------------------|---------------------------|-----------------|---------------------------|----------|----------|
| | | | | | Part No. | Hardware | | | | | |
| GMC (Cont.) | | | | | | | | | | | |
| Sierra 1500 (Cont.) | | | | | | | | | | | |
| 1999 (Cont.) | 4.3L V6 | XGMXA04.3195 | Executive Order # D-182-52 | | 81761 | 31554 (RH), 31718 (LH) | | D-182-52 | | | |
| | | | Executive Order # D-182-69 | Left | | | 83403 | D-182-69 | | | |
| | | | | Right | | | 83403 | D-182-69 | | | |
| | | | Fits Fed. & Calif. Emiss. Models.; Not legal for sale in the state of California. Not legal for use on California emission vehicles in New York. Legal for use on Federal/EPA emission vehicles in New York.; Legal for use in th | | | 83482 | | | D-182-69 | | |
| | | | 4.8L V8 | XGMXA04.8184 | Executive Order # D-182-47 | Left | | | 81713 | D-182-47 | |
| | | | | | | Right | | | 81713 | D-182-47 | |
| | | | | | Executive Order # D-182-52 | | | 81761 | 31554 (RH), 31718 (LH) | | D-182-52 |
| | | | | | Executive Order # D-182-69 | Left | | | 83403 | D-182-69 | |
| | | | | | | Right | | | 83403 | D-182-69 | |
| | | | | | Fits Fed. & Calif. Emiss. Models.; Not legal for sale in the state of California. Not legal for use on California emission vehicles in New York. Legal for use on Federal/EPA emission vehicles in New York.; Legal for use in th | | | 83482 | | | D-182-69 |
| | XGMXA05.3183 | Executive Order # D-182-47 | | | Left | | | 81713 | D-182-47 | | |
| | | | | | Right | | | 81713 | D-182-47 | | |
| | | Executive Order # D-182-52 | | | | 81761 | 31554 (RH), 31718 (LH) | | D-182-52 | | |
| | | Executive Order # D-182-69 | | | Left | | | 83403 | D-182-69 | | |
| | | | Right | | | 83403 | D-182-69 | | | | |
| | | Fits Fed. & Calif. Emiss. Models.; Not legal for sale in the state of California. Not legal for use on California emission vehicles in New York. Legal for use on Federal/EPA emission vehicles in New York.; Legal for use in th | | | 83482 | | | D-182-69 | | | |
| | 5.3L V8 | XGMXA05.3183 | Executive Order # D-182-47 | Left | | | 81713 | D-182-47 | | | |
| | | | | Right | | | 81713 | D-182-47 | | | |
| | | | Executive Order # D-182-52 | | | 81761 | 31554 (RH), 31718 (LH) | | D-182-52 | | |
| | | | Executive Order # D-182-69 | Left | | | 83403 | D-182-69 | | | |
| Right | | | | | | 83403 | D-182-69 | | | | |
| Fits Fed. & Calif. Emiss. Models.; Not legal for sale in the state of California. Not legal for use on California emission vehicles in New York. Legal for use on Federal/EPA emission vehicles in New York.; Legal for use in th | | | | 83482 | | | D-182-69 | | | | |
| XGMXA05.3185 | | | Executive Order # D-182-47 | Left | | | 81713 | D-182-47 | | | |
| | | | | Right | | | 81713 | D-182-47 | | | |

OBDII APPLICATIONS

NON-OBDII APPLICATIONS

NUMERICAL

UNIVERSAL SPECIFICATIONS

For vehicles licensed in the state of California or Maine, or vehicles requiring CARB-compliant converters in the state of New York, the parts in this catalog must be installed as specifically listed. Parts cannot be substituted, nor can they be installed on California or Maine licensed vehicles not listed in this catalog.

OBDII PASSENGER CAR & TRUCK

| Years | Engine | Engine Family No. | Application | Position | Direct-Fit | | Universal Part No. | Executive Order | | |
|----------------------------|----------------------------|-------------------|----------------------------|--------------|----------------------------|---------------------------|--------------------|-----------------|--------------|----------|
| | | | | | Part No. | Hardware | | | | |
| GMC (Cont.) | | | | | | | | | | |
| Sierra 1500 (Cont.) | | | | | | | | | | |
| 1999 (Cont.) | 5.3L V8 | XGMXA05.3185 | Executive Order # D-182-52 | | 81761 | 31554 (RH), 31718 (LH) | | D-182-52 | | |
| Sierra 1500 HD | | | | | | | | | | |
| 2006 | 6.0L V8 | 6GMXH06.0583 | Executive Order # D-182-69 | Left | | | 83404 | D-182-69 | | |
| | | | | Right | | | 83404 | D-182-69 | | |
| | | 6GMXH06.0593 | Executive Order # D-182-69 | Left | | | 83404 | D-182-69 | | |
| | | | | Right | | | 83404 | D-182-69 | | |
| | | 6GMXK06.0388 | Executive Order # D-182-52 | Front Left | | | 81724 | D-182-52 | | |
| | | | | Front Right | | | 81724 | D-182-52 | | |
| | | | | Rear Left | | | 81724 | D-182-52 | | |
| | | | | Rear Right | | | 81724 | D-182-52 | | |
| | | | Executive Order # D-182-69 | Front Left | | | 83404 | D-182-69 | | |
| | | | | Front Right | | | 83404 | D-182-69 | | |
| | | | | Rear Left | | | 83404 | D-182-69 | | |
| | | | | Rear Right | | | 83404 | D-182-69 | | |
| | | 2005 | 6.0L V8 | 5GMXH06.0583 | Executive Order # D-182-69 | Left | | | 83404 | D-182-69 |
| | | | | | | Right | | | 83404 | D-182-69 |
| 5GMXT06.0188 | Executive Order # D-182-52 | | | Front Left | | | 81724 | D-182-52 | | |
| | | | | Front Right | | | 81724 | D-182-52 | | |
| | | | | Rear Left | | | 81724 | D-182-52 | | |
| | | | | Rear Right | | | 81724 | D-182-52 | | |
| Executive Order # D-182-69 | Front Left | | | | | 83404 | D-182-69 | | | |
| | Front Right | | | | | 83404 | D-182-69 | | | |
| | Rear Left | | | | | 83404 | D-182-69 | | | |
| | Rear Right | | | | | 83404 | D-182-69 | | | |
| 2003 | 6.0L V8 | 3GMXA06.0188 | Executive Order # D-182-52 | Front Left | | | 81724 | D-182-52 | | |
| | | | | Front Right | | | 81724 | D-182-52 | | |
| | | | | Rear Left | | | 81724 | D-182-52 | | |
| | | | | Rear Right | | | 81724 | D-182-52 | | |
| | | | Executive Order # D-182-69 | Front Left | | | 83404 | D-182-69 | | |
| | | | | Front Right | | | 83404 | D-182-69 | | |
| | | | | Rear Left | | | 83404 | D-182-69 | | |
| | | | | Rear Right | | | 83404 | D-182-69 | | |
| | | 3GMXH06.0583 | Executive Order # D-182-69 | Left | | | 83404 | D-182-69 | | |
| | | | | Right | | | 83404 | D-182-69 | | |
| | | 2002 | 6.0L V8 | 2GMXA06.0188 | Executive Order # D-182-52 | Front Left | | | 81724 | D-182-52 |
| | | | | | | Front Right | | | 81724 | D-182-52 |
| | | | | | | Rear Left | | | 81724 | D-182-52 |
| | | | | | | Rear Right | | | 81724 | D-182-52 |
| Executive Order # D-182-69 | Front Left | | | | | | 83404 | D-182-69 | | |
| | Front Right | | | | | | 83404 | D-182-69 | | |
| | Rear Left | | | | | | 83404 | D-182-69 | | |
| | Rear Right | | | | | | 83404 | D-182-69 | | |
| 2GMXH06.0583 | Executive Order # D-182-69 | | | Left | | | 83404 | D-182-69 | | |
| | | | | Right | | | 83404 | D-182-69 | | |

For vehicles licensed in the state of California or Maine, or vehicles requiring CARB-compliant converters in the state of New York, the parts in this catalog must be installed as specifically listed. Parts cannot be substituted, nor can they be installed on California or Maine licensed vehicles not listed in this catalog.

OBDII PASSENGER CAR & TRUCK

| Years | Engine | Engine Family No. | Application | Position | Direct-Fit | | Universal Part No. | Executive Order | | | |
|-------------------------------|----------------------------|----------------------------|----------------------------|----------------------------|----------------------------|----------------------------|--------------------|-----------------|--------------|--------------|----------|
| | | | | | Part No. | Hardware | | | | | |
| GMC (Cont.) | | | | | | | | | | | |
| Sierra 1500 HD (Cont.) | | | | | | | | | | | |
| 2001 | 6.0L V8 | 1GMXA06.0188 | Executive Order # D-182-52 | Front Left | | | 81724 | D-182-52 | | | |
| | | | | Front Right | | | 81724 | D-182-52 | | | |
| | | | | Rear Left | | | 81724 | D-182-52 | | | |
| | | | | Rear Right | | | 81724 | D-182-52 | | | |
| | | | Executive Order # D-182-69 | Front Left | | | 83404 | D-182-69 | | | |
| | | | | Front Right | | | 83404 | D-182-69 | | | |
| | | | | Rear Left | | | 83404 | D-182-69 | | | |
| | | | | Rear Right | | | 83404 | D-182-69 | | | |
| | | 1GMXA06.0194 | Executive Order # D-182-47 | Left | | | 81714 | D-182-47 | | | |
| | | | | Right | | | 81714 | D-182-47 | | | |
| | | | Executive Order # D-182-69 | Left | | | 83404 | D-182-69 | | | |
| | | | | Right | | | 83404 | D-182-69 | | | |
| Sierra 1500 HD Classic | | | | | | | | | | | |
| 2007 | 6.0L V8 | 7GMXH06.0583 | Executive Order # D-182-69 | Left | | | 83404 | D-182-69 | | | |
| | | | | Right | | | 83404 | D-182-69 | | | |
| Sierra 2500 | | | | | | | | | | | |
| 2004 | 6.0L V8 | 4GMXH06.0583 | Executive Order # D-182-69 | Left | | | 83404 | D-182-69 | | | |
| | | | | Right | | | 83404 | D-182-69 | | | |
| | | | 4GMXT06.0188 | Executive Order # D-182-52 | Front Left | | | 81724 | D-182-52 | | |
| | | | | | Front Right | | | 81724 | D-182-52 | | |
| | | Rear Left | | | | 81724 | D-182-52 | | | | |
| | | Rear Right | | | | 81724 | D-182-52 | | | | |
| | | Executive Order # D-182-69 | Front Left | | | 83404 | D-182-69 | | | | |
| | | | Front Right | | | 83404 | D-182-69 | | | | |
| | | | Rear Left | | | 83404 | D-182-69 | | | | |
| | | | Rear Right | | | 83404 | D-182-69 | | | | |
| | | 2003 | 6.0L V8 | 3GMXA06.0188 | Executive Order # D-182-52 | Front Left | | | 81724 | D-182-52 | |
| | | | | | | Front Right | | | 81724 | D-182-52 | |
| Rear Left | | | | | | | 81724 | D-182-52 | | | |
| Rear Right | | | | | | | 81724 | D-182-52 | | | |
| Executive Order # D-182-69 | Front Left | | | | | | 83404 | D-182-69 | | | |
| | Front Right | | | | | | 83404 | D-182-69 | | | |
| | Rear Left | | | | | | 83404 | D-182-69 | | | |
| | Rear Right | | | | | | 83404 | D-182-69 | | | |
| 3GMXH06.0583 | Executive Order # D-182-69 | | | Left | | | 83404 | D-182-69 | | | |
| | | | | Right | | | 83404 | D-182-69 | | | |
| | 2002 | | | 6.0L V8 | 2GMXA06.0188 | Executive Order # D-182-52 | Front Left | | | 81724 | D-182-52 |
| | | | | | | | Front Right | | | 81724 | D-182-52 |
| Rear Left | | | | | | | 81724 | D-182-52 | | | |
| Rear Right | | | | | | | 81724 | D-182-52 | | | |
| Executive Order # D-182-69 | | Front Left | | | | | 83404 | D-182-69 | | | |
| | | Front Right | | | | | 83404 | D-182-69 | | | |
| | | Rear Left | | | | | 83404 | D-182-69 | | | |
| | | Rear Right | | | | | 83404 | D-182-69 | | | |
| 2GMXH06.0583 | Executive Order # D-182-69 | Left | | | 83404 | D-182-69 | | | | | |

For vehicles licensed in the state of California or Maine, or vehicles requiring CARB-compliant converters in the state of New York, the parts in this catalog must be installed as specifically listed. Parts cannot be substituted, nor can they be installed on California or Maine licensed vehicles not listed in this catalog.

OBDII APPLICATIONS

NON-OBDII APPLICATIONS

NUMERICAL

UNIVERSAL SPECIFICATIONS

OBDII PASSENGER CAR & TRUCK

| Years | Engine | Engine Family No. | Application | Position | Direct-Fit | | Universal Part No. | Executive Order | |
|----------------------------|---------|---|---|----------------------------|--------------|---------------------------|---------------------------|-----------------|----------|
| | | | | | Part No. | Hardware | | | |
| GMC (Cont.) | | | | | | | | | |
| Sierra 2500 (Cont.) | | | | | | | | | |
| 2002 (Cont.) | 6.0L V8 | 2GMXH06.0583 | Executive Order # D-182-69 | Right | | | 83404 | D-182-69 | |
| 2001 | 6.0L V8 | 1GMXA06.0188 | Executive Order # D-182-52 | Front Left | | | 81724 | D-182-52 | |
| | | | | Front Right | | | 81724 | D-182-52 | |
| | | | | Rear Left | | | 81724 | D-182-52 | |
| | | | | Rear Right | | | 81724 | D-182-52 | |
| | | | Executive Order # D-182-69 | Front Left | | | 83404 | D-182-69 | |
| | | | | Front Right | | | 83404 | D-182-69 | |
| | | | | Rear Left | | | 83404 | D-182-69 | |
| | | | | Rear Right | | | 83404 | D-182-69 | |
| 2000 | 5.3L V8 | YGMXA05.3183 | Executive Order # D-182-47 | Left | | | 81713 | D-182-47 | |
| | | | | Right | | | 81713 | D-182-47 | |
| | | | Executive Order # D-182-52 | | 81761 | 31554 (RH), 31718 (LH) | | D-182-52 | |
| | | | Executive Order # D-182-69 | Left | | | 83403 | D-182-69 | |
| | | | | Right | | | 83403 | D-182-69 | |
| | | | Fits Fed. & Calif. Emiss. Models.; Not legal for sale in the state of California. Not legal for use on California emission vehicles in New York. Legal for use on Federal/EPA emission vehicles in New York.; Legal for use in th | | 83482 | | | D-182-69 | |
| | | | YGMXT05.3181 | Executive Order # D-182-47 | Left | | | 81713 | D-182-47 |
| | | | | | Right | | | 81713 | D-182-47 |
| | | | | Executive Order # D-182-52 | | 81761 | 31554 (RH), 31718 (LH) | | D-182-52 |
| | | | | Executive Order # D-182-69 | Left | | | 83403 | D-182-69 |
| | | Right | | | | | 83403 | D-182-69 | |
| | | Fits Fed. & Calif. Emiss. Models.; Not legal for sale in the state of California. Not legal for use on California emission vehicles in New York. Legal for use on Federal/EPA emission vehicles in New York.; Legal for use in th | | | 83482 | | | D-182-69 | |
| | | 6.0L V8 | YGMXT06.0192 | Executive Order # D-182-47 | Left | | | 81714 | D-182-47 |
| | | | | | Right | | | 81714 | D-182-47 |
| Executive Order # D-182-52 | Left | | | 81745 | 31718 | | D-182-52 | | |
| Executive Order # D-182-69 | Left | | | | | 83404 | D-182-69 | | |
| | Right | | | | | 83404 | D-182-69 | | |
| Executive Order # D-182-69 | Left | | | | | 83403 | D-182-69 | | |
| 1999 | 5.3L V8 | XGMXA05.3185 | Executive Order # D-182-47 | Left | | | 81713 | D-182-47 | |
| | | | | Right | | | 81713 | D-182-47 | |
| | | | Executive Order # D-182-52 | | 81761 | 31554 (RH), 31718 (LH) | | D-182-52 | |
| | | | Executive Order # D-182-69 | Left | | | 83403 | D-182-69 | |
| | | | | Right | | | 83403 | D-182-69 | |
| | | | Executive Order # D-182-69 | Left | | | 83403 | D-182-69 | |

For vehicles licensed in the state of California or Maine, or vehicles requiring CARB-compliant converters in the state of New York, the parts in this catalog must be installed as specifically listed. Parts cannot be substituted, nor can they be installed on California or Maine licensed vehicles not listed in this catalog.

OBDII PASSENGER CAR & TRUCK

| Years | Engine | Engine Family No. | Application | Position | Direct-Fit | | Universal Part No. | Executive Order | |
|----------------------------|----------------------------|----------------------------|---|----------------------------|--------------|--------------|--------------------|-----------------|----------|
| | | | | | Part No. | Hardware | | | |
| GMC (Cont.) | | | | | | | | | |
| Sierra 2500 (Cont.) | | | | | | | | | |
| 1999 (Cont.) | 5.3L V8 | XGMXA05.3185 | Fits Fed. & Calif. Emiss. Models.; Not legal for sale in the state of California. Not legal for use on California emission vehicles in New York. Legal for use on Federal/EPA emission vehicles in New York.; Legal for use in th | | 83482 | | | D-182-69 | |
| | | | | | | | | | |
| | 6.0L V8 | XGMXA06.0182 | Executive Order # D-182-47 | Left | | | | 81714 | D-182-47 |
| | | | | Right | | | | 81714 | D-182-47 |
| | | | Executive Order # D-182-52 | Left | 81745 | 31718 | | | D-182-52 |
| | | | Executive Order # D-182-69 | Left | | | 83404 | | D-182-69 |
| | | | Right | | | 83404 | | D-182-69 | |
| | | XGMXA06.0183 | Executive Order # D-182-47 | Left | | | | 81714 | D-182-47 |
| | | | | Right | | | | 81714 | D-182-47 |
| | | | Executive Order # D-182-52 | Left | 81745 | 31718 | | | D-182-52 |
| | Executive Order # D-182-69 | | Left | | | 83404 | | D-182-69 | |
| | | Right | | | 83404 | | D-182-69 | | |
| | Sierra 2500 HD | | | | | | | | |
| | 2007 | 6.0L V8 | 7GMXH06.0584 | Executive Order # D-182-69 | Left | | | 83404 | D-182-69 |
| Right | | | | | | | 83404 | D-182-69 | |
| 2006 | 6.0L V8 | 6GMXH06.0583 | Executive Order # D-182-69 | Left | | | 83404 | D-182-69 | |
| | | | | Right | | | 83404 | D-182-69 | |
| | | 6GMXH06.0593 | Executive Order # D-182-69 | Left | | | 83404 | D-182-69 | |
| | | | | Right | | | 83404 | D-182-69 | |
| | | 6GMXK06.0388 | Executive Order # D-182-52 | Front Left | | | 81724 | D-182-52 | |
| | | | | Front Right | | | 81724 | D-182-52 | |
| | | | | Rear Left | | | 81724 | D-182-52 | |
| | | | | Rear Right | | | 81724 | D-182-52 | |
| | Executive Order # D-182-69 | | Front Left | | | 83404 | D-182-69 | | |
| | | | Front Right | | | 83404 | D-182-69 | | |
| | | Rear Left | | | 83404 | D-182-69 | | | |
| | | Rear Right | | | 83404 | D-182-69 | | | |
| | 8.1L V8 | 6GMXH08.1501 | Executive Order # D-182-69 | Left | | | 83404 | D-182-69 | |
| | | | | Right | | | 83404 | D-182-69 | |
| 6GMXH08.1511 | | Executive Order # D-182-69 | Left | | | 83404 | D-182-69 | | |
| | | | Right | | | 83404 | D-182-69 | | |
| 6GMXT08.1201 | | Executive Order # D-182-52 | Front Left | | | 81724 | D-182-52 | | |
| | | | Front Right | | | 81724 | D-182-52 | | |
| | | | Rear Left | | | 81724 | D-182-52 | | |
| | | | Rear Right | | | 81724 | D-182-52 | | |
| | | Executive Order # D-182-69 | Front Left | | | 83404 | D-182-69 | | |
| | | | Front Right | | | 83404 | D-182-69 | | |
| | | Rear Left | | | 83404 | D-182-69 | | | |
| | | Rear Right | | | 83404 | D-182-69 | | | |
| 2005 | 6.0L V8 | 5GMXH06.0583 | Executive Order # D-182-69 | Left | | | 83404 | D-182-69 | |
| | | | | Right | | | 83404 | D-182-69 | |
| | 5GMXT06.0188 | Executive Order # D-182-52 | Front Left | | | 81724 | D-182-52 | | |
| | | | | | | | | | |

For vehicles licensed in the state of California or Maine, or vehicles requiring CARB-compliant converters in the state of New York, the parts in this catalog must be installed as specifically listed. Parts cannot be substituted, nor can they be installed on California or Maine licensed vehicles not listed in this catalog.

OBDII APPLICATIONS

NON-OBDII APPLICATIONS

NUMERICAL

UNIVERSAL SPECIFICATIONS

OBDII PASSENGER CAR & TRUCK

| Years | Engine | Engine Family No. | Application | Position | Direct-Fit | | Universal Part No. | Executive Order | | |
|-------------------------------|------------|----------------------------|----------------------------|----------------------------|--------------|--------------|--------------------|-----------------|--------------|----------|
| | | | | | Part No. | Hardware | | | | |
| GMC (Cont.) | | | | | | | | | | |
| Sierra 2500 HD (Cont.) | | | | | | | | | | |
| 2005 (Cont.) | 6.0L V8 | 5GMXT06.0188 | Executive Order # D-182-52 | Front Right | | | 81724 | D-182-52 | | |
| | | | | Rear Left | | | 81724 | D-182-52 | | |
| | | | | Rear Right | | | 81724 | D-182-52 | | |
| | | | Executive Order # D-182-69 | Front Left | | | 83404 | D-182-69 | | |
| | | | | Front Right | | | 83404 | D-182-69 | | |
| | | | | Rear Left | | | 83404 | D-182-69 | | |
| | 8.1L V8 | 5GMXH08.1501 | Executive Order # D-182-69 | Left | | | 83404 | D-182-69 | | |
| | | | | Right | | | 83404 | D-182-69 | | |
| | | 5GMXT08.1201 | Executive Order # D-182-52 | Front Left | | | 81724 | D-182-52 | | |
| | | | | Front Right | | | 81724 | D-182-52 | | |
| | | | | Rear Left | | | 81724 | D-182-52 | | |
| | | | | Rear Right | | | 81724 | D-182-52 | | |
| | | Executive Order # D-182-69 | | Front Left | | | 83404 | D-182-69 | | |
| | | | | Front Right | | | 83404 | D-182-69 | | |
| | | | | Rear Left | | | 83404 | D-182-69 | | |
| | | | | Rear Right | | | 83404 | D-182-69 | | |
| 2004 | 6.0L V8 | 4GMXH06.0583 | Executive Order # D-182-69 | Left | | | 83404 | D-182-69 | | |
| | | | | Right | | | 83404 | D-182-69 | | |
| | | 4GMXT06.0188 | Executive Order # D-182-52 | Front Left | | | 81724 | D-182-52 | | |
| | | | | Front Right | | | 81724 | D-182-52 | | |
| | | | | Rear Left | | | 81724 | D-182-52 | | |
| | | | | Rear Right | | | 81724 | D-182-52 | | |
| | | | | Executive Order # D-182-69 | | Front Left | | | 83404 | D-182-69 |
| | | | | | | Front Right | | | 83404 | D-182-69 |
| | Rear Left | | | | | 83404 | D-182-69 | | | |
| | Rear Right | | | | | 83404 | D-182-69 | | | |
| | 8.1L V8 | 4GMXH08.1501 | Executive Order # D-182-69 | Left | | | 83404 | D-182-69 | | |
| | | | | Right | | | 83404 | D-182-69 | | |
| | | 4GMXT08.1201 | Executive Order # D-182-52 | Front Left | | | 81724 | D-182-52 | | |
| | | | | Front Right | | | 81724 | D-182-52 | | |
| Rear Left | | | | | | 81724 | D-182-52 | | | |
| Rear Right | | | | | | 81724 | D-182-52 | | | |
| Executive Order # D-182-69 | | Front Left | | | 83404 | D-182-69 | | | | |
| | | Front Right | | | 83404 | D-182-69 | | | | |
| | | Rear Left | | | 83404 | D-182-69 | | | | |
| | | Rear Right | | | 83404 | D-182-69 | | | | |
| 2003 | 6.0L V8 | 3GMXA06.0188 | Executive Order # D-182-52 | Front Left | | | 81724 | D-182-52 | | |
| | | | | Front Right | | | 81724 | D-182-52 | | |
| | | | | Rear Left | | | 81724 | D-182-52 | | |
| | | | | Rear Right | | | 81724 | D-182-52 | | |
| | | | Executive Order # D-182-69 | | Front Left | | | 83404 | D-182-69 | |
| | | | | | Front Right | | | 83404 | D-182-69 | |
| | | | | | Rear Left | | | 83404 | D-182-69 | |
| | | | | | Rear Right | | | 83404 | D-182-69 | |
| | | 3GMXH06.0583 | Executive Order # D-182-69 | Left | | | 83404 | D-182-69 | | |

For vehicles licensed in the state of California or Maine, or vehicles requiring CARB-compliant converters in the state of New York, the parts in this catalog must be installed as specifically listed. Parts cannot be substituted, nor can they be installed on California or Maine licensed vehicles not listed in this catalog.

OBDII PASSENGER CAR & TRUCK

| Years | Engine | Engine Family No. | Application | Position | Direct-Fit | | Universal Part No. | Executive Order | |
|-------------------------------|----------------------------|----------------------------|----------------------------|----------------------------|--------------|----------------------------|--------------------|-----------------|--------------|
| | | | | | Part No. | Hardware | | | |
| GMC (Cont.) | | | | | | | | | |
| Sierra 2500 HD (Cont.) | | | | | | | | | |
| 2003 (Cont.) | 6.0L V8 | 3GMXH06.0583 | Executive Order # D-182-69 | Right | | | 83404 | D-182-69 | |
| | | | | 8.1L V8 | 3GMXA08.1201 | Executive Order # D-182-52 | Front Left | | |
| | Front Right | | | 81724 | | | D-182-52 | | |
| | Rear Left | | | 81724 | | | D-182-52 | | |
| | Rear Right | | | 81724 | | | D-182-52 | | |
| | Executive Order # D-182-69 | Front Left | | | | | 83404 | D-182-69 | |
| | | Front Right | | | | | 83404 | D-182-69 | |
| | | Rear Left | | | | | 83404 | D-182-69 | |
| | 3GMXH08.1501 | Executive Order # D-182-69 | Left | | | | | 83404 | D-182-69 |
| | | | Right | | | | | 83404 | D-182-69 |
| 2002 | 6.0L V8 | 2GMXA06.0188 | Executive Order # D-182-52 | Front Left | | | | | 81724 |
| | | | | Front Right | | | 81724 | D-182-52 | |
| | | | | Rear Left | | | 81724 | D-182-52 | |
| | | | | Rear Right | | | 81724 | D-182-52 | |
| | | | Executive Order # D-182-69 | Front Left | | | 83404 | D-182-69 | |
| | | | | Front Right | | | 83404 | D-182-69 | |
| | | | | Rear Left | | | 83404 | D-182-69 | |
| | | | | Rear Right | | | 83404 | D-182-69 | |
| | | | 2GMXH06.0583 | Executive Order # D-182-69 | Left | | | 83404 | D-182-69 |
| | | | | | Right | | | 83404 | D-182-69 |
| | 8.1L V8 | 2GMXA08.1201 | Executive Order # D-182-52 | Front Left | | | 81724 | D-182-52 | |
| | | | | Front Right | | | 81724 | D-182-52 | |
| | | | | Rear Left | | | 81724 | D-182-52 | |
| | | | | Rear Right | | | 81724 | D-182-52 | |
| | | | Executive Order # D-182-69 | Front Left | | | 83404 | D-182-69 | |
| | | | | Front Right | | | 83404 | D-182-69 | |
| | | | | Rear Left | | | 83404 | D-182-69 | |
| | | | | Rear Right | | | 83404 | D-182-69 | |
| 2GMXH08.1501 | Executive Order # D-182-69 | Left | | | 83404 | D-182-69 | | | |
| | | Right | | | 83404 | D-182-69 | | | |
| 2001 | 6.0L V8 | 1GMXA06.0188 | Executive Order # D-182-52 | Front Left | | | 81724 | D-182-52 | |
| | | | | Front Right | | | 81724 | D-182-52 | |
| | | | | Rear Left | | | 81724 | D-182-52 | |
| | | | | Rear Right | | | 81724 | D-182-52 | |
| | | | Executive Order # D-182-69 | Front Left | | | 83404 | D-182-69 | |
| | | | | Front Right | | | 83404 | D-182-69 | |
| | | | | Rear Left | | | 83404 | D-182-69 | |
| | | | | Rear Right | | | 83404 | D-182-69 | |
| | 8.1L V8 | 1GMXA08.1201 | Executive Order # D-182-52 | Front Left | | | 81724 | D-182-52 | |
| | | | | Front Right | | | 81724 | D-182-52 | |
| | | | | Rear Left | | | 81724 | D-182-52 | |
| | | | Executive Order # D-182-69 | Rear Right | | | 81724 | D-182-52 | |
| | | | | Front Left | | | 83404 | D-182-69 | |
| | | | | Front Right | | | 83404 | D-182-69 | |
| Rear Left | | | 83404 | D-182-69 | | | | | |

OBDII APPLICATIONS

NON-OBDII APPLICATIONS

NUMERICAL

UNIVERSAL SPECIFICATIONS

For vehicles licensed in the state of California or Maine, or vehicles requiring CARB-compliant converters in the state of New York, the parts in this catalog must be installed as specifically listed. Parts cannot be substituted, nor can they be installed on California or Maine licensed vehicles not listed in this catalog.

OBDII PASSENGER CAR & TRUCK

| Years | Engine | Engine Family No. | Application | Position | Direct-Fit | | Universal Part No. | Executive Order |
|-------------------------------|---------|-------------------|----------------------------|-------------|------------|----------|--------------------|-----------------|
| | | | | | Part No. | Hardware | | |
| GMC (Cont.) | | | | | | | | |
| Sierra 2500 HD Classic | | | | | | | | |
| 2007 | 6.0L V8 | 7GMXH06.0583 | Executive Order # D-182-69 | Left | | | 83404 | D-182-69 |
| | | | | Right | | | 83404 | D-182-69 |
| | | 7GMXH06.0584 | Executive Order # D-182-69 | Left | | | 83404 | D-182-69 |
| | | | | Right | | | 83404 | D-182-69 |
| | 8.1L V8 | 7GMXH08.1501 | Executive Order # D-182-69 | Left | | | 83404 | D-182-69 |
| | | | | Right | | | 83404 | D-182-69 |
| Sierra 3500 | | | | | | | | |
| 2006 | 6.0L V8 | 6GMXH06.0583 | Executive Order # D-182-69 | Left | | | 83404 | D-182-69 |
| | | | | Right | | | 83404 | D-182-69 |
| | | 6GMXH06.0593 | Executive Order # D-182-69 | Left | | | 83404 | D-182-69 |
| | | | | Right | | | 83404 | D-182-69 |
| | | 6GMXK06.0388 | Executive Order # D-182-52 | Front Left | | | 81724 | D-182-52 |
| | | | | Front Right | | | 81724 | D-182-52 |
| | | | | Rear Left | | | 81724 | D-182-52 |
| | | | | Rear Right | | | 81724 | D-182-52 |
| | | | Executive Order # D-182-69 | Front Left | | | 83404 | D-182-69 |
| | | | | Front Right | | | 83404 | D-182-69 |
| | | | | Rear Left | | | 83404 | D-182-69 |
| | | | | Rear Right | | | 83404 | D-182-69 |
| | 8.1L V8 | 6GMXH08.1501 | Executive Order # D-182-69 | Left | | | 83404 | D-182-69 |
| | | | | Right | | | 83404 | D-182-69 |
| | | 6GMXH08.1511 | Executive Order # D-182-69 | Left | | | 83404 | D-182-69 |
| | | | | Right | | | 83404 | D-182-69 |
| | | 6GMXT08.1201 | Executive Order # D-182-52 | Front Left | | | 81724 | D-182-52 |
| | | | | Front Right | | | 81724 | D-182-52 |
| | | | | Rear Left | | | 81724 | D-182-52 |
| | | | | Rear Right | | | 81724 | D-182-52 |
| | | | Executive Order # D-182-69 | Front Left | | | 83404 | D-182-69 |
| | | | | Front Right | | | 83404 | D-182-69 |
| | | | | Rear Left | | | 83404 | D-182-69 |
| | | | | Rear Right | | | 83404 | D-182-69 |
| 2005 | 6.0L V8 | 5GMXH06.0583 | Executive Order # D-182-69 | Left | | | 83404 | D-182-69 |
| | | | | Right | | | 83404 | D-182-69 |
| | | 5GMXT06.0188 | Executive Order # D-182-52 | Front Left | | | 81724 | D-182-52 |
| | | | | Front Right | | | 81724 | D-182-52 |
| | | | | Rear Left | | | 81724 | D-182-52 |
| | | | | Rear Right | | | 81724 | D-182-52 |
| | | | Executive Order # D-182-69 | Front Left | | | 83404 | D-182-69 |
| | | | | Front Right | | | 83404 | D-182-69 |
| | 8.1L V8 | 5GMXH08.1501 | Executive Order # D-182-69 | Left | | | 83404 | D-182-69 |
| | | | | Right | | | 83404 | D-182-69 |
| | | 5GMXT08.1201 | Executive Order # D-182-52 | Front Left | | | 81724 | D-182-52 |
| | | | | Front Right | | | 81724 | D-182-52 |

For vehicles licensed in the state of California or Maine, or vehicles requiring CARB-compliant converters in the state of New York, the parts in this catalog must be installed as specifically listed. Parts cannot be substituted, nor can they be installed on California or Maine licensed vehicles not listed in this catalog.

OBDII PASSENGER CAR & TRUCK

| Years | Engine | Engine Family No. | Application | Position | Direct-Fit | | Universal Part No. | Executive Order | |
|----------------------------|----------------------------|----------------------------|----------------------------|----------------------------|--------------|--------------|--------------------|-----------------|----------|
| | | | | | Part No. | Hardware | | | |
| GMC (Cont.) | | | | | | | | | |
| Sierra 3500 (Cont.) | | | | | | | | | |
| 2005 (Cont.) | 8.1L V8 | 5GMXT08.1201 | Executive Order # D-182-52 | Rear Left | | | 81724 | D-182-52 | |
| | | | | Rear Right | | | 81724 | D-182-52 | |
| | | | Executive Order # D-182-69 | Front Left | | | 83404 | D-182-69 | |
| | | | | Front Right | | | 83404 | D-182-69 | |
| | | | | Rear Left | | | 83404 | D-182-69 | |
| | | | | Rear Right | | | 83404 | D-182-69 | |
| 2004 | 6.0L V8 | 4GMXH06.0583 | Executive Order # D-182-69 | Left | | | 83404 | D-182-69 | |
| | | | | Right | | | 83404 | D-182-69 | |
| | | 4GMXT06.0188 | Executive Order # D-182-52 | Front Left | | | 81724 | D-182-52 | |
| | | | | Front Right | | | 81724 | D-182-52 | |
| | | | Executive Order # D-182-69 | Rear Left | | | 81724 | D-182-52 | |
| | | | | Rear Right | | | 81724 | D-182-52 | |
| | | 8.1L V8 | 4GMXH08.1501 | Executive Order # D-182-69 | Left | | | 83404 | D-182-69 |
| | | | | | Right | | | 83404 | D-182-69 |
| | | | 4GMXT08.1201 | Executive Order # D-182-52 | Front Left | | | 81724 | D-182-52 |
| | | | | | Front Right | | | 81724 | D-182-52 |
| | | | | Executive Order # D-182-69 | Rear Left | | | 81724 | D-182-52 |
| | | | | | Rear Right | | | 81724 | D-182-52 |
| | 3GMXA06.0188 | 6.0L V8 | Executive Order # D-182-52 | Front Left | | | 81724 | D-182-52 | |
| | | | | Front Right | | | 81724 | D-182-52 | |
| | | | Executive Order # D-182-69 | Rear Left | | | 81724 | D-182-52 | |
| | | | | Rear Right | | | 81724 | D-182-52 | |
| | | | 3GMXH06.0583 | Executive Order # D-182-69 | Left | | | 83404 | D-182-69 |
| | | | | | Right | | | 83404 | D-182-69 |
| 3GMXA08.1203 | Executive Order # D-182-52 | Front Left | | | | | 81724 | D-182-52 | |
| | | Front Right | | | | | 81724 | D-182-52 | |
| 8.1L V8 | Executive Order # D-182-69 | Rear Left | | | 81724 | D-182-52 | | | |
| | | Rear Right | | | 81724 | D-182-52 | | | |
| | | Front Left | | | 83404 | D-182-69 | | | |
| | | Front Right | | | 83404 | D-182-69 | | | |
| | | Rear Left | | | 83404 | D-182-69 | | | |
| | | Rear Right | | | 83404 | D-182-69 | | | |
| 2003 | 6.0L V8 | 3GMXA06.0188 | Executive Order # D-182-52 | Front Left | | | 81724 | D-182-52 | |
| | | | | Front Right | | | 81724 | D-182-52 | |
| | | Executive Order # D-182-69 | Rear Left | | | 81724 | D-182-52 | | |
| | | | Rear Right | | | 81724 | D-182-52 | | |
| | | | Front Left | | | 83404 | D-182-69 | | |
| | | | Front Right | | | 83404 | D-182-69 | | |
| 3GMXH06.0583 | Executive Order # D-182-69 | Rear Left | | | 83404 | D-182-69 | | | |
| | | Rear Right | | | 83404 | D-182-69 | | | |
| | | Left | | | 83404 | D-182-69 | | | |
| | | Right | | | 83404 | D-182-69 | | | |
| 8.1L V8 | 3GMXA08.1203 | Executive Order # D-182-52 | Front Left | | | 81724 | D-182-52 | | |
| | | | Front Right | | | 81724 | D-182-52 | | |
| | | | Rear Left | | | 81724 | D-182-52 | | |
| | | | Rear Right | | | 81724 | D-182-52 | | |
| | Executive Order # D-182-69 | Front Left | | | 83404 | D-182-69 | | | |
| | | Front Right | | | 83404 | D-182-69 | | | |
| | | Rear Left | | | 83404 | D-182-69 | | | |
| | | Rear Right | | | 83404 | D-182-69 | | | |
| | | 3GMXH08.1501 | Executive Order # D-182-69 | Left | | | 83404 | D-182-69 | |

OBDII APPLICATIONS

NON-OBDII APPLICATIONS

NUMERICAL

UNIVERSAL SPECIFICATIONS

For vehicles licensed in the state of California or Maine, or vehicles requiring CARB-compliant converters in the state of New York, the parts in this catalog must be installed as specifically listed. Parts cannot be substituted, nor can they be installed on California or Maine licensed vehicles not listed in this catalog.

OBDII PASSENGER CAR & TRUCK

| Years | Engine | Engine Family No. | Application | Position | Direct-Fit | | Universal Part No. | Executive Order |
|-------|--------|-------------------|-------------|----------|------------|----------|--------------------|-----------------|
| | | | | | Part No. | Hardware | | |

GMC (Cont.)

Sierra 3500 (Cont.)

| | | | | | | | | |
|----------------------------|--------------|----------------------------|----------------------------|-------------|--|--------------|--------------|----------|
| 2003 (Cont.) | 8.1L V8 | 3GMXH08.1501 | Executive Order # D-182-69 | Right | | | 83404 | D-182-69 |
| 2002 | 6.0L V8 | 2GMXA06.0188 | Executive Order # D-182-52 | Front Left | | | 81724 | D-182-52 |
| | | | | Front Right | | | 81724 | D-182-52 |
| | | | | Rear Left | | | 81724 | D-182-52 |
| | | | | Rear Right | | | 81724 | D-182-52 |
| | | | Executive Order # D-182-69 | Front Left | | | 83404 | D-182-69 |
| | | | | Front Right | | | 83404 | D-182-69 |
| | | | | Rear Left | | | 83404 | D-182-69 |
| | | | | Rear Right | | | 83404 | D-182-69 |
| | 2GMXH06.0583 | Executive Order # D-182-69 | Left | | | 83404 | D-182-69 | |
| | | | Right | | | 83404 | D-182-69 | |
| | 8.1L V8 | 2GMXA08.1203 | Executive Order # D-182-52 | Front Left | | | 81724 | D-182-52 |
| | | | | Front Right | | | 81724 | D-182-52 |
| | | | | Rear Left | | | 81724 | D-182-52 |
| | | | | Rear Right | | | 81724 | D-182-52 |
| Executive Order # D-182-69 | | | Front Left | | | 83404 | D-182-69 | |
| | | | Front Right | | | 83404 | D-182-69 | |
| | | | Rear Left | | | 83404 | D-182-69 | |
| | | | Rear Right | | | 83404 | D-182-69 | |
| 2GMXH08.1501 | | Executive Order # D-182-69 | Left | | | 83404 | D-182-69 | |
| | | | Right | | | 83404 | D-182-69 | |
| 2001 | 6.0L V8 | 1GMXA06.0188 | Executive Order # D-182-52 | Front Left | | | 81724 | D-182-52 |
| | | | | Front Right | | | 81724 | D-182-52 |
| | | | | Rear Left | | | 81724 | D-182-52 |
| | | | | Rear Right | | | 81724 | D-182-52 |
| | | | Executive Order # D-182-69 | Front Left | | | 83404 | D-182-69 |
| | | | | Front Right | | | 83404 | D-182-69 |
| | | | | Rear Left | | | 83404 | D-182-69 |
| | | | | Rear Right | | | 83404 | D-182-69 |
| | 8.1L V8 | 1GMXA08.1203 | Executive Order # D-182-52 | Front Left | | | 81724 | D-182-52 |
| | | | | Front Right | | | 81724 | D-182-52 |
| | | | | Rear Left | | | 81724 | D-182-52 |
| | | | | Rear Right | | | 81724 | D-182-52 |
| | | | Executive Order # D-182-69 | Front Left | | | 83404 | D-182-69 |
| | | | | Front Right | | | 83404 | D-182-69 |
| 2007 | 6.0L V8 | 7GMXH06.0584 | Executive Order # D-182-69 | Left | | | 83404 | D-182-69 |
| | | | | Right | | | 83404 | D-182-69 |
| | | | Executive Order # D-182-69 | Left | | | 83404 | D-182-69 |
| | | | | Right | | | 83404 | D-182-69 |

Sierra 3500 Classic

| | | | | | | | | |
|------|---------|--------------|----------------------------|-------|--|--|--------------|----------|
| 2007 | 6.0L V8 | 7GMXH06.0583 | Executive Order # D-182-69 | Left | | | 83404 | D-182-69 |
| | | | | Right | | | 83404 | D-182-69 |
| | | 7GMXH06.0584 | Executive Order # D-182-69 | Left | | | 83404 | D-182-69 |
| | | | | Right | | | 83404 | D-182-69 |

Sierra 3500 HD

| | | | | | | | | |
|------|---------|--------------|----------------------------|------|--|--|--------------|----------|
| 2007 | 6.0L V8 | 7GMXH06.0584 | Executive Order # D-182-69 | Left | | | 83404 | D-182-69 |
|------|---------|--------------|----------------------------|------|--|--|--------------|----------|

For vehicles licensed in the state of California or Maine, or vehicles requiring CARB-compliant converters in the state of New York, the parts in this catalog must be installed as specifically listed. Parts cannot be substituted, nor can they be installed on California or Maine licensed vehicles not listed in this catalog.

OBDII PASSENGER CAR & TRUCK

| Years | Engine | Engine Family No. | Application | Position | Direct-Fit | | Universal Part No. | Executive Order | |
|-------------------------------|----------------------------|---------------------------------|---|----------------------------|------------------|------------------|--------------------|-----------------|----------|
| | | | | | Part No. | Hardware | | | |
| GMC (Cont.) | | | | | | | | | |
| Sierra 3500 HD (Cont.) | | | | | | | | | |
| 2007 (Cont.) | 6.0L V8 | 7GMXH06.0584 | Executive Order # D-182-69 | Right | | | 83404 | D-182-69 | |
| Sonoma | | | | | | | | | |
| 2004 | 4.3L V6 | 4GMXT04.3187 | Executive Order # D-182-52 | Front | | | 81723 | D-182-52 | |
| | | | | Rear | | | 81923 | D-182-52 | |
| | | | Executive Order # D-182-69 | Front | | | 83403 | D-182-69 | |
| | | | | Rear | | | 83508 | D-182-69 | |
| 2003 | 2.2L L4 | 3GMXT02.2121 | Executive Order # D-182-45 | | 81962 | 31369 (2) | | D-182-45 | |
| | | | Executive Order # D-182-57 | | | | 82629 | D-182-57 | |
| | | 3GMXT02.2122 | Executive Order # D-182-45 | | 81962 | 31369 (2) | | D-182-45 | |
| | | | Executive Order # D-182-57 | | | | 82629 | D-182-57 | |
| | 4.3L V6 | 3GMXT04.3186 | Executive Order # D-182-53 | Front | | | | 82515 | D-182-53 |
| | | | RWD; Automatic Trans.; Executive Order # D-182-53 | | 82675 | 31588 (2), 31574 | | D-182-53 | |
| 3GMXT04.3187 | | 4WD; Executive Order # D-182-52 | | 81952 | 31588 (2), 31574 | | D-182-52 | | |
| | | Executive Order # D-182-52 | Front | | | 81723 | D-182-52 | | |
| | | | Rear | | | 81923 | D-182-52 | | |
| | | Executive Order # D-182-69 | Front | | | 83403 | D-182-69 | | |
| | | | Rear | | | 83508 | D-182-69 | | |
| 2002 | 2.2L L4 | 2GMXT02.2122 | Executive Order # D-182-45 | | 81962 | 31369 (2) | | D-182-45 | |
| | | | Executive Order # D-182-57 | | | | 82629 | D-182-57 | |
| | 4.3L V6 | 2GMXT04.3186 | Executive Order # D-182-53 | Front | | | | 82515 | D-182-53 |
| | | | RWD; Automatic Trans.; Executive Order # D-182-53 | | 82675 | 31588 (2), 31574 | | D-182-53 | |
| | | 2GMXT04.3187 | 4WD; Executive Order # D-182-52 | | 81952 | 31588 (2), 31574 | | D-182-52 | |
| | | | Executive Order # D-182-52 | Front | | | 81723 | D-182-52 | |
| | | | | Rear | | | 81923 | D-182-52 | |
| | | | Executive Order # D-182-69 | Front | | | 83403 | D-182-69 | |
| | | | | Rear | | | 83508 | D-182-69 | |
| | 2001 | 2.2L L4 | 1GMXT02.2122 | Executive Order # D-182-45 | | 81962 | 31369 (2) | | D-182-45 |
| Executive Order # D-182-57 | | | | | | | 82629 | D-182-57 | |
| 4.3L V6 | | 1GMXT04.3186 | Executive Order # D-182-53 | Front | | | | 82515 | D-182-53 |
| | | | RWD; Automatic Trans.; Executive Order # D-182-53 | | 82675 | 31588 (2), 31574 | | D-182-53 | |
| | | 1GMXT04.3187 | 4WD; Executive Order # D-182-52 | | 81952 | 31588 (2), 31574 | | D-182-52 | |
| | | | Executive Order # D-182-52 | Front | | | 81723 | D-182-52 | |
| | | | | Rear | | | 81923 | D-182-52 | |
| | | | Executive Order # D-182-69 | Front | | | 83403 | D-182-69 | |
| | | | | Rear | | | 83508 | D-182-69 | |
| 2000 | | 2.2L L4 | YGMXT02.2122 | Executive Order # D-182-45 | | 81962 | 31369 (2) | | D-182-45 |
| | Executive Order # D-182-57 | | | | | | 82629 | D-182-57 | |
| | YGMXX02.2023 | | Executive Order # D-182-45 | | 81962 | 31369 (2) | | D-182-45 | |
| | | | Executive Order # D-182-57 | | | | 82629 | D-182-57 | |
| | 4.3L V6 | YGMXT04.3186 | Executive Order # D-182-53 | Front | | | 82515 | D-182-53 | |

For vehicles licensed in the state of California or Maine, or vehicles requiring CARB-compliant converters in the state of New York, the parts in this catalog must be installed as specifically listed. Parts cannot be substituted, nor can they be installed on California or Maine licensed vehicles not listed in this catalog.

OBDII APPLICATIONS

NON-OBDII APPLICATIONS

NUMERICAL

UNIVERSAL SPECIFICATIONS

OBDII PASSENGER CAR & TRUCK

| Years | Engine | Engine Family No. | Application | Position | Direct-Fit | | Universal Part No. | Executive Order | |
|---------------------------------|----------------------------|----------------------------|---|----------------------------|--------------|------------------|--------------------|-----------------|----------|
| | | | | | Part No. | Hardware | | | |
| GMC (Cont.) | | | | | | | | | |
| Sonoma (Cont.) | | | | | | | | | |
| 2000 (Cont.) | 4.3L V6 | YGMXT04.3186 | RWD; Automatic Trans.; Executive Order # D-182-53 | | 82675 | 31588 (2), 31574 | | D-182-53 | |
| | | YGMXT04.3187 | Executive Order # D-182-53 | Front | | | 82515 | D-182-53 | |
| | | | RWD; Automatic Trans.; Executive Order # D-182-53 | | 82675 | 31588 (2), 31574 | | D-182-53 | |
| | | YGMXT04.3188 | 4WD; Executive Order # D-182-52 | | 81952 | 31588 (2), 31574 | | D-182-52 | |
| | | | Executive Order # D-182-52 | Front | | | 81723 | D-182-52 | |
| | | | | Rear | | | 81923 | D-182-52 | |
| | | | Executive Order # D-182-69 | Front | | | 83403 | D-182-69 | |
| | | Rear | | | | 83508 | D-182-69 | | |
| 1999 | 2.2L L4 | XGMXT02.2122 | Executive Order # D-182-45 | | 81962 | 31369 (2) | | D-182-45 | |
| | | | Executive Order # D-182-57 | | | | 82629 | D-182-57 | |
| | 4.3L V6 | XGMXT04.3182 | Executive Order # D-182-53 | Front | | | 82515 | D-182-53 | |
| | | | XGMXT04.3184 | Executive Order # D-182-52 | Front | | | 81723 | D-182-52 |
| | | Rear | | | | 81923 | D-182-52 | | |
| | | Executive Order # D-182-69 | Front | | | 83403 | D-182-69 | | |
| | | | Rear | | | 83508 | D-182-69 | | |
| | | XGMXT04.3185 | Executive Order # D-182-52 | Front | | | 81723 | D-182-52 | |
| | | | | Rear | | | 81923 | D-182-52 | |
| | | | Executive Order # D-182-69 | Front | | | 83403 | D-182-69 | |
| | Rear | | | | | 83508 | D-182-69 | | |
| | 1998 | 2.2L L4 | WGMXT02.2122 | Executive Order # D-182-43 | | | | 81505 | D-182-43 |
| | | | | Executive Order # D-182-45 | | 81962 | 31369 (2) | | D-182-45 |
| | | | WGMXT02.2124 | Executive Order # D-182-45 | | 81962 | 31369 (2) | | D-182-45 |
| | | | | Executive Order # D-182-57 | | | | 82629 | D-182-57 |
| | | 4.3L V6 | WGMXT04.3182 | Executive Order # D-182-43 | | | | 81506 | D-182-43 |
| RWD; Executive Order # D-182-43 | | | | | 81546 | 31589, 31571 | | D-182-43 | |
| WGMXT04.3184 | | | Executive Order # D-182-47 | | | | 81918 | D-182-47 | |
| | | | Executive Order # D-182-69 | | | | 83508 | D-182-69 | |
| WGMXT04.3185 | | | Executive Order # D-182-52 | Front | | | 81723 | D-182-52 | |
| | | | | Rear | | | 81923 | D-182-52 | |
| | Executive Order # D-182-69 | Front | | | 83403 | D-182-69 | | | |
| | | Rear | | | 83508 | D-182-69 | | | |
| WGMXT04.3193 | Executive Order # D-182-53 | Front | | | 82515 | D-182-53 | | | |
| 1997 | 2.2L L4 | VGM2.218G1EK | Executive Order # D-182-43 | | | | 81505 | D-182-43 | |
| | 4.3L V6 | VGM4.31PG1EK | Executive Order # D-182-43 | | | | 81506 | D-182-43 | |
| | | | RWD; Executive Order # D-182-43 | | 81545 | 31589, 31571 | | D-182-43 | |
| | | VGM4.32PG1EK | Executive Order # D-182-47 | | | | 81918 | D-182-47 | |
| | Executive Order # D-182-69 | | | | | 83508 | D-182-69 | | |
| 1996 | 2.2L L4 | TGM2.218GF EK | Executive Order # D-182-43 | | | | 81505 | D-182-43 | |
| | 4.3L V6 | TGM4.31PGFEK | Executive Order # D-182-43 | | | | 81506 | D-182-43 | |
| | | | RWD; Executive Order # D-182-43 | | 81545 | 31589, 31571 | | D-182-43 | |
| | | TGM4.32PGKEK | Executive Order # D-182-47 | | | | 81918 | D-182-47 | |

For vehicles licensed in the state of California or Maine, or vehicles requiring CARB-compliant converters in the state of New York, the parts in this catalog must be installed as specifically listed. Parts cannot be substituted, nor can they be installed on California or Maine licensed vehicles not listed in this catalog.

OBDII PASSENGER CAR & TRUCK

| Years | Engine | Engine Family No. | Application | Position | Direct-Fit | | Universal Part No. | Executive Order | |
|----------------------------|---------|-------------------|----------------------------|----------------------------|--------------|---------------------------|---------------------------|-----------------|----------|
| | | | | | Part No. | Hardware | | | |
| GMC (Cont.) | | | | | | | | | |
| Sonoma (Cont.) | | | | | | | | | |
| 1996 (Cont.) | 4.3L V6 | TGM4.32PGKEK | Executive Order # D-182-69 | | | | 83508 | D-182-69 | |
| | | TGM4.38PGBEK | Executive Order # D-182-69 | | | | 83508 | D-182-69 | |
| 1995 | 4.3L V6 | S3G4.315GEEA | Executive Order # D-182-55 | | | | 80906 | D-182-55 | |
| | | S3G4.319GFEJ | Executive Order # D-182-57 | | | | 82637 | D-182-57 | |
| | | S3G4.325GEEA | Executive Order # D-182-55 | | | | 80906 | D-182-55 | |
| | | S3G4.329GFEA | Executive Order # D-182-55 | | | | 80906 | D-182-55 | |
| | | S3G4.329GFGJ | Executive Order # D-182-47 | | | | 81918 | D-182-47 | |
| | | | Executive Order # D-182-69 | | | | 83508 | D-182-69 | |
| W3500 Forward | | | | | | | | | |
| 2007 | 6.0L V8 | 7GMXH06.0583 | Executive Order # D-182-69 | Left | | | 83404 | D-182-69 | |
| | | | | Right | | | 83404 | D-182-69 | |
| 2006 | 6.0L V8 | 6GMXH06.0583 | Executive Order # D-182-69 | Left | | | 83404 | D-182-69 | |
| | | | | Right | | | 83404 | D-182-69 | |
| | | 6GMXH06.0593 | Executive Order # D-182-69 | Left | | | 83404 | D-182-69 | |
| | | | | Right | | | 83404 | D-182-69 | |
| 2005 | 6.0L V8 | 5GMXH06.0583 | Executive Order # D-182-69 | Left | | | 83404 | D-182-69 | |
| | | | | Right | | | 83404 | D-182-69 | |
| 2004 | 6.0L V8 | 4GMXH06.0583 | Executive Order # D-182-69 | Left | | | 83404 | D-182-69 | |
| | | | | Right | | | 83404 | D-182-69 | |
| 2002 | 5.7L V8 | 2GMXH05.7582 | Executive Order # D-182-69 | Left | | | 83509 | D-182-69 | |
| | | | | Right | | | 83509 | D-182-69 | |
| 1996 | 5.7L V8 | TGM5.7CPGAEA | Executive Order # D-182-69 | Left | | | 83509 | D-182-69 | |
| | | | | Right | | | 83509 | D-182-69 | |
| Yukon | | | | | | | | | |
| 2006 | 4.8L V8 | 6GMXT05.3379 | Executive Order # D-182-69 | | 83481 | 31554 (RH), 31718 (LH) | | D-182-69 | |
| | | | | Left | | | 83508 | D-182-69 | |
| | | | | Right | | | 83508 | D-182-69 | |
| | 5.3L V8 | 6GMXT05.3375 | Executive Order # D-182-69 | | 83481 | 31554 (RH), 31718 (LH) | | D-182-69 | |
| | | | | Left | | | 83508 | D-182-69 | |
| | | 6GMXT05.3379 | Executive Order # D-182-69 | | 83481 | 31554 (RH), 31718 (LH) | | D-182-69 | |
| | | | | Left | | | 83508 | D-182-69 | |
| | 6.0L V8 | 6GMXT06.2390 | Executive Order # D-182-69 | Left | 83497 | 31718 | 83403 | D-182-69 | |
| | | | | Right | 83457 | 31610 | 83403 | D-182-69 | |
| | 2005 | 4.8L V8 | 5GMXT05.3174 | Executive Order # D-182-52 | | 81761 | 31554 (RH), 31718 (LH) | | D-182-52 |
| Left | | | | | | | 81923 | D-182-52 | |
| Right | | | | | | | 81923 | D-182-52 | |
| Executive Order # D-182-69 | | | | | Left | | | 83508 | D-182-69 |
| | | | | | Right | | | 83508 | D-182-69 |

OBDII APPLICATIONS

NON-OBDII APPLICATIONS

NUMERICAL

UNIVERSAL SPECIFICATIONS

For vehicles licensed in the state of California or Maine, or vehicles requiring CARB-compliant converters in the state of New York, the parts in this catalog must be installed as specifically listed. Parts cannot be substituted, nor can they be installed on California or Maine licensed vehicles not listed in this catalog.

OBDII PASSENGER CAR & TRUCK

| Years | Engine | Engine Family No. | Application | Position | Direct-Fit | | Universal Part No. | Executive Order | | | |
|---|---------|-------------------|---|----------------------------|----------------------------|--------------|---------------------------|---------------------------|--------------|--------------|----------|
| | | | | | Part No. | Hardware | | | | | |
| GMC (Cont.) | | | | | | | | | | | |
| Yukon (Cont.) | | | | | | | | | | | |
| 2005 (Cont.) | 4.8L V8 | 5GMXT05.3174 | Fits Fed. & Calif. Emiss. Models.; Not legal for sale in the state of California. Not legal for use on California emission vehicles in New York. Legal for use on Federal/EPA emission vehicles in New York.; Legal for use in th | | 83482 | | | D-182-69 | | | |
| | 5.3L V8 | 5GMXT05.3175 | Executive Order # D-182-52 | Left | | 81761 | 31554 (RH), 31718 (LH) | | D-182-52 | | |
| | | | | Right | | | | 81923 | D-182-52 | | |
| | | | Executive Order # D-182-69 | Left | | | | 83508 | D-182-69 | | |
| | | | | Right | | | | 83508 | D-182-69 | | |
| | | | Fits Fed. & Calif. Emiss. Models.; Not legal for sale in the state of California. Not legal for use on California emission vehicles in New York. Legal for use on Federal/EPA emission vehicles in New York.; Legal for use in th | Left | | | 83482 | | | D-182-69 | |
| | | | | Right | | | | | | | |
| | | | 5GMXT06.0187 | Executive Order # D-182-69 | Left | | | | 83508 | D-182-69 | |
| | | | | | Right | | | | 83508 | D-182-69 | |
| | 6.0L V8 | 5GMXT06.0187 | Executive Order # D-182-69 | Left | | 83497 | 31718 | 83403 | D-182-69 | | |
| | | | | Right | | 83457 | 31610 | 83403 | D-182-69 | | |
| | 2004 | 4.8L V8 | 4GMXT05.3174 | Executive Order # D-182-52 | Left | | 81761 | 31554 (RH), 31718 (LH) | | D-182-52 | |
| | | | | | Right | | | | 81923 | D-182-52 | |
| | | | | Executive Order # D-182-69 | Left | | | | 83508 | D-182-69 | |
| Right | | | | | | | | 83508 | D-182-69 | | |
| Fits Fed. & Calif. Emiss. Models.; Not legal for sale in the state of California. Not legal for use on California emission vehicles in New York. Legal for use on Federal/EPA emission vehicles in New York.; Legal for use in th | | | | Left | | | 83482 | | | D-182-69 | |
| | | | | Right | | | | | | | |
| 5.3L V8 | | | | 4GMXT06.0187 | Executive Order # D-182-69 | Left | | | | 83508 | D-182-69 |
| | | | | | | Right | | | | 83508 | D-182-69 |
| 6.0L V8 | | 4GMXT06.0187 | Executive Order # D-182-69 | Left | | 83497 | 31718 | 83403 | D-182-69 | | |

For vehicles licensed in the state of California or Maine, or vehicles requiring CARB-compliant converters in the state of New York, the parts in this catalog must be installed as specifically listed. Parts cannot be substituted, nor can they be installed on California or Maine licensed vehicles not listed in this catalog.

OBDII PASSENGER CAR & TRUCK

| Years | Engine | Engine Family No. | Application | Position | Direct-Fit | | Universal Part No. | Executive Order | | | |
|--|--------------|----------------------------|--|--------------|----------------------------|----------------------------|--------------------|-----------------|---------------------------|--------------|----------|
| | | | | | Part No. | Hardware | | | | | |
| GMC (Cont.) | | | | | | | | | | | |
| Yukon (Cont.) | | | | | | | | | | | |
| 2004 (Cont.) | 6.0L V8 | 4GMXT06.0187 | Executive Order # D-182-69 | Right | 83457 | 31610 | 83403 | D-182-69 | | | |
| 2003 | 4.8L V8 | 3GMXT05.3184 | Executive Order # D-182-47 | Left | | | 81713 | D-182-47 | | | |
| | | | | Right | | | 81713 | D-182-47 | | | |
| | | | Executive Order # D-182-52 | | 81761 | 31554 (RH), 31718 (LH) | | | D-182-52 | | |
| | | | Executive Order # D-182-69 | Left | | | 83508 | | D-182-69 | | |
| | | | | Right | | | 83508 | | D-182-69 | | |
| | | | Fits Fed. & Calif. Emiss. Models.; Not legal for sale in the state of California. Not legal for use on California emission vehicles in New York. Legal for use on Federal/EPA emission vehicles in New York.; Legal for use in th | | | 83482 | | | | D-182-69 | |
| | | | 5.3L V8 | 3GMXT05.3185 | Executive Order # D-182-52 | | | 81761 | 31554 (RH), 31718 (LH) | | D-182-52 |
| | | | | | | Left | | | 81723 | D-182-52 | |
| | | | | | | Right | | | 81723 | D-182-52 | |
| | | | | | | Executive Order # D-182-69 | Left | | | 83403 | D-182-69 |
| Right | | | | | | | 83403 | D-182-69 | | | |
| Fits Fed. & Calif. Emiss. Models.; Not legal for sale in the state of California. Not legal for use on California emission vehicles in New York. Legal for use on Federal/EPA emission vehicles in New York.; Legal for use in th | | | | | | 83482 | | | | D-182-69 | |
| 6.0L V8 | 3GMXT06.0187 | Executive Order # D-182-69 | Left | 83497 | 31718 | 83403 | D-182-69 | | | | |
| | | | Right | 83457 | 31610 | 83403 | D-182-69 | | | | |
| 2002 | 4.8L V8 | 2GMXA04.8184 | Executive Order # D-182-57 | Rear Left | | | 82606 | D-182-57 | | | |
| | | | | Rear Right | | | 82606 | D-182-57 | | | |
| | 5.3L V8 | 2GMXA05.3185 | Executive Order # D-182-57 | Rear Left | | | 82606 | D-182-57 | | | |
| | | | | Rear Right | | | 82606 | D-182-57 | | | |
| 6.0L V8 | 2GMXA06.0194 | Executive Order # D-182-69 | Left | 83497 | 31718 | 83403 | D-182-69 | | | | |
| | | | Right | 83457 | 31610 | 83403 | D-182-69 | | | | |
| 2001 | 4.8L V8 | 1GMXA05.3184 | Executive Order # D-182-47 | Left | | | 81713 | D-182-47 | | | |
| | | | | Right | | | 81713 | D-182-47 | | | |
| | | | Executive Order # D-182-52 | | 81761 | 31554 (RH), 31718 (LH) | | D-182-52 | | | |
| | | | Executive Order # D-182-69 | Left | | | 83403 | D-182-69 | | | |
| | | | | Right | | | 83403 | D-182-69 | | | |
| | | | Fits Fed. & Calif. Emiss. Models.; Not legal for sale in the state of California. Not legal for use on California emission vehicles in New York. Legal for use on Federal/EPA emission vehicles in New York.; Legal for use in th | | | 83482 | | | | D-182-69 | |
| | | | 5.3L V8 | 1GMXA05.3184 | Executive Order # D-182-47 | Left | | | 81713 | D-182-47 | |
| Right | | | | | | 81713 | D-182-47 | | | | |

OBDII APPLICATIONS

NON-OBDII APPLICATIONS

NUMERICAL

UNIVERSAL SPECIFICATIONS

For vehicles licensed in the state of California or Maine, or vehicles requiring CARB-compliant converters in the state of New York, the parts in this catalog must be installed as specifically listed. Parts cannot be substituted, nor can they be installed on California or Maine licensed vehicles not listed in this catalog.

OBDII PASSENGER CAR & TRUCK

| Years | Engine | Engine Family No. | Application | Position | Direct-Fit | | Universal Part No. | Executive Order |
|----------------------------|---------|-------------------|---|--------------|--------------|---------------------------|--------------------|-----------------|
| | | | | | Part No. | Hardware | | |
| GMC (Cont.) | | | | | | | | |
| Yukon (Cont.) | | | | | | | | |
| 2001 (Cont.) | 5.3L V8 | 1GMXA05.3184 | Executive Order # D-182-52 | | 81761 | 31554 (RH), 31718 (LH) | | D-182-52 |
| | | | Fits Fed. & Calif. Emiss. Models.; Not legal for sale in the state of California. Not legal for use on California emission vehicles in New York. Legal for use on Federal/EPA emission vehicles in New York.; Legal for use in th | | 83482 | | | D-182-69 |
| | | YGMXA05.3184 | Executive Order # D-182-69 | Left | | | 83403 | D-182-69 |
| | | | | Right | | 83403 | D-182-69 | |
| | 6.0L V8 | 1GMXA06.0194 | Executive Order # D-182-69 | Left | 83497 | 31718 | 83403 | D-182-69 |
| | | | | Right | 83457 | 31610 | 83403 | D-182-69 |
| 2000 | 5.3L V8 | YGMXA05.3184 | Executive Order # D-182-47 | Left | | | 81713 | D-182-47 |
| | | | | Right | | | 81713 | D-182-47 |
| | | | Executive Order # D-182-52 | | 81761 | 31554 (RH), 31718 (LH) | | D-182-52 |
| | | | | Left | | | 83403 | D-182-69 |
| | | | Executive Order # D-182-69 | Left | | | 83403 | D-182-69 |
| | | | | Right | | | 83403 | D-182-69 |
| | | | Fits Fed. & Calif. Emiss. Models.; Not legal for sale in the state of California. Not legal for use on California emission vehicles in New York. Legal for use on Federal/EPA emission vehicles in New York.; Legal for use in th | | 83482 | | | D-182-69 |
| | | | | Left | | | 81723 | D-182-52 |
| | | | Executive Order # D-182-52 | Left | | | 81723 | D-182-52 |
| | | | | Right | | | 81723 | D-182-52 |
| | | | Executive Order # D-182-69 | Left | | | 83403 | D-182-69 |
| | | | | Right | | | 83403 | D-182-69 |
| | | | Executive Order # D-182-52 | Left | | | 81723 | D-182-52 |
| | | | | Right | | | 81723 | D-182-52 |
| | | | Executive Order # D-182-69 | Left | | | 83403 | D-182-69 |
| | | | | Right | | | 83403 | D-182-69 |
| Executive Order # D-182-52 | Left | | | 81723 | D-182-52 | | | |
| | Right | | | 81723 | D-182-52 | | | |
| Executive Order # D-182-69 | Left | | | 83403 | D-182-69 | | | |
| | Right | | | 83403 | D-182-69 | | | |
| Executive Order # D-182-52 | Left | | | 81723 | D-182-52 | | | |
| | Right | | | 81723 | D-182-52 | | | |
| Executive Order # D-182-69 | Left | | | 83403 | D-182-69 | | | |
| | Right | | | 83403 | D-182-69 | | | |
| 1999 | 5.7L V8 | XGMXA05.7185 | Executive Order # D-182-52 | Left | | | 81723 | D-182-52 |
| | | | | Right | | | 81723 | D-182-52 |
| | | | Executive Order # D-182-69 | Left | | | 83403 | D-182-69 |
| | | | | Right | | | 83403 | D-182-69 |
| | | XGMXA05.7186 | Executive Order # D-182-52 | Left | | | 81723 | D-182-52 |
| | | | | Right | | | 81723 | D-182-52 |
| | | | Executive Order # D-182-69 | Left | | | 83403 | D-182-69 |
| | | | | Right | | | 83403 | D-182-69 |

For vehicles licensed in the state of California or Maine, or vehicles requiring CARB-compliant converters in the state of New York, the parts in this catalog must be installed as specifically listed. Parts cannot be substituted, nor can they be installed on California or Maine licensed vehicles not listed in this catalog.

OBDII PASSENGER CAR & TRUCK

| Years | Engine | Engine Family No. | Application | Position | Direct-Fit | | Universal Part No. | Executive Order | | |
|----------------------------|----------------------------|----------------------------|----------------------------|----------------------------|----------------------------|----------------------------|--------------------|---------------------------|--------------|--------------|
| | | | | | Part No. | Hardware | | | | |
| GMC (Cont.) | | | | | | | | | | |
| Yukon (Cont.) | | | | | | | | | | |
| 1999 (Cont.) | 5.7L V8 | XGMXA05.7186 | Executive Order # D-182-69 | Right | | | 83403 | D-182-69 | | |
| 1998 | 5.7L V8 | WGMXA05.7185 | Executive Order # D-182-52 | Left | | | 81723 | D-182-52 | | |
| | | | | Right | | | 81723 | D-182-52 | | |
| | | | Executive Order # D-182-69 | Left | | | 83403 | D-182-69 | | |
| | | | | Right | | | 83403 | D-182-69 | | |
| | | WGMXA05.7186 | Executive Order # D-182-52 | Left | | | 81723 | D-182-52 | | |
| | | | | Right | | | 81723 | D-182-52 | | |
| | | | Executive Order # D-182-69 | Left | | | 83403 | D-182-69 | | |
| | | | | Right | | | 83403 | D-182-69 | | |
| 1997 | 5.7L V8 | VGM5.7HPG1EK | Executive Order # D-182-47 | Left | | | 81916 | D-182-47 | | |
| | | | | Right | | | 81916 | D-182-47 | | |
| | | | Executive Order # D-182-52 | | 81961 | 31588 (2), 31575 | | D-182-52 | | |
| | | | | Executive Order # D-182-69 | Left | | | 83506 | D-182-69 | |
| | | | Right | | | | 83506 | D-182-69 | | |
| | | | VGM5.7JPG1GK | Executive Order # D-182-47 | Left | | | 81916 | D-182-47 | |
| | | Right | | | | | 81916 | D-182-47 | | |
| | | Executive Order # D-182-52 | | | 81961 | 31588 (2), 31575 | | D-182-52 | | |
| | | | | Executive Order # D-182-69 | Left | | | 83506 | D-182-69 | |
| | | Right | | | | | 83506 | D-182-69 | | |
| | | 1996 | | 5.7L V8 | TGM5.75PGFEK | Executive Order # D-182-47 | Left | | | 81916 |
| | | | Right | | | | | | 81916 | D-182-47 |
| Executive Order # D-182-52 | | | 81961 | | | 31588 (2), 31575 | | D-182-52 | | |
| | Executive Order # D-182-69 | | Left | | | | | 83506 | D-182-69 | |
| Right | | | | | | | 83506 | D-182-69 | | |
| TGM5.76PGFEK | Executive Order # D-182-47 | | Left | | | | | 81918 | D-182-47 | |
| | | | Right | | | | 81918 | D-182-47 | | |
| | Executive Order # D-182-52 | | | | 81961 | 31588 (2), 31575 | | D-182-52 | | |
| | | | Executive Order # D-182-69 | | Left | | | 83508 | D-182-69 | |
| | Right | | | | | | 83508 | D-182-69 | | |
| | Yukon XL 1500 | | | | | | | | | |
| 2006 | 5.3L V8 | | 6GMXT05.3375 | | Executive Order # D-182-69 | | 83481 | 31554 (RH), 31718 (LH) | | D-182-69 |
| | | Left | | | | | 83508 | D-182-69 | | |
| | | Right | | | | | 83508 | D-182-69 | | |
| | | 6GMXT05.3379 | | Executive Order # D-182-69 | | | 83481 | 31554 (RH), 31718 (LH) | | D-182-69 |
| | | | | | | Left | | | 83508 | D-182-69 |
| | | | | | | Right | | | 83508 | D-182-69 |
| | | 6.0L V8 | 6GMXT06.2390 | Executive Order # D-182-69 | Left | 83497 | 31718 | 83403 | D-182-69 | |
| | | | | | Right | 83457 | 31610 | 83403 | D-182-69 | |
| 2005 | 5.3L V8 | 5GMXT05.3175 | Executive Order # D-182-52 | | 81761 | 31554 (RH), 31718 (LH) | | D-182-52 | | |
| | | | | Left | | | 81923 | D-182-52 | | |
| | | | | Right | | | 81923 | D-182-52 | | |
| | | | | Executive Order # D-182-69 | Left | | | 83508 | D-182-69 | |
| | | | | | | | | | | |

For vehicles licensed in the state of California or Maine, or vehicles requiring CARB-compliant converters in the state of New York, the parts in this catalog must be installed as specifically listed. Parts cannot be substituted, nor can they be installed on California or Maine licensed vehicles not listed in this catalog.

OBDII APPLICATIONS

NON-OBDII APPLICATIONS

NUMERICAL

UNIVERSAL SPECIFICATIONS

OBDII PASSENGER CAR & TRUCK

| Years | Engine | Engine Family No. | Application | Position | Direct-Fit | | Universal Part No. | Executive Order | |
|------------------------------|--------------|----------------------------|---|--------------|--------------|---------------------------|--------------------|-----------------|----------|
| | | | | | Part No. | Hardware | | | |
| GMC (Cont.) | | | | | | | | | |
| Yukon XL 1500 (Cont.) | | | | | | | | | |
| 2005 (Cont.) | 5.3L V8 | 5GMXT05.3175 | Executive Order # D-182-69 | Right | | | 83508 | D-182-69 | |
| | | | Fits Fed. & Calif. Emiss. Models.; Not legal for sale in the state of California. Not legal for use on California emission vehicles in New York. Legal for use on Federal/EPA emission vehicles in New York.; Legal for use in th | | 83482 | | | | D-182-69 |
| | | 5GMXT06.0187 | Executive Order # D-182-69 | Left | | | | 83508 | D-182-69 |
| | | | | Right | | | | 83508 | D-182-69 |
| | | | Fits Fed. & Calif. Emiss. Models.; Not legal for sale in the state of California. Not legal for use on California emission vehicles in New York. Legal for use on Federal/EPA emission vehicles in New York.; Legal for use in th | | 83482 | | | | D-182-69 |
| | | | | | | | | | |
| 6.0L V8 | 5GMXT06.0187 | Executive Order # D-182-69 | Left | 83497 | 31718 | 83403 | D-182-69 | | |
| | | | Right | 83457 | 31610 | 83403 | D-182-69 | | |
| 2004 | 5.3L V8 | 4GMXT06.0187 | Executive Order # D-182-69 | Left | | | 83508 | D-182-69 | |
| | | | | Right | | | 83508 | D-182-69 | |
| | | | Fits Fed. & Calif. Emiss. Models.; Not legal for sale in the state of California. Not legal for use on California emission vehicles in New York. Legal for use on Federal/EPA emission vehicles in New York.; Legal for use in th | | 83482 | | | | D-182-69 |
| | | | | | | | | | |
| | 6.0L V8 | 4GMXT06.0187 | Executive Order # D-182-69 | Left | 83497 | 31718 | 83403 | D-182-69 | |
| | | | | Right | 83457 | 31610 | 83403 | D-182-69 | |
| 2003 | 5.3L V8 | 3GMXT05.3185 | Executive Order # D-182-52 | | 81761 | 31554 (RH), 31718 (LH) | | D-182-52 | |
| | | | | Left | | | 81723 | D-182-52 | |
| | | | | Right | | | 81723 | D-182-52 | |
| | | | Executive Order # D-182-69 | Left | | | 83403 | D-182-69 | |
| | | | | Right | | | 83403 | D-182-69 | |
| | | | Fits Fed. & Calif. Emiss. Models.; Not legal for sale in the state of California. Not legal for use on California emission vehicles in New York. Legal for use on Federal/EPA emission vehicles in New York.; Legal for use in th | | 83482 | | | | D-182-69 |
| | 6.0L V8 | 3GMXT06.0187 | Executive Order # D-182-47 | Left | | | 81714 | D-182-47 | |
| | | | | Right | | | 81714 | D-182-47 | |
| | | | Executive Order # D-182-69 | Left | 83497 | 31718 | 83403 | D-182-69 | |
| | | | | Right | 83457 | 31610 | 83403 | D-182-69 | |
| 2002 | 5.3L V8 | 2GMXA05.3185 | Executive Order # D-182-57 | Rear Left | | | 82606 | D-182-57 | |
| | | | | Rear Right | | | 82606 | D-182-57 | |
| | 6.0L V8 | 2GMXA06.0194 | Executive Order # D-182-47 | Left | | | 81714 | D-182-47 | |
| | | | | Right | | | 81714 | D-182-47 | |
| | | | Executive Order # D-182-69 | Left | 83497 | 31718 | 83403 | D-182-69 | |
| | | | | | | | | | |

For vehicles licensed in the state of California or Maine, or vehicles requiring CARB-compliant converters in the state of New York, the parts in this catalog must be installed as specifically listed. Parts cannot be substituted, nor can they be installed on California or Maine licensed vehicles not listed in this catalog.

OBDII PASSENGER CAR & TRUCK

| Years | Engine | Engine Family No. | Application | Position | Direct-Fit | | Universal Part No. | Executive Order |
|------------------------------|-------------|----------------------------|---|----------------------------|--------------|---------------------------|--------------------|-----------------|
| | | | | | Part No. | Hardware | | |
| GMC (Cont.) | | | | | | | | |
| Yukon XL 1500 (Cont.) | | | | | | | | |
| 2002 (Cont.) | 6.0L V8 | 2GMXA06.0194 | Executive Order # D-182-69 | Right | 83457 | 31610 | 83403 | D-182-69 |
| 2001 | 5.3L V8 | 1GMXA05.3185 | Executive Order # D-182-57 | Rear Left | | | 82606 | D-182-57 |
| | | | | Rear Right | | | 82606 | D-182-57 |
| | 6.0L V8 | 1GMXA06.0194 | Executive Order # D-182-47 | Left | | | 81714 | D-182-47 |
| | | | | Right | | | 81714 | D-182-47 |
| | | | | Executive Order # D-182-69 | Left | 83497 | 31718 | 83403 |
| | | | Right | 83457 | 31610 | 83403 | D-182-69 | |
| 2000 | 5.3L V8 | YGMXA05.3184 | Executive Order # D-182-47 | Left | | | 81713 | D-182-47 |
| | | | | Right | | | 81713 | D-182-47 |
| | | | Executive Order # D-182-52 | | 81761 | 31554 (RH), 31718 (LH) | | D-182-52 |
| | | | Executive Order # D-182-69 | Left | | | 83403 | D-182-69 |
| | | | | Right | | | 83403 | D-182-69 |
| | | | Fits Fed. & Calif. Emiss. Models.; Not legal for sale in the state of California. Not legal for use on California emission vehicles in New York. Legal for use on Federal/EPA emission vehicles in New York.; Legal for use in th | | 83482 | | | D-182-69 |
| Yukon XL 2500 | | | | | | | | |
| 2006 | 6.0L V8 | 6GMXT06.0394 | Executive Order # D-182-52 | Left | | | 81724 | D-182-52 |
| | | | | Right | | | 81724 | D-182-52 |
| | | | Executive Order # D-182-69 | Left | | | 83404 | D-182-69 |
| | | | | Right | | | 83404 | D-182-69 |
| | 8.1L V8 | 6GMXT08.1201 | Executive Order # D-182-52 | Left | | | 81724 | D-182-52 |
| | | | | Right | | | 81724 | D-182-52 |
| | | Executive Order # D-182-69 | Left | | | 83404 | D-182-69 | |
| | | | Right | | | 83404 | D-182-69 | |
| 2005 | 6.0L V8 | 5GMXT06.0188 | Executive Order # D-182-52 | Front Left | | | 81724 | D-182-52 |
| | | | | Front Right | | | 81724 | D-182-52 |
| | | | | Rear Left | | | 81724 | D-182-52 |
| | | | | Rear Right | | | 81724 | D-182-52 |
| | | | Executive Order # D-182-69 | Front Left | | | 83404 | D-182-69 |
| | | | | Front Right | | | 83404 | D-182-69 |
| | | | | Rear Left | | | 83404 | D-182-69 |
| | | | | Rear Right | | | 83404 | D-182-69 |
| | 8.1L V8 | 5GMXT08.1201 | Executive Order # D-182-52 | Front Left | | | 81724 | D-182-52 |
| | | | | Front Right | | | 81724 | D-182-52 |
| | | | | Rear Left | | | 81724 | D-182-52 |
| | | | | Rear Right | | | 81724 | D-182-52 |
| Executive Order # D-182-69 | Front Left | | | 83404 | D-182-69 | | | |
| | Front Right | | | 83404 | D-182-69 | | | |
| | Rear Left | | | 83404 | D-182-69 | | | |
| | Rear Right | | | 83404 | D-182-69 | | | |
| 2004 | 6.0L V8 | 4GMXT06.0188 | Executive Order # D-182-52 | Front Left | | | 81724 | D-182-52 |

For vehicles licensed in the state of California or Maine, or vehicles requiring CARB-compliant converters in the state of New York, the parts in this catalog must be installed as specifically listed. Parts cannot be substituted, nor can they be installed on California or Maine licensed vehicles not listed in this catalog.

OBDII APPLICATIONS

NON-OBDII APPLICATIONS

NUMERICAL

UNIVERSAL SPECIFICATIONS

OBDII PASSENGER CAR & TRUCK

| Years | Engine | Engine Family No. | Application | Position | Direct-Fit | | Universal Part No. | Executive Order | | |
|------------------------------|----------------------------|-------------------|----------------------------|----------------------------|----------------------------|-------------|--------------------|-----------------|--------------|----------|
| | | | | | Part No. | Hardware | | | | |
| GMC (Cont.) | | | | | | | | | | |
| Yukon XL 2500 (Cont.) | | | | | | | | | | |
| 2004 (Cont.) | 6.0L V8 | 4GMXT06.0188 | Executive Order # D-182-52 | Front Right | | | 81724 | D-182-52 | | |
| | | | | Rear Left | | | 81724 | D-182-52 | | |
| | | | | Rear Right | | | 81724 | D-182-52 | | |
| | | | Executive Order # D-182-69 | Front Left | | | 83404 | D-182-69 | | |
| | | | | Front Right | | | 83404 | D-182-69 | | |
| | | | | Rear Left | | | 83404 | D-182-69 | | |
| | | | 8.1L V8 | 4GMXT08.1201 | Executive Order # D-182-52 | Front Left | | | 81724 | D-182-52 |
| | | | | | | Front Right | | | 81724 | D-182-52 |
| | Rear Left | | | | | | 81724 | D-182-52 | | |
| | Rear Right | | | | | | 81724 | D-182-52 | | |
| | Executive Order # D-182-69 | Front Left | | | | | 83404 | D-182-69 | | |
| | | Front Right | | | | | 83404 | D-182-69 | | |
| | | Rear Left | | | | | 83404 | D-182-69 | | |
| | | Rear Right | | | | | 83404 | D-182-69 | | |
| | 2003 | 6.0L V8 | 3GMXA06.0188 | Executive Order # D-182-52 | Front Left | | | 81724 | D-182-52 | |
| | | | | | Front Right | | | 81724 | D-182-52 | |
| Rear Left | | | | | | | 81724 | D-182-52 | | |
| Rear Right | | | | | | | 81724 | D-182-52 | | |
| Executive Order # D-182-69 | | | | Front Left | | | 83404 | D-182-69 | | |
| | | | | Front Right | | | 83404 | D-182-69 | | |
| | | | | Rear Left | | | 83404 | D-182-69 | | |
| | | | | Rear Right | | | 83404 | D-182-69 | | |
| 8.1L V8 | | 3GMXA08.1201 | Executive Order # D-182-52 | Front Left | | | 81724 | D-182-52 | | |
| | | | | Front Right | | | 81724 | D-182-52 | | |
| | | | | Rear Left | | | 81724 | D-182-52 | | |
| | | | | Rear Right | | | 81724 | D-182-52 | | |
| | | | Executive Order # D-182-69 | Front Left | | | 83404 | D-182-69 | | |
| | | | | Front Right | | | 83404 | D-182-69 | | |
| | | | | Rear Left | | | 83404 | D-182-69 | | |
| | | | | Rear Right | | | 83404 | D-182-69 | | |
| 2002 | 6.0L V8 | 2GMXA06.0188 | Executive Order # D-182-52 | Front Left | | | 81724 | D-182-52 | | |
| | | | | Front Right | | | 81724 | D-182-52 | | |
| | | | | Rear Left | | | 81724 | D-182-52 | | |
| | | | | Rear Right | | | 81724 | D-182-52 | | |
| | | | Executive Order # D-182-69 | Front Left | | | 83404 | D-182-69 | | |
| | | | | Front Right | | | 83404 | D-182-69 | | |
| | | | | Rear Left | | | 83404 | D-182-69 | | |
| | | | | Rear Right | | | 83404 | D-182-69 | | |
| | 8.1L V8 | 2GMXA08.1201 | Executive Order # D-182-52 | Front Left | | | 81724 | D-182-52 | | |
| | | | | Front Right | | | 81724 | D-182-52 | | |
| | | | | Rear Left | | | 81724 | D-182-52 | | |
| | | | | Rear Right | | | 81724 | D-182-52 | | |
| | | | Executive Order # D-182-69 | Front Left | | | 83404 | D-182-69 | | |
| | | | | Front Right | | | 83404 | D-182-69 | | |
| | | | | Rear Left | | | 83404 | D-182-69 | | |
| | | | | Rear Right | | | 83404 | D-182-69 | | |

For vehicles licensed in the state of California or Maine, or vehicles requiring CARB-compliant converters in the state of New York, the parts in this catalog must be installed as specifically listed. Parts cannot be substituted, nor can they be installed on California or Maine licensed vehicles not listed in this catalog.

OBDII PASSENGER CAR & TRUCK

| Years | Engine | Engine Family No. | Application | Position | Direct-Fit | | Universal Part No. | Executive Order | |
|------------------------------|--------------|----------------------------|----------------------------|----------------------------|------------|--------------|--------------------|-----------------|----------|
| | | | | | Part No. | Hardware | | | |
| GMC (Cont.) | | | | | | | | | |
| Yukon XL 2500 (Cont.) | | | | | | | | | |
| 2002 (Cont.) | 8.1L V8 | 2GMXA08.1201 | Executive Order # D-182-69 | Rear Left | | | 83404 | D-182-69 | |
| | | | | Rear Right | | | 83404 | D-182-69 | |
| 2001 | 6.0L V8 | 1GMXA06.0188 | Executive Order # D-182-52 | Front Left | | | 81724 | D-182-52 | |
| | | | | Front Right | | | 81724 | D-182-52 | |
| | | | | Rear Left | | | 81724 | D-182-52 | |
| | | | | Rear Right | | | 81724 | D-182-52 | |
| | | | Executive Order # D-182-69 | Front Left | | | 83404 | D-182-69 | |
| | | | | Front Right | | | 83404 | D-182-69 | |
| | | | | Rear Left | | | 83404 | D-182-69 | |
| | | | | Rear Right | | | 83404 | D-182-69 | |
| | | | 1GMXA06.0194 | Executive Order # D-182-47 | Left | | | 81714 | D-182-47 |
| | | | | | Right | | | 81714 | D-182-47 |
| 8.1L V8 | 1GMXA08.1201 | Executive Order # D-182-52 | Front Left | | | 81724 | D-182-52 | | |
| | | | Front Right | | | 81724 | D-182-52 | | |
| | | | Rear Left | | | 81724 | D-182-52 | | |
| | | | Rear Right | | | 81724 | D-182-52 | | |
| | | Executive Order # D-182-69 | Front Left | | | 83404 | D-182-69 | | |
| | | | Front Right | | | 83404 | D-182-69 | | |
| | | | Rear Left | | | 83404 | D-182-69 | | |
| | | | Rear Right | | | 83404 | D-182-69 | | |
| 2000 | 6.0L V8 | YGMXT06.0192 | Executive Order # D-182-47 | Left | | | 81714 | D-182-47 | |
| | | | | Right | | | 81714 | D-182-47 | |
| | | | Executive Order # D-182-69 | Left | | | 83404 | D-182-69 | |
| | | | | Right | | | 83404 | D-182-69 | |

HONDA

| | | | | | | | | |
|---------------|----------------------------|--------------|---|--------------|--------------|--------------|--------------|----------|
| Accord | | | | | | | | |
| 2009 | 2.4L L4 | 9HNXV02.4YB3 | Executive Order # D-182-62 | Rear | 83292 | 31644, 31589 | 83205 | D-182-62 |
| | | | Includes Front Gasket; Executive Order # D-182-62 | Front | 83177 | 31556 | | D-182-62 |
| | 3.5L V6 | 9HNXV03.5MB3 | Executive Order # D-182-62 | Rear | 83291 | 31602, 31589 | 83206 | D-182-62 |
| 2008 | 2.4L L4 | 8HNXV02.4TKR | Executive Order # D-182-62 | Rear | 83292 | 31644, 31589 | 83205 | D-182-62 |
| | | | Includes Front Gasket; Executive Order # D-182-62 | Front | 83177 | 31556 | | D-182-62 |
| | 3.5L V6 | 8HNXV03.5VKR | Executive Order # D-182-62 | Rear | 83291 | 31602, 31589 | 83206 | D-182-62 |
| 2007 | 2.4L L4 | 7HNXV02.4KKC | Executive Order # D-182-64 | | 82895 | | 82812 | D-182-64 |
| | | | Executive Order # D-182-63 | Front Left | 83395 | 31724, 31377 | | D-182-63 |
| Front Right | 83394 | 31724, 31377 | | | D-182-63 | | | |
| Rear | 83272 | 31602, 31589 | | 83217 | D-182-63 | | | |
| 7HNXV03.5NKR | Executive Order # D-182-62 | Front Left | 83188 | 31724, 31377 | | D-182-62 | | |
| | | Front Right | 83187 | 31724, 31377 | | D-182-62 | | |
| | | Rear | 83299 | 31602, 31589 | 83206 | D-182-62 | | |
| | | | | | | | | |
| 2006 | 2.4L L4 | 6HNXV02.4KKC | Executive Order # D-182-64 | | 82895 | | 82812 | D-182-64 |
| | | | Executive Order # D-182-63 | Front Left | 83395 | 31724, 31377 | | D-182-63 |
| Front Right | 83394 | 31724, 31377 | | | D-182-63 | | | |
| Rear | 83272 | 31602, 31589 | | 83217 | D-182-63 | | | |

For vehicles licensed in the state of California or Maine, or vehicles requiring CARB-compliant converters in the state of New York, the parts in this catalog must be installed as specifically listed. Parts cannot be substituted, nor can they be installed on California or Maine licensed vehicles not listed in this catalog.

OBDII APPLICATIONS

NON-OBDII APPLICATIONS

NUMERICAL

UNIVERSAL SPECIFICATIONS

OBDII PASSENGER CAR & TRUCK

| Years | Engine | Engine Family No. | Application | Position | Direct-Fit | | Universal Part No. | Executive Order | | |
|-----------------------|----------------------------|----------------------------|--|--------------|----------------------------|--------------|--------------------|-----------------|--|----------|
| | | | | | Part No. | Hardware | | | | |
| HONDA (Cont.) | | | | | | | | | | |
| Accord (Cont.) | | | | | | | | | | |
| 2006 (Cont.) | 3.0L V6 | 6HNXV03.2NKR | Executive Order # D-182-62 | Front Left | 83188 | 31724, 31377 | | D-182-62 | | |
| | | | | Front Right | 83187 | 31724, 31377 | | D-182-62 | | |
| | | | | Rear | 83299 | 31602, 31589 | 83206 | D-182-62 | | |
| 2005 | 2.4L L4 | 5HNXV02.4VBP | Executive Order # D-182-64 | | 82895 | | 82812 | D-182-64 | | |
| | 3.0L V6 | 5HNXV03.01B4 | Hybrid Model; Executive Order # D-182-62 | Rear | 83299 | 31602, 31589 | 83206 | D-182-62 | | |
| | | | | 5HNXV03.0TBP | Executive Order # D-182-63 | Front Left | 83395 | 31724, 31377 | | D-182-63 |
| | | | | | | Front Right | 83394 | 31724, 31377 | | D-182-63 |
| | 5HNXV03.24B4 | Executive Order # D-182-62 | Front Left | 83188 | 31724, 31377 | | D-182-62 | | | |
| | | | Front Right | 83187 | 31724, 31377 | | D-182-62 | | | |
| | | | Rear | 83299 | 31602, 31589 | 83206 | D-182-62 | | | |
| 2004 | 2.4L L4 | 4HNXV02.4JBP | Executive Order # D-182-64 | | 82895 | | 82812 | D-182-64 | | |
| | | 4HNXV02.4LBP | Executive Order # D-182-64 | | 82895 | | 82812 | D-182-64 | | |
| | 3.0L V6 | 4HNXV03.0FBP | Executive Order # D-182-63 | Front Left | 83395 | 31724, 31377 | | D-182-63 | | |
| | | | | Front Right | 83394 | 31724, 31377 | | D-182-63 | | |
| | | | | Rear | 83272 | 31602, 31589 | 83217 | D-182-63 | | |
| | 4HNXV03.0HB4 | Executive Order # D-182-62 | Front Left | 83188 | 31724, 31377 | | D-182-62 | | | |
| | | | Front Right | 83187 | 31724, 31377 | | D-182-62 | | | |
| Rear | | | 83299 | 31602, 31589 | 83206 | D-182-62 | | | | |
| 2003 | 2.4L L4 | 3HNXV02.4JBP | Executive Order # D-182-64 | | 82895 | | 82812 | D-182-64 | | |
| | 3.0L V6 | 3HNXV03.0FBP | Executive Order # D-182-63 | Front Left | 83395 | 31724, 31377 | | D-182-63 | | |
| | | | | Front Right | 83394 | 31724, 31377 | | D-182-63 | | |
| | | | | Rear | 83272 | 31602, 31589 | 83217 | D-182-63 | | |
| | 3HNXV03.0HB4 | Executive Order # D-182-62 | Front Left | 83188 | 31724, 31377 | | D-182-62 | | | |
| | | | Front Right | 83187 | 31724, 31377 | | D-182-62 | | | |
| Rear | | | 83299 | 31602, 31589 | 83206 | D-182-62 | | | | |
| 2002 | 2.3L L4 | 2HNXV02.3MJT | Executive Order # D-182-67 | | 82996 | 31645, 31383 | 82901 | D-182-67 | | |
| | | 2HNXV02.3PNP | Executive Order # D-182-45 | | 81767 | 31645, 31383 | | D-182-45 | | |
| | | | Executive Order # D-182-57 | | | | 82608 | D-182-57 | | |
| | | 2HNXV02.3RDA | Executive Order # D-182-45 | | 81767 | 31645, 31383 | | D-182-45 | | |
| | Executive Order # D-182-57 | | | | | 82608 | D-182-57 | | | |
| | 3.0L V6 | 2HNXV03.0WYC | Executive Order # D-182-45 | | 81756 | 31645, 31383 | | D-182-45 | | |
| | | | Executive Order # D-182-57 | | | | 82608 | D-182-57 | | |
| 2001 | 2.3L L4 | 1HNXV02.3VH2 | Executive Order # D-182-45 | | 81767 | 31645, 31383 | | D-182-45 | | |
| | | | Executive Order # D-182-57 | | | | 82608 | D-182-57 | | |
| | 1HNXV02.3W87 | Executive Order # D-182-67 | | 82996 | 31645, 31383 | 82901 | D-182-67 | | | |
| | 3.0L V6 | 1HNXV03.0M5U | Executive Order # D-182-45 | | 81756 | 31645, 31383 | | D-182-45 | | |
| | | | Executive Order # D-182-57 | | | | 82608 | D-182-57 | | |
| 2000 | 2.3L L4 | YHNXV02.3PA3 | Executive Order # D-182-45 | | 81767 | 31645, 31383 | | D-182-45 | | |
| | | | Executive Order # D-182-57 | | | | 82608 | D-182-57 | | |
| | | YHNXV02.3PF3 | Executive Order # D-182-45 | | 81767 | 31645, 31383 | | D-182-45 | | |
| | | | Executive Order # D-182-57 | | | | 82608 | D-182-57 | | |
| | YHNXV02.3PL4 | Executive Order # D-182-67 | | 82996 | 31645, 31383 | 82901 | D-182-67 | | | |
| | 3.0L V6 | YHNXV03.0FA3 | Executive Order # D-182-45 | | 81756 | 31645, 31383 | | D-182-45 | | |
| | | | Executive Order # D-182-57 | | | | 82608 | D-182-57 | | |

For vehicles licensed in the state of California or Maine, or vehicles requiring CARB-compliant converters in the state of New York, the parts in this catalog must be installed as specifically listed. Parts cannot be substituted, nor can they be installed on California or Maine licensed vehicles not listed in this catalog.

OBDII PASSENGER CAR & TRUCK

| Years | Engine | Engine Family No. | Application | Position | Direct-Fit | | Universal Part No. | Executive Order | |
|-----------------------|--------------|----------------------------|--------------------------------------|--------------|--------------|---------------------|--------------------|-----------------|----------|
| | | | | | Part No. | Hardware | | | |
| HONDA (Cont.) | | | | | | | | | |
| Accord (Cont.) | | | | | | | | | |
| 1999 | 2.3L L4 | XHNXV02.3PA3 | Executive Order # D-182-45 | | 81767 | 31645, 31383 | | D-182-45 | |
| | | | Executive Order # D-182-57 | | | | 82608 | D-182-57 | |
| | | XHNXV02.3PL2 | Executive Order # D-182-45 | | 81767 | 31645, 31383 | | | D-182-45 |
| | | | Executive Order # D-182-57 | | | | | 82608 | D-182-57 |
| | XHNXV02.3PL4 | Executive Order # D-182-67 | | 82996 | 31645, 31383 | | 82901 | D-182-67 | |
| | | Executive Order # D-182-45 | | 81756 | 31645, 31383 | | | D-182-45 | |
| 3.0L V6 | XHNXV03.0FL2 | Executive Order # D-182-57 | | | | 82608 | D-182-57 | | |
| | | Executive Order # D-182-45 | | 81767 | 31645, 31383 | | D-182-45 | | |
| 1998 | 2.3L L4 | WHNXV02.3PA3 | Executive Order # D-182-45 | | 81767 | 31645, 31383 | | D-182-45 | |
| | | | Executive Order # D-182-57 | | | | 82608 | D-182-57 | |
| | | WHNXV02.3PL2 | Executive Order # D-182-45 | | 81767 | 31645, 31383 | | | D-182-45 |
| | | | Executive Order # D-182-57 | | | | | 82608 | D-182-57 |
| | WHNXV02.3PL4 | Executive Order # D-182-67 | | 82996 | 31645, 31383 | | 82901 | D-182-67 | |
| | | Executive Order # D-182-45 | | 81756 | 31645, 31383 | | | D-182-45 | |
| 3.0L V6 | WHNXV03.0FL2 | Executive Order # D-182-57 | | | | 82608 | D-182-57 | | |
| | | Executive Order # D-182-48 | Front | | | 81806 | D-182-48 | | |
| 1997 | 2.2L L4 | VHN2.2VJG2EK | Executive Order # D-182-48 | Rear | | | 81660 | D-182-48 | |
| | | | Executive Order # D-182-45 | | 81750 | 31378, 31383 | | D-182-45 | |
| | | VHN2.2VJGKEK | Executive Order # D-182-58 | | | | 82506 | D-182-58 | |
| | | | Executive Order # D-182-58 | | | | 82506 | D-182-58 | |
| | VHN2.2VJGFK | Executive Order # D-182-57 | | | | 82607 | D-182-57 | | |
| | | Executive Order # D-182-58 | | | | 82506 | D-182-58 | | |
| 2.7L V6 | VHN2.7VJG1EK | Executive Order # D-182-58 | | | | 82506 | D-182-58 | | |
| | | Executive Order # D-182-48 | Front | | | 81806 | D-182-48 | | |
| 1996 | 2.2L L4 | THN2.2VJG1EK | Executive Order # D-182-48 | Rear | | | 81660 | D-182-48 | |
| | | | Executive Order # D-182-45 | | 81750 | 31378, 31383 | | D-182-45 | |
| | | THN2.2VJGKEK | Executive Order # D-182-58 | | | | 82506 | D-182-58 | |
| | | | Executive Order # D-182-57 | | | | 82607 | D-182-57 | |
| | 2.7L V6 | THN2.7VJG1EK | Executive Order # D-182-57 | | | | 82607 | D-182-57 | |
| | | | Executive Order # D-182-57 | | | | 82607 | D-182-57 | |
| 1995 | 2.7L V6 | SHN2.7VJG1EK | Executive Order # D-182-57 | | | | 82607 | D-182-57 | |
| Civic | | | | | | | | | |
| 2013 | 1.8L L4 | DHNXV01.8CB1 | Executive Order # D-182-70 | | 83494 | 31722, 31391 | | D-182-70 | |
| 2012 | 1.8L L4 | CHNXV01.8CB2 | Executive Order # D-182-70 | | 83494 | 31722, 31391 | | D-182-70 | |
| 2011 | 1.8L L4 | BHNXV01.8HB9 | Executive Order # D-182-70 | | 83495 | 31722, 31391 | | D-182-70 | |
| | 2.0L L4 | BHNXV02.0TA9 | Executive Order # D-182-64 | | | | 82805 | D-182-64 | |
| 2010 | 1.8L L4 | AHNXV01.8GB9 | Executive Order # D-182-70 | | 83495 | 31722, 31391 | | D-182-70 | |
| | 2.0L L4 | AHNXV02.0EA9 | Executive Order # D-182-64 | | | | 82805 | D-182-64 | |
| 2009 | 1.8L L4 | 9HNXV01.8XB9 | Executive Order # D-182-70 | | 83495 | 31722, 31391 | | D-182-70 | |
| | 2.0L L4 | 9HNXV02.0VA9 | Executive Order # D-182-64 | | | | 82805 | D-182-64 | |
| 2008 | 1.8L L4 | 8HNXV01.8LKR | Executive Order # D-182-70 | | 83495 | 31722, 31391 | | D-182-70 | |
| | 2.0L L4 | 8HNXV02.4FKC | Executive Order # D-182-64 | | | | 82805 | D-182-64 | |
| 2007 | 1.8L L4 | 7HNXV01.8MKR | Executive Order # D-182-70 | | 83495 | 31722, 31391 | | D-182-70 | |
| | 2.0L L4 | 7HNXV02.4HKC | Executive Order # D-182-64 | | | | 82805 | D-182-64 | |
| 2006 | 1.8L L4 | 6HNXV01.8JKR | Executive Order # D-182-70 | | 83495 | 31722, 31391 | | D-182-70 | |
| | 2.0L L4 | 6HNXV02.4FKC | Executive Order # D-182-64 | | | | 82805 | D-182-64 | |
| 2005 | 1.7L L4 | 5HNXV01.7FA6 | EX Model; Executive Order # D-182-57 | | 82681 | 31557, 31383, 35129 | | D-182-57 | |
| | | | Executive Order # D-182-57 | | | | 82614 | D-182-57 | |

For vehicles licensed in the state of California or Maine, or vehicles requiring CARB-compliant converters in the state of New York, the parts in this catalog must be installed as specifically listed. Parts cannot be substituted, nor can they be installed on California or Maine licensed vehicles not listed in this catalog.

OBDII APPLICATIONS

NON-OBDII APPLICATIONS

NUMERICAL

UNIVERSAL SPECIFICATIONS

OBDII PASSENGER CAR & TRUCK

| Years | Engine | Engine Family No. | Application | Position | Direct-Fit | | Universal Part No. | Executive Order |
|--------------------------------------|--------------|----------------------------|--|--|--------------|---------------------|--------------------|-----------------|
| | | | | | Part No. | Hardware | | |
| HONDA (Cont.) | | | | | | | | |
| Civic (Cont.) | | | | | | | | |
| 2005 (Cont.) | 1.7L L4 | 5HNXV01.7MA6 | Executive Order # D-182-49 | Front | 82450 | 31357 | | D-182-49 |
| | 2.0L L4 | 5HNXV02.4KBP | Executive Order # D-182-64 | | 82889 | 31531, 31383 | 82806 | D-182-64 |
| 2004 | 1.7L L4 | 4HNXV01.7VA6 | EX Model; Executive Order # D-182-57 | | 82681 | 31557, 31383, 35129 | | D-182-57 |
| | | | Executive Order # D-182-57 | | | | 82614 | D-182-57 |
| | 4HNXV01.7WA6 | Executive Order # D-182-49 | Front | 82450 | 31357 | | D-182-49 | |
| | 2.0L L4 | 4HNXV02.0XKC | Executive Order # D-182-64 | | 82889 | 31531, 31383 | 82806 | D-182-64 |
| 2003 | 1.7L L4 | 3HNXV01.7VA5 | EX Model; Executive Order # D-182-57 | | 82681 | 31557, 31383, 35129 | | D-182-57 |
| | | | Executive Order # D-182-57 | | | | 82614 | D-182-57 |
| | 3HNXV01.7WA5 | Executive Order # D-182-49 | Front | 82450 | 31357 | | D-182-49 | |
| | 2.0L L4 | 3HNXV02.0XKC | Executive Order # D-182-64 | | 82889 | 31531, 31383 | 82806 | D-182-64 |
| 2002 | 1.7L L4 | 2HNXV01.7NA5 | EX Model; Executive Order # D-182-57 | | 82681 | 31557, 31383, 35129 | | D-182-57 |
| | | | Executive Order # D-182-57 | | | | 82614 | D-182-57 |
| | 2HNXV01.7TA5 | Executive Order # D-182-49 | Front | 82450 | 31357 | | D-182-49 | |
| | 2.0L L4 | 2HNXV02.0VBP | Executive Order # D-182-64 | | 82889 | 31531, 31383 | 82806 | D-182-64 |
| 2001 | 1.7L L4 | 1HNXV01.7XJ9 | EX Model; Executive Order # D-182-57 | | 82681 | 31557, 31383, 35129 | | D-182-57 |
| | | | Executive Order # D-182-57 | | | | 82614 | D-182-57 |
| | 1HNXV01.7YJ9 | Executive Order # D-182-49 | Front | 82450 | 31357 | | D-182-49 | |
| 2000 | 1.6L L4 | YHNXV01.6CA3 | Includes Front & Rear Gasket; Executive Order # D-182-50 | Front | 82444 | | | D-182-50 |
| | | | YHNXV01.6JL2 | Includes Front & Rear Gasket; Executive Order # D-182-50 | Front | 82444 | | |
| | | YHNXV01.6TA3 | EX Model; Executive Order # D-182-57 | | 82674 | 31619, 31383 | | D-182-57 |
| | | | Executive Order # D-182-57 | | | | 82614 | D-182-57 |
| | | | Si Model; Executive Order # D-182-57 | | 82674 | 31619, 31383 | | D-182-57 |
| | | YHNXV01.6VA2 | EX Model; Executive Order # D-182-57 | | 82674 | 31619, 31383 | | D-182-57 |
| | | | Executive Order # D-182-57 | | | | 82614 | D-182-57 |
| Si Model; Executive Order # D-182-57 | | | 82674 | 31619, 31383 | | D-182-57 | | |
| 1999 | 1.6L L4 | XHNXV01.6CA3 | Includes Front & Rear Gasket; Executive Order # D-182-50 | Front | 82444 | | | D-182-50 |
| | | | XHNXV01.6JL2 | Includes Front & Rear Gasket; Executive Order # D-182-50 | Front | 82444 | | |
| | | XHNXV01.6TA3 | EX Model; Executive Order # D-182-57 | | 82674 | 31619, 31383 | | D-182-57 |
| | | | Executive Order # D-182-57 | | | | 82614 | D-182-57 |
| | | | Si Model; Executive Order # D-182-57 | | 82674 | 31619, 31383 | | D-182-57 |
| | | XHNXV01.6VA2 | EX Model; Executive Order # D-182-57 | | 82674 | 31619, 31383 | | D-182-57 |
| | | | Executive Order # D-182-57 | | | | 82614 | D-182-57 |
| Si Model; Executive Order # D-182-57 | | | 82674 | 31619, 31383 | | D-182-57 | | |

For vehicles licensed in the state of California or Maine, or vehicles requiring CARB-compliant converters in the state of New York, the parts in this catalog must be installed as specifically listed. Parts cannot be substituted, nor can they be installed on California or Maine licensed vehicles not listed in this catalog.

OBDII PASSENGER CAR & TRUCK

| Years | Engine | Engine Family No. | Application | Position | Direct-Fit | | Universal Part No. | Executive Order |
|----------------------|---------|-------------------|---|----------|--------------|--------------|--------------------|-----------------|
| | | | | | Part No. | Hardware | | |
| HONDA (Cont.) | | | | | | | | |
| Civic (Cont.) | | | | | | | | |
| 1998 | 1.6L L4 | WHNXV01.6CA3 | Includes Front & Rear Gasket; Executive Order # D-182-50 | Front | 82444 | | | D-182-50 |
| | | WHNXV01.6JL2 | Includes Front & Rear Gasket; Executive Order # D-182-50 | Front | 82444 | | | D-182-50 |
| | | WHNXV01.6TA1 | Executive Order # D-182-58 | | 82596 | 31619, 31354 | 82508 | D-182-58 |
| 1997 | 1.6L L4 | VHN1.6VJG2EK | Includes Front & Rear Gasket; Executive Order # D-182-50 | Front | 82444 | | | D-182-50 |
| | | VHN1.6VJG3EK | Includes Front & Rear Gasket; Executive Order # D-182-50 | Front | 82444 | | | D-182-50 |
| | | VHN1.6VJGKEK | Executive Order # D-182-58 | | 82596 | 31619, 31354 | 82508 | D-182-58 |
| | | VHN1.6VJGK GK | Includes Front & Rear Gasket; Executive Order # D-182-50 | Front | 82444 | | | D-182-50 |
| 1996 | 1.6L L4 | THN1.6VJG2EK | Includes Front & Rear Gasket; Executive Order # D-182-50 | Front | 82444 | | | D-182-50 |
| | | THN1.6VJG3EK | Includes Front & Rear Gasket; Executive Order # D-182-50 | Front | 82444 | | | D-182-50 |
| | | THN1.6VJGKEK | Executive Order # D-182-58 | | 82596 | 31619, 31354 | 82508 | D-182-58 |
| | | THN1.6VJGK GK | Includes Front & Rear Gasket; Executive Order # D-182-50 | Front | 82444 | | | D-182-50 |
| Civic del Sol | | | | | | | | |
| 1997 | 1.6L L4 | VHN1.6VJG3EK | Includes Front & Rear Gasket; Executive Order # D-182-50 | Front | 82444 | | | D-182-50 |
| | | VHN1.6VJGKEK | Executive Order # D-182-58 | | 82596 | 31619, 31354 | 82508 | D-182-58 |
| | | VHN1.6VJGK GK | Includes Front & Rear Gasket; Executive Order # D-182-50 | Front | 82444 | | | D-182-50 |
| | | VHN1.6VJGK HK | Executive Order # D-182-58 | | 82596 | 31619, 31354 | 82508 | D-182-58 |
| 1996 | 1.6L L4 | THN1.6VJG3EK | Includes Front & Rear Gasket; Executive Order # D-182-50 | Front | 82444 | | | D-182-50 |
| | | THN1.6VJGKEK | Executive Order # D-182-58 | | 82596 | 31619, 31354 | 82508 | D-182-58 |
| | | THN1.6VJGK GK | Includes Front & Rear Gasket; Executive Order # D-182-50 | Front | 82444 | | | D-182-50 |
| | | THN1.6VJGK HK | Executive Order # D-182-58 | | 82596 | 31619, 31354 | 82508 | D-182-58 |
| CR-V | | | | | | | | |
| 2006 | 2.4L L4 | 6HNXB02.4EKC | Executive Order # D-182-64 | | 82896 | 31673, 31383 | 82814 | D-182-64 |
| 2005 | 2.4L L4 | 5HNXT02.4NBP | Executive Order # D-182-64 | | 82896 | 31673, 31383 | 82814 | D-182-64 |
| 2004 | 2.4L L4 | 4HNXT02.4YBP | Executive Order # D-182-64 | | 82896 | 31673, 31383 | 82814 | D-182-64 |
| 2003 | 2.4L L4 | 3HNXT02.4YBP | Executive Order # D-182-64 | | 82896 | 31673, 31383 | 82814 | D-182-64 |
| 2002 | 2.4L L4 | 2HNXT02.4YBP | Executive Order # D-182-64 | | 82896 | 31673, 31383 | 82814 | D-182-64 |
| 2001 | 2.0L L4 | 1HNXT02.0P3E | Executive Order # D-182-45 | | 81762 | 31619, 31383 | | D-182-45 |
| | | | Executive Order # D-182-57 | | | | 82607 | D-182-57 |
| 2000 | 2.0L L4 | YHNXT02.0UA2 | Executive Order # D-182-45 | | 81762 | 31619, 31383 | | D-182-45 |
| | | | Executive Order # D-182-57 | | | | 82607 | D-182-57 |
| 1999 | 2.0L L4 | XHNXT02.0UA2 | Executive Order # D-182-45 | | 81762 | 31619, 31383 | | D-182-45 |
| | | | Executive Order # D-182-57 | | | | 82607 | D-182-57 |
| 1998 | 2.0L L4 | WHNXT02.0UL2 | Executive Order # D-182-45 | | 81762 | 31619, 31383 | | D-182-45 |
| | | | Executive Order # D-182-57 | | | | 82607 | D-182-57 |
| 1997 | 2.0L L4 | VHN2.01JG2EK | Executive Order # D-182-45 | | 81762 | 31619, 31383 | | D-182-45 |
| | | | Executive Order # D-182-57 | | | | 82607 | D-182-57 |

For vehicles licensed in the state of California or Maine, or vehicles requiring CARB-compliant converters in the state of New York, the parts in this catalog must be installed as specifically listed. Parts cannot be substituted, nor can they be installed on California or Maine licensed vehicles not listed in this catalog.

OBDII APPLICATIONS

NON-OBDII APPLICATIONS

NUMERICAL

UNIVERSAL SPECIFICATIONS

OBDII PASSENGER CAR & TRUCK

| Years | Engine | Engine Family No. | Application | Position | Direct-Fit | | Universal Part No. | Executive Order | |
|----------------------|---------|----------------------------|--|--------------|--------------|--------------|--------------------|-----------------|----------|
| | | | | | Part No. | Hardware | | | |
| HONDA (Cont.) | | | | | | | | | |
| Element | | | | | | | | | |
| 2011 | 2.4L L4 | BHNXV02.4WA9 | Executive Order # D-182-64 | | | 82894 | 31531, 31378 | 82812 | D-182-64 |
| 2010 | 2.4L L4 | AHNXV02.4XA9 | Executive Order # D-182-64 | | | 82894 | 31531, 31378 | 82812 | D-182-64 |
| 2009 | 2.4L L4 | 9HNXV02.4PA9 | Executive Order # D-182-64 | | | 82894 | 31531, 31378 | 82812 | D-182-64 |
| 2008 | 2.4L L4 | 8HNXV02.4CKC | Executive Order # D-182-64 | | | 82894 | 31531, 31378 | 82812 | D-182-64 |
| 2007 | 2.4L L4 | 7HNXV02.4EKC | Executive Order # D-182-64 | | | 82894 | 31531, 31378 | 82812 | D-182-64 |
| 2006 | 2.4L L4 | 6HNXB02.4EKC | Executive Order # D-182-64 | | | 82894 | 31531, 31378 | 82812 | D-182-64 |
| 2005 | 2.4L L4 | 5HNXV02.4KBP | Executive Order # D-182-64 | | | 82894 | 31531, 31378 | 82812 | D-182-64 |
| 2004 | 2.4L L4 | 4HNXV02.46BP | Executive Order # D-182-64 | | | 82894 | 31531, 31378 | 82812 | D-182-64 |
| 2003 | 2.4L L4 | 3HNXV02.45BP | Executive Order # D-182-64 | | | 82894 | 31531, 31378 | 82812 | D-182-64 |
| Fit | | | | | | | | | |
| 2009 | 1.5L L4 | 9HNXV01.53B9 | Executive Order # D-182-62 | Rear | | | | 83203 | D-182-62 |
| 2008 | 1.5L L4 | 8HNXV01.5JKC | Executive Order # D-182-64 | | | | | 82811 | D-182-64 |
| | | | Standard Trans.; Executive Order # D-182-64 | | 82893 | 31387, 31383 | | D-182-64 | |
| 2007 | 1.5L L4 | 7HNXV01.5YKC | Executive Order # D-182-64 | | | | | 82811 | D-182-64 |
| | | | Standard Trans.; Executive Order # D-182-64 | | 82893 | 31387, 31383 | | D-182-64 | |
| Odyssey | | | | | | | | | |
| 2004 | 3.5L V6 | 4HNXT03.51AT | Executive Order # D-182-69 | | | 83490 | 31645, 31383 | 83410 | D-182-69 |
| | | 4HNXT03.5DAT | Executive Order # D-182-69 | | | | | 83410 | D-182-69 |
| | | 4HNXT03.5EA6 | Executive Order # D-182-69 | | | | | 83410 | D-182-69 |
| 2003 | 3.5L V6 | 3HNXT03.5DAP | Executive Order # D-182-69 | | | | | 83410 | D-182-69 |
| | | 3HNXT03.5ZAP | Executive Order # D-182-47 | | | | | 81717 | D-182-47 |
| | | | Executive Order # D-182-52 | | 81769 | 31645, 31383 | | D-182-52 | |
| | | Executive Order # D-182-69 | | 83490 | 31645, 31383 | 83410 | D-182-69 | | |
| 2002 | 3.5L V6 | 2HNXT03.51AP | Executive Order # D-182-47 | | | | | 81717 | D-182-47 |
| | | | Executive Order # D-182-52 | | 81769 | 31645, 31383 | | D-182-52 | |
| | | | Executive Order # D-182-69 | | 83490 | 31645, 31383 | 83410 | D-182-69 | |
| 2001 | 3.5L V6 | 1HNXT03.5DH2 | Executive Order # D-182-47 | | | | | 81717 | D-182-47 |
| | | | Executive Order # D-182-52 | | 81769 | 31645, 31383 | | D-182-52 | |
| | | | Executive Order # D-182-69 | | 83490 | 31645, 31383 | 83410 | D-182-69 | |
| 2000 | 3.5L V6 | YHNXT03.5EA3 | Executive Order # D-182-47 | | | | | 81717 | D-182-47 |
| | | | Executive Order # D-182-52 | | 81769 | 31645, 31383 | | D-182-52 | |
| | | | Executive Order # D-182-69 | | 83490 | 31645, 31383 | 83410 | D-182-69 | |
| 1999 | 3.5L V6 | XHNXT03.5EA3 | Executive Order # D-182-47 | | | | | 81717 | D-182-47 |
| | | | Executive Order # D-182-52 | | 81769 | 31645, 31383 | | D-182-52 | |
| | | | Executive Order # D-182-69 | | 83490 | 31645, 31383 | 83410 | D-182-69 | |
| 1998 | 2.3L L4 | WHNXV02.3BA1 | Executive Order # D-182-58 | | | | | 82506 | D-182-58 |
| 1997 | 2.2L L4 | VHN2.2VJGK GK | Executive Order # D-182-57 | | | | | 82607 | D-182-57 |
| 1996 | 2.2L L4 | THN2.2VJGK GK | Executive Order # D-182-57 | | | | | 82607 | D-182-57 |
| Passport | | | | | | | | | |
| 2002 | 3.2L V6 | 2SZXT03.52KK | Automatic Trans.; Executive Order # D-182-52 | Left | | 81749 | 31566, 31632 | | D-182-52 |
| | | | Executive Order # D-182-47 | Left | | | | 81712 | D-182-47 |
| | | | | Right | | | | 81712 | D-182-47 |

For vehicles licensed in the state of California or Maine, or vehicles requiring CARB-compliant converters in the state of New York, the parts in this catalog must be installed as specifically listed. Parts cannot be substituted, nor can they be installed on California or Maine licensed vehicles not listed in this catalog.

OBDII PASSENGER CAR & TRUCK

| Years | Engine | Engine Family No. | Application | Position | Direct-Fit | | Universal Part No. | Executive Order | | | |
|----------------------------|---------|-------------------|--|----------|--------------|----------------------------|--------------------|-----------------|----------|--------------|----------|
| | | | | | Part No. | Hardware | | | | | |
| HONDA (Cont.) | | | | | | | | | | | |
| Passport (Cont.) | | | | | | | | | | | |
| 2002 (Cont.) | 3.2L V6 | 2SZXT03.52KK | Executive Order # D-182-69 | Left | | | 83402 | D-182-69 | | | |
| | | | | Right | | | 83402 | D-182-69 | | | |
| | | 2SZXT03.52MK | Automatic Trans.; Executive Order # D-182-52 | Right | 81770 | 31566, 31632 | | | D-182-52 | | |
| | | | Executive Order # D-182-47 | Left | | | | 81712 | D-182-47 | | |
| | | | | Right | | | | 81712 | D-182-47 | | |
| | | | Executive Order # D-182-69 | Left | | | | 83402 | D-182-69 | | |
| | Right | | | | 83402 | D-182-69 | | | | | |
| 2001 | 3.2L V6 | 1SZXT03.22KK | Automatic Trans.; Executive Order # D-182-52 | Left | 81749 | 31566, 31632 | | D-182-52 | | | |
| | | | | Right | 81770 | 31566, 31632 | | D-182-52 | | | |
| | | | Executive Order # D-182-47 | Left | | | | 81712 | D-182-47 | | |
| | | | | Right | | | | 81712 | D-182-47 | | |
| | | | Executive Order # D-182-69 | Left | | | | 83402 | D-182-69 | | |
| | | | | Right | | | | 83402 | D-182-69 | | |
| 2000 | 3.2L V6 | YSZXT03.52GK | Executive Order # D-182-47 | Left | | | 81712 | D-182-47 | | | |
| | | | | Right | | | 81712 | D-182-47 | | | |
| | | | Executive Order # D-182-69 | Left | | | | 83402 | D-182-69 | | |
| | | | | Right | | | | 83402 | D-182-69 | | |
| | | YSZXT03.52JK | Automatic Trans.; Executive Order # D-182-52 | Left | 81749 | 31566, 31632 | | | D-182-52 | | |
| | | | | Right | 81770 | 31566, 31632 | | | D-182-52 | | |
| | | | Executive Order # D-182-47 | Left | | | | 81712 | D-182-47 | | |
| | | | | Right | | | | 81712 | D-182-47 | | |
| | | | Executive Order # D-182-69 | Left | | | | 83402 | D-182-69 | | |
| | | | | Right | | | | 83402 | D-182-69 | | |
| 1999 | 3.2L V6 | XSZXT03.22JK | Executive Order # D-182-47 | Left | | | 81712 | D-182-47 | | | |
| | | | | Right | | | 81712 | D-182-47 | | | |
| | | | Executive Order # D-182-69 | Left | | | | 83402 | D-182-69 | | |
| | | | | Right | | | | 83402 | D-182-69 | | |
| | | XSZXT03.52GK | Executive Order # D-182-47 | Left | | | | 81712 | D-182-47 | | |
| | | | | Right | | | | 81712 | D-182-47 | | |
| | | | Executive Order # D-182-69 | Left | | | | 83402 | D-182-69 | | |
| | | | | Right | | | | 83402 | D-182-69 | | |
| | | | 1998 | 3.2L V6 | WSZXT03.52GK | Executive Order # D-182-47 | Left | | | 81712 | D-182-47 |
| | | | | | | | Right | | | 81712 | D-182-47 |
| Executive Order # D-182-69 | Left | | | | | | | 83402 | D-182-69 | | |
| | Right | | | | | | | 83402 | D-182-69 | | |
| 1997 | 3.2L V6 | VSZ3.22JGKFK | Executive Order # D-182-47 | | | | 81916 | D-182-47 | | | |
| | | | Executive Order # D-182-69 | | | | 83506 | D-182-69 | | | |
| | | VSZ3.22JGK GK | Executive Order # D-182-47 | Left | | | | 81712 | D-182-47 | | |
| | | | | Right | | | | 81712 | D-182-47 | | |
| | | | Executive Order # D-182-69 | Left | | | | 83402 | D-182-69 | | |
| | | | | Right | | | | 83402 | D-182-69 | | |
| 1996 | 2.6L L4 | TSZ2.628GKFK | Executive Order # D-182-47 | | | | 81712 | D-182-47 | | | |
| | | | Executive Order # D-182-69 | | | | 83402 | D-182-69 | | | |
| | 3.2L V6 | TSZ3.22JGKEK | Executive Order # D-182-47 | Left | | | 81712 | D-182-47 | | | |
| | | | | Right | | | 81712 | D-182-47 | | | |

OBDII APPLICATIONS

NON-OBDII APPLICATIONS

NUMERICAL

UNIVERSAL SPECIFICATIONS

For vehicles licensed in the state of California or Maine, or vehicles requiring CARB-compliant converters in the state of New York, the parts in this catalog must be installed as specifically listed. Parts cannot be substituted, nor can they be installed on California or Maine licensed vehicles not listed in this catalog.

OBDII PASSENGER CAR & TRUCK

| Years | Engine | Engine Family No. | Application | Position | Direct-Fit | | Universal Part No. | Executive Order |
|-------------------------|---------|-------------------|----------------------------|----------|------------|--------------|--------------------|-----------------|
| | | | | | Part No. | Hardware | | |
| HONDA (Cont.) | | | | | | | | |
| Passport (Cont.) | | | | | | | | |
| 1996 (Cont.) | 3.2L V6 | TSZ3.22JGKEK | Executive Order # D-182-69 | Left | | | 83402 | D-182-69 |
| | | | | Right | | | 83402 | D-182-69 |
| | | TSZ3.22JGKFK | Executive Order # D-182-47 | | | 81916 | D-182-47 | |
| | | | Executive Order # D-182-69 | | | 83506 | D-182-69 | |
| | | TSZ3.22JGKGK | Executive Order # D-182-47 | Left | | | 81712 | D-182-47 |
| | | | | Right | | | 81712 | D-182-47 |
| | | | Executive Order # D-182-69 | Left | | | 83402 | D-182-69 |
| | | | | Right | | | 83402 | D-182-69 |

Pilot

| | | | | | | | | |
|------|---------|--------------|----------------------------|--|--------------|--------------|--------------|----------|
| 2003 | 3.5L V6 | 3HNXT03.5DAP | Executive Order # D-182-47 | | | | 81717 | D-182-47 |
| | | | Executive Order # D-182-52 | | 81747 | 31633, 31383 | | D-182-52 |

Prelude

| | | | | | | | | |
|------|---------|---------------|---|--|--------------|--------------|--------------|----------|
| 2001 | 2.2L L4 | 1HNXV02.2E14 | Executive Order # D-182-58 | | | | 82506 | D-182-58 |
| | | | VTEC Engine; Executive Order # D-182-58 | | 82599 | 31645, 31383 | | D-182-58 |
| 2000 | 2.2L L4 | YHNXV02.2SA1 | Executive Order # D-182-58 | | | | 82506 | D-182-58 |
| | | | VTEC Engine; Executive Order # D-182-58 | | 82599 | 31645, 31383 | | D-182-58 |
| 1999 | 2.2L L4 | XHNXV02.2SA1 | Executive Order # D-182-58 | | | | 82506 | D-182-58 |
| | | | VTEC Engine; Executive Order # D-182-58 | | 82599 | 31645, 31383 | | D-182-58 |
| 1998 | 2.2L L4 | WHNXV02.2SA1 | Executive Order # D-182-58 | | | | 82506 | D-182-58 |
| | | | VTEC Engine; Executive Order # D-182-58 | | 82599 | 31645, 31383 | | D-182-58 |
| 1997 | 2.2L L4 | VHN2.2VJG1EK | Executive Order # D-182-58 | | | | 82506 | D-182-58 |
| | | | VTEC Engine; Executive Order # D-182-58 | | 82599 | 31645, 31383 | | D-182-58 |
| 1996 | 2.2L L4 | THN2.2VJGFKEK | Executive Order # D-182-58 | | | | 82506 | D-182-58 |
| | | THN2.2VJGFFK | Executive Order # D-182-58 | | | | 82506 | D-182-58 |
| | 2.3L L4 | THN2.3VJGFKEK | Executive Order # D-182-58 | | | | 82506 | D-182-58 |

S2000

| | | | | | | | | |
|------|---------|--------------|----------------------------|--|--|--|--------------|----------|
| 2009 | 2.2L L4 | 9HNXV02.2NA9 | Executive Order # D-182-64 | | | | 82807 | D-182-64 |
| 2008 | 2.2L L4 | 8HNXV02.2AKC | Executive Order # D-182-64 | | | | 82807 | D-182-64 |
| 2007 | 2.2L L4 | 7HNXV02.2CKC | Executive Order # D-182-64 | | | | 82807 | D-182-64 |
| 2006 | 2.2L L4 | 6HNXV02.2CKC | Executive Order # D-182-64 | | | | 82807 | D-182-64 |
| 2005 | 2.2L L4 | 5HNXV02.2DJE | Executive Order # D-182-57 | | | | 82640 | D-182-57 |
| 2004 | 2.2L L4 | 4HNXV02.2PJE | Executive Order # D-182-57 | | | | 82640 | D-182-57 |
| 2003 | 2.0L L4 | 3HNXV02.0RJC | Executive Order # D-182-57 | | | | 82640 | D-182-57 |
| 2002 | 2.0L L4 | 2HNXV02.0DYC | Executive Order # D-182-57 | | | | 82640 | D-182-57 |
| 2001 | 2.0L L4 | 1HNXV02.0C5U | Executive Order # D-182-57 | | | | 82640 | D-182-57 |
| 2000 | 2.0L L4 | YHNXV02.0MA3 | Executive Order # D-182-57 | | | | 82640 | D-182-57 |

HUMMER

H2

| | | | | | | | | |
|------|---------|--------------|----------------------------|-------|--|--|--------------|----------|
| 2006 | 6.0L V8 | 6GMXT06.0394 | Executive Order # D-182-52 | Left | | | 81723 | D-182-52 |
| | | | | Right | | | 81723 | D-182-52 |

For vehicles licensed in the state of California or Maine, or vehicles requiring CARB-compliant converters in the state of New York, the parts in this catalog must be installed as specifically listed. Parts cannot be substituted, nor can they be installed on California or Maine licensed vehicles not listed in this catalog.

OBDII PASSENGER CAR & TRUCK

| Years | Engine | Engine Family No. | Application | Position | Direct-Fit | | Universal Part No. | Executive Order |
|-----------------------|---------|-------------------|--|----------|--------------|--------------|--------------------|-----------------|
| | | | | | Part No. | Hardware | | |
| HUMMER (Cont.) | | | | | | | | |
| H2 (Cont.) | | | | | | | | |
| 2006 (Cont.) | 6.0L V8 | 6GMXT06.0394 | Executive Order # D-182-69 | Left | | | 83403 | D-182-69 |
| | | | | Right | | | 83403 | D-182-69 |
| 2005 | 6.0L V8 | 5GMXT06.0194 | Executive Order # D-182-47 | Left | | | 81713 | D-182-47 |
| | | | | Right | | | 81713 | D-182-47 |
| | | | Executive Order # D-182-69 | Left | | | 83403 | D-182-69 |
| | | | | Right | | | 83403 | D-182-69 |
| 2004 | 6.0L V8 | 4GMXT06.0194 | Executive Order # D-182-47 | Left | | | 81714 | D-182-47 |
| | | | | Right | | | 81714 | D-182-47 |
| | | | Executive Order # D-182-69 | Left | | | 83403 | D-182-69 |
| | | | | Right | | | 83403 | D-182-69 |
| 2003 | 6.0L V8 | 3GMXT06.0194 | Executive Order # D-182-47 | Left | | | 81714 | D-182-47 |
| | | | | Right | | | 81714 | D-182-47 |
| | | | Executive Order # D-182-69 | Left | | | 83403 | D-182-69 |
| | | | | Right | | | 83403 | D-182-69 |
| HYUNDAI | | | | | | | | |
| Accent | | | | | | | | |
| 2009 | 1.6L L4 | 9HYXV01.6MW5 | Executive Order # D-182-62 | Rear | 83294 | 31313, 31388 | 83205 | D-182-62 |
| 2008 | 1.6L L4 | 8HYXV01.6MW5 | Executive Order # D-182-62 | Rear | 83294 | 31313, 31388 | 83205 | D-182-62 |
| 2007 | 1.6L L4 | 7HYXV01.6MW5 | Executive Order # D-182-62 | Rear | 83294 | 31313, 31388 | 83205 | D-182-62 |
| 2006 | 1.6L L4 | 6HYXV01.6MW5 | Executive Order # D-182-62 | Rear | 83294 | 31313, 31388 | 83205 | D-182-62 |
| 1997 | 1.5L L4 | VHY1.5VJG1EK | Executive Order # D-182-58 | | | | 82505 | D-182-58 |
| 1996 | 1.5L L4 | THY1.5VJG1FK | Executive Order # D-182-58 | | | | 82505 | D-182-58 |
| Elantra | | | | | | | | |
| 2009 | 2.0L L4 | 9HYXV02.0FW5 | Executive Order # D-182-62 | Rear | 83290 | 31632, 31534 | | D-182-62 |
| | | | Includes Front & Rear Gasket; Executive Order # D-182-62 | Front | 83155 | 31332 | | D-182-62 |
| | | | Touring Model; Hatchback; Executive Order # D-182-62 | Rear | | | 83202 | D-182-62 |
| | | 9HYXV02.0HW5 | Executive Order # D-182-62 | Rear | 83290 | 31632, 31534 | 83202 | D-182-62 |
| | | | Includes Front & Rear Gasket; Executive Order # D-182-62 | Front | 83155 | 31332 | | D-182-62 |
| | | | Executive Order # D-182-62 | Rear | 83290 | 31632, 31534 | 83202 | D-182-62 |
| 2008 | 2.0L L4 | 8HYXV02.0HW5 | Executive Order # D-182-62 | Rear | 83290 | 31632, 31534 | 83202 | D-182-62 |
| | | | Includes Front & Rear Gasket; Executive Order # D-182-62 | Front | 83155 | 31332 | | D-182-62 |
| 2007 | 2.0L L4 | 7HYXV02.0HW4 | Executive Order # D-182-62 | Rear | 83290 | 31632, 31534 | 83202 | D-182-62 |
| | | | Includes Front & Rear Gasket; Executive Order # D-182-62 | Front | 83155 | 31332 | | D-182-62 |
| 2006 | 2.0L L4 | 6HYXV02.0XW4 | Executive Order # D-182-62 | Rear | 83298 | (2) 31537 | 83202 | D-182-62 |
| | | | Includes Front & Rear Gasket; Executive Order # D-182-62 | Front | 83155 | 31332 | | D-182-62 |
| 2005 | 2.0L L4 | 5HYXV02.0XW4 | Executive Order # D-182-62 | Rear | 83298 | (2) 31537 | 83202 | D-182-62 |
| | | | Includes Front & Rear Gasket; Executive Order # D-182-62 | Front | 83155 | 31332 | | D-182-62 |
| 2004 | 2.0L L4 | 4HYXV02.0XW4 | Executive Order # D-182-62 | Rear | 83298 | (2) 31537 | 83202 | D-182-62 |
| | | | Includes Front & Rear Gasket; Executive Order # D-182-62 | Front | 83155 | 31332 | | D-182-62 |
| 1997 | 1.8L L4 | VHY1.8VJG1EK | Executive Order # D-182-58 | | | | 82505 | D-182-58 |

For vehicles licensed in the state of California or Maine, or vehicles requiring CARB-compliant converters in the state of New York, the parts in this catalog must be installed as specifically listed. Parts cannot be substituted, nor can they be installed on California or Maine licensed vehicles not listed in this catalog.

OBDII APPLICATIONS

NON-OBDII APPLICATIONS

NUMERICAL

UNIVERSAL SPECIFICATIONS

OBDII PASSENGER CAR & TRUCK

| Years | Engine | Engine Family No. | Application | Position | Direct-Fit | | Universal Part No. | Executive Order |
|-------|--------|-------------------|-------------|----------|------------|----------|--------------------|-----------------|
| | | | | | Part No. | Hardware | | |

HYUNDAI (Cont.)

Elantra (Cont.)

| | | | | | | | | |
|------|---------|--------------|----------------------------|--|--|--|--------------|----------|
| 1996 | 1.8L L4 | THY1.8VJG1FK | Executive Order # D-182-58 | | | | 82505 | D-182-58 |
|------|---------|--------------|----------------------------|--|--|--|--------------|----------|

Sonata

| | | | | | | | | |
|------|---------|--------------|---|-------|--------------|--------------|--------------|----------|
| 2008 | 2.4L L4 | 8HYXV02.4SW5 | Executive Order # D-182-62 | Rear | 83295 | 31337, 31537 | 83205 | D-182-62 |
| | | | Includes Front Gasket; Executive Order # D-182-62 | Front | 83186 | 31640 | | D-182-62 |
| 2007 | 2.4L L4 | 7HYXV02.4SW5 | Executive Order # D-182-62 | Rear | 83295 | 31337, 31537 | 83205 | D-182-62 |
| | | | Includes Front Gasket; Executive Order # D-182-62 | Front | 83186 | 31640 | | D-182-62 |
| 2006 | 2.4L L4 | 6HYXV02.4NW5 | Executive Order # D-182-62 | Rear | 83295 | 31337, 31537 | 83205 | D-182-62 |
| | | | Includes Front Gasket; Executive Order # D-182-62 | Front | 83186 | 31640 | | D-182-62 |
| 2005 | 2.4L L4 | 5HYXV02.4EL9 | Executive Order # D-182-53 | Rear | | | 82620 | D-182-53 |
| | | | Includes Front Gasket; Executive Order # D-182-53 | Front | 82579 | 31599 | | D-182-53 |
| 2004 | 2.4L L4 | 4HYXV02.4EL9 | Executive Order # D-182-53 | Rear | | | 82620 | D-182-53 |
| | | | Includes Front Gasket; Executive Order # D-182-53 | Front | 82579 | 31599 | | D-182-53 |
| 2003 | 2.4L L4 | 3HYXV02.4ELS | Executive Order # D-182-53 | Rear | | | 82620 | D-182-53 |
| | | | Includes Front Gasket; Executive Order # D-182-53 | Front | 82579 | 31599 | | D-182-53 |
| 2002 | 2.4L L4 | 2HYXV02.4ELS | Executive Order # D-182-53 | Rear | | | 82620 | D-182-53 |
| | | | Includes Front Gasket; Executive Order # D-182-53 | Front | 82579 | 31599 | | D-182-53 |
| 2001 | 2.4L L4 | 1HYXV02.4E2S | Executive Order # D-182-53 | Rear | | | 82620 | D-182-53 |
| | | | Includes Front Gasket; Executive Order # D-182-53 | Front | 82579 | 31599 | | D-182-53 |
| 2000 | 2.4L L4 | YHYXV02.4G2C | Executive Order # D-182-53 | Rear | | | 82620 | D-182-53 |
| | | | Includes Front Gasket; Executive Order # D-182-53 | Front | 82579 | 31599 | | D-182-53 |
| 1999 | 2.4L L4 | XHYXV02.42EC | Executive Order # D-182-53 | Rear | | | 82620 | D-182-53 |
| | | | Includes Front Gasket; Executive Order # D-182-53 | Front | 82579 | 31599 | | D-182-53 |
| 1998 | 3.0L V6 | WHYXV03.01UM | Executive Order # D-182-57 | | | | 82627 | D-182-57 |
| 1997 | 3.0L V6 | VHY3.0V8G1EK | Executive Order # D-182-57 | | | | 82627 | D-182-57 |
| 1996 | 2.0L L4 | THY2.0VJG1FK | Executive Order # D-182-57 | | | | 82627 | D-182-57 |
| | 3.0L V6 | THY3.0V8G1FK | Executive Order # D-182-57 | | | | 82627 | D-182-57 |

Tiburon

| | | | | | | | | |
|------|---------|--------------|--|-------|--------------|-------|--------------|----------|
| 2008 | 2.0L L4 | 8HYXV02.0GW5 | Executive Order # D-182-62 | Rear | | | 83205 | D-182-62 |
| | | | Includes Front & Rear Gasket; Executive Order # D-182-62 | Front | 83155 | 31332 | | D-182-62 |
| 2007 | 2.0L L4 | 7HYXV02.0GW5 | Executive Order # D-182-62 | Rear | | | 83205 | D-182-62 |
| | | | Includes Front & Rear Gasket; Executive Order # D-182-62 | Front | 83155 | 31332 | | D-182-62 |
| 1997 | 1.8L L4 | VHY1.8VJG1EK | Executive Order # D-182-58 | | | | 82526 | D-182-58 |

INFINITI

FX35

| | | | | | | | | |
|------|---------|--------------|----------------------------|------------|--|--|--------------|----------|
| 2004 | 3.5L V6 | 4NSXT03.5N7B | Executive Order # D-182-69 | Front Left | | | 83501 | D-182-69 |
|------|---------|--------------|----------------------------|------------|--|--|--------------|----------|

For vehicles licensed in the state of California or Maine, or vehicles requiring CARB-compliant converters in the state of New York, the parts in this catalog must be installed as specifically listed. Parts cannot be substituted, nor can they be installed on California or Maine licensed vehicles not listed in this catalog.

OBDII PASSENGER CAR & TRUCK

| Years | Engine | Engine Family No. | Application | Position | Direct-Fit | | Universal Part No. | Executive Order |
|-------------------------|---------|-------------------|----------------------------|-------------|--------------|------------------|--------------------|-----------------|
| | | | | | Part No. | Hardware | | |
| INFINITI (Cont.) | | | | | | | | |
| FX35 (Cont.) | | | | | | | | |
| 2004 (Cont.) | 3.5L V6 | 4NSXT03.5N7B | Executive Order # D-182-69 | Front Right | | | 83501 | D-182-69 |
| | | | | Rear Left | | | 83501 | D-182-69 |
| | | | | Rear Right | | | 83501 | D-182-69 |
| 2003 | 3.5L V6 | 3NSXT03.5C7B | Executive Order # D-182-69 | Front Left | | | 83501 | D-182-69 |
| | | | | Front Right | | | 83501 | D-182-69 |
| | | | | Rear Left | | | 83501 | D-182-69 |
| | | | | Rear Right | | | 83501 | D-182-69 |
| G20 | | | | | | | | |
| 1999 | 2.0L L4 | XNSXV02.0A2A | Executive Order # D-182-57 | | | | 82634 | D-182-57 |
| 1996 | 2.0L L4 | TNS2.0VJGFFK | Executive Order # D-182-45 | | 81990 | 31540 (2) | | D-182-45 |
| | | | Executive Order # D-182-58 | | | | 82531 | D-182-58 |
| 1995 | 2.0L L4 | SNS2.0VJGFFK | Executive Order # D-182-45 | | 81990 | 31540 (2) | | D-182-45 |
| | | | Executive Order # D-182-58 | | | | 82531 | D-182-58 |
| 1994 | 2.0L L4 | RNS2.0VJGDEK | Executive Order # D-182-45 | | 81990 | 31540 (2) | | D-182-45 |
| | | | Executive Order # D-182-58 | | | | 82531 | D-182-58 |
| G35 | | | | | | | | |
| 2004 | 3.5L V6 | 4NSXV03.5N7A | Executive Order # D-182-53 | Front Left | | | 82503 | D-182-53 |
| | | | | Front Right | | | 82503 | D-182-53 |
| | | | | Rear Left | | | 82623 | D-182-53 |
| | | | | Rear Right | | | 82623 | D-182-53 |
| | | 4NSXV03.5N7C | Executive Order # D-182-53 | Front Left | | | 82503 | D-182-53 |
| | | | | Front Right | | | 82503 | D-182-53 |
| | | | | Rear Left | | | 82623 | D-182-53 |
| | | | | Rear Right | | | 82623 | D-182-53 |
| 2003 | 3.5L V6 | 3NSXV03.5C7A | Executive Order # D-182-53 | Front Left | | | 82503 | D-182-53 |
| | | | | Front Right | | | 82503 | D-182-53 |
| | | | | Rear Left | | | 82623 | D-182-53 |
| | | | | Rear Right | | | 82623 | D-182-53 |
| | | 3NSXV03.5C7B | Executive Order # D-182-53 | Front Left | | | 82503 | D-182-53 |
| | | | | Front Right | | | 82503 | D-182-53 |
| | | | | Rear Left | | | 82623 | D-182-53 |
| | | | | Rear Right | | | 82623 | D-182-53 |
| I30 | | | | | | | | |
| 1998 | 3.0L V6 | WNSXV03.0A6A | Executive Order # D-182-48 | Front | 81842 | 31355 (2), 31540 | | D-182-48 |
| | | | | Front Left | | | 81806 | D-182-48 |
| | | | | Front Right | | | 81806 | D-182-48 |
| | | | | Rear | 81665 | 31540, 31578 | 81614 | D-182-48 |
| 1997 | 3.0L V6 | VNS3.0VJGFEK | Executive Order # D-182-48 | Front | 81842 | 31355 (2), 31540 | | D-182-48 |
| | | | | Front Left | | | 81806 | D-182-48 |
| | | | | Front Right | | | 81806 | D-182-48 |
| | | | | Rear | 81665 | 31540, 31578 | 81614 | D-182-48 |
| 1996 | 3.0L V6 | TNS3.0VJGFEK | Executive Order # D-182-48 | Front | 81842 | 31355 (2), 31540 | | D-182-48 |
| | | | | Front Left | | | 81806 | D-182-48 |
| | | | | Front Right | | | 81806 | D-182-48 |
| | | | | Rear | 81675 | 31540 (2) | 81614 | D-182-48 |

For vehicles licensed in the state of California or Maine, or vehicles requiring CARB-compliant converters in the state of New York, the parts in this catalog must be installed as specifically listed. Parts cannot be substituted, nor can they be installed on California or Maine licensed vehicles not listed in this catalog.

OBDII APPLICATIONS

NON-OBDII APPLICATIONS

NUMERICAL

UNIVERSAL SPECIFICATIONS

OBDII PASSENGER CAR & TRUCK

| Years | Engine | Engine Family No. | Application | Position | Direct-Fit | | Universal Part No. | Executive Order |
|-------------------------|---------|-------------------|---|----------------------------|--------------|----------|--------------------|-----------------|
| | | | | | Part No. | Hardware | | |
| INFINITI (Cont.) | | | | | | | | |
| I35 | | | | | | | | |
| 2004 | 3.5L V6 | 4NSXV03.5N7A | Executive Order # D-182-53 | Rear | | | 82602 | D-182-53 |
| | | | Includes Front Gasket; Executive Order # D-182-53 | Front Left | 82584 | 31566 | | D-182-53 |
| 2003 | 3.5L V6 | 3NSXV03.5C7A | Executive Order # D-182-53 | Rear | | | 82602 | D-182-53 |
| | | | Includes Front Gasket; Executive Order # D-182-53 | Front Left | 82584 | 31566 | | D-182-53 |
| 2002 | 3.5L V6 | 2NSXV03.5C6A | Executive Order # D-182-53 | Rear | | | 82602 | D-182-53 |
| | | | Includes Front Gasket; Executive Order # D-182-53 | Front Left | 82584 | 31566 | | D-182-53 |
| J30 | | | | | | | | |
| 1997 | 3.0L V6 | VNS3.0VJG1FK | Executive Order # D-182-58 | Left | | | 82529 | D-182-58 |
| | | | | Right | | | 82529 | D-182-58 |
| 1996 | 3.0L V6 | TNS3.0VJGFGK | Executive Order # D-182-58 | Left | | | 82529 | D-182-58 |
| | | | | Right | | | 82529 | D-182-58 |
| Q45 | | | | | | | | |
| 2001 | 4.1L V8 | 1NSXV04.1A8A | Executive Order # D-182-48 | Front Left | | | 81806 | D-182-48 |
| | | | | Front Right | | | 81806 | D-182-48 |
| | | | | Rear Left | | | 81651 | D-182-48 |
| | | | | Rear Right | | | 81651 | D-182-48 |
| 2000 | 4.1L V8 | YNSXV04.1A7A | Executive Order # D-182-48 | Front Left | | | 81806 | D-182-48 |
| | | | | Front Right | | | 81806 | D-182-48 |
| | | | | Rear Left | | | 81651 | D-182-48 |
| | | | | Rear Right | | | 81651 | D-182-48 |
| 1999 | 4.1L V8 | XNSXV04.1A7A | Executive Order # D-182-48 | Front Left | | | 81806 | D-182-48 |
| | | | | Front Right | | | 81806 | D-182-48 |
| | | | | Rear Left | | | 81651 | D-182-48 |
| | | | | Rear Right | | | 81651 | D-182-48 |
| 1998 | 4.1L V8 | WNSXV04.117A | Executive Order # D-182-57 | Left | | | 82629 | D-182-57 |
| | | | | Right | | | 82629 | D-182-57 |
| 1997 | 4.1L V8 | VNS4.1VJG1EK | Executive Order # D-182-57 | Left | | | 82629 | D-182-57 |
| | | | | Right | | | 82629 | D-182-57 |
| 1996 | 4.5L V8 | TNS4.5VJGFEK | Executive Order # D-182-48 | Front Left | | | 81806 | D-182-48 |
| | | | | Front Right | | | 81806 | D-182-48 |
| | | | | Rear Left | | | 81614 | D-182-48 |
| | | | | Rear Right | | | 81614 | D-182-48 |
| QX4 | | | | | | | | |
| 2003 | 3.5L V6 | 3NSXT03.5C7A | Executive Order # D-182-52 | Front Left | 81753 | 31397 | | D-182-52 |
| | | | Includes Front Gasket; Executive Order # D-182-52 | Front Right | 81754 | 31397 | | D-182-52 |
| 2002 | 3.5L V6 | 2NSXT03.5C7A | Executive Order # D-182-52 | Front Left | 81753 | 31397 | | D-182-52 |
| | | | Includes Front Gasket; Executive Order # D-182-52 | Front Right | 81754 | 31397 | | D-182-52 |
| 2001 | 3.5L V6 | 1NSXT03.5C7A | Executive Order # D-182-52 | Front Left | 81753 | 31397 | | D-182-52 |
| | | | | Rear Left | | | 81901 | D-182-52 |
| | | | | Rear Right | | | 81901 | D-182-52 |
| | | | | Executive Order # D-182-69 | Rear Left | | | 83501 |

For vehicles licensed in the state of California or Maine, or vehicles requiring CARB-compliant converters in the state of New York, the parts in this catalog must be installed as specifically listed. Parts cannot be substituted, nor can they be installed on California or Maine licensed vehicles not listed in this catalog.

OBDII PASSENGER CAR & TRUCK

| Years | Engine | Engine Family No. | Application | Position | Direct-Fit | | Universal Part No. | Executive Order |
|-------------------------|---|-------------------|---|--------------|--------------|----------|--------------------|-----------------|
| | | | | | Part No. | Hardware | | |
| INFINITI (Cont.) | | | | | | | | |
| QX4 (Cont.) | | | | | | | | |
| 2001 (Cont.) | 3.5L V6 | 1NSXT03.5C7A | Executive Order # D-182-69 | Rear Right | | | 83501 | D-182-69 |
| | | | Includes Front Gasket; Executive Order # D-182-52 | Front Right | 81754 | 31397 | | D-182-52 |
| | | 1NSXT03.5C9A | Executive Order # D-182-52 | Front Left | 81753 | 31397 | | D-182-52 |
| | | | | Rear Left | | | 81901 | D-182-52 |
| | | | | Rear Right | | | 81901 | D-182-52 |
| | | | Executive Order # D-182-69 | Rear Left | | | 83501 | D-182-69 |
| | Rear Right | | | 83501 | D-182-69 | | | |
| | Includes Front Gasket; Executive Order # D-182-52 | Front Right | 81754 | 31397 | | D-182-52 | | |
| 2000 | 3.3L V6 | YNSXT03.325A | Executive Order # D-182-52 | Front Left | 81751 | 31397 | | D-182-52 |
| | | | | Front Right | 81752 | 31397 | | D-182-52 |
| | | | | Rear Left | | | 81901 | D-182-52 |
| | | | | Rear Right | | | 81901 | D-182-52 |
| | | | Executive Order # D-182-69 | Rear Left | | | 83501 | D-182-69 |
| | | | | Rear Right | | | 83501 | D-182-69 |
| 1999 | 3.3L V6 | XNSXT03.335B | Executive Order # D-182-52 | Front Left | 81751 | 31397 | | D-182-52 |
| | | | | Front Right | 81752 | 31397 | | D-182-52 |
| | | | | Rear Left | | | 81901 | D-182-52 |
| | | | | Rear Right | | | 81901 | D-182-52 |
| | | | Executive Order # D-182-69 | Rear Left | | | 83501 | D-182-69 |
| | | | | Rear Right | | | 83501 | D-182-69 |
| 1998 | 3.3L V6 | WNSXT03.335A | Executive Order # D-182-52 | Front Left | 81751 | 31397 | | D-182-52 |
| | | | | Front Right | 81752 | 31397 | | D-182-52 |
| | | | | Rear Left | | | 81901 | D-182-52 |
| | | | | Rear Right | | | 81901 | D-182-52 |
| | | | Executive Order # D-182-69 | Rear Left | | | 83501 | D-182-69 |
| | | | | Rear Right | | | 83501 | D-182-69 |
| 1997 | 3.3L V6 | VNS3.328GKEK | Executive Order # D-182-52 | Front Left | 81751 | 31397 | | D-182-52 |
| | | | | Front Right | 81752 | 31397 | | D-182-52 |
| QX56 | | | | | | | | |
| 2006 | 5.6L V8 | 6NSXT05.6P9A | Executive Order # D-182-69 | Left | | | 83402 | D-182-69 |
| | | | | Right | | | 83402 | D-182-69 |
| | | | | Front Left | | | 83401 | D-182-69 |
| | | | | Front Right | | | 83401 | D-182-69 |
| 2005 | 5.6L V8 | 5NSXT05.6P9A | Executive Order # D-182-69 | Left | | | 83402 | D-182-69 |
| | | | | Right | | | 83402 | D-182-69 |
| | | | | Front Left | | | 83401 | D-182-69 |
| | | | | Front Right | | | 83401 | D-182-69 |
| 2004 | 5.6L V8 | 4NSXT05.6P9B | Executive Order # D-182-69 | Left | | | 83402 | D-182-69 |
| | | | | Right | | | 83402 | D-182-69 |
| | | | | Front Left | | | 83401 | D-182-69 |
| | | | | Front Right | | | 83401 | D-182-69 |

For vehicles licensed in the state of California or Maine, or vehicles requiring CARB-compliant converters in the state of New York, the parts in this catalog must be installed as specifically listed. Parts cannot be substituted, nor can they be installed on California or Maine licensed vehicles not listed in this catalog.

OBDII APPLICATIONS

NON-OBDII APPLICATIONS

NUMERICAL

UNIVERSAL SPECIFICATIONS

OBDII PASSENGER CAR & TRUCK

| Years | Engine | Engine Family No. | Application | Position | Direct-Fit | | Universal Part No. | Executive Order | | |
|----------------------------|----------------------------|-------------------|--|----------------------------|----------------------------|--------------|--------------------|-----------------|--------------|----------|
| | | | | | Part No. | Hardware | | | | |
| ISUZU | | | | | | | | | | |
| Amigo | | | | | | | | | | |
| 2000 | 2.2L L4 | YSZXT02.22HK | Executive Order # D-182-47 | Left | | | 81712 | D-182-47 | | |
| | | | | Right | | | 81712 | D-182-47 | | |
| | | | Executive Order # D-182-69 | Left | | | 83402 | D-182-69 | | |
| | | | | Right | | | 83402 | D-182-69 | | |
| | 3.2L V6 | YSZXT03.52GK | Automatic Trans.; Executive Order # D-182-52 | Left | 81749 | 31566, 31632 | | | D-182-52 | |
| | | | | Right | 81770 | 31566, 31632 | | | D-182-52 | |
| | | | Executive Order # D-182-47 | Left | | | 81712 | D-182-47 | | |
| | | | | Right | | | 81712 | D-182-47 | | |
| | | | Executive Order # D-182-69 | Left | | | 83402 | D-182-69 | | |
| | | | | Right | | | 83402 | D-182-69 | | |
| | | YSZXT03.52JK | Executive Order # D-182-47 | Left | | | 81712 | D-182-47 | | |
| | | | | Right | | | 81712 | D-182-47 | | |
| | Executive Order # D-182-69 | Left | | | 83402 | D-182-69 | | | | |
| | | Right | | | 83402 | D-182-69 | | | | |
| | 1999 | 2.2L L4 | XSZXT02.21HK | Executive Order # D-182-57 | | | | 82603 | D-182-57 | |
| | | | | XSZXT02.22HK | Executive Order # D-182-47 | | | | 81712 | D-182-47 |
| Executive Order # D-182-69 | | | | | | | 83402 | D-182-69 | | |
| 3.2L V6 | | XSZXT03.22JK | Executive Order # D-182-47 | | Left | | | 81712 | D-182-47 | |
| | | | | | Right | | | 81712 | D-182-47 | |
| | | | Executive Order # D-182-69 | | Left | | | 83402 | D-182-69 | |
| | | | | | Right | | | 83402 | D-182-69 | |
| | | XSZXT03.52GK | Executive Order # D-182-47 | | Left | | | 81712 | D-182-47 | |
| | | | | | Right | | | 81712 | D-182-47 | |
| Executive Order # D-182-69 | | Left | | | 83402 | D-182-69 | | | | |
| | | Right | | | 83402 | D-182-69 | | | | |
| 1998 | | 2.2L L4 | WSZXT02.21HK | Executive Order # D-182-57 | | | | 82603 | D-182-57 | |
| | | | | WSZXT02.22HK | Executive Order # D-182-47 | | | | 81712 | D-182-47 |
| | | | | | Executive Order # D-182-69 | | | | 83402 | D-182-69 |
| | | 3.2L V6 | WSZXT03.52GK | Executive Order # D-182-47 | | Left | | | 81712 | D-182-47 |
| | | | | | | Right | | | 81712 | D-182-47 |
| | Executive Order # D-182-69 | | Left | | | 83402 | D-182-69 | | | |
| | | | Right | | | 83402 | D-182-69 | | | |

Ascender

| | | | | | | | | | |
|------|---------|--------------|----------------------------|--|-------|--------------|-------|--------------|----------|
| 2006 | 5.3L V8 | 6GMXT06.0387 | Executive Order # D-182-69 | | Left | | | 83508 | D-182-69 |
| | | | | | Right | | | 83508 | D-182-69 |
| 2005 | 5.3L V8 | 5GMXT06.0187 | Executive Order # D-182-69 | | Left | | | 83508 | D-182-69 |
| | | | | | Right | | | 83508 | D-182-69 |
| 2004 | 5.3L V8 | 4GMXT05.3170 | Executive Order # D-182-47 | | Left | | | 81918 | D-182-47 |
| | | | | | Right | | | 81918 | D-182-47 |
| | | | Executive Order # D-182-69 | | Left | | | 83508 | D-182-69 |
| | | | | | Right | | | 83508 | D-182-69 |
| 2003 | 4.2L L6 | 3GMXA04.2187 | Executive Order # D-182-51 | | | 82360 | 31657 | 82303 | D-182-51 |
| | | | Executive Order # D-182-69 | | | | | 83403 | D-182-69 |
| | 5.3L V8 | 3GMXT05.3183 | Executive Order # D-182-47 | | Left | | | 81918 | D-182-47 |
| | | | | | Right | | | 81918 | D-182-47 |

For vehicles licensed in the state of California or Maine, or vehicles requiring CARB-compliant converters in the state of New York, the parts in this catalog must be installed as specifically listed. Parts cannot be substituted, nor can they be installed on California or Maine licensed vehicles not listed in this catalog.

OBDII PASSENGER CAR & TRUCK

| Years | Engine | Engine Family No. | Application | Position | Direct-Fit | | Universal Part No. | Executive Order |
|-------------------------|----------------------------|----------------------------|---------------------------------|----------|--------------|--------------|--------------------|-----------------|
| | | | | | Part No. | Hardware | | |
| ISUZU (Cont.) | | | | | | | | |
| Ascender (Cont.) | | | | | | | | |
| 2003 (Cont.) | 5.3L V8 | 3GMXT05.3183 | Executive Order # D-182-69 | Left | | | 83508 | D-182-69 |
| | | | | Right | | | 83508 | D-182-69 |
| Axiom | | | | | | | | |
| 2003 | 3.5L V6 | 3SZXT03.52MK | Executive Order # D-182-47 | Left | | | 81712 | D-182-47 |
| | | | | Right | | | 81712 | D-182-47 |
| | | | Executive Order # D-182-69 | Left | | | 83402 | D-182-69 |
| | | | | Right | | | 83402 | D-182-69 |
| 2002 | 3.5L V6 | 2SZXT03.52KK | Executive Order # D-182-47 | Left | | | 81712 | D-182-47 |
| | | | | Right | | | 81712 | D-182-47 |
| | | | Executive Order # D-182-69 | Left | | | 83402 | D-182-69 |
| | | | | Right | | | 83402 | D-182-69 |
| | | 2SZXT03.52MK | Executive Order # D-182-47 | Left | | | 81712 | D-182-47 |
| | | | | Right | | | 81712 | D-182-47 |
| | | | Executive Order # D-182-69 | Left | | | 83402 | D-182-69 |
| | | | | Right | | | 83402 | D-182-69 |
| Hombre | | | | | | | | |
| 2000 | 2.2L L4 | YGMXT02.2122 | Executive Order # D-182-45 | | | 81962 | 31369 (2) | D-182-45 |
| | | | | | | | 82629 | D-182-57 |
| | | YGMXX02.2023 | Executive Order # D-182-45 | | | 81962 | 31369 (2) | D-182-45 |
| | | | | | | | 82629 | D-182-57 |
| | 4.3L V6 | YGMXT04.3186 | Executive Order # D-182-53 | Front | | | 82515 | D-182-53 |
| | | | | | | 82675 | 31588 (2), 31574 | D-182-53 |
| | | YGMXT04.3187 | Executive Order # D-182-53 | Front | | | 82515 | D-182-53 |
| | | | | | | 82675 | 31588 (2), 31574 | D-182-53 |
| | | YGMXT04.3188 | 4WD; Executive Order # D-182-52 | | | 81952 | 31588 (2), 31574 | D-182-52 |
| | | | | | | | | |
| | | | Executive Order # D-182-52 | Front | | | 81723 | D-182-52 |
| | | | | Rear | | | 81923 | D-182-52 |
| | Executive Order # D-182-69 | Front | | | 83403 | D-182-69 | | |
| | | Rear | | | 83508 | D-182-69 | | |
| 1999 | 2.2L L4 | XGMXT02.2122 | Executive Order # D-182-45 | | | 81962 | 31369 (2) | D-182-45 |
| | | | | | | | 82629 | D-182-57 |
| | 4.3L V6 | XGMXT04.3182 | Executive Order # D-182-53 | Front | | | 82515 | D-182-53 |
| | | | | | | | | |
| | | XGMXT04.3184 | Executive Order # D-182-52 | Front | | | 81723 | D-182-52 |
| | | | | Rear | | | 81923 | D-182-52 |
| | | Executive Order # D-182-69 | Front | | | 83403 | D-182-69 | |
| | | | Rear | | | 83508 | D-182-69 | |
| | | XGMXT04.3185 | Executive Order # D-182-52 | Front | | | 81723 | D-182-52 |
| | | | | Rear | | | 81923 | D-182-52 |
| | Executive Order # D-182-69 | Front | | | 83403 | D-182-69 | | |
| | | Rear | | | 83508 | D-182-69 | | |
| 1998 | 2.2L L4 | WGMXT02.2122 | Executive Order # D-182-43 | | | | 81505 | D-182-43 |
| | | | | | | 81962 | 31369 (2) | D-182-45 |
| | | WGMXT02.2124 | Executive Order # D-182-45 | | | 81962 | 31369 (2) | D-182-45 |

OBDII APPLICATIONS

NON-OBDII APPLICATIONS

NUMERICAL

UNIVERSAL SPECIFICATIONS

For vehicles licensed in the state of California or Maine, or vehicles requiring CARB-compliant converters in the state of New York, the parts in this catalog must be installed as specifically listed. Parts cannot be substituted, nor can they be installed on California or Maine licensed vehicles not listed in this catalog.

OBDII PASSENGER CAR & TRUCK

| Years | Engine | Engine Family No. | Application | Position | Direct-Fit | | Universal Part No. | Executive Order |
|-------|--------|-------------------|-------------|----------|------------|----------|--------------------|-----------------|
| | | | | | Part No. | Hardware | | |

ISUZU (Cont.)

Hombre (Cont.)

| | | | | | | | | | |
|-----------------|----------------------------|--------------|---------------------------------|-------|--------------|--------------|--------------|--------------|----------|
| 1998 (Cont.) | 2.2L L4 | WGMXT02.2124 | Executive Order # D-182-57 | | | | 82629 | D-182-57 | |
| | 4.3L V6 | WGMXT04.3182 | Executive Order # D-182-43 | | | | 81506 | D-182-43 | |
| | | | RWD; Executive Order # D-182-43 | | 81546 | 31589, 31571 | | D-182-43 | |
| | | WGMXT04.3184 | Executive Order # D-182-47 | | | | 81918 | D-182-47 | |
| | | | Executive Order # D-182-69 | | | | 83508 | D-182-69 | |
| | | WGMXT04.3185 | Executive Order # D-182-52 | Front | | | | 81723 | D-182-52 |
| | | | | Rear | | | | 81923 | D-182-52 |
| | | | Executive Order # D-182-69 | Front | | | | 83403 | D-182-69 |
| Rear | | | | | 83508 | D-182-69 | | | |
| WGMXT04.3193 | Executive Order # D-182-53 | Front | | | | 82515 | D-182-53 | | |
| 1997 | 2.2L L4 | VGM2.218G1EK | Executive Order # D-182-43 | | | | 81505 | D-182-43 | |
| | 4.3L V6 | VGM4.31PG1EK | Executive Order # D-182-43 | | | | 81506 | D-182-43 | |
| | | | RWD; Executive Order # D-182-43 | | 81545 | 31589, 31571 | | D-182-43 | |
| 1996 | 2.2L L4 | TGM2.218GFEK | Executive Order # D-182-43 | | | | 81505 | D-182-43 | |

NPR

| | | | | | | | | |
|------|---------|--------------|----------------------------|-------|--|--|--------------|----------|
| 2007 | 6.0L V8 | 7GMXH06.0583 | Executive Order # D-182-69 | Left | | | 83404 | D-182-69 |
| | | | | Right | | | 83404 | D-182-69 |
| 2006 | 6.0L V8 | 6GMXH06.0583 | Executive Order # D-182-69 | Left | | | 83404 | D-182-69 |
| | | | | Right | | | 83404 | D-182-69 |
| | | 6GMXH06.0593 | Executive Order # D-182-69 | Left | | | 83404 | D-182-69 |
| | | | | Right | | | 83404 | D-182-69 |
| 2005 | 6.0L V8 | 5GMXH06.0583 | Executive Order # D-182-69 | Left | | | 83404 | D-182-69 |
| | | | | Right | | | 83404 | D-182-69 |
| 2004 | 6.0L V8 | 4GMXH06.0583 | Executive Order # D-182-69 | Left | | | 83404 | D-182-69 |
| | | | | Right | | | 83404 | D-182-69 |
| 2003 | 6.0L V8 | 3GMXH06.0583 | Executive Order # D-182-69 | Left | | | 83404 | D-182-69 |
| | | | | Right | | | 83404 | D-182-69 |
| 2002 | 5.7L V8 | 2GMXH05.7582 | Executive Order # D-182-69 | Left | | | 83509 | D-182-69 |
| | | | | Right | | | 83509 | D-182-69 |
| 1996 | 5.7L V8 | TGM5.7CPGAEA | Executive Order # D-182-69 | Left | | | 83509 | D-182-69 |
| | | | | Right | | | 83509 | D-182-69 |

NPR-HD

| | | | | | | | | |
|------|---------|--------------|----------------------------|-------|--|--|--------------|----------|
| 2004 | 6.0L V8 | 4GMXH06.0583 | Executive Order # D-182-69 | Left | | | 83404 | D-182-69 |
| | | | | Right | | | 83404 | D-182-69 |
| 2003 | 6.0L V8 | 3GMXH06.0583 | Executive Order # D-182-69 | Left | | | 83404 | D-182-69 |
| | | | | Right | | | 83404 | D-182-69 |
| 2002 | 5.7L V8 | 2GMXH05.7582 | Executive Order # D-182-69 | Left | | | 83509 | D-182-69 |
| | | | | Right | | | 83509 | D-182-69 |

Oasis

| | | | | | | | | |
|------|---------|---------------|----------------------------|--|--|--|--------------|----------|
| 1999 | 2.3L L4 | XHNXV02.3BA1 | Executive Order # D-182-57 | | | | 82605 | D-182-57 |
| 1998 | 2.3L L4 | WHNXV02.3BA1 | Executive Order # D-182-57 | | | | 82605 | D-182-57 |
| 1997 | 2.2L L4 | VHN2.2VJGK GK | Executive Order # D-182-57 | | | | 82607 | D-182-57 |
| 1996 | 2.2L L4 | THN2.2VJGK GK | Executive Order # D-182-57 | | | | 82607 | D-182-57 |

For vehicles licensed in the state of California or Maine, or vehicles requiring CARB-compliant converters in the state of New York, the parts in this catalog must be installed as specifically listed. Parts cannot be substituted, nor can they be installed on California or Maine licensed vehicles not listed in this catalog.

OBDII PASSENGER CAR & TRUCK

| Years | Engine | Engine Family No. | Application | Position | Direct-Fit | | Universal Part No. | Executive Order | | | |
|----------------------------|----------------------------|--|----------------------------|----------------------------|--------------|----------------------------|--------------------|-----------------|--------------|--------------|----------|
| | | | | | Part No. | Hardware | | | | | |
| ISUZU (Cont.) | | | | | | | | | | | |
| Rodeo | | | | | | | | | | | |
| 2004 | 3.2L V6 | 4SZXT03.22RK | Executive Order # D-182-69 | Left | | | 83402 | D-182-69 | | | |
| | | | | Right | | | 83402 | D-182-69 | | | |
| 2003 | 3.2L V6 | 3SZXT03.52MK | Executive Order # D-182-52 | Left | | | 81722 | D-182-52 | | | |
| | | | | Right | | | 81722 | D-182-52 | | | |
| | | | Executive Order # D-182-69 | Left | | | 83402 | D-182-69 | | | |
| | | | | Right | | | 83402 | D-182-69 | | | |
| 2002 | 3.2L V6 | 2SZXT03.52KK | Executive Order # D-182-47 | Left | | | 81712 | D-182-47 | | | |
| | | | | Right | | | 81712 | D-182-47 | | | |
| | | | Executive Order # D-182-52 | Left | 81749 | 31566, 31632 | | D-182-52 | | | |
| | | | | Right | | | | | | | |
| | | | Executive Order # D-182-69 | Left | | | 83402 | D-182-69 | | | |
| | | | | Right | | | 83402 | D-182-69 | | | |
| | | 2SZXT03.52MK | Executive Order # D-182-47 | Left | | | 81712 | D-182-47 | | | |
| | | | | Right | | | 81712 | D-182-47 | | | |
| | | | Executive Order # D-182-52 | Right | 81770 | 31566, 31632 | | D-182-52 | | | |
| | | | | Left | | | 83402 | D-182-69 | | | |
| 2001 | 3.2L V6 | 1SZXT03.22KK | Executive Order # D-182-47 | Left | | | 81712 | D-182-47 | | | |
| | | | | Right | | | 81712 | D-182-47 | | | |
| | | | Executive Order # D-182-52 | Left | 81749 | 31566, 31632 | | D-182-52 | | | |
| | | | | Right | 81770 | 31566, 31632 | | D-182-52 | | | |
| | | | Executive Order # D-182-69 | Left | | | 83402 | D-182-69 | | | |
| | | | | Right | | | 83402 | D-182-69 | | | |
| | | | 2000 | 2.2L L4 | YSZXT02.22HK | Executive Order # D-182-47 | Left | | | 81712 | D-182-47 |
| | | | | | | | Right | | | 81712 | D-182-47 |
| | | | | | | Executive Order # D-182-69 | Left | | | 83402 | D-182-69 |
| | | | | | | | Right | | | 83402 | D-182-69 |
| 3.2L V6 | YSZXT03.52GK | Automatic Trans.; Executive Order # D-182-52 | | | | Left | 81749 | 31566, 31632 | | D-182-52 | |
| | | | | | | Right | 81770 | 31566, 31632 | | D-182-52 | |
| | | Executive Order # D-182-47 | | Left | | | 81712 | D-182-47 | | | |
| | | | | Right | | | 81712 | D-182-47 | | | |
| | Executive Order # D-182-69 | Left | | | | 83402 | D-182-69 | | | | |
| | | Right | | | | 83402 | D-182-69 | | | | |
| | YSZXT03.52JK | Executive Order # D-182-47 | | Left | | | 81712 | D-182-47 | | | |
| | | | | Right | | | 81712 | D-182-47 | | | |
| Executive Order # D-182-69 | | Left | | | | 83402 | D-182-69 | | | | |
| | | Right | | | | 83402 | D-182-69 | | | | |
| 1999 | 2.2L L4 | XSZXT02.22HK | Executive Order # D-182-47 | | | | 81712 | D-182-47 | | | |
| | | | | Executive Order # D-182-69 | | | | 83402 | D-182-69 | | |
| | | | 3.2L V6 | | XSZXT03.22JK | Executive Order # D-182-47 | Left | | | 81712 | D-182-47 |
| | | | | Right | | | | | 81712 | D-182-47 | |
| | Executive Order # D-182-69 | Left | | | | | 83402 | D-182-69 | | | |
| | | Right | | | | 83402 | D-182-69 | | | | |
| | XSZXT03.52GK | Executive Order # D-182-47 | | Left | | | 81712 | D-182-47 | | | |
| | | | | Right | | | 81712 | D-182-47 | | | |
| | | Executive Order # D-182-69 | Left | | | 83402 | D-182-69 | | | | |

OBDII APPLICATIONS

NON-OBDII APPLICATIONS

NUMERICAL

UNIVERSAL SPECIFICATIONS

For vehicles licensed in the state of California or Maine, or vehicles requiring CARB-compliant converters in the state of New York, the parts in this catalog must be installed as specifically listed. Parts cannot be substituted, nor can they be installed on California or Maine licensed vehicles not listed in this catalog.

OBDII PASSENGER CAR & TRUCK

| Years | Engine | Engine Family No. | Application | Position | Direct-Fit | | Universal Part No. | Executive Order | | |
|----------------------------|----------------------------|----------------------------|----------------------------|----------------------------|------------|--------------|--------------------|-----------------|--------------|----------|
| | | | | | Part No. | Hardware | | | | |
| ISUZU (Cont.) | | | | | | | | | | |
| Rodeo (Cont.) | | | | | | | | | | |
| 1999 (Cont.) | 3.2L V6 | XSZXT03.52GK | Executive Order # D-182-69 | Right | | | 83402 | D-182-69 | | |
| 1998 | 2.2L L4 | WSZXT02.22HK | Executive Order # D-182-47 | | | | 81712 | D-182-47 | | |
| | | | Executive Order # D-182-69 | | | | 83402 | D-182-69 | | |
| | 3.2L V6 | WSZXT03.52GK | Executive Order # D-182-47 | Left | | | | 81712 | D-182-47 | |
| | | | | Right | | | | 81712 | D-182-47 | |
| | | | Executive Order # D-182-69 | Left | | | | 83402 | D-182-69 | |
| | | | | Right | | | | 83402 | D-182-69 | |
| 1997 | 2.6L L4 | VSZ2.628GKFK | Executive Order # D-182-47 | | | | 81712 | D-182-47 | | |
| | | | Executive Order # D-182-69 | | | | 83402 | D-182-69 | | |
| | 3.2L V6 | VSZ3.22JGKFK | Executive Order # D-182-47 | | | | | 81916 | D-182-47 | |
| | | | | Executive Order # D-182-69 | | | | 83506 | D-182-69 | |
| | | VSZ3.22JGKFK | Executive Order # D-182-47 | Left | | | | 81712 | D-182-47 | |
| | | | | Right | | | | 81712 | D-182-47 | |
| | | | Executive Order # D-182-69 | Left | | | | 83402 | D-182-69 | |
| | | | | Right | | | | 83402 | D-182-69 | |
| | 1996 | 2.6L L4 | TSZ2.628GKFK | Executive Order # D-182-47 | | | | 81712 | D-182-47 | |
| | | | | Executive Order # D-182-69 | | | | 83402 | D-182-69 | |
| | | 3.2L V6 | TSZ3.22JGKEK | Executive Order # D-182-47 | Left | | | | 81712 | D-182-47 |
| | | | | | Right | | | | 81712 | D-182-47 |
| Executive Order # D-182-69 | | | | Left | | | | 83402 | D-182-69 | |
| | | | | Right | | | | 83402 | D-182-69 | |
| TSZ3.22JGKFK | | | Executive Order # D-182-47 | | | | | 81916 | D-182-47 | |
| | | | | Executive Order # D-182-69 | | | | 83506 | D-182-69 | |
| TSZ3.22JGKFK | | Executive Order # D-182-47 | Left | | | | 81712 | D-182-47 | | |
| | | | Right | | | | 81712 | D-182-47 | | |
| | Executive Order # D-182-69 | Left | | | | 83402 | D-182-69 | | | |
| | | Right | | | | 83402 | D-182-69 | | | |
| Rodeo Sport | | | | | | | | | | |
| 2003 | 3.2L V6 | 3SZXT03.52MK | Executive Order # D-182-52 | Left | | | 81722 | D-182-52 | | |
| | | | | Right | | | | 81722 | D-182-52 | |
| | | | Executive Order # D-182-69 | Left | | | | 83402 | D-182-69 | |
| | | | | Right | | | | 83402 | D-182-69 | |
| 2002 | 3.2L V6 | 2SZXT03.52KK | Executive Order # D-182-47 | Left | | | 81712 | D-182-47 | | |
| | | | | Right | | | | 81712 | D-182-47 | |
| | | | Executive Order # D-182-69 | Left | | | | 83402 | D-182-69 | |
| | | | | Right | | | | 83402 | D-182-69 | |
| | | 2SZXT03.52MK | Executive Order # D-182-47 | Left | | | | 81712 | D-182-47 | |
| | | | | Right | | | | 81712 | D-182-47 | |
| | | | Executive Order # D-182-69 | Left | | | | 83402 | D-182-69 | |
| | | | | Right | | | | 83402 | D-182-69 | |
| 2001 | 3.2L V6 | 1SZXT03.22KK | Executive Order # D-182-47 | Left | | | 81712 | D-182-47 | | |
| | | | | Right | | | | 81712 | D-182-47 | |
| | | | Executive Order # D-182-69 | Left | | | | 83402 | D-182-69 | |
| | | | | Right | | | | 83402 | D-182-69 | |

For vehicles licensed in the state of California or Maine, or vehicles requiring CARB-compliant converters in the state of New York, the parts in this catalog must be installed as specifically listed. Parts cannot be substituted, nor can they be installed on California or Maine licensed vehicles not listed in this catalog.

OBDII PASSENGER CAR & TRUCK

| Years | Engine | Engine Family No. | Application | Position | Direct-Fit | | Universal Part No. | Executive Order |
|----------------------------|---------|-------------------|----------------------------|----------|------------|----------|--------------------|-----------------|
| | | | | | Part No. | Hardware | | |
| ISUZU (Cont.) | | | | | | | | |
| Trooper | | | | | | | | |
| 2002 | 3.5L V6 | 2SZXT03.52JK | Executive Order # D-182-47 | Left | | | 81712 | D-182-47 |
| | | | | Right | | | 81712 | D-182-47 |
| | | | Executive Order # D-182-69 | Left | | | 83402 | D-182-69 |
| | | | | Right | | | 83402 | D-182-69 |
| 2001 | 3.5L V6 | 1SZXT03.52JK | Executive Order # D-182-47 | Left | | | 81712 | D-182-47 |
| | | | | Right | | | 81712 | D-182-47 |
| | | | Executive Order # D-182-69 | Left | | | 83402 | D-182-69 |
| | | | | Right | | | 83402 | D-182-69 |
| 2000 | 3.5L V6 | YSZXT03.52JK | Executive Order # D-182-47 | Left | | | 81712 | D-182-47 |
| | | | | Right | | | 81712 | D-182-47 |
| | | | Executive Order # D-182-69 | Left | | | 83402 | D-182-69 |
| | | | | Right | | | 83402 | D-182-69 |
| 1999 | 3.5L V6 | XSZXT03.52FK | Executive Order # D-182-47 | | | | 81712 | D-182-47 |
| | | | Executive Order # D-182-69 | | | | 83402 | D-182-69 |
| | | XSZXT03.52GK | Executive Order # D-182-47 | Left | | | 81712 | D-182-47 |
| | | | | Right | | | 81712 | D-182-47 |
| | | | Executive Order # D-182-69 | Left | | | 83402 | D-182-69 |
| | | | | Right | | | 83402 | D-182-69 |
| 1998 | 3.5L V6 | WSZXT03.52FK | Executive Order # D-182-47 | | | | 81712 | D-182-47 |
| | | | Executive Order # D-182-69 | | | | 83402 | D-182-69 |
| | | WSZXT03.52GK | Executive Order # D-182-47 | Left | | | 81712 | D-182-47 |
| | | | | Right | | | 81712 | D-182-47 |
| Executive Order # D-182-69 | Left | | | 83402 | D-182-69 | | | |
| | Right | | | 83402 | D-182-69 | | | |
| 1997 | 3.2L V6 | VSZ3.22JGKEK | Executive Order # D-182-47 | Left | | | 81712 | D-182-47 |
| | | | | Right | | | 81712 | D-182-47 |
| | | | Executive Order # D-182-69 | Left | | | 83402 | D-182-69 |
| | | | | Right | | | 83402 | D-182-69 |
| | | VSZ3.22JGKFK | Executive Order # D-182-47 | | | 81712 | D-182-47 | |
| | | | Executive Order # D-182-69 | | | 83402 | D-182-69 | |
| 1996 | 3.2L V6 | TSZ3.22JGKEK | Executive Order # D-182-47 | Left | | | 81712 | D-182-47 |
| | | | | Right | | | 81712 | D-182-47 |
| | | | Executive Order # D-182-69 | Left | | | 83402 | D-182-69 |
| | | | | Right | | | 83402 | D-182-69 |
| | | TSZ3.22JGKFK | Executive Order # D-182-47 | | | 81712 | D-182-47 | |
| | | | Executive Order # D-182-69 | | | 83402 | D-182-69 | |

VehiCROSS

| | | | | | | | | |
|------|---------|--------------|----------------------------|-------|--|--|-------|----------|
| 2001 | 3.5L V6 | 1SZXT03.52GK | Executive Order # D-182-47 | Left | | | 81712 | D-182-47 |
| | | | | Right | | | 81712 | D-182-47 |
| | | | Executive Order # D-182-69 | Left | | | 83402 | D-182-69 |
| | | | | Right | | | 83402 | D-182-69 |
| 2000 | 3.5L V6 | YSZXT03.52GK | Executive Order # D-182-47 | Left | | | 81712 | D-182-47 |
| | | | | Right | | | 81712 | D-182-47 |
| | | | Executive Order # D-182-69 | Left | | | 83402 | D-182-69 |
| | | | | Right | | | 83402 | D-182-69 |

For vehicles licensed in the state of California or Maine, or vehicles requiring CARB-compliant converters in the state of New York, the parts in this catalog must be installed as specifically listed. Parts cannot be substituted, nor can they be installed on California or Maine licensed vehicles not listed in this catalog.

OBDII PASSENGER CAR & TRUCK

| Years | Engine | Engine Family No. | Application | Position | Direct-Fit | | Universal Part No. | Executive Order |
|---------------|---------|-------------------|----------------------------|----------|--------------|----------|--------------------|-----------------|
| | | | | | Part No. | Hardware | | |
| JAGUAR | | | | | | | | |
| S-Type | | | | | | | | |
| 2005 | 3.0L V6 | 5JCXV03.0DNE | Executive Order # D-182-59 | Left | | | 82632 | D-182-59 |
| | | | | Right | | | 82631 | D-182-59 |
| | 4.2L V8 | 5JCXV04.2DSB | Executive Order # D-182-59 | Left | | | 82632 | D-182-59 |
| | | | | Right | | | 82631 | D-182-59 |
| 2004 | 3.0L V6 | 4JCXV03.0DNE | Executive Order # D-182-59 | Left | | | 82632 | D-182-59 |
| | | | | Right | | | 82631 | D-182-59 |
| | 4.2L V8 | 4JCXV04.2DSB | Executive Order # D-182-59 | Left | | | 82632 | D-182-59 |
| | | | | Right | | | 82631 | D-182-59 |
| 2003 | 3.0L V6 | 3JCXV03.0DNE | Executive Order # D-182-59 | Left | | | 82632 | D-182-59 |
| | | | | Right | | | 82631 | D-182-59 |
| | 4.2L V8 | 3JCXV04.2DSB | Executive Order # D-182-59 | Left | | | 82632 | D-182-59 |
| | | | | Right | | | 82631 | D-182-59 |
| 2002 | 3.0L V6 | 2JCXV03.0CN6 | Executive Order # D-182-59 | Left | | | 82632 | D-182-59 |
| | | | | Right | | | 82631 | D-182-59 |
| | 4.0L V8 | 2JCXV04.0CN5 | Executive Order # D-182-59 | Left | 82687 | | 82632 | D-182-59 |
| | | | | Right | 82688 | | 82631 | D-182-59 |
| 2001 | 3.0L V6 | 1JCXV03.0CN6 | Executive Order # D-182-59 | Left | | | 82632 | D-182-59 |
| | | | | Right | | | 82631 | D-182-59 |
| | | 1JCXV03.0CNF | Executive Order # D-182-59 | Left | | | 82632 | D-182-59 |
| | | | | Right | | | 82631 | D-182-59 |
| | 4.0L V8 | 1JCXV04.0CN5 | Executive Order # D-182-59 | Left | 82687 | | 82632 | D-182-59 |
| | | | | Right | 82688 | | 82631 | D-182-59 |
| | | 1JCXV04.0CNE | Executive Order # D-182-59 | Left | 82687 | | 82632 | D-182-59 |
| | | | | Right | 82688 | | 82631 | D-182-59 |
| 2000 | 3.0L V6 | YJCXV03.0CN6 | Executive Order # D-182-59 | Left | | | 82632 | D-182-59 |
| | | | | Right | | | 82631 | D-182-59 |
| | 4.0L V8 | YJCXV04.0CN5 | Executive Order # D-182-59 | Left | 82687 | | 82632 | D-182-59 |
| | | | | Right | 82688 | | 82631 | D-182-59 |

Super V8

| | | | | | | | | |
|------|---------|--------------|----------------------------|-------|--|--|--------------|----------|
| 2005 | 4.2L V8 | 5JCXV04.2DSB | Executive Order # D-182-59 | Left | | | 82632 | D-182-59 |
| | | | | Right | | | 82631 | D-182-59 |

Vanden Plas

| | | | | | | | | |
|------|---------|--------------|----------------------------|--------------|--|--|--------------|----------|
| 2003 | 4.0L V8 | 3JCXV04.0BS7 | Executive Order # D-182-58 | Left | | | 82505 | D-182-58 |
| | | | | Right | | | 82505 | D-182-58 |
| 2002 | 4.0L V8 | 2JCXV04.0BS7 | Executive Order # D-182-58 | Left | | | 82505 | D-182-58 |
| | | | | Right | | | 82505 | D-182-58 |
| 2001 | 4.0L V8 | 1JCXV04.0BS7 | Executive Order # D-182-58 | Left | | | 82505 | D-182-58 |
| | | | | Right | | | 82505 | D-182-58 |
| 2000 | 4.0L V8 | YJCXV04.0BS7 | Executive Order # D-182-58 | Left | | | 82505 | D-182-58 |
| | | | | Right | | | 82505 | D-182-58 |
| 1999 | 4.0L V8 | XJCXV04.0BN4 | Executive Order # D-182-58 | Left | | | 82505 | D-182-58 |
| | | | | Right | | | 82505 | D-182-58 |
| 1998 | 4.0L V8 | WJCXV04.0AN1 | Executive Order # D-182-58 | Left | | | 82505 | D-182-58 |
| | | | | Right | | | 82505 | D-182-58 |
| 1997 | 4.0L L6 | VJC4.0VJGKGK | Executive Order # D-182-48 | Right Center | | | 81806 | D-182-48 |

For vehicles licensed in the state of California or Maine, or vehicles requiring CARB-compliant converters in the state of New York, the parts in this catalog must be installed as specifically listed. Parts cannot be substituted, nor can they be installed on California or Maine licensed vehicles not listed in this catalog.

OBDII PASSENGER CAR & TRUCK

| Years | Engine | Engine Family No. | Application | Position | Direct-Fit | | Universal Part No. | Executive Order |
|----------------------------|----------|-------------------|----------------------------|--------------|------------|----------|--------------------|-----------------|
| | | | | | Part No. | Hardware | | |
| JAGUAR (Cont.) | | | | | | | | |
| Vanden Plas (Cont.) | | | | | | | | |
| 1997 (Cont.) | 4.0L L6 | VJC4.0VJGK GK | Executive Order # D-182-48 | Front Right | | | 81806 | D-182-48 |
| | | | | Rear Left | | | 81651 | D-182-48 |
| | | | | Rear Right | | | 81651 | D-182-48 |
| 1996 | 4.0L L6 | TJC4.0VJGK GK | Executive Order # D-182-48 | Right Center | | | 81806 | D-182-48 |
| | | | | Front Right | | | 81806 | D-182-48 |
| | | | | Rear Left | | | 81651 | D-182-48 |
| | | | | Rear Right | | | 81651 | D-182-48 |
| 1995 | 4.0L L6 | SJC4.0VJGF EK | Executive Order # D-182-48 | Right Center | | | 81806 | D-182-48 |
| | | | | Front Right | | | 81806 | D-182-48 |
| | | | | Rear Left | | | 81651 | D-182-48 |
| | | | | Rear Right | | | 81651 | D-182-48 |
| XJ12 | | | | | | | | |
| 1996 | 6.0L V12 | TJC6.0V8GFF K | Executive Order # D-182-48 | Left Center | | | 81806 | D-182-48 |
| | | | | Right Center | | | 81806 | D-182-48 |
| | | | | Front Left | | | 81804 | D-182-48 |
| | | | | Front Right | | | 81804 | D-182-48 |
| | | | | Rear Left | | | 81651 | D-182-48 |
| | | | | Rear Right | | | 81651 | D-182-48 |
| 1995 | 6.0L V12 | SJC6.0V8GFF K | Executive Order # D-182-48 | Left Center | | | 81806 | D-182-48 |
| | | | | Right Center | | | 81806 | D-182-48 |
| | | | | Front Left | | | 81804 | D-182-48 |
| | | | | Front Right | | | 81804 | D-182-48 |
| | | | | Rear Left | | | 81651 | D-182-48 |
| | | | | Rear Right | | | 81651 | D-182-48 |
| XJ6 | | | | | | | | |
| 1997 | 4.0L L6 | VJC4.0VJGK GK | Executive Order # D-182-48 | Right Center | | | 81806 | D-182-48 |
| | | | | Front Right | | | 81806 | D-182-48 |
| | | | | Rear Left | | | 81651 | D-182-48 |
| | | | | Rear Right | | | 81651 | D-182-48 |
| 1996 | 4.0L L6 | TJC4.0VJGK GK | Executive Order # D-182-48 | Right Center | | | 81806 | D-182-48 |
| | | | | Front Right | | | 81806 | D-182-48 |
| | | | | Rear Left | | | 81651 | D-182-48 |
| | | | | Rear Right | | | 81651 | D-182-48 |
| 1995 | 4.0L L6 | SJC4.0VJGF EK | Executive Order # D-182-48 | Right Center | | | 81806 | D-182-48 |
| | | | | Front Right | | | 81806 | D-182-48 |
| | | | | Rear Left | | | 81651 | D-182-48 |
| | | | | Rear Right | | | 81651 | D-182-48 |
| XJ8 | | | | | | | | |
| 1999 | 4.0L V8 | XJCXV04.0BN4 | Executive Order # D-182-58 | Left | | | 82505 | D-182-58 |
| | | | | Right | | | 82505 | D-182-58 |
| 1998 | 4.0L V8 | WJCXV04.0AN1 | Executive Order # D-182-58 | Left | | | 82505 | D-182-58 |
| | | | | Right | | | 82505 | D-182-58 |
| XJR | | | | | | | | |
| 2005 | 4.2L V8 | 5JCXV04.2DSB | Executive Order # D-182-59 | Left | | | 82632 | D-182-59 |

For vehicles licensed in the state of California or Maine, or vehicles requiring CARB-compliant converters in the state of New York, the parts in this catalog must be installed as specifically listed. Parts cannot be substituted, nor can they be installed on California or Maine licensed vehicles not listed in this catalog.

OBDII APPLICATIONS

NON-OBDII APPLICATIONS

NUMERICAL

UNIVERSAL SPECIFICATIONS

OBDII PASSENGER CAR & TRUCK

| Years | Engine | Engine Family No. | Application | Position | Direct-Fit | | Universal Part No. | Executive Order |
|-----------------------|---------|-------------------|----------------------------|--------------|------------|----------|--------------------|-----------------|
| | | | | | Part No. | Hardware | | |
| JAGUAR (Cont.) | | | | | | | | |
| XJR (Cont.) | | | | | | | | |
| 2005 (Cont.) | 4.2L V8 | 5JCXV04.2DSB | Executive Order # D-182-59 | Right | | | 82631 | D-182-59 |
| 2004 | 4.2L V8 | 4JCXV04.2DSB | Executive Order # D-182-59 | Left | | | 82632 | D-182-59 |
| | | | | Right | | | 82631 | D-182-59 |
| 2003 | 4.0L V8 | 3JCXV04.0BS7 | Executive Order # D-182-58 | Left | | | 82505 | D-182-58 |
| | | | | Right | | | 82505 | D-182-58 |
| 2002 | 4.0L V8 | 2JCXV04.0BS7 | Executive Order # D-182-58 | Left | | | 82505 | D-182-58 |
| | | | | Right | | | 82505 | D-182-58 |
| 2001 | 4.0L V8 | 1JCXV04.0BS7 | Executive Order # D-182-58 | Left | | | 82505 | D-182-58 |
| | | | | Right | | | 82505 | D-182-58 |
| 2000 | 4.0L V8 | YJCV04.0BS7 | Executive Order # D-182-58 | Left | | | 82505 | D-182-58 |
| | | | | Right | | | 82505 | D-182-58 |
| 1999 | 4.0L V8 | XJCV04.0AS3 | Executive Order # D-182-58 | Left | | | 82505 | D-182-58 |
| | | | | Right | | | 82505 | D-182-58 |
| 1998 | 4.0L V8 | WJCV04.0AS3 | Executive Order # D-182-58 | Left | | | 82505 | D-182-58 |
| | | | | Right | | | 82505 | D-182-58 |
| 1997 | 4.0L L6 | VJC4.0VJGKHK | Executive Order # D-182-48 | Right Center | | | 81806 | D-182-48 |
| | | | | Front Right | | | 81806 | D-182-48 |
| | | | | Rear Left | | | 81651 | D-182-48 |
| | | | | Rear Right | | | 81651 | D-182-48 |
| 1996 | 4.0L L6 | TJC4.0VJGFGK | Executive Order # D-182-48 | Right Center | | | 81806 | D-182-48 |
| | | | | Front Right | | | 81806 | D-182-48 |
| | | | | Rear Left | | | 81651 | D-182-48 |
| | | | | Rear Right | | | 81651 | D-182-48 |
| XJS | | | | | | | | |
| 1996 | 4.0L L6 | TJC4.0VJGK GK | Executive Order # D-182-48 | Right Center | | | 81806 | D-182-48 |
| | | | | Front Right | | | 81806 | D-182-48 |
| 1995 | 4.0L L6 | SJC4.0VJGFEK | Executive Order # D-182-48 | Right Center | | | 81806 | D-182-48 |
| | | | | Front Right | | | 81806 | D-182-48 |
| | | | | Rear | | | 81613 | D-182-48 |
| XK8 | | | | | | | | |
| 1999 | 4.0L V8 | XJCV04.0BN4 | Executive Order # D-182-58 | Left | | | 82505 | D-182-58 |
| | | | | Right | | | 82505 | D-182-58 |
| 1998 | 4.0L V8 | WJCV04.0AN1 | Executive Order # D-182-58 | Left | | | 82505 | D-182-58 |
| | | | | Right | | | 82505 | D-182-58 |
| 1997 | 4.0L V8 | VJC4.0VJGKEL | Executive Order # D-182-58 | Left | | | 82505 | D-182-58 |
| | | | | Right | | | 82505 | D-182-58 |
| XKR | | | | | | | | |
| 2002 | 4.0L V8 | 2JCV04.0BS7 | Executive Order # D-182-58 | Left | | | 82505 | D-182-58 |
| | | | | Right | | | 82505 | D-182-58 |
| 2001 | 4.0L V8 | 1JCV04.0BS7 | Executive Order # D-182-58 | Left | | | 82505 | D-182-58 |
| | | | | Right | | | 82505 | D-182-58 |
| 2000 | 4.0L V8 | YJCV04.0BS7 | Executive Order # D-182-58 | Left | | | 82505 | D-182-58 |
| | | | | Right | | | 82505 | D-182-58 |

For vehicles licensed in the state of California or Maine, or vehicles requiring CARB-compliant converters in the state of New York, the parts in this catalog must be installed as specifically listed. Parts cannot be substituted, nor can they be installed on California or Maine licensed vehicles not listed in this catalog.

OBDII PASSENGER CAR & TRUCK

| Years | Engine | Engine Family No. | Application | Position | Direct-Fit | | Universal Part No. | Executive Order |
|-----------------------|-------------|-------------------|----------------------------|-------------|--------------|----------|--------------------|-----------------|
| | | | | | Part No. | Hardware | | |
| JEEP | | | | | | | | |
| Cherokee | | | | | | | | |
| 2001 | 4.0L L6 | 1CRXT04.02D0 | Executive Order # D-182-60 | Left Center | | | 81815 | D-182-60 |
| | | | | Front | 81850 | 31625 | | D-182-60 |
| | | | | Front Left | | | 81815 | D-182-60 |
| | | | | Rear | 82799 | 31625 | 82702 | D-182-60 |
| 2000 | 2.5L L4 | YCRXT0150120 | Executive Order # D-182-48 | Front | | | 81803 | D-182-48 |
| | | | | Rear | | | 81653 | D-182-48 |
| | 4.0L L6 | YCRXT0242230 | Executive Order # D-182-60 | Left Center | | | 81815 | D-182-60 |
| | | | | Front | 81850 | 31625 | | D-182-60 |
| 1999 | 2.5L L4 | XCRXT0150120 | Executive Order # D-182-48 | Front | | | 81803 | D-182-48 |
| | | | | Rear | | | 81653 | D-182-48 |
| | 4.0L L6 | XCRXT0242220 | Executive Order # D-182-60 | Front | | | 81812 | D-182-60 |
| | | | | Rear | 82789 | | 82704 | D-182-60 |
| 1998 | 4.0L L6 | WCRXT0242220 | Executive Order # D-182-60 | Front | | | 81812 | D-182-60 |
| | | | | Rear | 82789 | | 82704 | D-182-60 |
| 1997 | 4.0L L6 | VCR24228G1EK | Executive Order # D-182-42 | | 81540 | | 81515 | D-182-42 |
| | | VCR24228G2JK | Executive Order # D-182-60 | Front | | | 81812 | D-182-60 |
| | | | | Rear | 82789 | | 82704 | D-182-60 |
| 1996 | 4.0L L6 | TCR24228G1FK | Executive Order # D-182-42 | | 81540 | | 81515 | D-182-42 |
| Commander | | | | | | | | |
| 2006 | 3.7L V6 | 6CRXT03.75J0 | Executive Order # D-182-69 | Left | | | 83402 | D-182-69 |
| | | | | Right | | | 83402 | D-182-69 |
| | 4.7L V8 | 6CRXT04.75J0 | Executive Order # D-182-69 | Left | | | 83402 | D-182-69 |
| | | | | Right | | | 83402 | D-182-69 |
| | 5.7L V8 | 6CRXT05.75J0 | Executive Order # D-182-69 | Left | | | 83402 | D-182-69 |
| | | | | Right | | | 83402 | D-182-69 |
| Grand Cherokee | | | | | | | | |
| 2006 | 4.7L V8 | 6CRXT04.75J0 | Executive Order # D-182-69 | Left | | | 83402 | D-182-69 |
| | | | | Right | | | 83402 | D-182-69 |
| | 5.7L V8 | 6CRXT05.75J0 | Executive Order # D-182-69 | Left | | | 83402 | D-182-69 |
| | | | | Right | | | 83402 | D-182-69 |
| 2005 | 4.7L V8 | 5CRXT04.75J0 | Executive Order # D-182-69 | Left | | | 83402 | D-182-69 |
| | | | | Right | | | 83402 | D-182-69 |
| | 5.7L V8 | 5CRXT05.75J1 | Executive Order # D-182-69 | Left | | | 83402 | D-182-69 |
| | | | | Right | | | 83402 | D-182-69 |
| 2004 | 4.0L L6 | 4CRXT04.02N0 | Executive Order # D-182-60 | Left Center | | | 81815 | D-182-60 |
| | | | | Front | 81853 | | | D-182-60 |
| | | | | Front Left | | | 81815 | D-182-60 |
| | | | | Rear | 82796 | | 82702 | D-182-60 |
| | 4.7L V8 | 4CRXT04.72N0 | Executive Order # D-182-69 | Left | | | 83402 | D-182-69 |
| | | | | Right | | | 83402 | D-182-69 |
| | | 4CRXT04.72N1 | Executive Order # D-182-60 | Front | 81852 | | | D-182-60 |
| | | | | Front Left | | | 81810 | D-182-60 |
| | Front Right | | | | 81810 | D-182-60 | | |

For vehicles licensed in the state of California or Maine, or vehicles requiring CARB-compliant converters in the state of New York, the parts in this catalog must be installed as specifically listed. Parts cannot be substituted, nor can they be installed on California or Maine licensed vehicles not listed in this catalog.

OBDII APPLICATIONS

NON-OBDII APPLICATIONS

NUMERICAL

UNIVERSAL SPECIFICATIONS

OBDII PASSENGER CAR & TRUCK

| Years | Engine | Engine Family No. | Application | Position | Direct-Fit | | Universal Part No. | Executive Order |
|-------------------------------|--------------|----------------------------|----------------------------|--------------|--------------|--------------|--------------------|-----------------|
| | | | | | Part No. | Hardware | | |
| JEEP (Cont.) | | | | | | | | |
| Grand Cherokee (Cont.) | | | | | | | | |
| 2004 (Cont.) | 4.7L V8 | 4CRXT04.72N1 | Executive Order # D-182-60 | Rear | 82796 | | 82702 | D-182-60 |
| 2003 | 4.0L L6 | 3CRXT04.02Z0 | Executive Order # D-182-60 | Left Center | | | 81815 | D-182-60 |
| | | | | Front | 81853 | | | D-182-60 |
| | | | | Front Left | | | 81815 | D-182-60 |
| | | | | Rear | 82796 | | 82702 | D-182-60 |
| | 4.7L V8 | 3CRXT04.72D0 | Executive Order # D-182-60 | Front | 81852 | | | D-182-60 |
| | | | | Front Left | | | 81810 | D-182-60 |
| | | | | Front Right | | | 81810 | D-182-60 |
| | | | Rear | 82796 | | 82702 | D-182-60 | |
| 2002 | 4.0L L6 | 2CRXT0242240 | Executive Order # D-182-60 | Left Center | | | 81815 | D-182-60 |
| | | | | Front | 81853 | | | D-182-60 |
| | | | | Front Left | | | 81815 | D-182-60 |
| | | | | Rear | 82796 | | 82702 | D-182-60 |
| | | 2CRXT04.02D2 | Executive Order # D-182-60 | Left Center | | | 81815 | D-182-60 |
| | | | | Front | 81853 | | | D-182-60 |
| | | | | Front Left | | | 81815 | D-182-60 |
| | | | | | Rear | 82796 | | 82702 |
| | 2CRXT04.02Z0 | Executive Order # D-182-60 | Left Center | | | 81815 | D-182-60 | |
| | | | Front | 81853 | | | D-182-60 | |
| | | | Front Left | | | 81815 | D-182-60 | |
| | | | Rear | 82796 | | 82702 | D-182-60 | |
| | 4.7L V8 | 2CRXT04.72D0 | Executive Order # D-182-60 | Front | 81852 | | | D-182-60 |
| | | | | Front Left | | | 81810 | D-182-60 |
| | | | | Front Right | | | 81810 | D-182-60 |
| | | | | Rear | 82796 | | 82702 | D-182-60 |
| 2001 | 4.0L L6 | 1CRXT0242240 | Executive Order # D-182-60 | Left Center | | | 81815 | D-182-60 |
| | | | | Front | 81853 | | | D-182-60 |
| | | | | Front Left | | | 81815 | D-182-60 |
| | | | | Rear | 82797 | 31625 | 82702 | D-182-60 |
| | 4.7L V8 | 1CRXT04.72D1 | Executive Order # D-182-60 | Front | 81851 | | | D-182-60 |
| | | | | Front Left | | | 81810 | D-182-60 |
| | | | | Front Right | | | 81810 | D-182-60 |
| | | | | Rear | 82797 | 31625 | 82702 | D-182-60 |
| 2000 | 4.0L L6 | YCRXT0242230 | Executive Order # D-182-60 | Left Center | | | 81815 | D-182-60 |
| | | | | Front | 81853 | | | D-182-60 |
| | | | | Front Left | | | 81815 | D-182-60 |
| | | | | Rear | 82797 | 31625 | 82702 | D-182-60 |
| | 4.7L V8 | YCRXT0287231 | Executive Order # D-182-60 | Front | 81851 | | | D-182-60 |
| | | | | Front Left | | | 81810 | D-182-60 |
| | | | | Front Right | | | 81810 | D-182-60 |
| | | | | Rear | 82797 | 31625 | 82702 | D-182-60 |
| 1999 | 4.0L L6 | XCRXT0242230 | Executive Order # D-182-60 | Left Center | | | 81815 | D-182-60 |
| | | | | Front | 81853 | | | D-182-60 |
| | | | | Front Left | | | 81815 | D-182-60 |
| | | | | Rear | 82797 | 31625 | 82702 | D-182-60 |

For vehicles licensed in the state of California or Maine, or vehicles requiring CARB-compliant converters in the state of New York, the parts in this catalog must be installed as specifically listed. Parts cannot be substituted, nor can they be installed on California or Maine licensed vehicles not listed in this catalog.

OBDII PASSENGER CAR & TRUCK

| Years | Engine | Engine Family No. | Application | Position | Direct-Fit | | Universal Part No. | Executive Order |
|-------------------------------|---------|-------------------|----------------------------|--------------|--------------|--------------|--------------------|-----------------|
| | | | | | Part No. | Hardware | | |
| JEEP (Cont.) | | | | | | | | |
| Grand Cherokee (Cont.) | | | | | | | | |
| 1999 (Cont.) | 4.7L V8 | XCRXT0287231 | Executive Order # D-182-60 | Front | 81851 | | | D-182-60 |
| | | | | Front Left | | | 81810 | D-182-60 |
| | | | | Front Right | | | 81810 | D-182-60 |
| | | | | Rear | 82797 | 31625 | 82702 | D-182-60 |
| 1998 | 4.0L L6 | WCRXT0242220 | Executive Order # D-182-60 | Front | | | 81812 | D-182-60 |
| | | | | Rear | 82789 | | 82704 | D-182-60 |
| | 5.2L V8 | WCRXT0360211 | Executive Order # D-182-42 | | 81540 | | 81515 | D-182-42 |
| | 5.9L V8 | WCRXT0360211 | Executive Order # D-182-42 | | 81540 | | 81515 | D-182-42 |
| 1997 | 4.0L L6 | VCR24228G2JK. | Executive Order # D-182-60 | Front | | | 81812 | D-182-60 |
| | | | | Rear | 82789 | | 82704 | D-182-60 |
| | 5.2L V8 | VCR36028G1EK | Executive Order # D-182-42 | | 81540 | | 81515 | D-182-42 |
| 1996 | 4.0L L6 | TCR24228G1EK | Executive Order # D-182-42 | | 81540 | | 81515 | D-182-42 |
| | 5.2L V8 | TCR31828G1EL | Executive Order # D-182-42 | | 81540 | | 81515 | D-182-42 |
| Liberty | | | | | | | | |
| 2004 | 2.4L L4 | 4CRXT02.42N1 | Executive Order # D-182-69 | | | | 83402 | D-182-69 |
| | 3.7L V6 | 4CRXT03.72N1 | Executive Order # D-182-69 | Left | | | 83402 | D-182-69 |
| | | | | Right | | | 83402 | D-182-69 |
| 2003 | 2.4L L4 | 3CRXT02.43D0 | Executive Order # D-182-52 | Front | | | 81723 | D-182-52 |
| | | | | Rear | | | 81723 | D-182-52 |
| | | | | Front | | | 83403 | D-182-69 |
| | | | | Rear | | | 83403 | D-182-69 |
| | 3.7L V6 | 3CRXT03.72Z0 | Executive Order # D-182-60 | Front Left | 81856 | 31533 | 81814 | D-182-60 |
| | | | | Front Right | 81857 | 31533 | 81814 | D-182-60 |
| | | | Rear | 82794 | 31533 (2) | 82712 | D-182-60 | |
| | | | Front Left | 81856 | 31533 | 81814 | D-182-60 | |
| | | | Front Right | 81857 | 31533 | 81814 | D-182-60 | |
| | | | Rear | 82794 | 31533 (2) | 82712 | D-182-60 | |
| 2002 | 2.4L L4 | 2CRXT02.42D5 | Executive Order # D-182-52 | Front | | | 81723 | D-182-52 |
| | | | | Rear | | | 81723 | D-182-52 |
| | | | | Front | | | 83403 | D-182-69 |
| | | | | Rear | | | 83403 | D-182-69 |
| | 3.7L V6 | 2CRXT03.72D0 | Executive Order # D-182-60 | Front Left | 81856 | 31533 | 81814 | D-182-60 |
| | | | | Front Right | 81857 | 31533 | 81814 | D-182-60 |
| | | | Rear | 82794 | 31533 (2) | 82712 | D-182-60 | |
| Wrangler | | | | | | | | |
| 2006 | 4.0L L6 | 6CRXT04.02N0 | Executive Order # D-182-60 | Left Center | | | 81815 | D-182-60 |
| | | | | Front | 81861 | 31625 | | D-182-60 |
| | | | | Front Left | | | 81815 | D-182-60 |
| | | | | Front Right | | | 81815 | D-182-60 |
| | | | | Rear | 82790 | 31625 | 82701 | D-182-60 |
| 2005 | 4.0L L6 | 5CRXT04.02N0 | Executive Order # D-182-60 | Left Center | | | 81815 | D-182-60 |
| | | | | Front | 81861 | 31625 | | D-182-60 |
| | | | | Front Left | | | 81815 | D-182-60 |
| | | | | Front Right | | | 81815 | D-182-60 |
| | | | | Rear | 82790 | 31625 | 82701 | D-182-60 |

For vehicles licensed in the state of California or Maine, or vehicles requiring CARB-compliant converters in the state of New York, the parts in this catalog must be installed as specifically listed. Parts cannot be substituted, nor can they be installed on California or Maine licensed vehicles not listed in this catalog.

OBDII APPLICATIONS

NON-OBDII APPLICATIONS

NUMERICAL

UNIVERSAL SPECIFICATIONS

OBDII PASSENGER CAR & TRUCK

| Years | Engine | Engine Family No. | Application | Position | Direct-Fit | | Universal Part No. | Executive Order |
|-------------------------|------------|-------------------|---|----------------------------|--------------|--------------|--------------------|-----------------|
| | | | | | Part No. | Hardware | | |
| JEEP (Cont.) | | | | | | | | |
| Wrangler (Cont.) | | | | | | | | |
| 2004 | 2.4L L4 | 4CRXT02.41M0 | Executive Order # D-182-53 | Front | | | 82504 | D-182-53 |
| | | | | Rear | | | 82622 | D-182-53 |
| | 4.0L L6 | 4CRXT04.02N0 | Executive Order # D-182-60 | Left Center | | | 81815 | D-182-60 |
| | | | | Front | 81861 | 31625 | | D-182-60 |
| | | | | Front Left | | | 81815 | D-182-60 |
| | | | | Front Right | | | 81815 | D-182-60 |
| | | | Rear | 82790 | 31625 | 82701 | D-182-60 | |
| 2003 | 2.4L L4 | 3CRXT02.41D0 | Executive Order # D-182-53 | Front | | | 82504 | D-182-53 |
| | | | | Rear | | | 82622 | D-182-53 |
| | 4.0L L6 | 3CRXT04.02D2 | Executive Order # D-182-60 | Left Center | | | 81815 | D-182-60 |
| | | | | Front | 81860 | 31625 | | D-182-60 |
| | | | | Front Left | | | 81815 | D-182-60 |
| | | | | Front Right | | | 81815 | D-182-60 |
| | | | Rear | 82791 | 31625 | 82701 | D-182-60 | |
| 2002 | 2.5L L4 | 2CRXT02.51C0 | Executive Order # D-182-48 | Front | | | 81803 | D-182-48 |
| | | | | Rear | | | 81653 | D-182-48 |
| | 4.0L L6 | 2CRXT04.02D0 | Executive Order # D-182-60 | Left Center | | | 81815 | D-182-60 |
| | | | | Front Left | | | 81815 | D-182-60 |
| | | | | Front Right | | | 81815 | D-182-60 |
| | | | | Rear | | | 82701 | D-182-60 |
| | | 2CRXT04.02D2 | Executive Order # D-182-60 | Left Center | | | 81815 | D-182-60 |
| | Front | | | 81860 | 31625 | | D-182-60 | |
| | Front Left | | | | | 81815 | D-182-60 | |
| | Rear | | | 82792 | 31625 | 82701 | D-182-60 | |
| 2001 | 2.5L L4 | 1CRXT02.51C0 | Executive Order # D-182-48 | Front | | | 81803 | D-182-48 |
| | | | | Rear | | | 81653 | D-182-48 |
| | 4.0L L6 | 1CRXT04.02D0 | Executive Order # D-182-60 | Left Center | | | 81815 | D-182-60 |
| | | | | Front | 81860 | 31625 | | D-182-60 |
| | | | | Front Left | | | 81815 | D-182-60 |
| | | | | Front Right | | | 81815 | D-182-60 |
| | | | Rear | 82792 | 31625 | 82701 | D-182-60 | |
| 2000 | 2.5L L4 | YCRXT0150120 | Executive Order # D-182-48 | Front | | | 81803 | D-182-48 |
| | | | | Rear | | | 81653 | D-182-48 |
| | 4.0L L6 | YCRXT0242230 | After 1-24-00; Executive Order # D-182-60 | Front | 81860 | 31625 | | D-182-60 |
| | | | | Rear | 82792 | 31625 | 82701 | D-182-60 |
| | | | Executive Order # D-182-60 | Left Center | | | 81815 | D-182-60 |
| | | | | Front Left | | | 81815 | D-182-60 |
| | | | | Front Right | | | 81815 | D-182-60 |
| | 1999 | 2.5L L4 | XCRXT0150120 | Executive Order # D-182-48 | Front | | | 81803 |
| Rear | | | | | | | 81653 | D-182-48 |
| 4.0L L6 | | XCRXT0242220 | Executive Order # D-182-60 | Front | | | 81812 | D-182-60 |
| | | | | Rear | | | 82712 | D-182-60 |
| 1998 | 2.5L L4 | WCRXT0150110 | Executive Order # D-182-57 | | | | 82636 | D-182-57 |
| | 4.0L L6 | WCRXT0242220 | Executive Order # D-182-60 | Front | | | 81812 | D-182-60 |
| Rear | | | | | | 82712 | D-182-60 | |

For vehicles licensed in the state of California or Maine, or vehicles requiring CARB-compliant converters in the state of New York, the parts in this catalog must be installed as specifically listed. Parts cannot be substituted, nor can they be installed on California or Maine licensed vehicles not listed in this catalog.

OBDII PASSENGER CAR & TRUCK

| Years | Engine | Engine Family No. | Application | Position | Direct-Fit | | Universal Part No. | Executive Order |
|-------------------------|--------------|---|---|--------------|--------------|--------------|--------------------|-----------------|
| | | | | | Part No. | Hardware | | |
| JEEP (Cont.) | | | | | | | | |
| Wrangler (Cont.) | | | | | | | | |
| 1997 | 2.5L L4 | VCR15018G1EK | Executive Order # D-182-57 | | | | 82636 | D-182-57 |
| | | VCR15018G1EL | Executive Order # D-182-57 | | | | 82636 | D-182-57 |
| | 4.0L L6 | VCR24228G1EK | Executive Order # D-182-42 | | | | 81515 | D-182-42 |
| | | VCR24228G1EL | Executive Order # D-182-42 | | | | 81515 | D-182-42 |
| KIA | | | | | | | | |
| Amanti | | | | | | | | |
| 2007 | 3.8L V6 | 7KMXV03.8HW5 | Executive Order # D-182-62 | Rear | | | 83206 | D-182-62 |
| Optima | | | | | | | | |
| 2008 | 2.4L L4 | 8KMXV02.4MW5 | Executive Order # D-182-62 | Rear | 83295 | 31337, 31537 | 83205 | D-182-62 |
| | | | Includes Front Gasket; Executive Order # D-182-62 | Front | 83186 | 31640 | | D-182-62 |
| 2007 | 2.4L L4 | 7KMXV02.4MW5 | Executive Order # D-182-62 | Rear | 83295 | 31337, 31537 | 83205 | D-182-62 |
| | | | Includes Front Gasket; Executive Order # D-182-62 | Front | 83186 | 31640 | | D-182-62 |
| 2006 | 2.4L L4 | 6KMXV02.4ML9 | Executive Order # D-182-53 | Rear | | | 82620 | D-182-53 |
| | | | Includes Front Gasket; Executive Order # D-182-53 | Front | 82579 | 31599 | | D-182-53 |
| | 6KMXV02.4NW5 | Executive Order # D-182-62 | Rear | 83295 | 31337, 31537 | 83205 | D-182-62 | |
| | | Includes Front Gasket; Executive Order # D-182-62 | Front | 83186 | 31640 | | D-182-62 | |
| 2005 | 2.4L L4 | 5KMXV02.4ML9 | Executive Order # D-182-53 | Rear | | | 82620 | D-182-53 |
| | | | Includes Front Gasket; Executive Order # D-182-53 | Front | 82579 | 31599 | | D-182-53 |
| 2004 | 2.4L L4 | 4KMXV02.4D04 | Executive Order # D-182-53 | Rear | | | 82620 | D-182-53 |
| | | | Includes Front Gasket; Executive Order # D-182-53 | Front | 82579 | 31599 | | D-182-53 |
| 2003 | 2.4L L4 | 3KMXV02.4D03 | Executive Order # D-182-53 | Rear | | | 82620 | D-182-53 |
| | | | Includes Front Gasket; Executive Order # D-182-53 | Front | 82579 | 31599 | | D-182-53 |
| 2002 | 2.4L L4 | 2KMXV02.4D02 | Executive Order # D-182-53 | Rear | | | 82620 | D-182-53 |
| | | | Includes Front Gasket; Executive Order # D-182-53 | Front | 82579 | 31599 | | D-182-53 |
| 2001 | 2.4L L4 | 1KMXV02.4D01 | Executive Order # D-182-53 | Rear | | | 82620 | D-182-53 |
| | | | Includes Front Gasket; Executive Order # D-182-53 | Front | 82579 | 31599 | | D-182-53 |
| Rio | | | | | | | | |
| 2009 | 1.6L L4 | 9HYXV01.6MW5 | Executive Order # D-182-62 | Rear | 83294 | 31313, 31388 | | D-182-62 |
| | | 9KMXV01.6BW5 | Executive Order # D-182-62 | Rear | | | 83205 | D-182-62 |
| 2008 | 1.6L L4 | 8HYXV01.6MW5 | Executive Order # D-182-62 | Rear | 83294 | 31313, 31388 | | D-182-62 |
| | | 8KMXV01.6BW5 | Executive Order # D-182-62 | Rear | | | 83205 | D-182-62 |
| 2007 | 1.6L L4 | 7HYXV01.6MW5 | Executive Order # D-182-62 | Rear | 83294 | 31313, 31388 | | D-182-62 |
| | | 7KMXV01.6BW5 | Executive Order # D-182-62 | Rear | | | 83205 | D-182-62 |
| 2006 | 1.6L L4 | 6HYXV01.6MW5 | Executive Order # D-182-62 | Rear | 83294 | 31313, 31388 | | D-182-62 |
| | | 6KMXV01.6BW5 | Executive Order # D-182-62 | Rear | | | 83205 | D-182-62 |
| Rio5 | | | | | | | | |
| 2009 | 1.6L L4 | 9HYXV01.6MW5 | Executive Order # D-182-62 | Rear | 83294 | 31313, 31388 | | D-182-62 |

For vehicles licensed in the state of California or Maine, or vehicles requiring CARB-compliant converters in the state of New York, the parts in this catalog must be installed as specifically listed. Parts cannot be substituted, nor can they be installed on California or Maine licensed vehicles not listed in this catalog.

OBDII APPLICATIONS

NON-OBDII APPLICATIONS

NUMERICAL

UNIVERSAL SPECIFICATIONS

OBDII PASSENGER CAR & TRUCK

| Years | Engine | Engine Family No. | Application | Position | Direct-Fit | | Universal Part No. | Executive Order |
|---------------------|---------|-------------------|--|----------|--------------|--------------|--------------------|-----------------|
| | | | | | Part No. | Hardware | | |
| KIA (Cont.) | | | | | | | | |
| Rio5 (Cont.) | | | | | | | | |
| 2008 | 1.6L L4 | 8HYXV01.6MW5 | Executive Order # D-182-62 | Rear | 83294 | 31313, 31388 | | D-182-62 |
| 2007 | 1.6L L4 | 7HYXV01.6MW5 | Executive Order # D-182-62 | Rear | 83294 | 31313, 31388 | | D-182-62 |
| 2006 | 1.6L L4 | 6HYXV01.6MW5 | Executive Order # D-182-62 | Rear | 83294 | 31313, 31388 | | D-182-62 |
| Rondo | | | | | | | | |
| 2008 | 2.4L L4 | 8KMXV02.4UW5 | Executive Order # D-182-62 | Rear | 83295 | 31337, 31537 | 83205 | D-182-62 |
| | | | Includes Front Gasket; Executive Order # D-182-62 | Front | 83186 | 31640 | | D-182-62 |
| 2007 | 2.4L L4 | 7KMXV02.4UW5 | Executive Order # D-182-62 | Rear | 83295 | 31337, 31537 | 83205 | D-182-62 |
| | | | Includes Front Gasket; Executive Order # D-182-62 | Front | 83186 | 31640 | | D-182-62 |
| Sephia | | | | | | | | |
| 2001 | 1.8L L4 | 1KMXV01.8A04 | Executive Order # D-182-53 | Rear | | | 82620 | D-182-53 |
| 2000 | 1.8L L4 | YKMXV01.8A03 | Executive Order # D-182-53 | Rear | | | 82620 | D-182-53 |
| 1999 | 1.8L L4 | XKMXV01.8A02 | Executive Order # D-182-53 | Rear | | | 82620 | D-182-53 |
| 1998 | 1.8L L4 | WKMXV01.8A01 | Executive Order # D-182-53 | Rear | | | 82620 | D-182-53 |
| 1997 | 1.8L L4 | VKM1.8VJG1EK | Executive Order # D-182-58 | | | | 82505 | D-182-58 |
| 1996 | 1.8L L4 | TKM1.8VJG1EK | Executive Order # D-182-58 | | | | 82505 | D-182-58 |
| 1995 | 1.8L L4 | SKM1.8VJG1EK | Executive Order # D-182-58 | | | | 82505 | D-182-58 |
| Spectra | | | | | | | | |
| 2009 | 2.0L L4 | 9KMXV02.0LW5 | Executive Order # D-182-62 | Rear | | | 83205 | D-182-62 |
| | | | Includes Front & Rear Gasket; Executive Order # D-182-62 | Front | 83155 | 31332 | | D-182-62 |
| 2008 | 2.0L L4 | 8KMXV02.0LW5 | Executive Order # D-182-62 | Rear | | | 83205 | D-182-62 |
| | | | Includes Front & Rear Gasket; Executive Order # D-182-62 | Front | 83155 | 31332 | | D-182-62 |
| 2007 | 2.0L L4 | 7KMXV02.0LW4 | Executive Order # D-182-62 | Rear | | | 83205 | D-182-62 |
| | | | Standard Trans.; Includes Front & Rear Gasket; Executive Order # D-182-62 | Front | 83155 | 31332 | | D-182-62 |
| 2006 | 2.0L L4 | 6KMXV02.0LW4 | Executive Order # D-182-62 | Rear | 83298 | (2) 31537 | 83205 | D-182-62 |
| | | | Standard Trans.; Includes Front & Rear Gasket; Executive Order # D-182-62 | Front | 83155 | 31332 | | D-182-62 |
| 2005 | 2.0L L4 | 5KMXV02.0LW4 | Automatic Trans.; Includes Front & Rear Gasket; Executive Order # D-182-62 | Front | 83155 | 31332 | | D-182-62 |
| | | | Executive Order # D-182-62 | Rear | 83298 | (2) 31537 | 83205 | D-182-62 |
| 2004 | 2.0L L4 | 4KMXV02.0J02 | Executive Order # D-182-62 | Rear | 83298 | (2) 31537 | 83205 | D-182-62 |
| | | | Includes Front & Rear Gasket; Executive Order # D-182-62 | Front | 83155 | 31332 | | D-182-62 |
| 2001 | 1.8L L4 | 1KMXV01.8A04 | Executive Order # D-182-53 | Rear | | | 82620 | D-182-53 |
| 2000 | 1.8L L4 | YKMXV01.8A03 | Executive Order # D-182-53 | Rear | | | 82620 | D-182-53 |
| Sportage | | | | | | | | |
| 2002 | 2.0L L4 | 2KMXT02.0B05 | Executive Order # D-182-53 | Rear | | | 82620 | D-182-53 |
| 2001 | 2.0L L4 | 1KMXT02.0B04 | Executive Order # D-182-53 | Rear | | | 82620 | D-182-53 |
| 2000 | 2.0L L4 | YKMXT02.0B03 | Executive Order # D-182-53 | Rear | | | 82620 | D-182-53 |
| 1999 | 2.0L L4 | XKMXT02.0B02 | Executive Order # D-182-53 | Rear | | | 82620 | D-182-53 |

For vehicles licensed in the state of California or Maine, or vehicles requiring CARB-compliant converters in the state of New York, the parts in this catalog must be installed as specifically listed. Parts cannot be substituted, nor can they be installed on California or Maine licensed vehicles not listed in this catalog.

OBDII PASSENGER CAR & TRUCK

| Years | Engine | Engine Family No. | Application | Position | Direct-Fit | | Universal Part No. | Executive Order |
|----------------------------|---------|-------------------|----------------------------|----------|------------|----------|--------------------|-----------------|
| | | | | | Part No. | Hardware | | |
| KIA (Cont.) | | | | | | | | |
| Sportage (Cont.) | | | | | | | | |
| 1998 | 2.0L L4 | WKMXT02.0B01 | Executive Order # D-182-53 | Rear | | | 82620 | D-182-53 |
| 1997 | 2.0L L4 | VKM2.01JG1EK | Executive Order # D-182-58 | | | | 82526 | D-182-58 |
| 1996 | 2.0L L4 | TKM2.01JG1EK | Executive Order # D-182-58 | | | | 82526 | D-182-58 |
| LAND ROVER | | | | | | | | |
| Defender 90 | | | | | | | | |
| 1997 | 4.0L V8 | VLR4.658GFEK | Executive Order # D-182-47 | Left | | | 81712 | D-182-47 |
| | | | | Right | | | 81916 | D-182-47 |
| | | | Executive Order # D-182-69 | Left | | | 83402 | D-182-69 |
| | | | | Right | | | 83506 | D-182-69 |
| Discovery | | | | | | | | |
| 2004 | 4.6L V8 | 4LRXT04.6001 | Executive Order # D-182-47 | Left | | | 81712 | D-182-47 |
| | | | | Right | | | 81916 | D-182-47 |
| | | | Executive Order # D-182-69 | Left | | | 83506 | D-182-69 |
| | | | | Right | | | 83506 | D-182-69 |
| 2003 | 4.6L V8 | 3LRXT04.6001 | Executive Order # D-182-69 | Left | | | 83506 | D-182-69 |
| | | | | Right | | | 83506 | D-182-69 |
| 2002 | 4.0L V8 | 2LRXT04.6001 | Executive Order # D-182-47 | Left | | | 81712 | D-182-47 |
| | | | | Right | | | 81916 | D-182-47 |
| | | | Executive Order # D-182-69 | Left | | | 83506 | D-182-69 |
| | | | | Right | | | 83506 | D-182-69 |
| 2001 | 4.0L V8 | 1LRXT04.6001 | Executive Order # D-182-47 | Left | | | 81712 | D-182-47 |
| | | | | Right | | | 81916 | D-182-47 |
| | | | Executive Order # D-182-69 | Left | | | 83506 | D-182-69 |
| | | | | Right | | | 83506 | D-182-69 |
| 2000 | 4.0L V8 | YLRXT04.6002 | Executive Order # D-182-47 | Left | | | 81712 | D-182-47 |
| | | | | Right | | | 81916 | D-182-47 |
| | | | Executive Order # D-182-69 | Left | | | 83506 | D-182-69 |
| | | | | Right | | | 83506 | D-182-69 |
| 1999 | 4.0L V8 | XLRXT04.6001 | Executive Order # D-182-47 | Left | | | 81712 | D-182-47 |
| | | | | Right | | | 81916 | D-182-47 |
| | | | Executive Order # D-182-69 | Left | | | 83506 | D-182-69 |
| | | | | Right | | | 83506 | D-182-69 |
| | | XLRXT04.6002 | Executive Order # D-182-47 | Left | | | 81712 | D-182-47 |
| | | | | Right | | | 81916 | D-182-47 |
| Executive Order # D-182-69 | Left | | | 83506 | D-182-69 | | | |
| | Right | | | 83506 | D-182-69 | | | |
| 1998 | 4.0L V8 | WLRXT04.6001 | Executive Order # D-182-47 | Left | | | 81712 | D-182-47 |
| | | | | Right | | | 81916 | D-182-47 |
| | | | Executive Order # D-182-69 | Left | | | 83506 | D-182-69 |
| | | | | Right | | | 83506 | D-182-69 |

OBDII APPLICATIONS

NON-OBDII APPLICATIONS

NUMERICAL

UNIVERSAL SPECIFICATIONS

For vehicles licensed in the state of California or Maine, or vehicles requiring CARB-compliant converters in the state of New York, the parts in this catalog must be installed as specifically listed. Parts cannot be substituted, nor can they be installed on California or Maine licensed vehicles not listed in this catalog.

OBDII PASSENGER CAR & TRUCK

| Years | Engine | Engine Family No. | Application | Position | Direct-Fit | | Universal Part No. | Executive Order |
|-------|--------|-------------------|-------------|----------|------------|----------|--------------------|-----------------|
| | | | | | Part No. | Hardware | | |

LAND ROVER (Cont.)

Discovery (Cont.)

| | | | | | | | | |
|----------------------------|---------|--------------|----------------------------|--------------|--------------|--------------|--------------|----------|
| 1997 | 4.0L V8 | VLR4.058GFFK | Executive Order # D-182-47 | Left | | | 81712 | D-182-47 |
| | | | | Right | | | 81916 | D-182-47 |
| | | | Executive Order # D-182-69 | Left | | | 83506 | D-182-69 |
| | | Right | | | | 83506 | D-182-69 | |
| | | VLR4.658GFEK | Executive Order # D-182-47 | Left | | | 81712 | D-182-47 |
| | | | | Right | | | 81916 | D-182-47 |
| Executive Order # D-182-69 | Left | | | | 83506 | D-182-69 | | |
| | Right | | | 83506 | D-182-69 | | | |
| 1996 | 4.0L V8 | TLR4.658GFFK | Executive Order # D-182-47 | Left | | | 81712 | D-182-47 |
| | | | | Right | | | 81916 | D-182-47 |
| | | | Executive Order # D-182-69 | Left | | | 83506 | D-182-69 |
| | | Right | | | | 83506 | D-182-69 | |
| | | TLR4.6H8G1EK | Executive Order # D-182-47 | Left | | | 81712 | D-182-47 |
| | | | | Right | | | 81916 | D-182-47 |
| Executive Order # D-182-69 | Left | | | | 83506 | D-182-69 | | |
| | Right | | | 83506 | D-182-69 | | | |

Freelander

| | | | | | | | | |
|----------------------------|---------|----------------------------|----------------------------|--------------|--------------|--------------|--------------|----------|
| 2004 | 2.5L V6 | 4LRXT02.5001 | Executive Order # D-182-69 | Left | | | 83402 | D-182-69 |
| | | | | Right | | | 83402 | D-182-69 |
| | | 4LRXT02.5002 | Executive Order # D-182-69 | Left | | | 83402 | D-182-69 |
| | | | | Right | | | 83402 | D-182-69 |
| 2003 | 2.5L V6 | 3LRXT02.5001 | Executive Order # D-182-47 | Left | | | 81712 | D-182-47 |
| | | | | Right | | | 81712 | D-182-47 |
| | | | Executive Order # D-182-69 | Left | | | 83402 | D-182-69 |
| | | Right | | | | 83402 | D-182-69 | |
| | | 3LRXT02.5002 | Executive Order # D-182-47 | Left | | | 81712 | D-182-47 |
| | | | | Right | | | 81712 | D-182-47 |
| Executive Order # D-182-69 | Left | | | | 83402 | D-182-69 | | |
| | Right | | | 83402 | D-182-69 | | | |
| 2002 | 2.5L V6 | 2LRXT02.5001 | Executive Order # D-182-47 | Left | | | 81712 | D-182-47 |
| | | | | Right | | | 81712 | D-182-47 |
| | | Executive Order # D-182-69 | Left | | | 83402 | D-182-69 | |
| | | | Right | | | 83402 | D-182-69 | |

LR3

| | | | | | | | | |
|------|---------|--------------|----------------------------|-------|--|--|--------------|----------|
| 2006 | 4.0L V6 | 6LRXT04.0001 | Executive Order # D-182-69 | Left | | | 83402 | D-182-69 |
| | | | | Right | | | 83402 | D-182-69 |
| | 4.4L V8 | 6LRXT04.2001 | Executive Order # D-182-69 | Left | | | 83402 | D-182-69 |
| | | | | Right | | | 83402 | D-182-69 |
| 2005 | 4.0L V6 | 5LRXT04.0001 | Executive Order # D-182-69 | Left | | | 83402 | D-182-69 |
| | | | | Right | | | 83402 | D-182-69 |
| | 4.4L V8 | 5LRXT04.4002 | Executive Order # D-182-69 | Left | | | 83402 | D-182-69 |
| | | | | Right | | | 83402 | D-182-69 |

Range Rover

| | | | | | | | | |
|------|---------|--------------|----------------------------|-------|--|--|--------------|----------|
| 2006 | 4.2L V8 | 6LRXT04.2001 | Executive Order # D-182-69 | Left | | | 83402 | D-182-69 |
| | | | | Right | | | 83402 | D-182-69 |

For vehicles licensed in the state of California or Maine, or vehicles requiring CARB-compliant converters in the state of New York, the parts in this catalog must be installed as specifically listed. Parts cannot be substituted, nor can they be installed on California or Maine licensed vehicles not listed in this catalog.

OBDII PASSENGER CAR & TRUCK

| Years | Engine | Engine Family No. | Application | Position | Direct-Fit | | Universal Part No. | Executive Order |
|----------------------------|----------------------------|-------------------|----------------------------|----------|--------------|----------|--------------------|-----------------|
| | | | | | Part No. | Hardware | | |
| LAND ROVER (Cont.) | | | | | | | | |
| Range Rover (Cont.) | | | | | | | | |
| 2006 (Cont.) | 4.4L V8 | 6LRXT04.2001 | Executive Order # D-182-69 | Left | | | 83402 | D-182-69 |
| | | | | Right | | | 83402 | D-182-69 |
| 2005 | 4.4L V8 | 5LRXT04.4001 | Executive Order # D-182-69 | Left | | | 83402 | D-182-69 |
| | | | | Right | | | 83402 | D-182-69 |
| 2004 | 4.4L V8 | 4LRXT04.4001 | Executive Order # D-182-47 | Left | | | 81712 | D-182-47 |
| | | | | Right | | | 81712 | D-182-47 |
| | | | Executive Order # D-182-69 | Left | | | 83402 | D-182-69 |
| | | | | Right | | | 83402 | D-182-69 |
| 2003 | 4.4L V8 | 3LRXT04.4001 | Executive Order # D-182-47 | Left | | | 81712 | D-182-47 |
| | | | | Right | | | 81712 | D-182-47 |
| | | | Executive Order # D-182-69 | Left | | | 83402 | D-182-69 |
| | | | | Right | | | 83402 | D-182-69 |
| 2002 | 4.6L V8 | 2LRXT04.6001 | Executive Order # D-182-47 | Left | | | 81916 | D-182-47 |
| | | | | Right | | | 81916 | D-182-47 |
| | | | Executive Order # D-182-69 | Left | | | 83506 | D-182-69 |
| | | | | Right | | | 83506 | D-182-69 |
| 2001 | 4.6L V8 | 1LRXT04.6001 | Executive Order # D-182-47 | Left | | | 81916 | D-182-47 |
| | | | | Right | | | 81916 | D-182-47 |
| | | | Executive Order # D-182-69 | Left | | | 83506 | D-182-69 |
| | | | | Right | | | 83506 | D-182-69 |
| 2000 | 4.0L V8 | YLRXT04.6002 | Executive Order # D-182-47 | Left | | | 81712 | D-182-47 |
| | | | | Right | | | 81916 | D-182-47 |
| | | | Executive Order # D-182-69 | Left | | | 83402 | D-182-69 |
| | | | | Right | | | 83506 | D-182-69 |
| | 4.6L V8 | YLRXT04.6002 | Executive Order # D-182-47 | Left | | | 81916 | D-182-47 |
| | | | | Right | | | 81916 | D-182-47 |
| | | | Executive Order # D-182-69 | Left | | | 83506 | D-182-69 |
| | | | | Right | | | 83506 | D-182-69 |
| 1999 | 4.0L V8 | XLRXT04.6001 | Executive Order # D-182-47 | Left | | | 81712 | D-182-47 |
| | | | | Right | | | 81916 | D-182-47 |
| | | | Executive Order # D-182-69 | Left | | | 83402 | D-182-69 |
| | | | | Right | | | 83506 | D-182-69 |
| | | XLRXT04.6002 | Executive Order # D-182-47 | Left | | | 81712 | D-182-47 |
| | | | | Right | | | 81916 | D-182-47 |
| | | | Executive Order # D-182-69 | Left | | | 83402 | D-182-69 |
| | | | | Right | | | 83506 | D-182-69 |
| | 4.6L V8 | XLRXT04.6001 | Executive Order # D-182-47 | Left | | | 81916 | D-182-47 |
| | | | | Right | | | 81916 | D-182-47 |
| | | | Executive Order # D-182-69 | Left | | | 83506 | D-182-69 |
| | | | | Right | | | 83506 | D-182-69 |
| XLRXT04.6002 | Executive Order # D-182-47 | Left | | | 81916 | D-182-47 | | |
| | | Right | | | 81916 | D-182-47 | | |
| | Executive Order # D-182-69 | Left | | | 83506 | D-182-69 | | |
| | | Right | | | 83506 | D-182-69 | | |
| 1998 | 4.0L V8 | WLRXT04.6001 | Executive Order # D-182-47 | Left | | | 81712 | D-182-47 |

OBDII APPLICATIONS

NON-OBDII APPLICATIONS

NUMERICAL

UNIVERSAL SPECIFICATIONS

For vehicles licensed in the state of California or Maine, or vehicles requiring CARB-compliant converters in the state of New York, the parts in this catalog must be installed as specifically listed. Parts cannot be substituted, nor can they be installed on California or Maine licensed vehicles not listed in this catalog.

OBDII PASSENGER CAR & TRUCK

| Years | Engine | Engine Family No. | Application | Position | Direct-Fit | | Universal Part No. | Executive Order |
|----------------------------|---------|-------------------|----------------------------|----------|--------------|--------------|--------------------|-----------------|
| | | | | | Part No. | Hardware | | |
| LAND ROVER (Cont.) | | | | | | | | |
| Range Rover (Cont.) | | | | | | | | |
| 1998 (Cont.) | 4.0L V8 | WLRXT04.6001 | Executive Order # D-182-47 | Right | | | 81916 | D-182-47 |
| | | | Executive Order # D-182-69 | Left | | | 83402 | D-182-69 |
| | | | | Right | | | 83506 | D-182-69 |
| | 4.6L V8 | WLRXT04.6001 | Executive Order # D-182-47 | Left | | | 81916 | D-182-47 |
| | | | | Right | | | 81916 | D-182-47 |
| | | | Executive Order # D-182-69 | Left | | | 83506 | D-182-69 |
| | | | Right | | | 83506 | D-182-69 | |
| 1997 | 4.0L V8 | VLR4.658GFEK | Executive Order # D-182-47 | Left | | | 81712 | D-182-47 |
| | | | | Right | | | 81916 | D-182-47 |
| | | | Executive Order # D-182-69 | Left | | | 83402 | D-182-69 |
| | | Right | | | 83506 | D-182-69 | | |
| | 4.6L V8 | VLR4.658GFEK | Executive Order # D-182-47 | Left | | | 81916 | D-182-47 |
| | | | | Right | | | 81916 | D-182-47 |
| Executive Order # D-182-69 | | | Left | | | 83506 | D-182-69 | |
| | | | Right | | | 83506 | D-182-69 | |
| 1996 | 4.0L V8 | TLR4.658GFFK | Executive Order # D-182-47 | Left | | | 81712 | D-182-47 |
| | | | | Right | | | 81916 | D-182-47 |
| | | | Executive Order # D-182-69 | Left | | | 83402 | D-182-69 |
| | | TLR4.6H8G1EK | Executive Order # D-182-47 | Left | | | 81712 | D-182-47 |
| | | | | Right | | | 81916 | D-182-47 |
| | | | Executive Order # D-182-69 | Left | | | 83402 | D-182-69 |
| | | | | Right | | | 83506 | D-182-69 |
| | 4.6L V8 | TLR4.658GFFK | Executive Order # D-182-47 | Left | | | 81916 | D-182-47 |
| | | | | Right | | | 81916 | D-182-47 |
| | | | Executive Order # D-182-69 | Left | | | 83506 | D-182-69 |
| | | | Right | | | 83506 | D-182-69 | |
| | | TLR4.6H8G1EK | Executive Order # D-182-47 | Left | | | 81712 | D-182-47 |
| | | | Right | | | 81916 | D-182-47 | |
| Executive Order # D-182-69 | Left | | | | 83402 | D-182-69 | | |
| | | | Right | | | 83506 | D-182-69 | |
| 1995 | 4.0L V8 | SLR4.0H8G0EK | Executive Order # D-182-47 | Left | | | 81712 | D-182-47 |
| | | | | Right | | | 81916 | D-182-47 |
| | | | Executive Order # D-182-69 | Left | | | 83402 | D-182-69 |
| | | | | Right | | | 83506 | D-182-69 |

Range Rover Sport

| | | | | | | | | |
|------|---------|--------------|----------------------------|-------|--|--|--------------|----------|
| 2006 | 4.2L V8 | 6LRXT04.2001 | Executive Order # D-182-69 | Left | | | 83402 | D-182-69 |
| | | | | Right | | | 83402 | D-182-69 |
| | 4.4L V8 | 6LRXT04.2001 | Executive Order # D-182-69 | Left | | | 83402 | D-182-69 |
| | | | | Right | | | 83402 | D-182-69 |

LEXUS

ES300

| | | | | | | | | |
|------|---------|--------------|---|-------------|--------------|-----------------|--------------|----------|
| 2003 | 3.0L V6 | 3TYXV03.0HHA | Executive Order # D-182-53 | Rear | 82654 | (2)31332, 31585 | 82601 | D-182-53 |
| | | | Includes Front Gasket; Executive Order # D-182-53 | Front Left | 82552 | 31332 | | D-182-53 |
| | | | | Front Right | 82553 | 31332 | | D-182-53 |
| 2002 | 3.0L V6 | 2TYXV03.0JJA | Executive Order # D-182-53 | Rear | 82654 | (2)31332, 31585 | 82601 | D-182-53 |

For vehicles licensed in the state of California or Maine, or vehicles requiring CARB-compliant converters in the state of New York, the parts in this catalog must be installed as specifically listed. Parts cannot be substituted, nor can they be installed on California or Maine licensed vehicles not listed in this catalog.

OBDII PASSENGER CAR & TRUCK

| Years | Engine | Engine Family No. | Application | Position | Direct-Fit | | Universal Part No. | Executive Order |
|----------------------|---------|-------------------|--|---|--------------|------------------|--------------------|-----------------|
| | | | | | Part No. | Hardware | | |
| LEXUS (Cont.) | | | | | | | | |
| ES300 (Cont.) | | | | | | | | |
| 2002 (Cont.) | 3.0L V6 | 2TYXV03.0JJA | Includes Front Gasket; Executive Order # D-182-53 | Front Left | 82552 | 31332 | | D-182-53 |
| | | | | Front Right | 82553 | 31332 | | D-182-53 |
| 2001 | 3.0L V6 | 1TYXV03.0FFC | Executive Order # D-182-66 | Center | | | 81817 | D-182-66 |
| | | | | Front | 81865 | (2) 31332, 31639 | | D-182-66 |
| | | | | Rear | 82787 | 31639 | 82714 | D-182-66 |
| | | | | Includes Front Gasket; Executive Order # D-182-66 | Front | 81843 | 31332 | |
| 2000 | 3.0L V6 | YTYXV03.0FFC | Executive Order # D-182-66 | Center | | | 81817 | D-182-66 |
| | | | | Front | 81865 | (2) 31332, 31639 | | D-182-66 |
| | | | | Rear | 82787 | 31639 | 82714 | D-182-66 |
| | | | | Includes Front Gasket; Executive Order # D-182-66 | Front | 81843 | 31332 | |
| 1999 | 3.0L V6 | XTYXV03.0GBC | Executive Order # D-182-66 | Center | | | 81817 | D-182-66 |
| | | | | Front | 81865 | (2) 31332, 31639 | | D-182-66 |
| | | | | Rear | 82787 | 31639 | 82714 | D-182-66 |
| | | | | Includes Front Gasket; Executive Order # D-182-66 | Front | 81843 | 31332 | |
| 1998 | 3.0L V6 | WTYXV03.0GXB | Executive Order # D-182-66 | Center | | | 81817 | D-182-66 |
| | | | | Rear | 81844 | 31332 (2), 31374 | 82714 | D-182-66 |
| | | | | Includes Front Gasket; Executive Order # D-182-66 | Front | 81843 | 31332 | |
| 1997 | 3.0L V6 | VTY3.0VJGKFK | Executive Order # D-182-45 | | 81755 | 31332 (2), 31374 | | D-182-45 |
| | | | Executive Order # D-182-57 | | | | 82609 | D-182-57 |
| 1996 | 3.0L V6 | TTY3.0VJG1GK | Executive Order # D-182-57 | | | | 82629 | D-182-57 |
| 1995 | 3.0L V6 | STY3.0VJGFEK | Executive Order # D-182-57 | | | | 82629 | D-182-57 |
| 1994 | 3.0L V6 | RTY3.0VJGFEK | Executive Order # D-182-57 | | | | 82627 | D-182-57 |
| ES330 | | | | | | | | |
| 2006 | 3.3L V6 | 6TYXV03.3BEA | Executive Order # D-182-62 | Rear | 83288 | (2)31332, 31585 | 83206 | D-182-62 |
| | | | Includes Front Gasket; Executive Order # D-182-62 | Front Left | 83152 | 31332 | | D-182-62 |
| | | | | Front Right | 83153 | 31332 | | D-182-62 |
| 2005 | 3.3L V6 | 5TYXV03.3PEA | Executive Order # D-182-62 | Rear | 83288 | (2)31332, 31585 | 83206 | D-182-62 |
| | | | Includes Front Gasket; Executive Order # D-182-62 | Front Left | 83152 | 31332 | | D-182-62 |
| | | | | Front Right | 83153 | 31332 | | D-182-62 |
| 2004 | 3.3L V6 | 4TYXV03.3PEA | Executive Order # D-182-62 | Rear | 83288 | (2)31332, 31585 | | D-182-62 |
| | | | Executive Order # D-182-63 | Rear | | | 83217 | D-182-63 |
| | | | Includes Front Gasket; Executive Order # D-182-62 | Front Left | 83152 | 31332 | | D-182-62 |
| | | | | Front Right | 83153 | 31332 | | D-182-62 |
| ES350 | | | | | | | | |
| 2009 | 3.5L V6 | 9TYXV03.5BEA | Executive Order # D-182-62 | Rear | 83289 | 31332 (2), 31350 | 83205 | D-182-62 |
| | | | Located on Firewall Side; Includes Front & Rear Gasket; Executive Order # D-182-62 | Right | 83149 | | | D-182-62 |
| | | | Radiator Side; Includes Front & Rear Gasket; Executive Order # D-182-62 | Left | 83150 | | | D-182-62 |
| 2008 | 3.5L V6 | 8TYXV03.5BEA | Executive Order # D-182-62 | Rear | 83289 | 31332 (2), 31350 | 83205 | D-182-62 |

For vehicles licensed in the state of California or Maine, or vehicles requiring CARB-compliant converters in the state of New York, the parts in this catalog must be installed as specifically listed. Parts cannot be substituted, nor can they be installed on California or Maine licensed vehicles not listed in this catalog.

OBDII APPLICATIONS

NON-OBDII APPLICATIONS

NUMERICAL

UNIVERSAL SPECIFICATIONS

OBDII PASSENGER CAR & TRUCK

| Years | Engine | Engine Family No. | Application | Position | Direct-Fit | | Universal Part No. | Executive Order |
|----------------------|---------|-------------------|--|-------------|--------------|------------------|--------------------|-----------------|
| | | | | | Part No. | Hardware | | |
| LEXUS (Cont.) | | | | | | | | |
| ES350 (Cont.) | | | | | | | | |
| 2008 (Cont.) | 3.5L V6 | 8TYXV03.5BEA | Located on Firewall Side; Includes Front & Rear Gasket; Executive Order # D-182-62 | Right | 83149 | | | D-182-62 |
| | | | Radiator Side; Includes Front & Rear Gasket; Executive Order # D-182-62 | Left | 83150 | | | D-182-62 |
| 2007 | 3.5L V6 | 7TYXV03.5BEA | Executive Order # D-182-62 | Rear | 83289 | 31332 (2), 31350 | 83205 | D-182-62 |
| | | | Located on Firewall Side; Includes Front & Rear Gasket; Executive Order # D-182-62 | Right | 83149 | | | D-182-62 |
| | | | Radiator Side; Includes Front & Rear Gasket; Executive Order # D-182-62 | Left | 83150 | | | D-182-62 |
| GS400 | | | | | | | | |
| 2000 | 4.0L V8 | YTYXV04.0DDA | Executive Order # D-182-58 | Left | | | 82529 | D-182-58 |
| | | | | Right | | | 82529 | D-182-58 |
| 1999 | 4.0L V8 | XTYXV04.0DBA | Executive Order # D-182-58 | Left | | | 82529 | D-182-58 |
| | | | | Right | | | 82529 | D-182-58 |
| 1998 | 4.0L V8 | WTYXV04.0DBB | Executive Order # D-182-58 | Left | | | 82529 | D-182-58 |
| | | | | Right | | | 82529 | D-182-58 |
| GX470 | | | | | | | | |
| 2004 | 4.7L V8 | 4TYXT04.7V1X | Executive Order # D-182-69 | Front Left | | | 83401 | D-182-69 |
| | | | | Front Right | | | 83401 | D-182-69 |
| | | | | Rear | | | 83402 | D-182-69 |
| | | 4TYXT04.7VRM | Executive Order # D-182-69 | Front Left | | | 83401 | D-182-69 |
| | | | | Front Right | | | 83401 | D-182-69 |
| | | | | Rear | | | 83402 | D-182-69 |
| 2003 | 4.7L V8 | 3TYXT04.7FFP | Executive Order # D-182-69 | Front Left | | | 83401 | D-182-69 |
| | | | | Front Right | | | 83401 | D-182-69 |
| | | | | Rear | | | 83402 | D-182-69 |
| LS400 | | | | | | | | |
| 2000 | 4.0L V8 | YTYXV04.0DDA | Executive Order # D-182-58 | Left | | | 82529 | D-182-58 |
| | | | | Right | | | 82529 | D-182-58 |
| 1999 | 4.0L V8 | XTYXV04.0DBA | Executive Order # D-182-58 | Left | | | 82508 | D-182-58 |
| | | | | Right | | | 82508 | D-182-58 |
| 1998 | 4.0L V8 | WTYXV04.0DBB | Executive Order # D-182-58 | Left | | | 82508 | D-182-58 |
| | | | | Right | | | 82508 | D-182-58 |
| 1997 | 4.0L V8 | VTY4.0VJGKHK | Executive Order # D-182-48 | Front Left | 81846 | 31549, 31384 | 81807 | D-182-48 |
| | | | | Front Right | 81846 | 31549, 31384 | 81807 | D-182-48 |
| | | | | Rear | | | 81652 | D-182-48 |
| 1996 | 4.0L V8 | TTY4.0VJGKHK | Executive Order # D-182-48 | Front Left | 81846 | 31549, 31384 | 81807 | D-182-48 |
| | | | | Front Right | 81846 | 31549, 31384 | 81807 | D-182-48 |
| | | | | Rear | | | 81652 | D-182-48 |
| 1995 | 4.0L V8 | STY4.0VJG1GK | Executive Order # D-182-48 | Front Left | 81846 | 31549, 31384 | 81807 | D-182-48 |
| | | | | Front Right | 81846 | 31549, 31384 | 81807 | D-182-48 |
| | | | | Rear | | | 81652 | D-182-48 |

For vehicles licensed in the state of California or Maine, or vehicles requiring CARB-compliant converters in the state of New York, the parts in this catalog must be installed as specifically listed. Parts cannot be substituted, nor can they be installed on California or Maine licensed vehicles not listed in this catalog.

OBDII PASSENGER CAR & TRUCK

| Years | Engine | Engine Family No. | Application | Position | Direct-Fit | | Universal Part No. | Executive Order | | | | |
|----------------------------|-------------|-------------------|----------------------------|--------------|--------------|--------------|----------------------------|-----------------|--------------|-----------|--|----------|
| | | | | | Part No. | Hardware | | | | | | |
| LEXUS (Cont.) | | | | | | | | | | | | |
| LX450 | | | | | | | | | | | | |
| 1997 | 4.5L L6 | VTY4.55JGKEK | Executive Order # D-182-69 | Front | | | 83507 | D-182-69 | | | | |
| | | | | Rear | | | 83507 | D-182-69 | | | | |
| 1996 | 4.5L L6 | TTY4.55JGFEK | Executive Order # D-182-52 | Front | | | 81922 | D-182-52 | | | | |
| | | | | Rear | | | 81922 | D-182-52 | | | | |
| | | | Executive Order # D-182-69 | Front | | | 83507 | D-182-69 | | | | |
| | | | | Rear | | | 83507 | D-182-69 | | | | |
| LX470 | | | | | | | | | | | | |
| 2005 | 4.7L V8 | 5TYXT04.7VWW | Executive Order # D-182-69 | Front Left | | | 83401 | D-182-69 | | | | |
| | | | | Front Right | | | 83401 | D-182-69 | | | | |
| | | | | Rear Left | | | 83401 | D-182-69 | | | | |
| | | | | Rear Right | | | 83401 | D-182-69 | | | | |
| 2004 | 4.7L V8 | 4TYXT04.7V1V | Executive Order # D-182-52 | Front Left | | | 81711 | D-182-52 | | | | |
| | | | | Front Right | | | 81711 | D-182-52 | | | | |
| | | | | Rear Left | | | 81711 | D-182-52 | | | | |
| | | | | Rear Right | | | 81711 | D-182-52 | | | | |
| | | | Executive Order # D-182-69 | Front Left | | | 83401 | D-182-69 | | | | |
| | | | | Front Right | | | 83401 | D-182-69 | | | | |
| | | | | Rear Left | | | 83401 | D-182-69 | | | | |
| | | | | Rear Right | | | 83401 | D-182-69 | | | | |
| 2003 | 4.7L V8 | 3TYXT04.7FBV | Executive Order # D-182-52 | Front Left | | | 81711 | D-182-52 | | | | |
| | | | | Front Right | | | 81711 | D-182-52 | | | | |
| | | | | Rear Left | | | 81711 | D-182-52 | | | | |
| | | | | Rear Right | | | 81711 | D-182-52 | | | | |
| | | | Executive Order # D-182-69 | Front Left | | | 83401 | D-182-69 | | | | |
| | | | | Front Right | | | 83401 | D-182-69 | | | | |
| | | | | Rear Left | | | 83401 | D-182-69 | | | | |
| | | | | Rear Right | | | 83401 | D-182-69 | | | | |
| 2002 | 4.7L V8 | 2TYXT04.7FBV | Executive Order # D-182-52 | Left | 81742 | 31332 (2) | | D-182-52 | | | | |
| | | | | Right | 81742 | 31332 (2) | | D-182-52 | | | | |
| | | | | Front Left | | | 81711 | D-182-52 | | | | |
| | | | | Front Right | | | 81711 | D-182-52 | | | | |
| | | | | Rear Left | | | 81711 | D-182-52 | | | | |
| | | | | Rear Right | | | 81711 | D-182-52 | | | | |
| | | | Executive Order # D-182-69 | Front Left | | | 83401 | D-182-69 | | | | |
| | | | | Front Right | | | 83401 | D-182-69 | | | | |
| | | | | Rear Left | | | 83401 | D-182-69 | | | | |
| | | | | Rear Right | | | 83401 | D-182-69 | | | | |
| | | | | 2001 | 4.7L V8 | 1TYXT04.7FBV | Executive Order # D-182-52 | Left | 81742 | 31332 (2) | | D-182-52 |
| | | | | | | | | Right | 81742 | 31332 (2) | | D-182-52 |
| Front Left | | | 81711 | | | | | D-182-52 | | | | |
| Front Right | | | 81711 | | | | | D-182-52 | | | | |
| Rear Left | | | 81711 | | | | | D-182-52 | | | | |
| Rear Right | | | 81711 | | | | | D-182-52 | | | | |
| Executive Order # D-182-69 | Front Left | | | 83401 | D-182-69 | | | | | | | |
| | Front Right | | | 83401 | D-182-69 | | | | | | | |

OBDII APPLICATIONS

NON-OBDII APPLICATIONS

NUMERICAL

UNIVERSAL SPECIFICATIONS

For vehicles licensed in the state of California or Maine, or vehicles requiring CARB-compliant converters in the state of New York, the parts in this catalog must be installed as specifically listed. Parts cannot be substituted, nor can they be installed on California or Maine licensed vehicles not listed in this catalog.

OBDII PASSENGER CAR & TRUCK

| Years | Engine | Engine Family No. | Application | Position | Direct-Fit | | Universal Part No. | Executive Order |
|----------------------|---------|-------------------|---|-------------|--------------|--|--------------------|-----------------|
| | | | | | Part No. | Hardware | | |
| LEXUS (Cont.) | | | | | | | | |
| LX470 (Cont.) | | | | | | | | |
| 2001 (Cont.) | 4.7L V8 | 1TYXT04.7FBV | Executive Order # D-182-69 | Rear Left | | | 83401 | D-182-69 |
| | | | | Rear Right | | | 83401 | D-182-69 |
| 2000 | 4.7L V8 | YTYXT04.7GBX | Executive Order # D-182-52 | Left | 81742 | 31332 (2) | | D-182-52 |
| | | | | Right | 81742 | 31332 (2) | | D-182-52 |
| | | | | Front Left | | | 81711 | D-182-52 |
| | | | | Front Right | | | 81711 | D-182-52 |
| | | | | Rear Left | | | 81711 | D-182-52 |
| | | | | Rear Right | | | 81711 | D-182-52 |
| | | | Executive Order # D-182-69 | Front Left | | | 83401 | D-182-69 |
| | | | | Front Right | | | 83401 | D-182-69 |
| | | | | Rear Left | | | 83401 | D-182-69 |
| | | | | Rear Right | | | 83401 | D-182-69 |
| 1999 | 4.7L V8 | XTYXT04.7GBX | Executive Order # D-182-52 | Left | 81742 | 31332 (2) | | D-182-52 |
| | | | | Right | 81742 | 31332 (2) | | D-182-52 |
| | | | | Front Left | | | 81711 | D-182-52 |
| | | | | Front Right | | | 81711 | D-182-52 |
| | | | | Rear Left | | | 81711 | D-182-52 |
| | | | | Rear Right | | | 81711 | D-182-52 |
| | | | Executive Order # D-182-69 | Front Left | | | 83401 | D-182-69 |
| | | | | Front Right | | | 83401 | D-182-69 |
| | | | | Rear Left | | | 83401 | D-182-69 |
| | | | | Rear Right | | | 83401 | D-182-69 |
| 1998 | 4.7L V8 | WTYXT04.7GBX | Executive Order # D-182-52 | Left | 81742 | 31332 (2) | | D-182-52 |
| | | | | Right | 81742 | 31332 (2) | | D-182-52 |
| | | | | Front Left | | | 81711 | D-182-52 |
| | | | | Front Right | | | 81711 | D-182-52 |
| | | | | Rear Left | | | 81711 | D-182-52 |
| | | | | Rear Right | | | 81711 | D-182-52 |
| | | | Executive Order # D-182-69 | Front Left | | | 83401 | D-182-69 |
| | | | | Front Right | | | 83401 | D-182-69 |
| | | | | Rear Left | | | 83401 | D-182-69 |
| | | | | Rear Right | | | 83401 | D-182-69 |
| RX300 | | | | | | | | |
| 2003 | 3.0L V6 | 3TYXV03.OFFE | Executive Order # D-182-48 | Front Left | 81840 | 31332 (2) | 81806 | D-182-48 |
| | | | | Front Right | 81841 | 31334 (RH), 31374 (LH), 31555, 35129 | 81806 | D-182-48 |
| | | | | Rear | | | 81652 | D-182-48 |
| | | | Requires 56096 Resonator to Complete Installation; Executive Order # D-182-48 | Rear | 81664 | 31555 | | D-182-48 |
| 2002 | 3.0L V6 | 2TYXV03.OFFE | Executive Order # D-182-48 | Front Left | 81840 | 31332 (2) | 81806 | D-182-48 |
| | | | | Front Right | 81841 | 31334 (RH), 31374 (LH), 31555, 35129 | 81806 | D-182-48 |
| | | | | Rear | | | 81652 | D-182-48 |

For vehicles licensed in the state of California or Maine, or vehicles requiring CARB-compliant converters in the state of New York, the parts in this catalog must be installed as specifically listed. Parts cannot be substituted, nor can they be installed on California or Maine licensed vehicles not listed in this catalog.

OBDII PASSENGER CAR & TRUCK

| Years | Engine | Engine Family No. | Application | Position | Direct-Fit | | Universal Part No. | Executive Order |
|----------------------|---------|-------------------|---|---|--------------|--|--------------------|-----------------|
| | | | | | Part No. | Hardware | | |
| LEXUS (Cont.) | | | | | | | | |
| RX300 (Cont.) | | | | | | | | |
| 2002 (Cont.) | 3.0L V6 | 2TYXV03.0FFE | Requires 56096 Resonator to Complete Installation; Executive Order # D-182-48 | Rear | 81664 | 31555 | | D-182-48 |
| 2001 | 3.0L V6 | 1TYXV03.0FFD | Executive Order # D-182-48 | Front Left | 81840 | 31332 (2) | 81806 | D-182-48 |
| | | | | Front Right | 81841 | 31334 (RH), 31374 (LH), 31555, 35129 | 81806 | D-182-48 |
| | | | | Rear | | | 81652 | D-182-48 |
| | | | | Requires 56096 Resonator to Complete Installation; Executive Order # D-182-48 | Rear | 81664 | 31555 | |
| 2000 | 3.0L V6 | YTYXV03.0FFE | Executive Order # D-182-48 | Front Left | 81840 | 31332 (2) | 81806 | D-182-48 |
| | | | | Front Right | 81841 | 31334 (RH), 31374 (LH), 31555, 35129 | 81806 | D-182-48 |
| | | | | Rear | | | 81652 | D-182-48 |
| | | | | Requires 56096 Resonator to Complete Installation; Executive Order # D-182-48 | Rear | 81664 | 31555 | |
| 1999 | 3.0L V6 | XTYXV03.0GBE | Executive Order # D-182-48 | Front Left | 81840 | 31332 (2) | 81806 | D-182-48 |
| | | | | Front Right | 81841 | 31334 (RH), 31374 (LH), 31555, 35129 | 81806 | D-182-48 |
| | | | | Rear | | | 81652 | D-182-48 |
| | | | | Requires 56096 Resonator to Complete Installation; Executive Order # D-182-48 | Rear | 81664 | 31555 | |
| SC400 | | | | | | | | |
| 2000 | 4.0L V8 | YTYXV04.0DDA | Executive Order # D-182-58 | Left | | | 82529 | D-182-58 |
| | | | | Right | | | 82529 | D-182-58 |
| 1999 | 4.0L V8 | XTYXV04.0DBA | Executive Order # D-182-58 | Left | | | 82508 | D-182-58 |
| | | | | Right | | | 82508 | D-182-58 |
| 1998 | 4.0L V8 | WTYXV04.0DBB | Executive Order # D-182-58 | Left | | | 82508 | D-182-58 |
| | | | | Right | | | 82508 | D-182-58 |
| 1997 | 4.0L V8 | VTY4.0VJGKEK | Executive Order # D-182-48 | Front Left | | | 81807 | D-182-48 |
| | | | | Front Right | | | 81807 | D-182-48 |
| | | | | Rear | | | 81652 | D-182-48 |
| 1996 | 4.0L V8 | TTY4.0VJGKEK | Executive Order # D-182-48 | Front Left | | | 81807 | D-182-48 |
| | | | | Front Right | | | 81807 | D-182-48 |
| | | | | Rear | | | 81652 | D-182-48 |
| LINCOLN | | | | | | | | |
| Aviator | | | | | | | | |
| 2005 | 4.6L V8 | 5FMXT04.62FA | Executive Order # D-182-69 | Front Left | | | 83403 | D-182-69 |
| | | | | Front Right | | | 83403 | D-182-69 |
| | | | | Rear | | | 83518 | D-182-69 |
| 2004 | 4.6L V8 | 4FMXT04.62FA | Executive Order # D-182-69 | Front Left | | | 83403 | D-182-69 |
| | | | | Front Right | | | 83403 | D-182-69 |
| | | | | Rear | | | 83518 | D-182-69 |

For vehicles licensed in the state of California or Maine, or vehicles requiring CARB-compliant converters in the state of New York, the parts in this catalog must be installed as specifically listed. Parts cannot be substituted, nor can they be installed on California or Maine licensed vehicles not listed in this catalog.

OBDII APPLICATIONS

NON-OBDII APPLICATIONS

NUMERICAL

UNIVERSAL SPECIFICATIONS

OBDII PASSENGER CAR & TRUCK

| Years | Engine | Engine Family No. | Application | Position | Direct-Fit | | Universal Part No. | Executive Order | |
|------------------------|---------|-------------------|---------------------------------|-------------|--------------|----------|--------------------|-----------------|----------|
| | | | | | Part No. | Hardware | | | |
| LINCOLN (Cont.) | | | | | | | | | |
| Aviator (Cont.) | | | | | | | | | |
| 2003 | 4.6L V8 | 3FMXT04.62F9 | Executive Order # D-182-52 | Front Left | | | 81723 | D-182-52 | |
| | | | | Front Right | | | 81723 | D-182-52 | |
| | | | | Rear | | | 81924 | D-182-52 | |
| | | | Executive Order # D-182-69 | Front Left | | | 83403 | D-182-69 | |
| | | | | Front Right | | | 83403 | D-182-69 | |
| | | | | Rear | | | 83518 | D-182-69 | |
| | | 3FMXT04.62FA | Executive Order # D-182-52 | Front Left | | | 81723 | D-182-52 | |
| | | | | Front Right | | | 81723 | D-182-52 | |
| | | | | Rear | | | 81924 | D-182-52 | |
| | | | Executive Order # D-182-69 | Front Left | | | 83403 | D-182-69 | |
| | | | | Front Right | | | 83403 | D-182-69 | |
| | | | | Rear | | | 83518 | D-182-69 | |
| Blackwood | | | | | | | | | |
| 2002 | 5.4L V8 | 2FMXT05.4RF8 | Executive Order # D-182-44 | Front Left | | | 82113 | D-182-44 | |
| | | | | Front Right | | | 82113 | D-182-44 | |
| | | | | Rear Left | | | 82208 | D-182-44 | |
| | | | | Rear Right | | | 82208 | D-182-44 | |
| | | | RWD; Executive Order # D-182-44 | Left | 82251 | | | | D-182-44 |
| | | | | Right | 82250 | 35337 | | | D-182-44 |
| Continental | | | | | | | | | |
| 2002 | 4.6L V8 | 2FMXV04.6VDP | Executive Order # D-182-48 | Front Left | | | 81806 | D-182-48 | |
| | | | | Front Right | | | 81806 | D-182-48 | |
| | | | | Rear | | | 81652 | D-182-48 | |
| 2001 | 4.6L V8 | 1FMXV04.6VBD | Executive Order # D-182-48 | Front Left | | | 81806 | D-182-48 | |
| | | | | Front Right | | | 81806 | D-182-48 | |
| | | | | Rear | | | 81652 | D-182-48 | |
| | | 1FMXV04.6VDP | Executive Order # D-182-48 | Front Left | | | 81806 | D-182-48 | |
| | | | | Front Right | | | 81806 | D-182-48 | |
| | | | | Rear | | | 81652 | D-182-48 | |
| 2000 | 4.6L V8 | YFMXV04.6VDP | Executive Order # D-182-48 | Front Left | | | 81806 | D-182-48 | |
| | | | | Front Right | | | 81806 | D-182-48 | |
| | | | | Rear | | | 81652 | D-182-48 | |
| 1999 | 4.6L V8 | XFMXV04.6VDP | Executive Order # D-182-48 | Front Left | | | 81806 | D-182-48 | |
| | | | | Front Right | | | 81806 | D-182-48 | |
| | | | | Rear | | | 81652 | D-182-48 | |
| 1998 | 4.6L V8 | WFMXV04.6CAA | Executive Order # D-182-48 | Front Left | | | 81806 | D-182-48 | |
| | | | | Front Right | | | 81806 | D-182-48 | |
| | | | | Rear | | | 81652 | D-182-48 | |
| 1997 | 4.6L V8 | VFM4.6VJGKFK | Executive Order # D-182-48 | Front Left | | | 81806 | D-182-48 | |
| | | | | Front Right | | | 81806 | D-182-48 | |
| | | | | Rear | | | 81652 | D-182-48 | |
| 1995 | 4.6L V8 | SFM4.6VJG1EK | Executive Order # D-182-48 | Front Left | | | 81806 | D-182-48 | |
| | | | | Front Right | | | 81806 | D-182-48 | |
| | | | | Rear | | | 81652 | D-182-48 | |

For vehicles licensed in the state of California or Maine, or vehicles requiring CARB-compliant converters in the state of New York, the parts in this catalog must be installed as specifically listed. Parts cannot be substituted, nor can they be installed on California or Maine licensed vehicles not listed in this catalog.

OBDII PASSENGER CAR & TRUCK

| Years | Engine | Engine Family No. | Application | Position | Direct-Fit | | Universal Part No. | Executive Order |
|------------------------|--------------|----------------------------|----------------------------|--------------|--------------|--------------|--------------------|-----------------|
| | | | | | Part No. | Hardware | | |
| LINCOLN (Cont.) | | | | | | | | |
| LS | | | | | | | | |
| 2006 | 3.9L V8 | 6FMXV03.91H5 | Executive Order # D-182-59 | Left | | | 82632 | D-182-59 |
| | | | | Right | | | 82631 | D-182-59 |
| 2005 | 3.0L V6 | 5FMXV03.01H2 | Executive Order # D-182-59 | Left | | | 82632 | D-182-59 |
| | | | | Right | | | 82631 | D-182-59 |
| | 3.9L V8 | 5FMXV03.91H5 | Executive Order # D-182-59 | Left | | | 82632 | D-182-59 |
| | | | | Right | | | 82631 | D-182-59 |
| 2004 | 3.0L V6 | 4FMXV03.01H2 | Executive Order # D-182-59 | Left | | | 82632 | D-182-59 |
| | | | | Right | | | 82631 | D-182-59 |
| | 3.9L V8 | 4FMXV03.91H5 | Executive Order # D-182-59 | Left | | | 82632 | D-182-59 |
| | | | | Right | | | 82631 | D-182-59 |
| 2003 | 3.0L V6 | 3FMXV03.0VF2 | Executive Order # D-182-59 | Left | | | 82632 | D-182-59 |
| | | | | Right | | | 82631 | D-182-59 |
| 2002 | 3.0L V6 | 2FMXV03.0VD2 | Executive Order # D-182-59 | Left | | | 82632 | D-182-59 |
| | | | | Right | | | 82631 | D-182-59 |
| | | 2FMXV03.0VF2 | Executive Order # D-182-59 | Left | | | 82632 | D-182-59 |
| | | | | Right | | | 82631 | D-182-59 |
| 3.9L V8 | 2FMXV03.9VF5 | Executive Order # D-182-59 | Left | 82687 | | 82632 | D-182-59 | |
| | | | Right | 82688 | | 82631 | D-182-59 | |
| 2001 | 3.0L V6 | 1FMXV03.0VD2 | Executive Order # D-182-59 | Left | | | 82632 | D-182-59 |
| | | | | Right | | | 82631 | D-182-59 |
| | | 1FMXV03.0VF2 | Executive Order # D-182-59 | Left | | | 82632 | D-182-59 |
| | 3.9L V8 | 1FMXV03.9VF5 | Executive Order # D-182-59 | Left | 82687 | | 82632 | D-182-59 |
| | | | | Right | 82688 | | 82631 | D-182-59 |
| | | YFMXV03.0VD2 | Executive Order # D-182-59 | Left | | | 82632 | D-182-59 |
| 2000 | 3.0L V6 | YFMXV03.0VD2 | Executive Order # D-182-59 | Left | | | 82632 | D-182-59 |
| | | | | Right | | | 82631 | D-182-59 |
| | | YFMXV03.0VF2 | Executive Order # D-182-59 | Left | | | 82632 | D-182-59 |
| | 3.9L V8 | YFMXV03.9VF5 | Executive Order # D-182-59 | Left | 82687 | | 82632 | D-182-59 |
| | | | | Right | 82688 | | 82631 | D-182-59 |
| | | YFMXV03.0VF2 | Executive Order # D-182-59 | Left | | | 82632 | D-182-59 |

Mark LT

| | | | | | | | | |
|------|---------|--------------|----------------------------|-------|--|--|--------------|----------|
| 2006 | 5.4L V8 | 6FMXT05.4RI7 | Executive Order # D-182-69 | Left | | | 83413 | D-182-69 |
| | | | | Right | | | 83413 | D-182-69 |

Mark VIII

| | | | | | | | | |
|------|---------|--------------|----------------------------|-------------|--|--|--------------|----------|
| 1998 | 4.6L V8 | WFMXV04.6MAA | Executive Order # D-182-48 | Front Left | | | 81806 | D-182-48 |
| | | | | Front Right | | | 81806 | D-182-48 |
| | | | | Rear | | | 81613 | D-182-48 |
| 1997 | 4.6L V8 | VFM4.6VJG1FL | Executive Order # D-182-48 | Front Left | | | 81806 | D-182-48 |
| | | | | Front Right | | | 81806 | D-182-48 |
| | | | | Rear | | | 81613 | D-182-48 |
| 1996 | 4.6L V8 | TFM4.6VJG1FL | Executive Order # D-182-48 | Front Left | | | 81806 | D-182-48 |
| | | | | Front Right | | | 81806 | D-182-48 |
| | | | | Rear | | | 81613 | D-182-48 |

Navigator

| | | | | | | | | |
|------|---------|--------------|----------------------------|------|--|--|--------------|----------|
| 2006 | 5.4L V8 | 6FMXT05.45PB | Executive Order # D-182-69 | Left | | | 83413 | D-182-69 |
|------|---------|--------------|----------------------------|------|--|--|--------------|----------|

For vehicles licensed in the state of California or Maine, or vehicles requiring CARB-compliant converters in the state of New York, the parts in this catalog must be installed as specifically listed. Parts cannot be substituted, nor can they be installed on California or Maine licensed vehicles not listed in this catalog.

OBDII APPLICATIONS

NON-OBDII APPLICATIONS

NUMERICAL

UNIVERSAL SPECIFICATIONS

OBDII PASSENGER CAR & TRUCK

| Years | Engine | Engine Family No. | Application | Position | Direct-Fit | | Universal Part No. | Executive Order | |
|---|---|-------------------|---|--------------|--------------|----------------------------|--------------------|-----------------|----------|
| | | | | | Part No. | Hardware | | | |
| LINCOLN (Cont.) | | | | | | | | | |
| Navigator (Cont.) | | | | | | | | | |
| 2006 (Cont.) | 5.4L V8 | 6FMXT05.45PB | Executive Order # D-182-69 | Right | | | 83413 | D-182-69 | |
| | | 6FMXT05.4RI7 | Executive Order # D-182-69 | Left | | | 83413 | D-182-69 | |
| | | | | Right | | | 83413 | D-182-69 | |
| 2005 | 5.4L V8 | 5FMXK05.4F9R | Executive Order # D-182-52 | Left | | | 81719 | D-182-52 | |
| | | | | Right | | | 81719 | D-182-52 | |
| | | | Executive Order # D-182-69 | Left | | | 83413 | D-182-69 | |
| | | | | Right | | | 83413 | D-182-69 | |
| | | 5FMXT05.4RI7 | Executive Order # D-182-69 | Left | | | 83413 | D-182-69 | |
| | | | | Right | | | 83413 | D-182-69 | |
| 2004 | 5.4L V8 | 4FMXT05.4RFC | Executive Order # D-182-69 | Rear Left | | | 83418 | D-182-69 | |
| | | | | Rear Right | | | 83418 | D-182-69 | |
| | | | Heritage Models; Executive Order # D-182-69 | Front Left | | | 83513 | D-182-69 | |
| | | | | Front Right | | | 83513 | D-182-69 | |
| | | | 2003 | 5.4L V8 | 3FMXT05.4RF5 | Executive Order # D-182-69 | Rear Left | | |
| Rear Right | | | | | | | 83418 | D-182-69 | |
| From 10/17/02; Executive Order # D-182-69 | Rear Left | | | | | | 83418 | D-182-69 | |
| | Rear Right | | | | | | 83418 | D-182-69 | |
| Heritage Models; Executive Order # D-182-69 | Front Left | | | | | | 83513 | D-182-69 | |
| | Front Right | | | | | | 83513 | D-182-69 | |
| 3FMXT05.4RFC | Executive Order # D-182-69 | Rear Left | | | | | 83418 | D-182-69 | |
| | | Rear Right | | | | | 83418 | D-182-69 | |
| | From 10/17/02; Executive Order # D-182-69 | Rear Left | | | | | 83418 | D-182-69 | |
| | | Rear Right | | | | | 83418 | D-182-69 | |
| Heritage Models; Executive Order # D-182-69 | Front Left | | | 83513 | D-182-69 | | | | |
| | Front Right | | | 83513 | D-182-69 | | | | |
| 2002 | 5.4L V8 | 2FMXT05.4RF8 | Executive Order # D-182-44 | Front Left | | | 82113 | D-182-44 | |
| | | | | Front Right | | | 82113 | D-182-44 | |
| | | | | Rear Left | | | 82208 | D-182-44 | |
| | | | | Rear Right | | | 82208 | D-182-44 | |
| | | | RWD; Executive Order # D-182-44 | Left | 82251 | | | | D-182-44 |
| | | | | Right | 82250 | 35337 | | | D-182-44 |
| | | | | | | | | | |
| 2001 | 5.4L V8 | 1FMXT05.4RF7 | Executive Order # D-182-44 | Front Left | | | 82113 | D-182-44 | |
| | | | | Front Right | | | 82113 | D-182-44 | |
| | | | | Rear Left | | | 82208 | D-182-44 | |
| | | | | Rear Right | | | 82208 | D-182-44 | |
| | | | RWD; Executive Order # D-182-44 | Left | 82251 | | | | D-182-44 |
| | | | | Right | 82250 | 35337 | | | D-182-44 |
| | | | | | | | | | |
| | | | | | | | | | |
| | | 1FMXT05.4RF8 | Executive Order # D-182-44 | Front Left | | | 82113 | D-182-44 | |
| | | | | Front Right | | | 82113 | D-182-44 | |
| | | | RWD; Executive Order # D-182-44 | Rear Left | | | 82208 | D-182-44 | |
| | | | | Rear Right | | | 82208 | D-182-44 | |
| RWD; Executive Order # D-182-44 | Left | 82251 | | | | D-182-44 | | | |
| | Right | 82250 | 35337 | | | D-182-44 | | | |
| 2000 | 5.4L V8 | YFMXT05.4RF7 | 4WD; Executive Order # D-182-44 | Left | 82253 | | | D-182-44 | |
| | | | | Right | 82254 | | | D-182-44 | |

For vehicles licensed in the state of California or Maine, or vehicles requiring CARB-compliant converters in the state of New York, the parts in this catalog must be installed as specifically listed. Parts cannot be substituted, nor can they be installed on California or Maine licensed vehicles not listed in this catalog.

OBDII PASSENGER CAR & TRUCK

| Years | Engine | Engine Family No. | Application | Position | Direct-Fit | | Universal Part No. | Executive Order | | |
|---------------------------------|---------|-------------------|---------------------------------|--------------|------------|--------------|--------------------|-----------------|----------|--|
| | | | | | Part No. | Hardware | | | | |
| LINCOLN (Cont.) | | | | | | | | | | |
| Navigator (Cont.) | | | | | | | | | | |
| 2000 (Cont.) | 5.4L V8 | YFMXT05.4RF7 | Executive Order # D-182-44 | Front Left | | | 82113 | D-182-44 | | |
| | | | | Front Right | | | 82113 | D-182-44 | | |
| | | | | Rear Left | | | 82208 | D-182-44 | | |
| | | | | Rear Right | | | 82208 | D-182-44 | | |
| | | | RWD; Executive Order # D-182-44 | Left | | 82268 | | | D-182-44 | |
| | | | | Right | | 82250 | 35337 | | D-182-44 | |
| | | | | | | | | | | |
| | | | | | | | | | | |
| 1999 | 5.4L V8 | XFMXA05.4JGC | 4WD; Executive Order # D-182-44 | Left | | | 82253 | D-182-44 | | |
| | | | | Right | | | 82254 | D-182-44 | | |
| | | | Executive Order # D-182-44 | Front Left | | | 82113 | D-182-44 | | |
| | | | | Front Right | | | 82113 | D-182-44 | | |
| | | | | Rear Left | | | 82208 | D-182-44 | | |
| | | | | Rear Right | | | 82208 | D-182-44 | | |
| | | | RWD; Executive Order # D-182-44 | Left | | 82268 | | | D-182-44 | |
| | | | | Right | | 82250 | 35337 | | D-182-44 | |
| | | | | | | | | | | |
| | | | | | | | | | | |
| | | XFMXA05.4JGN | 4WD; Executive Order # D-182-44 | Left | | | 82253 | D-182-44 | | |
| | | | | Right | | | 82254 | D-182-44 | | |
| | | | Executive Order # D-182-44 | Front Left | | | 82113 | D-182-44 | | |
| | | | | Front Right | | | 82113 | D-182-44 | | |
| | | | | Rear Left | | | 82208 | D-182-44 | | |
| | | | | Rear Right | | | 82208 | D-182-44 | | |
| RWD; Executive Order # D-182-44 | Left | | | 82268 | | | D-182-44 | | | |
| | Right | | | 82250 | 35337 | | D-182-44 | | | |
| | | | | | | | | | | |
| | | | | | | | | | | |
| 1998 | 5.4L V8 | WFMXA05.4JBC | 4WD; Executive Order # D-182-44 | Left | | | 82284 | D-182-44 | | |
| | | | | Right | | | 82261 | D-182-44 | | |
| | | | Executive Order # D-182-44 | Front Left | | | 82113 | D-182-44 | | |
| | | | | Front Right | | | 82113 | D-182-44 | | |
| | | | | Rear Left | | | 82208 | D-182-44 | | |
| | | | | Rear Right | | | 82208 | D-182-44 | | |
| | | | RWD; Executive Order # D-182-44 | Left | | 82252 | | | D-182-44 | |
| | | | | Right | | 82259 | | | D-182-44 | |
| | | | | | | | | | | |
| | | | | | | | | | | |
| | | WFMXA05.4JGC | 4WD; Executive Order # D-182-44 | Left | | | 82284 | D-182-44 | | |
| | | | | Right | | | 82261 | D-182-44 | | |
| | | | Executive Order # D-182-44 | Front Left | | | 82113 | D-182-44 | | |
| | | | | Front Right | | | 82113 | D-182-44 | | |
| | | | | Rear Left | | | 82208 | D-182-44 | | |
| | | | | Rear Right | | | 82208 | D-182-44 | | |
| RWD; Executive Order # D-182-44 | Left | | | 82252 | | | D-182-44 | | | |
| | Right | | | 82259 | | | D-182-44 | | | |
| | | | | | | | | | | |
| | | | | | | | | | | |
| Town Car | | | | | | | | | | |
| 2009 | 4.6L V8 | 9FMXV04.6VE3 | Executive Order # D-182-63 | Front Left | | | 83308 | D-182-63 | | |
| | | | | Front Right | | | 83308 | D-182-63 | | |
| | | | | Rear Left | | | 83220 | D-182-63 | | |
| | | | | Rear Right | | | 83220 | D-182-63 | | |
| 2008 | 4.6L V8 | 8FMXV04.6VE3 | Executive Order # D-182-63 | Front Left | | | 83308 | D-182-63 | | |
| | | | | Front Right | | | 83308 | D-182-63 | | |

For vehicles licensed in the state of California or Maine, or vehicles requiring CARB-compliant converters in the state of New York, the parts in this catalog must be installed as specifically listed. Parts cannot be substituted, nor can they be installed on California or Maine licensed vehicles not listed in this catalog.

OBDII APPLICATIONS

NON-OBDII APPLICATIONS

NUMERICAL

UNIVERSAL SPECIFICATIONS

OBDII PASSENGER CAR & TRUCK

| Years | Engine | Engine Family No. | Application | Position | Direct-Fit | | Universal Part No. | Executive Order | | |
|-------------------------|----------------------------|-------------------|----------------------------|--------------|----------------------------|----------|--------------------|-----------------|--|----------|
| | | | | | Part No. | Hardware | | | | |
| LINCOLN (Cont.) | | | | | | | | | | |
| Town Car (Cont.) | | | | | | | | | | |
| 2008 (Cont.) | 4.6L V8 | 8FMXV04.6VE3 | Executive Order # D-182-63 | Rear Left | | | 83220 | D-182-63 | | |
| | | | | Rear Right | | | 83220 | D-182-63 | | |
| | | 8FMXV04.6VE9 | Executive Order # D-182-63 | Left | 83383 | 31336 | | D-182-63 | | |
| | | | | Right | 83384 | 31336 | | D-182-63 | | |
| | | | | Front Left | | | 83308 | D-182-63 | | |
| | | | | Front Right | | | 83308 | D-182-63 | | |
| | | | | Rear Left | | | 83220 | D-182-63 | | |
| | | | | Rear Right | | | 83220 | D-182-63 | | |
| 2007 | 4.6L V8 | 7FMXV04.6VE3 | Executive Order # D-182-63 | Front Left | | | 83308 | D-182-63 | | |
| | | | | Front Right | | | 83308 | D-182-63 | | |
| | | | | Rear Left | | | 83220 | D-182-63 | | |
| | | | | Rear Right | | | 83220 | D-182-63 | | |
| | | 7FMXV04.6VE8 | Executive Order # D-182-63 | Left | 83383 | 31336 | | D-182-63 | | |
| | | | | Right | 83384 | 31336 | | D-182-63 | | |
| | | | | Front Left | | | 83308 | D-182-63 | | |
| | | | | Front Right | | | 83308 | D-182-63 | | |
| | | | | Rear Left | | | 83220 | D-182-63 | | |
| | | | | Rear Right | | | 83220 | D-182-63 | | |
| | | | | 7FMXV04.6VE9 | Executive Order # D-182-63 | Left | 83383 | 31336 | | D-182-63 |
| | | | | | | Right | 83384 | 31336 | | D-182-63 |
| | | Front Left | | | | | 83308 | D-182-63 | | |
| | | Front Right | | | | | 83308 | D-182-63 | | |
| | | Rear Left | | | | | 83220 | D-182-63 | | |
| | | Rear Right | | | | | 83220 | D-182-63 | | |
| 2006 | 4.6L V8 | 6FMXV04.6VE8 | Executive Order # D-182-63 | | | Left | 83383 | 31336 | | D-182-63 |
| | | | | | | Right | 83384 | 31336 | | D-182-63 |
| | | | | Front Left | | | 83308 | D-182-63 | | |
| | | | | Front Right | | | 83308 | D-182-63 | | |
| | | | | Rear Left | | | 83220 | D-182-63 | | |
| | | | | Rear Right | | | 83220 | D-182-63 | | |
| | | 6FMXV04.6VG7 | Executive Order # D-182-53 | Left | 82698 | 31336 | | D-182-53 | | |
| | | | | Right | 82699 | 31336 | | D-182-53 | | |
| | | | | Front Left | | | 82522 | D-182-53 | | |
| | | | | Front Right | | | 82522 | D-182-53 | | |
| | | 6FMXV04.6VG8 | Executive Order # D-182-53 | Left | 82698 | 31336 | | D-182-53 | | |
| | | | | Right | 82699 | 31336 | | D-182-53 | | |
| | | | | Front Left | | | 82522 | D-182-53 | | |
| | | | | Front Right | | | 82522 | D-182-53 | | |
| | | 2005 | 4.6L V8 | 5FMXV04.6VE8 | Executive Order # D-182-63 | Left | 83383 | 31336 | | D-182-63 |
| | | | | | | Right | 83384 | 31336 | | D-182-63 |
| Front Left | | | | | | | 83308 | D-182-63 | | |
| Front Right | | | | | | | 83308 | D-182-63 | | |
| Rear Left | | | | | | | 83220 | D-182-63 | | |
| Rear Right | | | | | 83220 | D-182-63 | | | | |
| 5FMXV04.6VG7 | Executive Order # D-182-53 | | | Left | 82698 | 31336 | | D-182-53 | | |

For vehicles licensed in the state of California or Maine, or vehicles requiring CARB-compliant converters in the state of New York, the parts in this catalog must be installed as specifically listed. Parts cannot be substituted, nor can they be installed on California or Maine licensed vehicles not listed in this catalog.

OBDII PASSENGER CAR & TRUCK

| Years | Engine | Engine Family No. | Application | Position | Direct-Fit | | Universal Part No. | Executive Order | | |
|-------------------------|----------------------------|-------------------|----------------------------|--------------|----------------------------|-------------|--------------------|-----------------|--------------|----------|
| | | | | | Part No. | Hardware | | | | |
| LINCOLN (Cont.) | | | | | | | | | | |
| Town Car (Cont.) | | | | | | | | | | |
| 2005 (Cont.) | 4.6L V8 | 5FMXV04.6VG7 | Executive Order # D-182-53 | Right | 82699 | 31336 | | D-182-53 | | |
| | | | | Front Left | | | 82522 | D-182-53 | | |
| | | | | Front Right | | | 82522 | D-182-53 | | |
| | | 5FMXV04.6VG8 | Executive Order # D-182-53 | Left | 82698 | 31336 | | D-182-53 | | |
| | | | | Right | 82699 | 31336 | | D-182-53 | | |
| | | | | Front Left | | | 82522 | D-182-53 | | |
| | | Front Right | | | 82522 | D-182-53 | | | | |
| 2004 | 4.6L V8 | 4FMXV04.6VE5 | Executive Order # D-182-63 | Left | 83383 | 31336 | | D-182-63 | | |
| | | | | Right | 83384 | 31336 | | D-182-63 | | |
| | | | | Front Left | | | 83308 | D-182-63 | | |
| | | | | Front Right | | | 83308 | D-182-63 | | |
| | | | | Rear Left | | | 83220 | D-182-63 | | |
| | | | | Rear Right | | | 83220 | D-182-63 | | |
| | | 4FMXV04.6VG6 | Executive Order # D-182-53 | Left | 82698 | 31336 | | D-182-53 | | |
| | | | | Right | 82699 | 31336 | | D-182-53 | | |
| | | | | Front Left | | | 82522 | D-182-53 | | |
| | | | | Front Right | | | 82522 | D-182-53 | | |
| | | 4FMXV04.6VG7 | Executive Order # D-182-53 | Left | 82698 | 31336 | | D-182-53 | | |
| | | | | Right | 82699 | 31336 | | D-182-53 | | |
| | | | | Front Left | | | 82522 | D-182-53 | | |
| | | | | Front Right | | | 82522 | D-182-53 | | |
| | | 2003 | 4.6L V8 | 3FMXV04.6VG5 | Executive Order # D-182-53 | Left | 82698 | 31336 | | D-182-53 |
| | | | | | | Right | 82699 | 31336 | | D-182-53 |
| | | | | | | Front Left | | | 82522 | D-182-53 |
| | | | | | | Front Right | | | 82522 | D-182-53 |
| 3FMXV04.6VH5 | Executive Order # D-182-53 | | | Left | 82698 | 31336 | | D-182-53 | | |
| | | | | Right | 82699 | 31336 | | D-182-53 | | |
| | | | | Front Left | | | 82522 | D-182-53 | | |
| | | | | Front Right | | | 82522 | D-182-53 | | |
| 2002 | 4.6L V8 | 2FMXV04.6VF5 | Executive Order # D-182-48 | Left | 81662 | 31336 | | D-182-48 | | |
| | | | | Right | 81661 | 31336 | | D-182-48 | | |
| | | | | Front Left | | | 81802 | D-182-48 | | |
| | | | | Front Right | | | 81802 | D-182-48 | | |
| | | | | Rear Left | | | 81656 | D-182-48 | | |
| | | | | Rear Right | | | 81656 | D-182-48 | | |
| 2001 | 4.6L V8 | 1FMXV04.6VF5 | Executive Order # D-182-48 | Left | 81662 | 31336 | | D-182-48 | | |
| | | | | Right | 81661 | 31336 | | D-182-48 | | |
| | | | | Front Left | | | 81802 | D-182-48 | | |
| | | | | Front Right | | | 81802 | D-182-48 | | |
| | | 1FMXV04.6VF7 | Executive Order # D-182-48 | Rear Left | | | 81656 | D-182-48 | | |
| | | | | Rear Right | | | 81656 | D-182-48 | | |
| | | | | Left | 81662 | 31336 | | D-182-48 | | |
| | | | | Right | 81661 | 31336 | | D-182-48 | | |
| | | Front Left | | | 81802 | D-182-48 | | | | |
| | | Front Right | | | 81802 | D-182-48 | | | | |

OBDII APPLICATIONS

NON-OBDII APPLICATIONS

NUMERICAL

UNIVERSAL SPECIFICATIONS

For vehicles licensed in the state of California or Maine, or vehicles requiring CARB-compliant converters in the state of New York, the parts in this catalog must be installed as specifically listed. Parts cannot be substituted, nor can they be installed on California or Maine licensed vehicles not listed in this catalog.

OBDII PASSENGER CAR & TRUCK

| Years | Engine | Engine Family No. | Application | Position | Direct-Fit | | Universal Part No. | Executive Order | | | | |
|-------------------------|----------------------------|-------------------|----------------------------|--------------|----------------------------|--------------|----------------------------|-----------------|--------------|----------|--|----------|
| | | | | | Part No. | Hardware | | | | | | |
| LINCOLN (Cont.) | | | | | | | | | | | | |
| Town Car (Cont.) | | | | | | | | | | | | |
| 2001 (Cont.) | 4.6L V8 | 1FMXV04.6VF7 | Executive Order # D-182-48 | Rear Left | | | 81656 | D-182-48 | | | | |
| | | | | Rear Right | | | 81656 | D-182-48 | | | | |
| 2000 | 4.6L V8 | YFMXV04.6VB5 | Executive Order # D-182-48 | Left | 81662 | 31336 | | D-182-48 | | | | |
| | | | | Right | 81661 | 31336 | | D-182-48 | | | | |
| | | | | Front Left | | | 81802 | D-182-48 | | | | |
| | | | | Front Right | | | 81802 | D-182-48 | | | | |
| | | | | Rear Left | | | 81656 | D-182-48 | | | | |
| | | | | Rear Right | | | 81656 | D-182-48 | | | | |
| | | YFMXV04.6VFR | Executive Order # D-182-48 | Left | 81662 | 31336 | | D-182-48 | | | | |
| | | | | Right | 81661 | 31336 | | D-182-48 | | | | |
| | | | | Front Left | | | 81802 | D-182-48 | | | | |
| | | | | Front Right | | | 81802 | D-182-48 | | | | |
| | | | | Rear Left | | | 81656 | D-182-48 | | | | |
| | | | | Rear Right | | | 81656 | D-182-48 | | | | |
| | | | | 1999 | 4.6L V8 | XFMXV04.6VDR | Executive Order # D-182-48 | Left | 81662 | 31336 | | D-182-48 |
| | | | | | | | | Right | 81661 | 31336 | | D-182-48 |
| Front Left | | | 81802 | | | | | D-182-48 | | | | |
| Front Right | | | 81802 | | | | | D-182-48 | | | | |
| Rear Left | | | 81656 | | | | | D-182-48 | | | | |
| Rear Right | | | 81658 | | | | | D-182-48 | | | | |
| XFMXV04.6VG5 | Executive Order # D-182-48 | Left | 81662 | 31336 | | D-182-48 | | | | | | |
| | | Right | 81661 | 31336 | | D-182-48 | | | | | | |
| | | Front Left | | | 81802 | D-182-48 | | | | | | |
| | | Front Right | | | 81802 | D-182-48 | | | | | | |
| | | Rear Left | | | 81656 | D-182-48 | | | | | | |
| | | Rear Right | | | 81656 | D-182-48 | | | | | | |
| | | 1998 | 4.6L V8 | WFMXV04.6AAA | Executive Order # D-182-48 | Left | 81662 | 31336 | | D-182-48 | | |
| | | | | | | Right | 81661 | 31336 | | D-182-48 | | |
| Front Left | | | | | | | 81802 | D-182-48 | | | | |
| Front Right | | | | | | | 81802 | D-182-48 | | | | |
| Rear Left | | | | | | | 81656 | D-182-48 | | | | |
| Rear Right | | | | | | | 81656 | D-182-48 | | | | |
| WFMXV04.6ABA | Executive Order # D-182-48 | | | Left | 81662 | 31336 | | D-182-48 | | | | |
| | | | | Right | 81661 | 31336 | | D-182-48 | | | | |
| | | | | Front Left | | | 81802 | D-182-48 | | | | |
| | | | | Front Right | | | 81802 | D-182-48 | | | | |
| 1997 | 4.6L V8 | VFM4.6V8G2EL | Executive Order # D-182-48 | Left | 81662 | 31336 | | D-182-48 | | | | |
| | | | | Right | 81661 | 31336 | | D-182-48 | | | | |
| | | | | Front Left | | | 81802 | D-182-48 | | | | |
| | | | | Front Right | | | 81802 | D-182-48 | | | | |
| | | | | Rear Left | | | 81656 | D-182-48 | | | | |
| | | | | Rear Right | | | 81656 | D-182-48 | | | | |
| | | VFM4.6V8GKEL | Executive Order # D-182-48 | Left | 81662 | 31336 | | D-182-48 | | | | |

For vehicles licensed in the state of California or Maine, or vehicles requiring CARB-compliant converters in the state of New York, the parts in this catalog must be installed as specifically listed. Parts cannot be substituted, nor can they be installed on California or Maine licensed vehicles not listed in this catalog.

OBDII PASSENGER CAR & TRUCK

| Years | Engine | Engine Family No. | Application | Position | Direct-Fit | | Universal Part No. | Executive Order |
|-------------------------|---------|-------------------|----------------------------|-------------|--------------|----------|--------------------|-----------------|
| | | | | | Part No. | Hardware | | |
| LINCOLN (Cont.) | | | | | | | | |
| Town Car (Cont.) | | | | | | | | |
| 1997 (Cont.) | 4.6L V8 | VFM4.6V8GKEL | Executive Order # D-182-48 | Right | 81661 | 31336 | | D-182-48 |
| | | | | Front Left | | | 81802 | D-182-48 |
| | | | | Front Right | | | 81802 | D-182-48 |
| | | | | Rear Left | | | 81656 | D-182-48 |
| | | | | Rear Right | | | 81658 | D-182-48 |
| 1996 | 4.6L V8 | TFM4.6V8G2EL | Executive Order # D-182-48 | Left | 81662 | 31336 | | D-182-48 |
| | | | | Right | 81661 | 31336 | | D-182-48 |
| | | | | Front Left | | | 81802 | D-182-48 |
| | | | | Front Right | | | 81802 | D-182-48 |
| | | | | Rear Left | | | 81656 | D-182-48 |
| | | Rear Right | | | 81656 | D-182-48 | | |
| | | TFM4.6V8GFEL | Executive Order # D-182-48 | Left | 81662 | 31336 | | D-182-48 |
| | | | | Right | 81661 | 31336 | | D-182-48 |
| | | | | Front Left | | | 81802 | D-182-48 |
| | | | | Front Right | | | 81802 | D-182-48 |
| Rear Left | | | | | 81656 | D-182-48 | | |
| Rear Right | | | 81658 | D-182-48 | | | | |
| 1995 | 4.6L V8 | SFM4.6V8G1GK | Executive Order # D-182-48 | Left | 81662 | 31336 | | D-182-48 |
| | | | | Right | 81661 | 31336 | | D-182-48 |
| | | | | Front Left | | | 81802 | D-182-48 |
| | | | | Front Right | | | 81802 | D-182-48 |
| | | | | Rear Left | | | 81656 | D-182-48 |
| | | | | Rear Right | | | 81656 | D-182-48 |

Zephyr

| | | | | | | | | |
|------|---------|--------------|---|-------------|--------------|-------|--|----------|
| 2006 | 3.0L V6 | 6FMXV03.01EA | Located on Firewall Side; Executive Order # D-182-63 | Front Right | 83391 | 31602 | | D-182-63 |
| | | | Radiator Side; Executive Order # D-182-63 | Front Right | 83392 | 31709 | | D-182-63 |

MAZDA

6

| | | | | | | | | |
|------|---------|--------------|----------------------------|--|--------------|--------------|--------------|----------|
| 2008 | 2.3L L4 | 8TKXV02.35DB | Executive Order # D-182-64 | | | | 82807 | D-182-64 |
| 2007 | 2.3L L4 | 7TKXV02.35CB | Executive Order # D-182-64 | | | | 82807 | D-182-64 |
| 2006 | 2.3L L4 | 6TKXV02.35CB | Executive Order # D-182-64 | | | | 82807 | D-182-64 |
| 2005 | 2.3L L4 | 5TKXV02.3NA1 | Executive Order # D-182-57 | | 82676 | 31630, 31532 | 82640 | D-182-57 |
| 2004 | 2.3L L4 | 4TKXV02.3AJA | Executive Order # D-182-57 | | 82676 | 31630, 31532 | 82640 | D-182-57 |
| | | 4TKXV02.3BJ1 | Executive Order # D-182-67 | | | | 82903 | D-182-67 |
| 2003 | 2.3L L4 | 3TKXV02.3CJM | Executive Order # D-182-57 | | 82676 | 31630, 31532 | 82640 | D-182-57 |
| | | 3TKXV02.3EJ1 | Executive Order # D-182-67 | | | | 82903 | D-182-67 |

626

| | | | | | | | | |
|------|---------|--------------|----------------------------|-------|--------------|--------------|--------------|----------|
| 2002 | 2.0L L4 | 2TKXV02.0GJB | Executive Order # D-182-53 | Front | 82577 | 31642, 31595 | | D-182-53 |
| 2001 | 2.0L L4 | 1TKXV02.0GJB | Executive Order # D-182-53 | Front | 82577 | 31642, 31595 | | D-182-53 |
| 2000 | 2.0L L4 | YTKXV02.0VJM | Executive Order # D-182-53 | Front | 82577 | 31642, 31595 | | D-182-53 |
| 1999 | 2.5L V6 | XTKXV02.5VB2 | Executive Order # D-182-57 | | | | 82627 | D-182-57 |
| 1998 | 2.5L V6 | WTKXV02.5VB2 | Executive Order # D-182-57 | | | | 82627 | D-182-57 |
| 1997 | 2.5L V6 | VTK2.5VJGKEK | Executive Order # D-182-57 | | | | 82627 | D-182-57 |

For vehicles licensed in the state of California or Maine, or vehicles requiring CARB-compliant converters in the state of New York, the parts in this catalog must be installed as specifically listed. Parts cannot be substituted, nor can they be installed on California or Maine licensed vehicles not listed in this catalog.

OBDII APPLICATIONS

NON-OBDII APPLICATIONS

NUMERICAL

UNIVERSAL SPECIFICATIONS

OBDII PASSENGER CAR & TRUCK

| Years | Engine | Engine Family No. | Application | Position | Direct-Fit | | Universal Part No. | Executive Order |
|----------------------|---------|-------------------|----------------------------|-------------|--------------|--------------|--------------------|-----------------|
| | | | | | Part No. | Hardware | | |
| MAZDA (Cont.) | | | | | | | | |
| B2300 | | | | | | | | |
| 2006 | 2.3L L4 | 6FMXT02.31J2 | Executive Order # D-182-53 | Front | | | 82523 | D-182-53 |
| | | | | Rear | | | 82626 | D-182-53 |
| 2005 | 2.3L L4 | 5FMXT02.31J2 | Executive Order # D-182-53 | Front | | | 82523 | D-182-53 |
| | | | | Rear | | | 82626 | D-182-53 |
| 2004 | 2.3L L4 | 4FMXT02.31J2 | Executive Order # D-182-53 | Front | | | 82523 | D-182-53 |
| | | | | Rear | | | 82626 | D-182-53 |
| 2003 | 2.3L L4 | 3FMXT02.31F5 | Executive Order # D-182-53 | Front | | | 82523 | D-182-53 |
| | | | | Rear | | | 82626 | D-182-53 |
| 2002 | 2.3L L4 | 2FMXT02.31F5 | Executive Order # D-182-53 | Front | | | 82523 | D-182-53 |
| | | | | Rear | | | 82626 | D-182-53 |
| 2001 | 2.3L L4 | 1FMXT02.31F5 | Executive Order # D-182-53 | Front | | | 82523 | D-182-53 |
| | | | | Rear | | | 82626 | D-182-53 |
| 1997 | 2.3L L4 | VFM2.318G1EK | Executive Order # D-182-45 | | 81973 | 31372 | | D-182-45 |
| | | | Executive Order # D-182-57 | | | | 82629 | D-182-57 |
| 1996 | 2.3L L4 | TFM2.318G1EK | Executive Order # D-182-45 | | 81973 | 31372 | | D-182-45 |
| | | | Executive Order # D-182-57 | | | | 82629 | D-182-57 |
| 1995 | 2.3L L4 | SFM2.318G1EK | Executive Order # D-182-45 | | 81973 | 31372 | | D-182-45 |
| | | | Executive Order # D-182-57 | | | | 82629 | D-182-57 |
| B2500 | | | | | | | | |
| 2001 | 2.5L L4 | 1FMXT02.51BA | Executive Order # D-182-48 | Front | | | 81806 | D-182-48 |
| | | | | Rear | | | 81651 | D-182-48 |
| | | 1FMXT02.51D5 | Executive Order # D-182-48 | Front | | | 81806 | D-182-48 |
| | | | | Rear | | | 81651 | D-182-48 |
| | | 1FMXT02.51F5 | Executive Order # D-182-53 | Front | | | 82523 | D-182-53 |
| | | | | Rear | | | 82622 | D-182-53 |
| 2000 | 2.5L L4 | YFMXT02.51D5 | Executive Order # D-182-48 | Front | | | 81806 | D-182-48 |
| | | | | Rear | | | 81651 | D-182-48 |
| | | YFMXT02.51DC | Executive Order # D-182-48 | Front | | | 81806 | D-182-48 |
| | | | | Rear | | | 81651 | D-182-48 |
| | | YFMXT02.51F5 | Executive Order # D-182-53 | Front | | | 82523 | D-182-53 |
| | | | | Rear | | | 82622 | D-182-53 |
| | | YFMXT02.51FC | Executive Order # D-182-53 | Front | | | 82523 | D-182-53 |
| | | | | Rear | | | 82622 | D-182-53 |
| 1999 | 2.5L L4 | XFMXT02.51DC | Executive Order # D-182-48 | Front | | | 81806 | D-182-48 |
| | | | | Rear | | | 81651 | D-182-48 |
| | | XFMXT02.51GC | Executive Order # D-182-53 | Front | | | 82523 | D-182-53 |
| | | | | Rear | | | 82622 | D-182-53 |
| 1998 | 2.5L L4 | WFMXT02.5AAA | Executive Order # D-182-48 | Front | | | 81806 | D-182-48 |
| | | | | Rear | | | 81651 | D-182-48 |
| | | WFMXT02.5BAA | Executive Order # D-182-53 | Front | | | 82523 | D-182-53 |
| | | | | Rear | | | 82622 | D-182-53 |
| B3000 | | | | | | | | |
| 2006 | 3.0L V6 | 6FMXT03.01HA | Executive Order # D-182-53 | Front Left | | | 82520 | D-182-53 |
| | | | | Front Right | | | 82521 | D-182-53 |
| | | | | Rear | 82656 | 31637, 31372 | | D-182-53 |

For vehicles licensed in the state of California or Maine, or vehicles requiring CARB-compliant converters in the state of New York, the parts in this catalog must be installed as specifically listed. Parts cannot be substituted, nor can they be installed on California or Maine licensed vehicles not listed in this catalog.

OBDII PASSENGER CAR & TRUCK

| Years | Engine | Engine Family No. | Application | Position | Direct-Fit | | Universal Part No. | Executive Order |
|----------------------|--------------|-------------------|----------------------------|--------------|--------------|--------------|--------------------|-----------------|
| | | | | | Part No. | Hardware | | |
| MAZDA (Cont.) | | | | | | | | |
| B3000 (Cont.) | | | | | | | | |
| 2006 (Cont.) | 3.0L V6 | 6FMXT03.02KA | Executive Order # D-182-69 | Front Left | | | 83502 | D-182-69 |
| | | | | Front Right | | | 83502 | D-182-69 |
| | | | | Rear | | | 83508 | D-182-69 |
| 2005 | 3.0L V6 | 5FMXT03.01HA | Executive Order # D-182-53 | Front Left | | | 82520 | D-182-53 |
| | | | | Front Right | | | 82521 | D-182-53 |
| | | | | Rear | 82656 | 31637, 31372 | | D-182-53 |
| | | 5FMXT03.02KA | Executive Order # D-182-69 | Front Left | | | 83502 | D-182-69 |
| | | | | Front Right | | | 83502 | D-182-69 |
| | | | | Rear | | | 83508 | D-182-69 |
| 2004 | 3.0L V6 | 4FMXT03.01HA | Executive Order # D-182-53 | Front Left | | | 82520 | D-182-53 |
| | | | | Front Right | | | 82521 | D-182-53 |
| | | | | Rear | 82656 | 31637, 31372 | | D-182-53 |
| | | 4FMXT03.01JA | Executive Order # D-182-48 | Front Left | | | 81806 | D-182-48 |
| | | | | Front Right | | | 81806 | D-182-48 |
| | | | | Rear | | | 81651 | D-182-48 |
| | | 4FMXT03.02KA | Executive Order # D-182-69 | Front Left | | | 83502 | D-182-69 |
| | | | | Front Right | | | 83502 | D-182-69 |
| | | | | Rear | | | 83508 | D-182-69 |
| 2003 | 3.0L V6 | 3FMXT03.01F5 | Executive Order # D-182-48 | Left Center | | | 81806 | D-182-48 |
| | | | | Right Center | | | 81651 | D-182-48 |
| | | | | Front Left | | | 81806 | D-182-48 |
| | | | | Front Right | | | 81806 | D-182-48 |
| | | | | Rear | 81666 | 31637, 31372 | | D-182-48 |
| | | | | Rear Right | | | 81651 | D-182-48 |
| | | 3FMXT03.01FA | Executive Order # D-182-48 | Front Left | | | 81801 | D-182-48 |
| | | | | Front Right | | | 81801 | D-182-48 |
| | | | | Rear | 81666 | 31637, 31372 | | D-182-48 |
| | | | | Rear Left | | | 81658 | D-182-48 |
| | | 3FMXT03.02F5 | Executive Order # D-182-44 | Left Center | | | 82116 | D-182-44 |
| | | | | Right Center | | | 82208 | D-182-44 |
| | | | | Front Left | | | 82116 | D-182-44 |
| | | | | Front Right | | | 82116 | D-182-44 |
| | | | | Rear | 82286 | 31637, 31372 | | D-182-44 |
| | | | | Rear Right | | | 82208 | D-182-44 |
| | | 3FMXT03.02F6 | Executive Order # D-182-44 | Left Center | | | 82116 | D-182-44 |
| | | | | Right Center | | | 82208 | D-182-44 |
| Front Left | | | | | 82116 | D-182-44 | | |
| Front Right | | | | | 82116 | D-182-44 | | |
| Rear | 82286 | | | 31637, 31372 | | D-182-44 | | |
| Rear Right | | | | | 82208 | D-182-44 | | |
| 2002 | 3.0L V6 | 2FMXT03.01F5 | Executive Order # D-182-48 | Left Center | | | 81806 | D-182-48 |
| | | | | Right Center | | | 81651 | D-182-48 |
| | | | | Front Left | | | 81806 | D-182-48 |
| | | | | Front Right | | | 81806 | D-182-48 |

OBDII APPLICATIONS

NON-OBDII APPLICATIONS

NUMERICAL

UNIVERSAL SPECIFICATIONS

For vehicles licensed in the state of California or Maine, or vehicles requiring CARB-compliant converters in the state of New York, the parts in this catalog must be installed as specifically listed. Parts cannot be substituted, nor can they be installed on California or Maine licensed vehicles not listed in this catalog.

OBDII PASSENGER CAR & TRUCK

| Years | Engine | Engine Family No. | Application | Position | Direct-Fit | | Universal Part No. | Executive Order | | |
|----------------------|----------------------------|-------------------|----------------------------|--------------|----------------------------|--------------|--------------------|-----------------|--------------|----------|
| | | | | | Part No. | Hardware | | | | |
| MAZDA (Cont.) | | | | | | | | | | |
| B3000 (Cont.) | | | | | | | | | | |
| 2002 (Cont.) | 3.0L V6 | 2FMXT03.01F5 | Executive Order # D-182-48 | Rear | 81666 | 31637, 31372 | | D-182-48 | | |
| | | | | Rear Right | | | 81651 | D-182-48 | | |
| | | | | Right Center | | | 82208 | D-182-44 | | |
| | | 2FMXT03.02F5 | Executive Order # D-182-44 | Front Left | | | 82116 | D-182-44 | | |
| | | | | Front Right | | | 82116 | D-182-44 | | |
| | | | | Rear | 82286 | 31637, 31372 | | D-182-44 | | |
| | | | | Left Center | | | 82116 | D-182-44 | | |
| | | 2FMXT03.02F6 | Executive Order # D-182-44 | Right Center | | | 82208 | D-182-44 | | |
| | | | | Front Left | | | 82116 | D-182-44 | | |
| | | | | Front Right | | | 82116 | D-182-44 | | |
| | | | | Rear | 82286 | 31637, 31372 | | D-182-44 | | |
| | | | | Rear Right | | | 82208 | D-182-44 | | |
| | | | | | | | | | | |
| | | 2001 | 3.0L V6 | 1FMXT03.01F5 | Executive Order # D-182-48 | Left Center | | | 81806 | D-182-48 |
| | | | | | | Right Center | | | 81651 | D-182-48 |
| Front Left | | | | | | | 81806 | D-182-48 | | |
| Front Right | | | | | | | 81806 | D-182-48 | | |
| Rear Right | | | | | | | 81651 | D-182-48 | | |
| 1FMXT03.02F4 | Executive Order # D-182-44 | | | Left Center | | | 82116 | D-182-44 | | |
| | | | | Right Center | | | 82208 | D-182-44 | | |
| | | | | Front Left | | | 82116 | D-182-44 | | |
| | | | | Front Right | | | 82116 | D-182-44 | | |
| | | | | Rear | 82286 | 31637, 31372 | | D-182-44 | | |
| 1FMXT03.02F5 | Executive Order # D-182-44 | | | Rear Right | | | 82208 | D-182-44 | | |
| | | | | Right Center | | | 82208 | D-182-44 | | |
| | | | | Front Left | | | 82116 | D-182-44 | | |
| | | | | Front Right | | | 82116 | D-182-44 | | |
| 1FMXT03.02F6 | Executive Order # D-182-60 | | | Rear | 82286 | 31637, 31372 | | D-182-44 | | |
| | | | | Left Center | | | 81810 | D-182-60 | | |
| | | | | Right Center | | | 82702 | D-182-60 | | |
| | | | | Front Left | | | 81810 | D-182-60 | | |
| | | | | Front Right | | | 81810 | D-182-60 | | |
| 2000 | 3.0L V6 | | | YFMXT03.01D5 | Executive Order # D-182-53 | Rear | | | 82702 | D-182-60 |
| | | | | | | Front Left | | | 82521 | D-182-53 |
| | | | | | | Front Right | | | 82521 | D-182-53 |
| | | | | YFMXT03.02D5 | Executive Order # D-182-60 | Front Left | | | 81810 | D-182-60 |
| | | | | | | Front Right | | | 81810 | D-182-60 |
| | | Rear | | | | | 82702 | D-182-60 | | |
| | | 1999 | 3.0L V6 | XFMXT03.01DC | Executive Order # D-182-53 | Front Left | | | 82521 | D-182-53 |
| | | | | | | Front Right | | | 82521 | D-182-53 |
| | | | | | | Rear | 82655 | 31609, 31372 | | D-182-53 |
| | | | | XFMXT03.02DC | Executive Order # D-182-60 | Front Left | | | 81810 | D-182-60 |
| | | | | | | Front Right | | | 81810 | D-182-60 |
| | | | | | | Rear | | | 82702 | D-182-60 |
| 1998 | 3.0L V6 | WFMXT03.0FAA | Executive Order # D-182-53 | Front Left | | | 82521 | D-182-53 | | |

For vehicles licensed in the state of California or Maine, or vehicles requiring CARB-compliant converters in the state of New York, the parts in this catalog must be installed as specifically listed. Parts cannot be substituted, nor can they be installed on California or Maine licensed vehicles not listed in this catalog.

OBDII PASSENGER CAR & TRUCK

| Years | Engine | Engine Family No. | Application | Position | Direct-Fit | | Universal Part No. | Executive Order |
|----------------------------|--------------|----------------------------|----------------------------|----------------------------|--------------|--------------|--------------------|-----------------|
| | | | | | Part No. | Hardware | | |
| MAZDA (Cont.) | | | | | | | | |
| B3000 (Cont.) | | | | | | | | |
| 1998 (Cont.) | 3.0L V6 | WFMXT03.0FAA | Executive Order # D-182-53 | Front Right | | | 82521 | D-182-53 |
| | | | | Rear | 82655 | 31609, 31372 | | D-182-53 |
| | | WFMXT03.0HAA | Executive Order # D-182-60 | Front Left | | 81810 | D-182-60 | |
| | | | | Front Right | | 81810 | D-182-60 | |
| | | | | Rear | | 82702 | D-182-60 | |
| 1997 | 3.0L V6 | VFM3.028G1FK | Executive Order # D-182-52 | Front | | 81923 | D-182-52 | |
| | | | | Rear | | 81923 | D-182-52 | |
| 1996 | 3.0L V6 | TFM3.018G1EK | Executive Order # D-182-45 | | 81975 | 31609, 31372 | D-182-45 | |
| | | | | Executive Order # D-182-58 | Front | | 82536 | D-182-58 |
| | | | | | Rear | | 82536 | D-182-58 |
| | | TFM3.028G1FK | Executive Order # D-182-52 | | 81987 | 31609, 31372 | D-182-52 | |
| | | | | Front | | 81923 | D-182-52 | |
| | | | | Rear | | 81923 | D-182-52 | |
| | | Executive Order # D-182-69 | Front | | 83508 | D-182-69 | | |
| | | | Rear | | 83508 | D-182-69 | | |
| 1995 | 3.0L V6 | | SFM3.018G1EK | Executive Order # D-182-45 | | 81975 | 31609, 31372 | D-182-45 |
| | | Executive Order # D-182-58 | | | Front | | 82536 | D-182-58 |
| | | | | | Rear | | 82536 | D-182-58 |
| | | SFM3.028G1FK | Executive Order # D-182-52 | | 81987 | 31609, 31372 | D-182-52 | |
| | | | | Front | | 81923 | D-182-52 | |
| Rear | | 81923 | D-182-52 | | | | | |
| Executive Order # D-182-69 | Front | | 83508 | D-182-69 | | | | |
| | Rear | | 83508 | D-182-69 | | | | |
| | B4000 | | | | | | | |
| 2006 | 4.0L V6 | 6FMXT04.02KM | Executive Order # D-182-69 | Front Left | | | 83502 | D-182-69 |
| | | | | Front Right | | 83502 | | D-182-69 |
| | | | | Rear | | 83508 | | D-182-69 |
| 2005 | 4.0L V6 | 5FMXT04.02KM | Executive Order # D-182-69 | Front Left | | 83502 | D-182-69 | |
| | | | | Front Right | | 83502 | D-182-69 | |
| | | | | Rear | | 83508 | D-182-69 | |
| 2004 | 4.0L V6 | 4FMXT04.02K2 | Executive Order # D-182-69 | Front Left | | 83502 | D-182-69 | |
| | | | | Front Right | | 83502 | D-182-69 | |
| | | | | Rear | | 83508 | D-182-69 | |
| | | 4FMXT04.02KM | Executive Order # D-182-69 | Front Left | | 83502 | D-182-69 | |
| | | | | Front Right | | 83502 | D-182-69 | |
| | | | | Rear | | 83508 | D-182-69 | |
| 2003 | 4.0L V6 | 3FMXT04.02F3 | Executive Order # D-182-44 | Front Left | | 82116 | D-182-44 | |
| | | | | Front Right | | 82116 | D-182-44 | |
| | | | | Rear | 82286 | 31637, 31372 | D-182-44 | |
| | | | | Rear Left | | 82208 | D-182-44 | |
| | | | | Rear Right | | 82208 | D-182-44 | |
| | | Executive Order # D-182-60 | Front | 81862 | 31637 | D-182-60 | | |
| | | 3FMXT04.02FA | Executive Order # D-182-44 | Right Center | | 82208 | D-182-44 | |
| | | | | Front Left | | 82116 | D-182-44 | |
| Front Right | | | | 82116 | D-182-44 | | | |

For vehicles licensed in the state of California or Maine, or vehicles requiring CARB-compliant converters in the state of New York, the parts in this catalog must be installed as specifically listed. Parts cannot be substituted, nor can they be installed on California or Maine licensed vehicles not listed in this catalog.

OBDII APPLICATIONS

NON-OBDII APPLICATIONS

NUMERICAL

UNIVERSAL SPECIFICATIONS

OBDII PASSENGER CAR & TRUCK

| Years | Engine | Engine Family No. | Application | Position | Direct-Fit | | Universal Part No. | Executive Order | | | | |
|----------------------------|----------------------------|----------------------------|----------------------------|----------------------------|--------------|--------------|----------------------------|-----------------|--------------|--------------|--------------|----------|
| | | | | | Part No. | Hardware | | | | | | |
| MAZDA (Cont.) | | | | | | | | | | | | |
| B4000 (Cont.) | | | | | | | | | | | | |
| 2003 (Cont.) | 4.0L V6 | 3FMXT04.02FA | Executive Order # D-182-44 | Rear | 82286 | 31637, 31372 | | D-182-44 | | | | |
| | | | | Rear Right | | | 82208 | D-182-44 | | | | |
| | | | Executive Order # D-182-60 | Front | 81862 | 31637 | | | D-182-60 | | | |
| 2002 | 4.0L V6 | 2FMXT04.01F6 | Executive Order # D-182-48 | Front Left | | | 81801 | D-182-48 | | | | |
| | | | | Front Right | | | 81801 | D-182-48 | | | | |
| | | | | Rear | 81666 | 31637, 31372 | | D-182-48 | | | | |
| | | | | Rear Left | | | 81658 | D-182-48 | | | | |
| | | | | Rear Right | | | 81658 | D-182-48 | | | | |
| | | | | Executive Order # D-182-44 | Right Center | | | 82208 | D-182-44 | | | |
| | | 2FMXT04.02F3 | Executive Order # D-182-44 | Front Left | | | 82116 | D-182-44 | | | | |
| | | | | Front Right | | | 82116 | D-182-44 | | | | |
| | | | | Rear | 82286 | 31637, 31372 | | D-182-44 | | | | |
| | | | | Rear Right | | | 82208 | D-182-44 | | | | |
| | | | | Executive Order # D-182-60 | Front | 81862 | 31637 | | D-182-60 | | | |
| | | | | 2001 | 4.0L V6 | 1FMXT04.01F5 | Executive Order # D-182-48 | Front Left | | | 81801 | D-182-48 |
| | | | | | | | | Front Right | | | 81801 | D-182-48 |
| | | | | | | | | Rear | 81666 | 31637, 31372 | | D-182-48 |
| Rear Left | | | 81658 | | | | | D-182-48 | | | | |
| Rear Right | | | 81657 | | | | | D-182-48 | | | | |
| Executive Order # D-182-48 | Front Left | | | | | 81801 | | D-182-48 | | | | |
| 1FMXT04.01F6 | Executive Order # D-182-48 | Front Right | | | 81801 | D-182-48 | | | | | | |
| | | Rear | 81666 | 31637, 31372 | | D-182-48 | | | | | | |
| | | Rear Left | | | 81658 | D-182-48 | | | | | | |
| | | Rear Right | | | 81658 | D-182-48 | | | | | | |
| 1FMXT04.02F5 | Executive Order # D-182-44 | Front Left | | | 82116 | D-182-44 | | | | | | |
| | | Front Right | | | 82116 | D-182-44 | | | | | | |
| | | Rear | 82286 | 31637, 31372 | | D-182-44 | | | | | | |
| | | Rear Left | | | 82208 | D-182-44 | | | | | | |
| | | Rear Right | | | 82208 | D-182-44 | | | | | | |
| | | Executive Order # D-182-60 | Front | 81862 | 31637 | | D-182-60 | | | | | |
| | | 1FMXT04.02F7 | Executive Order # D-182-44 | Right Center | | | 82208 | D-182-44 | | | | |
| | | | | Front Left | | | 82116 | D-182-44 | | | | |
| | | | | Front Right | | | 82116 | D-182-44 | | | | |
| Rear | 82286 | | | 31637, 31372 | | D-182-44 | | | | | | |
| Rear Right | | | | | 82208 | D-182-44 | | | | | | |
| Executive Order # D-182-60 | Front | 81862 | 31637 | | D-182-60 | | | | | | | |
| 2000 | 4.0L V6 | YFMXT04.01DC | Executive Order # D-182-48 | Front Left | | | 81801 | D-182-48 | | | | |
| | | | | Front Right | | | 81801 | D-182-48 | | | | |
| | | | | Rear | 81674 | 31609, 31372 | | D-182-48 | | | | |
| | | | | Rear Left | | | 81658 | D-182-48 | | | | |
| | | | | Rear Right | | | 81658 | D-182-48 | | | | |
| | | YFMXT04.01F5 | | Executive Order # D-182-48 | Front Left | | | 81801 | D-182-48 | | | |
| | | | | | Front Right | | | 81801 | D-182-48 | | | |
| | | | | | Rear | 81674 | 31609, 31372 | | D-182-48 | | | |
| | | | | | Rear Left | | | 81658 | D-182-48 | | | |

For vehicles licensed in the state of California or Maine, or vehicles requiring CARB-compliant converters in the state of New York, the parts in this catalog must be installed as specifically listed. Parts cannot be substituted, nor can they be installed on California or Maine licensed vehicles not listed in this catalog.

OBDII PASSENGER CAR & TRUCK

| Years | Engine | Engine Family No. | Application | Position | Direct-Fit | | Universal Part No. | Executive Order | | | | |
|----------------------|----------------------------|-------------------|----------------------------|----------------------------|----------------------------|--------------|----------------------------|-----------------|--------------|----------|--------------|----------|
| | | | | | Part No. | Hardware | | | | | | |
| MAZDA (Cont.) | | | | | | | | | | | | |
| B4000 (Cont.) | | | | | | | | | | | | |
| 2000 (Cont.) | 4.0L V6 | YFMXT04.01F5 | Executive Order # D-182-48 | Rear Right | | | 81658 | D-182-48 | | | | |
| | | | | Right Center | | | 82208 | D-182-44 | | | | |
| | | | | | Front Left | | | 82116 | D-182-44 | | | |
| | | | | | Front Right | | | 82116 | D-182-44 | | | |
| | | YFMXT04.02DN | Executive Order # D-182-44 | Rear | 82288 | 31609, 31372 | 82208 | D-182-44 | | | | |
| | | | | Right Center | | | 82208 | D-182-44 | | | | |
| | | | | | Front Left | | | 82116 | D-182-44 | | | |
| | | | | | Front Right | | | 82116 | D-182-44 | | | |
| | | YFMXT04.02F2 | Executive Order # D-182-44 | Rear | 82288 | 31609, 31372 | 82208 | D-182-44 | | | | |
| | | | | Right Center | | | 82208 | D-182-44 | | | | |
| | | | | | Front Left | | | 82116 | D-182-44 | | | |
| | | | | | Front Right | | | 82116 | D-182-44 | | | |
| 1999 | 4.0L V6 | XFMXT04.01DC | Executive Order # D-182-48 | Front Left | | | 81801 | D-182-48 | | | | |
| | | | | Front Right | | | 81801 | D-182-48 | | | | |
| | | | | Rear | 81674 | 31609, 31372 | | D-182-48 | | | | |
| | | | | Rear Left | | | 81658 | D-182-48 | | | | |
| | | | | Rear Right | | | 81658 | D-182-48 | | | | |
| | | | | XFMXT04.01G5 | Executive Order # D-182-48 | Front Left | | | 81801 | D-182-48 | | |
| | | | | | | Front Right | | | 81801 | D-182-48 | | |
| | | | | | | Rear | 81674 | 31609, 31372 | | D-182-48 | | |
| | | Rear Left | | | | | 81658 | D-182-48 | | | | |
| | | XFMXT04.02DN | Executive Order # D-182-44 | Rear Right | | | 81657 | D-182-48 | | | | |
| | | | | Front Left | | | 82116 | D-182-44 | | | | |
| | | | | Front Right | | | 82116 | D-182-44 | | | | |
| | | | | Rear | 82288 | 31609, 31372 | | D-182-44 | | | | |
| | | XFMXT04.02GC | Executive Order # D-182-44 | Rear Left | | | 82208 | D-182-44 | | | | |
| | | | | Rear Right | | | 82208 | D-182-44 | | | | |
| | | | | Right Center | | | 82208 | D-182-44 | | | | |
| | | | | Front Left | | | 82116 | D-182-44 | | | | |
| | | | | Front Right | | | 82116 | D-182-44 | | | | |
| | | | | Rear | 82288 | 31609, 31372 | | D-182-44 | | | | |
| | | | | 1998 | 4.0L V6 | WFMXT04.0AAA | Executive Order # D-182-48 | Front Left | | | 81801 | D-182-48 |
| | | | | | | | | Front Right | | | 81801 | D-182-48 |
| | | Rear | 81674 | | | | | 31609, 31372 | | D-182-48 | | |
| | | Rear Left | | | | | | | 81658 | D-182-48 | | |
| | | Rear Right | | | | | | | 81658 | D-182-48 | | |
| WFMXT04.0DAA | Executive Order # D-182-44 | Right Center | | | | | 82208 | D-182-44 | | | | |
| | | Front Left | | | | | 82116 | D-182-44 | | | | |
| | | Front Right | | | | | 82116 | D-182-44 | | | | |
| | | Rear | 82288 | | | 31609, 31372 | 82208 | D-182-44 | | | | |
| WFMXT04.0EAA | Executive Order # D-182-44 | Right Center | | | | | 82208 | D-182-44 | | | | |
| | | Front Left | | | | | 82116 | D-182-44 | | | | |
| | | Front Right | | | | | 82116 | D-182-44 | | | | |
| | | Rear | 82288 | 31609, 31372 | | D-182-44 | | | | | | |
| | | Rear Right | | | 82208 | D-182-44 | | | | | | |
| 1997 | 4.0L V6 | VFM4.018G1EK | Executive Order # D-182-45 | | 81975 | 31609, 31372 | | D-182-45 | | | | |
| | | | | Executive Order # D-182-58 | Front | | | 82536 | D-182-58 | | | |
| | | Rear | | | | 82536 | D-182-58 | | | | | |
| | | | | | | | | | | | | |

OBDII APPLICATIONS

NON-OBDII APPLICATIONS

NUMERICAL

UNIVERSAL SPECIFICATIONS

For vehicles licensed in the state of California or Maine, or vehicles requiring CARB-compliant converters in the state of New York, the parts in this catalog must be installed as specifically listed. Parts cannot be substituted, nor can they be installed on California or Maine licensed vehicles not listed in this catalog.

OBDII PASSENGER CAR & TRUCK

| Years | Engine | Engine Family No. | Application | Position | Direct-Fit | | Universal Part No. | Executive Order |
|----------------------------|---------|-------------------|----------------------------|--------------|--------------|--------------|--------------------|-----------------|
| | | | | | Part No. | Hardware | | |
| MAZDA (Cont.) | | | | | | | | |
| B4000 (Cont.) | | | | | | | | |
| 1997 (Cont.) | 4.0L V6 | VFM4.028G1EK | Executive Order # D-182-52 | | 81987 | 31609, 31372 | | D-182-52 |
| | | | | Front | | | 81923 | D-182-52 |
| | | | Rear | | | 81923 | D-182-52 | |
| | | | Executive Order # D-182-69 | Front | | 83508 | D-182-69 | |
| | | Rear | | 83508 | D-182-69 | | | |
| | | VFM4.028G2EK | Executive Order # D-182-52 | | 81987 | 31609, 31372 | | D-182-52 |
| | | | | Front | | | 81923 | D-182-52 |
| | | | Rear | | | 81923 | D-182-52 | |
| Executive Order # D-182-69 | Front | | | 83508 | D-182-69 | | | |
| Rear | | 83508 | D-182-69 | | | | | |
| 1996 | 4.0L V6 | TFM4.018G1EK | Executive Order # D-182-45 | | 81975 | 31609, 31372 | | D-182-45 |
| | | | Executive Order # D-182-58 | Front | | 82536 | D-182-58 | |
| | | Rear | | 82536 | D-182-58 | | | |
| | | TFM4.028G1EK | Executive Order # D-182-52 | | 81987 | 31609, 31372 | | D-182-52 |
| | | | | Front | | | 81923 | D-182-52 |
| | | | Rear | | | 81923 | D-182-52 | |
| | | | Executive Order # D-182-69 | Front | | 83508 | D-182-69 | |
| | | Rear | | 83508 | D-182-69 | | | |
| | | TFM4.028G2EK | Executive Order # D-182-52 | | 81987 | 31609, 31372 | | D-182-52 |
| | | | | Front | | | 81923 | D-182-52 |
| | | | Rear | | | 81923 | D-182-52 | |
| | | | Executive Order # D-182-69 | Front | | 83508 | D-182-69 | |
| Rear | | 83508 | D-182-69 | | | | | |
| 1995 | 4.0L V6 | SFM4.018G1EK | Executive Order # D-182-45 | | 81975 | 31609, 31372 | | D-182-45 |
| | | | Executive Order # D-182-58 | Front | | 82536 | D-182-58 | |
| | | Rear | | 82536 | D-182-58 | | | |
| | | SFM4.028G1EK | Executive Order # D-182-52 | | 81987 | 31609, 31372 | | D-182-52 |
| | | | | Front | | | 81923 | D-182-52 |
| | | | Rear | | | 81923 | D-182-52 | |
| | | | Executive Order # D-182-69 | Front | | 83508 | D-182-69 | |
| | | Rear | | 83508 | D-182-69 | | | |

Miata

| | | | | | | | | |
|------|---------|--------------|----------------------------|--|--|--|--------------|----------|
| 2005 | 1.8L L4 | 5TKXV01.8NA1 | Executive Order # D-182-57 | | | | 82614 | D-182-57 |
| 2004 | 1.8L L4 | 4TKXV01.8AJA | Executive Order # D-182-57 | | | | 82614 | D-182-57 |
| 2003 | 1.8L L4 | 3TKXV01.8CJA | Executive Order # D-182-57 | | | | 82614 | D-182-57 |
| 2002 | 1.8L L4 | 2TKXV01.8CJA | Executive Order # D-182-57 | | | | 82614 | D-182-57 |
| 2001 | 1.8L L4 | 1TKXV01.8CJA | Executive Order # D-182-57 | | | | 82614 | D-182-57 |
| 1997 | 1.8L L4 | VTK1.8VJGKEK | Executive Order # D-182-58 | | | | 82526 | D-182-58 |
| 1996 | 1.8L L4 | TTK1.8VJGKEK | Executive Order # D-182-58 | | | | 82526 | D-182-58 |

Millenia

| | | | | | | | | |
|------|---------|--------------|----------------------------|--|--|--|--------------|----------|
| 2000 | 2.5L V6 | YTKXV02.5VB4 | Executive Order # D-182-57 | | | | 82627 | D-182-57 |
| 1999 | 2.5L V6 | XTKXV02.5VB4 | Executive Order # D-182-57 | | | | 82627 | D-182-57 |
| 1998 | 2.5L V6 | WTKXV02.5VB3 | Executive Order # D-182-57 | | | | 82627 | D-182-57 |
| | | WTKXV02.5VB4 | Executive Order # D-182-57 | | | | 82627 | D-182-57 |
| 1997 | 2.5L V6 | VTK2.5VJG1EK | Executive Order # D-182-57 | | | | 82627 | D-182-57 |

For vehicles licensed in the state of California or Maine, or vehicles requiring CARB-compliant converters in the state of New York, the parts in this catalog must be installed as specifically listed. Parts cannot be substituted, nor can they be installed on California or Maine licensed vehicles not listed in this catalog.

OBDII PASSENGER CAR & TRUCK

| Years | Engine | Engine Family No. | Application | Position | Direct-Fit | | Universal Part No. | Executive Order |
|----------------------------|--------------|----------------------------|----------------------------|--------------|----------------------------|--------------|--------------------|-----------------|
| | | | | | Part No. | Hardware | | |
| MAZDA (Cont.) | | | | | | | | |
| MPV | | | | | | | | |
| 1998 | 3.0L V6 | WTKXT03.02B2 | Executive Order # D-182-52 | Front | | | 81722 | D-182-52 |
| | | | | Rear | | | 81922 | D-182-52 |
| | | | Executive Order # D-182-69 | Front | | | 83402 | D-182-69 |
| | | Rear | | | | 83507 | D-182-69 | |
| | | WTKXT03.02DM | Executive Order # D-182-69 | Front | | | 83402 | D-182-69 |
| | | | | Rear | | | 83507 | D-182-69 |
| Executive Order # D-182-69 | Front | | | | 83402 | D-182-69 | | |
| | Rear | | | 83507 | D-182-69 | | | |
| 1997 | 3.0L V6 | VTK3.02JG2EK | Executive Order # D-182-69 | Front | | | 83402 | D-182-69 |
| | | | | Rear | | | 83507 | D-182-69 |
| | | | Executive Order # D-182-52 | Front | | | 81722 | D-182-52 |
| | | Rear | | | | 81922 | D-182-52 | |
| | | VTK3.02JGKEK | Executive Order # D-182-69 | Front | | | 83402 | D-182-69 |
| | | | | Rear | | | 83507 | D-182-69 |
| Executive Order # D-182-69 | Front | | | | 83402 | D-182-69 | | |
| | Rear | | | 83507 | D-182-69 | | | |
| 1996 | 3.0L V6 | TTK3.02JGKEK | Executive Order # D-182-52 | Front | | | 81722 | D-182-52 |
| | | | | Rear | | | 81922 | D-182-52 |
| | | | Executive Order # D-182-69 | Front | | | 83402 | D-182-69 |
| | | | | Rear | | | 83507 | D-182-69 |
| 1995 | 3.0L V6 | STK3.02HGFEA | Executive Order # D-182-52 | Front | | | 81722 | D-182-52 |
| | | | | Rear | | | 81922 | D-182-52 |
| | | | Executive Order # D-182-69 | Front | | | 83402 | D-182-69 |
| | | | | Rear | | | 83507 | D-182-69 |
| MX-6 | | | | | | | | |
| 1997 | 2.5L V6 | VTK2.5VJGKEK | Executive Order # D-182-57 | | | | 82627 | D-182-57 |
| Protege | | | | | | | | |
| 2003 | 2.0L L4 | 3TKXV02.0HJA | Executive Order # D-182-53 | Front | 82578 | 31642, 31595 | | D-182-53 |
| | | | | Rear | | | 82620 | D-182-53 |
| 2002 | 2.0L L4 | 2TKXV02.0GJA | Executive Order # D-182-53 | Front | 82578 | 31642, 31595 | | D-182-53 |
| | | | | Rear | | | 82620 | D-182-53 |
| 2001 | 1.6L L4 | 1TKXV01.6DJA | Executive Order # D-182-53 | Front | 82578 | 31642, 31595 | | D-182-53 |
| | | | | Rear | | | 82600 | D-182-53 |
| | | | 2.0L L4 | 1TKXV02.0BJA | Executive Order # D-182-53 | Front | 82578 | 31642, 31595 |
| | Rear | | | | | | 82620 | D-182-53 |
| | 1TKXV02.0GJA | Executive Order # D-182-53 | | Front | 82578 | 31642, 31595 | | D-182-53 |
| | | | Rear | | | 82620 | D-182-53 | |
| 2000 | 1.6L L4 | YTKXV01.6VJM | Executive Order # D-182-53 | Front | 82578 | 31642, 31595 | | D-182-53 |
| | | | | Rear | | | 82600 | D-182-53 |
| | 1.8L L4 | YTKXV01.8VFM | Executive Order # D-182-53 | Front | 82578 | 31642, 31595 | | D-182-53 |
| | | | | Rear | | | 82600 | D-182-53 |
| 1999 | 1.6L L4 | XTKXV01.6VJM | Executive Order # D-182-53 | Front | 82578 | 31642, 31595 | | D-182-53 |
| | | | | Rear | | | 82600 | D-182-53 |
| | 1.8L L4 | XTKXV01.8VGM | Executive Order # D-182-53 | Front | 82578 | 31642, 31595 | | D-182-53 |
| | | | | Rear | | | 82600 | D-182-53 |
| 1998 | 1.8L L4 | WTKXV01.8VB2 | Executive Order # D-182-58 | | | | 82505 | D-182-58 |
| 1997 | 1.8L L4 | VTK1.8VJGKFK | Executive Order # D-182-58 | | | | 82505 | D-182-58 |
| 1996 | 1.8L L4 | TTK1.8VJGKFK | Executive Order # D-182-58 | | | | 82505 | D-182-58 |
| 1995 | 1.8L L4 | STK1.8VJG1EK | Executive Order # D-182-58 | | | | 82505 | D-182-58 |

For vehicles licensed in the state of California or Maine, or vehicles requiring CARB-compliant converters in the state of New York, the parts in this catalog must be installed as specifically listed. Parts cannot be substituted, nor can they be installed on California or Maine licensed vehicles not listed in this catalog.

OBDII APPLICATIONS

NON-OBDII APPLICATIONS

NUMERICAL

UNIVERSAL SPECIFICATIONS

OBDII PASSENGER CAR & TRUCK

| Years | Engine | Engine Family No. | Application | Position | Direct-Fit | | Universal Part No. | Executive Order |
|----------------------|-------------|-------------------|---|--------------|--------------|---|--------------------|-----------------|
| | | | | | Part No. | Hardware | | |
| MAZDA (Cont.) | | | | | | | | |
| Protege5 | | | | | | | | |
| 2003 | 2.0L L4 | 3TKXV02.0HJA | Executive Order # D-182-53 | Front | 82578 | 31642, 31595 | | D-182-53 |
| | | | | Rear | | | 82620 | D-182-53 |
| 2002 | 2.0L L4 | 2TKXV02.0GJA | Executive Order # D-182-53 | Front | 82578 | 31642, 31595 | | D-182-53 |
| | | | | Rear | | | 82620 | D-182-53 |
| RX-8 | | | | | | | | |
| 2011 | 1.3L R2 | BTKXV01.35AA | Executive Order # D-182-64 | | | | 82807 | D-182-64 |
| 2010 | 1.3L R2 | ATKXV01.35AA | Executive Order # D-182-64 | | | | 82807 | D-182-64 |
| 2009 | 1.3L R2 | 9TKXV01.35AA | Executive Order # D-182-64 | | | | 82807 | D-182-64 |
| 2008 | 1.3L R2 | 8TKXV01.35DA | Executive Order # D-182-64 | | | | 82807 | D-182-64 |
| 2007 | 1.3L R2 | 7TKXV01.35DA | Executive Order # D-182-64 | | | | 82807 | D-182-64 |
| 2006 | 1.3L R2 | 6TKXV01.35DA | Executive Order # D-182-64 | | | | 82807 | D-182-64 |
| 2005 | 1.3L R2 | 5TKXV01.3NC1 | Executive Order # D-182-64 | | | | 82807 | D-182-64 |
| 2004 | 1.3L R2 | 4TKXV01.3CNA | Executive Order # D-182-64 | | | | 82807 | D-182-64 |
| Tribute | | | | | | | | |
| 2008 | 2.3L L4 | 8FMXT02.31EF | FWD; Executive Order # D-182-62 | Front | 83182 | 31725, 31369 | | D-182-62 |
| | | | | Rear | 83277 | 31578 | 83209 | D-182-62 |
| 2006 | 2.3L L4 | 6TKXT02.35EA | Executive Order # D-182-62 | Front | 83182 | 31725, 31369 | | D-182-62 |
| | | | | Rear | 83277 | 31578 | 83209 | D-182-62 |
| 2005 | 2.3L L4 | 5TKXT02.35EA | Executive Order # D-182-62 | Front | 83182 | 31725, 31369 | | D-182-62 |
| | | | | Rear | 83277 | 31578 | 83209 | D-182-62 |
| | 3.0L V6 | 5TKXT03.08BA | Executive Order # D-182-61 Includes Front Gasket; Executive Order # D-182-61 | Rear | 82693 | 31578 | 82639 | D-182-61 |
| | | | | Front Left | 82560 | 31632 | | D-182-61 |
| | | | Front Right | 82561 | 31632 | | D-182-61 | |
| 2004 | 2.0L L4 | 4TKXT02.0AJA | Executive Order # D-182-57 | | | | 82628 | D-182-57 |
| | | | | 3.0L V6 | 4TKXT03.0ALB | Executive Order # D-182-61 Includes Front Gasket; Executive Order # D-182-61 | Rear | 82693 |
| | | Front Left | 82560 | 31632 | | | | D-182-61 |
| | | Front Right | 82561 | 31632 | | D-182-61 | | |
| 2003 | 2.0L L4 | 3TKXT02.0CJA | Executive Order # D-182-57 | | | | 82628 | D-182-57 |
| | | | | 3.0L V6 | 3TKXT03.0FLC | Executive Order # D-182-61 Includes Front Gasket; Executive Order # D-182-61 | Rear | 82693 |
| | | Front Left | 82560 | 31632 | | | | D-182-61 |
| | | Front Right | 82561 | 31632 | | D-182-61 | | |
| 2002 | 2.0L L4 | 2TKXT02.0CJA | Executive Order # D-182-57 | | | | 82628 | D-182-57 |
| | | | | 3.0L V6 | 2TKXT03.0FLB | Executive Order # D-182-61 Includes Front Gasket; Executive Order # D-182-61 | Rear | 82693 |
| | | Front Left | 82560 | 31632 | | | | D-182-61 |
| | | Front Right | 82561 | 31632 | | D-182-61 | | |
| | | 2TKXT03.0FLC | Executive Order # D-182-61 Includes Front Gasket; Executive Order # D-182-61 | Rear | | | 82639 | D-182-61 |
| | | | | Front Left | 82560 | 31632 | | D-182-61 |
| | Front Right | 82561 | 31632 | | D-182-61 | | | |
| 2001 | 2.0L L4 | 1TKXT02.0CJA | Executive Order # D-182-57 | | | | 82628 | D-182-57 |
| | | | | 3.0L V6 | 1TKXT03.0FLB | Executive Order # D-182-61 Includes Front Gasket; Executive Order # D-182-61 | Rear | 82693 |
| | | Front Left | 82560 | 31632 | | | | D-182-61 |
| | | | Front Right | 82561 | 31632 | | D-182-61 | |

For vehicles licensed in the state of California or Maine, or vehicles requiring CARB-compliant converters in the state of New York, the parts in this catalog must be installed as specifically listed. Parts cannot be substituted, nor can they be installed on California or Maine licensed vehicles not listed in this catalog.

OBDII PASSENGER CAR & TRUCK

| Years | Engine | Engine Family No. | Application | Position | Direct-Fit | | Universal Part No. | Executive Order |
|----------------------|---------|-------------------|----------------------------|-------------|------------|----------|--------------------|-----------------|
| | | | | | Part No. | Hardware | | |
| MERCEDES-BENZ | | | | | | | | |
| C220 | | | | | | | | |
| 1996 | 2.2L L4 | TMB2.2VJGKEK | Executive Order # D-182-58 | Left | | | 82505 | D-182-58 |
| | | | | Right | | | 82505 | D-182-58 |
| 1995 | 2.2L L4 | SMB2.2VJGFEK | Executive Order # D-182-58 | Left | | | 82505 | D-182-58 |
| | | | | Right | | | 82505 | D-182-58 |
| C230 | | | | | | | | |
| 2002 | 2.3L L4 | 2MBXV02.3LBI | Executive Order # D-182-57 | | | | 82629 | D-182-57 |
| 2000 | 2.3L L4 | YMBXV02.3GSU | Executive Order # D-182-58 | Left | | | 82505 | D-182-58 |
| | | | | Right | | | 82505 | D-182-58 |
| 1999 | 2.3L L4 | XMBXV02.3GSU | Executive Order # D-182-58 | Left | | | 82505 | D-182-58 |
| | | | | Right | | | 82505 | D-182-58 |
| 1998 | 2.3L L4 | WMBXV02.3GNU | Executive Order # D-182-58 | Left | | | 82505 | D-182-58 |
| | | | | Right | | | 82505 | D-182-58 |
| 1997 | 2.3L L4 | VMB2.3VJGKEK | Executive Order # D-182-58 | Left | | | 82505 | D-182-58 |
| | | | | Right | | | 82505 | D-182-58 |
| C240 | | | | | | | | |
| 2005 | 2.6L V6 | 5MBXV03.2LBI | Executive Order # D-182-53 | Front Left | | | 82502 | D-182-53 |
| | | | | Front Right | | | 82502 | D-182-53 |
| | | | | Rear Left | | | 82600 | D-182-53 |
| | | | | Rear Right | | | 82600 | D-182-53 |
| | | 5MBXV03.2LBX | Executive Order # D-182-53 | Front Left | | | 82502 | D-182-53 |
| | | | | Front Right | | | 82502 | D-182-53 |
| | | | | Rear Left | | | 82600 | D-182-53 |
| | | | | Rear Right | | | 82600 | D-182-53 |
| 2004 | 2.6L V6 | 4MBXV03.2LBX | Executive Order # D-182-53 | Front Left | | | 82502 | D-182-53 |
| | | | | Front Right | | | 82502 | D-182-53 |
| | | | | Rear Left | | | 82600 | D-182-53 |
| | | | | Rear Right | | | 82600 | D-182-53 |
| | | 4MBXV03.2LXX | Executive Order # D-182-53 | Front Left | | | 82502 | D-182-53 |
| | | | | Front Right | | | 82502 | D-182-53 |
| | | | | Rear Left | | | 82600 | D-182-53 |
| | | | | Rear Right | | | 82600 | D-182-53 |
| 2003 | 2.6L V6 | 3MBXV03.2LXX | Executive Order # D-182-48 | Front Left | | | 81807 | D-182-48 |
| | | | | Front Right | | | 81807 | D-182-48 |
| | | | | Rear Left | | | 81651 | D-182-48 |
| | | | | Rear Right | | | 81651 | D-182-48 |
| 2002 | 2.6L V6 | 2MBXV03.2LBX | Executive Order # D-182-48 | Front Left | | | 81807 | D-182-48 |
| | | | | Front Right | | | 81807 | D-182-48 |
| | | | | Rear Left | | | 81651 | D-182-48 |
| | | | | Rear Right | | | 81651 | D-182-48 |
| 2001 | 2.6L V6 | 1MBXV02.6LBI | Executive Order # D-182-48 | Front Left | | | 81807 | D-182-48 |
| | | | | Front Right | | | 81807 | D-182-48 |
| | | | | Rear Left | | | 81651 | D-182-48 |
| | | | | Rear Right | | | 81651 | D-182-48 |
| C280 | | | | | | | | |
| 2007 | 3.0L V6 | 7MBXV03.5U2A | Executive Order # D-182-62 | Rear Left | | | 83204 | D-182-62 |

For vehicles licensed in the state of California or Maine, or vehicles requiring CARB-compliant converters in the state of New York, the parts in this catalog must be installed as specifically listed. Parts cannot be substituted, nor can they be installed on California or Maine licensed vehicles not listed in this catalog.

OBDII APPLICATIONS

NON-OBDII APPLICATIONS

NUMERICAL

UNIVERSAL SPECIFICATIONS

OBDII PASSENGER CAR & TRUCK

| Years | Engine | Engine Family No. | Application | Position | Direct-Fit | | Universal Part No. | Executive Order |
|-------|--------|-------------------|-------------|----------|------------|----------|--------------------|-----------------|
| | | | | | Part No. | Hardware | | |

MERCEDES-BENZ (Cont.)

C280 (Cont.)

| | | | | | | | | |
|--------------|---------|--------------|----------------------------|-------------|--|--|--------------|----------|
| 2007 (Cont.) | 3.0L V6 | 7MBXV03.5U2A | Executive Order # D-182-62 | Rear Right | | | 83204 | D-182-62 |
| 2006 | 3.0L V6 | 6MBXV03.5U2A | Executive Order # D-182-62 | Rear Left | | | 83204 | D-182-62 |
| | | | | Rear Right | | | 83204 | D-182-62 |
| 2000 | 2.8L V6 | YMBXV03.2GNB | Executive Order # D-182-48 | Front Left | | | 81807 | D-182-48 |
| | | | | Front Right | | | 81807 | D-182-48 |
| | | | | Rear Left | | | 81652 | D-182-48 |
| | | | | Rear Right | | | 81652 | D-182-48 |
| 1999 | 2.8L V6 | XMBXV03.2GNB | Executive Order # D-182-48 | Front Left | | | 81807 | D-182-48 |
| | | | | Front Right | | | 81807 | D-182-48 |
| | | | | Rear Left | | | 81652 | D-182-48 |
| | | | | Rear Right | | | 81652 | D-182-48 |
| 1998 | 2.8L V6 | WMBXV03.2GNB | Executive Order # D-182-48 | Front Left | | | 81807 | D-182-48 |
| | | | | Front Right | | | 81807 | D-182-48 |
| | | | | Rear Left | | | 81652 | D-182-48 |
| | | | | Rear Right | | | 81652 | D-182-48 |
| 1997 | 2.8L L6 | VMB3.6VJGKEK | Executive Order # D-182-58 | Left | | | 82508 | D-182-58 |
| | | | | Right | | | 82508 | D-182-58 |
| 1996 | 2.8L L6 | TMB3.6VJGKEK | Executive Order # D-182-58 | Left | | | 82508 | D-182-58 |
| | | | | Right | | | 82508 | D-182-58 |
| 1995 | 2.8L L6 | SMB3.6VJGFEK | Executive Order # D-182-58 | Left | | | 82508 | D-182-58 |
| | | | | Right | | | 82508 | D-182-58 |

C32 AMG

| | | | | | | | | |
|------|---------|--------------|----------------------------|-------------|--|--|--------------|----------|
| 2004 | 3.2L V6 | 4MBXV03.2LBI | Executive Order # D-182-48 | Front Left | | | 81807 | D-182-48 |
| | | | | Front Right | | | 81807 | D-182-48 |
| | | | | Rear Left | | | 81652 | D-182-48 |
| | | | | Rear Right | | | 81652 | D-182-48 |
| 2003 | 3.2L V6 | 3MBXV03.2LBI | Executive Order # D-182-48 | Front Left | | | 81807 | D-182-48 |
| | | | | Front Right | | | 81807 | D-182-48 |
| | | | | Rear Left | | | 81652 | D-182-48 |
| | | | | Rear Right | | | 81652 | D-182-48 |
| 2002 | 3.2L V6 | 2MBXV03.2LBI | Executive Order # D-182-48 | Front Left | | | 81807 | D-182-48 |
| | | | | Front Right | | | 81807 | D-182-48 |
| | | | | Rear Left | | | 81660 | D-182-48 |
| | | | | Rear Right | | | 81660 | D-182-48 |

C320

| | | | | | | | | | |
|------|---------|--------------|----------------------------|----------------------------|-------------|--|--------------|--------------|----------|
| 2005 | 3.2L V6 | 5MBXV03.2LBI | Executive Order # D-182-53 | Front Left | | | 82502 | D-182-53 | |
| | | | | Front Right | | | 82502 | D-182-53 | |
| | | | | Rear Left | | | 82600 | D-182-53 | |
| | | | | Rear Right | | | 82600 | D-182-53 | |
| | | | 5MBXV03.2LBX | Executive Order # D-182-53 | Front Left | | | 82502 | D-182-53 |
| | | | | | Front Right | | | 82502 | D-182-53 |
| | | | | | Rear Left | | | 82600 | D-182-53 |
| | | | | | Rear Right | | | 82600 | D-182-53 |
| 2004 | 3.2L V6 | 4MBXV03.2LBX | Executive Order # D-182-53 | Front Left | | | 82502 | D-182-53 | |

For vehicles licensed in the state of California or Maine, or vehicles requiring CARB-compliant converters in the state of New York, the parts in this catalog must be installed as specifically listed. Parts cannot be substituted, nor can they be installed on California or Maine licensed vehicles not listed in this catalog.

OBDII PASSENGER CAR & TRUCK

| Years | Engine | Engine Family No. | Application | Position | Direct-Fit | | Universal Part No. | Executive Order |
|------------------------------|---------|-------------------|----------------------------|-------------|------------|----------|--------------------|-----------------|
| | | | | | Part No. | Hardware | | |
| MERCEDES-BENZ (Cont.) | | | | | | | | |
| C320 (Cont.) | | | | | | | | |
| 2004 (Cont.) | 3.2L V6 | 4MBXV03.2LBX | Executive Order # D-182-53 | Front Right | | | 82502 | D-182-53 |
| | | | | Rear Left | | | 82600 | D-182-53 |
| | | | | Rear Right | | | 82600 | D-182-53 |
| | | 4MBXV03.2LXX | Executive Order # D-182-53 | Front Left | | | 82502 | D-182-53 |
| | | | | Front Right | | | 82502 | D-182-53 |
| | | | | Rear Left | | | 82600 | D-182-53 |
| | | | | Rear Right | | | 82600 | D-182-53 |
| 2003 | 3.2L V6 | 3MBXV03.2LXX | Executive Order # D-182-48 | Front Left | | | 81807 | D-182-48 |
| | | | | Front Right | | | 81807 | D-182-48 |
| | | | | Rear Left | | | 81652 | D-182-48 |
| | | | | Rear Right | | | 81652 | D-182-48 |
| | | 3MBXV03.2LXY | Executive Order # D-182-53 | Front Left | | | 82502 | D-182-53 |
| | | | | Front Right | | | 82502 | D-182-53 |
| | | | | Rear Left | | | 82600 | D-182-53 |
| | | | | Rear Right | | | 82600 | D-182-53 |
| | | | | | | | | |
| 2002 | 3.2L V6 | 2MBXV03.2LBX | Executive Order # D-182-48 | Front Left | | | 81807 | D-182-48 |
| | | | | Front Right | | | 81807 | D-182-48 |
| | | | | Rear Left | | | 81660 | D-182-48 |
| | | | | Rear Right | | | 81660 | D-182-48 |
| 2001 | 3.2L V6 | 1MBXV03.2LBI | Executive Order # D-182-48 | Front Left | | | 81807 | D-182-48 |
| | | | | Front Right | | | 81807 | D-182-48 |
| | | | | Rear Left | | | 81652 | D-182-48 |
| | | | | Rear Right | | | 81652 | D-182-48 |
| C350 | | | | | | | | |
| 2007 | 3.5L V6 | 7MBXV03.5U2A | Executive Order # D-182-62 | Rear Left | | | 83204 | D-182-62 |
| | | | | Rear Right | | | 83204 | D-182-62 |
| 2006 | 3.5L V6 | 6MBXV03.5U2A | Executive Order # D-182-62 | Rear Left | | | 83204 | D-182-62 |
| | | | | Rear Right | | | 83204 | D-182-62 |
| C36 AMG | | | | | | | | |
| 1997 | 3.6L L6 | VMB3.6VJGKEK | Executive Order # D-182-57 | | | | 82609 | D-182-57 |
| 1996 | 3.6L L6 | TMB3.6VJGKEK | Executive Order # D-182-58 | Left | | | 82508 | D-182-58 |
| | | | | Right | | | 82508 | D-182-58 |
| 1995 | 3.6L L6 | SMB3.6VJGFEK | Executive Order # D-182-58 | Left | | | 82508 | D-182-58 |
| | | | | Right | | | 82508 | D-182-58 |
| C43 AMG | | | | | | | | |
| 2000 | 4.3L V8 | YMBXV05.0GNB | Executive Order # D-182-48 | Front Left | | | 81804 | D-182-48 |
| | | | | Front Right | | | 81804 | D-182-48 |
| | | | | Rear Left | | | 81653 | D-182-48 |
| | | | Executive Order # D-182-53 | Rear Right | | | 81653 | D-182-48 |
| | | | | Front Left | | | 82503 | D-182-53 |
| | | | | Front Right | | | 82503 | D-182-53 |
| 1999 | 4.3L V8 | XMBXV05.0GNB | Executive Order # D-182-48 | Front Left | | | 81804 | D-182-48 |
| | | | | Front Right | | | 81804 | D-182-48 |
| | | | | Rear Left | | | 81653 | D-182-48 |
| | | | | Rear Right | | | 81653 | D-182-48 |

For vehicles licensed in the state of California or Maine, or vehicles requiring CARB-compliant converters in the state of New York, the parts in this catalog must be installed as specifically listed. Parts cannot be substituted, nor can they be installed on California or Maine licensed vehicles not listed in this catalog.

OBDII APPLICATIONS

NON-OBDII APPLICATIONS

NUMERICAL

UNIVERSAL SPECIFICATIONS

OBDII PASSENGER CAR & TRUCK

| Years | Engine | Engine Family No. | Application | Position | Direct-Fit | | Universal Part No. | Executive Order |
|------------------------------|---------|-------------------|----------------------------|-------------|------------|----------|--------------------|-----------------|
| | | | | | Part No. | Hardware | | |
| MERCEDES-BENZ (Cont.) | | | | | | | | |
| C43 AMG (Cont.) | | | | | | | | |
| 1998 | 4.3L V8 | WMBXV04.3GNB | Executive Order # D-182-48 | Front Left | | | 81804 | D-182-48 |
| | | | | Front Right | | | 81804 | D-182-48 |
| | | | | Rear Left | | | 81653 | D-182-48 |
| | | | | Rear Right | | | 81653 | D-182-48 |
| C55 AMG | | | | | | | | |
| 2006 | 5.5L V8 | 6MBXV05.5LBI | Executive Order # D-182-53 | Rear Left | | | 82600 | D-182-53 |
| | | | | Rear Right | | | 82600 | D-182-53 |
| 2005 | 5.5L V8 | 5MBXV05.5LBI | Executive Order # D-182-53 | Rear Left | | | 82600 | D-182-53 |
| | | | | Rear Right | | | 82600 | D-182-53 |
| C63 AMG | | | | | | | | |
| 2009 | 6.3L V8 | 9MBXJ06.3L2A | Executive Order # D-182-63 | Front Left | | | 83302 | D-182-63 |
| | | | | Front Right | | | 83302 | D-182-63 |
| 2008 | 6.3L V8 | 8MBXB06.3L2A | Executive Order # D-182-63 | Front Left | | | 83302 | D-182-63 |
| | | | | Front Right | | | 83302 | D-182-63 |
| CL500 | | | | | | | | |
| 2006 | 5.0L V8 | 6MBXV05.0U2A | Executive Order # D-182-62 | Front Left | | | 83102 | D-182-62 |
| | | | | Front Right | | | 83102 | D-182-62 |
| | | | | Rear Left | | | 83204 | D-182-62 |
| | | | | Rear Right | | | 83204 | D-182-62 |
| 2005 | 5.0L V8 | 5MBXV05.0U2A | Executive Order # D-182-62 | Front Left | | | 83102 | D-182-62 |
| | | | | Front Right | | | 83102 | D-182-62 |
| | | | | Rear Left | | | 83204 | D-182-62 |
| | | | | Rear Right | | | 83204 | D-182-62 |
| 2003 | 5.0L V8 | 3MBXV05.0UBI | Executive Order # D-182-53 | Front Left | | | 82503 | D-182-53 |
| | | | | Front Right | | | 82503 | D-182-53 |
| | | | | Rear Left | | | 82600 | D-182-53 |
| | | | | Rear Right | | | 82600 | D-182-53 |
| 2002 | 5.0L V8 | 2MBXV05.0UBI | Executive Order # D-182-53 | Front Left | | | 82503 | D-182-53 |
| | | | | Front Right | | | 82503 | D-182-53 |
| | | | | Rear Left | | | 82600 | D-182-53 |
| | | | | Rear Right | | | 82600 | D-182-53 |
| 2001 | 5.0L V8 | 1MBXV05.0UBI | Executive Order # D-182-53 | Front Left | | | 82503 | D-182-53 |
| | | | | Front Right | | | 82503 | D-182-53 |
| | | | | Rear Left | | | 82600 | D-182-53 |
| | | | | Rear Right | | | 82600 | D-182-53 |
| 2000 | 5.0L V8 | YMBXV05.0GNB | Executive Order # D-182-53 | Front Left | | | 82503 | D-182-53 |
| | | | | Front Right | | | 82503 | D-182-53 |
| | | | | Rear Left | | | 82600 | D-182-53 |
| | | | | Rear Right | | | 82600 | D-182-53 |
| 1999 | 5.0L V8 | XMBXV05.0GND | Executive Order # D-182-48 | Front Left | | | 81807 | D-182-48 |
| | | | | Front Right | | | 81807 | D-182-48 |
| | | | | Rear Left | | | 81652 | D-182-48 |
| | | | | Rear Right | | | 81652 | D-182-48 |
| 1998 | 5.0L V8 | WMBXV05.0GNB | Executive Order # D-182-48 | Front Left | | | 81807 | D-182-48 |
| | | | | Front Right | | | 81807 | D-182-48 |

For vehicles licensed in the state of California or Maine, or vehicles requiring CARB-compliant converters in the state of New York, the parts in this catalog must be installed as specifically listed. Parts cannot be substituted, nor can they be installed on California or Maine licensed vehicles not listed in this catalog.

OBDII PASSENGER CAR & TRUCK

| Years | Engine | Engine Family No. | Application | Position | Direct-Fit | | Universal Part No. | Executive Order |
|------------------------------|----------|-------------------|----------------------------|--------------|------------|----------|--------------------|-----------------|
| | | | | | Part No. | Hardware | | |
| MERCEDES-BENZ (Cont.) | | | | | | | | |
| CL500 (Cont.) | | | | | | | | |
| 1998 (Cont.) | 5.0L V8 | WMBXV05.0GNB | Executive Order # D-182-48 | Rear Left | | | 81652 | D-182-48 |
| | | | | Rear Right | | | 81652 | D-182-48 |
| CL55 AMG | | | | | | | | |
| 2006 | 5.5L V8 | 6MBXV05.5LBI | Executive Order # D-182-53 | Front Left | | | 82503 | D-182-53 |
| | | | | Front Right | | | 82503 | D-182-53 |
| | | | | Rear Left | | | 82600 | D-182-53 |
| | | | | Rear Right | | | 82600 | D-182-53 |
| 2005 | 5.5L V8 | 5MBXV05.5LBI | Executive Order # D-182-53 | Front Left | | | 82503 | D-182-53 |
| | | | | Front Right | | | 82503 | D-182-53 |
| | | | | Rear Left | | | 82600 | D-182-53 |
| | | | | Rear Right | | | 82600 | D-182-53 |
| 2004 | 5.5L V8 | 4MBXV05.5LBX | Executive Order # D-182-53 | Front Left | | | 82503 | D-182-53 |
| | | | | Front Right | | | 82503 | D-182-53 |
| | | | | Rear Left | | | 82600 | D-182-53 |
| | | | | Rear Right | | | 82600 | D-182-53 |
| 2003 | 5.5L V8 | 3MBXV05.5LBI | Executive Order # D-182-53 | Front Left | | | 82503 | D-182-53 |
| | | | | Front Right | | | 82503 | D-182-53 |
| | | | | Rear Left | | | 82600 | D-182-53 |
| | | | | Rear Right | | | 82600 | D-182-53 |
| 2002 | 5.5L V8 | 2MBXV05.5LBI | Executive Order # D-182-53 | Rear Left | | | 82600 | D-182-53 |
| | | | | Rear Right | | | 82600 | D-182-53 |
| 2001 | 5.5L V8 | 1MBXV05.5LBI | Executive Order # D-182-53 | Rear Left | | | 82600 | D-182-53 |
| | | | | Rear Right | | | 82600 | D-182-53 |
| CL600 | | | | | | | | |
| 2007 | 5.5L V12 | 7MBXV06.0BN8 | Executive Order # D-182-67 | Left | | | 82903 | D-182-67 |
| | | | | Right | | | 82903 | D-182-67 |
| 2006 | 5.5L V12 | 6MBXV06.0LBI | Executive Order # D-182-67 | Left | | | 82903 | D-182-67 |
| | | | | Right | | | 82903 | D-182-67 |
| 2005 | 5.5L V12 | 5MBXV06.0LBI | Executive Order # D-182-67 | Left | | | 82903 | D-182-67 |
| | | | | Right | | | 82903 | D-182-67 |
| 2004 | 5.5L V12 | 4MBXV05.5LXY | Executive Order # D-182-67 | Left | | | 82903 | D-182-67 |
| | | | | Right | | | 82903 | D-182-67 |
| 2003 | 5.5L V12 | 3MBXV05.5LXX | Executive Order # D-182-67 | Left | | | 82903 | D-182-67 |
| | | | | Right | | | 82903 | D-182-67 |
| 2002 | 5.8L V12 | 2MBXV05.8TBI | Executive Order # D-182-48 | Left Center | | | 81807 | D-182-48 |
| | | | | Right Center | | | 81807 | D-182-48 |
| | | | | Front Left | | | 81807 | D-182-48 |
| | | | | Front Right | | | 81807 | D-182-48 |
| | | | | Rear Left | | | 81652 | D-182-48 |
| | | | | Rear Right | | | 81652 | D-182-48 |
| 2001 | 5.8L V12 | 1MBXV05.8TBI | Executive Order # D-182-48 | Left Center | | | 81807 | D-182-48 |
| | | | | Right Center | | | 81807 | D-182-48 |
| | | | | Front Left | | | 81807 | D-182-48 |
| | | | | Front Right | | | 81807 | D-182-48 |
| | | | | Rear Left | | | 81652 | D-182-48 |

For vehicles licensed in the state of California or Maine, or vehicles requiring CARB-compliant converters in the state of New York, the parts in this catalog must be installed as specifically listed. Parts cannot be substituted, nor can they be installed on California or Maine licensed vehicles not listed in this catalog.

OBDII APPLICATIONS

NON-OBDII APPLICATIONS

NUMERICAL

UNIVERSAL SPECIFICATIONS

OBDII PASSENGER CAR & TRUCK

| Years | Engine | Engine Family No. | Application | Position | Direct-Fit | | Universal Part No. | Executive Order |
|------------------------------|----------|-------------------|----------------------------|-------------|------------|----------|--------------------|-----------------|
| | | | | | Part No. | Hardware | | |
| MERCEDES-BENZ (Cont.) | | | | | | | | |
| CL600 (Cont.) | | | | | | | | |
| 2001 (Cont.) | 5.8L V12 | 1MBXV05.8TBI | Executive Order # D-182-48 | Rear Right | | | 81652 | D-182-48 |
| 1999 | 6.0L V12 | XMBXV06.0GNU | Executive Order # D-182-57 | Left | | | 82611 | D-182-57 |
| | | | | Right | | | 82611 | D-182-57 |
| 1998 | 6.0L V12 | WMBXV06.0GNU | Executive Order # D-182-57 | Left | | | 82611 | D-182-57 |
| | | | | Right | | | 82611 | D-182-57 |
| CL65 AMG | | | | | | | | |
| 2006 | 6.0L V12 | 6MBXV06.0LBI | Executive Order # D-182-67 | Left | | | 82903 | D-182-67 |
| | | | | Right | | | 82903 | D-182-67 |
| 2005 | 6.0L V12 | 5MBXV06.0LBI | Executive Order # D-182-67 | Left | | | 82903 | D-182-67 |
| | | | | Right | | | 82903 | D-182-67 |
| CLK320 | | | | | | | | |
| 2005 | 3.2L V6 | 5MBXV03.7L2A | Executive Order # D-182-63 | Front Left | | | 83300 | D-182-63 |
| | | | | Front Right | | | 83300 | D-182-63 |
| | | | | Rear Left | | | 83213 | D-182-63 |
| | | | | Rear Right | | | 83213 | D-182-63 |
| 2004 | 3.2L V6 | 4MBXV03.7LBI | Executive Order # D-182-53 | Front Left | | | 82502 | D-182-53 |
| | | | | Front Right | | | 82502 | D-182-53 |
| | | | | Rear Left | | | 82600 | D-182-53 |
| | | | | Rear Right | | | 82600 | D-182-53 |
| 2003 | 3.2L V6 | 3MBXV03.2LBX | Executive Order # D-182-48 | Front Left | | | 81807 | D-182-48 |
| | | | | Front Right | | | 81807 | D-182-48 |
| | | | | Rear Left | | | 81652 | D-182-48 |
| | | | | Rear Right | | | 81652 | D-182-48 |
| | | 3MBXV03.2UBX | Executive Order # D-182-53 | Front Left | | | 82502 | D-182-53 |
| | | | | Front Right | | | 82502 | D-182-53 |
| | | | | Rear Left | | | 82600 | D-182-53 |
| | | | | Rear Right | | | 82600 | D-182-53 |
| 2002 | 3.2L V6 | 2MBXV03.2LBX | Executive Order # D-182-48 | Front Left | | | 81807 | D-182-48 |
| | | | | Front Right | | | 81807 | D-182-48 |
| | | | | Rear Left | | | 81652 | D-182-48 |
| | | | | Rear Right | | | 81652 | D-182-48 |
| 2001 | 3.2L V6 | 1MBXV03.2LTR | Executive Order # D-182-48 | Front Left | | | 81807 | D-182-48 |
| | | | | Front Right | | | 81807 | D-182-48 |
| | | | | Rear Left | | | 81652 | D-182-48 |
| | | | | Rear Right | | | 81652 | D-182-48 |
| 2000 | 3.2L V6 | YMBXV03.2GNB | Executive Order # D-182-48 | Front Left | | | 81807 | D-182-48 |
| | | | | Front Right | | | 81807 | D-182-48 |
| | | | | Rear Left | | | 81652 | D-182-48 |
| | | | | Rear Right | | | 81652 | D-182-48 |
| 1999 | 3.2L V6 | XMBXV03.2GNB | Executive Order # D-182-48 | Front Left | | | 81807 | D-182-48 |
| | | | | Front Right | | | 81807 | D-182-48 |
| | | | | Rear Left | | | 81652 | D-182-48 |
| | | | | Rear Right | | | 81652 | D-182-48 |
| 1998 | 3.2L V6 | WMBXV03.2GNB | Executive Order # D-182-48 | Front Left | | | 81807 | D-182-48 |

For vehicles licensed in the state of California or Maine, or vehicles requiring CARB-compliant converters in the state of New York, the parts in this catalog must be installed as specifically listed. Parts cannot be substituted, nor can they be installed on California or Maine licensed vehicles not listed in this catalog.

OBDII PASSENGER CAR & TRUCK

| Years | Engine | Engine Family No. | Application | Position | Direct-Fit | | Universal Part No. | Executive Order |
|------------------------------|---------|-------------------|----------------------------|----------------------------|------------|--------------|--------------------|-----------------|
| | | | | | Part No. | Hardware | | |
| MERCEDES-BENZ (Cont.) | | | | | | | | |
| CLK320 (Cont.) | | | | | | | | |
| 1998 (Cont.) | 3.2L V6 | WMBXV03.2GNB | Executive Order # D-182-48 | Front Right | | | 81807 | D-182-48 |
| | | | | Rear Left | | | 81652 | D-182-48 |
| | | | | Rear Right | | | 81652 | D-182-48 |
| CLK430 | | | | | | | | |
| 2003 | 4.3L V8 | 3MBXV04.3UBI | Executive Order # D-182-53 | Front Left | | | 82503 | D-182-53 |
| | | | | Front Right | | | 82503 | D-182-53 |
| | | | | Rear Left | | | 82600 | D-182-53 |
| | | | | Rear Right | | | 82600 | D-182-53 |
| 2002 | 4.3L V8 | 2MBXV05.0UBI | Executive Order # D-182-53 | Front Left | | | 82503 | D-182-53 |
| | | | | Front Right | | | 82503 | D-182-53 |
| | | | | Rear Left | | | 82600 | D-182-53 |
| 2001 | 4.3L V8 | 1MBXV04.3LTR | Executive Order # D-182-48 | Front Left | | | 81804 | D-182-48 |
| | | | | Front Right | | | 81804 | D-182-48 |
| | | | | Rear Left | | | 81653 | D-182-48 |
| | | | | Rear Right | | | 81653 | D-182-48 |
| 2000 | 4.3L V8 | YMBXV05.0GNB | Executive Order # D-182-48 | Front Left | | | 81804 | D-182-48 |
| | | | | Front Right | | | 81804 | D-182-48 |
| | | | | Rear Left | | | 81653 | D-182-48 |
| | | | | Rear Right | | | 81653 | D-182-48 |
| | | | | Executive Order # D-182-53 | Front Left | | | 82503 |
| | | | Front Right | | | 82503 | D-182-53 | |
| 1999 | 4.3L V8 | XMBXV05.0GNB | Executive Order # D-182-48 | Front Left | | | 81804 | D-182-48 |
| | | | | Front Right | | | 81804 | D-182-48 |
| | | | | Rear Left | | | 81653 | D-182-48 |
| | | | | Rear Right | | | 81653 | D-182-48 |
| CLK500 | | | | | | | | |
| 2006 | 5.0L V8 | 6MBXV05.0U2A | Executive Order # D-182-62 | Front Left | | | 83102 | D-182-62 |
| | | | | Front Right | | | 83102 | D-182-62 |
| | | | | Rear Left | | | 83204 | D-182-62 |
| | | | | Rear Right | | | 83204 | D-182-62 |
| 2005 | 5.0L V8 | 5MBXV05.0U2A | Executive Order # D-182-62 | Front Left | | | 83102 | D-182-62 |
| | | | | Front Right | | | 83102 | D-182-62 |
| | | | | Rear Left | | | 83204 | D-182-62 |
| | | | | Rear Right | | | 83204 | D-182-62 |
| 2003 | 5.0L V8 | 3MBXV05.0UBI | Executive Order # D-182-53 | Front Left | | | 82503 | D-182-53 |
| | | | | Front Right | | | 82503 | D-182-53 |
| | | | | Rear Left | | | 82600 | D-182-53 |
| | | | | Rear Right | | | 82600 | D-182-53 |
| CLK55 AMG | | | | | | | | |
| 2006 | 5.5L V8 | 6MBXV05.5LBI | Executive Order # D-182-53 | Front Left | | | 82503 | D-182-53 |
| | | | | Front Right | | | 82503 | D-182-53 |
| | | | | Rear Left | | | 82600 | D-182-53 |
| | | | | Rear Right | | | 82600 | D-182-53 |
| 2005 | 5.5L V8 | 5MBXV05.5LBI | Executive Order # D-182-53 | Front Left | | | 82503 | D-182-53 |

For vehicles licensed in the state of California or Maine, or vehicles requiring CARB-compliant converters in the state of New York, the parts in this catalog must be installed as specifically listed. Parts cannot be substituted, nor can they be installed on California or Maine licensed vehicles not listed in this catalog.

OBDII PASSENGER CAR & TRUCK

| Years | Engine | Engine Family No. | Application | Position | Direct-Fit | | Universal Part No. | Executive Order |
|------------------------------|---------|-------------------|----------------------------|-------------|------------|----------|--------------------|-----------------|
| | | | | | Part No. | Hardware | | |
| MERCEDES-BENZ (Cont.) | | | | | | | | |
| CLK55 AMG (Cont.) | | | | | | | | |
| 2005 (Cont.) | 5.5L V8 | 5MBXV05.5LBI | Executive Order # D-182-53 | Front Right | | | 82503 | D-182-53 |
| | | | | Rear Left | | | 82600 | D-182-53 |
| | | | | Rear Right | | | 82600 | D-182-53 |
| 2004 | 5.5L V8 | 4MBXV05.5LXX | Executive Order # D-182-53 | Front Left | | | 82503 | D-182-53 |
| | | | | Front Right | | | 82503 | D-182-53 |
| | | | | Rear Left | | | 82600 | D-182-53 |
| | | | | Rear Right | | | 82600 | D-182-53 |
| 2003 | 5.5L V8 | 3MBXV05.5LBX | Executive Order # D-182-53 | Front Left | | | 82503 | D-182-53 |
| | | | | Front Right | | | 82503 | D-182-53 |
| | | | | Rear Left | | | 82600 | D-182-53 |
| | | | | Rear Right | | | 82600 | D-182-53 |
| 2002 | 5.5L V8 | 2MBXV05.5LTR | Executive Order # D-182-53 | Front Left | | | 82502 | D-182-53 |
| | | | | Front Right | | | 82502 | D-182-53 |
| | | | | Rear Left | | | 82600 | D-182-53 |
| | | | | Rear Right | | | 82600 | D-182-53 |
| 2001 | 5.5L V8 | 1MBXV05.5LTR | Executive Order # D-182-53 | Front Left | | | 82502 | D-182-53 |
| | | | | Front Right | | | 82502 | D-182-53 |
| | | | | Rear Left | | | 82600 | D-182-53 |
| | | | | Rear Right | | | 82600 | D-182-53 |
| CLK63 AMG | | | | | | | | |
| 2008 | 6.3L V8 | 8MBXB06.3L2A | Executive Order # D-182-63 | Front Left | | | 83302 | D-182-63 |
| | | | | Front Right | | | 83302 | D-182-63 |
| 2007 | 6.3L V8 | 7MBXB06.3L2A | Executive Order # D-182-63 | Front Left | | | 83302 | D-182-63 |
| | | | | Front Right | | | 83302 | D-182-63 |
| CLS63 AMG | | | | | | | | |
| 2009 | 6.3L V8 | 9MBXJ06.3L2A | Executive Order # D-182-63 | Front Left | | | 83302 | D-182-63 |
| | | | | Front Right | | | 83302 | D-182-63 |
| 2008 | 6.3L V8 | 8MBXB06.3L2A | Executive Order # D-182-63 | Front Left | | | 83302 | D-182-63 |
| | | | | Front Right | | | 83302 | D-182-63 |
| 2007 | 6.3L V8 | 7MBXB06.3L2A | Executive Order # D-182-63 | Front Left | | | 83302 | D-182-63 |
| | | | | Front Right | | | 83302 | D-182-63 |
| E320 | | | | | | | | |
| 2005 | 3.2L V6 | 5MBXV03.7L2A | Executive Order # D-182-63 | Front Left | | | 83300 | D-182-63 |
| | | | | Front Right | | | 83300 | D-182-63 |
| | | | | Rear Left | | | 83213 | D-182-63 |
| | | | | Rear Right | | | 83213 | D-182-63 |
| 2004 | 3.2L V6 | 4MBXV03.7LBI | Executive Order # D-182-53 | Front Left | | | 82502 | D-182-53 |
| | | | | Front Right | | | 82502 | D-182-53 |
| | | | | Rear Left | | | 82600 | D-182-53 |
| | | | | Rear Right | | | 82600 | D-182-53 |
| 2003 | 3.2L V6 | 3MBXV03.2UBI | Executive Order # D-182-53 | Front Left | | | 82502 | D-182-53 |
| | | | | Front Right | | | 82502 | D-182-53 |
| | | | | Rear Left | | | 82600 | D-182-53 |
| | | | | Rear Right | | | 82600 | D-182-53 |
| | | 3MBXV03.2UBX | Executive Order # D-182-53 | Front Left | | | 82502 | D-182-53 |

For vehicles licensed in the state of California or Maine, or vehicles requiring CARB-compliant converters in the state of New York, the parts in this catalog must be installed as specifically listed. Parts cannot be substituted, nor can they be installed on California or Maine licensed vehicles not listed in this catalog.

OBDII PASSENGER CAR & TRUCK

| Years | Engine | Engine Family No. | Application | Position | Direct-Fit | | Universal Part No. | Executive Order |
|------------------------------|---------|-------------------|---|-------------|------------|----------|--------------------|-----------------|
| | | | | | Part No. | Hardware | | |
| MERCEDES-BENZ (Cont.) | | | | | | | | |
| E320 (Cont.) | | | | | | | | |
| 2003 (Cont.) | 3.2L V6 | 3MBXV03.2UBX | Executive Order # D-182-53 | Front Right | | | 82502 | D-182-53 |
| | | | | Rear Left | | | 82600 | D-182-53 |
| | | | | Rear Right | | | 82600 | D-182-53 |
| 2002 | 3.2L V6 | 2MBXV03.2UBI | Executive Order # D-182-53 | Front Left | | | 82502 | D-182-53 |
| | | | | Front Right | | | 82502 | D-182-53 |
| | | | | Rear Left | | | 82600 | D-182-53 |
| 2001 | 3.2L V6 | 1MBXV03.2UBI | Executive Order # D-182-53 | Front Right | | | 82600 | D-182-53 |
| | | | | Front Left | | | 82502 | D-182-53 |
| | | | | Rear Left | | | 82502 | D-182-53 |
| 2000 | 3.2L V6 | YMBXV03.2GNB | Executive Order # D-182-48 | Rear Right | | | 82600 | D-182-53 |
| | | | | Front Left | | | 81807 | D-182-48 |
| | | | | Front Right | | | 81807 | D-182-48 |
| 1999 | 3.2L V6 | XMBXV03.2GNB | Executive Order # D-182-48 | Rear Left | | | 81652 | D-182-48 |
| | | | | Rear Right | | | 81652 | D-182-48 |
| | | | | Front Left | | | 81807 | D-182-48 |
| 1998 | 3.2L V6 | WMBXV03.2GNB | Executive Order # D-182-48 | Front Right | | | 81807 | D-182-48 |
| | | | | Rear Left | | | 81652 | D-182-48 |
| | | | | Rear Right | | | 81652 | D-182-48 |
| 1997 | 3.2L L6 | VMB3.2VJGKEK | Executive Order # D-182-57 | | | | 82617 | D-182-57 |
| 1996 | 3.2L L6 | TMB3.2VJGFEK | Executive Order # D-182-57 | | | | 82617 | D-182-57 |
| E350 | | | | | | | | |
| 2009 | 3.5L V6 | 9MBXV03.5U2A | 4Matic Model; Executive Order # D-182-62 | Rear Left | | | 83205 | D-182-62 |
| | | | | Rear Right | | | 83205 | D-182-62 |
| 2008 | 3.5L V6 | 8MBXV03.5U2A | Executive Order # D-182-62 | Rear Left | | | 83205 | D-182-62 |
| | | | | Rear Right | | | 83205 | D-182-62 |
| 2007 | 3.5L V6 | 7MBXV03.0U2A | 4Matic Model; Wagon; Executive Order # D-182-62 | Rear Left | | | 83205 | D-182-62 |
| | | | | Rear Right | | | 83205 | D-182-62 |
| | | 7MBXV03.5U2A | 4Matic Model; Wagon; Executive Order # D-182-62 | Rear Left | | | 83205 | D-182-62 |
| | | | | Rear Right | | | 83205 | D-182-62 |
| 2006 | 3.5L V6 | 6MBXV03.5U2A | Executive Order # D-182-62 | Rear Left | | | 83205 | D-182-62 |
| | | | | Rear Right | | | 83205 | D-182-62 |
| E420 | | | | | | | | |
| 1997 | 4.2L V8 | VMB5.0VJGKEK | Executive Order # D-182-48 | Front Left | | | 81807 | D-182-48 |
| | | | | Front Right | | | 81807 | D-182-48 |
| | | | | Rear Left | | | 81652 | D-182-48 |
| | | | | Rear Right | | | 81652 | D-182-48 |
| E430 | | | | | | | | |
| 2002 | 4.3L V8 | 2MBXV05.0UBI | Executive Order # D-182-53 | Front Left | | | 82503 | D-182-53 |
| | | | | Front Right | | | 82503 | D-182-53 |
| | | | | Rear Left | | | 82600 | D-182-53 |

For vehicles licensed in the state of California or Maine, or vehicles requiring CARB-compliant converters in the state of New York, the parts in this catalog must be installed as specifically listed. Parts cannot be substituted, nor can they be installed on California or Maine licensed vehicles not listed in this catalog.

OBDII APPLICATIONS

NON-OBDII APPLICATIONS

NUMERICAL

UNIVERSAL SPECIFICATIONS

OBDII PASSENGER CAR & TRUCK

| Years | Engine | Engine Family No. | Application | Position | Direct-Fit | | Universal Part No. | Executive Order |
|------------------------------|---------|-------------------|----------------------------|-------------|------------|----------|--------------------|-----------------|
| | | | | | Part No. | Hardware | | |
| MERCEDES-BENZ (Cont.) | | | | | | | | |
| E430 (Cont.) | | | | | | | | |
| 2002 (Cont.) | 4.3L V8 | 2MBXV05.0UBI | Executive Order # D-182-53 | Rear Right | | | 82600 | D-182-53 |
| 2001 | 4.3L V8 | 1MBXV04.3UBI | Executive Order # D-182-53 | Front Left | | | 82503 | D-182-53 |
| | | | | Front Right | | | 82503 | D-182-53 |
| | | | | Rear Left | | | 82600 | D-182-53 |
| | | | | Rear Right | | | 82600 | D-182-53 |
| 2000 | 4.3L V8 | YMBXV05.0GNB | Executive Order # D-182-48 | Front Left | | | 81807 | D-182-48 |
| | | | | Front Right | | | 81807 | D-182-48 |
| | | | | Rear Left | | | 81652 | D-182-48 |
| | | | | Rear Right | | | 81652 | D-182-48 |
| | | | Executive Order # D-182-53 | Front Left | | | 82503 | D-182-53 |
| | | | | Front Right | | | 82503 | D-182-53 |
| 1999 | 4.3L V8 | XMBXV05.0GNB | Executive Order # D-182-48 | Front Left | | | 81807 | D-182-48 |
| | | | | Front Right | | | 81807 | D-182-48 |
| | | | | Rear Left | | | 81652 | D-182-48 |
| | | | | Rear Right | | | 81652 | D-182-48 |
| 1998 | 4.3L V8 | WMBXV04.3GNB | Executive Order # D-182-48 | Front Left | | | 81807 | D-182-48 |
| | | | | Front Right | | | 81807 | D-182-48 |
| | | | | Rear Left | | | 81652 | D-182-48 |
| | | | | Rear Right | | | 81652 | D-182-48 |
| E500 | | | | | | | | |
| 2006 | 5.0L V8 | 6MBXV05.0U2A | Executive Order # D-182-62 | Front Left | | | 83102 | D-182-62 |
| | | | | Front Right | | | 83102 | D-182-62 |
| | | | | Rear Left | | | 83204 | D-182-62 |
| | | | | Rear Right | | | 83204 | D-182-62 |
| 2005 | 5.0L V8 | 5MBXV05.0U2A | Executive Order # D-182-62 | Front Left | | | 83102 | D-182-62 |
| | | | | Front Right | | | 83102 | D-182-62 |
| | | | | Rear Left | | | 83204 | D-182-62 |
| | | | | Rear Right | | | 83204 | D-182-62 |
| 2003 | 5.0L V8 | 3MBXV05.0UBI | Executive Order # D-182-53 | Front Left | | | 82503 | D-182-53 |
| | | | | Front Right | | | 82503 | D-182-53 |
| | | | | Rear Left | | | 82600 | D-182-53 |
| | | | | Rear Right | | | 82600 | D-182-53 |
| E55 AMG | | | | | | | | |
| 2006 | 5.5L V8 | 6MBXV05.5LBI | Executive Order # D-182-53 | Front Left | | | 82503 | D-182-53 |
| | | | | Front Right | | | 82503 | D-182-53 |
| | | | | Rear Left | | | 82600 | D-182-53 |
| | | | | Rear Right | | | 82600 | D-182-53 |
| 2005 | 5.5L V8 | 5MBXV05.5LBI | Executive Order # D-182-53 | Front Left | | | 82503 | D-182-53 |
| | | | | Front Right | | | 82503 | D-182-53 |
| | | | | Rear Left | | | 82600 | D-182-53 |
| | | | | Rear Right | | | 82600 | D-182-53 |
| 2004 | 5.5L V8 | 4MBXV05.5LBX | Executive Order # D-182-53 | Front Left | | | 82503 | D-182-53 |
| | | | | Front Right | | | 82503 | D-182-53 |
| | | | | Rear Left | | | 82600 | D-182-53 |

For vehicles licensed in the state of California or Maine, or vehicles requiring CARB-compliant converters in the state of New York, the parts in this catalog must be installed as specifically listed. Parts cannot be substituted, nor can they be installed on California or Maine licensed vehicles not listed in this catalog.

OBDII PASSENGER CAR & TRUCK

| Years | Engine | Engine Family No. | Application | Position | Direct-Fit | | Universal Part No. | Executive Order |
|------------------------------|---------|-------------------|--|-------------|------------|----------|--------------------|-----------------|
| | | | | | Part No. | Hardware | | |
| MERCEDES-BENZ (Cont.) | | | | | | | | |
| E55 AMG (Cont.) | | | | | | | | |
| 2004 (Cont.) | 5.5L V8 | 4MBXV05.5LBX | Executive Order # D-182-53 | Rear Right | | | 82600 | D-182-53 |
| 2003 | 5.5L V8 | 3MBXV05.5LBI | Executive Order # D-182-53 | Front Left | | | 82503 | D-182-53 |
| | | | | Front Right | | | 82503 | D-182-53 |
| | | | | Rear Left | | | 82600 | D-182-53 |
| | | | | Rear Right | | | 82600 | D-182-53 |
| 2002 | 5.5L V8 | 2MBXV05.5LBI | Executive Order # D-182-53 | Front Left | | | 82503 | D-182-53 |
| | | | | Front Right | | | 82503 | D-182-53 |
| | | | | Rear Left | | | 82600 | D-182-53 |
| | | | | Rear Right | | | 82600 | D-182-53 |
| 2001 | 5.5L V8 | 1MBXV05.5LBI | Executive Order # D-182-53 | Front Left | | | 82503 | D-182-53 |
| | | | | Front Right | | | 82503 | D-182-53 |
| | | | | Rear Left | | | 82600 | D-182-53 |
| | | | | Rear Right | | | 82600 | D-182-53 |
| 2000 | 5.5L V8 | YMBXV05.5GNB | Executive Order # D-182-53 | Front Left | | | 82503 | D-182-53 |
| | | | | Front Right | | | 82503 | D-182-53 |
| | | | | Rear Left | | | 82600 | D-182-53 |
| | | | | Rear Right | | | 82600 | D-182-53 |
| 1999 | 5.5L V8 | XMBXV05.5GNB | Executive Order # D-182-53 | Front Left | | | 82503 | D-182-53 |
| | | | | Front Right | | | 82503 | D-182-53 |
| | | | | Rear Left | | | 82600 | D-182-53 |
| | | | | Rear Right | | | 82600 | D-182-53 |
| E550 | | | | | | | | |
| 2009 | 5.5L V8 | 9MBXJ05.5U2A | 4Matic Model; Executive Order # D-182-62 | Rear Left | | | 83205 | D-182-62 |
| | | | | Rear Right | | | 83205 | D-182-62 |
| | | | Executive Order # D-182-62 | Front Left | | | 83102 | D-182-62 |
| | | | | Front Right | | | 83102 | D-182-62 |
| 2008 | 5.5L V8 | 8MBXB05.5U2A | 4Matic Model; Executive Order # D-182-62 | Rear Left | | | 83205 | D-182-62 |
| | | | | Rear Right | | | 83205 | D-182-62 |
| | | | Executive Order # D-182-62 | Front Left | | | 83102 | D-182-62 |
| | | | | Front Right | | | 83102 | D-182-62 |
| 2007 | 5.5L V8 | 7MBXV05.5U2A | 4Matic Model; Executive Order # D-182-62 | Rear Left | | | 83205 | D-182-62 |
| | | | | Rear Right | | | 83205 | D-182-62 |
| | | | Executive Order # D-182-62 | Front Left | | | 83102 | D-182-62 |
| | | | | Front Right | | | 83102 | D-182-62 |
| E63 AMG | | | | | | | | |
| 2009 | 6.3L V8 | 9MBXJ06.3L2A | Executive Order # D-182-63 | Front Left | | | 83302 | D-182-63 |
| | | | | Front Right | | | 83302 | D-182-63 |
| 2008 | 6.3L V8 | 8MBXB06.3L2A | Executive Order # D-182-63 | Front Left | | | 83302 | D-182-63 |
| | | | | Front Right | | | 83302 | D-182-63 |
| 2007 | 6.3L V8 | 7MBXB06.3L2A | Executive Order # D-182-63 | Front Left | | | 83302 | D-182-63 |
| | | | | Front Right | | | 83302 | D-182-63 |
| G500 | | | | | | | | |
| 2006 | 5.0L V8 | 6MBXT05.0LBX | Executive Order # D-182-69 | Front Left | | | 83401 | D-182-69 |
| | | | | Front Right | | | 83401 | D-182-69 |

For vehicles licensed in the state of California or Maine, or vehicles requiring CARB-compliant converters in the state of New York, the parts in this catalog must be installed as specifically listed. Parts cannot be substituted, nor can they be installed on California or Maine licensed vehicles not listed in this catalog.

OBDII APPLICATIONS

NON-OBDII APPLICATIONS

NUMERICAL

UNIVERSAL SPECIFICATIONS

OBDII PASSENGER CAR & TRUCK

| Years | Engine | Engine Family No. | Application | Position | Direct-Fit | | Universal Part No. | Executive Order |
|------------------------------|---------|-------------------|----------------------------|-------------|------------|----------|--------------------|-----------------|
| | | | | | Part No. | Hardware | | |
| MERCEDES-BENZ (Cont.) | | | | | | | | |
| G500 (Cont.) | | | | | | | | |
| 2006 (Cont.) | 5.0L V8 | 6MBXT05.0LBX | Executive Order # D-182-69 | Rear Left | | | 83401 | D-182-69 |
| | | | | Rear Right | | | 83401 | D-182-69 |
| 2005 | 5.0L V8 | 5MBXT05.0LBI | Executive Order # D-182-52 | Front Left | | | 81711 | D-182-52 |
| | | | | Front Right | | | 81711 | D-182-52 |
| | | | | Rear Left | | | 81711 | D-182-52 |
| | | | | Rear Right | | | 81711 | D-182-52 |
| | | | Executive Order # D-182-69 | Front Left | | | 83401 | D-182-69 |
| | | | | Front Right | | | 83401 | D-182-69 |
| | | | | Rear Left | | | 83401 | D-182-69 |
| | | | | Rear Right | | | 83401 | D-182-69 |
| 2004 | 5.0L V8 | 4MBXT05.5LBI | Executive Order # D-182-52 | Front Left | | | 81711 | D-182-52 |
| | | | | Front Right | | | 81711 | D-182-52 |
| | | | | Rear Left | | | 81711 | D-182-52 |
| | | | | Rear Right | | | 81711 | D-182-52 |
| | | | Executive Order # D-182-69 | Front Left | | | 83401 | D-182-69 |
| | | | | Front Right | | | 83401 | D-182-69 |
| | | | | Rear Left | | | 83401 | D-182-69 |
| | | | | Rear Right | | | 83401 | D-182-69 |
| 2003 | 5.0L V8 | 3MBXT05.51BI | Executive Order # D-182-52 | Front Left | | | 81711 | D-182-52 |
| | | | | Front Right | | | 81711 | D-182-52 |
| | | | | Rear Left | | | 81711 | D-182-52 |
| | | | | Rear Right | | | 81711 | D-182-52 |
| | | | Executive Order # D-182-69 | Front Left | | | 83401 | D-182-69 |
| | | | | Front Right | | | 83401 | D-182-69 |
| | | | | Rear Left | | | 83401 | D-182-69 |
| | | | | Rear Right | | | 83401 | D-182-69 |
| 2002 | 5.0L V8 | 2MBXT05.01BX | Executive Order # D-182-52 | Front Left | | | 81711 | D-182-52 |
| | | | | Front Right | | | 81711 | D-182-52 |
| | | | | Rear Left | | | 81711 | D-182-52 |
| | | | | Rear Right | | | 81711 | D-182-52 |
| | | | Executive Order # D-182-69 | Front Left | | | 83401 | D-182-69 |
| | | | | Front Right | | | 83401 | D-182-69 |
| | | | | Rear Left | | | 83401 | D-182-69 |
| | | | | Rear Right | | | 83401 | D-182-69 |
| G55 AMG | | | | | | | | |
| 2006 | 5.5L V8 | 6MBXV05.5LBI | Executive Order # D-182-52 | Front Left | | | 81722 | D-182-52 |
| | | | | Front Right | | | 81722 | D-182-52 |
| | | | | Rear Left | | | 81722 | D-182-52 |
| | | | | Rear Right | | | 81722 | D-182-52 |
| | | | Executive Order # D-182-69 | Front Left | | | 83402 | D-182-69 |
| | | | | Front Right | | | 83402 | D-182-69 |
| | | | | Rear Left | | | 83402 | D-182-69 |
| | | | | Rear Right | | | 83402 | D-182-69 |
| 2004 | 5.5L V8 | 4MBXT05.5LBI | Executive Order # D-182-52 | Front Left | | | 81722 | D-182-52 |
| | | | | Front Right | | | 81722 | D-182-52 |

For vehicles licensed in the state of California or Maine, or vehicles requiring CARB-compliant converters in the state of New York, the parts in this catalog must be installed as specifically listed. Parts cannot be substituted, nor can they be installed on California or Maine licensed vehicles not listed in this catalog.

OBDII PASSENGER CAR & TRUCK

| Years | Engine | Engine Family No. | Application | Position | Direct-Fit | | Universal Part No. | Executive Order | | | | |
|------------------------------|---------|-------------------|----------------------------|--------------|--------------|--------------|----------------------------|-----------------|--|--|--------------|----------|
| | | | | | Part No. | Hardware | | | | | | |
| MERCEDES-BENZ (Cont.) | | | | | | | | | | | | |
| G55 AMG (Cont.) | | | | | | | | | | | | |
| 2004 (Cont.) | 5.5L V8 | 4MBXT05.5LBI | Executive Order # D-182-52 | Rear Left | | | 81722 | D-182-52 | | | | |
| | | | | Rear Right | | | 81722 | D-182-52 | | | | |
| | | | Executive Order # D-182-69 | Front Left | | | 83402 | D-182-69 | | | | |
| | | | | Front Right | | | 83402 | D-182-69 | | | | |
| | | | | Rear Left | | | 83402 | D-182-69 | | | | |
| | | | | Rear Right | | | 83402 | D-182-69 | | | | |
| 2003 | 5.5L V8 | 3MBXT05.51BI | Executive Order # D-182-52 | Front Left | | | 81722 | D-182-52 | | | | |
| | | | | Front Right | | | 81722 | D-182-52 | | | | |
| | | | | Rear Left | | | 81722 | D-182-52 | | | | |
| | | | | Rear Right | | | 81722 | D-182-52 | | | | |
| | | | Executive Order # D-182-69 | Front Left | | | 83402 | D-182-69 | | | | |
| | | | | Front Right | | | 83402 | D-182-69 | | | | |
| | | | | Rear Left | | | 83402 | D-182-69 | | | | |
| | | | | Rear Right | | | 83402 | D-182-69 | | | | |
| | | | | ML320 | | | | | | | | |
| | | | | 2003 | 3.2L V6 | 3MBXT03.71BI | Executive Order # D-182-60 | Front Left | | | 81810 | D-182-60 |
| Front Right | | | 81810 | | | | | D-182-60 | | | | |
| Rear Left | | | 82710 | | | | | D-182-60 | | | | |
| Rear Right | | | 82710 | | | | | D-182-60 | | | | |
| 2002 | 3.2L V6 | 2MBXT03.21BI | Executive Order # D-182-60 | Front Left | | | 81810 | D-182-60 | | | | |
| | | | | Front Right | | | 81810 | D-182-60 | | | | |
| | | | | Rear Left | | | 82710 | D-182-60 | | | | |
| | | | | Rear Right | | | 82710 | D-182-60 | | | | |
| 2001 | 3.2L V6 | 1MBXT03.21BI | Executive Order # D-182-60 | Front Left | | | 81810 | D-182-60 | | | | |
| | | | | Front Right | | | 81810 | D-182-60 | | | | |
| | | | | Rear Left | | | 82710 | D-182-60 | | | | |
| | | | | Rear Right | | | 82710 | D-182-60 | | | | |
| 2000 | 3.2L V6 | YMBXT03.2GNB | Executive Order # D-182-52 | Front Left | | | 81711 | D-182-52 | | | | |
| | | | | Front Right | | | 81711 | D-182-52 | | | | |
| | | | | Rear Left | | | 81711 | D-182-52 | | | | |
| | | | | Rear Right | | | 81711 | D-182-52 | | | | |
| | | | Executive Order # D-182-69 | Front Left | | | 83401 | D-182-69 | | | | |
| | | | | Front Right | | | 83401 | D-182-69 | | | | |
| | | | | Rear Left | | | 83415 | D-182-69 | | | | |
| | | | | Rear Right | | | 83415 | D-182-69 | | | | |
| | | YMBXT03.2GND | Executive Order # D-182-60 | Front Left | | | 81810 | D-182-60 | | | | |
| | | | | Front Right | | | 81810 | D-182-60 | | | | |
| Rear Left | | | | | 82710 | D-182-60 | | | | | | |
| Rear Right | | | | | 82710 | D-182-60 | | | | | | |
| 1999 | 3.2L V6 | XMBXT03.2GNB | Executive Order # D-182-52 | Front Left | | | 81711 | D-182-52 | | | | |
| | | | | Front Right | | | 81711 | D-182-52 | | | | |
| | | | | Rear Left | | | 81711 | D-182-52 | | | | |
| | | | | Rear Right | | | 81711 | D-182-52 | | | | |
| | | | Executive Order # D-182-69 | Front Left | | | 83401 | D-182-69 | | | | |
| | | | | Front Right | | | 83401 | D-182-69 | | | | |

OBDII APPLICATIONS

NON-OBDII APPLICATIONS

NUMERICAL

UNIVERSAL SPECIFICATIONS

For vehicles licensed in the state of California or Maine, or vehicles requiring CARB-compliant converters in the state of New York, the parts in this catalog must be installed as specifically listed. Parts cannot be substituted, nor can they be installed on California or Maine licensed vehicles not listed in this catalog.

OBDII PASSENGER CAR & TRUCK

| Years | Engine | Engine Family No. | Application | Position | Direct-Fit | | Universal Part No. | Executive Order |
|------------------------------|---------|-------------------|----------------------------|-------------|------------|----------|--------------------|-----------------|
| | | | | | Part No. | Hardware | | |
| MERCEDES-BENZ (Cont.) | | | | | | | | |
| ML320 (Cont.) | | | | | | | | |
| 1999 (Cont.) | 3.2L V6 | XMBXT03.2GNB | Executive Order # D-182-69 | Rear Left | | | 83415 | D-182-69 |
| | | | | Rear Right | | | 83415 | D-182-69 |
| 1998 | 3.2L V6 | WMBXT03.2GNB | Executive Order # D-182-52 | Front Left | | | 81711 | D-182-52 |
| | | | | Front Right | | | 81711 | D-182-52 |
| | | | | Rear Left | | | 81711 | D-182-52 |
| | | | | Rear Right | | | 81711 | D-182-52 |
| | | | Executive Order # D-182-69 | Front Left | | | 83401 | D-182-69 |
| | | | | Front Right | | | 83401 | D-182-69 |
| | | | | Rear Left | | | 83415 | D-182-69 |
| | | | | Rear Right | | | 83415 | D-182-69 |
| ML350 | | | | | | | | |
| 2006 | 3.5L V6 | 6MBXT03.5LTR | Executive Order # D-182-69 | Left | | | 83412 | D-182-69 |
| | | | | Right | | | 83412 | D-182-69 |
| 2005 | 3.7L V6 | 5MBXT03.7UBI | Executive Order # D-182-69 | Front Left | | | 83401 | D-182-69 |
| | | | | Front Right | | | 83401 | D-182-69 |
| | | | | Rear Left | | | 83415 | D-182-69 |
| | | | | Rear Right | | | 83415 | D-182-69 |
| 2004 | 3.7L V6 | 4MBXT03.7UBI | Executive Order # D-182-60 | Front Left | | | 81810 | D-182-60 |
| | | | | Front Right | | | 81810 | D-182-60 |
| | | | | Rear Left | | | 82710 | D-182-60 |
| | | | | Rear Right | | | 82710 | D-182-60 |
| 2003 | 3.7L V6 | 3MBXT03.71BI | Executive Order # D-182-60 | Front Left | | | 81810 | D-182-60 |
| | | | | Front Right | | | 81810 | D-182-60 |
| | | | | Rear Left | | | 82710 | D-182-60 |
| | | | | Rear Right | | | 82710 | D-182-60 |
| ML430 | | | | | | | | |
| 2001 | 4.3L V8 | 1MBXT04.31BI | Executive Order # D-182-52 | Front Left | | | 81711 | D-182-52 |
| | | | | Front Right | | | 81711 | D-182-52 |
| | | | | Rear Left | | | 81711 | D-182-52 |
| | | | | Rear Right | | | 81711 | D-182-52 |
| | | | Executive Order # D-182-69 | Front Left | | | 83401 | D-182-69 |
| | | | | Front Right | | | 83401 | D-182-69 |
| | | | | Rear Left | | | 83401 | D-182-69 |
| | | | | Rear Right | | | 83401 | D-182-69 |
| 2000 | 4.3L V8 | YMBXT04.3GNB | Executive Order # D-182-52 | Front Left | | | 81711 | D-182-52 |
| | | | | Front Right | | | 81711 | D-182-52 |
| | | | | Rear Left | | | 81711 | D-182-52 |
| | | | | Rear Right | | | 81711 | D-182-52 |
| | | | Executive Order # D-182-69 | Front Left | | | 83401 | D-182-69 |
| | | | | Front Right | | | 83401 | D-182-69 |
| | | | | Rear Left | | | 83401 | D-182-69 |
| | | | | Rear Right | | | 83401 | D-182-69 |
| 1999 | 4.3L V8 | XMBXT04.3GNB | Executive Order # D-182-52 | Front Left | | | 81711 | D-182-52 |
| | | | | Front Right | | | 81711 | D-182-52 |
| | | | | Rear Left | | | 81711 | D-182-52 |

For vehicles licensed in the state of California or Maine, or vehicles requiring CARB-compliant converters in the state of New York, the parts in this catalog must be installed as specifically listed. Parts cannot be substituted, nor can they be installed on California or Maine licensed vehicles not listed in this catalog.

OBDII PASSENGER CAR & TRUCK

| Years | Engine | Engine Family No. | Application | Position | Direct-Fit | | Universal Part No. | Executive Order |
|------------------------------|---------|-------------------|----------------------------|-------------|------------|----------|--------------------|-----------------|
| | | | | | Part No. | Hardware | | |
| MERCEDES-BENZ (Cont.) | | | | | | | | |
| ML430 (Cont.) | | | | | | | | |
| 1999 (Cont.) | 4.3L V8 | XMBXT04.3GNB | Executive Order # D-182-52 | Rear Right | | | 81711 | D-182-52 |
| | | | | Front Left | | | 83401 | D-182-69 |
| | | | Executive Order # D-182-69 | Front Right | | | 83401 | D-182-69 |
| | | | | Rear Left | | | 83401 | D-182-69 |
| | | | | Rear Right | | | 83401 | D-182-69 |
| ML500 | | | | | | | | |
| 2006 | 5.0L V8 | 6MBXT05.0LBI | Executive Order # D-182-69 | Front Left | | | 83401 | D-182-69 |
| | | | | Front Right | | | 83401 | D-182-69 |
| | | | | Rear Left | | | 83401 | D-182-69 |
| | | | | Rear Right | | | 83401 | D-182-69 |
| 2005 | 5.0L V8 | 5MBXT05.0LBI | Executive Order # D-182-52 | Front Left | | | 81711 | D-182-52 |
| | | | | Front Right | | | 81711 | D-182-52 |
| | | | | Rear Left | | | 81711 | D-182-52 |
| | | | | Rear Right | | | 81711 | D-182-52 |
| | | | Executive Order # D-182-69 | Front Left | | | 83401 | D-182-69 |
| | | | | Front Right | | | 83401 | D-182-69 |
| | | | | Rear Left | | | 83401 | D-182-69 |
| | | | | Rear Right | | | 83401 | D-182-69 |
| 2004 | 5.0L V8 | 4MBXT05.5LBI | Executive Order # D-182-52 | Front Left | | | 81711 | D-182-52 |
| | | | | Front Right | | | 81711 | D-182-52 |
| | | | | Rear Left | | | 81711 | D-182-52 |
| | | | | Rear Right | | | 81711 | D-182-52 |
| | | | Executive Order # D-182-69 | Front Left | | | 83401 | D-182-69 |
| | | | | Front Right | | | 83401 | D-182-69 |
| | | | | Rear Left | | | 83401 | D-182-69 |
| | | | | Rear Right | | | 83401 | D-182-69 |
| 2003 | 5.0L V8 | 3MBXT05.01BI | Executive Order # D-182-52 | Front Left | | | 81711 | D-182-52 |
| | | | | Front Right | | | 81711 | D-182-52 |
| | | | | Rear Left | | | 81711 | D-182-52 |
| | | | | Rear Right | | | 81711 | D-182-52 |
| | | | Executive Order # D-182-69 | Front Left | | | 83401 | D-182-69 |
| | | | | Front Right | | | 83401 | D-182-69 |
| | | | | Rear Left | | | 83401 | D-182-69 |
| | | | | Rear Right | | | 83401 | D-182-69 |
| 2002 | 5.0L V8 | 2MBXT05.01BI | Executive Order # D-182-52 | Front Left | | | 81711 | D-182-52 |
| | | | | Front Right | | | 81711 | D-182-52 |
| | | | | Rear Left | | | 81711 | D-182-52 |
| | | | | Rear Right | | | 81711 | D-182-52 |
| | | | Executive Order # D-182-69 | Front Left | | | 83401 | D-182-69 |
| | | | | Front Right | | | 83401 | D-182-69 |
| | | | | Rear Left | | | 83401 | D-182-69 |
| | | | | Rear Right | | | 83401 | D-182-69 |
| ML55 AMG | | | | | | | | |
| 2003 | 5.5L V8 | 3MBXT05.51TR | Executive Order # D-182-52 | Front Left | | | 81711 | D-182-52 |
| | | | | Front Right | | | 81711 | D-182-52 |

For vehicles licensed in the state of California or Maine, or vehicles requiring CARB-compliant converters in the state of New York, the parts in this catalog must be installed as specifically listed. Parts cannot be substituted, nor can they be installed on California or Maine licensed vehicles not listed in this catalog.

OBDII APPLICATIONS

NON-OBDII APPLICATIONS

NUMERICAL

UNIVERSAL SPECIFICATIONS

OBDII PASSENGER CAR & TRUCK

| Years | Engine | Engine Family No. | Application | Position | Direct-Fit | | Universal Part No. | Executive Order | | | |
|------------------------------|-------------|-------------------|----------------------------|-------------|--------------|----------------------------|--------------------|-----------------|--|--------------|----------|
| | | | | | Part No. | Hardware | | | | | |
| MERCEDES-BENZ (Cont.) | | | | | | | | | | | |
| ML55 AMG (Cont.) | | | | | | | | | | | |
| 2003 (Cont.) | 5.5L V8 | 3MBXT05.51TR | Executive Order # D-182-52 | Rear Left | | | 81711 | D-182-52 | | | |
| | | | | Rear Right | | | 81711 | D-182-52 | | | |
| | | | Executive Order # D-182-69 | Front Left | | | 83401 | D-182-69 | | | |
| | | | | Front Right | | | 83401 | D-182-69 | | | |
| | | | | Rear Left | | | 83401 | D-182-69 | | | |
| 2002 | 5.5L V8 | 2MBXT05.51TR | Executive Order # D-182-52 | Front Left | | | 81711 | D-182-52 | | | |
| | | | | Front Right | | | 81711 | D-182-52 | | | |
| | | | | Rear Left | | | 81711 | D-182-52 | | | |
| | | | | Rear Right | | | 81711 | D-182-52 | | | |
| | | | Executive Order # D-182-69 | Front Left | | | 83401 | D-182-69 | | | |
| | | | | Front Right | | | 83401 | D-182-69 | | | |
| | | | | Rear Left | | | 83401 | D-182-69 | | | |
| | | | | Rear Right | | | 83401 | D-182-69 | | | |
| | | | 2001 | 5.5L V8 | 1MBXT05.51TR | Executive Order # D-182-52 | Front Left | | | 81711 | D-182-52 |
| | | | | | | | Front Right | | | 81711 | D-182-52 |
| | | | | | | | Rear Left | | | 81711 | D-182-52 |
| | | | | | | | Rear Right | | | 81711 | D-182-52 |
| Executive Order # D-182-69 | Front Left | | | | | | 83401 | D-182-69 | | | |
| | Front Right | | | | | | 83401 | D-182-69 | | | |
| | Rear Left | | | | | | 83401 | D-182-69 | | | |
| | Rear Right | | | | | | 83401 | D-182-69 | | | |
| 2000 | 5.5L V8 | YMBXT05.5GNB | | | | Executive Order # D-182-52 | Front Left | | | 81711 | D-182-52 |
| | | | | | | | Front Right | | | 81711 | D-182-52 |
| | | | | | | | Rear Left | | | 81711 | D-182-52 |
| | | | | | | | Rear Right | | | 81711 | D-182-52 |
| | | | Executive Order # D-182-69 | Front Left | | | 83401 | D-182-69 | | | |
| | | | | Front Right | | | 83401 | D-182-69 | | | |
| | | | | Rear Left | | | 83401 | D-182-69 | | | |
| | | | | Rear Right | | | 83401 | D-182-69 | | | |
| | | | R350 | | | | | | | | |
| | | | 2006 | 3.5L V6 | 6MBXT03.5LTR | Executive Order # D-182-69 | Left | | | 83412 | D-182-69 |
| | | | | | | | Right | | | 83412 | D-182-69 |
| | | | R500 | | | | | | | | |
| 2006 | 5.0L V8 | 6MBXT05.0LBI | Executive Order # D-182-69 | Front Left | | | 83412 | D-182-69 | | | |
| | | | | Front Right | | | 83412 | D-182-69 | | | |
| | | | | Rear Left | | | 83402 | D-182-69 | | | |
| | | | | Rear Right | | | 83402 | D-182-69 | | | |
| S320 | | | | | | | | | | | |
| 1999 | 3.2L L6 | XMBXV03.2GNU | Executive Order # D-182-57 | | | | 82617 | D-182-57 | | | |
| 1998 | 3.2L L6 | WMBXV03.2GNT | Executive Order # D-182-57 | | | | 82617 | D-182-57 | | | |
| | | WMBXV03.2GNU | Executive Order # D-182-57 | | | | 82617 | D-182-57 | | | |
| 1997 | 3.2L L6 | VMB3.6VJGKEK | Executive Order # D-182-57 | | | | 82617 | D-182-57 | | | |
| 1996 | 3.2L L6 | TMB3.6VJGKEK | Executive Order # D-182-58 | Left | | | 82508 | D-182-58 | | | |
| | | | | Right | | | 82508 | D-182-58 | | | |

For vehicles licensed in the state of California or Maine, or vehicles requiring CARB-compliant converters in the state of New York, the parts in this catalog must be installed as specifically listed. Parts cannot be substituted, nor can they be installed on California or Maine licensed vehicles not listed in this catalog.

OBDII PASSENGER CAR & TRUCK

| Years | Engine | Engine Family No. | Application | Position | Direct-Fit | | Universal Part No. | Executive Order |
|------------------------------|---------|-------------------|----------------------------|-------------|------------|----------|--------------------|-----------------|
| | | | | | Part No. | Hardware | | |
| MERCEDES-BENZ (Cont.) | | | | | | | | |
| S320 (Cont.) | | | | | | | | |
| 1995 | 3.2L L6 | SMB3.6VJGFEK | Executive Order # D-182-58 | Left | | | 82508 | D-182-58 |
| | | | | Right | | | 82508 | D-182-58 |
| S350 | | | | | | | | |
| 2006 | 3.7L V6 | 6MBXV03.7LBI | Executive Order # D-182-53 | Front Left | | | 82503 | D-182-53 |
| | | | | Front Right | | | 82503 | D-182-53 |
| | | | | Rear Left | | | 82600 | D-182-53 |
| | | | | Rear Right | | | 82600 | D-182-53 |
| S420 | | | | | | | | |
| 1999 | 4.2L V8 | XMBXV05.0GND | Executive Order # D-182-48 | Front Left | | | 81807 | D-182-48 |
| | | | | Front Right | | | 81807 | D-182-48 |
| | | | | Rear Left | | | 81652 | D-182-48 |
| | | | | Rear Right | | | 81652 | D-182-48 |
| 1998 | 4.2L V8 | WMBXV05.0GNB | Executive Order # D-182-48 | Front Left | | | 81807 | D-182-48 |
| | | | | Front Right | | | 81807 | D-182-48 |
| | | | | Rear Left | | | 81652 | D-182-48 |
| | | | | Rear Right | | | 81652 | D-182-48 |
| 1997 | 4.2L V8 | VMB5.0VJGKEK | Executive Order # D-182-48 | Front Left | | | 81807 | D-182-48 |
| | | | | Front Right | | | 81807 | D-182-48 |
| | | | | Rear Left | | | 81652 | D-182-48 |
| | | | | Rear Right | | | 81652 | D-182-48 |
| 1996 | 4.2L V8 | TMB5.0VJGFEK | Executive Order # D-182-48 | Front Left | | | 81807 | D-182-48 |
| | | | | Front Right | | | 81807 | D-182-48 |
| | | | | Rear Left | | | 81652 | D-182-48 |
| | | | | Rear Right | | | 81652 | D-182-48 |
| S430 | | | | | | | | |
| 2006 | 4.3L V8 | 6MBXV05.0U2A | Executive Order # D-182-62 | Front Left | | | 83102 | D-182-62 |
| | | | | Front Right | | | 83102 | D-182-62 |
| | | | | Rear Left | | | 83204 | D-182-62 |
| | | | | Rear Right | | | 83204 | D-182-62 |
| 2005 | 4.3L V8 | 5MBXV05.0U2A | Executive Order # D-182-62 | Front Left | | | 83102 | D-182-62 |
| | | | | Front Right | | | 83102 | D-182-62 |
| | | | | Rear Left | | | 83204 | D-182-62 |
| | | | | Rear Right | | | 83204 | D-182-62 |
| 2003 | 4.3L V8 | 3MBXV05.0UBI | Executive Order # D-182-53 | Front Left | | | 82503 | D-182-53 |
| | | | | Front Right | | | 82503 | D-182-53 |
| | | | | Rear Left | | | 82600 | D-182-53 |
| | | | | Rear Right | | | 82600 | D-182-53 |
| 2002 | 4.3L V8 | 2MBXV05.0UBI | Executive Order # D-182-53 | Front Left | | | 82503 | D-182-53 |
| | | | | Front Right | | | 82503 | D-182-53 |
| | | | | Rear Left | | | 82600 | D-182-53 |
| | | | | Rear Right | | | 82600 | D-182-53 |
| 2001 | 4.3L V8 | 1MBXV04.3LBI | Executive Order # D-182-48 | Front Left | | | 81807 | D-182-48 |
| | | | | Front Right | | | 81807 | D-182-48 |
| | | | | Rear Left | | | 81652 | D-182-48 |
| | | | | Rear Right | | | 81652 | D-182-48 |

For vehicles licensed in the state of California or Maine, or vehicles requiring CARB-compliant converters in the state of New York, the parts in this catalog must be installed as specifically listed. Parts cannot be substituted, nor can they be installed on California or Maine licensed vehicles not listed in this catalog.

OBDII APPLICATIONS

NON-OBDII APPLICATIONS

NUMERICAL

UNIVERSAL SPECIFICATIONS

OBDII PASSENGER CAR & TRUCK

| Years | Engine | Engine Family No. | Application | Position | Direct-Fit | | Universal Part No. | Executive Order |
|-------|--------|-------------------|-------------|----------|------------|----------|--------------------|-----------------|
| | | | | | Part No. | Hardware | | |

MERCEDES-BENZ (Cont.)

S430 (Cont.)

| | | | | | | | | |
|------|---------|--------------|----------------------------|-------------|--|--|--------------|----------|
| 2000 | 4.3L V8 | YMBXV05.0GNB | Executive Order # D-182-48 | Front Left | | | 81807 | D-182-48 |
| | | | | Front Right | | | 81807 | D-182-48 |
| | | | | Rear Left | | | 81652 | D-182-48 |
| | | | | Rear Right | | | 81652 | D-182-48 |
| | | | Executive Order # D-182-53 | Front Left | | | 82503 | D-182-53 |
| | | | | Front Right | | | 82503 | D-182-53 |

S500

| | | | | | | | | |
|------|---------|--------------|----------------------------|-------------|--|--|--------------|----------|
| 2006 | 5.0L V8 | 6MBXV05.0U2A | Executive Order # D-182-62 | Front Left | | | 83102 | D-182-62 |
| | | | | Front Right | | | 83102 | D-182-62 |
| | | | | Rear Left | | | 83204 | D-182-62 |
| | | | | Rear Right | | | 83204 | D-182-62 |
| 2005 | 5.0L V8 | 5MBXV05.0U2A | Executive Order # D-182-62 | Front Left | | | 83102 | D-182-62 |
| | | | | Front Right | | | 83102 | D-182-62 |
| | | | | Rear Left | | | 83204 | D-182-62 |
| | | | | Rear Right | | | 83204 | D-182-62 |
| 2003 | 5.0L V8 | 3MBXV05.0UBI | Executive Order # D-182-53 | Front Left | | | 82503 | D-182-53 |
| | | | | Front Right | | | 82503 | D-182-53 |
| | | | | Rear Left | | | 82600 | D-182-53 |
| | | | | Rear Right | | | 82600 | D-182-53 |
| 2002 | 5.0L V8 | 2MBXV05.0UBI | Executive Order # D-182-53 | Front Left | | | 82503 | D-182-53 |
| | | | | Front Right | | | 82503 | D-182-53 |
| 2001 | 5.0L V8 | 1MBXV05.0UBI | Executive Order # D-182-53 | Front Left | | | 82503 | D-182-53 |
| | | | | Front Right | | | 82503 | D-182-53 |
| 2000 | 5.0L V8 | YMBXV05.0GNB | Executive Order # D-182-53 | Front Left | | | 82503 | D-182-53 |
| | | | | Front Right | | | 82503 | D-182-53 |
| 1999 | 5.0L V8 | XMBXV05.0GND | Executive Order # D-182-48 | Front Left | | | 81807 | D-182-48 |
| | | | | Front Right | | | 81807 | D-182-48 |
| | | | | Rear Left | | | 81652 | D-182-48 |
| | | | | Rear Right | | | 81652 | D-182-48 |
| 1998 | 5.0L V8 | WMBXV05.0GNB | Executive Order # D-182-48 | Front Left | | | 81807 | D-182-48 |
| | | | | Front Right | | | 81807 | D-182-48 |
| | | | | Rear Left | | | 81652 | D-182-48 |
| | | | | Rear Right | | | 81652 | D-182-48 |
| 1997 | 5.0L V8 | VMB5.0VJGKEK | Executive Order # D-182-48 | Front Left | | | 81807 | D-182-48 |
| | | | | Front Right | | | 81807 | D-182-48 |
| | | | | Rear Left | | | 81652 | D-182-48 |
| | | | | Rear Right | | | 81652 | D-182-48 |
| 1996 | 5.0L V8 | TMB5.0VJGFEK | Executive Order # D-182-48 | Front Left | | | 81807 | D-182-48 |
| | | | | Front Right | | | 81807 | D-182-48 |
| | | | | Rear Left | | | 81652 | D-182-48 |
| | | | | Rear Right | | | 81652 | D-182-48 |

S55 AMG

| | | | | | | | | |
|------|---------|--------------|----------------------------|-------------|--|--|--------------|----------|
| 2006 | 5.5L V8 | 6MBXV05.5LBI | Executive Order # D-182-53 | Front Left | | | 82503 | D-182-53 |
| | | | | Front Right | | | 82503 | D-182-53 |
| | | | | Rear Left | | | 82600 | D-182-53 |

For vehicles licensed in the state of California or Maine, or vehicles requiring CARB-compliant converters in the state of New York, the parts in this catalog must be installed as specifically listed. Parts cannot be substituted, nor can they be installed on California or Maine licensed vehicles not listed in this catalog.

OBDII PASSENGER CAR & TRUCK

| Years | Engine | Engine Family No. | Application | Position | Direct-Fit | | Universal Part No. | Executive Order |
|------------------------------|----------|-------------------|----------------------------|--------------|------------|----------|--------------------|-----------------|
| | | | | | Part No. | Hardware | | |
| MERCEDES-BENZ (Cont.) | | | | | | | | |
| S55 AMG (Cont.) | | | | | | | | |
| 2006 (Cont.) | 5.5L V8 | 6MBXV05.5LBI | Executive Order # D-182-53 | Rear Right | | | 82600 | D-182-53 |
| 2005 | 5.5L V8 | 5MBXV05.5LBI | Executive Order # D-182-53 | Front Left | | | 82503 | D-182-53 |
| | | | | Front Right | | | 82503 | D-182-53 |
| | | | | Rear Left | | | 82600 | D-182-53 |
| | | | | Rear Right | | | 82600 | D-182-53 |
| 2004 | 5.5L V8 | 4MBXV05.5LBX | Executive Order # D-182-53 | Front Left | | | 82503 | D-182-53 |
| | | | | Front Right | | | 82503 | D-182-53 |
| | | | | Rear Left | | | 82600 | D-182-53 |
| | | | | Rear Right | | | 82600 | D-182-53 |
| 2003 | 5.5L V8 | 3MBXV05.5LBI | Executive Order # D-182-53 | Front Left | | | 82503 | D-182-53 |
| | | | | Front Right | | | 82503 | D-182-53 |
| | | | | Rear Left | | | 82600 | D-182-53 |
| | | | | Rear Right | | | 82600 | D-182-53 |
| 2002 | 5.5L V8 | 2MBXV05.5LBI | Executive Order # D-182-53 | Rear Left | | | 82600 | D-182-53 |
| | | | | Rear Right | | | 82600 | D-182-53 |
| 2001 | 5.5L V8 | 1MBXV05.5LBI | Executive Order # D-182-53 | Rear Left | | | 82600 | D-182-53 |
| | | | | Rear Right | | | 82600 | D-182-53 |
| S600 | | | | | | | | |
| 2007 | 5.5L V12 | 7MBXV06.0BN8 | Executive Order # D-182-67 | Left | | | 82903 | D-182-67 |
| | | | | Right | | | 82903 | D-182-67 |
| 2006 | 5.5L V12 | 6MBXV06.0LBI | Executive Order # D-182-67 | Left | | | 82903 | D-182-67 |
| | | | | Right | | | 82903 | D-182-67 |
| 2005 | 5.5L V12 | 5MBXV06.0LBI | Executive Order # D-182-67 | Left | | | 82903 | D-182-67 |
| | | | | Right | | | 82903 | D-182-67 |
| 2004 | 5.5L V12 | 4MBXV05.5LXY | Executive Order # D-182-67 | Left | | | 82903 | D-182-67 |
| | | | | Right | | | 82903 | D-182-67 |
| 2003 | 5.5L V12 | 3MBXV05.5LXX | Executive Order # D-182-67 | Left | | | 82903 | D-182-67 |
| | | | | Right | | | 82903 | D-182-67 |
| 2002 | 5.8L V12 | 2MBXV05.8TBI | Executive Order # D-182-48 | Left Center | | | 81807 | D-182-48 |
| | | | | Right Center | | | 81807 | D-182-48 |
| | | | | Front Left | | | 81807 | D-182-48 |
| | | | | Front Right | | | 81807 | D-182-48 |
| | | | | Rear Left | | | 81652 | D-182-48 |
| | | | | Rear Right | | | 81652 | D-182-48 |
| 2001 | 5.8L V12 | 1MBXV05.8TBI | Executive Order # D-182-48 | Left Center | | | 81807 | D-182-48 |
| | | | | Right Center | | | 81807 | D-182-48 |
| | | | | Front Left | | | 81807 | D-182-48 |
| | | | | Front Right | | | 81807 | D-182-48 |
| | | | | Rear Left | | | 81652 | D-182-48 |
| | | | | Rear Right | | | 81652 | D-182-48 |
| 1999 | 6.0L V12 | XMBXV06.0GNU | Executive Order # D-182-57 | Left | | | 82611 | D-182-57 |
| | | | | Right | | | 82611 | D-182-57 |
| 1998 | 6.0L V12 | WMBXV06.0GNU | Executive Order # D-182-57 | Left | | | 82611 | D-182-57 |
| | | | | Right | | | 82611 | D-182-57 |
| 1997 | 6.0L V12 | VMB6.0VJGFEK | Executive Order # D-182-57 | Left | | | 82611 | D-182-57 |

For vehicles licensed in the state of California or Maine, or vehicles requiring CARB-compliant converters in the state of New York, the parts in this catalog must be installed as specifically listed. Parts cannot be substituted, nor can they be installed on California or Maine licensed vehicles not listed in this catalog.

OBDII APPLICATIONS

NON-OBDII APPLICATIONS

NUMERICAL

UNIVERSAL SPECIFICATIONS

OBDII PASSENGER CAR & TRUCK

| Years | Engine | Engine Family No. | Application | Position | Direct-Fit | | Universal Part No. | Executive Order |
|------------------------------|----------|-------------------|----------------------------|-------------|------------|----------|--------------------|-----------------|
| | | | | | Part No. | Hardware | | |
| MERCEDES-BENZ (Cont.) | | | | | | | | |
| S600 (Cont.) | | | | | | | | |
| 1997 (Cont.) | 6.0L V12 | VMB6.0VJGFEK | Executive Order # D-182-57 | Right | | | 82611 | D-182-57 |
| 1996 | 6.0L V12 | TMB6.0VJGFEK | Executive Order # D-182-57 | Left | | | 82611 | D-182-57 |
| | | | | Right | | | 82611 | D-182-57 |
| S65 AMG | | | | | | | | |
| 2007 | 6.0L V12 | 7MBXV06.0BN8 | Executive Order # D-182-67 | Left | | | 82903 | D-182-67 |
| | | | | Right | | | 82903 | D-182-67 |
| 2006 | 6.0L V12 | 6MBXV06.0LBI | Executive Order # D-182-67 | Left | | | 82903 | D-182-67 |
| | | | | Right | | | 82903 | D-182-67 |
| SL500 | | | | | | | | |
| 2006 | 5.0L V8 | 6MBXV05.0U2A | Executive Order # D-182-62 | Front Left | | | 83102 | D-182-62 |
| | | | | Front Right | | | 83102 | D-182-62 |
| | | | | Rear Left | | | 83203 | D-182-62 |
| | | | | Rear Right | | | 83203 | D-182-62 |
| 2005 | 5.0L V8 | 5MBXV05.0U2A | Executive Order # D-182-62 | Front Left | | | 83102 | D-182-62 |
| | | | | Front Right | | | 83102 | D-182-62 |
| | | | | Rear Left | | | 83203 | D-182-62 |
| | | | | Rear Right | | | 83203 | D-182-62 |
| 2003 | 5.0L V8 | 3MBXV05.0UBI | Executive Order # D-182-53 | Front Left | | | 82503 | D-182-53 |
| | | | | Front Right | | | 82503 | D-182-53 |
| | | | | Rear Left | | | 82600 | D-182-53 |
| | | | | Rear Right | | | 82600 | D-182-53 |
| 2002 | 5.0L V8 | 2MBXV05.0LTR | Executive Order # D-182-53 | Front Left | | | 82503 | D-182-53 |
| | | | | Front Right | | | 82503 | D-182-53 |
| | | | | Rear Left | | | 82600 | D-182-53 |
| | | | | Rear Right | | | 82600 | D-182-53 |
| 2001 | 5.0L V8 | 1MBXV05.0LTR | Executive Order # D-182-53 | Front Left | | | 82503 | D-182-53 |
| | | | | Front Right | | | 82503 | D-182-53 |
| | | | | Rear Left | | | 82600 | D-182-53 |
| | | | | Rear Right | | | 82600 | D-182-53 |
| 2000 | 5.0L V8 | YMBXV05.0GNB | Executive Order # D-182-53 | Front Left | | | 82503 | D-182-53 |
| | | | | Front Right | | | 82503 | D-182-53 |
| | | | | Rear Left | | | 82600 | D-182-53 |
| | | | | Rear Right | | | 82600 | D-182-53 |
| 1998 | 5.0L V8 | WMBXV05.0GNB | Executive Order # D-182-48 | Front Left | | | 81807 | D-182-48 |
| | | | | Front Right | | | 81807 | D-182-48 |
| | | | | Rear Left | | | 81652 | D-182-48 |
| | | | | Rear Right | | | 81652 | D-182-48 |
| 1997 | 5.0L V8 | VMB5.0VJGKEK | Executive Order # D-182-48 | Front Left | | | 81807 | D-182-48 |
| | | | | Front Right | | | 81807 | D-182-48 |
| | | | | Rear Left | | | 81652 | D-182-48 |
| | | | | Rear Right | | | 81652 | D-182-48 |
| 1996 | 5.0L V8 | TMB5.0VJGFEK | Executive Order # D-182-48 | Front Left | | | 81807 | D-182-48 |
| | | | | Front Right | | | 81807 | D-182-48 |
| | | | | Rear Left | | | 81652 | D-182-48 |

For vehicles licensed in the state of California or Maine, or vehicles requiring CARB-compliant converters in the state of New York, the parts in this catalog must be installed as specifically listed. Parts cannot be substituted, nor can they be installed on California or Maine licensed vehicles not listed in this catalog.

OBDII PASSENGER CAR & TRUCK

| Years | Engine | Engine Family No. | Application | Position | Direct-Fit | | Universal Part No. | Executive Order |
|------------------------------|----------|-------------------|----------------------------|-------------|------------|----------|--------------------|-----------------|
| | | | | | Part No. | Hardware | | |
| MERCEDES-BENZ (Cont.) | | | | | | | | |
| SL500 (Cont.) | | | | | | | | |
| 1996 (Cont.) | 5.0L V8 | TMB5.0VJGFEK | Executive Order # D-182-48 | Rear Right | | | 81652 | D-182-48 |
| SL55 AMG | | | | | | | | |
| 2006 | 5.5L V8 | 6MBXV05.5LBI | Executive Order # D-182-53 | Front Left | | | 82503 | D-182-53 |
| | | | | Front Right | | | 82503 | D-182-53 |
| | | | | Rear Left | | | 82600 | D-182-53 |
| | | | | Rear Right | | | 82600 | D-182-53 |
| 2005 | 5.5L V8 | 5MBXV05.5LBI | Executive Order # D-182-53 | Front Left | | | 82503 | D-182-53 |
| | | | | Front Right | | | 82503 | D-182-53 |
| | | | | Rear Left | | | 82600 | D-182-53 |
| | | | | Rear Right | | | 82600 | D-182-53 |
| 2004 | 5.5L V8 | 4MBXV05.5LBI | Executive Order # D-182-53 | Front Left | | | 82503 | D-182-53 |
| | | | | Front Right | | | 82503 | D-182-53 |
| | | | | Rear Left | | | 82600 | D-182-53 |
| | | | | Rear Right | | | 82600 | D-182-53 |
| 2003 | 5.5L V8 | 3MBXV05.5LBI | Executive Order # D-182-53 | Front Left | | | 82503 | D-182-53 |
| | | | | Front Right | | | 82503 | D-182-53 |
| | | | | Rear Left | | | 82600 | D-182-53 |
| | | | | Rear Right | | | 82600 | D-182-53 |
| SL600 | | | | | | | | |
| 2007 | 5.5L V12 | 7MBXV06.0BN8 | Executive Order # D-182-67 | Left | | | 82903 | D-182-67 |
| | | | | Right | | | 82903 | D-182-67 |
| 2006 | 5.5L V12 | 6MBXV06.0LBI | Executive Order # D-182-67 | Left | | | 82903 | D-182-67 |
| | | | | Right | | | 82903 | D-182-67 |
| 2005 | 5.5L V12 | 5MBXV06.0LBI | Executive Order # D-182-67 | Left | | | 82903 | D-182-67 |
| | | | | Right | | | 82903 | D-182-67 |
| 2004 | 5.5L V12 | 4MBXV05.5LXY | Executive Order # D-182-67 | Left | | | 82903 | D-182-67 |
| | | | | Right | | | 82903 | D-182-67 |
| 2002 | 6.0L V12 | 2MBXV06.01BI | Executive Order # D-182-57 | Left | | | 82611 | D-182-57 |
| | | | | Right | | | 82611 | D-182-57 |
| 2001 | 6.0L V12 | 1MBXV06.01BI | Executive Order # D-182-57 | Left | | | 82611 | D-182-57 |
| | | | | Right | | | 82611 | D-182-57 |
| 2000 | 6.0L V12 | YMBXV06.0GNU | Executive Order # D-182-57 | Left | | | 82611 | D-182-57 |
| | | | | Right | | | 82611 | D-182-57 |
| 1999 | 6.0L V12 | XMBXV06.0GNU | Executive Order # D-182-57 | Left | | | 82611 | D-182-57 |
| | | | | Right | | | 82611 | D-182-57 |
| 1998 | 6.0L V12 | WMBXV06.0GNU | Executive Order # D-182-57 | Left | | | 82611 | D-182-57 |
| | | | | Right | | | 82611 | D-182-57 |
| 1997 | 6.0L V12 | VMB6.0VJGFEK | Executive Order # D-182-57 | Left | | | 82611 | D-182-57 |
| | | | | Right | | | 82611 | D-182-57 |
| 1996 | 6.0L V12 | TMB6.0VJGFEK | Executive Order # D-182-57 | Left | | | 82611 | D-182-57 |
| | | | | Right | | | 82611 | D-182-57 |
| SL65 AMG | | | | | | | | |
| 2007 | 6.0L V12 | 7MBXV06.0BN8 | Executive Order # D-182-67 | Left | | | 82903 | D-182-67 |
| | | | | Right | | | 82903 | D-182-67 |

For vehicles licensed in the state of California or Maine, or vehicles requiring CARB-compliant converters in the state of New York, the parts in this catalog must be installed as specifically listed. Parts cannot be substituted, nor can they be installed on California or Maine licensed vehicles not listed in this catalog.

OBDII APPLICATIONS

NON-OBDII APPLICATIONS

NUMERICAL

UNIVERSAL SPECIFICATIONS

OBDII PASSENGER CAR & TRUCK

| Years | Engine | Engine Family No. | Application | Position | Direct-Fit | | Universal Part No. | Executive Order |
|------------------------------|----------|-------------------|----------------------------|-------------|------------|----------|--------------------|-----------------|
| | | | | | Part No. | Hardware | | |
| MERCEDES-BENZ (Cont.) | | | | | | | | |
| SL65 AMG (Cont.) | | | | | | | | |
| 2006 | 6.0L V12 | 6MBXV06.0LBI | Executive Order # D-182-67 | Left | | | 82903 | D-182-67 |
| | | | | Right | | | 82903 | D-182-67 |
| 2005 | 6.0L V12 | 5MBXV06.0LBI | Executive Order # D-182-67 | Left | | | 82903 | D-182-67 |
| | | | | Right | | | 82903 | D-182-67 |
| SLK230 | | | | | | | | |
| 2004 | 2.3L L4 | 4MBXV02.3LBI | Executive Order # D-182-57 | | | | 82629 | D-182-57 |
| 2003 | 2.3L L4 | 3MBXV02.3LBI | Executive Order # D-182-57 | | | | 82629 | D-182-57 |
| 2002 | 2.3L L4 | 2MBXV02.3LBI | Executive Order # D-182-57 | | | | 82629 | D-182-57 |
| 2001 | 2.3L L4 | 1MBXV02.3LBI | Executive Order # D-182-57 | | | | 82629 | D-182-57 |
| 2000 | 2.3L L4 | YMBXV02.3GSU | Executive Order # D-182-58 | Left | | | 82505 | D-182-58 |
| | | | | Right | | | 82505 | D-182-58 |
| 1999 | 2.3L L4 | XMBXV02.3GSU | Executive Order # D-182-58 | Left | | | 82505 | D-182-58 |
| | | | | Right | | | 82505 | D-182-58 |
| 1998 | 2.3L L4 | WMBXV02.3GSU | Executive Order # D-182-58 | Left | | | 82505 | D-182-58 |
| | | | | Right | | | 82505 | D-182-58 |
| SLK32 AMG | | | | | | | | |
| 2004 | 3.2L V6 | 4MBXV03.2LBI | Executive Order # D-182-48 | Front Left | | | 81807 | D-182-48 |
| | | | | Front Right | | | 81807 | D-182-48 |
| | | | | Rear Left | | | 81652 | D-182-48 |
| | | | | Rear Right | | | 81652 | D-182-48 |
| 2003 | 3.2L V6 | 3MBXV03.2LBI | Executive Order # D-182-48 | Front Left | | | 81807 | D-182-48 |
| | | | | Front Right | | | 81807 | D-182-48 |
| | | | | Rear Left | | | 81652 | D-182-48 |
| | | | | Rear Right | | | 81652 | D-182-48 |
| 2002 | 3.2L V6 | 2MBXV03.2LBI | Executive Order # D-182-48 | Front Left | | | 81807 | D-182-48 |
| | | | | Front Right | | | 81807 | D-182-48 |
| | | | | Rear Left | | | 81652 | D-182-48 |
| | | | | Rear Right | | | 81652 | D-182-48 |
| SLK320 | | | | | | | | |
| 2004 | 3.2L V6 | 4MBXV03.2LBX | Executive Order # D-182-53 | Front Left | | | 82502 | D-182-53 |
| | | | | Front Right | | | 82502 | D-182-53 |
| | | | | Rear Left | | | 82600 | D-182-53 |
| | | | | Rear Right | | | 82600 | D-182-53 |
| 2003 | 3.2L V6 | 3MBXV03.2LBX | Executive Order # D-182-48 | Front Left | | | 81807 | D-182-48 |
| | | | | Front Right | | | 81807 | D-182-48 |
| | | | | Rear Left | | | 81652 | D-182-48 |
| | | | | Rear Right | | | 81652 | D-182-48 |
| 2002 | 3.2L V6 | 2MBXV03.2LBX | Executive Order # D-182-48 | Front Left | | | 81807 | D-182-48 |
| | | | | Front Right | | | 81807 | D-182-48 |
| | | | | Rear Left | | | 81652 | D-182-48 |
| | | | | Rear Right | | | 81652 | D-182-48 |
| 2001 | 3.2L V6 | 1MBXV03.2LTR | Executive Order # D-182-48 | Front Left | | | 81807 | D-182-48 |
| | | | | Front Right | | | 81807 | D-182-48 |
| | | | | Rear Left | | | 81652 | D-182-48 |
| | | | | Rear Right | | | 81652 | D-182-48 |

For vehicles licensed in the state of California or Maine, or vehicles requiring CARB-compliant converters in the state of New York, the parts in this catalog must be installed as specifically listed. Parts cannot be substituted, nor can they be installed on California or Maine licensed vehicles not listed in this catalog.

OBDII PASSENGER CAR & TRUCK

| Years | Engine | Engine Family No. | Application | Position | Direct-Fit | | Universal Part No. | Executive Order | | |
|------------------------------|---------|-------------------|----------------------------|----------------------------|--------------|----------------------------|---|-----------------|--------------|----------|
| | | | | | Part No. | Hardware | | | | |
| MERCEDES-BENZ (Cont.) | | | | | | | | | | |
| SLK350 | | | | | | | | | | |
| 2005 | 3.5L V6 | 5MBXV03.5LTR | Executive Order # D-182-67 | Left | | | 82903 | D-182-67 | | |
| | | | | Right | | | 82903 | D-182-67 | | |
| MERCURY | | | | | | | | | | |
| Cougar | | | | | | | | | | |
| 2002 | 2.0L L4 | 2FMXV02.0VD5 | Executive Order # D-182-58 | | 82589 | 31617, 31578 | | D-182-58 | | |
| | | | | 2.5L V6 | 2FMXV02.5VD5 | Executive Order # D-182-53 | Rear | | 82622 | D-182-53 |
| | | | | | | | Includes Front Gasket; Executive Order # D-182-53 | Front Left | 82557 | |
| | | | | Front Right | 82558 | | D-182-53 | | | |
| 2001 | 2.0L L4 | 1FMXV02.0VD5 | Executive Order # D-182-58 | | 82589 | 31617, 31578 | | D-182-58 | | |
| | | | | 2.5L V6 | 1FMXV02.5VD5 | Executive Order # D-182-53 | Rear | | 82622 | D-182-53 |
| | | | | | | | Includes Front Gasket; Executive Order # D-182-53 | Front Left | 82557 | |
| | | | | Front Right | 82558 | | D-182-53 | | | |
| 2000 | 2.0L L4 | YFMXV02.0VDC | Executive Order # D-182-58 | | 82589 | 31617, 31578 | | D-182-58 | | |
| | | | | 2.5L V6 | YFMXV02.5VBC | Executive Order # D-182-53 | Rear | | 82622 | D-182-53 |
| | | | | | | | Includes Front Gasket; Executive Order # D-182-53 | Front Left | 82557 | |
| | | | | Front Right | 82558 | | D-182-53 | | | |
| 1999 | 2.0L L4 | XFMXV02.0VDC | Executive Order # D-182-58 | | 82589 | 31617, 31578 | | D-182-58 | | |
| | | | | 2.5L V6 | XFMXV02.5VBC | Executive Order # D-182-53 | Rear | | 82622 | D-182-53 |
| | | | | | | | Includes Front Gasket; Executive Order # D-182-53 | Front Left | 82557 | |
| | | | | Front Right | 82558 | | D-182-53 | | | |
| 1997 | 3.8L V6 | VFM3.8V8G1FK | Executive Order # D-182-48 | Rear | | | 81612 | D-182-48 | | |
| | | | | Executive Order # D-182-58 | Front Left | | 82533 | D-182-58 | | |
| | | | | | Front Right | | 82533 | D-182-58 | | |
| | 4.6L V8 | VFM4.6V8G1EK | Executive Order # D-182-48 | Rear | | | 81613 | D-182-48 | | |
| | | | | Executive Order # D-182-58 | Front Left | | 82533 | D-182-58 | | |
| | | | | | Front Right | | 82532 | D-182-58 | | |
| 1996 | 3.8L V6 | TFM3.8V8G1FK | Executive Order # D-182-48 | Rear | | | 81612 | D-182-48 | | |
| | | | | Executive Order # D-182-58 | Front Left | | 82533 | D-182-58 | | |
| | | | | | Front Right | | 82533 | D-182-58 | | |
| | 4.6L V8 | TFM4.6V8G1EK | Executive Order # D-182-48 | Rear | | | 81613 | D-182-48 | | |
| | | | | Executive Order # D-182-58 | Front Left | | 82533 | D-182-58 | | |
| | | | | | Front Right | | 82532 | D-182-58 | | |
| 1995 | 4.6L V8 | SFM4.6V8G1EK | Executive Order # D-182-48 | Rear | | | 81613 | D-182-48 | | |
| | | | | Executive Order # D-182-58 | Front Left | | 82533 | D-182-58 | | |
| | | | | | Front Right | | 82532 | D-182-58 | | |
| 1994 | 4.6L V8 | RFM4.6V8G1EK | Executive Order # D-182-58 | Front Left | | | 82533 | D-182-58 | | |
| | | | | Front Right | | | 82532 | D-182-58 | | |
| Grand Marquis | | | | | | | | | | |
| 2008 | 4.6L V8 | 8FMXV04.6VEF | Executive Order # D-182-63 | Left | 83383 | 31336 | | D-182-63 | | |
| | | | | Right | 83384 | 31336 | | D-182-63 | | |
| | | | | Front Left | | | 83308 | D-182-63 | | |
| | | | | Front Right | | | 83308 | D-182-63 | | |
| | | | | Rear Left | | | 83220 | D-182-63 | | |
| | | | | Rear Right | | | 83220 | D-182-63 | | |

For vehicles licensed in the state of California or Maine, or vehicles requiring CARB-compliant converters in the state of New York, the parts in this catalog must be installed as specifically listed. Parts cannot be substituted, nor can they be installed on California or Maine licensed vehicles not listed in this catalog.

OBDII APPLICATIONS

NON-OBDII APPLICATIONS

NUMERICAL

UNIVERSAL SPECIFICATIONS

OBDII PASSENGER CAR & TRUCK

| Years | Engine | Engine Family No. | Application | Position | Direct-Fit | | Universal Part No. | Executive Order |
|------------------------------|---------|-------------------|----------------------------|-------------|--------------|----------|--------------------|-----------------|
| | | | | | Part No. | Hardware | | |
| MERCURY (Cont.) | | | | | | | | |
| Grand Marquis (Cont.) | | | | | | | | |
| 2007 | 4.6L V8 | 7FMXV04.6VE8 | Executive Order # D-182-63 | Left | 83383 | 31336 | | D-182-63 |
| | | | | Right | 83384 | 31336 | | D-182-63 |
| | | | | Front Left | | | 83308 | D-182-63 |
| | | | | Front Right | | | 83308 | D-182-63 |
| | | | | Rear Left | | | 83220 | D-182-63 |
| | | | | Rear Right | | | 83220 | D-182-63 |
| | | 7FMXV04.6VE9 | Executive Order # D-182-63 | Left | 83383 | 31336 | | D-182-63 |
| | | | | Right | 83384 | 31336 | | D-182-63 |
| | | | | Front Left | | | 83308 | D-182-63 |
| | | | | Front Right | | | 83308 | D-182-63 |
| | | | | Rear Left | | | 83220 | D-182-63 |
| | | | | Rear Right | | | 83220 | D-182-63 |
| | | 7FMXV04.6VEF | Executive Order # D-182-63 | Left | 83383 | 31336 | | D-182-63 |
| | | | | Right | 83384 | 31336 | | D-182-63 |
| | | | | Front Left | | | 83308 | D-182-63 |
| | | | | Front Right | | | 83308 | D-182-63 |
| | | | | Rear Left | | | 83220 | D-182-63 |
| | | | | Rear Right | | | 83220 | D-182-63 |
| 2006 | 4.6L V8 | 6FMXV04.6VE8 | Executive Order # D-182-63 | Left | 83383 | 31336 | | D-182-63 |
| | | | | Right | 83384 | 31336 | | D-182-63 |
| | | | | Front Left | | | 83308 | D-182-63 |
| | | | | Front Right | | | 83308 | D-182-63 |
| | | | | Rear Left | | | 83220 | D-182-63 |
| | | | | Rear Right | | | 83220 | D-182-63 |
| 2005 | 4.6L V8 | 5FMXV04.6VE8 | Executive Order # D-182-63 | Left | 83383 | 31336 | | D-182-63 |
| | | | | Right | 83384 | 31336 | | D-182-63 |
| | | | | Front Left | | | 83308 | D-182-63 |
| | | | | Front Right | | | 83308 | D-182-63 |
| | | | | Rear Left | | | 83220 | D-182-63 |
| | | | | Rear Right | | | 83220 | D-182-63 |
| 2004 | 4.6L V8 | 4FMXV04.6VE5 | Executive Order # D-182-63 | Left | 83383 | 31336 | | D-182-63 |
| | | | | Right | 83384 | 31336 | | D-182-63 |
| | | | | Front Left | | | 83308 | D-182-63 |
| | | | | Front Right | | | 83308 | D-182-63 |
| | | | | Rear Left | | | 83220 | D-182-63 |
| | | | | Rear Right | | | 83220 | D-182-63 |
| | | 4FMXV04.6VG6 | Executive Order # D-182-53 | Left | 82698 | 31336 | | D-182-53 |
| | | | | Right | 82699 | 31336 | | D-182-53 |
| | | | | Front Left | | | 82522 | D-182-53 |
| | | | | Front Right | | | 82522 | D-182-53 |
| 2003 | 4.6L V8 | 3FMXV04.6VG5 | Executive Order # D-182-53 | Left | 82698 | 31336 | | D-182-53 |
| | | | | Right | 82699 | 31336 | | D-182-53 |
| | | | | Front Left | | | 82522 | D-182-53 |
| | | | | Front Right | | | 82522 | D-182-53 |
| | | 3FMXV04.6VH5 | Executive Order # D-182-53 | Left | 82698 | 31336 | | D-182-53 |

For vehicles licensed in the state of California or Maine, or vehicles requiring CARB-compliant converters in the state of New York, the parts in this catalog must be installed as specifically listed. Parts cannot be substituted, nor can they be installed on California or Maine licensed vehicles not listed in this catalog.

OBDII PASSENGER CAR & TRUCK

| Years | Engine | Engine Family No. | Application | Position | Direct-Fit | | Universal Part No. | Executive Order | | | | |
|------------------------------|----------------------------|-------------------|----------------------------|--------------|----------------------------|--------------|----------------------------|-----------------|--------------|----------|--|----------|
| | | | | | Part No. | Hardware | | | | | | |
| MERCURY (Cont.) | | | | | | | | | | | | |
| Grand Marquis (Cont.) | | | | | | | | | | | | |
| 2003 (Cont.) | 4.6L V8 | 3FMXV04.6VH5 | Executive Order # D-182-53 | Right | 82699 | 31336 | | D-182-53 | | | | |
| | | | | Front Left | | | 82522 | D-182-53 | | | | |
| | | | | Front Right | | | 82522 | D-182-53 | | | | |
| 2002 | 4.6L V8 | 2FMXV04.6VF5 | Executive Order # D-182-48 | Left | 81662 | 31336 | | D-182-48 | | | | |
| | | | | Right | 81661 | 31336 | | D-182-48 | | | | |
| | | | | Front Left | | | 81802 | D-182-48 | | | | |
| | | | | Front Right | | | 81802 | D-182-48 | | | | |
| | | | | Rear Left | | | 81656 | D-182-48 | | | | |
| | | | | Rear Right | | | 81656 | D-182-48 | | | | |
| | | | | 2001 | 4.6L V8 | 1FMXV04.6VF5 | Executive Order # D-182-48 | Left | 81662 | 31336 | | D-182-48 |
| Right | 81661 | 31336 | | | | | | D-182-48 | | | | |
| Front Left | | | 81802 | | | | | D-182-48 | | | | |
| Front Right | | | 81802 | | | | | D-182-48 | | | | |
| Rear Left | | | 81656 | | | | | D-182-48 | | | | |
| Rear Right | | | 81656 | | | | | D-182-48 | | | | |
| 1FMXV04.6VF7 | Executive Order # D-182-48 | Left | 81662 | | | 31336 | | D-182-48 | | | | |
| | | Right | 81661 | | | 31336 | | D-182-48 | | | | |
| | | Front Left | | | | | 81802 | D-182-48 | | | | |
| | | Front Right | | | | | 81802 | D-182-48 | | | | |
| | | Rear Left | | | | | 81656 | D-182-48 | | | | |
| | | Rear Right | | | | | 81656 | D-182-48 | | | | |
| | | 2000 | 4.6L V8 | | | YFMXV04.6VB5 | Executive Order # D-182-48 | Left | 81662 | 31336 | | D-182-48 |
| | | | | | | | | Right | 81661 | 31336 | | D-182-48 |
| Front Left | | | | | 81802 | | | D-182-48 | | | | |
| Front Right | | | | | 81802 | | | D-182-48 | | | | |
| Rear Left | | | | | 81656 | | | D-182-48 | | | | |
| Rear Right | | | | | 81656 | | | D-182-48 | | | | |
| YFMXV04.6VFR | Executive Order # D-182-48 | Left | 81662 | 31336 | | D-182-48 | | | | | | |
| | | Right | 81661 | 31336 | | D-182-48 | | | | | | |
| | | Front Left | | | 81802 | D-182-48 | | | | | | |
| | | Front Right | | | 81802 | D-182-48 | | | | | | |
| | | Rear Left | | | 81656 | D-182-48 | | | | | | |
| | | Rear Right | | | 81656 | D-182-48 | | | | | | |
| | | 1999 | 4.6L V8 | XFMXV04.6VG5 | Executive Order # D-182-48 | Left | 81662 | 31336 | | D-182-48 | | |
| | | | | | | Right | 81661 | 31336 | | D-182-48 | | |
| Front Left | | | | | | | 81802 | D-182-48 | | | | |
| Front Right | | | | | | | 81802 | D-182-48 | | | | |
| Rear Left | | | | | | | 81656 | D-182-48 | | | | |
| Rear Right | | | | | | | 81656 | D-182-48 | | | | |
| 1998 | 4.6L V8 | WFMXV04.6AAA | Executive Order # D-182-48 | Left | 81662 | 31336 | | D-182-48 | | | | |
| | | | | Right | 81661 | 31336 | | D-182-48 | | | | |
| | | | | Front Left | | | 81802 | D-182-48 | | | | |
| | | | | Front Right | | | 81802 | D-182-48 | | | | |
| | | | | Rear Left | | | 81656 | D-182-48 | | | | |
| | | | | Rear Right | | | 81656 | D-182-48 | | | | |

OBDII APPLICATIONS

NON-OBDII APPLICATIONS

NUMERICAL

UNIVERSAL SPECIFICATIONS

For vehicles licensed in the state of California or Maine, or vehicles requiring CARB-compliant converters in the state of New York, the parts in this catalog must be installed as specifically listed. Parts cannot be substituted, nor can they be installed on California or Maine licensed vehicles not listed in this catalog.

OBDII PASSENGER CAR & TRUCK

| Years | Engine | Engine Family No. | Application | Position | Direct-Fit | | Universal Part No. | Executive Order |
|-------|--------|-------------------|-------------|----------|------------|----------|--------------------|-----------------|
| | | | | | Part No. | Hardware | | |

MERCURY (Cont.)

Grand Marquis (Cont.)

| | | | | | | | | |
|------|---------|--------------|----------------------------|-------------|--------------|-------|--------------|----------|
| 1997 | 4.6L V8 | VFM4.6V8G2EL | Executive Order # D-182-48 | Left | 81662 | 31336 | | D-182-48 |
| | | | | Right | 81661 | 31336 | | D-182-48 |
| | | | | Front Left | | | 81802 | D-182-48 |
| | | | | Front Right | | | 81802 | D-182-48 |
| | | | | Rear Left | | | 81656 | D-182-48 |
| | | | | Rear Right | | | 81656 | D-182-48 |
| 1996 | 4.6L V8 | TFM4.6V8G2EL | Executive Order # D-182-48 | Left | 81662 | 31336 | | D-182-48 |
| | | | | Right | 81661 | 31336 | | D-182-48 |
| | | | | Front Left | | | 81802 | D-182-48 |
| | | | | Front Right | | | 81802 | D-182-48 |
| | | | | Rear Left | | | 81656 | D-182-48 |
| | | | | Rear Right | | | 81656 | D-182-48 |
| 1995 | 4.6L V8 | SFM4.6V8G1GK | Executive Order # D-182-48 | Left | 81662 | 31336 | | D-182-48 |
| | | | | Right | 81661 | 31336 | | D-182-48 |
| | | | | Front Left | | | 81802 | D-182-48 |
| | | | | Front Right | | | 81802 | D-182-48 |
| | | | | Rear Left | | | 81656 | D-182-48 |
| | | | | Rear Right | | | 81656 | D-182-48 |

Marauder

| | | | | | | | | |
|------|---------|--------------|----------------------------|-------------|--|--|--------------|----------|
| 2004 | 4.6L V8 | 4FMXV04.6VH5 | Executive Order # D-182-53 | Front Left | | | 82522 | D-182-53 |
| | | | | Front Right | | | 82522 | D-182-53 |
| 2003 | 4.6L V8 | 3FMXV04.6VF5 | Executive Order # D-182-53 | Front Left | | | 82522 | D-182-53 |
| | | | | Front Right | | | 82522 | D-182-53 |

Milan

| | | | | | | | | |
|------|---------|--------------|--|-------------|--------------|-------|--------------|----------|
| 2009 | 3.0L V6 | 9FMXV03.0VEK | Executive Order # D-182-62 | Rear | | | 83209 | D-182-62 |
| | | | Radiator Side; Includes Front Gasket; Executive Order # D-182-62 | Front | 83184 | 31709 | | D-182-62 |
| 2008 | 3.0L V6 | 8FMXV03.0VEK | Executive Order # D-182-62 | Rear | | | 83209 | D-182-62 |
| | | | Radiator Side; Includes Front Gasket; Executive Order # D-182-62 | Front | 83184 | 31709 | | D-182-62 |
| 2007 | 3.0L V6 | 7FMXV03.0VEK | Executive Order # D-182-62 | Rear | | | 83209 | D-182-62 |
| | | | Radiator Side; Includes Front Gasket; Executive Order # D-182-62 | Front | 83184 | 31709 | | D-182-62 |
| 2006 | 3.0L V6 | 6FMXV03.01EA | Located on Firewall Side; Executive Order # D-182-63 | Front Right | 83391 | 31602 | | D-182-63 |
| | | | Radiator Side; Executive Order # D-182-63 | Front Right | 83392 | 31709 | | D-182-63 |

Montego

| | | | | | | | | |
|------|---------|--------------|---------------------------------|-------------|--------------|-------|--------------|----------|
| 2007 | 3.0L V6 | 7FMXV03.0VED | Executive Order # D-182-63 | Front Left | | | 83304 | D-182-63 |
| | | | | Front Right | | | 83302 | D-182-63 |
| | | | | Rear | 83273 | 31512 | 83225 | D-182-63 |
| | | | FWD; Executive Order # D-182-63 | Front Left | 83380 | 31709 | | D-182-63 |
| | | | | Front Right | 83379 | 31616 | | D-182-63 |
| 2006 | 3.0L V6 | 6FMXV03.02EC | Executive Order # D-182-63 | Front Left | | | 83304 | D-182-63 |

For vehicles licensed in the state of California or Maine, or vehicles requiring CARB-compliant converters in the state of New York, the parts in this catalog must be installed as specifically listed. Parts cannot be substituted, nor can they be installed on California or Maine licensed vehicles not listed in this catalog.

OBDII PASSENGER CAR & TRUCK

| Years | Engine | Engine Family No. | Application | Position | Direct-Fit | | Universal Part No. | Executive Order | |
|------------------------|---------|-------------------|---------------------------------|----------------------------|--------------|--------------|--------------------|-----------------|----------|
| | | | | | Part No. | Hardware | | | |
| MERCURY (Cont.) | | | | | | | | | |
| Montego (Cont.) | | | | | | | | | |
| 2006 (Cont.) | 3.0L V6 | 6FMXV03.02EC | Executive Order # D-182-63 | Front Right | | | 83302 | D-182-63 | |
| | | | | Rear | 83273 | 31512 | 83225 | D-182-63 | |
| | | | FWD; Executive Order # D-182-63 | Front Left | 83380 | 31709 | | D-182-63 | |
| | | | | Front Right | 83379 | 31616 | | D-182-63 | |
| 2005 | 3.0L V6 | 5FMXV03.02EC | Executive Order # D-182-63 | Front Left | | | 83304 | D-182-63 | |
| | | | | Front Right | | | 83302 | D-182-63 | |
| | | | FWD; Executive Order # D-182-63 | Rear | 83273 | 31512 | 83225 | D-182-63 | |
| | | | | Front Left | 83380 | 31709 | | D-182-63 | |
| | | | Front Right | 83379 | 31616 | | D-182-63 | | |
| | | | Monterey | | | | | | |
| 2005 | 4.2L V6 | 5FMXT04.22HB | Executive Order # D-182-69 | Left | | | 83411 | D-182-69 | |
| | | | | Right | | | 83411 | D-182-69 | |
| 2004 | 4.2L V6 | 4FMXT04.22HB | Executive Order # D-182-69 | Left | | | 83411 | D-182-69 | |
| | | | | Right | | | 83411 | D-182-69 | |
| Mountaineer | | | | | | | | | |
| 2005 | 4.0L V6 | 5FMXT04.02K8 | Executive Order # D-182-69 | Left | | | 83402 | D-182-69 | |
| | | | | Right | | | 83402 | D-182-69 | |
| | | 5FMXT04.02L2 | Executive Order # D-182-69 | Left | | | 83402 | D-182-69 | |
| | | | | Right | | | 83402 | D-182-69 | |
| 2004 | 4.0L V6 | 4FMXT04.02K6 | Executive Order # D-182-69 | | 83574 | 31372 | | D-182-69 | |
| | | | | Front Left | | | 83402 | D-182-69 | |
| | | | | Front Right | | | 83402 | D-182-69 | |
| | | | | Rear | | | 83509 | D-182-69 | |
| | | 4FMXT04.02K8 | Executive Order # D-182-69 | Left | | | 83402 | D-182-69 | |
| | | | | Right | | | 83402 | D-182-69 | |
| | | 4FMXT04.02L2 | Executive Order # D-182-69 | Left | | | 83402 | D-182-69 | |
| | | | | Right | | | 83402 | D-182-69 | |
| | | 4.6L V8 | 4FMXT04.62H2 | Executive Order # D-182-69 | Front Left | | | 83403 | D-182-69 |
| | | | | | Front Right | | | 83403 | D-182-69 |
| Rear | | | | | | 83518 | D-182-69 | | |
| 2003 | 4.0L V6 | 3FMXT04.02F7 | Executive Order # D-182-52 | | 81942 | 31372 | | D-182-52 | |
| | | | | Front Left | | | 81722 | D-182-52 | |
| | | | | Front Right | | | 81722 | D-182-52 | |
| | | | | Rear | | | 81924 | D-182-52 | |
| | | | Executive Order # D-182-69 | | 83574 | 31372 | | D-182-69 | |
| | | | | Front Left | | | 83402 | D-182-69 | |
| | | | | Front Right | | | 83402 | D-182-69 | |
| | | | | Rear | | | 83509 | D-182-69 | |
| | | 3FMXT04.02F8 | Executive Order # D-182-52 | | 81942 | 31372 | | D-182-52 | |
| | | | | Front Left | | | 81722 | D-182-52 | |
| | | | | Front Right | | | 81722 | D-182-52 | |
| | | | | Rear | | | 81924 | D-182-52 | |
| | | | Executive Order # D-182-69 | | 83574 | 31372 | | D-182-69 | |
| | | | | Front Left | | | 83402 | D-182-69 | |
| | | | | Front Right | | | 83402 | D-182-69 | |
| | | | | Front Right | | | 83402 | D-182-69 | |

For vehicles licensed in the state of California or Maine, or vehicles requiring CARB-compliant converters in the state of New York, the parts in this catalog must be installed as specifically listed. Parts cannot be substituted, nor can they be installed on California or Maine licensed vehicles not listed in this catalog.

OBDII APPLICATIONS

NON-OBDII APPLICATIONS

NUMERICAL

UNIVERSAL SPECIFICATIONS

OBDII PASSENGER CAR & TRUCK

| Years | Engine | Engine Family No. | Application | Position | Direct-Fit | | Universal Part No. | Executive Order | |
|----------------------------|----------------------------|----------------------------|----------------------------|----------------------------|--------------|--------------|--------------------|-----------------|----------|
| | | | | | Part No. | Hardware | | | |
| MERCURY (Cont.) | | | | | | | | | |
| Mountaineer (Cont.) | | | | | | | | | |
| 2003 (Cont.) | 4.0L V6 | 3FMXT04.02F8 | Executive Order # D-182-69 | Rear | | | 83509 | D-182-69 | |
| | | | | | 81942 | 31372 | | D-182-52 | |
| | | | | Front Left | | | 81722 | D-182-52 | |
| | | | Front Right | | | 81722 | D-182-52 | | |
| | | | Rear | | | 81924 | D-182-52 | | |
| | | | Executive Order # D-182-69 | | 83574 | 31372 | | D-182-69 | |
| | | Front Left | | | 83402 | D-182-69 | | | |
| | | Front Right | | | 83402 | D-182-69 | | | |
| | | 3FMXT04.02FC | Executive Order # D-182-52 | | 81942 | 31372 | | D-182-52 | |
| | | | | Front Left | | | 81722 | D-182-52 | |
| | | | | Front Right | | | 81722 | D-182-52 | |
| | | | Rear | | | 81924 | D-182-52 | | |
| | Executive Order # D-182-69 | | | 83574 | 31372 | | D-182-69 | | |
| | Front Left | | | | 83402 | D-182-69 | | | |
| | Front Right | | | 83402 | D-182-69 | | | | |
| | Rear | | | 83509 | D-182-69 | | | | |
| | 4.6L V8 | 3FMXT04.62F6 | Executive Order # D-182-52 | | 81983 | 31372 | | D-182-52 | |
| | | | | Front Left | | | 81723 | D-182-52 | |
| | | | | Front Right | | | 81723 | D-182-52 | |
| | | | Rear | | | 81924 | D-182-52 | | |
| | | | Executive Order # D-182-69 | Front Left | | | 83403 | D-182-69 | |
| | | | Front Right | | | 83403 | D-182-69 | | |
| | | Rear | | | 83518 | D-182-69 | | | |
| | | 3FMXT04.62F7 | Executive Order # D-182-52 | | 81983 | 31372 | | D-182-52 | |
| Front Left | | | | | | 81723 | D-182-52 | | |
| Front Right | | | | | | 81723 | D-182-52 | | |
| Rear | | | | | 81924 | D-182-52 | | | |
| Executive Order # D-182-69 | | | Front Left | | | 83403 | D-182-69 | | |
| Front Right | | | | 83403 | D-182-69 | | | | |
| Rear | | | 83518 | D-182-69 | | | | | |
| 2002 | 4.0L V6 | 2FMXT04.02F7 | Executive Order # D-182-52 | | 81942 | 31372 | | D-182-52 | |
| | | | | Front Left | | | 81722 | D-182-52 | |
| | | | | Front Right | | | 81722 | D-182-52 | |
| | | | Rear | | | 81924 | D-182-52 | | |
| | | | Executive Order # D-182-69 | | 83574 | 31372 | | D-182-69 | |
| | | | Front Left | | | 83402 | D-182-69 | | |
| | | | Front Right | | | 83402 | D-182-69 | | |
| | | | Rear | | | 83509 | D-182-69 | | |
| | | | 2FMXT04.02F8 | Executive Order # D-182-52 | | 81942 | 31372 | | D-182-52 |
| | | | | | Front Left | | | 81722 | D-182-52 |
| | | | | | Front Right | | | 81722 | D-182-52 |
| | | | | Rear | | | 81924 | D-182-52 | |
| | | Executive Order # D-182-69 | | | 83574 | 31372 | | D-182-69 | |
| | | Front Left | | | | 83402 | D-182-69 | | |
| | | Front Right | | | 83402 | D-182-69 | | | |

For vehicles licensed in the state of California or Maine, or vehicles requiring CARB-compliant converters in the state of New York, the parts in this catalog must be installed as specifically listed. Parts cannot be substituted, nor can they be installed on California or Maine licensed vehicles not listed in this catalog.

OBDII PASSENGER CAR & TRUCK

| Years | Engine | Engine Family No. | Application | Position | Direct-Fit | | Universal Part No. | Executive Order | | | | |
|----------------------------|----------------------------|-------------------|---|----------------------------|----------------------------|--------------|--------------------|-----------------|--------------|--------------|----------|----------|
| | | | | | Part No. | Hardware | | | | | | |
| MERCURY (Cont.) | | | | | | | | | | | | |
| Mountaineer (Cont.) | | | | | | | | | | | | |
| 2002 (Cont.) | 4.0L V6 | 2FMXT04.02F8 | Executive Order # D-182-69 | Rear | | | 83509 | D-182-69 | | | | |
| | | | | | 81983 | 31372 | | | D-182-52 | | | |
| | 4.6L V8 | 2FMXT04.62F5 | Executive Order # D-182-52 | Front Left | | | | 81723 | D-182-52 | | | |
| | | | | Front Right | | | | 81723 | D-182-52 | | | |
| | | | | Rear | | | | 81924 | D-182-52 | | | |
| | | | | Executive Order # D-182-69 | Front Left | | | | 83403 | D-182-69 | | |
| | | | | | Front Right | | | | 83403 | D-182-69 | | |
| | | | | | Rear | | | | 83518 | D-182-69 | | |
| | | | | 2FMXT04.62F6 | Executive Order # D-182-52 | | | 81983 | 31372 | | | D-182-52 |
| | | | | | | Front Left | | | | 81723 | D-182-52 | |
| | | | | | | Front Right | | | | 81723 | D-182-52 | |
| | | | | | | Rear | | | | 81924 | D-182-52 | |
| | Executive Order # D-182-69 | Front Left | | | | | | 83403 | D-182-69 | | | |
| | | Front Right | | | | | | 83403 | D-182-69 | | | |
| | | Rear | | | | 83518 | D-182-69 | | | | | |
| | 2001 | 4.0L V6 | 1FMXT04.02F5 | Executive Order # D-182-44 | Right Center | | | | 82208 | D-182-44 | | |
| | | | | | Front Left | | | | 82116 | D-182-44 | | |
| | | | | | Front Right | | | | 82116 | D-182-44 | | |
| Rear | | | | | 82260 | 31637, 31372 | | | D-182-44 | | | |
| Rear Right | | | | | | | | 82208 | D-182-44 | | | |
| 5.0L V8 | | 1FMXT05.02F5 | Executive Order # D-182-44 | Left | 82287 | | | | D-182-44 | | | |
| | | | | Right | 82152 | | | | D-182-44 | | | |
| | | | | Front Left | | | | 82112 | D-182-44 | | | |
| | | | | Front Right | | | | 82112 | D-182-44 | | | |
| | | | | Rear Left | | | | 82207 | D-182-44 | | | |
| | | | | Rear Right | | | | 82207 | D-182-44 | | | |
| | | | | | | | | | | | | |
| 2000 | 4.0L V6 | YFMXT04.02F3 | Executive Order # D-182-47 | Left | | | | 81917 | D-182-47 | | | |
| | | | | Right | | | | 81917 | D-182-47 | | | |
| | | | Executive Order # D-182-69 | Left | | | | 83507 | D-182-69 | | | |
| | | | | Right | | | | 83507 | D-182-69 | | | |
| | | | VIN "E"; To 11/7/99; Executive Order # D-182-52 | Left | 81971 | 31311 | | 81922 | D-182-52 | | | |
| | | | | Right | 81970 | 31311 | | 81922 | D-182-52 | | | |
| | | YFMXT04.02F4 | Executive Order # D-182-44 | Right Center | | | | 82208 | D-182-44 | | | |
| | | | | Front Left | | | | 82116 | D-182-44 | | | |
| | | | | Front Right | | | | 82116 | D-182-44 | | | |
| | | | | Rear | 82260 | 31637, 31372 | | | D-182-44 | | | |
| | 5.0L V8 | YFMXT05.02F5 | Executive Order # D-182-44 | Left | 82287 | | | | D-182-44 | | | |
| | | | | Right | 82152 | | | | D-182-44 | | | |
| | | | | Front Left | | | | 82112 | D-182-44 | | | |
| | | | | Front Right | | | | 82112 | D-182-44 | | | |
| | | | | Rear Left | | | | 82207 | D-182-44 | | | |
| | | | | Rear Right | | | | 82207 | D-182-44 | | | |
| | | | | | | | | | | | | |
| | | | | | | | | | | | | |
| 1999 | 4.0L V6 | XFMXT04.02GF | Executive Order # D-182-47 | Left | | | | 81917 | D-182-47 | | | |
| | | | | Right | | | | 81917 | D-182-47 | | | |

OBDII APPLICATIONS

NON-OBDII APPLICATIONS

NUMERICAL

UNIVERSAL SPECIFICATIONS

For vehicles licensed in the state of California or Maine, or vehicles requiring CARB-compliant converters in the state of New York, the parts in this catalog must be installed as specifically listed. Parts cannot be substituted, nor can they be installed on California or Maine licensed vehicles not listed in this catalog.

OBDII PASSENGER CAR & TRUCK

| Years | Engine | Engine Family No. | Application | Position | Direct-Fit | | Universal Part No. | Executive Order |
|----------------------------|---------|-------------------|-------------------------------------|-------------|--------------|------------------|--------------------|-----------------|
| | | | | | Part No. | Hardware | | |
| MERCURY (Cont.) | | | | | | | | |
| Mountaineer (Cont.) | | | | | | | | |
| 1999 (Cont.) | 4.0L V6 | XFMXT04.02GF | Executive Order # D-182-69 | Left | | | 83507 | D-182-69 |
| | | | | Right | | | 83507 | D-182-69 |
| | | | VIN "E"; Executive Order # D-182-52 | Left | 81971 | 31311 | | D-182-52 |
| | | | | Right | 81970 | 31311 | | D-182-52 |
| | 5.0L V8 | XFMXT05.02GF | Executive Order # D-182-44 | Left | 82287 | | | D-182-44 |
| | | | | Right | 82152 | | | D-182-44 |
| | | | Front Left | | | 82112 | D-182-44 | |
| | | | Front Right | | | 82112 | D-182-44 | |
| | | | Rear Left | | | 82207 | D-182-44 | |
| | | | Rear Right | | | 82207 | D-182-44 | |
| 1998 | 4.0L V6 | WFMXT04.0FAA | Executive Order # D-182-47 | Left | | | 81917 | D-182-47 |
| | | | | Right | | | 81917 | D-182-47 |
| | | | Executive Order # D-182-69 | Left | | | 83507 | D-182-69 |
| | | | | Right | | | 83507 | D-182-69 |
| | | | VIN "E"; Executive Order # D-182-52 | Left | 81971 | 31311 | | D-182-52 |
| | | | | Right | 81970 | 31311 | | D-182-52 |
| | 5.0L V8 | WFMXT05.02DC | Executive Order # D-182-44 | Front Left | 82151 | 31512 | 82112 | D-182-44 |
| | | | | Front Right | 82150 | 31512 | 82112 | D-182-44 |
| | | | | Rear | 82289 | 31512 (2), 31573 | | D-182-44 |
| | | | | Rear Left | | | 82207 | D-182-44 |
| 1997 | 5.0L V8 | VFM5.028GFEK | Executive Order # D-182-44 | Front Left | 82151 | 31512 | 82112 | D-182-44 |
| | | | | Front Right | 82150 | 31512 | 82112 | D-182-44 |
| | | | | Rear | 82289 | 31512 (2), 31573 | | D-182-44 |
| | | | | Rear Left | | | 82208 | D-182-44 |
| | | | | Rear Right | | | 82208 | D-182-44 |

Mystique

| | | | | | | | | |
|-------------|---------|--------------|---|--------------|--------------|--------------|--------------|--------------|
| 2000 | 2.0L L4 | YFMXV02.0VDC | Executive Order # D-182-58 | | 82589 | 31617, 31578 | | D-182-58 |
| | 2.5L V6 | YFMXV02.5VBC | Executive Order # D-182-53 Includes Front Gasket; Executive Order # D-182-53 | Rear | | | 82622 | D-182-53 |
| | | | | Front Left | 82557 | | | D-182-53 |
| 1999 | 2.0L L4 | XFMXV02.0VDC | Executive Order # D-182-58 | | 82589 | 31617, 31578 | | D-182-58 |
| | 2.5L V6 | XFMXV02.5VBC | Executive Order # D-182-53 Includes Front Gasket; Executive Order # D-182-53 | Rear | | | 82622 | D-182-53 |
| | | | | Front Left | 82557 | | | D-182-53 |
| 1998 | 2.0L L4 | WFMXV02.0AFA | Executive Order # D-182-58 | | 82589 | 31617, 31578 | | D-182-58 |
| | | WFMXV02.0AGA | Executive Order # D-182-58 | | 82589 | 31617, 31578 | | D-182-58 |
| | 2.5L V6 | WFMXV02.5AFA | Executive Order # D-182-53 Includes Front Gasket; Executive Order # D-182-53 | Rear | | | | 82622 |
| Front Left | | | | 82557 | | | D-182-53 | |
| Front Right | | | | 82558 | | | D-182-53 | |
| 1997 | 2.0L L4 | VFM2.0VJG1EK | Executive Order # D-182-58 | | 82588 | 31617, 31578 | | D-182-58 |
| | 2.5L V6 | VFM2.5VJG1EK | Executive Order # D-182-53 Includes Front Gasket; Executive Order # D-182-53 | Rear | | | 82622 | D-182-53 |
| | | | | Front Left | 82557 | | | D-182-53 |
| 1996 | 2.0L L4 | TFM2.0VJG1EK | Executive Order # D-182-58 | Front Right | 82558 | | | D-182-53 |
| | | | | | 82588 | 31617, 31578 | | D-182-58 |

For vehicles licensed in the state of California or Maine, or vehicles requiring CARB-compliant converters in the state of New York, the parts in this catalog must be installed as specifically listed. Parts cannot be substituted, nor can they be installed on California or Maine licensed vehicles not listed in this catalog.

OBDII PASSENGER CAR & TRUCK

| Years | Engine | Engine Family No. | Application | Position | Direct-Fit | | Universal Part No. | Executive Order | | |
|--|-------------------------------------|--|--|----------------------------|--|----------------------------|--------------------|------------------|--------------|----------|
| | | | | | Part No. | Hardware | | | | |
| MERCURY (Cont.) | | | | | | | | | | |
| Mystique (Cont.) | | | | | | | | | | |
| 1996 (Cont.) | 2.5L V6 | TFM2.5VJG1EK | Executive Order # D-182-53 | Rear | | | 82622 | D-182-53 | | |
| | | | Includes Front Gasket; Executive Order # D-182-53 | Front Left | 82557 | | | D-182-53 | | |
| | | | | Front Right | 82558 | | | D-182-53 | | |
| Sable | | | | | | | | | | |
| 2005 | 3.0L V6 | 5FMXV03.0VE3 | Executive Order # D-182-53 | Rear | 82657 | 31616 | | D-182-53 | | |
| | | | VIN "S"; Executive Order # D-182-53 | Front Left | 82575 | 31355 (2), 31616 | | D-182-53 | | |
| | | | VIN "S"; Includes Front Gasket; Executive Order # D-182-53 | Front Right | 82556 | | | D-182-53 | | |
| | | | VIN "U"; Executive Order # D-182-53 | Front | 82573 | 31610, 31616 | | D-182-53 | | |
| | | | | Rear | | | 82621 | D-182-53 | | |
| | | | 5FMXV03.0VEY | Executive Order # D-182-63 | Rear | 83266 | 31616 | 83220 | D-182-63 | |
| | | VIN "U"; Executive Order # D-182-63 | | Front | 83388 | 31610, 31616 | | D-182-63 | | |
| | | 5FMXV03.0VFZ | Executive Order # D-182-53 | Rear | 82657 | 31616 | | D-182-53 | | |
| | | | | Front | 82573 | 31610, 31616 | | D-182-53 | | |
| | | | VIN "2"; Executive Order # D-182-53 | Rear | | | 82621 | D-182-53 | | |
| | | | | Front | | | | | | |
| | | 2004 | 3.0L V6 | 4FMXV03.0VE8 | Executive Order # D-182-53 | Rear | 82657 | 31616 | | D-182-53 |
| VIN "S"; Executive Order # D-182-53 | Front Left | | | | 82575 | 31355 (2), 31616 | | D-182-53 | | |
| VIN "S"; Includes Front Gasket; Executive Order # D-182-53 | Front Right | | | | 82556 | | | D-182-53 | | |
| VIN "U"; Executive Order # D-182-53 | Front | | | | 82573 | 31610, 31616 | | D-182-53 | | |
| | Rear | | | | | | 82621 | D-182-53 | | |
| 4FMXV03.0VEM | Executive Order # D-182-63 | | | | Rear | 83266 | 31616 | 83220 | D-182-63 | |
| | VIN "U"; Executive Order # D-182-63 | | | Front | 83388 | 31610, 31616 | | D-182-63 | | |
| 4FMXV03.0VEY | Executive Order # D-182-63 | | | Rear | 83266 | 31616 | 83220 | D-182-63 | | |
| | | | | Front | 83388 | 31610, 31616 | | D-182-63 | | |
| | 4FMXV03.0VFZ | | | Executive Order # D-182-53 | Rear | 82657 | 31616 | | D-182-53 | |
| | | | | | Front | 82573 | 31610, 31616 | | D-182-53 | |
| 2003 | 3.0L V6 | | | 3FMXV03.0VF3 | Executive Order # D-182-53 | Rear | 82657 | 31616 | | D-182-53 |
| | | | | | VIN "S"; Executive Order # D-182-53 | Front Left | 82575 | 31355 (2), 31616 | | D-182-53 |
| | | | | | VIN "S"; Includes Front Gasket; Executive Order # D-182-53 | Front Right | 82556 | | | D-182-53 |
| | | | | | VIN "U"; Executive Order # D-182-53 | Front | 82573 | 31610, 31616 | | D-182-53 |
| | | | | | | Rear | | | 82621 | D-182-53 |
| | | | | | 3FMXV03.0VF4 | Executive Order # D-182-53 | Rear | 82657 | 31616 | |
| | | | | Front Left | | | 82575 | 31355 (2), 31616 | | D-182-53 |
| | | VIN "S"; Includes Front Gasket; Executive Order # D-182-53 | Front Right | 82556 | | | | D-182-53 | | |
| | | VIN "U"; Executive Order # D-182-53 | Front | 82573 | | 31610, 31616 | | D-182-53 | | |
| | | | Rear | | | | 82621 | D-182-53 | | |
| | | 3FMXV03.0V FY | Executive Order # D-182-53 | Rear | | 82657 | 31616 | | D-182-53 | |

For vehicles licensed in the state of California or Maine, or vehicles requiring CARB-compliant converters in the state of New York, the parts in this catalog must be installed as specifically listed. Parts cannot be substituted, nor can they be installed on California or Maine licensed vehicles not listed in this catalog.

OBDII APPLICATIONS

NON-OBDII APPLICATIONS

NUMERICAL

UNIVERSAL SPECIFICATIONS

OBDII PASSENGER CAR & TRUCK

| Years | Engine | Engine Family No. | Application | Position | Direct-Fit | | Universal Part No. | Executive Order | | |
|--|--|-------------------|--|-------------------------------------|--|----------------------------|--------------------|------------------|--------------|----------|
| | | | | | Part No. | Hardware | | | | |
| MERCURY (Cont.) | | | | | | | | | | |
| Sable (Cont.) | | | | | | | | | | |
| 2003 (Cont.) | 3.0L V6 | 3FMXV03.0VFY | VIN "S"; Executive Order # D-182-53 | Front Left | 82575 | 31355 (2), 31616 | | D-182-53 | | |
| | | | VIN "S"; Includes Front Gasket; Executive Order # D-182-53 | Front Right | 82556 | | | D-182-53 | | |
| | | | VIN "U"; Executive Order # D-182-53 | Front | 82573 | 31610, 31616 | | D-182-53 | | |
| | | | | Rear | | | 82621 | D-182-53 | | |
| | | | 3FMXV03.0VFX | Executive Order # D-182-53 | Rear | 82657 | 31616 | | D-182-53 | |
| | | | | VIN "2"; Executive Order # D-182-53 | Front | 82573 | 31610, 31616 | | D-182-53 | |
| | | Rear | | | 82621 | D-182-53 | | | | |
| | | 2002 | 3.0L V6 | 2FMXV03.0VF3 | Executive Order # D-182-53 | Rear | 82657 | 31616 | | D-182-53 |
| | | | | | VIN "S"; Executive Order # D-182-53 | Front Left | 82575 | 31355 (2), 31616 | | D-182-53 |
| | | | | | VIN "S"; Includes Front Gasket; Executive Order # D-182-53 | Front Right | 82556 | | | D-182-53 |
| VIN "U"; Executive Order # D-182-53 | Front | | | | 82573 | 31610, 31616 | | D-182-53 | | |
| | Rear | | | | | | 82621 | D-182-53 | | |
| 2FMXV03.0VF4 | Executive Order # D-182-53 | | | | Rear | 82657 | 31616 | | D-182-53 | |
| | VIN "S"; Executive Order # D-182-53 | | | | Front Left | 82575 | 31355 (2), 31616 | | D-182-53 | |
| | VIN "S"; Includes Front Gasket; Executive Order # D-182-53 | | | | Front Right | 82556 | | | D-182-53 | |
| | VIN "U"; Executive Order # D-182-53 | | | Front | 82573 | 31610, 31616 | | D-182-53 | | |
| Rear | | | | | | 82621 | D-182-53 | | | |
| 2FMXV03.0VF8 | Executive Order # D-182-53 | | | Rear | 82657 | 31616 | | D-182-53 | | |
| 2FMXV03.0VF9 | Executive Order # D-182-53 | | | Rear | 82657 | 31616 | | D-182-53 | | |
| 2001 | 3.0L V6 | | | 1FMXV03.0VF3 | Executive Order # D-182-53 | Rear | 82657 | 31616 | | D-182-53 |
| | | | | | VIN "S"; Executive Order # D-182-53 | Front Left | 82575 | 31355 (2), 31616 | | D-182-53 |
| | | | | | VIN "S"; Includes Front Gasket; Executive Order # D-182-53 | Front Right | 82556 | | | D-182-53 |
| | | | | | VIN "U"; Executive Order # D-182-53 | Front | 82573 | 31610, 31616 | | D-182-53 |
| | | | | | | Rear | | | 82621 | D-182-53 |
| | | | | | 1FMXV03.0VF9 | Executive Order # D-182-53 | Rear | 82657 | 31616 | |
| | | | | VIN "2"; Executive Order # D-182-53 | | Front | 82573 | 31610, 31616 | | D-182-53 |
| | | | | Rear | | | 82621 | D-182-53 | | |
| | | 2000 | 3.0L V6 | YFMXV03.0VF3 | Executive Order # D-182-53 | Rear | 82657 | 31616 | | D-182-53 |
| | | | | | VIN "S"; Executive Order # D-182-53 | Front Left | 82575 | 31355 (2), 31616 | | D-182-53 |
| VIN "S"; Includes Front Gasket; Executive Order # D-182-53 | Front Right | | | | 82556 | | | D-182-53 | | |
| VIN "U"; Executive Order # D-182-53 | Front | | | | 82573 | 31610, 31616 | | D-182-53 | | |
| | Rear | | | | | | 82621 | D-182-53 | | |
| YFMXV03.0VF5 | Executive Order # D-182-53 | | | | Rear | 82657 | 31616 | | D-182-53 | |
| | VIN "S"; Executive Order # D-182-53 | | | | Front Left | 82575 | 31355 (2), 31616 | | D-182-53 | |
| | VIN "S"; Includes Front Gasket; Executive Order # D-182-53 | | | | Front Right | 82556 | | | D-182-53 | |
| | VIN "U"; Executive Order # D-182-53 | | | Front | 82573 | 31610, 31616 | | D-182-53 | | |
| Rear | | | | | | 82621 | D-182-53 | | | |

For vehicles licensed in the state of California or Maine, or vehicles requiring CARB-compliant converters in the state of New York, the parts in this catalog must be installed as specifically listed. Parts cannot be substituted, nor can they be installed on California or Maine licensed vehicles not listed in this catalog.

OBDII PASSENGER CAR & TRUCK

| Years | Engine | Engine Family No. | Application | Position | Direct-Fit | | Universal Part No. | Executive Order |
|----------------------------|---------|-------------------|---|----------------------------------|--------------|------------------|--------------------|-----------------|
| | | | | | Part No. | Hardware | | |
| MERCURY (Cont.) | | | | | | | | |
| Sable (Cont.) | | | | | | | | |
| 2000 (Cont.) | 3.0L V6 | YFMXV03.0VFA | Executive Order # D-182-53 | Rear | 82657 | 31616 | | D-182-53 |
| | | | VIN "S"; Executive Order # D-182-53 | Front Left | 82575 | 31355 (2), 31616 | | D-182-53 |
| | | | VIN "S"; Includes Front Gasket; Executive Order # D-182-53 | Front Right | 82556 | | | D-182-53 |
| | | | VIN "U"; Executive Order # D-182-53 | Front | 82573 | 31610, 31616 | | D-182-53 |
| | | | | Rear | | | 82621 | D-182-53 |
| 1999 | 3.0L V6 | XFMXV03.0VBZ | DOHC; Executive Order # D-182-45 | | 81974 | 31512 | | D-182-45 |
| | | | Executive Order # D-182-58 | Left | | | 82529 | D-182-58 |
| | | | | Right | | | 82529 | D-182-58 |
| | | XFMXV03.0VGC | Executive Order # D-182-58 | Left | | 82529 | D-182-58 | |
| | | | | Right | | 82529 | D-182-58 | |
| | | | VIN "U"; AX4N Trans.; Engine Code U w/AX4N Code X; Executive Order # D-182-58 | | 82593 | 31512 | D-182-58 | |
| | | | VIN "U"; AX4S Trans.; Executive Order # D-182-58 | | 82592 | 31512 | D-182-58 | |
| 1998 | 3.0L V6 | WFMXV03.0CAA | Executive Order # D-182-58 | Left | | | 82529 | D-182-58 |
| | | | | Right | | | 82529 | D-182-58 |
| | | | VIN "U"; AX4N Trans.; Engine Code U w/AX4N Code X; Executive Order # D-182-58 | | 82593 | 31512 | D-182-58 | |
| | | WFMXV03.0PAA | VIN "U"; AX4S Trans.; Automatic Trans.; Executive Order # D-182-58 | | 82592 | 31512 | D-182-58 | |
| | | | DOHC; Executive Order # D-182-45 | | 81974 | 31512 | D-182-45 | |
| | | | Executive Order # D-182-58 | Left | | 82529 | D-182-58 | |
| | Right | | 82529 | D-182-58 | | | | |
| 1997 | 3.0L V6 | VFM3.0V8G2EK | DOHC; Executive Order # D-182-45 | | 81974 | 31512 | | D-182-45 |
| | | | Executive Order # D-182-58 | Left | | | 82529 | D-182-58 |
| | | | | Right | | | 82529 | D-182-58 |
| | | | VIN "U"; AX4N Trans.; Engine Code U w/AX4N Code X; Executive Order # D-182-58 | | 82593 | 31512 | D-182-58 | |
| | | | VIN "U"; AX4S Trans.; Automatic Trans.; Executive Order # D-182-58 | | 82592 | 31512 | D-182-58 | |
| | | VFM3.0V8G3EK | Executive Order # D-182-58 | Left | | 82529 | D-182-58 | |
| | | | | Right | | 82529 | D-182-58 | |
| | | | VIN "U"; AX4N Trans.; Engine Code U w/AX4N Code X; Executive Order # D-182-58 | | 82593 | 31512 | D-182-58 | |
| | | | VIN "U"; AX4S Trans.; Automatic Trans.; Executive Order # D-182-58 | | 82592 | 31512 | D-182-58 | |
| | | | VFM3.0VJG1EK | DOHC; Executive Order # D-182-45 | | 81974 | 31512 | D-182-45 |
| Executive Order # D-182-58 | Left | | | 82529 | D-182-58 | | | |

OBDII APPLICATIONS

NON-OBDII APPLICATIONS

NUMERICAL

UNIVERSAL SPECIFICATIONS

For vehicles licensed in the state of California or Maine, or vehicles requiring CARB-compliant converters in the state of New York, the parts in this catalog must be installed as specifically listed. Parts cannot be substituted, nor can they be installed on California or Maine licensed vehicles not listed in this catalog.

OBDII PASSENGER CAR & TRUCK

| Years | Engine | Engine Family No. | Application | Position | Direct-Fit | | Universal Part No. | Executive Order |
|-------|--------|-------------------|-------------|----------|------------|----------|--------------------|-----------------|
| | | | | | Part No. | Hardware | | |

MERCURY (Cont.)

Sable (Cont.)

| | | | | | | | | |
|--------------|---------|--|---|--------------|--------------|-------|--------------|----------|
| 1997 (Cont.) | 3.0L V6 | VFM3.0VJG1EK | Executive Order # D-182-58 | Right | | | 82529 | D-182-58 |
| 1996 | 3.0L V6 | TFM3.0V8GKEK | DOHC; Executive Order # D-182-45 | | 81974 | 31512 | | D-182-45 |
| | | | Executive Order # D-182-58 | Left | | | 82529 | D-182-58 |
| | | | | Right | | | 82529 | D-182-58 |
| | | | VIN "U"; AX4N Trans.; Engine Code U w/AX4N Code X; Executive Order # D-182-58 | | 82593 | 31512 | | |
| | | VIN "U"; AX4S Trans.; Automatic Trans.; Executive Order # D-182-58 | | 82592 | 31512 | | | D-182-58 |
| | | TFM3.0VJG1EK | DOHC; Executive Order # D-182-45 | | 81974 | 31512 | | |
| | | | Executive Order # D-182-58 | Left | | | 82529 | D-182-58 |
| | | | | Right | | | 82529 | D-182-58 |

Tracer

| | | | | | | | | |
|------|---------|--------------|----------------------------|--|--------------|--------------|--------------|----------|
| 1999 | 2.0L L4 | XFMXV02.0VGC | Executive Order # D-182-57 | | 82672 | 31635, 31307 | 82628 | D-182-57 |
| 1998 | 2.0L L4 | WFMXV02.0ALA | Executive Order # D-182-57 | | 82672 | 31635, 31307 | | D-182-57 |
| | | WFMXV02.0ATA | Executive Order # D-182-57 | | 82672 | 31635, 31307 | 82628 | D-182-57 |
| 1997 | 2.0L L4 | VFM2.0V8G2EK | Executive Order # D-182-57 | | 82672 | 31635, 31307 | 82628 | D-182-57 |
| | | VFM2.0V8G3FK | Executive Order # D-182-57 | | 82672 | 31635, 31307 | 82628 | D-182-57 |
| 1996 | 1.8L L4 | TFM1.8VJG1EK | Executive Order # D-182-58 | | | | 82529 | D-182-58 |
| | 1.9L L4 | TFM1.9V8GKEK | Executive Order # D-182-58 | | 82594 | 31534 | 82527 | D-182-58 |

Villager

| | | | | | | | | |
|------|---------|--------------|----------------------------|-------|--------------|------------------|--------------|----------|
| 1998 | 3.0L V6 | WFMXT03.014A | Executive Order # D-182-52 | Rear | 81949 | 31311 (2) | | D-182-52 |
| | | | Executive Order # D-182-60 | Front | 81858 | 31397 (2), 31311 | 81811 | D-182-60 |
| | | | | Rear | | | 82701 | D-182-60 |
| 1997 | 3.0L V6 | VFM3.028G1HK | Executive Order # D-182-52 | Rear | 81949 | 31311 (2) | | D-182-52 |
| | | | Executive Order # D-182-60 | Front | 81858 | 31397 (2), 31311 | 81811 | D-182-60 |
| | | | | Rear | | | 82701 | D-182-60 |
| 1996 | 3.0L V6 | TFM3.028G1HK | Executive Order # D-182-52 | Rear | 81949 | 31311 (2) | | D-182-52 |
| | | | Executive Order # D-182-60 | Front | 81858 | 31397 (2), 31311 | 81811 | D-182-60 |
| | | | | Rear | | | 82701 | D-182-60 |

MINI

Cooper

| | | | | | | | | |
|------|---------|--------------|--|------|--|--|--------------|----------|
| 2009 | 1.6L L4 | 9BMXV01.6LE2 | Executive Order # D-182-62 | Rear | | | 83205 | D-182-62 |
| | | 9BMXV01.6LER | Executive Order # D-182-62 | Rear | | | 83205 | D-182-62 |
| 2008 | 1.6L L4 | 8BMXV01.6LE2 | Turbocharged; Executive Order # D-182-62 | Rear | | | 83205 | D-182-62 |

MITSUBISHI

Diamante

| | | | | | | | | |
|------|---------|--------------|----------------------------|--|--|--|--------------|----------|
| 1998 | 3.5L V6 | WMLXV03.5GBG | Executive Order # D-182-57 | | | | 82633 | D-182-57 |
| 1997 | 3.5L V6 | VML3.5VJGFEK | Executive Order # D-182-57 | | | | 82633 | D-182-57 |

For vehicles licensed in the state of California or Maine, or vehicles requiring CARB-compliant converters in the state of New York, the parts in this catalog must be installed as specifically listed. Parts cannot be substituted, nor can they be installed on California or Maine licensed vehicles not listed in this catalog.

OBDII PASSENGER CAR & TRUCK

| Years | Engine | Engine Family No. | Application | Position | Direct-Fit | | Universal Part No. | Executive Order |
|----------------------------|-------------|----------------------------|---|----------------------------|--------------|--------------|--------------------|-----------------|
| | | | | | Part No. | Hardware | | |
| MITSUBISHI (Cont.) | | | | | | | | |
| Eclipse | | | | | | | | |
| 1999 | 2.0L L4 | XDSXV02.0GBK | Executive Order # D-182-58 | | | | 82529 | D-182-58 |
| | | | FWD; Naturally Aspirated; Executive Order # D-182-45 | | 81965 | 31307 (2) | | D-182-45 |
| | | XDSXV02.0GBP | Executive Order # D-182-58 | | | | 82529 | D-182-58 |
| | | | FWD; Naturally Aspirated; Executive Order # D-182-45 | | 81965 | 31307 (2) | | D-182-45 |
| | 2.4L L4 | XDSXV02.4G2G | Executive Order # D-182-53 | Front | | | 82502 | D-182-53 |
| | | | | Rear | | | 82620 | D-182-53 |
| 1998 | 2.0L L4 | WDSXV02.0GBK | Executive Order # D-182-58 | | | | 82529 | D-182-58 |
| | | | FWD; Naturally Aspirated; Executive Order # D-182-45 | | 81965 | 31307 (2) | | D-182-45 |
| | | WDSXV02.0GBP | Executive Order # D-182-58 | | | | 82529 | D-182-58 |
| | | | FWD; Naturally Aspirated; Executive Order # D-182-45 | | 81965 | 31307 (2) | | D-182-45 |
| | 2.4L L4 | WDSXV02.4G2G | Executive Order # D-182-53 | Front | | | 82502 | D-182-53 |
| | | | | Rear | | | 82620 | D-182-53 |
| 1997 | 2.0L L4 | VDS2.0VJGFEK | Executive Order # D-182-58 | | | | 82529 | D-182-58 |
| | | | FWD; Naturally Aspirated; Executive Order # D-182-45 | | 81965 | 31307 (2) | | D-182-45 |
| | | VDS2.0VJGKEK | Executive Order # D-182-58 | | | | 82529 | D-182-58 |
| | | | FWD; Naturally Aspirated; Executive Order # D-182-45 | | 81965 | 31307 (2) | | D-182-45 |
| | 2.4L L4 | VDS2.4VJGFK | Executive Order # D-182-58 | | | | 82529 | D-182-58 |
| | 1996 | 2.0L L4 | TDS2.0VJGFEK | Executive Order # D-182-45 | | 81965 | 31307 (2) | |
| Executive Order # D-182-58 | | | | | | | 82529 | D-182-58 |
| TDS2.0VJGFEL | | | Executive Order # D-182-45 | | 81965 | 31307 (2) | | D-182-45 |
| | | | Executive Order # D-182-58 | | | | 82529 | D-182-58 |
| 2.4L L4 | TDS2.4VJGFL | Executive Order # D-182-58 | | | | 82529 | D-182-58 | |
| 1995 | 2.0L L4 | SDS2.0VJGFEK | FWD; Naturally Aspirated; Executive Order # D-182-45 | | 81965 | 31307 (2) | | D-182-45 |
| | | | Naturally Aspirated; Executive Order # D-182-58 | | | | 82529 | D-182-58 |
| | | SDS2.0VJGFFK | Naturally Aspirated; Executive Order # D-182-45 | | 81965 | 31307 (2) | | D-182-45 |
| | | | Naturally Aspirated; Executive Order # D-182-58 | | | | 82529 | D-182-58 |
| Galant | | | | | | | | |
| 1999 | 2.4L L4 | XDSXV02.4G2H | Executive Order # D-182-53 | Front | | | 82502 | D-182-53 |
| | | | | Rear | | | 82620 | D-182-53 |
| 1998 | 2.4L L4 | WDSXV02.4G1G | Executive Order # D-182-48 | Front | | | 81807 | D-182-48 |
| | | | | Rear | | | 81652 | D-182-48 |
| 1997 | 2.4L L4 | VDS2.4VJG2EK | Executive Order # D-182-48 | Front | | | 81807 | D-182-48 |
| | | | | Rear | | | 81652 | D-182-48 |
| 1996 | 2.4L L4 | TDS2.4VJG2EL | Executive Order # D-182-48 | Front | | | 81807 | D-182-48 |
| | | | | Rear | | | 81652 | D-182-48 |
| | | TMT2.4VJG2FK | Executive Order # D-182-48 | Front | | | 81806 | D-182-48 |
| | | | | Rear | | | 81651 | D-182-48 |

For vehicles licensed in the state of California or Maine, or vehicles requiring CARB-compliant converters in the state of New York, the parts in this catalog must be installed as specifically listed. Parts cannot be substituted, nor can they be installed on California or Maine licensed vehicles not listed in this catalog.

OBDII APPLICATIONS

NON-OBDII APPLICATIONS

NUMERICAL

UNIVERSAL SPECIFICATIONS

OBDII PASSENGER CAR & TRUCK

| Years | Engine | Engine Family No. | Application | Position | Direct-Fit | | Universal Part No. | Executive Order |
|-------|--------|-------------------|-------------|----------|------------|----------|--------------------|-----------------|
| | | | | | Part No. | Hardware | | |

MITSUBISHI (Cont.)

Lancer

| | | | | | | | | |
|------|---------|--------------|---|-------|--------------|-----------|--------------|----------|
| 2009 | 2.0L L4 | 9MTXV02.0GRC | Executive Order # D-182-63 | Front | | | 83302 | D-182-63 |
| | | | | Rear | | | 83213 | D-182-63 |
| | 2.4L L4 | 9MTXV02.4GRB | Executive Order # D-182-63 | Front | | | 83302 | D-182-63 |
| | | | | Rear | | | 83213 | D-182-63 |
| 2007 | 2.0L L4 | 7MTXV02.0GR4 | Executive Order # D-182-62 | Rear | | | 83208 | D-182-62 |
| 2006 | 2.0L L4 | 6MTXV02.0GBB | Executive Order # D-182-57 | | | | 82633 | D-182-57 |
| | | 6MTXV02.0GR4 | Executive Order # D-182-62 | Rear | | | 83208 | D-182-62 |
| 2005 | 2.0L L4 | 5MTXV02.0GBB | Executive Order # D-182-57 | | | | 82633 | D-182-57 |
| | | 5MTXV02.0GR4 | Executive Order # D-182-62 | Rear | | | 83208 | D-182-62 |
| 2004 | 2.0L L4 | 4MTXV02.0GB2 | Naturally Aspirated; Executive Order # D-182-61 | Rear | | | 82638 | D-182-61 |
| | | 4MTXV02.0GBB | Executive Order # D-182-45 | | 81981 | 31307 (2) | | D-182-45 |
| | | | Executive Order # D-182-57 | | | | 82633 | D-182-57 |
| | 2.4L L4 | 4MTXV02.4GBB | Executive Order # D-182-57 | | | | 82629 | D-182-57 |
| 2003 | 2.0L L4 | 3MTXV02.0G3S | Naturally Aspirated; Executive Order # D-182-61 | Rear | | | 82638 | D-182-61 |
| | | 3MTXV02.0GTS | Executive Order # D-182-45 | | 81981 | 31307 (2) | | D-182-45 |
| | | | Executive Order # D-182-57 | | | | 82633 | D-182-57 |
| 2002 | 2.0L L4 | 2MTXV02.0G3G | Executive Order # D-182-61 | Rear | | | 82638 | D-182-61 |
| | | 2MTXV02.0GNG | Executive Order # D-182-61 | Rear | | | 82638 | D-182-61 |

Mighty Max

| | | | | | | | | |
|------|---------|--------------|----------------------------|--|--|--|--------------|----------|
| 1996 | 2.4L L4 | TMT2.418GFEK | Executive Order # D-182-58 | | | | 82526 | D-182-58 |
|------|---------|--------------|----------------------------|--|--|--|--------------|----------|

Montero

| | | | | | | | | |
|------|---------|--------------|----------------------------|-------------|--|--|--------------|----------|
| 2006 | 3.8L V6 | 6MTXT03.8GBG | Executive Order # D-182-60 | Front Left | | | 81814 | D-182-60 |
| | | | | Front Right | | | 81814 | D-182-60 |
| | | | | Rear | | | 82701 | D-182-60 |
| 2005 | 3.8L V6 | 5MTXT03.8GBG | Executive Order # D-182-60 | Front Left | | | 81814 | D-182-60 |
| | | | | Front Right | | | 81814 | D-182-60 |
| | | | | Rear | | | 82701 | D-182-60 |
| 2004 | 3.8L V6 | 4MTXT03.8GAB | Executive Order # D-182-60 | Front Left | | | 81814 | D-182-60 |
| | | | | Front Right | | | 81814 | D-182-60 |
| | | | | Rear | | | 82701 | D-182-60 |
| 2003 | 3.8L V6 | 3MTXT03.8GNS | Executive Order # D-182-60 | Front Left | | | 81814 | D-182-60 |
| | | | | Front Right | | | 81814 | D-182-60 |
| | | | | Rear | | | 82701 | D-182-60 |
| 2002 | 3.5L V6 | 2MTXT03.5GNS | Executive Order # D-182-60 | | | | 82701 | D-182-60 |
| | | | | Front Left | | | 81814 | D-182-60 |
| | | | | Front Right | | | 81814 | D-182-60 |
| 2001 | 3.5L V6 | 1MTXT03.5GNG | Executive Order # D-182-60 | Front Left | | | 81814 | D-182-60 |
| | | | | Front Right | | | 81814 | D-182-60 |
| | | | | Rear | | | 82701 | D-182-60 |
| 2000 | 3.5L V6 | YMTXT03.5GNH | Executive Order # D-182-60 | Front Left | | | 81814 | D-182-60 |
| | | | | Front Right | | | 81814 | D-182-60 |
| | | | | Rear | | | 82701 | D-182-60 |
| 1999 | 3.5L V6 | XMTXT03.5G2G | Executive Order # D-182-60 | Front Left | | | 81814 | D-182-60 |

For vehicles licensed in the state of California or Maine, or vehicles requiring CARB-compliant converters in the state of New York, the parts in this catalog must be installed as specifically listed. Parts cannot be substituted, nor can they be installed on California or Maine licensed vehicles not listed in this catalog.

OBDII PASSENGER CAR & TRUCK

| Years | Engine | Engine Family No. | Application | Position | Direct-Fit | | Universal Part No. | Executive Order |
|---------------------------|---------|-------------------|--|-------------|------------|----------|------------------------------|----------------------|
| | | | | | Part No. | Hardware | | |
| MITSUBISHI (Cont.) | | | | | | | | |
| Montero (Cont.) | | | | | | | | |
| 1999 (Cont.) | 3.5L V6 | XMTXT03.5G2G | Executive Order # D-182-60 | Front Right | | | 81814 | D-182-60 |
| | | | | Rear | | | 82701 | D-182-60 |
| 1998 | 3.5L V6 | WMTXT03.5G2G | Executive Order # D-182-60 | Front Left | | | 81814 | D-182-60 |
| | | | | Front Right | | | 81814 | D-182-60 |
| | | | | Rear | | | 82701 | D-182-60 |
| 1997 | 3.5L V6 | VMT3.52JG2EK | Executive Order # D-182-60 | Front Left | | | 81814 | D-182-60 |
| | | | | Front Right | | | 81814 | D-182-60 |
| | | | | Rear | | | 82701 | D-182-60 |
| 1996 | 3.0L V6 | TMT3.02JG2EK | Executive Order # D-182-60 | Front Left | | | 81814 | D-182-60 |
| | | | | Front Right | | | 81814 | D-182-60 |
| | | | | Rear | | | 82701 | D-182-60 |
| | 3.5L V6 | TMT3.52JGKEK | Executive Order # D-182-47 Executive Order # D-182-69 | | | | 81916 83507 | D-182-47 D-182-69 |
| | | | | | | | | |
| 1995 | 3.0L V6 | SMT3.02JG2EA | Executive Order # D-182-69 | Rear | | | 83507 | D-182-69 |
| | 3.5L V6 | SMT3.52JG1EA | Executive Order # D-182-69 | | | | 83507 | D-182-69 |
| Montero Sport | | | | | | | | |
| 2004 | 3.5L V6 | 4MTXT03.5GAB | Executive Order # D-182-60 | Front Left | | | 81814 | D-182-60 |
| | | | | Front Right | | | 81814 | D-182-60 |
| | | | | Rear | | | 82701 | D-182-60 |
| 2003 | 3.0L V6 | 3MTXT03.5GNS | Executive Order # D-182-60 | Front Left | | | 81814 | D-182-60 |
| | | | | Front Right | | | 81814 | D-182-60 |
| | | | | Rear | | | 82701 | D-182-60 |
| | 3.5L V6 | 3MTXT03.5GNS | Executive Order # D-182-60 | Front Left | | | 81814 | D-182-60 |
| | | | | Front Right | | | 81814 | D-182-60 |
| | | | | Rear | | | 82701 | D-182-60 |
| 2002 | 3.0L V6 | 2MTXT03.5GNS | Executive Order # D-182-60 | Front Left | | | 81814 | D-182-60 |
| | | | | Front Right | | | 81814 | D-182-60 |
| | | | | Rear | | | 82701 | D-182-60 |
| | 3.5L V6 | 2MTXT03.5GNS | Executive Order # D-182-60 | Front Left | | | 81814 | D-182-60 |
| | | | | Front Right | | | 81814 | D-182-60 |
| | | | | Rear | | | 82701 | D-182-60 |
| 2001 | 3.0L V6 | 1MTXT03.5GNS | Executive Order # D-182-60 | Front Left | | | 81814 | D-182-60 |
| | | | | Front Right | | | 81814 | D-182-60 |
| | | | | Rear | | | 82701 | D-182-60 |
| | 3.5L V6 | 1MTXT03.5GNS | Executive Order # D-182-60 | Front Left | | | 81814 | D-182-60 |
| | | | | Front Right | | | 81814 | D-182-60 |
| | | | | Rear | | | 82701 | D-182-60 |
| 2000 | 3.0L V6 | YMTXT03.0GNG | Executive Order # D-182-60 | Front Left | | | 81814 | D-182-60 |
| | | | | Front Right | | | 81814 | D-182-60 |
| | | | | Rear | | | 82701 | D-182-60 |
| | 3.5L V6 | YMTXT03.5GNG | Executive Order # D-182-60 | Front Left | | | 81814 | D-182-60 |
| | | | | Front Right | | | 81814 | D-182-60 |
| | | | | Rear | | | 82701 | D-182-60 |
| 1999 | 3.0L V6 | XMTXT03.0G2G | Executive Order # D-182-60 | Front Left | | | 81814 | D-182-60 |
| | | | | Front Right | | | 81814 | D-182-60 |

For vehicles licensed in the state of California or Maine, or vehicles requiring CARB-compliant converters in the state of New York, the parts in this catalog must be installed as specifically listed. Parts cannot be substituted, nor can they be installed on California or Maine licensed vehicles not listed in this catalog.

OBDII APPLICATIONS

NON-OBDII APPLICATIONS

NUMERICAL

UNIVERSAL SPECIFICATIONS

OBDII PASSENGER CAR & TRUCK

| Years | Engine | Engine Family No. | Application | Position | Direct-Fit | | Universal Part No. | Executive Order |
|-------|--------|-------------------|-------------|----------|------------|----------|--------------------|-----------------|
| | | | | | Part No. | Hardware | | |

MITSUBISHI (Cont.)

Montero Sport (Cont.)

| | | | | | | | | |
|-----------------|---------|--------------|----------------------------|-------------|--|--|--------------|----------|
| 1999 (Cont.) | 3.0L V6 | XMTXT03.0G2G | Executive Order # D-182-60 | Rear | | | 82701 | D-182-60 |
| | 3.5L V6 | XMTXT03.5G2H | Executive Order # D-182-60 | Front Left | | | 81814 | D-182-60 |
| | | | | Front Right | | | 81814 | D-182-60 |
| | | | | Rear | | | 82701 | D-182-60 |
| 1998 | 3.0L V6 | WMTXT03.0G1G | Executive Order # D-182-60 | Front Left | | | 81814 | D-182-60 |
| | | | | Front Right | | | 81814 | D-182-60 |
| | | | | Rear | | | 82701 | D-182-60 |
| 1997 | 3.0L V6 | VMT3.02JG2EK | Executive Order # D-182-60 | Front Left | | | 81814 | D-182-60 |
| | | | | Front Right | | | 81814 | D-182-60 |
| | | | | Rear | | | 82701 | D-182-60 |

Outlander

| | | | | | | | | |
|------|---------|--------------|----------------------------|--|--|--|--------------|----------|
| 2006 | 2.4L L4 | 6MTXT02.4GBB | Executive Order # D-182-57 | | | | 82629 | D-182-57 |
| 2005 | 2.4L L4 | 5MTXT02.4GBB | Executive Order # D-182-57 | | | | 82629 | D-182-57 |
| 2004 | 2.4L L4 | 4MTXT02.4GBB | Executive Order # D-182-57 | | | | 82629 | D-182-57 |
| 2003 | 2.4L L4 | 3MTXT02.4GNG | Executive Order # D-182-57 | | | | 82629 | D-182-57 |

Raider

| | | | | | | | | |
|----------------------------|---------|--------------|---------------------------------|--------------|--------------|--------------|--------------|----------|
| 2006 | 3.7L V6 | 6CRXT03.75S2 | 4WD; Executive Order # D-182-52 | | 81748 | | | D-182-52 |
| | | | Executive Order # D-182-52 | Left | | | 81711 | D-182-52 |
| | | | | Right | | | 81711 | D-182-52 |
| | | | Executive Order # D-182-69 | Left | | | 83401 | D-182-69 |
| | | Right | | | 83401 | D-182-69 | | |
| | 4.7L V8 | 6CRXT04.75S2 | 4WD; Executive Order # D-182-52 | | 81748 | | | D-182-52 |
| | | | Executive Order # D-182-52 | Left | | | 81711 | D-182-52 |
| | | | | Right | | | 81711 | D-182-52 |
| Executive Order # D-182-69 | | | Left | | | 83401 | D-182-69 | |
| | Right | | | 83401 | D-182-69 | | | |

MORGAN

Plus 8

| | | | | | | | | |
|------|---------|--------------|----------------------------|-------|--|--|--------------|----------|
| 2003 | 3.9L V8 | 3MMYV04.0MA3 | Executive Order # D-182-58 | Left | | | 82512 | D-182-58 |
| | | | | Right | | | 82512 | D-182-58 |
| 2002 | 3.9L V8 | 2MMYV04.0ML2 | Executive Order # D-182-58 | Left | | | 82512 | D-182-58 |
| | | | | Right | | | 82512 | D-182-58 |

NISSAN

200SX

| | | | | | | | | |
|------|---------|--------------|----------------------------|--|--|--|--------------|----------|
| 1998 | 2.0L L4 | WNSXV02.0A2A | Executive Order # D-182-57 | | | | 82634 | D-182-57 |
| 1997 | 2.0L L4 | VNS2.0VJGFEK | Executive Order # D-182-58 | | | | 82531 | D-182-58 |
| 1996 | 2.0L L4 | TNS2.0VJGFEK | Executive Order # D-182-58 | | | | 82531 | D-182-58 |
| 1995 | 2.0L L4 | SNS2.0VJGFEK | Executive Order # D-182-58 | | | | 82531 | D-182-58 |

240SX

| | | | | | | | | |
|------|---------|--------------|----------------------------|--|--|--|--------------|----------|
| 1998 | 2.4L L4 | WNSXV02.4A3B | Executive Order # D-182-58 | | | | 82529 | D-182-58 |
| 1997 | 2.4L L4 | VNS2.4VJGKFK | Executive Order # D-182-58 | | | | 82529 | D-182-58 |

For vehicles licensed in the state of California or Maine, or vehicles requiring CARB-compliant converters in the state of New York, the parts in this catalog must be installed as specifically listed. Parts cannot be substituted, nor can they be installed on California or Maine licensed vehicles not listed in this catalog.

OBDII PASSENGER CAR & TRUCK

| Years | Engine | Engine Family No. | Application | Position | Direct-Fit | | Universal Part No. | Executive Order |
|-----------------------|---------|------------------------------|---|-------------|--------------|--------------|--------------------|-----------------|
| | | | | | Part No. | Hardware | | |
| NISSAN (Cont.) | | | | | | | | |
| 240SX (Cont.) | | | | | | | | |
| 1996 | 2.4L L4 | TNS2.4VJG1GK | Executive Order # D-182-58 | | | | 82529 | D-182-58 |
| 1995 | 2.4L L4 | SNS2.4VJGFFK | Executive Order # D-182-58 | | | | 82529 | D-182-58 |
| 300ZX | | | | | | | | |
| 1996 | 3.0L V6 | TNS3.0VJGFGK | Executive Order # D-182-58 | Left | | | 82506 | D-182-58 |
| | | | | Right | | | 82506 | D-182-58 |
| | | TNS3.0VJGFHK | Executive Order # D-182-48 | Front Left | | | 81806 | D-182-48 |
| | | | | Front Right | | | 81806 | D-182-48 |
| | | | | Rear Left | | | 81651 | D-182-48 |
| | | | | Rear Right | | | 81651 | D-182-48 |
| 350Z | | | | | | | | |
| 2004 | 3.5L V6 | 4NSXV03.5N7C | Executive Order # D-182-53 | Front Left | | | 82503 | D-182-53 |
| | | | | Front Right | | | 82503 | D-182-53 |
| | | | | Rear Left | | | 82623 | D-182-53 |
| | | | | Rear Right | | | 82623 | D-182-53 |
| 2003 | 3.5L V6 | 3NSXV03.5C7B | Executive Order # D-182-53 | Front Left | | | 82503 | D-182-53 |
| | | | | Front Right | | | 82503 | D-182-53 |
| | | | | Rear Left | | | 82623 | D-182-53 |
| | | | | Rear Right | | | 82623 | D-182-53 |
| Altima | | | | | | | | |
| 2009 | 2.5L L4 | 9NSXJ02.5G5A | Executive Order # D-182-63 Includes Front Gasket; Executive Order # D-182-63 | Rear | 83259 | 31355, 31539 | 83217 | D-182-63 |
| | | | | Front | 83390 | 31355 | | D-182-63 |
| | 3.5L V6 | 9NSXV03.5G7B 9NSXV03.5G7D | Executive Order # D-182-62 | Rear | | | 83206 | D-182-62 |
| | | | | Rear | | | 83206 | D-182-62 |
| 2008 | 2.5L L4 | 8NSXV02.5G5A | Executive Order # D-182-63 Includes Front Gasket; Executive Order # D-182-63 | Rear | 83259 | 31355, 31539 | 83217 | D-182-63 |
| | | | | Front | 83390 | 31355 | | D-182-63 |
| | 3.5L V6 | 8NSXV03.5G7B | Executive Order # D-182-62 | Rear | | | 83206 | D-182-62 |
| 2007 | 2.5L L4 | 7NSXV02.5G5A | Executive Order # D-182-63 Includes Front Gasket; Executive Order # D-182-63 | Rear | 83259 | 31355, 31539 | 83217 | D-182-63 |
| | | | | Front | 83390 | 31355 | | D-182-63 |
| | 3.5L V6 | 7NSXV03.5G7B | Executive Order # D-182-62 | Rear | | | 83206 | D-182-62 |
| 2006 | 2.5L L4 | 6NSXV02.5G5A | Executive Order # D-182-63 Includes Front Gasket; Executive Order # D-182-63 | Rear | 83264 | 31658, 31540 | 83217 | D-182-63 |
| | | | | Front | 83397 | 31658 | | D-182-63 |
| | 3.5L V6 | 6NSXV03.5G7A | Executive Order # D-182-63 | Front Right | 83396 | 31602, 31334 | | D-182-63 |
| | | | | Rear | | | 83217 | D-182-63 |
| 2005 | 2.5L L4 | 5NSXV02.5G5A | Executive Order # D-182-63 Includes Front Gasket; Executive Order # D-182-63 | Rear | 83264 | 31658, 31540 | 83217 | D-182-63 |
| | | | | Front | 83397 | 31658 | | D-182-63 |
| | 3.5L V6 | 5NSXV03.5N7A | Executive Order # D-182-53 | Rear | | | 82602 | D-182-53 |
| 2004 | 2.5L L4 | 4NSXV02.5G5A | Executive Order # D-182-63 Includes Front Gasket; Executive Order # D-182-63 | Rear | 83264 | 31658, 31540 | 83217 | D-182-63 |
| | | | | Front | 83397 | 31658 | | D-182-63 |
| | 3.5L V6 | 4NSXV03.5N7A | Executive Order # D-182-53 | Rear | | | 82602 | D-182-53 |
| 2003 | 2.5L L4 | 3NSXV02.5D5A | Executive Order # D-182-53 | Front | 82554 | 31658 | | D-182-53 |

For vehicles licensed in the state of California or Maine, or vehicles requiring CARB-compliant converters in the state of New York, the parts in this catalog must be installed as specifically listed. Parts cannot be substituted, nor can they be installed on California or Maine licensed vehicles not listed in this catalog.

OBDII APPLICATIONS

NON-OBDII APPLICATIONS

NUMERICAL

UNIVERSAL SPECIFICATIONS

OBDII PASSENGER CAR & TRUCK

| Years | Engine | Engine Family No. | Application | Position | Direct-Fit | | Universal Part No. | Executive Order |
|-----------------------|-----------|----------------------------|---|--------------|--------------|--------------|--------------------|-----------------|
| | | | | | Part No. | Hardware | | |
| NISSAN (Cont.) | | | | | | | | |
| Altima (Cont.) | | | | | | | | |
| 2003 (Cont.) | 2.5L L4 | 3NSXV02.5D5A | Executive Order # D-182-53 | Rear | 82659 | 31658, 31540 | | D-182-53 |
| | 3.5L V6 | 3NSXV03.5C7A | Executive Order # D-182-53 | Rear | | | 82602 | D-182-53 |
| 2002 | 2.5L L4 | 2NSXV02.5D5A | Executive Order # D-182-53 | Front | 82554 | 31658 | | D-182-53 |
| | | | | Rear | 82659 | 31658, 31540 | | D-182-53 |
| | 3.5L V6 | 2NSXV03.5C6A | Executive Order # D-182-53 | Rear | | | 82602 | D-182-53 |
| 2001 | 2.4L L4 | 1NSXV02.4C4A | Executive Order # D-182-53 | Front | 82574 | 31374 | | D-182-53 |
| | | | | Rear | 82660 | 31540 (2) | 82625 | D-182-53 |
| | | 1NSXX02.4C4A | Executive Order # D-182-53 | Front | 82574 | 31374 | | D-182-53 |
| | | | | Rear | 82660 | 31540 (2) | 82625 | D-182-53 |
| 2000 | 2.4L L4 | YNSXV02.433A | Executive Order # D-182-53 | Front | 82574 | 31374 | | D-182-53 |
| | | | | Rear | 82660 | 31540 (2) | 82625 | D-182-53 |
| 1999 | 2.4L L4 | XNSXV02.433A | Executive Order # D-182-53 | Front | 82574 | 31374 | | D-182-53 |
| | | | | Rear | 82660 | 31540 (2) | 82625 | D-182-53 |
| 1998 | 2.4L L4 | WNSXV02.433B | Executive Order # D-182-53 | Front | 82574 | 31374 | | D-182-53 |
| | | | | Rear | 82660 | 31540 (2) | 82625 | D-182-53 |
| 1997 | 2.4L L4 | VNS2.4VJG2EK | Executive Order # D-182-53 | Front | 82574 | 31374 | | D-182-53 |
| | | | | Rear | 82660 | 31540 (2) | 82625 | D-182-53 |
| 1996 | 2.4L L4 | TNS2.4VJG2EK | Executive Order # D-182-53 | Front | 82574 | 31374 | | D-182-53 |
| | | | | Rear | 82660 | 31540 (2) | 82625 | D-182-53 |
| 1995 | 2.4L L4 | SNS2.4VJG2EK | Executive Order # D-182-53 | Front | 82574 | 31374 | | D-182-53 |
| | | | | Rear | 82660 | 31540 (2) | 82625 | D-182-53 |
| Armada | | | | | | | | |
| 2006 | 5.6L V8 | 6NSXT05.6P9A | Executive Order # D-182-69 | Front Left | | | 83401 | D-182-69 |
| | | | | Front Right | | | 83401 | D-182-69 |
| | | | | Rear Left | | | 83402 | D-182-69 |
| | | | | Rear Right | | | 83402 | D-182-69 |
| 2005 | 5.6L V8 | 5NSXT05.6P9A | Executive Order # D-182-69 | Front Left | | | 83401 | D-182-69 |
| | | | | Front Right | | | 83401 | D-182-69 |
| | | | | Rear Left | | | 83402 | D-182-69 |
| | | | | Rear Right | | | 83402 | D-182-69 |
| Cube | | | | | | | | |
| 2009 | 1.8L L4 | 9NSXV01.8G1B | Executive Order # D-182-63 | Front | | | 83302 | D-182-63 |
| | | | | Rear | | | 83216 | D-182-63 |
| Frontier | | | | | | | | |
| 2004 | 3.3L V6 | 4NSXT03.3M6B | Does Not Include Manifold.; Executive Order # D-182-52 | Front Left | 81795 | 31559 (2) | | D-182-52 |
| | | | | Front Right | 81794 | 31559 (2) | | D-182-52 |
| | | | Executive Order # D-182-52 | Rear Left | 81941 | 31559, 31311 | 81901 | D-182-52 |
| | | | | Rear Right | 81940 | 31559, 31311 | 81901 | D-182-52 |
| | | Executive Order # D-182-69 | Rear Left | | | 83501 | D-182-69 | |
| | | | Rear Right | | | 83501 | D-182-69 | |
| | | 4NSXT03.5M7A | Does Not Include Manifold.; Executive Order # D-182-52 | Front Left | 81795 | 31559 (2) | | D-182-52 |
| | | | | Front Right | 81794 | 31559 (2) | | D-182-52 |
| | Rear Left | 81941 | 31559, 31311 | 81901 | D-182-52 | | | |

For vehicles licensed in the state of California or Maine, or vehicles requiring CARB-compliant converters in the state of New York, the parts in this catalog must be installed as specifically listed. Parts cannot be substituted, nor can they be installed on California or Maine licensed vehicles not listed in this catalog.

OBDII PASSENGER CAR & TRUCK

| Years | Engine | Engine Family No. | Application | Position | Direct-Fit | | Universal Part No. | Executive Order |
|----------------------------|--------------|-------------------|---|--------------|--------------|---|--------------------|-----------------|
| | | | | | Part No. | Hardware | | |
| NISSAN (Cont.) | | | | | | | | |
| Frontier (Cont.) | | | | | | | | |
| 2004 (Cont.) | 3.3L V6 | 4NSXT03.5M7A | Executive Order # D-182-52 | Rear Right | 81940 | 31559, 31311 | 81901 | D-182-52 |
| | | | Executive Order # D-182-69 | Rear Left | | | 83501 | D-182-69 |
| | | | | Rear Right | | | 83501 | D-182-69 |
| 2003 | 3.3L V6 | 3NSXT03.3C6A | Does Not Include Manifold.; Executive Order # D-182-52 | Front Left | 81795 | 31559 (2) | | D-182-52 |
| | | | Executive Order # D-182-52 | Front Right | 81794 | 31559 (2) | | D-182-52 |
| | | | | Rear Left | 81941 | 31559, 31311 | 81901 | D-182-52 |
| | | | | Rear Right | 81940 | 31559, 31311 | 81901 | D-182-52 |
| | | | Executive Order # D-182-69 | Rear Left | | | 83501 | D-182-69 |
| | | | | Rear Right | | | 83501 | D-182-69 |
| | | | 2002 | 3.3L V6 | 2NSXT03.3C5A | Does Not Include Manifold.; Executive Order # D-182-52 | Front Left | 81795 |
| Executive Order # D-182-52 | Front Right | 81794 | | | | 31559 (2) | | D-182-52 |
| | Rear Left | 81941 | | | | 31559, 31311 | 81901 | D-182-52 |
| | Rear Right | 81940 | | | | 31559, 31311 | 81901 | D-182-52 |
| Executive Order # D-182-69 | Rear Left | | | | | | 83501 | D-182-69 |
| | Rear Right | | | | | | 83501 | D-182-69 |
| 2001 | 3.3L V6 | 1NSXT03.3C5A | | | | Does Not Include Manifold.; Executive Order # D-182-52 | Front Left | 81795 |
| | | | Executive Order # D-182-52 | Front Right | 81794 | 31559 (2) | | D-182-52 |
| | | | | Rear Left | 81941 | 31559, 31311 | 81901 | D-182-52 |
| | | | | Rear Right | 81940 | 31559, 31311 | 81901 | D-182-52 |
| | | | Executive Order # D-182-69 | Rear Left | | | 83501 | D-182-69 |
| | | | | Rear Right | | | 83501 | D-182-69 |
| | | 1NSXT03.3C5B | Does Not Include Manifold.; Executive Order # D-182-52 | Front Left | 81795 | 31559 (2) | | D-182-52 |
| | | | Executive Order # D-182-52 | Front Right | 81794 | 31559 (2) | | D-182-52 |
| | | | | Rear Left | 81941 | 31559, 31311 | 81901 | D-182-52 |
| | | | | Rear Right | 81940 | 31559, 31311 | 81901 | D-182-52 |
| | | | Executive Order # D-182-69 | Rear Left | | | 83501 | D-182-69 |
| | | | | Rear Right | | | 83501 | D-182-69 |
| | | 1NSXT03.5C9A | Does Not Include Manifold.; Executive Order # D-182-52 | Front Left | 81795 | 31559 (2) | | D-182-52 |
| | | | Executive Order # D-182-52 | Front Right | 81794 | 31559 (2) | | D-182-52 |
| | | | | Rear Left | 81941 | 31559, 31311 | 81901 | D-182-52 |
| Rear Right | 81940 | | | 31559, 31311 | 81901 | D-182-52 | | |
| Executive Order # D-182-69 | Rear Left | | | | 83501 | D-182-69 | | |
| | Rear Right | | | | 83501 | D-182-69 | | |
| 2000 | 3.3L V6 | YNSXT03.335A | Does Not Include Manifold.; Executive Order # D-182-52 | Front Left | 81795 | 31559 (2) | | D-182-52 |
| | | | Executive Order # D-182-52 | Front Right | 81794 | 31559 (2) | | D-182-52 |
| | | | | Rear Left | 81941 | 31559, 31311 | 81901 | D-182-52 |
| | | | | Rear Right | 81940 | 31559, 31311 | 81901 | D-182-52 |
| | | | Executive Order # D-182-69 | Rear Left | | | 83501 | D-182-69 |
| | | | | Rear Right | | | 83501 | D-182-69 |
| | | | 1999 | 3.3L V6 | XNSXT03.335A | Does Not Include Manifold.; Executive Order # D-182-52 | Front Left | 81795 |
| Executive Order # D-182-52 | Front Right | 81794 | | | | 31559 (2) | | D-182-52 |

OBDII APPLICATIONS

NON-OBDII APPLICATIONS

NUMERICAL

UNIVERSAL SPECIFICATIONS

For vehicles licensed in the state of California or Maine, or vehicles requiring CARB-compliant converters in the state of New York, the parts in this catalog must be installed as specifically listed. Parts cannot be substituted, nor can they be installed on California or Maine licensed vehicles not listed in this catalog.

OBDII PASSENGER CAR & TRUCK

| Years | Engine | Engine Family No. | Application | Position | Direct-Fit | | Universal Part No. | Executive Order |
|-------------------------|---------|-------------------|--|----------------------------|--------------|------------------|--------------------|-----------------|
| | | | | | Part No. | Hardware | | |
| NISSAN (Cont.) | | | | | | | | |
| Frontier (Cont.) | | | | | | | | |
| 1999 (Cont.) | 3.3L V6 | XNSXT03.335A | Executive Order # D-182-52 | Rear Left | 81941 | 31559, 31311 | 81901 | D-182-52 |
| | | | | Rear Right | 81940 | 31559, 31311 | 81901 | D-182-52 |
| | | | Executive Order # D-182-69 | Rear Left | | | 83501 | D-182-69 |
| | | | | Rear Right | | | 83501 | D-182-69 |
| Maxima | | | | | | | | |
| 2009 | 3.5L V6 | 9NSXV03.5G7A | Executive Order # D-182-62 | Rear | | | 83206 | D-182-62 |
| 2008 | 3.5L V6 | 8NSXV03.5G7A | Executive Order # D-182-62 | Front Left | 83191 | 31334 | | D-182-62 |
| | | | | Front Right | 83179 | 31334 | | D-182-62 |
| | | | | Rear | 83283 | (2) 31334, 31540 | 83206 | D-182-62 |
| 2007 | 3.5L V6 | 7NSXV03.5G7F | Executive Order # D-182-62 | Front Left | 83191 | 31334 | | D-182-62 |
| | | | | Rear | 83283 | (2) 31334, 31540 | | D-182-62 |
| 2006 | 3.5L V6 | 6NSXV03.5G7B | Automatic Trans.; Executive Order # D-182-62 | Rear | 83285 | (2) 31334, 31540 | | D-182-62 |
| | | | | Executive Order # D-182-62 | Front Right | 83179 | 31334 | |
| | | | Standard Trans.; Executive Order # D-182-62 | Rear | | 83206 | D-182-62 | |
| | | | | Front Left | 83191 | 31334 | | D-182-62 |
| 2005 | 3.5L V6 | 5NSXV03.5G7B | Automatic Trans.; Executive Order # D-182-62 | Rear | 83285 | (2) 31334, 31540 | | D-182-62 |
| | | | | Executive Order # D-182-62 | Rear | | 83206 | D-182-62 |
| | | | Standard Trans.; Executive Order # D-182-62 | Rear | 83283 | (2) 31334, 31540 | | D-182-62 |
| 2004 | 3.5L V6 | 4NSXV03.5G7A | Automatic Trans.; 5 Speed Trans.; Executive Order # D-182-62 | Rear | 83262 | (2) 31334, 31540 | | D-182-62 |
| | | | | Executive Order # D-182-63 | Front Right | 83396 | 31602, 31334 | |
| | | | Rear | | | 83217 | D-182-63 | |
| 2003 | 3.5L V6 | 3NSXV03.5C7A | Executive Order # D-182-53 | Rear | | | 82602 | D-182-53 |
| | | | Includes Front Gasket; Executive Order # D-182-53 | Front Left | 82584 | 31566 | | D-182-53 |
| 2002 | 3.5L V6 | 2NSXV03.5C6A | Executive Order # D-182-53 | Rear | | | 82602 | D-182-53 |
| | | | Includes Front Gasket; Executive Order # D-182-53 | Front Left | 82584 | 31566 | | D-182-53 |
| 1998 | 3.0L V6 | WNSXV03.0A6A | Executive Order # D-182-48 | Front | 81842 | 31355 (2), 31540 | | D-182-48 |
| | | | | Front Left | | | 81806 | D-182-48 |
| | | | | Front Right | | | 81806 | D-182-48 |
| | | | | Rear | 81665 | 31540, 31578 | 81614 | D-182-48 |
| 1997 | 3.0L V6 | VNS3.0VJGFEK | Executive Order # D-182-48 | Front | 81842 | 31355 (2), 31540 | | D-182-48 |
| | | | | Front Left | | | 81806 | D-182-48 |
| | | | | Front Right | | | 81806 | D-182-48 |
| | | | | Rear | 81665 | 31540, 31578 | 81614 | D-182-48 |
| 1996 | 3.0L V6 | TNS3.0VJGFEK | Executive Order # D-182-48 | Front | 81842 | 31355 (2), 31540 | | D-182-48 |
| | | | | Front Left | | | 81806 | D-182-48 |
| | | | | Front Right | | | 81806 | D-182-48 |
| | | | | Rear | 81675 | 31540 (2) | 81614 | D-182-48 |
| 1995 | 3.0L V6 | SNS3.0VJG1EK | Executive Order # D-182-48 | Front | 81842 | 31355 (2), 31540 | | D-182-48 |
| | | | | Front Left | | | 81806 | D-182-48 |
| | | | | Front Right | | | 81806 | D-182-48 |

For vehicles licensed in the state of California or Maine, or vehicles requiring CARB-compliant converters in the state of New York, the parts in this catalog must be installed as specifically listed. Parts cannot be substituted, nor can they be installed on California or Maine licensed vehicles not listed in this catalog.

OBDII PASSENGER CAR & TRUCK

| Years | Engine | Engine Family No. | Application | Position | Direct-Fit | | Universal Part No. | Executive Order |
|---|-------------|-------------------|---|----------------------------|--------------|--------------|--------------------|-----------------|
| | | | | | Part No. | Hardware | | |
| NISSAN (Cont.) | | | | | | | | |
| Maxima (Cont.) | | | | | | | | |
| 1995 (Cont.) | 3.0L V6 | SNS3.0VJG1EK | Executive Order # D-182-48 | Rear | 81675 | 31540 (2) | 81614 | D-182-48 |
| Pathfinder | | | | | | | | |
| 2004 | 3.5L V6 | 4NSXT03.5M7A | Executive Order # D-182-52 | Front Left | 81753 | 31397 | | D-182-52 |
| | | | | Rear Left | | | 81901 | D-182-52 |
| | | | | Rear Right | | | 81901 | D-182-52 |
| | | | Executive Order # D-182-69 | Rear Left | | | 83501 | D-182-69 |
| | | | | Rear Right | | | 83501 | D-182-69 |
| Includes Front Gasket; Executive Order # D-182-52 | Front Right | 81754 | 31397 | | D-182-52 | | | |
| 2003 | 3.5L V6 | 3NSXT03.5C7A | Executive Order # D-182-52 | Front Left | 81753 | 31397 | | D-182-52 |
| | | | Includes Front Gasket; Executive Order # D-182-52 | Front Right | 81754 | 31397 | | D-182-52 |
| 2002 | 3.5L V6 | 2NSXT03.5C7A | Executive Order # D-182-52 | Front Left | 81753 | 31397 | | D-182-52 |
| | | | Includes Front Gasket; Executive Order # D-182-52 | Front Right | 81754 | 31397 | | D-182-52 |
| 2001 | 3.5L V6 | 1NSXT03.5C7A | Executive Order # D-182-52 | Front Left | 81753 | 31397 | | D-182-52 |
| | | | | Rear Left | | | 81901 | D-182-52 |
| | | | | Rear Right | | | 81901 | D-182-52 |
| | | | Executive Order # D-182-69 | Rear Left | | | 83501 | D-182-69 |
| | | | | Rear Right | | | 83501 | D-182-69 |
| | | | Includes Front Gasket; Executive Order # D-182-52 | Front Right | 81754 | 31397 | | D-182-52 |
| | | 1NSXT03.5C9A | Executive Order # D-182-52 | Front Left | 81753 | 31397 | | D-182-52 |
| | | | | Rear Left | | | 81901 | D-182-52 |
| | | | | Rear Right | | | 81901 | D-182-52 |
| Executive Order # D-182-69 | Rear Left | | | 83501 | D-182-69 | | | |
| | Rear Right | | | 83501 | D-182-69 | | | |
| 2000 | 3.3L V6 | YNSXT03.325A | Executive Order # D-182-52 | Front Left | 81751 | 31397 | | D-182-52 |
| | | | | Front Right | 81752 | 31397 | | D-182-52 |
| 1999 | 3.3L V6 | XNSXT03.335B | Executive Order # D-182-52 | Rear Left | | | 81901 | D-182-52 |
| | | | | Rear Right | | | 81901 | D-182-52 |
| | | | | Executive Order # D-182-69 | Rear Left | | | 83501 |
| | | | Executive Order # D-182-69 | Rear Right | | | 83501 | D-182-69 |
| | | | | Executive Order # D-182-52 | Front Left | 81751 | 31397 | |
| 1998 | 3.3L V6 | WNSXT03.335A | Executive Order # D-182-52 | Front Right | 81752 | 31397 | | D-182-52 |
| | | | | Rear Left | | | 81901 | D-182-52 |
| Executive Order # D-182-69 | Rear Right | | | 81901 | D-182-52 | | | |
| | Rear Left | | | 83501 | D-182-69 | | | |

OBDII APPLICATIONS

NON-OBDII APPLICATIONS

NUMERICAL

UNIVERSAL SPECIFICATIONS

For vehicles licensed in the state of California or Maine, or vehicles requiring CARB-compliant converters in the state of New York, the parts in this catalog must be installed as specifically listed. Parts cannot be substituted, nor can they be installed on California or Maine licensed vehicles not listed in this catalog.

OBDII PASSENGER CAR & TRUCK

| Years | Engine | Engine Family No. | Application | Position | Direct-Fit | | Universal Part No. | Executive Order |
|---------------------------|---------|-------------------|----------------------------|-------------|--------------|------------------|--------------------|-----------------|
| | | | | | Part No. | Hardware | | |
| NISSAN (Cont.) | | | | | | | | |
| Pathfinder (Cont.) | | | | | | | | |
| 1998 (Cont.) | 3.3L V6 | WNSXT03.335A | Executive Order # D-182-69 | Rear Right | | | 83501 | D-182-69 |
| 1997 | 3.3L V6 | VNS3.328G2EK | Executive Order # D-182-52 | Front Left | 81751 | 31397 | | D-182-52 |
| | | | | Front Right | 81752 | 31397 | | D-182-52 |
| 1996 | 3.3L V6 | TNS3.328G2EK | Executive Order # D-182-52 | Front Left | 81751 | 31397 | | D-182-52 |
| | | | | Front Right | 81752 | 31397 | | D-182-52 |
| Pickup | | | | | | | | |
| 1997 | 2.4L L4 | VNS2.41JGKEK | Executive Order # D-182-45 | | 81979 | 31311 (2) | | D-182-45 |
| | | | Executive Order # D-182-58 | | | | 82536 | D-182-58 |
| | | VNS2.42JGKEK | Executive Order # D-182-47 | | | | 81916 | D-182-47 |
| | | | Executive Order # D-182-69 | | | | 83506 | D-182-69 |
| 1996 | 2.4L L4 | TNS2.41JG1EK | Executive Order # D-182-45 | | 81979 | 31311 (2) | | D-182-45 |
| | | | Executive Order # D-182-58 | | | | 82536 | D-182-58 |
| | | TNS2.42JG1EK | Executive Order # D-182-45 | | 81979 | 31311 (2) | | D-182-45 |
| | | | Executive Order # D-182-58 | | | | 82536 | D-182-58 |
| Quest | | | | | | | | |
| 1998 | 3.0L V6 | WNSXT03.0A4A | Executive Order # D-182-52 | Rear | 81949 | 31311 (2) | | D-182-52 |
| | | | Executive Order # D-182-60 | Front | 81858 | 31397 (2), 31311 | 81811 | D-182-60 |
| | | | | Rear | | | 82701 | D-182-60 |
| 1997 | 3.0L V6 | VNS3.028GKEK | Executive Order # D-182-52 | Rear | 81949 | 31311 (2) | | D-182-52 |
| | | | Executive Order # D-182-60 | Front | 81858 | 31397 (2), 31311 | 81811 | D-182-60 |
| | | | | Rear | | | 82701 | D-182-60 |
| 1996 | 3.0L V6 | TNS3.028GKEK | Executive Order # D-182-52 | Rear | 81949 | 31311 (2) | | D-182-52 |
| | | | Executive Order # D-182-60 | Front | 81858 | 31397 (2), 31311 | 81811 | D-182-60 |
| | | | | Rear | | | 82701 | D-182-60 |
| Sentra | | | | | | | | |
| 2009 | 2.0L L4 | 9NSXV02.0G2A | Executive Order # D-182-63 | Front | | | 83302 | D-182-63 |
| | | | | Rear | | | 83216 | D-182-63 |
| 2008 | 2.0L L4 | 8NSXV02.0G2A | Executive Order # D-182-62 | Front | | | 83103 | D-182-62 |
| | | | | Rear | | | 83205 | D-182-62 |
| 2007 | 2.0L L4 | 7NSXV02.0G2A | Executive Order # D-182-62 | Front | | | 83103 | D-182-62 |
| | | | | Rear | | | 83205 | D-182-62 |
| 2006 | 2.5L L4 | 6NSXV02.5N5A | Executive Order # D-182-53 | Front | 82554 | 31658 | | D-182-53 |
| | | | | Rear | 82659 | 31658, 31540 | | D-182-53 |
| 2005 | 2.5L L4 | 5NSXV02.545A | Executive Order # D-182-53 | Front | 82554 | 31658 | | D-182-53 |
| | | | | Rear | 82659 | 31658, 31540 | | D-182-53 |
| | | 5NSXV02.5N5A | Executive Order # D-182-53 | Front | 82554 | 31658 | | D-182-53 |
| | | | | Rear | 82659 | 31658, 31540 | | D-182-53 |
| 2004 | 2.5L L4 | 4NSXV02.545A | Executive Order # D-182-53 | Front | 82554 | 31658 | | D-182-53 |
| | | | | Rear | 82659 | 31658, 31540 | | D-182-53 |
| | | 4NSXV02.5N5A | Executive Order # D-182-53 | Front | 82554 | 31658 | | D-182-53 |
| | | | | Rear | 82659 | 31658, 31540 | | D-182-53 |
| | | 4NSXV02.5S5A | Executive Order # D-182-53 | Front | 82554 | 31658 | | D-182-53 |
| | | | | Rear | 82659 | 31658, 31540 | | D-182-53 |
| 2003 | 2.5L L4 | 3NSXV02.5C5A | Executive Order # D-182-53 | Front | 82554 | 31658 | | D-182-53 |

For vehicles licensed in the state of California or Maine, or vehicles requiring CARB-compliant converters in the state of New York, the parts in this catalog must be installed as specifically listed. Parts cannot be substituted, nor can they be installed on California or Maine licensed vehicles not listed in this catalog.

OBDII PASSENGER CAR & TRUCK

| Years | Engine | Engine Family No. | Application | Position | Direct-Fit | | Universal Part No. | Executive Order |
|-----------------------|---------|-------------------|----------------------------|------------|--------------|--------------|--------------------|-----------------|
| | | | | | Part No. | Hardware | | |
| NISSAN (Cont.) | | | | | | | | |
| Sentra (Cont.) | | | | | | | | |
| 2003 (Cont.) | 2.5L L4 | 3NSXV02.5C5A | Executive Order # D-182-53 | Rear | 82659 | 31658, 31540 | | D-182-53 |
| | | 3NSXV02.5D5A | Executive Order # D-182-53 | Front | 82554 | 31658 | | D-182-53 |
| | | | | Rear | 82659 | 31658, 31540 | | D-182-53 |
| 2002 | 2.5L L4 | 2NSXV02.5C5A | Executive Order # D-182-53 | Front | 82554 | 31658 | | D-182-53 |
| | | | | Rear | 82659 | 31658, 31540 | | D-182-53 |
| | | 2NSXV02.5D5A | Executive Order # D-182-53 | Front | 82554 | 31658 | | D-182-53 |
| | | | | Rear | 82659 | 31658, 31540 | | D-182-53 |
| 2001 | 2.0L L4 | 1NSXV02.0C3A | Executive Order # D-182-48 | Front | | | 81806 | D-182-48 |
| | | | | Rear | 81665 | 31540, 31578 | 81651 | D-182-48 |
| 2000 | 2.0L L4 | YNSXV02.0C9B | Executive Order # D-182-48 | Front | | | 81806 | D-182-48 |
| | | | | Rear | 81665 | 31540, 31578 | 81651 | D-182-48 |
| 1999 | 2.0L L4 | XNSXV02.0A2A | Executive Order # D-182-57 | | | | 82634 | D-182-57 |
| 1998 | 2.0L L4 | WNSXV02.0A2A | Executive Order # D-182-57 | | | | 82634 | D-182-57 |
| Titan | | | | | | | | |
| 2006 | 5.6L V8 | 6NSXT05.6M9A | Executive Order # D-182-69 | Left | | | 83401 | D-182-69 |
| | | | | Right | | | 83401 | D-182-69 |
| | | | | | | | | |
| | | 6NSXT05.6P9A | Executive Order # D-182-69 | Left | | | 83402 | D-182-69 |
| | | | | Right | | | 83402 | D-182-69 |
| | | | | Front Left | | | 83401 | D-182-69 |
| | | Front Right | | | 83401 | D-182-69 | | |
| 2005 | 5.6L V8 | 5NSXT05.6M9A | Executive Order # D-182-69 | Left | | | 83401 | D-182-69 |
| | | | | Right | | | 83401 | D-182-69 |
| | | | | | | | | |
| | | 5NSXT05.6P9A | Executive Order # D-182-69 | Left | | | 83402 | D-182-69 |
| | | | | Right | | | 83402 | D-182-69 |
| | | | | Front Left | | | 83401 | D-182-69 |
| | | Front Right | | | 83401 | D-182-69 | | |
| 2004 | 5.6L V8 | 4NSXT05.6M9A | Executive Order # D-182-69 | Left | | | 83401 | D-182-69 |
| | | | | Right | | | 83401 | D-182-69 |
| | | | | | | | | |
| | | 4NSXT05.6P9B | Executive Order # D-182-69 | Left | | | 83402 | D-182-69 |
| | | | | Right | | | 83402 | D-182-69 |
| | | | | Front Left | | | 83401 | D-182-69 |
| | | Front Right | | | 83401 | D-182-69 | | |
| Versa | | | | | | | | |
| 2009 | 1.6L L4 | 9NSXV01.6G4A | Executive Order # D-182-62 | Front | | | 83102 | D-182-62 |
| | | | | Rear | | | 83205 | D-182-62 |
| | 1.8L L4 | 9NSXV01.8G1A | Executive Order # D-182-62 | | 83195 | 31364, 31615 | | D-182-62 |
| | | | | Front | | | 83102 | D-182-62 |
| | | Rear | | | 83205 | D-182-62 | | |
| 2008 | 1.8L L4 | 8NSXV01.8G1A | Executive Order # D-182-62 | | 83195 | 31364, 31615 | | D-182-62 |
| | | | | Front | | | 83102 | D-182-62 |
| | | | | Rear | | | 83205 | D-182-62 |
| | | 8NSXV01.8G1B | Executive Order # D-182-62 | | 83195 | 31364, 31615 | | D-182-62 |
| | | | | Front | | | 83102 | D-182-62 |
| | | | | Rear | | | 83205 | D-182-62 |
| 2007 | 1.8L L4 | 7NSXV01.8G1A | Executive Order # D-182-62 | | 83195 | 31364, 31615 | | D-182-62 |

For vehicles licensed in the state of California or Maine, or vehicles requiring CARB-compliant converters in the state of New York, the parts in this catalog must be installed as specifically listed. Parts cannot be substituted, nor can they be installed on California or Maine licensed vehicles not listed in this catalog.

OBDII APPLICATIONS

NON-OBDII APPLICATIONS

NUMERICAL

UNIVERSAL SPECIFICATIONS

OBDII PASSENGER CAR & TRUCK

| Years | Engine | Engine Family No. | Application | Position | Direct-Fit | | Universal Part No. | Executive Order | | |
|----------------------------|---|----------------------------|---|---|---|---|--------------------|-----------------|--------------|----------|
| | | | | | Part No. | Hardware | | | | |
| NISSAN (Cont.) | | | | | | | | | | |
| Versa (Cont.) | | | | | | | | | | |
| 2007 (Cont.) | 1.8L L4 | 7NSXV01.8G1A | Executive Order # D-182-62 | Front | | | 83102 | D-182-62 | | |
| | | | | Rear | | | 83205 | D-182-62 | | |
| Xterra | | | | | | | | | | |
| 2004 | 3.3L V6 | 4NSXT03.3M6B | Does Not Include Manifold.; Executive Order # D-182-52 | Front Left | 81795 | 31559 (2) | | D-182-52 | | |
| | | | | Executive Order # D-182-52 | Front Right | 81794 | 31559 (2) | | D-182-52 | |
| | | | Executive Order # D-182-69 | Rear Left | 81941 | 31559, 31311 | 81901 | D-182-52 | | |
| | | | | Rear Right | 81940 | 31559, 31311 | 81901 | D-182-52 | | |
| | | | Executive Order # D-182-69 | Rear Left | | | 83501 | D-182-69 | | |
| | | | | Rear Right | | | 83501 | D-182-69 | | |
| | | | 4NSXT03.5M7A | Does Not Include Manifold.; Executive Order # D-182-52 | Front Left | 81795 | 31559 (2) | | D-182-52 | |
| | | | | | Executive Order # D-182-52 | Front Right | 81794 | 31559 (2) | | D-182-52 |
| | | Executive Order # D-182-69 | | Rear Left | 81941 | 31559, 31311 | 81901 | D-182-52 | | |
| | | | | Rear Right | 81940 | 31559, 31311 | 81901 | D-182-52 | | |
| | | Executive Order # D-182-69 | | Rear Left | | | 83501 | D-182-69 | | |
| | | | | Rear Right | | | 83501 | D-182-69 | | |
| | | 2003 | 3.3L V6 | 3NSXT03.3C6A | Does Not Include Manifold.; Executive Order # D-182-52 | Front Left | 81795 | 31559 (2) | | D-182-52 |
| | | | | | | Executive Order # D-182-52 | Front Right | 81794 | 31559 (2) | |
| | | | | | Executive Order # D-182-69 | Rear Left | 81941 | 31559, 31311 | 81901 | D-182-52 |
| | | | | | | Rear Right | 81940 | 31559, 31311 | 81901 | D-182-52 |
| Executive Order # D-182-69 | Rear Left | | | | | | 83501 | D-182-69 | | |
| | Rear Right | | | | | 83501 | D-182-69 | | | |
| 2NSXT03.3C5A | Does Not Include Manifold.; Executive Order # D-182-52 | | | Front Left | 81795 | 31559 (2) | | D-182-52 | | |
| | | | | Executive Order # D-182-52 | Front Right | 81794 | 31559 (2) | | D-182-52 | |
| | Executive Order # D-182-69 | | | Rear Left | 81941 | 31559, 31311 | 81901 | D-182-52 | | |
| | | | | Rear Right | 81940 | 31559, 31311 | 81901 | D-182-52 | | |
| | Executive Order # D-182-69 | Rear Left | | | 83501 | D-182-69 | | | | |
| Rear Right | | | | 83501 | D-182-69 | | | | | |
| 2002 | 3.3L V6 | 1NSXT03.3C5A | Does Not Include Manifold.; Executive Order # D-182-52 | Front Left | 81795 | 31559 (2) | | D-182-52 | | |
| | | | | Executive Order # D-182-52 | Front Right | 81794 | 31559 (2) | | D-182-52 | |
| | | | Executive Order # D-182-69 | Rear Left | 81941 | 31559, 31311 | 81901 | D-182-52 | | |
| | | | | Rear Right | 81940 | 31559, 31311 | 81901 | D-182-52 | | |
| | | | Executive Order # D-182-69 | Rear Left | | | 83501 | D-182-69 | | |
| | | | | Rear Right | | | 83501 | D-182-69 | | |
| | | | 1NSXT03.5C9A | Does Not Include Manifold.; Executive Order # D-182-52 | Front Left | 81795 | 31559 (2) | | D-182-52 | |
| | | Executive Order # D-182-52 | | | Front Right | 81794 | 31559 (2) | | D-182-52 | |
| | | Executive Order # D-182-69 | | Rear Left | 81941 | 31559, 31311 | 81901 | D-182-52 | | |
| | | | | Rear Right | 81940 | 31559, 31311 | 81901 | D-182-52 | | |
| | | Executive Order # D-182-69 | | Rear Left | | | 83501 | D-182-69 | | |
| | | | | Rear Right | | | 83501 | D-182-69 | | |
| | | 2001 | | 3.3L V6 | 1NSXT03.3C5A | Does Not Include Manifold.; Executive Order # D-182-52 | Front Left | 81795 | 31559 (2) | |
| | | | Executive Order # D-182-52 | | | | Front Right | 81794 | 31559 (2) | |
| 2000 | 3.3L V6 | YNSXT03.335A | Does Not Include Manifold.; Executive Order # D-182-52 | Front Left | 81795 | 31559 (2) | | D-182-52 | | |

For vehicles licensed in the state of California or Maine, or vehicles requiring CARB-compliant converters in the state of New York, the parts in this catalog must be installed as specifically listed. Parts cannot be substituted, nor can they be installed on California or Maine licensed vehicles not listed in this catalog.

OBDII PASSENGER CAR & TRUCK

| Years | Engine | Engine Family No. | Application | Position | Direct-Fit | | Universal Part No. | Executive Order | |
|-----------------------|---------|----------------------------|----------------------------|----------------------------|--------------|--------------|--------------------|-----------------|----------|
| | | | | | Part No. | Hardware | | | |
| NISSAN (Cont.) | | | | | | | | | |
| Xterra (Cont.) | | | | | | | | | |
| 2000 (Cont.) | 3.3L V6 | YNSXT03.335A | Executive Order # D-182-52 | Front Right | 81794 | 31559 (2) | | D-182-52 | |
| | | | | Rear Left | 81941 | 31559, 31311 | 81901 | D-182-52 | |
| | | | | Rear Right | 81940 | 31559, 31311 | 81901 | D-182-52 | |
| | | | Executive Order # D-182-69 | Rear Left | | | 83501 | D-182-69 | |
| | | | | Rear Right | | | 83501 | D-182-69 | |
| OLDSMOBILE | | | | | | | | | |
| 88 | | | | | | | | | |
| 1999 | 3.8L V6 | XGMXV03.8048 | Executive Order # D-182-45 | | 81967 | 31587 | | D-182-45 | |
| | | | | | | | 82637 | D-182-57 | |
| | | | Executive Order # D-182-57 | XGMXV03.8049 | | | | 82637 | D-182-57 |
| | | | | XGMXV03.8052 | | | | 81507 | D-182-43 |
| 1998 | 3.8L V6 | WGMXV03.8048 | Executive Order # D-182-45 | | 81967 | 31587 | | D-182-45 | |
| | | | | | | | 82637 | D-182-57 | |
| | | Executive Order # D-182-57 | WGMXV03.8051 | Executive Order # D-182-43 | | | 81507 | D-182-43 | |
| | | | | Executive Order # D-182-45 | 81967 | 31587 | | D-182-45 | |
| 1997 | 3.8L V6 | VGM3.8V8G1FK | Executive Order # D-182-43 | | | | 81507 | D-182-43 | |
| | | | | Executive Order # D-182-45 | 81967 | 31587 | | D-182-45 | |
| | | Executive Order # D-182-57 | VGM3.8V8G2EK | Executive Order # D-182-45 | 81967 | 31587 | | D-182-45 | |
| | | | | Executive Order # D-182-43 | | | 81507 | D-182-43 | |
| 1996 | 3.8L V6 | TGM3.8V8GFFK | Executive Order # D-182-43 | | | | 81506 | D-182-43 | |
| | | | | Executive Order # D-182-43 | | | 81506 | D-182-43 | |
| 98 | | | | | | | | | |
| 1996 | 3.8L V6 | TGM3.8V8GKEK | Executive Order # D-182-43 | | | | 81506 | D-182-43 | |
| Achieva | | | | | | | | | |
| 1998 | 2.4L L4 | WGMXV02.4025 | Executive Order # D-182-58 | | | | 82505 | D-182-58 | |
| | | | | | | | 82603 | D-182-57 | |
| | 3.1L V6 | WGMXV03.1042 | Executive Order # D-182-45 | | 81757 | 31602, 31369 | | D-182-45 | |
| | | | | Executive Order # D-182-58 | | | 82505 | D-182-58 | |
| 1997 | 2.4L L4 | VGM2.4VJG1EK | Executive Order # D-182-58 | | | | 82505 | D-182-58 | |
| | | | | Executive Order # D-182-57 | | | 82603 | D-182-57 | |
| | 3.1L V6 | VGM3.1V8G1EK | Executive Order # D-182-58 | | | 82505 | D-182-58 | | |
| 1996 | 2.4L L4 | TGM2.4VJG2EK | Executive Order # D-182-57 | | | | 82603 | D-182-57 | |
| | | | | Executive Order # D-182-58 | | | 82505 | D-182-58 | |
| | 3.1L V6 | TGM3.1V8GFEK | Executive Order # D-182-58 | | | 82508 | D-182-58 | | |
| Alero | | | | | | | | | |
| 2004 | 2.2L L4 | 4GMXV02.2025 | Executive Order # D-182-57 | | | | 82604 | D-182-57 | |
| 2003 | 2.2L L4 | 3GMXV02.2025 | Executive Order # D-182-45 | | 81773 | 31643, 31369 | | D-182-45 | |
| | | | | Executive Order # D-182-57 | | | 82604 | D-182-57 | |
| | 3.4L V6 | 3GMXV03.8044 | Executive Order # D-182-57 | | | | 82604 | D-182-57 | |
| 2002 | 2.2L L4 | 2GMXV02.4022 | Executive Order # D-182-45 | | 81773 | 31643, 31369 | | D-182-45 | |
| | | | | Executive Order # D-182-57 | | | 82604 | D-182-57 | |
| | 3.4L V6 | 2GMXV03.8043 | Executive Order # D-182-45 | | 81757 | 31602, 31369 | | D-182-45 | |
| | | | | Executive Order # D-182-57 | | | 82604 | D-182-57 | |

For vehicles licensed in the state of California or Maine, or vehicles requiring CARB-compliant converters in the state of New York, the parts in this catalog must be installed as specifically listed. Parts cannot be substituted, nor can they be installed on California or Maine licensed vehicles not listed in this catalog.

OBDII APPLICATIONS

NON-OBDII APPLICATIONS

NUMERICAL

UNIVERSAL SPECIFICATIONS

OBDII PASSENGER CAR & TRUCK

| Years | Engine | Engine Family No. | Application | Position | Direct-Fit | | Universal Part No. | Executive Order |
|-------|--------|-------------------|-------------|----------|------------|----------|--------------------|-----------------|
| | | | | | Part No. | Hardware | | |

OLDSMOBILE (Cont.)

Alero (Cont.)

| | | | | | | | | |
|------|---------|----------------------------|----------------------------|--|--------------|--------------|--------------|----------|
| 2001 | 2.4L L4 | 1GMXV02.4022 | Executive Order # D-182-45 | | 81763 | 31629, 31369 | | D-182-45 |
| | | | Executive Order # D-182-57 | | | | 82603 | D-182-57 |
| | 3.4L V6 | 1GMXV03.8043 | Executive Order # D-182-45 | | 81757 | 31602, 31369 | | D-182-45 |
| | | | Executive Order # D-182-57 | | | | 82604 | D-182-57 |
| 2000 | 2.4L L4 | YGMXV02.4022 | Executive Order # D-182-45 | | 81763 | 31629, 31369 | | D-182-45 |
| | | | Executive Order # D-182-57 | | | | 82603 | D-182-57 |
| | 3.4L V6 | YGMXV03.8043 | Executive Order # D-182-45 | | 81757 | 31602, 31369 | | D-182-45 |
| | | | Executive Order # D-182-57 | | | | 82604 | D-182-57 |
| 1999 | 2.4L L4 | XGMXV02.4025 | Executive Order # D-182-57 | | | | 82603 | D-182-57 |
| | | XGMXV02.4027 | Executive Order # D-182-45 | | 81763 | 31629, 31369 | | D-182-45 |
| | | Executive Order # D-182-57 | | | | | 82603 | D-182-57 |
| | 3.4L V6 | XGMXV03.4042 | Executive Order # D-182-45 | | 81757 | 31602, 31369 | | D-182-45 |
| | | | Executive Order # D-182-57 | | | | 82604 | D-182-57 |

Aurora

| | | | | | | | | |
|------|---------|--------------|----------------------------|--|--|--|--------------|----------|
| 2003 | 4.0L V8 | 3GMXV04.6065 | Executive Order # D-182-57 | | | | 82637 | D-182-57 |
| 2002 | 3.5L V6 | 2GMXV03.8043 | Executive Order # D-182-57 | | | | 82637 | D-182-57 |
| | 4.0L V8 | 2GMXV04.6065 | Executive Order # D-182-57 | | | | 82637 | D-182-57 |
| 2001 | 3.5L V6 | 1GMXV03.5064 | Executive Order # D-182-57 | | | | 82637 | D-182-57 |
| | | 1GMXV03.5065 | Executive Order # D-182-57 | | | | 82637 | D-182-57 |
| | 4.0L V8 | 1GMXV04.6065 | Executive Order # D-182-57 | | | | 82637 | D-182-57 |
| 1999 | 4.0L V8 | XGMXV04.6068 | Executive Order # D-182-43 | | | | 81507 | D-182-43 |
| 1998 | 4.0L V8 | WGMXV04.6066 | Executive Order # D-182-43 | | | | 81507 | D-182-43 |
| 1997 | 4.0L V8 | VGM4.6VJG1EK | Executive Order # D-182-43 | | | | 81507 | D-182-43 |
| 1996 | 4.0L V8 | TGM4.6VJGFEL | Executive Order # D-182-43 | | | | 81507 | D-182-43 |

Bravada

| | | | | | | | | |
|------|---------|--------------|---|-------|--------------|------------------|--------------|----------|
| 2003 | 4.2L L6 | 3GMXT04.2185 | Executive Order # D-182-51 | | 82352 | 31657 | 82303 | D-182-51 |
| | | | Executive Order # D-182-69 | | | | 83403 | D-182-69 |
| 2002 | 4.2L L6 | 2GMXT04.2185 | Executive Order # D-182-51 | | 82352 | 31657 | 82303 | D-182-51 |
| | | | Executive Order # D-182-69 | | | | 83403 | D-182-69 |
| 2001 | 4.3L V6 | 1GMXT04.3187 | 4 Door; AWD; Executive Order # D-182-52 | | 81943 | 31588 (2), 31574 | | D-182-52 |
| | | | Executive Order # D-182-52 | Front | | | 81723 | D-182-52 |
| | | | | Rear | | | 81923 | D-182-52 |
| | | | Executive Order # D-182-69 | Front | | | 83403 | D-182-69 |
| | | | Rear | | | 83508 | D-182-69 | |
| 2000 | 4.3L V6 | YGMXT04.3188 | 4 Door; AWD; Executive Order # D-182-52 | | 81943 | 31588 (2), 31574 | | D-182-52 |
| | | | Executive Order # D-182-52 | Front | | | 81723 | D-182-52 |
| | | | | Rear | | | 81923 | D-182-52 |
| | | | Executive Order # D-182-69 | Front | | | 83403 | D-182-69 |
| | | | Rear | | | 83508 | D-182-69 | |
| 1998 | 4.3L V6 | WGMXT04.3185 | Executive Order # D-182-52 | Front | | | 81723 | D-182-52 |
| | | | | Rear | | | 81923 | D-182-52 |
| | | | Executive Order # D-182-69 | Front | | | 83403 | D-182-69 |
| | | | | Rear | | | 83508 | D-182-69 |

For vehicles licensed in the state of California or Maine, or vehicles requiring CARB-compliant converters in the state of New York, the parts in this catalog must be installed as specifically listed. Parts cannot be substituted, nor can they be installed on California or Maine licensed vehicles not listed in this catalog.

OBDII PASSENGER CAR & TRUCK

| Years | Engine | Engine Family No. | Application | Position | Direct-Fit | | Universal Part No. | Executive Order | |
|---------------------------|----------------------------|-------------------|----------------------------|--------------|----------------------------|--------------|--------------------|-----------------|----------|
| | | | | | Part No. | Hardware | | | |
| OLDSMOBILE (Cont.) | | | | | | | | | |
| Bravada (Cont.) | | | | | | | | | |
| 1997 | 4.3L V6 | VGM4.32PG1EK | Executive Order # D-182-47 | | | | 81919 | D-182-47 | |
| | | | Executive Order # D-182-52 | | 81963 | 31589, 31571 | | D-182-52 | |
| | | | Executive Order # D-182-69 | | | | 83509 | D-182-69 | |
| 1996 | 4.3L V6 | TGM4.32PGKEK | Executive Order # D-182-47 | | | | 81919 | D-182-47 | |
| | | | Executive Order # D-182-52 | | 81963 | 31589, 31571 | | D-182-52 | |
| | | | Executive Order # D-182-69 | | | | 83509 | D-182-69 | |
| Cutlass | | | | | | | | | |
| 1999 | 3.1L V6 | XGMXV03.1043 | Executive Order # D-182-45 | | 81757 | 31602, 31369 | | D-182-45 | |
| | | | Executive Order # D-182-57 | | | | 82604 | D-182-57 | |
| 1998 | 3.1L V6 | WGMXV03.1043 | Executive Order # D-182-45 | | 81757 | 31602, 31369 | | D-182-45 | |
| | | | Executive Order # D-182-58 | | | | 82505 | D-182-58 | |
| | | WGMXV03.1044 | Executive Order # D-182-45 | | 81757 | 31602, 31369 | | D-182-45 | |
| | | | Executive Order # D-182-57 | | | | 82604 | D-182-57 | |
| 1997 | 3.1L V6 | VGM3.1V8G1EK | Executive Order # D-182-45 | | 81757 | 31602, 31369 | | D-182-45 | |
| | | | Executive Order # D-182-58 | | | | 82505 | D-182-58 | |
| Cutlass Ciera | | | | | | | | | |
| 1996 | 2.2L L4 | TGM2.2V8GKEK | Executive Order # D-182-58 | | | | 82526 | D-182-58 | |
| | 3.1L V6 | TGM3.1V8GFEK | Executive Order # D-182-58 | | | | 82508 | D-182-58 | |
| Intrigue | | | | | | | | | |
| 2002 | 3.5L V6 | 2GMXV03.8043 | Executive Order # D-182-57 | | | | 82618 | D-182-57 | |
| 2001 | 3.5L V6 | 1GMXV03.5065 | Executive Order # D-182-57 | | | | 82618 | D-182-57 | |
| 2000 | 3.5L V6 | YGMXV03.5064 | Executive Order # D-182-57 | | | | 82618 | D-182-57 | |
| 1999 | 3.5L V6 | XGMXV03.5064 | Executive Order # D-182-57 | | | | 82618 | D-182-57 | |
| | | | 3.8L V6 | XGMXV03.8048 | Executive Order # D-182-45 | 81758 | 31605, 31578 | | D-182-45 |
| | | | | | Executive Order # D-182-57 | | | 82618 | D-182-57 |
| XGMXV03.8049 | Executive Order # D-182-57 | | | 82618 | D-182-57 | | | | |
| 1998 | 3.8L V6 | WGMXV03.8048 | Executive Order # D-182-45 | | 81758 | 31605, 31578 | | D-182-45 | |
| | | | Executive Order # D-182-57 | | | | 82618 | D-182-57 | |
| LSS | | | | | | | | | |
| 1999 | 3.8L V6 | XGMXV03.8048 | Executive Order # D-182-45 | | 81967 | 31587 | | D-182-45 | |
| | | | Executive Order # D-182-57 | | | | 82637 | D-182-57 | |
| | | XGMXV03.8049 | Executive Order # D-182-57 | | | 82637 | D-182-57 | | |
| | | XGMXV03.8052 | Executive Order # D-182-43 | | | 81507 | D-182-43 | | |
| 1998 | 3.8L V6 | WGMXV03.8048 | Executive Order # D-182-57 | | | | 82637 | D-182-57 | |
| | | | Executive Order # D-182-43 | | | 81507 | D-182-43 | | |
| | | WGMXV03.8051 | Executive Order # D-182-45 | 81967 | 31587 | | D-182-45 | | |
| 1997 | 3.8L V6 | VGM3.8V8G1FK | Executive Order # D-182-43 | | | | 81507 | D-182-43 | |
| | | | Executive Order # D-182-45 | 81967 | 31587 | | D-182-45 | | |
| | | VGM3.8V8G2EK | Executive Order # D-182-45 | 81967 | 31587 | | D-182-45 | | |
| | | | Executive Order # D-182-57 | | | 82637 | D-182-57 | | |
| VGM3.8V8GKEK | Executive Order # D-182-43 | | | 81507 | D-182-43 | | | | |
| 1996 | 3.8L V6 | TGM3.8V8GFFK | Executive Order # D-182-43 | | | | 81506 | D-182-43 | |
| | | TGM3.8V8GKEK | Executive Order # D-182-43 | | | | 81506 | D-182-43 | |

For vehicles licensed in the state of California or Maine, or vehicles requiring CARB-compliant converters in the state of New York, the parts in this catalog must be installed as specifically listed. Parts cannot be substituted, nor can they be installed on California or Maine licensed vehicles not listed in this catalog.

OBDII APPLICATIONS

NON-OBDII APPLICATIONS

NUMERICAL

UNIVERSAL SPECIFICATIONS

OBDII PASSENGER CAR & TRUCK

| Years | Engine | Engine Family No. | Application | Position | Direct-Fit | | Universal Part No. | Executive Order |
|-------|--------|-------------------|-------------|----------|------------|----------|--------------------|-----------------|
| | | | | | Part No. | Hardware | | |

OLDSMOBILE (Cont.)

Regency

| | | | | | | | | |
|------|---------|--------------|----------------------------|--|--------------|-------|--------------|----------|
| 1998 | 3.8L V6 | WGMXV03.8048 | Executive Order # D-182-45 | | 81967 | 31587 | | D-182-45 |
| | | | Executive Order # D-182-57 | | | | 82637 | D-182-57 |
| | | WGMXV03.8051 | Executive Order # D-182-43 | | | | 81507 | D-182-43 |
| | | | Executive Order # D-182-45 | | 81967 | 31587 | | D-182-45 |
| 1997 | 3.8L V6 | VGM3.8V8G1FK | Executive Order # D-182-43 | | | | 81507 | D-182-43 |
| | | | Executive Order # D-182-45 | | 81967 | 31587 | | D-182-45 |
| | | VGM3.8V8G2EK | Executive Order # D-182-45 | | 81967 | 31587 | | D-182-45 |
| | | | Executive Order # D-182-57 | | | | 82637 | D-182-57 |
| | | | Executive Order # D-182-57 | | | | 82637 | D-182-57 |

Silhouette

| | | | | | | | | |
|------|---------|--------------|------------------------------------|--|--------------|--------------|--------------|----------|
| 2004 | 3.4L V6 | 4GMXT03.6143 | Executive Order # D-182-69 | | | | 83408 | D-182-69 |
| 2003 | 3.4L V6 | 3GMXT03.4141 | Executive Order # D-182-47 | | | | 81712 | D-182-47 |
| | | | Executive Order # D-182-69 | | | | 83408 | D-182-69 |
| 2000 | 3.4L V6 | YGMXT03.4142 | Executive Order # D-182-47 | | | | 81918 | D-182-47 |
| | | | Executive Order # D-182-52 | | 81953 | 31602, 31532 | | D-182-52 |
| | | | Executive Order # D-182-69 | | | | 83508 | D-182-69 |
| 1999 | 3.4L V6 | XGMXT03.4142 | Executive Order # D-182-47 | | | | 81918 | D-182-47 |
| | | | Executive Order # D-182-52 | | 81953 | 31602, 31532 | | D-182-52 |
| | | | Executive Order # D-182-69 | | | | 83508 | D-182-69 |
| 1998 | 3.4L V6 | WGMXT03.4142 | Executive Order # D-182-47 | | | | 81918 | D-182-47 |
| | | | Executive Order # D-182-52 | | 81953 | 31602, 31532 | | D-182-52 |
| | | | Executive Order # D-182-69 | | | | 83508 | D-182-69 |
| 1997 | 3.4L V6 | TGM3.428GFEK | 3 Door; Executive Order # D-182-69 | | | | 83508 | D-182-69 |
| | | VGM3.428G2EK | Executive Order # D-182-47 | | | | 81918 | D-182-47 |
| | | | Executive Order # D-182-52 | | 81953 | 31602, 31532 | | D-182-52 |
| 1996 | 3.4L V6 | TGM3.428GFEK | Executive Order # D-182-47 | | | | 81918 | D-182-47 |
| | | | Executive Order # D-182-69 | | | | 83508 | D-182-69 |

PLYMOUTH

Breeze

| | | | | | | | | | |
|------|---------|--------------|----------------------------|----------------------------|--------------|--------------|--------------|--------------|----------|
| 2000 | 2.0L L4 | YCRXV0122V31 | Executive Order # D-182-57 | | 82682 | 31597 | 82629 | D-182-57 | |
| | | | YCRXV02.0VB1 | Executive Order # D-182-57 | | 82682 | 31597 | | D-182-57 |
| | | | | Executive Order # D-182-58 | | | | 82529 | D-182-58 |
| | 2.4L L4 | YCRXV0148V30 | Executive Order # D-182-57 | | | | 82629 | D-182-57 | |
| 1999 | 2.0L L4 | XCRXV0122V30 | Executive Order # D-182-57 | | 82682 | 31597 | 82629 | D-182-57 | |
| | | | XCRXV02.0VB1 | Executive Order # D-182-57 | | 82682 | 31597 | | D-182-57 |
| | | | | Executive Order # D-182-58 | | | | 82529 | D-182-58 |
| | 2.4L L4 | XCRXV0148V30 | Executive Order # D-182-45 | | 81968 | 31597 | | D-182-45 | |
| | | | Executive Order # D-182-57 | | | | 82629 | D-182-57 | |
| 1998 | 2.0L L4 | WCRXV0122V30 | Executive Order # D-182-57 | | 82682 | 31597 | 82629 | D-182-57 | |
| | | | WCRXV02.0VB1 | Executive Order # D-182-57 | | 82682 | 31597 | | D-182-57 |
| | | | | Executive Order # D-182-58 | | | | 82529 | D-182-58 |
| | 2.4L L4 | WCRXV0148V20 | Executive Order # D-182-45 | | 81968 | 31597 | | D-182-45 | |
| | | | Executive Order # D-182-57 | | | | 82629 | D-182-57 | |
| 1997 | 2.0L L4 | VCR122VJG1EK | Executive Order # D-182-58 | | | | 82529 | D-182-58 | |

For vehicles licensed in the state of California or Maine, or vehicles requiring CARB-compliant converters in the state of New York, the parts in this catalog must be installed as specifically listed. Parts cannot be substituted, nor can they be installed on California or Maine licensed vehicles not listed in this catalog.

OBDII PASSENGER CAR & TRUCK

| Years | Engine | Engine Family No. | Application | Position | Direct-Fit | | Universal Part No. | Executive Order |
|----------------------------|--------------|----------------------------|--|--------------|--------------|--------------|--------------------|-----------------|
| | | | | | Part No. | Hardware | | |
| PLYMOUTH (Cont.) | | | | | | | | |
| Breeze (Cont.) | | | | | | | | |
| 1997 (Cont.) | 2.4L L4 | VCR148VJG1EK | Executive Order # D-182-45 | | 81968 | 31597 | | D-182-45 |
| | | | Executive Order # D-182-58 | | | | 82529 | D-182-58 |
| 1996 | 2.0L L4 | TCR122VJG1EK | Executive Order # D-182-58 | | | | 82529 | D-182-58 |
| Grand Voyager | | | | | | | | |
| 2000 | 3.3L V6 | YCRXT0201230 | Executive Order # D-182-51 | | 82356 | 31597 | 82311 | D-182-51 |
| | | | Executive Order # D-182-69 | | | | 83510 | D-182-69 |
| 1997 | 2.4L L4 | VCR14828G1EK | Executive Order # D-182-42 | | | | 81502 | D-182-42 |
| | | | Executive Order # D-182-51 | | 82355 | 31597 | | D-182-51 |
| | | | Executive Order # D-182-69 | | | | 83518 | D-182-69 |
| | 3.3L V6 | VCR20128G2FL | Executive Order # D-182-51 | | 82356 | 31597 | 82311 | D-182-51 |
| | | | Executive Order # D-182-69 | | | | 83510 | D-182-69 |
| 1996 | 2.4L L4 | TCR2.428GFEK | Executive Order # D-182-42 | | | | 81502 | D-182-42 |
| | | | Executive Order # D-182-51 | | 82355 | 31597 | | D-182-51 |
| | | | Executive Order # D-182-69 | | | | 83518 | D-182-69 |
| | 3.0L V6 | TCR18128G1EK | Executive Order # D-182-42 | | | | 81502 | D-182-42 |
| | | | Executive Order # D-182-69 | | | | 83518 | D-182-69 |
| | 3.3L V6 | TCR20128G2FL | Executive Order # D-182-51 | | 82356 | 31597 | 82311 | D-182-51 |
| Executive Order # D-182-69 | | | | | | 83510 | D-182-69 | |
| 3.8L V6 | TCR23228G1EK | Executive Order # D-182-42 | | | | 81502 | D-182-42 | |
| | | Executive Order # D-182-51 | | 82356 | 31597 | | D-182-51 | |
| Neon | | | | | | | | |
| 2001 | 2.0L L4 | 1CRXV02.OVD0 | Executive Order # D-182-57 | | | | 82640 | D-182-57 |
| | | | SOHC; After 10-00; Executive Order # D-182-57 | | 82678 | 31597 | | D-182-57 |
| | | | SOHC; Before 10-00; Executive Order # D-182-57 | | 82677 | 31597 | | D-182-57 |
| 2000 | 2.0L L4 | YCRXV0122V30 | Executive Order # D-182-57 | | 82677 | 31597 | 82640 | D-182-57 |
| | | YCRXV0122V40 | Executive Order # D-182-57 | | | | 82640 | D-182-57 |
| 1999 | 2.0L L4 | XCRXV0122V30 | Executive Order # D-182-57 | | | | 82640 | D-182-57 |
| | | XCRXV02.OVB0 | Executive Order # D-182-45 | | 81969 | 31531 | | D-182-45 |
| | | | Executive Order # D-182-58 | | | | 82536 | D-182-58 |
| | | XCRXV02.OVB2 | Executive Order # D-182-45 | | 81969 | 31531 | | D-182-45 |
| Executive Order # D-182-58 | | | | | 82536 | D-182-58 | | |
| 1998 | 2.0L L4 | WCRXV0122V30 | Executive Order # D-182-57 | | | | 82640 | D-182-57 |
| | | WCRXV02.OVB0 | Executive Order # D-182-58 | | | | 82536 | D-182-58 |
| | | WCRXV02.OVB2 | Executive Order # D-182-45 | | 81969 | 31531 | | D-182-45 |
| Executive Order # D-182-58 | | | | | 82536 | D-182-58 | | |
| 1997 | 2.0L L4 | VCR122VJG1EK | Executive Order # D-182-45 | | 81969 | 31531 | | D-182-45 |
| | | | Executive Order # D-182-58 | | | | 82536 | D-182-58 |
| | | VCR122VJG1EL | Executive Order # D-182-45 | | 81969 | 31531 | | D-182-45 |
| | | | Executive Order # D-182-58 | | | | 82536 | D-182-58 |
| | | VCR122VJG2EK | Executive Order # D-182-45 | | 81969 | 31531 | | D-182-45 |
| Executive Order # D-182-57 | | | | | 82633 | D-182-57 | | |
| 1996 | 2.0L L4 | TCR122VJG1EK | Executive Order # D-182-45 | | 81969 | 31531 | | D-182-45 |
| | | | Executive Order # D-182-58 | | | | 82536 | D-182-58 |

OBDII APPLICATIONS

NON-OBDII APPLICATIONS

NUMERICAL

UNIVERSAL SPECIFICATIONS

For vehicles licensed in the state of California or Maine, or vehicles requiring CARB-compliant converters in the state of New York, the parts in this catalog must be installed as specifically listed. Parts cannot be substituted, nor can they be installed on California or Maine licensed vehicles not listed in this catalog.

OBDII PASSENGER CAR & TRUCK

| Years | Engine | Engine Family No. | Application | Position | Direct-Fit | | Universal Part No. | Executive Order |
|----------------------------|---------|-------------------|----------------------------|----------|--------------|--------------|--------------------|-----------------|
| | | | | | Part No. | Hardware | | |
| PLYMOUTH (Cont.) | | | | | | | | |
| Neon (Cont.) | | | | | | | | |
| 1996 (Cont.) | 2.0L L4 | TCR122VJG2EK | Executive Order # D-182-45 | | 81969 | 31531 | | D-182-45 |
| | | | Executive Order # D-182-57 | | | | 82633 | D-182-57 |
| | | TCR2.0VJGFEL | Executive Order # D-182-45 | | 81969 | 31531 | | D-182-45 |
| | | | Executive Order # D-182-58 | | | | 82536 | D-182-58 |
| 1995 | 2.0L L4 | SCR122VJG2EK | Executive Order # D-182-45 | | 81969 | 31531 | | D-182-45 |
| | | | Executive Order # D-182-57 | | | | 82633 | D-182-57 |
| | | SCR2.0VJGFEL | Executive Order # D-182-45 | | 81969 | 31531 | | D-182-45 |
| | | | Executive Order # D-182-58 | | | | 82536 | D-182-58 |
| | | SCR2.0VJGFEL | Executive Order # D-182-45 | | 81969 | 31531 | | D-182-45 |
| | | | Executive Order # D-182-58 | | | | 82536 | D-182-58 |
| Prowler | | | | | | | | |
| 2001 | 3.5L V6 | 1CRXV03.5VB0 | Executive Order # D-182-58 | Left | | | 82505 | D-182-58 |
| | | | | Right | | | 82505 | D-182-58 |
| 2000 | 3.5L V6 | YCRXV03.5VB0 | Executive Order # D-182-58 | Left | | | 82505 | D-182-58 |
| | | | | Right | | | 82505 | D-182-58 |
| 1999 | 3.5L V6 | XCRXV03.5VB0 | Executive Order # D-182-58 | Left | | | 82505 | D-182-58 |
| | | | | Right | | | 82505 | D-182-58 |
| 1997 | 3.5L V6 | VCR3.5VJGKEL | Executive Order # D-182-58 | Left | | | 82505 | D-182-58 |
| | | | | Right | | | 82505 | D-182-58 |
| Voyager | | | | | | | | |
| 2000 | 2.4L L4 | YCRXT0148230 | Executive Order # D-182-51 | | 82355 | 31597 | 82311 | D-182-51 |
| | | | Executive Order # D-182-69 | | | | 83510 | D-182-69 |
| | 3.3L V6 | YCRXT0201230 | Executive Order # D-182-69 | | | | 83510 | D-182-69 |
| 1999 | 2.4L L4 | XCRXT0148230 | Executive Order # D-182-51 | | 82355 | 31597 | 82311 | D-182-51 |
| | | | Executive Order # D-182-69 | | | | 83510 | D-182-69 |
| | 3.3L V6 | XCRXT0201230 | Executive Order # D-182-51 | | 82356 | 31597 | 82311 | D-182-51 |
| | | | Executive Order # D-182-69 | | | | 83510 | D-182-69 |
| 1998 | 2.4L L4 | WCRXT02.42B0 | Executive Order # D-182-42 | | | | 81502 | D-182-42 |
| | | | Executive Order # D-182-51 | | 82355 | 31597 | | D-182-51 |
| | | | Executive Order # D-182-69 | | | | 83518 | D-182-69 |
| | 3.3L V6 | WCRXT0201230 | Executive Order # D-182-51 | | 82356 | 31597 | 82311 | D-182-51 |
| | | | Executive Order # D-182-69 | | | | 83510 | D-182-69 |
| 1997 | 2.4L L4 | VCR14828G1EK | Executive Order # D-182-42 | | | | 81502 | D-182-42 |
| | | | Executive Order # D-182-51 | | 82355 | 31597 | | D-182-51 |
| | | | Executive Order # D-182-69 | | | | 83518 | D-182-69 |
| | 3.3L V6 | VCR20128G2FL | Executive Order # D-182-51 | | 82356 | 31597 | 82311 | D-182-51 |
| | | | Executive Order # D-182-69 | | | | 83510 | D-182-69 |
| 1996 | 2.4L L4 | TCR2.428GFEK | Executive Order # D-182-42 | | | | 81502 | D-182-42 |
| | | | Executive Order # D-182-51 | | 82355 | 31597 | | D-182-51 |
| | | | Executive Order # D-182-69 | | | | 83518 | D-182-69 |
| | 3.0L V6 | TCR18128G1EK | Executive Order # D-182-42 | | | | 81502 | D-182-42 |
| | | | Executive Order # D-182-69 | | | | 83518 | D-182-69 |
| | 3.3L V6 | TCR20128G2FL | Executive Order # D-182-51 | | 82356 | 31597 | 82311 | D-182-51 |
| Executive Order # D-182-69 | | | | | | 83510 | D-182-69 | |
| | | TCR23228G1EK | Executive Order # D-182-42 | | | | 81502 | D-182-42 |

For vehicles licensed in the state of California or Maine, or vehicles requiring CARB-compliant converters in the state of New York, the parts in this catalog must be installed as specifically listed. Parts cannot be substituted, nor can they be installed on California or Maine licensed vehicles not listed in this catalog.

OBDII PASSENGER CAR & TRUCK

| Years | Engine | Engine Family No. | Application | Position | Direct-Fit | | Universal Part No. | Executive Order |
|-------------------------|---------|-------------------|---------------------------------|----------------------------|----------------------------|--------------|--------------------|-----------------|
| | | | | | Part No. | Hardware | | |
| PLYMOUTH (Cont.) | | | | | | | | |
| Voyager (Cont.) | | | | | | | | |
| 1996 (Cont.) | 3.3L V6 | TCR23228G1EK | Executive Order # D-182-51 | | 82356 | 31597 | | D-182-51 |
| | | | Executive Order # D-182-69 | | | | 83518 | D-182-69 |
| PONTIAC | | | | | | | | |
| Aztek | | | | | | | | |
| 2005 | 3.4L V6 | 5GMXT03.6143 | Executive Order # D-182-69 | | | | 83408 | D-182-69 |
| 2004 | 3.4L V6 | 4GMXT03.6143 | Executive Order # D-182-69 | | | | 83408 | D-182-69 |
| 2003 | 3.4L V6 | 3GMXT03.4141 | Executive Order # D-182-47 | | | | 81712 | D-182-47 |
| | | | Executive Order # D-182-69 | | | | 83408 | D-182-69 |
| | | | FWD; Executive Order # D-182-52 | | 81772 | 31602, 31532 | | D-182-52 |
| Bonneville | | | | | | | | |
| 2004 | 3.8L V6 | 4GMXV03.8041 | Executive Order # D-182-57 | | | | 82637 | D-182-57 |
| 2003 | 3.8L V6 | 3GMXV03.8044 | Executive Order # D-182-57 | | | | 82637 | D-182-57 |
| 2002 | 3.8L V6 | 2GMXV03.8043 | Executive Order # D-182-45 | | 81982 | 31587 | | D-182-45 |
| | | | Executive Order # D-182-57 | | | | 82637 | D-182-57 |
| | | 2GMXV03.8044 | Executive Order # D-182-67 | | 82999 | 31587 | 82917 | D-182-67 |
| 2001 | 3.8L V6 | 1GMXV03.8043 | Executive Order # D-182-45 | | 81982 | 31587 | | D-182-45 |
| | | | Executive Order # D-182-57 | | | | 82637 | D-182-57 |
| | | 1GMXV03.8044 | Executive Order # D-182-67 | | 82999 | 31587 | 82917 | D-182-67 |
| 2000 | 3.8L V6 | YGMXV03.8043 | Executive Order # D-182-45 | | 81982 | 31587 | | D-182-45 |
| | | | Executive Order # D-182-57 | | | | 82637 | D-182-57 |
| | | YGMXV03.8044 | Executive Order # D-182-67 | | 82999 | 31587 | 82917 | D-182-67 |
| | | YGMXV03.8901 | Executive Order # D-182-67 | | 82999 | 31587 | 82917 | D-182-67 |
| 1999 | 3.8L V6 | XGMXV03.8048 | Executive Order # D-182-45 | | 81967 | 31587 | | D-182-45 |
| | | | Executive Order # D-182-57 | | | | 82637 | D-182-57 |
| | | | XGMXV03.8049 | Executive Order # D-182-57 | | | | 82637 |
| | | XGMXV03.8052 | Executive Order # D-182-43 | | | | 81507 | D-182-43 |
| 1998 | 3.8L V6 | WGMXV03.8048 | Executive Order # D-182-45 | | 81967 | 31587 | | D-182-45 |
| | | | Executive Order # D-182-57 | | | | 82637 | D-182-57 |
| | | | WGMXV03.8051 | Executive Order # D-182-43 | | | | 81507 |
| | | | Executive Order # D-182-45 | | 81967 | 31587 | | D-182-45 |
| 1997 | 3.8L V6 | VGM3.8V8G1FK | Executive Order # D-182-43 | | | | 81507 | D-182-43 |
| | | | Executive Order # D-182-45 | | 81967 | 31587 | | D-182-45 |
| | | VGM3.8V8G2EK | Executive Order # D-182-57 | | | | 82637 | D-182-57 |
| | | VGM3.8V8GKEK | Executive Order # D-182-43 | | | | 81507 | D-182-43 |
| 1996 | 3.8L V6 | TGM3.8V8GFFK | Executive Order # D-182-43 | | | | 81506 | D-182-43 |
| | | | Executive Order # D-182-43 | | | | 81506 | D-182-43 |
| Firebird | | | | | | | | |
| 2002 | 3.8L V6 | 2GMXV03.8043 | Executive Order # D-182-57 | | | | 82637 | D-182-57 |
| | | | 5.7L V8 | 2GMXV05.7081 | Executive Order # D-182-58 | Left | 82598 | |
| | | | | Right | 82595 | | 82532 | D-182-58 |
| 2001 | 3.8L V6 | 1GMXV03.8043 | Executive Order # D-182-57 | | | | 82637 | D-182-57 |
| | | | 5.7L V8 | 1GMXV05.7081 | Executive Order # D-182-58 | Left | 82598 | |
| | | | | Right | 82595 | | 82532 | D-182-58 |
| 2000 | 3.8L V6 | YGMXV03.8043 | Executive Order # D-182-57 | | | | 82637 | D-182-57 |

For vehicles licensed in the state of California or Maine, or vehicles requiring CARB-compliant converters in the state of New York, the parts in this catalog must be installed as specifically listed. Parts cannot be substituted, nor can they be installed on California or Maine licensed vehicles not listed in this catalog.

OBDII APPLICATIONS

NON-OBDII APPLICATIONS

NUMERICAL

UNIVERSAL SPECIFICATIONS

OBDII PASSENGER CAR & TRUCK

| Years | Engine | Engine Family No. | Application | Position | Direct-Fit | | Universal Part No. | Executive Order | |
|-------------------------|---------|-------------------|---|----------------------------|--------------|--------------|--------------------|-----------------|----------|
| | | | | | Part No. | Hardware | | | |
| PONTIAC (Cont.) | | | | | | | | | |
| Firebird (Cont.) | | | | | | | | | |
| 2000 (Cont.) | 5.7L V8 | YGMXV05.7083 | Executive Order # D-182-58 | Left | 82598 | | 82532 | D-182-58 | |
| | | | | Right | 82595 | | 82532 | D-182-58 | |
| 1999 | 3.8L V6 | XGMXV03.8048 | Executive Order # D-182-57 | | | | 82637 | D-182-57 | |
| | | XGMXV03.8049 | Executive Order # D-182-57 | | | | 82637 | D-182-57 | |
| | 5.7L V8 | XGMXV05.7082 | Executive Order # D-182-45 | Right | 81989 | 31589 | | | D-182-45 |
| | | | Executive Order # D-182-58 | Left | 82598 | | 82532 | | D-182-58 |
| | | | | Right | | | 82529 | D-182-58 | |
| 1998 | 3.8L V6 | WGMXV03.8049 | Executive Order # D-182-43 | | | | 81507 | D-182-43 | |
| | | | Executive Order # D-182-45 | Right | 81989 | 31589 | | | D-182-45 |
| | 5.7L V8 | WGMXV05.7082 | Executive Order # D-182-58 | Left | 82598 | | 82532 | D-182-58 | |
| | | | | Right | | | 82529 | D-182-58 | |
| 1997 | 3.8L V6 | VGM3.8V8GKEK | Executive Order # D-182-43 | | | | 81507 | D-182-43 | |
| | 5.7L V8 | VGM5.7V8G1EK | Executive Order # D-182-58 | Left | | | 82537 | D-182-58 | |
| | | | | Right | | | 82536 | D-182-58 | |
| 1996 | 3.8L V6 | TGM3.8V8GKEK | Executive Order # D-182-43 | | | | 81507 | D-182-43 | |
| | 5.7L V8 | TGM5.7V8GFEK | Executive Order # D-182-58 | Left | | | 82537 | D-182-58 | |
| | | | | Right | | | 82536 | D-182-58 | |
| 1995 | 3.8L V6 | S1G3.8V8G1EK | Executive Order # D-182-57 | | | | 82637 | D-182-57 | |
| G3 | | | | | | | | | |
| 2009 | 1.6L L4 | 9GD XV01.6004 | Executive Order # D-182-62 | Rear | | | 83202 | D-182-62 | |
| G5 | | | | | | | | | |
| 2009 | 2.2L L4 | 9GMXV02.4027 | Executive Order # D-182-63 | | 83387 | 31643, 31311 | | D-182-63 | |
| | | | | Front | | | 83302 | D-182-63 | |
| | | | | Rear | | | 83216 | D-182-63 | |
| 2008 | 2.2L L4 | 8GMXV02.4025 | Executive Order # D-182-63 | | 83387 | 31643, 31311 | | D-182-63 | |
| | | | | Front | | | 83302 | D-182-63 | |
| | | Rear | | | 83216 | D-182-63 | | | |
| | 2.4L L4 | 8GMXV02.4025 | Executive Order # D-182-63 | | 83387 | 31643, 31311 | | D-182-63 | |
| Front | | | | | | 83302 | D-182-63 | | |
| | | | | Rear | | | 83216 | D-182-63 | |
| 2007 | 2.4L L4 | 7GMXV02.4029 | Executive Order # D-182-64 | | | | 82809 | D-182-64 | |
| G6 | | | | | | | | | |
| 2009 | 2.4L L4 | 9GMXV02.4027 | 6 Speed Trans.; Executive Order # D-182-63 | Front | | | 83302 | D-182-63 | |
| | | | Executive Order # D-182-63 | Rear | | | 83225 | D-182-63 | |
| | | | If welded assembly, replace all required parts.; Executive Order # D-182-63 | Rear | 83268 | 31574 | | D-182-63 | |
| | 3.5L V6 | 9GMXJ03.9142 | Executive Order # D-182-63 | Front Left | | | 83302 | D-182-63 | |
| | | | | Front Right | | | 83302 | D-182-63 | |
| | | | Executive Order # D-182-64 | Left | | | 82803 | D-182-64 | |
| | | | | Right | | | 82816 | D-182-64 | |
| | | | 9GMXV03.5045 | Executive Order # D-182-62 | Front Left | | | 83100 | D-182-62 |
| | | | | | Front Right | | | 83100 | D-182-62 |
| | | | Rear | | | 83208 | D-182-62 | | |

For vehicles licensed in the state of California or Maine, or vehicles requiring CARB-compliant converters in the state of New York, the parts in this catalog must be installed as specifically listed. Parts cannot be substituted, nor can they be installed on California or Maine licensed vehicles not listed in this catalog.

OBDII PASSENGER CAR & TRUCK

| Years | Engine | Engine Family No. | Application | Position | Direct-Fit | | Universal Part No. | Executive Order |
|-------|--------|-------------------|-------------|----------|------------|----------|--------------------|-----------------|
| | | | | | Part No. | Hardware | | |

PONTIAC (Cont.)

G6 (Cont.)

| | | | | | | | | |
|-----------------|---------|--------------|---|-------------|--------------|---------------------|--------------|----------|
| 2009 (Cont.) | 3.6L V6 | 9GMXJ03.9142 | Executive Order # D-182-63 | Front Left | | | 83302 | D-182-63 |
| | | | | Front Right | | | 83302 | D-182-63 |
| | 3.9L V6 | 9GMXJ03.9142 | Executive Order # D-182-64 | Left | | | 82803 | D-182-64 |
| | | | | Right | | | 82816 | D-182-64 |
| 2008 | 2.4L L4 | 8GMXV02.4027 | Executive Order # D-182-63 | Rear | | | 83225 | D-182-63 |
| | | | If welded assembly, replace all required parts.; Executive Order # D-182-63 | Rear | 83268 | 31574 | | |
| | 3.5L V6 | 8GMXB03.9142 | Executive Order # D-182-64 | Left | | | 82803 | D-182-64 |
| | | | | Right | | | 82816 | D-182-64 |
| | | 8GMXV03.5043 | Executive Order # D-182-62 | Front Left | | | 83100 | D-182-62 |
| | | | | Front Right | | | 83100 | D-182-62 |
| | | | | Rear | | | 83208 | D-182-62 |
| | 3.9L V6 | 8GMXB03.9142 | Executive Order # D-182-64 | Left | | | 82803 | D-182-64 |
| | | | | Right | | | 82816 | D-182-64 |
| 2007 | 3.6L V6 | 7GMXB03.6149 | Executive Order # D-182-64 | Left | | | 82803 | D-182-64 |
| | | | | Right | | | 82816 | D-182-64 |
| | 3.9L V6 | 7GMXB03.9142 | Executive Order # D-182-64 | Left | | | 82803 | D-182-64 |
| | | | | Right | | | 82816 | D-182-64 |
| 2006 | 3.5L V6 | 6GMXB03.9146 | Executive Order # D-182-64 | Left | 82880 | 31589, 31310 | 82803 | D-182-64 |
| | | | | Right | 82881 | 31310, 31721, 31311 | 82816 | D-182-64 |
| | 3.9L V6 | 6GMXB03.9146 | Executive Order # D-182-64 | Left | | | 82803 | D-182-64 |
| | | | | Right | | | 82816 | D-182-64 |
| | | 6GMXV03.9041 | Executive Order # D-182-58 | Left | | | 82527 | D-182-58 |
| | | | | Right | | | 82527 | D-182-58 |
| 2005 | 3.5L V6 | 5GMXX03.8148 | Executive Order # D-182-64 | Left | 82880 | 31589, 31310 | 82803 | D-182-64 |
| | | | | Right | 82881 | 31310, 31721, 31311 | 82816 | D-182-64 |

Grand Am

| | | | | | | | | |
|------|---------|--------------|----------------------------|--|--------------|--------------|--------------|----------|
| 2005 | 2.2L L4 | 5GMXV02.2025 | Executive Order # D-182-57 | | | | 82604 | D-182-57 |
| 2004 | 2.2L L4 | 4GMXV02.2025 | Executive Order # D-182-57 | | | | 82604 | D-182-57 |
| 2003 | 2.2L L4 | 3GMXV02.2025 | Executive Order # D-182-45 | | 81773 | 31643, 31369 | | D-182-45 |
| | | | Executive Order # D-182-57 | | | | 82604 | D-182-57 |
| | 3.4L V6 | 3GMXV03.8044 | Executive Order # D-182-57 | | | | 82604 | D-182-57 |
| 2002 | 2.2L L4 | 2GMXV02.4022 | Executive Order # D-182-45 | | 81773 | 31643, 31369 | | D-182-45 |
| | | | Executive Order # D-182-57 | | | | 82604 | D-182-57 |
| | 3.4L V6 | 2GMXV03.8043 | Executive Order # D-182-45 | | 81757 | 31602, 31369 | | D-182-45 |
| | | | Executive Order # D-182-57 | | | | 82604 | D-182-57 |
| 2001 | 2.4L L4 | 1GMXV02.4022 | Executive Order # D-182-45 | | 81763 | 31629, 31369 | | D-182-45 |
| | | | Executive Order # D-182-57 | | | | 82603 | D-182-57 |
| | 3.4L V6 | 1GMXV03.8043 | Executive Order # D-182-45 | | 81757 | 31602, 31369 | | D-182-45 |
| | | | Executive Order # D-182-57 | | | | 82604 | D-182-57 |
| 2000 | 2.4L L4 | YGMXV02.4022 | Executive Order # D-182-45 | | 81763 | 31629, 31369 | | D-182-45 |
| | | | Executive Order # D-182-57 | | | | 82603 | D-182-57 |
| | 3.4L V6 | YGMXV03.8043 | Executive Order # D-182-45 | | 81757 | 31602, 31369 | | D-182-45 |

For vehicles licensed in the state of California or Maine, or vehicles requiring CARB-compliant converters in the state of New York, the parts in this catalog must be installed as specifically listed. Parts cannot be substituted, nor can they be installed on California or Maine licensed vehicles not listed in this catalog.

OBDII APPLICATIONS

NON-OBDII APPLICATIONS

NUMERICAL

UNIVERSAL SPECIFICATIONS

OBDII PASSENGER CAR & TRUCK

| Years | Engine | Engine Family No. | Application | Position | Direct-Fit | | Universal Part No. | Executive Order | |
|---|---|-------------------|--|--|--------------|--------------|--------------------|-----------------|----------|
| | | | | | Part No. | Hardware | | | |
| PONTIAC (Cont.) | | | | | | | | | |
| Grand Am (Cont.) | | | | | | | | | |
| 2000 (Cont.) | 3.4L V6 | YGMXV03.8043 | Executive Order # D-182-57 | | | | 82604 | D-182-57 | |
| 1999 | 2.4L L4 | XGMXV02.4025 | 1st Design; Executive Order # D-182-57 | | 82690 | 31606, 31369 | 82603 | D-182-57 | |
| | | | Executive Order # D-182-57 | | | | 82603 | D-182-57 | |
| | | XGMXV02.4027 | Executive Order # D-182-45 | | 81763 | 31629, 31369 | | | D-182-45 |
| | | | Executive Order # D-182-57 | | | | | 82603 | D-182-57 |
| | 3.4L V6 | XGMXV03.4042 | Executive Order # D-182-45 | | 81757 | 31602, 31369 | | | D-182-45 |
| | | | Executive Order # D-182-57 | | | | | 82604 | D-182-57 |
| 1998 | 2.4L L4 | WGMXV02.4025 | Automatic Trans.; Executive Order # D-182-45 | | 81782 | 31606, 31369 | | D-182-45 | |
| | | | Executive Order # D-182-58 | | | | 82505 | D-182-58 | |
| | | | Standard Trans.; Executive Order # D-182-45 | | 81789 | 31606, 31369 | | | D-182-45 |
| | | WGMXV02.4026 | Automatic Trans.; Executive Order # D-182-45 | | 81782 | 31606, 31369 | | | D-182-45 |
| | | | Executive Order # D-182-57 | | | | | 82603 | D-182-57 |
| | | | Standard Trans.; Executive Order # D-182-45 | | 81789 | 31606, 31369 | | | D-182-45 |
| | 3.1L V6 | WGMXV03.1042 | Executive Order # D-182-58 | | | | 82505 | D-182-58 | |
| | 1997 | 2.4L L4 | VGM2.4VJG2EK | Automatic Trans.; Executive Order # D-182-45 | | 81782 | 31606, 31369 | | D-182-45 |
| Executive Order # D-182-57 | | | | | | | 82603 | D-182-57 | |
| Standard Trans.; Executive Order # D-182-45 | | | | | 81789 | 31606, 31369 | | | D-182-45 |
| 3.1L V6 | | VGM3.1V8G1EK | Executive Order # D-182-58 | | | | 82505 | D-182-58 | |
| 1996 | | 2.4L L4 | TGM2.4VJG2EK | Automatic Trans.; Executive Order # D-182-45 | | 81782 | 31606, 31369 | | D-182-45 |
| | Executive Order # D-182-57 | | | | | | 82603 | D-182-57 | |
| | Standard Trans.; Executive Order # D-182-45 | | | | 81789 | 31606, 31369 | | | D-182-45 |
| | TGM2.4VJGKEK | | Automatic Trans.; Executive Order # D-182-45 | | 81782 | 31606, 31369 | | | D-182-45 |
| | | | Executive Order # D-182-58 | | | | | 82505 | D-182-58 |
| | | | Standard Trans.; Executive Order # D-182-45 | | 81789 | 31606, 31369 | | | D-182-45 |
| | 3.1L V6 | TGM3.1V8GFKEK | Executive Order # D-182-58 | | | | 82508 | D-182-58 | |
| Grand Prix | | | | | | | | | |
| 2006 | 3.8L V6 | 6GMXV03.9041 | Executive Order # D-182-57 | | | | 82618 | D-182-57 | |
| 2005 | 3.8L V6 | 5GMXV03.8041 | Executive Order # D-182-57 | | | | 82618 | D-182-57 | |
| 2004 | 3.8L V6 | 4GMXV03.8041 | Executive Order # D-182-57 | | | | 82618 | D-182-57 | |
| 2003 | 3.1L V6 | 3GMXV03.8043 | Executive Order # D-182-45 | | 81760 | 31602, 31532 | | D-182-45 | |
| | | | Executive Order # D-182-57 | | | | 82618 | D-182-57 | |
| | 3.8L V6 | 3GMXV03.8044 | Executive Order # D-182-57 | | | | 82618 | D-182-57 | |
| 2002 | 3.1L V6 | 2GMXV03.8043 | Executive Order # D-182-45 | | 81760 | 31602, 31532 | | D-182-45 | |
| | | | Executive Order # D-182-57 | | | | 82618 | D-182-57 | |
| | 3.8L V6 | 2GMXV03.8043 | Executive Order # D-182-57 | | | | 82618 | D-182-57 | |
| | | | w/ Dual System; Executive Order # D-182-45 | | 81758 | 31605, 31578 | | D-182-45 | |

For vehicles licensed in the state of California or Maine, or vehicles requiring CARB-compliant converters in the state of New York, the parts in this catalog must be installed as specifically listed. Parts cannot be substituted, nor can they be installed on California or Maine licensed vehicles not listed in this catalog.

OBDII PASSENGER CAR & TRUCK

| Years | Engine | Engine Family No. | Application | Position | Direct-Fit | | Universal Part No. | Executive Order | |
|---------------------------|---------|-------------------|--|----------------------------|--------------|--------------|--------------------|-----------------|----------|
| | | | | | Part No. | Hardware | | | |
| PONTIAC (Cont.) | | | | | | | | | |
| Grand Prix (Cont.) | | | | | | | | | |
| 2002 (Cont.) | 3.8L V6 | 2GMXV03.8044 | Executive Order # D-182-67 | | 82994 | 31605, 31532 | 82904 | D-182-67 | |
| 2001 | 3.1L V6 | 1GMXV03.8043 | Executive Order # D-182-45 | | 81760 | 31602, 31532 | | D-182-45 | |
| | | | Executive Order # D-182-57 | | | | 82618 | D-182-57 | |
| | 3.8L V6 | 1GMXV03.8043 | Executive Order # D-182-57 | | | | 82618 | D-182-57 | |
| | | | w/ Dual System; Executive Order # D-182-45 | | 81758 | 31605, 31578 | | D-182-45 | |
| | | 1GMXV03.8044 | Executive Order # D-182-67 | | 82994 | 31605, 31532 | 82904 | D-182-67 | |
| 2000 | 3.1L V6 | YGMXV03.8043 | Executive Order # D-182-45 | | 81760 | 31602, 31532 | | D-182-45 | |
| | | | Executive Order # D-182-57 | | | | 82618 | D-182-57 | |
| | 3.8L V6 | YGMXV03.8043 | Executive Order # D-182-45 | | 81758 | 31605, 31578 | | D-182-45 | |
| | | | Executive Order # D-182-57 | | | | 82618 | D-182-57 | |
| | | | YGMXV03.8044 | Executive Order # D-182-67 | | 82994 | 31605, 31532 | 82904 | D-182-67 |
| | | | YGMXV03.8901 | Executive Order # D-182-67 | | 82994 | 31605, 31532 | 82904 | D-182-67 |
| 1999 | 3.1L V6 | XGMXV03.4042 | Executive Order # D-182-45 | | 81760 | 31602, 31532 | | D-182-45 | |
| | | | Executive Order # D-182-57 | | | | 82618 | D-182-57 | |
| | 3.8L V6 | XGMXV03.8048 | Executive Order # D-182-45 | | 81758 | 31605, 31578 | | D-182-45 | |
| | | | Executive Order # D-182-57 | | | | 82618 | D-182-57 | |
| | | | XGMXV03.8049 | Executive Order # D-182-57 | | | | 82618 | D-182-57 |
| | | | XGMXV03.8051 | Executive Order # D-182-45 | | 81758 | 31605, 31578 | | D-182-45 |
| | | XGMXV03.8053 | Executive Order # D-182-57 | | | | 82618 | D-182-57 | |
| 1998 | 3.1L V6 | WGMXV03.1043 | Executive Order # D-182-45 | | 81760 | 31602, 31532 | | D-182-45 | |
| | | | Executive Order # D-182-58 | | | | 82512 | D-182-58 | |
| | | WGMXV03.1044 | Executive Order # D-182-45 | | 81760 | 31602, 31532 | | D-182-45 | |
| | | | Executive Order # D-182-57 | | | | 82618 | D-182-57 | |
| | 3.8L V6 | WGMXV03.8048 | Executive Order # D-182-45 | | 81758 | 31605, 31578 | | D-182-45 | |
| | | | Executive Order # D-182-57 | | | | 82618 | D-182-57 | |
| | | WGMXV03.8051 | Executive Order # D-182-45 | | 81758 | 31605, 31578 | | D-182-45 | |
| | | | Executive Order # D-182-58 | | | | 82512 | D-182-58 | |
| 1997 | 3.1L V6 | VGM3.1V8G1EK | Executive Order # D-182-45 | | 81760 | 31602, 31532 | | D-182-45 | |
| | | | Executive Order # D-182-58 | | | | 82512 | D-182-58 | |
| | 3.8L V6 | VGM3.8V8G1FK | Executive Order # D-182-45 | | 81758 | 31605, 31578 | | D-182-45 | |
| | | | Executive Order # D-182-58 | | | | 82512 | D-182-58 | |
| | | VGM3.8V8G2EK | Executive Order # D-182-45 | | 81758 | 31605, 31578 | | D-182-45 | |
| | | | Executive Order # D-182-57 | | | | 82618 | D-182-57 | |
| 1996 | 3.1L V6 | TGM3.1V8GFEK | Executive Order # D-182-58 | | | | 82508 | D-182-58 | |
| | 3.4L V6 | TGM3.4VJGFEK | Executive Order # D-182-58 | | | | 82508 | D-182-58 | |
| Montana | | | | | | | | | |
| 2005 | 3.4L V6 | 5GMXT03.6143 | Base Model; Executive Order # D-182-69 | | | | 83408 | D-182-69 | |
| 2004 | 3.4L V6 | 4GMXT03.6143 | Executive Order # D-182-69 | | | | 83408 | D-182-69 | |
| 2003 | 3.4L V6 | 3GMXT03.4141 | Executive Order # D-182-47 | | | | 81712 | D-182-47 | |
| | | | Executive Order # D-182-69 | | | | 83408 | D-182-69 | |
| 2000 | 3.4L V6 | YGMXT03.4142 | Executive Order # D-182-47 | | | | 81918 | D-182-47 | |
| | | | Executive Order # D-182-69 | | | | 83508 | D-182-69 | |

For vehicles licensed in the state of California or Maine, or vehicles requiring CARB-compliant converters in the state of New York, the parts in this catalog must be installed as specifically listed. Parts cannot be substituted, nor can they be installed on California or Maine licensed vehicles not listed in this catalog.

OBDII APPLICATIONS

NON-OBDII APPLICATIONS

NUMERICAL

UNIVERSAL SPECIFICATIONS

OBDII PASSENGER CAR & TRUCK

| Years | Engine | Engine Family No. | Application | Position | Direct-Fit | | Universal Part No. | Executive Order | |
|----------------------------|--------------|----------------------------|-------------------------------------|----------------------------|--------------|--------------|--------------------|-----------------|----------|
| | | | | | Part No. | Hardware | | | |
| PONTIAC (Cont.) | | | | | | | | | |
| Montana (Cont.) | | | | | | | | | |
| 1999 | 3.4L V6 | XGMXT03.4142 | Executive Order # D-182-47 | | | | 81918 | D-182-47 | |
| | | | Executive Order # D-182-69 | | | | 83508 | D-182-69 | |
| Solstice | | | | | | | | | |
| 2006 | 2.4L L4 | 6GMXV02.4031 | Executive Order # D-182-57 | | | | 82610 | D-182-57 | |
| Sunfire | | | | | | | | | |
| 2005 | 2.2L L4 | 5GMXV02.2025 | Executive Order # D-182-57 | | | | 82604 | D-182-57 | |
| 2004 | 2.2L L4 | 4GMXV02.2025 | Executive Order # D-182-57 | | | | 82604 | D-182-57 | |
| 2003 | 2.2L L4 | 3GMXV02.2025 | Executive Order # D-182-45 | | 81773 | 31643, 31369 | | D-182-45 | |
| | | | Executive Order # D-182-57 | | | | 82604 | D-182-57 | |
| 2002 | 2.2L L4 | 2GMXV02.2024 | Executive Order # D-182-57 | | | | 82604 | D-182-57 | |
| | | | VIN "4"; Executive Order # D-182-45 | | 81759 | 31643, 31369 | | D-182-45 | |
| | | | VIN "F"; Executive Order # D-182-45 | | 81773 | 31643, 31369 | | D-182-45 | |
| | 2GMXV02.4022 | Executive Order # D-182-45 | | 81773 | 31643, 31369 | | D-182-45 | | |
| | | Executive Order # D-182-57 | | | | 82604 | D-182-57 | | |
| | 2.4L L4 | 2GMXV02.4022 | Executive Order # D-182-45 | | 81763 | 31629, 31369 | | D-182-45 | |
| Executive Order # D-182-57 | | | | | | 82603 | D-182-57 | | |
| 2001 | 2.2L L4 | 1GMXV02.2024 | Executive Order # D-182-45 | | 81759 | 31643, 31369 | | D-182-45 | |
| | | | Executive Order # D-182-57 | | | | 82604 | D-182-57 | |
| | 1GMXV02.4022 | Executive Order # D-182-45 | | 81759 | 31643, 31369 | | D-182-45 | | |
| | | Executive Order # D-182-57 | | | | 82604 | D-182-57 | | |
| 2.4L L4 | 1GMXV02.4022 | Executive Order # D-182-45 | | 81763 | 31629, 31369 | | D-182-45 | | |
| | | Executive Order # D-182-57 | | | | 82603 | D-182-57 | | |
| 2000 | 2.2L L4 | YGMXV02.4022 | Executive Order # D-182-45 | | 81759 | 31643, 31369 | | D-182-45 | |
| | | | Executive Order # D-182-57 | | | | 82604 | D-182-57 | |
| | YGMXX02.2023 | Executive Order # D-182-45 | | 81759 | 31643, 31369 | | D-182-45 | | |
| | | Executive Order # D-182-57 | | | | 82604 | D-182-57 | | |
| | 2.4L L4 | YGMXV02.4022 | Executive Order # D-182-45 | | 81763 | 31629, 31369 | | D-182-45 | |
| | | | Executive Order # D-182-57 | | | | 82603 | D-182-57 | |
| 1999 | 2.2L L4 | XGMXV02.2022 | Executive Order # D-182-45 | | 81759 | 31643, 31369 | | D-182-45 | |
| | | | Executive Order # D-182-57 | | | | 82604 | D-182-57 | |
| | | XGMXV02.2023 | Executive Order # D-182-45 | | 81759 | 31643, 31369 | | D-182-45 | |
| | | | Executive Order # D-182-57 | | | | 82604 | D-182-57 | |
| | 2.4L L4 | XGMXV02.4027 | Executive Order # D-182-45 | | 81763 | 31629, 31369 | | D-182-45 | |
| | | | Executive Order # D-182-57 | | | | 82603 | D-182-57 | |
| | 1998 | 2.2L L4 | WGMXV02.2022 | Executive Order # D-182-45 | | 81964 | 31369 (2) | | D-182-45 |
| | | | | Executive Order # D-182-58 | | | | 82526 | D-182-58 |
| WGMXV02.2023 | | Executive Order # D-182-45 | | 81964 | 31369 (2) | | D-182-45 | | |
| | | Executive Order # D-182-57 | | | | 82627 | D-182-57 | | |
| 2.4L L4 | WGMXV02.4025 | Executive Order # D-182-58 | | | | 82505 | D-182-58 | | |
| | | WGMXV02.4026 | Executive Order # D-182-57 | | 82690 | 31606, 31369 | 82603 | D-182-57 | |
| 1997 | 2.2L L4 | VGM2.2V8G1EK | Executive Order # D-182-45 | | 81964 | 31369 (2) | | D-182-45 | |
| | | | Executive Order # D-182-58 | | | | 82526 | D-182-58 | |
| | VGM2.2V8G2EK | Executive Order # D-182-45 | | 81964 | 31369 (2) | | D-182-45 | | |

For vehicles licensed in the state of California or Maine, or vehicles requiring CARB-compliant converters in the state of New York, the parts in this catalog must be installed as specifically listed. Parts cannot be substituted, nor can they be installed on California or Maine licensed vehicles not listed in this catalog.

OBDII PASSENGER CAR & TRUCK

| Years | Engine | Engine Family No. | Application | Position | Direct-Fit | | Universal Part No. | Executive Order |
|------------------------|---|----------------------------|---|--------------|--------------|--------------|--------------------|-----------------|
| | | | | | Part No. | Hardware | | |
| PONTIAC (Cont.) | | | | | | | | |
| Sunfire (Cont.) | | | | | | | | |
| 1997 (Cont.) | 2.2L L4 | VGM2.2V8G2EK | Executive Order # D-182-57 | | | | 82627 | D-182-57 |
| | 2.4L L4 | VGM2.4VJG1EK | Executive Order # D-182-58 | | | | 82505 | D-182-58 |
| VGM2.4VJG2EK | | Executive Order # D-182-57 | | 82690 | 31606, 31369 | 82603 | D-182-57 | |
| 1996 | 2.2L L4 | TGM2.2V8G2EK | Executive Order # D-182-45 | | 81964 | 31369 (2) | | D-182-45 |
| | | | Executive Order # D-182-57 | | | 82627 | D-182-57 | |
| | | TGM2.2V8GKEK | Executive Order # D-182-45 | | 81964 | 31369 (2) | | D-182-45 |
| | | Executive Order # D-182-58 | | | | 82526 | D-182-58 | |
| | 2.4L L4 | TGM2.4VJG2EK | Executive Order # D-182-57 | | 82690 | 31606, 31369 | 82603 | D-182-57 |
| | TGM2.4VJGKEK | Executive Order # D-182-58 | | | | 82505 | D-182-58 | |
| 1995 | 2.3L L4 | S1G2.3VJG2GK | Executive Order # D-182-57 | | | | 82627 | D-182-57 |
| Trans Sport | | | | | | | | |
| 1998 | 3.4L V6 | WGMXT03.4142 | Executive Order # D-182-47 | | | | 81918 | D-182-47 |
| | | | Executive Order # D-182-69 | | | | 83508 | D-182-69 |
| 1997 | 3.4L V6 | VGM3.428G2EK | Executive Order # D-182-47 | | | | 81918 | D-182-47 |
| | | | Executive Order # D-182-69 | | | | 83508 | D-182-69 |
| 1996 | 3.4L V6 | TGM3.428GFEK | Executive Order # D-182-47 | | | | 81918 | D-182-47 |
| | | | Executive Order # D-182-69 | | | | 83508 | D-182-69 |
| Vibe | | | | | | | | |
| 2009 | 1.8L L4 | 9NTXV01.8BEA | Executive Order # D-182-62 | Front | | | 83101 | D-182-62 |
| | | | | Rear | | | 83205 | D-182-62 |
| | 2.4L L4 | 9NTXV02.4BEB | Executive Order # D-182-62 | Rear | | | 83205 | D-182-62 |
| | | | Includes Front Gasket; Executive Order # D-182-62 | Front | 83148 | 31639 | | D-182-62 |
| 2008 | 1.8L L4 | 8NTXV01.8BEA | Executive Order # D-182-62 | Front | | | 83101 | D-182-62 |
| | | | | Rear | | | 83205 | D-182-62 |
| | | | FWD; 1ZZFE Eng.; Executive Order # D-182-62 | | 83197 | 31639 | | D-182-62 |
| 2007 | 1.8L L4 | 7NTXV01.8BEA | Executive Order # D-182-62 | Front | | | 83101 | D-182-62 |
| | | | | Rear | | | 83205 | D-182-62 |
| | | | FWD; 1ZZFE Eng.; Executive Order # D-182-62 | | 83197 | 31639 | | D-182-62 |
| 2006 | 1.8L L4 | 6NTXV01.8PEA | Executive Order # D-182-62 | Front | | | 83101 | D-182-62 |
| | | | | Rear | | | 83205 | D-182-62 |
| | | | FWD; 1ZZFE Eng.; Executive Order # D-182-62 | | 83197 | 31639 | | D-182-62 |
| | | 6NTXV01.8VRA | Executive Order # D-182-57 | | | | 82609 | D-182-57 |
| 2005 | 1.8L L4 | 5NTXV01.8PEA | Executive Order # D-182-62 | Front | | | 83101 | D-182-62 |
| | | | | Rear | | | 83205 | D-182-62 |
| | | | FWD; 1ZZFE Eng.; Executive Order # D-182-62 | | 83197 | 31639 | | D-182-62 |
| | | 5NTXV01.8VRA | Executive Order # D-182-57 | | | | 82609 | D-182-57 |
| 2004 | 1.8L L4 | 4NTXV01.8VRE | Executive Order # D-182-57 | | | | 82609 | D-182-57 |
| | | | | Front | | | 82501 | D-182-53 |
| | | | Rear | | | 82600 | D-182-53 | |
| | | 4NTXV01.8WMA | Executive Order # D-182-53 | | 82664 | 31639 | | D-182-53 |
| | FWD; 1ZZFE Eng.; Executive Order # D-182-53 | | | | | | D-182-53 | |
| 2003 | 1.8L L4 | 3NTXV01.8DDC | Executive Order # D-182-57 | | | | 82609 | D-182-57 |

For vehicles licensed in the state of California or Maine, or vehicles requiring CARB-compliant converters in the state of New York, the parts in this catalog must be installed as specifically listed. Parts cannot be substituted, nor can they be installed on California or Maine licensed vehicles not listed in this catalog.

OBDII APPLICATIONS

NON-OBDII APPLICATIONS

NUMERICAL

UNIVERSAL SPECIFICATIONS

OBDII PASSENGER CAR & TRUCK

| Years | Engine | Engine Family No. | Application | Position | Direct-Fit | | Universal Part No. | Executive Order |
|------------------------|---------|-------------------|---|----------|--------------|----------|--------------------|-----------------|
| | | | | | Part No. | Hardware | | |
| PONTIAC (Cont.) | | | | | | | | |
| Vibe (Cont.) | | | | | | | | |
| 2003 (Cont.) | 1.8L L4 | 3NTXV01.8HHA | Executive Order # D-182-53 | Front | | | 82501 | D-182-53 |
| | | | | Rear | | | 82600 | D-182-53 |
| | | | FWD; 1ZZFE Eng.; Executive Order # D-182-53 | | 82664 | 31639 | | D-182-53 |
| PORSCHE | | | | | | | | |
| 911 | | | | | | | | |
| 2006 | 3.6L H6 | 6PRXV03.8997 | Executive Order # D-182-57 | Left | | | 82612 | D-182-57 |
| | | | | Right | | | 82612 | D-182-57 |
| | 3.8L H6 | 6PRXV03.8997 | Executive Order # D-182-57 | Left | | | 82612 | D-182-57 |
| | | | | Right | | | 82612 | D-182-57 |
| 2005 | 3.6L H6 | 5PRXV03.6996 | Executive Order # D-182-57 | Left | | | 82612 | D-182-57 |
| | | | | Right | | | 82612 | D-182-57 |
| | | 5PRXV03.6GT3 | Executive Order # D-182-57 | Left | | | 82612 | D-182-57 |
| | | | | Right | | | 82612 | D-182-57 |
| | | 5PRXV03.8997 | Executive Order # D-182-57 | Left | | | 82612 | D-182-57 |
| | | | | Right | | | 82612 | D-182-57 |
| 2004 | 3.6L H6 | 4PRXV03.6996 | Executive Order # D-182-57 | Left | | | 82612 | D-182-57 |
| | | | | Right | | | 82612 | D-182-57 |
| | | 4PRXV03.6GT3 | Executive Order # D-182-57 | Left | | | 82612 | D-182-57 |
| | | | | Right | | | 82612 | D-182-57 |
| 2003 | 3.6L H6 | 3PRXV03.6996 | Executive Order # D-182-57 | Left | | | 82612 | D-182-57 |
| | | | | Right | | | 82612 | D-182-57 |
| 2002 | 3.6L H6 | 2PRXV03.6996 | Executive Order # D-182-57 | Left | | | 82612 | D-182-57 |
| | | | | Right | | | 82612 | D-182-57 |
| 2001 | 3.4L H6 | 1PRXV03.496A | Executive Order # D-182-57 | Left | | | 82612 | D-182-57 |
| | | | | Right | | | 82612 | D-182-57 |
| | | 1PRXV03.4996 | Executive Order # D-182-57 | Left | | | 82612 | D-182-57 |
| | | | | Right | | | 82612 | D-182-57 |
| 2000 | 3.4L H6 | YPRXV03.4996 | Executive Order # D-182-57 | Left | | | 82612 | D-182-57 |
| | | | | Right | | | 82612 | D-182-57 |
| 1999 | 3.4L H6 | XPRXV03.4996 | Executive Order # D-182-57 | Left | | | 82612 | D-182-57 |
| | | | | Right | | | 82612 | D-182-57 |
| 1998 | 3.6L H6 | WPRXV03.6993 | Executive Order # D-182-58 | Left | | | 82508 | D-182-58 |
| | | | | Right | | | 82508 | D-182-58 |
| 1997 | 3.6L H6 | VPR3.6V8GPEK | Turbocharged; Executive Order # D-182-57 | Left | | | 82609 | D-182-57 |
| | | | | Right | | | 82609 | D-182-57 |
| | | VPR3.6V8GPFK | Executive Order # D-182-57 | Left | | | 82609 | D-182-57 |
| | | | | Right | | | 82609 | D-182-57 |
| 1996 | 3.6L H6 | TPR3.6V8GNEK | Turbocharged; Executive Order # D-182-57 | Left | | | 82609 | D-182-57 |
| | | | | Right | | | 82609 | D-182-57 |
| | | TPR3.6V8GNFK | Executive Order # D-182-58 | Left | | | 82508 | D-182-58 |
| | | | | Right | | | 82508 | D-182-58 |
| Boxster | | | | | | | | |
| 1999 | 2.5L H6 | XPRXV02.5986 | Executive Order # D-182-58 | Left | | | 82509 | D-182-58 |
| | | | | Right | | | 82509 | D-182-58 |

For vehicles licensed in the state of California or Maine, or vehicles requiring CARB-compliant converters in the state of New York, the parts in this catalog must be installed as specifically listed. Parts cannot be substituted, nor can they be installed on California or Maine licensed vehicles not listed in this catalog.

OBDII PASSENGER CAR & TRUCK

| Years | Engine | Engine Family No. | Application | Position | Direct-Fit | | Universal Part No. | Executive Order |
|------------------------|---------|-------------------|----------------------------|----------|--------------|------------------|--------------------|-----------------|
| | | | | | Part No. | Hardware | | |
| PORSCHE (Cont.) | | | | | | | | |
| Boxster (Cont.) | | | | | | | | |
| 1998 | 2.5L H6 | WPRXV02.5986 | Executive Order # D-182-58 | Left | | | 82509 | D-182-58 |
| | | | | Right | | | 82509 | D-182-58 |
| 1997 | 2.5L H6 | VPR2.5VJGPGI | Executive Order # D-182-58 | Left | | | 82509 | D-182-58 |
| | | | | Right | | | 82509 | D-182-58 |
| SAAB | | | | | | | | |
| 900 | | | | | | | | |
| 1998 | 2.0L L4 | WSAXV02.0TD1 | Executive Order # D-182-58 | | | | 82530 | D-182-58 |
| | 2.3L L4 | WSAXV02.3ND1 | Executive Order # D-182-58 | | | | 82530 | D-182-58 |
| 1997 | 2.0L L4 | VSA2.0VJGKEK | Executive Order # D-182-58 | | | | 82530 | D-182-58 |
| | 2.3L L4 | VSA2.3VJGKEK | Executive Order # D-182-58 | | | | 82530 | D-182-58 |
| | 2.5L V6 | VSA2.5VJGFKEK | Executive Order # D-182-58 | Left | | | 82505 | D-182-58 |
| Right | | | | | | 82505 | D-182-58 | |
| 1996 | 2.0L L4 | TSA2.0VJGKEK | Executive Order # D-182-58 | | | | 82530 | D-182-58 |
| | 2.3L L4 | TSA2.3VJGKEK | Executive Order # D-182-58 | | | | 82530 | D-182-58 |
| | 2.5L V6 | TSA2.5VJGFKEK | Executive Order # D-182-58 | Left | | | 82505 | D-182-58 |
| Right | | | | | | 82505 | D-182-58 | |
| 9000 | | | | | | | | |
| 1998 | 2.3L L4 | WSAXV02.3TC2 | Executive Order # D-182-58 | | | | 82530 | D-182-58 |
| 1997 | 2.3L L4 | VSA2.3VJGKFK | Executive Order # D-182-58 | | | | 82530 | D-182-58 |
| | | VSA2.3VJGK GK | Executive Order # D-182-58 | | | | 82530 | D-182-58 |
| | 3.0L V6 | VSA3.0VJGFKEK | Executive Order # D-182-58 | Left | | | 82505 | D-182-58 |
| Right | | | | | | 82505 | D-182-58 | |
| 1996 | 2.3L L4 | TSA2.3VJGKFK | Executive Order # D-182-58 | | | | 82530 | D-182-58 |
| | | TSA2.3VJGK GK | Executive Order # D-182-58 | | | | 82530 | D-182-58 |
| | 3.0L V6 | TSA3.0VJGFKEK | Executive Order # D-182-58 | Left | | | 82505 | D-182-58 |
| Right | | | | | | 82505 | D-182-58 | |
| 9-2X | | | | | | | | |
| 2006 | 2.5L H4 | 6FJXX02.5MTC | Executive Order # D-182-63 | Front | 83389 | 31613 (2), 31383 | | D-182-63 |
| | | | | Rear | 83258 | 31383, 31615 | 83217 | D-182-63 |
| 2005 | 2.5L H4 | 5FJXX02.5MJS | Executive Order # D-182-63 | | 83381 | 31310, 31357 | | D-182-63 |
| | | | | Front | | | 83307 | D-182-63 |
| | | | | Rear | | | 83218 | D-182-63 |
| 9-3 | | | | | | | | |
| 2009 | 2.0L L4 | 9GMXV02.3001 | Executive Order # D-182-63 | Rear | | | 83217 | D-182-63 |
| 2008 | 2.0L L4 | 8GMXV02.3001 | Executive Order # D-182-63 | Rear | | | 83217 | D-182-63 |
| 2007 | 2.0L L4 | 7GMXV02.3001 | Executive Order # D-182-63 | Rear | | | 83217 | D-182-63 |
| 2006 | 2.0L L4 | 6GMXV02.0003 | Executive Order # D-182-57 | | | | 82610 | D-182-57 |
| 2005 | 2.0L L4 | 5GMXV02.0002 | Executive Order # D-182-57 | | | | 82610 | D-182-57 |
| | | 5GMXV02.0003 | Executive Order # D-182-57 | | | | 82610 | D-182-57 |
| 2004 | 2.0L L4 | 4GMXV02.0002 | Executive Order # D-182-57 | | | | 82610 | D-182-57 |
| 2003 | 2.0L L4 | 3GMXV02.0002 | Executive Order # D-182-57 | | | | 82610 | D-182-57 |
| 1999 | 2.0L L4 | XSAXV02.0TD1 | Executive Order # D-182-58 | | | | 82530 | D-182-58 |
| | | XSAXV02.0TD2 | Executive Order # D-182-58 | | | | 82530 | D-182-58 |
| | 2.3L L4 | XSAXV02.3TD1 | Executive Order # D-182-58 | | | | 82530 | D-182-58 |

For vehicles licensed in the state of California or Maine, or vehicles requiring CARB-compliant converters in the state of New York, the parts in this catalog must be installed as specifically listed. Parts cannot be substituted, nor can they be installed on California or Maine licensed vehicles not listed in this catalog.

OBDII APPLICATIONS

NON-OBDII APPLICATIONS

NUMERICAL

UNIVERSAL SPECIFICATIONS

OBDII PASSENGER CAR & TRUCK

| Years | Engine | Engine Family No. | Application | Position | Direct-Fit | | Universal Part No. | Executive Order |
|-------|--------|-------------------|-------------|----------|------------|----------|--------------------|-----------------|
| | | | | | Part No. | Hardware | | |

SAAB (Cont.)

9-5

| | | | | | | | | |
|------|---------|--------------|----------------------------|-------|--|--|--------------|----------|
| 2009 | 2.3L L4 | 9GMXV02.3001 | Executive Order # D-182-63 | Front | | | 83308 | D-182-63 |
| 2008 | 2.3L L4 | 8GMXV02.3001 | Executive Order # D-182-63 | Front | | | 83308 | D-182-63 |
| 2007 | 2.3L L4 | 7GMXV02.3001 | Executive Order # D-182-63 | Front | | | 83308 | D-182-63 |
| 2003 | 3.0L V6 | 3GMXV03.0063 | Executive Order # D-182-57 | | | | 82609 | D-182-57 |
| 2002 | 3.0L V6 | 2GMXV03.0063 | Executive Order # D-182-57 | | | | 82609 | D-182-57 |
| 2001 | 3.0L V6 | 1GMXV03.0062 | Executive Order # D-182-57 | | | | 82609 | D-182-57 |
| 2000 | 3.0L V6 | YSAXV03.0TE1 | Executive Order # D-182-57 | | | | 82609 | D-182-57 |
| | | YSAXV03.0TE2 | Executive Order # D-182-57 | | | | 82609 | D-182-57 |
| 1999 | 2.3L L4 | XSAXV02.3TE1 | Executive Order # D-182-58 | | | | 82530 | D-182-58 |
| | 3.0L V6 | XSAXV03.0TE1 | Executive Order # D-182-57 | | | | 82609 | D-182-57 |

9-7x

| | | | | | | | | |
|------|---------|--------------|----------------------------|-------|--|--|--------------|----------|
| 2006 | 5.3L V8 | 6GMXT06.0387 | Executive Order # D-182-69 | Left | | | 83508 | D-182-69 |
| | | | | Right | | | 83508 | D-182-69 |
| 2005 | 5.3L V8 | 5GMXT06.0187 | Executive Order # D-182-69 | Left | | | 83508 | D-182-69 |
| | | | | Right | | | 83508 | D-182-69 |

SATURN

Aura

| | | | | | | | | | | | |
|------|---------|--------------|---|---|----------------------------|----------------------------|--------------|--------------|--------------|--------------|----------|
| 2009 | 2.4L L4 | 9GMXV02.4027 | Executive Order # D-182-63 | Front | | | 83302 | D-182-63 | | | |
| | | | | Rear | | | 83225 | D-182-63 | | | |
| | | | If welded assembly, replace all required parts.; Executive Order # D-182-63 | Rear | 83268 | 31574 | | | D-182-63 | | |
| 2008 | 2.4L L4 | 8GMXV02.4027 | Executive Order # D-182-63 | Rear | | | 83225 | D-182-63 | | | |
| | | | | If welded assembly, replace all required parts.; Executive Order # D-182-63 | Rear | 83268 | 31574 | | | D-182-63 | |
| | | | 8GMXV02.4040 | Executive Order # D-182-63 | Rear | | | 83225 | D-182-63 | | |
| 2007 | 3.6L V6 | 9GMXJ03.9142 | Executive Order # D-182-63 | Front Left | | | 83302 | D-182-63 | | | |
| | | | | Front Right | | | 83302 | D-182-63 | | | |
| | | | | 8GMXV03.5043 | Executive Order # D-182-62 | Front Left | | | 83100 | D-182-62 | |
| 2008 | 3.5L V6 | 8GMXV03.5043 | Executive Order # D-182-62 | Front Right | | | 83100 | D-182-62 | | | |
| | | | | Rear | | | 83208 | D-182-62 | | | |
| | | | | 8GMXB03.6148 | Executive Order # D-182-64 | Left | | | 82803 | D-182-64 | |
| 2007 | 2.4L L4 | 7GMXV02.4040 | Executive Order # D-182-63 | Right | | | 82816 | D-182-64 | | | |
| | | | | 3.6L V6 | 7GMXB03.6149 | Executive Order # D-182-64 | Left | | | 82803 | D-182-64 |
| | | | | Right | | | 82816 | D-182-64 | | | |

Ion

| | | | | | | | | |
|------|---------|--------------|----------------------------|--|--------------|--------------|--------------|----------|
| 2007 | 2.0L L4 | 7GMXV02.0018 | Executive Order # D-182-64 | | | | 82809 | D-182-64 |
| | 2.4L L4 | 7GMXV02.4029 | Executive Order # D-182-64 | | | | 82809 | D-182-64 |
| 2006 | 2.0L L4 | 6GMXV02.0018 | Executive Order # D-182-57 | | | | 82609 | D-182-57 |
| | 2.4L L4 | 6GMXV02.4029 | Executive Order # D-182-64 | | | | 82809 | D-182-64 |
| 2005 | 2.0L L4 | 5GMXV02.0018 | Executive Order # D-182-57 | | | | 82609 | D-182-57 |
| | 2.2L L4 | 5GMXV02.2026 | Executive Order # D-182-64 | | 82891 | 31643, 31311 | 82809 | D-182-64 |

For vehicles licensed in the state of California or Maine, or vehicles requiring CARB-compliant converters in the state of New York, the parts in this catalog must be installed as specifically listed. Parts cannot be substituted, nor can they be installed on California or Maine licensed vehicles not listed in this catalog.

OBDII PASSENGER CAR & TRUCK

| Years | Engine | Engine Family No. | Application | Position | Direct-Fit | | Universal Part No. | Executive Order |
|-----------------------|---------|-------------------|--|-------------|--------------|--------------|--------------------|-----------------|
| | | | | | Part No. | Hardware | | |
| SATURN (Cont.) | | | | | | | | |
| Ion (Cont.) | | | | | | | | |
| 2004 | 2.0L L4 | 4GMXV02.0018 | Executive Order # D-182-57 | | | | 82609 | D-182-57 |
| | 2.2L L4 | 4GMXV02.2026 | Executive Order # D-182-57 | | 82679 | 31643, 31559 | 82603 | D-182-57 |
| 2003 | 2.2L L4 | 3GMXV02.2026 | Executive Order # D-182-57 | | 82679 | 31643, 31559 | 82603 | D-182-57 |
| L100 | | | | | | | | |
| 2002 | 2.2L L4 | 2GMXV02.2023 | Automatic Trans.; Executive Order # D-182-57 | | 82689 | 31643, 31369 | | D-182-57 |
| | | | Executive Order # D-182-57 | | | | 82603 | D-182-57 |
| 2001 | 2.2L L4 | 1GMXV02.2023 | Automatic Trans.; Executive Order # D-182-57 | | 82689 | 31643, 31369 | | D-182-57 |
| | | | Executive Order # D-182-57 | | | | 82603 | D-182-57 |
| | | 1GMXV02.4022 | Standard Trans.; Executive Order # D-182-57 | | | | 82603 | D-182-57 |
| L200 | | | | | | | | |
| 2003 | 2.2L L4 | 3GMXV02.2025 | Automatic Trans.; Executive Order # D-182-57 | | 82689 | 31643, 31369 | | D-182-57 |
| | | | Executive Order # D-182-57 | | | | 82603 | D-182-57 |
| | | 3GMXV02.2027 | Automatic Trans.; Executive Order # D-182-57 | | 82689 | 31643, 31369 | | D-182-57 |
| | | | Executive Order # D-182-57 | | | | 82603 | D-182-57 |
| 2002 | 2.2L L4 | 2GMXV02.2023 | Automatic Trans.; Executive Order # D-182-57 | | 82689 | 31643, 31369 | | D-182-57 |
| | | | Executive Order # D-182-57 | | | | 82603 | D-182-57 |
| 2001 | 2.2L L4 | 1GMXV02.2023 | Automatic Trans.; Executive Order # D-182-57 | | 82689 | 31643, 31369 | | D-182-57 |
| | | | Executive Order # D-182-57 | | | | 82603 | D-182-57 |
| | | 1GMXV02.4022 | Standard Trans.; Executive Order # D-182-57 | | | | 82603 | D-182-57 |
| L300 | | | | | | | | |
| 2005 | 3.0L V6 | 5GMXV03.0061 | Executive Order # D-182-53 | Front Left | | | 82503 | D-182-53 |
| | | | | Front Right | | | 82503 | D-182-53 |
| 2004 | 2.2L L4 | 4GMXV02.2025 | Automatic Trans.; Executive Order # D-182-57 | | 82689 | 31643, 31369 | | D-182-57 |
| | | | Executive Order # D-182-57 | | | | 82603 | D-182-57 |
| | 3.0L V6 | 4GMXV03.0061 | Executive Order # D-182-53 | Front Left | | | 82503 | D-182-53 |
| | | | | Front Right | | | 82503 | D-182-53 |
| 2003 | 3.0L V6 | 3GMXV03.0061 | Executive Order # D-182-48 | Front Left | | | 81806 | D-182-48 |
| | | | | Front Right | | | 81806 | D-182-48 |
| | | | | Rear | | | 81651 | D-182-48 |
| 2002 | 3.0L V6 | 2GMXV03.0061 | Executive Order # D-182-48 | Front Left | | | 81806 | D-182-48 |
| | | | | Front Right | | | 81806 | D-182-48 |
| | | | | Rear | | | 81651 | D-182-48 |
| 2001 | 3.0L V6 | 1GMXV03.0061 | Executive Order # D-182-48 | Front Left | | | 81806 | D-182-48 |
| | | | | Front Right | | | 81806 | D-182-48 |
| | | | | Rear | | | 81651 | D-182-48 |
| LS | | | | | | | | |
| 2000 | 2.2L L4 | YGMXV02.4022 | Executive Order # D-182-57 | | | | 82603 | D-182-57 |
| | | YGMXX02.2023 | Executive Order # D-182-57 | | | | 82603 | D-182-57 |

For vehicles licensed in the state of California or Maine, or vehicles requiring CARB-compliant converters in the state of New York, the parts in this catalog must be installed as specifically listed. Parts cannot be substituted, nor can they be installed on California or Maine licensed vehicles not listed in this catalog.

OBDII PASSENGER CAR & TRUCK

| Years | Engine | Engine Family No. | Application | Position | Direct-Fit | | Universal Part No. | Executive Order |
|-----------------------|---------|-------------------|--|-------------|--------------|--------------|--------------------|-----------------|
| | | | | | Part No. | Hardware | | |
| SATURN (Cont.) | | | | | | | | |
| LS1 | | | | | | | | |
| 2000 | 2.2L L4 | YGMXV02.4022 | Executive Order # D-182-57 | | | | 82603 | D-182-57 |
| | | YGMXX02.2023 | Executive Order # D-182-57 | | | | 82603 | D-182-57 |
| LW1 | | | | | | | | |
| 2000 | 2.2L L4 | YGMXV02.4022 | Executive Order # D-182-57 | | | | 82603 | D-182-57 |
| | | YGMXX02.2023 | Executive Order # D-182-57 | | | | 82603 | D-182-57 |
| LW200 | | | | | | | | |
| 2003 | 2.2L L4 | 3GMXV02.2025 | Automatic Trans.; Executive Order # D-182-57 | | 82689 | 31643, 31369 | | D-182-57 |
| | | | Executive Order # D-182-57 | | | | 82603 | D-182-57 |
| | | 3GMXV02.2027 | Automatic Trans.; Executive Order # D-182-57 | | 82689 | 31643, 31369 | | D-182-57 |
| | | | Executive Order # D-182-57 | | | | 82603 | D-182-57 |
| 2002 | 2.2L L4 | 2GMXV02.2023 | Automatic Trans.; Executive Order # D-182-57 | | 82689 | 31643, 31369 | | D-182-57 |
| | | | Executive Order # D-182-57 | | | | 82603 | D-182-57 |
| 2001 | 2.2L L4 | 1GMXV02.2023 | Automatic Trans.; Executive Order # D-182-57 | | 82689 | 31643, 31369 | | D-182-57 |
| | | | Executive Order # D-182-57 | | | | 82603 | D-182-57 |
| | | 1GMXV02.4022 | Standard Trans.; Executive Order # D-182-57 | | | | 82603 | D-182-57 |
| LW300 | | | | | | | | |
| 2003 | 3.0L V6 | 3GMXV03.0061 | Executive Order # D-182-48 | Front Left | | | 81806 | D-182-48 |
| | | | | Front Right | | | 81806 | D-182-48 |
| | | | | Rear | | | 81651 | D-182-48 |
| 2002 | 3.0L V6 | 2GMXV03.0061 | Executive Order # D-182-48 | Front Left | | | 81806 | D-182-48 |
| | | | | Front Right | | | 81806 | D-182-48 |
| | | | | Rear | | | 81651 | D-182-48 |
| 2001 | 3.0L V6 | 1GMXV03.0061 | Executive Order # D-182-48 | Front Left | | | 81806 | D-182-48 |
| | | | | Front Right | | | 81806 | D-182-48 |
| | | | | Rear | | | 81651 | D-182-48 |
| SC1 | | | | | | | | |
| 1999 | 1.9L L4 | XGMXV01.9002 | VIN "8"; SOHC; Executive Order # D-182-45 | Rear | 81960 | 31533 | | D-182-45 |
| | | | VIN "8"; SOHC; Executive Order # D-182-57 | | | | 82627 | D-182-57 |
| 1998 | 1.9L L4 | WGMXV01.9002 | VIN "8"; SOHC; Executive Order # D-182-57 | | | | 82627 | D-182-57 |
| | | | VIN "8"; SOHC; If re-using O.E. Front Pipe, Connector 41951 is required.; Executive Order # D-182-45 | Rear | 81960 | 31533 | | D-182-45 |
| 1997 | 1.9L L4 | VGM1.9V8G2EK. | SOHC; Executive Order # D-182-57 | | | | 82627 | D-182-57 |
| | | | SOHC; If re-using O.E. Front Pipe, Connector 41951 is required.; Executive Order # D-182-45 | Rear | 81960 | 31533 | | D-182-45 |
| 1996 | 1.9L L4 | TGM1.9V8G2EK | SOHC; Executive Order # D-182-57 | | | | 82627 | D-182-57 |

For vehicles licensed in the state of California or Maine, or vehicles requiring CARB-compliant converters in the state of New York, the parts in this catalog must be installed as specifically listed. Parts cannot be substituted, nor can they be installed on California or Maine licensed vehicles not listed in this catalog.

OBDII PASSENGER CAR & TRUCK

| Years | Engine | Engine Family No. | Application | Position | Direct-Fit | | Universal Part No. | Executive Order |
|-----------------------|---------|-------------------|--|----------|------------|----------|--------------------|-----------------|
| | | | | | Part No. | Hardware | | |
| SATURN (Cont.) | | | | | | | | |
| SC1 (Cont.) | | | | | | | | |
| 1996 (Cont.) | 1.9L L4 | TGM1.9V8G2EK | SOHC; If re-using O.E. Front Pipe, Connector 41951 is required.; Executive Order # D-182-45 | Rear | 81960 | 31533 | | D-182-45 |
| SC2 | | | | | | | | |
| 1996 | 1.9L L4 | TGM1.9VJGFEK | DOHC; If re-using O.E. Front Pipe, Connector 41951 is required.; Executive Order # D-182-45 | Rear | 81960 | 31533 | | D-182-45 |
| SL | | | | | | | | |
| 1999 | 1.9L L4 | XGMXV01.9002 | VIN "8"; SOHC; Executive Order # D-182-45 | Rear | 81960 | 31533 | | D-182-45 |
| | | | VIN "8"; SOHC; Executive Order # D-182-57 | | | 82627 | D-182-57 | |
| 1998 | 1.9L L4 | WGMXV01.9002 | VIN "8"; SOHC; Executive Order # D-182-57 | | | | 82627 | D-182-57 |
| | | | VIN "8"; SOHC; If re-using O.E. Front Pipe, Connector 41951 is required.; Executive Order # D-182-45 | Rear | 81960 | 31533 | | D-182-45 |
| 1997 | 1.9L L4 | VGM1.9V8G2EK. | SOHC; Executive Order # D-182-57 | | | | 82627 | D-182-57 |
| | | | SOHC; If re-using O.E. Front Pipe, Connector 41951 is required.; Executive Order # D-182-45 | Rear | 81960 | 31533 | | D-182-45 |
| 1996 | 1.9L L4 | TGM1.9V8G2EK | SOHC; Executive Order # D-182-57 | | | | 82627 | D-182-57 |
| | | | SOHC; If re-using O.E. Front Pipe, Connector 41951 is required.; Executive Order # D-182-45 | Rear | 81960 | 31533 | | D-182-45 |
| SL1 | | | | | | | | |
| 1999 | 1.9L L4 | XGMXV01.9002 | VIN "8"; SOHC; Executive Order # D-182-45 | Rear | 81960 | 31533 | | D-182-45 |
| | | | VIN "8"; SOHC; Executive Order # D-182-57 | | | 82627 | D-182-57 | |
| 1998 | 1.9L L4 | WGMXV01.9002 | VIN "8"; SOHC; Executive Order # D-182-57 | | | | 82627 | D-182-57 |
| | | | VIN "8"; SOHC; If re-using O.E. Front Pipe, Connector 41951 is required.; Executive Order # D-182-45 | Rear | 81960 | 31533 | | D-182-45 |
| 1997 | 1.9L L4 | VGM1.9V8G2EK. | SOHC; Executive Order # D-182-57 | | | | 82627 | D-182-57 |
| | | | SOHC; If re-using O.E. Front Pipe, Connector 41951 is required.; Executive Order # D-182-45 | Rear | 81960 | 31533 | | D-182-45 |
| 1996 | 1.9L L4 | TGM1.9V8G2EK | SOHC; Executive Order # D-182-57 | | | | 82627 | D-182-57 |
| | | | SOHC; If re-using O.E. Front Pipe, Connector 41951 is required.; Executive Order # D-182-45 | Rear | 81960 | 31533 | | D-182-45 |
| SL2 | | | | | | | | |
| 1996 | 1.9L L4 | TGM1.9VJGFEK | DOHC; If re-using O.E. Front Pipe, Connector 41951 is required.; Executive Order # D-182-45 | Rear | 81960 | 31533 | | D-182-45 |

OBDII APPLICATIONS

NON-OBDII APPLICATIONS

NUMERICAL

UNIVERSAL SPECIFICATIONS

For vehicles licensed in the state of California or Maine, or vehicles requiring CARB-compliant converters in the state of New York, the parts in this catalog must be installed as specifically listed. Parts cannot be substituted, nor can they be installed on California or Maine licensed vehicles not listed in this catalog.

OBDII PASSENGER CAR & TRUCK

| Years | Engine | Engine Family No. | Application | Position | Direct-Fit | | Universal Part No. | Executive Order |
|-----------------------|---------|-------------------|--|---------------------|--------------|---------------------------------|--------------------|-----------------|
| | | | | | Part No. | Hardware | | |
| SATURN (Cont.) | | | | | | | | |
| SW1 | | | | | | | | |
| 1999 | 1.9L L4 | XGMXV01.9002 | VIN "8"; SOHC; Executive Order # D-182-45 | Rear | 81960 | 31533 | | D-182-45 |
| | | | VIN "8"; SOHC; Executive Order # D-182-57 | | | | 82627 | D-182-57 |
| 1998 | 1.9L L4 | WGMXV01.9002 | VIN "8"; SOHC; Executive Order # D-182-57 | | | | 82627 | D-182-57 |
| | | | VIN "8"; SOHC; If re-using O.E. Front Pipe, Connector 41951 is required.; Executive Order # D-182-45 | Rear | 81960 | 31533 | | D-182-45 |
| 1997 | 1.9L L4 | VGM1.9V8G2EK. | SOHC; Executive Order # D-182-57 | | | | 82627 | D-182-57 |
| | | | SOHC; If re-using O.E. Front Pipe, Connector 41951 is required.; Executive Order # D-182-45 | Rear | 81960 | 31533 | | D-182-45 |
| 1996 | 1.9L L4 | TGM1.9V8G2EK | SOHC; Executive Order # D-182-57 | | | | 82627 | D-182-57 |
| | | | SOHC; If re-using O.E. Front Pipe, Connector 41951 is required.; Executive Order # D-182-45 | Rear | 81960 | 31533 | | D-182-45 |
| SW2 | | | | | | | | |
| 1996 | 1.9L L4 | TGM1.9VJGF EK | DOHC; If re-using O.E. Front Pipe, Connector 41951 is required.; Executive Order # D-182-45 | Rear | 81960 | 31533 | | D-182-45 |
| Vue | | | | | | | | |
| 2006 | 2.2L L4 | 6GMXT02.2123 | Executive Order # D-182-57 | | | | 82603 | D-182-57 |
| | | | Standard Trans.; Executive Order # D-182-57 | | 82684 | 31643, 31390 | | D-182-57 |
| 2005 | 2.2L L4 | 5GMXT02.2123 | Executive Order # D-182-57 | | 82684 | 31643, 31390 | 82603 | D-182-57 |
| 2004 | 2.2L L4 | 4GMXT02.2123 | Executive Order # D-182-57 | | 82684 | 31643, 31390 | 82603 | D-182-57 |
| 2003 | 2.2L L4 | 3GMXT02.2123 | Executive Order # D-182-57 | | 82684 | 31643, 31390 | 82603 | D-182-57 |
| | | | Executive Order # D-182-60 | Front | 81859 | 31369, 31307 | | D-182-60 |
| | | Front Left | | | 81816 | D-182-60 | | |
| | | Front Right | | | 81810 | D-182-60 | | |
| | | Rear | 82793 | 31307, 31369, 31559 | 82700 | D-182-60 | | |
| 2002 | 2.2L L4 | 2GMXT02.2123 | Executive Order # D-182-57 | | 82684 | 31643, 31390 | 82603 | D-182-57 |
| | | | Executive Order # D-182-60 | Front | 81859 | 31369, 31307 | | D-182-60 |
| | | Front Left | | | 81816 | D-182-60 | | |
| | | Front Right | | | 81810 | D-182-60 | | |
| | | Rear | 82793 | 31307, 31369, 31559 | 82700 | D-182-60 | | |
| SCION | | | | | | | | |
| tC | | | | | | | | |
| 2009 | 2.4L L4 | 9TYXV02.4BEB | Executive Order # D-182-62 | Rear | 83287 | 31374, 55493 resonator assembly | 83205 | D-182-62 |
| | | | Includes Front Gasket; Executive Order # D-182-62 | Front | 83148 | 31639 | | D-182-62 |

For vehicles licensed in the state of California or Maine, or vehicles requiring CARB-compliant converters in the state of New York, the parts in this catalog must be installed as specifically listed. Parts cannot be substituted, nor can they be installed on California or Maine licensed vehicles not listed in this catalog.

OBDII PASSENGER CAR & TRUCK

| Years | Engine | Engine Family No. | Application | Position | Direct-Fit | | Universal Part No. | Executive Order |
|----------------------|---------|-------------------|---|----------|--------------|---------------------------------|--------------------|-----------------|
| | | | | | Part No. | Hardware | | |
| SCION (Cont.) | | | | | | | | |
| tC (Cont.) | | | | | | | | |
| 2008 | 2.4L L4 | 8TYXV02.4BEB | Executive Order # D-182-62 | Rear | 83287 | 31374, 55493 resonator assembly | 83205 | D-182-62 |
| | | | Includes Front Gasket; Executive Order # D-182-62 | Front | 83148 | 31639 | | D-182-62 |
| 2007 | 2.4L L4 | 7TYXV02.4BEA | Executive Order # D-182-62 | Rear | 83287 | 31374, 55493 resonator assembly | 83205 | D-182-62 |
| | | | Includes Front Gasket; Executive Order # D-182-62 | Front | 83148 | 31639 | | D-182-62 |
| 2006 | 2.4L L4 | 6TYXV02.4WMC | Executive Order # D-182-61 | Rear | | | 82644 | D-182-61 |
| | | | To 5/06; Includes Front Gasket; Executive Order # D-182-61 | Front | 82559 | 31374 | | D-182-61 |
| 2005 | 2.4L L4 | 5TYXV02.4WMC | Executive Order # D-182-61 | Rear | | | 82644 | D-182-61 |
| | | | Includes Front Gasket; Executive Order # D-182-61 | Front | 82559 | 31374 | | D-182-61 |
| xA | | | | | | | | |
| 2006 | 1.5L L4 | 6TYXV01.5VMB | Executive Order # D-182-57 | | | | 82617 | D-182-57 |
| 2005 | 1.5L L4 | 5TYXV01.5VMA | Executive Order # D-182-57 | | | | 82617 | D-182-57 |
| 2004 | 1.5L L4 | 4TYXV01.5VMA | Executive Order # D-182-57 | | | | 82617 | D-182-57 |
| | | | Must Be Used w/ 54657 Resonator Assembly.; Executive Order # D-182-45 | | 81768 | 31378 | | D-182-45 |
| xB | | | | | | | | |
| 2009 | 2.4L L4 | 9TYXV02.4BEB | Executive Order # D-182-62 | Rear | 83281 | 31374, 31357 | | D-182-62 |
| | | | Includes Front Gasket; Executive Order # D-182-62 | Front | 83151 | 31630 | | D-182-62 |
| 2008 | 2.4L L4 | 8TYXV02.4BEB | Executive Order # D-182-62 | Rear | 83281 | 31374, 31357 | | D-182-62 |
| | | | Includes Front Gasket; Executive Order # D-182-62 | Front | 83151 | 31630 | | D-182-62 |
| 2006 | 1.5L L4 | 6TYXV01.5VMB | Executive Order # D-182-57 | | | | 82617 | D-182-57 |
| 2005 | 1.5L L4 | 5TYXV01.5VMA | Executive Order # D-182-57 | | | | 82617 | D-182-57 |
| 2004 | 1.5L L4 | 4TYXV01.5VMA | Executive Order # D-182-45 | | 81780 | 31378 | | D-182-45 |
| | | | Executive Order # D-182-57 | | | | 82617 | D-182-57 |
| xD | | | | | | | | |
| 2009 | 1.8L L4 | 9TYXV01.8AJA | Executive Order # D-182-63 | Front | | | 83302 | D-182-63 |
| | | | | Rear | | | 83213 | D-182-63 |
| 2008 | 1.8L L4 | 8TYXV01.8AJA | Executive Order # D-182-63 | Front | | | 83302 | D-182-63 |
| | | | | Rear | | | 83213 | D-182-63 |
| SUBARU | | | | | | | | |
| Baja | | | | | | | | |
| 2003 | 2.5L H4 | 3FJXX02.5JHM | Executive Order # D-182-53 | | 82662 | 31310, 31362 | | D-182-53 |
| | | | | Front | | | 82525 | D-182-53 |
| | | | | Rear | | | 82624 | D-182-53 |
| Forester | | | | | | | | |
| 2008 | 2.5L H4 | 8FJXV02.5MTC | Executive Order # D-182-63 | Front | 83389 | 31613 (2), 31383 | | D-182-63 |
| | | | | Rear | 83258 | 31383, 31615 | 83217 | D-182-63 |

For vehicles licensed in the state of California or Maine, or vehicles requiring CARB-compliant converters in the state of New York, the parts in this catalog must be installed as specifically listed. Parts cannot be substituted, nor can they be installed on California or Maine licensed vehicles not listed in this catalog.

OBDII APPLICATIONS

NON-OBDII APPLICATIONS

NUMERICAL

UNIVERSAL SPECIFICATIONS

OBDII PASSENGER CAR & TRUCK

| Years | Engine | Engine Family No. | Application | Position | Direct-Fit | | Universal Part No. | Executive Order |
|-------------------------|---------|-------------------|----------------------------|----------|--------------|------------------|--------------------|-----------------|
| | | | | | Part No. | Hardware | | |
| SUBARU (Cont.) | | | | | | | | |
| Forester (Cont.) | | | | | | | | |
| 2007 | 2.5L H4 | 7FJXB02.5MTC | Executive Order # D-182-63 | Front | 83389 | 31613 (2), 31383 | | D-182-63 |
| | | | | Rear | 83258 | 31383, 31615 | 83217 | D-182-63 |
| 2006 | 2.5L H4 | 6FJXX02.5MTC | Executive Order # D-182-63 | Front | 83389 | 31613 (2), 31383 | | D-182-63 |
| | | | | Rear | 83258 | 31383, 31615 | 83217 | D-182-63 |
| 2005 | 2.5L H4 | 5FJXX02.5MJS | Executive Order # D-182-63 | | 83381 | 31310, 31357 | | D-182-63 |
| | | | | Front | | | 83307 | D-182-63 |
| 2004 | 2.5L H4 | 4FJXV02.5SHU | Executive Order # D-182-53 | | 82663 | 31310, 31357 | | D-182-53 |
| | | | | Front | | | 82525 | D-182-53 |
| 2003 | 2.5L H4 | 3FJXX02.5JHM | Executive Order # D-182-53 | | 82663 | 31310, 31357 | | D-182-53 |
| | | | | Front | | | 82525 | D-182-53 |
| 2002 | 2.5L H4 | 2FJXV02.5JEH | Executive Order # D-182-53 | | 82663 | 31310, 31357 | | D-182-53 |
| | | | | Front | | | 82525 | D-182-53 |
| | | 2FJXV02.5JEJ | Executive Order # D-182-53 | | 82663 | 31310, 31357 | | D-182-53 |
| | | | | Front | | | 82525 | D-182-53 |
| 2001 | 2.5L H4 | 1FJXV02.5JEH | Executive Order # D-182-53 | | 82663 | 31310, 31357 | | D-182-53 |
| | | | | Front | | | 82525 | D-182-53 |
| 2000 | 2.5L H4 | YFJXV02.5JEH | Executive Order # D-182-53 | | 82663 | 31310, 31357 | | D-182-53 |
| | | | | Front | | | 82525 | D-182-53 |
| 1999 | 2.5L H4 | XFJXV02.5HEG | Executive Order # D-182-53 | | 82663 | 31310, 31357 | | D-182-53 |
| | | | | Front | | | 82525 | D-182-53 |
| 1998 | 2.5L H4 | WFJXV02.5DCD | Executive Order # D-182-53 | Front | 82576 | 31310 (2) | 82525 | D-182-53 |
| | | | | Rear | 82658 | 31310, 31358 | 82624 | D-182-53 |
| Impreza | | | | | | | | |
| 2009 | 2.5L H4 | 9FJXJ02.5MXG | Executive Order # D-182-63 | Front | 83389 | 31613 (2), 31383 | | D-182-63 |
| | | | | Rear | 83257 | 31383, 31639 | 83217 | D-182-63 |
| 2008 | 2.5L H4 | 8FJXB02.5MXG | Executive Order # D-182-63 | Front | 83389 | 31613 (2), 31383 | | D-182-63 |
| | | | | Rear | 83257 | 31383, 31639 | 83217 | D-182-63 |
| 2007 | 2.5L H4 | 7FJXB02.5MTC | Executive Order # D-182-63 | Front | 83389 | 31613 (2), 31383 | | D-182-63 |
| | | | | Rear | 83258 | 31383, 31615 | 83217 | D-182-63 |
| 2006 | 2.5L H4 | 6FJXX02.5MTC | Executive Order # D-182-63 | Front | 83389 | 31613 (2), 31383 | | D-182-63 |
| | | | | Rear | 83258 | 31383, 31615 | 83217 | D-182-63 |
| 2005 | 2.5L H4 | 5FJXX02.5MJS | Executive Order # D-182-63 | | 83381 | 31310, 31357 | | D-182-63 |
| | | | | Front | | | 83307 | D-182-63 |
| 2004 | 2.5L H4 | 4FJXV02.5JHM | Executive Order # D-182-53 | | 82663 | 31310, 31357 | | D-182-53 |
| | | | | Front | | | 82525 | D-182-53 |
| | | | | Rear | | | 82624 | D-182-53 |

For vehicles licensed in the state of California or Maine, or vehicles requiring CARB-compliant converters in the state of New York, the parts in this catalog must be installed as specifically listed. Parts cannot be substituted, nor can they be installed on California or Maine licensed vehicles not listed in this catalog.

OBDII PASSENGER CAR & TRUCK

| Years | Engine | Engine Family No. | Application | Position | Direct-Fit | | Universal Part No. | Executive Order |
|------------------------|---------|-------------------|----------------------------|----------|--------------|------------------|--------------------|-----------------|
| | | | | | Part No. | Hardware | | |
| SUBARU (Cont.) | | | | | | | | |
| Impreza (Cont.) | | | | | | | | |
| 2003 | 2.5L H4 | 3FJXX02.5JHM | Executive Order # D-182-53 | | 82663 | 31310, 31357 | | D-182-53 |
| | | | | Front | | | 82525 | D-182-53 |
| | | | | Rear | | | 82624 | D-182-53 |
| 2002 | 2.5L H4 | 2FJXV02.5JEJ | Executive Order # D-182-53 | | 82663 | 31310, 31357 | | D-182-53 |
| | | | | Front | | | 82525 | D-182-53 |
| | | | | Rear | | | 82624 | D-182-53 |
| 2001 | 2.2L H4 | 1FJXV02.5JEH | Executive Order # D-182-53 | | 82663 | 31310, 31357 | | D-182-53 |
| | | | | Front | | | 82525 | D-182-53 |
| | | | | Rear | | | 82624 | D-182-53 |
| | 2.5L H4 | 1FJXV02.5JEH | Executive Order # D-182-53 | | 82663 | 31310, 31357 | | D-182-53 |
| | | | | Front | | | 82525 | D-182-53 |
| | | | | Rear | | | 82624 | D-182-53 |
| 2000 | 2.2L H4 | YFJXV02.5JEH | Executive Order # D-182-53 | | 82663 | 31310, 31357 | | D-182-53 |
| | | | | Front | | | 82525 | D-182-53 |
| | | | | Rear | | | 82624 | D-182-53 |
| | 2.5L H4 | YFJXV02.5JEH | Executive Order # D-182-53 | | 82663 | 31310, 31357 | | D-182-53 |
| | | | | Front | | | 82525 | D-182-53 |
| | | | | Rear | | | 82624 | D-182-53 |
| 1999 | 2.2L H4 | XFJXV02.2FEF | Executive Order # D-182-53 | Front | 82576 | 31310 (2) | 82525 | D-182-53 |
| | | | | Rear | 82658 | 31310, 31358 | 82624 | D-182-53 |
| | | | | | 82576 | 31310 (2) | 82525 | D-182-53 |
| | 2.5L H4 | XFJXV02.5HEG | Executive Order # D-182-53 | Front | 82576 | 31310 (2) | 82525 | D-182-53 |
| | | | | Rear | 82658 | 31310, 31358 | 82624 | D-182-53 |
| | | | | | 82576 | 31310 (2) | 82525 | D-182-53 |
| 1998 | 2.2L H4 | WFJXV02.2BCB | Executive Order # D-182-53 | Front | 82576 | 31310 (2) | 82525 | D-182-53 |
| | | | | Rear | 82658 | 31310, 31358 | 82624 | D-182-53 |
| | | | | | 82576 | 31310 (2) | 82525 | D-182-53 |
| | 2.5L H4 | WFJXV02.5DCD | Executive Order # D-182-53 | Front | 82576 | 31310 (2) | 82525 | D-182-53 |
| | | | | Rear | 82658 | 31310, 31358 | 82624 | D-182-53 |
| | | | | | 82576 | 31310 (2) | 82525 | D-182-53 |
| 1997 | 1.8L H4 | VFJ1.8VJGFEK | Executive Order # D-182-53 | Front | 82576 | 31310 (2) | 82525 | D-182-53 |
| | | | | Rear | 82658 | 31310, 31358 | 82624 | D-182-53 |
| | | | | | 82576 | 31310 (2) | 82525 | D-182-53 |
| | 2.2L H4 | VFJ2.2VJGKEK | Executive Order # D-182-53 | Front | 82576 | 31310 (2) | 82525 | D-182-53 |
| | | | | Rear | 82658 | 31310, 31358 | 82624 | D-182-53 |
| | | | | | 82576 | 31310 (2) | 82525 | D-182-53 |
| 1996 | 1.8L H4 | TFJ1.8VJGFEK | Executive Order # D-182-53 | Front | 82576 | 31310 (2) | 82525 | D-182-53 |
| | | | | Rear | | | 82624 | D-182-53 |
| | 2.2L H4 | TFJ2.2VJGKEK | Executive Order # D-182-53 | Front | 82576 | 31310 (2) | 82525 | D-182-53 |
| | | | | Rear | 82658 | 31310, 31358 | 82624 | D-182-53 |
| 1995 | 2.2L H4 | SFJ2.2VJGFEK | Executive Order # D-182-53 | Front | 82576 | 31310 (2) | 82525 | D-182-53 |
| | | | | Rear | 82658 | 31310, 31358 | 82624 | D-182-53 |
| Legacy | | | | | | | | |
| 2009 | 2.5L H4 | 9FJXJ02.5MXG | Executive Order # D-182-63 | Front | 83389 | 31613 (2), 31383 | | D-182-63 |
| | | | | Rear | 83257 | 31383, 31639 | 83217 | D-182-63 |
| 2008 | 2.5L H4 | 8FJXB02.5MXG | Executive Order # D-182-63 | Front | 83389 | 31613 (2), 31383 | | D-182-63 |
| | | | | Rear | 83257 | 31383, 31639 | 83217 | D-182-63 |
| 2007 | 2.5L H4 | 7FJXB02.5MTC | Executive Order # D-182-63 | Front | 83389 | 31613 (2), 31383 | | D-182-63 |
| | | | | Rear | 83257 | 31383, 31639 | 83217 | D-182-63 |
| 2006 | 2.5L H4 | 6FJXX02.5MTC | Executive Order # D-182-63 | Front | 83389 | 31613 (2), 31383 | | D-182-63 |
| | | | | Rear | 83257 | 31383, 31639 | 83217 | D-182-63 |

For vehicles licensed in the state of California or Maine, or vehicles requiring CARB-compliant converters in the state of New York, the parts in this catalog must be installed as specifically listed. Parts cannot be substituted, nor can they be installed on California or Maine licensed vehicles not listed in this catalog.

OBDII APPLICATIONS

NON-OBDII APPLICATIONS

NUMERICAL

UNIVERSAL SPECIFICATIONS

OBDII PASSENGER CAR & TRUCK

| Years | Engine | Engine Family No. | Application | Position | Direct-Fit | | Universal Part No. | Executive Order |
|-----------------------|---------|-------------------|----------------------------|----------|--------------|--------------|--------------------|-----------------|
| | | | | | Part No. | Hardware | | |
| SUBARU (Cont.) | | | | | | | | |
| Legacy (Cont.) | | | | | | | | |
| 2005 | 2.5L H4 | 5FJXX02.5MJS | Executive Order # D-182-63 | | 83382 | 31310, 31614 | | D-182-63 |
| | | | | Front | | | 83307 | D-182-63 |
| | | | | Rear | | | 83218 | D-182-63 |
| 2004 | 2.5L H4 | 4FJXV02.5MJS | Executive Order # D-182-63 | | 83382 | 31310, 31614 | | D-182-63 |
| | | | | Front | | | 83307 | D-182-63 |
| | | | | Rear | | | 83218 | D-182-63 |
| 2003 | 2.5L H4 | 3FJXX02.5JHM | Executive Order # D-182-53 | | 82662 | 31310, 31362 | | D-182-53 |
| | | | | Front | | | 82525 | D-182-53 |
| | | | | Rear | | | 82624 | D-182-53 |
| 2002 | 2.5L H4 | 2FJXV02.5JHM | Executive Order # D-182-53 | | 82662 | 31310, 31362 | | D-182-53 |
| | | | | Front | | | 82525 | D-182-53 |
| | | | | Rear | | | 82624 | D-182-53 |
| 2001 | 2.5L H4 | 1FJXV02.5JEH | Executive Order # D-182-53 | | 82662 | 31310, 31362 | | D-182-53 |
| | | | | Front | | | 82525 | D-182-53 |
| | | | | Rear | | | 82624 | D-182-53 |
| | | 1FJXV02.5JEJ | Executive Order # D-182-53 | | 82662 | 31310, 31362 | | D-182-53 |
| | | | | Front | | | 82525 | D-182-53 |
| | | | | Rear | | | 82624 | D-182-53 |
| 2000 | 2.5L H4 | YFJXV02.5JEH | Executive Order # D-182-53 | | 82662 | 31310, 31362 | | D-182-53 |
| | | | | Front | | | 82525 | D-182-53 |
| | | | | Rear | | | 82624 | D-182-53 |
| 1999 | 2.2L H4 | XFJXV02.2FEF | Executive Order # D-182-53 | Front | 82576 | 31310 (2) | 82525 | D-182-53 |
| | | | | Rear | 82658 | 31310, 31358 | 82624 | D-182-53 |
| | 2.5L H4 | XFJXV02.5DCD | Executive Order # D-182-53 | Front | 82576 | 31310 (2) | 82525 | D-182-53 |
| | | | | Rear | 82658 | 31310, 31358 | 82624 | D-182-53 |
| 1998 | 2.2L H4 | WFJXV02.2BCB | Executive Order # D-182-53 | Front | 82576 | 31310 (2) | 82525 | D-182-53 |
| | | | | Rear | 82658 | 31310, 31358 | 82624 | D-182-53 |
| | 2.5L H4 | WFJXV02.5DCD | Executive Order # D-182-53 | Front | 82576 | 31310 (2) | 82525 | D-182-53 |
| | | | | Rear | 82658 | 31310, 31358 | 82624 | D-182-53 |
| 1997 | 2.2L H4 | VFJ2.2VJG2EK | Executive Order # D-182-53 | Front | 82576 | 31310 (2) | 82525 | D-182-53 |
| | | | | Rear | 82658 | 31310, 31358 | 82624 | D-182-53 |
| | 2.5L H4 | VFJ2.5VJGKEK | Executive Order # D-182-53 | Front | 82576 | 31310 (2) | 82525 | D-182-53 |
| | | | | Rear | 82658 | 31310, 31358 | 82624 | D-182-53 |
| 1996 | 2.2L H4 | TFJ2.2VJG2EK | Executive Order # D-182-53 | Front | 82576 | 31310 (2) | 82525 | D-182-53 |
| | | | | Rear | 82658 | 31310, 31358 | 82624 | D-182-53 |
| | | TFJ2.2VJGKEK | Executive Order # D-182-53 | Front | 82576 | 31310 (2) | 82525 | D-182-53 |
| | | | | Rear | 82658 | 31310, 31358 | 82624 | D-182-53 |
| | 2.5L H4 | TFJ2.5VJGFEK | Executive Order # D-182-53 | Front | 82576 | 31310 (2) | 82525 | D-182-53 |
| | | | | Rear | 82658 | 31310, 31358 | 82624 | D-182-53 |
| 1995 | 2.2L H4 | SFJ2.2VJGFEK | Executive Order # D-182-53 | Front | 82576 | 31310 (2) | 82525 | D-182-53 |
| | | | | Rear | 82658 | 31310, 31358 | 82624 | D-182-53 |

Outback

| | | | | | | | | |
|------|---------|--------------|----------------------------|-------|--------------|--------------|--------------|----------|
| 2004 | 2.5L H4 | 4FJXV02.5MJS | Executive Order # D-182-63 | | 83382 | 31310, 31614 | | D-182-63 |
| | | | | Front | | | 83307 | D-182-63 |
| | | | | Rear | | | 83218 | D-182-63 |

For vehicles licensed in the state of California or Maine, or vehicles requiring CARB-compliant converters in the state of New York, the parts in this catalog must be installed as specifically listed. Parts cannot be substituted, nor can they be installed on California or Maine licensed vehicles not listed in this catalog.

OBDII PASSENGER CAR & TRUCK

| Years | Engine | Engine Family No. | Application | Position | Direct-Fit | | Universal Part No. | Executive Order |
|------------------------|--------------|----------------------------|----------------------------|--------------|--------------|--------------|--------------------|-----------------|
| | | | | | Part No. | Hardware | | |
| SUBARU (Cont.) | | | | | | | | |
| Outback (Cont.) | | | | | | | | |
| 2004 (Cont.) | 3.0L H6 | 4FJXV03.0KFP | Executive Order # D-182-48 | Front Left | | | 81806 | D-182-48 |
| | | | | Front Right | | | 81806 | D-182-48 |
| | | | | Rear | | | 81613 | D-182-48 |
| 2003 | 2.5L H4 | 3FJXX02.5JHM | Executive Order # D-182-53 | | 82662 | 31310, 31362 | | D-182-53 |
| | | | | Front | | | 82525 | D-182-53 |
| | | | | Rear | | | 82624 | D-182-53 |
| | 3.0L H6 | 3FJXV03.0KFP | Executive Order # D-182-48 | Front Left | | | 81806 | D-182-48 |
| | | | | Front Right | | | 81806 | D-182-48 |
| | | | | Rear | | | 81613 | D-182-48 |
| 2002 | 2.5L H4 | 2FJXV02.5JEJ | Executive Order # D-182-53 | | 82662 | 31310, 31362 | | D-182-53 |
| | | | | Front | | | 82525 | D-182-53 |
| | | | | Rear | | | 82624 | D-182-53 |
| | 2FJXV02.5JHM | Executive Order # D-182-53 | | 82662 | 31310, 31362 | | D-182-53 | |
| | | | Front | | | 82525 | D-182-53 | |
| | | | Rear | | | 82624 | D-182-53 | |
| 3.0L H6 | 2FJXV03.0KFK | Executive Order # D-182-48 | Front Left | | | 81806 | D-182-48 | |
| | | | Front Right | | | 81806 | D-182-48 | |
| | | | Rear | | | 81613 | D-182-48 | |
| 2001 | 2.5L H4 | 1FJXV02.5JEJ | Executive Order # D-182-53 | | 82662 | 31310, 31362 | | D-182-53 |
| | | | | Front | | | 82525 | D-182-53 |
| | | | | Rear | | | 82624 | D-182-53 |
| | 3.0L H6 | 1FJXV03.0KFK | Executive Order # D-182-48 | Front Left | | | 81806 | D-182-48 |
| | | | | Front Right | | | 81806 | D-182-48 |
| | | | | Rear | | | 81613 | D-182-48 |
| 2000 | 2.5L H4 | YFJXV02.5JEH | Executive Order # D-182-53 | | 82662 | 31310, 31362 | | D-182-53 |
| | | | | Front | | | 82525 | D-182-53 |
| | | | | Rear | | | 82624 | D-182-53 |

SVX

| | | | | | | | | |
|------|---------|--------------|----------------------------|-------------|--|--|--------------|----------|
| 1997 | 3.3L H6 | VFJ3.3VJGFEK | Executive Order # D-182-48 | Front Left | | | 81806 | D-182-48 |
| | | | | Front Right | | | 81806 | D-182-48 |
| | | | | Rear | | | 81613 | D-182-48 |
| 1996 | 3.3L H6 | TFJ3.3VJGFEK | Executive Order # D-182-48 | Front Left | | | 81806 | D-182-48 |
| | | | | Front Right | | | 81806 | D-182-48 |
| | | | | Rear | | | 81613 | D-182-48 |

SUZUKI

Aerio

| | | | | | | | | |
|------|---------|--------------|----------------------------|------|--|--|--------------|----------|
| 2007 | 2.3L L4 | 7SKXV2.295D1 | Executive Order # D-182-63 | Rear | | | 83213 | D-182-63 |
|------|---------|--------------|----------------------------|------|--|--|--------------|----------|

Foreza

| | | | | | | | | |
|------|---------|---------------|----------------------------|------|--|--|--------------|----------|
| 2005 | 2.0L L4 | 5GD XV02.0D04 | Executive Order # D-182-62 | Rear | | | 83206 | D-182-62 |
| 2004 | 2.0L L4 | 4GD XV02.0D04 | Executive Order # D-182-62 | Rear | | | 83206 | D-182-62 |

Reno

| | | | | | | | | |
|------|---------|---------------|----------------------------|------|--|--|--------------|----------|
| 2005 | 2.0L L4 | 5GD XV02.0D04 | Executive Order # D-182-62 | Rear | | | 83206 | D-182-62 |
|------|---------|---------------|----------------------------|------|--|--|--------------|----------|

For vehicles licensed in the state of California or Maine, or vehicles requiring CARB-compliant converters in the state of New York, the parts in this catalog must be installed as specifically listed. Parts cannot be substituted, nor can they be installed on California or Maine licensed vehicles not listed in this catalog.

OBDII APPLICATIONS

NON-OBDII APPLICATIONS

NUMERICAL

UNIVERSAL SPECIFICATIONS

OBDII PASSENGER CAR & TRUCK

| Years | Engine | Engine Family No. | Application | Position | Direct-Fit | | Universal Part No. | Executive Order |
|-----------------------|---------|-------------------|----------------------------|-------------|--------------|--------------|--------------------|-----------------|
| | | | | | Part No. | Hardware | | |
| SUZUKI (Cont.) | | | | | | | | |
| Sidekick | | | | | | | | |
| 1998 | 1.6L L4 | WSKXT1.59CMC | Executive Order # D-182-58 | | | | 82526 | D-182-58 |
| | 1.8L L4 | WSKXT1.84CHC | Executive Order # D-182-58 | | | | 82526 | D-182-58 |
| 1997 | 1.6L L4 | VSK1.61JGKHK | Executive Order # D-182-58 | | | | 82526 | D-182-58 |
| | 1.8L L4 | VSK1.81JGKHK | Executive Order # D-182-58 | | | | 82526 | D-182-58 |
| 1996 | 1.6L L4 | TSK1.61JGHHB | Executive Order # D-182-58 | | | | 82526 | D-182-58 |
| | 1.8L L4 | TSK1.81JGHHB | Executive Order # D-182-58 | | | | 82526 | D-182-58 |
| Swift | | | | | | | | |
| 1996 | 1.3L L4 | TSK1.3V5GDFB | Executive Order # D-182-58 | | | | 82526 | D-182-58 |
| SX4 | | | | | | | | |
| 2009 | 2.0L L4 | 9SKXV1.995D1 | Executive Order # D-182-63 | Rear | | | 83213 | D-182-63 |
| 2008 | 2.0L L4 | 8SKXV1.995D1 | Executive Order # D-182-63 | Rear | | | 83213 | D-182-63 |
| 2007 | 2.0L L4 | 7SKXV1.995D1 | Executive Order # D-182-63 | Rear | | | 83213 | D-182-63 |
| Vitara | | | | | | | | |
| 2003 | 2.0L L4 | 3SKXX2.00LC2 | Executive Order # D-182-53 | Front | 82572 | 31599, 31557 | | D-182-53 |
| | | | | Rear | 82668 | 31557, 31332 | | D-182-53 |
| 2002 | 2.0L L4 | 2SKXX2.00LC4 | Executive Order # D-182-53 | Front | 82572 | 31599, 31557 | | D-182-53 |
| | | | | Rear | 82668 | 31557, 31332 | | D-182-53 |
| 2001 | 1.6L L4 | 1SKXX2.00LC4 | Executive Order # D-182-53 | Front | 82572 | 31599, 31557 | | D-182-53 |
| | 2.0L L4 | 1SKXX2.00LC4 | Executive Order # D-182-53 | Front | 82572 | 31599, 31557 | | D-182-53 |
| | | | | Rear | 82668 | 31557, 31332 | | D-182-53 |
| | | | | | | | | |
| 2000 | 1.6L L4 | YSKXT1.59LMA | Executive Order # D-182-53 | Front | 82572 | 31599, 31557 | | D-182-53 |
| | 2.0L L4 | YSKXT2.00LMA | Executive Order # D-182-53 | Front | 82572 | 31599, 31557 | | D-182-53 |
| | | | | Rear | 82668 | 31557, 31332 | | D-182-53 |
| | | | | | | | | |
| 1999 | 1.6L L4 | XSKXT1.59LMA | Executive Order # D-182-53 | Front | 82572 | 31599, 31557 | | D-182-53 |
| | 2.0L L4 | XSKXT2.00LMA | Executive Order # D-182-53 | Front | 82572 | 31599, 31557 | | D-182-53 |
| | | | | Rear | 82668 | 31557, 31332 | | D-182-53 |
| X-90 | | | | | | | | |
| 1998 | 1.6L L4 | WSKXV1.59CMC | Executive Order # D-182-58 | | | | 82526 | D-182-58 |
| 1997 | 1.6L L4 | VSK1.6VJGKHK | Executive Order # D-182-58 | | | | 82526 | D-182-58 |
| 1996 | 1.6L L4 | TSK1.6VJGHHB | Executive Order # D-182-58 | | | | 82526 | D-182-58 |
| TOYOTA | | | | | | | | |
| 4Runner | | | | | | | | |
| 2004 | 4.0L V6 | 4TYXT04.0VRM | Executive Order # D-182-69 | Front Left | | | 83401 | D-182-69 |
| | | | | Front Right | | | 83401 | D-182-69 |
| | | | | Rear Left | | | 83401 | D-182-69 |
| | | | | Rear Right | | | 83401 | D-182-69 |
| | 4.7L V8 | 4TYXT04.7VRM | Executive Order # D-182-69 | Front Left | | | 83401 | D-182-69 |
| | | | | Front Right | | | 83401 | D-182-69 |
| | | | | Rear | | | 83402 | D-182-69 |
| 2003 | 4.0L V6 | 3TYXT04.0FFP | Executive Order # D-182-69 | Front Left | | | 83401 | D-182-69 |
| | | | | Front Right | | | 83401 | D-182-69 |
| | | | | Rear Left | | | 83401 | D-182-69 |
| | | | | Rear Right | | | 83401 | D-182-69 |

For vehicles licensed in the state of California or Maine, or vehicles requiring CARB-compliant converters in the state of New York, the parts in this catalog must be installed as specifically listed. Parts cannot be substituted, nor can they be installed on California or Maine licensed vehicles not listed in this catalog.

OBDII PASSENGER CAR & TRUCK

| Years | Engine | Engine Family No. | Application | Position | Direct-Fit | | Universal Part No. | Executive Order |
|----------------------------|---------|-------------------|----------------------------|--------------|------------------|--------------|--------------------|-----------------|
| | | | | | Part No. | Hardware | | |
| TOYOTA (Cont.) | | | | | | | | |
| 4Runner (Cont.) | | | | | | | | |
| 2003 (Cont.) | 4.7L V8 | 3TYXT04.7FFP | Executive Order # D-182-69 | Front Left | | | 83401 | D-182-69 |
| | | | | Front Right | | | 83401 | D-182-69 |
| | | | | Rear | | | 83402 | D-182-69 |
| 2002 | 3.4L V6 | 2TYXT03.4FFP | Executive Order # D-182-52 | Front | | | 81722 | D-182-52 |
| | | | | Rear | | | 81722 | D-182-52 |
| | | | Executive Order # D-182-69 | Front | | | 83402 | D-182-69 |
| | | | | Rear | 83466 | | 83402 | D-182-69 |
| 2001 | 3.4L V6 | 1TYXT03.4FFP | Executive Order # D-182-52 | Front | | | 81722 | D-182-52 |
| | | | | Rear | | | 81722 | D-182-52 |
| | | | Executive Order # D-182-69 | Front | | | 83402 | D-182-69 |
| | | | | Rear | 83466 | | 83402 | D-182-69 |
| 2000 | 2.7L L4 | YTYXT02.7FFR | Executive Order # D-182-52 | Front | | | 81711 | D-182-52 |
| | | | | Rear | 81744 | 31374, 31384 | 81711 | D-182-52 |
| | | | Executive Order # D-182-69 | Front | | | 83402 | D-182-69 |
| | | | | Rear | 83466 | | 83401 | D-182-69 |
| | 3.4L V6 | 2TYXT03.4FFP | Executive Order # D-182-69 | Front | | | 83402 | D-182-69 |
| | | | | Rear | | | 83402 | D-182-69 |
| | | YTYXT03.4FFR | Executive Order # D-182-52 | Front | 81741 | 31549, 31374 | 81722 | D-182-52 |
| | | | | Rear | 81744 | 31374, 31384 | 81722 | D-182-52 |
| 1999 | 2.7L L4 | XTYXT02.7BBP | Executive Order # D-182-47 | | | | 81712 | D-182-47 |
| | | | Executive Order # D-182-69 | | | | 83402 | D-182-69 |
| | 3.4L V6 | XTYXT03.4GXS | Executive Order # D-182-52 | Front | 81741 | 31549, 31374 | 81722 | D-182-52 |
| | | | | Rear | 81744 | 31374, 31384 | 81722 | D-182-52 |
| | | | Executive Order # D-182-69 | Front | | | 83402 | D-182-69 |
| | | | | Rear | | | 83402 | D-182-69 |
| 1998 | 2.7L L4 | WTYXT02.7BBP | Executive Order # D-182-47 | | | | 81712 | D-182-47 |
| | | | Executive Order # D-182-69 | | | | 83402 | D-182-69 |
| | 3.4L V6 | WTYXT03.4DBP | Executive Order # D-182-47 | | | | 81712 | D-182-47 |
| | | | Executive Order # D-182-52 | 81743 | 31332 (2), 31384 | | D-182-52 | |
| | | | Executive Order # D-182-69 | | | 83402 | D-182-69 | |
| 1997 | 2.7L L4 | VTY2.72JGKEK | Executive Order # D-182-47 | | | | 81712 | D-182-47 |
| | | | Executive Order # D-182-69 | | | | 83402 | D-182-69 |
| | 3.4L V6 | VTY3.42JG2GK | Executive Order # D-182-47 | | | | 81712 | D-182-47 |
| | | | Executive Order # D-182-52 | 81743 | 31332 (2), 31384 | | D-182-52 | |
| Executive Order # D-182-69 | | | | | 83402 | D-182-69 | | |
| 1996 | 2.7L L4 | TTY2.72HGKEK | Executive Order # D-182-47 | | | | 81712 | D-182-47 |
| | | | Executive Order # D-182-69 | | | | 83402 | D-182-69 |
| | 3.4L V6 | TTY3.42JG1GK | Executive Order # D-182-47 | | | | 81712 | D-182-47 |
| | | | Executive Order # D-182-52 | 81743 | 31332 (2), 31384 | | D-182-52 | |
| | | | Executive Order # D-182-69 | | | 83402 | D-182-69 | |
| | | | Executive Order # D-182-69 | | | 83402 | D-182-69 | |
| 1995 | 2.4L L4 | STY2.427G1GA | Executive Order # D-182-69 | | | | 83506 | D-182-69 |
| | 3.0L V6 | STY3.027G1GA | Executive Order # D-182-69 | | | | 83507 | D-182-69 |
| 1994 | 2.4L L4 | RTY2.427G1GA | Executive Order # D-182-69 | | | | 83506 | D-182-69 |
| | 3.0L V6 | RTY3.027G1GA | Executive Order # D-182-69 | | | | 83507 | D-182-69 |

OBDII APPLICATIONS

NON-OBDII APPLICATIONS

NUMERICAL

UNIVERSAL SPECIFICATIONS

For vehicles licensed in the state of California or Maine, or vehicles requiring CARB-compliant converters in the state of New York, the parts in this catalog must be installed as specifically listed. Parts cannot be substituted, nor can they be installed on California or Maine licensed vehicles not listed in this catalog.

OBDII PASSENGER CAR & TRUCK

| Years | Engine | Engine Family No. | Application | Position | Direct-Fit | | Universal Part No. | Executive Order |
|-----------------------|---------|-------------------|--|-------------|--------------|------------------|--------------------|-----------------|
| | | | | | Part No. | Hardware | | |
| TOYOTA (Cont.) | | | | | | | | |
| Avalon | | | | | | | | |
| 2009 | 3.5L V6 | 9TYXV03.5BEA | Executive Order # D-182-62 | Rear | 83289 | 31332 (2), 31350 | 83205 | D-182-62 |
| | | | Located on Firewall Side; Includes Front & Rear Gasket; Executive Order # D-182-62 | Right | 83149 | | | D-182-62 |
| | | | Radiator Side; Includes Front & Rear Gasket; Executive Order # D-182-62 | Left | 83150 | | | D-182-62 |
| 2008 | 3.5L V6 | 8TYXV03.5BEA | Executive Order # D-182-62 | Rear | 83289 | 31332 (2), 31350 | 83205 | D-182-62 |
| | | | Located on Firewall Side; Includes Front & Rear Gasket; Executive Order # D-182-62 | Right | 83149 | | | D-182-62 |
| | | | Radiator Side; Includes Front & Rear Gasket; Executive Order # D-182-62 | Left | 83150 | | | D-182-62 |
| 2007 | 3.5L V6 | 7TYXV03.5BEA | Executive Order # D-182-62 | Rear | 83289 | 31332 (2), 31350 | 83205 | D-182-62 |
| | | | Located on Firewall Side; Includes Front & Rear Gasket; Executive Order # D-182-62 | Right | 83149 | | | D-182-62 |
| | | | Radiator Side; Includes Front & Rear Gasket; Executive Order # D-182-62 | Left | 83150 | | | D-182-62 |
| 2006 | 3.5L V6 | 6TYXV03.5PEA | Executive Order # D-182-62 | Rear | 83289 | 31332 (2), 31350 | 83205 | D-182-62 |
| | | | Located on Firewall Side; Includes Front & Rear Gasket; Executive Order # D-182-62 | Right | 83149 | | | D-182-62 |
| | | | Radiator Side; Includes Front & Rear Gasket; Executive Order # D-182-62 | Left | 83150 | | | D-182-62 |
| 2005 | 3.5L V6 | 5TYXV03.5PEA | Executive Order # D-182-62 | Rear | 83289 | 31332 (2), 31350 | 83205 | D-182-62 |
| | | | Located on Firewall Side; Includes Front & Rear Gasket; Executive Order # D-182-62 | Right | 83149 | | | D-182-62 |
| | | | Radiator Side; Includes Front & Rear Gasket; Executive Order # D-182-62 | Left | 83150 | | | D-182-62 |
| 2004 | 3.0L V6 | 4TYXV03.0VMC | Executive Order # D-182-66 | Front Right | 81866 | (2) 31332, 31639 | 81817 | D-182-66 |
| | | | | Rear | 82787 | 31639 | 82714 | D-182-66 |
| | | | Includes Front Gasket; Executive Order # D-182-66 | Front Left | 81843 | 31332 | | D-182-66 |
| 2003 | 3.0L V6 | 3TYXV03.0FFD | Executive Order # D-182-66 | Front Right | 81866 | (2) 31332, 31639 | 81817 | D-182-66 |
| | | | | Rear | 82787 | 31639 | 82714 | D-182-66 |
| | | | Includes Front Gasket; Executive Order # D-182-66 | Front Left | 81843 | 31332 | | D-182-66 |
| 2002 | 3.0L V6 | 2TYXV03.0FFD | Executive Order # D-182-66 | Front Right | 81866 | (2) 31332, 31639 | 81817 | D-182-66 |
| | | | | Rear | 82787 | 31639 | 82714 | D-182-66 |
| | | | Includes Front Gasket; Executive Order # D-182-66 | Front Left | 81843 | 31332 | | D-182-66 |
| 2001 | 3.0L V6 | 1TYXV03.0FFC | Executive Order # D-182-66 | Front Right | 81866 | (2) 31332, 31639 | 81817 | D-182-66 |
| | | | | Rear | 82787 | 31639 | 82714 | D-182-66 |
| | | | Includes Front Gasket; Executive Order # D-182-66 | Front Left | 81843 | 31332 | | D-182-66 |
| 2000 | 3.0L V6 | YTYXV03.0FFC | Executive Order # D-182-66 | Front Right | 81866 | (2) 31332, 31639 | 81817 | D-182-66 |

For vehicles licensed in the state of California or Maine, or vehicles requiring CARB-compliant converters in the state of New York, the parts in this catalog must be installed as specifically listed. Parts cannot be substituted, nor can they be installed on California or Maine licensed vehicles not listed in this catalog.

OBDII PASSENGER CAR & TRUCK

| Years | Engine | Engine Family No. | Application | Position | Direct-Fit | | Universal Part No. | Executive Order |
|-----------------------|---------|---|--|--------------|--------------|------------------|--------------------|-----------------|
| | | | | | Part No. | Hardware | | |
| TOYOTA (Cont.) | | | | | | | | |
| Avalon (Cont.) | | | | | | | | |
| 2000 (Cont.) | 3.0L V6 | YTYXV03.0FFC | Executive Order # D-182-66 | Rear | 82787 | 31639 | 82714 | D-182-66 |
| | | | Includes Front Gasket; Executive Order # D-182-66 | Front Left | 81843 | 31332 | | D-182-66 |
| 1999 | 3.0L V6 | XTYXV03.0GXB | Executive Order # D-182-66 | Front Right | | | 81817 | D-182-66 |
| | | | | Rear | 81844 | 31332 (2), 31374 | 82714 | D-182-66 |
| | | | Includes Front Gasket; Executive Order # D-182-66 | Front Left | 81843 | 31332 | | D-182-66 |
| 1998 | 3.0L V6 | WTYXV03.0GXB | Executive Order # D-182-66 | Front Right | | | 81817 | D-182-66 |
| | | | | Rear | 81844 | 31332 (2), 31374 | 82714 | D-182-66 |
| | | | Includes Front Gasket; Executive Order # D-182-66 | Front Left | 81843 | 31332 | | D-182-66 |
| 1997 | 3.0L V6 | VTY3.0VJGKFK | Automatic Trans.; Executive Order # D-182-45 | | 81755 | 31332 (2), 31374 | | D-182-45 |
| | | | Executive Order # D-182-57 | | | | 82609 | D-182-57 |
| 1996 | 3.0L V6 | TTY3.0VJG1GK | Executive Order # D-182-57 | | | | 82629 | D-182-57 |
| 1995 | 3.0L V6 | STY3.0VJGFEK | Executive Order # D-182-57 | | | | 82629 | D-182-57 |
| Camry | | | | | | | | |
| 2009 | 2.4L L4 | 9TYXV02.4BEA | Executive Order # D-182-62 | Rear | 83284 | 31585 (2) | 83206 | D-182-62 |
| | | | Includes Front Gasket; Executive Order # D-182-62 | Front | 83185 | 31585 | | D-182-62 |
| | 3.5L V6 | 9TYXV03.5BEA | Executive Order # D-182-62 | Rear | 83289 | 31332 (2), 31350 | 83205 | D-182-62 |
| | | | Located on Firewall Side; Includes Front & Rear Gasket; Executive Order # D-182-62 | Right | 83149 | | | D-182-62 |
| | | Radiator Side; Includes Front & Rear Gasket; Executive Order # D-182-62 | Left | 83150 | | | D-182-62 | |
| 2008 | 2.4L L4 | 8TYXV02.4BEA | Executive Order # D-182-62 | Rear | 83284 | 31585 (2) | 83206 | D-182-62 |
| | | | Includes Front Gasket; Executive Order # D-182-62 | Front | 83185 | 31585 | | D-182-62 |
| | 3.5L V6 | 8TYXV03.5BEA | Executive Order # D-182-62 | Rear | 83289 | 31332 (2), 31350 | 83205 | D-182-62 |
| | | | Located on Firewall Side; Includes Front & Rear Gasket; Executive Order # D-182-62 | Right | 83149 | | | D-182-62 |
| | | | Radiator Side; Includes Front & Rear Gasket; Executive Order # D-182-62 | Left | 83150 | | | D-182-62 |
| | | | | | | | | |
| 2007 | 2.4L L4 | 7TYXV02.4BEB | Executive Order # D-182-62 | Rear | 83284 | 31585 (2) | 83206 | D-182-62 |
| | | | Includes Front Gasket; Executive Order # D-182-62 | Front | 83185 | 31585 | | D-182-62 |
| | 3.5L V6 | 7TYXV03.5BEA | Executive Order # D-182-62 | Rear | 83289 | 31332 (2), 31350 | 83205 | D-182-62 |
| | | | Located on Firewall Side; Includes Front & Rear Gasket; Executive Order # D-182-62 | Right | 83149 | | | D-182-62 |
| | | | Radiator Side; Includes Front & Rear Gasket; Executive Order # D-182-62 | Left | 83150 | | | D-182-62 |
| | | | | | | | | |
| 2006 | 2.4L L4 | 6TYXV02.4BEB | Executive Order # D-182-62 | Rear | 83282 | 31585 (2) | 83206 | D-182-62 |
| | | | Includes Front Gasket; Executive Order # D-182-62 | Front | 83189 | 31585 | | D-182-62 |
| | 3.0L V6 | 6TYXV03.0WMA | Executive Order # D-182-53 | Rear | 82654 | (2)31332, 31585 | 82601 | D-182-53 |

For vehicles licensed in the state of California or Maine, or vehicles requiring CARB-compliant converters in the state of New York, the parts in this catalog must be installed as specifically listed. Parts cannot be substituted, nor can they be installed on California or Maine licensed vehicles not listed in this catalog.

OBDII APPLICATIONS

NON-OBDII APPLICATIONS

NUMERICAL

UNIVERSAL SPECIFICATIONS

OBDII PASSENGER CAR & TRUCK

| Years | Engine | Engine Family No. | Application | Position | Direct-Fit | | Universal Part No. | Executive Order | |
|-----------------------|---------|-------------------|--|-------------|--------------|-----------------|--------------------|-----------------|----------|
| | | | | | Part No. | Hardware | | | |
| TOYOTA (Cont.) | | | | | | | | | |
| Camry (Cont.) | | | | | | | | | |
| 2006 (Cont.) | 3.0L V6 | 6TYXV03.0WMA | Includes Front Gasket; Executive Order # D-182-53 | Front Left | 82552 | 31332 | | D-182-53 | |
| | | | | Front Right | 82553 | 31332 | | D-182-53 | |
| | 3.3L V6 | 6TYXV03.3BEA | Executive Order # D-182-62 Includes Front Gasket; Executive Order # D-182-62 | Rear | 83288 | (2)31332, 31585 | 83206 | D-182-62 | |
| | | | | Front Left | 83152 | 31332 | | D-182-62 | |
| | | | | Front Right | 83153 | 31332 | | D-182-62 | |
| | | | | | | | | | |
| 2005 | 2.4L L4 | 5TYXV02.4PEB | Executive Order # D-182-62 Includes Front Gasket; Executive Order # D-182-62 | Rear | 83282 | 31585 (2) | 83206 | D-182-62 | |
| | | | | Front | 83189 | 31585 | | D-182-62 | |
| | 3.0L V6 | 5TYXV03.0WMB | Executive Order # D-182-53 Includes Front Gasket; Executive Order # D-182-53 | Rear | 82654 | (2)31332, 31585 | 82601 | D-182-53 | |
| | | | | Front Left | 82552 | 31332 | | D-182-53 | |
| | | | | | Front Right | 82553 | 31332 | | D-182-53 |
| | | | | | | | | | |
| | 3.3L V6 | 5TYXV03.3PEA | Executive Order # D-182-62 Includes Front Gasket; Executive Order # D-182-62 | Rear | 83288 | (2)31332, 31585 | 83206 | D-182-62 | |
| | | | | Front Left | 83152 | 31332 | | D-182-62 | |
| | | | | Front Right | 83153 | 31332 | | D-182-62 | |
| | | | | | | | | | |
| 2004 | 2.4L L4 | 4TYXV02.4PEB | Executive Order # D-182-62 Includes Front Gasket; Executive Order # D-182-62 | Rear | 83282 | 31585 (2) | 83206 | D-182-62 | |
| | | | | Front | 83189 | 31585 | | D-182-62 | |
| | 3.0L V6 | 4TYXV03.0WMA | Executive Order # D-182-53 Includes Front Gasket; Executive Order # D-182-53 | Rear | 82654 | (2)31332, 31585 | 82601 | D-182-53 | |
| | | | | Front Left | 82552 | 31332 | | D-182-53 | |
| | | | | | Front Right | 82553 | 31332 | | D-182-53 |
| | | | | | | | | | |
| | 3.3L V6 | 4TYXV03.3PEA | Executive Order # D-182-62 Includes Front Gasket; Executive Order # D-182-62 | Rear | 83288 | (2)31332, 31585 | 83206 | D-182-62 | |
| | | | | Front Left | 83152 | 31332 | | D-182-62 | |
| | | | | Front Right | 83153 | 31332 | | D-182-62 | |
| | | | | | | | | | |
| 2003 | 2.4L L4 | 3TYXV02.4HHA | Executive Order # D-182-53 Includes Front Gasket; Executive Order # D-182-53 | Rear | 82650 | 31585 (2) | 82601 | D-182-53 | |
| | | | | Front | 82551 | 31585 | | D-182-53 | |
| | 3.0L V6 | 3TYXV03.0HHA | Executive Order # D-182-53 Includes Front Gasket; Executive Order # D-182-53 | Rear | 82654 | (2)31332, 31585 | 82601 | D-182-53 | |
| | | | | Front Left | 82552 | 31332 | | D-182-53 | |
| | | | | Front Right | 82553 | 31332 | | D-182-53 | |
| | | | | | | | | | |
| 2002 | 2.4L L4 | 2TYXV02.4JJA | Executive Order # D-182-53 Includes Front Gasket; Executive Order # D-182-53 | Rear | 82650 | 31585 (2) | 82601 | D-182-53 | |
| | | | | Front | 82551 | 31585 | | D-182-53 | |
| | 3.0L V6 | 2TYXV03.0JJA | Executive Order # D-182-53 Includes Front Gasket; Executive Order # D-182-53 | Rear | 82654 | (2)31332, 31585 | 82601 | D-182-53 | |
| | | | | Front Left | 82552 | 31332 | | D-182-53 | |
| | | | | Front Right | 82553 | 31332 | | D-182-53 | |
| | | | | | | | | | |
| 2001 | 2.2L L4 | 1TYXV02.2JJA | Executive Order # D-182-53 Includes Front & Rear Gasket; Executive Order # D-182-53 | Rear | 82661 | 31374 (2) | 82601 | D-182-53 | |
| | | | | Front | 82555 | | | D-182-53 | |
| | 3.0L V6 | 1TYXV03.0BBA | Executive Order # D-182-57 | | | | | 82609 | D-182-57 |
| | | | | | | | | | |
| | | 1TYXV03.0FFB | Automatic Trans.; Executive Order # D-182-66 Executive Order # D-182-66 | | Rear | 81844 | 31332 (2), 31374 | | D-182-66 |
| | | | | | Front Right | | | 81817 | D-182-66 |
| | | | | Rear | | | 82714 | D-182-66 | |
| | | | | | | | | | |
| | | | | Front Left | 81843 | 31332 | | D-182-66 | |
| | | | | | | | | | |
| 2000 | 2.2L L4 | YTYXV02.2JJB | Executive Order # D-182-53 Includes Front & Rear Gasket; Executive Order # D-182-53 | Rear | 82661 | 31374 (2) | 82601 | D-182-53 | |
| | | | | Front | 82555 | | | D-182-53 | |

For vehicles licensed in the state of California or Maine, or vehicles requiring CARB-compliant converters in the state of New York, the parts in this catalog must be installed as specifically listed. Parts cannot be substituted, nor can they be installed on California or Maine licensed vehicles not listed in this catalog.

OBDII PASSENGER CAR & TRUCK

| Years | Engine | Engine Family No. | Application | Position | Direct-Fit | | Universal Part No. | Executive Order | |
|-----------------------|--------------|---|--|--|------------------|------------------|--------------------|-----------------|----------|
| | | | | | Part No. | Hardware | | | |
| TOYOTA (Cont.) | | | | | | | | | |
| Camry (Cont.) | | | | | | | | | |
| 2000 (Cont.) | 3.0L V6 | YTYXV03.0BBA | Automatic Trans.; Executive Order # D-182-45 | | 81755 | 31332 (2), 31374 | | D-182-45 | |
| | | | Executive Order # D-182-57 | | | | 82609 | D-182-57 | |
| | | YTYXV03.0FXB | Executive Order # D-182-66 | Front Right | | | | 81817 | D-182-66 |
| | | | Includes Front Gasket; Executive Order # D-182-66 | Rear | 81844 | 31332 (2), 31374 | 82714 | | D-182-66 |
| 1999 | 2.2L L4 | XTYXV02.2GXB | Executive Order # D-182-53 | Rear | 82661 | 31374 (2) | 82601 | D-182-53 | |
| | | | Includes Front & Rear Gasket; Executive Order # D-182-53 | Front | 82555 | | | D-182-53 | |
| | 3.0L V6 | XTYXV03.0BBA | Automatic Trans.; Executive Order # D-182-45 | | 81755 | 31332 (2), 31374 | | D-182-45 | |
| | | | Executive Order # D-182-57 | | | | 82609 | D-182-57 | |
| | XTYXV03.0GXB | Executive Order # D-182-66 | Front Right | | | | 81817 | D-182-66 | |
| | | Includes Front Gasket; Executive Order # D-182-66 | Rear | 81844 | 31332 (2), 31374 | 82714 | | D-182-66 | |
| | | | Front Left | 81843 | 31332 | | | D-182-66 | |
| | | | | | | | | | |
| | 1998 | 2.2L L4 | WTYXV02.2GXB | Executive Order # D-182-53 | Rear | 82661 | 31374 (2) | 82601 | D-182-53 |
| | | | | Includes Front & Rear Gasket; Executive Order # D-182-53 | Front | 82555 | | | D-182-53 |
| | | 3.0L V6 | WTYXV03.0BBA | Automatic Trans.; Executive Order # D-182-45 | | 81755 | 31332 (2), 31374 | | D-182-45 |
| | | | | Executive Order # D-182-57 | | | | 82609 | D-182-57 |
| WTYXV03.0GXB | | Executive Order # D-182-66 | Front Right | | | | 81817 | D-182-66 | |
| | | Includes Front Gasket; Executive Order # D-182-66 | Rear | 81844 | 31332 (2), 31374 | 82714 | | D-182-66 | |
| | | | Front Left | 81843 | 31332 | | | D-182-66 | |
| | | | | | | | | | |
| 1997 | | 2.2L L4 | VTY2.2VJG3GK | Executive Order # D-182-53 | Rear | 82661 | 31374 (2) | 82601 | D-182-53 |
| | | | | Includes Front & Rear Gasket; Executive Order # D-182-53 | Front | 82555 | | | D-182-53 |
| | | 3.0L V6 | VTY3.0VJGKFK | Automatic Trans.; Executive Order # D-182-45 | | 81755 | 31332 (2), 31374 | | D-182-45 |
| | | | | Executive Order # D-182-57 | | | | 82609 | D-182-57 |
| | 1996 | 2.2L L4 | TTY2.2VJG2GK | Executive Order # D-182-53 | Rear | 82666 | 31374, 31332 | 82600 | D-182-53 |
| | | | | Includes Front Gasket; Executive Order # D-182-53 | Front | 82582 | 31374 | | D-182-53 |
| 3.0L V6 | TTY3.0VJG1GK | Executive Order # D-182-45 | | 81977 | 31332 (2) | | D-182-45 | | |
| | | Executive Order # D-182-57 | | | | 82629 | D-182-57 | | |
| 1995 | 2.2L L4 | STY2.2VJG2GA | Executive Order # D-182-53 | Rear | 82666 | 31374, 31332 | 82600 | D-182-53 | |
| | | | Includes Front Gasket; Executive Order # D-182-53 | Front | 82582 | 31374 | | D-182-53 | |
| | 3.0L V6 | STY3.0VJGFEK | Executive Order # D-182-45 | | 81977 | 31332 (2) | | D-182-45 | |
| | | | Executive Order # D-182-57 | | | | 82629 | D-182-57 | |
| 1994 | 2.2L L4 | RTY2.2VJG2GA | Executive Order # D-182-53 | Rear | 82666 | 31374, 31332 | 82600 | D-182-53 | |
| | | | Includes Front Gasket; Executive Order # D-182-53 | Front | 82582 | 31374 | | D-182-53 | |
| | 3.0L V6 | RTY3.0VJGFEK | Executive Order # D-182-57 | | | | 82627 | D-182-57 | |
| Celica | | | | | | | | | |
| 2005 | 1.8L L4 | 5TYXV01.8VMB | Executive Order # D-182-57 | | | | 82617 | D-182-57 | |

For vehicles licensed in the state of California or Maine, or vehicles requiring CARB-compliant converters in the state of New York, the parts in this catalog must be installed as specifically listed. Parts cannot be substituted, nor can they be installed on California or Maine licensed vehicles not listed in this catalog.

OBDII APPLICATIONS

NON-OBDII APPLICATIONS

NUMERICAL

UNIVERSAL SPECIFICATIONS

OBDII PASSENGER CAR & TRUCK

| Years | Engine | Engine Family No. | Application | Position | Direct-Fit | | Universal Part No. | Executive Order |
|-----------------------|---------|-------------------|--|----------|--------------|--------------|--------------------|-----------------|
| | | | | | Part No. | Hardware | | |
| TOYOTA (Cont.) | | | | | | | | |
| Celica (Cont.) | | | | | | | | |
| 2005 (Cont.) | 1.8L L4 | 5TYXV01.8VRA | Executive Order # D-182-57 | | | | 82617 | D-182-57 |
| | | 5TYXV01.8VRB | Executive Order # D-182-57 | | | | 82617 | D-182-57 |
| 2004 | 1.8L L4 | 4TYXV01.8VMC | Executive Order # D-182-57 | | | | 82617 | D-182-57 |
| | | | GT Model; 1ZZFE Eng.; Executive Order # D-182-45 | | 81786 | 31639 | | D-182-45 |
| | | 4TYXV01.8VRE | Executive Order # D-182-57 | | | | 82617 | D-182-57 |
| | | | GT Model; 1ZZFE Eng.; Executive Order # D-182-45 | | 81786 | 31639 | | D-182-45 |
| | | 4TYXV01.8VRF | Executive Order # D-182-57 | | | | 82617 | D-182-57 |
| | | | GT Model; 1ZZFE Eng.; Executive Order # D-182-45 | | 81786 | 31639 | | D-182-45 |
| 2003 | 1.8L L4 | 3TYXV01.8DDC | Executive Order # D-182-57 | | | | 82617 | D-182-57 |
| | | | GT Model; 1ZZFE Eng.; Executive Order # D-182-45 | | 81786 | 31639 | | D-182-45 |
| | | 3TYXV01.8FFB | Executive Order # D-182-57 | | | | 82617 | D-182-57 |
| 2002 | 1.8L L4 | 2TYXV01.8DDB | Executive Order # D-182-57 | | | | 82617 | D-182-57 |
| | | | GT Model; 1ZZFE Eng.; Executive Order # D-182-45 | | 81786 | 31639 | | D-182-45 |
| | | 2TYXV01.8DDC | Executive Order # D-182-57 | | | | 82617 | D-182-57 |
| | | | GT Model; 1ZZFE Eng.; Executive Order # D-182-45 | | 81786 | 31639 | | D-182-45 |
| 2001 | 1.8L L4 | 1TYXV01.8DDB | Executive Order # D-182-57 | | | | 82617 | D-182-57 |
| | | | GT Model; 1ZZFE Eng.; Executive Order # D-182-45 | | 81786 | 31639 | | D-182-45 |
| | | 1TYXV01.8DDC | Executive Order # D-182-57 | | | | 82617 | D-182-57 |
| | | | GT Model; 1ZZFE Eng.; Executive Order # D-182-45 | | 81786 | 31639 | | D-182-45 |
| 2000 | 1.8L L4 | YTYXV01.8DDB | Executive Order # D-182-57 | | | | 82617 | D-182-57 |
| | | | GT Model; 1ZZFE Eng.; Executive Order # D-182-45 | | 81786 | 31639 | | D-182-45 |
| | | YTYXV01.8DDC | Executive Order # D-182-57 | | | | 82617 | D-182-57 |
| | | | GT Model; 1ZZFE Eng.; Executive Order # D-182-45 | | 81786 | 31639 | | D-182-45 |
| 1997 | 1.8L L4 | VTY1.8VJGKEK | Executive Order # D-182-45 | Rear | 81966 | 31320, 31332 | | D-182-45 |
| | | | Executive Order # D-182-58 | | | | 82526 | D-182-58 |
| 1996 | 1.8L L4 | TTY1.8VJG1GK | Executive Order # D-182-45 | Rear | 81966 | 31320, 31332 | | D-182-45 |
| | | | Executive Order # D-182-58 | | | | 82526 | D-182-58 |

Corolla

| | | | | | | | | |
|------|---------|--------------|----------------------------|---|--------------|--------------|--------------|----------|
| 2009 | 1.8L L4 | 9TYXV01.8BEA | Executive Order # D-182-62 | | 83178 | 31639, 31357 | | D-182-62 |
| | | | | Front | | | 83101 | D-182-62 |
| | | | | Rear | | | 83205 | D-182-62 |
| | 2.4L L4 | 9TYXV02.4BEB | Executive Order # D-182-62 | Rear | | | 83205 | D-182-62 |
| | | | | Includes Front Gasket; Executive Order # D-182-62 | Front | 83148 | 31639 | |
| 2008 | 1.8L L4 | 8TYXV01.8BEA | Executive Order # D-182-62 | | 83197 | 31639 | | D-182-62 |
| | | | | Front | | | 83101 | D-182-62 |
| | | | | Rear | | | 83205 | D-182-62 |
| 2007 | 1.8L L4 | 7TYXV01.8BEA | Executive Order # D-182-62 | | 83197 | 31639 | | D-182-62 |

For vehicles licensed in the state of California or Maine, or vehicles requiring CARB-compliant converters in the state of New York, the parts in this catalog must be installed as specifically listed. Parts cannot be substituted, nor can they be installed on California or Maine licensed vehicles not listed in this catalog.

OBDII PASSENGER CAR & TRUCK

| Years | Engine | Engine Family No. | Application | Position | Direct-Fit | | Universal Part No. | Executive Order |
|------------------------|---------|-------------------|--|----------------------------|--------------|--------------|--------------------|-----------------|
| | | | | | Part No. | Hardware | | |
| TOYOTA (Cont.) | | | | | | | | |
| Corolla (Cont.) | | | | | | | | |
| 2007 (Cont.) | 1.8L L4 | 7TYXV01.8BEA | Executive Order # D-182-62 | Front | | | 83101 | D-182-62 |
| | | | | Rear | | | 83205 | D-182-62 |
| 2006 | 1.8L L4 | 6TYXV01.8PEA | 1ZZFE Eng.; Executive Order # D-182-62 | | 83197 | 31639 | | D-182-62 |
| | | | | Executive Order # D-182-62 | Front | | 83101 | D-182-62 |
| | | | | Rear | | 83205 | D-182-62 | |
| | | 6TYXV01.8VRA | Executive Order # D-182-57 | | | | 82609 | D-182-57 |
| 2005 | 1.8L L4 | 5TYXV01.8PEA | 1ZZFE Eng.; Executive Order # D-182-62 | | 83197 | 31639 | | D-182-62 |
| | | | | Executive Order # D-182-62 | Front | | 83101 | D-182-62 |
| | | | | Rear | | 83205 | D-182-62 | |
| | | 5TYXV01.8VRA | Executive Order # D-182-57 | | | | 82609 | D-182-57 |
| 2004 | 1.8L L4 | 4TYXV01.8WMA | 1ZZFE Eng.; Executive Order # D-182-53 | | 82664 | 31639 | | D-182-53 |
| | | | | Executive Order # D-182-53 | Front | | 82501 | D-182-53 |
| | | | | Rear | | 82600 | D-182-53 | |
| 2003 | 1.8L L4 | 3TYXV01.8HHA | 1ZZFE Eng.; Executive Order # D-182-53 | | 82664 | 31639 | | D-182-53 |
| | | | | Executive Order # D-182-53 | Front | | 82501 | D-182-53 |
| | | | | Rear | | 82600 | D-182-53 | |
| 2002 | 1.8L L4 | 2TYXV01.8FFA | Executive Order # D-182-45 | | 81764 | 31604 | | D-182-45 |
| | | | Executive Order # D-182-57 | | | 82603 | D-182-57 | |
| 2001 | 1.8L L4 | 1TYXV01.8FFA | Executive Order # D-182-45 | | 81764 | 31604 | | D-182-45 |
| | | | Executive Order # D-182-57 | | | 82603 | D-182-57 | |
| 2000 | 1.8L L4 | YTYXV01.8FFA | Executive Order # D-182-45 | | 81764 | 31604 | | D-182-45 |
| | | | Executive Order # D-182-57 | | | 82603 | D-182-57 | |
| 1999 | 1.8L L4 | XTYXV01.8DXB | Executive Order # D-182-45 | | 81764 | 31604 | | D-182-45 |
| | | | Executive Order # D-182-58 | | | 82505 | D-182-58 | |
| 1998 | 1.8L L4 | WTYXV01.8DXB | Executive Order # D-182-45 | | 81764 | 31604 | | D-182-45 |
| | | | Executive Order # D-182-58 | | | 82505 | D-182-58 | |
| 1997 | 1.6L L4 | VTY1.8VJGKEK | Executive Order # D-182-45 | Rear | 81966 | 31320, 31332 | | D-182-45 |
| | | | Executive Order # D-182-58 | | | 82526 | D-182-58 | |
| 1996 | 1.8L L4 | VTY1.8VJGKEK | Executive Order # D-182-58 | | | | 82526 | D-182-58 |
| | | | Executive Order # D-182-45 | Rear | 81966 | 31320, 31332 | | D-182-45 |
| | 1.8L L4 | TTY1.8VJG1GK | Executive Order # D-182-58 | | | | 82526 | D-182-58 |

Echo

| | | | | | | | | |
|------|---------|--------------|--|--|--------------|-------|--------------|----------|
| 2005 | 1.5L L4 | 5TYXV01.5VMA | Executive Order # D-182-57 | | | | 82617 | D-182-57 |
| 2004 | 1.5L L4 | 4TYXV01.5VMA | Executive Order # D-182-57 | | | | 82617 | D-182-57 |
| | | | Must Be Used w/ 54657 Resonator Assembly; Executive Order # D-182-45 | | 81768 | 31378 | | D-182-45 |
| 2003 | 1.5L L4 | 3TYXV01.5FFA | Executive Order # D-182-57 | | | | 82617 | D-182-57 |
| | | | Must Be Used w/ 54561 Resonator Assembly; Executive Order # D-182-45 | | 81768 | 31378 | | D-182-45 |
| 2002 | 1.5L L4 | 2TYXV01.5FFA | Executive Order # D-182-57 | | | | 82617 | D-182-57 |

For vehicles licensed in the state of California or Maine, or vehicles requiring CARB-compliant converters in the state of New York, the parts in this catalog must be installed as specifically listed. Parts cannot be substituted, nor can they be installed on California or Maine licensed vehicles not listed in this catalog.

OBDII APPLICATIONS

NON-OBDII APPLICATIONS

NUMERICAL

UNIVERSAL SPECIFICATIONS

OBDII PASSENGER CAR & TRUCK

| Years | Engine | Engine Family No. | Application | Position | Direct-Fit | | Universal Part No. | Executive Order |
|-----------------------|---------|-------------------|--|-------------|--------------|------------------|--------------------|-----------------|
| | | | | | Part No. | Hardware | | |
| TOYOTA (Cont.) | | | | | | | | |
| Echo (Cont.) | | | | | | | | |
| 2002 (Cont.) | 1.5L L4 | 2TYXV01.5FFA | Must Be Used w/ 54561 Resonator Assembly; Executive Order # D-182-45 | | 81768 | 31378 | | D-182-45 |
| 2001 | 1.5L L4 | 1TYXV01.5FFA | Executive Order # D-182-57 | | | | 82617 | D-182-57 |
| | | | Must Be Used w/ 54561 Resonator Assembly; Executive Order # D-182-45 | | 81768 | 31378 | | D-182-45 |
| 2000 | 1.5L L4 | YTYXV01.5FFA | Executive Order # D-182-57 | | | | 82617 | D-182-57 |
| | | | Must Be Used w/ 54561 Resonator Assembly; Executive Order # D-182-45 | | 81768 | 31378 | | D-182-45 |
| Highlander | | | | | | | | |
| 2003 | 3.0L V6 | 3TYXT03.0FFR | Executive Order # D-182-60 | Front Left | 81854 | 31332 (2) | 81814 | D-182-60 |
| | | | | Front Right | 81855 | 31374 (2), 31555 | 81813 | D-182-60 |
| | | | | Rear | 82795 | 31555 | 82711 | D-182-60 |
| 2002 | 3.0L V6 | 2TYXT03.0FFR | Executive Order # D-182-60 | Front Left | 81854 | 31332 (2) | 81814 | D-182-60 |
| | | | | Front Right | 81855 | 31374 (2), 31555 | 81813 | D-182-60 |
| | | | | Rear | 82795 | 31555 | 82711 | D-182-60 |
| 2001 | 3.0L V6 | 1TYXT03.0FFR | Executive Order # D-182-60 | Front Left | 81854 | 31332 (2) | 81814 | D-182-60 |
| | | | | Front Right | 81855 | 31374 (2), 31555 | 81813 | D-182-60 |
| | | | | Rear | 82795 | 31555 | 82711 | D-182-60 |
| Land Cruiser | | | | | | | | |
| 2005 | 4.7L V8 | 5TYXT04.7VWW | Executive Order # D-182-69 | Front Left | | | 83401 | D-182-69 |
| | | | | Front Right | | | 83401 | D-182-69 |
| | | | | Rear Left | | | 83401 | D-182-69 |
| | | | | Rear Right | | | 83401 | D-182-69 |
| 2004 | 4.7L V8 | 4TYXT04.7V1V | Executive Order # D-182-52 | Front Left | | | 81711 | D-182-52 |
| | | | | Front Right | | | 81711 | D-182-52 |
| | | | | Rear Left | | | 81711 | D-182-52 |
| | | | | Rear Right | | | 81711 | D-182-52 |
| | | | Executive Order # D-182-69 | Front Left | | | 83401 | D-182-69 |
| | | | | Front Right | | | 83401 | D-182-69 |
| | | | | Rear Left | | | 83401 | D-182-69 |
| | | | | Rear Right | | | 83401 | D-182-69 |
| 2003 | 4.7L V8 | 3TYXT04.7FBV | Executive Order # D-182-52 | Front Left | | | 81711 | D-182-52 |
| | | | | Front Right | | | 81711 | D-182-52 |
| | | | | Rear Left | | | 81711 | D-182-52 |
| | | | | Rear Right | | | 81711 | D-182-52 |
| | | | Executive Order # D-182-69 | Front Left | | | 83401 | D-182-69 |
| | | | | Front Right | | | 83401 | D-182-69 |
| | | | | Rear Left | | | 83401 | D-182-69 |
| | | | | Rear Right | | | 83401 | D-182-69 |
| 2002 | 4.7L V8 | 2TYXT04.7FBV | Executive Order # D-182-52 | Left | 81742 | 31332 (2) | | D-182-52 |
| | | | | Right | 81742 | 31332 (2) | | D-182-52 |
| | | | | Front Left | | | 81711 | D-182-52 |
| | | | | Front Right | | | 81711 | D-182-52 |
| | | | | Rear Left | | | 81711 | D-182-52 |

For vehicles licensed in the state of California or Maine, or vehicles requiring CARB-compliant converters in the state of New York, the parts in this catalog must be installed as specifically listed. Parts cannot be substituted, nor can they be installed on California or Maine licensed vehicles not listed in this catalog.

OBDII PASSENGER CAR & TRUCK

| Years | Engine | Engine Family No. | Application | Position | Direct-Fit | | Universal Part No. | Executive Order | | | | |
|-----------------------------|-------------|-------------------|----------------------------|----------------------------|-------------|--------------|----------------------------|-----------------|----------|-----------|-------|----------|
| | | | | | Part No. | Hardware | | | | | | |
| TOYOTA (Cont.) | | | | | | | | | | | | |
| Land Cruiser (Cont.) | | | | | | | | | | | | |
| 2002 (Cont.) | 4.7L V8 | 2TYXT04.7FBV | Executive Order # D-182-52 | Rear Right | | | 81711 | D-182-52 | | | | |
| | | | | Executive Order # D-182-69 | Front Left | | | 83401 | D-182-69 | | | |
| | | | | | Front Right | | | 83401 | D-182-69 | | | |
| | | | | | Rear Left | | | 83401 | D-182-69 | | | |
| | | | | | Rear Right | | | 83401 | D-182-69 | | | |
| 2001 | 4.7L V8 | 1TYXT04.7FBV | Executive Order # D-182-52 | Left | 81742 | 31332 (2) | | D-182-52 | | | | |
| | | | | Right | 81742 | 31332 (2) | | D-182-52 | | | | |
| | | | | Front Left | | | 81711 | D-182-52 | | | | |
| | | | | Front Right | | | 81711 | D-182-52 | | | | |
| | | | | Rear Left | | | 81711 | D-182-52 | | | | |
| | | | | Rear Right | | | 81711 | D-182-52 | | | | |
| | | | Executive Order # D-182-69 | Front Left | | | 83401 | D-182-69 | | | | |
| | | | | Front Right | | | 83401 | D-182-69 | | | | |
| | | | | Rear Left | | | 83401 | D-182-69 | | | | |
| | | | | Rear Right | | | 83401 | D-182-69 | | | | |
| | | | | 2000 | 4.7L V8 | YTYXT04.7GBX | Executive Order # D-182-52 | Left | 81742 | 31332 (2) | | D-182-52 |
| | | | | | | | | Right | 81742 | 31332 (2) | | D-182-52 |
| | | | | | | | | Front Left | | | 81711 | D-182-52 |
| Front Right | | | 81711 | | | | | D-182-52 | | | | |
| Rear Left | | | 81711 | | | | | D-182-52 | | | | |
| Rear Right | | | 81711 | | | | | D-182-52 | | | | |
| Executive Order # D-182-69 | Front Left | | | 83401 | D-182-69 | | | | | | | |
| | Front Right | | | 83401 | D-182-69 | | | | | | | |
| | Rear Left | | | 83401 | D-182-69 | | | | | | | |
| | Rear Right | | | 83401 | D-182-69 | | | | | | | |
| | 1999 | 4.7L V8 | XTYXT04.7GBX | Executive Order # D-182-52 | Left | 81742 | 31332 (2) | | D-182-52 | | | |
| | | | | | Right | 81742 | 31332 (2) | | D-182-52 | | | |
| | | | | | Front Left | | | 81711 | D-182-52 | | | |
| Front Right | | | | | | | 81711 | D-182-52 | | | | |
| Rear Left | | | | | | | 81711 | D-182-52 | | | | |
| Rear Right | | | | | | | 81711 | D-182-52 | | | | |
| Executive Order # D-182-69 | | | | Front Left | | | 83401 | D-182-69 | | | | |
| | | | | Front Right | | | 83401 | D-182-69 | | | | |
| | | | | Rear Left | | | 83401 | D-182-69 | | | | |
| | | | | Rear Right | | | 83401 | D-182-69 | | | | |
| | | | | 1998 | 4.7L V8 | WTYXT04.7GBX | Executive Order # D-182-52 | Left | 81742 | 31332 (2) | | D-182-52 |
| | | | | | | | | Right | 81742 | 31332 (2) | | D-182-52 |
| | | | | | | | | Front Left | | | 81711 | D-182-52 |
| Front Right | | | 81711 | | | | | D-182-52 | | | | |
| Rear Left | | | 81711 | | | | | D-182-52 | | | | |
| Rear Right | | | 81711 | | | | | D-182-52 | | | | |
| Executive Order # D-182-69 | Front Left | | | | | | 83401 | D-182-69 | | | | |
| | Front Right | | | | | | 83401 | D-182-69 | | | | |
| | Rear Left | | | | | | 83401 | D-182-69 | | | | |
| | Rear Right | | | | | | 83401 | D-182-69 | | | | |

OBDII APPLICATIONS

NON-OBDII APPLICATIONS

NUMERICAL

UNIVERSAL SPECIFICATIONS

For vehicles licensed in the state of California or Maine, or vehicles requiring CARB-compliant converters in the state of New York, the parts in this catalog must be installed as specifically listed. Parts cannot be substituted, nor can they be installed on California or Maine licensed vehicles not listed in this catalog.

OBDII PASSENGER CAR & TRUCK

| Years | Engine | Engine Family No. | Application | Position | Direct-Fit | | Universal Part No. | Executive Order | |
|-----------------------------|---|---|---|--------------|----------------------------|--------------|--------------------|-----------------|--------------|
| | | | | | Part No. | Hardware | | | |
| TOYOTA (Cont.) | | | | | | | | | |
| Land Cruiser (Cont.) | | | | | | | | | |
| 1997 | 4.5L L6 | VTY4.55JGKEK | Executive Order # D-182-69 | Front | | | 83507 | D-182-69 | |
| | | | | Rear | | | 83507 | D-182-69 | |
| 1996 | 4.5L L6 | TTY4.55JGFEK | Executive Order # D-182-52 | Front | | | 81922 | D-182-52 | |
| | | | | Rear | | | 81922 | D-182-52 | |
| | | | Executive Order # D-182-69 | Front | | | 83507 | D-182-69 | |
| | | | | Rear | | | 83507 | D-182-69 | |
| 1995 | 4.5L L6 | STY4.55JGFEK | Executive Order # D-182-52 | Front | | | 81922 | D-182-52 | |
| | | | | Rear | | | 81922 | D-182-52 | |
| | | | Executive Order # D-182-69 | Front | | | 83507 | D-182-69 | |
| | | | | Rear | | | 83507 | D-182-69 | |
| Matrix | | | | | | | | | |
| 2009 | 1.8L L4 | 9TYXV01.8BEA | Executive Order # D-182-62 | | 83178 | 31639, 31357 | | D-182-62 | |
| | | | | Front | | | 83101 | D-182-62 | |
| | | | | Rear | | | 83205 | D-182-62 | |
| | 2.4L L4 | 9TYXV02.4BEB | Executive Order # D-182-62 | Rear | | | 83205 | D-182-62 | |
| | | Includes Front Gasket; Executive Order # D-182-62 | Front | 83148 | 31639 | | D-182-62 | | |
| 2008 | 1.8L L4 | 8TYXV01.8BEA | Executive Order # D-182-62 | Front | | | 83101 | D-182-62 | |
| | | | | Rear | | | 83205 | D-182-62 | |
| | | | FWD; Executive Order # D-182-62 | | 83197 | 31639 | | D-182-62 | |
| 2007 | 1.8L L4 | 7TYXV01.8BEA | Executive Order # D-182-62 | Front | | | 83101 | D-182-62 | |
| | | | | Rear | | | 83205 | D-182-62 | |
| | | | FWD; Executive Order # D-182-62 | | 83197 | 31639 | | D-182-62 | |
| 2006 | 1.8L L4 | 6TYXV01.8PEA | Executive Order # D-182-62 | Front | | | 83101 | D-182-62 | |
| | | | | Rear | | | 83205 | D-182-62 | |
| | | | FWD; 1ZZFE Eng.; Executive Order # D-182-62 | | 83197 | 31639 | | D-182-62 | |
| | 6TYXV01.8VRA | Executive Order # D-182-57 | | | | 82609 | D-182-57 | | |
| 2005 | 1.8L L4 | 5TYXV01.8PEA | Executive Order # D-182-62 | Front | | | 83101 | D-182-62 | |
| | | | | Rear | | | 83205 | D-182-62 | |
| | | | FWD; 1ZZFE Eng.; Executive Order # D-182-62 | | 83197 | 31639 | | D-182-62 | |
| | 5TYXV01.8VRA | Executive Order # D-182-57 | | | | 82609 | D-182-57 | | |
| 2004 | 1.8L L4 | 4TYXV01.8VRE | Executive Order # D-182-57 | | | | 82609 | D-182-57 | |
| | | | | 4TYXV01.8WMA | Executive Order # D-182-53 | Front | | | 82501 |
| | | | | | Rear | | | 82600 | D-182-53 |
| | FWD; 1ZZFE Eng.; Executive Order # D-182-53 | | 82664 | 31639 | | D-182-53 | | | |
| 2003 | 1.8L L4 | 3TYXV01.8DDC | Executive Order # D-182-57 | | | | 82609 | D-182-57 | |
| | | | | 3TYXV01.8HHA | Executive Order # D-182-53 | Front | | | 82501 |
| | | | | | Rear | | | 82600 | D-182-53 |
| | FWD; 1ZZFE Eng.; Executive Order # D-182-53 | | 82664 | 31639 | | D-182-53 | | | |
| Paseo | | | | | | | | | |
| 1998 | 1.5L L4 | WTYXV01.5BBA | Executive Order # D-182-58 | | | | 82505 | D-182-58 | |
| 1997 | 1.5L L4 | VTY1.5VJGKEK | Executive Order # D-182-58 | | | | 82505 | D-182-58 | |

For vehicles licensed in the state of California or Maine, or vehicles requiring CARB-compliant converters in the state of New York, the parts in this catalog must be installed as specifically listed. Parts cannot be substituted, nor can they be installed on California or Maine licensed vehicles not listed in this catalog.

OBDII PASSENGER CAR & TRUCK

| Years | Engine | Engine Family No. | Application | Position | Direct-Fit | | Universal Part No. | Executive Order |
|-----------------------|---------|-------------------|--|----------|--------------|----------|--------------------|-----------------|
| | | | | | Part No. | Hardware | | |
| TOYOTA (Cont.) | | | | | | | | |
| Paseo (Cont.) | | | | | | | | |
| 1996 | 1.5L L4 | TTY1.5VHGFEK | Executive Order # D-182-58 | | | | 82505 | D-182-58 |
| Pickup | | | | | | | | |
| 1995 | 2.4L L4 | STY2.427G1GA | Executive Order # D-182-69 | | | | 83506 | D-182-69 |
| | 3.0L V6 | STY3.027G1GA | Executive Order # D-182-69 | | | | 83507 | D-182-69 |
| 1994 | 2.4L L4 | RTY2.427G1GA | Executive Order # D-182-69 | | | | 83506 | D-182-69 |
| | 3.0L V6 | RTY3.027G1GA | Executive Order # D-182-69 | | | | 83507 | D-182-69 |
| Previa | | | | | | | | |
| 1997 | 2.4L L4 | VTY2.42HGKEK | Executive Order # D-182-52 | Front | | | 81921 | D-182-52 |
| | | | | Rear | | | 81921 | D-182-52 |
| | | | Executive Order # D-182-69 | Front | | | 83506 | D-182-69 |
| | | | | Rear | | | 83506 | D-182-69 |
| 1996 | 2.4L L4 | TTY2.42HGKEK | Executive Order # D-182-52 | Front | | | 81921 | D-182-52 |
| | | | | Rear | | | 81921 | D-182-52 |
| | | | Executive Order # D-182-69 | Front | | | 83506 | D-182-69 |
| | | | | Rear | | | 83506 | D-182-69 |
| 1995 | 2.4L L4 | STY2.42HGJEK | Executive Order # D-182-52 | Front | | | 81921 | D-182-52 |
| | | | | Rear | | | 81921 | D-182-52 |
| | | | Executive Order # D-182-69 | Front | | | 83506 | D-182-69 |
| | | | | Rear | | | 83506 | D-182-69 |
| 1994 | 2.4L L4 | RTY2.42HGEEK | Executive Order # D-182-52 | Front | | | 81921 | D-182-52 |
| | | | | Rear | | | 81921 | D-182-52 |
| | | | Executive Order # D-182-69 | Front | | | 83506 | D-182-69 |
| | | | | Rear | | | 83506 | D-182-69 |
| | | RTY2.48HGOGA | Executive Order # D-182-69 | | | | 83506 | D-182-69 |
| RAV4 | | | | | | | | |
| 2008 | 2.4L L4 | 8TYXT02.4BEH | FWD; Executive Order # D-182-62 | Rear | 83293 | 31374 | 83205 | D-182-62 |
| | | | FWD; Includes Front Gasket; Executive Order # D-182-62 | Front | 83151 | 31630 | | D-182-62 |
| 2007 | 2.4L L4 | 7TYXT02.4BEH | FWD; Executive Order # D-182-62 | Rear | 83293 | 31374 | 83205 | D-182-62 |
| | | | FWD; Includes Front Gasket; Executive Order # D-182-62 | Front | 83151 | 31630 | | D-182-62 |
| 2006 | 2.4L L4 | 6TYXT02.4PEH | FWD; Executive Order # D-182-62 | Rear | 83293 | 31374 | 83205 | D-182-62 |
| | | | FWD; Includes Front Gasket; Executive Order # D-182-62 | Front | 83151 | 31630 | | D-182-62 |
| 2005 | 2.4L L4 | 5TYXT02.4WMH | Executive Order # D-182-61 | Rear | 82697 | 31374 | 82644 | D-182-61 |
| | | | Includes Front Gasket; Executive Order # D-182-61 | Front | 82559 | 31374 | | D-182-61 |
| 2004 | 2.4L L4 | 4TYXT02.4WMH | Executive Order # D-182-61 | Rear | 82697 | 31374 | 82644 | D-182-61 |
| | | | Includes Front Gasket; Executive Order # D-182-61 | Front | 82559 | 31374 | | D-182-61 |
| Sequoia | | | | | | | | |
| 2004 | 4.7L V8 | 4TYXT04.7W1W | Executive Order # D-182-69 | Left | | | 83406 | D-182-69 |
| | | | | Right | | | 83406 | D-182-69 |
| 2003 | 4.7L V8 | 3TYXT04.7HBW | Executive Order # D-182-69 | Left | | | 83406 | D-182-69 |
| | | | | Right | | | 83406 | D-182-69 |
| 2002 | 4.7L V8 | 2TYXT04.7JBW | Executive Order # D-182-69 | Left | | | 83406 | D-182-69 |

For vehicles licensed in the state of California or Maine, or vehicles requiring CARB-compliant converters in the state of New York, the parts in this catalog must be installed as specifically listed. Parts cannot be substituted, nor can they be installed on California or Maine licensed vehicles not listed in this catalog.

OBDII APPLICATIONS

NON-OBDII APPLICATIONS

NUMERICAL

UNIVERSAL SPECIFICATIONS

OBDII PASSENGER CAR & TRUCK

| Years | Engine | Engine Family No. | Application | Position | Direct-Fit | | Universal Part No. | Executive Order | |
|------------------------|---------|-------------------|---|--|--------------|-----------------|--------------------|-----------------|----------|
| | | | | | Part No. | Hardware | | | |
| TOYOTA (Cont.) | | | | | | | | | |
| Sequoia (Cont.) | | | | | | | | | |
| 2002 (Cont.) | 4.7L V8 | 2TYXT04.7JBW | Executive Order # D-182-69 | Right | | | 83406 | D-182-69 | |
| 2001 | 4.7L V8 | 1TYXT04.7JBW | Executive Order # D-182-69 | Left | | | 83406 | D-182-69 | |
| | | | | Right | | | 83406 | D-182-69 | |
| Sienna | | | | | | | | | |
| 2003 | 3.0L V6 | 3TYXT03.OFFP | Executive Order # D-182-60 | Front Right | 81864 | (2)31332, 31555 | 81810 | D-182-60 | |
| | | | | Rear | 82788 | 31555, 31374 | 82711 | D-182-60 | |
| | | | | Includes Front Gasket; Executive Order # D-182-60 | Front Left | 81899 | 31332 | | D-182-60 |
| 2002 | 3.0L V6 | 2TYXT03.OFFP | Executive Order # D-182-60 | Front Right | 81864 | (2)31332, 31555 | 81810 | D-182-60 | |
| | | | | Rear | 82788 | 31555, 31374 | 82711 | D-182-60 | |
| | | | | Includes Front Gasket; Executive Order # D-182-60 | Front Left | 81899 | 31332 | | D-182-60 |
| 2001 | 3.0L V6 | 1TYXT03.OFFP | Executive Order # D-182-60 | Front Right | 81864 | (2)31332, 31555 | 81810 | D-182-60 | |
| | | | | Rear | 82788 | 31555, 31374 | 82711 | D-182-60 | |
| | | | | Includes Front Gasket; Executive Order # D-182-60 | Front Left | 81899 | 31332 | | D-182-60 |
| 2000 | 3.0L V6 | YTYXT03.OFFS | Executive Order # D-182-60 | Front Right | 81863 | (2)31332, 31311 | | D-180-60 | |
| | | | | | | | 81810 | D-182-60 | |
| | | | | Rear | | | 82711 | D-182-60 | |
| | | | Includes Front Gasket; Executive Order # D-182-60 | Front Left | 81899 | 31332 | | D-182-60 | |
| 1999 | 3.0L V6 | XTYXT03.OGXS | Executive Order # D-182-60 | Front Right | 81863 | (2)31332, 31311 | | D-180-60 | |
| | | | | | | | 81810 | D-182-60 | |
| | | | | Rear | | | 82711 | D-182-60 | |
| | | | Includes Front Gasket; Executive Order # D-182-60 | Front Left | 81899 | 31332 | | D-182-60 | |
| 1998 | 3.0L V6 | WTYXT03.OBBP | Executive Order # D-182-47 | | | | 81916 | D-182-47 | |
| | | | | Executive Order # D-182-69 | | | 83507 | D-182-69 | |
| Solara | | | | | | | | | |
| 2008 | 2.4L L4 | 8TYXV02.4BEA | Executive Order # D-182-62 | Rear | 83284 | 31585 (2) | 83206 | D-182-62 | |
| | | | | Includes Front Gasket; Executive Order # D-182-62 | Front | 83185 | 31585 | | D-182-62 |
| | 3.3L V6 | 8TYXV03.3BEA | Executive Order # D-182-62 | Rear | | | 83206 | D-182-62 | |
| | | | Includes Front Gasket; Executive Order # D-182-62 | Front Left | 83152 | 31332 | | D-182-62 | |
| | | | | Front Right | 83153 | 31332 | | D-182-62 | |
| 2007 | 2.4L L4 | 7TYXV02.4BEB | Executive Order # D-182-62 | Rear | 83284 | 31585 (2) | 83206 | D-182-62 | |
| | | | | Includes Front Gasket; Executive Order # D-182-62 | Front | 83185 | 31585 | | D-182-62 |
| | 3.3L V6 | 7TYXV03.3BEA | Executive Order # D-182-62 | Rear | | | 83206 | D-182-62 | |
| | | | Includes Front Gasket; Executive Order # D-182-62 | Front Left | 83152 | 31332 | | D-182-62 | |
| | | | | Front Right | 83153 | 31332 | | D-182-62 | |
| 2006 | 2.4L L4 | 6TYXV02.4BEB | Executive Order # D-182-62 | Rear | | | 83206 | D-182-62 | |
| | | | | From 5/06; Executive Order # D-182-62 | Rear | 83284 | 31585 (2) | | D-182-62 |
| | | | | From 5/06; Includes Front Gasket; Executive Order # D-182-62 | Front | 83185 | 31585 | | D-182-62 |

For vehicles licensed in the state of California or Maine, or vehicles requiring CARB-compliant converters in the state of New York, the parts in this catalog must be installed as specifically listed. Parts cannot be substituted, nor can they be installed on California or Maine licensed vehicles not listed in this catalog.

OBDII PASSENGER CAR & TRUCK

| Years | Engine | Engine Family No. | Application | Position | Direct-Fit | | Universal Part No. | Executive Order |
|-----------------------|---------|---|--|--------------|--------------|------------------|--------------------|-----------------|
| | | | | | Part No. | Hardware | | |
| TOYOTA (Cont.) | | | | | | | | |
| Solara (Cont.) | | | | | | | | |
| 2006 (Cont.) | 2.4L L4 | 6TYXV02.4BEB | Includes Front Gasket; Executive Order # D-182-62 | Front | 83189 | 31585 | | D-182-62 |
| | | | To 5/06; Executive Order # D-182-62 | Rear | 83282 | 31585 (2) | | D-182-62 |
| | 3.3L V6 | 6TYXV03.3BEA | Executive Order # D-182-62 | Rear | | | 83206 | D-182-62 |
| | | | Includes Front Gasket; Executive Order # D-182-62 | Front Left | 83152 | 31332 | | D-182-62 |
| | | | | Front Right | 83153 | 31332 | | D-182-62 |
| 2005 | 2.4L L4 | 5TYXV02.4PEB | Executive Order # D-182-62 | Rear | 83282 | 31585 (2) | 83206 | D-182-62 |
| | | | To 5/06; Includes Front Gasket; Executive Order # D-182-62 | Front | 83189 | 31585 | | D-182-62 |
| 2004 | 2.4L L4 | 4TYXV02.4PEB | Executive Order # D-182-62 | Rear | 83282 | 31585 (2) | 83206 | D-182-62 |
| | | | Includes Front Gasket; Executive Order # D-182-62 | Front | 83189 | 31585 | | D-182-62 |
| | 3.3L V6 | 4TYXV03.3PEA | Executive Order # D-182-62 | Rear | 83288 | (2)31332, 31585 | 83206 | D-182-62 |
| | | | Includes Front Gasket; Executive Order # D-182-62 | Front Left | 83152 | 31332 | | D-182-62 |
| | | | | Front Right | 83153 | 31332 | | D-182-62 |
| 2003 | 2.4L L4 | 3TYXV02.4HHA | Includes Front Gasket; Executive Order # D-182-53 | Front | 82551 | 31585 | | D-182-53 |
| | | | Automatic Trans.; Executive Order # D-182-66 | Rear | 81844 | 31332 (2), 31374 | | D-182-66 |
| | 3.0L V6 | 3TYXV03.0FFB | Executive Order # D-182-66 | Front Right | | | 81817 | D-182-66 |
| | | | | Rear | | | 82714 | D-182-66 |
| | | | Includes Front Gasket; Executive Order # D-182-66 | Front Left | 81843 | 31332 | | D-182-66 |
| 2002 | 2.4L L4 | 2TYXV02.4JJA | Includes Front Gasket; Executive Order # D-182-53 | Front | 82551 | 31585 | | D-182-53 |
| | | | Executive Order # D-182-57 | | | | 82609 | D-182-57 |
| | 3.0L V6 | 2TYXV03.0FFB | Automatic Trans.; Executive Order # D-182-66 | Rear | 81844 | 31332 (2), 31374 | | D-182-66 |
| | | | Executive Order # D-182-66 | Front Right | | | 81817 | D-182-66 |
| | | | | Rear | | | 82714 | D-182-66 |
| | | | Includes Front Gasket; Executive Order # D-182-66 | Front Left | 81843 | 31332 | | D-182-66 |
| 2001 | 2.2L L4 | 1TYXV02.2JJA | Executive Order # D-182-53 | Rear | 82661 | 31374 (2) | 82601 | D-182-53 |
| | | | Includes Front & Rear Gasket; Executive Order # D-182-53 | Front | 82555 | | | D-182-53 |
| | | 1TYXV02.2JJB | Executive Order # D-182-53 | Rear | 82661 | 31374 (2) | 82601 | D-182-53 |
| | | | Includes Front & Rear Gasket; Executive Order # D-182-53 | Front | 82555 | | | D-182-53 |
| | 3.0L V6 | 1TYXV03.0BBA | Executive Order # D-182-57 | | | | 82609 | D-182-57 |
| | | | Automatic Trans.; Executive Order # D-182-66 | Rear | 81844 | 31332 (2), 31374 | | D-182-66 |
| | | 1TYXV03.0FFB | Executive Order # D-182-66 | Front Right | | | 81817 | D-182-66 |
| | | | | Rear | | | 82714 | D-182-66 |
| | | Includes Front Gasket; Executive Order # D-182-66 | Front Left | 81843 | 31332 | | D-182-66 | |
| 2000 | 2.2L L4 | YTYXV02.2JJB | Executive Order # D-182-53 | Rear | 82661 | 31374 (2) | 82601 | D-182-53 |
| | | | Includes Front & Rear Gasket; Executive Order # D-182-53 | Front | 82555 | | | D-182-53 |

OBDII APPLICATIONS

NON-OBDII APPLICATIONS

NUMERICAL

UNIVERSAL SPECIFICATIONS

For vehicles licensed in the state of California or Maine, or vehicles requiring CARB-compliant converters in the state of New York, the parts in this catalog must be installed as specifically listed. Parts cannot be substituted, nor can they be installed on California or Maine licensed vehicles not listed in this catalog.

OBDII PASSENGER CAR & TRUCK

| Years | Engine | Engine Family No. | Application | Position | Direct-Fit | | Universal Part No. | Executive Order |
|-------|--------|-------------------|-------------|----------|------------|----------|--------------------|-----------------|
| | | | | | Part No. | Hardware | | |

TOYOTA (Cont.)

Solara (Cont.)

| | | | | | | | | | |
|-----------------|--------------|---|--|--------------|------------------|------------------|--------------|--------------|----------|
| 2000 (Cont.) | 3.0L V6 | YTYXV03.0BBA | Automatic Trans.; Executive Order # D-182-45 | | 81755 | 31332 (2), 31374 | | D-182-45 | |
| | | | Executive Order # D-182-57 | | | | 82609 | D-182-57 | |
| | YTYXV03.0FXB | Automatic Trans.; Executive Order # D-182-66 | Rear | 81844 | 31332 (2), 31374 | | | D-182-66 | |
| | | Executive Order # D-182-66 | Front Right | | | | 81817 | D-182-66 | |
| | | | Rear | | | | 82714 | D-182-66 | |
| | | Includes Front Gasket; Executive Order # D-182-66 | Front Left | 81843 | 31332 | | | D-182-66 | |
| 1999 | 2.2L L4 | XTYXV02.2GXB | Executive Order # D-182-53 | Rear | 82661 | 31374 (2) | 82601 | D-182-53 | |
| | | | Includes Front & Rear Gasket; Executive Order # D-182-53 | Front | 82555 | | | D-182-53 | |
| | 3.0L V6 | YTYXV03.0BBA | Automatic Trans.; Executive Order # D-182-45 | | 81755 | 31332 (2), 31374 | | D-182-45 | |
| | | | Executive Order # D-182-57 | | | | 82609 | D-182-57 | |
| | | XTYXV03.0GXB | Automatic Trans.; Executive Order # D-182-66 | Rear | 81844 | 31332 (2), 31374 | | | D-182-66 |
| | | | Executive Order # D-182-66 | Front Right | | | | 81817 | D-182-66 |
| | | | | Rear | | | | 82714 | D-182-66 |
| | | | Includes Front Gasket; Executive Order # D-182-66 | Front Left | 81843 | 31332 | | | D-182-66 |

T100

| | | | | | | | | |
|------|---------|---------------|----------------------------|--|--|--|--------------|----------|
| 1998 | 2.7L L4 | WTYXT02.7BBH. | Executive Order # D-182-57 | | | | 82629 | D-182-57 |
| | 3.4L V6 | WTYXT03.4BBH | Executive Order # D-182-57 | | | | 82629 | D-182-57 |
| 1997 | 2.7L L4 | VTY2.71HGKEK. | Executive Order # D-182-57 | | | | 82629 | D-182-57 |
| | | | Executive Order # D-182-57 | | | | 82629 | D-182-57 |
| | 3.4L V6 | VTY3.41JGKEK. | Executive Order # D-182-47 | | | | 81916 | D-182-47 |
| | | | Executive Order # D-182-69 | | | | 83506 | D-182-69 |
| 1996 | 2.7L L4 | TTY2.71HGKEK | Executive Order # D-182-57 | | | | 82629 | D-182-57 |
| | | | Executive Order # D-182-57 | | | | 82629 | D-182-57 |
| | 3.4L V6 | TTY3.41JG1GK. | Executive Order # D-182-47 | | | | 81916 | D-182-47 |
| | | | Executive Order # D-182-69 | | | | 83506 | D-182-69 |
| 1995 | 2.7L L4 | STY2.71HGEEK | Executive Order # D-182-57 | | | | 82629 | D-182-57 |
| | | | Executive Order # D-182-57 | | | | 82629 | D-182-57 |
| | 3.4L V6 | STY3.41JG1GK | Executive Order # D-182-47 | | | | 81916 | D-182-47 |
| | | | Executive Order # D-182-69 | | | | 83506 | D-182-69 |
| 1994 | 2.7L L4 | RTY2.71HGEEK | Executive Order # D-182-57 | | | | 82629 | D-182-57 |
| | 3.0L V6 | RTY3.027G1GA | Executive Order # D-182-69 | | | | 83506 | D-182-69 |

Tacoma

| | | | | | | | | |
|------|---------|--------------|----------------------------|-------|--------------|--------------|--------------|----------|
| 2004 | 2.4L L4 | 4TYXT02.7VMH | Executive Order # D-182-53 | Front | 82570 | 31384, 31374 | 82504 | D-182-53 |
| | | | | Rear | 82651 | 31585 (2) | 82601 | D-182-53 |
| | 2.7L L4 | 4TYXT02.7VMH | Executive Order # D-182-53 | Front | | | 82504 | D-182-53 |
| | | | | Rear | 82651 | 31585 (2) | 82601 | D-182-53 |
| | | 4TYXT02.7VRM | Executive Order # D-182-52 | Front | | | 81711 | D-182-52 |
| | | | | Rear | 81792 | 31374, 31585 | 81711 | D-182-52 |
| | | | Executive Order # D-182-69 | Front | | | 83401 | D-182-69 |
| | | | | Rear | | | 83401 | D-182-69 |

For vehicles licensed in the state of California or Maine, or vehicles requiring CARB-compliant converters in the state of New York, the parts in this catalog must be installed as specifically listed. Parts cannot be substituted, nor can they be installed on California or Maine licensed vehicles not listed in this catalog.

OBDII PASSENGER CAR & TRUCK

| Years | Engine | Engine Family No. | Application | Position | Direct-Fit | | Universal Part No. | Executive Order |
|-----------------------|----------------------------|----------------------------|----------------------------|----------|--------------|--------------|--------------------|-----------------|
| | | | | | Part No. | Hardware | | |
| TOYOTA (Cont.) | | | | | | | | |
| Tacoma (Cont.) | | | | | | | | |
| 2004 (Cont.) | 3.4L V6 | 4TYXT03.4VRH | Executive Order # D-182-53 | Front | | | 82504 | D-182-53 |
| | | 4TYXT03.4VRM | Executive Order # D-182-52 | Front | 81740 | 31549, 31374 | 81722 | D-182-52 |
| | | | | Rear | 81798 | 31374 (2) | 81722 | D-182-52 |
| | | | Executive Order # D-182-69 | Front | | | 83402 | D-182-69 |
| | | | | Rear | | | 83402 | D-182-69 |
| 2003 | 2.4L L4 | 3TYXT02.7FFH | Executive Order # D-182-53 | Front | 82570 | 31384, 31374 | 82504 | D-182-53 |
| | | | | Rear | 82651 | 31585 (2) | 82601 | D-182-53 |
| | 2.7L L4 | 3TYXT02.7FFH | Executive Order # D-182-53 | Front | | | 82504 | D-182-53 |
| | | | | Rear | 82651 | 31585 (2) | 82601 | D-182-53 |
| | | 3TYXT02.7FFP | Executive Order # D-182-52 | Front | | | 81711 | D-182-52 |
| | | | | Rear | 81792 | 31374, 31585 | 81711 | D-182-52 |
| | | Executive Order # D-182-69 | Front | | | 83401 | D-182-69 | |
| | | | Rear | | | 83401 | D-182-69 | |
| | 3.4L V6 | 3TYXT03.4FFH | Executive Order # D-182-53 | Front | | | 82504 | D-182-53 |
| | | | | Rear | 81740 | 31549, 31374 | 81722 | D-182-52 |
| | | 3TYXT03.4FFP | Executive Order # D-182-52 | Front | 81740 | 31549, 31374 | 81722 | D-182-52 |
| | | | | Rear | 81798 | 31374 (2) | 81722 | D-182-52 |
| | Executive Order # D-182-69 | Front | | | 83402 | D-182-69 | | |
| | | Rear | | | 83402 | D-182-69 | | |
| 2002 | 2.4L L4 | 2TYXT02.7FFH | Executive Order # D-182-53 | Front | 82570 | 31384, 31374 | 82504 | D-182-53 |
| | | | | Rear | 82651 | 31585 (2) | 82601 | D-182-53 |
| | 2.7L L4 | 2TYXT02.7FFH | Executive Order # D-182-53 | Front | | | 82504 | D-182-53 |
| | | | | Rear | 82651 | 31585 (2) | 82601 | D-182-53 |
| | | 2TYXT02.7FFP | Executive Order # D-182-52 | Front | | | 81711 | D-182-52 |
| | | | | Rear | 81792 | 31374, 31585 | 81711 | D-182-52 |
| | | Executive Order # D-182-69 | Front | | | 83401 | D-182-69 | |
| | | | Rear | | | 83401 | D-182-69 | |
| | 3.4L V6 | 2TYXT03.4FFH | Executive Order # D-182-53 | Front | | | 82504 | D-182-53 |
| | | | | Rear | 81740 | 31549, 31374 | 81722 | D-182-52 |
| | | 2TYXT03.4FFP | Executive Order # D-182-52 | Front | 81740 | 31549, 31374 | 81722 | D-182-52 |
| | | | | Rear | 81798 | 31374 (2) | 81722 | D-182-52 |
| | Executive Order # D-182-69 | Front | | | 83402 | D-182-69 | | |
| | | Rear | | | 83402 | D-182-69 | | |
| 2001 | 2.4L L4 | 1TYXT02.4FFH | Executive Order # D-182-53 | Front | 82570 | 31384, 31374 | 82504 | D-182-53 |
| | | | | Rear | 82651 | 31585 (2) | 82601 | D-182-53 |
| | 2.7L L4 | 1TYXT02.7FFH | Executive Order # D-182-53 | Front | | | 82504 | D-182-53 |
| | | | | Rear | 82651 | 31585 (2) | 82601 | D-182-53 |
| | | 1TYXT02.7FFP | Executive Order # D-182-52 | Front | | | 81711 | D-182-52 |
| | | | | Rear | 81792 | 31374, 31585 | 81711 | D-182-52 |
| | | Executive Order # D-182-69 | Front | | | 83401 | D-182-69 | |
| | | | Rear | | | 83401 | D-182-69 | |
| | 3.4L V6 | 1TYXT03.4FFH | Executive Order # D-182-53 | Front | | | 82504 | D-182-53 |
| | | | | Rear | 81740 | 31549, 31374 | 81722 | D-182-52 |
| | | 1TYXT03.4FFP | Executive Order # D-182-52 | Front | 81740 | 31549, 31374 | 81722 | D-182-52 |
| | | | | Rear | 81798 | 31374 (2) | 81722 | D-182-52 |
| | Executive Order # D-182-69 | Front | | | 83402 | D-182-69 | | |
| | | Rear | | | 83402 | D-182-69 | | |
| 2000 | 2.4L L4 | YTYXT02.4FFJ | Executive Order # D-182-53 | Front | 82570 | 31384, 31374 | 82504 | D-182-53 |

OBDII APPLICATIONS

NON-OBDII APPLICATIONS

NUMERICAL

UNIVERSAL SPECIFICATIONS

For vehicles licensed in the state of California or Maine, or vehicles requiring CARB-compliant converters in the state of New York, the parts in this catalog must be installed as specifically listed. Parts cannot be substituted, nor can they be installed on California or Maine licensed vehicles not listed in this catalog.

OBDII PASSENGER CAR & TRUCK

| Years | Engine | Engine Family No. | Application | Position | Direct-Fit | | Universal Part No. | Executive Order |
|-----------------------|----------------------------|----------------------------|----------------------------|----------------------------|--------------|--------------|--------------------|-----------------|
| | | | | | Part No. | Hardware | | |
| TOYOTA (Cont.) | | | | | | | | |
| Tacoma (Cont.) | | | | | | | | |
| 2000 (Cont.) | 2.4L L4 | YTYXT02.4FFJ | Executive Order # D-182-53 | Rear | 82651 | 31585 (2) | 82601 | D-182-53 |
| | 2.7L L4 | YTYXT02.7FFJ | Executive Order # D-182-53 | Front | | | 82504 | D-182-53 |
| | | | | Rear | 82651 | 31585 (2) | 82601 | D-182-53 |
| | | YTYXT02.7FFR | Executive Order # D-182-52 | Front | | | 81711 | D-182-52 |
| | | | | Rear | 81792 | 31374, 31585 | 81711 | D-182-52 |
| | | | Executive Order # D-182-69 | Front | | | 83401 | D-182-69 |
| | | | | Rear | | | 83401 | D-182-69 |
| | 3.4L V6 | YTYXT03.4FFH | Executive Order # D-182-53 | Front | | | 82504 | D-182-53 |
| | | | | Rear | 81740 | 31549, 31374 | 81722 | D-182-52 |
| | | YTYXT03.4FFR | Executive Order # D-182-52 | Front | 81740 | 31549, 31374 | 81722 | D-182-52 |
| | | | | Rear | 81798 | 31374 (2) | 81722 | D-182-52 |
| | Executive Order # D-182-69 | Front | | | 83402 | D-182-69 | | |
| Rear | | | | 83402 | D-182-69 | | | |
| 1999 | 2.4L L4 | XTYXT02.4BBH | Executive Order # D-182-58 | | | | 82526 | D-182-58 |
| | 2.7L L4 | XTYXT02.7BBH | Executive Order # D-182-45 | | 81978 | 31585 (2) | | D-182-45 |
| | | | | | | | 81712 | D-182-47 |
| | | XTYXT02.7BBP | Executive Order # D-182-47 | | | | 81712 | D-182-47 |
| | | | | | | | 83402 | D-182-69 |
| | XTYXT02.7DXJ | Executive Order # D-182-45 | | 81978 | 31585 (2) | | D-182-45 | |
| | | | | | | | | |
| | 3.4L V6 | XTYXT03.4DBP | Executive Order # D-182-47 | | | | 81918 | D-182-47 |
| | | | | | | | 83508 | D-182-69 |
| | 1998 | 2.4L L4 | WTYXT02.4BBH | Executive Order # D-182-58 | | | | 82526 |
| 2.7L L4 | | WTYXT02.7DXH | Executive Order # D-182-45 | | 81978 | 31585 (2) | | D-182-45 |
| 3.4L V6 | | WTYXT03.4DBP | Executive Order # D-182-47 | | | | 81918 | D-182-47 |
| | | | | | | | 83508 | D-182-69 |
| | | | Executive Order # D-182-69 | | | | 83508 | D-182-69 |
| 1997 | 2.4L L4 | VTY2.41HGKEK | Executive Order # D-182-58 | | | | 82526 | D-182-58 |
| | 2.7L L4 | VTY2.71JG2GK | Executive Order # D-182-45 | | 81978 | 31585 (2) | | D-182-45 |
| | | | | | 81978 | 31585 (2) | | D-182-45 |
| | 3.4L V6 | VTY3.42JG2GK | Executive Order # D-182-47 | | | | 81918 | D-182-47 |
| | | | | | | | 83508 | D-182-69 |
| | 1996 | 2.4L L4 | TTY2.41HGKEK | Executive Order # D-182-58 | | | | 82526 |
| 2.7L L4 | | TTY2.71HGKEK | Executive Order # D-182-45 | | 81978 | 31585 (2) | | D-182-45 |
| 3.4L V6 | | TTY3.42JG1GK | Executive Order # D-182-47 | | | | 81918 | D-182-47 |
| | | | | | | | 83508 | D-182-69 |
| 1995 | 2.4L L4 | STY2.41HG1GK | Executive Order # D-182-58 | | | | 82526 | D-182-58 |
| | 2.7L L4 | STY2.71HG1GK | Executive Order # D-182-45 | | 81978 | 31585 (2) | | D-182-45 |
| | 3.4L V6 | STY3.42JGFEK | Executive Order # D-182-47 | | | | 81918 | D-182-47 |
| | | | | | | | 83508 | D-182-69 |

Tercel

| | | | | | | | | |
|------|---------|--------------|--|--|--------------|--------------|--------------|----------|
| 1998 | 1.5L L4 | WTYXV01.5BBA | Executive Order # D-182-58 | | | | 82505 | D-182-58 |
| 1997 | 1.5L L4 | VTY1.5VJGKEK | Automatic Trans.; Executive Order # D-182-45 | | 81779 | 31387 | | D-182-45 |
| | | | Executive Order # D-182-58 | | | 82505 | D-182-58 | |
| 1996 | 1.5L L4 | TTY1.5VHGFEK | Automatic Trans.; Executive Order # D-182-45 | | 81779 | 31387 | | D-182-45 |
| | | | Executive Order # D-182-58 | | | 82505 | D-182-58 | |
| 1995 | 1.5L L4 | STY1.5VHGFEK | Executive Order # D-182-58 | | | | 82505 | D-182-58 |

For vehicles licensed in the state of California or Maine, or vehicles requiring CARB-compliant converters in the state of New York, the parts in this catalog must be installed as specifically listed. Parts cannot be substituted, nor can they be installed on California or Maine licensed vehicles not listed in this catalog.

OBDII PASSENGER CAR & TRUCK

| Years | Engine | Engine Family No. | Application | Position | Direct-Fit | | Universal Part No. | Executive Order |
|----------------------------|--------------|-------------------|----------------------------|----------------------------|--------------|--------------|--------------------|-----------------|
| | | | | | Part No. | Hardware | | |
| TOYOTA (Cont.) | | | | | | | | |
| Tundra | | | | | | | | |
| 2004 | 3.4L V6 | 4TYXT03.4VRM | Executive Order # D-182-52 | Front | 81740 | 31549, 31374 | 81722 | D-182-52 |
| | | | | Rear | 81746 | 31374, 31631 | 81722 | D-182-52 |
| | | | Executive Order # D-182-69 | Front | | | 83402 | D-182-69 |
| | | | | Rear | | | 83402 | D-182-69 |
| | 4.7L V8 | 4TYXT04.7W1W | Executive Order # D-182-69 | Left | 83451 | 31332 (2) | 83406 | D-182-69 |
| | | | | Right | 83460 | | 83406 | D-182-69 |
| | | 4TYXT04.7W1Y | Executive Order # D-182-69 | Left | 83451 | 31332 (2) | 83406 | D-182-69 |
| | | | | Right | 83460 | | 83406 | D-182-69 |
| 2003 | 3.4L V6 | 3TYXT03.4FFP | Executive Order # D-182-52 | Front | 81740 | 31549, 31374 | 81722 | D-182-52 |
| | | | | Rear | 81746 | 31374, 31631 | 81722 | D-182-52 |
| | | | Executive Order # D-182-69 | Front | | | 83402 | D-182-69 |
| | | | | Rear | | | 83402 | D-182-69 |
| | 4.7L V8 | 3TYXT04.7HBY | Executive Order # D-182-69 | Left | 83451 | 31332 (2) | 83406 | D-182-69 |
| | | | | Right | 83460 | | 83406 | D-182-69 |
| | | 3TYXT04.7HBY | Executive Order # D-182-69 | Left | 83451 | 31332 (2) | 83406 | D-182-69 |
| | | | | Right | 83460 | | 83406 | D-182-69 |
| 2002 | 3.4L V6 | 2TYXT03.4FFP | Executive Order # D-182-52 | Front | 81740 | 31549, 31374 | 81722 | D-182-52 |
| | | | | Rear | 81746 | 31374, 31631 | 81722 | D-182-52 |
| | | | Executive Order # D-182-69 | Front | | | 83402 | D-182-69 |
| | | | | Rear | | | 83402 | D-182-69 |
| | 4.7L V8 | 2TYXT04.7FBY | Executive Order # D-182-52 | Front Left | 81945 | 31332 (2) | 81711 | D-182-52 |
| | | | | Front Right | 81944 | 31332 (2) | 81711 | D-182-52 |
| | | | | Rear | 81797 | 31332, 31631 | 81722 | D-182-52 |
| | | | | Executive Order # D-182-69 | Front Left | | | 83401 |
| | | Front Right | | | 83401 | D-182-69 | | |
| | | Rear | | | 83402 | D-182-69 | | |
| | | 1TYXT03.4FFP | Executive Order # D-182-52 | Front | 81740 | 31549, 31374 | 81722 | D-182-52 |
| | | | | Rear | 81746 | 31374, 31631 | 81722 | D-182-52 |
| Executive Order # D-182-69 | Front | | | | | 83402 | D-182-69 | |
| Rear | | | | | 83402 | D-182-69 | | |
| 2001 | 3.4L V6 | 1TYXT03.4FFP | Executive Order # D-182-52 | Front | 81740 | 31549, 31374 | 81722 | D-182-52 |
| | | | | Rear | 81746 | 31374, 31631 | 81722 | D-182-52 |
| | | | Executive Order # D-182-69 | Front | | | 83402 | D-182-69 |
| | | | | Rear | | | 83402 | D-182-69 |
| | 4.7L V8 | 1TYXT04.7FBY | Executive Order # D-182-52 | Front Left | 81945 | 31332 (2) | 81711 | D-182-52 |
| | | | | Front Right | 81944 | 31332 (2) | 81711 | D-182-52 |
| | | | | Rear | 81797 | 31332, 31631 | 81722 | D-182-52 |
| | | | | Executive Order # D-182-69 | Front Left | | | 83401 |
| | | Front Right | | | 83401 | D-182-69 | | |
| | | Rear | | | 83402 | D-182-69 | | |
| | | 1TYXT04.7FBY | Executive Order # D-182-52 | Front Left | 81945 | 31332 (2) | 81711 | D-182-52 |
| | | | | Front Right | 81944 | 31332 (2) | 81711 | D-182-52 |
| Rear | 81797 | | | 31332, 31631 | 81722 | D-182-52 | | |
| Executive Order # D-182-69 | Front Left | | | | | 83401 | D-182-69 | |
| Front Right | | | 83401 | D-182-69 | | | | |
| Rear | | | 83402 | D-182-69 | | | | |
| 2000 | 3.4L V6 | YTYXT03.4FFR | Executive Order # D-182-52 | Front | 81740 | 31549, 31374 | 81722 | D-182-52 |
| | | | | Rear | 81746 | 31374, 31631 | 81722 | D-182-52 |
| | | | Executive Order # D-182-69 | Front | | | 83402 | D-182-69 |
| | | | | Rear | | | 83402 | D-182-69 |
| | 4.7L V8 | YTYXT04.7GXW | Executive Order # D-182-52 | Front Left | 81945 | 31332 (2) | 81711 | D-182-52 |
| | | | | Front Right | 81944 | 31332 (2) | 81711 | D-182-52 |
| | | | | Rear | 81797 | 31332, 31631 | 81722 | D-182-52 |
| | | | | Executive Order # D-182-69 | Front Left | | | 83401 |
| | | Front Right | | | 83401 | D-182-69 | | |
| | | Rear | | | 83402 | D-182-69 | | |
| | | YTYXT04.7GXW | Executive Order # D-182-52 | Front Left | 81945 | 31332 (2) | 81711 | D-182-52 |
| | | | | Front Right | 81944 | 31332 (2) | 81711 | D-182-52 |
| Rear | 81797 | | | 31332, 31631 | 81722 | D-182-52 | | |
| Executive Order # D-182-69 | Front Left | | | | | 83401 | D-182-69 | |
| Front Right | | | 83401 | D-182-69 | | | | |
| Rear | | | 83402 | D-182-69 | | | | |

OBDII APPLICATIONS

NON-OBDII APPLICATIONS

NUMERICAL

UNIVERSAL SPECIFICATIONS

For vehicles licensed in the state of California or Maine, or vehicles requiring CARB-compliant converters in the state of New York, the parts in this catalog must be installed as specifically listed. Parts cannot be substituted, nor can they be installed on California or Maine licensed vehicles not listed in this catalog.

OBDII PASSENGER CAR & TRUCK

| Years | Engine | Engine Family No. | Application | Position | Direct-Fit | | Universal Part No. | Executive Order |
|-----------------------|---------|-------------------|---------------------------------------|-----------------------------------|--------------|--------------|--------------------|-----------------|
| | | | | | Part No. | Hardware | | |
| TOYOTA (Cont.) | | | | | | | | |
| Yaris | | | | | | | | |
| 2009 | 1.5L L4 | 9TYXV01.5BEA | Executive Order # D-182-62 | Front | | | 83100 | D-182-62 |
| | | | | Rear | | | 83202 | D-182-62 |
| | | | Hatchback; Executive Order # D-182-62 | | 83199 | 31619, 31387 | | D-182-62 |
| | | | | Sedan; Executive Order # D-182-62 | | 83198 | 31619, 31387 | |
| 2008 | 1.5L L4 | 8TYXV01.5BEA | Executive Order # D-182-62 | Front | | | 83100 | D-182-62 |
| | | | | Rear | | | 83202 | D-182-62 |
| | | | Hatchback; Executive Order # D-182-62 | | 83199 | 31619, 31387 | | D-182-62 |
| | | | | Sedan; Executive Order # D-182-62 | | 83198 | 31619, 31387 | |
| 2007 | 1.5L L4 | 7TYXV01.5BEA | Executive Order # D-182-62 | Front | | | 83100 | D-182-62 |
| | | | | Rear | | | 83202 | D-182-62 |
| | | | Hatchback; Executive Order # D-182-62 | | 83199 | 31619, 31387 | | D-182-62 |
| | | | | Sedan; Executive Order # D-182-62 | | 83198 | 31619, 31387 | |

VOLKSWAGEN

Beetle

| | | | | | | | | |
|------|--------------|----------------------------|--------------------------------------|--------------|--------------|-------|--------------|----------|
| 2005 | 2.0L L4 | 5VWXV02.0223 | Executive Order # D-182-64 | | | | 82802 | D-182-64 |
| 2004 | 1.8L L4 | 4ADXV01.8346 | Executive Order # D-182-45 | | 81778 | 31597 | | D-182-45 |
| | | | Executive Order # D-182-57 | | | | 82641 | D-182-57 |
| | 2.0L L4 | 4VWXV02.0223 | Executive Order # D-182-64 | | | | 82802 | D-182-64 |
| 2003 | 1.8L L4 | 3ADXV01.8346 | Executive Order # D-182-45 | | 81778 | 31597 | | D-182-45 |
| | | | Executive Order # D-182-57 | | | | 82641 | D-182-57 |
| | 2.0L L4 | 3VWXV02.0223 | AVH Eng.; Executive Order # D-182-67 | | 82995 | 31649 | | D-182-67 |
| | | | BDC Eng.; Executive Order # D-182-67 | | 82995 | 31649 | | D-182-67 |
| | | | Executive Order # D-182-67 | | | | 82907 | D-182-67 |
| 2002 | 1.8L L4 | 2ADXV01.8346 | Executive Order # D-182-45 | | 81778 | 31597 | | D-182-45 |
| | | | Executive Order # D-182-57 | | | | 82641 | D-182-57 |
| | 2.0L L4 | 2VWXV02.0223 | AVH Eng.; Executive Order # D-182-67 | | 82995 | 31649 | | D-182-67 |
| | | | Executive Order # D-182-67 | | | | 82907 | D-182-67 |
| 2001 | 1.8L L4 | 1ADXV01.8346 | Executive Order # D-182-45 | | 81778 | 31597 | | D-182-45 |
| | | | Executive Order # D-182-57 | | | | 82641 | D-182-57 |
| | | 1VWXV01.8229 | Executive Order # D-182-57 | | | | 82615 | D-182-57 |
| | 2.0L L4 | 1VWXV02.0223 | AVH Eng.; Executive Order # D-182-67 | | 82995 | 31649 | | D-182-67 |
| | | | Executive Order # D-182-67 | | | | 82907 | D-182-67 |
| | 1VWXV02.0227 | Executive Order # D-182-45 | | 81765 | 31603 | | D-182-45 | |
| | | | Executive Order # D-182-57 | | | | 82615 | D-182-57 |
| 2000 | 1.8L L4 | YVWXV01.8228 | Executive Order # D-182-57 | | | | 82615 | D-182-57 |
| | 2.0L L4 | YVWXV02.0227 | Executive Order # D-182-45 | | 81765 | 31603 | | D-182-45 |
| | | | Executive Order # D-182-57 | | | | 82615 | D-182-57 |

For vehicles licensed in the state of California or Maine, or vehicles requiring CARB-compliant converters in the state of New York, the parts in this catalog must be installed as specifically listed. Parts cannot be substituted, nor can they be installed on California or Maine licensed vehicles not listed in this catalog.

OBDII PASSENGER CAR & TRUCK

| Years | Engine | Engine Family No. | Application | Position | Direct-Fit | | Universal Part No. | Executive Order |
|---------------------------|---------|-------------------|---|----------|--------------|--------------|--------------------|-----------------|
| | | | | | Part No. | Hardware | | |
| VOLKSWAGEN (Cont.) | | | | | | | | |
| Beetle (Cont.) | | | | | | | | |
| 1999 | 1.8L L4 | XVWXV01.8228 | Executive Order # D-182-57 | | | | 82615 | D-182-57 |
| | 2.0L L4 | XVWXV02.0227 | Executive Order # D-182-45 | | 81765 | 31603 | | D-182-45 |
| | | | Executive Order # D-182-57 | | | | 82615 | D-182-57 |
| 1998 | 2.0L L4 | WVWXV02.0226 | Executive Order # D-182-45 | | 81765 | 31603 | | D-182-45 |
| | | | Executive Order # D-182-57 | | | 82615 | D-182-57 | |
| Cabrio | | | | | | | | |
| 2002 | 2.0L L4 | 2VWXV02.0227 | Convertible; Executive Order # D-182-45 | | 81766 | 31611 | | D-182-45 |
| | | | Executive Order # D-182-57 | | | 82615 | D-182-57 | |
| 2001 | 2.0L L4 | 1VWXV02.0227 | Convertible; Executive Order # D-182-45 | | 81766 | 31611 | | D-182-45 |
| | | | Executive Order # D-182-57 | | | 82615 | D-182-57 | |
| 2000 | 2.0L L4 | YVWXV02.0227 | Executive Order # D-182-45 | | 81766 | 31611 | | D-182-45 |
| | | | Executive Order # D-182-57 | | | 82615 | D-182-57 | |
| 1999 | 2.0L L4 | XVWXV02.0223 | Convertible; Executive Order # D-182-45 | | 81766 | 31611 | | D-182-45 |
| | | | Executive Order # D-182-57 | | | 82615 | D-182-57 | |
| 1998 | 2.0L L4 | WVWXV02.0223 | Convertible; Executive Order # D-182-45 | | 81766 | 31611 | | D-182-45 |
| | | | Executive Order # D-182-57 | | | 82615 | D-182-57 | |
| 1997 | 2.0L L4 | VWV2.0V8GKEM | Executive Order # D-182-45 | | 81766 | 31611 | | D-182-45 |
| | | | Executive Order # D-182-58 | | | 82510 | D-182-58 | |
| 1996 | 2.0L L4 | TVW2.0V8GFEM | Convertible; Executive Order # D-182-45 | | 81766 | 31611 | | D-182-45 |
| | | | Executive Order # D-182-58 | | | 82510 | D-182-58 | |
| Eos | | | | | | | | |
| 2009 | 2.0L L4 | 9ADXV02.03UA | Executive Order # D-182-62 | Rear | | | 83205 | D-182-62 |
| EuroVan | | | | | | | | |
| 2003 | 2.8L V6 | 3VWXT02.8225 | Executive Order # D-182-52 | | | | 81716 | D-182-52 |
| 2002 | 2.8L V6 | 2VWXT02.8225 | Executive Order # D-182-52 | | | | 81716 | D-182-52 |
| 2001 | 2.8L V6 | 1VWXT02.8225 | Executive Order # D-182-52 | | | | 81716 | D-182-52 |
| 2000 | 2.8L V6 | YVWXT02.8225 | Executive Order # D-182-52 | | | | 81716 | D-182-52 |
| 1999 | 2.8L V6 | XVWXT02.8225 | Executive Order # D-182-52 | | | | 81716 | D-182-52 |
| 1997 | 2.8L V6 | VWV2.828GFGM | Executive Order # D-182-52 | | | | 81716 | D-182-52 |
| Golf | | | | | | | | |
| 2005 | 1.8L L4 | 5ADXV01.8356 | Executive Order # D-182-57 | | | | 82641 | D-182-57 |
| | 2.0L L4 | 5VWXV02.0223 | Executive Order # D-182-64 | | | | 82802 | D-182-64 |
| | 2.8L V6 | 5VWXV02.8228 | GTI VR6 Model; Executive Order # D-182-57 | | | | 82641 | D-182-57 |
| 2004 | 1.8L L4 | 4ADXV01.8356 | Executive Order # D-182-57 | | | | 82641 | D-182-57 |
| | 2.0L L4 | 4VWXV02.0223 | Executive Order # D-182-64 | | | | 82802 | D-182-64 |
| | 2.8L V6 | 4VWXV02.8228 | Executive Order # D-182-57 | | | | 82641 | D-182-57 |
| | 3.2L V6 | 4VWXV03.2220 | Executive Order # D-182-57 | Left | | | 82609 | D-182-57 |
| | | | | Right | | | 82609 | D-182-57 |
| 2003 | 1.8L L4 | 3ADXV01.8346 | Executive Order # D-182-45 | | 81778 | 31597 | | D-182-45 |
| | | | Executive Order # D-182-57 | | | 82641 | D-182-57 | |

For vehicles licensed in the state of California or Maine, or vehicles requiring CARB-compliant converters in the state of New York, the parts in this catalog must be installed as specifically listed. Parts cannot be substituted, nor can they be installed on California or Maine licensed vehicles not listed in this catalog.

OBDII APPLICATIONS

NON-OBDII APPLICATIONS

NUMERICAL

UNIVERSAL SPECIFICATIONS

OBDII PASSENGER CAR & TRUCK

| Years | Engine | Engine Family No. | Application | Position | Direct-Fit | | Universal Part No. | Executive Order |
|---------------------------|--------------|--------------------------------------|--------------------------------------|----------------------------|--------------|--------------|--------------------|-----------------|
| | | | | | Part No. | Hardware | | |
| VOLKSWAGEN (Cont.) | | | | | | | | |
| Golf (Cont.) | | | | | | | | |
| 2003 (Cont.) | 2.0L L4 | 3VWXV02.0223 | AVH Eng.; Executive Order # D-182-67 | | 82995 | 31649 | | D-182-67 |
| | | | Executive Order # D-182-67 | | | | 82907 | D-182-67 |
| | 2.8L V6 | 3VWXV02.8228 | Executive Order # D-182-57 | | | | 82641 | D-182-57 |
| 2002 | 1.8L L4 | 2ADXV01.8346 | Executive Order # D-182-45 | | 81778 | 31597 | | D-182-45 |
| | | | Executive Order # D-182-57 | | | | 82641 | D-182-57 |
| | 2.0L L4 | 2VWXV02.0223 | AVH Eng.; Executive Order # D-182-67 | | 82995 | 31649 | | D-182-67 |
| | | | Executive Order # D-182-67 | | | | 82907 | D-182-67 |
| | 2.8L V6 | 2VWXV02.8224 | Executive Order # D-182-45 | | 81787 | | | D-182-45 |
| | | | Executive Order # D-182-57 | | | | 82642 | D-182-57 |
| | 2VWXV02.8228 | Executive Order # D-182-57 | | | | | 82641 | D-182-57 |
| 2001 | 1.8L L4 | 1ADXV01.8336 | Executive Order # D-182-45 | | 81775 | 31597 | | D-182-45 |
| | | | Executive Order # D-182-57 | | | | 82609 | D-182-57 |
| | | 1ADXV01.8346 | Executive Order # D-182-45 | | 81778 | 31597 | | D-182-45 |
| | | | Executive Order # D-182-57 | | | | 82609 | D-182-57 |
| | 2.0L L4 | 1VWXV02.0223 | AVH Eng.; Executive Order # D-182-67 | | 82995 | 31649 | | D-182-67 |
| | | | Executive Order # D-182-67 | | | | 82907 | D-182-67 |
| | 1VWXV02.0227 | AEG Eng.; Executive Order # D-182-45 | | 81765 | 31603 | | D-182-45 | |
| | | Executive Order # D-182-57 | | | | 82615 | D-182-57 | |
| 2.8L V6 | 1VWXV02.8224 | Executive Order # D-182-45 | | 81787 | | | D-182-45 | |
| | | Executive Order # D-182-57 | | | | 82642 | D-182-57 | |
| 2000 | 2.0L L4 | YVWXV02.0227 | AEG Eng.; Executive Order # D-182-45 | | 81765 | 31603 | | D-182-45 |
| | | | Executive Order # D-182-57 | | | | 82615 | D-182-57 |
| | 2.8L V6 | YVWXV02.8224 | Executive Order # D-182-45 | | 81787 | | | D-182-45 |
| | | | Executive Order # D-182-57 | | | | 82642 | D-182-57 |
| 1999 | 2.0L L4 | XVWXV02.0223 | ABA Eng.; Executive Order # D-182-45 | | 81766 | 31611 | | D-182-45 |
| | | | Executive Order # D-182-57 | | | | 82615 | D-182-57 |
| | | XVWXV02.0227 | AEG Eng.; Executive Order # D-182-45 | | 81765 | 31603 | | D-182-45 |
| | | | Executive Order # D-182-57 | | | | 82615 | D-182-57 |
| | 2.8L V6 | XVWXV02.8221 | Executive Order # D-182-58 | | | | 82510 | D-182-58 |
| | | | XVWXV02.8224 | Executive Order # D-182-45 | | 81787 | | |
| | | Executive Order # D-182-57 | | | | | 82642 | D-182-57 |
| 1998 | 2.0L L4 | WVWXV02.0223 | ABA Eng.; Executive Order # D-182-45 | | 81766 | 31611 | | D-182-45 |
| | | | Executive Order # D-182-57 | | | | 82615 | D-182-57 |
| | 2.8L V6 | WVWXV02.8224 | Executive Order # D-182-58 | | | | 82510 | D-182-58 |
| 1997 | 2.0L L4 | VW2.0V8G2EL | ABA Eng.; Executive Order # D-182-45 | | 81766 | 31611 | | D-182-45 |
| | | | Executive Order # D-182-57 | | | | 82615 | D-182-57 |
| | VW2.0V8GKEM | ABA Eng.; Executive Order # D-182-45 | | 81766 | 31611 | | D-182-45 | |
| | | Executive Order # D-182-58 | | | | 82510 | D-182-58 | |

For vehicles licensed in the state of California or Maine, or vehicles requiring CARB-compliant converters in the state of New York, the parts in this catalog must be installed as specifically listed. Parts cannot be substituted, nor can they be installed on California or Maine licensed vehicles not listed in this catalog.

OBDII PASSENGER CAR & TRUCK

| Years | Engine | Engine Family No. | Application | Position | Direct-Fit | | Universal Part No. | Executive Order | |
|----------------------------|----------------------------|----------------------------|--------------------------------------|----------|--------------|--------------|--------------------|-----------------|----------|
| | | | | | Part No. | Hardware | | | |
| VOLKSWAGEN (Cont.) | | | | | | | | | |
| Golf (Cont.) | | | | | | | | | |
| 1997 (Cont.) | 2.8L V6 | VW2.8V8GFGM | Executive Order # D-182-58 | | | | 82510 | D-182-58 | |
| 1996 | 2.0L L4 | TVW2.0V8G2EL | ABA Eng.; Executive Order # D-182-45 | | 81766 | 31611 | | D-182-45 | |
| | | | Executive Order # D-182-57 | | | | 82615 | D-182-57 | |
| | | TVW2.0V8GKEM | Executive Order # D-182-45 | | 81766 | 31611 | | | D-182-45 |
| | | | Executive Order # D-182-58 | | | | | 82510 | D-182-58 |
| | 2.8L V6 | TVW2.8V8GFGM | Executive Order # D-182-58 | | | | 82510 | D-182-58 | |
| GTI | | | | | | | | | |
| 2009 | 2.0L L4 | 9ADXV02.03UA | Executive Order # D-182-62 | Rear | | | 83205 | D-182-62 | |
| 2008 | 2.0L L4 | 8ADXV02.03UA | Executive Order # D-182-62 | Rear | | | 83205 | D-182-62 | |
| Jetta | | | | | | | | | |
| 2009 | 2.0L L4 | 9ADXV02.03UA | Executive Order # D-182-62 | Rear | | | 83205 | D-182-62 | |
| 2008 | 2.0L L4 | 8ADXV02.03UA | Executive Order # D-182-62 | Rear | | | 83205 | D-182-62 | |
| 2005 | 1.8L L4 | 5ADXV01.8356 | Executive Order # D-182-57 | | | | 82641 | D-182-57 | |
| | 2.0L L4 | 5VWXV02.0223 | Executive Order # D-182-64 | | | | 82802 | D-182-64 | |
| 2004 | 1.8L L4 | 4ADXV01.8356 | Executive Order # D-182-57 | | | | 82641 | D-182-57 | |
| | 2.0L L4 | 4VWXV02.0223 | Executive Order # D-182-64 | | | | 82802 | D-182-64 | |
| | 2.8L V6 | 4VWXV02.8228 | Executive Order # D-182-57 | | | | 82641 | D-182-57 | |
| 2003 | 1.8L L4 | 3ADXV01.8346 | Executive Order # D-182-45 | | 81778 | 31597 | | D-182-45 | |
| | | | Executive Order # D-182-57 | | | | 82641 | D-182-57 | |
| | 2.0L L4 | 3VWXV02.0223 | AVH Eng.; Executive Order # D-182-67 | | 82995 | 31649 | | D-182-67 | |
| | | | Executive Order # D-182-67 | | | | 82907 | D-182-67 | |
| 2.8L V6 | 3VWXV02.8228 | Executive Order # D-182-57 | | | | 82641 | D-182-57 | | |
| 2002 | 1.8L L4 | 2ADXV01.8346 | Executive Order # D-182-45 | | 81778 | 31597 | | D-182-45 | |
| | | | Executive Order # D-182-57 | | | | 82641 | D-182-57 | |
| | 2.0L L4 | 2VWXV02.0223 | AVH Eng.; Executive Order # D-182-67 | | 82995 | 31649 | | D-182-67 | |
| | | | Executive Order # D-182-67 | | | | 82907 | D-182-67 | |
| | 2.8L V6 | 2VWXV02.8224 | Executive Order # D-182-45 | | 81787 | | | D-182-45 | |
| | | | Executive Order # D-182-57 | | | | 82642 | D-182-57 | |
| 2VWXV02.8228 | Executive Order # D-182-57 | | | | | 82641 | D-182-57 | | |
| 2001 | 1.8L L4 | 1ADXV01.8336 | Executive Order # D-182-45 | | 81775 | 31597 | | D-182-45 | |
| | | | Executive Order # D-182-57 | | | | 82609 | D-182-57 | |
| | | | Executive Order # D-182-57 | | 81778 | 31597 | | | D-182-45 |
| | 2.0L L4 | 1VWXV02.0223 | AVH Eng.; Executive Order # D-182-67 | | 82995 | 31649 | | D-182-67 | |
| | | | Executive Order # D-182-67 | | | | 82907 | D-182-67 | |
| | | | Executive Order # D-182-45 | | 81765 | 31603 | | | D-182-45 |
| | 2.8L V6 | 1VWXV02.8224 | Executive Order # D-182-57 | | | | | 82615 | D-182-57 |
| | | | Executive Order # D-182-45 | | 81787 | | | | D-182-45 |
| Executive Order # D-182-57 | | | | | | 82642 | D-182-57 | | |
| 2000 | 2.0L L4 | YVWXV02.0227 | AEG Eng.; Executive Order # D-182-45 | | 81765 | 31603 | | D-182-45 | |

For vehicles licensed in the state of California or Maine, or vehicles requiring CARB-compliant converters in the state of New York, the parts in this catalog must be installed as specifically listed. Parts cannot be substituted, nor can they be installed on California or Maine licensed vehicles not listed in this catalog.

OBDII APPLICATIONS

NON-OBDII APPLICATIONS

NUMERICAL

UNIVERSAL SPECIFICATIONS

OBDII PASSENGER CAR & TRUCK

| Years | Engine | Engine Family No. | Application | Position | Direct-Fit | | Universal Part No. | Executive Order |
|---------------------------|---------|----------------------------|--|----------------------------|--------------|--------------|--------------------|-----------------|
| | | | | | Part No. | Hardware | | |
| VOLKSWAGEN (Cont.) | | | | | | | | |
| Jetta (Cont.) | | | | | | | | |
| 2000 (Cont.) | 2.0L L4 | YVWXV02.0227 | Executive Order # D-182-57 | | | | 82615 | D-182-57 |
| | 2.8L V6 | YVWXV02.8224 | Executive Order # D-182-45 | | 81787 | | | D-182-45 |
| | | | Executive Order # D-182-57 | | | | 82642 | D-182-57 |
| 1999 | 2.0L L4 | XVWXV02.0223 | ABA Eng.; Executive Order # D-182-45 | | 81766 | 31611 | | D-182-45 |
| | | | Executive Order # D-182-57 | | | 82615 | D-182-57 | |
| | | XVWXV02.0227 | AEG Eng.; Executive Order # D-182-45 | | 81765 | 31603 | | D-182-45 |
| | | | Executive Order # D-182-57 | | | | 82615 | D-182-57 |
| | 2.8L V6 | XVWXV02.8221 | Executive Order # D-182-58 | | | | 82510 | D-182-58 |
| | | XVWXV02.8224 | Executive Order # D-182-45 | | 81787 | | | D-182-45 |
| | | Executive Order # D-182-57 | | | | 82642 | D-182-57 | |
| 1998 | 2.0L L4 | WVWXV02.0223 | ABA Eng.; Executive Order # D-182-45 | | 81766 | 31611 | | D-182-45 |
| | | | Executive Order # D-182-57 | | | 82615 | D-182-57 | |
| | 2.8L V6 | WVWXV02.8224 | Executive Order # D-182-58 | | | | 82510 | D-182-58 |
| 1997 | 2.0L L4 | VWV2.0V8G2EL | ABA Eng.; Executive Order # D-182-45 | | 81766 | 31611 | | D-182-45 |
| | | | Executive Order # D-182-57 | | | 82615 | D-182-57 | |
| | | VWV2.0V8GKEM | ABA Eng.; Executive Order # D-182-45 | | 81766 | 31611 | | D-182-45 |
| | | | Executive Order # D-182-58 | | | | 82510 | D-182-58 |
| | 2.8L V6 | VWV2.8V8GFGM | Executive Order # D-182-58 | | | | 82510 | D-182-58 |
| 1996 | 2.0L L4 | TVW2.0V8G2EL | Executive Order # D-182-57 | | | | 82615 | D-182-57 |
| | | | ABA Eng.; Executive Order # D-182-45 | | 81766 | 31611 | | D-182-45 |
| | | Executive Order # D-182-58 | | | | 82510 | D-182-58 | |
| | | 2.8L V6 | TVW2.8V8GFGM | Executive Order # D-182-58 | | | | 82510 |
| Passat | | | | | | | | |
| 2009 | 2.0L L4 | 9ADXV02.03UA | Executive Order # D-182-62 | Rear | | | 83205 | D-182-62 |
| 2008 | 2.0L L4 | 8ADXV02.03UA | Executive Order # D-182-62 | Rear | | | 83205 | D-182-62 |
| | | | Executive Order # D-182-63 | 3.6L V6 | 8VWXV03.6246 | Front Left | | |
| | | Front Right | | | | 83302 | D-182-63 | |
| | | Rear Left | | | | 83216 | D-182-63 | |
| | | Rear Right | | | | 83216 | D-182-63 | |
| 2007 | 3.6L V6 | 7VWXV03.6246 | Executive Order # D-182-63 | Front Left | | | 83302 | D-182-63 |
| | | | | Front Right | | | 83302 | D-182-63 |
| | | | | Rear Left | | | 83216 | D-182-63 |
| | | | | Rear Right | | | 83216 | D-182-63 |
| 2006 | 3.6L V6 | 6VWXV03.6246 | Executive Order # D-182-63 | Front Left | | | 83302 | D-182-63 |
| | | | | Front Right | | | 83302 | D-182-63 |
| | | | | Rear Left | | | 83216 | D-182-63 |
| | | | | Rear Right | | | 83216 | D-182-63 |
| 2005 | 1.8L L4 | 5ADXV01.8342 | Executive Order # D-182-57 | | 82667 | 31611, 31390 | | D-182-57 |
| | 2.8L V6 | 5ADXV02.8334 | Automatic Trans.; Executive Order # D-182-48 | Left | 81668 | | | D-182-48 |
| | | | | Right | 81669 | | | D-182-48 |
| | | | Executive Order # D-182-48 | Front Left | | | 81804 | D-182-48 |

For vehicles licensed in the state of California or Maine, or vehicles requiring CARB-compliant converters in the state of New York, the parts in this catalog must be installed as specifically listed. Parts cannot be substituted, nor can they be installed on California or Maine licensed vehicles not listed in this catalog.

OBDII PASSENGER CAR & TRUCK

| Years | Engine | Engine Family No. | Application | Position | Direct-Fit | | Universal Part No. | Executive Order | |
|---------------------------|--------------|----------------------------|--|----------------------------|--------------|--------------|--------------------|-----------------|----------|
| | | | | | Part No. | Hardware | | | |
| VOLKSWAGEN (Cont.) | | | | | | | | | |
| Passat (Cont.) | | | | | | | | | |
| 2005 (Cont.) | 2.8L V6 | 5AD XV02.8334 | Executive Order # D-182-48 | Front Right | | | 81804 | D-182-48 | |
| | | | | Rear Left | | | 81660 | D-182-48 | |
| | | | | Rear Right | | | 81660 | D-182-48 | |
| 2004 | 1.8L L4 | 4AD XV01.8342 | Executive Order # D-182-57 | | 82667 | 31611, 31390 | | D-182-57 | |
| | | | | | | | | | |
| | 2.8L V6 | 4AD XV02.8334 | Automatic Trans.; Executive Order # D-182-48 | Left | 81668 | | | D-182-48 | |
| | | | | Right | 81669 | | | D-182-48 | |
| | | | | Executive Order # D-182-48 | Front Left | | | 81804 | D-182-48 |
| | | | | | Front Right | | | 81804 | D-182-48 |
| | | | | | Rear Left | | | 81660 | D-182-48 |
| Rear Right | | | 81660 | D-182-48 | | | | | |
| 4.0L W8 | 4VWXV04.0229 | Executive Order # D-182-57 | Left | | | 82615 | D-182-57 | | |
| | | | Right | | | 82615 | D-182-57 | | |
| 2003 | 1.8L L4 | 3AD XV01.8342 | Executive Order # D-182-57 | | 82667 | 31611, 31390 | | D-182-57 | |
| | | | | | | | | | |
| | 2.8L V6 | 3AD XV02.8334 | Automatic Trans.; Executive Order # D-182-48 | Left | 81668 | | | D-182-48 | |
| | | | | Right | 81669 | | | D-182-48 | |
| | | | | Executive Order # D-182-48 | Front Left | | | 81804 | D-182-48 |
| | | | | | Front Right | | | 81804 | D-182-48 |
| | | | | | Rear Left | | | 81660 | D-182-48 |
| Rear Right | | | 81660 | D-182-48 | | | | | |
| 4.0L W8 | 3VWXV04.0229 | Executive Order # D-182-57 | Left | | | 82615 | D-182-57 | | |
| | | | Right | | | 82615 | D-182-57 | | |
| 2002 | 1.8L L4 | 2AD XV01.8342 | Executive Order # D-182-57 | | 82667 | 31611, 31390 | | D-182-57 | |
| | | | | | | | | | |
| | 2.8L V6 | 2AD XV02.8334 | Automatic Trans.; Executive Order # D-182-48 | Left | 81668 | | | D-182-48 | |
| | | | | Right | 81669 | | | D-182-48 | |
| | | | | Executive Order # D-182-48 | Front Left | | | 81804 | D-182-48 |
| | | | | | Front Right | | | 81804 | D-182-48 |
| | | | | | Rear Left | | | 81660 | D-182-48 |
| Rear Right | | | 81660 | D-182-48 | | | | | |
| 4.0L W8 | 2VWXV04.0229 | Executive Order # D-182-57 | Left | | | 82615 | D-182-57 | | |
| | | | Right | | | 82615 | D-182-57 | | |
| 2001 | 1.8L L4 | 1AD XV01.8342 | Executive Order # D-182-57 | | 82667 | 31611, 31390 | | D-182-57 | |
| | | | | | | | | | |
| | 2.8L V6 | 1AD XV02.8334 | Automatic Trans.; Executive Order # D-182-48 | Left | 81668 | | | D-182-48 | |
| | | | | Right | 81669 | | | D-182-48 | |
| | | | | Executive Order # D-182-48 | Front Left | | | 81804 | D-182-48 |
| | | | | | Front Right | | | 81804 | D-182-48 |
| | | | | | Rear Left | | | 81660 | D-182-48 |
| Rear Right | | | 81660 | D-182-48 | | | | | |
| 2000 | 1.8L L4 | YAD XV01.8332 | Executive Order # D-182-57 | | 82667 | 31611, 31390 | | D-182-57 | |
| | | | | | | | | | |
| | 2.8L V6 | YAD XV02.8334 | Automatic Trans.; Executive Order # D-182-48 | Left | 81668 | | | D-182-48 | |
| | | | | Right | 81669 | | | D-182-48 | |
| | | | | Executive Order # D-182-48 | Front Left | | | 81804 | D-182-48 |
| | | | | | Front Right | | | 81804 | D-182-48 |
| | | | | | Rear Left | | | 81660 | D-182-48 |
| Rear Right | | | 81660 | D-182-48 | | | | | |
| 1999 | 1.8L L4 | XAD XV01.8322 | Executive Order # D-182-57 | | 82667 | 31611, 31390 | | D-182-57 | |

OBDII APPLICATIONS

NON-OBDII APPLICATIONS

NUMERICAL

UNIVERSAL SPECIFICATIONS

For vehicles licensed in the state of California or Maine, or vehicles requiring CARB-compliant converters in the state of New York, the parts in this catalog must be installed as specifically listed. Parts cannot be substituted, nor can they be installed on California or Maine licensed vehicles not listed in this catalog.

OBDII PASSENGER CAR & TRUCK

| Years | Engine | Engine Family No. | Application | Position | Direct-Fit | | Universal Part No. | Executive Order |
|-------|--------|-------------------|-------------|----------|------------|----------|--------------------|-----------------|
| | | | | | Part No. | Hardware | | |

VOLKSWAGEN (Cont.)

Passat (Cont.)

| | | | | | | | | |
|-----------------|---------|---------------|----------------------------|-------|--------------|--------------|--------------|----------|
| 1999 (Cont.) | 2.8L V6 | XAD XV02.8324 | Executive Order # D-182-58 | Left | | | 82526 | D-182-58 |
| | | | | Right | | | 82526 | D-182-58 |
| 1998 | 1.8L L4 | WAD XV01.8322 | Executive Order # D-182-57 | | 82667 | 31611, 31390 | | D-182-57 |
| | 2.8L V6 | WAD XV02.8324 | Executive Order # D-182-58 | Left | | | 82526 | D-182-58 |
| | | | | Right | | | 82526 | D-182-58 |
| 1997 | 2.8L V6 | VWV2.8V8GFGM | Executive Order # D-182-58 | | | | 82510 | D-182-58 |
| 1996 | 2.0L L4 | TVW2.0V8GFEM | Executive Order # D-182-58 | | | | 82510 | D-182-58 |
| | 2.8L V6 | TVW2.8V8GFGM | Executive Order # D-182-58 | | | | 82510 | D-182-58 |

Phaeton

| | | | | | | | | |
|------|----------|---------------|----------------------------|--------------|--|--|--------------|----------|
| 2006 | 6.0L W12 | 6VWXV06.0261 | Executive Order # D-182-63 | Right Center | | | 83302 | D-182-63 |
| | | | | Front Left | | | 83302 | D-182-63 |
| | | | | Front Right | | | 83302 | D-182-63 |
| | | | | Front Inner | | | 83302 | D-182-63 |
| 2004 | 4.2L V8 | 4AD XV04.2345 | Executive Order # D-182-48 | Front Left | | | 81807 | D-182-48 |
| | | | | Front Right | | | 81807 | D-182-48 |
| | | | | Rear Left | | | 81652 | D-182-48 |
| | | | | Rear Right | | | 81652 | D-182-48 |

Tiguan

| | | | | | | | | |
|------|---------|---------------|----------------------------|------|--|--|--------------|----------|
| 2009 | 2.0L L4 | 9AD XV02.03UA | Executive Order # D-182-62 | Rear | | | 83205 | D-182-62 |
|------|---------|---------------|----------------------------|------|--|--|--------------|----------|

Touareg

| | | | | | | | | |
|------|---------|---------------|----------------------------|-------------|--|--|--------------|----------|
| 2006 | 4.2L V8 | 6AD XT04.2348 | Executive Order # D-182-60 | Front Left | | | 81815 | D-182-60 |
| | | | | Front Right | | | 81815 | D-182-60 |
| | | | | Rear Left | | | 82711 | D-182-60 |
| | | | | Rear Right | | | 82711 | D-182-60 |
| 2005 | 4.2L V8 | 5AD XT04.2348 | Executive Order # D-182-60 | Front Left | | | 81815 | D-182-60 |
| | | | | Front Right | | | 81815 | D-182-60 |
| | | | | Rear Left | | | 82711 | D-182-60 |
| | | | | Rear Right | | | 82711 | D-182-60 |
| 2004 | 4.2L V8 | 4AD XT04.2348 | Executive Order # D-182-60 | Front Left | | | 81815 | D-182-60 |
| | | | | Front Right | | | 81815 | D-182-60 |
| | | | | Rear Left | | | 82711 | D-182-60 |
| | | | | Rear Right | | | 82711 | D-182-60 |

VOLVO

850

| | | | | | | | | |
|------|---------|--------------|----------------------------|--|--|--|--------------|----------|
| 1997 | 2.3L L5 | VWV2.3VJGKEK | Executive Order # D-182-57 | | | | 82629 | D-182-57 |
| | 2.4L L5 | VWV2.4VJGKEK | Executive Order # D-182-57 | | | | 82629 | D-182-57 |
| 1996 | 2.3L L5 | TVW2.3VJGKEK | Executive Order # D-182-57 | | | | 82629 | D-182-57 |
| | 2.4L L5 | TVW2.4VJGKEK | Executive Order # D-182-57 | | | | 82629 | D-182-57 |
| 1995 | 2.3L L5 | SVV2.3VJGFEK | Executive Order # D-182-57 | | | | 82629 | D-182-57 |
| | 2.4L L5 | SVV2.4VJGFEK | Executive Order # D-182-57 | | | | 82629 | D-182-57 |

C70

| | | | | | | | | |
|------|---------|--------------|----------------------------|--|--|--|--------------|----------|
| 2004 | 2.3L L5 | 4VWXV2.52L1T | Executive Order # D-182-57 | | | | 82641 | D-182-57 |
| | 2.4L L5 | 4VWXV2.52L1T | Executive Order # D-182-57 | | | | 82641 | D-182-57 |

For vehicles licensed in the state of California or Maine, or vehicles requiring CARB-compliant converters in the state of New York, the parts in this catalog must be installed as specifically listed. Parts cannot be substituted, nor can they be installed on California or Maine licensed vehicles not listed in this catalog.

OBDII PASSENGER CAR & TRUCK

| Years | Engine | Engine Family No. | Application | Position | Direct-Fit | | Universal Part No. | Executive Order |
|----------------------|---------|----------------------------|----------------------------|----------|--------------|--------------|--------------------|-----------------|
| | | | | | Part No. | Hardware | | |
| VOLVO (Cont.) | | | | | | | | |
| C70 (Cont.) | | | | | | | | |
| 2003 | 2.3L L5 | 3VVXV2.43L1T | Executive Order # D-182-57 | | | | 82641 | D-182-57 |
| | 2.4L L5 | 3VVXV2.43L1T | Executive Order # D-182-57 | | | | 82641 | D-182-57 |
| 2002 | 2.4L L5 | 2VVXV2.43L5T | Executive Order # D-182-57 | | | | 82641 | D-182-57 |
| 2001 | 2.3L L5 | 1VVXV2.43L5T | Executive Order # D-182-57 | | | | 82641 | D-182-57 |
| | 2.4L L5 | 1VVXV2.43L5T | Executive Order # D-182-57 | | | | 82641 | D-182-57 |
| 2000 | 2.3L L5 | YVXV2.43PA3 | Executive Order # D-182-57 | | | | 82641 | D-182-57 |
| | 2.4L L5 | YVXV2.43PA3 | Executive Order # D-182-57 | | | | 82641 | D-182-57 |
| 1999 | 2.3L L5 | XVXV2.43PA2 | Executive Order # D-182-57 | | | | 82641 | D-182-57 |
| | 2.4L L5 | XVXV2.43PA2 | Executive Order # D-182-57 | | | | 82641 | D-182-57 |
| 1998 | 2.3L L5 | WVXV2.43PA1 | Executive Order # D-182-57 | | | | 82629 | D-182-57 |
| | 2.4L L5 | WVXV2.43PA1 | Executive Order # D-182-57 | | | | 82629 | D-182-57 |
| S40 | | | | | | | | |
| 2004 | 1.9L L4 | 4VXV1.95L1T | Executive Order # D-182-53 | Front | 82540 | 31648 | | D-182-53 |
| | | | | Rear | 82691 | 31648 | | D-182-53 |
| 2003 | 1.9L L4 | 3VXV1.95L1T | Executive Order # D-182-53 | Front | 82540 | 31648 | | D-182-53 |
| | | | | Rear | 82691 | 31648 | 82621 | D-182-53 |
| 2002 | 1.9L L4 | 2VVXV1.95L4T | Executive Order # D-182-53 | Front | 82540 | 31648 | | D-182-53 |
| | | | | Rear | 82691 | 31648 | 82621 | D-182-53 |
| 2001 | 1.9L L4 | 1VVXV1.95L4T | Executive Order # D-182-53 | Front | 82540 | 31648 | | D-182-53 |
| | | | | Rear | 82691 | 31648 | 82621 | D-182-53 |
| 2000 | 1.9L L4 | YVXV1.95MJ1 | Executive Order # D-182-53 | Front | 82540 | 31648 | | D-182-53 |
| | | | | Rear | 82691 | 31648 | 82621 | D-182-53 |
| S60 | | | | | | | | |
| 2004 | 2.3L L5 | 4VXV2.52L1T | Executive Order # D-182-57 | | | | 82641 | D-182-57 |
| | 2.5L L5 | 4VXV2.52L1T | Executive Order # D-182-59 | | | | 82630 | D-182-59 |
| 2003 | 2.3L L5 | 3VVXV2.43L1T | Executive Order # D-182-57 | | | | 82641 | D-182-57 |
| | 2.4L L5 | 3VVXV2.43L1T | Executive Order # D-182-57 | | | | 82641 | D-182-57 |
| 2002 | 2.3L L5 | 2VVXV2.43L5T | Executive Order # D-182-57 | | | | 82641 | D-182-57 |
| | 2.4L L5 | 2VVXV2.43L5T | Executive Order # D-182-57 | | | | 82641 | D-182-57 |
| 2001 | 2.3L L5 | 1VVXV2.43L5T | Executive Order # D-182-57 | | | | 82641 | D-182-57 |
| S70 | | | | | | | | |
| 2000 | 2.3L L5 | YVXV2.43PA3 | Executive Order # D-182-57 | | | | 82641 | D-182-57 |
| | 2.4L L5 | YVXV2.43TF3 | Executive Order # D-182-57 | | | | 82641 | D-182-57 |
| 1999 | 2.3L L5 | XVXV2.43AW2 | Executive Order # D-182-57 | | | | 82641 | D-182-57 |
| | | XVXV2.43PA2 | Executive Order # D-182-57 | | | | 82641 | D-182-57 |
| | 2.4L L5 | XVXV2.43AW2 | Executive Order # D-182-57 | | | | 82641 | D-182-57 |
| XVXV2.43PA2 | | Executive Order # D-182-57 | | | | 82641 | D-182-57 | |
| 1998 | 2.3L L5 | XVXV2.43TF2 | Executive Order # D-182-57 | | | | 82641 | D-182-57 |
| | | WVXV2.43PA1 | Executive Order # D-182-57 | | | | 82629 | D-182-57 |
| | 2.4L L5 | WVXV2.43PA1 | Executive Order # D-182-57 | | | | 82629 | D-182-57 |
| | | WVXV2.43TPF | Executive Order # D-182-57 | | | | 82629 | D-182-57 |
| S80 | | | | | | | | |
| 2001 | 2.8L L6 | 1VVXV2.78T6T | Executive Order # D-182-58 | Left | | | 82534 | D-182-58 |
| | | | | Right | | | 82534 | D-182-58 |

For vehicles licensed in the state of California or Maine, or vehicles requiring CARB-compliant converters in the state of New York, the parts in this catalog must be installed as specifically listed. Parts cannot be substituted, nor can they be installed on California or Maine licensed vehicles not listed in this catalog.

OBDII APPLICATIONS

 NON-OBDII APPLICATIONS

 NUMERICAL

 UNIVERSAL SPECIFICATIONS

OBDII PASSENGER CAR & TRUCK

| Years | Engine | Engine Family No. | Application | Position | Direct-Fit | | Universal Part No. | Executive Order |
|-------|--------|-------------------|-------------|----------|------------|----------|--------------------|-----------------|
| | | | | | Part No. | Hardware | | |

VOLVO (Cont.)

S80 (Cont.)

| | | | | | | | | |
|------|---------|-------------|----------------------------|-------|--|--|--------------|----------|
| 2000 | 2.8L L6 | YVXV2.78EN3 | Executive Order # D-182-58 | Left | | | 82534 | D-182-58 |
| | | | | Right | | | 82534 | D-182-58 |
| 1999 | 2.8L L6 | XVXV2.78EN2 | Executive Order # D-182-58 | Left | | | 82534 | D-182-58 |
| | | | | Right | | | 82534 | D-182-58 |
| | 2.9L L6 | XVXV2.92BU2 | Executive Order # D-182-58 | Left | | | 82534 | D-182-58 |
| | | | | Right | | | 82534 | D-182-58 |

V40

| | | | | | | | | |
|------|---------|-------------|----------------------------|-------|--------------|-------|--------------|----------|
| 2004 | 1.9L L4 | 4VXV1.95L1T | Executive Order # D-182-53 | Front | 82540 | 31648 | | D-182-53 |
| | | | | Rear | 82691 | 31648 | | D-182-53 |
| 2003 | 1.9L L4 | 3VXV1.95L1T | Executive Order # D-182-53 | Front | 82540 | 31648 | | D-182-53 |
| | | | | Rear | 82691 | 31648 | 82621 | D-182-53 |
| 2002 | 1.9L L4 | 2VXV1.95L4T | Executive Order # D-182-53 | Front | 82540 | 31648 | | D-182-53 |
| | | | | Rear | 82691 | 31648 | 82621 | D-182-53 |
| 2001 | 1.9L L4 | 1VXV1.95L4T | Executive Order # D-182-53 | Front | 82540 | 31648 | | D-182-53 |
| | | | | Rear | 82691 | 31648 | 82621 | D-182-53 |
| 2000 | 1.9L L4 | YVXV1.95MJ1 | Executive Order # D-182-53 | Front | 82540 | 31648 | | D-182-53 |
| | | | | Rear | 82691 | 31648 | 82621 | D-182-53 |

V70

| | | | | | | | | |
|------|---------|-------------|----------------------------|--|--|--|--------------|----------|
| 2004 | 2.3L L5 | 4VXV2.52L1T | Executive Order # D-182-57 | | | | 82641 | D-182-57 |
| | 2.5L L5 | 4VXV2.52L1T | Executive Order # D-182-59 | | | | 82630 | D-182-59 |
| 2003 | 2.3L L5 | 3VXV2.43L1T | Executive Order # D-182-57 | | | | 82641 | D-182-57 |
| | 2.4L L5 | 3VXV2.43L1T | Executive Order # D-182-57 | | | | 82641 | D-182-57 |
| 2002 | 2.3L L5 | 2VXV2.43L5T | Executive Order # D-182-57 | | | | 82641 | D-182-57 |
| | 2.4L L5 | 2VXT2.43L5T | Executive Order # D-182-47 | | | | 81712 | D-182-47 |
| | | | Executive Order # D-182-69 | | | | 83413 | D-182-69 |
| | | 2VXV2.43L5T | Executive Order # D-182-57 | | | | 82641 | D-182-57 |
| 2001 | 2.3L L5 | 1VXV2.43L5T | Executive Order # D-182-57 | | | | 82641 | D-182-57 |
| | 2.4L L5 | 1VXT2.43L5T | Executive Order # D-182-47 | | | | 81712 | D-182-47 |
| | | | Executive Order # D-182-69 | | | | 83413 | D-182-69 |
| | | 1VXV2.43L5T | Executive Order # D-182-57 | | | | 82641 | D-182-57 |
| 2000 | 2.3L L5 | YVXV2.43PA3 | Executive Order # D-182-57 | | | | 82641 | D-182-57 |
| | 2.4L L5 | YVXV2.43PA3 | Executive Order # D-182-57 | | | | 82641 | D-182-57 |
| | | YVXV2.43TF3 | Executive Order # D-182-57 | | | | 82641 | D-182-57 |
| 1999 | 2.3L L5 | XVXV2.43AW2 | Executive Order # D-182-57 | | | | 82641 | D-182-57 |
| | | XVXV2.43PA2 | Executive Order # D-182-57 | | | | 82641 | D-182-57 |
| | 2.4L L5 | XVXV2.43AW2 | Executive Order # D-182-57 | | | | 82641 | D-182-57 |
| | | XVXV2.43PA2 | Executive Order # D-182-57 | | | | 82641 | D-182-57 |
| | | XVXV2.43TF2 | Executive Order # D-182-57 | | | | 82641 | D-182-57 |
| 1998 | 2.3L L5 | WVXV2.43AWD | Executive Order # D-182-57 | | | | 82629 | D-182-57 |
| | | WVXV2.43PA1 | Executive Order # D-182-57 | | | | 82629 | D-182-57 |
| | 2.4L L5 | WVXV2.43AWD | Executive Order # D-182-57 | | | | 82629 | D-182-57 |
| | | WVXV2.43PA1 | Executive Order # D-182-57 | | | | 82629 | D-182-57 |
| | | WVXV2.43TPF | Executive Order # D-182-57 | | | | 82629 | D-182-57 |

XC90

| | | | | | | | | |
|------|---------|-------------|----------------------------|--|--|--|--------------|----------|
| 2005 | 2.9L L6 | 5VXT02.9U1T | Executive Order # D-182-69 | | | | 83510 | D-182-69 |
|------|---------|-------------|----------------------------|--|--|--|--------------|----------|

For vehicles licensed in the state of California or Maine, or vehicles requiring CARB-compliant converters in the state of New York, the parts in this catalog must be installed as specifically listed. Parts cannot be substituted, nor can they be installed on California or Maine licensed vehicles not listed in this catalog.

OBDII PASSENGER CAR & TRUCK

| Years | Engine | Engine Family No. | Application | Position | Direct-Fit | | Universal Part No. | Executive Order |
|----------------------|---------|-------------------|----------------------------|----------|------------|----------|--------------------|-----------------|
| | | | | | Part No. | Hardware | | |
| VOLVO (Cont.) | | | | | | | | |
| XC90 (Cont.) | | | | | | | | |
| 2004 | 2.9L L6 | 4VVXT2.92U1T | Executive Order # D-182-69 | | | | 83510 | D-182-69 |

OBDII APPLICATIONS

NON-OBDII APPLICATIONS

NUMERICAL

UNIVERSAL SPECIFICATIONS

For vehicles licensed in the state of California or Maine, or vehicles requiring CARB-compliant converters in the state of New York, the parts in this catalog must be installed as specifically listed. Parts cannot be substituted, nor can they be installed on California or Maine licensed vehicles not listed in this catalog.

NON-OBDI PASSENGER CAR & TRUCK

| Years | Engine | Application | Position | Direct-Fit | | Universal Part No. | Executive Order | | |
|---|---------|--|-------------|----------------------------|--------------|--------------------|-----------------|--|----------|
| | | | | Part No. | Hardware | | | | |
| ACURA | | | | | | | | | |
| Integra | | | | | | | | | |
| 1995 | 1.8L L4 | Automatic Trans.; Executive Order # D-182-65 | | 81144 | 31357, 31354 | | D-182-65 | | |
| | | GS-R Model; If oxygen sensor not used, Plug 35299 is required.; Executive Order # D-182-65 | | | | 81111 | D-182-65 | | |
| | | LS Model; Executive Order # D-182-65 | | | | 81101 | D-182-65 | | |
| | | RS Model; Executive Order # D-182-65 | | | | 81101 | D-182-65 | | |
| | | Special Edition Model; Executive Order # D-182-65 | | | | 81101 | D-182-65 | | |
| 1994 | 1.8L L4 | Automatic Trans.; Executive Order # D-182-65 | | 81144 | 31357, 31354 | | D-182-65 | | |
| | | GS-R Model; If oxygen sensor not used, Plug 35299 is required.; Executive Order # D-182-65 | | | | 81111 | D-182-65 | | |
| | | LS Model; Executive Order # D-182-65 | | | | 81101 | D-182-65 | | |
| | | RS Model; Executive Order # D-182-65 | | | | 81101 | D-182-65 | | |
| 1993-92 | 1.7L L4 | Executive Order # D-182-65 | | 81144 | 31357, 31354 | 81101 | D-182-65 | | |
| | 1.8L L4 | Executive Order # D-182-65 | | 81144 | 31357, 31354 | 81101 | D-182-65 | | |
| 1991-90 | 1.8L L4 | Executive Order # D-182-65 | | | | 81101 | D-182-65 | | |
| 1989-88 | 1.6L L4 | Executive Order # D-182-65 | | 81141 | | 81101 | D-182-65 | | |
| 1987-86 | 1.6L L4 | w/o Air Tube; Executive Order # D-182-65 | | | | 81101 | D-182-65 | | |
| Legend | | | | | | | | | |
| 1995 | 3.2L V6 | Coupe; Executive Order # D-182-39 | Front Left | | | 80401 | D-182-39 | | |
| | | | Front Right | | | 80401 | D-182-39 | | |
| | | | Rear | | | 80256 | D-182-39 | | |
| | | | | Executive Order # D-182-65 | | 81156 | 31615, 31616 | | D-182-65 |
| | | GS Model; Sedan; Executive Order # D-182-39 | Front Left | | | 80401 | D-182-39 | | |
| | | | Front Right | | | 80401 | D-182-39 | | |
| | | | Rear | | | 80256 | D-182-39 | | |
| | | L Model; Sedan; Executive Order # D-182-65 | | | | 81101 | D-182-65 | | |
| | | LS Model; Sedan; Executive Order # D-182-65 | | | | 81101 | D-182-65 | | |
| SE Model; Sedan; Executive Order # D-182-65 | | | | 81101 | D-182-65 | | | | |
| 1994 | 3.2L V6 | Coupe; Executive Order # D-182-39 | Front Left | | | 80401 | D-182-39 | | |
| | | | Front Right | | | 80401 | D-182-39 | | |
| | | | Rear | | | 80256 | D-182-39 | | |
| | | | | Executive Order # D-182-65 | | 81156 | 31615, 31616 | | D-182-65 |
| | | GS Model; Sedan; Executive Order # D-182-39 | Front Left | | | 80401 | D-182-39 | | |
| | | | Front Right | | | 80401 | D-182-39 | | |
| | | | Rear | | | 80256 | D-182-39 | | |
| | | L Model; Sedan; Executive Order # D-182-65 | | | | 81101 | D-182-65 | | |
| | | LS Model; Sedan; Executive Order # D-182-65 | | | | 81101 | D-182-65 | | |
| 1993 | 3.2L V6 | Executive Order # D-182-65 | | 81156 | 31615, 31616 | 81101 | D-182-65 | | |
| 1992-91 | 3.2L V6 | Executive Order # D-182-65 | | 81156 | 31615, 31616 | 81102 | D-182-65 | | |
| 1990-88 | 2.7L V6 | Executive Order # D-182-65 | | | | 81101 | D-182-65 | | |
| 1987 | 2.5L V6 | Executive Order # D-182-65 | | | | 81101 | D-182-65 | | |
| | 2.7L V6 | Executive Order # D-182-65 | | | | 81101 | D-182-65 | | |
| 1986 | 2.5L V6 | Executive Order # D-182-65 | | | | 81101 | D-182-65 | | |
| NSX | | | | | | | | | |
| 1994-91 | 3.0L V6 | Executive Order # D-182-65 | | | | 81101 | D-182-65 | | |

For vehicles licensed in the state of California or Maine, or vehicles requiring CARB-compliant converters in the state of New York, the parts in this catalog must be installed as specifically listed. Parts cannot be substituted, nor can they be installed on California or Maine licensed vehicles not listed in this catalog.

NON-OBDII PASSENGER CAR & TRUCK

| Years | Engine | Application | Position | Direct-Fit | | Universal Part No. | Executive Order |
|------------------------|---------|--|----------|------------|----------|--------------------|-----------------|
| | | | | Part No. | Hardware | | |
| ACURA (Cont.) | | | | | | | |
| Vigor | | | | | | | |
| 1994-92 | 2.5L L5 | Executive Order # D-182-65 | | | | 81101 | D-182-65 |
| ALFA ROMEO | | | | | | | |
| 164 | | | | | | | |
| 1995-94 | 3.0L V6 | Executive Order # D-182-65 | | | | 81132 | D-182-65 |
| 1993-91 | 3.0L V6 | L Model; Executive Order # D-182-65 | | | | 81132 | D-182-65 |
| | | Sport Model; Executive Order # D-182-65 | | | | 81130 | D-182-65 |
| Alfetta | | | | | | | |
| 1977-75 | 2.0L L4 | Executive Order # D-182-65 | | | | 81126 | D-182-65 |
| GTV-6 | | | | | | | |
| 1986-81 | 2.5L V6 | Executive Order # D-182-65 | | | | 81133 | D-182-65 |
| Milano | | | | | | | |
| 1989-87 | 2.5L V6 | Executive Order # D-182-65 | | | | 81133 | D-182-65 |
| | 3.0L V6 | Executive Order # D-182-65 | | | | 81133 | D-182-65 |
| Spider | | | | | | | |
| 1994-75 | 2.0L L4 | Executive Order # D-182-65 | | | | 81126 | D-182-65 |
| Sprint | | | | | | | |
| 1979 | 2.0L L4 | Executive Order # D-182-65 | | | | 81126 | D-182-65 |
| AMERICAN MOTORS | | | | | | | |
| AMX | | | | | | | |
| 1980 | 4.2L L6 | Executive Order # D-182-65 | | | | 81126 | D-182-65 |
| 1979-78 | 4.2L L6 | Executive Order # D-182-65 | | | | 81126 | D-182-65 |
| | 5.0L V8 | Executive Order # D-182-65 | | | | 81126 | D-182-65 |
| Concord | | | | | | | |
| 1983 | 4.2L L6 | Executive Order # D-182-65 | | | | 81121 | D-182-65 |
| 1982-80 | 2.5L L4 | Executive Order # D-182-65 | | | | 81126 | D-182-65 |
| | 4.2L L6 | Executive Order # D-182-65 | | | | 81121 | D-182-65 |
| 1979-78 | 2.0L L4 | Executive Order # D-182-65 | | | | 81126 | D-182-65 |
| | 3.8L L6 | Executive Order # D-182-65 | | | | 81126 | D-182-65 |
| | 4.2L L6 | Executive Order # D-182-65 | | | | 81126 | D-182-65 |
| | 5.0L V8 | Executive Order # D-182-65 | | | | 81126 | D-182-65 |
| Eagle | | | | | | | |
| 1988-85 | 4.2L L6 | w/ Air Tube; Executive Order # D-182-65 | | | | 81121 | D-182-65 |
| 1984 | 2.5L L4 | Executive Order # D-182-65 | | | | 81126 | D-182-65 |
| | 4.2L L6 | w/ Air Tube; Executive Order # D-182-65 | | | | 81121 | D-182-65 |
| 1983 | 2.5L L4 | w/ Air Tube; Executive Order # D-182-65 | | | | 81121 | D-182-65 |
| | | w/o Air Tube; Executive Order # D-182-65 | | | | 81126 | D-182-65 |
| | 4.2L L6 | w/ Air Tube; Executive Order # D-182-65 | | | | 81121 | D-182-65 |
| 1982-81 | 2.5L L4 | Executive Order # D-182-65 | | | | 81126 | D-182-65 |
| | 4.2L L6 | w/ Air Tube; Executive Order # D-182-65 | | | | 81121 | D-182-65 |
| 1980 | 4.2L L6 | Executive Order # D-182-65 | | | | 81126 | D-182-65 |

For vehicles licensed in the state of California or Maine, or vehicles requiring CARB-compliant converters in the state of New York, the parts in this catalog must be installed as specifically listed. Parts cannot be substituted, nor can they be installed on California or Maine licensed vehicles not listed in this catalog.

NON-OBDI PASSENGER CAR & TRUCK

| Years | Engine | Application | Position | Direct-Fit | | Universal Part No. | Executive Order |
|--------------------------------|---------|---|----------|------------|----------|--------------------|-----------------|
| | | | | Part No. | Hardware | | |
| AMERICAN MOTORS (Cont.) | | | | | | | |
| Gremlin | | | | | | | |
| 1978-77 | 2.0L L4 | Executive Order # D-182-65 | | | | 81126 | D-182-65 |
| | 3.8L L6 | Executive Order # D-182-65 | | | | 81126 | D-182-65 |
| | 4.2L L6 | Executive Order # D-182-65 | | | | 81126 | D-182-65 |
| 1976-75 | 3.8L L6 | Executive Order # D-182-65 | | | | 81126 | D-182-65 |
| | 4.2L L6 | Executive Order # D-182-65 | | | | 81126 | D-182-65 |
| | 5.0L V8 | Executive Order # D-182-65 | | | | 81126 | D-182-65 |
| Hornet | | | | | | | |
| 1977-75 | 3.8L L6 | Executive Order # D-182-65 | | | | 81126 | D-182-65 |
| | 4.2L L6 | Executive Order # D-182-65 | | | | 81126 | D-182-65 |
| | 5.0L V8 | Executive Order # D-182-65 | | | | 81126 | D-182-65 |
| Matador | | | | | | | |
| 1978 | 4.2L L6 | Executive Order # D-182-65 | | | | 81126 | D-182-65 |
| | 5.9L V8 | Executive Order # D-182-65 | | | | 81126 | D-182-65 |
| 1977 | 4.2L L6 | Executive Order # D-182-65 | | | | 81126 | D-182-65 |
| | 5.0L V8 | Executive Order # D-182-65 | | | | 81126 | D-182-65 |
| | 5.9L V8 | Executive Order # D-182-65 | | | | 81126 | D-182-65 |
| 1976-75 | 4.2L L6 | Executive Order # D-182-65 | | | | 81126 | D-182-65 |
| | 5.0L V8 | Executive Order # D-182-65 | | | | 81126 | D-182-65 |
| | 5.9L V8 | Executive Order # D-182-65 | | | | 81126 | D-182-65 |
| | 6.6L V8 | Executive Order # D-182-65 | | | | 81126 | D-182-65 |
| Pacer | | | | | | | |
| 1980 | 4.2L L6 | Executive Order # D-182-65 | | | | 81126 | D-182-65 |
| 1979 | 4.2L L6 | Executive Order # D-182-65 | | | | 81126 | D-182-65 |
| | 5.0L V8 | Executive Order # D-182-65 | | | | 81126 | D-182-65 |
| 1978 | 3.8L L6 | Executive Order # D-182-65 | | | | 81126 | D-182-65 |
| | 4.2L L6 | Executive Order # D-182-65 | | | | 81126 | D-182-65 |
| | 5.0L V8 | Executive Order # D-182-65 | | | | 81126 | D-182-65 |
| 1977-75 | 3.8L L6 | Executive Order # D-182-65 | | | | 81126 | D-182-65 |
| | 4.2L L6 | Executive Order # D-182-65 | | | | 81126 | D-182-65 |
| Spirit | | | | | | | |
| 1983 | 4.2L L6 | Executive Order # D-182-65 | | | | 81121 | D-182-65 |
| 1982-81 | 2.5L L4 | Executive Order # D-182-65 | | | | 81126 | D-182-65 |
| | 4.2L L6 | Executive Order # D-182-65 | | | | 81121 | D-182-65 |
| 1980 | 2.5L L4 | Executive Order # D-182-65 | | | | 81126 | D-182-65 |
| | 4.2L L6 | w/ Air Tube; Executive Order # D-182-65 | | | | 81121 | D-182-65 |
| 1979 | 2.0L L4 | Executive Order # D-182-65 | | | | 81126 | D-182-65 |
| | 3.8L L6 | Executive Order # D-182-65 | | | | 81126 | D-182-65 |
| | 4.2L L6 | Executive Order # D-182-65 | | | | 81126 | D-182-65 |
| | 5.0L V8 | Executive Order # D-182-65 | | | | 81126 | D-182-65 |

AUDI

100

| | | | | | | | |
|------|---------|----------------------------|-------|--|--|--------------|----------|
| 1994 | 2.8L V6 | Executive Order # D-182-65 | Left | | | 81127 | D-182-65 |
| | | | Right | | | 81127 | D-182-65 |

For vehicles licensed in the state of California or Maine, or vehicles requiring CARB-compliant converters in the state of New York, the parts in this catalog must be installed as specifically listed. Parts cannot be substituted, nor can they be installed on California or Maine licensed vehicles not listed in this catalog.

NON-OBDII PASSENGER CAR & TRUCK

| Years | Engine | Application | Position | Direct-Fit | | Universal Part No. | Executive Order |
|---------------------|---------|--|----------|------------|----------|--------------------|-----------------|
| | | | | Part No. | Hardware | | |
| AUDI (Cont.) | | | | | | | |
| 100 (Cont.) | | | | | | | |
| 1993-92 | 2.8L V6 | FWD; Executive Order # D-182-65 | Left | | | 81101 | D-182-65 |
| | | | Right | | | 81101 | D-182-65 |
| 1991-90 | 2.3L L5 | Standard Trans.; Executive Order # D-182-65 | | | | 81127 | D-182-65 |
| 1989 | 2.3L L5 | Automatic Trans.; Executive Order # D-182-65 | | | | 81101 | D-182-65 |
| | | Standard Trans.; Executive Order # D-182-65 | | | | 81127 | D-182-65 |
| 100 Quattro | | | | | | | |
| 1994 | 2.8L V6 | Executive Order # D-182-65 | Left | | | 81127 | D-182-65 |
| | | | Right | | | 81127 | D-182-65 |
| 1993-92 | 2.8L V6 | CS Model; Executive Order # D-182-65 | Left | | | 81101 | D-182-65 |
| | | | Right | | | 81101 | D-182-65 |
| 1991-89 | 2.3L L5 | Standard Trans.; Executive Order # D-182-65 | | | | 81127 | D-182-65 |
| 100 Series | | | | | | | |
| 1977-75 | 1.9L L4 | Executive Order # D-182-65 | | | | 81126 | D-182-65 |
| 200 | | | | | | | |
| 1991-90 | 2.2L L5 | Executive Order # D-182-65 | | | | 81127 | D-182-65 |
| 1989 | 2.2L L5 | Automatic Trans.; Executive Order # D-182-65 | | | | 81101 | D-182-65 |
| | | Executive Order # D-182-65 | | | | 81127 | D-182-65 |
| 200 Quattro | | | | | | | |
| 1991-89 | 2.2L L5 | Executive Order # D-182-65 | | | | 81127 | D-182-65 |
| 4000 | | | | | | | |
| 1987 | 1.8L L4 | Executive Order # D-182-65 | | | | 81101 | D-182-65 |
| 1986-85 | 1.8L L4 | Executive Order # D-182-65 | | | | 81101 | D-182-65 |
| | 2.2L L5 | Executive Order # D-182-65 | | | | 81101 | D-182-65 |
| 1984 | 1.8L L4 | Executive Order # D-182-65 | | | | 81101 | D-182-65 |
| | 2.2L L5 | Executive Order # D-182-65 | | | | 81101 | D-182-65 |
| 1983-82 | 1.7L L4 | Executive Order # D-182-65 | | | | 81101 | D-182-65 |
| | 2.2L L5 | Executive Order # D-182-65 | | | | 81101 | D-182-65 |
| 1981 | 1.7L L4 | Executive Order # D-182-65 | | | | 81101 | D-182-65 |
| 1980 | 1.6L L4 | Executive Order # D-182-65 | | | | 81101 | D-182-65 |
| 4000 Quattro | | | | | | | |
| 1987-84 | 2.2L L5 | Executive Order # D-182-65 | | | | 81101 | D-182-65 |
| 5000 | | | | | | | |
| 1988-87 | 2.2L L5 | Executive Order # D-182-65 | | | | 81101 | D-182-65 |
| | 2.3L L5 | Executive Order # D-182-65 | | | | 81101 | D-182-65 |
| 1986 | 2.2L L5 | Executive Order # D-182-65 | | | | 81101 | D-182-65 |
| 1985 | 2.2L L5 | Executive Order # D-182-65 | | | | 81101 | D-182-65 |
| 1983-78 | 2.2L L5 | Executive Order # D-182-65 | | | | 81101 | D-182-65 |
| 5000 Quattro | | | | | | | |
| 1988-87 | 2.2L L5 | Executive Order # D-182-65 | | | | 81101 | D-182-65 |
| | 2.3L L5 | Executive Order # D-182-65 | | | | 81101 | D-182-65 |
| 1986 | 2.2L L5 | Executive Order # D-182-65 | | | | 81101 | D-182-65 |

For vehicles licensed in the state of California or Maine, or vehicles requiring CARB-compliant converters in the state of New York, the parts in this catalog must be installed as specifically listed. Parts cannot be substituted, nor can they be installed on California or Maine licensed vehicles not listed in this catalog.

NON-OBDI PASSENGER CAR & TRUCK

| Years | Engine | Application | Position | Direct-Fit | | Universal Part No. | Executive Order |
|----------------------|---------|--|----------|------------|----------|--------------------|-----------------|
| | | | | Part No. | Hardware | | |
| AUDI (Cont.) | | | | | | | |
| 80 | | | | | | | |
| 1992-91 | 2.3L L5 | If oxygen sensor not used, Plug 35299 is required.; Executive Order # D-182-65 | | | | 81111 | D-182-65 |
| 1990-88 | 2.0L L4 | Automatic Trans.; Executive Order # D-182-65 | | | | 81101 | D-182-65 |
| | | Standard Trans.; Executive Order # D-182-65 | | | | 81110 | D-182-65 |
| 80 Quattro | | | | | | | |
| 1992-91 | 2.3L L5 | If oxygen sensor not used, Plug 35299 is required.; Executive Order # D-182-65 | | | | 81111 | D-182-65 |
| 1990-88 | 2.3L L5 | Base Model; If oxygen sensor not used, Plug 35299 is required.; Executive Order # D-182-65 | | | | 81111 | D-182-65 |
| 90 | | | | | | | |
| 1995-94 | 2.8L V6 | Executive Order # D-182-65 | Left | | | 81101 | D-182-65 |
| | | | Right | | | 81101 | D-182-65 |
| 1991-89 | 2.3L L5 | If oxygen sensor not used, Plug 35299 is required.; Executive Order # D-182-65 | | | | 81111 | D-182-65 |
| 1988 | 2.0L L4 | Automatic Trans.; Executive Order # D-182-65 | | | | 81101 | D-182-65 |
| | | Standard Trans.; Executive Order # D-182-65 | | | | 81110 | D-182-65 |
| | 2.3L L5 | If oxygen sensor not used, Plug 35299 is required.; Executive Order # D-182-65 | | | | 81111 | D-182-65 |
| 90 Quattro | | | | | | | |
| 1995-94 | 2.8L V6 | Executive Order # D-182-65 | Left | | | 81101 | D-182-65 |
| | | | Right | | | 81101 | D-182-65 |
| 1991-88 | 2.3L L5 | If oxygen sensor not used, Plug 35299 is required.; Executive Order # D-182-65 | | | | 81111 | D-182-65 |
| Cabriolet | | | | | | | |
| 1995-94 | 2.8L V6 | Executive Order # D-182-65 | Left | | | 81102 | D-182-65 |
| | | | Right | | | 81102 | D-182-65 |
| Coupe | | | | | | | |
| 1987-85 | 2.2L L5 | Executive Order # D-182-65 | | | | 81101 | D-182-65 |
| 1984 | 2.2L L5 | Executive Order # D-182-65 | | | | 81101 | D-182-65 |
| 1983-81 | 2.2L L5 | Executive Order # D-182-65 | | | | 81101 | D-182-65 |
| Coupe Quattro | | | | | | | |
| 1991-90 | 2.3L L5 | 20v Model; Executive Order # D-182-65 | | | | 81102 | D-182-65 |
| Fox | | | | | | | |
| 1979-75 | 1.6L L4 | Executive Order # D-182-65 | | | | 81126 | D-182-65 |
| Quattro | | | | | | | |
| 1985-83 | 2.2L L5 | Executive Order # D-182-65 | | | | 81102 | D-182-65 |
| S4 | | | | | | | |
| 1994-92 | 2.2L L5 | Executive Order # D-182-65 | | | | 81101 | D-182-65 |
| S6 | | | | | | | |
| 1995 | 2.2L L5 | Executive Order # D-182-65 | | | | 81101 | D-182-65 |
| V8 Quattro | | | | | | | |
| 1994-92 | 4.2L V8 | Executive Order # D-182-65 | | | | 81127 | D-182-65 |
| 1991-90 | 3.6L V8 | Executive Order # D-182-65 | | | | 81102 | D-182-65 |

For vehicles licensed in the state of California or Maine, or vehicles requiring CARB-compliant converters in the state of New York, the parts in this catalog must be installed as specifically listed. Parts cannot be substituted, nor can they be installed on California or Maine licensed vehicles not listed in this catalog.

NON-OBDII PASSENGER CAR & TRUCK

| Years | Engine | Application | Position | Direct-Fit | | Universal Part No. | Executive Order |
|----------------|---------|--|----------|------------|----------|--------------------|-----------------|
| | | | | Part No. | Hardware | | |
| BERTONE | | | | | | | |
| X-1/9 | | | | | | | |
| 1989-86 | 1.5L L4 | Executive Order # D-182-65 | | | | 81126 | D-182-65 |
| 1985-84 | 1.5L L4 | Executive Order # D-182-65 | | | | 81126 | D-182-65 |
| | 2.0L L4 | Executive Order # D-182-65 | | | | 81126 | D-182-65 |
| BMW | | | | | | | |
| 318i | | | | | | | |
| 1995-91 | 1.8L L4 | Executive Order # D-182-65 | | | | 81127 | D-182-65 |
| 1985-84 | 1.8L L4 | Executive Order # D-182-65 | | | | 81126 | D-182-65 |
| 320i | | | | | | | |
| 1983-80 | 1.8L L4 | Executive Order # D-182-65 | | | | 81126 | D-182-65 |
| 1979-77 | 2.0L L4 | Executive Order # D-182-65 | | | | 81126 | D-182-65 |
| 325 | | | | | | | |
| 1988-86 | 2.7L L6 | Executive Order # D-182-65 | | | | 81127 | D-182-65 |
| 325e | | | | | | | |
| 1987-84 | 2.7L L6 | Executive Order # D-182-65 | | | | 81127 | D-182-65 |
| 325es | | | | | | | |
| 1987-86 | 2.7L L6 | Executive Order # D-182-65 | | | | 81127 | D-182-65 |
| 325i | | | | | | | |
| 1995-94 | 2.5L L6 | Executive Order # D-182-65 | Left | | | 81101 | D-182-65 |
| | | | Right | | | 81101 | D-182-65 |
| 1993-92 | 2.5L L6 | Convertible; Executive Order # D-182-65 | | | | 81133 | D-182-65 |
| | | Sedan; Executive Order # D-182-65 | Left | | | 81101 | D-182-65 |
| | | | Right | | | 81101 | D-182-65 |
| 1991-87 | 2.5L L6 | Executive Order # D-182-65 | | | | 81133 | D-182-65 |
| 325is | | | | | | | |
| 1995-92 | 2.5L L6 | Executive Order # D-182-65 | Left | | | 81101 | D-182-65 |
| | | | Right | | | 81101 | D-182-65 |
| 1991-87 | 2.5L L6 | Executive Order # D-182-65 | | | | 81133 | D-182-65 |
| 525i | | | | | | | |
| 1995-89 | 2.5L L6 | Executive Order # D-182-65 | | | | 81133 | D-182-65 |
| 528e | | | | | | | |
| 1988 | 2.7L L6 | Executive Order # D-182-65 | | | | 81133 | D-182-65 |
| 1987 | 2.7L L6 | After 3-87; Executive Order # D-182-65 | | | | 81133 | D-182-65 |
| | | Before 3-87; Executive Order # D-182-65 | | | | 81127 | D-182-65 |
| 1986-82 | 2.7L L6 | Executive Order # D-182-65 | | | | 81127 | D-182-65 |
| 528i | | | | | | | |
| 1981-79 | 2.8L L6 | Executive Order # D-182-65 | | | | 81133 | D-182-65 |
| 530i | | | | | | | |
| 1995-94 | 3.0L V8 | If oxygen sensor not used, Plug 35299 is required.; Executive Order # D-182-65 | Left | | | 81111 | D-182-65 |
| | | | Right | | | 81111 | D-182-65 |
| 533i | | | | | | | |
| 1984-83 | 3.2L L6 | Executive Order # D-182-65 | | | | 81133 | D-182-65 |

For vehicles licensed in the state of California or Maine, or vehicles requiring CARB-compliant converters in the state of New York, the parts in this catalog must be installed as specifically listed. Parts cannot be substituted, nor can they be installed on California or Maine licensed vehicles not listed in this catalog.

NON-OBDI PASSENGER CAR & TRUCK

| Years | Engine | Application | Position | Direct-Fit | | Universal Part No. | Executive Order |
|--------------------|----------|---|----------|------------|----------|--------------------|-----------------|
| | | | | Part No. | Hardware | | |
| BMW (Cont.) | | | | | | | |
| 535i | | | | | | | |
| 1993-85 | 3.5L L6 | Executive Order # D-182-65 | | | | 81133 | D-182-65 |
| 540i | | | | | | | |
| 1995-94 | 4.0L V8 | If oxygen sensor not used, Plug 35299 is required.; Executive Order # D-182-65 | Left | | | 81111 | D-182-65 |
| | | | Right | | | 81111 | D-182-65 |
| 633CSi | | | | | | | |
| 1984-80 | 3.2L L6 | Executive Order # D-182-65 | | | | 81133 | D-182-65 |
| 635CSi | | | | | | | |
| 1989-85 | 3.5L L6 | Executive Order # D-182-65 | | | | 81133 | D-182-65 |
| 735i | | | | | | | |
| 1992-85 | 3.5L L6 | Executive Order # D-182-65 | | | | 81133 | D-182-65 |
| 740i | | | | | | | |
| 1994-93 | 4.0L V8 | If oxygen sensor not used, Plug 35299 is required.; Executive Order # D-182-65 | Left | | | 81111 | D-182-65 |
| | | | Right | | | 81111 | D-182-65 |
| 740iL | | | | | | | |
| 1995-93 | 4.0L V8 | If oxygen sensor not used, Plug 35299 is required.; Executive Order # D-182-65 | Left | | | 81111 | D-182-65 |
| | | | Right | | | 81111 | D-182-65 |
| 750iL | | | | | | | |
| 1994-88 | 5.0L V12 | Executive Order # D-182-65 | Left | | | 81132 | D-182-65 |
| | | | Right | | | 81132 | D-182-65 |
| 840Ci | | | | | | | |
| 1995-94 | 4.0L V8 | If oxygen sensor not used, Plug 35299 is required.; Executive Order # D-182-65 | Left | | | 81111 | D-182-65 |
| | | | Right | | | 81111 | D-182-65 |
| 850Ci | | | | | | | |
| 1994-93 | 5.0L V12 | Executive Order # D-182-65 | | | | 81132 | D-182-65 |
| 850CSi | | | | | | | |
| 1995-94 | 5.6L V12 | Executive Order # D-182-65 | Left | | | 81132 | D-182-65 |
| | | | Right | | | 81132 | D-182-65 |
| 850i | | | | | | | |
| 1992-91 | 5.0L V12 | Executive Order # D-182-65 | | | | 81132 | D-182-65 |
| M3 | | | | | | | |
| 1995 | 3.0L L6 | Executive Order # D-182-65 | Left | | | 81101 | D-182-65 |
| | | | Right | | | 81101 | D-182-65 |
| 1991-88 | 2.3L L4 | Executive Order # D-182-65 | | | | 81101 | D-182-65 |
| M5 | | | | | | | |
| 1993-91 | 3.6L L6 | Executive Order # D-182-65 | | | | 81133 | D-182-65 |
| 1988 | 3.5L L6 | Executive Order # D-182-65 | Left | | | 81126 | D-182-65 |
| | | | Right | | | 81126 | D-182-65 |
| M6 | | | | | | | |
| 1988-87 | 3.5L L6 | Executive Order # D-182-65 | Left | | | 81126 | D-182-65 |
| | | | Right | | | 81126 | D-182-65 |

For vehicles licensed in the state of California or Maine, or vehicles requiring CARB-compliant converters in the state of New York, the parts in this catalog must be installed as specifically listed. Parts cannot be substituted, nor can they be installed on California or Maine licensed vehicles not listed in this catalog.

NON-OBDII PASSENGER CAR & TRUCK

| Years | Engine | Application | Position | Direct-Fit | | Universal Part No. | Executive Order |
|----------------|----------------------------|---|----------|------------|--------------|--------------------|-----------------|
| | | | | Part No. | Hardware | | |
| BUICK | | | | | | | |
| Apollo | | | | | | | |
| 1975 | 4.1L L6 | Executive Order # D-182-65 | | | | 81127 | D-182-65 |
| | 4.3L V8 | Executive Order # D-182-65 | | | | 81127 | D-182-65 |
| | 5.7L V8 | Executive Order # D-182-65 | | | | 81127 | D-182-65 |
| Century | | | | | | | |
| 1995 | 2.2L L4 | Executive Order # D-182-65 | | | | 81126 | D-182-65 |
| | 3.1L V6 | Executive Order # D-182-65 | | | | 81102 | D-182-65 |
| 1994 | 2.2L L4 | Executive Order # D-182-65 | | | | 81126 | D-182-65 |
| | 3.1L V6 | Executive Order # D-182-65 | | | | 81102 | D-182-65 |
| 1993 | 2.2L L4 | Executive Order # D-182-65 | | | | 81126 | D-182-65 |
| | 3.3L V6 | Executive Order # D-182-65 | | | | 81127 | D-182-65 |
| 1992-90 | 2.5L L4 | w/o Air Tube; Executive Order # D-182-65 | | | | 81126 | D-182-65 |
| | 3.3L V6 | Executive Order # D-182-65 | | | | 81127 | D-182-65 |
| 1989 | 2.5L L4 | w/o Air Tube; Executive Order # D-182-65 | | | | 81126 | D-182-65 |
| | 2.8L V6 | Executive Order # D-182-65 | | | | 81126 | D-182-65 |
| | 3.3L V6 | Executive Order # D-182-65 | | | | 81127 | D-182-65 |
| 1988-87 | 2.5L L4 | w/o Air Tube; Executive Order # D-182-65 | | | | 81126 | D-182-65 |
| | 2.8L V6 | w/o Air Tube; Executive Order # D-182-65 | | | | 81126 | D-182-65 |
| | 3.8L V6 | Executive Order # D-182-65 | | | | 81126 | D-182-65 |
| 1986 | 2.5L L4 | w/o Air Tube; Executive Order # D-182-65 | | | | 81126 | D-182-65 |
| | 2.8L V6 | w/ Air Tube; Executive Order # D-182-65 | | | | 81121 | D-182-65 |
| | | w/o Air Tube; Executive Order # D-182-65 | | | | 81126 | D-182-65 |
| 3.8L V6 | Executive Order # D-182-65 | | | | 81126 | D-182-65 | |
| 1985-84 | 2.5L L4 | w/o Air Tube; Executive Order # D-182-65 | | | | 81126 | D-182-65 |
| | 3.0L V6 | w/ Air Tube; Executive Order # D-182-65 | | | | 81121 | D-182-65 |
| | 3.8L V6 | Executive Order # D-182-65 | | | | 81126 | D-182-65 |
| 1983-82 | 2.5L L4 | w/o Air Tube; Executive Order # D-182-65 | | | | 81126 | D-182-65 |
| | 3.0L V6 | w/ Air Tube; Executive Order # D-182-65 | | | | 81121 | D-182-65 |
| 1981 | 3.8L V6 | w/ Air Tube; Executive Order # D-182-65 | | | | 81122 | D-182-65 |
| | | w/o Air Tube; Executive Order # D-182-65 | | | | 81127 | D-182-65 |
| | 4.3L V8 | w/ Air Tube; Executive Order # D-182-65 | | | | 81122 | D-182-65 |
| 1980 | 3.8L V6 | Executive Order # D-182-65 | | | | 81127 | D-182-65 |
| | 4.3L V8 | w/ Air Tube; Executive Order # D-182-65 | | | | 81122 | D-182-65 |
| | 4.9L V8 | w/ Air Tube; Executive Order # D-182-65 | | | | 81122 | D-182-65 |
| | 5.0L V8 | w/ Air Tube; Executive Order # D-182-65 | | | | 81122 | D-182-65 |
| 1979 | 3.2L V6 | Executive Order # D-182-65 | | | | 81126 | D-182-65 |
| | 3.8L V6 | Naturally Aspirated; Executive Order # D-182-65 | | | | 81126 | D-182-65 |
| | | Turbocharged; Executive Order # D-182-65 | | | | 81128 | D-182-65 |
| | 4.9L V8 | Executive Order # D-182-65 | | | | 81126 | D-182-65 |
| | 5.0L V8 | Executive Order # D-182-65 | | | | 81128 | D-182-65 |
| 5.7L V8 | Executive Order # D-182-65 | | | | 81128 | D-182-65 | |
| 1978 | 3.2L V6 | Executive Order # D-182-65 | | | | 81126 | D-182-65 |
| | 3.8L V6 | Naturally Aspirated; Executive Order # D-182-65 | | | | 81126 | D-182-65 |
| | 5.0L V8 | Executive Order # D-182-65 | | | | 81128 | D-182-65 |
| | 5.7L V8 | Executive Order # D-182-65 | | | | 81128 | D-182-65 |
| 1977 | 3.8L V6 | Executive Order # D-182-65 | | | | 81128 | D-182-65 |

OBDII APPLICATIONS

NON-OBDII APPLICATIONS

NUMERICAL

UNIVERSAL SPECIFICATIONS

For vehicles licensed in the state of California or Maine, or vehicles requiring CARB-compliant converters in the state of New York, the parts in this catalog must be installed as specifically listed. Parts cannot be substituted, nor can they be installed on California or Maine licensed vehicles not listed in this catalog.

NON-OBDI PASSENGER CAR & TRUCK

| Years | Engine | Application | Position | Direct-Fit | | Universal Part No. | Executive Order |
|------------------------|---------|--|----------|--------------|----------|--------------------|-----------------|
| | | | | Part No. | Hardware | | |
| BUICK (Cont.) | | | | | | | |
| Century (Cont.) | | | | | | | |
| 1977 (Cont.) | 5.0L V8 | Executive Order # D-182-65 | | | | 81128 | D-182-65 |
| | 5.7L V8 | Executive Order # D-182-65 | | | | 81128 | D-182-65 |
| | 6.6L V8 | Executive Order # D-182-65 | | | | 81128 | D-182-65 |
| 1976-75 | 3.8L V6 | Executive Order # D-182-65 | | | | 81128 | D-182-65 |
| | 5.7L V8 | Executive Order # D-182-65 | | | | 81128 | D-182-65 |
| Electra | | | | | | | |
| 1990-88 | 3.8L V6 | w/o Air Tube; Executive Order # D-182-65 | | | | 81127 | D-182-65 |
| 1987-86 | 3.8L V6 | w/o Air Tube; Executive Order # D-182-65 | | | | 81127 | D-182-65 |
| | 5.0L V8 | Executive Order # D-182-65 | | | | 81122 | D-182-65 |
| 1985 | 3.0L V6 | w/o Air Tube; Executive Order # D-182-65 | | | | 81126 | D-182-65 |
| | 3.8L V6 | w/o Air Tube; Executive Order # D-182-65 | | | | 81126 | D-182-65 |
| | 5.0L V8 | Executive Order # D-182-65 | | | | 81122 | D-182-65 |
| 1984-82 | 4.1L V6 | Executive Order # D-182-65 | | | | 81122 | D-182-65 |
| | 5.0L V8 | Executive Order # D-182-65 | | | | 81122 | D-182-65 |
| 1981 | 4.1L V6 | Executive Order # D-182-65 | | | | 81122 | D-182-65 |
| | 5.0L V8 | Executive Order # D-182-65 | | | | 81127 | D-182-65 |
| | 5.7L V8 | w/o Air Tube; Executive Order # D-182-65 | | | | 81127 | D-182-65 |
| 1980 | 4.1L V6 | w/o Air Tube; Executive Order # D-182-65 | | | | 81127 | D-182-65 |
| | 4.9L V8 | w/o Air Tube; Executive Order # D-182-65 | | | | 81127 | D-182-65 |
| | 5.7L V8 | w/o Air Tube; Executive Order # D-182-65 | | | | 81127 | D-182-65 |
| 1979-77 | 5.7L V8 | Executive Order # D-182-65 | | | | 81128 | D-182-65 |
| | 6.6L V8 | Executive Order # D-182-65 | | | | 81128 | D-182-65 |
| 1976-75 | 7.5L V8 | Executive Order # D-182-65 | | | | 81128 | D-182-65 |
| LeSabre | | | | | | | |
| 1995 | 3.8L V6 | Executive Order # D-182-65 | | | | 81128 | D-182-65 |
| 1994-92 | 3.8L V6 | Executive Order # D-182-65 | | 81147 | | 81128 | D-182-65 |
| 1991-87 | 3.8L V6 | w/o Air Tube; Executive Order # D-182-65 | | | | 81127 | D-182-65 |
| 1986 | 3.0L V6 | w/o Air Tube; Executive Order # D-182-65 | | | | 81127 | D-182-65 |
| | 3.8L V6 | w/o Air Tube; Executive Order # D-182-65 | | | | 81127 | D-182-65 |
| | 5.0L V8 | Executive Order # D-182-65 | | | | 81122 | D-182-65 |
| 1985 | 3.8L V6 | Executive Order # D-182-65 | | | | 81122 | D-182-65 |
| | 5.0L V8 | Executive Order # D-182-65 | | | | 81122 | D-182-65 |
| 1984 | 3.8L V6 | Executive Order # D-182-65 | | | | 81122 | D-182-65 |
| | 4.1L V6 | Executive Order # D-182-65 | | | | 81122 | D-182-65 |
| | 5.0L V8 | Executive Order # D-182-65 | | | | 81122 | D-182-65 |
| 1983 | 3.8L V6 | w/o Air Tube; Executive Order # D-182-65 | | | | 81127 | D-182-65 |
| | 4.1L V6 | Executive Order # D-182-65 | | | | 81122 | D-182-65 |
| | 5.0L V8 | Executive Order # D-182-65 | | | | 81122 | D-182-65 |
| 1982 | 3.8L V6 | w/ Air Tube; Executive Order # D-182-65 | | | | 81122 | D-182-65 |
| | | w/o Air Tube; Executive Order # D-182-65 | | | | 81127 | D-182-65 |
| | 4.1L V6 | Executive Order # D-182-65 | | | | 81122 | D-182-65 |
| | 5.0L V8 | Executive Order # D-182-65 | | | | 81122 | D-182-65 |
| 1981 | 3.8L V6 | w/ Air Tube; Executive Order # D-182-65 | | | | 81122 | D-182-65 |
| | | w/o Air Tube; Executive Order # D-182-65 | | | | 81127 | D-182-65 |
| | 4.1L V6 | Executive Order # D-182-65 | | | | 81122 | D-182-65 |

For vehicles licensed in the state of California or Maine, or vehicles requiring CARB-compliant converters in the state of New York, the parts in this catalog must be installed as specifically listed. Parts cannot be substituted, nor can they be installed on California or Maine licensed vehicles not listed in this catalog.

NON-OBDDII PASSENGER CAR & TRUCK

| Years | Engine | Application | Position | Direct-Fit | | Universal Part No. | Executive Order |
|------------------------|---------|---|----------|------------|--------------|--------------------|-----------------|
| | | | | Part No. | Hardware | | |
| BUICK (Cont.) | | | | | | | |
| LeSabre (Cont.) | | | | | | | |
| 1981 (Cont.) | 5.0L V8 | Executive Order # D-182-65 | | | | 81122 | D-182-65 |
| | 5.7L V8 | w/o Air Tube; Executive Order # D-182-65 | | | | 81127 | D-182-65 |
| 1980 | 3.8L V6 | w/o Air Tube; Executive Order # D-182-65 | | | | 81127 | D-182-65 |
| | 4.1L V6 | w/o Air Tube; Executive Order # D-182-65 | | | | 81127 | D-182-65 |
| | 4.9L V8 | Executive Order # D-182-65 | | | | 81127 | D-182-65 |
| | 5.7L V8 | w/o Air Tube; Executive Order # D-182-65 | | | | 81127 | D-182-65 |
| 1979 | 3.8L V6 | Executive Order # D-182-65 | | | | 81128 | D-182-65 |
| | 4.9L V8 | Executive Order # D-182-65 | | | | 81128 | D-182-65 |
| | 5.7L V8 | Executive Order # D-182-65 | | | | 81128 | D-182-65 |
| 1978 | 3.8L V6 | Executive Order # D-182-65 | | | | 81128 | D-182-65 |
| | 4.9L V8 | Executive Order # D-182-65 | | | | 81128 | D-182-65 |
| | 5.0L V8 | Executive Order # D-182-65 | | | | 81128 | D-182-65 |
| | 5.7L V8 | Executive Order # D-182-65 | | | | 81128 | D-182-65 |
| 1977 | 3.8L V6 | Executive Order # D-182-65 | | | | 81128 | D-182-65 |
| | 4.9L V8 | Executive Order # D-182-65 | | | | 81128 | D-182-65 |
| | 5.7L V8 | Executive Order # D-182-65 | | | | 81128 | D-182-65 |
| 1976 | 3.8L V6 | Executive Order # D-182-65 | | | | 81128 | D-182-65 |
| | 5.7L V8 | Executive Order # D-182-65 | | | | 81128 | D-182-65 |
| | 7.5L V8 | Executive Order # D-182-65 | | | | 81128 | D-182-65 |
| 1975 | 5.7L V8 | Executive Order # D-182-65 | | | | 81128 | D-182-65 |
| | 7.5L V8 | Executive Order # D-182-65 | | | | 81128 | D-182-65 |
| Park Avenue | | | | | | | |
| 1995 | 3.8L V6 | Executive Order # D-182-65 | | | | 81128 | D-182-65 |
| 1994-92 | 3.8L V6 | Executive Order # D-182-65 | | | 81147 | 81128 | D-182-65 |
| 1991 | 3.8L V6 | Executive Order # D-182-65 | | | | 81128 | D-182-65 |
| Reatta | | | | | | | |
| 1991 | 3.8L V6 | Executive Order # D-182-65 | | | | 81128 | D-182-65 |
| 1990-88 | 3.8L V6 | Executive Order # D-182-65 | | | | 81127 | D-182-65 |
| Regal | | | | | | | |
| 1995-94 | 3.1L V6 | Executive Order # D-182-65 | | | | 81102 | D-182-65 |
| | 3.8L V6 | Executive Order # D-182-65 | | | | 81103 | D-182-65 |
| 1993 | 3.8L V6 | Executive Order # D-182-65 | | | | 81128 | D-182-65 |
| 1992-90 | 3.1L V6 | Executive Order # D-182-65 | | | | 81127 | D-182-65 |
| | 3.8L V6 | Executive Order # D-182-65 | | | | 81128 | D-182-65 |
| 1989 | 2.8L V6 | Executive Order # D-182-65 | | | | 81127 | D-182-65 |
| | 3.1L V6 | Executive Order # D-182-65 | | | | 81127 | D-182-65 |
| 1988 | 2.8L V6 | Executive Order # D-182-65 | | | | 81127 | D-182-65 |
| 1987-86 | 3.8L V6 | Naturally Aspirated; Executive Order # D-182-65 | | | | 81122 | D-182-65 |
| | | Turbocharged; Executive Order # D-182-65 | | | | 81127 | D-182-65 |
| | 5.0L V8 | Executive Order # D-182-65 | | | | 81122 | D-182-65 |
| 1985 | 3.8L V6 | Naturally Aspirated; Executive Order # D-182-65 | | | | 81122 | D-182-65 |
| | | Turbocharged; Executive Order # D-182-65 | | | | 81127 | D-182-65 |
| 1984 | 3.8L V6 | Naturally Aspirated; Executive Order # D-182-65 | | | | 81122 | D-182-65 |
| | | Turbocharged; Executive Order # D-182-65 | | | | 81127 | D-182-65 |
| | 4.1L V6 | Executive Order # D-182-65 | | | | 81122 | D-182-65 |

For vehicles licensed in the state of California or Maine, or vehicles requiring CARB-compliant converters in the state of New York, the parts in this catalog must be installed as specifically listed. Parts cannot be substituted, nor can they be installed on California or Maine licensed vehicles not listed in this catalog.

NON-OBDI PASSENGER CAR & TRUCK

| Years | Engine | Application | Position | Direct-Fit | | Universal Part No. | Executive Order |
|----------------------|---------|--|----------|------------|----------|--------------------|-----------------|
| | | | | Part No. | Hardware | | |
| BUICK (Cont.) | | | | | | | |
| Regal (Cont.) | | | | | | | |
| 1983 | 3.8L V6 | Naturally Aspirated; w/ Air Tube; Executive Order # D-182-65 | | | | 81122 | D-182-65 |
| | | Turbocharged; w/o Air Tube; Executive Order # D-182-65 | | | | 81127 | D-182-65 |
| | 4.1L V6 | Executive Order # D-182-65 | | | | 81122 | D-182-65 |
| 1982 | 3.8L V6 | Naturally Aspirated; w/ Air Tube; Executive Order # D-182-65 | | | | 81122 | D-182-65 |
| | | Turbocharged; Executive Order # D-182-65 | | | | 81127 | D-182-65 |
| | 4.1L V6 | Executive Order # D-182-65 | | | | 81122 | D-182-65 |
| 1981 | 3.8L V6 | Naturally Aspirated; w/ Air Tube; Executive Order # D-182-65 | | | | 81122 | D-182-65 |
| | | Turbocharged; w/o Air Tube; Executive Order # D-182-65 | | | | 81127 | D-182-65 |
| | 4.3L V8 | Executive Order # D-182-65 | | | | 81122 | D-182-65 |
| 1980 | 3.8L V6 | w/o Air Tube; Executive Order # D-182-65 | | | | 81127 | D-182-65 |
| | 4.3L V8 | w/ Air Tube; Executive Order # D-182-65 | | | | 81122 | D-182-65 |
| | 4.9L V8 | w/ Air Tube; Executive Order # D-182-65 | | | | 81122 | D-182-65 |
| | 5.0L V8 | w/ Air Tube; Executive Order # D-182-65 | | | | 81122 | D-182-65 |
| 1979 | 3.2L V6 | Executive Order # D-182-65 | | | | 81126 | D-182-65 |
| | 3.8L V6 | Naturally Aspirated; Executive Order # D-182-65 | | | | 81126 | D-182-65 |
| | | Turbocharged; Executive Order # D-182-65 | | | | 81128 | D-182-65 |
| | 4.9L V8 | Executive Order # D-182-65 | | | | 81126 | D-182-65 |
| | 5.0L V8 | Executive Order # D-182-65 | | | | 81128 | D-182-65 |
| 1978 | 3.2L V6 | Executive Order # D-182-65 | | | | 81126 | D-182-65 |
| | 3.8L V6 | Naturally Aspirated; Executive Order # D-182-65 | | | | 81126 | D-182-65 |
| | | Turbocharged; Executive Order # D-182-65 | | | | 81128 | D-182-65 |
| | 5.0L V8 | Executive Order # D-182-65 | | | | 81128 | D-182-65 |
| 1977 | 3.8L V6 | Executive Order # D-182-65 | | | | 81128 | D-182-65 |
| | 5.0L V8 | Executive Order # D-182-65 | | | | 81128 | D-182-65 |
| | 5.7L V8 | Executive Order # D-182-65 | | | | 81128 | D-182-65 |
| 1976-75 | 3.8L V6 | Executive Order # D-182-65 | | | | 81128 | D-182-65 |
| | 5.7L V8 | Executive Order # D-182-65 | | | | 81128 | D-182-65 |

Riviera

| | | | | | | | |
|---------|---------|--|--|--------------|--|--------------|----------|
| 1995 | 3.8L V6 | Executive Order # D-182-65 | | | | 81128 | D-182-65 |
| 1993-91 | 3.8L V6 | Executive Order # D-182-65 | | 81147 | | 81128 | D-182-65 |
| 1990-86 | 3.8L V6 | w/o Air Tube; Executive Order # D-182-65 | | | | 81127 | D-182-65 |
| 1985 | 3.8L V6 | Executive Order # D-182-65 | | | | 81127 | D-182-65 |
| | 5.0L V8 | Executive Order # D-182-65 | | | | 81122 | D-182-65 |
| 1984 | 3.8L V6 | Executive Order # D-182-65 | | | | 81127 | D-182-65 |
| | 4.1L V6 | Executive Order # D-182-65 | | | | 81122 | D-182-65 |
| | 5.0L V8 | Executive Order # D-182-65 | | | | 81122 | D-182-65 |
| 1983-81 | 3.8L V6 | Executive Order # D-182-65 | | | | 81122 | D-182-65 |
| | 4.1L V6 | Executive Order # D-182-65 | | | | 81122 | D-182-65 |
| | 5.0L V8 | Executive Order # D-182-65 | | | | 81122 | D-182-65 |
| 1980 | 3.8L V6 | w/o Air Tube; Executive Order # D-182-65 | | | | 81127 | D-182-65 |
| | 5.7L V8 | Executive Order # D-182-65 | | | | 81127 | D-182-65 |
| 1979 | 3.8L V6 | Executive Order # D-182-65 | | | | 81128 | D-182-65 |

For vehicles licensed in the state of California or Maine, or vehicles requiring CARB-compliant converters in the state of New York, the parts in this catalog must be installed as specifically listed. Parts cannot be substituted, nor can they be installed on California or Maine licensed vehicles not listed in this catalog.

NON-OBDII PASSENGER CAR & TRUCK

| Years | Engine | Application | Position | Direct-Fit | | Universal Part No. | Executive Order |
|------------------------|---------|---|----------|------------|----------|--------------------|-----------------|
| | | | | Part No. | Hardware | | |
| BUICK (Cont.) | | | | | | | |
| Riviera (Cont.) | | | | | | | |
| 1979 (Cont.) | 5.7L V8 | Executive Order # D-182-65 | | | | 81128 | D-182-65 |
| 1978-77 | 5.7L V8 | Executive Order # D-182-65 | | | | 81128 | D-182-65 |
| | 6.6L V8 | Executive Order # D-182-65 | | | | 81128 | D-182-65 |
| 1976-75 | 7.5L V8 | Executive Order # D-182-65 | | | | 81128 | D-182-65 |
| Roadmaster | | | | | | | |
| 1995-94 | 5.7L V8 | Executive Order # D-182-65 | Left | | | 81128 | D-182-65 |
| | | | Right | | | 81128 | D-182-65 |
| 1993-92 | 5.7L V8 | Executive Order # D-182-65 | | | | 81127 | D-182-65 |
| 1991 | 5.0L V8 | Executive Order # D-182-65 | | | | 81127 | D-182-65 |
| Skyhawk | | | | | | | |
| 1989-88 | 2.0L L4 | Executive Order # D-182-65 | | | | 81126 | D-182-65 |
| 1987 | 2.0L L4 | Naturally Aspirated; Executive Order # D-182-65 | | | | 81126 | D-182-65 |
| | | Turbocharged; Executive Order # D-182-65 | | | | 81127 | D-182-65 |
| 1986 | 1.8L L4 | Executive Order # D-182-65 | | | | 81126 | D-182-65 |
| | 2.0L L4 | Executive Order # D-182-65 | | | | 81126 | D-182-65 |
| 1985-84 | 1.8L L4 | Executive Order # D-182-65 | | | | 81126 | D-182-65 |
| | 2.0L L4 | w/o Air Tube; Executive Order # D-182-65 | | | | 81126 | D-182-65 |
| 1983 | 1.8L L4 | w/ Air Tube; Executive Order # D-182-65 | | | | 81121 | D-182-65 |
| | | w/o Air Tube; Executive Order # D-182-65 | | | | 81126 | D-182-65 |
| | 2.0L L4 | w/ Air Tube; Executive Order # D-182-65 | | | | 81121 | D-182-65 |
| | | w/o Air Tube; Executive Order # D-182-65 | | | | 81126 | D-182-65 |
| 1982 | 1.8L L4 | w/ Air Tube; Executive Order # D-182-65 | | | | 81121 | D-182-65 |
| | | w/o Air Tube; Executive Order # D-182-65 | | | | 81126 | D-182-65 |
| 1980-79 | 3.8L V6 | Executive Order # D-182-65 | | | | 81127 | D-182-65 |
| 1978 | 3.8L V6 | Executive Order # D-182-65 | | | | 81127 | D-182-65 |
| 1977-75 | 3.8L V6 | Executive Order # D-182-65 | | | | 81127 | D-182-65 |
| Skylark | | | | | | | |
| 1995-94 | 2.3L L4 | Executive Order # D-182-65 | | | | 81101 | D-182-65 |
| | 3.1L V6 | Executive Order # D-182-65 | | | | 81101 | D-182-65 |
| 1993 | 2.3L L4 | Executive Order # D-182-65 | | | | 81101 | D-182-65 |
| | 3.3L V6 | Executive Order # D-182-65 | | | | 81127 | D-182-65 |
| 1992 | 2.3L L4 | Executive Order # D-182-65 | | | | 81126 | D-182-65 |
| | 3.3L V6 | Executive Order # D-182-65 | | | | 81127 | D-182-65 |
| 1991-90 | 2.3L L4 | w/o Air Tube; Executive Order # D-182-65 | | | | 81127 | D-182-65 |
| | 2.5L L4 | Executive Order # D-182-65 | | | | 81126 | D-182-65 |
| | 3.3L V6 | Executive Order # D-182-65 | | | | 81127 | D-182-65 |
| 1989 | 2.3L L4 | w/o Air Tube; Executive Order # D-182-65 | | | | 81127 | D-182-65 |
| | 2.5L L4 | w/o Air Tube; Executive Order # D-182-65 | | | | 81126 | D-182-65 |
| | 3.3L V6 | Executive Order # D-182-65 | | | | 81126 | D-182-65 |
| 1988 | 2.3L L4 | w/o Air Tube; Executive Order # D-182-65 | | | | 81127 | D-182-65 |
| | 2.5L L4 | w/o Air Tube; Executive Order # D-182-65 | | | | 81126 | D-182-65 |
| | 3.0L V6 | w/o Air Tube; Executive Order # D-182-65 | | | | 81126 | D-182-65 |
| 1987-86 | 2.5L L4 | w/o Air Tube; Executive Order # D-182-65 | | | | 81126 | D-182-65 |
| | 3.0L V6 | w/o Air Tube; Executive Order # D-182-65 | | | | 81126 | D-182-65 |

For vehicles licensed in the state of California or Maine, or vehicles requiring CARB-compliant converters in the state of New York, the parts in this catalog must be installed as specifically listed. Parts cannot be substituted, nor can they be installed on California or Maine licensed vehicles not listed in this catalog.

NON-OBDII PASSENGER CAR & TRUCK

| Years | Engine | Application | Position | Direct-Fit | | Universal Part No. | Executive Order |
|------------------------|---------|--|----------|------------|----------|--------------------|-----------------|
| | | | | Part No. | Hardware | | |
| BUICK (Cont.) | | | | | | | |
| Skylark (Cont.) | | | | | | | |
| 1985 | 2.5L L4 | w/o Air Tube; Executive Order # D-182-65 | | | | 81126 | D-182-65 |
| | 2.8L V6 | w/ Air Tube; Executive Order # D-182-65 | | | | 81121 | D-182-65 |
| | | w/o Air Tube; Executive Order # D-182-65 | | | | 81126 | D-182-65 |
| 1984-83 | 2.5L L4 | w/o Air Tube; Executive Order # D-182-65 | | | | 81126 | D-182-65 |
| | 2.8L V6 | w/ Air Tube; Executive Order # D-182-65 | | | | 81121 | D-182-65 |
| 1982 | 2.5L L4 | w/o Air Tube; Executive Order # D-182-65 | | | | 81126 | D-182-65 |
| | 2.8L V6 | VIN "X"; Executive Order # D-182-65 | | | | 81121 | D-182-65 |
| | | VIN "Z"; Executive Order # D-182-65 | | | | 81122 | D-182-65 |
| 1981 | 2.5L L4 | Executive Order # D-182-65 | | | | 81121 | D-182-65 |
| | 2.8L V6 | Executive Order # D-182-65 | | | | 81121 | D-182-65 |
| 1980 | 2.5L L4 | Executive Order # D-182-65 | | | | 81126 | D-182-65 |
| | 2.8L V6 | Executive Order # D-182-65 | | | | 81126 | D-182-65 |
| 1979-78 | 3.8L V6 | Executive Order # D-182-65 | | | | 81127 | D-182-65 |
| | 5.0L V8 | Executive Order # D-182-65 | | | | 81127 | D-182-65 |
| | 5.7L V8 | Executive Order # D-182-65 | | | | 81127 | D-182-65 |
| 1977 | 3.8L V6 | Executive Order # D-182-65 | | | | 81127 | D-182-65 |
| | 4.9L V8 | Executive Order # D-182-65 | | | | 81127 | D-182-65 |
| | 5.0L V8 | Executive Order # D-182-65 | | | | 81127 | D-182-65 |
| | 5.7L V8 | Executive Order # D-182-65 | | | | 81127 | D-182-65 |
| 1976-75 | 3.8L V6 | Executive Order # D-182-65 | | | | 81127 | D-182-65 |
| | 4.3L V8 | Executive Order # D-182-65 | | | | 81127 | D-182-65 |
| | 5.7L V8 | Executive Order # D-182-65 | | | | 81127 | D-182-65 |
| Somerset | | | | | | | |
| 1987-86 | 2.5L L4 | Executive Order # D-182-65 | | | | 81126 | D-182-65 |
| | 3.0L V6 | Executive Order # D-182-65 | | | | 81126 | D-182-65 |
| Somerset Regal | | | | | | | |
| 1985 | 2.5L L4 | w/o Air Tube; Executive Order # D-182-65 | | | | 81126 | D-182-65 |
| | 3.0L V6 | w/o Air Tube; Executive Order # D-182-65 | | | | 81126 | D-182-65 |
| CADILLAC | | | | | | | |
| Allante | | | | | | | |
| 1993 | 4.6L V8 | Executive Order # D-182-65 | | | | 81128 | D-182-65 |
| 1992-89 | 4.5L V8 | Executive Order # D-182-65 | | | | 81128 | D-182-65 |
| 1988-87 | 4.1L V8 | Executive Order # D-182-65 | | | | 81123 | D-182-65 |
| Cimarron | | | | | | | |
| 1988-87 | 2.8L V6 | w/o Air Tube; Executive Order # D-182-65 | | | | 81126 | D-182-65 |
| 1986 | 2.0L L4 | w/o Air Tube; Executive Order # D-182-65 | | | | 81126 | D-182-65 |
| | 2.8L V6 | Executive Order # D-182-65 | | | | 81126 | D-182-65 |
| 1985 | 2.0L L4 | w/o Air Tube; Executive Order # D-182-65 | | | | 81126 | D-182-65 |
| | 2.8L V6 | w/o Air Tube; Executive Order # D-182-65 | | | | 81126 | D-182-65 |
| 1984 | 2.0L L4 | w/o Air Tube; Executive Order # D-182-65 | | | | 81126 | D-182-65 |
| 1983 | 2.0L L4 | w/ Air Tube; Executive Order # D-182-65 | | | | 81121 | D-182-65 |
| | | w/o Air Tube; Executive Order # D-182-65 | | | | 81126 | D-182-65 |
| 1982 | 1.8L L4 | w/ Air Tube; Executive Order # D-182-65 | | | | 81121 | D-182-65 |

For vehicles licensed in the state of California or Maine, or vehicles requiring CARB-compliant converters in the state of New York, the parts in this catalog must be installed as specifically listed. Parts cannot be substituted, nor can they be installed on California or Maine licensed vehicles not listed in this catalog.

NON-OBDII PASSENGER CAR & TRUCK

| Years | Engine | Application | Position | Direct-Fit | | Universal Part No. | Executive Order |
|---------------------------|---------|--|----------|--------------|----------|--------------------|-----------------|
| | | | | Part No. | Hardware | | |
| CADILLAC (Cont.) | | | | | | | |
| Commercial Chassis | | | | | | | |
| 1995 | 5.7L V8 | Executive Order # D-182-65 | Left | | | 81128 | D-182-65 |
| | | | Right | | | 81128 | D-182-65 |
| 1993 | 4.9L V8 | Executive Order # D-182-65 | | | | 81127 | D-182-65 |
| | 5.7L V8 | Executive Order # D-182-65 | | | | 81127 | D-182-65 |
| 1992 | 4.9L V8 | Executive Order # D-182-65 | | | | 81128 | D-182-65 |
| 1990 | 4.5L V8 | w/ Air Tube; Executive Order # D-182-65 | | | | 81124 | D-182-65 |
| | | w/o Air Tube; Executive Order # D-182-65 | | | | 81128 | D-182-65 |
| 1989-88 | 4.5L V8 | w/ Air Tube; Executive Order # D-182-65 | | | | 81124 | D-182-65 |
| 1987-85 | 4.1L V8 | Executive Order # D-182-65 | | | | 81128 | D-182-65 |
| 1984-81 | 6.0L V8 | Executive Order # D-182-65 | | | | 81122 | D-182-65 |
| 1980 | 6.0L V8 | w/o Air Tube; Executive Order # D-182-65 | | | | 81128 | D-182-65 |
| 1979-77 | 7.0L V8 | Executive Order # D-182-65 | | | | 81128 | D-182-65 |
| DeVille | | | | | | | |
| 1995-94 | 4.6L V8 | Executive Order # D-182-65 | | | | 81128 | D-182-65 |
| | 4.9L V8 | Executive Order # D-182-65 | | | | 81123 | D-182-65 |
| 1993-92 | 4.9L V8 | Executive Order # D-182-65 | | 81147 | | 81128 | D-182-65 |
| 1991 | 4.9L V8 | Executive Order # D-182-65 | | | | 81128 | D-182-65 |
| 1990 | 4.5L V8 | w/o Air Tube; Executive Order # D-182-65 | | | | 81128 | D-182-65 |
| 1989-88 | 4.5L V8 | w/ Air Tube; Executive Order # D-182-65 | | | | 81123 | D-182-65 |
| 1987-83 | 4.1L V8 | Executive Order # D-182-65 | | | | 81122 | D-182-65 |
| 1982 | 4.1L V6 | Executive Order # D-182-65 | | | | 81122 | D-182-65 |
| 1981 | 4.1L V6 | Executive Order # D-182-65 | | | | 81122 | D-182-65 |
| | 6.0L V8 | Executive Order # D-182-65 | | | | 81122 | D-182-65 |
| 1980 | 4.1L V6 | w/o Air Tube; Executive Order # D-182-65 | | | | 81127 | D-182-65 |
| | 6.0L V8 | w/o Air Tube; Executive Order # D-182-65 | | | | 81127 | D-182-65 |
| 1979-77 | 7.0L V8 | Executive Order # D-182-65 | | | | 81128 | D-182-65 |
| Eldorado | | | | | | | |
| 1995-94 | 4.6L V8 | Executive Order # D-182-65 | | | | 81128 | D-182-65 |
| 1993 | 4.6L V8 | Executive Order # D-182-65 | | | | 81128 | D-182-65 |
| | 4.9L V8 | Executive Order # D-182-65 | | | | 81128 | D-182-65 |
| 1992-91 | 4.9L V8 | Executive Order # D-182-65 | | | | 81128 | D-182-65 |
| 1990 | 4.5L V8 | w/o Air Tube; Executive Order # D-182-65 | | | | 81128 | D-182-65 |
| 1989-88 | 4.5L V8 | w/ Air Tube; Executive Order # D-182-65 | | | | 81123 | D-182-65 |
| 1987-82 | 4.1L V8 | Executive Order # D-182-65 | | | | 81122 | D-182-65 |
| 1981 | 4.1L V6 | Executive Order # D-182-65 | | | | 81122 | D-182-65 |
| 1980 | 5.7L V8 | Executive Order # D-182-65 | | | | 81128 | D-182-65 |
| | 6.0L V8 | Executive Order # D-182-65 | | | | 81127 | D-182-65 |
| 1979 | 5.7L V8 | Executive Order # D-182-65 | | | | 81128 | D-182-65 |
| 1978-77 | 7.0L V8 | Executive Order # D-182-65 | | | | 81128 | D-182-65 |
| Fleetwood | | | | | | | |
| 1995-94 | 5.7L V8 | Executive Order # D-182-65 | Left | | | 81128 | D-182-65 |
| | | | Right | | | 81128 | D-182-65 |
| 1993 | 5.7L V8 | Executive Order # D-182-65 | | | | 81127 | D-182-65 |
| 1992 | 4.9L V8 | Executive Order # D-182-65 | | | | 81128 | D-182-65 |
| 1991 | 4.9L V8 | w/o Air Tube; Executive Order # D-182-65 | | | | 81128 | D-182-65 |

For vehicles licensed in the state of California or Maine, or vehicles requiring CARB-compliant converters in the state of New York, the parts in this catalog must be installed as specifically listed. Parts cannot be substituted, nor can they be installed on California or Maine licensed vehicles not listed in this catalog.

OBDII APPLICATIONS

NON-OBDII APPLICATIONS

NUMERICAL

UNIVERSAL SPECIFICATIONS

NON-OBDII PASSENGER CAR & TRUCK

| Years | Engine | Application | Position | Direct-Fit | | Universal Part No. | Executive Order |
|--------------------------|---------|--|----------|------------|----------|--------------------|-----------------|
| | | | | Part No. | Hardware | | |
| CADILLAC (Cont.) | | | | | | | |
| Fleetwood (Cont.) | | | | | | | |
| 1990 | 4.5L V8 | w/o Air Tube; Executive Order # D-182-65 | | | | 81128 | D-182-65 |
| 1989-88 | 4.5L V8 | w/ Air Tube; Executive Order # D-182-65 | | | | 81123 | D-182-65 |
| 1987-85 | 4.1L V8 | Executive Order # D-182-65 | | | | 81122 | D-182-65 |
| 1984 | 6.0L V8 | Executive Order # D-182-65 | | | | 81122 | D-182-65 |
| 1983-82 | 4.1L V8 | Executive Order # D-182-65 | | | | 81122 | D-182-65 |
| | 6.0L V8 | Executive Order # D-182-65 | | | | 81122 | D-182-65 |
| 1981 | 4.1L V6 | Executive Order # D-182-65 | | | | 81122 | D-182-65 |
| | 6.0L V8 | Executive Order # D-182-65 | | | | 81122 | D-182-65 |
| 1980 | 4.1L V6 | w/o Air Tube; Executive Order # D-182-65 | | | | 81128 | D-182-65 |
| | 6.0L V8 | w/o Air Tube; Executive Order # D-182-65 | | | | 81128 | D-182-65 |
| 1979-77 | 7.0L V8 | w/o Air Tube; Executive Order # D-182-65 | | | | 81128 | D-182-65 |

Seville

| | | | | | | | |
|---------|---------|--|--|--|--|--------------|----------|
| 1995-94 | 4.6L V8 | Executive Order # D-182-65 | | | | 81128 | D-182-65 |
| 1993 | 4.6L V8 | Executive Order # D-182-65 | | | | 81128 | D-182-65 |
| | 4.9L V8 | Executive Order # D-182-65 | | | | 81128 | D-182-65 |
| 1992-91 | 4.9L V8 | Executive Order # D-182-65 | | | | 81128 | D-182-65 |
| 1990 | 4.5L V8 | w/o Air Tube; Executive Order # D-182-65 | | | | 81128 | D-182-65 |
| 1989-88 | 4.5L V8 | w/ Air Tube; Executive Order # D-182-65 | | | | 81123 | D-182-65 |
| 1987-82 | 4.1L V8 | Executive Order # D-182-65 | | | | 81122 | D-182-65 |
| 1981 | 4.1L V6 | Executive Order # D-182-65 | | | | 81122 | D-182-65 |
| 1980 | 5.7L V8 | w/o Air Tube; Executive Order # D-182-65 | | | | 81128 | D-182-65 |
| | 6.0L V8 | w/o Air Tube; Executive Order # D-182-65 | | | | 81128 | D-182-65 |
| 1978-77 | 5.7L V8 | Executive Order # D-182-65 | | | | 81128 | D-182-65 |
| 1976 | 5.7L V8 | Executive Order # D-182-65 | | | | 81127 | D-182-65 |

CHEVROLET

Astro

| | | | | | | | |
|---------|---------|-------------------------------------|--|--------------|--|--------------|----------|
| 1995-94 | 4.3L V6 | Executive Order # D-182-55 | | | | 80907 | D-182-55 |
| 1993 | 4.3L V6 | Executive Order # D-182-55 | | 80942 | | 80907 | D-182-55 |
| 1992 | 4.3L V6 | VIN "W"; Executive Order # D-182-55 | | 80942 | | 80907 | D-182-55 |
| | | VIN "Z"; Executive Order # D-182-55 | | 80948 | | 80906 | D-182-55 |
| 1991 | 4.3L V6 | Executive Order # D-182-55 | | 80940 | | 80906 | D-182-55 |
| 1990-85 | 2.5L L4 | Executive Order # D-182-55 | | | | 80905 | D-182-55 |
| | 4.3L V6 | Executive Order # D-182-55 | | 80940 | | 80906 | D-182-55 |

Bel Air

| | | | | | | | |
|------|---------|----------------------------|--|--|--|--------------|----------|
| 1975 | 5.7L V8 | Executive Order # D-182-65 | | | | 81128 | D-182-65 |
| | 6.6L V8 | Executive Order # D-182-65 | | | | 81128 | D-182-65 |
| | 7.4L V8 | Executive Order # D-182-65 | | | | 81128 | D-182-65 |

Beretta

| | | | | | | | |
|---------|---------|----------------------------|--|--|--|--------------|----------|
| 1995 | 2.2L L4 | Executive Order # D-182-65 | | | | 81126 | D-182-65 |
| | 3.1L V6 | Executive Order # D-182-65 | | | | 81101 | D-182-65 |
| 1994 | 2.2L L4 | Executive Order # D-182-65 | | | | 81126 | D-182-65 |
| | 2.3L L4 | Executive Order # D-182-65 | | | | 81126 | D-182-65 |
| | 3.1L V6 | Executive Order # D-182-65 | | | | 81101 | D-182-65 |
| 1993-92 | 2.2L L4 | Executive Order # D-182-65 | | | | 81126 | D-182-65 |

For vehicles licensed in the state of California or Maine, or vehicles requiring CARB-compliant converters in the state of New York, the parts in this catalog must be installed as specifically listed. Parts cannot be substituted, nor can they be installed on California or Maine licensed vehicles not listed in this catalog.

NON-OBDII PASSENGER CAR & TRUCK

| Years | Engine | Application | Position | Direct-Fit | | Universal Part No. | Executive Order |
|--------------------------|---------|---|----------|--------------|-----------|--------------------|-----------------|
| | | | | Part No. | Hardware | | |
| CHEVROLET (Cont.) | | | | | | | |
| Beretta (Cont.) | | | | | | | |
| 1993-92 (Cont.) | 2.3L L4 | Executive Order # D-182-65 | | | | 81126 | D-182-65 |
| | 3.1L V6 | Executive Order # D-182-65 | | | | 81126 | D-182-65 |
| 1991-90 | 2.2L L4 | Executive Order # D-182-65 | | | | 81126 | D-182-65 |
| | 2.3L L4 | Executive Order # D-182-65 | | | | 81126 | D-182-65 |
| | 3.1L V6 | Executive Order # D-182-65 | | | | 81126 | D-182-65 |
| 1989-87 | 2.0L L4 | Executive Order # D-182-65 | | | | 81126 | D-182-65 |
| | 2.8L V6 | Executive Order # D-182-65 | | | | 81126 | D-182-65 |
| Blazer | | | | | | | |
| 1994 | 5.7L V8 | Executive Order # D-182-55 | | | | 80907 | D-182-55 |
| | | VIN "K"; w/ Converter in Y-Pipe; Executive Order # D-182-55 | | 80946 | 31398 (2) | | D-182-55 |
| 1993-92 | 5.7L V8 | Executive Order # D-182-55 | | | | 80907 | D-182-55 |
| 1991-88 | 5.7L V8 | Executive Order # D-182-55 | | 80942 | | 80907 | D-182-55 |
| 1987 | 5.0L V8 | Executive Order # D-182-55 | | 80940 | | 80906 | D-182-55 |
| | 5.7L V8 | Executive Order # D-182-55 | | 80942 | | 80907 | D-182-55 |
| C10 | | | | | | | |
| 1986-85 | 4.3L V6 | Executive Order # D-182-55 | | 80940 | | 80906 | D-182-55 |
| | 5.0L V8 | Executive Order # D-182-55 | | 80940 | | 80906 | D-182-55 |
| | 5.7L V8 | Executive Order # D-182-55 | | 80940 | | 80906 | D-182-55 |
| 1984-83 | 4.1L L6 | Executive Order # D-182-55 | | 80940 | | 80906 | D-182-55 |
| | 5.0L V8 | Executive Order # D-182-55 | | 80940 | | 80906 | D-182-55 |
| | 5.7L V8 | Executive Order # D-182-55 | | 80940 | | 80906 | D-182-55 |
| 1982 | 4.1L L6 | Executive Order # D-182-55 | | | | 80906 | D-182-55 |
| | 5.0L V8 | Executive Order # D-182-55 | | | | 80906 | D-182-55 |
| | 5.7L V8 | Executive Order # D-182-55 | | | | 80906 | D-182-55 |
| 1981-80 | 4.1L L6 | Executive Order # D-182-55 | | | | 80906 | D-182-55 |
| | 5.0L V8 | Executive Order # D-182-55 | | | | 80906 | D-182-55 |
| | 5.7L V8 | Executive Order # D-182-55 | | | | 80906 | D-182-55 |
| 1979-77 | 4.1L L6 | Executive Order # D-182-55 | | | | 80906 | D-182-55 |
| | 5.0L V8 | Executive Order # D-182-55 | | | | 80906 | D-182-55 |
| | 5.7L V8 | Executive Order # D-182-55 | | | | 80906 | D-182-55 |
| | 7.4L V8 | Executive Order # D-182-55 | | 80940 | | 80906 | D-182-55 |
| 1976-75 | 4.1L L6 | Executive Order # D-182-55 | | | | 80906 | D-182-55 |
| | 5.7L V8 | Executive Order # D-182-55 | | | | 80906 | D-182-55 |
| | 7.4L V8 | Executive Order # D-182-55 | | 80940 | | 80906 | D-182-55 |
| C10 Suburban | | | | | | | |
| 1986-83 | 5.0L V8 | Executive Order # D-182-55 | | 80940 | | 80906 | D-182-55 |
| | 5.7L V8 | Executive Order # D-182-55 | | 80940 | | 80906 | D-182-55 |
| 1982-80 | 5.0L V8 | Executive Order # D-182-55 | | | | 80906 | D-182-55 |
| | 5.7L V8 | Executive Order # D-182-55 | | | | 80906 | D-182-55 |
| 1979-78 | 4.1L L6 | Executive Order # D-182-55 | | | | 80906 | D-182-55 |
| | 5.0L V8 | Executive Order # D-182-55 | | | | 80906 | D-182-55 |
| | 5.7L V8 | Executive Order # D-182-55 | | | | 80906 | D-182-55 |
| | 7.4L V8 | Executive Order # D-182-55 | | 80940 | | 80906 | D-182-55 |
| 1977 | 4.1L L6 | Executive Order # D-182-55 | | | | 80906 | D-182-55 |

For vehicles licensed in the state of California or Maine, or vehicles requiring CARB-compliant converters in the state of New York, the parts in this catalog must be installed as specifically listed. Parts cannot be substituted, nor can they be installed on California or Maine licensed vehicles not listed in this catalog.

NON-OBDII PASSENGER CAR & TRUCK

| Years | Engine | Application | Position | Direct-Fit | | Universal Part No. | Executive Order |
|-----------------------------|----------------------------|--|--------------|--------------|--------------|--------------------|-----------------|
| | | | | Part No. | Hardware | | |
| CHEVROLET (Cont.) | | | | | | | |
| C10 Suburban (Cont.) | | | | | | | |
| 1977 (Cont.) | 5.0L V8 | Executive Order # D-182-55 | | | | 80906 | D-182-55 |
| | 5.7L V8 | Executive Order # D-182-55 | | | | 80906 | D-182-55 |
| 1976-75 | 4.1L L6 | Executive Order # D-182-55 | | | | 80906 | D-182-55 |
| | 5.7L V8 | Executive Order # D-182-55 | | | | 80906 | D-182-55 |
| C1500 | | | | | | | |
| 1995-94 | 4.3L V6 | Executive Order # D-182-55 | | 80946 | 31398 (2) | 80907 | D-182-55 |
| | 5.0L V8 | Executive Order # D-182-55 | | 80946 | 31398 (2) | 80907 | D-182-55 |
| | 5.7L V8 | Executive Order # D-182-55 | | 80946 | 31398 (2) | 80907 | D-182-55 |
| 1993 | 4.3L V6 | Except Converter in Y-Pipe; Executive Order # D-182-55 | | 80948 | | | D-182-55 |
| | | Executive Order # D-182-55 | | | | 80906 | D-182-55 |
| | 5.0L V8 | Except Converter in Y-Pipe; Executive Order # D-182-55 | | 80948 | | | D-182-55 |
| | | Executive Order # D-182-55 | | | | 80906 | D-182-55 |
| 5.7L V8 | Executive Order # D-182-55 | | 80942 | | 80907 | D-182-55 | |
| 7.4L V8 | Executive Order # D-182-55 | | 80942 | | 80907 | D-182-55 | |
| 1992 | 4.3L V6 | Executive Order # D-182-55 | | 80948 | | 80906 | D-182-55 |
| | 5.0L V8 | Executive Order # D-182-55 | | 80948 | | 80906 | D-182-55 |
| | 5.7L V8 | Executive Order # D-182-55 | | 80942 | | 80907 | D-182-55 |
| | 7.4L V8 | Executive Order # D-182-55 | | 80942 | | 80907 | D-182-55 |
| 1991 | 4.3L V6 | Executive Order # D-182-55 | | 80948 | | 80906 | D-182-55 |
| | 5.0L V8 | Executive Order # D-182-55 | | 80948 | | 80906 | D-182-55 |
| | 5.7L V8 | Executive Order # D-182-55 | | 80942 | | 80907 | D-182-55 |
| | 7.4L V8 | Executive Order # D-182-55 | Left | | | | 80907 |
| Right | | | | | | 80907 | D-182-55 |
| 1990 | 4.3L V6 | Executive Order # D-182-55 | | 80948 | | 80906 | D-182-55 |
| | 5.0L V8 | Executive Order # D-182-55 | | 80948 | | 80906 | D-182-55 |
| | 5.7L V8 | Executive Order # D-182-55 | | 80942 | | 80907 | D-182-55 |
| | 7.4L V8 | Executive Order # D-182-55 | | 80942 | | 80907 | D-182-55 |
| 1989-88 | 4.3L V6 | Executive Order # D-182-55 | | 80948 | | 80906 | D-182-55 |
| | 5.0L V8 | Executive Order # D-182-55 | | 80948 | | 80906 | D-182-55 |
| | 5.7L V8 | Executive Order # D-182-55 | | 80942 | | 80907 | D-182-55 |
| C1500 Suburban | | | | | | | |
| 1995-94 | 5.7L V8 | Executive Order # D-182-55 | | 80946 | 31398 (2) | 80907 | D-182-55 |
| 1993-92 | 5.7L V8 | Executive Order # D-182-55 | | | | 80907 | D-182-55 |
| C20 | | | | | | | |
| 1986 | 4.3L V6 | Executive Order # D-182-55 | | 80940 | | 80906 | D-182-55 |
| | 5.0L V8 | Executive Order # D-182-55 | | 80940 | | 80906 | D-182-55 |
| | 5.7L V8 | Executive Order # D-182-55 | | 80940 | | 80906 | D-182-55 |
| 1985 | 4.3L V6 | Executive Order # D-182-55 | | 80940 | | 80906 | D-182-55 |
| | 5.0L V8 | Executive Order # D-182-55 | | 80940 | | 80906 | D-182-55 |
| | 5.7L V8 | Executive Order # D-182-55 | | 80940 | | 80906 | D-182-55 |
| 1984-83 | 4.1L L6 | Executive Order # D-182-55 | | 80940 | | 80906 | D-182-55 |
| | 5.0L V8 | Executive Order # D-182-55 | | 80940 | | 80906 | D-182-55 |
| | 5.7L V8 | Executive Order # D-182-55 | | 80940 | | 80906 | D-182-55 |

For vehicles licensed in the state of California or Maine, or vehicles requiring CARB-compliant converters in the state of New York, the parts in this catalog must be installed as specifically listed. Parts cannot be substituted, nor can they be installed on California or Maine licensed vehicles not listed in this catalog.

NON-OBDDII PASSENGER CAR & TRUCK

| Years | Engine | Application | Position | Direct-Fit | | Universal Part No. | Executive Order |
|---|----------------------------|--|--------------|--------------|--------------|--------------------|-----------------|
| | | | | Part No. | Hardware | | |
| CHEVROLET (Cont.) | | | | | | | |
| C20 (Cont.) | | | | | | | |
| 1982-78 | 4.1L L6 | Executive Order # D-182-55 | | | | 80906 | D-182-55 |
| | 5.0L V8 | Executive Order # D-182-55 | | | | 80906 | D-182-55 |
| | 5.7L V8 | Executive Order # D-182-55 | | | | 80906 | D-182-55 |
| | 7.4L V8 | Executive Order # D-182-55 | | 80940 | | 80906 | D-182-55 |
| 1977 | 4.1L L6 | Executive Order # D-182-55 | | | | 80906 | D-182-55 |
| | 5.0L V8 | Executive Order # D-182-55 | | | | 80906 | D-182-55 |
| | 5.7L V8 | Executive Order # D-182-55 | | | | 80906 | D-182-55 |
| 1976-75 | 4.1L L6 | Executive Order # D-182-55 | | | | 80906 | D-182-55 |
| | 5.7L V8 | Executive Order # D-182-55 | | | | 80906 | D-182-55 |
| C20 Suburban | | | | | | | |
| 1986-80 | 5.0L V8 | Executive Order # D-182-55 | | 80940 | | 80906 | D-182-55 |
| | 5.7L V8 | Executive Order # D-182-55 | | 80940 | | 80906 | D-182-55 |
| 1979-78 | 5.7L V8 | Executive Order # D-182-55 | | 80940 | | 80906 | D-182-55 |
| | 7.4L V8 | Executive Order # D-182-55 | | 80940 | | 80906 | D-182-55 |
| C2500 | | | | | | | |
| 1995 | 4.3L V6 | Executive Order # D-182-55 | | | | 80907 | D-182-55 |
| | | Under 8,500 lb. GVW; Executive Order # D-182-55 | | 80946 | 31398 (2) | | D-182-55 |
| | 5.0L V8 | Under 8,500 lb. GVW; Executive Order # D-182-55 | | 80946 | 31398 (2) | | D-182-55 |
| | 5.7L V8 | Executive Order # D-182-55 | | | | 80907 | D-182-55 |
| | | Under 8,500 lb. GVW; Executive Order # D-182-55 | | 80946 | 31398 (2) | | D-182-55 |
| 7.4L V8 | Executive Order # D-182-55 | | | | 80907 | D-182-55 | |
| 1994 | 4.3L V6 | Executive Order # D-182-55 | | | | 80907 | D-182-55 |
| | | Under 8,500 lb. GVW; Executive Order # D-182-55 | | 80946 | 31398 (2) | | D-182-55 |
| | 5.0L V8 | Executive Order # D-182-55 | | | | 80907 | D-182-55 |
| | | Under 8,500 lb. GVW; Executive Order # D-182-55 | | 80946 | 31398 (2) | | D-182-55 |
| | 5.7L V8 | Executive Order # D-182-55 | | | | 80907 | D-182-55 |
| Under 8,500 lb. GVW; Executive Order # D-182-55 | | | 80946 | 31398 (2) | | D-182-55 | |
| 7.4L V8 | Executive Order # D-182-55 | | | | 80907 | D-182-55 | |
| 1993-91 | 4.3L V6 | Executive Order # D-182-55 | | | | 80906 | D-182-55 |
| | | Under 8,500 lb. GVW; Executive Order # D-182-55 | | 80948 | | | D-182-55 |
| | 5.0L V8 | Executive Order # D-182-55 | | | | 80906 | D-182-55 |
| | | Under 8,500 lb. GVW; Executive Order # D-182-55 | | 80948 | | | D-182-55 |
| | 5.7L V8 | Executive Order # D-182-55 | | 80942 | | 80907 | D-182-55 |
| 7.4L V8 | Executive Order # D-182-55 | | 80942 | | 80907 | D-182-55 | |
| 1990 | 4.3L V6 | Executive Order # D-182-55 | | | | 80906 | D-182-55 |
| | | Under 8,500 lb. GVW; Executive Order # D-182-55 | | 80948 | | | D-182-55 |
| | 5.0L V8 | Executive Order # D-182-55 | | | | 80906 | D-182-55 |
| | 5.7L V8 | Executive Order # D-182-55 | | 80942 | | 80907 | D-182-55 |
| 1989-88 | 4.3L V6 | Executive Order # D-182-55 | | | | 80906 | D-182-55 |
| | | Under 8,500 lb. GVW; Executive Order # D-182-55 | | 80948 | | | D-182-55 |
| | 5.0L V8 | Executive Order # D-182-55 | | | | 80906 | D-182-55 |
| | | Under 8,500 lb. GVW; Executive Order # D-182-55 | | 80948 | | | D-182-55 |
| | 5.7L V8 | w/ 1 Catalytic Converter; Executive Order # D-182-55 | | 80942 | | 80907 | D-182-55 |
| w/ 2 Catalytic Converters; Executive Order # D-182-37 | | Front | | | 80609 | D-182-37 | |
| | | Rear | | | 80709 | D-182-37 | |

For vehicles licensed in the state of California or Maine, or vehicles requiring CARB-compliant converters in the state of New York, the parts in this catalog must be installed as specifically listed. Parts cannot be substituted, nor can they be installed on California or Maine licensed vehicles not listed in this catalog.

OBDDII APPLICATIONS

NON-OBDDII APPLICATIONS

NUMERICAL

UNIVERSAL SPECIFICATIONS

NON-OBDI PASSENGER CAR & TRUCK

| Years | Engine | Application | Position | Direct-Fit | | Universal Part No. | Executive Order | |
|--------------------------|---------|---|---|--------------|----------|--------------------|-----------------|----------|
| | | | | Part No. | Hardware | | | |
| CHEVROLET (Cont.) | | | | | | | | |
| C2500 Suburban | | | | | | | | |
| 1999 | 5.7L V8 | EFN # XGMXH05.7582; Executive Order # D-182-69 | Left | | | 83509 | D-182-69 | |
| | | | Right | | | 83509 | D-182-69 | |
| 1998 | 5.7L V8 | EFN # WGMXH05.7582; Executive Order # D-182-69 | Left | | | 83509 | D-182-69 | |
| | | | Right | | | 83509 | D-182-69 | |
| 1997 | 5.7L V8 | EFN # VGM5.7CPGAEA; Executive Order # D-182-69 | Left | | | 83509 | D-182-69 | |
| | | | Right | | | 83509 | D-182-69 | |
| 1995-94 | 5.7L V8 | Executive Order # D-182-55 | | | | 80907 | D-182-55 | |
| | 7.4L V8 | Executive Order # D-182-55 | | | | 80907 | D-182-55 | |
| 1993-92 | 5.7L V8 | Executive Order # D-182-55 | | | | 80907 | D-182-55 | |
| | 7.4L V8 | Executive Order # D-182-55 | | 80942 | | 80907 | D-182-55 | |
| C35 | | | | | | | | |
| 2000 | 5.7L V8 | EFN # YGMXH05.7582; Executive Order # D-182-69 | Left | | | 83509 | D-182-69 | |
| | | | Right | | | 83509 | D-182-69 | |
| 1999 | 5.7L V8 | EFN # XGMXH05.7582; Executive Order # D-182-69 | Left | | | 83509 | D-182-69 | |
| | | | Right | | | 83509 | D-182-69 | |
| 1998 | 5.7L V8 | EFN # WGMXH05.7582; Executive Order # D-182-69 | Left | | | 83509 | D-182-69 | |
| | | | Right | | | 83509 | D-182-69 | |
| 1997 | 5.7L V8 | EFN # VGM5.7CPGAEA; Executive Order # D-182-69 | Left | | | 83509 | D-182-69 | |
| | | | Right | | | 83509 | D-182-69 | |
| 1995 | 5.7L V8 | Executive Order # D-182-55 | | | | 80907 | D-182-55 | |
| 1994 | 5.7L V8 | Executive Order # D-182-55 | | | | 80907 | D-182-55 | |
| 1993-90 | 5.7L V8 | Executive Order # D-182-55 | | 80942 | | 80907 | D-182-55 | |
| 1989-88 | 5.7L V8 | w/ 1 Catalytic Converter; Executive Order # D-182-55 | | 80942 | | 80907 | D-182-55 | |
| | | w/ 2 Catalytic Converters; Executive Order # D-182-37 | Front | | | 80609 | D-182-37 | |
| | | | Rear | | | 80709 | D-182-37 | |
| C3500 | | | | | | | | |
| 2000 | 5.7L V8 | EFN # YGMXH05.7582; Executive Order # D-182-69 | Left | | | 83509 | D-182-69 | |
| | | | Right | | | 83509 | D-182-69 | |
| 1999 | 5.7L V8 | EFN # XGMXH05.7582; Executive Order # D-182-69 | Left | | | 83509 | D-182-69 | |
| | | | Right | | | 83509 | D-182-69 | |
| 1998 | 5.7L V8 | EFN # WGMXH05.7582; Executive Order # D-182-69 | Left | | | 83509 | D-182-69 | |
| | | | Right | | | 83509 | D-182-69 | |
| 1997 | 5.7L V8 | EFN # VGM5.7CPGAEA; Executive Order # D-182-69 | Left | | | 83509 | D-182-69 | |
| | | | Right | | | 83509 | D-182-69 | |
| 1995-94 | 5.7L V8 | Executive Order # D-182-55 | | | | 80907 | D-182-55 | |
| | 7.4L V8 | Executive Order # D-182-55 | | | | 80907 | D-182-55 | |
| 1993-90 | 5.7L V8 | Executive Order # D-182-55 | | 80942 | | 80907 | D-182-55 | |
| | 7.4L V8 | Executive Order # D-182-55 | | 80942 | | 80907 | D-182-55 | |
| 1989-88 | 5.7L V8 | w/ 1 Catalytic Converter; Executive Order # D-182-55 | | 80942 | | 80907 | D-182-55 | |
| | | | w/ 2 Catalytic Converters; Executive Order # D-182-37 | Front | | | 80609 | D-182-37 |
| | | | | Rear | | | 80709 | D-182-37 |
| | 7.4L V8 | Executive Order # D-182-37 | Front | | | 80609 | D-182-37 | |
| | | | Rear | | | 80709 | D-182-37 | |
| Camaro | | | | | | | | |
| 1995 | 3.4L V6 | Executive Order # D-182-65 | | | | 81128 | D-182-65 | |

For vehicles licensed in the state of California or Maine, or vehicles requiring CARB-compliant converters in the state of New York, the parts in this catalog must be installed as specifically listed. Parts cannot be substituted, nor can they be installed on California or Maine licensed vehicles not listed in this catalog.

NON-OBDDII PASSENGER CAR & TRUCK

| Years | Engine | Application | Position | Direct-Fit | | Universal Part No. | Executive Order | |
|--|-------------------------------------|--|--|--------------|--------------|--------------------|-----------------|----------|
| | | | | Part No. | Hardware | | | |
| CHEVROLET (Cont.) | | | | | | | | |
| Camaro (Cont.) | | | | | | | | |
| 1995 (Cont.) | 5.7L V8 | Executive Order # D-182-65 | Left | | | 81103 | D-182-65 | |
| | | | Right | | | 81128 | D-182-65 | |
| 1994-93 | 3.4L V6 | Executive Order # D-182-65 | | | | 81128 | D-182-65 | |
| | 5.7L V8 | Executive Order # D-182-65 | | | | 81128 | D-182-65 | |
| 1992 | 3.1L V6 | Executive Order # D-182-65 | | 81174 | 31865 | | D-182-65 | |
| | | w/ Air Tube; Executive Order # D-182-65 | | | | 81122 | D-182-65 | |
| | | w/o Air Tube; Executive Order # D-182-65 | | | | 81127 | D-182-65 | |
| | 5.0L V8 | Executive Order # D-182-65 | | 81174 | 31865 | | | D-182-65 |
| | | VIN "E"; Executive Order # D-182-65 | | | | | 81122 | D-182-65 |
| | | VIN "F"; w/ Dual Catalytic Converters; Executive Order # D-182-65 | Right | | | | 81122 | D-182-65 |
| | | VIN "F"; w/ Single Catalytic Converter; Executive Order # D-182-65 | | | | | 81122 | D-182-65 |
| | 5.7L V8 | w/ Dual Catalytic Converters; Executive Order # D-182-65 | Left | | | | 81122 | D-182-65 |
| | | | Right | | | | 81122 | D-182-65 |
| | | w/ Single Catalytic Converter; Executive Order # D-182-65 | | | | | 81124 | D-182-65 |
| 1991-90 | 3.1L V6 | Executive Order # D-182-65 | | 81174 | 31865 | | D-182-65 | |
| | | w/ Air Tube; Executive Order # D-182-65 | | | | 81122 | D-182-65 | |
| | | w/o Air Tube; Executive Order # D-182-65 | | | | 81127 | D-182-65 | |
| | 5.0L V8 | Executive Order # D-182-65 | | 81174 | 31865 | | | D-182-65 |
| | | w/ Dual Catalytic Converters; Executive Order # D-182-65 | Left | | | | 81122 | D-182-65 |
| | | | Right | | | | 81122 | D-182-65 |
| | 5.7L V8 | w/ Dual Catalytic Converters; Executive Order # D-182-65 | Left | | | | 81122 | D-182-65 |
| | | | Right | | | | 81122 | D-182-65 |
| | | w/ Single Catalytic Converter; Executive Order # D-182-65 | | | | | 81124 | D-182-65 |
| | 1989 | 2.8L V6 | w/ Air Tube; Executive Order # D-182-65 | | 81174 | 31865 | | D-182-65 |
| w/o Air Tube; Executive Order # D-182-65 | | | | | | 81127 | D-182-65 | |
| 5.0L V8 | | Executive Order # D-182-65 | | 81174 | 31865 | | 81122 | D-182-65 |
| | | VIN "F"; w/ Single Catalytic Converter; Executive Order # D-182-65 | | | | | 81124 | D-182-65 |
| | | w/ Dual Catalytic Converters; Executive Order # D-182-65 | Left | | | | 81122 | D-182-65 |
| | | | Right | | | | 81122 | D-182-65 |
| 5.7L V8 | | w/ Dual Catalytic Converters; Executive Order # D-182-65 | Left | | | | 81122 | D-182-65 |
| | | | Right | | | | 81122 | D-182-65 |
| | | w/ Single Catalytic Converter; Executive Order # D-182-65 | | | | | 81124 | D-182-65 |
| 1988 | | 2.8L V6 | w/ Air Tube; Executive Order # D-182-65 | | 81174 | 31865 | | D-182-65 |
| | | | w/o Air Tube; Executive Order # D-182-65 | | | | 81127 | D-182-65 |
| | | 5.0L V8 | Executive Order # D-182-65 | | 81174 | 31865 | | |
| | VIN "E"; Executive Order # D-182-65 | | | | | | 81122 | D-182-65 |
| | VIN "F"; Executive Order # D-182-65 | | | | | | 81124 | D-182-65 |
| | 5.7L V8 | Executive Order # D-182-65 | | | | 81124 | D-182-65 | |
| 1987 | 2.8L V6 | w/ Air Tube; Executive Order # D-182-65 | | 81174 | 31865 | | D-182-65 | |
| | | w/o Air Tube; Executive Order # D-182-65 | | | | 81127 | D-182-65 | |

For vehicles licensed in the state of California or Maine, or vehicles requiring CARB-compliant converters in the state of New York, the parts in this catalog must be installed as specifically listed. Parts cannot be substituted, nor can they be installed on California or Maine licensed vehicles not listed in this catalog.

OBDDII APPLICATIONS

NON-OBDDII APPLICATIONS

NUMERICAL

UNIVERSAL SPECIFICATIONS

NON-OBDI PASSENGER CAR & TRUCK

| Years | Engine | Application | Position | Direct-Fit | | Universal Part No. | Executive Order |
|-------------------------------------|-------------------------------------|--|--|------------|----------|--------------------|-----------------|
| | | | | Part No. | Hardware | | |
| CHEVROLET (Cont.) | | | | | | | |
| Camaro (Cont.) | | | | | | | |
| 1987 (Cont.) | 5.0L V8 | Executive Order # D-182-65 | | 81174 | 31865 | | D-182-65 |
| | | VIN "F"; Executive Order # D-182-65 | | | | 81124 | D-182-65 |
| | | VIN "H"; Executive Order # D-182-65 | | | | 81122 | D-182-65 |
| | 5.7L V8 | Executive Order # D-182-65 | | | | 81124 | D-182-65 |
| 1986 | 2.5L L4 | Executive Order # D-182-65 | | | | 81126 | D-182-65 |
| | 2.8L V6 | Executive Order # D-182-65 | | 81174 | 31865 | 81127 | D-182-65 |
| | 5.0L V8 | Executive Order # D-182-65 | | 81174 | 31865 | | D-182-65 |
| | | VIN "F"; Executive Order # D-182-65 | | | | 81124 | D-182-65 |
| | | VIN "G"; Executive Order # D-182-65 | | | | 81124 | D-182-65 |
| | | VIN "H"; Executive Order # D-182-65 | | | | 81122 | D-182-65 |
| | 1985 | 2.5L L4 | w/o Air Tube; Executive Order # D-182-65 | | | | 81126 |
| 2.8L V6 | | w/ Air Tube; Executive Order # D-182-65 | | 81174 | 31865 | | D-182-65 |
| 5.0L V8 | | Executive Order # D-182-65 | | 81174 | 31865 | | D-182-65 |
| | | VIN "F"; Executive Order # D-182-65 | | | | 81123 | D-182-65 |
| | | VIN "G"; Executive Order # D-182-65 | | | | 81124 | D-182-65 |
| | VIN "H"; Executive Order # D-182-65 | | | | 81122 | D-182-65 | |
| 1984 | 2.5L L4 | w/o Air Tube; Executive Order # D-182-65 | | | | 81126 | D-182-65 |
| | 2.8L V6 | w/ Air Tube; Executive Order # D-182-65 | | 81174 | 31865 | 81122 | D-182-65 |
| | 5.0L V8 | Executive Order # D-182-65 | | 81174 | 31865 | | D-182-65 |
| | | VIN "G"; Executive Order # D-182-65 | | | | 81124 | D-182-65 |
| | | VIN "H"; Executive Order # D-182-65 | | | | 81122 | D-182-65 |
| 1983 | 2.5L L4 | w/o Air Tube; Executive Order # D-182-65 | | | | 81126 | D-182-65 |
| | 2.8L V6 | w/ Air Tube; Executive Order # D-182-65 | | 81174 | 31865 | 81122 | D-182-65 |
| | 5.0L V8 | Executive Order # D-182-65 | | 81174 | 31865 | | D-182-65 |
| | | VIN "7"; Executive Order # D-182-65 | | | | 81123 | D-182-65 |
| | | VIN "H"; Executive Order # D-182-65 | | | | 81122 | D-182-65 |
| VIN "S"; Executive Order # D-182-65 | | | | | 81122 | D-182-65 | |
| 1982 | 2.5L L4 | w/o Air Tube; Executive Order # D-182-65 | | | | 81126 | D-182-65 |
| | 2.8L V6 | Executive Order # D-182-65 | | | | 81121 | D-182-65 |
| | 5.0L V8 | Executive Order # D-182-65 | | 81174 | 31865 | | D-182-65 |
| | | VIN "7"; Executive Order # D-182-65 | | | | 81122 | D-182-65 |
| | | VIN "H"; Executive Order # D-182-65 | | | | 81127 | D-182-65 |
| 1981 | 3.8L V6 | w/ Air Tube; Executive Order # D-182-65 | | | | 81122 | D-182-65 |
| | | w/o Air Tube; Executive Order # D-182-65 | | | | 81127 | D-182-65 |
| | 4.4L V8 | Executive Order # D-182-65 | | | | 81122 | D-182-65 |
| | 5.0L V8 | w/ Air Tube; Executive Order # D-182-65 | | | | 81122 | D-182-65 |
| | | w/o Air Tube; Executive Order # D-182-65 | | | | 81127 | D-182-65 |
| | 5.7L V8 | Executive Order # D-182-65 | | | | 81122 | D-182-65 |
| 1980 | 3.8L V6 | Executive Order # D-182-65 | | | | 81127 | D-182-65 |
| | 4.4L V8 | Executive Order # D-182-65 | | | | 81122 | D-182-65 |
| | 5.0L V8 | Executive Order # D-182-65 | | | | 81122 | D-182-65 |
| | 5.7L V8 | Executive Order # D-182-65 | | | | 81128 | D-182-65 |
| 1979-76 | 4.1L L6 | Executive Order # D-182-65 | | | | 81127 | D-182-65 |
| | 5.0L V8 | Executive Order # D-182-65 | | | | 81127 | D-182-65 |
| | 5.7L V8 | Executive Order # D-182-65 | | | | 81127 | D-182-65 |

For vehicles licensed in the state of California or Maine, or vehicles requiring CARB-compliant converters in the state of New York, the parts in this catalog must be installed as specifically listed. Parts cannot be substituted, nor can they be installed on California or Maine licensed vehicles not listed in this catalog.

NON-OBDII PASSENGER CAR & TRUCK

| Years | Engine | Application | Position | Direct-Fit | | Universal Part No. | Executive Order |
|--------------------------|---------|--|----------|--------------|----------|--------------------|-----------------|
| | | | | Part No. | Hardware | | |
| CHEVROLET (Cont.) | | | | | | | |
| Camaro (Cont.) | | | | | | | |
| 1975 | 4.1L L6 | Executive Order # D-182-65 | | | | 81127 | D-182-65 |
| | 5.7L V8 | Executive Order # D-182-65 | | | | 81127 | D-182-65 |
| Caprice | | | | | | | |
| 1995-94 | 4.3L V8 | Executive Order # D-182-65 | Left | | | 81128 | D-182-65 |
| | | | Right | | | 81128 | D-182-65 |
| | 5.7L V8 | Executive Order # D-182-65 | Left | | | 81128 | D-182-65 |
| | | | Right | | | 81128 | D-182-65 |
| 1993-92 | 4.3L V6 | w/ Air Tube; Executive Order # D-182-65 | | 81174 | 31865 | 81122 | D-182-65 |
| | 5.0L V8 | Executive Order # D-182-65 | | | | 81127 | D-182-65 |
| | 5.7L V8 | Executive Order # D-182-65 | | | | 81128 | D-182-65 |
| 1991 | 5.0L V8 | Executive Order # D-182-65 | | | | 81127 | D-182-65 |
| 1990-89 | 4.3L V6 | Executive Order # D-182-65 | | | | 81122 | D-182-65 |
| | 5.7L V8 | w/ Air Tube; Executive Order # D-182-65 | | 81174 | 31865 | 81122 | D-182-65 |
| 1988-86 | 4.3L V6 | w/ Air Tube; Executive Order # D-182-65 | | | | 81122 | D-182-65 |
| | 5.0L V8 | Executive Order # D-182-65 | | 81174 | 31865 | 81122 | D-182-65 |
| | 5.7L V8 | w/ Air Tube; Executive Order # D-182-65 | | 81174 | 31865 | 81122 | D-182-65 |
| 1985 | 4.3L V6 | w/ Air Tube; Executive Order # D-182-65 | | | | 81122 | D-182-65 |
| | 5.0L V8 | Executive Order # D-182-65 | | 81174 | 31865 | 81122 | D-182-65 |
| | 5.7L V8 | w/ Air Tube; Executive Order # D-182-65 | | 81174 | 31865 | 81122 | D-182-65 |
| 1984 | 3.8L V6 | w/ Air Tube; Executive Order # D-182-65 | | 81174 | 31865 | 81122 | D-182-65 |
| | 5.0L V8 | Executive Order # D-182-65 | | 81174 | 31865 | 81122 | D-182-65 |
| | 5.7L V8 | w/ Air Tube; Executive Order # D-182-65 | | 81174 | 31865 | 81122 | D-182-65 |
| 1983 | 3.8L V6 | w/ Air Tube; Executive Order # D-182-65 | | 81174 | 31865 | 81122 | D-182-65 |
| | | w/o Air Tube; Executive Order # D-182-65 | | | | 81127 | D-182-65 |
| | 5.0L V8 | Executive Order # D-182-65 | | 81174 | 31865 | 81122 | D-182-65 |
| | 5.7L V8 | w/ Air Tube; Executive Order # D-182-65 | | 81174 | 31865 | 81122 | D-182-65 |
| 1982-81 | 3.8L V6 | w/ Air Tube; Executive Order # D-182-65 | | | | 81122 | D-182-65 |
| | | w/o Air Tube; Executive Order # D-182-65 | | | | 81127 | D-182-65 |
| | 4.4L V8 | Executive Order # D-182-65 | | | | 81122 | D-182-65 |
| | 5.0L V8 | Executive Order # D-182-65 | | | | 81122 | D-182-65 |
| 1980 | 3.8L V6 | Executive Order # D-182-65 | | | | 81122 | D-182-65 |
| | 5.0L V8 | Executive Order # D-182-65 | | | | 81122 | D-182-65 |
| 1979 | 4.1L L6 | Executive Order # D-182-65 | | | | 81128 | D-182-65 |
| | 5.0L V8 | Executive Order # D-182-65 | | | | 81128 | D-182-65 |
| | 5.7L V8 | Executive Order # D-182-65 | | | | 81128 | D-182-65 |
| 1978-77 | 4.1L L6 | Executive Order # D-182-65 | | | | 81128 | D-182-65 |
| | 5.0L V8 | Executive Order # D-182-65 | | | | 81128 | D-182-65 |
| | 5.7L V8 | Executive Order # D-182-65 | | | | 81128 | D-182-65 |
| 1976-75 | 5.7L V8 | Executive Order # D-182-65 | | | | 81128 | D-182-65 |
| | 6.6L V8 | Executive Order # D-182-65 | | | | 81128 | D-182-65 |
| | 7.4L V8 | Executive Order # D-182-65 | | | | 81128 | D-182-65 |
| Cavalier | | | | | | | |
| 1995 | 2.2L L4 | Executive Order # D-182-65 | | | | 81126 | D-182-65 |
| 1994-92 | 2.2L L4 | Executive Order # D-182-65 | | | | 81126 | D-182-65 |
| | 3.1L V6 | Executive Order # D-182-65 | | | | 81126 | D-182-65 |

OBDII APPLICATIONS

NON-OBDII APPLICATIONS

NUMERICAL

UNIVERSAL SPECIFICATIONS

For vehicles licensed in the state of California or Maine, or vehicles requiring CARB-compliant converters in the state of New York, the parts in this catalog must be installed as specifically listed. Parts cannot be substituted, nor can they be installed on California or Maine licensed vehicles not listed in this catalog.

NON-OBDI PASSENGER CAR & TRUCK

| Years | Engine | Application | Position | Direct-Fit | | Universal Part No. | Executive Order |
|--------------------------|---------|---|----------|------------|----------|--------------------|-----------------|
| | | | | Part No. | Hardware | | |
| CHEVROLET (Cont.) | | | | | | | |
| Cavalier (Cont.) | | | | | | | |
| 1991 | 2.2L L4 | Executive Order # D-182-65 | | | | 81126 | D-182-65 |
| | 3.1L V6 | Executive Order # D-182-65 | | | | 81126 | D-182-65 |
| 1990 | 2.2L L4 | Executive Order # D-182-65 | | | | 81126 | D-182-65 |
| | 3.1L V6 | RS Model; Executive Order # D-182-65 | | | | 81126 | D-182-65 |
| | | Z24 Model; 1st Design; Executive Order # D-182-65 | | | | 81127 | D-182-65 |
| | | Z24 Model; 2nd Design; Executive Order # D-182-65 | | | | 81126 | D-182-65 |
| 1989 | 2.0L L4 | w/o Air Tube; Executive Order # D-182-65 | | | | 81126 | D-182-65 |
| | 2.8L V6 | Base Model; Executive Order # D-182-65 | | | | 81126 | D-182-65 |
| | | RS Model; Executive Order # D-182-65 | | | | 81126 | D-182-65 |
| | | Z24 Model; Executive Order # D-182-65 | | | | 81127 | D-182-65 |
| 1988 | 2.0L L4 | w/o Air Tube; Executive Order # D-182-65 | | | | 81126 | D-182-65 |
| | 2.8L V6 | Base Model; Executive Order # D-182-65 | | | | 81126 | D-182-65 |
| | | Z24 Model; Executive Order # D-182-65 | | | | 81127 | D-182-65 |
| 1987 | 2.0L L4 | w/o Air Tube; Executive Order # D-182-65 | | | | 81126 | D-182-65 |
| | 2.8L V6 | RS Model; Executive Order # D-182-65 | | | | 81126 | D-182-65 |
| | | Z24 Model; Executive Order # D-182-65 | | | | 81127 | D-182-65 |
| 1986 | 2.0L L4 | w/o Air Tube; Executive Order # D-182-65 | | | | 81126 | D-182-65 |
| | 2.8L V6 | Executive Order # D-182-65 | | | | 81126 | D-182-65 |
| 1985 | 2.0L L4 | w/o Air Tube; Executive Order # D-182-65 | | | | 81126 | D-182-65 |
| | 2.8L V6 | w/o Air Tube; Executive Order # D-182-65 | | | | 81126 | D-182-65 |
| 1984 | 2.0L L4 | w/o Air Tube; Executive Order # D-182-65 | | | | 81126 | D-182-65 |
| 1983 | 2.0L L4 | w/ Air Tube; Executive Order # D-182-65 | | | | 81121 | D-182-65 |
| | | w/o Air Tube; Executive Order # D-182-65 | | | | 81126 | D-182-65 |
| 1982 | 1.8L L4 | w/ Air Tube; Executive Order # D-182-65 | | | | 81121 | D-182-65 |
| Celebrity | | | | | | | |
| 1990 | 2.5L L4 | w/o Air Tube; Executive Order # D-182-65 | | | | 81126 | D-182-65 |
| | 3.1L V6 | Executive Order # D-182-65 | | | | 81126 | D-182-65 |
| 1989-87 | 2.5L L4 | w/o Air Tube; Executive Order # D-182-65 | | | | 81126 | D-182-65 |
| | 2.8L V6 | Executive Order # D-182-65 | | | | 81126 | D-182-65 |
| 1986-85 | 2.5L L4 | w/o Air Tube; Executive Order # D-182-65 | | | | 81126 | D-182-65 |
| | 2.8L V6 | w/ Air Tube; Executive Order # D-182-65 | | | | 81121 | D-182-65 |
| | | w/o Air Tube; Executive Order # D-182-65 | | | | 81126 | D-182-65 |
| 1984-83 | 2.5L L4 | w/o Air Tube; Executive Order # D-182-65 | | | | 81126 | D-182-65 |
| | 2.8L V6 | w/ Air Tube; Executive Order # D-182-65 | | | | 81121 | D-182-65 |
| 1982 | 2.5L L4 | w/o Air Tube; Executive Order # D-182-65 | | | | 81126 | D-182-65 |
| | 2.8L V6 | Executive Order # D-182-65 | | | | 81121 | D-182-65 |
| Chevette | | | | | | | |
| 1987-83 | 1.6L L4 | w/ Air Tube; Executive Order # D-182-65 | | | | 81121 | D-182-65 |
| 1982 | 1.6L L4 | w/ Air Tube; Executive Order # D-182-65 | | | | 81121 | D-182-65 |
| | | w/o Air Tube; Executive Order # D-182-65 | | | | 81126 | D-182-65 |
| 1981 | 1.6L L4 | w/o Air Tube; Executive Order # D-182-65 | | | | 81126 | D-182-65 |
| 1980-78 | 1.6L L4 | Executive Order # D-182-65 | | | | 81126 | D-182-65 |
| 1977-76 | 1.4L L4 | Executive Order # D-182-65 | | | | 81126 | D-182-65 |
| | 1.6L L4 | Executive Order # D-182-65 | | | | 81126 | D-182-65 |

For vehicles licensed in the state of California or Maine, or vehicles requiring CARB-compliant converters in the state of New York, the parts in this catalog must be installed as specifically listed. Parts cannot be substituted, nor can they be installed on California or Maine licensed vehicles not listed in this catalog.

NON-OBDII PASSENGER CAR & TRUCK

| Years | Engine | Application | Position | Direct-Fit | | Universal Part No. | Executive Order |
|--------------------------|---------|---|----------|--------------|----------|--------------------|-----------------|
| | | | | Part No. | Hardware | | |
| CHEVROLET (Cont.) | | | | | | | |
| Citation | | | | | | | |
| 1985 | 2.8L V6 | w/ Air Tube; Executive Order # D-182-65 | | | | 81121 | D-182-65 |
| | | w/o Air Tube; Executive Order # D-182-65 | | | | 81126 | D-182-65 |
| 1984 | 2.8L V6 | w/ Air Tube; Executive Order # D-182-65 | | | | 81121 | D-182-65 |
| 1983 | 2.5L L4 | w/o Air Tube; Executive Order # D-182-65 | | | | 81126 | D-182-65 |
| | 2.8L V6 | w/ Air Tube; Executive Order # D-182-65 | | | | 81121 | D-182-65 |
| 1982 | 2.5L L4 | w/o Air Tube; Executive Order # D-182-65 | | | | 81126 | D-182-65 |
| | 2.8L V6 | VIN "X"; Executive Order # D-182-65 | | | | 81121 | D-182-65 |
| | | VIN "Z"; Executive Order # D-182-65 | | | | | 81122 |
| 1981 | 2.5L L4 | w/ Air Tube; Executive Order # D-182-65 | | | | 81121 | D-182-65 |
| | 2.8L V6 | Executive Order # D-182-65 | | | | 81121 | D-182-65 |
| 1980 | 2.5L L4 | Executive Order # D-182-65 | | | | 81126 | D-182-65 |
| | 2.8L V6 | Executive Order # D-182-65 | | | | 81126 | D-182-65 |
| Citation II | | | | | | | |
| 1985 | 2.5L L4 | w/o Air Tube; Executive Order # D-182-65 | | | | 81126 | D-182-65 |
| | 2.8L V6 | w/ Air Tube; Executive Order # D-182-65 | | | | 81121 | D-182-65 |
| | | w/o Air Tube; Executive Order # D-182-65 | | | | | 81126 |
| 1984 | 2.5L L4 | w/o Air Tube; Executive Order # D-182-65 | | | | 81126 | D-182-65 |
| | 2.8L V6 | w/ Air Tube; Executive Order # D-182-65 | | | | 81121 | D-182-65 |
| Corsica | | | | | | | |
| 1995-94 | 2.2L L4 | Executive Order # D-182-65 | | | | 81126 | D-182-65 |
| | 3.1L V6 | Executive Order # D-182-65 | | | | 81101 | D-182-65 |
| 1993-92 | 2.2L L4 | Executive Order # D-182-65 | | | | 81126 | D-182-65 |
| | 3.1L V6 | Executive Order # D-182-65 | | | | 81126 | D-182-65 |
| 1991-90 | 2.2L L4 | Executive Order # D-182-65 | | | | 81126 | D-182-65 |
| | 3.1L V6 | Executive Order # D-182-65 | | | | 81126 | D-182-65 |
| 1989-87 | 2.0L L4 | Executive Order # D-182-65 | | | | 81126 | D-182-65 |
| | 2.8L V6 | Executive Order # D-182-65 | | | | 81126 | D-182-65 |
| Corvette | | | | | | | |
| 1995-92 | 5.7L V8 | If oxygen sensor not used, Plug 35299 is required.; Executive Order # D-182-65 | Left | | | 81111 | D-182-65 |
| | | | Right | | | 81111 | D-182-65 |
| 1985-84 | 5.7L V8 | Executive Order # D-182-65 | | | | 81124 | D-182-65 |
| 1982 | 5.7L V8 | Executive Order # D-182-65 | | | | 81124 | D-182-65 |
| 1981 | 5.7L V8 | Executive Order # D-182-65 | | | | 81127 | D-182-65 |
| 1980 | 5.0L V8 | Executive Order # D-182-65 | | | | 81127 | D-182-65 |
| | 5.7L V8 | Executive Order # D-182-65 | | | | 81127 | D-182-65 |
| 1979-75 | 5.7L V8 | Executive Order # D-182-65 | | | | 81127 | D-182-65 |
| El Camino | | | | | | | |
| 1987-85 | 4.3L V6 | Executive Order # D-182-65 | | | | 81122 | D-182-65 |
| | 5.0L V8 | Executive Order # D-182-65 | | 81174 | 31865 | 81122 | D-182-65 |
| 1984 | 3.8L V6 | Executive Order # D-182-65 | | | | 81122 | D-182-65 |
| | 5.0L V8 | Executive Order # D-182-65 | | 81174 | 31865 | 81122 | D-182-65 |
| 1983 | 3.8L V6 | w/ Air Tube; Executive Order # D-182-65 | | | | 81122 | D-182-65 |
| | | w/o Air Tube; Executive Order # D-182-65 | | | | 81127 | D-182-65 |
| | 5.0L V8 | Executive Order # D-182-65 | | 81174 | 31865 | 81122 | D-182-65 |

For vehicles licensed in the state of California or Maine, or vehicles requiring CARB-compliant converters in the state of New York, the parts in this catalog must be installed as specifically listed. Parts cannot be substituted, nor can they be installed on California or Maine licensed vehicles not listed in this catalog.

NON-OBDI PASSENGER CAR & TRUCK

| Years | Engine | Application | Position | Direct-Fit | | Universal Part No. | Executive Order |
|--------------------------|---------|--|----------|------------|----------|--------------------|-----------------|
| | | | | Part No. | Hardware | | |
| CHEVROLET (Cont.) | | | | | | | |
| El Camino (Cont.) | | | | | | | |
| 1982-81 | 3.8L V6 | w/ Air Tube; Executive Order # D-182-65 | | | | 81122 | D-182-65 |
| | | w/o Air Tube; Executive Order # D-182-65 | | | | 81127 | D-182-65 |
| | 4.4L V8 | w/ Air Tube; Executive Order # D-182-65 | | | | 81122 | D-182-65 |
| | | w/o Air Tube; Executive Order # D-182-65 | | | | 81127 | D-182-65 |
| | 5.0L V8 | w/ Air Tube; Executive Order # D-182-65 | | | | 81122 | D-182-65 |
| | | w/o Air Tube; Executive Order # D-182-65 | | | | 81127 | D-182-65 |
| 1980 | 3.8L V6 | Executive Order # D-182-65 | | | | 81122 | D-182-65 |
| | 4.4L V8 | Executive Order # D-182-65 | | | | 81122 | D-182-65 |
| | 5.0L V8 | Executive Order # D-182-65 | | | | 81122 | D-182-65 |
| 1979 | 3.3L V6 | Executive Order # D-182-65 | | | | 81126 | D-182-65 |
| | 3.8L V6 | Executive Order # D-182-65 | | | | 81126 | D-182-65 |
| | 4.4L V8 | Executive Order # D-182-65 | | | | 81126 | D-182-65 |
| 1978 | 3.3L V6 | Executive Order # D-182-65 | | | | 81126 | D-182-65 |
| | 3.8L V6 | Executive Order # D-182-65 | | | | 81126 | D-182-65 |
| | 5.0L V8 | Executive Order # D-182-65 | | | | 81128 | D-182-65 |
| 1977 | 4.1L L6 | Executive Order # D-182-65 | | | | 81128 | D-182-65 |
| | 5.0L V8 | Executive Order # D-182-65 | | | | 81128 | D-182-65 |
| | 5.7L V8 | Executive Order # D-182-65 | | | | 81128 | D-182-65 |
| 1976 | 4.1L L6 | Executive Order # D-182-65 | | | | 81128 | D-182-65 |
| | 5.0L V8 | Executive Order # D-182-65 | | | | 81128 | D-182-65 |
| | 5.7L V8 | Executive Order # D-182-65 | | | | 81128 | D-182-65 |
| | 6.6L V8 | Executive Order # D-182-65 | | | | 81128 | D-182-65 |
| 1975 | 4.1L L6 | Executive Order # D-182-65 | | | | 81128 | D-182-65 |
| | 5.7L V8 | Executive Order # D-182-65 | | | | 81128 | D-182-65 |
| | 6.6L V8 | Executive Order # D-182-65 | | | | 81128 | D-182-65 |
| | 7.4L V8 | Executive Order # D-182-65 | | | | 81128 | D-182-65 |

Express 3500

| | | | | | | | |
|------|---------|--|-------|--|--|--------------|----------|
| 2001 | 5.7L V8 | EFN # 1GMXH05.7582; Executive Order # D-182-69 | Left | | | 83509 | D-182-69 |
| | | | Right | | | 83509 | D-182-69 |
| 2000 | 5.7L V8 | EFN # YGMXH05.7582; Executive Order # D-182-69 | Left | | | 83509 | D-182-69 |
| | | | Right | | | 83509 | D-182-69 |
| 1999 | 5.7L V8 | EFN # XGMXH05.7582; Executive Order # D-182-69 | Left | | | 83509 | D-182-69 |
| | | | Right | | | 83509 | D-182-69 |
| 1998 | 5.7L V8 | EFN # WGMXH05.7582; Executive Order # D-182-69 | Left | | | 83509 | D-182-69 |
| | | | Right | | | 83509 | D-182-69 |
| 1997 | 5.7L V8 | EFN # VGM5.7CPGAEA; Executive Order # D-182-69 | Left | | | 83509 | D-182-69 |
| | | | Right | | | 83509 | D-182-69 |

G10

| | | | | | | | |
|---------|---------|----------------------------|--|--------------|--|--------------|----------|
| 1995 | 4.3L V6 | Executive Order # D-182-55 | | | | 80907 | D-182-55 |
| | 5.0L V8 | Executive Order # D-182-55 | | | | 80907 | D-182-55 |
| 1994-87 | 4.3L V6 | Executive Order # D-182-55 | | 80940 | | 80906 | D-182-55 |
| | 5.0L V8 | Executive Order # D-182-55 | | 80940 | | 80906 | D-182-55 |
| 1986-85 | 4.3L V6 | Executive Order # D-182-55 | | 80940 | | 80906 | D-182-55 |
| | 5.0L V8 | Executive Order # D-182-55 | | 80940 | | 80906 | D-182-55 |
| | 5.7L V8 | Executive Order # D-182-55 | | 80940 | | 80906 | D-182-55 |

For vehicles licensed in the state of California or Maine, or vehicles requiring CARB-compliant converters in the state of New York, the parts in this catalog must be installed as specifically listed. Parts cannot be substituted, nor can they be installed on California or Maine licensed vehicles not listed in this catalog.

NON-OBDDII PASSENGER CAR & TRUCK

| Years | Engine | Application | Position | Direct-Fit | | Universal Part No. | Executive Order |
|---|---------|--|----------|------------|----------|--------------------|-----------------|
| | | | | Part No. | Hardware | | |
| CHEVROLET (Cont.) | | | | | | | |
| G10 (Cont.) | | | | | | | |
| 1984-83 | 4.1L L6 | Executive Order # D-182-55 | | 80940 | | 80906 | D-182-55 |
| | 5.0L V8 | Executive Order # D-182-55 | | 80940 | | 80906 | D-182-55 |
| | 5.7L V8 | Executive Order # D-182-55 | | 80940 | | 80906 | D-182-55 |
| 1982-77 | 4.1L L6 | Executive Order # D-182-55 | | | | 80906 | D-182-55 |
| | 5.0L V8 | Executive Order # D-182-55 | | | | 80906 | D-182-55 |
| | 5.7L V8 | Executive Order # D-182-55 | | | | 80906 | D-182-55 |
| 1976-75 | 4.1L L6 | Executive Order # D-182-55 | | | | 80906 | D-182-55 |
| | 5.7L V8 | Executive Order # D-182-55 | | | | 80906 | D-182-55 |
| G20 | | | | | | | |
| 1995 | 4.3L V6 | Executive Order # D-182-55 | | | | 80907 | D-182-55 |
| | 5.0L V8 | Executive Order # D-182-55 | | | | 80907 | D-182-55 |
| | 5.7L V8 | Executive Order # D-182-55 | | | | 80907 | D-182-55 |
| 1994 | 4.3L V6 | Executive Order # D-182-55 | | 80940 | | 80906 | D-182-55 |
| | 5.0L V8 | Executive Order # D-182-55 | | 80940 | | 80906 | D-182-55 |
| | 5.7L V8 | Executive Order # D-182-55 | | | | 80907 | D-182-55 |
| 1993-90 | 4.3L V6 | Executive Order # D-182-55 | | 80940 | | 80906 | D-182-55 |
| | 5.0L V8 | Executive Order # D-182-55 | | 80940 | | 80906 | D-182-55 |
| | 5.7L V8 | Executive Order # D-182-55 | | 80942 | | 80907 | D-182-55 |
| 1989-87 | 4.3L V6 | Executive Order # D-182-55 | | 80940 | | 80906 | D-182-55 |
| | 5.0L V8 | Executive Order # D-182-55 | | 80940 | | 80906 | D-182-55 |
| | 5.7L V8 | w/ 1 Catalytic Converter; Executive Order # D-182-55 | | 80942 | | 80907 | D-182-55 |
| w/ 2 Catalytic Converters; Executive Order # D-182-37 | | Front | | | 80609 | D-182-37 | |
| | | Rear | | | 80709 | D-182-37 | |
| 1986-85 | 4.3L V6 | Executive Order # D-182-55 | | 80940 | | 80906 | D-182-55 |
| | 5.0L V8 | Executive Order # D-182-55 | | 80940 | | 80906 | D-182-55 |
| | 5.7L V8 | Executive Order # D-182-55 | | 80940 | | 80906 | D-182-55 |
| 1984-83 | 4.1L L6 | Executive Order # D-182-55 | | 80940 | | 80906 | D-182-55 |
| | 5.0L V8 | Executive Order # D-182-55 | | 80940 | | 80906 | D-182-55 |
| | 5.7L V8 | Executive Order # D-182-55 | | 80940 | | 80906 | D-182-55 |
| 1982-81 | 4.1L L6 | Executive Order # D-182-55 | | | | 80906 | D-182-55 |
| | 5.0L V8 | Executive Order # D-182-55 | | | | 80906 | D-182-55 |
| | 5.7L V8 | Executive Order # D-182-55 | | | | 80906 | D-182-55 |
| 1980-79 | 4.1L L6 | Executive Order # D-182-55 | | | | 80906 | D-182-55 |
| | 5.0L V8 | Executive Order # D-182-55 | | | | 80906 | D-182-55 |
| | 5.7L V8 | Executive Order # D-182-55 | | | | 80906 | D-182-55 |
| | 6.6L V8 | Executive Order # D-182-55 | | 80940 | | 80906 | D-182-55 |
| 1978 | 4.1L L6 | Executive Order # D-182-55 | | | | 80906 | D-182-55 |
| | 5.0L V8 | Executive Order # D-182-55 | | | | 80906 | D-182-55 |
| | 5.7L V8 | Executive Order # D-182-55 | | | | 80906 | D-182-55 |
| 1977-76 | 5.7L V8 | Executive Order # D-182-55 | | | | 80906 | D-182-55 |
| 1975 | 4.1L L6 | Executive Order # D-182-55 | | | | 80906 | D-182-55 |
| | 5.7L V8 | Executive Order # D-182-55 | | | | 80906 | D-182-55 |
| G30 | | | | | | | |
| 1995 | 4.3L V6 | Executive Order # D-182-55 | | | | 80907 | D-182-55 |
| | 5.7L V8 | Executive Order # D-182-55 | | | | 80907 | D-182-55 |

OBDDII APPLICATIONS

NON-OBDDII APPLICATIONS

NUMERICAL

UNIVERSAL SPECIFICATIONS

For vehicles licensed in the state of California or Maine, or vehicles requiring CARB-compliant converters in the state of New York, the parts in this catalog must be installed as specifically listed. Parts cannot be substituted, nor can they be installed on California or Maine licensed vehicles not listed in this catalog.

NON-OBDII PASSENGER CAR & TRUCK

| Years | Engine | Application | Position | Direct-Fit | | Universal Part No. | Executive Order |
|--------------------------|---------|---|----------|--------------|----------|--------------------|-----------------|
| | | | | Part No. | Hardware | | |
| CHEVROLET (Cont.) | | | | | | | |
| G30 (Cont.) | | | | | | | |
| 1994 | 4.3L V6 | Executive Order # D-182-55 | | | | 80906 | D-182-55 |
| | | Under 8,500 lb. GVW; Executive Order # D-182-55 | | 80940 | | | D-182-55 |
| | 5.7L V8 | Executive Order # D-182-55 | | | | 80907 | D-182-55 |
| 1993-91 | 4.3L V6 | Executive Order # D-182-55 | | | | 80906 | D-182-55 |
| | | Under 8,500 lb. GVW; Executive Order # D-182-55 | | 80940 | | | D-182-55 |
| | 5.7L V8 | Executive Order # D-182-55 | | 80942 | | 80907 | D-182-55 |
| 1990 | 4.3L V6 | Executive Order # D-182-55 | | 80940 | | 80906 | D-182-55 |
| | 5.7L V8 | Executive Order # D-182-55 | | 80942 | | 80907 | D-182-55 |
| 1989-87 | 4.3L V6 | Executive Order # D-182-55 | | 80940 | | 80906 | D-182-55 |
| | | w/ 1 Catalytic Converter; Executive Order # D-182-55 | | 80942 | | 80907 | D-182-55 |
| | | w/ 2 Catalytic Converters; Executive Order # D-182-37 | Front | | | 80609 | D-182-37 |
| | | | Rear | | | 80709 | D-182-37 |
| 1986-85 | 4.3L V6 | Executive Order # D-182-55 | | 80940 | | 80906 | D-182-55 |
| | 5.7L V8 | Executive Order # D-182-55 | | 80940 | | 80906 | D-182-55 |
| 1984-81 | 4.1L L6 | Executive Order # D-182-55 | | 80940 | | 80906 | D-182-55 |
| | 5.7L V8 | Executive Order # D-182-55 | | 80940 | | 80906 | D-182-55 |
| 1980 | 5.7L V8 | Executive Order # D-182-55 | | 80940 | | 80906 | D-182-55 |
| 1979-78 | 4.1L L6 | Executive Order # D-182-55 | | 80940 | | 80906 | D-182-55 |
| | 5.7L V8 | Executive Order # D-182-55 | | 80940 | | 80906 | D-182-55 |
| | 6.6L V8 | Executive Order # D-182-55 | | 80940 | | 80906 | D-182-55 |

Impala

| | | | | | | | |
|---------|---------|--|-------|--------------|-------|--------------|----------|
| 1995-94 | 5.7L V8 | Executive Order # D-182-65 | Left | | | 81128 | D-182-65 |
| | | | Right | | | 81128 | D-182-65 |
| 1985 | 4.3L V6 | w/ Air Tube; Executive Order # D-182-65 | | | | 81122 | D-182-65 |
| | 5.0L V8 | w/ Air Tube; Executive Order # D-182-65 | | 81174 | 31865 | 81122 | D-182-65 |
| | 5.7L V8 | w/ Air Tube; Executive Order # D-182-65 | | 81174 | 31865 | 81122 | D-182-65 |
| 1984 | 3.8L V6 | w/ Air Tube; Executive Order # D-182-65 | | 81174 | 31865 | 81122 | D-182-65 |
| | 5.0L V8 | w/ Air Tube; Executive Order # D-182-65 | | 81174 | 31865 | 81122 | D-182-65 |
| | 5.7L V8 | w/ Air Tube; Executive Order # D-182-65 | | 81174 | 31865 | 81122 | D-182-65 |
| 1983 | 3.8L V6 | w/ Air Tube; Executive Order # D-182-65 | | | | 81122 | D-182-65 |
| | | w/o Air Tube; Executive Order # D-182-65 | | | | 81127 | D-182-65 |
| | 5.0L V8 | w/ Air Tube; Executive Order # D-182-65 | | 81174 | 31865 | 81122 | D-182-65 |
| | 5.7L V8 | w/ Air Tube; Executive Order # D-182-65 | | 81174 | 31865 | 81122 | D-182-65 |
| 1982 | 3.8L V6 | w/ Air Tube; Executive Order # D-182-65 | | | | 81122 | D-182-65 |
| | | w/o Air Tube; Executive Order # D-182-65 | | | | 81127 | D-182-65 |
| | 4.4L V8 | Executive Order # D-182-65 | | | | 81122 | D-182-65 |
| | 5.0L V8 | Executive Order # D-182-65 | | | | 81122 | D-182-65 |
| | 5.7L V8 | Executive Order # D-182-65 | | | | 81124 | D-182-65 |
| 1981 | 3.8L V6 | w/ Air Tube; Executive Order # D-182-65 | | | | 81122 | D-182-65 |
| | | w/o Air Tube; Executive Order # D-182-65 | | | | 81127 | D-182-65 |
| | 4.4L V8 | Executive Order # D-182-65 | | | | 81122 | D-182-65 |
| | 5.0L V8 | Executive Order # D-182-65 | | | | 81122 | D-182-65 |
| 1980 | 3.8L V6 | Executive Order # D-182-65 | | | | 81127 | D-182-65 |
| | 5.0L V8 | Executive Order # D-182-65 | | | | 81122 | D-182-65 |
| 1979-77 | 4.1L L6 | Executive Order # D-182-65 | | | | 81128 | D-182-65 |

For vehicles licensed in the state of California or Maine, or vehicles requiring CARB-compliant converters in the state of New York, the parts in this catalog must be installed as specifically listed. Parts cannot be substituted, nor can they be installed on California or Maine licensed vehicles not listed in this catalog.

NON-OBDDII PASSENGER CAR & TRUCK

| Years | Engine | Application | Position | Direct-Fit | | Universal Part No. | Executive Order |
|--------------------------|---------|----------------------------|----------|--------------|-----------|--------------------|-----------------|
| | | | | Part No. | Hardware | | |
| CHEVROLET (Cont.) | | | | | | | |
| Impala (Cont.) | | | | | | | |
| 1979-77 (Cont.) | 5.0L V8 | Executive Order # D-182-65 | | | | 81128 | D-182-65 |
| | 5.7L V8 | Executive Order # D-182-65 | | | | 81128 | D-182-65 |
| 1976 | 5.7L V8 | Executive Order # D-182-65 | | | | 81128 | D-182-65 |
| | 6.6L V8 | Executive Order # D-182-65 | | | | 81128 | D-182-65 |
| | 7.4L V8 | Executive Order # D-182-65 | | | | 81128 | D-182-65 |
| 1975 | 5.7L V8 | Executive Order # D-182-65 | | | | 81128 | D-182-65 |
| | 6.6L V8 | Executive Order # D-182-65 | | | | 81128 | D-182-65 |
| | 7.4L V8 | Executive Order # D-182-65 | | | | 81128 | D-182-65 |
| K10 | | | | | | | |
| 1986-85 | 4.3L V6 | Executive Order # D-182-55 | | 80940 | | 80906 | D-182-55 |
| | 5.0L V8 | Executive Order # D-182-55 | | 80940 | | 80906 | D-182-55 |
| | 5.7L V8 | Executive Order # D-182-55 | | 80940 | | 80906 | D-182-55 |
| 1984-83 | 4.1L L6 | Executive Order # D-182-55 | | 80940 | | 80906 | D-182-55 |
| | 5.0L V8 | Executive Order # D-182-55 | | 80940 | | 80906 | D-182-55 |
| | 5.7L V8 | Executive Order # D-182-55 | | 80940 | | 80906 | D-182-55 |
| 1982-81 | 4.1L L6 | Executive Order # D-182-55 | | | | 80906 | D-182-55 |
| | 5.0L V8 | Executive Order # D-182-55 | | | | 80906 | D-182-55 |
| | 5.7L V8 | Executive Order # D-182-55 | | | | 80906 | D-182-55 |
| 1980 | 4.1L L6 | Executive Order # D-182-55 | | | | 80906 | D-182-55 |
| | 5.7L V8 | Executive Order # D-182-55 | | | | 80906 | D-182-55 |
| | 6.6L V8 | Executive Order # D-182-55 | | 80940 | | 80906 | D-182-55 |
| 1979 | 4.1L L6 | Executive Order # D-182-55 | | | | 80906 | D-182-55 |
| | 5.0L V8 | Executive Order # D-182-55 | | | | 80906 | D-182-55 |
| | 5.7L V8 | Executive Order # D-182-55 | | | | 80906 | D-182-55 |
| | 6.6L V8 | Executive Order # D-182-55 | | 80940 | | 80906 | D-182-55 |
| 1978-77 | 4.1L L6 | Executive Order # D-182-55 | | | | 80906 | D-182-55 |
| | 5.0L V8 | Executive Order # D-182-55 | | | | 80906 | D-182-55 |
| | 5.7L V8 | Executive Order # D-182-55 | | | | 80906 | D-182-55 |
| | 6.6L V8 | Executive Order # D-182-55 | | | | 80906 | D-182-55 |
| 1976 | 4.1L L6 | Executive Order # D-182-55 | | | | 80906 | D-182-55 |
| | 5.7L V8 | Executive Order # D-182-55 | | | | 80906 | D-182-55 |
| | 6.6L V8 | Executive Order # D-182-55 | | | | 80906 | D-182-55 |
| 1975 | 4.1L L6 | Executive Order # D-182-55 | | | | 80906 | D-182-55 |
| | 5.7L V8 | Executive Order # D-182-55 | | | | 80906 | D-182-55 |
| K10 Suburban | | | | | | | |
| 1986-83 | 5.7L V8 | Executive Order # D-182-55 | | 80940 | | 80906 | D-182-55 |
| 1982-80 | 5.7L V8 | Executive Order # D-182-55 | | | | 80906 | D-182-55 |
| 1979 | 5.0L V8 | Executive Order # D-182-55 | | | | 80906 | D-182-55 |
| | 5.7L V8 | Executive Order # D-182-55 | | | | 80906 | D-182-55 |
| | 6.6L V8 | Executive Order # D-182-55 | | 80940 | | 80906 | D-182-55 |
| K1500 | | | | | | | |
| 1995-94 | 4.3L V6 | Executive Order # D-182-55 | | 80946 | 31398 (2) | 80907 | D-182-55 |
| | 5.0L V8 | Executive Order # D-182-55 | | 80946 | 31398 (2) | 80907 | D-182-55 |
| | 5.7L V8 | Executive Order # D-182-55 | | 80946 | 31398 (2) | 80907 | D-182-55 |

For vehicles licensed in the state of California or Maine, or vehicles requiring CARB-compliant converters in the state of New York, the parts in this catalog must be installed as specifically listed. Parts cannot be substituted, nor can they be installed on California or Maine licensed vehicles not listed in this catalog.

OBDDII
APPLICATIONS

NON-OBDDII
APPLICATIONS

NUMERICAL

UNIVERSAL
SPECIFICATIONS

NON-OBDI PASSENGER CAR & TRUCK

| Years | Engine | Application | Position | Direct-Fit | | Universal Part No. | Executive Order |
|--------------------------|----------------------------|--|----------------------------|------------|-----------|--------------------|-----------------|
| | | | | Part No. | Hardware | | |
| CHEVROLET (Cont.) | | | | | | | |
| K1500 (Cont.) | | | | | | | |
| 1993 | 4.3L V6 | Except Converter in Y-Pipe; Executive Order # D-182-55 | | 80948 | | | D-182-55 |
| | | Executive Order # D-182-55 | | | | 80906 | D-182-55 |
| | 5.0L V8 | Except Converter in Y-Pipe; Executive Order # D-182-55 | | 80948 | | | D-182-55 |
| | | Executive Order # D-182-55 | | | | 80906 | D-182-55 |
| | 5.7L V8 | Executive Order # D-182-55 | | | | 80907 | D-182-55 |
| | 1992-88 | 4.3L V6 | Executive Order # D-182-55 | | 80948 | | 80906 |
| 5.0L V8 | | Executive Order # D-182-55 | | 80948 | | 80906 | D-182-55 |
| 5.7L V8 | | Executive Order # D-182-55 | | 80942 | | 80907 | D-182-55 |
| K1500 Suburban | | | | | | | |
| 1995-94 | 5.7L V8 | Executive Order # D-182-55 | | 80946 | 31398 (2) | 80907 | D-182-55 |
| 1993-92 | 5.7L V8 | Executive Order # D-182-55 | | | | 80907 | D-182-55 |
| K20 | | | | | | | |
| 1986 | 5.7L V8 | Executive Order # D-182-55 | | 80940 | | 80906 | D-182-55 |
| 1985 | 4.3L V6 | Executive Order # D-182-55 | | 80940 | | 80906 | D-182-55 |
| | 5.0L V8 | Executive Order # D-182-55 | | 80940 | | 80906 | D-182-55 |
| | 5.7L V8 | Executive Order # D-182-55 | | 80940 | | 80906 | D-182-55 |
| 1984-83 | 5.7L V8 | Executive Order # D-182-55 | | 80940 | | 80906 | D-182-55 |
| 1982-81 | 5.7L V8 | Executive Order # D-182-55 | | | | 80906 | D-182-55 |
| 1980 | 4.1L L6 | Executive Order # D-182-55 | | | | 80906 | D-182-55 |
| | 5.0L V8 | Executive Order # D-182-55 | | | | 80906 | D-182-55 |
| | 5.7L V8 | Executive Order # D-182-55 | | | | 80906 | D-182-55 |
| 1979 | 4.1L L6 | Executive Order # D-182-55 | | | | 80906 | D-182-55 |
| | 5.7L V8 | Executive Order # D-182-55 | | | | 80906 | D-182-55 |
| | 6.6L V8 | Executive Order # D-182-55 | | 80940 | | 80906 | D-182-55 |
| 1978 | 4.1L L6 | Executive Order # D-182-55 | | | | 80906 | D-182-55 |
| 1976-75 | 4.1L L6 | Executive Order # D-182-55 | | | | 80906 | D-182-55 |
| K20 Suburban | | | | | | | |
| 1979 | 5.7L V8 | Executive Order # D-182-55 | | | | 80906 | D-182-55 |
| | 6.6L V8 | Executive Order # D-182-55 | | 80940 | | 80906 | D-182-55 |
| K2500 | | | | | | | |
| 1995-94 | 4.3L V6 | Executive Order # D-182-55 | | | | 80907 | D-182-55 |
| | | Under 8,500 lb. GVW; Executive Order # D-182-55 | | 80946 | 31398 (2) | | D-182-55 |
| | 5.0L V8 | Executive Order # D-182-55 | | | | 80907 | D-182-55 |
| | | Under 8,500 lb. GVW; Executive Order # D-182-55 | | 80946 | 31398 (2) | | D-182-55 |
| | 5.7L V8 | Executive Order # D-182-55 | | | | 80907 | D-182-55 |
| | | Under 8,500 lb. GVW; Executive Order # D-182-55 | | 80946 | 31398 (2) | | D-182-55 |
| 7.4L V8 | Executive Order # D-182-55 | | | | 80907 | D-182-55 | |
| 1993-91 | 4.3L V6 | Executive Order # D-182-55 | | | | 80906 | D-182-55 |
| | | Under 8,500 lb. GVW; Executive Order # D-182-55 | | 80948 | | | D-182-55 |
| | 5.0L V8 | Executive Order # D-182-55 | | | | 80906 | D-182-55 |
| | | Under 8,500 lb. GVW; Executive Order # D-182-55 | | 80948 | | | D-182-55 |
| | 5.7L V8 | Executive Order # D-182-55 | | 80942 | | 80907 | D-182-55 |
| 7.4L V8 | Executive Order # D-182-55 | | 80942 | | 80907 | D-182-55 | |

For vehicles licensed in the state of California or Maine, or vehicles requiring CARB-compliant converters in the state of New York, the parts in this catalog must be installed as specifically listed. Parts cannot be substituted, nor can they be installed on California or Maine licensed vehicles not listed in this catalog.

NON-OBDII PASSENGER CAR & TRUCK

| Years | Engine | Application | Position | Direct-Fit | | Universal Part No. | Executive Order |
|--------------------------|---------|---|----------|--------------|--------------|--------------------|-----------------|
| | | | | Part No. | Hardware | | |
| CHEVROLET (Cont.) | | | | | | | |
| K2500 (Cont.) | | | | | | | |
| 1990 | 4.3L V6 | Executive Order # D-182-55 | | | | 80906 | D-182-55 |
| | | Under 8,500 lb. GVW; Executive Order # D-182-55 | | 80948 | | | D-182-55 |
| | 5.0L V8 | Executive Order # D-182-55 | | | | 80906 | D-182-55 |
| | 5.7L V8 | Executive Order # D-182-55 | | 80942 | | 80907 | D-182-55 |
| 1989-88 | 4.3L V6 | Executive Order # D-182-55 | | | | 80906 | D-182-55 |
| | | Under 8,500 lb. GVW; Executive Order # D-182-55 | | 80948 | | | D-182-55 |
| | 5.0L V8 | Executive Order # D-182-55 | | | | 80906 | D-182-55 |
| | | Under 8,500 lb. GVW; Executive Order # D-182-55 | | 80948 | | | D-182-55 |
| | 5.7L V8 | w/ 1 Catalytic Converter; Executive Order # D-182-55 | | 80942 | | 80907 | D-182-55 |
| | | w/ 2 Catalytic Converters; Executive Order # D-182-37 | Front | | | 80609 | D-182-37 |
| | | Rear | | | 80709 | D-182-37 | |
| K2500 Suburban | | | | | | | |
| 1999 | 5.7L V8 | EFN # XGMXH05.7582; Executive Order # D-182-69 | Left | | | 83509 | D-182-69 |
| | | | Right | | | 83509 | D-182-69 |
| 1998 | 5.7L V8 | EFN # WGMXH05.7582; Executive Order # D-182-69 | Left | | | 83509 | D-182-69 |
| | | | Right | | | 83509 | D-182-69 |
| 1997 | 5.7L V8 | EFN # VGM5.7CPGAEA; Executive Order # D-182-69 | Left | | | 83509 | D-182-69 |
| | | | Right | | | 83509 | D-182-69 |
| 1995-92 | 5.7L V8 | Executive Order # D-182-55 | | | | 80907 | D-182-55 |
| | 7.4L V8 | Executive Order # D-182-55 | | | | 80907 | D-182-55 |
| K3500 | | | | | | | |
| 1995-94 | 5.7L V8 | Executive Order # D-182-55 | | | | 80907 | D-182-55 |
| | 7.4L V8 | Executive Order # D-182-55 | | | | 80907 | D-182-55 |
| 1993-90 | 5.7L V8 | Executive Order # D-182-55 | | 80942 | | 80907 | D-182-55 |
| | 7.4L V8 | Executive Order # D-182-55 | | 80942 | | 80907 | D-182-55 |
| 1989-88 | 5.7L V8 | w/ 1 Catalytic Converter; Executive Order # D-182-55 | | 80942 | | 80907 | D-182-55 |
| | | w/ 2 Catalytic Converters; Executive Order # D-182-37 | Front | | | 80609 | D-182-37 |
| | | | Rear | | | 80709 | D-182-37 |
| | 7.4L V8 | Executive Order # D-182-37 | Front | | | 80609 | D-182-37 |
| K5 Blazer | | | | | | | |
| 1986-83 | 5.0L V8 | Executive Order # D-182-55 | | 80940 | | 80906 | D-182-55 |
| | 5.7L V8 | Executive Order # D-182-55 | | 80940 | | 80906 | D-182-55 |
| 1982-80 | 4.1L L6 | Executive Order # D-182-55 | | | | 80906 | D-182-55 |
| | 5.0L V8 | Executive Order # D-182-55 | | | | 80906 | D-182-55 |
| | 5.7L V8 | Executive Order # D-182-55 | | | | 80906 | D-182-55 |
| 1979-77 | 4.1L L6 | Executive Order # D-182-55 | | | | 80906 | D-182-55 |
| | 5.0L V8 | Executive Order # D-182-55 | | | | 80906 | D-182-55 |
| | 5.7L V8 | Executive Order # D-182-55 | | | | 80906 | D-182-55 |
| | 6.6L V8 | Executive Order # D-182-55 | | 80940 | | 80906 | D-182-55 |
| 1976-75 | 4.1L L6 | Executive Order # D-182-55 | | | | 80906 | D-182-55 |
| | 5.7L V8 | Executive Order # D-182-55 | | | | 80906 | D-182-55 |
| | 6.6L V8 | Executive Order # D-182-55 | | 80940 | | 80906 | D-182-55 |
| Laguna | | | | | | | |
| 1976 | 5.0L V8 | Executive Order # D-182-65 | Lower | | | 81128 | D-182-65 |

OBDDI APPLICATIONS

NON-OBDDI APPLICATIONS

NUMERICAL

UNIVERSAL SPECIFICATIONS

For vehicles licensed in the state of California or Maine, or vehicles requiring CARB-compliant converters in the state of New York, the parts in this catalog must be installed as specifically listed. Parts cannot be substituted, nor can they be installed on California or Maine licensed vehicles not listed in this catalog.

NON-OBDI PASSENGER CAR & TRUCK

| Years | Engine | Application | Position | Direct-Fit | | Universal Part No. | Executive Order |
|--------------------------|---------|--|----------|--------------|----------|--------------------|-----------------|
| | | | | Part No. | Hardware | | |
| CHEVROLET (Cont.) | | | | | | | |
| Laguna (Cont.) | | | | | | | |
| 1976 (Cont.) | 5.7L V8 | Executive Order # D-182-65 | | | | 81128 | D-182-65 |
| | 6.6L V8 | Executive Order # D-182-65 | | | | 81128 | D-182-65 |
| 1975 | 5.7L V8 | Executive Order # D-182-65 | | | | 81128 | D-182-65 |
| | 6.6L V8 | Executive Order # D-182-65 | | | | 81128 | D-182-65 |
| | 7.4L V8 | Executive Order # D-182-65 | | | | 81128 | D-182-65 |
| LLV | | | | | | | |
| 1995-94 | 2.2L L4 | Executive Order # D-182-55 | | | | 80905 | D-182-55 |
| 1993-87 | 2.5L L4 | Executive Order # D-182-55 | | | | 80905 | D-182-55 |
| Lumina | | | | | | | |
| 1995 | 3.1L V6 | Executive Order # D-182-65 | | | | 81102 | D-182-65 |
| | 3.4L V6 | Executive Order # D-182-65 | | | | 81127 | D-182-65 |
| 1994 | 3.4L V6 | Executive Order # D-182-65 | | | | 81127 | D-182-65 |
| 1993 | 2.2L L4 | Executive Order # D-182-65 | | | | 81126 | D-182-65 |
| | 3.1L V6 | Executive Order # D-182-65 | | | | 81102 | D-182-65 |
| | 3.4L V6 | Executive Order # D-182-65 | | | | 81127 | D-182-65 |
| 1992-91 | 2.5L L4 | Executive Order # D-182-65 | | | | 81127 | D-182-65 |
| | 3.1L V6 | Executive Order # D-182-65 | | | | 81127 | D-182-65 |
| | 3.4L V6 | Executive Order # D-182-65 | | | | 81127 | D-182-65 |
| 1990 | 2.5L L4 | Executive Order # D-182-65 | | | | 81127 | D-182-65 |
| | 3.1L V6 | Executive Order # D-182-65 | | | | 81127 | D-182-65 |
| Lumina APV | | | | | | | |
| 1995-93 | 3.1L V6 | Executive Order # D-182-55 | | | | 80905 | D-182-55 |
| | 3.8L V6 | Executive Order # D-182-55 | | | | 80905 | D-182-55 |
| 1992 | 3.1L V6 | Executive Order # D-182-55 | | | | 80906 | D-182-55 |
| | 3.8L V6 | Executive Order # D-182-55 | | | | 80906 | D-182-55 |
| 1991-90 | 3.1L V6 | Executive Order # D-182-55 | | | | 80906 | D-182-55 |
| Lumina Van | | | | | | | |
| 1995 | 3.8L V6 | Executive Order # D-182-55 | | | | 80905 | D-182-55 |
| LUV | | | | | | | |
| 1982 | 1.8L L4 | Executive Order # D-182-55 | | | | 80905 | D-182-55 |
| 1981-75 | 1.8L L4 | Executive Order # D-182-55 | | | | 80904 | D-182-55 |
| Malibu | | | | | | | |
| 1983 | 3.8L V6 | w/ Air Tube; Executive Order # D-182-65 | | | | 81122 | D-182-65 |
| | | w/o Air Tube; Executive Order # D-182-65 | | | | 81127 | D-182-65 |
| | 5.0L V8 | w/ Air Tube; Executive Order # D-182-65 | | 81174 | 31865 | 81122 | D-182-65 |
| 1982-81 | 3.8L V6 | w/ Air Tube; Executive Order # D-182-65 | | | | 81122 | D-182-65 |
| | | w/o Air Tube; Executive Order # D-182-65 | | | | 81127 | D-182-65 |
| | 4.4L V8 | Executive Order # D-182-65 | | | | 81122 | D-182-65 |
| | 5.0L V8 | Executive Order # D-182-65 | | | | 81122 | D-182-65 |
| 1980 | 3.8L V6 | Executive Order # D-182-65 | | | | 81122 | D-182-65 |
| | 5.0L V8 | Executive Order # D-182-65 | | | | 81122 | D-182-65 |
| | 5.7L V8 | w/o Air Tube; Executive Order # D-182-65 | | | | 81127 | D-182-65 |
| 1979 | 3.3L V6 | Executive Order # D-182-65 | | | | 81126 | D-182-65 |
| | 3.8L V6 | Executive Order # D-182-65 | | | | 81126 | D-182-65 |

For vehicles licensed in the state of California or Maine, or vehicles requiring CARB-compliant converters in the state of New York, the parts in this catalog must be installed as specifically listed. Parts cannot be substituted, nor can they be installed on California or Maine licensed vehicles not listed in this catalog.

NON-OBDII PASSENGER CAR & TRUCK

| Years | Engine | Application | Position | Direct-Fit | | Universal Part No. | Executive Order | |
|--------------------------|-------------------------------------|--|----------|--------------|----------|--------------------|-----------------|----------|
| | | | | Part No. | Hardware | | | |
| CHEVROLET (Cont.) | | | | | | | | |
| Malibu (Cont.) | | | | | | | | |
| 1979 (Cont.) | 4.4L V8 | Executive Order # D-182-65 | | | | 81126 | D-182-65 | |
| | 5.0L V8 | Executive Order # D-182-65 | | | | 81128 | D-182-65 | |
| | 5.7L V8 | Executive Order # D-182-65 | | | | 81128 | D-182-65 | |
| 1978 | 3.3L V6 | Executive Order # D-182-65 | | | | 81126 | D-182-65 | |
| | 3.8L V6 | Executive Order # D-182-65 | | | | 81126 | D-182-65 | |
| | 5.0L V8 | Executive Order # D-182-65 | | | | 81126 | D-182-65 | |
| | 5.7L V8 | Executive Order # D-182-65 | | | | 81128 | D-182-65 | |
| 1977 | 4.1L L6 | Executive Order # D-182-65 | | | | 81128 | D-182-65 | |
| | 5.0L V8 | Executive Order # D-182-65 | | | | 81128 | D-182-65 | |
| | 5.7L V8 | Executive Order # D-182-65 | | | | 81128 | D-182-65 | |
| 1976 | 4.1L L6 | Executive Order # D-182-65 | | | | 81128 | D-182-65 | |
| | 5.0L V8 | Executive Order # D-182-65 | | | | 81128 | D-182-65 | |
| | 5.7L V8 | Executive Order # D-182-65 | | | | 81128 | D-182-65 | |
| | 6.6L V8 | Executive Order # D-182-65 | | | | 81128 | D-182-65 | |
| 1975 | 4.1L L6 | Executive Order # D-182-65 | | | | 81128 | D-182-65 | |
| | 5.7L V8 | Executive Order # D-182-65 | | | | 81128 | D-182-65 | |
| | 6.6L V8 | Executive Order # D-182-65 | | | | 81128 | D-182-65 | |
| | 7.4L V8 | Executive Order # D-182-65 | | | | 81128 | D-182-65 | |
| Monte Carlo | | | | | | | | |
| 1995 | 3.1L V6 | Executive Order # D-182-65 | | | | 81102 | D-182-65 | |
| | 3.4L V6 | Executive Order # D-182-65 | | | | 81127 | D-182-65 | |
| 1988-85 | 4.3L V6 | w/ Air Tube; Executive Order # D-182-65 | | | | 81122 | D-182-65 | |
| | 5.0L V8 | Executive Order # D-182-65 | | 81174 | 31865 | | D-182-65 | |
| | | VIN "G"; Executive Order # D-182-65 | | | | | 81123 | D-182-65 |
| | VIN "H"; Executive Order # D-182-65 | | | | | 81122 | D-182-65 | |
| 1984 | 3.8L V6 | w/ Air Tube; Executive Order # D-182-65 | | 81174 | 31865 | 81122 | D-182-65 | |
| | 5.0L V8 | Executive Order # D-182-65 | | 81174 | 31865 | | D-182-65 | |
| | | VIN "G"; Executive Order # D-182-65 | | | | | 81123 | D-182-65 |
| | | VIN "H"; Executive Order # D-182-65 | | | | | 81122 | D-182-65 |
| 1983 | 3.8L V6 | w/ Air Tube; Executive Order # D-182-65 | | | | 81122 | D-182-65 | |
| | | w/o Air Tube; Executive Order # D-182-65 | | | | 81127 | D-182-65 | |
| | 5.0L V8 | Executive Order # D-182-65 | | 81174 | 31865 | | D-182-65 | |
| | | VIN "7"; Executive Order # D-182-65 | | | | | 81123 | D-182-65 |
| | VIN "H"; Executive Order # D-182-65 | | | | | 81122 | D-182-65 | |
| 1982-81 | 3.8L V6 | w/ Air Tube; Executive Order # D-182-65 | | | | 81122 | D-182-65 | |
| | | w/o Air Tube; Executive Order # D-182-65 | | | | 81127 | D-182-65 | |
| | 4.4L V8 | Executive Order # D-182-65 | | | | 81122 | D-182-65 | |
| | 5.0L V8 | Executive Order # D-182-65 | | | | 81122 | D-182-65 | |
| 1980 | 3.8L V6 | Executive Order # D-182-65 | | | | 81127 | D-182-65 | |
| | 4.4L V8 | Executive Order # D-182-65 | | | | 81122 | D-182-65 | |
| | 5.0L V8 | Executive Order # D-182-65 | | | | 81122 | D-182-65 | |
| 1979 | 3.3L V6 | Executive Order # D-182-65 | | | | 81126 | D-182-65 | |
| | 3.8L V6 | Executive Order # D-182-65 | | | | 81126 | D-182-65 | |
| | 4.4L V8 | Executive Order # D-182-65 | | | | 81126 | D-182-65 | |
| 1978 | 3.3L V6 | Executive Order # D-182-65 | | | | 81126 | D-182-65 | |

For vehicles licensed in the state of California or Maine, or vehicles requiring CARB-compliant converters in the state of New York, the parts in this catalog must be installed as specifically listed. Parts cannot be substituted, nor can they be installed on California or Maine licensed vehicles not listed in this catalog.

OBDDI APPLICATIONS

NON-OBDDI APPLICATIONS

NUMERICAL

UNIVERSAL SPECIFICATIONS

NON-OBDII PASSENGER CAR & TRUCK

| Years | Engine | Application | Position | Direct-Fit | | Universal Part No. | Executive Order |
|----------------------------|---------|---|----------|------------|--------------|--------------------|-----------------|
| | | | | Part No. | Hardware | | |
| CHEVROLET (Cont.) | | | | | | | |
| Monte Carlo (Cont.) | | | | | | | |
| 1978 (Cont.) | 3.8L V6 | Executive Order # D-182-65 | | | | 81126 | D-182-65 |
| | 5.0L V8 | Executive Order # D-182-65 | | | | 81126 | D-182-65 |
| 1977 | 5.0L V8 | Executive Order # D-182-65 | | | | 81128 | D-182-65 |
| | 5.7L V8 | Executive Order # D-182-65 | | | | 81128 | D-182-65 |
| 1976 | 5.0L V8 | Executive Order # D-182-65 | | | | 81128 | D-182-65 |
| | 5.7L V8 | Executive Order # D-182-65 | | | | 81128 | D-182-65 |
| | 6.6L V8 | Executive Order # D-182-65 | | | | 81128 | D-182-65 |
| 1975 | 5.7L V8 | Executive Order # D-182-65 | | | | 81128 | D-182-65 |
| | 6.6L V8 | Executive Order # D-182-65 | | | | 81128 | D-182-65 |
| | 7.4L V8 | Executive Order # D-182-65 | | | | 81128 | D-182-65 |
| Monza | | | | | | | |
| 1980 | 2.5L L4 | Executive Order # D-182-65 | | | | 81126 | D-182-65 |
| | 3.8L V6 | Executive Order # D-182-65 | | | | 81126 | D-182-65 |
| 1979 | 2.5L L4 | Executive Order # D-182-65 | | | | 81126 | D-182-65 |
| | 3.2L V6 | Executive Order # D-182-65 | | | | 81127 | D-182-65 |
| | 3.8L V6 | Executive Order # D-182-65 | | | | 81127 | D-182-65 |
| | 5.0L V8 | Executive Order # D-182-65 | | | | 81127 | D-182-65 |
| 1978 | 2.5L L4 | Executive Order # D-182-65 | | | | 81126 | D-182-65 |
| | 3.2L V6 | Executive Order # D-182-65 | | | | 81127 | D-182-65 |
| | 3.8L V6 | Executive Order # D-182-65 | | | | 81127 | D-182-65 |
| | 5.0L V8 | Executive Order # D-182-65 | | | | 81127 | D-182-65 |
| 1977 | 2.3L L4 | Executive Order # D-182-65 | | | | 81126 | D-182-65 |
| | 5.0L V8 | Executive Order # D-182-65 | | | | 81127 | D-182-65 |
| 1976 | 2.3L L4 | Executive Order # D-182-65 | | | | 81127 | D-182-65 |
| | 4.3L V8 | Executive Order # D-182-65 | | | | 81127 | D-182-65 |
| | 5.0L V8 | Executive Order # D-182-65 | | | | 81127 | D-182-65 |
| 1975 | 2.3L L4 | Executive Order # D-182-65 | | | | 81126 | D-182-65 |
| | 4.3L V8 | Executive Order # D-182-65 | | | | 81127 | D-182-65 |
| Nova | | | | | | | |
| 1988-87 | 1.6L L4 | w/ Air Tube; Executive Order # D-182-65 | | | | 81121 | D-182-65 |
| | | w/o Air Tube; Executive Order # D-182-65 | | | 81171 | 81126 | D-182-65 |
| 1986-85 | 1.6L L4 | Executive Order # D-182-65 | | | | 81121 | D-182-65 |
| 1979 | 4.1L L6 | Executive Order # D-182-65 | | | | 81128 | D-182-65 |
| | 5.0L V8 | Executive Order # D-182-65 | | | | 81127 | D-182-65 |
| | 5.7L V8 | Executive Order # D-182-65 | | | | 81127 | D-182-65 |
| 1978-76 | 4.1L L6 | Executive Order # D-182-65 | | | | 81127 | D-182-65 |
| | 5.0L V8 | Executive Order # D-182-65 | | | | 81127 | D-182-65 |
| | 5.7L V8 | Executive Order # D-182-65 | | | | 81127 | D-182-65 |
| 1975 | 4.1L L6 | Executive Order # D-182-65 | | | | 81127 | D-182-65 |
| | 4.3L V8 | Executive Order # D-182-65 | | | | 81127 | D-182-65 |
| | 5.7L V8 | Executive Order # D-182-65 | | | | 81127 | D-182-65 |
| P20 | | | | | | | |
| 1989-87 | 5.7L V8 | w/ 2 Catalytic Converters; Executive Order # D-182-37 | Front | | | 80609 | D-182-37 |
| | | | Rear | | | 80709 | D-182-37 |

For vehicles licensed in the state of California or Maine, or vehicles requiring CARB-compliant converters in the state of New York, the parts in this catalog must be installed as specifically listed. Parts cannot be substituted, nor can they be installed on California or Maine licensed vehicles not listed in this catalog.

NON-OBDII PASSENGER CAR & TRUCK

| Years | Engine | Application | Position | Direct-Fit | | Universal Part No. | Executive Order |
|--------------------------|---------|---|----------|------------|--------------|--------------------|-----------------|
| | | | | Part No. | Hardware | | |
| CHEVROLET (Cont.) | | | | | | | |
| P30 | | | | | | | |
| 1989-87 | 5.7L V8 | w/ 2 Catalytic Converters; Executive Order # D-182-37 | Front | | | 80609 | D-182-37 |
| | | | Rear | | | 80709 | D-182-37 |
| | 7.4L V8 | w/ 2 Catalytic Converters; Executive Order # D-182-37 | Front | | | 80609 | D-182-37 |
| | | | Rear | | | 80709 | D-182-37 |
| R10 | | | | | | | |
| 1987 | 4.3L V6 | Executive Order # D-182-55 | | | 80940 | 80906 | D-182-55 |
| | 5.0L V8 | Executive Order # D-182-55 | | | 80940 | 80906 | D-182-55 |
| | 5.7L V8 | Executive Order # D-182-55 | | | 80942 | 80907 | D-182-55 |
| R10 Suburban | | | | | | | |
| 1988 | 5.7L V8 | Executive Order # D-182-55 | | | 80942 | 80907 | D-182-55 |
| 1987 | 5.0L V8 | Executive Order # D-182-55 | | | 80940 | 80906 | D-182-55 |
| | 5.7L V8 | Executive Order # D-182-55 | | | 80942 | 80907 | D-182-55 |
| R1500 Suburban | | | | | | | |
| 1991-89 | 5.7L V8 | Executive Order # D-182-55 | | | 80942 | 80907 | D-182-55 |
| R20 | | | | | | | |
| 1988 | 5.7L V8 | w/ 2 Catalytic Converters; Executive Order # D-182-37 | Front | | | 80609 | D-182-37 |
| | | | Rear | | | 80709 | D-182-37 |
| | 7.4L V8 | w/ 2 Catalytic Converters; Executive Order # D-182-37 | Front | | | 80609 | D-182-37 |
| | | | Rear | | | 80709 | D-182-37 |
| 1987 | 4.3L V6 | Executive Order # D-182-55 | | | 80940 | 80906 | D-182-55 |
| | 5.0L V8 | Executive Order # D-182-55 | | | | 80906 | D-182-55 |
| | | Under 8,500 lb. GVW; Executive Order # D-182-55 | | | 80942 | | D-182-55 |
| | 5.7L V8 | w/ 1 Catalytic Converter; Executive Order # D-182-55 | | | 80942 | 80907 | D-182-55 |
| | | w/ 2 Catalytic Converters; Executive Order # D-182-37 | Front | | | 80609 | D-182-37 |
| | | | Rear | | | 80709 | D-182-37 |
| | 7.4L V8 | w/ 2 Catalytic Converters; Executive Order # D-182-37 | Front | | | 80609 | D-182-37 |
| Rear | | | | | 80709 | D-182-37 | |
| R20 Suburban | | | | | | | |
| 1988-87 | 5.7L V8 | w/ 1 Catalytic Converter; Executive Order # D-182-55 | | | 80942 | 80907 | D-182-55 |
| | | w/ 2 Catalytic Converters; Executive Order # D-182-37 | Front | | | 80609 | D-182-37 |
| | | | Rear | | | 80709 | D-182-37 |
| | 7.4L V8 | w/ 2 Catalytic Converters; Executive Order # D-182-37 | Front | | | 80609 | D-182-37 |
| | | | Rear | | | 80709 | D-182-37 |
| R2500 | | | | | | | |
| 1989 | 7.4L V8 | w/ 1 Catalytic Converter; Executive Order # D-182-55 | | | 80942 | 80907 | D-182-55 |
| | | w/ 2 Catalytic Converters; Executive Order # D-182-37 | Front | | | 80609 | D-182-37 |
| | | | Rear | | | 80709 | D-182-37 |
| R2500 Suburban | | | | | | | |
| 1991-90 | 5.7L V8 | Executive Order # D-182-55 | | | 80942 | 80907 | D-182-55 |
| | 7.4L V8 | Executive Order # D-182-55 | | | 80942 | 80907 | D-182-55 |
| 1989 | 5.7L V8 | w/ 1 Catalytic Converter; Executive Order # D-182-55 | | | 80942 | 80907 | D-182-55 |
| | | w/ 2 Catalytic Converters; Executive Order # D-182-37 | Front | | | 80609 | D-182-37 |
| | | | Rear | | | 80709 | D-182-37 |

OBDII APPLICATIONS

NON-OBDII APPLICATIONS

NUMERICAL

UNIVERSAL SPECIFICATIONS

For vehicles licensed in the state of California or Maine, or vehicles requiring CARB-compliant converters in the state of New York, the parts in this catalog must be installed as specifically listed. Parts cannot be substituted, nor can they be installed on California or Maine licensed vehicles not listed in this catalog.

NON-OBDI PASSENGER CAR & TRUCK

| Years | Engine | Application | Position | Direct-Fit | | Universal Part No. | Executive Order |
|-------------------------------|---------|---|---|--------------|----------|--------------------|-----------------|
| | | | | Part No. | Hardware | | |
| CHEVROLET (Cont.) | | | | | | | |
| R2500 Suburban (Cont.) | | | | | | | |
| 1989 (Cont.) | 7.4L V8 | w/ 2 Catalytic Converters; Executive Order # D-182-37 | Front | | | 80609 | D-182-37 |
| | | | Rear | | | 80709 | D-182-37 |
| R30 | | | | | | | |
| 1988 | 5.7L V8 | w/ 2 Catalytic Converters; Executive Order # D-182-37 | Front | | | 80609 | D-182-37 |
| | | | Rear | | | 80709 | D-182-37 |
| | 7.4L V8 | w/ 2 Catalytic Converters; Executive Order # D-182-37 | Front | | | 80609 | D-182-37 |
| | | | Rear | | | 80709 | D-182-37 |
| 1987 | 5.7L V8 | w/ 1 Catalytic Converter; Executive Order # D-182-55 | | 80942 | | 80907 | D-182-55 |
| | | w/ 2 Catalytic Converters; Executive Order # D-182-37 | Front | | | 80609 | D-182-37 |
| | 7.4L V8 | w/ 2 Catalytic Converters; Executive Order # D-182-37 | Rear | | | 80709 | D-182-37 |
| | | | Front | | | 80609 | D-182-37 |
| Rear | | | 80709 | D-182-37 | | | |
| R3500 | | | | | | | |
| 1991-90 | 5.7L V8 | Executive Order # D-182-55 | | 80942 | | 80907 | D-182-55 |
| | 7.4L V8 | Executive Order # D-182-55 | | 80942 | | 80907 | D-182-55 |
| 1989 | 5.7L V8 | w/ 2 Catalytic Converters; Executive Order # D-182-37 | Front | | | 80609 | D-182-37 |
| | | | Rear | | | 80709 | D-182-37 |
| | 7.4L V8 | w/ 1 Catalytic Converter; Executive Order # D-182-55 | | 80942 | | 80907 | D-182-55 |
| | | | w/ 2 Catalytic Converters; Executive Order # D-182-37 | Front | | | 80609 |
| Rear | | | 80709 | D-182-37 | | | |
| S10 | | | | | | | |
| 1995 | 2.2L L4 | Executive Order # D-182-55 | | | | 80905 | D-182-55 |
| 1994 | 2.2L L4 | Executive Order # D-182-55 | | | | 80905 | D-182-55 |
| | 4.3L V6 | Executive Order # D-182-55 | | 80947 | | 80906 | D-182-55 |
| 1993-88 | 2.5L L4 | Executive Order # D-182-55 | | | | 80905 | D-182-55 |
| | 2.8L V6 | Executive Order # D-182-55 | | | | 80906 | D-182-55 |
| | 4.3L V6 | Executive Order # D-182-55 | | 80947 | | 80906 | D-182-55 |
| 1987-86 | 2.5L L4 | Executive Order # D-182-55 | | | | 80905 | D-182-55 |
| | 2.8L V6 | Executive Order # D-182-55 | | | | 80905 | D-182-55 |
| 1985 | 1.9L L4 | Executive Order # D-182-55 | | | | 80905 | D-182-55 |
| | 2.5L L4 | Executive Order # D-182-55 | | | | 80905 | D-182-55 |
| | 2.8L V6 | Executive Order # D-182-55 | | | | 80905 | D-182-55 |
| 1984-83 | 1.9L L4 | Executive Order # D-182-55 | | | | 80905 | D-182-55 |
| | 2.0L L4 | Executive Order # D-182-55 | | | | 80905 | D-182-55 |
| | 2.8L V6 | Executive Order # D-182-55 | | | | 80905 | D-182-55 |
| 1982 | 1.9L L4 | Executive Order # D-182-55 | | | | 80905 | D-182-55 |
| | 2.8L V6 | Executive Order # D-182-55 | | | | 80905 | D-182-55 |
| S10 Blazer | | | | | | | |
| 1994-92 | 4.3L V6 | Executive Order # D-182-55 | | | | 80906 | D-182-55 |
| | | VIN "Z"; Executive Order # D-182-55 | | 80947 | | | D-182-55 |
| 1991-90 | 4.3L V6 | Executive Order # D-182-55 | | 80947 | | 80906 | D-182-55 |
| 1989 | 2.8L V6 | Executive Order # D-182-55 | | 80947 | | 80906 | D-182-55 |
| | 4.3L V6 | Executive Order # D-182-55 | | 80947 | | 80906 | D-182-55 |
| 1988 | 2.5L L4 | Executive Order # D-182-55 | | | | 80905 | D-182-55 |

For vehicles licensed in the state of California or Maine, or vehicles requiring CARB-compliant converters in the state of New York, the parts in this catalog must be installed as specifically listed. Parts cannot be substituted, nor can they be installed on California or Maine licensed vehicles not listed in this catalog.

NON-OBDII PASSENGER CAR & TRUCK

| Years | Engine | Application | Position | Direct-Fit | | Universal Part No. | Executive Order |
|---------------------------|---------|---|----------|--------------|-----------|--------------------|-----------------|
| | | | | Part No. | Hardware | | |
| CHEVROLET (Cont.) | | | | | | | |
| S10 Blazer (Cont.) | | | | | | | |
| 1988 (Cont.) | 2.8L V6 | Executive Order # D-182-55 | | 80947 | | 80906 | D-182-55 |
| | 4.3L V6 | Executive Order # D-182-55 | | 80947 | | 80906 | D-182-55 |
| 1987-85 | 2.5L L4 | Executive Order # D-182-55 | | | | 80905 | D-182-55 |
| | 2.8L V6 | Executive Order # D-182-55 | | | | 80905 | D-182-55 |
| 1984-83 | 1.9L L4 | Executive Order # D-182-55 | | | | 80905 | D-182-55 |
| | 2.0L L4 | Executive Order # D-182-55 | | | | 80905 | D-182-55 |
| | 2.8L V6 | Executive Order # D-182-55 | | | | 80905 | D-182-55 |
| Spectrum | | | | | | | |
| 1988-87 | 1.5L L4 | Base Model; Executive Order # D-182-65 | | | | 81126 | D-182-65 |
| | | CL Model; Executive Order # D-182-65 | | | | 81126 | D-182-65 |
| | | CL Plus Model; Executive Order # D-182-65 | | | | 81126 | D-182-65 |
| | | Express Model; Executive Order # D-182-65 | | | | 81126 | D-182-65 |
| 1986 | 1.5L L4 | Base Model; Executive Order # D-182-65 | | | | 81126 | D-182-65 |
| 1985 | 1.5L L4 | Executive Order # D-182-65 | | | | 81126 | D-182-65 |
| Sprint | | | | | | | |
| 1988-87 | 1.0L L3 | Turbo Model; Executive Order # D-182-65 | | | | 81126 | D-182-65 |
| 1986-85 | 1.0L L3 | Executive Order # D-182-65 | | | | 81126 | D-182-65 |
| Suburban 2500 | | | | | | | |
| 2006 | 8.1L V8 | Executive Order # D-182-69 | Left | | | 83404 | D-182-69 |
| | | | Right | | | 83404 | D-182-69 |
| Tahoe | | | | | | | |
| 1995 | 5.7L V8 | Executive Order # D-182-55 | | 80946 | 31398 (2) | 80907 | D-182-55 |
| V10 | | | | | | | |
| 1987 | 4.3L V6 | Executive Order # D-182-55 | | 80940 | | 80906 | D-182-55 |
| | 5.0L V8 | Executive Order # D-182-55 | | 80940 | | 80906 | D-182-55 |
| | 5.7L V8 | Executive Order # D-182-55 | | 80942 | | 80907 | D-182-55 |
| V10 Suburban | | | | | | | |
| 1988-87 | 5.7L V8 | Executive Order # D-182-55 | | 80942 | | 80907 | D-182-55 |
| V1500 Suburban | | | | | | | |
| 1991-89 | 5.7L V8 | Executive Order # D-182-55 | | 80942 | | 80907 | D-182-55 |
| V20 | | | | | | | |
| 1987 | 5.7L V8 | w/ 1 Catalytic Converter; Executive Order # D-182-55 | | 80942 | | 80907 | D-182-55 |
| | | w/ 2 Catalytic Converters; Executive Order # D-182-37 | Front | | | 80609 | D-182-37 |
| | | | Rear | | | 80709 | D-182-37 |
| V20 Suburban | | | | | | | |
| 1988-87 | 5.7L V8 | w/ 1 Catalytic Converter; Executive Order # D-182-55 | | 80942 | | 80907 | D-182-55 |
| | | w/ 2 Catalytic Converters; Executive Order # D-182-37 | Front | | | 80609 | D-182-37 |
| | | | Rear | | | 80709 | D-182-37 |
| | 7.4L V8 | w/ 2 Catalytic Converters; Executive Order # D-182-37 | Front | | | 80609 | D-182-37 |
| | | | Rear | | | 80709 | D-182-37 |
| V2500 Suburban | | | | | | | |
| 1991 | 5.7L V8 | Executive Order # D-182-55 | | 80942 | | 80907 | D-182-55 |

For vehicles licensed in the state of California or Maine, or vehicles requiring CARB-compliant converters in the state of New York, the parts in this catalog must be installed as specifically listed. Parts cannot be substituted, nor can they be installed on California or Maine licensed vehicles not listed in this catalog.

NON-OBDI PASSENGER CAR & TRUCK

| Years | Engine | Application | Position | Direct-Fit | | Universal Part No. | Executive Order |
|-------------------------------|---------|---|---|------------|--------------|-----------------------|-----------------------|
| | | | | Part No. | Hardware | | |
| CHEVROLET (Cont.) | | | | | | | |
| V2500 Suburban (Cont.) | | | | | | | |
| 1990 | 5.7L V8 | Executive Order # D-182-55 | | | 80942 | | 80907 D-182-55 |
| | 7.4L V8 | Executive Order # D-182-55 | | | 80942 | | 80907 D-182-55 |
| 1989 | 5.7L V8 | w/ 1 Catalytic Converter; Executive Order # D-182-55 | | | 80942 | | 80907 D-182-55 |
| | | w/ 2 Catalytic Converters; Executive Order # D-182-37 | Front | | | | 80609 D-182-37 |
| | | | Rear | | | | 80709 D-182-37 |
| V30 | | | | | | | |
| 1988 | 5.7L V8 | w/ 2 Catalytic Converters; Executive Order # D-182-37 | Front | | | | 80609 D-182-37 |
| | | | Rear | | | | 80709 D-182-37 |
| | 7.4L V8 | w/ 2 Catalytic Converters; Executive Order # D-182-37 | Front | | | | 80609 D-182-37 |
| | | | Rear | | | | 80709 D-182-37 |
| 1987 | 5.7L V8 | w/ 1 Catalytic Converter; Executive Order # D-182-55 | | | 80942 | | 80907 D-182-55 |
| | | | w/ 2 Catalytic Converters; Executive Order # D-182-37 | Front | | | 80609 D-182-37 |
| | | | Rear | | | 80709 D-182-37 | |
| | 7.4L V8 | w/ 2 Catalytic Converters; Executive Order # D-182-37 | Front | | | | 80609 D-182-37 |
| | | | Rear | | | | 80709 D-182-37 |
| V3500 | | | | | | | |
| 1991-90 | 5.7L V8 | Executive Order # D-182-55 | | | 80942 | | 80907 D-182-55 |
| | 7.4L V8 | Executive Order # D-182-55 | | | 80942 | | 80907 D-182-55 |
| 1989 | 5.7L V8 | w/ 2 Catalytic Converters; Executive Order # D-182-37 | Front | | | | 80609 D-182-37 |
| | | | Rear | | | | 80709 D-182-37 |
| | 7.4L V8 | w/ 1 Catalytic Converter; Executive Order # D-182-55 | | | 80942 | | 80907 D-182-55 |
| | | | w/ 2 Catalytic Converters; Executive Order # D-182-37 | Front | | | 80609 D-182-37 |
| | | | | Rear | | | 80709 D-182-37 |
| Vega | | | | | | | |
| 1977 | 2.3L L4 | Executive Order # D-182-65 | | | | | 81126 D-182-65 |
| 1976-75 | 2.0L L4 | Executive Order # D-182-65 | | | | | 81126 D-182-65 |
| | 2.3L L4 | Executive Order # D-182-65 | | | | | 81126 D-182-65 |
| W4500 Tiltmaster | | | | | | | |
| 2001 | 5.7L V8 | EFN # 1GMXH05.7582; Executive Order # D-182-69 | Left | | | | 83509 D-182-69 |
| | | | Right | | | | 83509 D-182-69 |
| 2000 | 5.7L V8 | EFN # YGMXH05.7582; Executive Order # D-182-69 | Left | | | | 83509 D-182-69 |
| | | | Right | | | | 83509 D-182-69 |
| CHRYSLER | | | | | | | |
| Cirrus | | | | | | | |
| 1995 | 2.4L L4 | Executive Order # D-182-65 | | | | | 81126 D-182-65 |
| | 2.5L V6 | Executive Order # D-182-65 | | | | | 81126 D-182-65 |
| Concorde | | | | | | | |
| 1995 | 3.3L V6 | Executive Order # D-182-39 | Front Left | | | | 80401 D-182-39 |
| | | | Front Right | | | | 80401 D-182-39 |
| | | | Rear | | | | 80262 D-182-39 |
| | 3.5L V6 | Executive Order # D-182-39 | Front Left | | | | 80401 D-182-39 |
| | | | Front Right | | | | 80401 D-182-39 |
| | | | Rear | | | | 80262 D-182-39 |

For vehicles licensed in the state of California or Maine, or vehicles requiring CARB-compliant converters in the state of New York, the parts in this catalog must be installed as specifically listed. Parts cannot be substituted, nor can they be installed on California or Maine licensed vehicles not listed in this catalog.

NON-OBDII PASSENGER CAR & TRUCK

| Years | Engine | Application | Position | Direct-Fit | | Universal Part No. | Executive Order | |
|----------------------------|---------|---|----------------------------|------------|--------------|--------------------|-----------------|----------|
| | | | | Part No. | Hardware | | | |
| CHRYSLER (Cont.) | | | | | | | | |
| Concorde (Cont.) | | | | | | | | |
| 1994-93 | 3.3L V6 | Executive Order # D-182-39 | Front Left | | | 80401 | D-182-39 | |
| | | | Front Right | | | 80401 | D-182-39 | |
| | | | Rear | | | 80262 | D-182-39 | |
| | 3.5L V6 | Executive Order # D-182-39 | Front Left | | | 80401 | D-182-39 | |
| | | | Front Right | | | 80401 | D-182-39 | |
| | | | Rear | | | 80262 | D-182-39 | |
| Conquest | | | | | | | | |
| 1989-87 | 2.6L L4 | Executive Order # D-182-39 | Front | | | 80401 | D-182-39 | |
| | | | Rear | | | 80256 | D-182-39 | |
| Cordoba | | | | | | | | |
| 1983-81 | 3.7L L6 | Executive Order # D-182-39 | Front | | | 80401 | D-182-39 | |
| | | | Rear | | | 80256 | D-182-39 | |
| | 5.2L V8 | w/ 1 Catalytic Converter; Executive Order # D-182-65 w/ 3 Catalytic Converters; Executive Order # D-182-39 | | | | 81122 | D-182-65 | |
| | | | Front Left | | | 80402 | D-182-39 | |
| | | | Front Right | | | 80402 | D-182-39 | |
| | 1980 | 3.7L L6 | Executive Order # D-182-39 | Front | | | 80401 | D-182-39 |
| Rear | | | | | | 80256 | D-182-39 | |
| 5.2L V8 | | w/ 1 Catalytic Converter; Executive Order # D-182-65 w/ 3 Catalytic Converters; Executive Order # D-182-39 | | | | 81122 | D-182-65 | |
| | | | Front Left | | | 80401 | D-182-39 | |
| | | Front Right | | | 80401 | D-182-39 | | |
| 1979 | 5.2L V8 | w/ Dual Catalytic Converters; Executive Order # D-182-65 w/ Single Catalytic Converter; Executive Order # D-182-65 | Left | | | 81127 | D-182-65 | |
| | | | Right | | | 81127 | D-182-65 | |
| | 5.9L V8 | Executive Order # D-182-65 | | | | 81127 | D-182-65 | |
| | 1978-75 | 5.2L V8 | Executive Order # D-182-65 | | | | 81127 | D-182-65 |
| | | | | | | | 81127 | D-182-65 |
| | | | | | | | 81127 | D-182-65 |
| | 6.6L V8 | Executive Order # D-182-65 | | | | 81127 | D-182-65 | |
| E Class | | | | | | | | |
| 1984 | 2.2L L4 | Naturally Aspirated; w/ Air Tube; Executive Order # D-182-65 | | | | 81121 | D-182-65 | |
| | | Naturally Aspirated; w/o Air Tube; Executive Order # D-182-65 | | | | 81126 | D-182-65 | |
| | | Turbocharged; Executive Order # D-182-65 | | | | 81128 | D-182-65 | |
| | 2.6L L4 | Executive Order # D-182-65 | | | | 81126 | D-182-65 | |
| 1983 | 2.2L L4 | w/ Air Tube; Executive Order # D-182-65 | | | | 81121 | D-182-65 | |
| | 2.6L L4 | Executive Order # D-182-65 | | | | 81126 | D-182-65 | |
| Executive Limousine | | | | | | | | |
| 1985 | 2.6L L4 | Executive Order # D-182-65 | | | | 81126 | D-182-65 | |
| Executive Sedan | | | | | | | | |
| 1984-83 | 2.6L L4 | Executive Order # D-182-65 | | | | 81126 | D-182-65 | |
| Fifth Avenue | | | | | | | | |
| 1989-84 | 5.2L V8 | w/ 1 Catalytic Converter; Executive Order # D-182-65 | | | | 81122 | D-182-65 | |
| | | w/ 3 Catalytic Converters; Executive Order # D-182-39 | Front Left | | | 80402 | D-182-39 | |

For vehicles licensed in the state of California or Maine, or vehicles requiring CARB-compliant converters in the state of New York, the parts in this catalog must be installed as specifically listed. Parts cannot be substituted, nor can they be installed on California or Maine licensed vehicles not listed in this catalog.

OBDII APPLICATIONS

NON-OBDII APPLICATIONS

NUMERICAL

UNIVERSAL SPECIFICATIONS

NON-OBDI PASSENGER CAR & TRUCK

| Years | Engine | Application | Position | Direct-Fit | | Universal Part No. | Executive Order |
|-----------------------------|-------------|---|-------------|------------|--------------|--------------------|-----------------|
| | | | | Part No. | Hardware | | |
| CHRYSLER (Cont.) | | | | | | | |
| Fifth Avenue (Cont.) | | | | | | | |
| 1989-84 (Cont.) | 5.2L V8 | w/ 3 Catalytic Converters; Executive Order # D-182-39 | Front Right | | | 80402 | D-182-39 |
| 1983 | 3.7L L6 | Executive Order # D-182-39 | Front | | | 80401 | D-182-39 |
| | | | Rear | | | 80256 | D-182-39 |
| | 5.2L V8 | w/ 1 Catalytic Converter; Executive Order # D-182-65 | | | | 81122 | D-182-65 |
| | | w/ 3 Catalytic Converters; Executive Order # D-182-39 | Front Left | | | 80402 | D-182-39 |
| | | | Front Right | | | 80402 | D-182-39 |
| Imperial | | | | | | | |
| 1991 | 3.3L V6 | Executive Order # D-182-65 | | | | 81128 | D-182-65 |
| | 3.8L V6 | Executive Order # D-182-65 | | | | 81128 | D-182-65 |
| 1983-81 | 5.2L V8 | w/ 1 Catalytic Converter; Executive Order # D-182-65 | | | | 81122 | D-182-65 |
| | | w/ 3 Catalytic Converters; Executive Order # D-182-39 | Front Left | | | 80402 | D-182-39 |
| | Front Right | | | | 80402 | D-182-39 | |
| 1975 | 7.2L V8 | Executive Order # D-182-65 | | | | 81128 | D-182-65 |
| Laser | | | | | | | |
| 1986 | 2.2L L4 | Naturally Aspirated; w/ Air Tube; Executive Order # D-182-65 | | | | 81121 | D-182-65 |
| | | Naturally Aspirated; w/o Air Tube; Executive Order # D-182-65 | | | | 81126 | D-182-65 |
| | | Turbocharged; Executive Order # D-182-65 | | | | 81128 | D-182-65 |
| | 2.5L L4 | w/o Air Tube; Executive Order # D-182-65 | | | | 81126 | D-182-65 |
| 1985-84 | 2.2L L4 | Naturally Aspirated; w/ Air Tube; Executive Order # D-182-65 | | | | 81121 | D-182-65 |
| | | Naturally Aspirated; w/o Air Tube; Executive Order # D-182-65 | | | | 81126 | D-182-65 |
| | | Turbocharged; Executive Order # D-182-65 | | | | 81128 | D-182-65 |
| LeBaron | | | | | | | |
| 1995 | 3.0L V6 | Executive Order # D-182-65 | | | | 81127 | D-182-65 |
| 1994 | 3.0L V6 | Convertible; Executive Order # D-182-65 | | | | 81127 | D-182-65 |
| | | Sedan; Executive Order # D-182-65 | | | | 81122 | D-182-65 |
| 1993 | 2.5L L4 | w/ Air Tube; Executive Order # D-182-65 | | | | 81121 | D-182-65 |
| | | w/o Air Tube; Executive Order # D-182-65 | | | | 81126 | D-182-65 |
| | 3.0L V6 | Convertible; Executive Order # D-182-65 | | | | 81127 | D-182-65 |
| | | Sedan; Executive Order # D-182-65 | | | | 81122 | D-182-65 |
| 1992 | 2.5L L4 | Naturally Aspirated; w/ Air Tube; Executive Order # D-182-65 | | | | 81121 | D-182-65 |
| | | Naturally Aspirated; w/o Air Tube; Executive Order # D-182-65 | | | | 81126 | D-182-65 |
| | | Turbocharged; Executive Order # D-182-65 | | | | 81127 | D-182-65 |
| | 3.0L V6 | Convertible; Executive Order # D-182-65 | | | | 81127 | D-182-65 |
| | | Sedan; Executive Order # D-182-65 | | | | 81122 | D-182-65 |
| 1991 | 2.5L L4 | Naturally Aspirated; w/ Air Tube; Executive Order # D-182-65 | | | | 81121 | D-182-65 |
| | | Naturally Aspirated; w/o Air Tube; Executive Order # D-182-65 | | | | 81126 | D-182-65 |
| | | Turbocharged; Executive Order # D-182-65 | | | | 81127 | D-182-65 |
| | 3.0L V6 | Sedan; Executive Order # D-182-65 | | | | 81126 | D-182-65 |

For vehicles licensed in the state of California or Maine, or vehicles requiring CARB-compliant converters in the state of New York, the parts in this catalog must be installed as specifically listed. Parts cannot be substituted, nor can they be installed on California or Maine licensed vehicles not listed in this catalog.

NON-OBDII PASSENGER CAR & TRUCK

| Years | Engine | Application | Position | Direct-Fit | | Universal Part No. | Executive Order |
|---|---|---|--|------------|--------------|--------------------|-----------------|
| | | | | Part No. | Hardware | | |
| CHRYSLER (Cont.) | | | | | | | |
| LeBaron (Cont.) | | | | | | | |
| 1990 | 2.2L L4 | Executive Order # D-182-65 | | | | 81127 | D-182-65 |
| | 2.5L L4 | Naturally Aspirated; w/ Air Tube; Executive Order # D-182-65 | | | | 81121 | D-182-65 |
| | | Naturally Aspirated; w/o Air Tube; Executive Order # D-182-65 | | | | 81126 | D-182-65 |
| | | Turbocharged; Executive Order # D-182-65 | | | | 81127 | D-182-65 |
| 3.0L V6 | Sedan; Executive Order # D-182-65 | | | | 81126 | D-182-65 | |
| 1989 | 2.2L L4 | Naturally Aspirated; w/ Air Tube; Executive Order # D-182-65 | | | | 81121 | D-182-65 |
| | | Naturally Aspirated; w/o Air Tube; Executive Order # D-182-65 | | | | 81126 | D-182-65 |
| | | Turbocharged; Executive Order # D-182-65 | | | | 81127 | D-182-65 |
| | 2.5L L4 | Naturally Aspirated; w/ Air Tube; Executive Order # D-182-65 | | | | 81121 | D-182-65 |
| | | Naturally Aspirated; w/o Air Tube; Executive Order # D-182-65 | | | | 81126 | D-182-65 |
| | | Turbocharged; Executive Order # D-182-65 | | | | 81127 | D-182-65 |
| 1988 | 2.2L L4 | Naturally Aspirated; w/ Air Tube; Executive Order # D-182-65 | | | | 81121 | D-182-65 |
| | | Naturally Aspirated; w/o Air Tube; Executive Order # D-182-65 | | | | 81126 | D-182-65 |
| | | Turbocharged; Executive Order # D-182-65 | | | | 81127 | D-182-65 |
| | 2.5L L4 | w/ Air Tube; Executive Order # D-182-65 | | | | 81121 | D-182-65 |
| | | w/o Air Tube; Executive Order # D-182-65 | | | | 81126 | D-182-65 |
| 1987 | 2.2L L4 | Naturally Aspirated; w/ Air Tube; Executive Order # D-182-65 | | | | 81121 | D-182-65 |
| | | Naturally Aspirated; w/o Air Tube; Executive Order # D-182-65 | | | | 81126 | D-182-65 |
| | | Turbocharged; Executive Order # D-182-65 | | | | 81127 | D-182-65 |
| | 2.5L L4 | w/ Air Tube; Executive Order # D-182-65 | | | | 81121 | D-182-65 |
| | | w/o Air Tube; Executive Order # D-182-65 | | | | 81126 | D-182-65 |
| | 1986 | 2.2L L4 | Executive Order # D-182-65 | | | | 81128 |
| Naturally Aspirated; w/ Air Tube; Executive Order # D-182-65 | | | | | | 81121 | D-182-65 |
| Naturally Aspirated; w/o Air Tube; Executive Order # D-182-65 | | | | | | 81126 | D-182-65 |
| 2.5L L4 | | w/ Air Tube; Executive Order # D-182-65 | | | | 81121 | D-182-65 |
| | | w/o Air Tube; Executive Order # D-182-65 | | | | 81126 | D-182-65 |
| 1985 | | 2.2L L4 | Naturally Aspirated; w/ Air Tube; Executive Order # D-182-65 | | | | 81121 |
| | Naturally Aspirated; w/o Air Tube; Executive Order # D-182-65 | | | | | 81126 | D-182-65 |
| | Turbocharged; Executive Order # D-182-65 | | | | | 81128 | D-182-65 |
| | 2.6L L4 | Executive Order # D-182-65 | | | | 81126 | D-182-65 |
| 1984 | 2.2L L4 | Naturally Aspirated; w/ Air Tube; Executive Order # D-182-65 | | | | 81121 | D-182-65 |
| | | Naturally Aspirated; w/o Air Tube; Executive Order # D-182-65 | | | | 81126 | D-182-65 |
| | | Turbocharged; w/o Air Tube; Executive Order # D-182-65 | | | | 81128 | D-182-65 |

OBDII APPLICATIONS

NON-OBDII APPLICATIONS

NUMERICAL

UNIVERSAL SPECIFICATIONS

For vehicles licensed in the state of California or Maine, or vehicles requiring CARB-compliant converters in the state of New York, the parts in this catalog must be installed as specifically listed. Parts cannot be substituted, nor can they be installed on California or Maine licensed vehicles not listed in this catalog.

NON-OBDI PASSENGER CAR & TRUCK

| Years | Engine | Application | Position | Direct-Fit | | Universal Part No. | Executive Order | |
|--|---------|---|---|-------------|----------|--------------------|-----------------|----------|
| | | | | Part No. | Hardware | | | |
| CHRYSLER (Cont.) | | | | | | | | |
| LeBaron (Cont.) | | | | | | | | |
| 1984 (Cont.) | 2.6L L4 | Executive Order # D-182-65 | | | | 81126 | D-182-65 | |
| 1983-82 | 2.6L L4 | Executive Order # D-182-65 | | | | 81126 | D-182-65 | |
| 1981 | 3.7L L6 | Executive Order # D-182-39 | Front | | | 80401 | D-182-39 | |
| | | | Rear | | | 80256 | D-182-39 | |
| | 5.2L V8 | w/ 1 Catalytic Converter; Executive Order # D-182-65 | | | | 81122 | D-182-65 | |
| | | w/ 3 Catalytic Converters; Executive Order # D-182-39 | Front Left | | | 80402 | D-182-39 | |
| | | | Front Right | | | 80402 | D-182-39 | |
| 1980 | 3.7L L6 | Executive Order # D-182-39 | Front | | | 80401 | D-182-39 | |
| | | | Rear | | | 80256 | D-182-39 | |
| | 5.2L V8 | w/ 1 Catalytic Converter; Executive Order # D-182-65 | | | | 81122 | D-182-65 | |
| | | w/ 3 Catalytic Converters; Executive Order # D-182-39 | Front Left | | | 80401 | D-182-39 | |
| | | | | Front Right | | | 80401 | D-182-39 |
| | 1979 | 3.7L L6 | w/ Air Tube; Executive Order # D-182-65 | | | | 81121 | D-182-65 |
| w/o Air Tube; Executive Order # D-182-65 | | | | | | 81126 | D-182-65 | |
| 5.2L V8 | | w/ 2 Catalytic Converters; Executive Order # D-182-65 | Left | | | 81127 | D-182-65 | |
| | | | Right | | | 81127 | D-182-65 | |
| | 5.9L V8 | Executive Order # D-182-65 | Left | | | 81127 | D-182-65 | |
| 1978 | 3.7L L6 | Executive Order # D-182-65 | | | | 81127 | D-182-65 | |
| | 5.2L V8 | Executive Order # D-182-65 | | | | 81127 | D-182-65 | |
| | 5.9L V8 | Executive Order # D-182-65 | | | | 81127 | D-182-65 | |
| 1977 | 5.2L V8 | Executive Order # D-182-65 | | | | 81127 | D-182-65 | |
| LHS | | | | | | | | |
| 1995-94 | 3.5L V6 | Executive Order # D-182-39 | Front Left | | | 80401 | D-182-39 | |
| | | | Front Right | | | 80401 | D-182-39 | |
| | | | Rear | | | 80262 | D-182-39 | |
| New Yorker | | | | | | | | |
| 1995 | 3.5L V6 | Executive Order # D-182-39 | Front Left | | | 80401 | D-182-39 | |
| | | | Front Right | | | 80401 | D-182-39 | |
| | | | Rear | | | 80262 | D-182-39 | |
| 1994 | 3.5L V6 | Executive Order # D-182-39 | Front Left | | | 80401 | D-182-39 | |
| | | | Front Right | | | 80401 | D-182-39 | |
| | | | Rear | | | 80262 | D-182-39 | |
| 1993-92 | 3.8L V6 | Executive Order # D-182-65 | | | | 81127 | D-182-65 | |
| 1991 | 3.3L V6 | Executive Order # D-182-65 | | | | 81127 | D-182-65 | |
| | 3.8L V6 | Executive Order # D-182-65 | | | | 81127 | D-182-65 | |
| 1990 | 3.3L V6 | Executive Order # D-182-65 | | | | 81128 | D-182-65 | |
| 1988 | 2.2L L4 | Executive Order # D-182-65 | | | | 81127 | D-182-65 | |
| 1987 | 2.2L L4 | Executive Order # D-182-65 | | | | 81127 | D-182-65 | |
| | 2.5L L4 | w/o Air Tube; Executive Order # D-182-65 | | | | 81126 | D-182-65 | |
| 1986 | 2.2L L4 | Executive Order # D-182-65 | | | | 81128 | D-182-65 | |
| | 2.5L L4 | w/o Air Tube; Executive Order # D-182-65 | | | | 81126 | D-182-65 | |
| 1985 | 2.2L L4 | Executive Order # D-182-65 | | | | 81128 | D-182-65 | |
| | 2.6L L4 | Executive Order # D-182-65 | | | | 81126 | D-182-65 | |

For vehicles licensed in the state of California or Maine, or vehicles requiring CARB-compliant converters in the state of New York, the parts in this catalog must be installed as specifically listed. Parts cannot be substituted, nor can they be installed on California or Maine licensed vehicles not listed in this catalog.

NON-OBDII PASSENGER CAR & TRUCK

| Years | Engine | Application | Position | Direct-Fit | | Universal Part No. | Executive Order |
|---------------------------|---------|---|-------------|------------|--------------|--------------------|-----------------|
| | | | | Part No. | Hardware | | |
| CHRYSLER (Cont.) | | | | | | | |
| New Yorker (Cont.) | | | | | | | |
| 1984 | 2.2L L4 | Naturally Aspirated; w/ Air Tube; Executive Order # D-182-65 | | | | 81121 | D-182-65 |
| | | Naturally Aspirated; w/o Air Tube; Executive Order # D-182-65 | | | | 81126 | D-182-65 |
| | | Turbocharged; Executive Order # D-182-65 | | | | 81128 | D-182-65 |
| | 2.6L L4 | Executive Order # D-182-65 | | | | 81126 | D-182-65 |
| 1983 | 2.2L L4 | w/ Air Tube; Executive Order # D-182-65 | | | | 81121 | D-182-65 |
| | 2.6L L4 | Executive Order # D-182-65 | | | | 81126 | D-182-65 |
| 1982 | 3.7L L6 | Executive Order # D-182-39 | Front | | | 80401 | D-182-39 |
| | | | Rear | | | 80256 | D-182-39 |
| | 5.2L V8 | w/ 1 Catalytic Converter; Executive Order # D-182-65 w/ 3 Catalytic Converters; Executive Order # D-182-39 | | | | 81122 | D-182-65 |
| | | | Front Left | | | 80402 | D-182-39 |
| | | Front Right | | | 80402 | D-182-39 | |
| 1981 | 5.2L V8 | w/ 1 Catalytic Converter; Executive Order # D-182-65 w/ 3 Catalytic Converters; Executive Order # D-182-39 | | | | 81122 | D-182-65 |
| | | | Front Left | | | 80402 | D-182-39 |
| | | | Front Right | | | 80402 | D-182-39 |
| 1980 | 5.2L V8 | w/ 1 Catalytic Converter; Executive Order # D-182-65 w/ 3 Catalytic Converters; Executive Order # D-182-39 | | | | 81122 | D-182-65 |
| | | | Front Left | | | 80401 | D-182-39 |
| | | | Front Right | | | 80401 | D-182-39 |
| | 5.9L V8 | Executive Order # D-182-65 | | | | 81127 | D-182-65 |
| 1979 | 5.2L V8 | w/ Dual Catalytic Converters; Executive Order # D-182-65 | Left | | | 81127 | D-182-65 |
| | | | Right | | | 81127 | D-182-65 |
| | | w/ Single Catalytic Converter; Executive Order # D-182-65 | | | | 81127 | D-182-65 |
| | 5.9L V8 | Executive Order # D-182-65 | | | | 81127 | D-182-65 |
| 1978-77 | 5.9L V8 | Executive Order # D-182-65 | | | | 81128 | D-182-65 |
| | 6.6L V8 | Executive Order # D-182-65 | | | | 81128 | D-182-65 |
| | 7.2L V8 | Executive Order # D-182-65 | | | | 81128 | D-182-65 |
| 1976-75 | 6.6L V8 | w/ Dual Catalytic Converters; Executive Order # D-182-65 | Left | | | 81128 | D-182-65 |
| | | | Right | | | 81128 | D-182-65 |
| | | w/ Single Catalytic Converter; Executive Order # D-182-65 | | | | 81128 | D-182-65 |
| | 7.2L V8 | w/ Dual Catalytic Converters; Executive Order # D-182-65 | Left | | | 81128 | D-182-65 |
| | | | Right | | | 81128 | D-182-65 |
| | | w/ Single Catalytic Converter; Executive Order # D-182-65 | | | | 81128 | D-182-65 |

Newport

| | | | | | | | |
|------|---------|---|-------------|--|--|--------------|----------|
| 1981 | 5.2L V8 | w/ 1 Catalytic Converter; Executive Order # D-182-65 w/ 3 Catalytic Converters; Executive Order # D-182-39 | | | | 81122 | D-182-65 |
| | | | Front Left | | | 80402 | D-182-39 |
| | | | Front Right | | | 80402 | D-182-39 |
| 1980 | 5.2L V8 | w/ 1 Catalytic Converter; Executive Order # D-182-65 w/ 3 Catalytic Converters; Executive Order # D-182-39 | | | | 81122 | D-182-65 |
| | | | Front Left | | | 80401 | D-182-39 |
| | | | Front Right | | | 80401 | D-182-39 |
| | 5.9L V8 | Executive Order # D-182-65 | | | | 81127 | D-182-65 |
| 1979 | 5.2L V8 | w/ Dual Catalytic Converters; Executive Order # D-182-65 | Left | | | 81127 | D-182-65 |
| | | | Right | | | 81127 | D-182-65 |

For vehicles licensed in the state of California or Maine, or vehicles requiring CARB-compliant converters in the state of New York, the parts in this catalog must be installed as specifically listed. Parts cannot be substituted, nor can they be installed on California or Maine licensed vehicles not listed in this catalog.

NON-OBDI PASSENGER CAR & TRUCK

| Years | Engine | Application | Position | Direct-Fit | | Universal Part No. | Executive Order | |
|-------------------------|---------|---|---|------------|----------|--------------------|-----------------|----------|
| | | | | Part No. | Hardware | | | |
| CHRYSLER (Cont.) | | | | | | | | |
| Newport (Cont.) | | | | | | | | |
| 1979 (Cont.) | 5.2L V8 | w/ Single Catalytic Converter; Executive Order # D-182-65 | | | | 81127 | D-182-65 | |
| | 5.9L V8 | Executive Order # D-182-65 | | | | 81127 | D-182-65 | |
| 1978-77 | 5.9L V8 | Executive Order # D-182-65 | | | | 81128 | D-182-65 | |
| | 6.6L V8 | w/ Single Catalytic Converter; Executive Order # D-182-65 | | | | 81128 | D-182-65 | |
| | 7.2L V8 | Executive Order # D-182-65 | | | | 81128 | D-182-65 | |
| 1976-75 | 5.9L V8 | w/ Dual Catalytic Converters; Executive Order # D-182-65 | Left | | | 81128 | D-182-65 | |
| | | | Right | | | 81128 | D-182-65 | |
| | | | w/ Single Catalytic Converter; Executive Order # D-182-65 | | | | 81128 | D-182-65 |
| | 6.6L V8 | w/ Dual Catalytic Converters; Executive Order # D-182-65 | Left | | | 81128 | D-182-65 | |
| | | | Right | | | 81128 | D-182-65 | |
| | | | w/ Single Catalytic Converter; Executive Order # D-182-65 | | | | 81128 | D-182-65 |
| | 7.2L V8 | w/ Dual Catalytic Converters; Executive Order # D-182-65 | Left | | | 81128 | D-182-65 | |
| | | | Right | | | 81128 | D-182-65 | |
| | | w/ Single Catalytic Converter; Executive Order # D-182-65 | | | | 81128 | D-182-65 | |

TC Maserati

| | | | | | | | |
|------|---------|----------------------------|--|--|--|--------------|----------|
| 1991 | 3.0L V6 | Executive Order # D-182-65 | | | | 81126 | D-182-65 |
| 1990 | 2.2L L4 | Executive Order # D-182-65 | | | | 81126 | D-182-65 |
| | 3.0L V6 | Executive Order # D-182-65 | | | | 81126 | D-182-65 |
| 1989 | 2.2L L4 | Executive Order # D-182-65 | | | | 81126 | D-182-65 |

Town & Country

| | | | | | | | |
|---------|---------|----------------------------|--|--|--|--------------|----------|
| 1995-94 | 3.8L V6 | Executive Order # D-182-55 | | | | 80906 | D-182-55 |
| 1993-90 | 3.3L V6 | Executive Order # D-182-55 | | | | 80906 | D-182-55 |

DAIHATSU

Charade

| | | | | | | | |
|---------|---------|----------------------------|------|--|--|--------------|----------|
| 1992-89 | 1.3L L4 | Executive Order # D-182-39 | Rear | | | 80256 | D-182-39 |
|---------|---------|----------------------------|------|--|--|--------------|----------|

DODGE

400

| | | | | | | | |
|------|---------|----------------------------|-------|--|--|--------------|----------|
| 1983 | 2.6L L4 | Executive Order # D-182-65 | | | | 81126 | D-182-65 |
| 1982 | 2.2L L4 | Executive Order # D-182-39 | Rear | | | 80256 | D-182-39 |
| | 2.6L L4 | Executive Order # D-182-39 | Front | | | 80401 | D-182-39 |

600

| | | | | | | | |
|------|---------|---|--|--|--|--------------|----------|
| 1988 | 2.2L L4 | Executive Order # D-182-65 | | | | 81127 | D-182-65 |
| | 2.5L L4 | w/ Air Tube; Executive Order # D-182-65 | | | | 81121 | D-182-65 |
| | | w/o Air Tube; Executive Order # D-182-65 | | | | 81126 | D-182-65 |
| 1987 | 2.2L L4 | Executive Order # D-182-65 | | | | 81127 | D-182-65 |
| | 2.5L L4 | w/o Air Tube; Executive Order # D-182-65 | | | | 81126 | D-182-65 |
| 1986 | 2.2L L4 | Naturally Aspirated; w/ Air Tube; Executive Order # D-182-65 | | | | 81121 | D-182-65 |
| | | Naturally Aspirated; w/o Air Tube; Executive Order # D-182-65 | | | | 81126 | D-182-65 |

For vehicles licensed in the state of California or Maine, or vehicles requiring CARB-compliant converters in the state of New York, the parts in this catalog must be installed as specifically listed. Parts cannot be substituted, nor can they be installed on California or Maine licensed vehicles not listed in this catalog.

NON-OBDII PASSENGER CAR & TRUCK

| Years | Engine | Application | Position | Direct-Fit | | Universal Part No. | Executive Order |
|----------------------|---------|---|---|------------|----------|--------------------|-----------------|
| | | | | Part No. | Hardware | | |
| DODGE (Cont.) | | | | | | | |
| 600 (Cont.) | | | | | | | |
| 1986 (Cont.) | 2.2L L4 | Turbocharged; Executive Order # D-182-65 | | | | 81128 | D-182-65 |
| | 2.5L L4 | w/o Air Tube; Executive Order # D-182-65 | | | | 81126 | D-182-65 |
| 1985 | 2.2L L4 | Naturally Aspirated; w/ Air Tube; Executive Order # D-182-65 | | | | 81121 | D-182-65 |
| | | Naturally Aspirated; w/o Air Tube; Executive Order # D-182-65 | | | | 81126 | D-182-65 |
| | | Turbocharged; Executive Order # D-182-65 | | | | 81128 | D-182-65 |
| | 2.6L L4 | Executive Order # D-182-65 | | | | 81126 | D-182-65 |
| 1984 | 2.2L L4 | Naturally Aspirated; w/o Air Tube; Executive Order # D-182-65 | | | | 81126 | D-182-65 |
| | | w/ Air Tube; Executive Order # D-182-65 | | | | 81121 | D-182-65 |
| | 2.6L L4 | Executive Order # D-182-65 | | | | 81126 | D-182-65 |
| 1983 | 2.6L L4 | Executive Order # D-182-65 | | | | 81126 | D-182-65 |
| Aries | | | | | | | |
| 1989-88 | 2.2L L4 | w/ Air Tube; Executive Order # D-182-65 | | | | 81121 | D-182-65 |
| | | w/o Air Tube; Executive Order # D-182-65 | | | | 81126 | D-182-65 |
| | 2.5L L4 | w/ Air Tube; Executive Order # D-182-65 | | | | 81121 | D-182-65 |
| | | w/o Air Tube; Executive Order # D-182-65 | | | | 81126 | D-182-65 |
| 1987 | 2.2L L4 | w/o Air Tube; Executive Order # D-182-65 | | | | 81126 | D-182-65 |
| | 2.5L L4 | w/o Air Tube; Executive Order # D-182-65 | | | | 81126 | D-182-65 |
| 1986 | 2.2L L4 | w/ Air Tube; Executive Order # D-182-65 | | | | 81121 | D-182-65 |
| | | w/o Air Tube; Executive Order # D-182-65 | | | | 81126 | D-182-65 |
| | 2.5L L4 | w/o Air Tube; Executive Order # D-182-65 | | | | 81126 | D-182-65 |
| 1985-84 | 2.2L L4 | w/ Air Tube; Executive Order # D-182-65 | | | | 81121 | D-182-65 |
| | | w/o Air Tube; Executive Order # D-182-65 | | | | 81126 | D-182-65 |
| | 2.6L L4 | Executive Order # D-182-65 | | | | 81126 | D-182-65 |
| 1983 | 2.6L L4 | Executive Order # D-182-65 | | | | 81126 | D-182-65 |
| 1982 | 2.2L L4 | Executive Order # D-182-39 | Rear | | | 80256 | D-182-39 |
| | 2.6L L4 | Executive Order # D-182-39 | Front | | | 80401 | D-182-39 |
| 1981 | 2.2L L4 | Executive Order # D-182-39 | Front | | | 80401 | D-182-39 |
| | | | Rear | | | 80256 | D-182-39 |
| | 2.6L L4 | Executive Order # D-182-39 | Front | | | 80401 | D-182-39 |
| Aspen | | | | | | | |
| 1980 | 3.7L L6 | Executive Order # D-182-39 | Front | | | 80401 | D-182-39 |
| | | | Rear | | | 80256 | D-182-39 |
| | 5.2L V8 | w/ 1 Catalytic Converter; Executive Order # D-182-65 w/ 3 Catalytic Converters; Executive Order # D-182-39 | | | | 81122 | D-182-65 |
| | | | Front Left | | | 80401 | D-182-39 |
| | | | Front Right | | | 80401 | D-182-39 |
| | | | | | | 81127 | D-182-65 |
| 1979 | 3.7L L6 | w/ Air Tube; Executive Order # D-182-65 w/o Air Tube; Executive Order # D-182-65 | | | | 81121 | D-182-65 |
| | | | | | | 81126 | D-182-65 |
| | 5.2L V8 | w/ Dual Catalytic Converters; Executive Order # D-182-65 | Left | | | 81127 | D-182-65 |
| | | | Right | | | 81127 | D-182-65 |
| | | 5.9L V8 | w/ Single Catalytic Converter; Executive Order # D-182-65 | | | | 81127 |
| | 5.9L V8 | Executive Order # D-182-65 | | | | 81127 | D-182-65 |

For vehicles licensed in the state of California or Maine, or vehicles requiring CARB-compliant converters in the state of New York, the parts in this catalog must be installed as specifically listed. Parts cannot be substituted, nor can they be installed on California or Maine licensed vehicles not listed in this catalog.

NON-OBDI PASSENGER CAR & TRUCK

| Years | Engine | Application | Position | Direct-Fit | | Universal Part No. | Executive Order |
|----------------------|---------|----------------------------|----------|------------|----------|--------------------|-----------------|
| | | | | Part No. | Hardware | | |
| DODGE (Cont.) | | | | | | | |
| Aspen (Cont.) | | | | | | | |
| 1978-77 | 3.7L L6 | Executive Order # D-182-65 | | | | 81127 | D-182-65 |
| | 5.2L V8 | Executive Order # D-182-65 | | | | 81127 | D-182-65 |
| | 5.9L V8 | Executive Order # D-182-65 | | | | 81127 | D-182-65 |
| 1976 | 3.7L L6 | Executive Order # D-182-65 | | | | 81126 | D-182-65 |
| | 5.2L V8 | Executive Order # D-182-65 | | | | 81127 | D-182-65 |
| | 5.9L V8 | Executive Order # D-182-65 | | | | 81127 | D-182-65 |

B100

| | | | | | | | |
|---|---------|---|---|-------|--------------|--------------|--------------|
| 1980 | 3.7L L6 | w/ Air Tube; Executive Order # D-182-55 | | | | 80901 | D-182-55 |
| | | w/o Air Tube; Executive Order # D-182-55 | | | | 80905 | D-182-55 |
| | 5.2L V8 | w/ 2 Catalytic Converters; Executive Order # D-182-37 | Front | | | 80616 | D-182-37 |
| | | | Rear | | | 80707 | D-182-37 |
| 1979 | 3.7L L6 | w/ Air Tube; Executive Order # D-182-55 | | | | 80901 | D-182-55 |
| | | w/o Air Tube; Executive Order # D-182-55 | | | | 80905 | D-182-55 |
| | 5.2L V8 | w/ 1 Catalytic Converter; Executive Order # D-182-55 | | | | 80906 | D-182-55 |
| | | w/ 2 Catalytic Converters; Executive Order # D-182-37 | Front | | | 80616 | D-182-37 |
| | Rear | | | | 80708 | D-182-37 | |
| 1978 | 3.7L L6 | w/ Air Tube; Executive Order # D-182-55 | | | | 80901 | D-182-55 |
| | | w/o Air Tube; Executive Order # D-182-55 | | | | 80905 | D-182-55 |
| | 5.2L V8 | w/ 1 Catalytic Converter; Executive Order # D-182-55 | | | | 80906 | D-182-55 |
| | | | w/ 2 Catalytic Converters; Executive Order # D-182-37 | Front | | | 80616 |
| | | Rear | | | | 80708 | D-182-37 |
| | 5.9L V8 | w/ 1 Catalytic Converter; Executive Order # D-182-55 | | | | 80906 | D-182-55 |
| w/ 2 Catalytic Converters; Executive Order # D-182-37 | | | Front | | | 80616 | D-182-37 |
| | Rear | | | | 80708 | D-182-37 | |
| 1977-76 | 3.7L L6 | w/ Air Tube; Executive Order # D-182-55 | | | | 80901 | D-182-55 |
| | | w/o Air Tube; Executive Order # D-182-55 | | | | 80905 | D-182-55 |
| | 5.2L V8 | Executive Order # D-182-55 | | | | 80906 | D-182-55 |
| | 5.9L V8 | Executive Order # D-182-55 | | | | 80906 | D-182-55 |
| 1975 | 3.7L L6 | w/ Air Tube; Executive Order # D-182-55 | | | | 80901 | D-182-55 |
| | | w/o Air Tube; Executive Order # D-182-55 | | | | 80905 | D-182-55 |
| | 5.2L V8 | Executive Order # D-182-55 | | | | 80906 | D-182-55 |

B150

| | | | | | | | |
|---------|---------|---|-------|--|--|--------------|----------|
| 1994 | 3.9L V6 | Executive Order # D-182-55 | | | | 80906 | D-182-55 |
| | 5.2L V8 | Executive Order # D-182-55 | | | | 80906 | D-182-55 |
| 1993-92 | 3.9L V6 | Executive Order # D-182-55 | | | | 80907 | D-182-55 |
| | 5.2L V8 | Executive Order # D-182-55 | | | | 80907 | D-182-55 |
| 1991-90 | 3.9L V6 | Executive Order # D-182-55 | | | | 80901 | D-182-55 |
| | 5.2L V8 | Executive Order # D-182-55 | | | | 80901 | D-182-55 |
| 1989 | 3.9L V6 | w/ 1 Catalytic Converter; Executive Order # D-182-55 | | | | 80901 | D-182-55 |
| | | w/ 2 Catalytic Converters; Executive Order # D-182-37 | Front | | | 80616 | D-182-37 |
| | | Rear | | | | 80702 | D-182-37 |
| | 5.2L V8 | Executive Order # D-182-55 | | | | 80902 | D-182-55 |
| 1988 | 3.9L V6 | w/ 1 Catalytic Converter; Executive Order # D-182-55 | | | | 80901 | D-182-55 |
| | | w/ 2 Catalytic Converters; Executive Order # D-182-37 | Front | | | 80616 | D-182-37 |
| | | Rear | | | | 80702 | D-182-37 |

For vehicles licensed in the state of California or Maine, or vehicles requiring CARB-compliant converters in the state of New York, the parts in this catalog must be installed as specifically listed. Parts cannot be substituted, nor can they be installed on California or Maine licensed vehicles not listed in this catalog.

NON-OBDII PASSENGER CAR & TRUCK

| Years | Engine | Application | Position | Direct-Fit | | Universal Part No. | Executive Order | |
|---|---|---|---|--|--------------|--------------------|-----------------|--------------|
| | | | | Part No. | Hardware | | | |
| DODGE (Cont.) | | | | | | | | |
| B150 (Cont.) | | | | | | | | |
| 1988 (Cont.) | 5.2L V8 | w/ 1 Catalytic Converter; Executive Order # D-182-55 | | | | 80902 | D-182-55 | |
| | | w/ 2 Catalytic Converters; Executive Order # D-182-37 | Front | | | 80616 | D-182-37 | |
| | | | Rear | | | 80703 | D-182-37 | |
| 1987-83 | 3.7L L6 | Executive Order # D-182-37 | Front | | | 80616 | D-182-37 | |
| | | | Rear | | | 80703 | D-182-37 | |
| | 5.2L V8 | w/ 1 Catalytic Converter; Executive Order # D-182-55 | | | | 80901 | D-182-55 | |
| | | | w/ 2 Catalytic Converters; Executive Order # D-182-37 | Front | | | 80616 | D-182-37 |
| | | Rear | | | | 80702 | D-182-37 | |
| | | 3.7L L6 | w/ Air Tube; Executive Order # D-182-55 | | | | 80901 | D-182-55 |
| w/o Air Tube; Executive Order # D-182-55 | | | | | | 80905 | D-182-55 | |
| 1982 | 5.2L V8 | w/ 1 Catalytic Converter; Executive Order # D-182-55 | | | | 80906 | D-182-55 | |
| | | | w/ 2 Catalytic Converters; Executive Order # D-182-37 | Front | | | 80616 | D-182-37 |
| | Rear | | | | 80708 | D-182-37 | | |
| 1981 | 3.7L L6 | w/ Air Tube; Executive Order # D-182-55 | | | | 80901 | D-182-55 | |
| | | | w/o Air Tube; Executive Order # D-182-55 | | | | 80905 | D-182-55 |
| | 5.2L V8 | w/ 1 Catalytic Converter; Executive Order # D-182-55 | | | | 80905 | D-182-55 | |
| | | | w/ 2 Catalytic Converters; Executive Order # D-182-37 | Front | | | 80616 | D-182-37 |
| | | Rear | | | | 80707 | D-182-37 | |
| | | B1500 | | | | | | |
| 1995 | 3.9L V6 | Executive Order # D-182-55 | | | | 80906 | D-182-55 | |
| | 5.2L V8 | Executive Order # D-182-55 | | | | 80906 | D-182-55 | |
| B200 | | | | | | | | |
| 1980 | 3.7L L6 | w/ Air Tube; Executive Order # D-182-55 | | | | 80901 | D-182-55 | |
| | | | | | | 80901 | D-182-55 | |
| | | | w/o Air Tube; Executive Order # D-182-55 | | | | 80905 | D-182-55 |
| | 5.2L V8 | w/ 1 Catalytic Converter; Executive Order # D-182-55 | | | | 80905 | D-182-55 | |
| | | | w/ 2 Catalytic Converters; Executive Order # D-182-37 | Front | | | 80616 | D-182-37 |
| | | Rear | | | | 80707 | D-182-37 | |
| | | 5.9L V8 | w/ 1 Catalytic Converter; Executive Order # D-182-55 | | | | 80906 | D-182-55 |
| | w/ 2 Catalytic Converters; Executive Order # D-182-37 | | | Front | | | 80616 | D-182-37 |
| | | Rear | | | 80708 | D-182-37 | | |
| | 1979 | 3.7L L6 | w/ Air Tube; Executive Order # D-182-55 | | | | 80901 | D-182-55 |
| | | | | | | | 80901 | D-182-55 |
| | | | | w/o Air Tube; Executive Order # D-182-55 | | | | 80905 |
| 5.2L V8 | | w/ 1 Catalytic Converter; Executive Order # D-182-55 | | | | 80906 | D-182-55 | |
| | | | w/ 2 Catalytic Converters; Executive Order # D-182-37 | Front | | | 80616 | D-182-37 |
| | | Rear | | | | 80708 | D-182-37 | |
| | | 5.9L V8 | w/ 1 Catalytic Converter; Executive Order # D-182-55 | | | | 80906 | D-182-55 |
| w/ 2 Catalytic Converters; Executive Order # D-182-37 | | | | Front | | | 80616 | D-182-37 |
| | | Rear | | | 80708 | D-182-37 | | |
| 1978 | 3.7L L6 | w/ Air Tube; Executive Order # D-182-55 | | | | 80901 | D-182-55 | |
| | | | | | | 80901 | D-182-55 | |
| | | | w/o Air Tube; Executive Order # D-182-55 | | | | 80905 | D-182-55 |
| | 5.2L V8 | w/ 1 Catalytic Converter; Executive Order # D-182-55 | | | | 80906 | D-182-55 | |
| | | | w/ 2 Catalytic Converters; Executive Order # D-182-37 | Front | | | 80616 | D-182-37 |

OBDII APPLICATIONS

NON-OBDII APPLICATIONS

NUMERICAL

UNIVERSAL SPECIFICATIONS

For vehicles licensed in the state of California or Maine, or vehicles requiring CARB-compliant converters in the state of New York, the parts in this catalog must be installed as specifically listed. Parts cannot be substituted, nor can they be installed on California or Maine licensed vehicles not listed in this catalog.

NON-OBDI PASSENGER CAR & TRUCK

| Years | Engine | Application | Position | Direct-Fit | | Universal Part No. | Executive Order |
|----------------------|--|---|--------------|------------|--------------|--------------------|-----------------|
| | | | | Part No. | Hardware | | |
| DODGE (Cont.) | | | | | | | |
| B200 (Cont.) | | | | | | | |
| 1978 (Cont.) | 5.2L V8 | w/ 2 Catalytic Converters; Executive Order # D-182-37 | Rear | | | 80708 | D-182-37 |
| | 5.9L V8 | w/ 1 Catalytic Converter; Executive Order # D-182-55 | | | | 80906 | D-182-55 |
| | | w/ 2 Catalytic Converters; Executive Order # D-182-37 | Front | | | 80616 | D-182-37 |
| | | | Rear | | | 80708 | D-182-37 |
| 6.6L V8 | Executive Order # D-182-55 | | | | 80906 | D-182-55 | |
| 1977-76 | 3.7L L6 | w/ Air Tube; Executive Order # D-182-55 | | | | 80901 | D-182-55 |
| | | | | | 80901 | D-182-55 | |
| | w/o Air Tube; Executive Order # D-182-55 | | | | 80905 | D-182-55 | |
| | 5.2L V8 | Executive Order # D-182-55 | | | | 80906 | D-182-55 |
| | 5.9L V8 | Executive Order # D-182-55 | | | | 80906 | D-182-55 |
| | 6.6L V8 | Executive Order # D-182-55 | | | | 80906 | D-182-55 |
| 1975 | 3.7L L6 | w/ Air Tube; Executive Order # D-182-55 | | | | 80901 | D-182-55 |
| | | | | | 80901 | D-182-55 | |
| | w/o Air Tube; Executive Order # D-182-55 | | | | 80905 | D-182-55 | |
| | 5.2L V8 | Executive Order # D-182-55 | | | | 80906 | D-182-55 |
| 5.9L V8 | Executive Order # D-182-55 | | | | 80906 | D-182-55 | |
| B250 | | | | | | | |
| 1994 | 3.9L V6 | Executive Order # D-182-55 | | | | 80906 | D-182-55 |
| | 5.2L V8 | Executive Order # D-182-55 | | | | 80906 | D-182-55 |
| | 5.9L V8 | Executive Order # D-182-55 | | | | 80906 | D-182-55 |
| 1993 | 3.9L V6 | Executive Order # D-182-55 | | | | 80907 | D-182-55 |
| | 5.2L V8 | Executive Order # D-182-55 | | | | 80906 | D-182-55 |
| | 5.9L V8 | Executive Order # D-182-55 | | | | 80906 | D-182-55 |
| 1992 | 3.9L V6 | Executive Order # D-182-55 | | | | 80907 | D-182-55 |
| | 5.2L V8 | Executive Order # D-182-55 | | | | 80906 | D-182-55 |
| | 5.9L V8 | Executive Order # D-182-55 | | | | 80901 | D-182-55 |
| 1991-90 | 3.9L V6 | Executive Order # D-182-55 | | | | 80901 | D-182-55 |
| | 5.2L V8 | Executive Order # D-182-55 | | | | 80901 | D-182-55 |
| | 5.9L V8 | Executive Order # D-182-55 | | | | 80901 | D-182-55 |
| 1989 | 3.9L V6 | w/ 1 Catalytic Converter; Executive Order # D-182-55 | | | | 80901 | D-182-55 |
| | | w/ 2 Catalytic Converters; Executive Order # D-182-37 | Front | | | 80616 | D-182-37 |
| | | | Rear | | | 80702 | D-182-37 |
| | 5.2L V8 | Executive Order # D-182-55 | | | | 80902 | D-182-55 |
| | 5.9L V8 | Executive Order # D-182-55 | | | | 80902 | D-182-55 |
| 1988 | 3.9L V6 | w/ 1 Catalytic Converter; Executive Order # D-182-55 | | | | 80901 | D-182-55 |
| | | w/ 2 Catalytic Converters; Executive Order # D-182-37 | Front | | | 80616 | D-182-37 |
| | Rear | | | | 80702 | D-182-37 | |
| | 5.2L V8 | w/ 1 Catalytic Converter; Executive Order # D-182-55 | | | | 80902 | D-182-55 |
| | | w/ 2 Catalytic Converters; Executive Order # D-182-37 | Front | | | 80616 | D-182-37 |
| | Rear | | | | 80703 | D-182-37 | |
| | 5.9L V8 | w/ 1 Catalytic Converter; Executive Order # D-182-55 | | | | 80906 | D-182-55 |
| | | w/ 2 Catalytic Converters; Executive Order # D-182-37 | Front | | | 80616 | D-182-37 |
| Rear | | | 80702 | D-182-37 | | | |
| 1987 | 3.7L L6 | Executive Order # D-182-37 | Front | | | 80616 | D-182-37 |
| | | | Rear | | | 80703 | D-182-37 |

For vehicles licensed in the state of California or Maine, or vehicles requiring CARB-compliant converters in the state of New York, the parts in this catalog must be installed as specifically listed. Parts cannot be substituted, nor can they be installed on California or Maine licensed vehicles not listed in this catalog.

NON-OBDII PASSENGER CAR & TRUCK

| Years | Engine | Application | Position | Direct-Fit | | Universal Part No. | Executive Order |
|---|--|---|---|------------|--------------|--------------------|-----------------|
| | | | | Part No. | Hardware | | |
| DODGE (Cont.) | | | | | | | |
| B250 (Cont.) | | | | | | | |
| 1987 (Cont.) | 5.2L V8 | w/ 1 Catalytic Converter; Executive Order # D-182-55 | | | | 80901 | D-182-55 |
| | | w/ 2 Catalytic Converters; Executive Order # D-182-37 | Front | | | 80616 | D-182-37 |
| | | | Rear | | | 80702 | D-182-37 |
| | 5.9L V8 | w/ 1 Catalytic Converter; Executive Order # D-182-55 | | | | 80906 | D-182-55 |
| | | w/ 2 Catalytic Converters; Executive Order # D-182-37 | Front | | | 80616 | D-182-37 |
| | | | Rear | | | 80708 | D-182-37 |
| 1986-84 | 3.7L L6 | Executive Order # D-182-37 | Front | | | 80616 | D-182-37 |
| | | | Rear | | | 80703 | D-182-37 |
| | 5.2L V8 | w/ 1 Catalytic Converter; Executive Order # D-182-55 | | | | 80901 | D-182-55 |
| | | w/ 2 Catalytic Converters; Executive Order # D-182-37 | Front | | | 80616 | D-182-37 |
| | | | Rear | | | 80702 | D-182-37 |
| | 5.9L V8 | w/ 1 Catalytic Converter; Executive Order # D-182-55 | | | | 80906 | D-182-55 |
| 1983 | 3.7L L6 | Executive Order # D-182-37 | Front | | | 80616 | D-182-37 |
| | | | Rear | | | 80703 | D-182-37 |
| | 5.2L V8 | w/ 1 Catalytic Converter; Executive Order # D-182-55 | | | | 80901 | D-182-55 |
| | | w/ 2 Catalytic Converters; Executive Order # D-182-37 | Front | | | 80616 | D-182-37 |
| | | | Rear | | | 80702 | D-182-37 |
| | 1982 | 3.7L L6 | w/ Air Tube; Executive Order # D-182-55 | | | | 80901 |
| w/o Air Tube; Executive Order # D-182-55 | | | | | | 80905 | D-182-55 |
| 5.2L V8 | | w/ 1 Catalytic Converter; Executive Order # D-182-55 | | | | 80906 | D-182-55 |
| | | w/ 2 Catalytic Converters; Executive Order # D-182-37 | Front | | | 80616 | D-182-37 |
| | | | Rear | | | 80708 | D-182-37 |
| 1981 | | 3.7L L6 | w/ Air Tube; Executive Order # D-182-55 | | | | 80901 |
| | w/o Air Tube; Executive Order # D-182-55 | | | | | 80905 | D-182-55 |
| | 5.2L V8 | w/ 1 Catalytic Converter; Executive Order # D-182-55 | | | | 80905 | D-182-55 |
| | | w/ 2 Catalytic Converters; Executive Order # D-182-37 | Front | | | 80616 | D-182-37 |
| | | | Rear | | | 80707 | D-182-37 |
| | 5.9L V8 | w/ 1 Catalytic Converter; Executive Order # D-182-55 | | | | 80906 | D-182-55 |
| w/ 2 Catalytic Converters; Executive Order # D-182-37 | | Front | | | 80616 | D-182-37 | |
| | | Rear | | | 80708 | D-182-37 | |
| B2500 | | | | | | | |
| 1995 | 3.9L V6 | Executive Order # D-182-55 | | | | 80906 | D-182-55 |
| | 5.2L V8 | Executive Order # D-182-55 | | | | 80906 | D-182-55 |
| | 5.9L V8 | Executive Order # D-182-55 | | | | 80906 | D-182-55 |
| B300 | | | | | | | |
| 1980 | 5.2L V8 | w/ 1 Catalytic Converter; Executive Order # D-182-55 | | | | 80906 | D-182-55 |
| | | w/ 2 Catalytic Converters; Executive Order # D-182-37 | Front | | | 80616 | D-182-37 |
| | | | Rear | | | 80708 | D-182-37 |
| | 5.9L V8 | w/ 1 Catalytic Converter; Executive Order # D-182-55 | | | | 80906 | D-182-55 |
| | | w/ 2 Catalytic Converters; Executive Order # D-182-37 | Front | | | 80616 | D-182-37 |
| | | | Rear | | | 80708 | D-182-37 |
| 1979 | 3.7L L6 | w/ Air Tube; Executive Order # D-182-55 | | | | 80901 | D-182-55 |
| | | w/o Air Tube; Executive Order # D-182-55 | | | | 80905 | D-182-55 |

OBDII APPLICATIONS

NON-OBDII APPLICATIONS

NUMERICAL

UNIVERSAL SPECIFICATIONS

For vehicles licensed in the state of California or Maine, or vehicles requiring CARB-compliant converters in the state of New York, the parts in this catalog must be installed as specifically listed. Parts cannot be substituted, nor can they be installed on California or Maine licensed vehicles not listed in this catalog.

NON-OBDI PASSENGER CAR & TRUCK

| Years | Engine | Application | Position | Direct-Fit | | Universal Part No. | Executive Order | |
|----------------------|--|---|--|------------|--------------|--------------------|-----------------|----------|
| | | | | Part No. | Hardware | | | |
| DODGE (Cont.) | | | | | | | | |
| B300 (Cont.) | | | | | | | | |
| 1979 (Cont.) | 5.2L V8 | w/ 1 Catalytic Converter; Executive Order # D-182-55 | | | | 80906 | D-182-55 | |
| | | w/ 2 Catalytic Converters; Executive Order # D-182-37 | Front | | | 80616 | D-182-37 | |
| | | | Rear | | | 80708 | D-182-37 | |
| | 5.9L V8 | w/ 1 Catalytic Converter; Executive Order # D-182-55 | | | | 80906 | D-182-55 | |
| | | w/ 2 Catalytic Converters; Executive Order # D-182-37 | Front | | | 80616 | D-182-37 | |
| | | | Rear | | | 80708 | D-182-37 | |
| 1978 | 3.7L L6 | w/ Air Tube; Executive Order # D-182-55 | | | | 80901 | D-182-55 | |
| | | w/o Air Tube; Executive Order # D-182-55 | | | | 80905 | D-182-55 | |
| | 5.2L V8 | w/ 1 Catalytic Converter; Executive Order # D-182-55 | | | | 80906 | D-182-55 | |
| | | w/ 2 Catalytic Converters; Executive Order # D-182-37 | Front | | | 80616 | D-182-37 | |
| | Rear | | | | 80708 | D-182-37 | | |
| | 5.9L V8 | w/ 1 Catalytic Converter; Executive Order # D-182-55 | | | | 80906 | D-182-55 | |
| | | w/ 2 Catalytic Converters; Executive Order # D-182-37 | Front | | | 80616 | D-182-37 | |
| | | | Rear | | | 80708 | D-182-37 | |
| | 6.6L V8 | Executive Order # D-182-55 | | | | 80906 | D-182-55 | |
| | 1977-76 | 3.7L L6 | w/ Air Tube; Executive Order # D-182-55 | | | | 80901 | D-182-55 |
| | | | w/o Air Tube; Executive Order # D-182-55 | | | | 80905 | D-182-55 |
| | | 5.2L V8 | Executive Order # D-182-55 | | | | 80906 | D-182-55 |
| 5.9L V8 | | Executive Order # D-182-55 | | | | 80906 | D-182-55 | |
| 6.6L V8 | | Executive Order # D-182-55 | | | | 80906 | D-182-55 | |
| 1975 | | 3.7L L6 | w/ Air Tube; Executive Order # D-182-55 | | | | 80901 | D-182-55 |
| | w/o Air Tube; Executive Order # D-182-55 | | | | | 80905 | D-182-55 | |
| | 5.2L V8 | Executive Order # D-182-55 | | | | 80906 | D-182-55 | |
| | 5.9L V8 | Executive Order # D-182-55 | | | | 80906 | D-182-55 | |
| | 6.6L V8 | Executive Order # D-182-55 | | | | 80906 | D-182-55 | |
| B350 | | | | | | | | |
| 1994-93 | 5.2L V8 | Executive Order # D-182-55 | | | | 80906 | D-182-55 | |
| | 5.9L V8 | Executive Order # D-182-55 | | | | 80906 | D-182-55 | |
| 1992 | 5.2L V8 | Executive Order # D-182-55 | | | | 80906 | D-182-55 | |
| | 5.9L V8 | Executive Order # D-182-55 | | | | 80901 | D-182-55 | |
| 1991-90 | 5.2L V8 | Executive Order # D-182-55 | | | | 80901 | D-182-55 | |
| | 5.9L V8 | Executive Order # D-182-55 | | | | 80901 | D-182-55 | |
| 1989 | 5.2L V8 | Executive Order # D-182-55 | | | | 80902 | D-182-55 | |
| | 5.9L V8 | Executive Order # D-182-55 | | | | 80902 | D-182-55 | |
| 1988 | 5.2L V8 | w/ 1 Catalytic Converter; Executive Order # D-182-55 | | | | 80902 | D-182-55 | |
| | | w/ 2 Catalytic Converters; Executive Order # D-182-37 | Front | | | 80616 | D-182-37 | |
| | | | Rear | | | 80703 | D-182-37 | |
| | 5.9L V8 | w/ 1 Catalytic Converter; Executive Order # D-182-55 | | | | 80906 | D-182-55 | |
| | | w/ 2 Catalytic Converters; Executive Order # D-182-37 | Front | | | 80616 | D-182-37 | |
| Rear | | | 80702 | D-182-37 | | | | |
| 1987 | 5.2L V8 | w/ 1 Catalytic Converter; Executive Order # D-182-55 | | | | 80901 | D-182-55 | |
| | | w/ 2 Catalytic Converters; Executive Order # D-182-37 | Front | | | 80616 | D-182-37 | |
| | | | Rear | | | 80702 | D-182-37 | |
| | 5.9L V8 | w/ 1 Catalytic Converter; Executive Order # D-182-55 | | | | 80906 | D-182-55 | |
| | | w/ 2 Catalytic Converters; Executive Order # D-182-37 | Front | | | 80616 | D-182-37 | |
| Rear | | | 80708 | D-182-37 | | | | |

For vehicles licensed in the state of California or Maine, or vehicles requiring CARB-compliant converters in the state of New York, the parts in this catalog must be installed as specifically listed. Parts cannot be substituted, nor can they be installed on California or Maine licensed vehicles not listed in this catalog.

NON-OBDII PASSENGER CAR & TRUCK

| Years | Engine | Application | Position | Direct-Fit | | Universal Part No. | Executive Order |
|----------------------|---------|---|----------|------------|----------|--------------------|-----------------|
| | | | | Part No. | Hardware | | |
| DODGE (Cont.) | | | | | | | |
| B350 (Cont.) | | | | | | | |
| 1986-84 | 5.2L V8 | w/ 1 Catalytic Converter; Executive Order # D-182-55 | | | | 80901 | D-182-55 |
| | | w/ 2 Catalytic Converters; Executive Order # D-182-37 | Front | | | 80616 | D-182-37 |
| | | | Rear | | | 80702 | D-182-37 |
| | 5.9L V8 | w/ 1 Catalytic Converter; Executive Order # D-182-55 | | | | 80906 | D-182-55 |
| 1983 | 5.2L V8 | w/ 1 Catalytic Converter; Executive Order # D-182-55 | | | | 80901 | D-182-55 |
| | | w/ 2 Catalytic Converters; Executive Order # D-182-37 | Front | | | 80616 | D-182-37 |
| | | | Rear | | | 80702 | D-182-37 |
| | 5.9L V8 | Executive Order # D-182-55 | | | | 80906 | D-182-55 |
| 1982 | 5.2L V8 | w/ 1 Catalytic Converter; Executive Order # D-182-55 | | | | 80906 | D-182-55 |
| | | w/ 2 Catalytic Converters; Executive Order # D-182-37 | Front | | | 80616 | D-182-37 |
| | | | Rear | | | 80708 | D-182-37 |
| | 5.9L V8 | Executive Order # D-182-55 | | | | 80906 | D-182-55 |
| 1981 | 5.2L V8 | w/ 1 Catalytic Converter; Executive Order # D-182-55 | | | | 80906 | D-182-55 |
| | | w/ 2 Catalytic Converters; Executive Order # D-182-37 | Front | | | 80616 | D-182-37 |
| | | | Rear | | | 80708 | D-182-37 |
| | 5.9L V8 | w/ 1 Catalytic Converter; Executive Order # D-182-55 | | | | 80906 | D-182-55 |
| | | w/ 2 Catalytic Converters; Executive Order # D-182-37 | Front | | | 80616 | D-182-37 |
| | | | Rear | | | 80708 | D-182-37 |
| B3500 | | | | | | | |
| 1995 | 5.2L V8 | Executive Order # D-182-55 | | | | 80906 | D-182-55 |
| | 5.9L V8 | Executive Order # D-182-55 | | | | 80906 | D-182-55 |
| Caravan | | | | | | | |
| 1995-92 | 2.5L L4 | Executive Order # D-182-55 | | | | 80904 | D-182-55 |
| | 3.0L V6 | Executive Order # D-182-55 | | | | 80906 | D-182-55 |
| | 3.3L V6 | Executive Order # D-182-55 | | | | 80906 | D-182-55 |
| 1991 | 2.5L L4 | Executive Order # D-182-55 | | | | 80904 | D-182-55 |
| | 3.0L V6 | Executive Order # D-182-55 | | | | 80905 | D-182-55 |
| | 3.3L V6 | Executive Order # D-182-55 | | | | 80906 | D-182-55 |
| 1990 | 2.5L L4 | Naturally Aspirated; Executive Order # D-182-55 | | | | 80904 | D-182-55 |
| | | Turbocharged; Executive Order # D-182-55 | | | | 80905 | D-182-55 |
| | 3.0L V6 | Executive Order # D-182-55 | | | | 80905 | D-182-55 |
| | 3.3L V6 | Executive Order # D-182-55 | | | | 80906 | D-182-55 |
| 1989 | 2.5L L4 | Naturally Aspirated; Executive Order # D-182-55 | | | | 80904 | D-182-55 |
| | | Turbocharged; Executive Order # D-182-55 | | | | 80905 | D-182-55 |
| | 3.0L V6 | Executive Order # D-182-55 | | | | 80905 | D-182-55 |
| 1988 | 2.5L L4 | Executive Order # D-182-55 | | | | 80904 | D-182-55 |
| | 3.0L V6 | Executive Order # D-182-55 | | | | 80905 | D-182-55 |
| 1987 | 2.2L L4 | Executive Order # D-182-55 | | | | 80904 | D-182-55 |
| | 2.6L L4 | Executive Order # D-182-37 | Rear | | | 80706 | D-182-37 |
| | 3.0L V6 | Executive Order # D-182-55 | | | | 80905 | D-182-55 |
| 1986-84 | 2.2L L4 | Executive Order # D-182-55 | | | | 80904 | D-182-55 |
| | 2.6L L4 | Executive Order # D-182-37 | Rear | | | 80706 | D-182-37 |
| Challenger | | | | | | | |
| 1980 | 2.6L L4 | Executive Order # D-182-65 | | | | 81126 | D-182-65 |
| 1979-78 | 1.6L L4 | Executive Order # D-182-65 | | | | 81101 | D-182-65 |

For vehicles licensed in the state of California or Maine, or vehicles requiring CARB-compliant converters in the state of New York, the parts in this catalog must be installed as specifically listed. Parts cannot be substituted, nor can they be installed on California or Maine licensed vehicles not listed in this catalog.

NON-OBDI PASSENGER CAR & TRUCK

| Years | Engine | Application | Position | Direct-Fit | | Universal Part No. | Executive Order |
|---------------------------|---------|---|----------|------------|----------|--------------------|-----------------|
| | | | | Part No. | Hardware | | |
| DODGE (Cont.) | | | | | | | |
| Challenger (Cont.) | | | | | | | |
| 1979-78 (Cont.) | 2.6L L4 | Executive Order # D-182-65 | | | | 81126 | D-182-65 |
| Charger | | | | | | | |
| 1986-85 | 2.2L L4 | Naturally Aspirated; w/ Air Tube; Executive Order # D-182-65 | | | | 81121 | D-182-65 |
| | | Naturally Aspirated; w/o Air Tube; Executive Order # D-182-65 | | | | 81126 | D-182-65 |
| | | Turbocharged; Executive Order # D-182-65 | | | | 81128 | D-182-65 |
| 1984 | 1.6L L4 | Executive Order # D-182-39 | Rear | | | 80256 | D-182-39 |
| 1978-75 | 5.2L V8 | Executive Order # D-182-65 | | | | 81127 | D-182-65 |
| | 5.9L V8 | Executive Order # D-182-65 | | | | 81127 | D-182-65 |
| | 6.6L V8 | Executive Order # D-182-65 | | | | 81128 | D-182-65 |
| Colt | | | | | | | |
| 1994-93 | 1.5L L4 | Executive Order # D-182-65 | | | | 81101 | D-182-65 |
| | 1.8L L4 | Executive Order # D-182-65 | | | | 81101 | D-182-65 |
| | 2.4L L4 | Executive Order # D-182-65 | | | | 81101 | D-182-65 |
| 1992 | 1.5L L4 | Executive Order # D-182-65 | | | | 81126 | D-182-65 |
| | 1.8L L4 | Executive Order # D-182-65 | | | | 81101 | D-182-65 |
| 1991 | 1.5L L4 | Executive Order # D-182-65 | | | | 81126 | D-182-65 |
| 1990-89 | 1.5L L4 | Executive Order # D-182-65 | | | | 81126 | D-182-65 |
| | 1.6L L4 | Executive Order # D-182-65 | | | | 81126 | D-182-65 |
| | 1.8L L4 | Executive Order # D-182-65 | | | | 81101 | D-182-65 |
| 1988-87 | 1.5L L4 | Executive Order # D-182-65 | | | | 81126 | D-182-65 |
| | 1.6L L4 | Executive Order # D-182-65 | | | | 81126 | D-182-65 |
| | 2.0L L4 | Executive Order # D-182-65 | | | | 81126 | D-182-65 |
| 1986-85 | 1.5L L4 | Executive Order # D-182-39 | Rear | | | 80256 | D-182-39 |
| | 1.6L L4 | Turbocharged; Executive Order # D-182-39 | Rear | | | 80256 | D-182-39 |
| | 2.0L L4 | Executive Order # D-182-65 | | | | 81126 | D-182-65 |
| 1984 | 1.4L L4 | Executive Order # D-182-65 | | | | 81126 | D-182-65 |
| | 1.6L L4 | Naturally Aspirated; Executive Order # D-182-65 | | | | 81126 | D-182-65 |
| | | Turbocharged; Executive Order # D-182-39 | Rear | | | 80256 | D-182-39 |
| | 2.0L L4 | Executive Order # D-182-65 | | | | 81126 | D-182-65 |
| 1983-81 | 1.4L L4 | Executive Order # D-182-65 | | | | 81126 | D-182-65 |
| | 1.6L L4 | Executive Order # D-182-65 | | | | 81126 | D-182-65 |
| 1980-79 | 1.4L L4 | Executive Order # D-182-65 | | | | 81126 | D-182-65 |
| | 1.6L L4 | Executive Order # D-182-65 | | | | 81126 | D-182-65 |
| | 2.6L L4 | Executive Order # D-182-65 | | | | 81126 | D-182-65 |
| 1978 | 1.6L L4 | Executive Order # D-182-65 | | | | 81126 | D-182-65 |
| | 2.6L L4 | Executive Order # D-182-65 | | | | 81126 | D-182-65 |
| 1977-75 | 1.6L L4 | Executive Order # D-182-65 | | | | 81126 | D-182-65 |
| | 2.0L L4 | Executive Order # D-182-65 | | | | 81126 | D-182-65 |
| Conquest | | | | | | | |
| 1986-84 | 2.6L L4 | Executive Order # D-182-39 | Front | | | 80401 | D-182-39 |
| | | | Rear | | | 80256 | D-182-39 |

For vehicles licensed in the state of California or Maine, or vehicles requiring CARB-compliant converters in the state of New York, the parts in this catalog must be installed as specifically listed. Parts cannot be substituted, nor can they be installed on California or Maine licensed vehicles not listed in this catalog.

NON-OBDI PASSENGER CAR & TRUCK

| Years | Engine | Application | Position | Direct-Fit | | Universal Part No. | Executive Order | |
|---|---|---|---|------------|----------|--------------------|-----------------|--------------|
| | | | | Part No. | Hardware | | | |
| DODGE (Cont.) | | | | | | | | |
| Coronet | | | | | | | | |
| 1976-75 | 3.7L L6 | Executive Order # D-182-65 | | | | 81126 | D-182-65 | |
| | 5.2L V8 | Executive Order # D-182-65 | | | | 81126 | D-182-65 | |
| | 5.9L V8 | Executive Order # D-182-65 | | | | 81126 | D-182-65 | |
| D100 | | | | | | | | |
| 1989 | 3.9L V6 | w/ 1 Catalytic Converter; Executive Order # D-182-55 | | | | 80902 | D-182-55 | |
| | | w/ 2 Catalytic Converters; Executive Order # D-182-37 | Front | | | 80616 | D-182-37 | |
| | | | Rear | | | 80702 | D-182-37 | |
| | 5.2L V8 | Executive Order # D-182-55 | | | | 80902 | D-182-55 | |
| 1988 | 3.9L V6 | w/ 1 Catalytic Converter; Executive Order # D-182-55 | | | | 80902 | D-182-55 | |
| | | w/ 2 Catalytic Converters; Executive Order # D-182-37 | Front | | | 80616 | D-182-37 | |
| | | | Rear | | | 80702 | D-182-37 | |
| | 5.2L V8 | w/ 1 Catalytic Converter; Executive Order # D-182-55 | | | | | 80902 | D-182-55 |
| | | w/ 2 Catalytic Converters; Executive Order # D-182-37 | Front | | | | 80616 | D-182-37 |
| | | | Rear | | | | | 80703 |
| 5.9L V8 | w/ 1 Catalytic Converter; Executive Order # D-182-55 | | | | | 80906 | D-182-55 | |
| | w/ 2 Catalytic Converters; Executive Order # D-182-37 | Front | | | | 80616 | D-182-37 | |
| | | Rear | | | | | 80708 | D-182-37 |
| 1987-84 | 3.7L L6 | Executive Order # D-182-37 | Front | | | 80616 | D-182-37 | |
| | | | Rear | | | 80703 | D-182-37 | |
| | 5.2L V8 | w/ 1 Catalytic Converter; Executive Order # D-182-55 | | | | | 80901 | D-182-55 |
| | | | w/ 2 Catalytic Converters; Executive Order # D-182-37 | Front | | | | 80616 |
| | | Rear | | | | | | 80702 |
| | 5.9L V8 | w/ 1 Catalytic Converter; Executive Order # D-182-55 | | | | | 80906 | D-182-55 |
| w/ 2 Catalytic Converters; Executive Order # D-182-37 | | Front | | | | 80616 | D-182-37 | |
| | | Rear | | | | | 80708 | D-182-37 |
| 1980 | 3.7L L6 | w/ Air Tube; Executive Order # D-182-55 | | | | 80901 | D-182-55 | |
| | | w/o Air Tube; Executive Order # D-182-55 | | | | 80905 | D-182-55 | |
| | 5.9L V8 | Executive Order # D-182-55 | | | | 80905 | D-182-55 | |
| 1979 | 3.7L L6 | w/ Air Tube; Executive Order # D-182-55 | | | | 80901 | D-182-55 | |
| | | w/o Air Tube; Executive Order # D-182-55 | | | | 80905 | D-182-55 | |
| | 5.2L V8 | Executive Order # D-182-55 | | | | 80906 | D-182-55 | |
| | 5.9L V8 | Executive Order # D-182-55 | | | | 80906 | D-182-55 | |
| | | | | | | | | |
| 1978 | 3.7L L6 | w/ Air Tube; Executive Order # D-182-55 | | | | 80901 | D-182-55 | |
| | | w/o Air Tube; Executive Order # D-182-55 | | | | 80905 | D-182-55 | |
| | 5.2L V8 | Executive Order # D-182-55 | | | | 80906 | D-182-55 | |
| | 5.9L V8 | Executive Order # D-182-55 | | | | 80906 | D-182-55 | |
| | 6.6L V8 | Executive Order # D-182-55 | | | | 80906 | D-182-55 | |
| | 7.2L V8 | Executive Order # D-182-55 | | | | 80906 | D-182-55 | |
| 1977 | 3.7L L6 | Executive Order # D-182-55 | | | | 80904 | D-182-55 | |
| | 5.2L V8 | Executive Order # D-182-55 | | | | 80906 | D-182-55 | |
| | 5.9L V8 | Executive Order # D-182-55 | | | | 80906 | D-182-55 | |
| | 6.6L V8 | Executive Order # D-182-55 | | | | 80906 | D-182-55 | |
| | 7.2L V8 | Executive Order # D-182-55 | | | | 80906 | D-182-55 | |
| 1976 | 3.7L L6 | Executive Order # D-182-55 | | | | 80904 | D-182-55 | |
| | 5.2L V8 | Executive Order # D-182-55 | | | | 80906 | D-182-55 | |

OBDI APPLICATIONS

NON-OBDI APPLICATIONS

NUMERICAL

UNIVERSAL SPECIFICATIONS

For vehicles licensed in the state of California or Maine, or vehicles requiring CARB-compliant converters in the state of New York, the parts in this catalog must be installed as specifically listed. Parts cannot be substituted, nor can they be installed on California or Maine licensed vehicles not listed in this catalog.

NON-OBDI PASSENGER CAR & TRUCK

| Years | Engine | Application | Position | Direct-Fit | | Universal Part No. | Executive Order |
|----------------------|---------|---|----------|------------|--------------|--------------------|-----------------|
| | | | | Part No. | Hardware | | |
| DODGE (Cont.) | | | | | | | |
| D100 (Cont.) | | | | | | | |
| 1976 (Cont.) | 5.9L V8 | Executive Order # D-182-55 | | | | 80906 | D-182-55 |
| | 6.6L V8 | Executive Order # D-182-55 | | | | 80906 | D-182-55 |
| | 7.2L V8 | Executive Order # D-182-55 | | | | 80906 | D-182-55 |
| 1975 | 3.7L L6 | Executive Order # D-182-55 | | | | 80904 | D-182-55 |
| | 5.2L V8 | Executive Order # D-182-55 | | | | 80906 | D-182-55 |
| | 5.9L V8 | Executive Order # D-182-55 | | | | 80906 | D-182-55 |
| | 7.2L V8 | Executive Order # D-182-55 | | | | 80906 | D-182-55 |
| D100 Panel | | | | | | | |
| 1980 | 5.9L V8 | Executive Order # D-182-55 | | | | 80905 | D-182-55 |
| 1979 | 5.9L V8 | Executive Order # D-182-55 | | | | 80906 | D-182-55 |
| 1977 | 5.9L V8 | Executive Order # D-182-55 | | | | 80906 | D-182-55 |
| 1976 | 3.7L L6 | Executive Order # D-182-55 | | | | 80904 | D-182-55 |
| | 5.9L V8 | Executive Order # D-182-55 | | | | 80906 | D-182-55 |
| D150 | | | | | | | |
| 1993 | 3.9L V6 | Executive Order # D-182-55 | | | | 80907 | D-182-55 |
| | 5.2L V8 | Executive Order # D-182-55 | | | | 80907 | D-182-55 |
| | 5.9L V8 | Executive Order # D-182-55 | | | | 80907 | D-182-55 |
| 1992 | 3.9L V6 | Executive Order # D-182-55 | | | | 80907 | D-182-55 |
| | 5.2L V8 | Executive Order # D-182-55 | | | | 80907 | D-182-55 |
| 1991-90 | 3.9L V6 | Executive Order # D-182-55 | | | | 80902 | D-182-55 |
| | 5.2L V8 | Executive Order # D-182-55 | | | | 80902 | D-182-55 |
| | 5.9L V8 | Executive Order # D-182-55 | | | | 80902 | D-182-55 |
| 1989 | 3.9L V6 | w/ 1 Catalytic Converter; Executive Order # D-182-55 | | | | 80902 | D-182-55 |
| | | w/ 2 Catalytic Converters; Executive Order # D-182-37 | Front | | | 80616 | D-182-37 |
| | | | Rear | | | 80702 | D-182-37 |
| | 5.2L V8 | Executive Order # D-182-55 | | | | 80902 | D-182-55 |
| | 5.9L V8 | Executive Order # D-182-55 | | | | 80902 | D-182-55 |
| 1988 | 3.9L V6 | w/ 1 Catalytic Converter; Executive Order # D-182-55 | | | | 80902 | D-182-55 |
| | | w/ 2 Catalytic Converters; Executive Order # D-182-37 | Front | | | 80616 | D-182-37 |
| | | | Rear | | | 80702 | D-182-37 |
| | 5.2L V8 | w/ 1 Catalytic Converter; Executive Order # D-182-55 | | | | 80902 | D-182-55 |
| | | w/ 2 Catalytic Converters; Executive Order # D-182-37 | Front | | | 80616 | D-182-37 |
| | | | Rear | | | 80703 | D-182-37 |
| | 5.9L V8 | w/ 1 Catalytic Converter; Executive Order # D-182-55 | | | | 80906 | D-182-55 |
| | | w/ 2 Catalytic Converters; Executive Order # D-182-37 | Front | | | 80616 | D-182-37 |
| | | | Rear | | | 80708 | D-182-37 |
| 1987-84 | 3.7L L6 | Executive Order # D-182-37 | Front | | | 80616 | D-182-37 |
| | | | Rear | | | 80703 | D-182-37 |
| | 5.2L V8 | w/ 1 Catalytic Converter; Executive Order # D-182-55 | | | | 80901 | D-182-55 |
| | | w/ 2 Catalytic Converters; Executive Order # D-182-37 | Front | | | 80616 | D-182-37 |
| | | | Rear | | | 80702 | D-182-37 |
| | 5.9L V8 | w/ 1 Catalytic Converter; Executive Order # D-182-55 | | | | 80906 | D-182-55 |
| | | w/ 2 Catalytic Converters; Executive Order # D-182-37 | Front | | | 80616 | D-182-37 |
| | | Rear | | | 80708 | D-182-37 | |
| 1983 | 3.7L L6 | Executive Order # D-182-37 | Front | | | 80616 | D-182-37 |

For vehicles licensed in the state of California or Maine, or vehicles requiring CARB-compliant converters in the state of New York, the parts in this catalog must be installed as specifically listed. Parts cannot be substituted, nor can they be installed on California or Maine licensed vehicles not listed in this catalog.

NON-OBDII PASSENGER CAR & TRUCK

| Years | Engine | Application | Position | Direct-Fit | | Universal Part No. | Executive Order |
|---|---------|---|----------|------------|--------------|--------------------|-----------------|
| | | | | Part No. | Hardware | | |
| DODGE (Cont.) | | | | | | | |
| D150 (Cont.) | | | | | | | |
| 1983 (Cont.) | 3.7L L6 | Executive Order # D-182-37 | Rear | | | 80703 | D-182-37 |
| | 5.2L V8 | w/ 1 Catalytic Converter; Executive Order # D-182-55 | | | | 80901 | D-182-55 |
| | | w/ 2 Catalytic Converters; Executive Order # D-182-37 | Front | | | 80616 | D-182-37 |
| | | | Rear | | | 80702 | D-182-37 |
| 1982 | 3.7L L6 | w/ Air Tube; Executive Order # D-182-55 | | | | 80901 | D-182-55 |
| | | w/o Air Tube; Executive Order # D-182-55 | | | | 80905 | D-182-55 |
| | 5.2L V8 | w/ 1 Catalytic Converter; Executive Order # D-182-55 | | | | 80906 | D-182-55 |
| | | w/ 2 Catalytic Converters; Executive Order # D-182-37 | Front | | | 80616 | D-182-37 |
| | | | Rear | | | 80708 | D-182-37 |
| | 5.9L V8 | w/ 1 Catalytic Converter; Executive Order # D-182-55 | | | | | 80906 |
| w/ 2 Catalytic Converters; Executive Order # D-182-37 | | Front | | | 80616 | D-182-37 | |
| | | Rear | | | 80708 | D-182-37 | |
| 1981-80 | 3.7L L6 | w/ Air Tube; Executive Order # D-182-55 | | | | 80901 | D-182-55 |
| | | w/o Air Tube; Executive Order # D-182-55 | | | | 80905 | D-182-55 |
| | 5.2L V8 | Executive Order # D-182-55 | | | | 80905 | D-182-55 |
| | 5.9L V8 | Executive Order # D-182-55 | | | | 80905 | D-182-55 |
| 1979 | 3.7L L6 | w/ Air Tube; Executive Order # D-182-55 | | | | 80901 | D-182-55 |
| | | w/o Air Tube; Executive Order # D-182-55 | | | | 80905 | D-182-55 |
| | 5.2L V8 | Executive Order # D-182-55 | | | | 80906 | D-182-55 |
| | 5.9L V8 | Executive Order # D-182-55 | | | | 80906 | D-182-55 |
| 1978 | 3.7L L6 | w/ Air Tube; Executive Order # D-182-55 | | | | 80901 | D-182-55 |
| | | w/o Air Tube; Executive Order # D-182-55 | | | | 80905 | D-182-55 |
| | 5.2L V8 | Executive Order # D-182-55 | | | | 80906 | D-182-55 |
| | 5.9L V8 | Executive Order # D-182-55 | | | | 80906 | D-182-55 |
| | 6.6L V8 | Executive Order # D-182-55 | | | | 80906 | D-182-55 |
| | 7.2L V8 | Executive Order # D-182-55 | | | | 80906 | D-182-55 |
| 1977 | 3.7L L6 | Executive Order # D-182-55 | | | | 80904 | D-182-55 |
| | 5.2L V8 | Executive Order # D-182-55 | | | | 80906 | D-182-55 |
| | 5.9L V8 | Executive Order # D-182-55 | | | | 80906 | D-182-55 |
| | 6.6L V8 | Executive Order # D-182-55 | | | | 80906 | D-182-55 |

D200

| | | | | | | | |
|---------|---------|--|--|--|--|--------------|----------|
| 1980 | 3.7L L6 | w/ Air Tube; Executive Order # D-182-55 | | | | 80901 | D-182-55 |
| | | w/o Air Tube; Executive Order # D-182-55 | | | | 80905 | D-182-55 |
| | 5.2L V8 | Executive Order # D-182-55 | | | | 80905 | D-182-55 |
| | 5.9L V8 | Executive Order # D-182-55 | | | | 80905 | D-182-55 |
| 1979 | 3.7L L6 | w/ Air Tube; Executive Order # D-182-55 | | | | 80901 | D-182-55 |
| | | w/o Air Tube; Executive Order # D-182-55 | | | | 80905 | D-182-55 |
| | 5.2L V8 | Executive Order # D-182-55 | | | | 80906 | D-182-55 |
| | 5.9L V8 | Executive Order # D-182-55 | | | | 80906 | D-182-55 |
| 1978 | 3.7L L6 | w/ Air Tube; Executive Order # D-182-55 | | | | 80901 | D-182-55 |
| | | w/o Air Tube; Executive Order # D-182-55 | | | | 80905 | D-182-55 |
| | 5.2L V8 | Executive Order # D-182-55 | | | | 80906 | D-182-55 |
| | 5.9L V8 | Executive Order # D-182-55 | | | | 80906 | D-182-55 |
| | 6.6L V8 | Executive Order # D-182-55 | | | | 80906 | D-182-55 |
| 1977-75 | 3.7L L6 | Executive Order # D-182-55 | | | | 80904 | D-182-55 |

For vehicles licensed in the state of California or Maine, or vehicles requiring CARB-compliant converters in the state of New York, the parts in this catalog must be installed as specifically listed. Parts cannot be substituted, nor can they be installed on California or Maine licensed vehicles not listed in this catalog.

NON-OBDI PASSENGER CAR & TRUCK

| Years | Engine | Application | Position | Direct-Fit | | Universal Part No. | Executive Order |
|----------------------|---|---|---|--------------|--------------|--------------------|-----------------|
| | | | | Part No. | Hardware | | |
| DODGE (Cont.) | | | | | | | |
| D200 (Cont.) | | | | | | | |
| 1977-75 (Cont.) | 5.2L V8 | Executive Order # D-182-55 | | | | 80906 | D-182-55 |
| | 5.9L V8 | Executive Order # D-182-55 | | | | 80906 | D-182-55 |
| | 6.6L V8 | Executive Order # D-182-55 | | | | 80906 | D-182-55 |
| D250 | | | | | | | |
| 1993 | 3.9L V6 | Executive Order # D-182-55 | | | | 80907 | D-182-55 |
| | 5.2L V8 | Executive Order # D-182-55 | | | | 80907 | D-182-55 |
| 1992 | 3.9L V6 | Executive Order # D-182-55 | | | | 80907 | D-182-55 |
| | 5.2L V8 | Executive Order # D-182-55 | | | | 80907 | D-182-55 |
| | 5.9L V8 | Executive Order # D-182-55 | | | | 80902 | D-182-55 |
| 1991-90 | 3.9L V6 | Executive Order # D-182-55 | | | | 80902 | D-182-55 |
| | 5.2L V8 | Executive Order # D-182-55 | | | | 80902 | D-182-55 |
| | 5.9L V8 | Executive Order # D-182-55 | | | | 80902 | D-182-55 |
| 1989 | 3.9L V6 | w/ 1 Catalytic Converter; Executive Order # D-182-55 | | | | 80902 | D-182-55 |
| | | w/ 2 Catalytic Converters; Executive Order # D-182-37 | Front | | | 80616 | D-182-37 |
| | | | Rear | | | 80702 | D-182-37 |
| | 5.2L V8 | Executive Order # D-182-55 | | | | 80902 | D-182-55 |
| | 5.9L V8 | Executive Order # D-182-55 | | | | 80902 | D-182-55 |
| 1988 | 3.9L V6 | w/ 1 Catalytic Converter; Executive Order # D-182-55 | | | | 80902 | D-182-55 |
| | | w/ 2 Catalytic Converters; Executive Order # D-182-37 | Front | | | 80616 | D-182-37 |
| | Rear | | | | 80702 | D-182-37 | |
| | 5.2L V8 | w/ 1 Catalytic Converter; Executive Order # D-182-55 | | | | 80902 | D-182-55 |
| | | w/ 2 Catalytic Converters; Executive Order # D-182-37 | Front | | | 80616 | D-182-37 |
| | Rear | | | | 80703 | D-182-37 | |
| | 5.9L V8 | w/ 1 Catalytic Converter; Executive Order # D-182-55 | | | | 80906 | D-182-55 |
| | | w/ 2 Catalytic Converters; Executive Order # D-182-37 | Front | | | 80616 | D-182-37 |
| | Rear | | | | 80708 | D-182-37 | |
| | 1987-84 | 3.7L L6 | Executive Order # D-182-37 | Front | | | 80616 |
| Rear | | | | | | 80703 | D-182-37 |
| 5.2L V8 | | w/ 1 Catalytic Converter; Executive Order # D-182-55 | | | | 80901 | D-182-55 |
| | | | w/ 2 Catalytic Converters; Executive Order # D-182-37 | Front | | | 80616 |
| Rear | | | | | 80702 | D-182-37 | |
| 5.9L V8 | | w/ 1 Catalytic Converter; Executive Order # D-182-55 | | | | 80906 | D-182-55 |
| | w/ 2 Catalytic Converters; Executive Order # D-182-37 | | Front | | | 80616 | D-182-37 |
| Rear | | | | 80708 | D-182-37 | | |
| 1983 | 3.7L L6 | Executive Order # D-182-37 | Front | | | 80616 | D-182-37 |
| | | | Rear | | | 80703 | D-182-37 |
| | 5.2L V8 | w/ 1 Catalytic Converter; Executive Order # D-182-55 | | | | 80901 | D-182-55 |
| | | | w/ 2 Catalytic Converters; Executive Order # D-182-37 | Front | | | 80616 |
| Rear | | | | 80702 | D-182-37 | | |
| 1982 | 3.7L L6 | w/ Air Tube; Executive Order # D-182-55 | | | | 80901 | D-182-55 |
| | | w/o Air Tube; Executive Order # D-182-55 | | | | 80905 | D-182-55 |
| | 5.2L V8 | w/ 1 Catalytic Converter; Executive Order # D-182-55 | | | | 80906 | D-182-55 |
| | | | w/ 2 Catalytic Converters; Executive Order # D-182-37 | Front | | | 80616 |
| | Rear | | | | 80708 | D-182-37 | |
| 5.9L V8 | w/ 1 Catalytic Converter; Executive Order # D-182-55 | | | | 80906 | D-182-55 | |

For vehicles licensed in the state of California or Maine, or vehicles requiring CARB-compliant converters in the state of New York, the parts in this catalog must be installed as specifically listed. Parts cannot be substituted, nor can they be installed on California or Maine licensed vehicles not listed in this catalog.

NON-OBDII PASSENGER CAR & TRUCK

| Years | Engine | Application | Position | Direct-Fit | | Universal Part No. | Executive Order |
|----------------------|---------|---|---|------------|--------------|--------------------|-----------------|
| | | | | Part No. | Hardware | | |
| DODGE (Cont.) | | | | | | | |
| D250 (Cont.) | | | | | | | |
| 1982 (Cont.) | 5.9L V8 | w/ 2 Catalytic Converters; Executive Order # D-182-37 | Front | | | 80616 | D-182-37 |
| | | | Rear | | | 80708 | D-182-37 |
| 1981 | 3.7L L6 | w/ Air Tube; Executive Order # D-182-55 | | | | 80901 | D-182-55 |
| | | w/o Air Tube; Executive Order # D-182-55 | | | | 80905 | D-182-55 |
| | 5.2L V8 | Executive Order # D-182-55 | | | | 80905 | D-182-55 |
| | 5.9L V8 | Executive Order # D-182-55 | | | | 80905 | D-182-55 |
| D350 | | | | | | | |
| 1991 | 5.9L V8 | Executive Order # D-182-55 | | | | 80902 | D-182-55 |
| 1990-89 | 5.9L V8 | Gas Eng.; Executive Order # D-182-55 | | | | 80902 | D-182-55 |
| 1988-84 | 5.9L V8 | w/ 1 Catalytic Converter; Executive Order # D-182-55 | | | | 80906 | D-182-55 |
| 1983 | 5.2L V8 | Executive Order # D-182-55 | | | | 80906 | D-182-55 |
| | | | w/ 2 Catalytic Converters; Executive Order # D-182-37 | Front | | 80616 | D-182-37 |
| | | | | Rear | | 80708 | D-182-37 |
| | 5.9L V8 | Executive Order # D-182-55 | | | | 80906 | D-182-55 |
| 1982 | 5.2L V8 | w/ 1 Catalytic Converter; Executive Order # D-182-55 | | | | 80906 | D-182-55 |
| | | w/ 2 Catalytic Converters; Executive Order # D-182-37 | Front | | 80616 | D-182-37 | |
| | | | | Rear | | 80708 | D-182-37 |
| | 5.9L V8 | Executive Order # D-182-55 | | | | 80906 | D-182-55 |
| 1981 | 5.2L V8 | Executive Order # D-182-55 | | | | 80906 | D-182-55 |
| Dakota | | | | | | | |
| 1995-94 | 2.5L L4 | Executive Order # D-182-55 | | | | 80904 | D-182-55 |
| | 3.9L V6 | Executive Order # D-182-55 | | | | 80906 | D-182-55 |
| | 5.2L V8 | Executive Order # D-182-55 | | | | 80906 | D-182-55 |
| 1993-92 | 2.5L L4 | Executive Order # D-182-55 | | | | 80904 | D-182-55 |
| | 3.9L V6 | Executive Order # D-182-55 | | | | 80907 | D-182-55 |
| | 5.2L V8 | Executive Order # D-182-55 | | | | 80907 | D-182-55 |
| 1991 | 2.5L L4 | Executive Order # D-182-55 | | | | 80904 | D-182-55 |
| | 3.9L V6 | Executive Order # D-182-55 | | | | 80902 | D-182-55 |
| | 5.2L V8 | Executive Order # D-182-55 | | | | 80902 | D-182-55 |
| 1990 | 2.5L L4 | Executive Order # D-182-55 | | | | 80904 | D-182-55 |
| | 3.9L V6 | Executive Order # D-182-55 | | | | 80902 | D-182-55 |
| 1989 | 2.5L L4 | Executive Order # D-182-55 | | | | 80904 | D-182-55 |
| | 3.9L V6 | Executive Order # D-182-37 | Front | | 80616 | D-182-37 | |
| | | | Rear | | 80702 | D-182-37 | |
| 1988-87 | 2.2L L4 | Executive Order # D-182-55 | | | | 80900 | D-182-55 |
| | 3.9L V6 | Executive Order # D-182-37 | Front | | 80616 | D-182-37 | |
| | | | Rear | | 80702 | D-182-37 | |
| Dart | | | | | | | |
| 1976-75 | 3.7L L6 | Executive Order # D-182-65 | | | | 81126 | D-182-65 |
| | 5.2L V8 | Executive Order # D-182-65 | | | | 81127 | D-182-65 |
| | 5.9L V8 | Executive Order # D-182-65 | | | | 81127 | D-182-65 |
| Daytona | | | | | | | |
| 1993 | 2.2L L4 | Executive Order # D-182-65 | | | | 81128 | D-182-65 |
| | 2.5L L4 | w/ Air Tube; Executive Order # D-182-65 | | | | 81121 | D-182-65 |

For vehicles licensed in the state of California or Maine, or vehicles requiring CARB-compliant converters in the state of New York, the parts in this catalog must be installed as specifically listed. Parts cannot be substituted, nor can they be installed on California or Maine licensed vehicles not listed in this catalog.

OBDII APPLICATIONS

NON-OBDII APPLICATIONS

NUMERICAL

UNIVERSAL SPECIFICATIONS

NON-OBDI PASSENGER CAR & TRUCK

| Years | Engine | Application | Position | Direct-Fit | | Universal Part No. | Executive Order |
|--|----------------------------|---|----------|------------|--------------|--------------------|-----------------|
| | | | | Part No. | Hardware | | |
| DODGE (Cont.) | | | | | | | |
| Daytona (Cont.) | | | | | | | |
| 1993 (Cont.) | 2.5L L4 | w/o Air Tube; Executive Order # D-182-65 | | | | 81126 | D-182-65 |
| | 3.0L V6 | Executive Order # D-182-65 | | | | 81128 | D-182-65 |
| 1992 | 2.2L L4 | Executive Order # D-182-65 | | | | 81128 | D-182-65 |
| | | Naturally Aspirated; w/ Air Tube; Executive Order # D-182-65 | | | | 81121 | D-182-65 |
| | | Naturally Aspirated; w/o Air Tube; Executive Order # D-182-65 | | | | 81126 | D-182-65 |
| | 3.0L V6 | Executive Order # D-182-65 | | | | 81128 | D-182-65 |
| 1991 | 2.5L L4 | Naturally Aspirated; w/ Air Tube; Executive Order # D-182-65 | | | | 81121 | D-182-65 |
| | | Naturally Aspirated; w/o Air Tube; Executive Order # D-182-65 | | | | 81126 | D-182-65 |
| | 3.0L V6 | Executive Order # D-182-65 | | | | 81128 | D-182-65 |
| 1990 | 2.2L L4 | Executive Order # D-182-65 | | | | 81128 | D-182-65 |
| | 2.5L L4 | Naturally Aspirated; w/ Air Tube; Executive Order # D-182-65 | | | | 81121 | D-182-65 |
| | | Naturally Aspirated; w/o Air Tube; Executive Order # D-182-65 | | | | 81126 | D-182-65 |
| | | Turbocharged; Executive Order # D-182-65 | | | | 81128 | D-182-65 |
| 3.0L V6 | Executive Order # D-182-65 | | | | 81128 | D-182-65 | |
| 1989 | 2.2L L4 | Executive Order # D-182-65 | | | | 81128 | D-182-65 |
| | 2.5L L4 | Naturally Aspirated; w/ Air Tube; Executive Order # D-182-65 | | | | 81121 | D-182-65 |
| | | Naturally Aspirated; w/o Air Tube; Executive Order # D-182-65 | | | | 81126 | D-182-65 |
| | | Turbocharged; Executive Order # D-182-65 | | | | 81128 | D-182-65 |
| 1988 | 2.2L L4 | Executive Order # D-182-65 | | | | 81127 | D-182-65 |
| | 2.5L L4 | Naturally Aspirated; w/ Air Tube; Executive Order # D-182-65 | | | | 81121 | D-182-65 |
| | | w/o Air Tube; Executive Order # D-182-65 | | | | 81126 | D-182-65 |
| 1987 | 2.2L L4 | Executive Order # D-182-65 | | | | 81127 | D-182-65 |
| | 2.5L L4 | w/ Air Tube; Executive Order # D-182-65 | | | | 81121 | D-182-65 |
| | | w/o Air Tube; Executive Order # D-182-65 | | | | 81127 | D-182-65 |
| 1986 | 2.2L L4 | Naturally Aspirated; w/ Air Tube; Executive Order # D-182-65 | | | | 81121 | D-182-65 |
| | | Naturally Aspirated; w/o Air Tube; Executive Order # D-182-65 | | | | 81126 | D-182-65 |
| | | Turbocharged; Executive Order # D-182-65 | | | | 81128 | D-182-65 |
| | 2.5L L4 | w/ Air Tube; Executive Order # D-182-65 | | | | 81121 | D-182-65 |
| w/o Air Tube; Executive Order # D-182-65 | | | | | 81126 | D-182-65 | |
| 1985-84 | 2.2L L4 | Base Model; w/ Air Tube; Executive Order # D-182-65 | | | | 81121 | D-182-65 |
| | | Base Model; w/o Air Tube; Executive Order # D-182-65 | | | | 81126 | D-182-65 |
| | | Turbo Model; Executive Order # D-182-65 | | | | 81128 | D-182-65 |

Diplomat

| | | | | | | | |
|---------|---------|---|-------------|--|--|--------------|----------|
| 1989-86 | 5.2L V8 | w/ 1 Catalytic Converter; Executive Order # D-182-65 | | | | 81122 | D-182-65 |
| | | w/ 3 Catalytic Converters; Executive Order # D-182-39 | Front Left | | | 80402 | D-182-39 |
| | | | Front Right | | | 80402 | D-182-39 |

For vehicles licensed in the state of California or Maine, or vehicles requiring CARB-compliant converters in the state of New York, the parts in this catalog must be installed as specifically listed. Parts cannot be substituted, nor can they be installed on California or Maine licensed vehicles not listed in this catalog.

NON-OBDI PASSENGER CAR & TRUCK

| Years | Engine | Application | Position | Direct-Fit | | Universal Part No. | Executive Order |
|-------------------------|---------|---|-------------|------------|----------|--------------------|-----------------|
| | | | | Part No. | Hardware | | |
| DODGE (Cont.) | | | | | | | |
| Diplomat (Cont.) | | | | | | | |
| 1985 | 5.2L V8 | w/ 1 Catalytic Converter; Executive Order # D-182-65 | | | | 81122 | D-182-65 |
| | | w/ 3 Catalytic Converters; Executive Order # D-182-39 | Front Left | | | 80402 | D-182-39 |
| | | | Front Right | | | 80402 | D-182-39 |
| | | | | | | | |
| 1984 | 5.2L V8 | w/ 1 Catalytic Converter; Executive Order # D-182-65 | | | | 81122 | D-182-65 |
| | | w/ 3 Catalytic Converters; Executive Order # D-182-39 | Front Left | | | 80402 | D-182-39 |
| | | | Front Right | | | 80402 | D-182-39 |
| | | | | | | | |
| 1983 | 3.7L L6 | Executive Order # D-182-39 | Front | | | 80401 | D-182-39 |
| | | | Rear | | | 80256 | D-182-39 |
| | 5.2L V8 | w/ 1 Catalytic Converter; Executive Order # D-182-65 | | | | 81122 | D-182-65 |
| | | w/ 3 Catalytic Converters; Executive Order # D-182-39 | Front Left | | | 80402 | D-182-39 |
| | | | Front Right | | | 80402 | D-182-39 |
| | | | | | | | |
| 1982-81 | 3.7L L6 | Executive Order # D-182-39 | Front | | | 80401 | D-182-39 |
| | | | Rear | | | 80256 | D-182-39 |
| | 5.2L V8 | w/ 1 Catalytic Converter; Executive Order # D-182-65 | | | | 81122 | D-182-65 |
| | | w/ 3 Catalytic Converters; Executive Order # D-182-39 | Front Left | | | 80402 | D-182-39 |
| | | | Front Right | | | 80402 | D-182-39 |
| | | | | | | | |
| 1980 | 3.7L L6 | Executive Order # D-182-39 | Front | | | 80401 | D-182-39 |
| | | | Rear | | | 80256 | D-182-39 |
| | 5.2L V8 | w/ 1 Catalytic Converter; Executive Order # D-182-65 | | | | 81122 | D-182-65 |
| | | w/ 3 Catalytic Converters; Executive Order # D-182-39 | Front Left | | | 80401 | D-182-39 |
| | | | Front Right | | | 80401 | D-182-39 |
| | | | | | | | |
| 1979 | 3.7L L6 | w/ Air Tube; Executive Order # D-182-65 | | | | 81121 | D-182-65 |
| | | w/o Air Tube; Executive Order # D-182-65 | | | | 81126 | D-182-65 |
| | 5.2L V8 | w/ Dual Catalytic Converters; Executive Order # D-182-65 | Left | | | 81127 | D-182-65 |
| | | | Right | | | 81127 | D-182-65 |
| | | w/ Single Catalytic Converter; Executive Order # D-182-65 | Rear | | | 81127 | D-182-65 |
| 1978 | 3.7L L6 | Executive Order # D-182-65 | | | | 81127 | D-182-65 |
| Dynasty | | | | | | | |
| 1993-92 | 2.5L L4 | Executive Order # D-182-65 | | | | 81126 | D-182-65 |
| | 3.0L V6 | Executive Order # D-182-65 | | | | 81127 | D-182-65 |
| 1991-90 | 2.5L L4 | Executive Order # D-182-65 | | | | 81126 | D-182-65 |
| | 3.3L V6 | Executive Order # D-182-65 | | | | 81127 | D-182-65 |
| Grand Caravan | | | | | | | |
| 1995-94 | 3.0L V6 | Executive Order # D-182-55 | | | | 80905 | D-182-55 |
| | 3.3L V6 | Executive Order # D-182-55 | | | | 80906 | D-182-55 |
| | 3.8L V6 | Executive Order # D-182-55 | | | | 80906 | D-182-55 |
| 1993-92 | 3.0L V6 | Executive Order # D-182-55 | | | | 80905 | D-182-55 |
| | 3.3L V6 | Executive Order # D-182-55 | | | | 80906 | D-182-55 |
| 1991-90 | 3.3L V6 | Executive Order # D-182-55 | | | | 80906 | D-182-55 |
| 1989 | 3.0L V6 | Executive Order # D-182-55 | | | | 80905 | D-182-55 |
| 1988 | 2.5L L4 | Executive Order # D-182-55 | | | | 80904 | D-182-55 |
| | 3.0L V6 | Executive Order # D-182-55 | | | | 80905 | D-182-55 |
| Intrepid | | | | | | | |
| 1995-93 | 3.3L V6 | Executive Order # D-182-39 | Front Left | | | 80401 | D-182-39 |

For vehicles licensed in the state of California or Maine, or vehicles requiring CARB-compliant converters in the state of New York, the parts in this catalog must be installed as specifically listed. Parts cannot be substituted, nor can they be installed on California or Maine licensed vehicles not listed in this catalog.

OBDI
APPLICATIONS

NON-OBDI
APPLICATIONS

NUMERICAL

UNIVERSAL
SPECIFICATIONS

NON-OBDI PASSENGER CAR & TRUCK

| Years | Engine | Application | Position | Direct-Fit | | Universal Part No. | Executive Order |
|-------------------------|---------|---|-------------|------------|----------|--------------------|-----------------|
| | | | | Part No. | Hardware | | |
| DODGE (Cont.) | | | | | | | |
| Intrepid (Cont.) | | | | | | | |
| 1995-93 (Cont.) | 3.3L V6 | Executive Order # D-182-39 | Front Right | | | 80401 | D-182-39 |
| | | | Rear | | | 80262 | D-182-39 |
| | 3.5L V6 | Executive Order # D-182-39 | Front Left | | | 80401 | D-182-39 |
| | | | Front Right | | | 80401 | D-182-39 |
| | | | Rear | | | 80262 | D-182-39 |
| Lancer | | | | | | | |
| 1989 | 2.2L L4 | Executive Order # D-182-65 | | | | 81122 | D-182-65 |
| | | Naturally Aspirated; w/o Air Tube; Executive Order # D-182-65 | | | | 81126 | D-182-65 |
| | 2.5L L4 | Executive Order # D-182-65 | | | | 81128 | D-182-65 |
| | | Naturally Aspirated; w/o Air Tube; Executive Order # D-182-65 | | | | 81126 | D-182-65 |
| 1988 | 2.2L L4 | Naturally Aspirated; Executive Order # D-182-65 | | | | 81126 | D-182-65 |
| | | Turbocharged; Executive Order # D-182-65 | | | | 81122 | D-182-65 |
| | 2.5L L4 | w/o Air Tube; Executive Order # D-182-65 | | | | 81126 | D-182-65 |
| 1987 | 2.2L L4 | Naturally Aspirated; Executive Order # D-182-65 | | | | 81126 | D-182-65 |
| | | Turbocharged; Executive Order # D-182-65 | | | | 81127 | D-182-65 |
| | 2.5L L4 | w/o Air Tube; Executive Order # D-182-65 | | | | 81126 | D-182-65 |
| 1986 | 2.2L L4 | Naturally Aspirated; w/ Air Tube; Executive Order # D-182-65 | | | | 81121 | D-182-65 |
| | | Naturally Aspirated; w/o Air Tube; Executive Order # D-182-65 | | | | 81126 | D-182-65 |
| | | Turbocharged; Executive Order # D-182-65 | | | | 81128 | D-182-65 |
| | 2.5L L4 | w/o Air Tube; Executive Order # D-182-65 | | | | 81126 | D-182-65 |
| 1985 | 2.2L L4 | Naturally Aspirated; w/ Air Tube; Executive Order # D-182-65 | | | | 81121 | D-182-65 |
| | | Naturally Aspirated; w/o Air Tube; Executive Order # D-182-65 | | | | 81126 | D-182-65 |
| | | Turbocharged; Executive Order # D-182-65 | | | | 81128 | D-182-65 |
| Magnum | | | | | | | |
| 1979 | 5.2L V8 | w/ Dual Catalytic Converters; Executive Order # D-182-65 | Left | | | 81127 | D-182-65 |
| | | | Right | | | 81127 | D-182-65 |
| | | w/ Single Catalytic Converter; Executive Order # D-182-65 | | | | 81127 | D-182-65 |
| | 5.9L V8 | Executive Order # D-182-65 | | | | 81127 | D-182-65 |
| 1978 | 5.2L V8 | Executive Order # D-182-65 | | | | 81127 | D-182-65 |
| | 5.9L V8 | Executive Order # D-182-65 | | | | 81127 | D-182-65 |
| Mini Ram | | | | | | | |
| 1988 | 2.5L L4 | Executive Order # D-182-55 | | | | 80904 | D-182-55 |
| | 3.0L V6 | Executive Order # D-182-55 | | | | 80905 | D-182-55 |
| 1987 | 2.2L L4 | Executive Order # D-182-55 | | | | 80904 | D-182-55 |
| | 2.6L L4 | Executive Order # D-182-37 | Rear | | | 80706 | D-182-37 |
| | 3.0L V6 | Executive Order # D-182-55 | | | | 80905 | D-182-55 |
| 1986-84 | 2.2L L4 | Executive Order # D-182-55 | | | | 80904 | D-182-55 |
| | 2.6L L4 | Executive Order # D-182-37 | Rear | | | 80706 | D-182-37 |

For vehicles licensed in the state of California or Maine, or vehicles requiring CARB-compliant converters in the state of New York, the parts in this catalog must be installed as specifically listed. Parts cannot be substituted, nor can they be installed on California or Maine licensed vehicles not listed in this catalog.

NON-OBDII PASSENGER CAR & TRUCK

| Years | Engine | Application | Position | Direct-Fit | | Universal Part No. | Executive Order |
|----------------------|---|---|---|------------|--------------|--------------------|-----------------|
| | | | | Part No. | Hardware | | |
| DODGE (Cont.) | | | | | | | |
| Mirada | | | | | | | |
| 1983-81 | 3.7L L6 | Executive Order # D-182-39 | Front | | | 80401 | D-182-39 |
| | | | Rear | | | 80256 | D-182-39 |
| | 5.2L V8 | w/ 1 Catalytic Converter; Executive Order # D-182-65 w/ 3 Catalytic Converters; Executive Order # D-182-39 | Front Left | | | 81122 | D-182-65 |
| | | | Front Right | | | 80402 | D-182-39 |
| 1980 | 3.7L L6 | Executive Order # D-182-39 | Front | | | 80401 | D-182-39 |
| | | | Rear | | | 80256 | D-182-39 |
| | 5.2L V8 | w/ 1 Catalytic Converter; Executive Order # D-182-65 w/ 3 Catalytic Converters; Executive Order # D-182-39 | Front Left | | | 81122 | D-182-65 |
| | | | Front Right | | | 80401 | D-182-39 |
| | | | Front Left | | | 80401 | D-182-39 |
| | | | Front Right | | | 80401 | D-182-39 |
| Monaco | | | | | | | |
| 1992-90 | 3.0L V6 | w/o Air Tube; Executive Order # D-182-65 | | | | 81127 | D-182-65 |
| 1978 | 3.7L L6 | Executive Order # D-182-65 | | | | 81127 | D-182-65 |
| | 5.2L V8 | Executive Order # D-182-65 | | | | 81127 | D-182-65 |
| | 5.9L V8 | Executive Order # D-182-65 | | | | 81127 | D-182-65 |
| | 6.6L V8 | w/ Dual Catalytic Converters; Executive Order # D-182-65 | Left | | | 81128 | D-182-65 |
| Right | | | | | 81128 | D-182-65 | |
| 1977 | 3.7L L6 | Executive Order # D-182-65 | | | | 81127 | D-182-65 |
| | 5.2L V8 | Executive Order # D-182-65 | | | | 81127 | D-182-65 |
| | 5.9L V8 | Executive Order # D-182-65 | | | | 81127 | D-182-65 |
| | 6.6L V8 | w/ Dual Catalytic Converters; Executive Order # D-182-65 | Left | | | 81128 | D-182-65 |
| | | | Right | | | 81128 | D-182-65 |
| 6.6L V8 | w/ Single Catalytic Converter; Executive Order # D-182-65 | | | | 81128 | D-182-65 | |
| 1976-75 | 5.2L V8 | Executive Order # D-182-65 | | | | 81128 | D-182-65 |
| | 5.9L V8 | Executive Order # D-182-65 | | | | 81128 | D-182-65 |
| | 6.6L V8 | Executive Order # D-182-65 | | | | 81128 | D-182-65 |
| | 7.2L V8 | w/ Dual Catalytic Converters; Executive Order # D-182-65 | Left | | | 81128 | D-182-65 |
| | | | Right | | | 81128 | D-182-65 |
| | | | w/ Single Catalytic Converter; Executive Order # D-182-65 | | | 81128 | D-182-65 |
| Omni | | | | | | | |
| 1990-88 | 2.2L L4 | w/ Air Tube; Executive Order # D-182-65 | | | | 81121 | D-182-65 |
| | | w/o Air Tube; Executive Order # D-182-65 | | | | 81126 | D-182-65 |
| 1986-85 | 2.2L L4 | Naturally Aspirated; w/ Air Tube; Executive Order # D-182-65 | | | | 81121 | D-182-65 |
| | | Naturally Aspirated; w/o Air Tube; Executive Order # D-182-65 | | | | 81126 | D-182-65 |
| | | Turbocharged; Executive Order # D-182-65 | | | | 81128 | D-182-65 |
| 1984 | 2.2L L4 | w/ Air Tube; Executive Order # D-182-65 | | | | 81121 | D-182-65 |
| | | w/o Air Tube; Executive Order # D-182-65 | | | | 81126 | D-182-65 |
| 1983 | 1.6L L4 | Executive Order # D-182-39 | Front | | | 80401 | D-182-39 |
| | 1.7L L4 | Executive Order # D-182-39 | Front | | | 80401 | D-182-39 |
| 1982 | 1.7L L4 | Executive Order # D-182-39 | Front | | | 80401 | D-182-39 |
| | 2.2L L4 | Executive Order # D-182-39 | Rear | | | 80256 | D-182-39 |
| 1981 | 2.2L L4 | Executive Order # D-182-39 | Front | | | 80401 | D-182-39 |

For vehicles licensed in the state of California or Maine, or vehicles requiring CARB-compliant converters in the state of New York, the parts in this catalog must be installed as specifically listed. Parts cannot be substituted, nor can they be installed on California or Maine licensed vehicles not listed in this catalog.

NON-OBDII PASSENGER CAR & TRUCK

| Years | Engine | Application | Position | Direct-Fit | | Universal Part No. | Executive Order |
|----------------------|----------|---|----------|------------|----------|--------------------|-----------------|
| | | | | Part No. | Hardware | | |
| DODGE (Cont.) | | | | | | | |
| Omni (Cont.) | | | | | | | |
| 1981 (Cont.) | 2.2L L4 | Executive Order # D-182-39 | Rear | | | 80256 | D-182-39 |
| 1980 | 1.7L L4 | Executive Order # D-182-65 | | | | 81121 | D-182-65 |
| 1979-78 | 1.7L L4 | Executive Order # D-182-65 | | | | 81126 | D-182-65 |
| Power Ram 50 | | | | | | | |
| 1986-85 | 2.6L L4 | Executive Order # D-182-37 | Rear | | | 80706 | D-182-37 |
| Raider | | | | | | | |
| 1989-87 | 2.6L L4 | Executive Order # D-182-55 | | | | 80904 | D-182-55 |
| Ram 1500 | | | | | | | |
| 1995-94 | 3.9L V6 | Executive Order # D-182-55 | | | | 80912 | D-182-55 |
| | 5.2L V8 | Executive Order # D-182-55 | | | | 80912 | D-182-55 |
| | 5.9L V8 | Executive Order # D-182-55 | | | | 80912 | D-182-55 |
| Ram 2500 | | | | | | | |
| 1995-94 | 5.2L V8 | Executive Order # D-182-55 | | | | 80912 | D-182-55 |
| | 5.9L V8 | Executive Order # D-182-55 | | | | 80912 | D-182-55 |
| | 8.0L V10 | Executive Order # D-182-55 | Left | | | 80902 | D-182-55 |
| | | | Right | | | 80902 | D-182-55 |
| Ram 3500 | | | | | | | |
| 1995 | 5.9L V8 | Executive Order # D-182-55 | Left | | | 80902 | D-182-55 |
| | | | Right | | | 80902 | D-182-55 |
| | 8.0L V10 | Executive Order # D-182-55 | Left | | | 80902 | D-182-55 |
| | | | Right | | | 80902 | D-182-55 |
| 1994 | 5.9L V8 | Executive Order # D-182-55 | Left | | | 80902 | D-182-55 |
| | | | Right | | | 80902 | D-182-55 |
| | 8.0L V10 | Executive Order # D-182-55 | Left | | | 80902 | D-182-55 |
| | | | Right | | | 80902 | D-182-55 |
| Ram 50 | | | | | | | |
| 1993-92 | 2.4L L4 | Executive Order # D-182-55 | | | | 80904 | D-182-55 |
| 1991-90 | 2.4L L4 | Executive Order # D-182-55 | | | | 80904 | D-182-55 |
| | 3.0L V6 | Executive Order # D-182-55 | | | | 80904 | D-182-55 |
| 1989-87 | 2.0L L4 | Executive Order # D-182-55 | | | | 80904 | D-182-55 |
| | 2.6L L4 | Executive Order # D-182-55 | | | | 80904 | D-182-55 |
| 1986-85 | 2.0L L4 | Executive Order # D-182-37 | Rear | | | 80706 | D-182-37 |
| | 2.6L L4 | Executive Order # D-182-37 | Rear | | | 80706 | D-182-37 |
| Ramcharger | | | | | | | |
| 1993 | 5.2L V8 | Executive Order # D-182-55 | | | | 80907 | D-182-55 |
| | 5.9L V8 | Executive Order # D-182-55 | | | | 80907 | D-182-55 |
| 1992 | 5.2L V8 | Executive Order # D-182-55 | | | | 80907 | D-182-55 |
| | 5.9L V8 | Executive Order # D-182-55 | | | | 80902 | D-182-55 |
| 1991-89 | 5.2L V8 | Executive Order # D-182-55 | | | | 80902 | D-182-55 |
| | 5.9L V8 | Executive Order # D-182-55 | | | | 80902 | D-182-55 |
| 1988 | 5.2L V8 | w/ 1 Catalytic Converter; Executive Order # D-182-55 | | | | 80902 | D-182-55 |
| | | w/ 2 Catalytic Converters; Executive Order # D-182-37 | Front | | | 80616 | D-182-37 |
| | | | Rear | | | 80703 | D-182-37 |

For vehicles licensed in the state of California or Maine, or vehicles requiring CARB-compliant converters in the state of New York, the parts in this catalog must be installed as specifically listed. Parts cannot be substituted, nor can they be installed on California or Maine licensed vehicles not listed in this catalog.

NON-OBDII PASSENGER CAR & TRUCK

| Years | Engine | Application | Position | Direct-Fit | | Universal Part No. | Executive Order | |
|---------------------------|---------|---|----------|------------|----------|--------------------|-----------------|--------------|
| | | | | Part No. | Hardware | | | |
| DODGE (Cont.) | | | | | | | | |
| Ramcharger (Cont.) | | | | | | | | |
| 1988 (Cont.) | 5.9L V8 | w/ 1 Catalytic Converter; Executive Order # D-182-55 | | | | 80906 | D-182-55 | |
| | | w/ 2 Catalytic Converters; Executive Order # D-182-37 | Front | | | 80616 | D-182-37 | |
| | | | Rear | | | 80708 | D-182-37 | |
| 1987-84 | 5.2L V8 | w/ 1 Catalytic Converter; Executive Order # D-182-55 | | | | 80901 | D-182-55 | |
| | | w/ 2 Catalytic Converters; Executive Order # D-182-37 | Front | | | 80616 | D-182-37 | |
| | | | Rear | | | 80702 | D-182-37 | |
| | 5.9L V8 | w/ 1 Catalytic Converter; Executive Order # D-182-55 | | | | | 80906 | D-182-55 |
| | | w/ 2 Catalytic Converters; Executive Order # D-182-37 | Front | | | | 80616 | D-182-37 |
| | | | Rear | | | | | 80708 |
| 1983 | 5.2L V8 | w/ 1 Catalytic Converter; Executive Order # D-182-55 | | | | 80901 | D-182-55 | |
| | | w/ 2 Catalytic Converters; Executive Order # D-182-37 | Front | | | | 80616 | D-182-37 |
| | | | Rear | | | | | 80702 |
| 1982 | 5.2L V8 | w/ 1 Catalytic Converter; Executive Order # D-182-55 | | | | 80906 | D-182-55 | |
| | | w/ 2 Catalytic Converters; Executive Order # D-182-37 | Front | | | 80616 | D-182-37 | |
| | | | Rear | | | 80708 | D-182-37 | |
| 1981 | 5.2L V8 | Executive Order # D-182-55 | | | | 80906 | D-182-55 | |
| 1980 | 3.7L L6 | Executive Order # D-182-55 | | | | 80906 | D-182-55 | |
| | 5.2L V8 | Executive Order # D-182-55 | | | | 80906 | D-182-55 | |
| 1979 | 3.7L L6 | w/ Air Tube; Executive Order # D-182-55 | | | | 80901 | D-182-55 | |
| | | w/o Air Tube; Executive Order # D-182-55 | | | | 80905 | D-182-55 | |
| | 5.2L V8 | Executive Order # D-182-55 | | | | 80906 | D-182-55 | |
| | 5.9L V8 | Executive Order # D-182-55 | | | | 80906 | D-182-55 | |
| 1978 | 3.7L L6 | Executive Order # D-182-55 | | | | 80904 | D-182-55 | |
| | 5.2L V8 | Executive Order # D-182-55 | | | | 80906 | D-182-55 | |
| | 5.9L V8 | Executive Order # D-182-55 | | | | 80906 | D-182-55 | |
| 1977-76 | 5.2L V8 | w/ 1 Catalytic Converter; Executive Order # D-182-55 | | | | 80906 | D-182-55 | |
| | 5.9L V8 | w/ 1 Catalytic Converter; Executive Order # D-182-55 | | | | 80906 | D-182-55 | |

Rampage

| | | | | | | | |
|---------|---------|----------------------------|-------|--|--|--------------|----------|
| 1984-83 | 2.2L L4 | Executive Order # D-182-55 | | | | 80900 | D-182-55 |
| 1982 | 2.2L L4 | Executive Order # D-182-37 | Front | | | 80616 | D-182-37 |
| | | | Rear | | | 80706 | D-182-37 |

Royal Monaco

| | | | | | | | | |
|------|---------|---|-------|--|--|--------------|--------------|----------|
| 1977 | 5.2L V8 | Executive Order # D-182-65 | | | | 81128 | D-182-65 | |
| | 5.9L V8 | Executive Order # D-182-65 | | | | 81128 | D-182-65 | |
| | 6.6L V8 | w/ Single Catalytic Converter; Executive Order # D-182-65 | | | | 81128 | D-182-65 | |
| | 7.2L V8 | w/ Dual Catalytic Converters; Executive Order # D-182-65 | Left | | | | 81128 | D-182-65 |
| | | | Right | | | | 81128 | D-182-65 |
| | | w/ Single Catalytic Converter; Executive Order # D-182-65 | | | | 81128 | D-182-65 | |
| 1976 | 5.9L V8 | Executive Order # D-182-65 | | | | 81128 | D-182-65 | |
| | 6.6L V8 | w/ Dual Catalytic Converters; Executive Order # D-182-65 | Left | | | 81128 | D-182-65 | |
| | | | Right | | | 81128 | D-182-65 | |
| | | w/ Single Catalytic Converter; Executive Order # D-182-65 | | | | | 81128 | D-182-65 |

For vehicles licensed in the state of California or Maine, or vehicles requiring CARB-compliant converters in the state of New York, the parts in this catalog must be installed as specifically listed. Parts cannot be substituted, nor can they be installed on California or Maine licensed vehicles not listed in this catalog.

NON-OBDI PASSENGER CAR & TRUCK

| Years | Engine | Application | Position | Direct-Fit | | Universal Part No. | Executive Order |
|-----------------------------|---|---|----------|------------|--------------|--------------------|-----------------|
| | | | | Part No. | Hardware | | |
| DODGE (Cont.) | | | | | | | |
| Royal Monaco (Cont.) | | | | | | | |
| 1976 (Cont.) | 7.2L V8 | w/ Dual Catalytic Converters; Executive Order # D-182-65 | Left | | | 81128 | D-182-65 |
| | | | Right | | | 81128 | D-182-65 |
| | | w/ Single Catalytic Converter; Executive Order # D-182-65 | | | | 81128 | D-182-65 |
| 1975 | 5.2L V8 | Executive Order # D-182-65 | | | | 81128 | D-182-65 |
| | 5.9L V8 | Executive Order # D-182-65 | | | | 81128 | D-182-65 |
| | 6.6L V8 | w/ Dual Catalytic Converters; Executive Order # D-182-65 | Left | | | 81128 | D-182-65 |
| | | | Right | | | 81128 | D-182-65 |
| | | w/ Single Catalytic Converter; Executive Order # D-182-65 | | | | 81128 | D-182-65 |
| | 7.2L V8 | w/ Dual Catalytic Converters; Executive Order # D-182-65 | Left | | | 81128 | D-182-65 |
| Right | | | | | 81128 | D-182-65 | |
| | w/ Single Catalytic Converter; Executive Order # D-182-65 | | | | 81128 | D-182-65 | |
| Shadow | | | | | | | |
| 1994-93 | 2.2L L4 | w/ Air Tube; Executive Order # D-182-65 | | | | 81121 | D-182-65 |
| | | w/o Air Tube; Executive Order # D-182-65 | | | | 81126 | D-182-65 |
| | 2.5L L4 | w/ Air Tube; Executive Order # D-182-65 | | | | 81121 | D-182-65 |
| | | w/o Air Tube; Executive Order # D-182-65 | | | | 81126 | D-182-65 |
| 3.0L V6 | Executive Order # D-182-65 | | | | 81127 | D-182-65 | |
| 1992-91 | 2.2L L4 | Naturally Aspirated; w/o Air Tube; Executive Order # D-182-65 | | | | 81126 | D-182-65 |
| | | w/ Air Tube; Executive Order # D-182-65 | | | | 81121 | D-182-65 |
| | 2.5L L4 | Naturally Aspirated; w/ Air Tube; Executive Order # D-182-65 | | | | 81121 | D-182-65 |
| | | Naturally Aspirated; w/o Air Tube; Executive Order # D-182-65 | | | | 81126 | D-182-65 |
| | Turbocharged; Executive Order # D-182-65 | | | | 81128 | D-182-65 | |
| 1990-89 | 2.2L L4 | Naturally Aspirated; w/ Air Tube; Executive Order # D-182-65 | | | | 81121 | D-182-65 |
| | | Naturally Aspirated; w/o Air Tube; Executive Order # D-182-65 | | | | 81126 | D-182-65 |
| | | Turbocharged; Executive Order # D-182-65 | | | | 81127 | D-182-65 |
| | 2.5L L4 | Naturally Aspirated; w/ Air Tube; Executive Order # D-182-65 | | | | 81121 | D-182-65 |
| | | Naturally Aspirated; w/o Air Tube; Executive Order # D-182-65 | | | | 81126 | D-182-65 |
| | | Turbocharged; Executive Order # D-182-65 | | | | 81128 | D-182-65 |
| 1988-87 | 2.2L L4 | Naturally Aspirated; w/ Air Tube; Executive Order # D-182-65 | | | | 81121 | D-182-65 |
| | | Naturally Aspirated; w/o Air Tube; Executive Order # D-182-65 | | | | 81126 | D-182-65 |
| | | Turbocharged; Executive Order # D-182-65 | | | | 81127 | D-182-65 |
| Spirit | | | | | | | |
| 1995-93 | 2.5L L4 | w/ Air Tube; Executive Order # D-182-65 | | | | 81121 | D-182-65 |
| | | w/o Air Tube; Executive Order # D-182-65 | | | | 81126 | D-182-65 |
| | 3.0L V6 | Executive Order # D-182-65 | | | | 81127 | D-182-65 |
| 1992 | 2.2L L4 | Executive Order # D-182-65 | | | | 81122 | D-182-65 |

For vehicles licensed in the state of California or Maine, or vehicles requiring CARB-compliant converters in the state of New York, the parts in this catalog must be installed as specifically listed. Parts cannot be substituted, nor can they be installed on California or Maine licensed vehicles not listed in this catalog.

NON-OBDII PASSENGER CAR & TRUCK

| Years | Engine | Application | Position | Direct-Fit | | Universal Part No. | Executive Order |
|-----------------------|---------|---|---|------------|----------|--------------------|-----------------|
| | | | | Part No. | Hardware | | |
| DODGE (Cont.) | | | | | | | |
| Spirit (Cont.) | | | | | | | |
| 1992 (Cont.) | 2.5L L4 | Naturally Aspirated; Executive Order # D-182-65 | | | | 81126 | D-182-65 |
| | | Turbocharged; Executive Order # D-182-65 | | | | 81122 | D-182-65 |
| | 3.0L V6 | Executive Order # D-182-65 | | | | 81127 | D-182-65 |
| 1991 | 2.2L L4 | Executive Order # D-182-65 | | | | 81122 | D-182-65 |
| | 2.5L L4 | Naturally Aspirated; Executive Order # D-182-65 | | | | 81126 | D-182-65 |
| | | Turbocharged; Executive Order # D-182-65 | | | | 81122 | D-182-65 |
| | 3.0L V6 | Executive Order # D-182-65 | | | | 81126 | D-182-65 |
| 1990-89 | 2.5L L4 | Naturally Aspirated; Executive Order # D-182-65 | | | | 81126 | D-182-65 |
| | | Turbocharged; Executive Order # D-182-65 | | | | 81122 | D-182-65 |
| | 3.0L V6 | Executive Order # D-182-65 | | | | 81126 | D-182-65 |
| St. Regis | | | | | | | |
| 1981 | 3.7L L6 | Executive Order # D-182-39 | Front | | | 80401 | D-182-39 |
| | | | Rear | | | 80256 | D-182-39 |
| | 5.2L V8 | w/ 1 Catalytic Converter; Executive Order # D-182-65 w/ 3 Catalytic Converters; Executive Order # D-182-39 | Front Left | | | 81122 | D-182-65 |
| | | | Front Right | | | 80402 | D-182-39 |
| 1980 | 3.7L L6 | Executive Order # D-182-39 | Front | | | 80401 | D-182-39 |
| | | | Rear | | | 80256 | D-182-39 |
| | 5.2L V8 | w/ 1 Catalytic Converter; Executive Order # D-182-65 w/ 3 Catalytic Converters; Executive Order # D-182-39 | Front Left | | | 81122 | D-182-65 |
| | | | Front Right | | | 80401 | D-182-39 |
| 1979 | 3.7L L6 | w/ Air Tube; Executive Order # D-182-65 | | | | 81122 | D-182-65 |
| | | w/o Air Tube; Executive Order # D-182-65 | | | | 81127 | D-182-65 |
| | 5.2L V8 | w/ Dual Catalytic Converters; Executive Order # D-182-65 | Left | | | 81127 | D-182-65 |
| | | | Right | | | 81127 | D-182-65 |
| | | 5.9L V8 | w/ Single Catalytic Converter; Executive Order # D-182-65 | | | | 81127 |
| | | Executive Order # D-182-65 | Lower | | | 81127 | D-182-65 |
| Stealth | | | | | | | |
| 1995-94 | 3.0L V6 | Executive Order # D-182-39 | Rear | | | 80257 | D-182-39 |
| 1993-91 | 3.0L V6 | Naturally Aspirated; Executive Order # D-182-65 | Rear | | | 81127 | D-182-65 |
| | | Turbocharged; Executive Order # D-182-39 | Rear | | | 80257 | D-182-39 |
| Stratus | | | | | | | |
| 1995 | 2.4L L4 | Executive Order # D-182-65 | | | | 81126 | D-182-65 |
| | 2.5L V6 | Executive Order # D-182-65 | | | | 81126 | D-182-65 |
| W100 | | | | | | | |
| 1989 | 3.9L V6 | Executive Order # D-182-55 | | | | 80902 | D-182-55 |
| | 5.2L V8 | Executive Order # D-182-55 | | | | 80902 | D-182-55 |
| 1988 | 5.2L V8 | w/ 1 Catalytic Converter; Executive Order # D-182-55 w/ 2 Catalytic Converters; Executive Order # D-182-37 | Front | | | 80902 | D-182-55 |
| | | | Rear | | | 80616 | D-182-37 |
| | 5.9L V8 | w/ 1 Catalytic Converter; Executive Order # D-182-55 w/ 2 Catalytic Converters; Executive Order # D-182-37 | Front | | | 80906 | D-182-55 |
| | | | Rear | | | 80616 | D-182-37 |
| 1987-84 | 3.7L L6 | Executive Order # D-182-37 | Front | | | 80616 | D-182-37 |

For vehicles licensed in the state of California or Maine, or vehicles requiring CARB-compliant converters in the state of New York, the parts in this catalog must be installed as specifically listed. Parts cannot be substituted, nor can they be installed on California or Maine licensed vehicles not listed in this catalog.

NON-OBDI PASSENGER CAR & TRUCK

| Years | Engine | Application | Position | Direct-Fit | | Universal Part No. | Executive Order |
|----------------------|---|--|---|--------------|--------------|--------------------|-----------------|
| | | | | Part No. | Hardware | | |
| DODGE (Cont.) | | | | | | | |
| W100 (Cont.) | | | | | | | |
| 1987-84 (Cont.) | 3.7L L6 | Executive Order # D-182-37 | Rear | | | 80703 | D-182-37 |
| | 5.2L V8 | w/ 1 Catalytic Converter; Executive Order # D-182-55 | | | | 80901 | D-182-55 |
| | | | w/ 2 Catalytic Converters; Executive Order # D-182-37 | Front | | 80616 | D-182-37 |
| | | | | Rear | | 80702 | D-182-37 |
| | 5.9L V8 | w/ 1 Catalytic Converter; Executive Order # D-182-55 | | | | 80906 | D-182-55 |
| | | | w/ 2 Catalytic Converters; Executive Order # D-182-37 | Front | | 80616 | D-182-37 |
| Rear | | | | | 80708 | D-182-37 | |
| 1977-76 | 5.2L V8 | Executive Order # D-182-55 | | | | 80906 | D-182-55 |
| | 5.9L V8 | Executive Order # D-182-55 | | | | 80906 | D-182-55 |
| W150 | | | | | | | |
| 1993 | 3.9L V6 | Executive Order # D-182-55 | | | | 80907 | D-182-55 |
| | 5.2L V8 | Executive Order # D-182-55 | | | | 80907 | D-182-55 |
| | 5.9L V8 | Executive Order # D-182-55 | | | | 80907 | D-182-55 |
| 1992 | 3.9L V6 | Executive Order # D-182-55 | | | | 80907 | D-182-55 |
| | 5.2L V8 | Executive Order # D-182-55 | | | | 80907 | D-182-55 |
| 1991-89 | 3.9L V6 | Executive Order # D-182-55 | | | | 80902 | D-182-55 |
| | 5.2L V8 | Executive Order # D-182-55 | | | | 80902 | D-182-55 |
| | 5.9L V8 | Executive Order # D-182-55 | | | | 80902 | D-182-55 |
| 1988 | 5.2L V8 | w/ 1 Catalytic Converter; Executive Order # D-182-55 | | | | 80902 | D-182-55 |
| | | | w/ 2 Catalytic Converters; Executive Order # D-182-37 | Front | | 80616 | D-182-37 |
| | | | | Rear | | 80703 | D-182-37 |
| | 5.9L V8 | w/ 1 Catalytic Converter; Executive Order # D-182-55 | | | | 80906 | D-182-55 |
| | | | w/ 2 Catalytic Converters; Executive Order # D-182-37 | Front | | 80616 | D-182-37 |
| | | | | Rear | | 80708 | D-182-37 |
| 1987-86 | 3.7L L6 | Executive Order # D-182-37 | Front | | | 80616 | D-182-37 |
| | | | Rear | | | 80703 | D-182-37 |
| | 5.2L V8 | w/ 1 Catalytic Converter; Executive Order # D-182-55 | | | | 80901 | D-182-55 |
| | | | w/ 2 Catalytic Converters; Executive Order # D-182-37 | Front | | 80616 | D-182-37 |
| | Rear | | | 80702 | D-182-37 | | |
| | 5.9L V8 | w/ 1 Catalytic Converter; Executive Order # D-182-55 | | | | 80906 | D-182-55 |
| | | | w/ 2 Catalytic Converters; Executive Order # D-182-37 | Front | | 80616 | D-182-37 |
| | | | | Rear | | 80708 | D-182-37 |
| | 1985 | 3.7L L6 | Executive Order # D-182-37 | Front | | | 80616 |
| Rear | | | | | | 80703 | D-182-37 |
| 5.2L V8 | | w/ 1 Catalytic Converter; Executive Order # D-182-55 | | | | 80901 | D-182-55 |
| | | | w/ 2 Catalytic Converters; Executive Order # D-182-37 | Front | | 80616 | D-182-37 |
| Rear | | | | 80702 | D-182-37 | | |
| 5.9L V8 | | w/ 1 Catalytic Converter; Executive Order # D-182-55 | | | | 80906 | D-182-55 |
| | w/ 2 Catalytic Converters; Executive Order # D-182-37 | | Front | | 80616 | D-182-37 | |
| | | | Rear | | 80708 | D-182-37 | |
| 1984 | 3.7L L6 | Executive Order # D-182-37 | Front | | | 80616 | D-182-37 |
| | | | Rear | | | 80703 | D-182-37 |
| | 5.2L V8 | w/ 1 Catalytic Converter; Executive Order # D-182-55 | | | | 80901 | D-182-55 |
| | | | w/ 2 Catalytic Converters; Executive Order # D-182-37 | Front | | 80616 | D-182-37 |
| | | | | Rear | | 80702 | D-182-37 |

For vehicles licensed in the state of California or Maine, or vehicles requiring CARB-compliant converters in the state of New York, the parts in this catalog must be installed as specifically listed. Parts cannot be substituted, nor can they be installed on California or Maine licensed vehicles not listed in this catalog.

NON-OBDII PASSENGER CAR & TRUCK

| Years | Engine | Application | Position | Direct-Fit | | Universal Part No. | Executive Order |
|----------------------|---------|---|---|--------------|--------------|--------------------|-----------------|
| | | | | Part No. | Hardware | | |
| DODGE (Cont.) | | | | | | | |
| W150 (Cont.) | | | | | | | |
| 1984 (Cont.) | 5.9L V8 | w/ 1 Catalytic Converter; Executive Order # D-182-55 | | | | 80906 | D-182-55 |
| | | w/ 2 Catalytic Converters; Executive Order # D-182-37 | Front | | | 80616 | D-182-37 |
| | | | Rear | | | 80708 | D-182-37 |
| 1983 | 3.7L L6 | Executive Order # D-182-37 | Front | | | 80616 | D-182-37 |
| | | | Rear | | | 80703 | D-182-37 |
| | 5.2L V8 | w/ 1 Catalytic Converter; Executive Order # D-182-55 | | | | 80901 | D-182-55 |
| | | | w/ 2 Catalytic Converters; Executive Order # D-182-37 | Front | | | 80616 |
| | Rear | | | | 80702 | D-182-37 | |
| | 1982 | 3.7L L6 | Executive Order # D-182-55 | | | | 80902 |
| 5.2L V8 | | w/ 1 Catalytic Converter; Executive Order # D-182-55 | | | | 80906 | D-182-55 |
| | | | w/ 2 Catalytic Converters; Executive Order # D-182-37 | Front | | | 80616 |
| Rear | | | | 80708 | D-182-37 | | |
| 1981-80 | 3.7L L6 | Executive Order # D-182-55 | | | | 80906 | D-182-55 |
| | 5.2L V8 | Executive Order # D-182-55 | | | | 80906 | D-182-55 |
| | 5.9L V8 | Executive Order # D-182-55 | | | | 80906 | D-182-55 |
| 1979 | 3.7L L6 | w/ Air Tube; Executive Order # D-182-55 | | | | 80901 | D-182-55 |
| | | w/o Air Tube; Executive Order # D-182-55 | | | | 80905 | D-182-55 |
| | 5.2L V8 | Executive Order # D-182-55 | | | | 80906 | D-182-55 |
| | 5.9L V8 | Executive Order # D-182-55 | | | | 80906 | D-182-55 |
| 1978-77 | 5.2L V8 | Executive Order # D-182-55 | | | | 80906 | D-182-55 |
| | 5.9L V8 | Executive Order # D-182-55 | | | | 80906 | D-182-55 |
| W200 | | | | | | | |
| 1980-76 | 5.2L V8 | Executive Order # D-182-55 | | | | 80906 | D-182-55 |
| | 5.9L V8 | Executive Order # D-182-55 | | | | 80906 | D-182-55 |
| W250 | | | | | | | |
| 1993 | 5.2L V8 | Executive Order # D-182-55 | | | | 80907 | D-182-55 |
| | 5.9L V8 | Executive Order # D-182-55 | | | | 80907 | D-182-55 |
| 1992 | 5.2L V8 | Executive Order # D-182-55 | | | | 80907 | D-182-55 |
| | 5.9L V8 | Executive Order # D-182-55 | | | | 80902 | D-182-55 |
| 1991 | 5.2L V8 | Executive Order # D-182-55 | | | | 80902 | D-182-55 |
| | 5.9L V8 | Executive Order # D-182-55 | | | | 80902 | D-182-55 |
| 1990-89 | 5.2L V8 | Executive Order # D-182-55 | | | | 80902 | D-182-55 |
| | 5.9L V8 | Executive Order # D-182-55 | | | | 80902 | D-182-55 |
| 1988 | 5.2L V8 | w/ 1 Catalytic Converter; Executive Order # D-182-55 | | | | 80902 | D-182-55 |
| | | | w/ 2 Catalytic Converters; Executive Order # D-182-37 | Front | | | 80616 |
| | Rear | | | | 80703 | D-182-37 | |
| | 5.9L V8 | w/ 1 Catalytic Converter; Executive Order # D-182-55 | | | | 80906 | D-182-55 |
| | | | w/ 2 Catalytic Converters; Executive Order # D-182-37 | Front | | | 80616 |
| | Rear | | | | 80708 | D-182-37 | |
| 1987-84 | 5.2L V8 | w/ 1 Catalytic Converter; Executive Order # D-182-55 | | | | 80901 | D-182-55 |
| | | | w/ 2 Catalytic Converters; Executive Order # D-182-37 | Front | | | 80616 |
| | Rear | | | | 80702 | D-182-37 | |
| | 5.9L V8 | w/ 1 Catalytic Converter; Executive Order # D-182-55 | | | | 80906 | D-182-55 |
| | | | w/ 2 Catalytic Converters; Executive Order # D-182-37 | Front | | | 80616 |
| | Rear | | | | 80708 | D-182-37 | |

For vehicles licensed in the state of California or Maine, or vehicles requiring CARB-compliant converters in the state of New York, the parts in this catalog must be installed as specifically listed. Parts cannot be substituted, nor can they be installed on California or Maine licensed vehicles not listed in this catalog.

OBDII APPLICATIONS

NON-OBDII APPLICATIONS

NUMERICAL

UNIVERSAL SPECIFICATIONS

NON-OBDI PASSENGER CAR & TRUCK

| Years | Engine | Application | Position | Direct-Fit | | Universal Part No. | Executive Order |
|----------------------|---------|---|----------|------------|----------|--------------------|-----------------|
| | | | | Part No. | Hardware | | |
| DODGE (Cont.) | | | | | | | |
| W250 (Cont.) | | | | | | | |
| 1983 | 5.2L V8 | w/ 1 Catalytic Converter; Executive Order # D-182-55 | | | | 80901 | D-182-55 |
| | | w/ 2 Catalytic Converters; Executive Order # D-182-37 | Front | | | 80616 | D-182-37 |
| | | | Rear | | | 80702 | D-182-37 |
| 1982 | 5.2L V8 | w/ 1 Catalytic Converter; Executive Order # D-182-55 | | | | 80906 | D-182-55 |
| | | w/ 2 Catalytic Converters; Executive Order # D-182-37 | Front | | | 80616 | D-182-37 |
| | | | Rear | | | 80708 | D-182-37 |
| | 5.9L V8 | w/ 1 Catalytic Converter; Executive Order # D-182-55 | | | | 80906 | D-182-55 |
| | | w/ 2 Catalytic Converters; Executive Order # D-182-37 | Front | | | 80616 | D-182-37 |
| | | | Rear | | | 80708 | D-182-37 |
| 1981 | 5.2L V8 | Executive Order # D-182-55 | | | | 80906 | D-182-55 |
| | 5.9L V8 | Executive Order # D-182-55 | | | | 80906 | D-182-55 |
| W350 | | | | | | | |
| 1991-89 | 5.9L V8 | Executive Order # D-182-55 | | | | 80902 | D-182-55 |
| 1988-84 | 5.9L V8 | w/ 1 Catalytic Converter; Executive Order # D-182-55 | | | | 80906 | D-182-55 |
| 1983 | 5.2L V8 | Executive Order # D-182-55 | | | | 80906 | D-182-55 |
| | | w/ 2 Catalytic Converters; Executive Order # D-182-37 | Front | | | 80616 | D-182-37 |
| | | | Rear | | | 80708 | D-182-37 |
| | 5.9L V8 | Executive Order # D-182-55 | | | | 80906 | D-182-55 |
| 1982 | 5.2L V8 | w/ 1 Catalytic Converter; Executive Order # D-182-55 | | | | 80906 | D-182-55 |
| | | w/ 2 Catalytic Converters; Executive Order # D-182-37 | Front | | | 80616 | D-182-37 |
| | | | Rear | | | 80708 | D-182-37 |
| | 5.9L V8 | Executive Order # D-182-55 | | | | 80906 | D-182-55 |
| EAGLE | | | | | | | |
| Medallion | | | | | | | |
| 1989-88 | 2.2L L4 | Executive Order # D-182-65 | | | | 81127 | D-182-65 |
| Premier | | | | | | | |
| 1992-90 | 3.0L V6 | w/o Air Tube; Executive Order # D-182-65 | | | | 81127 | D-182-65 |
| 1989-88 | 2.5L L4 | Executive Order # D-182-65 | | | | 81127 | D-182-65 |
| | 3.0L V6 | w/o Air Tube; Executive Order # D-182-65 | | | | 81127 | D-182-65 |
| Summit | | | | | | | |
| 1995 | 1.5L L4 | Executive Order # D-182-65 | | | | 81101 | D-182-65 |
| 1994-93 | 1.5L L4 | Executive Order # D-182-65 | | | | 81101 | D-182-65 |
| | 1.8L L4 | Executive Order # D-182-65 | | | | 81101 | D-182-65 |
| | 2.4L L4 | Executive Order # D-182-65 | | | | 81101 | D-182-65 |
| 1992 | 1.5L L4 | Executive Order # D-182-65 | | | | 81126 | D-182-65 |
| | 1.8L L4 | Executive Order # D-182-65 | | | | 81101 | D-182-65 |
| | 2.4L L4 | Executive Order # D-182-65 | | | | 81101 | D-182-65 |
| 1991 | 1.5L L4 | Executive Order # D-182-65 | | | | 81126 | D-182-65 |
| 1990-89 | 1.5L L4 | Executive Order # D-182-65 | | | | 81126 | D-182-65 |
| | 1.6L L4 | Executive Order # D-182-65 | | | | 81126 | D-182-65 |
| Talon | | | | | | | |
| 1994-93 | 1.8L L4 | Executive Order # D-182-65 | | | | 81126 | D-182-65 |
| | 2.0L L4 | Executive Order # D-182-65 | | | | 81126 | D-182-65 |

For vehicles licensed in the state of California or Maine, or vehicles requiring CARB-compliant converters in the state of New York, the parts in this catalog must be installed as specifically listed. Parts cannot be substituted, nor can they be installed on California or Maine licensed vehicles not listed in this catalog.

NON-OBDII PASSENGER CAR & TRUCK

| Years | Engine | Application | Position | Direct-Fit | | Universal Part No. | Executive Order |
|----------------------|---------|----------------------------|-------------|------------|----------|--------------------|-----------------|
| | | | | Part No. | Hardware | | |
| EAGLE (Cont.) | | | | | | | |
| Talon (Cont.) | | | | | | | |
| 1992-90 | 2.0L L4 | Executive Order # D-182-65 | | | | 81126 | D-182-65 |
| Vision | | | | | | | |
| 1995-93 | 3.3L V6 | Executive Order # D-182-39 | Front Left | | | 80401 | D-182-39 |
| | | | Front Right | | | 80401 | D-182-39 |
| | | | Rear | | | 80262 | D-182-39 |
| | 3.5L V6 | Executive Order # D-182-39 | Front Left | | | 80401 | D-182-39 |
| | | | Front Right | | | 80401 | D-182-39 |
| | | | Rear | | | 80262 | D-182-39 |
| FIAT | | | | | | | |
| 124 | | | | | | | |
| 1983-79 | 2.0L L4 | Executive Order # D-182-65 | | | | 81101 | D-182-65 |
| 1978-75 | 1.8L L4 | Executive Order # D-182-65 | | | | 81101 | D-182-65 |
| 128 | | | | | | | |
| 1979-75 | 1.3L L4 | Executive Order # D-182-65 | | | | 81101 | D-182-65 |
| 131 | | | | | | | |
| 1978-75 | 1.8L L4 | Executive Order # D-182-65 | | | | 81101 | D-182-65 |
| Brava | | | | | | | |
| 1981-79 | 2.0L L4 | Executive Order # D-182-65 | | | | 81126 | D-182-65 |
| Strada | | | | | | | |
| 1982-79 | 1.5L L4 | Executive Order # D-182-65 | | | | 81126 | D-182-65 |
| X-1/9 | | | | | | | |
| 1983-82 | 1.5L L4 | Executive Order # D-182-65 | | | | 81128 | D-182-65 |
| 1981 | 1.5L L4 | Executive Order # D-182-65 | | | | 81126 | D-182-65 |
| 1980 | 1.5L L4 | Executive Order # D-182-65 | | | | 81128 | D-182-65 |
| 1979 | 1.5L L4 | Executive Order # D-182-65 | | | | 81101 | D-182-65 |
| 1978-75 | 1.3L L4 | Executive Order # D-182-65 | | | | 81101 | D-182-65 |
| FORD | | | | | | | |
| Aerostar | | | | | | | |
| 1995-93 | 3.0L V6 | Executive Order # D-182-37 | Front | | | 80616 | D-182-37 |
| | | | Rear | | | 80707 | D-182-37 |
| | 4.0L V6 | Executive Order # D-182-37 | Front | | | 80616 | D-182-37 |
| | | | Rear | | | 80707 | D-182-37 |
| 1992-91 | 3.0L V6 | Executive Order # D-182-37 | Front | | | 80616 | D-182-37 |
| | | | Rear | | | 80707 | D-182-37 |
| | 4.0L V6 | Executive Order # D-182-37 | Front | | | 80616 | D-182-37 |
| | | | Rear | | | 80707 | D-182-37 |
| 1990 | 3.0L V6 | Executive Order # D-182-37 | Front | | | 80616 | D-182-37 |
| | | | Rear | | | 80707 | D-182-37 |
| | 4.0L V6 | Executive Order # D-182-37 | Front | | | 80616 | D-182-37 |
| | | | Rear | | | 80707 | D-182-37 |
| 1989-88 | 3.0L V6 | Executive Order # D-182-37 | Front | | | 80616 | D-182-37 |
| | | | Rear | | | 80707 | D-182-37 |

For vehicles licensed in the state of California or Maine, or vehicles requiring CARB-compliant converters in the state of New York, the parts in this catalog must be installed as specifically listed. Parts cannot be substituted, nor can they be installed on California or Maine licensed vehicles not listed in this catalog.

NON-OBDII PASSENGER CAR & TRUCK

| Years | Engine | Application | Position | Direct-Fit | | Universal Part No. | Executive Order | |
|-------------------------|---------|--|---|--------------|--------------|--------------------|-----------------|----------|
| | | | | Part No. | Hardware | | | |
| FORD (Cont.) | | | | | | | | |
| Aerostar (Cont.) | | | | | | | | |
| 1987 | 2.3L L4 | Executive Order # D-182-55 | | | | 80904 | D-182-55 | |
| | 3.0L V6 | Executive Order # D-182-37 | Front | | | 80616 | D-182-37 | |
| Rear | | | | | 80707 | D-182-37 | | |
| 1986 | 2.3L L4 | Executive Order # D-182-55 | | | | 80904 | D-182-55 | |
| | 2.8L V6 | Executive Order # D-182-37 | Front | | | 80616 | D-182-37 | |
| | | | Rear | | | 80707 | D-182-37 | |
| | 3.0L V6 | Executive Order # D-182-37 | Front | | | 80616 | D-182-37 | |
| Rear | | | | | 80707 | D-182-37 | | |
| Aspire | | | | | | | | |
| 1995-94 | 1.3L L4 | Executive Order # D-182-65 | | | | 81126 | D-182-65 | |
| Bronco | | | | | | | | |
| 1995-93 | 5.0L V8 | Executive Order # D-182-37 | Front | | | 80612 | D-182-37 | |
| | | | Rear | | | 80708 | D-182-37 | |
| | 5.8L V8 | Executive Order # D-182-37 | Front | | | 80612 | D-182-37 | |
| | | | Rear | | | 80708 | D-182-37 | |
| 1992-87 | 4.9L L6 | Executive Order # D-182-37 | Front | | | 80612 | D-182-37 | |
| | | | Rear | | | 80708 | D-182-37 | |
| | 5.0L V8 | Executive Order # D-182-37 | Front | | | 80612 | D-182-37 | |
| | | | Rear | | | 80708 | D-182-37 | |
| | 5.8L V8 | Executive Order # D-182-37 | Front | | | 80612 | D-182-37 | |
| | | | Rear | | | 80708 | D-182-37 | |
| 1986-84 | 4.9L L6 | Executive Order # D-182-37 | Front | | | 80607 | D-182-37 | |
| | | | Rear | | | 80707 | D-182-37 | |
| | 5.0L V8 | Executive Order # D-182-37 | Front | | | 80612 | D-182-37 | |
| | | | Rear | | | 80708 | D-182-37 | |
| | 5.8L V8 | Executive Order # D-182-37 | Front | | | 80612 | D-182-37 | |
| | | | Rear | | | 80708 | D-182-37 | |
| 1983 | 4.9L L6 | w/ 1 Catalytic Converter; Executive Order # D-182-55 | | | | 80905 | D-182-55 | |
| | 5.0L V8 | w/ 1 Catalytic Converter; Executive Order # D-182-55 | | | | 80905 | D-182-55 | |
| | 5.8L V8 | w/ 1 Catalytic Converter; Executive Order # D-182-55 | | | | 80905 | D-182-55 | |
| | | | w/ 2 Catalytic Converters; Executive Order # D-182-37 | Front | | | 80607 | D-182-37 |
| Rear | | | | 80707 | D-182-37 | | | |
| 1982 | 4.9L L6 | w/ 1 Catalytic Converter; Executive Order # D-182-55 | | | | 80905 | D-182-55 | |
| | | | w/ 2 Catalytic Converters; Executive Order # D-182-37 | Front | | | 80607 | D-182-37 |
| | | | | Rear | | | 80707 | D-182-37 |
| | 5.0L V8 | w/ 1 Catalytic Converter; Executive Order # D-182-55 | | | | 80905 | D-182-55 | |
| | | | w/ 3 Catalytic Converters; Executive Order # D-182-37 | Front Left | | | 80616 | D-182-37 |
| | | | | Front Right | | | 80616 | D-182-37 |
| | Rear | | | | 80707 | D-182-37 | | |
| | 5.8L V8 | w/ 1 Catalytic Converter; Executive Order # D-182-55 | | | | 80905 | D-182-55 | |
| | | | w/ 2 Catalytic Converters; Executive Order # D-182-37 | Front | | | 80607 | D-182-37 |
| | | | | Rear | | | 80707 | D-182-37 |
| 1981 | 4.9L L6 | w/ 1 Catalytic Converter; Executive Order # D-182-55 | | | | 80905 | D-182-55 | |
| | | | w/ 2 Catalytic Converters; Executive Order # D-182-37 | Front | | | 80607 | D-182-37 |
| | | | | Rear | | | 80707 | D-182-37 |

For vehicles licensed in the state of California or Maine, or vehicles requiring CARB-compliant converters in the state of New York, the parts in this catalog must be installed as specifically listed. Parts cannot be substituted, nor can they be installed on California or Maine licensed vehicles not listed in this catalog.

NON-OBDI PASSENGER CAR & TRUCK

| Years | Engine | Application | Position | Direct-Fit | | Universal Part No. | Executive Order | |
|---|---|---|---|-------------|--------------|--------------------|-----------------|----------|
| | | | | Part No. | Hardware | | | |
| FORD (Cont.) | | | | | | | | |
| Bronco (Cont.) | | | | | | | | |
| 1981 (Cont.) | 5.0L V8 | w/ 1 Catalytic Converter; Executive Order # D-182-55 | | | | 80905 | D-182-55 | |
| | | w/ 3 Catalytic Converters; Executive Order # D-182-37 | Front Left | | | 80616 | D-182-37 | |
| | | | Front Right | | | 80616 | D-182-37 | |
| | | | Rear | | | 80707 | D-182-37 | |
| | 5.8L V8 | w/ 2 Catalytic Converters; Executive Order # D-182-37 | Front | | | 80607 | D-182-37 | |
| | | | Rear | | | 80707 | D-182-37 | |
| 1980 | 4.9L L6 | Executive Order # D-182-55 | | | | 80905 | D-182-55 | |
| | 5.0L V8 | Executive Order # D-182-55 | | | | 80905 | D-182-55 | |
| | 5.8L V8 | Executive Order # D-182-55 | | | | 80905 | D-182-55 | |
| 1979-78 | 5.8L V8 | Executive Order # D-182-55 | | | | 80906 | D-182-55 | |
| | 6.6L V8 | Executive Order # D-182-55 | | | | 80906 | D-182-55 | |
| 1977-75 | 5.0L V8 | Executive Order # D-182-55 | | | | 80904 | D-182-55 | |
| Bronco II | | | | | | | | |
| 1990-88 | 2.9L V6 | Executive Order # D-182-37 | Front | | | 80608 | D-182-37 | |
| | | | Rear | | | 80708 | D-182-37 | |
| 1987-86 | 2.9L V6 | Executive Order # D-182-37 | Front | | | 80612 | D-182-37 | |
| | | | Rear | | | 80708 | D-182-37 | |
| 1985-84 | 2.8L V6 | Executive Order # D-182-55 | | | | 80901 | D-182-55 | |
| Crown Victoria | | | | | | | | |
| 1994-92 | 4.6L V8 | Executive Order # D-182-39 | Front Left | | | 80401 | D-182-39 | |
| | | | Front Right | | | 80401 | D-182-39 | |
| | | | Rear Left | | | 80256 | D-182-39 | |
| | | | Rear Right | | | 80256 | D-182-39 | |
| Custom 500 | | | | | | | | |
| 1975 | 5.8L V8 | Executive Order # D-182-65 | | | | 81101 | D-182-65 | |
| E-100 Econoline | | | | | | | | |
| 1983 | 4.9L L6 | w/ 1 Catalytic Converter; Executive Order # D-182-55 | | | | 80905 | D-182-55 | |
| | 5.0L V8 | w/ 1 Catalytic Converter; Executive Order # D-182-55 | | | | 80906 | D-182-55 | |
| | 5.8L V8 | w/ 1 Catalytic Converter; Executive Order # D-182-55 | | | | 80906 | D-182-55 | |
| | | | w/ 2 Catalytic Converters; Executive Order # D-182-37 | Front | | | 80608 | D-182-37 |
| | | | | Rear | | | 80708 | D-182-37 |
| | 1982-81 | 4.9L L6 | w/ 1 Catalytic Converter; Executive Order # D-182-55 | | | | 80905 | D-182-55 |
| w/ 2 Catalytic Converters; Executive Order # D-182-37 | | | | Front | | | 80607 | D-182-37 |
| | | Rear | | | 80707 | D-182-37 | | |
| 5.0L V8 | | w/ 1 Catalytic Converter; Executive Order # D-182-55 | | | | 80906 | D-182-55 | |
| | | | w/ 3 Catalytic Converters; Executive Order # D-182-37 | Front Left | | | 80616 | D-182-37 |
| | | | | Front Right | | | 80616 | D-182-37 |
| | | | | Rear | | | 80707 | D-182-37 |
| 5.8L V8 | | w/ 1 Catalytic Converter; Executive Order # D-182-55 | | | | 80906 | D-182-55 | |
| | w/ 2 Catalytic Converters; Executive Order # D-182-37 | | Front | | | 80608 | D-182-37 | |
| | | | Rear | | | 80708 | D-182-37 | |
| 1980-79 | 4.9L L6 | Executive Order # D-182-55 | | | | 80905 | D-182-55 | |
| | 5.0L V8 | Executive Order # D-182-55 | | | | 80906 | D-182-55 | |
| | 5.8L V8 | Executive Order # D-182-55 | | | | 80906 | D-182-55 | |

For vehicles licensed in the state of California or Maine, or vehicles requiring CARB-compliant converters in the state of New York, the parts in this catalog must be installed as specifically listed. Parts cannot be substituted, nor can they be installed on California or Maine licensed vehicles not listed in this catalog.

OBDI APPLICATIONS

NON-OBDI APPLICATIONS

NUMERICAL

UNIVERSAL SPECIFICATIONS

NON-OBDI PASSENGER CAR & TRUCK

| Years | Engine | Application | Position | Direct-Fit | | Universal Part No. | Executive Order |
|--------------------------------|---------|----------------------------|----------|------------|----------|--------------------|-----------------|
| | | | | Part No. | Hardware | | |
| FORD (Cont.) | | | | | | | |
| E-100 Econoline (Cont.) | | | | | | | |
| 1978 | 4.9L L6 | Executive Order # D-182-55 | | | | 80905 | D-182-55 |
| | 5.8L V8 | Executive Order # D-182-55 | | | | 80906 | D-182-55 |
| 1977 | 4.9L L6 | Executive Order # D-182-55 | | | | 80905 | D-182-55 |
| | 5.8L V8 | Executive Order # D-182-55 | | | | 80905 | D-182-55 |
| 1976-75 | 4.9L L6 | Executive Order # D-182-55 | | | | 80904 | D-182-55 |
| | 5.8L V8 | Executive Order # D-182-55 | | | | 80906 | D-182-55 |

E-100 Econoline Club Wagon

| | | | | | | | |
|---|---------|---|-------------|--|--------------|--------------|----------|
| 1983 | 4.9L L6 | w/ 1 Catalytic Converter; Executive Order # D-182-55 | | | | 80905 | D-182-55 |
| | 5.0L V8 | w/ 1 Catalytic Converter; Executive Order # D-182-55 | | | | 80906 | D-182-55 |
| | 5.8L V8 | w/ 1 Catalytic Converter; Executive Order # D-182-55 | | | | 80906 | D-182-55 |
| | | w/ 2 Catalytic Converters; Executive Order # D-182-37 | Front | | | 80608 | D-182-37 |
| | | | Rear | | 80708 | D-182-37 | |
| 1982-81 | 4.9L L6 | w/ 1 Catalytic Converter; Executive Order # D-182-55 | | | | 80905 | D-182-55 |
| | | w/ 2 Catalytic Converters; Executive Order # D-182-37 | Front | | | 80607 | D-182-37 |
| | | | Rear | | | 80707 | D-182-37 |
| | 5.0L V8 | w/ 1 Catalytic Converter; Executive Order # D-182-55 | | | | 80906 | D-182-55 |
| | | w/ 3 Catalytic Converters; Executive Order # D-182-37 | Front Left | | | 80616 | D-182-37 |
| | | | Front Right | | | 80616 | D-182-37 |
| | | | Rear | | | 80707 | D-182-37 |
| | 5.8L V8 | w/ 1 Catalytic Converter; Executive Order # D-182-55 | | | | 80906 | D-182-55 |
| w/ 2 Catalytic Converters; Executive Order # D-182-37 | | Front | | | 80608 | D-182-37 | |
| | | | Rear | | 80708 | D-182-37 | |
| 1980-79 | 4.9L L6 | Executive Order # D-182-55 | | | | 80905 | D-182-55 |
| | 5.0L V8 | Executive Order # D-182-55 | | | | 80906 | D-182-55 |
| | 5.8L V8 | Executive Order # D-182-55 | | | | 80906 | D-182-55 |
| 1978 | 4.9L L6 | Executive Order # D-182-55 | | | | 80905 | D-182-55 |
| | 5.8L V8 | Executive Order # D-182-55 | | | | 80906 | D-182-55 |
| 1977 | 4.9L L6 | Executive Order # D-182-55 | | | | 80905 | D-182-55 |
| | 5.8L V8 | Executive Order # D-182-55 | | | | 80905 | D-182-55 |
| 1976-75 | 4.9L L6 | Executive Order # D-182-55 | | | | 80904 | D-182-55 |
| | 5.8L V8 | Executive Order # D-182-55 | | | | 80906 | D-182-55 |

E-150 Econoline

| | | | | | | | |
|---------|---------|--|-------|--|--|--------------|----------|
| 1995-87 | 4.9L L6 | Executive Order # D-182-37 | Front | | | 80612 | D-182-37 |
| | | | Rear | | | 80708 | D-182-37 |
| | 5.0L V8 | Executive Order # D-182-37 | Front | | | 80612 | D-182-37 |
| | | | Rear | | | 80708 | D-182-37 |
| | 5.8L V8 | Executive Order # D-182-37 | Front | | | 80612 | D-182-37 |
| | | | Rear | | | 80708 | D-182-37 |
| 1986-84 | 4.9L L6 | Executive Order # D-182-37 | Front | | | 80607 | D-182-37 |
| | | | Rear | | | 80707 | D-182-37 |
| | 5.0L V8 | Executive Order # D-182-37 | Front | | | 80612 | D-182-37 |
| | | | Rear | | | 80708 | D-182-37 |
| | 5.8L V8 | Executive Order # D-182-37 | Front | | | 80612 | D-182-37 |
| | | | Rear | | | 80708 | D-182-37 |
| 1983 | 4.9L L6 | w/ 1 Catalytic Converter; Executive Order # D-182-55 | | | | 80905 | D-182-55 |

For vehicles licensed in the state of California or Maine, or vehicles requiring CARB-compliant converters in the state of New York, the parts in this catalog must be installed as specifically listed. Parts cannot be substituted, nor can they be installed on California or Maine licensed vehicles not listed in this catalog.

NON-OBDII PASSENGER CAR & TRUCK

| Years | Engine | Application | Position | Direct-Fit | | Universal Part No. | Executive Order | |
|--------------------------------|---------|---|-------------|------------|----------|--------------------|-----------------|----------|
| | | | | Part No. | Hardware | | | |
| FORD (Cont.) | | | | | | | | |
| E-150 Econoline (Cont.) | | | | | | | | |
| 1983 (Cont.) | 5.0L V8 | w/ 1 Catalytic Converter; Executive Order # D-182-55 | | | | 80906 | D-182-55 | |
| | 5.8L V8 | w/ 1 Catalytic Converter; Executive Order # D-182-55 | | | | 80906 | D-182-55 | |
| | | w/ 2 Catalytic Converters; Executive Order # D-182-37 | Front | | | 80608 | D-182-37 | |
| | | | Rear | | | 80708 | D-182-37 | |
| 1982-81 | 4.9L L6 | w/ 1 Catalytic Converter; Executive Order # D-182-55 | | | | 80905 | D-182-55 | |
| | | w/ 2 Catalytic Converters; Executive Order # D-182-37 | Front | | | 80607 | D-182-37 | |
| | | | Rear | | | 80707 | D-182-37 | |
| | 5.0L V8 | w/ 1 Catalytic Converter; Executive Order # D-182-55 | | | | | 80906 | D-182-55 |
| | | w/ 3 Catalytic Converters; Executive Order # D-182-37 | Front Left | | | | 80616 | D-182-37 |
| | | | Front Right | | | | 80616 | D-182-37 |
| | | | Rear | | | | 80707 | D-182-37 |
| | 5.8L V8 | w/ 1 Catalytic Converter; Executive Order # D-182-55 | | | | | 80906 | D-182-55 |
| | | w/ 2 Catalytic Converters; Executive Order # D-182-37 | Front | | | | 80608 | D-182-37 |
| Rear | | | | | | | 80708 | D-182-37 |
| 1980-79 | 4.9L L6 | Executive Order # D-182-55 | | | | 80905 | D-182-55 | |
| | 5.0L V8 | Executive Order # D-182-55 | | | | 80906 | D-182-55 | |
| | 5.8L V8 | Executive Order # D-182-55 | | | | 80906 | D-182-55 | |
| 1978 | 4.9L L6 | Executive Order # D-182-55 | | | | 80905 | D-182-55 | |
| | 5.8L V8 | Executive Order # D-182-55 | | | | 80906 | D-182-55 | |
| 1977 | 4.9L L6 | Executive Order # D-182-55 | | | | 80905 | D-182-55 | |
| | 5.8L V8 | Executive Order # D-182-55 | | | | 80905 | D-182-55 | |
| 1976-75 | 4.9L L6 | Executive Order # D-182-55 | | | | 80904 | D-182-55 | |
| | 5.8L V8 | Executive Order # D-182-55 | | | | 80906 | D-182-55 | |

E-150 Econoline Club Wagon

| | | | | | | | | |
|---------|---------|---|-------|--|--|--------------|--------------|----------|
| 1995-87 | 4.9L L6 | Executive Order # D-182-37 | Front | | | 80612 | D-182-37 | |
| | | | Rear | | | 80708 | D-182-37 | |
| | 5.0L V8 | Executive Order # D-182-37 | Front | | | 80612 | D-182-37 | |
| | | | Rear | | | 80708 | D-182-37 | |
| | 5.8L V8 | Executive Order # D-182-37 | Front | | | 80612 | D-182-37 | |
| | | | Rear | | | 80708 | D-182-37 | |
| 1986-84 | 4.9L L6 | Executive Order # D-182-37 | Front | | | 80607 | D-182-37 | |
| | | | Rear | | | 80707 | D-182-37 | |
| | 5.0L V8 | Executive Order # D-182-37 | Front | | | 80612 | D-182-37 | |
| | | | Rear | | | 80708 | D-182-37 | |
| | 5.8L V8 | Executive Order # D-182-37 | Front | | | 80612 | D-182-37 | |
| | | | Rear | | | 80708 | D-182-37 | |
| 1983 | 4.9L L6 | w/ 1 Catalytic Converter; Executive Order # D-182-55 | | | | 80905 | D-182-55 | |
| | 5.0L V8 | w/ 1 Catalytic Converter; Executive Order # D-182-55 | | | | 80906 | D-182-55 | |
| | 5.8L V8 | w/ 1 Catalytic Converter; Executive Order # D-182-55 | | | | | 80906 | D-182-55 |
| | | w/ 2 Catalytic Converters; Executive Order # D-182-37 | Front | | | 80608 | D-182-37 | |
| | | | Rear | | | 80708 | D-182-37 | |
| 1982-81 | 4.9L L6 | w/ 1 Catalytic Converter; Executive Order # D-182-55 | | | | 80905 | D-182-55 | |
| | | w/ 2 Catalytic Converters; Executive Order # D-182-37 | Front | | | 80607 | D-182-37 | |
| | | | Rear | | | 80707 | D-182-37 | |
| | 5.0L V8 | w/ 1 Catalytic Converter; Executive Order # D-182-55 | | | | 80906 | D-182-55 | |

For vehicles licensed in the state of California or Maine, or vehicles requiring CARB-compliant converters in the state of New York, the parts in this catalog must be installed as specifically listed. Parts cannot be substituted, nor can they be installed on California or Maine licensed vehicles not listed in this catalog.

OBDII APPLICATIONS

NON-OBDII APPLICATIONS

NUMERICAL

UNIVERSAL SPECIFICATIONS

NON-OBDI PASSENGER CAR & TRUCK

| Years | Engine | Application | Position | Direct-Fit | | Universal Part No. | Executive Order |
|---|---------|---|---|------------|--------------|--------------------|-----------------|
| | | | | Part No. | Hardware | | |
| FORD (Cont.) | | | | | | | |
| E-150 Econoline Club Wagon (Cont.) | | | | | | | |
| 1982-81 (Cont.) | 5.0L V8 | w/ 3 Catalytic Converters; Executive Order # D-182-37 | Front Left | | | 80616 | D-182-37 |
| | | | Front Right | | | 80616 | D-182-37 |
| | | | Rear | | | 80707 | D-182-37 |
| | 5.8L V8 | w/ 1 Catalytic Converter; Executive Order # D-182-55 | | | | 80906 | D-182-55 |
| | | | w/ 2 Catalytic Converters; Executive Order # D-182-37 | Front | | 80608 | D-182-37 |
| | | | Rear | | 80708 | D-182-37 | |
| 1980-79 | 4.9L L6 | Executive Order # D-182-55 | | | | 80905 | D-182-55 |
| | 5.0L V8 | Executive Order # D-182-55 | | | | 80906 | D-182-55 |
| | 5.8L V8 | Executive Order # D-182-55 | | | | 80906 | D-182-55 |
| 1978 | 4.9L L6 | Executive Order # D-182-55 | | | | 80905 | D-182-55 |
| | 5.8L V8 | Executive Order # D-182-55 | | | | 80906 | D-182-55 |
| 1977 | 4.9L L6 | Executive Order # D-182-55 | | | | 80905 | D-182-55 |
| | 5.8L V8 | Executive Order # D-182-55 | | | | 80905 | D-182-55 |
| 1976-75 | 4.9L L6 | Executive Order # D-182-55 | | | | 80904 | D-182-55 |
| | 5.8L V8 | Executive Order # D-182-55 | | | | 80906 | D-182-55 |

E-250 Econoline

| | | | | | | | |
|---------|---------|--|-------|--|--|--------------|----------|
| 1995 | 4.9L L6 | Executive Order # D-182-37 | Front | | | 80612 | D-182-37 |
| | | | Rear | | | 80708 | D-182-37 |
| | 5.8L V8 | Under 8,500 lb. GVW; Executive Order # D-182-37 | Front | | | 80612 | D-182-37 |
| | | | Rear | | | 80708 | D-182-37 |
| 1994-92 | 4.9L L6 | Executive Order # D-182-37 | Front | | | 80612 | D-182-37 |
| | | | Rear | | | 80708 | D-182-37 |
| | 5.8L V8 | Under 8,500 lb. GVW; Executive Order # D-182-37 | Front | | | 80612 | D-182-37 |
| | | | Rear | | | 80708 | D-182-37 |
| 1991-88 | 4.9L L6 | Executive Order # D-182-37 | Front | | | 80612 | D-182-37 |
| | | | Rear | | | 80708 | D-182-37 |
| | 5.0L V8 | Executive Order # D-182-37 | Front | | | 80612 | D-182-37 |
| | | | Rear | | | 80708 | D-182-37 |
| | 5.8L V8 | Under 8,500 lb. GVW; Executive Order # D-182-37 | Front | | | 80612 | D-182-37 |
| | | | Rear | | | 80708 | D-182-37 |
| 1987 | 4.9L L6 | Executive Order # D-182-37 | Front | | | 80612 | D-182-37 |
| | | | Rear | | | 80708 | D-182-37 |
| | 5.0L V8 | Executive Order # D-182-37 | Front | | | 80612 | D-182-37 |
| | | | Rear | | | 80708 | D-182-37 |
| | 5.8L V8 | Executive Order # D-182-37 | Front | | | 80612 | D-182-37 |
| | | | Rear | | | 80708 | D-182-37 |
| 1986-84 | 4.9L L6 | Executive Order # D-182-37 | Front | | | 80607 | D-182-37 |
| | | | Rear | | | 80707 | D-182-37 |
| | 5.0L V8 | Executive Order # D-182-37 | Front | | | 80612 | D-182-37 |
| | | | Rear | | | 80708 | D-182-37 |
| | 5.8L V8 | Executive Order # D-182-37 | Front | | | 80612 | D-182-37 |
| | | | Rear | | | 80708 | D-182-37 |
| 1983 | 4.9L L6 | w/ 1 Catalytic Converter; Executive Order # D-182-55 | | | | 80905 | D-182-55 |
| | 5.0L V8 | w/ 1 Catalytic Converter; Executive Order # D-182-55 | | | | 80906 | D-182-55 |
| | 5.8L V8 | w/ 1 Catalytic Converter; Executive Order # D-182-55 | | | | 80906 | D-182-55 |

For vehicles licensed in the state of California or Maine, or vehicles requiring CARB-compliant converters in the state of New York, the parts in this catalog must be installed as specifically listed. Parts cannot be substituted, nor can they be installed on California or Maine licensed vehicles not listed in this catalog.

NON-OBDII PASSENGER CAR & TRUCK

| Years | Engine | Application | Position | Direct-Fit | | Universal Part No. | Executive Order |
|-----------------------------------|---|---|-------------|------------|--------------|--------------------|-----------------|
| | | | | Part No. | Hardware | | |
| FORD (Cont.) | | | | | | | |
| E-250 Econoline (Cont.) | | | | | | | |
| 1983 (Cont.) | 5.8L V8 | w/ 2 Catalytic Converters; Executive Order # D-182-37 | Front | | | 80608 | D-182-37 |
| | | | Rear | | | 80708 | D-182-37 |
| 1982 | 4.9L L6 | w/ 2 Catalytic Converters; Executive Order # D-182-37 | Front | | | 80607 | D-182-37 |
| | | | Rear | | | 80707 | D-182-37 |
| | 5.0L V8 | w/ 1 Catalytic Converter; Executive Order # D-182-55 w/ 3 Catalytic Converters; Executive Order # D-182-37 | | | | 80906 | D-182-55 |
| | | | Front Left | | | 80616 | D-182-37 |
| | | | Front Right | | | 80616 | D-182-37 |
| | | Rear | | | | 80707 | D-182-37 |
| 5.8L V8 | w/ 1 Catalytic Converter; Executive Order # D-182-55 w/ 2 Catalytic Converters; Executive Order # D-182-37 | | | | 80906 | D-182-55 | |
| | | Front | | | 80608 | D-182-37 | |
| | Rear | | | | 80708 | D-182-37 | |
| 1981 | 4.9L L6 | w/ 1 Catalytic Converter; Executive Order # D-182-55 w/ 2 Catalytic Converters; Executive Order # D-182-37 | | | | 80905 | D-182-55 |
| | | | Front | | | 80607 | D-182-37 |
| | | Rear | | | | 80707 | D-182-37 |
| | 5.0L V8 | w/ 1 Catalytic Converter; Executive Order # D-182-55 w/ 3 Catalytic Converters; Executive Order # D-182-37 | | | | 80906 | D-182-55 |
| | | | Front Left | | | 80616 | D-182-37 |
| | | | Front Right | | | 80616 | D-182-37 |
| | | Rear | | | | 80707 | D-182-37 |
| | 5.8L V8 | w/ 1 Catalytic Converter; Executive Order # D-182-55 w/ 2 Catalytic Converters; Executive Order # D-182-37 | | | | 80906 | D-182-55 |
| Front | | | | | 80608 | D-182-37 | |
| | Rear | | | | 80708 | D-182-37 | |
| 1980 | 4.9L L6 | Executive Order # D-182-55 | | | | 80905 | D-182-55 |
| | 5.0L V8 | Executive Order # D-182-55 | | | | 80906 | D-182-55 |
| | 5.8L V8 | Executive Order # D-182-55 | | | | 80906 | D-182-55 |
| | 6.6L V8 | Executive Order # D-182-55 | | | | 80906 | D-182-55 |
| 1979 | 4.9L L6 | Executive Order # D-182-55 | | | | 80905 | D-182-55 |
| | 5.0L V8 | Executive Order # D-182-55 | | | | 80906 | D-182-55 |
| | 5.8L V8 | Executive Order # D-182-55 | | | | 80906 | D-182-55 |
| 1978 | 4.9L L6 | Executive Order # D-182-55 | | | | 80905 | D-182-55 |
| | 5.8L V8 | Executive Order # D-182-55 | | | | 80906 | D-182-55 |
| 1977 | 4.9L L6 | Executive Order # D-182-55 | | | | 80905 | D-182-55 |
| | 5.8L V8 | Executive Order # D-182-55 | | | | 80905 | D-182-55 |
| 1976-75 | 4.9L L6 | Executive Order # D-182-55 | | | | 80904 | D-182-55 |
| | 5.8L V8 | Executive Order # D-182-55 | | | | 80906 | D-182-55 |
| E-250 Econoline Club Wagon | | | | | | | |
| 1991-88 | 4.9L L6 | Executive Order # D-182-37 | Front | | | 80612 | D-182-37 |
| | | | Rear | | | 80708 | D-182-37 |
| | 5.8L V8 | Under 8,500 lb. GVW; Executive Order # D-182-37 | Front | | | 80612 | D-182-37 |
| | | | Rear | | | 80708 | D-182-37 |
| 1987 | 4.9L L6 | Executive Order # D-182-37 | Front | | | 80612 | D-182-37 |
| | | | Rear | | | 80708 | D-182-37 |
| | 5.8L V8 | Executive Order # D-182-37 | Front | | | 80612 | D-182-37 |
| | | | Rear | | | 80708 | D-182-37 |
| 1986-84 | 4.9L L6 | Executive Order # D-182-37 | Front | | | 80607 | D-182-37 |
| | | | Rear | | | 80707 | D-182-37 |

For vehicles licensed in the state of California or Maine, or vehicles requiring CARB-compliant converters in the state of New York, the parts in this catalog must be installed as specifically listed. Parts cannot be substituted, nor can they be installed on California or Maine licensed vehicles not listed in this catalog.

OBDII APPLICATIONS

NON-OBDII APPLICATIONS

NUMERICAL

UNIVERSAL SPECIFICATIONS

NON-OBDI PASSENGER CAR & TRUCK

| Years | Engine | Application | Position | Direct-Fit | | Universal Part No. | Executive Order |
|-------|--------|-------------|----------|------------|----------|--------------------|-----------------|
| | | | | Part No. | Hardware | | |

FORD (Cont.)

E-250 Econoline Club Wagon (Cont.)

| | | | | | | | |
|--------------------|---------|---|-------|--|--|--------------|----------|
| 1986-84 (Cont.) | 5.8L V8 | Executive Order # D-182-37 | Front | | | 80612 | D-182-37 |
| | | | Rear | | | 80708 | D-182-37 |
| 1983 | 4.9L L6 | w/ 1 Catalytic Converter; Executive Order # D-182-55 | | | | 80905 | D-182-55 |
| | 5.8L V8 | w/ 1 Catalytic Converter; Executive Order # D-182-55 | | | | 80906 | D-182-55 |
| | | w/ 2 Catalytic Converters; Executive Order # D-182-37 | Front | | | 80608 | D-182-37 |
| | | | Rear | | | 80708 | D-182-37 |
| 1982-81 | 5.8L V8 | w/ 1 Catalytic Converter; Executive Order # D-182-55 | | | | 80906 | D-182-55 |
| | | w/ 2 Catalytic Converters; Executive Order # D-182-37 | Front | | | 80608 | D-182-37 |
| | | | Rear | | | 80708 | D-182-37 |
| 1980 | 4.9L L6 | Executive Order # D-182-55 | | | | 80905 | D-182-55 |
| | 5.0L V8 | Executive Order # D-182-55 | | | | 80906 | D-182-55 |
| | 5.8L V8 | Executive Order # D-182-55 | | | | 80906 | D-182-55 |
| | 6.6L V8 | Executive Order # D-182-55 | | | | 80906 | D-182-55 |
| 1979 | 4.9L L6 | Executive Order # D-182-55 | | | | 80905 | D-182-55 |
| | 5.0L V8 | Executive Order # D-182-55 | | | | 80906 | D-182-55 |
| | 5.8L V8 | Executive Order # D-182-55 | | | | 80906 | D-182-55 |
| 1978 | 4.9L L6 | Executive Order # D-182-55 | | | | 80905 | D-182-55 |
| | 5.8L V8 | Executive Order # D-182-55 | | | | 80906 | D-182-55 |
| 1977 | 4.9L L6 | Executive Order # D-182-55 | | | | 80905 | D-182-55 |
| | 5.8L V8 | Executive Order # D-182-55 | | | | 80905 | D-182-55 |
| 1976-75 | 5.8L V8 | Executive Order # D-182-55 | | | | 80906 | D-182-55 |

E-350 Econoline

| | | | | | | | |
|---------|---------|----------------------------|-------|--|--|--------------|----------|
| 1995-88 | 4.9L L6 | Executive Order # D-182-37 | Front | | | 80612 | D-182-37 |
| | | | Rear | | | 80708 | D-182-37 |
| 1987 | 4.9L L6 | Executive Order # D-182-37 | Front | | | 80612 | D-182-37 |
| | | | Rear | | | 80708 | D-182-37 |
| | 5.8L V8 | Executive Order # D-182-37 | Front | | | 80612 | D-182-37 |
| | | | Rear | | | 80708 | D-182-37 |
| 1986-84 | 4.9L L6 | Executive Order # D-182-37 | Front | | | 80607 | D-182-37 |
| | | | Rear | | | 80707 | D-182-37 |
| | 5.8L V8 | Executive Order # D-182-37 | Front | | | 80612 | D-182-37 |
| | | | Rear | | | 80708 | D-182-37 |

E-350 Econoline Club Wagon

| | | | | | | | |
|---------|---------|----------------------------|-------|--|--|--------------|----------|
| 1995-88 | 4.9L L6 | Executive Order # D-182-37 | Front | | | 80612 | D-182-37 |
| | | | Rear | | | 80708 | D-182-37 |
| 1987 | 4.9L L6 | Executive Order # D-182-37 | Front | | | 80612 | D-182-37 |
| | | | Rear | | | 80708 | D-182-37 |
| | 5.8L V8 | Executive Order # D-182-37 | Front | | | 80612 | D-182-37 |
| | | | Rear | | | 80708 | D-182-37 |
| 1986-84 | 4.9L L6 | Executive Order # D-182-37 | Front | | | 80607 | D-182-37 |
| | | | Rear | | | 80707 | D-182-37 |
| | 5.8L V8 | Executive Order # D-182-37 | Front | | | 80612 | D-182-37 |
| | | | Rear | | | 80708 | D-182-37 |

Escort

| | | | | | | | |
|---------|---------|----------------------------|--|--|--|--------------|----------|
| 1995-94 | 1.8L L4 | Executive Order # D-182-65 | | | | 81126 | D-182-65 |
|---------|---------|----------------------------|--|--|--|--------------|----------|

For vehicles licensed in the state of California or Maine, or vehicles requiring CARB-compliant converters in the state of New York, the parts in this catalog must be installed as specifically listed. Parts cannot be substituted, nor can they be installed on California or Maine licensed vehicles not listed in this catalog.

NON-OBDII PASSENGER CAR & TRUCK

| Years | Engine | Application | Position | Direct-Fit | | Universal Part No. | Executive Order | |
|-----------------------|---------|--|--|--------------|--------------|--------------------|-----------------|----------|
| | | | | Part No. | Hardware | | | |
| FORD (Cont.) | | | | | | | | |
| Escort (Cont.) | | | | | | | | |
| 1995-94 (Cont.) | 1.9L L4 | Executive Order # D-182-65 | | 81152 | 31534 | 81126 | D-182-65 | |
| 1993-91 | 1.8L L4 | Executive Order # D-182-65 | | | | 81126 | D-182-65 | |
| | 1.9L L4 | Executive Order # D-182-65 | | 81152 | 31534 | 81126 | D-182-65 | |
| 1990-87 | 1.9L L4 | w/ Air Tube; Executive Order # D-182-65 | | | | 81131 | D-182-65 | |
| | | w/o Air Tube; Executive Order # D-182-65 | | | | 81126 | D-182-65 | |
| 1986 | 1.9L L4 | 2BBL; Executive Order # D-182-65 | | | | 81121 | D-182-65 | |
| | | FI; Executive Order # D-182-65 | | | | 81131 | D-182-65 | |
| 1985 | 1.6L L4 | w/ Air Tube; Executive Order # D-182-65 | | | | 81121 | D-182-65 | |
| | 1.9L L4 | Executive Order # D-182-65 | | | | 81121 | D-182-65 | |
| 1984-83 | 1.6L L4 | w/ Air Tube; Executive Order # D-182-65 | | | | 81121 | D-182-65 | |
| 1982-81 | 1.6L L4 | Executive Order # D-182-65 | | | | 81121 | D-182-65 | |
| EXP | | | | | | | | |
| 1988-87 | 1.9L L4 | Executive Order # D-182-65 | | | | 81126 | D-182-65 | |
| 1983 | 1.6L L4 | w/ Air Tube; Executive Order # D-182-65 | | | | 81121 | D-182-65 | |
| 1982 | 1.6L L4 | Executive Order # D-182-65 | | | | 81121 | D-182-65 | |
| Explorer | | | | | | | | |
| 1995 | 4.0L V6 | Executive Order # D-182-37 | Front | | | 80608 | D-182-37 | |
| | | | Rear | | | 80708 | D-182-37 | |
| 1994-91 | 4.0L V6 | Executive Order # D-182-37 | Front | | | 80608 | D-182-37 | |
| | | | Rear | | | 80708 | D-182-37 | |
| | | | Y-Pipe must be cut 1/2" from face of Flange.; Executive Order # D-182-37 | | 80690 | 31545, 31372 | | D-182-37 |
| F-100 | | | | | | | | |
| 1983 | 3.8L V6 | Executive Order # D-182-55 | | | | 80905 | D-182-55 | |
| | 4.9L L6 | w/ 1 Catalytic Converter; Executive Order # D-182-55 | | | | 80905 | D-182-55 | |
| | 5.0L V8 | w/ 1 Catalytic Converter; Executive Order # D-182-55 | | | | 80905 | D-182-55 | |
| 1982 | 3.8L V6 | Executive Order # D-182-55 | | | | 80905 | D-182-55 | |
| | 4.2L V8 | Executive Order # D-182-55 | | | | 80902 | D-182-55 | |
| | 4.9L L6 | w/ 1 Catalytic Converter; Executive Order # D-182-55 | | | | | 80905 | D-182-55 |
| | | | w/ 2 Catalytic Converters; Executive Order # D-182-37 | Front | | | 80607 | D-182-37 |
| | | | | Rear | | | 80707 | D-182-37 |
| | 5.0L V8 | w/ 1 Catalytic Converter; Executive Order # D-182-55 | | | | | 80905 | D-182-55 |
| | | | w/ 3 Catalytic Converters; Executive Order # D-182-37 | Front Left | | | 80616 | D-182-37 |
| Front Right | | | | | | 80616 | D-182-37 | |
| Rear | | | | | | 80707 | D-182-37 | |
| 1981 | 4.2L V8 | Executive Order # D-182-55 | | | | 80905 | D-182-55 | |
| | 4.9L L6 | w/ 1 Catalytic Converter; Executive Order # D-182-55 | | | | 80905 | D-182-55 | |
| | | | w/ 2 Catalytic Converters; Executive Order # D-182-37 | Front | | | 80607 | D-182-37 |
| | | | | Rear | | | 80707 | D-182-37 |
| | 5.0L V8 | w/ 1 Catalytic Converter; Executive Order # D-182-55 | | | | | 80905 | D-182-55 |
| | | | w/ 3 Catalytic Converters; Executive Order # D-182-37 | Front Left | | | 80616 | D-182-37 |
| Front Right | | | | | | 80616 | D-182-37 | |
| Rear | | | 80707 | D-182-37 | | | | |
| 1980 | 4.9L L6 | Executive Order # D-182-55 | | | | 80905 | D-182-55 | |

For vehicles licensed in the state of California or Maine, or vehicles requiring CARB-compliant converters in the state of New York, the parts in this catalog must be installed as specifically listed. Parts cannot be substituted, nor can they be installed on California or Maine licensed vehicles not listed in this catalog.

OBDII APPLICATIONS

NON-OBDII APPLICATIONS

NUMERICAL

UNIVERSAL SPECIFICATIONS

NON-OBDI PASSENGER CAR & TRUCK

| Years | Engine | Application | Position | Direct-Fit | | Universal Part No. | Executive Order |
|---|---------|---|---|------------|--------------|--------------------|-----------------|
| | | | | Part No. | Hardware | | |
| FORD (Cont.) | | | | | | | |
| F-100 (Cont.) | | | | | | | |
| 1980 (Cont.) | 5.0L V8 | Executive Order # D-182-37 | Front Left | | | 80616 | D-182-37 |
| | | | Front Right | | | 80616 | D-182-37 |
| | | | Rear | | | 80707 | D-182-37 |
| 1979-77 | 4.9L L6 | Executive Order # D-182-55 | | | | 80904 | D-182-55 |
| | 5.0L V8 | Executive Order # D-182-55 | | | | 80904 | D-182-55 |
| | 5.8L V8 | Executive Order # D-182-55 | | | | 80906 | D-182-55 |
| | 6.6L V8 | Executive Order # D-182-55 | | | | 80906 | D-182-55 |
| 1976-75 | 4.9L L6 | Executive Order # D-182-55 | | | | 80904 | D-182-55 |
| | 5.0L V8 | Executive Order # D-182-55 | | | | 80904 | D-182-55 |
| F-150 | | | | | | | |
| 1995 | 4.9L L6 | Executive Order # D-182-37 | Front | | | 80612 | D-182-37 |
| | | | Rear | | | 80708 | D-182-37 |
| | 5.0L V8 | Executive Order # D-182-37 | Front | | | 80612 | D-182-37 |
| | | | Rear | | | 80708 | D-182-37 |
| | 5.8L V8 | Executive Order # D-182-37 | Front | | | 80612 | D-182-37 |
| | | | Rear | | | 80708 | D-182-37 |
| 1994-87 | 4.9L L6 | Executive Order # D-182-37 | Front | | | 80612 | D-182-37 |
| | | | Rear | | | 80708 | D-182-37 |
| | 5.0L V8 | Executive Order # D-182-37 | Front | | | 80612 | D-182-37 |
| | | | Rear | | | 80708 | D-182-37 |
| | 5.8L V8 | Executive Order # D-182-37 | Front | | | 80612 | D-182-37 |
| | | | Rear | | | 80708 | D-182-37 |
| 1986 | 4.9L L6 | Executive Order # D-182-37 | Front | | | 80607 | D-182-37 |
| | | | Rear | | | 80707 | D-182-37 |
| | 5.0L V8 | Executive Order # D-182-37 | Front | | | 80612 | D-182-37 |
| | | | Rear | | | 80708 | D-182-37 |
| | 5.8L V8 | Executive Order # D-182-37 | Front | | | 80612 | D-182-37 |
| | | | Rear | | | 80708 | D-182-37 |
| 1985-84 | 4.9L L6 | Executive Order # D-182-37 | Front | | | 80607 | D-182-37 |
| | | | Rear | | | 80707 | D-182-37 |
| | 5.0L V8 | Executive Order # D-182-37 | Front | | | 80612 | D-182-37 |
| | | | Rear | | | 80708 | D-182-37 |
| | 5.8L V8 | Executive Order # D-182-37 | Front | | | 80612 | D-182-37 |
| | | | Rear | | | 80708 | D-182-37 |
| 1983 | 4.9L L6 | w/ 1 Catalytic Converter; Executive Order # D-182-55 | | | | 80905 | D-182-55 |
| | 5.0L V8 | w/ 1 Catalytic Converter; Executive Order # D-182-55 | | | | 80905 | D-182-55 |
| | 5.8L V8 | w/ 1 Catalytic Converter; Executive Order # D-182-55 | | | | 80905 | D-182-55 |
| | | | w/ 2 Catalytic Converters; Executive Order # D-182-37 | Front | | 80607 | D-182-37 |
| | | Rear | | | 80707 | D-182-37 | |
| 1982-81 | 4.9L L6 | w/ 1 Catalytic Converter; Executive Order # D-182-55 | | | | 80905 | D-182-55 |
| | | w/ 2 Catalytic Converters; Executive Order # D-182-37 | Front | | 80607 | D-182-37 | |
| | | | Rear | | | 80707 | D-182-37 |
| | 5.0L V8 | w/ 1 Catalytic Converter; Executive Order # D-182-55 | | | | 80905 | D-182-55 |
| w/ 3 Catalytic Converters; Executive Order # D-182-37 | | Front Left | | | 80616 | D-182-37 | |
| | | Front Right | | | 80616 | D-182-37 | |

For vehicles licensed in the state of California or Maine, or vehicles requiring CARB-compliant converters in the state of New York, the parts in this catalog must be installed as specifically listed. Parts cannot be substituted, nor can they be installed on California or Maine licensed vehicles not listed in this catalog.

NON-OBDII PASSENGER CAR & TRUCK

| Years | Engine | Application | Position | Direct-Fit | | Universal Part No. | Executive Order | |
|----------------------|----------------------------|---|-------------|------------|--------------|--------------------|-----------------|----------|
| | | | | Part No. | Hardware | | | |
| FORD (Cont.) | | | | | | | | |
| F-150 (Cont.) | | | | | | | | |
| 1982-81 (Cont.) | 5.0L V8 | w/ 3 Catalytic Converters; Executive Order # D-182-37 | Rear | | | 80707 | D-182-37 | |
| | 5.8L V8 | w/ 1 Catalytic Converter; Executive Order # D-182-55 | | | | 80905 | D-182-55 | |
| | | w/ 2 Catalytic Converters; Executive Order # D-182-37 | Front | | | 80607 | D-182-37 | |
| | | | Rear | | | 80707 | D-182-37 | |
| 1980 | 4.9L L6 | Executive Order # D-182-55 | | | | 80905 | D-182-55 | |
| | 5.0L V8 | Executive Order # D-182-37 | Front Left | | | 80616 | D-182-37 | |
| | | | Front Right | | | 80616 | D-182-37 | |
| | | | Rear | | | 80707 | D-182-37 | |
| 5.8L V8 | Executive Order # D-182-55 | | | | 80905 | D-182-55 | | |
| 1979-77 | 4.9L L6 | Executive Order # D-182-55 | | | | 80904 | D-182-55 | |
| | 5.0L V8 | Executive Order # D-182-55 | | | | 80904 | D-182-55 | |
| | 5.8L V8 | Executive Order # D-182-55 | | | | 80906 | D-182-55 | |
| | 6.6L V8 | Executive Order # D-182-55 | | | | 80906 | D-182-55 | |
| 1976-75 | 4.9L L6 | Executive Order # D-182-55 | | | | 80904 | D-182-55 | |
| | 5.0L V8 | Executive Order # D-182-55 | | | | 80904 | D-182-55 | |
| F-250 | | | | | | | | |
| 1995 | 4.9L L6 | Executive Order # D-182-37 | Front | | | 80612 | D-182-37 | |
| | | | Rear | | | 80708 | D-182-37 | |
| | 5.0L V8 | Executive Order # D-182-37 | Front | | | 80612 | D-182-37 | |
| | | | Rear | | | 80708 | D-182-37 | |
| | 5.8L V8 | Under 8,500 lb. GVW; Executive Order # D-182-37 | Front | | | 80612 | D-182-37 | |
| | | | Rear | | | 80708 | D-182-37 | |
| 1994-92 | 4.9L L6 | Executive Order # D-182-37 | Front | | | 80612 | D-182-37 | |
| | | | Rear | | | 80708 | D-182-37 | |
| | 5.0L V8 | Executive Order # D-182-37 | Front | | | 80612 | D-182-37 | |
| | | | Rear | | | 80708 | D-182-37 | |
| | 5.8L V8 | Under 8,500 lb. GVW; Executive Order # D-182-37 | Front | | | 80612 | D-182-37 | |
| | | | Rear | | | 80708 | D-182-37 | |
| 1991-87 | 4.9L L6 | Executive Order # D-182-37 | Front | | | 80612 | D-182-37 | |
| | | | Rear | | | 80708 | D-182-37 | |
| | 5.0L V8 | Executive Order # D-182-37 | Front | | | 80612 | D-182-37 | |
| | | | Rear | | | 80708 | D-182-37 | |
| | 5.8L V8 | Under 8,500 lb. GVW; Executive Order # D-182-37 | Front | | | 80612 | D-182-37 | |
| | | | Rear | | | 80708 | D-182-37 | |
| 1986-84 | 4.9L L6 | Executive Order # D-182-37 | Front | | | 80607 | D-182-37 | |
| | | | Rear | | | 80707 | D-182-37 | |
| | 5.0L V8 | Executive Order # D-182-37 | Front | | | 80612 | D-182-37 | |
| | | | Rear | | | 80708 | D-182-37 | |
| | 5.8L V8 | Executive Order # D-182-37 | Front | | | 80612 | D-182-37 | |
| | | | Rear | | | 80708 | D-182-37 | |
| 1983 | 4.9L L6 | w/ 1 Catalytic Converter; Executive Order # D-182-55 | | | | 80905 | D-182-55 | |
| | 5.0L V8 | w/ 1 Catalytic Converter; Executive Order # D-182-55 | | | | 80905 | D-182-55 | |
| | 5.8L V8 | w/ 1 Catalytic Converter; Executive Order # D-182-55 | | | | | 80905 | D-182-55 |
| | | | Front | | | 80607 | D-182-37 | |
| | | | Rear | | | 80707 | D-182-37 | |

For vehicles licensed in the state of California or Maine, or vehicles requiring CARB-compliant converters in the state of New York, the parts in this catalog must be installed as specifically listed. Parts cannot be substituted, nor can they be installed on California or Maine licensed vehicles not listed in this catalog.

OBDII APPLICATIONS

NON-OBDII APPLICATIONS

NUMERICAL

UNIVERSAL SPECIFICATIONS

NON-OBDI PASSENGER CAR & TRUCK

| Years | Engine | Application | Position | Direct-Fit | | Universal Part No. | Executive Order |
|----------------------|----------------------------|---|---|------------|--------------|--------------------|-----------------|
| | | | | Part No. | Hardware | | |
| FORD (Cont.) | | | | | | | |
| F-250 (Cont.) | | | | | | | |
| 1982 | 4.9L L6 | w/ 2 Catalytic Converters; Executive Order # D-182-37 | Front | | | 80607 | D-182-37 |
| | | | Rear | | | 80707 | D-182-37 |
| | 5.0L V8 | w/ 3 Catalytic Converters; Executive Order # D-182-37 | Front Left | | | 80616 | D-182-37 |
| | | | Front Right | | | 80616 | D-182-37 |
| | | | Rear | | | 80707 | D-182-37 |
| | 5.8L V8 | w/ 2 Catalytic Converters; Executive Order # D-182-37 | Front | | | 80607 | D-182-37 |
| Rear | | | | | 80707 | D-182-37 | |
| 1981 | 4.9L L6 | w/ 1 Catalytic Converter; Executive Order # D-182-55 | | | | 80905 | D-182-55 |
| | | | w/ 2 Catalytic Converters; Executive Order # D-182-37 | Front | | | 80607 |
| | | Rear | | | | 80707 | D-182-37 |
| | 5.0L V8 | w/ 1 Catalytic Converter; Executive Order # D-182-55 | | | | 80905 | D-182-55 |
| | | | w/ 3 Catalytic Converters; Executive Order # D-182-37 | Front Left | | | 80616 |
| | | Front Right | | | | 80616 | D-182-37 |
| | Rear | | | | 80707 | D-182-37 | |
| | 5.8L V8 | w/ 1 Catalytic Converter; Executive Order # D-182-55 | | | | 80905 | D-182-55 |
| | | | w/ 2 Catalytic Converters; Executive Order # D-182-37 | Front | | | 80607 |
| | Rear | | | | 80707 | D-182-37 | |
| 1980 | 4.9L L6 | Executive Order # D-182-55 | | | | 80905 | D-182-55 |
| | 5.0L V8 | Executive Order # D-182-37 | Front Left | | | 80616 | D-182-37 |
| | | | Front Right | | | 80616 | D-182-37 |
| | | | Rear | | | 80707 | D-182-37 |
| | 5.8L V8 | Executive Order # D-182-55 | | | | 80905 | D-182-55 |
| 6.6L V8 | Executive Order # D-182-55 | | | | 80905 | D-182-55 | |
| 1979 | 4.9L L6 | Executive Order # D-182-55 | | | | 80904 | D-182-55 |
| | 5.8L V8 | Executive Order # D-182-55 | | | | 80906 | D-182-55 |
| | 6.6L V8 | Executive Order # D-182-55 | | | | 80906 | D-182-55 |
| | 7.5L V8 | Executive Order # D-182-55 | | | | 80906 | D-182-55 |
| 1978-77 | 4.9L L6 | Executive Order # D-182-55 | | | | 80904 | D-182-55 |
| | 5.0L V8 | Executive Order # D-182-55 | | | | 80904 | D-182-55 |
| | 5.8L V8 | Executive Order # D-182-55 | | | | 80906 | D-182-55 |
| | 6.6L V8 | Executive Order # D-182-55 | | | | 80906 | D-182-55 |
| 1976-75 | 4.9L L6 | Executive Order # D-182-55 | | | | 80904 | D-182-55 |
| F-350 | | | | | | | |
| 1995-87 | 4.9L L6 | Executive Order # D-182-37 | Front | | | 80612 | D-182-37 |
| | | | Rear | | | 80708 | D-182-37 |
| 1986 | 4.9L L6 | Executive Order # D-182-37 | Front | | | 80607 | D-182-37 |
| | | | Rear | | | 80707 | D-182-37 |
| | 5.8L V8 | Executive Order # D-182-37 | Front | | | 80612 | D-182-37 |
| | | | Rear | | | 80708 | D-182-37 |
| 1985-84 | 4.9L L6 | Executive Order # D-182-37 | Front | | | 80607 | D-182-37 |
| | | | Rear | | | 80707 | D-182-37 |
| | 5.8L V8 | Executive Order # D-182-37 | Front | | | 80612 | D-182-37 |
| | | | Rear | | | 80708 | D-182-37 |
| Fairmont | | | | | | | |
| 1983-81 | 2.3L L4 | Executive Order # D-182-65 | | | | 81121 | D-182-65 |

For vehicles licensed in the state of California or Maine, or vehicles requiring CARB-compliant converters in the state of New York, the parts in this catalog must be installed as specifically listed. Parts cannot be substituted, nor can they be installed on California or Maine licensed vehicles not listed in this catalog.

NON-OBDII PASSENGER CAR & TRUCK

| Years | Engine | Application | Position | Direct-Fit | | Universal Part No. | Executive Order | |
|-------------------------|---------|---|-------------|----------------------------|-------------|--------------------|-----------------|----------|
| | | | | Part No. | Hardware | | | |
| FORD (Cont.) | | | | | | | | |
| Fairmont (Cont.) | | | | | | | | |
| 1983-81 (Cont.) | 3.3L L6 | Executive Order # D-182-39 | Rear | | | 80257 | D-182-39 | |
| 1980 | 2.3L L4 | w/ Air Tube; Executive Order # D-182-65 | | | | 81121 | D-182-65 | |
| | 3.3L L6 | Executive Order # D-182-39 | Rear | | | 80257 | D-182-39 | |
| | 4.2L V8 | Executive Order # D-182-39 | Front Left | | | 80402 | D-182-39 | |
| Front Right | | | | | 80402 | D-182-39 | | |
| Rear | | | | | 80257 | D-182-39 | | |
| 1979 | 2.3L L4 | Executive Order # D-182-65 | | | | 81126 | D-182-65 | |
| | 3.3L L6 | Executive Order # D-182-39 | Rear | | | 80257 | D-182-39 | |
| | 5.0L V8 | Executive Order # D-182-65 | | | | 81126 | D-182-65 | |
| 1978 | 2.3L L4 | Executive Order # D-182-65 | | | | 81126 | D-182-65 | |
| | 3.3L L6 | Executive Order # D-182-39 | Rear | | | 80257 | D-182-39 | |
| | 5.0L V8 | Executive Order # D-182-65 | | | | 81126 | D-182-65 | |
| Festiva | | | | | | | | |
| 1993-90 | 1.3L L4 | Executive Order # D-182-65 | | | | 81126 | D-182-65 | |
| Fiesta | | | | | | | | |
| 1980-78 | 1.6L L4 | Executive Order # D-182-65 | | | | 81126 | D-182-65 | |
| Gran Torino | | | | | | | | |
| 1976-75 | 5.8L V8 | Executive Order # D-182-65 | Left | | | 81102 | D-182-65 | |
| | | | Right | | | 81102 | D-182-65 | |
| Granada | | | | | | | | |
| 1982-81 | 2.3L L4 | Executive Order # D-182-65 | | | | 81121 | D-182-65 | |
| | 3.3L L6 | Executive Order # D-182-39 | Rear | | | 80257 | D-182-39 | |
| 1980 | 4.1L L6 | Executive Order # D-182-65 | | | | 81126 | D-182-65 | |
| | | | 4.2L V8 | Executive Order # D-182-39 | Front Left | | 80402 | D-182-39 |
| | | | | | Front Right | | 80402 | D-182-39 |
| | Rear | | | | 80257 | D-182-39 | | |
| | 5.0L V8 | Executive Order # D-182-39 | Front Left | | 80402 | D-182-39 | | |
| | | | Front Right | | 80402 | D-182-39 | | |
| Rear | | | | 80257 | D-182-39 | | | |
| 1979-78 | 4.1L L6 | Executive Order # D-182-65 | | | | 81126 | D-182-65 | |
| | 5.0L V8 | Executive Order # D-182-65 | | | | 81126 | D-182-65 | |
| 1977 | 3.3L L6 | Executive Order # D-182-65 | | | | 81126 | D-182-65 | |
| | 4.1L L6 | Executive Order # D-182-65 | | | | 81126 | D-182-65 | |
| | 5.0L V8 | Executive Order # D-182-65 | | | | 81126 | D-182-65 | |
| | 5.8L V8 | Executive Order # D-182-65 | | | | 81126 | D-182-65 | |
| 1976-75 | 3.3L L6 | Executive Order # D-182-65 | | | | 81127 | D-182-65 | |
| | 4.1L L6 | Executive Order # D-182-65 | | | | 81127 | D-182-65 | |
| | 5.0L V8 | Executive Order # D-182-65 | | | | 81127 | D-182-65 | |
| | 5.8L V8 | Executive Order # D-182-65 | | | | 81127 | D-182-65 | |
| LTD | | | | | | | | |
| 1986 | 2.3L L4 | w/ Air Tube; Executive Order # D-182-65 | | | | 81121 | D-182-65 | |
| | 3.8L V6 | Executive Order # D-182-39 | Rear | | | 80257 | D-182-39 | |
| | 5.0L V8 | Executive Order # D-182-39 | Front Left | | | 80401 | D-182-39 | |

For vehicles licensed in the state of California or Maine, or vehicles requiring CARB-compliant converters in the state of New York, the parts in this catalog must be installed as specifically listed. Parts cannot be substituted, nor can they be installed on California or Maine licensed vehicles not listed in this catalog.

NON-OBDI PASSENGER CAR & TRUCK

| Years | Engine | Application | Position | Direct-Fit | | Universal Part No. | Executive Order |
|---------------------------|----------------------------|--|-------------|------------|--------------|--------------------|-----------------|
| | | | | Part No. | Hardware | | |
| FORD (Cont.) | | | | | | | |
| LTD (Cont.) | | | | | | | |
| 1986 (Cont.) | 5.0L V8 | Executive Order # D-182-39 | Front Right | | | 80401 | D-182-39 |
| | | | Rear Left | | | 80256 | D-182-39 |
| | | | Rear Right | | | 80256 | D-182-39 |
| 1985-84 | 2.3L L4 | w/ Air Tube; Executive Order # D-182-65 | | | | 81121 | D-182-65 |
| | 3.8L V6 | Executive Order # D-182-39 | Rear | | | 80257 | D-182-39 |
| | 5.0L V8 | Executive Order # D-182-65 | | | | 81122 | D-182-65 |
| | | | Left | | | 81121 | D-182-65 |
| | | | Right | | | 81121 | D-182-65 |
| 5.8L V8 | Executive Order # D-182-65 | Left | | | 81121 | D-182-65 | |
| 1983 | 2.3L L4 | w/ Air Tube; Executive Order # D-182-65 | | | | 81121 | D-182-65 |
| | 3.3L L6 | Executive Order # D-182-39 | Rear | | | 80257 | D-182-39 |
| | 5.0L V8 | Executive Order # D-182-65 | Left | | | 81121 | D-182-65 |
| | | | Right | | | 81121 | D-182-65 |
| 5.8L V8 | Executive Order # D-182-65 | Left | | | 81121 | D-182-65 | |
| 1982-81 | 4.2L V8 | Executive Order # D-182-65 | Left | | | 81121 | D-182-65 |
| | | | Right | | | 81121 | D-182-65 |
| | 5.0L V8 | Executive Order # D-182-65 | Left | | | 81121 | D-182-65 |
| | | | Right | | | 81121 | D-182-65 |
| 5.8L V8 | Executive Order # D-182-65 | Left | | | 81121 | D-182-65 | |
| 1980 | 5.0L V8 | w/ Air Tube; Executive Order # D-182-65 | Left | | | 81121 | D-182-65 |
| | | | Right | | | 81121 | D-182-65 |
| | | w/o Air Tube; Executive Order # D-182-65 | Left | | | 81126 | D-182-65 |
| | | | Right | | | 81126 | D-182-65 |
| 1979 | 5.0L V8 | w/o Air Tube; Executive Order # D-182-65 | Left | | | 81126 | D-182-65 |
| | | | Right | | | 81126 | D-182-65 |
| 1978 | 5.0L V8 | Executive Order # D-182-65 | Left | | | 81102 | D-182-65 |
| | | | Right | | | 81102 | D-182-65 |
| | 5.8L V8 | Executive Order # D-182-65 | Left | | | 81102 | D-182-65 |
| | | | Right | | | 81102 | D-182-65 |
| 1977 | 5.0L V8 | Executive Order # D-182-65 | Left | | | 81102 | D-182-65 |
| | | | Right | | | 81102 | D-182-65 |
| | 5.8L V8 | Executive Order # D-182-65 | Left | | | 81102 | D-182-65 |
| | | | Right | | | 81102 | D-182-65 |
| 1976-75 | 5.8L V8 | Executive Order # D-182-65 | Left | | | 81102 | D-182-65 |
| | | | Right | | | 81102 | D-182-65 |
| LTD Crown Victoria | | | | | | | |
| 1991-87 | 5.0L V8 | Executive Order # D-182-39 | Front Left | | | 80401 | D-182-39 |
| | | | Front Right | | | 80401 | D-182-39 |
| | | | Rear Left | | | 80256 | D-182-39 |
| | | | Rear Right | | | 80256 | D-182-39 |
| LTD II | | | | | | | |
| 1979 | 5.0L V8 | w/o Air Tube; Executive Order # D-182-65 | Left | | | 81126 | D-182-65 |
| | | | Right | | | 81126 | D-182-65 |
| | 5.8L V8 | Executive Order # D-182-65 | Left | | | 81102 | D-182-65 |
| | | | Right | | | 81102 | D-182-65 |

For vehicles licensed in the state of California or Maine, or vehicles requiring CARB-compliant converters in the state of New York, the parts in this catalog must be installed as specifically listed. Parts cannot be substituted, nor can they be installed on California or Maine licensed vehicles not listed in this catalog.

NON-OBDII PASSENGER CAR & TRUCK

| Years | Engine | Application | Position | Direct-Fit | | Universal Part No. | Executive Order |
|-----------------------|---------|--|-------------|------------|----------|--------------------|-----------------|
| | | | | Part No. | Hardware | | |
| FORD (Cont.) | | | | | | | |
| LTD II (Cont.) | | | | | | | |
| 1978-77 | 5.0L V8 | Executive Order # D-182-65 | Left | | | 81102 | D-182-65 |
| | | | Right | | | 81102 | D-182-65 |
| | 5.8L V8 | Executive Order # D-182-65 | Left | | | 81102 | D-182-65 |
| | | | Right | | | 81102 | D-182-65 |
| Maverick | | | | | | | |
| 1977 | 3.3L L6 | Executive Order # D-182-65 | | | | 81126 | D-182-65 |
| | 4.1L L6 | Executive Order # D-182-65 | | | | 81126 | D-182-65 |
| | 5.0L V8 | Executive Order # D-182-65 | | | | 81126 | D-182-65 |
| 1976-75 | 3.3L L6 | Executive Order # D-182-65 | | | | 81127 | D-182-65 |
| | 4.1L L6 | Executive Order # D-182-65 | | | | 81127 | D-182-65 |
| | 5.0L V8 | Executive Order # D-182-65 | | | | 81127 | D-182-65 |
| Mustang | | | | | | | |
| 1993-87 | 2.3L L4 | Executive Order # D-182-39 | Front | | | 80401 | D-182-39 |
| | | | Rear | | | 80256 | D-182-39 |
| 1986-84 | 2.3L L4 | Naturally Aspirated; w/ Air Tube; Executive Order # D-182-65 | | | | 81121 | D-182-65 |
| | | Turbocharged; Executive Order # D-182-65 | | | | 81122 | D-182-65 |
| | 3.8L V6 | Executive Order # D-182-39 | Front Left | | | 80401 | D-182-39 |
| | | | Front Right | | | 80401 | D-182-39 |
| | | | Rear | | | 80257 | D-182-39 |
| 1983 | 2.3L L4 | Naturally Aspirated; w/ Air Tube; Executive Order # D-182-65 | | | | 81121 | D-182-65 |
| | | Turbocharged; Executive Order # D-182-65 | | | | 81127 | D-182-65 |
| 1982-81 | 2.3L L4 | w/ Air Tube; Executive Order # D-182-65 | | | | 81121 | D-182-65 |
| | 3.3L L6 | Executive Order # D-182-39 | Rear | | | 80257 | D-182-39 |
| 1980 | 2.3L L4 | w/ Air Tube; Executive Order # D-182-65 | | | | 81121 | D-182-65 |
| | 3.3L L6 | Executive Order # D-182-39 | Rear | | | 80257 | D-182-39 |
| | 4.2L V8 | Executive Order # D-182-39 | Front Left | | | 80402 | D-182-39 |
| | | | Front Right | | | 80402 | D-182-39 |
| | | | Rear | | | 80257 | D-182-39 |
| 1979 | 2.3L L4 | Naturally Aspirated; Executive Order # D-182-65 | | | | 81126 | D-182-65 |
| | 3.3L L6 | Executive Order # D-182-39 | Rear | | | 80257 | D-182-39 |
| Mustang II | | | | | | | |
| 1978-77 | 2.3L L4 | Executive Order # D-182-65 | | | | 81126 | D-182-65 |
| | 2.8L V6 | Executive Order # D-182-65 | | | | 81126 | D-182-65 |
| | 5.0L V8 | Executive Order # D-182-65 | | | | 81126 | D-182-65 |
| 1976-75 | 2.3L L4 | Executive Order # D-182-65 | | | | 81127 | D-182-65 |
| | 2.8L V6 | Executive Order # D-182-65 | Left | | | 81127 | D-182-65 |
| | | | Right | | | 81127 | D-182-65 |
| | 5.0L V8 | Executive Order # D-182-65 | Left | | | 81127 | D-182-65 |
| | | | Right | | | 81127 | D-182-65 |
| Pinto | | | | | | | |
| 1979 | 2.3L L4 | w/ Air Tube; Executive Order # D-182-65 | | | | 81121 | D-182-65 |
| | 2.8L V6 | Executive Order # D-182-65 | | | | 81126 | D-182-65 |
| 1978 | 2.3L L4 | w/ Air Tube; Executive Order # D-182-65 | | | | 81121 | D-182-65 |

For vehicles licensed in the state of California or Maine, or vehicles requiring CARB-compliant converters in the state of New York, the parts in this catalog must be installed as specifically listed. Parts cannot be substituted, nor can they be installed on California or Maine licensed vehicles not listed in this catalog.

OBDII APPLICATIONS

NON-OBDII APPLICATIONS

NUMERICAL

UNIVERSAL SPECIFICATIONS

NON-OBDII PASSENGER CAR & TRUCK

| Years | Engine | Application | Position | Direct-Fit | | Universal Part No. | Executive Order |
|--|----------------------------|--|--|--------------|--------------|--------------------|-----------------|
| | | | | Part No. | Hardware | | |
| FORD (Cont.) | | | | | | | |
| Pinto (Cont.) | | | | | | | |
| 1978 (Cont.) | 2.8L V6 | w/o Air Tube; Executive Order # D-182-65 | | | | 81126 | D-182-65 |
| 1977-75 | 2.3L L4 | Executive Order # D-182-65 | | | | 81126 | D-182-65 |
| | 2.8L V6 | Executive Order # D-182-65 | | | | 81126 | D-182-65 |
| Probe | | | | | | | |
| 1995-93 | 2.0L L4 | Executive Order # D-182-65 | | | | 81101 | D-182-65 |
| | 2.5L V6 | Executive Order # D-182-65 | | | | 81126 | D-182-65 |
| 1992-90 | 2.2L L4 | Executive Order # D-182-65 | | | | 81126 | D-182-65 |
| | 3.0L V6 | Executive Order # D-182-65 | | | | 81127 | D-182-65 |
| 1989 | 2.2L L4 | Executive Order # D-182-65 | | | | 81126 | D-182-65 |
| Ranchero | | | | | | | |
| 1979-75 | 5.8L V8 | Executive Order # D-182-65 | Left | | | 81101 | D-182-65 |
| | | | Right | | | 81101 | D-182-65 |
| Ranger | | | | | | | |
| 1994-93 | 2.3L L4 | w/o Air Tube; Executive Order # D-182-55 | | | | 80905 | D-182-55 |
| | 3.0L V6 | Executive Order # D-182-37 | Front | | | 80608 | D-182-37 |
| | | | Rear | | | 80708 | D-182-37 |
| | | | Y-Pipe must be cut 1/2" from face of Flange.; Executive Order # D-182-37 | | 80690 | 31545, 31372 | |
| | 4.0L V6 | Executive Order # D-182-37 | Front | | | 80608 | D-182-37 |
| | | | Rear | | | 80708 | D-182-37 |
| Y-Pipe must be cut 1/2" from face of Flange.; Executive Order # D-182-37 | | | | 80690 | 31545, 31372 | | D-182-37 |
| 1992-91 | 2.3L L4 | w/o Air Tube; Executive Order # D-182-55 | | | | 80905 | D-182-55 |
| | 2.9L V6 | Executive Order # D-182-37 | Front | | | 80608 | D-182-37 |
| | | | Rear | | | 80708 | D-182-37 |
| | 3.0L V6 | Executive Order # D-182-37 | Front | | | 80608 | D-182-37 |
| | | | Rear | | | 80708 | D-182-37 |
| | | Y-Pipe must be cut 1/2" from face of Flange.; Executive Order # D-182-37 | | 80690 | 31545, 31372 | | D-182-37 |
| 4.0L V6 | Executive Order # D-182-37 | Front | | | 80608 | D-182-37 | |
| | | Rear | | | 80708 | D-182-37 | |
| | | Y-Pipe must be cut 1/2" from face of Flange.; Executive Order # D-182-37 | | 80690 | 31545, 31372 | | D-182-37 |
| 1990 | 2.3L L4 | w/o Air Tube; Executive Order # D-182-55 | | | | 80905 | D-182-55 |
| | 2.9L V6 | Executive Order # D-182-37 | Front | | | 80608 | D-182-37 |
| | | | Rear | | | 80708 | D-182-37 |
| | 4.0L V6 | Executive Order # D-182-37 | Front | | | 80608 | D-182-37 |
| | | | Rear | | | 80708 | D-182-37 |
| | | Y-Pipe must be cut 1/2" from face of Flange.; Executive Order # D-182-37 | | 80690 | 31545, 31372 | | D-182-37 |
| 1989 | 2.3L L4 | Executive Order # D-182-55 | | | | 80905 | D-182-55 |
| | 2.9L V6 | Executive Order # D-182-37 | Front | | | 80608 | D-182-37 |
| | | | Rear | | | 80708 | D-182-37 |
| 1988 | 2.0L L4 | w/ Air Tube; Executive Order # D-182-55 | | | | 80901 | D-182-55 |
| | | w/o Air Tube; Executive Order # D-182-55 | | | | 80905 | D-182-55 |

For vehicles licensed in the state of California or Maine, or vehicles requiring CARB-compliant converters in the state of New York, the parts in this catalog must be installed as specifically listed. Parts cannot be substituted, nor can they be installed on California or Maine licensed vehicles not listed in this catalog.

NON-OBDII PASSENGER CAR & TRUCK

| Years | Engine | Application | Position | Direct-Fit | | Universal Part No. | Executive Order |
|-----------------------|---------|--|--------------|----------------------------|--------------|--------------------|-----------------|
| | | | | Part No. | Hardware | | |
| FORD (Cont.) | | | | | | | |
| Ranger (Cont.) | | | | | | | |
| 1988 (Cont.) | 2.3L L4 | Executive Order # D-182-55 | | | | 80905 | D-182-55 |
| | 2.9L V6 | Executive Order # D-182-37 | Front | | | 80608 | D-182-37 |
| Rear | | | | | 80708 | D-182-37 | |
| 1987-86 | 2.0L L4 | w/ Air Tube; Executive Order # D-182-55 | | | | 80901 | D-182-55 |
| | | w/o Air Tube; Executive Order # D-182-55 | | | | 80905 | D-182-55 |
| | 2.3L L4 | Executive Order # D-182-55 | | | | 80905 | D-182-55 |
| | | | 2.9L V6 | Executive Order # D-182-37 | Front | | |
| Rear | | | | | 80708 | D-182-37 | |
| 1985 | 2.0L L4 | Executive Order # D-182-55 | | | | 80905 | D-182-55 |
| | 2.3L L4 | Executive Order # D-182-55 | | | | 80905 | D-182-55 |
| | 2.8L V6 | w/ Air Tube; Executive Order # D-182-55 | | | | 80901 | D-182-55 |
| 1984-83 | 2.0L L4 | Executive Order # D-182-55 | | | | 80901 | D-182-55 |
| | 2.3L L4 | Executive Order # D-182-55 | | | | 80901 | D-182-55 |
| | 2.8L V6 | w/ Air Tube; Executive Order # D-182-55 | | | | 80901 | D-182-55 |
| Taurus | | | | | | | |
| 1995-94 | 3.0L V6 | Executive Order # D-182-65 | Left | | | 81126 | D-182-65 |
| | | | Right | | | 81126 | D-182-65 |
| | 3.2L V6 | Executive Order # D-182-65 | Left | | | 81126 | D-182-65 |
| | | | Right | | | 81126 | D-182-65 |
| | 3.8L V6 | Executive Order # D-182-65 | | 81149 | 31532 | | D-182-65 |
| | | | Left | | | 81126 | D-182-65 |
| Right | | | | | 81126 | D-182-65 | |
| 1993 | 3.2L V6 | Executive Order # D-182-65 | Left | | | 81126 | D-182-65 |
| | | | Right | | | 81126 | D-182-65 |
| | 3.8L V6 | Executive Order # D-182-65 | | 81149 | 31532 | | D-182-65 |
| | | | Left | | | 81126 | D-182-65 |
| Right | | | 81126 | D-182-65 | | | |
| 1992 | 3.0L V6 | Executive Order # D-182-65 | | | 81153 | 31372 | D-182-65 |
| | 3.8L V6 | Executive Order # D-182-65 | | 81149 | 31532 | | D-182-65 |
| | | | Left | | | 81126 | D-182-65 |
| Right | | | 81126 | D-182-65 | | | |
| 1991 | 2.5L L4 | Executive Order # D-182-65 | | | | 81131 | D-182-65 |
| | 3.0L V6 | Executive Order # D-182-65 | | | 81153 | 31372 | D-182-65 |
| | 3.8L V6 | Executive Order # D-182-65 | | 81149 | 31532 | | D-182-65 |
| | | | Left | | | 81126 | D-182-65 |
| | | | Right | | | 81126 | D-182-65 |
| 1990-88 | 2.5L L4 | w/ Air Tube; Executive Order # D-182-65 | | | | 81131 | D-182-65 |
| | 3.0L V6 | Executive Order # D-182-65 | | | 81153 | 31372 | D-182-65 |
| | 3.8L V6 | Executive Order # D-182-39 | Rear | | | 80256 | D-182-39 |
| 1987-86 | 2.5L L4 | w/ Air Tube; Executive Order # D-182-65 | | | | 81131 | D-182-65 |
| | 3.0L V6 | Executive Order # D-182-65 | | | 81153 | 31372 | D-182-65 |
| Tempo | | | | | | | |
| 1994-92 | 2.3L L4 | Executive Order # D-182-65 | | | | 81131 | D-182-65 |
| | 3.0L V6 | Executive Order # D-182-65 | | | | 81126 | D-182-65 |
| 1991 | 2.3L L4 | Executive Order # D-182-65 | | | | 81131 | D-182-65 |

For vehicles licensed in the state of California or Maine, or vehicles requiring CARB-compliant converters in the state of New York, the parts in this catalog must be installed as specifically listed. Parts cannot be substituted, nor can they be installed on California or Maine licensed vehicles not listed in this catalog.

OBDDI APPLICATIONS

NON-OBDDI APPLICATIONS

NUMERICAL

UNIVERSAL SPECIFICATIONS

NON-OBDDII PASSENGER CAR & TRUCK

| Years | Engine | Application | Position | Direct-Fit | | Universal Part No. | Executive Order |
|----------------------|---------|--|-------------|------------|--------------|--------------------|-----------------|
| | | | | Part No. | Hardware | | |
| FORD (Cont.) | | | | | | | |
| Tempo (Cont.) | | | | | | | |
| 1990-87 | 2.3L L4 | FWD; Executive Order # D-182-65 | | | | 81131 | D-182-65 |
| 1986-85 | 2.3L L4 | w/ Air Tube; Executive Order # D-182-65 | | | | 81131 | D-182-65 |
| 1984 | 2.3L L4 | w/ Air Tube; Executive Order # D-182-65 | | | | 81121 | D-182-65 |
| Thunderbird | | | | | | | |
| 1995 | 3.8L V6 | Executive Order # D-182-65 | Left | | | 81126 | D-182-65 |
| | | | Right | | | 81126 | D-182-65 |
| 1993-92 | 3.8L V6 | Naturally Aspirated; Executive Order # D-182-65 | Left | | | 81126 | D-182-65 |
| | | | Right | | | 81126 | D-182-65 |
| | 5.0L V8 | Executive Order # D-182-39 | Front Left | | | 80402 | D-182-39 |
| | | | Front Right | | | 80402 | D-182-39 |
| | | | Rear | | | 80262 | D-182-39 |
| 1991 | 3.8L V6 | If oxygen sensor not used, Plug 35299 is required.; Executive Order # D-182-65 | Left | | | 81111 | D-182-65 |
| | | | Right | | | 81111 | D-182-65 |
| | 5.0L V8 | Executive Order # D-182-39 | Front Left | | | 80402 | D-182-39 |
| Front Right | | | | | 80402 | D-182-39 | |
| Rear | | | | | 80262 | D-182-39 | |
| 1990-89 | 3.8L V6 | Executive Order # D-182-65 | Left | | | 81126 | D-182-65 |
| | | | Right | | | 81126 | D-182-65 |
| 1988-87 | 2.3L L4 | Executive Order # D-182-65 | | | | 81128 | D-182-65 |
| | 3.8L V6 | Executive Order # D-182-39 | Front Left | | | 80402 | D-182-39 |
| Front Right | | | | | 80402 | D-182-39 | |
| Rear | | | | | 80257 | D-182-39 | |
| | 5.0L V8 | Executive Order # D-182-39 | Front Left | | | 80401 | D-182-39 |
| | | | Front Right | | | 80401 | D-182-39 |
| | | | Rear | | | 80257 | D-182-39 |
| 1986 | 2.3L L4 | Executive Order # D-182-65 | | | | 81127 | D-182-65 |
| | 3.8L V6 | Executive Order # D-182-39 | Front Left | | | 80402 | D-182-39 |
| Front Right | | | | | 80402 | D-182-39 | |
| Rear | | | | | 80257 | D-182-39 | |
| | 5.0L V8 | Executive Order # D-182-39 | Front Left | | | 80401 | D-182-39 |
| | | | Front Right | | | 80401 | D-182-39 |
| | | | Rear | | | 80257 | D-182-39 |
| 1985 | 2.3L L4 | Executive Order # D-182-65 | | | | 81127 | D-182-65 |
| | 3.8L V6 | Executive Order # D-182-39 | Front Left | | | 80402 | D-182-39 |
| Front Right | | | | | 80402 | D-182-39 | |
| Rear | | | | | 80257 | D-182-39 | |
| | 5.0L V8 | Executive Order # D-182-65 | Left | | | 81121 | D-182-65 |
| | | | Right | | | 81121 | D-182-65 |
| 1984-83 | 2.3L L4 | Executive Order # D-182-65 | | | | 81127 | D-182-65 |
| | 3.8L V6 | Executive Order # D-182-39 | Front Left | | | 80402 | D-182-39 |
| Front Right | | | | | 80402 | D-182-39 | |
| Rear | | | | | 80257 | D-182-39 | |
| | 5.0L V8 | Executive Order # D-182-65 | Left | | | 81121 | D-182-65 |
| | | | Right | | | 81121 | D-182-65 |
| 1982 | 3.3L L6 | Executive Order # D-182-39 | Rear | | | 80257 | D-182-39 |

For vehicles licensed in the state of California or Maine, or vehicles requiring CARB-compliant converters in the state of New York, the parts in this catalog must be installed as specifically listed. Parts cannot be substituted, nor can they be installed on California or Maine licensed vehicles not listed in this catalog.

NON-OBDII PASSENGER CAR & TRUCK

| Years | Engine | Application | Position | Direct-Fit | | Universal Part No. | Executive Order | | | |
|----------------------------|--|---|---------------|----------------------------|----------------------------|--------------------|-----------------|----------|----------|----------|
| | | | | Part No. | Hardware | | | | | |
| FORD (Cont.) | | | | | | | | | | |
| Thunderbird (Cont.) | | | | | | | | | | |
| 1982 (Cont.) | 3.8L V6 | Executive Order # D-182-39 | Front Left | | | 80402 | D-182-39 | | | |
| | | | Front Right | | | 80402 | D-182-39 | | | |
| | | | Rear | | | 80257 | D-182-39 | | | |
| 1981 | 3.3L L6 | Executive Order # D-182-39 | Rear | | | 80257 | D-182-39 | | | |
| 1980 | 3.3L L6 | Executive Order # D-182-39 | Rear | | | 80257 | D-182-39 | | | |
| | | | 4.2L V8 | Executive Order # D-182-39 | Front Left | | | 80402 | D-182-39 | |
| | Front Right | | | | | 80402 | D-182-39 | | | |
| | w/o Air Tube; Executive Order # D-182-39 | Rear | | | | 80257 | D-182-39 | | | |
| | 5.0L V8 | Executive Order # D-182-39 | | Front Left | | | 80402 | D-182-39 | | |
| | | | Front Right | | | 80402 | D-182-39 | | | |
| 1979-77 | 5.0L V8 | Executive Order # D-182-65 | Left | | | 81102 | D-182-65 | | | |
| | | | Right | | | 81102 | D-182-65 | | | |
| | 5.8L V8 | Executive Order # D-182-65 | Left | | | 81102 | D-182-65 | | | |
| | | | Right | | | 81102 | D-182-65 | | | |
| | | | Torino | | | | | | | |
| | | | 1976-75 | 5.8L V8 | Executive Order # D-182-65 | Left | | | 81102 | D-182-65 |
| Right | | | | | | 81102 | D-182-65 | | | |
| GEO | | | | | | | | | | |
| Metro | | | | | | | | | | |
| 1995 | 1.0L L3 | Executive Order # D-182-39 | Rear | | | 80256 | D-182-39 | | | |
| | 1.3L L4 | Executive Order # D-182-65 | | | | 81126 | D-182-65 | | | |
| 1994-89 | 1.0L L3 | Executive Order # D-182-65 | | | | 81126 | D-182-65 | | | |
| | | Standard Trans.; Executive Order # D-182-65 | | 81175 | 31358, 31320 | | D-182-65 | | | |
| Prizm | | | | | | | | | | |
| 1992-90 | 1.6L L4 | Executive Order # D-182-65 | | | 81171 | 81126 | D-182-65 | | | |
| 1989 | 1.6L L4 | Executive Order # D-182-65 | | | 81171 | 81126 | D-182-65 | | | |
| Spectrum | | | | | | | | | | |
| 1989 | 1.5L L4 | Executive Order # D-182-65 | | | | 81126 | D-182-65 | | | |
| Storm | | | | | | | | | | |
| 1993-92 | 1.6L L4 | Executive Order # D-182-65 | | | | 81126 | D-182-65 | | | |
| | 1.8L L4 | Executive Order # D-182-65 | | | | 81126 | D-182-65 | | | |
| 1991-90 | 1.6L L4 | Executive Order # D-182-65 | | | | 81126 | D-182-65 | | | |
| Tracker | | | | | | | | | | |
| 1995 | 1.6L L4 | Executive Order # D-182-55 | | | | 80904 | D-182-55 | | | |
| 1994-89 | 1.6L L4 | Executive Order # D-182-55 | | | | 80904 | D-182-55 | | | |
| GMC | | | | | | | | | | |
| C15 | | | | | | | | | | |
| 1978-77 | 4.1L L6 | Executive Order # D-182-55 | | | | 80906 | D-182-55 | | | |
| | 5.0L V8 | Executive Order # D-182-55 | | | | 80906 | D-182-55 | | | |
| | 5.7L V8 | Executive Order # D-182-55 | | | | 80906 | D-182-55 | | | |
| | 7.4L V8 | Executive Order # D-182-55 | | 80940 | | 80906 | D-182-55 | | | |

For vehicles licensed in the state of California or Maine, or vehicles requiring CARB-compliant converters in the state of New York, the parts in this catalog must be installed as specifically listed. Parts cannot be substituted, nor can they be installed on California or Maine licensed vehicles not listed in this catalog.

NON-OBDII PASSENGER CAR & TRUCK

| Years | Engine | Application | Position | Direct-Fit | | Universal Part No. | Executive Order |
|-----------------------|----------------------------|--|--------------|--------------|--------------|--------------------|-----------------|
| | | | | Part No. | Hardware | | |
| GMC (Cont.) | | | | | | | |
| C15 (Cont.) | | | | | | | |
| 1976-75 | 4.1L L6 | Executive Order # D-182-55 | | | | 80906 | D-182-55 |
| | 5.7L V8 | Executive Order # D-182-55 | | | | 80906 | D-182-55 |
| | 7.4L V8 | Executive Order # D-182-55 | | 80940 | | 80906 | D-182-55 |
| C15 Suburban | | | | | | | |
| 1978 | 4.1L L6 | Executive Order # D-182-55 | | | | 80906 | D-182-55 |
| | 5.0L V8 | Executive Order # D-182-55 | | | | 80906 | D-182-55 |
| | 5.7L V8 | Executive Order # D-182-55 | | | | 80906 | D-182-55 |
| | 7.4L V8 | Executive Order # D-182-55 | | 80940 | | 80906 | D-182-55 |
| 1977 | 4.1L L6 | Executive Order # D-182-55 | | | | 80906 | D-182-55 |
| | 5.0L V8 | Executive Order # D-182-55 | | | | 80906 | D-182-55 |
| | 5.7L V8 | Executive Order # D-182-55 | | | | 80906 | D-182-55 |
| 1976-75 | 4.1L L6 | Executive Order # D-182-55 | | | | 80906 | D-182-55 |
| | 5.7L V8 | Executive Order # D-182-55 | | | | 80906 | D-182-55 |
| C1500 | | | | | | | |
| 1995-94 | 4.3L V6 | Executive Order # D-182-55 | | 80946 | 31398 (2) | 80907 | D-182-55 |
| | 5.0L V8 | Executive Order # D-182-55 | | 80946 | 31398 (2) | 80907 | D-182-55 |
| | 5.7L V8 | Executive Order # D-182-55 | | 80946 | 31398 (2) | 80907 | D-182-55 |
| 1993 | 4.3L V6 | Except Converter in Y-Pipe; Executive Order # D-182-55 | | 80948 | | | D-182-55 |
| | | Executive Order # D-182-55 | | | | 80906 | D-182-55 |
| | 5.0L V8 | Except Converter in Y-Pipe; Executive Order # D-182-55 | | 80948 | | | D-182-55 |
| | | Executive Order # D-182-55 | | | | 80906 | D-182-55 |
| 5.7L V8 | Executive Order # D-182-55 | | 80942 | | 80907 | D-182-55 | |
| 1992-88 | 4.3L V6 | Executive Order # D-182-55 | | 80948 | | 80906 | D-182-55 |
| | 5.0L V8 | Executive Order # D-182-55 | | 80948 | | 80906 | D-182-55 |
| | 5.7L V8 | Executive Order # D-182-55 | | 80942 | | 80907 | D-182-55 |
| 1986-85 | 4.3L V6 | Executive Order # D-182-55 | | 80940 | | 80906 | D-182-55 |
| | 5.0L V8 | Executive Order # D-182-55 | | 80940 | | 80906 | D-182-55 |
| | 5.7L V8 | Executive Order # D-182-55 | | 80940 | | 80906 | D-182-55 |
| 1984-83 | 4.1L L6 | Executive Order # D-182-55 | | 80940 | | 80906 | D-182-55 |
| | 5.0L V8 | Executive Order # D-182-55 | | 80940 | | 80906 | D-182-55 |
| | 5.7L V8 | Executive Order # D-182-55 | | 80940 | | 80906 | D-182-55 |
| 1982-80 | 4.1L L6 | Executive Order # D-182-55 | | | | 80906 | D-182-55 |
| | 5.0L V8 | Executive Order # D-182-55 | | | | 80906 | D-182-55 |
| | 5.7L V8 | Executive Order # D-182-55 | | | | 80906 | D-182-55 |
| 1979 | 4.1L L6 | Executive Order # D-182-55 | | | | 80906 | D-182-55 |
| | 5.0L V8 | Executive Order # D-182-55 | | | | 80906 | D-182-55 |
| | 5.7L V8 | Executive Order # D-182-55 | | | | 80906 | D-182-55 |
| | 7.4L V8 | Executive Order # D-182-55 | | 80940 | | 80906 | D-182-55 |
| C1500 Suburban | | | | | | | |
| 1995-94 | 5.7L V8 | Executive Order # D-182-55 | | 80946 | 31398 (2) | 80907 | D-182-55 |
| 1993-92 | 5.7L V8 | Executive Order # D-182-55 | | | | 80907 | D-182-55 |
| 1986-83 | 5.0L V8 | Executive Order # D-182-55 | | 80940 | | 80906 | D-182-55 |
| | 5.7L V8 | Executive Order # D-182-55 | | 80940 | | 80906 | D-182-55 |

For vehicles licensed in the state of California or Maine, or vehicles requiring CARB-compliant converters in the state of New York, the parts in this catalog must be installed as specifically listed. Parts cannot be substituted, nor can they be installed on California or Maine licensed vehicles not listed in this catalog.

NON-OBDII PASSENGER CAR & TRUCK

| Years | Engine | Application | Position | Direct-Fit | | Universal Part No. | Executive Order |
|---|----------------------------|--|----------|--------------|--------------|--------------------|-----------------|
| | | | | Part No. | Hardware | | |
| GMC (Cont.) | | | | | | | |
| C1500 Suburban (Cont.) | | | | | | | |
| 1982-80 | 5.0L V8 | Executive Order # D-182-55 | | | | 80906 | D-182-55 |
| | 5.7L V8 | Executive Order # D-182-55 | | | | 80906 | D-182-55 |
| 1979 | 4.1L L6 | Executive Order # D-182-55 | | | | 80906 | D-182-55 |
| | 5.0L V8 | Executive Order # D-182-55 | | | | 80906 | D-182-55 |
| | 5.7L V8 | Executive Order # D-182-55 | | | | 80906 | D-182-55 |
| | 7.4L V8 | Executive Order # D-182-55 | | 80940 | | 80906 | D-182-55 |
| C25 | | | | | | | |
| 1978 | 4.1L L6 | Executive Order # D-182-55 | | | | 80906 | D-182-55 |
| | 5.0L V8 | Executive Order # D-182-55 | | | | 80906 | D-182-55 |
| | 5.7L V8 | Executive Order # D-182-55 | | | | 80906 | D-182-55 |
| | 7.4L V8 | Executive Order # D-182-55 | | 80940 | | 80906 | D-182-55 |
| 1977 | 4.1L L6 | Executive Order # D-182-55 | | | | 80906 | D-182-55 |
| | 5.0L V8 | Executive Order # D-182-55 | | | | 80906 | D-182-55 |
| | 5.7L V8 | Executive Order # D-182-55 | | | | 80906 | D-182-55 |
| 1976 | 5.7L V8 | Executive Order # D-182-55 | | | | 80906 | D-182-55 |
| 1975 | 4.1L L6 | Executive Order # D-182-55 | | | | 80906 | D-182-55 |
| | 5.7L V8 | Executive Order # D-182-55 | | | | 80906 | D-182-55 |
| C25 Suburban | | | | | | | |
| 1978 | 5.7L V8 | Executive Order # D-182-55 | | 80940 | | 80906 | D-182-55 |
| | 7.4L V8 | Executive Order # D-182-55 | | 80940 | | 80906 | D-182-55 |
| C2500 | | | | | | | |
| 1995-94 | 4.3L V6 | Executive Order # D-182-55 | | | | 80907 | D-182-55 |
| | | Under 8,500 lb. GVW; Executive Order # D-182-55 | | 80946 | 31398 (2) | | D-182-55 |
| | 5.0L V8 | Executive Order # D-182-55 | | | | 80907 | D-182-55 |
| | | Under 8,500 lb. GVW; Executive Order # D-182-55 | | 80946 | 31398 (2) | | D-182-55 |
| | 5.7L V8 | Executive Order # D-182-55 | | | | 80907 | D-182-55 |
| | | Under 8,500 lb. GVW; Executive Order # D-182-55 | | 80946 | 31398 (2) | | D-182-55 |
| 7.4L V8 | Executive Order # D-182-55 | | | | 80907 | D-182-55 | |
| 1993-91 | 4.3L V6 | Executive Order # D-182-55 | | | | 80906 | D-182-55 |
| | | Under 8,500 lb. GVW; Executive Order # D-182-55 | | 80948 | | | D-182-55 |
| | 5.0L V8 | Executive Order # D-182-55 | | | | 80906 | D-182-55 |
| | | Under 8,500 lb. GVW; Executive Order # D-182-55 | | 80948 | | | D-182-55 |
| | 5.7L V8 | Executive Order # D-182-55 | | | | 80942 | D-182-55 |
| 7.4L V8 | Executive Order # D-182-55 | | | | 80942 | D-182-55 | |
| 1990 | 4.3L V6 | Executive Order # D-182-55 | | | | 80906 | D-182-55 |
| | | Under 8,500 lb. GVW; Executive Order # D-182-55 | | 80948 | | | D-182-55 |
| | 5.0L V8 | Executive Order # D-182-55 | | | | 80906 | D-182-55 |
| | | Under 8,500 lb. GVW; Executive Order # D-182-55 | | 80948 | | | D-182-55 |
| 5.7L V8 | Executive Order # D-182-55 | | | | 80942 | D-182-55 | |
| 1989-88 | 4.3L V6 | Executive Order # D-182-55 | | | | 80906 | D-182-55 |
| | | Under 8,500 lb. GVW; Executive Order # D-182-55 | | 80948 | | | D-182-55 |
| | 5.0L V8 | Executive Order # D-182-55 | | | | 80906 | D-182-55 |
| | | Under 8,500 lb. GVW; Executive Order # D-182-55 | | 80948 | | | D-182-55 |
| | 5.7L V8 | w/ 1 Catalytic Converter; Executive Order # D-182-55 | | | 80942 | | 80907 |
| w/ 2 Catalytic Converters; Executive Order # D-182-37 | | Front | | | | 80609 | D-182-37 |

OBDII APPLICATIONS

NON-OBDII APPLICATIONS

NUMERICAL

UNIVERSAL SPECIFICATIONS

For vehicles licensed in the state of California or Maine, or vehicles requiring CARB-compliant converters in the state of New York, the parts in this catalog must be installed as specifically listed. Parts cannot be substituted, nor can they be installed on California or Maine licensed vehicles not listed in this catalog.

NON-OBDI PASSENGER CAR & TRUCK

| Years | Engine | Application | Position | Direct-Fit | | Universal Part No. | Executive Order |
|-----------------------|---------|---|----------|--------------|----------|--------------------|-----------------|
| | | | | Part No. | Hardware | | |
| GMC (Cont.) | | | | | | | |
| C2500 (Cont.) | | | | | | | |
| 1989-88 (Cont.) | 5.7L V8 | w/ 2 Catalytic Converters; Executive Order # D-182-37 | Rear | | | 80709 | D-182-37 |
| 1986-85 | 4.3L V6 | Executive Order # D-182-55 | | 80940 | | 80906 | D-182-55 |
| | 5.0L V8 | Executive Order # D-182-55 | | 80940 | | 80906 | D-182-55 |
| | 5.7L V8 | Executive Order # D-182-55 | | 80940 | | 80906 | D-182-55 |
| 1984-83 | 4.1L L6 | Executive Order # D-182-55 | | 80940 | | 80906 | D-182-55 |
| | 5.0L V8 | Executive Order # D-182-55 | | 80940 | | 80906 | D-182-55 |
| | 5.7L V8 | Executive Order # D-182-55 | | 80940 | | 80906 | D-182-55 |
| 1982-79 | 4.1L L6 | Executive Order # D-182-55 | | | | 80906 | D-182-55 |
| | 5.0L V8 | Executive Order # D-182-55 | | | | 80906 | D-182-55 |
| | 5.7L V8 | Executive Order # D-182-55 | | | | 80906 | D-182-55 |
| | 7.4L V8 | Executive Order # D-182-55 | | 80940 | | 80906 | D-182-55 |
| C2500 Suburban | | | | | | | |
| 1999 | 5.7L V8 | EFN # XGMXH05.7582; Executive Order # D-182-69 | Left | | | 83509 | D-182-69 |
| | | | Right | | | 83509 | D-182-69 |
| 1998 | 5.7L V8 | EFN # WGMXH05.7582; Executive Order # D-182-69 | Left | | | 83509 | D-182-69 |
| | | | Right | | | 83509 | D-182-69 |
| 1997 | 5.7L V8 | EFN # VGM5.7CPGAEA; Executive Order # D-182-69 | Left | | | 83509 | D-182-69 |
| | | | Right | | | 83509 | D-182-69 |
| 1995-94 | 5.7L V8 | Executive Order # D-182-55 | | | | 80907 | D-182-55 |
| 1993-92 | 5.7L V8 | Executive Order # D-182-55 | | | | 80907 | D-182-55 |
| | 7.4L V8 | Executive Order # D-182-55 | | | | 80907 | D-182-55 |
| 1986-82 | 5.0L V8 | Executive Order # D-182-55 | | 80940 | | 80906 | D-182-55 |
| | 5.7L V8 | Executive Order # D-182-55 | | 80940 | | 80906 | D-182-55 |
| 1981-80 | 5.7L V8 | Executive Order # D-182-55 | | 80940 | | 80906 | D-182-55 |
| 1979 | 5.7L V8 | Executive Order # D-182-55 | | 80940 | | 80906 | D-182-55 |
| | 7.4L V8 | Executive Order # D-182-55 | | 80940 | | 80906 | D-182-55 |
| C3500 | | | | | | | |
| 2000 | 5.7L V8 | EFN # YGMXH05.7582; Executive Order # D-182-69 | Left | | | 83509 | D-182-69 |
| | | | Right | | | 83509 | D-182-69 |
| 1999 | 5.7L V8 | EFN # XGMXH05.7582; Executive Order # D-182-69 | Left | | | 83509 | D-182-69 |
| | | | Right | | | 83509 | D-182-69 |
| 1998 | 5.7L V8 | EFN # WGMXH05.7582; Executive Order # D-182-69 | Left | | | 83509 | D-182-69 |
| | | | Right | | | 83509 | D-182-69 |
| 1997 | 5.7L V8 | EFN # VGM5.7CPGAEA; Executive Order # D-182-69 | Left | | | 83509 | D-182-69 |
| | | | Right | | | 83509 | D-182-69 |
| 1995-94 | 5.7L V8 | Executive Order # D-182-55 | | | | 80907 | D-182-55 |
| | 7.4L V8 | Executive Order # D-182-55 | | | | 80907 | D-182-55 |
| 1993-90 | 5.7L V8 | Executive Order # D-182-55 | | 80942 | | 80907 | D-182-55 |
| | 7.4L V8 | Executive Order # D-182-55 | | 80942 | | 80907 | D-182-55 |
| 1989-88 | 5.7L V8 | w/ 1 Catalytic Converter; Executive Order # D-182-55 | | 80942 | | 80907 | D-182-55 |
| | | w/ 2 Catalytic Converters; Executive Order # D-182-37 | Front | | | 80609 | D-182-37 |
| | | | Rear | | | 80709 | D-182-37 |
| | 7.4L V8 | Executive Order # D-182-37 | Front | | | 80609 | D-182-37 |
| | | | Rear | | | 80709 | D-182-37 |

For vehicles licensed in the state of California or Maine, or vehicles requiring CARB-compliant converters in the state of New York, the parts in this catalog must be installed as specifically listed. Parts cannot be substituted, nor can they be installed on California or Maine licensed vehicles not listed in this catalog.

NON-OBDII PASSENGER CAR & TRUCK

| Years | Engine | Application | Position | Direct-Fit | | Universal Part No. | Executive Order |
|--------------------|---------|--|----------|--------------|----------|--------------------|-----------------|
| | | | | Part No. | Hardware | | |
| GMC (Cont.) | | | | | | | |
| Caballero | | | | | | | |
| 1987-85 | 4.3L V6 | Executive Order # D-182-65 | | | | 81122 | D-182-65 |
| | 5.0L V8 | Executive Order # D-182-65 | | 81174 | 31865 | 81122 | D-182-65 |
| 1984 | 3.8L V6 | Executive Order # D-182-65 | | 81174 | 31865 | 81122 | D-182-65 |
| | 5.0L V8 | Executive Order # D-182-65 | | 81174 | 31865 | 81122 | D-182-65 |
| 1983 | 3.8L V6 | w/ Air Tube; Executive Order # D-182-65 | | | | 81122 | D-182-65 |
| | | w/o Air Tube; Executive Order # D-182-65 | | | | 81127 | D-182-65 |
| | 5.0L V8 | Executive Order # D-182-65 | | 81174 | 31865 | | D-182-65 |
| | | w/ Air Tube; Executive Order # D-182-65 | | | | 81122 | D-182-65 |
| 1982-81 | 3.8L V6 | w/ Air Tube; Executive Order # D-182-65 | | | | 81122 | D-182-65 |
| | | w/o Air Tube; Executive Order # D-182-65 | | | | 81127 | D-182-65 |
| | 4.4L V8 | w/ Air Tube; Executive Order # D-182-65 | | | | 81122 | D-182-65 |
| | | w/o Air Tube; Executive Order # D-182-65 | | | | 81127 | D-182-65 |
| | 5.0L V8 | w/ Air Tube; Executive Order # D-182-65 | | | | 81122 | D-182-65 |
| | | w/o Air Tube; Executive Order # D-182-65 | | | | 81127 | D-182-65 |
| 1980 | 3.8L V6 | Executive Order # D-182-65 | | | | 81127 | D-182-65 |
| | 4.4L V8 | Executive Order # D-182-65 | | | | 81122 | D-182-65 |
| | 5.0L V8 | Executive Order # D-182-65 | | | | 81122 | D-182-65 |
| 1979 | 3.3L V6 | Executive Order # D-182-65 | | | | 81126 | D-182-65 |
| | 3.8L V6 | Executive Order # D-182-65 | | | | 81126 | D-182-65 |
| | 4.4L V8 | Executive Order # D-182-65 | | | | 81126 | D-182-65 |
| | 5.0L V8 | Executive Order # D-182-65 | | | | 81128 | D-182-65 |
| | 5.7L V8 | Executive Order # D-182-65 | | | | 81128 | D-182-65 |
| 1978 | 3.3L V6 | Executive Order # D-182-65 | | | | 81126 | D-182-65 |
| | 3.8L V6 | Executive Order # D-182-65 | | | | 81126 | D-182-65 |
| | 5.0L V8 | Executive Order # D-182-65 | | | | 81126 | D-182-65 |
| | 5.7L V8 | Executive Order # D-182-65 | | | | 81128 | D-182-65 |
| G15 | | | | | | | |
| 1978-77 | 4.1L L6 | Executive Order # D-182-55 | | | | 80906 | D-182-55 |
| | 5.0L V8 | Executive Order # D-182-55 | | | | 80906 | D-182-55 |
| | 5.7L V8 | Executive Order # D-182-55 | | | | 80906 | D-182-55 |
| 1976-75 | 4.1L L6 | Executive Order # D-182-55 | | | | 80906 | D-182-55 |
| | 5.7L V8 | Executive Order # D-182-55 | | | | 80906 | D-182-55 |
| G1500 | | | | | | | |
| 1995 | 4.3L V6 | Executive Order # D-182-55 | | | | 80907 | D-182-55 |
| | 5.0L V8 | Executive Order # D-182-55 | | | | 80907 | D-182-55 |
| 1994-87 | 4.3L V6 | Executive Order # D-182-55 | | 80940 | | 80906 | D-182-55 |
| | 5.0L V8 | Executive Order # D-182-55 | | 80940 | | 80906 | D-182-55 |
| 1986-85 | 4.3L V6 | Executive Order # D-182-55 | | 80940 | | 80906 | D-182-55 |
| | 5.0L V8 | Executive Order # D-182-55 | | 80940 | | 80906 | D-182-55 |
| | 5.7L V8 | Executive Order # D-182-55 | | 80940 | | 80906 | D-182-55 |
| 1984-83 | 4.1L L6 | Executive Order # D-182-55 | | 80940 | | 80906 | D-182-55 |
| | 5.0L V8 | Executive Order # D-182-55 | | 80940 | | 80906 | D-182-55 |
| | 5.7L V8 | Executive Order # D-182-55 | | 80940 | | 80906 | D-182-55 |
| 1982-79 | 4.1L L6 | Executive Order # D-182-55 | | | | 80906 | D-182-55 |
| | 5.0L V8 | Executive Order # D-182-55 | | | | 80906 | D-182-55 |

For vehicles licensed in the state of California or Maine, or vehicles requiring CARB-compliant converters in the state of New York, the parts in this catalog must be installed as specifically listed. Parts cannot be substituted, nor can they be installed on California or Maine licensed vehicles not listed in this catalog.

OBDII APPLICATIONS

NON-OBDII APPLICATIONS

NUMERICAL

UNIVERSAL SPECIFICATIONS

NON-OBDI PASSENGER CAR & TRUCK

| Years | Engine | Application | Position | Direct-Fit | | Universal Part No. | Executive Order |
|---|---------|--|----------|------------|--------------|--------------------|-----------------|
| | | | | Part No. | Hardware | | |
| GMC (Cont.) | | | | | | | |
| G1500 (Cont.) | | | | | | | |
| 1982-79 (Cont.) | 5.7L V8 | Executive Order # D-182-55 | | | | 80906 | D-182-55 |
| G25 | | | | | | | |
| 1978 | 4.1L L6 | Executive Order # D-182-55 | | | | 80906 | D-182-55 |
| | 5.0L V8 | Executive Order # D-182-55 | | | | 80906 | D-182-55 |
| | 5.7L V8 | Executive Order # D-182-55 | | | | 80906 | D-182-55 |
| G2500 | | | | | | | |
| 1995 | 4.3L V6 | Executive Order # D-182-55 | | | | 80907 | D-182-55 |
| | 5.0L V8 | Executive Order # D-182-55 | | | | 80907 | D-182-55 |
| | 5.7L V8 | Executive Order # D-182-55 | | | | 80907 | D-182-55 |
| 1994 | 4.3L V6 | Executive Order # D-182-55 | | | 80940 | 80906 | D-182-55 |
| | 5.0L V8 | Executive Order # D-182-55 | | | 80940 | 80906 | D-182-55 |
| | 5.7L V8 | Executive Order # D-182-55 | | | | 80907 | D-182-55 |
| 1993-90 | 4.3L V6 | Executive Order # D-182-55 | | | 80940 | 80906 | D-182-55 |
| | 5.0L V8 | Executive Order # D-182-55 | | | 80940 | 80906 | D-182-55 |
| | 5.7L V8 | Executive Order # D-182-55 | | | 80942 | 80907 | D-182-55 |
| 1989-87 | 4.3L V6 | Executive Order # D-182-55 | | | 80940 | 80906 | D-182-55 |
| | 5.0L V8 | Executive Order # D-182-55 | | | 80940 | 80906 | D-182-55 |
| | 5.7L V8 | w/ 1 Catalytic Converter; Executive Order # D-182-55 | | | 80942 | 80907 | D-182-55 |
| w/ 2 Catalytic Converters; Executive Order # D-182-37 | | Front | | | 80609 | D-182-37 | |
| | | Rear | | | 80709 | D-182-37 | |
| 1986-85 | 4.3L V6 | Executive Order # D-182-55 | | | 80940 | 80906 | D-182-55 |
| | 5.0L V8 | Executive Order # D-182-55 | | | 80940 | 80906 | D-182-55 |
| | 5.7L V8 | Executive Order # D-182-55 | | | 80940 | 80906 | D-182-55 |
| 1984-83 | 4.1L L6 | Executive Order # D-182-55 | | | 80940 | 80906 | D-182-55 |
| | 5.0L V8 | Executive Order # D-182-55 | | | 80940 | 80906 | D-182-55 |
| | 5.7L V8 | Executive Order # D-182-55 | | | 80940 | 80906 | D-182-55 |
| 1982-81 | 4.1L L6 | Executive Order # D-182-55 | | | | 80906 | D-182-55 |
| | 5.0L V8 | Executive Order # D-182-55 | | | | 80906 | D-182-55 |
| | 5.7L V8 | Executive Order # D-182-55 | | | | 80906 | D-182-55 |
| 1980-79 | 4.1L L6 | Executive Order # D-182-55 | | | | 80906 | D-182-55 |
| | 5.0L V8 | Executive Order # D-182-55 | | | | 80906 | D-182-55 |
| | 5.7L V8 | Executive Order # D-182-55 | | | | 80906 | D-182-55 |
| | 6.6L V8 | Executive Order # D-182-55 | | | 80940 | 80906 | D-182-55 |
| G35 | | | | | | | |
| 1978 | 4.1L L6 | Executive Order # D-182-55 | | | 80940 | 80906 | D-182-55 |
| | 5.7L V8 | Executive Order # D-182-55 | | | 80940 | 80906 | D-182-55 |
| | 6.6L V8 | Executive Order # D-182-55 | | | 80940 | 80906 | D-182-55 |
| G3500 | | | | | | | |
| 1995 | 4.3L V6 | Executive Order # D-182-55 | | | | 80907 | D-182-55 |
| | 5.7L V8 | Executive Order # D-182-55 | | | | 80907 | D-182-55 |
| 1994 | 4.3L V6 | Executive Order # D-182-55 | | | | 80906 | D-182-55 |
| | | Under 8,500 lb. GVW; Executive Order # D-182-55 | | | 80940 | | D-182-55 |
| | 5.7L V8 | Executive Order # D-182-55 | | | | 80907 | D-182-55 |
| 1993-91 | 4.3L V6 | Executive Order # D-182-55 | | | | 80906 | D-182-55 |

For vehicles licensed in the state of California or Maine, or vehicles requiring CARB-compliant converters in the state of New York, the parts in this catalog must be installed as specifically listed. Parts cannot be substituted, nor can they be installed on California or Maine licensed vehicles not listed in this catalog.

NON-OBDII PASSENGER CAR & TRUCK

| Years | Engine | Application | Position | Direct-Fit | | Universal Part No. | Executive Order |
|----------------------|---------|---|----------|------------|-----------|--------------------|-----------------|
| | | | | Part No. | Hardware | | |
| GMC (Cont.) | | | | | | | |
| G3500 (Cont.) | | | | | | | |
| 1993-91 (Cont.) | 4.3L V6 | Under 8,500 lb. GVW; Executive Order # D-182-55 | | 80940 | | | D-182-55 |
| | 5.7L V8 | Executive Order # D-182-55 | | 80942 | | 80907 | D-182-55 |
| 1990 | 4.3L V6 | Executive Order # D-182-55 | | 80940 | | 80906 | D-182-55 |
| | 5.7L V8 | Executive Order # D-182-55 | | 80942 | | 80907 | D-182-55 |
| 1989-87 | 4.3L V6 | Executive Order # D-182-55 | | 80940 | | 80906 | D-182-55 |
| | 5.7L V8 | w/ 1 Catalytic Converter; Executive Order # D-182-55 | | 80942 | | 80907 | D-182-55 |
| | | w/ 2 Catalytic Converters; Executive Order # D-182-37 | Front | | | 80609 | D-182-37 |
| | | | Rear | | 80709 | D-182-37 | |
| 1986-85 | 4.3L V6 | Executive Order # D-182-55 | | 80940 | | 80906 | D-182-55 |
| | 5.7L V8 | Executive Order # D-182-55 | | 80940 | | 80906 | D-182-55 |
| 1984-82 | 4.1L L6 | Executive Order # D-182-55 | | 80940 | | 80906 | D-182-55 |
| | 5.7L V8 | Executive Order # D-182-55 | | 80940 | | 80906 | D-182-55 |
| 1981 | 5.7L V8 | Executive Order # D-182-55 | | 80940 | | 80906 | D-182-55 |
| 1980 | 5.7L V8 | Executive Order # D-182-55 | | 80940 | | 80906 | D-182-55 |
| | 6.6L V8 | Executive Order # D-182-55 | | 80940 | | 80906 | D-182-55 |
| 1979 | 4.1L L6 | Executive Order # D-182-55 | | 80940 | | 80906 | D-182-55 |
| | 5.7L V8 | Executive Order # D-182-55 | | 80940 | | 80906 | D-182-55 |
| | 6.6L V8 | Executive Order # D-182-55 | | 80940 | | 80906 | D-182-55 |
| Jimmy | | | | | | | |
| 1994-92 | 4.3L V6 | Executive Order # D-182-55 | | | | 80906 | D-182-55 |
| | | VIN "Z"; Executive Order # D-182-55 | | 80947 | | | D-182-55 |
| 1991-88 | 5.7L V8 | Executive Order # D-182-55 | | 80942 | | 80907 | D-182-55 |
| 1987 | 5.0L V8 | Executive Order # D-182-55 | | 80940 | | 80906 | D-182-55 |
| | 5.7L V8 | Executive Order # D-182-55 | | 80942 | | | D-182-55 |
| 1986-83 | 5.0L V8 | Executive Order # D-182-55 | | 80940 | | 80906 | D-182-55 |
| | 5.7L V8 | Executive Order # D-182-55 | | 80940 | | 80906 | D-182-55 |
| 1982-80 | 4.1L L6 | Executive Order # D-182-55 | | | | 80906 | D-182-55 |
| | 5.0L V8 | Executive Order # D-182-55 | | | | 80906 | D-182-55 |
| | 5.7L V8 | Executive Order # D-182-55 | | | | 80906 | D-182-55 |
| 1979-77 | 4.1L L6 | Executive Order # D-182-55 | | | | 80906 | D-182-55 |
| | 5.0L V8 | Executive Order # D-182-55 | | | | 80906 | D-182-55 |
| | 5.7L V8 | Executive Order # D-182-55 | | | | 80906 | D-182-55 |
| | 6.6L V8 | Executive Order # D-182-55 | | 80940 | | 80906 | D-182-55 |
| 1976-75 | 4.1L L6 | Executive Order # D-182-55 | | | | 80906 | D-182-55 |
| | 5.7L V8 | Executive Order # D-182-55 | | | | 80906 | D-182-55 |
| | 6.6L V8 | Executive Order # D-182-55 | | 80940 | | 80906 | D-182-55 |
| K15 | | | | | | | |
| 1978-77 | 4.1L L6 | Executive Order # D-182-55 | | | | 80906 | D-182-55 |
| | 5.0L V8 | Executive Order # D-182-55 | | | | 80906 | D-182-55 |
| | 6.6L V8 | Executive Order # D-182-55 | | | | 80906 | D-182-55 |
| 1976 | 4.1L L6 | Executive Order # D-182-55 | | | | 80906 | D-182-55 |
| | 6.6L V8 | Executive Order # D-182-55 | | | | 80906 | D-182-55 |
| 1975 | 4.1L L6 | Executive Order # D-182-55 | | | | 80906 | D-182-55 |
| K1500 | | | | | | | |
| 1995-94 | 4.3L V6 | Executive Order # D-182-55 | | 80946 | 31398 (2) | 80907 | D-182-55 |

For vehicles licensed in the state of California or Maine, or vehicles requiring CARB-compliant converters in the state of New York, the parts in this catalog must be installed as specifically listed. Parts cannot be substituted, nor can they be installed on California or Maine licensed vehicles not listed in this catalog.

NON-OBDI PASSENGER CAR & TRUCK

| Years | Engine | Application | Position | Direct-Fit | | Universal Part No. | Executive Order |
|-----------------------|---------|--|----------|------------|-----------|--------------------|-----------------|
| | | | | Part No. | Hardware | | |
| GMC (Cont.) | | | | | | | |
| K1500 (Cont.) | | | | | | | |
| 1995-94 (Cont.) | 5.0L V8 | Executive Order # D-182-55 | | 80946 | 31398 (2) | 80907 | D-182-55 |
| | 5.7L V8 | Executive Order # D-182-55 | | 80946 | 31398 (2) | 80907 | D-182-55 |
| 1993 | 4.3L V6 | Except Converter in Y-Pipe; Executive Order # D-182-55 | | 80948 | | | D-182-55 |
| | | Executive Order # D-182-55 | | | | 80906 | D-182-55 |
| | 5.0L V8 | Except Converter in Y-Pipe; Executive Order # D-182-55 | | 80948 | | | D-182-55 |
| | | Executive Order # D-182-55 | | | | 80906 | D-182-55 |
| | 5.7L V8 | Executive Order # D-182-55 | | | | 80907 | D-182-55 |
| 1992-88 | 4.3L V6 | Executive Order # D-182-55 | | 80948 | | 80906 | D-182-55 |
| | 5.0L V8 | Executive Order # D-182-55 | | 80948 | | 80906 | D-182-55 |
| | 5.7L V8 | Executive Order # D-182-55 | | 80942 | | 80907 | D-182-55 |
| 1986-85 | 4.3L V6 | Executive Order # D-182-55 | | 80940 | | 80906 | D-182-55 |
| | 5.0L V8 | Executive Order # D-182-55 | | 80940 | | 80906 | D-182-55 |
| | 5.7L V8 | Executive Order # D-182-55 | | 80940 | | 80906 | D-182-55 |
| 1984-83 | 4.1L L6 | Executive Order # D-182-55 | | 80940 | | 80906 | D-182-55 |
| | 5.0L V8 | Executive Order # D-182-55 | | 80940 | | 80906 | D-182-55 |
| | 5.7L V8 | Executive Order # D-182-55 | | 80940 | | 80906 | D-182-55 |
| 1982-81 | 4.1L L6 | Executive Order # D-182-55 | | | | 80906 | D-182-55 |
| | 5.0L V8 | Executive Order # D-182-55 | | | | 80906 | D-182-55 |
| | 5.7L V8 | Executive Order # D-182-55 | | | | 80906 | D-182-55 |
| 1980 | 4.1L L6 | Executive Order # D-182-55 | | | | 80906 | D-182-55 |
| | 5.7L V8 | Executive Order # D-182-55 | | | | 80906 | D-182-55 |
| | 6.6L V8 | Executive Order # D-182-55 | | 80940 | | 80906 | D-182-55 |
| 1979 | 4.1L L6 | Executive Order # D-182-55 | | | | 80906 | D-182-55 |
| | 5.0L V8 | Executive Order # D-182-55 | | | | 80906 | D-182-55 |
| | 5.7L V8 | Executive Order # D-182-55 | | | | 80906 | D-182-55 |
| | 6.6L V8 | Executive Order # D-182-55 | | 80940 | | 80906 | D-182-55 |
| K1500 Suburban | | | | | | | |
| 1995-94 | 5.7L V8 | Executive Order # D-182-55 | | 80946 | 31398 (2) | 80907 | D-182-55 |
| 1993-92 | 5.7L V8 | Executive Order # D-182-55 | | | | 80907 | D-182-55 |
| 1986-83 | 5.7L V8 | Executive Order # D-182-55 | | 80940 | | 80906 | D-182-55 |
| 1982-81 | 5.7L V8 | Executive Order # D-182-55 | | | | 80906 | D-182-55 |
| 1980 | 5.7L V8 | Executive Order # D-182-55 | | | | 80906 | D-182-55 |
| | 6.6L V8 | Executive Order # D-182-55 | | 80940 | | 80906 | D-182-55 |
| 1979 | 5.0L V8 | Executive Order # D-182-55 | | | | 80906 | D-182-55 |
| | 5.7L V8 | Executive Order # D-182-55 | | | | 80906 | D-182-55 |
| | 6.6L V8 | Executive Order # D-182-55 | | 80940 | | 80906 | D-182-55 |
| K25 | | | | | | | |
| 1976 | 4.1L L6 | Executive Order # D-182-55 | | | | 80906 | D-182-55 |
| K2500 | | | | | | | |
| 1995-94 | 4.3L V6 | Executive Order # D-182-55 | | | | 80907 | D-182-55 |
| | | Under 8,500 lb. GVW; Executive Order # D-182-55 | | 80946 | 31398 (2) | | D-182-55 |
| | 5.0L V8 | Executive Order # D-182-55 | | | | 80907 | D-182-55 |
| | | Under 8,500 lb. GVW; Executive Order # D-182-55 | | 80946 | 31398 (2) | | D-182-55 |

For vehicles licensed in the state of California or Maine, or vehicles requiring CARB-compliant converters in the state of New York, the parts in this catalog must be installed as specifically listed. Parts cannot be substituted, nor can they be installed on California or Maine licensed vehicles not listed in this catalog.

NON-OBDDII PASSENGER CAR & TRUCK

| Years | Engine | Application | Position | Direct-Fit | | Universal Part No. | Executive Order |
|-----------------------|---------|---|--------------|--------------|-----------|--------------------|-----------------|
| | | | | Part No. | Hardware | | |
| GMC (Cont.) | | | | | | | |
| K2500 (Cont.) | | | | | | | |
| 1995-94 (Cont.) | 5.7L V8 | Executive Order # D-182-55 | | | | 80907 | D-182-55 |
| | | Under 8,500 lb. GVW; Executive Order # D-182-55 | | 80946 | 31398 (2) | | D-182-55 |
| 1993-91 | 4.3L V6 | Executive Order # D-182-55 | | | | 80906 | D-182-55 |
| | | Under 8,500 lb. GVW; Executive Order # D-182-55 | | 80948 | | | D-182-55 |
| | 5.0L V8 | Executive Order # D-182-55 | | | | 80906 | D-182-55 |
| | | Under 8,500 lb. GVW; Executive Order # D-182-55 | | 80948 | | | D-182-55 |
| | 5.7L V8 | Executive Order # D-182-55 | | 80942 | | 80907 | D-182-55 |
| | 7.4L V8 | Executive Order # D-182-55 | | 80942 | | 80907 | D-182-55 |
| 1990 | 4.3L V6 | Executive Order # D-182-55 | | | | 80906 | D-182-55 |
| | | Under 8,500 lb. GVW; Executive Order # D-182-55 | | 80948 | | | D-182-55 |
| | 5.0L V8 | Executive Order # D-182-55 | | | | 80906 | D-182-55 |
| | | Under 8,500 lb. GVW; Executive Order # D-182-55 | | 80948 | | | D-182-55 |
| 1989-88 | 4.3L V6 | Executive Order # D-182-55 | | | | 80906 | D-182-55 |
| | | Under 8,500 lb. GVW; Executive Order # D-182-55 | | 80948 | | | D-182-55 |
| | 5.0L V8 | Executive Order # D-182-55 | | | | 80906 | D-182-55 |
| | | Under 8,500 lb. GVW; Executive Order # D-182-55 | | 80948 | | | D-182-55 |
| | 5.7L V8 | w/ 1 Catalytic Converter; Executive Order # D-182-55 | | 80942 | | 80907 | D-182-55 |
| | | w/ 2 Catalytic Converters; Executive Order # D-182-37 | Front | | | 80609 | D-182-37 |
| Rear | | | 80709 | | D-182-37 | | |
| 1986-83 | 5.7L V8 | Executive Order # D-182-55 | | 80940 | | 80906 | D-182-55 |
| 1982-80 | 5.7L V8 | Executive Order # D-182-55 | | | | 80906 | D-182-55 |
| 1979 | 5.7L V8 | Executive Order # D-182-55 | | | | 80906 | D-182-55 |
| | 6.6L V8 | Executive Order # D-182-55 | | 80940 | | 80906 | D-182-55 |
| K2500 Suburban | | | | | | | |
| 1999 | 5.7L V8 | EFN # XGMXH05.7582; Executive Order # D-182-69 | Left | | | 83509 | D-182-69 |
| | | | Right | | | 83509 | D-182-69 |
| 1998 | 5.7L V8 | EFN # WGMXH05.7582; Executive Order # D-182-69 | Left | | | 83509 | D-182-69 |
| | | | Right | | | 83509 | D-182-69 |
| 1997 | 5.7L V8 | EFN # VGM5.7CPGAEA; Executive Order # D-182-69 | Left | | | 83509 | D-182-69 |
| | | | Right | | | 83509 | D-182-69 |
| 1995-92 | 5.7L V8 | Executive Order # D-182-55 | | | | 80907 | D-182-55 |
| | 7.4L V8 | Executive Order # D-182-55 | | | | 80907 | D-182-55 |
| 1979 | 5.7L V8 | Executive Order # D-182-55 | | | | 80906 | D-182-55 |
| | 6.6L V8 | Executive Order # D-182-55 | | 80940 | | 80906 | D-182-55 |
| K3500 | | | | | | | |
| 1995-94 | 5.7L V8 | Executive Order # D-182-55 | | | | 80907 | D-182-55 |
| | 7.4L V8 | Executive Order # D-182-55 | | | | 80907 | D-182-55 |
| 1993-90 | 5.7L V8 | Executive Order # D-182-55 | | 80942 | | 80907 | D-182-55 |
| | 7.4L V8 | Executive Order # D-182-55 | | 80942 | | 80907 | D-182-55 |
| 1989-88 | 5.7L V8 | w/ 1 Catalytic Converter; Executive Order # D-182-55 | | 80942 | | 80907 | D-182-55 |
| | | w/ 2 Catalytic Converters; Executive Order # D-182-37 | Front | | | 80609 | D-182-37 |
| | Rear | | | 80709 | | D-182-37 | |
| | 7.4L V8 | Executive Order # D-182-37 | Front | | | 80609 | D-182-37 |

OBDDII APPLICATIONS

NON-OBDDII APPLICATIONS

NUMERICAL

UNIVERSAL SPECIFICATIONS

For vehicles licensed in the state of California or Maine, or vehicles requiring CARB-compliant converters in the state of New York, the parts in this catalog must be installed as specifically listed. Parts cannot be substituted, nor can they be installed on California or Maine licensed vehicles not listed in this catalog.

NON-OBDI PASSENGER CAR & TRUCK

| Years | Engine | Application | Position | Direct-Fit | | Universal Part No. | Executive Order |
|-----------------------|---------|---|----------|--------------|--------------|--------------------|-----------------|
| | | | | Part No. | Hardware | | |
| GMC (Cont.) | | | | | | | |
| P2500 | | | | | | | |
| 1989-87 | 5.7L V8 | w/ 2 Catalytic Converters; Executive Order # D-182-37 | Front | | | 80609 | D-182-37 |
| | | | Rear | | | 80709 | D-182-37 |
| P3500 | | | | | | | |
| 1989-87 | 5.7L V8 | w/ 2 Catalytic Converters; Executive Order # D-182-37 | Front | | | 80609 | D-182-37 |
| | | | Rear | | | 80709 | D-182-37 |
| | 7.4L V8 | w/ 2 Catalytic Converters; Executive Order # D-182-37 | Front | | | 80609 | D-182-37 |
| | | | Rear | | | 80709 | D-182-37 |
| R1500 | | | | | | | |
| 1987 | 4.3L V6 | Executive Order # D-182-55 | | 80940 | | 80906 | D-182-55 |
| | 5.0L V8 | Executive Order # D-182-55 | | 80940 | | 80906 | D-182-55 |
| | 5.7L V8 | Executive Order # D-182-55 | | 80942 | | 80907 | D-182-55 |
| R1500 Suburban | | | | | | | |
| 1991-88 | 5.7L V8 | Executive Order # D-182-55 | | 80942 | | 80907 | D-182-55 |
| 1987 | 5.0L V8 | Executive Order # D-182-55 | | 80940 | | 80906 | D-182-55 |
| | 5.7L V8 | Executive Order # D-182-55 | | 80942 | | 80907 | D-182-55 |
| R2500 | | | | | | | |
| 1989-88 | 5.7L V8 | w/ 2 Catalytic Converters; Executive Order # D-182-37 | Front | | | 80609 | D-182-37 |
| | | | Rear | | | 80709 | D-182-37 |
| | 7.4L V8 | w/ 2 Catalytic Converters; Executive Order # D-182-37 | Front | | | 80609 | D-182-37 |
| | | | Rear | | | 80709 | D-182-37 |
| 1987 | 4.3L V6 | Executive Order # D-182-55 | | 80940 | | 80906 | D-182-55 |
| | 5.0L V8 | Executive Order # D-182-55 | | | | 80906 | D-182-55 |
| | | Under 8,500 lb. GVW; Executive Order # D-182-55 | | 80940 | | | |
| | 5.7L V8 | w/ 1 Catalytic Converter; Executive Order # D-182-55 | | 80942 | | 80907 | D-182-55 |
| | | w/ 2 Catalytic Converters; Executive Order # D-182-37 | Front | | | 80609 | D-182-37 |
| | | | Rear | | | 80709 | D-182-37 |
| | 7.4L V8 | w/ 2 Catalytic Converters; Executive Order # D-182-37 | Front | | | 80609 | D-182-37 |
| Rear | | | | | 80709 | D-182-37 | |
| R2500 Suburban | | | | | | | |
| 1991-90 | 5.7L V8 | Executive Order # D-182-55 | | 80942 | | 80907 | D-182-55 |
| | 7.4L V8 | Executive Order # D-182-55 | | 80942 | | 80907 | D-182-55 |
| 1989-87 | 5.7L V8 | w/ 1 Catalytic Converter; Executive Order # D-182-55 | | 80942 | | 80907 | D-182-55 |
| | | w/ 2 Catalytic Converters; Executive Order # D-182-37 | Front | | | 80609 | D-182-37 |
| | Rear | | | | 80709 | D-182-37 | |
| | 7.4L V8 | w/ 2 Catalytic Converters; Executive Order # D-182-37 | Front | | | 80609 | D-182-37 |
| Rear | | | | | 80709 | D-182-37 | |
| R3500 | | | | | | | |
| 1991-90 | 5.7L V8 | Executive Order # D-182-55 | | 80942 | | 80907 | D-182-55 |
| | 7.4L V8 | Executive Order # D-182-55 | | 80942 | | 80907 | D-182-55 |
| 1989-88 | 5.7L V8 | w/ 2 Catalytic Converters; Executive Order # D-182-37 | Front | | | 80609 | D-182-37 |
| | | | Rear | | | 80709 | D-182-37 |
| | 7.4L V8 | w/ 2 Catalytic Converters; Executive Order # D-182-37 | Front | | | 80609 | D-182-37 |
| | | | Rear | | | 80709 | D-182-37 |
| 1987 | 5.7L V8 | w/ 1 Catalytic Converter; Executive Order # D-182-55 | | 80942 | | 80907 | D-182-55 |

For vehicles licensed in the state of California or Maine, or vehicles requiring CARB-compliant converters in the state of New York, the parts in this catalog must be installed as specifically listed. Parts cannot be substituted, nor can they be installed on California or Maine licensed vehicles not listed in this catalog.

NON-OBDII PASSENGER CAR & TRUCK

| Years | Engine | Application | Position | Direct-Fit | | Universal Part No. | Executive Order |
|----------------------|---------|---|----------|--------------|----------|--------------------|-----------------|
| | | | | Part No. | Hardware | | |
| GMC (Cont.) | | | | | | | |
| R3500 (Cont.) | | | | | | | |
| 1987 (Cont.) | 5.7L V8 | w/ 2 Catalytic Converters; Executive Order # D-182-37 | Front | | | 80609 | D-182-37 |
| | | | Rear | | | 80709 | D-182-37 |
| | 7.4L V8 | w/ 2 Catalytic Converters; Executive Order # D-182-37 | Front | | | 80609 | D-182-37 |
| | | | Rear | | | 80709 | D-182-37 |
| S15 | | | | | | | |
| 1990-88 | 2.5L L4 | Executive Order # D-182-55 | | | | 80905 | D-182-55 |
| | 2.8L V6 | Executive Order # D-182-55 | | | | 80906 | D-182-55 |
| | 4.3L V6 | Executive Order # D-182-55 | | 80947 | | 80906 | D-182-55 |
| 1987-86 | 2.5L L4 | Executive Order # D-182-55 | | | | 80905 | D-182-55 |
| | 2.8L V6 | Executive Order # D-182-55 | | | | 80905 | D-182-55 |
| 1985 | 1.9L L4 | Executive Order # D-182-55 | | | | 80905 | D-182-55 |
| | 2.5L L4 | Executive Order # D-182-55 | | | | 80905 | D-182-55 |
| | 2.8L V6 | Executive Order # D-182-55 | | | | 80905 | D-182-55 |
| 1984-83 | 1.9L L4 | Executive Order # D-182-55 | | | | 80905 | D-182-55 |
| | 2.0L L4 | Executive Order # D-182-55 | | | | 80905 | D-182-55 |
| | 2.8L V6 | Executive Order # D-182-55 | | | | 80905 | D-182-55 |
| 1982 | 1.9L L4 | Executive Order # D-182-55 | | | | 80905 | D-182-55 |
| | 2.8L V6 | Executive Order # D-182-55 | | | | 80905 | D-182-55 |
| S15 Jimmy | | | | | | | |
| 1991-90 | 4.3L V6 | Executive Order # D-182-55 | | 80947 | | 80906 | D-182-55 |
| 1989 | 2.8L V6 | Executive Order # D-182-55 | | 80947 | | 80906 | D-182-55 |
| | 4.3L V6 | Executive Order # D-182-55 | | 80947 | | 80906 | D-182-55 |
| 1988 | 2.5L L4 | Executive Order # D-182-55 | | | | 80905 | D-182-55 |
| | 2.8L V6 | Executive Order # D-182-55 | | 80947 | | 80906 | D-182-55 |
| | 4.3L V6 | Executive Order # D-182-55 | | 80947 | | 80906 | D-182-55 |
| 1987-85 | 2.5L L4 | Executive Order # D-182-55 | | | | 80905 | D-182-55 |
| | 2.8L V6 | Executive Order # D-182-55 | | | | 80905 | D-182-55 |
| 1984-83 | 1.9L L4 | Executive Order # D-182-55 | | | | 80905 | D-182-55 |
| | 2.0L L4 | Executive Order # D-182-55 | | | | 80905 | D-182-55 |
| | 2.8L V6 | Executive Order # D-182-55 | | | | 80905 | D-182-55 |
| Safari | | | | | | | |
| 1995-94 | 4.3L V6 | Executive Order # D-182-55 | | | | 80907 | D-182-55 |
| 1993 | 4.3L V6 | Executive Order # D-182-55 | | 80942 | | 80907 | D-182-55 |
| 1992 | 4.3L V6 | VIN "W"; Executive Order # D-182-55 | | 80942 | | 80907 | D-182-55 |
| | | VIN "Z"; Executive Order # D-182-55 | | 80948 | | 80906 | D-182-55 |
| 1991 | 4.3L V6 | Executive Order # D-182-55 | | 80940 | | 80906 | D-182-55 |
| 1990-85 | 2.5L L4 | Executive Order # D-182-55 | | | | 80905 | D-182-55 |
| | 4.3L V6 | Executive Order # D-182-55 | | 80940 | | 80906 | D-182-55 |
| Savana 3500 | | | | | | | |
| 2001 | 5.7L V8 | EFN # 1GMXH05.7582; Executive Order # D-182-69 | Left | | | 83509 | D-182-69 |
| | | | Right | | | 83509 | D-182-69 |
| 2000 | 5.7L V8 | EFN # YGMXH05.7582; Executive Order # D-182-69 | Left | | | 83509 | D-182-69 |
| | | | Right | | | 83509 | D-182-69 |
| 1999 | 5.7L V8 | EFN # XGMXH05.7582; Executive Order # D-182-69 | Left | | | 83509 | D-182-69 |

For vehicles licensed in the state of California or Maine, or vehicles requiring CARB-compliant converters in the state of New York, the parts in this catalog must be installed as specifically listed. Parts cannot be substituted, nor can they be installed on California or Maine licensed vehicles not listed in this catalog.

NON-OBDI PASSENGER CAR & TRUCK

| Years | Engine | Application | Position | Direct-Fit | | Universal Part No. | Executive Order |
|----------------------------|---------|---|----------|------------|----------|--------------------|-----------------|
| | | | | Part No. | Hardware | | |
| GMC (Cont.) | | | | | | | |
| Savana 3500 (Cont.) | | | | | | | |
| 1999 (Cont.) | 5.7L V8 | EFN # XGMXH05.7582; Executive Order # D-182-69 | Right | | | 83509 | D-182-69 |
| 1998 | 5.7L V8 | EFN # WGMXH05.7582; Executive Order # D-182-69 | Left | | | 83509 | D-182-69 |
| | | | Right | | | 83509 | D-182-69 |
| 1997 | 5.7L V8 | EFN # VGM5.7CPGAEA; Executive Order # D-182-69 | Left | | | 83509 | D-182-69 |
| | | | Right | | | 83509 | D-182-69 |
| Sonoma | | | | | | | |
| 1995 | 2.2L L4 | Executive Order # D-182-55 | | | | 80905 | D-182-55 |
| 1994 | 2.2L L4 | Executive Order # D-182-55 | | | | 80905 | D-182-55 |
| | 4.3L V6 | Executive Order # D-182-55 | | 80947 | | 80906 | D-182-55 |
| 1993-91 | 2.5L L4 | Executive Order # D-182-55 | | | | 80905 | D-182-55 |
| | 2.8L V6 | Executive Order # D-182-55 | | | | 80906 | D-182-55 |
| | 4.3L V6 | Executive Order # D-182-55 | | 80947 | | 80906 | D-182-55 |
| Sprint | | | | | | | |
| 1977 | 4.1L L6 | Executive Order # D-182-55 | | | | 80906 | D-182-55 |
| | 5.0L V8 | Executive Order # D-182-55 | | | | 80906 | D-182-55 |
| | 5.7L V8 | Executive Order # D-182-55 | | | | 80906 | D-182-55 |
| 1976 | 4.1L L6 | Executive Order # D-182-55 | | | | 80906 | D-182-55 |
| | 5.0L V8 | Executive Order # D-182-55 | | | | 80906 | D-182-55 |
| | 5.7L V8 | Executive Order # D-182-55 | | | | 80906 | D-182-55 |
| | 6.6L V8 | Executive Order # D-182-55 | | | | 80906 | D-182-55 |
| 1975 | 4.1L L6 | Executive Order # D-182-55 | | | | 80906 | D-182-55 |
| | 5.7L V8 | Executive Order # D-182-55 | | | | 80906 | D-182-55 |
| | 6.6L V8 | Executive Order # D-182-55 | | | | 80906 | D-182-55 |
| V1500 | | | | | | | |
| 1987 | 4.3L V6 | Executive Order # D-182-55 | | 80940 | | 80906 | D-182-55 |
| | 5.0L V8 | Executive Order # D-182-55 | | 80940 | | 80906 | D-182-55 |
| | 5.7L V8 | Executive Order # D-182-55 | | 80942 | | 80907 | D-182-55 |
| V1500 Suburban | | | | | | | |
| 1991-90 | 5.7L V8 | Executive Order # D-182-55 | | 80942 | | 80907 | D-182-55 |
| 1989 | 5.7L V8 | Executive Order # D-182-55 | | 80942 | | | D-182-55 |
| 1988 | 5.7L V8 | Executive Order # D-182-55 | | 80942 | | 80907 | D-182-55 |
| V2500 | | | | | | | |
| 1987 | 5.7L V8 | w/ 1 Catalytic Converter; Executive Order # D-182-55 | | 80942 | | 80907 | D-182-55 |
| | | w/ 2 Catalytic Converters; Executive Order # D-182-37 | Front | | | 80609 | D-182-37 |
| | | | Rear | | | 80709 | D-182-37 |
| V2500 Suburban | | | | | | | |
| 1991-90 | 5.7L V8 | Executive Order # D-182-55 | | 80942 | | 80907 | D-182-55 |
| 1989-87 | 5.7L V8 | w/ 1 Catalytic Converter; Executive Order # D-182-55 | | 80942 | | 80907 | D-182-55 |
| | | | Front | | | 80609 | D-182-37 |
| | | w/ 2 Catalytic Converters; Executive Order # D-182-37 | Rear | | | 80709 | D-182-37 |
| V3500 | | | | | | | |
| 1991-90 | 5.7L V8 | Executive Order # D-182-55 | | 80942 | | 80907 | D-182-55 |
| | 7.4L V8 | Executive Order # D-182-55 | | 80942 | | 80907 | D-182-55 |

For vehicles licensed in the state of California or Maine, or vehicles requiring CARB-compliant converters in the state of New York, the parts in this catalog must be installed as specifically listed. Parts cannot be substituted, nor can they be installed on California or Maine licensed vehicles not listed in this catalog.

NON-OBDII PASSENGER CAR & TRUCK

| Years | Engine | Application | Position | Direct-Fit | | Universal Part No. | Executive Order |
|----------------------|---------|---|----------|--------------|--------------|--------------------|-----------------|
| | | | | Part No. | Hardware | | |
| GMC (Cont.) | | | | | | | |
| V3500 (Cont.) | | | | | | | |
| 1989-88 | 5.7L V8 | w/ 2 Catalytic Converters; Executive Order # D-182-37 | Front | | | 80609 | D-182-37 |
| | | | Rear | | | 80709 | D-182-37 |
| | 7.4L V8 | w/ 2 Catalytic Converters; Executive Order # D-182-37 | Front | | | 80609 | D-182-37 |
| | | | Rear | | | 80709 | D-182-37 |
| 1987 | 5.7L V8 | w/ 1 Catalytic Converter; Executive Order # D-182-55 | | 80942 | | 80907 | D-182-55 |
| | | w/ 2 Catalytic Converters; Executive Order # D-182-37 | Front | | | 80609 | D-182-37 |
| | | | Rear | | | 80709 | D-182-37 |
| | 7.4L V8 | w/ 2 Catalytic Converters; Executive Order # D-182-37 | Front | | | 80609 | D-182-37 |
| | | | Rear | | | 80709 | D-182-37 |
| | | | | | | 80709 | D-182-37 |
| W3500 Forward | | | | | | | |
| 2001 | 5.7L V8 | EFN # 1GMXH05.7582; Executive Order # D-182-69 | Left | | | 83509 | D-182-69 |
| | | | Right | | | 83509 | D-182-69 |
| 2000 | 5.7L V8 | EFN # YGMXH05.7582; Executive Order # D-182-69 | Left | | | 83509 | D-182-69 |
| | | | Right | | | 83509 | D-182-69 |
| 1999 | 5.7L V8 | EFN # XGMXH05.7582; Executive Order # D-182-69 | Left | | | 83509 | D-182-69 |
| | | | Right | | | 83509 | D-182-69 |
| 1998 | 5.7L V8 | EFN # WGMXH05.7582; Executive Order # D-182-69 | Left | | | 83509 | D-182-69 |
| | | | Right | | | 83509 | D-182-69 |
| 1997 | 5.7L V8 | EFN # VGM5.7CPGAEA; Executive Order # D-182-69 | Left | | | 83509 | D-182-69 |
| | | | Right | | | 83509 | D-182-69 |
| Yukon | | | | | | | |
| 1995-94 | 5.7L V8 | Executive Order # D-182-55 | | | | 80907 | D-182-55 |
| | | w/ Converter in Y-Pipe; Executive Order # D-182-55 | | 80946 | 31398 (2) | | D-182-55 |
| 1993-92 | 5.7L V8 | Executive Order # D-182-55 | | | | 80907 | D-182-55 |
| HONDA | | | | | | | |
| Accord | | | | | | | |
| 1995 | 2.2L L4 | Executive Order # D-182-65 | | 81143 | | 81101 | D-182-65 |
| 1994 | 2.2L L4 | Executive Order # D-182-65 | | 81143 | | 81101 | D-182-65 |
| 1993-90 | 2.2L L4 | Executive Order # D-182-65 | | 81140 | 31645, 31383 | 81101 | D-182-65 |
| 1989-86 | 2.0L L4 | Executive Order # D-182-65 | | | | 81100 | D-182-65 |
| 1985-84 | 1.8L L4 | Executive Order # D-182-65 | | | | 81100 | D-182-65 |
| 1983-80 | 1.8L L4 | Executive Order # D-182-65 | | | | 81100 | D-182-65 |
| Civic | | | | | | | |
| 1995-93 | 1.5L L4 | Executive Order # D-182-65 | | 81142 | | 81101 | D-182-65 |
| | 1.6L L4 | Executive Order # D-182-65 | | 81142 | | 81101 | D-182-65 |
| 1992 | 1.5L L4 | Automatic Trans.; Executive Order # D-182-65 | | 81142 | | | D-182-65 |
| | | Executive Order # D-182-65 | | | | 81101 | D-182-65 |
| 1991-88 | 1.6L L4 | Executive Order # D-182-65 | | | | 81101 | D-182-65 |
| | 1.5L L4 | Executive Order # D-182-65 | | 81141 | | 81101 | D-182-65 |
| 1987 | 1.5L L4 | CRX Si Model; Executive Order # D-182-65 | | | | 81101 | D-182-65 |
| | | Si Model; 3 Door; Executive Order # D-182-65 | | | | 81101 | D-182-65 |
| 1986 | 1.5L L4 | CRX Si Model; Executive Order # D-182-65 | | | | 81101 | D-182-65 |
| | | Si Model; 3 Door; Executive Order # D-182-65 | | | | 81101 | D-182-65 |

For vehicles licensed in the state of California or Maine, or vehicles requiring CARB-compliant converters in the state of New York, the parts in this catalog must be installed as specifically listed. Parts cannot be substituted, nor can they be installed on California or Maine licensed vehicles not listed in this catalog.

NON-OBDI PASSENGER CAR & TRUCK

| Years | Engine | Application | Position | Direct-Fit | | Universal Part No. | Executive Order | |
|----------------------|---------|--|----------|------------|--------------|--------------------|-----------------|----------|
| | | | | Part No. | Hardware | | | |
| HONDA (Cont.) | | | | | | | | |
| Civic (Cont.) | | | | | | | | |
| 1986 (Cont.) | 1.5L L4 | Wagon; 4WD; CARB; Executive Order # D-182-65 | | | | 81101 | D-182-65 | |
| 1985 | 1.5L L4 | CRX Si Model; Executive Order # D-182-65 | | | | 81101 | D-182-65 | |
| | | Wagon; 4WD; CARB; Executive Order # D-182-65 | | | | 81101 | D-182-65 | |
| 1983-80 | 1.3L L4 | Executive Order # D-182-65 | | | | 81101 | D-182-65 | |
| | 1.5L L4 | Executive Order # D-182-65 | | | | 81101 | D-182-65 | |
| Civic del Sol | | | | | | | | |
| 1995-93 | 1.5L L4 | Executive Order # D-182-65 | | | 81142 | 81101 | D-182-65 | |
| | 1.6L L4 | Executive Order # D-182-65 | | | 81142 | 81101 | D-182-65 | |
| CRX | | | | | | | | |
| 1991-88 | 1.5L L4 | Executive Order # D-182-65 | | | | 81101 | D-182-65 | |
| | 1.6L L4 | Executive Order # D-182-65 | | | 81141 | 81101 | D-182-65 | |
| Odyssey | | | | | | | | |
| 1995 | 2.2L L4 | Executive Order # D-182-55 | | | | 80905 | D-182-55 | |
| Passport | | | | | | | | |
| 1995-94 | 2.6L L4 | Executive Order # D-182-55 | | | | 80905 | D-182-55 | |
| | 3.2L V6 | Executive Order # D-182-37 | Front | | | 80608 | D-182-37 | |
| | | | Rear | | | 80708 | D-182-37 | |
| Prelude | | | | | | | | |
| 1995-94 | 2.2L L4 | Executive Order # D-182-65 | | | | 81101 | D-182-65 | |
| | 2.3L L4 | Executive Order # D-182-65 | | | | 81101 | D-182-65 | |
| 1993-92 | 2.2L L4 | Executive Order # D-182-65 | | | 81140 | 31645, 31383 | 81101 | D-182-65 |
| | 2.3L L4 | Executive Order # D-182-65 | | | 81140 | 31645, 31383 | 81101 | D-182-65 |
| 1991-90 | 2.0L L4 | Executive Order # D-182-65 | | | | | 81101 | D-182-65 |
| | 2.1L L4 | Executive Order # D-182-65 | | | | | 81101 | D-182-65 |
| 1989-88 | 2.0L L4 | Executive Order # D-182-65 | | | | | 81101 | D-182-65 |
| 1987-85 | 1.8L L4 | Executive Order # D-182-65 | | | | | 81101 | D-182-65 |
| | 2.0L L4 | Executive Order # D-182-65 | | | | | 81101 | D-182-65 |
| 1984-83 | 1.8L L4 | Executive Order # D-182-65 | | | | | 81101 | D-182-65 |
| 1982-80 | 1.8L L4 | Executive Order # D-182-65 | | | | | 81101 | D-182-65 |
| HYUNDAI | | | | | | | | |
| Accent | | | | | | | | |
| 1995 | 1.5L L4 | Executive Order # D-182-65 | | | | | 81101 | D-182-65 |
| Elantra | | | | | | | | |
| 1995 | 1.6L L4 | Executive Order # D-182-65 | | | | | 81126 | D-182-65 |
| 1994 | 1.8L L4 | Executive Order # D-182-65 | | | | | 81126 | D-182-65 |
| 1993 | 1.6L L4 | Executive Order # D-182-65 | | | | | 81126 | D-182-65 |
| | 1.8L L4 | Executive Order # D-182-65 | | | | | 81126 | D-182-65 |
| 1992 | 1.6L L4 | Executive Order # D-182-65 | | | | | 81126 | D-182-65 |
| Excel | | | | | | | | |
| 1994-90 | 1.5L L4 | Executive Order # D-182-65 | | | | | 81126 | D-182-65 |
| 1989-86 | 1.5L L4 | Executive Order # D-182-39 | Rear | | | | 80256 | D-182-39 |

For vehicles licensed in the state of California or Maine, or vehicles requiring CARB-compliant converters in the state of New York, the parts in this catalog must be installed as specifically listed. Parts cannot be substituted, nor can they be installed on California or Maine licensed vehicles not listed in this catalog.

NON-OBDII PASSENGER CAR & TRUCK

| Years | Engine | Application | Position | Direct-Fit | | Universal Part No. | Executive Order |
|------------------------|---------|---|-------------|------------|----------|--------------------|-----------------|
| | | | | Part No. | Hardware | | |
| HYUNDAI (Cont.) | | | | | | | |
| Scoupe | | | | | | | |
| 1995-93 | 1.5L L4 | Executive Order # D-182-65 | | | | 81126 | D-182-65 |
| 1992-91 | 1.5L L4 | Executive Order # D-182-65 | | | | 81126 | D-182-65 |
| Sonata | | | | | | | |
| 1994-92 | 2.0L L4 | Executive Order # D-182-65 | | | | 81126 | D-182-65 |
| | 3.0L V6 | Executive Order # D-182-65 | | | | 81126 | D-182-65 |
| 1991-90 | 2.4L L4 | Executive Order # D-182-65 | | | | 81126 | D-182-65 |
| | 3.0L V6 | Executive Order # D-182-65 | | | | 81126 | D-182-65 |
| 1989 | 2.4L L4 | Executive Order # D-182-65 | | | | 81126 | D-182-65 |
| INFINITI | | | | | | | |
| G20 | | | | | | | |
| 1993-91 | 2.0L L4 | Executive Order # D-182-65 | | | | 81101 | D-182-65 |
| J30 | | | | | | | |
| 1995-93 | 3.0L V6 | Executive Order # D-182-65 | Left | | | 81102 | D-182-65 |
| | | | Right | | | 81102 | D-182-65 |
| M30 | | | | | | | |
| 1992-90 | 3.0L V6 | Executive Order # D-182-65 | | | | 81122 | D-182-65 |
| Q45 | | | | | | | |
| 1995-90 | 4.5L V8 | Executive Order # D-182-39 | Front Left | | | 80401 | D-182-39 |
| | | | Front Right | | | 80401 | D-182-39 |
| | | | Rear Left | | | 80256 | D-182-39 |
| | | | Rear Right | | | 80256 | D-182-39 |
| INTERNATIONAL | | | | | | | |
| Scout II | | | | | | | |
| 1980-79 | 3.2L L6 | Executive Order # D-182-55 | | | | 80905 | D-182-55 |
| | 5.0L V8 | Executive Order # D-182-55 | | | | 80905 | D-182-55 |
| | 5.6L V8 | Executive Order # D-182-55 | | | | 80905 | D-182-55 |
| ISUZU | | | | | | | |
| Amigo | | | | | | | |
| 1994 | 2.6L L4 | Executive Order # D-182-55 | | | | 80905 | D-182-55 |
| 1993-89 | 2.3L L4 | Executive Order # D-182-55 | | | | 80905 | D-182-55 |
| | 2.6L L4 | Executive Order # D-182-55 | | | | 80905 | D-182-55 |
| I-Mark | | | | | | | |
| 1989 | 1.5L L4 | Naturally Aspirated; Executive Order # D-182-65 | | | | 81126 | D-182-65 |
| | | Turbocharged; Executive Order # D-182-65 | | | | 81127 | D-182-65 |
| | 1.6L L4 | Executive Order # D-182-65 | | | | 81126 | D-182-65 |
| 1988-87 | 1.5L L4 | Naturally Aspirated; Executive Order # D-182-65 | | | | 81126 | D-182-65 |
| | | Turbocharged; Executive Order # D-182-65 | | | | 81127 | D-182-65 |
| 1986 | 1.5L L4 | Executive Order # D-182-65 | | | | 81126 | D-182-65 |
| 1985 | 1.5L L4 | Executive Order # D-182-65 | | | | 81126 | D-182-65 |
| | 1.8L L4 | w/o Air Tube; Executive Order # D-182-65 | | | | 81127 | D-182-65 |
| 1984-81 | 1.8L L4 | w/o Air Tube; Executive Order # D-182-65 | | | | 81127 | D-182-65 |

For vehicles licensed in the state of California or Maine, or vehicles requiring CARB-compliant converters in the state of New York, the parts in this catalog must be installed as specifically listed. Parts cannot be substituted, nor can they be installed on California or Maine licensed vehicles not listed in this catalog.

NON-OBDI PASSENGER CAR & TRUCK

| Years | Engine | Application | Position | Direct-Fit | | Universal Part No. | Executive Order |
|----------------------|---------|--|----------|------------|----------|--------------------|-----------------|
| | | | | Part No. | Hardware | | |
| ISUZU (Cont.) | | | | | | | |
| Impulse | | | | | | | |
| 1992-90 | 1.6L L4 | Executive Order # D-182-65 | | | | 81126 | D-182-65 |
| 1989-88 | 2.0L L4 | Executive Order # D-182-65 | | | | 81127 | D-182-65 |
| | 2.3L L4 | Executive Order # D-182-65 | | | | 81127 | D-182-65 |
| 1987 | 2.0L L4 | Executive Order # D-182-65 | | | | 81127 | D-182-65 |
| 1986-85 | 1.9L L4 | Executive Order # D-182-65 | | | | 81127 | D-182-65 |
| | 2.0L L4 | Executive Order # D-182-65 | | | | 81127 | D-182-65 |
| 1984-83 | 1.9L L4 | Executive Order # D-182-65 | | | | 81127 | D-182-65 |
| NPR | | | | | | | |
| 2001 | 5.7L V8 | EFN # 1GMXH05.7582; Executive Order # D-182-69 | Left | | | 83509 | D-182-69 |
| | | | Right | | | 83509 | D-182-69 |
| 2000 | 5.7L V8 | EFN # YGMXH05.7582; Executive Order # D-182-69 | Left | | | 83509 | D-182-69 |
| | | | Right | | | 83509 | D-182-69 |
| 1999 | 5.7L V8 | EFN # XGMXH05.7582; Executive Order # D-182-69 | Left | | | 83509 | D-182-69 |
| | | | Right | | | 83509 | D-182-69 |
| 1998 | 5.7L V8 | EFN # WGMXH05.7582; Executive Order # D-182-69 | Left | | | 83509 | D-182-69 |
| | | | Right | | | 83509 | D-182-69 |
| 1997 | 5.7L V8 | EFN # VGM5.7CPGAEA; Executive Order # D-182-69 | Left | | | 83509 | D-182-69 |
| | | | Right | | | 83509 | D-182-69 |
| NPR-HD | | | | | | | |
| 2001 | 5.7L V8 | EFN # 1GMXH05.7582; Executive Order # D-182-69 | Left | | | 83509 | D-182-69 |
| | | | Right | | | 83509 | D-182-69 |
| 2000 | 5.7L V8 | EFN # YGMXH05.7582; Executive Order # D-182-69 | Left | | | 83509 | D-182-69 |
| | | | Right | | | 83509 | D-182-69 |
| 1999 | 5.7L V8 | EFN # XGMXH05.7582; Executive Order # D-182-69 | Left | | | 83509 | D-182-69 |
| | | | Right | | | 83509 | D-182-69 |
| Pickup | | | | | | | |
| 1995 | 2.3L L4 | Executive Order # D-182-55 | | | | 80905 | D-182-55 |
| | 2.6L L4 | Executive Order # D-182-55 | | | | 80905 | D-182-55 |
| 1994-91 | 2.3L L4 | Executive Order # D-182-55 | | | | 80905 | D-182-55 |
| | 2.6L L4 | Executive Order # D-182-55 | | | | 80905 | D-182-55 |
| | 3.1L V6 | Executive Order # D-182-55 | | | | 80905 | D-182-55 |
| 1990-88 | 2.3L L4 | Executive Order # D-182-55 | | | | 80905 | D-182-55 |
| | 2.6L L4 | Executive Order # D-182-55 | | | | 80905 | D-182-55 |
| 1987-86 | 1.9L L4 | Executive Order # D-182-55 | | | | 80905 | D-182-55 |
| | 2.3L L4 | Executive Order # D-182-55 | | | | 80905 | D-182-55 |
| 1985-83 | 1.9L L4 | Executive Order # D-182-55 | | | | 80905 | D-182-55 |
| 1982-81 | 1.8L L4 | Executive Order # D-182-55 | | | | 80905 | D-182-55 |
| Rodeo | | | | | | | |
| 1995-93 | 2.6L L4 | Executive Order # D-182-55 | | | | 80905 | D-182-55 |
| | 3.2L V6 | Executive Order # D-182-37 | Front | | | 80608 | D-182-37 |
| | | | Rear | | | 80708 | D-182-37 |
| 1992-91 | 2.6L L4 | Executive Order # D-182-55 | | | | 80905 | D-182-55 |
| | 3.1L V6 | Executive Order # D-182-55 | | | | 80905 | D-182-55 |

For vehicles licensed in the state of California or Maine, or vehicles requiring CARB-compliant converters in the state of New York, the parts in this catalog must be installed as specifically listed. Parts cannot be substituted, nor can they be installed on California or Maine licensed vehicles not listed in this catalog.

NON-OBDDII PASSENGER CAR & TRUCK

| Years | Engine | Application | Position | Direct-Fit | | Universal Part No. | Executive Order |
|----------------------|----------|---|-------------|------------|----------|--------------------|-----------------|
| | | | | Part No. | Hardware | | |
| ISUZU (Cont.) | | | | | | | |
| Stylus | | | | | | | |
| 1993 | 1.6L L4 | Executive Order # D-182-65 | | | | 81126 | D-182-65 |
| 1992 | 1.6L L4 | Executive Order # D-182-65 | | | | 81126 | D-182-65 |
| | 1.8L L4 | Executive Order # D-182-65 | | | | 81126 | D-182-65 |
| 1991 | 1.6L L4 | Executive Order # D-182-65 | | | | 81126 | D-182-65 |
| Trooper | | | | | | | |
| 1995-94 | 3.2L V6 | Executive Order # D-182-37 | Front | | | 80608 | D-182-37 |
| | | | Rear | | | 80708 | D-182-37 |
| 1993-92 | 3.2L V6 | Executive Order # D-182-55 | | | | 80905 | D-182-55 |
| 1991-89 | 2.6L L4 | Executive Order # D-182-55 | | | | 80905 | D-182-55 |
| | 2.8L V6 | Executive Order # D-182-55 | | | | 80905 | D-182-55 |
| 1988 | 2.6L L4 | Executive Order # D-182-55 | | | | 80905 | D-182-55 |
| 1987-86 | 2.3L L4 | Executive Order # D-182-55 | | | | 80905 | D-182-55 |
| 1985-84 | 1.9L L4 | Executive Order # D-182-55 | | | | 80905 | D-182-55 |
| JAGUAR | | | | | | | |
| Vanden Plas | | | | | | | |
| 1994-90 | 4.0L L6 | Executive Order # D-182-39 | Front Left | | | 80401 | D-182-39 |
| | | | Front Right | | | 80401 | D-182-39 |
| | | | Rear Left | | | 80256 | D-182-39 |
| | | | Rear Right | | | 80256 | D-182-39 |
| 1987-82 | 4.2L L6 | Executive Order # D-182-39 | Front | | | 80401 | D-182-39 |
| | | | Rear | | | 80262 | D-182-39 |
| XJ6 | | | | | | | |
| 1994-90 | 4.0L L6 | Executive Order # D-182-39 | Front Left | | | 80401 | D-182-39 |
| | | | Front Right | | | 80401 | D-182-39 |
| | | | Rear Left | | | 80256 | D-182-39 |
| | | | Rear Right | | | 80256 | D-182-39 |
| 1987-81 | 4.2L L6 | Executive Order # D-182-39 | Front | | | 80401 | D-182-39 |
| | | | Rear | | | 80262 | D-182-39 |
| XJS | | | | | | | |
| 1992-80 | 5.3L V12 | Executive Order # D-182-39 | Front Left | | | 80401 | D-182-39 |
| | | | Front Right | | | 80401 | D-182-39 |
| | | | Rear Left | | | 80256 | D-182-39 |
| | | | Rear Right | | | 80256 | D-182-39 |
| JEEP | | | | | | | |
| Cherokee | | | | | | | |
| 1995-93 | 2.5L L4 | Executive Order # D-182-55 | | 80943 | | 80905 | D-182-55 |
| | 4.0L L6 | Executive Order # D-182-55 | | 80943 | | 80905 | D-182-55 |
| 1992-87 | 2.5L L4 | Executive Order # D-182-55 | | 80945 | 31519 | 80906 | D-182-55 |
| | 4.0L L6 | Executive Order # D-182-55 | | 80945 | 31519 | 80906 | D-182-55 |
| 1986 | 2.5L L4 | Executive Order # D-182-55 | | 80945 | 31519 | 80906 | D-182-55 |
| | 2.8L V6 | Executive Order # D-182-55 | | | | 80904 | D-182-55 |
| 1985-84 | 2.5L L4 | w/ Air Tube; Executive Order # D-182-55 | | | | 80900 | D-182-55 |
| | 2.8L V6 | Executive Order # D-182-55 | | | | 80904 | D-182-55 |

For vehicles licensed in the state of California or Maine, or vehicles requiring CARB-compliant converters in the state of New York, the parts in this catalog must be installed as specifically listed. Parts cannot be substituted, nor can they be installed on California or Maine licensed vehicles not listed in this catalog.

NON-OBDI PASSENGER CAR & TRUCK

| Years | Engine | Application | Position | Direct-Fit | | Universal Part No. | Executive Order |
|-------------------------|--|--|----------|------------|--------------|--------------------|-----------------|
| | | | | Part No. | Hardware | | |
| JEEP (Cont.) | | | | | | | |
| Cherokee (Cont.) | | | | | | | |
| 1983-82 | 4.2L L6 | Executive Order # D-182-55 | | | | 80900 | D-182-55 |
| | 5.9L V8 | Executive Order # D-182-55 | | | | 80906 | D-182-55 |
| 1981 | 4.2L L6 | w/ Air Tube; Executive Order # D-182-55 | | | | 80900 | D-182-55 |
| | | w/o Air Tube; Executive Order # D-182-55 | | | | 80906 | D-182-55 |
| | 5.9L V8 | Executive Order # D-182-55 | | | | 80906 | D-182-55 |
| 1980-79 | 4.2L L6 | Executive Order # D-182-55 | | | | 80906 | D-182-55 |
| | 5.9L V8 | Executive Order # D-182-55 | | | | 80906 | D-182-55 |
| 1978 | 5.9L V8 | Executive Order # D-182-55 | | | | 80906 | D-182-55 |
| CJ5 | | | | | | | |
| 1983-82 | 2.5L L4 | Executive Order # D-182-55 | | | | 80906 | D-182-55 |
| | 4.2L L6 | w/ Air Tube; Executive Order # D-182-55 | | | | 80900 | D-182-55 |
| 1981 | 2.5L L4 | Executive Order # D-182-55 | | | | 80906 | D-182-55 |
| | | w/ Air Tube; Executive Order # D-182-55 | | | | 80900 | D-182-55 |
| | w/o Air Tube; Executive Order # D-182-55 | | | | 80906 | D-182-55 | |
| | 5.0L V8 | Executive Order # D-182-55 | | | | 80906 | D-182-55 |
| 1980 | 2.5L L4 | Executive Order # D-182-55 | | | | 80906 | D-182-55 |
| | 4.2L L6 | Executive Order # D-182-55 | | | | 80906 | D-182-55 |
| | 5.0L V8 | Executive Order # D-182-55 | | | | 80906 | D-182-55 |
| 1979 | 4.2L L6 | Executive Order # D-182-55 | | | | 80906 | D-182-55 |
| | 5.0L V8 | Executive Order # D-182-55 | | | | 80906 | D-182-55 |
| 1978-75 | 3.8L L6 | Executive Order # D-182-55 | | | | 80906 | D-182-55 |
| | | Executive Order # D-182-55 | | | | 80906 | D-182-55 |
| | 5.0L V8 | Executive Order # D-182-55 | | | | 80906 | D-182-55 |
| CJ6 | | | | | | | |
| 1975 | 3.8L L6 | Executive Order # D-182-55 | | | | 80906 | D-182-55 |
| | 4.2L L6 | Executive Order # D-182-55 | | | | 80906 | D-182-55 |
| | 5.0L V8 | Executive Order # D-182-55 | | | | 80906 | D-182-55 |
| CJ7 | | | | | | | |
| 1986-84 | 2.5L L4 | w/ Air Tube; Executive Order # D-182-55 | | | | 80900 | D-182-55 |
| | 4.2L L6 | w/ Air Tube; Executive Order # D-182-55 | | | | 80900 | D-182-55 |
| 1983 | 2.5L L4 | Executive Order # D-182-55 | | | | 80906 | D-182-55 |
| | | w/ Air Tube; Executive Order # D-182-55 | | | | 80900 | D-182-55 |
| 1982 | 2.5L L4 | Executive Order # D-182-55 | | | | 80906 | D-182-55 |
| | | w/ Air Tube; Executive Order # D-182-55 | | | | 80900 | D-182-55 |
| 1981 | 2.5L L4 | Executive Order # D-182-55 | | | | 80906 | D-182-55 |
| | | w/ Air Tube; Executive Order # D-182-55 | | | | 80900 | D-182-55 |
| | w/o Air Tube; Executive Order # D-182-55 | | | | 80906 | D-182-55 | |
| | 5.0L V8 | Executive Order # D-182-55 | | | | 80906 | D-182-55 |
| 1980 | 2.5L L4 | Executive Order # D-182-55 | | | | 80906 | D-182-55 |
| | 4.2L L6 | w/o Air Tube; Executive Order # D-182-55 | | | | 80906 | D-182-55 |
| | 5.0L V8 | Executive Order # D-182-55 | | | | 80906 | D-182-55 |
| 1979 | 4.2L L6 | w/o Air Tube; Executive Order # D-182-55 | | | | 80906 | D-182-55 |
| | 5.0L V8 | Executive Order # D-182-55 | | | | 80906 | D-182-55 |
| 1978-76 | 3.8L L6 | Executive Order # D-182-55 | | | | 80906 | D-182-55 |
| | | Executive Order # D-182-55 | | | | 80906 | D-182-55 |

For vehicles licensed in the state of California or Maine, or vehicles requiring CARB-compliant converters in the state of New York, the parts in this catalog must be installed as specifically listed. Parts cannot be substituted, nor can they be installed on California or Maine licensed vehicles not listed in this catalog.

NON-OBDII PASSENGER CAR & TRUCK

| Years | Engine | Application | Position | Direct-Fit | | Universal Part No. | Executive Order |
|-----------------------|---------|--|----------|--------------|----------|--------------------|-----------------|
| | | | | Part No. | Hardware | | |
| JEEP (Cont.) | | | | | | | |
| CJ7 (Cont.) | | | | | | | |
| 1978-76 (Cont.) | 5.0L V8 | Executive Order # D-182-55 | | | | 80906 | D-182-55 |
| Comanche | | | | | | | |
| 1992-87 | 2.5L L4 | Executive Order # D-182-55 | | 80945 | 31519 | 80906 | D-182-55 |
| | 4.0L L6 | Executive Order # D-182-55 | | 80945 | 31519 | 80906 | D-182-55 |
| 1986 | 2.5L L4 | Executive Order # D-182-55 | | 80945 | 31519 | 80906 | D-182-55 |
| | 2.8L V6 | Executive Order # D-182-55 | | | | 80904 | D-182-55 |
| Grand Cherokee | | | | | | | |
| 1995 | 4.0L L6 | Executive Order # D-182-55 | | 80943 | | 80905 | D-182-55 |
| | 5.2L V8 | Executive Order # D-182-55 | | 80944 | | 80906 | D-182-55 |
| 1994-93 | 4.0L L6 | Executive Order # D-182-55 | | 80943 | | 80905 | D-182-55 |
| | 5.2L V8 | Executive Order # D-182-55 | | 80944 | | 80906 | D-182-55 |
| Grand Wagoneer | | | | | | | |
| 1991-87 | 5.9L V8 | Executive Order # D-182-55 | | | | 80902 | D-182-55 |
| 1986-84 | 4.2L L6 | Executive Order # D-182-55 | | | | 80900 | D-182-55 |
| | 5.9L V8 | Executive Order # D-182-55 | | | | 80902 | D-182-55 |
| J10 | | | | | | | |
| 1988 | 5.9L V8 | Executive Order # D-182-55 | | | | 80906 | D-182-55 |
| 1987 | 4.2L L6 | Executive Order # D-182-55 | | | | 80904 | D-182-55 |
| | 5.9L V8 | Executive Order # D-182-55 | | | | 80906 | D-182-55 |
| 1986-82 | 4.2L L6 | Executive Order # D-182-55 | | | | 80900 | D-182-55 |
| | 5.9L V8 | Executive Order # D-182-55 | | | | 80906 | D-182-55 |
| 1981 | 4.2L L6 | w/ Air Tube; Executive Order # D-182-55 | | | | 80900 | D-182-55 |
| | | w/o Air Tube; Executive Order # D-182-55 | | | | 80906 | D-182-55 |
| | 5.9L V8 | Executive Order # D-182-55 | | | | 80906 | D-182-55 |
| 1980-79 | 4.2L L6 | Executive Order # D-182-55 | | | | 80906 | D-182-55 |
| | 5.9L V8 | Executive Order # D-182-55 | | | | 80906 | D-182-55 |
| 1978 | 5.9L V8 | Executive Order # D-182-55 | | | | 80906 | D-182-55 |
| J20 | | | | | | | |
| 1988-78 | 5.9L V8 | Executive Order # D-182-55 | | | | 80906 | D-182-55 |
| Scrambler | | | | | | | |
| 1985-84 | 2.5L L4 | Executive Order # D-182-55 | | | | 80900 | D-182-55 |
| | 4.2L L6 | w/ Air Tube; Executive Order # D-182-55 | | | | 80900 | D-182-55 |
| 1983 | 2.5L L4 | Executive Order # D-182-55 | | | | 80906 | D-182-55 |
| | 4.2L L6 | w/ Air Tube; Executive Order # D-182-55 | | | | 80900 | D-182-55 |
| 1982 | 2.5L L4 | Executive Order # D-182-55 | | | | 80906 | D-182-55 |
| | 4.2L L6 | w/ Air Tube; Executive Order # D-182-55 | | | | 80900 | D-182-55 |
| 1981 | 2.5L L4 | Executive Order # D-182-55 | | | | 80906 | D-182-55 |
| | | w/ Air Tube; Executive Order # D-182-55 | | | | 80900 | D-182-55 |
| | 4.2L L6 | w/o Air Tube; Executive Order # D-182-55 | | | | 80906 | D-182-55 |
| Wagoneer | | | | | | | |
| 1990-88 | 4.0L L6 | Executive Order # D-182-55 | | 80945 | 31519 | 80906 | D-182-55 |
| 1987 | 2.5L L4 | Executive Order # D-182-55 | | 80945 | 31519 | 80906 | D-182-55 |
| | 4.0L L6 | Executive Order # D-182-55 | | 80945 | 31519 | 80906 | D-182-55 |

For vehicles licensed in the state of California or Maine, or vehicles requiring CARB-compliant converters in the state of New York, the parts in this catalog must be installed as specifically listed. Parts cannot be substituted, nor can they be installed on California or Maine licensed vehicles not listed in this catalog.

NON-OBDI PASSENGER CAR & TRUCK

| Years | Engine | Application | Position | Direct-Fit | | Universal Part No. | Executive Order |
|-------------------------|---------|--|-------------|------------|----------|--------------------|-----------------|
| | | | | Part No. | Hardware | | |
| JEEP (Cont.) | | | | | | | |
| Wagoneer (Cont.) | | | | | | | |
| 1986 | 2.5L L4 | Executive Order # D-182-55 | | 80945 | 31519 | 80906 | D-182-55 |
| | 2.8L V6 | Executive Order # D-182-55 | | | | 80904 | D-182-55 |
| 1985-84 | 2.5L L4 | Executive Order # D-182-55 | | | | 80900 | D-182-55 |
| | 2.8L V6 | Executive Order # D-182-55 | | | | 80904 | D-182-55 |
| 1983-82 | 4.2L L6 | Executive Order # D-182-55 | | | | 80900 | D-182-55 |
| | 5.9L V8 | Executive Order # D-182-55 | | | | 80906 | D-182-55 |
| 1981 | 4.2L L6 | w/ Air Tube; Executive Order # D-182-55 | | | | 80900 | D-182-55 |
| | | w/o Air Tube; Executive Order # D-182-55 | | | | 80906 | D-182-55 |
| | 5.9L V8 | Executive Order # D-182-55 | | | | 80906 | D-182-55 |
| 1980 | 4.2L L6 | Executive Order # D-182-55 | | | | 80906 | D-182-55 |
| | 5.9L V8 | Executive Order # D-182-55 | | | | 80906 | D-182-55 |
| 1979-78 | 5.9L V8 | Executive Order # D-182-55 | | | | 80906 | D-182-55 |
| Wrangler | | | | | | | |
| 1995 | 2.5L L4 | Executive Order # D-182-55 | | 80943 | | 80905 | D-182-55 |
| | 4.0L L6 | Executive Order # D-182-55 | | 80943 | | 80905 | D-182-55 |
| 1994-93 | 2.5L L4 | Executive Order # D-182-55 | | 80943 | | 80905 | D-182-55 |
| | 4.0L L6 | Executive Order # D-182-55 | | 80943 | | 80905 | D-182-55 |
| 1992-91 | 2.5L L4 | Executive Order # D-182-55 | | 80945 | 31519 | 80906 | D-182-55 |
| | 4.0L L6 | Executive Order # D-182-55 | | 80945 | 31519 | 80906 | D-182-55 |
| 1990-87 | 2.5L L4 | Executive Order # D-182-55 | | 80945 | 31519 | 80906 | D-182-55 |
| | 4.2L L6 | Executive Order # D-182-55 | | | | 80900 | D-182-55 |
| KIA | | | | | | | |
| Sephia | | | | | | | |
| 1994 | 1.6L L4 | Executive Order # D-182-65 | | | | 81126 | D-182-65 |
| LAFORZA | | | | | | | |
| Laforza | | | | | | | |
| 1990 | 5.0L V8 | Executive Order # D-182-65 | | | | 81126 | D-182-65 |
| LANCIA | | | | | | | |
| Beta | | | | | | | |
| 1981 | 2.0L L4 | Executive Order # D-182-65 | | | | 81126 | D-182-65 |
| 1979 | 2.0L L4 | Executive Order # D-182-65 | | | | 81126 | D-182-65 |
| Zagato | | | | | | | |
| 1982-81 | 2.0L L4 | Executive Order # D-182-65 | | | | 81126 | D-182-65 |
| 1979 | 2.0L L4 | Executive Order # D-182-65 | | | | 81126 | D-182-65 |
| LAND ROVER | | | | | | | |
| Range Rover | | | | | | | |
| 1995 | 4.2L V8 | Executive Order # D-182-55 | | | | 80905 | D-182-55 |
| 1994 | 4.2L V8 | Executive Order # D-182-55 | | | | 80905 | D-182-55 |
| 1988-87 | 3.5L V8 | Executive Order # D-182-37 | Front Left | | | 80616 | D-182-37 |
| | | | Front Right | | | 80616 | D-182-37 |
| | | | Rear | | | 80706 | D-182-37 |

For vehicles licensed in the state of California or Maine, or vehicles requiring CARB-compliant converters in the state of New York, the parts in this catalog must be installed as specifically listed. Parts cannot be substituted, nor can they be installed on California or Maine licensed vehicles not listed in this catalog.

NON-OBDII PASSENGER CAR & TRUCK

| Years | Engine | Application | Position | Direct-Fit | | Universal Part No. | Executive Order |
|--------------------|---------|---|-------------|------------|----------|--------------------|-----------------|
| | | | | Part No. | Hardware | | |
| LEXUS | | | | | | | |
| ES250 | | | | | | | |
| 1991-90 | 2.5L V6 | Executive Order # D-182-65 | | | | 81126 | D-182-65 |
| ES300 | | | | | | | |
| 1993-92 | 3.0L V6 | Executive Order # D-182-65 | | | | 81126 | D-182-65 |
| GS300 | | | | | | | |
| 1995-93 | 3.0L L6 | Executive Order # D-182-65 | | | | 81126 | D-182-65 |
| LS400 | | | | | | | |
| 1994-90 | 4.0L V8 | Executive Order # D-182-39 | Front Left | | | 80403 | D-182-39 |
| | | | Front Right | | | 80403 | D-182-39 |
| | | | Rear | | | 80257 | D-182-39 |
| SC300 | | | | | | | |
| 1993-92 | 3.0L L6 | Executive Order # D-182-39 | Rear | | | 80258 | D-182-39 |
| SC400 | | | | | | | |
| 1995-92 | 4.0L V8 | Executive Order # D-182-65 | Left | | | 81102 | D-182-65 |
| | | | Right | | | 81102 | D-182-65 |
| LINCOLN | | | | | | | |
| Continental | | | | | | | |
| 1994-91 | 3.8L V6 | Executive Order # D-182-65 | Left | | | 81126 | D-182-65 |
| | | | Right | | | 81126 | D-182-65 |
| 1990 | 3.8L V6 | After 11-89; Executive Order # D-182-65 | Left | | | 81126 | D-182-65 |
| | | | Right | | | 81126 | D-182-65 |
| | | Before 11-89; Executive Order # D-182-39 | Front Left | | | 80401 | D-182-39 |
| | | | Front Right | | | 80401 | D-182-39 |
| | | | Rear | | | 80258 | D-182-39 |
| | | | Rear | | | 80258 | D-182-39 |
| 1989-88 | 3.8L V6 | Executive Order # D-182-39 | Front Left | | | 80401 | D-182-39 |
| | | | Front Right | | | 80401 | D-182-39 |
| | | | Rear | | | 80258 | D-182-39 |
| 1987-86 | 5.0L V8 | Executive Order # D-182-39 | Front Left | | | 80402 | D-182-39 |
| | | | Front Right | | | 80402 | D-182-39 |
| | | w/ Dual Exhaust; Executive Order # D-182-39 | Rear Left | | | 80257 | D-182-39 |
| | | | Rear Right | | | 80257 | D-182-39 |
| | | | Rear | | | 80257 | D-182-39 |
| 1985 | 5.0L V8 | Executive Order # D-182-65 | Left | | | 81121 | D-182-65 |
| | | | Right | | | 81121 | D-182-65 |
| 1984 | 5.0L V8 | Executive Order # D-182-65 | Left | | | 81122 | D-182-65 |
| | | | Right | | | 81122 | D-182-65 |
| 1983 | 5.0L V8 | Executive Order # D-182-65 | | | | 81122 | D-182-65 |
| 1980 | 5.0L V8 | w/o Air Tube; Executive Order # D-182-65 | Left | | | 81126 | D-182-65 |
| | | | Right | | | 81126 | D-182-65 |
| | 5.8L V8 | w/o Air Tube; Executive Order # D-182-65 | Left | | | 81126 | D-182-65 |
| | | | Right | | | 81126 | D-182-65 |
| Mark VI | | | | | | | |
| 1983-81 | 5.0L V8 | Executive Order # D-182-65 | Left | | | 81121 | D-182-65 |
| | | | Right | | | 81121 | D-182-65 |

For vehicles licensed in the state of California or Maine, or vehicles requiring CARB-compliant converters in the state of New York, the parts in this catalog must be installed as specifically listed. Parts cannot be substituted, nor can they be installed on California or Maine licensed vehicles not listed in this catalog.

NON-OBDII PASSENGER CAR & TRUCK

| Years | Engine | Application | Position | Direct-Fit | | Universal Part No. | Executive Order |
|------------------------|---------|---|-------------|------------|----------|--------------------|-----------------|
| | | | | Part No. | Hardware | | |
| LINCOLN (Cont.) | | | | | | | |
| Mark VI (Cont.) | | | | | | | |
| 1980 | 5.0L V8 | w/ Air Tube; Executive Order # D-182-65 | Left | | | 81121 | D-182-65 |
| | | | Right | | | 81121 | D-182-65 |
| | | w/o Air Tube; Executive Order # D-182-65 | Left | | | 81126 | D-182-65 |
| | | | Right | | | 81126 | D-182-65 |
| | 5.8L V8 | w/ Air Tube; Executive Order # D-182-65 | Left | | | 81121 | D-182-65 |
| | | | Right | | | 81121 | D-182-65 |
| | | w/o Air Tube; Executive Order # D-182-65 | Left | | | 81126 | D-182-65 |
| | | | Right | | | 81126 | D-182-65 |
| Mark VII | | | | | | | |
| 1992-88 | 5.0L V8 | Executive Order # D-182-39 | Front Left | | | 80401 | D-182-39 |
| | | | Front Right | | | 80401 | D-182-39 |
| | | | Rear Left | | | 80257 | D-182-39 |
| | | | Rear Right | | | 80257 | D-182-39 |
| 1987-86 | 5.0L V8 | Executive Order # D-182-39 | Front Left | | | 80401 | D-182-39 |
| | | | Front Right | | | 80401 | D-182-39 |
| | | w/ Dual Exhaust; Executive Order # D-182-39 | Rear Left | | | 80257 | D-182-39 |
| | | | Rear Right | | | 80257 | D-182-39 |
| 1985 | 5.0L V8 | Executive Order # D-182-65 | Left | | | 81121 | D-182-65 |
| | | | Right | | | 81121 | D-182-65 |
| 1984 | 5.0L V8 | Executive Order # D-182-65 | Left | | | 81122 | D-182-65 |
| | | | Right | | | 81122 | D-182-65 |
| Mark VIII | | | | | | | |
| 1995 | 4.6L V8 | Executive Order # D-182-39 | Front Right | | | 80402 | D-182-39 |
| | | | Rear | | | 80262 | D-182-39 |
| 1994-93 | 4.6L V8 | Executive Order # D-182-39 | Front Left | | | 80401 | D-182-39 |
| | | | Front Right | | | 80402 | D-182-39 |
| | | | Rear | | | 80262 | D-182-39 |
| Town Car | | | | | | | |
| 1994-91 | 4.6L V8 | Executive Order # D-182-39 | Front Left | | | 80401 | D-182-39 |
| | | | Front Right | | | 80401 | D-182-39 |
| | | | Rear Left | | | 80256 | D-182-39 |
| | | | Rear Right | | | 80256 | D-182-39 |
| 1990-86 | 5.0L V8 | Executive Order # D-182-39 | Front Left | | | 80401 | D-182-39 |
| | | | Front Right | | | 80401 | D-182-39 |
| | | | Rear Left | | | 80256 | D-182-39 |
| | | | Rear Right | | | 80256 | D-182-39 |
| 1985-81 | 5.0L V8 | Executive Order # D-182-65 | Left | | | 81121 | D-182-65 |
| | | | Right | | | 81121 | D-182-65 |
| Versailles | | | | | | | |
| 1980-77 | 5.0L V8 | w/o Air Tube; Executive Order # D-182-65 | | | | 81126 | D-182-65 |

For vehicles licensed in the state of California or Maine, or vehicles requiring CARB-compliant converters in the state of New York, the parts in this catalog must be installed as specifically listed. Parts cannot be substituted, nor can they be installed on California or Maine licensed vehicles not listed in this catalog.

NON-OBDII PASSENGER CAR & TRUCK

| Years | Engine | Application | Position | Direct-Fit | | Universal Part No. | Executive Order |
|--------------|---------|--|--|------------|----------|--------------------|-----------------|
| | | | | Part No. | Hardware | | |
| MAZDA | | | | | | | |
| 323 | | | | | | | |
| 1994-86 | 1.6L L4 | Executive Order # D-182-65 | | | | 81126 | D-182-65 |
| 626 | | | | | | | |
| 1995 | 2.0L L4 | Executive Order # D-182-39 | Front | | | 80401 | D-182-39 |
| | | | Rear | | | 80256 | D-182-39 |
| | 2.5L V6 | Executive Order # D-182-39 | Rear | | | 80257 | D-182-39 |
| 1994 | 2.0L L4 | Automatic Trans.; Executive Order # D-182-65 | | | | 81126 | D-182-65 |
| | | Standard Trans.; Executive Order # D-182-39 | Front | | | 80401 | D-182-39 |
| | | 2.5L V6 | Executive Order # D-182-39 | Rear | | | 80257 |
| 1993 | 2.0L L4 | Executive Order # D-182-65 | | | | 81126 | D-182-65 |
| | 2.5L V6 | Executive Order # D-182-65 | | | | 81127 | D-182-65 |
| 1992-88 | 2.2L L4 | Executive Order # D-182-65 | | | | 81126 | D-182-65 |
| 1987-84 | 2.0L L4 | Executive Order # D-182-65 | | | | 81126 | D-182-65 |
| 1983-79 | 2.0L L4 | Executive Order # D-182-65 | | | | 81126 | D-182-65 |
| 808 | | | | | | | |
| 1977-75 | 1.6L L4 | Executive Order # D-182-65 | | | | 81101 | D-182-65 |
| 929 | | | | | | | |
| 1995-92 | 3.0L V6 | Executive Order # D-182-39 | Front Left | | | 80401 | D-182-39 |
| | | | Front Right | | | 80401 | D-182-39 |
| | | | Rear | | | 80258 | D-182-39 |
| 1991-90 | 3.0L V6 | DOHC; Executive Order # D-182-65 | Left | | | 81126 | D-182-65 |
| | | | Right | | | 81126 | D-182-65 |
| | | | SOHC; Executive Order # D-182-65 | | | | 81126 |
| 1989-88 | 3.0L V6 | Executive Order # D-182-65 | | | | 81126 | D-182-65 |
| B2000 | | | | | | | |
| 1987-86 | 2.0L L4 | Executive Order # D-182-37 | Rear | | | 80706 | D-182-37 |
| 1984-79 | 2.0L L4 | Executive Order # D-182-55 | | | | 80904 | D-182-55 |
| B2200 | | | | | | | |
| 1993-90 | 2.2L L4 | FI; Executive Order # D-182-55 | | | | 80905 | D-182-55 |
| | | w/ EGI Injection; Executive Order # D-182-55 | | | | 80904 | D-182-55 |
| 1989-87 | 2.2L L4 | Executive Order # D-182-37 | Rear | | | 80706 | D-182-37 |
| B2300 | | | | | | | |
| 1994 | 2.3L L4 | Executive Order # D-182-55 | | | | 80904 | D-182-55 |
| B2600 | | | | | | | |
| 1993-91 | 2.6L L4 | Executive Order # D-182-55 | | | | 80905 | D-182-55 |
| 1990-89 | 2.6L L4 | Executive Order # D-182-55 | | | | 80904 | D-182-55 |
| 1988-87 | 2.6L L4 | Executive Order # D-182-37 | Center | | | 80616 | D-182-37 |
| | | | Rear | | | 80706 | D-182-37 |
| B3000 | | | | | | | |
| 1994 | 3.0L V6 | Executive Order # D-182-37 | Front | | | 80608 | D-182-37 |
| | | | Rear | | | 80708 | D-182-37 |
| | | | Y-Pipe must be cut 1/2" from face of Flange.; Executive Order # D-182-37 | | 80690 | 31545, 31372 | |

OBDII APPLICATIONS

NON-OBDII APPLICATIONS

NUMERICAL

UNIVERSAL SPECIFICATIONS

For vehicles licensed in the state of California or Maine, or vehicles requiring CARB-compliant converters in the state of New York, the parts in this catalog must be installed as specifically listed. Parts cannot be substituted, nor can they be installed on California or Maine licensed vehicles not listed in this catalog.

NON-OBDII PASSENGER CAR & TRUCK

| Years | Engine | Application | Position | Direct-Fit | | Universal Part No. | Executive Order | |
|----------------------|----------------------------|--|--|----------------------------|--------------|--------------------|-----------------|----------|
| | | | | Part No. | Hardware | | | |
| MAZDA (Cont.) | | | | | | | | |
| B4000 | | | | | | | | |
| 1994 | 4.0L V6 | Executive Order # D-182-37 | Front | | | 80608 | D-182-37 | |
| | | | Rear | | | 80708 | D-182-37 | |
| | | Y-Pipe must be cut 1/2" from face of Flange.; Executive Order # D-182-37 | | 80690 | 31545, 31372 | | D-182-37 | |
| GLC | | | | | | | | |
| 1985-83 | 1.5L L4 | Hatchback; Executive Order # D-182-65 | | | | 81101 | D-182-65 | |
| | | Sedan; Executive Order # D-182-65 | | | | 81101 | D-182-65 | |
| 1982-81 | 1.5L L4 | Executive Order # D-182-65 | | | | 81126 | D-182-65 | |
| 1980-79 | 1.4L L4 | Executive Order # D-182-65 | | | | 81101 | D-182-65 | |
| 1978-77 | 1.3L L4 | Executive Order # D-182-65 | | | | 81101 | D-182-65 | |
| Miata | | | | | | | | |
| 1995-94 | 1.8L L4 | Executive Order # D-182-65 | | | | 81127 | D-182-65 | |
| 1993-90 | 1.6L L4 | Executive Order # D-182-65 | | 81172 | 31388, 31537 | 81126 | D-182-65 | |
| Mizer | | | | | | | | |
| 1977-76 | 1.3L L4 | Executive Order # D-182-65 | | | | 81126 | D-182-65 | |
| MPV | | | | | | | | |
| 1995 | 3.0L V6 | Executive Order # D-182-37 | Front | | | 80607 | D-182-37 | |
| | | | Rear | | | 80707 | D-182-37 | |
| 1994 | 2.6L L4 | Executive Order # D-182-55 | | | | 80905 | D-182-55 | |
| | | | 3.0L V6 | Front | | | 80607 | D-182-37 |
| | | | | Rear | | | 80707 | D-182-37 |
| 1993-89 | 2.6L L4 | Executive Order # D-182-55 | | | | 80905 | D-182-55 | |
| | | | 3.0L V6 | | | 80905 | D-182-55 | |
| MX-3 | | | | | | | | |
| 1995 | 1.6L L4 | Executive Order # D-182-65 | | | | 81101 | D-182-65 | |
| 1994-92 | 1.6L L4 | Executive Order # D-182-65 | | | | 81101 | D-182-65 | |
| | 1.8L V6 | Executive Order # D-182-65 | | | | 81101 | D-182-65 | |
| MX-6 | | | | | | | | |
| 1995 | 2.0L L4 | Executive Order # D-182-39 | Front | | | 80401 | D-182-39 | |
| | | | Rear | | | 80256 | D-182-39 | |
| | | | 2.5L V6 | Executive Order # D-182-39 | Rear | | 80257 | D-182-39 |
| 1994 | 2.0L L4 | Automatic Trans.; Executive Order # D-182-65 | | | | 81126 | D-182-65 | |
| | | Standard Trans.; Executive Order # D-182-39 | Front | | | 80401 | D-182-39 | |
| | | | Rear | | | 80256 | D-182-39 | |
| 2.5L V6 | Executive Order # D-182-39 | Rear | | 80257 | D-182-39 | | | |
| 1993 | 2.0L L4 | Executive Order # D-182-65 | | | | 81126 | D-182-65 | |
| | 2.5L V6 | Executive Order # D-182-65 | | | | 81127 | D-182-65 | |
| 1992-88 | 2.2L L4 | Executive Order # D-182-65 | | | | 81126 | D-182-65 | |
| Navajo | | | | | | | | |
| 1994-91 | 4.0L V6 | Executive Order # D-182-37 | Front | | | 80608 | D-182-37 | |
| | | | Rear | | | 80708 | D-182-37 | |
| | | | Y-Pipe must be cut 1/2" from face of Flange.; Executive Order # D-182-37 | | 80690 | 31545, 31372 | | D-182-37 |

For vehicles licensed in the state of California or Maine, or vehicles requiring CARB-compliant converters in the state of New York, the parts in this catalog must be installed as specifically listed. Parts cannot be substituted, nor can they be installed on California or Maine licensed vehicles not listed in this catalog.

NON-OBDII PASSENGER CAR & TRUCK

| Years | Engine | Application | Position | Direct-Fit | | Universal Part No. | Executive Order |
|----------------------|---------|----------------------------|----------|------------|----------|--------------------|-----------------|
| | | | | Part No. | Hardware | | |
| MAZDA (Cont.) | | | | | | | |
| Protege | | | | | | | |
| 1994-90 | 1.8L L4 | Executive Order # D-182-65 | | | | 81126 | D-182-65 |
| RX-7 | | | | | | | |
| 1995-93 | 1.3L R2 | Executive Order # D-182-39 | Front | | | 80402 | D-182-39 |
| | | | Rear | | | 80257 | D-182-39 |
| 1991-86 | 1.3L R2 | Executive Order # D-182-39 | Center | | | 80257 | D-182-39 |
| | | | Front | | | 80402 | D-182-39 |
| 1985-81 | 1.1L R2 | Executive Order # D-182-65 | | | | 81121 | D-182-65 |
| MERCEDES-BENZ | | | | | | | |
| 190E | | | | | | | |
| 1993-91 | 2.3L L4 | Executive Order # D-182-65 | | | | 81122 | D-182-65 |
| | 2.6L L6 | Executive Order # D-182-65 | | | | 81133 | D-182-65 |
| 1990-87 | 2.6L L6 | Executive Order # D-182-65 | | | | 81133 | D-182-65 |
| 1984 | 2.3L L4 | Executive Order # D-182-65 | | | | 81128 | D-182-65 |
| 260E | | | | | | | |
| 1989-87 | 2.6L L6 | Executive Order # D-182-65 | | | | 81130 | D-182-65 |
| 280 | | | | | | | |
| 1976-75 | 2.8L L6 | Executive Order # D-182-65 | | | | 81133 | D-182-65 |
| 280C | | | | | | | |
| 1976-75 | 2.8L L6 | Executive Order # D-182-65 | | | | 81133 | D-182-65 |
| 280CE | | | | | | | |
| 1981 | 2.8L L6 | Executive Order # D-182-65 | | | | 81128 | D-182-65 |
| 1980 | 2.8L L6 | Executive Order # D-182-65 | | | | 81128 | D-182-65 |
| 280E | | | | | | | |
| 1981 | 2.8L L6 | Executive Order # D-182-65 | | | | 81128 | D-182-65 |
| 1980 | 2.8L L6 | Executive Order # D-182-65 | | | | 81128 | D-182-65 |
| 1979-77 | 2.8L L6 | Executive Order # D-182-65 | | | | 81133 | D-182-65 |
| 280S | | | | | | | |
| 1976-75 | 2.8L L6 | Executive Order # D-182-65 | | | | 81133 | D-182-65 |
| 280SE | | | | | | | |
| 1980 | 2.8L L6 | Executive Order # D-182-65 | | | | 81128 | D-182-65 |
| 300CE | | | | | | | |
| 1992-88 | 3.0L L6 | Executive Order # D-182-65 | | | | 81133 | D-182-65 |
| 300E | | | | | | | |
| 1993 | 2.8L L6 | Executive Order # D-182-65 | | | | 81133 | D-182-65 |
| | 3.0L L6 | Executive Order # D-182-65 | | | | 81133 | D-182-65 |
| 1992-90 | 2.6L L6 | Executive Order # D-182-65 | | | | 81133 | D-182-65 |
| | 3.0L L6 | Executive Order # D-182-65 | | | | 81133 | D-182-65 |
| 1989-86 | 3.0L L6 | Executive Order # D-182-65 | | | | 81133 | D-182-65 |
| 300SE | | | | | | | |
| 1991-88 | 3.0L L6 | Executive Order # D-182-65 | | | | 81133 | D-182-65 |

For vehicles licensed in the state of California or Maine, or vehicles requiring CARB-compliant converters in the state of New York, the parts in this catalog must be installed as specifically listed. Parts cannot be substituted, nor can they be installed on California or Maine licensed vehicles not listed in this catalog.

NON-OBDII PASSENGER CAR & TRUCK

| Years | Engine | Application | Position | Direct-Fit | | Universal Part No. | Executive Order |
|------------------------------|---------|----------------------------|-------------|------------|----------|--------------------|-----------------|
| | | | | Part No. | Hardware | | |
| MERCEDES-BENZ (Cont.) | | | | | | | |
| 300SEL | | | | | | | |
| 1991-88 | 3.0L L6 | Executive Order # D-182-65 | | | | 81133 | D-182-65 |
| 300SL | | | | | | | |
| 1993-90 | 3.0L L6 | Executive Order # D-182-65 | | | | 81133 | D-182-65 |
| 300TE | | | | | | | |
| 1993-88 | 3.0L L6 | Executive Order # D-182-65 | | | | 81133 | D-182-65 |
| 380SL | | | | | | | |
| 1985-81 | 3.8L V8 | Executive Order # D-182-39 | Front Left | | | 80401 | D-182-39 |
| | | | Front Right | | | 80401 | D-182-39 |
| | | | Rear | | | 80257 | D-182-39 |
| 380SLC | | | | | | | |
| 1981 | 3.8L V8 | Executive Order # D-182-39 | Front Left | | | 80401 | D-182-39 |
| | | | Front Right | | | 80401 | D-182-39 |
| | | | Rear | | | 80257 | D-182-39 |
| 400E | | | | | | | |
| 1993-92 | 4.2L V8 | Executive Order # D-182-65 | Left | | | 81127 | D-182-65 |
| | | | Right | | | 81127 | D-182-65 |
| 400SEL | | | | | | | |
| 1993 | 4.2L V8 | Executive Order # D-182-65 | Left | | | 81127 | D-182-65 |
| | | | Right | | | 81127 | D-182-65 |
| 420SEL | | | | | | | |
| 1991-86 | 4.2L V8 | Executive Order # D-182-65 | | | | 81133 | D-182-65 |
| 450SEL | | | | | | | |
| 1980 | 4.5L V8 | Executive Order # D-182-65 | Left | | | 81122 | D-182-65 |
| | | | Right | | | 81122 | D-182-65 |
| 1979-77 | 4.5L V8 | Executive Order # D-182-65 | Left | | | 81122 | D-182-65 |
| | | | Right | | | 81122 | D-182-65 |
| | 6.8L V8 | Executive Order # D-182-65 | | | | 81128 | D-182-65 |
| 1976-75 | 4.5L V8 | Executive Order # D-182-65 | Left | | | 81127 | D-182-65 |
| | | | Right | | | 81127 | D-182-65 |
| 450SL | | | | | | | |
| 1979-77 | 4.5L V8 | Executive Order # D-182-65 | | | | 81130 | D-182-65 |
| 500E | | | | | | | |
| 1993-92 | 5.0L V8 | Executive Order # D-182-65 | Left | | | 81127 | D-182-65 |
| | | | Right | | | 81127 | D-182-65 |
| 500SEC | | | | | | | |
| 1993 | 5.0L V8 | Executive Order # D-182-65 | Left | | | 81127 | D-182-65 |
| | | | Right | | | 81127 | D-182-65 |
| 1985-84 | 5.0L V8 | Executive Order # D-182-65 | | | | 81127 | D-182-65 |
| 500SEL | | | | | | | |
| 1993-92 | 5.0L V8 | Executive Order # D-182-65 | Left | | | 81127 | D-182-65 |
| | | | Right | | | 81127 | D-182-65 |
| 1985-84 | 5.0L V8 | Executive Order # D-182-65 | | | | 81127 | D-182-65 |

For vehicles licensed in the state of California or Maine, or vehicles requiring CARB-compliant converters in the state of New York, the parts in this catalog must be installed as specifically listed. Parts cannot be substituted, nor can they be installed on California or Maine licensed vehicles not listed in this catalog.

NON-OBDII PASSENGER CAR & TRUCK

| Years | Engine | Application | Position | Direct-Fit | | Universal Part No. | Executive Order |
|------------------------------|----------|--|-------------|------------|----------|--------------------|-----------------|
| | | | | Part No. | Hardware | | |
| MERCEDES-BENZ (Cont.) | | | | | | | |
| 500SL | | | | | | | |
| 1993-90 | 5.0L V8 | Executive Order # D-182-65 | | | | 81133 | D-182-65 |
| 560SEC | | | | | | | |
| 1991-86 | 5.6L V8 | Executive Order # D-182-65 | | | | 81133 | D-182-65 |
| 560SEL | | | | | | | |
| 1991-86 | 5.6L V8 | Executive Order # D-182-65 | | | | 81133 | D-182-65 |
| E320 | | | | | | | |
| 1995-94 | 3.2L L6 | Executive Order # D-182-65 | | | | 81130 | D-182-65 |
| E420 | | | | | | | |
| 1995-94 | 4.2L V8 | Executive Order # D-182-65 | | | | 81127 | D-182-65 |
| E500 | | | | | | | |
| 1994 | 5.0L V8 | Executive Order # D-182-65 | Left | | | 81127 | D-182-65 |
| | | | Right | | | 81127 | D-182-65 |
| S420 | | | | | | | |
| 1995 | 4.2L V8 | Executive Order # D-182-65 | Left | | | 81102 | D-182-65 |
| | | | Right | | | 81102 | D-182-65 |
| S500 | | | | | | | |
| 1995 | 5.0L V8 | Executive Order # D-182-65 | Left | | | 81102 | D-182-65 |
| | | | Right | | | 81102 | D-182-65 |
| SL500 | | | | | | | |
| 1995-94 | 5.0L V8 | Executive Order # D-182-65 | | | | 81130 | D-182-65 |
| SL600 | | | | | | | |
| 1995 | 6.0L V12 | Executive Order # D-182-65 | Left | | | 81128 | D-182-65 |
| | | | Right | | | 81128 | D-182-65 |
| MERCURY | | | | | | | |
| Bobcat | | | | | | | |
| 1980 | 2.3L L4 | w/ Air Tube; Executive Order # D-182-65 | | | | 81121 | D-182-65 |
| 1979 | 2.3L L4 | Executive Order # D-182-65 | | | | 81121 | D-182-65 |
| | 2.8L V6 | Executive Order # D-182-65 | | | | 81126 | D-182-65 |
| 1978 | 2.3L L4 | w/ Air Tube; Executive Order # D-182-65 | | | | 81121 | D-182-65 |
| | 2.8L V6 | w/o Air Tube; Executive Order # D-182-65 | | | | 81126 | D-182-65 |
| 1977-75 | 2.3L L4 | Executive Order # D-182-65 | | | | 81126 | D-182-65 |
| | 2.8L V6 | Executive Order # D-182-65 | | | | 81126 | D-182-65 |
| Capri | | | | | | | |
| 1993-91 | 1.6L L4 | Executive Order # D-182-65 | | | | 81122 | D-182-65 |
| 1986-85 | 2.3L L4 | w/ Air Tube; Executive Order # D-182-65 | | | | 81121 | D-182-65 |
| | 3.8L V6 | Executive Order # D-182-39 | Front Left | | | 80401 | D-182-39 |
| | | | Front Right | | | 80401 | D-182-39 |
| | | | Rear | | | 80257 | D-182-39 |
| 1984 | 2.3L L4 | Naturally Aspirated; w/ Air Tube; Executive Order # D-182-65 | | | | 81121 | D-182-65 |
| | | Turbocharged; Executive Order # D-182-65 | | | | 81127 | D-182-65 |
| | 3.8L V6 | Executive Order # D-182-39 | Front Left | | | 80401 | D-182-39 |

For vehicles licensed in the state of California or Maine, or vehicles requiring CARB-compliant converters in the state of New York, the parts in this catalog must be installed as specifically listed. Parts cannot be substituted, nor can they be installed on California or Maine licensed vehicles not listed in this catalog.

NON-OBDI PASSENGER CAR & TRUCK

| Years | Engine | Application | Position | Direct-Fit | | Universal Part No. | Executive Order |
|------------------------|---------|--|--------------|------------|----------|--------------------|-----------------|
| | | | | Part No. | Hardware | | |
| MERCURY (Cont.) | | | | | | | |
| Capri (Cont.) | | | | | | | |
| 1984 (Cont.) | 3.8L V6 | Executive Order # D-182-39 | Front Right | | | 80401 | D-182-39 |
| | | | Rear | | | 80257 | D-182-39 |
| 1983 | 2.3L L4 | Naturally Aspirated; w/ Air Tube; Executive Order # D-182-65 | | | | 81121 | D-182-65 |
| | | Turbocharged; Executive Order # D-182-65 | | | | 81127 | D-182-65 |
| 1982-81 | 2.3L L4 | w/ Air Tube; Executive Order # D-182-65 | | | | 81121 | D-182-65 |
| | 3.3L L6 | Executive Order # D-182-39 | Rear | | | 80257 | D-182-39 |
| 1980 | 2.3L L4 | w/ Air Tube; Executive Order # D-182-65 | | | | 81121 | D-182-65 |
| | 3.3L L6 | Executive Order # D-182-39 | Rear | | | 80257 | D-182-39 |
| | 4.2L V8 | Executive Order # D-182-39 | Front Left | | | 80402 | D-182-39 |
| | | | Front Right | | | 80402 | D-182-39 |
| Rear | | | 80257 | D-182-39 | | | |
| 1979 | 2.3L L4 | Naturally Aspirated; Executive Order # D-182-65 | | | | 81126 | D-182-65 |
| | 3.3L L6 | Executive Order # D-182-39 | Rear | | | 80257 | D-182-39 |
| 1977 | 2.8L V6 | Executive Order # D-182-65 | | | | 81127 | D-182-65 |
| 1976 | 2.8L V6 | Executive Order # D-182-65 | Left | | | 81127 | D-182-65 |
| | | | Right | | | 81127 | D-182-65 |

Comet

| | | | | | | | |
|---------|---------|----------------------------|--|--|--|--------------|----------|
| 1977 | 3.3L L6 | Executive Order # D-182-65 | | | | 81126 | D-182-65 |
| | 4.1L L6 | Executive Order # D-182-65 | | | | 81126 | D-182-65 |
| | 5.0L V8 | Executive Order # D-182-65 | | | | 81126 | D-182-65 |
| 1976-75 | 3.3L L6 | Executive Order # D-182-65 | | | | 81127 | D-182-65 |
| | 4.1L L6 | Executive Order # D-182-65 | | | | 81127 | D-182-65 |
| | 5.0L V8 | Executive Order # D-182-65 | | | | 81127 | D-182-65 |

Cougar

| | | | | | | | |
|---------|---------|--|--------------|----------|--|--------------|----------|
| 1995 | 3.8L V6 | Executive Order # D-182-65 | Left | | | 81126 | D-182-65 |
| | | | Right | | | 81126 | D-182-65 |
| 1994 | 3.8L V6 | Executive Order # D-182-65 | Left | | | 81126 | D-182-65 |
| | | | Right | | | 81126 | D-182-65 |
| 1993-92 | 3.8L V6 | Executive Order # D-182-65 | Left | | | 81126 | D-182-65 |
| | | | Right | | | 81126 | D-182-65 |
| | 5.0L V8 | Executive Order # D-182-39 | Front Left | | | 80401 | D-182-39 |
| | | | Front Right | | | 80401 | D-182-39 |
| | | | Rear | | | 80262 | D-182-39 |
| 1991 | 3.8L V6 | If oxygen sensor not used, Plug 35299 is required.; Executive Order # D-182-65 | Left | | | 81111 | D-182-65 |
| | | | Right | | | 81111 | D-182-65 |
| | 5.0L V8 | Executive Order # D-182-39 | Front Left | | | 80401 | D-182-39 |
| | | | Front Right | | | 80401 | D-182-39 |
| Rear | | | 80262 | D-182-39 | | | |
| 1988-87 | 3.8L V6 | Executive Order # D-182-39 | Front Left | | | 80402 | D-182-39 |
| | | | Front Right | | | 80402 | D-182-39 |
| | | | Rear | | | 80257 | D-182-39 |
| | 5.0L V8 | Executive Order # D-182-39 | Front Left | | | 80402 | D-182-39 |
| | | | Front Right | | | 80402 | D-182-39 |
| | | | Rear | | | 80257 | D-182-39 |

For vehicles licensed in the state of California or Maine, or vehicles requiring CARB-compliant converters in the state of New York, the parts in this catalog must be installed as specifically listed. Parts cannot be substituted, nor can they be installed on California or Maine licensed vehicles not listed in this catalog.

NON-OBDII PASSENGER CAR & TRUCK

| Years | Engine | Application | Position | Direct-Fit | | Universal Part No. | Executive Order |
|------------------------|---------|----------------------------|-------------|------------|--------------|--------------------|-----------------|
| | | | | Part No. | Hardware | | |
| MERCURY (Cont.) | | | | | | | |
| Cougar (Cont.) | | | | | | | |
| 1986 | 2.3L L4 | Executive Order # D-182-65 | | | | 81127 | D-182-65 |
| | | | Front Left | | | 80402 | D-182-39 |
| | 3.8L V6 | Executive Order # D-182-39 | Front Right | | | 80402 | D-182-39 |
| | | | Rear | | | 80257 | D-182-39 |
| | | | Front Left | | | 80402 | D-182-39 |
| | 5.0L V8 | Executive Order # D-182-39 | Front Right | | | 80402 | D-182-39 |
| Rear | | | | | 80257 | D-182-39 | |
| | | | | | | | |
| 1985-84 | 2.3L L4 | Executive Order # D-182-65 | | | | 81127 | D-182-65 |
| | | | Front Left | | | 80402 | D-182-39 |
| | 3.8L V6 | Executive Order # D-182-39 | Front Right | | | 80402 | D-182-39 |
| | | | Rear | | | 80257 | D-182-39 |
| | | | Left | | | 81121 | D-182-65 |
| | 5.0L V8 | Executive Order # D-182-65 | Right | | | 81121 | D-182-65 |
| | | | | | | | |
| 1983 | 5.0L V8 | Executive Order # D-182-65 | Left | | | 81121 | D-182-65 |
| | | | Right | | | 81121 | D-182-65 |
| 1982-81 | 3.3L L6 | Executive Order # D-182-39 | Rear | | | 80257 | D-182-39 |
| 1980 | 3.3L L6 | Executive Order # D-182-39 | Rear | | | 80257 | D-182-39 |
| | | | | | | | |
| | 4.2L V8 | Executive Order # D-182-39 | Front Left | | | 80402 | D-182-39 |
| | | | Front Right | | | 80402 | D-182-39 |
| | | | Rear | | | 80257 | D-182-39 |
| | 5.0L V8 | Executive Order # D-182-39 | Front Left | | | 80402 | D-182-39 |
| Front Right | | | | | 80402 | D-182-39 | |
| Rear | | | | | 80257 | D-182-39 | |
| 1979-77 | 5.0L V8 | Executive Order # D-182-65 | Left | | | 81102 | D-182-65 |
| | | | Right | | | 81102 | D-182-65 |
| | 5.8L V8 | Executive Order # D-182-65 | Left | | | 81102 | D-182-65 |
| | | | Right | | | 81102 | D-182-65 |
| | | | | | | | |
| | | | | | | | |
| 1976-75 | 5.8L V8 | Executive Order # D-182-65 | Left | | | 81102 | D-182-65 |
| | | | Right | | | 81102 | D-182-65 |

Grand Marquis

| | | | | | | | |
|---------|---------|----------------------------|-------------|--|--|--------------|----------|
| 1994-92 | 4.6L V8 | Executive Order # D-182-39 | Front Left | | | 80401 | D-182-39 |
| | | | Front Right | | | 80401 | D-182-39 |
| | | | Rear Left | | | 80257 | D-182-39 |
| | | | Rear Right | | | 80257 | D-182-39 |
| 1991-86 | 5.0L V8 | Executive Order # D-182-39 | Front Left | | | 80401 | D-182-39 |
| | | | Front Right | | | 80401 | D-182-39 |
| | | | Rear Left | | | 80256 | D-182-39 |
| | | | Rear Right | | | 80256 | D-182-39 |
| 1985-83 | 5.0L V8 | Executive Order # D-182-65 | Left | | | 81121 | D-182-65 |
| | | | Right | | | 81121 | D-182-65 |

LN7

| | | | | | | | |
|------|---------|---|--|--|--|--------------|----------|
| 1983 | 1.6L L4 | w/ Air Tube; Executive Order # D-182-65 | | | | 81121 | D-182-65 |
| 1982 | 1.6L L4 | Executive Order # D-182-65 | | | | 81126 | D-182-65 |

Lynx

| | | | | | | | |
|------|---------|---|--|--|--|--------------|----------|
| 1987 | 1.9L L4 | w/ Air Tube; Executive Order # D-182-65 | | | | 81131 | D-182-65 |
|------|---------|---|--|--|--|--------------|----------|

For vehicles licensed in the state of California or Maine, or vehicles requiring CARB-compliant converters in the state of New York, the parts in this catalog must be installed as specifically listed. Parts cannot be substituted, nor can they be installed on California or Maine licensed vehicles not listed in this catalog.

NON-OBDI PASSENGER CAR & TRUCK

| Years | Engine | Application | Position | Direct-Fit | | Universal Part No. | Executive Order |
|------------------------|---------|--|-------------|------------|--------------|--------------------|-----------------|
| | | | | Part No. | Hardware | | |
| MERCURY (Cont.) | | | | | | | |
| Lynx (Cont.) | | | | | | | |
| 1987 (Cont.) | 1.9L L4 | w/o Air Tube; Executive Order # D-182-65 | | | | 81126 | D-182-65 |
| 1986 | 1.9L L4 | 2BBL; Executive Order # D-182-65 | | | | 81121 | D-182-65 |
| | | FI; Executive Order # D-182-65 | | | | 81131 | D-182-65 |
| 1985 | 1.6L L4 | w/ Air Tube; Executive Order # D-182-65 | | | | 81121 | D-182-65 |
| | 1.9L L4 | Executive Order # D-182-65 | | | | 81121 | D-182-65 |
| 1984-83 | 1.6L L4 | w/ Air Tube; Executive Order # D-182-65 | | | | 81121 | D-182-65 |
| 1982-81 | 1.6L L4 | Executive Order # D-182-65 | | | | 81121 | D-182-65 |
| Marquis | | | | | | | |
| 1986-84 | 2.3L L4 | w/ Air Tube; Executive Order # D-182-65 | | | | 81121 | D-182-65 |
| | 3.8L V6 | Executive Order # D-182-39 | Front Left | | | 80402 | D-182-39 |
| | | | Front Right | | | 80402 | D-182-39 |
| | | | Rear | | | 80257 | D-182-39 |
| 1983 | 2.3L L4 | w/ Air Tube; Executive Order # D-182-65 | | | | 81121 | D-182-65 |
| | 3.3L L6 | Executive Order # D-182-39 | Rear | | | 80257 | D-182-39 |
| 1981 | 4.2L V8 | Executive Order # D-182-65 | Left | | | 81121 | D-182-65 |
| | | | Right | | | 81121 | D-182-65 |
| | 5.0L V8 | Executive Order # D-182-65 | Left | | | 81121 | D-182-65 |
| | | | Right | | | 81121 | D-182-65 |
| | 5.8L V8 | Executive Order # D-182-65 | Left | | | 81121 | D-182-65 |
| | | | Right | | | 81121 | D-182-65 |
| 1980 | 5.0L V8 | w/ Air Tube; Executive Order # D-182-65 | Left | | | 81121 | D-182-65 |
| | | | Right | | | 81121 | D-182-65 |
| | | w/o Air Tube; Executive Order # D-182-65 | Left | | | 81126 | D-182-65 |
| | | | Right | | | 81126 | D-182-65 |
| | 5.8L V8 | w/o Air Tube; Executive Order # D-182-65 | Left | | | 81126 | D-182-65 |
| | | | Right | | | 81126 | D-182-65 |
| 1979 | 5.0L V8 | w/o Air Tube; Executive Order # D-182-65 | Left | | | 81126 | D-182-65 |
| | | | Right | | | 81126 | D-182-65 |
| | 5.8L V8 | w/o Air Tube; Executive Order # D-182-65 | Left | | | 81126 | D-182-65 |
| | | | Right | | | 81126 | D-182-65 |
| 1978 | 5.8L V8 | Executive Order # D-182-65 | Left | | | 81102 | D-182-65 |
| | | | Right | | | 81102 | D-182-65 |
| Monarch | | | | | | | |
| 1980 | 4.1L L6 | Executive Order # D-182-65 | | | | 81126 | D-182-65 |
| | 4.2L V8 | Executive Order # D-182-39 | Front Left | | | 80402 | D-182-39 |
| | | | Front Right | | | 80402 | D-182-39 |
| | | | Rear | | | 80257 | D-182-39 |
| | 5.0L V8 | Executive Order # D-182-39 | Front Left | | | 80402 | D-182-39 |
| | | | Front Right | | | 80402 | D-182-39 |
| Rear | | | | | 80257 | D-182-39 | |
| 1979-78 | 4.1L L6 | Executive Order # D-182-65 | | | | 81126 | D-182-65 |
| | 5.0L V8 | Executive Order # D-182-65 | | | | 81126 | D-182-65 |
| 1977 | 3.3L L6 | Executive Order # D-182-65 | | | | 81126 | D-182-65 |
| | 4.1L L6 | Executive Order # D-182-65 | | | | 81126 | D-182-65 |

For vehicles licensed in the state of California or Maine, or vehicles requiring CARB-compliant converters in the state of New York, the parts in this catalog must be installed as specifically listed. Parts cannot be substituted, nor can they be installed on California or Maine licensed vehicles not listed in this catalog.

NON-OBDDII PASSENGER CAR & TRUCK

| Years | Engine | Application | Position | Direct-Fit | | Universal Part No. | Executive Order |
|------------------------|---------|---|-------------|--------------|--------------|--------------------|-----------------|
| | | | | Part No. | Hardware | | |
| MERCURY (Cont.) | | | | | | | |
| Monarch (Cont.) | | | | | | | |
| 1977 (Cont.) | 5.0L V8 | Executive Order # D-182-65 | | | | 81126 | D-182-65 |
| | 5.8L V8 | Executive Order # D-182-65 | | | | 81126 | D-182-65 |
| 1976-75 | 3.3L L6 | Executive Order # D-182-65 | | | | 81127 | D-182-65 |
| | 4.1L L6 | Executive Order # D-182-65 | | | | 81127 | D-182-65 |
| | 5.0L V8 | Executive Order # D-182-65 | | | | 81127 | D-182-65 |
| | 5.8L V8 | Executive Order # D-182-65 | | | | 81127 | D-182-65 |
| Montego | | | | | | | |
| 1976-75 | 5.8L V8 | Executive Order # D-182-65 | Left | | | 81102 | D-182-65 |
| | | | Right | | | 81102 | D-182-65 |
| Sable | | | | | | | |
| 1995-94 | 3.0L V6 | Executive Order # D-182-65 | Left | | | 81126 | D-182-65 |
| | | | Right | | | 81126 | D-182-65 |
| | 3.8L V6 | Executive Order # D-182-65 | | 81149 | 31532 | | D-182-65 |
| | | | Left | | | 81126 | D-182-65 |
| 1993 | 3.8L V6 | Executive Order # D-182-65 | Right | | | 81126 | D-182-65 |
| | | | | 81149 | 31532 | | D-182-65 |
| 1992-91 | 3.0L V6 | Executive Order # D-182-65 | Left | | | 81126 | D-182-65 |
| | | | Right | | | 81126 | D-182-65 |
| 1990-88 | 3.0L V6 | Executive Order # D-182-65 | | 81153 | 31372 | | D-182-65 |
| | | | | 81149 | 31532 | | D-182-65 |
| | 3.8L V6 | Executive Order # D-182-39 | Left | | | 81126 | D-182-65 |
| | | | Right | | | 81126 | D-182-65 |
| 1987 | 3.0L V6 | Executive Order # D-182-65 | Front Left | | | 80401 | D-182-39 |
| | | | Front Right | | | 80401 | D-182-39 |
| | | | Rear | | | 80256 | D-182-39 |
| 1986 | 2.5L L4 | w/ Air Tube; Executive Order # D-182-65 | | | | 81131 | D-182-65 |
| | 3.0L V6 | Executive Order # D-182-65 | | | | 81153 | D-182-65 |
| Topaz | | | | | | | |
| 1994-92 | 2.3L L4 | Executive Order # D-182-65 | | | | 81131 | D-182-65 |
| | 3.0L V6 | Executive Order # D-182-65 | | | | 81126 | D-182-65 |
| 1991-85 | 2.3L L4 | Executive Order # D-182-65 | | | | 81131 | D-182-65 |
| 1984 | 2.3L L4 | w/ Air Tube; Executive Order # D-182-65 | | | | 81121 | D-182-65 |
| Tracer | | | | | | | |
| 1995-91 | 1.8L L4 | Executive Order # D-182-65 | | | | 81126 | D-182-65 |
| | 1.9L L4 | Executive Order # D-182-65 | | | 81152 | 31534 | 81126 |
| 1989-87 | 1.6L L4 | Executive Order # D-182-65 | | | | 81126 | D-182-65 |
| Villager | | | | | | | |
| 1995-94 | 3.0L V6 | Executive Order # D-182-37 | Front | | | 80616 | D-182-37 |
| | | | Rear | | | 80707 | D-182-37 |
| 1993 | 3.0L V6 | Executive Order # D-182-55 | | | | 80905 | D-182-55 |
| Zephyr | | | | | | | |
| 1983 | 2.3L L4 | w/ Air Tube; Executive Order # D-182-65 | | | | 81121 | D-182-65 |

For vehicles licensed in the state of California or Maine, or vehicles requiring CARB-compliant converters in the state of New York, the parts in this catalog must be installed as specifically listed. Parts cannot be substituted, nor can they be installed on California or Maine licensed vehicles not listed in this catalog.

OBDDII APPLICATIONS

NON-OBDDII APPLICATIONS

NUMERICAL

UNIVERSAL SPECIFICATIONS

NON-OBDII PASSENGER CAR & TRUCK

| Years | Engine | Application | Position | Direct-Fit | | Universal Part No. | Executive Order |
|------------------------|---------|---|--------------|------------|----------|--------------------|-----------------|
| | | | | Part No. | Hardware | | |
| MERCURY (Cont.) | | | | | | | |
| Zephyr (Cont.) | | | | | | | |
| 1983 (Cont.) | 3.3L L6 | Executive Order # D-182-39 | Rear | | | 80257 | D-182-39 |
| 1982-81 | 2.3L L4 | Executive Order # D-182-65 | | | | 81121 | D-182-65 |
| | 3.3L L6 | Executive Order # D-182-39 | Rear | | | 80257 | D-182-39 |
| 1980 | 2.3L L4 | w/ Air Tube; Executive Order # D-182-65 | | | | 81121 | D-182-65 |
| | 3.3L L6 | Executive Order # D-182-39 | Rear | | | 80257 | D-182-39 |
| | 4.2L V8 | Executive Order # D-182-39 | Front Left | | | 80402 | D-182-39 |
| | | | Front Right | | | 80402 | D-182-39 |
| Rear | | | 80257 | D-182-39 | | | |
| 1979-78 | 2.3L L4 | Executive Order # D-182-65 | | | | 81126 | D-182-65 |
| | 3.3L L6 | Executive Order # D-182-39 | Rear | | | 80257 | D-182-39 |
| | 5.0L V8 | Executive Order # D-182-65 | | | | 81126 | D-182-65 |
| MERKUR | | | | | | | |
| Scorpio | | | | | | | |
| 1989-88 | 2.9L V6 | Executive Order # D-182-65 | | | | 81127 | D-182-65 |
| MG | | | | | | | |
| MGB | | | | | | | |
| 1980-75 | 1.8L L4 | Executive Order # D-182-65 | | | | 81126 | D-182-65 |
| Midget | | | | | | | |
| 1979 | 1.5L L4 | Executive Order # D-182-65 | | | | 81101 | D-182-65 |
| MITSUBISHI | | | | | | | |
| 3000GT | | | | | | | |
| 1995-94 | 3.0L V6 | Executive Order # D-182-39 | Rear | | | 80257 | D-182-39 |
| 1993-91 | 3.0L V6 | Naturally Aspirated; Executive Order # D-182-65 | Rear | | | 81127 | D-182-65 |
| | | Turbocharged; Executive Order # D-182-39 | Rear | | | 80257 | D-182-39 |
| Cordia | | | | | | | |
| 1988-84 | 2.0L L4 | Executive Order # D-182-39 | Rear | | | 80256 | D-182-39 |
| 1983 | 1.8L L4 | Executive Order # D-182-39 | Rear | | | 80256 | D-182-39 |
| Diamante | | | | | | | |
| 1994 | 3.0L V6 | Sedan; Executive Order # D-182-65 | | | | 81126 | D-182-65 |
| | | Wagon; Executive Order # D-182-65 | | | | 81127 | D-182-65 |
| 1993-92 | 3.0L V6 | Executive Order # D-182-65 | | | | 81126 | D-182-65 |
| Eclipse | | | | | | | |
| 1994-90 | 1.8L L4 | Executive Order # D-182-65 | | | | 81126 | D-182-65 |
| | 2.0L L4 | Executive Order # D-182-65 | | | | 81126 | D-182-65 |
| Expo | | | | | | | |
| 1995-92 | 2.4L L4 | Executive Order # D-182-65 | | | | 81127 | D-182-65 |
| Expo LRV | | | | | | | |
| 1994-93 | 1.8L L4 | Executive Order # D-182-65 | | | | 81127 | D-182-65 |
| | 2.4L L4 | Executive Order # D-182-65 | | | | 81127 | D-182-65 |
| 1992 | 1.8L L4 | Executive Order # D-182-65 | | | | 81127 | D-182-65 |

For vehicles licensed in the state of California or Maine, or vehicles requiring CARB-compliant converters in the state of New York, the parts in this catalog must be installed as specifically listed. Parts cannot be substituted, nor can they be installed on California or Maine licensed vehicles not listed in this catalog.

NON-OBDDII PASSENGER CAR & TRUCK

| Years | Engine | Application | Position | Direct-Fit | | Universal Part No. | Executive Order |
|---------------------------|---------|---|-------------|------------|----------|--------------------|-----------------|
| | | | | Part No. | Hardware | | |
| MITSUBISHI (Cont.) | | | | | | | |
| Galant | | | | | | | |
| 1995 | 2.4L L4 | Executive Order # D-182-39 | Front | | | 80402 | D-182-39 |
| 1994 | 2.4L L4 | Executive Order # D-182-39 | Rear | | | 80257 | D-182-39 |
| 1993-89 | 2.0L L4 | Executive Order # D-182-65 | | | | 81126 | D-182-65 |
| 1988 | 3.0L V6 | Executive Order # D-182-65 | | | | 81126 | D-182-65 |
| 1987-85 | 2.4L L4 | Executive Order # D-182-65 | | | | 81126 | D-182-65 |
| Mighty Max | | | | | | | |
| 1995 | 2.4L L4 | Executive Order # D-182-55 | | | | 80904 | D-182-55 |
| 1994-90 | 2.4L L4 | Executive Order # D-182-55 | | | | 80904 | D-182-55 |
| | 3.0L V6 | Executive Order # D-182-55 | | | | 80904 | D-182-55 |
| 1989-87 | 2.0L L4 | Executive Order # D-182-55 | | | | 80904 | D-182-55 |
| | 2.6L L4 | Executive Order # D-182-55 | | | | 80904 | D-182-55 |
| 1986-85 | 2.0L L4 | Executive Order # D-182-37 | Rear | | | 80706 | D-182-37 |
| | 2.6L L4 | Executive Order # D-182-37 | Rear | | | 80706 | D-182-37 |
| Mirage | | | | | | | |
| 1995 | 1.5L L4 | Executive Order # D-182-65 | | | | 81102 | D-182-65 |
| 1994-93 | 1.5L L4 | Executive Order # D-182-65 | | | | 81102 | D-182-65 |
| | 1.8L L4 | Executive Order # D-182-65 | | | | 81102 | D-182-65 |
| 1992-91 | 1.5L L4 | Executive Order # D-182-65 | | | | 81126 | D-182-65 |
| | 1.6L L4 | Executive Order # D-182-65 | | | | 81126 | D-182-65 |
| 1990 | 1.5L L4 | Executive Order # D-182-65 | | | | 81126 | D-182-65 |
| 1989 | 1.5L L4 | Executive Order # D-182-65 | | | | 81126 | D-182-65 |
| | 1.6L L4 | Executive Order # D-182-65 | | | | 81126 | D-182-65 |
| 1988-87 | 1.5L L4 | Executive Order # D-182-65 | | | | 81126 | D-182-65 |
| | 1.6L L4 | Turbo Model; Executive Order # D-182-65 | | | | 81126 | D-182-65 |
| 1986-85 | 1.5L L4 | Executive Order # D-182-39 | Rear | | | 80256 | D-182-39 |
| | 1.6L L4 | Turbo Model; Executive Order # D-182-39 | Rear | | | 80256 | D-182-39 |
| Montero | | | | | | | |
| 1995 | 3.0L V6 | Executive Order # D-182-37 | Front Left | | | 80616 | D-182-37 |
| | | | Front Right | | | 80616 | D-182-37 |
| | | | Rear | | | 80706 | D-182-37 |
| 1994 | 3.0L V6 | Executive Order # D-182-55 | | | | 80904 | D-182-55 |
| | 3.5L V6 | Executive Order # D-182-55 | | | | 80904 | D-182-55 |
| 1993-90 | 3.0L V6 | Executive Order # D-182-55 | | | | 80904 | D-182-55 |
| 1989 | 2.6L L4 | Executive Order # D-182-55 | | | | 80904 | D-182-55 |
| | 3.0L V6 | Executive Order # D-182-55 | | | | 80904 | D-182-55 |
| 1988-83 | 2.6L L4 | Executive Order # D-182-55 | | | | 80904 | D-182-55 |
| Precis | | | | | | | |
| 1994-90 | 1.5L L4 | Executive Order # D-182-65 | | | | 81126 | D-182-65 |
| 1989-87 | 1.5L L4 | Executive Order # D-182-39 | Rear | | | 80256 | D-182-39 |
| Sigma | | | | | | | |
| 1990-89 | 3.0L V6 | Executive Order # D-182-65 | | | | 81126 | D-182-65 |
| Starion | | | | | | | |
| 1989-83 | 2.6L L4 | Executive Order # D-182-39 | Front | | | 80401 | D-182-39 |
| | | | Rear | | | 80256 | D-182-39 |

For vehicles licensed in the state of California or Maine, or vehicles requiring CARB-compliant converters in the state of New York, the parts in this catalog must be installed as specifically listed. Parts cannot be substituted, nor can they be installed on California or Maine licensed vehicles not listed in this catalog.

NON-OBDI PASSENGER CAR & TRUCK

| Years | Engine | Application | Position | Direct-Fit | | Universal Part No. | Executive Order |
|---------------------------|---------|---|----------|--------------|--------------|--------------------|-----------------|
| | | | | Part No. | Hardware | | |
| MITSUBISHI (Cont.) | | | | | | | |
| Tredia | | | | | | | |
| 1988-84 | 1.8L L4 | Turbo Model; Executive Order # D-182-39 | Rear | | | 80256 | D-182-39 |
| | 2.0L L4 | Executive Order # D-182-39 | Rear | | | 80256 | D-182-39 |
| 1983 | 1.8L L4 | Executive Order # D-182-39 | Rear | | | 80256 | D-182-39 |
| Van | | | | | | | |
| 1990-87 | 2.4L L4 | Executive Order # D-182-55 | | | | 80904 | D-182-55 |
| NISSAN | | | | | | | |
| 200SX | | | | | | | |
| 1988-87 | 2.0L L4 | Executive Order # D-182-65 | | | | 81128 | D-182-65 |
| | 3.0L V6 | Executive Order # D-182-65 | | | | 81128 | D-182-65 |
| 1986 | 1.8L L4 | Executive Order # D-182-65 | | | | 81128 | D-182-65 |
| | 2.0L L4 | Executive Order # D-182-65 | | | | 81128 | D-182-65 |
| 1985-84 | 1.8L L4 | Executive Order # D-182-65 | | | | 81127 | D-182-65 |
| | 2.0L L4 | Executive Order # D-182-65 | | | | 81127 | D-182-65 |
| 1983-82 | 2.2L L4 | Executive Order # D-182-65 | | | | 81127 | D-182-65 |
| 1981-77 | 2.0L L4 | Executive Order # D-182-65 | | | | 81127 | D-182-65 |
| 210 | | | | | | | |
| 1982-80 | 1.2L L4 | Executive Order # D-182-65 | | | | 81127 | D-182-65 |
| | 1.4L L4 | Executive Order # D-182-65 | | | | 81127 | D-182-65 |
| | 1.5L L4 | Executive Order # D-182-65 | | | | 81127 | D-182-65 |
| 1979 | 1.4L L4 | Executive Order # D-182-65 | | | | 81127 | D-182-65 |
| | 1.5L L4 | Executive Order # D-182-65 | | | | 81127 | D-182-65 |
| 240SX | | | | | | | |
| 1994-93 | 2.4L L4 | Executive Order # D-182-65 | | | | 81127 | D-182-65 |
| 1992 | 2.4L L4 | Convertible; Executive Order # D-182-65 | | | | 81127 | D-182-65 |
| | | Coupe; Executive Order # D-182-65 | | | | 81128 | D-182-65 |
| | | Executive Order # D-182-65 | | 81170 | 31354, 31350 | | D-182-65 |
| | | Hatchback; Executive Order # D-182-65 | | | | 81128 | D-182-65 |
| 1991-89 | 2.4L L4 | Executive Order # D-182-65 | | 81170 | 31354, 31350 | 81128 | D-182-65 |
| 280Z | | | | | | | |
| 1978-75 | 2.8L L6 | Executive Order # D-182-65 | | | | 81127 | D-182-65 |
| 280ZX | | | | | | | |
| 1980-79 | 2.8L L6 | Executive Order # D-182-65 | | | | 81127 | D-182-65 |
| 300ZX | | | | | | | |
| 1995-90 | 3.0L V6 | Executive Order # D-182-65 | Left | | | 81102 | D-182-65 |
| | | | Right | | | 81102 | D-182-65 |
| 1989-84 | 3.0L V6 | Executive Order # D-182-65 | | | | 81128 | D-182-65 |
| 310 | | | | | | | |
| 1982-81 | 1.5L L4 | Executive Order # D-182-65 | | | | 81127 | D-182-65 |
| 1980-79 | 1.4L L4 | Executive Order # D-182-65 | | | | 81127 | D-182-65 |
| 510 | | | | | | | |
| 1981-79 | 2.0L L4 | Executive Order # D-182-65 | | | | 81127 | D-182-65 |
| 1978 | 2.0L L4 | Executive Order # D-182-65 | | | | 81126 | D-182-65 |

For vehicles licensed in the state of California or Maine, or vehicles requiring CARB-compliant converters in the state of New York, the parts in this catalog must be installed as specifically listed. Parts cannot be substituted, nor can they be installed on California or Maine licensed vehicles not listed in this catalog.

NON-OBDII PASSENGER CAR & TRUCK

| Years | Engine | Application | Position | Direct-Fit | | Universal Part No. | Executive Order |
|-----------------------|---------|---|----------|------------|-----------|--------------------|-----------------|
| | | | | Part No. | Hardware | | |
| NISSAN (Cont.) | | | | | | | |
| 610 | | | | | | | |
| 1976-75 | 2.0L L4 | Executive Order # D-182-65 | | | | 81126 | D-182-65 |
| 710 | | | | | | | |
| 1977-75 | 2.0L L4 | Executive Order # D-182-65 | | | | 81126 | D-182-65 |
| 720 | | | | | | | |
| 1986 | 2.4L L4 | Executive Order # D-182-55 | | | | 80901 | D-182-55 |
| 1985-84 | 2.4L L4 | Executive Order # D-182-55 | | | | 80905 | D-182-55 |
| 1983 | 2.2L L4 | Executive Order # D-182-55 | | | | 80905 | D-182-55 |
| | 2.4L L4 | Executive Order # D-182-55 | | | | 80905 | D-182-55 |
| 1982 | 2.2L L4 | Gas Eng.; Executive Order # D-182-55 | | | | 80905 | D-182-55 |
| 1981 | 2.2L L4 | Executive Order # D-182-55 | | | | 80905 | D-182-55 |
| 1980 | 2.0L L4 | Executive Order # D-182-55 | | | | 80905 | D-182-55 |
| 810 | | | | | | | |
| 1981-80 | 2.4L L6 | Executive Order # D-182-65 | | | | 81126 | D-182-65 |
| 1979-78 | 2.4L L6 | Executive Order # D-182-65 | | | | 81127 | D-182-65 |
| 1977 | 2.4L L6 | Executive Order # D-182-65 | | | | 81126 | D-182-65 |
| Altima | | | | | | | |
| 1994 | 2.4L L4 | Executive Order # D-182-39 | Rear | | | 80256 | D-182-39 |
| 1993 | 2.4L L4 | Executive Order # D-182-65 | | | | 81126 | D-182-65 |
| Axxess | | | | | | | |
| 1990 | 2.4L L4 | Executive Order # D-182-55 | | | | 80905 | D-182-55 |
| B210 | | | | | | | |
| 1978-75 | 1.4L L4 | Executive Order # D-182-65 | | | | 81126 | D-182-65 |
| D21 | | | | | | | |
| 1994-90 | 2.4L L4 | Executive Order # D-182-55 | | | | 80906 | D-182-55 |
| | 3.0L V6 | Executive Order # D-182-55 | | | | 80905 | D-182-55 |
| 1989-87 | 2.4L L4 | Executive Order # D-182-55 | | | | 80901 | D-182-55 |
| | 3.0L V6 | Executive Order # D-182-55 | | | | 80901 | D-182-55 |
| 1986 | 2.4L L4 | Executive Order # D-182-55 | | | | 80905 | D-182-55 |
| | 3.0L V6 | Executive Order # D-182-55 | | | | 80901 | D-182-55 |
| F10 | | | | | | | |
| 1978-76 | 1.4L L4 | Executive Order # D-182-65 | | | | 81126 | D-182-65 |
| Maxima | | | | | | | |
| 1994-87 | 3.0L V6 | Executive Order # D-182-65 | | 81151 | 31311 (2) | 81127 | D-182-65 |
| 1986 | 3.0L V6 | Before 1-86; Executive Order # D-182-39 | Front | | | 80403 | D-182-39 |
| | | | Rear | | | 80258 | D-182-39 |
| | | Executive Order # D-182-65 | | 81151 | 31311 (2) | 81127 | D-182-65 |
| 1985 | 3.0L V6 | Executive Order # D-182-39 | Front | | | 80403 | D-182-39 |
| | | | Rear | | | 80258 | D-182-39 |
| 1984-82 | 2.4L L6 | Executive Order # D-182-65 | | | | 81126 | D-182-65 |
| NX | | | | | | | |
| 1993-91 | 2.0L L4 | Executive Order # D-182-65 | | | | 81101 | D-182-65 |

For vehicles licensed in the state of California or Maine, or vehicles requiring CARB-compliant converters in the state of New York, the parts in this catalog must be installed as specifically listed. Parts cannot be substituted, nor can they be installed on California or Maine licensed vehicles not listed in this catalog.

NON-OBDI PASSENGER CAR & TRUCK

| Years | Engine | Application | Position | Direct-Fit | | Universal Part No. | Executive Order |
|-----------------------|---------|---------------------------------|----------|------------|----------|--------------------|-----------------|
| | | | | Part No. | Hardware | | |
| NISSAN (Cont.) | | | | | | | |
| Pathfinder | | | | | | | |
| 1995-90 | 3.0L V6 | Executive Order # D-182-55 | | | | 80905 | D-182-55 |
| 1989 | 3.0L V6 | Executive Order # D-182-55 | | | | 80901 | D-182-55 |
| 1988-87 | 2.4L L4 | Executive Order # D-182-55 | | | | 80901 | D-182-55 |
| | 3.0L V6 | Executive Order # D-182-55 | | | | 80901 | D-182-55 |
| Pickup | | | | | | | |
| 1995 | 2.4L L4 | 4WD; Executive Order # D-182-55 | | | | 80905 | D-182-55 |
| | | RWD; Executive Order # D-182-55 | | | | 80906 | D-182-55 |
| | 3.0L V6 | Executive Order # D-182-55 | | | | 80905 | D-182-55 |
| Pulsar NX | | | | | | | |
| 1990 | 1.6L L4 | Executive Order # D-182-65 | | | | 81127 | D-182-65 |
| 1989 | 1.6L L4 | Executive Order # D-182-65 | | | | 81127 | D-182-65 |
| | 1.8L L4 | Executive Order # D-182-65 | | | | 81127 | D-182-65 |
| 1988 | 1.6L L4 | Executive Order # D-182-65 | | | | 81127 | D-182-65 |
| | 1.8L L4 | Executive Order # D-182-65 | | | | 81127 | D-182-65 |
| 1987-86 | 1.6L L4 | Executive Order # D-182-65 | | | | 81127 | D-182-65 |
| Quest | | | | | | | |
| 1995-94 | 3.0L V6 | Executive Order # D-182-37 | Front | | | 80616 | D-182-37 |
| | | | Rear | | | 80707 | D-182-37 |
| 1993 | 3.0L V6 | Executive Order # D-182-55 | | | | 80905 | D-182-55 |
| Sentra | | | | | | | |
| 1994 | 1.6L L4 | Executive Order # D-182-65 | | | | 81103 | D-182-65 |
| 1993-91 | 1.6L L4 | Executive Order # D-182-65 | | | | 81103 | D-182-65 |
| 1990 | 1.6L L4 | Executive Order # D-182-65 | | | | 81127 | D-182-65 |
| 1989 | 1.6L L4 | Executive Order # D-182-65 | | | | 81127 | D-182-65 |
| 1988 | 1.6L L4 | 4WD; Executive Order # D-182-65 | | | | 81121 | D-182-65 |
| | | FWD; Executive Order # D-182-65 | | | | 81127 | D-182-65 |
| 1987 | 1.6L L4 | 4WD; Executive Order # D-182-65 | | | | 81121 | D-182-65 |
| | | FWD; Executive Order # D-182-65 | | | | 81127 | D-182-65 |
| 1986 | 1.6L L4 | Executive Order # D-182-65 | | | | 81127 | D-182-65 |
| 1985-84 | 1.6L L4 | Executive Order # D-182-65 | | | | 81127 | D-182-65 |
| 1983 | 1.5L L4 | Executive Order # D-182-65 | | | | 81127 | D-182-65 |
| | 1.6L L4 | Executive Order # D-182-65 | | | | 81127 | D-182-65 |
| 1982 | 1.5L L4 | Executive Order # D-182-65 | | | | 81127 | D-182-65 |
| Stanza | | | | | | | |
| 1992-90 | 2.4L L4 | Executive Order # D-182-65 | | | | 81127 | D-182-65 |
| 1989-82 | 2.0L L4 | Executive Order # D-182-65 | | | | 81127 | D-182-65 |
| Van | | | | | | | |
| 1988-87 | 2.4L L4 | Executive Order # D-182-55 | | | | 80901 | D-182-55 |

OLDSMOBILE

88

| | | | | | | | |
|---------|---------|----------------------------|--|--|--------------|--------------|----------|
| 1995 | 3.8L V6 | Executive Order # D-182-65 | | | | 81128 | D-182-65 |
| 1994-92 | 3.8L V6 | Executive Order # D-182-65 | | | 81147 | 81128 | D-182-65 |

For vehicles licensed in the state of California or Maine, or vehicles requiring CARB-compliant converters in the state of New York, the parts in this catalog must be installed as specifically listed. Parts cannot be substituted, nor can they be installed on California or Maine licensed vehicles not listed in this catalog.

NON-OBDII PASSENGER CAR & TRUCK

| Years | Engine | Application | Position | Direct-Fit | | Universal Part No. | Executive Order |
|---------------------------|---------|--|----------|--------------|----------|--------------------|-----------------|
| | | | | Part No. | Hardware | | |
| OLDSMOBILE (Cont.) | | | | | | | |
| 98 | | | | | | | |
| 1995 | 3.8L V6 | Executive Order # D-182-65 | | | | 81128 | D-182-65 |
| 1994-92 | 3.8L V6 | Executive Order # D-182-65 | | 81147 | | 81128 | D-182-65 |
| 1991 | 3.8L V6 | Executive Order # D-182-65 | | | | 81128 | D-182-65 |
| 1990-86 | 3.8L V6 | w/o Air Tube; Executive Order # D-182-65 | | | | 81127 | D-182-65 |
| 1985 | 3.0L V6 | w/o Air Tube; Executive Order # D-182-65 | | | | 81126 | D-182-65 |
| | 3.8L V6 | w/o Air Tube; Executive Order # D-182-65 | | | | 81126 | D-182-65 |
| 1984 | 5.0L V8 | Executive Order # D-182-65 | | | | 81122 | D-182-65 |
| 1983-81 | 4.1L V6 | Executive Order # D-182-65 | | | | 81122 | D-182-65 |
| | 5.0L V8 | Executive Order # D-182-65 | | | | 81122 | D-182-65 |
| 1979-77 | 5.7L V8 | Executive Order # D-182-65 | | | | 81128 | D-182-65 |
| 1976 | 7.5L V8 | Executive Order # D-182-65 | | | | 81128 | D-182-65 |
| 1975 | 6.6L V8 | Executive Order # D-182-65 | | | | 81128 | D-182-65 |
| | 7.5L V8 | Executive Order # D-182-65 | | | | 81128 | D-182-65 |
| Achieva | | | | | | | |
| 1995 | 2.3L L4 | Executive Order # D-182-65 | | | | 81101 | D-182-65 |
| | 3.1L V6 | Executive Order # D-182-65 | | | | 81101 | D-182-65 |
| 1994 | 2.3L L4 | Executive Order # D-182-65 | | | | 81101 | D-182-65 |
| | 3.1L V6 | Executive Order # D-182-65 | | | | 81101 | D-182-65 |
| 1993 | 2.3L L4 | Executive Order # D-182-65 | | | | 81101 | D-182-65 |
| | 3.3L V6 | Executive Order # D-182-65 | | | | 81127 | D-182-65 |
| 1992 | 2.3L L4 | Executive Order # D-182-65 | | | | 81126 | D-182-65 |
| | 3.3L V6 | Executive Order # D-182-65 | | | | 81127 | D-182-65 |
| Aurora | | | | | | | |
| 1995 | 4.0L V8 | Executive Order # D-182-65 | | | | 81128 | D-182-65 |
| Bravada | | | | | | | |
| 1994-93 | 4.3L V6 | Executive Order # D-182-55 | | | | 80906 | D-182-55 |
| 1992 | 4.3L V6 | Executive Order # D-182-55 | | | | 80906 | D-182-55 |
| | | VIN "Z"; Executive Order # D-182-55 | | 80947 | | | D-182-55 |
| 1991 | 4.3L V6 | Executive Order # D-182-55 | | 80947 | | 80906 | D-182-55 |
| Calais | | | | | | | |
| 1987-86 | 2.5L L4 | Executive Order # D-182-65 | | | | 81126 | D-182-65 |
| | 3.0L V6 | Executive Order # D-182-65 | | | | 81126 | D-182-65 |
| 1985 | 2.5L L4 | w/o Air Tube; Executive Order # D-182-65 | | | | 81126 | D-182-65 |
| | 3.0L V6 | w/o Air Tube; Executive Order # D-182-65 | | | | 81126 | D-182-65 |
| Cutlass | | | | | | | |
| 1987-85 | 5.0L V8 | Executive Order # D-182-65 | | | | 81122 | D-182-65 |
| 1981 | 3.8L V6 | w/ Air Tube; Executive Order # D-182-65 | | | | 81122 | D-182-65 |
| | | w/o Air Tube; Executive Order # D-182-65 | | | | 81127 | D-182-65 |
| | 4.3L V8 | Executive Order # D-182-65 | | | | 81122 | D-182-65 |
| 1980 | 3.8L V6 | w/ Air Tube; Executive Order # D-182-65 | | | | 81122 | D-182-65 |
| | | w/o Air Tube; Executive Order # D-182-65 | | | | 81127 | D-182-65 |
| | 4.3L V8 | Executive Order # D-182-65 | | | | 81126 | D-182-65 |
| | 5.0L V8 | Executive Order # D-182-65 | | | | 81122 | D-182-65 |
| 1979 | 3.8L V6 | Executive Order # D-182-65 | | | | 81126 | D-182-65 |

For vehicles licensed in the state of California or Maine, or vehicles requiring CARB-compliant converters in the state of New York, the parts in this catalog must be installed as specifically listed. Parts cannot be substituted, nor can they be installed on California or Maine licensed vehicles not listed in this catalog.

NON-OBDI PASSENGER CAR & TRUCK

| Years | Engine | Application | Position | Direct-Fit | | Universal Part No. | Executive Order |
|-------|--------|-------------|----------|------------|----------|--------------------|-----------------|
| | | | | Part No. | Hardware | | |

OLDSMOBILE (Cont.)

Cutlass (Cont.)

| | | | | | | | |
|-----------------|---------|----------------------------------|--|--|--|--------------|----------|
| 1979 (Cont.) | 4.3L V8 | Executive Order # D-182-65 | | | | 81126 | D-182-65 |
| | 5.0L V8 | Executive Order # D-182-65 | | | | 81128 | D-182-65 |
| | 5.7L V8 | Executive Order # D-182-65 | | | | 81128 | D-182-65 |
| 1978 | 3.8L V6 | Executive Order # D-182-65 | | | | 81126 | D-182-65 |
| | 4.3L V8 | Executive Order # D-182-65 | | | | 81126 | D-182-65 |
| | 5.0L V8 | 2BBL; Executive Order # D-182-65 | | | | 81126 | D-182-65 |
| | | 4BBL; Executive Order # D-182-65 | | | | 81128 | D-182-65 |
| | 5.7L V8 | Executive Order # D-182-65 | | | | 81128 | D-182-65 |
| 1977 | 3.8L V6 | Executive Order # D-182-65 | | | | 81128 | D-182-65 |
| | 4.3L V8 | Executive Order # D-182-65 | | | | 81128 | D-182-65 |
| | 5.7L V8 | Executive Order # D-182-65 | | | | 81128 | D-182-65 |
| | 6.6L V8 | Executive Order # D-182-65 | | | | 81128 | D-182-65 |
| 1976 | 4.1L L6 | Executive Order # D-182-65 | | | | 81128 | D-182-65 |
| | 4.3L V8 | Executive Order # D-182-65 | | | | 81128 | D-182-65 |
| | 5.7L V8 | Executive Order # D-182-65 | | | | 81128 | D-182-65 |
| | 7.5L V8 | Executive Order # D-182-65 | | | | 81128 | D-182-65 |
| 1975 | 4.1L L6 | Executive Order # D-182-65 | | | | 81128 | D-182-65 |
| | 4.3L V8 | Executive Order # D-182-65 | | | | 81128 | D-182-65 |
| | 5.7L V8 | Executive Order # D-182-65 | | | | 81128 | D-182-65 |

Cutlass Calais

| | | | | | | | |
|---------|---------|--|--|--|--|--------------|----------|
| 1991-89 | 2.3L L4 | Executive Order # D-182-65 | | | | 81127 | D-182-65 |
| | 2.5L L4 | Executive Order # D-182-65 | | | | 81126 | D-182-65 |
| | 3.3L V6 | Executive Order # D-182-65 | | | | 81127 | D-182-65 |
| 1988 | 2.3L L4 | Executive Order # D-182-65 | | | | 81127 | D-182-65 |
| | 2.5L L4 | Executive Order # D-182-65 | | | | 81126 | D-182-65 |
| | 3.0L V6 | Executive Order # D-182-65 | | | | 81126 | D-182-65 |
| 1981 | 3.8L V6 | w/ Air Tube; Executive Order # D-182-65 | | | | 81122 | D-182-65 |
| | | w/o Air Tube; Executive Order # D-182-65 | | | | 81127 | D-182-65 |
| | 4.3L V8 | Executive Order # D-182-65 | | | | 81122 | D-182-65 |
| 1980 | 3.8L V6 | w/ Air Tube; Executive Order # D-182-65 | | | | 81122 | D-182-65 |
| | | w/o Air Tube; Executive Order # D-182-65 | | | | 81127 | D-182-65 |
| | 4.3L V8 | Executive Order # D-182-65 | | | | 81126 | D-182-65 |
| | 5.0L V8 | Executive Order # D-182-65 | | | | 81122 | D-182-65 |
| 1979 | 3.8L V6 | Executive Order # D-182-65 | | | | 81126 | D-182-65 |
| | 4.3L V8 | Executive Order # D-182-65 | | | | 81126 | D-182-65 |
| | 5.0L V8 | Executive Order # D-182-65 | | | | 81128 | D-182-65 |
| | 5.7L V8 | Executive Order # D-182-65 | | | | 81128 | D-182-65 |
| 1978 | 3.8L V6 | Executive Order # D-182-65 | | | | 81126 | D-182-65 |
| | 4.3L V8 | Executive Order # D-182-65 | | | | 81126 | D-182-65 |
| | 5.0L V8 | 2BBL; Executive Order # D-182-65 | | | | 81126 | D-182-65 |
| | | 4BBL; Executive Order # D-182-65 | | | | 81128 | D-182-65 |

Cutlass Ciera

| | | | | | | | |
|---------|---------|----------------------------|--|--|--|--------------|----------|
| 1995-94 | 2.2L L4 | Executive Order # D-182-65 | | | | 81127 | D-182-65 |
| | 3.1L V6 | Executive Order # D-182-65 | | | | 81102 | D-182-65 |
| 1993 | 2.2L L4 | Executive Order # D-182-65 | | | | 81127 | D-182-65 |

For vehicles licensed in the state of California or Maine, or vehicles requiring CARB-compliant converters in the state of New York, the parts in this catalog must be installed as specifically listed. Parts cannot be substituted, nor can they be installed on California or Maine licensed vehicles not listed in this catalog.

NON-OBDII PASSENGER CAR & TRUCK

| Years | Engine | Application | Position | Direct-Fit | | Universal Part No. | Executive Order |
|------------------------------|---------|--|----------|------------|----------|--------------------|-----------------|
| | | | | Part No. | Hardware | | |
| OLDSMOBILE (Cont.) | | | | | | | |
| Cutlass Ciera (Cont.) | | | | | | | |
| 1993 (Cont.) | 3.3L V6 | Executive Order # D-182-65 | | | | 81127 | D-182-65 |
| 1992-91 | 2.5L L4 | Executive Order # D-182-65 | | | | 81126 | D-182-65 |
| | 3.3L V6 | Executive Order # D-182-65 | | | | 81127 | D-182-65 |
| 1990 | 2.5L L4 | Executive Order # D-182-65 | | | | 81126 | D-182-65 |
| | 3.3L V6 | Executive Order # D-182-65 | | | | 81127 | D-182-65 |
| 1989 | 2.5L L4 | w/o Air Tube; Executive Order # D-182-65 | | | | 81126 | D-182-65 |
| | 2.8L V6 | w/o Air Tube; Executive Order # D-182-65 | | | | 81126 | D-182-65 |
| | 3.3L V6 | Executive Order # D-182-65 | | | | 81127 | D-182-65 |
| 1988 | 2.5L L4 | w/o Air Tube; Executive Order # D-182-65 | | | | 81126 | D-182-65 |
| | 2.8L V6 | w/o Air Tube; Executive Order # D-182-65 | | | | 81126 | D-182-65 |
| | 3.8L V6 | w/o Air Tube; Executive Order # D-182-65 | | | | 81126 | D-182-65 |
| 1987 | 2.5L L4 | w/o Air Tube; Executive Order # D-182-65 | | | | 81126 | D-182-65 |
| | 2.8L V6 | w/o Air Tube; Executive Order # D-182-65 | | | | 81126 | D-182-65 |
| | 3.8L V6 | w/ Air Tube; Executive Order # D-182-65 | | | | 81122 | D-182-65 |
| 1986 | 2.5L L4 | w/o Air Tube; Executive Order # D-182-65 | | | | 81126 | D-182-65 |
| | | w/ Air Tube; Executive Order # D-182-65 | | | | 81121 | D-182-65 |
| | 2.8L V6 | w/o Air Tube; Executive Order # D-182-65 | | | | 81126 | D-182-65 |
| | | w/ Air Tube; Executive Order # D-182-65 | | | | 81122 | D-182-65 |
| 1985 | 2.5L L4 | w/o Air Tube; Executive Order # D-182-65 | | | | 81126 | D-182-65 |
| | | w/ Air Tube; Executive Order # D-182-65 | | | | 81121 | D-182-65 |
| | 3.0L V6 | w/o Air Tube; Executive Order # D-182-65 | | | | 81126 | D-182-65 |
| | | w/ Air Tube; Executive Order # D-182-65 | | | | 81122 | D-182-65 |
| 1984 | 2.5L L4 | w/o Air Tube; Executive Order # D-182-65 | | | | 81126 | D-182-65 |
| | 3.0L V6 | w/ Air Tube; Executive Order # D-182-65 | | | | 81121 | D-182-65 |
| | 3.8L V6 | w/o Air Tube; Executive Order # D-182-65 | | | | 81126 | D-182-65 |
| 1983-82 | 2.5L L4 | w/o Air Tube; Executive Order # D-182-65 | | | | 81126 | D-182-65 |
| | 3.0L V6 | w/ Air Tube; Executive Order # D-182-65 | | | | 81121 | D-182-65 |

Cutlass Cruiser

| | | | | | | | |
|---------|---------|--|--|--|--|--------------|----------|
| 1994 | 3.1L V6 | Executive Order # D-182-65 | | | | 81102 | D-182-65 |
| 1993 | 3.3L V6 | Executive Order # D-182-65 | | | | 81127 | D-182-65 |
| 1992-90 | 2.5L L4 | Executive Order # D-182-65 | | | | 81126 | D-182-65 |
| | 3.3L V6 | Executive Order # D-182-65 | | | | 81127 | D-182-65 |
| 1989 | 2.5L L4 | w/o Air Tube; Executive Order # D-182-65 | | | | 81126 | D-182-65 |
| | 2.8L V6 | w/o Air Tube; Executive Order # D-182-65 | | | | 81126 | D-182-65 |
| | 3.3L V6 | Executive Order # D-182-65 | | | | 81127 | D-182-65 |
| 1988 | 2.5L L4 | w/o Air Tube; Executive Order # D-182-65 | | | | 81126 | D-182-65 |
| | 2.8L V6 | w/o Air Tube; Executive Order # D-182-65 | | | | 81126 | D-182-65 |
| | 3.8L V6 | w/o Air Tube; Executive Order # D-182-65 | | | | 81126 | D-182-65 |
| 1987 | 2.5L L4 | w/o Air Tube; Executive Order # D-182-65 | | | | 81126 | D-182-65 |
| | 2.8L V6 | w/o Air Tube; Executive Order # D-182-65 | | | | 81126 | D-182-65 |
| | 3.8L V6 | w/ Air Tube; Executive Order # D-182-65 | | | | 81122 | D-182-65 |
| 1981 | 3.8L V6 | w/o Air Tube; Executive Order # D-182-65 | | | | 81126 | D-182-65 |
| | | w/ Air Tube; Executive Order # D-182-65 | | | | 81122 | D-182-65 |

For vehicles licensed in the state of California or Maine, or vehicles requiring CARB-compliant converters in the state of New York, the parts in this catalog must be installed as specifically listed. Parts cannot be substituted, nor can they be installed on California or Maine licensed vehicles not listed in this catalog.

OBDII APPLICATIONS

NON-OBDII APPLICATIONS

NUMERICAL

UNIVERSAL SPECIFICATIONS

NON-OBDI PASSENGER CAR & TRUCK

| Years | Engine | Application | Position | Direct-Fit | | Universal Part No. | Executive Order |
|----------------------------------|---------|--|----------|------------|--------------|--------------------|-----------------|
| | | | | Part No. | Hardware | | |
| OLDSMOBILE (Cont.) | | | | | | | |
| Cutlass Cruiser (Cont.) | | | | | | | |
| 1981 (Cont.) | 3.8L V6 | w/o Air Tube; Executive Order # D-182-65 | | | | 81127 | D-182-65 |
| | 4.3L V8 | Executive Order # D-182-65 | | | | 81122 | D-182-65 |
| 1980 | 3.8L V6 | w/ Air Tube; Executive Order # D-182-65 | | | | 81122 | D-182-65 |
| | | w/o Air Tube; Executive Order # D-182-65 | | | | 81127 | D-182-65 |
| | 4.3L V8 | Executive Order # D-182-65 | | | | 81126 | D-182-65 |
| | 5.0L V8 | Executive Order # D-182-65 | | | | 81122 | D-182-65 |
| Cutlass Salon | | | | | | | |
| 1987-85 | 5.0L V8 | Executive Order # D-182-65 | | | | 81122 | D-182-65 |
| 1980 | 3.8L V6 | w/ Air Tube; Executive Order # D-182-65 | | | | 81122 | D-182-65 |
| | | w/o Air Tube; Executive Order # D-182-65 | | | | 81127 | D-182-65 |
| | 4.3L V8 | Executive Order # D-182-65 | | | | 81126 | D-182-65 |
| | 5.0L V8 | Executive Order # D-182-65 | | | | 81122 | D-182-65 |
| 1979 | 3.8L V6 | Executive Order # D-182-65 | | | | 81126 | D-182-65 |
| | 4.3L V8 | Executive Order # D-182-65 | | | | 81126 | D-182-65 |
| | 5.0L V8 | Executive Order # D-182-65 | | | | 81128 | D-182-65 |
| | 5.7L V8 | Executive Order # D-182-65 | | | | 81128 | D-182-65 |
| 1978 | 3.8L V6 | Executive Order # D-182-65 | | | | 81126 | D-182-65 |
| | 4.3L V8 | Executive Order # D-182-65 | | | | 81126 | D-182-65 |
| | 5.0L V8 | 2BBL; Executive Order # D-182-65 | | | | 81126 | D-182-65 |
| 4BBL; Executive Order # D-182-65 | | | | | 81128 | D-182-65 | |
| 1977 | 4.3L V8 | Executive Order # D-182-65 | | | | 81128 | D-182-65 |
| | 5.7L V8 | Executive Order # D-182-65 | | | | 81128 | D-182-65 |
| | 6.6L V8 | Executive Order # D-182-65 | | | | 81128 | D-182-65 |
| 1976 | 4.3L V8 | Executive Order # D-182-65 | | | | 81128 | D-182-65 |
| | 5.7L V8 | Executive Order # D-182-65 | | | | 81128 | D-182-65 |
| | 7.5L V8 | Executive Order # D-182-65 | | | | 81128 | D-182-65 |
| 1975 | 4.3L V8 | Executive Order # D-182-65 | | | | 81128 | D-182-65 |
| | 5.7L V8 | Executive Order # D-182-65 | | | | 81128 | D-182-65 |
| Cutlass Supreme | | | | | | | |
| 1987-85 | 5.0L V8 | Executive Order # D-182-65 | | | | 81122 | D-182-65 |
| 1981 | 3.8L V6 | w/ Air Tube; Executive Order # D-182-65 | | | | 81122 | D-182-65 |
| | | w/o Air Tube; Executive Order # D-182-65 | | | | 81127 | D-182-65 |
| | 4.3L V8 | Executive Order # D-182-65 | | | | 81122 | D-182-65 |
| 1980 | 3.8L V6 | w/ Air Tube; Executive Order # D-182-65 | | | | 81122 | D-182-65 |
| | | w/o Air Tube; Executive Order # D-182-65 | | | | 81127 | D-182-65 |
| | 4.3L V8 | Executive Order # D-182-65 | | | | 81126 | D-182-65 |
| 1979 | 3.8L V6 | Executive Order # D-182-65 | | | | 81126 | D-182-65 |
| | 4.3L V8 | Executive Order # D-182-65 | | | | 81126 | D-182-65 |
| | 5.0L V8 | Executive Order # D-182-65 | | | | 81128 | D-182-65 |
| 1978 | 3.8L V6 | Executive Order # D-182-65 | | | | 81126 | D-182-65 |
| | 4.3L V8 | Executive Order # D-182-65 | | | | 81126 | D-182-65 |
| | 5.0L V8 | 2BBL; Executive Order # D-182-65 | | | | 81126 | D-182-65 |
| 4BBL; Executive Order # D-182-65 | | | | | 81128 | D-182-65 | |

For vehicles licensed in the state of California or Maine, or vehicles requiring CARB-compliant converters in the state of New York, the parts in this catalog must be installed as specifically listed. Parts cannot be substituted, nor can they be installed on California or Maine licensed vehicles not listed in this catalog.

NON-OBDII PASSENGER CAR & TRUCK

| Years | Engine | Application | Position | Direct-Fit | | Universal Part No. | Executive Order |
|--------------------------------|---------|--|----------|------------|----------|--------------------|-----------------|
| | | | | Part No. | Hardware | | |
| OLDSMOBILE (Cont.) | | | | | | | |
| Cutlass Supreme (Cont.) | | | | | | | |
| 1978 (Cont.) | 5.7L V8 | Executive Order # D-182-65 | | | | 81128 | D-182-65 |
| 1977 | 3.8L V6 | Executive Order # D-182-65 | | | | 81128 | D-182-65 |
| | 4.3L V8 | Executive Order # D-182-65 | | | | 81128 | D-182-65 |
| | 5.7L V8 | Executive Order # D-182-65 | | | | 81128 | D-182-65 |
| | 6.6L V8 | Executive Order # D-182-65 | | | | 81128 | D-182-65 |
| 1976 | 4.1L L6 | Executive Order # D-182-65 | | | | 81128 | D-182-65 |
| | 4.3L V8 | Executive Order # D-182-65 | | | | 81128 | D-182-65 |
| | 5.7L V8 | Executive Order # D-182-65 | | | | 81128 | D-182-65 |
| | 7.5L V8 | Executive Order # D-182-65 | | | | 81128 | D-182-65 |
| 1975 | 4.1L L6 | Executive Order # D-182-65 | | | | 81128 | D-182-65 |
| | 4.3L V8 | Executive Order # D-182-65 | | | | 81128 | D-182-65 |
| | 5.7L V8 | Executive Order # D-182-65 | | | | 81128 | D-182-65 |
| Cutlass Tiara | | | | | | | |
| 1976 | 4.3L V8 | Executive Order # D-182-65 | | | | 81128 | D-182-65 |
| | 5.7L V8 | Executive Order # D-182-65 | | | | 81128 | D-182-65 |
| | 7.5L V8 | Executive Order # D-182-65 | | | | 81128 | D-182-65 |
| Delta 88 | | | | | | | |
| 1991-90 | 3.8L V6 | w/o Air Tube; Executive Order # D-182-65 | Lower | | | 81127 | D-182-65 |
| 1989-87 | 3.8L V6 | w/o Air Tube; Executive Order # D-182-65 | | | | 81127 | D-182-65 |
| 1986 | 3.0L V6 | w/o Air Tube; Executive Order # D-182-65 | | | | 81127 | D-182-65 |
| | 3.8L V6 | w/o Air Tube; Executive Order # D-182-65 | | | | 81127 | D-182-65 |
| 1985-84 | 3.8L V6 | w/ Air Tube; Executive Order # D-182-65 | | | | 81122 | D-182-65 |
| | | w/o Air Tube; Executive Order # D-182-65 | | | | 81127 | D-182-65 |
| | 5.0L V8 | Executive Order # D-182-65 | | | | 81122 | D-182-65 |
| 1983 | 3.8L V6 | w/ Air Tube; Executive Order # D-182-65 | | | | 81122 | D-182-65 |
| | | w/o Air Tube; Executive Order # D-182-65 | | | | 81127 | D-182-65 |
| | 5.0L V8 | Executive Order # D-182-65 | | | | 81122 | D-182-65 |
| 1982-81 | 3.8L V6 | Executive Order # D-182-65 | | | | 81127 | D-182-65 |
| | 4.3L V8 | Executive Order # D-182-65 | | | | 81122 | D-182-65 |
| | 5.0L V8 | Executive Order # D-182-65 | | | | 81122 | D-182-65 |
| 1980 | 3.8L V6 | Executive Order # D-182-65 | | | | 81127 | D-182-65 |
| 1979 | 3.8L V6 | Executive Order # D-182-65 | | | | 81128 | D-182-65 |
| | 4.3L V8 | Executive Order # D-182-65 | | | | 81126 | D-182-65 |
| | 4.9L V8 | Executive Order # D-182-65 | | | | 81128 | D-182-65 |
| | 5.7L V8 | Executive Order # D-182-65 | | | | 81128 | D-182-65 |
| 1978 | 3.8L V6 | Executive Order # D-182-65 | | | | 81128 | D-182-65 |
| | 4.3L V8 | Executive Order # D-182-65 | | | | 81126 | D-182-65 |
| | 5.7L V8 | Executive Order # D-182-65 | | | | 81128 | D-182-65 |
| 1977 | 3.8L V6 | Executive Order # D-182-65 | | | | 81128 | D-182-65 |
| | 4.3L V8 | Executive Order # D-182-65 | | | | 81128 | D-182-65 |
| | 5.7L V8 | Executive Order # D-182-65 | | | | 81128 | D-182-65 |
| 1976 | 5.7L V8 | Executive Order # D-182-65 | | | | 81128 | D-182-65 |
| | 7.5L V8 | Executive Order # D-182-65 | | | | 81128 | D-182-65 |
| 1975 | 5.7L V8 | Executive Order # D-182-65 | | | | 81128 | D-182-65 |

For vehicles licensed in the state of California or Maine, or vehicles requiring CARB-compliant converters in the state of New York, the parts in this catalog must be installed as specifically listed. Parts cannot be substituted, nor can they be installed on California or Maine licensed vehicles not listed in this catalog.

OBDDII APPLICATIONS

NON-OBDDII APPLICATIONS

NUMERICAL

UNIVERSAL SPECIFICATIONS

NON-OBDI PASSENGER CAR & TRUCK

| Years | Engine | Application | Position | Direct-Fit | | Universal Part No. | Executive Order |
|---------------------------|---------|--|----------|------------|----------|--------------------|-----------------|
| | | | | Part No. | Hardware | | |
| OLDSMOBILE (Cont.) | | | | | | | |
| Delta 88 (Cont.) | | | | | | | |
| 1975 (Cont.) | 6.6L V8 | Executive Order # D-182-65 | | | | 81128 | D-182-65 |
| | 7.5L V8 | Executive Order # D-182-65 | | | | 81128 | D-182-65 |
| Firenza | | | | | | | |
| 1988 | 2.0L L4 | Executive Order # D-182-65 | | | | 81126 | D-182-65 |
| 1987 | 2.0L L4 | Executive Order # D-182-65 | | | | 81126 | D-182-65 |
| | 2.8L V6 | Executive Order # D-182-65 | | | | 81126 | D-182-65 |
| 1986 | 1.8L L4 | w/o Air Tube; Executive Order # D-182-65 | | | | 81126 | D-182-65 |
| | 2.0L L4 | w/o Air Tube; Executive Order # D-182-65 | | | | 81126 | D-182-65 |
| | 2.8L V6 | Executive Order # D-182-65 | | | | 81126 | D-182-65 |
| 1985 | 1.8L L4 | w/o Air Tube; Executive Order # D-182-65 | | | | 81126 | D-182-65 |
| | 2.0L L4 | w/o Air Tube; Executive Order # D-182-65 | | | | 81126 | D-182-65 |
| | 2.8L V6 | w/o Air Tube; Executive Order # D-182-65 | | | | 81126 | D-182-65 |
| 1984 | 1.8L L4 | w/o Air Tube; Executive Order # D-182-65 | | | | 81126 | D-182-65 |
| | 2.0L L4 | w/o Air Tube; Executive Order # D-182-65 | | | | 81126 | D-182-65 |
| 1983 | 1.8L L4 | w/ Air Tube; Executive Order # D-182-65 | | | | 81121 | D-182-65 |
| | | w/o Air Tube; Executive Order # D-182-65 | | | | 81126 | D-182-65 |
| | 2.0L L4 | w/ Air Tube; Executive Order # D-182-65 | | | | 81121 | D-182-65 |
| 1982 | 1.8L L4 | w/ Air Tube; Executive Order # D-182-65 | | | | 81121 | D-182-65 |
| | | w/o Air Tube; Executive Order # D-182-65 | | | | 81126 | D-182-65 |
| Omega | | | | | | | |
| 1984-83 | 2.5L L4 | w/o Air Tube; Executive Order # D-182-65 | | | | 81126 | D-182-65 |
| | 2.8L V6 | w/ Air Tube; Executive Order # D-182-65 | | | | 81121 | D-182-65 |
| 1982 | 2.5L L4 | w/o Air Tube; Executive Order # D-182-65 | | | | 81126 | D-182-65 |
| | 2.8L V6 | VIN "X"; Executive Order # D-182-65 | | | | 81121 | D-182-65 |
| | | VIN "Z"; Executive Order # D-182-65 | | | | 81122 | D-182-65 |
| 1981 | 2.5L L4 | w/ Air Tube; Executive Order # D-182-65 | | | | 81121 | D-182-65 |
| | 2.8L V6 | w/ Air Tube; Executive Order # D-182-65 | | | | 81121 | D-182-65 |
| 1980 | 2.5L L4 | Executive Order # D-182-65 | | | | 81126 | D-182-65 |
| | 2.8L V6 | Executive Order # D-182-65 | | | | 81126 | D-182-65 |
| 1979-78 | 3.8L V6 | Executive Order # D-182-65 | | | | 81127 | D-182-65 |
| | 5.0L V8 | Executive Order # D-182-65 | | | | 81127 | D-182-65 |
| | 5.7L V8 | Executive Order # D-182-65 | | | | 81127 | D-182-65 |
| 1977 | 3.8L V6 | Executive Order # D-182-65 | | | | 81127 | D-182-65 |
| | 4.3L V8 | Executive Order # D-182-65 | | | | 81127 | D-182-65 |
| | 5.0L V8 | Executive Order # D-182-65 | | | | 81127 | D-182-65 |
| | 5.7L V8 | Executive Order # D-182-65 | | | | 81127 | D-182-65 |
| | 5.7L V8 | Executive Order # D-182-65 | | | | 81127 | D-182-65 |
| 1976-75 | 4.1L L6 | Executive Order # D-182-65 | | | | 81127 | D-182-65 |
| | 4.3L V8 | Executive Order # D-182-65 | | | | 81127 | D-182-65 |
| | 5.7L V8 | Executive Order # D-182-65 | | | | 81127 | D-182-65 |
| Silhouette | | | | | | | |
| 1995-93 | 3.8L V6 | Executive Order # D-182-55 | | | | 80905 | D-182-55 |
| 1992 | 3.1L V6 | Executive Order # D-182-55 | | | | 80906 | D-182-55 |
| | 3.8L V6 | Executive Order # D-182-55 | | | | 80906 | D-182-55 |
| 1991-90 | 3.1L V6 | Executive Order # D-182-55 | | | | 80906 | D-182-55 |

For vehicles licensed in the state of California or Maine, or vehicles requiring CARB-compliant converters in the state of New York, the parts in this catalog must be installed as specifically listed. Parts cannot be substituted, nor can they be installed on California or Maine licensed vehicles not listed in this catalog.

NON-OBDII PASSENGER CAR & TRUCK

| Years | Engine | Application | Position | Direct-Fit | | Universal Part No. | Executive Order |
|---------------------------|---------|---|----------|--------------|----------|--------------------|-----------------|
| | | | | Part No. | Hardware | | |
| OLDSMOBILE (Cont.) | | | | | | | |
| Starfire | | | | | | | |
| 1980 | 2.5L L4 | Executive Order # D-182-65 | | | | 81126 | D-182-65 |
| | 3.8L V6 | Executive Order # D-182-65 | | | | 81127 | D-182-65 |
| 1979-78 | 2.5L L4 | Executive Order # D-182-65 | | | | 81126 | D-182-65 |
| | 3.8L V6 | Executive Order # D-182-65 | | | | 81127 | D-182-65 |
| | 5.0L V8 | Executive Order # D-182-65 | | | | 81127 | D-182-65 |
| 1977 | 2.3L L4 | Executive Order # D-182-65 | | | | 81126 | D-182-65 |
| | 3.8L V6 | Executive Order # D-182-65 | | | | 81127 | D-182-65 |
| | 5.0L V8 | Executive Order # D-182-65 | | | | 81127 | D-182-65 |
| 1976 | 2.3L L4 | Executive Order # D-182-65 | | | | 81126 | D-182-65 |
| | 3.8L V6 | Executive Order # D-182-65 | | | | 81127 | D-182-65 |
| 1975 | 3.8L V6 | Executive Order # D-182-65 | | | | 81127 | D-182-65 |
| Toronado | | | | | | | |
| 1992-91 | 3.8L V6 | Executive Order # D-182-65 | | 81147 | | 81128 | D-182-65 |
| 1990-86 | 3.8L V6 | w/o Air Tube; Executive Order # D-182-65 | | | | 81127 | D-182-65 |
| 1985 | 5.0L V8 | Executive Order # D-182-65 | | | | 81122 | D-182-65 |
| 1984-81 | 4.1L V6 | Executive Order # D-182-65 | | | | 81122 | D-182-65 |
| | 5.0L V8 | Executive Order # D-182-65 | | | | 81122 | D-182-65 |
| 1979 | 5.7L V8 | Executive Order # D-182-65 | | | | 81128 | D-182-65 |
| 1978-77 | 6.6L V8 | Executive Order # D-182-65 | | | | 81128 | D-182-65 |
| 1976-75 | 7.5L V8 | Executive Order # D-182-65 | | | | 81128 | D-182-65 |
| PEUGEOT | | | | | | | |
| 504 | | | | | | | |
| 1983-81 | 2.3L L4 | Executive Order # D-182-65 | | | | 81121 | D-182-65 |
| 1979-78 | 2.0L L4 | w/ Air Tube; Executive Order # D-182-65 | | | | 81121 | D-182-65 |
| 505 | | | | | | | |
| 1991 | 2.2L L4 | Executive Order # D-182-65 | | | | 81101 | D-182-65 |
| 1989-88 | 2.2L L4 | Naturally Aspirated; Executive Order # D-182-65 | | | | 81101 | D-182-65 |
| | | Turbocharged; Executive Order # D-182-65 | | | | 81128 | D-182-65 |
| 1987 | 2.0L L4 | Executive Order # D-182-65 | | | | 81121 | D-182-65 |
| | | Naturally Aspirated; Executive Order # D-182-65 | | | | 81101 | D-182-65 |
| | | Turbocharged; Executive Order # D-182-65 | | | | 81128 | D-182-65 |
| 1986 | 2.0L L4 | w/ Air Tube; Executive Order # D-182-65 | | | | 81121 | D-182-65 |
| | | w/o Air Tube; Executive Order # D-182-65 | | | | 81126 | D-182-65 |
| | 2.2L L4 | Turbocharged; Executive Order # D-182-65 | | | | 81128 | D-182-65 |
| 1985 | 2.0L L4 | w/ Air Tube; Executive Order # D-182-65 | | | | 81121 | D-182-65 |
| | | w/o Air Tube; Executive Order # D-182-65 | | | | 81126 | D-182-65 |
| | 2.2L L4 | Executive Order # D-182-65 | | | | 81101 | D-182-65 |
| 1984 | 2.0L L4 | w/ Air Tube; Executive Order # D-182-65 | | | | 81121 | D-182-65 |
| 1983-81 | 2.0L L4 | w/ Air Tube; Executive Order # D-182-65 | | | | 81121 | D-182-65 |
| | | w/o Air Tube; Executive Order # D-182-65 | | | | 81126 | D-182-65 |
| 1980 | 2.0L L4 | w/ Air Tube; Executive Order # D-182-65 | | | | 81121 | D-182-65 |
| | | w/o Air Tube; Executive Order # D-182-65 | | | | 81126 | D-182-65 |
| 604 | | | | | | | |
| 1980-79 | 2.8L V6 | Executive Order # D-182-65 | | | | 81100 | D-182-65 |

For vehicles licensed in the state of California or Maine, or vehicles requiring CARB-compliant converters in the state of New York, the parts in this catalog must be installed as specifically listed. Parts cannot be substituted, nor can they be installed on California or Maine licensed vehicles not listed in this catalog.

NON-OBDII PASSENGER CAR & TRUCK

| Years | Engine | Application | Position | Direct-Fit | | Universal Part No. | Executive Order |
|--|---------|---|----------|------------|--------------|--------------------|-----------------|
| | | | | Part No. | Hardware | | |
| PEUGEOT (Cont.) | | | | | | | |
| 604 (Cont.) | | | | | | | |
| 1978-77 | 2.7L L6 | Executive Order # D-182-65 | | | | 81100 | D-182-65 |
| PLYMOUTH | | | | | | | |
| Acclaim | | | | | | | |
| 1995-93 | 2.5L L4 | w/ Air Tube; Executive Order # D-182-65 | | | | 81121 | D-182-65 |
| | | w/o Air Tube; Executive Order # D-182-65 | | | | 81126 | D-182-65 |
| | 3.0L V6 | Executive Order # D-182-65 | | | | 81127 | D-182-65 |
| 1992 | 2.5L L4 | Executive Order # D-182-65 | | | | 81126 | D-182-65 |
| | 3.0L V6 | Executive Order # D-182-65 | | | | 81127 | D-182-65 |
| 1991 | 2.5L L4 | Naturally Aspirated; Executive Order # D-182-65 | | | | 81126 | D-182-65 |
| | 3.0L V6 | Executive Order # D-182-65 | | | | 81126 | D-182-65 |
| 1990-89 | 2.5L L4 | Naturally Aspirated; Executive Order # D-182-65 | | | | 81126 | D-182-65 |
| | | Turbocharged; Executive Order # D-182-65 | | | | 81122 | D-182-65 |
| | 3.0L V6 | Executive Order # D-182-65 | | | | 81126 | D-182-65 |
| Arrow | | | | | | | |
| 1980-79 | 1.6L L4 | Executive Order # D-182-65 | | | | 81126 | D-182-65 |
| | 2.6L L4 | Executive Order # D-182-65 | | | | 81126 | D-182-65 |
| 1978 | 1.6L L4 | Executive Order # D-182-65 | | | | 81126 | D-182-65 |
| | 2.0L L4 | Executive Order # D-182-65 | | | | 81126 | D-182-65 |
| Arrow Pickup | | | | | | | |
| 1980-79 | 2.6L L4 | Executive Order # D-182-65 | | | | 81126 | D-182-65 |
| Caravelle | | | | | | | |
| 1988 | 2.2L L4 | Executive Order # D-182-65 | | | | 81127 | D-182-65 |
| | 2.5L L4 | w/ Air Tube; Executive Order # D-182-65 | | | | 81121 | D-182-65 |
| w/o Air Tube; Executive Order # D-182-65 | | | | | 81126 | D-182-65 | |
| 1987 | 2.2L L4 | Naturally Aspirated; Executive Order # D-182-65 | | | | 81126 | D-182-65 |
| | | Turbocharged; Executive Order # D-182-65 | | | | 81127 | D-182-65 |
| | 2.5L L4 | w/o Air Tube; Executive Order # D-182-65 | | | | 81126 | D-182-65 |
| 1986 | 2.2L L4 | Naturally Aspirated; w/ Air Tube; Executive Order # D-182-65 | | | | 81121 | D-182-65 |
| | | Naturally Aspirated; w/o Air Tube; Executive Order # D-182-65 | | | | 81126 | D-182-65 |
| | | Turbocharged; Executive Order # D-182-65 | | | | 81128 | D-182-65 |
| | 2.5L L4 | w/o Air Tube; Executive Order # D-182-65 | | | | 81126 | D-182-65 |
| 1985 | 2.2L L4 | Naturally Aspirated; w/ Air Tube; Executive Order # D-182-65 | | | | 81121 | D-182-65 |
| | | Naturally Aspirated; w/o Air Tube; Executive Order # D-182-65 | | | | 81126 | D-182-65 |
| | | Turbocharged; Executive Order # D-182-65 | | | | 81128 | D-182-65 |
| | 2.6L L4 | Executive Order # D-182-65 | | | | 81126 | D-182-65 |
| Champ | | | | | | | |
| 1982-81 | 1.4L L4 | Executive Order # D-182-65 | | | | 81126 | D-182-65 |
| | 1.6L L4 | Executive Order # D-182-65 | | | | 81126 | D-182-65 |
| 1980-79 | 1.4L L4 | Executive Order # D-182-65 | | | | 81101 | D-182-65 |
| | 1.6L L4 | Executive Order # D-182-65 | | | | 81101 | D-182-65 |

For vehicles licensed in the state of California or Maine, or vehicles requiring CARB-compliant converters in the state of New York, the parts in this catalog must be installed as specifically listed. Parts cannot be substituted, nor can they be installed on California or Maine licensed vehicles not listed in this catalog.

NON-OBDII PASSENGER CAR & TRUCK

| Years | Engine | Application | Position | Direct-Fit | | Universal Part No. | Executive Order |
|-------------------------|----------------------------|---|----------|------------|----------|--------------------|-----------------|
| | | | | Part No. | Hardware | | |
| PLYMOUTH (Cont.) | | | | | | | |
| Colt | | | | | | | |
| 1994-93 | 1.5L L4 | Executive Order # D-182-65 | | | | 81101 | D-182-65 |
| | 1.8L L4 | Executive Order # D-182-65 | | | | 81101 | D-182-65 |
| | 2.4L L4 | Executive Order # D-182-65 | | | | 81101 | D-182-65 |
| 1992 | 1.5L L4 | Executive Order # D-182-65 | | | | 81126 | D-182-65 |
| | 1.8L L4 | Executive Order # D-182-65 | | | | 81101 | D-182-65 |
| | 2.4L L4 | Executive Order # D-182-65 | | | | 81101 | D-182-65 |
| 1991 | 1.5L L4 | Executive Order # D-182-65 | | | | 81126 | D-182-65 |
| | 2.0L L4 | Executive Order # D-182-65 | | | | 81126 | D-182-65 |
| 1990-89 | 1.5L L4 | Executive Order # D-182-65 | | | | 81126 | D-182-65 |
| | 1.6L L4 | Executive Order # D-182-65 | | | | 81126 | D-182-65 |
| | 1.8L L4 | Executive Order # D-182-65 | | | | 81101 | D-182-65 |
| | 2.0L L4 | Executive Order # D-182-65 | | | | 81126 | D-182-65 |
| 1988-87 | 1.5L L4 | Executive Order # D-182-65 | | | | 81126 | D-182-65 |
| | 1.6L L4 | Executive Order # D-182-65 | | | | 81126 | D-182-65 |
| | 2.0L L4 | Executive Order # D-182-65 | | | | 81126 | D-182-65 |
| 1986 | 1.5L L4 | Executive Order # D-182-39 | Rear | | | 80256 | D-182-39 |
| | 1.6L L4 | Turbocharged; Executive Order # D-182-39 | Rear | | | 80256 | D-182-39 |
| | 2.0L L4 | Executive Order # D-182-65 | | | | 81126 | D-182-65 |
| 1985 | 1.5L L4 | Executive Order # D-182-65 | | | | 81126 | D-182-65 |
| | 1.6L L4 | Turbocharged; Executive Order # D-182-39 | Rear | | | 80256 | D-182-39 |
| | 2.0L L4 | Executive Order # D-182-65 | | | | 81126 | D-182-65 |
| 1984 | 1.4L L4 | Executive Order # D-182-65 | | | | 81126 | D-182-65 |
| | 1.6L L4 | Naturally Aspirated; Executive Order # D-182-65 | | | | 81126 | D-182-65 |
| | | Turbocharged; Executive Order # D-182-39 | Rear | | | 80256 | D-182-39 |
| 2.0L L4 | Executive Order # D-182-65 | | | | 81126 | D-182-65 | |
| 1983 | 1.4L L4 | Executive Order # D-182-65 | | | | 81126 | D-182-65 |
| | 1.6L L4 | Executive Order # D-182-65 | | | | 81126 | D-182-65 |
| Conquest | | | | | | | |
| 1986-84 | 2.6L L4 | Executive Order # D-182-39 | Front | | | 80401 | D-182-39 |
| | | | Rear | | | 80256 | D-182-39 |
| Duster | | | | | | | |
| 1976-75 | 3.7L L6 | Executive Order # D-182-65 | | | | 81126 | D-182-65 |
| | 5.2L V8 | Executive Order # D-182-65 | | | | 81127 | D-182-65 |
| Fury | | | | | | | |
| 1978-77 | 3.7L L6 | Executive Order # D-182-65 | | | | 81127 | D-182-65 |
| | 5.2L V8 | Executive Order # D-182-65 | | | | 81127 | D-182-65 |
| | 5.9L V8 | Executive Order # D-182-65 | | | | 81127 | D-182-65 |
| | 6.6L V8 | Executive Order # D-182-65 | | | | 81128 | D-182-65 |
| | 7.2L V8 | w/ Single Catalytic Converter; Executive Order # D-182-65 | | | | 81128 | D-182-65 |
| 1976 | 5.2L V8 | Executive Order # D-182-65 | | | | 81127 | D-182-65 |
| | 5.9L V8 | Executive Order # D-182-65 | | | | 81127 | D-182-65 |
| | 6.6L V8 | Executive Order # D-182-65 | | | | 81128 | D-182-65 |
| 1975 | 5.2L V8 | Executive Order # D-182-65 | | | | 81127 | D-182-65 |
| | 5.9L V8 | Executive Order # D-182-65 | | | | 81127 | D-182-65 |

For vehicles licensed in the state of California or Maine, or vehicles requiring CARB-compliant converters in the state of New York, the parts in this catalog must be installed as specifically listed. Parts cannot be substituted, nor can they be installed on California or Maine licensed vehicles not listed in this catalog.

NON-OBDI PASSENGER CAR & TRUCK

| Years | Engine | Application | Position | Direct-Fit | | Universal Part No. | Executive Order |
|---|-------------|---|---|--|----------|--------------------|-----------------|
| | | | | Part No. | Hardware | | |
| PLYMOUTH (Cont.) | | | | | | | |
| Fury (Cont.) | | | | | | | |
| 1975 (Cont.) | 6.6L V8 | Executive Order # D-182-65 | | | | 81128 | D-182-65 |
| | 7.2L V8 | w/ Single Catalytic Converter; Executive Order # D-182-65 | | | | 81128 | D-182-65 |
| Gran Fury | | | | | | | |
| 1989-86 | 5.2L V8 | w/ 1 Catalytic Converter; Executive Order # D-182-65 | | | | 81122 | D-182-65 |
| | | w/ 3 Catalytic Converters; Executive Order # D-182-39 | Front Left | | | 80402 | D-182-39 |
| | | | Front Right | | | 80402 | D-182-39 |
| 1985 | 5.2L V8 | w/ 1 Catalytic Converter; Executive Order # D-182-65 | | | | 81122 | D-182-65 |
| | | w/ 3 Catalytic Converters; Executive Order # D-182-39 | Front Left | | | 80402 | D-182-39 |
| | | | Front Right | | | 80402 | D-182-39 |
| 1984 | 5.2L V8 | w/ 1 Catalytic Converter; Executive Order # D-182-65 | | | | 81122 | D-182-65 |
| | | w/ 3 Catalytic Converters; Executive Order # D-182-39 | Front Left | | | 80402 | D-182-39 |
| | | | Front Right | | | 80402 | D-182-39 |
| 1983-82 | 3.7L L6 | Executive Order # D-182-39 | Front | | | 80401 | D-182-39 |
| | | | Rear | | | 80256 | D-182-39 |
| | 5.2L V8 | w/ 1 Catalytic Converter; Executive Order # D-182-65 | | | | 81122 | D-182-65 |
| | | | w/ 3 Catalytic Converters; Executive Order # D-182-39 | Front Left | | | 80402 |
| | | Front Right | | | | 80402 | D-182-39 |
| | | 1981 | 5.2L V8 | w/ 1 Catalytic Converter; Executive Order # D-182-65 | | | |
| w/ 3 Catalytic Converters; Executive Order # D-182-39 | Front Left | | | | | 80402 | D-182-39 |
| | Front Right | | | | | 80402 | D-182-39 |
| 1980 | 5.2L V8 | w/ 1 Catalytic Converter; Executive Order # D-182-65 | | | | 81122 | D-182-65 |
| | | w/ 3 Catalytic Converters; Executive Order # D-182-39 | Front Left | | | 80401 | D-182-39 |
| | | | Front Right | | | 80401 | D-182-39 |
| 1977-75 | 5.2L V8 | Executive Order # D-182-65 | | | | 81128 | D-182-65 |
| | 5.9L V8 | Executive Order # D-182-65 | | | | 81128 | D-182-65 |
| | 6.6L V8 | w/ Single Catalytic Converter; Executive Order # D-182-65 | | | | 81128 | D-182-65 |
| Grand Voyager | | | | | | | |
| 1995-94 | 3.0L V6 | Executive Order # D-182-55 | | | | 80905 | D-182-55 |
| | 3.3L V6 | Executive Order # D-182-55 | | | | 80906 | D-182-55 |
| | 3.8L V6 | Executive Order # D-182-55 | | | | 80906 | D-182-55 |
| 1993-92 | 3.0L V6 | Executive Order # D-182-55 | | | | 80905 | D-182-55 |
| | 3.3L V6 | Executive Order # D-182-55 | | | | 80906 | D-182-55 |
| 1991 | 3.3L V6 | Executive Order # D-182-55 | | | | 80906 | D-182-55 |
| 1989-88 | 3.0L V6 | Executive Order # D-182-55 | | | | 80905 | D-182-55 |
| Horizon | | | | | | | |
| 1990-88 | 2.2L L4 | w/ Air Tube; Executive Order # D-182-65 | | | | 81121 | D-182-65 |
| | | w/o Air Tube; Executive Order # D-182-65 | | | | 81126 | D-182-65 |
| 1987 | 2.2L L4 | Executive Order # D-182-65 | | | | 81126 | D-182-65 |
| 1986-84 | 1.6L L4 | Executive Order # D-182-65 | | | | 81126 | D-182-65 |
| | 2.2L L4 | w/ Air Tube; Executive Order # D-182-65 | | | | 81121 | D-182-65 |
| | | w/o Air Tube; Executive Order # D-182-65 | | | | 81126 | D-182-65 |
| 1983 | 1.6L L4 | Executive Order # D-182-39 | Front | | | 80401 | D-182-39 |
| | 1.7L L4 | Executive Order # D-182-39 | Front | | | 80401 | D-182-39 |

For vehicles licensed in the state of California or Maine, or vehicles requiring CARB-compliant converters in the state of New York, the parts in this catalog must be installed as specifically listed. Parts cannot be substituted, nor can they be installed on California or Maine licensed vehicles not listed in this catalog.

NON-OBDII PASSENGER CAR & TRUCK

| Years | Engine | Application | Position | Direct-Fit | | Universal Part No. | Executive Order |
|-------------------------|---------|---|----------|------------|--------------|--------------------|-----------------|
| | | | | Part No. | Hardware | | |
| PLYMOUTH (Cont.) | | | | | | | |
| Horizon (Cont.) | | | | | | | |
| 1982 | 1.7L L4 | Executive Order # D-182-39 | Front | | | 80401 | D-182-39 |
| | 2.2L L4 | Executive Order # D-182-39 | Rear | | | 80256 | D-182-39 |
| 1981 | 2.2L L4 | Executive Order # D-182-39 | Front | | | 80401 | D-182-39 |
| | | | Rear | | | 80256 | D-182-39 |
| 1980 | 1.7L L4 | Executive Order # D-182-65 | | | | 81121 | D-182-65 |
| 1979-78 | 1.7L L4 | Executive Order # D-182-65 | | | | 81126 | D-182-65 |
| Laser | | | | | | | |
| 1994-90 | 1.8L L4 | Executive Order # D-182-65 | | | | 81126 | D-182-65 |
| | 2.0L L4 | Executive Order # D-182-65 | | | | 81126 | D-182-65 |
| PB100 | | | | | | | |
| 1980 | 3.7L L6 | w/ Air Tube; Executive Order # D-182-55 | | | | 80901 | D-182-55 |
| | | w/o Air Tube; Executive Order # D-182-55 | | | | 80905 | D-182-55 |
| | 5.2L V8 | w/ 1 Catalytic Converter; Executive Order # D-182-55 | | | | 80906 | D-182-55 |
| | | w/ 2 Catalytic Converters; Executive Order # D-182-37 | Front | | | 80616 | D-182-37 |
| | | Rear | | | 80708 | D-182-37 | |
| 1979 | 3.7L L6 | Executive Order # D-182-55 | | | | 80904 | D-182-55 |
| | 5.2L V8 | w/ 1 Catalytic Converter; Executive Order # D-182-55 | | | | 80906 | D-182-55 |
| | | w/ 2 Catalytic Converters; Executive Order # D-182-37 | Front | | | 80616 | D-182-37 |
| | | | Rear | | | 80708 | D-182-37 |
| 1978 | 3.7L L6 | Executive Order # D-182-55 | | | | 80904 | D-182-55 |
| | 5.2L V8 | w/ 1 Catalytic Converter; Executive Order # D-182-55 | | | | 80906 | D-182-55 |
| | | w/ 2 Catalytic Converters; Executive Order # D-182-37 | Front | | | 80616 | D-182-37 |
| | | | Rear | | | 80708 | D-182-37 |
| | 5.9L V8 | w/ 1 Catalytic Converter; Executive Order # D-182-55 | | | | 80906 | D-182-55 |
| | | w/ 2 Catalytic Converters; Executive Order # D-182-37 | Front | | | 80616 | D-182-37 |
| | | Rear | | | 80708 | D-182-37 | |
| 1977-76 | 3.7L L6 | Executive Order # D-182-55 | | | | 80904 | D-182-55 |
| | 5.2L V8 | Executive Order # D-182-55 | | | | 80906 | D-182-55 |
| | 5.9L V8 | Executive Order # D-182-55 | | | | 80906 | D-182-55 |
| 1975 | 3.7L L6 | Executive Order # D-182-55 | | | | 80904 | D-182-55 |
| | 5.2L V8 | Executive Order # D-182-55 | | | | 80906 | D-182-55 |
| PB150 | | | | | | | |
| 1983 | 3.7L L6 | Executive Order # D-182-55 | | | | 80901 | D-182-55 |
| | 5.2L V8 | w/ 1 Catalytic Converter; Executive Order # D-182-55 | | | | 80901 | D-182-55 |
| | | w/ 2 Catalytic Converters; Executive Order # D-182-37 | Front | | | 80616 | D-182-37 |
| | | | Rear | | | 80702 | D-182-37 |
| 1981 | 3.7L L6 | w/ Air Tube; Executive Order # D-182-55 | | | | 80901 | D-182-55 |
| | | w/o Air Tube; Executive Order # D-182-55 | | | | 80905 | D-182-55 |
| | 5.2L V8 | w/ 1 Catalytic Converter; Executive Order # D-182-55 | | | | 80906 | D-182-55 |
| | | w/ 2 Catalytic Converters; Executive Order # D-182-37 | Front | | | 80616 | D-182-37 |
| | | Rear | | | 80708 | D-182-37 | |
| PB200 | | | | | | | |
| 1980 | 3.7L L6 | w/ Air Tube; Executive Order # D-182-55 | | | | 80901 | D-182-55 |
| | | w/o Air Tube; Executive Order # D-182-55 | | | | 80905 | D-182-55 |

For vehicles licensed in the state of California or Maine, or vehicles requiring CARB-compliant converters in the state of New York, the parts in this catalog must be installed as specifically listed. Parts cannot be substituted, nor can they be installed on California or Maine licensed vehicles not listed in this catalog.

NON-OBDI PASSENGER CAR & TRUCK

| Years | Engine | Application | Position | Direct-Fit | | Universal Part No. | Executive Order | |
|---|---------|---|----------------------------|------------|----------|--------------------|-----------------|----------|
| | | | | Part No. | Hardware | | | |
| PLYMOUTH (Cont.) | | | | | | | | |
| PB200 (Cont.) | | | | | | | | |
| 1980 (Cont.) | 5.2L V8 | w/ 1 Catalytic Converter; Executive Order # D-182-55 | | | | 80906 | D-182-55 | |
| | | w/ 2 Catalytic Converters; Executive Order # D-182-37 | Front | | | 80616 | D-182-37 | |
| | | | Rear | | | 80708 | D-182-37 | |
| | 5.9L V8 | w/ 1 Catalytic Converter; Executive Order # D-182-55 | | | | | 80906 | D-182-55 |
| | | w/ 2 Catalytic Converters; Executive Order # D-182-37 | Front | | | | 80616 | D-182-37 |
| | | | Rear | | | | 80708 | D-182-37 |
| 1979 | 5.2L V8 | w/ 1 Catalytic Converter; Executive Order # D-182-55 | | | | 80906 | D-182-55 | |
| | | w/ 2 Catalytic Converters; Executive Order # D-182-37 | Front | | | 80616 | D-182-37 | |
| | | | Rear | | | 80708 | D-182-37 | |
| | 5.9L V8 | w/ 1 Catalytic Converter; Executive Order # D-182-55 | | | | | 80906 | D-182-55 |
| | | w/ 2 Catalytic Converters; Executive Order # D-182-37 | Front | | | | 80616 | D-182-37 |
| | | | Rear | | | | 80708 | D-182-37 |
| 1978 | 3.7L L6 | Executive Order # D-182-55 | | | | 80904 | D-182-55 | |
| | 5.2L V8 | w/ 1 Catalytic Converter; Executive Order # D-182-55 | | | | 80906 | D-182-55 | |
| | | w/ 2 Catalytic Converters; Executive Order # D-182-37 | Front | | | | 80616 | D-182-37 |
| | | | Rear | | | | 80708 | D-182-37 |
| | 5.9L V8 | w/ 1 Catalytic Converter; Executive Order # D-182-55 | | | | | 80906 | D-182-55 |
| | | w/ 2 Catalytic Converters; Executive Order # D-182-37 | Front | | | | 80616 | D-182-37 |
| | | | Rear | | | | 80708 | D-182-37 |
| | 6.6L V8 | Executive Order # D-182-55 | | | | 80906 | D-182-55 | |
| | 1977-76 | 3.7L L6 | Executive Order # D-182-55 | | | | 80904 | D-182-55 |
| | | 5.2L V8 | Executive Order # D-182-55 | | | | 80906 | D-182-55 |
| 5.9L V8 | | Executive Order # D-182-55 | | | | 80906 | D-182-55 | |
| 6.6L V8 | | Executive Order # D-182-55 | | | | 80906 | D-182-55 | |
| 1975 | 3.7L L6 | Executive Order # D-182-55 | | | | 80904 | D-182-55 | |
| | 5.2L V8 | Executive Order # D-182-55 | | | | 80906 | D-182-55 | |
| | 5.9L V8 | Executive Order # D-182-55 | | | | 80906 | D-182-55 | |
| PB250 | | | | | | | | |
| 1983 | 3.7L L6 | Executive Order # D-182-55 | | | | 80901 | D-182-55 | |
| | 5.2L V8 | w/ 1 Catalytic Converter; Executive Order # D-182-55 | | | | 80901 | D-182-55 | |
| | | w/ 2 Catalytic Converters; Executive Order # D-182-37 | Front | | | | 80616 | D-182-37 |
| | | Rear | | | | 80702 | D-182-37 | |
| 1982 | 3.7L L6 | w/ Air Tube; Executive Order # D-182-55 | | | | 80901 | D-182-55 | |
| | | w/o Air Tube; Executive Order # D-182-55 | | | | 80905 | D-182-55 | |
| | 5.2L V8 | w/ 1 Catalytic Converter; Executive Order # D-182-55 | | | | | 80906 | D-182-55 |
| | | w/ 2 Catalytic Converters; Executive Order # D-182-37 | Front | | | | 80616 | D-182-37 |
| | | Rear | | | | 80708 | D-182-37 | |
| 1981 | 3.7L L6 | w/ Air Tube; Executive Order # D-182-55 | | | | 80901 | D-182-55 | |
| | | w/o Air Tube; Executive Order # D-182-55 | | | | 80905 | D-182-55 | |
| | 5.2L V8 | w/ 1 Catalytic Converter; Executive Order # D-182-55 | | | | | 80906 | D-182-55 |
| | | w/ 2 Catalytic Converters; Executive Order # D-182-37 | Front | | | | 80616 | D-182-37 |
| | | | Rear | | | | 80708 | D-182-37 |
| | 5.9L V8 | w/ 1 Catalytic Converter; Executive Order # D-182-55 | | | | | 80906 | D-182-55 |
| w/ 2 Catalytic Converters; Executive Order # D-182-37 | | Front | | | | 80616 | D-182-37 | |
| | | Rear | | | | 80708 | D-182-37 | |

For vehicles licensed in the state of California or Maine, or vehicles requiring CARB-compliant converters in the state of New York, the parts in this catalog must be installed as specifically listed. Parts cannot be substituted, nor can they be installed on California or Maine licensed vehicles not listed in this catalog.

NON-OBDII PASSENGER CAR & TRUCK

| Years | Engine | Application | Position | Direct-Fit | | Universal Part No. | Executive Order | |
|-------------------------|----------------------------|---|---|------------|--------------|--------------------|-----------------|----------|
| | | | | Part No. | Hardware | | | |
| PLYMOUTH (Cont.) | | | | | | | | |
| PB300 | | | | | | | | |
| 1980-79 | 5.2L V8 | w/ 1 Catalytic Converter; Executive Order # D-182-55 | | | | 80906 | D-182-55 | |
| | | w/ 2 Catalytic Converters; Executive Order # D-182-37 | Front | | | 80616 | D-182-37 | |
| | | | Rear | | | 80708 | D-182-37 | |
| | 5.9L V8 | w/ 1 Catalytic Converter; Executive Order # D-182-55 | | | | 80906 | D-182-55 | |
| | | w/ 2 Catalytic Converters; Executive Order # D-182-37 | Front | | | 80616 | D-182-37 | |
| | | | Rear | | | 80708 | D-182-37 | |
| 1978 | 5.2L V8 | w/ 1 Catalytic Converter; Executive Order # D-182-55 | | | | 80906 | D-182-55 | |
| | | w/ 2 Catalytic Converters; Executive Order # D-182-37 | Front | | | 80616 | D-182-37 | |
| | | | Rear | | | 80708 | D-182-37 | |
| | 5.9L V8 | w/ 1 Catalytic Converter; Executive Order # D-182-55 | | | | 80906 | D-182-55 | |
| | | w/ 2 Catalytic Converters; Executive Order # D-182-37 | Front | | | 80616 | D-182-37 | |
| | | | Rear | | | 80708 | D-182-37 | |
| 6.6L V8 | Executive Order # D-182-55 | | | | | 80906 | D-182-55 | |
| | 1977-76 | 5.2L V8 | Executive Order # D-182-55 | | | | 80906 | D-182-55 |
| | | 5.9L V8 | Executive Order # D-182-55 | | | | 80906 | D-182-55 |
| 6.6L V8 | | Executive Order # D-182-55 | | | | 80906 | D-182-55 | |
| 1975 | 5.2L V8 | Executive Order # D-182-55 | | | | 80906 | D-182-55 | |
| | 5.9L V8 | Executive Order # D-182-55 | | | | 80906 | D-182-55 | |
| PB350 | | | | | | | | |
| 1983 | 5.2L V8 | w/ 1 Catalytic Converter; Executive Order # D-182-55 | | | | 80901 | D-182-55 | |
| | | w/ 2 Catalytic Converters; Executive Order # D-182-37 | Front | | | 80616 | D-182-37 | |
| | | | Rear | | | 80702 | D-182-37 | |
| | 5.9L V8 | Executive Order # D-182-55 | | | | 80906 | D-182-55 | |
| | 1982 | 5.2L V8 | w/ 1 Catalytic Converter; Executive Order # D-182-55 | | | | 80906 | D-182-55 |
| | | | w/ 2 Catalytic Converters; Executive Order # D-182-37 | Front | | | 80616 | D-182-37 |
| Rear | | | | | | 80708 | D-182-37 | |
| 5.9L V8 | Executive Order # D-182-55 | | | | 80906 | D-182-55 | | |
| 1981 | 5.2L V8 | w/ 1 Catalytic Converter; Executive Order # D-182-55 | | | | 80906 | D-182-55 | |
| | | w/ 2 Catalytic Converters; Executive Order # D-182-37 | Front | | | 80616 | D-182-37 | |
| | | | Rear | | | 80708 | D-182-37 | |
| | 5.9L V8 | w/ 1 Catalytic Converter; Executive Order # D-182-55 | | | | 80906 | D-182-55 | |
| | | w/ 2 Catalytic Converters; Executive Order # D-182-37 | Front | | | 80616 | D-182-37 | |
| | | | Rear | | | 80708 | D-182-37 | |
| Reliant | | | | | | | | |
| 1989-88 | 2.2L L4 | w/ Air Tube; Executive Order # D-182-65 | | | | 81121 | D-182-65 | |
| | | w/o Air Tube; Executive Order # D-182-65 | | | | 81126 | D-182-65 | |
| | 2.5L L4 | w/ Air Tube; Executive Order # D-182-65 | | | | 81121 | D-182-65 | |
| | | w/o Air Tube; Executive Order # D-182-65 | | | | 81126 | D-182-65 | |
| 1987 | 2.2L L4 | Executive Order # D-182-65 | | | | 81126 | D-182-65 | |
| | 2.5L L4 | w/o Air Tube; Executive Order # D-182-65 | | | | 81126 | D-182-65 | |
| 1986 | 2.2L L4 | Naturally Aspirated; w/o Air Tube; Executive Order # D-182-65 | | | | 81126 | D-182-65 | |
| | | w/ Air Tube; Executive Order # D-182-65 | | | | 81121 | D-182-65 | |
| | 2.5L L4 | w/o Air Tube; Executive Order # D-182-65 | | | | 81126 | D-182-65 | |
| 1985-84 | 2.2L L4 | w/ Air Tube; Executive Order # D-182-65 | | | | 81121 | D-182-65 | |

For vehicles licensed in the state of California or Maine, or vehicles requiring CARB-compliant converters in the state of New York, the parts in this catalog must be installed as specifically listed. Parts cannot be substituted, nor can they be installed on California or Maine licensed vehicles not listed in this catalog.

NON-OBDI PASSENGER CAR & TRUCK

| Years | Engine | Application | Position | Direct-Fit | | Universal Part No. | Executive Order |
|-------------------------|---------|---|----------|------------|----------|--------------------|-----------------|
| | | | | Part No. | Hardware | | |
| PLYMOUTH (Cont.) | | | | | | | |
| Reliant (Cont.) | | | | | | | |
| 1985-84 (Cont.) | 2.2L L4 | w/o Air Tube; Executive Order # D-182-65 | | | | 81126 | D-182-65 |
| | 2.6L L4 | Executive Order # D-182-65 | | | | 81126 | D-182-65 |
| 1983 | 2.6L L4 | Executive Order # D-182-65 | | | | 81126 | D-182-65 |
| 1982 | 2.2L L4 | Executive Order # D-182-39 | Rear | | | 80256 | D-182-39 |
| | 2.6L L4 | Executive Order # D-182-39 | Front | | | 80401 | D-182-39 |
| 1981 | 2.2L L4 | Executive Order # D-182-39 | Front | | | 80401 | D-182-39 |
| | | | Rear | | | 80256 | D-182-39 |
| | 2.6L L4 | Executive Order # D-182-39 | Front | | | 80401 | D-182-39 |
| Sapporo | | | | | | | |
| 1983-80 | 2.6L L4 | Executive Order # D-182-65 | | | | 81126 | D-182-65 |
| 1979-78 | 1.6L L4 | Executive Order # D-182-65 | | | | 81101 | D-182-65 |
| | 2.6L L4 | Executive Order # D-182-65 | | | | 81126 | D-182-65 |
| Scamp | | | | | | | |
| 1976-75 | 3.7L L6 | Executive Order # D-182-65 | | | | 81126 | D-182-65 |
| | 5.2L V8 | Executive Order # D-182-65 | | | | 81127 | D-182-65 |
| Sundance | | | | | | | |
| 1994 | 2.2L L4 | w/o Air Tube; Executive Order # D-182-65 | | | | 81126 | D-182-65 |
| | 2.5L L4 | Executive Order # D-182-65 | | | | 81126 | D-182-65 |
| 1993-92 | 2.2L L4 | w/o Air Tube; Executive Order # D-182-65 | | | | 81126 | D-182-65 |
| | 2.5L L4 | w/o Air Tube; Executive Order # D-182-65 | | | | 81126 | D-182-65 |
| 1991-90 | 2.2L L4 | w/o Air Tube; Executive Order # D-182-65 | | | | 81126 | D-182-65 |
| | | Executive Order # D-182-65 | | | | 81127 | D-182-65 |
| | | Naturally Aspirated; w/o Air Tube; Executive Order # D-182-65 | | | | 81126 | D-182-65 |
| 1989 | 2.5L L4 | Executive Order # D-182-65 | | | | 81127 | D-182-65 |
| | | Naturally Aspirated; w/o Air Tube; Executive Order # D-182-65 | | | | 81126 | D-182-65 |
| 1988 | 2.2L L4 | Executive Order # D-182-65 | | | | 81127 | D-182-65 |
| | | Naturally Aspirated; w/o Air Tube; Executive Order # D-182-65 | | | | 81126 | D-182-65 |
| | 2.5L L4 | Executive Order # D-182-65 | | | | 81126 | D-182-65 |
| 1987 | 2.2L L4 | Executive Order # D-182-65 | | | | 81127 | D-182-65 |
| | | Naturally Aspirated; w/o Air Tube; Executive Order # D-182-65 | | | | 81126 | D-182-65 |
| Trailduster | | | | | | | |
| 1981 | 5.2L V8 | Executive Order # D-182-55 | | | | 80906 | D-182-55 |
| 1980 | 3.7L L6 | Executive Order # D-182-55 | | | | 80906 | D-182-55 |
| | 5.2L V8 | Executive Order # D-182-55 | | | | 80906 | D-182-55 |
| 1979 | 3.7L L6 | w/ Air Tube; Executive Order # D-182-55 | | | | 80901 | D-182-55 |
| | | w/o Air Tube; Executive Order # D-182-55 | | | | 80905 | D-182-55 |
| | 5.2L V8 | Executive Order # D-182-55 | | | | 80906 | D-182-55 |
| 1978 | 3.7L L6 | Executive Order # D-182-55 | | | | 80904 | D-182-55 |
| | | Executive Order # D-182-55 | | | | 80906 | D-182-55 |
| | 5.9L V8 | Executive Order # D-182-55 | | | | 80906 | D-182-55 |

For vehicles licensed in the state of California or Maine, or vehicles requiring CARB-compliant converters in the state of New York, the parts in this catalog must be installed as specifically listed. Parts cannot be substituted, nor can they be installed on California or Maine licensed vehicles not listed in this catalog.

NON-OBDII PASSENGER CAR & TRUCK

| Years | Engine | Application | Position | Direct-Fit | | Universal Part No. | Executive Order |
|----------------------------|---------|---|-------------|------------|----------|--------------------|-----------------|
| | | | | Part No. | Hardware | | |
| PLYMOUTH (Cont.) | | | | | | | |
| Trailduster (Cont.) | | | | | | | |
| 1977-76 | 5.2L V8 | w/ 1 Catalytic Converter; Executive Order # D-182-55 | | | | 80906 | D-182-55 |
| | 5.9L V8 | w/ 1 Catalytic Converter; Executive Order # D-182-55 | | | | 80906 | D-182-55 |
| Turismo | | | | | | | |
| 1985 | 1.6L L4 | Executive Order # D-182-65 | | | | 81126 | D-182-65 |
| | 2.2L L4 | Executive Order # D-182-65 | | | | 81126 | D-182-65 |
| Valiant | | | | | | | |
| 1976 | 3.7L L6 | Executive Order # D-182-65 | | | | 81126 | D-182-65 |
| | 5.2L V8 | Executive Order # D-182-65 | | | | 81127 | D-182-65 |
| | 5.9L V8 | Executive Order # D-182-65 | | | | 81127 | D-182-65 |
| 1975 | 3.7L L6 | Executive Order # D-182-65 | | | | 81126 | D-182-65 |
| | 5.2L V8 | Executive Order # D-182-65 | | | | 81127 | D-182-65 |
| Volare | | | | | | | |
| 1980 | 3.7L L6 | Executive Order # D-182-39 | Front | | | 80401 | D-182-39 |
| | | | Rear | | | 80256 | D-182-39 |
| | 5.2L V8 | w/ 1 Catalytic Converter; Executive Order # D-182-65 w/ 3 Catalytic Converters; Executive Order # D-182-39 | Front Left | | | 80401 | D-182-39 |
| | | | Front Right | | | 80401 | D-182-39 |
| 1979 | 3.7L L6 | w/ Air Tube; Executive Order # D-182-65 w/o Air Tube; Executive Order # D-182-65 | | | | 81121 | D-182-65 |
| | | | | | | 81126 | D-182-65 |
| | 5.2L V8 | w/ Dual Catalytic Converters; Executive Order # D-182-65 w/ Single Catalytic Converter; Executive Order # D-182-65 | Left | | | 81127 | D-182-65 |
| | | | Right | | | 81127 | D-182-65 |
| 1978 | 3.7L L6 | Executive Order # D-182-65 | | | | 81127 | D-182-65 |
| | 5.2L V8 | Executive Order # D-182-65 | | | | 81127 | D-182-65 |
| 1977 | 3.7L L6 | w/ 1 7/8" System; Executive Order # D-182-65 | | | | 81126 | D-182-65 |
| | | w/ 2 1/4" System; Executive Order # D-182-65 | | | | 81127 | D-182-65 |
| | 5.2L V8 | Executive Order # D-182-65 | | | | 81127 | D-182-65 |
| 1976 | 3.7L L6 | Executive Order # D-182-65 | | | | 81126 | D-182-65 |
| | 5.2L V8 | Executive Order # D-182-65 | | | | 81127 | D-182-65 |
| Voyager | | | | | | | |
| 1995-92 | 2.5L L4 | Executive Order # D-182-55 | | | | 80904 | D-182-55 |
| | 3.0L V6 | Executive Order # D-182-55 | | | | 80906 | D-182-55 |
| | 3.3L V6 | Executive Order # D-182-55 | | | | 80906 | D-182-55 |
| 1991 | 2.5L L4 | Executive Order # D-182-55 | | | | 80904 | D-182-55 |
| | 3.0L V6 | Executive Order # D-182-55 | | | | 80905 | D-182-55 |
| | 3.3L V6 | Executive Order # D-182-55 | | | | 80906 | D-182-55 |
| 1990-89 | 2.5L L4 | Naturally Aspirated; Executive Order # D-182-55 | | | | 80904 | D-182-55 |
| | | Turbocharged; Executive Order # D-182-55 | | | | 80905 | D-182-55 |
| | 3.0L V6 | Executive Order # D-182-55 | | | | 80905 | D-182-55 |
| 1988 | 2.5L L4 | Executive Order # D-182-55 | | | | 80904 | D-182-55 |
| | 3.0L V6 | Executive Order # D-182-55 | | | | 80905 | D-182-55 |
| 1987 | 2.2L L4 | Executive Order # D-182-55 | | | | 80904 | D-182-55 |
| | 2.6L L4 | Executive Order # D-182-37 | Rear | | | 80706 | D-182-37 |
| | 3.0L V6 | Executive Order # D-182-55 | | | | 80905 | D-182-55 |

For vehicles licensed in the state of California or Maine, or vehicles requiring CARB-compliant converters in the state of New York, the parts in this catalog must be installed as specifically listed. Parts cannot be substituted, nor can they be installed on California or Maine licensed vehicles not listed in this catalog.

NON-OBDI PASSENGER CAR & TRUCK

| Years | Engine | Application | Position | Direct-Fit | | Universal Part No. | Executive Order |
|-------|--------|-------------|----------|------------|----------|--------------------|-----------------|
| | | | | Part No. | Hardware | | |

PLYMOUTH (Cont.)

Voyager (Cont.)

| | | | | | | | |
|---------|---------|----------------------------|------|--|--|--------------|----------|
| 1986-84 | 2.2L L4 | Executive Order # D-182-55 | | | | 80904 | D-182-55 |
| | 2.6L L4 | Executive Order # D-182-37 | Rear | | | 80706 | D-182-37 |

PONTIAC

6000

| | | | | | | | |
|---------|---------|--|--|--|--|--------------|----------|
| 1991-90 | 2.5L L4 | w/o Air Tube; Executive Order # D-182-65 | | | | 81126 | D-182-65 |
| | 3.1L V6 | Executive Order # D-182-65 | | | | 81126 | D-182-65 |
| 1989-88 | 2.5L L4 | w/o Air Tube; Executive Order # D-182-65 | | | | 81126 | D-182-65 |
| | 2.8L V6 | w/o Air Tube; Executive Order # D-182-65 | | | | 81126 | D-182-65 |
| | 3.1L V6 | Executive Order # D-182-65 | | | | 81126 | D-182-65 |
| 1987 | 2.5L L4 | w/o Air Tube; Executive Order # D-182-65 | | | | 81126 | D-182-65 |
| | 2.8L V6 | w/o Air Tube; Executive Order # D-182-65 | | | | 81126 | D-182-65 |
| 1986-85 | 2.5L L4 | w/o Air Tube; Executive Order # D-182-65 | | | | 81126 | D-182-65 |
| | 2.8L V6 | w/ Air Tube; Executive Order # D-182-65 | | | | 81121 | D-182-65 |
| | | w/o Air Tube; Executive Order # D-182-65 | | | | 81126 | D-182-65 |
| 1984-83 | 2.5L L4 | w/o Air Tube; Executive Order # D-182-65 | | | | 81126 | D-182-65 |
| | 2.8L V6 | w/ Air Tube; Executive Order # D-182-65 | | | | 81121 | D-182-65 |
| 1982 | 2.5L L4 | w/o Air Tube; Executive Order # D-182-65 | | | | 81126 | D-182-65 |
| | 2.8L V6 | Executive Order # D-182-65 | | | | 81121 | D-182-65 |

Astre

| | | | | | | | |
|------|---------|----------------------------|--|--|--|--------------|----------|
| 1977 | 2.3L L4 | Executive Order # D-182-65 | | | | 81126 | D-182-65 |
| | 2.5L L4 | Executive Order # D-182-65 | | | | 81127 | D-182-65 |
| 1976 | 2.3L L4 | Executive Order # D-182-65 | | | | 81126 | D-182-65 |
| 1975 | 2.3L L4 | Executive Order # D-182-65 | | | | 81127 | D-182-65 |

Bonneville

| | | | | | | | |
|---------|---------|--|--|--|--------------|--------------|--------------|
| 1995 | 3.8L V6 | Executive Order # D-182-65 | | | | 81128 | D-182-65 |
| 1994-92 | 3.8L V6 | Executive Order # D-182-65 | | | 81147 | 81128 | D-182-65 |
| 1991-87 | 3.8L V6 | w/o Air Tube; Executive Order # D-182-65 | | | | 81127 | D-182-65 |
| 1986 | 3.8L V6 | Executive Order # D-182-65 | | | | 81122 | D-182-65 |
| | 4.3L V6 | w/ Air Tube; Executive Order # D-182-65 | | | | 81122 | D-182-65 |
| | 5.0L V8 | Executive Order # D-182-65 | | | 81174 | 31865 | 81122 |
| 1985-84 | 3.8L V6 | Executive Order # D-182-65 | | | | 81122 | D-182-65 |
| | 5.0L V8 | Executive Order # D-182-65 | | | 81174 | 31865 | 81122 |
| 1983 | 3.8L V6 | Executive Order # D-182-65 | | | | 81127 | D-182-65 |
| | 5.0L V8 | Executive Order # D-182-65 | | | | 81122 | D-182-65 |
| 1982 | 3.8L V6 | Executive Order # D-182-65 | | | | 81127 | D-182-65 |
| | 4.1L V6 | Executive Order # D-182-65 | | | | 81122 | D-182-65 |
| 1981 | 3.8L V6 | w/ Air Tube; Executive Order # D-182-65 | | | | 81122 | D-182-65 |
| | | w/o Air Tube; Executive Order # D-182-65 | | | | 81127 | D-182-65 |
| | 4.3L V8 | Executive Order # D-182-65 | | | | 81122 | D-182-65 |
| | 5.0L V8 | Executive Order # D-182-65 | | | | 81122 | D-182-65 |
| 1980 | 3.8L V6 | Executive Order # D-182-65 | | | | 81122 | D-182-65 |
| | 4.3L V8 | Executive Order # D-182-65 | | | | 81127 | D-182-65 |
| | 4.9L V8 | Executive Order # D-182-65 | | | | 81127 | D-182-65 |
| | 5.7L V8 | Executive Order # D-182-65 | | | | 81127 | D-182-65 |

For vehicles licensed in the state of California or Maine, or vehicles requiring CARB-compliant converters in the state of New York, the parts in this catalog must be installed as specifically listed. Parts cannot be substituted, nor can they be installed on California or Maine licensed vehicles not listed in this catalog.

NON-OBDII PASSENGER CAR & TRUCK

| Years | Engine | Application | Position | Direct-Fit | | Universal Part No. | Executive Order |
|---------------------------|---------|--|----------|--------------|----------|--------------------|-----------------|
| | | | | Part No. | Hardware | | |
| PONTIAC (Cont.) | | | | | | | |
| Bonneville (Cont.) | | | | | | | |
| 1979 | 4.9L V8 | Executive Order # D-182-65 | | | | 81128 | D-182-65 |
| | 5.7L V8 | Executive Order # D-182-65 | | | | 81128 | D-182-65 |
| | 6.6L V8 | Executive Order # D-182-65 | | | | 81128 | D-182-65 |
| 1978-77 | 4.9L V8 | Executive Order # D-182-65 | | | | 81128 | D-182-65 |
| | 5.7L V8 | Executive Order # D-182-65 | | | | 81128 | D-182-65 |
| | 6.6L V8 | Executive Order # D-182-65 | | | | 81128 | D-182-65 |
| 1976-75 | 6.6L V8 | Executive Order # D-182-65 | | | | 81128 | D-182-65 |
| | 7.5L V8 | Executive Order # D-182-65 | | | | 81128 | D-182-65 |
| Catalina | | | | | | | |
| 1981 | 3.8L V6 | w/ Air Tube; Executive Order # D-182-65 | | | | 81122 | D-182-65 |
| | | w/o Air Tube; Executive Order # D-182-65 | | | | 81127 | D-182-65 |
| | 4.3L V8 | Executive Order # D-182-65 | | | | 81122 | D-182-65 |
| | 5.0L V8 | Executive Order # D-182-65 | | | | 81122 | D-182-65 |
| 1980 | 3.8L V6 | Executive Order # D-182-65 | | | | 81127 | D-182-65 |
| | 4.3L V8 | Executive Order # D-182-65 | | | | 81127 | D-182-65 |
| | 4.9L V8 | Executive Order # D-182-65 | | | | 81127 | D-182-65 |
| | 5.7L V8 | Executive Order # D-182-65 | | | | 81127 | D-182-65 |
| 1979 | 3.8L V6 | Executive Order # D-182-65 | | | | 81128 | D-182-65 |
| | 4.9L V8 | Executive Order # D-182-65 | | | | 81128 | D-182-65 |
| | 5.7L V8 | Executive Order # D-182-65 | | | | 81128 | D-182-65 |
| | 6.6L V8 | Executive Order # D-182-65 | | | | 81128 | D-182-65 |
| 1978 | 3.8L V6 | Executive Order # D-182-65 | | | | 81128 | D-182-65 |
| | 4.9L V8 | Executive Order # D-182-65 | | | | 81128 | D-182-65 |
| | 5.7L V8 | Executive Order # D-182-65 | | | | 81128 | D-182-65 |
| | 6.6L V8 | Executive Order # D-182-65 | | | | 81128 | D-182-65 |
| 1977 | 3.8L V6 | Executive Order # D-182-65 | | | | 81128 | D-182-65 |
| | 4.9L V8 | Executive Order # D-182-65 | | | | 81128 | D-182-65 |
| | 5.7L V8 | Executive Order # D-182-65 | | | | 81128 | D-182-65 |
| | 6.6L V8 | Executive Order # D-182-65 | | | | 81128 | D-182-65 |
| 1976 | 5.7L V8 | Executive Order # D-182-65 | | | | 81128 | D-182-65 |
| | 6.6L V8 | Executive Order # D-182-65 | | | | 81128 | D-182-65 |
| | 7.5L V8 | Executive Order # D-182-65 | | | | 81128 | D-182-65 |
| 1975 | 6.6L V8 | Executive Order # D-182-65 | | | | 81128 | D-182-65 |
| | 7.5L V8 | Executive Order # D-182-65 | | | | 81128 | D-182-65 |
| Fiero | | | | | | | |
| 1988-85 | 2.5L L4 | Executive Order # D-182-65 | | | | 81126 | D-182-65 |
| | 2.8L V6 | Executive Order # D-182-65 | | | | 81126 | D-182-65 |
| 1984 | 2.5L L4 | Executive Order # D-182-65 | | | | 81126 | D-182-65 |
| Firebird | | | | | | | |
| 1995 | 3.4L V6 | Executive Order # D-182-65 | | | | 81128 | D-182-65 |
| 1994-93 | 3.4L V6 | Executive Order # D-182-65 | | | | 81128 | D-182-65 |
| | 5.7L V8 | Executive Order # D-182-65 | | | | 81128 | D-182-65 |
| 1992-91 | 3.1L V6 | Executive Order # D-182-65 | | 81174 | 31865 | | D-182-65 |
| | | w/ Air Tube; Executive Order # D-182-65 | | | | 81122 | D-182-65 |
| | | w/o Air Tube; Executive Order # D-182-65 | | | | 81127 | D-182-65 |

For vehicles licensed in the state of California or Maine, or vehicles requiring CARB-compliant converters in the state of New York, the parts in this catalog must be installed as specifically listed. Parts cannot be substituted, nor can they be installed on California or Maine licensed vehicles not listed in this catalog.

OBDII APPLICATIONS

NON-OBDII APPLICATIONS

NUMERICAL

UNIVERSAL SPECIFICATIONS

NON-OBDI PASSENGER CAR & TRUCK

| Years | Engine | Application | Position | Direct-Fit | | Universal Part No. | Executive Order | |
|---|-------------------------------------|--|--|--------------|--------------|--------------------|-----------------|----------|
| | | | | Part No. | Hardware | | | |
| PONTIAC (Cont.) | | | | | | | | |
| Firebird (Cont.) | | | | | | | | |
| 1992-91 (Cont.) | 5.0L V8 | Executive Order # D-182-65 | | 81174 | 31865 | | D-182-65 | |
| | | w/ Dual Catalytic Converters; Executive Order # D-182-65 | Left | | | 81122 | D-182-65 | |
| | | | Right | | | 81122 | D-182-65 | |
| | | w/ Single Catalytic Converter; Executive Order # D-182-65 | | | | 81122 | D-182-65 | |
| | 5.7L V8 | Executive Order # D-182-65 | Left | | | 81123 | D-182-65 | |
| | | | Right | | | 81123 | D-182-65 | |
| w/ Single Catalytic Converter; Executive Order # D-182-65 | | | | | 81124 | D-182-65 | | |
| 1990 | 3.1L V6 | Executive Order # D-182-65 | | 81174 | 31865 | | D-182-65 | |
| | | w/ Air Tube; Executive Order # D-182-65 | | | | 81122 | D-182-65 | |
| | | w/o Air Tube; Executive Order # D-182-65 | | | | 81127 | D-182-65 | |
| | 5.0L V8 | Executive Order # D-182-65 | | 81174 | 31865 | | D-182-65 | |
| | | w/ Dual Catalytic Converters; Executive Order # D-182-65 | Left | | | 81122 | D-182-65 | |
| | | | Right | | | 81122 | D-182-65 | |
| | | w/ Single Catalytic Converter; Executive Order # D-182-65 | | | | 81122 | D-182-65 | |
| | 5.7L V8 | Executive Order # D-182-65 | Left | | | 81123 | D-182-65 | |
| | | | Right | | | 81123 | D-182-65 | |
| | | w/ Single Catalytic Converter; Executive Order # D-182-65 | | | | 81124 | D-182-65 | |
| | 1989 | 2.8L V6 | w/ Air Tube; Executive Order # D-182-65 | | 81174 | 31865 | | D-182-65 |
| | | | w/o Air Tube; Executive Order # D-182-65 | | | | 81127 | D-182-65 |
| 5.0L V8 | | Executive Order # D-182-65 | | 81174 | 31865 | 81122 | D-182-65 | |
| | | | Left | | | 81123 | D-182-65 | |
| | | | Right | | | 81123 | D-182-65 | |
| | | VIN "F"; w/ Single Catalytic Converter; Executive Order # D-182-65 | | | | 81124 | D-182-65 | |
| 5.7L V8 | | Executive Order # D-182-65 | Left | | | 81123 | D-182-65 | |
| | | | Right | | | 81123 | D-182-65 | |
| | | w/ Single Catalytic Converter; Executive Order # D-182-65 | | | | 81124 | D-182-65 | |
| 1988 | | 2.8L V6 | w/ Air Tube; Executive Order # D-182-65 | | 81174 | 31865 | | D-182-65 |
| | | | w/o Air Tube; Executive Order # D-182-65 | | | | 81127 | D-182-65 |
| | | 5.0L V8 | Executive Order # D-182-65 | | 81174 | 31865 | | D-182-65 |
| | VIN "E"; Executive Order # D-182-65 | | | | | 81122 | D-182-65 | |
| | VIN "F"; Executive Order # D-182-65 | | | | | 81124 | D-182-65 | |
| | 5.7L V8 | Executive Order # D-182-65 | | | | 81124 | D-182-65 | |
| | 1987 | 2.8L V6 | w/ Air Tube; Executive Order # D-182-65 | | 81174 | 31865 | | D-182-65 |
| | | | w/o Air Tube; Executive Order # D-182-65 | | | | 81127 | D-182-65 |
| 5.0L V8 | | Executive Order # D-182-65 | | 81174 | 31865 | | D-182-65 | |
| | | VIN "F"; Executive Order # D-182-65 | | | | 81124 | D-182-65 | |
| | | VIN "H"; Executive Order # D-182-65 | | | | 81122 | D-182-65 | |
| 5.7L V8 | Executive Order # D-182-65 | | | | 81124 | D-182-65 | | |
| 1986 | 2.5L L4 | Executive Order # D-182-65 | | | | 81126 | D-182-65 | |
| | 2.8L V6 | Executive Order # D-182-65 | | 81174 | 31865 | 81127 | D-182-65 | |
| | 5.0L V8 | Executive Order # D-182-65 | | 81174 | 31865 | | D-182-65 | |

For vehicles licensed in the state of California or Maine, or vehicles requiring CARB-compliant converters in the state of New York, the parts in this catalog must be installed as specifically listed. Parts cannot be substituted, nor can they be installed on California or Maine licensed vehicles not listed in this catalog.

NON-OBDII PASSENGER CAR & TRUCK

| Years | Engine | Application | Position | Direct-Fit | | Universal Part No. | Executive Order | |
|-------------------------------------|---------|--|----------------------------|--------------|----------|--------------------|-----------------|----------|
| | | | | Part No. | Hardware | | | |
| PONTIAC (Cont.) | | | | | | | | |
| Firebird (Cont.) | | | | | | | | |
| 1986 (Cont.) | 5.0L V8 | VIN "F"; Executive Order # D-182-65 | | | | 81124 | D-182-65 | |
| | | VIN "H"; Executive Order # D-182-65 | | | | 81122 | D-182-65 | |
| 1985 | 2.5L L4 | w/o Air Tube; Executive Order # D-182-65 | | | | 81126 | D-182-65 | |
| | 2.8L V6 | w/ Air Tube; Executive Order # D-182-65 | | 81174 | 31865 | | D-182-65 | |
| | | w/o Air Tube; Executive Order # D-182-65 | | | | | 81127 | D-182-65 |
| | 5.0L V8 | Executive Order # D-182-65 | | 81174 | 31865 | | | D-182-65 |
| | | VIN "F"; Executive Order # D-182-65 | | | | | 81123 | D-182-65 |
| | | VIN "G"; Executive Order # D-182-65 | Lower | | | | 81123 | D-182-65 |
| VIN "H"; Executive Order # D-182-65 | | | | | | 81122 | D-182-65 | |
| 1984 | 2.5L L4 | w/o Air Tube; Executive Order # D-182-65 | | | | 81126 | D-182-65 | |
| | 2.8L V6 | w/ Air Tube; Executive Order # D-182-65 | | 81174 | 31865 | 81122 | D-182-65 | |
| | 5.0L V8 | Executive Order # D-182-65 | | 81174 | 31865 | | | D-182-65 |
| | | VIN "G"; Executive Order # D-182-65 | Lower | | | | 81123 | D-182-65 |
| VIN "H"; Executive Order # D-182-65 | | | | | | 81122 | D-182-65 | |
| 1983 | 2.5L L4 | w/o Air Tube; Executive Order # D-182-65 | | | | 81126 | D-182-65 | |
| | 2.8L V6 | w/ Air Tube; Executive Order # D-182-65 | | 81174 | 31865 | 81122 | D-182-65 | |
| | 5.0L V8 | Executive Order # D-182-65 | | 81174 | 31865 | | | D-182-65 |
| | | VIN "7"; Executive Order # D-182-65 | Lower | | | | 81123 | D-182-65 |
| | | VIN "H"; Executive Order # D-182-65 | | | | | 81122 | D-182-65 |
| VIN "S"; Executive Order # D-182-65 | | | | | | 81122 | D-182-65 | |
| 1982 | 2.5L L4 | w/o Air Tube; Executive Order # D-182-65 | | | | 81126 | D-182-65 | |
| | 2.8L V6 | Executive Order # D-182-65 | | | | 81121 | D-182-65 | |
| | 5.0L V8 | Executive Order # D-182-65 | | 81174 | 31865 | | | D-182-65 |
| | | VIN "7"; Executive Order # D-182-65 | | | | | 81122 | D-182-65 |
| VIN "H"; Executive Order # D-182-65 | | | | | | 81127 | D-182-65 | |
| 1981 | 3.8L V6 | w/ Air Tube; Executive Order # D-182-65 | | | | 81122 | D-182-65 | |
| | | w/o Air Tube; Executive Order # D-182-65 | | | | 81127 | D-182-65 | |
| | 4.3L V8 | w/ Air Tube; Executive Order # D-182-65 | | | | 81122 | D-182-65 | |
| | 4.9L V8 | w/ Air Tube; Executive Order # D-182-65 | | | | 81122 | D-182-65 | |
| | 5.0L V8 | w/ Air Tube; Executive Order # D-182-65 | | | | | 81122 | D-182-65 |
| | | w/o Air Tube; Executive Order # D-182-65 | | | | | 81127 | D-182-65 |
| 1980 | 3.8L V6 | w/o Air Tube; Executive Order # D-182-65 | | | | 81127 | D-182-65 | |
| | 4.9L V8 | w/o Air Tube; Executive Order # D-182-65 | | | | 81128 | D-182-65 | |
| | 5.0L V8 | w/o Air Tube; Executive Order # D-182-65 | | | | 81127 | D-182-65 | |
| 1979 | 3.8L V6 | Executive Order # D-182-65 | | | | 81127 | D-182-65 | |
| | 4.9L V8 | Executive Order # D-182-65 | | | | 81127 | D-182-65 | |
| | 5.0L V8 | Executive Order # D-182-65 | | | | 81127 | D-182-65 | |
| | 5.7L V8 | Executive Order # D-182-65 | | | | 81127 | D-182-65 | |
| | 6.6L V8 | Executive Order # D-182-65 | | | | 81128 | D-182-65 | |
| | 1978 | 3.8L V6 | Executive Order # D-182-65 | | | | 81127 | D-182-65 |
| 1978 | 5.0L V8 | Executive Order # D-182-65 | | | | 81127 | D-182-65 | |
| | 5.7L V8 | Executive Order # D-182-65 | | | | 81127 | D-182-65 | |
| | 6.6L V8 | Executive Order # D-182-65 | | | | 81128 | D-182-65 | |
| 1977 | 3.8L V6 | Executive Order # D-182-65 | | | | 81127 | D-182-65 | |
| | 4.9L V8 | Executive Order # D-182-65 | | | | 81127 | D-182-65 | |

OBDDI APPLICATIONS

NON-OBDDI APPLICATIONS

NUMERICAL

UNIVERSAL SPECIFICATIONS

For vehicles licensed in the state of California or Maine, or vehicles requiring CARB-compliant converters in the state of New York, the parts in this catalog must be installed as specifically listed. Parts cannot be substituted, nor can they be installed on California or Maine licensed vehicles not listed in this catalog.

NON-OBDI PASSENGER CAR & TRUCK

| Years | Engine | Application | Position | Direct-Fit | | Universal Part No. | Executive Order |
|-------------------------|---------|----------------------------|----------|------------|----------|--------------------|-----------------|
| | | | | Part No. | Hardware | | |
| PONTIAC (Cont.) | | | | | | | |
| Firebird (Cont.) | | | | | | | |
| 1977 (Cont.) | 5.0L V8 | Executive Order # D-182-65 | | | | 81127 | D-182-65 |
| | 5.7L V8 | Executive Order # D-182-65 | | | | 81127 | D-182-65 |
| | 6.6L V8 | Executive Order # D-182-65 | | | | 81128 | D-182-65 |
| 1976-75 | 4.1L L6 | Executive Order # D-182-65 | | | | 81127 | D-182-65 |
| | 5.7L V8 | Executive Order # D-182-65 | | | | 81127 | D-182-65 |
| | 6.6L V8 | Executive Order # D-182-65 | | | | 81128 | D-182-65 |

Grand Am

| | | | | | | | |
|---------|---------|--|--|--|--|--------------|----------|
| 1995 | 2.3L L4 | Executive Order # D-182-65 | | | | 81101 | D-182-65 |
| | 3.1L V6 | Executive Order # D-182-65 | | | | 81101 | D-182-65 |
| 1994 | 2.3L L4 | Executive Order # D-182-65 | | | | 81101 | D-182-65 |
| | 3.1L V6 | Executive Order # D-182-65 | | | | 81101 | D-182-65 |
| 1993 | 2.3L L4 | Executive Order # D-182-65 | | | | 81101 | D-182-65 |
| | 3.3L V6 | Executive Order # D-182-65 | | | | 81127 | D-182-65 |
| 1992 | 2.3L L4 | Executive Order # D-182-65 | | | | 81126 | D-182-65 |
| | 3.3L V6 | Executive Order # D-182-65 | | | | 81127 | D-182-65 |
| 1991-90 | 2.3L L4 | w/o Air Tube; Executive Order # D-182-65 | | | | 81127 | D-182-65 |
| | 2.5L L4 | Executive Order # D-182-65 | | | | 81126 | D-182-65 |
| 1989 | 2.0L L4 | Executive Order # D-182-65 | | | | 81127 | D-182-65 |
| | 2.3L L4 | w/o Air Tube; Executive Order # D-182-65 | | | | 81127 | D-182-65 |
| | 2.5L L4 | w/o Air Tube; Executive Order # D-182-65 | | | | 81126 | D-182-65 |
| 1988 | 2.0L L4 | Executive Order # D-182-65 | | | | 81127 | D-182-65 |
| | 2.3L L4 | w/o Air Tube; Executive Order # D-182-65 | | | | 81127 | D-182-65 |
| | 2.5L L4 | w/o Air Tube; Executive Order # D-182-65 | | | | 81126 | D-182-65 |
| 1987 | 2.0L L4 | Executive Order # D-182-65 | | | | 81127 | D-182-65 |
| | 2.5L L4 | w/o Air Tube; Executive Order # D-182-65 | | | | 81126 | D-182-65 |
| | 3.0L V6 | w/o Air Tube; Executive Order # D-182-65 | | | | 81126 | D-182-65 |
| 1986-85 | 2.5L L4 | w/o Air Tube; Executive Order # D-182-65 | | | | 81126 | D-182-65 |
| | 3.0L V6 | w/o Air Tube; Executive Order # D-182-65 | | | | 81126 | D-182-65 |
| 1980 | 4.9L V8 | Executive Order # D-182-65 | | | | 81127 | D-182-65 |
| | 5.0L V8 | Executive Order # D-182-65 | | | | 81127 | D-182-65 |
| 1979-78 | 4.9L V8 | Executive Order # D-182-65 | | | | 81126 | D-182-65 |
| | 5.0L V8 | Executive Order # D-182-65 | | | | 81128 | D-182-65 |
| 1975 | 7.5L V8 | Executive Order # D-182-65 | | | | 81128 | D-182-65 |

Grand Prix

| | | | | | | | |
|---------|---------|----------------------------|--|--|--|--------------|----------|
| 1995-93 | 3.1L V6 | Executive Order # D-182-65 | | | | 81102 | D-182-65 |
| | 3.4L V6 | Executive Order # D-182-65 | | | | 81127 | D-182-65 |
| 1992 | 3.1L V6 | Executive Order # D-182-65 | | | | 81127 | D-182-65 |
| | 3.4L V6 | Executive Order # D-182-65 | | | | 81127 | D-182-65 |
| 1991 | 2.3L L4 | Executive Order # D-182-65 | | | | 81127 | D-182-65 |
| | 3.1L V6 | Executive Order # D-182-65 | | | | 81127 | D-182-65 |
| | 3.4L V6 | Executive Order # D-182-65 | | | | 81127 | D-182-65 |
| 1990 | 2.3L L4 | Executive Order # D-182-65 | | | | 81127 | D-182-65 |
| | 3.1L V6 | Executive Order # D-182-65 | | | | 81127 | D-182-65 |
| 1989 | 2.8L V6 | Executive Order # D-182-65 | | | | 81127 | D-182-65 |
| | 3.1L V6 | Executive Order # D-182-65 | | | | 81127 | D-182-65 |

For vehicles licensed in the state of California or Maine, or vehicles requiring CARB-compliant converters in the state of New York, the parts in this catalog must be installed as specifically listed. Parts cannot be substituted, nor can they be installed on California or Maine licensed vehicles not listed in this catalog.

NON-OBDII PASSENGER CAR & TRUCK

| Years | Engine | Application | Position | Direct-Fit | | Universal Part No. | Executive Order |
|---------------------------|---------|--|----------|------------|----------|--------------------|-----------------|
| | | | | Part No. | Hardware | | |
| PONTIAC (Cont.) | | | | | | | |
| Grand Prix (Cont.) | | | | | | | |
| 1988 | 2.8L V6 | Executive Order # D-182-65 | | | | 81127 | D-182-65 |
| 1987-86 | 3.8L V6 | Executive Order # D-182-65 | | | | 81122 | D-182-65 |
| | 4.3L V6 | w/ Air Tube; Executive Order # D-182-65 | | | | 81122 | D-182-65 |
| 1985-84 | 5.0L V8 | Executive Order # D-182-65 | | 81174 | 31865 | 81122 | D-182-65 |
| | 3.8L V6 | Executive Order # D-182-65 | | | | 81122 | D-182-65 |
| 1983 | 5.0L V8 | Executive Order # D-182-65 | | 81174 | 31865 | 81122 | D-182-65 |
| | 3.8L V6 | w/o Air Tube; Executive Order # D-182-65 | | | | 81127 | D-182-65 |
| 1982 | 5.0L V8 | w/ Air Tube; Executive Order # D-182-65 | | | | 81122 | D-182-65 |
| | 3.8L V6 | w/o Air Tube; Executive Order # D-182-65 | | | | 81127 | D-182-65 |
| 1981 | 4.1L V6 | w/ Air Tube; Executive Order # D-182-65 | | | | 81122 | D-182-65 |
| | 3.8L V6 | Executive Order # D-182-65 | | | | 81127 | D-182-65 |
| 1980 | 4.3L V8 | w/ Air Tube; Executive Order # D-182-65 | | | | 81122 | D-182-65 |
| | 3.8L V6 | Executive Order # D-182-65 | | | | 81122 | D-182-65 |
| 1980 | 4.3L V8 | Executive Order # D-182-65 | | | | 81122 | D-182-65 |
| | 4.9L V8 | Executive Order # D-182-65 | | | | 81122 | D-182-65 |
| | 5.0L V8 | Executive Order # D-182-65 | | | | 81122 | D-182-65 |
| | 3.8L V6 | Executive Order # D-182-65 | | | | 81126 | D-182-65 |
| 1979 | 4.9L V8 | Executive Order # D-182-65 | | | | 81126 | D-182-65 |
| | 5.0L V8 | Executive Order # D-182-65 | | | | 81128 | D-182-65 |
| 1978 | 3.8L V6 | Executive Order # D-182-65 | | | | 81126 | D-182-65 |
| | 4.9L V8 | Executive Order # D-182-65 | | | | 81126 | D-182-65 |
| | 5.0L V8 | Executive Order # D-182-65 | | | | 81126 | D-182-65 |
| 1977 | 4.9L V8 | Executive Order # D-182-65 | | | | 81128 | D-182-65 |
| | 5.7L V8 | Executive Order # D-182-65 | | | | 81128 | D-182-65 |
| | 6.6L V8 | Executive Order # D-182-65 | | | | 81128 | D-182-65 |
| 1976 | 5.7L V8 | Executive Order # D-182-65 | | | | 81128 | D-182-65 |
| | 6.6L V8 | Executive Order # D-182-65 | | | | 81128 | D-182-65 |
| | 7.5L V8 | Executive Order # D-182-65 | | | | 81128 | D-182-65 |
| 1975 | 6.6L V8 | Executive Order # D-182-65 | | | | 81128 | D-182-65 |
| | 7.5L V8 | Executive Order # D-182-65 | | | | 81128 | D-182-65 |
| Grand Safari | | | | | | | |
| 1978 | 6.6L V8 | Executive Order # D-182-65 | | | | 81128 | D-182-65 |
| 1977 | 4.9L V8 | Executive Order # D-182-65 | | | | 81128 | D-182-65 |
| | 5.7L V8 | Executive Order # D-182-65 | | | | 81128 | D-182-65 |
| | 6.6L V8 | Executive Order # D-182-65 | | | | 81128 | D-182-65 |
| 1976-75 | 6.6L V8 | Executive Order # D-182-65 | | | | 81128 | D-182-65 |
| | 7.5L V8 | Executive Order # D-182-65 | | | | 81128 | D-182-65 |
| Grandville | | | | | | | |
| 1975 | 6.6L V8 | Executive Order # D-182-65 | | | | 81128 | D-182-65 |
| J2000 | | | | | | | |
| 1983 | 1.8L L4 | w/o Air Tube; Executive Order # D-182-65 | | | | 81126 | D-182-65 |
| | 2.0L L4 | w/o Air Tube; Executive Order # D-182-65 | | | | 81126 | D-182-65 |
| 1982 | 1.8L L4 | w/o Air Tube; Executive Order # D-182-65 | | | | 81126 | D-182-65 |

For vehicles licensed in the state of California or Maine, or vehicles requiring CARB-compliant converters in the state of New York, the parts in this catalog must be installed as specifically listed. Parts cannot be substituted, nor can they be installed on California or Maine licensed vehicles not listed in this catalog.

NON-OBDII PASSENGER CAR & TRUCK

| Years | Engine | Application | Position | Direct-Fit | | Universal Part No. | Executive Order |
|------------------------|---------|--|----------|--------------|----------|--------------------|-----------------|
| | | | | Part No. | Hardware | | |
| PONTIAC (Cont.) | | | | | | | |
| J2000 Sunbird | | | | | | | |
| 1985-84 | 1.8L L4 | Executive Order # D-182-65 | | | | 81126 | D-182-65 |
| | 2.0L L4 | w/o Air Tube; Executive Order # D-182-65 | | | | 81126 | D-182-65 |
| LeMans | | | | | | | |
| 1993-91 | 1.6L L4 | Executive Order # D-182-65 | | | | 81126 | D-182-65 |
| 1990-89 | 1.6L L4 | Executive Order # D-182-65 | | | | 81126 | D-182-65 |
| | 2.0L L4 | Executive Order # D-182-65 | | | | 81126 | D-182-65 |
| 1988 | 1.6L L4 | Executive Order # D-182-65 | | | | 81126 | D-182-65 |
| 1981 | 3.8L V6 | w/ Air Tube; Executive Order # D-182-65 | | | | 81122 | D-182-65 |
| | | w/o Air Tube; Executive Order # D-182-65 | | | | 81127 | D-182-65 |
| | 4.3L V8 | Executive Order # D-182-65 | | | | 81122 | D-182-65 |
| 1980 | 3.8L V6 | Executive Order # D-182-65 | | | | 81127 | D-182-65 |
| | 4.3L V8 | Executive Order # D-182-65 | | | | 81127 | D-182-65 |
| | 4.9L V8 | Executive Order # D-182-65 | | | | 81127 | D-182-65 |
| | 5.0L V8 | Executive Order # D-182-65 | | | | 81127 | D-182-65 |
| 1979 | 3.8L V6 | Executive Order # D-182-65 | | | | 81126 | D-182-65 |
| | 4.9L V8 | Executive Order # D-182-65 | | | | 81126 | D-182-65 |
| | 5.0L V8 | Executive Order # D-182-65 | | | | 81128 | D-182-65 |
| | 5.7L V8 | Executive Order # D-182-65 | | | | 81128 | D-182-65 |
| 1978 | 3.8L V6 | Executive Order # D-182-65 | | | | 81126 | D-182-65 |
| | 5.0L V8 | Executive Order # D-182-65 | | | | 81128 | D-182-65 |
| | 5.7L V8 | Executive Order # D-182-65 | | | | 81128 | D-182-65 |
| 1977 | 3.8L V6 | Executive Order # D-182-65 | | | | 81128 | D-182-65 |
| | 4.9L V8 | Executive Order # D-182-65 | | | | 81128 | D-182-65 |
| | 5.7L V8 | Executive Order # D-182-65 | | | | 81128 | D-182-65 |
| | 6.6L V8 | Executive Order # D-182-65 | | | | 81128 | D-182-65 |
| 1976 | 4.1L L6 | Executive Order # D-182-65 | | | | 81128 | D-182-65 |
| | 4.3L V8 | Executive Order # D-182-65 | | | | 81128 | D-182-65 |
| | 5.7L V8 | Executive Order # D-182-65 | | | | 81128 | D-182-65 |
| | 6.6L V8 | Executive Order # D-182-65 | | | | 81128 | D-182-65 |
| 1975 | 4.1L L6 | Executive Order # D-182-65 | | | | 81128 | D-182-65 |
| | 5.7L V8 | Executive Order # D-182-65 | | | | 81128 | D-182-65 |
| | 6.6L V8 | Executive Order # D-182-65 | | | | 81128 | D-182-65 |
| Optima | | | | | | | |
| 1991 | 1.6L L4 | Executive Order # D-182-65 | | | | 81126 | D-182-65 |
| 1990-89 | 1.6L L4 | Executive Order # D-182-65 | | | | 81126 | D-182-65 |
| | 2.0L L4 | Executive Order # D-182-65 | | | | 81126 | D-182-65 |
| 1988 | 1.6L L4 | Executive Order # D-182-65 | | | | 81126 | D-182-65 |
| Parisienne | | | | | | | |
| 1986 | 4.3L V6 | w/ Air Tube; Executive Order # D-182-65 | | | | 81122 | D-182-65 |
| | 5.0L V8 | w/ Air Tube; Executive Order # D-182-65 | | 81174 | 31865 | 81122 | D-182-65 |
| 1985 | 4.3L V6 | w/ Air Tube; Executive Order # D-182-65 | | | | 81122 | D-182-65 |
| | 5.0L V8 | w/ Air Tube; Executive Order # D-182-65 | | 81174 | 31865 | 81122 | D-182-65 |
| 1984 | 3.8L V6 | Executive Order # D-182-65 | | | | 81122 | D-182-65 |
| | 5.0L V8 | w/ Air Tube; Executive Order # D-182-65 | | 81174 | 31865 | 81122 | D-182-65 |
| 1983 | 5.0L V8 | w/ Air Tube; Executive Order # D-182-65 | | 81174 | 31865 | 81122 | D-182-65 |

For vehicles licensed in the state of California or Maine, or vehicles requiring CARB-compliant converters in the state of New York, the parts in this catalog must be installed as specifically listed. Parts cannot be substituted, nor can they be installed on California or Maine licensed vehicles not listed in this catalog.

NON-OBDII PASSENGER CAR & TRUCK

| Years | Engine | Application | Position | Direct-Fit | | Universal Part No. | Executive Order |
|------------------------|---------|---|----------|------------|----------|--------------------|-----------------|
| | | | | Part No. | Hardware | | |
| PONTIAC (Cont.) | | | | | | | |
| Phoenix | | | | | | | |
| 1984-83 | 2.5L L4 | w/o Air Tube; Executive Order # D-182-65 | | | | 81126 | D-182-65 |
| | 2.8L V6 | w/ Air Tube; Executive Order # D-182-65 | | | | 81121 | D-182-65 |
| 1982 | 2.5L L4 | w/o Air Tube; Executive Order # D-182-65 | | | | 81126 | D-182-65 |
| | 2.8L V6 | VIN "X"; Executive Order # D-182-65 | | | | 81121 | D-182-65 |
| | | VIN "Z"; Executive Order # D-182-65 | | | | 81122 | D-182-65 |
| 1981 | 2.5L L4 | w/ Air Tube; Executive Order # D-182-65 | | | | 81121 | D-182-65 |
| | 2.8L V6 | w/ Air Tube; Executive Order # D-182-65 | | | | 81121 | D-182-65 |
| 1980 | 2.5L L4 | Executive Order # D-182-65 | | | | 81126 | D-182-65 |
| | 2.8L V6 | Executive Order # D-182-65 | | | | 81126 | D-182-65 |
| 1979 | 3.8L V6 | Executive Order # D-182-65 | | | | 81127 | D-182-65 |
| | 5.0L V8 | Executive Order # D-182-65 | | | | 81127 | D-182-65 |
| | 5.7L V8 | Executive Order # D-182-65 | | | | 81127 | D-182-65 |
| 1978 | 2.5L L4 | Executive Order # D-182-65 | | | | 81126 | D-182-65 |
| | 3.8L V6 | Executive Order # D-182-65 | | | | 81127 | D-182-65 |
| | 5.0L V8 | Executive Order # D-182-65 | | | | 81127 | D-182-65 |
| | 5.7L V8 | Executive Order # D-182-65 | | | | 81127 | D-182-65 |
| 1977 | 2.5L L4 | Executive Order # D-182-65 | | | | 81126 | D-182-65 |
| | 3.8L V6 | Executive Order # D-182-65 | | | | 81127 | D-182-65 |
| | 5.0L V8 | Executive Order # D-182-65 | | | | 81127 | D-182-65 |
| | 5.7L V8 | Executive Order # D-182-65 | | | | 81127 | D-182-65 |
| Safari | | | | | | | |
| 1987 | 5.0L V8 | Executive Order # D-182-65 | | | | 81122 | D-182-65 |
| Sunbird | | | | | | | |
| 1994-91 | 2.0L L4 | Executive Order # D-182-65 | | | | 81126 | D-182-65 |
| | 3.1L V6 | Executive Order # D-182-65 | | | | 81126 | D-182-65 |
| 1990 | 2.0L L4 | Naturally Aspirated; Executive Order # D-182-65 | | | | 81126 | D-182-65 |
| 1989-87 | 2.0L L4 | Naturally Aspirated; Executive Order # D-182-65 | | | | 81126 | D-182-65 |
| | | Turbocharged; Executive Order # D-182-65 | | | | 81127 | D-182-65 |
| 1986 | 1.8L L4 | Executive Order # D-182-65 | | | | 81126 | D-182-65 |
| | 2.0L L4 | w/o Air Tube; Executive Order # D-182-65 | | | | 81126 | D-182-65 |
| 1980 | 2.5L L4 | Executive Order # D-182-65 | | | | 81126 | D-182-65 |
| | 3.8L V6 | Executive Order # D-182-65 | | | | 81127 | D-182-65 |
| 1979-78 | 2.5L L4 | Executive Order # D-182-65 | | | | 81126 | D-182-65 |
| | 3.8L V6 | Executive Order # D-182-65 | | | | 81127 | D-182-65 |
| | 5.0L V8 | Executive Order # D-182-65 | | | | 81127 | D-182-65 |
| 1977 | 2.3L L4 | Executive Order # D-182-65 | | | | 81126 | D-182-65 |
| | 2.5L L4 | Executive Order # D-182-65 | | | | 81127 | D-182-65 |
| | 3.8L V6 | Executive Order # D-182-65 | | | | 81127 | D-182-65 |
| 1976 | 2.3L L4 | Executive Order # D-182-65 | | | | 81127 | D-182-65 |
| | 3.8L V6 | Executive Order # D-182-65 | | | | 81127 | D-182-65 |
| Sunfire | | | | | | | |
| 1995 | 2.2L L4 | Executive Order # D-182-65 | | | | 81126 | D-182-65 |
| T1000 | | | | | | | |
| 1987-85 | 1.6L L4 | w/ Air Tube; Executive Order # D-182-65 | | | | 81121 | D-182-65 |

For vehicles licensed in the state of California or Maine, or vehicles requiring CARB-compliant converters in the state of New York, the parts in this catalog must be installed as specifically listed. Parts cannot be substituted, nor can they be installed on California or Maine licensed vehicles not listed in this catalog.

NON-OBDI PASSENGER CAR & TRUCK

| Years | Engine | Application | Position | Direct-Fit | | Universal Part No. | Executive Order |
|------------------------|---------|---|----------|------------|----------|--------------------|-----------------|
| | | | | Part No. | Hardware | | |
| PONTIAC (Cont.) | | | | | | | |
| T1000 (Cont.) | | | | | | | |
| 1984-82 | 1.6L L4 | w/ Air Tube; Executive Order # D-182-65 | | | | 81121 | D-182-65 |
| | | w/o Air Tube; Executive Order # D-182-65 | | | | 81126 | D-182-65 |
| 1981 | 1.6L L4 | w/o Air Tube; Executive Order # D-182-65 | | | | 81126 | D-182-65 |
| Trans Sport | | | | | | | |
| 1995-93 | 3.8L V6 | Executive Order # D-182-55 | | | | 80905 | D-182-55 |
| 1992 | 3.1L V6 | Executive Order # D-182-55 | | | | 80906 | D-182-55 |
| | 3.8L V6 | Executive Order # D-182-55 | | | | 80906 | D-182-55 |
| 1991-90 | 3.1L V6 | Executive Order # D-182-55 | | | | 80906 | D-182-55 |
| Ventura | | | | | | | |
| 1977 | 2.5L L4 | Executive Order # D-182-65 | | | | 81126 | D-182-65 |
| | 3.8L V6 | Executive Order # D-182-65 | | | | 81127 | D-182-65 |
| | 4.9L V8 | Executive Order # D-182-65 | | | | 81127 | D-182-65 |
| | 5.0L V8 | Executive Order # D-182-65 | | | | 81127 | D-182-65 |
| | 5.7L V8 | Executive Order # D-182-65 | | | | 81127 | D-182-65 |
| 1976-75 | 4.1L L6 | Executive Order # D-182-65 | | | | 81127 | D-182-65 |
| | 4.3L V8 | Executive Order # D-182-65 | | | | 81127 | D-182-65 |
| | 5.7L V8 | Executive Order # D-182-65 | | | | 81127 | D-182-65 |
| PORSCHE | | | | | | | |
| 911 | | | | | | | |
| 1995 | 3.6L H6 | Executive Order # D-182-65 | Left | | | 81102 | D-182-65 |
| | | | Right | | | 81102 | D-182-65 |
| 1994-90 | 3.6L H6 | Executive Order # D-182-65 | | | | 81102 | D-182-65 |
| 1989-86 | 3.2L H6 | w/ Air Tube; Executive Order # D-182-65 | | | | 81122 | D-182-65 |
| | | w/o Air Tube; Executive Order # D-182-65 | | | | 81127 | D-182-65 |
| | 3.3L H6 | w/ Air Tube; Executive Order # D-182-65 | | | | 81122 | D-182-65 |
| 1985-84 | 3.2L H6 | w/ Air Tube; Executive Order # D-182-65 | | | | 81122 | D-182-65 |
| | | w/o Air Tube; Executive Order # D-182-65 | | | | 81127 | D-182-65 |
| 1983-78 | 3.0L H6 | Executive Order # D-182-65 | | | | 81127 | D-182-65 |
| 1977-76 | 2.7L H6 | Executive Order # D-182-65 | | | | 81127 | D-182-65 |
| | 3.0L H6 | Executive Order # D-182-65 | | | | 81127 | D-182-65 |
| 1975 | 2.7L H6 | Executive Order # D-182-65 | | | | 81127 | D-182-65 |
| 914 | | | | | | | |
| 1975 | 1.8L H4 | Executive Order # D-182-65 | | | | 81126 | D-182-65 |
| 924 | | | | | | | |
| 1988-87 | 2.5L L4 | Executive Order # D-182-65 | | | | 81101 | D-182-65 |
| 1982-80 | 2.0L L4 | Naturally Aspirated; Executive Order # D-182-65 | | | | 81101 | D-182-65 |
| 1979-77 | 2.0L L4 | Executive Order # D-182-65 | | | | 81126 | D-182-65 |
| 928 | | | | | | | |
| 1995-93 | 5.4L V8 | Executive Order # D-182-65 | Left | | | 81101 | D-182-65 |
| | | | Right | | | 81101 | D-182-65 |
| 1991-90 | 5.0L V8 | Executive Order # D-182-65 | Left | | | 81101 | D-182-65 |
| | | | Right | | | 81101 | D-182-65 |
| 1989-85 | 5.0L V8 | Executive Order # D-182-65 | | | | 81130 | D-182-65 |

For vehicles licensed in the state of California or Maine, or vehicles requiring CARB-compliant converters in the state of New York, the parts in this catalog must be installed as specifically listed. Parts cannot be substituted, nor can they be installed on California or Maine licensed vehicles not listed in this catalog.

NON-OBDII PASSENGER CAR & TRUCK

| Years | Engine | Application | Position | Direct-Fit | | Universal Part No. | Executive Order |
|------------------------|---------|---|----------|------------|----------|--------------------|-----------------|
| | | | | Part No. | Hardware | | |
| PORSCHE (Cont.) | | | | | | | |
| 928 (Cont.) | | | | | | | |
| 1984-83 | 4.7L V8 | Executive Order # D-182-65 | | | | 81127 | D-182-65 |
| 1982-78 | 4.5L V8 | Executive Order # D-182-65 | | | | 81127 | D-182-65 |
| 930 | | | | | | | |
| 1979 | 3.3L H6 | Executive Order # D-182-65 | | | | 81127 | D-182-65 |
| 944 | | | | | | | |
| 1991-90 | 3.0L L4 | Executive Order # D-182-65 | | | | 81127 | D-182-65 |
| 1989 | 2.5L L4 | Executive Order # D-182-65 | | | | 81128 | D-182-65 |
| | 2.7L L4 | Executive Order # D-182-65 | | | | 81101 | D-182-65 |
| 1988-87 | 2.5L L4 | Base Model; Executive Order # D-182-65 | | | | 81101 | D-182-65 |
| | | S Model; Executive Order # D-182-65 | | | | 81101 | D-182-65 |
| | | Turbo Model; Executive Order # D-182-65 | | | | 81128 | D-182-65 |
| 1986 | 2.5L L4 | Base Model; Executive Order # D-182-65 | | | | 81101 | D-182-65 |
| | | Turbo Model; Executive Order # D-182-65 | | | | 81128 | D-182-65 |
| 1985-83 | 2.5L L4 | Executive Order # D-182-65 | | | | 81101 | D-182-65 |
| 968 | | | | | | | |
| 1995-92 | 3.0L L4 | Executive Order # D-182-65 | | | | 81102 | D-182-65 |
| RENAULT | | | | | | | |
| Alliance | | | | | | | |
| 1987 | 1.4L L4 | Executive Order # D-182-65 | | | | 81126 | D-182-65 |
| | 1.7L L4 | Executive Order # D-182-65 | | | | 81126 | D-182-65 |
| | 2.0L L4 | Executive Order # D-182-65 | | | | 81126 | D-182-65 |
| 1986-85 | 1.4L L4 | Executive Order # D-182-65 | | | | 81126 | D-182-65 |
| | 1.7L L4 | Executive Order # D-182-65 | | | | 81126 | D-182-65 |
| 1984-83 | 1.4L L4 | Executive Order # D-182-65 | | | | 81126 | D-182-65 |
| Encore | | | | | | | |
| 1986 | 1.4L L4 | Executive Order # D-182-65 | | | | 81126 | D-182-65 |
| | 1.7L L4 | Executive Order # D-182-65 | | | | 81126 | D-182-65 |
| 1985 | 1.4L L4 | Executive Order # D-182-65 | | | | 81126 | D-182-65 |
| | 1.7L L4 | Executive Order # D-182-65 | | | | 81126 | D-182-65 |
| 1984 | 1.4L L4 | Executive Order # D-182-65 | | | | 81126 | D-182-65 |
| Fuego | | | | | | | |
| 1985 | 2.2L L4 | Executive Order # D-182-65 | | | | 81126 | D-182-65 |
| 1984 | 1.6L L4 | Executive Order # D-182-65 | | | | 81126 | D-182-65 |
| | 2.2L L4 | Executive Order # D-182-65 | | | | 81126 | D-182-65 |
| 1983-82 | 1.6L L4 | Executive Order # D-182-65 | | | | 81102 | D-182-65 |
| LeCar | | | | | | | |
| 1983-80 | 1.4L L4 | Executive Order # D-182-65 | | | | 81126 | D-182-65 |
| 1979-77 | 1.3L L4 | Executive Order # D-182-65 | | | | 81126 | D-182-65 |
| R12 | | | | | | | |
| 1977-75 | 1.6L L4 | Executive Order # D-182-65 | | | | 81126 | D-182-65 |
| R15 | | | | | | | |
| 1976-75 | 1.6L L4 | Executive Order # D-182-65 | | | | 81126 | D-182-65 |

For vehicles licensed in the state of California or Maine, or vehicles requiring CARB-compliant converters in the state of New York, the parts in this catalog must be installed as specifically listed. Parts cannot be substituted, nor can they be installed on California or Maine licensed vehicles not listed in this catalog.

NON-OBDI PASSENGER CAR & TRUCK

| Years | Engine | Application | Position | Direct-Fit | | Universal Part No. | Executive Order |
|------------------------|---------|---|----------|--------------|----------|--------------------|-----------------|
| | | | | Part No. | Hardware | | |
| RENAULT (Cont.) | | | | | | | |
| R17 | | | | | | | |
| 1979-76 | 1.6L L4 | Executive Order # D-182-65 | | | | 81126 | D-182-65 |
| 1975 | 1.6L L4 | Executive Order # D-182-65 | | | | 81126 | D-182-65 |
| R18i | | | | | | | |
| 1986-84 | 2.2L L4 | Executive Order # D-182-65 | | | | 81126 | D-182-65 |
| 1983-81 | 1.6L L4 | Executive Order # D-182-65 | | | | 81102 | D-182-65 |
| SAAB | | | | | | | |
| 900 | | | | | | | |
| 1995-94 | 2.0L L4 | Executive Order # D-182-65 | | | | 81102 | D-182-65 |
| | 2.3L L4 | Executive Order # D-182-65 | | | | 81127 | D-182-65 |
| | 2.5L V6 | Executive Order # D-182-65 | | | | 81102 | D-182-65 |
| 1993-91 | 2.0L L4 | Executive Order # D-182-65 | | | | 81102 | D-182-65 |
| | 2.1L L4 | Executive Order # D-182-65 | | | | 81102 | D-182-65 |
| 1990-89 | 2.0L L4 | S Model; Executive Order # D-182-65 | | | | 81100 | D-182-65 |
| | | SPG Model; Executive Order # D-182-65 | | | | 81100 | D-182-65 |
| | | Turbo Model; Executive Order # D-182-65 | | | | 81102 | D-182-65 |
| 1988-81 | 2.0L L4 | Base Model; Executive Order # D-182-65 | | | | 81100 | D-182-65 |
| | | S Model; Executive Order # D-182-65 | | | | 81100 | D-182-65 |
| | | Turbo Model; Executive Order # D-182-65 | | | | 81102 | D-182-65 |
| 1980 | 2.0L L4 | Executive Order # D-182-65 | | | | 81100 | D-182-65 |
| 9000 | | | | | | | |
| 1995 | 3.0L V6 | Executive Order # D-182-65 | | | | 81127 | D-182-65 |
| 1994-93 | 2.3L L4 | Executive Order # D-182-65 | | | | 81127 | D-182-65 |
| 1992-91 | 2.3L L4 | Executive Order # D-182-65 | | | | 81128 | D-182-65 |
| 1990 | 2.0L L4 | Executive Order # D-182-65 | | | | 81128 | D-182-65 |
| | 2.3L L4 | Executive Order # D-182-65 | | | | 81128 | D-182-65 |
| 1989-86 | 2.0L L4 | Executive Order # D-182-65 | | | | 81128 | D-182-65 |
| 99 | | | | | | | |
| 1980-79 | 2.0L L4 | Executive Order # D-182-65 | | | | 81126 | D-182-65 |
| 1978 | 2.0L L4 | Naturally Aspirated; Executive Order # D-182-65 | | | | 81126 | D-182-65 |
| 1977-75 | 2.0L L4 | Executive Order # D-182-65 | | | | 81126 | D-182-65 |
| SATURN | | | | | | | |
| SC | | | | | | | |
| 1992-91 | 1.9L L4 | Executive Order # D-182-65 | | | | 81126 | D-182-65 |
| SC1 | | | | | | | |
| 1995-93 | 1.9L L4 | Executive Order # D-182-65 | | 81150 | 31553 | 81126 | D-182-65 |
| SC2 | | | | | | | |
| 1995-93 | 1.9L L4 | Executive Order # D-182-65 | | 81150 | 31553 | 81126 | D-182-65 |
| SL | | | | | | | |
| 1995-93 | 1.9L L4 | Executive Order # D-182-65 | | 81150 | 31553 | 81126 | D-182-65 |
| 1992-91 | 1.9L L4 | Executive Order # D-182-65 | | | | 81126 | D-182-65 |
| SL1 | | | | | | | |
| 1995-93 | 1.9L L4 | Executive Order # D-182-65 | | 81150 | 31553 | 81126 | D-182-65 |

For vehicles licensed in the state of California or Maine, or vehicles requiring CARB-compliant converters in the state of New York, the parts in this catalog must be installed as specifically listed. Parts cannot be substituted, nor can they be installed on California or Maine licensed vehicles not listed in this catalog.

NON-OBDII PASSENGER CAR & TRUCK

| Years | Engine | Application | Position | Direct-Fit | | Universal Part No. | Executive Order |
|-----------------------|---------|---|----------|------------|----------|--------------------|-----------------|
| | | | | Part No. | Hardware | | |
| SATURN (Cont.) | | | | | | | |
| SL1 (Cont.) | | | | | | | |
| 1992-91 | 1.9L L4 | Executive Order # D-182-65 | | | | 81126 | D-182-65 |
| SL2 | | | | | | | |
| 1995-93 | 1.9L L4 | Executive Order # D-182-65 | | 81150 | 31553 | 81126 | D-182-65 |
| 1992-91 | 1.9L L4 | Executive Order # D-182-65 | | | | 81126 | D-182-65 |
| SW1 | | | | | | | |
| 1995-93 | 1.9L L4 | Executive Order # D-182-65 | | 81150 | 31553 | 81126 | D-182-65 |
| SW2 | | | | | | | |
| 1995-93 | 1.9L L4 | Executive Order # D-182-65 | | 81150 | 31553 | 81126 | D-182-65 |
| STERLING | | | | | | | |
| 825 | | | | | | | |
| 1988-87 | 2.5L V6 | Executive Order # D-182-65 | | | | 81103 | D-182-65 |
| 827 | | | | | | | |
| 1991-89 | 2.7L V6 | Executive Order # D-182-65 | | | | 81103 | D-182-65 |
| SUBARU | | | | | | | |
| Brat | | | | | | | |
| 1987-85 | 1.8L H4 | Executive Order # D-182-37 | Rear | | | 80706 | D-182-37 |
| DL | | | | | | | |
| 1989-85 | 1.8L H4 | Executive Order # D-182-39 | Rear | | | 80256 | D-182-39 |
| 1984-83 | 1.6L H4 | Executive Order # D-182-39 | Rear | | | 80256 | D-182-39 |
| | 1.8L H4 | Executive Order # D-182-39 | Rear | | | 80256 | D-182-39 |
| 1982-81 | 1.6L H4 | Executive Order # D-182-65 | | | | 81126 | D-182-65 |
| | 1.8L H4 | Executive Order # D-182-65 | | | | 81126 | D-182-65 |
| GL | | | | | | | |
| 1989-88 | 1.8L H4 | Executive Order # D-182-39 | Rear | | | 80256 | D-182-39 |
| 1987-86 | 1.6L H4 | Executive Order # D-182-39 | Rear | | | 80256 | D-182-39 |
| | 1.8L H4 | Executive Order # D-182-39 | Rear | | | 80256 | D-182-39 |
| 1985-83 | 1.8L H4 | Executive Order # D-182-39 | Rear | | | 80256 | D-182-39 |
| 1982-81 | 1.8L H4 | Executive Order # D-182-65 | | | | 81126 | D-182-65 |
| GL-10 | | | | | | | |
| 1989-85 | 1.8L H4 | Executive Order # D-182-39 | Rear | | | 80256 | D-182-39 |
| GLF | | | | | | | |
| 1982-81 | 1.8L H4 | Executive Order # D-182-65 | | | | 81126 | D-182-65 |
| Justy | | | | | | | |
| 1994-87 | 1.2L L3 | Executive Order # D-182-39 | Rear | | | 80256 | D-182-39 |
| Legacy | | | | | | | |
| 1994-90 | 2.2L H4 | Executive Order # D-182-39 | Rear | | | 80256 | D-182-39 |
| Loyale | | | | | | | |
| 1994-91 | 1.8L H4 | Executive Order # D-182-39 | Rear | | | 80256 | D-182-39 |
| 1990 | 1.8L H4 | Executive Order # D-182-39 | Rear | | | 80256 | D-182-39 |
| | | Turbo Model; Executive Order # D-182-39 | Front | | | 80401 | D-182-39 |

For vehicles licensed in the state of California or Maine, or vehicles requiring CARB-compliant converters in the state of New York, the parts in this catalog must be installed as specifically listed. Parts cannot be substituted, nor can they be installed on California or Maine licensed vehicles not listed in this catalog.

NON-OBDI PASSENGER CAR & TRUCK

| Years | Engine | Application | Position | Direct-Fit | | Universal Part No. | Executive Order |
|-----------------------|---------|--|-------------|------------|----------|--------------------|-----------------|
| | | | | Part No. | Hardware | | |
| SUBARU (Cont.) | | | | | | | |
| RX | | | | | | | |
| 1989-86 | 1.8L H4 | Executive Order # D-182-39 | Rear | | | 80256 | D-182-39 |
| Standard | | | | | | | |
| 1987-83 | 1.6L H4 | Executive Order # D-182-39 | Rear | | | 80256 | D-182-39 |
| 1982-81 | 1.6L H4 | Executive Order # D-182-65 | | | | 81126 | D-182-65 |
| | 1.8L H4 | Executive Order # D-182-65 | | | | 81126 | D-182-65 |
| SVX | | | | | | | |
| 1995-92 | 3.3L H6 | Executive Order # D-182-39 | Front Left | | | 80402 | D-182-39 |
| | | | Front Right | | | 80402 | D-182-39 |
| | | | Rear | | | 80262 | D-182-39 |
| XT | | | | | | | |
| 1991-88 | 1.8L H4 | Executive Order # D-182-39 | Rear | | | 80256 | D-182-39 |
| | 2.7L H6 | Executive Order # D-182-39 | Rear | | | 80256 | D-182-39 |
| 1987-86 | 1.8L H4 | Executive Order # D-182-39 | Rear | | | 80256 | D-182-39 |
| | | Turbocharged; Executive Order # D-182-39 | Front | | | 80401 | D-182-39 |
| 1985 | 1.8L H4 | Executive Order # D-182-39 | Rear | | | 80256 | D-182-39 |
| SUZUKI | | | | | | | |
| Esteem | | | | | | | |
| 1995 | 1.6L L4 | Executive Order # D-182-39 | Rear | | | 80256 | D-182-39 |
| Samurai | | | | | | | |
| 1995-90 | 1.3L L4 | Executive Order # D-182-55 | | | | 80904 | D-182-55 |
| 1989-86 | 1.3L L4 | Executive Order # D-182-55 | | | | 80904 | D-182-55 |
| Sidekick | | | | | | | |
| 1995-90 | 1.6L L4 | Executive Order # D-182-55 | | | | 80904 | D-182-55 |
| 1989 | 1.3L L4 | Executive Order # D-182-55 | | | | 80904 | D-182-55 |
| | 1.6L L4 | Executive Order # D-182-55 | | | | 80904 | D-182-55 |
| Swift | | | | | | | |
| 1995-89 | 1.3L L4 | Executive Order # D-182-65 | | | | 81126 | D-182-65 |
| TOYOTA | | | | | | | |
| 4Runner | | | | | | | |
| 1995 | 2.4L L4 | Executive Order # D-182-55 | | | | 80904 | D-182-55 |
| | 3.0L V6 | Executive Order # D-182-55 | | | | 80905 | D-182-55 |
| | | Includes Front & Rear Gasket; Executive Order # D-182-55 | | 80941 | | | |
| 1994 | 2.4L L4 | Executive Order # D-182-55 | | | | 80904 | D-182-55 |
| | 3.0L V6 | Executive Order # D-182-55 | | | | 80905 | D-182-55 |
| | | Includes Front & Rear Gasket; Executive Order # D-182-55 | | 80941 | | | |
| 1993-88 | 2.4L L4 | Executive Order # D-182-55 | | | | 80904 | D-182-55 |
| | 3.0L V6 | Executive Order # D-182-55 | | | | 80904 | D-182-55 |
| | | Includes Front & Rear Gasket; Executive Order # D-182-55 | | 80941 | | | |
| 1987-84 | 2.4L L4 | Executive Order # D-182-55 | | | | 80904 | D-182-55 |

For vehicles licensed in the state of California or Maine, or vehicles requiring CARB-compliant converters in the state of New York, the parts in this catalog must be installed as specifically listed. Parts cannot be substituted, nor can they be installed on California or Maine licensed vehicles not listed in this catalog.

NON-OBDII PASSENGER CAR & TRUCK

| Years | Engine | Application | Position | Direct-Fit | | Universal Part No. | Executive Order |
|-----------------------|---------|---|----------------------------|------------|--------------|--------------------|----------------------|
| | | | | Part No. | Hardware | | |
| TOYOTA (Cont.) | | | | | | | |
| Camry | | | | | | | |
| 1993 | 2.2L L4 | Executive Order # D-182-39 | Rear | | | 80256 | D-182-39 |
| 1992 | 2.2L L4 | Executive Order # D-182-39 | Rear | | | 80258 | D-182-39 |
| | 3.0L V6 | Executive Order # D-182-65 | | | | 81128 | D-182-65 |
| 1991-88 | 2.5L V6 | Executive Order # D-182-65 | | | | 81127 | D-182-65 |
| 1986 | 2.0L L4 | Executive Order # D-182-65 | | 81171 | | 81126 | D-182-65 |
| 1985-83 | 2.0L L4 | Executive Order # D-182-65 | | 81171 | | 81126 | D-182-65 |
| Celica | | | | | | | |
| 1995-94 | 1.8L L4 | Executive Order # D-182-39 | Rear | | | 80256 | D-182-39 |
| | 2.2L L4 | Executive Order # D-182-39 | Rear | | | 80256 | D-182-39 |
| 1993-92 | 1.6L L4 | Executive Order # D-182-65 | | | | 81126 | D-182-65 |
| 1991-90 | 1.6L L4 | Executive Order # D-182-65 | | | | 81126 | D-182-65 |
| | 2.0L L4 | Executive Order # D-182-65 | | | | 81102 | D-182-65 |
| | 2.2L L4 | GT Model; Executive Order # D-182-65 GTS Model; Executive Order # D-182-65 | | | | 81126 81127 | D-182-65 D-182-65 |
| 1989-88 | 2.0L L4 | All Trac Model; Executive Order # D-182-65 | | | | 81102 | D-182-65 |
| | | FWD; Executive Order # D-182-65 | | 81170 | 31354, 31350 | | D-182-65 |
| | | GT Model; Executive Order # D-182-65 | | | | 81126 | D-182-65 |
| | | GTS Model; Executive Order # D-182-65 | | | | 81128 | D-182-65 |
| | | ST Model; Executive Order # D-182-65 | | | | 81126 | D-182-65 |
| 1987 | 2.0L L4 | Executive Order # D-182-65 | | 81170 | 31354, 31350 | | D-182-65 |
| | | GT Model; Executive Order # D-182-65 | | | | 81126 | D-182-65 |
| | | GTS Model; Executive Order # D-182-65 | | | | 81128 | D-182-65 |
| | | ST Model; Executive Order # D-182-65 | | | | 81126 | D-182-65 |
| 1986 | 2.0L L4 | DOHC; w/o Air Tube; Executive Order # D-182-65 | | 81170 | 31354, 31350 | | D-182-65 |
| | | GT Model; Executive Order # D-182-65 | | | | 81126 | D-182-65 |
| | | GTS Model; Executive Order # D-182-65 | | | | 81128 | D-182-65 |
| | | SOHC; w/o Air Tube; Executive Order # D-182-65 | | 81171 | | | D-182-65 |
| | | ST Model; Executive Order # D-182-65 | | | | 81126 | D-182-65 |
| | | 2.8L L6 | Executive Order # D-182-65 | | | | 81126 |
| 1985 | 2.4L L4 | Executive Order # D-182-65 | | 81171 | | 81126 | D-182-65 |
| | 2.8L L6 | Executive Order # D-182-65 | | 81171 | | 81126 | D-182-65 |
| 1984 | 2.4L L4 | Executive Order # D-182-65 | | 81171 | | 81126 | D-182-65 |
| | 2.8L L6 | Executive Order # D-182-65 | | | | 81121 | D-182-65 |
| 1983-82 | 2.4L L4 | Executive Order # D-182-65 | | | | 81126 | D-182-65 |
| | 2.8L L6 | Executive Order # D-182-65 | | | | 81121 | D-182-65 |
| 1981 | 2.4L L4 | Executive Order # D-182-65 | | | | 81126 | D-182-65 |
| | 2.8L L6 | Executive Order # D-182-65 | | | | 81126 | D-182-65 |
| 1980-79 | 2.2L L4 | Executive Order # D-182-65 | | | | 81126 | D-182-65 |
| | 2.6L L6 | Executive Order # D-182-65 | | | | 81126 | D-182-65 |
| 1978-75 | 2.2L L4 | Executive Order # D-182-65 | | | | 81126 | D-182-65 |
| Corolla | | | | | | | |
| 1992-88 | 1.6L L4 | Executive Order # D-182-65 | | | | 81126 | D-182-65 |
| | | FWD; Executive Order # D-182-65 | | 81171 | | | D-182-65 |
| 1987-83 | 1.6L L4 | Executive Order # D-182-65 | | 81171 | | 81126 | D-182-65 |
| 1982-80 | 1.8L L4 | Executive Order # D-182-65 | | | | 81126 | D-182-65 |

For vehicles licensed in the state of California or Maine, or vehicles requiring CARB-compliant converters in the state of New York, the parts in this catalog must be installed as specifically listed. Parts cannot be substituted, nor can they be installed on California or Maine licensed vehicles not listed in this catalog.

OBDII APPLICATIONS

NON-OBDII APPLICATIONS

NUMERICAL

UNIVERSAL SPECIFICATIONS

NON-OBDI PASSENGER CAR & TRUCK

| Years | Engine | Application | Position | Direct-Fit | | Universal Part No. | Executive Order | |
|------------------------|---------|--|----------|--------------|----------|--------------------|-----------------|----------|
| | | | | Part No. | Hardware | | | |
| TOYOTA (Cont.) | | | | | | | | |
| Corolla (Cont.) | | | | | | | | |
| 1979-76 | 1.2L L4 | Executive Order # D-182-65 | | | | 81126 | D-182-65 | |
| | 1.6L L4 | Executive Order # D-182-65 | | | | 81126 | D-182-65 | |
| 1975 | 1.6L L4 | Executive Order # D-182-65 | | | | 81126 | D-182-65 | |
| Corona | | | | | | | | |
| 1982-81 | 2.4L L4 | Executive Order # D-182-65 | | | | 81126 | D-182-65 | |
| 1980-75 | 2.2L L4 | Executive Order # D-182-65 | | | | 81126 | D-182-65 | |
| Cressida | | | | | | | | |
| 1992-89 | 3.0L L6 | Executive Order # D-182-65 | | | | 81128 | D-182-65 | |
| 1988-85 | 2.8L L6 | Executive Order # D-182-65 | | 81171 | | 81126 | D-182-65 | |
| 1984-83 | 2.8L L6 | Executive Order # D-182-65 | | | | 81126 | D-182-65 | |
| 1982-81 | 2.8L L6 | Executive Order # D-182-65 | | | | 81126 | D-182-65 | |
| 1980-78 | 2.6L L6 | Executive Order # D-182-65 | | | | 81126 | D-182-65 | |
| Land Cruiser | | | | | | | | |
| 1994-93 | 4.5L L6 | Executive Order # D-182-55 | Left | | | 80904 | D-182-55 | |
| | | | Right | | | 80904 | D-182-55 | |
| 1992-91 | 4.0L L6 | Executive Order # D-182-55 | Left | | | 80904 | D-182-55 | |
| | | | Right | | | 80904 | D-182-55 | |
| 1990-88 | 4.0L L6 | Executive Order # D-182-55 | | | | 80901 | D-182-55 | |
| 1987 | 4.2L L6 | Executive Order # D-182-55 | | | | 80905 | D-182-55 | |
| 1986 | 4.2L L6 | Executive Order # D-182-55 | | | | 80905 | D-182-55 | |
| 1985 | 4.2L L6 | Executive Order # D-182-55 | | | | 80905 | D-182-55 | |
| 1984-81 | 4.2L L6 | Executive Order # D-182-55 | | | | 80905 | D-182-55 | |
| 1980-79 | 4.2L L6 | Executive Order # D-182-55 | | | | 80905 | D-182-55 | |
| MR2 | | | | | | | | |
| 1989-88 | 1.6L L4 | Executive Order # D-182-65 | | 81171 | | 81126 | D-182-65 | |
| 1987-86 | 1.6L L4 | w/o Air Tube; Executive Order # D-182-65 | | 81171 | | 81126 | D-182-65 | |
| 1985 | 1.6L L4 | Executive Order # D-182-65 | | 81171 | | | D-182-65 | |
| | | w/o Air Tube; Executive Order # D-182-65 | | | | 81126 | D-182-65 | |
| Paseo | | | | | | | | |
| 1995 | 1.5L L4 | Executive Order # D-182-65 | | | | 81126 | D-182-65 | |
| 1994-92 | 1.5L L4 | Executive Order # D-182-65 | | 81171 | | 81126 | D-182-65 | |
| Pickup | | | | | | | | |
| 1995 | 2.4L L4 | Executive Order # D-182-55 | | | | 80904 | D-182-55 | |
| | 3.0L V6 | 4WD; Executive Order # D-182-55 | | | | 80905 | D-182-55 | |
| | | Extended Cab Pickup; RWD; w/o Air Tube; Includes Front & Rear Gasket; Executive Order # D-182-55 | | 80941 | | | | D-182-55 |
| | | RWD; Executive Order # D-182-55 | | | | 80904 | D-182-55 | |
| | | Standard Cab Pickup; RWD; w/o Air Tube; Includes Front & Rear Gasket; Executive Order # D-182-55 | | 80941 | | | D-182-55 | |
| 1994 | 2.4L L4 | Executive Order # D-182-55 | | | | 80904 | D-182-55 | |
| | 3.0L V6 | 4WD; Executive Order # D-182-55 | | | | 80905 | D-182-55 | |
| | | Extended Cab Pickup; RWD; w/o Air Tube; Includes Front & Rear Gasket; Executive Order # D-182-55 | | 80941 | | | D-182-55 | |
| | | RWD; Executive Order # D-182-55 | | | | 80904 | D-182-55 | |

For vehicles licensed in the state of California or Maine, or vehicles requiring CARB-compliant converters in the state of New York, the parts in this catalog must be installed as specifically listed. Parts cannot be substituted, nor can they be installed on California or Maine licensed vehicles not listed in this catalog.

NON-OBDII PASSENGER CAR & TRUCK

| Years | Engine | Application | Position | Direct-Fit | | Universal Part No. | Executive Order | |
|-----------------------|---------|--|---|------------|--------------|--------------------|-----------------|----------|
| | | | | Part No. | Hardware | | | |
| TOYOTA (Cont.) | | | | | | | | |
| Pickup (Cont.) | | | | | | | | |
| 1994 (Cont.) | 3.0L V6 | Standard Cab Pickup; RWD; w/o Air Tube; Includes Front & Rear Gasket; Executive Order # D-182-55 | | 80941 | | | D-182-55 | |
| 1993 | 2.4L L4 | Executive Order # D-182-55 | | | | 80904 | D-182-55 | |
| | 3.0L V6 | Executive Order # D-182-55 | | | | 80904 | D-182-55 | |
| 1992-89 | 2.4L L4 | 4WD; Includes Front & Rear Gasket; Executive Order # D-182-55 | | 80941 | | | D-182-55 | |
| | | Executive Order # D-182-55 | | | | 80904 | D-182-55 | |
| | 3.0L V6 | Executive Order # D-182-55 | | | | 80904 | D-182-55 | |
| 1988 | 2.4L L4 | w/o Air Tube; Includes Front & Rear Gasket; Executive Order # D-182-55 | | 80941 | | | D-182-55 | |
| | | Executive Order # D-182-55 | | | | 80904 | D-182-55 | |
| | 3.0L V6 | Executive Order # D-182-55 | | | | 80904 | D-182-55 | |
| 1987-86 | 2.4L L4 | Executive Order # D-182-55 | | | | 80904 | D-182-55 | |
| 1985-84 | 2.4L L4 | Executive Order # D-182-55 | | | | 80904 | D-182-55 | |
| 1978-75 | 2.2L L4 | Executive Order # D-182-55 | | | | 80904 | D-182-55 | |
| Previa | | | | | | | | |
| 1994 | 2.4L L4 | Executive Order # D-182-55 | | | | 80904 | D-182-55 | |
| 1993-91 | 2.4L L4 | Executive Order # D-182-55 | | | | 80904 | D-182-55 | |
| Starlet | | | | | | | | |
| 1984 | 1.3L L4 | Executive Order # D-182-65 | | | | 81126 | D-182-65 | |
| 1983 | 1.3L L4 | w/ Air Tube; Executive Order # D-182-65 | | | | 81121 | D-182-65 | |
| | | w/o Air Tube; Executive Order # D-182-65 | | | | 81126 | D-182-65 | |
| 1982-81 | 1.3L L4 | w/o Air Tube; Executive Order # D-182-65 | | | | 81126 | D-182-65 | |
| Supra | | | | | | | | |
| 1995-93 | 3.0L L6 | Executive Order # D-182-39 | Front | | | 80402 | D-182-39 | |
| | | | Rear | | | 80257 | D-182-39 | |
| 1992-89 | 3.0L L6 | Executive Order # D-182-39 | Front | | | 80401 | D-182-39 | |
| | | | Rear | | | 80257 | D-182-39 | |
| 1988-87 | 3.0L L6 | Executive Order # D-182-65 | | 81170 | 31354, 31350 | 81128 | D-182-65 | |
| | | | Turbo Model; Executive Order # D-182-39 | Front | | | 80401 | D-182-39 |
| | | | | Rear | | | 80257 | D-182-39 |
| 1986 | 3.0L L6 | Executive Order # D-182-65 | | 81170 | 31354, 31350 | 81128 | D-182-65 | |
| T100 | | | | | | | | |
| 1994 | 3.0L V6 | Executive Order # D-182-55 | | | | 80905 | D-182-55 | |
| 1993 | 3.0L V6 | Executive Order # D-182-55 | | | | 80905 | D-182-55 | |
| Tercel | | | | | | | | |
| 1994-89 | 1.5L L4 | Executive Order # D-182-65 | | 81171 | | 81126 | D-182-65 | |
| 1988-87 | 1.5L L4 | Executive Order # D-182-65 | | 81171 | | 81126 | D-182-65 | |
| 1986-83 | 1.5L L4 | Executive Order # D-182-65 | | 81171 | | 81126 | D-182-65 | |
| 1982-80 | 1.5L L4 | Executive Order # D-182-65 | | | | 81126 | D-182-65 | |

For vehicles licensed in the state of California or Maine, or vehicles requiring CARB-compliant converters in the state of New York, the parts in this catalog must be installed as specifically listed. Parts cannot be substituted, nor can they be installed on California or Maine licensed vehicles not listed in this catalog.

NON-OBDI PASSENGER CAR & TRUCK

| Years | Engine | Application | Position | Direct-Fit | | Universal Part No. | Executive Order |
|-----------------------|---------|---|----------------------------|------------|----------|--------------------|-----------------|
| | | | | Part No. | Hardware | | |
| TOYOTA (Cont.) | | | | | | | |
| Van | | | | | | | |
| 1989-88 | 2.2L L4 | 4WD; Executive Order # D-182-55 | | | | 80906 | D-182-55 |
| | | RWD; Executive Order # D-182-55 | | | | 80905 | D-182-55 |
| 1987 | 2.2L L4 | 4WD; Executive Order # D-182-55 | | | | 80906 | D-182-55 |
| | | RWD; Executive Order # D-182-55 | | | | 80904 | D-182-55 |
| 1986 | 2.2L L4 | Executive Order # D-182-55 | | | | 80904 | D-182-55 |
| 1985-84 | 2.0L L4 | Executive Order # D-182-55 | | | | 80904 | D-182-55 |
| Van Wagon | | | | | | | |
| 1988 | 2.2L L4 | RWD; Executive Order # D-182-55 | | | | 80905 | D-182-55 |
| TRIUMPH | | | | | | | |
| Spitfire | | | | | | | |
| 1980-75 | 1.5L L4 | Executive Order # D-182-65 | | | | 81126 | D-182-65 |
| TR6 | | | | | | | |
| 1976-75 | 2.5L L6 | Executive Order # D-182-65 | | | | 81126 | D-182-65 |
| TR7 | | | | | | | |
| 1981-80 | 2.0L L4 | Executive Order # D-182-65 | | | | 81100 | D-182-65 |
| 1979-78 | 2.0L L4 | Executive Order # D-182-65 | | | | 81126 | D-182-65 |
| 1977 | 2.0L L4 | Executive Order # D-182-65 | | | | 81126 | D-182-65 |
| 1976-75 | 2.0L L4 | Executive Order # D-182-65 | | | | 81126 | D-182-65 |
| TR8 | | | | | | | |
| 1981 | 3.5L V8 | If oxygen sensor not used, Plug 35299 is required.; Executive Order # D-182-65 | Left | | | 81111 | D-182-65 |
| 1980 | 3.5L V8 | If oxygen sensor not used, Plug 35299 is required.; Executive Order # D-182-65 | Right | | | 81111 | D-182-65 |
| VOLKSWAGEN | | | | | | | |
| Beetle | | | | | | | |
| 1979-75 | 1.6L H4 | Executive Order # D-182-65 | | | | 81100 | D-182-65 |
| Cabrio | | | | | | | |
| 1995 | 2.0L L4 | Executive Order # D-182-65 | | | | 81100 | D-182-65 |
| Cabriolet | | | | | | | |
| 1993-90 | 1.8L L4 | Executive Order # D-182-65 | | | | 81102 | D-182-65 |
| 1989-85 | 1.8L L4 | Executive Order # D-182-65 | | | | 81100 | D-182-65 |
| Corrado | | | | | | | |
| 1994-93 | 2.8L V6 | Executive Order # D-182-65 | | | | 81102 | D-182-65 |
| 1992 | 1.8L L4 | If oxygen sensor not used, Plug 35299 is required.; Executive Order # D-182-65 | | | | 81111 | D-182-65 |
| | | 2.8L V6 | Executive Order # D-182-65 | | | 81102 | D-182-65 |
| 1991-90 | 1.8L L4 | If oxygen sensor not used, Plug 35299 is required.; Executive Order # D-182-65 | | | | 81111 | D-182-65 |
| Dasher | | | | | | | |
| 1980-76 | 1.6L L4 | Executive Order # D-182-65 | | | | 81126 | D-182-65 |
| 1975 | 1.5L L4 | Executive Order # D-182-65 | | | | 81126 | D-182-65 |

For vehicles licensed in the state of California or Maine, or vehicles requiring CARB-compliant converters in the state of New York, the parts in this catalog must be installed as specifically listed. Parts cannot be substituted, nor can they be installed on California or Maine licensed vehicles not listed in this catalog.

NON-OBDII PASSENGER CAR & TRUCK

| Years | Engine | Application | Position | Direct-Fit | | Universal Part No. | Executive Order |
|---------------------------|---------|---|----------|------------|----------|--------------------|-----------------|
| | | | | Part No. | Hardware | | |
| VOLKSWAGEN (Cont.) | | | | | | | |
| Fox | | | | | | | |
| 1993-87 | 1.8L L4 | Executive Order # D-182-65 | | | | 81101 | D-182-65 |
| Golf | | | | | | | |
| 1995 | 1.8L L4 | Executive Order # D-182-65 | | | | 81110 | D-182-65 |
| | 2.8L V6 | If oxygen sensor not used, Plug 35299 is required.; Executive Order # D-182-65 | | | | 81111 | D-182-65 |
| 1994 | 1.8L L4 | Executive Order # D-182-65 | | | | 81110 | D-182-65 |
| 1993 | 1.8L L4 | Executive Order # D-182-65 | | | | 81110 | D-182-65 |
| | 2.0L L4 | If oxygen sensor not used, Plug 35299 is required.; Executive Order # D-182-65 | | | | 81111 | D-182-65 |
| 1992-91 | 1.8L L4 | If oxygen sensor not used, Plug 35299 is required.; Executive Order # D-182-65 | | | | 81111 | D-182-65 |
| | 2.0L L4 | If oxygen sensor not used, Plug 35299 is required.; Executive Order # D-182-65 | | | | 81111 | D-182-65 |
| 1990 | 1.8L L4 | PF Eng.; If oxygen sensor not used, Plug 35299 is required.; Executive Order # D-182-65 | | | | 81111 | D-182-65 |
| | | RV Eng.; Executive Order # D-182-65 | | | | 81110 | D-182-65 |
| | 2.0L L4 | If oxygen sensor not used, Plug 35299 is required.; Executive Order # D-182-65 | | | | 81111 | D-182-65 |
| 1989-88 | 1.8L L4 | DOHC; If oxygen sensor not used, Plug 35299 is required.; Executive Order # D-182-65 | | | | 81111 | D-182-65 |
| | | PF Eng.; If oxygen sensor not used, Plug 35299 is required.; Executive Order # D-182-65 | | | | 81111 | D-182-65 |
| | | RV Eng.; Executive Order # D-182-65 | | | | 81110 | D-182-65 |
| 1987 | 1.8L L4 | DOHC; If oxygen sensor not used, Plug 35299 is required.; Executive Order # D-182-65 | | | | 81111 | D-182-65 |
| | | GX Eng.; Executive Order # D-182-65 | | | | 81110 | D-182-65 |
| | | RD Eng.; Executive Order # D-182-65 | | | | 81110 | D-182-65 |
| 1986-85 | 1.8L L4 | Executive Order # D-182-65 | | | | 81110 | D-182-65 |
| Jetta | | | | | | | |
| 1995 | 2.0L L4 | If oxygen sensor not used, Plug 35299 is required.; Executive Order # D-182-65 | | | | 81111 | D-182-65 |
| | 2.8L V6 | If oxygen sensor not used, Plug 35299 is required.; Executive Order # D-182-65 | | | | 81111 | D-182-65 |
| 1994 | 2.0L L4 | Executive Order # D-182-65 | | | | 81110 | D-182-65 |
| | 2.8L V6 | If oxygen sensor not used, Plug 35299 is required.; Executive Order # D-182-65 | | | | 81111 | D-182-65 |
| 1993 | 2.0L L4 | If oxygen sensor not used, Plug 35299 is required.; Executive Order # D-182-65 | | | | 81111 | D-182-65 |
| 1992-90 | 1.8L L4 | PF Eng.; If oxygen sensor not used, Plug 35299 is required.; Executive Order # D-182-65 | | | | 81111 | D-182-65 |
| | | RV Eng.; Executive Order # D-182-65 | | | | 81110 | D-182-65 |
| | 2.0L L4 | If oxygen sensor not used, Plug 35299 is required.; Executive Order # D-182-65 | | | | 81111 | D-182-65 |
| 1989-88 | 1.8L L4 | DOHC; If oxygen sensor not used, Plug 35299 is required.; Executive Order # D-182-65 | | | | 81111 | D-182-65 |
| | | PF Eng.; If oxygen sensor not used, Plug 35299 is required.; Executive Order # D-182-65 | | | | 81111 | D-182-65 |
| | | RV Eng.; Executive Order # D-182-65 | | | | 81110 | D-182-65 |
| 1987 | 1.8L L4 | DOHC; If oxygen sensor not used, Plug 35299 is required.; Executive Order # D-182-65 | | | | 81111 | D-182-65 |

For vehicles licensed in the state of California or Maine, or vehicles requiring CARB-compliant converters in the state of New York, the parts in this catalog must be installed as specifically listed. Parts cannot be substituted, nor can they be installed on California or Maine licensed vehicles not listed in this catalog.

NON-OBDI PASSENGER CAR & TRUCK

| Years | Engine | Application | Position | Direct-Fit | | Universal Part No. | Executive Order |
|---------------------------|---------|--|----------|------------|----------|--------------------|-----------------|
| | | | | Part No. | Hardware | | |
| VOLKSWAGEN (Cont.) | | | | | | | |
| Jetta (Cont.) | | | | | | | |
| 1987 (Cont.) | 1.8L L4 | GX Eng.; Executive Order # D-182-65 | | | | 81110 | D-182-65 |
| | | RD Eng.; If oxygen sensor not used, Plug 35299 is required.; Executive Order # D-182-65 | | | | 81111 | D-182-65 |
| 1986 | 1.8L L4 | GX Eng.; Executive Order # D-182-65 | | | | 81110 | D-182-65 |
| | | RD Eng.; If oxygen sensor not used, Plug 35299 is required.; Executive Order # D-182-65 | | | | 81111 | D-182-65 |
| 1985 | 1.8L L4 | Executive Order # D-182-65 | | | | 81110 | D-182-65 |
| 1984-81 | 1.7L L4 | Executive Order # D-182-65 | | | | 81101 | D-182-65 |
| 1980 | 1.6L L4 | Executive Order # D-182-65 | | | | 81101 | D-182-65 |
| Passat | | | | | | | |
| 1995-94 | 2.8L V6 | If oxygen sensor not used, Plug 35299 is required.; Executive Order # D-182-65 | | | | 81111 | D-182-65 |
| 1993-92 | 2.0L L4 | If oxygen sensor not used, Plug 35299 is required.; Executive Order # D-182-65 | | | | 81111 | D-182-65 |
| 1991-90 | 2.0L L4 | If oxygen sensor not used, Plug 35299 is required.; Executive Order # D-182-65 | | | | 81111 | D-182-65 |
| Quantum | | | | | | | |
| 1988-86 | 2.2L L5 | Executive Order # D-182-65 | | | | 81101 | D-182-65 |
| 1985 | 1.8L L4 | Executive Order # D-182-65 | | | | 81101 | D-182-65 |
| | 2.2L L5 | Executive Order # D-182-65 | | | | 81101 | D-182-65 |
| 1984 | 2.2L L5 | Executive Order # D-182-65 | | | | 81101 | D-182-65 |
| 1983 | 1.7L L4 | Executive Order # D-182-65 | | | | 81101 | D-182-65 |
| | 2.2L L5 | Executive Order # D-182-65 | | | | 81101 | D-182-65 |
| 1982 | 1.7L L4 | Executive Order # D-182-65 | | | | 81101 | D-182-65 |
| Rabbit | | | | | | | |
| 1984-83 | 1.7L L4 | Executive Order # D-182-65 | | | | 81101 | D-182-65 |
| | 1.8L L4 | Executive Order # D-182-65 | | | | 81101 | D-182-65 |
| 1982-81 | 1.7L L4 | Executive Order # D-182-65 | | | | 81101 | D-182-65 |
| 1980 | 1.5L L4 | Executive Order # D-182-65 | | | | 81101 | D-182-65 |
| | 1.6L L4 | Executive Order # D-182-65 | | | | 81101 | D-182-65 |
| 1979-78 | 1.5L L4 | Executive Order # D-182-65 | | | | 81101 | D-182-65 |
| 1977-76 | 1.6L L4 | Executive Order # D-182-65 | | | | 81101 | D-182-65 |
| 1975 | 1.5L L4 | Executive Order # D-182-65 | | | | 81101 | D-182-65 |
| Rabbit Convertible | | | | | | | |
| 1984 | 1.8L L4 | Executive Order # D-182-65 | | | | 81101 | D-182-65 |
| 1983-81 | 1.7L L4 | Executive Order # D-182-65 | | | | 81101 | D-182-65 |
| 1980 | 1.6L L4 | Executive Order # D-182-65 | | | | 81101 | D-182-65 |
| Scirocco | | | | | | | |
| 1988 | 1.8L L4 | If oxygen sensor not used, Plug 35299 is required.; Executive Order # D-182-65 | | | | 81111 | D-182-65 |
| 1987 | 1.8L L4 | 16-Valve Model; DOHC; If oxygen sensor not used, Plug 35299 is required.; Executive Order # D-182-65 | | | | 81111 | D-182-65 |
| | | SOHC; Executive Order # D-182-65 | | | | 81101 | D-182-65 |
| 1986 | 1.8L L4 | SOHC; Executive Order # D-182-65 | | | | 81101 | D-182-65 |
| 1985-84 | 1.8L L4 | Executive Order # D-182-65 | | | | 81101 | D-182-65 |
| 1983-81 | 1.7L L4 | Executive Order # D-182-65 | | | | 81101 | D-182-65 |

For vehicles licensed in the state of California or Maine, or vehicles requiring CARB-compliant converters in the state of New York, the parts in this catalog must be installed as specifically listed. Parts cannot be substituted, nor can they be installed on California or Maine licensed vehicles not listed in this catalog.

NON-OBDII PASSENGER CAR & TRUCK

| Years | Engine | Application | Position | Direct-Fit | | Universal Part No. | Executive Order |
|---------------------------|---------|--|----------|------------|----------|--------------------|-----------------|
| | | | | Part No. | Hardware | | |
| VOLKSWAGEN (Cont.) | | | | | | | |
| Scirocco (Cont.) | | | | | | | |
| 1980-79 | 1.6L L4 | Executive Order # D-182-65 | | | | 81101 | D-182-65 |
| 1978 | 1.5L L4 | Executive Order # D-182-65 | | | | 81101 | D-182-65 |
| 1977-76 | 1.6L L4 | Executive Order # D-182-65 | | | | 81101 | D-182-65 |
| 1975 | 1.5L L4 | Executive Order # D-182-65 | | | | 81101 | D-182-65 |
| Super Beetle | | | | | | | |
| 1975 | 1.6L H4 | Executive Order # D-182-65 | | | | 81101 | D-182-65 |
| Transporter | | | | | | | |
| 1979-76 | 2.0L H4 | Executive Order # D-182-65 | | | | 81101 | D-182-65 |
| 1975 | 1.8L H4 | Executive Order # D-182-65 | | | | 81101 | D-182-65 |
| Vanagon | | | | | | | |
| 1987 | 2.1L H4 | GL Model; Standard Trans.; Executive Order # D-182-65 | | | | 81101 | D-182-65 |
| 1986 | 2.1L H4 | GL Model; Standard Trans.; Executive Order # D-182-65 | | | | 81101 | D-182-65 |
| | | L Model; Standard Trans.; Executive Order # D-182-65 | | | | 81101 | D-182-65 |
| 1985-84 | 1.9L H4 | GL Model; Executive Order # D-182-65 | | | | 81101 | D-182-65 |
| | | L Model; Executive Order # D-182-65 | | | | 81101 | D-182-65 |
| 1983 | 1.9L H4 | GL Model; Executive Order # D-182-65 | | | | 81101 | D-182-65 |
| | | L Model; Executive Order # D-182-65 | | | | 81101 | D-182-65 |
| | 2.0L H4 | GL Model; Executive Order # D-182-65 | | | | 81101 | D-182-65 |
| | | L Model; Executive Order # D-182-65 | | | | 81101 | D-182-65 |
| 1982 | 2.0L H4 | GL Model; Executive Order # D-182-65 | | | | 81101 | D-182-65 |
| | | L Model; Executive Order # D-182-65 | | | | 81101 | D-182-65 |
| 1981 | 2.0L H4 | Base Model; Executive Order # D-182-65 | | | | 81101 | D-182-65 |
| | | Kombi Model; Executive Order # D-182-65 | | | | 81101 | D-182-65 |
| 1980 | 2.0L H4 | Kombi Model; Executive Order # D-182-65 | | | | 81101 | D-182-65 |
| VOLVO | | | | | | | |
| 164 | | | | | | | |
| 1975 | 3.0L L6 | Executive Order # D-182-65 | | | | 81102 | D-182-65 |
| 240 | | | | | | | |
| 1993-90 | 2.3L L4 | If oxygen sensor not used, Plug 35299 is required.; Executive Order # D-182-65 | | | | 81111 | D-182-65 |
| | | w/ EGR (Exhaust Gas Recirculation); Executive Order # D-182-65 | | | | 81101 | D-182-65 |
| 242 | | | | | | | |
| 1983 | 2.1L L4 | Executive Order # D-182-65 | | | | 81127 | D-182-65 |
| 1982 | 2.1L L4 | Naturally Aspirated; Executive Order # D-182-65 | | | | 81101 | D-182-65 |
| | | Turbocharged; Executive Order # D-182-65 | | | | 81127 | D-182-65 |
| 1981 | 2.1L L4 | Executive Order # D-182-65 | | | | 81102 | D-182-65 |
| 244 | | | | | | | |
| 1989-88 | 2.3L L4 | If oxygen sensor not used, Plug 35299 is required.; Executive Order # D-182-65 | | | | 81111 | D-182-65 |
| | | w/ EGR (Exhaust Gas Recirculation); Executive Order # D-182-65 | | | | 81101 | D-182-65 |

For vehicles licensed in the state of California or Maine, or vehicles requiring CARB-compliant converters in the state of New York, the parts in this catalog must be installed as specifically listed. Parts cannot be substituted, nor can they be installed on California or Maine licensed vehicles not listed in this catalog.

NON-OBDI PASSENGER CAR & TRUCK

| Years | Engine | Application | Position | Direct-Fit | | Universal Part No. | Executive Order |
|----------------------|---------|--|----------|------------|----------|--------------------|-----------------|
| | | | | Part No. | Hardware | | |
| VOLVO (Cont.) | | | | | | | |
| 244 (Cont.) | | | | | | | |
| 1987-85 | 2.3L L4 | If oxygen sensor not used, Plug 35299 is required.; Executive Order # D-182-65 | | | | 81111 | D-182-65 |
| 1984 | 2.1L L4 | Executive Order # D-182-65 | | | | 81127 | D-182-65 |
| | 2.3L L4 | If oxygen sensor not used, Plug 35299 is required.; Executive Order # D-182-65 | | | | 81111 | D-182-65 |
| 1983 | 2.1L L4 | Executive Order # D-182-65 | | | | 81127 | D-182-65 |
| | 2.3L L4 | Executive Order # D-182-65 | | | | 81101 | D-182-65 |
| 1982 | 2.1L L4 | Executive Order # D-182-65 | | | | 81127 | D-182-65 |
| | | Naturally Aspirated; Executive Order # D-182-65 | | | | 81101 | D-182-65 |
| 1981-76 | 2.1L L4 | Executive Order # D-182-65 | | | | 81102 | D-182-65 |
| 1975 | 2.0L L4 | Executive Order # D-182-65 | | | | 81102 | D-182-65 |
| 245 | | | | | | | |
| 1989-88 | 2.3L L4 | If oxygen sensor not used, Plug 35299 is required.; Executive Order # D-182-65 | | | | 81111 | D-182-65 |
| | | w/ EGR (Exhaust Gas Recirculation); Executive Order # D-182-65 | | | | 81101 | D-182-65 |
| 1987-86 | 2.3L L4 | If oxygen sensor not used, Plug 35299 is required.; Executive Order # D-182-65 | | | | 81111 | D-182-65 |
| 1985-84 | 2.1L L4 | Executive Order # D-182-65 | | | | 81127 | D-182-65 |
| | 2.3L L4 | If oxygen sensor not used, Plug 35299 is required.; Executive Order # D-182-65 | | | | 81111 | D-182-65 |
| 1983 | 2.1L L4 | Executive Order # D-182-65 | | | | 81127 | D-182-65 |
| | 2.3L L4 | Executive Order # D-182-65 | | | | 81101 | D-182-65 |
| 1982 | 2.1L L4 | Naturally Aspirated; Executive Order # D-182-65 | | | | 81101 | D-182-65 |
| | | Turbocharged; Executive Order # D-182-65 | | | | 81127 | D-182-65 |
| 1981 | 2.1L L4 | Naturally Aspirated; Executive Order # D-182-65 | | | | 81102 | D-182-65 |
| | | Turbocharged; Executive Order # D-182-65 | | | | 81127 | D-182-65 |
| 1980-76 | 2.1L L4 | Executive Order # D-182-65 | | | | 81102 | D-182-65 |
| 1975 | 2.0L L4 | Executive Order # D-182-65 | | | | 81102 | D-182-65 |
| 262 | | | | | | | |
| 1981-80 | 2.8L V6 | Executive Order # D-182-65 | | | | 81126 | D-182-65 |
| 1979-78 | 2.7L V6 | Executive Order # D-182-65 | | | | 81102 | D-182-65 |
| 1976 | 2.7L V6 | Executive Order # D-182-65 | | | | 81102 | D-182-65 |
| 264 | | | | | | | |
| 1982-80 | 2.8L V6 | Executive Order # D-182-65 | | | | 81126 | D-182-65 |
| 1979-76 | 2.7L V6 | Executive Order # D-182-65 | | | | 81102 | D-182-65 |
| 265 | | | | | | | |
| 1981-80 | 2.8L V6 | Executive Order # D-182-65 | | | | 81126 | D-182-65 |
| 1979-76 | 2.7L V6 | Executive Order # D-182-65 | | | | 81102 | D-182-65 |
| 740 | | | | | | | |
| 1992-91 | 2.3L L4 | Naturally Aspirated; Executive Order # D-182-65 | | | | 81110 | D-182-65 |
| | | Turbocharged; Executive Order # D-182-65 | | | | 81127 | D-182-65 |
| 1990-89 | 2.3L L4 | Naturally Aspirated; DOHC; Executive Order # D-182-65 | | | | 81127 | D-182-65 |
| | | Naturally Aspirated; SOHC; Executive Order # D-182-65 | | | | 81110 | D-182-65 |

For vehicles licensed in the state of California or Maine, or vehicles requiring CARB-compliant converters in the state of New York, the parts in this catalog must be installed as specifically listed. Parts cannot be substituted, nor can they be installed on California or Maine licensed vehicles not listed in this catalog.

NON-OBDII PASSENGER CAR & TRUCK

| Years | Engine | Application | Position | Direct-Fit | | Universal Part No. | Executive Order |
|----------------------|---------|--|----------|------------|----------|--------------------|-----------------|
| | | | | Part No. | Hardware | | |
| VOLVO (Cont.) | | | | | | | |
| 740 (Cont.) | | | | | | | |
| 1990-89 (Cont.) | 2.3L L4 | Turbocharged; Executive Order # D-182-65 | | | | 81127 | D-182-65 |
| 1988-85 | 2.3L L4 | Naturally Aspirated; Executive Order # D-182-65 | | | | 81110 | D-182-65 |
| | | Turbocharged; Executive Order # D-182-65 | | | | 81127 | D-182-65 |
| 760 | | | | | | | |
| 1990-86 | 2.8L V6 | Executive Order # D-182-65 | | | | 81127 | D-182-65 |
| 1985-84 | 2.3L L4 | Executive Order # D-182-65 | | | | 81127 | D-182-65 |
| | 2.8L V6 | Executive Order # D-182-65 | | | | 81127 | D-182-65 |
| 1983 | 2.8L V6 | Executive Order # D-182-65 | | | | 81122 | D-182-65 |
| 780 | | | | | | | |
| 1991 | 2.3L L4 | If oxygen sensor not used, Plug 35299 is required.; Executive Order # D-182-65 | | | | 81111 | D-182-65 |
| 1990-89 | 2.3L L4 | If oxygen sensor not used, Plug 35299 is required.; Executive Order # D-182-65 | | | | 81111 | D-182-65 |
| | 2.8L V6 | Executive Order # D-182-65 | | | | 81127 | D-182-65 |
| 1988-87 | 2.8L V6 | Executive Order # D-182-65 | | | | 81127 | D-182-65 |
| 850 | | | | | | | |
| 1994-93 | 2.4L L5 | Executive Order # D-182-65 | | | | 81128 | D-182-65 |
| 940 | | | | | | | |
| 1995-91 | 2.3L L4 | Executive Order # D-182-65 | | | | 81110 | D-182-65 |
| 960 | | | | | | | |
| 1995-92 | 2.9L L6 | Executive Order # D-182-65 | | | | 81132 | D-182-65 |
| YUGO | | | | | | | |
| Cabrio | | | | | | | |
| 1992-90 | 1.3L L4 | Executive Order # D-182-65 | | | | 81126 | D-182-65 |
| GV | | | | | | | |
| 1992-90 | 1.3L L4 | Executive Order # D-182-65 | | | | 81126 | D-182-65 |
| 1989-86 | 1.1L L4 | w/ Air Tube; Executive Order # D-182-65 | | | | 81121 | D-182-65 |
| GVL | | | | | | | |
| 1989-88 | 1.1L L4 | w/ Air Tube; Executive Order # D-182-65 | | | | 81121 | D-182-65 |
| GVS | | | | | | | |
| 1988 | 1.1L L4 | w/ Air Tube; Executive Order # D-182-65 | | | | 81121 | D-182-65 |
| GVX | | | | | | | |
| 1989-88 | 1.3L L4 | Executive Order # D-182-65 | | | | 81121 | D-182-65 |

OBDII APPLICATIONS


NON-OBDII APPLICATIONS

NUMERICAL

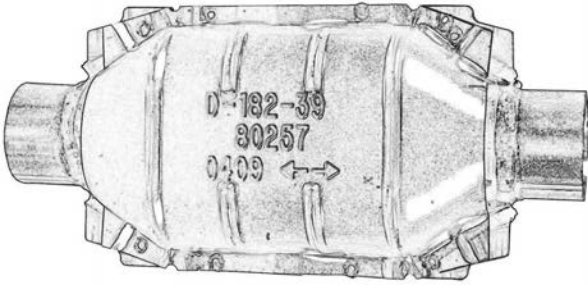
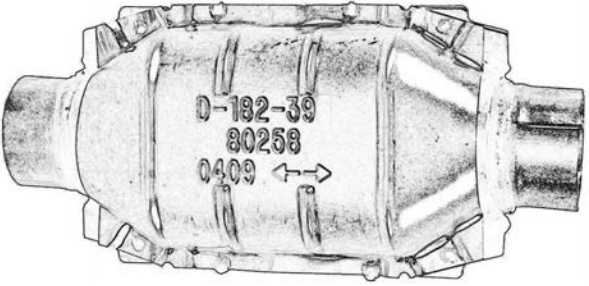
UNIVERSAL SPECIFICATIONS

For vehicles licensed in the state of California or Maine, or vehicles requiring CARB-compliant converters in the state of New York, the parts in this catalog must be installed as specifically listed. Parts cannot be substituted, nor can they be installed on California or Maine licensed vehicles not listed in this catalog.

NUMERICAL LISTING

| Year | Engine | Year | Engine | | | | | | |
|--|--|--|--------|----------------|----|----|----------------------------------|--|--|
| 80256 | E.O. No. D-182-39 | 80256 (Cont.) | | | | | | | |
|  | | Geo – Metro 1995 1.0L L3 Hyundai – Excel 1989-86 1.5L L4 Infiniti – Q45 1995-90 4.5L V8 Jaguar – Vanden Plas 1994-90 4.0L L6 Jaguar – XJ6 1994-90 4.0L L6 Jaguar – XJS 1992-80 5.3L V12 Lincoln – Town Car 1994-91 4.6L V8 1990-86 5.0L V8 Mazda – 626 1995-94 2.0L L4 Mazda – MX-6 1995-94 2.0L L4 Mercury – Grand Marquis 1991-86 5.0L V8 Mercury – Sable 1990-88 3.8L V6 Mitsubishi – Cordia 1988-84 2.0L L4 1983 1.8L L4 Mitsubishi – Mirage 1986-85 1.5L L4 1.6L L4 Mitsubishi – Precis 1989-87 1.5L L4 Mitsubishi – Starion 1989-83 2.6L L4 Mitsubishi – Tredia 1988-84 2.0L L4 1988-83 1.8L L4 Nissan – Altima 1994 2.4L L4 Plymouth – Colt 1986-84 1.6L L4 1986 1.5L L4 Plymouth – Conquest 1986-84 2.6L L4 Plymouth – Gran Fury 1983-82 3.7L L6 Plymouth – Horizon 1982-81 2.2L L4 Plymouth – Reliant 1982-81 2.2L L4 Plymouth – Volare 1980 3.7L L6 Subaru – DL 1989-83 1.8L H4 1984-83 1.6L H4 Subaru – GL 1989-83 1.8L H4 1987-86 1.6L H4 Subaru – GL-10 1989-85 1.8L H4 | | | | | | | |
| | <table border="1" style="width: 100%; border-collapse: collapse;"> <thead> <tr> <th style="width: 33%;">Inlet</th> <th style="width: 33%;">Outlet</th> <th style="width: 33%;">Overall Length</th> </tr> </thead> <tbody> <tr> <td style="text-align: center;">2"</td> <td style="text-align: center;">2"</td> <td style="text-align: center;">13¹/₄"</td> </tr> </tbody> </table> | Inlet | Outlet | Overall Length | 2" | 2" | 13 ¹ / ₄ " | | |
| Inlet | Outlet | Overall Length | | | | | | | |
| 2" | 2" | 13 ¹ / ₄ " | | | | | | | |
| Acura – Legend 1995-94 3.2L V6 Chrysler – Conquest 1989-87 2.6L L4 Chrysler – Cordoba 1983-80 3.7L L6 Chrysler – Fifth Avenue 1983 3.7L L6 Chrysler – LeBaron 1981-80 3.7L L6 Chrysler – New Yorker 1982 3.7L L6 Daihatsu – Charade 1992-89 1.3L L4 Dodge – 400 1982 2.2L L4 Dodge – Aries 1982-81 2.2L L4 Dodge – Aspen 1980 3.7L L6 Dodge – Charger 1984 1.6L L4 Dodge – Colt 1986-85 1.5L L4 1986-84 1.6L L4 Dodge – Conquest 1986-84 2.6L L4 Dodge – Diplomat 1983-80 3.7L L6 Dodge – Mirada 1983-80 3.7L L6 Dodge – Omni 1982-81 2.2L L4 Dodge – St. Regis 1981-80 3.7L L6 Ford – Crown Victoria 1994-92 4.6L V8 Ford – LTD 1986 5.0L V8 Ford – LTD Crown Victoria 1991-87 5.0L V8 Ford – Mustang 1993-87 2.3L L4 Ford – Taurus 1990-88 3.8L V6 | | | | | | | | | |

NUMERICAL LISTING

| Year | Engine | Year | Engine |
|--|---------|--|---------------|
| 80256 (Cont.) | | 80257 (Cont.) | |
| Subaru — Justy | | Lincoln — Continental | |
| 1994-87 | 1.2L L3 | 1987-86 | 5.0L V8 |
| Subaru — Legacy | | Lincoln — Mark VII | |
| 1994-90 | 2.2L H4 | 1992-86 | 5.0L V8 |
| Subaru — Loyale | | Mazda — 626 | |
| 1994-90 | 1.8L H4 | 1995-94 | 2.5L V6 |
| Subaru — RX | | Mazda — MX-6 | |
| 1989-86 | 1.8L H4 | 1995-94 | 2.5L V6 |
| Subaru — Standard | | Mazda — RX-7 | |
| 1987-83 | 1.6L H4 | 1995-93 | 1.3L R2 |
| Subaru — XT | | 1991-86 | 1.3L R2 |
| 1991-88 | 2.7L H6 | Mercedes-Benz — 380SL | |
| 1991-85 | 1.8L H4 | 1985-81 | 3.8L V8 |
| Suzuki — Esteem | | Mercedes-Benz — 380SLC | |
| 1995 | 1.6L L4 | 1981 | 3.8L V8 |
| Toyota — Camry | | Mercury — Capri | |
| 1993 | 2.2L L4 | 1986-84 | 3.8L V6 |
| Toyota — Celica | | 1982-79 | 3.3L L6 |
| 1995-94 | 1.8L L4 | 1980 | 4.2L V8 |
| | 2.2L L4 | Mercury — Cougar | |
| 80257 | | 1988-86 | 5.0L V8 |
| E.O. No. D-182-39 | | 1988-84 | 3.8L V6 |
|  | | 1982-80 | 3.3L L6 |
| | | 1980 | 4.2L V8 |
| | | | 5.0L V8 |
| | | Mercury — Grand Marquis | |
| | | 1994-92 | 4.6L V8 |
| | | Mercury — Marquis | |
| | | 1986-84 | 3.8L V6 |
| | | 1983 | 3.3L L6 |
| | | Mercury — Monarch | |
| | | 1980 | 4.2L V8 |
| | | | 5.0L V8 |
| | | Mercury — Zephyr | |
| | | 1983-78 | 3.3L L6 |
| | | 1980 | 4.2L V8 |
| | | Mitsubishi — 3000GT | |
| | | 1995-91 | 3.0L V6 |
| | | Mitsubishi — Galant | |
| | | 1994 | 2.4L L4 |
| | | Toyota — Supra | |
| | | 1995-87 | 3.0L L6 |
| | | 80258 | |
| | | E.O. No. D-182-39 | |
| | |  | |
| | | | |
| | | Inlet | Outlet |
| | | 2 1/2" | 2 1/2" |
| | | Overall Length | |
| | | 13 1/4" | |
| Dodge — Stealth | | Lexus — SC300 | |
| 1995-91 | 3.0L V6 | 1993-92 | 3.0L L6 |
| Ford — Fairmont | | | |
| 1983-78 | 3.3L L6 | | |
| 1980 | 4.2L V8 | | |
| Ford — Granada | | | |
| 1982-81 | 3.3L L6 | | |
| 1980 | 4.2L V8 | | |
| | 5.0L V8 | | |
| Ford — LTD | | | |
| 1986-84 | 3.8L V6 | | |
| 1983 | 3.3L L6 | | |
| Ford — Mustang | | | |
| 1986-84 | 3.8L V6 | | |
| 1982-79 | 3.3L L6 | | |
| 1980 | 4.2L V8 | | |
| Ford — Thunderbird | | | |
| 1988-86 | 5.0L V8 | | |
| 1988-82 | 3.8L V6 | | |
| 1982-80 | 3.3L L6 | | |
| 1980 | 4.2L V8 | | |
| | 5.0L V8 | | |
| Lexus — LS400 | | | |
| 1994-90 | 4.0L V8 | | |


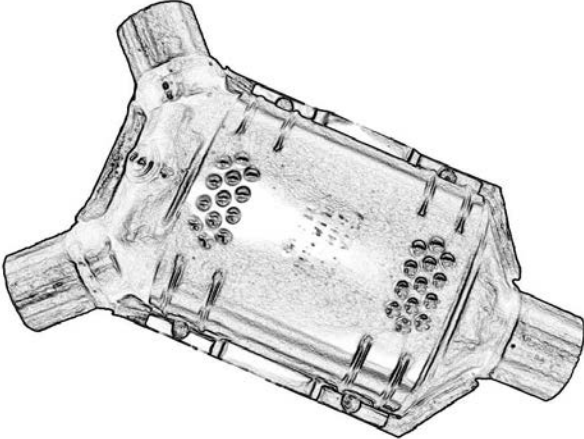
OBDII APPLICATIONS

NON-OBDII APPLICATIONS


NUMERICAL

UNIVERSAL SPECIFICATIONS

NUMERICAL LISTING

| Year | Engine | Year | Engine | | | | | | |
|--|--------|--|----------------|--------|----------------|---------|--|----|--|
| 80258 (Cont.) Lincoln — Continental 1990-88 3.8L V6 Mazda — 929 1995-92 3.0L V6 Nissan — Maxima 1986-85 3.0L V6 Toyota — Camry 1992 2.2L L4 | | 80401 E.O. No. D-182-39  | | | | | | | |
| 80262 E.O. No. D-182-39  | | <table border="1" style="width: 100%; border-collapse: collapse;"> <tr> <th style="width: 33%;">Inlet</th> <th style="width: 33%;">Outlet</th> <th style="width: 33%;">Overall Length</th> </tr> <tr> <td style="text-align: center;">2"</td> <td style="text-align: center;">2"</td> <td style="text-align: center;">8"</td> </tr> </table> | Inlet | Outlet | Overall Length | 2" | 2" | 8" | |
| Inlet | Outlet | Overall Length | | | | | | | |
| 2" | 2" | 8" | | | | | | | |
| <table border="1" style="width: 100%; border-collapse: collapse;"> <tr> <th style="width: 33%;">Inlet</th> <th style="width: 33%;">Outlet</th> <th style="width: 33%;">Overall Length</th> </tr> <tr> <td style="text-align: center;">2"</td> <td style="text-align: center;">2 1/4"</td> <td style="text-align: center;">13 1/4"</td> </tr> </table> | Inlet | Outlet | Overall Length | 2" | 2 1/4" | 13 1/4" | Acura — Legend 1995-94 3.2L V6 Chrysler — Concorde 1995-93 3.3L V6 3.5L V6 Chrysler — Conquest 1989-87 2.6L L4 Chrysler — Cordoba 1983-80 3.7L L6 1980 5.2L V8 Chrysler — Fifth Avenue 1983 3.7L L6 Chrysler — LeBaron 1981-80 3.7L L6 1980 5.2L V8 Chrysler — LHS 1995-94 3.5L V6 Chrysler — New Yorker 1995-94 3.5L V6 1982 3.7L L6 1980 5.2L V8 Chrysler — Newport 1980 5.2L V8 Dodge — 400 1982 2.6L L4 Dodge — Aries 1982-81 2.6L L4 1981 2.2L L4 Dodge — Aspen 1980 3.7L L6 5.2L V8 Dodge — Conquest 1986-84 2.6L L4 Dodge — Diplomat 1983-80 3.7L L6 1980 5.2L V8 Dodge — Intrepid 1995-93 3.3L V6 3.5L V6 Dodge — Mirada 1983-80 3.7L L6 1980 5.2L V8 Dodge — Omni 1983-82 1.7L L4 | | |
| Inlet | Outlet | Overall Length | | | | | | | |
| 2" | 2 1/4" | 13 1/4" | | | | | | | |
| Chrysler — Concorde 1995-93 3.3L V6 3.5L V6 Chrysler — LHS 1995-94 3.5L V6 Chrysler — New Yorker 1995-94 3.5L V6 Dodge — Intrepid 1995-93 3.3L V6 3.5L V6 Eagle — Vision 1995-93 3.3L V6 3.5L V6 Ford — Thunderbird 1993-91 5.0L V8 Jaguar — Vanden Plas 1987-82 4.2L L6 Jaguar — XJ6 1987-81 4.2L L6 Lincoln — Mark VIII 1995-93 4.6L V8 Mercury — Cougar 1993-91 5.0L V8 Subaru — SVX 1995-92 3.3L H6 | | | | | | | | | |

NUMERICAL LISTING

| Year | Engine | Year | Engine | | | | | | |
|----------------------------------|----------|--|---------|-------|--------|----------------|--------|--------|----|
| 80401 (Cont.) | | 80401 (Cont.) | | | | | | | |
| Dodge — Omni (Cont.) | | Plymouth — Conquest | | | | | | | |
| 1983 | 1.6L L4 | 1986-84 | 2.6L L4 | | | | | | |
| 1981 | 2.2L L4 | Plymouth — Gran Fury | | | | | | | |
| Dodge — St. Regis | | 1983-82 | 3.7L L6 | | | | | | |
| 1981-80 | 3.7L L6 | 1980 | 5.2L V8 | | | | | | |
| 1980 | 5.2L V8 | Plymouth — Horizon | | | | | | | |
| Eagle — Vision | | 1983-82 | 1.7L L4 | | | | | | |
| 1995-93 | 3.3L V6 | 1983 | 1.6L L4 | | | | | | |
| | 3.5L V6 | 1981 | 2.2L L4 | | | | | | |
| Ford — Crown Victoria | | Plymouth — Reliant | | | | | | | |
| 1994-92 | 4.6L V8 | 1982-81 | 2.6L L4 | | | | | | |
| Ford — LTD | | 1981 | 2.2L L4 | | | | | | |
| 1986 | 5.0L V8 | Plymouth — Volare | | | | | | | |
| Ford — LTD Crown Victoria | | 1980 | 3.7L L6 | | | | | | |
| 1991-87 | 5.0L V8 | | 5.2L V8 | | | | | | |
| Ford — Mustang | | Subaru — Loyale | | | | | | | |
| 1993-87 | 2.3L L4 | 1990 | 1.8L H4 | | | | | | |
| 1986-84 | 3.8L V6 | Subaru — XT | | | | | | | |
| Ford — Thunderbird | | 1987-86 | 1.8L H4 | | | | | | |
| 1988-86 | 5.0L V8 | Toyota — Supra | | | | | | | |
| Infiniti — Q45 | | 1992-87 | 3.0L L6 | | | | | | |
| 1995-90 | 4.5L V8 | 80402 E.O. No. D-182-39 | | | | | | | |
| Jaguar — Vanden Plas | |  | | | | | | | |
| 1994-90 | 4.0L L6 | <table border="1" style="width: 100%; border-collapse: collapse;"> <thead> <tr> <th style="width: 33%;">Inlet</th> <th style="width: 33%;">Outlet</th> <th style="width: 33%;">Overall Length</th> </tr> </thead> <tbody> <tr> <td style="text-align: center;">2 1/4"</td> <td style="text-align: center;">2 1/4"</td> <td style="text-align: center;">8"</td> </tr> </tbody> </table> | | Inlet | Outlet | Overall Length | 2 1/4" | 2 1/4" | 8" |
| Inlet | Outlet | Overall Length | | | | | | | |
| 2 1/4" | 2 1/4" | 8" | | | | | | | |
| 1987-82 | 4.2L L6 | Chrysler — Cordoba | | | | | | | |
| Jaguar — XJ6 | | 1983-81 | 5.2L V8 | | | | | | |
| 1994-90 | 4.0L L6 | Chrysler — Fifth Avenue | | | | | | | |
| 1987-81 | 4.2L L6 | 1989-83 | 5.2L V8 | | | | | | |
| Jaguar — XJS | | Chrysler — Imperial | | | | | | | |
| 1992-80 | 5.3L V12 | 1983-81 | 5.2L V8 | | | | | | |
| Lincoln — Continental | | Chrysler — LeBaron | | | | | | | |
| 1990-88 | 3.8L V6 | 1981 | 5.2L V8 | | | | | | |
| Lincoln — Mark VII | | Chrysler — New Yorker | | | | | | | |
| 1992-86 | 5.0L V8 | 1982-81 | 5.2L V8 | | | | | | |
| Lincoln — Mark VIII | | Chrysler — Newport | | | | | | | |
| 1994-93 | 4.6L V8 | 1981 | 5.2L V8 | | | | | | |
| Lincoln — Town Car | | Dodge — Diplomat | | | | | | | |
| 1994-91 | 4.6L V8 | 1989-81 | 5.2L V8 | | | | | | |
| 1990-86 | 5.0L V8 | Dodge — Mirada | | | | | | | |
| Mazda — 626 | | 1983-81 | 5.2L V8 | | | | | | |
| 1995-94 | 2.0L L4 | Dodge — St. Regis | | | | | | | |
| Mazda — 929 | | 1981 | 5.2L V8 | | | | | | |
| 1995-92 | 3.0L V6 | Ford — Fairmont | | | | | | | |
| Mazda — MX-6 | | 1980 | 4.2L V8 | | | | | | |
| 1995-94 | 2.0L L4 | Ford — Granada | | | | | | | |
| Mercedes-Benz — 380SL | | 1980 | 4.2L V8 | | | | | | |
| 1985-81 | 3.8L V8 | | 5.0L V8 | | | | | | |
| Mercedes-Benz — 380SLC | | | | | | | | | |
| 1981 | 3.8L V8 | | | | | | | | |
| Mercury — Capri | | | | | | | | | |
| 1986-84 | 3.8L V6 | | | | | | | | |
| Mercury — Cougar | | | | | | | | | |
| 1993-91 | 5.0L V8 | | | | | | | | |
| Mercury — Grand Marquis | | | | | | | | | |
| 1994-92 | 4.6L V8 | | | | | | | | |
| 1991-86 | 5.0L V8 | | | | | | | | |
| Mercury — Sable | | | | | | | | | |
| 1990-88 | 3.8L V6 | | | | | | | | |
| Mitsubishi — Starion | | | | | | | | | |
| 1989-83 | 2.6L L4 | | | | | | | | |

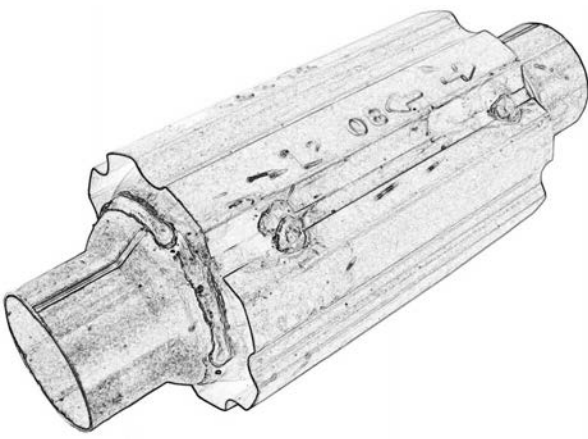
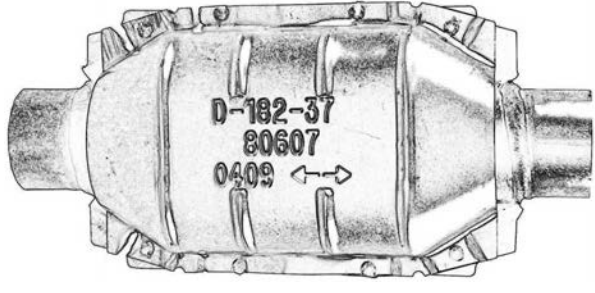
OBDDI APPLICATIONS

NON-OBDDI APPLICATIONS

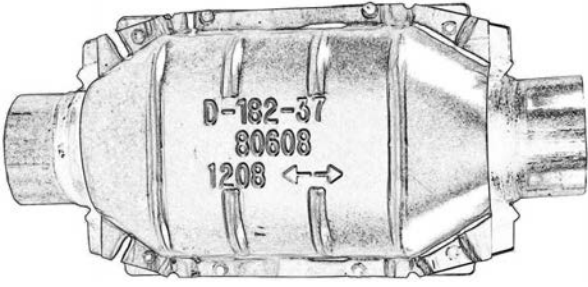
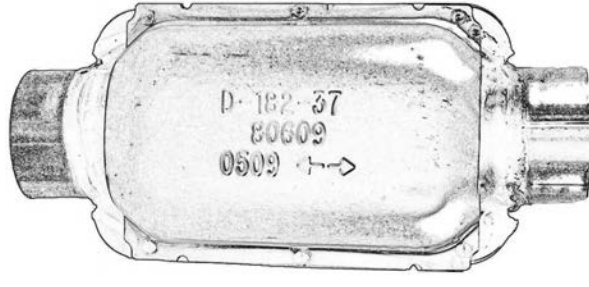
NUMERICAL

UNIVERSAL SPECIFICATIONS

NUMERICAL LISTING

| Year | Engine | |
|---|--------------------------|-----------------------|
| 80402 (Cont.) | | |
| Ford — Mustang | | |
| 1980 | 4.2L V8 | |
| Ford — Thunderbird | | |
| 1993-91 | 5.0L V8 | |
| 1988-82 | 3.8L V6 | |
| 1980 | 4.2L V8 | |
| | 5.0L V8 | |
| Lincoln — Continental | | |
| 1987-86 | 5.0L V8 | |
| Lincoln — Mark VIII | | |
| 1995-93 | 4.6L V8 | |
| Mazda — RX-7 | | |
| 1995-93 | 1.3L R2 | |
| 1991-86 | 1.3L R2 | |
| Mercury — Capri | | |
| 1980 | 4.2L V8 | |
| Mercury — Cougar | | |
| 1988-86 | 5.0L V8 | |
| 1988-84 | 3.8L V6 | |
| 1980 | 4.2L V8 | |
| | 5.0L V8 | |
| Mercury — Marquis | | |
| 1986-84 | 3.8L V6 | |
| Mercury — Monarch | | |
| 1980 | 4.2L V8 | |
| | 5.0L V8 | |
| Mercury — Zephyr | | |
| 1980 | 4.2L V8 | |
| Mitsubishi — Galant | | |
| 1995 | 2.4L L4 | |
| Plymouth — Gran Fury | | |
| 1989-81 | 5.2L V8 | |
| Subaru — SVX | | |
| 1995-92 | 3.3L H6 | |
| Toyota — Supra | | |
| 1995-93 | 3.0L L6 | |
| 80403 | E.O. No. D-182-39 | |
|  | | |
| Inlet | Outlet | |
| 2 1/2" | 2 1/2" | |
| Overall Length | | |
| 8" | | |
| Lexus — LS400 | | |
| 1994-90 | 4.0L V8 | |
| 80403 (Cont.) | | |
| Nissan — Maxima | | |
| 1986-85 | 3.0L V6 | |
| 80607 | E.O. No. D-182-37 | |
|  | | |
| Inlet | Outlet | Overall Length |
| 2 1/4" | 2 1/4" | 13 1/4" |
| Ford — Bronco | | |
| 1986-84 | 4.9L L6 | |
| 1983-81 | 5.8L V8 | |
| 1982-81 | 4.9L L6 | |
| Ford — E-100 Econoline | | |
| 1982-81 | 4.9L L6 | |
| Ford — E-100 Econoline Club Wagon | | |
| 1982-81 | 4.9L L6 | |
| Ford — E-150 Econoline | | |
| 1986-84 | 4.9L L6 | |
| 1982-81 | 4.9L L6 | |
| Ford — E-150 Econoline Club Wagon | | |
| 1986-84 | 4.9L L6 | |
| 1982-81 | 4.9L L6 | |
| Ford — E-250 Econoline | | |
| 1986-84 | 4.9L L6 | |
| 1982-81 | 4.9L L6 | |
| Ford — E-250 Econoline Club Wagon | | |
| 1986-84 | 4.9L L6 | |
| Ford — E-350 Econoline | | |
| 1986-84 | 4.9L L6 | |
| Ford — E-350 Econoline Club Wagon | | |
| 1986-84 | 4.9L L6 | |
| Ford — F-100 | | |
| 1982-81 | 4.9L L6 | |
| Ford — F-150 | | |
| 1986-84 | 4.9L L6 | |
| 1983-81 | 5.8L V8 | |
| 1982-81 | 4.9L L6 | |
| Ford — F-250 | | |
| 1986-84 | 4.9L L6 | |
| 1983-81 | 5.8L V8 | |
| 1982-81 | 4.9L L6 | |
| Ford — F-350 | | |
| 1986-84 | 4.9L L6 | |
| Mazda — MPV | | |
| 1995-94 | 3.0L V6 | |

NUMERICAL LISTING

| Year | Engine | Year | Engine |
|---|--------------------------|--|--------------------------|
| 80608 | E.O. No. D-182-37 | 80609 | E.O. No. D-182-37 |
|  | |  | |
| Inlet | Outlet | Overall Length | Overall Length |
| 2½" | 2½" | 13¼" | 13¼" |
| Ford – Bronco II 1990-88 2.9L V6 Ford – E-100 Econoline 1983-81 5.8L V8 Ford – E-100 Econoline Club Wagon 1983-81 5.8L V8 Ford – E-150 Econoline 1983-81 5.8L V8 Ford – E-150 Econoline Club Wagon 1983-81 5.8L V8 Ford – E-250 Econoline 1983-81 5.8L V8 Ford – E-250 Econoline Club Wagon 1983-81 5.8L V8 Ford – Explorer 1995-91 4.0L V6 Ford – Ranger 1994-91 3.0L V6 1994-90 4.0L V6 1992-88 2.9L V6 Honda – Passport 1995-94 3.2L V6 Isuzu – Rodeo 1995-93 3.2L V6 Isuzu – Trooper 1995-94 3.2L V6 Mazda – B3000 1994 3.0L V6 Mazda – B4000 1994 4.0L V6 Mazda – Navajo 1994-91 4.0L V6 | | Chevrolet – C2500 1989-88 5.7L V8 Chevrolet – C35 1989-88 5.7L V8 Chevrolet – C3500 1989-88 5.7L V8 7.4L V8 Chevrolet – G20 1989-87 5.7L V8 Chevrolet – G30 1989-87 5.7L V8 Chevrolet – K2500 1989-88 5.7L V8 Chevrolet – K3500 1989-88 5.7L V8 7.4L V8 Chevrolet – P20 1989-87 5.7L V8 Chevrolet – P30 1989-87 5.7L V8 7.4L V8 Chevrolet – R20 1988-87 5.7L V8 7.4L V8 Chevrolet – R20 Suburban 1988-87 5.7L V8 7.4L V8 Chevrolet – R2500 1989 7.4L V8 Chevrolet – R2500 Suburban 1989 5.7L V8 7.4L V8 Chevrolet – R30 1988-87 5.7L V8 7.4L V8 Chevrolet – R3500 1989 5.7L V8 7.4L V8 Chevrolet – V20 1987 5.7L V8 Chevrolet – V20 Suburban 1988-87 5.7L V8 7.4L V8 Chevrolet – V2500 Suburban 1989 5.7L V8 | |

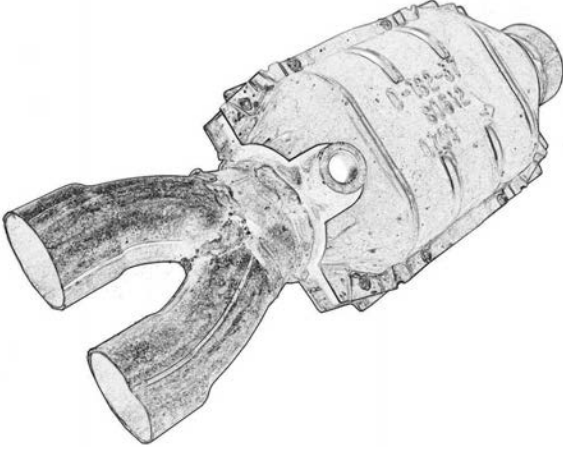
OBDII APPLICATIONS

NON-OBDII APPLICATIONS


NUMERICAL

UNIVERSAL SPECIFICATIONS

NUMERICAL LISTING

| Year | Engine | Year | Engine | | | | | | |
|-----------------------------|--------------------|--|--------|-------|--------|----------------|----|-----|-----|
| 80609 (Cont.) | | 80612 E.O. No. D-182-37 | | | | | | | |
| Chevrolet — V30 | |  | | | | | | | |
| 1988-87 | 5.7L V8 7.4L V8 | | | | | | | | |
| Chevrolet — V3500 | | | | | | | | | |
| 1989 | 5.7L V8 7.4L V8 | | | | | | | | |
| GMC — C2500 | | | | | | | | | |
| 1989-88 | 5.7L V8 | | | | | | | | |
| GMC — C3500 | | | | | | | | | |
| 1989-88 | 5.7L V8 7.4L V8 | | | | | | | | |
| GMC — G2500 | | | | | | | | | |
| 1989-87 | 5.7L V8 | | | | | | | | |
| GMC — G3500 | | | | | | | | | |
| 1989-87 | 5.7L V8 | | | | | | | | |
| GMC — K2500 | | | | | | | | | |
| 1989-88 | 5.7L V8 | | | | | | | | |
| GMC — K3500 | | | | | | | | | |
| 1989-88 | 5.7L V8 7.4L V8 | | | | | | | | |
| GMC — P2500 | | | | | | | | | |
| 1989-87 | 5.7L V8 | | | | | | | | |
| GMC — P3500 | | | | | | | | | |
| 1989-87 | 5.7L V8 7.4L V8 | | | | | | | | |
| GMC — R2500 | | | | | | | | | |
| 1989-87 | 5.7L V8 7.4L V8 | | | | | | | | |
| GMC — R2500 Suburban | | | | | | | | | |
| 1989-87 | 5.7L V8 7.4L V8 | | | | | | | | |
| GMC — R3500 | | | | | | | | | |
| 1989-87 | 5.7L V8 7.4L V8 | | | | | | | | |
| GMC — V2500 | | | | | | | | | |
| 1987 | 5.7L V8 | | | | | | | | |
| GMC — V2500 Suburban | | | | | | | | | |
| 1989-87 | 5.7L V8 | | | | | | | | |
| GMC — V3500 | | | | | | | | | |
| 1989-87 | 5.7L V8 7.4L V8 | | | | | | | | |
| | | <table border="1" style="width: 100%; border-collapse: collapse;"> <thead> <tr> <th style="width: 33%;">Inlet</th> <th style="width: 33%;">Outlet</th> <th style="width: 33%;">Overall Length</th> </tr> </thead> <tbody> <tr> <td style="text-align: center;">2"</td> <td style="text-align: center;">2½"</td> <td style="text-align: center;">16"</td> </tr> </tbody> </table> | | Inlet | Outlet | Overall Length | 2" | 2½" | 16" |
| Inlet | Outlet | Overall Length | | | | | | | |
| 2" | 2½" | 16" | | | | | | | |
| | | Ford — Bronco 1995-84 5.0L V8 5.8L V8 1992-87 4.9L L6 Ford — Bronco II 1987-86 2.9L V6 Ford — E-150 Econoline 1995-87 4.9L L6 1995-84 5.0L V8 5.8L V8 Ford — E-150 Econoline Club Wagon 1995-87 4.9L L6 1995-84 5.0L V8 5.8L V8 Ford — E-250 Econoline 1995-87 4.9L L6 1995-84 5.8L V8 1991-84 5.0L V8 Ford — E-250 Econoline Club Wagon 1991-87 4.9L L6 1991-84 5.8L V8 Ford — E-350 Econoline 1995-87 4.9L L6 1987-84 5.8L V8 Ford — E-350 Econoline Club Wagon 1995-87 4.9L L6 1987-84 5.8L V8 Ford — F-150 1995-87 4.9L L6 1995-84 5.0L V8 5.8L V8 Ford — F-250 1995-87 4.9L L6 1995-84 5.0L V8 5.8L V8 Ford — F-350 1995-87 4.9L L6 1986-84 5.8L V8 Ford — Ranger 1987-86 2.9L V6 | | | | | | | |

NUMERICAL LISTING

| Year | Engine | Year | Engine |
|---|--------------------------|--|--------------------|
| 80616 | E.O. No. D-182-37 | 80616 (Cont.) | |
|  | | Dodge — Ramcharger (Cont.) | |
| | | 1988-82 | 5.2L V8 |
| | | Dodge — Rampage | |
| | | 1982 | 2.2L L4 |
| | | Dodge — W100 | |
| | | 1988-84 | 5.2L V8 5.9L V8 |
| | | 1987-84 | 3.7L L6 |
| | | Dodge — W150 | |
| | | 1988-84 | 5.9L V8 |
| | | 1988-82 | 5.2L V8 |
| | | 1987-83 | 3.7L L6 |
| | | Dodge — W250 | |
| | | 1988-84 | 5.9L V8 |
| | | 1988-82 | 5.2L V8 |
| | | 1982 | 5.9L V8 |
| | | Dodge — W350 | |
| | | 1983-82 | 5.2L V8 |
| | | Ford — Aerostar | |
| | | 1995-90 | 4.0L V6 |
| | | 1995-86 | 3.0L V6 |
| | | 1986 | 2.8L V6 |
| | | Ford — Bronco | |
| | | 1982-81 | 5.0L V8 |
| | | Ford — E-100 Econoline | |
| | | 1982-81 | 5.0L V8 |
| | | Ford — E-100 Econoline Club Wagon | |
| | | 1982-81 | 5.0L V8 |
| | | Ford — E-150 Econoline | |
| | | 1982-81 | 5.0L V8 |
| | | Ford — E-150 Econoline Club Wagon | |
| | | 1982-81 | 5.0L V8 |
| | | Ford — E-250 Econoline | |
| | | 1982-81 | 5.0L V8 |
| | | Ford — F-100 | |
| | | 1982-80 | 5.0L V8 |
| | | Ford — F-150 | |
| | | 1982-80 | 5.0L V8 |
| | | Ford — F-250 | |
| | | 1982-80 | 5.0L V8 |
| | | Land Rover — Range Rover | |
| | | 1988-87 | 3.5L V8 |
| | | Mazda — B2600 | |
| | | 1988-87 | 2.6L L4 |
| | | Mercury — Villager | |
| | | 1995-94 | 3.0L V6 |
| | | Mitsubishi — Montero | |
| | | 1995 | 3.0L V6 |
| | | Nissan — Quest | |
| | | 1995-94 | 3.0L V6 |
| | | Plymouth — PB100 | |
| | | 1980-78 | 5.2L V8 |
| | | 1978 | 5.9L V8 |
| | | Plymouth — PB150 | |
| | | 1983 | 5.2L V8 |
| | | 1981 | 5.2L V8 |
| | | Plymouth — PB200 | |
| | | 1980-78 | 5.2L V8 5.9L V8 |
| | | Plymouth — PB250 | |
| | | 1983-81 | 5.2L V8 |

| Inlet | Outlet | Overall Length |
|-------|--------|----------------|
| 2" | 2" | 11¾" |

| | |
|---------------------------|--------------------|
| Dodge — B100 | |
| 1980-78 | 5.2L V8 |
| 1978 | 5.9L V8 |
| Dodge — B150 | |
| 1989-88 | 3.9L V6 |
| 1988-81 | 5.2L V8 |
| 1987-83 | 3.7L L6 |
| Dodge — B200 | |
| 1980-78 | 5.2L V8 5.9L V8 |
| Dodge — B250 | |
| 1989-88 | 3.9L V6 |
| 1988-87 | 5.9L V8 |
| 1988-81 | 5.2L V8 |
| 1987-83 | 3.7L L6 |
| 1981 | 5.9L V8 |
| Dodge — B300 | |
| 1980-78 | 5.2L V8 5.9L V8 |
| Dodge — B350 | |
| 1988-87 | 5.9L V8 |
| 1988-81 | 5.2L V8 |
| 1981 | 5.9L V8 |
| Dodge — D100 | |
| 1989-88 | 3.9L V6 |
| 1988-84 | 5.2L V8 5.9L V8 |
| 1987-84 | 3.7L L6 |
| Dodge — D150 | |
| 1989-88 | 3.9L V6 |
| 1988-84 | 5.9L V8 |
| 1988-82 | 5.2L V8 |
| 1987-83 | 3.7L L6 |
| 1982 | 5.9L V8 |
| Dodge — D250 | |
| 1989-88 | 3.9L V6 |
| 1988-84 | 5.9L V8 |
| 1988-82 | 5.2L V8 |
| 1987-83 | 3.7L L6 |
| 1982 | 5.9L V8 |
| Dodge — D350 | |
| 1983-82 | 5.2L V8 |
| Dodge — Dakota | |
| 1989-87 | 3.9L V6 |
| Dodge — Ramcharger | |
| 1988-84 | 5.9L V8 |

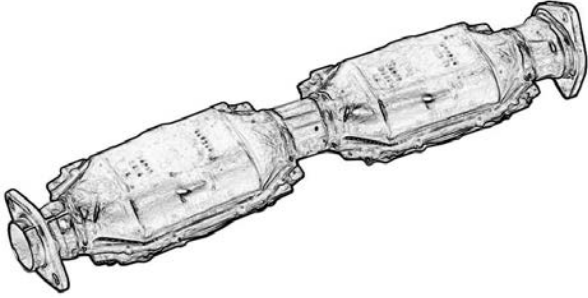
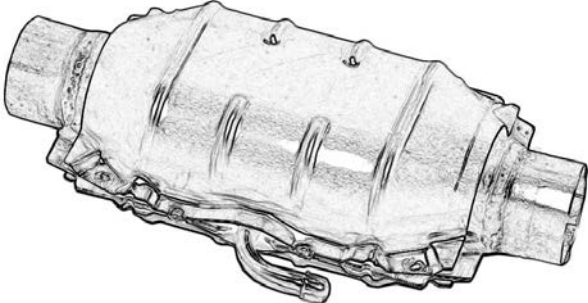
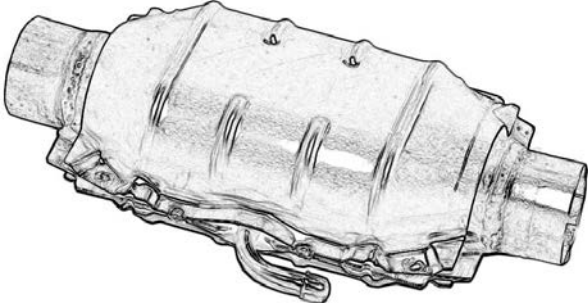
OBDII APPLICATIONS

NON-OBDII APPLICATIONS

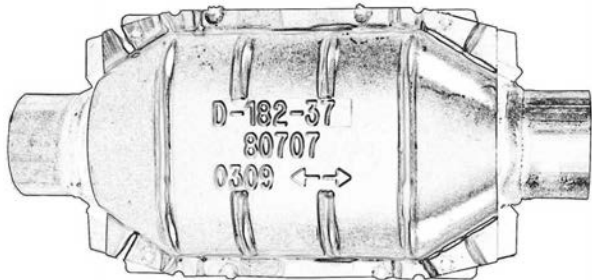
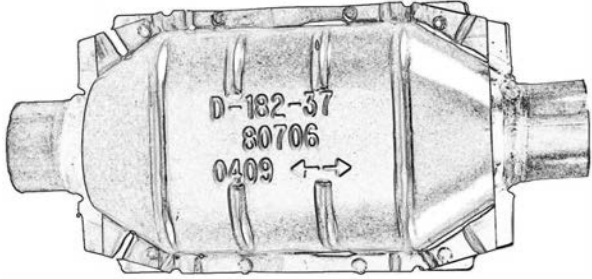
NUMERICAL

UNIVERSAL SPECIFICATIONS

NUMERICAL LISTING

| Year | Engine | Year | Engine |
|---|----------------------|--|---------------|
| 80616 (Cont.) | | 80702 (Cont.) | |
| Plymouth — PB250 (Cont.) | | Dodge — B350 | |
| 1981 | 5.9L V8 | 1988 | 5.9L V8 |
| Plymouth — PB300 | | 1987-83 | 5.2L V8 |
| 1980-78 | 5.2L V8 | Dodge — D100 | |
| | 5.9L V8 | 1989-88 | 3.9L V6 |
| Plymouth — PB350 | | 1987-84 | 5.2L V8 |
| 1983-81 | 5.2L V8 | Dodge — D150 | |
| 1981 | 5.9L V8 | 1989-88 | 3.9L V6 |
| 80690 | | 1987-83 | 5.2L V8 |
| E.O. No. D-182-37 | | Dodge — D250 | |
|  | | 1989-88 | 3.9L V6 |
| | | 1987-83 | 5.2L V8 |
| | | Dodge — Dakota | |
| | | 1989-87 | 3.9L V6 |
| | | Dodge — Ramcharger | |
| | | 1987-83 | 5.2L V8 |
| | | Dodge — W100 | |
| | | 1987-84 | 5.2L V8 |
| | | Dodge — W150 | |
| | | 1987-83 | 5.2L V8 |
| | | Dodge — W250 | |
| | | 1987-83 | 5.2L V8 |
| Inlet | Outlet | Plymouth — PB150 | |
| 3 Bolt Welded Flange | 2 Bolt Welded Flange | 1983 5.2L V8 | |
| | | Plymouth — PB250 | |
| | | 1983 5.2L V8 | |
| | | Plymouth — PB350 | |
| | | 1983 5.2L V8 | |
| Ford — Explorer | | 80703 | |
| 1994-91 | 4.0L V6 | E.O. No. D-182-37 | |
| Ford — Ranger | |  | |
| 1994-91 | 3.0L V6 | | |
| 1994-90 | 4.0L V6 | Inlet | Outlet |
| Mazda — B3000 | | 2 1/2" | 2 1/2" |
| 1994 | 3.0L V6 | Overall Length | |
| Mazda — B4000 | | 13 1/4" | |
| 1994 | 4.0L V6 | Dodge — B150 | |
| Mazda — Navajo | | 1988 | 5.2L V8 |
| 1994-91 | 4.0L V6 | 1987-83 | 3.7L L6 |
| 80702 | | Dodge — B250 | |
| E.O. No. D-182-37 | | 1988 | 5.2L V8 |
|  | | 1987-83 | 3.7L L6 |
| | | Dodge — B350 | |
| Inlet | Outlet | 1988 5.2L V8 | |
| 2 1/4" | 2 1/4" | 1987-84 3.7L L6 | |
| | | Dodge — D100 | |
| | | 1988 5.2L V8 | |
| | | Dodge — D150 | |
| | | 1988 5.2L V8 | |
| | | Dodge — B150 | |
| | | 1988 5.2L V8 | |
| | | Dodge — B250 | |
| | | 1987-84 3.7L L6 | |
| | | Dodge — D150 | |
| | | 1988 5.2L V8 | |
| | | Dodge — B150 | |
| | | 1988 5.2L V8 | |
| | | Dodge — B250 | |
| | | 1987-83 3.7L L6 | |
| | | Dodge — D150 | |
| | | 1988 5.2L V8 | |
| | | Dodge — B150 | |
| | | 1988 5.2L V8 | |
| | | Dodge — B250 | |
| | | 1987-83 3.7L L6 | |

NUMERICAL LISTING

| Year | Engine | Year | Engine |
|---|--------|--|---------------|
| 80703 (Cont.) | | 80707 E.O. No. D-182-37 | |
| Dodge — D250 1988 5.2L V8 1987-83 3.7L L6 Dodge — Ramcharger 1988 5.2L V8 Dodge — W100 1988 5.2L V8 1987-84 3.7L L6 Dodge — W150 1988 5.2L V8 1987-83 3.7L L6 Dodge — W250 1988 5.2L V8 | |  | |
| | | Inlet | Outlet |
| | | 2 1/4" | 2 1/4" |
| | | Overall Length | |
| | | 13 1/4" | |
| 80706 E.O. No. D-182-37 | | | |
|  | | | |
| | | Inlet | Outlet |
| | | 2" | 2" |
| | | Overall Length | |
| | | 13 1/4" | |
| Dodge — B100 1980 5.2L V8 Dodge — B150 1981 5.2L V8 Dodge — B200 1980 5.2L V8 Dodge — B250 1981 5.2L V8 Ford — Aerostar 1995-90 4.0L V6 1995-86 3.0L V6 1986 2.8L V6 Ford — Bronco 1986-84 4.9L L6 1983-81 5.8L V8 1982-81 4.9L L6 5.0L V8 Ford — E-100 Econoline 1982-81 4.9L L6 5.0L V8 Ford — E-100 Econoline Club Wagon 1982-81 4.9L L6 5.0L V8 Ford — E-150 Econoline 1986-84 4.9L L6 1982-81 4.9L L6 5.0L V8 Ford — E-150 Econoline Club Wagon 1986-84 4.9L L6 1982-81 4.9L L6 5.0L V8 Ford — E-250 Econoline 1986-84 4.9L L6 1982-81 4.9L L6 5.0L V8 Ford — E-250 Econoline Club Wagon 1986-84 4.9L L6 Ford — E-350 Econoline 1986-84 4.9L L6 Ford — E-350 Econoline Club Wagon 1986-84 4.9L L6 Ford — F-100 1982-81 4.9L L6 1982-80 5.0L V8 Ford — F-150 1986-84 4.9L L6 | | | |
| Dodge — Caravan 1987-84 2.6L L4 Dodge — Mini Ram 1987-84 2.6L L4 Dodge — Power Ram 50 1986-85 2.6L L4 Dodge — Ram 50 1986-85 2.0L L4 2.6L L4 Dodge — Rampage 1982 2.2L L4 Land Rover — Range Rover 1988-87 3.5L V8 Mazda — B2000 1987-86 2.0L L4 Mazda — B2200 1989-87 2.2L L4 Mazda — B2600 1988-87 2.6L L4 Mitsubishi — Mighty Max 1986-85 2.0L L4 2.6L L4 Mitsubishi — Montero 1995 3.0L V6 Plymouth — Voyager 1987-84 2.6L L4 Subaru — Brat 1987-85 1.8L H4 | | | |


OBDDI APPLICATIONS

NON-OBDDI APPLICATIONS


NUMERICAL

UNIVERSAL SPECIFICATIONS

NUMERICAL LISTING

| Year | Engine | Year | Engine |
|--|--------------------------|--|---------|
| 80707 (Cont.) | | 80708 (Cont.) | |
| Ford — F-150 (Cont.) | | Dodge — D250 (Cont.) | |
| 1983-81 | 5.8L V8 | 1982 | 5.2L V8 |
| 1982-81 | 4.9L L6 | | 5.9L V8 |
| 1982-80 | 5.0L V8 | Dodge — D350 | |
| Ford — F-250 | | 1983-82 | 5.2L V8 |
| 1986-84 | 4.9L L6 | Dodge — Ramcharger | |
| 1983-81 | 5.8L V8 | 1988-84 | 5.9L V8 |
| 1982-81 | 4.9L L6 | 1982 | 5.2L V8 |
| 1982-80 | 5.0L V8 | Dodge — W100 | |
| Ford — F-350 | | 1988-84 | 5.9L V8 |
| 1986-84 | 4.9L L6 | Dodge — W150 | |
| Mazda — MPV | | 1988-84 | 5.9L V8 |
| 1995-94 | 3.0L V6 | 1982 | 5.2L V8 |
| Mercury — Villager | | Dodge — W250 | |
| 1995-94 | 3.0L V6 | 1988-84 | 5.9L V8 |
| Nissan — Quest | | 1982 | 5.2L V8 |
| 1995-94 | 3.0L V6 | | 5.9L V8 |
| 80708 | E.O. No. D-182-37 | Dodge — W350 | |
|  | | 1983-82 | 5.2L V8 |
| Inlet | Outlet | Overall Length | |
| 2½" | 2½" | 13¼" | |
| Dodge — B100 | | Ford — Bronco | |
| 1979-78 | 5.2L V8 | 1995-84 | 5.0L V8 |
| 1978 | 5.9L V8 | | 5.8L V8 |
| Dodge — B150 | | 1992-87 | 4.9L L6 |
| 1982 | 5.2L V8 | Ford — Bronco II | |
| Dodge — B200 | | 1990-86 | 2.9L V6 |
| 1980-78 | 5.9L V8 | Ford — E-100 Econoline | |
| 1979-78 | 5.2L V8 | 1983-81 | 5.8L V8 |
| Dodge — B250 | | Ford — E-100 Econoline Club Wagon | |
| 1987 | 5.9L V8 | 1983-81 | 5.8L V8 |
| 1982 | 5.2L V8 | Ford — E-150 Econoline | |
| 1981 | 5.9L V8 | 1995-87 | 4.9L L6 |
| Dodge — B300 | | 1995-84 | 5.0L V8 |
| 1980-78 | 5.2L V8 | 1995-81 | 5.8L V8 |
| | 5.9L V8 | Ford — E-150 Econoline Club Wagon | |
| Dodge — B350 | | 1995-87 | 4.9L L6 |
| 1987 | 5.9L V8 | 1995-84 | 5.0L V8 |
| 1982-81 | 5.2L V8 | 1995-81 | 5.8L V8 |
| 1981 | 5.9L V8 | Ford — E-250 Econoline | |
| Dodge — D100 | | 1995-87 | 4.9L L6 |
| 1988-84 | 5.9L V8 | 1995-81 | 5.8L V8 |
| Dodge — D150 | | 1991-84 | 5.0L V8 |
| 1988-84 | 5.9L V8 | Ford — E-250 Econoline Club Wagon | |
| 1982 | 5.2L V8 | 1991-87 | 4.9L L6 |
| | 5.9L V8 | 1991-81 | 5.8L V8 |
| Dodge — D250 | | Ford — E-350 Econoline | |
| 1988-84 | 5.9L V8 | 1995-87 | 4.9L L6 |
| | | 1987-84 | 5.8L V8 |
| | | Ford — E-350 Econoline Club Wagon | |
| | | 1995-87 | 4.9L L6 |
| | | 1987-84 | 5.8L V8 |
| | | Ford — Explorer | |
| | | 1995-91 | 4.0L V6 |
| | | Ford — F-150 | |
| | | 1995-87 | 4.9L L6 |
| | | 1995-84 | 5.0L V8 |
| | | | 5.8L V8 |
| | | Ford — F-250 | |
| | | 1995-87 | 4.9L L6 |
| | | 1995-84 | 5.0L V8 |
| | | | 5.8L V8 |

NUMERICAL LISTING

| Year | Engine | Year | Engine |
|---|---------------|-----------------------------------|---------|
| 80708 (Cont.) | | 80709 (Cont.) | |
| Ford — F-350 | | Chevrolet — G30 | |
| 1995-87 | 4.9L L6 | 1989-87 | 5.7L V8 |
| 1986-84 | 5.8L V8 | Chevrolet — K2500 | |
| Ford — Ranger | | 1989-88 | 5.7L V8 |
| 1994-91 | 3.0L V6 | Chevrolet — K3500 | |
| 1994-90 | 4.0L V6 | 1989-88 | 5.7L V8 |
| 1992-86 | 2.9L V6 | Chevrolet — P20 | |
| Honda — Passport | | 1989-87 | 5.7L V8 |
| 1995-94 | 3.2L V6 | Chevrolet — P30 | |
| Isuzu — Rodeo | | 1989-87 | 5.7L V8 |
| 1995-93 | 3.2L V6 | | 7.4L V8 |
| Isuzu — Trooper | | Chevrolet — R20 | |
| 1995-94 | 3.2L V6 | 1988-87 | 5.7L V8 |
| Mazda — B3000 | | | 7.4L V8 |
| 1994 | 3.0L V6 | Chevrolet — R20 Suburban | |
| Mazda — B4000 | | 1988-87 | 5.7L V8 |
| 1994 | 4.0L V6 | | 7.4L V8 |
| Mazda — Navajo | | Chevrolet — R2500 | |
| 1994-91 | 4.0L V6 | 1989 | 7.4L V8 |
| Plymouth — PB100 | | Chevrolet — R2500 Suburban | |
| 1980-78 | 5.2L V8 | 1989 | 5.7L V8 |
| 1978 | 5.9L V8 | | 7.4L V8 |
| Plymouth — PB150 | | Chevrolet — R30 | |
| 1981 | 5.2L V8 | 1988-87 | 5.7L V8 |
| Plymouth — PB200 | | | 7.4L V8 |
| 1980-78 | 5.2L V8 | Chevrolet — R3500 | |
| | 5.9L V8 | 1989 | 5.7L V8 |
| Plymouth — PB250 | | | 7.4L V8 |
| 1982-81 | 5.2L V8 | Chevrolet — V20 | |
| 1981 | 5.9L V8 | 1987 | 5.7L V8 |
| Plymouth — PB300 | | Chevrolet — V20 Suburban | |
| 1980-78 | 5.2L V8 | 1988-87 | 5.7L V8 |
| | 5.9L V8 | | 7.4L V8 |
| Plymouth — PB350 | | Chevrolet — V2500 Suburban | |
| 1982-81 | 5.2L V8 | 1989 | 5.7L V8 |
| 1981 | 5.9L V8 | Chevrolet — V30 | |
| 80709 | | 1988-87 | 5.7L V8 |
| E.O. No. D-182-37 | | | 7.4L V8 |
|  | | | |
| Inlet | Outlet | Overall Length | |
| 3" | 3" | 13¼" | |
| Chevrolet — C2500 | | Chevrolet — V3500 | |
| 1989-88 | 5.7L V8 | 1989 | 5.7L V8 |
| Chevrolet — C35 | | | 7.4L V8 |
| 1989-88 | 5.7L V8 | GMC — C2500 | |
| Chevrolet — C3500 | | 1989-88 | 5.7L V8 |
| 1989-88 | 5.7L V8 | | 7.4L V8 |
| | 7.4L V8 | GMC — C3500 | |
| Chevrolet — G20 | | 1989-88 | 5.7L V8 |
| 1989-87 | 5.7L V8 | | 7.4L V8 |
| | | GMC — G2500 | |
| | | 1989-87 | 5.7L V8 |
| | | GMC — G3500 | |
| | | 1989-87 | 5.7L V8 |
| | | GMC — K2500 | |
| | | 1989-88 | 5.7L V8 |
| | | GMC — K3500 | |
| | | 1989-88 | 5.7L V8 |
| | | GMC — P2500 | |
| | | 1989-87 | 5.7L V8 |
| | | GMC — P3500 | |
| | | 1989-87 | 5.7L V8 |
| | | | 7.4L V8 |

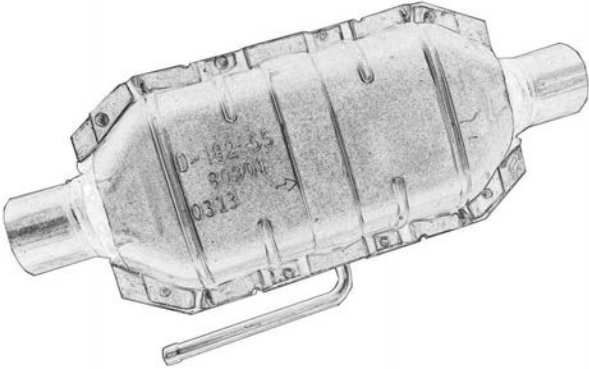

OBDDI APPLICATIONS

NON-OBDDI APPLICATIONS

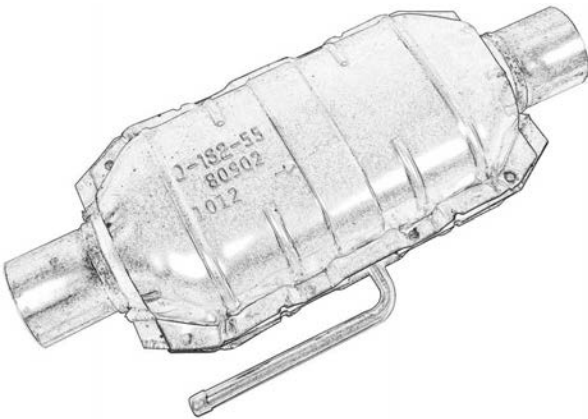
NUMERICAL

UNIVERSAL SPECIFICATIONS

NUMERICAL LISTING

| Year | Engine | Year | Engine |
|---|---------------|--|---------------|
| 80709 (Cont.) GMC – R2500 1989-87 5.7L V8 7.4L V8 GMC – R2500 Suburban 1989-87 5.7L V8 7.4L V8 GMC – R3500 1989-87 5.7L V8 7.4L V8 GMC – V2500 1987 5.7L V8 GMC – V2500 Suburban 1989-87 5.7L V8 GMC – V3500 1989-87 5.7L V8 7.4L V8 | | 80901 E.O. No. D-182-55  | |
| 80900 E.O. No. D-182-55  | | Inlet | Outlet |
| | | 2 1/4" | 2 1/4" |
| | | Overall Length | 18" |
| | | Dodge – B100 1980-75 3.7L L6 Dodge – B150 1991-90 5.2L V8 1991-88 3.9L V6 1987-83 5.2L V8 1982-81 3.7L L6 Dodge – B200 1980-75 3.7L L6 Dodge – B250 1992-90 5.9L V8 1991-90 5.2L V8 1991-88 3.9L V6 1987-83 5.2L V8 1982-81 3.7L L6 Dodge – B300 1979-75 3.7L L6 Dodge – B350 1992-90 5.9L V8 1991-90 5.2L V8 1987-83 5.2L V8 Dodge – D100 1987-84 5.2L V8 1980-78 3.7L L6 Dodge – D150 1987-83 5.2L V8 1982-78 3.7L L6 Dodge – D200 1980-78 3.7L L6 Dodge – D250 1987-83 5.2L V8 1982-81 3.7L L6 Dodge – Ramcharger 1987-83 5.2L V8 1979 3.7L L6 Dodge – W100 1987-84 5.2L V8 Dodge – W150 1987-83 5.2L V8 1979 3.7L L6 Dodge – W250 1987-83 5.2L V8 | |
| Inlet | Outlet | | |
| 2" | 2" | | |
| | | Overall Length | |
| | | 18" | |
| Dodge – Dakota 1988-87 2.2L L4 Dodge – Rampage 1984-83 2.2L L4 Jeep – Cherokee 1985-84 2.5L L4 1983-81 4.2L L6 Jeep – CJ5 1983-81 4.2L L6 Jeep – CJ7 1986-84 2.5L L4 1986-81 4.2L L6 Jeep – Grand Wagoneer 1986-84 4.2L L6 Jeep – J10 1986-81 4.2L L6 Jeep – Scrambler 1985-84 2.5L L4 1985-81 4.2L L6 Jeep – Wagoneer 1985-84 2.5L L4 1983-81 4.2L L6 Jeep – Wrangler 1990-87 4.2L L6 | | | |

NUMERICAL LISTING

| Year | Engine | Year | Engine |
|---|---------------|------------------------------|----------|
| 80901 (Cont.) | | 80902 (Cont.) | |
| Ford — Bronco II | | Dodge — B350 | |
| 1985-84 | 2.8L V6 | 1989-88 | 5.2L V8 |
| Ford — Ranger | | 1989 | 5.9L V8 |
| 1988-86 | 2.0L L4 | Dodge — D100 | |
| 1985-83 | 2.8L V6 | 1989-88 | 3.9L V6 |
| 1984-83 | 2.0L L4 | | 5.2L V8 |
| | 2.3L L4 | Dodge — D150 | |
| Nissan — 720 | | 1991-89 | 5.9L V8 |
| 1986 | 2.4L L4 | 1991-88 | 3.9L V6 |
| Nissan — D21 | | | 5.2L V8 |
| 1989-87 | 2.4L L4 | Dodge — D250 | |
| 1989-86 | 3.0L V6 | 1992-89 | 5.9L V8 |
| Nissan — Pathfinder | | 1991-88 | 3.9L V6 |
| 1989-87 | 3.0L V6 | | 5.2L V8 |
| 1988-87 | 2.4L L4 | Dodge — D350 | |
| Nissan — Van | | 1991-89 | 5.9L V8 |
| 1988-87 | 2.4L L4 | Dodge — Dakota | |
| Plymouth — PB100 | | 1991-90 | 3.9L V6 |
| 1980 | 3.7L L6 | 1991 | 5.2L V8 |
| Plymouth — PB150 | | Dodge — Ram 2500 | |
| 1983 | 3.7L L6 | 1995-94 | 8.0L V10 |
| | 5.2L V8 | Dodge — Ram 3500 | |
| 1981 | 3.7L L6 | 1995-94 | 5.9L V8 |
| Plymouth — PB200 | | | 8.0L V10 |
| 1980 | 3.7L L6 | Dodge — Ramcharger | |
| Plymouth — PB250 | | 1992-89 | 5.9L V8 |
| 1983-81 | 3.7L L6 | 1991-88 | 5.2L V8 |
| 1983 | 5.2L V8 | Dodge — W100 | |
| Plymouth — PB350 | | 1989-88 | 5.2L V8 |
| 1983 | 5.2L V8 | 1989 | 3.9L V6 |
| Plymouth — Trailduster | | Dodge — W150 | |
| 1979 | 3.7L L6 | 1991-89 | 3.9L V6 |
| | | | 5.9L V8 |
| Toyota — Land Cruiser | | 1991-88 | 5.2L V8 |
| 1990-88 | 4.0L L6 | 1982 | 3.7L L6 |
| 80902 E.O. No. D-182-55 | | Dodge — W250 | |
|  | | 1992-89 5.9L V8 | |
| | | 1991-88 5.2L V8 | |
| | | Dodge — W350 | |
| | | 1991-89 5.9L V8 | |
| | | Ford — F-100 | |
| | | 1982 4.2L V8 | |
| | | Jeep — Grand Wagoneer | |
| | | 1991-84 5.9L V8 | |
| Inlet | Outlet | Overall Length | |
| 2½" | 2½" | 18" | |
| Dodge — B150 | | | |
| 1989-88 | 5.2L V8 | | |
| Dodge — B250 | | | |
| 1989-88 | 5.2L V8 | | |
| 1989 | 5.9L V8 | | |

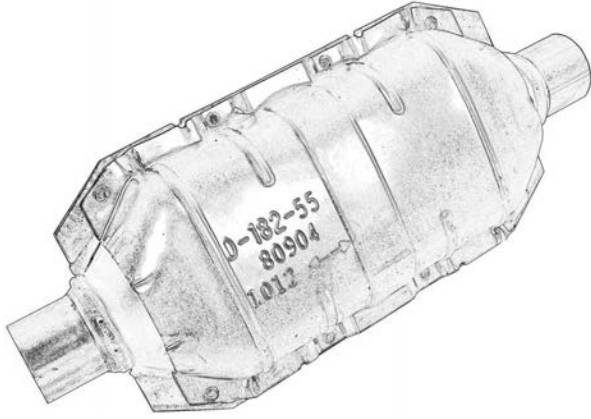
OBDDI APPLICATIONS

NON-OBDDI APPLICATIONS

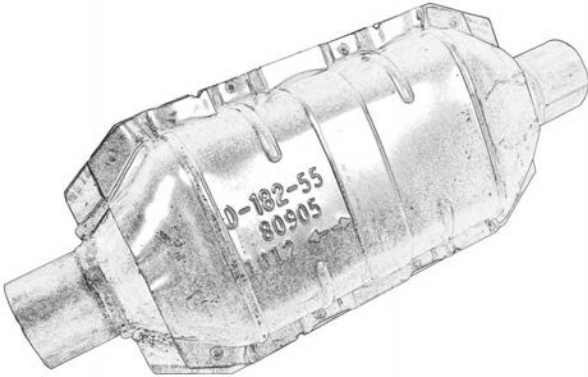
NUMERICAL

UNIVERSAL SPECIFICATIONS

NUMERICAL LISTING

| Year | Engine | Year | Engine |
|---|--------------------------|---|--------|
| 80904 | E.O. No. D-182-55 | 80904 (Cont.) | |
|  | | Ford — E-250 Econoline 1976-75 4.9L L6 Ford — F-100 1979-75 4.9L L6 5.0L V8 Ford — F-150 1979-75 4.9L L6 5.0L V8 Ford — F-250 1979-75 4.9L L6 1978-77 5.0L V8 Geo — Tracker 1995-89 1.6L L4 Jeep — Cherokee 1986-84 2.8L V6 Jeep — Comanche 1986 2.8L V6 Jeep — J10 1987 4.2L L6 Jeep — Wagoneer 1986-84 2.8L V6 Mazda — B2000 1984-79 2.0L L4 Mazda — B2200 1993-90 2.2L L4 Mazda — B2300 1994 2.3L L4 Mazda — B2600 1990-89 2.6L L4 Mitsubishi — Mighty Max 1995-90 2.4L L4 1994-90 3.0L V6 1989-87 2.0L L4 2.6L L4 Mitsubishi — Montero 1994-89 3.0L V6 1994 3.5L V6 1989-83 2.6L L4 Mitsubishi — Van 1990-87 2.4L L4 Plymouth — PB100 1979-75 3.7L L6 Plymouth — PB200 1978-75 3.7L L6 Plymouth — Trailduster 1978 3.7L L6 Plymouth — Voyager 1995-88 2.5L L4 1987-84 2.2L L4 Suzuki — Samurai 1995-86 1.3L L4 Suzuki — Sidekick 1995-89 1.6L L4 1989 1.3L L4 Toyota — 4Runner 1995-84 2.4L L4 1993-88 3.0L V6 Toyota — Land Cruiser 1994-93 4.5L L6 1992-91 4.0L L6 | |
| Inlet | Outlet | Overall Length | |
| 2" | 2" | 18" | |
| Chevrolet — LUV 1981-75 1.8L L4 Dodge — Caravan 1995-88 2.5L L4 1987-84 2.2L L4 Dodge — D100 1977-75 3.7L L6 Dodge — D100 Panel 1976 3.7L L6 Dodge — D150 1977 3.7L L6 Dodge — D200 1977-75 3.7L L6 Dodge — Dakota 1995-89 2.5L L4 Dodge — Grand Caravan 1988 2.5L L4 Dodge — Mini Ram 1988 2.5L L4 1987-84 2.2L L4 Dodge — Raider 1989-87 2.6L L4 Dodge — Ram 50 1993-90 2.4L L4 1991-90 3.0L V6 1989-87 2.0L L4 2.6L L4 Dodge — Ramcharger 1978 3.7L L6 Ford — Aerostar 1987-86 2.3L L4 Ford — Bronco 1977-75 5.0L V8 Ford — E-100 Econoline 1976-75 4.9L L6 Ford — E-100 Econoline Club Wagon 1976-75 4.9L L6 Ford — E-150 Econoline 1976-75 4.9L L6 Ford — E-150 Econoline Club Wagon 1976-75 4.9L L6 | | | |

NUMERICAL LISTING


| Year | Engine | Year | Engine |
|---|---------|--|---------|
| 80904 (Cont.) | | 80905 (Cont.) | |
| Toyota — Pickup | | Dodge — B250 | |
| 1995-88 | 3.0L V6 | 1982-81 | 3.7L L6 |
| 1995-84 | 2.4L L4 | 1981 | 5.2L V8 |
| 1978-75 | 2.2L L4 | Dodge — B300 | |
| Toyota — Previa | | 1979-75 | 3.7L L6 |
| 1994-91 | 2.4L L4 | Dodge — Caravan | |
| Toyota — Van | | 1991-87 | 3.0L V6 |
| 1987-86 | 2.2L L4 | 1990-89 | 2.5L L4 |
| 1985-84 | 2.0L L4 | Dodge — D100 | |
| 80905 | | 1980-78 | 3.7L L6 |
| E.O. No. D-182-55 | | 1980 | 5.9L V8 |
|  | | | |
| Inlet | Outlet | Overall Length | |
| 2¼" | 2¼" | 18" | |
| Chevrolet — Astro | | Dodge — D100 Panel | |
| 1990-85 | 2.5L L4 | 1980 | 5.9L V8 |
| Chevrolet — LLV | | Dodge — D150 | |
| 1995-94 | 2.2L L4 | 1982-78 | 3.7L L6 |
| 1993-87 | 2.5L L4 | 1981-80 | 5.2L V8 |
| Chevrolet — Lumina APV | | | 5.9L V8 |
| 1995-93 | 3.1L V6 | Dodge — D200 | |
| | 3.8L V6 | 1980-78 | 3.7L L6 |
| Chevrolet — Lumina Van | | 1980 | 5.2L V8 |
| 1995 | 3.8L V6 | | 5.9L V8 |
| Chevrolet — LUV | | Dodge — D250 | |
| 1982 | 1.8L L4 | 1982-81 | 3.7L L6 |
| Chevrolet — S10 | | 1981 | 5.2L V8 |
| 1995-94 | 2.2L L4 | | 5.9L V8 |
| 1993-85 | 2.5L L4 | Dodge — Grand Caravan | |
| 1987-82 | 2.8L V6 | 1995-92 | 3.0L V6 |
| 1985-82 | 1.9L L4 | 1989-88 | 3.0L V6 |
| 1984-83 | 2.0L L4 | Dodge — Mini Ram | |
| Chevrolet — S10 Blazer | | 1988-87 | 3.0L V6 |
| 1988-85 | 2.5L L4 | Dodge — Ramcharger | |
| 1987-83 | 2.8L V6 | 1979 | 3.7L L6 |
| 1984-83 | 1.9L L4 | Dodge — W150 | |
| | 2.0L L4 | 1979 | 3.7L L6 |
| Dodge — B100 | | Ford — Bronco | |
| 1980-75 | 3.7L L6 | 1983-82 | 5.8L V8 |
| Dodge — B150 | | 1983-80 | 4.9L L6 |
| 1982-81 | 3.7L L6 | | 5.0L V8 |
| 1981 | 5.2L V8 | 1980 | 5.8L V8 |
| Dodge — B200 | | Ford — E-100 Econoline | |
| 1980-75 | 3.7L L6 | 1983-77 | 4.9L L6 |
| 1980 | 5.2L V8 | 1977 | 5.8L V8 |
| | | Ford — E-100 Econoline Club Wagon | |
| | | 1983-77 | 4.9L L6 |
| | | 1977 | 5.8L V8 |
| | | Ford — E-150 Econoline | |
| | | 1983-77 | 4.9L L6 |
| | | 1977 | 5.8L V8 |
| | | Ford — E-150 Econoline Club Wagon | |
| | | 1983-77 | 4.9L L6 |
| | | 1977 | 5.8L V8 |
| | | Ford — E-250 Econoline | |
| | | 1983 | 4.9L L6 |
| | | 1981-77 | 4.9L L6 |
| | | 1977 | 5.8L V8 |
| | | Ford — E-250 Econoline Club Wagon | |
| | | 1983 | 4.9L L6 |
| | | 1980-77 | 4.9L L6 |
| | | 1977 | 5.8L V8 |
| | | Ford — F-100 | |
| | | 1983-82 | 3.8L V6 |

OBDII APPLICATIONS
 NON-OBDII APPLICATIONS
 NUMERICAL
 UNIVERSAL SPECIFICATIONS

NUMERICAL LISTING

| Year | Engine | Year | Engine |
|---------------------------------|---------|---------------------------------|---------|
| 80905 (Cont.) | | 80905 (Cont.) | |
| Ford — F-100 (Cont.) | | Jeep — Cherokee | |
| 1983-81 | 5.0L V8 | 1995-93 | 2.5L L4 |
| 1983-80 | 4.9L L6 | | 4.0L L6 |
| 1981 | 4.2L V8 | Jeep — Grand Cherokee | |
| Ford — F-150 | | 1995-93 | 4.0L L6 |
| 1983-81 | 5.0L V8 | Jeep — Wrangler | |
| 1983-80 | 4.9L L6 | 1995-93 | 2.5L L4 |
| | 5.8L V8 | | 4.0L L6 |
| Ford — F-250 | | Land Rover — Range Rover | |
| 1983 | 4.9L L6 | 1995-94 | 4.2L V8 |
| | 5.0L V8 | Mazda — B2200 | |
| | 5.8L V8 | 1993-90 | 2.2L L4 |
| 1981-80 | 4.9L L6 | Mazda — B2600 | |
| | 5.8L V8 | 1993-91 | 2.6L L4 |
| 1981 | 5.0L V8 | Mazda — MPV | |
| 1980 | 6.6L V8 | 1994-89 | 2.6L L4 |
| Ford — Ranger | | 1993-89 | 3.0L V6 |
| 1994-85 | 2.3L L4 | Mercury — Villager | |
| 1988-85 | 2.0L L4 | 1993 | 3.0L V6 |
| GMC — S15 | | Nissan — 720 | |
| 1990-85 | 2.5L L4 | 1985-83 | 2.4L L4 |
| 1987-82 | 2.8L V6 | 1983-81 | 2.2L L4 |
| 1985-82 | 1.9L L4 | 1980 | 2.0L L4 |
| 1984-83 | 2.0L L4 | Nissan — Axxess | |
| GMC — S15 Jimmy | | 1990 | 2.4L L4 |
| 1988-85 | 2.5L L4 | Nissan — D21 | |
| 1987-83 | 2.8L V6 | 1994-90 | 3.0L V6 |
| 1984-83 | 1.9L L4 | 1986 | 2.4L L4 |
| | 2.0L L4 | Nissan — Pathfinder | |
| GMC — Safari | | 1995-90 | 3.0L V6 |
| 1990-85 | 2.5L L4 | Nissan — Pickup | |
| GMC — Sonoma | | 1995 | 2.4L L4 |
| 1995-94 | 2.2L L4 | | 3.0L V6 |
| 1993-91 | 2.5L L4 | Nissan — Quest | |
| Honda — Odyssey | | 1993 | 3.0L V6 |
| 1995 | 2.2L L4 | Oldsmobile — Silhouette | |
| Honda — Passport | | 1995-93 | 3.8L V6 |
| 1995-94 | 2.6L L4 | Plymouth — Grand Voyager | |
| International — Scout II | | 1995-92 | 3.0L V6 |
| 1980-79 | 3.2L L6 | 1989-88 | 3.0L V6 |
| | 5.0L V8 | Plymouth — PB100 | |
| | 5.6L V8 | 1980 | 3.7L L6 |
| Isuzu — Amigo | | Plymouth — PB150 | |
| 1994-89 | 2.6L L4 | 1981 | 3.7L L6 |
| 1993-89 | 2.3L L4 | Plymouth — PB200 | |
| Isuzu — Pickup | | 1980 | 3.7L L6 |
| 1995-88 | 2.6L L4 | Plymouth — PB250 | |
| 1995-86 | 2.3L L4 | 1982-81 | 3.7L L6 |
| 1994-91 | 3.1L V6 | Plymouth — Trailduster | |
| 1987-83 | 1.9L L4 | 1979 | 3.7L L6 |
| 1982-81 | 1.8L L4 | Plymouth — Voyager | |
| Isuzu — Rodeo | | 1991-87 | 3.0L V6 |
| 1995-91 | 2.6L L4 | 1990-89 | 2.5L L4 |
| 1992-91 | 3.1L V6 | Pontiac — Trans Sport | |
| Isuzu — Trooper | | 1995-93 | 3.8L V6 |
| 1993-92 | 3.2L V6 | Toyota — 4Runner | |
| 1991-89 | 2.8L V6 | 1995-94 | 3.0L V6 |
| 1991-88 | 2.6L L4 | Toyota — Land Cruiser | |
| 1987-86 | 2.3L L4 | 1987-79 | 4.2L L6 |
| 1985-84 | 1.9L L4 | | |

NUMERICAL LISTING

| Year | Engine | Year | Engine |
|---|---------------|---------------------------------|---------|
| 80905 (Cont.) | | 80906 (Cont.) | |
| Toyota — Pickup | | Chevrolet — G10 (Cont.) | |
| 1995-94 | 3.0L V6 | 1986-75 | 5.7L V8 |
| Toyota — T100 | | 1984-75 | 4.1L L6 |
| 1994-93 | 3.0L V6 | Chevrolet — G20 | |
| Toyota — Van | | 1994-85 | 4.3L V6 |
| 1989-88 | 2.2L L4 | 1994-78 | 5.0L V8 |
| Toyota — Van Wagon | | 1986-75 | 5.7L V8 |
| 1988 | 2.2L L4 | 1984-78 | 4.1L L6 |
| 80906 | | 1980-79 | 6.6L V8 |
| E.O. No. D-182-55 | | 1975 | 4.1L L6 |
|  | | | |
| Inlet | Outlet | Overall Length | |
| 2½" | 2½" | 18" | |
| Chevrolet — Astro | | Chevrolet — G30 | |
| 1992-85 | 4.3L V6 | 1994-85 | 4.3L V6 |
| Chevrolet — Blazer | | 1986-78 | 5.7L V8 |
| 1987 | 5.0L V8 | 1984-81 | 4.1L L6 |
| Chevrolet — C10 | | 1979-78 | 4.1L L6 |
| 1986-85 | 4.3L V6 | | 6.6L V8 |
| 1986-77 | 5.0L V8 | Chevrolet — K10 | |
| 1986-75 | 5.7L V8 | 1986-85 | 4.3L V6 |
| 1984-75 | 4.1L L6 | 1986-81 | 5.0L V8 |
| 1979-75 | 7.4L V8 | 1986-75 | 5.7L V8 |
| Chevrolet — C10 Suburban | | 1984-75 | 4.1L L6 |
| 1986-77 | 5.0L V8 | 1980-76 | 6.6L V8 |
| 1986-75 | 5.7L V8 | 1979-77 | 5.0L V8 |
| 1979-78 | 7.4L V8 | Chevrolet — K10 Suburban | |
| 1979-75 | 4.1L L6 | 1986-79 | 5.7L V8 |
| Chevrolet — C1500 | | 1979 | 5.0L V8 |
| 1993-88 | 4.3L V6 | | 6.6L V8 |
| | 5.0L V8 | Chevrolet — K1500 | |
| Chevrolet — C20 | | 1993-88 | 4.3L V6 |
| 1986-85 | 4.3L V6 | | 5.0L V8 |
| 1986-77 | 5.0L V8 | Chevrolet — K20 | |
| 1986-75 | 5.7L V8 | 1986-79 | 5.7L V8 |
| 1984-75 | 4.1L L6 | 1985 | 4.3L V6 |
| 1982-78 | 7.4L V8 | | 5.0L V8 |
| Chevrolet — C20 Suburban | | 1980-78 | 4.1L L6 |
| 1986-80 | 5.0L V8 | 1980 | 5.0L V8 |
| 1986-78 | 5.7L V8 | 1979 | 6.6L V8 |
| 1979-78 | 7.4L V8 | 1976-75 | 4.1L L6 |
| Chevrolet — C2500 | | Chevrolet — K20 Suburban | |
| 1993-88 | 4.3L V6 | 1979 | 5.7L V8 |
| | 5.0L V8 | | 6.6L V8 |
| Chevrolet — G10 | | Chevrolet — K2500 | |
| 1994-85 | 4.3L V6 | 1993-88 | 4.3L V6 |
| 1994-77 | 5.0L V8 | | 5.0L V8 |
| | | Chevrolet — K5 Blazer | |
| | | 1986-77 | 5.0L V8 |
| | | 1986-75 | 5.7L V8 |
| | | 1982-75 | 4.1L L6 |
| | | 1979-75 | 6.6L V8 |
| | | Chevrolet — Lumina APV | |
| | | 1992-90 | 3.1L V6 |
| | | 1992 | 3.8L V6 |
| | | Chevrolet — R10 | |
| | | 1987 | 4.3L V6 |
| | | | 5.0L V8 |
| | | Chevrolet — R10 Suburban | |
| | | 1987 | 5.0L V8 |
| | | Chevrolet — R20 | |
| | | 1987 | 4.3L V6 |
| | | | 5.0L V8 |
| | | Chevrolet — S10 | |
| | | 1995-88 | 4.3L V6 |

OBDII APPLICATIONS
 NON-OBDII APPLICATIONS
 NUMERICAL
 UNIVERSAL SPECIFICATIONS

NUMERICAL LISTING

| Year | Engine | Year | Engine |
|--------------------------------------|---------|--|---------|
| 80906 (Cont.) | | 80906 (Cont.) | |
| Chevrolet — S10 (Cont.) | | Dodge — D150 (Cont.) | |
| 1993-88 | 2.8L V6 | 1982 | 5.2L V8 |
| Chevrolet — S10 Blazer | | | 5.9L V8 |
| 1994-88 | 4.3L V6 | 1979-77 | 5.2L V8 |
| 1989-88 | 2.8L V6 | | 5.9L V8 |
| Chevrolet — V10 | | 1978-77 | 6.6L V8 |
| 1987 | 4.3L V6 | 1978 | 7.2L V8 |
| | 5.0L V8 | Dodge — D200 | |
| Chrysler — Town & Country | | 1979-75 | 5.2L V8 |
| 1995-94 | 3.8L V6 | | 5.9L V8 |
| 1993-90 | 3.3L V6 | 1978-75 | 6.6L V8 |
| Dodge — B100 | | Dodge — D250 | |
| 1979-75 | 5.2L V8 | 1988-84 | 5.9L V8 |
| 1978-76 | 5.9L V8 | 1982 | 5.2L V8 |
| Dodge — B150 | | | 5.9L V8 |
| 1994 | 3.9L V6 | Dodge — D350 | |
| | 5.2L V8 | 1988-82 | 5.9L V8 |
| 1982 | 5.2L V8 | 1983-81 | 5.2L V8 |
| Dodge — B1500 | | Dodge — Dakota | |
| 1995 | 3.9L V6 | 1995-94 | 3.9L V6 |
| | 5.2L V8 | | 5.2L V8 |
| Dodge — B200 | | Dodge — Grand Caravan | |
| 1980-75 | 5.9L V8 | 1995-94 | 3.8L V6 |
| 1979-75 | 5.2L V8 | 1995-90 | 3.3L V6 |
| 1978-76 | 6.6L V8 | Dodge — Ramcharger | |
| Dodge — B250 | | 1988-84 | 5.9L V8 |
| 1994-93 | 5.9L V8 | 1982-76 | 5.2L V8 |
| 1994-92 | 5.2L V8 | 1980 | 3.7L L6 |
| 1994 | 3.9L V6 | 1979-76 | 5.9L V8 |
| 1988-84 | 5.9L V8 | Dodge — W100 | |
| 1982 | 5.2L V8 | 1988-84 | 5.9L V8 |
| 1981 | 5.9L V8 | 1977-76 | 5.2L V8 |
| Dodge — B2500 | | | 5.9L V8 |
| 1995 | 3.9L V6 | Dodge — W150 | |
| | 5.2L V8 | 1988-84 | 5.9L V8 |
| | 5.9L V8 | 1982-77 | 5.2L V8 |
| Dodge — B300 | | 1981-80 | 3.7L L6 |
| 1980-75 | 5.2L V8 | 1981-77 | 5.9L V8 |
| | 5.9L V8 | Dodge — W200 | |
| 1978-76 | 6.6L V8 | 1980-76 | 5.2L V8 |
| Dodge — B350 | | | 5.9L V8 |
| 1994-93 | 5.9L V8 | Dodge — W250 | |
| 1994-92 | 5.2L V8 | 1988-84 | 5.9L V8 |
| 1988-81 | 5.9L V8 | 1982-81 | 5.2L V8 |
| 1982-81 | 5.2L V8 | | 5.9L V8 |
| Dodge — B3500 | | Dodge — W350 | |
| 1995 | 5.2L V8 | 1988-82 | 5.9L V8 |
| | 5.9L V8 | 1983-82 | 5.2L V8 |
| Dodge — Caravan | | Ford — Bronco | |
| 1995-92 | 3.0L V6 | 1979-78 | 5.8L V8 |
| 1995-90 | 3.3L V6 | | 6.6L V8 |
| Dodge — D100 | | Ford — E-100 Econoline | |
| 1988-84 | 5.9L V8 | 1983-79 | 5.0L V8 |
| 1979-75 | 5.2L V8 | 1983-78 | 5.8L V8 |
| | 5.9L V8 | 1976-75 | 5.8L V8 |
| 1978-76 | 6.6L V8 | Ford — E-100 Econoline Club Wagon | |
| 1978-75 | 7.2L V8 | 1983-79 | 5.0L V8 |
| Dodge — D100 Panel | | 1983-78 | 5.8L V8 |
| 1979 | 5.9L V8 | 1976-75 | 5.8L V8 |
| 1977-76 | 5.9L V8 | Ford — E-150 Econoline | |
| Dodge — D150 | | 1983-79 | 5.0L V8 |
| 1988-84 | 5.9L V8 | 1983-78 | 5.8L V8 |

NUMERICAL LISTING

| Year | Engine | Year | Engine |
|--|---------|-----------------------------|---------|
| 80906 (Cont.) | | 80906 (Cont.) | |
| Ford — E-150 Econoline (Cont.) | | GMC — C2500 (Cont.) | |
| 1976-75 | 5.8L V8 | 1986-79 | 5.0L V8 |
| Ford — E-150 Econoline Club Wagon | | | 5.7L V8 |
| 1983-79 | 5.0L V8 | 1984-79 | 4.1L L6 |
| 1983-78 | 5.8L V8 | 1982-79 | 7.4L V8 |
| 1976-75 | 5.8L V8 | GMC — C2500 Suburban | |
| Ford — E-250 Econoline | | 1986-82 | 5.0L V8 |
| 1983-79 | 5.0L V8 | 1986-79 | 5.7L V8 |
| 1983-78 | 5.8L V8 | 1979 | 7.4L V8 |
| 1980 | 6.6L V8 | GMC — G15 | |
| 1976-75 | 5.8L V8 | 1978-77 | 5.0L V8 |
| Ford — E-250 Econoline Club Wagon | | 1978-75 | 4.1L L6 |
| 1983-78 | 5.8L V8 | | 5.7L V8 |
| 1980-79 | 5.0L V8 | GMC — G1500 | |
| 1980 | 6.6L V8 | 1994-85 | 4.3L V6 |
| 1976-75 | 5.8L V8 | 1994-79 | 5.0L V8 |
| Ford — F-100 | | 1986-79 | 5.7L V8 |
| 1979-77 | 5.8L V8 | 1984-79 | 4.1L L6 |
| | 6.6L V8 | GMC — G25 | |
| Ford — F-150 | | 1978 | 4.1L L6 |
| 1979-77 | 5.8L V8 | | 5.0L V8 |
| | 6.6L V8 | | 5.7L V8 |
| Ford — F-250 | | GMC — G2500 | |
| 1979-77 | 5.8L V8 | 1994-85 | 4.3L V6 |
| | 6.6L V8 | 1994-79 | 5.0L V8 |
| 1979 | 7.5L V8 | 1986-79 | 5.7L V8 |
| GMC — C15 | | 1984-79 | 4.1L L6 |
| 1978-77 | 5.0L V8 | 1980-79 | 6.6L V8 |
| 1978-75 | 4.1L L6 | GMC — G35 | |
| | 5.7L V8 | 1978 | 4.1L L6 |
| | 7.4L V8 | | 5.7L V8 |
| GMC — C15 Suburban | | | 6.6L V8 |
| 1978-77 | 5.0L V8 | GMC — G3500 | |
| 1978-75 | 4.1L L6 | 1994-85 | 4.3L V6 |
| | 5.7L V8 | 1986-79 | 5.7L V8 |
| 1978 | 7.4L V8 | 1984-82 | 4.1L L6 |
| GMC — C1500 | | 1980-79 | 6.6L V8 |
| 1993-88 | 4.3L V6 | 1979 | 4.1L L6 |
| | 5.0L V8 | GMC — Jimmy | |
| 1986-85 | 4.3L V6 | 1994-92 | 4.3L V6 |
| 1986-79 | 5.0L V8 | 1987-77 | 5.0L V8 |
| | 5.7L V8 | 1986-75 | 5.7L V8 |
| 1984-79 | 4.1L L6 | 1982-75 | 4.1L L6 |
| 1979 | 7.4L V8 | 1979-75 | 6.6L V8 |
| GMC — C1500 Suburban | | GMC — K15 | |
| 1986-79 | 5.0L V8 | 1978-77 | 5.0L V8 |
| | 5.7L V8 | 1978-76 | 6.6L V8 |
| 1979 | 4.1L L6 | 1978-75 | 4.1L L6 |
| | 7.4L V8 | GMC — K1500 | |
| GMC — C25 | | 1993-88 | 4.3L V6 |
| 1978-77 | 4.1L L6 | | 5.0L V8 |
| | 5.0L V8 | 1986-85 | 4.3L V6 |
| 1978-75 | 5.7L V8 | 1986-81 | 5.0L V8 |
| 1978 | 7.4L V8 | 1986-79 | 5.7L V8 |
| 1975 | 4.1L L6 | 1984-79 | 4.1L L6 |
| GMC — C25 Suburban | | 1980-79 | 6.6L V8 |
| 1978 | 5.7L V8 | 1979 | 5.0L V8 |
| | 7.4L V8 | GMC — K1500 Suburban | |
| GMC — C2500 | | 1986-79 | 5.7L V8 |
| 1993-88 | 4.3L V6 | 1980-79 | 6.6L V8 |
| | 5.0L V8 | 1979 | 5.0L V8 |
| 1986-85 | 4.3L V6 | | |

OBDDI APPLICATIONS

NON-OBDDI APPLICATIONS

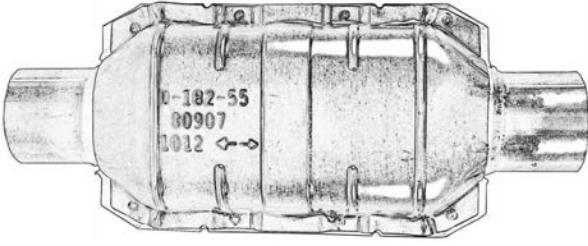
NUMERICAL

UNIVERSAL SPECIFICATIONS

NUMERICAL LISTING

| Year | Engine | Year | Engine |
|------------------------------|---------|---------------------------------|---------|
| 80906 (Cont.) | | 80906 (Cont.) | |
| GMC — K25 | | Jeep — J10 | |
| 1976 | 4.1L L6 | 1988-78 | 5.9L V8 |
| GMC — K2500 | | 1981-79 | 4.2L L6 |
| 1993-88 | 4.3L V6 | Jeep — J20 | |
| | 5.0L V8 | 1988-78 | 5.9L V8 |
| 1986-79 | 5.7L V8 | Jeep — Scrambler | |
| 1979 | 6.6L V8 | 1983-81 | 2.5L L4 |
| GMC — K2500 Suburban | | 1981 | 4.2L L6 |
| 1979 | 5.7L V8 | Jeep — Wagoneer | |
| | 6.6L V8 | 1990-87 | 4.0L L6 |
| GMC — R1500 | | 1987-86 | 2.5L L4 |
| 1987 | 4.3L V6 | 1983-78 | 5.9L V8 |
| | 5.0L V8 | 1981-80 | 4.2L L6 |
| GMC — R1500 Suburban | | Jeep — Wrangler | |
| 1987 | 5.0L V8 | 1992-91 | 4.0L L6 |
| GMC — R2500 | | 1992-87 | 2.5L L4 |
| 1987 | 4.3L V6 | Nissan — D21 | |
| | 5.0L V8 | 1994-90 | 2.4L L4 |
| GMC — S15 | | Nissan — Pickup | |
| 1990-88 | 2.8L V6 | 1995 | 2.4L L4 |
| | 4.3L V6 | Oldsmobile — Bravada | |
| GMC — S15 Jimmy | | 1994-91 | 4.3L V6 |
| 1991-88 | 4.3L V6 | Oldsmobile — Silhouette | |
| 1989-88 | 2.8L V6 | 1992-90 | 3.1L V6 |
| GMC — Safari | | 1992 | 3.8L V6 |
| 1992-85 | 4.3L V6 | Plymouth — Grand Voyager | |
| GMC — Sonoma | | 1995-94 | 3.8L V6 |
| 1995-91 | 4.3L V6 | 1995-91 | 3.3L V6 |
| 1993-91 | 2.8L V6 | Plymouth — PB100 | |
| GMC — Sprint | | 1980-75 | 5.2L V8 |
| 1977-76 | 5.0L V8 | 1978-76 | 5.9L V8 |
| 1977-75 | 4.1L L6 | Plymouth — PB150 | |
| | 5.7L V8 | 1981 | 5.2L V8 |
| 1976-75 | 6.6L V8 | Plymouth — PB200 | |
| GMC — V1500 | | 1980-75 | 5.2L V8 |
| 1987 | 4.3L V6 | | 5.9L V8 |
| | 5.0L V8 | 1978-76 | 6.6L V8 |
| Jeep — Cherokee | | Plymouth — PB250 | |
| 1992-87 | 4.0L L6 | 1982-81 | 5.2L V8 |
| 1992-86 | 2.5L L4 | 1981 | 5.9L V8 |
| 1983-78 | 5.9L V8 | Plymouth — PB300 | |
| 1981-79 | 4.2L L6 | 1980-75 | 5.2L V8 |
| Jeep — CJ5 | | | 5.9L V8 |
| 1983-80 | 2.5L L4 | 1978-76 | 6.6L V8 |
| 1981-75 | 4.2L L6 | Plymouth — PB350 | |
| | 5.0L V8 | 1983-81 | 5.9L V8 |
| 1978-75 | 3.8L L6 | 1982-81 | 5.2L V8 |
| Jeep — CJ6 | | Plymouth — Trailduster | |
| 1975 | 3.8L L6 | 1981-76 | 5.2L V8 |
| | 4.2L L6 | 1980 | 3.7L L6 |
| | 5.0L V8 | 1979-76 | 5.9L V8 |
| Jeep — CJ7 | | Plymouth — Voyager | |
| 1983-80 | 2.5L L4 | 1995-92 | 3.0L V6 |
| 1981-76 | 4.2L L6 | 1995-91 | 3.3L V6 |
| | 5.0L V8 | Pontiac — Trans Sport | |
| 1978-76 | 3.8L L6 | 1992-90 | 3.1L V6 |
| Jeep — Comanche | | 1992 | 3.8L V6 |
| 1992-87 | 4.0L L6 | Toyota — Van | |
| 1992-86 | 2.5L L4 | 1989-87 | 2.2L L4 |
| Jeep — Grand Cherokee | | | |
| 1995-93 | 5.2L V8 | | |

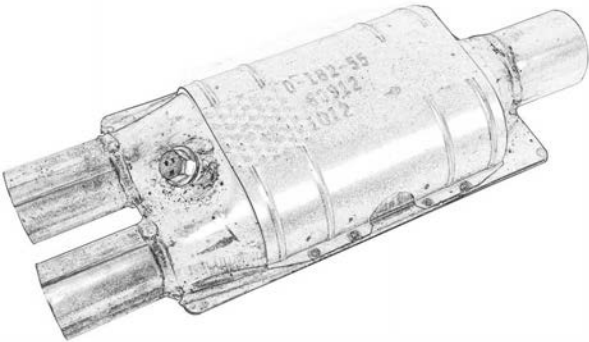
NUMERICAL LISTING

| Year | Engine | Year | Engine |
|---|--------------------------|-----------------------------------|--------------------|
| 80907 | E.O. No. D-182-55 | 80907 (Cont.) | |
|  | | Chevrolet — K3500 | |
| | | 1995-90 | 7.4L V8 |
| | | 1995-88 | 5.7L V8 |
| | | Chevrolet — R10 | |
| | | 1987 | 5.7L V8 |
| | | Chevrolet — R10 Suburban | |
| | | 1988-87 | 5.7L V8 |
| | | Chevrolet — R1500 Suburban | |
| | | 1991-89 | 5.7L V8 |
| | | Chevrolet — R20 | |
| | | 1987 | 5.7L V8 |
| | | Chevrolet — R20 Suburban | |
| | | 1988-87 | 5.7L V8 |
| | | Chevrolet — R2500 | |
| | | 1989 | 7.4L V8 |
| | | Chevrolet — R2500 Suburban | |
| | | 1991-90 | 7.4L V8 |
| | | 1991-89 | 5.7L V8 |
| | | Chevrolet — R30 | |
| | | 1987 | 5.7L V8 |
| | | Chevrolet — R3500 | |
| | | 1991-90 | 5.7L V8 |
| | | 1991-89 | 7.4L V8 |
| | | Chevrolet — Tahoe | |
| | | 1995 | 5.7L V8 |
| | | Chevrolet — V10 | |
| | | 1987 | 5.7L V8 |
| | | Chevrolet — V10 Suburban | |
| | | 1988-87 | 5.7L V8 |
| | | Chevrolet — V1500 Suburban | |
| | | 1991-89 | 5.7L V8 |
| | | Chevrolet — V20 | |
| | | 1987 | 5.7L V8 |
| | | Chevrolet — V20 Suburban | |
| | | 1988-87 | 5.7L V8 |
| | | Chevrolet — V2500 Suburban | |
| | | 1991-89 | 5.7L V8 |
| | | 1990 | 7.4L V8 |
| | | Chevrolet — V30 | |
| | | 1987 | 5.7L V8 |
| | | Chevrolet — V3500 | |
| | | 1991-90 | 5.7L V8 |
| | | 1991-89 | 7.4L V8 |
| | | Dodge — B150 | |
| | | 1993-92 | 3.9L V6 5.2L V8 |
| | | Dodge — B250 | |
| | | 1993-92 | 3.9L V6 |
| | | Dodge — D150 | |
| | | 1993-92 | 3.9L V6 5.2L V8 |
| | | 1993 | 5.9L V8 |
| | | Dodge — D250 | |
| | | 1993-92 | 3.9L V6 5.2L V8 |
| | | Dodge — Dakota | |
| | | 1993-92 | 3.9L V6 5.2L V8 |
| | | Dodge — Ramcharger | |
| | | 1993-92 | 5.2L V8 |
| | | 1993 | 5.9L V8 |


| Inlet | Outlet | Overall Length |
|-------|--------|----------------|
| 3" | 3" | 18" |

| | |
|--|--|
| <p>Chevrolet — Astro 1995-92 4.3L V6</p> <p>Chevrolet — Blazer 1994-87 5.7L V8</p> <p>Chevrolet — C1500 1995-94 4.3L V6 5.0L V8 1995-88 5.7L V8 1993-90 7.4L V8</p> <p>Chevrolet — C1500 Suburban 1995-92 5.7L V8</p> <p>Chevrolet — C2500 1995-94 4.3L V6 1995-91 7.4L V8 1995-88 5.7L V8 1994 5.0L V8</p> <p>Chevrolet — C2500 Suburban 1995-92 5.7L V8 7.4L V8</p> <p>Chevrolet — C35 1995-88 5.7L V8</p> <p>Chevrolet — C3500 1995-90 7.4L V8 1995-88 5.7L V8</p> <p>Chevrolet — G10 1995 4.3L V6 5.0L V8</p> <p>Chevrolet — G20 1995-87 5.7L V8 1995 4.3L V6 5.0L V8</p> <p>Chevrolet — G30 1995-87 5.7L V8 1995 4.3L V6</p> <p>Chevrolet — K1500 1995-94 4.3L V6 5.0L V8 1995-88 5.7L V8</p> <p>Chevrolet — K1500 Suburban 1995-92 5.7L V8</p> <p>Chevrolet — K2500 1995-94 4.3L V6 5.0L V8 1995-91 7.4L V8 1995-88 5.7L V8</p> <p>Chevrolet — K2500 Suburban 1995-92 5.7L V8 7.4L V8</p> | <p>OBDI APPLICATIONS</p> <hr/> <p>NON-OBDI APPLICATIONS</p> <hr/> <p>NUMERICAL</p> <hr/> <p>UNIVERSAL SPECIFICATIONS</p> |
|--|--|

NUMERICAL LISTING

| Year | Engine | |
|---|-------------------------------|-----------------------|
| 80907 (Cont.) | | |
| Dodge — W150 | | |
| 1993-92 | 3.9L V6 5.2L V8 | |
| 1993 | 5.9L V8 | |
| Dodge — W250 | | |
| 1993-92 | 5.2L V8 | |
| 1993 | 5.9L V8 | |
| GMC — C1500 | | |
| 1995-94 | 4.3L V6 5.0L V8 | |
| 1995-88 | 5.7L V8 | |
| GMC — C1500 Suburban | | |
| 1995-92 | 5.7L V8 | |
| GMC — C2500 | | |
| 1995-94 | 4.3L V6 5.0L V8 | |
| 1995-91 | 7.4L V8 | |
| 1995-88 | 5.7L V8 | |
| GMC — C2500 Suburban | | |
| 1995-92 | 5.7L V8 | |
| 1993-92 | 7.4L V8 | |
| GMC — C3500 | | |
| 1995-90 | 7.4L V8 | |
| 1995-88 | 5.7L V8 | |
| GMC — G1500 | | |
| 1995 | 4.3L V6 5.0L V8 | |
| GMC — G2500 | | |
| 1995-87 | 5.7L V8 | |
| 1995 | 4.3L V6 5.0L V8 | |
| GMC — G3500 | | |
| 1995-87 | 5.7L V8 | |
| 1995 | 4.3L V6 | |
| GMC — Jimmy | | |
| 1991-88 | 5.7L V8 | |
| GMC — K1500 | | |
| 1995-94 | 4.3L V6 5.0L V8 | |
| 1995-88 | 5.7L V8 | |
| GMC — K1500 Suburban | | |
| 1995-92 | 5.7L V8 | |
| GMC — K2500 | | |
| 1995-94 | 4.3L V6 5.0L V8 | |
| 1995-91 | 7.4L V8 | |
| 1995-88 | 5.7L V8 | |
| GMC — K2500 Suburban | | |
| 1995-92 | 5.7L V8 7.4L V8 | |
| GMC — K3500 | | |
| 1995-90 | 7.4L V8 | |
| 1995-88 | 5.7L V8 | |
| GMC — R1500 | | |
| 1987 | 5.7L V8 | |
| GMC — R1500 Suburban | | |
| 1991-87 | 5.7L V8 | |
| GMC — R2500 | | |
| 1987 | 5.7L V8 | |
| GMC — R2500 Suburban | | |
| 1991-90 | 7.4L V8 | |
| 80907 (Cont.) | | |
| GMC — R2500 Suburban (Cont.) | | |
| 1991-87 | 5.7L V8 | |
| GMC — R3500 | | |
| 1991-90 | 5.7L V8 7.4L V8 | |
| 1987 | 5.7L V8 | |
| GMC — Safari | | |
| 1995-92 | 4.3L V6 | |
| GMC — V1500 | | |
| 1987 | 5.7L V8 | |
| GMC — V1500 Suburban | | |
| 1991-90 | 5.7L V8 | |
| 1988 | 5.7L V8 | |
| GMC — V2500 | | |
| 1987 | 5.7L V8 | |
| GMC — V2500 Suburban | | |
| 1991-87 | 5.7L V8 | |
| GMC — V3500 | | |
| 1991-90 | 5.7L V8 7.4L V8 | |
| 1987 | 5.7L V8 | |
| GMC — Yukon | | |
| 1995-92 | 5.7L V8 | |
| 80912 | | |
| E.O. No. D-182-55 | | |
|  | | |
| Inlet | Outlet | Overall Length |
| 2" | 2 1/2" | 18" |
| Dodge — Ram 1500 | | |
| 1995-94 | 3.9L V6 5.2L V8 5.9L V8 | |
| Dodge — Ram 2500 | | |
| 1995-94 | 5.2L V8 5.9L V8 | |

NUMERICAL LISTING

| Year | Engine | | Year | Engine |
|---|---|---------------|---|--------|
| 80940 | E.O. No. D-182-55 | | 80940 (Cont.) | |
|  | | | Chevrolet — K10 Suburban 1986-83 5.7L V8 1979 6.6L V8 Chevrolet — K20 1986-83 5.7L V8 1985 4.3L V6 5.0L V8 1979 6.6L V8 Chevrolet — K20 Suburban 1979 6.6L V8 Chevrolet — K5 Blazer 1986-83 5.0L V8 5.7L V8 1979-75 6.6L V8 Chevrolet — R10 1987 4.3L V6 5.0L V8 Chevrolet — R10 Suburban 1987 5.0L V8 Chevrolet — R20 1987 4.3L V6 Chevrolet — V10 1987 4.3L V6 5.0L V8 GMC — C15 1978-75 7.4L V8 GMC — C15 Suburban 1978 7.4L V8 GMC — C1500 1986-85 4.3L V6 1986-83 5.0L V8 5.7L V8 1984-83 4.1L L6 1979 7.4L V8 GMC — C1500 Suburban 1986-83 5.0L V8 5.7L V8 1979 7.4L V8 GMC — C25 1978 7.4L V8 GMC — C25 Suburban 1978 5.7L V8 7.4L V8 GMC — C2500 1986-85 4.3L V6 1986-83 5.0L V8 5.7L V8 1984-83 4.1L L6 1982-79 7.4L V8 GMC — C2500 Suburban 1986-82 5.0L V8 1986-79 5.7L V8 1979 7.4L V8 GMC — G1500 1994-85 4.3L V6 1994-83 5.0L V8 1986-83 5.7L V8 1984-83 4.1L L6 GMC — G2500 1994-85 4.3L V6 1994-83 5.0L V8 1986-83 5.7L V8 1984-83 4.1L L6 1980-79 6.6L V8 | |
| | Inlet | Outlet | Overall Length | |
| | 2½" | 2½" | 25" | |
| | Chevrolet — Astro 1991-85 4.3L V6 Chevrolet — Blazer 1987 5.0L V8 Chevrolet — C10 1986-85 4.3L V6 1986-83 5.0L V8 5.7L V8 1984-83 4.1L L6 1979-75 7.4L V8 Chevrolet — C10 Suburban 1986-83 5.0L V8 5.7L V8 1979-78 7.4L V8 Chevrolet — C20 1986-85 4.3L V6 1986-83 5.0L V8 5.7L V8 1984-83 4.1L L6 1982-78 7.4L V8 Chevrolet — C20 Suburban 1986-80 5.0L V8 1986-78 5.7L V8 1979-78 7.4L V8 Chevrolet — G10 1994-85 4.3L V6 1994-83 5.0L V8 1986-83 5.7L V8 1984-83 4.1L L6 Chevrolet — G20 1994-85 4.3L V6 1994-83 5.0L V8 1986-83 5.7L V8 1984-83 4.1L L6 1980-79 6.6L V8 Chevrolet — G30 1994-85 4.3L V6 1986-78 5.7L V8 1984-81 4.1L L6 1979-78 4.1L L6 6.6L V8 Chevrolet — K10 1986-85 4.3L V6 1986-83 5.0L V8 5.7L V8 1984-83 4.1L L6 1980-79 6.6L V8 | | | |

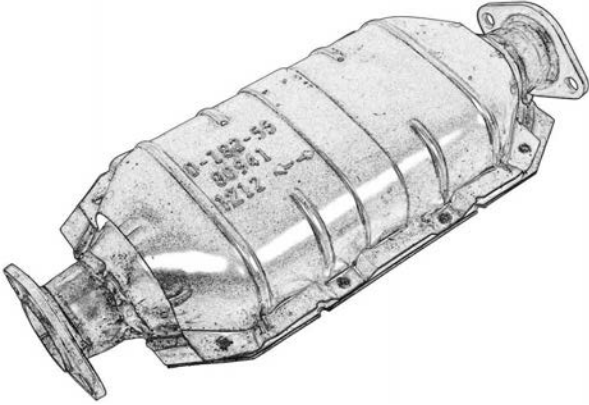
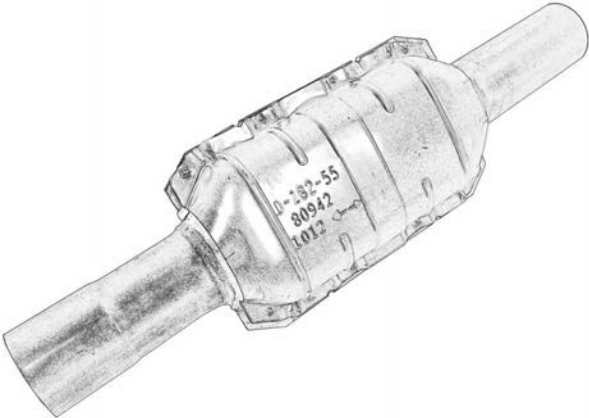
OBDDI APPLICATIONS

NON-OBDDI APPLICATIONS

NUMERICAL

UNIVERSAL SPECIFICATIONS

NUMERICAL LISTING

| Year | Engine | Year | Engine |
|-----------------------------|---------|---|----------------------|
| 80940 (Cont.) | | 80941 E.O. No. D-182-55 | |
| GMC – G2500 (Cont.) | |  | |
| 1984-83 | 4.1L L6 | | |
| 1980-79 | 6.6L V8 | | |
| GMC – G35 | | | |
| 1978 | 4.1L L6 | | |
| | 5.7L V8 | | |
| | 6.6L V8 | | |
| GMC – G3500 | | | |
| 1994-85 | 4.3L V6 | | |
| 1986-79 | 5.7L V8 | | |
| 1984-82 | 4.1L L6 | | |
| 1980-79 | 6.6L V8 | | |
| 1979 | 4.1L L6 | | |
| GMC – Jimmy | | | |
| 1987-83 | 5.0L V8 | | |
| 1986-83 | 5.7L V8 | | |
| 1979-75 | 6.6L V8 | | |
| GMC – K1500 | | | |
| 1986-85 | 4.3L V6 | | |
| 1986-83 | 5.0L V8 | | |
| | 5.7L V8 | | |
| 1984-83 | 4.1L L6 | | |
| 1980-79 | 6.6L V8 | | |
| GMC – K1500 Suburban | | | |
| 1986-83 | 5.7L V8 | | |
| 1980-79 | 6.6L V8 | | |
| GMC – K2500 | | | |
| 1986-83 | 5.7L V8 | | |
| 1979 | 6.6L V8 | | |
| GMC – K2500 Suburban | | | |
| 1979 | 6.6L V8 | | |
| GMC – R1500 | | | |
| 1987 | 4.3L V6 | | |
| | 5.0L V8 | | |
| GMC – R1500 Suburban | | | |
| 1987 | 5.0L V8 | | |
| GMC – R2500 | | | |
| 1987 | 4.3L V6 | | |
| | 5.0L V8 | | |
| GMC – Safari | | | |
| 1991-85 | 4.3L V6 | | |
| GMC – V1500 | | | |
| 1987 | 4.3L V6 | | |
| | 5.0L V8 | | |
| | |  | |
| | | 80942 E.O. No. D-182-55 | |
| | | Inlet | Outlet |
| | | 2 Bolt Welded Flange | 2 Bolt Welded Flange |
| | | Overall Length | |
| | | 17½" | |
| | | Toyota – 4Runner | |
| | | 1995-88 3.0L V6 | |
| | | Toyota – Pickup | |
| | | 1995-88 3.0L V6 | |
| | | 1992-89 2.4L L4 | |
| | | Inlet | Outlet |
| | | 3" | 3" |
| | | Overall Length | |
| | | 26¼" | |
| | | Chevrolet – Astro | |
| | | 1993-92 4.3L V6 | |
| | | Chevrolet – Blazer | |
| | | 1991-87 5.7L V8 | |
| | | Chevrolet – C1500 | |
| | | 1993-92 7.4L V8 | |
| | | 1993-88 5.7L V8 | |
| | | 1990 7.4L V8 | |
| | | Chevrolet – C2500 | |
| | | 1993-91 7.4L V8 | |
| | | 1993-88 5.7L V8 | |
| | | Chevrolet – C2500 Suburban | |
| | | 1993-92 7.4L V8 | |
| | | Chevrolet – C35 | |
| | | 1993-88 5.7L V8 | |

NUMERICAL LISTING

| Year | Engine | Year | Engine |
|-----------------------------------|---------|-----------------------------|---------|
| 80942 (Cont.) | | 80942 (Cont.) | |
| Chevrolet — C3500 | | GMC — C3500 | |
| 1993-90 | 7.4L V8 | 1993-90 | 7.4L V8 |
| 1993-88 | 5.7L V8 | 1993-88 | 5.7L V8 |
| Chevrolet — G20 | | GMC — G2500 | |
| 1993-87 | 5.7L V8 | 1993-87 | 5.7L V8 |
| Chevrolet — G30 | | GMC — G3500 | |
| 1993-87 | 5.7L V8 | 1993-87 | 5.7L V8 |
| Chevrolet — K1500 | | GMC — Jimmy | |
| 1992-88 | 5.7L V8 | 1991-87 | 5.7L V8 |
| Chevrolet — K2500 | | GMC — K1500 | |
| 1993-91 | 7.4L V8 | 1992-88 | 5.7L V8 |
| 1993-88 | 5.7L V8 | GMC — K2500 | |
| Chevrolet — K3500 | | 1993-91 | 7.4L V8 |
| 1993-90 | 7.4L V8 | 1993-88 | 5.7L V8 |
| 1993-88 | 5.7L V8 | GMC — K3500 | |
| Chevrolet — R10 | | 1993-90 | 7.4L V8 |
| 1987 | 5.7L V8 | 1993-88 | 5.7L V8 |
| Chevrolet — R10 Suburban | | GMC — R1500 | |
| 1988-87 | 5.7L V8 | 1987 | 5.7L V8 |
| Chevrolet — R1500 Suburban | | GMC — R1500 Suburban | |
| 1991-89 | 5.7L V8 | 1991-87 | 5.7L V8 |
| Chevrolet — R20 | | GMC — R2500 | |
| 1987 | 5.0L V8 | 1987 | 5.7L V8 |
| | 5.7L V8 | GMC — R2500 Suburban | |
| Chevrolet — R20 Suburban | | 1991-90 | 7.4L V8 |
| 1988-87 | 5.7L V8 | 1991-87 | 5.7L V8 |
| Chevrolet — R2500 | | GMC — R3500 | |
| 1989 | 7.4L V8 | 1991-90 | 5.7L V8 |
| Chevrolet — R2500 Suburban | | | 7.4L V8 |
| 1991-90 | 7.4L V8 | 1987 | 5.7L V8 |
| 1991-89 | 5.7L V8 | GMC — Safari | |
| Chevrolet — R30 | | 1993-92 | 4.3L V6 |
| 1987 | 5.7L V8 | GMC — V1500 | |
| Chevrolet — R3500 | | 1987 | 5.7L V8 |
| 1991-90 | 5.7L V8 | GMC — V1500 Suburban | |
| 1991-89 | 7.4L V8 | 1991-88 | 5.7L V8 |
| Chevrolet — V10 | | GMC — V2500 | |
| 1987 | 5.7L V8 | 1987 | 5.7L V8 |
| Chevrolet — V10 Suburban | | GMC — V2500 Suburban | |
| 1988-87 | 5.7L V8 | 1991-87 | 5.7L V8 |
| Chevrolet — V1500 Suburban | | GMC — V3500 | |
| 1991-89 | 5.7L V8 | 1991-90 | 5.7L V8 |
| Chevrolet — V20 | | | 7.4L V8 |
| 1987 | 5.7L V8 | 1987 | 5.7L V8 |
| Chevrolet — V20 Suburban | | | |
| 1988-87 | 5.7L V8 | | |
| Chevrolet — V2500 Suburban | | | |
| 1991-89 | 5.7L V8 | | |
| 1990 | 7.4L V8 | | |
| Chevrolet — V30 | | | |
| 1987 | 5.7L V8 | | |
| Chevrolet — V3500 | | | |
| 1991-90 | 5.7L V8 | | |
| 1991-89 | 7.4L V8 | | |
| GMC — C1500 | | | |
| 1993-88 | 5.7L V8 | | |
| GMC — C2500 | | | |
| 1993-91 | 7.4L V8 | | |
| 1993-88 | 5.7L V8 | | |


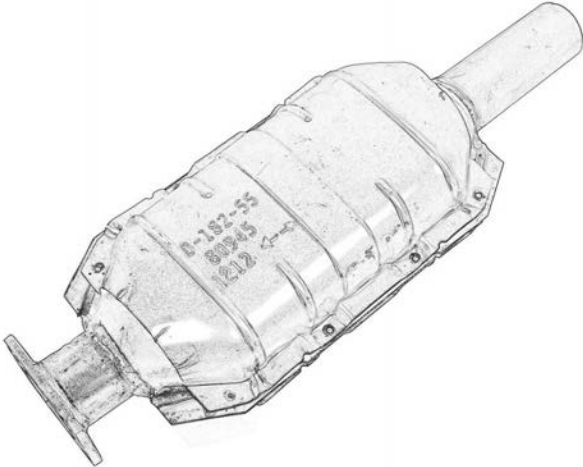


OBDII
APPLICATIONS

NON-OBDII
APPLICATIONS

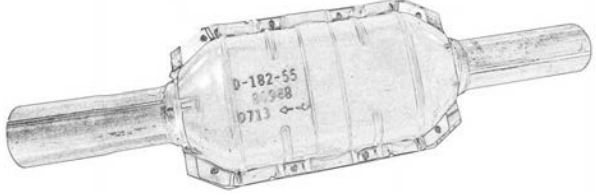

NUMERICAL

UNIVERSAL
SPECIFICATIONS

NUMERICAL LISTING

| Year | Engine | Year | Engine |
|--|-------------------|--|-------------------|
| 80943 | E.O. No. D-182-55 | 80945 | E.O. No. D-182-55 |
|  | |  | |
| Inlet | Outlet | Inlet | Outlet |
| 2 1/4" | 2 1/4" | 4 Bolt Welded Flange | 2 1/4" |
| Overall Length | | Overall Length | |
| 22" | | 21 3/4" | |
| Jeep — Cherokee 1995-93 2.5L L4 4.0L L6 | | Jeep — Cherokee 1992-87 4.0L L6 1992-86 2.5L L4 | |
| Jeep — Grand Cherokee 1995-93 4.0L L6 | | Jeep — Comanche 1992-87 4.0L L6 1992-86 2.5L L4 | |
| Jeep — Wrangler 1995-93 2.5L L4 4.0L L6 | | Jeep — Wagoneer 1990-87 4.0L L6 1987-86 2.5L L4 | |
| Jeep — Wrangler 1992-91 4.0L L6 1992-87 2.5L L4 | | | |
| 80944 | E.O. No. D-182-55 | 80946 | E.O. No. D-182-55 |
|  | |  | |
| Inlet | Outlet | Inlet | Outlet |
| 2 1/2" | 2 1/4" | 3 Bolt Loose Flanges With Spherical Flare | |
| Overall Length | | Overall Length | |
| 22 3/4" | | 41 3/4" | |
| Jeep — Grand Cherokee 1995-93 5.2L V8 | | Chevrolet — Blazer 1994 5.7L V8 | |
| | | Chevrolet — C1500 1995-94 4.3L V6 5.0L V8 5.7L V8 | |
| | | Chevrolet — C1500 Suburban 1995-94 5.7L V8 | |

NUMERICAL LISTING

| Year | Engine | Year | Engine | | | | | | |
|--|---------------------|--|---------|----------------|--------|---------------------|------|---------|---------|
| 80946 (Cont.) | | 80947 (Cont.) | | | | | | | |
| Chevrolet — C2500 | | GMC — Jimmy | | | | | | | |
| 1995-94 | 4.3L V6 | 1994-92 | 4.3L V6 | | | | | | |
| | 5.0L V8 | GMC — S15 | | | | | | | |
| | 5.7L V8 | 1990-88 | 4.3L V6 | | | | | | |
| Chevrolet — K1500 | | GMC — S15 Jimmy | | | | | | | |
| 1995-94 | 4.3L V6 | 1991-88 | 4.3L V6 | | | | | | |
| | 5.0L V8 | 1989-88 | 2.8L V6 | | | | | | |
| | 5.7L V8 | GMC — Sonoma | | | | | | | |
| Chevrolet — K1500 Suburban | | 1994-91 | 4.3L V6 | | | | | | |
| 1995-94 | 5.7L V8 | Oldsmobile — Bravada | | | | | | | |
| Chevrolet — K2500 | | 1992-91 | 4.3L V6 | | | | | | |
| 1995-94 | 4.3L V6 | 80948 E.O. No. D-182-55 | | | | | | | |
| | 5.0L V8 |  | | | | | | | |
| | 5.7L V8 | <table border="1" style="width: 100%; border-collapse: collapse;"> <thead> <tr> <th style="width: 33%;">Inlet</th> <th style="width: 33%;">Outlet</th> <th style="width: 33%;">Overall Length</th> </tr> </thead> <tbody> <tr> <td style="text-align: center;">2½"</td> <td style="text-align: center;">2½"</td> <td style="text-align: center;">26¼"</td> </tr> </tbody> </table> | | Inlet | Outlet | Overall Length | 2½" | 2½" | 26¼" |
| Inlet | Outlet | Overall Length | | | | | | | |
| 2½" | 2½" | 26¼" | | | | | | | |
| Chevrolet — Tahoe | | Chevrolet — Astro | | | | | | | |
| 1995 | 5.7L V8 | 1992 | 4.3L V6 | | | | | | |
| GMC — C1500 | | Chevrolet — C1500 | | | | | | | |
| 1995-94 | 4.3L V6 | 1993-88 | 4.3L V6 | | | | | | |
| | 5.0L V8 | | 5.0L V8 | | | | | | |
| | 5.7L V8 | Chevrolet — C2500 | | | | | | | |
| GMC — C1500 Suburban | | 1993-91 | 5.0L V8 | | | | | | |
| 1995-94 | 5.7L V8 | 1993-88 | 4.3L V6 | | | | | | |
| GMC — C2500 | | 1989-88 | 5.0L V8 | | | | | | |
| 1995-94 | 4.3L V6 | Chevrolet — K1500 | | | | | | | |
| | 5.0L V8 | 1993-88 | 4.3L V6 | | | | | | |
| | 5.7L V8 | | 5.0L V8 | | | | | | |
| GMC — K1500 | | Chevrolet — K2500 | | | | | | | |
| 1995-94 | 4.3L V6 | 1993-91 | 5.0L V8 | | | | | | |
| | 5.0L V8 | 1993-88 | 4.3L V6 | | | | | | |
| | 5.7L V8 | 1989-88 | 5.0L V8 | | | | | | |
| GMC — K1500 Suburban | | GMC — C1500 | | | | | | | |
| 1995-94 | 5.7L V8 | 1993-88 | 4.3L V6 | | | | | | |
| GMC — K2500 | | | 5.0L V8 | | | | | | |
| 1995-94 | 4.3L V6 | GMC — C2500 | | | | | | | |
| | 5.0L V8 | 1993-88 | 4.3L V6 | | | | | | |
| | 5.7L V8 | | 5.0L V8 | | | | | | |
| GMC — Yukon | | GMC — K1500 | | | | | | | |
| 1995-94 | 5.7L V8 | 1993-88 | 4.3L V6 | | | | | | |
| | | | 5.0L V8 | | | | | | |
| 80947 E.O. No. D-182-55 | | Chevrolet — K2500 | | | | | | | |
|  | | 1993-91 | 5.0L V8 | | | | | | |
| <table border="1" style="width: 100%; border-collapse: collapse;"> <thead> <tr> <th style="width: 33%;">Inlet</th> <th style="width: 33%;">Outlet</th> <th style="width: 33%;">Overall Length</th> </tr> </thead> <tbody> <tr> <td style="text-align: center;">2½"</td> <td style="text-align: center;">4 Bolt Loose Flange</td> <td style="text-align: center;">20⅝"</td> </tr> </tbody> </table> | | Inlet | Outlet | Overall Length | 2½" | 4 Bolt Loose Flange | 20⅝" | 1993-88 | 4.3L V6 |
| Inlet | Outlet | Overall Length | | | | | | | |
| 2½" | 4 Bolt Loose Flange | 20⅝" | | | | | | | |
| | | 1989-88 | 5.0L V8 | | | | | | |
| | | GMC — C1500 | | | | | | | |
| | | 1993-88 | 4.3L V6 | | | | | | |
| | | | 5.0L V8 | | | | | | |
| | | GMC — C2500 | | | | | | | |
| | | 1993-88 | 4.3L V6 | | | | | | |
| | | | 5.0L V8 | | | | | | |
| | | GMC — K1500 | | | | | | | |
| | | 1993-88 | 4.3L V6 | | | | | | |
| | | | 5.0L V8 | | | | | | |
| | | GMC — K2500 | | | | | | | |
| | | 1993-88 | 4.3L V6 | | | | | | |
| | | | 5.0L V8 | | | | | | |
| | | GMC — Safari | | | | | | | |
| | | 1992 | 4.3L V6 | | | | | | |
| Chevrolet — S10 | | | | | | | | | |
| 1994-88 | 4.3L V6 | | | | | | | | |
| Chevrolet — S10 Blazer | | | | | | | | | |
| 1994-88 | 4.3L V6 | | | | | | | | |
| 1989-88 | 2.8L V6 | | | | | | | | |

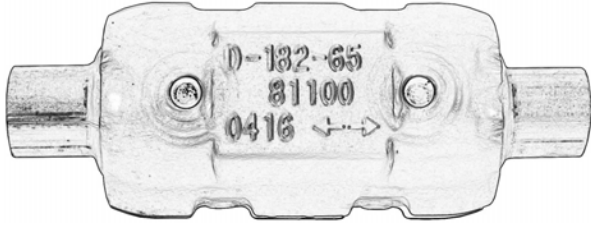

OBDII APPLICATIONS

NON-OBDII APPLICATIONS

NUMERICAL

UNIVERSAL SPECIFICATIONS

NUMERICAL LISTING

| Year | Engine | Year | Engine | | | | | | |
|--|--------|---|--------|----------------|--------|--------|-----|--|--|
| 81100 E.O. No. D-182-65  | | 81101 (Cont.) | | | | | | | |
| <table border="1" style="width: 100%; border-collapse: collapse;"> <thead> <tr> <th style="width: 33%;">Inlet</th> <th style="width: 33%;">Outlet</th> <th style="width: 34%;">Overall Length</th> </tr> </thead> <tbody> <tr> <td style="text-align: center;">1 3/4"</td> <td style="text-align: center;">1 3/4"</td> <td style="text-align: center;">12"</td> </tr> </tbody> </table> | | Inlet | Outlet | Overall Length | 1 3/4" | 1 3/4" | 12" | Audi — 200 1989 2.2L L5 Audi — 4000 1987-84 1.8L L4 1986-82 2.2L L5 1983-81 1.7L L4 1980 1.6L L4 Audi — 4000 Quattro 1987-84 2.2L L5 Audi — 5000 1988-87 2.3L L5 1988-85 2.2L L5 1983-78 2.2L L5 Audi — 5000 Quattro 1988-87 2.3L L5 1988-86 2.2L L5 Audi — 80 1990-88 2.0L L4 Audi — 90 1995-94 2.8L V6 1988 2.0L L4 Audi — 90 Quattro 1995-94 2.8L V6 Audi — A6 1995 2.8L V6 Audi — A6 Quattro 1995 2.8L V6 Audi — Coupe 1987-81 2.2L L5 Audi — S4 1994-92 2.2L L5 Audi — S6 1995 2.2L L5 BMW — 325i 1995-92 2.5L L6 BMW — 325is 1995-92 2.5L L6 BMW — M3 1995 3.0L L6 1991-88 2.3L L4 Buick — Skylark 1995-94 3.1L V6 1995-93 2.3L L4 Chevrolet — Beretta 1995-94 3.1L V6 Chevrolet — Corsica 1995-94 3.1L V6 Dodge — Challenger 1979-78 1.6L L4 Dodge — Colt 1994-93 1.5L L4 2.4L L4 1994-92 1.8L L4 1990-89 1.8L L4 Eagle — Summit 1995-93 1.5L L4 1994-92 1.8L L4 2.4L L4 Fiat — 124 1983-79 2.0L L4 1978-75 1.8L L4 | |
| Inlet | Outlet | Overall Length | | | | | | | |
| 1 3/4" | 1 3/4" | 12" | | | | | | | |
| Honda — Accord 1989-86 2.0L L4 1985-80 1.8L L4 Peugeot — 604 1980-79 2.8L V6 1978-77 2.7L L6 Saab — 900 1990-80 2.0L L4 Triumph — TR7 1981-80 2.0L L4 Volkswagen — Beetle 1979-75 1.6L H4 Volkswagen — Cabrio 1995 2.0L L4 Volkswagen — Cabriolet 1989-85 1.8L L4 | | 81101 E.O. No. D-182-65  | | | | | | | |
| <table border="1" style="width: 100%; border-collapse: collapse;"> <thead> <tr> <th style="width: 33%;">Inlet</th> <th style="width: 33%;">Outlet</th> <th style="width: 34%;">Overall Length</th> </tr> </thead> <tbody> <tr> <td style="text-align: center;">2"</td> <td style="text-align: center;">2"</td> <td style="text-align: center;">12"</td> </tr> </tbody> </table> | | Inlet | Outlet | Overall Length | 2" | 2" | 12" | Acura — Integra 1995-90 1.8L L4 1993-92 1.7L L4 1989-86 1.6L L4 Acura — Legend 1995-93 3.2L V6 1990-87 2.7L V6 1987-86 2.5L V6 Acura — NSX 1994-91 3.0L V6 Acura — Vigor 1994-92 2.5L L5 Audi — 100 1993-92 2.8L V6 1989 2.3L L5 Audi — 100 Quattro 1993-92 2.8L V6 | |
| Inlet | Outlet | Overall Length | | | | | | | |
| 2" | 2" | 12" | | | | | | | |

NUMERICAL LISTING

| Year | Engine | Year | Engine |
|------------------------------|---------|--|---------|
| 81101 (Cont.) | | 81101 (Cont.) | |
| Fiat — 128 | | Plymouth — Colt (Cont.) | |
| 1979-75 | 1.3L L4 | 1994-92 | 1.8L L4 |
| Fiat — 131 | | | 2.4L L4 |
| 1978-75 | 1.8L L4 | 1990-89 | 1.8L L4 |
| Fiat — X-1/9 | | Plymouth — Sapporo | |
| 1979 | 1.5L L4 | 1979-78 | 1.6L L4 |
| 1978-75 | 1.3L L4 | Pontiac — Grand Am | |
| Ford — Custom 500 | | 1995-94 | 3.1L V6 |
| 1975 | 5.8L V8 | 1995-93 | 2.3L L4 |
| Ford — Probe | | Porsche — 924 | |
| 1995-93 | 2.0L L4 | 1988-87 | 2.5L L4 |
| Ford — Ranchero | | 1982-80 | 2.0L L4 |
| 1979-75 | 5.8L V8 | Porsche — 928 | |
| Honda — Accord | | 1995-93 | 5.4L V8 |
| 1995-90 | 2.2L L4 | 1991-90 | 5.0L V8 |
| Honda — Civic | | Porsche — 944 | |
| 1995-88 | 1.6L L4 | 1989 | 2.7L L4 |
| 1995-85 | 1.5L L4 | 1988-83 | 2.5L L4 |
| 1983-80 | 1.3L L4 | Volkswagen — Fox | |
| | 1.5L L4 | 1993-87 | 1.8L L4 |
| Honda — Civic del Sol | | Volkswagen — Jetta | |
| 1995-93 | 1.5L L4 | 1984-81 | 1.7L L4 |
| | 1.6L L4 | 1980 | 1.6L L4 |
| Honda — CRX | | Volkswagen — Quantum | |
| 1991-88 | 1.5L L4 | 1988-83 | 2.2L L5 |
| | 1.6L L4 | 1985 | 1.8L L4 |
| Honda — Prelude | | 1983-82 | 1.7L L4 |
| 1995-92 | 2.2L L4 | Volkswagen — Rabbit | |
| | 2.3L L4 | 1984-83 | 1.8L L4 |
| 1991-90 | 2.1L L4 | 1984-81 | 1.7L L4 |
| 1991-85 | 2.0L L4 | 1980-78 | 1.5L L4 |
| 1987-80 | 1.8L L4 | 1980 | 1.6L L4 |
| Hyundai — Accent | | 1977-76 | 1.6L L4 |
| 1995 | 1.5L L4 | 1975 | 1.5L L4 |
| Infiniti — G20 | | Volkswagen — Rabbit Convertible | |
| 1993-91 | 2.0L L4 | 1984 | 1.8L L4 |
| Mazda — 808 | | 1983-81 | 1.7L L4 |
| 1977-75 | 1.6L L4 | 1980 | 1.6L L4 |
| Mazda — GLC | | Volkswagen — Scirocco | |
| 1985-83 | 1.5L L4 | 1987-84 | 1.8L L4 |
| 1980-79 | 1.4L L4 | 1983-81 | 1.7L L4 |
| 1978-77 | 1.3L L4 | 1980-79 | 1.6L L4 |
| Mazda — MX-3 | | 1978 | 1.5L L4 |
| 1995-92 | 1.6L L4 | 1977-76 | 1.6L L4 |
| 1994-92 | 1.8L V6 | 1975 | 1.5L L4 |
| Mg — Midget | | Volkswagen — Super Beetle | |
| 1979 | 1.5L L4 | 1975 | 1.6L H4 |
| Nissan — NX | | Volkswagen — Transporter | |
| 1993-91 | 2.0L L4 | 1979-76 | 2.0L H4 |
| Oldsmobile — Achieva | | 1975 | 1.8L H4 |
| 1995-94 | 3.1L V6 | Volkswagen — Vanagon | |
| 1995-93 | 2.3L L4 | 1987-86 | 2.1L H4 |
| Peugeot — 505 | | 1985-83 | 1.9L H4 |
| 1991 | 2.2L L4 | 1983-80 | 2.0L H4 |
| 1989-87 | 2.2L L4 | Volvo — 240 | |
| 1985 | 2.2L L4 | 1993-90 | 2.3L L4 |
| Plymouth — Champ | | Volvo — 242 | |
| 1980-79 | 1.4L L4 | 1982 | 2.1L L4 |
| | 1.6L L4 | Volvo — 244 | |
| Plymouth — Colt | | 1989-88 | 2.3L L4 |
| 1994-93 | 1.5L L4 | 1983 | 2.3L L4 |
| | | 1982 | 2.1L L4 |

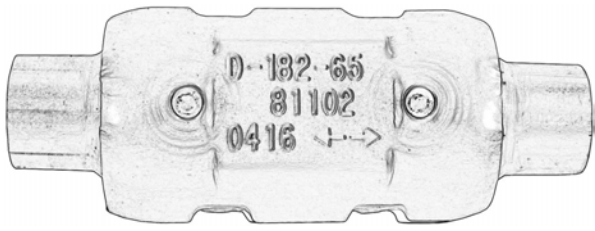
OBDDI APPLICATIONS

NON-OBDDI APPLICATIONS


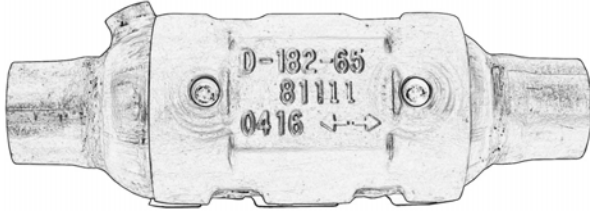
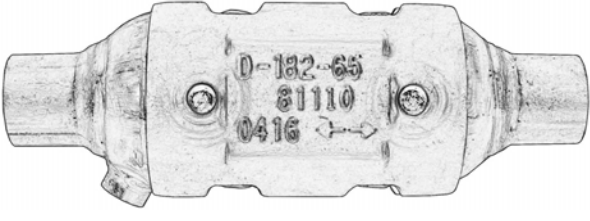
NUMERICAL

UNIVERSAL SPECIFICATIONS

NUMERICAL LISTING

| Year | Engine | Year | Engine |
|---|---------------|-------------------------------------|---------|
| 81101 (Cont.) | | 81102 (Cont.) | |
| Volvo — 245 | | Mercury — Cougar (Cont.) | |
| 1989-88 | 2.3L L4 | 1979-75 | 5.8L V8 |
| 1983 | 2.3L L4 | Mercury — Marquis | |
| 1982 | 2.1L L4 | 1978 | 5.8L V8 |
| 81102 | | Mercury — Montego | |
| E.O. No. D-182-65 | | 1976-75 | 5.8L V8 |
|  | | Mitsubishi — Mirage | |
| | | 1995-93 | 1.5L L4 |
| | | 1994-93 | 1.8L L4 |
| | | Nissan — 300ZX | |
| | | 1995-90 | 3.0L V6 |
| | | Oldsmobile — Cutlass Ciera | |
| | | 1995-94 | 3.1L V6 |
| | | Oldsmobile — Cutlass Cruiser | |
| | | 1994 | 3.1L V6 |
| Inlet | Outlet | Pontiac — Grand Prix | |
| 2 1/4" | 2 1/4" | 1995-93 | 3.1L V6 |
| | | Porsche — 911 | |
| | | 1995-90 | 3.6L H6 |
| | | Porsche — 968 | |
| | | 1995-92 | 3.0L L4 |
| | | Renault — Fuego | |
| | | 1983-82 | 1.6L L4 |
| | | Renault — R18i | |
| | | 1983-81 | 1.6L L4 |
| | | Saab — 900 | |
| | | 1995-94 | 2.5L V6 |
| | | 1995-81 | 2.0L L4 |
| | | 1993-91 | 2.1L L4 |
| | | Toyota — Celica | |
| | | 1991-88 | 2.0L L4 |
| | | Volkswagen — Cabriolet | |
| | | 1993-90 | 1.8L L4 |
| | | Volkswagen — Corrado | |
| | | 1994-92 | 2.8L V6 |
| | | Volvo — 164 | |
| | | 1975 | 3.0L L6 |
| | | Volvo — 242 | |
| | | 1981 | 2.1L L4 |
| | | Volvo — 244 | |
| | | 1981-76 | 2.1L L4 |
| | | 1975 | 2.0L L4 |
| | | Volvo — 245 | |
| | | 1981-76 | 2.1L L4 |
| | | 1975 | 2.0L L4 |
| | | Volvo — 262 | |
| | | 1979-78 | 2.7L V6 |
| | | 1976 | 2.7L V6 |
| | | Volvo — 264 | |
| | | 1979-76 | 2.7L V6 |
| | | Volvo — 265 | |
| | | 1979-76 | 2.7L V6 |
| Acura — Legend | | | |
| 1992-91 | 3.2L V6 | | |
| Audi — Cabriolet | | | |
| 1995-94 | 2.8L V6 | | |
| Audi — Coupe Quattro | | | |
| 1991-90 | 2.3L L5 | | |
| Audi — Quattro | | | |
| 1985-83 | 2.2L L5 | | |
| Audi — V8 Quattro | | | |
| 1991-90 | 3.6L V8 | | |
| Buick — Century | | | |
| 1995-94 | 3.1L V6 | | |
| Buick — Regal | | | |
| 1995-94 | 3.1L V6 | | |
| Chevrolet — Lumina | | | |
| 1995 | 3.1L V6 | | |
| 1993 | 3.1L V6 | | |
| Chevrolet — Monte Carlo | | | |
| 1995 | 3.1L V6 | | |
| Ford — Gran Torino | | | |
| 1976-75 | 5.8L V8 | | |
| Ford — LTD | | | |
| 1978-77 | 5.0L V8 | | |
| 1978-75 | 5.8L V8 | | |
| Ford — LTD II | | | |
| 1979-77 | 5.8L V8 | | |
| 1978-77 | 5.0L V8 | | |
| Ford — Thunderbird | | | |
| 1979-77 | 5.0L V8 | | |
| | 5.8L V8 | | |
| Ford — Torino | | | |
| 1976-75 | 5.8L V8 | | |
| Infiniti — J30 | | | |
| 1995-93 | 3.0L V6 | | |
| Lexus — SC400 | | | |
| 1995-92 | 4.0L V8 | | |
| Mercedes-Benz — S420 | | | |
| 1995 | 4.2L V8 | | |
| Mercedes-Benz — S500 | | | |
| 1995 | 5.0L V8 | | |
| Mercury — Cougar | | | |
| 1979-77 | 5.0L V8 | | |

NUMERICAL LISTING

| Year | Engine | Year | Engine |
|---|-------------------|---|-------------------|
| 81103 | E.O. No. D-182-65 | 81111 | E.O. No. D-182-65 |
|  | |  | |
| Inlet | Outlet | Inlet | Outlet |
| 2½" | 2½" | 2¼" | 2¼" |
| Overall Length | | Overall Length | |
| 12" | | 13½" | |
| Buick – Regal 1995-94 3.8L V6 Chevrolet – Camaro 1995 5.7L V8 Nissan – Sentra 1994-91 1.6L L4 Sterling – 825 1988-87 2.5L V6 Sterling – 827 1991-89 2.7L V6 | | Acura – Integra 1995-94 1.8L L4 Audi – 80 1992-91 2.3L L5 Audi – 80 Quattro 1992-88 2.3L L5 Audi – 90 1991-88 2.3L L5 Audi – 90 Quattro 1991-88 2.3L L5 BMW – 530i 1995-94 3.0L V8 BMW – 540i 1995-94 4.0L V8 BMW – 740i 1994-93 4.0L V8 BMW – 740iL 1995-93 4.0L V8 BMW – 840Ci 1995-94 4.0L V8 Chevrolet – Corvette 1995-92 5.7L V8 Ford – Thunderbird 1991 3.8L V6 Mercury – Cougar 1991 3.8L V6 Triumph – TR8 1981-80 3.5L V8 Volkswagen – Corrado 1992-90 1.8L L4 Volkswagen – Golf 1995 2.8L V6 1993-90 2.0L L4 1992-87 1.8L L4 Volkswagen – Jetta 1995-94 2.8L V6 1995 2.0L L4 1993-90 2.0L L4 1992-86 1.8L L4 Volkswagen – Passat 1995-94 2.8L V6 1993-90 2.0L L4 Volkswagen – Scirocco 1988-87 1.8L L4 Volvo – 240 1993-90 2.3L L4 Volvo – 244 1989-84 2.3L L4 | |
| 81110 | E.O. No. D-182-65 | | |
|  | | | |
| Inlet | Outlet | | |
| 2" | 2" | | |
| Overall Length | | | |
| 13½" | | | |

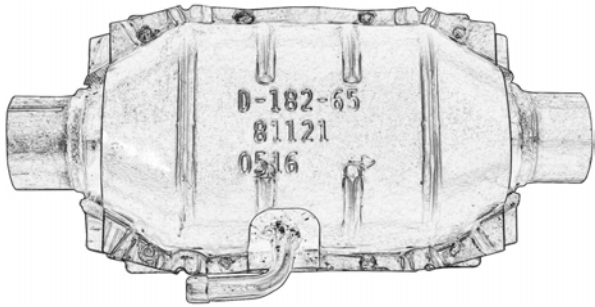
OBDDI APPLICATIONS

NON-OBDDI APPLICATIONS

NUMERICAL

UNIVERSAL SPECIFICATIONS

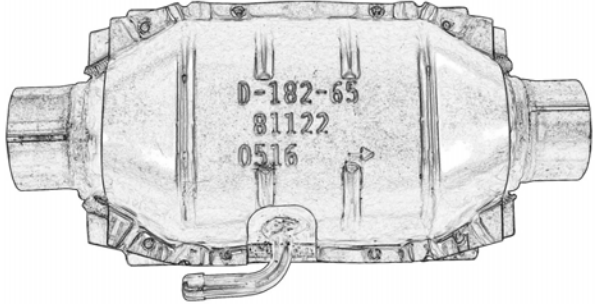
NUMERICAL LISTING

| Year | Engine | Year | Engine |
|---|---------|------------------------------|---------|
| 81111 (Cont.) | | 81121 (Cont.) | |
| Volvo — 245 | | Chrysler — LeBaron | |
| 1989-84 | 2.3L L4 | 1993-86 | 2.5L L4 |
| Volvo — 780 | | 1989-84 | 2.2L L4 |
| 1991-89 | 2.3L L4 | 1979 | 3.7L L6 |
| 81121 | | Chrysler — New Yorker | |
| E.O. No. D-182-65 | | 1984-83 | 2.2L L4 |
|  | | Dodge — 600 | |
| | | 1988 | 2.5L L4 |
| | | 1986-84 | 2.2L L4 |
| | | Dodge — Aries | |
| | | 1989-88 | 2.2L L4 |
| | | | 2.5L L4 |
| | | 1986-84 | 2.2L L4 |
| | | Dodge — Aspen | |
| | | 1979 | 3.7L L6 |
| | | Dodge — Charger | |
| | | 1986-85 | 2.2L L4 |
| | | Dodge — Daytona | |
| | | 1993-86 | 2.5L L4 |
| | | 1986-84 | 2.2L L4 |
| | | Dodge — Diplomat | |
| | | 1979 | 3.7L L6 |
| | | Dodge — Lancer | |
| | | 1986-85 | 2.2L L4 |
| | | Dodge — Omni | |
| | | 1990-88 | 2.2L L4 |
| | | 1986-84 | 2.2L L4 |
| | | 1980 | 1.7L L4 |
| | | Dodge — Shadow | |
| | | 1994-89 | 2.5L L4 |
| | | 1994-87 | 2.2L L4 |
| | | Dodge — Spirit | |
| | | 1995-93 | 2.5L L4 |
| | | Ford — Escort | |
| | | 1986-85 | 1.9L L4 |
| | | 1985-81 | 1.6L L4 |
| | | Ford — EXP | |
| | | 1983-82 | 1.6L L4 |
| | | Ford — Fairmont | |
| | | 1983-80 | 2.3L L4 |
| | | Ford — Granada | |
| | | 1982-81 | 2.3L L4 |
| | | Ford — LTD | |
| | | 1986-83 | 2.3L L4 |
| | | 1985-81 | 5.8L V8 |
| | | 1985-80 | 5.0L V8 |
| | | 1982-81 | 4.2L V8 |
| | | Ford — Mustang | |
| | | 1986-80 | 2.3L L4 |
| | | Ford — Pinto | |
| | | 1979-78 | 2.3L L4 |
| | | Ford — Tempo | |
| | | 1984 | 2.3L L4 |
| | | Ford — Thunderbird | |
| | | 1985-83 | 5.0L V8 |
| | | Lincoln — Continental | |
| | | 1985 | 5.0L V8 |
| | | Lincoln — Mark VI | |
| | | 1983-80 | 5.0L V8 |
| | | 1980 | 5.8L V8 |

| Inlet | Outlet | Overall Length |
|-------|--------|----------------------------------|
| 2" | 2" | 13 ¹ / ₄ " |

| | |
|----------------------------------|---------|
| American Motors — Concord | |
| 1983-80 | 4.2L L6 |
| American Motors — Eagle | |
| 1988-81 | 4.2L L6 |
| 1983 | 2.5L L4 |
| American Motors — Spirit | |
| 1983-80 | 4.2L L6 |
| Buick — Century | |
| 1986 | 2.8L V6 |
| 1985-82 | 3.0L V6 |
| Buick — Skyhawk | |
| 1983-82 | 1.8L L4 |
| 1983 | 2.0L L4 |
| Buick — Skylark | |
| 1985-81 | 2.8L V6 |
| 1981 | 2.5L L4 |
| Cadillac — Cimarron | |
| 1983 | 2.0L L4 |
| 1982 | 1.8L L4 |
| Chevrolet — Camaro | |
| 1982 | 2.8L V6 |
| Chevrolet — Cavalier | |
| 1983 | 2.0L L4 |
| 1982 | 1.8L L4 |
| Chevrolet — Celebrity | |
| 1986-82 | 2.8L V6 |
| Chevrolet — Chevette | |
| 1987-82 | 1.6L L4 |
| Chevrolet — Citation | |
| 1985-81 | 2.8L V6 |
| 1981 | 2.5L L4 |
| Chevrolet — Citation II | |
| 1985-84 | 2.8L V6 |
| Chevrolet — Nova | |
| 1988-85 | 1.6L L4 |
| Chrysler — E Class | |
| 1984-83 | 2.2L L4 |
| Chrysler — Laser | |
| 1986-84 | 2.2L L4 |

NUMERICAL LISTING

| Year | Engine | Year | Engine |
|-----------------------------------|---------|---|--------------------------|
| 81121 (Cont.) | | 81121 (Cont.) | |
| Lincoln — Mark VII | | Pontiac — Firebird | |
| 1985 | 5.0L V8 | 1982 | 2.8L V6 |
| Lincoln — Town Car | | Pontiac — Phoenix | |
| 1985-81 | 5.0L V8 | 1984-81 | 2.8L V6 |
| Mazda — RX-7 | | 1981 | 2.5L L4 |
| 1985-81 | 1.1L R2 | Pontiac — T1000 | |
| Mercury — Bobcat | | 1987-82 | 1.6L L4 |
| 1980-78 | 2.3L L4 | Toyota — Celica | |
| Mercury — Capri | | 1984-82 | 2.8L L6 |
| 1986-80 | 2.3L L4 | Toyota — Starlet | |
| Mercury — Cougar | | 1983 | 1.3L L4 |
| 1985-83 | 5.0L V8 | Yugo — GV | |
| Mercury — Grand Marquis | | 1989-86 | 1.1L L4 |
| 1985-83 | 5.0L V8 | Yugo — GVL | |
| Mercury — LN7 | | 1989-88 | 1.1L L4 |
| 1983 | 1.6L L4 | Yugo — GVS | |
| Mercury — Lynx | | 1988 | 1.1L L4 |
| 1986-85 | 1.9L L4 | Yugo — GVX | |
| 1985-81 | 1.6L L4 | 1989-88 | 1.3L L4 |
| Mercury — Marquis | | 81122 | E.O. No. D-182-65 |
| 1986-83 | 2.3L L4 |  | |
| 1981-80 | 5.0L V8 | Inlet | Outlet |
| 1981 | 4.2L V8 | Overall Length | |
| | 5.8L V8 | 2¼" | 2¼" |
| Mercury — Topaz | | | 13¼" |
| 1984 | 2.3L L4 | Buick — Century | |
| Mercury — Zephyr | | 1981-80 | 4.3L V8 |
| 1983-80 | 2.3L L4 | 1981 | 3.8L V6 |
| Nissan — Sentra | | 1980 | 4.9L V8 |
| 1988-87 | 1.6L L4 | | 5.0L V8 |
| Oldsmobile — Cutlass Ciera | | Buick — Electra | |
| 1986 | 2.8L V6 | 1987-82 | 5.0L V8 |
| 1985-82 | 3.0L V6 | 1984-81 | 4.1L V6 |
| Oldsmobile — Firenza | | Buick — LeSabre | |
| 1983-82 | 1.8L L4 | 1986-81 | 5.0L V8 |
| 1983 | 2.0L L4 | 1985-84 | 3.8L V6 |
| Oldsmobile — Omega | | 1984-81 | 4.1L V6 |
| 1984-81 | 2.8L V6 | 1982-81 | 3.8L V6 |
| 1981 | 2.5L L4 | Buick — Regal | |
| Peugeot — 504 | | 1987-86 | 5.0L V8 |
| 1983-81 | 2.3L L4 | 1987-81 | 3.8L V6 |
| 1979-78 | 2.0L L4 | 1984-82 | 4.1L V6 |
| Peugeot — 505 | | 1981-80 | 4.3L V8 |
| 1987-80 | 2.0L L4 | 1980 | 4.9L V8 |
| Plymouth — Acclaim | | | 5.0L V8 |
| 1995-93 | 2.5L L4 | Buick — Riviera | |
| Plymouth — Caravelle | | 1985-81 | 5.0L V8 |
| 1988 | 2.5L L4 | 1984-81 | 4.1L V6 |
| 1986-85 | 2.2L L4 | 1983-81 | 3.8L V6 |
| Plymouth — Horizon | | | |
| 1990-88 | 2.2L L4 | | |
| 1986-84 | 2.2L L4 | | |
| 1980 | 1.7L L4 | | |
| Plymouth — Reliant | | | |
| 1989-88 | 2.2L L4 | | |
| | 2.5L L4 | | |
| 1986-84 | 2.2L L4 | | |
| Plymouth — Volare | | | |
| 1979 | 3.7L L6 | | |
| Pontiac — 6000 | | | |
| 1986-82 | 2.8L V6 | | |

OBDDI APPLICATIONS

NON-OBDDI APPLICATIONS

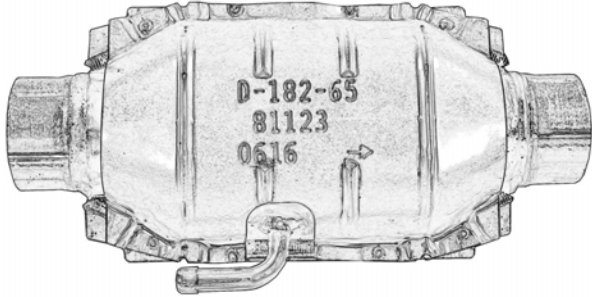
NUMERICAL

UNIVERSAL SPECIFICATIONS

NUMERICAL LISTING

| Year | Engine | Year | Engine |
|--------------------------------------|---------|-------------------------------------|---------|
| 81122 (Cont.) | | 81122 (Cont.) | |
| Buick — Skylark | | Chrysler — LeBaron | |
| 1982 | 2.8L V6 | 1994-92 | 3.0L V6 |
| Cadillac — Commercial Chassis | | 1981-80 | 5.2L V8 |
| 1984-81 | 6.0L V8 | Chrysler — New Yorker | |
| Cadillac — DeVille | | 1982-80 | 5.2L V8 |
| 1987-83 | 4.1L V8 | Chrysler — Newport | |
| 1982-81 | 4.1L V6 | 1981-80 | 5.2L V8 |
| 1981 | 6.0L V8 | Dodge — Aspen | |
| Cadillac — Eldorado | | 1980 | 5.2L V8 |
| 1987-82 | 4.1L V8 | Dodge — Diplomat | |
| 1981 | 4.1L V6 | 1989-80 | 5.2L V8 |
| Cadillac — Fleetwood | | Dodge — Lancer | |
| 1987-85 | 4.1L V8 | 1989-88 | 2.2L L4 |
| 1984-81 | 6.0L V8 | Dodge — Mirada | |
| 1983-82 | 4.1L V8 | 1983-80 | 5.2L V8 |
| 1981 | 4.1L V6 | Dodge — Spirit | |
| Cadillac — Seville | | 1992-91 | 2.2L L4 |
| 1987-82 | 4.1L V8 | 1992-89 | 2.5L L4 |
| 1981 | 4.1L V6 | Dodge — St. Regis | |
| Chevrolet — Camaro | | 1981-80 | 5.2L V8 |
| 1992-90 | 3.1L V6 | 1979 | 3.7L L6 |
| 1992-89 | 5.7L V8 | Ford — LTD | |
| 1992-80 | 5.0L V8 | 1985-84 | 5.0L V8 |
| 1984-83 | 2.8L V6 | Ford — Mustang | |
| 1981-80 | 4.4L V8 | 1986-84 | 2.3L L4 |
| 1981 | 3.8L V6 | GMC — Caballero | |
| | 5.7L V8 | 1987-85 | 4.3L V6 |
| Chevrolet — Caprice | | 1987-80 | 5.0L V8 |
| 1993-92 | 4.3L V6 | 1984-81 | 3.8L V6 |
| 1990-85 | 4.3L V6 | 1982-80 | 4.4L V8 |
| 1990-83 | 5.7L V8 | Infiniti — M30 | |
| 1988-80 | 5.0L V8 | 1992-90 | 3.0L V6 |
| 1984-80 | 3.8L V6 | Lincoln — Continental | |
| 1982-81 | 4.4L V8 | 1984-83 | 5.0L V8 |
| Chevrolet — Citation | | Lincoln — Mark VII | |
| 1982 | 2.8L V6 | 1984 | 5.0L V8 |
| Chevrolet — El Camino | | Mercedes-Benz — 190E | |
| 1987-85 | 4.3L V6 | 1993-91 | 2.3L L4 |
| 1987-80 | 5.0L V8 | Mercedes-Benz — 450SEL | |
| 1984-80 | 3.8L V6 | 1980-77 | 4.5L V8 |
| 1982-80 | 4.4L V8 | Mercury — Capri | |
| Chevrolet — Impala | | 1993-91 | 1.6L L4 |
| 1985-83 | 5.7L V8 | Oldsmobile — 98 | |
| 1985-80 | 5.0L V8 | 1984-81 | 5.0L V8 |
| 1985 | 4.3L V6 | 1983-81 | 4.1L V6 |
| 1984-81 | 3.8L V6 | Oldsmobile — Cutlass | |
| 1982-81 | 4.4L V8 | 1987-85 | 5.0L V8 |
| Chevrolet — Malibu | | 1981-80 | 3.8L V6 |
| 1983-80 | 3.8L V6 | 1981 | 4.3L V8 |
| | 5.0L V8 | 1980 | 5.0L V8 |
| 1982-81 | 4.4L V8 | Oldsmobile — Cutlass Calais | |
| Chevrolet — Monte Carlo | | 1981-80 | 3.8L V6 |
| 1988-85 | 4.3L V6 | 1981 | 4.3L V8 |
| 1988-80 | 5.0L V8 | 1980 | 5.0L V8 |
| 1984-81 | 3.8L V6 | Oldsmobile — Cutlass Ciera | |
| 1982-80 | 4.4L V8 | 1987-85 | 3.8L V6 |
| Chrysler — Cordoba | | Oldsmobile — Cutlass Cruiser | |
| 1983-80 | 5.2L V8 | 1987 | 3.8L V6 |
| Chrysler — Fifth Avenue | | 1981-80 | 3.8L V6 |
| 1989-83 | 5.2L V8 | 1981 | 4.3L V8 |
| Chrysler — Imperial | | 1980 | 5.0L V8 |
| 1983-81 | 5.2L V8 | | |

NUMERICAL LISTING

| Year | Engine | Year | Engine |
|-------------------------------------|---------|--|-----------------------|
| 81122 (Cont.) | | 81122 (Cont.) | |
| Oldsmobile — Cutlass Salon | | Pontiac — Safari | |
| 1987-85 | 5.0L V8 | 1987 | 5.0L V8 |
| 1980 | 3.8L V6 | Porsche — 911 | |
| | 5.0L V8 | 1989-86 | 3.3L H6 |
| Oldsmobile — Cutlass Supreme | | 1989-84 | 3.2L H6 |
| 1987-85 | 5.0L V8 | Volvo — 760 | |
| 1981-80 | 3.8L V6 | 1983 | 2.8L V6 |
| 1981 | 4.3L V8 | 81123 E.O. No. D-182-65 | |
| 1980 | 5.0L V8 |  | |
| Oldsmobile — Delta 88 | | Inlet | Outlet |
| 1985-83 | 3.8L V6 | | |
| 1985-81 | 5.0L V8 | | |
| 1982-81 | 4.3L V8 | | |
| Oldsmobile — Omega | | | Overall Length |
| 1982 | 2.8L V6 | 2½" | 2½" |
| Oldsmobile — Toronado | | | 13¼" |
| 1985-81 | 5.0L V8 | Cadillac — Allante | |
| 1984-81 | 4.1L V6 | 1988-87 | 4.1L V8 |
| Plymouth — Acclaim | | Cadillac — DeVille | |
| 1990-89 | 2.5L L4 | 1995-94 | 4.9L V8 |
| Plymouth — Gran Fury | | 1989-88 | 4.5L V8 |
| 1989-80 | 5.2L V8 | Cadillac — Eldorado | |
| Plymouth — Volare | | 1989-88 | 4.5L V8 |
| 1980 | 5.2L V8 | Cadillac — Fleetwood | |
| Pontiac — Bonneville | | 1989-88 | 4.5L V8 |
| 1986-84 | 3.8L V6 | Cadillac — Seville | |
| 1986-83 | 5.0L V8 | 1989-88 | 4.5L V8 |
| 1986 | 4.3L V6 | Chevrolet — Camaro | |
| 1982 | 4.1L V6 | 1985 | 5.0L V8 |
| 1981-80 | 3.8L V6 | 1983 | 5.0L V8 |
| 1981 | 4.3L V8 | Chevrolet — Monte Carlo | |
| | 5.0L V8 | 1988-83 | 5.0L V8 |
| Pontiac — Catalina | | Pontiac — Firebird | |
| 1981 | 3.8L V6 | 1992-90 | 3.1L V6 |
| | 4.3L V8 | 1992-81 | 5.0L V8 |
| | 5.0L V8 | 1984-83 | 2.8L V6 |
| Pontiac — Firebird | | 1981 | 3.8L V6 |
| 1992-90 | 3.1L V6 | | 4.3L V8 |
| 1992-81 | 5.0L V8 | | 4.9L V8 |
| 1984-83 | 2.8L V6 | Pontiac — Grand Prix | |
| 1981 | 3.8L V6 | 1987-86 | 4.3L V6 |
| | 4.3L V8 | 1987-84 | 3.8L V6 |
| | 4.9L V8 | 1987-83 | 5.0L V8 |
| Pontiac — Grand Prix | | 1982 | 4.1L V6 |
| 1987-86 | 4.3L V6 | 1981-80 | 4.3L V8 |
| 1987-84 | 3.8L V6 | 1980 | 3.8L V6 |
| 1987-83 | 5.0L V8 | | 4.9L V8 |
| 1982 | 4.1L V6 | | 5.0L V8 |
| 1981-80 | 4.3L V8 | Pontiac — LeMans | |
| 1980 | 3.8L V6 | 1981 | 3.8L V6 |
| | 4.9L V8 | | 4.3L V8 |
| | 5.0L V8 | Pontiac — Parisienne | |
| Pontiac — LeMans | | 1986-85 | 4.3L V6 |
| 1981 | 3.8L V6 | 1986-83 | 5.0L V8 |
| | 4.3L V8 | 1984 | 3.8L V6 |
| Pontiac — Parisienne | | Pontiac — Phoenix | |
| 1986-85 | 4.3L V6 | 1982 | 2.8L V6 |
| 1986-83 | 5.0L V8 | | |
| 1984 | 3.8L V6 | | |
| Pontiac — Phoenix | | | |
| 1982 | 2.8L V6 | | |

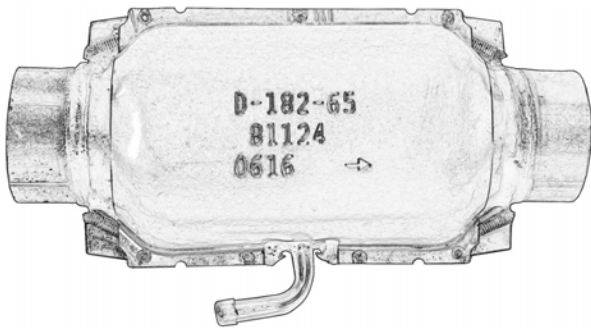

OBDII APPLICATIONS

NON-OBDII APPLICATIONS

NUMERICAL

UNIVERSAL SPECIFICATIONS

NUMERICAL LISTING

| Year | Engine |
|---|--------------------------|
| 81124 | E.O. No. D-182-65 |
|  | |
| Inlet | Outlet |
| 3" | 3" |
| Overall Length | |
| 13 1/4" | |
| Cadillac — Commercial Chassis 1990-88 4.5L V8 Chevrolet — Camaro 1992-87 5.7L V8 1989-84 5.0L V8 Chevrolet — Corvette 1985-84 5.7L V8 1982 5.7L V8 Chevrolet — Impala 1982 5.7L V8 Pontiac — Firebird 1992-87 5.7L V8 1989-86 5.0L V8 | |
| 81126 | E.O. No. D-182-65 |
|  | |
| Inlet | Outlet |
| 2" | 2" |
| Overall Length | |
| 13 1/4" | |
| Alfa Romeo — Alfetta 1977-75 2.0L L4 Alfa Romeo — Spider 1994-75 2.0L L4 Alfa Romeo — Sprint 1979 2.0L L4 American Motors — AMX 1980-78 4.2L L6 1979-78 5.0L V8 American Motors — Concord 1982-80 2.5L L4 1979-78 2.0L L4 3.8L L6 4.2L L6 5.0L V8 | |
| 81126 (Cont.) | |
| American Motors — Eagle 1984-81 2.5L L4 1980 4.2L L6 American Motors — Gremlin 1978-77 2.0L L4 1978-75 3.8L L6 4.2L L6 1976-75 5.0L V8 American Motors — Hornet 1977-75 3.8L L6 4.2L L6 5.0L V8 American Motors — Matador 1978-75 4.2L L6 5.9L V8 1977-75 5.0L V8 1976-75 6.6L V8 American Motors — Pacer 1980-75 4.2L L6 1979-78 5.0L V8 1978-75 3.8L L6 American Motors — Spirit 1982-80 2.5L L4 1979 2.0L L4 3.8L L6 4.2L L6 5.0L V8 Audi — 100 Series 1977-75 1.9L L4 Audi — Fox 1979-75 1.6L L4 Bertone — X-1/9 1989-84 1.5L L4 1985-84 2.0L L4 BMW — 318i 1985-84 1.8L L4 BMW — 320i 1983-80 1.8L L4 1979-77 2.0L L4 BMW — M5 1988 3.5L L6 BMW — M6 1988-87 3.5L L6 Buick — Century 1995-93 2.2L L4 1992-82 2.5L L4 1989-86 2.8L V6 1988-84 3.8L V6 1979-78 3.2L V6 3.8L V6 1979 4.9L V8 Buick — Electra 1985 3.0L V6 3.8L V6 Buick — Regal 1979-78 3.2L V6 3.8L V6 1979 4.9L V8 Buick — Skyhawk 1989-83 2.0L L4 1986-82 1.8L L4 | |

NUMERICAL LISTING

| Year | Engine | Year | Engine |
|--------------------------------|---------|---------------------------------------|---------|
| 81126 (Cont.) | | 81126 (Cont.) | |
| Buick — Skylark | | Chevrolet — Monte Carlo | |
| 1992 | 2.3L L4 | 1979-78 | 3.3L V6 |
| 1991-82 | 2.5L L4 | | 3.8L V6 |
| 1989 | 3.3L V6 | 1979 | 4.4L V8 |
| 1988-86 | 3.0L V6 | 1978 | 5.0L V8 |
| 1985 | 2.8L V6 | Chevrolet — Monza | |
| 1980 | 2.5L L4 | 1980-78 | 2.5L L4 |
| | 2.8L V6 | 1980 | 3.8L V6 |
| Buick — Somerset | | 1977 | 2.3L L4 |
| 1987-86 | 2.5L L4 | 1975 | 2.3L L4 |
| | 3.0L V6 | Chevrolet — Nova | |
| Buick — Somerset Regal | | 1988-87 | 1.6L L4 |
| 1985 | 2.5L L4 | Chevrolet — Spectrum | |
| | 3.0L V6 | 1988-85 | 1.5L L4 |
| Cadillac — Cimarron | | Chevrolet — Sprint | |
| 1988-85 | 2.8L V6 | 1988-85 | 1.0L L3 |
| 1986-83 | 2.0L L4 | Chevrolet — Vega | |
| Chevrolet — Beretta | | 1977-75 | 2.3L L4 |
| 1995-90 | 2.2L L4 | 1976-75 | 2.0L L4 |
| 1994-90 | 2.3L L4 | Chrysler — Cirrus | |
| 1993-90 | 3.1L V6 | 1995 | 2.4L L4 |
| 1989-87 | 2.0L L4 | | 2.5L V6 |
| | 2.8L V6 | Chrysler — E Class | |
| Chevrolet — Camaro | | 1984-83 | 2.6L L4 |
| 1986-82 | 2.5L L4 | 1984 | 2.2L L4 |
| Chevrolet — Cavalier | | Chrysler — Executive Limousine | |
| 1995-90 | 2.2L L4 | 1985 | 2.6L L4 |
| 1994-90 | 3.1L V6 | Chrysler — Executive Sedan | |
| 1989-85 | 2.8L V6 | 1984-83 | 2.6L L4 |
| 1989-83 | 2.0L L4 | Chrysler — Laser | |
| Chevrolet — Celebrity | | 1986-84 | 2.2L L4 |
| 1990-82 | 2.5L L4 | 1986 | 2.5L L4 |
| 1990 | 3.1L V6 | Chrysler — LeBaron | |
| 1989-85 | 2.8L V6 | 1993-86 | 2.5L L4 |
| Chevrolet — Chevette | | 1991-90 | 3.0L V6 |
| 1982-76 | 1.6L L4 | 1989-84 | 2.2L L4 |
| 1977-76 | 1.4L L4 | 1985-82 | 2.6L L4 |
| Chevrolet — Citation | | 1979 | 3.7L L6 |
| 1985 | 2.8L V6 | Chrysler — New Yorker | |
| 1983-82 | 2.5L L4 | 1987-86 | 2.5L L4 |
| 1980 | 2.5L L4 | 1985-83 | 2.6L L4 |
| | 2.8L V6 | 1984 | 2.2L L4 |
| Chevrolet — Citation II | | Chrysler — TC Maserati | |
| 1985-84 | 2.5L L4 | 1991-90 | 3.0L V6 |
| 1985 | 2.8L V6 | 1990-89 | 2.2L L4 |
| Chevrolet — Corsica | | Dodge — 400 | |
| 1995-90 | 2.2L L4 | 1983 | 2.6L L4 |
| 1993-90 | 3.1L V6 | Dodge — 600 | |
| 1989-87 | 2.0L L4 | 1988-86 | 2.5L L4 |
| | 2.8L V6 | 1986-84 | 2.2L L4 |
| Chevrolet — El Camino | | 1985-83 | 2.6L L4 |
| 1979-78 | 3.3L V6 | Dodge — Aries | |
| | 3.8L V6 | 1989-86 | 2.5L L4 |
| 1979 | 4.4L V8 | 1989-84 | 2.2L L4 |
| Chevrolet — Lumina | | 1985-83 | 2.6L L4 |
| 1993 | 2.2L L4 | Dodge — Aspen | |
| Chevrolet — Malibu | | 1979 | 3.7L L6 |
| 1979-78 | 3.3L V6 | 1976 | 3.7L L6 |
| | 3.8L V6 | Dodge — Challenger | |
| 1979 | 4.4L V8 | 1980-78 | 2.6L L4 |
| 1978 | 5.0L V8 | | |

OBDII APPLICATIONS

NON-OBDII APPLICATIONS

NUMERICAL

UNIVERSAL SPECIFICATIONS

NUMERICAL LISTING

| Year | Engine | Year | Engine |
|-------------------------|-------------------------------|---------------------------|-------------------------------|
| 81126 (Cont.) | | 81126 (Cont.) | |
| Dodge — Charger | | Ford — Fairmont | |
| 1986-85 | 2.2L L4 | 1979-78 | 2.3L L4 5.0L V8 |
| Dodge — Colt | | Ford — Festiva | |
| 1992-87 | 1.5L L4 | 1993-90 | 1.3L L4 |
| 1990-87 | 1.6L L4 | Ford — Fiesta | |
| 1988-84 | 2.0L L4 | 1980-78 | 1.6L L4 |
| 1984-79 | 1.4L L4 | Ford — Granada | |
| 1984-75 | 1.6L L4 | 1980-77 | 4.1L L6 |
| 1980-78 | 2.6L L4 | 1979-77 | 5.0L V8 |
| 1977-75 | 2.0L L4 | 1977 | 3.3L L6 5.8L V8 |
| Dodge — Coronet | | Ford — LTD | |
| 1976-75 | 3.7L L6 5.2L V8 5.9L V8 | 1980-79 | 5.0L V8 |
| Dodge — Dart | | Ford — LTD II | |
| 1976-75 | 3.7L L6 | 1979 | 5.0L V8 |
| Dodge — Daytona | | Ford — Maverick | |
| 1993-88 | 2.5L L4 | 1977 | 3.3L L6 4.1L L6 5.0L V8 |
| 1986-84 | 2.2L L4 | Ford — Mustang | |
| 1986 | 2.5L L4 | 1979 | 2.3L L4 |
| Dodge — Diplomat | | Ford — Mustang II | |
| 1979 | 3.7L L6 | 1978-77 | 2.3L L4 2.8L V6 5.0L V8 |
| Dodge — Dynasty | | Ford — Pinto | |
| 1993-90 | 2.5L L4 | 1979-75 | 2.8L V6 |
| Dodge — Lancer | | 1977-75 | 2.3L L4 |
| 1989-86 | 2.5L L4 | Ford — Probe | |
| 1989-85 | 2.2L L4 | 1995-93 | 2.5L V6 |
| Dodge — Omni | | 1992-89 | 2.2L L4 |
| 1990-88 | 2.2L L4 | Ford — Taurus | |
| 1986-84 | 2.2L L4 | 1995-94 | 3.0L V6 |
| 1979-78 | 1.7L L4 | 1995-93 | 3.2L V6 |
| Dodge — Shadow | | 1995-91 | 3.8L V6 |
| 1994-89 | 2.5L L4 | Ford — Tempo | |
| 1994-87 | 2.2L L4 | 1994-92 | 3.0L V6 |
| Dodge — Spirit | | Ford — Thunderbird | |
| 1995-89 | 2.5L L4 | 1995 | 3.8L V6 |
| 1991-89 | 3.0L V6 | 1993-92 | 3.8L V6 |
| Dodge — Stratus | | 1990-89 | 3.8L V6 |
| 1995 | 2.4L L4 2.5L V6 | Geo — Metro | |
| Eagle — Summit | | 1995 | 1.3L L4 |
| 1992-89 | 1.5L L4 | 1994-89 | 1.0L L3 |
| 1990-89 | 1.6L L4 | Geo — Prizm | |
| Eagle — Talon | | 1992-89 | 1.6L L4 |
| 1994-93 | 1.8L L4 | Geo — Spectrum | |
| 1994-90 | 2.0L L4 | 1989 | 1.5L L4 |
| Fiat — Brava | | Geo — Storm | |
| 1981-79 | 2.0L L4 | 1993-92 | 1.8L L4 |
| Fiat — Strada | | 1993-90 | 1.6L L4 |
| 1982-79 | 1.5L L4 | GMC — Caballero | |
| Fiat — X-1/9 | | 1979-78 | 3.3L V6 3.8L V6 |
| 1981 | 1.5L L4 | 1979 | 4.4L V8 |
| Ford — Aspire | | 1978 | 5.0L V8 |
| 1995-94 | 1.3L L4 | Hyundai — Elantra | |
| Ford — Escort | | 1995 | 1.6L L4 |
| 1995-91 | 1.8L L4 | 1994-93 | 1.8L L4 |
| 1995-87 | 1.9L L4 | 1993-92 | 1.6L L4 |
| Ford — EXP | | | |
| 1988-87 | 1.9L L4 | | |

NUMERICAL LISTING

| Year | Engine | Year | Engine |
|------------------------------|---------|------------------------------|---------|
| 81126 (Cont.) | | 81126 (Cont.) | |
| Hyundai — Excel | | Mercury — Bobcat | |
| 1994-90 | 1.5L L4 | 1979-75 | 2.8L V6 |
| Hyundai — Scoupe | | 1977-75 | 2.3L L4 |
| 1995-91 | 1.5L L4 | Mercury — Capri | |
| Hyundai — Sonata | | 1979 | 2.3L L4 |
| 1994-92 | 2.0L L4 | Mercury — Comet | |
| 1994-90 | 3.0L V6 | 1977 | 3.3L L6 |
| 1991-89 | 2.4L L4 | | 4.1L L6 |
| Isuzu — I-Mark | | | 5.0L V8 |
| 1989-85 | 1.5L L4 | Mercury — Cougar | |
| 1989 | 1.6L L4 | 1995-92 | 3.8L V6 |
| Isuzu — Impulse | | Mercury — LN7 | |
| 1992-90 | 1.6L L4 | 1982 | 1.6L L4 |
| Isuzu — Stylus | | Mercury — Lynx | |
| 1993-91 | 1.6L L4 | 1987 | 1.9L L4 |
| 1992 | 1.8L L4 | Mercury — Marquis | |
| Kia — Sephia | | 1980-79 | 5.0L V8 |
| 1994 | 1.6L L4 | | 5.8L V8 |
| Laforza — Laforza | | Mercury — Monarch | |
| 1990 | 5.0L V8 | 1980-77 | 4.1L L6 |
| Lancia — Beta | | 1979-77 | 5.0L V8 |
| 1981 | 2.0L L4 | 1977 | 3.3L L6 |
| 1979 | 2.0L L4 | | 5.8L V8 |
| Lancia — Zagato | | Mercury — Sable | |
| 1982-81 | 2.0L L4 | 1995-94 | 3.0L V6 |
| 1979 | 2.0L L4 | 1995-91 | 3.8L V6 |
| Lexus — ES250 | | Mercury — Topaz | |
| 1991-90 | 2.5L V6 | 1994-92 | 3.0L V6 |
| Lexus — ES300 | | Mercury — Tracer | |
| 1993-92 | 3.0L V6 | 1995-91 | 1.8L L4 |
| Lexus — GS300 | | | 1.9L L4 |
| 1995-93 | 3.0L L6 | 1989-87 | 1.6L L4 |
| Lincoln — Continental | | Mercury — Zephyr | |
| 1994-90 | 3.8L V6 | 1979-78 | 2.3L L4 |
| 1980 | 5.0L V8 | | 5.0L V8 |
| | 5.8L V8 | Mg — MGB | |
| Lincoln — Mark VI | | 1980-75 | 1.8L L4 |
| 1980 | 5.0L V8 | Mitsubishi — Diamante | |
| | 5.8L V8 | 1994-92 | 3.0L V6 |
| Lincoln — Versailles | | Mitsubishi — Eclipse | |
| 1980-77 | 5.0L V8 | 1994-90 | 1.8L L4 |
| Mazda — 323 | | | 2.0L L4 |
| 1994-86 | 1.6L L4 | Mitsubishi — Galant | |
| Mazda — 626 | | 1993-89 | 2.0L L4 |
| 1994-93 | 2.0L L4 | 1988 | 3.0L V6 |
| 1992-88 | 2.2L L4 | 1987-85 | 2.4L L4 |
| 1987-79 | 2.0L L4 | Mitsubishi — Mirage | |
| Mazda — 929 | | 1992-91 | 1.6L L4 |
| 1991-88 | 3.0L V6 | 1992-87 | 1.5L L4 |
| Mazda — GLC | | 1989-87 | 1.6L L4 |
| 1982-81 | 1.5L L4 | Mitsubishi — Precis | |
| Mazda — Miata | | 1994-90 | 1.5L L4 |
| 1993-90 | 1.6L L4 | Mitsubishi — Sigma | |
| Mazda — Mizer | | 1990-89 | 3.0L V6 |
| 1977-76 | 1.3L L4 | Nissan — 510 | |
| Mazda — MX-6 | | 1978 | 2.0L L4 |
| 1994-93 | 2.0L L4 | Nissan — 610 | |
| 1992-88 | 2.2L L4 | 1976-75 | 2.0L L4 |
| Mazda — Protege | | Nissan — 710 | |
| 1994-90 | 1.8L L4 | 1977-75 | 2.0L L4 |

OBDDI
APPLICATIONS

NON-OBDDI
APPLICATIONS

NUMERICAL

UNIVERSAL
SPECIFICATIONS

NUMERICAL LISTING

| Year | Engine | Year | Engine |
|-------------------------------------|---------|--------------------------------|---------|
| 81126 (Cont.) | | 81126 (Cont.) | |
| Nissan — 810 | | Plymouth — Acclaim | |
| 1981-80 | 2.4L L6 | 1995-89 | 2.5L L4 |
| 1977 | 2.4L L6 | 1991-89 | 3.0L V6 |
| Nissan — Altima | | Plymouth — Arrow | |
| 1993 | 2.4L L4 | 1980-79 | 2.6L L4 |
| Nissan — B210 | | 1980-78 | 1.6L L4 |
| 1978-75 | 1.4L L4 | 1978 | 2.0L L4 |
| Nissan — F10 | | Plymouth — Arrow Pickup | |
| 1978-76 | 1.4L L4 | 1980-79 | 2.6L L4 |
| Nissan — Maxima | | Plymouth — Caravelle | |
| 1984-82 | 2.4L L6 | 1988-86 | 2.5L L4 |
| Oldsmobile — 98 | | 1987-85 | 2.2L L4 |
| 1985 | 3.0L V6 | 1985 | 2.6L L4 |
| | 3.8L V6 | Plymouth — Champ | |
| Oldsmobile — Achieva | | 1982-81 | 1.4L L4 |
| 1992 | 2.3L L4 | | 1.6L L4 |
| Oldsmobile — Calais | | Plymouth — Colt | |
| 1987-85 | 2.5L L4 | 1992-87 | 1.5L L4 |
| | 3.0L V6 | 1991-84 | 2.0L L4 |
| Oldsmobile — Cutlass | | 1990-87 | 1.6L L4 |
| 1980-78 | 4.3L V8 | 1985 | 1.5L L4 |
| 1979-78 | 3.8L V6 | 1984-83 | 1.4L L4 |
| 1978 | 5.0L V8 | | 1.6L L4 |
| Oldsmobile — Cutlass Calais | | Plymouth — Duster | |
| 1991-88 | 2.5L L4 | 1976-75 | 3.7L L6 |
| 1988 | 3.0L V6 | Plymouth — Horizon | |
| 1980-78 | 4.3L V8 | 1990-84 | 2.2L L4 |
| 1979-78 | 3.8L V6 | 1986-84 | 1.6L L4 |
| 1978 | 5.0L V8 | 1979-78 | 1.7L L4 |
| Oldsmobile — Cutlass Ciera | | Plymouth — Laser | |
| 1992-82 | 2.5L L4 | 1994-90 | 1.8L L4 |
| 1989-86 | 2.8L V6 | | 2.0L L4 |
| 1988-84 | 3.8L V6 | Plymouth — Reliant | |
| Oldsmobile — Cutlass Cruiser | | 1989-86 | 2.5L L4 |
| 1992-87 | 2.5L L4 | 1989-84 | 2.2L L4 |
| 1989-87 | 2.8L V6 | 1985-83 | 2.6L L4 |
| 1988-87 | 3.8L V6 | Plymouth — Sapporo | |
| 1980 | 4.3L V8 | 1983-78 | 2.6L L4 |
| Oldsmobile — Cutlass Salon | | Plymouth — Scamp | |
| 1980-78 | 4.3L V8 | 1976-75 | 3.7L L6 |
| 1979-78 | 3.8L V6 | Plymouth — Sundance | |
| 1978 | 5.0L V8 | 1994-90 | 2.2L L4 |
| Oldsmobile — Cutlass Supreme | | 1994-88 | 2.5L L4 |
| 1980-78 | 4.3L V8 | 1988-87 | 2.2L L4 |
| 1979-78 | 3.8L V6 | Plymouth — Turismo | |
| 1978 | 5.0L V8 | 1985 | 1.6L L4 |
| Oldsmobile — Delta 88 | | | 2.2L L4 |
| 1979-78 | 4.3L V8 | Plymouth — Valiant | |
| Oldsmobile — Firenza | | 1976-75 | 3.7L L6 |
| 1988-83 | 2.0L L4 | Plymouth — Volare | |
| 1987-85 | 2.8L V6 | 1979 | 3.7L L6 |
| 1986-82 | 1.8L L4 | 1977-76 | 3.7L L6 |
| Oldsmobile — Omega | | Pontiac — 6000 | |
| 1984-82 | 2.5L L4 | 1991-88 | 3.1L V6 |
| 1980 | 2.5L L4 | 1991-82 | 2.5L L4 |
| | 2.8L V6 | 1989-85 | 2.8L V6 |
| Oldsmobile — Starfire | | Pontiac — Astre | |
| 1980-78 | 2.5L L4 | 1977-76 | 2.3L L4 |
| 1977-76 | 2.3L L4 | Pontiac — Fiero | |
| Peugeot — 505 | | 1988-85 | 2.8L V6 |
| 1986-85 | 2.0L L4 | 1988-84 | 2.5L L4 |
| 1983-80 | 2.0L L4 | | |

NUMERICAL LISTING

| Year | Engine | Year | Engine |
|--------------------------------|---------|--------------------------|---------|
| 81126 (Cont.) | | 81126 (Cont.) | |
| Pontiac — Firebird | | Renault — R15 | |
| 1986-82 | 2.5L L4 | 1976-75 | 1.6L L4 |
| Pontiac — Grand Am | | Renault — R17 | |
| 1992 | 2.3L L4 | 1979-75 | 1.6L L4 |
| 1991-85 | 2.5L L4 | Renault — R18i | |
| 1987-85 | 3.0L V6 | 1986-84 | 2.2L L4 |
| 1979-78 | 4.9L V8 | Saab — 99 | |
| Pontiac — Grand Prix | | 1980-75 | 2.0L L4 |
| 1979-78 | 3.8L V6 | Saturn — SC | |
| | 4.9L V8 | 1992-91 | 1.9L L4 |
| 1978 | 5.0L V8 | Saturn — SC1 | |
| Pontiac — J2000 | | 1995-93 | 1.9L L4 |
| 1983-82 | 1.8L L4 | Saturn — SC2 | |
| 1983 | 2.0L L4 | 1995-93 | 1.9L L4 |
| Pontiac — J2000 Sunbird | | Saturn — SL | |
| 1985-84 | 1.8L L4 | 1995-91 | 1.9L L4 |
| | 2.0L L4 | Saturn — SL1 | |
| Pontiac — LeMans | | 1995-91 | 1.9L L4 |
| 1993-88 | 1.6L L4 | Saturn — SL2 | |
| 1990-89 | 2.0L L4 | 1995-91 | 1.9L L4 |
| 1979-78 | 3.8L V6 | Saturn — SW1 | |
| 1979 | 4.9L V8 | 1995-93 | 1.9L L4 |
| Pontiac — Optima | | Saturn — SW2 | |
| 1991-88 | 1.6L L4 | 1995-93 | 1.9L L4 |
| 1990-89 | 2.0L L4 | Subaru — DL | |
| Pontiac — Phoenix | | 1982-81 | 1.6L H4 |
| 1984-82 | 2.5L L4 | | 1.8L H4 |
| 1980 | 2.5L L4 | Subaru — GL | |
| | 2.8L V6 | 1982-81 | 1.8L H4 |
| 1978-77 | 2.5L L4 | Subaru — GLF | |
| Pontiac — Sunbird | | 1982-81 | 1.8L H4 |
| 1994-91 | 3.1L V6 | Subaru — Standard | |
| 1994-86 | 2.0L L4 | 1982-81 | 1.6L H4 |
| 1986 | 1.8L L4 | | 1.8L H4 |
| 1980-78 | 2.5L L4 | Suzuki — Swift | |
| 1977 | 2.3L L4 | 1995-89 | 1.3L L4 |
| Pontiac — Sunfire | | Toyota — Camry | |
| 1995 | 2.2L L4 | 1986-83 | 2.0L L4 |
| Pontiac — T1000 | | Toyota — Celica | |
| 1984-81 | 1.6L L4 | 1993-90 | 1.6L L4 |
| Pontiac — Ventura | | 1991-90 | 2.2L L4 |
| 1977 | 2.5L L4 | 1989-86 | 2.0L L4 |
| Porsche — 914 | | 1986-85 | 2.8L L6 |
| 1975 | 1.8L H4 | 1985-81 | 2.4L L4 |
| Porsche — 924 | | 1981 | 2.8L L6 |
| 1979-77 | 2.0L L4 | 1980-79 | 2.6L L6 |
| Renault — Alliance | | 1980-75 | 2.2L L4 |
| 1987-85 | 1.7L L4 | Toyota — Corolla | |
| 1987-83 | 1.4L L4 | 1992-83 | 1.6L L4 |
| 1987 | 2.0L L4 | 1982-80 | 1.8L L4 |
| Renault — Encore | | 1979-76 | 1.2L L4 |
| 1986-85 | 1.7L L4 | 1979-75 | 1.6L L4 |
| 1986-84 | 1.4L L4 | Toyota — Corona | |
| Renault — Fuego | | 1982-81 | 2.4L L4 |
| 1985-84 | 2.2L L4 | 1980-75 | 2.2L L4 |
| 1984 | 1.6L L4 | Toyota — Cressida | |
| Renault — LeCar | | 1988-81 | 2.8L L6 |
| 1983-80 | 1.4L L4 | 1980-78 | 2.6L L6 |
| 1979-77 | 1.3L L4 | Toyota — MR2 | |
| Renault — R12 | | 1989-85 | 1.6L L4 |
| 1977-75 | 1.6L L4 | | |

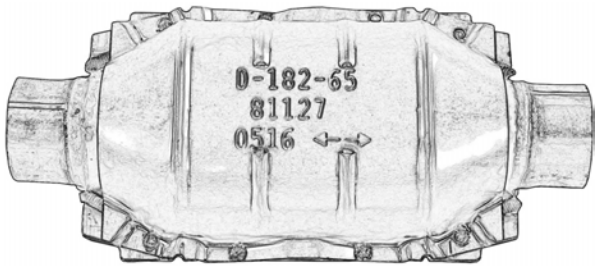
OBDDI APPLICATIONS

NON-OBDDI APPLICATIONS

NUMERICAL

UNIVERSAL SPECIFICATIONS

NUMERICAL LISTING

| Year | Engine | Year | Engine |
|---|---------|--------------------------------------|---------|
| 81126 (Cont.) | | 81127 (Cont.) | |
| Toyota — Paseo | | BMW — 325es | |
| 1995-92 | 1.5L L4 | 1987-86 | 2.7L L6 |
| Toyota — Starlet | | BMW — 528e | |
| 1984-81 | 1.3L L4 | 1987-82 | 2.7L L6 |
| Toyota — Tercel | | Buick — Apollo | |
| 1994-80 | 1.5L L4 | 1975 | 4.1L L6 |
| Triumph — Spitfire | | | 4.3L V8 |
| 1980-75 | 1.5L L4 | | 5.7L V8 |
| Triumph — TR6 | | Buick — Century | |
| 1976-75 | 2.5L L6 | 1993-89 | 3.3L V6 |
| Triumph — TR7 | | 1981-80 | 3.8L V6 |
| 1979-75 | 2.0L L4 | Buick — Electra | |
| Volkswagen — Dasher | | 1990-86 | 3.8L V6 |
| 1980-76 | 1.6L L4 | 1981-80 | 5.7L V8 |
| 1975 | 1.5L L4 | 1981 | 5.0L V8 |
| Volvo — 262 | | 1980 | 4.1L V6 |
| 1981-80 | 2.8L V6 | | 4.9L V8 |
| Volvo — 264 | | Buick — LeSabre | |
| 1982-80 | 2.8L V6 | 1991-86 | 3.8L V6 |
| Volvo — 265 | | 1986 | 3.0L V6 |
| 1981-80 | 2.8L V6 | 1983-80 | 3.8L V6 |
| Yugo — Cabrio | | 1981-80 | 5.7L V8 |
| 1992-90 | 1.3L L4 | 1980 | 4.1L V6 |
| Yugo — GV | | | 4.9L V8 |
| 1992-90 | 1.3L L4 | Buick — Reatta | |
| 81127 | | 1990-88 | 3.8L V6 |
| E.O. No. D-182-65 | | Buick — Regal | |
|  | | 1992-89 | 3.1L V6 |
| | | 1989-88 | 2.8L V6 |
| | | 1987-80 | 3.8L V6 |
| | | Buick — Riviera | |
| | | 1990-84 | 3.8L V6 |
| | | 1980 | 3.8L V6 |
| | | | 5.7L V8 |
| | | Buick — Roadmaster | |
| | | 1993-92 | 5.7L V8 |
| | | 1991 | 5.0L V8 |
| | | Buick — Skyhawk | |
| | | 1987 | 2.0L L4 |
| | | 1980-75 | 3.8L V6 |
| | | Buick — Skylark | |
| | | 1993-90 | 3.3L V6 |
| | | 1991-88 | 2.3L L4 |
| | | 1979-77 | 5.0L V8 |
| | | 1979-75 | 3.8L V6 |
| | | | 5.7L V8 |
| | | 1977 | 4.9L V8 |
| | | 1976-75 | 4.3L V8 |
| | | Cadillac — Commercial Chassis | |
| | | 1993 | 4.9L V8 |
| | | | 5.7L V8 |
| | | Cadillac — DeVille | |
| | | 1980 | 4.1L V6 |
| | | | 6.0L V8 |
| | | Cadillac — Eldorado | |
| | | 1980 | 6.0L V8 |
| | | Cadillac — Fleetwood | |
| | | 1993 | 5.7L V8 |
| | | Cadillac — Seville | |
| | | 1976 | 5.7L V8 |
| | | Chevrolet — Camaro | |
| | | 1992-90 | 3.1L V6 |

NUMERICAL LISTING

| Year | Engine | Year | Engine |
|-----------------------------------|---------|-----------------------------------|---------|
| 81127 (Cont.) | | 81127 (Cont.) | |
| Chevrolet — Camaro (Cont.) | | Chrysler — Newport (Cont.) | |
| 1989-86 | 2.8L V6 | 1979 | 5.2L V8 |
| 1982-81 | 5.0L V8 | Dodge — 600 | |
| 1981-80 | 3.8L V6 | 1988-87 | 2.2L L4 |
| 1979-76 | 5.0L V8 | Dodge — Aspen | |
| 1979-75 | 4.1L L6 | 1980-76 | 5.9L V8 |
| | 5.7L V8 | 1979-76 | 5.2L V8 |
| Chevrolet — Caprice | | 1978-77 | 3.7L L6 |
| 1993-91 | 5.0L V8 | Dodge — Charger | |
| 1983-81 | 3.8L V6 | 1978-75 | 5.2L V8 |
| Chevrolet — Cavalier | | | 5.9L V8 |
| 1990 | 3.1L V6 | Dodge — Dart | |
| 1989-87 | 2.8L V6 | 1976-75 | 5.2L V8 |
| Chevrolet — Corvette | | | 5.9L V8 |
| 1981-75 | 5.7L V8 | Dodge — Daytona | |
| 1980 | 5.0L V8 | 1988-87 | 2.2L L4 |
| Chevrolet — El Camino | | 1987 | 2.5L L4 |
| 1983-81 | 3.8L V6 | Dodge — Diplomat | |
| 1982-81 | 4.4L V8 | 1979 | 5.2L V8 |
| | 5.0L V8 | 1978 | 3.7L L6 |
| Chevrolet — Impala | | Dodge — Dynasty | |
| 1983-80 | 3.8L V6 | 1993-92 | 3.0L V6 |
| Chevrolet — Lumina | | 1991-90 | 3.3L V6 |
| 1995-91 | 3.4L V6 | Dodge — Lancer | |
| 1992-90 | 2.5L L4 | 1987 | 2.2L L4 |
| | 3.1L V6 | Dodge — Magnum | |
| Chevrolet — Malibu | | 1979-78 | 5.2L V8 |
| 1983-81 | 3.8L V6 | | 5.9L V8 |
| 1980 | 5.7L V8 | Dodge — Monaco | |
| Chevrolet — Monte Carlo | | 1992-90 | 3.0L V6 |
| 1995 | 3.4L V6 | 1978-77 | 3.7L L6 |
| 1983-80 | 3.8L V6 | | 5.2L V8 |
| Chevrolet — Monza | | | 5.9L V8 |
| 1979-78 | 3.2L V6 | Dodge — Shadow | |
| | 3.8L V6 | 1994-93 | 3.0L V6 |
| 1979-76 | 5.0L V8 | 1990-87 | 2.2L L4 |
| 1976-75 | 4.3L V8 | Dodge — Spirit | |
| 1976 | 2.3L L4 | 1995-92 | 3.0L V6 |
| Chevrolet — Nova | | Dodge — St. Regis | |
| 1979-76 | 5.0L V8 | 1979 | 3.7L L6 |
| 1979-75 | 5.7L V8 | | 5.2L V8 |
| 1978-75 | 4.1L L6 | | 5.9L V8 |
| 1975 | 4.3L V8 | Dodge — Stealth | |
| Chrysler — Cordoba | | 1993-91 | 3.0L V6 |
| 1979-75 | 5.2L V8 | Eagle — Medallion | |
| | 5.9L V8 | 1989-88 | 2.2L L4 |
| 1978-75 | 6.6L V8 | Eagle — Premier | |
| Chrysler — LeBaron | | 1992-88 | 3.0L V6 |
| 1995-92 | 3.0L V6 | 1989-88 | 2.5L L4 |
| 1992-89 | 2.5L L4 | Ford — Granada | |
| 1990-87 | 2.2L L4 | 1976-75 | 3.3L L6 |
| 1979-78 | 5.9L V8 | | 4.1L L6 |
| 1979-77 | 5.2L V8 | | 5.0L V8 |
| 1978 | 3.7L L6 | | 5.8L V8 |
| Chrysler — New Yorker | | Ford — Maverick | |
| 1993-91 | 3.8L V6 | 1976-75 | 3.3L L6 |
| 1991 | 3.3L V6 | | 4.1L L6 |
| 1988-87 | 2.2L L4 | | 5.0L V8 |
| 1980-79 | 5.9L V8 | Ford — Mustang | |
| 1979 | 5.2L V8 | 1983 | 2.3L L4 |
| Chrysler — Newport | | | |
| 1980-79 | 5.9L V8 | | |

OBDDI APPLICATIONS

NON-OBDDI APPLICATIONS

NUMERICAL

UNIVERSAL SPECIFICATIONS

NUMERICAL LISTING

| Year | Engine | Year | Engine |
|-------------------------------|--|-------------------------------------|--------------------|
| 81127 (Cont.) | | 81127 (Cont.) | |
| Ford — Mustang II | | Mitsubishi — Diamante | |
| 1976-75 | 2.3L L4 2.8L V6 5.0L V8 | 1994 | 3.0L V6 |
| Ford — Probe | | Mitsubishi — Expo | |
| 1992-90 | 3.0L V6 | 1995-92 | 2.4L L4 |
| Ford — Thunderbird | | Mitsubishi — Expo LRV | |
| 1986-83 | 2.3L L4 | 1994-93 | 2.4L L4 |
| GMC — Caballero | | 1994-92 | 1.8L L4 |
| 1983-80 | 3.8L V6 | Nissan — 200SX | |
| 1982-81 | 4.4L V8 5.0L V8 | 1985-84 | 1.8L L4 2.0L L4 |
| Isuzu — I-Mark | | 1983-82 | 2.2L L4 |
| 1989-87 | 1.5L L4 | 1981-77 | 2.0L L4 |
| 1985-81 | 1.8L L4 | Nissan — 210 | |
| Isuzu — Impulse | | 1982-80 | 1.2L L4 |
| 1989-88 | 2.3L L4 | 1982-79 | 1.4L L4 1.5L L4 |
| 1989-85 | 2.0L L4 | Nissan — 240SX | |
| 1986-83 | 1.9L L4 | 1994-92 | 2.4L L4 |
| Mazda — 626 | | Nissan — 280Z | |
| 1993 | 2.5L V6 | 1978-75 | 2.8L L6 |
| Mazda — Miata | | Nissan — 280ZX | |
| 1995-94 | 1.8L L4 | 1980-79 | 2.8L L6 |
| Mazda — MX-6 | | Nissan — 310 | |
| 1993 | 2.5L V6 | 1982-81 | 1.5L L4 |
| Mercedes-Benz — 400E | | 1980-79 | 1.4L L4 |
| 1993-92 | 4.2L V8 | Nissan — 510 | |
| Mercedes-Benz — 400SEL | | 1981-79 | 2.0L L4 |
| 1993 | 4.2L V8 | Nissan — 810 | |
| Mercedes-Benz — 450SEL | | 1979-78 | 2.4L L6 |
| 1976-75 | 4.5L V8 | Nissan — Maxima | |
| Mercedes-Benz — 500E | | 1994-86 | 3.0L V6 |
| 1993-92 | 5.0L V8 | Nissan — Pulsar NX | |
| Mercedes-Benz — 500SEC | | 1990-86 | 1.6L L4 |
| 1993 | 5.0L V8 | 1989-88 | 1.8L L4 |
| 1985-84 | 5.0L V8 | Nissan — Sentra | |
| Mercedes-Benz — 500SEL | | 1990-83 | 1.6L L4 |
| 1993-92 | 5.0L V8 | 1983-82 | 1.5L L4 |
| 1985-84 | 5.0L V8 | Nissan — Stanza | |
| Mercedes-Benz — E420 | | 1992-90 | 2.4L L4 |
| 1995-94 | 4.2L V8 | 1989-82 | 2.0L L4 |
| Mercedes-Benz — E500 | | Oldsmobile — 98 | |
| 1994 | 5.0L V8 | 1990-86 | 3.8L V6 |
| Mercury — Capri | | Oldsmobile — Achieva | |
| 1984-83 | 2.3L L4 | 1993-92 | 3.3L V6 |
| 1977-76 | 2.8L V6 | Oldsmobile — Cutlass | |
| Mercury — Comet | | 1981-80 | 3.8L V6 |
| 1976-75 | 3.3L L6 4.1L L6 5.0L V8 | Oldsmobile — Cutlass Calais | |
| Mercury — Cougar | | 1991-89 | 3.3L V6 |
| 1986-84 | 2.3L L4 | 1991-88 | 2.3L L4 |
| Mercury — Monarch | | 1981-80 | 3.8L V6 |
| 1976-75 | 3.3L L6 4.1L L6 5.0L V8 5.8L V8 | Oldsmobile — Cutlass Ciera | |
| Merkur — Scorpio | | 1995-93 | 2.2L L4 |
| 1989-88 | 2.9L V6 | 1993-89 | 3.3L V6 |
| Mitsubishi — 3000GT | | Oldsmobile — Cutlass Cruiser | |
| 1993-91 | 3.0L V6 | 1993-89 | 3.3L V6 |
| | | 1981-80 | 3.8L V6 |
| | | Oldsmobile — Cutlass Salon | |
| | | 1980 | 3.8L V6 |
| | | Oldsmobile — Cutlass Supreme | |
| | | 1981-80 | 3.8L V6 |

NUMERICAL LISTING

| Year | Engine | Year | Engine |
|------------------------------|---------|-----------------------------------|---------|
| 81127 (Cont.) | | 81127 (Cont.) | |
| Oldsmobile — Delta 88 | | Pontiac — Grand Am (Cont.) | |
| 1991-80 | 3.8L V6 | 1980 | 4.9L V8 |
| 1986 | 3.0L V6 | | 5.0L V8 |
| Oldsmobile — Omega | | Pontiac — Grand Prix | |
| 1979-77 | 3.8L V6 | 1995-91 | 3.4L V6 |
| | 5.0L V8 | 1992-89 | 3.1L V6 |
| 1979-75 | 5.7L V8 | 1991-90 | 2.3L L4 |
| 1977-75 | 4.3L V8 | 1989-88 | 2.8L V6 |
| 1976-75 | 4.1L L6 | 1983-81 | 3.8L V6 |
| Oldsmobile — Starfire | | Pontiac — LeMans | |
| 1980-75 | 3.8L V6 | 1981-80 | 3.8L V6 |
| 1979-77 | 5.0L V8 | 1980 | 4.3L V8 |
| Oldsmobile — Toronado | | | 4.9L V8 |
| 1990-86 | 3.8L V6 | | 5.0L V8 |
| Plymouth — Acclaim | | Pontiac — Phoenix | |
| 1995-92 | 3.0L V6 | 1979-77 | 3.8L V6 |
| Plymouth — Caravelle | | | 5.0L V8 |
| 1988-87 | 2.2L L4 | | 5.7L V8 |
| Plymouth — Duster | | Pontiac — Sunbird | |
| 1976-75 | 5.2L V8 | 1989-87 | 2.0L L4 |
| Plymouth — Fury | | 1980-76 | 3.8L V6 |
| 1978-77 | 3.7L L6 | 1979-78 | 5.0L V8 |
| 1978-75 | 5.2L V8 | 1977 | 2.5L L4 |
| | 5.9L V8 | 1976 | 2.3L L4 |
| Plymouth — Scamp | | Pontiac — Ventura | |
| 1976-75 | 5.2L V8 | 1977-75 | 5.7L V8 |
| Plymouth — Sundance | | 1977 | 3.8L V6 |
| 1991-89 | 2.5L L4 | | 4.9L V8 |
| 1988-87 | 2.2L L4 | | 5.0L V8 |
| Plymouth — Valiant | | 1976-75 | 4.1L L6 |
| 1976-75 | 5.2L V8 | | 4.3L V8 |
| 1976 | 5.9L V8 | Porsche — 911 | |
| Plymouth — Volare | | 1989-84 | 3.2L H6 |
| 1979-76 | 5.2L V8 | 1983-76 | 3.0L H6 |
| 1978-77 | 3.7L L6 | 1977-75 | 2.7L H6 |
| Pontiac — Astre | | Porsche — 928 | |
| 1977 | 2.5L L4 | 1984-83 | 4.7L V8 |
| 1975 | 2.3L L4 | 1982-78 | 4.5L V8 |
| Pontiac — Bonneville | | Porsche — 930 | |
| 1991-87 | 3.8L V6 | 1979 | 3.3L H6 |
| 1983-81 | 3.8L V6 | Porsche — 944 | |
| 1980 | 4.3L V8 | 1991-90 | 3.0L L4 |
| | 4.9L V8 | Saab — 900 | |
| | 5.7L V8 | 1995-94 | 2.3L L4 |
| Pontiac — Catalina | | Saab — 9000 | |
| 1981-80 | 3.8L V6 | 1995 | 3.0L V6 |
| 1980 | 4.3L V8 | 1994-93 | 2.3L L4 |
| | 4.9L V8 | Toyota — Camry | |
| | 5.7L V8 | 1991-88 | 2.5L V6 |
| Pontiac — Firebird | | Toyota — Celica | |
| 1992-90 | 3.1L V6 | 1991-90 | 2.2L L4 |
| 1989-85 | 2.8L V6 | Volvo — 242 | |
| 1982-77 | 5.0L V8 | 1983-82 | 2.1L L4 |
| 1981-77 | 3.8L V6 | Volvo — 244 | |
| 1979-75 | 5.7L V8 | 1984-82 | 2.1L L4 |
| 1979 | 4.9L V8 | Volvo — 245 | |
| 1977 | 4.9L V8 | 1985-81 | 2.1L L4 |
| 1976-75 | 4.1L L6 | Volvo — 740 | |
| Pontiac — Grand Am | | 1992-85 | 2.3L L4 |
| 1993-92 | 3.3L V6 | Volvo — 760 | |
| 1991-88 | 2.3L L4 | 1990-84 | 2.8L V6 |
| 1989-87 | 2.0L L4 | 1985-84 | 2.3L L4 |

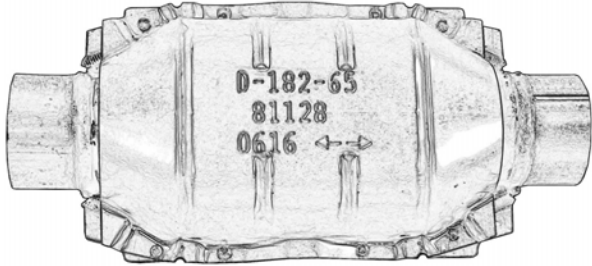
OBDDI
APPLICATIONS

NON-OBDDI
APPLICATIONS

NUMERICAL

UNIVERSAL
SPECIFICATIONS

NUMERICAL LISTING

| Year | Engine |
|---|---------------|
| 81127 (Cont.) | |
| Volvo — 780 | |
| 1990-87 | 2.8L V6 |
| 81128 | |
| E.O. No. D-182-65 | |
|  | |
| Inlet | Outlet |
| 2½" | 2½" |
| Overall Length | |
| 13¼" | |
| Buick — Century | |
| 1979-77 | 5.0L V8 |
| 1979-75 | 5.7L V8 |
| 1979 | 3.8L V6 |
| 1977-75 | 3.8L V6 |
| 1977 | 6.6L V8 |
| Buick — Electra | |
| 1979-77 | 5.7L V8 |
| | 6.6L V8 |
| 1976-75 | 7.5L V8 |
| Buick — LeSabre | |
| 1995-92 | 3.8L V6 |
| 1979-77 | 4.9L V8 |
| 1979-76 | 3.8L V6 |
| 1979-75 | 5.7L V8 |
| 1978 | 5.0L V8 |
| 1976-75 | 7.5L V8 |
| Buick — Park Avenue | |
| 1995-91 | 3.8L V6 |
| Buick — Reatta | |
| 1991 | 3.8L V6 |
| Buick — Regal | |
| 1993-90 | 3.8L V6 |
| 1979-77 | 5.0L V8 |
| 1979-75 | 3.8L V6 |
| 1977-75 | 5.7L V8 |
| Buick — Riviera | |
| 1995 | 3.8L V6 |
| 1993-91 | 3.8L V6 |
| 1979-77 | 5.7L V8 |
| 1979 | 3.8L V6 |
| 1978-77 | 6.6L V8 |
| 1976-75 | 7.5L V8 |
| Buick — Roadmaster | |
| 1995-94 | 5.7L V8 |
| Cadillac — Allante | |
| 1993 | 4.6L V8 |
| 1992-89 | 4.5L V8 |
| Cadillac — Commercial Chassis | |
| 1995 | 5.7L V8 |
| 1992 | 4.9L V8 |
| 1990 | 4.5L V8 |
| 1987-85 | 4.1L V8 |
| 1980 | 6.0L V8 |
| 81128 (Cont.) | |
| Cadillac — Commercial Chassis (Cont.) | |
| 1979-77 | 7.0L V8 |
| Cadillac — DeVille | |
| 1995-94 | 4.6L V8 |
| 1993-91 | 4.9L V8 |
| 1990 | 4.5L V8 |
| 1979-77 | 7.0L V8 |
| Cadillac — Eldorado | |
| 1995-93 | 4.6L V8 |
| 1993-91 | 4.9L V8 |
| 1990 | 4.5L V8 |
| 1980-79 | 5.7L V8 |
| 1978-77 | 7.0L V8 |
| Cadillac — Fleetwood | |
| 1995-94 | 5.7L V8 |
| 1992-91 | 4.9L V8 |
| 1990 | 4.5L V8 |
| 1980 | 4.1L V6 |
| | 6.0L V8 |
| 1979-77 | 7.0L V8 |
| Cadillac — Seville | |
| 1995-93 | 4.6L V8 |
| 1993-91 | 4.9L V8 |
| 1990 | 4.5L V8 |
| 1980 | 5.7L V8 |
| | 6.0L V8 |
| 1978-77 | 5.7L V8 |
| Chevrolet — Bel Air | |
| 1975 | 5.7L V8 |
| | 6.6L V8 |
| | 7.4L V8 |
| Chevrolet — Camaro | |
| 1995-93 | 3.4L V6 |
| | 5.7L V8 |
| 1980 | 5.7L V8 |
| Chevrolet — Caprice | |
| 1995-94 | 4.3L V8 |
| 1995-92 | 5.7L V8 |
| 1979-77 | 4.1L L6 |
| | 5.0L V8 |
| 1979-75 | 5.7L V8 |
| 1976-75 | 6.6L V8 |
| | 7.4L V8 |
| Chevrolet — El Camino | |
| 1978-76 | 5.0L V8 |
| 1977-75 | 4.1L L6 |
| | 5.7L V8 |
| 1976-75 | 6.6L V8 |
| 1975 | 7.4L V8 |
| Chevrolet — Impala | |
| 1995-94 | 5.7L V8 |
| 1979-77 | 4.1L L6 |
| | 5.0L V8 |
| 1979-75 | 5.7L V8 |
| 1976-75 | 6.6L V8 |
| | 7.4L V8 |
| Chevrolet — Laguna | |
| 1976-75 | 5.7L V8 |
| | 6.6L V8 |
| 1976 | 5.0L V8 |
| 1975 | 7.4L V8 |
| Chevrolet — Malibu | |
| 1979-75 | 5.7L V8 |

NUMERICAL LISTING

| Year | Engine | Year | Engine |
|-----------------------------------|---------|-------------------------------------|----------|
| 81128 (Cont.) | | 81128 (Cont.) | |
| Chevrolet — Malibu (Cont.) | | Dodge — Shadow | |
| 1979 | 5.0L V8 | 1992-89 | 2.5L L4 |
| 1977-76 | 5.0L V8 | Fiat — X-1/9 | |
| 1977-75 | 4.1L L6 | 1983-82 | 1.5L L4 |
| 1976-75 | 6.6L V8 | 1980 | 1.5L L4 |
| 1975 | 7.4L V8 | Ford — Thunderbird | |
| Chevrolet — Monte Carlo | | 1988-87 | 2.3L L4 |
| 1977-76 | 5.0L V8 | GMC — Caballero | |
| 1977-75 | 5.7L V8 | 1979-78 | 5.7L V8 |
| 1976-75 | 6.6L V8 | 1979 | 5.0L V8 |
| 1975 | 7.4L V8 | Mercedes-Benz — 190E | |
| Chevrolet — Nova | | 1984 | 2.3L L4 |
| 1979 | 4.1L L6 | Mercedes-Benz — 280CE | |
| Chrysler — E Class | | 1981-80 | 2.8L L6 |
| 1984 | 2.2L L4 | Mercedes-Benz — 280E | |
| Chrysler — Imperial | | 1981-80 | 2.8L L6 |
| 1991 | 3.3L V6 | Mercedes-Benz — 280SE | |
| | 3.8L V6 | 1980 | 2.8L L6 |
| 1975 | 7.2L V8 | Mercedes-Benz — 450SEL | |
| Chrysler — Laser | | 1979-77 | 6.8L V8 |
| 1986-84 | 2.2L L4 | Mercedes-Benz — SL600 | |
| Chrysler — LeBaron | | 1995 | 6.0L V12 |
| 1986-84 | 2.2L L4 | Nissan — 200SX | |
| Chrysler — New Yorker | | 1988-87 | 3.0L V6 |
| 1990 | 3.3L V6 | 1988-86 | 2.0L L4 |
| 1986-84 | 2.2L L4 | 1986 | 1.8L L4 |
| 1978-77 | 5.9L V8 | Nissan — 240SX | |
| 1978-75 | 6.6L V8 | 1992-89 | 2.4L L4 |
| | 7.2L V8 | Nissan — 300ZX | |
| Chrysler — Newport | | 1989-84 | 3.0L V6 |
| 1978-75 | 5.9L V8 | Oldsmobile — 88 | |
| | 6.6L V8 | 1995-92 | 3.8L V6 |
| | 7.2L V8 | Oldsmobile — 98 | |
| Dodge — 600 | | 1995-91 | 3.8L V6 |
| 1986-85 | 2.2L L4 | 1979-77 | 5.7L V8 |
| Dodge — Charger | | 1976-75 | 7.5L V8 |
| 1986-85 | 2.2L L4 | 1975 | 6.6L V8 |
| 1978-75 | 6.6L V8 | Oldsmobile — Aurora | |
| Dodge — Daytona | | 1995 | 4.0L V8 |
| 1993-92 | 2.2L L4 | Oldsmobile — Cutlass | |
| 1993-90 | 3.0L V6 | 1979-78 | 5.0L V8 |
| 1992 | 2.5L L4 | 1979-75 | 5.7L V8 |
| 1990-89 | 2.2L L4 | 1977-75 | 4.3L V8 |
| | 2.5L L4 | 1977 | 3.8L V6 |
| 1986-84 | 2.2L L4 | | 6.6L V8 |
| Dodge — Lancer | | 1976-75 | 4.1L L6 |
| 1989 | 2.5L L4 | 1976 | 7.5L V8 |
| 1986-85 | 2.2L L4 | Oldsmobile — Cutlass Calais | |
| Dodge — Monaco | | 1979-78 | 5.0L V8 |
| 1978-75 | 6.6L V8 | 1979 | 5.7L V8 |
| 1976-75 | 5.2L V8 | Oldsmobile — Cutlass Salon | |
| | 5.9L V8 | 1979-78 | 5.0L V8 |
| | 7.2L V8 | 1979 | 5.7L V8 |
| Dodge — Omni | | 1977-75 | 4.3L V8 |
| 1986-85 | 2.2L L4 | | 5.7L V8 |
| Dodge — Royal Monaco | | 1977 | 6.6L V8 |
| 1977-75 | 5.9L V8 | 1976 | 7.5L V8 |
| | 6.6L V8 | Oldsmobile — Cutlass Supreme | |
| | 7.2L V8 | 1979-78 | 5.0L V8 |
| 1977 | 5.2L V8 | 1979-75 | 5.7L V8 |
| 1975 | 5.2L V8 | 1977-75 | 4.3L V8 |


OBDDI APPLICATIONS

NON-OBDDI APPLICATIONS

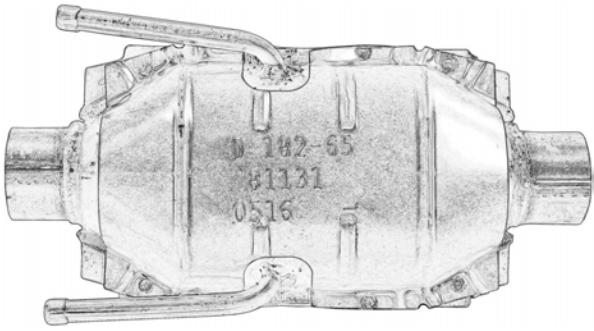
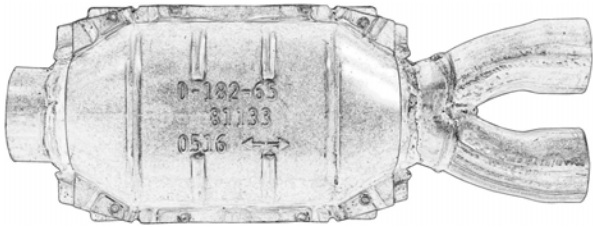
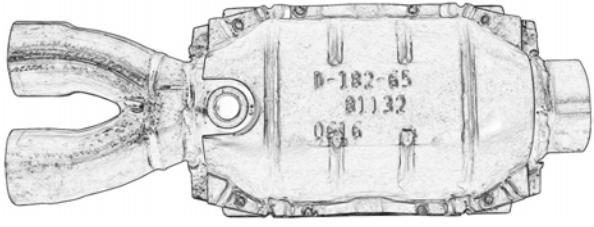
NUMERICAL

UNIVERSAL SPECIFICATIONS

NUMERICAL LISTING

| Year | Engine | Year | Engine | | | | | | |
|---|---------|---|---------|-------|--------|----------------|----|----|-----|
| 81128 (Cont.) | | 81128 (Cont.) | | | | | | | |
| Oldsmobile — Cutlass Supreme (Cont.) | | Pontiac — Grand Safari (Cont.) | | | | | | | |
| 1977 | 3.8L V6 | 1977 | 4.9L V8 | | | | | | |
| | 6.6L V8 | | 5.7L V8 | | | | | | |
| 1976-75 | 4.1L L6 | 1976-75 | 7.5L V8 | | | | | | |
| 1976 | 7.5L V8 | Pontiac — Grandville | | | | | | | |
| Oldsmobile — Cutlass Tiara | | 1975 | 6.6L V8 | | | | | | |
| 1976 | 4.3L V8 | Pontiac — LeMans | | | | | | | |
| | 5.7L V8 | 1979-78 | 5.0L V8 | | | | | | |
| | 7.5L V8 | 1979-75 | 5.7L V8 | | | | | | |
| Oldsmobile — Delta 88 | | 1977-75 | 6.6L V8 | | | | | | |
| 1979-77 | 3.8L V6 | 1977 | 3.8L V6 | | | | | | |
| 1979-75 | 5.7L V8 | | 4.9L V8 | | | | | | |
| 1979 | 4.9L V8 | 1976-75 | 4.1L L6 | | | | | | |
| 1977 | 4.3L V8 | 1976 | 4.3L V8 | | | | | | |
| 1976-75 | 7.5L V8 | Porsche — 944 | | | | | | | |
| 1975 | 6.6L V8 | 1989-86 | 2.5L L4 | | | | | | |
| Oldsmobile — Toronado | | Saab — 9000 | | | | | | | |
| 1992-91 | 3.8L V6 | 1992-90 | 2.3L L4 | | | | | | |
| 1979 | 5.7L V8 | 1990-86 | 2.0L L4 | | | | | | |
| 1978-77 | 6.6L V8 | Toyota — Camry | | | | | | | |
| 1976-75 | 7.5L V8 | 1992 | 3.0L V6 | | | | | | |
| Peugeot — 505 | | Toyota — Celica | | | | | | | |
| 1989-86 | 2.2L L4 | 1989-86 | 2.0L L4 | | | | | | |
| Plymouth — Caravelle | | Toyota — Cressida | | | | | | | |
| 1986-85 | 2.2L L4 | 1992-89 | 3.0L L6 | | | | | | |
| Plymouth — Fury | | Toyota — Supra | | | | | | | |
| 1978-77 | 7.2L V8 | 1988-86 | 3.0L L6 | | | | | | |
| 1978-75 | 6.6L V8 | Volvo — 850 | | | | | | | |
| 1975 | 7.2L V8 | 1994-93 | 2.4L L5 | | | | | | |
| Plymouth — Gran Fury | | 81130 | | | | | | | |
| 1977-75 | 5.2L V8 | E.O. No. D-182-65 | | | | | | | |
| | 5.9L V8 |  | | | | | | | |
| | 6.6L V8 | <table border="1" style="width: 100%; border-collapse: collapse; margin: 0 auto;"> <thead> <tr> <th style="width: 33%;">Inlet</th> <th style="width: 33%;">Outlet</th> <th style="width: 33%;">Overall Length</th> </tr> </thead> <tbody> <tr> <td style="text-align: center;">2"</td> <td style="text-align: center;">2"</td> <td style="text-align: center;">20"</td> </tr> </tbody> </table> | | Inlet | Outlet | Overall Length | 2" | 2" | 20" |
| Inlet | Outlet | Overall Length | | | | | | | |
| 2" | 2" | 20" | | | | | | | |
| Pontiac — Bonneville | | Alfa Romeo — 164 | | | | | | | |
| 1995-92 | 3.8L V6 | 1993-91 | 3.0L V6 | | | | | | |
| 1979-77 | 4.9L V8 | Mercedes-Benz — 260E | | | | | | | |
| | 5.7L V8 | 1989-87 | 2.6L L6 | | | | | | |
| 1979-75 | 6.6L V8 | Mercedes-Benz — 450SL | | | | | | | |
| 1976-75 | 7.5L V8 | 1979-77 | 4.5L V8 | | | | | | |
| Pontiac — Catalina | | Mercedes-Benz — E320 | | | | | | | |
| 1979-77 | 3.8L V6 | 1995-94 | 3.2L L6 | | | | | | |
| | 4.9L V8 | Mercedes-Benz — SL500 | | | | | | | |
| 1979-76 | 5.7L V8 | 1995-94 | 5.0L V8 | | | | | | |
| 1979-75 | 6.6L V8 | Porsche — 928 | | | | | | | |
| 1976-75 | 7.5L V8 | 1989-85 | 5.0L V8 | | | | | | |
| Pontiac — Firebird | | | | | | | | | |
| 1995-93 | 3.4L V6 | | | | | | | | |
| 1994-93 | 5.7L V8 | | | | | | | | |
| 1980 | 4.9L V8 | | | | | | | | |
| 1979-75 | 6.6L V8 | | | | | | | | |
| Pontiac — Grand Am | | | | | | | | | |
| 1979-78 | 5.0L V8 | | | | | | | | |
| 1975 | 7.5L V8 | | | | | | | | |
| Pontiac — Grand Prix | | | | | | | | | |
| 1979 | 5.0L V8 | | | | | | | | |
| 1977-76 | 5.7L V8 | | | | | | | | |
| 1977-75 | 6.6L V8 | | | | | | | | |
| 1977 | 4.9L V8 | | | | | | | | |
| 1976-75 | 7.5L V8 | | | | | | | | |
| Pontiac — Grand Safari | | | | | | | | | |
| 1978-75 | 6.6L V8 | | | | | | | | |

NUMERICAL LISTING

| Year | Engine | Year | Engine |
|---|--------------------------|---|--------------------------|
| 81131 | E.O. No. D-182-65 | 81133 | E.O. No. D-182-65 |
|  | |  | |
| Inlet | Outlet | Inlet | Outlet |
| 2" | 2" | 2 1/2" | 2" |
| Overall Length | | Overall Length | |
| 13 1/4" | | 16 1/8" | |
| Ford — Escort 1990-86 1.9L L4 Ford — Taurus 1991-86 2.5L L4 Ford — Tempo 1994-85 2.3L L4 Mercury — Lynx 1987-86 1.9L L4 Mercury — Sable 1986 2.5L L4 Mercury — Topaz 1994-85 2.3L L4 | | Alfa Romeo — GTV-6 1986-81 2.5L V6 Alfa Romeo — Milano 1989-87 2.5L V6 3.0L V6 BMW — 325i 1993-87 2.5L L6 BMW — 325is 1991-87 2.5L L6 BMW — 525i 1995-89 2.5L L6 BMW — 528e 1988-87 2.7L L6 BMW — 528i 1981-79 2.8L L6 BMW — 533i 1984-83 3.2L L6 BMW — 535i 1993-85 3.5L L6 BMW — 633CSi 1984-80 3.2L L6 BMW — 635CSi 1989-85 3.5L L6 BMW — 735i 1992-85 3.5L L6 BMW — M5 1993-91 3.6L L6 Mercedes-Benz — 190E 1993-87 2.6L L6 Mercedes-Benz — 280 1976-75 2.8L L6 Mercedes-Benz — 280C 1976-75 2.8L L6 Mercedes-Benz — 280E 1979-77 2.8L L6 Mercedes-Benz — 280S 1976-75 2.8L L6 Mercedes-Benz — 300CE 1992-88 3.0L L6 Mercedes-Benz — 300E 1993-86 3.0L L6 1993 2.8L L6 1992-90 2.6L L6 Mercedes-Benz — 300SE 1991-88 3.0L L6 Mercedes-Benz — 300SEL 1991-88 3.0L L6 | |
| 81132 | E.O. No. D-182-65 | | |
|  | | | |
| Inlet | Outlet | | |
| 2" | 2 1/2" | | |
| Overall Length | | | |
| 16 1/8" | | | |
| Alfa Romeo — 164 1995-91 3.0L V6 BMW — 750iL 1994-88 5.0L V12 BMW — 850Ci 1994-93 5.0L V12 BMW — 850CSi 1995-94 5.6L V12 BMW — 850i 1992-91 5.0L V12 Volvo — 960 1995-92 2.9L L6 | | | |

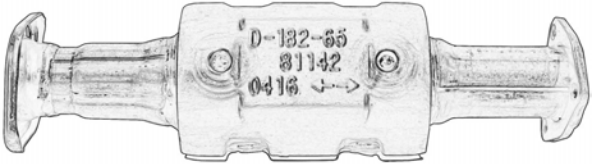

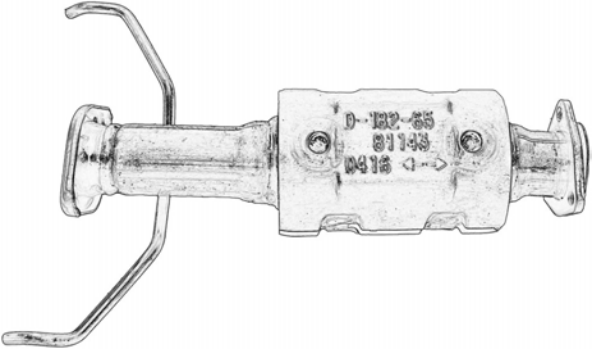
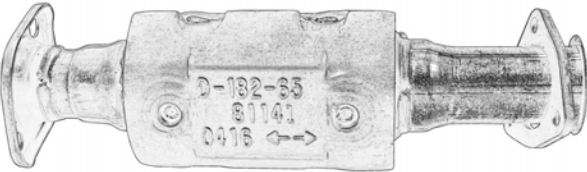



OBDDI APPLICATIONS

NON-OBDDI APPLICATIONS

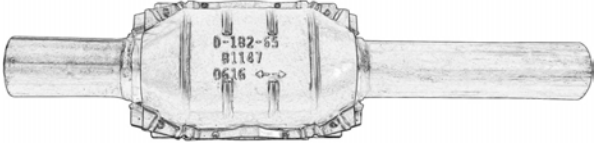
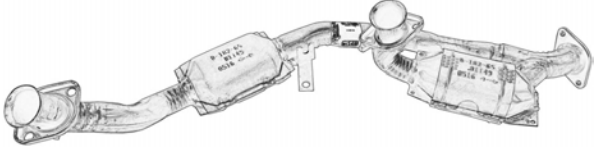
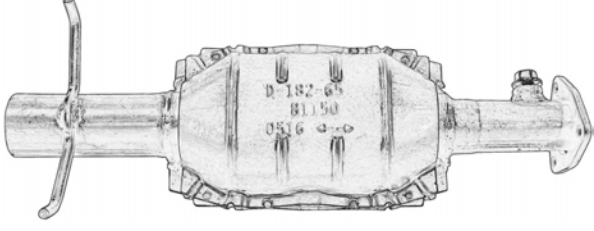

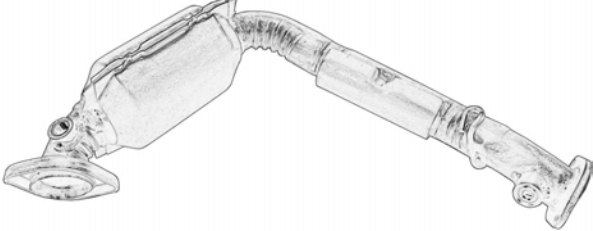
NUMERICAL

UNIVERSAL SPECIFICATIONS

NUMERICAL LISTING

| Year | Engine | Year | Engine |
|---|----------------------|--|---------------------|
| 81133 (Cont.) | | 81142 E.O. No. D-182-65 | |
| Mercedes-Benz — 300SL 1993-90 3.0L L6 Mercedes-Benz — 300TE 1993-88 3.0L L6 Mercedes-Benz — 420SEL 1991-86 4.2L V8 Mercedes-Benz — 500SL 1993-90 5.0L V8 Mercedes-Benz — 560SEC 1991-86 5.6L V8 Mercedes-Benz — 560SEL 1991-86 5.6L V8 | |  | |
| | | Inlet | Outlet |
| | | 2 Bolt Welded Flange | 3 Bolt Loose Flange |
| | | Overall Length | |
| | | 16 ⁵ / ₈ " | |
| 81140 E.O. No. D-182-65 | | Honda — Civic 1995-93 1.6L L4 1995-92 1.5L L4 Honda — Civic del Sol 1995-93 1.5L L4 1995-93 1.6L L4 | |
|  | |  | |
| Inlet | Outlet | Overall Length | |
| 3 Bolt Welded Flange | 3 Bolt Welded Flange | 13 ¹ / ₈ " | |
| 81141 E.O. No. D-182-65 | | Honda — Accord 1993-90 2.2L L4 Honda — Prelude 1993-92 2.2L L4 1993-92 2.3L L4 | |
|  | |  | |
| Inlet | Outlet | Overall Length | |
| 2 Bolt Welded Flange | 3 Bolt Loose Flange | 15 ¹ / ₂ " | |
| | | Inlet | Outlet |
| | | 2 Bolt Welded Flange | 3 Bolt Loose Flange |
| | | Overall Length | |
| | | 17 ⁵ / ₈ " | |
| 81144 E.O. No. D-182-65 | | Honda — Accord 1995-94 2.2L L4 81144 E.O. No. D-182-65 | |
|  | |  | |
| Inlet | Outlet | Overall Length | |
| 2 Bolt Welded Flange | 3 Bolt Welded Flange | 17 ⁵ / ₈ " | |
| | | Acura — Integra 1989-88 1.6L L4 Honda — Civic 1991-88 1.5L L4 1991-88 1.6L L4 Honda — CRX 1991-88 1.6L L4 Acura — Integra 1995-92 1.8L L4 1993-92 1.7L L4 | |

NUMERICAL LISTING

| Year | Engine | Year | Engine |
|--|---------------------------------|----------------------------------|--------------------------|
| 81147 | E.O. No. D-182-65 | | |
|  | | | |
| Inlet | Outlet | Overall Length | |
| 2 ⁵ / ₈ " | 2 ⁵ / ₈ " | 25 ¹ / ₄ " | |
| Buick – LeSabre 1994-92 3.8L V6 Buick – Park Avenue 1994-92 3.8L V6 Buick – Riviera 1993-91 3.8L V6 Cadillac – DeVille 1993-92 4.9L V8 Oldsmobile – 88 1994-92 3.8L V6 Oldsmobile – 98 1994-92 3.8L V6 Oldsmobile – Toronado 1992-91 3.8L V6 Pontiac – Bonneville 1994-92 3.8L V6 | | | |
| 81149 | E.O. No. D-182-65 | | |
|  | | | |
| Inlet | Outlet | Overall Length | |
| 2 Bolt Loose Flange With Spherical Flare | 2 Bolt Welded Flange | 40 ¹ / ₂ " | |
| Ford – Taurus 1995-91 3.8L V6 Mercury – Sable 1995-91 3.8L V6 | | | |
| 81150 | E.O. No. D-182-65 | | |
|  | | | |
| Inlet | Outlet | Overall Length | |
| 2 ¹ / ₈ " | 3 Bolt Loose Flange | 20 ³ / ₄ " | |
| Saturn – SC1 1995-93 1.9L L4 | | | |
| | | 81151 | E.O. No. D-182-65 |
|  | | | |
| Inlet | Outlet | Overall Length | |
| 2 Bolt Welded Flange | 2 Bolt Welded Flange | 16 ¹ / ₈ " | |
| Nissan – Maxima 1994-86 3.0L V6 | | | |
| | | 81152 | E.O. No. D-182-65 |
|  | | | |
| Inlet | Outlet | Overall Length | |
| 2 Bolt Loose Flange With Spherical Flare | 2 Bolt Loose Flange | 24 ³ / ₄ " | |
| Ford – Escort 1995-91 1.9L L4 Mercury – Tracer 1995-91 1.9L L4 | | | |

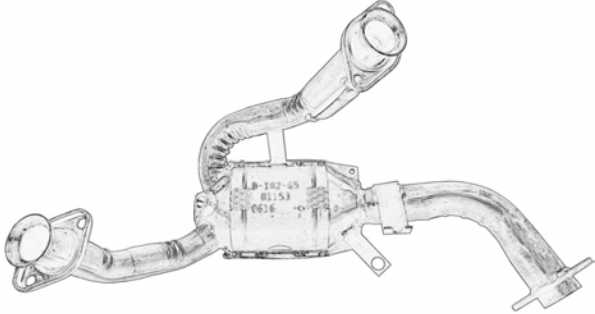
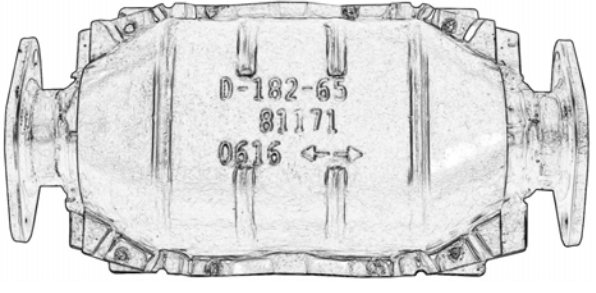
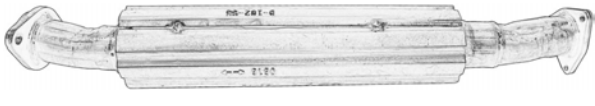
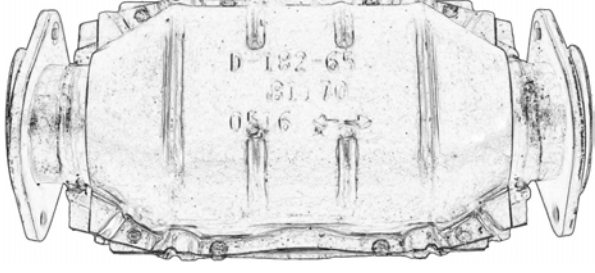

OBDII APPLICATIONS

NON-OBDII APPLICATIONS

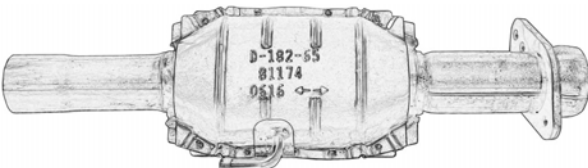
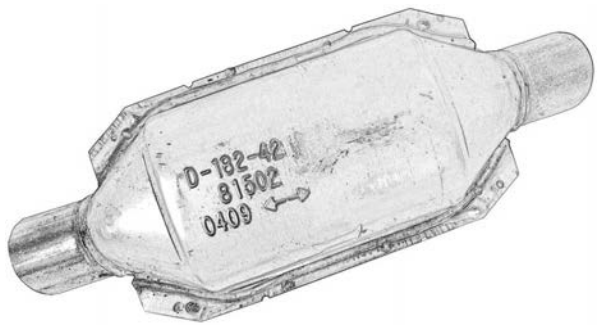
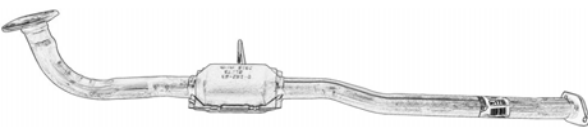
NUMERICAL

UNIVERSAL SPECIFICATIONS

NUMERICAL LISTING

| Year | Engine | Year | Engine | | |
|--|----------------------|--|----------------------|--|----------------------|
| 81153 | E.O. No. D-182-65 | 81171 | E.O. No. D-182-65 | | |
|  | |  | | | |
| Inlet | Outlet | Inlet | Outlet | | |
| 2 Bolt Loose Flange With Spherical Flare | 2 Bolt Welded Flange | 2 Bolt Welded Flange | 2 Bolt Welded Flange | | |
| Overall Length | | Overall Length | | | |
| 25 1/2" | | 12 1/2" | | | |
| 81156 | E.O. No. D-182-65 | Chevrolet – Nova 1988-87 1.6L L4 Geo – Prizm 1992-89 1.6L L4 Toyota – Camry 1986-83 2.0L L4 Toyota – Celica 1986 2.0L L4 1985-84 2.4L L4 1985 2.8L L6 Toyota – Corolla 1992-83 1.6L L4 Toyota – Cressida 1988-85 2.8L L6 Toyota – MR2 1989-85 1.6L L4 Toyota – Paseo 1994-92 1.5L L4 Toyota – Tercel 1994-83 1.5L L4 | | | |
|  | | | | | |
| Inlet | Outlet | | | | |
| 2 Bolt Loose Flange With Spherical Flare | 3 Bolt Welded Flange | | | | |
| Overall Length | | | | | |
| 32 1/4" | | | | | |
| 81170 | E.O. No. D-182-65 | | | 81172 | E.O. No. D-182-65 |
|  | | | |  | |
| Inlet | Outlet | | | Inlet | Outlet |
| 2 Bolt Loose Flange | 2 Bolt Loose Flange | | | 2 Bolt Welded Flange | 2 Bolt Welded Flange |
| Overall Length | | Overall Length | | | |
| 12 1/2" | | 14 3/4" | | | |
| Ford – Taurus 1992-86 3.0L V6 Mercury – Sable 1992-86 3.0L V6 | | Nissan – 240SX 1992-89 2.4L L4 Toyota – Celica 1989-86 2.0L L4 Toyota – Supra 1988-86 3.0L L6 | | | |
| Mazda – Miata 1993-90 1.6L L4 | | | | | |

NUMERICAL LISTING

| Year | Engine | Year | Engine |
|--|--------------------------|--|--------------------------|
| 81174 | E.O. No. D-182-65 | 81502 | E.O. No. D-182-42 |
|  | |  | |
| Inlet | Outlet | Inlet | Outlet |
| 2 1/4" | 2 5/8" Ball | 2 1/2" | 2 1/2" |
| Overall Length | | Overall Length | |
| 23" | | 18" | |
| Chevrolet — Camaro 1992-90 3.1L V6 1992-82 5.0L V8 1989-83 2.8L V6 | | Chrysler — Town & Country 2000-99 3.8L V6 1997-96 3.3L V6 3.8L V6 | |
| Chevrolet — Caprice 1993-92 4.3L V6 1990-83 5.7L V8 1988-83 5.0L V8 1984-83 3.8L V6 | | Dodge — Caravan 1999 3.8L V6 1998-96 2.4L L4 1997-96 3.3L V6 3.8L V6 1996 3.0L V6 | |
| Chevrolet — El Camino 1987-83 5.0L V8 | | Dodge — Dakota 2003 3.9L V6 4.7L V8 2000-98 5.9L V8 2000-96 3.9L V6 1999-96 5.2L V8 | |
| Chevrolet — Impala 1985-83 5.0L V8 5.7L V8 1984 3.8L V6 | | Dodge — Durango 2003 4.7L V8 1999 3.9L V6 | |
| Chevrolet — Malibu 1983 5.0L V8 | | Dodge — Grand Caravan 2000-96 3.8L V6 1997-96 2.4L L4 1997 3.3L V6 1996 3.0L V6 | |
| Chevrolet — Monte Carlo 1988-83 5.0L V8 1984 3.8L V6 | | Dodge — Ram 1500 2003-02 3.7L V6 2003 5.7L V8 5.9L V8 2001-00 3.9L V6 5.2L V8 5.9L V8 | |
| GMC — Caballero 1987-83 5.0L V8 1984 3.8L V6 | | Dodge — Ram 1500 Van 2003-00 3.9L V6 5.2L V8 5.9L V8 | |
| Pontiac — Bonneville 1986-84 5.0L V8 | | Dodge — Ram 2500 2003 5.7L V8 2001-00 5.9L V8 | |
| Pontiac — Firebird 1992-90 3.1L V6 1992-82 5.0L V8 1989-83 2.8L V6 | | Dodge — Ram 2500 Van 2003-00 5.2L V8 2003 5.9L V8 2001-00 5.9L V8 | |
| Pontiac — Grand Prix 1987-84 5.0L V8 | | Dodge — Ram 3500 2003 5.7L V8 2002-00 5.9L V8 | |
| Pontiac — Parisienne 1986-83 5.0L V8 | | | |
| 81175 | E.O. No. D-182-65 | | |
|  | | | |
| Inlet | Outlet | Overall Length | |
| 2 Bolt Welded Flange | 2 Bolt Welded Flange | 51 3/8" | |
| Geo — Metro 1994-89 1.0L L3 | | | |

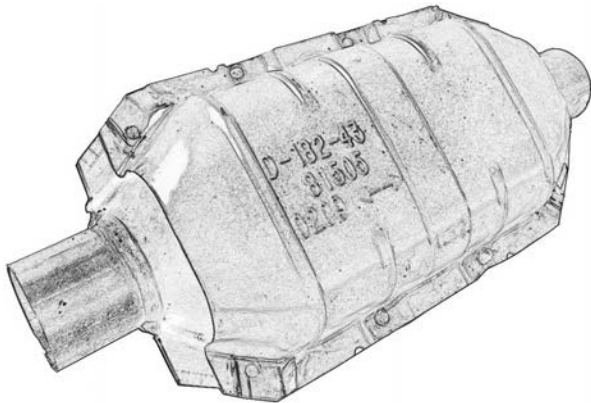
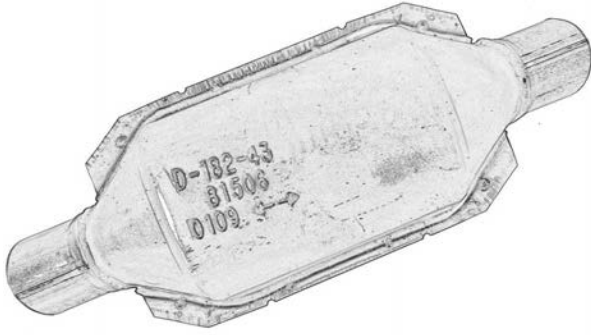
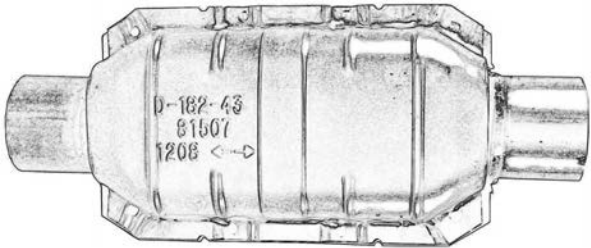
OBDII APPLICATIONS

NON-OBDII APPLICATIONS

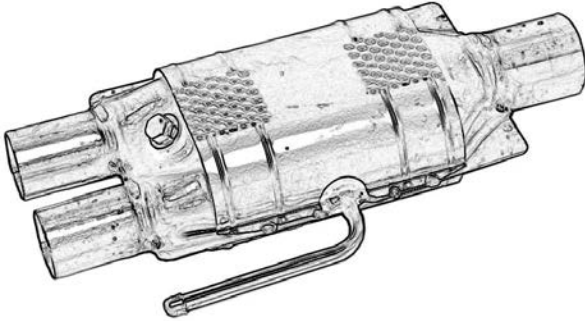
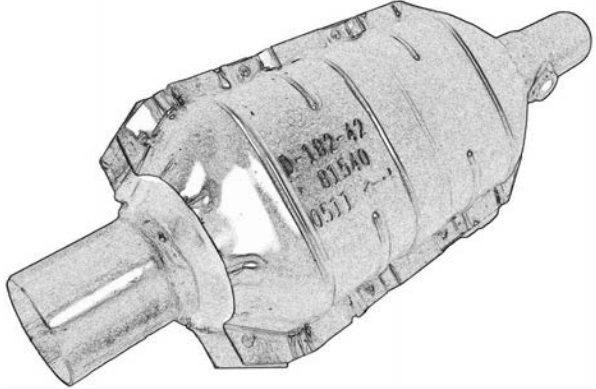
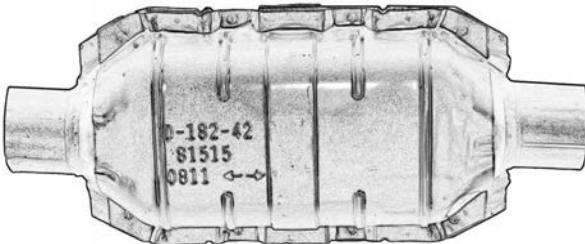

NUMERICAL

UNIVERSAL SPECIFICATIONS

NUMERICAL LISTING

| Year | Engine |
|---|--------------------------|
| 81502 (Cont.) | |
| Dodge — Ram 3500 Van | |
| 2003-00 | 5.2L V8 |
| 2003 | 5.9L V8 |
| 2001-00 | 5.9L V8 |
| Plymouth — Grand Voyager | |
| 1997-96 | 2.4L L4 |
| 1996 | 3.0L V6 |
| | 3.8L V6 |
| Plymouth — Voyager | |
| 1998-96 | 2.4L L4 |
| 1996 | 3.0L V6 |
| | 3.3L V6 |
| 81505 | E.O. No. D-182-43 |
|  | |
| Inlet | Outlet |
| 2 1/4" | 2 1/4" |
| Overall Length | |
| 18" | |
| Chevrolet — S10 | |
| 1998-96 | 2.2L L4 |
| GMC — Sonoma | |
| 1998-96 | 2.2L L4 |
| Isuzu — Hombre | |
| 1998-96 | 2.2L L4 |
| 81506 | E.O. No. D-182-43 |
|  | |
| Inlet | Outlet |
| 2 1/2" | 2 1/2" |
| Overall Length | |
| 18" | |
| Buick — LeSabre | |
| 1996 | 3.8L V6 |
| Buick — Park Avenue | |
| 1996 | 3.8L V6 |
| Buick — Regal | |
| 1996 | 3.8L V6 |
| Buick — Riviera | |
| 1998 | 3.8L V6 |
| 1996 | 3.8L V6 |
| Cadillac — DeVille | |
| 2000-96 | 4.6L V8 |
| Cadillac — Eldorado | |
| 2000-96 | 4.6L V8 |
| Cadillac — Seville | |
| 2000-96 | 4.6L V8 |
| Chevrolet — Camaro | |
| 1998-96 | 3.8L V6 |
| Oldsmobile — 88 | |
| 1999-97 | 3.8L V6 |
| Oldsmobile — Aurora | |
| 1999-96 | 4.0L V8 |
| Oldsmobile — LSS | |
| 1999-97 | 3.8L V6 |
| Oldsmobile — Regency | |
| 1998-97 | 3.8L V6 |
| Pontiac — Bonneville | |
| 1999-97 | 3.8L V6 |
| Pontiac — Firebird | |
| 1998-96 | 3.8L V6 |
| 81507 | E.O. No. D-182-43 |
|  | |
| Inlet | Outlet |
| 3" | 3" |
| Overall Length | |
| 18" | |

NUMERICAL LISTING

| Year | Engine | Year | Engine | | | |
|---|--------------------------|--|--------------------------|-----------------------|---------------|-----------------------|
| 81512 | E.O. No. D-182-42 | 81515 (Cont.) | | | | |
|  | | Jeep – Cherokee | | | | |
| | | 1997-96 4.0L L6 | | | | |
| | | Jeep – Grand Cherokee | | | | |
| | | 1998-96 5.2L V8 | | | | |
| | | 1998 5.9L V8 | | | | |
| | | 1996 4.0L L6 | | | | |
| | | Jeep – Wrangler | | | | |
| | | 1997 4.0L L6 | | | | |
| | | 81540 | E.O. No. D-182-42 | | | |
| | |  | | | | |
| Inlet | Outlet | | | Overall Length | | |
| 2" | 2½" | | | 18" | | |
| Dodge – B1500 | | | | | | |
| 1998-96 3.9L V6 | | | | | | |
| 5.2L V8 | | | | | | |
| Dodge – B2500 | | | | | | |
| 1998-96 5.2L V8 | | | | | | |
| 5.9L V8 | | | | | | |
| 1997-96 3.9L V6 | | | | | | |
| Dodge – B3500 | | | | | | |
| 1998-96 5.2L V8 | | | | | | |
| 5.9L V8 | | | | | | |
| Dodge – Ram 1500 | | | | | | |
| 1999-96 3.9L V6 | | | | | | |
| 5.2L V8 | | | | | | |
| 5.9L V8 | | | | | | |
| Dodge – Ram 1500 Van | | | | | | |
| 1999 3.9L V6 | | | | | | |
| 5.2L V8 | | | | | | |
| 5.9L V8 | | | | | | |
| Dodge – Ram 2500 | | | | | | |
| 2002-96 8.0L V10 | | | | | | |
| 1999-96 5.9L V8 | | | | | | |
| 1996 5.2L V8 | | | | | | |
| Dodge – Ram 2500 Van | | | | | | |
| 1999 5.2L V8 | | | | | | |
| Dodge – Ram 3500 | | | | | | |
| 2002-96 8.0L V10 | | | | | | |
| 1999-96 5.9L V8 | | | | | | |
| Dodge – Ram 3500 Van | | | | | | |
| 1999 5.2L V8 | | | | | | |
| 5.9L V8 | | | | | | |
| 81515 | E.O. No. D-182-42 | 81541 | E.O. No. D-182-43 | | | |
|  | |  | | | | |
| | | | | Inlet | Outlet | Overall Length |
| | | | | 4 Bolt Welded Flange | 2½" | 27¾" |
| | | Cadillac – DeVille | | | | |
| | | 1999-96 4.6L V8 | | | | |
| | | Cadillac – Eldorado | | | | |
| | | 1999-96 4.6L V8 | | | | |
| | | Cadillac – Seville | | | | |
| | | 1997-96 4.6L V8 | | | | |


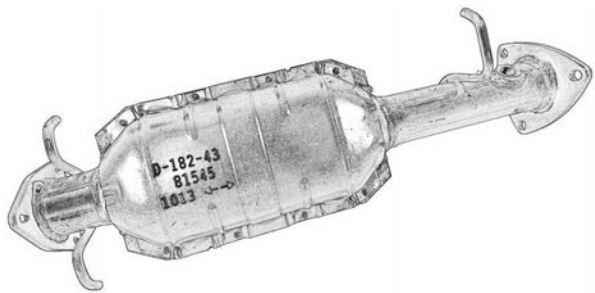

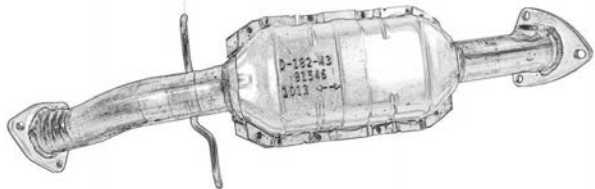

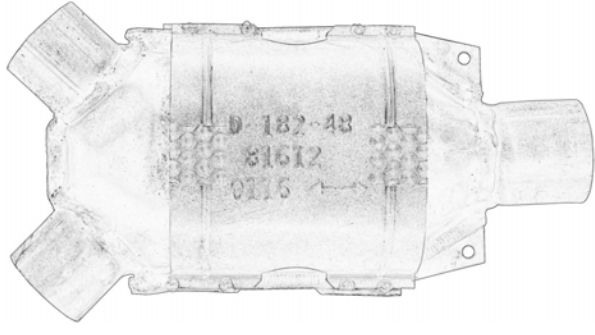
OBDDI APPLICATIONS

NON-OBDDI APPLICATIONS

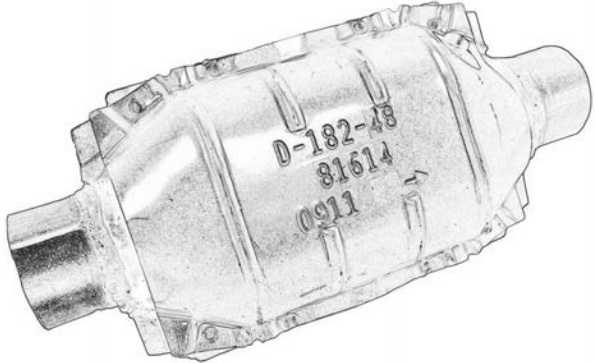
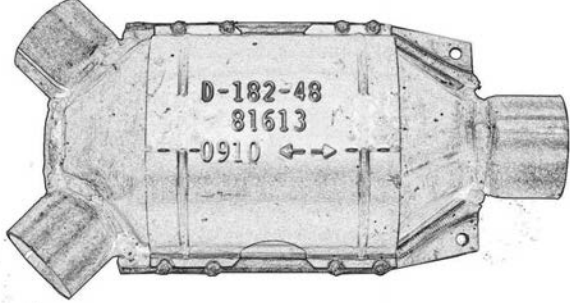
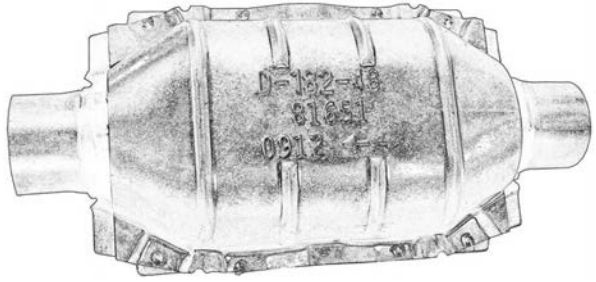
NUMERICAL

UNIVERSAL SPECIFICATIONS

NUMERICAL LISTING

| Year | Engine | Year | Engine |
|---|-------------------|--|----------------------|
| 81542 | E.O. No. D-182-42 | 81545 | E.O. No. D-182-43 |
|  | |  | |
| Inlet | Outlet | Inlet | Outlet |
| 2 Bolt Loose Flange With Spherical Flare | 2 1/2" | 3 Bolt Welded Flange | 3 Bolt Welded Flange |
| Overall Length | | Overall Length | |
| 50 1/8" | | 25 1/4" | |
| Dodge — Ram 1500 2001-00 5.2L V8 5.9L V8 Dodge — Ram 2500 2001-00 5.9L V8 Dodge — Ram 3500 2002-00 5.9L V8 | | Chevrolet — S10 1997-96 4.3L V6 GMC — Sonoma 1997-96 4.3L V6 Isuzu — Hombre 1997 4.3L V6 | |
| 81543 | E.O. No. D-182-42 | 81546 | E.O. No. D-182-43 |
|  | |  | |
| Inlet | Outlet | Inlet | Outlet |
| 2 1/2" | 2 1/2" | 3 Bolt Welded Flange | 3 Bolt Welded Flange |
| Overall Length | | Overall Length | |
| 71" | | 31 3/4" | |
| Dodge — Dakota 1999-96 3.9L V6 | | Chevrolet — S10 1998 4.3L V6 GMC — Sonoma 1998 4.3L V6 Isuzu — Hombre 1998 4.3L V6 | |
| 81544 | E.O. No. D-182-42 | 81612 | E.O. No. D-182-48 |
|  | |  | |
| Inlet | Outlet | Inlet | Outlet |
| 2 1/2" | 2 1/2" | 2" | 2 1/4" |
| Overall Length | | Overall Length | |
| 59" | | 13" | |
| Dodge — Dakota 1999-97 3.9L V6 | | Ford — Thunderbird 1997-96 3.8L V6 | |

NUMERICAL LISTING

| Year | Engine | Year | Engine |
|---|--------|--|--------|
| 81612 (Cont.) Mercury – Cougar 1997-96 3.8L V6 | | 81614 E.O. No. D-182-48 | |
| 81613 E.O. No. D-182-48 | |  | |
|  | | | |
| Inlet | Outlet | Overall Length | |
| 2" | 2 1/4" | 13" | |
| Chrysler – Concorde 1997-96 3.5L V6 Chrysler – LHS 1997-96 3.5L V6 Chrysler – New Yorker 1996 3.5L V6 Dodge – Intrepid 1997-96 3.5L V6 Eagle – Vision 1997-96 3.5L V6 Ford – Thunderbird 1997-95 4.6L V8 Jaguar – XJS 1995 4.0L L6 Lincoln – Mark VIII 1998-96 4.6L V8 Mercury – Cougar 1997-95 4.6L V8 Subaru – Outback 2004-01 3.0L H6 Subaru – SVX 1997-96 3.3L H6 | | Infiniti – I30 1998-96 3.0L V6 Infiniti – Q45 1996 4.5L V8 Nissan – Maxima 1998-95 3.0L V6 | |
| | | 81651 E.O. No. D-182-48 | |
| | |  | |
| Inlet | Outlet | Overall Length | |
| 2" | 2" | 13 1/4" | |
| Ford – Ranger 2004-01 3.0L V6 2001-98 2.5L L4 Infiniti – Q45 2001-99 4.1L V8 Jaguar – Vanden Plas 1997-95 4.0L L6 Jaguar – XJ12 1996-95 6.0L V12 Jaguar – XJ6 1997-95 4.0L L6 Jaguar – XJR 1997-96 4.0L L6 Mazda – B2500 2001-98 2.5L L4 Mazda – B3000 2004-01 3.0L V6 Mercedes-Benz – C240 2003-01 2.6L V6 | | | |

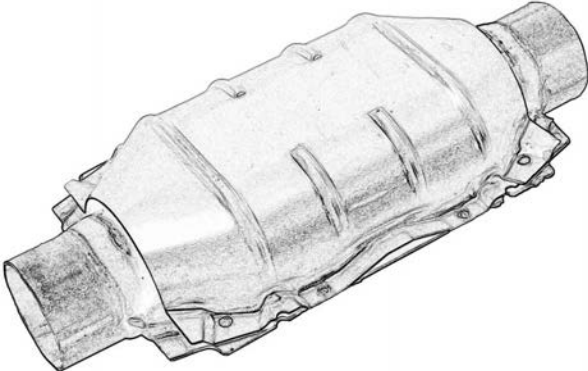

OBDII APPLICATIONS

NON-OBDII APPLICATIONS

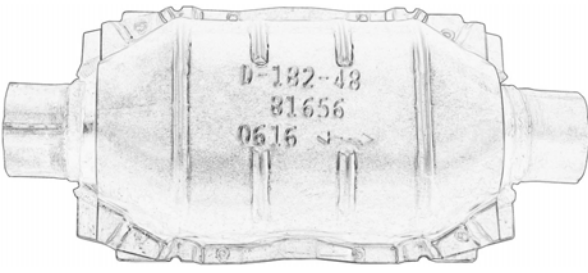
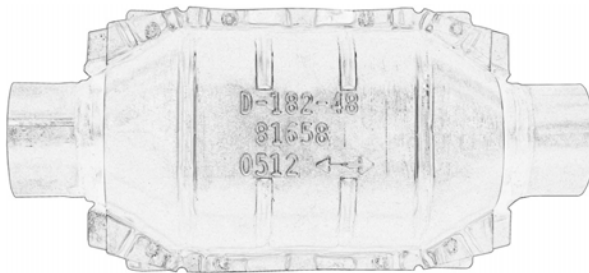
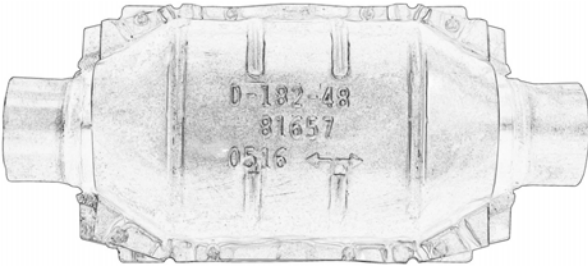
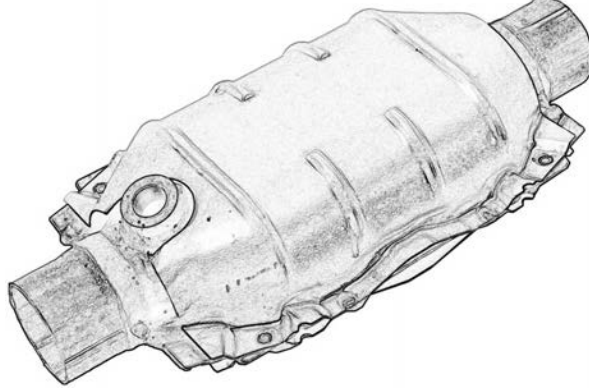
NUMERICAL

UNIVERSAL SPECIFICATIONS

NUMERICAL LISTING

| Year | Engine |
|--|---------------|
| 81651 (Cont.) | |
| Mitsubishi — Galant | |
| 1996 | 2.4L L4 |
| Nissan — 300ZX | |
| 1996 | 3.0L V6 |
| Nissan — Sentra | |
| 2001-00 | 2.0L L4 |
| Saturn — L300 | |
| 2003-01 | 3.0L V6 |
| Saturn — LW300 | |
| 2003-01 | 3.0L V6 |
| 81652 E.O. No. D-182-48 | |
|  | |
| Inlet | Outlet |
| 2 1/4" | 2 1/4" |
| Overall Length | |
| 13 1/4" | |
| 81653 E.O. No. D-182-48 | |
|  | |
| Inlet | Outlet |
| 2 1/2" | 2 1/2" |
| Overall Length | |
| 13 1/4" | |
| Audi — RS6 | |
| 2004 | 4.2L V8 |
| Audi — S4 | |
| 2004 | 4.2L V8 |
| Chrysler — Sebring | |
| 1996 | 2.5L V6 |
| Dodge — Avenger | |
| 1996 | 2.5L V6 |
| Ford — Mustang | |
| 1998 | 4.6L V8 |
| Ford — Taurus | |
| 1999-96 | 3.4L V8 |
| Lexus — LS400 | |
| 1997-95 | 4.0L V8 |
| Lexus — RX300 | |
| 2003-99 | 3.0L V6 |
| Lexus — SC400 | |
| 1997-96 | 4.0L V8 |
| Lincoln — Continental | |
| 2002-97 | 4.6L V8 |
| 1995 | 4.6L V8 |
| Mercedes-Benz — C280 | |
| 2000-98 | 2.8L V6 |
| Mercedes-Benz — C32 AMG | |
| 2004-03 | 3.2L V6 |
| Mercedes-Benz — C320 | |
| 2003 | 3.2L V6 |
| 2001 | 3.2L V6 |
| Mercedes-Benz — CL500 | |
| 1999-98 | 5.0L V8 |
| Mercedes-Benz — CL600 | |
| 2002-01 | 5.8L V12 |
| Mercedes-Benz — CLK320 | |
| 2003-98 | 3.2L V6 |
| Mercedes-Benz — E320 | |
| 2000-98 | 3.2L V6 |
| Mercedes-Benz — E420 | |
| 1997 | 4.2L V8 |
| Mercedes-Benz — E430 | |
| 2000-98 | 4.3L V8 |
| Mercedes-Benz — S420 | |
| 1999-96 | 4.2L V8 |
| Mercedes-Benz — S430 | |
| 2001-00 | 4.3L V8 |
| Mercedes-Benz — S500 | |
| 1999-96 | 5.0L V8 |
| Mercedes-Benz — S600 | |
| 2002-01 | 5.8L V12 |
| Mercedes-Benz — SL500 | |
| 1998-96 | 5.0L V8 |
| Mercedes-Benz — SLK32 AMG | |
| 2004-02 | 3.2L V6 |
| Mercedes-Benz — SLK320 | |
| 2003-01 | 3.2L V6 |
| Mitsubishi — Galant | |
| 1998-96 | 2.4L L4 |
| Volkswagen — Phaeton | |
| 2004 | 4.2L V8 |
| Dodge — Dakota | |
| 2002-99 | 2.5L L4 |
| Jeep — Cherokee | |
| 2000-99 | 2.5L L4 |
| Jeep — Wrangler | |
| 2002-99 | 2.5L L4 |
| Mercedes-Benz — C43 AMG | |
| 2000-98 | 4.3L V8 |
| Mercedes-Benz — CLK430 | |
| 2001-99 | 4.3L V8 |

NUMERICAL LISTING

| Year | Engine | Year | Engine |
|--|--------------------------|---|--------------------------|
| 81656 | E.O. No. D-182-48 | 81658 | E.O. No. D-182-48 |
|  | |  | |
| Inlet | Outlet | Inlet | Outlet |
| 2" | 2" | 2 1/2" | 2 1/2" |
| Overall Length | | Overall Length | |
| 13 1/4" | | 13 1/4" | |
| 81657 | | 81660 | |
| E.O. No. D-182-48 | | E.O. No. D-182-48 | |
|  | |  | |
| Inlet | Outlet | Inlet | Outlet |
| 2 1/4" | 2 1/4" | 2" | 2" |
| Overall Length | | Overall Length | |
| 13 1/4" | | 13 1/4" | |
| Ford – Crown Victoria 2002-95 4.6L V8 Lincoln – Town Car 2002-95 4.6L V8 Mercury – Grand Marquis 2002-95 4.6L V8 | | Ford – Mustang 2000 5.4L V8 1998-97 4.6L V8 1998 3.8L V6 Ford – Ranger 2003-98 4.0L V6 2003 3.0L V6 Lincoln – Town Car 1999-96 4.6L V8 Mazda – B3000 2003 3.0L V6 Mazda – B4000 2002-98 4.0L V6 | |
| Ford – Mustang 2004-95 3.8L V6 2004 3.9L V6 2003-96 4.6L V8 2000 5.4L V8 Ford – Ranger 2001-00 4.0L V6 Mazda – B4000 2001 4.0L V6 1999 4.0L V6 | | Audi – A4 2001-00 2.8L V6 Audi – A6 2001-00 2.8L V6 Audi – A6 Quattro 2004-00 2.7L V6 2004 4.2L V8 2001-00 2.8L V6 2001 4.2L V8 Audi – A8 Quattro 2003-02 4.2L V8 Audi – Allroad Quattro 2005-04 4.2L V8 | |

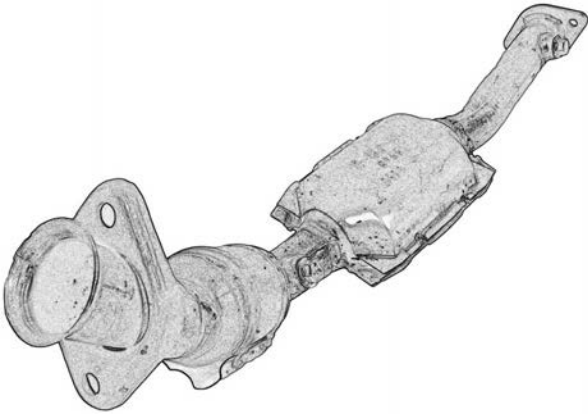
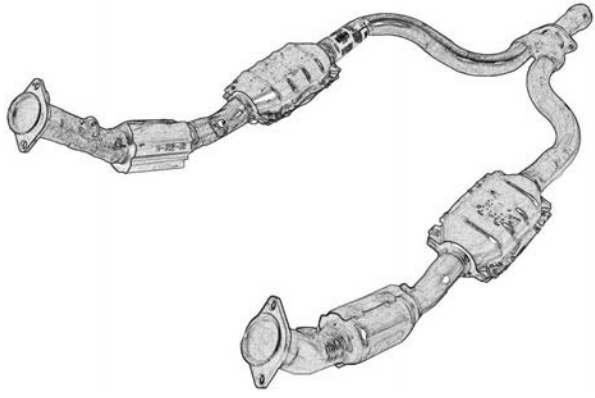
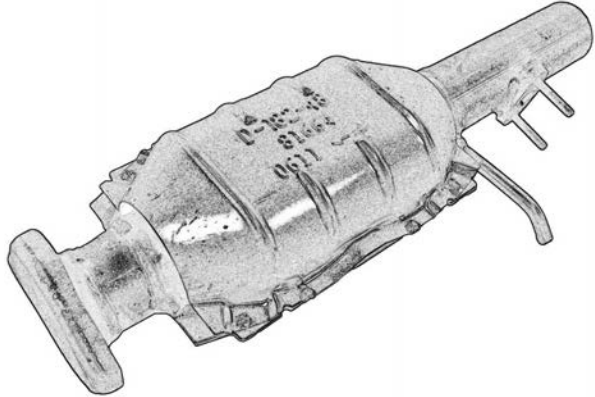
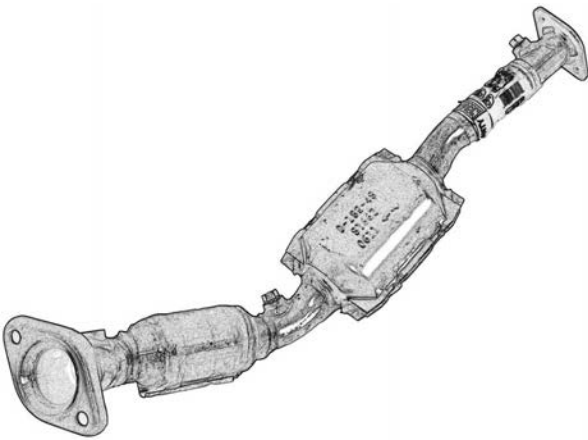
OBDII APPLICATIONS

NON-OBDII APPLICATIONS


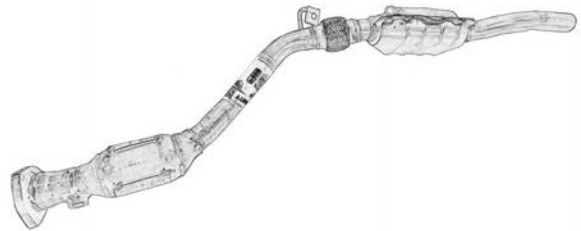
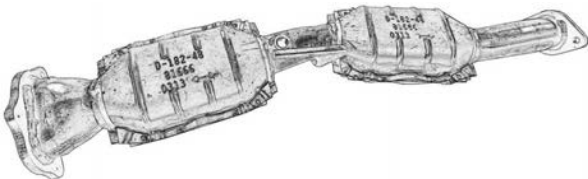
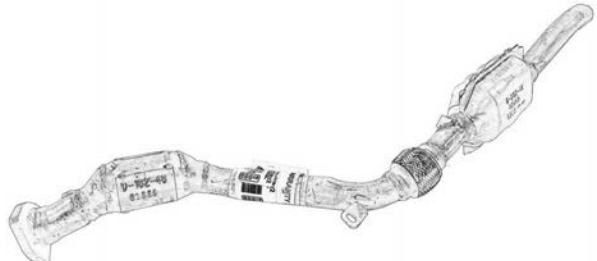

NUMERICAL

UNIVERSAL SPECIFICATIONS

NUMERICAL LISTING

| Year | Engine | Year | Engine | |
|---|--------|--|----------------------|-----------------------|
| 81660 (Cont.) Audi — Allroad Quattro (Cont.) 2005-01 2.7L V6 Audi — S4 2002-00 2.7L V6 Honda — Accord 1997-96 2.2L L4 Mercedes-Benz — C32 AMG 2002 3.2L V6 Mercedes-Benz — C320 2002 3.2L V6 Volkswagen — Passat 2005-00 2.8L V6 | | 81662 (Cont.) Ford — Crown Victoria 2002-95 4.6L V8 Lincoln — Town Car 2002-95 4.6L V8 Mercury — Grand Marquis 2002-95 4.6L V8 | | |
| 81661 E.O. No. D-182-48  | | 81663 E.O. No. D-182-48  | | |
| | | Inlet | Outlet | Overall Length |
| | | 2 Bolt Loose Flange With Spherical Flare | 2 Bolt Loose Flange | 53½" |
| Ford — Mustang 2004-01 3.8L V6 2004 3.9L V6 | | 81664 E.O. No. D-182-48  | | |
| | | Inlet | Outlet | Overall Length |
| | | 2 Bolt Welded Flange | 2¼" | 20" |
| Ford — Crown Victoria 2002-95 4.6L V8 Lincoln — Town Car 2002-95 4.6L V8 Mercury — Grand Marquis 2002-95 4.6L V8 | | Lexus — RX300 2003-99 3.0L V6 | | |
| 81662 E.O. No. D-182-48  | | | | |
| | | Inlet | Outlet | Overall Length |
| | | 2 Bolt Loose Flange | 2 Bolt Welded Flange | 33⅜" |

NUMERICAL LISTING

| Year | Engine | Year | Engine |
|--|---------------------------------|---|---------------------------------|
| 81665 | E.O. No. D-182-48 | 81668 | E.O. No. D-182-48 |
|  | |  | |
| Inlet | Outlet | Inlet | Outlet |
| 2 Bolt Welded Flange | 2 Bolt Welded Flange | 3 Bolt Welded Flange | 2" |
| Overall Length | | Overall Length | |
| 12 ³ / ₈ " | | 47 ³ / ₄ " | |
| Infiniti — I30 1998-97 3.0L V6 Nissan — Maxima 1998-97 3.0L V6 Nissan — Sentra 2001-00 2.0L L4 | | Audi — A6 2001-00 2.8L V6 Audi — A6 Quattro 2001-00 2.8L V6 Volkswagen — Passat 2005-00 2.8L V6 | |
| 81666 | E.O. No. D-182-48 | 81669 | E.O. No. D-182-48 |
|  | |  | |
| Inlet | Outlet | Inlet | Outlet |
| 3 Bolt Welded Flange | 2 Bolt Welded Flange | 3 Bolt Welded Flange | 2" |
| Overall Length | | Overall Length | |
| 35 ³ / ₄ " | | 46 ¹ / ₂ " | |
| Ford — Ranger 2003-02 3.0L V6 2003-01 4.0L V6 Mazda — B3000 2003-02 3.0L V6 Mazda — B4000 2002-01 4.0L V6 | | Audi — A6 2001-00 2.8L V6 Audi — A6 Quattro 2001-00 2.8L V6 Volkswagen — Passat 2005-00 2.8L V6 | |
| | | 81673 | E.O. No. D-182-48 |
| | |  | |
| Inlet | Outlet | Inlet | Outlet |
| 1 ⁷ / ₈ " | 2 ¹ / ₂ " | 1 ⁷ / ₈ " | 2 ¹ / ₂ " |
| Overall Length | | Overall Length | |
| 23 ¹ / ₄ " | | 23 ¹ / ₄ " | |
| | | Chrysler — Concorde 1997-96 3.5L V6 | |

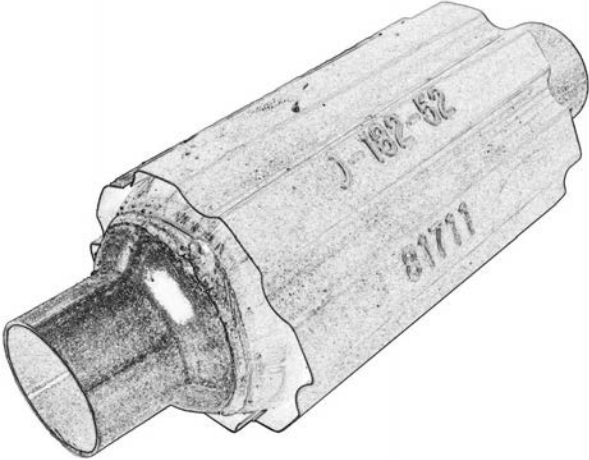
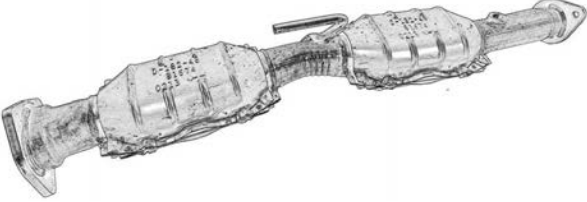
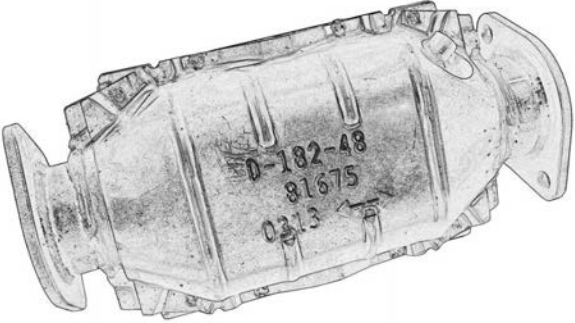
OBDDI APPLICATIONS

NON-OBDDI APPLICATIONS

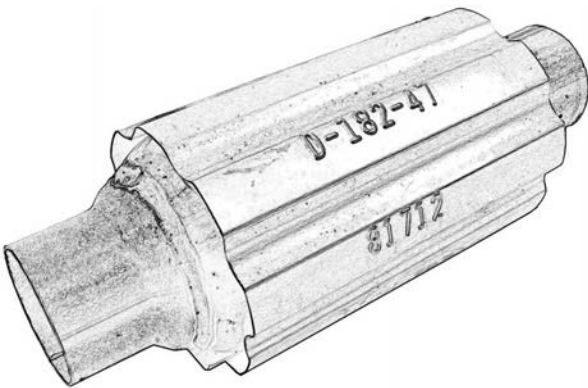
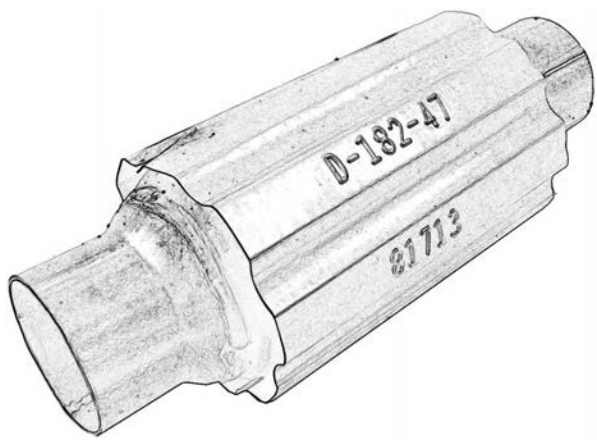
NUMERICAL

UNIVERSAL SPECIFICATIONS

NUMERICAL LISTING

| Year | Engine | Year | Engine |
|--|----------------------|---|---------------|
| 81673 (Cont.) Chrysler — LHS 1997-96 3.5L V6 Chrysler — New Yorker 1996 3.5L V6 Dodge — Intrepid 1997-96 3.5L V6 Eagle — Vision 1997-96 3.5L V6 | | 81711 E.O. No. D-182-52  | |
| 81674 E.O. No. D-182-48  | | | |
| Inlet | Outlet | Inlet | Outlet |
| 3 Bolt Welded Flange | 2 Bolt Welded Flange | 2" | 2" |
| Overall Length | | Overall Length | |
| 36" | | 12" | |
| Ford — Ranger 2000-98 4.0L V6 Mazda — B4000 2000-98 4.0L V6 | | Dodge — Dakota 2006 3.7L V6 4.7L V8 Lexus — LX470 2004-98 4.7L V8 Mercedes-Benz — G500 2005-02 5.0L V8 Mercedes-Benz — ML320 2000-98 3.2L V6 Mercedes-Benz — ML430 2001-99 4.3L V8 Mercedes-Benz — ML500 2005-02 5.0L V8 Mercedes-Benz — ML55 AMG 2003-00 5.5L V8 Mitsubishi — Raider 2006 3.7L V6 4.7L V8 Toyota — 4Runner 2000 2.7L L4 Toyota — Land Cruiser 2004-98 4.7L V8 Toyota — Tacoma 2004-00 2.7L L4 Toyota — Tundra 2002-00 4.7L V8 | |
| 81675 E.O. No. D-182-48  | | | |
| Inlet | Outlet | | |
| 2 Bolt Welded Flange | 2 Bolt Welded Flange | | |
| Overall Length | | | |
| 12 ³ / ₈ " | | | |
| Infiniti — I30 1996 3.0L V6 Nissan — Maxima 1996-95 3.0L V6 | | | |

NUMERICAL LISTING

| Year | Engine | Year | Engine | |
|---|--------------------------|---|--------------------------|-----------------------|
| 81712 | E.O. No. D-182-47 | 81712 (Cont.) | | |
|  | | Isuzu — Trooper (Cont.) | | |
| | | 1997-96 3.2L V6 | | |
| | | Isuzu — VehiCROSS | | |
| | | 2001-00 3.5L V6 | | |
| | | Land Rover — Defender 90 | | |
| | | 1997 4.0L V8 | | |
| | | Land Rover — Discovery | | |
| | | 2004 4.6L V8 | | |
| | | 2002-96 4.0L V8 | | |
| | | Land Rover — Freelander | | |
| | | 2003-02 2.5L V6 | | |
| | | Land Rover — Range Rover | | |
| | | 2004-03 4.4L V8 | | |
| | | 2000-95 4.0L V8 | | |
| | | 1996 4.6L V8 | | |
| | | Oldsmobile — Silhouette | | |
| | | 2003 3.4L V6 | | |
| | | Pontiac — Aztek | | |
| | | 2003 3.4L V6 | | |
| | | Pontiac — Montana | | |
| | | 2003 3.4L V6 | | |
| | | Toyota — 4Runner | | |
| | | 1999-96 2.7L L4 | | |
| | | 1998-96 3.4L V6 | | |
| | | Toyota — Tacoma | | |
| | | 1999 2.7L L4 | | |
| | | Volvo — V70 | | |
| | | 2002-01 2.4L L5 | | |
| | | 81713 | E.O. No. D-182-47 | |
|  | | | | |
| | | Inlet | Outlet | Overall Length |
| | | 2 1/4" | 2 1/4" | 12" |
| Acura — SLX 1999-98 3.5L V6 1997-96 3.2L V6 BMW — X3 2005 2.5L L6 3.0L L6 BMW — X5 2005-04 4.8L V8 2005-00 4.4L V8 2003-02 4.6L V8 Buick — Rendezvous 2003 3.4L V6 Chevrolet — Venture 2003 3.4L V6 Dodge — Dakota 2005 3.7L V6 4.7L V8 Dodge — Durango 2005 3.7L V6 Dodge — Ram 1500 2005 3.7L V6 4.7L V8 Dodge — Ram 2500 2005 5.7L V8 Dodge — Ram 3500 2005 5.7L V8 Honda — Passport 2002-96 3.2L V6 1996 2.6L L4 Isuzu — Amigo 2000-98 2.2L L4 3.2L V6 Isuzu — Axiom 2003-02 3.5L V6 Isuzu — Rodeo 2002-96 3.2L V6 2000-98 2.2L L4 1997-96 2.6L L4 Isuzu — Rodeo Sport 2002-01 3.2L V6 Isuzu — Trooper 2002-98 3.5L V6 | | | | |
| | | Cadillac — Escalade 2003 6.0L V8 Chevrolet — Express 1500 2005 4.3L V6 5.3L V8 2003 5.3L V8 2002-00 5.7L V8 Chevrolet — Express 2500 2005 4.3L V6 5.3L V8 2003 5.3L V8 | | |

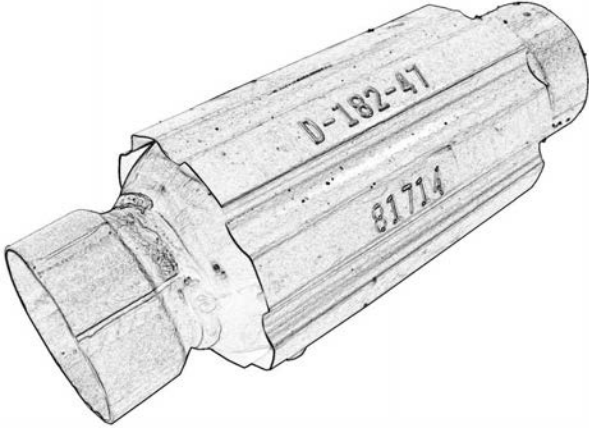
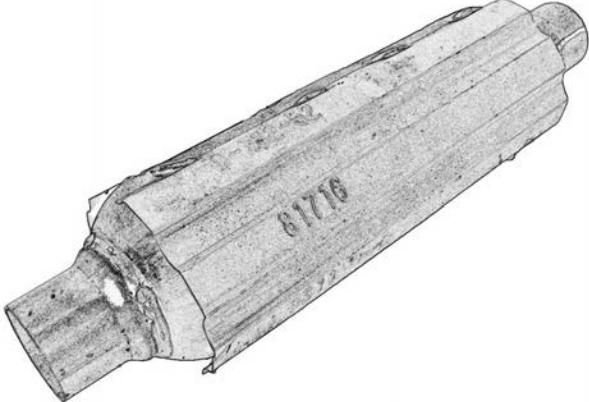
OBDII APPLICATIONS

NON-OBDII APPLICATIONS

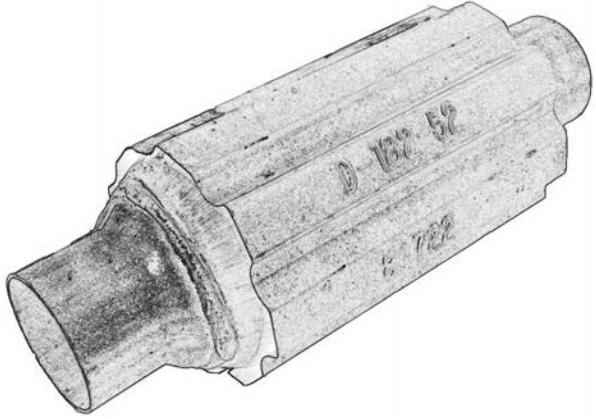
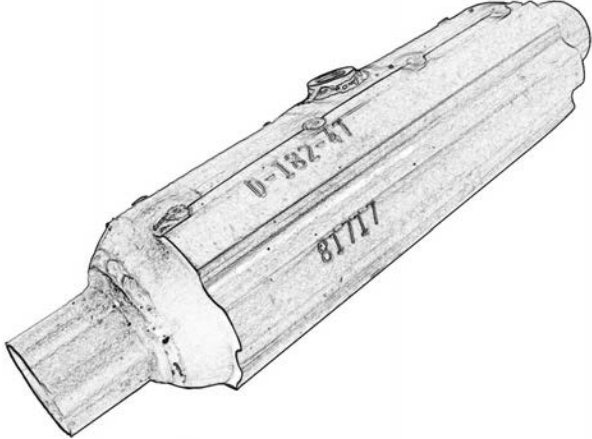
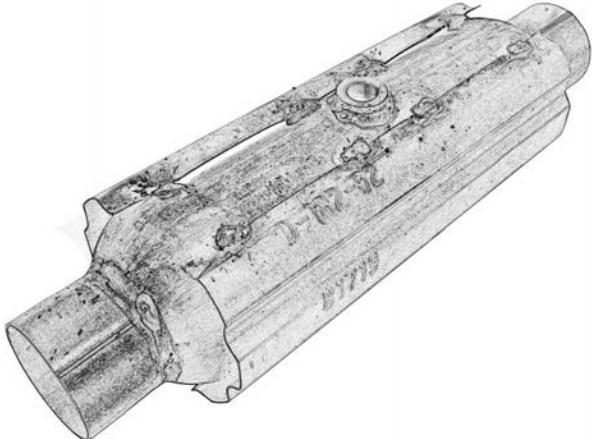
NUMERICAL

UNIVERSAL SPECIFICATIONS

NUMERICAL LISTING

| Year | Engine | Year | Engine | | | | | | |
|---|---------|--|--------|-------|--------|----------------|----|----|------|
| 81713 (Cont.) | | 81714 E.O. No. D-182-47 | | | | | | | |
| Chevrolet — Express 2500 (Cont.) | |  | | | | | | | |
| 2002-00 | 5.7L V8 | | | | | | | | |
| Chevrolet — Silverado 1500 | | | | | | | | | |
| 2005-04 | 4.3L V6 | | | | | | | | |
| 2005-03 | 4.8L V8 | | | | | | | | |
| 2001-99 | 4.3L V6 | | | | | | | | |
| | 4.8L V8 | | | | | | | | |
| | 5.3L V8 | | | | | | | | |
| Chevrolet — Silverado 2500 | | | | | | | | | |
| 2000-99 | 5.3L V8 | | | | | | | | |
| Chevrolet — Suburban 1500 | | | | | | | | | |
| 2000 | 5.3L V8 | | | | | | | | |
| Chevrolet — Tahoe | | | | | | | | | |
| 2003 | 4.8L V8 | | | | | | | | |
| 2001-00 | 5.3L V8 | | | | | | | | |
| 2001 | 4.8L V8 | | | | | | | | |
| GMC — Savana 1500 | | | | | | | | | |
| 2005 | 4.3L V6 | | | | | | | | |
| | 5.3L V8 | | | | | | | | |
| 2003 | 5.3L V8 | | | | | | | | |
| 2002-00 | 5.7L V8 | | | | | | | | |
| GMC — Savana 2500 | | | | | | | | | |
| 2005 | 4.3L V6 | | | | | | | | |
| | 5.3L V8 | | | | | | | | |
| 2003 | 5.3L V8 | | | | | | | | |
| 2002-00 | 5.7L V8 | | | | | | | | |
| GMC — Sierra 1500 | | | | | | | | | |
| 2005-04 | 4.3L V6 | | | | | | | | |
| 2005-03 | 4.8L V8 | | | | | | | | |
| 2001-99 | 4.3L V6 | | | | | | | | |
| | 4.8L V8 | | | | | | | | |
| | 5.3L V8 | | | | | | | | |
| GMC — Sierra 2500 | | | | | | | | | |
| 2000-99 | 5.3L V8 | | | | | | | | |
| GMC — Yukon | | | | | | | | | |
| 2003 | 4.8L V8 | | | | | | | | |
| 2001-00 | 5.3L V8 | | | | | | | | |
| 2001 | 4.8L V8 | | | | | | | | |
| GMC — Yukon XL 1500 | | | | | | | | | |
| 2000 | 5.3L V8 | | | | | | | | |
| Hummer — H2 | | | | | | | | | |
| 2005 | 6.0L V8 | | | | | | | | |
| | | | | | | | | | |
| | | <table border="1" style="width: 100%; border-collapse: collapse;"> <thead> <tr> <th style="width: 33%;">Inlet</th> <th style="width: 33%;">Outlet</th> <th style="width: 33%;">Overall Length</th> </tr> </thead> <tbody> <tr> <td style="text-align: center;">3"</td> <td style="text-align: center;">3"</td> <td style="text-align: center;">12"</td> </tr> </tbody> </table> | | Inlet | Outlet | Overall Length | 3" | 3" | 12" |
| Inlet | Outlet | Overall Length | | | | | | | |
| 3" | 3" | 12" | | | | | | | |
| | | Cadillac — Escalade | | | | | | | |
| | | 2002 6.0L V8 | | | | | | | |
| | | Chevrolet — Silverado 1500 | | | | | | | |
| | | 2003 6.0L V8 | | | | | | | |
| | | Chevrolet — Silverado 2500 | | | | | | | |
| | | 2000-99 6.0L V8 | | | | | | | |
| | | Chevrolet — Suburban 2500 | | | | | | | |
| | | 2000 6.0L V8 | | | | | | | |
| | | GMC — Sierra 1500 | | | | | | | |
| | | 2003-02 6.0L V8 | | | | | | | |
| | | GMC — Sierra 1500 HD | | | | | | | |
| | | 2001 6.0L V8 | | | | | | | |
| | | GMC — Sierra 2500 | | | | | | | |
| | | 2000-99 6.0L V8 | | | | | | | |
| | | GMC — Yukon XL 1500 | | | | | | | |
| | | 2003-01 6.0L V8 | | | | | | | |
| | | GMC — Yukon XL 2500 | | | | | | | |
| | | 2001-00 6.0L V8 | | | | | | | |
| | | Hummer — H2 | | | | | | | |
| | | 2004-03 6.0L V8 | | | | | | | |
| | | 81716 E.O. No. D-182-52 | | | | | | | |
| | |  | | | | | | | |
| | | <table border="1" style="width: 100%; border-collapse: collapse;"> <thead> <tr> <th style="width: 33%;">Inlet</th> <th style="width: 33%;">Outlet</th> <th style="width: 33%;">Overall Length</th> </tr> </thead> <tbody> <tr> <td style="text-align: center;">2"</td> <td style="text-align: center;">2"</td> <td style="text-align: center;">17½"</td> </tr> </tbody> </table> | | Inlet | Outlet | Overall Length | 2" | 2" | 17½" |
| Inlet | Outlet | Overall Length | | | | | | | |
| 2" | 2" | 17½" | | | | | | | |

NUMERICAL LISTING

| Year | Engine | Year | Engine | | | | | | |
|---|--------|---|--------|----------------|--------|----------------|---------|--|-----|
| 81716 (Cont.) BMW – X5 2006 4.4L V8 4.8L V8 Dodge – Durango 2006 3.7L V6 Volkswagen – EuroVan 2003-99 2.8L V6 1997 2.8L V6 | | 81722 E.O. No. D-182-52  | | | | | | | |
| 81717 E.O. No. D-182-47  | | <table border="1" style="width: 100%; border-collapse: collapse;"> <thead> <tr> <th style="width: 33%;">Inlet</th> <th style="width: 33%;">Outlet</th> <th style="width: 33%;">Overall Length</th> </tr> </thead> <tbody> <tr> <td style="text-align: center;">2 1/4"</td> <td style="text-align: center;">2 1/4"</td> <td style="text-align: center;">12"</td> </tr> </tbody> </table> | | Inlet | Outlet | Overall Length | 2 1/4" | 2 1/4" | 12" |
| Inlet | Outlet | Overall Length | | | | | | | |
| 2 1/4" | 2 1/4" | 12" | | | | | | | |
| <table border="1" style="width: 100%; border-collapse: collapse;"> <thead> <tr> <th style="width: 33%;">Inlet</th> <th style="width: 33%;">Outlet</th> <th style="width: 33%;">Overall Length</th> </tr> </thead> <tbody> <tr> <td style="text-align: center;">2"</td> <td style="text-align: center;">2"</td> <td style="text-align: center;">17 1/2"</td> </tr> </tbody> </table> | | Inlet | Outlet | Overall Length | 2" | 2" | 17 1/2" | Dodge – Ram 1500 2006 3.7L V6 Dodge – Ram 2500 2004 5.7L V8 Dodge – Ram 3500 2004 5.7L V8 Ford – Explorer 2003-02 4.0L V6 Isuzu – Rodeo 2003 3.2L V6 Isuzu – Rodeo Sport 2003 3.2L V6 Mazda – MPV 1998-95 3.0L V6 Mercedes-Benz – G55 AMG 2006 5.5L V8 2004-03 5.5L V8 Mercury – Mountaineer 2003-02 4.0L V6 Toyota – 4Runner 2002-99 3.4L V6 Toyota – Tacoma 2004-00 3.4L V6 Toyota – Tundra 2004-00 3.4L V6 2002-00 4.7L V8 | |
| Inlet | Outlet | Overall Length | | | | | | | |
| 2" | 2" | 17 1/2" | | | | | | | |
| Honda – Odyssey 2003-99 3.5L V6 Honda – Pilot 2003 3.5L V6 | | | | | | | | | |
| 81719 E.O. No. D-182-52  | | | | | | | | | |
| <table border="1" style="width: 100%; border-collapse: collapse;"> <thead> <tr> <th style="width: 33%;">Inlet</th> <th style="width: 33%;">Outlet</th> <th style="width: 33%;">Overall Length</th> </tr> </thead> <tbody> <tr> <td style="text-align: center;">2 1/2"</td> <td style="text-align: center;">2 1/2"</td> <td style="text-align: center;">17 1/2"</td> </tr> </tbody> </table> | | Inlet | Outlet | Overall Length | 2 1/2" | 2 1/2" | 17 1/2" | | |
| Inlet | Outlet | Overall Length | | | | | | | |
| 2 1/2" | 2 1/2" | 17 1/2" | | | | | | | |
| Lincoln – Navigator 2005 5.4L V8 | | | | | | | | | |

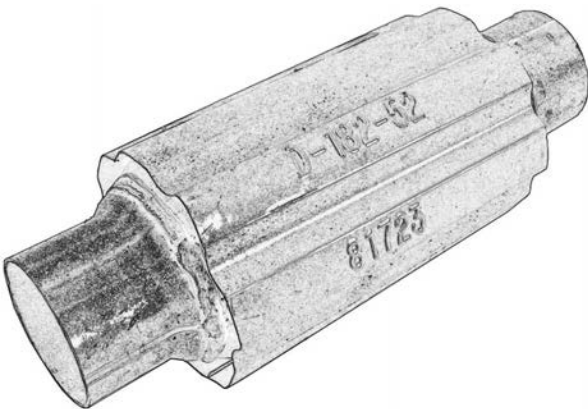
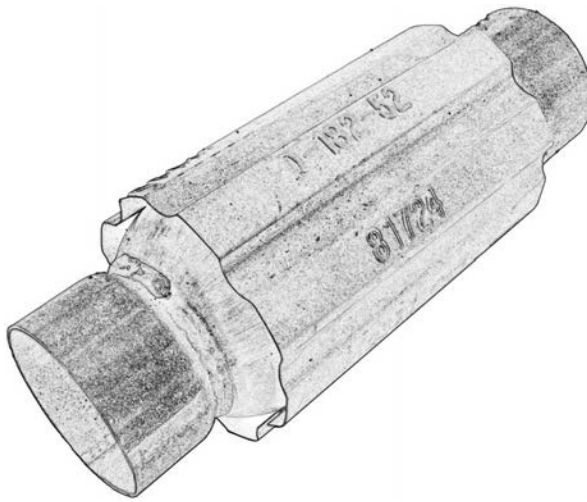
OBDII APPLICATIONS

NON-OBDII APPLICATIONS

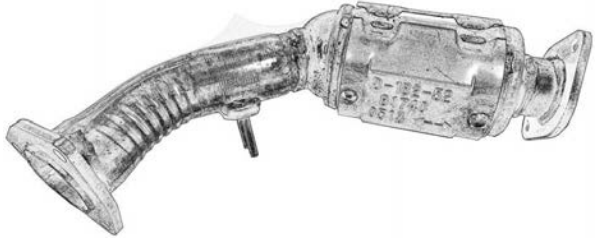

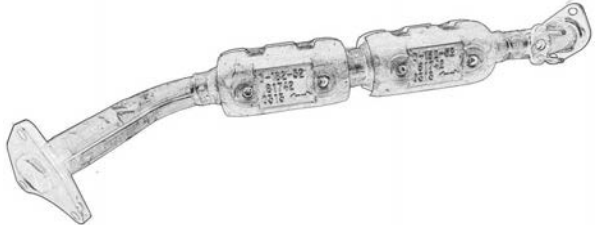
NUMERICAL

UNIVERSAL SPECIFICATIONS

NUMERICAL LISTING

| Year | Engine | Year | Engine | |
|---|---------------|---|--------|--------------|
| 81723 E.O. No. D-182-52  | | 81723 (Cont.) GMC – Yukon XL 1500 2003 5.3L V8 Hummer – H2 2006 6.0L V8 Isuzu – Hombre 2000-98 4.3L V6 Jeep – Liberty 2003-02 2.4L L4 Lincoln – Aviator 2003 4.6L V8 Mercury – Mountaineer 2003-02 4.6L V8 Oldsmobile – Bravada 2001-00 4.3L V6 1998 4.3L V6 | | |
| Inlet | Outlet | 81724 E.O. No. D-182-52  | | |
| 2½" | 2½" | | | Inlet |
| | | 3" | 3" | 12" |
| Cadillac – Escalade 2003 5.3L V8 2000-99 5.7L V8 Chevrolet – Astro 2005-00 4.3L V6 Chevrolet – Avalanche 1500 2003 5.3L V8 Chevrolet – Blazer 2005-98 4.3L V6 Chevrolet – C1500 Suburban 1999-98 5.7L V8 Chevrolet – K1500 Suburban 1999-98 5.7L V8 Chevrolet – S10 2004-98 4.3L V6 Chevrolet – Silverado 1500 2003 5.3L V8 Chevrolet – Suburban 1500 2003 5.3L V8 Chevrolet – Tahoe 2003 5.3L V8 2000-98 5.7L V8 Dodge – Ram 1500 2004 8.3L V10 Ford – Explorer 2003-02 4.6L V8 GMC – C1500 Suburban 1998 5.7L V8 GMC – Jimmy 2001-98 4.3L V6 GMC – K1500 Suburban 1999-98 5.7L V8 GMC – Safari 2005-00 4.3L V6 GMC – Sierra 1500 2003 5.3L V8 GMC – Sonoma 2004-98 4.3L V6 GMC – Yukon 2003 5.3L V8 2000-98 5.7L V8 | | Chevrolet – Avalanche 2500 2006-02 8.1L V8 Chevrolet – C3500 2001 8.1L V8 Chevrolet – C3500HD 2001 8.1L V8 Chevrolet – Express 1500 2002-01 5.7L V8 2000 4.3L V6 Chevrolet – Express 2500 2005-03 4.8L V8 2005 6.0L V8 2003 6.0L V8 2002-01 5.7L V8 2000 4.3L V6 Chevrolet – Express 3500 2005 4.8L V8 6.0L V8 2003 6.0L V8 2002-01 5.7L V8 2002 8.1L V8 | | |

NUMERICAL LISTING

| Year | Engine | Year | Engine | | | | | | |
|--------------------------------------|----------------------|--|--------|----------------|--------|----------------|----------------------|----------------------|----------------------------------|
| 81724 (Cont.) | | 81740 E.O. No. D-182-52 | | | | | | | |
| Chevrolet — Silverado 1500 | |  | | | | | | | |
| 2006-03 | 6.0L V8 | | | | | | | | |
| Chevrolet — Silverado 1500 HD | | <table border="1" style="width: 100%; border-collapse: collapse;"> <thead> <tr> <th style="width: 33%;">Inlet</th> <th style="width: 33%;">Outlet</th> <th style="width: 33%;">Overall Length</th> </tr> </thead> <tbody> <tr> <td>3 Bolt Welded Flange</td> <td>2 Bolt Welded Flange</td> <td>17⁵/₈"</td> </tr> </tbody> </table> | | Inlet | Outlet | Overall Length | 3 Bolt Welded Flange | 2 Bolt Welded Flange | 17 ⁵ / ₈ " |
| Inlet | Outlet | | | Overall Length | | | | | |
| 3 Bolt Welded Flange | 2 Bolt Welded Flange | 17 ⁵ / ₈ " | | | | | | | |
| 2006-05 | 6.0L V8 | | | | | | | | |
| 2003-01 | 6.0L V8 | | | | | | | | |
| Chevrolet — Silverado 2500 | | Toyota — Tacoma 2004-00 3.4L V6 | | | | | | | |
| 2004-01 | 6.0L V8 | | | | | | | | |
| Chevrolet — Silverado 2500 HD | | Toyota — Tundra 2004-00 3.4L V6 | | | | | | | |
| 2006-01 | 6.0L V8 8.1L V8 | | | | | | | | |
| Chevrolet — Silverado 3500 | | 81741 E.O. No. D-182-52 | | | | | | | |
| 2006-01 | 6.0L V8 8.1L V8 | | | | | | | | |
| Chevrolet — Suburban 2500 | |  | | | | | | | |
| 2006-01 | 6.0L V8 8.1L V8 | | | | | | | | |
| GMC — C3500HD | | <table border="1" style="width: 100%; border-collapse: collapse;"> <thead> <tr> <th style="width: 33%;">Inlet</th> <th style="width: 33%;">Outlet</th> <th style="width: 33%;">Overall Length</th> </tr> </thead> <tbody> <tr> <td>3 Bolt Welded Flange</td> <td>2 Bolt Welded Flange</td> <td>17"</td> </tr> </tbody> </table> | | Inlet | Outlet | Overall Length | 3 Bolt Welded Flange | 2 Bolt Welded Flange | 17" |
| Inlet | Outlet | | | Overall Length | | | | | |
| 3 Bolt Welded Flange | 2 Bolt Welded Flange | 17" | | | | | | | |
| 2001 | 8.1L V8 | | | | | | | | |
| GMC — Savana 1500 | | Toyota — 4Runner 2000-99 3.4L V6 | | | | | | | |
| 2002-01 | 5.7L V8 | | | | | | | | |
| 2000 | 4.3L V6 | | | | | | | | |
| GMC — Savana 2500 | | 81742 E.O. No. D-182-52 | | | | | | | |
| 2005-03 | 4.8L V8 | | | | | | | | |
| 2005 | 6.0L V8 | | | | | | | | |
| 2003 | 6.0L V8 | | | | | | | | |
| 2002-01 | 5.7L V8 | | | | | | | | |
| 2000 | 4.3L V6 | | | | | | | | |
| GMC — Savana 3500 | |  | | | | | | | |
| 2005 | 4.8L V8 6.0L V8 | | | | | | | | |
| 2003 | 6.0L V8 | | | | | | | | |
| 2002-01 | 5.7L V8 | | | | | | | | |
| 2002 | 8.1L V8 | | | | | | | | |
| GMC — Sierra 1500 | | <table border="1" style="width: 100%; border-collapse: collapse;"> <thead> <tr> <th style="width: 33%;">Inlet</th> <th style="width: 33%;">Outlet</th> <th style="width: 33%;">Overall Length</th> </tr> </thead> <tbody> <tr> <td>3 Bolt Welded Flange</td> <td>2 Bolt Welded Flange</td> <td>34"</td> </tr> </tbody> </table> | | Inlet | Outlet | Overall Length | 3 Bolt Welded Flange | 2 Bolt Welded Flange | 34" |
| Inlet | Outlet | | | Overall Length | | | | | |
| 3 Bolt Welded Flange | 2 Bolt Welded Flange | 34" | | | | | | | |
| 2006 | 6.0L V8 | | | | | | | | |
| 2004 | 6.0L V8 | | | | | | | | |
| GMC — Sierra 1500 HD | | Lexus — LX470 2002-98 4.7L V8 | | | | | | | |
| 2006-05 | 6.0L V8 | | | | | | | | |
| 2003-01 | 6.0L V8 | | | | | | | | |
| GMC — Sierra 2500 | | Toyota — Land Cruiser 2002-98 4.7L V8 | | | | | | | |
| 2004-01 | 6.0L V8 | | | | | | | | |
| GMC — Sierra 2500 HD | | | | | | | | | |
| 2006-01 | 6.0L V8 8.1L V8 | | | | | | | | |
| GMC — Sierra 3500 | | | | | | | | | |
| 2006-01 | 6.0L V8 8.1L V8 | | | | | | | | |
| GMC — Yukon XL 2500 | | | | | | | | | |
| 2006-01 | 6.0L V8 8.1L V8 | | | | | | | | |

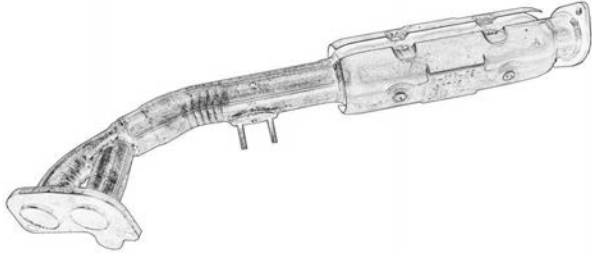
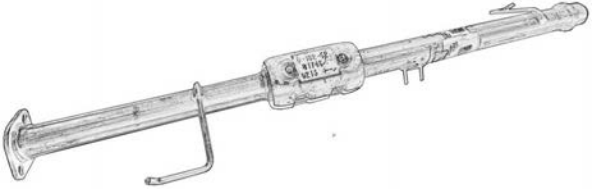
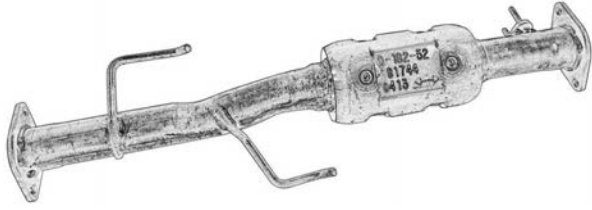
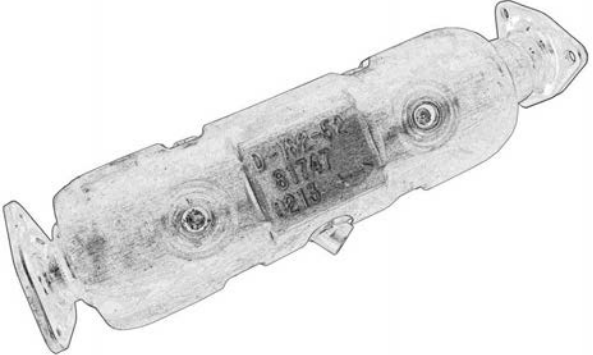
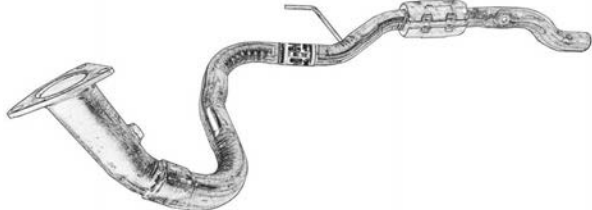
OBDII APPLICATIONS

NON-OBDII APPLICATIONS

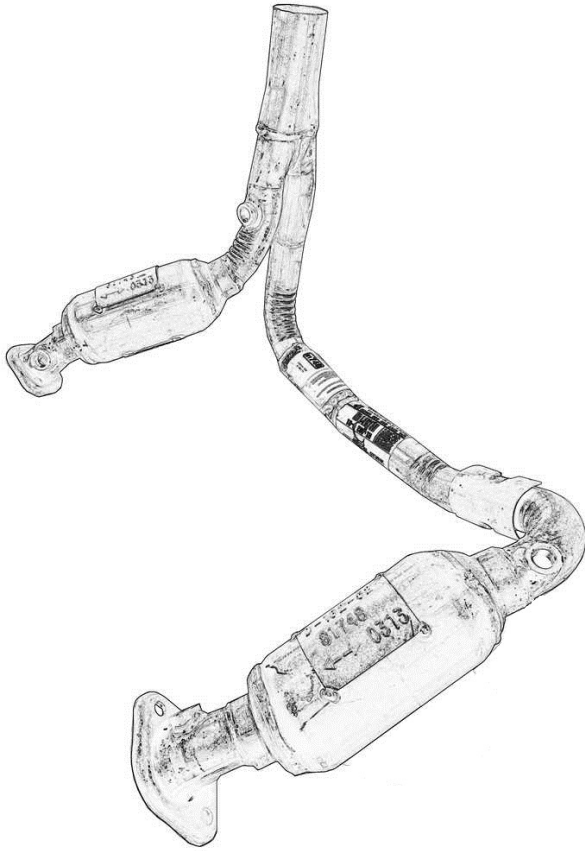
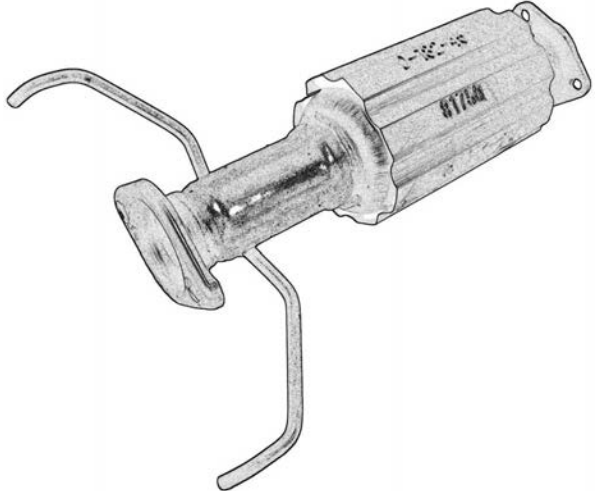
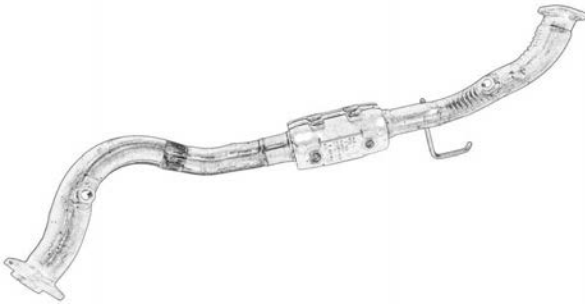
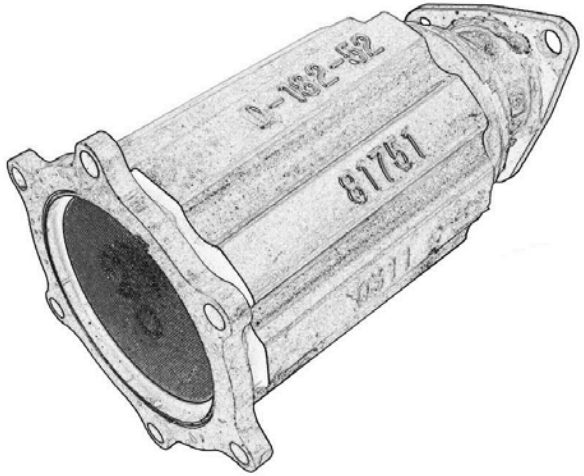
NUMERICAL

UNIVERSAL SPECIFICATIONS

NUMERICAL LISTING

| Year | Engine | Year | Engine |
|---|----------------------|---|----------------------|
| 81743 | E.O. No. D-182-52 | 81746 | E.O. No. D-182-52 |
|  | |  | |
| Inlet | Outlet | Inlet | Outlet |
| 4 Bolt Welded Flange | 2 Bolt Welded Flange | 2 Bolt Welded Flange | 2 3/8" |
| Overall Length | | Overall Length | |
| 31 1/2" | | 52 1/2" | |
| Toyota – Tundra | | | |
| 2004-00 3.4L V6 | | | |
| 81744 | E.O. No. D-182-52 | 81747 | E.O. No. D-182-52 |
|  | |  | |
| Inlet | Outlet | Inlet | Outlet |
| 2 Bolt Welded Flange | 2 Bolt Welded Flange | 3 Bolt Welded Flange | 3 Bolt Welded Flange |
| Overall Length | | Overall Length | |
| 31" | | 16 7/8" | |
| Toyota – 4Runner | | | |
| 1998-96 3.4L V6 | | | |
| Toyota – 4Runner | | | |
| 2000-99 3.4L V6 | | | |
| 2000 2.7L L4 | | | |
| 81745 | E.O. No. D-182-52 | Honda – Pilot | |
|  | | 2003 3.5L V6 | |
| Inlet | Outlet | Overall Length | |
| 3 Bolt Welded Flange | 2 3/4" | 56" | |
| Chevrolet – Silverado 2500 | | | |
| 2000-99 6.0L V8 | | | |
| GMC – Sierra 2500 | | | |
| 2000-99 6.0L V8 | | | |

NUMERICAL LISTING

| Year | Engine | Year | Engine | |
|--|--------------------------|--|---|-----------------------|
| 81748 | E.O. No. D-182-52 | 81749 (Cont.) | Isuzu — Amigo 2000 3.2L V6 Isuzu — Rodeo 2002-00 3.2L V6 | |
|  | | 81750 | E.O. No. D-182-45 | |
| | |  | | |
| Inlet | Outlet | | | Overall Length |
| | | 2 Bolt Welded Flange | 3 Bolt Loose Flange | 17½" |
| | | Acura — CL 1999-98 2.3L L4 1997 2.2L L4 Honda — Accord 1997-96 2.2L L4 | | |
| Inlet | Outlet | Overall Length | | |
| 2 Bolt Loose Flange With Spherical Flare | 2½" | 20" | | |
| Dodge — Dakota 2006-05 3.7L V6 4.7L V8 Mitsubishi — Raider 2006 3.7L V6 4.7L V8 | | 81751 E.O. No. D-182-52 | | |
|  | |  | | |
| | | | | |
| | | 6 Bolt Welded Flange | 3 Bolt Welded Flange | 9" |
| | | Infiniti — QX4 2000-97 3.3L V6 Nissan — Pathfinder 2000-96 3.3L V6 | | |
| Inlet | Outlet | Overall Length | | |
| 3 Bolt Welded Flange | 2 Bolt Welded Flange | 38⅛" | | |
| Honda — Passport 2002-00 3.2L V6 | | | | |

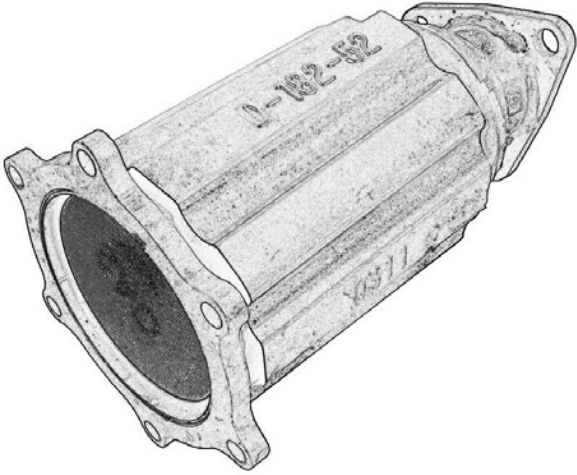
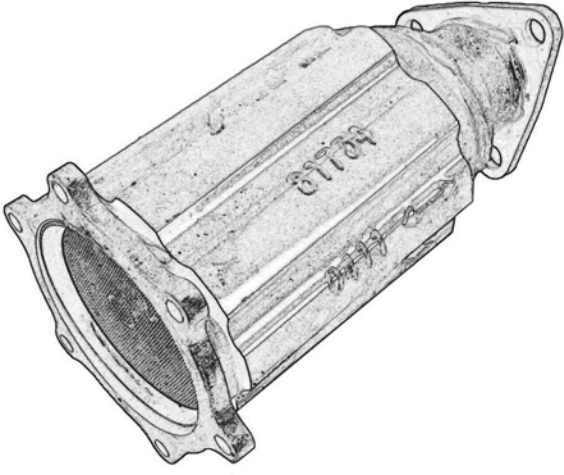
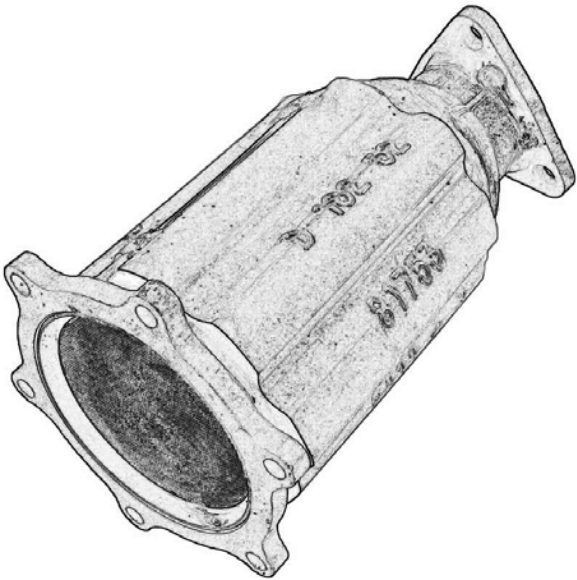
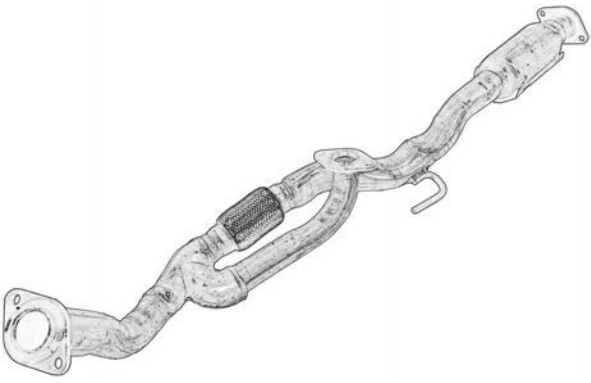
OBDII APPLICATIONS

NON-OBDII APPLICATIONS

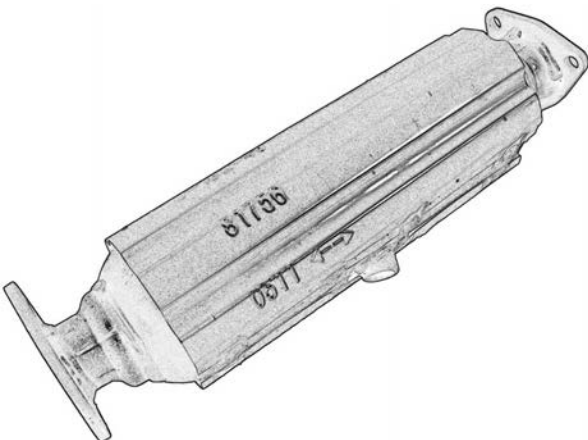
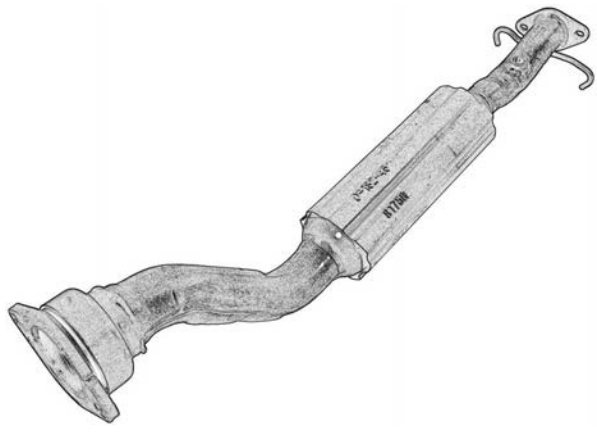
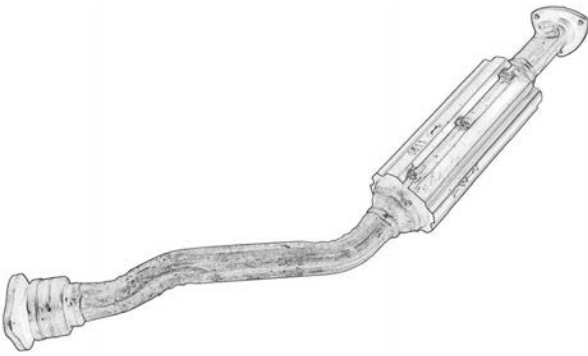
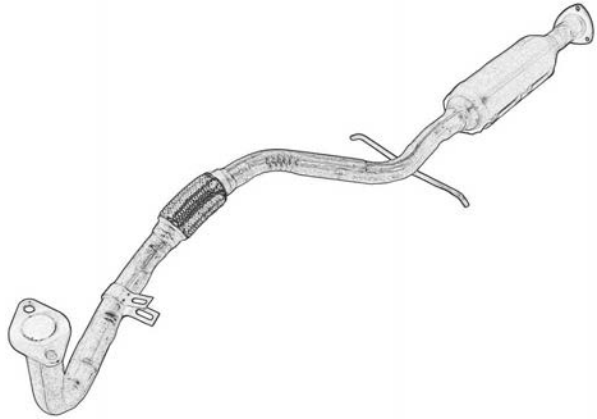
NUMERICAL

UNIVERSAL SPECIFICATIONS

NUMERICAL LISTING

| Year | Engine | Year | Engine |
|---|----------------------|---|-----------------------|
| 81752 | E.O. No. D-182-52 | 81754 | E.O. No. D-182-52 |
|  | |  | |
| Inlet | Outlet | Overall Length | Inlet |
| 6 Bolt Welded Flange | 3 Bolt Welded Flange | 9" | 6 Bolt Welded Flange |
| Infiniti – QX4 2000-97 3.3L V6 Nissan – Pathfinder 2000-96 3.3L V6 | | Infiniti – QX4 2003-01 3.5L V6 Nissan – Pathfinder 2004-01 3.5L V6 | |
| 81753 | E.O. No. D-182-52 | 81755 | E.O. No. D-182-45 |
|  | |  | |
| Inlet | Outlet | Overall Length | Inlet |
| 6 Bolt Welded Flange | 3 Bolt Welded Flange | 9" | 2 Bolt Welded Flanges |
| Infiniti – QX4 2003-01 3.5L V6 Nissan – Pathfinder 2004-01 3.5L V6 | | Lexus – ES300 1997 3.0L V6 Toyota – Avalon 1997 3.0L V6 Toyota – Camry 2000-97 3.0L V6 Toyota – Solara 2000-99 3.0L V6 | |
| Inlet | Outlet | Overall Length | Overall Length |
| 2 Bolt Welded Flanges | 2 Bolt Welded Flange | 49¾" | 49¾" |

NUMERICAL LISTING

| Year | Engine | Year | Engine |
|---|--------------------------|---|--------------------------|
| 81756 | E.O. No. D-182-45 | 81758 | E.O. No. D-182-45 |
|  | |  | |
| Inlet | Outlet | Inlet | Outlet |
| 3 Bolt Welded Flange | 3 Bolt Welded Flange | 2 Bolt Welded Flange | 2 Bolt Welded Flange |
| Overall Length | | Overall Length | |
| 17" | | 37 ¹ / ₈ " | |
| Acura – CL 2003-01 3.2L V6 Acura – TL 2003-02 3.2L V6 Honda – Accord 2002-98 3.0L V6 | | Buick – Regal 2002-97 3.8L V6 Chevrolet – Impala 2002 3.8L V6 Oldsmobile – Intrigue 1999-98 3.8L V6 Pontiac – Grand Prix 2002-97 3.8L V6 | |
| 81757 | E.O. No. D-182-45 | 81759 | E.O. No. D-182-45 |
|  | |  | |
| Inlet | Outlet | Inlet | Outlet |
| 2 Bolt Welded Flange | 3 Bolt Welded Flange | 2 Bolt Welded Flange | 3 Bolt Welded Flange |
| Overall Length | | Overall Length | |
| 39 ³ / ₈ " | | 59" | |
| Chevrolet – Malibu 2003-97 3.1L V6 Oldsmobile – Achieva 1998 3.1L V6 Oldsmobile – Alero 2002-99 3.4L V6 Oldsmobile – Cutlass 1999-97 3.1L V6 Pontiac – Grand Am 2002-99 3.4L V6 | | Chevrolet – Cavalier 2002-99 2.2L L4 Pontiac – Sunfire 2002-99 2.2L L4 | |

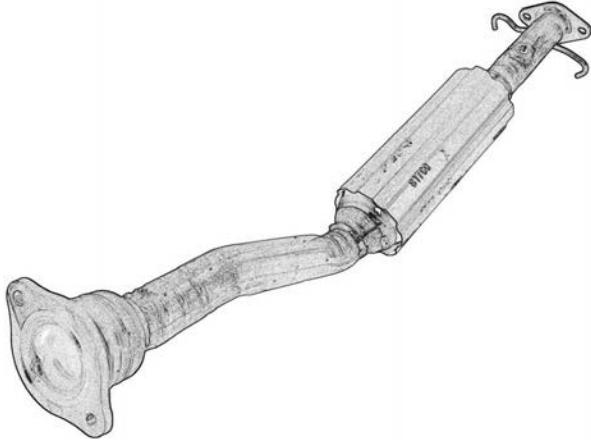
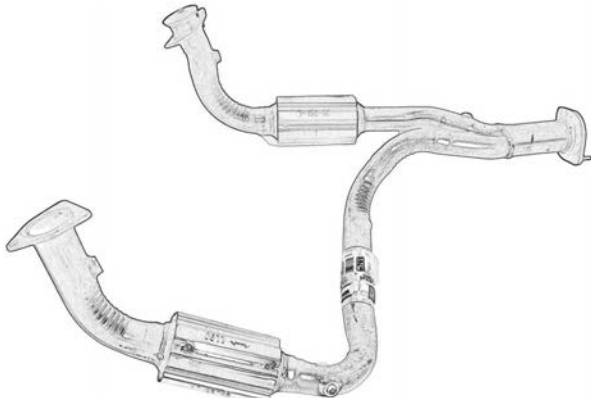
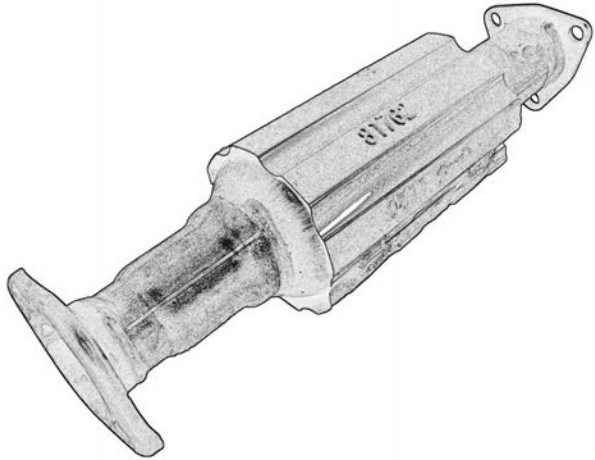
OBDII APPLICATIONS

NON-OBDII APPLICATIONS

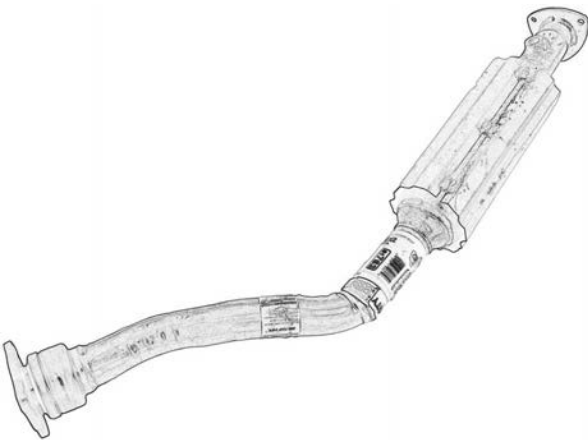
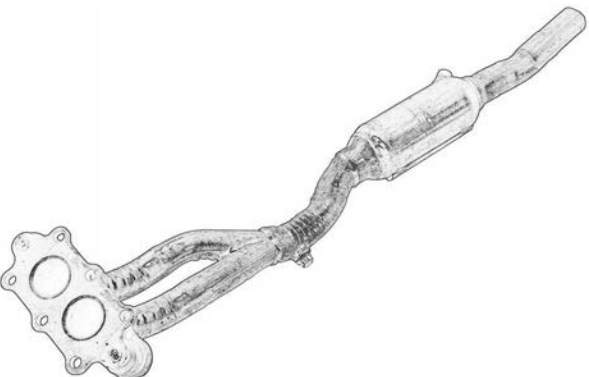
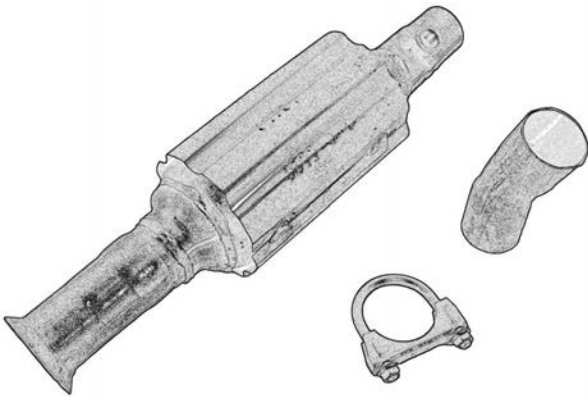
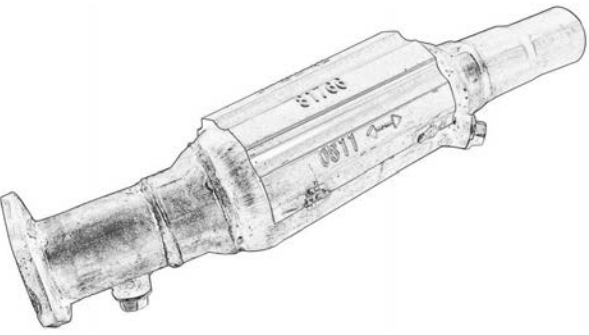
NUMERICAL

UNIVERSAL SPECIFICATIONS

NUMERICAL LISTING

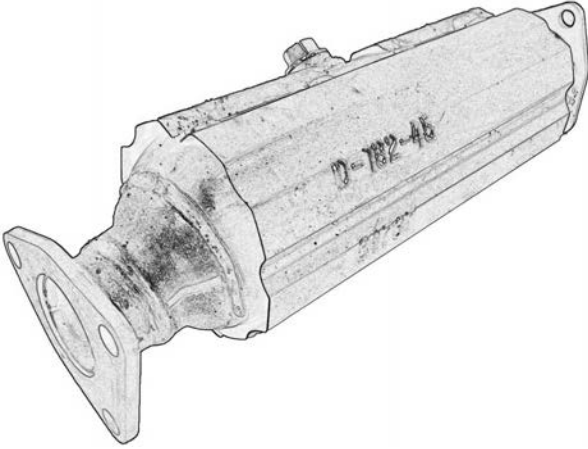
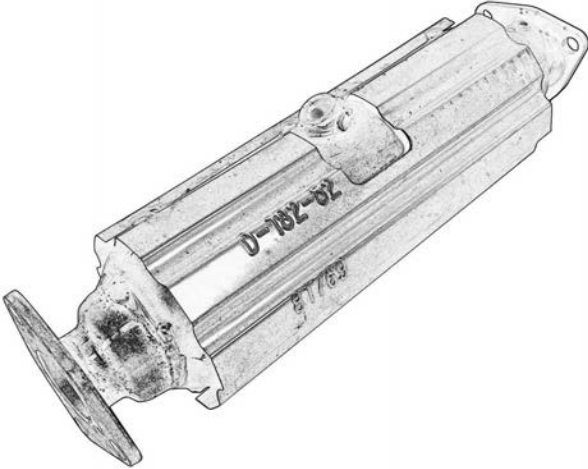
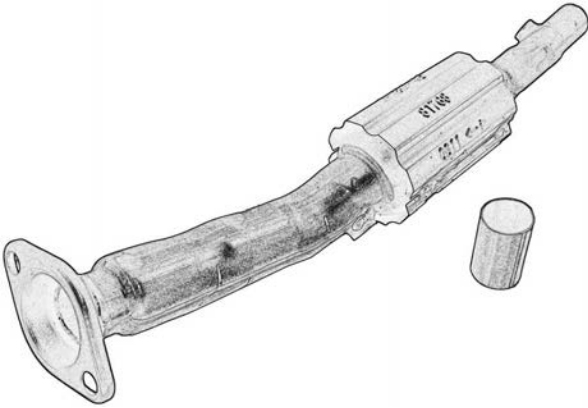
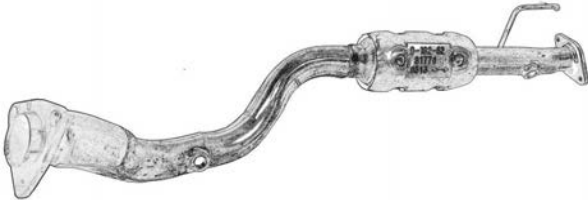
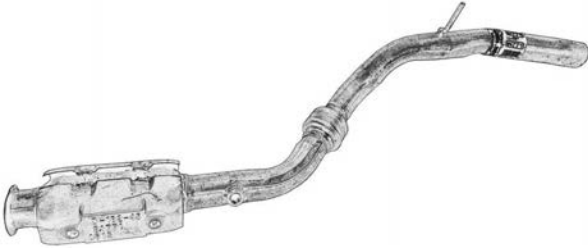
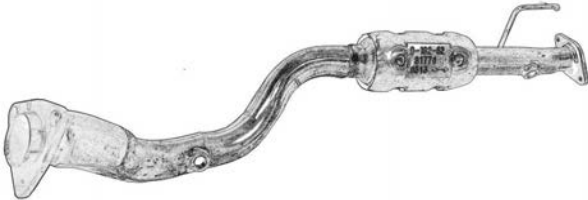
| Year | Engine |
|--|----------------------|
| 81760 | E.O. No. D-182-45 |
|  | |
| Inlet | Outlet |
| 2 Bolt Welded Flange | 2 Bolt Welded Flange |
| Overall Length | |
| 38 ⁵ / ₈ " | |
| Buick — Century 2003-97 3.1L V6 Chevrolet — Impala 2002-00 3.4L V6 Chevrolet — Monte Carlo 2002-00 3.4L V6 Pontiac — Grand Prix 2003-97 3.1L V6 | |
| 81761 | E.O. No. D-182-52 |
|  | |
| Inlet | Outlet |
| 3 Bolt Welded Flange and 3 Bolt Loose Flange | 2 Bolt Welded Flange |
| Overall Length | |
| 50 ¹ / ₂ " | |
| Cadillac — Escalade 2005 5.3L V8 2003 5.3L V8 Chevrolet — Avalanche 1500 2005 5.3L V8 2003 5.3L V8 Chevrolet — Silverado 1500 2005-03 4.3L V6 4.8L V8 2005 5.3L V8 2003 5.3L V8 | |
| 81761 (Cont.) | E.O. No. D-182-45 |
| Chevrolet — Silverado 1500 (Cont.) 2001-99 4.3L V6 4.8L V8 5.3L V8 Chevrolet — Silverado 2500 2000-99 5.3L V8 Chevrolet — Suburban 1500 2005 5.3L V8 2003 5.3L V8 2000 5.3L V8 Chevrolet — Tahoe 2005-03 4.8L V8 2005 5.3L V8 2003 5.3L V8 2001-00 5.3L V8 2001 4.8L V8 GMC — Sierra 1500 2005-03 4.3L V6 4.8L V8 2005 5.3L V8 2003 5.3L V8 2001-99 4.3L V6 4.8L V8 5.3L V8 GMC — Sierra 2500 2000-99 5.3L V8 GMC — Yukon 2005-03 4.8L V8 2005 5.3L V8 2003 5.3L V8 2001-00 5.3L V8 2001 4.8L V8 GMC — Yukon XL 1500 2005 5.3L V8 2003 5.3L V8 2000 5.3L V8 | |
| 81762 | E.O. No. D-182-45 |
|  | |
| Inlet | Outlet |
| 2 Bolt Welded Flange | 3 Bolt Welded Flange |
| Overall Length | |
| 17 ³ / ₄ " | |
| Honda — CR-V 2001-97 2.0L L4 | |

NUMERICAL LISTING

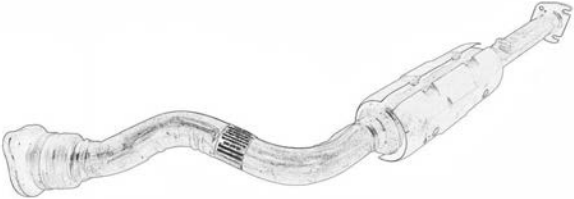

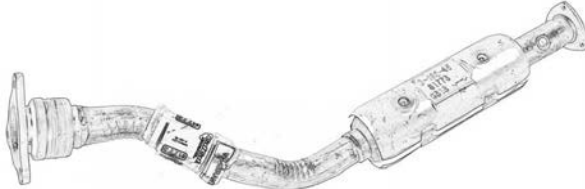
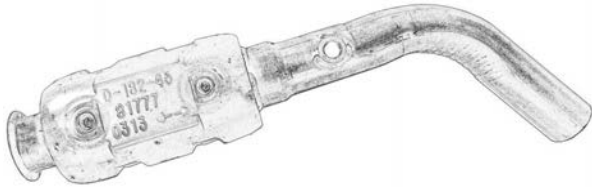
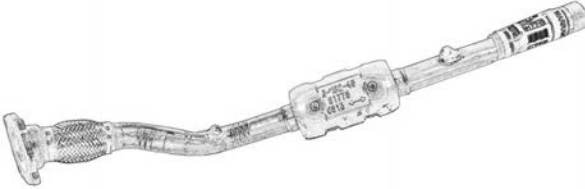
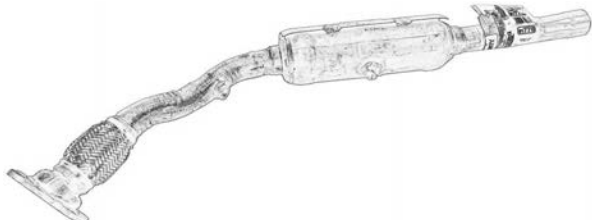
| Year | Engine | Year | Engine |
|--|----------------------|--|-------------------|
| 81763 | E.O. No. D-182-45 | 81765 | E.O. No. D-182-45 |
|  | |  | |
| Inlet | Outlet | Inlet | Outlet |
| 3 Bolt Welded Flange | 3 Bolt Welded Flange | 6 Bolt Welded Flange | 2 1/8" |
| Overall Length | | Overall Length | |
| 38 5/8" | | 40" | |
| Chevrolet — Cavalier 2002-99 2.4L L4 Chevrolet — Malibu 1999 2.4L L4 Oldsmobile — Alero 2001-99 2.4L L4 Pontiac — Grand Am 2001-99 2.4L L4 Pontiac — Sunfire 2002-99 2.4L L4 | | Volkswagen — Beetle 2001-98 2.0L L4 Volkswagen — Golf 2001-99 2.0L L4 Volkswagen — Jetta 2001-99 2.0L L4 | |
| 81764 | E.O. No. D-182-45 | 81766 | E.O. No. D-182-45 |
|  | |  | |
| Inlet | Outlet | Inlet | Outlet |
| 1 7/8" Flare | 1 7/8" | 3 Bolt Welded Flange | 2 1/8" |
| Overall Length | | Overall Length | |
| 18 1/8" | | 19 1/2" | |
| Chevrolet — Prizm 2002-98 1.8L L4 Toyota — Corolla 2002-98 1.8L L4 | | Volkswagen — Cabrio 2002-96 2.0L L4 Volkswagen — Golf 1999-96 2.0L L4 Volkswagen — Jetta 1999-96 2.0L L4 | |

OBDII APPLICATIONS
 NON-OBDII APPLICATIONS
 NUMERICAL
 UNIVERSAL SPECIFICATIONS

NUMERICAL LISTING

| Year | Engine | Year | Engine |
|--|----------------------|---|-------------------|
| 81767 | E.O. No. D-182-45 | 81769 | E.O. No. D-182-52 |
|  | |  | |
| Inlet | Outlet | Overall Length | |
| 3 Bolt Welded Flange | 3 Bolt Welded Flange | 15½" | |
| Honda — Accord 2002-98 2.3L L4 | | | |
| 81768 | E.O. No. D-182-45 | 81770 | E.O. No. D-182-52 |
|  | |  | |
| Inlet | Outlet | Overall Length | |
| 2 Bolt Welded Flange | 1¾" | 29" | |
| Scion — xA 2004 1.5L L4 Toyota — Echo 2004-00 1.5L L4 | | | |
| 81771 | E.O. No. D-182-45 | 81777 | E.O. No. D-182-52 |
|  | |  | |
| Inlet | Outlet | Overall Length | |
| 27/8" Flare | 2¼" | 44" | |
| Chrysler — 300M 1999 3.5L V6 | | | |

NUMERICAL LISTING

| Year | Engine | Year | Engine |
|---|----------------------|--|--------|
| 81771 (Cont.) | | 81776 E.O. No. D-182-45 | |
| Chrysler — Concorde 1999-98 3.2L V6 Chrysler — LHS 1999 3.5L V6 Dodge — Intrepid 1999-98 3.2L V6 | |  | |
| 81772 E.O. No. D-182-52 | |  | |
| Inlet | Outlet | Overall Length | |
| 2 Bolt Welded Flange | 2 Bolt Welded Flange | 58" | |
| Buick — Rendezvous 2003 3.4L V6 Pontiac — Aztek 2003 3.4L V6 | | Chevrolet — Lumina 2001 3.1L V6 1999-97 3.1L V6 Chevrolet — Monte Carlo 1999-97 3.1L V6 | |
| 81773 E.O. No. D-182-45 | | 81777 E.O. No. D-182-45 | |
|  | |  | |
| Inlet | Outlet | Overall Length | |
| 3 Bolt Welded Flange | 3 Bolt Welded Flange | 37½" | |
| Chevrolet — Cavalier 2003-02 2.2L L4 Oldsmobile — Alero 2003-02 2.2L L4 Pontiac — Grand Am 2003-02 2.2L L4 Pontiac — Sunfire 2003-02 2.2L L4 | | Chrysler — 300M 1999 3.5L V6 Chrysler — Concorde 1999-98 3.2L V6 Chrysler — LHS 1999 3.5L V6 Dodge — Intrepid 1999-98 3.2L V6 | |
| 81775 E.O. No. D-182-45 | | 81778 E.O. No. D-182-45 | |
|  | |  | |
| Inlet | Outlet | Overall Length | |
| 4 Bolt Welded Flange | 2⅛" | 39⅝" | |
| Audi — TT 2004-00 1.8L L4 Volkswagen — Golf 2001 1.8L L4 Volkswagen — Jetta 2001 1.8L L4 | | Volkswagen — Beetle 2004-01 1.8L L4 Volkswagen — Golf 2003-01 1.8L L4 Volkswagen — Jetta 2003-01 1.8L L4 | |


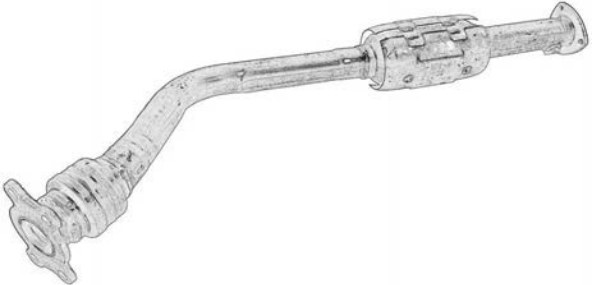

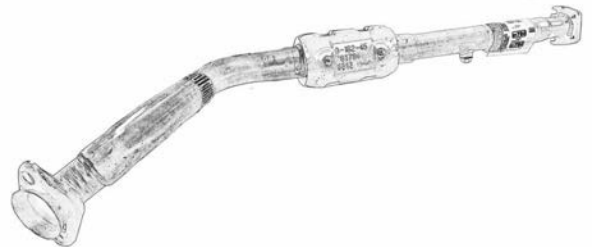
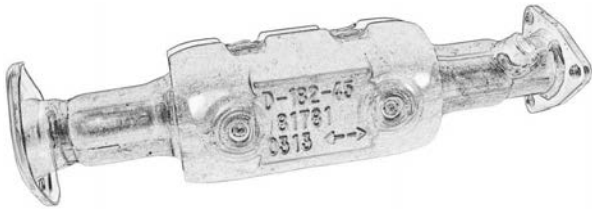
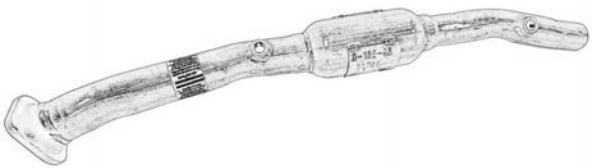
OBDII APPLICATIONS

NON-OBDII APPLICATIONS

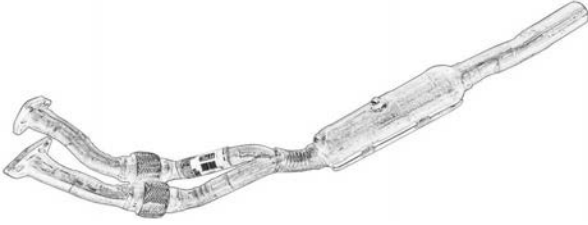

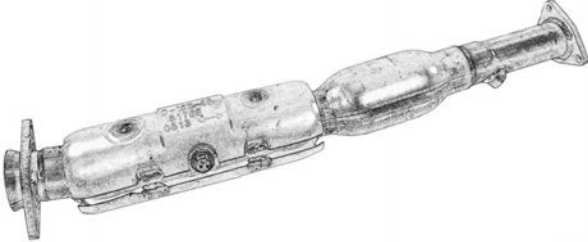


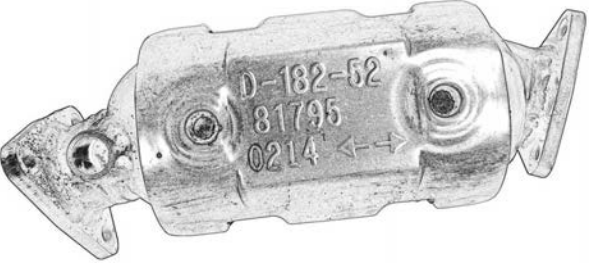
NUMERICAL

UNIVERSAL SPECIFICATIONS

NUMERICAL LISTING

| Year | Engine | Year | Engine |
|---|----------------------|--|----------------------|
| 81779 | E.O. No. D-182-45 | 81782 | E.O. No. D-182-45 |
|  | |  | |
| Inlet | Outlet | Overall Length | Inlet |
| 2 Bolt Welded Flange | 1 3/4" | 58" | 4 Bolt Welded Flange |
| Toyota – Tercel 1997-96 1.5L L4 | | Buick – Skylark 1998-96 2.4L L4 | |
| 81780 | E.O. No. D-182-45 | Pontiac – Grand Am 1998-96 2.4L L4 | 81784 |
|  | |  | |
| Inlet | Outlet | Overall Length | Inlet |
| 2 Bolt Welded Flange | 1 7/8" | 29 1/2" | 4 Bolt Welded Flange |
| Scion – xB 2004 1.5L L4 | | Buick – Regal 1996 3.1L V6 | |
| 81781 | E.O. No. D-182-45 | Chevrolet – Lumina 1996 3.1L V6 | 81786 |
|  | |  | |
| Inlet | Outlet | Overall Length | Inlet |
| 2 Bolt Welded Flange | 3 Bolt Welded Flange | 17 5/8" | 2 Bolt Welded Flange |
| Acura – Integra 1999-96 1.8L L4 | | Toyota – Celica 2004-00 1.8L L4 | |
| Inlet | Outlet | Overall Length | Inlet |
| 2 Bolt Welded Flange | 2 1/8" | 36" | 2 Bolt Welded Flange |

NUMERICAL LISTING

| Year | Engine | Year | Engine |
|---|--------------------------|--|--------------------------|
| 81787 | E.O. No. D-182-45 | 81792 | E.O. No. D-182-52 |
|  | |  | |
| Inlet | Outlet | Inlet | Outlet |
| 3 Bolt Welded Flange | 2 1/8" | 2 Bolt Welded Flange | 2 Bolt Welded Flange |
| Overall Length | | Overall Length | |
| 43" | | 32" | |
| Volkswagen – Golf 2002-99 2.8L V6 | | Toyota – Tacoma 2004-00 2.7L L4 | |
| Volkswagen – Jetta 2002-99 2.8L V6 | | 81794 | E.O. No. D-182-52 |
|  | |  | |
| Inlet | Outlet | Inlet | Outlet |
| 2 Bolt Welded Flange | 3 Bolt Welded Flange | 3 Bolt Welded Flange | 3 Bolt Welded Flange |
| Overall Length | | Overall Length | |
| 33" | | 13 1/2" | |
| Acura – RL 2004-96 3.5L V6 | | Nissan – Frontier 2004-99 3.3L V6 | |
| 81789 | | Nissan – Xterra 2004-00 3.3L V6 | |
|  | |  | |
| Inlet | Outlet | Inlet | Outlet |
| 4 Bolt Welded Flange | 3 Bolt Welded Flange | 3 Bolt Welded Flange | 3 Bolt Welded Flange |
| Overall Length | | Overall Length | |
| 38" | | 12 1/2" | |
| Pontiac – Grand Am 1998-96 2.4L L4 | | Nissan – Frontier 2004-99 3.3L V6 | |
| 81795 | | Nissan – Xterra 2004-00 3.3L V6 | |


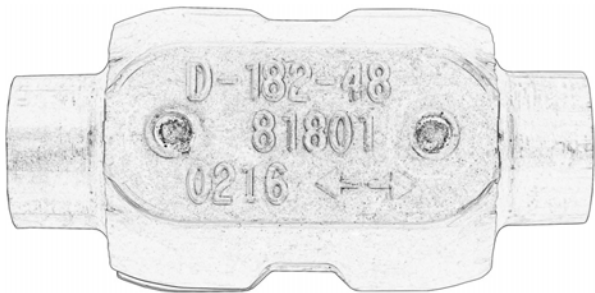
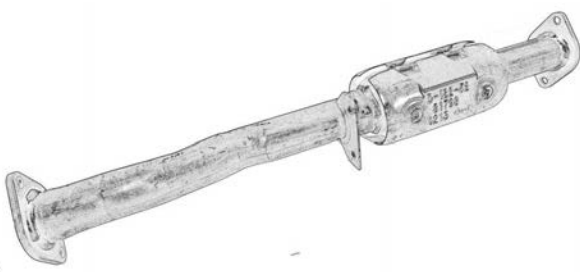


OBDII APPLICATIONS

NON-OBDII APPLICATIONS

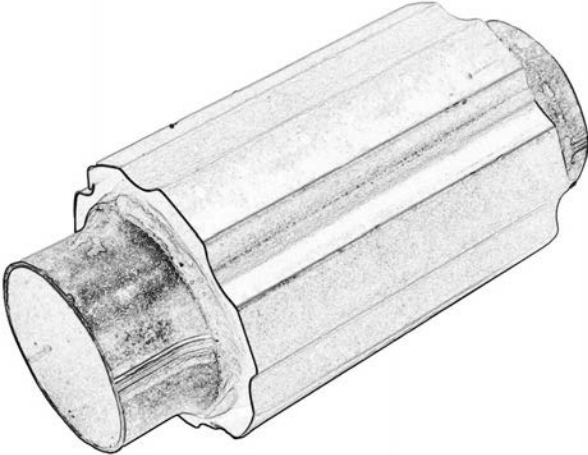
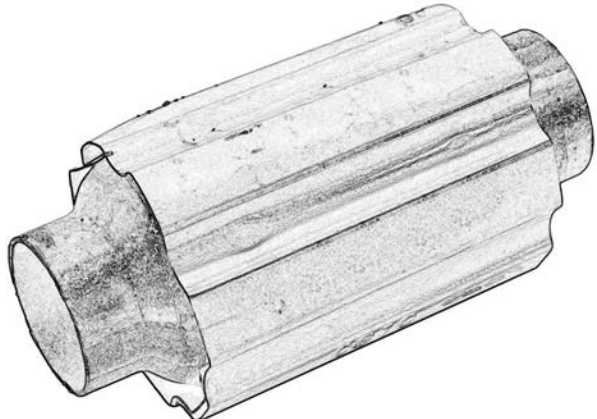
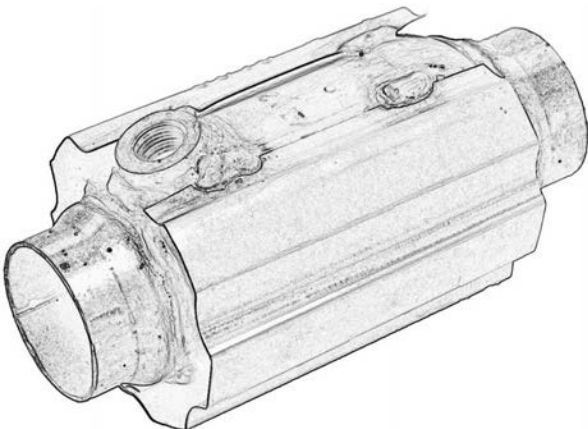
NUMERICAL

UNIVERSAL SPECIFICATIONS

NUMERICAL LISTING

| Year | Engine | Year | Engine |
|---|---------------------------------|---|---------------------------------|
| 81797 | E.O. No. D-182-52 | 81801 | E.O. No. D-182-48 |
|  | |  | |
| Inlet | Outlet | Overall Length | |
| 2 Bolt Welded Flanges | 2 ³ / ₈ " | 44" | |
| Toyota — Tundra 2002-00 4.7L V8 | | Inlet | Outlet |
| 81798 | E.O. No. D-182-52 | 2" | 2" |
|  | | Overall Length | |
| 2 Bolt Welded Flange | 2 Bolt Welded Flange | 8" | |
| Toyota — Tacoma 2004-00 3.4L V6 | | Ford — Ranger 2003-98 4.0L V6 2003 3.0L V6 | |
| 81799 | E.O. No. D-182-45 | Mazda — B3000 2003 3.0L V6 | |
|  | | Mazda — B4000 2002-98 4.0L V6 | |
| Inlet | Outlet | Overall Length | |
| 2 Bolt Loose Flange With Spherical Flare | 3 Bolt Welded Flange | 17 ¹ / ₂ " | |
| Acura — Integra 2001-96 1.8L L4 | | 81802 E.O. No. D-182-48 | |
|  | | Inlet | Outlet |
| | | 2 ¹ / ₄ " | 2 ¹ / ₄ " |
| | | Overall Length | |
| | | 8" | |
| | | Ford — Crown Victoria 2002-95 4.6L V8 | |
| | | Ford — Mustang 2004-95 3.8L V6 2004 3.9L V6 2003-96 4.6L V8 2000 5.4L V8 | |
| | | Lincoln — Town Car 2002-95 4.6L V8 | |
| | | Mercury — Grand Marquis 2002-95 4.6L V8 | |

NUMERICAL LISTING

| Year | Engine | Year | Engine | |
|--|--------------------------|---|---------------|-----------------------|
| 81803 | E.O. No. D-182-48 | 81804 (Cont.) | | |
|  | | Audi – S4 2004 4.2L V8 2002-00 2.7L V6 Jaguar – XJ12 1996-95 6.0L V12 Mercedes-Benz – C43 AMG 2000-98 4.3L V8 Mercedes-Benz – CLK430 2001-99 4.3L V8 Volkswagen – Passat 2005-00 2.8L V6 | | |
| | | 81806 E.O. No. D-182-48 | | |
| | |  | | |
| Inlet | Outlet | | | Overall Length |
| 2 1/2" | 2 1/2" | | | 8" |
| Jeep – Cherokee 2000-99 2.5L L4 Jeep – Wrangler 2002-99 2.5L L4 | | | | |
| 81804 | E.O. No. D-182-48 | | | |
|  | | | | |
| | | Inlet | Outlet | Overall Length |
| | | 2" | 2" | 8" |
| Audi – A4 2001-00 2.8L V6 Audi – A6 2001-00 2.8L V6 Audi – A6 Quattro 2004-00 2.7L V6 2004 4.2L V8 2001-00 2.8L V6 2001 4.2L V8 Audi – A8 Quattro 2003-02 4.2L V8 Audi – Allroad Quattro 2005-04 4.2L V8 2005-01 2.7L V6 | | Ford – Ranger 2004-01 3.0L V6 2001-98 2.5L L4 Ford – Taurus 1999-96 3.4L V8 Honda – Accord 1997-96 2.2L L4 Infiniti – I30 1998-96 3.0L V6 Infiniti – Q45 2001-99 4.1L V8 1996 4.5L V8 Jaguar – Vanden Plas 1997-95 4.0L L6 Jaguar – XJ12 1996-95 6.0L V12 Jaguar – XJ6 1997-95 4.0L L6 Jaguar – XJR 1997-96 4.0L L6 Jaguar – XJS 1996-95 4.0L L6 Lexus – RX300 2003-99 3.0L V6 Lincoln – Continental 2002-97 4.6L V8 1995 4.6L V8 | | |

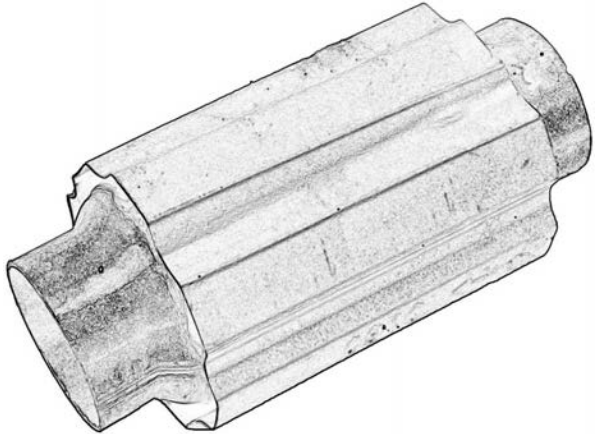
OBDDI APPLICATIONS

NON-OBDDI APPLICATIONS

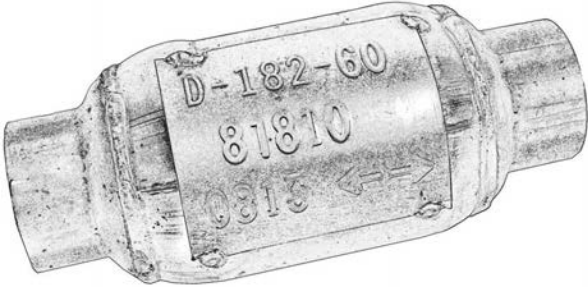

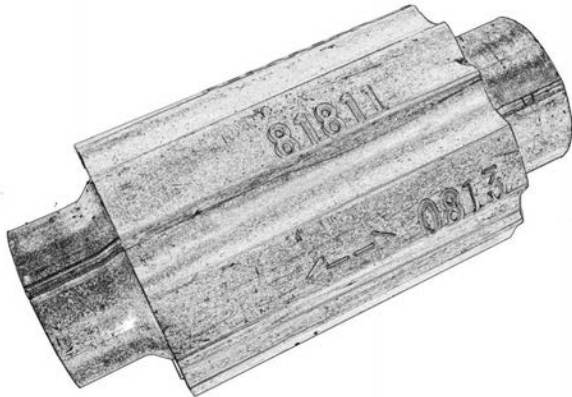

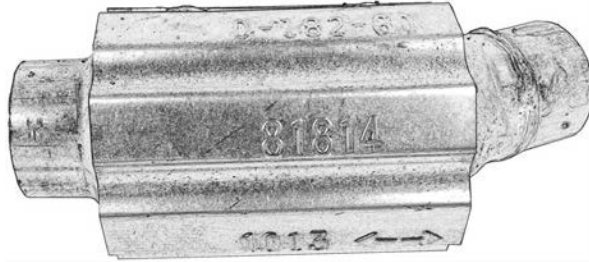
NUMERICAL

UNIVERSAL SPECIFICATIONS

NUMERICAL LISTING

| Year | Engine |
|--|---------------|
| 81806 (Cont.) | |
| Lincoln — Mark VIII | |
| 1998-96 | 4.6L V8 |
| Mazda — B2500 | |
| 2001-98 | 2.5L L4 |
| Mazda — B3000 | |
| 2004-01 | 3.0L V6 |
| Mitsubishi — Galant | |
| 1996 | 2.4L L4 |
| Nissan — 300ZX | |
| 1996 | 3.0L V6 |
| Nissan — Maxima | |
| 1998-95 | 3.0L V6 |
| Nissan — Sentra | |
| 2001-00 | 2.0L L4 |
| Saturn — L300 | |
| 2003-01 | 3.0L V6 |
| Saturn — LW300 | |
| 2003-01 | 3.0L V6 |
| Subaru — Outback | |
| 2004-01 | 3.0L H6 |
| Subaru — SVX | |
| 1997-96 | 3.3L H6 |
| 81807 | |
| E.O. No. D-182-48 | |
|  | |
| Inlet | Outlet |
| 2 1/4" | 2 1/4" |
| Overall Length | |
| 8" | |
| Audi — RS6 | |
| 2004 | 4.2L V8 |
| Chrysler — Concorde | |
| 1997-96 | 3.5L V6 |
| Chrysler — LHS | |
| 1997-96 | 3.5L V6 |
| Chrysler — New Yorker | |
| 1996 | 3.5L V6 |
| Chrysler — Sebring | |
| 1996 | 2.5L V6 |
| Dodge — Avenger | |
| 1996 | 2.5L V6 |
| Dodge — Dakota | |
| 2002-99 | 2.5L L4 |
| Dodge — Intrepid | |
| 1997-96 | 3.5L V6 |
| 81807 (Cont.) | |
| Eagle — Vision | |
| 1997-96 | 3.5L V6 |
| Ford — Mustang | |
| 1998 | 4.6L V8 |
| Lexus — LS400 | |
| 1997-95 | 4.0L V8 |
| Lexus — SC400 | |
| 1997-96 | 4.0L V8 |
| Mercedes-Benz — C240 | |
| 2003-01 | 2.6L V6 |
| Mercedes-Benz — C280 | |
| 2000-98 | 2.8L V6 |
| Mercedes-Benz — C32 AMG | |
| 2004-02 | 3.2L V6 |
| Mercedes-Benz — C320 | |
| 2003-01 | 3.2L V6 |
| Mercedes-Benz — CL500 | |
| 1999-98 | 5.0L V8 |
| Mercedes-Benz — CL600 | |
| 2002-01 | 5.8L V12 |
| Mercedes-Benz — CLK320 | |
| 2003-98 | 3.2L V6 |
| Mercedes-Benz — E320 | |
| 2000-98 | 3.2L V6 |
| Mercedes-Benz — E420 | |
| 1997 | 4.2L V8 |
| Mercedes-Benz — E430 | |
| 2000-98 | 4.3L V8 |
| Mercedes-Benz — S420 | |
| 1999-96 | 4.2L V8 |
| Mercedes-Benz — S430 | |
| 2001-00 | 4.3L V8 |
| Mercedes-Benz — S500 | |
| 1999-96 | 5.0L V8 |
| Mercedes-Benz — S600 | |
| 2002-01 | 5.8L V12 |
| Mercedes-Benz — SL500 | |
| 1998-96 | 5.0L V8 |
| Mercedes-Benz — SLK32 AMG | |
| 2004-02 | 3.2L V6 |
| Mercedes-Benz — SLK320 | |
| 2003-01 | 3.2L V6 |
| Mitsubishi — Galant | |
| 1998-96 | 2.4L L4 |
| Volkswagen — Phaeton | |
| 2004 | 4.2L V8 |

NUMERICAL LISTING

| Year | Engine | Year | Engine |
|--|-------------------|---|-------------------|
| 81810 | E.O. No. D-182-60 | 81812 | E.O. No. D-182-60 |
|  | |  | |
| Inlet | Outlet | Overall Length | |
| 2" | 2" | 77/8" | |
| Ford – Explorer Sport Trac 2005-04 4.0L V6 Ford – Ranger 2001-98 3.0L V6 Jeep – Grand Cherokee 2004-99 4.7L V8 Mazda – B3000 2001-98 3.0L V6 Mercedes-Benz – ML320 2003-00 3.2L V6 Mercedes-Benz – ML350 2004-03 3.7L V6 Saturn – Vue 2003-02 3.0L V6 Toyota – Sienna 2003-99 3.0L V6 | | Jeep – Cherokee 1999-97 4.0L L6 Jeep – Grand Cherokee 1998-97 4.0L L6 Jeep – Wrangler 1999-98 4.0L L6 | |
| 81811 | E.O. No. D-182-60 | 81813 | E.O. No. D-182-60 |
|  | |  | |
| Inlet | Outlet | Overall Length | |
| 2 1/4" | 2 1/4" | 77/8" | |
| Mercury – Villager 1998-96 3.0L V6 Nissan – Quest 1998-96 3.0L V6 | | Toyota – Highlander 2003-01 3.0L V6 81814 E.O. No. D-182-60 | |
|  | | | |
| Inlet | Outlet | Overall Length | |
| 2" | 2" | 87/8" | |
| Jeep – Liberty 2003-02 3.7L V6 Mitsubishi – Montero 2006-03 3.8L V6 2002-97 3.5L V6 1996 3.0L V6 Mitsubishi – Montero Sport 2004-99 3.5L V6 | | | |


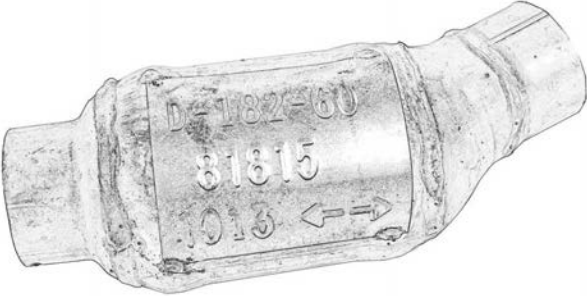


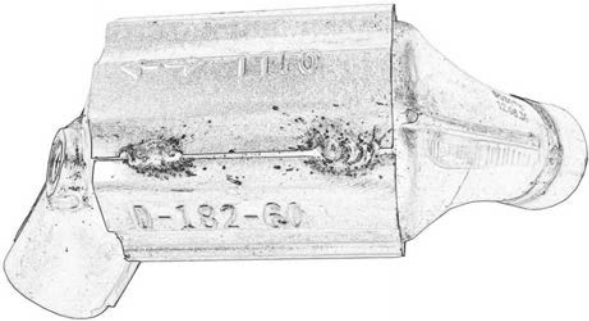
OBDII APPLICATIONS

NON-OBDII APPLICATIONS

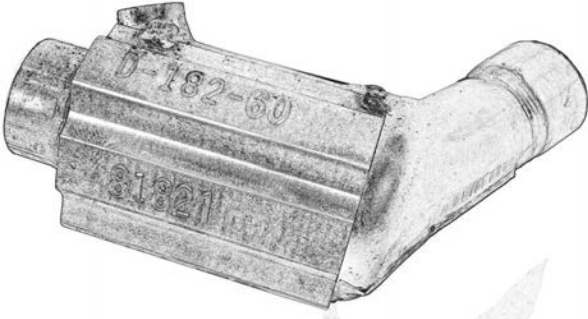
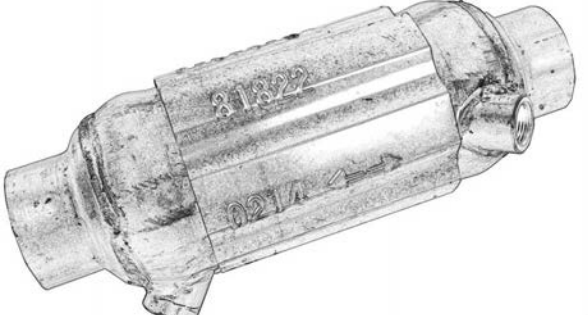
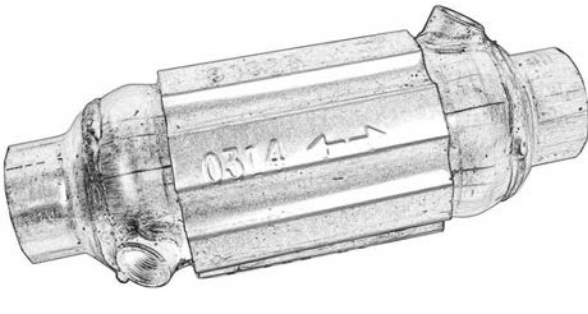
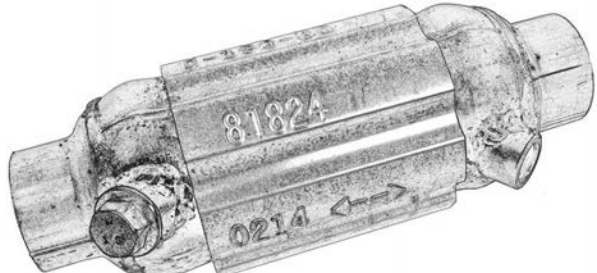
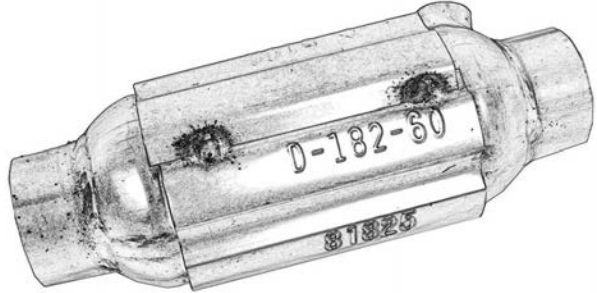
NUMERICAL

UNIVERSAL SPECIFICATIONS

NUMERICAL LISTING

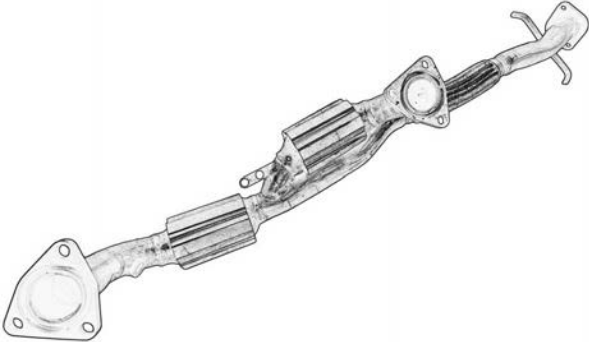
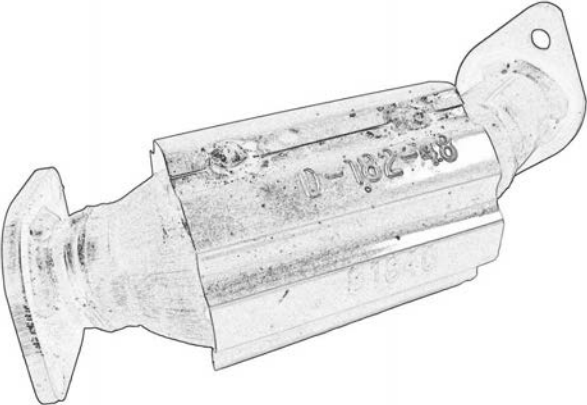
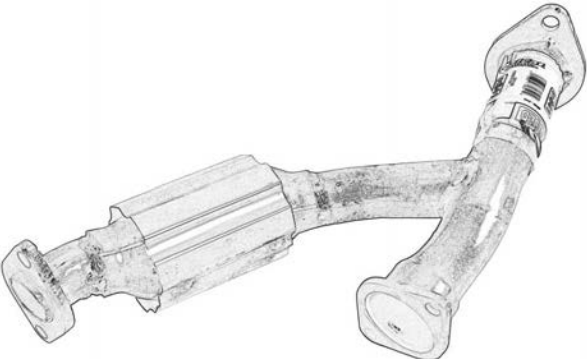
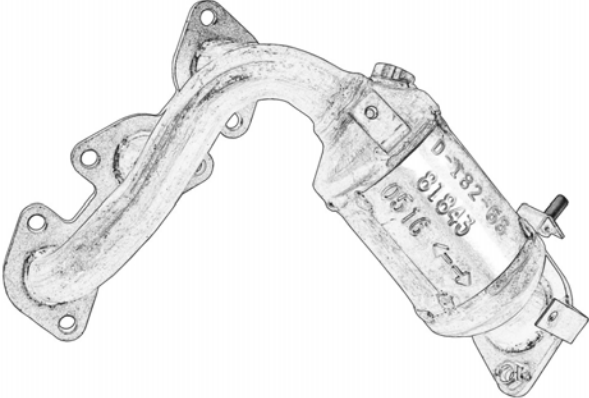
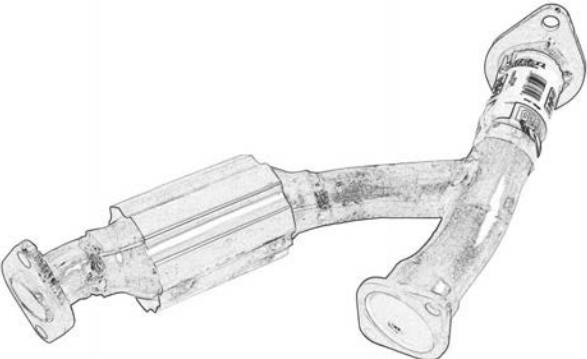
| Year | Engine | Year | Engine | | | | | | | | | | | | |
|---|--------|---|--------|----------------|--------|----------------|---------------------------------|---|---------------------------------|-------|--------|----------------|---------------------------------|----|----|
| 81814 (Cont.) Mitsubishi — Montero Sport (Cont.) 2003-97 3.0L V6 Toyota — Highlander 2003-01 3.0L V6 | | 81817 E.O. No. D-182-66  | | | | | | | | | | | | | |
| 81815 E.O. No. D-182-60  | | <table border="1" style="width: 100%; border-collapse: collapse;"> <thead> <tr> <th style="width: 33%;">Inlet</th> <th style="width: 33%;">Outlet</th> <th style="width: 33%;">Overall Length</th> </tr> </thead> <tbody> <tr> <td style="text-align: center;">2"</td> <td style="text-align: center;">2"</td> <td style="text-align: center;">7⁷/₈"</td> </tr> </tbody> </table> | | Inlet | Outlet | Overall Length | 2" | 2" | 7 ⁷ / ₈ " | | | | | | |
| Inlet | Outlet | Overall Length | | | | | | | | | | | | | |
| 2" | 2" | 7 ⁷ / ₈ " | | | | | | | | | | | | | |
| 81816 E.O. No. D-182-60  | | Lexus — ES300 2001-98 3.0L V6 Toyota — Avalon 2004-98 3.0L V6 Toyota — Camry 2001-98 3.0L V6 Toyota — Solara 2003-99 3.0L V6 | | | | | | | | | | | | | |
| 81816 E.O. No. D-182-60  | | 81820 E.O. No. D-182-60  | | | | | | | | | | | | | |
| <table border="1" style="width: 100%; border-collapse: collapse;"> <thead> <tr> <th style="width: 33%;">Inlet</th> <th style="width: 33%;">Outlet</th> <th style="width: 33%;">Overall Length</th> </tr> </thead> <tbody> <tr> <td style="text-align: center;">2"</td> <td style="text-align: center;">2"</td> <td style="text-align: center;">8⁷/₈"</td> </tr> </tbody> </table> | | Inlet | Outlet | Overall Length | 2" | 2" | 8 ⁷ / ₈ " | <table border="1" style="width: 100%; border-collapse: collapse;"> <thead> <tr> <th style="width: 33%;">Inlet</th> <th style="width: 33%;">Outlet</th> <th style="width: 33%;">Overall Length</th> </tr> </thead> <tbody> <tr> <td style="text-align: center;">1⁷/₈"</td> <td style="text-align: center;">2"</td> <td style="text-align: center;">9"</td> </tr> </tbody> </table> | | Inlet | Outlet | Overall Length | 1 ⁷ / ₈ " | 2" | 9" |
| Inlet | Outlet | Overall Length | | | | | | | | | | | | | |
| 2" | 2" | 8 ⁷ / ₈ " | | | | | | | | | | | | | |
| Inlet | Outlet | Overall Length | | | | | | | | | | | | | |
| 1 ⁷ / ₈ " | 2" | 9" | | | | | | | | | | | | | |
| Jeep — Cherokee 2001-00 4.0L L6 Jeep — Grand Cherokee 2004-99 4.0L L6 Jeep — Wrangler 2006-00 4.0L L6 Volkswagen — Touareg 2006-04 4.2L V8 | | Dodge — Dakota 2003-00 4.7L V8 Dodge — Durango 2003-00 4.7L V8 | | | | | | | | | | | | | |
| Saturn — Vue 2003-02 3.0L V6 | | | | | | | | | | | | | | | |

NUMERICAL LISTING

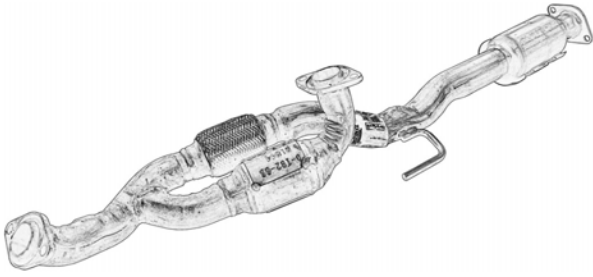

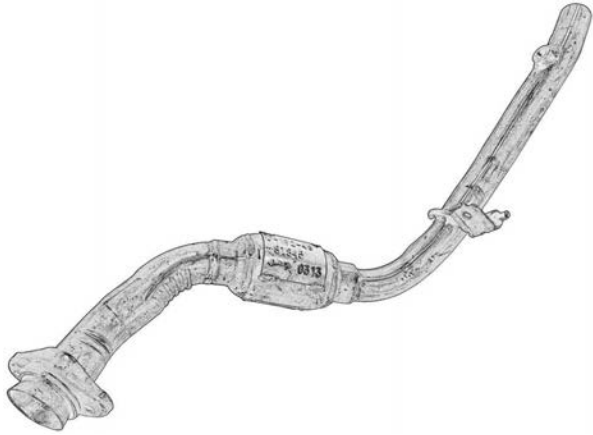
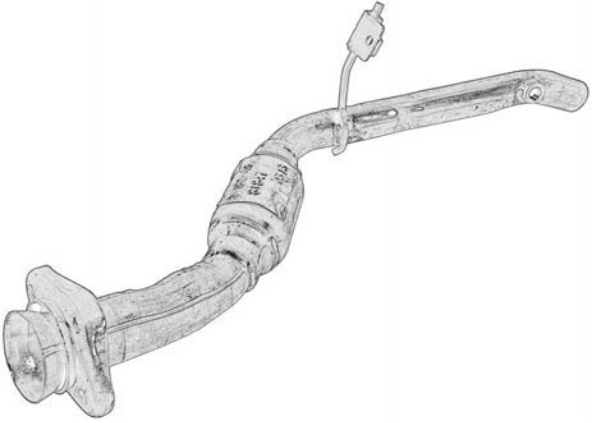
| Year | Engine | Year | Engine |
|--|---------------------------------|---------------------------------|----------------------------------|
| 81821 | E.O. No. D-182-60 | | |
|  | | | |
| | Inlet | Outlet | Overall Length |
| | 2" | 2" | 8 ³ / ₄ " |
| Dodge — Dakota 2003-00 4.7L V8 Dodge — Durango 2003-00 4.7L V8 | | | |
| 81822 | E.O. No. D-182-60 | | |
|  | | | |
| | Inlet | Outlet | Overall Length |
| | 2" | 2" | 10 ¹ / ₄ " |
| Dodge — Dakota 2003-01 3.9L V6 5.9L V8 2003-00 4.7L V8 Dodge — Durango 2003-01 5.9L V8 2003-00 4.7L V8 Dodge — Ram 1500 Van 2002-00 5.9L V8 2000 5.2L V8 Dodge — Ram 2500 Van 2002-00 5.9L V8 2000 5.2L V8 Dodge — Ram 3500 Van 2002-00 5.9L V8 2000 5.2L V8 | | | |
| 81823 | E.O. No. D-182-60 | | |
|  | | | |
| | Inlet | Outlet | Overall Length |
| | 2" | 2" | 10 ¹ / ₄ " |
| Dodge — Dakota 2003-00 4.7L V8 Dodge — Durango 2003-00 4.7L V8 | | | |
| 81824 | E.O. No. D-182-60 | | |
|  | | | |
| | Inlet | Outlet | Overall Length |
| | 2" | 2" | 10 ¹ / ₄ " |
| Dodge — Dakota 2003-01 3.9L V6 5.9L V8 2003-00 4.7L V8 Dodge — Durango 2003-01 5.9L V8 2003-00 4.7L V8 Dodge — Ram 1500 Van 2002-00 5.9L V8 2000 5.2L V8 Dodge — Ram 2500 Van 2002-00 5.9L V8 2000 5.2L V8 Dodge — Ram 3500 Van 2002-00 5.9L V8 2000 5.2L V8 | | | |
| 81825 | E.O. No. D-182-60 | | |
|  | | | |
| | Inlet | Outlet | Overall Length |
| | 2 ¹ / ₄ " | 2 ¹ / ₄ " | 10 ¹ / ₄ " |
| Dodge — Ram 1500 2003-02 4.7L V8 2002-00 5.9L V8 2001-00 5.2L V8 Dodge — Ram 2500 2003 8.0L V10 2002-00 5.9L V8 | | | |

OBDII APPLICATIONS
 NON-OBDII APPLICATIONS
 NUMERICAL
 UNIVERSAL SPECIFICATIONS

NUMERICAL LISTING

| Year | Engine | Year | Engine |
|---|----------------------|---|----------------------|
| 81825 (Cont.) Dodge — Ram 3500 2003 8.0L V10 2001-00 5.9L V8 | | 81842 E.O. No. D-182-48 | |
| 81840 E.O. No. D-182-48 | |  | |
|  | | Inlet | Outlet |
| | | 3 Bolt Welded Flange | 2 Bolt Welded Flange |
| | | Overall Length | |
| | | 44 ³ / ₈ " | |
| Infiniti — I30 1998-96 3.0L V6 Nissan — Maxima 1998-95 3.0L V6 | | 81843 E.O. No. D-182-66 | |
|  | |  | |
| Inlet | Outlet | Inlet | Outlet |
| 2 Bolt Welded Flange | 2 Bolt Welded Flange | 6 Bolt Welded Flange | 2 Bolt Welded Flange |
| Overall Length | | Overall Length | |
| 12 ³ / ₄ " | | 15 ⁵ / ₈ " | |
| Lexus — RX300 2003-99 3.0L V6 | | Lexus — ES300 2001-98 3.0L V6 Toyota — Avalon 2004-98 3.0L V6 Toyota — Camry 2001-98 3.0L V6 Toyota — Solara 2003-99 3.0L V6 | |
| 81841 E.O. No. D-182-48 | | | |
|  | | | |
| Inlet | Outlet | | |
| 2 Bolt Welded Flanges | 2 Bolt Welded Flange | | |
| Overall Length | | | |
| 22 ¹ / ₈ " | | | |

NUMERICAL LISTING

| Year | Engine | Year | Engine |
|---|---------------------------------|---|---------------------------------|
| 81844 | E.O. No. D-182-66 | 81846 | E.O. No. D-182-48 |
|  | |  | |
| Inlet | Outlet | Overall Length | |
| 2 Bolt Welded Flanges | 2 Bolt Welded Flange | 48 ³ / ₄ " | |
| Lexus — ES300 1998 3.0L V6 Toyota — Avalon 1999-98 3.0L V6 Toyota — Camry 2001-98 3.0L V6 Toyota — Solara 2003-99 3.0L V6 | | | |
| 81845 | E.O. No. D-182-48 | Inlet | Outlet |
|  | | 3 Bolt Welded Flange | 2 Bolt Welded Flange |
| Inlet | Outlet | Overall Length | |
| 2 Bolt Loose Flange With Spherical Flare | 1 ⁷ / ₈ " | 10 ¹ / ₈ " | |
| Lexus — LS400 1997-95 4.0L V8 | | | |
| 81847 | E.O. No. D-182-48 | Inlet | Outlet |
|  | | 2 Bolt Loose Flange With Spherical Flare | 1 ⁷ / ₈ " |
| | | Overall Length | |
| | | 30 ³ / ₈ " | |
| Chrysler — Concorde 1997-96 3.5L V6 Chrysler — New Yorker 1996 3.5L V6 Dodge — Intrepid 1997-96 3.5L V6 Eagle — Vision 1997-96 3.5L V6 | | Chrysler — Concorde 1997-96 3.5L V6 Chrysler — New Yorker 1996 3.5L V6 Dodge — Intrepid 1997-96 3.5L V6 Eagle — Vision 1997-96 3.5L V6 | |

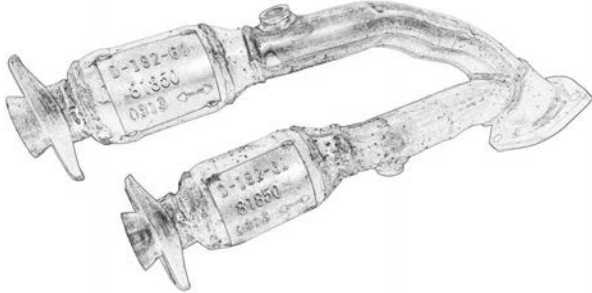
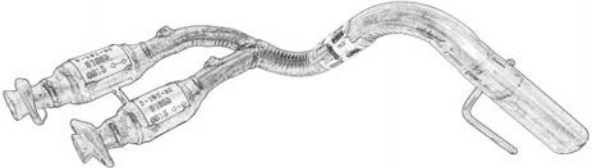
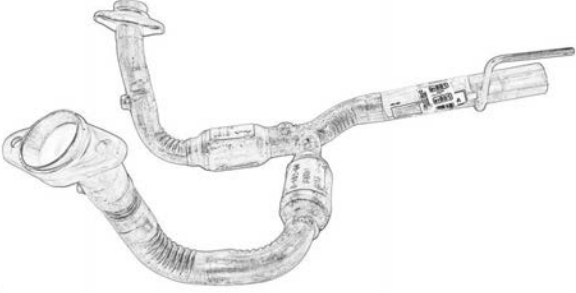
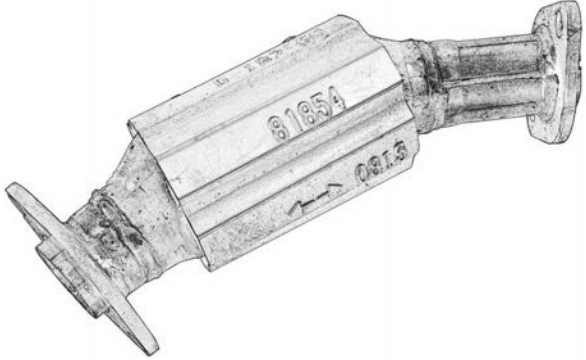
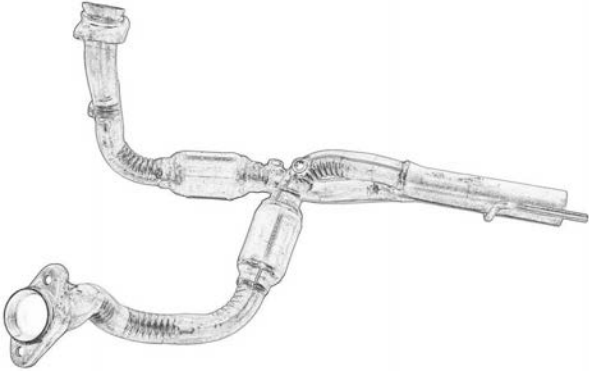
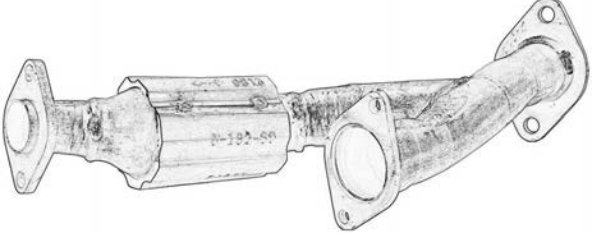
OBDII APPLICATIONS

NON-OBDII APPLICATIONS

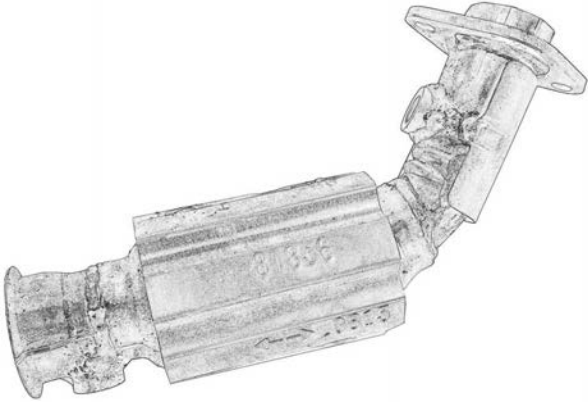
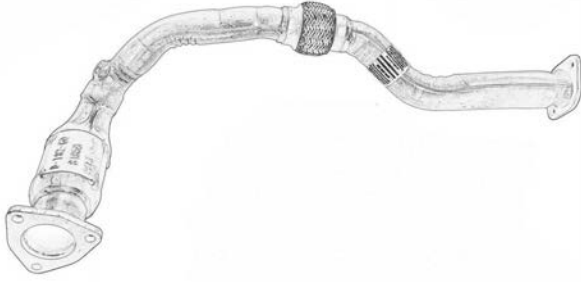
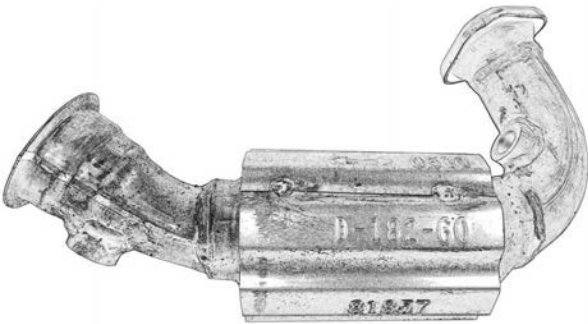
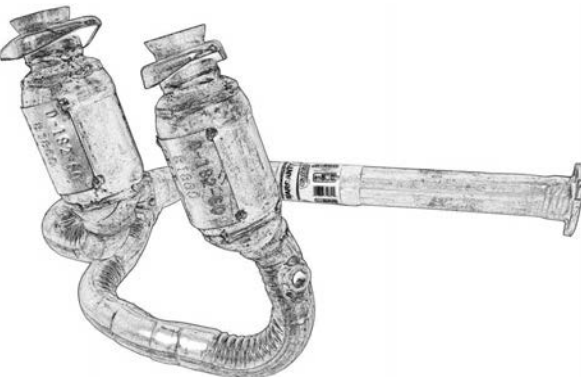
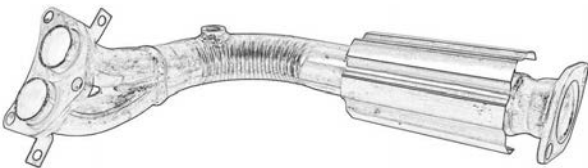
NUMERICAL

UNIVERSAL SPECIFICATIONS

NUMERICAL LISTING

| Year | Engine | Year | Engine |
|---|----------------------|--|----------------------|
| 81850 | E.O. No. D-182-60 | 81853 | E.O. No. D-182-60 |
|  | |  | |
| Inlet | Outlet | Inlet | Outlet |
| 2 Bolt Loose Flanges | 3 Bolt Welded Flange | 2 Bolt Loose Flange With Spherical Flare and 2 1/8" Pipe Connection | 2 1/2" |
| Overall Length | | Overall Length | |
| 22" | | 32" | |
| Jeep — Grand Cherokee 2004-99 4.0L L6 | | | |
| 81851 | E.O. No. D-182-60 | 81854 | E.O. No. D-182-60 |
|  | |  | |
| Inlet | Outlet | Inlet | Outlet |
| 2 Bolt Loose Flange With Spherical Flare | 2 1/2" | 2 Bolt Welded Flange | 2 Bolt Welded Flange |
| Overall Length | | Overall Length | |
| 33" | | 12" | |
| Jeep — Grand Cherokee 2001-99 4.7L V8 | | | |
| 81852 | E.O. No. D-182-60 | Toyota — Highlander 2003-01 3.0L V6 | |
|  | |  | |
| Inlet | Outlet | Inlet | Outlet |
| 2 Bolt Loose Flange With Spherical Flare | 2 1/2" | 2 Bolt Welded Flanges | 2 Bolt Welded Flange |
| Overall Length | | Overall Length | |
| 33" | | 21" | |
| Toyota — Highlander 2003-01 3.0L V6 | | | |

NUMERICAL LISTING

| Year | Engine | Year | Engine |
|---|--------------------------|---|--------------------------|
| 81856 | E.O. No. D-182-60 | 81859 | E.O. No. D-182-60 |
|  | |  | |
| | | Inlet | Outlet |
| | | 3 Bolt Welded Flange | 2 Bolt Welded Flange |
| | | Overall Length | |
| | | 32 ⁵ / ₈ " | |
| Inlet | | Outlet | |
| 2 1/4" Flare | | 2 Bolt Welded Flange | |
| Overall Length | | 15" | |
| Jeep – Liberty 2003-02 3.7L V6 | | | |
| 81857 | E.O. No. D-182-60 | 81860 | E.O. No. D-182-60 |
|  | |  | |
| | | Inlet | Outlet |
| | | 2 Bolt Loose Flange With Spherical Flare | 3 Bolt Welded Flange |
| | | Overall Length | |
| | | 27" | |
| Jeep – Liberty 2003-02 3.7L V6 | | | |
| 81858 | E.O. No. D-182-60 | Jeep – Wrangler 2003-00 4.0L L6 | |
|  | | | |
| | | | |
| Inlet | | Outlet | |
| 3 Bolt Welded Flange | | 2 Bolt Welded Flange | |
| Overall Length | | 17" | |
| Mercury – Villager 1998-96 3.0L V6 | | | |
| Nissan – Quest 1998-96 3.0L V6 | | | |

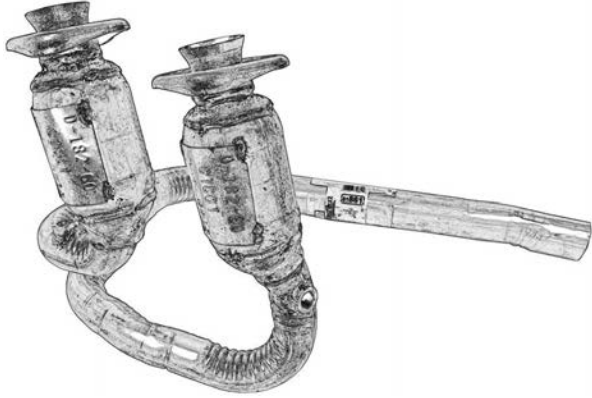
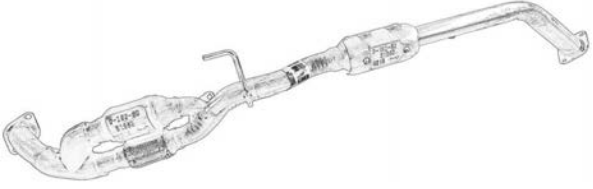
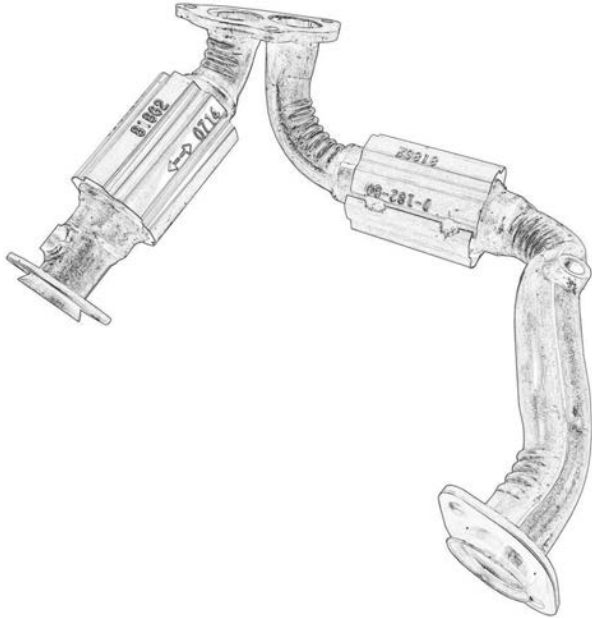

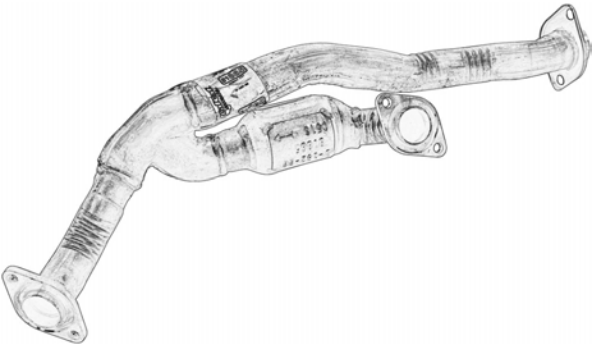
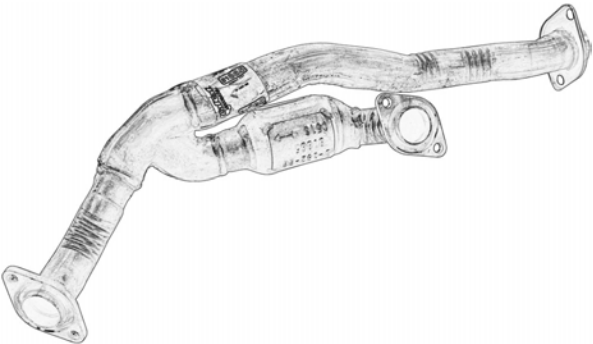
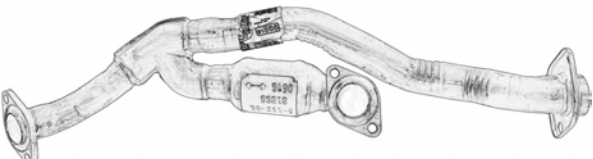
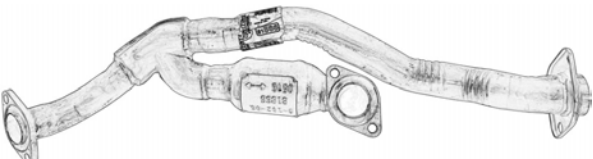
OBDII APPLICATIONS

NON-OBDII APPLICATIONS

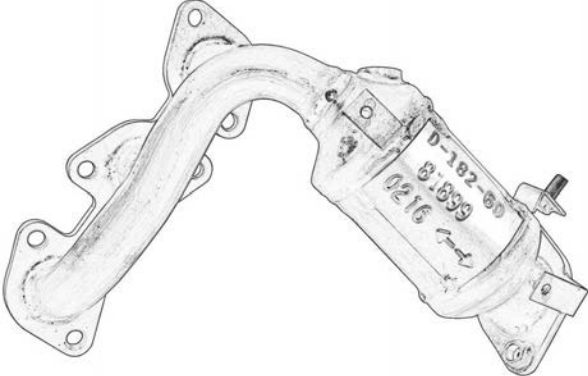
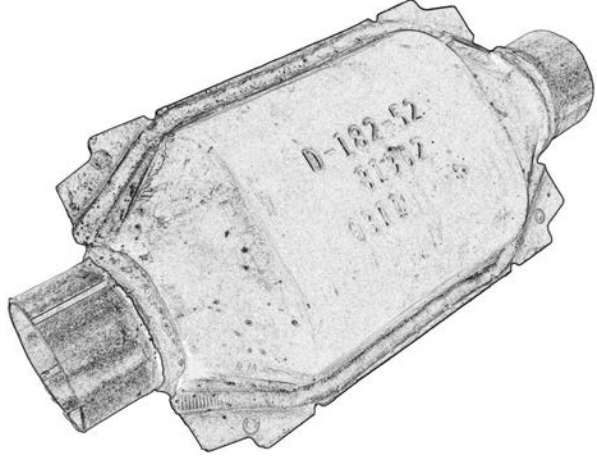
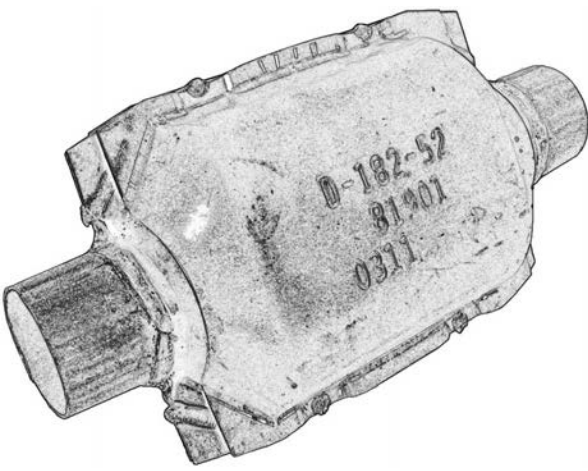
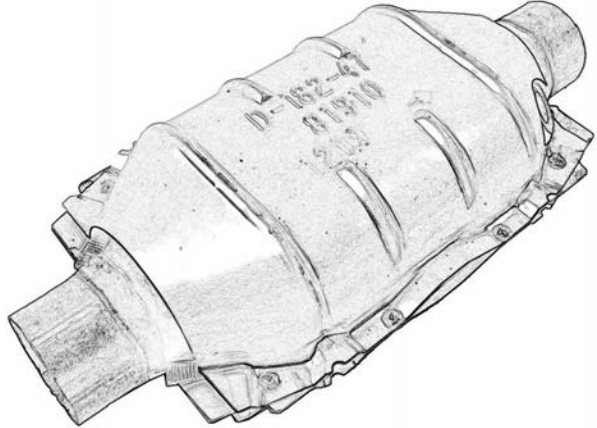
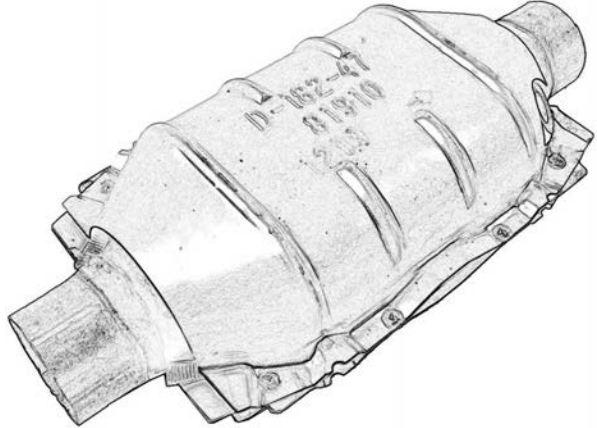
NUMERICAL

UNIVERSAL SPECIFICATIONS

NUMERICAL LISTING

| Year | Engine | Year | Engine |
|--|----------------------|--|----------------------|
| 81861 | E.O. No. D-182-60 | 81863 | E.O. No. D-180-60 |
|  | |  | |
| Inlet | Outlet | Inlet | Outlet |
| 2 Bolt Loose Flange With Spherical Flare and 2 1/8" Pipe Connection | 2 1/2" | 2 Bolt Welded Flange | 2 Bolt Welded Flange |
| Overall Length | | Overall Length | |
| 29" | | 67 3/4" | |
| Jeep — Wrangler 2006-04 4.0L L6 | | Toyota — Sienna 2000-99 3.0L V6 | |
| 81862 | E.O. No. D-182-60 | 81864 | E.O. No. D-182-60 |
|  | |  | |
| Inlet | Outlet | Inlet | Outlet |
| 2 Bolt Loose Flanges | 3 Bolt Welded Flange | 2 Bolt Welded Flange | 2 Bolt Welded Flange |
| Overall Length | | Overall Length | |
| 21" | | 37" | |
| Ford — Ranger 2003-01 4.0L V6 | | Toyota — Sienna 2003-01 3.0L V6 | |
| Mazda — B4000 2003-01 4.0L V6 | | 81865 | E.O. No. D-182-66 |
|  | |  | |
| Inlet | Outlet | Inlet | Outlet |
| 2 Bolt Welded Flanges | 3 Bolt Welded Flange | 2 Bolt Welded Flanges | 2 Bolt Welded Flange |
| Overall Length | | Overall Length | |
| 21" | | 34 7/8" | |
| Lexus — ES300 2001-99 3.0L V6 | | 81866 | |
| 81866 | | E.O. No. D-182-66 | |
|  | |  | |
| Inlet | Outlet | Inlet | Outlet |
| 2 Bolt Welded Flanges | 3 Bolt Welded Flange | 2 Bolt Welded Flanges | 2 Bolt Welded Flange |
| Overall Length | | Overall Length | |
| 21" | | 34 3/8" | |

NUMERICAL LISTING

| Year | Engine | Year | Engine |
|--|----------------------|--|---------------|
| 81866 (Cont.) Toyota — Avalon 2004-00 3.0L V6 | | 81901 (Cont.) Nissan — Xterra 2004-00 3.3L V6 | |
| 81899 E.O. No. D-182-60 | | 81902 E.O. No. D-182-52 | |
|  | |  | |
| Inlet | Outlet | Overall Length | |
| 6 Bolt Welded Flange | 2 Bolt Welded Flange | 13½" | |
| Toyota — Sienna 2003-99 3.0L V6 | | Ford — F-250 Super Duty 2006-05 6.8L V10 2005 5.4L V8 | |
| 81901 E.O. No. D-182-52 | | Ford — F-350 Super Duty 2006-05 5.4L V8 6.8L V10 | |
|  | |  | |
| Inlet | Outlet | Overall Length | |
| 2" | 2" | 11¾" | |
| Ford — Aerostar 1997-96 3.0L V6 4.0L V6 | | 81910 E.O. No. D-182-47 | |
| Ford — Windstar 2000-95 3.0L V6 1998-95 3.8L V6 | |  | |
| Infiniti — QX4 2001 3.5L V6 2000-98 3.3L V6 | | Inlet | Outlet |
| Nissan — Frontier 2004-99 3.3L V6 | | 2" | 2" |
| Nissan — Pathfinder 2004 3.5L V6 2001 3.5L V6 2000-98 3.3L V6 | | Overall Length | |
| | | 13¾" | |
| | | Ford — Windstar 2000-95 3.0L V6 | |


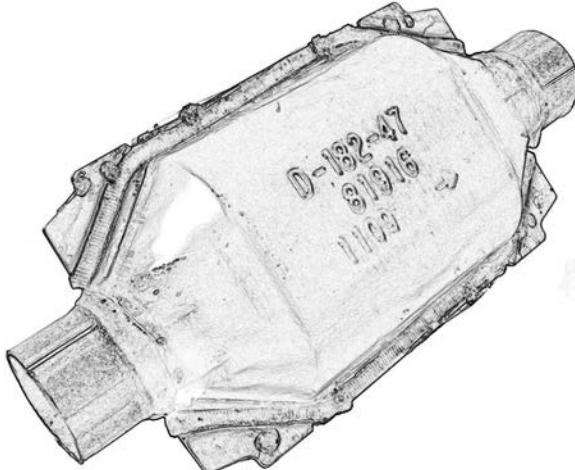
OBDDI APPLICATIONS

NON-OBDDI APPLICATIONS

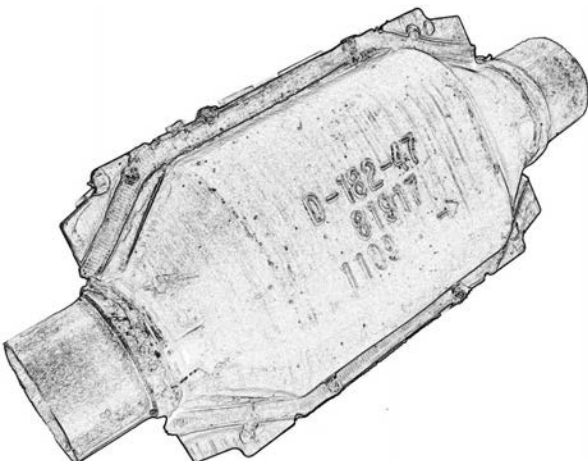
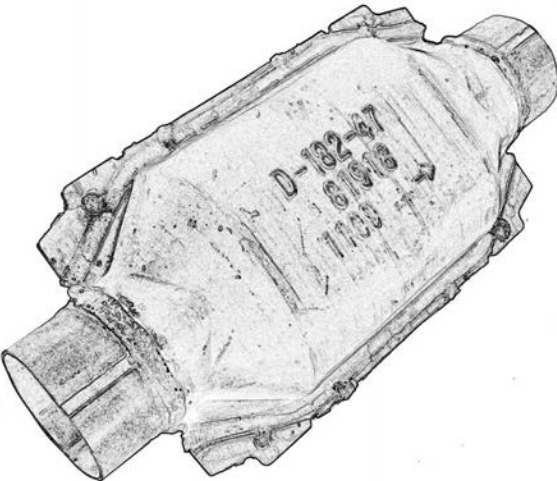


NUMERICAL

UNIVERSAL SPECIFICATIONS

NUMERICAL LISTING

| Year | Engine | Year | Engine |
|--|-------------------|--|--------|
| 81911 | E.O. No. D-182-52 | 81916 (Cont.) | |
|  | | GMC — C1500 Suburban (Cont.) 1997-96 5.7L V8 GMC — C2500 1998-96 5.7L V8 GMC — C2500 Suburban 1998 5.7L V8 GMC — C3500 1998 5.7L V8 GMC — K1500 1999-96 5.7L V8 GMC — K1500 Suburban 1997-96 5.7L V8 GMC — K2500 1998 5.7L V8 1996 5.7L V8 GMC — K2500 Suburban 1998 5.7L V8 GMC — K3500 1998 5.7L V8 GMC — Yukon 1997-96 5.7L V8 Honda — Passport 1997-96 3.2L V6 Isuzu — Rodeo 1997-96 3.2L V6 Land Rover — Defender 90 1997 4.0L V8 Land Rover — Discovery 2004 4.6L V8 2002-96 4.0L V8 Land Rover — Range Rover 2002-96 4.6L V8 2000-95 4.0L V8 Mitsubishi — Montero 1996 3.5L V6 Nissan — Pickup 1997 2.4L L4 Toyota — Sienna 1998 3.0L V6 Toyota — T100 1997-95 3.4L V6 | |
| Inlet | Outlet | Overall Length | |
| 2" | 2" | 13 ³ / ₄ " | |
| Ford — Windstar 1998-95 3.8L V6 | | | |
| 81916 | E.O. No. D-182-47 | | |
|  | | | |
| Inlet | Outlet | Overall Length | |
| 2" | 2" | 13 ¹ / ₄ " | |
| Chevrolet — C1500 1999-96 5.7L V8 Chevrolet — C1500 Suburban 1997-96 5.7L V8 Chevrolet — C2500 1998-96 5.7L V8 Chevrolet — K1500 1999-96 5.7L V8 Chevrolet — K1500 Suburban 1997-96 5.7L V8 Chevrolet — K2500 1996 5.7L V8 Chevrolet — Tahoe 1997-96 5.7L V8 GMC — C1500 1999-96 5.7L V8 GMC — C1500 Suburban 1999 5.7L V8 | | | |

NUMERICAL LISTING

| Year | Engine | Year | Engine |
|--|---|--------------------------|-----------------------|
|  | 81917 | E.O. No. D-182-47 | |
| | Inlet | Outlet | Overall Length |
| | 2 1/4" | 2 1/4" | 13 1/4" |
| | Ford – Explorer 2000-97 4.0L V6 Mercury – Mountaineer 2000-98 4.0L V6 | | |
|  | 81918 | E.O. No. D-182-47 | |
| | Inlet | Outlet | Overall Length |
| | 2 1/2" | 2 1/2" | 13 1/4" |
| | Buick – Rainier 2004 5.3L V8 Chevrolet – Express 1500 2004 4.3L V6 5.3L V8 1999-96 5.7L V8 Chevrolet – Express 2500 2004 4.3L V6 5.3L V8 1999-96 5.7L V8 Chevrolet – Lumina APV 1996 3.4L V6 | | |
|  | 81918 (Cont.) | | |
| | Chevrolet – S10 | | |
| | 1998-95 4.3L V6 | | |
| | Chevrolet – SSR | | |
| | 2004-03 5.3L V8 | | |
| | Chevrolet – Venture | | |
| | 2000-97 3.4L V6 | | |
| | GMC – Savana 1500 | | |
| | 2004 4.3L V6 | | |
| | 5.3L V8 | | |
| | 1999-96 5.7L V8 | | |
| | GMC – Savana 2500 | | |
| | 2004 4.3L V6 | | |
| | 5.3L V8 | | |
| | 1999-96 5.7L V8 | | |
| | GMC – Sonoma | | |
| | 1998-95 4.3L V6 | | |
| | GMC – Yukon | | |
| 1996 5.7L V8 | | | |
| Isuzu – Ascender | | | |
| 2004-03 5.3L V8 | | | |
| Isuzu – Hombre | | | |
| 1998 4.3L V6 | | | |
| Oldsmobile – Silhouette | | | |
| 2000-96 3.4L V6 | | | |
| Pontiac – Montana | | | |
| 2000-99 3.4L V6 | | | |
| Pontiac – Trans Sport | | | |
| 1998-96 3.4L V6 | | | |
| Toyota – Tacoma | | | |
| 1999-95 3.4L V6 | | | |
|  | 81919 | E.O. No. D-182-47 | |
| | Inlet | Outlet | Overall Length |
| | 3" | 3" | 13 1/4" |
| | Chevrolet – Astro 1999-96 4.3L V6 Chevrolet – Blazer 1998-95 4.3L V6 Chevrolet – C1500 1999-96 5.0L V8 1998-96 4.3L V6 | | |

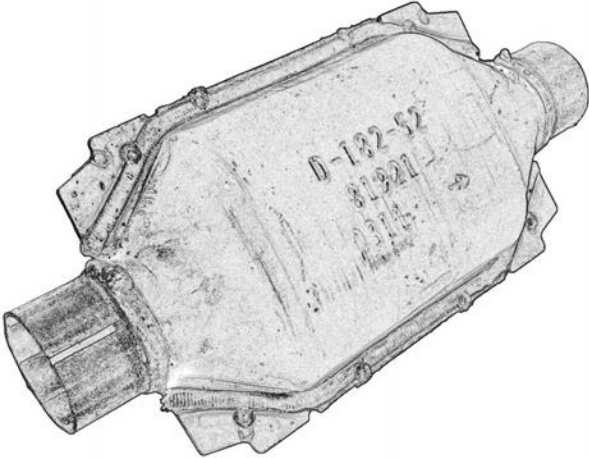
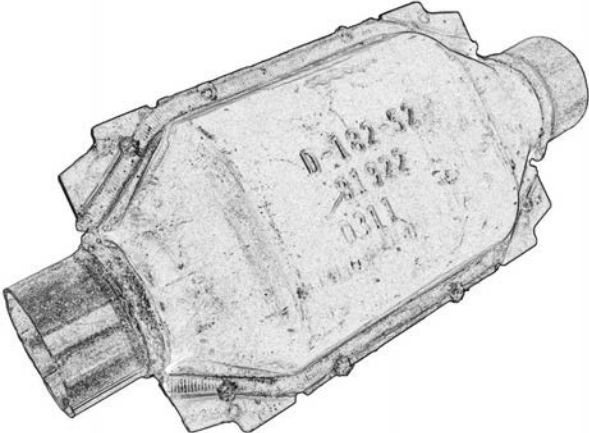
OBDII APPLICATIONS

NON-OBDII APPLICATIONS

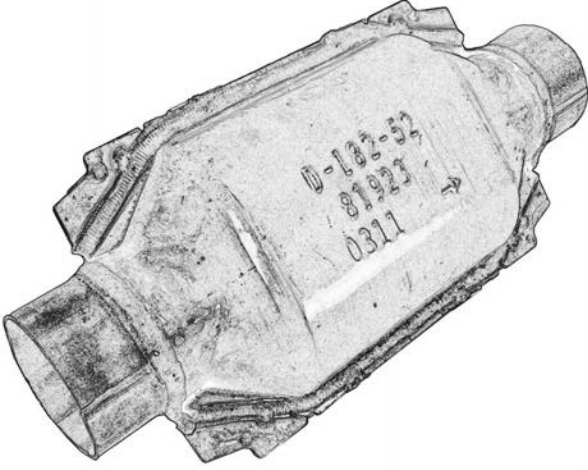
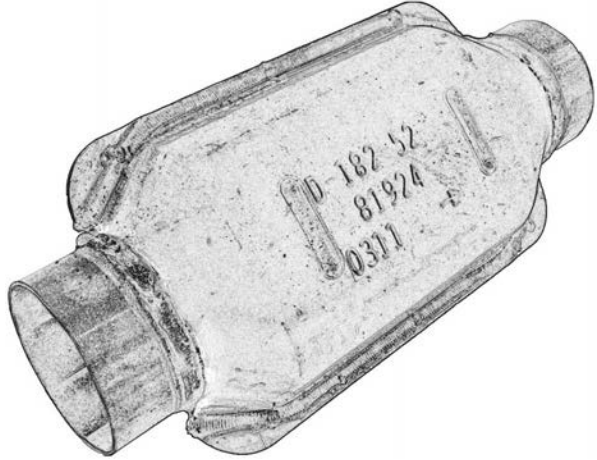
NUMERICAL

UNIVERSAL SPECIFICATIONS

NUMERICAL LISTING

| Year | Engine | Year | Engine | | | | | | |
|-----------------------------------|---------|--|---------|-------|--------|----------------|-----|-----|------|
| 81919 (Cont.) | | 81919 (Cont.) | | | | | | | |
| Chevrolet — C2500 | | GMC — Savana 1500 (Cont.) | | | | | | | |
| 2000-97 | 7.4L V8 | 1999-96 | 4.3L V6 | | | | | | |
| 1998-96 | 5.0L V8 | GMC — Savana 2500 | | | | | | | |
| Chevrolet — C2500 Suburban | | 2002-01 | 4.3L V6 | | | | | | |
| 1999-96 | 7.4L V8 | 2002-96 | 5.0L V8 | | | | | | |
| Chevrolet — C3500 | | 1999-96 | 4.3L V6 | | | | | | |
| 2000-96 | 7.4L V8 | GMC — Savana 3500 | | | | | | | |
| Chevrolet — Express 1500 | | 2001 | 8.1L V8 | | | | | | |
| 2002-01 | 4.3L V6 | 2000-96 | 5.7L V8 | | | | | | |
| 2002-96 | 5.0L V8 | | 7.4L V8 | | | | | | |
| 1999-96 | 4.3L V6 | Oldsmobile — Bravada | | | | | | | |
| Chevrolet — Express 2500 | | 1997-96 | 4.3L V6 | | | | | | |
| 2002-01 | 4.3L V6 | 81921 E.O. No. D-182-52 | | | | | | | |
| 2002-96 | 5.0L V8 |  | | | | | | | |
| 1999-96 | 4.3L V6 | <table border="1" style="width: 100%; border-collapse: collapse;"> <thead> <tr> <th style="width: 33%;">Inlet</th> <th style="width: 33%;">Outlet</th> <th style="width: 33%;">Overall Length</th> </tr> </thead> <tbody> <tr> <td style="text-align: center;">2"</td> <td style="text-align: center;">2"</td> <td style="text-align: center;">13¼"</td> </tr> </tbody> </table> | | Inlet | Outlet | Overall Length | 2" | 2" | 13¼" |
| Inlet | Outlet | Overall Length | | | | | | | |
| 2" | 2" | 13¼" | | | | | | | |
| Chevrolet — Express 3500 | | Toyota — Previa | | | | | | | |
| 2001 | 8.1L V8 | 1997-94 | 2.4L L4 | | | | | | |
| 2000-96 | 5.7L V8 | 81922 E.O. No. D-182-52 | | | | | | | |
| | 7.4L V8 |  | | | | | | | |
| Chevrolet — G30 | | <table border="1" style="width: 100%; border-collapse: collapse;"> <thead> <tr> <th style="width: 33%;">Inlet</th> <th style="width: 33%;">Outlet</th> <th style="width: 33%;">Overall Length</th> </tr> </thead> <tbody> <tr> <td style="text-align: center;">2¼"</td> <td style="text-align: center;">2¼"</td> <td style="text-align: center;">13¼"</td> </tr> </tbody> </table> | | Inlet | Outlet | Overall Length | 2¼" | 2¼" | 13¼" |
| Inlet | Outlet | Overall Length | | | | | | | |
| 2¼" | 2¼" | 13¼" | | | | | | | |
| 1996 | 5.7L V8 | Ford — Explorer | | | | | | | |
| | 7.4L V8 | 2000 | 4.0L V6 | | | | | | |
| Chevrolet — K1500 | | | | | | | | | |
| 1999-96 | 5.0L V8 | | | | | | | | |
| 1998-96 | 4.3L V6 | | | | | | | | |
| Chevrolet — K2500 | | | | | | | | | |
| 2000-97 | 7.4L V8 | | | | | | | | |
| Chevrolet — K2500 Suburban | | | | | | | | | |
| 1999-96 | 7.4L V8 | | | | | | | | |
| Chevrolet — K3500 | | | | | | | | | |
| 2000-96 | 7.4L V8 | | | | | | | | |
| GMC — C1500 | | | | | | | | | |
| 1999-96 | 5.0L V8 | | | | | | | | |
| 1998-96 | 4.3L V6 | | | | | | | | |
| GMC — C2500 | | | | | | | | | |
| 2000-97 | 7.4L V8 | | | | | | | | |
| 1998-96 | 5.0L V8 | | | | | | | | |
| 1996 | 5.7L V8 | | | | | | | | |
| GMC — C2500 Suburban | | | | | | | | | |
| 1999-97 | 7.4L V8 | | | | | | | | |
| GMC — C3500 | | | | | | | | | |
| 2000-96 | 7.4L V8 | | | | | | | | |
| GMC — G3500 | | | | | | | | | |
| 1996 | 5.7L V8 | | | | | | | | |
| | 7.4L V8 | | | | | | | | |
| GMC — Jimmy | | | | | | | | | |
| 1998-95 | 4.3L V6 | | | | | | | | |
| GMC — K1500 | | | | | | | | | |
| 1999-96 | 5.0L V8 | | | | | | | | |
| 1998-96 | 4.3L V6 | | | | | | | | |
| GMC — K2500 | | | | | | | | | |
| 2000-97 | 7.4L V8 | | | | | | | | |
| GMC — K2500 Suburban | | | | | | | | | |
| 1999-97 | 7.4L V8 | | | | | | | | |
| GMC — K3500 | | | | | | | | | |
| 2000-96 | 7.4L V8 | | | | | | | | |
| GMC — Safari | | | | | | | | | |
| 1999-96 | 4.3L V6 | | | | | | | | |
| GMC — Savana 1500 | | | | | | | | | |
| 2002-01 | 4.3L V6 | | | | | | | | |
| 2002-96 | 5.0L V8 | | | | | | | | |

NUMERICAL LISTING

| Year | Engine | Year | Engine | | | | | | |
|---|---------|--|---------|--|--|-------|--------|----------------|----|
| 81922 (Cont.) | | 81923 (Cont.) | | | | | | | |
| Lexus — LX450 | | GMC — Jimmy | | | | | | | |
| 1996 | 4.5L L6 | 2001-98 | 4.3L V6 | | | | | | |
| Mazda — MPV | | GMC — Savana 1500 | | | | | | | |
| 1998-95 | 3.0L V6 | 2006 | 4.3L V6 | | | | | | |
| Mercury — Mountaineer | | 2005-04 | 5.3L V8 | | | | | | |
| 2000 | 4.0L V6 | 2003 | 4.3L V6 | | | | | | |
| Toyota — Land Cruiser | | GMC — Savana 2500 | | | | | | | |
| 1996-95 | 4.5L L6 | 2005-04 | 5.3L V8 | | | | | | |
| 81923 E.O. No. D-182-52 | | 2003 | 4.3L V6 | | | | | | |
|  | | | | | | | | | |
| Inlet | | Outlet | | Overall Length | | | | | |
| 2½" | | 2½" | | 13¼" | | | | | |
| Cadillac — Escalade | | 81924 E.O. No. D-182-52 | |  | | | | | |
| 2005 | 5.3L V8 | <table border="1" style="width: 100%; border-collapse: collapse;"> <thead> <tr> <th style="width: 33%; text-align: center;">Inlet</th> <th style="width: 33%; text-align: center;">Outlet</th> <th style="width: 33%; text-align: center;">Overall Length</th> </tr> </thead> <tbody> <tr> <td style="text-align: center;">3"</td> <td style="text-align: center;">3"</td> <td style="text-align: center;">13¼"</td> </tr> </tbody> </table> | | | | Inlet | Outlet | Overall Length | 3" |
| Inlet | Outlet | | | Overall Length | | | | | |
| 3" | 3" | 13¼" | | | | | | | |
| Chevrolet — Avalanche 1500 | | Chevrolet — Astro | | 2005-00 4.3L V6 | | | | | |
| 2005 | 5.3L V8 | Chevrolet — C2500 | | 2000-96 5.7L V8 | | | | | |
| Chevrolet — Blazer | | Chevrolet — C2500 Suburban | | 1999-96 5.7L V8 | | | | | |
| 2005-98 | 4.3L V6 | Chevrolet — C35 | | 2000-96 5.7L V8 | | | | | |
| Chevrolet — Express 1500 | | | | | | | | | |
| 2006 | 4.3L V6 | | | | | | | | |
| 2005-04 | 5.3L V8 | | | | | | | | |
| 2003 | 4.3L V6 | | | | | | | | |
| Chevrolet — Express 2500 | | | | | | | | | |
| 2005-04 | 5.3L V8 | | | | | | | | |
| 2003 | 4.3L V6 | | | | | | | | |
| Chevrolet — S10 | | | | | | | | | |
| 2004-98 | 4.3L V6 | | | | | | | | |
| Chevrolet — Silverado 1500 | | | | | | | | | |
| 2005-04 | 4.8L V8 | | | | | | | | |
| 2005 | 5.3L V8 | | | | | | | | |
| 2003 | 4.3L V6 | | | | | | | | |
| Chevrolet — Suburban 1500 | | | | | | | | | |
| 2005 | 5.3L V8 | | | | | | | | |
| Chevrolet — Tahoe | | | | | | | | | |
| 2005-04 | 4.8L V8 | | | | | | | | |
| 2005 | 5.3L V8 | | | | | | | | |
| Ford — Explorer | | | | | | | | | |
| 1998-96 | 4.0L V6 | | | | | | | | |
| Ford — Ranger | | | | | | | | | |
| 1997-95 | 3.0L V6 | | | | | | | | |
| | 4.0L V6 | | | | | | | | |

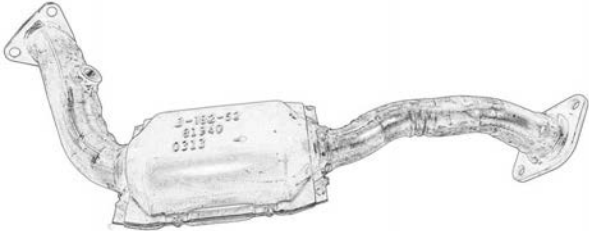
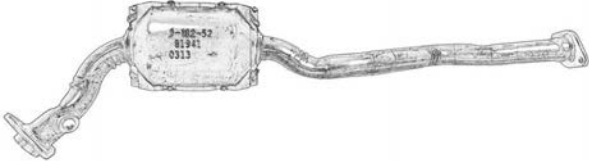
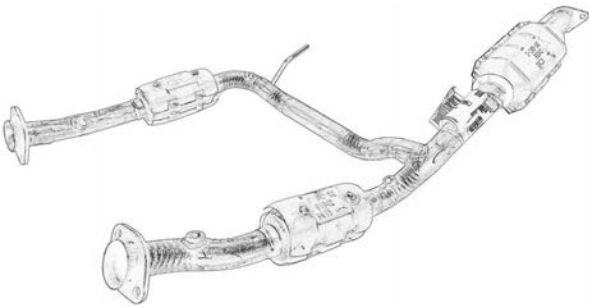
OBDDI APPLICATIONS

NON-OBDDI APPLICATIONS


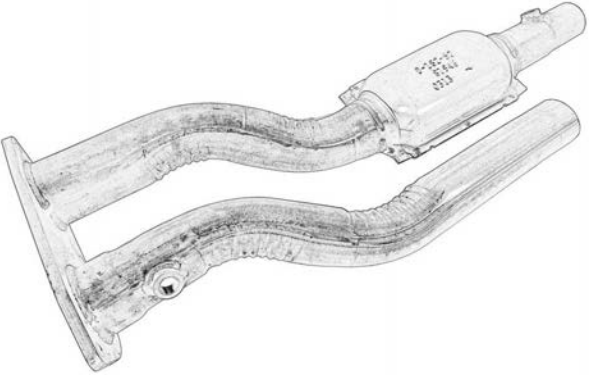
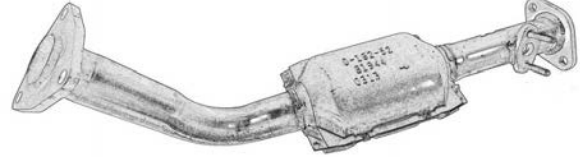
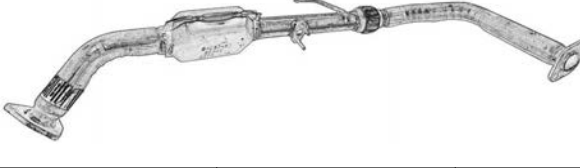
NUMERICAL

UNIVERSAL SPECIFICATIONS

NUMERICAL LISTING

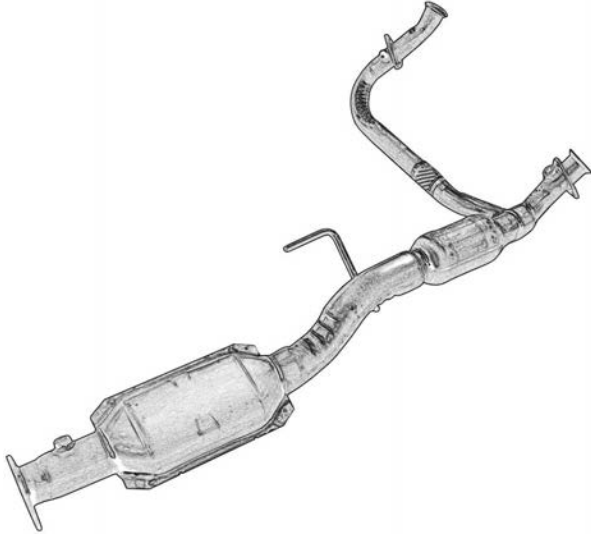

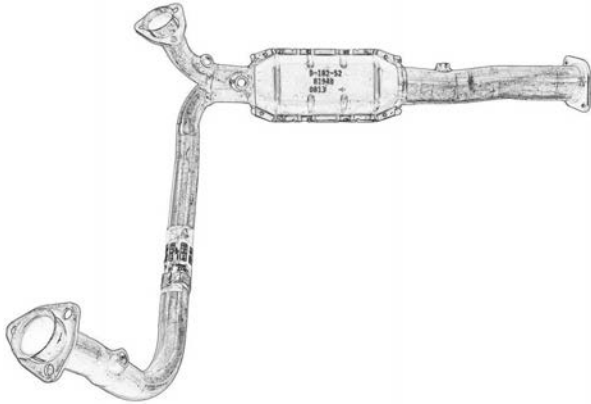
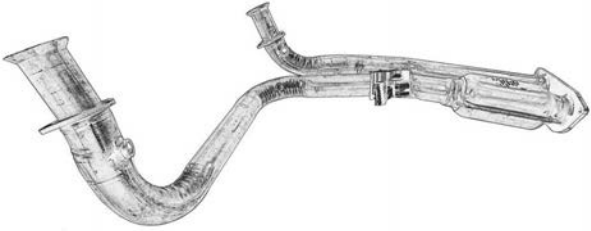
| Year | Engine | Year | Engine | | | | | | |
|-----------------------------------|----------------------|---|--------------------|---|--------|----------------|----------------------|----------------------|----------------------------------|
| 81924 (Cont.) | | 81924 (Cont.) | | | | | | | |
| Chevrolet — C3500 | | Mercury — Mountaineer | | | | | | | |
| 2000-96 | 5.7L V8 | 2003-02 | 4.0L V6 4.6L V8 | | | | | | |
| Chevrolet — Express 1500 | | 81940 E.O. No. D-182-52 | | | | | | | |
| 2002-96 | 5.7L V8 |  | | | | | | | |
| 2000 | 4.3L V6 | | | | | | | | |
| Chevrolet — Express 2500 | | | | | | | | | |
| 2005-03 | 4.8L V8 | <table border="1" style="width: 100%; border-collapse: collapse;"> <thead> <tr> <th style="width: 33%;">Inlet</th> <th style="width: 33%;">Outlet</th> <th style="width: 33%;">Overall Length</th> </tr> </thead> <tbody> <tr> <td>3 Bolt Welded Flange</td> <td>2 Bolt Welded Flange</td> <td style="text-align: center;">27"</td> </tr> </tbody> </table> | | Inlet | Outlet | Overall Length | 3 Bolt Welded Flange | 2 Bolt Welded Flange | 27" |
| Inlet | Outlet | Overall Length | | | | | | | |
| 3 Bolt Welded Flange | 2 Bolt Welded Flange | 27" | | | | | | | |
| 2005 | 6.0L V8 | Nissan — Frontier | | | | | | | |
| 2003 | 6.0L V8 | 2004-99 3.3L V6 | | | | | | | |
| 2002-96 | 5.7L V8 | Nissan — Xterra | | | | | | | |
| 2000 | 4.3L V6 | 2004-00 3.3L V6 | | | | | | | |
| Chevrolet — Express 3500 | | 81941 E.O. No. D-182-52 | | | | | | | |
| 2005 | 4.8L V8 |  | | | | | | | |
| | 6.0L V8 | | | | | | | | |
| 2003 | 6.0L V8 | | | <table border="1" style="width: 100%; border-collapse: collapse;"> <thead> <tr> <th style="width: 33%;">Inlet</th> <th style="width: 33%;">Outlet</th> <th style="width: 33%;">Overall Length</th> </tr> </thead> <tbody> <tr> <td>3 Bolt Welded Flange</td> <td>2 Bolt Welded Flange</td> <td style="text-align: center;">40"</td> </tr> </tbody> </table> | | Inlet | Outlet | Overall Length | 3 Bolt Welded Flange |
| Inlet | Outlet | Overall Length | | | | | | | |
| 3 Bolt Welded Flange | 2 Bolt Welded Flange | 40" | | | | | | | |
| 2002-01 | 5.7L V8 | Nissan — Frontier | | | | | | | |
| Chevrolet — K2500 | | 2004-99 3.3L V6 | | | | | | | |
| 2000-96 | 5.7L V8 | Nissan — Xterra | | | | | | | |
| Chevrolet — K2500 Suburban | | 2004-00 3.3L V6 | | | | | | | |
| 1999-96 | 5.7L V8 | 81942 E.O. No. D-182-52 | | | | | | | |
| Chevrolet — K3500 | |  | | | | | | | |
| 2000-96 | 5.7L V8 | | | | | | | | |
| Ford — Explorer | | | | | | | | | |
| 2003-02 | 4.0L V6 4.6L V8 | <table border="1" style="width: 100%; border-collapse: collapse;"> <thead> <tr> <th style="width: 33%;">Inlet</th> <th style="width: 33%;">Outlet</th> <th style="width: 33%;">Overall Length</th> </tr> </thead> <tbody> <tr> <td>2 Bolt Loose Flange</td> <td>2 Bolt Welded Flange</td> <td style="text-align: center;">50⁷/₈"</td> </tr> </tbody> </table> | | Inlet | Outlet | Overall Length | 2 Bolt Loose Flange | 2 Bolt Welded Flange | 50 ⁷ / ₈ " |
| Inlet | Outlet | Overall Length | | | | | | | |
| 2 Bolt Loose Flange | 2 Bolt Welded Flange | 50 ⁷ / ₈ " | | | | | | | |
| GMC — C2500 | | Ford — Explorer | | | | | | | |
| 2000-99 | 5.7L V8 | 2003-02 4.0L V6 | | | | | | | |
| 1997 | 5.7L V8 | Mercury — Mountaineer | | | | | | | |
| GMC — C2500 Suburban | | 2003-02 4.0L V6 | | | | | | | |
| 1999 | 5.7L V8 | | | | | | | | |
| 1997-96 | 5.7L V8 | | | | | | | | |
| GMC — C3500 | | | | | | | | | |
| 2000-99 | 5.7L V8 | | | | | | | | |
| 1997-96 | 5.7L V8 | | | | | | | | |
| GMC — K2500 | | | | | | | | | |
| 2000-99 | 5.7L V8 | | | | | | | | |
| 1997-96 | 5.7L V8 | | | | | | | | |
| GMC — K2500 Suburban | | | | | | | | | |
| 1999 | 5.7L V8 | | | | | | | | |
| 1997-96 | 5.7L V8 | | | | | | | | |
| GMC — K3500 | | | | | | | | | |
| 2000-99 | 5.7L V8 | | | | | | | | |
| 1997-96 | 5.7L V8 | | | | | | | | |
| GMC — Safari | | | | | | | | | |
| 2005-00 | 4.3L V6 | | | | | | | | |
| GMC — Savana 1500 | | | | | | | | | |
| 2002-96 | 5.7L V8 | | | | | | | | |
| 2000 | 4.3L V6 | | | | | | | | |
| GMC — Savana 2500 | | | | | | | | | |
| 2005-03 | 4.8L V8 | | | | | | | | |
| 2005 | 6.0L V8 | | | | | | | | |
| 2003 | 6.0L V8 | | | | | | | | |
| 2002-96 | 5.7L V8 | | | | | | | | |
| 2000 | 4.3L V6 | | | | | | | | |
| GMC — Savana 3500 | | | | | | | | | |
| 2005 | 4.8L V8 | | | | | | | | |
| | 6.0L V8 | | | | | | | | |
| 2003 | 6.0L V8 | | | | | | | | |
| 2002-01 | 5.7L V8 | | | | | | | | |
| Lincoln — Aviator | | | | | | | | | |
| 2003 | 4.6L V8 | | | | | | | | |

NUMERICAL LISTING

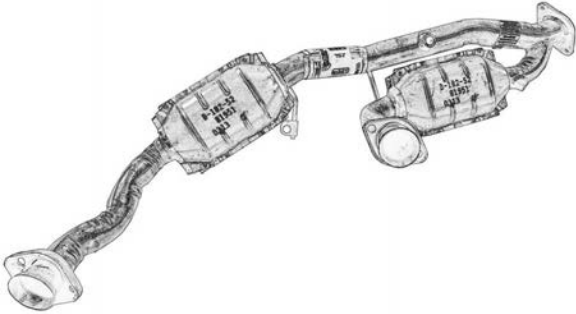
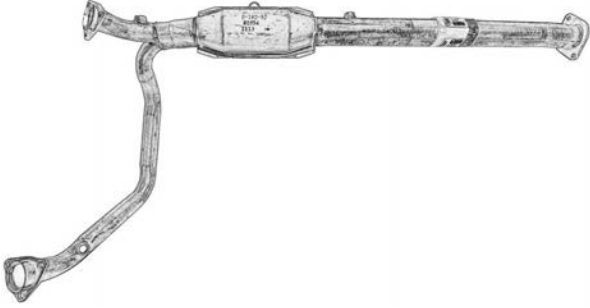
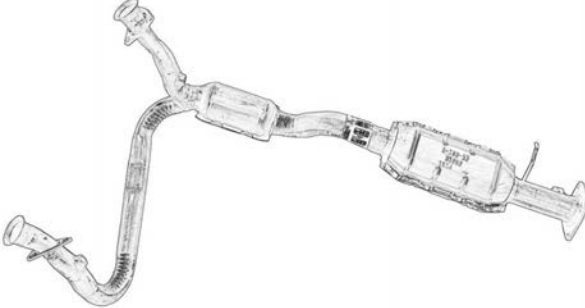
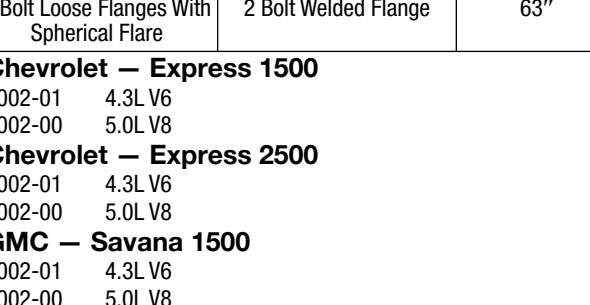

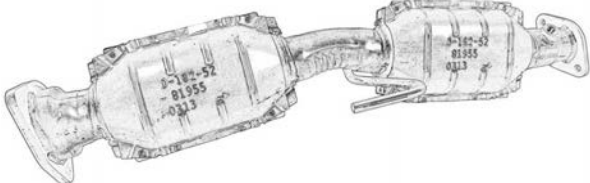
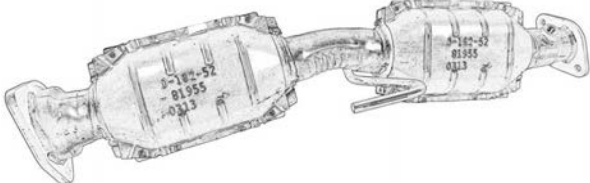
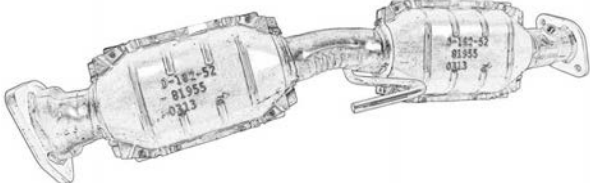
| Year | Engine | Year | Engine | | |
|---|--------------------------|---|--------------------------|---|--|
| 81943 | E.O. No. D-182-52 | 81946 | E.O. No. D-182-52 | | |
|  | |  | | | |
| Inlet | Outlet | Inlet | Outlet | | |
| 3 Bolt Loose Flanges With Spherical Flare | 2 Bolt Welded Flange | 3 Bolt Welded Flange | 2 3/4" | | |
| Overall Length | | Overall Length | | | |
| 56" | | 33" | | | |
| 81944 | E.O. No. D-182-52 | Chevrolet – C2500 2000-97 7.4L V8 2000 5.7L V8 1997-96 5.7L V8 Chevrolet – C35 2000-99 5.7L V8 1997-96 5.7L V8 Chevrolet – C3500 2000-99 5.7L V8 2000-96 7.4L V8 1997-96 5.7L V8 Chevrolet – K2500 2000-99 5.7L V8 2000-97 7.4L V8 1997-96 5.7L V8 Chevrolet – K3500 2000-99 5.7L V8 2000-96 7.4L V8 1997-96 5.7L V8 GMC – C2500 2000-99 5.7L V8 2000-97 7.4L V8 1997-96 5.7L V8 GMC – C3500 2000-99 5.7L V8 2000-96 7.4L V8 1997-96 5.7L V8 GMC – K2500 2000-99 5.7L V8 2000-97 7.4L V8 1997-96 5.7L V8 GMC – K3500 2000-99 5.7L V8 2000-96 7.4L V8 1997-96 5.7L V8 | | | |
|  | | | | | |
| Inlet | Outlet | | | | |
| 3 Bolt Welded Flange | 2 Bolt Welded Flange | | | | |
| Overall Length | | | | | |
| 25" | | | | | |
| 81945 | E.O. No. D-182-52 | | | Toyota – Tundra 2002-00 4.7L V8 | |
|  | | | | | |
| Inlet | Outlet | | | | |
| 3 Bolt Welded Flange | 2 Bolt Welded Flange | | | | |
| Overall Length | | | | | |
| 44" | | | | | |
| Toyota – Tundra | | | | | |
| 2002-00 4.7L V8 | | | | | |

OBDII APPLICATIONS
 NON-OBDII APPLICATIONS
 NUMERICAL
 UNIVERSAL SPECIFICATIONS

NUMERICAL LISTING

| Year | Engine | Year | Engine |
|---|----------------------|---|---|
| 81947 | E.O. No. D-182-52 |  | 81948 (Cont.) |
| | | | GMC — K1500 |
| | | | 1998-96 4.3L V6 5.0L V8 |
| | | |  |
| | | | 81949 E.O. No. D-182-52 |
| | | Inlet | Outlet |
| | | 2 Bolt Loose Flange | 2 Bolt Loose Flange |
| | | Overall Length | |
| | | 16 $\frac{1}{8}$ " | |
| | | Mercury — Villager | |
| | | 1998-96 3.0L V6 | |
| | | Nissan — Quest | |
| | | 1998-96 3.0L V6 | |
| Inlet | Outlet | Overall Length | |
| 3 Bolt Loose Flanges With Spherical Flare | 3 Bolt Welded Flange | 53" | |
| Chevrolet — Astro | | | |
| 2005-00 4.3L V6 | | | |
| GMC — Safari | | | |
| 2005-00 4.3L V6 | | | |
| 81948 | E.O. No. D-182-52 |  | 81950 |
| | | | E.O. No. D-182-52 |
| | | |  |
| | | Inlet | Outlet |
| | | 3 Bolt Loose Flanges With Spherical Flare | 3 Bolt Welded Flange |
| | | Overall Length | |
| | | 40" | |
| | | Chevrolet — C2500 | |
| | | 2000-96 5.7L V8 | |
| | | Chevrolet — C35 | |
| | | 2000-96 5.7L V8 | |
| | | Chevrolet — C3500 | |
| | | 2000-96 5.7L V8 | |
| | | Chevrolet — K2500 | |
| | | 2000-96 5.7L V8 | |
| | | Chevrolet — K3500 | |
| | | 2000-96 5.7L V8 | |
| | | GMC — C2500 | |
| | | 2000-96 5.7L V8 | |
| | | GMC — C3500 | |
| | | 2000-96 5.7L V8 | |
| | | GMC — K2500 | |
| | | 2000-96 5.7L V8 | |
| | | GMC — K3500 | |
| | | 2000-96 5.7L V8 | |
| | | Chevrolet — C1500 | |
| | | 1998-96 4.3L V6 5.0L V8 | |
| | | Chevrolet — K1500 | |
| | | 1998-96 4.3L V6 5.0L V8 | |
| | | GMC — C1500 | |
| | | 1998-96 4.3L V6 5.0L V8 | |

NUMERICAL LISTING

| Year | Engine | Year | Engine |
|--|--------------------------|--|---|
| 81951 | E.O. No. D-182-52 | 81953 (Cont.) | Oldsmobile — Silhouette 2000-97 3.4L V6 |
|  | |  | |
| Inlet | Outlet | Overall Length | |
| 2 Bolt Loose Flange With Spherical Flare | 2 Bolt Welded Flange | 42½" | |
| Ford — Windstar 1996-95 3.8L V6 | | 81954 E.O. No. D-182-52 | |
|  | |  | |
| Inlet | Outlet | Overall Length | |
| 3 Bolt Loose Flange | 2 Bolt Welded Flange | 49½" | |
| Chevrolet — S10 2003-00 4.3L V6 | | Chevrolet — Express 1500 2002-01 4.3L V6 2002-00 5.0L V8 | |
| GMC — Sonoma 2003-00 4.3L V6 | | Chevrolet — Express 2500 2002-01 4.3L V6 2002-00 5.0L V8 | |
| Isuzu — Hombre 2000 4.3L V6 | | GMC — Savana 1500 2002-01 4.3L V6 2002-00 5.0L V8 | |
| 81953 E.O. No. D-182-52 | | GMC — Savana 2500 2002-01 4.3L V6 2002-00 5.0L V8 | |
|  | |  | |
| Inlet | Outlet | Overall Length | |
| 2 Bolt Welded Flange | 2 Bolt Welded Flange | 63¾" | |
| Chevrolet — Venture 2000-97 3.4L V6 | | 81955 E.O. No. D-182-52 | |
|  | |  | |
| Inlet | Outlet | Overall Length | |
| 3 Bolt Welded Flange | 2 Bolt Welded Flange | 32¾" | |
| Ford — Explorer 1998-96 4.0L V6 | | Ford — Explorer 1998-96 4.0L V6 | |

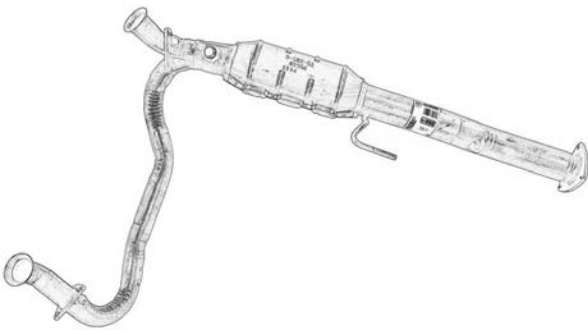

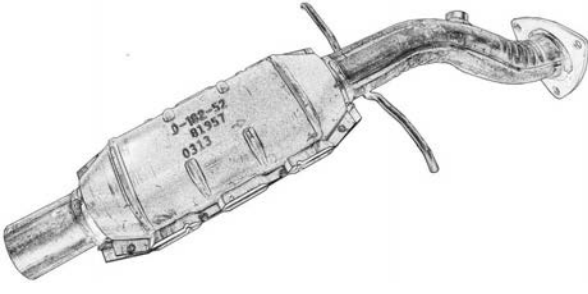
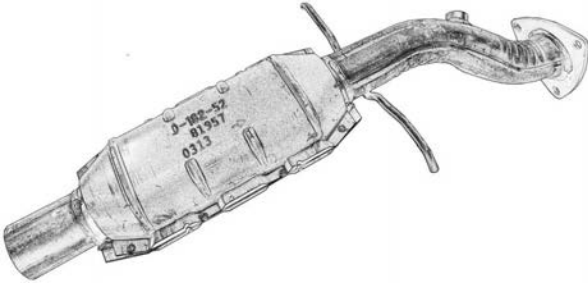
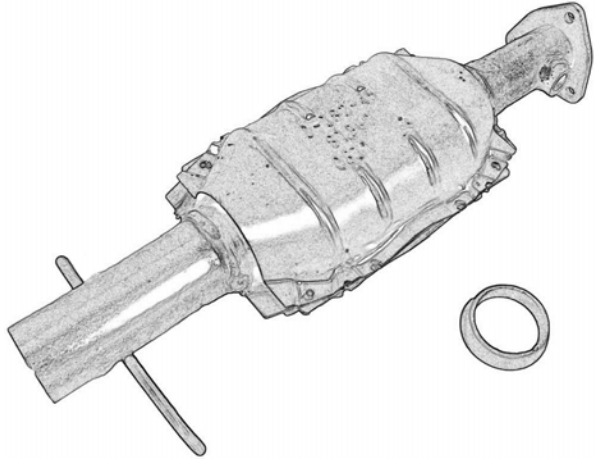
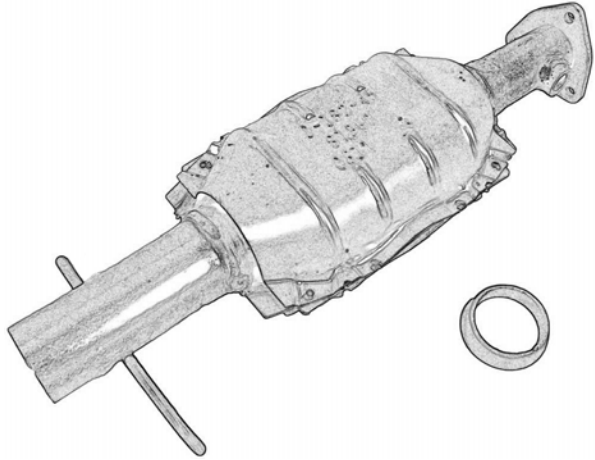
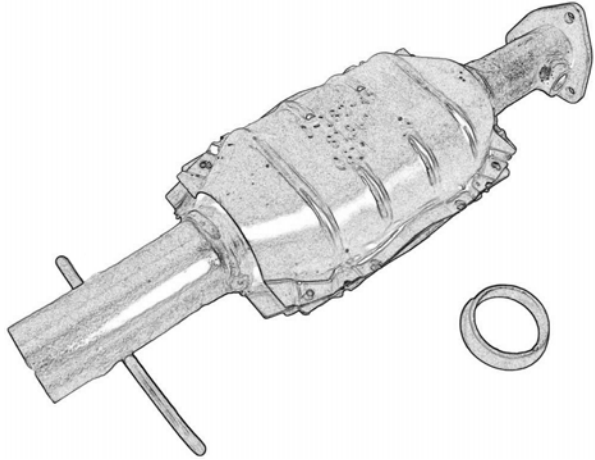

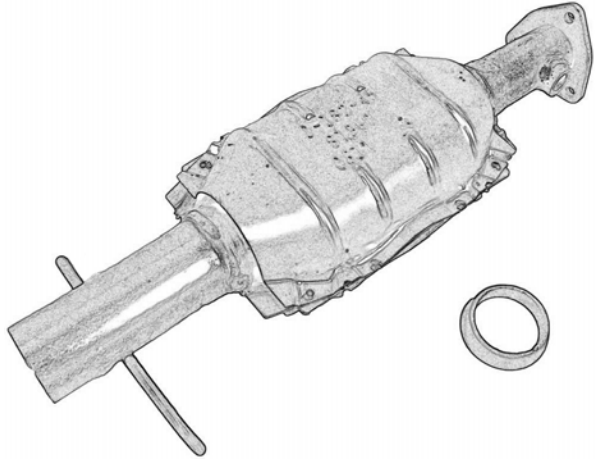
OBDII APPLICATIONS

NON-OBDII APPLICATIONS

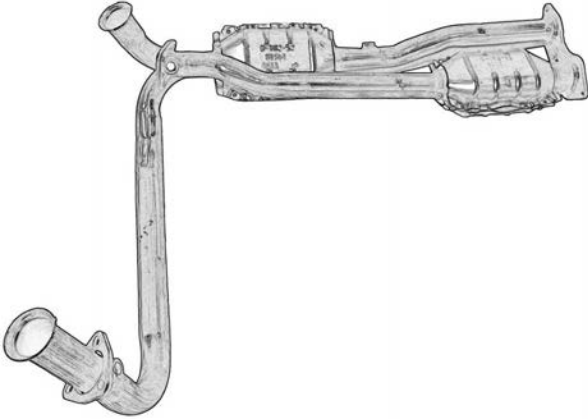
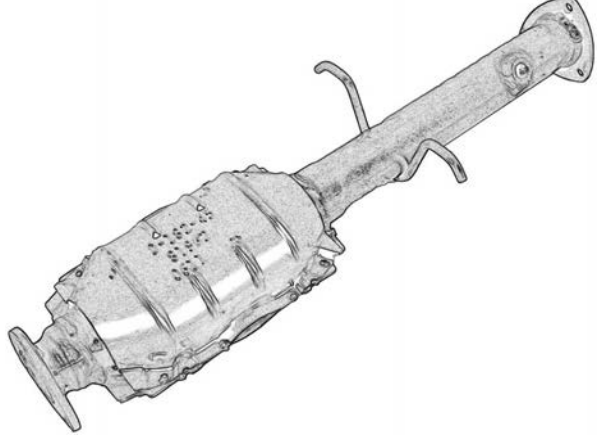
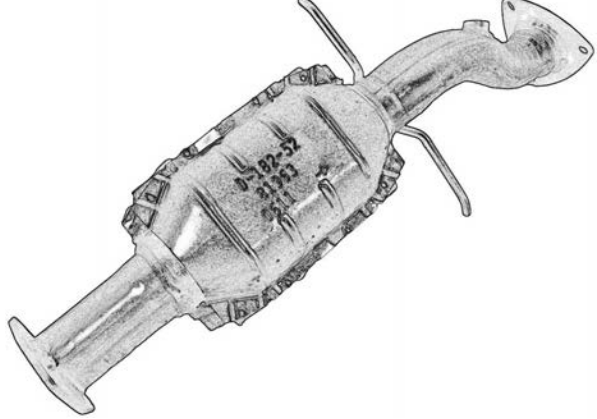
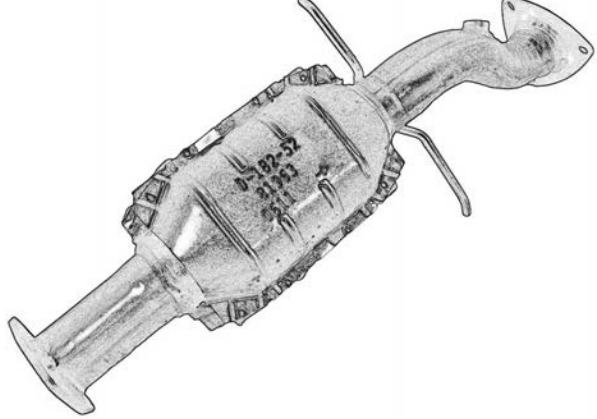
NUMERICAL

UNIVERSAL SPECIFICATIONS

NUMERICAL LISTING

| Year | Engine | Year | Engine | |
|---|--------------------------|--|---|-----------------------|
| 81956 | E.O. No. D-182-52 | 81958 (Cont.) | Chevrolet — Express 3500 (Cont.) | |
|  | | 2003 | 6.0L V8 | |
| | | GMC — Savana 2500 | | |
| | | 2005-03 | 4.8L V8 | |
| | | 2005 | 6.0L V8 | |
| | | 2003 | 6.0L V8 | |
| | | GMC — Savana 3500 | | |
| | | 2005 | 4.8L V8 | |
| | | | 6.0L V8 | |
| | | 2003 | 6.0L V8 | |
| 81959 | E.O. No. D-182-52 |  | | |
| Inlet | Outlet | | | Overall Length |
| 3 Bolt Loose Flanges With Spherical Flare | 3 Bolt Welded Flange | | | 55" |
| Chevrolet — Astro | |  | | |
| 1999-96 | 4.3L V6 | | | |
| GMC — Safari | | | | |
| 1999-96 | 4.3L V6 | | | |
| 81957 | E.O. No. D-182-52 | 81959 | | |
|  | | Inlet | Outlet | |
| | | 3 Bolt Welded Flange | 3 Bolt Welded Flange | |
| | | 59 1/2" | | |
| Chevrolet — Express 2500 | |  | | |
| 2005-03 | 4.8L V8 | | | |
| 2005 | 6.0L V8 | | | |
| 2003 | 6.0L V8 | | | |
| Chevrolet — Express 3500 | | | | |
| 2005 | 4.8L V8 | | | |
| | 6.0L V8 | | | |
| 2003 | 6.0L V8 | | | |
| GMC — Savana 2500 | | | | |
| 2005-03 | 4.8L V8 | | | |
| 2005 | 6.0L V8 | | | |
| 2003 | 6.0L V8 | | | |
| GMC — Savana 3500 | | | | |
| 2005 | 4.8L V8 | | | |
| | 6.0L V8 | | | |
| 2003 | 6.0L V8 | | | |
| 81960 | E.O. No. D-182-45 |  | | |
| Inlet | Outlet | | | Overall Length |
| 2 1/2" | 3 Bolt Welded Flange | | | 30" |
| Chevrolet — Blazer | |  | | |
| 1995 | 4.3L V6 | | | |
| GMC — Jimmy | | | | |
| 1995 | 4.3L V6 | | | |
| 81958 | E.O. No. D-182-52 | 81960 | | |
|  | | Inlet | Outlet | |
| | | 3 Bolt Welded Flange | 3" | |
| | | 56" | | |
| Chevrolet — Express 2500 | |  | | |
| 2005-03 | 4.8L V8 | | | |
| 2005 | 6.0L V8 | | | |
| 2003 | 6.0L V8 | | | |
| Chevrolet — Express 3500 | | | | |
| 2005 | 4.8L V8 | | | |
| | 6.0L V8 | | | |

NUMERICAL LISTING

| Year | Engine | Year | Engine |
|---|----------------------|---|--------|
| 81960 (Cont.) Saturn – SC1 1999-96 1.9L L4 Saturn – SC2 1996 1.9L L4 Saturn – SL 1999-96 1.9L L4 Saturn – SL1 1999-96 1.9L L4 Saturn – SL2 1996 1.9L L4 Saturn – SW1 1999-96 1.9L L4 Saturn – SW2 1996 1.9L L4 | | 81961 (Cont.) GMC – K2500 1996 5.7L V8 GMC – Yukon 1997-96 5.7L V8 | |
| 81961 | | E.O. No. D-182-52 | |
|  | |  | |
| Inlet | Outlet | Overall Length | |
| 3 Bolt Loose Flanges With Spherical Flare | 3 Bolt Welded Flange | 20 ³ / ₄ " | |
| Chevrolet – C1500 1999-96 5.7L V8 Chevrolet – C1500 Suburban 1997-96 5.7L V8 Chevrolet – C2500 1998-96 5.7L V8 Chevrolet – K1500 1999-96 5.7L V8 Chevrolet – K1500 Suburban 1997-96 5.7L V8 Chevrolet – K2500 1996 5.7L V8 Chevrolet – Tahoe 1997-96 5.7L V8 GMC – C1500 1999-96 5.7L V8 GMC – C1500 Suburban 1997-96 5.7L V8 GMC – C2500 1998-96 5.7L V8 GMC – K1500 1999-96 5.7L V8 GMC – K1500 Suburban 1997-96 5.7L V8 | | 81962 | |
| | | E.O. No. D-182-45 | |
| Inlet | Outlet | Overall Length | |
| 3 Bolt Welded Flange | 3 Bolt Welded Flange | 27 ¹ / ₂ " | |
| Chevrolet – S10 2003-98 2.2L L4 GMC – Sonoma 2003-98 2.2L L4 Isuzu – Hombre 2000-98 2.2L L4 | | 81963 | |
| | | E.O. No. D-182-52 | |
|  | |  | |
| Inlet | Outlet | Overall Length | |
| 3 Bolt Welded Flange | 3 Bolt Welded Flange | 27 ¹ / ₂ " | |
| Chevrolet – Blazer 1998-96 4.3L V6 GMC – Jimmy 1998-96 4.3L V6 Oldsmobile – Bravada 1997-96 4.3L V6 | | | |

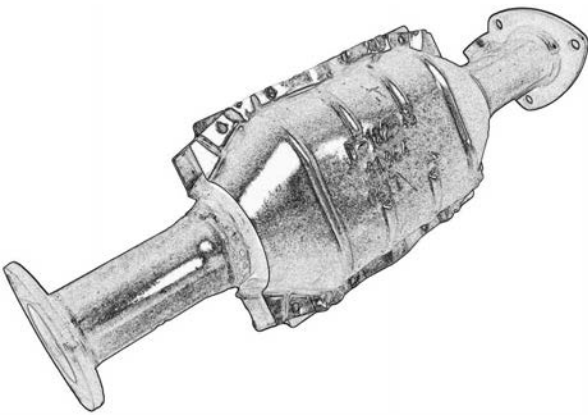
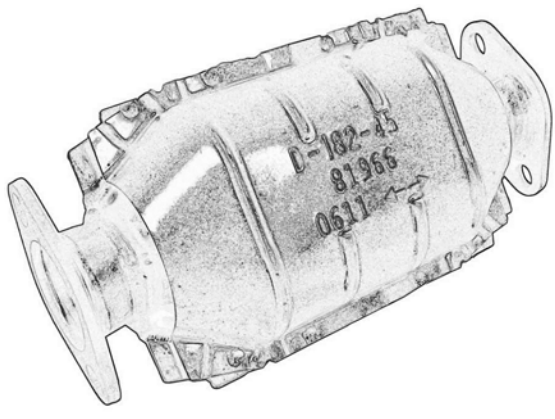
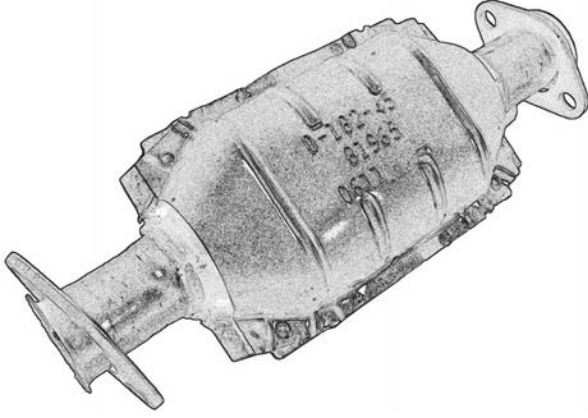
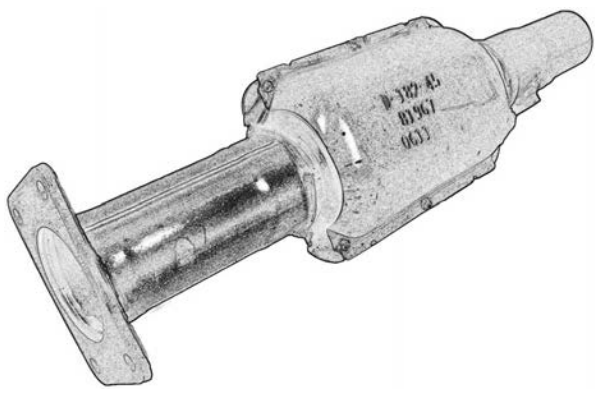
OBDII APPLICATIONS

 NON-OBDII APPLICATIONS

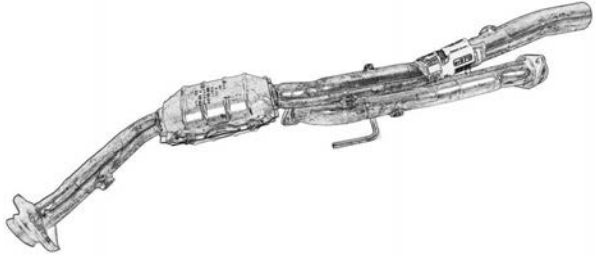
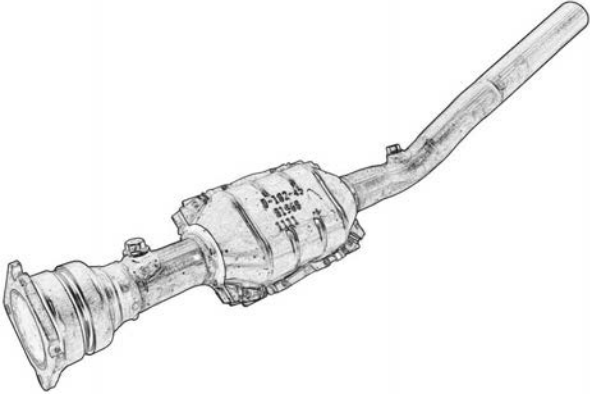
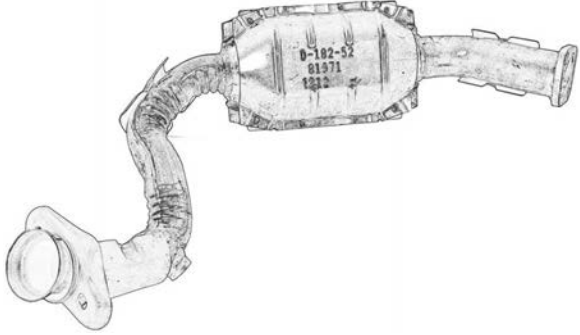

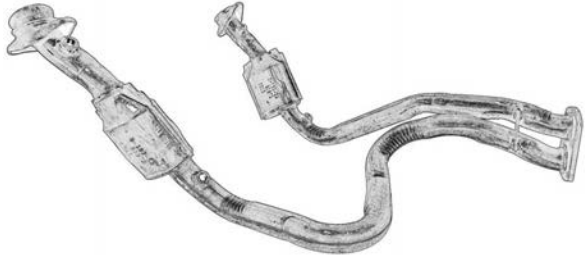
 NUMERICAL SPECIFICATIONS

 UNIVERSAL SPECIFICATIONS

NUMERICAL LISTING

| Year | Engine | Year | Engine |
|--|----------------------|--|---------------------------------|
| 81964 | E.O. No. D-182-45 | 81966 | E.O. No. D-182-45 |
|  | |  | |
| Inlet | Outlet | Inlet | Outlet |
| 3 Bolt Welded Flange | 3 Bolt Welded Flange | 2 Bolt Welded Flange | 2 Bolt Welded Flange |
| Overall Length | | Overall Length | |
| 19 ⁵ / ₈ " | | 12 ¹ / ₂ " | |
| Chevrolet – Cavalier 1998-96 2.2L L4 Pontiac – Sunfire 1998-96 2.2L L4 | | Geo – Prizm 1997-96 1.6L L4 1.8L L4 Toyota – Celica 1997-96 1.8L L4 Toyota – Corolla 1997-96 1.6L L4 | |
| 81965 | E.O. No. D-182-45 | 81967 | E.O. No. D-182-45 |
|  | |  | |
| Inlet | Outlet | Inlet | Outlet |
| 2 Bolt Loose Flange | 2 Bolt Loose Flange | 4 Bolt Welded Flange | 2 ¹ / ₂ " |
| Overall Length | | Overall Length | |
| 16 ¹ / ₄ " | | 24" | |
| Chrysler – Sebring 1999-95 2.0L L4 Dodge – Avenger 1999-95 2.0L L4 Eagle – Talon 1998-95 2.0L L4 Mitsubishi – Eclipse 1999-95 2.0L L4 | | Buick – LeSabre 1999-97 3.8L V6 Buick – Park Avenue 1999-97 3.8L V6 Buick – Riviera 1999-97 3.8L V6 Oldsmobile – 88 1999-97 3.8L V6 Oldsmobile – LSS 1999-97 3.8L V6 Oldsmobile – Regency 1998-97 3.8L V6 | |

NUMERICAL LISTING

| Year | Engine | Year | Engine | | | | | | |
|---|--|--|--------|----------------|----------------------|----------------|---|--|---------|
| 81967 (Cont.) Pontiac — Bonneville 1999-97 3.8L V6 | | 81970 E.O. No. D-182-52  | | | | | | | |
| 81968 E.O. No. D-182-45  | | <table border="1" style="width: 100%; border-collapse: collapse;"> <thead> <tr> <th style="width: 33%;">Inlet</th> <th style="width: 33%;">Outlet</th> <th style="width: 34%;">Overall Length</th> </tr> </thead> <tbody> <tr> <td>2 Bolt Loose Flange w/ Spherical Flare and 2 Bolt Welded Flange</td> <td>2 Bolt Welded Flange w/ Spherical Flare and 2 1/8" Pipe Connection</td> <td>45 1/2"</td> </tr> </tbody> </table> | | Inlet | Outlet | Overall Length | 2 Bolt Loose Flange w/ Spherical Flare and 2 Bolt Welded Flange | 2 Bolt Welded Flange w/ Spherical Flare and 2 1/8" Pipe Connection | 45 1/2" |
| Inlet | Outlet | Overall Length | | | | | | | |
| 2 Bolt Loose Flange w/ Spherical Flare and 2 Bolt Welded Flange | 2 Bolt Welded Flange w/ Spherical Flare and 2 1/8" Pipe Connection | 45 1/2" | | | | | | | |
| | | Ford — Explorer 2000-97 4.0L V6 Mercury — Mountaineer 2000-98 4.0L V6 | | | | | | | |
| <table border="1" style="width: 100%; border-collapse: collapse;"> <thead> <tr> <th style="width: 33%;">Inlet</th> <th style="width: 33%;">Outlet</th> <th style="width: 34%;">Overall Length</th> </tr> </thead> <tbody> <tr> <td>4 Bolt Welded Flange</td> <td>2 1/4"</td> <td>38 1/2"</td> </tr> </tbody> </table> | | Inlet | Outlet | Overall Length | 4 Bolt Welded Flange | 2 1/4" | 38 1/2" | 81971 E.O. No. D-182-52  | |
| Inlet | Outlet | Overall Length | | | | | | | |
| 4 Bolt Welded Flange | 2 1/4" | 38 1/2" | | | | | | | |
| Chrysler — Cirrus 2000-96 2.5L V6 1997-96 2.4L L4 Chrysler — Sebring 2000-96 2.5L V6 1998-96 2.4L L4 Dodge — Stratus 2000-96 2.5L V6 1999-96 2.4L L4 Plymouth — Breeze 1999-97 2.4L L4 | | <table border="1" style="width: 100%; border-collapse: collapse;"> <thead> <tr> <th style="width: 33%;">Inlet</th> <th style="width: 33%;">Outlet</th> <th style="width: 34%;">Overall Length</th> </tr> </thead> <tbody> <tr> <td>2 Bolt Loose Flange With Spherical Flare</td> <td>2 Bolt Welded Flange</td> <td>25 1/4"</td> </tr> </tbody> </table> | | Inlet | Outlet | Overall Length | 2 Bolt Loose Flange With Spherical Flare | 2 Bolt Welded Flange | 25 1/4" |
| Inlet | Outlet | Overall Length | | | | | | | |
| 2 Bolt Loose Flange With Spherical Flare | 2 Bolt Welded Flange | 25 1/4" | | | | | | | |
| 81969 E.O. No. D-182-45  | | Ford — Explorer 2000-97 4.0L V6 Mercury — Mountaineer 2000-98 4.0L V6 | | | | | | | |
| <table border="1" style="width: 100%; border-collapse: collapse;"> <thead> <tr> <th style="width: 33%;">Inlet</th> <th style="width: 33%;">Outlet</th> <th style="width: 34%;">Overall Length</th> </tr> </thead> <tbody> <tr> <td>2 Bolt Loose Flange</td> <td>2 1/4"</td> <td>34"</td> </tr> </tbody> </table> | | Inlet | Outlet | Overall Length | 2 Bolt Loose Flange | 2 1/4" | 34" | 81972 E.O. No. D-182-52  | |
| Inlet | Outlet | Overall Length | | | | | | | |
| 2 Bolt Loose Flange | 2 1/4" | 34" | | | | | | | |
| Dodge — Neon 1999-95 2.0L L4 Plymouth — Neon 1999-95 2.0L L4 | | <table border="1" style="width: 100%; border-collapse: collapse;"> <thead> <tr> <th style="width: 33%;">Inlet</th> <th style="width: 33%;">Outlet</th> <th style="width: 34%;">Overall Length</th> </tr> </thead> <tbody> <tr> <td>2 Bolt Loose Flange</td> <td>4 Bolt Welded Flange</td> <td>39 1/2"</td> </tr> </tbody> </table> | | Inlet | Outlet | Overall Length | 2 Bolt Loose Flange | 4 Bolt Welded Flange | 39 1/2" |
| Inlet | Outlet | Overall Length | | | | | | | |
| 2 Bolt Loose Flange | 4 Bolt Welded Flange | 39 1/2" | | | | | | | |
| | | Ford — F-250 Super Duty 2006-05 6.8L V10 | | | | | | | |

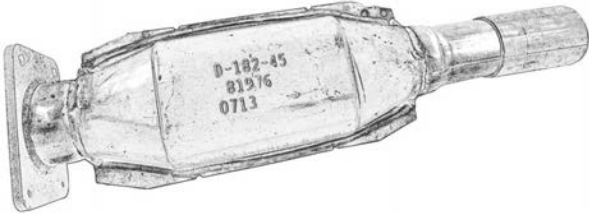
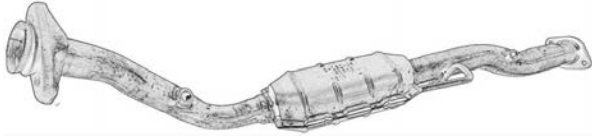
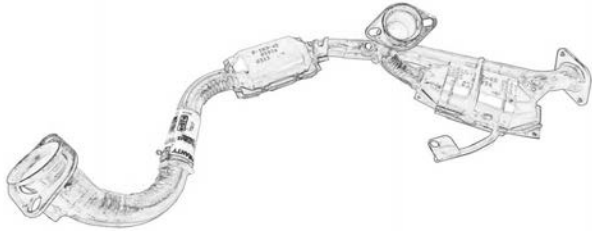

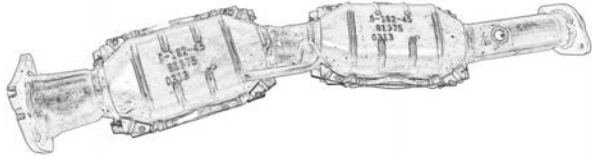

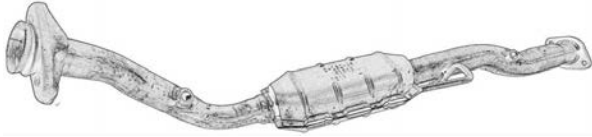

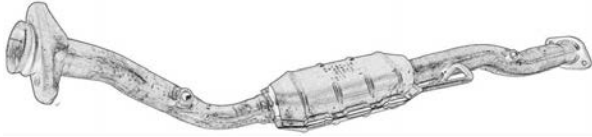





OBDII APPLICATIONS

NON-OBDII APPLICATIONS

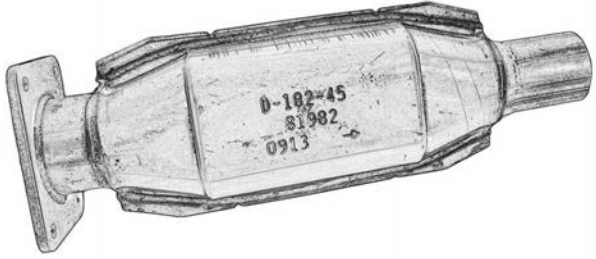
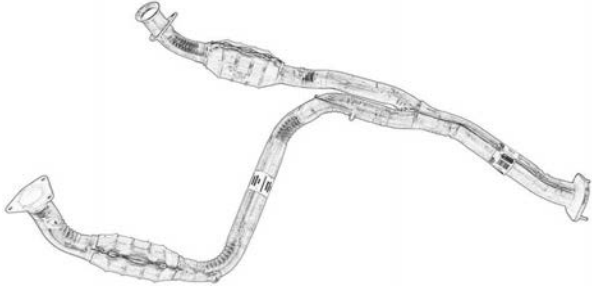
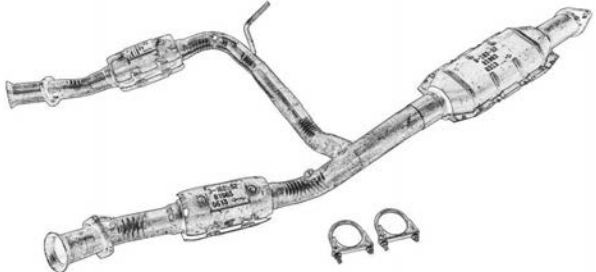
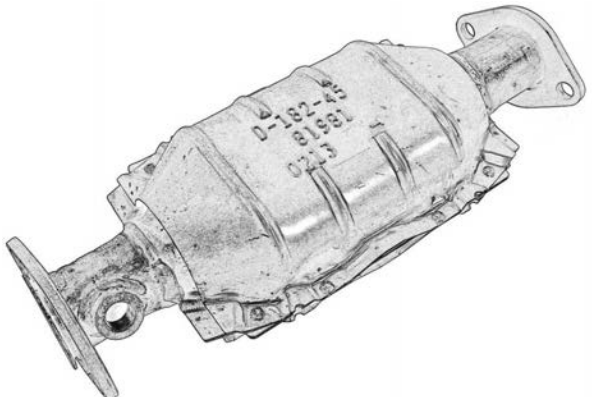
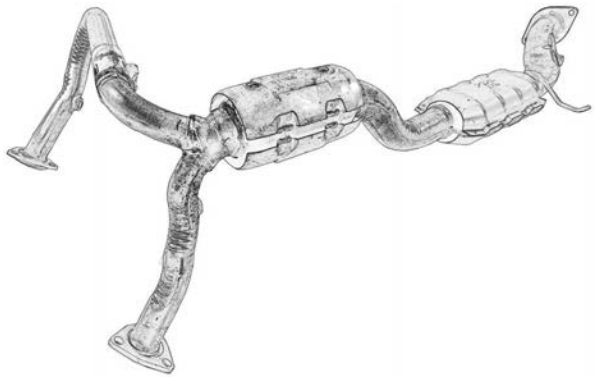
NUMERICAL

UNIVERSAL SPECIFICATIONS

NUMERICAL LISTING

| Year | Engine | Year | Engine |
|---|---------------------------------|--|--------|
| 81972 (Cont.) | | 81976 E.O. No. D-182-45 | |
| Ford — F-250 Super Duty (Cont.) 2005 5.4L V8 Ford — F-350 Super Duty 2006-05 5.4L V8 6.8L V10 | |  | |
| 81973 E.O. No. D-182-45 | | | |
|  | | | |
| Inlet | Outlet | Overall Length | |
| 2 Bolt Loose Flange With Spherical Flare | 2 Bolt Welded Flange | 46 ³ / ₈ " | |
| 81974 E.O. No. D-182-45 | | Cadillac — DeVille 2003-00 4.6L V8 | |
|  | |  | |
| Inlet | Outlet | Overall Length | |
| 2 Bolt Loose Flange With Spherical Flare | 2 Bolt Welded Flange | 42 ¹ / ₂ " | |
| 81975 E.O. No. D-182-45 | | 81977 E.O. No. D-182-45 | |
|  | |  | |
| Inlet | Outlet | Overall Length | |
| 3 Bolt Welded Flange | 2 Bolt Welded Flange | 34 ⁷ / ₈ " | |
| 81976 E.O. No. D-182-45 | | 81978 E.O. No. D-182-45 | |
|  | |  | |
| Inlet | Outlet | Overall Length | |
| 4 Bolt Welded Flange | 2 ¹ / ₂ " | 20" | |
| 81977 E.O. No. D-182-45 | | Toyota — Camry 1996-95 3.0L V6 | |
|  | |  | |
| Inlet | Outlet | Overall Length | |
| 2 Bolt Welded Flanges | 2 Bolt Welded Flange | 41" | |
| 81978 E.O. No. D-182-45 | | Toyota — Tacoma 1999-95 2.7L L4 | |
|  | |  | |
| Inlet | Outlet | Overall Length | |
| 2 Bolt Loose Flange | 2 Bolt Loose Flange | 17 ⁵ / ₈ " | |
| 81979 E.O. No. D-182-45 | | Toyota — Tacoma 1999-95 2.7L L4 | |
|  | |  | |
| Inlet | Outlet | Overall Length | |
| 2 Bolt Welded Flange | 2 Bolt Welded Flange | 16 ¹ / ₈ " | |

NUMERICAL LISTING

| Year | Engine | Year | Engine | | | | | | |
|---|----------------------|--|--------|----------------|--|----------------------|---|---|---------|
| 81979 (Cont.) Nissan — Pickup 1997-96 2.4L L4 | | 81982 E.O. No. D-182-45  | | | | | | | |
| 81980 E.O. No. D-182-52  | | <table border="1" style="width: 100%; border-collapse: collapse;"> <thead> <tr> <th style="width: 33%;">Inlet</th> <th style="width: 33%;">Outlet</th> <th style="width: 33%;">Overall Length</th> </tr> </thead> <tbody> <tr> <td>4 Bolt Welded Flange</td> <td>2 1/2"</td> <td>18 1/4"</td> </tr> </tbody> </table> | | Inlet | Outlet | Overall Length | 4 Bolt Welded Flange | 2 1/2" | 18 1/4" |
| Inlet | Outlet | Overall Length | | | | | | | |
| 4 Bolt Welded Flange | 2 1/2" | 18 1/4" | | | | | | | |
| <table border="1" style="width: 100%; border-collapse: collapse;"> <thead> <tr> <th style="width: 33%;">Inlet</th> <th style="width: 33%;">Outlet</th> <th style="width: 33%;">Overall Length</th> </tr> </thead> <tbody> <tr> <td>3 Bolt Welded Flange and 3 Bolt Loose Flange</td> <td>2 Bolt Welded Flange</td> <td>67"</td> </tr> </tbody> </table> | | Inlet | Outlet | Overall Length | 3 Bolt Welded Flange and 3 Bolt Loose Flange | 2 Bolt Welded Flange | 67" | Buick — Park Avenue 2002-00 3.8L V6 Pontiac — Bonneville 2002-00 3.8L V6 | |
| Inlet | Outlet | Overall Length | | | | | | | |
| 3 Bolt Welded Flange and 3 Bolt Loose Flange | 2 Bolt Welded Flange | 67" | | | | | | | |
| Chevrolet — Express 1500 2006-04 4.3L V6 2005-03 5.3L V8 Chevrolet — Express 2500 2005-04 4.3L V6 2005-03 5.3L V8 GMC — Savana 1500 2006-04 4.3L V6 2005-03 5.3L V8 GMC — Savana 2500 2005-04 4.3L V6 2005-03 5.3L V8 | | 81983 E.O. No. D-182-52  | | | | | | | |
| 81981 E.O. No. D-182-45  | | <table border="1" style="width: 100%; border-collapse: collapse;"> <thead> <tr> <th style="width: 33%;">Inlet</th> <th style="width: 33%;">Outlet</th> <th style="width: 33%;">Overall Length</th> </tr> </thead> <tbody> <tr> <td>2 Bolt Loose Flange With Spherical Flare and 2 7/8" Pipe Connection</td> <td>2 Bolt Welded Flange</td> <td>47"</td> </tr> </tbody> </table> | | Inlet | Outlet | Overall Length | 2 Bolt Loose Flange With Spherical Flare and 2 7/8" Pipe Connection | 2 Bolt Welded Flange | 47" |
| Inlet | Outlet | Overall Length | | | | | | | |
| 2 Bolt Loose Flange With Spherical Flare and 2 7/8" Pipe Connection | 2 Bolt Welded Flange | 47" | | | | | | | |
| <table border="1" style="width: 100%; border-collapse: collapse;"> <thead> <tr> <th style="width: 33%;">Inlet</th> <th style="width: 33%;">Outlet</th> <th style="width: 33%;">Overall Length</th> </tr> </thead> <tbody> <tr> <td>2 Bolt Loose Flange</td> <td>2 Bolt Loose Flange</td> <td>15 1/2"</td> </tr> </tbody> </table> | | Inlet | Outlet | Overall Length | 2 Bolt Loose Flange | 2 Bolt Loose Flange | 15 1/2" | Ford — Explorer 2003-02 4.6L V8 Mercury — Mountaineer 2003-02 4.6L V8 | |
| Inlet | Outlet | Overall Length | | | | | | | |
| 2 Bolt Loose Flange | 2 Bolt Loose Flange | 15 1/2" | | | | | | | |
| Mitsubishi — Lancer 2004-03 2.0L L4 | | 81986 E.O. No. D-182-52  | | | | | | | |
| | | <table border="1" style="width: 100%; border-collapse: collapse;"> <thead> <tr> <th style="width: 33%;">Inlet</th> <th style="width: 33%;">Outlet</th> <th style="width: 33%;">Overall Length</th> </tr> </thead> <tbody> <tr> <td>3 Bolt Loose Flanges With Spherical Flare</td> <td>2 Bolt Welded Flange</td> <td>56"</td> </tr> </tbody> </table> | | Inlet | Outlet | Overall Length | 3 Bolt Loose Flanges With Spherical Flare | 2 Bolt Welded Flange | 56" |
| Inlet | Outlet | Overall Length | | | | | | | |
| 3 Bolt Loose Flanges With Spherical Flare | 2 Bolt Welded Flange | 56" | | | | | | | |

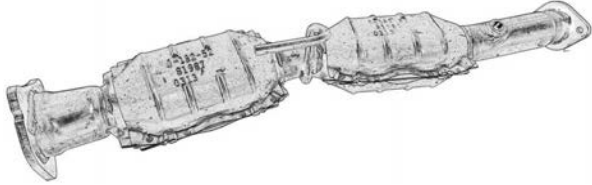
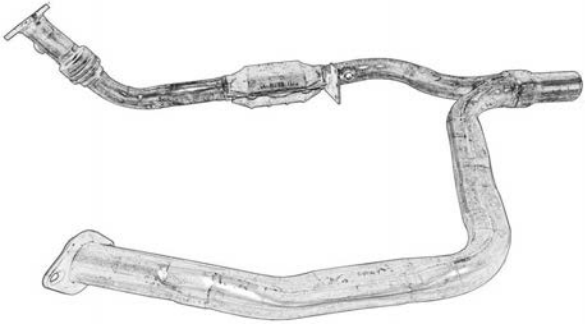
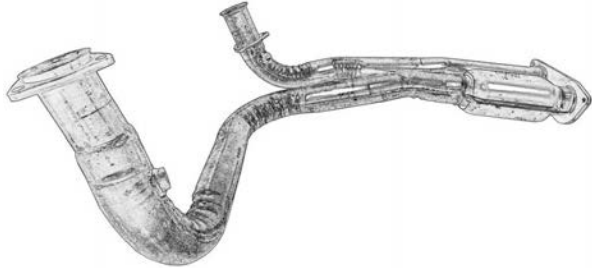
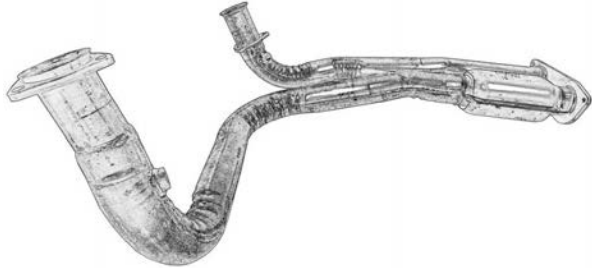




OBDII APPLICATIONS

NON-OBDII APPLICATIONS

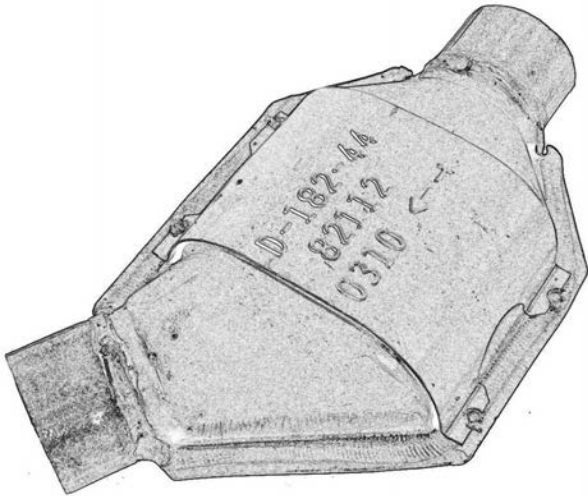

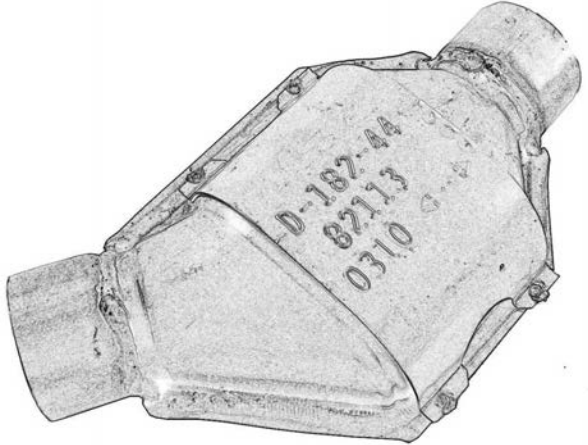

NUMERICAL

UNIVERSAL SPECIFICATIONS

NUMERICAL LISTING

| Year | Engine | Year | Engine |
|--|----------------------|--|--------|
| 81986 (Cont.) Chevrolet — Blazer 2005-00 4.3L V6 GMC — Jimmy 2001-00 4.3L V6 | | 81988 (Cont.) GMC — K2500 2000-97 7.4L V8 GMC — K2500 Suburban 1999-97 7.4L V8 GMC — K3500 2000-96 7.4L V8 | |
| 81987 E.O. No. D-182-52  | | 81989 E.O. No. D-182-45  | |
| Inlet | Outlet | Overall Length | |
| 3 Bolt Welded Flange | 2 Bolt Welded Flange | 34 ⁷ / ₈ " | |
| Ford — Ranger 1997-95 3.0L V6 4.0L V6 Mazda — B3000 1996-95 3.0L V6 Mazda — B4000 1997-95 4.0L V6 | | 81988 E.O. No. D-182-52  | |
| 81988 E.O. No. D-182-52  | | 81990 E.O. No. D-182-45  | |
| Inlet | Outlet | Overall Length | |
| 3 Bolt Loose Flanges With Spherical Flare | 3 Bolt Welded Flange | 45" | |
| Chevrolet — Camaro 1999-98 5.7L V8 Pontiac — Firebird 1999-98 5.7L V8 | | 81990 E.O. No. D-182-45  | |
| Chevrolet — C2500 2000-97 7.4L V8 Chevrolet — C2500 Suburban 1999-96 7.4L V8 Chevrolet — C3500 2000-96 7.4L V8 Chevrolet — K2500 2000-97 7.4L V8 Chevrolet — K2500 Suburban 1999-96 7.4L V8 Chevrolet — K3500 2000-96 7.4L V8 GMC — C2500 2000-97 7.4L V8 GMC — C2500 Suburban 1999-97 7.4L V8 GMC — C3500 2000-96 7.4L V8 | | 81990 E.O. No. D-182-45  | |
| Inlet | Outlet | Overall Length | |
| 2 Bolt Welded Flange | 2 Bolt Welded Flange | 12 ³ / ₈ " | |
| Infiniti — G20 1996-94 2.0L L4 | | 81990 E.O. No. D-182-45  | |

NUMERICAL LISTING

| Year | Engine | Year | Engine |
|--|-------------------|--|--------|
| 82112 | E.O. No. D-182-44 | 82113 (Cont.) | |
| | | Ford – E-250 Econoline 2002-97 4.2L V6 Ford – Econoline 2003 4.2L V6 2001-99 4.2L V6 Ford – Expedition 2002-97 4.6L V8 5.4L V8 Ford – F-150 2004-97 5.4L V8 2003-97 4.6L V8 2001-97 4.2L V6 Ford – F-150 Heritage 2004 5.4L V8 Ford – F-250 1999-97 4.6L V8 5.4L V8 Lincoln – Blackwood 2002 5.4L V8 Lincoln – Navigator 2002-98 5.4L V8 | |
| | | 82116 E.O. No. D-182-44 | |
|  | |  | |
| Inlet | Outlet | Overall Length | |
| 2 1/4" | 2 1/4" | 11 1/2" | |
| Ford – Explorer 2001-97 5.0L V8 Mercury – Mountaineer 2001-97 5.0L V8 | | Ford – Explorer 2003-00 4.0L V6 Ford – Explorer Sport Trac 2003-01 4.0L V6 Ford – Ranger 2003-01 3.0L V6 2003-98 4.0L V6 Mazda – B3000 2003-01 3.0L V6 Mazda – B4000 2003-98 4.0L V6 Mercury – Mountaineer 2001-00 4.0L V6 | |
| 82113 | E.O. No. D-182-44 | 82116 E.O. No. D-182-44 | |
| | | Ford – Explorer 2003-00 4.0L V6 Ford – Explorer Sport Trac 2003-01 4.0L V6 Ford – Ranger 2003-01 3.0L V6 2003-98 4.0L V6 Mazda – B3000 2003-01 3.0L V6 Mazda – B4000 2003-98 4.0L V6 Mercury – Mountaineer 2001-00 4.0L V6 | |
| | | 82116 E.O. No. D-182-44 | |
|  | |  | |
| Inlet | Outlet | Overall Length | |
| 2 1/2" | 2 1/2" | 11 3/4" | |
| Ford – E-150 2003-02 4.2L V6 Ford – E-150 Club Wagon 2003 4.2L V6 Ford – E-150 Econoline 2002-97 4.2L V6 4.6L V8 Ford – E-150 Econoline Club Wagon 2002-97 4.2L V6 4.6L V8 Ford – E-250 2003 4.2L V6 | | Ford – Explorer 2003-00 4.0L V6 Ford – Explorer Sport Trac 2003-01 4.0L V6 Ford – Ranger 2003-01 3.0L V6 2003-98 4.0L V6 Mazda – B3000 2003-01 3.0L V6 Mazda – B4000 2003-98 4.0L V6 Mercury – Mountaineer 2001-00 4.0L V6 | |

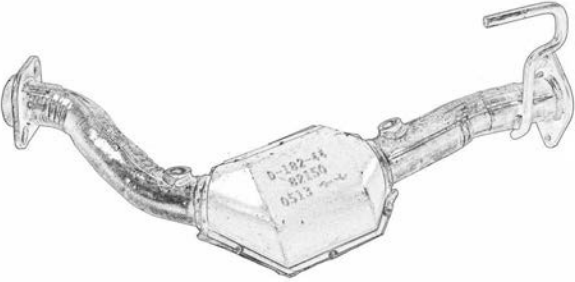


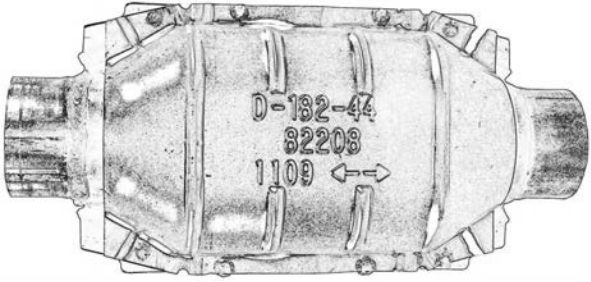

OBDII APPLICATIONS

NON-OBDII APPLICATIONS

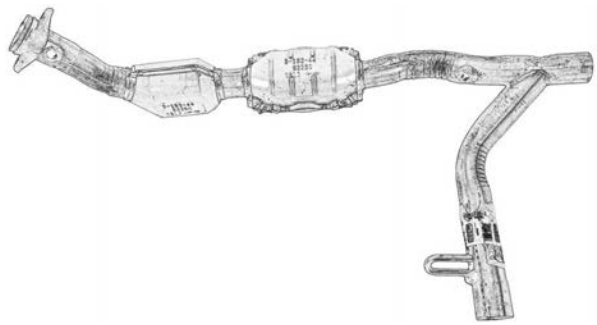
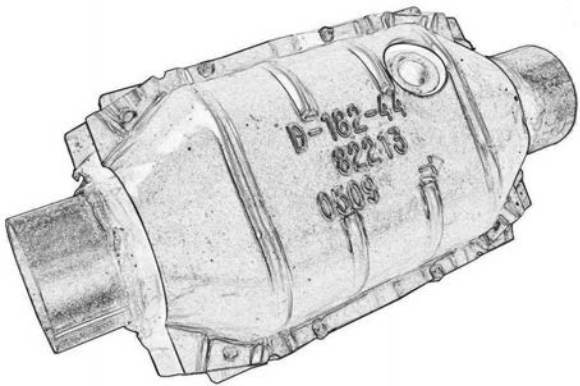
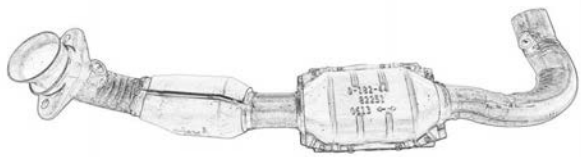
NUMERICAL

UNIVERSAL SPECIFICATIONS

NUMERICAL LISTING

| Year | Engine | Year | Engine |
|--|----------------------|---|-------------------|
| 82150 | E.O. No. D-182-44 | 82207 | E.O. No. D-182-44 |
|  | |  | |
| Inlet | Outlet | Inlet | Outlet |
| 2 Bolt Loose Flange With Spherical Flare | 2 Bolt Welded Flange | 2 1/4" | 2 1/4" |
| Overall Length | | Overall Length | |
| 24" | | 13 1/4" | |
| Ford – Explorer 1998-97 5.0L V8 Mercury – Mountaineer 1998-97 5.0L V8 | | Ford – Explorer 2001-98 5.0L V8 Mercury – Mountaineer 2001-98 5.0L V8 | |
| 82151 | E.O. No. D-182-44 | 82208 | E.O. No. D-182-44 |
|  | |  | |
| Inlet | Outlet | Inlet | Outlet |
| 2 Bolt Loose Flange With Spherical Flare | 2 Bolt Welded Flange | 2 1/2" | 2 1/2" |
| Overall Length | | Overall Length | |
| 36" | | 13 1/4" | |
| Ford – Explorer 1998-97 5.0L V8 Mercury – Mountaineer 1998-97 5.0L V8 | | Ford – E-150 2003-02 4.2L V6 Ford – E-150 Club Wagon 2003 4.2L V6 Ford – E-150 Econoline 2002-97 4.2L V6 2001 4.6L V8 1999-97 4.6L V8 Ford – E-150 Econoline Club Wagon 2002-97 4.2L V6 2001 4.6L V8 1999-97 4.6L V8 Ford – E-250 2003 4.2L V6 Ford – E-250 Econoline 2002-97 4.2L V6 Ford – Econoline 2003 4.2L V6 2001-99 4.2L V6 Ford – Expedition 2002-97 5.4L V8 1998-97 4.6L V8 Ford – Explorer 2003-00 4.0L V6 1997 5.0L V8 | |
| 82152 | E.O. No. D-182-44 | | |
|  | | | |
| Inlet | Outlet | | |
| 2 Bolt Loose Flange With Spherical Flare | 2 1/2" | | |
| Overall Length | | | |
| 50" | | | |
| Ford – Explorer 2001-99 5.0L V8 Mercury – Mountaineer 2001-99 5.0L V8 | | | |

NUMERICAL LISTING

| Year | Engine | Year | Engine |
|---|---------------|---|---------------|
| 82208 (Cont.) | | 82250 E.O. No. D-182-44 | |
| Ford – Explorer Sport Trac 2003-01 4.0L V6 Ford – F-150 2004-97 5.4L V8 2000-97 4.6L V8 1998-97 4.2L V6 Ford – F-150 Heritage 2004 5.4L V8 Ford – F-250 1999-97 5.4L V8 1998-97 4.6L V8 Ford – Ranger 2003-01 3.0L V6 2003-98 4.0L V6 Lincoln – Blackwood 2002 5.4L V8 Lincoln – Navigator 2002-98 5.4L V8 Mazda – B3000 2003-01 3.0L V6 Mazda – B4000 2003-98 4.0L V6 Mercury – Mountaineer 2001-00 4.0L V6 1997 5.0L V8 | |  | |
| | | Inlet | Outlet |
| | | 2 Bolt Loose Flange With Spherical Flare and 2 1/2" Pipe Connection | 2 1/2" |
| | | Overall Length | |
| | | 45" | |
| | | Ford – Expedition 2002-99 5.4L V8 Ford – F-150 2002-99 5.4L V8 Ford – F-250 1999 5.4L V8 Lincoln – Blackwood 2002 5.4L V8 Lincoln – Navigator 2002-99 5.4L V8 | |
| 82213 E.O. No. D-182-44 | | 82251 E.O. No. D-182-44 | |
|  | |  | |
| | | Inlet | Outlet |
| | | 2 Bolt Loose Flange With Spherical Flare | 2 1/2" |
| | | Overall Length | |
| | | 35" | |
| | | Ford – Expedition 2002-01 5.4L V8 Ford – F-150 2002-01 5.4L V8 Lincoln – Blackwood 2002 5.4L V8 Lincoln – Navigator 2002-01 5.4L V8 | |
| Inlet | Outlet | Overall Length | |
| 2 1/2" | 2 1/2" | 13 1/4" | |
| Ford – E-150 Econoline 2002 4.6L V8 2000 4.6L V8 Ford – E-150 Econoline Club Wagon 2002 4.6L V8 2000 4.6L V8 Ford – Expedition 2002-99 4.6L V8 Ford – F-150 2002-01 4.6L V8 Ford – F-250 1999 4.6L V8 | | | |

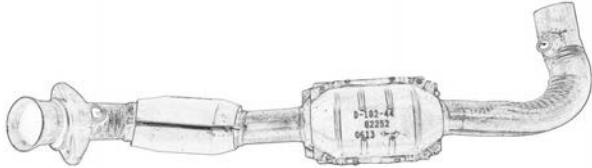
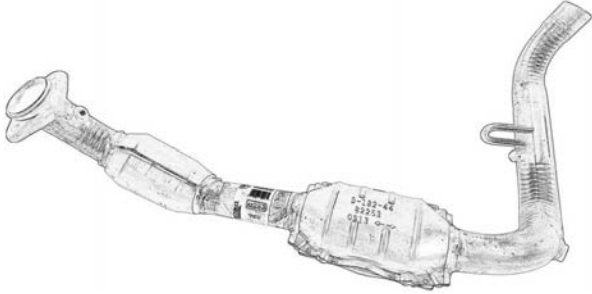
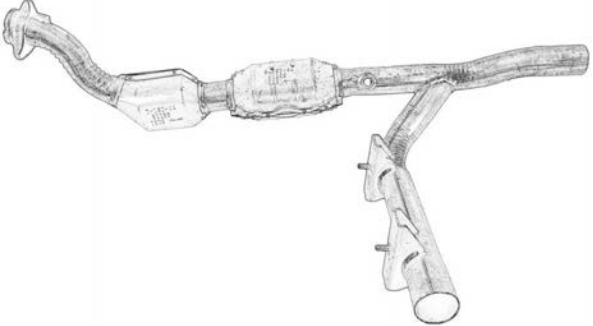

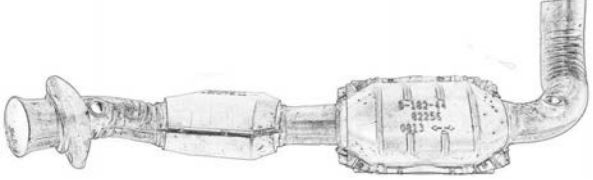
OBDII APPLICATIONS

NON-OBDII APPLICATIONS

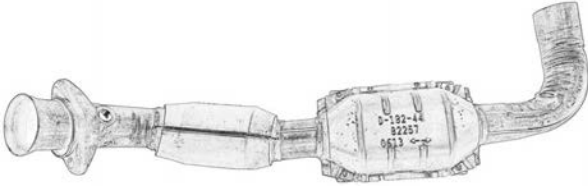
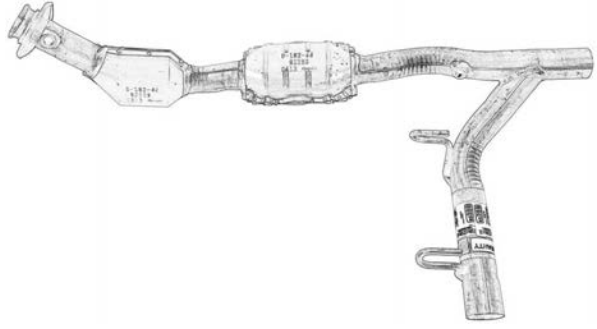
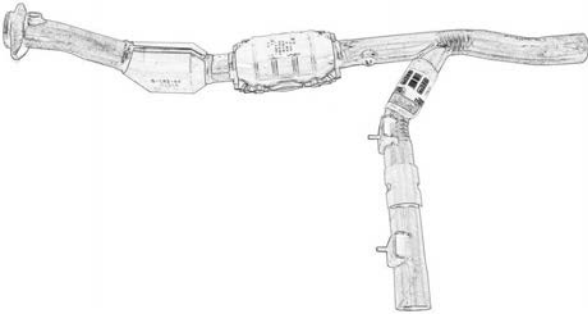
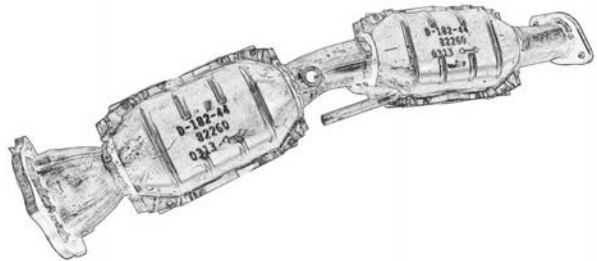
NUMERICAL

UNIVERSAL SPECIFICATIONS

NUMERICAL LISTING

| Year | Engine | Year | Engine |
|---|--------------------------|--|--------------------------|
| 82252 | E.O. No. D-182-44 | 82254 (Cont.) | |
|  | | Ford — Expedition 2000-99 5.4L V8 Ford — F-150 2000-99 5.4L V8 Lincoln — Navigator 2000-99 5.4L V8 | |
| | | | |
| Inlet | Outlet | Overall Length | |
| 2 Bolt Loose Flange With Spherical Flare | 2½" | 35" | |
| Ford — Expedition 1998-97 5.4L V8 Ford — F-150 1998-97 5.4L V8 Ford — F-250 1998-97 5.4L V8 Lincoln — Navigator 1998 5.4L V8 | | | |
| 82253 | E.O. No. D-182-44 | 82255 | E.O. No. D-182-44 |
|  | |  | |
| | | | |
| Inlet | Outlet | Overall Length | |
| 3 Bolt Loose Flanges With Spherical Flare | 2½" | 48" | |
| Ford — Expedition 1998-97 4.6L V8 Ford — F-150 1998-97 4.6L V8 Ford — F-250 1998-97 4.6L V8 | | | |
| 82254 | E.O. No. D-182-44 | 82256 | E.O. No. D-182-44 |
|  | |  | |
| | | | |
| Inlet | Outlet | Overall Length | |
| 2 Bolt Loose Flange With Spherical Flare and 2½" Pipe Connection | 2⅝" | 45" | |
| Ford — Expedition 1998-97 4.6L V8 Ford — F-150 1998-97 4.6L V8 Ford — F-250 1998-97 4.6L V8 | | | |

NUMERICAL LISTING

| Year | Engine | Year | Engine |
|---|--------------------------|---|--------------------------|
| 82257 | E.O. No. D-182-44 | 82259 | E.O. No. D-182-44 |
|  | |  | |
| Inlet | Outlet | Inlet | Outlet |
| 2 Bolt Loose Flange | 2 1/2" | 2 Bolt Loose Flange With Spherical Flare | 2 1/2" |
| Overall Length | | Overall Length | |
| 32" | | 45" | |
| Ford – Expedition 1998-97 4.6L V8 Ford – F-150 1998-97 4.6L V8 Ford – F-250 1998-97 4.6L V8 | | Ford – Expedition 1998-97 5.4L V8 Ford – F-150 1998-97 5.4L V8 Ford – F-250 1998-97 5.4L V8 Lincoln – Navigator 1998 5.4L V8 | |
| 82258 | E.O. No. D-182-44 | 82260 | E.O. No. D-182-44 |
|  | |  | |
| Inlet | Outlet | Inlet | Outlet |
| 2 Bolt Loose Flange With Spherical Flare and 2 1/2" Pipe Connection | 2 1/2" | 3 Bolt Welded Flange | 2 Bolt Welded Flange |
| Overall Length | | Overall Length | |
| 49" | | 31 1/2" | |
| Ford – Expedition 1998-97 4.6L V8 Ford – F-150 1998-97 4.6L V8 Ford – F-250 1998-97 4.6L V8 | | Ford – Explorer 2003-00 4.0L V6 Ford – Explorer Sport Trac 2003-01 4.0L V6 Mercury – Mountaineer 2001-00 4.0L V6 | |

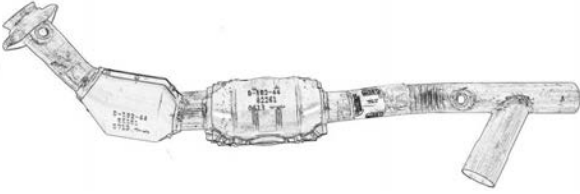
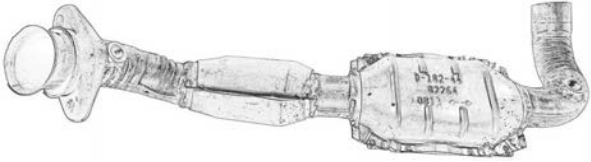
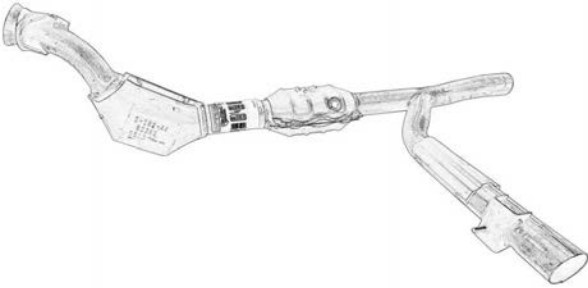
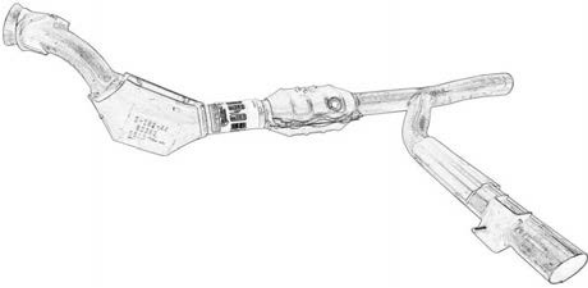
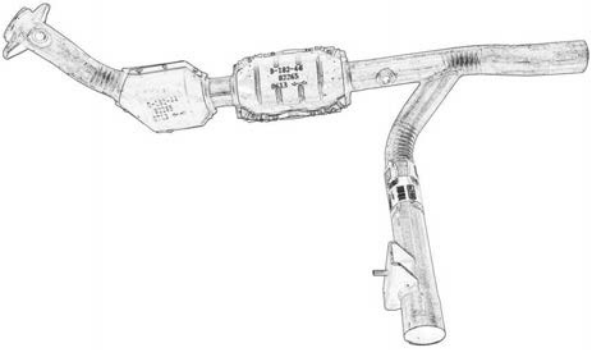
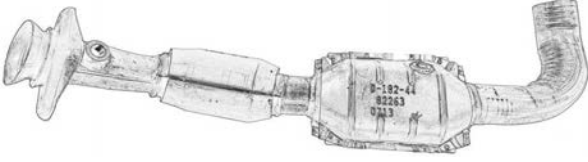
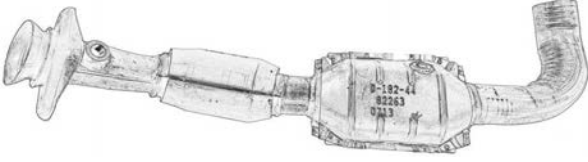
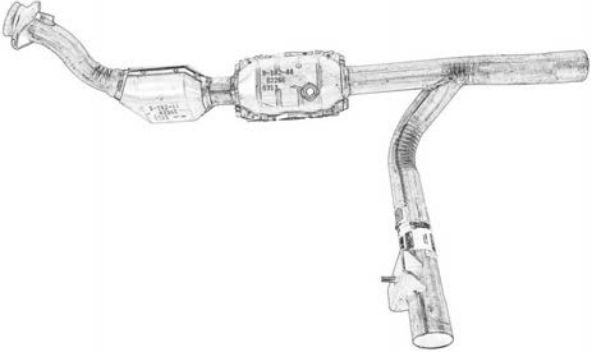
OBDDI APPLICATIONS

NON-OBDDI APPLICATIONS

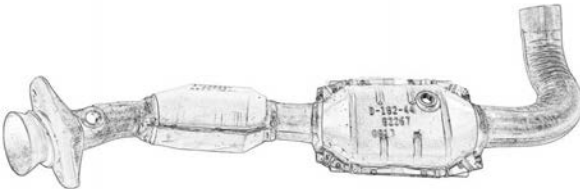
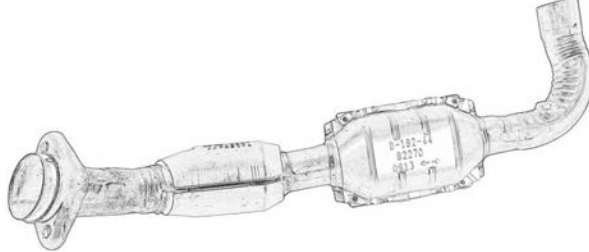
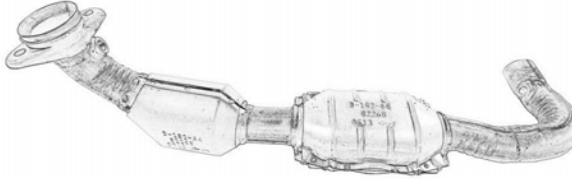
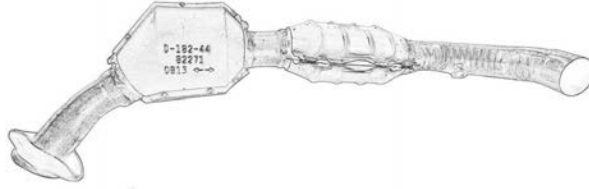
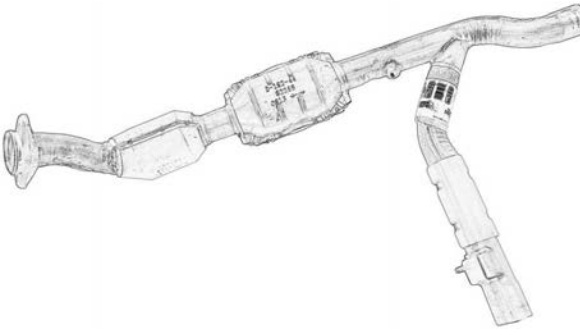
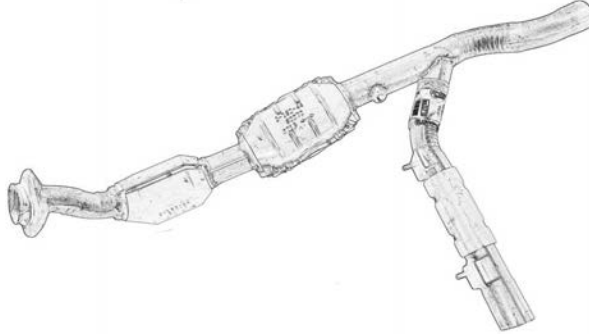
NUMERICAL

UNIVERSAL SPECIFICATIONS

NUMERICAL LISTING

| Year | Engine | Year | Engine |
|---|-------------------|--|-------------------|
| 82261 | E.O. No. D-182-44 | 82264 | E.O. No. D-182-44 |
|  | |  | |
| Inlet | Outlet | Inlet | Outlet |
| 2 Bolt Loose Flange With Spherical Flare | 2 1/2" | 2 Bolt Loose Flange With Spherical Flare | 2 1/2" |
| Overall Length | | Overall Length | |
| 45" | | 34" | |
| 82262 E.O. No. D-182-44 | | Ford — F-150 2001-00 5.4L V8 | |
|  | | 82265 E.O. No. D-182-44 | |
|  | |  | |
| Inlet | Outlet | Inlet | Outlet |
| 2 Bolt Loose Flange With Spherical Flare | 2 1/2" | 2 Bolt Loose Flange With Spherical Flare and 2 1/2" Pipe Connection | 2 1/2" |
| Overall Length | | Overall Length | |
| 46" | | 45" | |
| 82263 E.O. No. D-182-44 | | Ford — F-150 2001-00 5.4L V8 | |
|  | | 82266 E.O. No. D-182-44 | |
|  | |  | |
| Inlet | Outlet | Inlet | Outlet |
| 2 Bolt Loose Flange With Spherical Flare | 2 1/2" | 2 Bolt Loose Flange With Spherical Flare and 2 1/2" Pipe Connection | 2 1/2" |
| Overall Length | | Overall Length | |
| 31" | | 46" | |
| 82264 E.O. No. D-182-44 | | Ford — Expedition 2002-01 4.6L V8 | |
| Ford — Expedition 1998-97 5.4L V8 | | Ford — F-150 2002-01 4.6L V8 | |
| Ford — F-150 1998-97 5.4L V8 | | Ford — F-150 2002-01 4.6L V8 | |
| Lincoln — Navigator 1998 5.4L V8 | | Ford — Expedition 2002-01 4.6L V8 | |
| Ford — Expedition 1998-97 5.4L V8 | | Ford — F-150 2002-01 4.6L V8 | |
| Lincoln — Navigator 1998 5.4L V8 | | Ford — F-150 2002-01 4.6L V8 | |

NUMERICAL LISTING

| Year | Engine | Year | Engine |
|---|--------------------------|--|--------------------------|
| 82267 | E.O. No. D-182-44 | 82270 | E.O. No. D-182-44 |
|  | |  | |
| Inlet | Outlet | Overall Length | |
| 2 Bolt Loose Flange With Spherical Flare | 2 1/2" | 31" | |
| Ford – Expedition 2002-01 4.6L V8 Ford – F-150 2002-01 4.6L V8 | | 2 Bolt Loose Flange With Spherical Flare | 32" |
| | | Ford – F-150 2000-99 4.2L V6 | |
| 82268 | E.O. No. D-182-44 | 82271 | E.O. No. D-182-44 |
|  | |  | |
| Inlet | Outlet | Overall Length | |
| 2 Bolt Loose Flange With Spherical Flare | 2 1/2" | 35" | |
| Ford – Expedition 2000-99 5.4L V8 Ford – F-150 2000-99 5.4L V8 Ford – F-250 1999 5.4L V8 Lincoln – Navigator 2000-99 5.4L V8 | | 2 Bolt Loose Flange With Spherical Flare | 35" |
| | | Ford – F-150 1998-97 4.2L V6 | |
| 82269 | E.O. No. D-182-44 | 82272 | E.O. No. D-182-44 |
|  | |  | |
| Inlet | Outlet | Overall Length | |
| 2 Bolt Loose Flange With Spherical Flare | 2 1/2" | 45" | |
| Ford – F-150 2000-99 4.2L V6 | | 2 Bolt Loose Flange With Spherical Flare and 2 1/2" Pipe Connection | 48" |
| | | Ford – F-150 1998-97 4.2L V6 | |

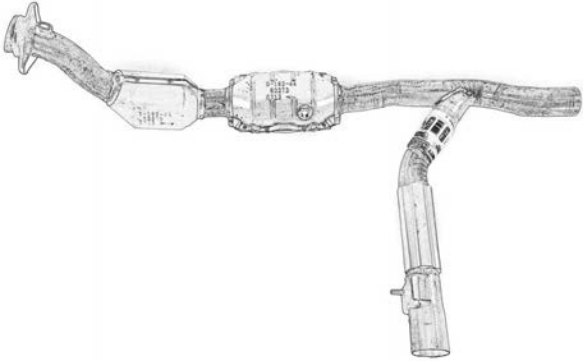
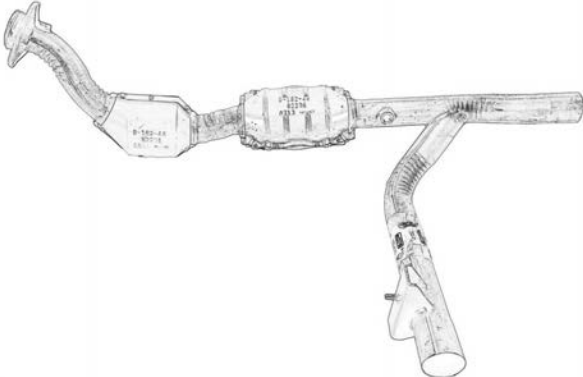
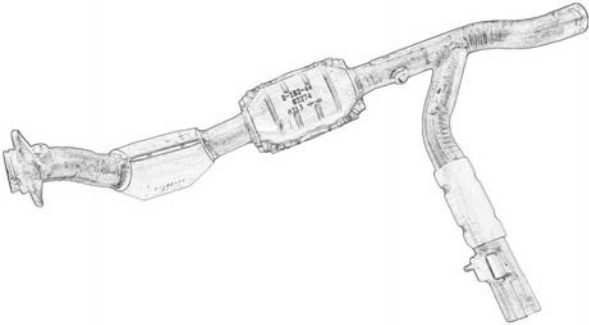
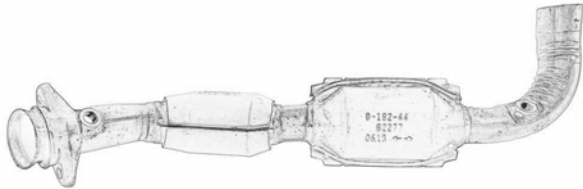
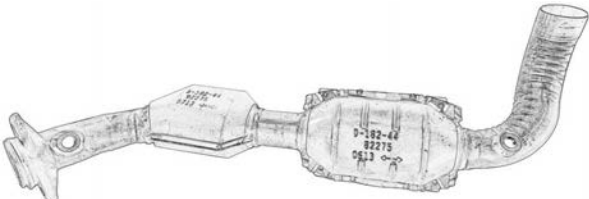
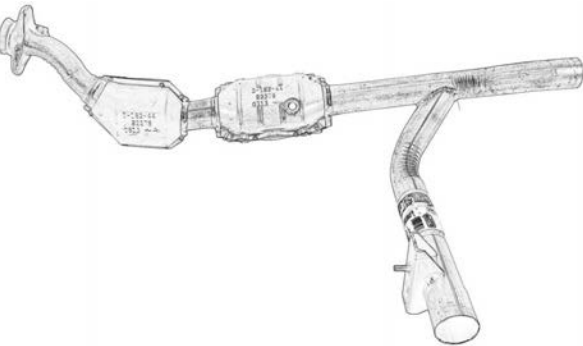
OBDII APPLICATIONS

NON-OBDII APPLICATIONS

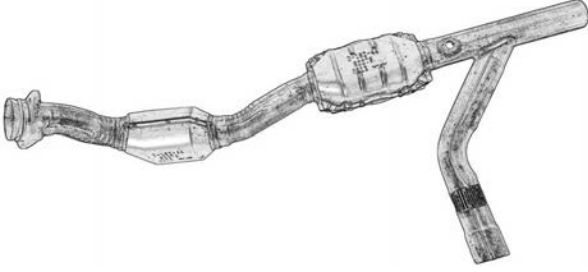
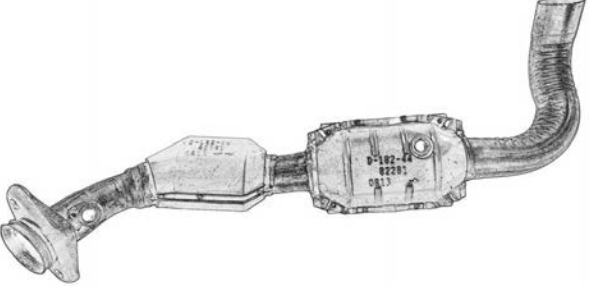
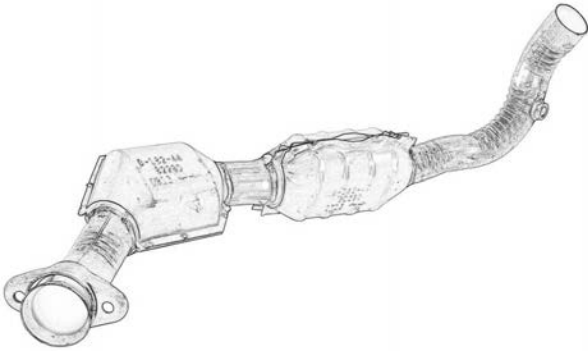
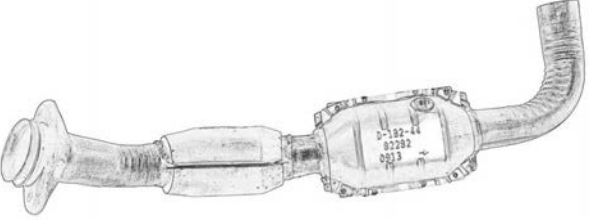
NUMERICAL

UNIVERSAL SPECIFICATIONS

NUMERICAL LISTING

| Year | Engine | Year | Engine |
|---|-------------------|--|-----------------------|
| 82273 | E.O. No. D-182-44 | 82276 | E.O. No. D-182-44 |
|  | |  | |
| Inlet | Outlet | Overall Length | Inlet |
| 2 Bolt Loose Flange With Spherical Flare and 2 1/2" Pipe Connection | 2 1/2" | 46" | Outlet |
| | | | Overall Length |
| | | | 46" |
| Ford — Expedition 2000-99 4.6L V8 | | Ford — F-150 2000-99 4.6L V8 | |
| 82274 | E.O. No. D-182-44 | 82277 | E.O. No. D-182-44 |
|  | |  | |
| Inlet | Outlet | Overall Length | Inlet |
| 2 Bolt Loose Flange With Spherical Flare and 2 1/2" Pipe Connection | 2 1/2" | 47" | Outlet |
| | | | Overall Length |
| | | | 32" |
| Ford — F-150 2000-99 4.6L V8 | | Ford — F-150 2000-99 4.6L V8 | |
| 82275 | E.O. No. D-182-44 | 82278 | E.O. No. D-182-44 |
|  | |  | |
| Inlet | Outlet | Overall Length | Inlet |
| 2 Bolt Loose Flange With Spherical Flare | 2 1/2" | 32" | Outlet |
| | | | Overall Length |
| | | | 47" |
| Ford — F-150 2000-99 4.6L V8 | | Ford — F-150 2003 4.6L V8 | |

NUMERICAL LISTING

| Year | Engine | Year | Engine |
|--|---------------|-----------------------------------|--------|
| 82278 (Cont.) | | 82280 (Cont.) | |
| Ford – F-150 Heritage | | Ford – E-150 Econoline Club Wagon | |
| 2004 4.6L V8 | | 2002-99 4.2L V6 | |
| 82279 | | 82281 | |
| E.O. No. D-182-44 | | E.O. No. D-182-44 | |
|  | | | |
|  | | | |
| Inlet | Outlet | Overall Length | |
| 2 Bolt Loose Flange With Spherical Flare | 2½" | 48" | |
| Ford – E-150 2003-02 4.2L V6 Ford – E-150 Club Wagon 2003 4.2L V6 Ford – E-150 Econoline 2002-99 4.2L V6 Ford – E-150 Econoline Club Wagon 2002-99 4.2L V6 Ford – E-250 2003 4.2L V6 Ford – E-250 Econoline 2002-99 4.2L V6 Ford – Econoline 2003 4.2L V6 2001-99 4.2L V6 | | | |
| 82280 | | | |
| E.O. No. D-182-44 | | | |
|  | | | |
| 82282 | | | |
| E.O. No. D-182-44 | | | |
|  | | | |
| Inlet | Outlet | Overall Length | |
| 2 Bolt Loose Flange With Spherical Flare | 2½" | 31" | |
| Ford – F-150 2003 4.6L V8 Ford – F-150 Heritage 2004 4.6L V8 | | | |
| Inlet | Outlet | Overall Length | |
| 2 Bolt Loose Flange With Spherical Flare | 2½" | 35" | |
| Ford – F-150 2001 4.2L V6 | | | |
| Inlet | Outlet | Overall Length | |
| 2 Bolt Loose Flange With Spherical Flare | 2½" | 37" | |
| Ford – E-150 2003-02 4.2L V6 Ford – E-150 Club Wagon 2003 4.2L V6 Ford – E-150 Econoline 2002-99 4.2L V6 | | | |

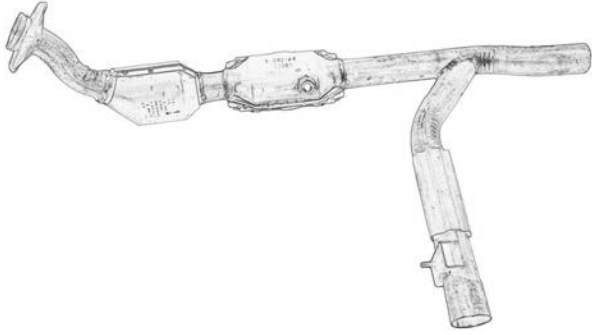
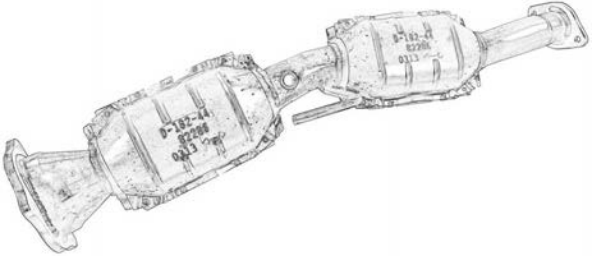
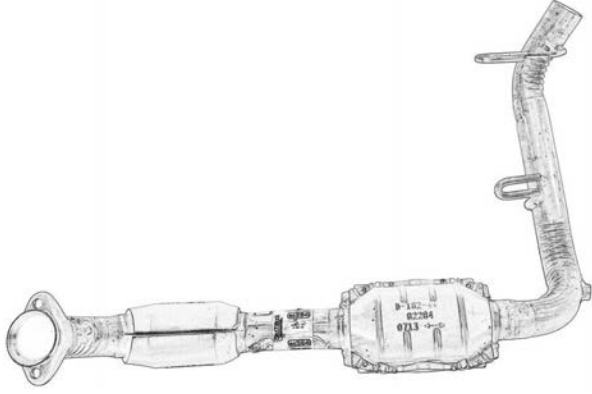

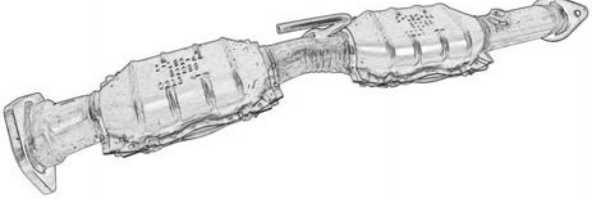
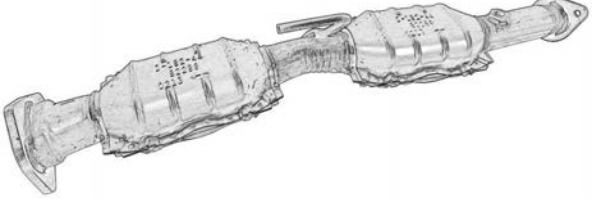
OBDII APPLICATIONS

NON-OBDII APPLICATIONS

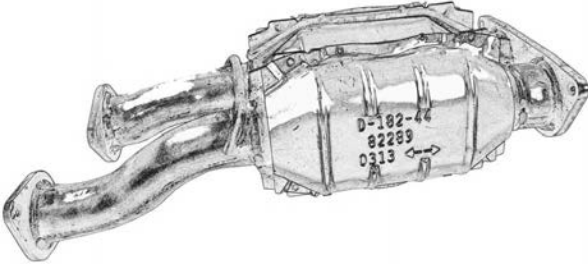

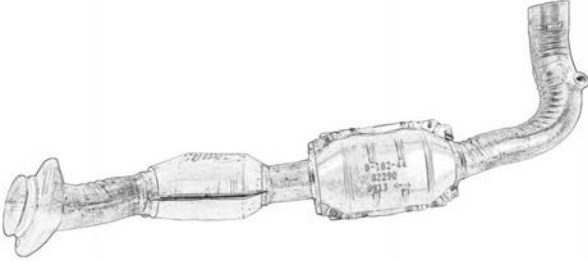
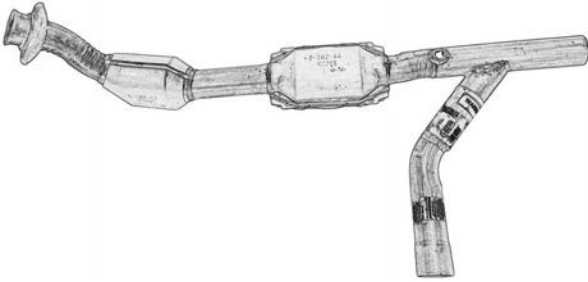
NUMERICAL

UNIVERSAL SPECIFICATIONS

NUMERICAL LISTING

| Year | Engine | Year | Engine |
|--|----------------------|--|----------------------|
| 82283 | E.O. No. D-182-44 | 82286 | E.O. No. D-182-44 |
|  | |  | |
| Inlet | Outlet | Inlet | Outlet |
| 2 Bolt Loose Flange With Spherical Flare and 2 1/2" Pipe Connection | 2 1/2" | 3 Bolt Welded Flange | 2 Bolt Welded Flange |
| Overall Length | | Overall Length | |
| 46" | | 35 3/4" | |
| Ford — F-150 | | Ford — Ranger | |
| 2001 4.2L V6 | | 2003-01 3.0L V6 4.0L V6 | |
| | | Mazda — B3000 | |
| | | 2003-01 3.0L V6 | |
| | | Mazda — B4000 | |
| | | 2003-01 4.0L V6 | |
| 82284 | E.O. No. D-182-44 | 82287 | E.O. No. D-182-44 |
|  | |  | |
| Inlet | Outlet | Inlet | Outlet |
| 2 Bolt Loose Flange With Spherical Flare | 2 1/2" | 2 Bolt Loose Flange With Spherical Flare | 2 1/2" Ball |
| Overall Length | | Overall Length | |
| 36" | | 53" | |
| Ford — Expedition | | Ford — Explorer | |
| 1998-97 5.4L V8 | | 2001-99 5.0L V8 | |
| Ford — F-150 | | Mercury — Mountaineer | |
| 1998-97 5.4L V8 | | 2001-99 5.0L V8 | |
| Ford — F-250 | | | |
| 1998-97 5.4L V8 | | | |
| Lincoln — Navigator | | | |
| 1998 5.4L V8 | | | |
| 82288 | E.O. No. D-182-44 | 82288 | E.O. No. D-182-44 |
|  | |  | |
| Inlet | Outlet | Inlet | Outlet |
| 3 Bolt Welded Flange | 2 Bolt Welded Flange | 3 Bolt Welded Flange | 2 Bolt Welded Flange |
| Overall Length | | Overall Length | |
| 36" | | 36" | |
| Ford — Ranger | | Ford — Ranger | |
| 2000-98 4.0L V6 | | 2000-98 4.0L V6 | |
| Mazda — B4000 | | Mazda — B4000 | |
| 2000-98 4.0L V6 | | 2000-98 4.0L V6 | |

NUMERICAL LISTING

| Year | Engine | Year | Engine | |
|---|--------------------------|--|--|----------------------------------|
| 82289 | E.O. No. D-182-44 | 82291 (Cont.) | Ford — E-150 Econoline Club Wagon | |
|  | | 1998-97 | 4.2L V6 | |
| | | Ford — E-250 Econoline | | |
| | | 1998-97 | 4.2L V6 | |
| | | 82302 | E.O. No. D-182-51 | |
| | |  | | |
| Inlet | Outlet | | | Overall Length |
| 2 Bolt Welded Flanges | 3 Bolt Welded Flange | | | 20 ⁷ / ₈ " |
| Ford — Explorer 1998-97 5.0L V8 Mercury — Mountaineer 1998-97 5.0L V8 | | | | |
| 82290 | E.O. No. D-182-44 | | | |
|  | | Inlet | Outlet | |
| | | 2 Bolt Loose Flange With Spherical Flare | 2 ¹ / ₂ " | |
| | | Overall Length | 37" | |
| Ford — E-150 Econoline 1998-97 4.2L V6 Ford — E-150 Econoline Club Wagon 1998-97 4.2L V6 Ford — E-250 Econoline 1998-97 4.2L V6 | | | | |
| 82291 | E.O. No. D-182-44 | | | |
|  | | Inlet | Outlet | |
| | | 2 Bolt Loose Flange With Spherical Flare and 2 ¹ / ₂ " Pipe Connection | 2 ¹ / ₂ " | |
| | | Overall Length | 47" | |
| Ford — E-150 Econoline 1998-97 4.2L V6 | | | | |
| | | Dodge — Dakota 2000 5.9L V8 Dodge — Durango 2000-98 5.2L V8 5.9L V8 Ford — Bronco 1996 5.0L V8 5.8L V8 Ford — E-150 Econoline 1996 4.9L L6 5.0L V8 5.8L V8 Ford — E-150 Econoline Club Wagon 1996 4.9L L6 5.0L V8 5.8L V8 Ford — E-250 Econoline 1996 4.9L L6 5.8L V8 Ford — E-350 Econoline 1996 4.9L L6 5.8L V8 Ford — E-350 Econoline Club Wagon 1996 4.9L L6 5.8L V8 Ford — F-150 1996 4.9L L6 5.0L V8 5.8L V8 Ford — F-250 1996 4.9L L6 5.0L V8 5.8L V8 Ford — F-250 HD 1997 5.8L V8 | | |

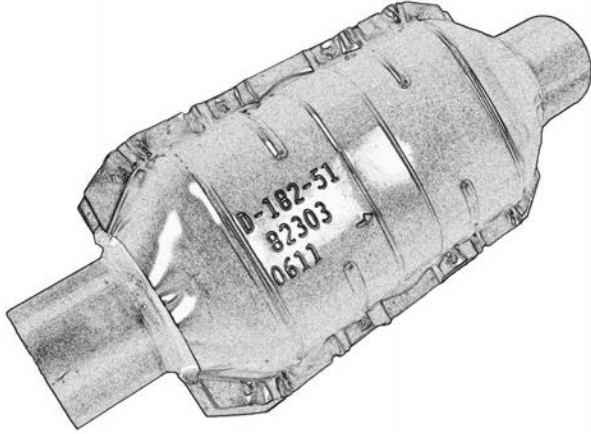
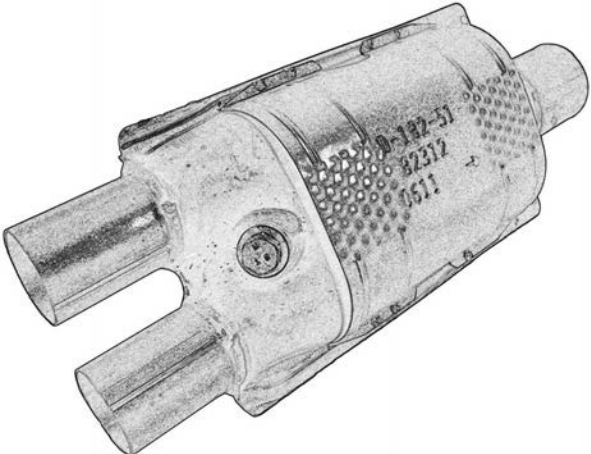
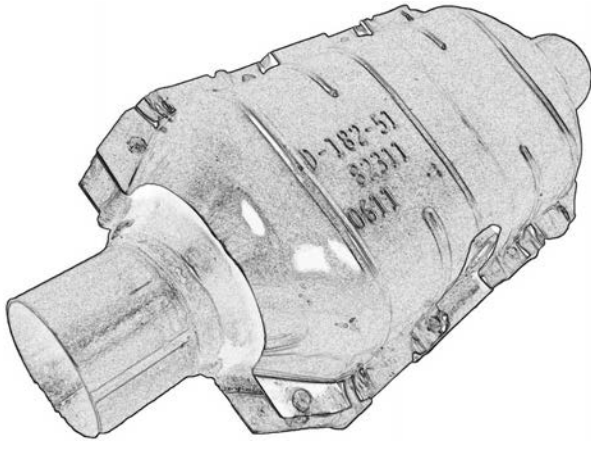
OBDII APPLICATIONS

NON-OBDII APPLICATIONS



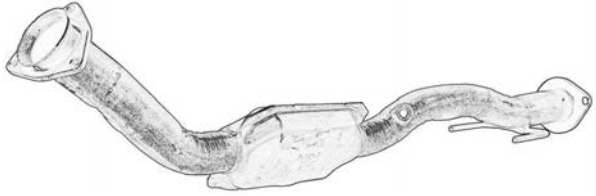
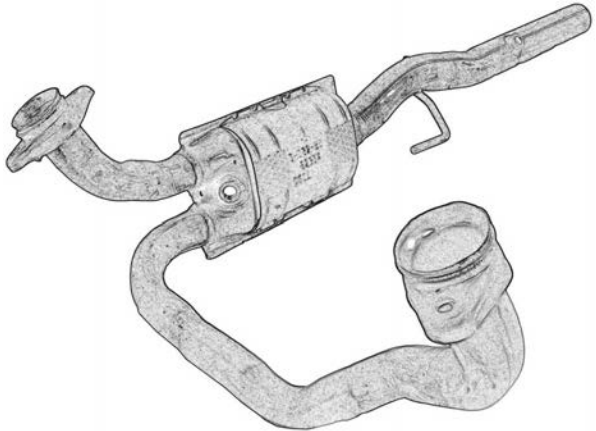
NUMERICAL

UNIVERSAL SPECIFICATIONS

NUMERICAL LISTING

| Year | Engine | Year | Engine |
|---|---------------|---|---------------|
| 82302 (Cont.) | | 82311 (Cont.) | |
| Ford — F-350 | | Chrysler — Town & Country | |
| 1997-96 | 5.8L V8 | 2003-98 | 3.8L V6 |
| 1996 | 4.9L L6 | 2003-96 | 3.3L V6 |
| 82303 | | Chrysler — Voyager | |
| E.O. No. D-182-51 | | 2003-01 3.3L V6 | |
|  | | 2003-00 2.4L L4 | |
| | | Dodge — Caravan | |
| | | 2003-99 2.4L L4 | |
| | | 2003-96 3.3L V6 | |
| | | 1999-98 3.8L V6 | |
| | | Dodge — Grand Caravan | |
| | | 2003-98 3.8L V6 | |
| | | 2003-96 3.3L V6 | |
| | | Plymouth — Grand Voyager | |
| | | 2000 3.3L V6 | |
| | | 1997-96 3.3L V6 | |
| | | Plymouth — Voyager | |
| | | 2000-99 2.4L L4 | |
| | | 1999-96 3.3L V6 | |
| | | 82312 | |
| | | E.O. No. D-182-51 | |
| | |  | |
| Inlet | Outlet | | |
| 3" | 3" | 18" | |
| Chevrolet — Trailblazer | | | |
| 2003-02 | 4.2L L6 | | |
| Chevrolet — Trailblazer EXT | | | |
| 2003-02 | 4.2L L6 | | |
| GMC — Envoy | | | |
| 2003-02 | 4.2L L6 | | |
| GMC — Envoy XL | | | |
| 2003-02 | 4.2L L6 | | |
| Isuzu — Ascender | | | |
| 2003 | 4.2L L6 | | |
| Oldsmobile — Bravada | | | |
| 2003-02 | 4.2L L6 | | |
| 82311 | | | |
| E.O. No. D-182-51 | | | |
|  | | Inlet | Outlet |
| | | 2" | 2 1/2" |
| Inlet | Outlet | Overall Length | |
| 2 1/2" | 2 1/2" | 18" | |
| Chrysler — Grand Voyager | | Dodge — Ram 1500 | |
| 2000 | 3.3L V6 | 1999-98 | 5.9L V8 |
| | | Dodge — Ram 1500 Van | |
| | | 1999 5.9L V8 | |
| | | Dodge — Ram 2500 | |
| | | 1999-98 5.9L V8 | |
| | | Dodge — Ram 2500 Van | |
| | | 1999 5.9L V8 | |
| | | Dodge — Ram 3500 | |
| | | 1999-98 5.9L V8 | |
| | | Dodge — Ram 3500 Van | |
| | | 1999 5.9L V8 | |
| | | Ford — Bronco | |
| | | 1996 5.0L V8 | |
| | | 5.8L V8 | |
| | | Ford — E-150 Econoline | |
| | | 1996 4.9L L6 | |
| | | 5.0L V8 | |
| | | 5.8L V8 | |

NUMERICAL LISTING

| Year | Engine | Year | Engine |
|---|--------|---|----------------------|
| 82312 (Cont.) | | 82351 E.O. No. D-182-51 | |
| Ford — E-150 Econoline Club Wagon 1996 4.9L L6 5.0L V8 5.8L V8 Ford — E-250 Econoline 1996 4.9L L6 5.8L V8 Ford — E-350 Econoline 1996 4.9L L6 5.8L V8 Ford — E-350 Econoline Club Wagon 1996 4.9L L6 5.8L V8 Ford — F-150 1996 4.9L L6 5.0L V8 5.8L V8 Ford — F-250 1996 4.9L L6 5.0L V8 5.8L V8 Ford — F-250 HD 1997 5.8L V8 Ford — F-350 1997-96 5.8L V8 1996 4.9L L6 | |  | |
| | | Inlet | Outlet |
| | | 2 1/2" | 2 1/2" |
| | | Overall Length | |
| | | 48" | |
| | | Dodge — Durango 1999-98 5.2L V8 5.9L V8 1999 3.9L V6 | |
| 82350 E.O. No. D-182-51 | | 82352 E.O. No. D-182-51 | |
|  | |  | |
| | | Inlet | Outlet |
| | | 3 Bolt Loose Flange | 2 Bolt Welded Flange |
| | | Overall Length | |
| | | 50" | |
| | | Chevrolet — Trailblazer 2003-02 4.2L L6 GMC — Envoy 2003-02 4.2L L6 Oldsmobile — Bravada 2003-02 4.2L L6 | |
| 82354 E.O. No. D-182-51 | |  | |
| | | Inlet | Outlet |
| | | 2 Bolt Loose Flange With Spherical Flare | 2 1/2" |
| | | Overall Length | |
| | | 52" | |
| | | Chrysler — Town & Country 2003-01 3.3L V6 3.8L V6 Chrysler — Voyager 2003-01 3.3L V6 Dodge — Caravan 2003-01 3.3L V6 Dodge — Grand Caravan 2003-01 3.3L V6 3.8L V6 | |

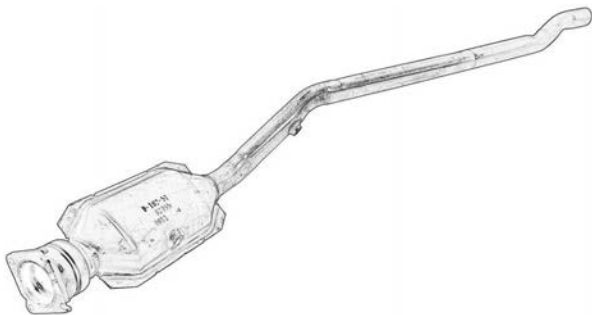

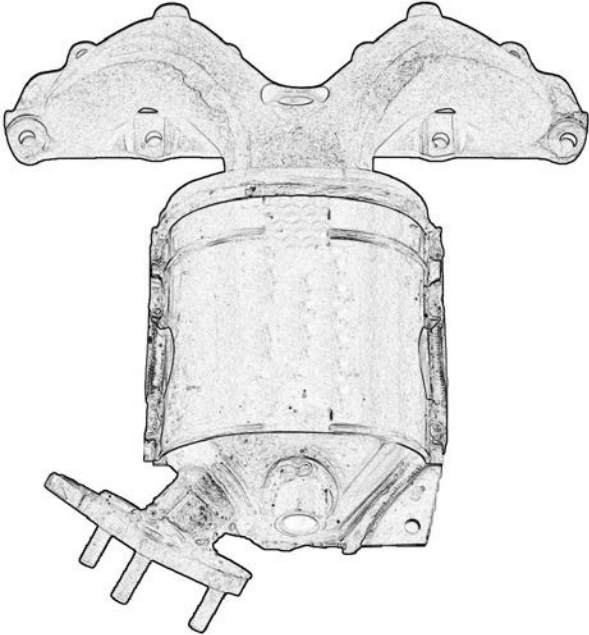
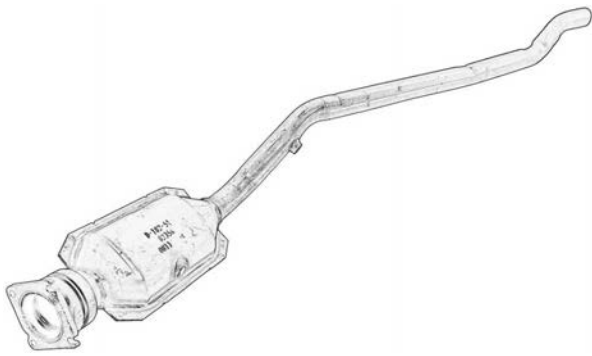
OBDII APPLICATIONS

NON-OBDII APPLICATIONS

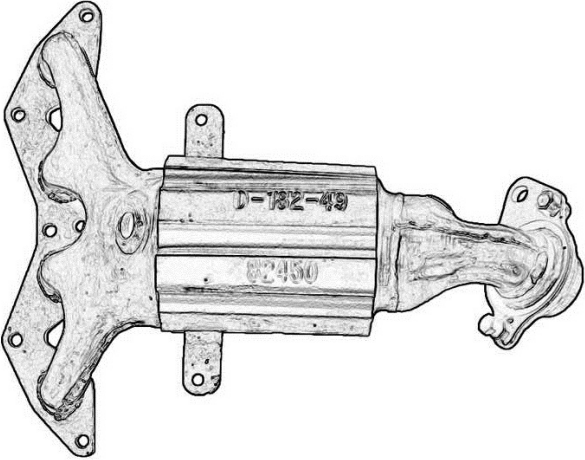
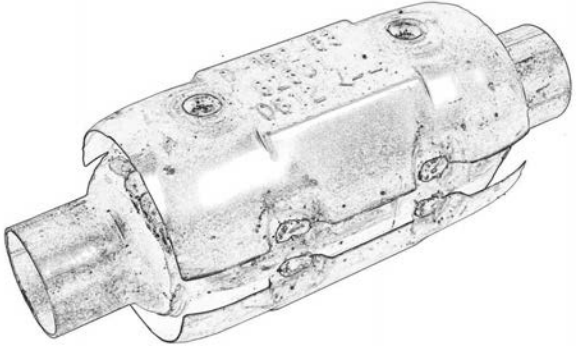


NUMERICAL

UNIVERSAL SPECIFICATIONS

NUMERICAL LISTING

| Year | Engine | Year | Engine |
|--|---------------|--|----------------------|
| 82354 (Cont.) | | 82356 (Cont.) | |
| Dodge — Ram 1500 | | Dodge — Caravan | |
| 1999-96 | 3.9L V6 | 2000-96 | 3.3L V6 |
| | 5.2L V8 | 1999-96 | 3.8L V6 |
| | 5.9L V8 | Dodge — Grand Caravan | |
| Dodge — Ram 2500 | | 2000-96 | 3.3L V6 |
| 1999-96 | 5.9L V8 | | 3.8L V6 |
| 1996 | 5.2L V8 | Plymouth — Grand Voyager | |
| Dodge — Ram 3500 | | 2000 | 3.3L V6 |
| 1999-96 | 5.9L V8 | 1997-96 | 3.3L V6 |
| | | 1996 | 3.8L V6 |
| 82355 | | 82360 | |
| E.O. No. D-182-51 | | E.O. No. D-182-51 | |
|  | |  | |
| Inlet | Outlet | Inlet | Outlet |
| 4 Bolt Welded Flange | 2 1/4" | 3 Bolt Loose Flange | 2 Bolt Welded Flange |
| Overall Length | | Overall Length | |
| 66" | | 60" | |
| Chevrolet — Trailblazer EXT | | | |
| 2003-02 4.2L L6 | | | |
| GMC — Envoy XL | | | |
| 2003-02 4.2L L6 | | | |
| Isuzu — Ascender | | | |
| 2003 4.2L L6 | | | |
| 82444 | | E.O. No. D-182-50 | |
|  | | | |
| Inlet | Outlet | Inlet | Outlet |
| 4 Bolt Welded Flange | 2 1/4" | 8 Bolt Welded Flange | 4 Bolt Welded Flange |
| Overall Length | | Overall Length | |
| 64 5/8" | | 13 3/4" | |
| Chrysler — Voyager | | | |
| 2000 2.4L L4 | | | |
| Dodge — Caravan | | | |
| 2000-96 2.4L L4 | | | |
| Dodge — Grand Caravan | | | |
| 1997-96 2.4L L4 | | | |
| Plymouth — Grand Voyager | | | |
| 1997-96 2.4L L4 | | | |
| Plymouth — Voyager | | | |
| 2000-96 2.4L L4 | | | |
| 82356 | | E.O. No. D-182-51 | |
|  | | | |
| Inlet | Outlet | Inlet | Outlet |
| 4 Bolt Welded Flange | 2 1/4" | 8 Bolt Welded Flange | 4 Bolt Welded Flange |
| Overall Length | | Overall Length | |
| 64 5/8" | | 13 3/4" | |
| Chrysler — Grand Voyager | | | |
| 2000 3.3L V6 | | | |
| Chrysler — Town & Country | | | |
| 2000-96 3.3L V6 | | | |
| 3.8L V6 | | | |
| Honda — Civic | | | |
| 2000-96 1.6L L4 | | | |
| Honda — Civic del Sol | | | |
| 1997-96 1.6L L4 | | | |

NUMERICAL LISTING

| Year | Engine | Year | Engine |
|---|---------------------------------|--|-------------------|
| 82450 | E.O. No. D-182-49 | 82501 | E.O. No. D-182-53 |
|  | |  | |
| | | Inlet | Outlet |
| | | 2" | 2" |
| | | Overall Length | |
| | | 12" | |
| Inlet | Outlet | Overall Length | |
| 6 Bolt Welded Flange | 3 Bolt Welded Flange | 15 ⁷ / ₈ " | |
| Honda — Civic 2005-01 1.7L L4 | | Pontiac — Vibe 2004-03 1.8L L4 Toyota — Corolla 2004-03 1.8L L4 Toyota — Matrix 2004-03 1.8L L4 | |
| 82500 | E.O. No. D-182-53 | 82502 | E.O. No. D-182-53 |
|  | |  | |
| Inlet | Outlet | Inlet | Outlet |
| 2 ⁵ / ₈ " | 2 ⁵ / ₈ " | 2" | 2" |
| | | Overall Length | |
| | | 6" | |
| Daewoo — Lanos 2002-99 1.6L L4 Daewoo — Leganza 2002-99 2.2L L4 Daewoo — Nubira 2002-99 2.0L L4 | | Chrysler — Crossfire 2006-04 3.2L V6 Mercedes-Benz — C240 2005-04 2.6L V6 Mercedes-Benz — C320 2005-03 3.2L V6 Mercedes-Benz — CLK320 2004-03 3.2L V6 Mercedes-Benz — CLK55 AMG 2002-01 5.5L V8 Mercedes-Benz — E320 2004-01 3.2L V6 Mercedes-Benz — SLK320 2004 3.2L V6 | |

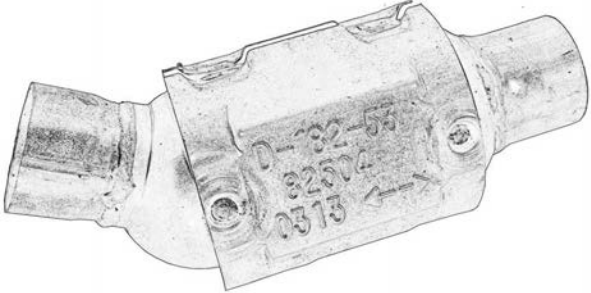
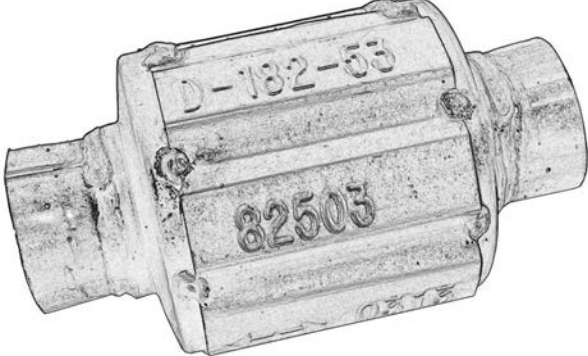
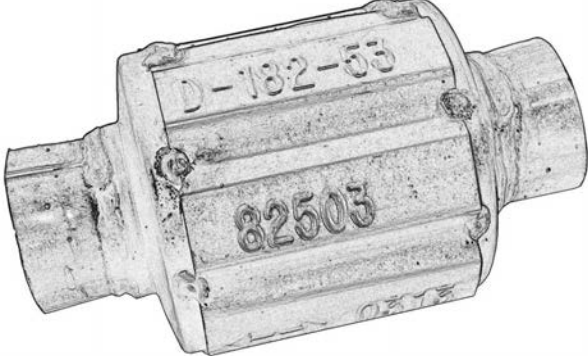
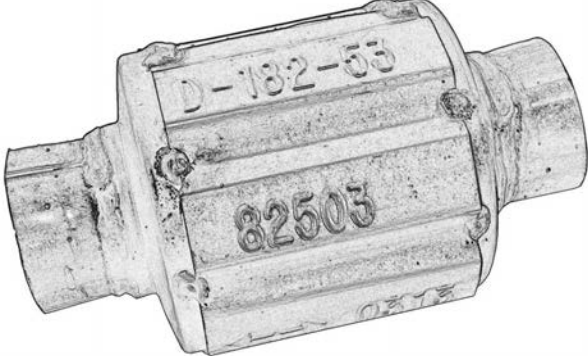
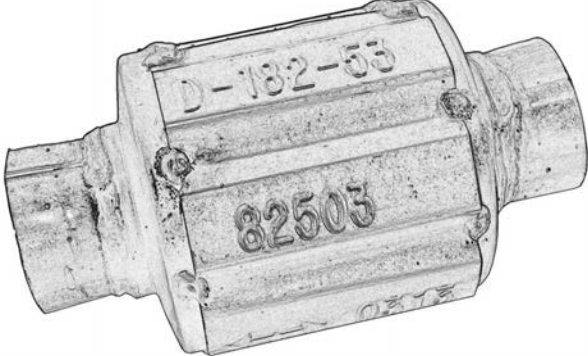
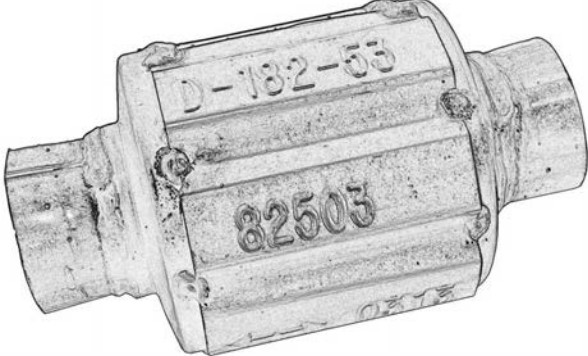
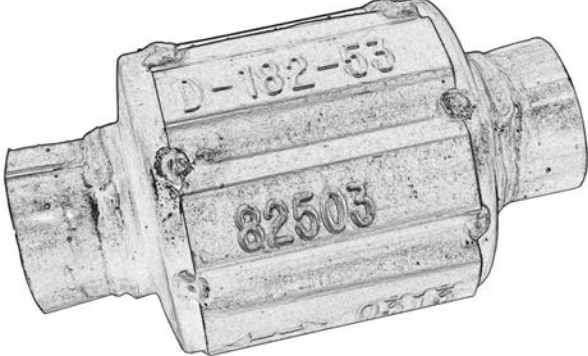
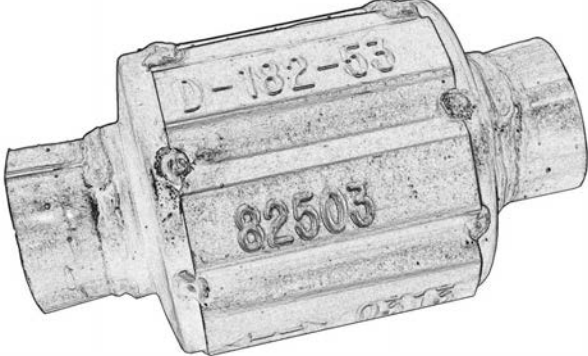
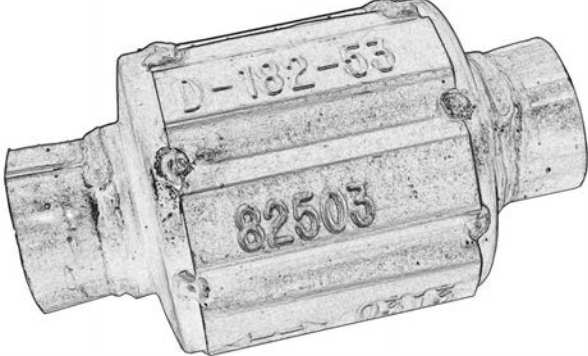
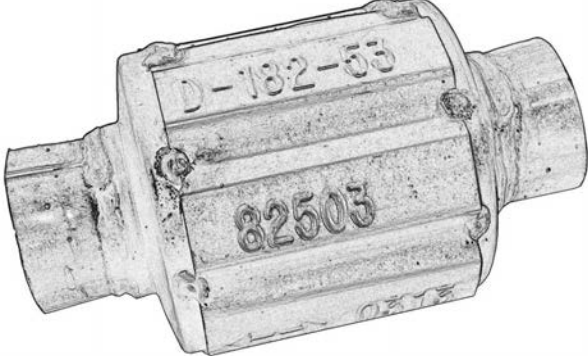

OBDII APPLICATIONS

NON-OBDII APPLICATIONS


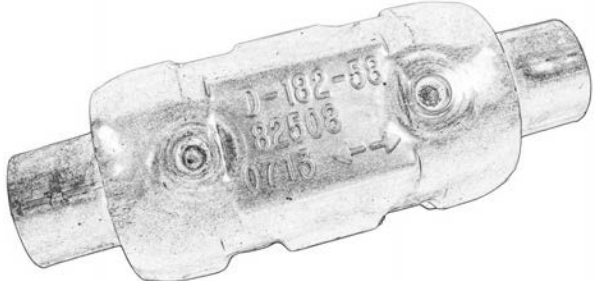
NUMERICAL

UNIVERSAL SPECIFICATIONS

NUMERICAL LISTING

| Year | Engine | Year | Engine |
|---|---------------|---|---------------|
| 82502 (Cont.) | | 82503 (Cont.) | |
| Mitsubishi — Eclipse | | Saturn — L300 | |
| 1999-98 | 2.4L L4 | 2005-04 | 3.0L V6 |
| Mitsubishi — Galant | | 82504 E.O. No. D-182-53 | |
| 1999 | 2.4L L4 |  | |
| 82503 E.O. No. D-182-53 | |  | |
|  | | Inlet | Outlet |
|  | | 2 1/4" | 2 1/4" |
|  | | Overall Length | |
|  | | 11" | |
| Inlet | Outlet | Jeep — Wrangler | |
| 2" | 2" | 2004-03 2.4L L4 | |
|  | | Toyota — Tacoma | |
|  | | 2004-00 2.4L L4 | |
|  | | 2004-00 2.7L L4 | |
|  | | 2004-00 3.4L V6 | |
| Infiniti — G35 | | 82505 E.O. No. D-182-58 | |
| 2004-03 | 3.5L V6 |  | |
| Mercedes-Benz — C43 AMG | | Inlet | Outlet |
| 2000 | 4.3L V8 | 2" | 2" |
| Mercedes-Benz — CL500 | | Overall Length | |
| 2003-00 | 5.0L V8 | 12" | |
| Mercedes-Benz — CL55 AMG | | Audi — 100 | |
| 2006-03 | 5.5L V8 | 1994 2.8L V6 | |
| Mercedes-Benz — CLK430 | | Audi — 100 Quattro | |
| 2003-02 | 4.3L V8 | 1994 2.8L V6 | |
| 2000 | 4.3L V8 | BMW — 328i | |
| Mercedes-Benz — CLK500 | | 1999-96 2.8L L6 | |
| 2003 | 5.0L V8 | BMW — 328is | |
| Mercedes-Benz — CLK55 AMG | | 1999-96 2.8L L6 | |
| 2006-03 | 5.5L V8 | BMW — 528i | |
| Mercedes-Benz — E430 | | 1998-97 2.8L L6 | |
| 2002-00 | 4.3L V8 | Buick — Skylark | |
| Mercedes-Benz — E500 | | 1998 3.1L V6 | |
| 2003 | 5.0L V8 | Chevrolet — Cavalier | |
| Mercedes-Benz — E55 AMG | | 1998-96 2.4L L4 | |
| 2006-99 | 5.5L V8 | Chevrolet — Malibu | |
| Mercedes-Benz — S350 | | 1998-97 3.1L V6 | |
| 2006 | 3.7L V6 | Chevrolet — Prizm | |
| Mercedes-Benz — S430 | | 1999-98 1.8L L4 | |
| 2003-02 | 4.3L V8 | | |
| 2000 | 4.3L V8 | | |
| Mercedes-Benz — S500 | | | |
| 2003-00 | 5.0L V8 | | |
| Mercedes-Benz — S55 AMG | | | |
| 2006-03 | 5.5L V8 | | |
| Mercedes-Benz — SL500 | | | |
| 2003-00 | 5.0L V8 | | |
| Mercedes-Benz — SL55 AMG | | | |
| 2006-03 | 5.5L V8 | | |
| Nissan — 350Z | | | |
| 2004-03 | 3.5L V6 | | |

NUMERICAL LISTING

| Year | Engine | Year | Engine |
|---|--------|--|---------------|
| 82505 (Cont.) | | 82506 E.O. No. D-182-58 | |
| Chrysler — Concorde 1996 3.3L V6 Chrysler — Prowler 2001 3.5L V6 Dodge — Intrepid 1997-96 3.3L V6 Eagle — Vision 1997-96 3.3L V6 Hyundai — Accent 1997-96 1.5L L4 Hyundai — Elantra 1997-96 1.8L L4 Jaguar — Vanden Plas 2003-98 4.0L V8 Jaguar — XJ8 1999-98 4.0L V8 Jaguar — XJR 2003-98 4.0L V8 Jaguar — XK8 1999-97 4.0L V8 Jaguar — XKR 2002-00 4.0L V8 Kia — Sephia 1997-95 1.8L L4 Mazda — Protege 1998-95 1.8L L4 Mercedes-Benz — C220 1996-95 2.2L L4 Mercedes-Benz — C230 2000-97 2.3L L4 Mercedes-Benz — SLK230 2000-98 2.3L L4 Oldsmobile — Achieva 1998-97 3.1L V6 1998-96 2.4L L4 Oldsmobile — Cutlass 1998-97 3.1L V6 Plymouth — Prowler 2001-99 3.5L V6 1997 3.5L V6 Pontiac — Grand Am 1998-97 3.1L V6 1998 2.4L L4 1996 2.4L L4 Pontiac — Sunfire 1998-96 2.4L L4 Saab — 900 1997-96 2.5L V6 Saab — 9000 1997-96 3.0L V6 Toyota — Corolla 1999-98 1.8L L4 Toyota — Paseo 1998-96 1.5L L4 Toyota — Tercel 1998-95 1.5L L4 | |  | |
| | | Inlet | Outlet |
| | | 2" | 2" |
| | | Overall Length | |
| | | 13 1/2" | |
| | | Acura — CL 1999-98 2.3L L4 Acura — Integra 2001-96 1.8L L4 Audi — A4 Quattro 1999-96 2.8L V6 Audi — A6 2000-95 2.8L V6 Audi — A6 Quattro 2000-95 2.8L V6 Honda — Accord 1997-96 2.2L L4 Honda — Odyssey 1998 2.3L L4 Honda — Prelude 2001-96 2.2L L4 1996 2.3L L4 Nissan — 300ZX 1996 3.0L V6 | |
| | | 82508 E.O. No. D-182-58 | |
| | |  | |
| | | Inlet | Outlet |
| | | 2 1/4" | 2 1/4" |
| | | Overall Length | |
| | | 12" | |
| | | Acura — NSX 1999-97 3.2L V6 1999-95 3.0L V6 Audi — TT Quattro 2005-00 1.8L L4 Buick — Century 1996 3.1L V6 Buick — Regal 1996 3.1L V6 Buick — Skylark 1997-96 3.1L V6 | |

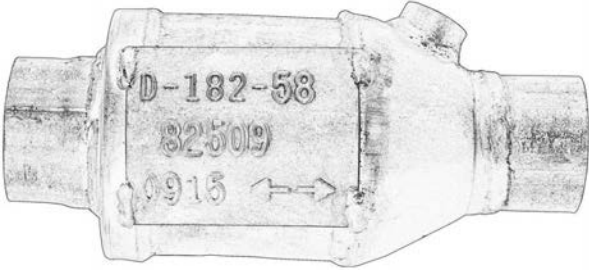


OBDDI APPLICATIONS

NON-OBDDI APPLICATIONS





NUMERICAL

UNIVERSAL SPECIFICATIONS

NUMERICAL LISTING

| Year | Engine | Year | Engine | | | | | | |
|---|--------|---|--------|-------|--------|----------------|--------|--------|---------|
| 82508 (Cont.) | | 82509 E.O. No. D-182-58 | | | | | | | |
| Chevrolet — Beretta 1996 3.1L V6 | |  | | | | | | | |
| Chevrolet — Corsica 1996 3.1L V6 | | | | | | | | | |
| Chevrolet — Lumina 1998-96 3.1L V6 1997-96 3.4L V6 | | | | | | | | | |
| Chevrolet — Monte Carlo 1998-96 3.1L V6 1997-96 3.4L V6 | | <table border="1" style="width: 100%; border-collapse: collapse;"> <thead> <tr> <th style="width: 33%;">Inlet</th> <th style="width: 33%;">Outlet</th> <th style="width: 33%;">Overall Length</th> </tr> </thead> <tbody> <tr> <td style="text-align: center;">2 1/4"</td> <td style="text-align: center;">2 1/4"</td> <td style="text-align: center;">9 1/4"</td> </tr> </tbody> </table> | | Inlet | Outlet | Overall Length | 2 1/4" | 2 1/4" | 9 1/4" |
| Inlet | Outlet | Overall Length | | | | | | | |
| 2 1/4" | 2 1/4" | 9 1/4" | | | | | | | |
| Chrysler — 300M 2004-99 3.5L V6 | | Porsche — Boxster 1999-97 2.5L H6 | | | | | | | |
| Chrysler — Concorde 2004-02 3.5L V6 2004-98 2.7L V6 2001-98 3.2L V6 | | 82510 E.O. No. D-182-58 | | | | | | | |
| Chrysler — LHS 2001-99 3.5L V6 | |  | | | | | | | |
| Chrysler — Prowler 2002 3.5L V6 | | | | | | | | | |
| Dodge — Intrepid 2004-00 3.5L V6 2004-98 2.7L V6 2000-98 3.2L V6 | | | | | | | | | |
| Honda — Civic 1998-96 1.6L L4 | | <table border="1" style="width: 100%; border-collapse: collapse;"> <thead> <tr> <th style="width: 33%;">Inlet</th> <th style="width: 33%;">Outlet</th> <th style="width: 33%;">Overall Length</th> </tr> </thead> <tbody> <tr> <td style="text-align: center;">2 1/4"</td> <td style="text-align: center;">2 1/4"</td> <td style="text-align: center;">13 1/2"</td> </tr> </tbody> </table> | | Inlet | Outlet | Overall Length | 2 1/4" | 2 1/4" | 13 1/2" |
| Inlet | Outlet | Overall Length | | | | | | | |
| 2 1/4" | 2 1/4" | 13 1/2" | | | | | | | |
| Honda — Civic del Sol 1997-96 1.6L L4 | | Volkswagen — Cabrio 1997-96 2.0L L4 | | | | | | | |
| Lexus — LS400 1999-98 4.0L V8 | | Volkswagen — Golf 1999-96 2.8L V6 1997-96 2.0L L4 | | | | | | | |
| Lexus — SC400 1999-98 4.0L V8 | | Volkswagen — Jetta 1999-96 2.8L V6 1997-96 2.0L L4 | | | | | | | |
| Mercedes-Benz — C280 1997-95 2.8L L6 | | Volkswagen — Passat 1997-96 2.8L V6 1996 2.0L L4 | | | | | | | |
| Mercedes-Benz — C36 AMG 1996-95 3.6L L6 | | 82512 E.O. No. D-182-58 | | | | | | | |
| Mercedes-Benz — S320 1996-95 3.2L L6 | |  | | | | | | | |
| Oldsmobile — Achieva 1996 3.1L V6 | | | | | | | | | |
| Oldsmobile — Cutlass Ciera 1996 3.1L V6 | | | | | | | | | |
| Pontiac — Grand Am 1996 3.1L V6 | | <table border="1" style="width: 100%; border-collapse: collapse;"> <thead> <tr> <th style="width: 33%;">Inlet</th> <th style="width: 33%;">Outlet</th> <th style="width: 33%;">Overall Length</th> </tr> </thead> <tbody> <tr> <td style="text-align: center;">2 1/2"</td> <td style="text-align: center;">2 1/2"</td> <td style="text-align: center;">12"</td> </tr> </tbody> </table> | | Inlet | Outlet | Overall Length | 2 1/2" | 2 1/2" | 12" |
| Inlet | Outlet | Overall Length | | | | | | | |
| 2 1/2" | 2 1/2" | 12" | | | | | | | |
| Pontiac — Grand Prix 1996 3.1L V6 3.4L V6 | | Porsche — 911 1998 3.6L H6 1996 3.6L H6 | | | | | | | |

NUMERICAL LISTING

| Year | Engine | Year | Engine | | | | | | | | | | | | |
|--|----------|--|---------|----------------|--------|----------------|------|---|------|-------|--------|----------------|-----|-----|-----|
| 82512 (Cont.) | | 82520 (Cont.) | | | | | | | | | | | | | |
| BMW – M3 | | Ford – Ranger | | | | | | | | | | | | | |
| 1999-96 | 3.2L L6 | 2006-04 | 3.0L V6 | | | | | | | | | | | | |
| BMW – Z3 | | Mazda – B3000 | | | | | | | | | | | | | |
| 2000-99 | 3.2L L6 | 2006-04 | 3.0L V6 | | | | | | | | | | | | |
| Buick – Century | | 82521 E.O. No. D-182-53 | | | | | | | | | | | | | |
| 1998-97 | 3.1L V6 | | | | | | | | | | | | | | |
| Buick – Regal | |  | | | | | | | | | | | | | |
| 1998-97 | 3.8L V6 | | | | | | | | | | | | | | |
| Morgan – Plus 8 | | <table border="1" style="width: 100%; border-collapse: collapse;"> <thead> <tr> <th style="width: 33%;">Inlet</th> <th style="width: 33%;">Outlet</th> <th style="width: 33%;">Overall Length</th> </tr> </thead> <tbody> <tr> <td style="text-align: center;">2"</td> <td style="text-align: center;">2"</td> <td style="text-align: center;">11½"</td> </tr> </tbody> </table> | | Inlet | Outlet | Overall Length | 2" | 2" | 11½" | | | | | | |
| Inlet | Outlet | | | Overall Length | | | | | | | | | | | |
| 2" | 2" | 11½" | | | | | | | | | | | | | |
| 2003-02 | 3.9L V8 | | | | | | | | | | | | | | |
| Pontiac – Grand Prix | | <table border="1" style="width: 100%; border-collapse: collapse;"> <thead> <tr> <th style="width: 33%;">Inlet</th> <th style="width: 33%;">Outlet</th> <th style="width: 33%;">Overall Length</th> </tr> </thead> <tbody> <tr> <td style="text-align: center;">2½"</td> <td style="text-align: center;">2½"</td> <td style="text-align: center;">10½"</td> </tr> </tbody> </table> | | Inlet | Outlet | Overall Length | 2½" | 2½" | 10½" | | | | | | |
| Inlet | Outlet | | | Overall Length | | | | | | | | | | | |
| 2½" | 2½" | 10½" | | | | | | | | | | | | | |
| 1998-97 | 3.1L V6 | | | | | | | | | | | | | | |
| | 3.8L V6 | 82522 E.O. No. D-182-53 | | | | | | | | | | | | | |
| 82515 E.O. No. D-182-53 | |  | | | | | | | | | | | | | |
|  | | | | | | | | | | | | | | | |
| <table border="1" style="width: 100%; border-collapse: collapse;"> <thead> <tr> <th style="width: 33%;">Inlet</th> <th style="width: 33%;">Outlet</th> <th style="width: 33%;">Overall Length</th> </tr> </thead> <tbody> <tr> <td style="text-align: center;">2½"</td> <td style="text-align: center;">2½"</td> <td style="text-align: center;">10½"</td> </tr> </tbody> </table> | | Inlet | Outlet | Overall Length | 2½" | 2½" | 10½" | <table border="1" style="width: 100%; border-collapse: collapse;"> <thead> <tr> <th style="width: 33%;">Inlet</th> <th style="width: 33%;">Outlet</th> <th style="width: 33%;">Overall Length</th> </tr> </thead> <tbody> <tr> <td style="text-align: center;">2¼"</td> <td style="text-align: center;">2¼"</td> <td style="text-align: center;">11"</td> </tr> </tbody> </table> | | Inlet | Outlet | Overall Length | 2¼" | 2¼" | 11" |
| Inlet | Outlet | Overall Length | | | | | | | | | | | | | |
| 2½" | 2½" | 10½" | | | | | | | | | | | | | |
| Inlet | Outlet | Overall Length | | | | | | | | | | | | | |
| 2¼" | 2¼" | 11" | | | | | | | | | | | | | |
| Chevrolet – S10 | | Ford – Crown Victoria | | | | | | | | | | | | | |
| 2003-98 | 4.3L V6 | 2006-03 | 4.6L V8 | | | | | | | | | | | | |
| Dodge – Viper | | Ford – Mustang | | | | | | | | | | | | | |
| 2006-03 | 8.3L V10 | 2004-01 | 3.8L V6 | | | | | | | | | | | | |
| GMC – Sonoma | | 2004 | 3.9L V6 | | | | | | | | | | | | |
| 2003-98 | 4.3L V6 | | 4.6L V8 | | | | | | | | | | | | |
| Isuzu – Hombre | | Lincoln – Town Car | | | | | | | | | | | | | |
| 2000-98 | 4.3L V6 | 2006-03 | 4.6L V8 | | | | | | | | | | | | |
| 82520 E.O. No. D-182-53 | | Mercury – Grand Marquis | | | | | | | | | | | | | |
|  | | 2004-03 | 4.6L V8 | | | | | | | | | | | | |
| <table border="1" style="width: 100%; border-collapse: collapse;"> <thead> <tr> <th style="width: 33%;">Inlet</th> <th style="width: 33%;">Outlet</th> <th style="width: 33%;">Overall Length</th> </tr> </thead> <tbody> <tr> <td style="text-align: center;">2"</td> <td style="text-align: center;">2"</td> <td style="text-align: center;">11¾"</td> </tr> </tbody> </table> | | Inlet | Outlet | Overall Length | 2" | 2" | 11¾" | Mercury – Marauder | | | | | | | |
| Inlet | Outlet | Overall Length | | | | | | | | | | | | | |
| 2" | 2" | 11¾" | | | | | | | | | | | | | |
| | | 2004-03 | 4.6L V8 | | | | | | | | | | | | |

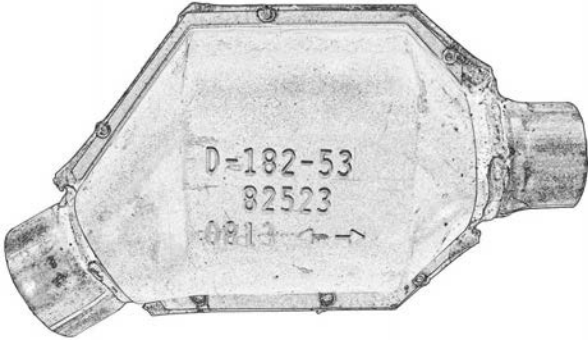
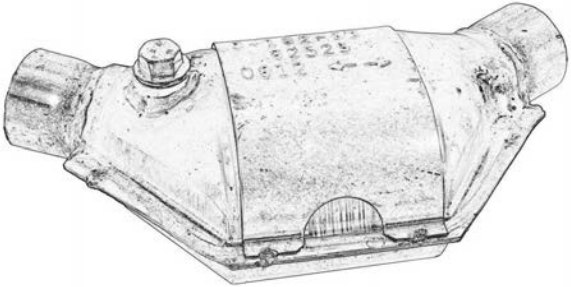

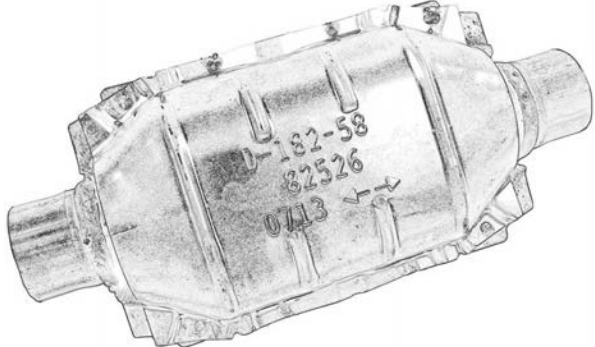
OBDII APPLICATIONS

NON-OBDII APPLICATIONS

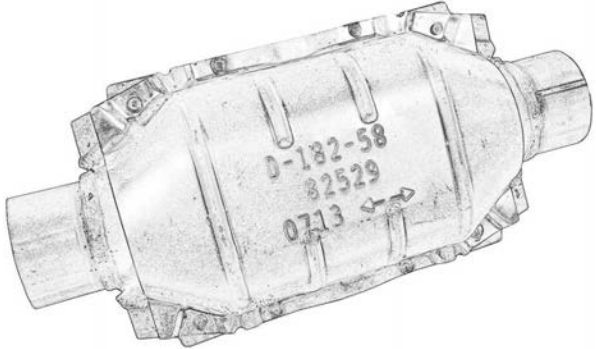

NUMERICAL

UNIVERSAL SPECIFICATIONS

NUMERICAL LISTING

| Year | Engine | Year | Engine |
|--|-------------------|---|-------------------|
| 82523 | E.O. No. D-182-53 | 82525 | E.O. No. D-182-53 |
|  | |  | |
| Inlet | Outlet | Inlet | Outlet |
| 2" | 2 1/2" | 2" | 2" |
| Overall Length | | Overall Length | |
| 11" | | 11" | |
| Ford — Ranger 2006-01 2.3L L4 2001-98 2.5L L4 Mazda — B2300 2006-01 2.3L L4 Mazda — B2500 2001-98 2.5L L4 | | Subaru — Baja 2003 2.5L H4 Subaru — Forester 2004-98 2.5L H4 Subaru — Impreza 2004-98 2.5L H4 2001-95 2.2L H4 1997-96 1.8L H4 Subaru — Legacy 2003-96 2.5L H4 1999-95 2.2L H4 Subaru — Outback 2003-00 2.5L H4 | |
| 82524 | E.O. No. D-182-53 | 82526 | E.O. No. D-182-58 |
|  | |  | |
| Inlet | Outlet | Inlet | Outlet |
| 2 1/4" | 2 1/4" | 2" | 2" |
| Overall Length | | Overall Length | |
| 13" | | 13 1/4" | |
| Ford — Mustang 2004-01 3.8L V6 2004 3.9L V6 4.6L V8 | | Audi — A4 1999-96 2.8L V6 Buick — Century 1996 2.2L L4 Cadillac — Catera 1998-97 3.0L V6 Chevrolet — Beretta 1996 2.2L L4 Chevrolet — Cavalier 1998-96 2.2L L4 Chevrolet — Corsica 1996 2.2L L4 | |

NUMERICAL LISTING

| Year | Engine | Year | Engine |
|---|---------------|--|---------|
| 82526 (Cont.) | | 82527 (Cont.) | |
| Chevrolet — Tracker | | Ford — Escort | |
| 1998 | 1.6L L4 | 1996 | 1.9L L4 |
| Ford — Aspire | | Mercury — Tracer | |
| 1997-96 | 1.3L L4 | 1996 | 1.9L L4 |
| Geo — Metro | | Pontiac — G6 | |
| 1996 | 1.3L L4 | 2006 | 3.9L V6 |
| Geo — Prizm | | 82529 E.O. No. D-182-58 | |
| 1997-96 | 1.6L L4 |  | |
| | 1.8L L4 | | |
| Geo — Tracker | | | |
| 1997-96 | 1.6L L4 | | |
| Hyundai — Tiburon | | | |
| 1997 | 1.8L L4 | | |
| Kia — Sportage | | | |
| 1997-96 | 2.0L L4 | | |
| Mazda — Miata | | | |
| 1997-96 | 1.8L L4 | | |
| Mitsubishi — Mighty Max | | | |
| 1996 | 2.4L L4 | | |
| Oldsmobile — Cutlass Ciera | | | |
| 1996 | 2.2L L4 | | |
| Pontiac — Sunfire | | | |
| 1998-96 | 2.2L L4 | | |
| Suzuki — Sidekick | | | |
| 1998-96 | 1.6L L4 | | |
| | 1.8L L4 | | |
| Suzuki — Swift | | | |
| 1996 | 1.3L L4 | | |
| Suzuki — X-90 | | | |
| 1998-96 | 1.6L L4 | | |
| Toyota — Celica | | | |
| 1997-96 | 1.8L L4 | | |
| Toyota — Corolla | | | |
| 1997-96 | 1.6L L4 | | |
| | 1.8L L4 | | |
| Toyota — Tacoma | | | |
| 1999-95 | 2.4L L4 | | |
| Volkswagen — Passat | | | |
| 1999-98 | 2.8L V6 | | |
| 82527 E.O. No. D-182-58 | | | |
|  | | | |
| Inlet | Outlet | Overall Length | |
| 2" | 2" | 11¾" | |
| Chevrolet — Malibu | | Audi — A8 | |
| 2004 | 3.5L V6 | 1999-97 | 3.7L V8 |
| | | Buick — Roadmaster | |
| | | 1996 | 5.7L V8 |
| | | Cadillac — Commercial Chassis | |
| | | 1996 | 5.7L V8 |
| | | Cadillac — Fleetwood | |
| | | 1996 | 5.7L V8 |
| | | Chevrolet — Camaro | |
| | | 1999-98 | 5.7L V8 |
| | | Chevrolet — Caprice | |
| | | 1996 | 4.3L V8 |
| | | | 5.7L V8 |
| | | Chevrolet — Impala | |
| | | 1996 | 5.7L V8 |
| | | Chrysler — Cirrus | |
| | | 1997-96 | 2.4L L4 |
| | | | 2.5L V6 |
| | | Chrysler — Sebring | |
| | | 1999-95 | 2.0L L4 |
| | | 1997-96 | 2.4L L4 |
| | | | 2.5L V6 |
| | | Dodge — Stratus | |
| | | 2000-96 | 2.0L L4 |
| | | 1997-96 | 2.4L L4 |
| | | | 2.5L V6 |
| | | Eagle — Summit | |
| | | 1996 | 2.4L L4 |
| | | Eagle — Talon | |
| | | 1998-95 | 2.0L L4 |
| | | Ford — Escort | |
| | | 1996 | 1.8L L4 |
| | | Ford — Taurus | |
| | | 1999-96 | 3.0L V6 |
| | | Infiniti — J30 | |
| | | 1997-96 | 3.0L V6 |

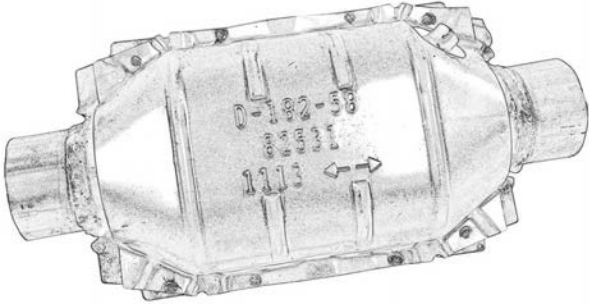
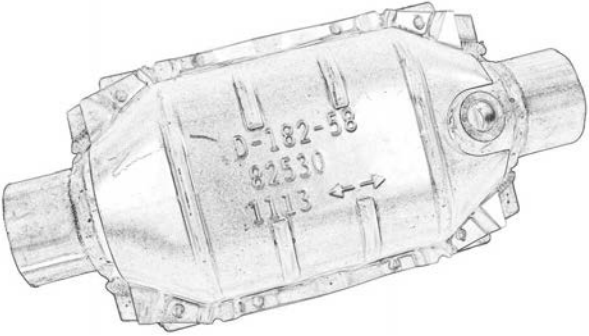

OBDDI APPLICATIONS

NON-OBDDI APPLICATIONS

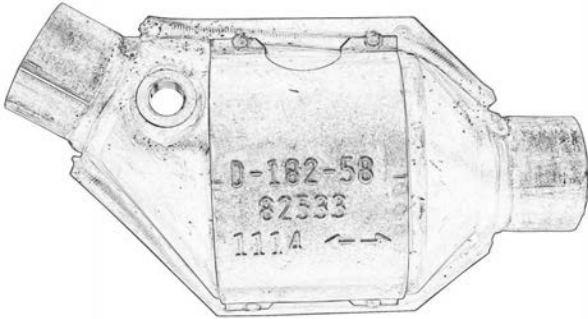
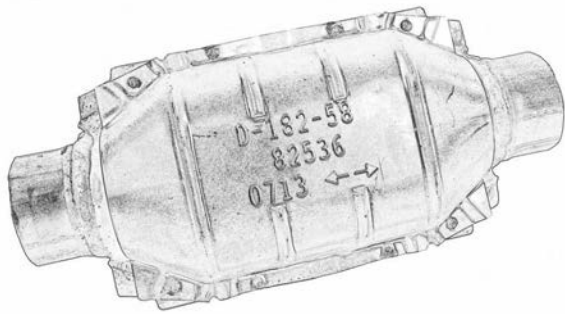


NUMERICAL

UNIVERSAL SPECIFICATIONS

NUMERICAL LISTING

| Year | Engine | Year | Engine |
|---|--------|--|---------------|
| 82529 (Cont.) Lexus – GS400 2000-98 4.0L V8 Lexus – LS400 2000 4.0L V8 Lexus – SC400 2000 4.0L V8 Mercury – Sable 1999-96 3.0L V6 Mercury – Tracer 1996 1.8L L4 Mitsubishi – Eclipse 1999-95 2.0L L4 1997-96 2.4L L4 Nissan – 240SX 1998-95 2.4L L4 Plymouth – Breeze 2000-96 2.0L L4 1997 2.4L L4 Pontiac – Firebird 1999-98 5.7L V8 | | 82531 E.O. No. D-182-58  | |
| | | Inlet | Outlet |
| | | 2 1/4" | 2 1/4" |
| | | Overall Length | |
| | | 13 1/4" | |
| | | Infiniti – G20 1996-94 2.0L L4 Nissan – 200SX 1997-95 2.0L L4 | |
| 82530 E.O. No. D-182-58  | | 82532 E.O. No. D-182-58  | |
| | | Inlet | Outlet |
| | | 2 1/4" | 2 1/4" |
| | | Overall Length | |
| | | 11" | |
| Saab – 900 1998-96 2.0L L4 2.3L L4 Saab – 9000 1998-96 2.3L L4 Saab – 9-3 1999 2.0L L4 2.3L L4 Saab – 9-5 1999 2.3L L4 | | Chevrolet – Camaro 2002-98 5.7L V8 Ford – Thunderbird 1997-94 4.6L V8 Mercury – Cougar 1997-94 4.6L V8 Pontiac – Firebird 2002-98 5.7L V8 | |

NUMERICAL LISTING

| Year | Engine | Year | Engine |
|--|--------------------------|--|--------------------------|
| 82533 | E.O. No. D-182-58 | 82536 | E.O. No. D-182-58 |
|  | |  | |
| Inlet | Outlet | Overall Length | |
| 2 1/4" | 2 1/4" | 11" | |
| Ford – Thunderbird 1997-96 3.8L V6 1997-94 4.6L V8 Mercury – Cougar 1997-96 3.8L V6 1997-94 4.6L V8 | | Chevrolet – Camaro 1997-96 5.7L V8 Dodge – Neon 1999-95 2.0L L4 Ford – Ranger 1997-95 3.0L V6 4.0L V6 Mazda – B3000 1996-95 3.0L V6 Mazda – B4000 1997-95 4.0L V6 Nissan – Pickup 1997-96 2.4L L4 Plymouth – Neon 1999-95 2.0L L4 Pontiac – Firebird 1997-96 5.7L V8 | |
| 82534 | E.O. No. D-182-58 | 82537 | E.O. No. D-182-58 |
|  | |  | |
| Inlet | Outlet | Overall Length | |
| 2 1/4" | 2 1/4" | 13" | |
| Volvo – S80 2001-99 2.8L L6 1999 2.9L L6 | | Chevrolet – Camaro 1997-96 5.7L V8 Pontiac – Firebird 1997-96 5.7L V8 | |
| Inlet | Outlet | Overall Length | |
| 2 1/2" | 2 1/2" | 11" | |

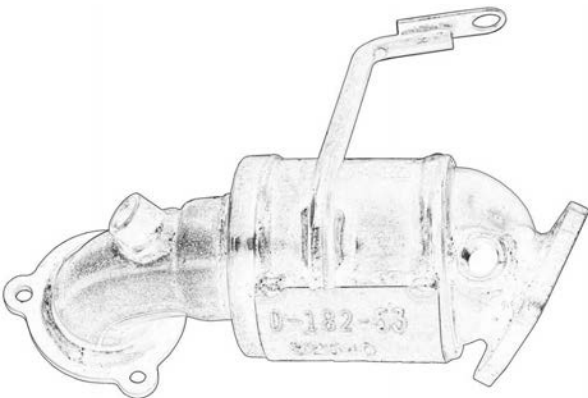
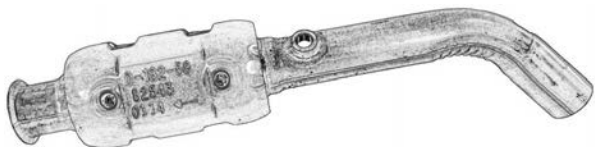
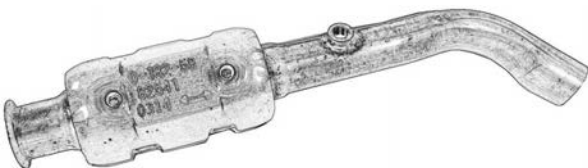

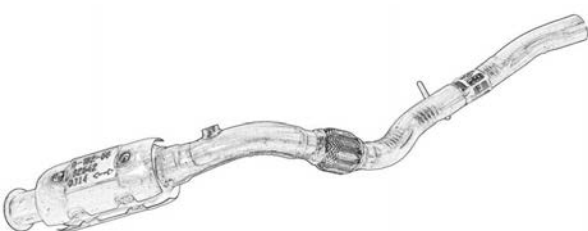
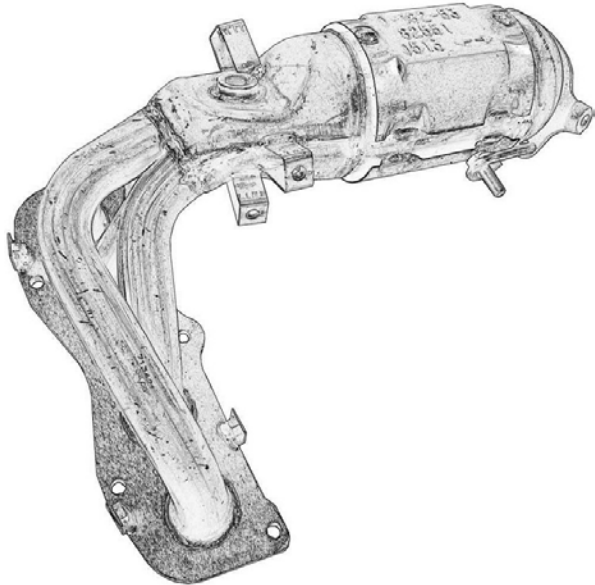
OBDII APPLICATIONS

NON-OBDII APPLICATIONS

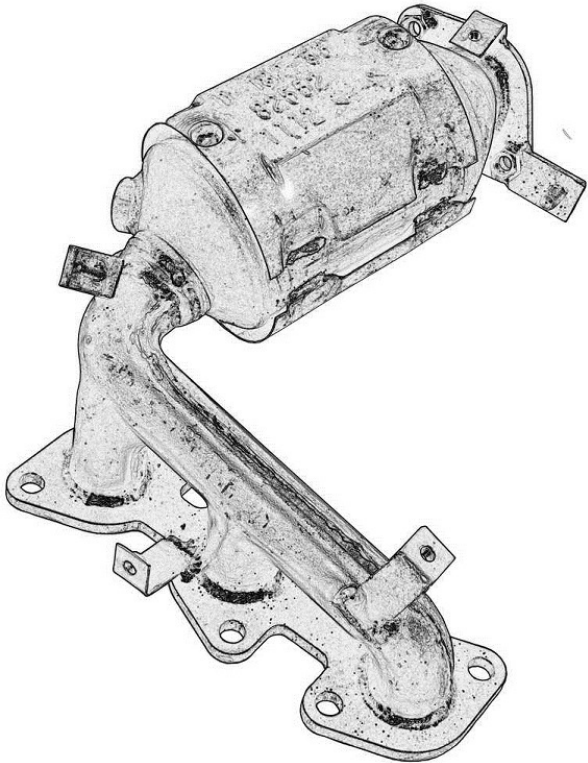
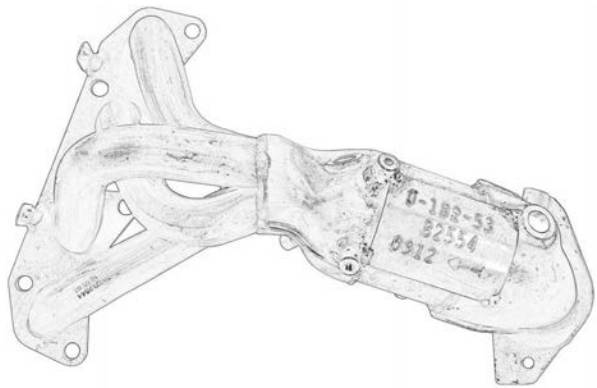
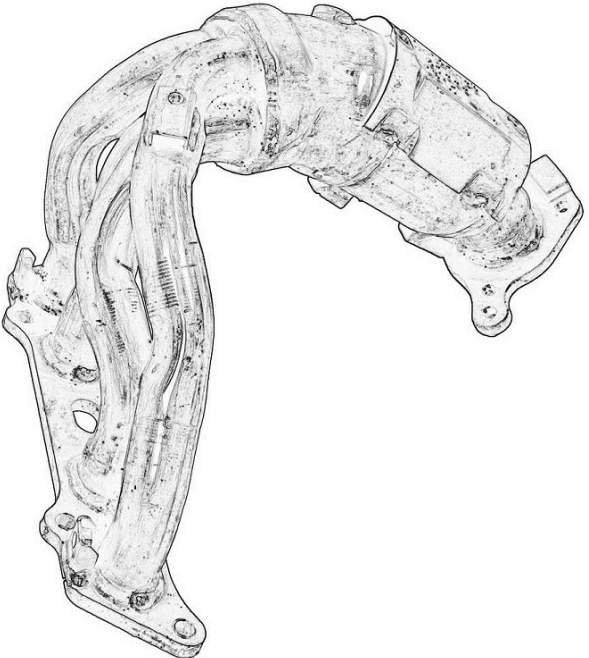
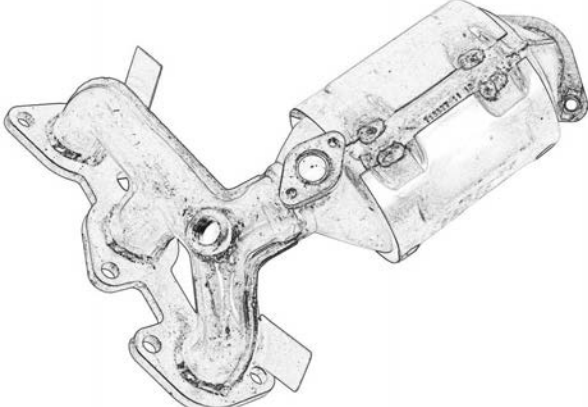
NUMERICAL

UNIVERSAL SPECIFICATIONS

NUMERICAL LISTING

| Year | Engine | Year | Engine |
|---|---------------------------------|---|-------------------|
| 82540 | E.O. No. D-182-53 | 82543 | E.O. No. D-182-58 |
|  | |  | |
| Inlet | Outlet | Overall Length | |
| 3 Bolt Welded Flange | 4 Bolt Welded Flange | 13 ³ / ₈ " | |
| Volvo – S40 2004-00 1.9L L4 Volvo – V40 2004-00 1.9L L4 | | Chrysler – Concorde 2004-01 2.7L V6 Dodge – Intrepid 2004-01 2.7L V6 | |
| 82541 | E.O. No. D-182-58 | 82544 | E.O. No. D-182-58 |
|  | |  | |
| Inlet | Outlet | Overall Length | |
| 2 ⁷ / ₈ " Flare | 2 ¹ / ₄ " | 25 ¹ / ₄ " | |
| Chrysler – Concorde 2000-98 2.7L V6 Dodge – Intrepid 2000-98 2.7L V6 | | Chrysler – Concorde 2004-01 2.7L V6 Dodge – Intrepid 2004-01 2.7L V6 | |
| 82542 | E.O. No. D-182-58 | 82551 | E.O. No. D-182-53 |
|  | |  | |
| Inlet | Outlet | Overall Length | |
| 2 ¹ / ₄ " Flare | 2 ¹ / ₄ " | 44 ¹ / ₂ " | |
| Chrysler – Concorde 2000-98 2.7L V6 Dodge – Intrepid 2000-98 2.7L V6 | | Inlet 5 Bolt Welded Flange | |
| | | Outlet 2 Bolt Welded Flange | |
| | | Overall Length 19" | |
| Chrysler – Concorde 2000-98 2.7L V6 Dodge – Intrepid 2000-98 2.7L V6 | | Toyota – Camry 2003-02 2.4L L4 Toyota – Solara 2003-02 2.4L L4 | |

NUMERICAL LISTING

| Year | Engine | Year | Engine |
|---|--------------------------|--|--------------------------|
| 82552 | E.O. No. D-182-53 | 82554 | E.O. No. D-182-53 |
|  | |  | |
| Inlet | Outlet | Overall Length | |
| 6 Bolt Welded Flange | 2 Bolt Welded Flange | 18 ³ / ₄ " | |
| Lexus — ES300 2003-02 3.0L V6 Toyota — Camry 2006-02 3.0L V6 | | Nissan — Altima 2003-02 2.5L L4 Nissan — Sentra 2006-02 2.5L L4 | |
| 82555 | E.O. No. D-182-53 | 82553 | E.O. No. D-182-53 |
|  | |  | |
| Inlet | Outlet | Overall Length | |
| 6 Bolt Welded Flange | 4 Bolt Welded Flange | 16" | |
| Toyota — Camry 2001-97 2.2L L4 Toyota — Solara 2001-99 2.2L L4 | | Lexus — ES300 2003-02 3.0L V6 Toyota — Camry 2006-02 3.0L V6 | |
| Inlet | Outlet | Overall Length | |
| 6 Bolt Welded Flange | 2 Bolt Welded Flange | 12 ⁷ / ₈ " | |
| Lexus — ES300 2003-02 3.0L V6 Toyota — Camry 2006-02 3.0L V6 | | | |

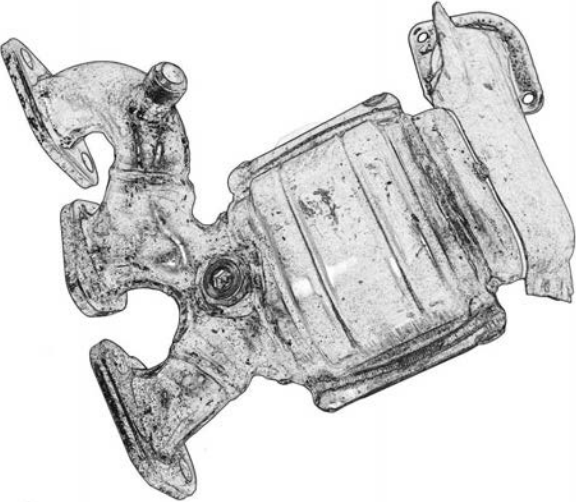
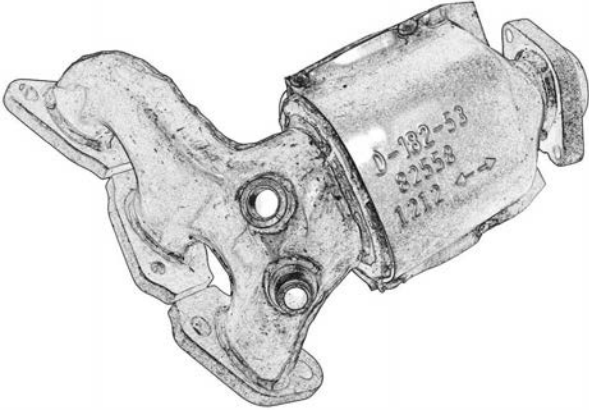
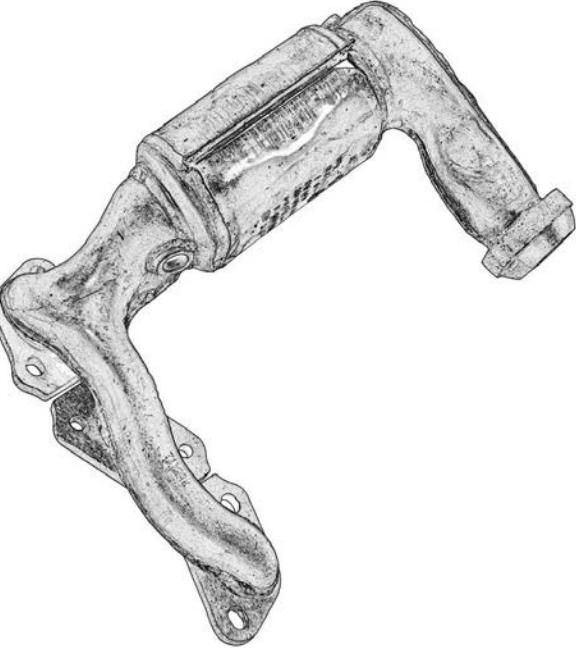
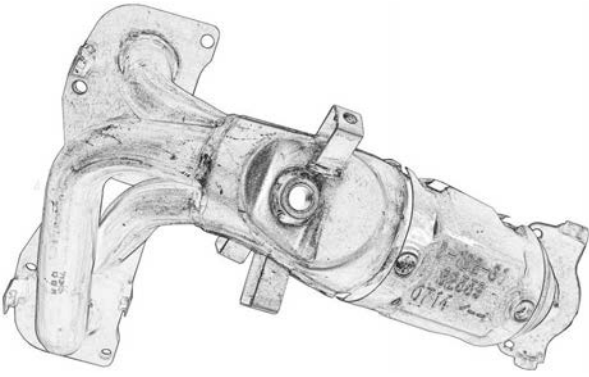
OBDII APPLICATIONS

NON-OBDII APPLICATIONS

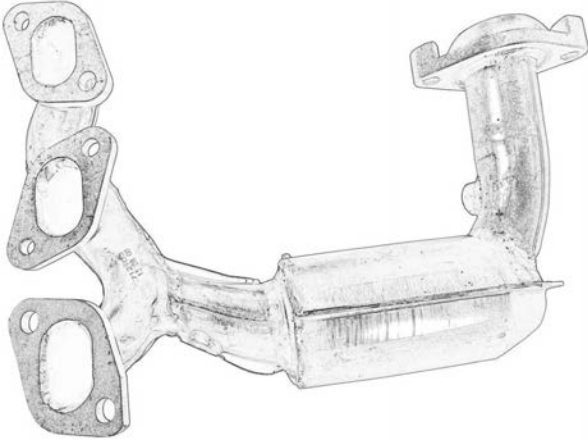
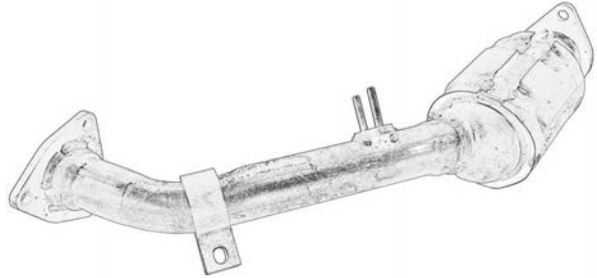
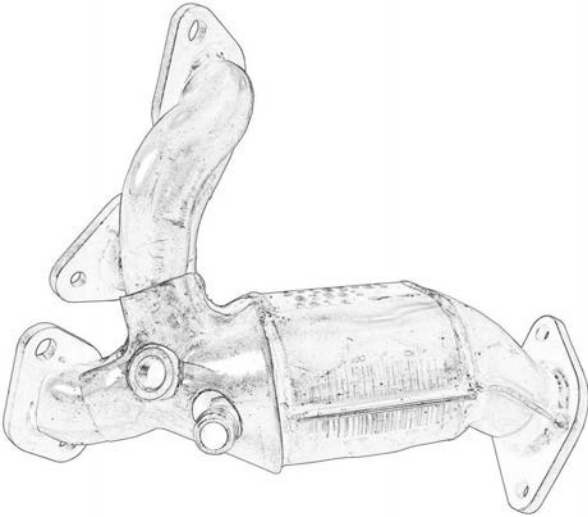

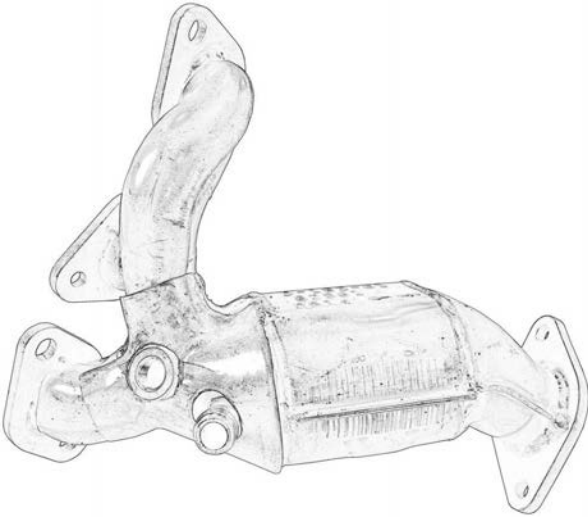
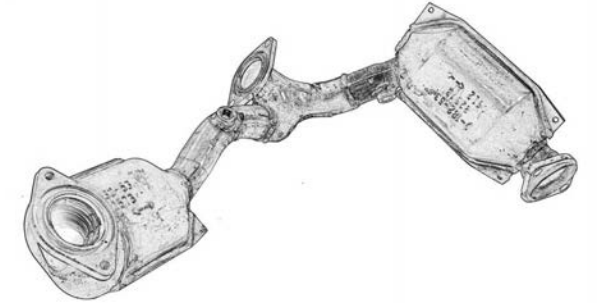
NUMERICAL

UNIVERSAL SPECIFICATIONS

NUMERICAL LISTING

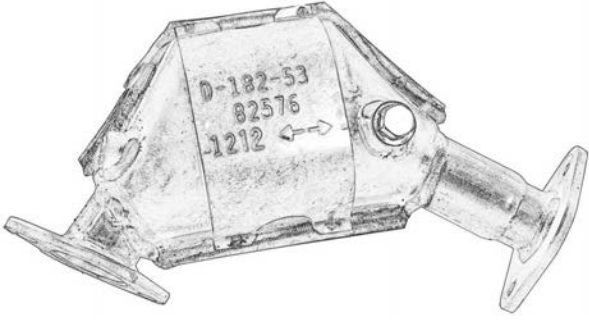
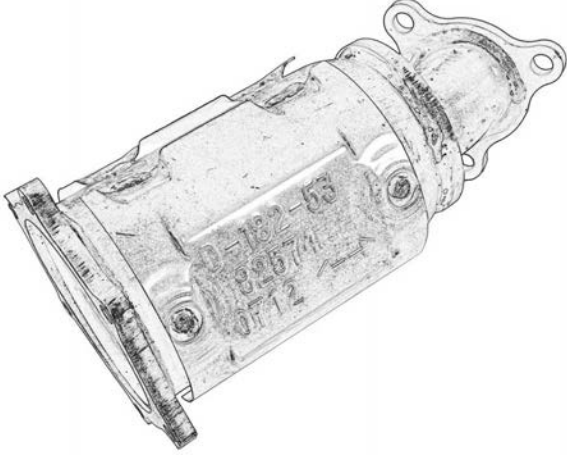
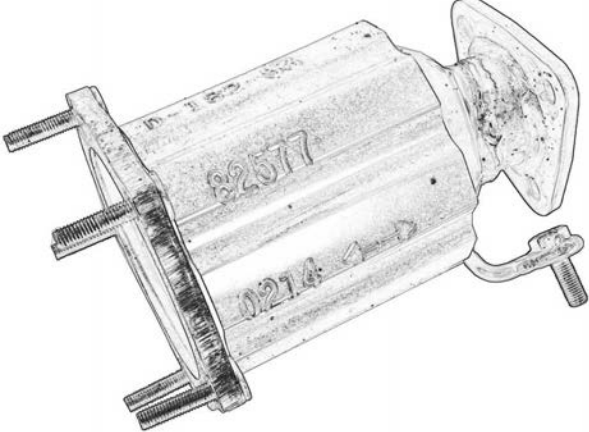
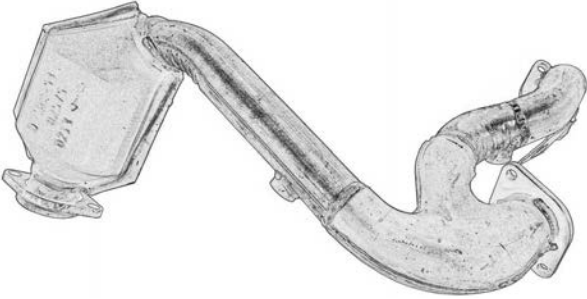
| Year | Engine | Year | Engine |
|--|----------------------|--|--|
| 82556 | E.O. No. D-182-53 | 82557 (Cont.) | Mercury — Mystique 2000-96 2.5L V6 |
|  | |  | |
| 82558 | E.O. No. D-182-53 | 82559 | E.O. No. D-182-61 |
|  | |  | |
| Inlet | Outlet | Overall Length | Overall Length |
| 6 Bolt Welded Flange | 2 Bolt Welded Flange | 12" | 10 1/4" |
| Ford — Taurus 2005-00 3.0L V6 Mercury — Sable 2005-00 3.0L V6 | | Ford — Contour 2000-96 2.5L V6 Mercury — Cougar 2002-99 2.5L V6 Mercury — Mystique 2000-96 2.5L V6 | |
| 82557 E.O. No. D-182-53 | | 82559 E.O. No. D-182-61 | |
| Inlet | Outlet | Overall Length | Overall Length |
| 6 Bolt Welded Flange | 2 Bolt Welded Flange | 15 1/8" | 20 1/8" |
| Ford — Contour 2000-96 2.5L V6 Mercury — Cougar 2002-99 2.5L V6 | | Scion — tC 2006-05 2.4L L4 Toyota — RAV4 2005-04 2.4L L4 | |

NUMERICAL LISTING

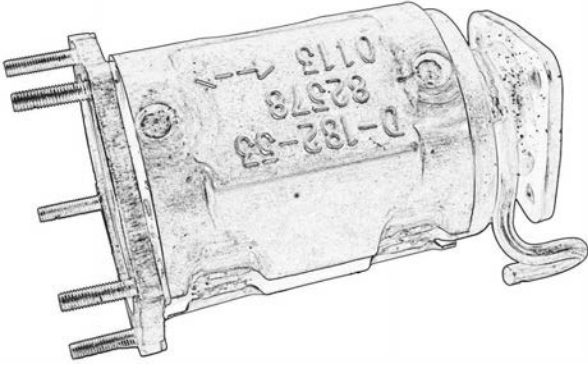
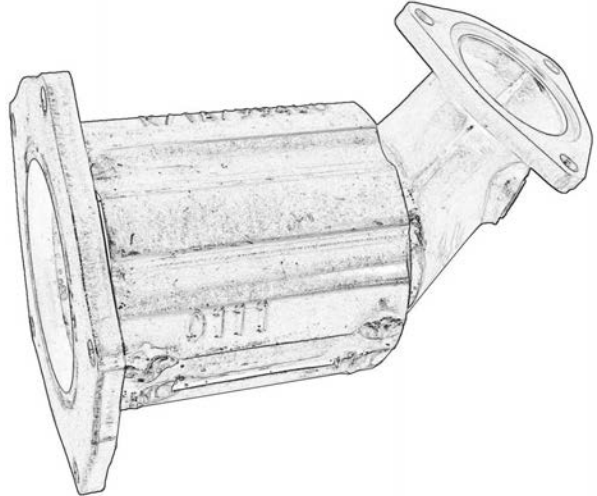
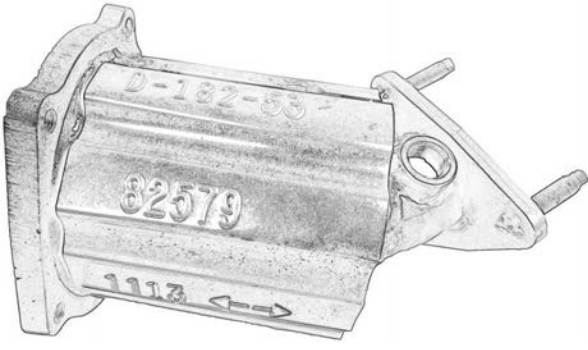
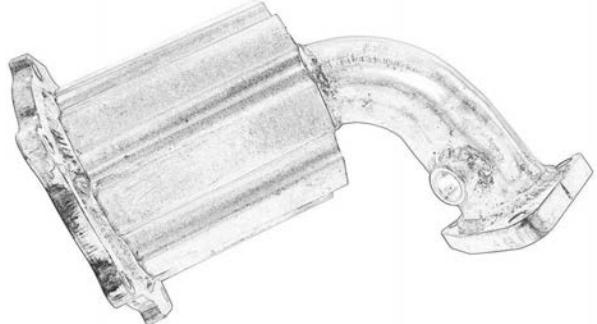

| Year | Engine | Year | Engine |
|--|----------------------|--|----------------------|
| 82560 | E.O. No. D-182-61 | 82570 | E.O. No. D-182-53 |
|  | |  | |
| Inlet | Outlet | Inlet | Outlet |
| 6 Bolt Welded Flange | 2 Bolt Welded Flange | 3 Bolt Welded Flange | 2 Bolt Welded Flange |
| Overall Length | | Overall Length | |
| 16" | | 20" | |
| Ford – Escape 2005-01 3.0L V6 Mazda – Tribute 2005-01 3.0L V6 | | Toyota – Tacoma 2004-00 2.4L L4 82572 E.O. No. D-182-53 | |
|  | |  | |
| Inlet | Outlet | Inlet | Outlet |
| 6 Bolt Welded Flange | 2 Bolt Welded Flange | 3 Bolt Welded Flange | 2 Bolt Welded Flange |
| Overall Length | | Overall Length | |
| 16" | | 15 1/2" | |
| 82561 E.O. No. D-182-61 | | Chevrolet – Tracker 2003-99 2.0L L4 2000-99 1.6L L4 Suzuki – Vitara 2003-99 2.0L L4 2001-99 1.6L L4 82573 E.O. No. D-182-53 | |
|  | |  | |
| Inlet | Outlet | Inlet | Outlet |
| 6 Bolt Welded Flange | 2 Bolt Welded Flange | 2 Bolt Loose Flange With Spherical Flare | 2 Bolt Welded Flange |
| Overall Length | | Overall Length | |
| 13" | | 24 1/2" | |
| Ford – Escape 2005-01 3.0L V6 Mazda – Tribute 2005-01 3.0L V6 | | | |

OBDII APPLICATIONS
 NON-OBDII APPLICATIONS
 NUMERICAL
 UNIVERSAL SPECIFICATIONS

NUMERICAL LISTING

| Year | Engine | Year | Engine | |
|--|----------------------|--|----------------------|-----------------------|
| 82573 (Cont.) Ford – Taurus 2005-00 3.0L V6 Mercury – Sable 2005-00 3.0L V6 | | 82576 E.O. No. D-182-53  | | |
| 82574 E.O. No. D-182-53  | | Inlet | Outlet | Overall Length |
| | | 2 Bolt Welded Flange | 2 Bolt Welded Flange | 15 1/8" |
| | | Subaru – Forester 1998 2.5L H4 Subaru – Impreza 1999-98 2.5L H4 1999-95 2.2L H4 1997-96 1.8L H4 Subaru – Legacy 1999-96 2.5L H4 1999-95 2.2L H4 | | |
| Inlet | Outlet | Overall Length | | |
| 6 Bolt Welded Flange | 3 Bolt Welded Flange | 10" | | |
| Nissan – Altima 2001-95 2.4L L4 | | 82577 E.O. No. D-182-53  | | |
| 82575 E.O. No. D-182-53  | | Inlet | Outlet | Overall Length |
| | | 2 Bolt Loose Flange w/ Spherical Flare and 2 Bolt Welded Flange | 2 Bolt Welded Flange | 26" |
| | | Inlet | Outlet | Overall Length |
| | | 5 Bolt Welded Flange | 3 Bolt Welded Flange | 7 1/4" |
| Ford – Taurus 2005-00 3.0L V6 Mercury – Sable 2005-00 3.0L V6 | | Mazda – 626 2002-00 2.0L L4 | | |

NUMERICAL LISTING

| Year | Engine | Year | Engine |
|--|--------------------------|---|--------------------------|
| 82578 | E.O. No. D-182-53 | 82582 | E.O. No. D-182-53 |
|  | |  | |
| Inlet | Outlet | Overall Length | |
| 5 Bolt Welded Flange | 3 Bolt Welded Flange | 7 ³ / ₄ " | |
| Mazda – Protege 2003-01 2.0L L4 2001-99 1.6L L4 2000-99 1.8L L4 | | Toyota – Camry 1996-94 2.2L L4 | |
| Mazda – Protege5 2003-02 2.0L L4 | | Inlet | Outlet |
| | | 5 Bolt Welded Flange | 3 Bolt Welded Flange |
| | | Overall Length | |
| | | 10" | |
| 82579 | E.O. No. D-182-53 | 82584 | E.O. No. D-182-53 |
|  | |  | |
| Inlet | Outlet | Overall Length | |
| 5 Bolt Welded Flange | 3 Bolt Welded Flange | 10" | |
| Hyundai – Sonata 2005-99 2.4L L4 Kia – Optima 2006-01 2.4L L4 | | Infiniti – I35 2004-02 3.5L V6 Nissan – Maxima 2003-02 3.5L V6 | |
| | | Inlet | Outlet |
| | | 6 Bolt Welded Flange | 3 Bolt Welded Flange |
| | | Overall Length | |
| | | 9" | |
| 82588 | E.O. No. D-182-58 | | |
|  | | | |
| Inlet | | Outlet | |
| 4 Bolt Welded Flange | | 2 Bolt Welded Flange | |
| Overall Length | | Overall Length | |
| 39 ⁵ / ₈ " | | 39 ⁵ / ₈ " | |
| Ford – Contour 1997-96 2.0L L4 | | | |

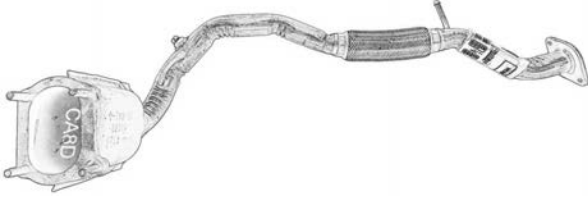
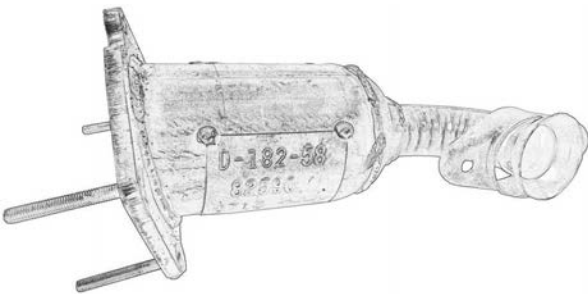
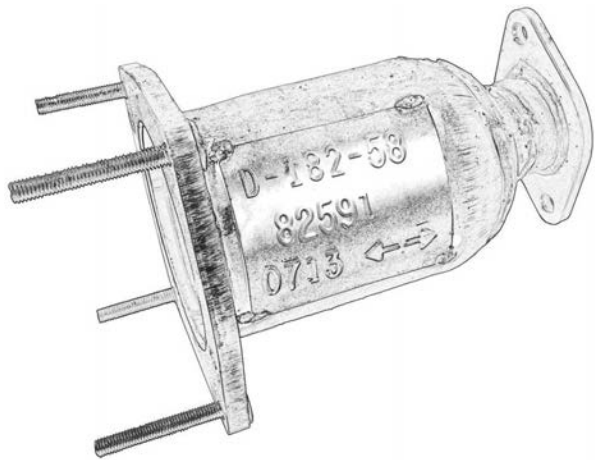
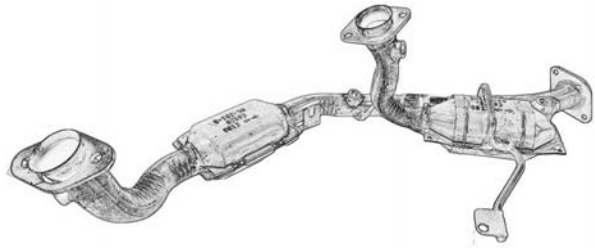



OBDII APPLICATIONS

NON-OBDII APPLICATIONS

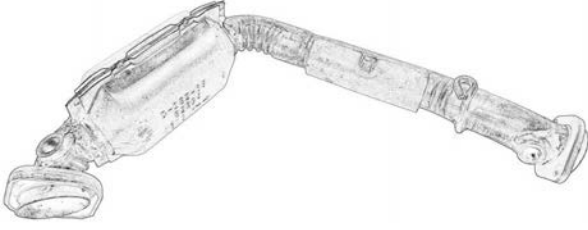

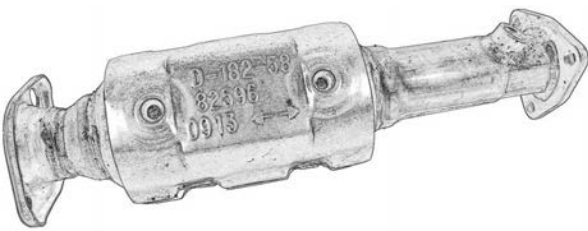

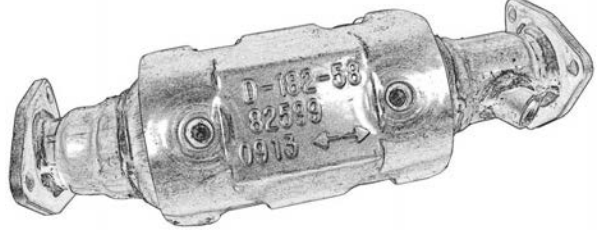
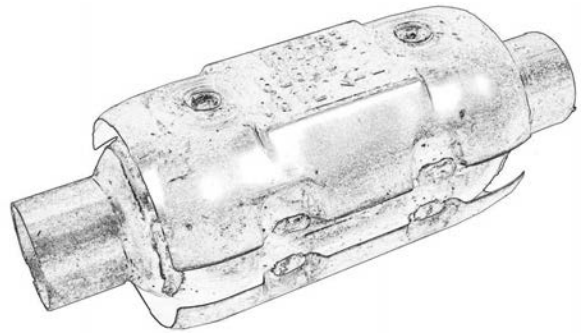
NUMERICAL

UNIVERSAL SPECIFICATIONS

NUMERICAL LISTING

| Year | Engine | Year | Engine |
|--|----------------------|-----------------------|--------|
| 82588 (Cont.) Mercury — Mystique 1997-96 2.0L L4 | | | |
| 82589 E.O. No. D-182-58 | | | |
|  | | | |
| Inlet | Outlet | Overall Length | |
| 4 Bolt Welded Flange | 2 Bolt Welded Flange | 37½" | |
| Ford — Contour 2000-98 2.0L L4 | | | |
| Mercury — Cougar 2002-99 2.0L L4 | | | |
| Mercury — Mystique 2000-98 2.0L L4 | | | |
| 82590 E.O. No. D-182-58 | | | |
|  | | | |
| Inlet | Outlet | Overall Length | |
| 4 Bolt Welded Flange | 2 Bolt Loose Flange | 15" | |
| 82591 E.O. No. D-182-58 | | | |
|  | | | |
| Inlet | Outlet | Overall Length | |
| 4 Bolt Welded Flange | 2 Bolt Welded Flange | 8¼" | |
| Chrysler — Sebring 2005-01 2.7L V6 | | | |
| Dodge — Stratus 2005-01 2.7L V6 | | | |
| 82592 E.O. No. D-182-58 | | | |
|  | | | |
| Inlet | Outlet | Overall Length | |
| 2 Bolt Loose Flange | 2 Bolt Welded Flange | 40" | |
| Chrysler — Sebring 2005-01 2.7L V6 | | | |
| Dodge — Stratus 2005-01 2.7L V6 | | | |
| 82593 E.O. No. D-182-58 | | | |
|  | | | |
| Inlet | Outlet | Overall Length | |
| 2 Bolt Loose Flange | 2 Bolt Welded Flange | 40" | |
| Ford — Taurus 1999-96 3.0L V6 | | | |
| Mercury — Sable 1999-96 3.0L V6 | | | |
| 82594 E.O. No. D-182-58 | | | |
|  | | | |
| Inlet | Outlet | Overall Length | |
| 2 Bolt Loose Flange | 2 Bolt Welded Flange | 40" | |
| Ford — Taurus 1999-96 3.0L V6 | | | |
| 82595 E.O. No. D-182-58 | | | |
|  | | | |
| Inlet | Outlet | Overall Length | |
| 2 Bolt Loose Flange | 2 Bolt Welded Flange | 40" | |

NUMERICAL LISTING

| Year | Engine | Year | Engine |
|--|----------------------|----------------------------------|--------|
| 82593 (Cont.) Mercury — Sable 1999-96 3.0L V6 | | | |
| 82594 E.O. No. D-182-58 | | | |
|  | | | |
| Inlet | Outlet | Overall Length | |
| 2 Bolt Loose Flange With Spherical Flare | 2 Bolt Loose Flange | 25 ⁵ / ₈ " | |
| Ford — Escort 1996 1.9L L4 | | | |
| Mercury — Tracer 1996 1.9L L4 | | | |
| 82595 E.O. No. D-182-58 | | | |
|  | | | |
| Inlet | Outlet | Overall Length | |
| 3 Bolt Welded Flange | 2 Bolt Loose Flange | 23" | |
| Chevrolet — Camaro 2002-00 5.7L V8 | | | |
| Pontiac — Firebird 2002-00 5.7L V8 | | | |
| 82596 E.O. No. D-182-58 | | | |
|  | | | |
| Inlet | Outlet | Overall Length | |
| 2 Bolt Welded Flange | 3 Bolt Welded Flange | 17" | |
| 82598 E.O. No. D-182-58 | | | |
|  | | | |
| Inlet | Outlet | Overall Length | |
| 3 Bolt Welded Flange | 2 Bolt Welded Flange | 17" | |
| Chevrolet — Camaro 2002-98 5.7L V8 | | | |
| Pontiac — Firebird 2002-98 5.7L V8 | | | |
| 82599 E.O. No. D-182-58 | | | |
|  | | | |
| Inlet | Outlet | Overall Length | |
| 3 Bolt Welded Flange | 3 Bolt Welded Flange | 14" | |
| Honda — Prelude 2001-97 2.2L L4 | | | |
| 82600 E.O. No. D-182-53 | | | |
|  | | | |
| Inlet | Outlet | Overall Length | |
| 2" | 2" | 12" | |
| Chrysler — Crossfire 2006-04 3.2L V6 | | | |
| Mazda — Protege 2001-99 1.6L L4 2000-99 1.8L L4 | | | |
| Mercedes-Benz — C240 2005-04 2.6L V6 | | | |
| Mercedes-Benz — C320 2005-03 3.2L V6 | | | |
| Mercedes-Benz — C55 AMG 2006-05 5.5L V8 | | | |



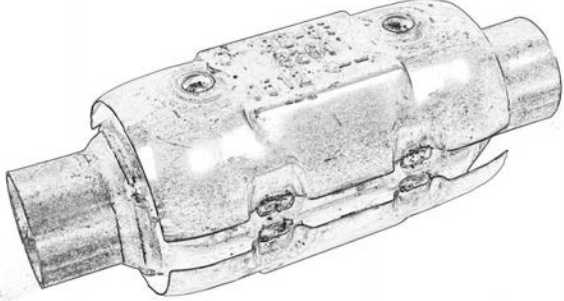
OBDII APPLICATIONS

NON-OBDII APPLICATIONS

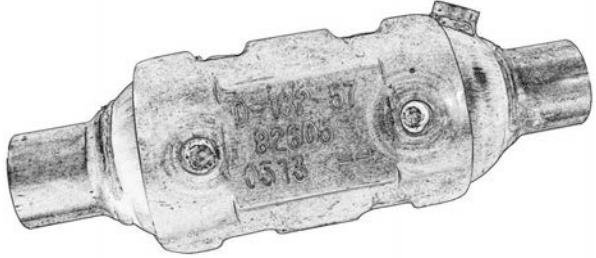
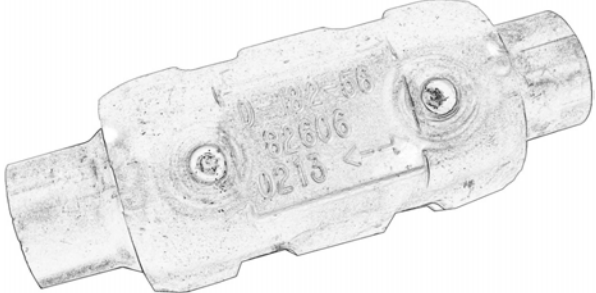
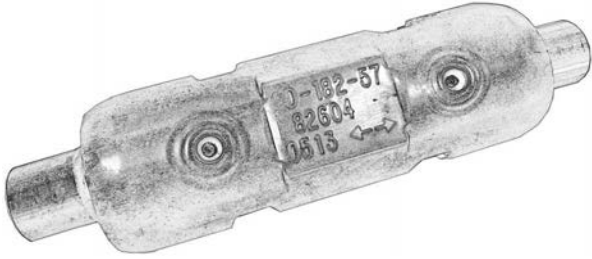
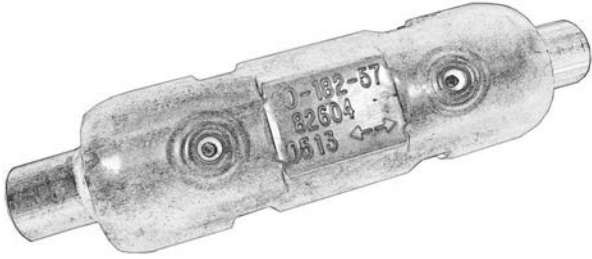
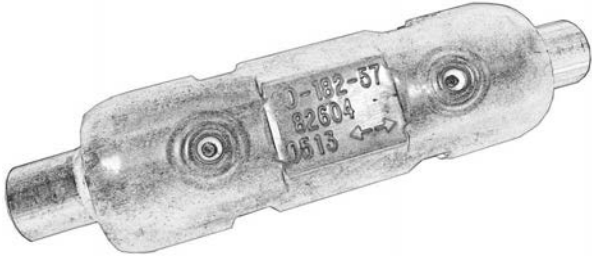
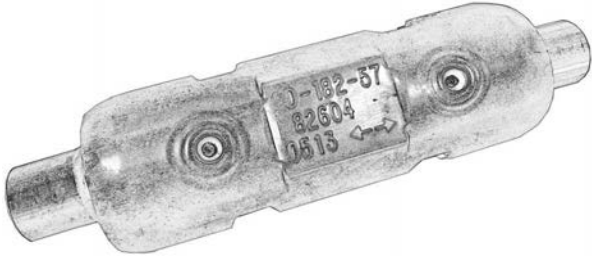
NUMERICAL

UNIVERSAL SPECIFICATIONS

NUMERICAL LISTING

| Year | Engine | Year | Engine |
|---|---------------|--|---------------|
| 82600 (Cont.) | | 82601 (Cont.) | |
| Mercedes-Benz — CL500 | | Lexus — ES300 | |
| 2003-00 | 5.0L V8 | 2003-02 | 3.0L V6 |
| Mercedes-Benz — CL55 AMG | | Toyota — Camry | |
| 2006-01 | 5.5L V8 | 2006-02 | 3.0L V6 |
| Mercedes-Benz — CLK320 | | 2003-02 | 2.4L L4 |
| 2004-03 | 3.2L V6 | 2001-97 | 2.2L L4 |
| Mercedes-Benz — CLK430 | | Toyota — Solara | |
| 2003-02 | 4.3L V8 | 2001-99 | 2.2L L4 |
| Mercedes-Benz — CLK500 | | Toyota — Tacoma | |
| 2003 | 5.0L V8 | 2004-00 | 2.4L L4 |
| Mercedes-Benz — CLK55 AMG | | | 2.7L L4 |
| 2006-01 | 5.5L V8 | 82602 E.O. No. D-182-53 | |
| Mercedes-Benz — E320 | |  | |
| 2004-01 | 3.2L V6 | Inlet | Outlet |
| Mercedes-Benz — E430 | | 2 1/2" | 2 1/2" |
| 2002-01 | 4.3L V8 | Overall Length | |
| Mercedes-Benz — E500 | | 12" | |
| 2003 | 5.0L V8 | Dodge — Viper | |
| Mercedes-Benz — E55 AMG | | 2006-03 8.3L V10 | |
| 2006-99 | 5.5L V8 | Infiniti — I35 | |
| Mercedes-Benz — S350 | | 2004-02 3.5L V6 | |
| 2006 | 3.7L V6 | Nissan — Altima | |
| Mercedes-Benz — S430 | | 2005-02 3.5L V6 | |
| 2003-02 | 4.3L V8 | Nissan — Maxima | |
| Mercedes-Benz — S500 | | 2003-02 3.5L V6 | |
| 2003 | 5.0L V8 | 82603 E.O. No. D-182-57 | |
| Mercedes-Benz — S55 AMG | |  | |
| 2006-01 | 5.5L V8 | Inlet | Outlet |
| Mercedes-Benz — SL500 | | 2" | 2" |
| 2003-00 | 5.0L V8 | Overall Length | |
| Mercedes-Benz — SL55 AMG | | 12" | |
| 2006-03 | 5.5L V8 | Buick — Skylark | |
| Mercedes-Benz — SLK320 | | 1998-96 2.4L L4 | |
| 2004 | 3.2L V6 | Cadillac — CTS | |
| Pontiac — Vibe | | 2004-03 3.2L V6 | |
| 2004-03 | 1.8L L4 | Chevrolet — Cavalier | |
| Toyota — Camry | | 2002-96 2.4L L4 | |
| 1996-94 | 2.2L L4 | | |
| Toyota — Corolla | | | |
| 2004-03 | 1.8L L4 | | |
| Toyota — Matrix | | | |
| 2004-03 | 1.8L L4 | | |
| 82601 E.O. No. D-182-53 | | | |
|  | | | |
| Inlet | Outlet | Overall Length | |
| 2 1/4" | 2 1/4" | 12" | |

NUMERICAL LISTING

| Year | Engine | Year | Engine | | | | | | |
|-----------------------------|---------|--|---------|----------------|--------|----------------|-----|-----|------|
| 82603 (Cont.) | | 82604 (Cont.) | | | | | | | |
| Chevrolet — Malibu | | Pontiac — Grand Am (Cont.) | | | | | | | |
| 1999-97 | 2.4L L4 | 2003-99 | 3.4L V6 | | | | | | |
| Chevrolet — Prizm | | Pontiac — Sunfire | | | | | | | |
| 2002-00 | 1.8L L4 | 2005-99 | 2.2L L4 | | | | | | |
| Isuzu — Amigo | | 82605 E.O. No. D-182-57 | | | | | | | |
| 1999-98 | 2.2L L4 |  | | | | | | | |
| Oldsmobile — Achieva | | <table border="1" style="width: 100%; border-collapse: collapse;"> <thead> <tr> <th style="width: 33%;">Inlet</th> <th style="width: 33%;">Outlet</th> <th style="width: 33%;">Overall Length</th> </tr> </thead> <tbody> <tr> <td style="text-align: center;">2"</td> <td style="text-align: center;">2"</td> <td style="text-align: center;">13½"</td> </tr> </tbody> </table> | | Inlet | Outlet | Overall Length | 2" | 2" | 13½" |
| Inlet | Outlet | Overall Length | | | | | | | |
| 2" | 2" | 13½" | | | | | | | |
| 1998-96 | 2.4L L4 | Acura — CL 1997 2.2L L4 Acura — Integra 2001-00 1.8L L4 Isuzu — Oasis 1999-98 2.3L L4 | | | | | | | |
| Oldsmobile — Alero | | | | | | | | | |
| 2001-99 | 2.4L L4 | 82606 E.O. No. D-182-57 <div style="text-align: center;"></div> <table border="1" style="width: 100%; border-collapse: collapse;"> <thead> <tr> <th style="width: 33%;">Inlet</th> <th style="width: 33%;">Outlet</th> <th style="width: 33%;">Overall Length</th> </tr> </thead> <tbody> <tr> <td style="text-align: center;">2½"</td> <td style="text-align: center;">2½"</td> <td style="text-align: center;">12"</td> </tr> </tbody> </table> | | Inlet | Outlet | Overall Length | 2½" | 2½" | 12" |
| Inlet | Outlet | | | Overall Length | | | | | |
| 2½" | 2½" | 12" | | | | | | | |
| Pontiac — Grand Am | | Cadillac — Escalade 2002 5.3L V8 Chevrolet — Avalanche 1500 2002 5.3L V8 Chevrolet — Silverado 1500 2002 4.8L V8 5.3L V8 Chevrolet — Suburban 1500 2002-01 5.3L V8 Chevrolet — Tahoe 2002 4.8L V8 5.3L V8 GMC — Sierra 1500 2002 4.8L V8 5.3L V8 GMC — Yukon 2002 4.8L V8 5.3L V8 | | | | | | | |
| 2001-96 | 2.4L L4 | | | | | | | | |
| Pontiac — Sunfire | | <table border="1" style="width: 100%; border-collapse: collapse;"> <thead> <tr> <th style="width: 33%;">Inlet</th> <th style="width: 33%;">Outlet</th> <th style="width: 33%;">Overall Length</th> </tr> </thead> <tbody> <tr> <td style="text-align: center;">2"</td> <td style="text-align: center;">2"</td> <td style="text-align: center;">17½"</td> </tr> </tbody> </table> | | Inlet | Outlet | Overall Length | 2" | 2" | 17½" |
| Inlet | Outlet | | | Overall Length | | | | | |
| 2" | 2" | 17½" | | | | | | | |
| 2002-96 | 2.4L L4 | Chevrolet — Cavalier 2005-99 2.2L L4 Chevrolet — Malibu 2003-98 3.1L V6 Oldsmobile — Alero 2004-02 2.2L L4 2003-99 3.4L V6 Oldsmobile — Cutlass 1999-98 3.1L V6 Pontiac — Grand Am 2005-02 2.2L L4 | | | | | | | |
| Saturn — Ion | | | | | | | | | |
| 2004-03 | 2.2L L4 | 82604 E.O. No. D-182-57 <div style="text-align: center;"></div> | | | | | | | |
| Saturn — L100 | | | | | | | | | |
| 2002-01 | 2.2L L4 | <table border="1" style="width: 100%; border-collapse: collapse;"> <thead> <tr> <th style="width: 33%;">Inlet</th> <th style="width: 33%;">Outlet</th> <th style="width: 33%;">Overall Length</th> </tr> </thead> <tbody> <tr> <td style="text-align: center;">2"</td> <td style="text-align: center;">2"</td> <td style="text-align: center;">17½"</td> </tr> </tbody> </table> | | Inlet | Outlet | Overall Length | 2" | 2" | 17½" |
| Inlet | Outlet | | | Overall Length | | | | | |
| 2" | 2" | 17½" | | | | | | | |
| Saturn — L200 | | | | | | | | | |
| 2003-01 | 2.2L L4 | Chevrolet — Malibu 2003-98 3.1L V6 Oldsmobile — Alero 2004-02 2.2L L4 2003-99 3.4L V6 Oldsmobile — Cutlass 1999-98 3.1L V6 Pontiac — Grand Am 2005-02 2.2L L4 | | | | | | | |
| Saturn — L300 | | | | | | | | | |
| 2004 | 2.2L L4 | 82604 E.O. No. D-182-57 <div style="text-align: center;"></div> | | | | | | | |
| Saturn — LS | | | | | | | | | |
| 2000 | 2.2L L4 | <table border="1" style="width: 100%; border-collapse: collapse;"> <thead> <tr> <th style="width: 33%;">Inlet</th> <th style="width: 33%;">Outlet</th> <th style="width: 33%;">Overall Length</th> </tr> </thead> <tbody> <tr> <td style="text-align: center;">2"</td> <td style="text-align: center;">2"</td> <td style="text-align: center;">17½"</td> </tr> </tbody> </table> | | Inlet | Outlet | Overall Length | 2" | 2" | 17½" |
| Inlet | Outlet | | | Overall Length | | | | | |
| 2" | 2" | 17½" | | | | | | | |
| Saturn — LS1 | | | | | | | | | |
| 2000 | 2.2L L4 | Chevrolet — Malibu 2003-98 3.1L V6 Oldsmobile — Alero 2004-02 2.2L L4 2003-99 3.4L V6 Oldsmobile — Cutlass 1999-98 3.1L V6 Pontiac — Grand Am 2005-02 2.2L L4 | | | | | | | |
| Saturn — LW1 | | | | | | | | | |
| 2000 | 2.2L L4 | 82604 E.O. No. D-182-57 <div style="text-align: center;"></div> | | | | | | | |
| Saturn — LW200 | | | | | | | | | |
| 2003-01 | 2.2L L4 | <table border="1" style="width: 100%; border-collapse: collapse;"> <thead> <tr> <th style="width: 33%;">Inlet</th> <th style="width: 33%;">Outlet</th> <th style="width: 33%;">Overall Length</th> </tr> </thead> <tbody> <tr> <td style="text-align: center;">2"</td> <td style="text-align: center;">2"</td> <td style="text-align: center;">17½"</td> </tr> </tbody> </table> | | Inlet | Outlet | Overall Length | 2" | 2" | 17½" |
| Inlet | Outlet | | | Overall Length | | | | | |
| 2" | 2" | 17½" | | | | | | | |
| Saturn — Vue | | | | | | | | | |
| 2006-02 | 2.2L L4 | 82604 E.O. No. D-182-57 <div style="text-align: center;"></div> | | | | | | | |
| Toyota — Corolla | | | | | | | | | |
| 2002-00 | 1.8L L4 | <table border="1" style="width: 100%; border-collapse: collapse;"> <thead> <tr> <th style="width: 33%;">Inlet</th> <th style="width: 33%;">Outlet</th> <th style="width: 33%;">Overall Length</th> </tr> </thead> <tbody> <tr> <td style="text-align: center;">2"</td> <td style="text-align: center;">2"</td> <td style="text-align: center;">17½"</td> </tr> </tbody> </table> | | Inlet | Outlet | Overall Length | 2" | 2" | 17½" |
| Inlet | Outlet | | | Overall Length | | | | | |
| 2" | 2" | 17½" | | | | | | | |

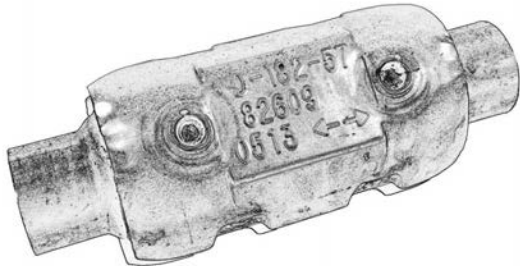
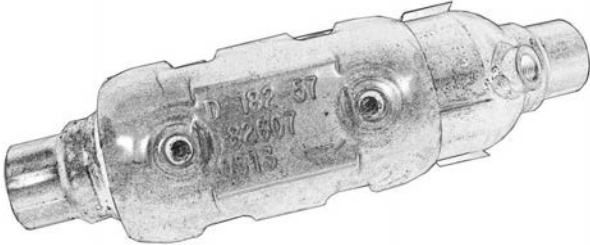
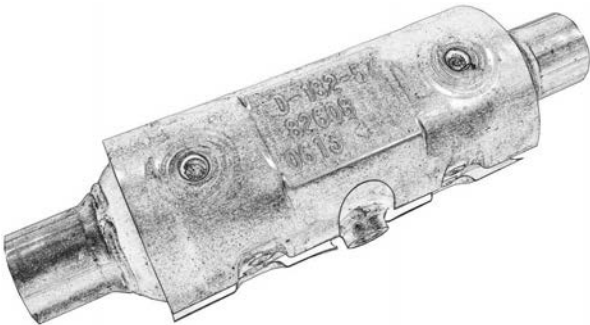
OBDII APPLICATIONS

NON-OBDII APPLICATIONS


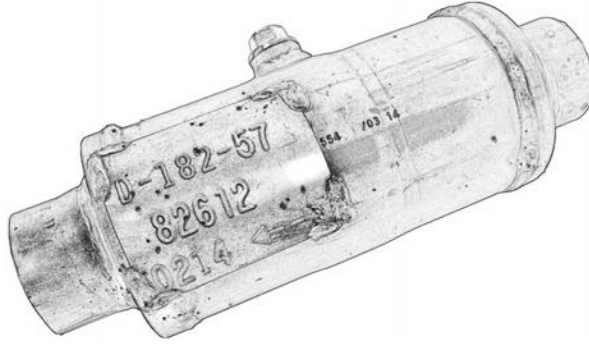
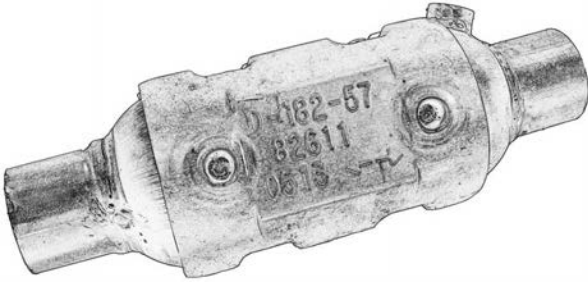
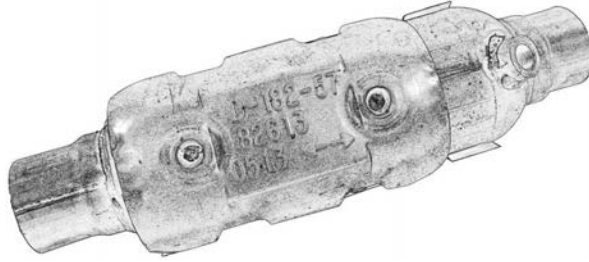
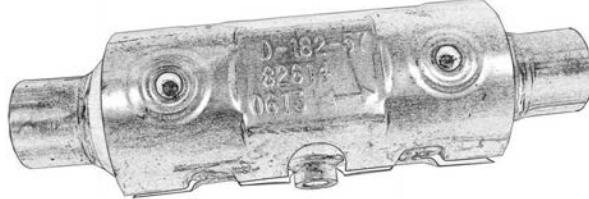
NUMERICAL

UNIVERSAL SPECIFICATIONS

NUMERICAL LISTING

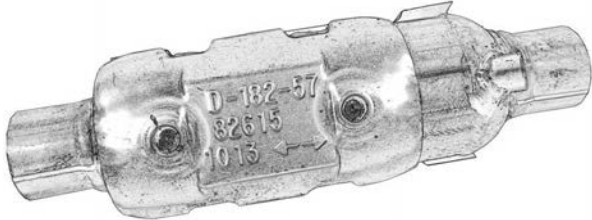

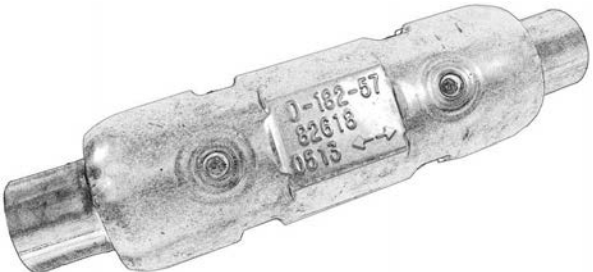
| Year | Engine | Year | Engine |
|--|---------------|---|---------------|
| 82606 (Cont.) GMC – Yukon XL 1500 2002-01 5.3L V8 | | 82609 E.O. No. D-182-57 | |
| 82607 E.O. No. D-182-57 | |  | |
|  | | Inlet | Outlet |
| Inlet | Outlet | Overall Length | |
| 2" | 2" | 15½" | |
| | | 2¼" | 2¼" |
| | | Overall Length | |
| | | 12" | |
| Acura – CL 1999-97 3.0L V6 Honda – Accord 1997-95 2.7L V6 Honda – CR-V 2001-97 2.0L L4 Honda – Odyssey 1997-96 2.2L L4 Isuzu – Oasis 1997-96 2.2L L4 | | Acura – NSX 2005-00 3.0L V6 3.2L V6 Audi – TT 2005-00 1.8L L4 Audi – TT Quattro 2005-04 3.2L V6 BMW – Z3 1998-96 1.9L L4 Chevrolet – Cobalt 2006-05 2.0L L4 Chevrolet – Lumina 2001-98 3.1L V6 Chevrolet – Monte Carlo 1999-98 3.1L V6 Lexus – ES300 1997 3.0L V6 Mercedes-Benz – C36 AMG 1997 3.6L L6 Pontiac – Vibe 2006-03 1.8L L4 Porsche – 911 1997-96 3.6L H6 Saab – 9-5 2003-99 3.0L V6 Saturn – Ion 2006-04 2.0L L4 Toyota – Avalon 1997 3.0L V6 Toyota – Camry 2001-97 3.0L V6 Toyota – Corolla 2006-05 1.8L L4 Toyota – Matrix 2006-03 1.8L L4 Toyota – Solara 2002-99 3.0L V6 Volkswagen – Golf 2004 3.2L V6 2001 1.8L L4 Volkswagen – Jetta 2001 1.8L L4 | |
| 82608 E.O. No. D-182-57 | |  | |
| Inlet | Outlet | Overall Length | |
| 2" | 2" | 15½" | |
| Acura – CL 2003-01 3.2L V6 Acura – TL 2003-02 3.2L V6 Honda – Accord 2002-98 2.3L L4 3.0L V6 | | | |

NUMERICAL LISTING

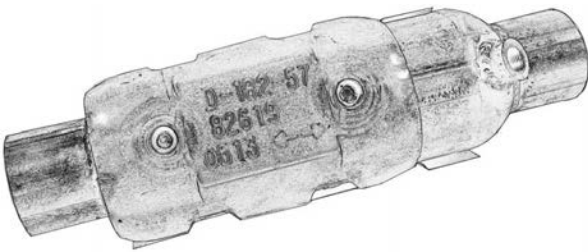
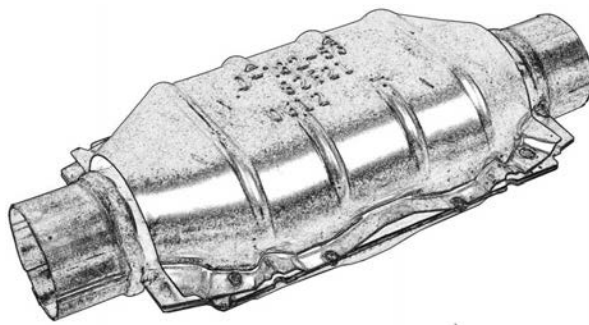
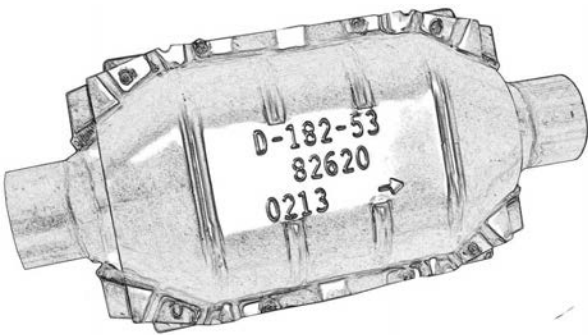

| Year | Engine | Year | Engine |
|--|-------------------|--|-------------------|
| 82610 | E.O. No. D-182-57 | 82612 | E.O. No. D-182-57 |
|  | |  | |
| Inlet | Outlet | Overall Length | |
| 2 1/4" | 2 1/4" | 10 1/4" | |
| Pontiac — Solstice 2006 2.4L L4 Saab — 9-3 2006-03 2.0L L4 | | Porsche — 911 2006-02 3.6L H6 2006 3.8L H6 2001-99 3.4L H6 | |
| 82611 | E.O. No. D-182-57 | 82613 | E.O. No. D-182-57 |
|  | |  | |
| Inlet | Outlet | Overall Length | |
| 2 1/4" | 2 1/4" | 13 1/2" | |
| Acura — TL 1998-96 3.2L V6 BMW — 740iL 1996 4.4L V8 BMW — 750iL 1998-95 5.4L V12 BMW — 840Ci 1997-96 4.4L V8 BMW — 850Ci 1997-95 5.4L V12 BMW — M5 2003-02 5.0L V8 2000 5.0L V8 BMW — Z8 2003-02 5.0L V8 2000 5.0L V8 Mercedes-Benz — CL600 1999-98 6.0L V12 Mercedes-Benz — S600 1999-96 6.0L V12 Mercedes-Benz — SL600 2002-96 6.0L V12 | | BMW — 540i 1998-97 4.4L V8 BMW — 740i 1998-97 4.4L V8 BMW — 740iL 1998-97 4.4L V8 82614 E.O. No. D-182-57 | |
| | |  | |
| | | Inlet | Outlet |
| | | 2 1/4" | 2 1/4" |
| | | Overall Length | |
| | | 15 1/2" | |
| Acura — TL 1999 3.2L V6 Honda — Civic 2005-01 1.7L L4 | | | |

OBDII APPLICATIONS
 NON-OBDII APPLICATIONS
 NUMERICAL
 UNIVERSAL SPECIFICATIONS

NUMERICAL LISTING

| Year | Engine |
|---|--------------------------|
| 82614 (Cont.) | |
| Honda — Civic (Cont.) | |
| 2000-99 | 1.6L L4 |
| Mazda — Miata | |
| 2005-01 | 1.8L L4 |
| 82615 | E.O. No. D-182-57 |
|  | |
| Inlet | Outlet |
| 2 1/4" | 2 1/4" |
| Overall Length | |
| 15 1/2" | |
| Volkswagen — Beetle | |
| 2001-99 | 1.8L L4 |
| 2001-98 | 2.0L L4 |
| Volkswagen — Cabrio | |
| 2002-98 | 2.0L L4 |
| Volkswagen — Golf | |
| 2001-96 | 2.0L L4 |
| Volkswagen — Jetta | |
| 2001-96 | 2.0L L4 |
| Volkswagen — Passat | |
| 2004-02 | 4.0L W8 |
| 82617 | E.O. No. D-182-57 |
|  | |
| Inlet | Outlet |
| 2 1/2" | 2 1/2" |
| Overall Length | |
| 12" | |
| BMW — 760i | |
| 2006-04 | 6.0L V12 |
| BMW — 760Li | |
| 2006-03 | 6.0L V12 |
| Buick — LaCrosse | |
| 2006-05 | 3.6L V6 |
| Chevrolet — Corvette | |
| 1996 | 5.7L V8 |
| Chevrolet — Impala | |
| 2006 | 3.5L V6 |
| Chevrolet — Monte Carlo | |
| 2006 | 3.5L V6 |
| Chrysler — 300 | |
| 2006-05 | 2.7L V6 |
| | 3.5L V6 |
| 82617 (Cont.) | |
| Dodge — Charger | |
| 2006 | 2.7L V6 |
| | 3.5L V6 |
| Dodge — Magnum | |
| 2006-05 | 2.7L V6 |
| | 3.5L V6 |
| Mercedes-Benz — E320 | |
| 1997-96 | 3.2L L6 |
| Mercedes-Benz — S320 | |
| 1999-97 | 3.2L L6 |
| Scion — xA | |
| 2006-04 | 1.5L L4 |
| Scion — xB | |
| 2006-04 | 1.5L L4 |
| Toyota — Celica | |
| 2005-00 | 1.8L L4 |
| Toyota — Echo | |
| 2005-00 | 1.5L L4 |
| 82618 | E.O. No. D-182-57 |
|  | |
| Inlet | Outlet |
| 2 1/2" | 2 1/2" |
| Overall Length | |
| 17 1/2" | |
| Buick — Century | |
| 2005-98 | 3.1L V6 |
| Buick — Regal | |
| 2004-97 | 3.8L V6 |
| Chevrolet — Impala | |
| 2005-02 | 3.8L V6 |
| 2003-00 | 3.4L V6 |
| Chevrolet — Lumina | |
| 1999-98 | 3.8L V6 |
| Chevrolet — Monte Carlo | |
| 2005-03 | 3.8L V6 |
| 2003-00 | 3.4L V6 |
| 2000-98 | 3.8L V6 |
| Oldsmobile — Intrigue | |
| 2002-99 | 3.5L V6 |
| 1999-98 | 3.8L V6 |
| Pontiac — Grand Prix | |
| 2006-97 | 3.8L V6 |
| 2003-98 | 3.1L V6 |

NUMERICAL LISTING

| Year | Engine | Year | Engine |
|--|--------------------------|---|--------------------------|
| 82619 | E.O. No. D-182-57 | 82621 | E.O. No. D-182-53 |
|  | |  | |
| Inlet | Outlet | Overall Length | |
| 2½" | 2½" | 15½" | |
| BMW – 545i 2005-04 4.4L V8 BMW – 645Ci 2005-04 4.4L V8 BMW – 745i 2005-02 4.4L V8 BMW – 745Li 2005-02 4.4L V8 | | Inlet | Outlet |
| | | 2¼" | 2¼" |
| | | Overall Length | Overall Length |
| | | 13¼" | 13¼" |
| 82620 | E.O. No. D-182-53 | Ford – Taurus 2005-00 3.0L V6 Mercury – Sable 2005-00 3.0L V6 Volvo – S40 2003-00 1.9L L4 Volvo – V40 2003-00 1.9L L4 | |
|  | |  | |
| Inlet | Outlet | Inlet | Outlet |
| 2" | 2" | 2½" | 2½" |
| Overall Length | | Overall Length | |
| 13¼" | | 13¼" | |
| Daewoo – Lanos 2002-99 1.6L L4 Hyundai – Sonata 2005-99 2.4L L4 Kia – Optima 2006-01 2.4L L4 Kia – Sephia 2001-98 1.8L L4 Kia – Spectra 2001-00 1.8L L4 Kia – Sportage 2002-98 2.0L L4 Mazda – Protege 2003-01 2.0L L4 Mazda – Protege5 2003-02 2.0L L4 Mitsubishi – Eclipse 1999-98 2.4L L4 Mitsubishi – Galant 1999 2.4L L4 | | Ford – Contour 2000-96 2.5L V6 Ford – Ranger 2001-98 2.5L L4 Jeep – Wrangler 2004-03 2.4L L4 Mazda – B2500 2001-98 2.5L L4 Mercury – Cougar 2002-99 2.5L V6 Mercury – Mystique 2000-96 2.5L V6 | |

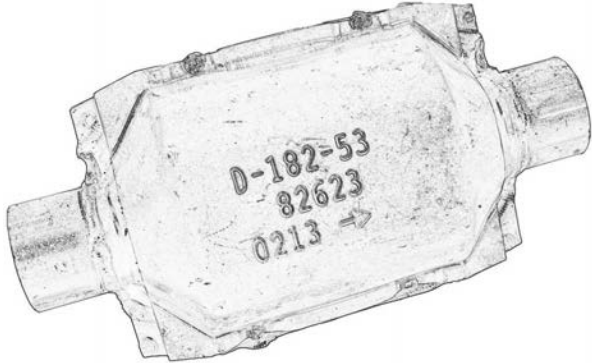
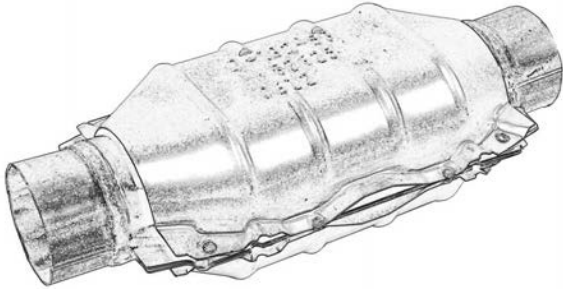

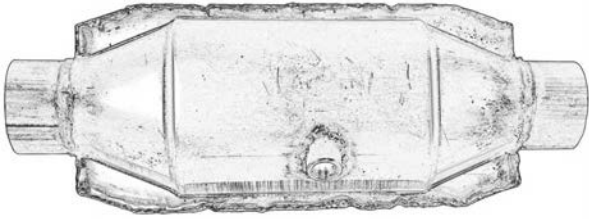
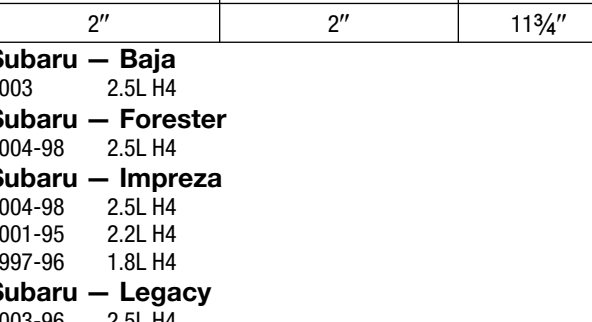
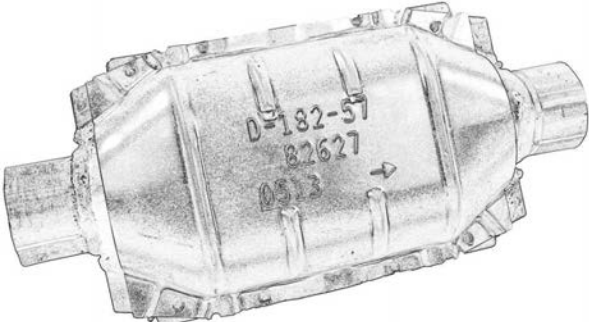
OBDII APPLICATIONS

NON-OBDII APPLICATIONS

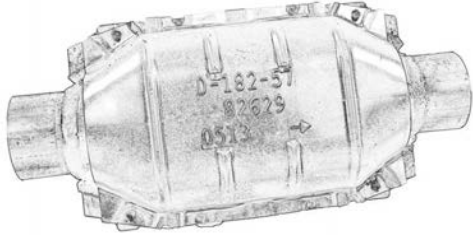

NUMERICAL

UNIVERSAL SPECIFICATIONS

NUMERICAL LISTING

| Year | Engine | Year | Engine |
|---|-------------------|--|-------------------|
| 82623 | E.O. No. D-182-53 | 82625 | E.O. No. D-182-53 |
|  | |  | |
| Inlet | Outlet | Inlet | Outlet |
| 2" | 2" | 2 1/2" | 2 1/2" |
| Overall Length | | Overall Length | |
| 11 3/4" | | 13 1/4" | |
| Infiniti — G35 2004-03 3.5L V6 Nissan — 350Z 2004-03 3.5L V6 | | Nissan — Altima 2001-95 2.4L L4 | |
| 82624 | E.O. No. D-182-53 | 82626 | E.O. No. D-182-53 |
|  | |  | |
| Inlet | Outlet | Inlet | Outlet |
| 2" | 2" | 2 1/2" | 2 1/2" |
| Overall Length | | Overall Length | |
| 11 3/4" | | 16 1/4" | |
| Subaru — Baja 2003 2.5L H4 Subaru — Forester 2004-98 2.5L H4 Subaru — Impreza 2004-98 2.5L H4 2001-95 2.2L H4 1997-96 1.8L H4 Subaru — Legacy 2003-96 2.5L H4 1999-95 2.2L H4 Subaru — Outback 2003-00 2.5L H4 | | Ford — Ranger 2006-01 2.3L L4 Mazda — B2300 2006-01 2.3L L4 | |
| 82627 | E.O. No. D-182-57 | 82627 | E.O. No. D-182-57 |
|  | |  | |
| Inlet | Outlet | Inlet | Outlet |
| 2" | 2" | 2" | 2" |
| Overall Length | | Overall Length | |
| 11 3/4" | | 13 1/4" | |
| Chevrolet — Beretta 1996 2.2L L4 Chevrolet — Cavalier 1998-96 2.2L L4 1995 2.3L L4 Chevrolet — Corsica 1996 2.2L L4 | | | |

NUMERICAL LISTING

| Year | Engine | Year | Engine | | | | | | |
|---|--------|--|--------|----------------|--------|----------------|------|---|------|
| 82627 (Cont.) Dodge — Dakota 1998-96 2.5L L4 Hyundai — Sonata 1998-96 3.0L V6 1996 2.0L L4 Lexus — ES300 1994 3.0L V6 Mazda — 626 1999-97 2.5L V6 Mazda — Millenia 2000-97 2.5L V6 Mazda — MX-6 1997 2.5L V6 Pontiac — Sunfire 1998-96 2.2L L4 1995 2.3L L4 Saturn — SC1 1999-96 1.9L L4 Saturn — SL 1999-96 1.9L L4 Saturn — SL1 1999-96 1.9L L4 Saturn — SW1 1999-96 1.9L L4 Toyota — Camry 1994 3.0L V6 | | 82629 E.O. No. D-182-57  <table border="1" style="width: 100%; margin-top: 10px;"> <thead> <tr> <th style="width: 33%;">Inlet</th> <th style="width: 33%;">Outlet</th> <th style="width: 33%;">Overall Length</th> </tr> </thead> <tbody> <tr> <td style="text-align: center;">2¼"</td> <td style="text-align: center;">2¼"</td> <td style="text-align: center;">13¼"</td> </tr> </tbody> </table> | | Inlet | Outlet | Overall Length | 2¼" | 2¼" | 13¼" |
| Inlet | Outlet | Overall Length | | | | | | | |
| 2¼" | 2¼" | 13¼" | | | | | | | |
| 82628 E.O. No. D-182-57  <table border="1" style="width: 100%; margin-top: 10px;"> <thead> <tr> <th style="width: 33%;">Inlet</th> <th style="width: 33%;">Outlet</th> <th style="width: 33%;">Overall Length</th> </tr> </thead> <tbody> <tr> <td style="text-align: center;">2"</td> <td style="text-align: center;">2"</td> <td style="text-align: center;">11¾"</td> </tr> </tbody> </table> | | Inlet | Outlet | Overall Length | 2" | 2" | 11¾" | Audi — A6 Quattro 2000 4.2L V8 Audi — A8 Quattro 2000-97 4.2L V8 Audi — S6 2003-02 4.2L V8 Audi — S8 2003-01 4.2L V8 BMW — 318i 1998-96 1.9L L4 BMW — 318is 1997-96 1.9L L4 BMW — 318ti 1999-96 1.9L L4 BMW — 323i 1999-98 2.5L L6 BMW — 323is 1999-98 2.5L L6 BMW — Z3 1998-97 2.8L L6 Chevrolet — S10 2003-98 2.2L L4 Chrysler — Cirrus 2000-98 2.5L V6 2000 2.4L L4 Chrysler — Sebring 2000-98 2.5L V6 1998 2.4L L4 Dodge — Avenger 1999-95 2.0L L4 Dodge — Stratus 2000-98 2.0L L4 2.4L L4 2.5L V6 Ford — Ranger 1997-95 2.3L L4 GMC — Sonoma 2003-98 2.2L L4 Infiniti — Q45 1998-97 4.1L V8 Isuzu — Hombre 2000-98 2.2L L4 Lexus — ES300 1996-95 3.0L V6 Mazda — B2300 1997-95 2.3L L4 | |
| Inlet | Outlet | Overall Length | | | | | | | |
| 2" | 2" | 11¾" | | | | | | | |
| Ford — Escape 2004-01 2.0L L4 Ford — Escort 2003-97 2.0L L4 Mazda — Tribute 2004-01 2.0L L4 Mercury — Tracer 1999-97 2.0L L4 | | | | | | | | | |

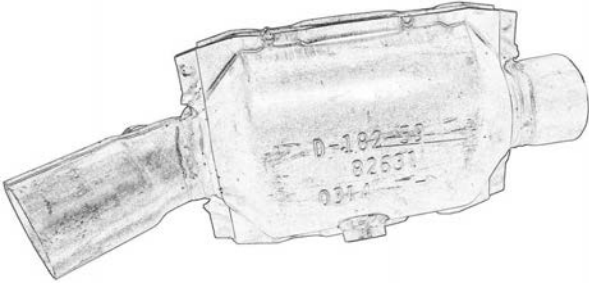

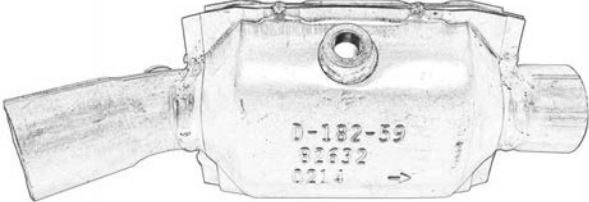
OBDII APPLICATIONS

NON-OBDII APPLICATIONS

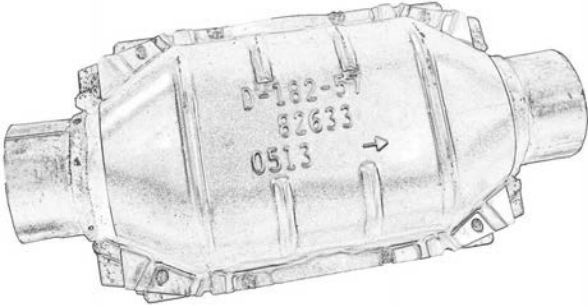

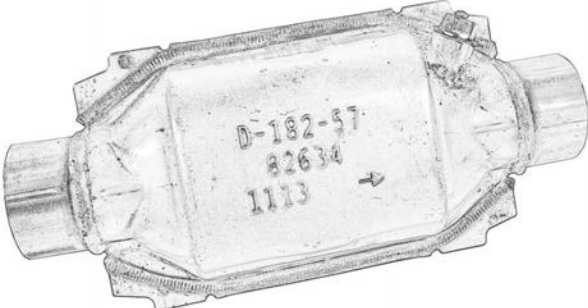
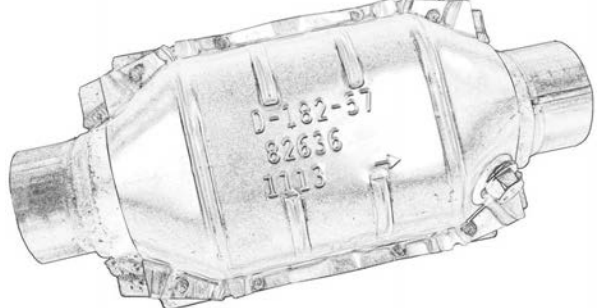


NUMERICAL

UNIVERSAL SPECIFICATIONS

NUMERICAL LISTING

| Year | Engine | Year | Engine | | | | | | | | | | | | |
|---|--------------------|---|--------|----------------|--------|----------------|---------|---|---------|-------|--------|----------------|--------|--------|---------|
| 82629 (Cont.) | | 82631 E.O. No. D-182-59 | | | | | | | | | | | | | |
| Mercedes-Benz — C230 | |  | | | | | | | | | | | | | |
| 2002 | 2.3L L4 | | | | | | | | | | | | | | |
| Mercedes-Benz — SLK230 | | <table border="1" style="width: 100%; border-collapse: collapse;"> <thead> <tr> <th style="width: 33%;">Inlet</th> <th style="width: 33%;">Outlet</th> <th style="width: 33%;">Overall Length</th> </tr> </thead> <tbody> <tr> <td style="text-align: center;">2 1/4"</td> <td style="text-align: center;">2 1/4"</td> <td style="text-align: center;">13 3/4"</td> </tr> </tbody> </table> | | Inlet | Outlet | Overall Length | 2 1/4" | 2 1/4" | 13 3/4" | | | | | | |
| Inlet | Outlet | | | Overall Length | | | | | | | | | | | |
| 2 1/4" | 2 1/4" | 13 3/4" | | | | | | | | | | | | | |
| 2004-01 | 2.3L L4 | | | | | | | | | | | | | | |
| Mitsubishi — Lancer | | <table border="1" style="width: 100%; border-collapse: collapse;"> <thead> <tr> <th style="width: 33%;">Inlet</th> <th style="width: 33%;">Outlet</th> <th style="width: 33%;">Overall Length</th> </tr> </thead> <tbody> <tr> <td style="text-align: center;">2 1/4"</td> <td style="text-align: center;">2 1/4"</td> <td style="text-align: center;">13 3/4"</td> </tr> </tbody> </table> | | Inlet | Outlet | Overall Length | 2 1/4" | 2 1/4" | 13 3/4" | | | | | | |
| Inlet | Outlet | | | Overall Length | | | | | | | | | | | |
| 2 1/4" | 2 1/4" | 13 3/4" | | | | | | | | | | | | | |
| 2004 | 2.4L L4 | | | | | | | | | | | | | | |
| Mitsubishi — Outlander | | <table border="1" style="width: 100%; border-collapse: collapse;"> <thead> <tr> <th style="width: 33%;">Inlet</th> <th style="width: 33%;">Outlet</th> <th style="width: 33%;">Overall Length</th> </tr> </thead> <tbody> <tr> <td style="text-align: center;">2 1/4"</td> <td style="text-align: center;">2 1/4"</td> <td style="text-align: center;">13 3/4"</td> </tr> </tbody> </table> | | Inlet | Outlet | Overall Length | 2 1/4" | 2 1/4" | 13 3/4" | | | | | | |
| Inlet | Outlet | | | Overall Length | | | | | | | | | | | |
| 2 1/4" | 2 1/4" | 13 3/4" | | | | | | | | | | | | | |
| 2006-03 | 2.4L L4 | | | | | | | | | | | | | | |
| Plymouth — Breeze | | <table border="1" style="width: 100%; border-collapse: collapse;"> <thead> <tr> <th style="width: 33%;">Inlet</th> <th style="width: 33%;">Outlet</th> <th style="width: 33%;">Overall Length</th> </tr> </thead> <tbody> <tr> <td style="text-align: center;">2 1/4"</td> <td style="text-align: center;">2 1/4"</td> <td style="text-align: center;">13 3/4"</td> </tr> </tbody> </table> | | Inlet | Outlet | Overall Length | 2 1/4" | 2 1/4" | 13 3/4" | | | | | | |
| Inlet | Outlet | | | Overall Length | | | | | | | | | | | |
| 2 1/4" | 2 1/4" | 13 3/4" | | | | | | | | | | | | | |
| 2000-98 | 2.0L L4 2.4L L4 | | | | | | | | | | | | | | |
| Toyota — Avalon | | <table border="1" style="width: 100%; border-collapse: collapse;"> <thead> <tr> <th style="width: 33%;">Inlet</th> <th style="width: 33%;">Outlet</th> <th style="width: 33%;">Overall Length</th> </tr> </thead> <tbody> <tr> <td style="text-align: center;">2 1/4"</td> <td style="text-align: center;">2 1/4"</td> <td style="text-align: center;">13 3/4"</td> </tr> </tbody> </table> | | Inlet | Outlet | Overall Length | 2 1/4" | 2 1/4" | 13 3/4" | | | | | | |
| Inlet | Outlet | | | Overall Length | | | | | | | | | | | |
| 2 1/4" | 2 1/4" | 13 3/4" | | | | | | | | | | | | | |
| 1996-95 | 3.0L V6 | | | | | | | | | | | | | | |
| Toyota — Camry | | <table border="1" style="width: 100%; border-collapse: collapse;"> <thead> <tr> <th style="width: 33%;">Inlet</th> <th style="width: 33%;">Outlet</th> <th style="width: 33%;">Overall Length</th> </tr> </thead> <tbody> <tr> <td style="text-align: center;">2 1/4"</td> <td style="text-align: center;">2 1/4"</td> <td style="text-align: center;">13 3/4"</td> </tr> </tbody> </table> | | Inlet | Outlet | Overall Length | 2 1/4" | 2 1/4" | 13 3/4" | | | | | | |
| Inlet | Outlet | | | Overall Length | | | | | | | | | | | |
| 2 1/4" | 2 1/4" | 13 3/4" | | | | | | | | | | | | | |
| 1996-95 | 3.0L V6 | | | | | | | | | | | | | | |
| Toyota — T100 | | <table border="1" style="width: 100%; border-collapse: collapse;"> <thead> <tr> <th style="width: 33%;">Inlet</th> <th style="width: 33%;">Outlet</th> <th style="width: 33%;">Overall Length</th> </tr> </thead> <tbody> <tr> <td style="text-align: center;">2 1/4"</td> <td style="text-align: center;">2 1/4"</td> <td style="text-align: center;">13 3/4"</td> </tr> </tbody> </table> | | Inlet | Outlet | Overall Length | 2 1/4" | 2 1/4" | 13 3/4" | | | | | | |
| Inlet | Outlet | | | Overall Length | | | | | | | | | | | |
| 2 1/4" | 2 1/4" | 13 3/4" | | | | | | | | | | | | | |
| 1998-95 | 3.4L V6 | | | | | | | | | | | | | | |
| 1998-94 | 2.7L L4 | <table border="1" style="width: 100%; border-collapse: collapse;"> <thead> <tr> <th style="width: 33%;">Inlet</th> <th style="width: 33%;">Outlet</th> <th style="width: 33%;">Overall Length</th> </tr> </thead> <tbody> <tr> <td style="text-align: center;">2 1/4"</td> <td style="text-align: center;">2 1/4"</td> <td style="text-align: center;">13 3/4"</td> </tr> </tbody> </table> | | Inlet | Outlet | Overall Length | 2 1/4" | 2 1/4" | 13 3/4" | | | | | | |
| Inlet | Outlet | | | Overall Length | | | | | | | | | | | |
| 2 1/4" | 2 1/4" | 13 3/4" | | | | | | | | | | | | | |
| Volvo — 850 | | <table border="1" style="width: 100%; border-collapse: collapse;"> <thead> <tr> <th style="width: 33%;">Inlet</th> <th style="width: 33%;">Outlet</th> <th style="width: 33%;">Overall Length</th> </tr> </thead> <tbody> <tr> <td style="text-align: center;">2 1/4"</td> <td style="text-align: center;">2 1/4"</td> <td style="text-align: center;">13 3/4"</td> </tr> </tbody> </table> | | Inlet | Outlet | Overall Length | 2 1/4" | 2 1/4" | 13 3/4" | | | | | | |
| Inlet | Outlet | | | Overall Length | | | | | | | | | | | |
| 2 1/4" | 2 1/4" | 13 3/4" | | | | | | | | | | | | | |
| 1997-95 | 2.3L L5 2.4L L5 | | | | | | | | | | | | | | |
| Volvo — C70 | | <table border="1" style="width: 100%; border-collapse: collapse;"> <thead> <tr> <th style="width: 33%;">Inlet</th> <th style="width: 33%;">Outlet</th> <th style="width: 33%;">Overall Length</th> </tr> </thead> <tbody> <tr> <td style="text-align: center;">2 1/4"</td> <td style="text-align: center;">2 1/4"</td> <td style="text-align: center;">13 3/4"</td> </tr> </tbody> </table> | | Inlet | Outlet | Overall Length | 2 1/4" | 2 1/4" | 13 3/4" | | | | | | |
| Inlet | Outlet | | | Overall Length | | | | | | | | | | | |
| 2 1/4" | 2 1/4" | 13 3/4" | | | | | | | | | | | | | |
| 1998 | 2.3L L5 2.4L L5 | | | | | | | | | | | | | | |
| Volvo — S70 | | <table border="1" style="width: 100%; border-collapse: collapse;"> <thead> <tr> <th style="width: 33%;">Inlet</th> <th style="width: 33%;">Outlet</th> <th style="width: 33%;">Overall Length</th> </tr> </thead> <tbody> <tr> <td style="text-align: center;">2 1/4"</td> <td style="text-align: center;">2 1/4"</td> <td style="text-align: center;">13 3/4"</td> </tr> </tbody> </table> | | Inlet | Outlet | Overall Length | 2 1/4" | 2 1/4" | 13 3/4" | | | | | | |
| Inlet | Outlet | | | Overall Length | | | | | | | | | | | |
| 2 1/4" | 2 1/4" | 13 3/4" | | | | | | | | | | | | | |
| 1998 | 2.3L L5 2.4L L5 | | | | | | | | | | | | | | |
| Volvo — V70 | | <table border="1" style="width: 100%; border-collapse: collapse;"> <thead> <tr> <th style="width: 33%;">Inlet</th> <th style="width: 33%;">Outlet</th> <th style="width: 33%;">Overall Length</th> </tr> </thead> <tbody> <tr> <td style="text-align: center;">2 1/4"</td> <td style="text-align: center;">2 1/4"</td> <td style="text-align: center;">13 3/4"</td> </tr> </tbody> </table> | | Inlet | Outlet | Overall Length | 2 1/4" | 2 1/4" | 13 3/4" | | | | | | |
| Inlet | Outlet | | | Overall Length | | | | | | | | | | | |
| 2 1/4" | 2 1/4" | 13 3/4" | | | | | | | | | | | | | |
| 1998 | 2.3L L5 2.4L L5 | | | | | | | | | | | | | | |
| 82630 E.O. No. D-182-59 | | 82632 E.O. No. D-182-59 | | | | | | | | | | | | | |
|  | |  | | | | | | | | | | | | | |
| <table border="1" style="width: 100%; border-collapse: collapse;"> <thead> <tr> <th style="width: 33%;">Inlet</th> <th style="width: 33%;">Outlet</th> <th style="width: 33%;">Overall Length</th> </tr> </thead> <tbody> <tr> <td style="text-align: center;">2 1/4"</td> <td style="text-align: center;">2 1/4"</td> <td style="text-align: center;">11 3/4"</td> </tr> </tbody> </table> | | Inlet | Outlet | Overall Length | 2 1/4" | 2 1/4" | 11 3/4" | <table border="1" style="width: 100%; border-collapse: collapse;"> <thead> <tr> <th style="width: 33%;">Inlet</th> <th style="width: 33%;">Outlet</th> <th style="width: 33%;">Overall Length</th> </tr> </thead> <tbody> <tr> <td style="text-align: center;">2 1/4"</td> <td style="text-align: center;">2 1/4"</td> <td style="text-align: center;">13 3/4"</td> </tr> </tbody> </table> | | Inlet | Outlet | Overall Length | 2 1/4" | 2 1/4" | 13 3/4" |
| | | Inlet | Outlet | Overall Length | | | | | | | | | | | |
| 2 1/4" | 2 1/4" | 11 3/4" | | | | | | | | | | | | | |
| Inlet | Outlet | Overall Length | | | | | | | | | | | | | |
| 2 1/4" | 2 1/4" | 13 3/4" | | | | | | | | | | | | | |
| Cadillac — Catera | | <table border="1" style="width: 100%; border-collapse: collapse;"> <thead> <tr> <th style="width: 33%;">Inlet</th> <th style="width: 33%;">Outlet</th> <th style="width: 33%;">Overall Length</th> </tr> </thead> <tbody> <tr> <td style="text-align: center;">2 1/4"</td> <td style="text-align: center;">2 1/4"</td> <td style="text-align: center;">13 3/4"</td> </tr> </tbody> </table> | | Inlet | Outlet | Overall Length | 2 1/4" | 2 1/4" | 13 3/4" | | | | | | |
| Inlet | Outlet | | | Overall Length | | | | | | | | | | | |
| 2 1/4" | 2 1/4" | 13 3/4" | | | | | | | | | | | | | |
| 2001-99 | 3.0L V6 | | | | | | | | | | | | | | |
| Volvo — S60 | | <table border="1" style="width: 100%; border-collapse: collapse;"> <thead> <tr> <th style="width: 33%;">Inlet</th> <th style="width: 33%;">Outlet</th> <th style="width: 33%;">Overall Length</th> </tr> </thead> <tbody> <tr> <td style="text-align: center;">2 1/4"</td> <td style="text-align: center;">2 1/4"</td> <td style="text-align: center;">13 3/4"</td> </tr> </tbody> </table> | | Inlet | Outlet | Overall Length | 2 1/4" | 2 1/4" | 13 3/4" | | | | | | |
| Inlet | Outlet | | | Overall Length | | | | | | | | | | | |
| 2 1/4" | 2 1/4" | 13 3/4" | | | | | | | | | | | | | |
| 2004 | 2.5L L5 | | | | | | | | | | | | | | |
| Volvo — V70 | | <table border="1" style="width: 100%; border-collapse: collapse;"> <thead> <tr> <th style="width: 33%;">Inlet</th> <th style="width: 33%;">Outlet</th> <th style="width: 33%;">Overall Length</th> </tr> </thead> <tbody> <tr> <td style="text-align: center;">2 1/4"</td> <td style="text-align: center;">2 1/4"</td> <td style="text-align: center;">13 3/4"</td> </tr> </tbody> </table> | | Inlet | Outlet | Overall Length | 2 1/4" | 2 1/4" | 13 3/4" | | | | | | |
| Inlet | Outlet | | | Overall Length | | | | | | | | | | | |
| 2 1/4" | 2 1/4" | 13 3/4" | | | | | | | | | | | | | |
| 2004 | 2.5L L5 | | | | | | | | | | | | | | |
| Ford — Thunderbird | | <table border="1" style="width: 100%; border-collapse: collapse;"> <thead> <tr> <th style="width: 33%;">Inlet</th> <th style="width: 33%;">Outlet</th> <th style="width: 33%;">Overall Length</th> </tr> </thead> <tbody> <tr> <td style="text-align: center;">2 1/4"</td> <td style="text-align: center;">2 1/4"</td> <td style="text-align: center;">13 3/4"</td> </tr> </tbody> </table> | | Inlet | Outlet | Overall Length | 2 1/4" | 2 1/4" | 13 3/4" | | | | | | |
| Inlet | Outlet | | | Overall Length | | | | | | | | | | | |
| 2 1/4" | 2 1/4" | 13 3/4" | | | | | | | | | | | | | |
| 2005-04 | 3.9L V8 | | | | | | | | | | | | | | |
| 2002 | 3.9L V8 | <table border="1" style="width: 100%; border-collapse: collapse;"> <thead> <tr> <th style="width: 33%;">Inlet</th> <th style="width: 33%;">Outlet</th> <th style="width: 33%;">Overall Length</th> </tr> </thead> <tbody> <tr> <td style="text-align: center;">2 1/4"</td> <td style="text-align: center;">2 1/4"</td> <td style="text-align: center;">13 3/4"</td> </tr> </tbody> </table> | | Inlet | Outlet | Overall Length | 2 1/4" | 2 1/4" | 13 3/4" | | | | | | |
| Inlet | Outlet | | | Overall Length | | | | | | | | | | | |
| 2 1/4" | 2 1/4" | 13 3/4" | | | | | | | | | | | | | |
| Jaguar — S-Type | | <table border="1" style="width: 100%; border-collapse: collapse;"> <thead> <tr> <th style="width: 33%;">Inlet</th> <th style="width: 33%;">Outlet</th> <th style="width: 33%;">Overall Length</th> </tr> </thead> <tbody> <tr> <td style="text-align: center;">2 1/4"</td> <td style="text-align: center;">2 1/4"</td> <td style="text-align: center;">13 3/4"</td> </tr> </tbody> </table> | | Inlet | Outlet | Overall Length | 2 1/4" | 2 1/4" | 13 3/4" | | | | | | |
| Inlet | Outlet | | | Overall Length | | | | | | | | | | | |
| 2 1/4" | 2 1/4" | 13 3/4" | | | | | | | | | | | | | |
| 2005-03 | 4.2L V8 | | | | | | | | | | | | | | |
| 2005-00 | 3.0L V6 | <table border="1" style="width: 100%; border-collapse: collapse;"> <thead> <tr> <th style="width: 33%;">Inlet</th> <th style="width: 33%;">Outlet</th> <th style="width: 33%;">Overall Length</th> </tr> </thead> <tbody> <tr> <td style="text-align: center;">2 1/4"</td> <td style="text-align: center;">2 1/4"</td> <td style="text-align: center;">13 3/4"</td> </tr> </tbody> </table> | | Inlet | Outlet | Overall Length | 2 1/4" | 2 1/4" | 13 3/4" | | | | | | |
| Inlet | Outlet | | | Overall Length | | | | | | | | | | | |
| 2 1/4" | 2 1/4" | 13 3/4" | | | | | | | | | | | | | |
| 2002-00 | 4.0L V8 | | | | | | | | | | | | | | |
| Jaguar — Super V8 | | <table border="1" style="width: 100%; border-collapse: collapse;"> <thead> <tr> <th style="width: 33%;">Inlet</th> <th style="width: 33%;">Outlet</th> <th style="width: 33%;">Overall Length</th> </tr> </thead> <tbody> <tr> <td style="text-align: center;">2 1/4"</td> <td style="text-align: center;">2 1/4"</td> <td style="text-align: center;">13 3/4"</td> </tr> </tbody> </table> | | Inlet | Outlet | Overall Length | 2 1/4" | 2 1/4" | 13 3/4" | | | | | | |
| Inlet | Outlet | | | Overall Length | | | | | | | | | | | |
| 2 1/4" | 2 1/4" | 13 3/4" | | | | | | | | | | | | | |
| 2005 | 4.2L V8 | | | | | | | | | | | | | | |
| Jaguar — XJR | | <table border="1" style="width: 100%; border-collapse: collapse;"> <thead> <tr> <th style="width: 33%;">Inlet</th> <th style="width: 33%;">Outlet</th> <th style="width: 33%;">Overall Length</th> </tr> </thead> <tbody> <tr> <td style="text-align: center;">2 1/4"</td> <td style="text-align: center;">2 1/4"</td> <td style="text-align: center;">13 3/4"</td> </tr> </tbody> </table> | | Inlet | Outlet | Overall Length | 2 1/4" | 2 1/4" | 13 3/4" | | | | | | |
| Inlet | Outlet | | | Overall Length | | | | | | | | | | | |
| 2 1/4" | 2 1/4" | 13 3/4" | | | | | | | | | | | | | |
| 2005-04 | 4.2L V8 | | | | | | | | | | | | | | |
| Lincoln — LS | | <table border="1" style="width: 100%; border-collapse: collapse;"> <thead> <tr> <th style="width: 33%;">Inlet</th> <th style="width: 33%;">Outlet</th> <th style="width: 33%;">Overall Length</th> </tr> </thead> <tbody> <tr> <td style="text-align: center;">2 1/4"</td> <td style="text-align: center;">2 1/4"</td> <td style="text-align: center;">13 3/4"</td> </tr> </tbody> </table> | | Inlet | Outlet | Overall Length | 2 1/4" | 2 1/4" | 13 3/4" | | | | | | |
| Inlet | Outlet | | | Overall Length | | | | | | | | | | | |
| 2 1/4" | 2 1/4" | 13 3/4" | | | | | | | | | | | | | |
| 2006-04 | 3.9L V8 | | | | | | | | | | | | | | |
| 2005-00 | 3.0L V6 | <table border="1" style="width: 100%; border-collapse: collapse;"> <thead> <tr> <th style="width: 33%;">Inlet</th> <th style="width: 33%;">Outlet</th> <th style="width: 33%;">Overall Length</th> </tr> </thead> <tbody> <tr> <td style="text-align: center;">2 1/4"</td> <td style="text-align: center;">2 1/4"</td> <td style="text-align: center;">13 3/4"</td> </tr> </tbody> </table> | | Inlet | Outlet | Overall Length | 2 1/4" | 2 1/4" | 13 3/4" | | | | | | |
| Inlet | Outlet | | | Overall Length | | | | | | | | | | | |
| 2 1/4" | 2 1/4" | 13 3/4" | | | | | | | | | | | | | |
| 2002-00 | 3.9L V8 | | | | | | | | | | | | | | |

NUMERICAL LISTING

| Year | Engine | Year | Engine |
|--|--------------------------|--|--------------------------|
| 82633 | E.O. No. D-182-57 | 82635 | E.O. No. D-182-59 |
|  | |  | |
| Inlet | Outlet | Inlet | Outlet |
| 2½" | 2½" | 2½" | 2" |
| Overall Length | | Overall Length | |
| 13¼" | | 12⅞" | |
| Chevrolet — Corvette 2004-02 5.7L V8 2000-97 5.7L V8 Dodge — Neon 1997-95 2.0L L4 Mitsubishi — Diamante 1998-97 3.5L V6 Mitsubishi — Lancer 2006-03 2.0L L4 Plymouth — Neon 1997-95 2.0L L4 | | Ford — Focus 2004-00 2.0L L4 | |
| 82634 | E.O. No. D-182-57 | 82636 | E.O. No. D-182-57 |
|  | |  | |
| Inlet | Outlet | Inlet | Outlet |
| 2½" | 2½" | 2½" | 2½" |
| Overall Length | | Overall Length | |
| 13¼" | | 13¼" | |
| Ford — Probe 1997 2.5L V6 Infiniti — G20 1999 2.0L L4 Nissan — 200SX 1998 2.0L L4 Nissan — Sentra 1999-98 2.0L L4 | | Jeep — Wrangler 1998-97 2.5L L4 | |
| 82637 | E.O. No. D-182-57 | 82637 | E.O. No. D-182-57 |
|  | |  | |
| Inlet | Outlet | Inlet | Outlet |
| 3" | 3" | 3" | 3" |
| Overall Length | | Overall Length | |
| 16¼" | | 16¼" | |
| Buick — LeSabre 2003 3.8L V6 1999-97 3.8L V6 | | Buick — LeSabre 2003 3.8L V6 1999-97 3.8L V6 | |


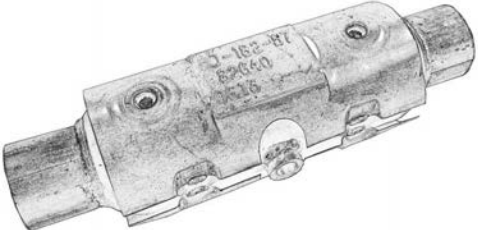

OBDII APPLICATIONS

NON-OBDII APPLICATIONS




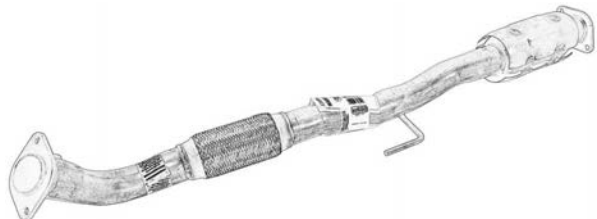
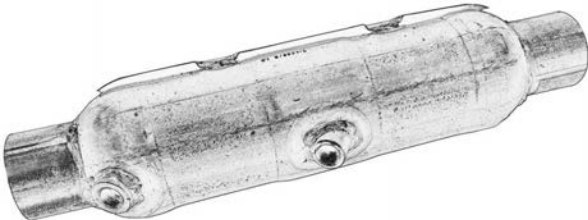
NUMERICAL

UNIVERSAL SPECIFICATIONS

NUMERICAL LISTING

| Year | Engine | Year | Engine | | | | | | |
|---|---------|---|--------|------------------------|--------|----------------|--------|--------|---------|
| 82637 (Cont.) | | 82639 E.O. No. D-182-61 | | | | | | | |
| Buick — Park Avenue | |  | | | | | | | |
| 2005-97 | 3.8L V6 | | | | | | | | |
| Buick — Riviera | | <table border="1" style="width: 100%; border-collapse: collapse;"> <thead> <tr> <th style="width: 33%;">Inlet</th> <th style="width: 33%;">Outlet</th> <th style="width: 33%;">Overall Length</th> </tr> </thead> <tbody> <tr> <td style="text-align: center;">2 1/4"</td> <td style="text-align: center;">2 1/4"</td> <td style="text-align: center;">16 1/4"</td> </tr> </tbody> </table> | | Inlet | Outlet | Overall Length | 2 1/4" | 2 1/4" | 16 1/4" |
| Inlet | Outlet | | | Overall Length | | | | | |
| 2 1/4" | 2 1/4" | 16 1/4" | | | | | | | |
| 1999 | 3.8L V6 | | | | | | | | |
| 1997 | 3.8L V6 | | | | | | | | |
| Cadillac — DeVille | | Ford — Escape | | | | | | | |
| 2003-00 | 4.6L V8 | | | | | | | | |
| Cadillac — Eldorado | | Mazda — Tribute | | | | | | | |
| 2002-00 | 4.6L V8 | | | | | | | | |
| Cadillac — Seville | | 82640 E.O. No. D-182-57 | | | | | | | |
| 2003-00 | 4.6L V8 | | | | | | | | |
| Chevrolet — Camaro | |  | | | | | | | |
| 2002-99 | 3.8L V6 | | | | | | | | |
| 1995 | 3.8L V6 | <table border="1" style="width: 100%; border-collapse: collapse;"> <thead> <tr> <th style="width: 33%;">Inlet</th> <th style="width: 33%;">Outlet</th> <th style="width: 33%;">Overall Length</th> </tr> </thead> <tbody> <tr> <td style="text-align: center;">2 1/2"</td> <td style="text-align: center;">2 1/2"</td> <td style="text-align: center;">15 1/2"</td> </tr> </tbody> </table> | | Inlet | Outlet | Overall Length | 2 1/2" | 2 1/2" | 15 1/2" |
| Inlet | Outlet | | | Overall Length | | | | | |
| 2 1/2" | 2 1/2" | 15 1/2" | | | | | | | |
| Chevrolet — S10 | | Acura — RL | | | | | | | |
| 1995 | 4.3L V6 | | | | | | | | |
| GMC — Sonoma | | Chrysler — PT Cruiser | | | | | | | |
| 1995 | 4.3L V6 | | | | | | | | |
| Oldsmobile — 88 | | Chrysler — Sebring | | | | | | | |
| 1999-97 | 3.8L V6 | | | | | | | | |
| Oldsmobile — Aurora | | Dodge — Neon | | | | | | | |
| 2003-01 | 4.0L V8 | | | | | | | | |
| 2002-01 | 3.5L V6 | Dodge — Stratus | | | | | | | |
| Oldsmobile — LSS | | | | | | | | | |
| 1999-97 | 3.8L V6 | Honda — S2000 | | | | | | | |
| Oldsmobile — Regency | | | | | | | | | |
| 1998-97 | 3.8L V6 | Mazda — 6 | | | | | | | |
| Pontiac — Bonneville | | | | | | | | | |
| 2004-97 | 3.8L V6 | Plymouth — Neon | | | | | | | |
| Pontiac — Firebird | | | | | | | | | |
| 2002-99 | 3.8L V6 | 82638 E.O. No. D-182-61 | | | | | | | |
| 1995 | 3.8L V6 | | | | | | | | |
|  | | <table border="1" style="width: 100%; border-collapse: collapse;"> <thead> <tr> <th style="width: 33%;">Inlet</th> <th style="width: 33%;">Outlet</th> <th style="width: 33%;">Overall Length</th> </tr> </thead> <tbody> <tr> <td style="text-align: center;">2"</td> <td style="text-align: center;">2"</td> <td style="text-align: center;">13 1/4"</td> </tr> </tbody> </table> | | Inlet | Outlet | Overall Length | 2" | 2" | 13 1/4" |
| | | | | Inlet | Outlet | Overall Length | | | |
| 2" | 2" | 13 1/4" | | | | | | | |
| Mitsubishi — Lancer | | 2004-02 2.0L L4 | | | | | | | |
| | | | | 2004-02 2.0L L4 | | | | | |

NUMERICAL LISTING

| Year | Engine | Year | Engine |
|---|--------------------------|---|--------------------------|
| 82641 | E.O. No. D-182-57 | 82643 | E.O. No. D-182-57 |
|  | |  | |
| Inlet | Outlet | Inlet | Outlet |
| $2\frac{1}{2}$ " | $2\frac{1}{2}$ " | 3 " | 3 " |
| Overall Length | | Overall Length | |
| $17\frac{1}{2}$ " | | 12 " | |
| Volkswagen – Beetle 2004-01 1.8L L4 Volkswagen – Golf 2005-02 1.8L L4 2.8L V6 Volkswagen – Jetta 2005-02 1.8L L4 2004-02 2.8L V6 Volvo – C70 2004-03 2.3L L5 2004-99 2.4L L5 2001-99 2.3L L5 Volvo – S60 2004-01 2.3L L5 2003-02 2.4L L5 Volvo – S70 2000-99 2.3L L5 2.4L L5 Volvo – V70 2004-99 2.3L L5 2003-99 2.4L L5 | | Dodge – Viper 2002-96 8.0L V10 82644 E.O. No. D-182-61 <div style="text-align: center;"></div> | |
| | | Inlet | Outlet |
| | | $2\frac{1}{4}$ " | $2\frac{1}{4}$ " |
| | | Overall Length | |
| | | 12 " | |
| 82642 | E.O. No. D-182-57 | Scion – tC 2006-05 2.4L L4 Toyota – RAV4 2005-04 2.4L L4 82650 E.O. No. D-182-53 <div style="text-align: center;"></div> | |
|  | | | |
| Inlet | Outlet | Inlet | Outlet |
| $2\frac{1}{2}$ " | $2\frac{1}{2}$ " | 2 Bolt Welded Flange | 2 Bolt Welded Flange |
| Overall Length | | Overall Length | |
| $18\frac{1}{2}$ " | | $48\frac{1}{4}$ " | |
| Volkswagen – Golf 2002-99 2.8L V6 Volkswagen – Jetta 2002-99 2.8L V6 | | Toyota – Camry 2003-02 2.4L L4 | |

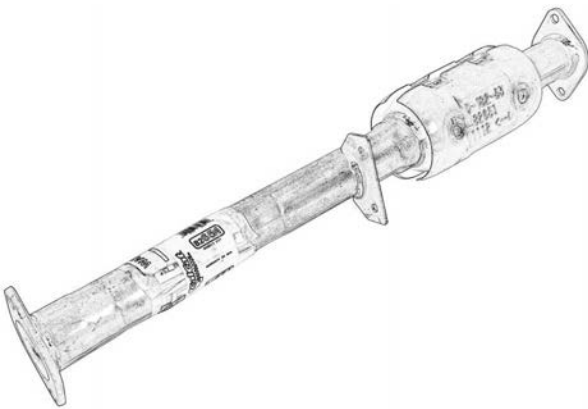
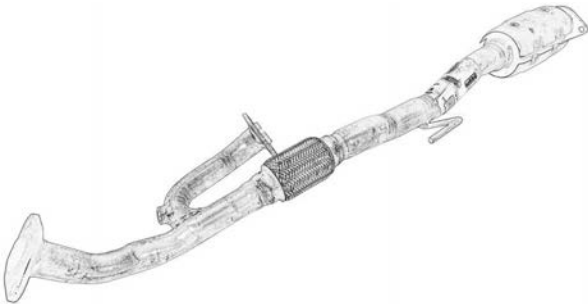

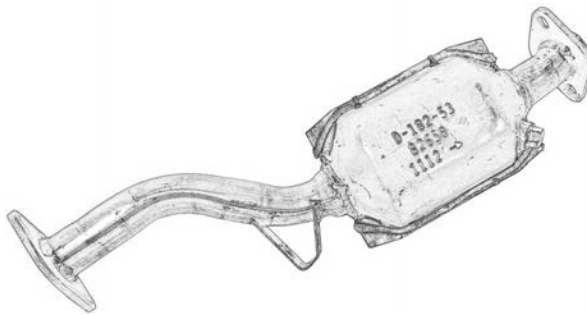
OBDII APPLICATIONS

 NON-OBDII APPLICATIONS

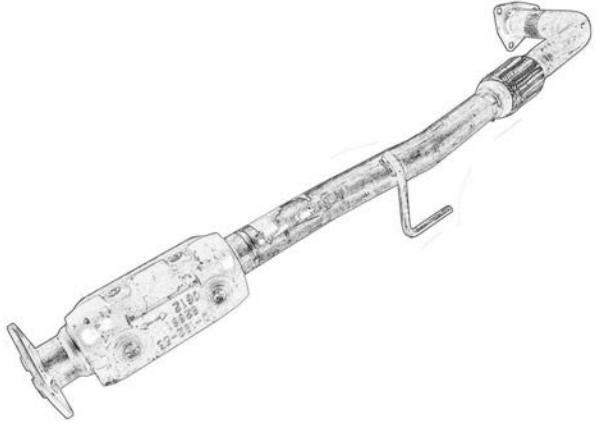
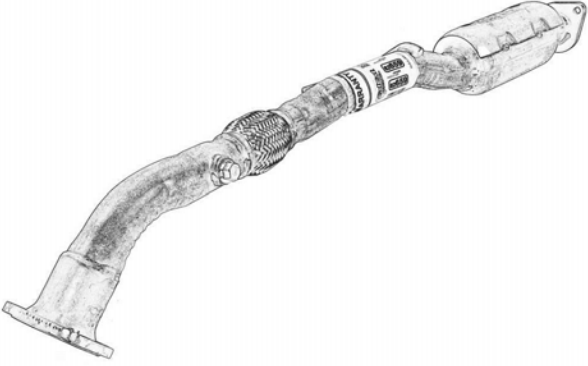
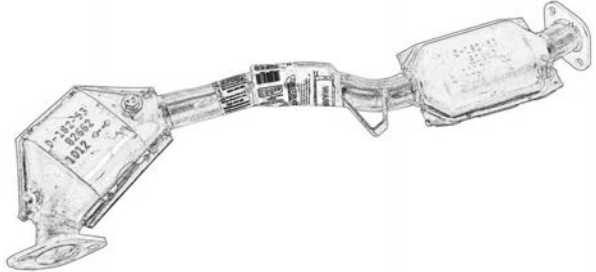
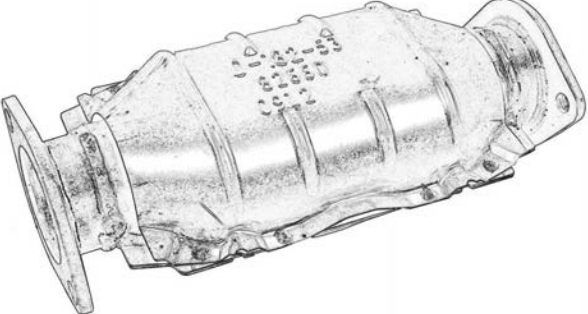
 NUMERICAL

 UNIVERSAL SPECIFICATIONS

NUMERICAL LISTING

| Year | Engine | Year | Engine | |
|---|----------------------|--|--------|-----------------------|
| 82651 | E.O. No. D-182-53 |  | | |
| Inlet | Outlet | | | Overall Length |
| 2 Bolt Welded Flange | 2 Bolt Welded Flange | | | 31 1/4" |
| Toyota — Tacoma 2004-00 2.4L L4 2.7L L4 | | Ford — Ranger 2006-04 3.0L V6 Mazda — B3000 2006-04 3.0L V6 | | |
| 82654 | E.O. No. D-182-53 |  | | |
| Inlet | Outlet | | | Overall Length |
| 2 Bolt Welded Flanges | 2 Bolt Welded Flange | | | 49 3/4" |
| Lexus — ES300 2003-02 3.0L V6 Toyota — Camry 2006-02 3.0L V6 | | Ford — Taurus 2005-00 3.0L V6 Mercury — Sable 2005-00 3.0L V6 | | |
| 82655 | E.O. No. D-182-53 |  | | |
| Inlet | Outlet | | | Overall Length |
| 3 Bolt Welded Flange | 2 Bolt Welded Flange | | | 36 5/8" |
| Ford — Ranger 2000-98 3.0L V6 Mazda — B3000 2000-98 3.0L V6 | | 82658 E.O. No. D-182-53  | | |
| Inlet | Outlet | Overall Length | | |
| 2 Bolt Welded Flange | 2 Bolt Welded Flange | 23 5/8" | | |

NUMERICAL LISTING

| Year | Engine | Year | Engine | | | | | | | | | | | | |
|---|----------------------|---|--------|----------------|----------------------|----------------------|----------------------|---|-----|-------|--------|----------------|----------------------|----------------------|-----|
| 82658 (Cont.) Subaru – Forester 1998 2.5L H4 Subaru – Impreza 1999-98 2.5L H4 1999-95 2.2L H4 1997 1.8L H4 Subaru – Legacy 1999-96 2.5L H4 1999-95 2.2L H4 | | 82661 E.O. No. D-182-53  | | | | | | | | | | | | | |
| 82659 E.O. No. D-182-53  | | <table border="1" style="width: 100%; border-collapse: collapse;"> <thead> <tr> <th style="width: 33%;">Inlet</th> <th style="width: 33%;">Outlet</th> <th style="width: 33%;">Overall Length</th> </tr> </thead> <tbody> <tr> <td>3 Bolt Welded Flange</td> <td>2 Bolt Welded Flange</td> <td>46"</td> </tr> </tbody> </table> | | Inlet | Outlet | Overall Length | 3 Bolt Welded Flange | 2 Bolt Welded Flange | 46" | | | | | | |
| Inlet | Outlet | Overall Length | | | | | | | | | | | | | |
| 3 Bolt Welded Flange | 2 Bolt Welded Flange | 46" | | | | | | | | | | | | | |
| Nissan – Altima 2003-02 2.5L L4 Nissan – Sentra 2006-02 2.5L L4 | | 82662 E.O. No. D-182-53  | | | | | | | | | | | | | |
| <table border="1" style="width: 100%; border-collapse: collapse;"> <thead> <tr> <th style="width: 33%;">Inlet</th> <th style="width: 33%;">Outlet</th> <th style="width: 33%;">Overall Length</th> </tr> </thead> <tbody> <tr> <td>2 Bolt Welded Flange</td> <td>2 Bolt Welded Flange</td> <td>40 1/4"</td> </tr> </tbody> </table> | | Inlet | Outlet | Overall Length | 2 Bolt Welded Flange | 2 Bolt Welded Flange | 40 1/4" | <table border="1" style="width: 100%; border-collapse: collapse;"> <thead> <tr> <th style="width: 33%;">Inlet</th> <th style="width: 33%;">Outlet</th> <th style="width: 33%;">Overall Length</th> </tr> </thead> <tbody> <tr> <td>2 Bolt Welded Flange</td> <td>2 Bolt Welded Flange</td> <td>35"</td> </tr> </tbody> </table> | | Inlet | Outlet | Overall Length | 2 Bolt Welded Flange | 2 Bolt Welded Flange | 35" |
| Inlet | Outlet | Overall Length | | | | | | | | | | | | | |
| 2 Bolt Welded Flange | 2 Bolt Welded Flange | 40 1/4" | | | | | | | | | | | | | |
| Inlet | Outlet | Overall Length | | | | | | | | | | | | | |
| 2 Bolt Welded Flange | 2 Bolt Welded Flange | 35" | | | | | | | | | | | | | |
| 82660 E.O. No. D-182-53  | | Subaru – Baja 2003 2.5L H4 Subaru – Legacy 2003-00 2.5L H4 Subaru – Outback 2003-00 2.5L H4 | | | | | | | | | | | | | |
| <table border="1" style="width: 100%; border-collapse: collapse;"> <thead> <tr> <th style="width: 33%;">Inlet</th> <th style="width: 33%;">Outlet</th> <th style="width: 33%;">Overall Length</th> </tr> </thead> <tbody> <tr> <td>2 Bolt Welded Flange</td> <td>2 Bolt Welded Flange</td> <td>12 3/8"</td> </tr> </tbody> </table> | | Inlet | Outlet | Overall Length | 2 Bolt Welded Flange | 2 Bolt Welded Flange | 12 3/8" | Subaru – Altima 2001-95 2.4L L4 | | | | | | | |
| Inlet | Outlet | Overall Length | | | | | | | | | | | | | |
| 2 Bolt Welded Flange | 2 Bolt Welded Flange | 12 3/8" | | | | | | | | | | | | | |

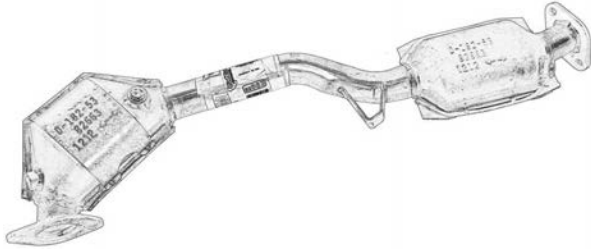
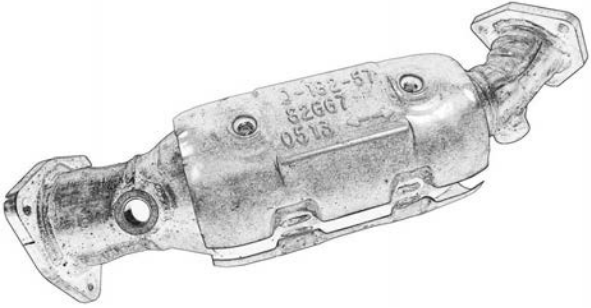
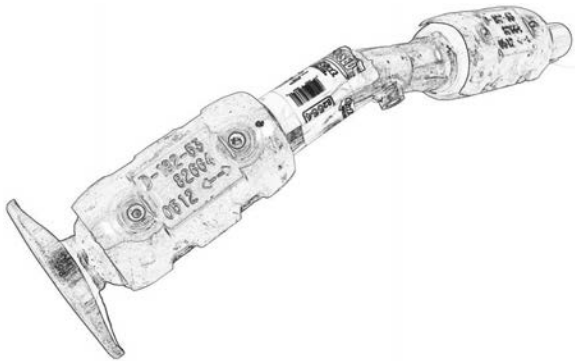
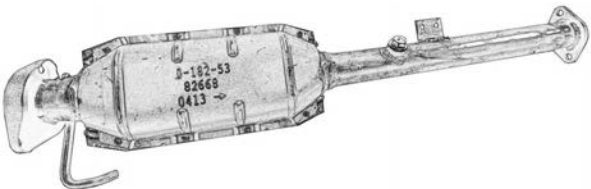
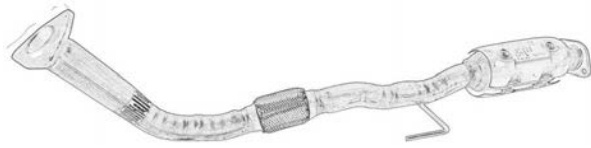
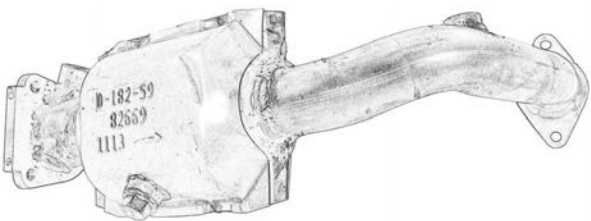
OBDII APPLICATIONS

NON-OBDII APPLICATIONS

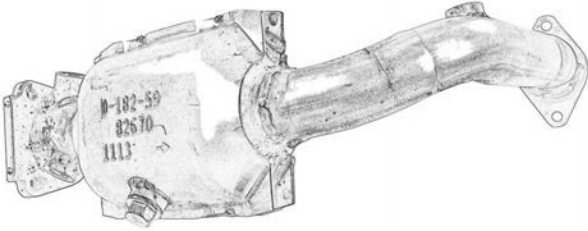
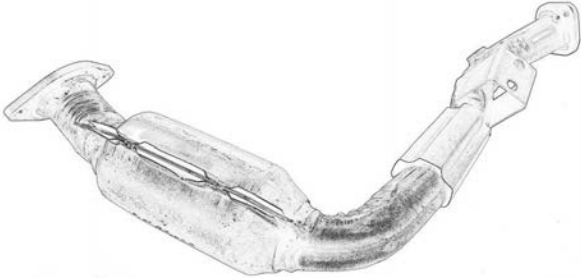
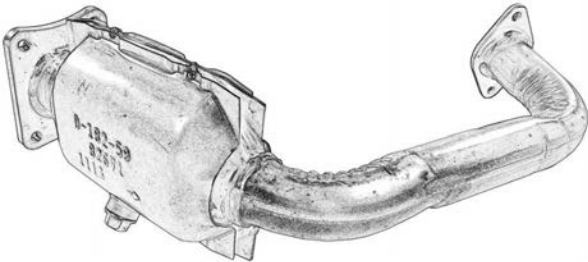
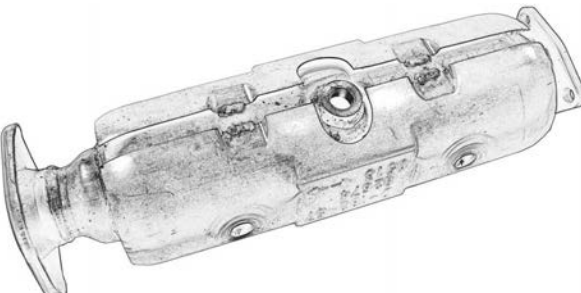
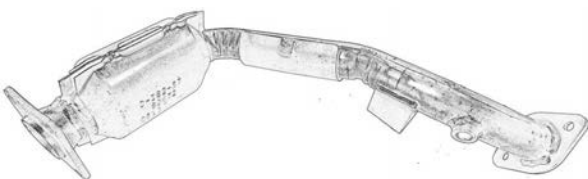
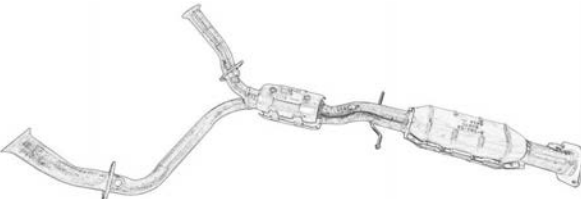
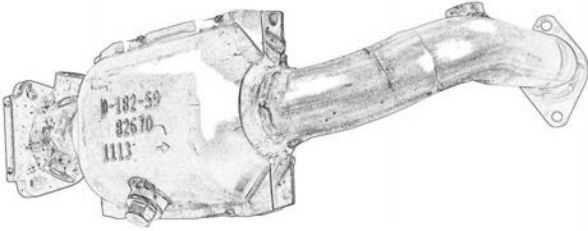
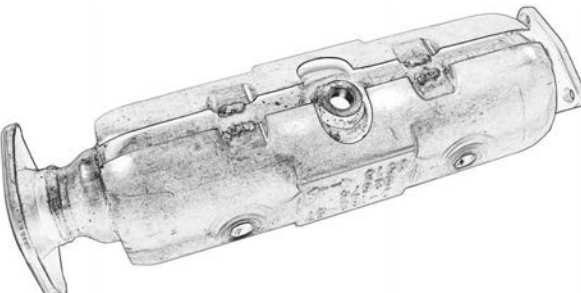
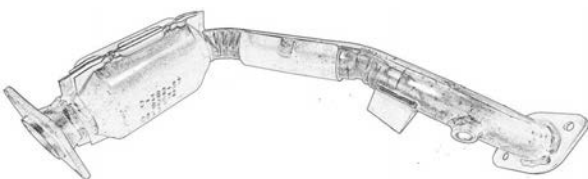
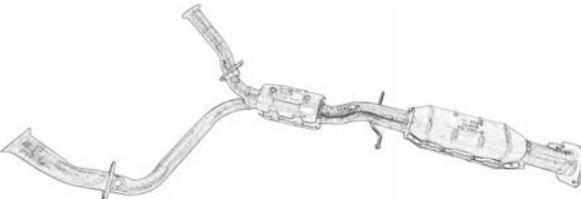
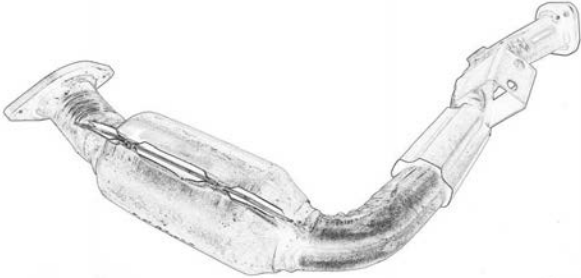
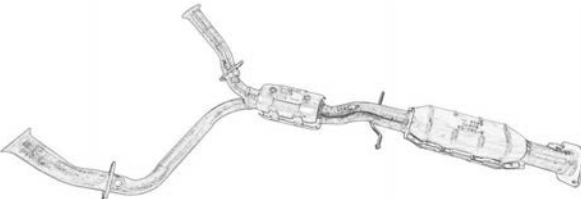
NUMERICAL

UNIVERSAL SPECIFICATIONS

NUMERICAL LISTING

| Year | Engine | Year | Engine |
|---|---------------------------------|--|----------------------|
| 82663 | E.O. No. D-182-53 | 82667 | E.O. No. D-182-57 |
|  | |  | |
| Inlet | Outlet | Inlet | Outlet |
| 2 Bolt Welded Flange | 2 Bolt Welded Flange | 3 Bolt Welded Flange | 3 Bolt Welded Flange |
| Overall Length | | Overall Length | |
| 35 ¹ / ₈ " | | 15 ³ / ₈ " | |
| Subaru – Forester 2004-99 2.5L H4 Subaru – Impreza 2004-00 2.5L H4 2001-00 2.2L H4 | | Audi – A4 2006-97 1.8L L4 Audi – A4 Quattro 2004-03 1.8L L4 2000-97 1.8L L4 Volkswagen – Passat 2005-98 1.8L L4 | |
| 82664 | E.O. No. D-182-53 | 82668 | E.O. No. D-182-53 |
|  | |  | |
| Inlet | Outlet | Inlet | Outlet |
| 2 Bolt Welded Flange | 2 ¹ / ₈ " | 2 Bolt Welded Flange | 2 Bolt Welded Flange |
| Overall Length | | Overall Length | |
| 31" | | 36" | |
| Pontiac – Vibe 2004-03 1.8L L4 Toyota – Corolla 2004-03 1.8L L4 Toyota – Matrix 2004-03 1.8L L4 | | Chevrolet – Tracker 2003-99 2.0L L4 Suzuki – Vitara 2003-99 2.0L L4 | |
| 82666 | E.O. No. D-182-53 | 82669 | E.O. No. D-182-59 |
|  | |  | |
| Inlet | Outlet | Inlet | Outlet |
| 3 Bolt Welded Flange | 2 Bolt Welded Flange | 3 Bolt Welded Flange | 2 Bolt Welded Flange |
| Overall Length | | Overall Length | |
| 42" | | 23 ¹ / ₂ " | |
| Toyota – Camry 1996-94 2.2L L4 | | Ford – Focus 2004-00 2.0L L4 | |

NUMERICAL LISTING

| Year | Engine | Year | Engine |
|---|--------------------------|--|--------------------------|
| 82670 | E.O. No. D-182-59 | 82673 | E.O. No. D-182-57 |
|  | |  | |
| Inlet | Outlet | Inlet | Outlet |
| 3 Bolt Welded Flange | 2 Bolt Welded Flange | 2 Bolt Welded Flange | 2 Bolt Welded Flange |
| Overall Length | | Overall Length | |
| 23 1/2" | | 20" | |
| 82671 | E.O. No. D-182-59 | 82674 | E.O. No. D-182-57 |
|  | |  | |
| Inlet | Outlet | Inlet | Outlet |
| 4 Bolt Welded Flange | 2 Bolt Welded Flange | 2 Bolt Welded Flange | 3 Bolt Welded Flange |
| Overall Length | | Overall Length | |
| 22 3/4" | | 16 3/4" | |
| 82672 | E.O. No. D-182-57 | 82675 | E.O. No. D-182-53 |
|  | |  | |
| Inlet | Outlet | Inlet | Outlet |
| 4 Bolt Welded Flange | 2 Bolt Welded Flange | 3 Bolt Loose Flanges With Spherical Flare | 2 Bolt Welded Flange |
| Overall Length | | Overall Length | |
| 16 3/8" | | 52" | |
| Ford — Focus 2002-00 2.0L L4 | | Ford — Escort 2003-98 2.0L L4 | |
| 82670 | | 82674 | |
| E.O. No. D-182-59 | | E.O. No. D-182-57 | |
|  | |  | |
| Inlet | Outlet | Inlet | Outlet |
| 3 Bolt Welded Flange | 2 Bolt Welded Flange | 2 Bolt Welded Flange | 2 Bolt Welded Flange |
| Overall Length | | Overall Length | |
| 23 1/2" | | 20" | |
| Ford — Focus 2004-00 2.0L L4 | | Honda — Civic 2000-99 1.6L L4 | |
| 82672 | | 82675 | |
| E.O. No. D-182-57 | | E.O. No. D-182-53 | |
|  | |  | |
| Inlet | Outlet | Inlet | Outlet |
| 4 Bolt Welded Flange | 2 Bolt Welded Flange | 3 Bolt Loose Flanges With Spherical Flare | 2 Bolt Welded Flange |
| Overall Length | | Overall Length | |
| 16 3/8" | | 52" | |
| Ford — Escort 2002-97 2.0L L4 | | Chevrolet — S10 2003-00 4.3L V6 | |
| Mercury — Tracer 1999-97 2.0L L4 | | GMC — Sonoma 2003-00 4.3L V6 | |
| 82673 | | Isuzu — Hombre 2000 4.3L V6 | |
| E.O. No. D-182-57 | | E.O. No. D-182-53 | |
|  | |  | |
| Inlet | Outlet | Inlet | Outlet |
| 2 Bolt Welded Flange | 2 Bolt Welded Flange | 3 Bolt Loose Flanges With Spherical Flare | 2 Bolt Welded Flange |
| Overall Length | | Overall Length | |
| 20" | | 52" | |

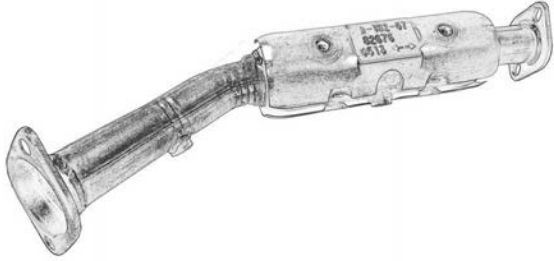
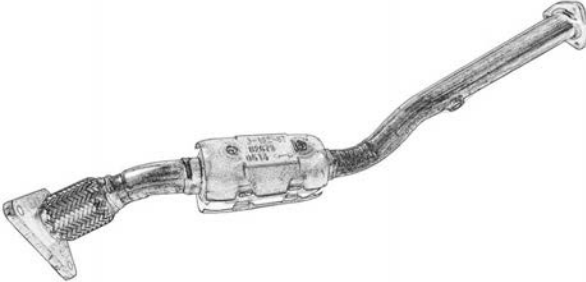
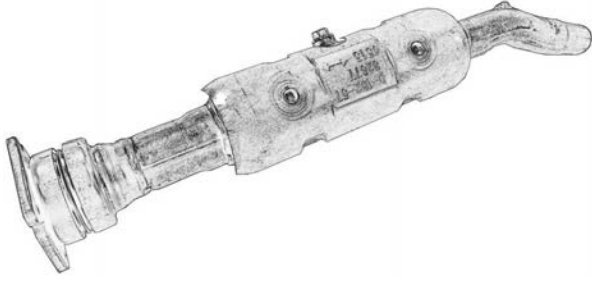
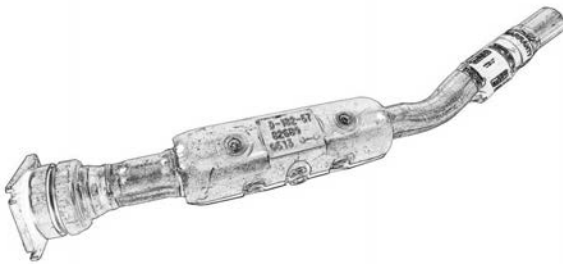
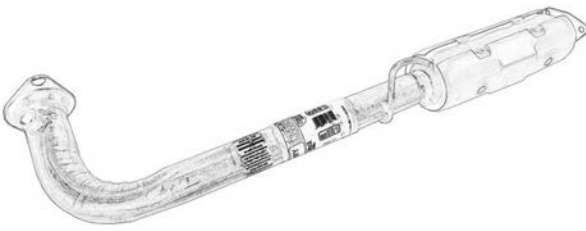
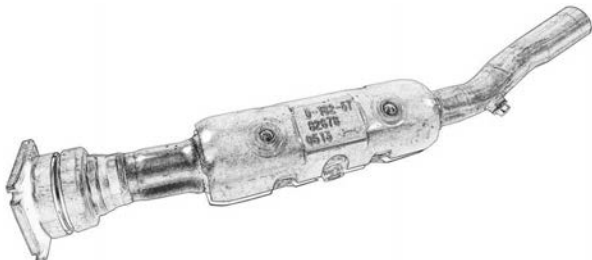
OBDII APPLICATIONS

NON-OBDII APPLICATIONS

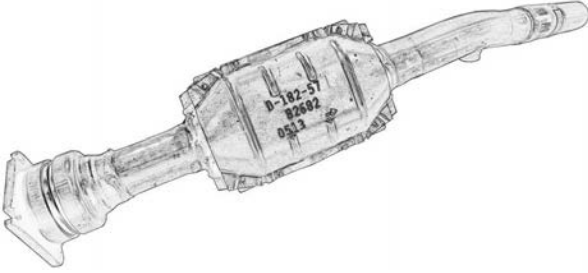
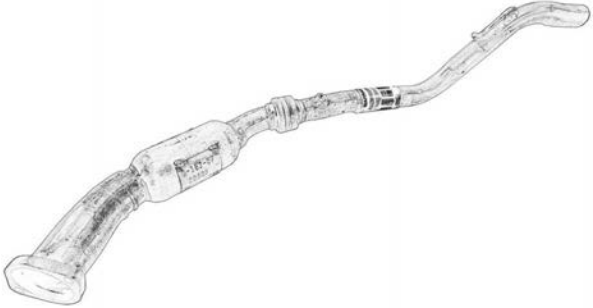
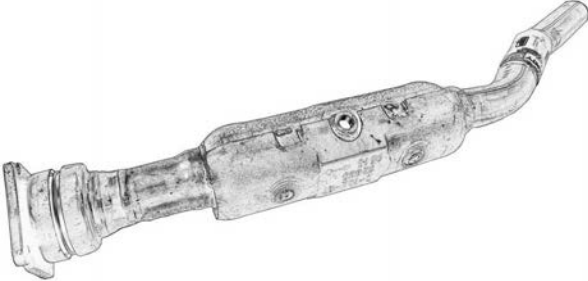
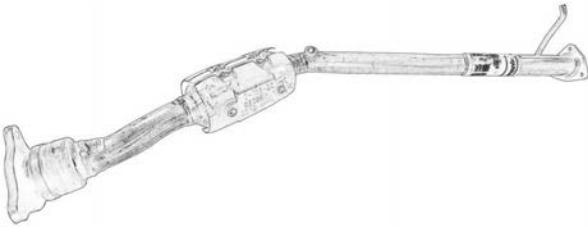
NUMERICAL

UNIVERSAL SPECIFICATIONS

NUMERICAL LISTING

| Year | Engine | Year | Engine |
|---|---------------------------------|--|-----------------------|
| 82676 | E.O. No. D-182-57 | 82679 | E.O. No. D-182-57 |
|  | |  | |
| Inlet | Outlet | Overall Length | Inlet |
| 2 Bolt Welded Flange | 2 Bolt Welded Flange | 27" | 3 Bolt Welded Flange |
| Mazda — 6 2005-03 2.3L L4 | | Saturn — Ion 2004-03 2.2L L4 | |
| 82677 | E.O. No. D-182-57 | 82680 | E.O. No. D-182-57 |
|  | |  | |
| Inlet | Outlet | Overall Length | Inlet |
| 4 Bolt Welded Flange | 2" | 32 ⁷ / ₈ " | 4 Bolt Welded Flange |
| Dodge — Neon 2001-00 2.0L L4 | | Chrysler — PT Cruiser 2003-01 2.4L L4 | |
| Plymouth — Neon 2001-00 2.0L L4 | | 82681 | |
| 82678 | E.O. No. D-182-57 |  | |
|  | | Inlet | Outlet |
| Inlet | Outlet | Overall Length | Overall Length |
| 4 Bolt Welded Flange | 2 ¹ / ₄ " | 33" | 2 Bolt Welded Flange |
| Dodge — Neon 2005-01 2.0L L4 | | Honda — Civic 2005-01 1.7L L4 | |
| Plymouth — Neon 2001 2.0L L4 | | | |

NUMERICAL LISTING

| Year | Engine | Year | Engine |
|---|----------------------|--|-------------------|
| 82682 | E.O. No. D-182-57 | 82685 | E.O. No. D-182-57 |
|  | |  | |
| Inlet | Outlet | Inlet | Outlet |
| 4 Bolt Welded Flange | 2 1/4" | 2 Bolt Welded Flange | 2 1/4" |
| Overall Length | | Overall Length | |
| 38 3/8" | | 49" | |
| Dodge — Stratus 2000-98 2.0L L4 | | Chrysler — 300 2006-05 2.7L V6 3.5L V6 | |
| Plymouth — Breeze 2000-98 2.0L L4 | | Dodge — Charger 2006 2.7L V6 3.5L V6 | |
| 82683 | E.O. No. D-182-57 | Dodge — Magnum 2006-05 2.7L V6 3.5L V6 | |
|  | | 82686 E.O. No. D-182-57 | |
| Inlet | Outlet | Inlet | Outlet |
| 4 Bolt Welded Flange | 2 1/4" | 2 Bolt Welded Flange | 2 1/4" |
| Overall Length | | Overall Length | |
| 37 7/8" | | 49" | |
| Chrysler — Sebring 2004-01 2.4L L4 | | Chrysler — 300 2006-05 2.7L V6 3.5L V6 | |
| Dodge — Stratus 2004-01 2.4L L4 | | Dodge — Charger 2006 2.7L V6 3.5L V6 | |
| 82684 | E.O. No. D-182-57 | Dodge — Magnum 2006-05 2.7L V6 3.5L V6 | |
|  | | 82686 E.O. No. D-182-57 | |
| Inlet | Outlet | Inlet | Outlet |
| 3 Bolt Welded Flange | 3 Bolt Welded Flange | 2 Bolt Welded Flange | 2 1/4" |
| Overall Length | | Overall Length | |
| 42 1/2" | | 49" | |
| Saturn — Vue 2006-02 2.2L L4 | | | |

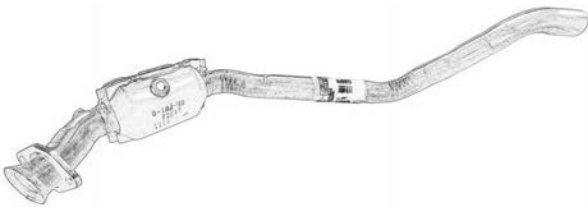

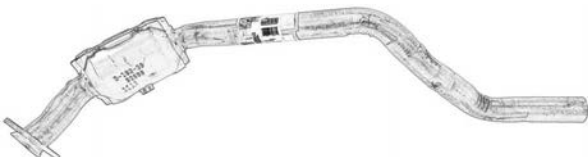

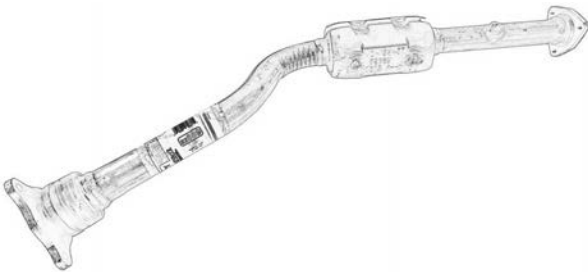

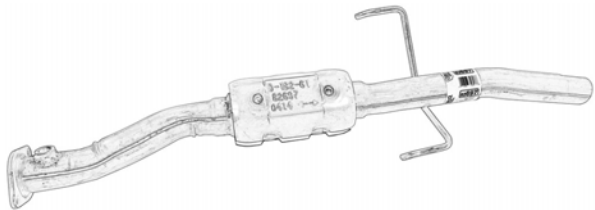
OBDII APPLICATIONS

NON-OBDII APPLICATIONS


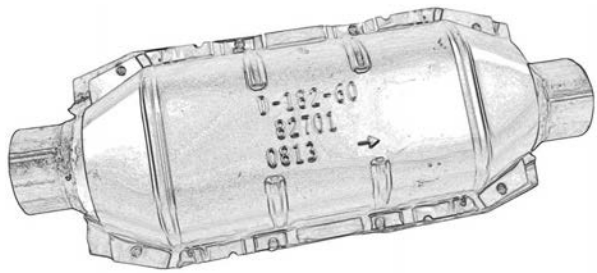
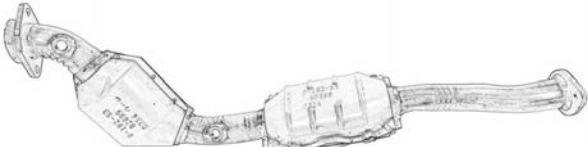
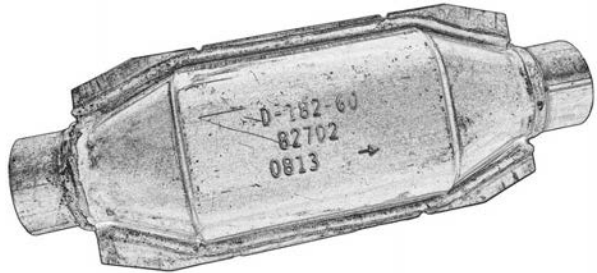



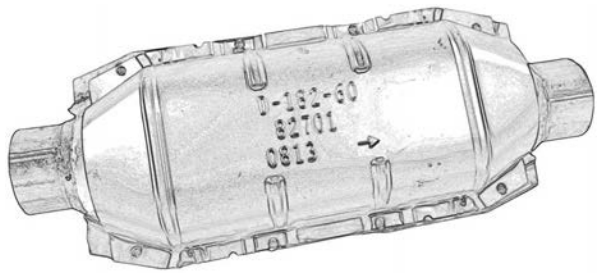
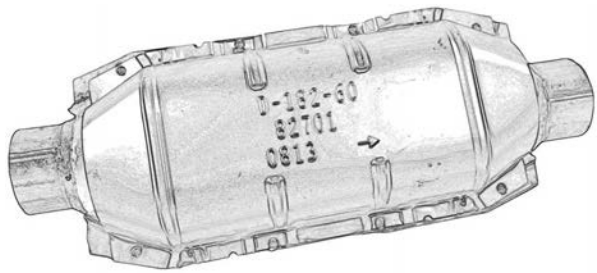
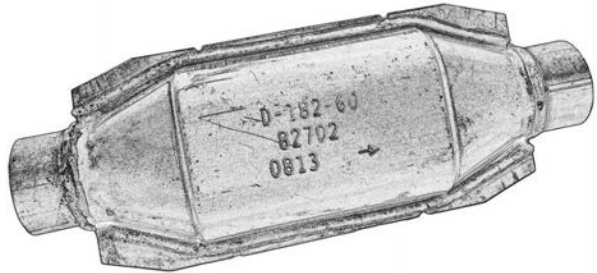
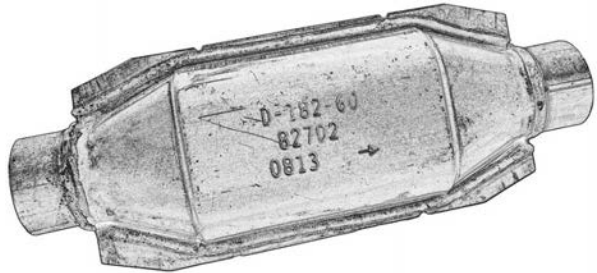


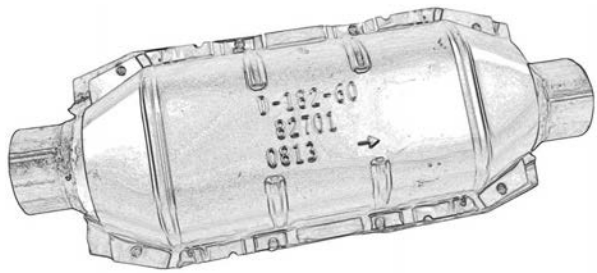

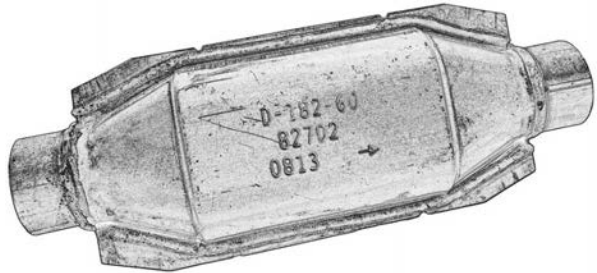
NUMERICAL

UNIVERSAL SPECIFICATIONS

NUMERICAL LISTING

| Year | Engine | Year | Engine |
|--|----------------------|--|----------------------|
| 82687 | E.O. No. D-182-59 | 82690 | E.O. No. D-182-57 |
|  | |  | |
| Inlet | Outlet | Inlet | Outlet |
| 2 Bolt Loose Flange | 2 1/4" | 4 Bolt Welded Flange | 3 Bolt Welded Flange |
| Overall Length | | Overall Length | |
| 41 1/2" | | 38 1/8" | |
| Ford — Thunderbird 2002 3.9L V8 Jaguar — S-Type 2002-00 4.0L V8 Lincoln — LS 2002-00 3.9L V8 | | Chevrolet — Cavalier 1998-96 2.4L L4 Chevrolet — Malibu 1998-97 2.4L L4 Pontiac — Grand Am 1999 2.4L L4 Pontiac — Sunfire 1998-96 2.4L L4 | |
| 82688 | E.O. No. D-182-59 | 82691 | E.O. No. D-182-53 |
|  | |  | |
| Inlet | Outlet | Inlet | Outlet |
| 2 Bolt Loose Flange | 2 1/4" | 4 Bolt Welded Flange | 2 1/2" |
| Overall Length | | Overall Length | |
| 43 1/2" | | 38" | |
| Ford — Thunderbird 2002 3.9L V8 Jaguar — S-Type 2002-00 4.0L V8 Lincoln — LS 2002-00 3.9L V8 | | Volvo — S40 2004-00 1.9L L4 Volvo — V40 2004-00 1.9L L4 | |
| 82689 | E.O. No. D-182-57 | 82693 | E.O. No. D-182-61 |
|  | |  | |
| Inlet | Outlet | Inlet | Outlet |
| 3 Bolt Welded Flange | 3 Bolt Welded Flange | 2 Bolt Welded Flange | 2" |
| Overall Length | | Overall Length | |
| 43" | | 29 1/2" | |
| Saturn — L100 2002-01 2.2L L4 Saturn — L200 2003-01 2.2L L4 Saturn — L300 2004 2.2L L4 Saturn — LW200 2003-01 2.2L L4 | | Ford — Escape 2005-01 3.0L V6 Mazda — Tribute 2005-01 3.0L V6 | |
| 82697 | E.O. No. D-182-61 |  | |
| Inlet | Outlet | Overall Length | |
| 2 Bolt Welded Flange | 2 1/8" | 40 1/4" | |

NUMERICAL LISTING

| Year | Engine | Year | Engine | | | |
|--|--------|--|--------|--|----------------------|-----------------------|
| 82697 (Cont.) Toyota — RAV4 2005-04 2.4L L4 | | 82701 E.O. No. D-182-60 | | | | |
|  | |  | | | | |
| | | | | Inlet | Outlet | Overall Length |
| | | | | 2 Bolt Loose Flange With Spherical Flare | 2 Bolt Welded Flange | 36" |
| 82698 E.O. No. D-182-53 | | 82702 E.O. No. D-182-60 | | | | |
|  | |  | | | | |
| | | | | Inlet | Outlet | Overall Length |
| | | | | 2 Bolt Loose Flange With Spherical Flare | 2 Bolt Welded Flange | 36" |
| 82699 E.O. No. D-182-53 | | 82700 E.O. No. D-182-60 | | | | |
|  | |  | | | | |
| | | | | Inlet | Outlet | Overall Length |
| | | | | 2" | 2" | 16¼" |
| 82700 E.O. No. D-182-60 | | 82701 E.O. No. D-182-60 | | | | |
|  | |  | | | | |
| | | | | Inlet | Outlet | Overall Length |
| | | | | 2¼" | 2¼" | 16¼" |
| 82701 E.O. No. D-182-60 | | 82702 E.O. No. D-182-60 | | | | |
|  | |  | | | | |
| | | | | Inlet | Outlet | Overall Length |
| | | | | 2½" | 2½" | 16¼" |
| 82702 E.O. No. D-182-60 | | 82700 E.O. No. D-182-60 | | | | |
|  | |  | | | | |
| | | | | Inlet | Outlet | Overall Length |
| | | | | 2" | 2" | 16¼" |
| 82703 E.O. No. D-182-60 | | 82701 E.O. No. D-182-60 | | | | |
|  | |  | | | | |
| | | | | Inlet | Outlet | Overall Length |
| | | | | 2" | 2" | 16¼" |
| 82704 E.O. No. D-182-60 | | 82702 E.O. No. D-182-60 | | | | |
|  | |  | | | | |
| | | | | Inlet | Outlet | Overall Length |
| | | | | 2" | 2" | 16¼" |

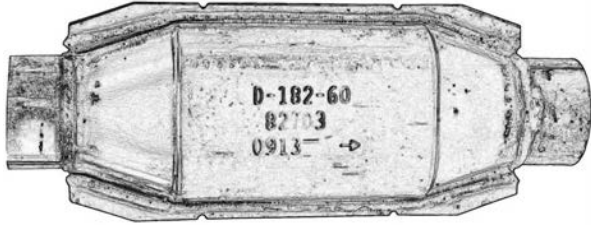
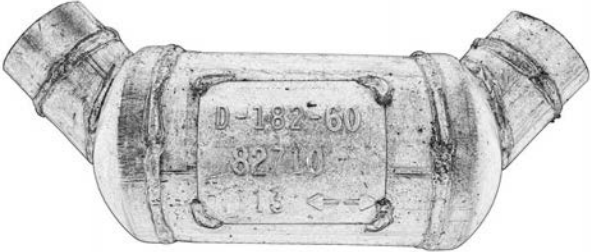
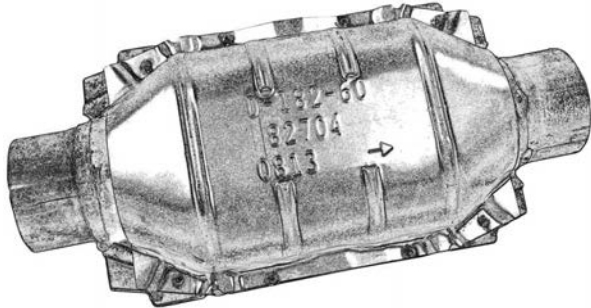

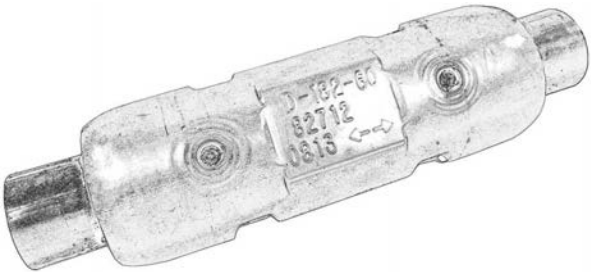
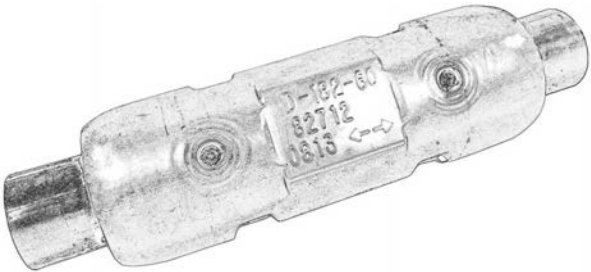
OBDII APPLICATIONS

NON-OBDII APPLICATIONS

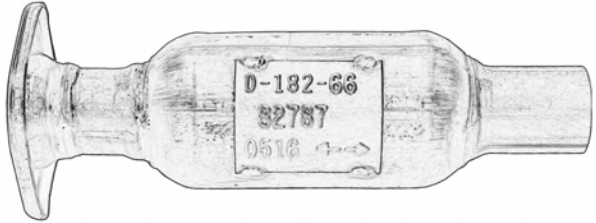
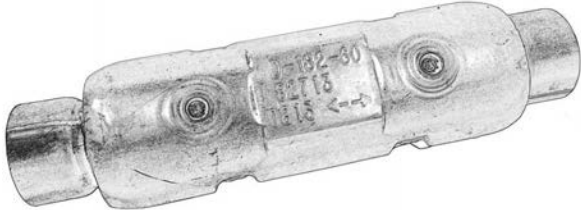
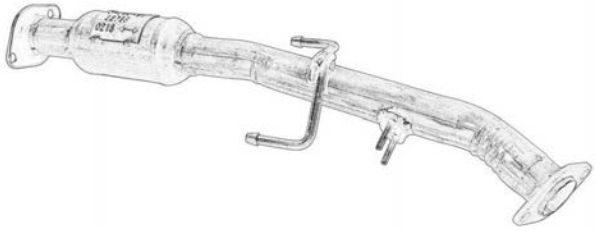
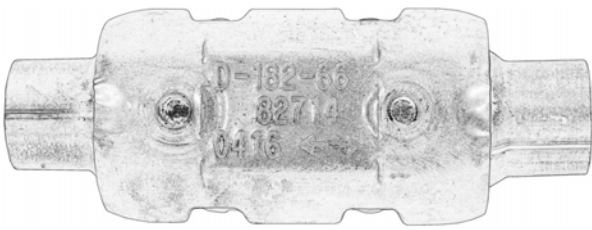


NUMERICAL

UNIVERSAL SPECIFICATIONS

NUMERICAL LISTING

| Year | Engine | Year | Engine |
|---|-------------------|--|-------------------|
| 82703 | E.O. No. D-182-60 | 82710 | E.O. No. D-182-60 |
|  | |  | |
| Inlet | Outlet | Inlet | Outlet |
| 3" | 3" | 2" | 2" |
| Overall Length | | Overall Length | |
| 16 1/4" | | 10 3/4" | |
| 82704 | E.O. No. D-182-60 | 82711 | E.O. No. D-182-60 |
|  | |  | |
| Inlet | Outlet | Inlet | Outlet |
| 2 1/2" | 2 1/2" | 2 1/4" | 2 1/4" |
| Overall Length | | Overall Length | |
| 13 1/4" | | 12" | |
| 82712 | E.O. No. D-182-60 | 82712 | E.O. No. D-182-60 |
|  | |  | |
| Inlet | Outlet | Inlet | Outlet |
| 2 1/2" | 2 1/2" | 2 1/2" | 2 1/2" |
| Overall Length | | Overall Length | |
| 17 1/2" | | 17 1/2" | |
| Dodge — Ram 1500 2001-00 5.2L V8 5.9L V8 Dodge — Ram 1500 Van 2002-00 5.9L V8 2000 5.2L V8 Dodge — Ram 2500 2003 8.0L V10 2002-00 5.9L V8 Dodge — Ram 2500 Van 2002-00 5.9L V8 2000 5.2L V8 Dodge — Ram 3500 2003 8.0L V10 2001-00 5.9L V8 Dodge — Ram 3500 Van 2002-00 5.9L V8 2000 5.2L V8 | | Mercedes-Benz — ML320 2003-00 3.2L V6 Mercedes-Benz — ML350 2004-03 3.7L V6 | |
| Jeep — Cherokee 1999-97 4.0L L6 Jeep — Grand Cherokee 1998-97 4.0L L6 | | Toyota — Highlander 2003-01 3.0L V6 Toyota — Sienna 2003-99 3.0L V6 Volkswagen — Touareg 2006-04 4.2L V8 | |
| Dodge — Dakota 2003-01 3.9L V6 5.9L V8 2003-00 4.7L V8 | | | |

NUMERICAL LISTING

| Year | Engine | Year | Engine | | | | | | | | | | | | |
|---|--------|---|----------------------|----------------|--------|----------------|---------|--|-----|-------|--------|----------------|--|--|--|
| 82712 (Cont.) | | 82787 E.O. No. D-182-66 | | | | | | | | | | | | | |
| Dodge — Durango 2003-01 5.9L V8 2003-00 4.7L V8 Jeep — Liberty 2003-02 3.7L V6 Jeep — Wrangler 1999-98 4.0L L6 | |  | | | | | | | | | | | | | |
|  | | Inlet | Outlet | | | | | | | | | | | | |
| | | 2 Bolt Welded Flange | 2 1/4" | | | | | | | | | | | | |
| <table border="1" style="width: 100%; border-collapse: collapse;"> <thead> <tr> <th style="width: 33%;">Inlet</th> <th style="width: 33%;">Outlet</th> <th style="width: 33%;">Overall Length</th> </tr> </thead> <tbody> <tr> <td style="text-align: center;">3"</td> <td style="text-align: center;">3"</td> <td style="text-align: center;">17 1/8"</td> </tr> </tbody> </table> | | Inlet | Outlet | Overall Length | 3" | 3" | 17 1/8" | <table border="1" style="width: 100%; border-collapse: collapse;"> <thead> <tr> <th style="width: 33%;">Inlet</th> <th style="width: 33%;">Outlet</th> <th style="width: 33%;">Overall Length</th> </tr> </thead> <tbody> <tr> <td colspan="3"> Lexus — ES300 2001-99 3.0L V6 Toyota — Avalon 2004-00 3.0L V6 </td> </tr> </tbody> </table> | | Inlet | Outlet | Overall Length | Lexus — ES300 2001-99 3.0L V6 Toyota — Avalon 2004-00 3.0L V6 | | |
| | | Inlet | Outlet | Overall Length | | | | | | | | | | | |
| 3" | 3" | 17 1/8" | | | | | | | | | | | | | |
| Inlet | Outlet | Overall Length | | | | | | | | | | | | | |
| Lexus — ES300 2001-99 3.0L V6 Toyota — Avalon 2004-00 3.0L V6 | | | | | | | | | | | | | | | |
| 82713 E.O. No. D-182-60 | | 82788 E.O. No. D-182-60 | | | | | | | | | | | | | |
| | |  | | | | | | | | | | | | | |
| Dodge — Ram 1500 2003-02 4.7L V8 2002 5.9L V8 | | Inlet | Outlet | | | | | | | | | | | | |
| | | 2 Bolt Welded Flange | 2 Bolt Welded Flange | | | | | | | | | | | | |
| 82714 E.O. No. D-182-66 | | <table border="1" style="width: 100%; border-collapse: collapse;"> <thead> <tr> <th style="width: 33%;">Inlet</th> <th style="width: 33%;">Outlet</th> <th style="width: 33%;">Overall Length</th> </tr> </thead> <tbody> <tr> <td style="text-align: center;">2 1/4"</td> <td style="text-align: center;">2 1/4"</td> <td style="text-align: center;">12"</td> </tr> </tbody> </table> | | Inlet | Outlet | Overall Length | 2 1/4" | 2 1/4" | 12" | | | | | | |
| | | Inlet | Outlet | Overall Length | | | | | | | | | | | |
| 2 1/4" | 2 1/4" | 12" | | | | | | | | | | | | | |
|  | | 82789 E.O. No. D-182-60 | | | | | | | | | | | | | |
| | |  | | | | | | | | | | | | | |
| Lexus — ES300 2001-98 3.0L V6 Toyota — Avalon 2004-98 3.0L V6 Toyota — Camry 2001-98 3.0L V6 Toyota — Solara 2003-99 3.0L V6 | | Inlet | Outlet | | | | | | | | | | | | |
| | | 2 1/2" | 2 1/4" | | | | | | | | | | | | |
| Jeep — Cherokee 1999-97 4.0L L6 Jeep — Grand Cherokee 1998-97 4.0L L6 | | <table border="1" style="width: 100%; border-collapse: collapse;"> <thead> <tr> <th style="width: 33%;">Inlet</th> <th style="width: 33%;">Outlet</th> <th style="width: 33%;">Overall Length</th> </tr> </thead> <tbody> <tr> <td style="text-align: center;">2 1/2"</td> <td style="text-align: center;">2 1/4"</td> <td style="text-align: center;">23"</td> </tr> </tbody> </table> | | Inlet | Outlet | Overall Length | 2 1/2" | 2 1/4" | 23" | | | | | | |
| | | Inlet | Outlet | Overall Length | | | | | | | | | | | |
| 2 1/2" | 2 1/4" | 23" | | | | | | | | | | | | | |
| <table border="1" style="width: 100%; border-collapse: collapse;"> <thead> <tr> <th style="width: 33%;">Inlet</th> <th style="width: 33%;">Outlet</th> <th style="width: 33%;">Overall Length</th> </tr> </thead> <tbody> <tr> <td style="text-align: center;">3"</td> <td style="text-align: center;">3"</td> <td style="text-align: center;">17 1/8"</td> </tr> </tbody> </table> | | Inlet | Outlet | Overall Length | 3" | 3" | 17 1/8" | <table border="1" style="width: 100%; border-collapse: collapse;"> <thead> <tr> <th style="width: 33%;">Inlet</th> <th style="width: 33%;">Outlet</th> <th style="width: 33%;">Overall Length</th> </tr> </thead> <tbody> <tr> <td colspan="3"> Toyota — Sienna 2003-01 3.0L V6 </td> </tr> </tbody> </table> | | Inlet | Outlet | Overall Length | Toyota — Sienna 2003-01 3.0L V6 | | |
| | | Inlet | Outlet | Overall Length | | | | | | | | | | | |
| 3" | 3" | 17 1/8" | | | | | | | | | | | | | |
| Inlet | Outlet | Overall Length | | | | | | | | | | | | | |
| Toyota — Sienna 2003-01 3.0L V6 | | | | | | | | | | | | | | | |
| 82714 E.O. No. D-182-66 | | 82789 E.O. No. D-182-60 | | | | | | | | | | | | | |
| | |  | | | | | | | | | | | | | |

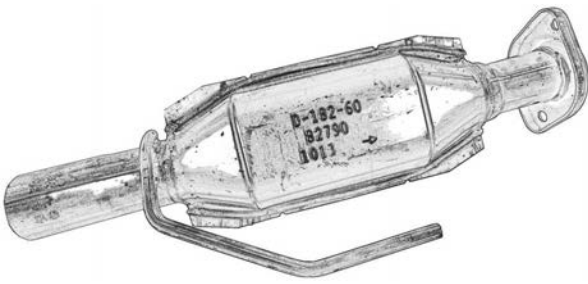
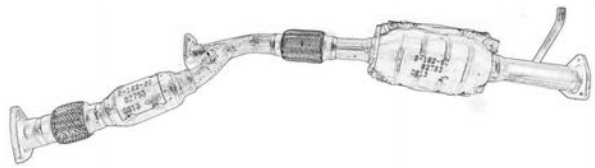
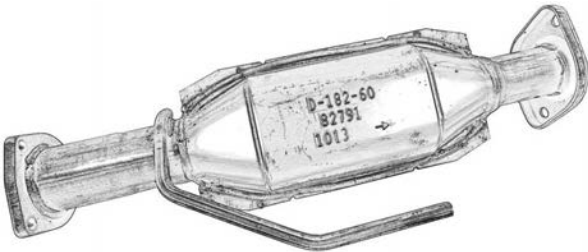
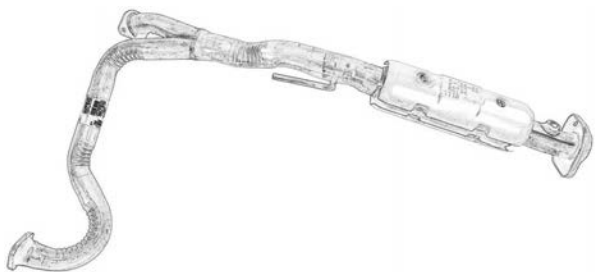
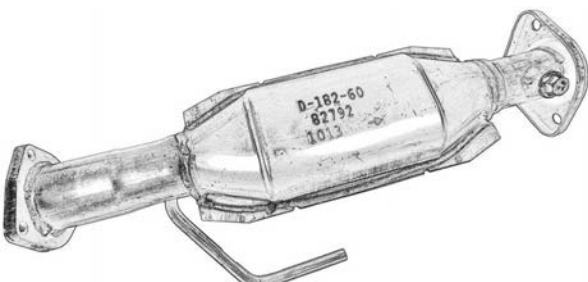
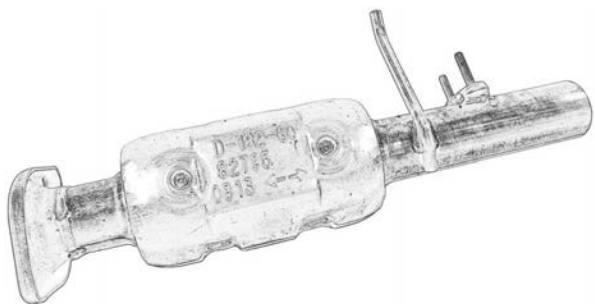
OBDII APPLICATIONS

NON-OBDII APPLICATIONS

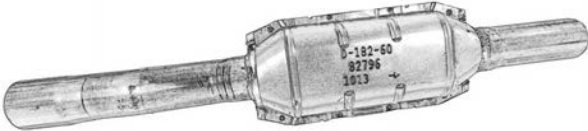



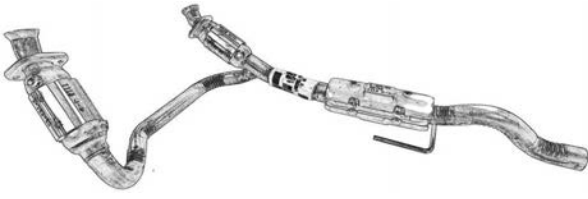



NUMERICAL

UNIVERSAL SPECIFICATIONS

NUMERICAL LISTING

| Year | Engine | Year | Engine |
|---|----------------------|--|----------------------|
| 82790 | E.O. No. D-182-60 | 82793 | E.O. No. D-182-60 |
|  | |  | |
| Inlet | Outlet | Inlet | Outlet |
| 2 1/2" | 2 Bolt Welded Flange | 3 Bolt Welded Flange & 2 Bolt Welded Flange | 3 Bolt Welded Flange |
| Overall Length | | Overall Length | |
| 24" | | 43 1/4" | |
| Jeep – Wrangler 2006-04 4.0L L6 | | Saturn – Vue 2003-02 3.0L V6 | |
| 82791 | E.O. No. D-182-60 | 82794 | E.O. No. D-182-60 |
|  | |  | |
| Inlet | Outlet | Inlet | Outlet |
| 3 Bolt Welded Flange | 2 Bolt Welded Flange | 2 Bolt Welded Flanges | 2 Bolt Welded Flange |
| Overall Length | | Overall Length | |
| 24" | | 43" | |
| Jeep – Wrangler 2003 4.0L L6 | | Jeep – Liberty 2003-02 3.7L V6 | |
| 82792 | E.O. No. D-182-60 | 82795 | E.O. No. D-182-60 |
|  | |  | |
| Inlet | Outlet | Inlet | Outlet |
| 3 Bolt Welded Flange | 2 Bolt Welded Flange | 2 Bolt Welded Flange | 2 1/4" |
| Overall Length | | Overall Length | |
| 24" | | 20" | |
| Jeep – Wrangler 2002-00 4.0L L6 | | Toyota – Highlander 2003-01 3.0L V6 | |

NUMERICAL LISTING

| Year | Engine | Year | Engine |
|---|--------------------------|--|--------------------------|
| 82796 | E.O. No. D-182-60 | 82802 | E.O. No. D-182-64 |
|  | |  | |
| Inlet | Outlet | Inlet | Outlet |
| 2 1/2" | 2 1/2" | 2 1/4" | 2 1/4" |
| Overall Length | | Overall Length | |
| 32" | | 12" | |
| 82797 | E.O. No. D-182-60 | Volkswagen — Beetle 2005-04 2.0L L4 | |
|  | | Volkswagen — Golf 2005-04 2.0L L4 | |
|  | | Volkswagen — Jetta 2005-04 2.0L L4 | |
| Inlet | Outlet | 82803 E.O. No. D-182-64 | |
| 2 1/2" | 2 1/4" | Inlet | Outlet |
| Overall Length | | Overall Length | |
| 35" | | 11 1/2" | |
| Jeep — Grand Cherokee 2004-02 4.0L L6 4.7L V8 | | Chevrolet — Malibu 2008 3.6L V6 2007-06 3.9L V6 2006-05 3.5L V6 | |
| 82798 | E.O. No. D-182-60 | Pontiac — G6 2009-08 3.5L V6 2009-06 3.9L V6 2007 3.6L V6 2006-05 3.5L V6 | |
|  | | Saturn — Aura 2008-07 3.6L V6 | |
| Inlet | Outlet | 82805 E.O. No. D-182-64 | |
| 2 Bolt Loose Flanges | 2 1/2" |  | |
| Overall Length | | Inlet | |
| 54" | | Outlet | |
| Dodge — Dakota 2003-01 3.9L V6 | | Overall Length | |
| 82799 E.O. No. D-182-60 | | 17 1/2" | |
|  | | Honda — Civic 2011-06 2.0L L4 | |
| Inlet | Outlet | 82806 E.O. No. D-182-64 | |
| 3 Bolt Welded Flange | 2 Bolt Loose Flange |  | |
| Overall Length | | Inlet | |
| 18" | | Outlet | |
| Jeep — Cherokee 2001-00 4.0L L6 | | Overall Length | |
| 82799 E.O. No. D-182-60 | | 17 1/2" | |



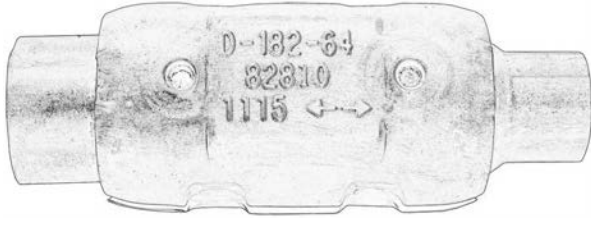
OBDII APPLICATIONS

NON-OBDII APPLICATIONS


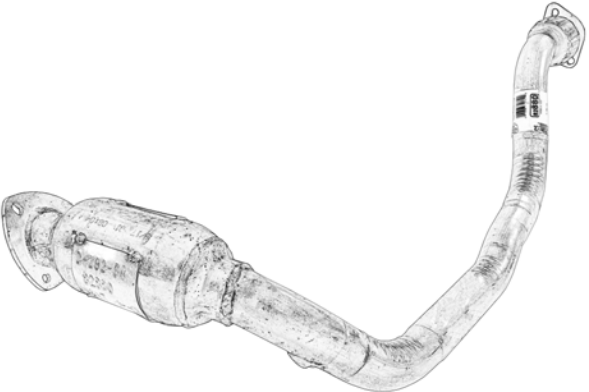
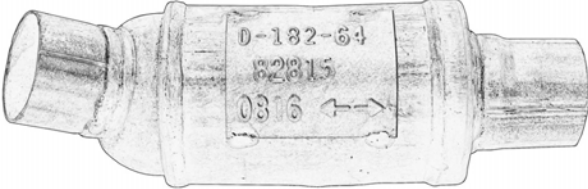
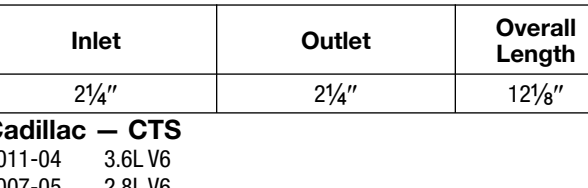
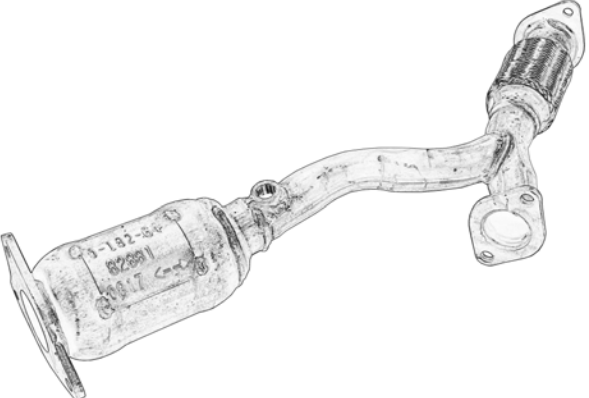
NUMERICAL

UNIVERSAL SPECIFICATIONS

NUMERICAL LISTING

| Year | Engine | Year | Engine | | |
|---|---------|--|-----------------------|----------------|---------|
| 82806 (Cont.) | | 82810 (Cont.) | | | |
| Acura – RSX | | Chrysler – 300 (Cont.) | | | |
| 2006-02 | 2.0L L4 | 2006 | 3.5L V6 | | |
| Honda – Civic | | Dodge – Charger | | | |
| 2005-02 | 2.0L L4 | 2009-06 | 2.7L V6 | | |
| 82807 | | 2006 | 3.5L V6 | | |
| E.O. No. D-182-64 | | Dodge – Magnum | | | |
| Inlet | Outlet | Overall Length | 2008-06 | 2.7L V6 | |
| 2½" | 2½" | 15½" | 2006 | 3.5L V6 | |
| Ford – Mustang | | 82811 | | | |
| 2006-05 | 4.0L V6 | E.O. No. D-182-64 | | | |
| Honda – S2000 | | Inlet | Outlet | Overall Length | |
| 2009-06 | 2.2L L4 | 2" | 2" | 12⅝" | |
| Mazda – 6 | | Honda – Fit | | | |
| 2008-06 | 2.3L L4 | 2008-07 | | 1.5L L4 | |
| Mazda – RX-8 | | 82812 | | | |
| 2011-04 | 1.3L R2 | E.O. No. D-182-64 | | | |
| 82809 | | E.O. No. D-182-64 | | | |
|  | | | | | |
| Inlet | Outlet | Overall Length | Honda – Accord | | |
| 2¼" | 2" | 12" | 2007-03 | | 2.4L L4 |
| Chevrolet – Cobalt | | Honda – Element | | | |
| 2007-06 | 2.4L L4 | 2011-03 | | 2.4L L4 | |
| 2007 | 2.0L L4 | 82813 | | | |
| 2005 | 2.2L L4 | E.O. No. D-182-64 | | | |
| Chevrolet – HHR | |  | | | |
| 2007-06 | 2.2L L4 | Inlet | Outlet | Overall Length | |
| | 2.4L L4 | 2½" | 2¼" | 17½" | |
| Pontiac – G5 | | Chrysler – PT Cruiser | | | |
| 2007 | 2.4L L4 | 2009-04 | | 2.4L L4 | |
| Saturn – Ion | | Chrysler – Sebring | | | |
| 2007-06 | 2.4L L4 | 2006-04 | | 2.4L L4 | |
| 2007 | 2.0L L4 | Dodge – Caliber | | | |
| 2005 | 2.2L L4 | 2011-09 | | 2.0L L4 | |
| 82810 | | 2009-08 | | 1.8L L4 | |
| E.O. No. D-182-64 | | 2009-08 | | 2.4L L4 | |
|  | | | | | |
| Inlet | Outlet | Overall Length | Dodge – Neon | | |
| 3" | 2¼" | 12" | 2005 | | 2.0L L4 |
| Chrysler – 300 | | Dodge – Stratus | | | |
| 2010-06 | 2.7L V6 | 2005-04 | | 2.4L L4 | |

NUMERICAL LISTING

| Year | Engine | Year | Engine |
|--|--------------------------|--|--------------------------|
| 82814 | E.O. No. D-182-64 | 82880 | E.O. No. D-182-64 |
|  | |  | |
| Inlet | Outlet | Overall Length | |
| 2 1/2" | 2" | 17 1/2" | |
| Honda — CR-V 2006-02 2.4L L4 | | | |
| 82815 | E.O. No. D-182-64 | | |
|  | | | |
| Inlet | Outlet | Overall Length | |
| 2 1/4" | 2 1/4" | 12 1/8" | |
| Cadillac — CTS 2011-04 3.6L V6 2007-05 2.8L V6 Cadillac — STS 2011-06 3.6L V6 | | | |
| 82816 | E.O. No. D-182-64 | | |
|  | | | |
| Inlet | Outlet | Overall Length | |
| 2 5/8" | 2 1/4" | 9 5/8" | |
| Chevrolet — Malibu 2008 3.6L V6 2007-06 3.9L V6 2006-05 3.5L V6 Pontiac — G6 2009-08 3.5L V6 2009-06 3.9L V6 2007 3.6L V6 2006-05 3.5L V6 Saturn — Aura 2008-07 3.6L V6 | | | |
| 82881 | E.O. No. D-182-64 | | |
|  | | | |
| Inlet | Outlet | Overall Length | |
| 2 5/8" | 2 5/16" | 28 5/8" | |
| Chevrolet — Malibu 2006-05 3.5L V6 Pontiac — G6 2006-05 3.5L V6 | | | |




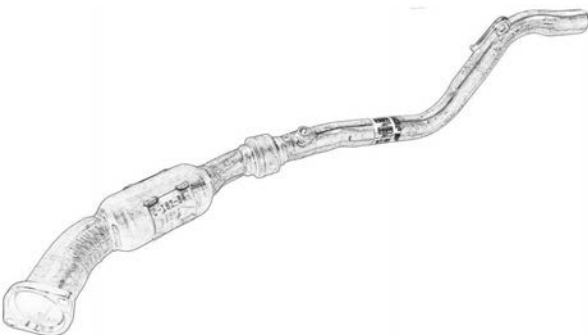
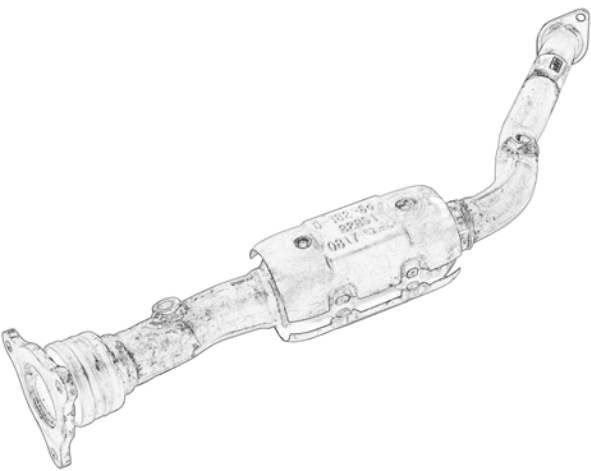
OBDII APPLICATIONS

NON-OBDII APPLICATIONS

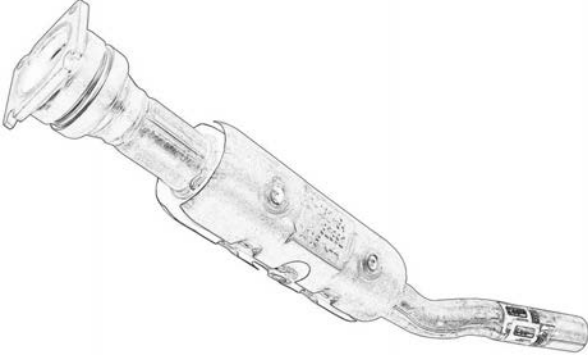
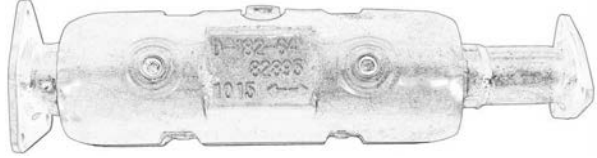
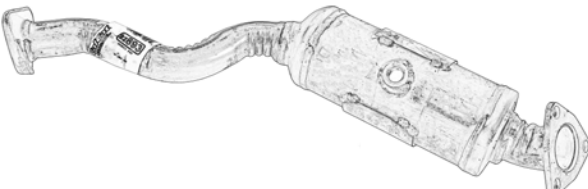
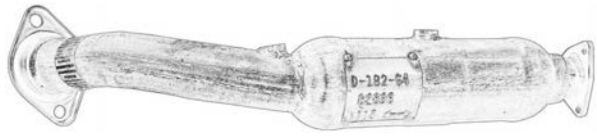




NUMERICAL

UNIVERSAL SPECIFICATIONS

NUMERICAL LISTING

| Year | Engine | Year | Engine |
|---|---------------------------------|---|---------------------------------|
| 82882 | E.O. No. D-182-64 | 82884 (Cont.) | |
|  | | Dodge — Charger (Cont.) 2006 3.5L V6 Dodge — Magnum 2007-06 2.7L V6 2006 3.5L V6 | |
| | | 82885 E.O. No. D-182-64  | |
| Inlet | Outlet | Overall Length | |
| 2" | 2" | 18 ⁵ / ₈ " | |
| Cadillac — CTS 2007-05 2.8L V6 2007-04 3.6L V6 | | Chrysler — 300 2007-06 2.7L V6 2006 3.5L V6 Dodge — Charger 2007-06 2.7L V6 2006 3.5L V6 Dodge — Magnum 2007-06 2.7L V6 2006 3.5L V6 | |
| 82883 | E.O. No. D-182-64 | 82889 | E.O. No. D-182-64 |
|  | | Inlet | Outlet |
| | | 2 Bolt Welded Flange | 2 ¹ / ₄ " |
| Inlet | Outlet | Overall Length | |
| 2" | 2" | 18 ⁵ / ₈ " | |
| Cadillac — CTS 2007-05 2.8L V6 2007-04 3.6L V6 | | Acura — RSX 2006-02 2.0L L4 Honda — Civic 2005-02 2.0L L4 | |
| 82884 | E.O. No. D-182-64 | 82891 | E.O. No. D-182-64 |
|  | |  | |
| | | | |
| Inlet | Outlet | Overall Length | |
| 2 Bolt Welded Flange | 2 ¹ / ₄ " | 48 ⁵ / ₈ " | |
| Chrysler — 300 2007-06 2.7L V6 2006 3.5L V6 Dodge — Charger 2007-06 2.7L V6 | | Chevrolet — Cobalt 2005 2.2L L4 Chevrolet — HHR 2007-06 2.2L L4 | |
| Inlet | Outlet | Overall Length | |
| 2 3/16" | 2" | 37 ⁷ / ₈ " | |

NUMERICAL LISTING

| Year | Engine | Year | Engine |
|--|---------------|--|--------|
| 82891 (Cont.) Saturn – Ion 2005 2.2L L4 | | 82894 (Cont.) Honda – Element 2011-03 2.4L L4 | |
| 82892 E.O. No. D-182-64 | | 82895 E.O. No. D-182-64 | |
|  | |  | |
| Inlet | Outlet | Overall Length | |
| 4 Bolt Welded Flange | 2 1/4" | 36" | |
| Chrysler – PT Cruiser 2009-04 2.4L L4 | | Honda – Accord 2007-03 2.4L L4 | |
| 82893 E.O. No. D-182-64 | | 82896 E.O. No. D-182-64 | |
|  | |  | |
| Inlet | Outlet | Overall Length | |
| 1 3/4" | 1 15/16" | 27 7/16" | |
| Honda – Fit 2008-07 1.5L L4 | | Honda – CR-V 2006-02 2.4L L4 | |
| 82894 E.O. No. D-182-64 | | 82901 E.O. No. D-182-67 | |
|  | |  | |
| Inlet | Outlet | Overall Length | |
| 2 Bolt Welded Flange | 2" | 15 1/2" | |
| Honda – Accord 2002-98 2.3L L4 | | 82902 E.O. No. D-182-67 | |
|  | |  | |
| Inlet | Outlet | Overall Length | |
| 2" | 2" | 17 1/2" | |
| Acura – CL 2003-01 3.2L V6 | | Acura – TL 2003-00 3.2L V6 | |







OBDDI APPLICATIONS

NON-OBDDI APPLICATIONS

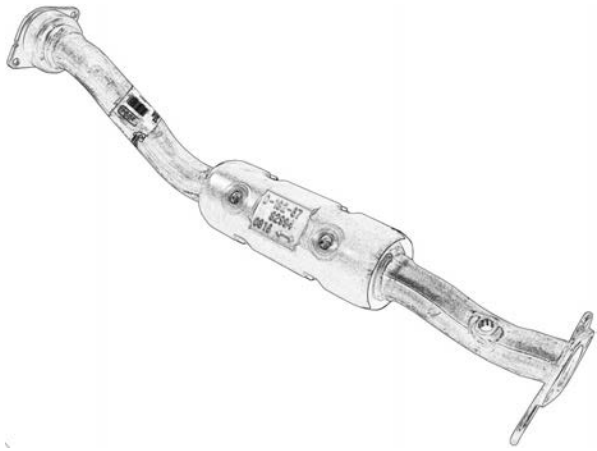



NUMERICAL

UNIVERSAL SPECIFICATIONS

NUMERICAL LISTING

| Year | Engine | Year | Engine |
|--|-------------------|---|-------------------|
| 82903 | E.O. No. D-182-67 | 82905 | E.O. No. D-182-67 |
|  | |  | |
| Inlet | Outlet | Inlet | Outlet |
| 2 1/2" | 2 1/2" | 2 1/2" | 2 1/4" |
| Overall Length | | Overall Length | |
| 15 1/2" | | 17 1/2" | |
| 82904 | E.O. No. D-182-67 | 82907 | E.O. No. D-182-67 |
|  | |  | |
| Inlet | Outlet | Inlet | Outlet |
| 2 1/2" | 2 1/2" | 2 1/4" | 2 1/4" |
| Overall Length | | Overall Length | |
| 17 1/2" | | 12" | |
| 82908 | E.O. No. D-182-67 | 82909 | E.O. No. D-182-67 |
|  | |  | |
| Inlet | Outlet | Inlet | Outlet |
| 3" | 3" | 3" | 3" |
| Overall Length | | Overall Length | |
| 12" | | 12" | |
| Ford — GT 2006-05 5.4L V8 Mazda — 6 2004-03 2.3L L4 Mercedes-Benz — CL600 2007-03 5.5L V12 Mercedes-Benz — CL65 AMG 2006-05 6.0L V12 Mercedes-Benz — S600 2007-03 5.5L V12 Mercedes-Benz — S65 AMG 2007-06 6.0L V12 Mercedes-Benz — SL600 2007-04 5.5L V12 Mercedes-Benz — SL65 AMG 2007-05 6.0L V12 Mercedes-Benz — SLK350 2005 3.5L V6 | | Chrysler — PT Cruiser 2002-01 2.4L L4 Chrysler — Sebring 2001 2.4L L4 Dodge — Neon 2003 2.0L L4 Dodge — Stratus 2001 2.4L L4 | |
| Buick — Regal 2002-00 3.8L V6 Chevrolet — Impala 2002-00 3.8L V6 Chevrolet — Monte Carlo 2002-00 3.8L V6 Pontiac — Grand Prix 2002-00 3.8L V6 | | Audi — Cabriolet 1997 2.8L V6 Volkswagen — Beetle 2003-01 2.0L L4 Volkswagen — Golf 2003-01 2.0L L4 Volkswagen — Jetta 2003-01 2.0L L4 | |
| Dodge — Charger 2006 6.1L V8 | | | |

NUMERICAL LISTING

| Year | Engine | Year | Engine | | | | | | | | | |
|---|----------------------|---|--------|----------------|--------|----------------|----------------------|--|---------|----------------------|----------------------|---------|
| 82908 (Cont.) Dodge — Magnum 2006 6.1L V8 2005 5.7L V8 | | 82994 E.O. No. D-182-67  | | | | | | | | | | |
| 82916 E.O. No. D-182-67  | | <table border="1" style="width: 100%; border-collapse: collapse;"> <thead> <tr> <th style="width: 33%;">Inlet</th> <th style="width: 33%;">Outlet</th> <th style="width: 33%;">Overall Length</th> </tr> </thead> <tbody> <tr> <td style="text-align: center;">2 1/2"</td> <td style="text-align: center;">2 1/2"</td> <td style="text-align: center;">11 3/4"</td> </tr> <tr> <td style="text-align: center;">2 Bolt Welded Flange</td> <td style="text-align: center;">2 Bolt Welded Flange</td> <td style="text-align: center;">38 3/8"</td> </tr> </tbody> </table> | | Inlet | Outlet | Overall Length | 2 1/2" | 2 1/2" | 11 3/4" | 2 Bolt Welded Flange | 2 Bolt Welded Flange | 38 3/8" |
| Inlet | Outlet | Overall Length | | | | | | | | | | |
| 2 1/2" | 2 1/2" | 11 3/4" | | | | | | | | | | |
| 2 Bolt Welded Flange | 2 Bolt Welded Flange | 38 3/8" | | | | | | | | | | |
| Cadillac — CTS 2006 6.0L V8 2005-04 5.7L V8 Chevrolet — Corvette 2006-05 6.0L V8 | | Buick — Regal 2002-00 3.8L V6 Chevrolet — Impala 2002-00 3.8L V6 Chevrolet — Monte Carlo 2002-00 3.8L V6 Pontiac — Grand Prix 2002-00 3.8L V6 | | | | | | | | | | |
| 82917 E.O. No. D-182-67  | | 82995 E.O. No. D-182-67 <table border="1" style="width: 100%; border-collapse: collapse;"> <thead> <tr> <th style="width: 33%;">Inlet</th> <th style="width: 33%;">Outlet</th> <th style="width: 33%;">Overall Length</th> </tr> </thead> <tbody> <tr> <td style="text-align: center;">4 Bolt Welded Flange</td> <td style="text-align: center;">2 1/8"</td> <td style="text-align: center;">43"</td> </tr> </tbody> </table> | | Inlet | Outlet | Overall Length | 4 Bolt Welded Flange | 2 1/8" | 43" | | | |
| Inlet | Outlet | Overall Length | | | | | | | | | | |
| 4 Bolt Welded Flange | 2 1/8" | 43" | | | | | | | | | | |
| <table border="1" style="width: 100%; border-collapse: collapse;"> <thead> <tr> <th style="width: 33%;">Inlet</th> <th style="width: 33%;">Outlet</th> <th style="width: 33%;">Overall Length</th> </tr> </thead> <tbody> <tr> <td style="text-align: center;">3"</td> <td style="text-align: center;">3"</td> <td style="text-align: center;">16 1/4"</td> </tr> </tbody> </table> | | Inlet | Outlet | Overall Length | 3" | 3" | 16 1/4" | Volkswagen — Beetle 2003-01 2.0L L4 Volkswagen — Golf 2003-01 2.0L L4 Volkswagen — Jetta 2003-01 2.0L L4 | | | | |
| Inlet | Outlet | Overall Length | | | | | | | | | | |
| 3" | 3" | 16 1/4" | | | | | | | | | | |
| Buick — LeSabre 2002-00 3.8L V6 Buick — Park Avenue 2002-00 3.8L V6 Pontiac — Bonneville 2002-00 3.8L V6 | | 82996 E.O. No. D-182-67  | | | | | | | | | | |
| | | <table border="1" style="width: 100%; border-collapse: collapse;"> <thead> <tr> <th style="width: 33%;">Inlet</th> <th style="width: 33%;">Outlet</th> <th style="width: 33%;">Overall Length</th> </tr> </thead> <tbody> <tr> <td style="text-align: center;">3 Bolt Welded Flange</td> <td style="text-align: center;">3 Bolt Welded Flange</td> <td style="text-align: center;">15 1/2"</td> </tr> </tbody> </table> | | Inlet | Outlet | Overall Length | 3 Bolt Welded Flange | 3 Bolt Welded Flange | 15 1/2" | | | |
| Inlet | Outlet | Overall Length | | | | | | | | | | |
| 3 Bolt Welded Flange | 3 Bolt Welded Flange | 15 1/2" | | | | | | | | | | |
| | | Honda — Accord 2002-98 2.3L L4 | | | | | | | | | | |



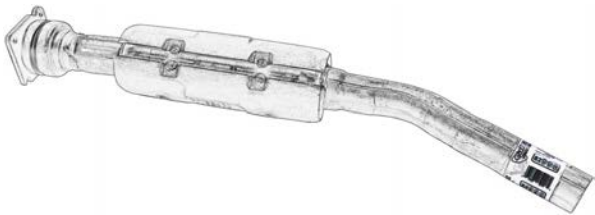

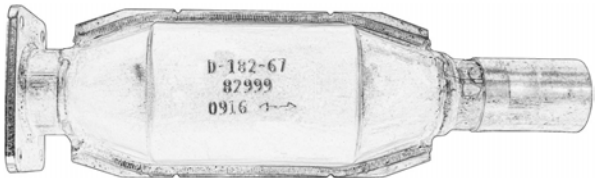

OBDII APPLICATIONS

NON-OBDII APPLICATIONS

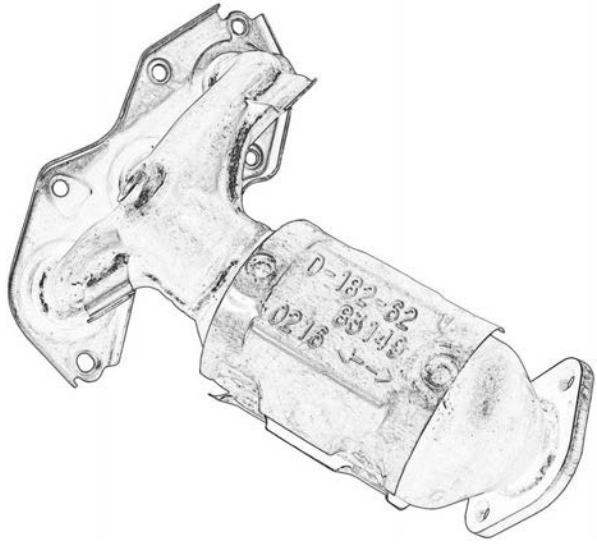
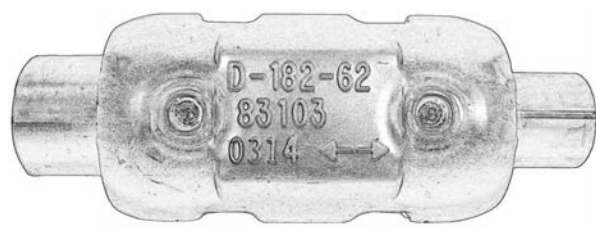
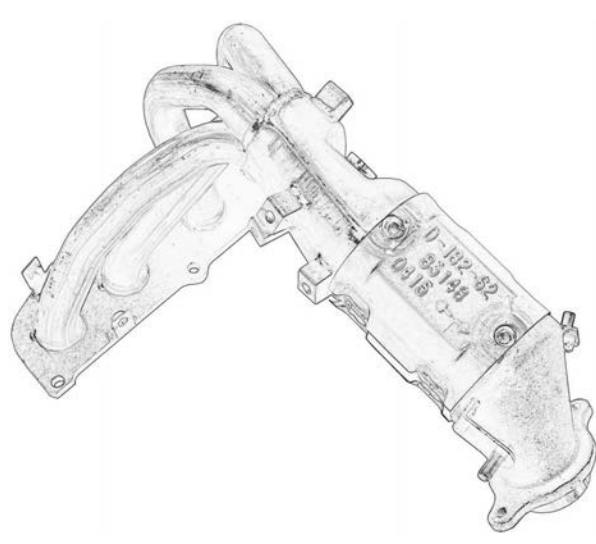
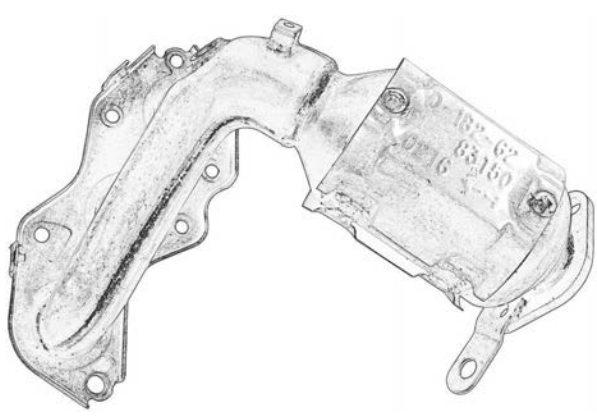
NUMERICAL

UNIVERSAL SPECIFICATIONS

NUMERICAL LISTING

| Year | Engine | Year | Engine |
|--|----------------------|---|-------------------|
| 82997 | E.O. No. D-182-67 | 83100 | E.O. No. D-182-62 |
|  | |  | |
| Inlet | Outlet | Inlet | Outlet |
| 3 Bolt Welded Flange | 3 Bolt Welded Flange | 2" | 2" |
| Overall Length | | Overall Length | |
| 17" | | 12" | |
| 82998 | E.O. No. D-182-67 | Chevrolet – Malibu 2009-08 3.5L V6 Pontiac – G6 2009-08 3.5L V6 Saturn – Aura 2008 3.5L V6 Toyota – Yaris 2009-07 1.5L L4 | |
|  | |  | |
| Inlet | Outlet | Inlet | Outlet |
| 4 Bolt Welded Flange | 2 1/4" | 2 1/4" | 2 1/4" |
| Overall Length | | Overall Length | |
| 37" | | 12" | |
| 82999 | E.O. No. D-182-67 | Chevrolet – HHR 2009-08 2.2L L4 2.4L L4 Pontiac – Vibe 2009-05 1.8L L4 Toyota – Corolla 2009-05 1.8L L4 Toyota – Matrix 2009-05 1.8L L4 | |
|  | |  | |
| Inlet | Outlet | Inlet | Outlet |
| 4 Bolt Welded Flange | 2 5/8" | 2 1/4" | 2 1/4" |
| Overall Length | | Overall Length | |
| 18 1/4" | | 11 1/4" | |
| Buick – LeSabre 2002-00 3.8L V6 Buick – Park Avenue 2002-00 3.8L V6 Pontiac – Bonneville 2002-00 3.8L V6 | | 83102 E.O. No. D-182-62 | |

NUMERICAL LISTING

| Year | Engine | Year | Engine | | |
|---|----------------------|--|----------------------|-----------------------|-----------------------|
| 83102 (Cont.) | | 83148 (Cont.) | | | |
| Mercedes-Benz – CL500 | | Scion – tC | | | |
| 2006-05 | 5.0L V8 | 2009-07 | 2.4L L4 | | |
| Mercedes-Benz – CLK500 | | Toyota – Corolla | | | |
| 2006-05 | 5.0L V8 | 2009 | 2.4L L4 | | |
| Mercedes-Benz – E500 | | Toyota – Matrix | | | |
| 2006-05 | 5.0L V8 | 2009 | 2.4L L4 | | |
| Mercedes-Benz – E550 | | 83149 E.O. No. D-182-62 | | | |
| 2009-07 | 5.5L V8 |  | | | |
| Mercedes-Benz – S430 | | | | | |
| 2006-05 | 4.3L V8 | | | | |
| Mercedes-Benz – S500 | | | | | |
| 2006-05 | 5.0L V8 | | | | |
| Mercedes-Benz – SL500 | | | | | |
| 2006-05 | 5.0L V8 | | | | |
| Nissan – Versa | | | | | |
| 2009-07 | 1.8L L4 | | | | |
| 2009 | 1.6L L4 | | | | |
| 83103 E.O. No. D-182-62 | | | | | |
|  | | | | | |
| Inlet | Outlet | Overall Length | Inlet | Outlet | Overall Length |
| 2½" | 2" | 12" | 6 Bolt Welded Flange | 2 Bolt Welded Flange | 11½" |
| Nissan – Sentra | | Lexus – ES350 | | | |
| 2008-07 | 2.0L L4 | 2009-07 | 3.5L V6 | | |
| 83148 E.O. No. D-182-62 | | Toyota – Avalon | | | |
|  | | 2009-05 3.5L V6 | | | |
| | | Toyota – Camry | | | |
| | | 2009-07 3.5L V6 | | | |
| | | 83150 E.O. No. D-182-62 | | | |
| | |  | | | |
| | | | | | |
| | | | | | |
| | | | | | |
| | | | | | |
| | | Inlet | Outlet | Overall Length | Inlet |
| 5 Bolt Welded Flange | 2 Bolt Welded Flange | 20¾" | 6 Bolt Welded Flange | 2 Bolt Welded Flange | 16½" |
| Pontiac – Vibe | | Lexus – ES350 | | | |
| 2009 | 2.4L L4 | 2009-07 | 3.5L V6 | | |

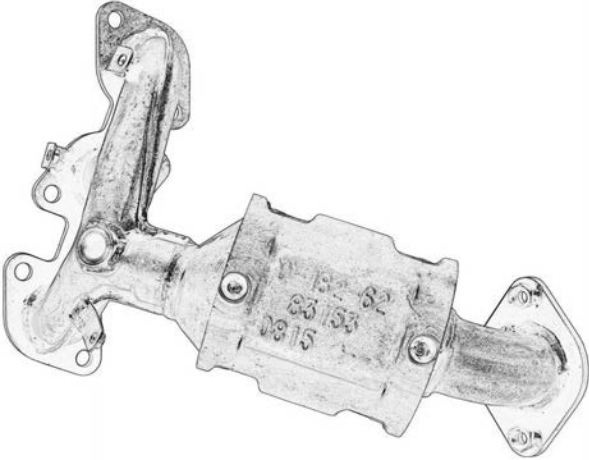
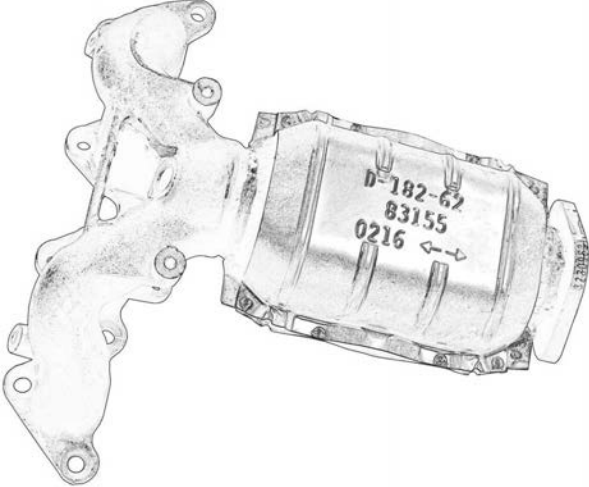
OBDDI APPLICATIONS

NON-OBDDI APPLICATIONS

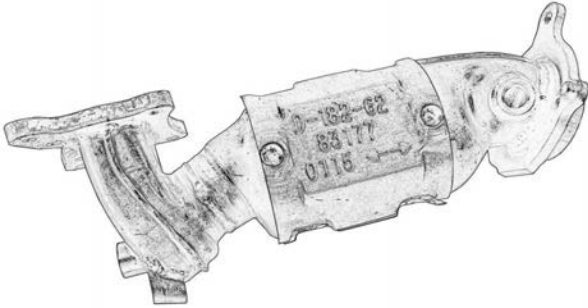
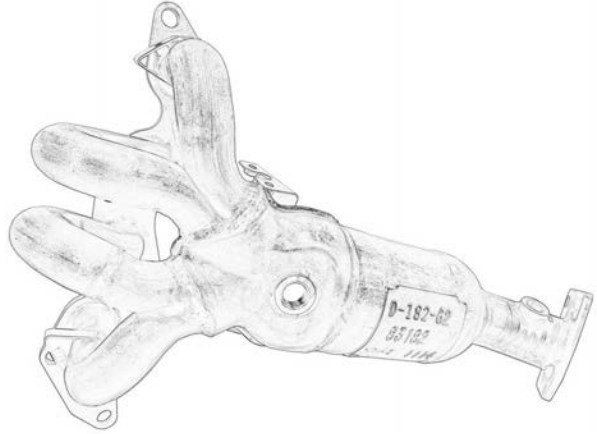
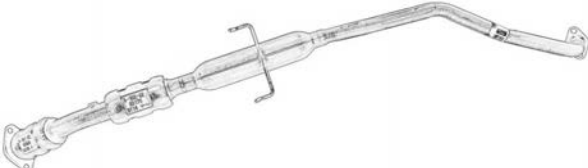
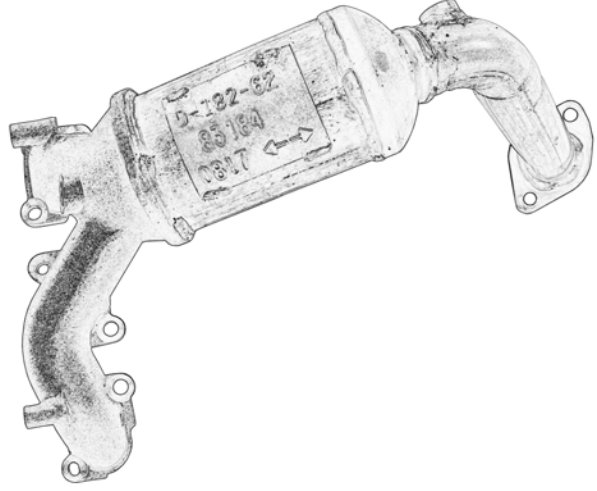
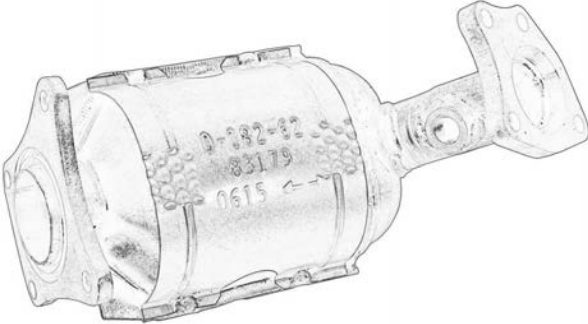
NUMERICAL

UNIVERSAL SPECIFICATIONS

NUMERICAL LISTING

| Year | Engine | Year | Engine | |
|---|----------------------|--|----------------------|----------------------------------|
| 83150 (Cont.) Toyota — Avalon 2009-05 3.5L V6 Toyota — Camry 2009-07 3.5L V6 | | 83153 E.O. No. D-182-62 | | |
| 83151 E.O. No. D-182-62 | |  | | |
| | | | | Inlet |
| | | 6 Bolt Welded Flange | 2 Bolt Welded Flange | 16" |
| | | Lexus — ES330 2006-04 3.3L V6 Toyota — Camry 2006-04 3.3L V6 Toyota — Solara 2008-06 3.3L V6 2004 3.3L V6 | | |
| Inlet | Outlet | Overall Length | | |
| 5 Bolt Welded Flange | 2 Bolt Welded Flange | 20 ⁵ / ₈ " | | |
| Scion — xB 2009-08 2.4L L4 Toyota — RAV4 2008-06 2.4L L4 | | 83155 E.O. No. D-182-62 | | |
| 83152 E.O. No. D-182-62 | |  | | |
| | | | | Inlet |
| | | 9 Bolt Welded Flange | 2 Bolt Welded Flange | 15 ⁷ / ₈ " |
| | | Lexus — ES330 2006-04 3.3L V6 Toyota — Camry 2006-04 3.3L V6 Toyota — Solara 2008-06 3.3L V6 2004 3.3L V6 | | |
| | | Hyundai — Elantra 2009-04 2.0L L4 Hyundai — Tiburon 2008-07 2.0L L4 Kia — Spectra 2009-04 2.0L L4 | | |

NUMERICAL LISTING

| Year | Engine | Year | Engine |
|---|----------------------------------|--|----------------------------------|
| 83177 | E.O. No. D-182-62 | 83182 | E.O. No. D-182-62 |
|  | |  | |
| Inlet | Outlet | Overall Length | |
| 4 Bolt Welded Flange | 3 Bolt Welded Flange | 16 ⁵ / ₈ " | |
| Acura — TSX 2009 2.4L L4 Honda — Accord 2009-08 2.4L L4 | | Inlet | Outlet |
| | | 7 Bolt Welded Flange | 3 Bolt Welded Flange |
| | | Overall Length | 21 ³ / ₈ " |
| 83178 | E.O. No. D-182-62 | Ford — Escape 2008-05 2.3L L4 Mazda — Tribute 2008 2.3L L4 2006-05 2.3L L4 | |
|  | | 83184 E.O. No. D-182-62 | |
| Inlet | Outlet |  | |
| 2 Bolt Welded Flange | 2 Bolt Welded Flange | Inlet | Outlet |
| Overall Length | 87 ¹ / ₄ " | 6 Bolt Welded Flange | 2" |
| Toyota — Corolla 2009 1.8L L4 Toyota — Matrix 2009 1.8L L4 | | Overall Length | 23 ¹ / ₄ " |
| 83179 | E.O. No. D-182-62 | Ford — Fusion 2009-07 3.0L V6 Mercury — Milan 2009-07 3.0L V6 | |
|  | | | |
| Inlet | Outlet | Overall Length | |
| 4 Bolt Welded Flange | 4 Bolt Welded Flange | 13" | |
| Nissan — Maxima 2008 3.5L V6 2006 3.5L V6 | | | |

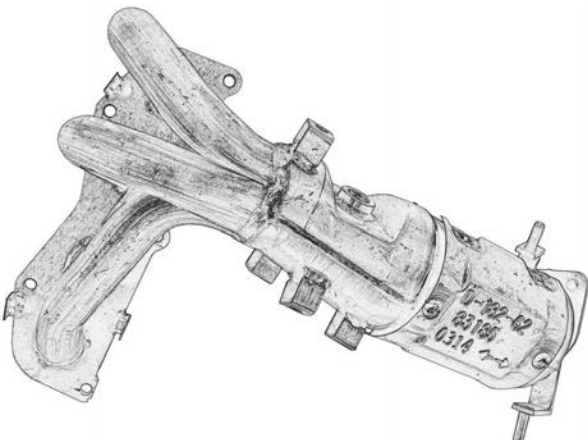

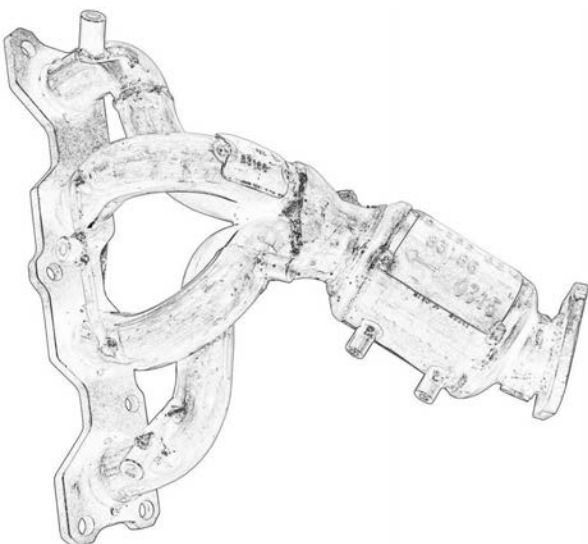

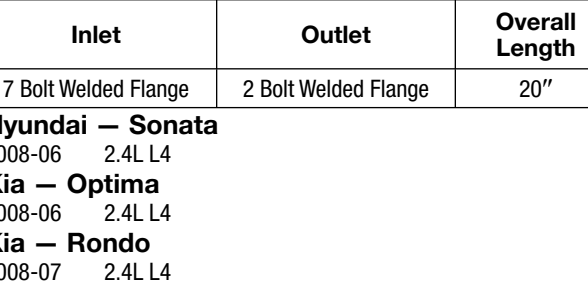
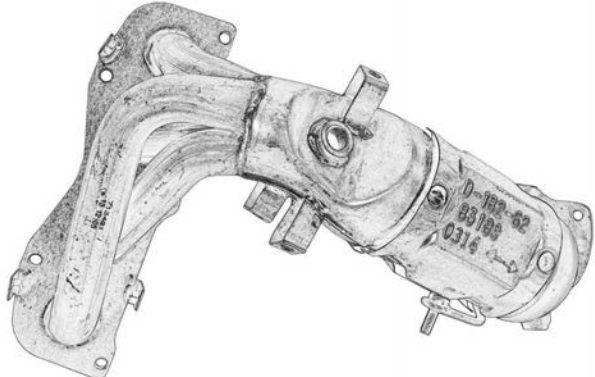
OBDII APPLICATIONS

NON-OBDII APPLICATIONS

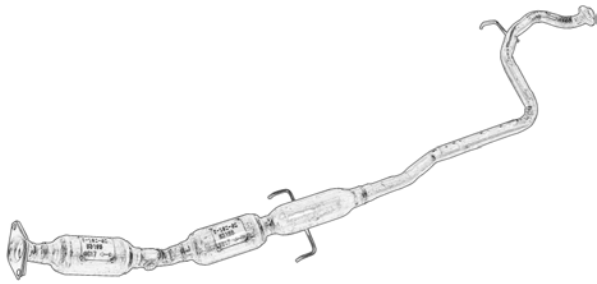

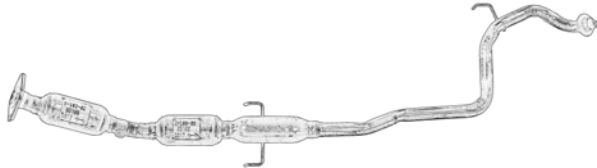



NUMERICAL

UNIVERSAL SPECIFICATIONS

NUMERICAL LISTING

| Year | Engine | Year | Engine |
|---|----------------------|--|----------------------|
| 83185 | E.O. No. D-182-62 | 83187 | E.O. No. D-182-62 |
|  | |  | |
| Inlet | Outlet | Inlet | Outlet |
| 5 Bolt Welded Flange | 2 Bolt Welded Flange | 4 Bolt Welded Flange | 3 Bolt Welded Flange |
| Overall Length | | Overall Length | |
| 20" | | 15" | |
| Acura – TL 2008-04 3.2L V6 Honda – Accord 2007-03 3.0L V6 | | | |
| 83186 | E.O. No. D-182-62 | 83188 | E.O. No. D-182-62 |
|  | |  | |
| Inlet | Outlet | Inlet | Outlet |
| 7 Bolt Welded Flange | 2 Bolt Welded Flange | 4 Bolt Welded Flange | 3 Bolt Welded Flange |
| Overall Length | | Overall Length | |
| 20" | | 14 ⁵ / ₈ " | |
| Acura – TL 2008-04 3.2L V6 Honda – Accord 2007-03 3.0L V6 | | | |
| 83189 | E.O. No. D-182-62 | 83189 | E.O. No. D-182-62 |
|  | |  | |
| Inlet | Outlet | Inlet | Outlet |
| 5 Bolt Welded Flange | 2 Bolt Welded Flange | 5 Bolt Welded Flange | 2 Bolt Welded Flange |
| Overall Length | | Overall Length | |
| 20" | | 19" | |
| Hyundai – Sonata 2008-06 2.4L L4 Kia – Optima 2008-06 2.4L L4 Kia – Rondo 2008-07 2.4L L4 | | | |

NUMERICAL LISTING

| Year | Engine | Year | Engine | | | | | | | | | | | | |
|---|----------------------|---|--------|----------------|----------------------|----------------------|----------|---|---|-------|--------|----------------|----|----------|---------|
| 83189 (Cont.) Toyota – Camry 2006-04 2.4L L4 Toyota – Solara 2006-04 2.4L L4 | | 83198 E.O. No. D-182-62  | | | | | | | | | | | | | |
| 83191 E.O. No. D-182-62  | | <table border="1" style="width: 100%; border-collapse: collapse;"> <tr> <th style="width: 33%;">Inlet</th> <th style="width: 33%;">Outlet</th> <th style="width: 33%;">Overall Length</th> </tr> <tr> <td style="text-align: center;">2"</td> <td style="text-align: center;">1 11/16"</td> <td style="text-align: center;">85 1/4"</td> </tr> </table> | Inlet | Outlet | Overall Length | 2" | 1 11/16" | 85 1/4" | <table border="1" style="width: 100%; border-collapse: collapse;"> <tr> <th style="width: 33%;">Inlet</th> <th style="width: 33%;">Outlet</th> <th style="width: 33%;">Overall Length</th> </tr> <tr> <td style="text-align: center;">2"</td> <td style="text-align: center;">1 11/16"</td> <td style="text-align: center;">81 1/2"</td> </tr> </table> | Inlet | Outlet | Overall Length | 2" | 1 11/16" | 81 1/2" |
| Inlet | Outlet | Overall Length | | | | | | | | | | | | | |
| 2" | 1 11/16" | 85 1/4" | | | | | | | | | | | | | |
| Inlet | Outlet | Overall Length | | | | | | | | | | | | | |
| 2" | 1 11/16" | 81 1/2" | | | | | | | | | | | | | |
| <table border="1" style="width: 100%; border-collapse: collapse;"> <tr> <th style="width: 33%;">Inlet</th> <th style="width: 33%;">Outlet</th> <th style="width: 33%;">Overall Length</th> </tr> <tr> <td style="text-align: center;">6 Bolt Welded Flange</td> <td style="text-align: center;">3 Bolt Welded Flange</td> <td style="text-align: center;">13"</td> </tr> </table> | | Inlet | Outlet | Overall Length | 6 Bolt Welded Flange | 3 Bolt Welded Flange | 13" | Toyota – Yaris 2009-07 1.5L L4 83199 E.O. No. D-182-62  | | | | | | | |
| Inlet | Outlet | Overall Length | | | | | | | | | | | | | |
| 6 Bolt Welded Flange | 3 Bolt Welded Flange | 13" | | | | | | | | | | | | | |
| Nissan – Maxima 2008-06 3.5L V6 83195 E.O. No. D-182-62  | | Toyota – Yaris 2009-07 1.5L L4 83202 E.O. No. D-182-62  | | | | | | | | | | | | | |
| <table border="1" style="width: 100%; border-collapse: collapse;"> <tr> <th style="width: 33%;">Inlet</th> <th style="width: 33%;">Outlet</th> <th style="width: 33%;">Overall Length</th> </tr> <tr> <td style="text-align: center;">2 1/4"</td> <td style="text-align: center;">2 1/8"</td> <td style="text-align: center;">33 3/4"</td> </tr> </table> | | Inlet | Outlet | Overall Length | 2 1/4" | 2 1/8" | 33 3/4" | <table border="1" style="width: 100%; border-collapse: collapse;"> <tr> <th style="width: 33%;">Inlet</th> <th style="width: 33%;">Outlet</th> <th style="width: 33%;">Overall Length</th> </tr> <tr> <td style="text-align: center;">2"</td> <td style="text-align: center;">2"</td> <td style="text-align: center;">12"</td> </tr> </table> | | Inlet | Outlet | Overall Length | 2" | 2" | 12" |
| Inlet | Outlet | Overall Length | | | | | | | | | | | | | |
| 2 1/4" | 2 1/8" | 33 3/4" | | | | | | | | | | | | | |
| Inlet | Outlet | Overall Length | | | | | | | | | | | | | |
| 2" | 2" | 12" | | | | | | | | | | | | | |
| Nissan – Versa 2009-07 1.8L L4 83197 E.O. No. D-182-62  | | Chevrolet – Aveo 2009 1.6L L4 Chevrolet – Aveo5 2009 1.6L L4 Hyundai – Elantra 2009-04 2.0L L4 Pontiac – G3 2009 1.6L L4 Toyota – Yaris 2009-07 1.5L L4 | | | | | | | | | | | | | |
| <table border="1" style="width: 100%; border-collapse: collapse;"> <tr> <th style="width: 33%;">Inlet</th> <th style="width: 33%;">Outlet</th> <th style="width: 33%;">Overall Length</th> </tr> <tr> <td style="text-align: center;">2 Bolt Welded Flange</td> <td style="text-align: center;">2 1/8"</td> <td style="text-align: center;">33"</td> </tr> </table> | | Inlet | Outlet | Overall Length | 2 Bolt Welded Flange | 2 1/8" | 33" | | | | | | | | |
| Inlet | Outlet | Overall Length | | | | | | | | | | | | | |
| 2 Bolt Welded Flange | 2 1/8" | 33" | | | | | | | | | | | | | |
| Pontiac – Vibe 2008-05 1.8L L4 Toyota – Corolla 2008-05 1.8L L4 Toyota – Matrix 2008-05 1.8L L4 | | | | | | | | | | | | | | | |




OBDII APPLICATIONS

NON-OBDII APPLICATIONS

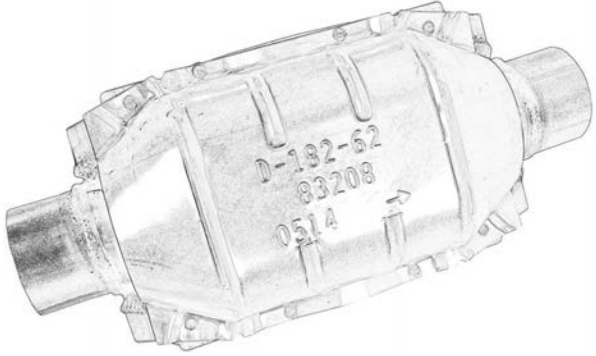
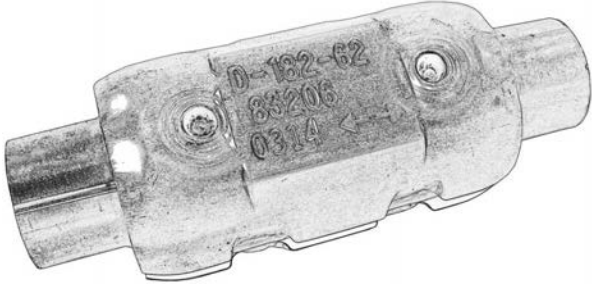
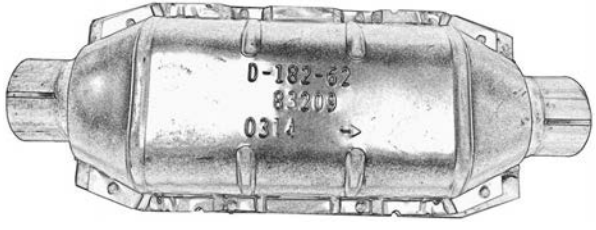
NUMERICAL

UNIVERSAL SPECIFICATIONS

NUMERICAL LISTING

| Year | Engine | Year | Engine |
|--|---------------|---|--------|
| 83203 E.O. No. D-182-62  | | 83205 (Cont.) Audi — A3 2009-08 2.0L L4 Audi — A3 Quattro 2009 2.0L L4 Audi — TT 2009 2.0L L4 Audi — TT Quattro 2009 2.0L L4 Chevrolet — HHR 2009-08 2.2L L4 2.4L L4 Ford — Focus 2007-06 2.0L L4 2.3L L4 Honda — Accord 2009-08 2.4L L4 Hyundai — Accent 2009-06 1.6L L4 Hyundai — Sonata 2008-06 2.4L L4 Hyundai — Tiburon 2008-07 2.0L L4 Kia — Optima 2008-06 2.4L L4 Kia — Rio 2009-06 1.6L L4 Kia — Rondo 2008-07 2.4L L4 Kia — Spectra 2009-04 2.0L L4 Lexus — ES350 2009-07 3.5L V6 Mercedes-Benz — E350 2009-06 3.5L V6 Mercedes-Benz — E550 2009-07 5.5L V8 Mini — Cooper 2009-08 1.6L L4 Nissan — Sentra 2008-07 2.0L L4 Nissan — Versa 2009-07 1.8L L4 2009 1.6L L4 Pontiac — Vibe 2009-05 1.8L L4 2009 2.4L L4 Scion — tC 2009-07 2.4L L4 Toyota — Avalon 2009-05 3.5L V6 Toyota — Camry 2009-07 3.5L V6 Toyota — Corolla 2009-05 1.8L L4 2009 2.4L L4 Toyota — Matrix 2009-05 1.8L L4 2009 2.4L L4 Toyota — RAV4 2008-06 2.4L L4 | |
| Inlet | Outlet | Overall Length | |
| 2¼" | 2¼" | 10⅛" | |
| Honda — Fit 2009 1.5L L4 Mercedes-Benz — SL500 2006-05 5.0L V8 | | | |
| 83204 E.O. No. D-182-62  | | | |
| Inlet | Outlet | Overall Length | |
| 2¼" | 2¼" | 12½" | |
| Mercedes-Benz — C280 2007-06 3.0L V6 Mercedes-Benz — C350 2007-06 3.5L V6 Mercedes-Benz — CL500 2006-05 5.0L V8 Mercedes-Benz — CLK500 2006-05 5.0L V8 Mercedes-Benz — E500 2006-05 5.0L V8 Mercedes-Benz — S430 2006-05 4.3L V8 Mercedes-Benz — S500 2006-05 5.0L V8 | | | |
| 83205 E.O. No. D-182-62  | | | |
| Inlet | Outlet | Overall Length | |
| 2¼" | 2¼" | 12" | |
| Acura — TSX 2009 2.4L L4 | | | |

NUMERICAL LISTING

| Year | Engine | Year | Engine | | | | | | |
|--|--------|---|--------|----------------|--------|----------------|--------|---|---------|
| 83205 (Cont.) Volkswagen – Eos 2009 2.0L L4 Volkswagen – GTI 2009-08 2.0L L4 Volkswagen – Jetta 2009-08 2.0L L4 Volkswagen – Passat 2009-08 2.0L L4 Volkswagen – Tiguan 2009 2.0L L4 | | 83208 E.O. No. D-182-62  | | | | | | | |
| 83206 E.O. No. D-182-62  | | <table border="1" style="width: 100%; border-collapse: collapse;"> <thead> <tr> <th style="width: 33%;">Inlet</th> <th style="width: 33%;">Outlet</th> <th style="width: 33%;">Overall Length</th> </tr> </thead> <tbody> <tr> <td style="text-align: center;">2 1/4"</td> <td style="text-align: center;">2 1/4"</td> <td style="text-align: center;">13 1/4"</td> </tr> </tbody> </table> | | Inlet | Outlet | Overall Length | 2 1/4" | 2 1/4" | 13 1/4" |
| Inlet | Outlet | Overall Length | | | | | | | |
| 2 1/4" | 2 1/4" | 13 1/4" | | | | | | | |
| 83206 E.O. No. D-182-62 <table border="1" style="width: 100%; border-collapse: collapse;"> <thead> <tr> <th style="width: 33%;">Inlet</th> <th style="width: 33%;">Outlet</th> <th style="width: 33%;">Overall Length</th> </tr> </thead> <tbody> <tr> <td style="text-align: center;">2 1/2"</td> <td style="text-align: center;">2 1/2"</td> <td style="text-align: center;">12"</td> </tr> </tbody> </table> | | Inlet | Outlet | Overall Length | 2 1/2" | 2 1/2" | 12" | Chevrolet – Malibu 2009-08 3.5L V6 Mitsubishi – Lancer 2007-05 2.0L L4 Pontiac – G6 2009-08 3.5L V6 Saturn – Aura 2008 3.5L V6 | |
| Inlet | Outlet | Overall Length | | | | | | | |
| 2 1/2" | 2 1/2" | 12" | | | | | | | |
| Acura – RL 2008-05 3.5L V6 Acura – TL 2009-07 3.5L V6 2008-04 3.2L V6 Honda – Accord 2009-08 3.5L V6 2007-03 3.0L V6 Kia – Amanti 2007 3.8L V6 Lexus – ES330 2006-05 3.3L V6 Nissan – Altima 2009-07 3.5L V6 Nissan – Maxima 2009-08 3.5L V6 2006-05 3.5L V6 Suzuki – Forenza 2005-04 2.0L L4 Suzuki – Reno 2005 2.0L L4 Toyota – Camry 2009-04 2.4L L4 2006-04 3.3L V6 Toyota – Solara 2008-06 3.3L V6 2008-04 2.4L L4 2004 3.3L V6 | | 83209 E.O. No. D-182-62  | | | | | | | |
| | | <table border="1" style="width: 100%; border-collapse: collapse;"> <thead> <tr> <th style="width: 33%;">Inlet</th> <th style="width: 33%;">Outlet</th> <th style="width: 33%;">Overall Length</th> </tr> </thead> <tbody> <tr> <td style="text-align: center;">2 1/4"</td> <td style="text-align: center;">2 1/4"</td> <td style="text-align: center;">16 1/4"</td> </tr> </tbody> </table> | | Inlet | Outlet | Overall Length | 2 1/4" | 2 1/4" | 16 1/4" |
| Inlet | Outlet | Overall Length | | | | | | | |
| 2 1/4" | 2 1/4" | 16 1/4" | | | | | | | |
| | | Ford – Escape 2008-05 2.3L L4 Ford – Fusion 2009-07 3.0L V6 Mazda – Tribute 2008 2.3L L4 2006-05 2.3L L4 Mercury – Milan 2009-07 3.0L V6 | | | | | | | |

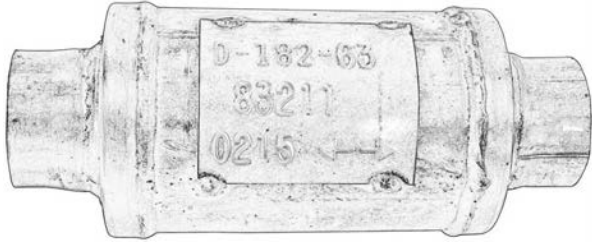

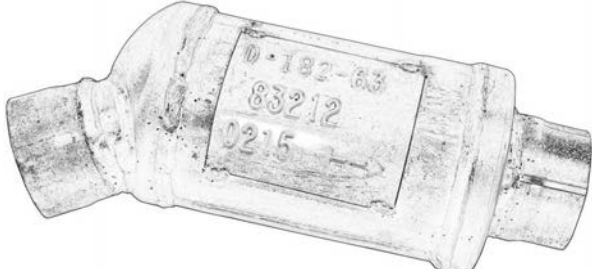

OBDDI APPLICATIONS

NON-OBDDI APPLICATIONS


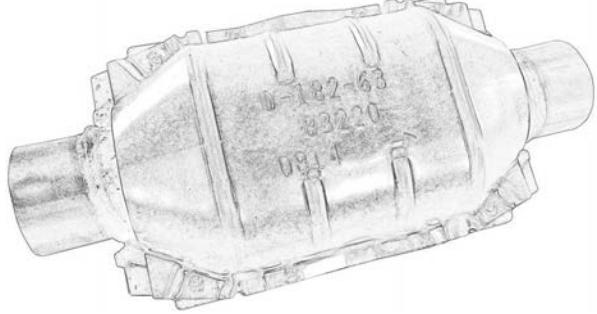
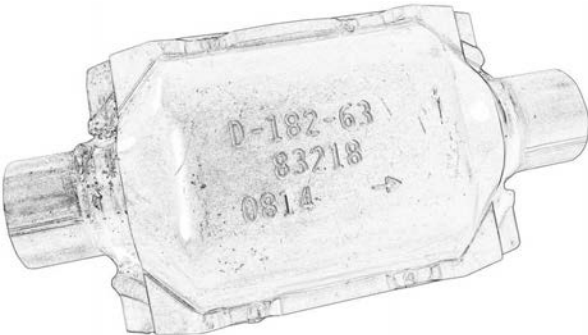
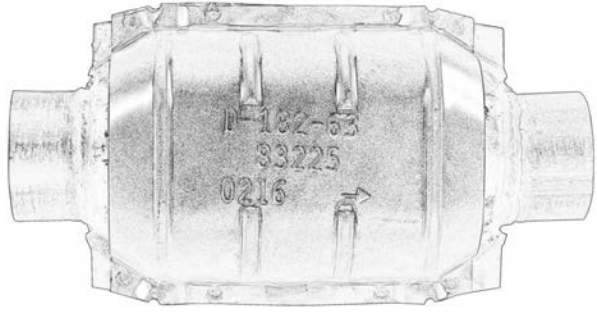
NUMERICAL

UNIVERSAL SPECIFICATIONS

NUMERICAL LISTING

| Year | Engine | Year | Engine |
|--|--------------------------|--|--------------------------|
| 83211 | E.O. No. D-182-63 | 83213 | E.O. No. D-182-63 |
|  | |  | |
| Inlet | Outlet | Inlet | Outlet |
| 2 1/4" | 2 1/4" | 2" | 2" |
| Overall Length | | Overall Length | |
| 10 1/8" | | 12" | |
| 83212 | E.O. No. D-182-63 | 83216 | E.O. No. D-182-63 |
|  | |  | |
| Inlet | Outlet | Inlet | Outlet |
| 2 1/4" | 2 1/4" | 2 1/4" | 2 1/4" |
| Overall Length | | Overall Length | |
| 10 3/4" | | 12" | |
| BMW – 135i 2009-08 3.0L L6 BMW – 335i 2008-07 3.0L L6 BMW – 335xi 2008-07 3.0L L6 BMW – 535i 2009-08 3.0L L6 BMW – 535xi 2008 3.0L L6 BMW – Z4 2009 3.0L L6 | | BMW – M3 2009-08 4.0L V8 Chrysler – Crossfire 2008-07 3.2L V6 Mercedes-Benz – CLK320 2005 3.2L V6 Mercedes-Benz – E320 2005 3.2L V6 Mitsubishi – Lancer 2009 2.0L L4 2.4L L4 Scion – xD 2009-08 1.8L L4 Suzuki – Aerio 2007 2.3L L4 Suzuki – SX4 2009-07 2.0L L4 | |
| BMW – 135i 2009-08 3.0L L6 BMW – 335i 2008-07 3.0L L6 BMW – 335xi 2008-07 3.0L L6 BMW – 535i 2009-08 3.0L L6 BMW – 535xi 2008 3.0L L6 BMW – Z4 2009 3.0L L6 | | Chevrolet – Cobalt 2009-08 2.2L L4 2008 2.4L L4 Ford – Focus 2005 2.0L L4 2.3L L4 Nissan – Cube 2009 1.8L L4 Nissan – Sentra 2009 2.0L L4 Pontiac – G5 2009-08 2.2L L4 2008 2.4L L4 | |

NUMERICAL LISTING

| Year | Engine | Year | Engine |
|---|---------------|--|---------------|
| 83216 (Cont.) Volkswagen — Passat 2008-06 3.6L V6 | | 83218 (Cont.) Subaru — Legacy 2005-04 2.5L H4 | |
| 83217 E.O. No. D-182-63 | | 83220 E.O. No. D-182-63 | |
|  | |  | |
| Inlet | Outlet | Inlet | Outlet |
| 2 1/2" | 2 1/2" | 2 1/4" | 2 1/4" |
| Overall Length | | Overall Length | |
| 12" | | 13 1/4" | |
| Honda — Accord 2007-03 3.0L V6 Lexus — ES330 2004 3.3L V6 Nissan — Altima 2009-04 2.5L L4 2006 3.5L V6 Nissan — Maxima 2004 3.5L V6 Saab — 9-2X 2006 2.5L H4 Saab — 9-3 2009-07 2.0L L4 Subaru — Forester 2008-06 2.5L H4 Subaru — Impreza 2009-06 2.5L H4 Subaru — Legacy 2009-06 2.5L H4 | | Ford — Crown Victoria 2008-04 4.6L V8 Ford — Taurus 2007-04 3.0L V6 Lincoln — Town Car 2009-04 4.6L V8 Mercury — Grand Marquis 2008-04 4.6L V8 Mercury — Sable 2005-04 3.0L V6 | |
| 83218 E.O. No. D-182-63 | | 83225 E.O. No. D-182-63 | |
|  | |  | |
| Inlet | Outlet | Inlet | Outlet |
| 2" | 2" | 2 1/2" | 2 1/2" |
| Overall Length | | Overall Length | |
| 11 3/4" | | 11 3/4" | |
| Saab — 9-2X 2005 2.5L H4 Subaru — Forester 2005 2.5L H4 Subaru — Impreza 2005 2.5L H4 | | Chevrolet — Malibu 2009-08 2.4L L4 Ford — Five Hundred 2007-05 3.0L V6 Ford — Freestyle 2007-05 3.0L V6 Mercury — Montego 2007-05 3.0L V6 Pontiac — G6 2009-08 2.4L L4 | |




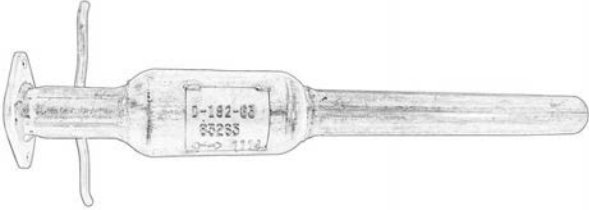
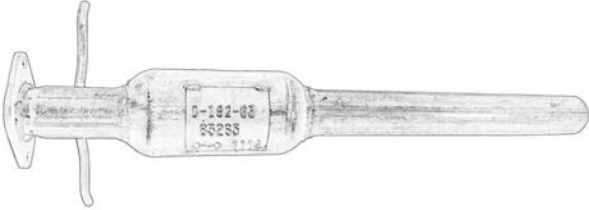


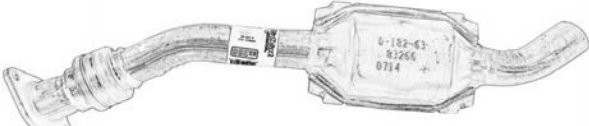

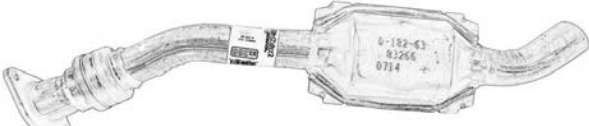
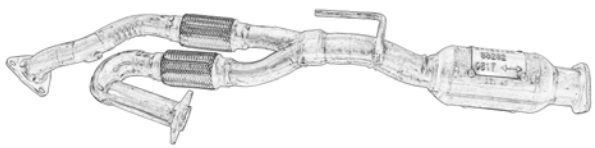
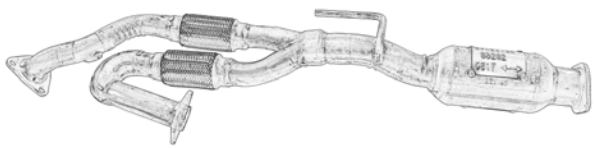
OBDII APPLICATIONS

NON-OBDII APPLICATIONS

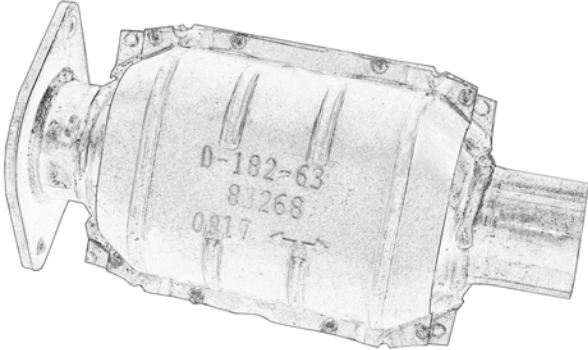


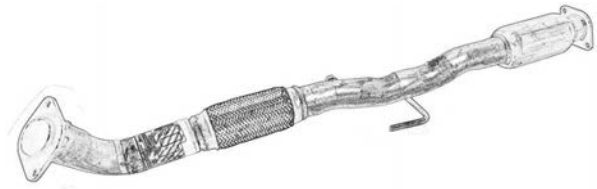


NUMERICAL

UNIVERSAL SPECIFICATIONS

NUMERICAL LISTING

| Year | Engine | Year | Engine | | | |
|---|--------|--|--------|----------------------|---------------|-----------------------|
| 83225 (Cont.) Saturn — Aura 2009-07 2.4L L4 | | 83264 E.O. No. D-182-63 | | | | |
|  | |  | | | | |
| | | | | Inlet | Outlet | Overall Length |
| | | | | 2 3/16" | 2 3/8" | 59 1/4" |
| 83257 E.O. No. D-182-63 | | Nissan — Altima 2006-04 2.5L L4 | | | | |
|  | |  | | | | |
| | | | | Inlet | Outlet | Overall Length |
| | | | | 2 Bolt Welded Flange | | |
| Subaru — Impreza 2009-08 2.5L H4 | | 83265 E.O. No. D-182-63 | | | | |
| Subaru — Legacy 2009-06 2.5L H4 | |  | | | | |
|  | | | | Inlet | Outlet | Overall Length |
| | | | | 2 Bolt Welded Flange | | |
| 83258 E.O. No. D-182-63 | | Ford — Focus 2005 2.0L L4 2.3L L4 | | | | |
|  | |  | | | | |
| | | | | Inlet | Outlet | Overall Length |
| | | | | 3 Bolt Welded Flange | | |
| 83259 E.O. No. D-182-63 | | 83266 E.O. No. D-182-63 | | | | |
|  | |  | | | | |
| | | | | Inlet | Outlet | Overall Length |
| | | | | 2 Bolt Welded Flange | | |
| Nissan — Altima 2009-07 2.5L L4 | | Ford — Taurus 2007-04 3.0L V6 | | | | |
| 83262 E.O. No. D-182-62 | | Mercury — Sable 2005-04 3.0L V6 | | | | |
|  | |  | | | | |
| | | | | Inlet | Outlet | Overall Length |
| | | | | 1 13/16" | | |
| Nissan — Maxima 2004 3.5L V6 | | | | | | |

NUMERICAL LISTING

| Year | Engine | Year | Engine | |
|--|--------------------------|--|--------------------------|-----------------------|
| 83268 | E.O. No. D-182-63 | 83273 (Cont.) | Mercury — Montego | |
|  | | 2007-05 | 3.0L V6 | |
| | | 83277 | E.O. No. D-182-62 | |
| | |  | | |
| Inlet | Outlet | | | Overall Length |
| 2 3/4" | 2 1/2" | 29 5/8" | | |
| | | Ford — Escape | | |
| | | 2008-05 2.3L L4 | | |
| | | Mazda — Tribute | | |
| | | 2008 2.3L L4 | | |
| | | 2006-05 2.3L L4 | | |
| | | 83281 | | |
| | | E.O. No. D-182-62 | | |
|  | | | | |
| | | Inlet | Outlet | Overall Length |
| | | 2 Bolt Welded Flange | 2 Bolt Welded Flange | 41 3/4" |
| | | Scion — xB | | |
| | | 2009-08 2.4L L4 | | |
| | | 83282 | | |
| | | E.O. No. D-182-62 | | |
|  | | | | |
| | | Inlet | Outlet | Overall Length |
| | | 2 Bolt Welded Flange | 2 Bolt Welded Flange | 48 1/2" |
| | | Toyota — Camry | | |
| | | 2006-04 2.4L L4 | | |
| | | Toyota — Solara | | |
| | | 2006-04 2.4L L4 | | |
| | | 83272 | | |
| | | E.O. No. D-182-63 | | |
|  | | | | |
| | | Inlet | Outlet | Overall Length |
| | | 3 Bolt Welded Flange | 3 Bolt Welded Flange | 10 1/4" |
| | | Honda — Accord | | |
| | | 2007-03 3.0L V6 | | |
| | | 83273 | | |
| | | E.O. No. D-182-63 | | |
|  | | | | |
| | | Inlet | Outlet | Overall Length |
| | | 2 Bolt Welded Flange | 2 1/8" | 16 7/8" |
| | | Ford — Five Hundred | | |
| | | 2007-05 3.0L V6 | | |
| | | Ford — Freestyle | | |
| | | 2007-05 3.0L V6 | | |




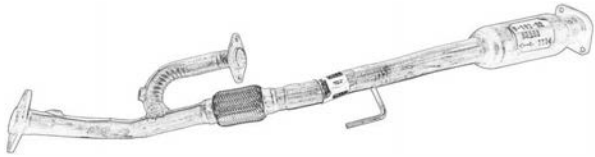
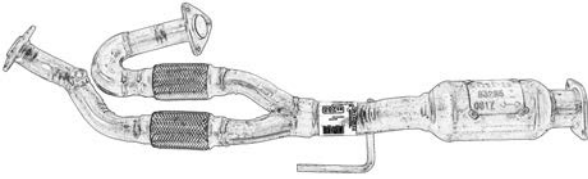
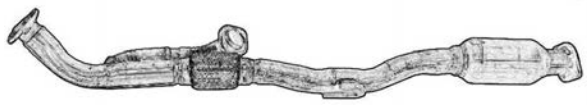


OBDII APPLICATIONS

NON-OBDII APPLICATIONS


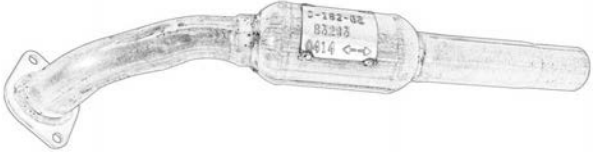
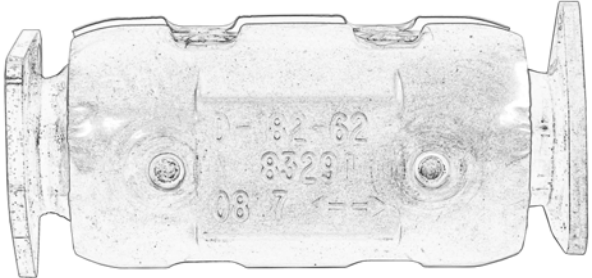

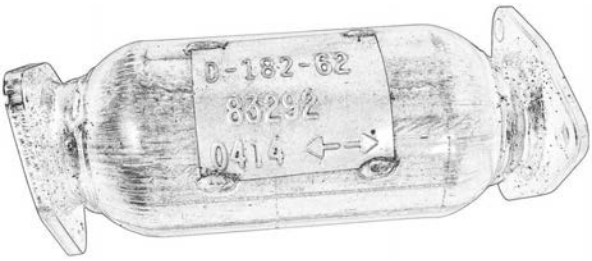
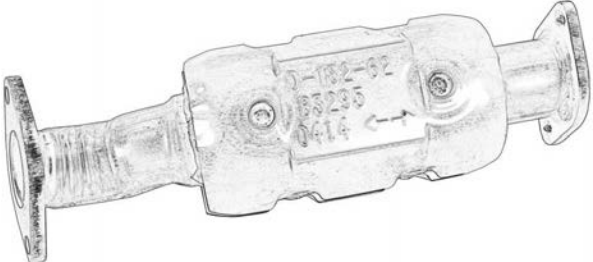
NUMERICAL

UNIVERSAL SPECIFICATIONS

NUMERICAL LISTING

| Year | Engine | Year | Engine | |
|---|----------------------|--------------------------------|--|-----------------------|
| 83283 | E.O. No. D-182-62 | 83286 (Cont.) | Ford — Focus | |
|  | | 2007-06 | 2.0L L4 | |
| | | | 2.3L L4 | |
| | | 83287 E.O. No. D-182-62 | | |
| Inlet | Outlet | Overall Length |  | |
| 1 13/16" | 2 1/2" | 38 3/4" | | |
| | | | | |
| Nissan — Maxima | | Inlet | Outlet | Overall Length |
| 2008-05 | 3.5L V6 | 2 3/8" | 2 3/8" | 18 1/2" |
| 83284 | E.O. No. D-182-62 | Scion — tC | | |
|  | | 2009-07 | 2.4L L4 | |
| | | 83288 E.O. No. D-182-62 | | |
| | | Inlet | Outlet | Overall Length |
| 2 Bolt Welded Flange | 2 Bolt Welded Flange | 48 5/8" |  | |
| | | | | |
| | | | | |
| Toyota — Camry | | Inlet | Outlet | Overall Length |
| 2009-07 | 2.4L L4 | 2 Bolt Welded Flanges | 2 Bolt Welded Flange | 49 1/4" |
| Toyota — Solara | | Lexus — ES330 | | |
| 2008-06 | 2.4L L4 | 2006-04 | 3.3L V6 | |
| 83285 | E.O. No. D-182-62 | Toyota — Camry | | |
|  | | 2006-04 | 3.3L V6 | |
| | | Toyota — Solara | | |
| | | 2004 | 3.3L V6 | |
| Inlet | Outlet | Overall Length |  | |
| 1 13/16" | 2 1/2" | 42" | | |
| | | | | |
| Nissan — Maxima | | Inlet | Outlet | Overall Length |
| 2006-05 | 3.5L V6 | 2 Bolt Welded Flanges | 2 Bolt Welded Flange | 47 7/8" |
| 83286 | E.O. No. D-182-62 | Lexus — ES350 | | |
|  | | 2009-07 | 3.5L V6 | |
| | | Toyota — Avalon | | |
| | | 2009-05 | 3.5L V6 | |
| Inlet | Outlet | Overall Length |  | |
| 2 Bolt Welded Flange | 2" | 28 1/2" | | |
| | | | | |

NUMERICAL LISTING

| Year | Engine | Year | Engine |
|---|--------------------------|--|--------------------------|
| 83290 | E.O. No. D-182-62 | 83293 | E.O. No. D-182-62 |
|  | |  | |
| Inlet | Outlet | Inlet | Outlet |
| 2 1/16" | 2" | 2 Bolt Welded Flange | 2 1/2" |
| Overall Length | | Overall Length | |
| 13" | | 28 1/2" | |
| Hyundai – Elantra 2009-07 2.0L L4 | | Toyota – RAV4 2008-06 2.4L L4 | |
| 83291 | E.O. No. D-182-62 | 83294 | E.O. No. D-182-62 |
|  | |  | |
| Inlet | Outlet | Inlet | Outlet |
| 2 1/2" | 2 1/2" | 2 1/4" | 2" |
| Overall Length | | Overall Length | |
| 10 1/4" | | 13 3/16" | |
| Acura – TL 2009 3.5L V6 | | Hyundai – Accent 2009-06 1.6L L4 | |
| Honda – Accord 2009-08 3.5L V6 | | Kia – Rio 2009-06 1.6L L4 | |
| Kia – Rio5 2009-06 1.6L L4 | | 83295 | E.O. No. D-182-62 |
|  | |  | |
| Inlet | Outlet | Inlet | Outlet |
| 3 Bolt Welded Flange | 3 Bolt Welded Flange | 2 Bolt Welded Flange | 2 Bolt Welded Flange |
| Overall Length | | Overall Length | |
| 10 1/4" | | 15 3/8" | |
| Acura – TSX 2009 2.4L L4 | | Hyundai – Sonata 2008-06 2.4L L4 | |
| Honda – Accord 2009-08 2.4L L4 | | Kia – Optima 2008-06 2.4L L4 | |
| Kia – Rondo 2008-07 2.4L L4 | | | |

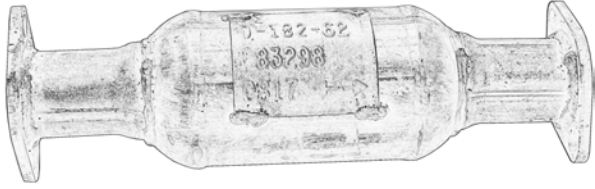

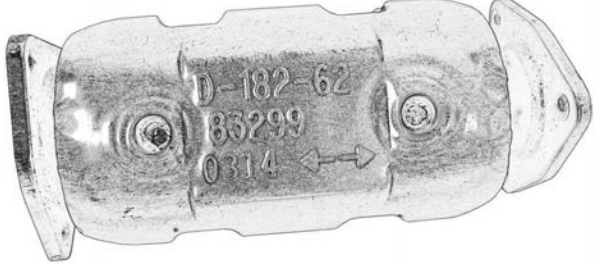

OBDII APPLICATIONS

NON-OBDII APPLICATIONS



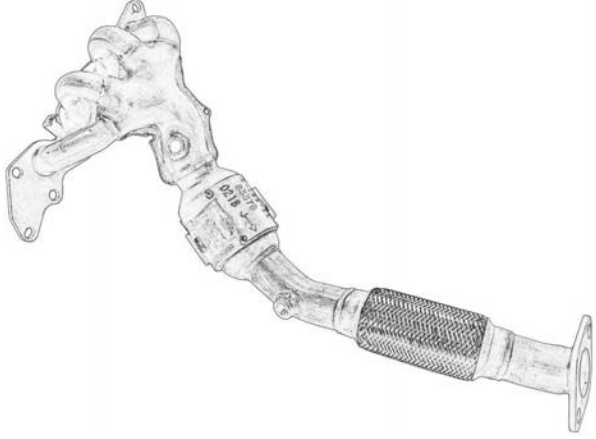
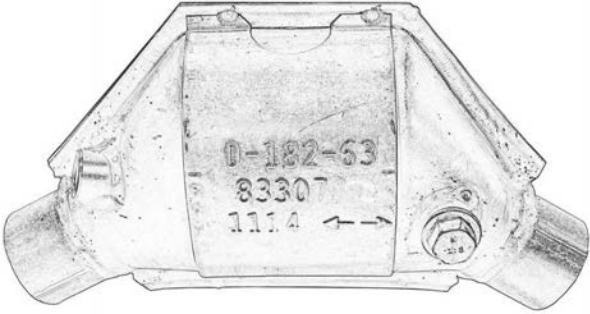
NUMERICAL

UNIVERSAL SPECIFICATIONS

NUMERICAL LISTING

| Year | Engine | Year | Engine |
|--|----------------------|--|-------------------|
| 83298 | E.O. No. D-182-62 | 83302 | E.O. No. D-182-63 |
|  | |  | |
| Inlet | Outlet | Inlet | Outlet |
| 2 1/4" | 2 1/4" | 2 1/4" | 2 1/4" |
| Overall Length | | Overall Length | |
| 14 3/4" | | 7 5/8" | |
| 83299 | E.O. No. D-182-62 | BMW – 535i 2009-08 3.0L L6 BMW – 535xi 2008 3.0L L6 BMW – Z4 2009 3.0L L6 Chevrolet – Cobalt 2009-08 2.0L L4 2.2L L4 2008 2.4L L4 Chevrolet – HHR 2009-08 2.0L L4 Chevrolet – Malibu 2009 2.4L L4 3.5L V6 3.6L V6 Ford – Five Hundred 2007-05 3.0L V6 Ford – Freestyle 2007-05 3.0L V6 Mercedes-Benz – C63 AMG 2009-08 6.3L V8 Mercedes-Benz – CLK63 AMG 2008-07 6.3L V8 Mercedes-Benz – CLS63 AMG 2009-07 6.3L V8 Mercedes-Benz – E63 AMG 2009-07 6.3L V8 Mercury – Montego 2007-05 3.0L V6 Mitsubishi – Lancer 2009 2.0L L4 2.4L L4 Nissan – Cube 2009 1.8L L4 Nissan – Sentra 2009 2.0L L4 Pontiac – G5 2009-08 2.2L L4 2008 2.4L L4 Pontiac – G6 2009 2.4L L4 3.5L V6 3.6L V6 | |
|  | | | |
| Inlet | Outlet | | |
| 3 Bolt Welded Flange | 3 Bolt Welded Flange | | |
| Overall Length | | | |
| 10 1/4" | | | |
| 83300 | E.O. No. D-182-63 | | |
|  | | | |
| Inlet | Outlet | | |
| 2" | 2" | | |
| Overall Length | | | |
| 8 1/2" | | | |
| Hyundai – Elantra 2006-04 2.0L L4 Kia – Spectra 2006-04 2.0L L4 | | | |
| Chrysler – Crossfire 2008-07 3.2L V6 Mercedes-Benz – CLK320 2005 3.2L V6 Mercedes-Benz – E320 2005 3.2L V6 | | | |

NUMERICAL LISTING

| Year | Engine | Year | Engine | | | | | | | | | | | | |
|---|----------------------|---|--------------------|----------------|--------|----------------|----------------------|---|---------|-------|--------|----------------|----|----|-----|
| 83302 (Cont.) | | 83307 (Cont.) | | | | | | | | | | | | | |
| Saturn — Aura | | Subaru — Outback | | | | | | | | | | | | | |
| 2009 | 2.4L L4 3.6L V6 | 2004 | 2.5L H4 | | | | | | | | | | | | |
| Scion — xD | | 83308 E.O. No. D-182-63 | | | | | | | | | | | | | |
| 2009-08 | 1.8L L4 |  | | | | | | | | | | | | | |
| Volkswagen — Passat | | | | | | | | | | | | | | | |
| 2008-06 | 3.6L V6 | <table border="1" style="width: 100%; border-collapse: collapse; text-align: center;"> <thead> <tr> <th style="width: 33%;">Inlet</th> <th style="width: 33%;">Outlet</th> <th style="width: 33%;">Overall Length</th> </tr> </thead> <tbody> <tr> <td>2 1/4"</td> <td>2 1/4"</td> <td>11"</td> </tr> </tbody> </table> | | Inlet | Outlet | Overall Length | 2 1/4" | 2 1/4" | 11" | | | | | | |
| Inlet | Outlet | | | Overall Length | | | | | | | | | | | |
| 2 1/4" | 2 1/4" | 11" | | | | | | | | | | | | | |
| Volkswagen — Phaeton | | | | | | | | | | | | | | | |
| 2006 | 6.0L W12 | <table border="1" style="width: 100%; border-collapse: collapse; text-align: center;"> <thead> <tr> <th style="width: 33%;">Inlet</th> <th style="width: 33%;">Outlet</th> <th style="width: 33%;">Overall Length</th> </tr> </thead> <tbody> <tr> <td>2 1/4"</td> <td>2"</td> <td>10 1/8"</td> </tr> </tbody> </table> | | Inlet | Outlet | Overall Length | 2 1/4" | 2" | 10 1/8" | | | | | | |
| Inlet | Outlet | | | Overall Length | | | | | | | | | | | |
| 2 1/4" | 2" | 10 1/8" | | | | | | | | | | | | | |
| 83304 E.O. No. D-182-63 | | <table border="1" style="width: 100%; border-collapse: collapse; text-align: center;"> <thead> <tr> <th style="width: 33%;">Inlet</th> <th style="width: 33%;">Outlet</th> <th style="width: 33%;">Overall Length</th> </tr> </thead> <tbody> <tr> <td>2 1/4"</td> <td>2"</td> <td>10 1/8"</td> </tr> </tbody> </table> | | Inlet | Outlet | Overall Length | 2 1/4" | 2" | 10 1/8" | | | | | | |
| Inlet | Outlet | | | Overall Length | | | | | | | | | | | |
| 2 1/4" | 2" | 10 1/8" | | | | | | | | | | | | | |
|  | | <table border="1" style="width: 100%; border-collapse: collapse; text-align: center;"> <thead> <tr> <th style="width: 33%;">Inlet</th> <th style="width: 33%;">Outlet</th> <th style="width: 33%;">Overall Length</th> </tr> </thead> <tbody> <tr> <td>2 1/4"</td> <td>2"</td> <td>10 1/8"</td> </tr> </tbody> </table> | | Inlet | Outlet | Overall Length | 2 1/4" | 2" | 10 1/8" | | | | | | |
| Inlet | Outlet | | | Overall Length | | | | | | | | | | | |
| 2 1/4" | 2" | 10 1/8" | | | | | | | | | | | | | |
| Audi — A4 | | Ford — Crown Victoria | | | | | | | | | | | | | |
| 2005 | 3.0L V6 | 2008-04 | 4.6L V8 | | | | | | | | | | | | |
| Audi — A4 Quattro | | Lincoln — Town Car | | | | | | | | | | | | | |
| 2006-05 | 3.0L V6 | 2009-04 | 4.6L V8 | | | | | | | | | | | | |
| Ford — Five Hundred | | Mercury — Grand Marquis | | | | | | | | | | | | | |
| 2007-05 | 3.0L V6 | 2008-04 | 4.6L V8 | | | | | | | | | | | | |
| Ford — Freestyle | | Saab — 9-5 | | | | | | | | | | | | | |
| 2007-05 | 3.0L V6 | 2009-07 | 2.3L L4 | | | | | | | | | | | | |
| Mercury — Montego | | 83378 E.O. No. D-182-63 | | | | | | | | | | | | | |
| 2007-05 | 3.0L V6 |  | | | | | | | | | | | | | |
| 83307 E.O. No. D-182-63 | | | | | | | | | | | | | | | |
|  | | <table border="1" style="width: 100%; border-collapse: collapse; text-align: center;"> <thead> <tr> <th style="width: 33%;">Inlet</th> <th style="width: 33%;">Outlet</th> <th style="width: 33%;">Overall Length</th> </tr> </thead> <tbody> <tr> <td>7 Bolt Welded Flange</td> <td>2 Bolt Welded Flange</td> <td>34 1/4"</td> </tr> </tbody> </table> | | Inlet | Outlet | Overall Length | 7 Bolt Welded Flange | 2 Bolt Welded Flange | 34 1/4" | | | | | | |
| Inlet | Outlet | | | Overall Length | | | | | | | | | | | |
| 7 Bolt Welded Flange | 2 Bolt Welded Flange | 34 1/4" | | | | | | | | | | | | | |
| <table border="1" style="width: 100%; border-collapse: collapse; text-align: center;"> <thead> <tr> <th style="width: 33%;">Inlet</th> <th style="width: 33%;">Outlet</th> <th style="width: 33%;">Overall Length</th> </tr> </thead> <tbody> <tr> <td>2"</td> <td>2"</td> <td>11"</td> </tr> </tbody> </table> | | Inlet | Outlet | Overall Length | 2" | 2" | 11" | <table border="1" style="width: 100%; border-collapse: collapse; text-align: center;"> <thead> <tr> <th style="width: 33%;">Inlet</th> <th style="width: 33%;">Outlet</th> <th style="width: 33%;">Overall Length</th> </tr> </thead> <tbody> <tr> <td>2"</td> <td>2"</td> <td>11"</td> </tr> </tbody> </table> | | Inlet | Outlet | Overall Length | 2" | 2" | 11" |
| Inlet | Outlet | Overall Length | | | | | | | | | | | | | |
| 2" | 2" | 11" | | | | | | | | | | | | | |
| Inlet | Outlet | Overall Length | | | | | | | | | | | | | |
| 2" | 2" | 11" | | | | | | | | | | | | | |
| Saab — 9-2X | | Ford — Focus | | | | | | | | | | | | | |
| 2005 | 2.5L H4 | 2005 | 2.0L L4 2.3L L4 | | | | | | | | | | | | |
| Subaru — Forester | | | | | | | | | | | | | | | |
| 2005 | 2.5L H4 | | | | | | | | | | | | | | |
| Subaru — Impreza | | | | | | | | | | | | | | | |
| 2005 | 2.5L H4 | | | | | | | | | | | | | | |
| Subaru — Legacy | | | | | | | | | | | | | | | |
| 2005-04 | 2.5L H4 | | | | | | | | | | | | | | |

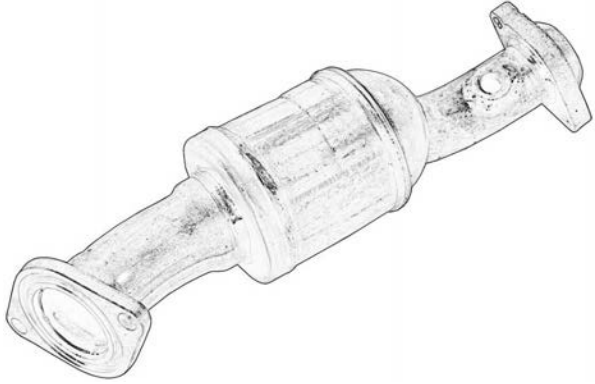
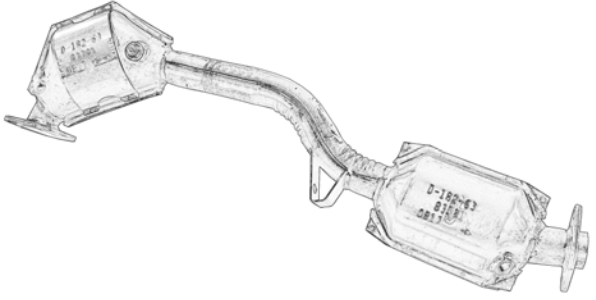

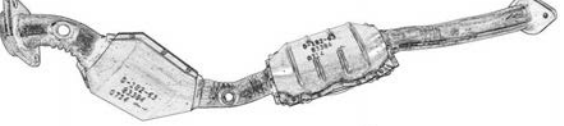
OBDII APPLICATIONS

NON-OBDII APPLICATIONS

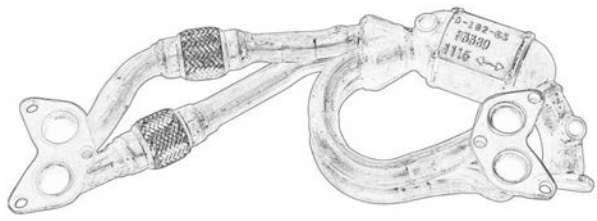
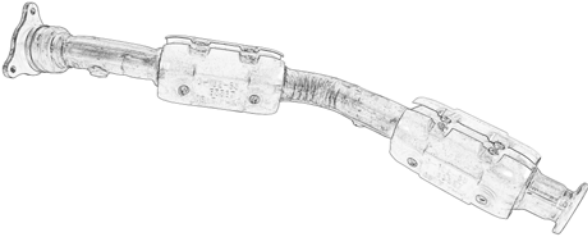
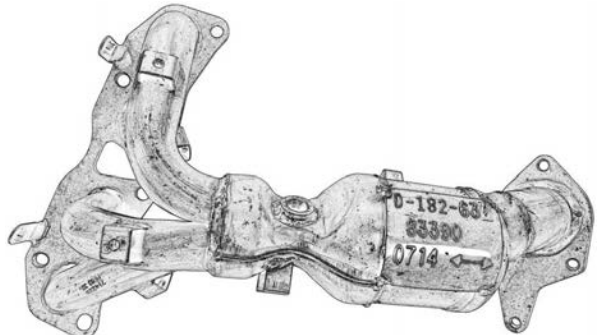
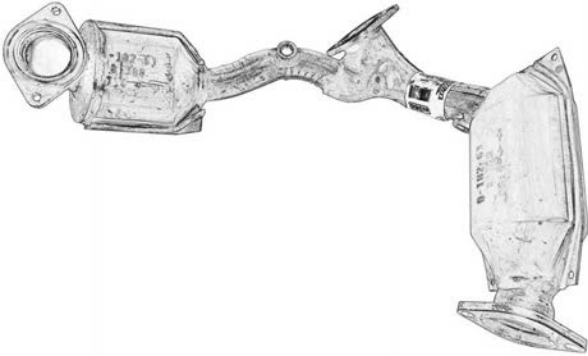
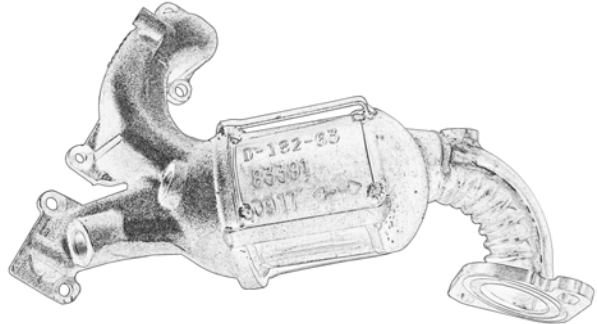
NUMERICAL

UNIVERSAL SPECIFICATIONS

NUMERICAL LISTING

| Year | Engine | Year | Engine |
|--|--------------------------|----------------------------------|--------|
| 83379 | E.O. No. D-182-63 | | |
|  | | | |
| Inlet | Outlet | Overall Length | |
| 2 Bolt Welded Flange | 2 Bolt Welded Flange | 18 ³ / ₈ " | |
| Ford — Five Hundred 2007-05 3.0L V6 Mercury — Montego 2007-05 3.0L V6 | | | |
| 83381 | E.O. No. D-182-63 | | |
|  | | | |
| Inlet | Outlet | Overall Length | |
| 2" | 1 15/16" | 35 3/16" | |
| Saab — 9-2X 2005 2.5L H4 Subaru — Forester 2005 2.5L H4 Subaru — Impreza 2005 2.5L H4 | | | |
| 83382 | E.O. No. D-182-63 | | |
| Inlet | Outlet | Overall Length | |
| Subaru — Legacy 2005-04 2.5L H4 Subaru — Outback 2004 2.5L H4 | | | |
| 83383 | E.O. No. D-182-63 | | |
|  | | | |
| Inlet | Outlet | Overall Length | |
| 2 Bolt Loose Flange With Spherical Flare | 2 Bolt Welded Flange | 36 ⁵ / ₈ " | |
| Ford — Crown Victoria 2008-04 4.6L V8 Lincoln — Town Car 2008-04 4.6L V8 Mercury — Grand Marquis 2008-04 4.6L V8 | | | |
| 83384 | E.O. No. D-182-63 | | |
|  | | | |
| Inlet | Outlet | Overall Length | |
| 2 Bolt Loose Flange With Spherical Flare | 2 Bolt Welded Flange | 38" | |

NUMERICAL LISTING

| Year | Engine | Year | Engine |
|--|---------------|--|----------------------|
| 83384 (Cont.) Ford — Crown Victoria 2008-04 4.6L V8 Lincoln — Town Car 2008-04 4.6L V8 Mercury — Grand Marquis 2008-04 4.6L V8 | | 83389 E.O. No. D-182-63  | |
| 83387 E.O. No. D-182-63  | | Inlet | Outlet |
| | | 3 Bolt Welded Flange | 3 Bolt Welded Flange |
| | | Overall Length | |
| | | 27" | |
| | | Saab — 9-2X 2006 2.5L H4 Subaru — Forester 2008-06 2.5L H4 Subaru — Impreza 2009-06 2.5L H4 Subaru — Legacy 2009-06 2.5L H4 | |
| Inlet | Outlet | Overall Length | |
| 3 Bolt Welded Flange | 2" | 38" | |
| Chevrolet — Cobalt 2009-08 2.2L L4 2008 2.4L L4 Pontiac — G5 2009-08 2.2L L4 2008 2.4L L4 | | 83390 E.O. No. D-182-63  | |
| 83388 E.O. No. D-182-63  | | Inlet | Outlet |
| | | 5 Bolt Welded Flange | 4 Bolt Welded Flange |
| | | Overall Length | |
| | | 20 1/4" | |
| | | Nissan — Altima 2009-07 2.5L L4 | |
| 83391 E.O. No. D-182-63  | | Inlet | Outlet |
| | | 6 Bolt Welded Flange | 2" |
| | | Overall Length | |
| | | 17 11/16" | |
| Ford — Taurus 2007-04 3.0L V6 Mercury — Sable 2005-04 3.0L V6 | | Ford — Fusion 2006 3.0L V6 | |


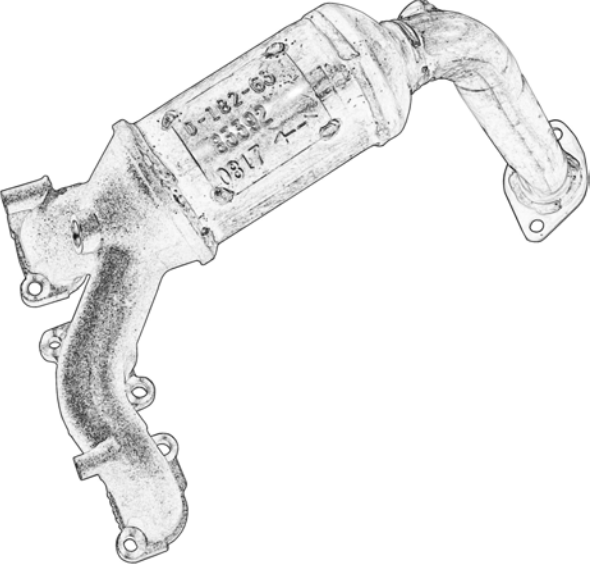
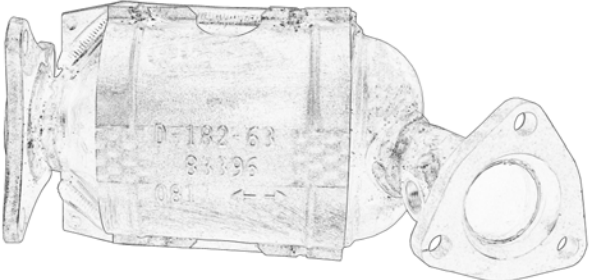

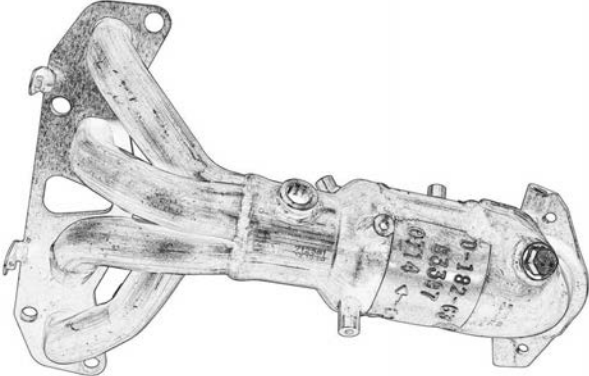
OBDII APPLICATIONS

NON-OBDII APPLICATIONS

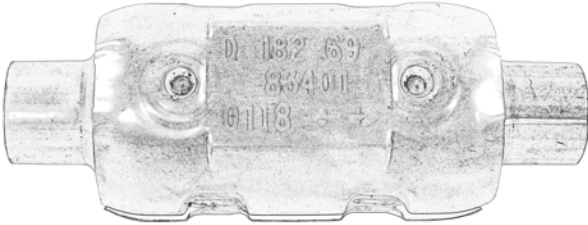
NUMERICAL

UNIVERSAL SPECIFICATIONS

NUMERICAL LISTING

| Year | Engine | Year | Engine | | | | | | | | | | | | |
|--|----------------------|--|--------|----------------|----------------------|----------------------|----------------------------------|---|----------------------------------|-------|--------|----------------|----------------------|----------------------|-----------|
| 83391 (Cont.) Lincoln — Zephyr 2006 3.0L V6 Mercury — Milan 2006 3.0L V6 | | 83395 E.O. No. D-182-63  | | | | | | | | | | | | | |
| 83392 E.O. No. D-182-63  | | <table border="1" style="width: 100%; border-collapse: collapse;"> <thead> <tr> <th style="width: 33%;">Inlet</th> <th style="width: 33%;">Outlet</th> <th style="width: 33%;">Overall Length</th> </tr> </thead> <tbody> <tr> <td>4 Bolt Welded Flange</td> <td>3 Bolt Welded Flange</td> <td>14⁵/₈"</td> </tr> </tbody> </table> | | Inlet | Outlet | Overall Length | 4 Bolt Welded Flange | 3 Bolt Welded Flange | 14 ⁵ / ₈ " | | | | | | |
| Inlet | Outlet | Overall Length | | | | | | | | | | | | | |
| 4 Bolt Welded Flange | 3 Bolt Welded Flange | 14 ⁵ / ₈ " | | | | | | | | | | | | | |
| Ford — Fusion 2006 3.0L V6 Lincoln — Zephyr 2006 3.0L V6 Mercury — Milan 2006 3.0L V6 | | Honda — Accord 2007-03 3.0L V6 83396 E.O. No. D-182-63  | | | | | | | | | | | | | |
| <table border="1" style="width: 100%; border-collapse: collapse;"> <thead> <tr> <th style="width: 33%;">Inlet</th> <th style="width: 33%;">Outlet</th> <th style="width: 33%;">Overall Length</th> </tr> </thead> <tbody> <tr> <td>6 Bolt Welded Flange</td> <td>2"</td> <td>23¹/₄"</td> </tr> </tbody> </table> | | Inlet | Outlet | Overall Length | 6 Bolt Welded Flange | 2" | 23 ¹ / ₄ " | <table border="1" style="width: 100%; border-collapse: collapse;"> <thead> <tr> <th style="width: 33%;">Inlet</th> <th style="width: 33%;">Outlet</th> <th style="width: 33%;">Overall Length</th> </tr> </thead> <tbody> <tr> <td>4 Bolt Welded Flange</td> <td>3 Bolt Welded Flange</td> <td>12 13/16"</td> </tr> </tbody> </table> | | Inlet | Outlet | Overall Length | 4 Bolt Welded Flange | 3 Bolt Welded Flange | 12 13/16" |
| Inlet | Outlet | Overall Length | | | | | | | | | | | | | |
| 6 Bolt Welded Flange | 2" | 23 ¹ / ₄ " | | | | | | | | | | | | | |
| Inlet | Outlet | Overall Length | | | | | | | | | | | | | |
| 4 Bolt Welded Flange | 3 Bolt Welded Flange | 12 13/16" | | | | | | | | | | | | | |
| 83394 E.O. No. D-182-63  | | Nissan — Altima 2006 3.5L V6 Nissan — Maxima 2004 3.5L V6 | | | | | | | | | | | | | |
| <table border="1" style="width: 100%; border-collapse: collapse;"> <thead> <tr> <th style="width: 33%;">Inlet</th> <th style="width: 33%;">Outlet</th> <th style="width: 33%;">Overall Length</th> </tr> </thead> <tbody> <tr> <td>4 Bolt Welded Flange</td> <td>3 Bolt Welded Flange</td> <td>15"</td> </tr> </tbody> </table> | | Inlet | Outlet | Overall Length | 4 Bolt Welded Flange | 3 Bolt Welded Flange | 15" | 83397 E.O. No. D-182-63  | | | | | | | |
| Inlet | Outlet | Overall Length | | | | | | | | | | | | | |
| 4 Bolt Welded Flange | 3 Bolt Welded Flange | 15" | | | | | | | | | | | | | |
| Honda — Accord 2007-03 3.0L V6 | | <table border="1" style="width: 100%; border-collapse: collapse;"> <thead> <tr> <th style="width: 33%;">Inlet</th> <th style="width: 33%;">Outlet</th> <th style="width: 33%;">Overall Length</th> </tr> </thead> <tbody> <tr> <td>5 Bolt Welded Flange</td> <td>2 Bolt Welded Flange</td> <td>19¹/₂"</td> </tr> </tbody> </table> | | Inlet | Outlet | Overall Length | 5 Bolt Welded Flange | 2 Bolt Welded Flange | 19 ¹ / ₂ " | | | | | | |
| Inlet | Outlet | Overall Length | | | | | | | | | | | | | |
| 5 Bolt Welded Flange | 2 Bolt Welded Flange | 19 ¹ / ₂ " | | | | | | | | | | | | | |
| | | Nissan — Altima 2006-04 2.5L L4 | | | | | | | | | | | | | |

NUMERICAL LISTING

| Year | Engine | Year | Engine |
|---|--------------------------|--------------------------------|---------|
| 83401 | E.O. No. D-182-69 | 83402 (Cont.) | |
|  | | BMW – X5 | |
| Inlet | Outlet | 2006-04 | 4.8L V8 |
| 2" | 2" | 2006-01 | 3.0L L6 |
| Overall Length | | 2006-00 | 4.4L V8 |
| 12" | | 2003-02 | 4.6L V8 |
| Dodge – Dakota | | Dodge – Durango | |
| 2006-04 | 3.7L V6 | 2006-04 | 5.7L V8 |
| | 4.7L V8 | Dodge – Ram 1500 | |
| Infiniti – QX56 | | 2006-04 | 3.7L V6 |
| 2006-04 | 5.6L V8 | | 4.7L V8 |
| Lexus – GX470 | | | 5.7L V8 |
| 2004-03 | 4.7L V8 | Dodge – Ram 2500 | |
| Lexus – LX470 | | 2005-04 | 5.7L V8 |
| 2005-98 | 4.7L V8 | Dodge – Ram 3500 | |
| Mercedes-Benz – G500 | | 2005-04 | 5.7L V8 |
| 2006-02 | 5.0L V8 | Ford – E-150 | |
| Mercedes-Benz – ML320 | | 2006-05 | 4.6L V8 |
| 2000-98 | 3.2L V6 | | 5.4L V8 |
| Mercedes-Benz – ML350 | | Ford – E-150 Club Wagon | |
| 2005 | 3.7L V6 | 2005 | 4.6L V8 |
| Mercedes-Benz – ML430 | | | 5.4L V8 |
| 2001-99 | 4.3L V8 | Ford – E-250 | |
| Mercedes-Benz – ML500 | | 2006-05 | 4.6L V8 |
| 2006-02 | 5.0L V8 | 2005 | 5.4L V8 |
| Mercedes-Benz – ML55 AMG | | Ford – E-350 Super Duty | |
| 2003-00 | 5.5L V8 | 2006-05 | 5.4L V8 |
| Mitsubishi – Raider | | Ford – Econoline | |
| 2006 | 3.7L V6 | 2006-05 | 4.6L V8 |
| | 4.7L V8 | | 5.4L V8 |
| Nissan – Armada | | Ford – Explorer | |
| 2006-05 | 5.6L V8 | 2005-02 | 4.0L V6 |
| Nissan – Titan | | Honda – Passport | |
| 2006-04 | 5.6L V8 | 2002-96 | 3.2L V6 |
| Toyota – 4Runner | | 1996 | 2.6L L4 |
| 2004-03 | 4.0L V6 | Infiniti – QX56 | |
| | 4.7L V8 | 2006-04 | 5.6L V8 |
| 2000 | 2.7L L4 | Isuzu – Amigo | |
| Toyota – Land Cruiser | | 2000-98 | 2.2L L4 |
| 2005-98 | 4.7L V8 | | 3.2L V6 |
| Toyota – Tacoma | | Isuzu – Axiom | |
| 2004-00 | 2.7L L4 | 2003-02 | 3.5L V6 |
| Toyota – Tundra | | Isuzu – Rodeo | |
| 2002-00 | 4.7L V8 | 2004-96 | 3.2L V6 |
| 83402 | E.O. No. D-182-69 | 2000-98 | 2.2L L4 |
| Inlet | Outlet | 1997-96 | 2.6L L4 |
| 2" | 2" | Isuzu – Rodeo Sport | |
| Overall Length | | 2003-01 | 3.2L V6 |
| 12" | | Isuzu – Trooper | |
| Acura – SLX | | 2002-98 | 3.5L V6 |
| 1999-98 | 3.5L V6 | 1997-96 | 3.2L V6 |
| 1997-96 | 3.2L V6 | Isuzu – VehiCROSS | |
| BMW – X3 | | 2001-00 | 3.5L V6 |
| 2006-04 | 3.0L L6 | Jeep – Commander | |
| 2005-04 | 2.5L L6 | 2006 | 3.7L V6 |
| | | | 4.7L V8 |
| | | | 5.7L V8 |
| | | Jeep – Grand Cherokee | |
| | | 2006-05 | 5.7L V8 |
| | | 2006-04 | 4.7L V8 |

OBDDI APPLICATIONS

NON-OBDDI APPLICATIONS

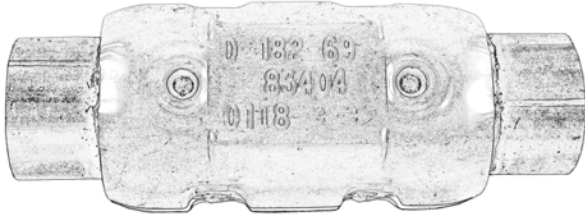
NUMERICAL

UNIVERSAL SPECIFICATIONS

NUMERICAL LISTING

| Year | Engine |
|---------------------------------------|-------------------------------|
| 83402 (Cont.) | |
| Jeep — Liberty | |
| 2004 | 2.4L L4 3.7L V6 |
| Land Rover — Defender 90 | |
| 1997 | 4.0L V8 |
| Land Rover — Freelander | |
| 2004-02 | 2.5L V6 |
| Land Rover — LR3 | |
| 2006-05 | 4.0L V6 4.4L V8 |
| Land Rover — Range Rover | |
| 2006-03 | 4.4L V8 |
| 2006 | 4.2L V8 |
| 2000-95 | 4.0L V8 |
| 1996 | 4.6L V8 |
| Land Rover — Range Rover Sport | |
| 2006 | 4.2L V8 4.4L V8 |
| Lexus — GX470 | |
| 2004-03 | 4.7L V8 |
| Mazda — MPV | |
| 1998-95 | 3.0L V6 |
| Mercedes-Benz — G55 AMG | |
| 2006 | 5.5L V8 |
| 2004-03 | 5.5L V8 |
| Mercedes-Benz — R500 | |
| 2006 | 5.0L V8 |
| Mercury — Mountaineer | |
| 2005-02 | 4.0L V6 |
| Nissan — Armada | |
| 2006-05 | 5.6L V8 |
| Nissan — Titan | |
| 2006-04 | 5.6L V8 |
| Toyota — 4Runner | |
| 2004-03 | 4.7L V8 |
| 2002-96 | 3.4L V6 |
| 2000-96 | 2.7L L4 |
| Toyota — Tacoma | |
| 2004-00 | 3.4L V6 |
| 1999 | 2.7L L4 |
| Toyota — Tundra | |
| 2004-00 | 3.4L V6 |
| 2002-00 | 4.7L V8 |
| 83403 | |
| E.O. No. D-182-69 | |
| Inlet | Outlet |
| Overall Length | |
| Cadillac — Escalade | |
| 2006-02 | 6.0L V8 |
| 2003 | 5.3L V8 |
| 2000-99 | 5.7L V8 |
| Cadillac — Escalade ESV | |
| 2006-03 | 6.0L V8 |
| Cadillac — Escalade EXT | |
| 2006-02 | 6.0L V8 |
| Chevrolet — Astro | |
| 2005-00 | 4.3L V6 |
| Chevrolet — Avalanche 1500 | |
| 2003 | 5.3L V8 |
| Chevrolet — Blazer | |
| 2005-98 | 4.3L V6 |
| 83403 (Cont.) | |
| Chevrolet — C1500 Suburban | |
| 1999-98 | 5.7L V8 |
| Chevrolet — Express 1500 | |
| 2002-00 | 5.7L V8 |
| Chevrolet — Express 2500 | |
| 2002-00 | 5.7L V8 |
| Chevrolet — K1500 Suburban | |
| 1999-98 | 5.7L V8 |
| Chevrolet — S10 | |
| 2004-98 | 4.3L V6 |
| Chevrolet — Silverado 1500 | |
| 2006-03 | 6.0L V8 |
| 2003 | 5.3L V8 |
| 2001-99 | 4.3L V6 4.8L V8 5.3L V8 |
| Chevrolet — Suburban 1500 | |
| 2006 | 6.0L V8 |
| 2003 | 5.3L V8 |
| 2000 | 5.3L V8 |
| Chevrolet — Tahoe | |
| 2003 | 5.3L V8 |
| 2001-00 | 5.3L V8 |
| 2001 | 4.8L V8 |
| 2000-98 | 5.7L V8 |
| Chevrolet — Trailblazer | |
| 2003-02 | 4.2L L6 |
| Chevrolet — Trailblazer EXT | |
| 2003-02 | 4.2L L6 |
| Ford — E-150 | |
| 2004-03 | 4.6L V8 |
| 2004 | 5.4L V8 |
| Ford — E-150 Club Wagon | |
| 2004-03 | 4.6L V8 |
| 2004 | 5.4L V8 |
| Ford — E-250 | |
| 2004-03 | 4.6L V8 |
| Ford — E-350 Super Duty | |
| 2004 | 5.4L V8 6.8L V10 |
| Ford — Econoline | |
| 2004 | 4.6L V8 5.4L V8 |
| Ford — Explorer | |
| 2004-02 | 4.6L V8 |
| GMC — C1500 Suburban | |
| 1999-98 | 5.7L V8 |
| GMC — Envoy | |
| 2003-02 | 4.2L L6 |
| GMC — Envoy XL | |
| 2003-02 | 4.2L L6 |
| GMC — Jimmy | |
| 2001-98 | 4.3L V6 |
| GMC — K1500 Suburban | |
| 1999-98 | 5.7L V8 |
| GMC — Safari | |
| 2005-00 | 4.3L V6 |
| GMC — Savana 1500 | |
| 2002-00 | 5.7L V8 |
| GMC — Savana 2500 | |
| 2002-00 | 5.7L V8 |

NUMERICAL LISTING

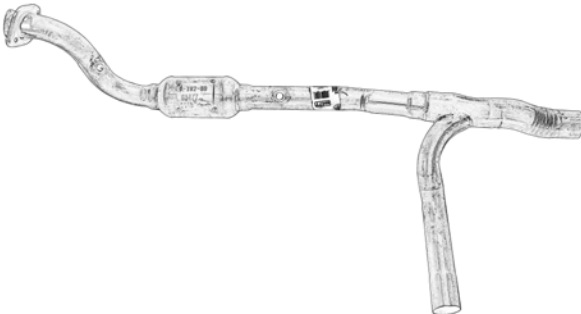
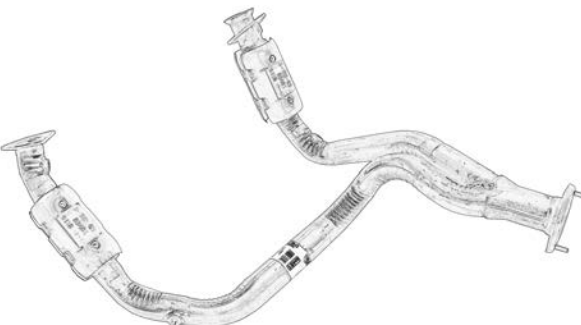
| Year | Engine | Year | Engine |
|---|---------------|--|----------|
| 83403 (Cont.) | | 83404 (Cont.) | |
| GMC — Sierra 1500 | | Chevrolet — Express 2500 (Cont.) | |
| 2006-01 | 6.0L V8 | 2005 | 6.0L V8 |
| 2003 | 5.3L V8 | 2003 | 6.0L V8 |
| 2001-99 | 4.3L V6 | 2002-01 | 5.7L V8 |
| | 4.8L V8 | 2000 | 4.3L V6 |
| | 5.3L V8 | Chevrolet — Express 3500 | |
| GMC — Sierra 2500 | | 2007-03 | 6.0L V8 |
| 2000-99 | 5.3L V8 | 2005 | 4.8L V8 |
| GMC — Sonoma | | 2002-01 | 5.7L V8 |
| 2004-98 | 4.3L V6 | 2002 | 8.1L V8 |
| GMC — Yukon | | Chevrolet — Silverado 1500 | |
| 2006-01 | 6.0L V8 | 2006-03 | 6.0L V8 |
| 2003 | 5.3L V8 | Chevrolet — Silverado 1500 HD | |
| 2001-00 | 5.3L V8 | 2006-05 | 6.0L V8 |
| 2001 | 4.8L V8 | 2003-01 | 6.0L V8 |
| 2000-98 | 5.7L V8 | Chevrolet — Silverado 1500 HD Classic | |
| GMC — Yukon XL 1500 | | 2007 | 6.0L V8 |
| 2006-01 | 6.0L V8 | Chevrolet — Silverado 2500 | |
| 2003 | 5.3L V8 | 2004-99 | 6.0L V8 |
| 2000 | 5.3L V8 | Chevrolet — Silverado 2500 HD | |
| Hummer — H2 | | 2007-01 | 6.0L V8 |
| 2006-03 | 6.0L V8 | 2006-02 | 8.1L V8 |
| Isuzu — Ascender | | Chevrolet — Silverado 2500 HD Classic | |
| 2003 | 4.2L L6 | 2007 | 6.0L V8 |
| Isuzu — Hombre | | | 8.1L V8 |
| 2000-98 | 4.3L V6 | Chevrolet — Silverado 3500 | |
| Jeep — Liberty | | 2006-01 | 6.0L V8 |
| 2003-02 | 2.4L L4 | | 8.1L V8 |
| Lincoln — Aviator | | Chevrolet — Silverado 3500 Classic | |
| 2005-03 | 4.6L V8 | 2007 | 6.0L V8 |
| Mercury — Mountaineer | | | 8.1L V8 |
| 2004-02 | 4.6L V8 | Chevrolet — Silverado 3500 HD | |
| Oldsmobile — Bravada | | 2007 | 6.0L V8 |
| 2003-02 | 4.2L L6 | Chevrolet — SSR | |
| 2001-00 | 4.3L V6 | 2006-05 | 6.0L V8 |
| 1998 | 4.3L V6 | Chevrolet — Suburban 2500 | |
| 83404 E.O. No. D-182-69 | | 2006-01 | 8.1L V8 |
|  | | | |
| | | | |
| Inlet | Outlet | Overall Length | |
| 3" | 3" | 12" | |
| Chevrolet — Avalanche 2500 | | 2006-00 | 6.0L V8 |
| 2006-02 | 8.1L V8 | Chevrolet — W3500 Tiltmaster | |
| Chevrolet — C3500 | | 2007-04 | 6.0L V8 |
| 2001 | 8.1L V8 | Dodge — Ram 1500 | |
| Chevrolet — C3500HD | | 2006-04 | 8.3L V10 |
| 2001 | 8.1L V8 | GMC — C3500HD | |
| Chevrolet — Express 1500 | | 2001 | 8.1L V8 |
| 2002-01 | 5.7L V8 | GMC — Savana 1500 | |
| 2000 | 4.3L V6 | 2002-01 | 5.7L V8 |
| Chevrolet — Express 2500 | | 2000 | 4.3L V6 |
| 2005-03 | 4.8L V8 | GMC — Savana 2500 | |
| | | 2005-03 | 4.8L V8 |
| | | 2005 | 6.0L V8 |
| | | 2003 | 6.0L V8 |
| | | 2002-01 | 5.7L V8 |
| | | 2000 | 4.3L V6 |
| | | GMC — Savana 3500 | |
| | | 2007-03 | 6.0L V8 |
| | | 2005 | 4.8L V8 |
| | | 2002-01 | 5.7L V8 |
| | | 2002 | 8.1L V8 |
| | | GMC — Sierra 1500 | |
| | | 2006-02 | 6.0L V8 |

OBDII APPLICATIONS
 NON-OBDII APPLICATIONS
 NUMERICAL
 UNIVERSAL SPECIFICATIONS

NUMERICAL LISTING

| Year | Engine | Year | Engine |
|-------------------------------------|---------|--------------------------------------|---------|
| 83404 (Cont.) | | 83410 (Cont.) | |
| GMC – Sierra 1500 HD | | Ford – Freestar | |
| 2006-05 | 6.0L V8 | 2004 | 3.9L V6 |
| 2003-01 | 6.0L V8 | Honda – Odyssey | |
| GMC – Sierra 1500 HD Classic | | 2004-99 | 3.5L V6 |
| 2007 | 6.0L V8 | 83411 E.O. No. D-182-69 | |
| GMC – Sierra 2500 | | Inlet | Outlet |
| 2004-99 | 6.0L V8 | Overall Length | |
| GMC – Sierra 2500 HD | | Ford – Freestar | |
| 2007-01 | 6.0L V8 | 2005-04 | 4.2L V6 |
| 2006-01 | 8.1L V8 | Ford – Windstar | |
| GMC – Sierra 2500 HD Classic | | 2003 | 3.8L V6 |
| 2007 | 6.0L V8 | Mercury – Monterey | |
| | 8.1L V8 | 2005-04 | 4.2L V6 |
| GMC – Sierra 3500 | | 83412 E.O. No. D-182-69 | |
| 2006-01 | 6.0L V8 | Inlet | Outlet |
| | 8.1L V8 | Overall Length | |
| GMC – Sierra 3500 Classic | | Mercedes-Benz – ML350 | |
| 2007 | 6.0L V8 | 2006 | 3.5L V6 |
| GMC – Sierra 3500 HD | | Mercedes-Benz – R350 | |
| 2007 | 6.0L V8 | 2006 | 3.5L V6 |
| GMC – W3500 Forward | | Mercedes-Benz – R500 | |
| 2007-04 | 6.0L V8 | 2006 | 5.0L V8 |
| GMC – Yukon XL 2500 | | 83413 E.O. No. D-182-69 | |
| 2006-01 | 8.1L V8 | Inlet | Outlet |
| 2006-00 | 6.0L V8 | Overall Length | |
| Isuzu – NPR | | Chrysler – Pacifica | |
| 2007-03 | 6.0L V8 | 2006-04 | 3.5L V6 |
| Isuzu – NPR-HD | | Chrysler – Town & Country | |
| 2004-03 | 6.0L V8 | 2005-01 | 3.8L V6 |
| 83406 E.O. No. D-182-69 | | 2003-01 | 3.3L V6 |
| Inlet | Outlet | Overall Length | |
| Toyota – Sequoia | | Chrysler – Voyager | |
| 2004-01 | 4.7L V8 | 2003-01 | 2.4L L4 |
| Toyota – Tundra | | | 3.3L V6 |
| 2004-03 | 4.7L V8 | Dodge – Caravan | |
| 83408 E.O. No. D-182-69 | | 2005-01 | 2.4L L4 |
| Inlet | Outlet | 2005 | 3.3L V6 |
| Overall Length | | 2003-01 | 3.3L V6 |
| Buick – Rendezvous | | Dodge – Grand Caravan | |
| 2006-04 | 3.6L V6 | 2005-01 | 3.8L V6 |
| 2005-03 | 3.4L V6 | 2002-01 | 3.3L V6 |
| Chevrolet – Venture | | Ford – Expedition | |
| 2005-03 | 3.4L V6 | 2006-05 | 5.4L V8 |
| Dodge – Durango | | Ford – F-150 | |
| 2000-99 | 5.2L V8 | 2006-05 | 4.2L V6 |
| 2000-98 | 5.9L V8 | | 4.6L V8 |
| 1999 | 3.9L V6 | 2006 | 5.4L V8 |
| Oldsmobile – Silhouette | | Lincoln – Mark LT | |
| 2004-03 | 3.4L V6 | 2006 | 5.4L V8 |
| Pontiac – Aztek | | Lincoln – Navigator | |
| 2005-03 | 3.4L V6 | 2006-05 | 5.4L V8 |
| Pontiac – Montana | | Volvo – V70 | |
| 2005-03 | 3.4L V6 | 2002-01 | 2.4L L5 |
| 83410 E.O. No. D-182-69 | | 83415 E.O. No. D-182-69 | |
| Inlet | Outlet | Inlet | Outlet |
| Overall Length | | Overall Length | |
| Mercedes-Benz – ML320 | | Mercedes-Benz – ML320 | |
| | | 2000-98 | 3.2L V6 |

NUMERICAL LISTING

| Year | Engine | Year | Engine | |
|--|---------|--|---------|----------------|
| 83415 (Cont.) | | 83466 (Cont.) | | |
| Mercedes-Benz – ML350 | | Toyota – 4Runner (Cont.) | | |
| 2005 | 3.7L V6 | 2000 | 2.7L L4 | |
| 83418 | | 83477 | | |
| E.O. No. D-182-69 | | E.O. No. D-182-69 | | |
| Inlet | Outlet |  | | |
| Overall Length | | | | |
| Dodge – Ram 1500 2003 5.7L V8 Ford – E-150 2004-03 4.6L V8 Ford – E-150 Club Wagon 2004-03 4.6L V8 Ford – E-250 2004-03 4.6L V8 Ford – Econoline 2004 4.6L V8 Ford – Expedition 2004-03 4.6L V8 5.4L V8 Ford – F-150 2004-02 5.4L V8 2004 4.6L V8 Ford – F-150 Heritage 2004 5.4L V8 Lincoln – Navigator 2004-03 5.4L V8 | | Inlet | Outlet | Overall Length |
| | | 2 7/16" | 2 3/4" | 54 3/16" |
| | | Dodge – Ram 1500 2006-04 3.7L V6 2005-04 4.7L V8 5.7L V8 | | |
| 83451 | | 83481 | | |
| E.O. No. D-182-69 | | E.O. No. D-182-69 | | |
| Inlet | Outlet |  | | |
| Overall Length | | | | |
| Toyota – Tundra 2004-03 4.7L V8 | | Inlet | Outlet | Overall Length |
| 83457 | | 3 1/4" | 3" | 43" |
| E.O. No. D-182-69 | | Chevrolet – Escalade 2006-02 6.0L V8 Cadillac – Escalade ESV 2006-03 6.0L V8 Cadillac – Escalade EXT 2006-02 6.0L V8 Chevrolet – Suburban 1500 2006 6.0L V8 GMC – Sierra 1500 2006-01 6.0L V8 GMC – Yukon 2006-01 6.0L V8 GMC – Yukon XL 1500 2006-01 6.0L V8 | | |
| 83460 | | 83466 | | |
| E.O. No. D-182-69 | | E.O. No. D-182-69 | | |
| Inlet | Outlet | Chevrolet – Avalanche 1500 2006 5.3L V8 Chevrolet – Silverado 1500 2006 4.8L V8 5.3L V8 Chevrolet – Suburban 1500 2006 5.3L V8 Chevrolet – Tahoe 2006 4.8L V8 5.3L V8 GMC – Sierra 1500 2006 4.8L V8 5.3L V8 GMC – Yukon 2006 4.8L V8 5.3L V8 GMC – Yukon XL 1500 2006 5.3L V8 | | |
| Overall Length | | | | |
| Toyota – Tundra 2004-03 4.7L V8 | | | | |
| 83466 | | | | |
| E.O. No. D-182-69 | | | | |
| Inlet | Outlet | Toyota – 4Runner 2002-01 3.4L V6 | | |
| Overall Length | | | | |

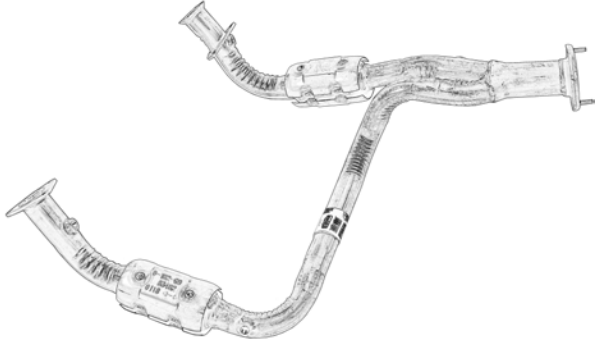
OBDII APPLICATIONS

NON-OBDII APPLICATIONS

NUMERICAL SPECIFICATIONS

UNIVERSAL SPECIFICATIONS

NUMERICAL LISTING

| Year | Engine | Year | Engine |
|--|--|-----------------------|-----------------------|
| <div style="display: flex; justify-content: space-around;">  </div> | 83482 | E.O. No. D-182-69 | |
| | Inlet | Outlet | Overall Length |
| | 3 1/4" | 3" | 42 1/4" |
| | Cadillac — Escalade 2005-03 5.3L V8 Chevrolet — Avalanche 1500 2005-03 5.3L V8 Chevrolet — Silverado 2500 2000-99 5.3L V8 Chevrolet — Suburban 1500 2005-03 5.3L V8 2000 5.3L V8 Chevrolet — Tahoe 2005-03 4.8L V8 5.3L V8 2001-00 5.3L V8 2001 4.8L V8 GMC — Sierra 1500 2006-03 4.3L V6 5.3L V8 2005-03 4.8L V8 2001-99 4.3L V6 4.8L V8 5.3L V8 GMC — Sierra 2500 2000-99 5.3L V8 GMC — Yukon 2005-03 4.8L V8 5.3L V8 2001-00 5.3L V8 2001 4.8L V8 GMC — Yukon XL 1500 2005-03 5.3L V8 2000 5.3L V8 | | |
| 83490 | | E.O. No. D-182-69 | |
| Inlet | Outlet | Overall Length | |
| Honda — Odyssey 2004-99 3.5L V6 | | | |
| 83494 | | E.O. No. D-182-70 | |
| Inlet | Outlet | Overall Length | |
| Honda — Civic 2013-12 1.8L L4 | | | |
| 83495 | | E.O. No. D-182-70 | |
| Inlet | Outlet | Overall Length | |
| Honda — Civic 2011-06 1.8L L4 | | | |
| 83497 | | E.O. No. D-182-69 | |
| Inlet | Outlet | Overall Length | |
| Cadillac — Escalade 2006-02 6.0L V8 Cadillac — Escalade ESV 2006-03 6.0L V8 Cadillac — Escalade EXT 2006-02 6.0L V8 Chevrolet — Suburban 1500 2006 6.0L V8 GMC — Sierra 1500 2006-01 6.0L V8 GMC — Yukon 2006-01 6.0L V8 GMC — Yukon XL 1500 2006-01 6.0L V8 | | | |
| 83501 | | E.O. No. D-182-69 | |
| Inlet | Outlet | Overall Length | |
| Ford — Aerostar 1997-96 3.0L V6 4.0L V6 Ford — Windstar 2000-95 3.0L V6 1998-95 3.8L V6 Infiniti — FX35 2004-03 3.5L V6 Infiniti — QX4 2001 3.5L V6 2000-98 3.3L V6 Nissan — Frontier 2004-99 3.3L V6 Nissan — Pathfinder 2004 3.5L V6 2001 3.5L V6 2000-98 3.3L V6 Nissan — Xterra 2004-00 3.3L V6 | | | |
| 83502 | | E.O. No. D-182-69 | |
| Inlet | Outlet | Overall Length | |
| Cadillac — SRX 2006-04 4.6L V8 Ford — F-250 Super Duty 2006-05 6.8L V10 2005 5.4L V8 Ford — F-350 Super Duty 2006-05 5.4L V8 6.8L V10 Ford — Ranger 2006-04 3.0L V6 4.0L V6 | | | |

NUMERICAL LISTING

| Year | Engine | Year | Engine |
|------------------------------------|---------|------------------------------------|---------|
| 83502 (Cont.) | | 83507 (Cont.) | |
| Mazda — B3000 | | Ford — Explorer | |
| 2006-04 | 3.0L V6 | 2000-97 | 4.0L V6 |
| Mazda — B4000 | | Lexus — LX450 | |
| 2006-04 | 4.0L V6 | 1997-96 | 4.5L L6 |
| 83506 | | E.O. No. D-182-69 | |
| Inlet | Outlet | Overall Length | |
| Chevrolet — C1500 | | Mazda — MPV | |
| 1999-96 | 5.7L V8 | 1998-95 | 3.0L V6 |
| Chevrolet — C1500 Suburban | | Mercury — Mountaineer | |
| 1997-96 | 5.7L V8 | 2000-98 | 4.0L V6 |
| Chevrolet — C2500 | | Mitsubishi — Montero | |
| 1998-96 | 5.7L V8 | 1996-95 | 3.5L V6 |
| Chevrolet — K1500 | | 1995 | 3.0L V6 |
| 1999-96 | 5.7L V8 | Toyota — 4Runner | |
| Chevrolet — K1500 Suburban | | 1995-94 | 3.0L V6 |
| 1997-96 | 5.7L V8 | Toyota — Land Cruiser | |
| Chevrolet — K2500 | | 1997-95 | 4.5L L6 |
| 1996 | 5.7L V8 | Toyota — Pickup | |
| Chevrolet — Tahoe | | 1995-94 | 3.0L V6 |
| 1997-96 | 5.7L V8 | Toyota — Sienna | |
| GMC — C1500 | | 1998 | 3.0L V6 |
| 1999-96 | 5.7L V8 | 83508 | |
| GMC — C1500 Suburban | | E.O. No. D-182-69 | |
| 1997-96 | 5.7L V8 | Inlet | Outlet |
| GMC — C2500 | | Overall Length | |
| 1998-96 | 5.7L V8 | Buick — Rainier | |
| GMC — K1500 | | 2006-04 | 5.3L V8 |
| 1999-96 | 5.7L V8 | Cadillac — Escalade | |
| GMC — K1500 Suburban | | 2005-04 | 5.3L V8 |
| 1997-96 | 5.7L V8 | Chevrolet — Avalanche 1500 | |
| GMC — Yukon | | 2006-04 | 5.3L V8 |
| 1997-96 | 5.7L V8 | Chevrolet — Blazer | |
| Honda — Passport | | 2005-98 | 4.3L V6 |
| 1997-96 | 3.2L V6 | Chevrolet — Express 1500 | |
| Isuzu — Rodeo | | 2006-03 | 4.3L V6 |
| 1997-96 | 3.2L V6 | | 5.3L V8 |
| Land Rover — Defender 90 | | 1999-96 | 5.7L V8 |
| 1997 | 4.0L V8 | Chevrolet — Express 2500 | |
| Land Rover — Discovery | | 2005-03 | 4.3L V6 |
| 2004-03 | 4.6L V8 | | 5.3L V8 |
| 2002-96 | 4.0L V8 | 1999-96 | 5.7L V8 |
| Land Rover — Range Rover | | Chevrolet — Lumina APV | |
| 2002-96 | 4.6L V8 | 1996 | 3.4L V6 |
| 2000-95 | 4.0L V8 | Chevrolet — S10 | |
| Nissan — Pickup | | 2004-95 | 4.3L V6 |
| 1997 | 2.4L L4 | Chevrolet — Silverado 1500 | |
| Toyota — 4Runner | | 2006-04 | 5.3L V8 |
| 1995-94 | 2.4L L4 | 2006-03 | 4.3L V6 |
| Toyota — Pickup | | | 4.8L V8 |
| 1995-94 | 2.4L L4 | Chevrolet — SSR | |
| Toyota — Previa | | 2004-03 | 5.3L V8 |
| 1997-94 | 2.4L L4 | Chevrolet — Suburban 1500 | |
| Toyota — T100 | | 2006-04 | 5.3L V8 |
| 1997-95 | 3.4L V6 | Chevrolet — Tahoe | |
| 1994 | 3.0L V6 | 2006-04 | 5.3L V8 |
| 83507 | | 2006-03 | 4.8L V8 |
| E.O. No. D-182-69 | | Chevrolet — Trailblazer | |
| Inlet | Outlet | Overall Length | |
| Chevrolet — Trailblazer EXT | | 2006 | 5.3L V8 |
| Chevrolet — Venture | | | 6.0L V8 |
| | | 2006-03 | 5.3L V8 |
| | | Chevrolet — Trailblazer EXT | |
| | | 2006-03 | 5.3L V8 |
| | | Chevrolet — Venture | |
| | | 2000-97 | 3.4L V6 |

OBDDI APPLICATIONS

NON-OBDDI APPLICATIONS

NUMERICAL

UNIVERSAL SPECIFICATIONS

NUMERICAL LISTING

| Year | Engine | Year | Engine |
|--------------------------------|---------|-------------------------------------|---------------|
| 83508 (Cont.) | | 83509 E.O. No. D-182-69 | |
| Ford — Explorer | | Inlet | Outlet |
| 1998-96 | 4.0L V6 | Overall Length | |
| Ford — Ranger | | Chevrolet — Astro | |
| 2006-04 | 3.0L V6 | 2005-96 4.3L V6 | |
| | 4.0L V6 | Chevrolet — Blazer | |
| 1997-95 | 3.0L V6 | 1998-95 4.3L V6 | |
| | 4.0L V6 | Chevrolet — C1500 | |
| GMC — Envoy | | 1999-96 5.0L V8 | |
| 2006-05 | 5.3L V8 | 1998-96 4.3L V6 | |
| GMC — Envoy XL | | Chevrolet — C2500 | |
| 2006-03 | 5.3L V8 | 2000-97 7.4L V8 | |
| GMC — Envoy XUV | | 2000-96 5.7L V8 | |
| 2005-04 | 5.3L V8 | 1998-96 5.0L V8 | |
| GMC — Jimmy | | Chevrolet — C2500 Suburban | |
| 2001-98 | 4.3L V6 | 1999-96 5.7L V8 | |
| GMC — Savana 1500 | | 7.4L V8 | |
| 2006-03 | 4.3L V6 | Chevrolet — C35 | |
| | 5.3L V8 | 2000-96 5.7L V8 | |
| 1999-96 | 5.7L V8 | Chevrolet — C3500 | |
| GMC — Savana 2500 | | 2000-96 5.7L V8 | |
| 2005-03 | 4.3L V6 | 7.4L V8 | |
| | 5.3L V8 | Chevrolet — C3500HD | |
| 1999-96 | 5.7L V8 | 1999-96 7.4L V8 | |
| GMC — Sierra 1500 | | Chevrolet — Express 1500 | |
| 2006-04 | 5.3L V8 | 2002-96 4.3L V6 | |
| 2006-03 | 4.3L V6 | 5.0L V8 | |
| | 4.8L V8 | 5.7L V8 | |
| GMC — Sonoma | | Chevrolet — Express 2500 | |
| 2004-95 | 4.3L V6 | 2005-03 4.8L V8 | |
| GMC — Yukon | | 2005 6.0L V8 | |
| 2006-04 | 5.3L V8 | 2003 6.0L V8 | |
| 2006-03 | 4.8L V8 | 2002-96 5.0L V8 | |
| 1996 | 5.7L V8 | 5.7L V8 | |
| GMC — Yukon XL 1500 | | Chevrolet — Express 3500 | |
| 2006-04 | 5.3L V8 | 2007-05 4.8L V8 | |
| Isuzu — Ascender | | 2005 6.0L V8 | |
| 2006-03 | 5.3L V8 | 2003 6.0L V8 | |
| Isuzu — Hombre | | 2002-96 5.7L V8 | |
| 2000-98 | 4.3L V6 | 2001 8.1L V8 | |
| Mazda — B3000 | | 2000-96 7.4L V8 | |
| 2006-04 | 3.0L V6 | Chevrolet — G30 | |
| 1996-95 | 3.0L V6 | 1996 5.7L V8 | |
| Mazda — B4000 | | 7.4L V8 | |
| 2006-04 | 4.0L V6 | Chevrolet — GP3500 | |
| 1997-95 | 4.0L V6 | 1996 5.7L V8 | |
| Oldsmobile — Bravada | | Chevrolet — K1500 | |
| 2001-00 | 4.3L V6 | 1999-96 5.0L V8 | |
| 1998 | 4.3L V6 | 1998-96 4.3L V6 | |
| Oldsmobile — Silhouette | | Chevrolet — K2500 | |
| 2000-96 | 3.4L V6 | 2000-97 7.4L V8 | |
| Pontiac — Montana | | 2000-96 5.7L V8 | |
| 2000-99 | 3.4L V6 | Chevrolet — K2500 Suburban | |
| Pontiac — Trans Sport | | 1999-96 5.7L V8 | |
| 1998-96 | 3.4L V6 | 7.4L V8 | |
| Saab — 9-7x | | Chevrolet — K3500 | |
| 2006-05 | 5.3L V8 | 2000-96 5.7L V8 | |
| Toyota — Tacoma | | 7.4L V8 | |
| 1999-95 | 3.4L V6 | Chevrolet — W4500 Tiltmaster | |
| | | 2002-00 5.7L V8 | |
| | | Dodge — Ram 2500 | |
| | | 2003 5.7L V8 | |

NUMERICAL LISTING

| Year | Engine | Year | Engine |
|-----------------------------|---------|---|---------|
| 83509 (Cont.) | | 83509 (Cont.) | |
| Dodge — Ram 3500 | | Isuzu — NPR-HD | |
| 2003 | 5.7L V8 | 2002-99 | 5.7L V8 |
| Ford — Explorer | | Mercury — Mountaineer | |
| 2004-02 | 4.0L V6 | 2004-02 | 4.0L V6 |
| GMC — C1500 | | Oldsmobile — Bravada | |
| 1999-96 | 5.0L V8 | 1997-96 | 4.3L V6 |
| 1998-96 | 4.3L V6 | 83510 E.O. No. D-182-69 | |
| GMC — C2500 | | Inlet | Outlet |
| 2000-97 | 7.4L V8 | Overall Length | |
| 2000-96 | 5.7L V8 | Chrysler — Town & Country | |
| 1998-96 | 5.0L V8 | 2000-98 | 3.8L V6 |
| GMC — C2500 Suburban | | 2000-96 | 3.3L V6 |
| 1999-96 | 5.7L V8 | Dodge — Caravan | |
| | 7.4L V8 | 2000-99 | 2.4L L4 |
| GMC — C3500 | | 2000-96 | 3.3L V6 |
| 2000-96 | 5.7L V8 | 1999-98 | 3.8L V6 |
| | 7.4L V8 | Dodge — Grand Caravan | |
| GMC — C3500HD | | 2000-98 | 3.8L V6 |
| 1999-96 | 7.4L V8 | 2000-96 | 3.3L V6 |
| GMC — G3500 | | Ford — F-150 | |
| 1996 | 5.7L V8 | 2003-02 | 4.2L V6 |
| | 7.4L V8 | 2003 | 4.6L V8 |
| GMC — Jimmy | | Ford — F-150 Heritage | |
| 1998-95 | 4.3L V6 | 2004 | 4.2L V6 |
| GMC — K1500 | | | 4.6L V8 |
| 1999-96 | 5.0L V8 | Plymouth — Grand Voyager | |
| 1998-96 | 4.3L V6 | 2000 | 3.3L V6 |
| GMC — K2500 | | 1997-96 | 3.3L V6 |
| 2000-97 | 7.4L V8 | Plymouth — Voyager | |
| 2000-96 | 5.7L V8 | 2000-99 | 2.4L L4 |
| GMC — K2500 Suburban | | 2000-96 | 3.3L V6 |
| 1999-96 | 5.7L V8 | Volvo — XC90 | |
| | 7.4L V8 | 2005-04 | 2.9L L6 |
| GMC — K3500 | | 83513 E.O. No. D-182-69 | |
| 2000-96 | 5.7L V8 | Inlet | Outlet |
| | 7.4L V8 | Overall Length | |
| GMC — Safari | | Ford — Expedition | |
| 2005-96 | 4.3L V6 | 2004-03 | 4.6L V8 |
| GMC — Savana 1500 | | | 5.4L V8 |
| 2002-96 | 4.3L V6 | Ford — F-150 | |
| | 5.0L V8 | 2004-03 | 4.6L V8 |
| | 5.7L V8 | 2004-02 | 4.2L V6 |
| GMC — Savana 2500 | | | 5.4L V8 |
| 2005-03 | 4.8L V8 | Ford — F-150 Heritage | |
| 2005 | 6.0L V8 | 2004 | 4.2L V6 |
| 2003 | 6.0L V8 | | 4.6L V8 |
| 2002-96 | 4.3L V6 | | 5.4L V8 |
| | 5.0L V8 | Lincoln — Navigator | |
| | 5.7L V8 | 2004-03 | 5.4L V8 |
| GMC — Savana 3500 | | 83518 E.O. No. D-182-69 | |
| 2007-03 | 4.8L V8 | Inlet | Outlet |
| 2005 | 6.0L V8 | Overall Length | |
| 2003 | 6.0L V8 | Chrysler — Town & Country | |
| 2002-96 | 5.7L V8 | 2000-96 | 3.8L V6 |
| 2001 | 8.1L V8 | 1997-96 | 3.3L V6 |
| 2000-96 | 7.4L V8 | Dodge — Caravan | |
| GMC — W3500 Forward | | 1998-96 | 2.4L L4 |
| 2002-96 | 5.7L V8 | 1997-96 | 3.3L V6 |
| Isuzu — NPR | | | 3.8L V6 |
| 2002-96 | 5.7L V8 | | |

OBDII APPLICATIONS

NON-OBDII APPLICATIONS

NUMERICAL

UNIVERSAL SPECIFICATIONS

NUMERICAL LISTING

| Year | Engine | Year | Engine |
|--|---------|---|---------|
| 83518 (Cont.) | | 83518 (Cont.) | |
| Dodge — Caravan (Cont.) | | Ford — F-350 (Cont.) | |
| 1996 | 3.0L V6 | 1996 | 4.9L L6 |
| Dodge — Dakota | | Lincoln — Aviator | |
| 2003 | 3.9L V6 | 2005-03 | 4.6L V8 |
| 2000-99 | 5.9L V8 | Mercury — Mountaineer | |
| 2000-96 | 3.9L V6 | 2004-02 | 4.6L V8 |
| 1999-96 | 5.2L V8 | Plymouth — Grand Voyager | |
| Dodge — Grand Caravan | | 1997-96 | 2.4L L4 |
| 2000-96 | 3.8L V6 | 1996 | 3.0L V6 |
| 1997-96 | 2.4L L4 | Plymouth — Voyager | |
| | 3.3L V6 | 1998-96 | 2.4L L4 |
| 1996 | 3.0L V6 | 1996 | 3.0L V6 |
| Dodge — Ram 1500 | | | 3.3L V6 |
| 2003-02 | 3.7L V6 | 83557 E.O. No. D-182-69 | |
| 2003 | 5.9L V8 | Inlet | Outlet |
| 2001-00 | 3.9L V6 | Overall Length | |
| | 5.2L V8 | Ford — F-150 | |
| | 5.9L V8 | 2003-02 | 4.2L V6 |
| Dodge — Ram 1500 Van | | Ford — F-150 Heritage | |
| 2003-00 | 3.9L V6 | 2004 | 4.2L V6 |
| | 5.2L V8 | 83568 E.O. No. D-182-69 | |
| | 5.9L V8 | Inlet | Outlet |
| Dodge — Ram 2500 | | Overall Length | |
| 2001-00 | 5.9L V8 | Ford — F-150 | |
| Dodge — Ram 2500 Van | | 2003-02 | 4.2L V6 |
| 2003-00 | 5.2L V8 | Ford — F-150 Heritage | |
| 2003 | 5.9L V8 | 2004 | 4.2L V6 |
| 2001-00 | 5.9L V8 | 83574 E.O. No. D-182-69 | |
| Dodge — Ram 3500 | | Inlet | Outlet |
| 2002-00 | 5.9L V8 | Overall Length | |
| Dodge — Ram 3500 Van | | Ford — Explorer | |
| 2003-00 | 5.2L V8 | 2004-02 | 4.0L V6 |
| 2003 | 5.9L V8 | Mercury — Mountaineer | |
| 2001-00 | 5.9L V8 | 2004-02 | 4.0L V6 |
| Ford — Bronco | | 83589 E.O. No. D-182-69 | |
| 1996 | 5.0L V8 | Inlet | Outlet |
| | 5.8L V8 | Overall Length | |
| Ford — E-150 Econoline | | Chevrolet — Express 1500 | |
| 1996 | 4.9L L6 | 2005-03 | 5.3L V8 |
| | 5.0L V8 | Chevrolet — Express 2500 | |
| | 5.8L V8 | 2005-03 | 4.3L V6 |
| Ford — E-150 Econoline Club Wagon | | | 5.3L V8 |
| 1996 | 4.9L L6 | GMC — Savana 1500 | |
| | 5.0L V8 | 2005-03 | 4.3L V6 |
| | 5.8L V8 | | 5.3L V8 |
| Ford — E-250 Econoline | | GMC — Savana 2500 | |
| 1996 | 4.9L L6 | 2005-03 | 4.3L V6 |
| | 5.8L V8 | | 5.3L V8 |
| Ford — Econoline Super Duty | | | |
| 1996 | 5.8L V8 | | |
| Ford — Explorer | | | |
| 2004-02 | 4.6L V8 | | |
| Ford — F-150 | | | |
| 1996 | 4.9L L6 | | |
| | 5.0L V8 | | |
| | 5.8L V8 | | |
| Ford — F-250 | | | |
| 1997-96 | 5.8L V8 | | |
| 1996 | 4.9L L6 | | |
| | 5.0L V8 | | |
| Ford — F-350 | | | |
| 1997-96 | 5.8L V8 | | |

INSTALLATION HARDWARE

| Part No. | Gasket | | Additional Required |
|----------|-----------|----------|---|
| | Front | Rear | |
| 80690 | 31345 | 31372 | 36129 Spring Bolt Kit - Rear |
| 80940 | NR | NR | 35337 (2) Clamp - Front and Rear |
| 80941 | Included | Included | |
| 80942 | NR | NR | 35336 (2) Clamp - Front and Rear |
| 80943 | NR | NR | 35336 (2) Clamp - Front and Rear |
| 80944 | NR | NR | 35337 Clamp - Front, 35336 Clamp - Rear |
| 80945 | 31519 | NR | |
| 80946 | 31398 (2) | NR | 36463 (2) Spring Bolt Kit - Front |
| 80947 | NR | NR | 35337 Clamp - Front |
| 80948 | NR | NR | |
| 81140 | 31645 | 31383 | |
| 81141 | NR | NR | |
| 81142 | NR | NR | |
| 81143 | NR | NR | |
| 81144 | 31357 | 31354 | |
| 81147 | 35510 | 35510 | |
| 81149 | NR | 31532 | |
| 81150 | NR | 31553 | 35336 Clamp - Front |
| 81151 | 31311 | 31311 | |
| 81152 | NR | 31534 | |
| 81153 | NR | 31372 | 36129 Spring Bolt Kit - Rear |
| 81156 | 31615 | 31616 | 35031 Spring Bolt Kit - Front |
| 81170 | 31354 | 31350 | |
| 81171 | NR | NR | |
| 81172 | 31388 | 31537 | |
| 81174 | NR | 31865 | 35336 Clamp - Front |
| 81175 | 31358 | 31320 | |
| 81540 | NR | NR | 35336 Clamp - Rear |
| 81541 | 31587 | NR | |
| 81542 | NR | NR | |
| 81543 | NR | NR | |
| 81544 | NR | NR | |
| 81545 | 31589 | 31571 | |
| 81546 | 31589 | 31571 | |
| 81661 | NR | 31336 | |
| 81662 | NR | 31336 | |
| 81663 | NR | NR | |
| 81664 | 31555 | NR | 35129 Spring Bolt Kit - Front, 35336 Clamp - Rear; Lexus RX300 Requires 56096 Resonator; Toyota Highlander Requires 47793 Resonator |
| 81665 | 31540 | 31578 | |
| 81666 | 31637 | 31372 | |
| 81668 | NR | NR | |
| 81669 | NR | NR | |
| 81673 | NR | NR | |
| 81674 | 31609 | 31372 | |
| 81675 | 31540 | 31540 | |

| Part No. | Gasket | | Additional Required |
|----------|---------------------------|-------|--|
| | Front | Rear | |
| 81740 | 31549 | 31374 | |
| 81741 | 31549 | 31374 | |
| 81742 | 31332 | 31332 | |
| 81743 | 31332 (2) | 31384 | |
| 81744 | 31374 | 31384 | |
| 81745 | 31718 | NR | |
| 81746 | 31374 | 31631 | |
| 81747 | 31633 | 31383 | |
| 81748 | NR | NR | |
| 81749 | 31566 | 31632 | |
| 81750 | 31378 | 31383 | |
| 81751 | Included | 31397 | |
| 81752 | Included | 31397 | |
| 81753 | Included | 31397 | |
| 81754 | Included | 31397 | |
| 81755 | 31332 (2) | 31374 | |
| 81756 | 31645 | 31383 | |
| 81757 | 31602 | 31369 | |
| 81758 | 31605 | 31578 | |
| 81759 | 31643 | 31369 | |
| 81760 | 31602 | 31532 | |
| 81761 | 31718 (LH), 31554 (RH) | NR | |
| 81762 | 31619 | 31383 | |
| 81763 | 31629 | 31369 | |
| 81764 | 31604 | NR | 36378 V Band Clamp - Front, 35335 Clamp - Rear |
| 81765 | 31603 | NR | 35413 Clamp - Rear |
| 81766 | 31611 | NR | 35336 Clamp - Rear |
| 81767 | 31645 | 31383 | |
| 81768 | 31378 | NR | |
| 81769 | 31645 | 31383 | |
| 81770 | 31566 | 31632 | |
| 81771 | NR | NR | 36364 V Band Clamp - Front |
| 81772 | 31602 | 31532 | |
| 81773 | 31643 | 31369 | |
| 81775 | 31597 | NR | |
| 81776 | 31602 | 31601 | |
| 81777 | NR | NR | 36364 V Band Clamp - Front |
| 81778 | 31597 | NR | |
| 81779 | NR | 31387 | |
| 81780 | 31378 | NR | |
| 81781 | 31357 | 31383 | |
| 81782 | 31606 | 31369 | |
| 81784 | 31600 | 31601 | 35281 Spring - Front |
| 81786 | 31639 | NR | |
| 81787 | NR | NR | |
| 81788 | 31615 | 31616 | |
| 81789 | 31606 | 31369 | |
| 81792 | 31374 | 31585 | |
| 81794 | 31559 | 31559 | |
| 81795 | 31559 | 31559 | |

OBDII APPLICATIONS

NON-OBDII APPLICATIONS

NUMERICAL

UNIVERSAL SPECIFICATIONS

INSTALLATION HARDWARE

| Part No. | Gasket | | Additional Required | Part No. | Gasket | | Additional Required |
|----------|---------------------------|-------|---|----------|---------------------------|-------|---------------------|
| | Front | Rear | | | Front | Rear | |
| 81797 | 31332 | 31631 | | 81961 | 31588 (2) | 31575 | |
| 81798 | 31374 | 31374 | | 81962 | 31369 | 31369 | |
| 81799 | 31357 | 31383 | | 81963 | 31589 | 31571 | |
| 81840 | 31332 | 31332 | | 81964 | 31369 | 31369 | |
| 81841 | 31374 (LH), 31334 (RH) | 31555 | 35129 Spring Bolt Kit - Rear | 81965 | 31307 | 31307 | |
| 81842 | 31355 (2) | 31540 | | 81966 | 31320 | 31332 | |
| 81843 | Included | 31332 | | 81967 | 31587 | NR | 35510 Clamp - Rear |
| 81844 | 31332 (2) | 31374 | | 81968 | 31597 | NR | 35336 Clamp - Rear |
| 81845 | NR | NR | | 81969 | 31531 | NR | |
| 81846 | 31549 | 31384 | | 81970 | NR | NR | |
| 81847 | NR | NR | | 81971 | NR | 31311 | |
| 81850 | NR | 31625 | | 81972 | NR | 31530 | |
| 81851 | NR | NR | | 81973 | NR | 31372 | |
| 81852 | NR | NR | | 81974 | NR | 31512 | |
| 81853 | NR | NR | | 81975 | 31609 | 31372 | |
| 81854 | 31332 | 31332 | | 81976 | 31587 | NR | |
| 81855 | 31374 (2) | 31555 | | 81977 | 31332 | 31332 | |
| 81856 | NR | 31533 | | 81978 | 31585 | 31585 | |
| 81857 | NR | 31533 | | 81979 | 31311 | 31311 | |
| 81858 | 31397 (2) | 31311 | | 81980 | 31718 (LH), 31554 (RH) | NR | |
| 81859 | 31369 | 31307 | | 81981 | 31307 | 31307 | |
| 81860 | NR | 31625 | | 81982 | 31587 | NR | |
| 81861 | NR | 31625 | | 81983 | NR | 31372 | |
| 81862 | NR | 31637 | | 81986 | 31588 (2) | 31574 | |
| 81863 | 31332 (2) | 31311 | | 81987 | 31609 | 31372 | |
| 81864 | 31332 (2) | 31555 | 36454 Spring Bolt Kit - Rear | 81988 | 31668 (2) | 31618 | |
| 81865 | 31332 (2) | 31639 | | 81989 | 31589 | NR | |
| 81866 | 31332 (2) | 31639 | | 81990 | 31540 | 31540 | |
| 81899 | Included | 31332 | | 82150 | NR | 31512 | |
| 81940 | 31559 | 31311 | | 82151 | NR | 31512 | |
| 81941 | 31559 | 31311 | | 82152 | NR | NR | |
| 81942 | NR | 31372 | | 82250 | NR | NR | |
| 81943 | 31588 (2) | 31574 | | 82251 | NR | NR | |
| 81944 | 31332 | 31332 | | 82252 | NR | NR | |
| 81945 | 31332 | 31332 | | 82253 | NR | NR | |
| 81946 | 31618 | NR | | 82254 | NR | NR | |
| 81947 | 31588 (2) | 31571 | | 82255 | NR | NR | |
| 81948 | 31588 (2) | 31574 | | 82256 | NR | NR | |
| 81949 | 31311 | 31311 | | 82257 | NR | NR | |
| 81950 | 31511 (2) | 31618 | | 82258 | NR | NR | |
| 81951 | NR | 31532 | | 82259 | NR | NR | |
| 81952 | 31588 (2) | 31574 | | 82260 | 31637 | 31372 | |
| 81953 | 31602 | 31532 | | 82261 | NR | NR | |
| 81954 | 31588 (2) | 31574 | | 82262 | NR | NR | |
| 81955 | 31609 | 31372 | | 82263 | NR | NR | |
| 81956 | 31588 (2) | 31571 | | 82264 | NR | NR | |
| 81957 | NR | 31571 | | 82265 | NR | NR | |
| 81958 | 31718 | NR | | 82266 | NR | NR | |
| 81959 | 31610 | 31571 | | 82267 | NR | NR | |
| 81960 | NR | 31553 | 41951 Connector Required If Reusing OE Front Pipe | 82268 | NR | NR | |
| | | | | 82269 | NR | NR | |

INSTALLATION HARDWARE

| Part No. | Gasket | | Additional Required | Part No. | Gasket | | Additional Required |
|----------|------------------------|----------|--|----------|-----------|-------|-------------------------------|
| | Front | Rear | | | Front | Rear | |
| 82270 | NR | NR | | 82574 | Included | 31374 | |
| 82271 | NR | NR | | 82575 | 31355 (2) | 31616 | |
| 82272 | NR | NR | | 82576 | 31310 | 31310 | |
| 82273 | NR | NR | | 82577 | 31642 | 31595 | |
| 82274 | NR | NR | | 82578 | 31642 | 31595 | |
| 82275 | NR | NR | | 82579 | Included | 31599 | |
| 82276 | NR | NR | | 82582 | Included | 31374 | |
| 82277 | NR | NR | | 82584 | Included | 31566 | |
| 82278 | NR | NR | | 82588 | 31617 | 31578 | |
| 82279 | NR | NR | | 82589 | 31617 | 31578 | |
| 82280 | NR | NR | | 82590 | 31653 | 31387 | |
| 82281 | NR | NR | | 82591 | 31653 | 31534 | |
| 82282 | NR | NR | | 82592 | NR | 31512 | |
| 82283 | NR | NR | | 82593 | NR | 31512 | |
| 82284 | NR | NR | | 82594 | NR | 31534 | |
| 82286 | 31637 | 31372 | | 82595 | NR | NR | |
| 82287 | NR | NR | | 82596 | 31619 | 31354 | |
| 82288 | 31609 | 31372 | | 82598 | NR | NR | |
| 82289 | 31512 (2) | 31573 | | 82599 | 31645 | 31383 | |
| 82290 | NR | NR | | 82650 | 31585 | 31585 | |
| 82291 | NR | NR | | 82651 | 31585 | 31585 | |
| 82350 | 31597 | NR | 35336 Clamp - Rear; w/ Stow-N-Go 55356 Required; w/o Stow-N-Go 55436 Required | 82654 | 31332 (2) | 31585 | |
| 82351 | NR | NR | | 82655 | 31609 | 31372 | 36129 Spring Bolt Kit - Rear |
| 82352 | 31657 | NR | | 82656 | 31637 | 31372 | |
| 82354 | NR | NR | 35337 Clamp - Rear | 82657 | 31616 | NR | |
| 82355 | 31597 | NR | 35336 Clamp - Rear | 82658 | 31310 | 31358 | |
| 82356 | 31597 | NR | 35336 Clamp - Rear | 82659 | 31658 | 31540 | |
| 82360 | 31657 | NR | | 82660 | 31540 | 31540 | |
| 82444 | Included | Included | Hardware Included | 82661 | 31374 | 31374 | |
| 82450 | Included | 31357 | 35129 Spring Bolt Kit - Rear | 82662 | 31310 | 31362 | |
| 82540 | NR | 31648 | | 82663 | 31310 | 31357 | |
| 82541 | NR | NR | 36364 V Band Clamp - Front | 82664 | 31639 | NR | 36454 Spring Bolt Kit - Front |
| 82542 | NR | NR | 36364 V Band Clamp - Front | 82666 | 31374 | 31332 | |
| 82543 | NR | NR | 36364 V Band Clamp - Front | 82667 | 31611 | 31390 | |
| 82544 | NR | NR | 36364 V Band Clamp - Front | 82668 | 31557 | 31332 | |
| 82551 | Included | 31585 | | 82669 | 31634 | 31632 | |
| 82552 | Included | 31332 | | 82670 | 31634 | 31632 | |
| 82553 | Included | 31332 | | 82671 | 31635 | 31632 | |
| 82554 | Included | 31658 | | 82672 | 31635 | 31307 | |
| 82555 | Included | Included | | 82673 | 31640 | 31307 | |
| 82556 | Included | NR | | 82674 | 31619 | 31383 | |
| 82557 | Included | NR | | 82675 | 31588 (2) | 31574 | |
| 82558 | Included | NR | | 82676 | 31630 | 31532 | |
| 82559 | Included | 31374 | | 82677 | 31597 | NR | |
| 82560 | Included | 31632 | | 82678 | 31597 | NR | |
| 82561 | Included | 31632 | | 82679 | 31643 | 31559 | |
| 82570 | 31384 | 31374 | | 82680 | 31597 | NR | |
| 82572 | 31599 | 31557 | | 82681 | 31557 | 31383 | 35129 Spring Bolt Kit - Front |
| 82573 | NR (LH), 31610 (RH) | 31616 | | 82682 | 31597 | NR | |
| | | | | 82683 | 31597 | NR | |
| | | | | 82684 | 31643 | 31390 | |
| | | | | 82685 | NR | NR | |

OBDII
APPLICATIONS

NON-OBDII
APPLICATIONS

NUMERICAL

UNIVERSAL
SPECIFICATIONS

INSTALLATION HARDWARE

| Part No. | Gasket | | Additional Required |
|----------|---------------------------|-------|-------------------------------|
| | Front | Rear | |
| 82686 | NR | NR | |
| 82687 | NR | NR | |
| 82688 | NR | NR | |
| 82689 | 31643 | 31369 | |
| 82690 | 31606 | 31369 | |
| 82691 | 31648 | NR | |
| 82693 | 31578 | NR | |
| 82697 | 31374 | NR | |
| 82698 | NR | 31336 | |
| 82699 | NR | 31336 | |
| 82787 | 31639 | NR | 35336 Clamp - Rear |
| 82788 | 31555 | 31374 | 36454 Spring Bolt Kit - Front |
| 82789 | NR | NR | |
| 82790 | 31625 | NR | |
| 82791 | 31625 | NR | |
| 82792 | 31625 | NR | |
| 82793 | 31307 (LH), 31369 (RH) | 31559 | |
| 82794 | 31533 (2) | NR | |
| 82795 | 31555 | NR | |
| 82796 | NR | NR | |
| 82797 | 31625 | NR | |
| 82798 | NR | NR | |
| 82799 | 31625 | NR | |
| 82884 | NR | NR | 35336 Clamp - Rear |
| 82885 | NR | NR | 35336 Clamp - Rear |
| 82892 | 31597 | NR | 35336 Clamp - Rear |
| 82894 | 31673 | 31378 | 35129 Bolt - Front and Rear |
| 82895 | 31644 | 31383 | |
| 82896 | 31673 | 31383 | 35129 Bolt - Front |
| 83148 | Included | 31639 | 36454 Spring Bolt Kit - Rear |
| 83149 | Included | 31332 | |
| 83150 | Included | 31332 | |
| 83151 | Included | 31630 | |
| 83152 | Included | 31332 | |
| 83153 | Included | 31332 | |
| 83155 | Included | 31332 | |
| 83177 | Included | 31556 | |
| 83178 | 31639 | 31357 | |
| 83179 | NR | 31334 | |
| 83182 | 31725 | 31369 | |
| 83185 | Included | 31585 | |
| 83186 | Included | 31640 | |
| 83187 | 31724 | 31377 | |
| 83188 | 31724 | 31377 | |
| 83189 | Included | 31585 | |
| 83197 | 31639 | NR | |
| 83258 | 31383 | 31615 | |
| 83259 | 31355 | 31539 | |
| 83264 | 31658 | 31540 | |
| 83265 | 31540 | NR | 35335 Clamp - Rear |
| 83266 | 31616 | NR | |

| Part No. | Gasket | | Additional Required |
|----------|-----------|----------|--|
| | Front | Rear | |
| 83272 | 31602 | 31589 | |
| 83273 | 31512 | NR | |
| 83277 | 31578 | NR | 35336 Clamp - Rear |
| 83281 | 31374 | 31357 | 36454 Spring Bolt Kit - Rear |
| 83282 | 31585 | 31585 | |
| 83284 | 31585 | 31585 | |
| 83286 | 31540 | NR | 35335 Clamp - Rear |
| 83288 | 31332 (2) | 31585 | |
| 83289 | 31332 (2) | 31350 | |
| 83292 | 31644 | 31589 | |
| 83293 | 31374 | NR | |
| 83295 | 31337 | 31537 | |
| 83299 | 31602 | 31589 | |
| 83378 | Included | Included | |
| 83379 | 31616 | NR | |
| 83380 | 31709 | NR | |
| 83383 | NR | 31336 | |
| 83384 | NR | 31336 | |
| 83388 | 31610 | 31616 | |
| 83389 | 31613 (2) | 31383 | |
| 83390 | Included | 31355 | |
| 83394 | 31724 | 31377 | |
| 83395 | 31724 | 31377 | |
| 83397 | Included | 31658 | 36454 Spring Bolt Kit - Rear |
| 82880 | 31589 | 31310 | |
| 82881 | 31721 | 31311 | |
| 82882 | NR | 31357 | |
| 82883 | NR | 31357 | |
| 82889 | 31531 | 31383 | |
| 82891 | 31643 | 31311 | |
| 82893 | 31387 | 31383 | 35129 Spring Bolt Kit - Front |
| 83184 | NR | 31709 | |
| 83191 | NR | 31334 | |
| 83195 | 31364 | 31615 | 36454 Spring Bolt Kit - Front and Back, 35079 Hex Nut - Front |
| 83198 | 31619 | 31387 | 36454 Spring Bolt Kit - Front and Back, 35079 Hex Nut - Front and Back |
| 83199 | 31619 | 31387 | 36454 Spring Bolt Kit - Front and Back, 35079 Hex Nut - Front and Back |
| 83257 | 31383 | 31600 | 35129 Spring Bolt Kit - Rear |
| 83262 | 31334 (2) | 31540 | |
| 83268 | 31574 | 35337 | |
| 83283 | 31334 (2) | 31540 | |
| 83285 | 31334 (2) | 31540 | |
| 83287 | 31374 | 35335 | |
| 83290 | 31632 | 31534 | |
| 83291 | 31602 | 31737 | |
| 83294 | 31313 | 31388 | |
| 83298 | 31537 | 31537 | |
| 83381 | 31310 | 31357 | 35412 Spring Bolt Kit - Rear |
| 83382 | 31310 | 31639 | 35129 Spring Bolt Kit - Rear |

INSTALLATION HARDWARE

| Part No. | Gasket | | Additional Required | Part No. | Gasket | | Additional Required |
|----------|--------|-------|------------------------------|----------|---------------------------|-------|---|
| | Front | Rear | | | Front | Rear | |
| 83387 | 31643 | 31311 | | 83478 | NR | 35337 | |
| 83391 | NR | 31602 | | 83479 | NR | 35337 | |
| 83392 | NR | 31709 | | 83481 | 31718 (LH), 31554 (RH) | NR | |
| 83396 | 31334 | NR | | 83482 | 31718 (LH), 31554 (RH) | NR | |
| 83440 | 31633 | 31369 | | 83483 | NR | 35337 | |
| 83441 | NR | 35337 | | 83484 | NR | 35337 | |
| 83442 | NR | 35337 | | 83485 | 31718 | 35337 | |
| 83443 | 31576 | 31540 | | 83486 | 31610 | NR | |
| 83444 | 31576 | 31540 | | 83490 | 31645 | 31383 | |
| 83445 | NR | 31372 | | 83494 | 31722 | 31391 | 35129 Spring Bolt Kit - Rear |
| 83447 | 31332 | NR | | 83495 | 31722 | 31391 | 35129 Spring Bolt Kit - Rear |
| 83450 | 31602 | 31532 | | 83496 | 31597 | 35336 | |
| 83451 | 31332 | 31332 | | 83497 | 31818 | 35337 | |
| 83452 | NR | 35336 | | 83552 | NR | 31622 | |
| 83453 | NR | 35336 | | 83554 | NR | 31622 | |
| 83454 | 31332 | 31332 | | 83556 | NR | 35337 | |
| 83456 | NR | 31622 | | 83557 | 31559 | 31311 | |
| 83457 | 31610 | NR | | 83568 | NR | 35337 | |
| 83460 | 31332 | NR | | 83573 | 31637 | 31372 | 36129 Spring Bolt Kit - Rear |
| 83461 | NR | 35793 | | 83574 | NR | 31372 | |
| 83462 | NR | 35336 | | 83589 | 31718 (LH), 31554 (RH) | NR | 35229 Insulator - Front |
| 83463 | NR | 35337 | | 83592 | NR | 31622 | |
| 83464 | 31332 | 31332 | | 83599 | 31332 | 31332 | 35296 (2) Insulator - Rear, 35014 Bracket - Rear |
| 83465 | 31332 | 31639 | 36454 Spring Bolt Kit - Rear | | | | |
| 83466 | 31374 | 31384 | | | | | |
| 83469 | 31647 | 35337 | | | | | |
| 83476 | NR | 35337 | | | | | |
| 83477 | NR | 35793 | | | | | |

OBDII
APPLICATIONS

NON-OBDII
APPLICATIONS

NUMERICAL

UNIVERSAL
SPECIFICATIONS

NOTES

NOTES

INDUSTRY-LEADING PRODUCT SUPPORT

WALKER® CARB-COMPLIANT CONVERTERS

Catalytic Performance and
Structural Integrity Warranty

5 years / 50,000 miles

California Air Resources Board (CARB) Catalytic Converter Limited Warranty

Walker warrants that the catalyst in this catalytic converter is free from defects in materials and workmanship which cause such catalyst to fail to conform with the emission reduction requirements and OBDII compatibility requirements specified by the California Air Resources Board for a period of **five years or 50,000 miles** from the date of installation, whichever occurs first.

Walker warrants that the external shell, including end pipes, shall be free from defects in materials and workmanship for a period of **five years or 50,000 miles** from the date of installation, whichever occurs first.

This warranty is conditioned upon the converter being properly installed on the vehicle for which it is designed and cataloged and the said vehicle maintained in proper operating condition.

Walker will, at its option, (a) pay the consumer purchase price of the defective converter (labor and associated parts are not included, where permitted by law) as a credit toward the purchase of a compliant replacement converter; or (b) replace any such defective converter provided that it be returned to an authorized dealer along with the proof of purchase and properly completed warranty certificate. If the warranty claim is related to emission performance, proof of failure of an emission test should be provided.

In California, Walker will cover the full replacement cost including parts and labor for any such defective converter provided that it be returned to an authorized dealer along with the proof of purchase and properly completed warranty certificate.

This warranty does not cover converters that have been damaged from accidents or the use of leaded fuels. This warranty gives you specific legal rights. You may also have other rights that vary from state to state. This catalytic converter has been designed and manufactured to meet the warranty requirements of the State of California. This catalytic converter will not in its operation, function or malfunction result in any unsafe condition endangering the motor vehicle, its occupants or persons or property in close proximity to the vehicle when properly installed on the vehicle for which it is intended.

Information or assistance regarding a warranty claim may be obtained by writing:
Vous pouvez obtenir de l'information ou de l'aide concernant la réclamation sur garantie en écrivant à :
Se puede obtener información o asistencia en relación con un reclamo de garantía escribiendo a:

Warranty Department / Tenneco • One International Drive • Monroe, MI 48161

LE MEILLEUR SOUTIEN TECHNIQUE DE L'INDUSTRIE

CONVERTISSEURS WALKER® CONFORMES AU CARB

Garantie de rendement du catalyseur
et d'intégrité structurelle

5 ans / 80 000 kilomètres

Garantie limitée du catalyseur conforme au CARB (ou Conseil des ressources atmosphériques de la Californie)

Walker garantit que l'agent catalytique de ce catalyseur sera exempt de défauts de matériaux et de fabrication qui pourraient empêcher la catalyse d'être conforme aux exigences de réduction des émissions et de compatibilité à OBDII spécifiées par le California Air Resources Board, pendant une période de **cinq ans ou 80 000 km** à partir de la date d'installation, la période la plus courte étant retenue.

Walker garantit que la coque extérieure, incluant les tuyaux de sortie, sera exempte de défauts de matériaux et de fabrication pendant une période de **cinq ans ou 80 000 km** à partir de la date d'installation, la période la plus courte étant retenue.

Cette garantie est conditionnelle à une installation appropriée du catalyseur sur le véhicule pour lequel il est conçu et catalogué, et valide si le véhicule sur lequel le catalyseur est installé est en bonne condition de fonctionnement.

Walker aura le choix de (a) payer au consommateur le prix d'achat du catalyseur défectueux (la main-d'œuvre et les pièces connexes ne sont pas incluses si c'est permis par la loi) sous forme de crédit applicable à l'achat d'un catalyseur de remplacement conforme; ou (b) remplacer le catalyseur défectueux à condition qu'il soit retourné à un détaillant autorisé avec la preuve d'achat et le formulaire de garantie dûment rempli. Si la réclamation est liée à un problème d'émissions, la preuve d'échec d'un test d'émissions doit être fournie. En Californie, Walker couvre le prix complet du remplacement d'un catalyseur défectueux, incluant les pièces et la main-d'œuvre, à condition qu'il soit retourné à un détaillant autorisé avec la preuve d'achat et le formulaire de garantie dûment rempli.

Cette garantie ne couvre pas les catalyseurs endommagés à cause d'un accident ou de l'utilisation d'essence au plomb. Cette garantie vous accorde des droits spécifiques reconnus par la loi. Vous pourriez également bénéficier d'autres droits, qui varient d'un État à l'autre. Ce catalyseur est conçu et fabriqué selon les exigences de garantie de l'État de la Californie. Ce catalyseur n'est pas (qu'il fonctionne bien ou qu'il soit défectueux) dangereux pour le véhicule moteur, ses occupants ou des personnes ou objets se trouvant à proximité du véhicule s'il est installé adéquatement sur le véhicule pour lequel il est conçu.

APOYO DE PRODUCTOS LÍDER DE LA INDUSTRIA

CONVERTIDORES WALKER® QUE CUMPLEN CON LOS REQUISITOS DE CARB

Garantía de rendimiento catalítico
y de integridad estructural

5 años / 50,000 millas

Garantía limitada para convertidores catalíticos conforme a los requisitos de la Junta de Recursos de Aire de California (California Air Resources Board, CARB)

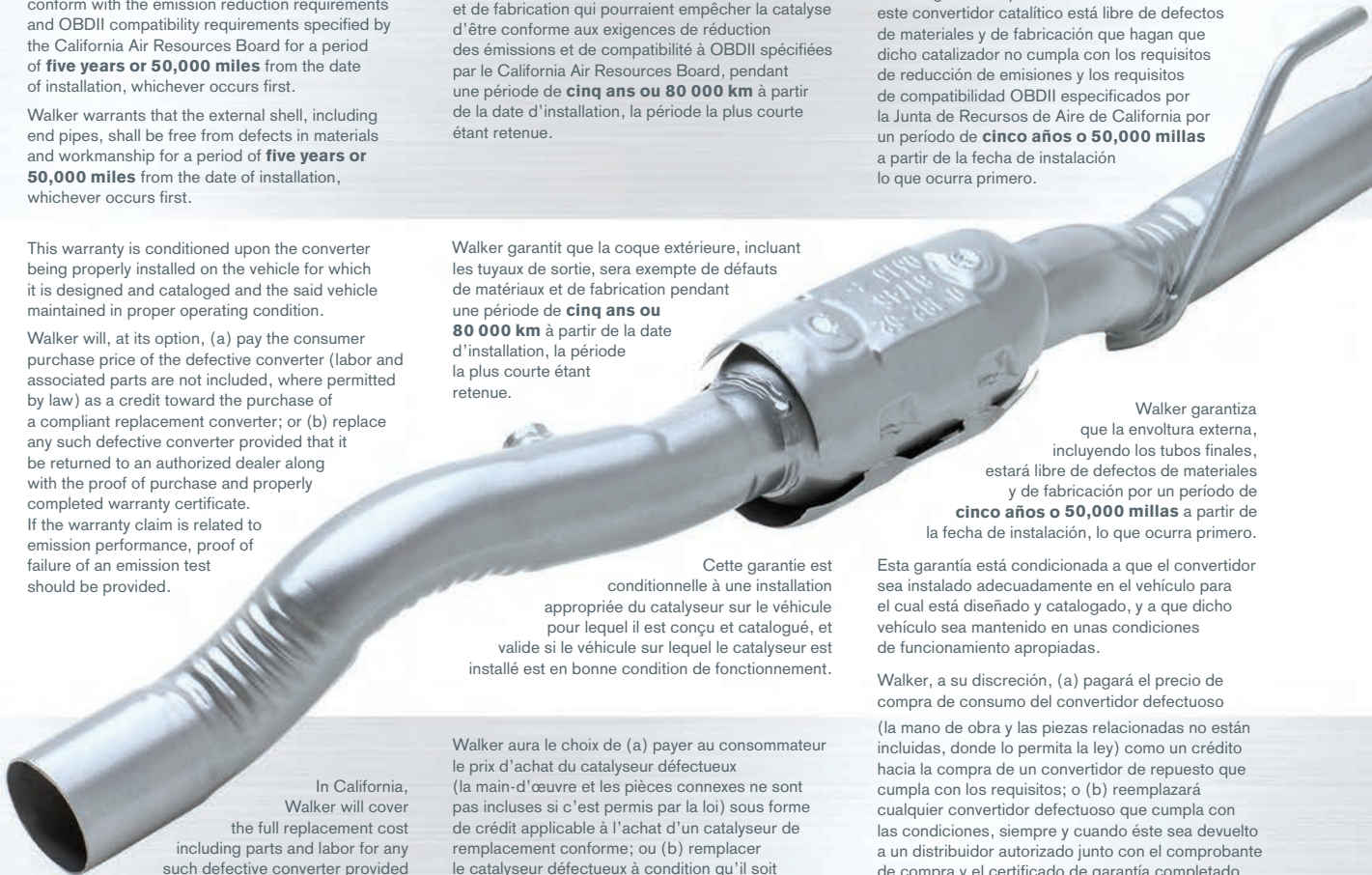
Walker garantiza que el catalizador contenido en este convertidor catalítico está libre de defectos de materiales y de fabricación que hagan que dicho catalizador no cumpla con los requisitos de reducción de emisiones y los requisitos de compatibilidad OBDII especificados por la Junta de Recursos de Aire de California por un periodo de **cinco años o 50,000 millas** a partir de la fecha de instalación lo que ocurra primero.

Walker garantiza que la envoltura externa, incluyendo los tubos finales, estará libre de defectos de materiales y de fabricación por un periodo de **cinco años o 50,000 millas** a partir de la fecha de instalación, lo que ocurra primero.

Esta garantía está condicionada a que el convertidor sea instalado adecuadamente en el vehículo para el cual está diseñado y catalogado, y a que dicho vehículo sea mantenido en unas condiciones de funcionamiento apropiadas.

Walker, a su discreción, (a) pagará el precio de compra de consumo del convertidor defectuoso (la mano de obra y las piezas relacionadas no están incluidas, donde lo permita la ley) como un crédito hacia la compra de un convertidor de repuesto que cumpla con los requisitos; o (b) reemplazará cualquier convertidor defectuoso que cumpla con las condiciones, siempre y cuando éste sea devuelto a un distribuidor autorizado junto con el comprobante de compra y el certificado de garantía completado apropiadamente. Si el reclamo bajo garantía está relacionado con el rendimiento de emisiones, se deberá proporcionar una evidencia de la falla obtenida en una prueba de emisiones. En California, Walker cubrirá el costo de reemplazo completo, incluyendo las piezas y la mano de obra, de cualquier convertidor defectuoso que cumpla con las condiciones, siempre y cuando éste sea devuelto a un distribuidor autorizado junto con el comprobante de compra y el certificado de garantía completado apropiadamente.

Esta garantía no cubre los convertidores que hayan sido dañados por causa de accidentes o por el uso de combustibles con plomo. Esta garantía le confiere a usted derechos legales específicos. Es posible que usted tenga también otros derechos que varían de un estado a otro. Este convertidor catalítico ha sido diseñado y fabricado para cumplir con los requisitos de garantía del estado de California. Este convertidor catalítico, en su utilización, funcionamiento o malfuncionamiento, no causará ninguna situación insegura que ponga en peligro al vehículo motorizado, sus ocupantes o las personas o los bienes que estén muy cerca del vehículo, cuando se instale apropiadamente en el vehículo para el cual está diseñado.



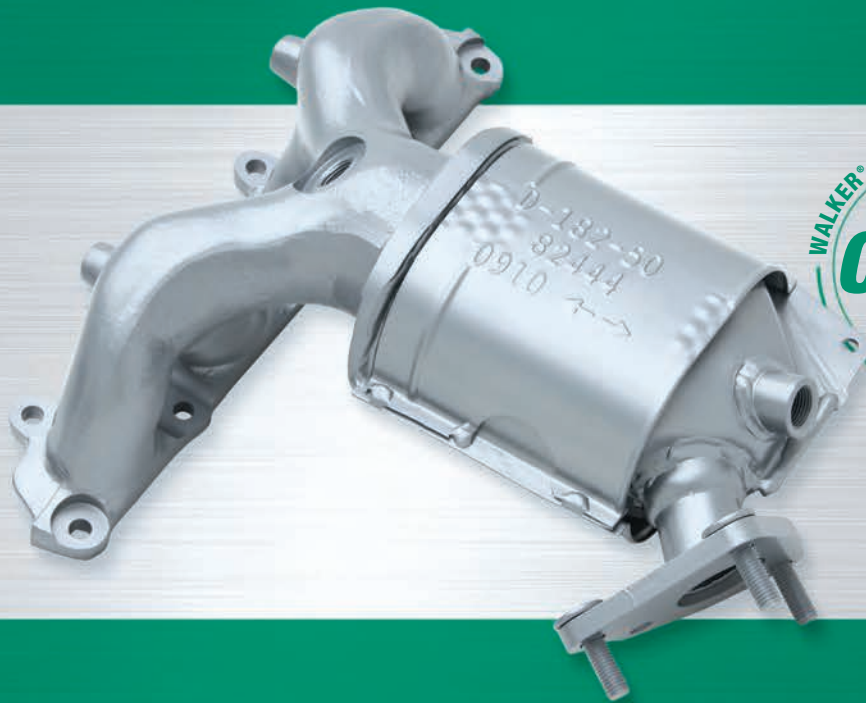


SUPERIOR OE-GRADE CATALYST TECHNOLOGY

- Optimal precious metal loading
- Enhanced oxygen storage capacity
- High-temperature durability

EXPANDED DIRECT-FIT AND UNIVERSAL DESIGNS

- Direct-fit units feature OE-style design and fit, including hangers, flanges and brackets



TECHNOLOGIE DE CATALYSE SUPÉRIEURE DE QUALITÉ SIMILAIRE À L'ÉO

- Quantité optimale de métaux précieux
- Une capacité de stockage d'oxygène plus grande
- Durabilité à haute température

PLUS DE PRODUITS UNIVERSELS ET À MONTAGE DIRECT

- Les unités à montage direct ont un design et un ajustement similaires à l'ÉO, incluant les crochets, flasques et attaches

TECNOLOGÍA DE CATALIZADOR DE OE-GRADO SUPERIOR

- Carga óptima de metales preciosos
- Mayor capacidad de almacenamiento de oxígeno
- Durabilidad de alta calor

OFERTA EXPANDIDA DE UNIDADES DE AJUSTE DIRECTO Y UNIVERSAL

- Las unidades de ajuste directo cuentan con un diseño y un ajuste estilo equipo original, incluyendo colgadores, pestañas y soportes



CARB-Compliant Inquiries
Renseignements aux exigences du CARB
Preguntas sobre el cumplimiento con CARB

1 (734) 384-7824

M - F, 8:30 am - 5:30 pm EST /
De 8 h 30 à 17 h 30 HNE du L au V /
L - V, 8:30 am - 5:30 pm Hora del Este (EST)

walkerexhaust.com

Walker Exhaust
One International Drive • Monroe, MI 48161

© 2018 Tenneco Automotive Operating Company Inc.

Printed in U.S.A.
Imprimé aux É.-U. • Impreso en los EE.UU.