

Abex[®]

AB802

OCTOBER 2006

OCTOBRE 2006

OCTOBER 2006

SUPERSEDES

AB802 DATED FEBRUARY 2005

REPLACE

AB802 DATÉ DE FÉVRIER 2005

REEMPLAZA

AB802 FECHADO EN FEBRERO DE 2005



FEATURING
WAGNER[®]
BRAKE PRODUCTS

 **FEDERAL
MOGUL**

COMMERCIAL VEHICLE BRAKE PRODUCTS 2007 AND EARLIER
PIÈCES DE FREIN POUR VÉHICULES COMMERCIAUX 2007 ET ANTÉRIEURS
PRODUCTOS PARA FRENOS DE VEHÍCULOS COMERCIALES DE 2007 Y ANTERIORES

TABLE OF CONTENTS

Commercial Vehicle Abbreviations	II
Make - Model Index	III - VII
How To Use	VIII
Application Section	1 - 1068
Basic Brake Systems Illustration Guide	A1 - A42
Shim Kit Service Instructions	A43 - A48
Light Duty – Caliper Abutment Guide.....	A49

WARNING

WARNING: To obtain proper brake system function and performance:

1. Use only the maintenance techniques, methods, instructions and specifications shown in the Vehicle Manufacturer's Factory Service Manual and Service Bulletins or other Authoritative Sources.
2. Use only the correct, fully interchangeable replacement parts – make no substitutions or modifications. Refer to Appropriate Abex catalogs.
3. Use only the correct DOT Brake Fluid specified by the vehicle manufacturer.

WARNING: The specifications and information shown in this and other referenced Abex manuals were obtained from reliable sources, and believed to be accurate at the time of publication. Although Abex believes this information to be correct, no warrantee is made or implied as to the accuracy of this information, and Abex does not accept or assume responsibility for errors, changes, omissions, or harm resulting therefrom. Should any questions arise regarding specifications shown in this manual consult the appropriate Vehicle Manufacturer's Factory Service Manual and Service Bulletins.

For further information write:
Federal Mogul
Abex Brake
26555 Northwestern Highway
Southfield, MI 48033

ABBREVIATIONS

<u>Abv.</u>	<u>Definition</u>	<u>Abv.</u>	<u>Definition</u>	<u>Abv.</u>	<u>Definition</u>
2WD	2-Wheel Drive	FC	Forward Control	OE	Original Equipment
4WD	4-Wheel Drive	Ftg.	Fitting	Opt.	Option
4WS	4-Wheel-Steer	FWD	Front Wheel Drive	Perf.	Performance
A.R.	Axle Ratio	Fwd.	Forward	Pkg.	Package
A/T	Automatic Transmission	GVW	Gross Vehicle Weight	Pwr.	Power
ABS	Anti-Lock Brakes	H/D	Heavy Duty	R.G.	Ring Gear
Adj.	Adjuster	HD	Heavy Duty	R.H.	Right Hand
Alum.	Aluminum	Hsg.	Housing	RA	Rear Axle
Assy.	Assembly	Hyd.	Hydraulic	Reg.	Regular
Auto	Automatic	I.D.	Identification	Req'd	Required
Aux.	Auxiliary	ID	Inner Diameter	RHD	Right-Hand Drive
Avail.	Available	Incl.	Includes	RWAL	Rear Wheel Anti-lock Brakes
AWD	All Wheel Drive	L	Liter	RWD	Rear Wheel Drive
Brkt.	Bracket	L.H.	Left Hand	SC	Stripped Chassis
Config.	Configuration	lb.	Pound	SD	Super Duty
Ctr.	Center	LD	Light Duty	Spd.	Speed
Cyl.	Cylinder	Lpg.	Liquefied Propane Gas	SRW	Single Rear Wheel
Cyl.	Cylinder	M/T	Manual Transmission	Std.	Standard
Dbl.	Double	Man.	Manual	Susp.	Suspension
Dia.	Diameter	MD	Medium Duty	Syst.	System
DRW	Dual Rear Wheel	MH	Motor Home	TRA	Tandem Rear Axle
Elec.	Electric	mm	Millimeter	Trans.	Transmission
Emis.	Emissions	Mtd.	Mounted	VIN	Vehicle Identification Number
Eng.	Engine	Mtg.	Mounting	w/	With
Exc.	Except	No.	Number	w/o	Without
Ext.	Extended	O/S	Over Sized	WB	Wheel Base
FA	Front Axle	OD	Outer Diameter	Whl.	Wheel

GVW – RANGES

Class-1	0	-	6,000
Class-2	6,001	-	10,000
Class-3	10,001	-	14,000
Class-4	14,001	-	16,000
Class-5	16,001	-	19,500
Class-6	19,501	-	26,000
Class-7	26,001	-	33,000
Class-8	33,001	-	And Up

MAKE / MODEL INDEX

Model	Page	Model	Page	Model	Page
AM TRAN Type-A Vanguard		CHEVROLET - 1/2 TON TRUCK		CHEVROLET MD C-Series Kodiak	
250 ECONOLINE	1	AVALANCHE 1500	96	C8500	220
2500 EXPRESS	5	C1500 PICKUP	98	CHEVROLET MD F-Series	
2500 SAVANA	7	K1500 PICKUP	103	F6B042	220
350 ECONOLINE	9	R1500 PICKUP	107	F7B042	222
3500 EXPRESS	14	SILVERADO	109	F7B064	223
3500 SAVANA	16	SILVERADO 1500	110	CHEVROLET MD P-Series	
AM TRAN Type-C Conventional		SILVERADO 1500 HD	113	P4T042	225
CE	18	V1500 PICKUP	115	P6S042	227
IC	18	CHEVROLET - 1/2 TON VAN		P6T042	228
AM TRAN Type-D Genesis		EXPRESS 1500	117	CHEVROLET MD S-Series	
FE	22	G1500 VAN	118	S7T042	231
RE	26	CHEVROLET - 3/4 TON SUBURBAN		CHEVROLET MD T-Series	
BLUEBIRD Type-A Microbird		C2500 SUBURBAN	121	T6500	233
250 ECONOLINE	30	K2500 SUBURBAN	123	T7500	233
2500 EXPRESS	35	SUBURBAN 2500	125	T8500	234
2500 SAVANA	38	CHEVROLET - 3/4 TON TRUCK		CHEVROLET MD W-Series	
350 ECONOLINE	40	AVALANCHE 2500	127	W4S042	234
3500 EXPRESS	46	C2500 PICKUP	128	W5R042	238
3500 SAVANA	48	K2500 PICKUP	134	W5S042	238
BLUEBIRD Type-C Vision-Series		R2500 PICKUP	140	W6N042	238
BBCV	50	SILVERADO 2500	143	W6R042	239
BLUEBIRD Type-D All American		SILVERADO 2500 HD	144	W7H042	241
A3FE	51	V2500 PICKUP	145	W7M042	241
BLUEBIRD Type-D Commercial-Series		CHEVROLET - 3/4 TON VAN		W7N042	242
C1FE	53	EXPRESS 2500	147	W7T042	243
CSFE	56	G2500 VAN	150	CHEVROLET MD W-Series Diesel	
BLUEBIRD Type-D Commercial-Shell		P2500 VAN	153	W3500 DIESEL	243
C3FE	58	CHEVROLET -1 TON TRUCK		W4500 DIESEL	244
BLUEBIRD Type-D Transit-Series		C3500 PICKUP	156	W5500 DIESEL	245
TCFE	59	K3500 PICKUP	164	CHEVROLET MD W-Series Gas	
CADILLAC		R3500 PICKUP	169	W3500 GAS	245
CONCOURS	62	SILVERADO 3500	172	W4500 GAS	247
DEVILLE	64	V3500 PICKUP	173	CHRYSLER	
DTS	66	CHEVROLET -1 TON VAN		CONCORDE	249
FLEETWOOD	66	EXPRESS 3500	176	INTREPID (Canadian Model)	251
SEVILLE	68	G3500 VAN	178	CHRYSLER - MINIVAN	
CHEVROLET		P3500 VAN	185	GRAND VOYAGER	253
CAPRICE	70	CHEVROLET MD B-Series		TOWN & COUNTRY	254
IMPALA	72	B6P042	192	VOYAGER	257
IMPALA SS	73	B7T042	195	DODGE	
CHEVROLET - MINIVAN		CHEVROLET MD C-Series		INTREPID	259
ASTRO	75	C5D042	196	DODGE - MINIVAN	
LUMINA APV	77	C6D042	199	CARAVAN	261
VENTURE	78	C7D042	202	GRAND CARAVAN	265
CHEVROLET - TRUCK		C7D064	204	DODGE - TRUCK	
BLAZER	80	CHEVROLET MD C-Series Kodiak		DAKOTA	268
LLV (POSTAL VEHICLE)	82	C4500	207	DURANGO	271
S10 PICKUP	84	C5500	208	DODGE - 1/2 TON TRUCK	
TAHOE	87	C5H042	210	D100 PICKUP	273
CHEVROLET - 1/2 TON SUBURBAN		C6500	212	D150 PICKUP	275
C1500 SUBURBAN	91	C6H042	212	RAM 1500 PICKUP	277
K1500 SUBURBAN	93	C7500	215	W100 PICKUP	281
SUBURBAN 1500	95	C7H042	216	W150 PICKUP	283
		C7H064	218		

MAKE / MODEL INDEX

Model	Page	Model	Page	Model	Page
DODGE - 1/2 TON VAN		FORD MD A-Series		FORD MD N-Series	
B1500 VAN	285	A850	401	N800	473
RAM 1500 VAN	289	A950	402	FREIGHTLINER Sprinter	
DODGE - 3/4 TON TRUCK		FORD MD B-Series		Sprinter 2500	475
D250 PICKUP	291	B600	403	Sprinter 3500	477
RAM 2500 PICKUP	294	B700	406	FREIGHTLINER MD Business Class	
W250 PICKUP	298	B800	409	FL106	479
DODGE - 3/4 TON VAN		FORD MD C-Series		FL112	479
B2500 VAN	301	C600	410	FL50	479
RAM 2500 VAN	306	C700	412	FL60	481
SPRINTER 2500	307	C800	415	FL70	482
DODGE -1 TON TRUCK		C900	418	FL80	484
D350 PICKUP	308	FORD MD Cargo		MB50	484
RAM 3500 PICKUP	312	CF600	420	MB60	485
W350 PICKUP	315	CF700	421	MB70	486
DODGE -1 TON VAN		CF800	421	MB80	487
B3500 VAN	319	FORD MD CL-Series		FREIGHTLINER MD Cargo	
RAM 3500 VAN	325	CL900	422	FC70	488
SPRINTER 3500	326	FORD MD F-Series		FC80	488
FORD		F600	423	FREIGHTLINER MD M2-Series	
CROWN VICTORIA	328	F650	425	100	489
FORD - MINIVAN		F700	427	106	490
AEROSTAR	330	F750	430	112	491
WINDSTAR	332	F800	431	GMC - MINIVAN	
FORD - TRUCK		F900	435	SAFARI	491
BRONCO	334	FORD MD L-Series		GMC - TRUCK	
EXCURSION	335	L800	437	JIMMY	493
EXPEDITION	337	L900	440	SONOMA	495
EXPLORER	339	FORD MD LA-Series AeroMax		YUKON	498
EXPLORER SPORT TRAC	342	LA800	443	YUKON DENALI	502
RANGER	343	LA900	444	GMC - 1/2 TON SUBURBAN	
FORD - 1/2 TON TRUCK		FORD MD LCF-Series		C1500 SUBURBAN	503
F-100 PICKUP	347	CD4	446	K1500 SUBURBAN	505
F-150 PICKUP	348	CD5	446	YUKON DENALI XL	507
FORD - 1/2 TON VAN		FORD MD LL-Series		YUKON XL 1500	508
E-100 ECONOLINE	357	LL900	446	GMC - 1/2 TON TRUCK	
E-150 ECONOLINE	358	FORD MD LLA-Series		C1500 PICKUP	510
FORD - 3/4 TON TRUCK		LLA900	448	K1500 PICKUP	514
F-250 PICKUP	362	FORD MD LLS-Series		R1500 PICKUP	519
FORD - 3/4 TON VAN		LLS900	449	SIERRA 1500	520
E-250 ECONOLINE	372	FORD MD LN-Series		SIERRA 1500 HD	523
FORD -1 TON TRUCK		LN600	450	SIERRA DENALI	525
F-350 PICKUP	377	LN700	453	V1500 PICKUP	527
FORD -1 TON VAN		LN800	456	GMC - 1/2 TON VAN	
E SUPER DUTY	385	LN900	459	G1500 VAN	528
E-350 ECONOLINE	387	FORD MD Louisville		SAVANA 1500	531
FORD -1+ TON TRUCK		L8000	462	GMC - 3/4 TON SUBURBAN	
F-450 SUPER DUTY PICKUP	393	L9000	464	C2500 SUBURBAN	532
F-550 SUPER DUTY PICKUP	395	FORD MD LS-Series		K2500 SUBURBAN	534
F53 STRIPPED CHASSIS	397	LS800	465	YUKON XL 2500	537
F59 STRIPPED CHASSIS	398	LS900	467	GMC - 3/4 TON TRUCK	
FORD -1+ TON VAN		FORD MD N-Series		C2500 PICKUP	538
E-450 ECONOLINE	400	N600	470	K2500 PICKUP	544
		N700	472	R2500 PICKUP	550
				SIERRA 2500	552

MAKE / MODEL INDEX

Model	Page	Model	Page	Model	Page
GMC - 3/4 TON TRUCK		GMC MD W-Series		INTERNATIONAL 1/2 Ton Wagon	
SIERRA 2500 HD	554	W6R042	646	1000 Wagon	670
V2500 PICKUP	555	W7H042	648	1100 Wagon	671
GMC - 3/4 TON VAN				INTERNATIONAL 3/4 Ton Pickup	
G2500 VAN	557	W7M042	648	1200 Pickup	671
P2500 VAN	560	W7N042	648	200 Pickup	672
SAVANA 2500	562	W7T042	649	INTERNATIONAL 3/4 Ton Wagon	
GMC -1 TON TRUCK		GMC MD W-Series Diesel		1200 Wagon 673	
C3500 PICKUP	565	W3500 DIESEL	650	200 Wagon 674	
K3500 PICKUP	572	W4500 DIESEL	650	INTERNATIONAL 1 Ton Pickup	
R3500 PICKUP	578	W5500 DIESEL	651	1300 Pickup 675	
SIERRA 3500	579	GMC MD W-Series Gas		INTERNATIONAL 1+ Ton Pickup	
SIERRA C3	581	W3500 GAS	652	1500 Pickup 675	
V3500 PICKUP	582	W4500 GAS	654	500 Pickup 676	
GMC -1 TON VAN		HINO Class-4		INTERNATIONAL MD 1000-Series	
G3500 VAN	583	145	655	1452 677	
P3500 VAN	589	FA	656	1652 678	
SAVANA 3500	596	HINO Class-5		M1400 680	
GMC MD B-Series		165		M1600 682	
B6P042	599	185	656	INTERNATIONAL MD 1600 CargoStar	
B7T042	601	FB	656	CO1610 683	
GMC MD C-Series		GC		CO1630 686	
C5D042	603	HINO Class-6		CO1650 688	
C6D042	606	238	657	INTERNATIONAL MD 1600 LoadStar	
C7D042	608	258	657	1600 691	
C7D064	611	268	658	1650 693	
GMC MD C-Series Topkick		FD		Binder 695	
C4500	614	FE	659	INTERNATIONAL MD 1600 S-Series	
C5500	615	HINO Class-7		1624 697	
C5H042	616	338	659	1654 700	
C6500	618	FF	659	INTERNATIONAL MD 1600 SchoolMaster	
C6H042	619	FG	659	1603 704	
C7500	621	SF	660	1610FC 706	
C7H042	622	SG	660	INTERNATIONAL MD 1700 CargoStar	
C7H064	624	HUMMER		CO1710 708	
C8500	627	H1	660	CO1730 711	
GMC MD F-Series		H2	660	CO1750 713	
F6B042	627	IC BUS Type-C Conventional		INTERNATIONAL MD 1700 LoadStar	
F7B042	629	BE	661	1700 716	
F7B064	630	CE	662	1750 718	
GMC MD P-Series		HC	662	INTERNATIONAL MD 1700 S-Series	
P4T042	631	LC	663	1724 720	
P6S042	633	IC BUS Type-D Genesis		1754 723	
P6T042	634	FC	664	INTERNATIONAL MD 1700 SchoolMaster	
GMC MD S-Series		FE	664	1703 727	
S7T042	637	RC	665	INTERNATIONAL MD 1700 SchoolMaster	
GMC MD T-Series		RE	666	1723 729	
T6500	639	INTERNATIONAL SUV		1753 732	
T7500	640	Scout 800	666	INTERNATIONAL MD 1800 CargoStar	
T8500	641	Scout II	667	CO1810 735	
GMC MD W-Series		INTERNATIONAL 1/2 Ton Pickup		CO1830 738	
W4S042	641	100 Pickup	668	CO1850 740	
W5R042	644	1000 Pickup	668	INTERNATIONAL MD 1800 LoadStar	
W5S042	645	1100 Pickup	669	1800 743	
W6N042	645	INTERNATIONAL 1/2 Ton Wagon			
		100 Wagon	669		

MAKE / MODEL INDEX

Model	Page	Model	Page	Model	Page
INTERNATIONAL MD 1800 LoadStar		INTERNATIONAL MD 4000-Series		IVECO Class-3	
1850	745	4500	839	10-14	875
1890	747	4600	841	12-11	876
INTERNATIONAL MD 1800 S-Series		4700	842	12-12	876
1824	749	4800	845	12-14	876
1854	752	4900	847	13-14	876
INTERNATIONAL MD 1800 SchoolMaster		INTERNATIONAL MD CF-Series		IVECO Class-4	
1803	756	CF5	849	15-14	876
1853	758	CF6	849	IVECO Class-5	
INTERNATIONAL MD 1800 SchoolMaster		INTERNATIONAL MD LFE-Series		18-14	876
1823	760	400	850	18-16	877
1853-	763	500	850	IVECO Class-6	
1853FC	766	600	851	23-16	877
INTERNATIONAL MD 1900 CargoStar		700	851	JEEP	
CO1910	770	ISUZU		GRAND CHEROKEE	877
CO1950	773	HOMBRE	852	J10	878
INTERNATIONAL MD 1900 FleetStar		ISUZU MD F/T-Series		J20	880
1910	776	FTR	853	KENWORTH Cab Over	
1950	777	FVR	854	K300	883
INTERNATIONAL MD 1900 S-Series		FXR	855	KENWORTH Conventional	
1924	779	ISUZU MD F-Series		T300	884
1925	782	FRR	855	LINCOLN	
1954	785	FSR	856	CONTINENTAL	885
1955	788	FTR	857	TOWN CAR	886
INTERNATIONAL MD 2000 FleetStar		FVR	859	MACK Mid-Liner	
2000	792	ISUZU MD F/W-Series		CS200	889
2010	793	EVR	860	CS250	889
2050	795	FRR	860	CS300	890
2070	797	FSR	861	MS200	890
INTERNATIONAL MD 2100 FleetStar		FTR	862	MS250	891
2110	798	FVR	863	MS300	892
2150	800	ISUZU MD H-Series		MAZDA	
2170	801	HTR	863	B2300	892
INTERNATIONAL MD 2100 S-Series		HVR	864	B2500	895
2125	803	HXR	865	B3000	897
2155	806	ISUZU MD N-Series		B4000	900
INTERNATIONAL MD 2200 S-Series		NPR	865	MERCURY	
2275	810	NRR	868	GRAND MARQUIS	902
2276	813	ISUZU MD N-Series Diesel		MARAUDER	905
INTERNATIONAL MD 2300 S-Series		NPR DIESEL	868	MERCURY TRUCK	
2375	816	NPR HD DIESEL	869	MOUNTAINEER	906
INTERNATIONAL MD 3000-Series		NQR DIESEL	870	MID BUS Type-A1 SW	
3000	819	ISUZU MD N-Series Gas		250 ECONOLINE	908
3200	822	NPR GAS	871	2500 EXPRESS	913
3300	823	NPR HD GAS	873	2500 SAVANA	915
3400	824	IVECO 200-Series		350 ECONOLINE	917
3600	826	Z230T	874	3500 EXPRESS	922
3700	828	IVECO 300-Series		3500 SAVANA	924
3800	830	Z335T	875	MID BUS Type-A2 DW	
3900	832	Z340T	875	350 ECONOLINE	926
INTERNATIONAL MD 4000-Series		IVECO 400-Series		3500 EXPRESS	931
4100	834	Z435T	875	3500 SAVANA	933
4200	835	Z450T	875	MID BUS Type-A2 SAB	
4300	836			350 ECONOLINE	934
4400	838				

MAKE / MODEL INDEX

Model	Page	Model	Page	Model	Page
MID BUS Type-A2 SAB		NISSAN UD Class-6		THOMAS Type-C Saf-T Liner	
3500 EXPRESS	939	2300	964	C2	1016
3500 SAVANA	941	2300DH	965	FS-65	1017
MID BUS Type-A2 XL		2300LP	965	VISTA	1018
4500 KODIAK	943	NISSAN UD Class-7		THOMAS Type-D Saf-T Liner	
4500 TOPKICK	944	2600	965	EF	1020
5500 KODIAK	945	2800	966	HDX	1022
5500 TOPKICK	946	NISSAN UD Class-8		TOYOTA	
MITSUBISHI FUSO Class-3		3000	966	TACOMA	1023
FE120	948	3000HD	967	TUNDRA	1026
FE434	948	3000SD	967	US BUS Type-A1 Safetran	
FE439	949	3300	968	250 ECONOLINE	1027
FE444	949	550T	968	2500 EXPRESS	1032
FE449	950	NISSAN UD LFE-Series		2500 SAVANA	1034
FE639	951	400/CMA	969	US BUS Type-A1 Universe	
FG434	952	500/CLA	969	350 ECONOLINE	1037
FG439	952	600/CPS	970	3500 EXPRESS	1042
FG639	952	700/CPB	970	3500 SAVANA	1043
MITSUBISHI FUSO Class-4		OLDSMOBILE - MINIVAN		US BUS Type-A2 Sturdibus	
FE140	953	SILHOUETTE	971	350 ECONOLINE	1045
FE145	953	OLDSMOBILE - TRUCK		3500 EXPRESS	1050
FE640	953	BRAVADA	973	3500 SAVANA	1052
FE649	953	PETERBILT Cab Over		4500 KODIAK	1054
FG649	954	200	975	4500 TOPKICK	1055
MITSUBISHI FUSO Class-5		270	976	5500 KODIAK	1056
FH100	954	PETERBILT Conventional		5500 TOPKICK	1057
FH210	955	330	977	WORKHORSE Bus	
FH211	955	PLYMOUTH - MINIVAN		LF72	1059
MITSUBISHI FUSO Class-6		GRAND VOYAGER	978	WORKHORSE C-Class	
FK200	955	VOYAGER	981	3500 EXPRESS	1059
FK415	956	PLYMOUTH - 1/2 TON VAN		3500 SAVANA	1061
FK417	956	PB150 VAN	984	WORKHORSE Commercial	
FK617	957	PLYMOUTH - 3/4 TON VAN		W42	1063
FM260	957	PB250 VAN	985	W52	1063
FM555	957	PLYMOUTH - 1 TON VAN		W62	1064
MITSUBISHI FUSO Class-7		PB350 VAN	986	WORKHORSE FasTrack	
FK455	957	PONTIAC - MINIVAN		FT42	1064
FK457	958	MONTANA	988	WORKHORSE Motor Home	
FM557	958	TRANS SPORT	990	UFO	1064
FM617	958	STERLING ACTERRA		W16	1065
FM657	959	M5500	992	W18	1065
NISSAN		M6500	993	W20	1065
TITAN	959	M7500	994	W22	1066
NISSAN UD Class-3		M8500	995	W24	1066
1100	959	STERLING Cargo		W25	1067
1200	960	SC7000	995	WORKHORSE P-Series	
1300	961	SC8000	996	Custom Chassis	1067
NISSAN UD Class-4		THOMAS Type-A Minotour			
1400	961	250 ECONOLINE	996		
NISSAN UD Class-5		2500 EXPRESS	1001		
1800	962	2500 SAVANA	1003		
1800CS	963	350 ECONOLINE	1006		
1800HD	963	3500 EXPRESS	1011		
NISSAN UD Class-6		3500 SAVANA	1014		
2000	963				

HOW TO USE

- A. This catalog contains **Commercial Vehicle** applications 1970 to Current
Class-1 **Passenger Cars** (police cars - taxis - limousines)
Class-2 **Light Trucks** (pickups - vans - SUV's)
Class-3-7 **Medium Duty Trucks** (dump trucks - flat beds - straight trucks)

B. Vehicles are sorted in alpha-numeric order by **Make / Series / Model**.

C. **Make** is listed in the page header on the top outer corner of each page

D. **Series** is listed in the following order:

- | | | |
|--------------------|--------------------|------------------------|
| 1. Passenger Cars | 6. ¾ Ton Suburbans | 11. 1+ Ton Trucks |
| 2. Minivans | 7. ¾ Ton Trucks | 12. 1+ Ton Vans |
| 3. ½ Ton Suburbans | 8. ¾ Ton Vans | 13. Medium Duty Trucks |
| 4. ½ Ton Trucks | 9. 1 Ton Trucks | |
| 5. ½ Ton Vans | 10. 1. Ton Vans | |

E. **Model** is listed numerically, then alphabetically.

F. **Part Categories** are listed in the following order:

- | | |
|---|---|
| 1. Pads & Shoes <ul style="list-style-type: none">- Front Pads & Shoes- Rear Pads & Shoes- Parking Brake Shoes | 6. Hydraulics – Reman <ul style="list-style-type: none">- Master Cylinder- Power Brake Booster- Hydro Boost- Vacuum Boost |
| 2. Rotor & Drum <ul style="list-style-type: none">- Front Drum & Rotor- Rear Drum & Rotor- Parking Brake Drum | 7. Brake Cables <ul style="list-style-type: none">- Parking Brake Cable |
| 3. Brake Hardware <ul style="list-style-type: none">- Front Hardware- Rear Hardware- Parking Brake | 8. ABS Components – New <ul style="list-style-type: none">- ABS Wheel Sensor- ABS Control Module- ABS Modulator |
| 4. Calipers – Reman <ul style="list-style-type: none">- Front, Loaded- Rear, Loaded- Front, Unloaded- Rear, Unloaded | 9. ABS Components – Reman <ul style="list-style-type: none">- ABS Module- ABS Pump/Motor- ABS Hydraulic Unit |
| 5. Hydraulics – New <ul style="list-style-type: none">- Master Cylinder- Front Brake Hose- Rear Brake Hose- Wheel Cylinder- Clutch Master Cylinder- Clutch Slave Cylinder | 10. Wheel Attaching Hardware <ul style="list-style-type: none">- Front Wheel Stud- Rear Wheel Stud- Front Wheel Nut- Rear Wheel Nut |

Brake Pads & Shoes

Front Pads & Shoes	Years	SevereDuty	Lining No.	Qualifier
Brake Pads	01 - 95	SD655		
Brake Pads	94 - 92	SD557		
Brake Pads	91 - 81	SD450		

Rear Pads & Shoes	Years	SevereDuty	Lining No.	Qualifier
Brake Pads	01 - 99	SD802		
Brake Shoes	01 - 81	SDS357NR	SX2146ATD	12 x 2-1/2; Riveted
Brake Shoes	01 - 84	SDS358AR	EX2140TD	12 x 3; Riveted

Rotor & Drum

Front Rotor & Drum	Years	Part No.	Qualifier
Brake Rotor	01 - 95	BD125468	w/2 Whl. ABS
Brake Rotor	01 - 95	BD125477	w/4 Whl. ABS
Brake Rotor	94	BD125410	w/2 Whl. ABS
Brake Rotor	94	BD125411	w/4 Whl. ABS
Brake Rotor	93 - 92	BD125410	
Brake Rotor	91 - 86	BD61910	
Brake Rotor	85 - 84	BD61885	Over 8500 GVW
Brake Rotor	85 - 84	BD60541	Under 8500 GVW
Brake Rotor	83 - 82	BD60541	
Brake Rotor	81	BD60541	From 11/3/80
Brake Rotor	81	BD60469	To 11/03/80

Rear Rotor & Drum	Years	Part No.	Qualifier
Brake Drum	01 - 95	BD125692	12 x 3" Brake
Brake Drum	98 - 92	BD60868	12 x 2-1/2" Brake
Brake Drum	94 - 92	BD60793	12 x 3" Brake
Brake Drum	91 - 86	BD60393	12 x 2-1/2" Brake; w/7-1/2" or 9-3/4" or 10-1/2" R.G.
Brake Drum	91 - 86	BD60868	12 x 2-1/2" Brake; w/8-13/16" or 10-1/4" R.G.
Brake Drum	91 - 87	BD60819	12 x 3" Brake
Brake Drum	86 - 84	BD60465	12 x 3" Brake
Brake Drum	85 - 81	BD60393	12 x 2-1/2" Brake
Brake Rotor	01 - 99	BD125694	

Brake Hardware

Front Brake Hardware	Years	Sequential No.	Category No.	Qualifier
Caliper Bolt/Pin	01 - 95	F126899S	(H5061)	
Caliper Bolt/Pin	94 - 92	F130379S	(H5068)	
Caliper Bolt/Pin	91 - 86	F111231S	(H5031)	
Caliper Bolt/Pin	85 - 82	F102554S	(H5010C)	
Disc Align Kit	01 - 95	F132611S	(H5602)	
Disc Align Kit	94 - 92	F130266S	(H5445)	
Disc Align Kit	91 - 86	F114477	(H5572)	
Disc Align Kit	85 - 81	F97900	(H5529)	
Pin Boot Kit	01 - 95	F117215S	(H18000C)	
Pin Boot Kit	94 - 92	F130393S	(H8211)	

Rear Brake Hardware	Years	Sequential No.	Category No.	Qualifier
Adjuster Kit	01 - 81	F98416	(H2588)	L.H.
Adjuster Kit	01 - 81	F98417	(H2589)	R.H.
Adjuster Screw	01 - 81	F79799	(H1534)	L.H.
Adjuster Screw	01 - 81	F79800	(H1535)	R.H.
Caliper Bolt/Pin	01 - 99	F126899S	(H5061)	
Combi Kit	01 - 81	F78555	(H7146)	12 x 2-1/2" Brake
↳Adjuster Spring Kit		F67454S	(H423)	
↳Return Spring Kit		F67455	(H546)	
Combi Kit	01 - 84	F102555	(H7164)	12 x 3" Brake
↳Adjuster Spring Kit		F106695	(H446)	
↳Return Spring Kit		F67455	(H546)	
Disc Align Kit	01 - 99	F138118S	(H5616)	
Pin Boot Kit	01 - 99	F139361	(H8227)	

↳Sub-Kit of Combi-Kit is available separately.

250 ECONOLINE (cont.)

Brake Hardware (cont.)

Parking Brake	Years	Sequential No.	Category No.	Qualifier
Adjuster Screw	01 - 00	F139719	(H1594)	L.H.
Adjuster Screw	01 - 00	F139719	(H1594)	R.H.
Combi Kit	01 - 00	F139869	(H7239)	

Calipers - Reman

Front, Loaded	Years	Left No.	Right No.	Qualifier	Piston
Loaded Caliper	99	AS133118	AS133119	To 5/18/99	P
Loaded Caliper	98 - 95	AS133118	AS133119		P
Loaded Caliper	94 - 92	AS128780	AS128781		P
Loaded Caliper	94 - 92	AS128780S	AS128781S		O
Loaded Caliper	91 - 89	AS128856	AS128857		P
Loaded Caliper	88 - 86	AS116931	AS116932		P
Loaded Caliper	85 - 81	AS102430	AS102431	2-Piston Caliper	M

Rear, Loaded	Years	Left No.	Right No.	Qualifier	Piston
Loaded Caliper	01 - 99	AS134357	AS134358		P

Front, Unloaded	Years	Left No.	Right No.	Qualifier	Piston
Unloaded Caliper	01 - 00	CRB134508	CRB134509	Supplied w/Mtg. Brkt.	P
Unloaded Caliper	01 - 00	CR134508	CR134509	Supplied w/o Mtg. Brkt.	P
Unloaded Caliper	99	CRB134508	CRB134509	From 5/18/99; Supplied w/Mtg. Brkt.	P
Unloaded Caliper	99	CR134508	CR134509	From 5/18/99; Supplied w/o Mtg. Brkt.	P
Unloaded Caliper	99	CRB133118	CRB133119	To 5/18/99; Supplied w/Mtg. Brkt.	P
Unloaded Caliper	99	CR133118	CR133119	To 5/18/99; Supplied w/o Mtg. Brkt.	P
Unloaded Caliper	99	CR133118S	CR133119S	To 5/18/99; Supplied w/o Mtg. Brkt.	O
Unloaded Caliper	98 - 95	CRB133118	CRB133119	Supplied w/Mtg. Brkt.	P
Unloaded Caliper	98 - 95	CRB133118S	CRB133119S	Supplied w/Mtg. Brkt.	O
Unloaded Caliper	98 - 95	CR133118	CR133119	Supplied w/o Mtg. Brkt.	P
Unloaded Caliper	98 - 95	CR133118S	CR133119S	Supplied w/o Mtg. Brkt.	O
Unloaded Caliper	94 - 92	CR128780	CR128781		P
Unloaded Caliper	94 - 92	CR128780S	CR128781S		O
Unloaded Caliper	91 - 89	CR128856	CR128857		P
Unloaded Caliper	88 - 86	CR116931	CR116932		P
Unloaded Caliper	85 - 81	CR102430	CR102431	2-Piston Caliper	M

Rear, Unloaded	Years	Left No.	Right No.	Qualifier	Piston
Unloaded Caliper	01 - 99	CRB134358	CRB134357	Supplied w/Mtg. Brkt.	P
Unloaded Caliper	01 - 99	CR134358	CR134357	Supplied w/o Mtg. Brkt.	P

Hydraulics - New

Master Cylinder	Years	Sequential No.	Category No.	Qualifier
Master Cylinder	01	F140463	(MC140463)	w/Cruise Control; 1-5/16" Bore
Master Cylinder	01	F134457	(MC134457)	w/o Cruise Control; 1-5/16" Bore
Master Cylinder	00	F140463	(MC140463)	From 1/10/00; w/Cruise Control; 1-5/16" Bore
Master Cylinder	00	F134457	(MC134457)	From 1/10/00; w/o Cruise Control; 1-5/16" Bore
Master Cylinder	99	F140463	(MC140463)	w/Cruise Control; 1-5/16" Bore
Master Cylinder	99	F134457	(MC134457)	w/o Cruise Control; 1-5/16" Bore
Master Cylinder	96 - 94	F131211	(MC131211)	w/Cruise Control; 1-1/8" Bore
Master Cylinder	96 - 94	F120368	(MC120368)	w/o Cruise Control; 1-1/8" Bore
Master Cylinder	93	F120368	(MC120368)	1-1/8" Bore
Master Cylinder	92	F129285	(MC129285)	1-1/8" Bore
Master Cylinder	91 - 87	F120368	(MC120368)	Over 7000 GVW; 1-1/8" Bore
Master Cylinder	91 - 87	F120369	(MC120369)	Under 7000 GVW; 1-1/16" Bore
Master Cylinder	86	F110919	(MC110919)	From 9/01/85; Over 8500 GVW; 1-1/8" Bore
Master Cylinder	86	F110917	(MC110917)	From 9/01/85; Under 8500 GVW; 1-1/16" Bore
Master Cylinder	86	F110919	(MC110919)	To 8/31/85; Over 8500 GVW; 1-1/8" Bore
Master Cylinder	86	F97936	(MC97936)	To 8/31/85; Under 8500 GVW; 1-1/16" Bore
Master Cylinder	85 - 84	F110919	(MC110919)	Over 8500 GVW; 1-1/8" Bore
Master Cylinder	85 - 84	F97936	(MC97936)	Under 8500 GVW; 1-1/16" Bore
Master Cylinder	83 - 81	F97936	(MC97936)	1-1/16" Bore

Piston: M - OE Metal Piston P - OE Phenolic Piston O - Metal Piston Option

250 ECONOLINE (cont.)

Hydraulics - New (cont.)

Rear Wheel Cylinder	Years	Sequential No.	Category No.	Qualifier
Wheel Cylinder	01 - 84	F78974	(WC78974)	L.H.; 12 x 2-1/2" Brake; 1" Bore
Wheel Cylinder	01 - 84	F78975	(WC78975)	R.H.; 12 x 2-1/2" Brake; 1" Bore
Wheel Cylinder	98 - 95	F131875	(WC131875)	L.H.; 12 x 3" Brake; 1-1/8" Bore
Wheel Cylinder	98 - 95	F131874	(WC131874)	R.H.; 12 x 3" Brake; 1-1/8" Bore
Wheel Cylinder	94 - 93	F73615	(WC73615)	L.H.; 12 x 3" Brake; 1-1/16" Bore
Wheel Cylinder	94 - 93	F73614	(WC73614)	R.H.; 12 x 3" Brake; 1-1/16" Bore
Wheel Cylinder	92 - 84	F57146	(WC57146)	L.H.; 12 x 3" Brake; 1" Bore
Wheel Cylinder	92 - 84	F57147	(WC57147)	R.H.; 12 x 3" Brake; 1" Bore
Wheel Cylinder	83 - 81	F57146	(WC57146)	L.H.; 1" Bore
Wheel Cylinder	83 - 81	F57147	(WC57147)	R.H.; 1" Bore
Clutch Master Cylind	Years	Sequential No.	Category No.	Qualifier
Clutch Master Cylinder	89 - 84	F110269	(CM110269)	7/8" Bore
Clutch Slave Cylinder	Years	Sequential No.	Category No.	Qualifier
Clutch Slave Cylinder	89 - 88	F126890	(SC126890)	1-1/32" Bore
Clutch Slave Cylinder	87 - 84	F103485	(SC103485)	1" Bore
Front Brake Hose	Years	Sequential No.	Category No.	Qualifier
Brake Hose	01 - 95	F132754	(BH132754)	L.H.; w/2 Whl. ABS
Brake Hose	01 - 95	F133395	(BH133395)	L.H.; w/4 Whl. ABS
Brake Hose	01 - 95	F132773	(BH132773)	R.H.; w/2 Whl. ABS
Brake Hose	01 - 95	F132773	(BH132773)	R.H.; w/4 Whl. ABS
Brake Hose	94	F132196	(BH132196)	L.H.; w/2 Whl. ABS
Brake Hose	94	F132195	(BH132195)	L.H.; w/4 Whl. ABS
Brake Hose	94	F133813	(BH133813)	R.H.; w/2 Whl. ABS
Brake Hose	94	F133813	(BH133813)	R.H.; w/4 Whl. ABS
Brake Hose	93 - 92	F130430	(BH130430)	L.H.; w/Dual Piston Caliper
Brake Hose	93 - 92	F132298	(BH132298)	R.H.; w/Dual Piston Caliper
Brake Hose	91 - 82	F107255	(BH107255)	L.H.
Brake Hose	91 - 82	F106365	(BH106365)	R.H.
Brake Hose	81	F107255	(BH107255)	L.H.; From 2/02/81
Brake Hose	81	F102474	(BH102474)	L.H.; To 2/02/81
Brake Hose	81	F106365	(BH106365)	R.H.; From 2/02/81
Brake Hose	81	F106365	(BH106365)	R.H.; To 2/02/81
Rear Brake Hose	Years	Sequential No.	Category No.	Qualifier
Brake Hose	01 - 92	F133837	(BH133837)	INNER
Brake Hose	91	F128682	(BH128682)	
Brake Hose	88 - 86	F120872	(BH120872)	
Brake Hose	85	F120872	(BH120872)	From 3/01/85
Brake Hose	85	F119385	(BH119385)	To 2/28/85
Brake Hose	84 - 81	F119385	(BH119385)	

Hydraulics - Reman

Master Cylinder	Years	Part No.	Qualifier
Master Cylinder	01	R134795	w/Cruise
Master Cylinder	01	R134796	w/o Cruise
Master Cylinder	00	R134795	w/Cruise; Booster I.D. No. XC252B559EC
Master Cylinder	00	R134713	w/o Cruise; Booster I.D. No. XC252B559DB
Master Cylinder	00	R134796	w/o Cruise; Booster I.D. No. XC252B559PC
Master Cylinder	99 - 97	R134630	w/Cruise
Master Cylinder	99 - 97	R134713	w/o Cruise
Master Cylinder	96 - 94	R131306	w/Cruise
Master Cylinder	96 - 94	R120368	w/o Cruise
Master Cylinder	93	R120368	
Master Cylinder	92	R129285	
Master Cylinder	91 - 87	R120368	Over 7000 GVW
Master Cylinder	91 - 87	R120369	Under 7000 GVW
Master Cylinder	86	R110917	From 9/01/85; Under 8500 GVW

250 ECONOLINE (cont.)

Hydraulics - Reman (cont.)

Master Cylinder	Years	Part No.	Qualifier
Master Cylinder	86 - 84	R110919	Over 8500 GVW
Master Cylinder	86	R97936	To 8/30/85; Under 8500 GVW
Master Cylinder	85 - 84	R97936	Under 8500 GVW
Master Cylinder	83 - 81	R97936	

Power Brake Booster	Years	Part No.	Qualifier
Power Brake Booster	01	5474419	Gas; w/o Master Cylinder
Power Brake Booster	00	5474419	From 1/10/00; Gas; w/o Master Cylinder; w/Cruise
Power Brake Booster	00	5474418	From 1/10/00; Gas; w/o Master Cylinder; w/o Cruise
Power Brake Booster	00	5474418	To 1/10/00; Gas; w/o Master Cylinder; w/Cruise
Power Brake Booster	00	5474412	To 1/10/00; Gas; w/o Master Cylinder; w/o Cruise
Power Brake Booster	99	5474418	Gas; w/o Master Cylinder; w/Cruise
Power Brake Booster	99	5474412	Gas; w/o Master Cylinder; w/o Cruise
Power Brake Booster	98 - 97	5474412	Gas; w/o Master Cylinder
Power Brake Booster	96 - 94	504403	Gas; w/Master Cylinder; w/Cruise; Incl. Pump/Motor; Also Avail. Separately
Power Brake Booster	96 - 94	504407	Gas; w/Master Cylinder; w/o Cruise
Power Brake Booster	96 - 92	5474402	Gas; w/o Master Cylinder
Power Brake Booster	93	504407	Gas; w/Master Cylinder
Power Brake Booster	92	504402	Gas; w/Master Cylinder
Power Brake Booster	91 - 87	504401	Gas; w/Master Cylinder; Over 7000 lb. GVW
Power Brake Booster	91 - 88	504302	Gas; w/Master Cylinder; Under 7000 lb. GVW
Power Brake Booster	91 - 87	5474401	Gas; w/o Master Cylinder; Over 7000 lb. GVW
Power Brake Booster	91 - 88	5474302	Gas; w/o Master Cylinder; Under 7000 lb. GVW
Power Brake Booster	87	504207	Gas; w/Master Cylinder; Under 7000 lb. GVW
Power Brake Booster	87	5474204	Gas; w/o Master Cylinder; Under 7000 lb. GVW
Power Brake Booster	86	504204	From 9/01/85; Gas; w/Master Cylinder; Under 8500 lb. GVW
Power Brake Booster	86	5474204	From 9/01/85; Gas; w/o Master Cylinder; Under 8500 lb. GVW
Power Brake Booster	86 - 84	509336	Gas; w/Master Cylinder; Over 8500 lb. GVW
Power Brake Booster	86 - 84	5473357	Gas; w/o Master Cylinder; Over 8500 lb. GVW
Power Brake Booster	86	503017	To 8/30/85; Gas; w/Master Cylinder; Under 8500 lb. GVW
Power Brake Booster	86	5473017	To 8/30/85; Gas; w/o Master Cylinder; Under 8500 lb. GVW
Power Brake Booster	85 - 84	503017	Gas; w/Master Cylinder; Under 8500 lb. GVW
Power Brake Booster	85 - 84	5473017	Gas; w/o Master Cylinder; Under 8500 lb. GVW
Power Brake Booster	83 - 81	503016	Gas; w/Master Cylinder
Power Brake Booster	83 - 81	5473016	Gas; w/o Master Cylinder

Brake Cables

Parking Brake Cable	Years	Sequential No.	Category No.	Qualifier
Parking Brake Cable	01	F139252	(BC139252)	Intermediate; 138" WB; Stripped Chassis
Parking Brake Cable	00 - 97	F139252	(BC139252)	Intermediate; 138" WB
Parking Brake Cable	00 - 97	F140390	(BC140390)	Intermediate; 158" WB; 36" Length
Parking Brake Cable	00	F140374	(BC140374)	Rear; R.H.; To 9/30/00; 5300-5400 lb. RA; 101" Length
Parking Brake Cable	99 - 97	F138822	(BC138822)	Forward; w/138" WB
Parking Brake Cable	99	F140374	(BC140374)	Rear; R.H.; Exc. 124" WB; 101" Length
Parking Brake Cable	98 - 97	F140374	(BC140374)	Rear; R.H.; 5300-5400 lb. RA; 101" Length
Parking Brake Cable	97 - 95	F133086	(BC133086)	Rear; L.H.; 5300-5400 lb. RA
Parking Brake Cable	96	F138822	(BC138822)	Forward; From 12/4/95; w/138" WB
Parking Brake Cable	96	F133084	(BC133084)	Forward; To 12/03/95
Parking Brake Cable	96	F140392	(BC140392)	Intermediate; From 12/4/95; 124" WB; Stripped Chassis; 14" Length
Parking Brake Cable	96	F139252	(BC139252)	Intermediate; From 12/4/95; 138" WB; Stripped Chassis
Parking Brake Cable	96	F140392	(BC140392)	Intermediate; To 12/03/95; 124" WB; Stripped Chassis; 14" Length
Parking Brake Cable	96	F133083	(BC133083)	Intermediate; To 12/03/95; 138" WB; Exc. Stripped Chassis
Parking Brake Cable	96	F133083	(BC133083)	Intermediate; To 12/03/95; 138" WB; Stripped Chassis
Parking Brake Cable	96 - 95	F140391	(BC140391)	Intermediate; To 12/03/95; 176" WB; Stripped Chassis; 69" Length
Parking Brake Cable	96 - 95	F133085	(BC133085)	Rear; R.H.; 5300-5400 lb. RA
Parking Brake Cable	95	F133084	(BC133084)	Forward
Parking Brake Cable	95	F140392	(BC140392)	Intermediate; 124" WB; 14" Length

250 ECONOLINE (cont.)
Brake Cables (cont.)

Parking Brake Cable	Years	Sequential No.	Category No.	Qualifier
Parking Brake Cable	95	F133083	(BC133083)	Intermediate; 138" WB
Parking Brake Cable	94 - 92	F132082	(BC132082)	Forward; Exc. Stripped Chassis
Parking Brake Cable	94 - 92	F132083	(BC132083)	Forward; Stripped Chassis
Parking Brake Cable	94 - 92	F132449	(BC132449)	Intermediate; 138" WB
Parking Brake Cable	94 - 92	F132450	(BC132450)	Intermediate; 158" WB
Parking Brake Cable	94 - 92	F132451	(BC132451)	Intermediate; 176" WB
Parking Brake Cable	94 - 92	F132084	(BC132084)	Rear; L.H.
Parking Brake Cable	94 - 92	F132085	(BC132085)	Rear; R.H.
Parking Brake Cable	91 - 88	F120903	(BC120903)	Forward
Parking Brake Cable	91 - 81	F109060	(BC109060)	Rear; L.H.
Parking Brake Cable	91 - 81	F109059	(BC109059)	Rear; R.H.
Parking Brake Cable	87	F102663	(BC102663)	Forward
Parking Brake Cable	86 - 81	F102662	(BC102662)	Forward; 124" WB
Parking Brake Cable	86 - 81	F102663	(BC102663)	Forward; 138" WB

ABS Components - Reman

ABS Module	Years	Part No.	Qualifier
ABS Module	96 - 94	RA121021	w/2 Whl. ABS
ABS Module	93 - 92	RA121021	
ABS Module	91 - 90	RA121017	
ABS Hydraulic Unit	Years	Part No.	Qualifier
ABS Hydraulic Unit	96 - 95	RA122061	w/2 Whl. ABS
ABS Hydraulic Unit	94	RA122024	w/2 Whl. ABS
ABS Hydraulic Unit	93 - 90	RA122024	

Wheel Attaching Hardware

Front Wheel Stud	Years	Part No.	Qualifier
Wheel Lug Stud	01 - 86	BD61164	
Wheel Lug Stud	85 - 81	BD61388	
Rear Wheel Stud	Years	Part No.	Qualifier
Wheel Lug Stud	01 - 92	BD61194	
Wheel Lug Stud	91 - 90	BD61194	w/12 x 2-1/2" Drum
Wheel Lug Stud	91 - 90	BD61175	w/12 x 3" Drum
Wheel Lug Stud	89 - 86	BD61194	w/12 x 2-1/2" Drum; 8-13/16" R.G.
Wheel Lug Stud	89 - 86	BD61162	w/12 x 2-1/2" Drum; 9-3/4" R.G.
Wheel Lug Stud	89 - 84	BD60984	w/12 x 3" Drum
Wheel Lug Stud	85 - 84	BD61162	w/12 x 2-1/2" Drum
Wheel Lug Stud	83 - 81	BD60929	
Front Wheel Nut	Years	Part No.	Qualifier
Wheel Lug Nut	01 - 92	BD61287	Std. Open
Wheel Lug Nut	91 - 90	BD61325	Std. Open
Wheel Lug Nut	89 - 81	BD61283	Std. Open; 1/2"-20 Thread; 13/16" Hex
Rear Wheel Nut	Years	Part No.	Qualifier
Wheel Lug Nut	01 - 92	BD61287	Std. Open
Wheel Lug Nut	91 - 90	BD61325	Std. Open
Wheel Lug Nut	89 - 81	BD61283	Std. Open; 1/2"-20 Thread; 13/16" Hex
Wheel Lug Nut	89 - 84	BD61325	Std. Open; 9/16"-18 Thread

2500 EXPRESS
Brake Pads & Shoes

Front Pads & Shoes	Years	SevereDuty	Lining No.	Qualifier
Brake Pads	01 - 99	SD459		Diesel
Brake Pads	01 - 99	SD369		Gas; 7100-7300 GVW; w/6 Stud Whl.
Brake Pads	01 - 99	SD370		Gas; 7700-8600 GVW; w/8 Stud Whl.
Rear Pads & Shoes	Years	SevereDuty	Lining No.	Qualifier
Brake Shoes	01 - 99	SDS473R	EX2073TD-S32	w/6 Stud Whl.; 11-5/32 x 2-3/4" Brake; Bonded
Brake Shoes	01 - 99	SDS473R	EX2073TD-S32	w/6 Stud Whl.; 11-5/32 x 2-3/4" Brake; Riveted

2500 EXPRESS (cont.)

Brake Pads & Shoes (cont.)

Rear Pads & Shoes	Years	SevereDuty	Lining No.	Qualifier
Brake Shoes	01 - 99	SDS655R	SX2042BDT-S36w/8 Stud Whl.; 13 x 2-1/2" Brake; Riveted	
Brake Shoes	01 - 99	SDS656R	SX2157BDT-S36w/8 Stud Whl.; 13 x 3-1/2" Brake; Riveted	

Rotor & Drum

Front Rotor & Drum	Years	Part No.	Qualifier
Brake Rotor	01	BD125765	Diesel
Brake Rotor	01 - 99	BD125592	Gas; w/6 Stud Whl.
Brake Rotor	01 - 99	BD125212	Gas; w/8 Stud Whl.

Rear Rotor & Drum	Years	Part No.	Qualifier
Brake Drum	01 - 99	BD61817	11-5/32 x 2-3/4" Brake
Brake Drum	01 - 99	BD60727	13 x 2-1/2" Brake
Brake Drum	01 - 00	BD125523	13 x 3-1/2" Brake
Brake Drum	99	BD125407	13 x 3-1/2" Brake; w/4.625" Dia. Ctr. Pilot Hole
Brake Drum	99	BD125523	13 x 3-1/2" Brake; w/4.835" Dia. Ctr. Pilot Hole

Brake Hardware

Front Brake Hardware	Years	Sequential No.	Category No.	Qualifier
Caliper Bolt/Pin	01	F129642S	(H5062)	Diesel
Caliper Bolt/Pin	01 - 99	F117224S	(H5038)	Gas
Disc Align Kit	01 - 99	F117225S	(H5584)	

Rear Brake Hardware	Years	Sequential No.	Category No.	Qualifier
Adjuster Kit	01 - 99	F98404	(H2584)	L.H.; 11-5/32 x 2-3/4" Brake
Adjuster Kit	01 - 99	F98406	(H2580)	L.H.; 13 x 2-1/2" Brake
Adjuster Kit	01 - 99	F111233	(H2687)	R.H.; 11-5/32 x 2-3/4" Brake
Adjuster Kit	01 - 99	F98407	(H2581)	R.H.; 13 x 2-1/2" Brake
Adjuster Screw	01 - 99	F73181S	(H1530)	L.H.; 11-5/32 x 2-3/4" Brake
Adjuster Screw	01 - 99	F83294	(H1550)	L.H.; 13 x 2-1/2" Brake
Adjuster Screw	01 - 99	F73182S	(H1531)	R.H.; 11-5/32 x 2-3/4" Brake
Adjuster Screw	01 - 99	F83295	(H1551)	R.H.; 13 x 2-1/2" Brake
Combi Kit	01 - 99	F134117S	(H7217)	11-5/32 x 2-3/4" Brake
↳Adjuster Spring Kit		F45936S	(H415)	
↳Return Spring Kit		F45927S	(H324)	
Combi Kit	01 - 99	F98457S	(H7055)	13 x 2-1/2" Brake
↳Adjuster Spring Kit		F73145S	(H425)	
↳Hold Down Kit		F113455S	(H4098)	
↳Return Spring Kit		F59100S	(H600)	

Calipers - Reman

Front, Loaded	Years	Left No.	Right No.	Qualifier	Piston
Loaded Caliper	01 - 99	AS116292	AS116293	Gas; 7300 GVW; 2.94" 1-Piston Caliper	M
Loaded Caliper	01 - 99	AS116294	AS116295	Gas; Exc. 7300 GVW; 3.16" 1-Piston Caliper	M
Front, Unloaded	Years	Left No.	Right No.	Qualifier	Piston
Unloaded Caliper	01 - 99	CR116292	CR116293	Gas; 7300 GVW; 2.94" 1-Piston Caliper	M
Unloaded Caliper	01 - 99	CR116294	CR116295	Gas; Exc. 7300 GVW; 3.16" 1-Piston Caliper	M

Hydraulics - New

Master Cylinder	Years	Sequential No.	Category No.	Qualifier
Master Cylinder	01 - 99	F140292	(MC140292)	w/JB6; Gas; 1-1/8" Bore
Master Cylinder	01 - 99	F139959	(MC139959)	w/JD7; 1-1/4" Bore
Rear Wheel Cylinder	Years	Sequential No.	Category No.	Qualifier
Wheel Cylinder	01 - 99	F131225	(WC131225)	15/16" Bore
Wheel Cylinder	01 - 99	F116359	(WC116359)	w/Hydro-Boost; Diesel; 1" Bore
Wheel Cylinder	01 - 99	F79767	(WC79767)	w/Hydro-Boost; Gas; 1-1/16" Bore
Front Brake Hose	Years	Sequential No.	Category No.	Qualifier
Brake Hose	01 - 99	F140496	(BH140496)	L.H.; w/Hydro-Boost
Brake Hose	01 - 99	F138061	(BH138061)	L.H.; w/Vacuum Boost
Brake Hose	01 - 99	F140497	(BH140497)	R.H.; w/Hydro-Boost

↳Sub-Kit of Combi-Kit is available separately.

Piston: M - OE Metal Piston P - OE Phenolic Piston

2500 EXPRESS (cont.)
Hydraulics - New (cont.)

Front Brake Hose	Years	Sequential No.	Category No.	Qualifier
Brake Hose	01 - 99	F138062	(BH138062)	R.H.; w/Vacuum Boost
Rear Brake Hose	Years	Sequential No.	Category No.	Qualifier
Brake Hose	01 - 99	F118117	(BH118117)	

Hydraulics - Reman

Master Cylinder	Years	Part No.	Qualifier
Master Cylinder	01 - 99	R134626	Diesel
Master Cylinder	01 - 99	R134627	Gas
Power Brake Booster	Years	Part No.	Qualifier
Hydro Booster	01 - 99	527342	Diesel
Power Brake Booster	Years	Part No.	Qualifier
Power Brake Booster	01 - 99	5474810	Gas; w/o Master Cylinder

Brake Cables

Parking Brake Cable	Years	Sequential No.	Category No.	Qualifier
Parking Brake Cable	01 - 99	F138836	(BC138836)	Forward
Parking Brake Cable	01 - 99	F138900	(BC138900)	Intermediate; 155" WB
Parking Brake Cable	01 - 99	F140296	(BC140296)	Rear; L.H.; w/JB6; 63" Length
Parking Brake Cable	01 - 99	F140173	(BC140173)	Rear; R.H.; w/JB6; 90" Length

Wheel Attaching Hardware

Front Wheel Stud	Years	Part No.	Qualifier
Wheel Lug Stud	01 - 99	BD61426	
Rear Wheel Stud	Years	Part No.	Qualifier
Wheel Lug Stud	01 - 99	BD61427	w/11-5/32" Drum
Wheel Lug Stud	01 - 99	BD125934	w/13" Drum
Front Wheel Nut	Years	Part No.	Qualifier
Wheel Lug Nut	01 - 99	BD125916	External Thread
Rear Wheel Nut	Years	Part No.	Qualifier
Wheel Lug Nut	01 - 99	BD125916	External Thread

2500 SAVANA
Brake Pads & Shoes

Front Pads & Shoes	Years	SevereDuty	Lining No.	Qualifier
Brake Pads	01 - 99	SD459		Diesel
Brake Pads	01 - 99	SD369		Gas; 7100-7300 GVW; w/6 Stud Whl.
Brake Pads	01 - 99	SD370		Gas; 7700-8600 GVW; w/8 Stud Whl.
Rear Pads & Shoes	Years	SevereDuty	Lining No.	Qualifier
Brake Shoes	01 - 99	SDS473R	EX2073TD-S32	w/6 Stud Whl.; 11-5/32 x 2-3/4" Brake; Bonded
Brake Shoes	01 - 99	SDS473R	EX2073TD-S32	w/6 Stud Whl.; 11-5/32 x 2-3/4" Brake; Riveted
Brake Shoes	01 - 99	SDS655R	SX2042BDT-S36	w/8 Stud Whl.; 13 x 2-1/2" Brake; Riveted
Brake Shoes	01 - 99	SDS656R	SX2157BDT-S36	w/8 Stud Whl.; 13 x 3-1/2" Brake; Riveted

Rotor & Drum

Front Rotor & Drum	Years	Part No.	Qualifier
Brake Rotor	01	BD125765	Diesel
Brake Rotor	01 - 99	BD125592	Gas; w/6 Stud Whl.
Brake Rotor	01 - 99	BD125212	Gas; w/8 Stud Whl.
Rear Rotor & Drum	Years	Part No.	Qualifier
Brake Drum	01 - 99	BD61817	11-5/32 x 2-3/4" Brake
Brake Drum	01 - 99	BD60727	13 x 2-1/2" Brake
Brake Drum	01 - 00	BD125523	13 x 3-1/2" Brake
Brake Drum	99	BD125407	13 x 3-1/2" Brake; w/4.625" Dia. Ctr. Pilot Hole
Brake Drum	99	BD125523	13 x 3-1/2" Brake; w/4.835" Dia. Ctr. Pilot Hole

Brake Hardware

Front Brake Hardware	Years	Sequential No.	Category No.	Qualifier
Caliper Bolt/Pin	01	F129642S	(H5062)	Diesel

2500 SAVANA (cont.)

Brake Hardware (cont.)

Front Brake Hardware	Years	Sequential No.	Category No.	Qualifier
Caliper Bolt/Pin	01 - 99	F117224S	(H5038)	Gas
Disc Align Kit	01 - 99	F117225S	(H5584)	
Rear Brake Hardware	Years	Sequential No.	Category No.	Qualifier
Adjuster Kit	01 - 99	F98404	(H2584)	L.H.; 11-5/32 x 2-3/4" Brake
Adjuster Kit	01 - 99	F98406	(H2580)	L.H.; 13 x 2-1/2" Brake
Adjuster Kit	01 - 99	F111233	(H2687)	R.H.; 11-5/32 x 2-3/4" Brake
Adjuster Kit	01 - 99	F98407	(H2581)	R.H.; 13 x 2-1/2" Brake
Adjuster Screw	01 - 99	F73181S	(H1530)	L.H.; 11-5/32 x 2-3/4" Brake
Adjuster Screw	01 - 99	F83294	(H1550)	L.H.; 13 x 2-1/2" Brake
Adjuster Screw	01 - 99	F73182S	(H1531)	R.H.; 11-5/32 x 2-3/4" Brake
Adjuster Screw	01 - 99	F83295	(H1551)	R.H.; 13 x 2-1/2" Brake
Combi Kit	01 - 99	F134117S	(H7217)	11-5/32 x 2-3/4" Brake
↳Adjuster Spring Kit		F45936S	(H415)	
↳Return Spring Kit		F45927S	(H324)	
Combi Kit	01 - 99	F98457S	(H7055)	13 x 2-1/2" Brake
↳Adjuster Spring Kit		F73145S	(H425)	
↳Hold Down Kit		F113455S	(H4098)	
↳Return Spring Kit		F59100S	(H600)	

Calipers - Reman

Front, Loaded	Years	Left No.	Right No.	Qualifier	Piston
Loaded Caliper	01 - 99	AS116292	AS116293	Gas; 7300 GVW; 2.94" 1-Piston Caliper	M
Loaded Caliper	01 - 99	AS116294	AS116295	Gas; Exc. 7300 GVW; 3.16" 1-Piston Caliper	M
Front, Unloaded	Years	Left No.	Right No.	Qualifier	Piston
Unloaded Caliper	01 - 99	CR116292	CR116293	Gas; 7300 GVW; 2.94" 1-Piston Caliper	M
Unloaded Caliper	01 - 99	CR116294	CR116295	Gas; Exc. 7300 GVW; 3.16" 1-Piston Caliper	M

Hydraulics - New

Master Cylinder	Years	Sequential No.	Category No.	Qualifier
Master Cylinder	01 - 99	F140292	(MC140292)	w/JB6; Gas; 1-1/8" Bore
Master Cylinder	01 - 99	F139959	(MC139959)	w/JD7; 1-1/4" Bore
Rear Wheel Cylinder	Years	Sequential No.	Category No.	Qualifier
Wheel Cylinder	01 - 99	F131225	(WC131225)	15/16" Bore
Wheel Cylinder	01 - 99	F116359	(WC116359)	w/Hydro-Boost; Diesel; 1" Bore
Wheel Cylinder	01 - 99	F79767	(WC79767)	w/Hydro-Boost; Gas; 1-1/16" Bore
Front Brake Hose	Years	Sequential No.	Category No.	Qualifier
Brake Hose	01 - 99	F140496	(BH140496)	L.H.; w/Hydro-Boost
Brake Hose	01 - 99	F138061	(BH138061)	L.H.; w/Vacuum Boost
Brake Hose	01 - 99	F140497	(BH140497)	R.H.; w/Hydro-Boost
Brake Hose	01 - 99	F138062	(BH138062)	R.H.; w/Vacuum Boost
Rear Brake Hose	Years	Sequential No.	Category No.	Qualifier
Brake Hose	01 - 99	F118117	(BH118117)	

Hydraulics - Reman

Master Cylinder	Years	Part No.	Qualifier
Master Cylinder	01 - 99	R134626	Diesel
Master Cylinder	01 - 99	R134627	Gas
Power Brake Booster	Years	Part No.	Qualifier
Hydro Booster	01 - 99	527342	Diesel
Power Brake Booster	Years	Part No.	Qualifier
Power Brake Booster	01 - 99	5474810	Gas; w/o Master Cylinder

Brake Cables

Parking Brake Cable	Years	Sequential No.	Category No.	Qualifier
Parking Brake Cable	01 - 99	F138836	(BC138836)	Forward
Parking Brake Cable	01 - 99	F138900	(BC138900)	Intermediate; 155" WB
Parking Brake Cable	01 - 99	F140296	(BC140296)	Rear; L.H.; w/JB6; 63" Length

↳Sub-Kit of Combi-Kit is available separately.

Piston: M - OE Metal Piston P - OE Phenolic Piston

2500 SAVANA (cont.)
Brake Cables (cont.)

Parking Brake Cable	Years	Sequential No.	Category No.	Qualifier
Parking Brake Cable	01 - 99	F140173	(BC140173)	Rear; R.H.; w/JB6; 90" Length

Wheel Attaching Hardware

Front Wheel Stud	Years	Part No.	Qualifier
Wheel Lug Stud	01 - 99	BD61426	
Rear Wheel Stud	Years	Part No.	Qualifier
Wheel Lug Stud	01 - 99	BD61427	w/11-5/32" Drum
Wheel Lug Stud	01 - 99	BD125934	w/13" Drum
Front Wheel Nut	Years	Part No.	Qualifier
Wheel Lug Nut	01 - 99	BD125916	External Thread
Rear Wheel Nut	Years	Part No.	Qualifier
Wheel Lug Nut	01 - 99	BD125916	External Thread

350 ECONOLINE
Brake Pads & Shoes

Front Pads & Shoes	Years	SevereDuty	Lining No.	Qualifier
Brake Pads	01 - 95	SD655		
Brake Pads	94 - 92	SD557		
Brake Pads	91 - 81	SD450		
Rear Pads & Shoes	Years	SevereDuty	Lining No.	Qualifier
Brake Pads	01 - 99	SD802		
Brake Pads	98 - 97	SD411		
Brake Shoes	01 - 81	SDS358AR	EX2140TD	12 x 3; Riveted
Brake Shoes	98 - 87	SDS583R	EX2171TD	12-1/8 x 3-1/2; Riveted
Parking Brake Shoes	Years	SevereDuty	Lining No.	Qualifier
Brake Shoes	01 - 99	SDS771	EX2192	Bonded

Rotor & Drum

Front Rotor & Drum	Years	Part No.	Qualifier
Brake Rotor	01 - 95	BD125629	w/DRW; w/2 Whl. ABS
Brake Rotor	01 - 95	BD125630	w/DRW; w/4 Whl. ABS
Brake Rotor	01 - 95	BD125468	w/SRW; w/2 Whl. ABS
Brake Rotor	01 - 95	BD125477	w/SRW; w/4 Whl. ABS
Brake Rotor	94 - 81	BD60468	w/DRW
Brake Rotor	94 - 93	BD125410	w/SRW; w/2 Whl. ABS
Brake Rotor	94 - 93	BD125411	w/SRW; w/4 Whl. ABS
Brake Rotor	92	BD125410	w/SRW
Brake Rotor	91 - 86	BD61910	w/SRW
Brake Rotor	85 - 82	BD61885	w/SRW
Brake Rotor	81	BD61885	From 11/3/80; w/SRW
Brake Rotor	81	BD60470	To 11/03/80; w/SRW
Rear Rotor & Drum	Years	Part No.	Qualifier
Brake Drum	01 - 99	BD125692	12 x 3" Brake
Brake Drum	98 - 95	BD60793	12 x 3" Brake
Brake Drum	98 - 95	BD125385	12-1/8 x 3-1/2" Brake; 6340-7200 lb. RA
Brake Drum	98 - 95	BD60885	12-1/8 x 3-1/2" Brake; 7800-8000 lb. RA
Brake Drum	94 - 92	BD60793	12 x 3" Brake; w/SRW
Brake Drum	94 - 92	BD60885	12-1/8 x 3-1/2" Brake; w/DRW
Brake Drum	94 - 92	BD125385	12-1/8 x 3-1/2" Brake; w/SRW; 6340-7200 lb. RA
Brake Drum	94 - 92	BD60885	12-1/8 x 3-1/2" Brake; w/SRW; 7800-8000 lb. RA
Brake Drum	91 - 81	BD60330	12 x 3" Brake; w/DRW
Brake Drum	91 - 81	BD60465	12 x 3" Brake; w/SRW; Exc. 10-1/4" R.G.
Brake Drum	91 - 81	BD60819	12 x 3" Brake; w/SRW; w/10-1/4" R.G.
Brake Drum	91 - 81	BD60885	12-1/8 x 3-1/2" Brake; w/DRW; Exc. 10-1/4" R.G.
Brake Drum	91 - 81	BD60885	12-1/8 x 3-1/2" Brake; w/DRW; w/10-1/4" R.G.
Brake Rotor	01 - 99	BD125701	w/DRW
Brake Rotor	01 - 99	BD125694	w/SRW

350 ECONOLINE (cont.)

Rotor & Drum (cont.)

Rear Rotor & Drum	Years	Part No.	Qualifier
Brake Rotor	98 - 97	BD125550	

Brake Hardware

Front Brake Hardware	Years	Sequential No.	Category No.	Qualifier
Caliper Bolt/Pin	01 - 95	F126899S	(H5061)	
Caliper Bolt/Pin	94 - 92	F130379S	(H5068)	
Caliper Bolt/Pin	91 - 86	F111231S	(H5031)	
Caliper Bolt/Pin	85 - 82	F102554S	(H5010C)	
Disc Align Kit	01 - 95	F132611S	(H5602)	
Disc Align Kit	94 - 92	F130266S	(H5445)	
Disc Align Kit	91 - 86	F114477	(H5572)	
Disc Align Kit	85 - 81	F97900	(H5529)	
Pin Boot Kit	01 - 95	F117215S	(H18000C)	
Pin Boot Kit	94 - 92	F130393S	(H8211)	

Rear Brake Hardware	Years	Sequential No.	Category No.	Qualifier
Adjuster Kit	01 - 81	F98416	(H2588)	L.H.
Adjuster Kit	01 - 81	F98417	(H2589)	R.H.
Adjuster Screw	01 - 81	F79799	(H1534)	L.H.
Adjuster Screw	01 - 81	F79800	(H1535)	R.H.
Caliper Bolt/Pin	01 - 99	F126899S	(H5061)	
Combi Kit	01 - 81	F102555	(H7164)	12 x 3" Brake
↳Adjuster Spring Kit		F106695	(H446)	
↳Return Spring Kit		F67455	(H546)	
Combi Kit	98 - 87	F117217	(H7197)	12-1/8 x 3-1/2" Brake
↳Adjuster Spring Kit		F73105	(H430)	
↳Return Spring Kit		F67455	(H546)	
Disc Align Kit	01 - 99	F138118S	(H5616)	
Pin Boot Kit	01 - 99	F139361	(H8227)	

Parking Brake	Years	Sequential No.	Category No.	Qualifier
Adjuster Screw	01 - 00	F139719	(H1594)	L.H.
Adjuster Screw	01 - 00	F139719	(H1594)	R.H.
Combi Kit	01 - 00	F139869	(H7239)	w/SRW

Calipers - Reman

Front, Loaded	Years	Left No.	Right No.	Qualifier	Piston
Loaded Caliper	99	AS133118	AS133119	To 5/18/99	P
Loaded Caliper	98 - 95	AS133118	AS133119		P
Loaded Caliper	94 - 92	AS128780	AS128781		P
Loaded Caliper	94 - 92	AS128780S	AS128781S		O
Loaded Caliper	91 - 89	AS128856	AS128857		P
Loaded Caliper	88 - 86	AS116931	AS116932		P
Loaded Caliper	85 - 81	AS102430	AS102431	2-Piston Caliper	M

Rear, Loaded	Years	Left No.	Right No.	Qualifier	Piston
Loaded Caliper	01 - 99	AS134357	AS134358		P

Front, Unloaded	Years	Left No.	Right No.	Qualifier	Piston
Unloaded Caliper	01 - 00	CRB134508	CRB134509	Supplied w/Mtg. Brkt.	P
Unloaded Caliper	01 - 00	CR134508	CR134509	Supplied w/o Mtg. Brkt.	P
Unloaded Caliper	99	CRB134508	CRB134509	From 5/18/99; Supplied w/Mtg. Brkt.	P
Unloaded Caliper	99	CR134508	CR134509	From 5/18/99; Supplied w/o Mtg. Brkt.	P
Unloaded Caliper	99	CRB133118	CRB133119	To 5/18/99; Supplied w/Mtg. Brkt.	P
Unloaded Caliper	99	CRB133118S	CRB133119S	To 5/18/99; Supplied w/Mtg. Brkt.	O
Unloaded Caliper	99	CR133118	CR133119	To 5/18/99; Supplied w/o Mtg. Brkt.	P
Unloaded Caliper	99	CR133118S	CR133119S	To 5/18/99; Supplied w/o Mtg. Brkt.	O
Unloaded Caliper	98 - 95	CRB133118	CRB133119	Supplied w/Mtg. Brkt.	P
Unloaded Caliper	98 - 95	CRB133118S	CRB133119S	Supplied w/Mtg. Brkt.	O
Unloaded Caliper	98 - 95	CR133118	CR133119	Supplied w/o Mtg. Brkt.	P
Unloaded Caliper	98 - 95	CR133118S	CR133119S	Supplied w/o Mtg. Brkt.	O

↳Sub-Kit of Combi-Kit is available separately.

Piston: M - OE Metal Piston P - OE Phenolic Piston O - Metal Piston Option

350 ECONOLINE (cont.)

Calipers - Reman (cont.)

Front, Unloaded	Years	Left No.	Right No.	Qualifier	Piston
Unloaded Caliper	94 - 92	CR128780	CR128781		P
Unloaded Caliper	94 - 92	CR128780S	CR128781S		O
Unloaded Caliper	91 - 89	CR128856	CR128857		P
Unloaded Caliper	88 - 86	CR116931	CR116932		P
Unloaded Caliper	85 - 81	CR102430	CR102431	2-Piston Caliper	M

Rear, Unloaded	Years	Left No.	Right No.	Qualifier	Piston
Unloaded Caliper	01 - 99	CRB134358	CRB134357	Supplied w/Mtg. Brkt.	P
Unloaded Caliper	01 - 99	CR134358	CR134357	Supplied w/o Mtg. Brkt.	P

Hydraulics - New

Master Cylinder	Years	Sequential No.	Category No.	Qualifier
Master Cylinder	01 - 99	F140463	(MC140463)	Exc. Super Duty; w/Cruise Control; 1-5/16" Bore
Master Cylinder	01 - 99	F134457	(MC134457)	Exc. Super Duty; w/o Cruise Control; 1-5/16" Bore
Master Cylinder	01 - 99	F134465	(MC134465)	Super Duty; 1-5/16" Bore
Master Cylinder	98	F140462	(MC140462)	From 12/22/97; w/Cruise Control; 1-1/4" Bore
Master Cylinder	98	F134457	(MC134457)	From 12/22/97; w/o Cruise Control; 1-5/16" Bore
Master Cylinder	97	F131212	(MC131212)	To 12/21/97; w/Hydro-Boost; w/o Cruise Control; 1-5/16" Bore
Master Cylinder	97	F140462	(MC140462)	To 12/21/97; w/Vacuum Boost; w/Cruise Control; 1-1/4" Bore
Master Cylinder	96	F131212	(MC131212)	Commercial Chassis; w/Hydro-Boost; 1-5/16" Bore
Master Cylinder	96	F131306	(MC131306)	Commercial Chassis; w/Vacuum Boost; w/Cruise Control; 1-1/8" Bore
Master Cylinder	96	F120368	(MC120368)	Commercial Chassis; w/Vacuum Boost; w/o Cruise Control; 1-1/8" Bore
Master Cylinder	96	F131211	(MC131211)	Exc. Commercial Chassis; w/Vacuum Boost; w/Cruise Control; 1-1/8" Bore
Master Cylinder	96	F120368	(MC120368)	Exc. Commercial Chassis; w/Vacuum Boost; w/o Cruise Control; 1-1/8" Bore
Master Cylinder	95 - 94	F131306	(MC131306)	Commercial Chassis; w/Cruise Control; 1-1/8" Bore
Master Cylinder	95 - 94	F131211	(MC131211)	Exc. Commercial Chassis; w/Cruise Control; 1-1/8" Bore
Master Cylinder	95 - 94	F120368	(MC120368)	Exc. Commercial Chassis; w/o Cruise Control; 1-1/8" Bore
Master Cylinder	93	F120368	(MC120368)	1-1/8" Bore
Master Cylinder	92	F129286	(MC129286)	w/DRW; 1-1/8" Bore
Master Cylinder	92	F129285	(MC129285)	w/SRW; 1-1/8" Bore
Master Cylinder	91 - 87	F120368	(MC120368)	1-1/8" Bore
Master Cylinder	86 - 84	F110919	(MC110919)	1-1/8" Bore
Master Cylinder	83 - 81	F97938	(MC97938)	1-1/16" Bore

Rear Wheel Cylinder	Years	Sequential No.	Category No.	Qualifier
Wheel Cylinder	01 - 95	F113757	(WC113757)	L.H.; w/DRW; 1-3/16" Bore
Wheel Cylinder	01 - 95	F131875	(WC131875)	L.H.; w/SRW; 1-1/8" Bore
Wheel Cylinder	01 - 95	F113758	(WC113758)	R.H.; w/DRW; 1-3/16" Bore
Wheel Cylinder	01 - 95	F131874	(WC131874)	R.H.; w/SRW; 1-1/8" Bore
Wheel Cylinder	94 - 92	F113757	(WC113757)	L.H.; w/DRW; 12 x 3" Brake; 1-3/16" Bore
Wheel Cylinder	94 - 92	F35325	(WC35325)	L.H.; w/DRW; 12 x 3-1/2" Brake; 1-1/8" Bore
Wheel Cylinder	94 - 93	F73615	(WC73615)	L.H.; w/SRW; 1-1/16" Bore
Wheel Cylinder	94 - 92	F113758	(WC113758)	R.H.; w/DRW; 12 x 3" Brake; 1-3/16" Bore
Wheel Cylinder	94 - 92	F35326	(WC35326)	R.H.; w/DRW; 12 x 3-1/2" Brake; 1-1/8" Bore
Wheel Cylinder	94 - 93	F73614	(WC73614)	R.H.; w/SRW; 1-1/16" Bore
Wheel Cylinder	92	F57146	(WC57146)	L.H.; w/SRW; 12 x 3" Brake; 1" Bore
Wheel Cylinder	92	F73615	(WC73615)	L.H.; w/SRW; 12 x 3-1/2" Brake; 1-1/16" Bore
Wheel Cylinder	92	F57147	(WC57147)	R.H.; w/SRW; 12 x 3" Brake; 1" Bore
Wheel Cylinder	92	F73614	(WC73614)	R.H.; w/SRW; 12 x 3-1/2" Brake; 1-1/16" Bore
Wheel Cylinder	91 - 84	F35325	(WC35325)	L.H.; w/DRW; 1-1/8" Bore
Wheel Cylinder	91 - 84	F57146	(WC57146)	L.H.; w/SRW; 1" Bore
Wheel Cylinder	91 - 84	F35326	(WC35326)	R.H.; w/DRW; 1-1/8" Bore
Wheel Cylinder	91 - 84	F57147	(WC57147)	R.H.; w/SRW; 1" Bore
Wheel Cylinder	83 - 81	F57146	(WC57146)	L.H.; School Bus; 1" Bore
Wheel Cylinder	83 - 81	F57147	(WC57147)	R.H.; School Bus; 1" Bore
Wheel Cylinder	81	F18984	(WC18984)	L.H.; Exc. School Bus; 1-1/16" Bore
Wheel Cylinder	81	F18985	(WC18985)	R.H.; Exc. School Bus; 1-1/16" Bore

Piston: M - OE Metal Piston P - OE Phenolic Piston O - Metal Piston Option

350 ECONOLINE (cont.)

Hydraulics - New (cont.)

Clutch Master Cylind	Years	Sequential No.	Category No.	Qualifier
Clutch Master Cylinder	99 - 92	F118415	(CM118415)	Chassis Cab; 7/8" Bore
Clutch Master Cylinder	99 - 92	F117053	(CM117053)	Stripped Chassis; 7/8" Bore
Clutch Master Cylinder	91 - 90	F118415	(CM118415)	Chassis Cab; w/Dual Piston Caliper; 7/8" Bore
Clutch Master Cylinder	91 - 90	F117053	(CM117053)	Stripped Chassis; w/Dual Piston Caliper; 7/8" Bore
Clutch Master Cylinder	89 - 88	F118415	(CM118415)	Chassis Cab; 7/8" Bore
Clutch Master Cylinder	89 - 88	F110269	(CM110269)	Exc. Chassis Cab; 7/8" Bore
Clutch Master Cylinder	87 - 84	F110269	(CM110269)	7/8" Bore

Clutch Slave Cylinder	Years	Sequential No.	Category No.	Qualifier
Clutch Slave Cylinder	97 - 84	F103485	(SC103485)	1" Bore
Clutch Slave Cylinder	89 - 88	F126890	(SC126890)	1-1/32" Bore

Front Brake Hose	Years	Sequential No.	Category No.	Qualifier
Brake Hose	01 - 95	F132754	(BH132754)	L.H.; w/2 Whl. ABS
Brake Hose	01 - 95	F133395	(BH133395)	L.H.; w/4 Whl. ABS
Brake Hose	01 - 95	F132773	(BH132773)	R.H.; w/2 Whl. ABS
Brake Hose	01 - 95	F132773	(BH132773)	R.H.; w/4 Whl. ABS
Brake Hose	94 - 93	F132196	(BH132196)	L.H.; w/2 Whl. ABS
Brake Hose	94 - 93	F132195	(BH132195)	L.H.; w/4 Whl. ABS
Brake Hose	94 - 93	F133813	(BH133813)	R.H.; w/2 Whl. ABS
Brake Hose	94 - 93	F133813	(BH133813)	R.H.; w/4 Whl. ABS
Brake Hose	92	F130430	(BH130430)	L.H.; w/Dual Piston Caliper
Brake Hose	92	F132298	(BH132298)	R.H.; w/Dual Piston Caliper
Brake Hose	91 - 82	F107255	(BH107255)	L.H.
Brake Hose	91 - 82	F106365	(BH106365)	R.H.
Brake Hose	81	F107255	(BH107255)	L.H.; From 2/02/81
Brake Hose	81	F102474	(BH102474)	L.H.; To 2/02/81
Brake Hose	81	F106365	(BH106365)	R.H.; From 2/02/81
Brake Hose	81	F106365	(BH106365)	R.H.; To 2/02/81

Rear Brake Hose	Years	Sequential No.	Category No.	Qualifier
Brake Hose	01 - 92	F133837	(BH133837)	
Brake Hose	91 - 90	F128682	(BH128682)	
Brake Hose	89 - 86	F120872	(BH120872)	
Brake Hose	85	F120872	(BH120872)	From 3/01/85
Brake Hose	85	F119385	(BH119385)	To 2/28/85
Brake Hose	84 - 81	F119385	(BH119385)	

Hydraulics - Reman

Master Cylinder	Years	Part No.	Qualifier
Master Cylinder	01	R134795	w/Cruise; Booster I.D. No. 2C242B559KA
Master Cylinder	01 - 00	R134796	w/o Cruise; Booster I.D. No. XC252B559PC
Master Cylinder	00	R134795	w/Cruise; Booster I.D. No. XC252B559EC
Master Cylinder	00	R134713	w/o Cruise; Booster I.D. No. XC252B559DB
Master Cylinder	99	R134797	To 5/02/99; w/Hydro Boost
Master Cylinder	99	R134795	w/Vacuum Boost; w/Cruise
Master Cylinder	99	R134796	w/Vacuum Boost; w/o Cruise
Master Cylinder	98 - 97	R134709	w/Cruise; w/DRW
Master Cylinder	98 - 97	R134630	w/Cruise; w/SRW
Master Cylinder	98 - 97	R134629	w/o Cruise; Cutaway or Stripped Chassis
Master Cylinder	98 - 97	R134713	w/o Cruise; Exc. Cutaway or Stripped Chassis
Master Cylinder	96 - 93	R131306	w/Cruise
Master Cylinder	96 - 93	R120368	w/o Cruise
Master Cylinder	92	R129285	
Master Cylinder	91 - 87	R120368	
Master Cylinder	86 - 84	R110919	
Master Cylinder	83 - 81	R97938	

Power Brake Booster	Years	Part No.	Qualifier
Power Brake Booster	01	5474419	Gas; w/o Master Cylinder

Hydraulics - Reman (cont.)

Power Brake Booster	Years	Part No.	Qualifier
Power Brake Booster	00 - 99	5474419	Gas; w/o Master Cylinder; Cutaway
Power Brake Booster	00 - 99	5474418	Gas; w/o Master Cylinder; Exc. Cutaway
Power Brake Booster	98 - 97	5474412	Gas; w/o Master Cylinder
Power Brake Booster	96 - 94	504403	Gas; w/Master Cylinder; w/Cruise; Incl. Pump/Motor; Also Avail. Separately
Power Brake Booster	96 - 94	504407	Gas; w/Master Cylinder; w/o Cruise
Power Brake Booster	96 - 92	5474402	Gas; w/o Master Cylinder
Power Brake Booster	93	504407	Gas; w/Master Cylinder
Power Brake Booster	92	504402	Gas; w/Master Cylinder
Power Brake Booster	91 - 90	503321	Gas; w/Master Cylinder; Cutaway
Power Brake Booster	91 - 90	504401	Gas; w/Master Cylinder; Exc. Cutaway
Power Brake Booster	91 - 90	5474401	Gas; w/o Master Cylinder; Exc. Cutaway
Power Brake Booster	89 - 87	504401	Gas; w/Master Cylinder
Power Brake Booster	89 - 87	5474401	Gas; w/o Master Cylinder
Power Brake Booster	86 - 84	509336	Gas; w/Master Cylinder
Power Brake Booster	86 - 84	5473357	Gas; w/o Master Cylinder
Power Brake Booster	83 - 81	503312	Gas; w/Master Cylinder
Power Brake Booster	83 - 81	5473312	Gas; w/o Master Cylinder

Brake Cables

Parking Brake Cable	Years	Sequential No.	Category No.	Qualifier
Parking Brake Cable	01 - 97	F140373	(BC140373)	Rear; R.H.; 158" or 176" WB; RV Cutaway; 123" Length
Parking Brake Cable	98	F138822	(BC138822)	Forward; Exc. Stripped Chassis
Parking Brake Cable	98	F139252	(BC139252)	Intermediate; 138" WB; Stripped Chassis
Parking Brake Cable	97 - 95	F133084	(BC133084)	Forward
Parking Brake Cable	97	F139252	(BC139252)	Intermediate; 138" WB
Parking Brake Cable	97	F140390	(BC140390)	Intermediate; 158" WB; 36" Length
Parking Brake Cable	97 - 95	F133086	(BC133086)	Rear; L.H.; 8000 lb. RA
Parking Brake Cable	97 - 95	F133088	(BC133088)	Rear; L.H.; Exc. 8000 lb. RA
Parking Brake Cable	97 - 95	F133085	(BC133085)	Rear; R.H.; 8000 lb. RA
Parking Brake Cable	97 - 95	F133087	(BC133087)	Rear; R.H.; Exc. 8000 lb. RA
Parking Brake Cable	96	F133083	(BC133083)	Intermediate; 138" WB; Exc. Stripped Chassis
Parking Brake Cable	96	F139252	(BC139252)	Intermediate; 138" WB; Stripped Chassis
Parking Brake Cable	95	F133083	(BC133083)	Intermediate; 138" WB
Parking Brake Cable	95	F140391	(BC140391)	Intermediate; 176" WB; 69" Length
Parking Brake Cable	94 - 92	F132452	(BC132452)	Forward; Commercial Chassis
Parking Brake Cable	94 - 92	F132082	(BC132082)	Forward; Exc. Commercial Chassis; Exc. Stripped Chassis
Parking Brake Cable	94 - 92	F132083	(BC132083)	Forward; Stripped Chassis
Parking Brake Cable	94 - 92	F132449	(BC132449)	Intermediate; 138" WB
Parking Brake Cable	94 - 92	F132450	(BC132450)	Intermediate; 158" WB
Parking Brake Cable	94 - 92	F132451	(BC132451)	Intermediate; 176" WB
Parking Brake Cable	94 - 92	F132084	(BC132084)	Rear; L.H.; 5300-5400 lb. RA
Parking Brake Cable	94 - 92	F133086	(BC133086)	Rear; L.H.; 6300-7800 lb. RA
Parking Brake Cable	94 - 92	F133086	(BC133086)	Rear; L.H.; 8000-8500 lb. RA
Parking Brake Cable	94 - 92	F132085	(BC132085)	Rear; R.H.; 5300-5400 lb. RA
Parking Brake Cable	94 - 92	F132087	(BC132087)	Rear; R.H.; 6300-7800 lb. RA
Parking Brake Cable	94 - 92	F132088	(BC132088)	Rear; R.H.; 8000-8500 lb. RA
Parking Brake Cable	91 - 88	F120903	(BC120903)	Forward; 138" WB; Exc. Stripped Chassis
Parking Brake Cable	91 - 88	F116497	(BC116497)	Forward; 138" WB; Stripped Chassis
Parking Brake Cable	91 - 88	F120905	(BC120905)	Forward; 158" WB; Exc. Stripped Chassis
Parking Brake Cable	91 - 88	F116496	(BC116496)	Forward; 158" WB; Stripped Chassis
Parking Brake Cable	91	F120906	(BC120906)	Forward; 176" WB
Parking Brake Cable	91 - 81	F109060	(BC109060)	Rear; L.H.
Parking Brake Cable	91 - 81	F109059	(BC109059)	Rear; R.H.
Parking Brake Cable	90 - 81	F129204	(BC129204)	Forward; 176" WB
Parking Brake Cable	87 - 81	F102663	(BC102663)	Forward; Exc. Stripped Chassis; 138" WB
Parking Brake Cable	87 - 81	F109063	(BC109063)	Forward; Exc. Stripped Chassis; 158" WB

350 ECONOLINE (cont.)

Brake Cables (cont.)

<i>Parking Brake Cable</i>	<i>Years</i>	<i>Sequential No.</i>	<i>Category No.</i>	<i>Qualifier</i>
Parking Brake Cable	87 - 81	F116497	(BC116497)	Forward; Stripped Chassis; 138" WB
Parking Brake Cable	87 - 81	F116496	(BC116496)	Forward; Stripped Chassis; 158" WB

ABS Components - Reman

<i>ABS Module</i>	<i>Years</i>	<i>Part No.</i>	<i>Qualifier</i>
ABS Module	96 - 94	RA121022	w/DRW; w/2 Whl. ABS
ABS Module	96 - 94	RA121021	w/SRW; w/2 Whl. ABS
ABS Module	93 - 92	RA121022	w/DRW
ABS Module	93 - 92	RA121021	w/SRW
ABS Module	91 - 90	RA121018	w/DRW
ABS Module	91 - 90	RA121017	w/SRW

<i>ABS Hydraulic Unit</i>	<i>Years</i>	<i>Part No.</i>	<i>Qualifier</i>
ABS Hydraulic Unit	96 - 95	RA122061	w/2 Whl. ABS
ABS Hydraulic Unit	94 - 90	RA122024	

Wheel Attaching Hardware

<i>Front Wheel Stud</i>	<i>Years</i>	<i>Part No.</i>	<i>Qualifier</i>
Wheel Lug Stud	01 - 85	BD61164	
Wheel Lug Stud	84	BD60931	From 1/01/84; w/DRW
Wheel Lug Stud	84	BD61164	To 12/31/83; w/DRW
Wheel Lug Stud	83 - 81	BD60931	w/DRW
Wheel Lug Stud	83 - 81	BD61164	w/SRW

<i>Rear Wheel Stud</i>	<i>Years</i>	<i>Part No.</i>	<i>Qualifier</i>
Wheel Lug Stud	01 - 90	BD61175	
Wheel Lug Stud	94 - 90	BD61175	w/DRW
Wheel Lug Stud	94 - 90	BD61175	w/SRW
Wheel Lug Stud	89 - 87	BD61163	w/DRW; w/12 x 3" Drum
Wheel Lug Stud	89 - 87	BD61175	w/DRW; w/12-1/8 x 3-1/2" Drum
Wheel Lug Stud	89 - 85	BD60984	w/SRW
Wheel Lug Stud	86 - 85	BD61163	From 1/01/84; w/DRW
Wheel Lug Stud	84 - 81	BD60984	R.H. Thread; w/DRW
Wheel Lug Stud	84 - 81	BD60984	R.H. Thread; w/SRW
Wheel Lug Stud	84	BD60985	To 12/31/83; L.H. Thread; w/DRW
Wheel Lug Stud	84	BD61163	To 12/31/83; w/DRW
Wheel Lug Stud	83 - 81	BD60985	L.H. Thread; w/DRW

<i>Front Wheel Nut</i>	<i>Years</i>	<i>Part No.</i>	<i>Qualifier</i>
Wheel Lug Nut	01 - 92	BD125925	Flat Faced Open; w/DRW
Wheel Lug Nut	01 - 92	BD61287	Std. Open; w/SRW
Wheel Lug Nut	91 - 85	BD61169	From 1/01/84; Flat Faced Open; w/DRW
Wheel Lug Nut	91 - 81	BD61325	Std. Open; w/SRW
Wheel Lug Nut	84 - 81	BD60933	Std. Open; w/DRW
Wheel Lug Nut	84	BD61169	To 12/31/83; Flat Faced Open; w/DRW

<i>Rear Wheel Nut</i>	<i>Years</i>	<i>Part No.</i>	<i>Qualifier</i>
Wheel Lug Nut	01 - 92	BD125925	Flat Faced Open; w/DRW
Wheel Lug Nut	01 - 92	BD61287	Std. Open; w/SRW
Wheel Lug Nut	91 - 84	BD61169	Flat Faced Open; w/DRW
Wheel Lug Nut	91 - 81	BD61325	Std. Open; w/SRW
Wheel Lug Nut	84 - 81	BD61296	L.H. Thread; Std. Open; w/DRW
Wheel Lug Nut	84 - 81	BD60933	R.H. Thread; Std. Open; w/DRW

3500 EXPRESS

Brake Pads & Shoes

<i>Front Pads & Shoes</i>	<i>Years</i>	<i>SevereDuty</i>	<i>Lining No.</i>	<i>Qualifier</i>
Brake Pads	01 - 99	SD459		w/DRW
Brake Pads	01 - 99	SD845		w/SRW

<i>Rear Pads & Shoes</i>	<i>Years</i>	<i>SevereDuty</i>	<i>Lining No.</i>	<i>Qualifier</i>
Brake Shoes	01 - 99	SDS656R	SX2157BDT-S36 13 x 3-1/2" Brake; Riveted	

3500 EXPRESS (cont.)

Rotor & Drum

Front Rotor & Drum	Years	Part No.	Qualifier
Brake Rotor	01	BD125471	Commercial Chassis; w/DRW
Brake Rotor	01	BD125212	Commercial Chassis; w/SRW
Brake Rotor	01	BD125765	Commercial Chassis; w/SRW; 2nd Design; Rotor Casting No. 15769075
Brake Rotor	01	BD125212	Exc. Commercial Chassis; 1st Design; Rotor Casting No. 15649968
Brake Rotor	01	BD125765	Exc. Commercial Chassis; 2nd Design; Rotor Casting No.15769075
Brake Rotor	00 - 99	BD125471	w/DRW
Brake Rotor	00 - 99	BD125212	w/SRW
Rear Rotor & Drum	Years	Part No.	Qualifier
Brake Drum	01 - 99	BD60356	13 x 3-1/2" Brake; w/DRW
Brake Drum	01 - 99	BD125523	13 x 3-1/2" Brake; w/SRW

Brake Hardware

Front Brake Hardware	Years	Sequential No.	Category No.	Qualifier
Caliper Bolt/Pin	01 - 99	F129642S	(H5062)	w/Floating Delco Caliper; w/DRW
Caliper Bolt/Pin	01 - 99	F117224S	(H5038)	w/Floating Delco Caliper; w/SRW
Caliper Bolt/Pin	01 - 99	F73237S	(H5019)	w/Sliding Bendix Caliper
Disc Align Kit	01 - 99	F117225S	(H5584)	w/Floating Delco Caliper
Disc Align Kit	01 - 99	F107401S	(H5562)	w/Sliding Bendix Caliper
Rear Brake Hardware	Years	Sequential No.	Category No.	Qualifier
Adjuster Kit	01 - 99	F98406	(H2580)	L.H.; 13 x 2-1/2" Brake
Adjuster Kit	01 - 99	F98407	(H2581)	R.H.; 13 x 2-1/2" Brake
Adjuster Screw	01 - 99	F83294	(H1550)	L.H.; 13 x 2-1/2" Brake
Adjuster Screw	01 - 99	F83295	(H1551)	R.H.; 13 x 2-1/2" Brake
Combi Kit	01 - 99	F98457S	(H7055)	13 x 2-1/2" Brake
↳Adjuster Spring Kit		F73145S	(H425)	
↳Hold Down Kit		F113455S	(H4098)	
↳Return Spring Kit		F59100S	(H600)	

Calipers - Reman

Front, Loaded	Years	Left No.	Right No.	Qualifier	Piston
Loaded Caliper	01 - 99	AS120226	AS120227	Cutaway; w/DRW; 139" WB	M
Loaded Caliper	01 - 99	AS116294	AS116295	Cutaway; w/SRW; 139" WB; 3.16" 1-Piston Caliper	M
Loaded Caliper	01 - 99	AS120226	AS120227	Exc. 139" WB; Cutaway	M
Loaded Caliper	01 - 99	AS116294	AS116295	Exc. Cutaway; 3.16" 1-Piston Caliper	M
Front, Unloaded	Years	Left No.	Right No.	Qualifier	Piston
Unloaded Caliper	01 - 99	CR120226	CR120227	Cutaway; w/DRW; 139" WB	M
Unloaded Caliper	01 - 99	CR116294	CR116295	Cutaway; w/SRW; 139" WB; 3.16" 1-Piston Caliper	M
Unloaded Caliper	01 - 99	CR120226	CR120227	Exc. 139" WB; Cutaway	M
Unloaded Caliper	01 - 99	CR116294	CR116295	Exc. Cutaway; 3.16" 1-Piston Caliper	M

Hydraulics - New

Rear Wheel Cylinder	Years	Sequential No.	Category No.	Qualifier
Wheel Cylinder	01 - 99	F79768	(WC79768)	w/DRW; 1-3/16" Bore
Wheel Cylinder	01 - 99	F116359	(WC116359)	w/SRW; 1" Bore
Front Brake Hose	Years	Sequential No.	Category No.	Qualifier
Brake Hose	01	F140498	(BH140498)	L.H.
Brake Hose	01	F140499	(BH140499)	R.H.
Brake Hose	00 - 99	F140498	(BH140498)	L.H.; w/DRW
Brake Hose	00 - 99	F140496	(BH140496)	L.H.; w/SRW
Brake Hose	00 - 99	F140499	(BH140499)	R.H.; w/DRW
Brake Hose	00 - 99	F140497	(BH140497)	R.H.; w/SRW
Rear Brake Hose	Years	Sequential No.	Category No.	Qualifier
Brake Hose	01 - 99	F118117	(BH118117)	

Hydraulics - Reman

Master Cylinder	Years	Part No.	Qualifier
Master Cylinder	01 - 99	R134626	

↳Sub-Kit of Combi-Kit is available separately.

Piston: M - OE Metal Piston P - OE Phenolic Piston

3500 EXPRESS (cont.)

Hydraulics - Reman (cont.)

Power Brake Booster	Years	Part No.	Qualifier
Hydro Booster	01 - 99	527343	Diesel; w/DRW
Hydro Booster	01 - 99	527342	Diesel; w/SRW

Brake Cables

Parking Brake Cable	Years	Sequential No.	Category No.	Qualifier
Parking Brake Cable	01 - 99	F138836	(BC138836)	Forward; Exc. Cutaway
Parking Brake Cable	01 - 99	F138900	(BC138900)	Intermediate; 155" or 159" WB
Parking Brake Cable	01 - 99	F140240	(BC140240)	Intermediate; 177" WB; 37" Length

Wheel Attaching Hardware

Front Wheel Stud	Years	Part No.	Qualifier
Wheel Lug Stud	01 - 99	BD61416	w/DRW; 14mm Bolt
Wheel Lug Stud	01 - 99	BD61426	w/SRW
Rear Wheel Stud	Years	Part No.	Qualifier
Wheel Lug Stud	01 - 99	BD61403	w/DRW
Wheel Lug Stud	01 - 99	BD61427	w/SRW
Front Wheel Nut	Years	Part No.	Qualifier
Wheel Lug Nut	01 - 99	BD125926	External Thread; w/DRW
Wheel Lug Nut	01 - 99	BD125916	External Thread; w/SRW
Rear Wheel Nut	Years	Part No.	Qualifier
Wheel Lug Nut	01 - 99	BD125926	External Thread; w/DRW
Wheel Lug Nut	01 - 99	BD125916	External Thread; w/SRW

3500 SAVANA

Brake Pads & Shoes

Front Pads & Shoes	Years	SevereDuty	Lining No.	Qualifier
Brake Pads	01 - 99	SD459		w/DRW
Brake Pads	01 - 99	SD845		w/SRW
Rear Pads & Shoes	Years	SevereDuty	Lining No.	Qualifier
Brake Shoes	01 - 99	SDS656R	SX2157BDT-S36	13 x 3-1/2" Brake; Riveted

Rotor & Drum

Front Rotor & Drum	Years	Part No.	Qualifier
Brake Rotor	01	BD125471	Commercial Chassis; w/DRW
Brake Rotor	01	BD125212	Commercial Chassis; w/SRW
Brake Rotor	01	BD125765	Commercial Chassis; w/SRW; 2nd Design; Rotor Casting No. 15769075
Brake Rotor	01	BD125212	Exc. Commercial Chassis; 1st Design; Rotor Casting No. 15649968
Brake Rotor	01	BD125765	Exc. Commercial Chassis; 2nd Design; Rotor Casting No. 15769075
Brake Rotor	00 - 99	BD125471	w/DRW
Brake Rotor	00 - 99	BD125212	w/SRW
Rear Rotor & Drum	Years	Part No.	Qualifier
Brake Drum	01 - 99	BD60356	13 x 3-1/2" Brake; w/DRW
Brake Drum	01 - 99	BD125523	13 x 3-1/2" Brake; w/SRW

Brake Hardware

Front Brake Hardware	Years	Sequential No.	Category No.	Qualifier
Caliper Bolt/Pin	01 - 99	F129642S	(H5062)	w/Floating Delco Caliper; w/DRW
Caliper Bolt/Pin	01 - 99	F117224S	(H5038)	w/Floating Delco Caliper; w/SRW
Caliper Bolt/Pin	01 - 99	F73237S	(H5019)	w/Sliding Bendix Caliper
Disc Align Kit	01 - 99	F117225S	(H5584)	w/Floating Delco Caliper
Disc Align Kit	01 - 99	F107401S	(H5562)	w/Sliding Bendix Caliper
Rear Brake Hardware	Years	Sequential No.	Category No.	Qualifier
Adjuster Kit	01 - 99	F98406	(H2580)	L.H.; 13 x 2-1/2" Brake
Adjuster Kit	01 - 99	F98407	(H2581)	R.H.; 13 x 2-1/2" Brake
Adjuster Screw	01 - 99	F83294	(H1550)	L.H.; 13 x 2-1/2" Brake
Adjuster Screw	01 - 99	F83295	(H1551)	R.H.; 13 x 2-1/2" Brake

↳ Sub-Kit of Combi-Kit is available separately.

3500 SAVANA (cont.)
Brake Hardware (cont.)

Rear Brake Hardware	Years	Sequential No.	Category No.	Qualifier
Combi Kit	01 - 99	F98457S	(H7055)	13 x 2-1/2" Brake
↳ Adjuster Spring Kit		F73145S	(H425)	
↳ Hold Down Kit		F113455S	(H4098)	
↳ Return Spring Kit		F59100S	(H600)	

Calipers - Reman

Front, Loaded	Years	Left No.	Right No.	Qualifier	Piston
Loaded Caliper	01 - 99	AS120226	AS120227	Cutaway; w/DRW; 139" WB	M
Loaded Caliper	01 - 99	AS116294	AS116295	Cutaway; w/SRW; 139" WB; 3.16" 1-Piston Caliper	M
Loaded Caliper	01 - 99	AS120226	AS120227	Exc. 139" WB; Cutaway	M
Loaded Caliper	01 - 99	AS116294	AS116295	Exc. Cutaway; 3.16" 1-Piston Caliper	M
Front, Unloaded	Years	Left No.	Right No.	Qualifier	Piston
Unloaded Caliper	01 - 99	CR120226	CR120227	Cutaway; w/DRW; 139" WB	M
Unloaded Caliper	01 - 99	CR116294	CR116295	Cutaway; w/SRW; 139" WB; 3.16" 1-Piston Caliper	M
Unloaded Caliper	01 - 99	CR120226	CR120227	Exc. 139" WB; Cutaway	M
Unloaded Caliper	01 - 99	CR116294	CR116295	Exc. Cutaway; 3.16" 1-Piston Caliper	M

Hydraulics - New

Rear Wheel Cylinder	Years	Sequential No.	Category No.	Qualifier
Wheel Cylinder	01 - 99	F79768	(WC79768)	w/DRW; 1-3/16" Bore
Wheel Cylinder	01 - 99	F116359	(WC116359)	w/SRW; 1" Bore
Front Brake Hose	Years	Sequential No.	Category No.	Qualifier
Brake Hose	01	F140498	(BH140498)	L.H.
Brake Hose	01	F140499	(BH140499)	R.H.
Brake Hose	00 - 99	F140498	(BH140498)	L.H.; w/DRW
Brake Hose	00 - 99	F140496	(BH140496)	L.H.; w/SRW
Brake Hose	00 - 99	F140499	(BH140499)	R.H.; w/DRW
Brake Hose	00 - 99	F140497	(BH140497)	R.H.; w/SRW
Rear Brake Hose	Years	Sequential No.	Category No.	Qualifier
Brake Hose	01 - 99	F118117	(BH118117)	

Hydraulics - Reman

Master Cylinder	Years	Part No.	Qualifier
Master Cylinder	01 - 99	R134626	
Power Brake Booster	Years	Part No.	Qualifier
Hydro Booster	01 - 99	527343	Diesel; w/DRW
Hydro Booster	01 - 99	527342	Diesel; w/SRW

Brake Cables

Parking Brake Cable	Years	Sequential No.	Category No.	Qualifier
Parking Brake Cable	01 - 99	F138836	(BC138836)	Forward; Exc. Cutaway
Parking Brake Cable	01 - 99	F138900	(BC138900)	Intermediate; 155" or 159" WB
Parking Brake Cable	01 - 99	F140240	(BC140240)	Intermediate; 177" WB; 37" Length

Wheel Attaching Hardware

Front Wheel Stud	Years	Part No.	Qualifier
Wheel Lug Stud	01 - 99	BD61416	w/DRW; 14mm Bolt
Wheel Lug Stud	01 - 99	BD61426	w/SRW
Rear Wheel Stud	Years	Part No.	Qualifier
Wheel Lug Stud	01 - 99	BD61403	w/DRW
Wheel Lug Stud	01 - 99	BD61427	w/SRW
Front Wheel Nut	Years	Part No.	Qualifier
Wheel Lug Nut	01 - 99	BD125926	External Thread; w/DRW
Wheel Lug Nut	01 - 99	BD125916	External Thread; w/SRW
Rear Wheel Nut	Years	Part No.	Qualifier
Wheel Lug Nut	01 - 99	BD125926	External Thread; w/DRW
Wheel Lug Nut	01 - 99	BD125916	External Thread; w/SRW

↳ Sub-Kit of Combi-Kit is available separately.

Piston: M - OE Metal Piston P - OE Phenolic Piston

AM TRAN Type-C Conventional



CE					
Brake Pads & Shoes					
Front Pads & Shoes	Years	SevereDuty	Lining No.	Qualifier	
Brake Pads	01 - 00	SD786		Bosch; 2.60" 2-Piston Caliper	
Brake Pads	01 - 00	SD786A		Bosch; 2.88" 2-Piston Caliper	
Rear Pads & Shoes	Years	SevereDuty	Lining No.	Qualifier	
Brake Pads	01 - 00	SD786		Bosch; 2.60" 2-Piston Caliper	
Brake Pads	01 - 00	SD786A		Bosch; 2.88" 2-Piston Caliper	
Rotor & Drum					
Front Rotor & Drum	Years	Part No.	Qualifier		
Brake Rotor	01 - 00	BD126361	6000-8000 lb. FA; Hat-Shaped; 10-Hole Rotor		
Brake Rotor	01 - 00	BD126364	6000-8000 lb. FA; Hat-Shaped; 5-Hole Rotor		
Brake Rotor	01 - 00	BD126392	6000-8000 lb. FA; Hat-Shaped; 6-Hole Rotor		
Brake Rotor	01 - 00	BD126361	9000-14000 lb. FA; Hat-Shaped; 10-Hole Rotor		
Brake Rotor	01 - 00	BD126394	9000-14000 lb. FA; U-Shaped; 10-Hole Rotor		
Rear Rotor & Drum	Years	Part No.	Qualifier		
Brake Rotor	01 - 00	BD126392	10000-17500 lb. RA; Hat-Shaped; 6-Hole Rotor; 3-1/2" Height		
Brake Rotor	01 - 00	BD126361	13500-17500 lb. RA; Hat-Shaped; 10-Hole Rotor; 3-1/4" Height		
Brake Rotor	01 - 00	BD126366	13500-17500 lb. RA; Hat-Shaped; 10-Hole Rotor; 4-1/2" Height		
Brake Rotor	01 - 00	BD126366	19000-21000 lb. RA; Hat-Shaped; 10-Hole Rotor		
Brake Rotor	01 - 00	BD125382	19000-21000 lb. RA; U-Shaped; 5-Hole Rotor		
Calipers - Reman					
Front, Loaded	Years	Left No.	Right No.	Qualifier	Piston
Loaded Caliper	01 - 00	AS135025	AS135025	Bosch; 2.60" 2-Piston Caliper	P
Loaded Caliper	01 - 00	AS135024	AS135024	Bosch; 2.88" 2-Piston Caliper	P
Rear, Loaded	Years	Left No.	Right No.	Qualifier	Piston
Loaded Caliper	01 - 00	AS135025	AS135025	Bosch; 2.60" 2-Piston Caliper	P
Loaded Caliper	01 - 00	AS135024	AS135024	Bosch; 2.88" 2-Piston Caliper	P
Front, Unloaded	Years	Left No.	Right No.	Qualifier	Piston
Unloaded Caliper	01 - 00	CR135025	CR135025	Bosch; 2.60" 2-Piston Caliper	P
Unloaded Caliper	01 - 00	CR135024	CR135024	Bosch; 2.88" 2-Piston Caliper	P
Rear, Unloaded	Years	Left No.	Right No.	Qualifier	Piston
Unloaded Caliper	01 - 00	CR135025	CR135025	Bosch; 2.60" 2-Piston Caliper	P
Unloaded Caliper	01 - 00	CR135024	CR135024	Bosch; 2.88" 2-Piston Caliper	P
Hydraulics - New					
Master Cylinder	Years	Sequential No.	Category No.	Qualifier	
Master Cylinder	01 - 00	F140747	(MC140747)		
IC					
Brake Pads & Shoes					
Front Pads & Shoes	Years	SevereDuty	Lining No.	Qualifier	
Brake Pads	01 - 99	SD786		Bosch; 2.60" 2-Piston Caliper	
Brake Pads	01 - 99	SD786A		Bosch; 2.88" 2-Piston Caliper	
Brake Pads	98 - 79	SD184		Bendix; 2.60" 2-Piston Caliper	
Brake Pads	98 - 79	SD225		Bendix; 2.88" 2-Piston Caliper	
Brake Pads	98 - 79	SD184		Bendix; 3.38" 1-Piston Caliper	
Brake Shoes	89 - 79	SDS321R	EX1245AD-S32	Hyd. Brakes; Auto. Adj.; 15 x 3	
Brake Shoes	89 - 79	SDS322R	EX1280BD-S32	Hyd. Brakes; Auto. Adj.; 15 x 3-1/2	
Brake Shoes	89 - 79	SDS235R	EX1245AD-S32	Hyd. Brakes; Man. Adj.; 15 x 3	
Brake Shoes	89 - 79	SDS840R	EX1280D-S32	Hyd. Brakes; Man. Adj.; 15 x 3-1/2	
Brake Shoes	89 - 79	4223E	4223A	w/Air Brakes; Eaton/Spicer; 16-1/2 x 5	
Brake Shoes	89 - 79	4514Q	4514G	w/Air Brakes; Rockwell/Meritor; Q-Series; 16-1/2 x 6	
Brake Shoes	89 - 79	1307T	1307	w/Air Brakes; Rockwell/Meritor; T-Series; 15 x 3-1/2	
Brake Shoes	89 - 79	1308T	1308T	w/Air Brakes; Rockwell/Meritor; T-Series; 15 x 4	
Brake Shoes	89 - 79	4605S	4605	w/Air Brakes; Rockwell/Meritor; Wedge; 15 x 6	
Rear Pads & Shoes	Years	SevereDuty	Lining No.	Qualifier	
Brake Pads	01 - 99	SD786		Bosch; 2.60" 2-Piston Caliper	

Piston: M - OE Metal Piston P - OE Phenolic Piston

Brake Pads & Shoes (cont.)

Rear Pads & Shoes	Years	SevereDuty	Lining No.	Qualifier
Brake Pads	01 - 99	SD786A		Bosch; 2.88" 2-Piston Caliper
Brake Pads	98 - 79	SD184		Bendix; 2.60" 2-Piston Caliper
Brake Pads	98 - 79	SD225		Bendix; 2.88" 2-Piston Caliper
Brake Shoes	89 - 79	SDS346R	EX1252D-S32	Hyd. Brakes; 15 x 5
Brake Shoes	89 - 79	SDS381R	EX4596D-S32	Hyd. Brakes; 15 x 6
Brake Shoes	89 - 79	SDS383R	EX4597D-S32	Hyd. Brakes; 15 x 7
Brake Shoes	89 - 79	SDS385R	EX1254D-S32	Hyd. Brakes; 16 x 5
Brake Shoes	89 - 79	SDS386R	EX1255D-S32	Hyd. Brakes; 16 x 6
Brake Shoes	89 - 79	4311E	4311J	w/Air Brakes; Eaton/Spicer; 16-1/2 x 7
Brake Shoes	89 - 79	4514P	4514G	w/Air Brakes; Rockwell/Meritor; P-Series; 16-1/2 x 6
Brake Shoes	89 - 79	4515P	4515E	w/Air Brakes; Rockwell/Meritor; P-Series; 16-1/2 x 7
Brake Shoes	89 - 79	4644P	4644A	w/Air Brakes; Rockwell/Meritor; P-Series; 16-1/2 x 8
Brake Shoes	89 - 79	4514Q	4514G	w/Air Brakes; Rockwell/Meritor; Q-Series; 16-1/2 x 6
Brake Shoes	89 - 79	4515Q	4515E	w/Air Brakes; Rockwell/Meritor; Q-Series; 16-1/2 x 7
Brake Shoes	89 - 79	4644Q	4644A	w/Air Brakes; Rockwell/Meritor; Q-Series; 16-1/2 x 8
Brake Shoes	89 - 79	4602S	4602	w/Air Brakes; Rockwell/Meritor; Wedge; 15 x 7

Parking Brake Shoes	Years	SevereDuty	Lining No.	Qualifier
Brake Shoes	98 - 79	SDS842R	EX1303AD	Driveline Config.; 10 x 3
Brake Shoes	98 - 79	SDS647	EX2086D	Driveline Config.; 9 x 3

Rotor & Drum

Front Rotor & Drum	Years	Part No.	Qualifier
Brake Rotor	01 - 99	BD126361	6000-8000 lb. FA; Hat-Shaped; 10-Hole Rotor
Brake Rotor	01 - 99	BD126364	6000-8000 lb. FA; Hat-Shaped; 5-Hole Rotor
Brake Rotor	01 - 99	BD126392	6000-8000 lb. FA; Hat-Shaped; 6-Hole Rotor
Brake Rotor	01 - 99	BD126361	9000-14000 lb. FA; Hat-Shaped; 10-Hole Rotor
Brake Rotor	01 - 99	BD126394	9000-14000 lb. FA; U-Shaped; 10-Hole Rotor
Brake Rotor	98 - 90	BD125484	6000-8000 lb. FA; Hyd.; Hat-Shaped; 10-Hole Rotor; 3-1/4" Height
Brake Rotor	98 - 90	BD125097	6000-8000 lb. FA; Hyd.; Hat-Shaped; 10-Hole Rotor; 4-1/2" Height
Brake Rotor	98 - 90	BD125361	6000-8000 lb. FA; Hyd.; Hat-Shaped; 5-Hole Rotor
Brake Rotor	98 - 90	BD125362	6000-8000 lb. FA; Hyd.; Hat-Shaped; 6-Hole Rotor
Brake Rotor	98 - 90	BD125484	9000-14000 lb. FA; Hyd.; Hat-Shaped; 10-Hole Rotor
Brake Rotor	98 - 90	BD126394	9000-14000 lb. FA; Hyd.; U-Shaped; 10-Hole Rotor
Brake Rotor	89 - 79	BD125097	5000-7500 lb. FA; Hat-Shaped; 10-Hole Rotor
Brake Rotor	89 - 79	BD125361	5000-7500 lb. FA; Hat-Shaped; 5-Hole Rotor
Brake Rotor	89 - 79	BD125362	5000-7500 lb. FA; Hat-Shaped; 6-Hole Rotor
Brake Rotor	89 - 79	BD126402	5000-7500 lb. FA; U-Shaped; 5-Hole Rotor
Brake Rotor	89 - 79	BD125096	5000-7500 lb. FA; U-Shaped; 6-Hole Rotor
Brake Rotor	89 - 87	BD125244	9000-12000 lb. FA; U-Shaped; 5-Hole Rotor
Brake Rotor	86	BD125244	From 2/01/86; 9000-12000 lb. FA; U-Shaped; 5-Hole Rotor
Brake Rotor	86	BD125098	To 1/31/86; 9000-12000 lb. FA; U-Shaped; 5-Hole Rotor
Brake Rotor	85 - 79	BD125098	9000-12000 lb. FA; U-Shaped; 5-Hole Rotor

Rear Rotor & Drum	Years	Part No.	Qualifier
Brake Rotor	01 - 99	BD126392	10000-17500 lb. RA; Hat-Shaped; 6-Hole Rotor; 3-1/2" Height
Brake Rotor	01 - 99	BD126361	13500-17500 lb. RA; Hat-Shaped; 10-Hole Rotor; 3-1/4" Height
Brake Rotor	01 - 99	BD126366	13500-17500 lb. RA; Hat-Shaped; 10-Hole Rotor; 4-1/2" Height
Brake Rotor	01 - 99	BD126366	19000-21000 lb. RA; Hat-Shaped; 10-Hole Rotor
Brake Rotor	01 - 99	BD125382	19000-21000 lb. RA; U-Shaped; 5-Hole Rotor
Brake Rotor	98 - 90	BD125484	13000-17500 lb. RA; Hyd.; Hat-Shaped; 10-Hole Rotor; 3-1/4" Height
Brake Rotor	98 - 90	BD125097	13000-17500 lb. RA; Hyd.; Hat-Shaped; 10-Hole Rotor; 4-1/2" Height
Brake Rotor	98 - 90	BD125362	13000-17500 lb. RA; Hyd.; Hat-Shaped; 6-Hole Rotor
Brake Rotor	98 - 90	BD125097	19000-21000 lb. RA; Hyd.; Hat-Shaped; 10-Hole Rotor
Brake Rotor	98 - 90	BD125382	19000-21000 lb. RA; Hyd.; U-Shaped; 5-Hole Rotor
Brake Rotor	89 - 79	BD125097	10000-15500 lb. RA; Hat-Shaped; 10-Hole Rotor
Brake Rotor	89 - 79	BD125362	10000-15500 lb. RA; Hat-Shaped; 6-Hole Rotor
Brake Rotor	89 - 79	BD126403	10000-15500 lb. RA; U-Shaped; 5-Hole Rotor

IC (cont.)					
Rotor & Drum (cont.)					
Rear Rotor & Drum	Years	Part No.	Qualifier		
Brake Rotor	89 - 79	BD125096	10000-15500 lb. RA; U-Shaped; 6-Hole Rotor		
Brake Rotor	89 - 79	BD125097	17000-19000 lb. RA; Hat-Shaped; 10-Hole Rotor		
Brake Rotor	89 - 79	BD126394	17000-19000 lb. RA; U-Shaped; 10-Hole Rotor		
Brake Rotor	89 - 79	BD125382	17000-19000 lb. RA; U-Shaped; 5-Hole Rotor; 12-3/4" Bolt Circle		
Brake Hardware					
Front Brake Hardware	Years	Sequential No.	Category No.	Qualifier	
Adjuster Kit	89 - 79	F59159	(H2904)	L.H.; w/Auto Adj.	
Adjuster Kit	89 - 79	F128990	(H2929)	L.H.; w/Man. Adj.	
Adjuster Kit	89 - 79	F59160	(H2905)	R.H.; w/Auto Adj.	
Adjuster Kit	89 - 79	F128990	(H2929)	R.H.; w/Man. Adj.	
Combi Kit	89 - 79	F117025	(H7173)	15 x 3 or 15 x 3-1/2" Brake; w/Auto Adj.	
↳Hold Down Kit		F73399	(H4201)		
↳Return Spring Kit		F36445	(H521)		
Combi Kit	89 - 79	F117026	(H7172)	15 x 3 or 15 x 3-1/2" Brake; w/Man. Adj.	
↳Hold Down Kit		F19408	(H4200)		
↳Return Spring Kit		F36445	(H521)		
Combi Kit	89 - 79	F117025	(H7173)	15 x 5" Brake; w/Auto Adj.	
↳Hold Down Kit		F73399	(H4201)		
↳Return Spring Kit		F36445	(H521)		
Combi Kit	89 - 79	F117019	(H7182)	15 x 5" Brake; w/Man. Adj.	
↳Return Spring Kit		F36445	(H521)		
Disc Align Kit	89 - 79	F112095S	(H5564)	Bendix; 2.60" 2-Piston Caliper	
Disc Align Kit	89 - 79	F112090S	(H5566)	Bendix; 2.88" 2-Piston Caliper	
Disc Align Kit	89 - 79	F107401S	(H5562)	Bendix; 3.38" 1-Piston Caliper	
Rear Brake Hardware	Years	Sequential No.	Category No.	Qualifier	
Adjuster Kit	89 - 79	F59157	(H2902)	L.H.; 15" Brake; w/Auto Adj.	
Adjuster Kit	89 - 79	F128894S	(H2911)	L.H.; 15" Brake; w/Man. Adj.	
Adjuster Kit	89 - 79	F128895S	(H2912)	L.H.; 16" Brake; w/Man. Adj.	
Adjuster Kit	89 - 79	F59158	(H2903)	R.H.; 15" Brake; w/Auto Adj.	
Adjuster Kit	89 - 79	F128894S	(H2911)	R.H.; 15" Brake; w/Man. Adj.	
Adjuster Kit	89 - 79	F128895S	(H2912)	R.H.; 16" Brake; w/Man. Adj.	
Adjuster Screw	89 - 79	F140823	(H1607)	L.H.; 15" Brake	
Adjuster Screw	89 - 79	F19291	(H1700)	L.H.; 16" Brake	
Adjuster Screw	89 - 79	F140818	(H1606)	R.H.; 15" Brake	
Adjuster Screw	89 - 79	F19292	(H1701)	R.H.; 16" Brake	
Combi Kit	89 - 79	F117027	(H7171)		
↳Adjuster Spring Kit		F78727	(H451)		
↳Hold Down Kit		F19309	(H5079)		
↳Return Spring Kit		F98318	(H609)		
Disc Align Kit	89 - 79	F112095S	(H5564)	Bendix; 2.60" 2-Piston Caliper	
Disc Align Kit	89 - 79	F112090S	(H5566)	Bendix; 2.88" 2-Piston Caliper	
Calipers - Reman					
Front, Loaded	Years	Left No.	Right No.	Qualifier	Piston
Loaded Caliper	01 - 99	AS135025	AS135025	Bosch; 2.60" 2-Piston Caliper	P
Loaded Caliper	01 - 99	AS135024	AS135024	Bosch; 2.88" 2-Piston Caliper	P
Loaded Caliper	98 - 79	AS112057	AS112057	Bendix; 2.60" 2-Piston Caliper	P
Loaded Caliper	98 - 79	AS112057S	AS112057S	Bendix; 2.60" 2-Piston Caliper	O
Loaded Caliper	98 - 79	AS120549	AS120549	Bendix; 2.88" 2-Piston Caliper	P
Loaded Caliper	98 - 79	AS120549S	AS120549S	Bendix; 2.88" 2-Piston Caliper	O
Loaded Caliper	98 - 79	AS130211A	AS130210A	Bendix; 3.38" 1-Piston Caliper	M
Rear, Loaded	Years	Left No.	Right No.	Qualifier	Piston
Loaded Caliper	01 - 99	AS135025	AS135025	Bosch; 2.60" 2-Piston Caliper	P
Loaded Caliper	01 - 99	AS135024	AS135024	Bosch; 2.88" 2-Piston Caliper	P
Loaded Caliper	98 - 90	AS132525	AS132525	Bendix; 2.60" 2-Piston Caliper; w/Air Susp.	P

↳Sub-Kit of Combi-Kit is available separately.

Piston: M - OE Metal Piston P - OE Phenolic Piston O - Metal Piston Option

IC (cont.)

Calipers - Reman (cont.)

Rear, Loaded	Years	Left No.	Right No.	Qualifier	Piston
Loaded Caliper	98 - 90	AS132525S	AS132525S	Bendix; 2.60" 2-Piston Caliper; w/Air Susp.	O
Loaded Caliper	98 - 90	AS112057	AS112057	Bendix; 2.60" 2-Piston Caliper; w/o Air Susp.	P
Loaded Caliper	98 - 90	AS112057S	AS112057S	Bendix; 2.60" 2-Piston Caliper; w/o Air Susp.	O
Loaded Caliper	98 - 90	AS134267	AS134267	Bendix; 2.88" 2-Piston Caliper; w/Air Susp.	M
Loaded Caliper	98 - 90	AS120549	AS120549	Bendix; 2.88" 2-Piston Caliper; w/o Air Susp.	P
Loaded Caliper	98 - 90	AS120549S	AS120549S	Bendix; 2.88" 2-Piston Caliper; w/o Air Susp.	O
Loaded Caliper	89 - 79	AS112057	AS112057	Bendix; 2.60" 2-Piston Caliper	P
Loaded Caliper	89 - 79	AS112057S	AS112057S	Bendix; 2.60" 2-Piston Caliper	O
Loaded Caliper	89 - 79	AS120549	AS120549	Bendix; 2.88" 2-Piston Caliper	P
Loaded Caliper	89 - 79	AS120549S	AS120549S	Bendix; 2.88" 2-Piston Caliper	O

Front, Unloaded	Years	Left No.	Right No.	Qualifier	Piston
Unloaded Caliper	01 - 99	CR135025	CR135025	Bosch; 2.60" 2-Piston Caliper	P
Unloaded Caliper	01 - 99	CR135024	CR135024	Bosch; 2.88" 2-Piston Caliper	P
Unloaded Caliper	98 - 79	CR112057	CR112057	Bendix; 2.60" 2-Piston Caliper	P
Unloaded Caliper	98 - 79	CR112057S	CR112057S	Bendix; 2.60" 2-Piston Caliper	O
Unloaded Caliper	98 - 79	CR120549	CR120549	Bendix; 2.88" 2-Piston Caliper	P
Unloaded Caliper	98 - 79	CR120549S	CR120549S	Bendix; 2.88" 2-Piston Caliper	O
Unloaded Caliper	98 - 79	CR130211	CR130210	Bendix; 3.38" 1-Piston Caliper	M

Rear, Unloaded	Years	Left No.	Right No.	Qualifier	Piston
Unloaded Caliper	01 - 99	CR135025	CR135025	Bosch; 2.60" 2-Piston Caliper	P
Unloaded Caliper	01 - 99	CR135024	CR135024	Bosch; 2.88" 2-Piston Caliper	P
Unloaded Caliper	98 - 90	CR132525	CR132525	Bendix; 2.60" 2-Piston Caliper; w/Air Susp.	P
Unloaded Caliper	98 - 90	CR132525S	CR132525S	Bendix; 2.60" 2-Piston Caliper; w/Air Susp.	O
Unloaded Caliper	98 - 90	CR112057	CR112057	Bendix; 2.60" 2-Piston Caliper; w/o Air Susp.	P
Unloaded Caliper	98 - 90	CR112057S	CR112057S	Bendix; 2.60" 2-Piston Caliper; w/o Air Susp.	O
Unloaded Caliper	98 - 90	CR134267	CR134267	Bendix; 2.88" 2-Piston Caliper; w/Air Susp.	M
Unloaded Caliper	98 - 90	CR120549	CR120549	Bendix; 2.88" 2-Piston Caliper; w/o Air Susp.	P
Unloaded Caliper	98 - 90	CR120549S	CR120549S	Bendix; 2.88" 2-Piston Caliper; w/o Air Susp.	O
Unloaded Caliper	89 - 79	CR112057	CR112057	Bendix; 2.60" 2-Piston Caliper	P
Unloaded Caliper	89 - 79	CR112057S	CR112057S	Bendix; 2.60" 2-Piston Caliper	O
Unloaded Caliper	89 - 79	CR120549	CR120549	Bendix; 2.88" 2-Piston Caliper	P
Unloaded Caliper	89 - 79	CR120549S	CR120549S	Bendix; 2.88" 2-Piston Caliper	O

Hydraulics - New

Master Cylinder	Years	Sequential No.	Category No.	Qualifier
Master Cylinder	01 - 90	F140747	(MC140747)	
Master Cylinder	89 - 84	F113751	(MC113751)	w/Disc Brake; Split Syst.; w/High Pwr.
Master Cylinder	89 - 84	F116702	(MC116702)	w/Disc Brake; Split Syst.; w/Hydrovac; 19000 lb. RA
Master Cylinder	89 - 79	F661	(MC661)	w/Drum Brake; Single Syst.; Exc. Tandem; 15" Brake
Master Cylinder	89 - 79	F2842	(MC2842)	w/Drum Brake; Single Syst.; Exc. Tandem; 16" Brake; w/Air Actuated Hyd. Brks.
Master Cylinder	89 - 79	F2951	(MC2951)	w/Drum Brake; Single Syst.; Tandem
Master Cylinder	89 - 79	F119402	(MC119402)	w/Drum Brake; Split Syst.; w/High Pwr.
Master Cylinder	89 - 79	F119397	(MC119397)	w/Drum Brake; Split Syst.; w/Hydrovac
Master Cylinder	83	F113751	(MC113751)	From 8/26/83; w/Disc Brake; Split Syst.; w/High Pwr.
Master Cylinder	83	F116702	(MC116702)	From 8/26/83; w/Disc Brake; Split Syst.; w/Hydrovac; 19000 lb. RA
Master Cylinder	83	F119395	(MC119395)	To 8/25/83; w/Disc Brake; Split Syst.; w/High Pwr.
Master Cylinder	83	F119396	(MC119396)	To 8/25/83; w/Disc Brake; Split Syst.; w/Hydrovac
Master Cylinder	82 - 79	F119395	(MC119395)	w/Disc Brake; Split Syst.; w/High Pwr.
Master Cylinder	82 - 79	F119396	(MC119396)	w/Disc Brake; Split Syst.; w/Hydrovac

Front Wheel Cylinder	Years	Sequential No.	Category No.	Qualifier
Wheel Cylinder	89 - 79	F43383	(WC43383)	L.H.; 15 x 3" Brake; w/o Bleeder Screw; 1-1/4" Bore
Wheel Cylinder	89 - 79	F43383	(WC43383)	L.H.; 15 x 3-1/2" Brake; w/o Bleeder Screw; 1-1/4" Bore
Wheel Cylinder	89 - 79	F86444	(WC86444)	L.H.; 15 x 5" Brake; w/Bleeder Screw; 1-1/2" Bore
Wheel Cylinder	89 - 79	F43384	(WC43384)	R.H.; 15 x 3" Brake; w/o Bleeder Screw; 1-1/4" Bore
Wheel Cylinder	89 - 79	F43384	(WC43384)	R.H.; 15 x 3-1/2" Brake; w/o Bleeder Screw; 1-1/4" Bore
Wheel Cylinder	89 - 79	F86445	(WC86445)	R.H.; 15 x 5" Brake; w/Bleeder Screw; 1-1/2" Bore

Piston: M - OE Metal Piston P - OE Phenolic Piston O - Metal Piston Option

IC (cont.)

Hydraulics - New (cont.)				
Rear Wheel Cylinder	Years	Sequential No.	Category No.	Qualifier
Wheel Cylinder	89 - 79	F24489	(WC24489)	15 x 5" Brake; 1-5/8" Bore
Wheel Cylinder	89 - 79	F24489	(WC24489)	15 x 6" Brake; 1-5/8" Bore
Wheel Cylinder	89 - 79	F24489	(WC24489)	15 x 7" Brake; 17000-17500 lb. RA; 1-5/8" Bore
Wheel Cylinder	89 - 79	F26172	(WC26172)	15 x 7" Brake; 18500-19000 lb. RA or 34000 lb. TRA; 1-3/4" Bore
Wheel Cylinder	89 - 79	F24489	(WC24489)	16 x 5" Brake; 17000-17500 lb. RA; 1-5/8" Bore
Wheel Cylinder	89 - 79	F26172	(WC26172)	16 x 5" Brake; 18500-19000 lb. RA or 34000 lb. TRA; 1-3/4" Bore
Wheel Cylinder	89 - 79	F26172	(WC26172)	16 x 6" Brake; 1-3/4" Bore
Clutch Slave Cylinder	Years	Sequential No.	Category No.	Qualifier
Clutch Slave Cylinder	89 - 79	F43260	(SC43260)	
Front Brake Hose	Years	Sequential No.	Category No.	Qualifier
Brake Hose	89 - 79	F111136	(BH111136)	2WD; 15 x 3" Brake
Brake Hose	89 - 79	F111138	(BH111138)	2WD; 15 x 3-1/2" Brake; Dual Syst.
Brake Hose	89 - 79	F111136	(BH111136)	2WD; 15 x 3-1/2" Brake; Single Syst.
Brake Hose	89 - 79	F111139	(BH111139)	2WD; 15 x 5" Brake; Dual Syst.; Exc. 15 x 22.5" Tires
Brake Hose	89 - 79	F111140	(BH111140)	2WD; 15 x 5" Brake; Dual Syst.; w/15 x 22.5" Tires
Brake Hose	89 - 79	F111136	(BH111136)	2WD; 15 x 5" Brake; Single Syst.; Exc. 15 x 22.5" Tires
Brake Hose	89 - 79	F107731	(BH107731)	2WD; Bendix; 2.60" 2-Piston Caliper; 7500-8000 lb. FA
Brake Hose	89 - 79	F113150	(BH113150)	2WD; Bendix; 2.88" 2-Piston Caliper; 10000-12000 lb. FA
Brake Hose	89 - 79	F113151	(BH113151)	2WD; Bendix; 3.38" 1-Piston Caliper
Brake Hose	89 - 79	F111137	(BH111137)	4WD
Rear Brake Hose	Years	Sequential No.	Category No.	Qualifier
Brake Hose	89 - 79	F107733	(BH107733)	w/Disc Brake; 11" Length
Brake Hose	89 - 79	F107734	(BH107734)	w/Disc Brake; 18" Length
Brake Hose	89 - 79	F113154	(BH113154)	w/Disc Brake; 9-7/8" Length
Brake Hose	89 - 79	F107734	(BH107734)	w/Drum Brake; 18" Length
Brake Hose	89 - 79	F107735	(BH107735)	w/Drum Brake; 23" Length
Brake Hose	89 - 79	F111393	(BH111393)	w/Drum Brake; 27" Length
Hydraulics - Reman				
Power Brake Booster	Years	Part No.	Qualifier	
Hydro Booster	89 - 79	529901	Dual Syst.; Head	
Hydro Booster	89 - 79	529802	High Pwr; Bendix Hydromax II; Complete Assy	
Hydro Booster	89 - 79	529904	High Pwr; Bendix Hydromax II; Elect. Motor	
Hydro Booster	89 - 79	529920	High Pwr; Bendix Hydromax II; Head	
Hydro Booster	89 - 79	529900	Single Syst.; Head	
Power Brake Booster	Years	Part No.	Qualifier	
Vacuum Booster	89 - 79	518049	Exc. Tandem; Single Diaphragm; 15" Brake	
Vacuum Booster	89 - 79	518047	Exc. Tandem; Single Diaphragm; 16" Brake	
Vacuum Booster	89 - 79	518046	Tandem; Double Diaphragm	

AM TRAN Type-D Genesis

FE				
Brake Pads & Shoes				
Front Pads & Shoes	Years	SevereDuty	Lining No.	Qualifier
Brake Pads	01 - 99	SD786		Bosch; 2.60" 2-Piston Caliper
Brake Pads	01 - 99	SD786A		Bosch; 2.88" 2-Piston Caliper
Brake Pads	98 - 79	SD184		Bendix; 2.60" 2-Piston Caliper
Brake Pads	98 - 79	SD225		Bendix; 2.88" 2-Piston Caliper
Brake Pads	98 - 79	SD184		Bendix; 3.38" 1-Piston Caliper
Brake Shoes	89 - 79	SDS321R	EX1245AD-S32	Hyd. Brakes; Auto. Adj.; 15 x 3
Brake Shoes	89 - 79	SDS322R	EX1280BD-S32	Hyd. Brakes; Auto. Adj.; 15 x 3-1/2
Brake Shoes	89 - 79	SDS235R	EX1245AD-S32	Hyd. Brakes; Man. Adj.; 15 x 3
Brake Shoes	89 - 79	SDS840R	EX1280D-S32	Hyd. Brakes; Man. Adj.; 15 x 3-1/2
Brake Shoes	89 - 79	4223E	4223A	w/Air Brakes; Eaton/Spicer; 16-1/2 x 5
Brake Shoes	89 - 79	4514Q	4514G	w/Air Brakes; Rockwell/Meritor; Q-Series; 16-1/2 x 6

Brake Pads & Shoes (cont.)

Front Pads & Shoes	Years	SevereDuty	Lining No.	Qualifier
Brake Shoes	89 - 79	1307T	1307	w/Air Brakes; Rockwell/Meritor; T-Series; 15 x 3-1/2
Brake Shoes	89 - 79	1308T	1308T	w/Air Brakes; Rockwell/Meritor; T-Series; 15 x 4
Brake Shoes	89 - 79	4605S	4605	w/Air Brakes; Rockwell/Meritor; Wedge; 15 x 6
Rear Pads & Shoes	Years	SevereDuty	Lining No.	Qualifier
Brake Pads	01 - 99	SD786		Bosch; 2.60" 2-Piston Caliper
Brake Pads	01 - 99	SD786A		Bosch; 2.88" 2-Piston Caliper
Brake Pads	98 - 79	SD184		Bendix; 2.60" 2-Piston Caliper
Brake Pads	98 - 79	SD225		Bendix; 2.88" 2-Piston Caliper
Brake Shoes	89 - 79	SDS346R	EX1252D-S32	Hyd. Brakes; 15 x 5
Brake Shoes	89 - 79	SDS381R	EX4596D-S32	Hyd. Brakes; 15 x 6
Brake Shoes	89 - 79	SDS383R	EX4597D-S32	Hyd. Brakes; 15 x 7
Brake Shoes	89 - 79	SDS385R	EX1254D-S32	Hyd. Brakes; 16 x 5
Brake Shoes	89 - 79	SDS386R	EX1255D-S32	Hyd. Brakes; 16 x 6
Brake Shoes	89 - 79	4311E	4311J	w/Air Brakes; Eaton/Spicer; 16-1/2 x 7
Brake Shoes	89 - 79	4514P	4514G	w/Air Brakes; Rockwell/Meritor; P-Series; 16-1/2 x 6
Brake Shoes	89 - 79	4515P	4515E	w/Air Brakes; Rockwell/Meritor; P-Series; 16-1/2 x 7
Brake Shoes	89 - 79	4644P	4644A	w/Air Brakes; Rockwell/Meritor; P-Series; 16-1/2 x 8
Brake Shoes	89 - 79	4514Q	4514G	w/Air Brakes; Rockwell/Meritor; Q-Series; 16-1/2 x 6
Brake Shoes	89 - 79	4515Q	4515E	w/Air Brakes; Rockwell/Meritor; Q-Series; 16-1/2 x 7
Brake Shoes	89 - 79	4644Q	4644A	w/Air Brakes; Rockwell/Meritor; Q-Series; 16-1/2 x 8
Brake Shoes	89 - 79	4602S	4602	w/Air Brakes; Rockwell/Meritor; Wedge; 15 x 7
Parking Brake Shoes	Years	SevereDuty	Lining No.	Qualifier
Brake Shoes	98 - 79	SDS842R	EX1303AD	Driveline Config.; 10 x 3
Brake Shoes	98 - 79	SDS647	EX2086D	Driveline Config.; 9 x 3

Rotor & Drum

Front Rotor & Drum	Years	Part No.	Qualifier
Brake Rotor	01 - 99	BD126361	6000-8000 lb. FA; Hat-Shaped; 10-Hole Rotor
Brake Rotor	01 - 99	BD126364	6000-8000 lb. FA; Hat-Shaped; 5-Hole Rotor
Brake Rotor	01 - 99	BD126392	6000-8000 lb. FA; Hat-Shaped; 6-Hole Rotor
Brake Rotor	01 - 99	BD126361	9000-14000 lb. FA; Hat-Shaped; 10-Hole Rotor
Brake Rotor	01 - 99	BD126394	9000-14000 lb. FA; U-Shaped; 10-Hole Rotor
Brake Rotor	98 - 90	BD125484	6000-8000 lb. FA; Hyd.; Hat-Shaped; 10-Hole Rotor; 3-1/4" Height
Brake Rotor	98 - 90	BD125097	6000-8000 lb. FA; Hyd.; Hat-Shaped; 10-Hole Rotor; 4-1/2" Height
Brake Rotor	98 - 90	BD125361	6000-8000 lb. FA; Hyd.; Hat-Shaped; 5-Hole Rotor
Brake Rotor	98 - 90	BD125362	6000-8000 lb. FA; Hyd.; Hat-Shaped; 6-Hole Rotor
Brake Rotor	98 - 90	BD125484	9000-14000 lb. FA; Hyd.; Hat-Shaped; 10-Hole Rotor
Brake Rotor	98 - 90	BD126394	9000-14000 lb. FA; Hyd.; U-Shaped; 10-Hole Rotor
Brake Rotor	89 - 79	BD125097	5000-7500 lb. FA; Hat-Shaped; 10-Hole Rotor
Brake Rotor	89 - 79	BD125361	5000-7500 lb. FA; Hat-Shaped; 5-Hole Rotor
Brake Rotor	89 - 79	BD125362	5000-7500 lb. FA; Hat-Shaped; 6-Hole Rotor
Brake Rotor	89 - 79	BD126402	5000-7500 lb. FA; U-Shaped; 5-Hole Rotor
Brake Rotor	89 - 79	BD125096	5000-7500 lb. FA; U-Shaped; 6-Hole Rotor
Brake Rotor	89 - 87	BD125244	9000-12000 lb. FA; U-Shaped; 5-Hole Rotor
Brake Rotor	86	BD125244	From 2/01/86; 9000-12000 lb. FA; U-Shaped; 5-Hole Rotor
Brake Rotor	86	BD125098	To 1/31/86; 9000-12000 lb. FA; U-Shaped; 5-Hole Rotor
Brake Rotor	85 - 79	BD125098	9000-12000 lb. FA; U-Shaped; 5-Hole Rotor
Rear Rotor & Drum	Years	Part No.	Qualifier
Brake Rotor	01 - 99	BD126392	10000-17500 lb. RA; Hat-Shaped; 6-Hole Rotor; 3-1/2" Height
Brake Rotor	01 - 99	BD126361	13500-17500 lb. RA; Hat-Shaped; 10-Hole Rotor; 3-1/4" Height
Brake Rotor	01 - 99	BD126366	13500-17500 lb. RA; Hat-Shaped; 10-Hole Rotor; 4-1/2" Height
Brake Rotor	01 - 99	BD126366	19000-21000 lb. RA; Hat-Shaped; 10-Hole Rotor
Brake Rotor	01 - 99	BD125382	19000-21000 lb. RA; U-Shaped; 5-Hole Rotor
Brake Rotor	98 - 90	BD125484	13000-17500 lb. RA; Hyd.; Hat-Shaped; 10-Hole Rotor; 3-1/4" Height
Brake Rotor	98 - 90	BD125097	13000-17500 lb. RA; Hyd.; Hat-Shaped; 10-Hole Rotor; 4-1/2" Height
Brake Rotor	98 - 90	BD125362	13000-17500 lb. RA; Hyd.; Hat-Shaped; 6-Hole Rotor

FE (cont.)					
Rotor & Drum (cont.)					
Rear Rotor & Drum	Years	Part No.	Qualifier		
Brake Rotor	98 - 90	BD125097	19000-21000 lb. RA; Hyd.; Hat-Shaped; 10-Hole Rotor		
Brake Rotor	98 - 90	BD125382	19000-21000 lb. RA; Hyd.; U-Shaped; 5-Hole Rotor		
Brake Rotor	89 - 79	BD125097	10000-15500 lb. RA; Hat-Shaped; 10-Hole Rotor		
Brake Rotor	89 - 79	BD125362	10000-15500 lb. RA; Hat-Shaped; 6-Hole Rotor		
Brake Rotor	89 - 79	BD126403	10000-15500 lb. RA; U-Shaped; 5-Hole Rotor		
Brake Rotor	89 - 79	BD125096	10000-15500 lb. RA; U-Shaped; 6-Hole Rotor		
Brake Rotor	89 - 79	BD125097	17000-19000 lb. RA; Hat-Shaped; 10-Hole Rotor		
Brake Rotor	89 - 79	BD126394	17000-19000 lb. RA; U-Shaped; 10-Hole Rotor		
Brake Rotor	89 - 79	BD125382	17000-19000 lb. RA; U-Shaped; 5-Hole Rotor; 12-3/4" Bolt Circle		
Brake Hardware					
Front Brake Hardware	Years	Sequential No.	Category No.	Qualifier	
Adjuster Kit	89 - 79	F59159	(H2904)	L.H.; w/Auto Adj.	
Adjuster Kit	89 - 79	F128990	(H2929)	L.H.; w/Man. Adj.	
Adjuster Kit	89 - 79	F59160	(H2905)	R.H.; w/Auto Adj.	
Adjuster Kit	89 - 79	F128990	(H2929)	R.H.; w/Man. Adj.	
Combi Kit	89 - 79	F117025	(H7173)	15 x 3 or 15 x 3-1/2" Brake; w/Auto Adj.	
↳Hold Down Kit		F73399	(H4201)		
↳Return Spring Kit		F36445	(H521)		
Combi Kit	89 - 79	F117026	(H7172)	15 x 3 or 15 x 3-1/2" Brake; w/Man. Adj.	
↳Hold Down Kit		F19408	(H4200)		
↳Return Spring Kit		F36445	(H521)		
Combi Kit	89 - 79	F117025	(H7173)	15 x 5" Brake; w/Auto Adj.	
↳Hold Down Kit		F73399	(H4201)		
↳Return Spring Kit		F36445	(H521)		
Combi Kit	89 - 79	F117019	(H7182)	15 x 5" Brake; w/Man. Adj.	
↳Return Spring Kit		F36445	(H521)		
Disc Align Kit	89 - 79	F112095S	(H5564)	Bendix; 2.60" 2-Piston Caliper	
Disc Align Kit	89 - 79	F112090S	(H5566)	Bendix; 2.88" 2-Piston Caliper	
Disc Align Kit	89 - 79	F107401S	(H5562)	Bendix; 3.38" 1-Piston Caliper	
Rear Brake Hardware	Years	Sequential No.	Category No.	Qualifier	
Adjuster Kit	89 - 79	F59157	(H2902)	L.H.; 15" Brake; w/Auto Adj.	
Adjuster Kit	89 - 79	F128894S	(H2911)	L.H.; 15" Brake; w/Man. Adj.	
Adjuster Kit	89 - 79	F128895S	(H2912)	L.H.; 16" Brake; w/Man. Adj.	
Adjuster Kit	89 - 79	F59158	(H2903)	R.H.; 15" Brake; w/Auto Adj.	
Adjuster Kit	89 - 79	F128894S	(H2911)	R.H.; 15" Brake; w/Man. Adj.	
Adjuster Kit	89 - 79	F128895S	(H2912)	R.H.; 16" Brake; w/Man. Adj.	
Adjuster Screw	89 - 79	F140823	(H1607)	L.H.; 15" Brake	
Adjuster Screw	89 - 79	F19291	(H1700)	L.H.; 16" Brake	
Adjuster Screw	89 - 79	F140818	(H1606)	R.H.; 15" Brake	
Adjuster Screw	89 - 79	F19292	(H1701)	R.H.; 16" Brake	
Combi Kit	89 - 79	F117027	(H7171)		
↳Adjuster Spring Kit		F78727	(H451)		
↳Hold Down Kit		F19309	(H5079)		
↳Return Spring Kit		F98318	(H609)		
Disc Align Kit	89 - 79	F112095S	(H5564)	Bendix; 2.60" 2-Piston Caliper	
Disc Align Kit	89 - 79	F112090S	(H5566)	Bendix; 2.88" 2-Piston Caliper	
Calipers - Reman					
Front, Loaded	Years	Left No.	Right No.	Qualifier	Piston
Loaded Caliper	01 - 99	AS135025	AS135025	Bosch; 2.60" 2-Piston Caliper	P
Loaded Caliper	01 - 99	AS135024	AS135024	Bosch; 2.88" 2-Piston Caliper	P
Loaded Caliper	98 - 79	AS112057	AS112057	Bendix; 2.60" 2-Piston Caliper	P
Loaded Caliper	98 - 79	AS112057S	AS112057S	Bendix; 2.60" 2-Piston Caliper	O
Loaded Caliper	98 - 79	AS120549	AS120549	Bendix; 2.88" 2-Piston Caliper	P
Loaded Caliper	98 - 79	AS120549S	AS120549S	Bendix; 2.88" 2-Piston Caliper	O

↳Sub-Kit of Combi-Kit is available separately.

Piston: M - OE Metal Piston P - OE Phenolic Piston O - Metal Piston Option

Calipers - Reman (cont.)

Front, Loaded	Years	Left No.	Right No.	Qualifier	Piston
Loaded Caliper	98 - 79	AS130211A	AS130210A	Bendix; 3.38" 1-Piston Caliper	M
Rear, Loaded	Years	Left No.	Right No.	Qualifier	Piston
Loaded Caliper	01 - 99	AS135025	AS135025	Bosch; 2.60" 2-Piston Caliper	P
Loaded Caliper	01 - 99	AS135024	AS135024	Bosch; 2.88" 2-Piston Caliper	P
Loaded Caliper	98 - 90	AS132525	AS132525	Bendix; 2.60" 2-Piston Caliper; w/Air Susp.	P
Loaded Caliper	98 - 90	AS132525S	AS132525S	Bendix; 2.60" 2-Piston Caliper; w/Air Susp.	O
Loaded Caliper	98 - 90	AS112057	AS112057	Bendix; 2.60" 2-Piston Caliper; w/o Air Susp.	P
Loaded Caliper	98 - 90	AS112057S	AS112057S	Bendix; 2.60" 2-Piston Caliper; w/o Air Susp.	O
Loaded Caliper	98 - 90	AS134267	AS134267	Bendix; 2.88" 2-Piston Caliper; w/Air Susp.	M
Loaded Caliper	98 - 90	AS120549	AS120549	Bendix; 2.88" 2-Piston Caliper; w/o Air Susp.	P
Loaded Caliper	98 - 90	AS120549S	AS120549S	Bendix; 2.88" 2-Piston Caliper; w/o Air Susp.	O
Loaded Caliper	89 - 79	AS112057	AS112057	Bendix; 2.60" 2-Piston Caliper	P
Loaded Caliper	89 - 79	AS112057S	AS112057S	Bendix; 2.60" 2-Piston Caliper	O
Loaded Caliper	89 - 79	AS120549	AS120549	Bendix; 2.88" 2-Piston Caliper	P
Loaded Caliper	89 - 79	AS120549S	AS120549S	Bendix; 2.88" 2-Piston Caliper	O
Front, Unloaded	Years	Left No.	Right No.	Qualifier	Piston
Unloaded Caliper	01 - 99	CR135025	CR135025	Bosch; 2.60" 2-Piston Caliper	P
Unloaded Caliper	01 - 99	CR135024	CR135024	Bosch; 2.88" 2-Piston Caliper	P
Unloaded Caliper	98 - 79	CR112057	CR112057	Bendix; 2.60" 2-Piston Caliper	P
Unloaded Caliper	98 - 79	CR112057S	CR112057S	Bendix; 2.60" 2-Piston Caliper	O
Unloaded Caliper	98 - 79	CR120549	CR120549	Bendix; 2.88" 2-Piston Caliper	P
Unloaded Caliper	98 - 79	CR120549S	CR120549S	Bendix; 2.88" 2-Piston Caliper	O
Unloaded Caliper	98 - 79	CR130211	CR130210	Bendix; 3.38" 1-Piston Caliper	M
Rear, Unloaded	Years	Left No.	Right No.	Qualifier	Piston
Unloaded Caliper	01 - 99	CR135025	CR135025	Bosch; 2.60" 2-Piston Caliper	P
Unloaded Caliper	01 - 99	CR135024	CR135024	Bosch; 2.88" 2-Piston Caliper	P
Unloaded Caliper	98 - 90	CR132525	CR132525	Bendix; 2.60" 2-Piston Caliper; w/Air Susp.	P
Unloaded Caliper	98 - 90	CR132525S	CR132525S	Bendix; 2.60" 2-Piston Caliper; w/Air Susp.	O
Unloaded Caliper	98 - 90	CR112057	CR112057	Bendix; 2.60" 2-Piston Caliper; w/o Air Susp.	P
Unloaded Caliper	98 - 90	CR112057S	CR112057S	Bendix; 2.60" 2-Piston Caliper; w/o Air Susp.	O
Unloaded Caliper	98 - 90	CR134267	CR134267	Bendix; 2.88" 2-Piston Caliper; w/Air Susp.	M
Unloaded Caliper	98 - 90	CR120549	CR120549	Bendix; 2.88" 2-Piston Caliper; w/o Air Susp.	P
Unloaded Caliper	98 - 90	CR120549S	CR120549S	Bendix; 2.88" 2-Piston Caliper; w/o Air Susp.	O
Unloaded Caliper	89 - 79	CR112057	CR112057	Bendix; 2.60" 2-Piston Caliper	P
Unloaded Caliper	89 - 79	CR112057S	CR112057S	Bendix; 2.60" 2-Piston Caliper	O
Unloaded Caliper	89 - 79	CR120549	CR120549	Bendix; 2.88" 2-Piston Caliper	P
Unloaded Caliper	89 - 79	CR120549S	CR120549S	Bendix; 2.88" 2-Piston Caliper	O

Hydraulics - New

Master Cylinder	Years	Sequential No.	Category No.	Qualifier
Master Cylinder	01 - 90	F140748	(MC140748)	
Master Cylinder	89 - 84	F113751	(MC113751)	w/Disc Brake; Split Syst.; w/High Pwr.
Master Cylinder	89 - 84	F116702	(MC116702)	w/Disc Brake; Split Syst.; w/Hydrovac; 19000 lb. RA
Master Cylinder	89 - 79	F661	(MC661)	w/Drum Brake; Single Syst.; Exc. Tandem; 15" Brake
Master Cylinder	89 - 79	F2842	(MC2842)	w/Drum Brake; Single Syst.; Exc. Tandem; 16" Brake; w/Air Actuated Hyd. Brks.
Master Cylinder	89 - 79	F2951	(MC2951)	w/Drum Brake; Single Syst.; Tandem
Master Cylinder	89 - 79	F119402	(MC119402)	w/Drum Brake; Split Syst.; w/High Pwr.
Master Cylinder	89 - 79	F119397	(MC119397)	w/Drum Brake; Split Syst.; w/Hydrovac
Master Cylinder	83	F113751	(MC113751)	From 8/26/83; w/Disc Brake; Split Syst.; w/High Pwr.
Master Cylinder	83	F116702	(MC116702)	From 8/26/83; w/Disc Brake; Split Syst.; w/Hydrovac; 19000 lb. RA
Master Cylinder	83	F119395	(MC119395)	To 8/25/83; w/Disc Brake; Split Syst.; w/High Pwr.
Master Cylinder	83	F119396	(MC119396)	To 8/25/83; w/Disc Brake; Split Syst.; w/Hydrovac
Master Cylinder	82 - 79	F119395	(MC119395)	w/Disc Brake; Split Syst.; w/High Pwr.
Master Cylinder	82 - 79	F119396	(MC119396)	w/Disc Brake; Split Syst.; w/Hydrovac
Front Wheel Cylinder	Years	Sequential No.	Category No.	Qualifier
Wheel Cylinder	89 - 79	F43383	(WC43383)	L.H.; 15 x 3" Brake; w/o Bleeder Screw; 1-1/4" Bore

Piston: M - OE Metal Piston P - OE Phenolic Piston O - Metal Piston Option

FE (cont.)

Hydraulics - New (cont.)

Front Wheel Cylinder	Years	Sequential No.	Category No.	Qualifier
----------------------	-------	----------------	--------------	-----------

Wheel Cylinder	89 - 79	F43383	(WC43383)	L.H.; 15 x 3-1/2" Brake; w/o Bleeder Screw; 1-1/4" Bore
Wheel Cylinder	89 - 79	F86444	(WC86444)	L.H.; 15 x 5" Brake; w/Bleeder Screw; 1-1/2" Bore
Wheel Cylinder	89 - 79	F43384	(WC43384)	R.H.; 15 x 3" Brake; w/o Bleeder Screw; 1-1/4" Bore
Wheel Cylinder	89 - 79	F43384	(WC43384)	R.H.; 15 x 3-1/2" Brake; w/o Bleeder Screw; 1-1/4" Bore
Wheel Cylinder	89 - 79	F86445	(WC86445)	R.H.; 15 x 5" Brake; w/Bleeder Screw; 1-1/2" Bore

Rear Wheel Cylinder	Years	Sequential No.	Category No.	Qualifier
---------------------	-------	----------------	--------------	-----------

Wheel Cylinder	89 - 79	F24489	(WC24489)	15 x 5" Brake; 1-5/8" Bore
Wheel Cylinder	89 - 79	F24489	(WC24489)	15 x 6" Brake; 1-5/8" Bore
Wheel Cylinder	89 - 79	F24489	(WC24489)	15 x 7" Brake; 17000-17500 lb. RA; 1-5/8" Bore
Wheel Cylinder	89 - 79	F26172	(WC26172)	15 x 7" Brake; 18500-19000 lb. RA or 34000 lb. TRA; 1-3/4" Bore
Wheel Cylinder	89 - 79	F24489	(WC24489)	16 x 5" Brake; 17000-17500 lb. RA; 1-5/8" Bore
Wheel Cylinder	89 - 79	F26172	(WC26172)	16 x 5" Brake; 18500-19000 lb. RA or 34000 lb. TRA; 1-3/4" Bore
Wheel Cylinder	89 - 79	F26172	(WC26172)	16 x 6" Brake; 1-3/4" Bore

Clutch Slave Cylinder	Years	Sequential No.	Category No.	Qualifier
-----------------------	-------	----------------	--------------	-----------

Clutch Slave Cylinder	89 - 79	F43260	(SC43260)	
-----------------------	---------	--------	-----------	--

Front Brake Hose	Years	Sequential No.	Category No.	Qualifier
------------------	-------	----------------	--------------	-----------

Brake Hose	89 - 79	F111136	(BH111136)	2WD; 15 x 3" Brake
Brake Hose	89 - 79	F111138	(BH111138)	2WD; 15 x 3-1/2" Brake; Dual Syst.
Brake Hose	89 - 79	F111136	(BH111136)	2WD; 15 x 3-1/2" Brake; Single Syst.
Brake Hose	89 - 79	F111139	(BH111139)	2WD; 15 x 5" Brake; Dual Syst.; Exc. 15 x 22.5" Tires
Brake Hose	89 - 79	F111140	(BH111140)	2WD; 15 x 5" Brake; Dual Syst.; w/15 x 22.5" Tires
Brake Hose	89 - 79	F111136	(BH111136)	2WD; 15 x 5" Brake; Single Syst.; Exc. 15 x 22.5" Tires
Brake Hose	89 - 79	F107731	(BH107731)	2WD; Bendix; 2.60" 2-Piston Caliper; 7500-8000 lb. FA
Brake Hose	89 - 79	F113150	(BH113150)	2WD; Bendix; 2.88" 2-Piston Caliper; 10000-12000 lb. FA
Brake Hose	89 - 79	F113151	(BH113151)	2WD; Bendix; 3.38" 1-Piston Caliper
Brake Hose	89 - 79	F111137	(BH111137)	4WD

Rear Brake Hose	Years	Sequential No.	Category No.	Qualifier
-----------------	-------	----------------	--------------	-----------

Brake Hose	89 - 79	F107733	(BH107733)	w/Disc Brake; 11" Length
Brake Hose	89 - 79	F107734	(BH107734)	w/Disc Brake; 18" Length
Brake Hose	89 - 79	F113154	(BH113154)	w/Disc Brake; 9-7/8" Length
Brake Hose	89 - 79	F107734	(BH107734)	w/Drum Brake; 18" Length
Brake Hose	89 - 79	F107735	(BH107735)	w/Drum Brake; 23" Length
Brake Hose	89 - 79	F111393	(BH111393)	w/Drum Brake; 27" Length

Hydraulics - Reman

Power Brake Booster	Years	Part No.	Qualifier
---------------------	-------	----------	-----------

Hydro Booster	89 - 79	529901	Dual Syst.; Head
Hydro Booster	89 - 79	529802	High Pwr; Bendix Hydromax II; Complete Assy
Hydro Booster	89 - 79	529904	High Pwr; Bendix Hydromax II; Elect. Motor
Hydro Booster	89 - 79	529920	High Pwr; Bendix Hydromax II; Head
Hydro Booster	89 - 79	529900	Single Syst.; Head

Power Brake Booster	Years	Part No.	Qualifier
---------------------	-------	----------	-----------

Vacuum Booster	89 - 79	518049	Exc. Tandem; Single Diaphragm; 15" Brake
Vacuum Booster	89 - 79	518047	Exc. Tandem; Single Diaphragm; 16" Brake
Vacuum Booster	89 - 79	518046	Tandem; Double Diaphragm

RE

Brake Pads & Shoes

Front Pads & Shoes	Years	SevereDuty	Lining No.	Qualifier
--------------------	-------	------------	------------	-----------

Brake Pads	01 - 99	SD786		Bosch; 2.60" 2-Piston Caliper
Brake Pads	01 - 99	SD786A		Bosch; 2.88" 2-Piston Caliper
Brake Pads	98 - 79	SD184		Bendix; 2.60" 2-Piston Caliper
Brake Pads	98 - 79	SD225		Bendix; 2.88" 2-Piston Caliper
Brake Pads	98 - 79	SD184		Bendix; 3.38" 1-Piston Caliper
Brake Shoes	89 - 79	SDS321R	EX1245AD-S32	Hyd. Brakes; Auto. Adj.; 15 x 3
Brake Shoes	89 - 79	SDS322R	EX1280BD-S32	Hyd. Brakes; Auto. Adj.; 15 x 3-1/2

Brake Pads & Shoes (cont.)

Front Pads & Shoes	Years	SevereDuty	Lining No.	Qualifier
Brake Shoes	89 - 79	SDS235R	EX1245AD-S32	Hyd. Brakes; Man. Adj.; 15 x 3
Brake Shoes	89 - 79	SDS840R	EX1280D-S32	Hyd. Brakes; Man. Adj.; 15 x 3-1/2
Brake Shoes	89 - 79	4223E	4223A	w/Air Brakes; Eaton/Spicer; 16-1/2 x 5
Brake Shoes	89 - 79	4514Q	4514G	w/Air Brakes; Rockwell/Meritor; Q-Series; 16-1/2 x 6
Brake Shoes	89 - 79	1307T	1307	w/Air Brakes; Rockwell/Meritor; T-Series; 15 x 3-1/2
Brake Shoes	89 - 79	1308T	1308T	w/Air Brakes; Rockwell/Meritor; T-Series; 15 x 4
Brake Shoes	89 - 79	4605S	4605	w/Air Brakes; Rockwell/Meritor; Wedge; 15 x 6

Rear Pads & Shoes	Years	SevereDuty	Lining No.	Qualifier
Brake Pads	01 - 99	SD786		Bosch; 2.60" 2-Piston Caliper
Brake Pads	01 - 99	SD786A		Bosch; 2.88" 2-Piston Caliper
Brake Pads	98 - 79	SD184		Bendix; 2.60" 2-Piston Caliper
Brake Pads	98 - 79	SD225		Bendix; 2.88" 2-Piston Caliper
Brake Shoes	89 - 79	SDS346R	EX1252D-S32	Hyd. Brakes; 15 x 5
Brake Shoes	89 - 79	SDS381R	EX4596D-S32	Hyd. Brakes; 15 x 6
Brake Shoes	89 - 79	SDS383R	EX4597D-S32	Hyd. Brakes; 15 x 7
Brake Shoes	89 - 79	SDS385R	EX1254D-S32	Hyd. Brakes; 16 x 5
Brake Shoes	89 - 79	SDS386R	EX1255D-S32	Hyd. Brakes; 16 x 6
Brake Shoes	89 - 79	4311E	4311J	w/Air Brakes; Eaton/Spicer; 16-1/2 x 7
Brake Shoes	89 - 79	4514P	4514G	w/Air Brakes; Rockwell/Meritor; P-Series; 16-1/2 x 6
Brake Shoes	89 - 79	4515P	4515E	w/Air Brakes; Rockwell/Meritor; P-Series; 16-1/2 x 7
Brake Shoes	89 - 79	4644P	4644A	w/Air Brakes; Rockwell/Meritor; P-Series; 16-1/2 x 8
Brake Shoes	89 - 79	4514Q	4514G	w/Air Brakes; Rockwell/Meritor; Q-Series; 16-1/2 x 6
Brake Shoes	89 - 79	4515Q	4515E	w/Air Brakes; Rockwell/Meritor; Q-Series; 16-1/2 x 7
Brake Shoes	89 - 79	4644Q	4644A	w/Air Brakes; Rockwell/Meritor; Q-Series; 16-1/2 x 8
Brake Shoes	89 - 79	4602S	4602	w/Air Brakes; Rockwell/Meritor; Wedge; 15 x 7

Parking Brake Shoes	Years	SevereDuty	Lining No.	Qualifier
Brake Shoes	98 - 79	SDS842R	EX1303AD	Driveline Config.; 10 x 3
Brake Shoes	98 - 79	SDS647	EX2086D	Driveline Config.; 9 x 3

Rotor & Drum

Front Rotor & Drum	Years	Part No.	Qualifier
Brake Rotor	01 - 99	BD126361	6000-8000 lb. FA; Hat-Shaped; 10-Hole Rotor
Brake Rotor	01 - 99	BD126364	6000-8000 lb. FA; Hat-Shaped; 5-Hole Rotor
Brake Rotor	01 - 99	BD126392	6000-8000 lb. FA; Hat-Shaped; 6-Hole Rotor
Brake Rotor	01 - 99	BD126361	9000-14000 lb. FA; Hat-Shaped; 10-Hole Rotor
Brake Rotor	01 - 99	BD126394	9000-14000 lb. FA; U-Shaped; 10-Hole Rotor
Brake Rotor	98 - 90	BD125484	6000-8000 lb. FA; Hyd.; Hat-Shaped; 10-Hole Rotor; 3-1/4" Height
Brake Rotor	98 - 90	BD125097	6000-8000 lb. FA; Hyd.; Hat-Shaped; 10-Hole Rotor; 4-1/2" Height
Brake Rotor	98 - 90	BD125361	6000-8000 lb. FA; Hyd.; Hat-Shaped; 5-Hole Rotor
Brake Rotor	98 - 90	BD125362	6000-8000 lb. FA; Hyd.; Hat-Shaped; 6-Hole Rotor
Brake Rotor	98 - 90	BD125484	9000-14000 lb. FA; Hyd.; Hat-Shaped; 10-Hole Rotor
Brake Rotor	98 - 90	BD126394	9000-14000 lb. FA; Hyd.; U-Shaped; 10-Hole Rotor
Brake Rotor	89 - 79	BD125097	5000-7500 lb. FA; Hat-Shaped; 10-Hole Rotor
Brake Rotor	89 - 79	BD125361	5000-7500 lb. FA; Hat-Shaped; 5-Hole Rotor
Brake Rotor	89 - 79	BD125362	5000-7500 lb. FA; Hat-Shaped; 6-Hole Rotor
Brake Rotor	89 - 79	BD126402	5000-7500 lb. FA; U-Shaped; 5-Hole Rotor
Brake Rotor	89 - 79	BD125096	5000-7500 lb. FA; U-Shaped; 6-Hole Rotor
Brake Rotor	89 - 87	BD125244	9000-12000 lb. FA; U-Shaped; 5-Hole Rotor
Brake Rotor	86	BD125244	From 2/01/86; 9000-12000 lb. FA; U-Shaped; 5-Hole Rotor
Brake Rotor	86	BD125098	To 1/31/86; 9000-12000 lb. FA; U-Shaped; 5-Hole Rotor
Brake Rotor	85 - 79	BD125098	9000-12000 lb. FA; U-Shaped; 5-Hole Rotor

Rear Rotor & Drum	Years	Part No.	Qualifier
Brake Rotor	01 - 99	BD126392	10000-17500 lb. RA; Hat-Shaped; 6-Hole Rotor; 3-1/2" Height
Brake Rotor	01 - 99	BD126361	13500-17500 lb. RA; Hat-Shaped; 10-Hole Rotor; 3-1/4" Height
Brake Rotor	01 - 99	BD126366	13500-17500 lb. RA; Hat-Shaped; 10-Hole Rotor; 4-1/2" Height
Brake Rotor	01 - 99	BD126366	19000-21000 lb. RA; Hat-Shaped; 10-Hole Rotor

RE (cont.)					
Rotor & Drum (cont.)					
Rear Rotor & Drum	Years	Part No.	Qualifier		
Brake Rotor	01 - 99	BD125382	19000-21000 lb. RA; U-Shaped; 5-Hole Rotor		
Brake Rotor	98 - 90	BD125484	13000-17500 lb. RA; Hyd.; Hat-Shaped; 10-Hole Rotor; 3-1/4" Height		
Brake Rotor	98 - 90	BD125097	13000-17500 lb. RA; Hyd.; Hat-Shaped; 10-Hole Rotor; 4-1/2" Height		
Brake Rotor	98 - 90	BD125362	13000-17500 lb. RA; Hyd.; Hat-Shaped; 6-Hole Rotor		
Brake Rotor	98 - 90	BD125097	19000-21000 lb. RA; Hyd.; Hat-Shaped; 10-Hole Rotor		
Brake Rotor	98 - 90	BD125382	19000-21000 lb. RA; Hyd.; U-Shaped; 5-Hole Rotor		
Brake Rotor	89 - 79	BD125097	10000-15500 lb. RA; Hat-Shaped; 10-Hole Rotor		
Brake Rotor	89 - 79	BD125362	10000-15500 lb. RA; Hat-Shaped; 6-Hole Rotor		
Brake Rotor	89 - 79	BD126403	10000-15500 lb. RA; U-Shaped; 5-Hole Rotor		
Brake Rotor	89 - 79	BD125096	10000-15500 lb. RA; U-Shaped; 6-Hole Rotor		
Brake Rotor	89 - 79	BD125097	17000-19000 lb. RA; Hat-Shaped; 10-Hole Rotor		
Brake Rotor	89 - 79	BD126394	17000-19000 lb. RA; U-Shaped; 10-Hole Rotor		
Brake Rotor	89 - 79	BD125382	17000-19000 lb. RA; U-Shaped; 5-Hole Rotor; 12-3/4" Bolt Circle		
Brake Hardware					
Front Brake Hardware	Years	Sequential No.	Category No.	Qualifier	
Adjuster Kit	89 - 79	F59159	(H2904)	L.H.; w/Auto Adj.	
Adjuster Kit	89 - 79	F128990	(H2929)	L.H.; w/Man. Adj.	
Adjuster Kit	89 - 79	F59160	(H2905)	R.H.; w/Auto Adj.	
Adjuster Kit	89 - 79	F128990	(H2929)	R.H.; w/Man. Adj.	
Combi Kit	89 - 79	F117025	(H7173)	15 x 3 or 15 x 3-1/2" Brake; w/Auto Adj.	
↳Hold Down Kit		F73399	(H4201)		
↳Return Spring Kit		F36445	(H521)		
Combi Kit	89 - 79	F117026	(H7172)	15 x 3 or 15 x 3-1/2" Brake; w/Man. Adj.	
↳Hold Down Kit		F19408	(H4200)		
↳Return Spring Kit		F36445	(H521)		
Combi Kit	89 - 79	F117025	(H7173)	15 x 5" Brake; w/Auto Adj.	
↳Hold Down Kit		F73399	(H4201)		
↳Return Spring Kit		F36445	(H521)		
Combi Kit	89 - 79	F117019	(H7182)	15 x 5" Brake; w/Man. Adj.	
↳Return Spring Kit		F36445	(H521)		
Disc Align Kit	89 - 79	F112095S	(H5564)	Bendix; 2.60" 2-Piston Caliper	
Disc Align Kit	89 - 79	F112090S	(H5566)	Bendix; 2.88" 2-Piston Caliper	
Disc Align Kit	89 - 79	F107401S	(H5562)	Bendix; 3.38" 1-Piston Caliper	
Rear Brake Hardware	Years	Sequential No.	Category No.	Qualifier	
Adjuster Kit	89 - 79	F59157	(H2902)	L.H.; 15" Brake; w/Auto Adj.	
Adjuster Kit	89 - 79	F128894S	(H2911)	L.H.; 15" Brake; w/Man. Adj.	
Adjuster Kit	89 - 79	F128895S	(H2912)	L.H.; 16" Brake; w/Man. Adj.	
Adjuster Kit	89 - 79	F59158	(H2903)	R.H.; 15" Brake; w/Auto Adj.	
Adjuster Kit	89 - 79	F128894S	(H2911)	R.H.; 15" Brake; w/Man. Adj.	
Adjuster Kit	89 - 79	F128895S	(H2912)	R.H.; 16" Brake; w/Man. Adj.	
Adjuster Screw	89 - 79	F140823	(H1607)	L.H.; 15" Brake	
Adjuster Screw	89 - 79	F19291	(H1700)	L.H.; 16" Brake	
Adjuster Screw	89 - 79	F140818	(H1606)	R.H.; 15" Brake	
Adjuster Screw	89 - 79	F19292	(H1701)	R.H.; 16" Brake	
Combi Kit	89 - 79	F117027	(H7171)		
↳Adjuster Spring Kit		F78727	(H451)		
↳Hold Down Kit		F19309	(H5079)		
↳Return Spring Kit		F98318	(H609)		
Disc Align Kit	89 - 79	F112095S	(H5564)	Bendix; 2.60" 2-Piston Caliper	
Disc Align Kit	89 - 79	F112090S	(H5566)	Bendix; 2.88" 2-Piston Caliper	
Calipers - Reman					
Front, Loaded	Years	Left No.	Right No.	Qualifier	Piston
Loaded Caliper	01 - 99	AS135025	AS135025	Bosch; 2.60" 2-Piston Caliper	P
Loaded Caliper	01 - 99	AS135024	AS135024	Bosch; 2.88" 2-Piston Caliper	P

↳Sub-Kit of Combi-Kit is available separately.

Piston: M - OE Metal Piston P - OE Phenolic Piston

RE (cont.)

Calipers - Reman (cont.)

Front, Loaded	Years	Left No.	Right No.	Qualifier	Piston
Loaded Caliper	98 - 79	AS112057	AS112057	Bendix; 2.60" 2-Piston Caliper	P
Loaded Caliper	98 - 79	AS112057S	AS112057S	Bendix; 2.60" 2-Piston Caliper	O
Loaded Caliper	98 - 79	AS120549	AS120549	Bendix; 2.88" 2-Piston Caliper	P
Loaded Caliper	98 - 79	AS120549S	AS120549S	Bendix; 2.88" 2-Piston Caliper	O
Loaded Caliper	98 - 79	AS130211A	AS130210A	Bendix; 3.38" 1-Piston Caliper	M

Rear, Loaded	Years	Left No.	Right No.	Qualifier	Piston
Loaded Caliper	01 - 99	AS135025	AS135025	Bosch; 2.60" 2-Piston Caliper	P
Loaded Caliper	01 - 99	AS135024	AS135024	Bosch; 2.88" 2-Piston Caliper	P
Loaded Caliper	98 - 90	AS132525	AS132525	Bendix; 2.60" 2-Piston Caliper; w/Air Susp.	P
Loaded Caliper	98 - 90	AS132525S	AS132525S	Bendix; 2.60" 2-Piston Caliper; w/Air Susp.	O
Loaded Caliper	98 - 90	AS112057	AS112057	Bendix; 2.60" 2-Piston Caliper; w/o Air Susp.	P
Loaded Caliper	98 - 90	AS112057S	AS112057S	Bendix; 2.60" 2-Piston Caliper; w/o Air Susp.	O
Loaded Caliper	98 - 90	AS134267	AS134267	Bendix; 2.88" 2-Piston Caliper; w/Air Susp.	M
Loaded Caliper	98 - 90	AS120549	AS120549	Bendix; 2.88" 2-Piston Caliper; w/o Air Susp.	P
Loaded Caliper	98 - 90	AS120549S	AS120549S	Bendix; 2.88" 2-Piston Caliper; w/o Air Susp.	O
Loaded Caliper	89 - 79	AS112057	AS112057	Bendix; 2.60" 2-Piston Caliper	P
Loaded Caliper	89 - 79	AS112057S	AS112057S	Bendix; 2.60" 2-Piston Caliper	O
Loaded Caliper	89 - 79	AS120549	AS120549	Bendix; 2.88" 2-Piston Caliper	P
Loaded Caliper	89 - 79	AS120549S	AS120549S	Bendix; 2.88" 2-Piston Caliper	O

Front, Unloaded	Years	Left No.	Right No.	Qualifier	Piston
Unloaded Caliper	01 - 99	CR135025	CR135025	Bosch; 2.60" 2-Piston Caliper	P
Unloaded Caliper	01 - 99	CR135024	CR135024	Bosch; 2.88" 2-Piston Caliper	P
Unloaded Caliper	98 - 79	CR112057	CR112057	Bendix; 2.60" 2-Piston Caliper	P
Unloaded Caliper	98 - 79	CR112057S	CR112057S	Bendix; 2.60" 2-Piston Caliper	O
Unloaded Caliper	98 - 79	CR120549	CR120549	Bendix; 2.88" 2-Piston Caliper	P
Unloaded Caliper	98 - 79	CR120549S	CR120549S	Bendix; 2.88" 2-Piston Caliper	O
Unloaded Caliper	98 - 79	CR130211	CR130210	Bendix; 3.38" 1-Piston Caliper	M

Rear, Unloaded	Years	Left No.	Right No.	Qualifier	Piston
Unloaded Caliper	01 - 99	CR135025	CR135025	Bosch; 2.60" 2-Piston Caliper	P
Unloaded Caliper	01 - 99	CR135024	CR135024	Bosch; 2.88" 2-Piston Caliper	P
Unloaded Caliper	98 - 90	CR132525	CR132525	Bendix; 2.60" 2-Piston Caliper; w/Air Susp.	P
Unloaded Caliper	98 - 90	CR132525S	CR132525S	Bendix; 2.60" 2-Piston Caliper; w/Air Susp.	O
Unloaded Caliper	98 - 90	CR112057	CR112057	Bendix; 2.60" 2-Piston Caliper; w/o Air Susp.	P
Unloaded Caliper	98 - 90	CR112057S	CR112057S	Bendix; 2.60" 2-Piston Caliper; w/o Air Susp.	O
Unloaded Caliper	98 - 90	CR134267	CR134267	Bendix; 2.88" 2-Piston Caliper; w/Air Susp.	M
Unloaded Caliper	98 - 90	CR120549	CR120549	Bendix; 2.88" 2-Piston Caliper; w/o Air Susp.	P
Unloaded Caliper	98 - 90	CR120549S	CR120549S	Bendix; 2.88" 2-Piston Caliper; w/o Air Susp.	O
Unloaded Caliper	89 - 79	CR112057	CR112057	Bendix; 2.60" 2-Piston Caliper	P
Unloaded Caliper	89 - 79	CR112057S	CR112057S	Bendix; 2.60" 2-Piston Caliper	O
Unloaded Caliper	89 - 79	CR120549	CR120549	Bendix; 2.88" 2-Piston Caliper	P
Unloaded Caliper	89 - 79	CR120549S	CR120549S	Bendix; 2.88" 2-Piston Caliper	O

Hydraulics - New

Master Cylinder	Years	Sequential No.	Category No.	Qualifier
Master Cylinder	01 - 90	F140748	(MC140748)	
Master Cylinder	89 - 84	F113751	(MC113751)	w/Disc Brake; Split Syst.; w/High Pwr.
Master Cylinder	89 - 84	F116702	(MC116702)	w/Disc Brake; Split Syst.; w/Hydrovac; 19000 lb. RA
Master Cylinder	89 - 79	F661	(MC661)	w/Drum Brake; Single Syst.; Exc. Tandem; 15" Brake
Master Cylinder	89 - 79	F2842	(MC2842)	w/Drum Brake; Single Syst.; Exc. Tandem; 16" Brake; w/Air Actuated Hyd. Brks.
Master Cylinder	89 - 79	F2951	(MC2951)	w/Drum Brake; Single Syst.; Tandem
Master Cylinder	89 - 79	F119402	(MC119402)	w/Drum Brake; Split Syst.; w/High Pwr.
Master Cylinder	89 - 79	F119397	(MC119397)	w/Drum Brake; Split Syst.; w/Hydrovac
Master Cylinder	83	F113751	(MC113751)	From 8/26/83; w/Disc Brake; Split Syst.; w/High Pwr.
Master Cylinder	83	F116702	(MC116702)	From 8/26/83; w/Disc Brake; Split Syst.; w/Hydrovac; 19000 lb. RA
Master Cylinder	83	F119395	(MC119395)	To 8/25/83; w/Disc Brake; Split Syst.; w/High Pwr.
Master Cylinder	83	F119396	(MC119396)	To 8/25/83; w/Disc Brake; Split Syst.; w/Hydrovac

Piston: M - OE Metal Piston P - OE Phenolic Piston O - Metal Piston Option

RE (cont.)				
Hydraulics - New (cont.)				
Master Cylinder	Years	Sequential No.	Category No.	Qualifier
Master Cylinder	82 - 79	F119395	(MC119395)	w/Disc Brake; Split Syst.; w/High Pwr.
Master Cylinder	82 - 79	F119396	(MC119396)	w/Disc Brake; Split Syst.; w/Hydrovac
Front Wheel Cylinder	Years	Sequential No.	Category No.	Qualifier
Wheel Cylinder	89 - 79	F43383	(WC43383)	L.H.; 15 x 3" Brake; w/o Bleeder Screw; 1-1/4" Bore
Wheel Cylinder	89 - 79	F43383	(WC43383)	L.H.; 15 x 3-1/2" Brake; w/o Bleeder Screw; 1-1/4" Bore
Wheel Cylinder	89 - 79	F86444	(WC86444)	L.H.; 15 x 5" Brake; w/Bleeder Screw; 1-1/2" Bore
Wheel Cylinder	89 - 79	F43384	(WC43384)	R.H.; 15 x 3" Brake; w/o Bleeder Screw; 1-1/4" Bore
Wheel Cylinder	89 - 79	F43384	(WC43384)	R.H.; 15 x 3-1/2" Brake; w/o Bleeder Screw; 1-1/4" Bore
Wheel Cylinder	89 - 79	F86445	(WC86445)	R.H.; 15 x 5" Brake; w/Bleeder Screw; 1-1/2" Bore
Rear Wheel Cylinder	Years	Sequential No.	Category No.	Qualifier
Wheel Cylinder	89 - 79	F24489	(WC24489)	15 x 5" Brake; 1-5/8" Bore
Wheel Cylinder	89 - 79	F24489	(WC24489)	15 x 6" Brake; 1-5/8" Bore
Wheel Cylinder	89 - 79	F24489	(WC24489)	15 x 7" Brake; 17000-17500 lb. RA; 1-5/8" Bore
Wheel Cylinder	89 - 79	F26172	(WC26172)	15 x 7" Brake; 18500-19000 lb. RA or 34000 lb. TRA; 1-3/4" Bore
Wheel Cylinder	89 - 79	F24489	(WC24489)	16 x 5" Brake; 17000-17500 lb. RA; 1-5/8" Bore
Wheel Cylinder	89 - 79	F26172	(WC26172)	16 x 5" Brake; 18500-19000 lb. RA or 34000 lb. TRA; 1-3/4" Bore
Wheel Cylinder	89 - 79	F26172	(WC26172)	16 x 6" Brake; 1-3/4" Bore
Clutch Slave Cylinder	Years	Sequential No.	Category No.	Qualifier
Clutch Slave Cylinder	89 - 79	F43260	(SC43260)	
Front Brake Hose	Years	Sequential No.	Category No.	Qualifier
Brake Hose	89 - 79	F111136	(BH111136)	2WD; 15 x 3" Brake
Brake Hose	89 - 79	F111138	(BH111138)	2WD; 15 x 3-1/2" Brake; Dual Syst.
Brake Hose	89 - 79	F111136	(BH111136)	2WD; 15 x 3-1/2" Brake; Single Syst.
Brake Hose	89 - 79	F111139	(BH111139)	2WD; 15 x 5" Brake; Dual Syst.; Exc. 15 x 22.5" Tires
Brake Hose	89 - 79	F111140	(BH111140)	2WD; 15 x 5" Brake; Dual Syst.; w/15 x 22.5" Tires
Brake Hose	89 - 79	F111136	(BH111136)	2WD; 15 x 5" Brake; Single Syst.; Exc. 15 x 22.5" Tires
Brake Hose	89 - 79	F107731	(BH107731)	2WD; Bendix; 2.60" 2-Piston Caliper; 7500-8000 lb. FA
Brake Hose	89 - 79	F113150	(BH113150)	2WD; Bendix; 2.88" 2-Piston Caliper; 10000-12000 lb. FA
Brake Hose	89 - 79	F113151	(BH113151)	2WD; Bendix; 3.38" 1-Piston Caliper
Brake Hose	89 - 79	F111137	(BH111137)	4WD
Rear Brake Hose	Years	Sequential No.	Category No.	Qualifier
Brake Hose	89 - 79	F107733	(BH107733)	w/Disc Brake; 11" Length
Brake Hose	89 - 79	F107734	(BH107734)	w/Disc Brake; 18" Length
Brake Hose	89 - 79	F113154	(BH113154)	w/Disc Brake; 9-7/8" Length
Brake Hose	89 - 79	F107734	(BH107734)	w/Drum Brake; 18" Length
Brake Hose	89 - 79	F107735	(BH107735)	w/Drum Brake; 23" Length
Brake Hose	89 - 79	F111393	(BH111393)	w/Drum Brake; 27" Length
Hydraulics - Reman				
Power Brake Booster	Years	Part No.	Qualifier	
Hydro Booster	89 - 79	529901	Dual Syst.; Head	
Hydro Booster	89 - 79	529802	High Pwr; Bendix Hydromax II; Complete Assy	
Hydro Booster	89 - 79	529904	High Pwr; Bendix Hydromax II; Elect. Motor	
Hydro Booster	89 - 79	529920	High Pwr; Bendix Hydromax II; Head	
Hydro Booster	89 - 79	529900	Single Syst.; Head	
Power Brake Booster	Years	Part No.	Qualifier	
Vacuum Booster	89 - 79	518049	Exc. Tandem; Single Diaphragm; 15" Brake	
Vacuum Booster	89 - 79	518047	Exc. Tandem; Single Diaphragm; 16" Brake	
Vacuum Booster	89 - 79	518046	Tandem; Double Diaphragm	
BLUEBIRD Type-A Microbird				
250 ECONOLINE				
Brake Pads & Shoes				
Front Pads & Shoes	Years	SevereDuty	Lining No.	Qualifier
Brake Pads	06 - 95	SD655		

250 ECONOLINE (cont.)
Brake Pads & Shoes (cont.)

Front Pads & Shoes	Years	SevereDuty	Lining No.	Qualifier
Brake Pads	94 - 92	SD557		
Brake Pads	91 - 81	SD450		
Rear Pads & Shoes	Years	SevereDuty	Lining No.	Qualifier
Brake Pads	06 - 99	SD802		
Brake Shoes	06 - 81	SDS357NR	SX2146ATD	12 x 2-1/2; Riveted
Brake Shoes	06 - 84	SDS358AR	EX2140TD	12 x 3; Riveted

Rotor & Drum

Front Rotor & Drum	Years	Part No.	Qualifier
Brake Rotor	06 - 95	BD125468	w/2 Whl. ABS
Brake Rotor	06 - 95	BD125477	w/4 Whl. ABS
Brake Rotor	94	BD125410	w/2 Whl. ABS
Brake Rotor	94	BD125411	w/4 Whl. ABS
Brake Rotor	93 - 92	BD125410	
Brake Rotor	91 - 86	BD61910	
Brake Rotor	85 - 84	BD61885	Over 8500 GVW
Brake Rotor	85 - 84	BD60541	Under 8500 GVW
Brake Rotor	83 - 82	BD60541	
Brake Rotor	81	BD60541	From 11/3/80
Brake Rotor	81	BD60469	To 11/03/80
Rear Rotor & Drum	Years	Part No.	Qualifier
Brake Drum	06 - 95	BD125692	12 x 3" Brake
Brake Drum	98 - 92	BD60868	12 x 2-1/2" Brake
Brake Drum	94 - 92	BD60793	12 x 3" Brake
Brake Drum	91 - 86	BD60393	12 x 2-1/2" Brake; w/7-1/2" or 9-3/4" or 10-1/2" R.G.
Brake Drum	91 - 86	BD60868	12 x 2-1/2" Brake; w/8-13/16" or 10-1/4" R.G.
Brake Drum	91 - 87	BD60819	12 x 3" Brake
Brake Drum	86 - 84	BD60465	12 x 3" Brake
Brake Drum	85 - 81	BD60393	12 x 2-1/2" Brake
Brake Rotor	06 - 99	BD125694	

Brake Hardware

Front Brake Hardware	Years	Sequential No.	Category No.	Qualifier
Caliper Bolt/Pin	06 - 95	F126899S	(H5061)	
Caliper Bolt/Pin	94 - 92	F130379S	(H5068)	
Caliper Bolt/Pin	91 - 86	F111231S	(H5031)	
Caliper Bolt/Pin	85 - 82	F102554S	(H5010C)	
Disc Align Kit	05 - 95	F132611S	(H5602)	
Disc Align Kit	94 - 92	F130266S	(H5445)	
Disc Align Kit	91 - 86	F114477	(H5572)	
Disc Align Kit	85 - 81	F97900	(H5529)	
Pin Boot Kit	05 - 95	F117215S	(H18000C)	
Pin Boot Kit	94 - 92	F130393S	(H8211)	
Rear Brake Hardware	Years	Sequential No.	Category No.	Qualifier
Adjuster Kit	01 - 81	F98416	(H2588)	L.H.
Adjuster Kit	01 - 81	F98417	(H2589)	R.H.
Adjuster Screw	01 - 81	F79799	(H1534)	L.H.
Adjuster Screw	01 - 81	F79800	(H1535)	R.H.
Caliper Bolt/Pin	06 - 99	F126899S	(H5061)	
Combi Kit	06 - 84	F102555	(H7164)	12 x 3" Brake
↳Adjuster Spring Kit		F106695	(H446)	
↳Return Spring Kit		F67455	(H546)	
Combi Kit	04 - 81	F78555	(H7146)	12 x 2-1/2" Brake
↳Adjuster Spring Kit		F67454S	(H423)	
↳Return Spring Kit		F67455	(H546)	
Disc Align Kit	01 - 99	F138118S	(H5616)	
Pin Boot Kit	01 - 99	F139361	(H8227)	

↳Sub-Kit of Combi-Kit is available separately.

250 ECONOLINE (cont.)

Brake Hardware (cont.)

Parking Brake	Years	Sequential No.	Category No.	Qualifier
Adjuster Screw	03 - 00	F139719	(H1594)	L.H.
Adjuster Screw	03 - 00	F139719	(H1594)	R.H.
Combi Kit	03 - 00	F139869	(H7239)	

Calipers - Reman

Front, Loaded	Years	Left No.	Right No.	Qualifier	Piston
Loaded Caliper	99	AS133118	AS133119	To 5/18/99	P
Loaded Caliper	98 - 95	AS133118	AS133119		P
Loaded Caliper	94 - 92	AS128780	AS128781		P
Loaded Caliper	94 - 92	AS128780S	AS128781S		O
Loaded Caliper	91 - 89	AS128856	AS128857		P
Loaded Caliper	88 - 86	AS116931	AS116932		P
Loaded Caliper	85 - 81	AS102430	AS102431	2-Piston Caliper	M

Rear, Loaded	Years	Left No.	Right No.	Qualifier	Piston
Loaded Caliper	05 - 99	AS134357	AS134358		P

Front, Unloaded	Years	Left No.	Right No.	Qualifier	Piston
Unloaded Caliper	06	CR134508	CR134509		P
Unloaded Caliper	05 - 00	CRB134508	CRB134509	Supplied w/Mtg. Brkt.	P
Unloaded Caliper	05 - 00	CR134508	CR134509	Supplied w/o Mtg. Brkt.	P
Unloaded Caliper	99	CRB134508	CRB134509	From 5/18/99; Supplied w/Mtg. Brkt.	P
Unloaded Caliper	99	CR134508	CR134509	From 5/18/99; Supplied w/o Mtg. Brkt.	P
Unloaded Caliper	99	CRB133118	CRB133119	To 5/18/99; Supplied w/Mtg. Brkt.	P
Unloaded Caliper	99	CR133118	CR133119	To 5/18/99; Supplied w/o Mtg. Brkt.	P
Unloaded Caliper	99	CR133118S	CR133119S	To 5/18/99; Supplied w/o Mtg. Brkt.	O
Unloaded Caliper	98 - 95	CRB133118	CRB133119	Supplied w/Mtg. Brkt.	P
Unloaded Caliper	98 - 95	CRB133118S	CRB133119S	Supplied w/Mtg. Brkt.	O
Unloaded Caliper	98 - 95	CR133118	CR133119	Supplied w/o Mtg. Brkt.	P
Unloaded Caliper	98 - 95	CR133118S	CR133119S	Supplied w/o Mtg. Brkt.	O
Unloaded Caliper	94 - 92	CR128780	CR128781		P
Unloaded Caliper	94 - 92	CR128780S	CR128781S		O
Unloaded Caliper	91 - 89	CR128856	CR128857		P
Unloaded Caliper	88 - 86	CR116931	CR116932		P
Unloaded Caliper	85 - 81	CR102430	CR102431	2-Piston Caliper	M

Rear, Unloaded	Years	Left No.	Right No.	Qualifier	Piston
Unloaded Caliper	05 - 99	CRB134358	CRB134357	Supplied w/Mtg. Brkt.	P
Unloaded Caliper	05 - 99	CR134358	CR134357	Supplied w/o Mtg. Brkt.	P

Hydraulics - New

Master Cylinder	Years	Sequential No.	Category No.	Qualifier
Master Cylinder	06 - 01	F140463	(MC140463)	w/Cruise Control; 1-5/16" Bore
Master Cylinder	06 - 01	F134457	(MC134457)	w/o Cruise Control; 1-5/16" Bore
Master Cylinder	00	F140463	(MC140463)	From 1/10/00; w/Cruise Control; 1-5/16" Bore
Master Cylinder	00	F134457	(MC134457)	From 1/10/00; w/o Cruise Control; 1-5/16" Bore
Master Cylinder	99	F140463	(MC140463)	w/Cruise Control; 1-5/16" Bore
Master Cylinder	99	F134457	(MC134457)	w/o Cruise Control; 1-5/16" Bore
Master Cylinder	96 - 94	F131211	(MC131211)	w/Cruise Control; 1-1/8" Bore
Master Cylinder	96 - 94	F120368	(MC120368)	w/o Cruise Control; 1-1/8" Bore
Master Cylinder	93	F120368	(MC120368)	1-1/8" Bore
Master Cylinder	92	F129285	(MC129285)	1-1/8" Bore
Master Cylinder	91 - 87	F120368	(MC120368)	Over 7000 GVW; 1-1/8" Bore
Master Cylinder	91 - 87	F120369	(MC120369)	Under 7000 GVW; 1-1/16" Bore
Master Cylinder	86	F110919	(MC110919)	From 9/01/85; Over 8500 GVW; 1-1/8" Bore
Master Cylinder	86	F110917	(MC110917)	From 9/01/85; Under 8500 GVW; 1-1/16" Bore
Master Cylinder	86	F110919	(MC110919)	To 8/31/85; Over 8500 GVW; 1-1/8" Bore
Master Cylinder	86	F97936	(MC97936)	To 8/31/85; Under 8500 GVW; 1-1/16" Bore
Master Cylinder	85 - 84	F110919	(MC110919)	Over 8500 GVW; 1-1/8" Bore
Master Cylinder	85 - 84	F97936	(MC97936)	Under 8500 GVW; 1-1/16" Bore

Piston: M - OE Metal Piston P - OE Phenolic Piston O - Metal Piston Option

250 ECONOLINE (cont.)
Hydraulics - New (cont.)

Master Cylinder	Years	Sequential No.	Category No.	Qualifier
Master Cylinder	83 - 81	F97936	(MC97936)	1-1/16" Bore
Rear Wheel Cylinder	Years	Sequential No.	Category No.	Qualifier
Wheel Cylinder	06 - 84	F78974	(WC78974)	L.H.; 12 x 2-1/2" Brake; 1" Bore
Wheel Cylinder	06 - 84	F78975	(WC78975)	R.H.; 12 x 2-1/2" Brake; 1" Bore
Wheel Cylinder	98 - 95	F131875	(WC131875)	L.H.; 12 x 3" Brake; 1-1/8" Bore
Wheel Cylinder	98 - 95	F131874	(WC131874)	R.H.; 12 x 3" Brake; 1-1/8" Bore
Wheel Cylinder	94 - 93	F73615	(WC73615)	L.H.; 12 x 3" Brake; 1-1/16" Bore
Wheel Cylinder	94 - 93	F73614	(WC73614)	R.H.; 12 x 3" Brake; 1-1/16" Bore
Wheel Cylinder	92 - 84	F57146	(WC57146)	L.H.; 12 x 3" Brake; 1" Bore
Wheel Cylinder	92 - 84	F57147	(WC57147)	R.H.; 12 x 3" Brake; 1" Bore
Wheel Cylinder	83 - 81	F57146	(WC57146)	L.H.; 1" Bore
Wheel Cylinder	83 - 81	F57147	(WC57147)	R.H.; 1" Bore
Clutch Master Cylind	Years	Sequential No.	Category No.	Qualifier
Clutch Master Cylinder	89 - 84	F110269	(CM110269)	7/8" Bore
Clutch Slave Cylinder	Years	Sequential No.	Category No.	Qualifier
Clutch Slave Cylinder	89 - 88	F126890	(SC126890)	1-1/32" Bore
Clutch Slave Cylinder	87 - 84	F103485	(SC103485)	1" Bore
Front Brake Hose	Years	Sequential No.	Category No.	Qualifier
Brake Hose	02 - 95	F132754	(BH132754)	L.H.; w/2 Whl. ABS
Brake Hose	02 - 95	F133395	(BH133395)	L.H.; w/4 Whl. ABS
Brake Hose	02 - 95	F132773	(BH132773)	R.H.; w/2 Whl. ABS
Brake Hose	02 - 95	F132773	(BH132773)	R.H.; w/4 Whl. ABS
Brake Hose	94	F132196	(BH132196)	L.H.; w/2 Whl. ABS
Brake Hose	94	F132195	(BH132195)	L.H.; w/4 Whl. ABS
Brake Hose	94	F133813	(BH133813)	R.H.; w/2 Whl. ABS
Brake Hose	94	F133813	(BH133813)	R.H.; w/4 Whl. ABS
Brake Hose	93 - 92	F130430	(BH130430)	L.H.; w/Dual Piston Caliper
Brake Hose	93 - 92	F132298	(BH132298)	R.H.; w/Dual Piston Caliper
Brake Hose	91 - 82	F107255	(BH107255)	L.H.
Brake Hose	91 - 82	F106365	(BH106365)	R.H.
Brake Hose	81	F107255	(BH107255)	L.H.; From 2/02/81
Brake Hose	81	F102474	(BH102474)	L.H.; To 2/02/81
Brake Hose	81	F106365	(BH106365)	R.H.; From 2/02/81
Brake Hose	81	F106365	(BH106365)	R.H.; To 2/02/81
Rear Brake Hose	Years	Sequential No.	Category No.	Qualifier
Brake Hose	05 - 92	F133837	(BH133837)	INNER
Brake Hose	91	F128682	(BH128682)	
Brake Hose	88 - 86	F120872	(BH120872)	
Brake Hose	85	F120872	(BH120872)	From 3/01/85
Brake Hose	85	F119385	(BH119385)	To 2/28/85
Brake Hose	84 - 81	F119385	(BH119385)	

Hydraulics - Reman

Master Cylinder	Years	Part No.	Qualifier
Master Cylinder	03 - 01	R134795	w/Cruise
Master Cylinder	03 - 01	R134796	w/o Cruise
Master Cylinder	00	R134795	w/Cruise; Booster I.D. No. XC252B559EC
Master Cylinder	00	R134713	w/o Cruise; Booster I.D. No. XC252B559DB
Master Cylinder	00	R134796	w/o Cruise; Booster I.D. No. XC252B559PC
Master Cylinder	99 - 97	R134630	w/Cruise
Master Cylinder	99 - 97	R134713	w/o Cruise
Master Cylinder	96 - 94	R131306	w/Cruise
Master Cylinder	96 - 94	R120368	w/o Cruise
Master Cylinder	93	R120368	
Master Cylinder	92	R129285	
Master Cylinder	91 - 87	R120368	Over 7000 GVW

250 ECONOLINE (cont.)

Hydraulics - Reman (cont.)

Master Cylinder	Years	Part No.	Qualifier
Master Cylinder	91 - 87	R120369	Under 7000 GVW
Master Cylinder	86	R110917	From 9/01/85; Under 8500 GVW
Master Cylinder	86 - 84	R110919	Over 8500 GVW
Master Cylinder	86	R97936	To 8/30/85; Under 8500 GVW
Master Cylinder	85 - 84	R97936	Under 8500 GVW
Master Cylinder	83 - 81	R97936	

Power Brake Booster	Years	Part No.	Qualifier
Power Brake Booster	04	5474419	From I.D. No. 3C242B599CC; Gas; w/o Master Cylinder; w/Cruise
Power Brake Booster	03 - 01	5474419	Gas; w/o Master Cylinder
Power Brake Booster	00	5474419	From 1/10/00; Gas; w/o Master Cylinder; w/Cruise
Power Brake Booster	00	5474418	From 1/10/00; Gas; w/o Master Cylinder; w/o Cruise
Power Brake Booster	00	5474418	To 1/10/00; Gas; w/o Master Cylinder; w/Cruise
Power Brake Booster	00	5474412	To 1/10/00; Gas; w/o Master Cylinder; w/o Cruise
Power Brake Booster	99	5474418	Gas; w/o Master Cylinder; w/Cruise
Power Brake Booster	99	5474412	Gas; w/o Master Cylinder; w/o Cruise
Power Brake Booster	98 - 97	5474412	Gas; w/o Master Cylinder
Power Brake Booster	96 - 94	504403	Gas; w/Master Cylinder; w/Cruise; Incl. Pump/Motor; Also Avail. Separately
Power Brake Booster	96 - 94	504407	Gas; w/Master Cylinder; w/o Cruise
Power Brake Booster	96 - 92	5474402	Gas; w/o Master Cylinder
Power Brake Booster	93	504407	Gas; w/Master Cylinder
Power Brake Booster	92	504402	Gas; w/Master Cylinder
Power Brake Booster	91 - 87	504401	Gas; w/Master Cylinder; Over 7000 lb. GVW
Power Brake Booster	91 - 88	504302	Gas; w/Master Cylinder; Under 7000 lb. GVW
Power Brake Booster	91 - 87	5474401	Gas; w/o Master Cylinder; Over 7000 lb. GVW
Power Brake Booster	91 - 88	5474302	Gas; w/o Master Cylinder; Under 7000 lb. GVW
Power Brake Booster	87	504207	Gas; w/Master Cylinder; Under 7000 lb. GVW
Power Brake Booster	87	5474204	Gas; w/o Master Cylinder; Under 7000 lb. GVW
Power Brake Booster	86	504204	From 9/01/85; Gas; w/Master Cylinder; Under 8500 lb. GVW
Power Brake Booster	86	5474204	From 9/01/85; Gas; w/o Master Cylinder; Under 8500 lb. GVW
Power Brake Booster	86 - 84	5093336	Gas; w/Master Cylinder; Over 8500 lb. GVW
Power Brake Booster	86 - 84	5473357	Gas; w/o Master Cylinder; Over 8500 lb. GVW
Power Brake Booster	86	503017	To 8/30/85; Gas; w/Master Cylinder; Under 8500 lb. GVW
Power Brake Booster	86	5473017	To 8/30/85; Gas; w/o Master Cylinder; Under 8500 lb. GVW
Power Brake Booster	85 - 84	503017	Gas; w/Master Cylinder; Under 8500 lb. GVW
Power Brake Booster	85 - 84	5473017	Gas; w/o Master Cylinder; Under 8500 lb. GVW
Power Brake Booster	83 - 81	503016	Gas; w/Master Cylinder
Power Brake Booster	83 - 81	5473016	Gas; w/o Master Cylinder

Brake Cables

Parking Brake Cable	Years	Sequential No.	Category No.	Qualifier
Parking Brake Cable	04 - 01	F139252	(BC139252)	Intermediate; 138" WB; Stripped Chassis
Parking Brake Cable	00 - 97	F139252	(BC139252)	Intermediate; 138" WB
Parking Brake Cable	00 - 97	F140390	(BC140390)	Intermediate; 158" WB; 36" Length
Parking Brake Cable	00	F140374	(BC140374)	Rear; R.H.; To 9/30/00; 5300-5400 lb. RA; 101" Length
Parking Brake Cable	99 - 97	F138822	(BC138822)	Forward; w/138" WB
Parking Brake Cable	99	F140374	(BC140374)	Rear; R.H.; Exc. 124" WB; 101" Length
Parking Brake Cable	98 - 97	F140374	(BC140374)	Rear; R.H.; 5300-5400 lb. RA; 101" Length
Parking Brake Cable	97 - 95	F133086	(BC133086)	Rear; L.H.; 5300-5400 lb. RA
Parking Brake Cable	96	F138822	(BC138822)	Forward; From 12/4/95; w/138" WB
Parking Brake Cable	96	F133084	(BC133084)	Forward; To 12/03/95
Parking Brake Cable	96	F140392	(BC140392)	Intermediate; From 12/4/95; 124" WB; Stripped Chassis; 14" Length
Parking Brake Cable	96	F139252	(BC139252)	Intermediate; From 12/4/95; 138" WB; Stripped Chassis
Parking Brake Cable	96	F140392	(BC140392)	Intermediate; To 12/03/95; 124" WB; Stripped Chassis; 14" Length
Parking Brake Cable	96	F133083	(BC133083)	Intermediate; To 12/03/95; 138" WB; Exc. Stripped Chassis
Parking Brake Cable	96	F133083	(BC133083)	Intermediate; To 12/03/95; 138" WB; Stripped Chassis
Parking Brake Cable	96 - 95	F140391	(BC140391)	Intermediate; To 12/03/95; 176" WB; Stripped Chassis; 69" Length

250 ECONOLINE (cont.)
Brake Cables (cont.)

Parking Brake Cable	Years	Sequential No.	Category No.	Qualifier
Parking Brake Cable	96 - 95	F133085	(BC133085)	Rear; R.H.; 5300-5400 lb. RA
Parking Brake Cable	95	F133084	(BC133084)	Forward
Parking Brake Cable	95	F140392	(BC140392)	Intermediate; 124" WB; 14" Length
Parking Brake Cable	95	F133083	(BC133083)	Intermediate; 138" WB
Parking Brake Cable	94 - 92	F132082	(BC132082)	Forward; Exc. Stripped Chassis
Parking Brake Cable	94 - 92	F132083	(BC132083)	Forward; Stripped Chassis
Parking Brake Cable	94 - 92	F132449	(BC132449)	Intermediate; 138" WB
Parking Brake Cable	94 - 92	F132450	(BC132450)	Intermediate; 158" WB
Parking Brake Cable	94 - 92	F132451	(BC132451)	Intermediate; 176" WB
Parking Brake Cable	94 - 92	F132084	(BC132084)	Rear; L.H.
Parking Brake Cable	94 - 92	F132085	(BC132085)	Rear; R.H.
Parking Brake Cable	91 - 88	F120903	(BC120903)	Forward
Parking Brake Cable	91 - 81	F109060	(BC109060)	Rear; L.H.
Parking Brake Cable	91 - 81	F109059	(BC109059)	Rear; R.H.
Parking Brake Cable	87	F102663	(BC102663)	Forward
Parking Brake Cable	86 - 81	F102662	(BC102662)	Forward; 124" WB
Parking Brake Cable	86 - 81	F102663	(BC102663)	Forward; 138" WB

ABS Components - Reman

ABS Module	Years	Part No.	Qualifier
ABS Module	96 - 94	RA121021	w/2 Whl. ABS
ABS Module	93 - 92	RA121021	
ABS Module	91 - 90	RA121017	
ABS Hydraulic Unit	Years	Part No.	Qualifier
ABS Hydraulic Unit	96 - 95	RA122061	w/2 Whl. ABS
ABS Hydraulic Unit	94	RA122024	w/2 Whl. ABS
ABS Hydraulic Unit	93 - 90	RA122024	

Wheel Attaching Hardware

Front Wheel Stud	Years	Part No.	Qualifier
Wheel Lug Stud	05 - 86	BD61164	
Wheel Lug Stud	85 - 81	BD61388	
Rear Wheel Stud	Years	Part No.	Qualifier
Wheel Lug Stud	05 - 92	BD61194	
Wheel Lug Stud	91 - 90	BD61194	w/12 x 2-1/2" Drum
Wheel Lug Stud	91 - 90	BD61175	w/12 x 3" Drum
Wheel Lug Stud	89 - 86	BD61194	w/12 x 2-1/2" Drum; 8-13/16" R.G.
Wheel Lug Stud	89 - 86	BD61162	w/12 x 2-1/2" Drum; 9-3/4" R.G.
Wheel Lug Stud	89 - 84	BD60984	w/12 x 3" Drum
Wheel Lug Stud	85 - 84	BD61162	w/12 x 2-1/2" Drum
Wheel Lug Stud	83 - 81	BD60929	
Front Wheel Nut	Years	Part No.	Qualifier
Wheel Lug Nut	05 - 92	BD61287	Std. Open
Wheel Lug Nut	91 - 90	BD61325	Std. Open
Wheel Lug Nut	89 - 81	BD61283	Std. Open; 1/2"-20 Thread; 13/16" Hex
Rear Wheel Nut	Years	Part No.	Qualifier
Wheel Lug Nut	05 - 92	BD61287	Std. Open
Wheel Lug Nut	91 - 90	BD61325	Std. Open
Wheel Lug Nut	89 - 81	BD61283	Std. Open; 1/2"-20 Thread; 13/16" Hex
Wheel Lug Nut	89 - 84	BD61325	Std. Open; 9/16"-18 Thread

2500 EXPRESS
Brake Pads & Shoes

Front Pads & Shoes	Years	SevereDuty	Lining No.	Qualifier
Brake Pads	06 - 03	SD785		7300 GVW
Brake Pads	06 - 03	SD784		8500-8600 GVW
Brake Pads	02 - 99	SD459		Diesel

2500 EXPRESS (cont.)

Brake Pads & Shoes (cont.)

Front Pads & Shoes	Years	SevereDuty	Lining No.	Qualifier
--------------------	-------	------------	------------	-----------

Brake Pads	02 - 99	SD369		Gas; 7100-7300 GVW; w/6 Stud Whl.
Brake Pads	02 - 99	SD370		Gas; 7700-8600 GVW; w/8 Stud Whl.

Rear Pads & Shoes	Years	SevereDuty	Lining No.	Qualifier
-------------------	-------	------------	------------	-----------

Brake Pads	06 - 03	SD974		
Brake Shoes	02 - 99	SDS473R	EX2073TD-S32	w/6 Stud Whl.; 11-5/32 x 2-3/4" Brake; Bonded
Brake Shoes	02 - 99	SDS473R	EX2073TD-S32	w/6 Stud Whl.; 11-5/32 x 2-3/4" Brake; Riveted
Brake Shoes	02 - 99	SDS655R	SX2042BDT-S36	w/8 Stud Whl.; 13 x 2-1/2" Brake; Riveted
Brake Shoes	02 - 99	SDS656R	SX2157BDT-S36	w/8 Stud Whl.; 13 x 3-1/2" Brake; Riveted

Rotor & Drum

Front Rotor & Drum	Years	Part No.	Qualifier
--------------------	-------	----------	-----------

Brake Rotor	06 - 03	BD126036	8500-8600 GVW
Brake Rotor	05 - 03	BD125654	7300 GVW
Brake Rotor	02 - 01	BD125765	Diesel
Brake Rotor	02 - 99	BD125592	Gas; w/6 Stud Whl.
Brake Rotor	02 - 99	BD125212	Gas; w/8 Stud Whl.

Rear Rotor & Drum	Years	Part No.	Qualifier
-------------------	-------	----------	-----------

Brake Drum	02 - 99	BD61817	11-5/32 x 2-3/4" Brake
Brake Drum	02 - 99	BD60727	13 x 2-1/2" Brake
Brake Drum	02 - 00	BD125523	13 x 3-1/2" Brake
Brake Drum	99	BD125407	13 x 3-1/2" Brake; w/4.625" Dia. Ctr. Pilot Hole
Brake Drum	99	BD125523	13 x 3-1/2" Brake; w/4.835" Dia. Ctr. Pilot Hole
Brake Rotor	06	BD125657	Diesel
Brake Rotor	06 - 03	BD125656	Gas; 8500-8600 GVW

Brake Hardware

Front Brake Hardware	Years	Sequential No.	Category No.	Qualifier
----------------------	-------	----------------	--------------	-----------

Caliper Bolt/Pin	06 - 03	F139712	(H5096)	7300 GVW
Caliper Bolt/Pin	06 - 03	F139700	(H5095)	8500-8600 GVW
Caliper Bolt/Pin	02 - 01	F129642S	(H5062)	Diesel
Caliper Bolt/Pin	02 - 99	F117224S	(H5038)	Gas
Disc Align Kit	06 - 03	F139707	(H5645)	7300 GVW
Disc Align Kit	06 - 03	F139708	(H5646)	8500-8600 GVW
Disc Align Kit	02 - 99	F117225S	(H5584)	
Pin Boot Kit	06 - 03	F138697S	(H8221)	

Rear Brake Hardware	Years	Sequential No.	Category No.	Qualifier
---------------------	-------	----------------	--------------	-----------

Adjuster Kit	02 - 99	F98404	(H2584)	L.H.; 11-5/32 x 2-3/4" Brake
Adjuster Kit	02 - 99	F98406	(H2580)	L.H.; 13 x 2-1/2" Brake
Adjuster Kit	02 - 99	F111233	(H2687)	R.H.; 11-5/32 x 2-3/4" Brake
Adjuster Kit	02 - 99	F98407	(H2581)	R.H.; 13 x 2-1/2" Brake
Adjuster Screw	02 - 99	F73181S	(H1530)	L.H.; 11-5/32 x 2-3/4" Brake
Adjuster Screw	02 - 99	F83294	(H1550)	L.H.; 13 x 2-1/2" Brake
Adjuster Screw	02 - 99	F73182S	(H1531)	R.H.; 11-5/32 x 2-3/4" Brake
Adjuster Screw	02 - 99	F83295	(H1551)	R.H.; 13 x 2-1/2" Brake
Caliper Bolt/Pin	06 - 03	F139370	(H5091)	
Combi Kit	02 - 99	F134117S	(H7217)	11-5/32 x 2-3/4" Brake
↳Adjuster Spring Kit		F45936S	(H415)	
↳Return Spring Kit		F45927S	(H324)	
Combi Kit	02 - 99	F98457S	(H7055)	13 x 2-1/2" Brake
↳Adjuster Spring Kit		F73145S	(H425)	
↳Hold Down Kit		F113455S	(H4098)	
↳Return Spring Kit		F59100S	(H600)	
Disc Align Kit	06 - 03	F139864	(H5665)	
Pin Boot Kit	06 - 03	F140514	(H8240)	

↳Sub-Kit of Combi-Kit is available separately.

Piston: M - OE Metal Piston P - OE Phenolic Piston

2500 EXPRESS (cont.)

Calipers - Reman					
Front, Loaded	Years	Left No.	Right No.	Qualifier	Piston
Loaded Caliper	02	AS120226	AS120227	Diesel	M
Loaded Caliper	02 - 99	AS116292	AS116293	Gas; 7300 GVW; 2.94" 1-Piston Caliper	M
Loaded Caliper	02 - 99	AS116294	AS116295	Gas; Exc. 7300 GVW; 3.16" 1-Piston Caliper	M
Front, Unloaded	Years	Left No.	Right No.	Qualifier	Piston
Unloaded Caliper	05 - 03	CRB134346	CRB134345	7300 GVW; 2-Piston Caliper; Supplied w/Mtg. Brkt.	P
Unloaded Caliper	05 - 03	CR134346	CR134345	7300 GVW; 2-Piston Caliper; Supplied w/o Mtg. Brkt.	P
Unloaded Caliper	05 - 03	CRB134347	CRB134348	8500-8600 GVW; 2-Piston Caliper; Supplied w/Mtg. Brkt.	P
Unloaded Caliper	05 - 03	CR134347	CR134348	8500-8600 GVW; 2-Piston Caliper; Supplied w/o Mtg. Brkt.	P
Unloaded Caliper	02	CR120226	CR120227	Diesel	M
Unloaded Caliper	02 - 99	CR116292	CR116293	Gas; 7300 GVW; 2.94" 1-Piston Caliper	M
Unloaded Caliper	02 - 99	CR116294	CR116295	Gas; Exc. 7300 GVW; 3.16" 1-Piston Caliper	M
Rear, Unloaded	Years	Left No.	Right No.	Qualifier	Piston
Unloaded Caliper	05 - 03	CR135118	CR135117	8500-8600 GVW	P
Hydraulics - New					
Master Cylinder	Years	Sequential No.	Category No.	Qualifier	
Master Cylinder	02 - 99	F140292	(MC140292)	w/JB6; Gas; 1-1/8" Bore	
Master Cylinder	02 - 99	F139959	(MC139959)	w/JD7; 1-1/4" Bore	
Rear Wheel Cylinder	Years	Sequential No.	Category No.	Qualifier	
Wheel Cylinder	02 - 99	F131225	(WC131225)	15/16" Bore	
Wheel Cylinder	02 - 99	F116359	(WC116359)	w/Hydro-Boost; Diesel; 1" Bore	
Wheel Cylinder	02 - 99	F79767	(WC79767)	w/Hydro-Boost; Gas; 1-1/16" Bore	
Front Brake Hose	Years	Sequential No.	Category No.	Qualifier	
Brake Hose	06 - 03	F140304	(BH140304)	L.H.; 7300 GVW	
Brake Hose	06 - 03	F140305	(BH140305)	R.H.; 7300 GVW	
Brake Hose	02 - 99	F140496	(BH140496)	L.H.; w/Hydro-Boost	
Brake Hose	02 - 99	F138061	(BH138061)	L.H.; w/Vacuum Boost	
Brake Hose	02 - 99	F140497	(BH140497)	R.H.; w/Hydro-Boost	
Brake Hose	02 - 99	F138062	(BH138062)	R.H.; w/Vacuum Boost	
Rear Brake Hose	Years	Sequential No.	Category No.	Qualifier	
Brake Hose	02 - 99	F118117	(BH118117)		
Hydraulics - Reman					
Master Cylinder	Years	Part No.	Qualifier		
Master Cylinder	02 - 99	R134626		Diesel	
Master Cylinder	02 - 99	R134627		Gas	
Power Brake Booster	Years	Part No.	Qualifier		
Hydro Booster	01 - 99	527342		Diesel	
Power Brake Booster	Years	Part No.	Qualifier		
Power Brake Booster	02 - 99	5474810		Gas; w/o Master Cylinder	
Brake Cables					
Parking Brake Cable	Years	Sequential No.	Category No.	Qualifier	
Parking Brake Cable	02 - 99	F138836	(BC138836)	Forward	
Parking Brake Cable	02 - 99	F138900	(BC138900)	Intermediate; 155" WB	
Parking Brake Cable	02 - 99	F140296	(BC140296)	Rear; L.H.; w/JB6; 63" Length	
Parking Brake Cable	02 - 99	F140173	(BC140173)	Rear; R.H.; w/JB6; 90" Length	
Wheel Attaching Hardware					
Front Wheel Stud	Years	Part No.	Qualifier		
Wheel Lug Stud	05 - 03	BD125938			
Wheel Lug Stud	02 - 99	BD61426			
Rear Wheel Stud	Years	Part No.	Qualifier		
Wheel Lug Stud	05 - 03	BD125938			
Wheel Lug Stud	02 - 99	BD61427		w/11-5/32" Drum	
Wheel Lug Stud	02 - 99	BD125934		w/13" Drum	

Piston: M - OE Metal Piston P - OE Phenolic Piston

2500 EXPRESS (cont.)

Wheel Attaching Hardware (cont.)

Front Wheel Nut	Years	Part No.	Qualifier
Wheel Lug Nut	05 - 99	BD125916	External Thread
Rear Wheel Nut	Years	Part No.	Qualifier
Wheel Lug Nut	05 - 99	BD125916	External Thread

2500 SAVANA

Brake Pads & Shoes

Front Pads & Shoes	Years	SevereDuty	Lining No.	Qualifier
Brake Pads	06 - 03	SD785		7300 GVW
Brake Pads	06 - 03	SD784		8500-8600 GVW
Brake Pads	02 - 99	SD459		Diesel
Brake Pads	02 - 99	SD369		Gas; 7100-7300 GVW; w/6 Stud Whl.
Brake Pads	02 - 99	SD370		Gas; 7700-8600 GVW; w/8 Stud Whl.

Rear Pads & Shoes	Years	SevereDuty	Lining No.	Qualifier
Brake Pads	06 - 03	SD974		
Brake Shoes	02 - 99	SDS473R	EX2073TD-S32	w/6 Stud Whl.; 11-5/32 x 2-3/4" Brake; Bonded
Brake Shoes	02 - 99	SDS473R	EX2073TD-S32	w/6 Stud Whl.; 11-5/32 x 2-3/4" Brake; Riveted
Brake Shoes	02 - 99	SDS655R	SX2042BDT-S36w/8	w/8 Stud Whl.; 13 x 2-1/2" Brake; Riveted
Brake Shoes	02 - 99	SDS656R	SX2157BDT-S36w/8	w/8 Stud Whl.; 13 x 3-1/2" Brake; Riveted

Rotor & Drum

Front Rotor & Drum	Years	Part No.	Qualifier
Brake Rotor	06 - 03	BD126036	8500-8600 GVW
Brake Rotor	05 - 03	BD125654	7300 GVW
Brake Rotor	02 - 01	BD125765	Diesel
Brake Rotor	02 - 99	BD125592	Gas; w/6 Stud Whl.
Brake Rotor	02 - 99	BD125212	Gas; w/8 Stud Whl.

Rear Rotor & Drum	Years	Part No.	Qualifier
Brake Drum	02 - 99	BD61817	11-5/32 x 2-3/4" Brake
Brake Drum	02 - 99	BD60727	13 x 2-1/2" Brake
Brake Drum	02 - 00	BD125523	13 x 3-1/2" Brake
Brake Drum	99	BD125407	13 x 3-1/2" Brake; w/4.625" Dia. Ctr. Pilot Hole
Brake Drum	99	BD125523	13 x 3-1/2" Brake; w/4.835" Dia. Ctr. Pilot Hole
Brake Rotor	06	BD125657	Diesel
Brake Rotor	06 - 03	BD125656	Gas; 8500-8600 GVW

Brake Hardware

Front Brake Hardware	Years	Sequential No.	Category No.	Qualifier
Caliper Bolt/Pin	06 - 03	F139712	(H5096)	7300 GVW
Caliper Bolt/Pin	06 - 03	F139700	(H5095)	8500-8600 GVW
Caliper Bolt/Pin	02 - 01	F129642S	(H5062)	Diesel
Caliper Bolt/Pin	02 - 99	F117224S	(H5038)	Gas
Disc Align Kit	06 - 03	F139707	(H5645)	7300 GVW
Disc Align Kit	06 - 03	F139708	(H5646)	8500-8600 GVW
Disc Align Kit	02 - 99	F117225S	(H5584)	
Pin Boot Kit	06 - 03	F138697S	(H8221)	

Rear Brake Hardware	Years	Sequential No.	Category No.	Qualifier
Adjuster Kit	02 - 99	F98404	(H2584)	L.H.; 11-5/32 x 2-3/4" Brake
Adjuster Kit	02 - 99	F98406	(H2580)	L.H.; 13 x 2-1/2" Brake
Adjuster Kit	02 - 99	F111233	(H2687)	R.H.; 11-5/32 x 2-3/4" Brake
Adjuster Kit	02 - 99	F98407	(H2581)	R.H.; 13 x 2-1/2" Brake
Adjuster Screw	02 - 99	F73181S	(H1530)	L.H.; 11-5/32 x 2-3/4" Brake
Adjuster Screw	02 - 99	F83294	(H1550)	L.H.; 13 x 2-1/2" Brake
Adjuster Screw	02 - 99	F73182S	(H1531)	R.H.; 11-5/32 x 2-3/4" Brake
Adjuster Screw	02 - 99	F83295	(H1551)	R.H.; 13 x 2-1/2" Brake
Caliper Bolt/Pin	06 - 03	F139370	(H5091)	

↳ Sub-Kit of Combi-Kit is available separately.

Brake Hardware (cont.)

Rear Brake Hardware	Years	Sequential No.	Category No.	Qualifier
Combi Kit	02 - 99	F134117S	(H7217)	11-5/32 x 2-3/4" Brake
↳Adjuster Spring Kit		F45936S	(H415)	
↳Return Spring Kit		F45927S	(H324)	
Combi Kit	02 - 99	F98457S	(H7055)	13 x 2-1/2" Brake
↳Adjuster Spring Kit		F73145S	(H425)	
↳Hold Down Kit		F113455S	(H4098)	
↳Return Spring Kit		F59100S	(H600)	
Disc Align Kit	06 - 03	F139864	(H5665)	
Pin Boot Kit	06 - 03	F140514	(H8240)	

Calipers - Reman

Front, Loaded	Years	Left No.	Right No.	Qualifier	Piston
Loaded Caliper	02	AS120226	AS120227	Diesel	M
Loaded Caliper	02 - 99	AS116292	AS116293	Gas; 7300 GVW; 2.94" 1-Piston Caliper	M
Loaded Caliper	02 - 99	AS116294	AS116295	Gas; Exc. 7300 GVW; 3.16" 1-Piston Caliper	M
Front, Unloaded	Years	Left No.	Right No.	Qualifier	Piston
Unloaded Caliper	05 - 03	CRB134346	CRB134345	7300 GVW; 2-Piston Caliper; Supplied w/Mtg. Brkt.	P
Unloaded Caliper	05 - 03	CR134346	CR134345	7300 GVW; 2-Piston Caliper; Supplied w/o Mtg. Brkt.	P
Unloaded Caliper	05 - 03	CRB134347	CRB134348	8500-8600 GVW; 2-Piston Caliper; Supplied w/Mtg. Brkt.	P
Unloaded Caliper	05 - 03	CR134347	CR134348	8500-8600 GVW; 2-Piston Caliper; Supplied w/o Mtg. Brkt.	P
Unloaded Caliper	02	CR120226	CR120227	Diesel	M
Unloaded Caliper	02 - 99	CR116292	CR116293	Gas; 7300 GVW; 2.94" 1-Piston Caliper	M
Unloaded Caliper	02 - 99	CR116294	CR116295	Gas; Exc. 7300 GVW; 3.16" 1-Piston Caliper	M
Rear, Unloaded	Years	Left No.	Right No.	Qualifier	Piston
Unloaded Caliper	05 - 03	CR135118	CR135117	8500-8600 GVW	P

Hydraulics - New

Master Cylinder	Years	Sequential No.	Category No.	Qualifier
Master Cylinder	02 - 99	F140292	(MC140292)	w/JB6; Gas; 1-1/8" Bore
Master Cylinder	02 - 99	F139959	(MC139959)	w/JD7; 1-1/4" Bore
Rear Wheel Cylinder	Years	Sequential No.	Category No.	Qualifier
Wheel Cylinder	02 - 99	F131225	(WC131225)	15/16" Bore
Wheel Cylinder	02 - 99	F116359	(WC116359)	w/Hydro-Boost; Diesel; 1" Bore
Wheel Cylinder	02 - 99	F79767	(WC79767)	w/Hydro-Boost; Gas; 1-1/16" Bore
Front Brake Hose	Years	Sequential No.	Category No.	Qualifier
Brake Hose	06 - 03	F140304	(BH140304)	L.H.; 7300 GVW
Brake Hose	06 - 03	F140305	(BH140305)	R.H.; 7300 GVW
Brake Hose	02 - 99	F140496	(BH140496)	L.H.; w/Hydro-Boost
Brake Hose	02 - 99	F138061	(BH138061)	L.H.; w/Vacuum Boost
Brake Hose	02 - 99	F140497	(BH140497)	R.H.; w/Hydro-Boost
Brake Hose	02 - 99	F138062	(BH138062)	R.H.; w/Vacuum Boost
Rear Brake Hose	Years	Sequential No.	Category No.	Qualifier
Brake Hose	02 - 99	F118117	(BH118117)	

Hydraulics - Reman

Master Cylinder	Years	Part No.	Qualifier
Master Cylinder	02 - 99	R134626	Diesel
Master Cylinder	02 - 99	R134627	Gas
Power Brake Booster	Years	Part No.	Qualifier
Hydro Booster	01 - 99	527342	Diesel
Power Brake Booster	Years	Part No.	Qualifier
Power Brake Booster	02 - 99	5474810	Gas; w/o Master Cylinder

Brake Cables

Parking Brake Cable	Years	Sequential No.	Category No.	Qualifier
Parking Brake Cable	02 - 99	F138836	(BC138836)	Forward
Parking Brake Cable	02 - 99	F138900	(BC138900)	Intermediate; 155" WB

↳Sub-Kit of Combi-Kit is available separately.

Piston: M - OE Metal Piston P - OE Phenolic Piston

2500 SAVANA (cont.)

Brake Cables (cont.)

<i>Parking Brake Cable</i>	<i>Years</i>	<i>Sequential No.</i>	<i>Category No.</i>	<i>Qualifier</i>
Parking Brake Cable	02 - 99	F140296	(BC140296)	Rear; L.H.; w/JB6; 63" Length
Parking Brake Cable	02 - 99	F140173	(BC140173)	Rear; R.H.; w/JB6; 90" Length

Wheel Attaching Hardware

<i>Front Wheel Stud</i>	<i>Years</i>	<i>Part No.</i>	<i>Qualifier</i>
Wheel Lug Stud	05 - 03	BD125938	
Wheel Lug Stud	02 - 99	BD61426	
<i>Rear Wheel Stud</i>	<i>Years</i>	<i>Part No.</i>	<i>Qualifier</i>
Wheel Lug Stud	05 - 03	BD125938	
Wheel Lug Stud	02 - 99	BD61427	w/11-5/32" Drum
Wheel Lug Stud	02 - 99	BD125934	w/13" Drum
<i>Front Wheel Nut</i>	<i>Years</i>	<i>Part No.</i>	<i>Qualifier</i>
Wheel Lug Nut	05 - 99	BD125916	External Thread
<i>Rear Wheel Nut</i>	<i>Years</i>	<i>Part No.</i>	<i>Qualifier</i>
Wheel Lug Nut	05 - 99	BD125916	External Thread

350 ECONOLINE

Brake Pads & Shoes

<i>Front Pads & Shoes</i>	<i>Years</i>	<i>SevereDuty</i>	<i>Lining No.</i>	<i>Qualifier</i>
Brake Pads	06 - 95	SD655		
Brake Pads	94 - 92	SD557		
Brake Pads	91 - 81	SD450		
<i>Rear Pads & Shoes</i>	<i>Years</i>	<i>SevereDuty</i>	<i>Lining No.</i>	<i>Qualifier</i>
Brake Pads	06 - 99	SD802		
Brake Pads	98 - 97	SD411		
Brake Shoes	06 - 81	SDS358AR	EX2140TD	12 x 3; Riveted
Brake Shoes	98 - 87	SDS583R	EX2171TD	12-1/8 x 3-1/2; Riveted
<i>Parking Brake Shoes</i>	<i>Years</i>	<i>SevereDuty</i>	<i>Lining No.</i>	<i>Qualifier</i>
Brake Shoes	03 - 99	SDS771	EX2192	Bonded

Rotor & Drum

<i>Front Rotor & Drum</i>	<i>Years</i>	<i>Part No.</i>	<i>Qualifier</i>
Brake Rotor	06 - 95	BD125629	w/DRW; w/2 Whl. ABS
Brake Rotor	06 - 95	BD125630	w/DRW; w/4 Whl. ABS
Brake Rotor	06 - 95	BD125468	w/SRW; w/2 Whl. ABS
Brake Rotor	06 - 95	BD125477	w/SRW; w/4 Whl. ABS
Brake Rotor	94 - 81	BD60468	w/DRW
Brake Rotor	94 - 93	BD125410	w/SRW; w/2 Whl. ABS
Brake Rotor	94 - 93	BD125411	w/SRW; w/4 Whl. ABS
Brake Rotor	92	BD125410	w/SRW
Brake Rotor	91 - 86	BD61910	w/SRW
Brake Rotor	85 - 82	BD61885	w/SRW
Brake Rotor	81	BD61885	From 11/3/80; w/SRW
Brake Rotor	81	BD60470	To 11/03/80; w/SRW
<i>Rear Rotor & Drum</i>	<i>Years</i>	<i>Part No.</i>	<i>Qualifier</i>
Brake Drum	06 - 99	BD125692	12 x 3" Brake
Brake Drum	98 - 95	BD60793	12 x 3" Brake
Brake Drum	98 - 95	BD125385	12-1/8 x 3-1/2" Brake; 6340-7200 lb. RA
Brake Drum	98 - 95	BD60885	12-1/8 x 3-1/2" Brake; 7800-8000 lb. RA
Brake Drum	94 - 92	BD60793	12 x 3" Brake; w/SRW
Brake Drum	94 - 92	BD60885	12-1/8 x 3-1/2" Brake; w/DRW
Brake Drum	94 - 92	BD125385	12-1/8 x 3-1/2" Brake; w/SRW; 6340-7200 lb. RA
Brake Drum	94 - 92	BD60885	12-1/8 x 3-1/2" Brake; w/SRW; 7800-8000 lb. RA
Brake Drum	91 - 81	BD60330	12 x 3" Brake; w/DRW
Brake Drum	91 - 81	BD60465	12 x 3" Brake; w/SRW; Exc. 10-1/4" R.G.
Brake Drum	91 - 81	BD60819	12 x 3" Brake; w/SRW; w/10-1/4" R.G.
Brake Drum	91 - 81	BD60885	12-1/8 x 3-1/2" Brake; w/DRW; Exc. 10-1/4" R.G.

350 ECONOLINE (cont.)

Rotor & Drum (cont.)

Rear Rotor & Drum	Years	Part No.	Qualifier
Brake Drum	91 - 81	BD60885	12-1/8 x 3-1/2" Brake; w/DRW; w/10-1/4" R.G.
Brake Rotor	06 - 99	BD125701	w/DRW
Brake Rotor	06 - 99	BD125694	w/SRW
Brake Rotor	98 - 97	BD125550	

Brake Hardware

Front Brake Hardware	Years	Sequential No.	Category No.	Qualifier
Caliper Bolt/Pin	06 - 95	F126899S	(H5061)	
Caliper Bolt/Pin	94 - 92	F130379S	(H5068)	
Caliper Bolt/Pin	91 - 86	F111231S	(H5031)	
Caliper Bolt/Pin	85 - 82	F102554S	(H5010C)	
Disc Align Kit	05 - 95	F132611S	(H5602)	
Disc Align Kit	94 - 92	F130266S	(H5445)	
Disc Align Kit	91 - 86	F114477	(H5572)	
Disc Align Kit	85 - 81	F97900	(H5529)	
Pin Boot Kit	01 - 95	F117215S	(H18000C)	
Pin Boot Kit	94 - 92	F130393S	(H8211)	

Rear Brake Hardware	Years	Sequential No.	Category No.	Qualifier
Adjuster Kit	05 - 81	F98416	(H2588)	L.H.
Adjuster Kit	05 - 81	F98417	(H2589)	R.H.
Adjuster Screw	05 - 81	F79799	(H1534)	L.H.
Adjuster Screw	05 - 81	F79800	(H1535)	R.H.
Caliper Bolt/Pin	06 - 99	F126899S	(H5061)	
Combi Kit	06 - 81	F102555	(H7164)	12 x 3" Brake
↳Adjuster Spring Kit		F106695	(H446)	
↳Return Spring Kit		F67455	(H546)	
Combi Kit	98 - 87	F117217	(H7197)	12-1/8 x 3-1/2" Brake
↳Adjuster Spring Kit		F73105	(H430)	
↳Return Spring Kit		F67455	(H546)	
Disc Align Kit	05 - 99	F138118S	(H5616)	
Pin Boot Kit	05 - 99	F139361	(H8227)	

Parking Brake	Years	Sequential No.	Category No.	Qualifier
Adjuster Screw	03 - 00	F139719	(H1594)	L.H.
Adjuster Screw	03 - 00	F139719	(H1594)	R.H.
Combi Kit	03 - 00	F139869	(H7239)	w/SRW

Calipers - Reman

Front, Loaded	Years	Left No.	Right No.	Qualifier	Piston
Loaded Caliper	99	AS133118	AS133119	To 5/18/99	P
Loaded Caliper	98 - 95	AS133118	AS133119		P
Loaded Caliper	94 - 92	AS128780	AS128781		P
Loaded Caliper	94 - 92	AS128780S	AS128781S		O
Loaded Caliper	91 - 89	AS128856	AS128857		P
Loaded Caliper	88 - 86	AS116931	AS116932		P
Loaded Caliper	85 - 81	AS102430	AS102431	2-Piston Caliper	M

Rear, Loaded	Years	Left No.	Right No.	Qualifier	Piston
Loaded Caliper	05 - 99	AS134357	AS134358		P

Front, Unloaded	Years	Left No.	Right No.	Qualifier	Piston
Unloaded Caliper	05 - 00	CRB134508	CRB134509	Supplied w/Mtg. Brkt.	P
Unloaded Caliper	05 - 00	CR134508	CR134509	Supplied w/o Mtg. Brkt.	P
Unloaded Caliper	99	CRB134508	CRB134509	From 5/18/99; Supplied w/Mtg. Brkt.	P
Unloaded Caliper	99	CR134508	CR134509	From 5/18/99; Supplied w/o Mtg. Brkt.	P
Unloaded Caliper	99	CRB133118	CRB133119	To 5/18/99; Supplied w/Mtg. Brkt.	P
Unloaded Caliper	99	CRB133118S	CRB133119S	To 5/18/99; Supplied w/Mtg. Brkt.	O
Unloaded Caliper	99	CR133118	CR133119	To 5/18/99; Supplied w/o Mtg. Brkt.	P
Unloaded Caliper	99	CR133118S	CR133119S	To 5/18/99; Supplied w/o Mtg. Brkt.	O
Unloaded Caliper	98 - 95	CRB133118	CRB133119	Supplied w/Mtg. Brkt.	P

↳Sub-Kit of Combi-Kit is available separately.

Piston: M - OE Metal Piston P - OE Phenolic Piston O - Metal Piston Option

350 ECONOLINE (cont.)

Calipers - Reman (cont.)

Front, Unloaded	Years	Left No.	Right No.	Qualifier	Piston
Unloaded Caliper	98 - 95	CRB133118S	CRB133119S	Supplied w/Mtg. Brkt.	O
Unloaded Caliper	98 - 95	CR133118	CR133119	Supplied w/o Mtg. Brkt.	P
Unloaded Caliper	98 - 95	CR133118S	CR133119S	Supplied w/o Mtg. Brkt.	O
Unloaded Caliper	94 - 92	CR128780	CR128781		P
Unloaded Caliper	94 - 92	CR128780S	CR128781S		O
Unloaded Caliper	91 - 89	CR128856	CR128857		P
Unloaded Caliper	88 - 86	CR116931	CR116932		P
Unloaded Caliper	85 - 81	CR102430	CR102431	2-Piston Caliper	M
Rear, Unloaded	Years	Left No.	Right No.	Qualifier	Piston
Unloaded Caliper	05 - 99	CRB134358	CRB134357	Supplied w/Mtg. Brkt.	P
Unloaded Caliper	05 - 99	CR134358	CR134357	Supplied w/o Mtg. Brkt.	P

Hydraulics - New

Master Cylinder	Years	Sequential No.	Category No.	Qualifier
Master Cylinder	06 - 02	F140463	(MC140463)	w/Cruise Control; 1-5/16" Bore
Master Cylinder	06 - 02	F134457	(MC134457)	w/o Cruise Control; 1-5/16" Bore
Master Cylinder	01 - 99	F140463	(MC140463)	Exc. Super Duty; w/Cruise Control; 1-5/16" Bore
Master Cylinder	01 - 99	F134457	(MC134457)	Exc. Super Duty; w/o Cruise Control; 1-5/16" Bore
Master Cylinder	01 - 99	F134465	(MC134465)	Super Duty; 1-5/16" Bore
Master Cylinder	98	F140462	(MC140462)	From 12/22/97; w/Cruise Control; 1-1/4" Bore
Master Cylinder	98	F134457	(MC134457)	From 12/22/97; w/o Cruise Control; 1-5/16" Bore
Master Cylinder	97	F131212	(MC131212)	To 12/21/97; w/Hydro-Boost; w/o Cruise Control; 1-5/16" Bore
Master Cylinder	97	F140462	(MC140462)	To 12/21/97; w/Vacuum Boost; w/Cruise Control; 1-1/4" Bore
Master Cylinder	96	F131212	(MC131212)	Commercial Chassis; w/Hydro-Boost; 1-5/16" Bore
Master Cylinder	96	F131306	(MC131306)	Commercial Chassis; w/Vacuum Boost; w/Cruise Control; 1-1/8" Bore
Master Cylinder	96	F120368	(MC120368)	Commercial Chassis; w/Vacuum Boost; w/o Cruise Control; 1-1/8" Bore
Master Cylinder	96	F131211	(MC131211)	Exc. Commercial Chassis; w/Vacuum Boost; w/Cruise Control; 1-1/8" Bore
Master Cylinder	96	F120368	(MC120368)	Exc. Commercial Chassis; w/Vacuum Boost; w/o Cruise Control; 1-1/8" Bore
Master Cylinder	95 - 94	F131306	(MC131306)	Commercial Chassis; w/Cruise Control; 1-1/8" Bore
Master Cylinder	95 - 94	F131211	(MC131211)	Exc. Commercial Chassis; w/Cruise Control; 1-1/8" Bore
Master Cylinder	95 - 94	F120368	(MC120368)	Exc. Commercial Chassis; w/o Cruise Control; 1-1/8" Bore
Master Cylinder	93	F120368	(MC120368)	1-1/8" Bore
Master Cylinder	92	F129286	(MC129286)	w/DRW; 1-1/8" Bore
Master Cylinder	92	F129285	(MC129285)	w/SRW; 1-1/8" Bore
Master Cylinder	91 - 87	F120368	(MC120368)	1-1/8" Bore
Master Cylinder	86 - 84	F110919	(MC110919)	1-1/8" Bore
Master Cylinder	83 - 81	F97938	(MC97938)	1-1/16" Bore
Rear Wheel Cylinder	Years	Sequential No.	Category No.	Qualifier
Wheel Cylinder	06 - 95	F113757	(WC113757)	L.H.; w/DRW; 1-3/16" Bore
Wheel Cylinder	06 - 95	F131875	(WC131875)	L.H.; w/SRW; 1-1/8" Bore
Wheel Cylinder	06 - 95	F113758	(WC113758)	R.H.; w/DRW; 1-3/16" Bore
Wheel Cylinder	06 - 95	F131874	(WC131874)	R.H.; w/SRW; 1-1/8" Bore
Wheel Cylinder	94 - 92	F113757	(WC113757)	L.H.; w/DRW; 12 x 3" Brake; 1-3/16" Bore
Wheel Cylinder	94 - 92	F35325	(WC35325)	L.H.; w/DRW; 12 x 3-1/2" Brake; 1-1/8" Bore
Wheel Cylinder	94 - 93	F73615	(WC73615)	L.H.; w/SRW; 1-1/16" Bore
Wheel Cylinder	94 - 92	F113758	(WC113758)	R.H.; w/DRW; 12 x 3" Brake; 1-3/16" Bore
Wheel Cylinder	94 - 92	F35326	(WC35326)	R.H.; w/DRW; 12 x 3-1/2" Brake; 1-1/8" Bore
Wheel Cylinder	94 - 93	F73614	(WC73614)	R.H.; w/SRW; 1-1/16" Bore
Wheel Cylinder	92	F57146	(WC57146)	L.H.; w/SRW; 12 x 3" Brake; 1" Bore
Wheel Cylinder	92	F73615	(WC73615)	L.H.; w/SRW; 12 x 3-1/2" Brake; 1-1/16" Bore
Wheel Cylinder	92	F57147	(WC57147)	R.H.; w/SRW; 12 x 3" Brake; 1" Bore
Wheel Cylinder	92	F73614	(WC73614)	R.H.; w/SRW; 12 x 3-1/2" Brake; 1-1/16" Bore
Wheel Cylinder	91 - 84	F35325	(WC35325)	L.H.; w/DRW; 1-1/8" Bore
Wheel Cylinder	91 - 84	F57146	(WC57146)	L.H.; w/SRW; 1" Bore
Wheel Cylinder	91 - 84	F35326	(WC35326)	R.H.; w/DRW; 1-1/8" Bore
Wheel Cylinder	91 - 84	F57147	(WC57147)	R.H.; w/SRW; 1" Bore

Piston: M - OE Metal Piston P - OE Phenolic Piston O - Metal Piston Option

350 ECONOLINE (cont.)
Hydraulics - New (cont.)

Rear Wheel Cylinder	Years	Sequential No.	Category No.	Qualifier
Wheel Cylinder	83 - 81	F57146	(WC57146)	L.H.; School Bus; 1" Bore
Wheel Cylinder	83 - 81	F57147	(WC57147)	R.H.; School Bus; 1" Bore
Wheel Cylinder	81	F18984	(WC18984)	L.H.; Exc. School Bus; 1-1/16" Bore
Wheel Cylinder	81	F18985	(WC18985)	R.H.; Exc. School Bus; 1-1/16" Bore
Clutch Master Cylind	Years	Sequential No.	Category No.	Qualifier
Clutch Master Cylinder	99 - 92	F118415	(CM118415)	Chassis Cab; 7/8" Bore
Clutch Master Cylinder	99 - 92	F117053	(CM117053)	Stripped Chassis; 7/8" Bore
Clutch Master Cylinder	91 - 90	F118415	(CM118415)	Chassis Cab; w/Dual Piston Caliper; 7/8" Bore
Clutch Master Cylinder	91 - 90	F117053	(CM117053)	Stripped Chassis; w/Dual Piston Caliper; 7/8" Bore
Clutch Master Cylinder	89 - 88	F118415	(CM118415)	Chassis Cab; 7/8" Bore
Clutch Master Cylinder	89 - 88	F110269	(CM110269)	Exc. Chassis Cab; 7/8" Bore
Clutch Master Cylinder	87 - 84	F110269	(CM110269)	7/8" Bore
Clutch Slave Cylinder	Years	Sequential No.	Category No.	Qualifier
Clutch Slave Cylinder	97 - 84	F103485	(SC103485)	1" Bore
Clutch Slave Cylinder	89 - 88	F126890	(SC126890)	1-1/32" Bore
Front Brake Hose	Years	Sequential No.	Category No.	Qualifier
Brake Hose	02 - 95	F132754	(BH132754)	L.H.; w/2 Whl. ABS
Brake Hose	02 - 95	F133395	(BH133395)	L.H.; w/4 Whl. ABS
Brake Hose	02 - 95	F132773	(BH132773)	R.H.; w/2 Whl. ABS
Brake Hose	02 - 95	F132773	(BH132773)	R.H.; w/4 Whl. ABS
Brake Hose	94 - 93	F132196	(BH132196)	L.H.; w/2 Whl. ABS
Brake Hose	94 - 93	F132195	(BH132195)	L.H.; w/4 Whl. ABS
Brake Hose	94 - 93	F133813	(BH133813)	R.H.; w/2 Whl. ABS
Brake Hose	94 - 93	F133813	(BH133813)	R.H.; w/4 Whl. ABS
Brake Hose	92	F130430	(BH130430)	L.H.; w/Dual Piston Caliper
Brake Hose	92	F132298	(BH132298)	R.H.; w/Dual Piston Caliper
Brake Hose	91 - 82	F107255	(BH107255)	L.H.
Brake Hose	91 - 82	F106365	(BH106365)	R.H.
Brake Hose	81	F107255	(BH107255)	L.H.; From 2/02/81
Brake Hose	81	F102474	(BH102474)	L.H.; To 2/02/81
Brake Hose	81	F106365	(BH106365)	R.H.; From 2/02/81
Brake Hose	81	F106365	(BH106365)	R.H.; To 2/02/81
Rear Brake Hose	Years	Sequential No.	Category No.	Qualifier
Brake Hose	05 - 92	F133837	(BH133837)	
Brake Hose	91 - 90	F128682	(BH128682)	
Brake Hose	89 - 86	F120872	(BH120872)	
Brake Hose	85	F120872	(BH120872)	From 3/01/85
Brake Hose	85	F119385	(BH119385)	To 2/28/85
Brake Hose	84 - 81	F119385	(BH119385)	

Hydraulics - Reman

Master Cylinder	Years	Part No.	Qualifier
Master Cylinder	03 - 01	R134795	w/Cruise; Booster I.D. No. 2C242B559KA
Master Cylinder	03 - 00	R134796	w/o Cruise; Booster I.D. No. XC252B559PC
Master Cylinder	00	R134795	w/Cruise; Booster I.D. No. XC252B559EC
Master Cylinder	00	R134713	w/o Cruise; Booster I.D. No. XC252B559DB
Master Cylinder	99	R134797	To 5/02/99; w/Hydro Boost
Master Cylinder	99	R134795	w/Vacuum Boost; w/Cruise
Master Cylinder	99	R134796	w/Vacuum Boost; w/o Cruise
Master Cylinder	98 - 97	R134709	w/Cruise; w/DRW
Master Cylinder	98 - 97	R134630	w/Cruise; w/SRW
Master Cylinder	98 - 97	R134629	w/o Cruise; Cutaway or Stripped Chassis
Master Cylinder	98 - 97	R134713	w/o Cruise; Exc. Cutaway or Stripped Chassis
Master Cylinder	96 - 93	R131306	w/Cruise
Master Cylinder	96 - 93	R120368	w/o Cruise
Master Cylinder	92	R129285	

350 ECONOLINE (cont.)

Hydraulics - Reman (cont.)

Master Cylinder	Years	Part No.	Qualifier
Master Cylinder	91 - 87	R120368	
Master Cylinder	86 - 84	R110919	
Master Cylinder	83 - 81	R97938	

Power Brake Booster	Years	Part No.	Qualifier
Power Brake Booster	04	5474419	From I.D. No. 3C242B559CC; Gas; w/o Master Cylinder; w/Cruise
Power Brake Booster	03 - 01	5474419	Gas; w/o Master Cylinder
Power Brake Booster	00 - 99	5474419	Gas; w/o Master Cylinder; Cutaway
Power Brake Booster	00 - 99	5474418	Gas; w/o Master Cylinder; Exc. Cutaway
Power Brake Booster	98 - 97	5474412	Gas; w/o Master Cylinder
Power Brake Booster	96 - 94	504403	Gas; w/Master Cylinder; w/Cruise; Incl. Pump/Motor; Also Avail. Separately
Power Brake Booster	96 - 94	504407	Gas; w/Master Cylinder; w/o Cruise
Power Brake Booster	96 - 92	5474402	Gas; w/o Master Cylinder
Power Brake Booster	93	504407	Gas; w/Master Cylinder
Power Brake Booster	92	504402	Gas; w/Master Cylinder
Power Brake Booster	91 - 90	503321	Gas; w/Master Cylinder; Cutaway
Power Brake Booster	91 - 90	504401	Gas; w/Master Cylinder; Exc. Cutaway
Power Brake Booster	91 - 90	5474401	Gas; w/o Master Cylinder; Exc. Cutaway
Power Brake Booster	89 - 87	504401	Gas; w/Master Cylinder
Power Brake Booster	89 - 87	5474401	Gas; w/o Master Cylinder
Power Brake Booster	86 - 84	509336	Gas; w/Master Cylinder
Power Brake Booster	86 - 84	5473357	Gas; w/o Master Cylinder
Power Brake Booster	83 - 81	503312	Gas; w/Master Cylinder
Power Brake Booster	83 - 81	5473312	Gas; w/o Master Cylinder

Brake Cables

Parking Brake Cable	Years	Sequential No.	Category No.	Qualifier
Parking Brake Cable	04 - 97	F140373	(BC140373)	Rear; R.H.; 158" or 176" WB; RV Cutaway; 123" Length
Parking Brake Cable	98	F138822	(BC138822)	Forward; Exc. Stripped Chassis
Parking Brake Cable	98	F139252	(BC139252)	Intermediate; 138" WB; Stripped Chassis
Parking Brake Cable	97 - 95	F133084	(BC133084)	Forward
Parking Brake Cable	97	F139252	(BC139252)	Intermediate; 138" WB
Parking Brake Cable	97	F140390	(BC140390)	Intermediate; 158" WB; 36" Length
Parking Brake Cable	97 - 95	F133086	(BC133086)	Rear; L.H.; 8000 lb. RA
Parking Brake Cable	97 - 95	F133088	(BC133088)	Rear; L.H.; Exc. 8000 lb. RA
Parking Brake Cable	97 - 95	F133085	(BC133085)	Rear; R.H.; 8000 lb. RA
Parking Brake Cable	97 - 95	F133087	(BC133087)	Rear; R.H.; Exc. 8000 lb. RA
Parking Brake Cable	96	F133083	(BC133083)	Intermediate; 138" WB; Exc. Stripped Chassis
Parking Brake Cable	96	F139252	(BC139252)	Intermediate; 138" WB; Stripped Chassis
Parking Brake Cable	95	F133083	(BC133083)	Intermediate; 138" WB
Parking Brake Cable	95	F140391	(BC140391)	Intermediate; 176" WB; 69" Length
Parking Brake Cable	94 - 92	F132452	(BC132452)	Forward; Commercial Chassis
Parking Brake Cable	94 - 92	F132082	(BC132082)	Forward; Exc. Commercial Chassis; Exc. Stripped Chassis
Parking Brake Cable	94 - 92	F132083	(BC132083)	Forward; Stripped Chassis
Parking Brake Cable	94 - 92	F132449	(BC132449)	Intermediate; 138" WB
Parking Brake Cable	94 - 92	F132450	(BC132450)	Intermediate; 158" WB
Parking Brake Cable	94 - 92	F132451	(BC132451)	Intermediate; 176" WB
Parking Brake Cable	94 - 92	F132084	(BC132084)	Rear; L.H.; 5300-5400 lb. RA
Parking Brake Cable	94 - 92	F133086	(BC133086)	Rear; L.H.; 6300-7800 lb. RA
Parking Brake Cable	94 - 92	F133086	(BC133086)	Rear; L.H.; 8000-8500 lb. RA
Parking Brake Cable	94 - 92	F132085	(BC132085)	Rear; R.H.; 5300-5400 lb. RA
Parking Brake Cable	94 - 92	F132087	(BC132087)	Rear; R.H.; 6300-7800 lb. RA
Parking Brake Cable	94 - 92	F132088	(BC132088)	Rear; R.H.; 8000-8500 lb. RA
Parking Brake Cable	91 - 88	F120903	(BC120903)	Forward; 138" WB; Exc. Stripped Chassis
Parking Brake Cable	91 - 88	F116497	(BC116497)	Forward; 138" WB; Stripped Chassis
Parking Brake Cable	91 - 88	F120905	(BC120905)	Forward; 158" WB; Exc. Stripped Chassis
Parking Brake Cable	91 - 88	F116496	(BC116496)	Forward; 158" WB; Stripped Chassis

Brake Cables (cont.)

Parking Brake Cable	Years	Sequential No.	Category No.	Qualifier
Parking Brake Cable	91	F120906	(BC120906)	Forward; 176" WB
Parking Brake Cable	91 - 81	F109060	(BC109060)	Rear; L.H.
Parking Brake Cable	91 - 81	F109059	(BC109059)	Rear; R.H.
Parking Brake Cable	90 - 81	F129204	(BC129204)	Forward; 176" WB
Parking Brake Cable	87 - 81	F102663	(BC102663)	Forward; Exc. Stripped Chassis; 138" WB
Parking Brake Cable	87 - 81	F109063	(BC109063)	Forward; Exc. Stripped Chassis; 158" WB
Parking Brake Cable	87 - 81	F116497	(BC116497)	Forward; Stripped Chassis; 138" WB
Parking Brake Cable	87 - 81	F116496	(BC116496)	Forward; Stripped Chassis; 158" WB

ABS Components - Reman

ABS Module	Years	Part No.	Qualifier
ABS Module	96 - 94	RA121022	w/DRW; w/2 Whl. ABS
ABS Module	96 - 94	RA121021	w/SRW; w/2 Whl. ABS
ABS Module	93 - 92	RA121022	w/DRW
ABS Module	93 - 92	RA121021	w/SRW
ABS Module	91 - 90	RA121018	w/DRW
ABS Module	91 - 90	RA121017	w/SRW
ABS Hydraulic Unit	Years	Part No.	Qualifier
ABS Hydraulic Unit	96 - 95	RA122061	w/2 Whl. ABS
ABS Hydraulic Unit	94 - 90	RA122024	

Wheel Attaching Hardware

Front Wheel Stud	Years	Part No.	Qualifier
Wheel Lug Stud	05 - 85	BD61164	
Wheel Lug Stud	84	BD60931	From 1/01/84; w/DRW
Wheel Lug Stud	84	BD61164	To 12/31/83; w/DRW
Wheel Lug Stud	83 - 81	BD60931	w/DRW
Wheel Lug Stud	83 - 81	BD61164	w/SRW
Rear Wheel Stud	Years	Part No.	Qualifier
Wheel Lug Stud	05 - 90	BD61175	
Wheel Lug Stud	94 - 90	BD61175	w/DRW
Wheel Lug Stud	94 - 90	BD61175	w/SRW
Wheel Lug Stud	89 - 87	BD61163	w/DRW; w/12 x 3" Drum
Wheel Lug Stud	89 - 87	BD61175	w/DRW; w/12-1/8 x 3-1/2" Drum
Wheel Lug Stud	89 - 85	BD60984	w/SRW
Wheel Lug Stud	86 - 85	BD61163	From 1/01/84; w/DRW
Wheel Lug Stud	84 - 81	BD60984	R.H. Thread; w/DRW
Wheel Lug Stud	84 - 81	BD60984	R.H. Thread; w/SRW
Wheel Lug Stud	84	BD60985	To 12/31/83; L.H. Thread; w/DRW
Wheel Lug Stud	84	BD61163	To 12/31/83; w/DRW
Wheel Lug Stud	83 - 81	BD60985	L.H. Thread; w/DRW
Front Wheel Nut	Years	Part No.	Qualifier
Wheel Lug Nut	05 - 92	BD125925	Flat Faced Open; w/DRW
Wheel Lug Nut	05 - 92	BD61287	Std. Open; w/SRW
Wheel Lug Nut	91 - 85	BD61169	From 1/01/84; Flat Faced Open; w/DRW
Wheel Lug Nut	91 - 81	BD61325	Std. Open; w/SRW
Wheel Lug Nut	84 - 81	BD60933	Std. Open; w/DRW
Wheel Lug Nut	84	BD61169	To 12/31/83; Flat Faced Open; w/DRW
Rear Wheel Nut	Years	Part No.	Qualifier
Wheel Lug Nut	05 - 92	BD125925	Flat Faced Open; w/DRW
Wheel Lug Nut	05 - 92	BD61287	Std. Open; w/SRW
Wheel Lug Nut	91 - 84	BD61169	Flat Faced Open; w/DRW
Wheel Lug Nut	91 - 81	BD61325	Std. Open; w/SRW
Wheel Lug Nut	84 - 81	BD61296	L.H. Thread; Std. Open; w/DRW
Wheel Lug Nut	84 - 81	BD60933	R.H. Thread; Std. Open; w/DRW

3500 EXPRESS

Brake Pads & Shoes

Front Pads & Shoes	Years	SevereDuty	Lining No.	Qualifier
Brake Pads	06 - 03	SD784		
Brake Pads	02	SD459		
Brake Pads	01 - 99	SD459		w/DRW
Brake Pads	01 - 99	SD845		w/SRW

Rear Pads & Shoes	Years	SevereDuty	Lining No.	Qualifier
Brake Pads	06 - 03	SD989		Commercial Chassis; w/DRW
Brake Pads	06 - 03	SD974		Commercial Chassis; w/SRW
Brake Pads	06 - 03	SD974		Exc. Commercial Chassis
Brake Shoes	02 - 99	SDS656R	SX2157BDT-S36	13 x 3-1/2" Brake; Riveted

Rotor & Drum

Front Rotor & Drum	Years	Part No.	Qualifier
Brake Rotor	06 - 03	BD126036	8600-9600 GVW
Brake Rotor	05 - 03	BD125779	10000-12000 GVW
Brake Rotor	02 - 01	BD125471	Commercial Chassis; w/DRW
Brake Rotor	02 - 01	BD125765	Commercial Chassis; w/SRW; 2nd Design; Rotor Casting No. 15769075
Brake Rotor	02 - 01	BD125765	Exc. Commercial Chassis; 2nd Design; Rotor Casting No.15769075
Brake Rotor	01	BD125212	Commercial Chassis; w/SRW
Brake Rotor	01	BD125212	Exc. Commercial Chassis; 1st Design; Rotor Casting No. 15649968
Brake Rotor	00 - 99	BD125471	w/DRW
Brake Rotor	00 - 99	BD125212	w/SRW

Rear Rotor & Drum	Years	Part No.	Qualifier
Brake Drum	02 - 99	BD60356	13 x 3-1/2" Brake; w/DRW
Brake Drum	02 - 99	BD125523	13 x 3-1/2" Brake; w/SRW
Brake Rotor	06	BD125778	w/12-51/64" Dia. Rotor; 8 Stud Whl.; 4-53/64" Height
Brake Rotor	06	BD125657	w/13" Dia. Rotor; 8 Stud Whl.; w/4-53/64" Dia. Ctr. Pilot Hole
Brake Rotor	06	BD125656	w/13" Dia. Rotor; 8 Stud Whl.; w/4-5/8 Dia. Ctr. Pilot Hole
Brake Rotor	05 - 03	BD125778	Commercial Chassis; w/DRW; w/12-51/64" Dia. Rotor; 8 Stud Whl.; 4-53/64" Height
Brake Rotor	05 - 03	BD125657	Commercial Chassis; w/SRW; w/13" Dia. Rotor; 8 Stud Whl.; w/4-53/64" Dia. Ctr. Pilot Hole
Brake Rotor	05 - 03	BD125657	Exc. Commercial Chassis; w/13" Dia. Rotor; 8 Stud Whl.; w/4-53/64" Dia. Ctr. Pilot Hole

Brake Hardware

Front Brake Hardware	Years	Sequential No.	Category No.	Qualifier
Caliper Bolt/Pin	06 - 03	F139700	(H5095)	
Caliper Bolt/Pin	02 - 99	F129642S	(H5062)	w/Floating Delco Caliper; w/DRW
Caliper Bolt/Pin	02 - 99	F117224S	(H5038)	w/Floating Delco Caliper; w/SRW
Caliper Bolt/Pin	02 - 99	F73237S	(H5019)	w/Sliding Bendix Caliper
Disc Align Kit	02 - 99	F117225S	(H5584)	w/Floating Delco Caliper
Disc Align Kit	02 - 99	F107401S	(H5562)	w/Sliding Bendix Caliper

Rear Brake Hardware	Years	Sequential No.	Category No.	Qualifier
Adjuster Kit	02 - 99	F98406	(H2580)	L.H.; 13 x 2-1/2" Brake
Adjuster Kit	02 - 99	F98407	(H2581)	R.H.; 13 x 2-1/2" Brake
Adjuster Screw	02 - 99	F83294	(H1550)	L.H.; 13 x 2-1/2" Brake
Adjuster Screw	02 - 99	F83295	(H1551)	R.H.; 13 x 2-1/2" Brake
Caliper Bolt/Pin	06 - 03	F139370	(H5091)	
Combi Kit	02 - 99	F98457S	(H7055)	13 x 2-1/2" Brake
↳Adjuster Spring Kit		F73145S	(H425)	
↳Hold Down Kit		F113455S	(H4098)	
↳Return Spring Kit		F59100S	(H600)	
Disc Align Kit	06 - 03	F140512	(H5678)	w/DRW
Disc Align Kit	06 - 03	F139864	(H5665)	w/SRW
Pin Boot Kit	06 - 03	F140514	(H8240)	

Parking Brake	Years	Sequential No.	Category No.	Qualifier
Combi Kit	03	F139879	(H7242)	

↳Sub-Kit of Combi-Kit is available separately.

Piston: M - OE Metal Piston P - OE Phenolic Piston

3500 EXPRESS (cont.)
Calipers - Reman

Front, Loaded	Years	Left No.	Right No.	Qualifier	Piston
Loaded Caliper	05 - 03	AS134558	AS134559	10000-12300 GVW	P
Loaded Caliper	02	AS120226	AS120227		M
Loaded Caliper	01 - 99	AS120226	AS120227	Cutaway; w/DRW; 139" WB	M
Loaded Caliper	01 - 99	AS116294	AS116295	Cutaway; w/SRW; 139" WB; 3.16" 1-Piston Caliper	M
Loaded Caliper	01 - 99	AS120226	AS120227	Exc. 139" WB; Cutaway	M
Loaded Caliper	01 - 99	AS116294	AS116295	Exc. Cutaway; 3.16" 1-Piston Caliper	M

Front, Unloaded	Years	Left No.	Right No.	Qualifier	Piston
Unloaded Caliper	05 - 03	CR134558	CR134559	10000-12300 GVW	P
Unloaded Caliper	05 - 03	CRB134347	CRB134348	8600-9600 GVW; 2-Piston Caliper; Supplied w/Mtg. Brkt.	P
Unloaded Caliper	05 - 03	CR134347	CR134348	8600-9600 GVW; 2-Piston Caliper; Supplied w/o Mtg. Brkt.	P
Unloaded Caliper	02	CR120226	CR120227		M
Unloaded Caliper	01 - 99	CR120226	CR120227	Cutaway; w/DRW; 139" WB	M
Unloaded Caliper	01 - 99	CR116294	CR116295	Cutaway; w/SRW; 139" WB; 3.16" 1-Piston Caliper	M
Unloaded Caliper	01 - 99	CR120226	CR120227	Exc. 139" WB; Cutaway	M
Unloaded Caliper	01 - 99	CR116294	CR116295	Exc. Cutaway; 3.16" 1-Piston Caliper	M

Rear, Unloaded	Years	Left No.	Right No.	Qualifier	Piston
Unloaded Caliper	05 - 03	CR135118	CR135117	w/SRW	P

Hydraulics - New

Rear Wheel Cylinder	Years	Sequential No.	Category No.	Qualifier
Wheel Cylinder	02 - 99	F79768	(WC79768)	w/DRW; 1-3/16" Bore
Wheel Cylinder	02 - 99	F116359	(WC116359)	w/SRW; 1" Bore

Front Brake Hose	Years	Sequential No.	Category No.	Qualifier
Brake Hose	02 - 01	F140498	(BH140498)	L.H.
Brake Hose	02 - 01	F140499	(BH140499)	R.H.
Brake Hose	00 - 99	F140498	(BH140498)	L.H.; w/DRW
Brake Hose	00 - 99	F140496	(BH140496)	L.H.; w/SRW
Brake Hose	00 - 99	F140499	(BH140499)	R.H.; w/DRW
Brake Hose	00 - 99	F140497	(BH140497)	R.H.; w/SRW

Rear Brake Hose	Years	Sequential No.	Category No.	Qualifier
Brake Hose	02 - 99	F118117	(BH118117)	

Hydraulics - Reman

Master Cylinder	Years	Part No.	Qualifier
Master Cylinder	02 - 99	R134626	

Power Brake Booster	Years	Part No.	Qualifier
Hydro Booster	01 - 99	527343	Diesel; w/DRW
Hydro Booster	01 - 99	527342	Diesel; w/SRW

Brake Cables

Parking Brake Cable	Years	Sequential No.	Category No.	Qualifier
Parking Brake Cable	02 - 99	F138836	(BC138836)	Forward; Exc. Cutaway
Parking Brake Cable	02 - 99	F138900	(BC138900)	Intermediate; 155" or 159" WB
Parking Brake Cable	02 - 99	F140240	(BC140240)	Intermediate; 177" WB; 37" Length

Wheel Attaching Hardware

Front Wheel Stud	Years	Part No.	Qualifier
Wheel Lug Stud	05 - 03	BD125960	
Wheel Lug Stud	02 - 99	BD61416	w/DRW; 14mm Bolt
Wheel Lug Stud	02 - 99	BD61426	w/SRW

Rear Wheel Stud	Years	Part No.	Qualifier
Wheel Lug Stud	05 - 03	BD125961	M14 x 1.5 x 28
Wheel Lug Stud	02 - 99	BD61403	w/DRW
Wheel Lug Stud	02	BD125962	w/SRW
Wheel Lug Stud	01 - 99	BD61427	w/SRW

Front Wheel Nut	Years	Part No.	Qualifier
Wheel Lug Nut	05 - 03	BD125998	Dome - Black
Wheel Lug Nut	05 - 03	BD125916	External Thread

Piston: M - OE Metal Piston P - OE Phenolic Piston

3500 EXPRESS (cont.)

Wheel Attaching Hardware (cont.)

Front Wheel Nut	Years	Part No.	Qualifier
Wheel Lug Nut	02 - 99	BD125926	External Thread; w/DRW
Wheel Lug Nut	02 - 99	BD125916	External Thread; w/SRW
Rear Wheel Nut	Years	Part No.	Qualifier
Wheel Lug Nut	05 - 03	BD125998	Dome - Black
Wheel Lug Nut	05 - 03	BD125916	External Thread
Wheel Lug Nut	02 - 99	BD125926	External Thread; w/DRW
Wheel Lug Nut	02 - 99	BD125916	External Thread; w/SRW

3500 SAVANA

Brake Pads & Shoes

Front Pads & Shoes	Years	SevereDuty	Lining No.	Qualifier
Brake Pads	06 - 03	SD784		
Brake Pads	02	SD459		
Brake Pads	01 - 99	SD459		w/DRW
Brake Pads	01 - 99	SD845		w/SRW
Rear Pads & Shoes	Years	SevereDuty	Lining No.	Qualifier
Brake Pads	06 - 03	SD989		Commercial Chassis; w/DRW
Brake Pads	06 - 03	SD974		Commercial Chassis; w/SRW
Brake Pads	06 - 03	SD974		Exc. Commercial Chassis
Brake Shoes	02 - 99	SDS656R	SX2157BDT-S36	13 x 3-1/2" Brake; Riveted

Rotor & Drum

Front Rotor & Drum	Years	Part No.	Qualifier
Brake Rotor	06 - 03	BD126036	8600-9600 GVW
Brake Rotor	05 - 03	BD125779	10000-12000 GVW
Brake Rotor	02 - 01	BD125471	Commercial Chassis; w/DRW
Brake Rotor	02 - 01	BD125765	Commercial Chassis; w/SRW; 2nd Design; Rotor Casting No. 15769075
Brake Rotor	02 - 01	BD125765	Exc. Commercial Chassis; 2nd Design; Rotor Casting No.15769075
Brake Rotor	01	BD125212	Commercial Chassis; w/SRW
Brake Rotor	01	BD125212	Exc. Commercial Chassis; 1st Design; Rotor Casting No. 15649968
Brake Rotor	00 - 99	BD125471	w/DRW
Brake Rotor	00 - 99	BD125212	w/SRW
Rear Rotor & Drum	Years	Part No.	Qualifier
Brake Drum	02 - 99	BD60356	13 x 3-1/2" Brake; w/DRW
Brake Drum	02 - 99	BD125523	13 x 3-1/2" Brake; w/SRW
Brake Rotor	06	BD125778	w/12-51/64" Dia. Rotor; 8 Stud Whl.; 4-53/64" Height
Brake Rotor	06	BD125657	w/13" Dia. Rotor; 8 Stud Whl.; w/4-53/64" Dia. Ctr. Pilot Hole
Brake Rotor	06	BD125656	w/13" Dia. Rotor; 8 Stud Whl.; w/4-5/8 Dia. Ctr. Pilot Hole
Brake Rotor	05 - 03	BD125778	Commercial Chassis; w/DRW; w/12-51/64" Dia. Rotor; 8 Stud Whl.; 4-53/64" Height
Brake Rotor	05 - 03	BD125657	Commercial Chassis; w/SRW; w/13" Dia. Rotor; 8 Stud Whl.; w/4-53/64" Dia. Ctr. Pilot Hole
Brake Rotor	05 - 03	BD125657	Exc. Commercial Chassis; w/13" Dia. Rotor; 8 Stud Whl.; w/4-53/64" Dia. Ctr. Pilot Hole

Brake Hardware

Front Brake Hardware	Years	Sequential No.	Category No.	Qualifier
Caliper Bolt/Pin	06 - 03	F139700	(H5095)	
Caliper Bolt/Pin	02 - 99	F129642S	(H5062)	w/Floating Delco Caliper; w/DRW
Caliper Bolt/Pin	02 - 99	F117224S	(H5038)	w/Floating Delco Caliper; w/SRW
Caliper Bolt/Pin	02 - 99	F73237S	(H5019)	w/Sliding Bendix Caliper
Disc Align Kit	02 - 99	F117225S	(H5584)	w/Floating Delco Caliper
Disc Align Kit	02 - 99	F107401S	(H5562)	w/Sliding Bendix Caliper
Rear Brake Hardware	Years	Sequential No.	Category No.	Qualifier
Adjuster Kit	02 - 99	F98406	(H2580)	L.H.; 13 x 2-1/2" Brake
Adjuster Kit	02 - 99	F98407	(H2581)	R.H.; 13 x 2-1/2" Brake
Adjuster Screw	02 - 99	F83294	(H1550)	L.H.; 13 x 2-1/2" Brake
Adjuster Screw	02 - 99	F83295	(H1551)	R.H.; 13 x 2-1/2" Brake
Caliper Bolt/Pin	06 - 03	F139370	(H5091)	

↳ Sub-Kit of Combi-Kit is available separately.

3500 SAVANA (cont.)

Brake Hardware (cont.)

Rear Brake Hardware	Years	Sequential No.	Category No.	Qualifier
Combi Kit	02 - 99	F98457S	(H7055)	13 x 2-1/2" Brake
↳ Adjuster Spring Kit		F73145S	(H425)	
↳ Hold Down Kit		F113455S	(H4098)	
↳ Return Spring Kit		F59100S	(H600)	
Disc Align Kit	06 - 03	F140512	(H5678)	w/DRW
Disc Align Kit	06 - 03	F139864	(H5665)	w/SRW
Pin Boot Kit	06 - 03	F140514	(H8240)	

Parking Brake	Years	Sequential No.	Category No.	Qualifier
Combi Kit	03	F139879	(H7242)	

Calipers - Reman

Front, Loaded	Years	Left No.	Right No.	Qualifier	Piston
Loaded Caliper	05 - 03	AS134558	AS134559	10000-12300 GVW	P
Loaded Caliper	02	AS120226	AS120227		M
Loaded Caliper	01 - 99	AS120226	AS120227	Cutaway; w/DRW; 139" WB	M
Loaded Caliper	01 - 99	AS116294	AS116295	Cutaway; w/SRW; 139" WB; 3.16" 1-Piston Caliper	M
Loaded Caliper	01 - 99	AS120226	AS120227	Exc. 139" WB; Cutaway	M
Loaded Caliper	01 - 99	AS116294	AS116295	Exc. Cutaway; 3.16" 1-Piston Caliper	M

Front, Unloaded	Years	Left No.	Right No.	Qualifier	Piston
Unloaded Caliper	05 - 03	CR134558	CR134559	10000-12300 GVW	P
Unloaded Caliper	05 - 03	CRB134347	CRB134348	8600-9600 GVW; 2-Piston Caliper; Supplied w/Mtg. Brkt.	P
Unloaded Caliper	05 - 03	CR134347	CR134348	8600-9600 GVW; 2-Piston Caliper; Supplied w/o Mtg. Brkt.	P
Unloaded Caliper	02	CR120226	CR120227		M
Unloaded Caliper	01 - 99	CR120226	CR120227	Cutaway; w/DRW; 139" WB	M
Unloaded Caliper	01 - 99	CR116294	CR116295	Cutaway; w/SRW; 139" WB; 3.16" 1-Piston Caliper	M
Unloaded Caliper	01 - 99	CR120226	CR120227	Exc. 139" WB; Cutaway	M
Unloaded Caliper	01 - 99	CR116294	CR116295	Exc. Cutaway; 3.16" 1-Piston Caliper	M

Rear, Unloaded	Years	Left No.	Right No.	Qualifier	Piston
Unloaded Caliper	05 - 03	CR135118	CR135117	w/SRW	P

Hydraulics - New

Rear Wheel Cylinder	Years	Sequential No.	Category No.	Qualifier
Wheel Cylinder	02 - 99	F79768	(WC79768)	w/DRW; 1-3/16" Bore
Wheel Cylinder	02 - 99	F116359	(WC116359)	w/SRW; 1" Bore

Front Brake Hose	Years	Sequential No.	Category No.	Qualifier
Brake Hose	02 - 01	F140498	(BH140498)	L.H.
Brake Hose	02 - 01	F140499	(BH140499)	R.H.
Brake Hose	00 - 99	F140498	(BH140498)	L.H.; w/DRW
Brake Hose	00 - 99	F140496	(BH140496)	L.H.; w/SRW
Brake Hose	00 - 99	F140499	(BH140499)	R.H.; w/DRW
Brake Hose	00 - 99	F140497	(BH140497)	R.H.; w/SRW

Rear Brake Hose	Years	Sequential No.	Category No.	Qualifier
Brake Hose	02 - 99	F118117	(BH118117)	

Hydraulics - Reman

Master Cylinder	Years	Part No.	Qualifier
------------------------	--------------	-----------------	------------------

Master Cylinder	02 - 99	R134626	
-----------------	---------	---------	--

Power Brake Booster	Years	Part No.	Qualifier
----------------------------	--------------	-----------------	------------------

Hydro Booster	01 - 99	527343	Diesel; w/DRW
---------------	---------	--------	---------------

Hydro Booster	01 - 99	527342	Diesel; w/SRW
---------------	---------	--------	---------------

Brake Cables

Parking Brake Cable	Years	Sequential No.	Category No.	Qualifier
Parking Brake Cable	02 - 99	F138836	(BC138836)	Forward; Exc. Cutaway
Parking Brake Cable	02 - 99	F138900	(BC138900)	Intermediate; 155" or 159" WB
Parking Brake Cable	02 - 99	F140240	(BC140240)	Intermediate; 177" WB; 37" Length

↳ Sub-Kit of Combi-Kit is available separately.

Piston: M - OE Metal Piston P - OE Phenolic Piston

3500 SAVANA (cont.)

Wheel Attaching Hardware			
<i>Front Wheel Stud</i>	<i>Years</i>	<i>Part No.</i>	<i>Qualifier</i>
Wheel Lug Stud	05 - 03	BD125960	
Wheel Lug Stud	02 - 99	BD61416	w/DRW; 14mm Bolt
Wheel Lug Stud	02 - 99	BD61426	w/SRW
<i>Rear Wheel Stud</i>	<i>Years</i>	<i>Part No.</i>	<i>Qualifier</i>
Wheel Lug Stud	05 - 03	BD125961	M14 x 1.5 x 28
Wheel Lug Stud	02 - 99	BD61403	w/DRW
Wheel Lug Stud	02	BD125962	w/SRW
Wheel Lug Stud	01 - 99	BD61427	w/SRW
<i>Front Wheel Nut</i>	<i>Years</i>	<i>Part No.</i>	<i>Qualifier</i>
Wheel Lug Nut	05 - 03	BD125998	Dome - Black
Wheel Lug Nut	05 - 03	BD125916	External Thread
Wheel Lug Nut	02 - 99	BD125926	External Thread; w/DRW
Wheel Lug Nut	02 - 99	BD125916	External Thread; w/SRW
<i>Rear Wheel Nut</i>	<i>Years</i>	<i>Part No.</i>	<i>Qualifier</i>
Wheel Lug Nut	05 - 03	BD125998	Dome - Black
Wheel Lug Nut	05 - 03	BD125916	External Thread
Wheel Lug Nut	02 - 99	BD125926	External Thread; w/DRW
Wheel Lug Nut	02 - 99	BD125916	External Thread; w/SRW

BLUEBIRD Type-C Vision-Series

BBCV

Brake Pads & Shoes				
<i>Front Pads & Shoes</i>	<i>Years</i>	<i>SevereDuty</i>	<i>Lining No.</i>	<i>Qualifier</i>
Brake Pads	07 - 01	SD769		Dayton; 2.52" 2-Piston Caliper; w/o Wear Sensor
Brake Pads	07 - 01	SD1032		Dayton; 2.52" 2-Piston Caliper; w/Wear Sensor
Brake Pads	07 - 01	SD769		Dayton; 2.75" 2-Piston Caliper; w/o Wear Sensor
Brake Pads	07 - 01	SD1032		Dayton; 2.75" 2-Piston Caliper; w/Wear Sensor
Brake Shoes	07 - 01	4702Q	4702	w/Air Brakes; Rockwell/Meritor; Q-Plus; 15 x 4
Brake Shoes	07 - 01	4703Q	4703	w/Air Brakes; Rockwell/Meritor; Q-Plus; 15 x 5
Brake Shoes	07 - 01	1308Q	1308T	w/Air Brakes; Rockwell/Meritor; Q-Series; 15 x 4
Brake Shoes	07 - 01	4524Q	4524B	w/Air Brakes; Rockwell/Meritor; Q-Series; 16-1/2 x 5
Brake Shoes	07 - 01	4514Q	4514G	w/Air Brakes; Rockwell/Meritor; Q-Series; 16-1/2 x 6
Brake Shoes	07 - 01	1307T	1307	w/Air Brakes; Rockwell/Meritor; T-Series; 15 x 3-1/2
Brake Shoes	07 - 01	1308T	1308T	w/Air Brakes; Rockwell/Meritor; T-Series; 15 x 4
<i>Rear Pads & Shoes</i>	<i>Years</i>	<i>SevereDuty</i>	<i>Lining No.</i>	<i>Qualifier</i>
Brake Pads	07 - 01	SD769		Dayton; 2.52" 2-Piston Caliper; w/o Wear Sensor
Brake Pads	07 - 01	SD1032		Dayton; 2.52" 2-Piston Caliper; w/Wear Sensor
Brake Pads	07 - 01	SD769		Dayton; 2.75" 2-Piston Caliper; w/o Wear Sensor
Brake Pads	07 - 01	SD1032		Dayton; 2.75" 2-Piston Caliper; w/Wear Sensor
Brake Shoes	07 - 01	4709E	4709	w/Air Brakes; Eaton; Extended Service; 16-1/2 x 7
Brake Shoes	07 - 01	4515Q	4515E	w/Air Brakes; Rockwell/Meritor; P-Series; 16-1/2 x 7
Brake Shoes	07 - 01	4710Q	4710	w/Air Brakes; Rockwell/Meritor; Q-Plus; 15 x 8-5/8
Brake Shoes	07 - 01	4707Q	4707	w/Air Brakes; Rockwell/Meritor; Q-Plus; 16-1/2 x 7
Brake Shoes	07 - 01	4718Q	4718	w/Air Brakes; Rockwell/Meritor; Q-Plus; 16-1/2 x 8
Brake Shoes	07 - 01	4514Q	4514G	w/Air Brakes; Rockwell/Meritor; Q-Series; 16-1/2 x 6
Brake Shoes	07 - 01	4515Q	4515E	w/Air Brakes; Rockwell/Meritor; Q-Series; 16-1/2 x 7
Brake Hardware				
<i>Front Brake Hardware</i>	<i>Years</i>	<i>Sequential No.</i>	<i>Category No.</i>	<i>Qualifier</i>
Disc Align Kit	07 - 01	F140630	(H3026)	Dayton; 2.52" 2-Piston Caliper; w/o Wear Sensor
Disc Align Kit	07 - 01	F140771	(H5712)	Dayton; 2.52" 2-Piston Caliper; w/Wear Sensor
Disc Align Kit	07 - 01	F140630	(H3026)	Dayton; 2.75" 2-Piston Caliper; w/o Wear Sensor
Disc Align Kit	07 - 01	F140771	(H5712)	Dayton; 2.75" 2-Piston Caliper; w/Wear Sensor
<i>Rear Brake Hardware</i>	<i>Years</i>	<i>Sequential No.</i>	<i>Category No.</i>	<i>Qualifier</i>
Disc Align Kit	07 - 01	F140630	(H3026)	Dayton; 2.52" 2-Piston Caliper; w/o Wear Sensor

Brake Hardware (cont.)

Rear Brake Hardware	Years	Sequential No.	Category No.	Qualifier	
Disc Align Kit	07 - 01	F140771	(H5712)	Dayton; 2.52" 2-Piston Caliper; w/Wear Sensor	
Disc Align Kit	07 - 01	F140630	(H3026)	Dayton; 2.75" 2-Piston Caliper; w/o Wear Sensor	
Disc Align Kit	07 - 01	F140771	(H5712)	Dayton; 2.75" 2-Piston Caliper; w/Wear Sensor	
Calipers - Reman					
Front, Loaded	Years	Left No.	Right No.	Qualifier	Piston
Loaded Caliper	07 - 01	AS134821	AS134820	Dayton; 2.52" 2-Piston Caliper; Serial No. 602C / 604C; w/o Wear Sensor	M
Loaded Caliper	07 - 01	AS134821A	AS134820A	Dayton; 2.52" 2-Piston Caliper; Serial No. 602C / 604C; w/Wear Sensor	M
Loaded Caliper	07 - 01	AS134580	AS134581	Dayton; 2.75" 2-Piston Caliper; Serial No. 581F / 583F; w/o Wear Sensor	M
Loaded Caliper	07 - 01	AS134580A	AS134581A	Dayton; 2.75" 2-Piston Caliper; Serial No. 581F / 583F; w/Wear Sensor	M
Loaded Caliper	07 - 01	AS134818	AS134819	Dayton; 2.75" 2-Piston Caliper; Serial No. 595B / 597B; w/o Wear Sensor	M
Loaded Caliper	07 - 01	AS134818A	AS134819A	Dayton; 2.75" 2-Piston Caliper; Serial No. 595B / 597B; w/Wear Sensor	M
Rear, Loaded	Years	Left No.	Right No.	Qualifier	Piston
Loaded Caliper	07 - 01	AS134821	AS134820	Dayton; 2.52" 2-Piston Caliper; Serial No. 602C / 604C; w/o Wear Sensor	M
Loaded Caliper	07 - 01	AS134821A	AS134820A	Dayton; 2.52" 2-Piston Caliper; Serial No. 602C / 604C; w/Wear Sensor	M
Loaded Caliper	07 - 01	AS134580	AS134581	Dayton; 2.75" 2-Piston Caliper; Serial No. 581F / 583F; w/o Wear Sensor	M
Loaded Caliper	07 - 01	AS134580A	AS134581A	Dayton; 2.75" 2-Piston Caliper; Serial No. 581F / 583F; w/Wear Sensor	M
Loaded Caliper	07 - 01	AS134818	AS134819	Dayton; 2.75" 2-Piston Caliper; Serial No. 595B / 597B; w/o Wear Sensor	M
Loaded Caliper	07 - 01	AS134818A	AS134819A	Dayton; 2.75" 2-Piston Caliper; Serial No. 595B / 597B; w/Wear Sensor	M
Front, Unloaded	Years	Left No.	Right No.	Qualifier	Piston
Unloaded Caliper	07 - 01	CR134821	CR134820	Dayton; 2.52" 2-Piston Caliper; Serial No. 602C / 604C	M
Unloaded Caliper	07 - 01	CR134580	CR134581	Dayton; 2.75" 2-Piston Caliper; Serial No. 581F / 583F	M
Unloaded Caliper	07 - 01	CR134818	CR134819	Dayton; 2.75" 2-Piston Caliper; Serial No. 595B / 597B	M
Rear, Unloaded	Years	Left No.	Right No.	Qualifier	Piston
Unloaded Caliper	07 - 01	CR134821	CR134820	Dayton; 2.52" 2-Piston Caliper; Serial No. 602C / 604C	M
Unloaded Caliper	07 - 01	CR134580	CR134581	Dayton; 2.75" 2-Piston Caliper; Serial No. 581F / 583F	M
Unloaded Caliper	07 - 01	CR134818	CR134819	Dayton; 2.75" 2-Piston Caliper; Serial No. 595B / 597B	M

BLUEBIRD Type-D All American
Brake Pads & Shoes

Front Pads & Shoes	Years	SevereDuty	Lining No.	Qualifier
Brake Pads	07 - 03	SD769		Dayton; 2.52" 2-Piston Caliper; w/o Wear Sensor
Brake Pads	07 - 03	SD1032		Dayton; 2.52" 2-Piston Caliper; w/Wear Sensor
Brake Pads	07 - 03	SD769		Dayton; 2.75" 2-Piston Caliper; w/o Wear Sensor
Brake Pads	07 - 03	SD1032		Dayton; 2.75" 2-Piston Caliper; w/Wear Sensor
Brake Pads	02 - 01	SD769		From 11/05/01; Dayton; 2.52" 2-Piston Caliper; w/o Wear Sensor
Brake Pads	02 - 01	SD1032		From 11/05/01; Dayton; 2.52" 2-Piston Caliper; w/Wear Sensor
Brake Pads	02 - 01	SD769		From 11/05/01; Dayton; 2.75" 2-Piston Caliper; w/o Wear Sensor
Brake Pads	02 - 01	SD1032		From 11/05/01; Dayton; 2.75" 2-Piston Caliper; w/Wear Sensor
Brake Pads	02 - 01	SD786A		To 11/04/01; Bosch; 2.88" 2-Piston Caliper
Brake Pads	00 - 98	SD225		Bendix; 2.88" 2-Piston Caliper
Brake Pads	00 - 98	SD786A		Bosch; 2.88" 2-Piston Caliper
Brake Shoes	07 - 98	4702Q	4702	w/Air Brakes; Rockwell/Meritor; Q-Plus; 15 x 4
Brake Shoes	07 - 98	4703Q	4703	w/Air Brakes; Rockwell/Meritor; Q-Plus; 15 x 5
Brake Shoes	07 - 98	1308Q	1308T	w/Air Brakes; Rockwell/Meritor; Q-Series; 15 x 4
Brake Shoes	07 - 98	4524Q	4524B	w/Air Brakes; Rockwell/Meritor; Q-Series; 16-1/2 x 5
Brake Shoes	07 - 98	4514Q	4514G	w/Air Brakes; Rockwell/Meritor; Q-Series; 16-1/2 x 6
Brake Shoes	07 - 98	1307T	1307	w/Air Brakes; Rockwell/Meritor; T-Series; 15 x 3-1/2
Brake Shoes	07 - 98	1308T	1308T	w/Air Brakes; Rockwell/Meritor; T-Series; 15 x 4
Rear Pads & Shoes	Years	SevereDuty	Lining No.	Qualifier
Brake Pads	07 - 03	SD769		Dayton; 2.52" 2-Piston Caliper; w/o Wear Sensor
Brake Pads	07 - 03	SD1032		Dayton; 2.52" 2-Piston Caliper; w/Wear Sensor
Brake Pads	07 - 03	SD769		Dayton; 2.75" 2-Piston Caliper; w/o Wear Sensor
Brake Pads	07 - 03	SD1032		Dayton; 2.75" 2-Piston Caliper; w/Wear Sensor

Piston: M - OE Metal Piston P - OE Phenolic Piston

A3FE (cont.)					
Brake Pads & Shoes (cont.)					
Rear Pads & Shoes	Years	SevereDuty	Lining No.	Qualifier	
Brake Pads	02 - 01	SD769		From 11/05/01; Dayton; 2.52" 2-Piston Caliper; w/o Wear Sensor	
Brake Pads	02 - 01	SD1032		From 11/05/01; Dayton; 2.52" 2-Piston Caliper; w/Wear Sensor	
Brake Pads	02 - 01	SD769		From 11/05/01; Dayton; 2.75" 2-Piston Caliper; w/o Wear Sensor	
Brake Pads	02 - 01	SD1032		From 11/05/01; Dayton; 2.75" 2-Piston Caliper; w/Wear Sensor	
Brake Pads	02 - 01	SD786A		To 11/04/01; Bosch; 2.88" 2-Piston Caliper	
Brake Pads	00 - 98	SD225		Bendix; 2.88" 2-Piston Caliper	
Brake Pads	00 - 98	SD786A		Bosch; 2.88" 2-Piston Caliper	
Brake Shoes	07 - 98	4709E	4709	w/Air Brakes; Eaton; Extended Service; 16-1/2 x 7	
Brake Shoes	07 - 98	4515Q	4515E	w/Air Brakes; Rockwell/Meritor; P-Series; 16-1/2 x 7	
Brake Shoes	07 - 98	4710Q	4710	w/Air Brakes; Rockwell/Meritor; Q-Plus; 15 x 8-5/8	
Brake Shoes	07 - 98	4707Q	4707	w/Air Brakes; Rockwell/Meritor; Q-Plus; 16-1/2 x 7	
Brake Shoes	07 - 98	4718Q	4718	w/Air Brakes; Rockwell/Meritor; Q-Plus; 16-1/2 x 8	
Brake Shoes	07 - 98	4514Q	4514G	w/Air Brakes; Rockwell/Meritor; Q-Series; 16-1/2 x 6	
Brake Shoes	07 - 98	4515Q	4515E	w/Air Brakes; Rockwell/Meritor; Q-Series; 16-1/2 x 7	
Brake Hardware					
Front Brake Hardware	Years	Sequential No.	Category No.	Qualifier	
Disc Align Kit	07 - 03	F140630	(H3026)	Dayton; 2.52" 2-Piston Caliper; w/o Wear Sensor	
Disc Align Kit	07 - 03	F140771	(H5712)	Dayton; 2.52" 2-Piston Caliper; w/Wear Sensor	
Disc Align Kit	07 - 03	F140630	(H3026)	Dayton; 2.75" 2-Piston Caliper; w/o Wear Sensor	
Disc Align Kit	07 - 03	F140771	(H5712)	Dayton; 2.75" 2-Piston Caliper; w/Wear Sensor	
Disc Align Kit	02 - 01	F140630	(H3026)	From 11/05/01; Dayton; 2.52" 2-Piston Caliper; w/o Wear Sensor	
Disc Align Kit	02 - 01	F140771	(H5712)	From 11/05/01; Dayton; 2.52" 2-Piston Caliper; w/Wear Sensor	
Disc Align Kit	02 - 01	F140630	(H3026)	From 11/05/01; Dayton; 2.75" 2-Piston Caliper; w/o Wear Sensor	
Disc Align Kit	02 - 01	F140771	(H5712)	From 11/05/01; Dayton; 2.75" 2-Piston Caliper; w/Wear Sensor	
Disc Align Kit	02 - 01	F140769	(H5710)	To 11/04/01; Bosch; 2.88" 2-Piston Caliper	
Disc Align Kit	00 - 98	F112090S	(H5566)	Bendix; 2.88" 2-Piston Caliper	
Disc Align Kit	00 - 98	F140769	(H5710)	Bosch; 2.88" 2-Piston Caliper	
Rear Brake Hardware	Years	Sequential No.	Category No.	Qualifier	
Disc Align Kit	07 - 03	F140630	(H3026)	Dayton; 2.52" 2-Piston Caliper; w/o Wear Sensor	
Disc Align Kit	07 - 03	F140771	(H5712)	Dayton; 2.52" 2-Piston Caliper; w/Wear Sensor	
Disc Align Kit	07 - 03	F140630	(H3026)	Dayton; 2.75" 2-Piston Caliper; w/o Wear Sensor	
Disc Align Kit	07 - 03	F140771	(H5712)	Dayton; 2.75" 2-Piston Caliper; w/Wear Sensor	
Disc Align Kit	02 - 01	F140630	(H3026)	From 11/05/01; Dayton; 2.52" 2-Piston Caliper; w/o Wear Sensor	
Disc Align Kit	02 - 01	F140771	(H5712)	From 11/05/01; Dayton; 2.52" 2-Piston Caliper; w/Wear Sensor	
Disc Align Kit	02 - 01	F140630	(H3026)	From 11/05/01; Dayton; 2.75" 2-Piston Caliper; w/o Wear Sensor	
Disc Align Kit	02 - 01	F140771	(H5712)	From 11/05/01; Dayton; 2.75" 2-Piston Caliper; w/Wear Sensor	
Disc Align Kit	02 - 01	F140769	(H5710)	To 11/04/01; Bosch; 2.88" 2-Piston Caliper	
Disc Align Kit	00 - 98	F112090S	(H5566)	Bendix; 2.88" 2-Piston Caliper	
Disc Align Kit	00 - 98	F140769	(H5710)	Bosch; 2.88" 2-Piston Caliper	
Calipers - Reman					
Front, Loaded	Years	Left No.	Right No.	Qualifier	Piston
Loaded Caliper	07 - 03	AS134821	AS134820	Dayton; 2.52" 2-Piston Caliper; Serial No. 602C / 604C; w/o Wear Sensor	M
Loaded Caliper	07 - 03	AS134821A	AS134820A	Dayton; 2.52" 2-Piston Caliper; Serial No. 602C / 604C; w/Wear Sensor	M
Loaded Caliper	07 - 03	AS134580	AS134581	Dayton; 2.75" 2-Piston Caliper; Serial No. 581F / 583F; w/o Wear Sensor	M
Loaded Caliper	07 - 03	AS134580A	AS134581A	Dayton; 2.75" 2-Piston Caliper; Serial No. 581F / 583F; w/Wear Sensor	M
Loaded Caliper	07 - 03	AS134818	AS134819	Dayton; 2.75" 2-Piston Caliper; Serial No. 595B / 597B; w/o Wear Sensor	M
Loaded Caliper	07 - 03	AS134818A	AS134819A	Dayton; 2.75" 2-Piston Caliper; Serial No. 595B / 597B; w/Wear Sensor	M
Loaded Caliper	02 - 01	AS134821	AS134820	From 11/05/01; Dayton; 2.52" 2-Piston Caliper; Serial No. 602C / 604C; w/o Wear Sensor	M
Loaded Caliper	02 - 01	AS134821A	AS134820A	From 11/05/01; Dayton; 2.52" 2-Piston Caliper; Serial No. 602C / 604C; w/Wear Sensor	M
Loaded Caliper	02 - 01	AS134580	AS134581	From 11/05/01; Dayton; 2.75" 2-Piston Caliper; Serial No. 581F / 583F; w/o Wear Sensor	M
Loaded Caliper	02 - 01	AS134580A	AS134581A	From 11/05/01; Dayton; 2.75" 2-Piston Caliper; Serial No. 581F / 583F; w/Wear Sensor	M
Loaded Caliper	02 - 01	AS134818	AS134819	From 11/05/01; Dayton; 2.75" 2-Piston Caliper; Serial No. 595B / 597B; w/o Wear Sensor	M
Loaded Caliper	02 - 01	AS134818A	AS134819A	From 11/05/01; Dayton; 2.75" 2-Piston Caliper; Serial No. 595B / 597B; w/Wear Sensor	M
Loaded Caliper	02 - 01	AS135024	AS135024	To 11/04/01; Bosch; 2.88" 2-Piston Caliper	P

Piston: M - OE Metal Piston P - OE Phenolic Piston

A3FE (cont.)

Calipers - Reman (cont.)

Front, Loaded	Years	Left No.	Right No.	Qualifier	Piston
Loaded Caliper	00 - 98	AS120549	AS120549	Bendix; 2.88" 2-Piston Caliper	P
Loaded Caliper	00 - 98	AS120549S	AS120549S	Bendix; 2.88" 2-Piston Caliper	O
Loaded Caliper	00 - 98	AS135024	AS135024	Bosch; 2.88" 2-Piston Caliper	P
Rear, Loaded	Years	Left No.	Right No.	Qualifier	Piston
Loaded Caliper	07 - 03	AS134821	AS134820	Dayton; 2.52" 2-Piston Caliper; Serial No. 602C / 604C; w/o Wear Sensor	M
Loaded Caliper	07 - 03	AS134821A	AS134820A	Dayton; 2.52" 2-Piston Caliper; Serial No. 602C / 604C; w/Wear Sensor	M
Loaded Caliper	07 - 03	AS134580	AS134581	Dayton; 2.75" 2-Piston Caliper; Serial No. 581F / 583F; w/o Wear Sensor	M
Loaded Caliper	07 - 03	AS134580A	AS134581A	Dayton; 2.75" 2-Piston Caliper; Serial No. 581F / 583F; w/Wear Sensor	M
Loaded Caliper	07 - 03	AS134818	AS134819	Dayton; 2.75" 2-Piston Caliper; Serial No. 595B / 597B; w/o Wear Sensor	M
Loaded Caliper	07 - 03	AS134818A	AS134819A	Dayton; 2.75" 2-Piston Caliper; Serial No. 595B / 597B; w/Wear Sensor	M
Loaded Caliper	02 - 01	AS134821	AS134820	From 11/05/01; Dayton; 2.52" 2-Piston Caliper; Serial No. 602C / 604C; w/o Wear Sensor	M
Loaded Caliper	02 - 01	AS134821A	AS134820A	From 11/05/01; Dayton; 2.52" 2-Piston Caliper; Serial No. 602C / 604C; w/Wear Sensor	M
Loaded Caliper	02 - 01	AS134580	AS134581	From 11/05/01; Dayton; 2.75" 2-Piston Caliper; Serial No. 581F / 583F; w/o Wear Sensor	M
Loaded Caliper	02 - 01	AS134580A	AS134581A	From 11/05/01; Dayton; 2.75" 2-Piston Caliper; Serial No. 581F / 583F; w/Wear Sensor	M
Loaded Caliper	02 - 01	AS134818	AS134819	From 11/05/01; Dayton; 2.75" 2-Piston Caliper; Serial No. 595B / 597B; w/o Wear Sensor	M
Loaded Caliper	02 - 01	AS134818A	AS134819A	From 11/05/01; Dayton; 2.75" 2-Piston Caliper; Serial No. 595B / 597B; w/Wear Sensor	M
Loaded Caliper	02 - 01	AS135024	AS135024	To 11/04/01; Bosch; 2.88" 2-Piston Caliper	P
Loaded Caliper	00 - 98	AS120549	AS120549	Bendix; 2.88" 2-Piston Caliper	P
Loaded Caliper	00 - 98	AS120549S	AS120549S	Bendix; 2.88" 2-Piston Caliper	O
Loaded Caliper	00 - 98	AS135024	AS135024	Bosch; 2.88" 2-Piston Caliper	P
Front, Unloaded	Years	Left No.	Right No.	Qualifier	Piston
Unloaded Caliper	07 - 03	CR134821	CR134820	Dayton; 2.52" 2-Piston Caliper; Serial No. 602C / 604C	M
Unloaded Caliper	07 - 03	CR134580	CR134581	Dayton; 2.75" 2-Piston Caliper; Serial No. 581F / 583F	M
Unloaded Caliper	07 - 03	CR134818	CR134819	Dayton; 2.75" 2-Piston Caliper; Serial No. 595B / 597B	M
Unloaded Caliper	02 - 01	CR134821	CR134820	From 11/05/01; Dayton; 2.52" 2-Piston Caliper; Serial No. 602C / 604C	M
Unloaded Caliper	02 - 01	CR134580	CR134581	From 11/05/01; Dayton; 2.75" 2-Piston Caliper; Serial No. 581F / 583F	M
Unloaded Caliper	02 - 01	CR134818	CR134819	From 11/05/01; Dayton; 2.75" 2-Piston Caliper; Serial No. 595B / 597B	M
Unloaded Caliper	02 - 01	CR135024	CR135024	To 11/04/01; Bosch; 2.88" 2-Piston Caliper	P
Unloaded Caliper	00 - 98	CR120549	CR120549	Bendix; 2.88" 2-Piston Caliper	P
Unloaded Caliper	00 - 98	CR120549S	CR120549S	Bendix; 2.88" 2-Piston Caliper	O
Unloaded Caliper	00 - 98	CR135024	CR135024	Bosch; 2.88" 2-Piston Caliper	P
Rear, Unloaded	Years	Left No.	Right No.	Qualifier	Piston
Unloaded Caliper	07 - 03	CR134821	CR134820	Dayton; 2.52" 2-Piston Caliper; Serial No. 602C / 604C	M
Unloaded Caliper	07 - 03	CR134580	CR134581	Dayton; 2.75" 2-Piston Caliper; Serial No. 581F / 583F	M
Unloaded Caliper	07 - 03	CR134818	CR134819	Dayton; 2.75" 2-Piston Caliper; Serial No. 595B / 597B	M
Unloaded Caliper	02 - 01	CR134821	CR134820	From 11/05/01; Dayton; 2.52" 2-Piston Caliper; Serial No. 602C / 604C	M
Unloaded Caliper	02 - 01	CR134580	CR134581	From 11/05/01; Dayton; 2.75" 2-Piston Caliper; Serial No. 581F / 583F	M
Unloaded Caliper	02 - 01	CR134818	CR134819	From 11/05/01; Dayton; 2.75" 2-Piston Caliper; Serial No. 595B / 597B	M
Unloaded Caliper	02 - 01	CR135024	CR135024	To 11/04/01; Bosch; 2.88" 2-Piston Caliper	P
Unloaded Caliper	00 - 98	CR120549	CR120549	Bendix; 2.88" 2-Piston Caliper	P
Unloaded Caliper	00 - 98	CR120549S	CR120549S	Bendix; 2.88" 2-Piston Caliper	O
Unloaded Caliper	00 - 98	CR135024	CR135024	Bosch; 2.88" 2-Piston Caliper	P

BLUEBIRD Type-D Commercial-Series

C1FE

Brake Pads & Shoes

Front Pads & Shoes	Years	SevereDuty	Lining No.	Qualifier
Brake Pads	07 - 03	SD769		Dayton; 2.52" 2-Piston Caliper; w/o Wear Sensor
Brake Pads	07 - 03	SD1032		Dayton; 2.52" 2-Piston Caliper; w/Wear Sensor
Brake Pads	07 - 03	SD769		Dayton; 2.75" 2-Piston Caliper; w/o Wear Sensor
Brake Pads	07 - 03	SD1032		Dayton; 2.75" 2-Piston Caliper; w/Wear Sensor
Brake Pads	02 - 01	SD769		From 11/05/01; Dayton; 2.52" 2-Piston Caliper; w/o Wear Sensor
Brake Pads	02 - 01	SD1032		From 11/05/01; Dayton; 2.52" 2-Piston Caliper; w/Wear Sensor
Brake Pads	02 - 01	SD769		From 11/05/01; Dayton; 2.75" 2-Piston Caliper; w/o Wear Sensor
Brake Pads	02 - 01	SD1032		From 11/05/01; Dayton; 2.75" 2-Piston Caliper; w/Wear Sensor

Piston: M - OE Metal Piston P - OE Phenolic Piston O - Metal Piston Option

C1FE (cont.)

Brake Pads & Shoes (cont.)

Front Pads & Shoes	Years	SevereDuty	Lining No.	Qualifier
Brake Pads	02 - 01	SD786A		To 11/04/01; Bosch; 2.88" 2-Piston Caliper
Brake Pads	00	SD786A		Bosch; 2.88" 2-Piston Caliper
Brake Pads	99	SD786A		From 11/15/99; Bosch; 2.88" 2-Piston Caliper
Brake Pads	99	SD225		To 11/14/99; Bendix; 2.88" 2-Piston Caliper
Brake Shoes	07 - 98	4702Q	4702	w/Air Brakes; Rockwell/Meritor; Q-Plus; 15 x 4
Brake Shoes	07 - 98	4703Q	4703	w/Air Brakes; Rockwell/Meritor; Q-Plus; 15 x 5
Brake Shoes	07 - 98	1308Q	1308T	w/Air Brakes; Rockwell/Meritor; Q-Series; 15 x 4
Brake Shoes	07 - 98	4524Q	4524B	w/Air Brakes; Rockwell/Meritor; Q-Series; 16-1/2 x 5
Brake Shoes	07 - 98	4514Q	4514G	w/Air Brakes; Rockwell/Meritor; Q-Series; 16-1/2 x 6
Brake Shoes	07 - 98	1307T	1307	w/Air Brakes; Rockwell/Meritor; T-Series; 15 x 3-1/2
Brake Shoes	07 - 98	1308T	1308T	w/Air Brakes; Rockwell/Meritor; T-Series; 15 x 4

Rear Pads & Shoes

Years	SevereDuty	Lining No.	Qualifier
07 - 03	SD769		Dayton; 2.52" 2-Piston Caliper; w/o Wear Sensor
07 - 03	SD1032		Dayton; 2.52" 2-Piston Caliper; w/Wear Sensor
07 - 03	SD769		Dayton; 2.75" 2-Piston Caliper; w/o Wear Sensor
07 - 03	SD1032		Dayton; 2.75" 2-Piston Caliper; w/Wear Sensor
02 - 01	SD769		From 11/05/01; Dayton; 2.52" 2-Piston Caliper; w/o Wear Sensor
02 - 01	SD1032		From 11/05/01; Dayton; 2.52" 2-Piston Caliper; w/Wear Sensor
02 - 01	SD769		From 11/05/01; Dayton; 2.75" 2-Piston Caliper; w/o Wear Sensor
02 - 01	SD1032		From 11/05/01; Dayton; 2.75" 2-Piston Caliper; w/Wear Sensor
02 - 01	SD225		To 11/04/01; Bendix; 2.88" 2-Piston Caliper
00 - 98	SD225		Bendix; 2.88" 2-Piston Caliper
07 - 98	4709E	4709	w/Air Brakes; Eaton; Extended Service; 16-1/2 x 7
07 - 98	4515Q	4515E	w/Air Brakes; Rockwell/Meritor; P-Series; 16-1/2 x 7
07 - 98	4710Q	4710	w/Air Brakes; Rockwell/Meritor; Q-Plus; 15 x 8-5/8
07 - 98	4707Q	4707	w/Air Brakes; Rockwell/Meritor; Q-Plus; 16-1/2 x 7
07 - 98	4718Q	4718	w/Air Brakes; Rockwell/Meritor; Q-Plus; 16-1/2 x 8
07 - 98	4514Q	4514G	w/Air Brakes; Rockwell/Meritor; Q-Series; 16-1/2 x 6
07 - 98	4515Q	4515E	w/Air Brakes; Rockwell/Meritor; Q-Series; 16-1/2 x 7

Brake Hardware

Front Brake Hardware

Years	Sequential No.	Category No.	Qualifier
07 - 03	F140630	(H3026)	Dayton; 2.52" 2-Piston Caliper; w/o Wear Sensor
07 - 03	F140771	(H5712)	Dayton; 2.52" 2-Piston Caliper; w/Wear Sensor
07 - 03	F140630	(H3026)	Dayton; 2.75" 2-Piston Caliper; w/o Wear Sensor
07 - 03	F140771	(H5712)	Dayton; 2.75" 2-Piston Caliper; w/Wear Sensor
02 - 01	F140630	(H3026)	From 11/05/01; Dayton; 2.52" 2-Piston Caliper; w/o Wear Sensor
02 - 01	F140771	(H5712)	From 11/05/01; Dayton; 2.52" 2-Piston Caliper; w/Wear Sensor
02 - 01	F140630	(H3026)	From 11/05/01; Dayton; 2.75" 2-Piston Caliper; w/o Wear Sensor
02 - 01	F140771	(H5712)	From 11/05/01; Dayton; 2.75" 2-Piston Caliper; w/Wear Sensor
02 - 01	F140769	(H5710)	To 11/04/01; Bosch; 2.88" 2-Piston Caliper
00	F140769	(H5710)	Bosch; 2.88" 2-Piston Caliper
99	F140769	(H5710)	From 11/15/99; Bosch; 2.88" 2-Piston Caliper
99	F112090S	(H5566)	To 11/14/99; Bendix; 2.88" 2-Piston Caliper

Rear Brake Hardware

Years	Sequential No.	Category No.	Qualifier
07 - 03	F140630	(H3026)	Dayton; 2.52" 2-Piston Caliper; w/o Wear Sensor
07 - 03	F140771	(H5712)	Dayton; 2.52" 2-Piston Caliper; w/Wear Sensor
07 - 03	F140630	(H3026)	Dayton; 2.75" 2-Piston Caliper; w/o Wear Sensor
07 - 03	F140771	(H5712)	Dayton; 2.75" 2-Piston Caliper; w/Wear Sensor
02 - 01	F140630	(H3026)	From 11/05/01; Dayton; 2.52" 2-Piston Caliper; w/o Wear Sensor
02 - 01	F140771	(H5712)	From 11/05/01; Dayton; 2.52" 2-Piston Caliper; w/Wear Sensor
02 - 01	F140630	(H3026)	From 11/05/01; Dayton; 2.75" 2-Piston Caliper; w/o Wear Sensor
02 - 01	F140771	(H5712)	From 11/05/01; Dayton; 2.75" 2-Piston Caliper; w/Wear Sensor
02 - 01	F112090S	(H5566)	To 11/04/01; Bendix; 2.88" 2-Piston Caliper
00 - 98	F112090S	(H5566)	Bendix; 2.88" 2-Piston Caliper

Calipers - Reman					
Front, Loaded	Years	Left No.	Right No.	Qualifier	Piston
Loaded Caliper	07 - 03	AS134821	AS134820	Dayton; 2.52" 2-Piston Caliper; Serial No. 602C / 604C; w/o Wear Sensor	M
Loaded Caliper	07 - 03	AS134821A	AS134820A	Dayton; 2.52" 2-Piston Caliper; Serial No. 602C / 604C; w/Wear Sensor	M
Loaded Caliper	07 - 03	AS134580	AS134581	Dayton; 2.75" 2-Piston Caliper; Serial No. 581F / 583F; w/o Wear Sensor	M
Loaded Caliper	07 - 03	AS134580A	AS134581A	Dayton; 2.75" 2-Piston Caliper; Serial No. 581F / 583F; w/Wear Sensor	M
Loaded Caliper	07 - 03	AS134818	AS134819	Dayton; 2.75" 2-Piston Caliper; Serial No. 595B / 597B; w/o Wear Sensor	M
Loaded Caliper	07 - 03	AS134818A	AS134819A	Dayton; 2.75" 2-Piston Caliper; Serial No. 595B / 597B; w/Wear Sensor	M
Loaded Caliper	02 - 01	AS134821	AS134820	From 11/05/01; Dayton; 2.52" 2-Piston Caliper; Serial No. 602C / 604C; w/o Wear Sensor	M
Loaded Caliper	02 - 01	AS134821A	AS134820A	From 11/05/01; Dayton; 2.52" 2-Piston Caliper; Serial No. 602C / 604C; w/Wear Sensor	M
Loaded Caliper	02 - 01	AS134580	AS134581	From 11/05/01; Dayton; 2.75" 2-Piston Caliper; Serial No. 581F / 583F; w/o Wear Sensor	M
Loaded Caliper	02 - 01	AS134580A	AS134581A	From 11/05/01; Dayton; 2.75" 2-Piston Caliper; Serial No. 581F / 583F; w/Wear Sensor	M
Loaded Caliper	02 - 01	AS134818	AS134819	From 11/05/01; Dayton; 2.75" 2-Piston Caliper; Serial No. 595B / 597B; w/o Wear Sensor	M
Loaded Caliper	02 - 01	AS134818A	AS134819A	From 11/05/01; Dayton; 2.75" 2-Piston Caliper; Serial No. 595B / 597B; w/Wear Sensor	M
Loaded Caliper	02 - 01	AS135024	AS135024	To 11/04/01; Bosch; 2.88" 2-Piston Caliper	P
Loaded Caliper	00	AS135024	AS135024	Bosch; 2.88" 2-Piston Caliper	P
Loaded Caliper	99	AS135024	AS135024	From 11/15/99; Bosch; 2.88" 2-Piston Caliper	P
Loaded Caliper	99	AS120549	AS120549	To 11/14/99; Bendix; 2.88" 2-Piston Caliper	P
Loaded Caliper	99	AS120549S	AS120549S	To 11/14/99; Bendix; 2.88" 2-Piston Caliper	O
Rear, Loaded	Years	Left No.	Right No.	Qualifier	Piston
Loaded Caliper	07 - 03	AS134821	AS134820	Dayton; 2.52" 2-Piston Caliper; Serial No. 602C / 604C; w/o Wear Sensor	M
Loaded Caliper	07 - 03	AS134821A	AS134820A	Dayton; 2.52" 2-Piston Caliper; Serial No. 602C / 604C; w/Wear Sensor	M
Loaded Caliper	07 - 03	AS134580	AS134581	Dayton; 2.75" 2-Piston Caliper; Serial No. 581F / 583F; w/o Wear Sensor	M
Loaded Caliper	07 - 03	AS134580A	AS134581A	Dayton; 2.75" 2-Piston Caliper; Serial No. 581F / 583F; w/Wear Sensor	M
Loaded Caliper	07 - 03	AS134818	AS134819	Dayton; 2.75" 2-Piston Caliper; Serial No. 595B / 597B; w/o Wear Sensor	M
Loaded Caliper	07 - 03	AS134818A	AS134819A	Dayton; 2.75" 2-Piston Caliper; Serial No. 595B / 597B; w/Wear Sensor	M
Loaded Caliper	02 - 01	AS134821	AS134820	From 11/05/01; Dayton; 2.52" 2-Piston Caliper; Serial No. 602C / 604C; w/o Wear Sensor	M
Loaded Caliper	02 - 01	AS134821A	AS134820A	From 11/05/01; Dayton; 2.52" 2-Piston Caliper; Serial No. 602C / 604C; w/Wear Sensor	M
Loaded Caliper	02 - 01	AS134580	AS134581	From 11/05/01; Dayton; 2.75" 2-Piston Caliper; Serial No. 581F / 583F; w/o Wear Sensor	M
Loaded Caliper	02 - 01	AS134580A	AS134581A	From 11/05/01; Dayton; 2.75" 2-Piston Caliper; Serial No. 581F / 583F; w/Wear Sensor	M
Loaded Caliper	02 - 01	AS134818	AS134819	From 11/05/01; Dayton; 2.75" 2-Piston Caliper; Serial No. 595B / 597B; w/o Wear Sensor	M
Loaded Caliper	02 - 01	AS134818A	AS134819A	From 11/05/01; Dayton; 2.75" 2-Piston Caliper; Serial No. 595B / 597B; w/Wear Sensor	M
Loaded Caliper	02 - 01	AS120549	AS120549	To 11/04/01; Bendix; 2.88" 2-Piston Caliper	P
Loaded Caliper	02 - 01	AS120549S	AS120549S	To 11/04/01; Bendix; 2.88" 2-Piston Caliper	O
Loaded Caliper	00 - 98	AS120549	AS120549	Bendix; 2.88" 2-Piston Caliper	P
Loaded Caliper	00 - 98	AS120549S	AS120549S	Bendix; 2.88" 2-Piston Caliper	O
Front, Unloaded	Years	Left No.	Right No.	Qualifier	Piston
Unloaded Caliper	07 - 03	CR134821	CR134820	Dayton; 2.52" 2-Piston Caliper; Serial No. 602C / 604C	M
Unloaded Caliper	07 - 03	CR134580	CR134581	Dayton; 2.75" 2-Piston Caliper; Serial No. 581F / 583F	M
Unloaded Caliper	07 - 03	CR134818	CR134819	Dayton; 2.75" 2-Piston Caliper; Serial No. 595B / 597B	M
Unloaded Caliper	02 - 01	CR134821	CR134820	From 11/05/01; Dayton; 2.52" 2-Piston Caliper; Serial No. 602C / 604C	M
Unloaded Caliper	02 - 01	CR134580	CR134581	From 11/05/01; Dayton; 2.75" 2-Piston Caliper; Serial No. 581F / 583F	M
Unloaded Caliper	02 - 01	CR134818	CR134819	From 11/05/01; Dayton; 2.75" 2-Piston Caliper; Serial No. 595B / 597B	M
Unloaded Caliper	02 - 01	CR135024	CR135024	To 11/04/01; Bosch; 2.88" 2-Piston Caliper	P
Unloaded Caliper	00	CR135024	CR135024	Bosch; 2.88" 2-Piston Caliper	P
Unloaded Caliper	99	CR135024	CR135024	From 11/15/99; Bosch; 2.88" 2-Piston Caliper	P
Unloaded Caliper	99	CR120549	CR120549	To 11/14/99; Bendix; 2.88" 2-Piston Caliper	P
Unloaded Caliper	99	CR120549S	CR120549S	To 11/14/99; Bendix; 2.88" 2-Piston Caliper	O
Rear, Unloaded	Years	Left No.	Right No.	Qualifier	Piston
Unloaded Caliper	07 - 03	CR134821	CR134820	Dayton; 2.52" 2-Piston Caliper; Serial No. 602C / 604C	M
Unloaded Caliper	07 - 03	CR134580	CR134581	Dayton; 2.75" 2-Piston Caliper; Serial No. 581F / 583F	M
Unloaded Caliper	07 - 03	CR134818	CR134819	Dayton; 2.75" 2-Piston Caliper; Serial No. 595B / 597B	M
Unloaded Caliper	02 - 01	CR134821	CR134820	From 11/05/01; Dayton; 2.52" 2-Piston Caliper; Serial No. 602C / 604C	M
Unloaded Caliper	02 - 01	CR134580	CR134581	From 11/05/01; Dayton; 2.75" 2-Piston Caliper; Serial No. 581F / 583F	M
Unloaded Caliper	02 - 01	CR134818	CR134819	From 11/05/01; Dayton; 2.75" 2-Piston Caliper; Serial No. 595B / 597B	M
Unloaded Caliper	02 - 01	CR120549	CR120549	To 11/04/01; Bendix; 2.88" 2-Piston Caliper	P
Unloaded Caliper	02 - 01	CR120549S	CR120549S	To 11/04/01; Bendix; 2.88" 2-Piston Caliper	O

Piston: M - OE Metal Piston P - OE Phenolic Piston O - Metal Piston Option

C1FE (cont.)

Calipers - Reman (cont.)

Rear, Unloaded	Years	Left No.	Right No.	Qualifier	Piston
Unloaded Caliper	00 - 98	CR120549	CR120549	Bendix; 2.88" 2-Piston Caliper	P
Unloaded Caliper	00 - 98	CR120549S	CR120549S	Bendix; 2.88" 2-Piston Caliper	O

CSFE

Brake Pads & Shoes

Front Pads & Shoes	Years	SevereDuty	Lining No.	Qualifier
Brake Pads	04 - 03	SD769		Dayton; 2.52" 2-Piston Caliper; w/o Wear Sensor
Brake Pads	04 - 03	SD1032		Dayton; 2.52" 2-Piston Caliper; w/Wear Sensor
Brake Pads	04 - 03	SD769		Dayton; 2.75" 2-Piston Caliper; w/o Wear Sensor
Brake Pads	04 - 03	SD1032		Dayton; 2.75" 2-Piston Caliper; w/Wear Sensor
Brake Pads	02 - 01	SD769		From 11/05/01; Dayton; 2.52" 2-Piston Caliper; w/o Wear Sensor
Brake Pads	02 - 01	SD1032		From 11/05/01; Dayton; 2.52" 2-Piston Caliper; w/Wear Sensor
Brake Pads	02 - 01	SD769		From 11/05/01; Dayton; 2.75" 2-Piston Caliper; w/o Wear Sensor
Brake Pads	02 - 01	SD1032		From 11/05/01; Dayton; 2.75" 2-Piston Caliper; w/Wear Sensor
Brake Pads	02 - 01	SD786A		To 11/04/01; Bosch; 2.88" 2-Piston Caliper
Brake Pads	00	SD786A		From 6/05/00; Bosch; 2.88" 2-Piston Caliper
Brake Pads	00	SD225		To 6/04/00; Bendix; 2.88" 2-Piston Caliper
Brake Pads	99 - 89	SD225		Bendix; 2.88" 2-Piston Caliper
Brake Shoes	04 - 89	4702Q	4702	w/Air Brakes; Rockwell/Meritor; Q-Plus; 15 x 4
Brake Shoes	04 - 89	4703Q	4703	w/Air Brakes; Rockwell/Meritor; Q-Plus; 15 x 5
Brake Shoes	04 - 89	1308Q	1308T	w/Air Brakes; Rockwell/Meritor; Q-Series; 15 x 4
Brake Shoes	04 - 89	4524Q	4524B	w/Air Brakes; Rockwell/Meritor; Q-Series; 16-1/2 x 5
Brake Shoes	04 - 89	4514Q	4514G	w/Air Brakes; Rockwell/Meritor; Q-Series; 16-1/2 x 6
Brake Shoes	04 - 89	1307T	1307	w/Air Brakes; Rockwell/Meritor; T-Series; 15 x 3-1/2
Brake Shoes	04 - 89	1308T	1308T	w/Air Brakes; Rockwell/Meritor; T-Series; 15 x 4

Rear Pads & Shoes

Rear Pads & Shoes	Years	SevereDuty	Lining No.	Qualifier
Brake Pads	04 - 03	SD769		Dayton; 2.52" 2-Piston Caliper; w/o Wear Sensor
Brake Pads	04 - 03	SD1032		Dayton; 2.52" 2-Piston Caliper; w/Wear Sensor
Brake Pads	04 - 03	SD769		Dayton; 2.75" 2-Piston Caliper; w/o Wear Sensor
Brake Pads	04 - 03	SD1032		Dayton; 2.75" 2-Piston Caliper; w/Wear Sensor
Brake Pads	02 - 01	SD769		From 11/05/01; Dayton; 2.52" 2-Piston Caliper; w/o Wear Sensor
Brake Pads	02 - 01	SD1032		From 11/05/01; Dayton; 2.52" 2-Piston Caliper; w/Wear Sensor
Brake Pads	02 - 01	SD769		From 11/05/01; Dayton; 2.75" 2-Piston Caliper; w/o Wear Sensor
Brake Pads	02 - 01	SD1032		From 11/05/01; Dayton; 2.75" 2-Piston Caliper; w/Wear Sensor
Brake Pads	02 - 01	SD786A		To 11/04/01; Bosch; 2.88" 2-Piston Caliper
Brake Pads	01 - 98	SD225		Bendix; 2.88" 2-Piston Caliper
Brake Pads	00 - 98	SD786A		Bosch; 2.88" 2-Piston Caliper
Brake Pads	97 - 89	SD225		Bendix; 2.88" 2-Piston Caliper; 17000-21000 lb. RA
Brake Shoes	04 - 89	4709E	4709	w/Air Brakes; Eaton; Extended Service; 16-1/2 x 7
Brake Shoes	04 - 89	4515Q	4515E	w/Air Brakes; Rockwell/Meritor; P-Series; 16-1/2 x 7
Brake Shoes	04 - 89	4710Q	4710	w/Air Brakes; Rockwell/Meritor; Q-Plus; 15 x 8-5/8
Brake Shoes	04 - 89	4707Q	4707	w/Air Brakes; Rockwell/Meritor; Q-Plus; 16-1/2 x 7
Brake Shoes	04 - 89	4718Q	4718	w/Air Brakes; Rockwell/Meritor; Q-Plus; 16-1/2 x 8
Brake Shoes	04 - 89	4514Q	4514G	w/Air Brakes; Rockwell/Meritor; Q-Series; 16-1/2 x 6
Brake Shoes	04 - 89	4515Q	4515E	w/Air Brakes; Rockwell/Meritor; Q-Series; 16-1/2 x 7

Brake Hardware

Front Brake Hardware	Years	Sequential No.	Category No.	Qualifier
Disc Align Kit	04 - 03	F140630	(H3026)	Dayton; 2.52" 2-Piston Caliper; w/o Wear Sensor
Disc Align Kit	04 - 03	F140771	(H5712)	Dayton; 2.52" 2-Piston Caliper; w/Wear Sensor
Disc Align Kit	04 - 03	F140630	(H3026)	Dayton; 2.75" 2-Piston Caliper; w/o Wear Sensor
Disc Align Kit	04 - 03	F140771	(H5712)	Dayton; 2.75" 2-Piston Caliper; w/Wear Sensor
Disc Align Kit	02 - 01	F140630	(H3026)	From 11/05/01; Dayton; 2.52" 2-Piston Caliper; w/o Wear Sensor
Disc Align Kit	02 - 01	F140771	(H5712)	From 11/05/01; Dayton; 2.52" 2-Piston Caliper; w/Wear Sensor
Disc Align Kit	02 - 01	F140630	(H3026)	From 11/05/01; Dayton; 2.75" 2-Piston Caliper; w/o Wear Sensor
Disc Align Kit	02 - 01	F140771	(H5712)	From 11/05/01; Dayton; 2.75" 2-Piston Caliper; w/Wear Sensor

Piston: M - OE Metal Piston P - OE Phenolic Piston O - Metal Piston Option

Brake Hardware (cont.)

Front Brake Hardware	Years	Sequential No.	Category No.	Qualifier
Disc Align Kit	02 - 01	F140769	(H5710)	To 11/04/01; Bosch; 2.88" 2-Piston Caliper
Disc Align Kit	00	F140769	(H5710)	From 6/05/00; Bosch; 2.88" 2-Piston Caliper
Disc Align Kit	00	F112090S	(H5566)	To 6/04/00; Bendix; 2.88" 2-Piston Caliper
Disc Align Kit	99 - 89	F112090S	(H5566)	Bendix; 2.88" 2-Piston Caliper

Rear Brake Hardware	Years	Sequential No.	Category No.	Qualifier
Disc Align Kit	04 - 03	F140630	(H3026)	Dayton; 2.52" 2-Piston Caliper; w/o Wear Sensor
Disc Align Kit	04 - 03	F140771	(H5712)	Dayton; 2.52" 2-Piston Caliper; w/Wear Sensor
Disc Align Kit	04 - 03	F140630	(H3026)	Dayton; 2.75" 2-Piston Caliper; w/o Wear Sensor
Disc Align Kit	04 - 03	F140771	(H5712)	Dayton; 2.75" 2-Piston Caliper; w/Wear Sensor
Disc Align Kit	02 - 01	F140630	(H3026)	From 11/05/01; Dayton; 2.52" 2-Piston Caliper; w/o Wear Sensor
Disc Align Kit	02 - 01	F140771	(H5712)	From 11/05/01; Dayton; 2.52" 2-Piston Caliper; w/Wear Sensor
Disc Align Kit	02 - 01	F140630	(H3026)	From 11/05/01; Dayton; 2.75" 2-Piston Caliper; w/o Wear Sensor
Disc Align Kit	02 - 01	F140771	(H5712)	From 11/05/01; Dayton; 2.75" 2-Piston Caliper; w/Wear Sensor
Disc Align Kit	02 - 01	F140769	(H5710)	To 11/04/01; Bosch; 2.88" 2-Piston Caliper
Disc Align Kit	01 - 98	F112090S	(H5566)	Bendix; 2.88" 2-Piston Caliper
Disc Align Kit	00 - 98	F140769	(H5710)	Bosch; 2.88" 2-Piston Caliper
Disc Align Kit	97 - 89	F112090S	(H5566)	Bendix; 2.88" 2-Piston Caliper; 17000-21000 lb. RA

Calipers - Reman

Front, Loaded	Years	Left No.	Right No.	Qualifier	Piston
Loaded Caliper	04 - 03	AS134821	AS134820	Dayton; 2.52" 2-Piston Caliper; Serial No. 602C / 604C; w/o Wear Sensor	M
Loaded Caliper	04 - 03	AS134821A	AS134820A	Dayton; 2.52" 2-Piston Caliper; Serial No. 602C / 604C; w/Wear Sensor	M
Loaded Caliper	04 - 03	AS134580	AS134581	Dayton; 2.75" 2-Piston Caliper; Serial No. 581F / 583F; w/o Wear Sensor	M
Loaded Caliper	04 - 03	AS134580A	AS134581A	Dayton; 2.75" 2-Piston Caliper; Serial No. 581F / 583F; w/Wear Sensor	M
Loaded Caliper	04 - 03	AS134818	AS134819	Dayton; 2.75" 2-Piston Caliper; Serial No. 595B / 597B; w/o Wear Sensor	M
Loaded Caliper	04 - 03	AS134818A	AS134819A	Dayton; 2.75" 2-Piston Caliper; Serial No. 595B / 597B; w/Wear Sensor	M
Loaded Caliper	02 - 01	AS134821	AS134820	From 11/05/01; Dayton; 2.52" 2-Piston Caliper; Serial No. 602C / 604C; w/o Wear Sensor	M
Loaded Caliper	02 - 01	AS134821A	AS134820A	From 11/05/01; Dayton; 2.52" 2-Piston Caliper; Serial No. 602C / 604C; w/Wear Sensor	M
Loaded Caliper	02 - 01	AS134580	AS134581	From 11/05/01; Dayton; 2.75" 2-Piston Caliper; Serial No. 581F / 583F; w/o Wear Sensor	M
Loaded Caliper	02 - 01	AS134580A	AS134581A	From 11/05/01; Dayton; 2.75" 2-Piston Caliper; Serial No. 581F / 583F; w/Wear Sensor	M
Loaded Caliper	02 - 01	AS134818	AS134819	From 11/05/01; Dayton; 2.75" 2-Piston Caliper; Serial No. 595B / 597B; w/o Wear Sensor	M
Loaded Caliper	02 - 01	AS134818A	AS134819A	From 11/05/01; Dayton; 2.75" 2-Piston Caliper; Serial No. 595B / 597B; w/Wear Sensor	M
Loaded Caliper	02 - 01	AS135024	AS135024	To 11/04/01; Bosch; 2.88" 2-Piston Caliper	P
Loaded Caliper	00	AS135024	AS135024	From 6/05/00; Bosch; 2.88" 2-Piston Caliper	P
Loaded Caliper	00	AS120549	AS120549	To 6/04/00; Bendix; 2.88" 2-Piston Caliper	P
Loaded Caliper	00	AS120549S	AS120549S	To 6/04/00; Bendix; 2.88" 2-Piston Caliper	O
Loaded Caliper	99 - 89	AS120549	AS120549	Bendix; 2.88" 2-Piston Caliper	P
Loaded Caliper	99 - 89	AS120549S	AS120549S	Bendix; 2.88" 2-Piston Caliper	O

Rear, Loaded	Years	Left No.	Right No.	Qualifier	Piston
Loaded Caliper	04 - 03	AS134821	AS134820	Dayton; 2.52" 2-Piston Caliper; Serial No. 602C / 604C; w/o Wear Sensor	M
Loaded Caliper	04 - 03	AS134821A	AS134820A	Dayton; 2.52" 2-Piston Caliper; Serial No. 602C / 604C; w/Wear Sensor	M
Loaded Caliper	04 - 03	AS134580	AS134581	Dayton; 2.75" 2-Piston Caliper; Serial No. 581F / 583F; w/o Wear Sensor	M
Loaded Caliper	04 - 03	AS134580A	AS134581A	Dayton; 2.75" 2-Piston Caliper; Serial No. 581F / 583F; w/Wear Sensor	M
Loaded Caliper	04 - 03	AS134818	AS134819	Dayton; 2.75" 2-Piston Caliper; Serial No. 595B / 597B; w/o Wear Sensor	M
Loaded Caliper	04 - 03	AS134818A	AS134819A	Dayton; 2.75" 2-Piston Caliper; Serial No. 595B / 597B; w/Wear Sensor	M
Loaded Caliper	02 - 01	AS134821	AS134820	From 11/05/01; Dayton; 2.52" 2-Piston Caliper; Serial No. 602C / 604C; w/o Wear Sensor	M
Loaded Caliper	02 - 01	AS134821A	AS134820A	From 11/05/01; Dayton; 2.52" 2-Piston Caliper; Serial No. 602C / 604C; w/Wear Sensor	M
Loaded Caliper	02 - 01	AS134580	AS134581	From 11/05/01; Dayton; 2.75" 2-Piston Caliper; Serial No. 581F / 583F; w/o Wear Sensor	M
Loaded Caliper	02 - 01	AS134580A	AS134581A	From 11/05/01; Dayton; 2.75" 2-Piston Caliper; Serial No. 581F / 583F; w/Wear Sensor	M
Loaded Caliper	02 - 01	AS134818	AS134819	From 11/05/01; Dayton; 2.75" 2-Piston Caliper; Serial No. 595B / 597B; w/o Wear Sensor	M
Loaded Caliper	02 - 01	AS134818A	AS134819A	From 11/05/01; Dayton; 2.75" 2-Piston Caliper; Serial No. 595B / 597B; w/Wear Sensor	M
Loaded Caliper	02 - 01	AS135024	AS135024	To 11/04/01; Bosch; 2.88" 2-Piston Caliper	P
Loaded Caliper	01 - 98	AS120549	AS120549	Bendix; 2.88" 2-Piston Caliper	P
Loaded Caliper	01 - 98	AS120549S	AS120549S	Bendix; 2.88" 2-Piston Caliper	O
Loaded Caliper	00 - 98	AS135024	AS135024	Bosch; 2.88" 2-Piston Caliper	P
Loaded Caliper	97 - 89	AS120549	AS120549	Bendix; 2.88" 2-Piston Caliper; 17000-21000 lb. RA	P

Piston: M - OE Metal Piston P - OE Phenolic Piston O - Metal Piston Option

BLUEBIRD Type-D Commercial-Series



CSFE (cont.)					
Calipers - Reman (cont.)					
Rear, Loaded	Years	Left No.	Right No.	Qualifier	Piston
Loaded Caliper	97 - 89	AS120549S	AS120549S	Bendix; 2.88" 2-Piston Caliper; 17000-21000 lb. RA	O
Front, Unloaded	Years	Left No.	Right No.	Qualifier	Piston
Unloaded Caliper	04 - 03	CR134821	CR134820	Dayton; 2.52" 2-Piston Caliper; Serial No. 602C / 604C	M
Unloaded Caliper	04 - 03	CR134580	CR134581	Dayton; 2.75" 2-Piston Caliper; Serial No. 581F / 583F	M
Unloaded Caliper	04 - 03	CR134818	CR134819	Dayton; 2.75" 2-Piston Caliper; Serial No. 595B / 597B	M
Unloaded Caliper	02 - 01	CR134821	CR134820	From 11/05/01; Dayton; 2.52" 2-Piston Caliper; Serial No. 602C / 604C	M
Unloaded Caliper	02 - 01	CR134580	CR134581	From 11/05/01; Dayton; 2.75" 2-Piston Caliper; Serial No. 581F / 583F	M
Unloaded Caliper	02 - 01	CR134818	CR134819	From 11/05/01; Dayton; 2.75" 2-Piston Caliper; Serial No. 595B / 597B	M
Unloaded Caliper	02 - 01	CR135024	CR135024	To 11/04/01; Bosch; 2.88" 2-Piston Caliper	P
Unloaded Caliper	00	CR135024	CR135024	From 6/05/00; Bosch; 2.88" 2-Piston Caliper	P
Unloaded Caliper	00	CR120549	CR120549	To 6/04/00; Bendix; 2.88" 2-Piston Caliper	P
Unloaded Caliper	00	CR120549S	CR120549S	To 6/04/00; Bendix; 2.88" 2-Piston Caliper	O
Unloaded Caliper	99 - 89	CR120549	CR120549	Bendix; 2.88" 2-Piston Caliper	P
Unloaded Caliper	99 - 89	CR120549S	CR120549S	Bendix; 2.88" 2-Piston Caliper	O
Rear, Unloaded	Years	Left No.	Right No.	Qualifier	Piston
Unloaded Caliper	04 - 03	CR134821	CR134820	Dayton; 2.52" 2-Piston Caliper; Serial No. 602C / 604C	M
Unloaded Caliper	04 - 03	CR134580	CR134581	Dayton; 2.75" 2-Piston Caliper; Serial No. 581F / 583F	M
Unloaded Caliper	04 - 03	CR134818	CR134819	Dayton; 2.75" 2-Piston Caliper; Serial No. 595B / 597B	M
Unloaded Caliper	02 - 01	CR134821	CR134820	From 11/05/01; Dayton; 2.52" 2-Piston Caliper; Serial No. 602C / 604C	M
Unloaded Caliper	02 - 01	CR134580	CR134581	From 11/05/01; Dayton; 2.75" 2-Piston Caliper; Serial No. 581F / 583F	M
Unloaded Caliper	02 - 01	CR134818	CR134819	From 11/05/01; Dayton; 2.75" 2-Piston Caliper; Serial No. 595B / 597B	M
Unloaded Caliper	02 - 01	CR135024	CR135024	To 11/04/01; Bosch; 2.88" 2-Piston Caliper	P
Unloaded Caliper	01 - 98	CR120549	CR120549	Bendix; 2.88" 2-Piston Caliper	P
Unloaded Caliper	01 - 98	CR120549S	CR120549S	Bendix; 2.88" 2-Piston Caliper	O
Unloaded Caliper	00 - 98	CR135024	CR135024	Bosch; 2.88" 2-Piston Caliper	P
Unloaded Caliper	97 - 89	CR120549	CR120549	Bendix; 2.88" 2-Piston Caliper; 17000-21000 lb. RA	P
Unloaded Caliper	97 - 89	CR120549S	CR120549S	Bendix; 2.88" 2-Piston Caliper; 17000-21000 lb. RA	O

BLUEBIRD Type-D Commercial-Shell

C3FE					
Brake Pads & Shoes					
Front Pads & Shoes	Years	SevereDuty	Lining No.	Qualifier	
Brake Pads	07 - 01	SD769		Dayton; 2.52" 2-Piston Caliper; w/o Wear Sensor	
Brake Pads	07 - 01	SD1032		Dayton; 2.52" 2-Piston Caliper; w/Wear Sensor	
Brake Pads	07 - 01	SD769		Dayton; 2.75" 2-Piston Caliper; w/o Wear Sensor	
Brake Pads	07 - 01	SD1032		Dayton; 2.75" 2-Piston Caliper; w/Wear Sensor	
Brake Shoes	07 - 98	4702Q	4702	w/Air Brakes; Rockwell/Meritor; Q-Plus; 15 x 4	
Brake Shoes	07 - 98	4703Q	4703	w/Air Brakes; Rockwell/Meritor; Q-Plus; 15 x 5	
Brake Shoes	07 - 98	1308Q	1308T	w/Air Brakes; Rockwell/Meritor; Q-Series; 15 x 4	
Brake Shoes	07 - 98	4524Q	4524B	w/Air Brakes; Rockwell/Meritor; Q-Series; 16-1/2 x 5	
Brake Shoes	07 - 98	4514Q	4514G	w/Air Brakes; Rockwell/Meritor; Q-Series; 16-1/2 x 6	
Brake Shoes	07 - 98	1307T	1307	w/Air Brakes; Rockwell/Meritor; T-Series; 15 x 3-1/2	
Brake Shoes	07 - 98	1308T	1308T	w/Air Brakes; Rockwell/Meritor; T-Series; 15 x 4	
Rear Pads & Shoes	Years	SevereDuty	Lining No.	Qualifier	
Brake Pads	07 - 01	SD769		Dayton; 2.52" 2-Piston Caliper; w/o Wear Sensor	
Brake Pads	07 - 01	SD1032		Dayton; 2.52" 2-Piston Caliper; w/Wear Sensor	
Brake Pads	07 - 01	SD769		Dayton; 2.75" 2-Piston Caliper; w/o Wear Sensor	
Brake Pads	07 - 01	SD1032		Dayton; 2.75" 2-Piston Caliper; w/Wear Sensor	
Brake Shoes	07 - 98	4709E	4709	w/Air Brakes; Eaton; Extended Service; 16-1/2 x 7	
Brake Shoes	07 - 98	4515Q	4515E	w/Air Brakes; Rockwell/Meritor; P-Series; 16-1/2 x 7	
Brake Shoes	07 - 98	4710Q	4710	w/Air Brakes; Rockwell/Meritor; Q-Plus; 15 x 8-5/8	
Brake Shoes	07 - 98	4707Q	4707	w/Air Brakes; Rockwell/Meritor; Q-Plus; 16-1/2 x 7	
Brake Shoes	07 - 98	4718Q	4718	w/Air Brakes; Rockwell/Meritor; Q-Plus; 16-1/2 x 8	
Brake Shoes	07 - 98	4514Q	4514G	w/Air Brakes; Rockwell/Meritor; Q-Series; 16-1/2 x 6	
Brake Shoes	07 - 98	4515Q	4515E	w/Air Brakes; Rockwell/Meritor; Q-Series; 16-1/2 x 7	

Piston: M - OE Metal Piston P - OE Phenolic Piston O - Metal Piston Option

Brake Hardware

Front Brake Hardware	Years	Sequential No.	Category No.	Qualifier
Disc Align Kit	07 - 01	F140630	(H3026)	Dayton; 2.52" 2-Piston Caliper; w/o Wear Sensor
Disc Align Kit	07 - 01	F140771	(H5712)	Dayton; 2.52" 2-Piston Caliper; w/Wear Sensor
Disc Align Kit	07 - 01	F140630	(H3026)	Dayton; 2.75" 2-Piston Caliper; w/o Wear Sensor
Disc Align Kit	07 - 01	F140771	(H5712)	Dayton; 2.75" 2-Piston Caliper; w/Wear Sensor
Rear Brake Hardware	Years	Sequential No.	Category No.	Qualifier
Disc Align Kit	07 - 01	F140630	(H3026)	Dayton; 2.52" 2-Piston Caliper; w/o Wear Sensor
Disc Align Kit	07 - 01	F140771	(H5712)	Dayton; 2.52" 2-Piston Caliper; w/Wear Sensor
Disc Align Kit	07 - 01	F140630	(H3026)	Dayton; 2.75" 2-Piston Caliper; w/o Wear Sensor
Disc Align Kit	07 - 01	F140771	(H5712)	Dayton; 2.75" 2-Piston Caliper; w/Wear Sensor

Calipers - Reman

Front, Loaded	Years	Left No.	Right No.	Qualifier	Piston
Loaded Caliper	07 - 01	AS134821	AS134820	Dayton; 2.52" 2-Piston Caliper; Serial No. 602C / 604C; w/o Wear Sensor	M
Loaded Caliper	07 - 01	AS134821A	AS134820A	Dayton; 2.52" 2-Piston Caliper; Serial No. 602C / 604C; w/Wear Sensor	M
Loaded Caliper	07 - 01	AS134580	AS134581	Dayton; 2.75" 2-Piston Caliper; Serial No. 581F / 583F; w/o Wear Sensor	M
Loaded Caliper	07 - 01	AS134580A	AS134581A	Dayton; 2.75" 2-Piston Caliper; Serial No. 581F / 583F; w/Wear Sensor	M
Loaded Caliper	07 - 01	AS134818	AS134819	Dayton; 2.75" 2-Piston Caliper; Serial No. 595B / 597B; w/o Wear Sensor	M
Loaded Caliper	07 - 01	AS134818A	AS134819A	Dayton; 2.75" 2-Piston Caliper; Serial No. 595B / 597B; w/Wear Sensor	M
Rear, Loaded	Years	Left No.	Right No.	Qualifier	Piston
Loaded Caliper	07 - 01	AS134821	AS134820	Dayton; 2.52" 2-Piston Caliper; Serial No. 602C / 604C; w/o Wear Sensor	M
Loaded Caliper	07 - 01	AS134821A	AS134820A	Dayton; 2.52" 2-Piston Caliper; Serial No. 602C / 604C; w/Wear Sensor	M
Loaded Caliper	07 - 01	AS134580	AS134581	Dayton; 2.75" 2-Piston Caliper; Serial No. 581F / 583F; w/o Wear Sensor	M
Loaded Caliper	07 - 01	AS134580A	AS134581A	Dayton; 2.75" 2-Piston Caliper; Serial No. 581F / 583F; w/Wear Sensor	M
Loaded Caliper	07 - 01	AS134818	AS134819	Dayton; 2.75" 2-Piston Caliper; Serial No. 595B / 597B; w/o Wear Sensor	M
Loaded Caliper	07 - 01	AS134818A	AS134819A	Dayton; 2.75" 2-Piston Caliper; Serial No. 595B / 597B; w/Wear Sensor	M
Front, Unloaded	Years	Left No.	Right No.	Qualifier	Piston
Unloaded Caliper	07 - 01	CR134821	CR134820	Dayton; 2.52" 2-Piston Caliper; Serial No. 602C / 604C	M
Unloaded Caliper	07 - 01	CR134580	CR134581	Dayton; 2.75" 2-Piston Caliper; Serial No. 581F / 583F	M
Unloaded Caliper	07 - 01	CR134818	CR134819	Dayton; 2.75" 2-Piston Caliper; Serial No. 595B / 597B	M
Rear, Unloaded	Years	Left No.	Right No.	Qualifier	Piston
Unloaded Caliper	07 - 01	CR134821	CR134820	Dayton; 2.52" 2-Piston Caliper; Serial No. 602C / 604C	M
Unloaded Caliper	07 - 01	CR134580	CR134581	Dayton; 2.75" 2-Piston Caliper; Serial No. 581F / 583F	M
Unloaded Caliper	07 - 01	CR134818	CR134819	Dayton; 2.75" 2-Piston Caliper; Serial No. 595B / 597B	M

BLUEBIRD Type-D Transit-Series
Brake Pads & Shoes

Front Pads & Shoes	Years	SevereDuty	Lining No.	Qualifier
Brake Pads	04 - 03	SD769		Dayton; 2.52" 2-Piston Caliper; w/o Wear Sensor
Brake Pads	04 - 03	SD1032		Dayton; 2.52" 2-Piston Caliper; w/Wear Sensor
Brake Pads	04 - 03	SD769		Dayton; 2.75" 2-Piston Caliper; w/o Wear Sensor
Brake Pads	04 - 03	SD1032		Dayton; 2.75" 2-Piston Caliper; w/Wear Sensor
Brake Pads	02 - 01	SD769		From 11/05/01; Dayton; 2.52" 2-Piston Caliper; w/o Wear Sensor
Brake Pads	02 - 01	SD1032		From 11/05/01; Dayton; 2.52" 2-Piston Caliper; w/Wear Sensor
Brake Pads	02 - 01	SD769		From 11/05/01; Dayton; 2.75" 2-Piston Caliper; w/o Wear Sensor
Brake Pads	02 - 01	SD1032		From 11/05/01; Dayton; 2.75" 2-Piston Caliper; w/Wear Sensor
Brake Pads	02 - 01	SD786A		To 11/04/01; Bosch; 2.88" 2-Piston Caliper
Brake Pads	00	SD786A		From 6/05/00; Bosch; 2.88" 2-Piston Caliper
Brake Pads	00	SD225		To 6/04/00; Bendix; 2.88" 2-Piston Caliper
Brake Pads	99 - 89	SD225		Bendix; 2.88" 2-Piston Caliper
Brake Shoes	04 - 89	4702Q	4702	w/Air Brakes; Rockwell/Meritor; Q-Plus; 15 x 4
Brake Shoes	04 - 89	4703Q	4703	w/Air Brakes; Rockwell/Meritor; Q-Plus; 15 x 5
Brake Shoes	04 - 89	1308Q	1308T	w/Air Brakes; Rockwell/Meritor; Q-Series; 15 x 4
Brake Shoes	04 - 89	4524Q	4524B	w/Air Brakes; Rockwell/Meritor; Q-Series; 16-1/2 x 5
Brake Shoes	04 - 89	4514Q	4514G	w/Air Brakes; Rockwell/Meritor; Q-Series; 16-1/2 x 6

Piston: M - OE Metal Piston P - OE Phenolic Piston

TCFE (cont.)					
Brake Pads & Shoes (cont.)					
Front Pads & Shoes	Years	SevereDuty	Lining No.	Qualifier	
Brake Shoes	04 - 89	1307T	1307	w/Air Brakes; Rockwell/Meritor; T-Series; 15 x 3-1/2	
Brake Shoes	04 - 89	1308T	1308T	w/Air Brakes; Rockwell/Meritor; T-Series; 15 x 4	
Rear Pads & Shoes	Years	SevereDuty	Lining No.	Qualifier	
Brake Pads	04 - 03	SD769		Dayton; 2.52" 2-Piston Caliper; w/o Wear Sensor	
Brake Pads	04 - 03	SD1032		Dayton; 2.52" 2-Piston Caliper; w/Wear Sensor	
Brake Pads	04 - 03	SD769		Dayton; 2.75" 2-Piston Caliper; w/o Wear Sensor	
Brake Pads	04 - 03	SD1032		Dayton; 2.75" 2-Piston Caliper; w/Wear Sensor	
Brake Pads	02 - 01	SD769		From 11/05/01; Dayton; 2.52" 2-Piston Caliper; w/o Wear Sensor	
Brake Pads	02 - 01	SD1032		From 11/05/01; Dayton; 2.52" 2-Piston Caliper; w/Wear Sensor	
Brake Pads	02 - 01	SD769		From 11/05/01; Dayton; 2.75" 2-Piston Caliper; w/o Wear Sensor	
Brake Pads	02 - 01	SD1032		From 11/05/01; Dayton; 2.75" 2-Piston Caliper; w/Wear Sensor	
Brake Pads	02 - 01	SD786A		To 11/04/01; Bosch; 2.88" 2-Piston Caliper	
Brake Pads	01 - 98	SD225		Bendix; 2.88" 2-Piston Caliper	
Brake Pads	00 - 98	SD786A		Bosch; 2.88" 2-Piston Caliper	
Brake Pads	97 - 89	SD225		Bendix; 2.88" 2-Piston Caliper; 17000-21000 lb. RA	
Brake Shoes	04 - 89	4709E	4709	w/Air Brakes; Eaton; Extended Service; 16-1/2 x 7	
Brake Shoes	04 - 89	4515Q	4515E	w/Air Brakes; Rockwell/Meritor; P-Series; 16-1/2 x 7	
Brake Shoes	04 - 89	4710Q	4710	w/Air Brakes; Rockwell/Meritor; Q-Plus; 15 x 8-5/8	
Brake Shoes	04 - 89	4707Q	4707	w/Air Brakes; Rockwell/Meritor; Q-Plus; 16-1/2 x 7	
Brake Shoes	04 - 89	4718Q	4718	w/Air Brakes; Rockwell/Meritor; Q-Plus; 16-1/2 x 8	
Brake Shoes	04 - 89	4514Q	4514G	w/Air Brakes; Rockwell/Meritor; Q-Series; 16-1/2 x 6	
Brake Shoes	04 - 89	4515Q	4515E	w/Air Brakes; Rockwell/Meritor; Q-Series; 16-1/2 x 7	
Brake Hardware					
Front Brake Hardware	Years	Sequential No.	Category No.	Qualifier	
Disc Align Kit	04 - 03	F140630	(H3026)	Dayton; 2.52" 2-Piston Caliper; w/o Wear Sensor	
Disc Align Kit	04 - 03	F140771	(H5712)	Dayton; 2.52" 2-Piston Caliper; w/Wear Sensor	
Disc Align Kit	04 - 03	F140630	(H3026)	Dayton; 2.75" 2-Piston Caliper; w/o Wear Sensor	
Disc Align Kit	04 - 03	F140771	(H5712)	Dayton; 2.75" 2-Piston Caliper; w/Wear Sensor	
Disc Align Kit	02 - 01	F140630	(H3026)	From 11/05/01; Dayton; 2.52" 2-Piston Caliper; w/o Wear Sensor	
Disc Align Kit	02 - 01	F140771	(H5712)	From 11/05/01; Dayton; 2.52" 2-Piston Caliper; w/Wear Sensor	
Disc Align Kit	02 - 01	F140630	(H3026)	From 11/05/01; Dayton; 2.75" 2-Piston Caliper; w/o Wear Sensor	
Disc Align Kit	02 - 01	F140771	(H5712)	From 11/05/01; Dayton; 2.75" 2-Piston Caliper; w/Wear Sensor	
Disc Align Kit	02 - 01	F140769	(H5710)	To 11/04/01; Bosch; 2.88" 2-Piston Caliper	
Disc Align Kit	00	F140769	(H5710)	From 6/05/00; Bosch; 2.88" 2-Piston Caliper	
Disc Align Kit	00	F112090S	(H5566)	To 6/04/00; Bendix; 2.88" 2-Piston Caliper	
Disc Align Kit	99 - 89	F112090S	(H5566)	Bendix; 2.88" 2-Piston Caliper	
Rear Brake Hardware	Years	Sequential No.	Category No.	Qualifier	
Disc Align Kit	04 - 03	F140630	(H3026)	Dayton; 2.52" 2-Piston Caliper; w/o Wear Sensor	
Disc Align Kit	04 - 03	F140771	(H5712)	Dayton; 2.52" 2-Piston Caliper; w/Wear Sensor	
Disc Align Kit	04 - 03	F140630	(H3026)	Dayton; 2.75" 2-Piston Caliper; w/o Wear Sensor	
Disc Align Kit	04 - 03	F140771	(H5712)	Dayton; 2.75" 2-Piston Caliper; w/Wear Sensor	
Disc Align Kit	02 - 01	F140630	(H3026)	From 11/05/01; Dayton; 2.52" 2-Piston Caliper; w/o Wear Sensor	
Disc Align Kit	02 - 01	F140771	(H5712)	From 11/05/01; Dayton; 2.52" 2-Piston Caliper; w/Wear Sensor	
Disc Align Kit	02 - 01	F140630	(H3026)	From 11/05/01; Dayton; 2.75" 2-Piston Caliper; w/o Wear Sensor	
Disc Align Kit	02 - 01	F140771	(H5712)	From 11/05/01; Dayton; 2.75" 2-Piston Caliper; w/Wear Sensor	
Disc Align Kit	02 - 01	F140769	(H5710)	To 11/04/01; Bosch; 2.88" 2-Piston Caliper	
Disc Align Kit	01 - 98	F112090S	(H5566)	Bendix; 2.88" 2-Piston Caliper	
Disc Align Kit	00 - 98	F140769	(H5710)	Bosch; 2.88" 2-Piston Caliper	
Disc Align Kit	97 - 89	F112090S	(H5566)	Bendix; 2.88" 2-Piston Caliper; 17000-21000 lb. RA	
Calipers - Reman					
Front, Loaded	Years	Left No.	Right No.	Qualifier	Piston
Loaded Caliper	04 - 03	AS134821	AS134820	Dayton; 2.52" 2-Piston Caliper; Serial No. 602C / 604C; w/o Wear Sensor	M
Loaded Caliper	04 - 03	AS134821A	AS134820A	Dayton; 2.52" 2-Piston Caliper; Serial No. 602C / 604C; w/Wear Sensor	M
Loaded Caliper	04 - 03	AS134580	AS134581	Dayton; 2.75" 2-Piston Caliper; Serial No. 581F / 583F; w/o Wear Sensor	M

Piston: M - OE Metal Piston P - OE Phenolic Piston

Calipers - Reman (cont.)

Front, Loaded	Years	Left No.	Right No.	Qualifier	Piston
Loaded Caliper	04 - 03	AS134580A	AS134581A	Dayton; 2.75" 2-Piston Caliper; Serial No. 581F / 583F; w/Wear Sensor	M
Loaded Caliper	04 - 03	AS134818	AS134819	Dayton; 2.75" 2-Piston Caliper; Serial No. 595B / 597B; w/o Wear Sensor	M
Loaded Caliper	04 - 03	AS134818A	AS134819A	Dayton; 2.75" 2-Piston Caliper; Serial No. 595B / 597B; w/Wear Sensor	M
Loaded Caliper	02 - 01	AS134821	AS134820	From 11/05/01; Dayton; 2.52" 2-Piston Caliper; Serial No. 602C / 604C; w/o Wear Sensor	M
Loaded Caliper	02 - 01	AS134821A	AS134820A	From 11/05/01; Dayton; 2.52" 2-Piston Caliper; Serial No. 602C / 604C; w/Wear Sensor	M
Loaded Caliper	02 - 01	AS134580	AS134581	From 11/05/01; Dayton; 2.75" 2-Piston Caliper; Serial No. 581F / 583F; w/o Wear Sensor	M
Loaded Caliper	02 - 01	AS134580A	AS134581A	From 11/05/01; Dayton; 2.75" 2-Piston Caliper; Serial No. 581F / 583F; w/Wear Sensor	M
Loaded Caliper	02 - 01	AS134818	AS134819	From 11/05/01; Dayton; 2.75" 2-Piston Caliper; Serial No. 595B / 597B; w/o Wear Sensor	M
Loaded Caliper	02 - 01	AS134818A	AS134819A	From 11/05/01; Dayton; 2.75" 2-Piston Caliper; Serial No. 595B / 597B; w/Wear Sensor	M
Loaded Caliper	02 - 01	AS135024	AS135024	To 11/04/01; Bosch; 2.88" 2-Piston Caliper	P
Loaded Caliper	00	AS135024	AS135024	From 6/05/00; Bosch; 2.88" 2-Piston Caliper	P
Loaded Caliper	00	AS120549	AS120549	To 6/04/00; Bendix; 2.88" 2-Piston Caliper	P
Loaded Caliper	00	AS120549S	AS120549S	To 6/04/00; Bendix; 2.88" 2-Piston Caliper	O
Loaded Caliper	99 - 89	AS120549	AS120549	Bendix; 2.88" 2-Piston Caliper	P
Loaded Caliper	99 - 89	AS120549S	AS120549S	Bendix; 2.88" 2-Piston Caliper	O
Rear, Loaded	Years	Left No.	Right No.	Qualifier	Piston
Loaded Caliper	04 - 03	AS134821	AS134820	Dayton; 2.52" 2-Piston Caliper; Serial No. 602C / 604C; w/o Wear Sensor	M
Loaded Caliper	04 - 03	AS134821A	AS134820A	Dayton; 2.52" 2-Piston Caliper; Serial No. 602C / 604C; w/Wear Sensor	M
Loaded Caliper	04 - 03	AS134580	AS134581	Dayton; 2.75" 2-Piston Caliper; Serial No. 581F / 583F; w/o Wear Sensor	M
Loaded Caliper	04 - 03	AS134580A	AS134581A	Dayton; 2.75" 2-Piston Caliper; Serial No. 581F / 583F; w/Wear Sensor	M
Loaded Caliper	04 - 03	AS134818	AS134819	Dayton; 2.75" 2-Piston Caliper; Serial No. 595B / 597B; w/o Wear Sensor	M
Loaded Caliper	04 - 03	AS134818A	AS134819A	Dayton; 2.75" 2-Piston Caliper; Serial No. 595B / 597B; w/Wear Sensor	M
Loaded Caliper	02 - 01	AS134821	AS134820	From 11/05/01; Dayton; 2.52" 2-Piston Caliper; Serial No. 602C / 604C; w/o Wear Sensor	M
Loaded Caliper	02 - 01	AS134821A	AS134820A	From 11/05/01; Dayton; 2.52" 2-Piston Caliper; Serial No. 602C / 604C; w/Wear Sensor	M
Loaded Caliper	02 - 01	AS134580	AS134581	From 11/05/01; Dayton; 2.75" 2-Piston Caliper; Serial No. 581F / 583F; w/o Wear Sensor	M
Loaded Caliper	02 - 01	AS134580A	AS134581A	From 11/05/01; Dayton; 2.75" 2-Piston Caliper; Serial No. 581F / 583F; w/Wear Sensor	M
Loaded Caliper	02 - 01	AS134818	AS134819	From 11/05/01; Dayton; 2.75" 2-Piston Caliper; Serial No. 595B / 597B; w/o Wear Sensor	M
Loaded Caliper	02 - 01	AS134818A	AS134819A	From 11/05/01; Dayton; 2.75" 2-Piston Caliper; Serial No. 595B / 597B; w/Wear Sensor	M
Loaded Caliper	02 - 01	AS135024	AS135024	To 11/04/01; Bosch; 2.88" 2-Piston Caliper	P
Loaded Caliper	01 - 98	AS120549	AS120549	Bendix; 2.88" 2-Piston Caliper	P
Loaded Caliper	01 - 98	AS120549S	AS120549S	Bendix; 2.88" 2-Piston Caliper	O
Loaded Caliper	00 - 98	AS135024	AS135024	Bosch; 2.88" 2-Piston Caliper	P
Loaded Caliper	97 - 89	AS120549	AS120549	Bendix; 2.88" 2-Piston Caliper; 17000-21000 lb. RA	P
Loaded Caliper	97 - 89	AS120549S	AS120549S	Bendix; 2.88" 2-Piston Caliper; 17000-21000 lb. RA	O
Front, Unloaded	Years	Left No.	Right No.	Qualifier	Piston
Unloaded Caliper	04 - 03	CR134821	CR134820	Dayton; 2.52" 2-Piston Caliper; Serial No. 602C / 604C	M
Unloaded Caliper	04 - 03	CR134580	CR134581	Dayton; 2.75" 2-Piston Caliper; Serial No. 581F / 583F	M
Unloaded Caliper	04 - 03	CR134818	CR134819	Dayton; 2.75" 2-Piston Caliper; Serial No. 595B / 597B	M
Unloaded Caliper	02 - 01	CR134821	CR134820	From 11/05/01; Dayton; 2.52" 2-Piston Caliper; Serial No. 602C / 604C	M
Unloaded Caliper	02 - 01	CR134580	CR134581	From 11/05/01; Dayton; 2.75" 2-Piston Caliper; Serial No. 581F / 583F	M
Unloaded Caliper	02 - 01	CR134818	CR134819	From 11/05/01; Dayton; 2.75" 2-Piston Caliper; Serial No. 595B / 597B	M
Unloaded Caliper	02 - 01	CR135024	CR135024	To 11/04/01; Bosch; 2.88" 2-Piston Caliper	P
Unloaded Caliper	00	CR135024	CR135024	From 6/05/00; Bosch; 2.88" 2-Piston Caliper	P
Unloaded Caliper	00	CR120549	CR120549	To 6/04/00; Bendix; 2.88" 2-Piston Caliper	P
Unloaded Caliper	00	CR120549S	CR120549S	To 6/04/00; Bendix; 2.88" 2-Piston Caliper	O
Unloaded Caliper	99 - 89	CR120549	CR120549	Bendix; 2.88" 2-Piston Caliper	P
Unloaded Caliper	99 - 89	CR120549S	CR120549S	Bendix; 2.88" 2-Piston Caliper	O
Rear, Unloaded	Years	Left No.	Right No.	Qualifier	Piston
Unloaded Caliper	04 - 03	CR134821	CR134820	Dayton; 2.52" 2-Piston Caliper; Serial No. 602C / 604C	M
Unloaded Caliper	04 - 03	CR134580	CR134581	Dayton; 2.75" 2-Piston Caliper; Serial No. 581F / 583F	M
Unloaded Caliper	04 - 03	CR134818	CR134819	Dayton; 2.75" 2-Piston Caliper; Serial No. 595B / 597B	M
Unloaded Caliper	02 - 01	CR134821	CR134820	From 11/05/01; Dayton; 2.52" 2-Piston Caliper; Serial No. 602C / 604C	M
Unloaded Caliper	02 - 01	CR134580	CR134581	From 11/05/01; Dayton; 2.75" 2-Piston Caliper; Serial No. 581F / 583F	M
Unloaded Caliper	02 - 01	CR134818	CR134819	From 11/05/01; Dayton; 2.75" 2-Piston Caliper; Serial No. 595B / 597B	M
Unloaded Caliper	02 - 01	CR135024	CR135024	To 11/04/01; Bosch; 2.88" 2-Piston Caliper	P

Piston: M - OE Metal Piston P - OE Phenolic Piston O - Metal Piston Option

BLUEBIRD Type-D Transit-Series



TCFE (cont.)

Calipers - Reman (cont.)					
Rear, Unloaded	Years	Left No.	Right No.	Qualifier	Piston
Unloaded Caliper	01 - 98	CR120549	CR120549	Bendix; 2.88" 2-Piston Caliper	P
Unloaded Caliper	01 - 98	CR120549S	CR120549S	Bendix; 2.88" 2-Piston Caliper	O
Unloaded Caliper	00 - 98	CR135024	CR135024	Bosch; 2.88" 2-Piston Caliper	P
Unloaded Caliper	97 - 89	CR120549	CR120549	Bendix; 2.88" 2-Piston Caliper; 17000-21000 lb. RA	P
Unloaded Caliper	97 - 89	CR120549S	CR120549S	Bendix; 2.88" 2-Piston Caliper; 17000-21000 lb. RA	O

CADILLAC

CONCOURS

Brake Pads & Shoes					
Front Pads & Shoes	Years	SevereDuty	Lining No.	Qualifier	
Brake Pads	99 - 98	SD699		Exc. H/D Brake	
Brake Pads	99 - 97	SD369		H/D Brake	
Brake Pads	97	SD699		Exc. H/D Brake	
Brake Pads	96 - 95	SD623			

Rear Pads & Shoes	Years	SevereDuty	Lining No.	Qualifier	
Brake Pads	99 - 97	SD714		Exc. H/D Brake	
Brake Pads	96 - 95	SD714			
Brake Shoes	99 - 97	SDS462R	EX2134ATD	H/D Brake; 11 x 2" Brake; Riveted	

Rotor & Drum					
Front Rotor & Drum	Years	Part No.		Qualifier	
Brake Rotor	99 - 97	BD125618		Exc. H/D Brake	
Brake Rotor	99 - 97	BD125528		H/D Brake	
Brake Rotor	96 - 95	BD125325			

Rear Rotor & Drum	Years	Part No.		Qualifier	
Brake Drum	99 - 97	BD125596		11 x 2" Brake	
Brake Rotor	99 - 95	BD125210			

Brake Hardware

Front Brake Hardware	Years	Sequential No.	Category No.	Qualifier	
Caliper Bolt/Pin	99 - 97	F138105S	(H5083)	Exc. H/D Brake	
Caliper Bolt/Pin	99 - 97	F117224S	(H5038)	H/D Brake	
Caliper Bolt/Pin	96 - 95	F126898S	(H5060)		
Disc Align Kit	99 - 97	F134116S	(H5478)	Exc. H/D Brake	
Disc Align Kit	99 - 97	F117225S	(H5584)	H/D Brake	
Pin Boot Kit	99 - 97	F134111S	(H8220)	Exc. H/D Brake	
Pin Boot Kit	96 - 95	F126906S	(H8209)		

Rear Brake Hardware	Years	Sequential No.	Category No.	Qualifier	
Caliper Bolt/Pin	99 - 95	F129652S	(H15056)	Guide Bolt	
Caliper Bolt/Pin	99 - 95	F129643S	(H15031)	Lock Bolt	
Disc Align Kit	99 - 95	F124496S	(H15390)		
Pin Boot Kit	99 - 97	F126905S	(H18025)		
Pin Boot Kit	96 - 95	F129664S	(H8208)		

Calipers - Reman

Front, Loaded	Years	Left No.	Right No.	Qualifier	Piston
Loaded Caliper	99 - 97	AS116292	AS116293	H/D Brake; w/2.94" Single Piston Caliper	M

Front, Unloaded	Years	Left No.	Right No.	Qualifier	Piston
Unloaded Caliper	99 - 97	CRB133956A	CRB133957A	Exc. H/D Brake; Supplied w/Mtg. Brkt.	M
Unloaded Caliper	99 - 97	CR133956	CR133957	Exc. H/D Brake; Supplied w/o Mtg. Brkt.	M
Unloaded Caliper	99 - 97	CR116292	CR116293	H/D Brake; w/2.94" Single Piston Caliper	M
Unloaded Caliper	96 - 95	CR132504	CR132505		M

Rear, Unloaded	Years	Left No.	Right No.	Qualifier	Piston
Unloaded Caliper	99 - 95	CRB132496	CRB132497	Supplied w/Mtg. Brkt.	M
Unloaded Caliper	99 - 95	CR132496	CR132497	Supplied w/o Mtg. Brkt.	M

Piston: M - OE Metal Piston P - OE Phenolic Piston O - Metal Piston Option

CONCOURS (cont.)
Hydraulics - New

Master Cylinder	Years	Sequential No.	Category No.	Qualifier
Master Cylinder	99 - 97	F131419	(MC131419)	Exc. H/D Brake; 1" Bore
Master Cylinder	96 - 95	F131419	(MC131419)	1" Bore
Front Brake Hose	Years	Sequential No.	Category No.	Qualifier
Brake Hose	99 - 97	F140117	(BH140117)	L.H.; Exc. H/D Brake
Brake Hose	99 - 97	F138050	(BH138050)	R.H.; Exc. H/D Brake
Brake Hose	96 - 95	F132313	(BH132313)	L.H.
Brake Hose	96 - 95	F138050	(BH138050)	R.H.
Rear Brake Hose	Years	Sequential No.	Category No.	Qualifier
Brake Hose	99	F140073	(BH140073)	
Brake Hose	98 - 97	F138022	(BH138022)	L.H.; Exc. H/D Brake
Brake Hose	98 - 97	F138023	(BH138023)	R.H.; Exc. H/D Brake
Brake Hose	96	F138022	(BH138022)	L.H.
Brake Hose	96	F138023	(BH138023)	R.H.
Brake Hose	95	F133850	(BH133850)	L.H.
Brake Hose	95	F133849	(BH133849)	R.H.

Hydraulics - Reman

Master Cylinder	Years	Part No.	Qualifier
Master Cylinder	99 - 97	R131419	Exc. H/D
Master Cylinder	99 - 97	R134742	H/D
Master Cylinder	96 - 95	R131419	
Power Brake Booster	Years	Part No.	Qualifier
Power Brake Booster	99 - 98	5474816	w/o Master Cylinder
Power Brake Booster	97 - 95	5474805	w/o Master Cylinder

Brake Cables

Parking Brake Cable	Years	Sequential No.	Category No.	Qualifier
Parking Brake Cable	99 - 95	F132442	(BC132442)	Forward
Parking Brake Cable	99 - 98	F140261	(BC140261)	Intermediate
Parking Brake Cable	99 - 97	F133099	(BC133099)	Rear; L.H.; w/Rear Disc
Parking Brake Cable	99 - 97	F133100	(BC133100)	Rear; R.H.; w/Rear Disc
Parking Brake Cable	97 - 95	F132444	(BC132444)	Intermediate
Parking Brake Cable	96	F133099	(BC133099)	Rear; L.H.
Parking Brake Cable	96	F133100	(BC133100)	Rear; R.H.
Parking Brake Cable	95	F132443	(BC132443)	Rear; L.H.
Parking Brake Cable	95	F132441	(BC132441)	Rear; R.H.

Wheel Attaching Hardware

Front Wheel Stud	Years	Part No.	Qualifier
Wheel Lug Stud	99	BD60946	w/5 Stud Whl.
Wheel Lug Stud	97	BD60946	w/5 Stud Whl.
Wheel Lug Stud	96 - 95	BD60946	
Rear Wheel Stud	Years	Part No.	Qualifier
Wheel Lug Stud	99	BD60946	w/5 Stud Whl.
Wheel Lug Stud	97	BD60946	w/5 Stud Whl.
Wheel Lug Stud	97	BD61401	w/6 Stud Whl.; M14-1.75
Wheel Lug Stud	96 - 95	BD60946	
Front Wheel Nut	Years	Part No.	Qualifier
Wheel Lug Nut	99 - 97	BD61288	Bulge; w/5 Stud Whl.
Wheel Lug Nut	99 - 97	BD61404	Bulge; w/6 Stud Whl.
Wheel Lug Nut	96 - 95	BD61288	Bulge
Rear Wheel Nut	Years	Part No.	Qualifier
Wheel Lug Nut	99 - 97	BD61288	Bulge; w/5 Stud Whl.
Wheel Lug Nut	99 - 97	BD61404	Bulge; w/6 Stud Whl.
Wheel Lug Nut	96 - 95	BD61288	Bulge

DEVILLE

Brake Pads & Shoes

Front Pads & Shoes	Years	SevereDuty	Lining No.	Qualifier
Brake Pads	05	SD818		1st Design; To VIN No. 59143075; Exc. H/D Brake
Brake Pads	05 - 00	SD784		H/D Brake
Brake Pads	04 - 00	SD818		Exc. H/D Brake
Brake Pads	99 - 98	SD699		Exc. H/D Brake
Brake Pads	99 - 97	SD369		H/D Brake
Brake Pads	97	SD699		Exc. H/D Brake
Brake Pads	96 - 95	SD623		

Rear Pads & Shoes	Years	SevereDuty	Lining No.	Qualifier
Brake Pads	05 - 00	SD714		Exc. H/D Brake
Brake Pads	02 - 00	SD792A		H/D Brake
Brake Pads	99 - 97	SD714		
Brake Pads	96 - 95	SD714		
Brake Shoes	99 - 97	SDS462R	EX2134ATD	11 x 2" Brake; Riveted

Rotor & Drum

Front Rotor & Drum	Years	Part No.	Qualifier
Brake Rotor	05	BD125618	1st Design; To VIN No. 59143075; Exc. H/D Brake
Brake Rotor	05	BD126257	2nd Design; From VIN No. 59143076; Exc. H/D Brake
Brake Rotor	05 - 00	BD125653	H/D Brake
Brake Rotor	04 - 97	BD125618	Exc. H/D Brake
Brake Rotor	99 - 97	BD125528	H/D Brake
Brake Rotor	96 - 95	BD125325	

Rear Rotor & Drum	Years	Part No.	Qualifier
Brake Drum	99 - 97	BD125596	11 x 2" Brake
Brake Rotor	05 - 00	BD125562	Exc. H/D Brake
Brake Rotor	05 - 00	BD125734	H/D Brake
Brake Rotor	99 - 97	BD125210	Exc. H/D Brake
Brake Rotor	96 - 95	BD125210	

Brake Hardware

Front Brake Hardware	Years	Sequential No.	Category No.	Qualifier
Caliper Bolt/Pin	05 - 02	F139880	(H4803)	Exc. H/D Brake
Caliper Bolt/Pin	05 - 00	F139700	(H5095)	H/D Brake
Caliper Bolt/Pin	01 - 97	F138105S	(H5083)	Exc. H/D Brake
Caliper Bolt/Pin	99 - 97	F117224S	(H5038)	H/D Brake
Caliper Bolt/Pin	96 - 95	F126898S	(H5060)	
Disc Align Kit	05 - 02	F140541	(H5690)	Exc. H/D Brake
Disc Align Kit	05 - 00	F139708	(H5646)	H/D Brake
Disc Align Kit	01 - 97	F134116S	(H5478)	Exc. H/D Brake
Disc Align Kit	99 - 97	F117225S	(H5584)	H/D Brake
Pin Boot Kit	05 - 97	F134111S	(H8220)	Exc. H/D Brake
Pin Boot Kit	99 - 97	F126906S	(H8209)	H/D Brake
Pin Boot Kit	96 - 95	F126906S	(H8209)	

Rear Brake Hardware	Years	Sequential No.	Category No.	Qualifier
Caliper Bolt/Pin	05 - 95	F129652S	(H15056)	Guide Bolt
Caliper Bolt/Pin	05 - 03	F139859	(H5099)	H/D Brake
Caliper Bolt/Pin	05 - 95	F129643S	(H15031)	Lock Bolt
Caliper Bolt/Pin	02 - 00	F138102S	(H5081)	H/D Brake
Disc Align Kit	05 - 95	F124496S	(H15390)	Exc. H/D Brake
Disc Align Kit	02 - 00	F139710	(H5648)	H/D Brake
Pin Boot Kit	05 - 00	F138601S	(H18047)	H/D Brake
Pin Boot Kit	03 - 00	F129664S	(H8208)	Exc. H/D Brake
Pin Boot Kit	99 - 97	F126905S	(H18025)	
Pin Boot Kit	96 - 95	F129664S	(H8208)	

Piston: M - OE Metal Piston P - OE Phenolic Piston

DEVILLE (cont.)
Calipers - Reman

Front, Loaded	Years	Left No.	Right No.	Qualifier	Piston
Loaded Caliper	99 - 97	AS116292	AS116293	H/D Brake; w/2.94" Single Piston Caliper	M
Front, Unloaded	Years	Left No.	Right No.	Qualifier	Piston
Unloaded Caliper	05 - 97	CRB133956A	CRB133957A	Exc. H/D Brake; Supplied w/Mtg. Brkt.	M
Unloaded Caliper	05 - 97	CR133956	CR133957	Exc. H/D Brake; Supplied w/o Mtg. Brkt.	M
Unloaded Caliper	05 - 00	CRB134347	CRB134348	H/D Brake; w/Dual Piston Caliper; Supplied w/Mtg. Brkt.	P
Unloaded Caliper	05 - 00	CR134347	CR134348	H/D Brake; w/Dual Piston Caliper; Supplied w/o Mtg. Brkt.	P
Unloaded Caliper	99 - 97	CR116292	CR116293	H/D Brake; w/2.94" Single Piston Caliper	M
Unloaded Caliper	96 - 95	CR132504	CR132505		M
Rear, Unloaded	Years	Left No.	Right No.	Qualifier	Piston
Unloaded Caliper	05 - 00	CR134498	CR134499	Exc. H/D Brake	M
Unloaded Caliper	05 - 03	CRB134616	CRB134617	H/D Brake; Supplied w/Mtg. Brkt.	P
Unloaded Caliper	05 - 03	CR134616	CR134617	H/D Brake; Supplied w/o Mtg. Brkt.	P
Unloaded Caliper	02 - 00	CRB134344	CRB134343	H/D Brake; Supplied w/Mtg. Brkt.	P
Unloaded Caliper	02 - 00	CR134344	CR134343	H/D Brake; Supplied w/o Mtg. Brkt.	P
Unloaded Caliper	99 - 95	CRB132496	CRB132497	Supplied w/Mtg. Brkt.	M
Unloaded Caliper	99 - 95	CR132496	CR132497	Supplied w/o Mtg. Brkt.	M

Hydraulics - New

Master Cylinder	Years	Sequential No.	Category No.	Qualifier
Master Cylinder	99 - 95	F131419	(MC131419)	1" Bore
Rear Wheel Cylinder	Years	Sequential No.	Category No.	Qualifier
Wheel Cylinder	99 - 97	F131225	(WC131225)	15/16" Bore
Front Brake Hose	Years	Sequential No.	Category No.	Qualifier
Brake Hose	05 - 98	F140117	(BH140117)	L.H.; H/D Brake
Brake Hose	05 - 98	F140118	(BH140118)	R.H.; H/D Brake
Brake Hose	03 - 97	F132313	(BH132313)	L.H.; Exc. H/D Brake
Brake Hose	03 - 97	F138050	(BH138050)	R.H.; Exc. H/D Brake
Brake Hose	96 - 95	F132313	(BH132313)	L.H.
Brake Hose	96 - 95	F138050	(BH138050)	R.H.
Rear Brake Hose	Years	Sequential No.	Category No.	Qualifier
Brake Hose	05 - 00	F140073	(BH140073)	
Brake Hose	99 - 96	F138022	(BH138022)	L.H.; Exc. H/D Brake
Brake Hose	99 - 96	F138023	(BH138023)	R.H.; Exc. H/D Brake
Brake Hose	95	F133850	(BH133850)	L.H.
Brake Hose	95	F133849	(BH133849)	R.H.

Hydraulics - Reman

Master Cylinder	Years	Part No.	Qualifier
Master Cylinder	03 - 00	R134737	w/Rear Disc; Exc. H/D
Master Cylinder	99 - 97	R134742	Commercial Chassis
Master Cylinder	99 - 97	R131419	w/Rear Disc; Exc. H/D
Master Cylinder	99 - 97	R134742	w/Rear Drum; H/D
Master Cylinder	96 - 95	R131419	
Power Brake Booster	Years	Part No.	Qualifier
Power Brake Booster	04 - 03	5474819	w/o Master Cylinder
Power Brake Booster	02 - 00	5474820	w/o Master Cylinder; Exc. H/D
Power Brake Booster	02 - 00	5474819	w/o Master Cylinder; H/D
Power Brake Booster	99 - 98	5474816	w/o Master Cylinder
Power Brake Booster	97 - 96	5474805	w/o Master Cylinder
Power Brake Booster	95	5474800	w/o Master Cylinder

Brake Cables

Parking Brake Cable	Years	Sequential No.	Category No.	Qualifier
Parking Brake Cable	04 - 00	F140172	(BC140172)	Rear; L.H.; H/D Brake; 39" Length
Parking Brake Cable	04 - 00	F140172	(BC140172)	Rear; R.H.; H/D Brake; 39" Length
Parking Brake Cable	03 - 00	F140171	(BC140171)	Intermediate; 48" Length
Parking Brake Cable	03 - 00	F140274	(BC140274)	Rear; L.H.; Exc. H/D Brake; w/2 Whl. ABS; 30" Length

Piston: M - OE Metal Piston P - OE Phenolic Piston

DEVILLE (cont.)

Brake Cables (cont.)

<i>Parking Brake Cable</i>	<i>Years</i>	<i>Sequential No.</i>	<i>Category No.</i>	<i>Qualifier</i>
Parking Brake Cable	03 - 00	F140274	(BC140274)	Rear; R.H.; Exc. H/D Brake; w/2 Whl. ABS; 30" Length
Parking Brake Cable	99 - 95	F132442	(BC132442)	Forward
Parking Brake Cable	99 - 98	F140261	(BC140261)	Intermediate
Parking Brake Cable	99 - 97	F133099	(BC133099)	Rear; L.H.; Exc. H/D Susp.; w/2 Whl. ABS
Parking Brake Cable	99 - 97	F140165	(BC140165)	Rear; L.H.; w/H/D Susp.; Hearse, Limo; 36" Length
Parking Brake Cable	99 - 97	F133100	(BC133100)	Rear; R.H.; Exc. H/D Susp.; w/2 Whl. ABS
Parking Brake Cable	99 - 97	F140273	(BC140273)	Rear; R.H.; w/H/D Susp.; Hearse, Limo; 36" Length
Parking Brake Cable	97 - 95	F132444	(BC132444)	Intermediate
Parking Brake Cable	96	F133099	(BC133099)	Rear; L.H.
Parking Brake Cable	96	F133100	(BC133100)	Rear; R.H.
Parking Brake Cable	95	F132443	(BC132443)	Rear; L.H.
Parking Brake Cable	95	F132441	(BC132441)	Rear; R.H.

Wheel Attaching Hardware

<i>Front Wheel Stud</i>	<i>Years</i>	<i>Part No.</i>	<i>Qualifier</i>
Wheel Lug Stud	05 - 00	BD60946	
Wheel Lug Stud	99 - 97	BD60946	w/5 Stud Whl.
Wheel Lug Stud	96 - 95	BD60946	
<i>Rear Wheel Stud</i>	<i>Years</i>	<i>Part No.</i>	<i>Qualifier</i>
Wheel Lug Stud	05 - 00	BD60946	
Wheel Lug Stud	99 - 97	BD60946	w/5 Stud Whl.
Wheel Lug Stud	97	BD61401	w/6 Stud Whl.; M14-1.75
Wheel Lug Stud	96 - 95	BD60946	
<i>Front Wheel Nut</i>	<i>Years</i>	<i>Part No.</i>	<i>Qualifier</i>
Wheel Lug Nut	05 - 00	BD61288	Bulge
Wheel Lug Nut	99 - 97	BD61288	Bulge; w/5 Stud Whl.
Wheel Lug Nut	99 - 97	BD61404	Bulge; w/6 Stud Whl.
Wheel Lug Nut	96 - 95	BD61288	Bulge
<i>Rear Wheel Nut</i>	<i>Years</i>	<i>Part No.</i>	<i>Qualifier</i>
Wheel Lug Nut	05 - 00	BD61288	Bulge
Wheel Lug Nut	99 - 97	BD61288	Bulge; w/5 Stud Whl.
Wheel Lug Nut	99 - 97	BD61404	Bulge; w/6 Stud Whl.
Wheel Lug Nut	96 - 95	BD61288	Bulge

DTS

Brake Pads & Shoes

<i>Front Pads & Shoes</i>	<i>Years</i>	<i>SevereDuty</i>	<i>Lining No.</i>	<i>Qualifier</i>
Brake Pads	06	SD784		H/D Brake

Rotor & Drum

<i>Rear Rotor & Drum</i>	<i>Years</i>	<i>Part No.</i>	<i>Qualifier</i>
Brake Rotor	06	BD125734	H/D Brake

Calipers - Reman

<i>Front, Unloaded</i>	<i>Years</i>	<i>Left No.</i>	<i>Right No.</i>	<i>Qualifier</i>	<i>Piston</i>
Unloaded Caliper	06	CRB134347	CRB134348	H/D Brake; w/Dual Piston Caliper; Supplied w/Mtg. Brkt.	P
Unloaded Caliper	06	CR134347	CR134348	H/D Brake; w/Dual Piston Caliper; Supplied w/o Mtg. Brkt.	P
<i>Rear, Unloaded</i>	<i>Years</i>	<i>Left No.</i>	<i>Right No.</i>	<i>Qualifier</i>	<i>Piston</i>
Unloaded Caliper	06	CRB134616	CRB134617	H/D Brake; Supplied w/Mtg. Brkt.	P
Unloaded Caliper	06	CR134616	CR134617	H/D Brake; Supplied w/o Mtg. Brkt.	P

FLEETWOOD

Brake Pads & Shoes

<i>Front Pads & Shoes</i>	<i>Years</i>	<i>SevereDuty</i>	<i>Lining No.</i>	<i>Qualifier</i>
Brake Pads	96 - 95	SD52		RWD
<i>Rear Pads & Shoes</i>	<i>Years</i>	<i>SevereDuty</i>	<i>Lining No.</i>	<i>Qualifier</i>
Brake Shoes	96 - 95	SDS462R	EX2134ATD	11 x 2" Brake; Riveted
Brake Shoes	96 - 95	SDS473R	EX2073TD-S32	11-5/32 x 2-3/4" Brake; Riveted

Piston: M - OE Metal Piston P - OE Phenolic Piston

FLEETWOOD (cont.)

Rotor & Drum					
Front Rotor & Drum	Years	Part No.	Qualifier		
Brake Rotor	96 - 95	BD125082	w/ABS		
Brake Rotor	96 - 95	BD60258	w/o ABS		
Rear Rotor & Drum	Years	Part No.	Qualifier		
Brake Drum	96 - 95	BD60269	11 x 2" Brake		
Brake Drum	96 - 95	BD125215	11-5/32 x 2-3/4" Brake		
Brake Hardware					
Front Brake Hardware	Years	Sequential No.	Category No.	Qualifier	
Caliper Bolt/Pin	96 - 95	F76074S	(H5004)	Exc. H/D Brake	
Caliper Bolt/Pin	96 - 95	F76075S	(H5002)	H/D Brake	
Disc Align Kit	96 - 95	F73674S	(H5500)		
Rear Brake Hardware	Years	Sequential No.	Category No.	Qualifier	
Adjuster Kit	96 - 95	F98412	(H2578)	L.H.; 11 x 2" Brake	
Adjuster Kit	96 - 95	F98404	(H2584)	L.H.; 11-5/32 x 2-3/4" Brake	
Adjuster Kit	96 - 95	F98411	(H2587)	R.H.; 11 x 2" Brake	
Adjuster Kit	96 - 95	F111233	(H2687)	R.H.; 11-5/32 x 2-3/4" Brake	
Adjuster Screw	96 - 95	F73181S	(H1530)	L.H.	
Adjuster Screw	96 - 95	F73182S	(H1531)	R.H.	
Combi Kit	96 - 95	F98496S	(H7028)	w/ABS; 11 x 2" Brake	
↳Adjuster Spring Kit		F73180S	(H439)		
↳Hold Down Kit		F79811S	(H4003)		
↳Return Spring Kit		F73179S	(H348)		
Combi Kit	96 - 95	F98455S	(H7046)	w/o ABS; 11-5/32 x 2-3/4" Brake	
↳Adjuster Spring Kit		F45936S	(H415)		
↳Hold Down Kit		F98422S	(H4018)		
↳Return Spring Kit		F45927S	(H324)		
Disc Align Kit	96 - 95	F124496S	(H15390)		
Calipers - Reman					
Front, Loaded	Years	Left No.	Right No.	Qualifier	Piston
Loaded Caliper	96 - 95	AS98670A	AS98671A	w/ABS	M
Loaded Caliper	96 - 95	AS98884	AS98885	w/o ABS	M
Front, Unloaded	Years	Left No.	Right No.	Qualifier	Piston
Unloaded Caliper	96 - 95	CR98670	CR98671	w/ABS	M
Unloaded Caliper	96 - 95	CR98884	CR98885	w/o ABS	M
Hydraulics - New					
Master Cylinder	Years	Sequential No.	Category No.	Qualifier	
Master Cylinder	96 - 95	F131389	(MC131389)	1-1/8" Bore	
Rear Wheel Cylinder	Years	Sequential No.	Category No.	Qualifier	
Wheel Cylinder	96 - 95	F51088	(WC51088)	w/ABS; 1" Bore	
Wheel Cylinder	96 - 95	F116359	(WC116359)	w/o ABS; 1" Bore	
Front Brake Hose	Years	Sequential No.	Category No.	Qualifier	
Brake Hose	96 - 95	F130562	(BH130562)		
Hydraulics - Reman					
Master Cylinder	Years	Part No.	Qualifier		
Master Cylinder	96 - 95	R131221			
Power Brake Booster	Years	Part No.	Qualifier		
Power Brake Booster	96	5474815	w/o Master Cylinder		
Power Brake Booster	95	5474801	w/o Master Cylinder		
Brake Cables					
Parking Brake Cable	Years	Sequential No.	Category No.	Qualifier	
Parking Brake Cable	96 - 95	F132003	(BC132003)	Forward	
Parking Brake Cable	96 - 95	F124477	(BC124477)	Rear; L.H.	

↳Sub-Kit of Combi-Kit is available separately.

Piston: M - OE Metal Piston P - OE Phenolic Piston

FLEETWOOD (cont.)

ABS Components - New

<i>ABS Wheel Sensor</i>	<i>Years</i>	<i>Sequential No.</i>	<i>Category No.</i>	<i>Qualifier</i>
ABS Wheel Sensor	95	F130655	(AB130655)	Front; L.H.
ABS Wheel Sensor	95	F130656	(AB130656)	Front; R.H.

ABS Components - Reman

<i>ABS Hydraulic Unit</i>	<i>Years</i>	<i>Part No.</i>	<i>Qualifier</i>
ABS Hydraulic Unit	95	RA125201	

Wheel Attaching Hardware

<i>Front Wheel Stud</i>	<i>Years</i>	<i>Part No.</i>	<i>Qualifier</i>
Wheel Lug Stud	96 - 95	BD60946	w/ABS
Wheel Lug Stud	96 - 95	BD60901	w/o ABS
<i>Rear Wheel Stud</i>	<i>Years</i>	<i>Part No.</i>	<i>Qualifier</i>
Wheel Lug Stud	96 - 95	BD60946	w/ABS
Wheel Lug Stud	96 - 95	BD60901	w/o ABS
Wheel Lug Stud	96 - 95	BD61269	w/o ABS
<i>Front Wheel Nut</i>	<i>Years</i>	<i>Part No.</i>	<i>Qualifier</i>
Wheel Lug Nut	96 - 95	BD61288	Bulge; w/ABS
Wheel Lug Nut	96 - 95	BD61299	Bulge; w/o ABS
<i>Rear Wheel Nut</i>	<i>Years</i>	<i>Part No.</i>	<i>Qualifier</i>
Wheel Lug Nut	96 - 95	BD61288	Bulge; w/ABS
Wheel Lug Nut	96 - 95	BD61299	Bulge; w/o ABS

SEVILLE

Brake Pads & Shoes

<i>Front Pads & Shoes</i>	<i>Years</i>	<i>SevereDuty</i>	<i>Lining No.</i>	<i>Qualifier</i>
Brake Pads	04 - 03	SD818		
Brake Pads	97	SD699		
Brake Pads	96 - 95	SD623		
<i>Rear Pads & Shoes</i>	<i>Years</i>	<i>SevereDuty</i>	<i>Lining No.</i>	<i>Qualifier</i>
Brake Pads	04 - 03	SD714		
Brake Pads	97	SD714		
Brake Pads	96 - 95	SD714		

Rotor & Drum

<i>Front Rotor & Drum</i>	<i>Years</i>	<i>Part No.</i>	<i>Qualifier</i>
Brake Rotor	02 - 97	BD125618	
Brake Rotor	96 - 95	BD125325	
<i>Rear Rotor & Drum</i>	<i>Years</i>	<i>Part No.</i>	<i>Qualifier</i>
Brake Rotor	04 - 98	BD125562	
Brake Rotor	97 - 95	BD125210	

Brake Hardware

<i>Front Brake Hardware</i>	<i>Years</i>	<i>Sequential No.</i>	<i>Category No.</i>	<i>Qualifier</i>
Caliper Bolt/Pin	04 - 02	F139880	(H4803)	
Caliper Bolt/Pin	01 - 97	F138105S	(H5083)	
Caliper Bolt/Pin	96 - 95	F126898S	(H5060)	
Disc Align Kit	04 - 02	F140541	(H5690)	
Disc Align Kit	01 - 97	F134116S	(H5478)	
Pin Boot Kit	04 - 97	F134111S	(H8220)	
Pin Boot Kit	96 - 95	F126906S	(H8209)	
<i>Rear Brake Hardware</i>	<i>Years</i>	<i>Sequential No.</i>	<i>Category No.</i>	<i>Qualifier</i>
Caliper Bolt/Pin	04 - 95	F129652S	(H15056)	Guide Bolt
Caliper Bolt/Pin	04 - 95	F129643S	(H15031)	Lock Bolt
Disc Align Kit	04 - 95	F124496S	(H15390)	
Pin Boot Kit	04 - 00	F129664S	(H8208)	
Pin Boot Kit	99 - 95	F126905S	(H18025)	

Calipers - Reman

<i>Front, Unloaded</i>	<i>Years</i>	<i>Left No.</i>	<i>Right No.</i>	<i>Qualifier</i>	<i>Piston</i>
Unloaded Caliper	04 - 03	CRB133956A	CRB133957A	Supplied w/Mtg. Brkt.	M

Piston: M - OE Metal Piston P - OE Phenolic Piston

SEVILLE (cont.)
Calipers - Reman (cont.)

Front, Unloaded	Years	Left No.	Right No.	Qualifier	Piston
Unloaded Caliper	04 - 03	CR133956	CR133957	Supplied w/o Mtg. Brkt.	M
Unloaded Caliper	02 - 98	CRB134338	CRB134337	Supplied w/Mtg. Brkt.	M
Unloaded Caliper	02 - 98	CR134338	CR134337	Supplied w/o Mtg. Brkt.	M
Unloaded Caliper	97	CRB133956A	CRB133957A	Supplied w/Mtg. Brkt.	M
Unloaded Caliper	97	CR133956	CR133957	Supplied w/o Mtg. Brkt.	M
Unloaded Caliper	96 - 95	CR132504	CR132505		M
Rear, Unloaded	Years	Left No.	Right No.	Qualifier	Piston
Unloaded Caliper	04 - 00	CR134498	CR134499		M
Unloaded Caliper	99	CR134352	CR134351		M
Unloaded Caliper	98	CRB134309	CRB134310	Supplied w/Mtg. Brkt.	M
Unloaded Caliper	98	CR134309	CR134310	Supplied w/o Mtg. Brkt.	M
Unloaded Caliper	97 - 95	CRB132496	CRB132497	Supplied w/Mtg. Brkt.	M
Unloaded Caliper	97 - 95	CR132496	CR132497	Supplied w/o Mtg. Brkt.	M

Hydraulics - New

Master Cylinder	Years	Sequential No.	Category No.	Qualifier
Master Cylinder	00 - 95	F131419	(MC131419)	1" Bore
Front Brake Hose	Years	Sequential No.	Category No.	Qualifier
Brake Hose	04 - 98	F140117	(BH140117)	L.H.; H/D Brake
Brake Hose	04 - 98	F140118	(BH140118)	R.H.; H/D Brake
Brake Hose	03 - 95	F132313	(BH132313)	L.H.
Brake Hose	03 - 95	F138050	(BH138050)	R.H.
Brake Hose	97 - 95	F140117	(BH140117)	L.H.; w/Traction Control
Brake Hose	97 - 95	F140118	(BH140118)	R.H.; w/Traction Control
Rear Brake Hose	Years	Sequential No.	Category No.	Qualifier
Brake Hose	04 - 99	F140073	(BH140073)	
Brake Hose	98	F132327	(BH132327)	L.H.
Brake Hose	98	F132328	(BH132328)	R.H.
Brake Hose	97 - 96	F138022	(BH138022)	L.H.
Brake Hose	97 - 96	F138023	(BH138023)	R.H.
Brake Hose	95	F133850	(BH133850)	L.H.
Brake Hose	95	F133849	(BH133849)	R.H.

Hydraulics - Reman

Master Cylinder	Years	Part No.	Qualifier
Master Cylinder	03 - 95	R131419	
Power Brake Booster	Years	Part No.	Qualifier
Power Brake Booster	02 - 98	5474820	w/o Master Cylinder
Power Brake Booster	97 - 95	5474805	w/o Master Cylinder

Brake Cables

Parking Brake Cable	Years	Sequential No.	Category No.	Qualifier
Parking Brake Cable	04 - 98	F140171	(BC140171)	Intermediate; 48" Length
Parking Brake Cable	03 - 98	F140274	(BC140274)	Rear; L.H.; 30" Length
Parking Brake Cable	03 - 98	F140274	(BC140274)	Rear; R.H.; 30" Length
Parking Brake Cable	01 - 98	F140262	(BC140262)	Forward; 71" Length
Parking Brake Cable	97 - 95	F132442	(BC132442)	Forward
Parking Brake Cable	97 - 95	F132071	(BC132071)	Intermediate
Parking Brake Cable	97 - 96	F133099	(BC133099)	Rear; L.H.
Parking Brake Cable	97 - 96	F133100	(BC133100)	Rear; R.H.
Parking Brake Cable	95	F132443	(BC132443)	Rear; L.H.
Parking Brake Cable	95	F132441	(BC132441)	Rear; R.H.

Wheel Attaching Hardware

Front Wheel Stud	Years	Part No.	Qualifier
Wheel Lug Stud	04 - 95	BD60946	
Rear Wheel Stud	Years	Part No.	Qualifier
Wheel Lug Stud	04 - 95	BD60946	

Piston: M - OE Metal Piston P - OE Phenolic Piston

SEVILLE (cont.)

Wheel Attaching Hardware (cont.)

Front Wheel Nut	Years	Part No.	Qualifier
Wheel Lug Nut	04 - 01	BD125815	External Thread
Wheel Lug Nut	00 - 95	BD61288	Bulge
Wheel Lug Nut	00 - 98	BD61445	External Thread
Rear Wheel Nut	Years	Part No.	Qualifier
Wheel Lug Nut	04 - 01	BD125815	External Thread
Wheel Lug Nut	00 - 95	BD61288	Bulge
Wheel Lug Nut	00 - 98	BD61445	External Thread

CHEVROLET

CAPRICE

Brake Pads & Shoes

Front Pads & Shoes	Years	SevereDuty	Lining No.	Qualifier
Brake Pads	96 - 95	SD52		Exc. Police
Brake Pads	96 - 95	SD614A		Police
Rear Pads & Shoes	Years	SevereDuty	Lining No.	Qualifier
Brake Pads	96 - 95	SD628		
Brake Shoes	96 - 95	SDS462R	EX2134ATD	11 x 2" Brake; Riveted
Brake Shoes	96 - 95	SDS242DR	EX2117ATD	9-1/2 x 2" Brake; Riveted

Rotor & Drum

Front Rotor & Drum	Years	Part No.	Qualifier
Brake Rotor	96 - 95	BD125082	w/ABS Exciter Ring
Rear Rotor & Drum	Years	Part No.	Qualifier
Brake Drum	96 - 95	BD60269	11 x 2" Brake
Brake Drum	96 - 95	BD125067	9-1/2 x 2" Brake
Brake Rotor	96 - 95	BD125417	

Brake Hardware

Front Brake Hardware	Years	Sequential No.	Category No.	Qualifier
Caliper Bolt/Pin	96 - 95	F76075S	(H5002)	Exc. Police
Caliper Bolt/Pin	96 - 95	F98435S	(H5011)	Police
Disc Align Kit	96 - 95	F73674S	(H5500)	Exc. Police
Disc Align Kit	96 - 95	F132615S	(H5601)	Police
Rear Brake Hardware	Years	Sequential No.	Category No.	Qualifier
Adjuster Kit	96 - 95	F98412	(H2578)	L.H.; 11 x 2" Brake
Adjuster Kit	96 - 95	F110937	(H2564)	L.H.; 9-1/2 x 2" Brake
Adjuster Kit	96 - 95	F98411	(H2587)	R.H.; 11 x 2" Brake
Adjuster Kit	96 - 95	F110938	(H2565)	R.H.; 9-1/2 x 2" Brake
Adjuster Screw	96 - 95	F73181S	(H1530)	L.H.; 11 x 2" Brake
Adjuster Screw	96 - 95	F110934S	(H1536)	L.H.; 9-1/2 x 2" Brake
Adjuster Screw	96 - 95	F73182S	(H1531)	R.H.; 11 x 2" Brake
Adjuster Screw	96 - 95	F110935S	(H1537)	R.H.; 9-1/2 x 2" Brake
Caliper Bolt/Pin	96 - 95	F126897S	(H5059)	
Combi Kit	96 - 95	F130896S	(H7205)	11 x 2" Brake
↳Adjuster Spring Kit		F73180S	(H439)	
↳Return Spring Kit		F73179S	(H348)	
Combi Kit	96 - 95	F110946S	(H7059)	9-1/2 x 2" Brake
↳Adjuster Spring Kit		F110929S	(H404)	
↳Hold Down Kit		F79811S	(H4003)	
↳Return Spring Kit		F45941S	(H323)	
Disc Align Kit	96 - 95	F134028S	(H5617)	

Calipers - Reman

Front, Loaded	Years	Left No.	Right No.	Qualifier	Piston
Loaded Caliper	96 - 95	AS98670A	AS98671A	Exc. H/D Brake	M
Loaded Caliper	96 - 95	AS133142A	AS133143A	H/D Brake; Police	M

↳Sub-Kit of Combi-Kit is available separately.

Piston: M - OE Metal Piston P - OE Phenolic Piston

CAPRICE (cont.)
Calipers - Reman (cont.)

Rear, Loaded	Years	Left No.	Right No.	Qualifier	Piston
Loaded Caliper	96 - 95	AS133144	AS133145		M
Front, Unloaded	Years	Left No.	Right No.	Qualifier	Piston
Unloaded Caliper	96 - 95	CR98670	CR98671	Exc. H/D Brake	M
Unloaded Caliper	96 - 95	CR133142	CR133143	H/D Brake	M
Rear, Unloaded	Years	Left No.	Right No.	Qualifier	Piston
Unloaded Caliper	96 - 95	CRB133144	CRB133145	Exc. Police; Supplied w/Mtg. Brkt.	M
Unloaded Caliper	96 - 95	CR133144	CR133145	Exc. Police; Supplied w/o Mtg. Brkt.	M
Unloaded Caliper	96 - 95	CR133144	CR133145	Police	M

Hydraulics - New

Master Cylinder	Years	Sequential No.	Category No.	Qualifier
Master Cylinder	96 - 95	F131389	(MC131389)	Exc. Police; 1-1/8" Bore
Master Cylinder	96 - 95	F131285	(MC131285)	Police; 1-1/4" Bore
Rear Wheel Cylinder	Years	Sequential No.	Category No.	Qualifier
Wheel Cylinder	96 - 95	F45873	(WC45873)	Exc. Police; 7/8" Bore
Wheel Cylinder	96 - 95	F56406	(WC56406)	Police; 7/8" Bore
Wheel Cylinder	96 - 95	F51088	(WC51088)	Wagon; 1" Bore
Front Brake Hose	Years	Sequential No.	Category No.	Qualifier
Brake Hose	96 - 95	F130562	(BH130562)	
Rear Brake Hose	Years	Sequential No.	Category No.	Qualifier
Brake Hose	96 - 95	F123300	(BH123300)	

Hydraulics - Reman

Master Cylinder	Years	Part No.	Qualifier
Master Cylinder	96 - 95	R131285	w/Rear Disc
Master Cylinder	96 - 95	R131221	w/Rear Drum; Exc. Police
Master Cylinder	96 - 95	R131285	w/Rear Drum; Police
Power Brake Booster	Years	Part No.	Qualifier
Power Brake Booster	96 - 95	5474815	w/o Master Cylinder; w/Rear Disc
Power Brake Booster	96 - 95	5474801	w/o Master Cylinder; w/Rear Drum; Exc. Police

Brake Cables

Parking Brake Cable	Years	Sequential No.	Category No.	Qualifier
Parking Brake Cable	96 - 95	F132002	(BC132002)	Forward
Parking Brake Cable	96 - 95	F133063	(BC133063)	Rear; L.H.; 4 Door; w/Rear Disc
Parking Brake Cable	96 - 95	F124477	(BC124477)	Rear; L.H.; 4 Door; w/Rear Drum
Parking Brake Cable	96 - 95	F124477	(BC124477)	Rear; L.H.; Wagon
Parking Brake Cable	96 - 95	F133065	(BC133065)	Rear; R.H.; 4 Door; w/Rear Disc
Parking Brake Cable	96 - 95	F124143	(BC124143)	Rear; R.H.; Exc. Police; 4 Door; w/Rear Drum
Parking Brake Cable	96 - 95	F133067	(BC133067)	Rear; R.H.; Police; 4 Door; w/Rear Drum
Parking Brake Cable	96 - 95	F133066	(BC133066)	Rear; R.H.; Wagon

ABS Components - Reman

ABS Hydraulic Unit	Years	Part No.	Qualifier
ABS Hydraulic Unit	95	RA125200	

Wheel Attaching Hardware

Front Wheel Stud	Years	Part No.	Qualifier
Wheel Lug Stud	96 - 95	BD60946	
Rear Wheel Stud	Years	Part No.	Qualifier
Wheel Lug Stud	96 - 95	BD60946	
Front Wheel Nut	Years	Part No.	Qualifier
Wheel Lug Nut	96 - 95	BD61288	Bulge
Wheel Lug Nut	96 - 95	BD61300	Dome - Bright
Wheel Lug Nut	96 - 95	BD61302	Std. Open
Wheel Lug Nut	96 - 95	BD61473	Wire Wheel Retaining Nut
Rear Wheel Nut	Years	Part No.	Qualifier
Wheel Lug Nut	96 - 95	BD61288	Bulge

Piston: M - OE Metal Piston P - OE Phenolic Piston

CAPRICE (cont.)

Wheel Attaching Hardware (cont.)

<i>Rear Wheel Nut</i>	<i>Years</i>	<i>Part No.</i>	<i>Qualifier</i>
Wheel Lug Nut	96 - 95	BD61300	Dome - Bright
Wheel Lug Nut	96 - 95	BD61302	Std. Open
Wheel Lug Nut	96 - 95	BD61473	Wire Wheel Retaining Nut

IMPALA

Brake Pads & Shoes

<i>Front Pads & Shoes</i>	<i>Years</i>	<i>SevereDuty</i>	<i>Lining No.</i>	<i>Qualifier</i>
Brake Pads	05	SD818		1st Design; To VIN No. 59143075
Brake Pads	04 - 00	SD818		Exc. Police
Brake Pads	04 - 00	SD699		Police
<i>Rear Pads & Shoes</i>	<i>Years</i>	<i>SevereDuty</i>	<i>Lining No.</i>	<i>Qualifier</i>
Brake Pads	05 - 01	SD814		Police
Brake Pads	00	SD814		

Rotor & Drum

<i>Front Rotor & Drum</i>	<i>Years</i>	<i>Part No.</i>	<i>Qualifier</i>
Brake Rotor	05	BD125618	1st Design; To VIN No. 59143075
Brake Rotor	05	BD126257	2nd Design; From VIN No. 59143075
Brake Rotor	04 - 00	BD125618	
<i>Rear Rotor & Drum</i>	<i>Years</i>	<i>Part No.</i>	<i>Qualifier</i>
Brake Rotor	05 - 00	BD125506	

Brake Hardware

<i>Front Brake Hardware</i>	<i>Years</i>	<i>Sequential No.</i>	<i>Category No.</i>	<i>Qualifier</i>
Caliper Bolt/Pin	05 - 02	F139880	(H4803)	
Caliper Bolt/Pin	01 - 00	F138105S	(H5083)	
Disc Align Kit	05 - 02	F140541	(H5690)	
Disc Align Kit	01 - 00	F134116S	(H5478)	
Pin Boot Kit	05 - 00	F134111S	(H8220)	
<i>Rear Brake Hardware</i>	<i>Years</i>	<i>Sequential No.</i>	<i>Category No.</i>	<i>Qualifier</i>
Caliper Bolt/Pin	05 - 00	F134107S	(H14907)	
Disc Align Kit	05 - 00	F124496S	(H15390)	
Pin Boot Kit	05 - 00	F130273S	(H18033)	

Calipers - Reman

<i>Front, Unloaded</i>	<i>Years</i>	<i>Left No.</i>	<i>Right No.</i>	<i>Qualifier</i>	<i>Piston</i>
Unloaded Caliper	05 - 00	CRB133956A	CRB133957A	Supplied w/Mtg. Brkt.	M
Unloaded Caliper	05 - 00	CR133956	CR133957	Supplied w/o Mtg. Brkt.	M
<i>Rear, Unloaded</i>	<i>Years</i>	<i>Left No.</i>	<i>Right No.</i>	<i>Qualifier</i>	<i>Piston</i>
Unloaded Caliper	05 - 00	CRB133958	CRB133959	Supplied w/Mtg. Brkt.	M
Unloaded Caliper	05 - 00	CR133958	CR133959	Supplied w/o Mtg. Brkt.	M

Hydraulics - New

<i>Master Cylinder</i>	<i>Years</i>	<i>Sequential No.</i>	<i>Category No.</i>	<i>Qualifier</i>
Master Cylinder	05 - 00	F134488	(MC134488)	w/Rear Disc; w/ABS; 1" Bore
Master Cylinder	05 - 00	F139956	(MC139956)	w/Rear Disc; w/o ABS; 1" Bore
Master Cylinder	01 - 00	F131056	(MC131056)	w/Rear Drum; w/ABS; 15/16" Bore
Master Cylinder	01 - 00	F131053	(MC131053)	w/Rear Drum; w/o ABS; 15/16" Bore
<i>Rear Wheel Cylinder</i>	<i>Years</i>	<i>Sequential No.</i>	<i>Category No.</i>	<i>Qualifier</i>
Wheel Cylinder	01 - 00	F129240	(WC129240)	7/8" Bore
<i>Front Brake Hose</i>	<i>Years</i>	<i>Sequential No.</i>	<i>Category No.</i>	<i>Qualifier</i>
Brake Hose	05 - 00	F138025	(BH138025)	
<i>Rear Brake Hose</i>	<i>Years</i>	<i>Sequential No.</i>	<i>Category No.</i>	<i>Qualifier</i>
Brake Hose	05 - 00	F138921	(BH138921)	

Hydraulics - Reman

<i>Master Cylinder</i>	<i>Years</i>	<i>Part No.</i>	<i>Qualifier</i>
Master Cylinder	05 - 03	R131419	w/Rear Disc; w/ABS
Master Cylinder	05 - 03	R134756	w/Rear Disc; w/o ABS

Piston: M - OE Metal Piston P - OE Phenolic Piston

IMPALA (cont.)
Hydraulics - Reman (cont.)

Master Cylinder	Years	Part No.	Qualifier
Master Cylinder	02 - 00	R131419	w/ABS
Master Cylinder	02 - 00	R134756	w/o ABS
Power Brake Booster	Years	Part No.	Qualifier
Power Brake Booster	04 - 00	5471293	w/o Master Cylinder

Wheel Attaching Hardware

Front Wheel Stud	Years	Part No.	Qualifier
Wheel Lug Stud	05 - 02	BD60946	
Wheel Lug Stud	01 - 00	BD61424	
Rear Wheel Stud	Years	Part No.	Qualifier
Wheel Lug Stud	05 - 02	BD60946	
Wheel Lug Stud	01 - 00	BD61424	
Front Wheel Nut	Years	Part No.	Qualifier
Wheel Lug Nut	05 - 00	BD61288	Bulge
Wheel Lug Nut	05 - 00	BD61300	Dome - Bright
Wheel Lug Nut	05 - 00	BD125815	External Thread
Rear Wheel Nut	Years	Part No.	Qualifier
Wheel Lug Nut	05 - 00	BD61288	Bulge
Wheel Lug Nut	05 - 00	BD61300	Dome - Bright
Wheel Lug Nut	05 - 00	BD125815	External Thread

IMPALA SS
Brake Pads & Shoes

Front Pads & Shoes	Years	SevereDuty	Lining No.	Qualifier
Brake Pads	96 - 95	SD614		
Rear Pads & Shoes	Years	SevereDuty	Lining No.	Qualifier
Brake Pads	96 - 95	SD628		
Brake Shoes	96 - 95	SDS462R	EX2134ATD	11 x 2" Brake; Riveted
Brake Shoes	96 - 95	SDS242DR	EX2117ATD	9-1/2 x 2" Brake; Riveted

Rotor & Drum

Front Rotor & Drum	Years	Part No.	Qualifier
Brake Rotor	96 - 95	BD125082	w/ABS Exciter Ring
Rear Rotor & Drum	Years	Part No.	Qualifier
Brake Drum	96 - 95	BD60269	11 x 2" Brake
Brake Drum	96 - 95	BD125067	9-1/2 x 2" Brake
Brake Rotor	96 - 95	BD125417	

Brake Hardware

Front Brake Hardware	Years	Sequential No.	Category No.	Qualifier
Caliper Bolt/Pin	96 - 95	F76075S	(H5002)	Exc. Police
Caliper Bolt/Pin	96 - 95	F98435S	(H5011)	Police
Disc Align Kit	96 - 95	F132615S	(H5601)	
Rear Brake Hardware	Years	Sequential No.	Category No.	Qualifier
Adjuster Kit	96 - 95	F98412	(H2578)	L.H.; 11 x 2" Brake
Adjuster Kit	96 - 95	F110937	(H2564)	L.H.; 9-1/2 x 2" Brake
Adjuster Kit	96 - 95	F98411	(H2587)	R.H.; 11 x 2" Brake
Adjuster Kit	96 - 95	F110938	(H2565)	R.H.; 9-1/2 x 2" Brake
Adjuster Screw	96 - 95	F73181S	(H1530)	L.H.; 11 x 2" Brake
Adjuster Screw	96 - 95	F110934S	(H1536)	L.H.; 9-1/2 x 2" Brake
Adjuster Screw	96 - 95	F73182S	(H1531)	R.H.; 11 x 2" Brake
Adjuster Screw	96 - 95	F110935S	(H1537)	R.H.; 9-1/2 x 2" Brake
Caliper Bolt/Pin	96 - 95	F126897S	(H5059)	
Combi Kit	96 - 95	F130896S	(H7205)	11 x 2" Brake
↳Adjuster Spring Kit		F73180S	(H439)	
↳Return Spring Kit		F73179S	(H348)	

↳Sub-Kit of Combi-Kit is available separately.

IMPALA SS (cont.)

Brake Hardware (cont.)

Rear Brake Hardware	Years	Sequential No.	Category No.	Qualifier
Combi Kit	96 - 95	F110946S	(H7059)	9-1/2 x 2" Brake
↳Adjuster Spring Kit		F110929S	(H404)	
↳Hold Down Kit		F79811S	(H4003)	
↳Return Spring Kit		F45941S	(H323)	
Disc Align Kit	96 - 95	F134028S	(H5617)	

Calipers - Reman

Front, Loaded	Years	Left No.	Right No.	Qualifier	Piston
Loaded Caliper	96 - 95	AS98670A	AS98671A	Exc. H/D Brake	M
Rear, Loaded	Years	Left No.	Right No.	Qualifier	Piston
Loaded Caliper	96 - 95	AS133144	AS133145		M
Front, Unloaded	Years	Left No.	Right No.	Qualifier	Piston
Unloaded Caliper	96 - 95	CR98670	CR98671	Exc. H/D Brake	M
Unloaded Caliper	96 - 95	CR133142	CR133143	H/D Brake	M
Rear, Unloaded	Years	Left No.	Right No.	Qualifier	Piston
Unloaded Caliper	96 - 95	CRB133144	CRB133145	Supplied w/Mtg. Brkt.	M
Unloaded Caliper	96 - 95	CR133144	CR133145	Supplied w/o Mtg. Brkt.	M

Hydraulics - New

Master Cylinder	Years	Sequential No.	Category No.	Qualifier
Master Cylinder	96 - 95	F131285	(MC131285)	Police; 1-1/4" Bore
Master Cylinder	95	F131389	(MC131389)	Exc. Police; 1-1/8" Bore
Rear Wheel Cylinder	Years	Sequential No.	Category No.	Qualifier
Wheel Cylinder	96 - 95	F45873	(WC45873)	Exc. Police; 7/8" Bore
Wheel Cylinder	96 - 95	F56406	(WC56406)	Police; 7/8" Bore
Wheel Cylinder	96 - 95	F51088	(WC51088)	Wagon; 1" Bore
Front Brake Hose	Years	Sequential No.	Category No.	Qualifier
Brake Hose	96 - 95	F130562	(BH130562)	
Rear Brake Hose	Years	Sequential No.	Category No.	Qualifier
Brake Hose	96 - 95	F123300	(BH123300)	w/Rear Drum

Hydraulics - Reman

Master Cylinder	Years	Part No.	Qualifier
Master Cylinder	96 - 95	R131285	w/Rear Disc
Master Cylinder	96 - 95	R131221	w/Rear Drum; Exc. Police
Master Cylinder	96 - 95	R131285	w/Rear Drum; Police
Power Brake Booster	Years	Part No.	Qualifier
Power Brake Booster	96 - 95	5474815	w/o Master Cylinder; w/Rear Disc
Power Brake Booster	96 - 95	5474801	w/o Master Cylinder; w/Rear Drum

Brake Cables

Parking Brake Cable	Years	Sequential No.	Category No.	Qualifier
Parking Brake Cable	96 - 95	F132002	(BC132002)	Forward
Parking Brake Cable	96 - 95	F133063	(BC133063)	Rear; L.H.; w/Rear Disc
Parking Brake Cable	96 - 95	F124477	(BC124477)	Rear; L.H.; w/Rear Drum
Parking Brake Cable	96 - 95	F124143	(BC124143)	Rear; R.H.; Exc. Police; w/Rear Drum
Parking Brake Cable	96 - 95	F133067	(BC133067)	Rear; R.H.; Police; w/Rear Disc
Parking Brake Cable	96 - 95	F133065	(BC133065)	Rear; R.H.; w/Rear Disc

Wheel Attaching Hardware

Front Wheel Stud	Years	Part No.	Qualifier
Wheel Lug Stud	96 - 95	BD60946	
Rear Wheel Stud	Years	Part No.	Qualifier
Wheel Lug Stud	96 - 95	BD60946	
Front Wheel Nut	Years	Part No.	Qualifier
Wheel Lug Nut	96 - 95	BD61288	Bulge
Wheel Lug Nut	96 - 95	BD61300	Dome - Bright
Wheel Lug Nut	96 - 95	BD61302	Std. Open

↳Sub-Kit of Combi-Kit is available separately.

Piston: M - OE Metal Piston P - OE Phenolic Piston

IMPALA SS (cont.)

Wheel Attaching Hardware (cont.)

Front Wheel Nut	Years	Part No.	Qualifier
Wheel Lug Nut	96 - 95	BD61473	Wire Wheel Retaining Nut
Rear Wheel Nut	Years	Part No.	Qualifier
Wheel Lug Nut	96 - 95	BD61288	Bulge
Wheel Lug Nut	96 - 95	BD61300	Dome - Bright
Wheel Lug Nut	96 - 95	BD61302	Std. Open
Wheel Lug Nut	96 - 95	BD61473	Wire Wheel Retaining Nut

CHEVROLET - MINIVAN

ASTRO

Brake Pads & Shoes

Front Pads & Shoes	Years	SevereDuty	Lining No.	Qualifier
Brake Pads	05 - 03	SD785		
Brake Pads	02 - 95	SD52		2WD
Brake Pads	02 - 95	SD369		AWD
Rear Pads & Shoes	Years	SevereDuty	Lining No.	Qualifier
Brake Pads	05 - 03	SD792A		
Brake Shoes	02 - 95	SDS514R	EX2117ATD	9-1/2 x 2" Brake; Riveted

Rotor & Drum

Front Rotor & Drum	Years	Part No.	Qualifier
Brake Rotor	05 - 03	BD125654	
Brake Rotor	02 - 95	BD125171	2WD; w/ABS Exciter Ring
Brake Rotor	02 - 95	BD125050	AWD; Full-Cast Rotor; Replaces OE Composite Design
Rear Rotor & Drum	Years	Part No.	Qualifier
Brake Drum	02 - 95	BD60792	9-1/2 x 2" Brake
Brake Rotor	05 - 03	BD125655	

Brake Hardware

Front Brake Hardware	Years	Sequential No.	Category No.	Qualifier
Caliper Bolt/Pin	04 - 03	F139712	(H5096)	
Caliper Bolt/Pin	02 - 95	F76075S	(H5002)	2WD
Caliper Bolt/Pin	02 - 95	F117224S	(H5038)	AWD
Disc Align Kit	04 - 03	F139707	(H5645)	
Disc Align Kit	02 - 98	F73674S	(H5500)	2WD
Disc Align Kit	02 - 95	F117225S	(H5584)	AWD
Disc Align Kit	96 - 95	F73674S	(H5500)	2WD
Pin Boot Kit	04 - 03	F138697S	(H8221)	
Rear Brake Hardware	Years	Sequential No.	Category No.	Qualifier
Adjuster Kit	02 - 95	F110937	(H2564)	L.H.
Adjuster Kit	02 - 95	F110938	(H2565)	R.H.
Adjuster Screw	02 - 95	F110934S	(H1536)	L.H.
Adjuster Screw	02 - 95	F110935S	(H1537)	R.H.
Caliper Bolt/Pin	04 - 03	F138102S	(H5081)	
Combi Kit	02 - 95	F110946S	(H7059)	
↳Adjuster Spring Kit		F110929S	(H404)	
↳Hold Down Kit		F79811S	(H4003)	
↳Return Spring Kit		F45941S	(H323)	
Disc Align Kit	04 - 03	F139710	(H5648)	
Pin Boot Kit	04 - 03	F138601S	(H18047)	

Calipers - Reman

Front, Loaded	Years	Left No.	Right No.	Qualifier	Piston
Loaded Caliper	02 - 95	AS98670A	AS98671A	2WD	M
Loaded Caliper	02 - 95	AS116292	AS116293	AWD; w/2.94" Single Piston Caliper	M
Front, Unloaded	Years	Left No.	Right No.	Qualifier	Piston
Unloaded Caliper	05 - 03	CRB134346	CRB134345	w/Dual Piston Caliper; Supplied w/Mtg. Brkt.	P
Unloaded Caliper	05 - 03	CR134346	CR134345	w/Dual Piston Caliper; Supplied w/o Mtg. Brkt.	P

↳Sub-Kit of Combi-Kit is available separately.

Piston: M - OE Metal Piston P - OE Phenolic Piston

ASTRO (cont.)

Calipers - Reman (cont.)

<i>Front, Unloaded</i>	<i>Years</i>	<i>Left No.</i>	<i>Right No.</i>	<i>Qualifier</i>	<i>Piston</i>
Unloaded Caliper	02 - 95	CR98670	CR98671	2WD	M
Unloaded Caliper	02 - 95	CR116292	CR116293	AWD; w/2.94" Single Piston Caliper	M
<i>Rear, Unloaded</i>	<i>Years</i>	<i>Left No.</i>	<i>Right No.</i>	<i>Qualifier</i>	<i>Piston</i>
Unloaded Caliper	05 - 03	CRB134344	CRB134343	Supplied w/Mtg. Brkt.	P
Unloaded Caliper	05 - 03	CR134344	CR134343	Supplied w/o Mtg. Brkt.	P

Hydraulics - New

<i>Master Cylinder</i>	<i>Years</i>	<i>Sequential No.</i>	<i>Category No.</i>	<i>Qualifier</i>
Master Cylinder	95	F120598	(MC120598)	w/Hydro-Boost; 1-1/4" Bore
<i>Rear Wheel Cylinder</i>	<i>Years</i>	<i>Sequential No.</i>	<i>Category No.</i>	<i>Qualifier</i>
Wheel Cylinder	02 - 95	F123199	(WC123199)	7/8" Bore
<i>Front Brake Hose</i>	<i>Years</i>	<i>Sequential No.</i>	<i>Category No.</i>	<i>Qualifier</i>
Brake Hose	05 - 03	F140228	(BH140228)	L.H.; 2WD
Brake Hose	05 - 03	F140221	(BH140221)	L.H.; 4WD
Brake Hose	05 - 03	F140229	(BH140229)	R.H.; 2WD
Brake Hose	05 - 03	F140222	(BH140222)	R.H.; 4WD
Brake Hose	02 - 00	F140072	(BH140072)	2WD
Brake Hose	02 - 00	F140067	(BH140067)	L.H.; AWD
Brake Hose	02 - 00	F140068	(BH140068)	R.H.; AWD
Brake Hose	99 - 95	F106887	(BH106887)	2WD
Brake Hose	99 - 95	F123301	(BH123301)	L.H.; AWD
Brake Hose	99 - 95	F123302	(BH123302)	R.H.; AWD
<i>Rear Brake Hose</i>	<i>Years</i>	<i>Sequential No.</i>	<i>Category No.</i>	<i>Qualifier</i>
Brake Hose	05 - 03	F140245	(BH140245)	L.H.
Brake Hose	05 - 03	F140246	(BH140246)	R.H.
Brake Hose	02 - 95	F111141	(BH111141)	

Hydraulics - Reman

<i>Master Cylinder</i>	<i>Years</i>	<i>Part No.</i>	<i>Qualifier</i>
Master Cylinder	02 - 96	R131879	
Master Cylinder	95	R120598	w/Hydro Boost
<i>Power Brake Booster</i>	<i>Years</i>	<i>Part No.</i>	<i>Qualifier</i>
Hydro Booster	02 - 96	527353	
Hydro Booster	95	527333	

Brake Cables

<i>Parking Brake Cable</i>	<i>Years</i>	<i>Sequential No.</i>	<i>Category No.</i>	<i>Qualifier</i>
Parking Brake Cable	04 - 96	F140264	(BC140264)	Forward; 64" Length
Parking Brake Cable	02 - 96	F140263	(BC140263)	Rear; L.H.; 62" Length
Parking Brake Cable	02 - 96	F138885	(BC138885)	Rear; R.H.
Parking Brake Cable	95	F124677	(BC124677)	Forward
Parking Brake Cable	95	F132382	(BC132382)	Rear; L.H.
Parking Brake Cable	95	F132383	(BC132383)	Rear; R.H.

ABS Components - Reman

<i>ABS Hydraulic Unit</i>	<i>Years</i>	<i>Part No.</i>	<i>Qualifier</i>
ABS Hydraulic Unit	95	RA125024	2WD
ABS Hydraulic Unit	95	RA125029	AWD

Wheel Attaching Hardware

<i>Front Wheel Stud</i>	<i>Years</i>	<i>Part No.</i>	<i>Qualifier</i>
Wheel Lug Stud	02 - 95	BD60901	2WD
Wheel Lug Stud	02 - 95	BD125809	4WD
<i>Rear Wheel Stud</i>	<i>Years</i>	<i>Part No.</i>	<i>Qualifier</i>
Wheel Lug Stud	02 - 95	BD61483	
<i>Front Wheel Nut</i>	<i>Years</i>	<i>Part No.</i>	<i>Qualifier</i>
Wheel Lug Nut	05	BD125916	External Thread; Exc. Alum. Whl.
Wheel Lug Nut	05	BD125916	External Thread; w/Alum. Whl.

Piston: M - OE Metal Piston P - OE Phenolic Piston

ASTRO (cont.)
Wheel Attaching Hardware (cont.)

Front Wheel Nut	Years	Part No.	Qualifier
Wheel Lug Nut	04 - 03	BD125916	External Thread
Wheel Lug Nut	02 - 95	BD61299	Bulge
Wheel Lug Nut	02 - 95	BD61283	Std. Open; 1/2"-20 Thread; 13/16" Hex
Rear Wheel Nut	Years	Part No.	Qualifier
Wheel Lug Nut	05	BD125916	External Thread; Exc. Alum. Whl.
Wheel Lug Nut	05	BD125916	External Thread; w/Alum. Whl.
Wheel Lug Nut	04 - 03	BD125916	External Thread
Wheel Lug Nut	02 - 95	BD61299	Bulge
Wheel Lug Nut	02 - 95	BD61283	Std. Open; 1/2"-20 Thread; 13/16" Hex

LUMINA APV
Brake Pads & Shoes

Front Pads & Shoes	Years	SevereDuty	Lining No.	Qualifier
Brake Pads	96 - 95	SD623		

Rotor & Drum

Front Rotor & Drum	Years	Part No.	Qualifier
Brake Rotor	96 - 95	BD125325	
Rear Rotor & Drum	Years	Part No.	Qualifier
Brake Drum	96 - 95	BD61776	8-55/64 x 1-49/64" Brake

Brake Hardware

Front Brake Hardware	Years	Sequential No.	Category No.	Qualifier
Caliper Bolt/Pin	96 - 95	F126898S	(H5060)	
Pin Boot Kit	96 - 95	F126906S	(H8209)	
Rear Brake Hardware	Years	Sequential No.	Category No.	Qualifier
Adjuster Kit	96 - 95	F126896S	(H2628)	L.H.
Adjuster Kit	96 - 95	F130245S	(H2629)	R.H.
Combi Kit	96 - 95	F130391	(H7203)	
↳Adjuster Spring Kit		F129640S	(H444)	

Calipers - Reman

Front, Unloaded	Years	Left No.	Right No.	Qualifier	Piston
Unloaded Caliper	96 - 95	CR132504	CR132505		M

Hydraulics - New

Master Cylinder	Years	Sequential No.	Category No.	Qualifier
Master Cylinder	96 - 95	F131058	(MC131058)	15/16" Bore
Rear Wheel Cylinder	Years	Sequential No.	Category No.	Qualifier
Wheel Cylinder	96 - 95	F129443	(WC129443)	15/16" Bore
Front Brake Hose	Years	Sequential No.	Category No.	Qualifier
Brake Hose	96 - 95	F128694	(BH128694)	L.H.
Brake Hose	96 - 95	F128695	(BH128695)	R.H.
Rear Brake Hose	Years	Sequential No.	Category No.	Qualifier
Brake Hose	96 - 95	F123285	(BH123285)	

Hydraulics - Reman

Master Cylinder	Years	Part No.	Qualifier
Master Cylinder	96 - 95	R131058	
Power Brake Booster	Years	Part No.	Qualifier
Power Brake Booster	96 - 95	5474806	w/o Master Cylinder

Brake Cables

Parking Brake Cable	Years	Sequential No.	Category No.	Qualifier
Parking Brake Cable	96 - 95	F133072	(BC133072)	Forward
Parking Brake Cable	96 - 95	F132260	(BC132260)	Rear; L.H.
Parking Brake Cable	96 - 95	F132261	(BC132261)	Rear; R.H.

↳Sub-Kit of Combi-Kit is available separately.

Piston: M - OE Metal Piston P - OE Phenolic Piston

LUMINA APV (cont.)

ABS Components - Reman

ABS Module	Years	Part No.	Qualifier
ABS Module	96 - 95	RA121327	w/o Traction Control
ABS Module	95	RA121332	w/Traction Control
ABS Hydraulic Unit	Years	Part No.	Qualifier
ABS Hydraulic Unit	96 - 95	RA122306	w/o Traction Control
ABS Pump/Motor	Years	Part No.	Qualifier
ABS Pump/Motor	95	RA124307	w/o Traction Control; Incl. Pump/Motor; Also Avail. Separately

Wheel Attaching Hardware

Front Wheel Stud	Years	Part No.	Qualifier
Wheel Lug Stud	96 - 95	BD60946	
Rear Wheel Stud	Years	Part No.	Qualifier
Wheel Lug Stud	96 - 95	BD60946	
Front Wheel Nut	Years	Part No.	Qualifier
Wheel Lug Nut	96 - 95	BD125815	External Thread
Rear Wheel Nut	Years	Part No.	Qualifier
Wheel Lug Nut	96 - 95	BD125815	External Thread

VENTURE

Brake Pads & Shoes

Front Pads & Shoes	Years	SevereDuty	Lining No.	Qualifier
Brake Pads	05 - 02	SD844		AWD
Brake Pads	05 - 02	SD818		FWD
Brake Pads	01 - 00	SD818		
Brake Pads	99 - 97	SD699		
Rear Pads & Shoes	Years	SevereDuty	Lining No.	Qualifier
Brake Pads	05 - 02	SD814		AWD

Rotor & Drum

Front Rotor & Drum	Years	Part No.	Qualifier
Brake Rotor	05 - 02	BD125775	AWD
Brake Rotor	05 - 02	BD125507	FWD
Brake Rotor	01 - 97	BD125507	
Rear Rotor & Drum	Years	Part No.	Qualifier
Brake Drum	04 - 97	BD125482	8-55/64 x 1-49/64" Brake
Brake Rotor	05 - 02	BD125774	AWD
Brake Rotor	05 - 02	BD125506	FWD
Brake Rotor	01 - 98	BD125506	

Brake Hardware

Front Brake Hardware	Years	Sequential No.	Category No.	Qualifier
Caliper Bolt/Pin	05 - 02	F139880	(H4803)	FWD
Caliper Bolt/Pin	01 - 97	F138105S	(H5083)	
Disc Align Kit	05 - 02	F139701	(H5643)	AWD
Disc Align Kit	01 - 97	F134116S	(H5478)	
Pin Boot Kit	05 - 02	F139714	(H8235)	AWD
Pin Boot Kit	05 - 02	F134111S	(H8220)	FWD
Pin Boot Kit	01 - 97	F134111S	(H8220)	
Rear Brake Hardware	Years	Sequential No.	Category No.	Qualifier
Adjuster Kit	05 - 97	F126896S	(H2628)	L.H.
Adjuster Kit	05 - 97	F130245S	(H2629)	R.H.
Caliper Bolt/Pin	05 - 97	F134107S	(H14907)	
Combi Kit	05 - 97	F130391	(H7203)	
↳Adjuster Spring Kit		F129640S	(H444)	
Disc Align Kit	05 - 97	F124496S	(H15390)	
Pin Boot Kit	05 - 97	F130273S	(H18033)	

↳Sub-Kit of Combi-Kit is available separately.

Piston: M - OE Metal Piston P - OE Phenolic Piston

VENTURE (cont.)
Calipers - Reman

Front, Unloaded	Years	Left No.	Right No.	Qualifier	Piston
Unloaded Caliper	05	CR133956	CR133957		M
Unloaded Caliper	04 - 02	CR134520	CR134521	AWD	P
Unloaded Caliper	04 - 02	CRB133956	CRB133957	FWD; Supplied w/Mtg. Brkt.	M
Unloaded Caliper	04 - 02	CR133956	CR133957	FWD; Supplied w/o Mtg. Brkt.	M
Unloaded Caliper	01 - 97	CRB133956	CRB133957	Supplied w/Mtg. Brkt.	M
Unloaded Caliper	01 - 97	CR133956	CR133957	Supplied w/o Mtg. Brkt.	M

Rear, Unloaded	Years	Left No.	Right No.	Qualifier	Piston
Unloaded Caliper	05	CRB133958	CRB133959	Supplied w/Mtg. Brkt.	M
Unloaded Caliper	05 - 97	CR133958	CR133959	Supplied w/o Mtg. Brkt.	M
Unloaded Caliper	04 - 02	CRB133958A	CRB133959A	AWD; Supplied w/Mtg. Brkt.	M
Unloaded Caliper	04 - 02	CRB133958	CRB133959	FWD; Supplied w/Mtg. Brkt.	M
Unloaded Caliper	01 - 97	CRB133958	CRB133959	Supplied w/Mtg. Brkt.	M

Hydraulics - New

Master Cylinder	Years	Sequential No.	Category No.	Qualifier
Master Cylinder	05 - 00	F134488	(MC134488)	1" Bore
Master Cylinder	99 - 97	F131958	(MC131958)	1" Bore

Rear Wheel Cylinder	Years	Sequential No.	Category No.	Qualifier
Wheel Cylinder	04 - 97	F129443	(WC129443)	15/16" Bore

Front Brake Hose	Years	Sequential No.	Category No.	Qualifier
Brake Hose	05 - 97	F138025	(BH138025)	

Rear Brake Hose	Years	Sequential No.	Category No.	Qualifier
Brake Hose	05 - 98	F137806	(BH137806)	w/Rear Drum; Exc. Ext. Length
Brake Hose	05 - 98	F138082	(BH138082)	w/Rear Drum; Ext. Length
Brake Hose	97	F138081	(BH138081)	Exc. Ext. Length
Brake Hose	97	F138082	(BH138082)	Ext. Length

Hydraulics - Reman

Master Cylinder	Years	Part No.	Qualifier
Master Cylinder	04 - 00	R131419	
Master Cylinder	99 - 97	R134632	

Power Brake Booster	Years	Part No.	Qualifier
Power Brake Booster	01 - 97	5474827	w/o Master Cylinder

Brake Cables

Parking Brake Cable	Years	Sequential No.	Category No.	Qualifier
Parking Brake Cable	05 - 97	F140397	(BC140397)	Rear; R.H.; w/Rear Disc; w/ABS; 28" Length
Parking Brake Cable	04 - 98	F140109	(BC140109)	Rear; L.H.; w/Rear Disc; w/ABS; 31" Length
Parking Brake Cable	02 - 97	F140103	(BC140103)	Rear; R.H.; w/Rear Drum; w/ABS; 30" Length
Parking Brake Cable	00 - 97	F140297	(BC140297)	Forward; Ext. Length; 138" Length
Parking Brake Cable	00 - 97	F140102	(BC140102)	Rear; L.H.; w/Rear Drum; w/ABS; 33" Length
Parking Brake Cable	97	F140109	(BC140109)	Rear; L.H.; w/Rear Disc; w/ABS; 30" Length

Wheel Attaching Hardware

Front Wheel Stud	Years	Part No.	Qualifier
Wheel Lug Stud	05 - 97	BD60946	

Rear Wheel Stud	Years	Part No.	Qualifier
Wheel Lug Stud	05 - 97	BD60946	

Front Wheel Nut	Years	Part No.	Qualifier
Wheel Lug Nut	05 - 97	BD61288	Bulge
Wheel Lug Nut	05 - 97	BD125815	External Thread

Rear Wheel Nut	Years	Part No.	Qualifier
Wheel Lug Nut	05 - 97	BD61288	Bulge
Wheel Lug Nut	05 - 97	BD125815	External Thread

Piston: M - OE Metal Piston P - OE Phenolic Piston

BLAZER

Brake Pads & Shoes

Front Pads & Shoes	Years	SevereDuty	Lining No.	Qualifier
Brake Pads	05 - 98	SD726		
Brake Pads	97	SD154		2WD; 4WD
Brake Pads	97	SD726		AWD
Brake Pads	96 - 95	SD154		

Rear Pads & Shoes	Years	SevereDuty	Lining No.	Qualifier
Brake Shoes	97 - 95	SDS514R	EX2117ATD	9-1/2 x 2" Brake; Riveted

Rotor & Drum

Front Rotor & Drum	Years	Part No.	Qualifier
Brake Rotor	05 - 98	BD125559	
Brake Rotor	97 - 95	BD125172	2WD; w/ABS Exciter Ring
Brake Rotor	97 - 95	BD102075	4WD
Brake Rotor	97	BD125559	AWD

Rear Rotor & Drum	Years	Part No.	Qualifier
Brake Drum	97 - 95	BD125213	9-1/2 x 2" Brake
Brake Rotor	05 - 98	BD125577	2WD; 2-19/32" Mounting Height
Brake Rotor	05 - 97	BD125505	4WD; 3-15/32" Mounting Height

Brake Hardware

Front Brake Hardware	Years	Sequential No.	Category No.	Qualifier
Caliper Bolt/Pin	04 - 97	F76074S	(H5004)	2WD
Caliper Bolt/Pin	04 - 97	F138684S	(H5086)	4WD
Caliper Bolt/Pin	96 - 95	F76074S	(H5004)	
Disc Align Kit	04 - 97	F99333S	(H5524)	2WD
Disc Align Kit	04 - 97	F139703	(H5644)	4WD
Disc Align Kit	96 - 95	F99333S	(H5524)	
Pin Boot Kit	04 - 97	F138697S	(H8221)	4WD

Rear Brake Hardware	Years	Sequential No.	Category No.	Qualifier
Adjuster Kit	97 - 95	F110937	(H2564)	L.H.
Adjuster Kit	97 - 95	F110938	(H2565)	R.H.
Adjuster Screw	97 - 95	F108442S	(H1552)	L.H.
Adjuster Screw	97 - 95	F108443S	(H1553)	R.H.
Caliper Bolt/Pin	04 - 97	F138104S	(H5085)	
Combi Kit	97 - 95	F110946S	(H7059)	
↳Adjuster Spring Kit		F110929S	(H404)	
↳Hold Down Kit		F79811S	(H4003)	
↳Return Spring Kit		F45941S	(H323)	
Disc Align Kit	04 - 97	F138691S	(H5624)	
Pin Boot Kit	04 - 97	F138601S	(H18047)	

Calipers - Reman

Front, Loaded	Years	Left No.	Right No.	Qualifier	Piston
Loaded Caliper	97 - 95	AS99022	AS99023	2WD	M
Loaded Caliper	97 - 95	AS98888	AS98889	4WD	M

Front, Unloaded	Years	Left No.	Right No.	Qualifier	Piston
Unloaded Caliper	05 - 98	CRB134304	CRB134303	Supplied w/Mtg. Brkt.	M
Unloaded Caliper	05 - 98	CR134304	CR134303	Supplied w/o Mtg. Brkt.	M
Unloaded Caliper	97 - 95	CR99022	CR99023	2WD	M
Unloaded Caliper	97 - 95	CR98888	CR98889	4WD	M
Unloaded Caliper	97	CRB134009	CRB134010	AWD; Supplied w/Mtg. Brkt.	M
Unloaded Caliper	97	CR134009	CR134010	AWD; Supplied w/o Mtg. Brkt.	M

Rear, Unloaded	Years	Left No.	Right No.	Qualifier	Piston
Unloaded Caliper	05 - 03	CRB134335	CRB134336	2WD; Exc. ZR2; Supplied w/Mtg. Brkt.	P
Unloaded Caliper	05 - 03	CR134335	CR134336	2WD; Exc. ZR2; Supplied w/o Mtg. Brkt.	P
Unloaded Caliper	05 - 03	CRB134336	CRB134335	2WD; w/ZR2; Supplied w/Mtg. Brkt.	P
Unloaded Caliper	05 - 03	CR134336	CR134335	2WD; w/ZR2; Supplied w/o Mtg. Brkt.	P
Unloaded Caliper	05 - 98	CRB134336	CRB134335	4WD; Supplied w/Mtg. Brkt.	P

↳Sub-Kit of Combi-Kit is available separately.

Piston: M - OE Metal Piston P - OE Phenolic Piston

BLAZER (cont.)
Calipers - Reman (cont.)

<i>Rear, Unloaded</i>	<i>Years</i>	<i>Left No.</i>	<i>Right No.</i>	<i>Qualifier</i>	<i>Piston</i>
Unloaded Caliper	05 - 98	CR134336	CR134335	4WD; Supplied w/o Mtg. Brkt.	P
Unloaded Caliper	02 - 98	CRB134335	CRB134336	2WD; Supplied w/Mtg. Brkt.	P
Unloaded Caliper	02 - 98	CR134335	CR134336	2WD; Supplied w/o Mtg. Brkt.	P
Unloaded Caliper	97	CRB134296	CRB134297	AWD; Supplied w/Mtg. Brkt.	M
Unloaded Caliper	97	CR134296	CR134297	AWD; Supplied w/o Mtg. Brkt.	M

Hydraulics - New

<i>Master Cylinder</i>	<i>Years</i>	<i>Sequential No.</i>	<i>Category No.</i>	<i>Qualifier</i>
Master Cylinder	05 - 01	F139958	(MC139958)	1" Bore
Master Cylinder	00	F139958	(MC139958)	2 Door; 1" Bore
Master Cylinder	00	F140131	(MC140131)	4 Door; 11th Position Vin = 2; 1" Bore
Master Cylinder	00	F139958	(MC139958)	4 Door; 11th Position Vin = K; 1" Bore
Master Cylinder	99 - 98	F140131	(MC140131)	1" Bore
Master Cylinder	97 - 95	F107747	(MC107747)	Exc. Dbl. Diaphragm Boost; 15/16" Bore
Master Cylinder	97 - 95	F139952	(MC139952)	w/Dbl. Diaphragm Boost; 15/16" Bore

<i>Rear Wheel Cylinder</i>	<i>Years</i>	<i>Sequential No.</i>	<i>Category No.</i>	<i>Qualifier</i>
Wheel Cylinder	97	F122222	(WC122222)	2WD; 3/4" Bore
Wheel Cylinder	97	F123199	(WC123199)	4WD; 7/8" Bore
Wheel Cylinder	96 - 95	F123199	(WC123199)	7/8" Bore

<i>Clutch Master Cylind</i>	<i>Years</i>	<i>Sequential No.</i>	<i>Category No.</i>	<i>Qualifier</i>
Clutch Master Cylinder	00 - 96	F134497	(CM134497)	
Clutch Master Cylinder	95	F130539	(CM130539)	23/32" Bore

<i>Clutch Slave Cylinder</i>	<i>Years</i>	<i>Sequential No.</i>	<i>Category No.</i>	<i>Qualifier</i>
Clutch Slave Cylinder	02 - 96	F134322	(SC134322)	
Clutch Slave Cylinder	95	F126874	(SC126874)	13/16" Bore

<i>Front Brake Hose</i>	<i>Years</i>	<i>Sequential No.</i>	<i>Category No.</i>	<i>Qualifier</i>
Brake Hose	05 - 03	F140251	(BH140251)	L.H.; 2WD; 2 Door; w/Z87
Brake Hose	05 - 03	F140247	(BH140247)	L.H.; 2WD; 2 Door; w/ZR2
Brake Hose	05 - 01	F140247	(BH140247)	L.H.; 4WD
Brake Hose	05 - 03	F140252	(BH140252)	R.H.; 2WD; 2 Door; w/Z87
Brake Hose	05 - 03	F140248	(BH140248)	R.H.; 2WD; 2 Door; w/ZR2
Brake Hose	05 - 01	F140248	(BH140248)	R.H.; 4WD
Brake Hose	02 - 01	F140251	(BH140251)	L.H.; 2WD; 2 Door; w/V4A
Brake Hose	02 - 01	F140252	(BH140252)	R.H.; 2WD; 2 Door; w/V4A
Brake Hose	00	F138918	(BH138918)	2WD; 2 Door
Brake Hose	00	F138918	(BH138918)	2WD; 4 Door; 11th Position Vin = 2
Brake Hose	00	F140247	(BH140247)	L.H.; 4WD; 2 Door
Brake Hose	00	F139258	(BH139258)	L.H.; 4WD; 4 Door; 11th Position Vin = 2
Brake Hose	00	F140247	(BH140247)	L.H.; 4WD; 4 Door; 11th Position Vin = K
Brake Hose	00	F140248	(BH140248)	R.H.; 4WD; 2 Door
Brake Hose	00	F139259	(BH139259)	R.H.; 4WD; 4 Door; 11th Position Vin = 2
Brake Hose	00	F140248	(BH140248)	R.H.; 4WD; 4 Door; 11th Position Vin = K
Brake Hose	99 - 98	F138918	(BH138918)	2WD
Brake Hose	99 - 98	F139258	(BH139258)	L.H.; 4WD
Brake Hose	99 - 98	F139259	(BH139259)	R.H.; 4WD
Brake Hose	97 - 95	F132325	(BH132325)	2WD
Brake Hose	97 - 95	F124597	(BH124597)	L.H.; 4WD
Brake Hose	97 - 95	F124598	(BH124598)	R.H.; 4WD

<i>Rear Brake Hose</i>	<i>Years</i>	<i>Sequential No.</i>	<i>Category No.</i>	<i>Qualifier</i>
Brake Hose	05 - 95	F133853	(BH133853)	Inner; 2 Door
Brake Hose	05 - 95	F124599	(BH124599)	Inner; 4 Door
Brake Hose	05	F132988	(BH132988)	Outer; 2WD; w/Z85, Z87
Brake Hose	04 - 03	F132988	(BH132988)	Outer; 2WD; w/ZW7, Z85, Z87
Brake Hose	02 - 98	F132988	(BH132988)	Outer; 2WD

Piston: M - OE Metal Piston P - OE Phenolic Piston

BLAZER (cont.)

Hydraulics - Reman

<i>Master Cylinder</i>	<i>Years</i>	<i>Part No.</i>	<i>Qualifier</i>
Master Cylinder	03 - 01	R134754	
Master Cylinder	00	R134715	11th Position of VIN = 2; Moraine Plant Built
Master Cylinder	00	R134754	11th Position of VIN = K; Linden Plant Built
Master Cylinder	99	R134715	11th Position Of VIN = 2
Master Cylinder	98	R134715	
Master Cylinder	97	R131941	2WD
Master Cylinder	97	R134633	4WD
Master Cylinder	96 - 95	R131941	

<i>Power Brake Booster</i>	<i>Years</i>	<i>Part No.</i>	<i>Qualifier</i>
Power Brake Booster	04 - 03	5474822	w/o Master Cylinder
Power Brake Booster	02	5474821	w/o Master Cylinder; w/Rear Disc
Power Brake Booster	02	5474822	w/o Master Cylinder; w/Rear Drum
Power Brake Booster	01 - 98	5474822	w/o Master Cylinder
Power Brake Booster	97 - 95	501061	w/Master Cylinder
Power Brake Booster	97 - 95	5471061	w/o Master Cylinder

Brake Cables

<i>Parking Brake Cable</i>	<i>Years</i>	<i>Sequential No.</i>	<i>Category No.</i>	<i>Qualifier</i>
Parking Brake Cable	97 - 96	F140344	(BC140344)	Rear; L.H.; 4 Door; 104" Length
Parking Brake Cable	97 - 96	F140361	(BC140361)	Rear; R.H.; 4WD; 2 Door; w/ZR2; 100" Length
Parking Brake Cable	95	F132384	(BC132384)	Forward
Parking Brake Cable	95	F132388	(BC132388)	Rear; L.H.; 4 Door
Parking Brake Cable	95	F132386	(BC132386)	Rear; L.H.; 4WD; 2 Door
Parking Brake Cable	95	F132387	(BC132387)	Rear; R.H.; 2 Door
Parking Brake Cable	95	F132389	(BC132389)	Rear; R.H.; 4 Door

ABS Components - Reman

<i>ABS Hydraulic Unit</i>	<i>Years</i>	<i>Part No.</i>	<i>Qualifier</i>
ABS Hydraulic Unit	95	RA125033	

Wheel Attaching Hardware

<i>Front Wheel Stud</i>	<i>Years</i>	<i>Part No.</i>	<i>Qualifier</i>
Wheel Lug Stud	05	BD60946	w/Alum. Whl.
Wheel Lug Stud	04 - 95	BD60946	
<i>Rear Wheel Stud</i>	<i>Years</i>	<i>Part No.</i>	<i>Qualifier</i>
Wheel Lug Stud	05 - 03	BD60946	M12 x 1.5 x 40
Wheel Lug Stud	02 - 95	BD60946	
<i>Front Wheel Nut</i>	<i>Years</i>	<i>Part No.</i>	<i>Qualifier</i>
Wheel Lug Nut	05 - 95	BD61445	External Thread
Wheel Lug Nut	02 - 95	BD61302	Std. Open
<i>Rear Wheel Nut</i>	<i>Years</i>	<i>Part No.</i>	<i>Qualifier</i>
Wheel Lug Nut	05 - 95	BD61445	External Thread
Wheel Lug Nut	02 - 95	BD61302	Std. Open

LLV (POSTAL VEHICLE)

Brake Pads & Shoes

<i>Front Pads & Shoes</i>	<i>Years</i>	<i>SevereDuty</i>	<i>Lining No.</i>	<i>Qualifier</i>
Brake Pads	95 - 87	SD154		
<i>Rear Pads & Shoes</i>	<i>Years</i>	<i>SevereDuty</i>	<i>Lining No.</i>	<i>Qualifier</i>
Brake Shoes	95 - 87	SDS514R	EX2117ATD	9-1/2 x 2" Brake; Riveted

Rotor & Drum

<i>Front Rotor & Drum</i>	<i>Years</i>	<i>Part No.</i>	<i>Qualifier</i>
Brake Rotor	95 - 87	BD60627	
<i>Rear Rotor & Drum</i>	<i>Years</i>	<i>Part No.</i>	<i>Qualifier</i>
Brake Drum	95 - 89	BD125213	9-1/2 x 2" Brake
Brake Drum	88	BD60736	Rear Axle Stamped HTJ/HTK; 9-1/2 x 2" Brake
Brake Drum	88	BD125213	Rear Axle Stamped PCG/PZT/RNS/SZA; 9-1/2 x 2" Brake

LLV (POSTAL VEHICLE) (cont.)

Rotor & Drum (cont.)

Rear Rotor & Drum	Years	Part No.	Qualifier
Brake Drum	87	BD125213	9-1/2 x 2" Brake
Brake Drum	87	BD60736	9-1/2 x 2" Brake

Brake Hardware

Front Brake Hardware	Years	Sequential No.	Category No.	Qualifier
Caliper Bolt/Pin	95 - 94	F76074S	(H5004)	
Caliper Bolt/Pin	92 - 87	F76074S	(H5004)	
Disc Align Kit	95 - 87	F99333S	(H5524)	

Rear Brake Hardware	Years	Sequential No.	Category No.	Qualifier
Adjuster Kit	95 - 87	F110937	(H2564)	L.H.
Adjuster Kit	95 - 87	F110938	(H2565)	R.H.
Adjuster Screw	95 - 87	F108442S	(H1552)	L.H.
Adjuster Screw	95 - 87	F108443S	(H1553)	R.H.
Combi Kit	95 - 87	F110946S	(H7059)	
↳Adjuster Spring Kit		F110929S	(H404)	
↳Hold Down Kit		F79811S	(H4003)	
↳Return Spring Kit		F45941S	(H323)	

Calipers - Reman

Front, Loaded	Years	Left No.	Right No.	Qualifier	Piston
Loaded Caliper	95 - 87	AS99022	AS99023		M
Front, Unloaded	Years	Left No.	Right No.	Qualifier	Piston
Unloaded Caliper	95 - 87	CR99022	CR99023		M

Hydraulics - New

Master Cylinder	Years	Sequential No.	Category No.	Qualifier
Master Cylinder	95 - 87	F128098	(MC128098)	15/16" Bore
Rear Wheel Cylinder	Years	Sequential No.	Category No.	Qualifier
Wheel Cylinder	95 - 94	F122222	(WC122222)	3/4" Bore
Wheel Cylinder	93 - 87	F98905	(WC98905)	3/4" Bore

Front Brake Hose	Years	Sequential No.	Category No.	Qualifier
Brake Hose	95 - 92	F132325	(BH132325)	
Brake Hose	91 - 87	F106348	(BH106348)	

Rear Brake Hose	Years	Sequential No.	Category No.	Qualifier
Brake Hose	95	F124599	(BH124599)	Inner
Brake Hose	94 - 92	F124599	(BH124599)	
Brake Hose	91 - 87	F106349	(BH106349)	

Hydraulics - Reman

Master Cylinder	Years	Part No.	Qualifier
Master Cylinder	95 - 87	R128098	
Power Brake Booster	Years	Part No.	Qualifier
Power Brake Booster	95 - 87	5471097	w/o Master Cylinder

Brake Cables

Parking Brake Cable	Years	Sequential No.	Category No.	Qualifier
Parking Brake Cable	95 - 94	F133064	(BC133064)	Forward
Parking Brake Cable	95 - 94	F133060	(BC133060)	Rear; L.H.
Parking Brake Cable	95 - 94	F129934	(BC129934)	Rear; R.H.
Parking Brake Cable	92	F133064	(BC133064)	Forward
Parking Brake Cable	92	F133060	(BC133060)	Rear; L.H.
Parking Brake Cable	92 - 87	F129934	(BC129934)	Rear; R.H.
Parking Brake Cable	91 - 87	F129932	(BC129932)	Forward
Parking Brake Cable	91 - 87	F124673	(BC124673)	Intermediate
Parking Brake Cable	91 - 87	F129933	(BC129933)	Rear; L.H.

Wheel Attaching Hardware

Front Wheel Stud	Years	Part No.	Qualifier
Wheel Lug Stud	95 - 87	BD60946	

↳Sub-Kit of Combi-Kit is available separately.

Piston: M - OE Metal Piston P - OE Phenolic Piston

LLV (POSTAL VEHICLE) (cont.)

Wheel Attaching Hardware (cont.)

<i>Rear Wheel Stud</i>	<i>Years</i>	<i>Part No.</i>	<i>Qualifier</i>
Wheel Lug Stud	95 - 87	BD60946	
<i>Front Wheel Nut</i>	<i>Years</i>	<i>Part No.</i>	<i>Qualifier</i>
Wheel Lug Nut	95 - 89	BD61302	Std. Open
Wheel Lug Nut	88 - 87	BD125808	Bulge
<i>Rear Wheel Nut</i>	<i>Years</i>	<i>Part No.</i>	<i>Qualifier</i>
Wheel Lug Nut	95 - 89	BD61302	Std. Open
Wheel Lug Nut	88 - 87	BD125808	Bulge

S10 PICKUP

Brake Pads & Shoes

<i>Front Pads & Shoes</i>	<i>Years</i>	<i>SevereDuty</i>	<i>Lining No.</i>	<i>Qualifier</i>
Brake Pads	04	SD726		
Brake Pads	03 - 01	SD726		4WD
Brake Pads	02 - 01	SD154		2WD
Brake Pads	00 - 99	SD726		2WD; Elec.
Brake Pads	00 - 99	SD154		2WD; Exc. Elec.
Brake Pads	00 - 99	SD726		4WD; Exc. Elec.
Brake Pads	98	SD154		2WD
Brake Pads	98	SD726		4WD
Brake Pads	97 - 95	SD154		
<i>Rear Pads & Shoes</i>	<i>Years</i>	<i>SevereDuty</i>	<i>Lining No.</i>	<i>Qualifier</i>
Brake Shoes	03 - 95	SDS514R	EX2117ATD	9-1/2 x 2" Brake; Riveted

Rotor & Drum

<i>Front Rotor & Drum</i>	<i>Years</i>	<i>Part No.</i>	<i>Qualifier</i>
Brake Rotor	04	BD125559	
Brake Rotor	03 - 01	BD125172	2WD
Brake Rotor	03 - 01	BD125559	4WD
Brake Rotor	00	BD125559	2WD; Elec.
Brake Rotor	00 - 99	BD125172	2WD; Exc. Elec.
Brake Rotor	00 - 99	BD125559	4WD; Exc. Elec.
Brake Rotor	99	BD125172	2WD; Elec.
Brake Rotor	99	BD125559	4WD; Elec.
Brake Rotor	98 - 96	BD125172	2WD
Brake Rotor	98	BD125559	4WD
Brake Rotor	97 - 95	BD102075	4WD
Brake Rotor	95	BD60627	2WD; 2.2L
Brake Rotor	95	BD125172	2WD; 4.3L
<i>Rear Rotor & Drum</i>	<i>Years</i>	<i>Part No.</i>	<i>Qualifier</i>
Brake Drum	03 - 95	BD125213	9-1/2 x 2" Brake
Brake Rotor	04	BD125577	
Brake Rotor	03	BD125577	2WD
Brake Rotor	03	BD125505	4WD
Brake Rotor	02 - 98	BD125505	

Brake Hardware

<i>Front Brake Hardware</i>	<i>Years</i>	<i>Sequential No.</i>	<i>Category No.</i>	<i>Qualifier</i>
Caliper Bolt/Pin	04	F76074S	(H5004)	
Caliper Bolt/Pin	03 - 97	F76074S	(H5004)	2WD
Caliper Bolt/Pin	03 - 97	F138684S	(H5086)	4WD
Caliper Bolt/Pin	96 - 95	F76074S	(H5004)	
Disc Align Kit	04 - 97	F99333S	(H5524)	2WD
Disc Align Kit	03 - 97	F139703	(H5644)	4WD
Disc Align Kit	96 - 95	F99333S	(H5524)	
Pin Boot Kit	04 - 97	F138697S	(H8221)	4WD
<i>Rear Brake Hardware</i>	<i>Years</i>	<i>Sequential No.</i>	<i>Category No.</i>	<i>Qualifier</i>
Adjuster Kit	02 - 95	F110937	(H2564)	L.H.

S10 PICKUP (cont.)

Brake Hardware (cont.)

Rear Brake Hardware	Years	Sequential No.	Category No.	Qualifier
Adjuster Kit	02 - 95	F110938	(H2565)	R.H.
Adjuster Screw	02 - 95	F108442S	(H1552)	L.H.
Adjuster Screw	02 - 95	F108443S	(H1553)	R.H.
Caliper Bolt/Pin	04 - 97	F138104S	(H5085)	
Combi Kit	01 - 95	F110946S	(H7059)	
↳Adjuster Spring Kit		F110929S	(H404)	
↳Hold Down Kit		F79811S	(H4003)	
↳Return Spring Kit		F45941S	(H323)	
Disc Align Kit	04 - 97	F138691S	(H5624)	
Pin Boot Kit	04 - 97	F138601S	(H18047)	

Calipers - Reman

Front, Loaded	Years	Left No.	Right No.	Qualifier	Piston
Loaded Caliper	02 - 95	AS99022	AS99023	2WD	M
Loaded Caliper	97 - 95	AS98888	AS98889	4WD	M

Front, Unloaded	Years	Left No.	Right No.	Qualifier	Piston
Unloaded Caliper	04	CRB134304	CRB134303	Supplied w/Mtg. Brkt.	M
Unloaded Caliper	04	CR134304	CR134303	Supplied w/o Mtg. Brkt.	M
Unloaded Caliper	03 - 95	CR99022	CR99023	2WD	M
Unloaded Caliper	03 - 98	CRB134304	CRB134303	4WD; Supplied w/Mtg. Brkt.	M
Unloaded Caliper	03 - 98	CR134304	CR134303	4WD; Supplied w/o Mtg. Brkt.	M
Unloaded Caliper	97 - 95	CR98888	CR98889	4WD	M

Rear, Unloaded	Years	Left No.	Right No.	Qualifier	Piston
Unloaded Caliper	04 - 98	CRB134336	CRB134335	4WD; Supplied w/Mtg. Brkt.	P
Unloaded Caliper	04 - 98	CR134336	CR134335	4WD; Supplied w/o Mtg. Brkt.	P
Unloaded Caliper	03	CRB134335	CRB134336	2WD; Exc. ZR2; Supplied w/Mtg. Brkt.	P
Unloaded Caliper	03	CR134335	CR134336	2WD; Exc. ZR2; Supplied w/o Mtg. Brkt.	P
Unloaded Caliper	03	CRB134336	CRB134335	2WD; ZR2; Supplied w/Mtg. Brkt.	P
Unloaded Caliper	03	CR134336	CR134335	2WD; ZR2; Supplied w/o Mtg. Brkt.	P
Unloaded Caliper	02 - 98	CRB134335	CRB134336	2WD; Supplied w/Mtg. Brkt.	P
Unloaded Caliper	02 - 98	CR134335	CR134336	2WD; Supplied w/o Mtg. Brkt.	P

Hydraulics - New

Master Cylinder	Years	Sequential No.	Category No.	Qualifier
Master Cylinder	04 - 03	F139958	(MC139958)	1" Bore
Master Cylinder	02 - 00	F139958	(MC139958)	Exc. RHD; 1" Bore
Master Cylinder	99 - 98	F140131	(MC140131)	Exc. RHD; 1" Bore
Master Cylinder	97 - 95	F107747	(MC107747)	Exc. Dbl. Diaphragm Boost; 15/16" Bore
Master Cylinder	97 - 95	F139952	(MC139952)	w/Dbl. Diaphragm Boost; 15/16" Bore

Rear Wheel Cylinder	Years	Sequential No.	Category No.	Qualifier
Wheel Cylinder	03	F123199	(WC123199)	2WD; 7/8" Bore
Wheel Cylinder	02 - 95	F122222	(WC122222)	3/4" Bore
Wheel Cylinder	99	F123199	(WC123199)	7/8" Bore

Clutch Master Cylind	Years	Sequential No.	Category No.	Qualifier
Clutch Master Cylinder	01 - 96	F134329	(CM134329)	2WD
Clutch Master Cylinder	01 - 96	F134497	(CM134497)	4WD
Clutch Master Cylinder	95	F130539	(CM130539)	23/32" Bore

Clutch Slave Cylinder	Years	Sequential No.	Category No.	Qualifier
Clutch Slave Cylinder	01 - 96	F134322	(SC134322)	w/5 Spd. Trans.
Clutch Slave Cylinder	95	F126873	(SC126873)	13/16" Bore

Front Brake Hose	Years	Sequential No.	Category No.	Qualifier
Brake Hose	04 - 00	F140247	(BH140247)	L.H.; 4WD
Brake Hose	04 - 00	F140248	(BH140248)	R.H.; 4WD
Brake Hose	03 - 01	F140071	(BH140071)	2WD; Exc. Extreme Pkg.
Brake Hose	03 - 01	F140251	(BH140251)	L.H.; 2WD; Extreme Pkg.
Brake Hose	03 - 01	F140252	(BH140252)	R.H.; 2WD; Extreme Pkg.

↳Sub-Kit of Combi-Kit is available separately.

Piston: M - OE Metal Piston P - OE Phenolic Piston

S10 PICKUP (cont.)

Hydraulics - New (cont.)

Front Brake Hose	Years	Sequential No.	Category No.	Qualifier
Brake Hose	00	F140071	(BH140071)	2WD
Brake Hose	99 - 95	F132325	(BH132325)	2WD
Brake Hose	99 - 98	F139258	(BH139258)	L.H.; 4WD
Brake Hose	99 - 98	F139259	(BH139259)	R.H.; 4WD
Brake Hose	97 - 95	F124597	(BH124597)	L.H.; 4WD
Brake Hose	97 - 95	F124598	(BH124598)	R.H.; 4WD

Rear Brake Hose	Years	Sequential No.	Category No.	Qualifier
Brake Hose	04	F124599	(BH124599)	Inner; Exc. Crew Cab
Brake Hose	04 - 98	F132988	(BH132988)	Outer; 2WD
Brake Hose	03 - 02	F124599	(BH124599)	Inner; 2WD; Exc. Crew Cab
Brake Hose	03 - 02	F124599	(BH124599)	Inner; 4WD; Crew Cab; Chassis Pkg.; w/Z85
Brake Hose	01 - 95	F124599	(BH124599)	Inner; 2WD
Brake Hose	01 - 95	F124599	(BH124599)	Inner; 4WD; Exc. ZR2
Brake Hose	01 - 95	F133853	(BH133853)	Inner; 4WD; w/ZR2

Hydraulics - Reman

Master Cylinder	Years	Part No.	Qualifier
Master Cylinder	03 - 01	R134754	
Master Cylinder	00	R134715	11th Position of VIN = 2; Moraine Plant Built
Master Cylinder	00	R134754	11th Position of VIN = K; Linden Plant Built
Master Cylinder	99 - 98	R134715	
Master Cylinder	97	R134633	w/Rear Disc
Master Cylinder	97	R131941	w/Rear Drum
Master Cylinder	96 - 95	R131941	

Power Brake Booster	Years	Part No.	Qualifier
Power Brake Booster	04 - 03	5474822	w/o Master Cylinder
Power Brake Booster	02	5474821	w/o Master Cylinder; w/Rear Disc
Power Brake Booster	02	5474822	w/o Master Cylinder; w/Rear Drum
Power Brake Booster	01 - 99	5474822	w/o Master Cylinder
Power Brake Booster	98	5471061	w/o Master Cylinder; Electric
Power Brake Booster	98	5474822	w/o Master Cylinder; Exc. Elec.
Power Brake Booster	97 - 95	501061	w/Master Cylinder
Power Brake Booster	97 - 95	5471061	w/o Master Cylinder

Brake Cables

Parking Brake Cable	Years	Sequential No.	Category No.	Qualifier
Parking Brake Cable	03 - 96	F138870	(BC138870)	Intermediate
Parking Brake Cable	03 - 96	F138849	(BC138849)	Rear; L.H.
Parking Brake Cable	03 - 96	F138892	(BC138892)	Rear; R.H.; 2WD; Exc. ZR2
Parking Brake Cable	95	F132384	(BC132384)	Forward
Parking Brake Cable	95	F138870	(BC138870)	Intermediate; 118" WB
Parking Brake Cable	95	F132385	(BC132385)	Intermediate; Ext. Cab
Parking Brake Cable	95	F132390	(BC132390)	Rear; L.H.
Parking Brake Cable	95	F132391	(BC132391)	Rear; R.H.

ABS Components - Reman

ABS Module	Years	Part No.	Qualifier
ABS Module	95	RA121036	4 Cyl.

ABS Hydraulic Unit	Years	Part No.	Qualifier
ABS Hydraulic Unit	95	RA122009	4 Cyl.
ABS Hydraulic Unit	95	RA125033	6 Cyl.

Wheel Attaching Hardware

Front Wheel Stud	Years	Part No.	Qualifier
-------------------------	--------------	-----------------	------------------

Wheel Lug Stud	04 - 95	BD60946	
----------------	---------	---------	--

Rear Wheel Stud	Years	Part No.	Qualifier
------------------------	--------------	-----------------	------------------

Wheel Lug Stud	04 - 03	BD60946	M12 x 1.5 x 40
----------------	---------	---------	----------------

Wheel Lug Stud	02 - 95	BD60946	
----------------	---------	---------	--

S10 PICKUP (cont.)
Wheel Attaching Hardware (cont.)

Front Wheel Nut	Years	Part No.	Qualifier
Wheel Lug Nut	04 - 95	BD61445	External Thread
Wheel Lug Nut	02 - 95	BD61302	Std. Open
Rear Wheel Nut	Years	Part No.	Qualifier
Wheel Lug Nut	04 - 95	BD61445	External Thread
Wheel Lug Nut	02 - 95	BD61302	Std. Open

TAHOE
Brake Pads & Shoes

Front Pads & Shoes	Years	SevereDuty	Lining No.	Qualifier
Brake Pads	06 - 01	SD785		
Brake Pads	00	SD785		w/Rear Disc
Brake Pads	00	SD369		w/Rear Drum; Exc. Police
Brake Pads	00	SD370		w/Rear Drum; Police
Brake Pads	99 - 95	SD370		Diesel
Brake Pads	99 - 98	SD370		Police
Brake Pads	99 - 98	SD369		w/o Diesel; Exc. Police
Brake Pads	97 - 95	SD369		w/o Diesel
Rear Pads & Shoes	Years	SevereDuty	Lining No.	Qualifier
Brake Pads	06 - 03	SD974A		2WD
Brake Pads	06 - 03	SD975		4WD
Brake Pads	02 - 01	SD975		Exc. 4.10 A.R.
Brake Pads	02 - 01	SD792A		w/4.10 A.R.
Brake Pads	00	SD975		
Brake Shoes	00 - 95	SDS675R	EX1404AD	10 x 2-1/4" Brake; Riveted
Brake Shoes	00 - 95	SDS473R	EX2073TD-S32	11-5/32 x 2-3/4" Brake; Riveted

Rotor & Drum

Front Rotor & Drum	Years	Part No.	Qualifier
Brake Rotor	06 - 01	BD125654	
Brake Rotor	00	BD125206	2WD; w/Rear Drum
Brake Rotor	00	BD61812	4WD; w/Rear Drum; Full-Cast Rotor; Replaces OE Composite Design
Brake Rotor	00	BD125654	w/Rear Disc
Brake Rotor	99 - 95	BD125206	2WD
Brake Rotor	99	BD61812	4WD; Full-Cast Rotor; Replaces OE Composite Design
Brake Rotor	98 - 95	BD61918	4WD; Diesel
Brake Rotor	98 - 95	BD61812	4WD; w/o Diesel; Full-Cast Rotor; Replaces OE Composite Design
Rear Rotor & Drum	Years	Part No.	Qualifier
Brake Drum	00	BD61823	10 x 2-1/4" Brake
Brake Drum	00 - 97	BD125207	2WD; 11-5/32 x 2-3/4" Brake
Brake Drum	00 - 95	BD125209	4WD; 11-5/32 x 2-3/4" Brake
Brake Drum	99 - 95	BD61823	2WD; 10 x 2-1/4" Brake
Brake Drum	99 - 95	BD61832	4WD; 10 x 2-1/4" Brake
Brake Rotor	06 - 03	BD126032	w/13" Dia. Rotor; 6 Stud Whl.
Brake Rotor	04 - 00	BD125655	w/12-13/16" Dia. Rotor; 6 Stud Whl.
Brake Rotor	02 - 00	BD125735	w/13" Dia. Rotor; 6 Stud Whl.

Brake Hardware

Front Brake Hardware	Years	Sequential No.	Category No.	Qualifier
Caliper Bolt/Pin	04 - 01	F139712	(H5096)	
Caliper Bolt/Pin	96 - 95	F117224S	(H5038)	
Disc Align Kit	04 - 01	F139707	(H5645)	
Disc Align Kit	98 - 95	F117225S	(H5584)	
Pin Boot Kit	05 - 01	F138697S	(H8221)	
Rear Brake Hardware	Years	Sequential No.	Category No.	Qualifier
Adjuster Kit	00 - 95	F124483S	(H2618)	L.H.; 10 x 2-1/4" Brake
Adjuster Kit	00 - 95	F124484S	(H2619)	R.H.; 10 x 2-1/4" Brake
Caliper Bolt/Pin	05 - 02	F140549	(H5102)	2WD

TAHOE (cont.)

Brake Hardware (cont.)

Rear Brake Hardware	Years	Sequential No.	Category No.	Qualifier
Caliper Bolt/Pin	05 - 01	F138102S	(H5081)	4WD
Combi Kit	00 - 95	F117226	(H7196)	10 x 2-1/4" Brake
↳Hold Down Kit		F117223S	(H4006)	
Combi Kit	00 - 95	F98455S	(H7046)	11-5/32 x 2-3/4" Brake
↳Adjuster Spring Kit		F45936S	(H415)	
↳Hold Down Kit		F98422S	(H4018)	
↳Return Spring Kit		F45927S	(H324)	
Disc Align Kit	05 - 03	F139865	(H5666)	2WD
Disc Align Kit	05 - 03	F140509	(H5677)	4WD
Disc Align Kit	02 - 01	F140509	(H5677)	Exc. 4.10 A.R.
Disc Align Kit	02 - 01	F139710	(H5648)	w/4.10 A.R.
Disc Align Kit	00 - 99	F140509	(H5677)	
Pin Boot Kit	05 - 00	F140511	(H8239)	2WD
Pin Boot Kit	05 - 00	F138601S	(H18047)	4WD

Calipers - Reman

Front, Loaded	Years	Left No.	Right No.	Qualifier	Piston
Loaded Caliper	00	AS116292	AS116293	5.7L; Exc. Police; Exc. Perf. Pkg.; w/2.94" Single Piston Caliper	M
Loaded Caliper	00	AS116294	AS116295	5.7L; Exc. Police; w/Perf. Pkg.; w/3.16" Single Piston Caliper	M
Loaded Caliper	00	AS116294	AS116295	5.7L; Police; w/3.16" Single Piston Caliper	M
Loaded Caliper	99 - 95	AS116294	AS116295	Diesel; w/3.16" Single Piston Caliper	M
Loaded Caliper	99 - 98	AS116292	AS116293	Exc. Diesel; Exc. Police; Exc. Perf. Pkg.; w/2.94" Single Piston Caliper	M
Loaded Caliper	99 - 98	AS116294	AS116295	Exc. Diesel; Exc. Police; w/Perf. Pkg.; w/3.16" Single Piston Caliper	M
Loaded Caliper	99 - 98	AS116294	AS116295	Exc. Diesel; Police; w/3.16" Single Piston Caliper	M
Loaded Caliper	97 - 95	AS116292	AS116293	Exc. Diesel; w/2.94" Single Piston Caliper	M

Front, Unloaded	Years	Left No.	Right No.	Qualifier	Piston
Unloaded Caliper	06 - 01	CRB134346	CRB134345	w/Dual Piston Caliper; Supplied w/Mtg. Brkt.	P
Unloaded Caliper	06 - 01	CR134346	CR134345	w/Dual Piston Caliper; Supplied w/o Mtg. Brkt.	P
Unloaded Caliper	00	CR116292	CR116293	5.7L; Exc. Police; Exc. Perf. Pkg.; w/2.94" Single Piston Caliper	M
Unloaded Caliper	00	CR116294	CR116295	5.7L; Exc. Police; w/Perf. Pkg.; w/3.16" Single Piston Caliper	M
Unloaded Caliper	00	CR116294	CR116295	5.7L; Police; w/3.16" Single Piston Caliper	M
Unloaded Caliper	00	CRB134346	CRB134345	Exc. 5.7L; w/Dual Piston Caliper; Supplied w/Mtg. Brkt.	P
Unloaded Caliper	00	CR134346	CR134345	Exc. 5.7L; w/Dual Piston Caliper; Supplied w/o Mtg. Brkt.	P
Unloaded Caliper	99 - 95	CR116294	CR116295	Diesel; w/3.16" Single Piston Caliper	M
Unloaded Caliper	99 - 98	CR116292	CR116293	Exc. Diesel; Exc. Police; Exc. Perf. Pkg.; w/2.94" Single Piston Caliper	M
Unloaded Caliper	99 - 98	CR116294	CR116295	Exc. Diesel; Exc. Police; w/Perf. Pkg.; w/3.16" Single Piston Caliper	M
Unloaded Caliper	99 - 98	CR116294	CR116295	Exc. Diesel; Police; w/3.16" Single Piston Caliper	M
Unloaded Caliper	97 - 95	CR116292	CR116293	Exc. Diesel; w/2.94" Single Piston Caliper	M

Rear, Unloaded	Years	Left No.	Right No.	Qualifier	Piston
Unloaded Caliper	05 - 03	CR135122	CR135121	2WD	P
Unloaded Caliper	05 - 03	CRB134513	CRB134512	4WD; Supplied w/Mtg. Brkt.	P
Unloaded Caliper	05 - 03	CR134513	CR134512	4WD; Supplied w/o Mtg. Brkt.	P
Unloaded Caliper	02 - 01	CRB134513	CRB134512	Supplied w/Mtg. Brkt.	P
Unloaded Caliper	02 - 01	CR134513	CR134512	Supplied w/o Mtg. Brkt.	P
Unloaded Caliper	00	CRB134513	CRB134512	Exc. 5.7L; Supplied w/Mtg. Brkt.	P
Unloaded Caliper	00	CR134513	CR134512	Exc. 5.7L; Supplied w/o Mtg. Brkt.	P

Hydraulics - New

Master Cylinder	Years	Sequential No.	Category No.	Qualifier
Master Cylinder	06 - 04	F140377	(MC140377)	7200 GVW; w/ABS; Power Brakes; 1-11/32" Bore
Master Cylinder	06 - 03	F140377	(MC140377)	7200 GVW; w/Active Brake Control; w/Hydro-Boost; 1-11/32" Bore
Master Cylinder	03	F140375	(MC140375)	7200 GVW; w/ABS; Power Brakes
Master Cylinder	00	F131468	(MC131468)	Exc. Police; w/Rear Drum; 1-1/8" Bore
Master Cylinder	00	F131472	(MC131472)	Police; w/Rear Drum; 1-1/4" Bore
Master Cylinder	99	F131468	(MC131468)	Exc. Police; 1-1/8" Bore
Master Cylinder	99	F131472	(MC131472)	Police; 1-1/4" Bore

↳Sub-Kit of Combi-Kit is available separately.

Piston: M - OE Metal Piston P - OE Phenolic Piston

TAHOE (cont.)
Hydraulics - New (cont.)

Master Cylinder	Years	Sequential No.	Category No.	Qualifier
Master Cylinder	98 - 95	F131472	(MC131472)	w/Hydro-Boost; 1-1/4" Bore
Master Cylinder	98 - 95	F131468	(MC131468)	w/Vacuum Boost; 1-1/8" Bore
Rear Wheel Cylinder	Years	Sequential No.	Category No.	Qualifier
Wheel Cylinder	00 - 95	F116359	(WC116359)	H/D Brake; 1" Bore
Wheel Cylinder	99 - 95	F116224	(WC116224)	Exc. H/D Brake; 1-3/16" Bore
Clutch Master Cylind	Years	Sequential No.	Category No.	Qualifier
Clutch Master Cylinder	04 - 01	F134526	(CM134526)	w/5 Spd. Trans.; 45/64" Bore
Clutch Master Cylinder	00	F134526	(CM134526)	45/64" Bore
Clutch Master Cylinder	99 - 96	F133507	(CM133507)	45/64" Bore
Clutch Master Cylinder	95	F126856	(CM126856)	45/64" Bore
Clutch Slave Cylinder	Years	Sequential No.	Category No.	Qualifier
Clutch Slave Cylinder	04 - 03	F140212	(SC140212)	w/5 Spd. Trans.; 1-7/32" Bore
Clutch Slave Cylinder	02 - 01	F140158	(SC140158)	w/5 Spd. Trans.
Clutch Slave Cylinder	00 - 96	F134322	(SC134322)	
Clutch Slave Cylinder	95	F126872	(SC126872)	25/32" Bore
Front Brake Hose	Years	Sequential No.	Category No.	Qualifier
Brake Hose	05 - 01	F140187	(BH140187)	L.H.
Brake Hose	05 - 01	F140188	(BH140188)	R.H.
Brake Hose	00	F116846	(BH116846)	L.H.; 2WD; Police
Brake Hose	00	F118083	(BH118083)	L.H.; 4WD
Brake Hose	00	F116847	(BH116847)	R.H.; 2WD
Brake Hose	00	F118084	(BH118084)	R.H.; 4WD
Brake Hose	99 - 97	F133852	(BH133852)	L.H.; 2WD; Diesel
Brake Hose	99 - 97	F116846	(BH116846)	L.H.; 2WD; w/o Diesel; Police
Brake Hose	99 - 96	F118083	(BH118083)	L.H.; 4WD; w/o Diesel
Brake Hose	99 - 97	F133851	(BH133851)	R.H.; 2WD; Diesel
Brake Hose	99 - 97	F116847	(BH116847)	R.H.; 2WD; w/o Diesel; Police
Brake Hose	99 - 96	F118084	(BH118084)	R.H.; 4WD; w/o Diesel
Brake Hose	98 - 96	F138063	(BH138063)	L.H.; 4WD; Diesel
Brake Hose	98 - 96	F138064	(BH138064)	R.H.; 4WD; Diesel
Brake Hose	96 - 95	F116846	(BH116846)	L.H.; 2WD
Brake Hose	96 - 95	F116847	(BH116847)	R.H.; 2WD
Brake Hose	95	F118083	(BH118083)	L.H.; 4WD
Brake Hose	95	F118084	(BH118084)	R.H.; 4WD
Rear Brake Hose	Years	Sequential No.	Category No.	Qualifier
Brake Hose	04 - 03	F140243	(BH140243)	L.H.; 7200 GVW
Brake Hose	04 - 03	F140244	(BH140244)	R.H.; 7200 GVW
Brake Hose	02 - 01	F140243	(BH140243)	L.H.
Brake Hose	02 - 01	F140244	(BH140244)	R.H.
Brake Hose	00	F140243	(BH140243)	L.H.; w/Rear Disc
Brake Hose	00	F140244	(BH140244)	R.H.; w/Rear Disc
Brake Hose	00	F118117	(BH118117)	w/Rear Drum
Brake Hose	99 - 95	F118117	(BH118117)	

Hydraulics - Reman

Master Cylinder	Years	Part No.	Qualifier
Master Cylinder	02 - 01	R134735	w/JC5
Master Cylinder	00	R116881	5.7L; Exc. Police
Master Cylinder	00	R131472	5.7L; Police
Master Cylinder	00	R134735	Exc. 5.7L; w/JC5
Master Cylinder	99 - 95	R131472	Diesel
Master Cylinder	99 - 97	R116881	Gas; Exc. Police
Master Cylinder	99 - 97	R131472	Gas; Police
Master Cylinder	96 - 95	R116881	Gas

TAHOE (cont.)

Hydraulics - Reman (cont.)

Power Brake Booster	Years	Part No.	Qualifier
Hydro Booster	02 - 00	527359	w/JH5 or JH6
Hydro Booster	99 - 97	527352	Diesel
Hydro Booster	96 - 95	527335	Diesel
Power Brake Booster	Years	Part No.	Qualifier
Power Brake Booster	02 - 00	5474818	w/o Master Cylinder; w/JC5
Power Brake Booster	00	5471085	w/o Master Cylinder; w/JB5 or JB6
Power Brake Booster	99 - 95	501098	Gas; w/Master Cylinder
Power Brake Booster	99 - 97	5471085	Gas; w/o Master Cylinder
Power Brake Booster	96 - 95	5471098	Gas; w/o Master Cylinder

Brake Cables

Parking Brake Cable	Years	Sequential No.	Category No.	Qualifier
Parking Brake Cable	00	F140350	(BC140350)	Rear; R.H.; 2WD; 4 Door; Police; w/JB5; 117" Length
Parking Brake Cable	00	F140350	(BC140350)	Rear; R.H.; 4WD; 4 Door; Exc. Police; w/JB6, JD6; 117" Length
Parking Brake Cable	99 - 98	F140346	(BC140346)	Rear; L.H.; 2WD; 4 Door; Exc. Police; Exc. Chassis Perf. Pkg.; w/JB5, JD5; 81" Length
Parking Brake Cable	99 - 98	F140355	(BC140355)	Rear; R.H.; 2WD; 2 Door; w/JB5, JD5; 100" Length
Parking Brake Cable	99 - 98	F140350	(BC140350)	Rear; R.H.; 2WD; 4 Door; Police; w/Chassis Perf. Pkg.; w/JB5; 117" Length
Parking Brake Cable	99 - 98	F140355	(BC140355)	Rear; R.H.; 4WD; 2 Door; w/JB5, JD5; 100" Length
Parking Brake Cable	99 - 98	F140350	(BC140350)	Rear; R.H.; 4WD; 4 Door; w/JB6, JD6; 117" Length
Parking Brake Cable	97	F140346	(BC140346)	Rear; L.H.; 4 Door; w/JB5, JD5; 81" Length
Parking Brake Cable	97	F140355	(BC140355)	Rear; R.H.; 2 Door; w/JB5, JD5; 100" Length
Parking Brake Cable	97	F140350	(BC140350)	Rear; R.H.; 4 Door; w/JB6, JD6; 117" Length
Parking Brake Cable	96	F140346	(BC140346)	Rear; L.H.; 2WD; 4 Door; w/JB5, JD5; 81" Length
Parking Brake Cable	96	F140355	(BC140355)	Rear; R.H.; 2WD; 2 Door; w/JB5, JD5; 100" Length
Parking Brake Cable	96	F140355	(BC140355)	Rear; R.H.; 4WD; 2 Door; w/JB5, JD5; 100" Length
Parking Brake Cable	96	F140347	(BC140347)	Rear; R.H.; 4WD; 4 Door; w/JB6, JD6; 117" Length
Parking Brake Cable	95	F132791	(BC132791)	Forward
Parking Brake Cable	95	F129791	(BC129791)	Rear; L.H.; 2 Door; 77" Length
Parking Brake Cable	95	F140346	(BC140346)	Rear; L.H.; 4 Door; 81" Length
Parking Brake Cable	95	F140355	(BC140355)	Rear; R.H.; 2 Door; w/JB5, JD5; 100" Length
Parking Brake Cable	95	F129792	(BC129792)	Rear; R.H.; 4 Door; w/JB6, JD6; 100" Length
Parking Brake Cable	95	F140347	(BC140347)	Rear; R.H.; 4 Door; w/JB6, JD6; 117" Length

ABS Components - Reman

ABS Hydraulic Unit	Years	Part No.	Qualifier
ABS Hydraulic Unit	97 - 95	RA125034	

Wheel Attaching Hardware

Front Wheel Stud	Years	Part No.	Qualifier
Wheel Lug Stud	05 - 00	BD125938	
Wheel Lug Stud	99 - 95	BD61426	2WD; Diesel
Wheel Lug Stud	99 - 95	BD61401	2WD; Exc. Diesel
Wheel Lug Stud	99 - 95	BD61425	4WD; Diesel
Wheel Lug Stud	99 - 95	BD61423	4WD; Exc. Diesel
Rear Wheel Stud	Years	Part No.	Qualifier
Wheel Lug Stud	00	BD125938	
Wheel Lug Stud	99 - 95	BD61402	
Front Wheel Nut	Years	Part No.	Qualifier
Wheel Lug Nut	05 - 95	BD61404	Bulge
Wheel Lug Nut	05 - 95	BD125916	External Thread
Rear Wheel Nut	Years	Part No.	Qualifier
Wheel Lug Nut	05 - 95	BD61404	Bulge
Wheel Lug Nut	05 - 95	BD125916	External Thread

C1500 SUBURBAN - See Also SUBURBAN 1500
Brake Pads & Shoes

Front Pads & Shoes	Years	SevereDuty	Lining No.	Qualifier
Brake Pads	99 - 95	SD370		Diesel
Brake Pads	99 - 95	SD369		w/o Diesel
Rear Pads & Shoes	Years	SevereDuty	Lining No.	Qualifier
Brake Shoes	99 - 95	SDS473R	EX2073TD-S32	11-5/32 x 2-3/4" Brake; Riveted
Brake Shoes	99 - 95	SDS655R	SX2042BDT-S36	13 x 2-1/2" Brake; Riveted

Rotor & Drum

Front Rotor & Drum	Years	Part No.	Qualifier
Brake Rotor	99 - 95	BD125212	Diesel
Brake Rotor	99 - 95	BD125206	w/o Diesel
Rear Rotor & Drum	Years	Part No.	Qualifier
Brake Drum	99 - 95	BD125207	11-5/32 x 2-3/4" Brake
Brake Drum	99 - 95	BD60727	13 x 2-1/2" Brake
Brake Drum	99 - 97	BD125407	13 x 3-1/2" Brake

Brake Hardware

Front Brake Hardware	Years	Sequential No.	Category No.	Qualifier
Caliper Bolt/Pin	99 - 97	F117224S	(H5038)	
Caliper Bolt/Pin	96 - 95	F73237S	(H5019)	w/Rear Disc
Caliper Bolt/Pin	96 - 95	F129642S	(H5062)	w/Rear Drum; w/DRW
Caliper Bolt/Pin	96 - 95	F117224S	(H5038)	w/Rear Drum; w/SRW
Disc Align Kit	99 - 95	F117225S	(H5584)	w/Rear Drum
Rear Brake Hardware	Years	Sequential No.	Category No.	Qualifier
Adjuster Kit	99 - 95	F98404	(H2584)	L.H.; 11-5/32 x 2-3/4" Brake
Adjuster Kit	99 - 95	F98406	(H2580)	L.H.; 13 x 2-1/2" Brake
Adjuster Kit	99 - 95	F111233	(H2687)	R.H.; 11-5/32 x 2-3/4" Brake
Adjuster Kit	99 - 95	F98407	(H2581)	R.H.; 13 x 2-1/2" Brake
Adjuster Screw	99 - 95	F73181S	(H1530)	L.H.; 11-5/32 x 2-3/4" Brake
Adjuster Screw	99 - 95	F83294	(H1550)	L.H.; 13 x 2-1/2" Brake
Adjuster Screw	99 - 95	F73182S	(H1531)	R.H.; 11-5/32 x 2-3/4" Brake
Adjuster Screw	99 - 95	F83295	(H1551)	R.H.; 13 x 2-1/2" Brake
Caliper Bolt/Pin	96 - 95	F73237S	(H5019)	
Combi Kit	99 - 95	F98455S	(H7046)	11-5/32 x 2-3/4" Brake
↳Adjuster Spring Kit		F45936S	(H415)	
↳Hold Down Kit		F98422S	(H4018)	
↳Return Spring Kit		F45927S	(H324)	
Combi Kit	99 - 95	F98457S	(H7055)	13 x 2-1/2" Brake
↳Adjuster Spring Kit		F73145S	(H425)	
↳Hold Down Kit		F113455S	(H4098)	
↳Return Spring Kit		F59100S	(H600)	

Calipers - Reman

Front, Loaded	Years	Left No.	Right No.	Qualifier	Piston
Loaded Caliper	99 - 95	AS116294	AS116295	Diesel; w/3.16" Single Piston Caliper	M
Loaded Caliper	99 - 95	AS116292	AS116293	Exc. Diesel; w/2.94" Single Piston Caliper	M
Front, Unloaded	Years	Left No.	Right No.	Qualifier	Piston
Unloaded Caliper	99 - 95	CR116294	CR116295	Diesel; w/3.16" Single Piston Caliper	M
Unloaded Caliper	99 - 95	CR116292	CR116293	Exc. Diesel; w/2.94" Single Piston Caliper	M

Hydraulics - New

Master Cylinder	Years	Sequential No.	Category No.	Qualifier
Master Cylinder	99 - 97	F131472	(MC131472)	w/Hydro-Boost; Police, Chassis Perf. Pkg.; 1-1/4" Bore
Master Cylinder	99 - 97	F131468	(MC131468)	w/Vacuum Boost; Exc. Police; w/Rear Drum; 1-1/8" Bore
Master Cylinder	96 - 95	F131472	(MC131472)	w/Hydro-Boost; 1-1/4" Bore
Master Cylinder	96 - 95	F131468	(MC131468)	w/Vacuum Boost; w/JB5; 1-1/8" Bore
Rear Wheel Cylinder	Years	Sequential No.	Category No.	Qualifier
Wheel Cylinder	99 - 95	F116359	(WC116359)	7200 GVW; 1" Bore

↳Sub-Kit of Combi-Kit is available separately.

Piston: M - OE Metal Piston P - OE Phenolic Piston

CHEVROLET - 1/2 TON SUBURBAN



C1500 SUBURBAN (cont.) - See Also SUBURBAN 1500

Hydraulics - New (cont.)

<i>Rear Wheel Cylinder</i>	<i>Years</i>	<i>Sequential No.</i>	<i>Category No.</i>	<i>Qualifier</i>
Wheel Cylinder	99 - 95	F79767	(WC79767)	8600 GVW; 1-1/16" Bore
<i>Clutch Master Cylind</i>	<i>Years</i>	<i>Sequential No.</i>	<i>Category No.</i>	<i>Qualifier</i>
Clutch Master Cylinder	99 - 96	F133507	(CM133507)	45/64" Bore
Clutch Master Cylinder	95	F126856	(CM126856)	45/64" Bore
<i>Clutch Slave Cylinder</i>	<i>Years</i>	<i>Sequential No.</i>	<i>Category No.</i>	<i>Qualifier</i>
Clutch Slave Cylinder	99 - 96	F134322	(SC134322)	
Clutch Slave Cylinder	95	F126872	(SC126872)	25/32" Bore
<i>Front Brake Hose</i>	<i>Years</i>	<i>Sequential No.</i>	<i>Category No.</i>	<i>Qualifier</i>
Brake Hose	99 - 95	F133852	(BH133852)	L.H.; Diesel
Brake Hose	99 - 95	F116846	(BH116846)	L.H.; w/o Diesel
Brake Hose	99 - 95	F133851	(BH133851)	R.H.; Diesel
Brake Hose	99 - 95	F116847	(BH116847)	R.H.; w/o Diesel
<i>Rear Brake Hose</i>	<i>Years</i>	<i>Sequential No.</i>	<i>Category No.</i>	<i>Qualifier</i>
Brake Hose	99 - 95	F118117	(BH118117)	

Hydraulics - Reman

<i>Master Cylinder</i>	<i>Years</i>	<i>Part No.</i>	<i>Qualifier</i>
Master Cylinder	99 - 95	R131472	Diesel; w/JD6 or JD7
Master Cylinder	99 - 95	R116881	Gas; w/JB6
Master Cylinder	99 - 95	R131472	Gas; w/JB7
<i>Power Brake Booster</i>	<i>Years</i>	<i>Part No.</i>	<i>Qualifier</i>
Hydro Booster	99 - 97	527352	Diesel; w/JD5 or JD6
Hydro Booster	99 - 97	527358	Diesel; w/JD7
Hydro Booster	99 - 97	527358	Gas; w/JB8
Hydro Booster	96 - 95	527335	Diesel; w/JD5 or JD6
Hydro Booster	96 - 95	527336	Diesel; w/JD7
Hydro Booster	96 - 95	527336	Gas; w/JB8
<i>Power Brake Booster</i>	<i>Years</i>	<i>Part No.</i>	<i>Qualifier</i>
Power Brake Booster	99 - 97	5471085	Gas; w/o Master Cylinder; w/JB5 or JB6 or JB7
Power Brake Booster	96 - 95	501098	Gas; w/Master Cylinder; w/JB5 or JB6 or JB7
Power Brake Booster	96 - 95	5471098	Gas; w/o Master Cylinder; w/JB5 or JB6 or JB7

Brake Cables

<i>Parking Brake Cable</i>	<i>Years</i>	<i>Sequential No.</i>	<i>Category No.</i>	<i>Qualifier</i>
Parking Brake Cable	99 - 95	F140352	(BC140352)	Rear; L.H.; w/3.42, 3.73 A.R.; w/JB6; 86" Length
Parking Brake Cable	99 - 95	F140388	(BC140388)	Rear; R.H.; w/3.42, 3.73 A.R.; w/JB6, JD6; 36" Length
Parking Brake Cable	99 - 98	F140350	(BC140350)	Rear; R.H.; w/Police Pkg.; w/JB5; 117" Length
Parking Brake Cable	98 - 95	F130879	(BC130879)	Rear; L.H.; Exc. JD7
Parking Brake Cable	98 - 95	F130443	(BC130443)	Rear; R.H.; Exc. JD7
Parking Brake Cable	95	F132794	(BC132794)	Forward
Parking Brake Cable	95	F130691	(BC130691)	Rear; L.H.; w/JD7
Parking Brake Cable	95	F130692	(BC130692)	Rear; R.H.; w/JD7

ABS Components - Reman

<i>ABS Hydraulic Unit</i>	<i>Years</i>	<i>Part No.</i>	<i>Qualifier</i>
ABS Hydraulic Unit	99 - 95	RA125034	

Wheel Attaching Hardware

<i>Front Wheel Stud</i>	<i>Years</i>	<i>Part No.</i>	<i>Qualifier</i>
Wheel Lug Stud	99 - 95	BD61426	Diesel
Wheel Lug Stud	99 - 95	BD61401	w/o Diesel
<i>Rear Wheel Stud</i>	<i>Years</i>	<i>Part No.</i>	<i>Qualifier</i>
Wheel Lug Stud	99 - 96	BD61402	w/11-5/32" Drum
Wheel Lug Stud	99 - 96	BD125934	w/13" Drum
Wheel Lug Stud	95	BD61402	w/11-7/8" Dia. Front Rotor; w/JB5 or JD5
Wheel Lug Stud	95	BD125934	w/12-1/2" Dia. Front Rotor; w/JB6 or JD6 or JD7

C1500 SUBURBAN (cont.) - See Also SUBURBAN 1500
Wheel Attaching Hardware (cont.)

Front Wheel Nut	Years	Part No.	Qualifier
Wheel Lug Nut	99 - 95	BD61404	Bulge
Wheel Lug Nut	99 - 95	BD125916	External Thread
Rear Wheel Nut	Years	Part No.	Qualifier
Wheel Lug Nut	99 - 95	BD61404	Bulge
Wheel Lug Nut	99 - 95	BD125916	External Thread

K1500 SUBURBAN - See Also SUBURBAN 1500
Brake Pads & Shoes

Front Pads & Shoes	Years	SevereDuty	Lining No.	Qualifier
Brake Pads	99 - 95	SD370		Diesel
Brake Pads	99 - 95	SD369		w/o Diesel
Rear Pads & Shoes	Years	SevereDuty	Lining No.	Qualifier
Brake Shoes	99 - 95	SDS473R	EX2073TD-S32	11-5/32 x 2-3/4" Brake; Riveted
Brake Shoes	99 - 95	SDS655R	SX2042BDT-S36	13 x 2-1/2" Brake; Riveted

Rotor & Drum

Front Rotor & Drum	Years	Part No.	Qualifier
Brake Rotor	99 - 95	BD61918	Diesel
Brake Rotor	99 - 95	BD61812	w/o Diesel; Full-Cast Rotor; Replaces OE Composite Design
Rear Rotor & Drum	Years	Part No.	Qualifier
Brake Drum	99 - 95	BD125209	11-5/32 x 2-3/4" Brake
Brake Drum	99 - 95	BD60727	13 x 2-1/2" Brake

Brake Hardware

Front Brake Hardware	Years	Sequential No.	Category No.	Qualifier
Caliper Bolt/Pin	99 - 97	F117224S	(H5038)	
Caliper Bolt/Pin	96 - 95	F129642S	(H5062)	w/Rear Drum; w/DRW
Caliper Bolt/Pin	96 - 95	F117224S	(H5038)	w/Rear Drum; w/SRW
Disc Align Kit	99 - 95	F117225S	(H5584)	
Pin Boot Kit	96 - 95	F126906S	(H8209)	w/Rear Drum; w/DRW
Rear Brake Hardware	Years	Sequential No.	Category No.	Qualifier
Adjuster Kit	99 - 95	F98404	(H2584)	L.H.; 11-5/32 x 2-3/4" Brake
Adjuster Kit	99 - 95	F98406	(H2580)	L.H.; 13 x 2-1/2" Brake
Adjuster Kit	99 - 95	F111233	(H2687)	R.H.; 11-5/32 x 2-3/4" Brake
Adjuster Kit	99 - 95	F98407	(H2581)	R.H.; 13 x 2-1/2" Brake
Adjuster Screw	99 - 95	F73181S	(H1530)	L.H.; 11-5/32 x 2-3/4" Brake
Adjuster Screw	99 - 95	F83294	(H1550)	L.H.; 13 x 2-1/2" Brake
Adjuster Screw	99 - 95	F73182S	(H1531)	R.H.; 11-5/32 x 2-3/4" Brake
Adjuster Screw	99 - 95	F83295	(H1551)	R.H.; 13 x 2-1/2" Brake
Combi Kit	99 - 95	F98455S	(H7046)	11-5/32 x 2-3/4" Brake
↳Adjuster Spring Kit		F45936S	(H415)	
↳Hold Down Kit		F98422S	(H4018)	
↳Return Spring Kit		F45927S	(H324)	
Combi Kit	99 - 95	F98457S	(H7055)	13 x 2-1/2" Brake
↳Adjuster Spring Kit		F73145S	(H425)	
↳Hold Down Kit		F113455S	(H4098)	
↳Return Spring Kit		F59100S	(H600)	

Calipers - Reman

Front, Loaded	Years	Left No.	Right No.	Qualifier	Piston
Loaded Caliper	99 - 95	AS116294	AS116295	Diesel; w/3.16" Single Piston Caliper	M
Loaded Caliper	99 - 95	AS116292	AS116293	Exc. Diesel; w/2.94" Single Piston Caliper	M
Front, Unloaded	Years	Left No.	Right No.	Qualifier	Piston
Unloaded Caliper	99 - 95	CR116294	CR116295	Diesel; w/3.16" Single Piston Caliper	M
Unloaded Caliper	99 - 95	CR116292	CR116293	Exc. Diesel; w/2.94" Single Piston Caliper	M

↳Sub-Kit of Combi-Kit is available separately.

Piston: M - OE Metal Piston P - OE Phenolic Piston

CHEVROLET - 1/2 TON SUBURBAN



K1500 SUBURBAN (cont.) - See Also SUBURBAN 1500

Hydraulics - New

<i>Master Cylinder</i>	<i>Years</i>	<i>Sequential No.</i>	<i>Category No.</i>	<i>Qualifier</i>
Master Cylinder	99 - 97	F131472	(MC131472)	w/Hydro-Boost; Police, Chassis Perf. Pkg.; 1-1/4" Bore
Master Cylinder	99 - 97	F131468	(MC131468)	w/Vacuum Boost; Exc. Police; w/Rear Drum; 1-1/8" Bore
Master Cylinder	96 - 95	F131472	(MC131472)	w/Hydro-Boost; 1-1/4" Bore
Master Cylinder	96 - 95	F131468	(MC131468)	w/Vacuum Boost; w/JB5; 1-1/8" Bore
<i>Rear Wheel Cylinder</i>	<i>Years</i>	<i>Sequential No.</i>	<i>Category No.</i>	<i>Qualifier</i>
Wheel Cylinder	99 - 95	F116224	(WC116224)	Exc. H/D Brake; 1-3/16" Bore
Wheel Cylinder	99 - 95	F116359	(WC116359)	H/D Brake; 1" Bore
<i>Clutch Master Cylind</i>	<i>Years</i>	<i>Sequential No.</i>	<i>Category No.</i>	<i>Qualifier</i>
Clutch Master Cylinder	99 - 96	F133507	(CM133507)	45/64" Bore
Clutch Master Cylinder	95	F126856	(CM126856)	45/64" Bore
<i>Clutch Slave Cylinder</i>	<i>Years</i>	<i>Sequential No.</i>	<i>Category No.</i>	<i>Qualifier</i>
Clutch Slave Cylinder	99 - 96	F134322	(SC134322)	
Clutch Slave Cylinder	95	F126872	(SC126872)	25/32" Bore
<i>Front Brake Hose</i>	<i>Years</i>	<i>Sequential No.</i>	<i>Category No.</i>	<i>Qualifier</i>
Brake Hose	99 - 97	F138063	(BH138063)	L.H.; Diesel
Brake Hose	99	F118083	(BH118083)	L.H.; w/o Diesel; w/Rear Drum
Brake Hose	99 - 97	F138064	(BH138064)	R.H.; Diesel
Brake Hose	99	F118084	(BH118084)	R.H.; w/o Diesel; w/Rear Drum
Brake Hose	98 - 95	F118083	(BH118083)	L.H.; w/o Diesel
Brake Hose	98 - 95	F118084	(BH118084)	R.H.; w/o Diesel
<i>Rear Brake Hose</i>	<i>Years</i>	<i>Sequential No.</i>	<i>Category No.</i>	<i>Qualifier</i>
Brake Hose	99 - 95	F118117	(BH118117)	

Hydraulics - Reman

<i>Master Cylinder</i>	<i>Years</i>	<i>Part No.</i>	<i>Qualifier</i>
Master Cylinder	99 - 95	R131472	Diesel; w/JD6 or JD7
Master Cylinder	99 - 95	R116881	Gas; w/JB6
Master Cylinder	99 - 95	R131472	Gas; w/JB7
<i>Power Brake Booster</i>	<i>Years</i>	<i>Part No.</i>	<i>Qualifier</i>
Hydro Booster	99 - 97	527352	Diesel; w/JD5 or JD6
Hydro Booster	99 - 97	527358	Diesel; w/JD7
Hydro Booster	99 - 97	527358	Gas; w/JB8
Hydro Booster	96 - 95	527335	Diesel; w/JD5 or JD6
Hydro Booster	96 - 95	527336	Diesel; w/JD7
Hydro Booster	96 - 95	527336	Gas; w/JB8
<i>Power Brake Booster</i>	<i>Years</i>	<i>Part No.</i>	<i>Qualifier</i>
Power Brake Booster	99 - 97	5471085	Gas; w/o Master Cylinder; w/JB5 or JB6 or JB7
Power Brake Booster	96 - 95	501098	Gas; w/Master Cylinder; w/JB5 or JB6 or JB7
Power Brake Booster	96 - 95	5471098	Gas; w/o Master Cylinder; w/JB5 or JB6 or JB7

Brake Cables

<i>Parking Brake Cable</i>	<i>Years</i>	<i>Sequential No.</i>	<i>Category No.</i>	<i>Qualifier</i>
Parking Brake Cable	99 - 95	F140352	(BC140352)	Rear; L.H.; w/3.42, 3.73 A.R.; w/JB6; 86" Length
Parking Brake Cable	99 - 95	F140388	(BC140388)	Rear; R.H.; w/3.42, 3.73 A.R.; w/JB6, JD6; 36" Length
Parking Brake Cable	98 - 95	F130879	(BC130879)	Rear; L.H.
Parking Brake Cable	98 - 95	F130443	(BC130443)	Rear; R.H.
Parking Brake Cable	95	F132794	(BC132794)	Forward

ABS Components - Reman

<i>ABS Hydraulic Unit</i>	<i>Years</i>	<i>Part No.</i>	<i>Qualifier</i>
ABS Hydraulic Unit	99 - 95	RA125034	

Wheel Attaching Hardware

<i>Front Wheel Stud</i>	<i>Years</i>	<i>Part No.</i>	<i>Qualifier</i>
Wheel Lug Stud	99 - 98	BD61425	Diesel
Wheel Lug Stud	99 - 98	BD61423	w/o Diesel
Wheel Lug Stud	97 - 95	BD61423	

K1500 SUBURBAN (cont.) - See Also SUBURBAN 1500

Wheel Attaching Hardware (cont.)

Rear Wheel Stud	Years	Part No.	Qualifier
Wheel Lug Stud	99 - 98	BD125934	Diesel
Wheel Lug Stud	99 - 98	BD61402	w/o Diesel; w/11-5/32" Drum
Wheel Lug Stud	99 - 98	BD125934	w/o Diesel; w/13" Drum
Wheel Lug Stud	96 - 95	BD125934	
Front Wheel Nut	Years	Part No.	Qualifier
Wheel Lug Nut	99 - 95	BD61404	Bulge
Wheel Lug Nut	99 - 95	BD125916	External Thread
Rear Wheel Nut	Years	Part No.	Qualifier
Wheel Lug Nut	99 - 95	BD61404	Bulge
Wheel Lug Nut	99 - 95	BD125916	External Thread

SUBURBAN 1500

Brake Pads & Shoes

Front Pads & Shoes	Years	SevereDuty	Lining No.	Qualifier
Brake Pads	06 - 00	SD785		
Rear Pads & Shoes	Years	SevereDuty	Lining No.	Qualifier
Brake Pads	06 - 03	SD974A		2WD
Brake Pads	06 - 03	SD975		4WD
Brake Pads	02 - 01	SD975		Exc. 4.10 A.R.
Brake Pads	02 - 01	SD792A		w/4.10 A.R.
Brake Pads	00	SD975		

Rotor & Drum

Front Rotor & Drum	Years	Part No.	Qualifier
Brake Rotor	06 - 00	BD125654	
Rear Rotor & Drum	Years	Part No.	Qualifier
Brake Rotor	06 - 03	BD126032	w/13" Dia. Rotor; 6 Stud Whl.
Brake Rotor	04 - 00	BD125655	w/12-13/16" Dia. Rotor; 6 Stud Whl.
Brake Rotor	02 - 00	BD125735	w/13" Dia. Rotor; 6 Stud Whl.

Brake Hardware

Front Brake Hardware	Years	Sequential No.	Category No.	Qualifier
Caliper Bolt/Pin	04 - 01	F139712	(H5096)	
Disc Align Kit	04 - 01	F139707	(H5645)	
Pin Boot Kit	05 - 01	F138697S	(H8221)	
Rear Brake Hardware	Years	Sequential No.	Category No.	Qualifier
Caliper Bolt/Pin	05 - 02	F140549	(H5102)	2WD
Caliper Bolt/Pin	05 - 01	F138102S	(H5081)	4WD
Disc Align Kit	05 - 03	F139865	(H5666)	2WD
Disc Align Kit	05 - 03	F140509	(H5677)	4WD
Disc Align Kit	02 - 01	F140509	(H5677)	Exc. 4.10 A.R.
Disc Align Kit	02 - 01	F139710	(H5648)	w/4.10 A.R.
Disc Align Kit	00	F140509	(H5677)	
Pin Boot Kit	05 - 00	F140511	(H8239)	2WD
Pin Boot Kit	05 - 00	F138601S	(H18047)	4WD

Calipers - Reman

Front, Unloaded	Years	Left No.	Right No.	Qualifier	Piston
Unloaded Caliper	06 - 00	CRB134346	CRB134345	w/Dual Piston Caliper; Supplied w/Mtg. Brkt.	P
Unloaded Caliper	06 - 00	CR134346	CR134345	w/Dual Piston Caliper; Supplied w/o Mtg. Brkt.	P
Rear, Unloaded	Years	Left No.	Right No.	Qualifier	Piston
Unloaded Caliper	05 - 03	CR135122	CR135121	2WD	P
Unloaded Caliper	05 - 03	CRB134513	CRB134512	4WD; Supplied w/Mtg. Brkt.	P
Unloaded Caliper	05 - 03	CR134513	CR134512	4WD; Supplied w/o Mtg. Brkt.	P
Unloaded Caliper	02 - 00	CRB134513	CRB134512	Supplied w/Mtg. Brkt.	P
Unloaded Caliper	02 - 00	CR134513	CR134512	Supplied w/o Mtg. Brkt.	P

Piston: M - OE Metal Piston P - OE Phenolic Piston

CHEVROLET - 1/2 TON SUBURBAN



SUBURBAN 1500 (cont.)

Hydraulics - New

Master Cylinder	Years	Sequential No.	Category No.	Qualifier
Master Cylinder	06 - 03	F140377	(MC140377)	w/Hydro-Boost; 7200 GVW; w/Active Brake Control; 1-11/32" Bore
Master Cylinder	06 - 03	F140377	(MC140377)	w/Hydro-Boost; w/ABS; 1-11/32" Bore
Master Cylinder	06 - 03	F140376	(MC140376)	w/Vacuum Boost; w/o ABS
Master Cylinder	03	F140375	(MC140375)	w/Vacuum Boost w/ABS
Rear Wheel Cylinder	Years	Sequential No.	Category No.	Qualifier
Wheel Cylinder	00	F116359	(WC116359)	1" Bore
Clutch Master Cylind	Years	Sequential No.	Category No.	Qualifier
Clutch Master Cylinder	04 - 01	F134526	(CM134526)	w/5 Spd. Trans.; 45/64" Bore
Clutch Master Cylinder	00	F134526	(CM134526)	45/64" Bore
Clutch Slave Cylinder	Years	Sequential No.	Category No.	Qualifier
Clutch Slave Cylinder	04 - 03	F140212	(SC140212)	w/5 Spd. Trans.; 1-7/32" Bore
Clutch Slave Cylinder	02 - 01	F140158	(SC140158)	w/5 Spd. Trans.
Clutch Slave Cylinder	00	F134322	(SC134322)	
Front Brake Hose	Years	Sequential No.	Category No.	Qualifier
Brake Hose	05 - 00	F140187	(BH140187)	L.H.
Brake Hose	05 - 00	F140188	(BH140188)	R.H.
Rear Brake Hose	Years	Sequential No.	Category No.	Qualifier
Brake Hose	04 - 03	F140243	(BH140243)	L.H.; 7200 GVW
Brake Hose	04 - 03	F140244	(BH140244)	R.H.; 7200 GVW
Brake Hose	02 - 00	F140243	(BH140243)	L.H.
Brake Hose	02 - 00	F140244	(BH140244)	R.H.

Hydraulics - Reman

Master Cylinder	Years	Part No.	Qualifier
Master Cylinder	02 - 00	R134735	w/JC5
Master Cylinder	02 - 00	R134734	w/JH5 or JH6 or JH7
Power Brake Booster	Years	Part No.	Qualifier
Hydro Booster	02 - 00	527359	w/JH5 or JH6
Power Brake Booster	Years	Part No.	Qualifier
Power Brake Booster	02 - 00	5474818	w/o Master Cylinder; w/JC5

Wheel Attaching Hardware

Front Wheel Stud	Years	Part No.	Qualifier
Wheel Lug Stud	05 - 00	BD125938	
Rear Wheel Stud	Years	Part No.	Qualifier
Wheel Lug Stud	05 - 00	BD125938	M14 x 1.5 x 29
Front Wheel Nut	Years	Part No.	Qualifier
Wheel Lug Nut	04 - 00	BD61404	Bulge; w/Alum. Whl.
Wheel Lug Nut	04 - 00	BD125916	External Thread; Exc. Alum. Whl.
Rear Wheel Nut	Years	Part No.	Qualifier
Wheel Lug Nut	04 - 00	BD61404	Bulge; w/Alum. Whl.
Wheel Lug Nut	04 - 00	BD125916	External Thread; Exc. Alum. Whl.

CHEVROLET - 1/2 TON TRUCK

AVALANCHE 1500

Brake Pads & Shoes

Front Pads & Shoes	Years	SevereDuty	Lining No.	Qualifier
Brake Pads	06 - 02	SD785		
Rear Pads & Shoes	Years	SevereDuty	Lining No.	Qualifier
Brake Pads	06 - 02	SD974A		2WD
Brake Pads	06 - 02	SD975		4WD

Rotor & Drum

Front Rotor & Drum	Years	Part No.	Qualifier
Brake Rotor	06 - 02	BD125654	

AVALANCHE 1500 (cont.)
Rotor & Drum (cont.)

Rear Rotor & Drum	Years	Part No.	Qualifier
Brake Rotor	06 - 02	BD126032	w/13" Dia. Rotor; 6 Stud Whl.
Brake Rotor	04 - 03	BD125655	w/12-13/16" Dia. Rotor; 6 Stud Whl.

Brake Hardware

Front Brake Hardware	Years	Sequential No.	Category No.	Qualifier
Caliper Bolt/Pin	05 - 02	F140549	(H5102)	2WD
Caliper Bolt/Pin	04 - 02	F139712	(H5096)	4WD
Disc Align Kit	04 - 02	F139707	(H5645)	
Pin Boot Kit	04 - 02	F138697S	(H8221)	

Rear Brake Hardware	Years	Sequential No.	Category No.	Qualifier
Caliper Bolt/Pin	05 - 02	F140549	(H5102)	2WD
Caliper Bolt/Pin	05 - 02	F138102S	(H5081)	4WD
Disc Align Kit	05 - 03	F139865	(H5666)	2WD
Disc Align Kit	04 - 03	F140509	(H5677)	4WD
Disc Align Kit	02	F140509	(H5677)	Exc. 4.10 A.R.
Disc Align Kit	02	F139710	(H5648)	w/4.10 A.R.
Pin Boot Kit	05 - 02	F140511	(H8239)	2WD
Pin Boot Kit	05 - 02	F138601S	(H18047)	4WD

Calipers - Reman

Front, Unloaded	Years	Left No.	Right No.	Qualifier	Piston
Unloaded Caliper	06 - 02	CRB134346	CRB134345	w/Dual Piston Caliper; Supplied w/Mtg. Brkt.	P
Unloaded Caliper	06 - 02	CR134346	CR134345	w/Dual Piston Caliper; Supplied w/o Mtg. Brkt.	P
Rear, Unloaded	Years	Left No.	Right No.	Qualifier	Piston
Unloaded Caliper	05 - 03	CR135122	CR135121	2WD	P
Unloaded Caliper	05 - 03	CRB134513	CRB134512	4WD; Supplied w/Mtg. Brkt.	P
Unloaded Caliper	05 - 03	CR134513	CR134512	4WD; Supplied w/o Mtg. Brkt.	P
Unloaded Caliper	02	CRB134513	CRB134512	Supplied w/Mtg. Brkt.	P
Unloaded Caliper	02	CR134513	CR134512	Supplied w/o Mtg. Brkt.	P

Hydraulics - New

Master Cylinder	Years	Sequential No.	Category No.	Qualifier
Master Cylinder	06 - 03	F140377	(MC140377)	7200 GVW; w/Active Brake Control; w/Hydro-Boost; 1-11/32" Bore
Master Cylinder	06 - 03	F140377	(MC140377)	w/Hydro-Boost; w/ABS; 1-11/32" Bore
Master Cylinder	06 - 03	F140376	(MC140376)	w/Vacuum Boost; w/o ABS
Master Cylinder	03	F140375	(MC140375)	w/Vacuum Boost w/ABS

Clutch Master Cylind	Years	Sequential No.	Category No.	Qualifier
Clutch Master Cylinder	04 - 02	F134526	(CM134526)	w/5 Spd. Trans.; 45/64" Bore

Clutch Slave Cylinder	Years	Sequential No.	Category No.	Qualifier
Clutch Slave Cylinder	04 - 03	F140212	(SC140212)	w/5 Spd. Trans.; 1-7/32" Bore
Clutch Slave Cylinder	02	F140158	(SC140158)	w/5 Spd. Trans.

Front Brake Hose	Years	Sequential No.	Category No.	Qualifier
Brake Hose	05 - 02	F140187	(BH140187)	L.H.
Brake Hose	05 - 02	F140188	(BH140188)	R.H.

Rear Brake Hose	Years	Sequential No.	Category No.	Qualifier
Brake Hose	04 - 03	F140243	(BH140243)	L.H.; 7200 GVW
Brake Hose	04 - 03	F140244	(BH140244)	R.H.; 7200 GVW
Brake Hose	02	F140243	(BH140243)	L.H.
Brake Hose	02	F140244	(BH140244)	R.H.

Hydraulics - Reman

Master Cylinder	Years	Part No.	Qualifier
Master Cylinder	02	R134735	w/JC5
Master Cylinder	02	R134734	w/JH5 or JH6 or JH7

Power Brake Booster	Years	Part No.	Qualifier
Hydro Booster	02	527359	w/JH5 or JH6

Piston: M - OE Metal Piston P - OE Phenolic Piston

CHEVROLET - 1/2 TON TRUCK



AVALANCHE 1500 (cont.)

Hydraulics - Reman (cont.)

Power Brake Booster	Years	Part No.	Qualifier
Power Brake Booster	02	5474818	w/o Master Cylinder; w/JC5

Wheel Attaching Hardware

Front Wheel Stud	Years	Part No.	Qualifier
Wheel Lug Stud	05 - 02	BD125938	Exc. Alum. Whl.
Wheel Lug Stud	02	BD125938	w/Alum. Whl.
Front Wheel Nut	Years	Part No.	Qualifier
Wheel Lug Nut	05 - 02	BD61404	Bulge
Wheel Lug Nut	05 - 02	BD125916	External Thread
Rear Wheel Nut	Years	Part No.	Qualifier
Wheel Lug Nut	05 - 02	BD61404	Bulge
Wheel Lug Nut	05 - 02	BD125916	External Thread

C1500 PICKUP - See Also K1500 PICKUP

Brake Pads & Shoes

Front Pads & Shoes	Years	SevereDuty	Lining No.	Qualifier
Brake Pads	99	SD785		w/Rear Disc
Brake Pads	99	SD369		w/Rear Drum
Brake Pads	98 - 92	SD369		
Brake Pads	91 - 88	SD368		Exc. H/D Brake
Brake Pads	91 - 88	SD369		H/D Brake
Brake Pads	86 - 84	SD52		
Brake Pads	83 - 81	SD52		
Rear Pads & Shoes	Years	SevereDuty	Lining No.	Qualifier
Brake Pads	99	SD792A		
Brake Shoes	99 - 92	SDS675R	EX1404AD	10 x 2-1/4" Brake; Riveted
Brake Shoes	91 - 88	SDS593	EX1404D	10 x 2-1/4" Brake; Bonded
Brake Shoes	86 - 81	SDS449R	EX2159TD	11 x 2" Brake; Riveted
Brake Shoes	86 - 81	SDS473R	EX2073TD-S32	11-5/32 x 2-3/4" Brake; Riveted

Rotor & Drum

Front Rotor & Drum	Years	Part No.	Qualifier
Brake Rotor	99	BD125654	w/Rear Disc
Brake Rotor	99	BD125206	w/Rear Drum
Brake Rotor	98 - 95	BD125206	
Brake Rotor	94 - 92	BD125205	
Brake Rotor	91 - 88	BD61813	Exc. H/D Brake; Exc. 155-1/2" WB
Brake Rotor	91 - 88	BD61815	H/D Brake; 155-1/2" WB
Brake Rotor	86 - 84	BD60258	6100-6800 GVW
Brake Rotor	86 - 84	BD60476	w/o Diesel; 4900-5600 GVW
Brake Rotor	83 - 81	BD60476	4900-5600 GVW
Brake Rotor	83 - 81	BD60258	6000 GVW; H/D Brake
Rear Rotor & Drum	Years	Part No.	Qualifier
Brake Drum	99 - 88	BD61823	10 x 2-1/4" Brake
Brake Drum	86 - 81	BD60294	11 x 2" Brake
Brake Drum	86 - 81	BD125051	11-5/32 x 2-3/4" Brake
Brake Rotor	99	BD125655	

Brake Hardware

Front Brake Hardware	Years	Sequential No.	Category No.	Qualifier
Caliper Bolt/Pin	99 - 97	F117224S	(H5038)	
Caliper Bolt/Pin	96 - 92	F73237S	(H5019)	w/Rear Disc
Caliper Bolt/Pin	96 - 92	F129642S	(H5062)	w/Rear Drum; w/DRW
Caliper Bolt/Pin	96 - 92	F117224S	(H5038)	w/Rear Drum; w/SRW
Caliper Bolt/Pin	91 - 88	F117224S	(H5038)	
Caliper Bolt/Pin	86 - 81	F76074S	(H5004)	
Disc Align Kit	99 - 88	F117225S	(H5584)	
Disc Align Kit	86 - 81	F73674S	(H5500)	

C1500 PICKUP (cont.) - See Also K1500 PICKUP

Brake Hardware (cont.)

Front Brake Hardware	Years	Sequential No.	Category No.	Qualifier
Pin Boot Kit	96 - 92	F126906S	(H8209)	w/Rear Drum; w/DRW
Rear Brake Hardware	Years	Sequential No.	Category No.	Qualifier
Adjuster Kit	99 - 88	F124483S	(H2618)	L.H.
Adjuster Kit	99 - 92	F98404	(H2584)	L.H.; 11-5/32 x 2-3/4" Brake
Adjuster Kit	99 - 88	F124484S	(H2619)	R.H.
Adjuster Kit	99 - 92	F111233	(H2687)	R.H.; 11-5/32 x 2-3/4" Brake
Adjuster Kit	86 - 81	F98404	(H2584)	L.H.
Adjuster Kit	86 - 81	F111233	(H2687)	R.H.
Adjuster Screw	99 - 92	F73181S	(H1530)	L.H.; 11-5/32 x 2-3/4" Brake
Adjuster Screw	99 - 92	F73182S	(H1531)	R.H.; 11-5/32 x 2-3/4" Brake
Adjuster Screw	86 - 81	F73181S	(H1530)	L.H.
Adjuster Screw	86 - 81	F73182S	(H1531)	R.H.
Caliper Bolt/Pin	96 - 92	F73237S	(H5019)	
Combi Kit	99 - 88	F117226	(H7196)	
↳Hold Down Kit		F117223S	(H4006)	
Combi Kit	99 - 92	F98455S	(H7046)	11-5/32 x 2-3/4" Brake
↳Adjuster Spring Kit		F45936S	(H415)	
↳Hold Down Kit		F98422S	(H4018)	
↳Return Spring Kit		F45927S	(H324)	
Combi Kit	86 - 81	F98455S	(H7046)	
↳Adjuster Spring Kit		F45936S	(H415)	
↳Hold Down Kit		F98422S	(H4018)	
↳Return Spring Kit		F45927S	(H324)	

Calipers - Reman

Front, Loaded	Years	Left No.	Right No.	Qualifier	Piston
Loaded Caliper	99 - 92	AS116292	AS116293	w/2.94" Single Piston Caliper	M
Loaded Caliper	91 - 88	AS116292	AS116293	Ext. Cab; w/H/D Chassis F44; w/2.94" Single Piston Caliper	M
Loaded Caliper	91 - 88	AS116292	AS116293	Ext. Cab; w/o H/D Chassis F44; w/2.94" Single Piston Caliper	M
Loaded Caliper	91 - 88	AS116292	AS116293	Std. Cab; w/H/D Chassis F44; w/2.94" Single Piston Caliper	M
Loaded Caliper	91 - 88	AS116290	AS116291	Std. Cab; w/o H/D Chassis F44; w/2.50" Single Piston Caliper	M
Loaded Caliper	86 - 81	AS98884	AS98885	w/JB5, JD3, JD5	M
Front, Unloaded	Years	Left No.	Right No.	Qualifier	Piston
Unloaded Caliper	99 - 92	CR116292	CR116293	w/2.94" Single Piston Caliper	M
Unloaded Caliper	91 - 88	CR116292	CR116293	Ext. Cab; w/H/D Chassis F44; w/2.94" Single Piston Caliper	M
Unloaded Caliper	91 - 88	CR116292	CR116293	Ext. Cab; w/o H/D Chassis F44; w/2.94" Single Piston Caliper	M
Unloaded Caliper	91 - 88	CR116292	CR116293	Std. Cab; w/H/D Chassis F44; w/2.94" Single Piston Caliper	M
Unloaded Caliper	91 - 88	CR116290	CR116291	Std. Cab; w/o H/D Chassis F44; w/2.50" Single Piston Caliper	M
Unloaded Caliper	86 - 81	CR98670	CR98671	w/JB1, JB3	M
Unloaded Caliper	86 - 81	CR98884	CR98885	w/JB5, JD3, JD5	M

Hydraulics - New

Master Cylinder	Years	Sequential No.	Category No.	Qualifier
Master Cylinder	99	F131468	(MC131468)	w/Rear Drum; 1-1/8" Bore
Master Cylinder	98 - 94	F131472	(MC131472)	w/Hydro-Boost; 1-1/4" Bore
Master Cylinder	98 - 95	F131468	(MC131468)	w/Vacuum Boost; 1-1/8" Bore
Master Cylinder	94 - 92	F116881	(MC116881)	w/Vacuum Boost; 1-1/8" Bore
Master Cylinder	93 - 92	F116627	(MC116627)	w/Hydro-Boost; 1-1/4" Bore
Master Cylinder	91 - 90	F116627	(MC116627)	w/Hydro-Boost; 8600 GVW; 1-1/4" Bore
Master Cylinder	91 - 90	F116881	(MC116881)	w/Vacuum Boost; 155-1/2" WB; w/H/D Brake; Exc. 8600 GVW; 1-1/8" Bore
Master Cylinder	91 - 90	F116626	(MC116626)	w/Vacuum Boost; Exc. 155-1/2" WB; Exc. H/D Brake; Exc. 8600 GVW; 1" Bore
Master Cylinder	89 - 88	F116627	(MC116627)	w/Hydro-Boost; 1-1/4" Bore
Master Cylinder	89 - 88	F116625	(MC116625)	w/Manual Brake; 15/16" Bore
Master Cylinder	89 - 88	F116881	(MC116881)	w/Vacuum Boost; 155-1/2" WB; w/H/D Brake; 1-1/8" Bore
Master Cylinder	89 - 88	F116626	(MC116626)	w/Vacuum Boost; Exc. 155-1/2" WB; Exc. H/D Brake; 1" Bore
Master Cylinder	86 - 81	F104456	(MC104456)	w/Hydro-Boost; 1-3/16" Bore

↳Sub-Kit of Combi-Kit is available separately.

Piston: M - OE Metal Piston P - OE Phenolic Piston

CHEVROLET - 1/2 TON TRUCK



C1500 PICKUP (cont.) - See Also K1500 PICKUP

Hydraulics - New (cont.)				
Master Cylinder	Years	Sequential No.	Category No.	Qualifier
Master Cylinder	86 - 81	F104466	(MC104466)	w/Manual Brake; 1" Bore
Master Cylinder	86 - 81	F104516	(MC104516)	w/Vacuum Boost; 1-1/8" Bore
Rear Wheel Cylinder	Years	Sequential No.	Category No.	Qualifier
Wheel Cylinder	99 - 92	F116224	(WC116224)	1-3/16" Bore
Wheel Cylinder	91 - 88	F116224	(WC116224)	155-1/2" WB; H/D Brake; 1-3/16" Bore
Wheel Cylinder	91 - 88	F116263	(WC116263)	Exc. 155-1/2" WB; Exc. H/D Brake; 1-1/8" Bore
Wheel Cylinder	86 - 85	F79767	(WC79767)	11 x 2" Brake; 1-1/16" Bore
Wheel Cylinder	86 - 82	F51081	(WC51081)	11-5/32 x 2-3/4" Brake; 15/16" Bore
Wheel Cylinder	84 - 82	F51088	(WC51088)	11 x 2" Brake; 1" Bore
Wheel Cylinder	81	F51088	(WC51088)	4900-5600 GVW; 1" Bore
Wheel Cylinder	81	F51081	(WC51081)	6000 GVW; H/D Brake; 15/16" Bore
Clutch Master Cylind	Years	Sequential No.	Category No.	Qualifier
Clutch Master Cylinder	99 - 96	F133507	(CM133507)	45/64" Bore
Clutch Master Cylinder	95 - 92	F126856	(CM126856)	45/64" Bore
Clutch Master Cylinder	91 - 88	F119584	(CM119584)	11/16" Bore
Clutch Master Cylinder	86 - 85	F110273	(CM110273)	11/16" Bore
Clutch Slave Cylinder	Years	Sequential No.	Category No.	Qualifier
Clutch Slave Cylinder	99 - 96	F134322	(SC134322)	
Clutch Slave Cylinder	95 - 92	F126872	(SC126872)	25/32" Bore
Clutch Slave Cylinder	91 - 88	F103762	(SC103762)	13/16" Bore
Clutch Slave Cylinder	86 - 85	F103483	(SC103483)	13/16" Bore
Front Brake Hose	Years	Sequential No.	Category No.	Qualifier
Brake Hose	99	F116846	(BH116846)	L.H.; w/Rear Drum
Brake Hose	99	F116847	(BH116847)	R.H.; w/Rear Drum
Brake Hose	98 - 88	F116846	(BH116846)	L.H.
Brake Hose	98 - 88	F116847	(BH116847)	R.H.
Brake Hose	86 - 84	F102464	(BH102464)	L.H.; 6100-6800 GVW
Brake Hose	86 - 82	F106357	(BH106357)	L.H.; w/o Diesel; 4900-5600 GVW
Brake Hose	86 - 84	F102465	(BH102465)	R.H.; 6100-6800 GVW
Brake Hose	86 - 82	F106358	(BH106358)	R.H.; w/o Diesel; 4900-5600 GVW
Brake Hose	83 - 82	F102464	(BH102464)	L.H.; 6100 GVW; w/H/D Brake
Brake Hose	83 - 82	F102465	(BH102465)	R.H.; 6100 GVW; w/H/D Brake
Brake Hose	81	F106357	(BH106357)	L.H.; 4900-5600 GVW
Brake Hose	81	F102464	(BH102464)	L.H.; 6000 GVW; w/H/D Brake
Brake Hose	81	F106358	(BH106358)	R.H.; 4900-5600 GVW
Brake Hose	81	F102465	(BH102465)	R.H.; 6000 GVW; w/H/D Brake
Rear Brake Hose	Years	Sequential No.	Category No.	Qualifier
Brake Hose	99 - 88	F118117	(BH118117)	
Brake Hose	86 - 84	F113148	(BH113148)	Diesel
Brake Hose	86 - 84	F80967	(BH80967)	w/o Diesel
Brake Hose	83 - 81	F80967	(BH80967)	

Hydraulics - Reman				
Master Cylinder	Years	Part No.	Qualifier	
Master Cylinder	99	R116881	w/JB5	
Master Cylinder	98 - 90	R116627	Diesel; w/JB7	
Master Cylinder	98 - 90	R116626	Gas; Exc. H/D Chassis; Std. Cab; w/F44	
Master Cylinder	98 - 90	R116881	Gas; H/D Chassis; Ext. Cab; w/F44	
Master Cylinder	98 - 90	R116881	Gas; w/JB6	
Master Cylinder	98 - 90	R131472	Gas; w/JB7	
Master Cylinder	89 - 88	R116625	Diesel; w/Manual Brake	
Master Cylinder	89 - 88	R116627	Diesel; w/Power Brake	
Master Cylinder	89 - 88	R116625	Gas; w/Manual Brake	
Master Cylinder	89 - 88	R116881	Gas; w/Power Brake; Exc. H/D Chassis; Ext. Cab	
Master Cylinder	89 - 88	R116626	Gas; w/Power Brake; Exc. H/D Chassis; Std. Cab	
Master Cylinder	89 - 88	R116881	Gas; w/Power Brake; w/H/D Chassis	

C1500 PICKUP (cont.) - See Also K1500 PICKUP
Hydraulics - Reman (cont.)

Master Cylinder	Years	Part No.	Qualifier
Master Cylinder	86 - 81	R104456	Diesel; w/JD3 or JD5
Master Cylinder	86 - 81	R104466	Gas; w/JB1
Master Cylinder	86 - 81	R104516	Gas; w/JB3 or JB5

Power Brake Booster	Years	Part No.	Qualifier
Hydro Booster	99 - 97	527352	Diesel; w/JD5 or JD6
Hydro Booster	99 - 97	527358	Diesel; w/JD7
Hydro Booster	99 - 97	527358	Gas; w/JB8
Hydro Booster	96 - 95	527335	Diesel; w/JD5 or JD6
Hydro Booster	96 - 95	527336	Diesel; w/JD7
Hydro Booster	96 - 95	527336	Gas; w/JB8
Hydro Booster	94	527341	Diesel
Hydro Booster	93 - 88	527250	Diesel
Hydro Booster	86 - 83	527248	Diesel; w/JD3 or JD5; w/Pedal Rod No. 71217

Power Brake Booster	Years	Part No.	Qualifier
Power Brake Booster	99 - 97	5471085	Gas; w/o Master Cylinder; w/JB5 or JB6
Power Brake Booster	96 - 95	501098	Gas; w/Master Cylinder; w/JB5 or JB6
Power Brake Booster	96 - 95	5471098	Gas; w/o Master Cylinder; w/JB5 or JB6
Power Brake Booster	94	501098	Gas; w/Master Cylinder
Power Brake Booster	94	5471098	Gas; w/o Master Cylinder
Power Brake Booster	93 - 92	501047	Gas; w/Master Cylinder
Power Brake Booster	93 - 92	5471046	Gas; w/o Master Cylinder
Power Brake Booster	91 - 89	501046	Gas; w/Master Cylinder; Exc. H/D Chassis; 10-1/2" Dia.
Power Brake Booster	91 - 89	501047	Gas; w/Master Cylinder; H/D Chassis; 10-1/2" Dia.
Power Brake Booster	91 - 89	5471046	Gas; w/o Master Cylinder; 10-1/2" Dia.
Power Brake Booster	91 - 89	5471209	Gas; w/o Master Cylinder; 9" Dia.
Power Brake Booster	88	501142	Gas; w/Master Cylinder; Exc. H/D Chassis; w/Casting No. AB
Power Brake Booster	88	501046	Gas; w/Master Cylinder; Exc. H/D Chassis; w/Casting No. HR; 10-1/2" Dia.
Power Brake Booster	88	501047	Gas; w/Master Cylinder; H/D Chassis; w/Casting No. HR; 10-1/2" Dia.
Power Brake Booster	88	5471142	Gas; w/o Master Cylinder; w/Casting No. AB
Power Brake Booster	88	5471046	Gas; w/o Master Cylinder; w/Casting No. HR; 10-1/2" Dia.
Power Brake Booster	88	5471209	Gas; w/o Master Cylinder; w/Casting No. HR; 9" Dia.
Power Brake Booster	86 - 81	501140	Gas; w/Master Cylinder; w/JB3
Power Brake Booster	86 - 81	509089	Gas; w/Master Cylinder; w/JB5
Power Brake Booster	86 - 81	5471140	Gas; w/o Master Cylinder; w/JB3
Power Brake Booster	86 - 81	5471069	Gas; w/o Master Cylinder; w/JB5

Brake Cables

Parking Brake Cable	Years	Sequential No.	Category No.	Qualifier
Parking Brake Cable	99 - 92	F138803	(BC138803)	Rear; L.H.; w/JB5, JD5; 84" Length
Parking Brake Cable	99 - 92	F138939	(BC138939)	Rear; R.H.; w/JB5, JD5; 96" Length
Parking Brake Cable	96 - 95	F128658	(BC128658)	Rear; L.H.; 7200 GVW; Ext. Cab; w/JB6, JD6; 84" Length
Parking Brake Cable	96 - 95	F124666	(BC124666)	Rear; R.H.; 7200 GVW; Ext. Cab; w/JB6, JD6; 103" Length
Parking Brake Cable	95 - 90	F124689	(BC124689)	Forward; 117-1/2" WB
Parking Brake Cable	95 - 90	F124684	(BC124684)	Forward; 141-1/2" WB
Parking Brake Cable	95	F132795	(BC132795)	Forward; 155-1/2" WB
Parking Brake Cable	94 - 90	F124685	(BC124685)	Forward; 131-1/2" WB
Parking Brake Cable	94 - 90	F124681	(BC124681)	Forward; 155-1/2" WB
Parking Brake Cable	92	F128657	(BC128657)	Rear; L.H.; w/JB5, JD5; 56" Length
Parking Brake Cable	92	F124769	(BC124769)	Rear; R.H.; w/JB5, JD5; 104" Length
Parking Brake Cable	91 - 90	F128657	(BC128657)	Rear; L.H.; 56" Length
Parking Brake Cable	91 - 90	F124769	(BC124769)	Rear; R.H.; 104" Length
Parking Brake Cable	89 - 88	F124690	(BC124690)	Forward; 117-1/2" WB
Parking Brake Cable	89 - 88	F124687	(BC124687)	Forward; 131-1/2" WB
Parking Brake Cable	89	F129638	(BC129638)	Forward; 141-1/2" WB
Parking Brake Cable	89 - 88	F124682	(BC124682)	Forward; 155-1/2" WB
Parking Brake Cable	89	F123935	(BC123935)	Rear; L.H.; 141-1/2" WB

C1500 PICKUP (cont.) - See Also K1500 PICKUP

Brake Cables (cont.)

<i>Parking Brake Cable</i>	<i>Years</i>	<i>Sequential No.</i>	<i>Category No.</i>	<i>Qualifier</i>
Parking Brake Cable	89	F124662	(BC124662)	Rear; L.H.; Exc. 141-1/2" WB
Parking Brake Cable	89	F124666	(BC124666)	Rear; R.H.; 141-1/2" WB; 103" Length
Parking Brake Cable	89	F124667	(BC124667)	Rear; R.H.; 141-1/2" WB; 104" Length
Parking Brake Cable	89	F124769	(BC124769)	Rear; R.H.; Exc. 141-1/2" WB; 104" Length
Parking Brake Cable	88	F124662	(BC124662)	Rear; L.H.
Parking Brake Cable	88	F124761	(BC124761)	Rear; R.H.
Parking Brake Cable	86 - 84	F113219	(BC113219)	Forward; 117-1/2" WB
Parking Brake Cable	86 - 84	F108771	(BC108771)	Forward; 131-1/2" WB
Parking Brake Cable	86 - 84	F108767	(BC108767)	Rear; L.H.
Parking Brake Cable	86 - 84	F108768	(BC108768)	Rear; R.H.
Parking Brake Cable	83 - 81	F105561	(BC105561)	Forward
Parking Brake Cable	83 - 81	F112994	(BC112994)	Intermediate; 117-1/2" WB
Parking Brake Cable	83 - 81	F105964	(BC105964)	Intermediate; 131-1/2" WB
Parking Brake Cable	83 - 81	F88583	(BC88583)	Rear; L.H.
Parking Brake Cable	83 - 81	F88583	(BC88583)	Rear; R.H.

ABS Components - New

<i>ABS Modulator</i>	<i>Years</i>	<i>Sequential No.</i>	<i>Category No.</i>	<i>Qualifier</i>
ABS Modulator	90 - 88	F121007	(AB121007)	

ABS Components - Reman

<i>ABS Module</i>	<i>Years</i>	<i>Part No.</i>	<i>Qualifier</i>
ABS Module	94	RA121036	
ABS Module	93 - 88	RA121000	

<i>ABS Hydraulic Unit</i>	<i>Years</i>	<i>Part No.</i>	<i>Qualifier</i>
ABS Hydraulic Unit	98 - 95	RA125034	
ABS Hydraulic Unit	94 - 91	RA122006	
ABS Hydraulic Unit	90 - 88	RA122003	

Wheel Attaching Hardware

<i>Front Wheel Stud</i>	<i>Years</i>	<i>Part No.</i>	<i>Qualifier</i>
Wheel Lug Stud	99	BD61401	
Wheel Lug Stud	98 - 92	BD61426	Diesel
Wheel Lug Stud	98 - 92	BD61401	w/o Diesel
Wheel Lug Stud	91 - 88	BD61401	
Wheel Lug Stud	86 - 81	BD60901	

<i>Rear Wheel Stud</i>	<i>Years</i>	<i>Part No.</i>	<i>Qualifier</i>
Wheel Lug Stud	99 - 96	BD61402	w/11-5/32" Drum
Wheel Lug Stud	99 - 96	BD125934	w/13" Drum
Wheel Lug Stud	95	BD61402	w/11-7/8" Dia. Front Rotor; w/JB5 or JD5
Wheel Lug Stud	95	BD125934	w/12-1/2" Dia. Front Rotor; w/JB6 or JD6 or JD7
Wheel Lug Stud	94 - 92	BD61402	w/11-7/8" Dia. Rotor; w/JB5 or JD5
Wheel Lug Stud	94 - 92	BD125934	w/12-1/2" Dia. Rotor; w/JB6 or JD6 or JD7
Wheel Lug Stud	91 - 88	BD61402	w/10" Drum
Wheel Lug Stud	91 - 88	BD125934	w/11-5/32" Drum
Wheel Lug Stud	86 - 81	BD61483	

<i>Front Wheel Nut</i>	<i>Years</i>	<i>Part No.</i>	<i>Qualifier</i>
Wheel Lug Nut	99 - 88	BD61404	Bulge
Wheel Lug Nut	99 - 88	BD125916	External Thread
Wheel Lug Nut	91 - 88	BD61405	Flattop - Black; 30.5mm Length
Wheel Lug Nut	86 - 81	BD61283	Std. Open; 1/2"-20 Thread; 13/16" Hex

<i>Rear Wheel Nut</i>	<i>Years</i>	<i>Part No.</i>	<i>Qualifier</i>
Wheel Lug Nut	99 - 88	BD61404	Bulge
Wheel Lug Nut	99 - 88	BD125916	External Thread
Wheel Lug Nut	91 - 88	BD61405	Flattop - Black; 30.5mm Length
Wheel Lug Nut	86 - 81	BD61283	Std. Open; 1/2"-20 Thread; 13/16" Hex

K1500 PICKUP - See Also C1500 PICKUP
Brake Pads & Shoes

Front Pads & Shoes	Years	SevereDuty	Lining No.	Qualifier
Brake Pads	99	SD785		w/Rear Disc
Brake Pads	99	SD369		w/Rear Drum
Brake Pads	98 - 92	SD369		
Brake Pads	91 - 88	SD368		Exc. H/D Brake
Brake Pads	91 - 88	SD369		H/D Brake
Brake Pads	86 - 84	SD52		
Brake Pads	83 - 81	SD52		

Rear Pads & Shoes	Years	SevereDuty	Lining No.	Qualifier
Brake Pads	99	SD792A		
Brake Shoes	99 - 92	SDS675R	EX1404AD	10 x 2-1/4" Brake; Riveted
Brake Shoes	99 - 89	SDS473R	EX2073TD-S32	11-5/32 x 2-3/4" Brake; Riveted
Brake Shoes	91 - 88	SDS593	EX1404D	10 x 2-1/4" Brake; Bonded
Brake Shoes	86 - 81	SDS473R	EX2073TD-S32	11-5/32 x 2-3/4" Brake; Riveted

Rotor & Drum

Front Rotor & Drum	Years	Part No.	Qualifier
Brake Rotor	99	BD125654	w/Rear Disc
Brake Rotor	99	BD61812	w/Rear Drum; Full-Cast Rotor; Replaces OE Composite Design
Brake Rotor	98 - 92	BD61812	Full-Cast Rotor; Replaces OE Composite Design
Brake Rotor	91 - 88	BD61809	155-1/2" WB; Exc. H/D Brake; Full-Cast Rotor; Replaces OE Composite Design
Brake Rotor	91 - 88	BD61812	H/D Brake; 155-1/2" WB; Full-Cast Rotor; Replaces OE Composite Design
Brake Rotor	86 - 81	BD60413	
Rotor Hub	86 - 81	BD61707	L.H.; Use w/BD60413 Rotor
Rotor Hub	86 - 81	BD61707	R.H.; Use w/BD60413 Rotor

Rear Rotor & Drum	Years	Part No.	Qualifier
Brake Drum	99 - 88	BD61832	10 x 2-1/4" Brake
Brake Drum	99 - 89	BD61817	11-5/32 x 2-3/4" Brake
Brake Drum	86 - 81	BD125052	11-5/32 x 2-3/4" Brake
Brake Rotor	99	BD125655	

Brake Hardware

Front Brake Hardware	Years	Sequential No.	Category No.	Qualifier
Caliper Bolt/Pin	99 - 97	F117224S	(H5038)	
Caliper Bolt/Pin	96 - 92	F129642S	(H5062)	w/Rear Drum; w/DRW
Caliper Bolt/Pin	96 - 92	F117224S	(H5038)	w/Rear Drum; w/SRW
Caliper Bolt/Pin	91 - 88	F117224S	(H5038)	
Caliper Bolt/Pin	86 - 81	F76074S	(H5004)	
Disc Align Kit	99	F117225S	(H5584)	w/Rear Drum
Disc Align Kit	98 - 88	F117225S	(H5584)	
Disc Align Kit	86 - 81	F73674S	(H5500)	
Pin Boot Kit	99 - 92	F126906S	(H8209)	w/Rear Drum; w/DRW

Rear Brake Hardware	Years	Sequential No.	Category No.	Qualifier
Adjuster Kit	99 - 88	F124483S	(H2618)	L.H.; 10 x 2-1/4" Brake
Adjuster Kit	99 - 88	F98404	(H2584)	L.H.; 11-5/32 x 2-3/4" Brake
Adjuster Kit	99 - 88	F124484S	(H2619)	R.H.; 10 x 2-1/4" Brake
Adjuster Kit	99 - 88	F111233	(H2687)	R.H.; 11-5/32 x 2-3/4" Brake
Adjuster Kit	94 - 88	F98406	(H2580)	L.H.; 10 x 2-1/4" Brake
Adjuster Kit	94 - 88	F98407	(H2581)	R.H.; 10 x 2-1/4" Brake
Adjuster Kit	86 - 81	F98404	(H2584)	L.H.
Adjuster Kit	86 - 83	F111233	(H2687)	R.H.
Adjuster Kit	82 - 81	F98405	(H2585)	R.H.
Adjuster Screw	99 - 88	F83294	(H1550)	L.H.; 10 x 2-1/4" Brake
Adjuster Screw	99 - 88	F73181S	(H1530)	L.H.; 11-5/32 x 2-3/4" Brake
Adjuster Screw	99 - 88	F83295	(H1551)	R.H.; 10 x 2-1/4" Brake
Adjuster Screw	99 - 88	F73182S	(H1531)	R.H.; 11-5/32 x 2-3/4" Brake
Adjuster Screw	86 - 81	F73181S	(H1530)	L.H.
Adjuster Screw	86 - 81	F73182S	(H1531)	R.H.

↳Sub-Kit of Combi-Kit is available separately.

CHEVROLET - 1/2 TON TRUCK



K1500 PICKUP (cont.) - See Also C1500 PICKUP

Brake Hardware (cont.)

Rear Brake Hardware	Years	Sequential No.	Category No.	Qualifier
Combi Kit	99 - 88	F117226	(H7196)	10 x 2-1/4" Brake
↳ Hold Down Kit		F117223S	(H4006)	
Combi Kit	99 - 88	F98455S	(H7046)	11-5/32 x 2-3/4" Brake
↳ Adjuster Spring Kit		F45936S	(H415)	
↳ Hold Down Kit		F98422S	(H4018)	
↳ Return Spring Kit		F45927S	(H324)	
Combi Kit	86 - 81	F98455S	(H7046)	11-5/32 x 2-3/4" Brake
↳ Adjuster Spring Kit		F45936S	(H415)	
↳ Hold Down Kit		F98422S	(H4018)	
↳ Return Spring Kit		F45927S	(H324)	

Calipers - Reman

Front, Loaded	Years	Left No.	Right No.	Qualifier	Piston
Loaded Caliper	99 - 92	AS116292	AS116293	w/2.94" Single Piston Caliper	M
Loaded Caliper	91 - 88	AS116292	AS116293	Ext. Cab; w/H/D Chassis F44; w/2.94" Single Piston Caliper	M
Loaded Caliper	91 - 88	AS116292	AS116293	Ext. Cab; w/o H/D Chassis F44; w/2.94" Single Piston Caliper	M
Loaded Caliper	91 - 88	AS116292	AS116293	Std. Cab; w/H/D Chassis F44; w/2.94" Single Piston Caliper	M
Loaded Caliper	91 - 88	AS116290	AS116291	Std. Cab; w/o H/D Chassis F44; w/2.50" Single Piston Caliper	M
Loaded Caliper	86 - 81	AS98886	AS98887	w/2.94" Single Piston Caliper	M
Front, Unloaded	Years	Left No.	Right No.	Qualifier	Piston
Unloaded Caliper	99 - 92	CR116292	CR116293	w/2.94" Single Piston Caliper	M
Unloaded Caliper	91 - 88	CR116292	CR116293	Ext. Cab; w/H/D Chassis F44; w/2.94" Single Piston Caliper	M
Unloaded Caliper	91 - 88	CR116292	CR116293	Ext. Cab; w/o H/D Chassis F44; w/2.94" Single Piston Caliper	M
Unloaded Caliper	91 - 88	CR116292	CR116293	Std. Cab; w/H/D Chassis F44; w/2.94" Single Piston Caliper	M
Unloaded Caliper	91 - 88	CR116290	CR116291	Std. Cab; w/o H/D Chassis F44; w/2.50" Single Piston Caliper	M
Unloaded Caliper	86 - 81	CR98886	CR98887	w/2.94" Single Piston Caliper	M

Hydraulics - New

Master Cylinder	Years	Sequential No.	Category No.	Qualifier
Master Cylinder	99	F131468	(MC131468)	w/Rear Drum; 1-1/8" Bore
Master Cylinder	98 - 94	F131472	(MC131472)	w/Hydro-Boost; 1-1/4" Bore
Master Cylinder	98 - 94	F131468	(MC131468)	w/Vacuum Boost; 1-1/8" Bore
Master Cylinder	93 - 92	F116627	(MC116627)	w/Hydro-Boost; 1-1/4" Bore
Master Cylinder	93 - 92	F116881	(MC116881)	w/Vacuum Boost; 1-1/8" Bore
Master Cylinder	91 - 90	F116627	(MC116627)	w/Hydro-Boost; 8600 GVW; 1-1/4" Bore
Master Cylinder	91 - 90	F116881	(MC116881)	w/Vacuum Boost; 155-1/2" WB; w/H/D Brake; 8600 GVW; 1-1/8" Bore
Master Cylinder	91 - 90	F116626	(MC116626)	w/Vacuum Boost; Exc. 155-1/2" WB; Exc. H/D Brake; Exc. 8600 GVW; 1" Bore
Master Cylinder	89 - 88	F116627	(MC116627)	w/Hydro-Boost; 1-1/4" Bore
Master Cylinder	89 - 88	F116881	(MC116881)	w/Vacuum Boost; 155-1/2" WB; w/H/D Brake; 1-1/8" Bore
Master Cylinder	89 - 88	F116626	(MC116626)	w/Vacuum Boost; Exc. 155-1/2" WB; Exc. H/D Brake; 1" Bore
Master Cylinder	86 - 82	F104456	(MC104456)	w/Hydro-Boost; 1-3/16" Bore
Master Cylinder	86 - 82	F104516	(MC104516)	w/Vacuum Boost; 1-1/8" Bore
Master Cylinder	81	F104516	(MC104516)	1-1/8" Bore
Rear Wheel Cylinder	Years	Sequential No.	Category No.	Qualifier
Wheel Cylinder	99 - 92	F116224	(WC116224)	Exc. H/D Brake; 1-3/16" Bore
Wheel Cylinder	99 - 92	F116359	(WC116359)	H/D Brake; 1" Bore
Wheel Cylinder	91 - 88	F116224	(WC116224)	155-1/2" WB; Exc. H/D Chassis; H/D Brake; 1-3/16" Bore
Wheel Cylinder	91 - 88	F116359	(WC116359)	155-1/2" WB; H/D Chassis; H/D Brake; 1" Bore
Wheel Cylinder	91 - 88	F116263	(WC116263)	Exc. 155-1/2" WB; Exc. H/D Brake; 1-1/8" Bore
Wheel Cylinder	86 - 81	F51081	(WC51081)	15/16" Bore
Clutch Master Cylind	Years	Sequential No.	Category No.	Qualifier
Clutch Master Cylinder	99 - 96	F133507	(CM133507)	45/64" Bore
Clutch Master Cylinder	95 - 92	F126856	(CM126856)	45/64" Bore
Clutch Master Cylinder	91 - 88	F119584	(CM119584)	11/16" Bore
Clutch Master Cylinder	86 - 84	F110273	(CM110273)	11/16" Bore

↳ Sub-Kit of Combi-Kit is available separately.

Piston: M - OE Metal Piston P - OE Phenolic Piston

K1500 PICKUP (cont.) - See Also C1500 PICKUP
Hydraulics - New (cont.)

Clutch Slave Cylinder	Years	Sequential No.	Category No.	Qualifier
Clutch Slave Cylinder	99 - 96	F134322	(SC134322)	
Clutch Slave Cylinder	95 - 92	F126872	(SC126872)	25/32" Bore
Clutch Slave Cylinder	91 - 88	F103762	(SC103762)	13/16" Bore
Clutch Slave Cylinder	86 - 84	F103483	(SC103483)	13/16" Bore
Front Brake Hose	Years	Sequential No.	Category No.	Qualifier
Brake Hose	99	F118083	(BH118083)	L.H.; w/Rear Drum
Brake Hose	99	F118084	(BH118084)	R.H.; w/Rear Drum
Brake Hose	98 - 88	F118083	(BH118083)	L.H.
Brake Hose	98 - 88	F118084	(BH118084)	R.H.
Brake Hose	86 - 81	F104345	(BH104345)	L.H.
Brake Hose	86 - 81	F104347	(BH104347)	R.H.
Rear Brake Hose	Years	Sequential No.	Category No.	Qualifier
Brake Hose	99 - 88	F118117	(BH118117)	
Brake Hose	86 - 84	F113148	(BH113148)	Diesel
Brake Hose	86 - 84	F80967	(BH80967)	w/o Diesel
Brake Hose	83 - 81	F80967	(BH80967)	

Hydraulics - Reman

Master Cylinder	Years	Part No.	Qualifier
Master Cylinder	99	R131472	Diesel
Master Cylinder	99	R116881	Gas
Master Cylinder	98 - 94	R116881	w/JB5 or JB6
Master Cylinder	98 - 94	R131472	w/JD5
Master Cylinder	93 - 88	R116627	Diesel; w/JD5
Master Cylinder	93 - 88	R116881	Gas; Ext. Cab; w/JB5 or JB6
Master Cylinder	93 - 88	R116626	Gas; Std. Cab; w/JB5 or JB6
Master Cylinder	86 - 81	R104456	Diesel; w/JD5
Master Cylinder	86 - 81	R104516	Gas; w/JB5
Power Brake Booster	Years	Part No.	Qualifier
Hydro Booster	99 - 97	527352	Diesel; w/JD5 or JD6
Hydro Booster	99 - 97	527358	Diesel; w/JD7
Hydro Booster	99 - 97	527358	Gas; w/JB8
Hydro Booster	96 - 95	527335	Diesel; w/JD5 or JD6
Hydro Booster	96 - 95	527336	Diesel; w/JD7
Hydro Booster	96 - 95	527336	Gas; w/JB8
Hydro Booster	94	527341	Diesel
Hydro Booster	93 - 88	527250	Diesel
Hydro Booster	86 - 83	527248	Diesel; w/JD5; w/Pedal Rod No. 71217
Power Brake Booster	Years	Part No.	Qualifier
Power Brake Booster	99	5471085	Gas; w/o Master Cylinder; w/JB5 or JB6
Power Brake Booster	98 - 97	5471085	Gas; w/o Master Cylinder; w/JB6
Power Brake Booster	96 - 94	501098	Gas; w/Master Cylinder; w/JB6
Power Brake Booster	96 - 94	5471098	Gas; w/o Master Cylinder; w/JB6
Power Brake Booster	93 - 92	501047	Gas; w/Master Cylinder; JB5 or JB6
Power Brake Booster	93 - 92	5471046	Gas; w/o Master Cylinder; JB5 or JB6
Power Brake Booster	91 - 89	501047	Gas; w/Master Cylinder; 10-1/2" Dia.; Exc. H/D Chassis
Power Brake Booster	91 - 89	501046	Gas; w/Master Cylinder; 10-1/2" Dia.; H/D Chassis
Power Brake Booster	91 - 89	5471295	Gas; w/o Master Cylinder; w/JB3
Power Brake Booster	91 - 89	5471046	Gas; w/o Master Cylinder; w/JB5 or JD6; 10-1/2" Dia.
Power Brake Booster	91 - 89	5471209	Gas; w/o Master Cylinder; w/JB5 or JD6; 9" Dia.
Power Brake Booster	88	501142	Gas; w/Master Cylinder; w/Casting No. AB
Power Brake Booster	88	501046	Gas; w/Master Cylinder; w/Casting No. HR; Exc. H/D Chassis
Power Brake Booster	88	501047	Gas; w/Master Cylinder; w/Casting No. HR; w/H/D Chassis
Power Brake Booster	88	5471142	Gas; w/o Master Cylinder; w/Casting No. AB
Power Brake Booster	88	5471046	Gas; w/o Master Cylinder; w/Casting No. HR; 10-1/2" Dia.
Power Brake Booster	88	5471209	Gas; w/o Master Cylinder; w/Casting No. HR; 9" Dia.

CHEVROLET - 1/2 TON TRUCK



K1500 PICKUP (cont.) - See Also C1500 PICKUP

Hydraulics - Reman (cont.)

Power Brake Booster	Years	Part No.	Qualifier
Power Brake Booster	86 - 81	509089	Gas; w/Master Cylinder; w/JB5
Power Brake Booster	86 - 81	5471069	Gas; w/o Master Cylinder; w/JB5

Brake Cables

Parking Brake Cable	Years	Sequential No.	Category No.	Qualifier
Parking Brake Cable	99 - 92	F138803	(BC138803)	Rear; L.H.; Exc. H/D Chassis; w/JB5, JD5; 84" Length
Parking Brake Cable	99	F140351	(BC140351)	Rear; L.H.; w/H/D Chassis; w/Ext. Cab; w/JB6, JD6; 84" Length
Parking Brake Cable	99	F138939	(BC138939)	Rear; R.H.; Exc. H/D Chassis; w/JB5, JD5; 96" Length
Parking Brake Cable	98 - 92	F128658	(BC128658)	Rear; L.H.; w/H/D Chassis; w/JB6, JD6; Ext. Cab; 84" Length
Parking Brake Cable	98 - 92	F133061	(BC133061)	Rear; R.H.; Exc. H/D Chassis; 117-1/2", 131-1/2", 141-1/2", 155-1/2" WB; 96" Length
Parking Brake Cable	98 - 92	F124666	(BC124666)	Rear; R.H.; w/H/D Chassis; w/Ext. Cab; w/JB6, JD6; 103" Length
Parking Brake Cable	95	F132793	(BC132793)	Forward; 117-1/2" WB
Parking Brake Cable	95	F132792	(BC132792)	Forward; 141-1/2" WB
Parking Brake Cable	95	F132795	(BC132795)	Forward; 155-1/2" WB
Parking Brake Cable	94 - 93	F124689	(BC124689)	Forward; 117-1/2", 131-1/2" WB
Parking Brake Cable	94 - 93	F124684	(BC124684)	Forward; 141-1/2" WB; w/H/D Brake
Parking Brake Cable	94 - 93	F132795	(BC132795)	Forward; Exc. H/D Brake; 155-1/2" WB
Parking Brake Cable	94 - 93	F124681	(BC124681)	Forward; w/H/D Brake; 155-1/2" WB
Parking Brake Cable	92 - 90	F124689	(BC124689)	Forward; 117-1/2" WB
Parking Brake Cable	92 - 90	F124685	(BC124685)	Forward; 131-1/2" WB
Parking Brake Cable	92 - 90	F124684	(BC124684)	Forward; 141-1/2" WB
Parking Brake Cable	92 - 90	F124681	(BC124681)	Forward; 155-1/2" WB
Parking Brake Cable	92	F128657	(BC128657)	Rear; L.H.; 1st Design; 117-1/2", 131-1/2" WB; 56" Length
Parking Brake Cable	92	F124769	(BC124769)	Rear; R.H.; 1st Design; 117-1/2", 131-1/2" WB; 104" Length
Parking Brake Cable	91 - 90	F128657	(BC128657)	Rear; L.H.; 117-1/2", 131-1/2" WB; 56" Length
Parking Brake Cable	91 - 90	F128658	(BC128658)	Rear; L.H.; 141-1/2", 155-1/2" WB; 84" Length
Parking Brake Cable	91 - 90	F124769	(BC124769)	Rear; R.H.; 117-1/2", 131-1/2" WB; 104" Length
Parking Brake Cable	91 - 90	F124666	(BC124666)	Rear; R.H.; 141-1/2", 155-1/2" WB; 103" Length
Parking Brake Cable	89 - 88	F124690	(BC124690)	Forward; 117-1/2" WB
Parking Brake Cable	89 - 88	F124687	(BC124687)	Forward; 131-1/2" WB
Parking Brake Cable	89 - 88	F124682	(BC124682)	Forward; 141-1/2", 155-1/2" WB
Parking Brake Cable	89 - 88	F123935	(BC123935)	Rear; L.H.; 141-1/2" WB
Parking Brake Cable	89 - 88	F124662	(BC124662)	Rear; L.H.; Exc. 141-1/2" WB
Parking Brake Cable	89 - 88	F124478	(BC124478)	Rear; R.H.; 141-1/2" WB
Parking Brake Cable	89 - 88	F124761	(BC124761)	Rear; R.H.; Exc. 141-1/2" WB
Parking Brake Cable	86 - 84	F113219	(BC113219)	Forward; 117-1/2" WB
Parking Brake Cable	86 - 84	F108771	(BC108771)	Forward; 131-1/2" WB
Parking Brake Cable	86 - 84	F108767	(BC108767)	Rear; L.H.
Parking Brake Cable	86 - 84	F108768	(BC108768)	Rear; R.H.
Parking Brake Cable	83 - 81	F109228	(BC109228)	Forward
Parking Brake Cable	83 - 81	F105968	(BC105968)	Intermediate; 117-1/2" WB
Parking Brake Cable	83 - 82	F86371	(BC86371)	Intermediate; 131-1/2" WB
Parking Brake Cable	83 - 81	F88583	(BC88583)	Rear; L.H.
Parking Brake Cable	83 - 81	F88583	(BC88583)	Rear; R.H.
Parking Brake Cable	81	F38600	(BC38600)	Intermediate; 131-1/2" WB

ABS Components - New

ABS Modulator	Years	Sequential No.	Category No.	Qualifier
ABS Modulator	90 - 88	F121007	(AB121007)	

ABS Components - Reman

ABS Module	Years	Part No.	Qualifier
ABS Module	94	RA121036	
ABS Module	93 - 88	RA121000	
ABS Hydraulic Unit	Years	Part No.	Qualifier
ABS Hydraulic Unit	99 - 95	RA125034	
ABS Hydraulic Unit	94 - 90	RA122006	

K1500 PICKUP (cont.) - See Also C1500 PICKUP
ABS Components - Reman (cont.)

ABS Hydraulic Unit	Years	Part No.	Qualifier
ABS Hydraulic Unit	89 - 88	RA122003	

Wheel Attaching Hardware

Front Wheel Stud	Years	Part No.	Qualifier
-------------------------	--------------	-----------------	------------------

Wheel Lug Stud	99 - 88	BD61423	
Wheel Lug Stud	86 - 81	BD60908	

Rear Wheel Stud	Years	Part No.	Qualifier
------------------------	--------------	-----------------	------------------

Wheel Lug Stud	99 - 95	BD61402	w/11-7/8" Dia. Front Rotor; w/JB5 or JD5
Wheel Lug Stud	99 - 95	BD125934	w/12-1/2" Dia. Front Rotor; w/JB6 or JD6 or JD7
Wheel Lug Stud	94 - 92	BD61402	w/11-7/8" Dia. Rotor; w/JB5 or JD5
Wheel Lug Stud	94 - 92	BD125934	w/12-1/2" Dia. Rotor; w/JB6 or JD6 or JD7
Wheel Lug Stud	91 - 88	BD61402	w/10" Drum
Wheel Lug Stud	91 - 88	BD125934	w/11-5/32" Drum
Wheel Lug Stud	86 - 81	BD61203	

Front Wheel Nut	Years	Part No.	Qualifier
------------------------	--------------	-----------------	------------------

Wheel Lug Nut	99 - 92	BD61404	Bulge
Wheel Lug Nut	99 - 90	BD125916	External Thread
Wheel Lug Nut	89 - 88	BD61404	Bulge
Wheel Lug Nut	89 - 88	BD61405	Flattop - Black
Wheel Lug Nut	86 - 81	BD61285	Std. Open

Rear Wheel Nut	Years	Part No.	Qualifier
-----------------------	--------------	-----------------	------------------

Wheel Lug Nut	99 - 92	BD61404	Bulge
Wheel Lug Nut	99 - 90	BD125916	External Thread
Wheel Lug Nut	89 - 88	BD61404	Bulge
Wheel Lug Nut	89 - 88	BD61405	Flattop - Black
Wheel Lug Nut	86 - 81	BD61285	Std. Open

R1500 PICKUP - See Also V1500 PICKUP
Brake Pads & Shoes

Front Pads & Shoes	Years	SevereDuty	Lining No.	Qualifier
-------------------------------	--------------	-------------------	-------------------	------------------

Brake Pads	87	SD52		
------------	----	------	--	--

Rear Pads & Shoes	Years	SevereDuty	Lining No.	Qualifier
------------------------------	--------------	-------------------	-------------------	------------------

Brake Shoes	87	SDS449R	EX2159TD	11 x 2" Brake; Riveted
Brake Shoes	87	SDS473R	EX2073TD-S32	11-5/32 x 2-3/4" Brake; Riveted

Rotor & Drum

Front Rotor & Drum	Years	Part No.	Qualifier
-------------------------------	--------------	-----------------	------------------

Brake Rotor	87	BD60258	6100-7000 GVW
Brake Rotor	87	BD60476	w/o Diesel; 4900-5600 GVW

Rear Rotor & Drum	Years	Part No.	Qualifier
------------------------------	--------------	-----------------	------------------

Brake Drum	87	BD60294	11 x 2" Brake
Brake Drum	87	BD125051	11-5/32 x 2-3/4" Brake

Brake Hardware

Front Brake Hardware	Years	Sequential No.	Category No.	Qualifier
-----------------------------	--------------	-----------------------	---------------------	------------------

Caliper Bolt/Pin	87	F76074S	(H5004)	
Disc Align Kit	87	F73674S	(H5500)	

Rear Brake Hardware	Years	Sequential No.	Category No.	Qualifier
----------------------------	--------------	-----------------------	---------------------	------------------

Adjuster Kit	87	F98404	(H2584)	L.H.
Adjuster Kit	87	F111233	(H2687)	R.H.
Adjuster Screw	87	F73181S	(H1530)	L.H.
Adjuster Screw	87	F73182S	(H1531)	R.H.
Combi Kit	87	F98455S	(H7046)	
↳Adjuster Spring Kit		F45936S	(H415)	
↳Hold Down Kit		F98422S	(H4018)	
↳Return Spring Kit		F45927S	(H324)	

↳Sub-Kit of Combi-Kit is available separately.

CHEVROLET - 1/2 TON TRUCK



R1500 PICKUP (cont.) - See Also V1500 PICKUP

Calipers - Reman					
Front, Loaded	Years	Left No.	Right No.	Qualifier	Piston
Loaded Caliper	87	AS98670A	AS98671A	w/JB1, JB3	M
Loaded Caliper	87	AS98884	AS98885	w/JB5, JD5	M
Front, Unloaded	Years	Left No.	Right No.	Qualifier	Piston
Unloaded Caliper	87	CR98670	CR98671	w/JB1, JB3	M
Unloaded Caliper	87	CR98884	CR98885	w/JB5, JD5	M
Hydraulics - New					
Master Cylinder	Years	Sequential No.	Category No.	Qualifier	
Master Cylinder	87	F104456	(MC104456)	w/Hydro-Boost; 1-3/16" Bore	
Master Cylinder	87	F104466	(MC104466)	w/Manual Brake; 1" Bore	
Master Cylinder	87	F104516	(MC104516)	w/Vacuum Boost; 1-1/8" Bore	
Rear Wheel Cylinder	Years	Sequential No.	Category No.	Qualifier	
Wheel Cylinder	87	F79767	(WC79767)	11 x 2" Brake; 1-1/16" Bore	
Wheel Cylinder	87	F51081	(WC51081)	11-5/32 x 2-3/4" Brake; 15/16" Bore	
Clutch Master Cylind	Years	Sequential No.	Category No.	Qualifier	
Clutch Master Cylinder	87	F110273	(CM110273)	11/16" Bore	
Clutch Slave Cylinder	Years	Sequential No.	Category No.	Qualifier	
Clutch Slave Cylinder	87	F103483	(SC103483)	13/16" Bore	
Front Brake Hose	Years	Sequential No.	Category No.	Qualifier	
Brake Hose	87	F102464	(BH102464)	L.H.; 6100-7000 GVW	
Brake Hose	87	F106357	(BH106357)	L.H.; w/o Diesel; 4900-5600 GVW	
Brake Hose	87	F102465	(BH102465)	R.H.; 6100-7000 GVW	
Brake Hose	87	F106358	(BH106358)	R.H.; w/o Diesel; 4900-5600 GVW	
Rear Brake Hose	Years	Sequential No.	Category No.	Qualifier	
Brake Hose	87	F113148	(BH113148)	Diesel	
Brake Hose	87	F80967	(BH80967)	w/o Diesel	
Hydraulics - Reman					
Master Cylinder	Years	Part No.	Qualifier		
Master Cylinder	87	R104456	Diesel; w/JD5		
Master Cylinder	87	R104466	Gas; w/JB1		
Master Cylinder	87	R104516	Gas; w/JB3 or JB5		
Power Brake Booster	Years	Part No.	Qualifier		
Hydro Booster	87	527248	Diesel; w/JD5		
Power Brake Booster	Years	Part No.	Qualifier		
Power Brake Booster	87	501140	Gas; w/Master Cylinder; w/JB3		
Power Brake Booster	87	509089	Gas; w/Master Cylinder; w/JB5		
Power Brake Booster	87	5471140	Gas; w/o Master Cylinder; w/JB3		
Power Brake Booster	87	5471069	Gas; w/o Master Cylinder; w/JB5		
Brake Cables					
Parking Brake Cable	Years	Sequential No.	Category No.	Qualifier	
Parking Brake Cable	87	F113219	(BC113219)	Forward; 117-1/2" WB	
Parking Brake Cable	87	F108771	(BC108771)	Forward; 131-1/2" WB	
Parking Brake Cable	87	F129828	(BC129828)	Rear; L.H.	
Parking Brake Cable	87	F108768	(BC108768)	Rear; R.H.	
Wheel Attaching Hardware					
Front Wheel Stud	Years	Part No.	Qualifier		
Wheel Lug Stud	87	BD60901			
Rear Wheel Stud	Years	Part No.	Qualifier		
Wheel Lug Stud	87	BD61483			
Front Wheel Nut	Years	Part No.	Qualifier		
Wheel Lug Nut	87	BD61283	Std. Open; 1/2"-20 Thread; 13/16" Hex		
Rear Wheel Nut	Years	Part No.	Qualifier		
Wheel Lug Nut	87	BD61283	Std. Open; 1/2"-20 Thread; 13/16" Hex		

Piston: M - OE Metal Piston P - OE Phenolic Piston

SILVERADO - See Also SILVERADO 1500 / HD
Brake Pads & Shoes

Front Pads & Shoes	Years	SevereDuty	Lining No.	Qualifier
Brake Pads	06 - 05	SD785		Exc. H/D Brake; w/JC4
Brake Pads	06 - 05	SD784		H/D Brake
Brake Pads	04 - 03	SD784		Crew Cab
Brake Pads	04 - 03	SD785		Exc. Crew Cab

Rear Pads & Shoes	Years	SevereDuty	Lining No.	Qualifier
Brake Pads	06 - 05	SD975		4WD; 7200 GVW; Ext. Cab or Crew Cab; Exc. H/D Brake
Brake Pads	06 - 05	SD785		H/D Brake
Brake Pads	04 - 03	SD785		2WD; w/Crew Cab; Exc. 4WS
Brake Pads	04 - 03	SD975		4WD; Exc. Crew Cab; w/4WS; w/Sport Perf. Pkg.
Brake Pads	04 - 03	SD785		4WD; w/Crew Cab; Exc. 4WS

Rotor & Drum

Front Rotor & Drum	Years	Part No.	Qualifier
Brake Rotor	06 - 05	BD125653	Crew Cab; w/Rear Disc
Brake Rotor	06 - 05	BD125654	Exc. Crew Cab; w/Rear Disc
Brake Rotor	06 - 05	BD126358	w/Rear Drum
Brake Rotor	04 - 03	BD125653	Crew Cab
Brake Rotor	04 - 03	BD125654	Exc. Crew Cab

Rear Rotor & Drum	Years	Part No.	Qualifier
Brake Drum	06 - 05	BD126267	
Brake Rotor	06 - 03	BD125655	w/12-13/16" Dia. Rotor; 6 Stud Whl.
Brake Rotor	06 - 03	BD126032	w/13" Dia. Rotor; 6 Stud Whl.
Brake Rotor	06 - 03	BD126179	w/13" Dia. Rotor; 8 Stud Whl.; w/4-5/8" Dia. Center Pilot Hole; 1-5/8" Mounting Height
Brake Rotor	06 - 03	BD125656	w/13" Dia. Rotor; 8 Stud Whl.; w/4-5/8" Dia. Ctr. Pilot Hole; 3" Mounting Height

Brake Hardware

Front Brake Hardware	Years	Sequential No.	Category No.	Qualifier
Caliper Bolt/Pin	04 - 03	F139700	(H5095)	Crew Cab
Caliper Bolt/Pin	04 - 03	F139712	(H5096)	Exc. Crew Cab
Disc Align Kit	04 - 03	F139708	(H5646)	Crew Cab
Disc Align Kit	04 - 03	F139707	(H5645)	Exc. Crew Cab
Pin Boot Kit	04 - 03	F138697S	(H8221)	

Rear Brake Hardware	Years	Sequential No.	Category No.	Qualifier
Caliper Bolt/Pin	05 - 03	F138102S	(H5081)	w/Dual Piston Caliper
Caliper Bolt/Pin	05	F140549	(H5102)	w/Single Piston Caliper
Caliper Bolt/Pin	04 - 03	F139859	(H5099)	w/Single Piston Caliper
Disc Align Kit	04 - 03	F139707	(H5645)	Crew Cab; Exc. 9-1/2" R.G.
Disc Align Kit	04 - 03	F139710	(H5648)	Crew Cab; w/9-1/2" R.G.
Disc Align Kit	04 - 03	F139884	(H5673)	Exc. Crew Cab; 6400 GVW
Disc Align Kit	04 - 03	F139710	(H5648)	Exc. Crew Cab; 7200 GVW
Disc Align Kit	04 - 03	F140509	(H5677)	Exc. Crew Cab; w/4WS
Pin Boot Kit	05	F140511	(H8239)	2WD
Pin Boot Kit	04 - 03	F138601S	(H18047)	4WD

Hydraulics - New

Master Cylinder	Years	Sequential No.	Category No.	Qualifier
Master Cylinder	06 - 03	F140377	(MC140377)	w/Hydro-Boost; w/ABS; 1-11/32" Bore
Master Cylinder	06 - 05	F140480	(MC140480)	w/Hydro-Boost; w/o ABS; 1-15/32" Bore
Master Cylinder	06 - 03	F140376	(MC140376)	w/Vacuum Boost; w/o ABS
Master Cylinder	04 - 03	F140480	(MC140480)	w/Hydro-Boost; 1-15/32" Bore
Master Cylinder	03	F140375	(MC140375)	w/Vacuum Boost; w/ABS

Clutch Master Cylind	Years	Sequential No.	Category No.	Qualifier
Clutch Master Cylinder	04 - 03	F134526	(CM134526)	w/5 Spd. Trans.; 45/64" Bore

Clutch Slave Cylinder	Years	Sequential No.	Category No.	Qualifier
Clutch Slave Cylinder	04 - 03	F140212	(SC140212)	w/5 Spd. Trans.; 1-7/32" Bore

Front Brake Hose	Years	Sequential No.	Category No.	Qualifier
Brake Hose	05 - 03	F140187	(BH140187)	L.H.; 4WD

CHEVROLET - 1/2 TON TRUCK



SILVERADO (cont.) - See Also SILVERADO 1500 / HD

Hydraulics - New (cont.)

Front Brake Hose	Years	Sequential No.	Category No.	Qualifier
Brake Hose	05 - 03	F140188	(BH140188)	R.H.; 4WD
Brake Hose	03	F140021	(BH140021)	L.H.; 2WD; Improved OE Design
Brake Hose	03	F140022	(BH140022)	R.H.; 2WD; Improved OE Design
Rear Brake Hose	Years	Sequential No.	Category No.	Qualifier
Brake Hose	03	F140019	(BH140019)	L.H.; 6400 GVW; Improved OE Design
Brake Hose	03	F140020	(BH140020)	R.H.; 6400 GVW; Improved OE Design

Brake Cables

Parking Brake Cable	Years	Sequential No.	Category No.	Qualifier
Parking Brake Cable	04 - 03	F140235	(BC140235)	Intermediate; 116" WB; Reg. Cab; 6-1/2' Bed; 20" Length
Parking Brake Cable	04 - 03	F140234	(BC140234)	Intermediate; 133" WB; Reg. Cab; 8' Bed; 40" Length
Parking Brake Cable	04	F140237	(BC140237)	Intermediate; 143-1/2" WB; Crew Cab; 6-1/2' Bed; 51" Length
Parking Brake Cable	04 - 03	F140236	(BC140236)	Intermediate; 157-1/2" WB; Ext. Cab; 8' Bed; 65" Length
Parking Brake Cable	04 - 03	F140237	(BC140237)	Intermediate; AWD; 143-1/2" WB; Ext. Cab; 6-1/2' Bed; 51" Length

Wheel Attaching Hardware

Front Wheel Stud	Years	Part No.	Qualifier
Wheel Lug Stud	03	BD125938	
Rear Wheel Stud	Years	Part No.	Qualifier
Wheel Lug Stud	06 - 03	BD125938	M14 x 1.5 x 29
Front Wheel Nut	Years	Part No.	Qualifier
Wheel Lug Nut	05 - 04	BD61404	Bulge
Wheel Lug Nut	05 - 04	BD125916	External Thread
Wheel Lug Nut	03	BD61404	Bulge; w/Alum. Whl.
Wheel Lug Nut	03	BD125916	External Thread; Exc. Alum. Whl.
Rear Wheel Nut	Years	Part No.	Qualifier
Wheel Lug Nut	05 - 04	BD61404	Bulge
Wheel Lug Nut	05 - 04	BD125916	External Thread
Wheel Lug Nut	03	BD61404	Bulge; w/Alum. Whl.
Wheel Lug Nut	03	BD125916	External Thread; Exc. Alum. Whl.

SILVERADO 1500 - See Also SILVERADO / 1500 HD

Brake Pads & Shoes

Front Pads & Shoes	Years	SevereDuty	Lining No.	Qualifier
Brake Pads	06 - 05	SD785		Exc. H/D Brake; w/JC4
Brake Pads	06 - 05	SD784		H/D Brake
Brake Pads	04 - 01	SD784		Crew Cab
Brake Pads	04 - 01	SD785		Exc. Crew Cab
Brake Pads	00 - 99	SD785		
Rear Pads & Shoes	Years	SevereDuty	Lining No.	Qualifier
Brake Pads	06 - 05	SD975		4WD; 7200 GVW; Ext. Cab or Crew Cab; Exc. H/D Brake
Brake Pads	06 - 05	SD785		H/D Brake
Brake Pads	04 - 03	SD785		2WD; w/Crew Cab; Exc. 4WS
Brake Pads	04 - 03	SD975		4WD; Exc. Crew Cab; w/4WS; w/Sport Perf. Pkg.
Brake Pads	04 - 03	SD785		4WD; w/Crew Cab; Exc. 4WS
Brake Pads	02 - 01	SD785		Crew Cab; Exc. 4WS
Brake Pads	02 - 01	SD792A		Exc. Crew Cab; Exc. 4WS
Brake Pads	00 - 99	SD792A		

Rotor & Drum

Front Rotor & Drum	Years	Part No.	Qualifier
Brake Rotor	06 - 05	BD125653	Crew Cab; w/Rear Disc
Brake Rotor	06 - 05	BD125654	Exc. Crew Cab; w/Rear Disc
Brake Rotor	06 - 05	BD126358	w/Rear Drum
Brake Rotor	04 - 01	BD125653	Crew Cab
Brake Rotor	04 - 01	BD125654	Exc. Crew Cab
Brake Rotor	00 - 99	BD125654	

SILVERADO 1500 (cont.) - See Also SILVERADO / 1500 HD

Rotor & Drum (cont.)

Rear Rotor & Drum	Years	Part No.	Qualifier
Brake Drum	06 - 05	BD126267	
Brake Rotor	06 - 01	BD125655	w/12-13/16" Dia. Rotor; 6 Stud Whl.
Brake Rotor	06 - 02	BD126032	w/13" Dia. Rotor; 6 Stud Whl.
Brake Rotor	06 - 03	BD126179	w/13" Dia. Rotor; 8 Stud Whl.; w/4-5/8" Dia. Center Pilot Hole; 1-5/8" Mounting Height
Brake Rotor	06 - 01	BD125656	w/13" Dia. Rotor; 8 Stud Whl.; w/4-5/8" Dia. Ctr. Pilot Hole; 3" Mounting Height
Brake Rotor	01	BD125735	w/13" Dia. Rotor; 6 Stud Whl.
Brake Rotor	00 - 99	BD125655	

Brake Hardware

Front Brake Hardware	Years	Sequential No.	Category No.	Qualifier
Caliper Bolt/Pin	04 - 01	F139700	(H5095)	Crew Cab
Caliper Bolt/Pin	04 - 01	F139712	(H5096)	Exc. Crew Cab
Disc Align Kit	04 - 01	F139708	(H5646)	Crew Cab
Disc Align Kit	04 - 01	F139707	(H5645)	Exc. Crew Cab
Disc Align Kit	00 - 99	F139707	(H5645)	
Pin Boot Kit	04 - 01	F138697S	(H8221)	

Rear Brake Hardware	Years	Sequential No.	Category No.	Qualifier
Caliper Bolt/Pin	05 - 03	F138102S	(H5081)	w/Dual Piston Caliper
Caliper Bolt/Pin	05	F140549	(H5102)	w/Single Piston Caliper
Caliper Bolt/Pin	04 - 03	F139859	(H5099)	w/Single Piston Caliper
Caliper Bolt/Pin	02 - 99	F138102S	(H5081)	
Disc Align Kit	04 - 03	F139707	(H5645)	Crew Cab; Exc. 9-1/2" R.G.
Disc Align Kit	04 - 03	F139710	(H5648)	Crew Cab; w/9-1/2" R.G.
Disc Align Kit	04 - 03	F139884	(H5673)	Exc. Crew Cab; 6400 GVW
Disc Align Kit	04 - 03	F139710	(H5648)	Exc. Crew Cab; 7200 GVW
Disc Align Kit	04 - 03	F140509	(H5677)	Exc. Crew Cab; w/4WS
Disc Align Kit	02 - 01	F139707	(H5645)	Crew Cab; Exc. 4WS
Disc Align Kit	02 - 01	F139710	(H5648)	Exc. Crew Cab; Exc. 4WS
Disc Align Kit	02 - 01	F140509	(H5677)	w/4WS
Disc Align Kit	00 - 99	F139710	(H5648)	
Pin Boot Kit	05	F140511	(H8239)	2WD
Pin Boot Kit	04 - 99	F138601S	(H18047)	4WD

Calipers - Reman

Front, Unloaded	Years	Left No.	Right No.	Qualifier	Piston
Unloaded Caliper	06 - 05	CRB134346	CRB134345	Exc. 9900 GVW; w/Rear Disc; w/Dual Piston Caliper; Supplied w/Mtg. Brkt.	P
Unloaded Caliper	06 - 05	CR134346	CR134345	Exc. 9900 GVW; w/Rear Disc; w/Dual Piston Caliper; Supplied w/o Mtg. Brkt.	P
Unloaded Caliper	05	CRB134347	CRB134348	9900 GVW; w/Dual Piston Caliper; Supplied w/Mtg. Brkt.	P
Unloaded Caliper	05	CR134347	CR134348	9900 GVW; w/Dual Piston Caliper; Supplied w/o Mtg. Brkt.	P
Unloaded Caliper	04	CRB134346	CRB134345	w/Dual Piston Caliper; Supplied w/Mtg. Brkt.	P
Unloaded Caliper	04	CR134346	CR134345	w/Dual Piston Caliper; Supplied w/o Mtg. Brkt.	P
Unloaded Caliper	03 - 01	CRB134347	CRB134348	9900 GVW; w/Dual Piston Caliper; Supplied w/Mtg. Brkt.	P
Unloaded Caliper	03 - 01	CR134347	CR134348	9900 GVW; w/Dual Piston Caliper; Supplied w/o Mtg. Brkt.	P
Unloaded Caliper	03 - 01	CRB134346	CRB134345	Exc. 9900 GVW; w/Dual Piston Caliper; Supplied w/Mtg. Brkt.	P
Unloaded Caliper	03 - 01	CR134346	CR134345	Exc. 9900 GVW; w/Dual Piston Caliper; Supplied w/o Mtg. Brkt.	P
Unloaded Caliper	00 - 99	CRB134346	CRB134345	w/Dual Piston Caliper; Supplied w/Mtg. Brkt.	P
Unloaded Caliper	00 - 99	CR134346	CR134345	w/Dual Piston Caliper; Supplied w/o Mtg. Brkt.	P
Rear, Unloaded	Years	Left No.	Right No.	Qualifier	Piston
Unloaded Caliper	05	CR135122	CR135121	2WD; 6400 GVW	P
Unloaded Caliper	05	CRB134616	CRB134617	4WD; 6400 GVW; Supplied w/Mtg. Brkt.	P
Unloaded Caliper	05	CR134616	CR134617	4WD; 6400 GVW; Supplied w/o Mtg. Brkt.	P
Unloaded Caliper	05 - 03	CRB134513	CRB134512	7200 GVW; Supplied w/Mtg. Brkt.	P
Unloaded Caliper	05 - 03	CR134513	CR134512	7200 GVW; Supplied w/o Mtg. Brkt.	P
Unloaded Caliper	05	CRB134345	CRB134346	9900 GVW; w/Dual Piston Caliper; Supplied w/Mtg. Brkt.	P
Unloaded Caliper	05	CR134345	CR134346	9900 GVW; w/Dual Piston Caliper; Supplied w/o Mtg. Brkt.	P
Unloaded Caliper	04	CRB134616	CRB134617	6400 GVW; Supplied w/Mtg. Brkt.	P
Unloaded Caliper	04	CR134616	CR134617	6400 GVW; Supplied w/o Mtg. Brkt.	P

Piston: M - OE Metal Piston P - OE Phenolic Piston

CHEVROLET - 1/2 TON TRUCK



SILVERADO 1500 (cont.) - See Also SILVERADO / 1500 HD

Calipers - Reman (cont.)

Rear, Unloaded	Years	Left No.	Right No.	Qualifier	Piston
Unloaded Caliper	03	CR134616	CR134617	6400 GVW	P
Unloaded Caliper	03 - 01	CRB134345	CRB134346	9900 GVW; w/Dual Piston Caliper; Supplied w/Mtg. Brkt.	P
Unloaded Caliper	03 - 01	CR134345	CR134346	9900 GVW; w/Dual Piston Caliper; Supplied w/o Mtg. Brkt.	P
Unloaded Caliper	02	CRB134344	CRB134343	7200 GVW; Supplied w/Mtg. Brkt.	P
Unloaded Caliper	02	CR134344	CR134343	7200 GVW; Supplied w/o Mtg. Brkt.	P
Unloaded Caliper	01	CRB134513	CRB134512	7200 GVW; w/Luxury Edition Pkg.; w/Y91; Supplied w/Mtg. Brkt.	P
Unloaded Caliper	01	CR134513	CR134512	7200 GVW; w/Luxury Edition Pkg.; w/Y91; Supplied w/o Mtg. Brkt.	P
Unloaded Caliper	01	CRB134344	CRB134343	7200 GVW; w/o Luxury Edition Pkg.; Exc. Y91; Supplied w/Mtg. Brkt.	P
Unloaded Caliper	01	CR134344	CR134343	7200 GVW; w/o Luxury Edition Pkg.; Exc. Y91; Supplied w/o Mtg. Brkt.	P
Unloaded Caliper	00 - 99	CRB134344	CRB134343	Supplied w/Mtg. Brkt.	P
Unloaded Caliper	00 - 99	CR134344	CR134343	Supplied w/o Mtg. Brkt.	P

Hydraulics - New

Master Cylinder	Years	Sequential No.	Category No.	Qualifier
Master Cylinder	06 - 03	F140377	(MC140377)	w/Hydro-Boost; w/ABS; 1-11/32" Bore
Master Cylinder	06 - 05	F140480	(MC140480)	w/Hydro-Boost; w/o ABS; 1-15/32" Bore
Master Cylinder	06 - 03	F140376	(MC140376)	w/Vacuum Boost; w/o ABS
Master Cylinder	04 - 03	F140480	(MC140480)	w/Hydro-Boost; 1-15/32" Bore
Master Cylinder	03	F140375	(MC140375)	w/Vacuum Boost; w/ABS

Clutch Master Cylind	Years	Sequential No.	Category No.	Qualifier
Clutch Master Cylinder	04 - 01	F134526	(CM134526)	w/5 Spd. Trans.; 45/64" Bore
Clutch Master Cylinder	00 - 99	F134526	(CM134526)	45/64" Bore

Clutch Slave Cylinder	Years	Sequential No.	Category No.	Qualifier
Clutch Slave Cylinder	04 - 03	F140212	(SC140212)	w/5 Spd. Trans.; 1-7/32" Bore
Clutch Slave Cylinder	02 - 01	F140158	(SC140158)	w/5 Spd. Trans.
Clutch Slave Cylinder	00 - 99	F134322	(SC134322)	

Front Brake Hose	Years	Sequential No.	Category No.	Qualifier
Brake Hose	05 - 99	F140187	(BH140187)	L.H.; 4WD
Brake Hose	05 - 99	F140188	(BH140188)	R.H.; 4WD
Brake Hose	03 - 99	F140021	(BH140021)	L.H.; 2WD; Improved OE design
Brake Hose	03 - 99	F140022	(BH140022)	R.H.; 2WD; Improved OE design

Rear Brake Hose	Years	Sequential No.	Category No.	Qualifier
Brake Hose	03	F140019	(BH140019)	L.H.; 6400 GVW; Improved OE design
Brake Hose	03	F140020	(BH140020)	R.H.; 6400 GVW; Improved OE design
Brake Hose	02	F140019	(BH140019)	L.H.; Exc. 4WS; Improved OE design
Brake Hose	02	F140020	(BH140020)	R.H.; Exc. 4WS; Improved OE design
Brake Hose	01 - 99	F140019	(BH140019)	L.H.; Improved OE design
Brake Hose	01 - 99	F140020	(BH140020)	R.H.; Improved OE design

Hydraulics - Reman

Master Cylinder	Years	Part No.	Qualifier
Master Cylinder	02 - 99	R134735	w/JC5
Master Cylinder	02 - 99	R134734	w/JH5 or JH6 or JH7

Power Brake Booster	Years	Part No.	Qualifier
Hydro Booster	02 - 00	527359	w/JH5 or JH6 or JH7

Power Brake Booster	Years	Part No.	Qualifier
Power Brake Booster	02 - 99	5474818	Gas; w/o Master Cylinder; w/JC5

Brake Cables

Parking Brake Cable	Years	Sequential No.	Category No.	Qualifier
Parking Brake Cable	04 - 99	F140235	(BC140235)	Intermediate; 116" WB; Reg. Cab; 6-1/2' Bed; 20" Length
Parking Brake Cable	04 - 99	F140234	(BC140234)	Intermediate; 133" WB; Reg. Cab; 8' Bed; 40" Length
Parking Brake Cable	04	F140237	(BC140237)	Intermediate; 143-1/2" WB; Crew Cab; 6-1/2' Bed; 51" Length
Parking Brake Cable	04 - 99	F140237	(BC140237)	Intermediate; 143-1/2" WB; Ext. Cab; 6-1/2' Bed; 51" Length
Parking Brake Cable	04 - 99	F140236	(BC140236)	Intermediate; 157-1/2" WB; Ext. Cab; 8' Bed; 65" Length

Piston: M - OE Metal Piston P - OE Phenolic Piston

SILVERADO 1500 (cont.) - See Also SILVERADO / 1500 HD
Wheel Attaching Hardware

Front Wheel Stud	Years	Part No.	Qualifier
Wheel Lug Stud	05 - 99	BD125938	
Rear Wheel Stud	Years	Part No.	Qualifier
Wheel Lug Stud	05 - 99	BD125938	M14 x 1.5 x 29
Front Wheel Nut	Years	Part No.	Qualifier
Wheel Lug Nut	05	BD61404	Bulge; Exc. Hybrid
Wheel Lug Nut	05	BD125916	External Thread; Exc. Hybrid
Wheel Lug Nut	04	BD61404	Bulge
Wheel Lug Nut	04 - 99	BD61404	Bulge; w/Alum. Whl.
Wheel Lug Nut	04	BD125916	External Thread
Wheel Lug Nut	04 - 99	BD125916	External Thread; Exc. Alum. Whl.
Rear Wheel Nut	Years	Part No.	Qualifier
Wheel Lug Nut	05	BD61404	Bulge; Exc. Hybrid
Wheel Lug Nut	05	BD125916	External Thread; Exc. Hybrid
Wheel Lug Nut	04	BD61404	Bulge
Wheel Lug Nut	04 - 99	BD61404	Bulge; w/Alum. Whl.
Wheel Lug Nut	04	BD125916	External Thread
Wheel Lug Nut	04 - 99	BD125916	External Thread; Exc. Alum. Whl.

SILVERADO 1500 HD - See Also SILVERADO / 1500
Brake Pads & Shoes

Front Pads & Shoes	Years	SevereDuty	Lining No.	Qualifier
Brake Pads	06 - 05	SD785		Exc. H/D Brake; w/JC4
Brake Pads	06 - 05	SD784		H/D Brake
Brake Pads	03 - 01	SD784		Crew Cab
Brake Pads	03 - 01	SD785		Exc. Crew Cab
Rear Pads & Shoes	Years	SevereDuty	Lining No.	Qualifier
Brake Pads	06 - 05	SD975		4WD; 7200 GVW; Ext. Cab or Crew Cab; Exc. H/D Brake
Brake Pads	06 - 05	SD785		H/D Brake
Brake Pads	03	SD785		2WD; w/Crew Cab; Exc. 4WS
Brake Pads	03	SD975		4WD; Exc. Crew Cab; w/4WS; w/Sport Perf. Pkg.
Brake Pads	03	SD785		4WD; w/Crew Cab; Exc. 4WS
Brake Pads	02 - 01	SD785		Crew Cab
Brake Pads	02 - 01	SD792A		Exc. Crew Cab
Brake Pads	02 - 01	SD975		w/4WS

Rotor & Drum

Front Rotor & Drum	Years	Part No.	Qualifier
Brake Rotor	06 - 05	BD125653	Crew Cab; w/Rear Disc
Brake Rotor	06 - 05	BD125654	Exc. Crew Cab; w/Rear Disc
Brake Rotor	06 - 05	BD126358	w/Rear Drum
Brake Rotor	03 - 01	BD125653	Crew Cab
Brake Rotor	03 - 01	BD125653	Crew Cab; w/Rear Disc
Brake Rotor	03 - 01	BD125654	Exc. Crew Cab
Brake Rotor	03 - 01	BD125654	Exc. Crew Cab; w/Rear Disc
Rear Rotor & Drum	Years	Part No.	Qualifier
Brake Drum	06 - 05	BD126267	
Brake Rotor	06 - 05	BD125655	w/12-13/16" Dia. Rotor; 6 Stud Whl.
Brake Rotor	06 - 05	BD126032	w/13" Dia. Rotor; 6 Stud Whl.
Brake Rotor	06 - 05	BD126179	w/13" Dia. Rotor; 8 Stud Whl.; w/4-5/8" Dia. Center Pilot Hole; 1-5/8" Mounting Height
Brake Rotor	06 - 05	BD125656	w/13" Dia. Rotor; 8 Stud Whl.; w/4-5/8" Dia. Ctr. Pilot Hole; 3" Mounting Height
Brake Rotor	03 - 01	BD125655	w/12-13/16" Dia. Rotor; 6 Stud Whl.
Brake Rotor	03 - 02	BD126032	w/13" Dia. Rotor; 6 Stud Whl.
Brake Rotor	03	BD126179	w/13" Dia. Rotor; 8 Stud Whl.; w/4-5/8" Dia. Center Pilot Hole; 1-5/8" Mounting Height
Brake Rotor	03 - 01	BD125656	w/13" Dia. Rotor; 8 Stud Whl.; w/4-5/8" Dia. Ctr. Pilot Hole; 3" Mounting Height
Brake Rotor	01	BD125735	w/13" Dia. Rotor; 6 Stud Whl.

CHEVROLET - 1/2 TON TRUCK



SILVERADO 1500 HD (cont.) - See Also SILVERADO / 1500

Brake Hardware					
Front Brake Hardware	Years	Sequential No.	Category No.	Qualifier	
Caliper Bolt/Pin	03 - 01	F139700	(H5095)	Crew Cab	
Caliper Bolt/Pin	03 - 01	F139712	(H5096)	Exc. Crew Cab	
Disc Align Kit	03 - 01	F139708	(H5646)	Crew Cab	
Disc Align Kit	03 - 01	F139707	(H5645)	Exc. Crew Cab	
Pin Boot Kit	03 - 01	F138697S	(H8221)		
Rear Brake Hardware	Years	Sequential No.	Category No.	Qualifier	
Caliper Bolt/Pin	05	F138102S	(H5081)	w/Dual Piston Caliper	
Caliper Bolt/Pin	05	F140549	(H5102)	w/Single Piston Caliper	
Caliper Bolt/Pin	03	F138102S	(H5081)	w/Dual Piston Caliper	
Caliper Bolt/Pin	03	F139859	(H5099)	w/Single Piston Caliper	
Caliper Bolt/Pin	02 - 01	F138102S	(H5081)		
Disc Align Kit	03	F139707	(H5645)	Crew Cab; Exc. 9-1/2" R.G.	
Disc Align Kit	03	F139710	(H5648)	Crew Cab; w/9-1/2" R.G.	
Disc Align Kit	03	F139884	(H5673)	Exc. Crew Cab; 6400 GVW	
Disc Align Kit	03	F139710	(H5648)	Exc. Crew Cab; 7200 GVW	
Disc Align Kit	03	F140509	(H5677)	Exc. Crew Cab; w/4WS	
Disc Align Kit	02 - 01	F139707	(H5645)	Crew Cab; Exc. 4WS	
Disc Align Kit	02 - 01	F139710	(H5648)	Exc. Crew Cab; Exc. 4WS	
Disc Align Kit	02 - 01	F140509	(H5677)	w/4WS	
Pin Boot Kit	05	F140511	(H8239)	2WD	
Pin Boot Kit	03 - 01	F138601S	(H18047)	4WD	
Calipers - Reman					
Front, Unloaded	Years	Left No.	Right No.	Qualifier	Piston
Unloaded Caliper	06 - 05	CRB134347	CRB134348	9900 GVW; w/Dual Piston Caliper; Supplied w/Mtg. Brkt.	P
Unloaded Caliper	06 - 05	CR134347	CR134348	9900 GVW; w/Dual Piston Caliper; Supplied w/o Mtg. Brkt.	P
Unloaded Caliper	03 - 01	CRB134347	CRB134348	9900 GVW; w/Dual Piston Caliper; Supplied w/Mtg. Brkt.	P
Unloaded Caliper	03 - 01	CR134347	CR134348	9900 GVW; w/Dual Piston Caliper; Supplied w/o Mtg. Brkt.	P
Rear, Unloaded	Years	Left No.	Right No.	Qualifier	Piston
Unloaded Caliper	06 - 05	CRB134345	CRB134346	9900 GVW; w/Dual Piston Caliper; Supplied w/Mtg. Brkt.	P
Unloaded Caliper	06 - 05	CR134345	CR134346	9900 GVW; w/Dual Piston Caliper; Supplied w/o Mtg. Brkt.	P
Unloaded Caliper	03 - 01	CRB134345	CRB134346	9900 GVW; w/Dual Piston Caliper; Supplied w/Mtg. Brkt.	P
Unloaded Caliper	03 - 01	CR134345	CR134346	9900 GVW; w/Dual Piston Caliper; Supplied w/o Mtg. Brkt.	P
Hydraulics - New					
Master Cylinder	Years	Sequential No.	Category No.	Qualifier	
Master Cylinder	06 - 05	F140377	(MC140377)	w/Hydro-Boost; w/ABS; 1-11/32" Bore	
Master Cylinder	06 - 05	F140480	(MC140480)	w/Hydro-Boost; w/o ABS; 1-15/32" Bore	
Master Cylinder	06 - 05	F140376	(MC140376)	w/Vacuum Boost; w/o ABS	
Master Cylinder	03	F140480	(MC140480)	w/Hydro-Boost; 1-15/32" Bore	
Master Cylinder	03	F140377	(MC140377)	w/Hydro-Boost; w/ABS; 1-11/32" Bore	
Master Cylinder	03	F140375	(MC140375)	w/Vacuum Boost; w/ABS	
Master Cylinder	03	F140376	(MC140376)	w/Vacuum Boost; w/o ABS	
Clutch Master Cylind	Years	Sequential No.	Category No.	Qualifier	
Clutch Master Cylinder	03 - 01	F134526	(CM134526)	w/5 Spd. Trans.; 45/64" Bore	
Clutch Slave Cylinder	Years	Sequential No.	Category No.	Qualifier	
Clutch Slave Cylinder	03	F140212	(SC140212)	w/5 Spd. Trans.; 1-7/32" Bore	
Clutch Slave Cylinder	02 - 01	F140158	(SC140158)	w/5 Spd. Trans.	
Front Brake Hose	Years	Sequential No.	Category No.	Qualifier	
Brake Hose	05	F140187	(BH140187)	L.H.; 4WD	
Brake Hose	05	F140188	(BH140188)	R.H.; 4WD	
Brake Hose	03 - 01	F140021	(BH140021)	L.H.; 2WD; Improved OE Design	
Brake Hose	03 - 01	F140187	(BH140187)	L.H.; 4WD	
Brake Hose	03 - 01	F140022	(BH140022)	R.H.; 2WD; Improved OE Design	
Brake Hose	03 - 01	F140188	(BH140188)	R.H.; 4WD	

Piston: M - OE Metal Piston P - OE Phenolic Piston

SILVERADO 1500 HD (cont.) - See Also SILVERADO / 1500
Hydraulics - New (cont.)

Rear Brake Hose	Years	Sequential No.	Category No.	Qualifier
Brake Hose	03	F140019	(BH140019)	L.H.; 6400 GVW; Improved OE Design
Brake Hose	03	F140020	(BH140020)	R.H.; 6400 GVW; Improved OE Design
Brake Hose	02	F140019	(BH140019)	L.H.; Exc. 4WS; Improved OE Design
Brake Hose	02	F140020	(BH140020)	R.H.; Exc. 4WS; Improved OE Design
Brake Hose	01	F140019	(BH140019)	L.H.; Improved OE Design
Brake Hose	01	F140020	(BH140020)	R.H.; Improved OE Design

Hydraulics - Reman

Master Cylinder	Years	Part No.	Qualifier
Master Cylinder	02 - 01	R134735	w/JC5
Master Cylinder	02 - 01	R134734	w/JH5 or JH6 or JH7

Power Brake Booster	Years	Part No.	Qualifier
Hydro Booster	02 - 01	527359	w/JH5 or JH6 or JH7

Power Brake Booster	Years	Part No.	Qualifier
Power Brake Booster	02 - 01	5474818	Gas; w/o Master Cylinder; w/JC5

Brake Cables

Parking Brake Cable	Years	Sequential No.	Category No.	Qualifier
Parking Brake Cable	03 - 01	F140235	(BC140235)	Intermediate; 116" WB; Reg. Cab; 6-1/2' Bed; 20" Length
Parking Brake Cable	03 - 01	F140234	(BC140234)	Intermediate; 133" WB; Reg. Cab; 8' Bed; 40" Length
Parking Brake Cable	03 - 01	F140237	(BC140237)	Intermediate; 143-1/2" WB; Ext. Cab; 6-1/2' Bed; 51" Length
Parking Brake Cable	03 - 01	F140236	(BC140236)	Intermediate; 157-1/2" WB; Ext. Cab; 8' Bed; 65" Length

Wheel Attaching Hardware

Front Wheel Stud	Years	Part No.	Qualifier
Wheel Lug Stud	05	BD125938	
Wheel Lug Stud	03 - 01	BD125938	

Rear Wheel Stud	Years	Part No.	Qualifier
Wheel Lug Stud	03 - 01	BD125938	M14 x 1.5 x 29

Front Wheel Nut	Years	Part No.	Qualifier
Wheel Lug Nut	03 - 01	BD61404	Bulge; w/Alum. Whl.
Wheel Lug Nut	03 - 01	BD125916	External Thread; Exc. Alum. Whl.

Rear Wheel Nut	Years	Part No.	Qualifier
Wheel Lug Nut	03 - 01	BD61404	Bulge; w/Alum. Whl.
Wheel Lug Nut	03 - 01	BD125916	External Thread; Exc. Alum. Whl.

V1500 PICKUP - See Also R1500 PICKUP
Brake Pads & Shoes

Front Pads & Shoes	Years	SevereDuty	Lining No.	Qualifier
Brake Pads	87	SD52		

Rear Pads & Shoes	Years	SevereDuty	Lining No.	Qualifier
Brake Shoes	87	SDS473R	EX2073TD-S32	11-5/32 x 2-3/4" Brake; Riveted

Rotor & Drum

Front Rotor & Drum	Years	Part No.	Qualifier
Brake Rotor	87	BD60413	
Rotor Hub	87	BD61707	L.H.; Use w/BD60413 Rotor
Rotor Hub	87	BD61707	R.H.; Use w/BD60413 Rotor

Rear Rotor & Drum	Years	Part No.	Qualifier
Brake Drum	87	BD125052	11-5/32 x 2-3/4" Brake

Brake Hardware

Front Brake Hardware	Years	Sequential No.	Category No.	Qualifier
Caliper Bolt/Pin	87	F76074S	(H5004)	
Disc Align Kit	87	F73674S	(H5500)	

Rear Brake Hardware	Years	Sequential No.	Category No.	Qualifier
Adjuster Kit	87	F98404	(H2584)	L.H.
Adjuster Kit	87	F111233	(H2687)	R.H.
Adjuster Screw	87	F73181S	(H1530)	L.H.

V1500 PICKUP (cont.) - See Also R1500 PICKUP

Brake Hardware (cont.)

Rear Brake Hardware	Years	Sequential No.	Category No.	Qualifier
Adjuster Screw	87	F73182S	(H1531)	R.H.
Combi Kit	87	F98455S	(H7046)	
↳Adjuster Spring Kit		F45936S	(H415)	
↳Hold Down Kit		F98422S	(H4018)	
↳Return Spring Kit		F45927S	(H324)	

Calipers - Reman

Front, Loaded	Years	Left No.	Right No.	Qualifier	Piston
Loaded Caliper	87	AS98886	AS98887	w/2.94" Single Piston Caliper	M
Front, Unloaded	Years	Left No.	Right No.	Qualifier	Piston
Unloaded Caliper	87	CR98886	CR98887	w/2.94" Single Piston Caliper	M

Hydraulics - New

Master Cylinder	Years	Sequential No.	Category No.	Qualifier
Master Cylinder	87	F104456	(MC104456)	w/Hydro-Boost; 1-3/16" Bore
Master Cylinder	87	F104516	(MC104516)	w/Vacuum Boost; 1-1/8" Bore
Rear Wheel Cylinder	Years	Sequential No.	Category No.	Qualifier
Wheel Cylinder	87	F51081	(WC51081)	15/16" Bore
Clutch Master Cylind	Years	Sequential No.	Category No.	Qualifier
Clutch Master Cylinder	87	F110273	(CM110273)	11/16" Bore
Clutch Slave Cylinder	Years	Sequential No.	Category No.	Qualifier
Clutch Slave Cylinder	87	F103483	(SC103483)	13/16" Bore
Front Brake Hose	Years	Sequential No.	Category No.	Qualifier
Brake Hose	87	F104345	(BH104345)	L.H.
Brake Hose	87	F104347	(BH104347)	R.H.
Rear Brake Hose	Years	Sequential No.	Category No.	Qualifier
Brake Hose	87	F113148	(BH113148)	Diesel
Brake Hose	87	F80967	(BH80967)	w/o Diesel

Hydraulics - Reman

Master Cylinder	Years	Part No.	Qualifier
Master Cylinder	87	R104456	Diesel; w/JD5
Master Cylinder	87	R104516	Gas; w/JB5
Power Brake Booster	Years	Part No.	Qualifier
Hydro Booster	87	527248	Diesel; w/JD5
Power Brake Booster	Years	Part No.	Qualifier
Power Brake Booster	87	509089	Gas; w/Master Cylinder; w/JB5
Power Brake Booster	87	5471069	Gas; w/o Master Cylinder; w/JB5

Brake Cables

Parking Brake Cable	Years	Sequential No.	Category No.	Qualifier
Parking Brake Cable	87	F113219	(BC113219)	Forward; 117-1/2" WB
Parking Brake Cable	87	F108771	(BC108771)	Forward; 131-1/2" WB
Parking Brake Cable	87	F129828	(BC129828)	Rear; L.H.
Parking Brake Cable	87	F108768	(BC108768)	Rear; R.H.

Wheel Attaching Hardware

Front Wheel Stud	Years	Part No.	Qualifier
Wheel Lug Stud	87	BD60908	
Rear Wheel Stud	Years	Part No.	Qualifier
Wheel Lug Stud	87	BD61203	
Front Wheel Nut	Years	Part No.	Qualifier
Wheel Lug Nut	87	BD61285	Std. Open
Rear Wheel Nut	Years	Part No.	Qualifier
Wheel Lug Nut	87	BD61285	Std. Open

↳Sub-Kit of Combi-Kit is available separately.

Piston: M - OE Metal Piston P - OE Phenolic Piston

Brake Pads & Shoes

Front Pads & Shoes	Years	SevereDuty	Lining No.	Qualifier
Brake Pads	06 - 03	SD785		
Brake Pads	02 - 99	SD369		
Rear Pads & Shoes	Years	SevereDuty	Lining No.	Qualifier
Brake Pads	06 - 03	SD974A		
Brake Shoes	02 - 99	SDS473R	EX2073TD-S32	11-5/32 x 2-3/4" Brake; Riveted

Rotor & Drum

Front Rotor & Drum	Years	Part No.	Qualifier
Brake Rotor	06 - 03	BD125654	
Brake Rotor	02 - 99	BD125206	
Rear Rotor & Drum	Years	Part No.	Qualifier
Brake Drum	02 - 99	BD125207	11-5/32 x 2-3/4" Brake
Brake Rotor	06 - 03	BD126032	

Brake Hardware

Front Brake Hardware	Years	Sequential No.	Category No.	Qualifier
Caliper Bolt/Pin	06 - 03	F139712	(H5096)	
Caliper Bolt/Pin	02 - 99	F117224S	(H5038)	
Disc Align Kit	06 - 03	F139707	(H5645)	
Disc Align Kit	02 - 99	F117225S	(H5584)	
Pin Boot Kit	06 - 03	F138697S	(H8221)	
Rear Brake Hardware	Years	Sequential No.	Category No.	Qualifier
Adjuster Kit	02 - 99	F98404	(H2584)	L.H.
Adjuster Kit	02 - 99	F111233	(H2687)	R.H.
Adjuster Screw	02 - 99	F73181S	(H1530)	L.H.
Adjuster Screw	02 - 99	F73182S	(H1531)	R.H.
Caliper Bolt/Pin	05 - 03	F140549	(H5102)	2WD
Combi Kit	02 - 99	F134117S	(H7217)	
↳Adjuster Spring Kit		F45936S	(H415)	
↳Return Spring Kit		F45927S	(H324)	
Disc Align Kit	04 - 03	F139865	(H5666)	

Calipers - Reman

Front, Loaded	Years	Left No.	Right No.	Qualifier	Piston
Loaded Caliper	02 - 99	AS116292	AS116293	w/2.94" Single Piston Caliper	M
Front, Unloaded	Years	Left No.	Right No.	Qualifier	Piston
Unloaded Caliper	05 - 03	CRB134346	CRB134345	w/Dual Piston Caliper; Supplied w/Mtg. Brkt.	P
Unloaded Caliper	05 - 03	CR134346	CR134345	w/Dual Piston Caliper; Supplied w/o Mtg. Brkt.	P
Unloaded Caliper	02 - 99	CR116292	CR116293	w/2.94" Single Piston Caliper	M
Rear, Unloaded	Years	Left No.	Right No.	Qualifier	Piston
Unloaded Caliper	05 - 03	CR135122	CR135121		P

Hydraulics - New

Master Cylinder	Years	Sequential No.	Category No.	Qualifier
Master Cylinder	02 - 99	F140292	(MC140292)	w/JB6; 1-1/8" Bore
Rear Wheel Cylinder	Years	Sequential No.	Category No.	Qualifier
Wheel Cylinder	02 - 99	F131225	(WC131225)	15/16" Bore
Front Brake Hose	Years	Sequential No.	Category No.	Qualifier
Brake Hose	06 - 03	F140304	(BH140304)	L.H.
Brake Hose	06 - 03	F140305	(BH140305)	R.H.
Brake Hose	02 - 99	F138061	(BH138061)	L.H.
Brake Hose	02 - 99	F138062	(BH138062)	R.H.
Rear Brake Hose	Years	Sequential No.	Category No.	Qualifier
Brake Hose	02 - 99	F118117	(BH118117)	

Hydraulics - Reman

Master Cylinder	Years	Part No.	Qualifier
Master Cylinder	02 - 99	R134627	

↳Sub-Kit of Combi-Kit is available separately.

Piston: M - OE Metal Piston P - OE Phenolic Piston

EXPRESS 1500 (cont.)

Hydraulics - Reman (cont.)

Power Brake Booster	Years	Part No.	Qualifier
Power Brake Booster	02 - 99	5474810	Gas; w/o Master Cylinder

Brake Cables

Parking Brake Cable	Years	Sequential No.	Category No.	Qualifier
Parking Brake Cable	02 - 99	F138836	(BC138836)	Forward
Parking Brake Cable	02 - 99	F140296	(BC140296)	Rear; L.H.; w/JB6; 63" Length
Parking Brake Cable	02 - 99	F140173	(BC140173)	Rear; R.H.; w/JB6; 90" Length

ABS Components - Reman

ABS Hydraulic Unit	Years	Part No.	Qualifier
ABS Hydraulic Unit	99	RA125034	

Wheel Attaching Hardware

Front Wheel Stud	Years	Part No.	Qualifier
Wheel Lug Stud	05 - 03	BD125938	
Wheel Lug Stud	02 - 99	BD61401	
Rear Wheel Stud	Years	Part No.	Qualifier
Wheel Lug Stud	02 - 99	BD61402	
Front Wheel Nut	Years	Part No.	Qualifier
Wheel Lug Nut	05 - 99	BD61404	Bulge
Wheel Lug Nut	05 - 99	BD125916	External Thread
Rear Wheel Nut	Years	Part No.	Qualifier
Wheel Lug Nut	05 - 99	BD61404	Bulge
Wheel Lug Nut	05 - 99	BD125916	External Thread

G1500 VAN

Brake Pads & Shoes

Front Pads & Shoes	Years	SevereDuty	Lining No.	Qualifier
Brake Pads	98	SD369		
Brake Pads	97 - 96	SD369		
Brake Pads	95 - 84	SD52		
Brake Pads	83 - 81	SD52		
Rear Pads & Shoes	Years	SevereDuty	Lining No.	Qualifier
Brake Shoes	98	SDS473R	EX2073TD-S32	11-5/32 x 2-3/4" Brake; Riveted
Brake Shoes	97 - 81	SDS473R	EX2073TD-S32	11-5/32 x 2-3/4" Brake; Riveted
Brake Shoes	89 - 81	SDS449R	EX2159TD	11 x 2" Brake; Riveted

Rotor & Drum

Front Rotor & Drum	Years	Part No.	Qualifier
Brake Rotor	98	BD125206	
Brake Rotor	97 - 96	BD125206	
Brake Rotor	95 - 93	BD125343	w/Hydro-Boost
Brake Rotor	95 - 93	BD125344	w/Vacuum Boost
Brake Rotor	92 - 81	BD60258	
Rear Rotor & Drum	Years	Part No.	Qualifier
Brake Drum	98	BD125207	11-5/32 x 2-3/4" Brake
Brake Drum	97 - 96	BD125207	11-5/32 x 2-3/4" Brake
Brake Drum	95 - 81	BD125051	11-5/32 x 2-3/4" Brake
Brake Drum	89 - 81	BD60294	11 x 2" Brake

Brake Hardware

Front Brake Hardware	Years	Sequential No.	Category No.	Qualifier
Caliper Bolt/Pin	98	F117224S	(H5038)	
Caliper Bolt/Pin	97 - 96	F117224S	(H5038)	
Caliper Bolt/Pin	95 - 81	F76074S	(H5004)	
Disc Align Kit	98	F117225S	(H5584)	
Disc Align Kit	97 - 96	F117225S	(H5584)	
Disc Align Kit	95 - 81	F73674S	(H5500)	

Brake Hardware (cont.)

Rear Brake Hardware	Years	Sequential No.	Category No.	Qualifier
Adjuster Kit	98	F98404	(H2584)	L.H.
Adjuster Kit	98	F111233	(H2687)	R.H.
Adjuster Kit	97 - 81	F98404	(H2584)	L.H.
Adjuster Kit	97 - 83	F111233	(H2687)	R.H.
Adjuster Kit	82 - 81	F98405	(H2585)	R.H.
Adjuster Screw	98	F73181S	(H1530)	L.H.
Adjuster Screw	98	F73182S	(H1531)	R.H.
Adjuster Screw	97 - 81	F73181S	(H1530)	L.H.
Adjuster Screw	97 - 81	F73182S	(H1531)	R.H.
Combi Kit	98	F134117S	(H7217)	
↳Adjuster Spring Kit		F45936S	(H415)	
↳Return Spring Kit		F45927S	(H324)	
Combi Kit	97 - 96	F134117S	(H7217)	
↳Adjuster Spring Kit		F45936S	(H415)	
↳Return Spring Kit		F45927S	(H324)	
Combi Kit	95 - 81	F98455S	(H7046)	
↳Adjuster Spring Kit		F45936S	(H415)	
↳Hold Down Kit		F98422S	(H4018)	
↳Return Spring Kit		F45927S	(H324)	

Calipers - Reman

Front, Loaded	Years	Left No.	Right No.	Qualifier	Piston
Loaded Caliper	98	AS116292	AS116293	w/2.94" Single Piston Caliper	M
Loaded Caliper	97 - 96	AS116292	AS116293	w/2.94" Single Piston Caliper	M
Loaded Caliper	95 - 81	AS98884	AS98885		M
Front, Unloaded	Years	Left No.	Right No.	Qualifier	Piston
Unloaded Caliper	98	CR116292	CR116293	w/2.94" Single Piston Caliper	M
Unloaded Caliper	97 - 96	CR116292	CR116293	w/2.94" Single Piston Caliper	M
Unloaded Caliper	95 - 81	CR98884	CR98885		M

Hydraulics - New

Master Cylinder	Years	Sequential No.	Category No.	Qualifier
Master Cylinder	98	F140292	(MC140292)	w/JB6; 1-1/8" Bore
Master Cylinder	97 - 96	F140292	(MC140292)	w/JB6; 1-1/8" Bore
Master Cylinder	95 - 88	F110887	(MC110887)	1-1/8" Bore
Master Cylinder	87 - 85	F110886	(MC110886)	w/Manual Brake; 1" Bore
Master Cylinder	87 - 85	F110887	(MC110887)	w/Power Brake; 1-1/8" Bore
Master Cylinder	84 - 81	F104545	(MC104545)	w/Manual Brake; 1" Bore
Master Cylinder	84 - 81	F104514	(MC104514)	w/Power Brake; 1-1/8" Bore
Rear Wheel Cylinder	Years	Sequential No.	Category No.	Qualifier
Wheel Cylinder	98	F131225	(WC131225)	15/16" Bore
Wheel Cylinder	97 - 96	F131225	(WC131225)	15/16" Bore
Wheel Cylinder	95 - 89	F51081	(WC51081)	15/16" Bore
Wheel Cylinder	88 - 85	F79767	(WC79767)	4900-5600 GVW; 1-1/16" Bore
Wheel Cylinder	88	F51081	(WC51081)	6000 GVW; 15/16" Bore
Wheel Cylinder	87 - 81	F51081	(WC51081)	6000 GVW; H/D Brake; 15/16" Bore
Wheel Cylinder	84 - 81	F51088	(WC51088)	4900-5600 GVW; 1" Bore
Front Brake Hose	Years	Sequential No.	Category No.	Qualifier
Brake Hose	98	F138061	(BH138061)	L.H.
Brake Hose	98	F138062	(BH138062)	R.H.
Brake Hose	97 - 96	F138061	(BH138061)	L.H.
Brake Hose	97 - 96	F138062	(BH138062)	R.H.
Brake Hose	95 - 83	F110159	(BH110159)	L.H.
Brake Hose	95 - 83	F110158	(BH110158)	R.H.
Brake Hose	82 - 81	F102464	(BH102464)	L.H.
Brake Hose	82 - 81	F102465	(BH102465)	R.H.

↳Sub-Kit of Combi-Kit is available separately.

Piston: M - OE Metal Piston P - OE Phenolic Piston

G1500 VAN (cont.)

Hydraulics - New (cont.)

<i>Rear Brake Hose</i>	<i>Years</i>	<i>Sequential No.</i>	<i>Category No.</i>	<i>Qualifier</i>
Brake Hose	98	F118117	(BH118117)	
Brake Hose	97 - 96	F118117	(BH118117)	
Brake Hose	95 - 81	F86560	(BH86560)	

Hydraulics - Reman

<i>Master Cylinder</i>	<i>Years</i>	<i>Part No.</i>	<i>Qualifier</i>
Master Cylinder	98	R134627	
Master Cylinder	97 - 96	R134627	
Master Cylinder	95 - 88	R110887	
Master Cylinder	87 - 85	R110886	w/JB1
Master Cylinder	87 - 85	R110887	w/JB3 or JB5
Master Cylinder	84 - 81	R104545	w/JB1; Supplied With Pedal Rod
Master Cylinder	84 - 81	R105118	w/JB3 or JB5

<i>Power Brake Booster</i>	<i>Years</i>	<i>Part No.</i>	<i>Qualifier</i>
Power Brake Booster	98	5474810	Gas; w/o Master Cylinder
Power Brake Booster	97 - 96	5474810	Gas; w/o Master Cylinder
Power Brake Booster	95 - 94	5471063	Gas; w/o Master Cylinder
Power Brake Booster	93 - 90	501050	Gas; w/Master Cylinder
Power Brake Booster	93 - 90	5471050	Gas; w/o Master Cylinder
Power Brake Booster	89 - 85	501050	Gas; w/Master Cylinder; w/Dual Diaphragm; w/JB5
Power Brake Booster	89 - 85	501150	Gas; w/Master Cylinder; w/Single Diaphragm; w/JB3
Power Brake Booster	89 - 81	5471050	Gas; w/o Master Cylinder; w/Dual Diaphragm; w/JB5
Power Brake Booster	89 - 81	5471150	Gas; w/o Master Cylinder; w/Single Diaphragm; w/JB3
Power Brake Booster	84 - 81	509102	Gas; w/Master Cylinder; w/Dual Diaphragm; w/JB5
Power Brake Booster	84 - 81	509101	Gas; w/Master Cylinder; w/Single Diaphragm; w/JB3

Brake Cables

<i>Parking Brake Cable</i>	<i>Years</i>	<i>Sequential No.</i>	<i>Category No.</i>	<i>Qualifier</i>
Parking Brake Cable	98	F138836	(BC138836)	Forward
Parking Brake Cable	98	F140296	(BC140296)	Rear; L.H.; w/JB6; 63" Length
Parking Brake Cable	98	F140173	(BC140173)	Rear; R.H.; w/JB6; 90" Length
Parking Brake Cable	97 - 96	F138836	(BC138836)	Forward
Parking Brake Cable	97	F140296	(BC140296)	Rear; L.H.; w/JB6; 63" Length
Parking Brake Cable	97 - 96	F140173	(BC140173)	Rear; R.H.; 90" Length
Parking Brake Cable	96	F138112	(BC138112)	Rear; L.H.
Parking Brake Cable	95 - 83	F124691	(BC124691)	Forward; 110" WB
Parking Brake Cable	95 - 83	F124688	(BC124688)	Forward; 125" WB
Parking Brake Cable	95 - 89	F123949	(BC123949)	Rear; L.H.
Parking Brake Cable	95 - 89	F124763	(BC124763)	Rear; R.H.
Parking Brake Cable	88 - 83	F108774	(BC108774)	Rear; L.H.
Parking Brake Cable	88 - 83	F108775	(BC108775)	Rear; R.H.
Parking Brake Cable	82 - 81	F88584	(BC88584)	Forward
Parking Brake Cable	82 - 81	F101986	(BC101986)	Intermediate; 110" WB
Parking Brake Cable	82 - 81	F126816	(BC126816)	Intermediate; 125" WB
Parking Brake Cable	82 - 81	F88582	(BC88582)	Rear; L.H.
Parking Brake Cable	82 - 81	F88582	(BC88582)	Rear; R.H.

ABS Components - Reman

<i>ABS Module</i>	<i>Years</i>	<i>Part No.</i>	<i>Qualifier</i>
ABS Module	92 - 90	RA121000	

<i>ABS Hydraulic Unit</i>	<i>Years</i>	<i>Part No.</i>	<i>Qualifier</i>
ABS Hydraulic Unit	98	RA125034	
ABS Hydraulic Unit	97 - 96	RA125034	
ABS Hydraulic Unit	95	RA125025	
ABS Hydraulic Unit	94	RA125019	
ABS Hydraulic Unit	93	RA125018	
ABS Hydraulic Unit	92 - 91	RA122040	
ABS Hydraulic Unit	90	RA122005	

G1500 VAN (cont.)
Wheel Attaching Hardware

Front Wheel Stud	Years	Part No.	Qualifier
Wheel Lug Stud	98	BD61401	
Wheel Lug Stud	97 - 96	BD61401	
Wheel Lug Stud	95 - 81	BD60901	
Rear Wheel Stud	Years	Part No.	Qualifier
Wheel Lug Stud	98	BD61402	
Wheel Lug Stud	97 - 96	BD61402	
Wheel Lug Stud	95 - 81	BD61483	
Front Wheel Nut	Years	Part No.	Qualifier
Wheel Lug Nut	98	BD61404	Bulge
Wheel Lug Nut	98	BD125916	External Thread
Wheel Lug Nut	97 - 96	BD61404	Bulge
Wheel Lug Nut	97 - 96	BD125916	External Thread
Wheel Lug Nut	95 - 81	BD61283	Std. Open; 1/2"-20 Thread; 13/16" Hex
Rear Wheel Nut	Years	Part No.	Qualifier
Wheel Lug Nut	98	BD61404	Bulge
Wheel Lug Nut	98	BD125916	External Thread
Wheel Lug Nut	97 - 96	BD61404	Bulge
Wheel Lug Nut	97 - 96	BD125916	External Thread
Wheel Lug Nut	95 - 81	BD61283	Std. Open; 1/2"-20 Thread; 13/16" Hex

CHEVROLET - 3/4 TON SUBURBAN
C2500 SUBURBAN - See Also K2500 SUBURBAN
Brake Pads & Shoes

Front Pads & Shoes	Years	SevereDuty	Lining No.	Qualifier
Brake Pads	99	SD784		w/Rear Disc
Brake Pads	99	SD370		w/Rear Drum
Brake Pads	98 - 95	SD369		7200 GVW
Brake Pads	98 - 95	SD370		8600 GVW
Rear Pads & Shoes	Years	SevereDuty	Lining No.	Qualifier
Brake Pads	99	SD785		
Brake Shoes	99 - 95	SDS655R	SX2042BDT-S36	13 x 2-1/2" Brake; Riveted
Brake Shoes	99 - 95	SDS656R	SX2157BDT-S36	13 x 3-1/2" Brake; Riveted
Brake Shoes	98 - 95	SDS473R	EX2073TD-S32	11-5/32 x 2-3/4" Brake; Riveted

Rotor & Drum

Front Rotor & Drum	Years	Part No.	Qualifier
Brake Rotor	99	BD125654	w/Rear Disc
Brake Rotor	99	BD125212	w/Rear Drum
Brake Rotor	98 - 95	BD125592	7200 GVW
Brake Rotor	98 - 95	BD125212	8600 GVW
Rear Rotor & Drum	Years	Part No.	Qualifier
Brake Drum	99 - 95	BD60359	w/10-1/2" R.G.; 13 x 2-1/2" Brake
Brake Drum	99 - 95	BD125407	w/4.625" Dia. Ctr. Pilot Hole; 13 x 3-1/2" Brake
Brake Drum	99 - 95	BD125523	w/4.835" Dia. Ctr. Pilot Hole; 13 x 3-1/2" Brake
Brake Drum	99 - 95	BD60727	w/9-1/2" R.G.; 13 x 2-1/2" Brake
Brake Drum	98 - 95	BD61817	11-5/32 x 2-3/4" Brake
Brake Rotor	99	BD125656	w/13" Dia. Rotor; 8 Stud Whl.; w/4-5/8" Dia. Ctr. Pilot Hole
Brake Rotor	99	BD125657	w/13" Dia. Rotor; 8 Stud Whl.; w/4-53/64" Dia. Ctr. Pilot Hole

Brake Hardware

Front Brake Hardware	Years	Sequential No.	Category No.	Qualifier
Caliper Bolt/Pin	99 - 97	F117224S	(H5038)	
Caliper Bolt/Pin	96 - 95	F73237S	(H5019)	w/Rear Disc
Caliper Bolt/Pin	96 - 95	F129642S	(H5062)	w/Rear Drum; w/DRW
Caliper Bolt/Pin	96 - 95	F117224S	(H5038)	w/Rear Drum; w/SRW
Disc Align Kit	99 - 95	F117225S	(H5584)	

CHEVROLET - 3/4 TON SUBURBAN



C2500 SUBURBAN (cont.) - See Also K2500 SUBURBAN

Brake Hardware (cont.)

Front Brake Hardware	Years	Sequential No.	Category No.	Qualifier
Pin Boot Kit	96 - 95	F126906S	(H8209)	w/Rear Drum; w/DRW
Rear Brake Hardware	Years	Sequential No.	Category No.	Qualifier
Adjuster Kit	99 - 95	F98404	(H2584)	L.H.; 11-5/32 x 2-3/4" Brake
Adjuster Kit	99 - 95	F98406	(H2580)	L.H.; 13 x 2-1/2" Brake
Adjuster Kit	99 - 95	F111233	(H2687)	R.H.; 11-5/32 x 2-3/4" Brake
Adjuster Kit	99 - 95	F98407	(H2581)	R.H.; 13 x 2-1/2" Brake
Adjuster Screw	99 - 95	F73181S	(H1530)	L.H.; 11-5/32 x 2-3/4" Brake
Adjuster Screw	99 - 95	F83294	(H1550)	L.H.; 13 x 2-1/2" Brake
Adjuster Screw	99 - 95	F73182S	(H1531)	R.H.; 11-5/32 x 2-3/4" Brake
Adjuster Screw	99 - 95	F83295	(H1551)	R.H.; 13 x 2-1/2" Brake
Caliper Bolt/Pin	96 - 95	F73237S	(H5019)	
Combi Kit	99 - 95	F98455S	(H7046)	11-5/32 x 2-3/4" Brake
↳Adjuster Spring Kit		F45936S	(H415)	
↳Hold Down Kit		F98422S	(H4018)	
↳Return Spring Kit		F45927S	(H324)	
Combi Kit	99 - 95	F98457S	(H7055)	13 x 2-1/2" Brake
↳Adjuster Spring Kit		F73145S	(H425)	
↳Hold Down Kit		F113455S	(H4098)	
↳Return Spring Kit		F59100S	(H600)	

Calipers - Reman

Front, Loaded	Years	Left No.	Right No.	Qualifier	Piston
Loaded Caliper	99 - 95	AS116294	AS116295	w/3.16" Single Piston Caliper	M
Front, Unloaded	Years	Left No.	Right No.	Qualifier	Piston
Unloaded Caliper	99 - 95	CR116294	CR116295	w/3.16" Single Piston Caliper	M

Hydraulics - New

Master Cylinder	Years	Sequential No.	Category No.	Qualifier
Master Cylinder	99	F131472	(MC131472)	w/Rear Drum; 1-1/4" Bore
Master Cylinder	98 - 95	F131472	(MC131472)	w/Hydro-Boost; 1-1/4" Bore
Master Cylinder	98 - 95	F131468	(MC131468)	w/o Diesel; 7200 GVW; 1-1/8" Bore
Rear Wheel Cylinder	Years	Sequential No.	Category No.	Qualifier
Wheel Cylinder	99	F79767	(WC79767)	1-1/16" Bore
Wheel Cylinder	98 - 95	F116359	(WC116359)	7200 GVW; 1" Bore
Wheel Cylinder	98 - 95	F79767	(WC79767)	8600 GVW; 1-1/16" Bore
Clutch Master Cylind	Years	Sequential No.	Category No.	Qualifier
Clutch Master Cylinder	99 - 97	F133507	(CM133507)	w/o Diesel; 45/64" Bore
Clutch Master Cylinder	96	F133507	(CM133507)	45/64" Bore
Clutch Master Cylinder	95	F126856	(CM126856)	45/64" Bore
Clutch Slave Cylinder	Years	Sequential No.	Category No.	Qualifier
Clutch Slave Cylinder	99 - 96	F134322	(SC134322)	
Clutch Slave Cylinder	95	F126872	(SC126872)	25/32" Bore
Front Brake Hose	Years	Sequential No.	Category No.	Qualifier
Brake Hose	99	F133852	(BH133852)	L.H.; 8600 GVW; w/Rear Drum
Brake Hose	99	F133851	(BH133851)	R.H.; 8600 GVW; w/Rear Drum
Brake Hose	98 - 95	F116846	(BH116846)	L.H.; 7200 GVW
Brake Hose	98 - 95	F133852	(BH133852)	L.H.; 8600 GVW
Brake Hose	98 - 95	F116847	(BH116847)	R.H.; 7200 GVW
Brake Hose	98 - 95	F133851	(BH133851)	R.H.; 8600 GVW
Rear Brake Hose	Years	Sequential No.	Category No.	Qualifier
Brake Hose	99	F118117	(BH118117)	w/Rear Drum
Brake Hose	98 - 95	F118117	(BH118117)	

Hydraulics - Reman

Master Cylinder	Years	Part No.	Qualifier
Master Cylinder	99 - 95	R131472	Diesel
Master Cylinder	99 - 95	R116881	Gas; w/JB6

↳Sub-Kit of Combi-Kit is available separately.

Piston: M - OE Metal Piston P - OE Phenolic Piston

C2500 SUBURBAN (cont.) - See Also K2500 SUBURBAN
Hydraulics - Reman (cont.)

Master Cylinder	Years	Part No.	Qualifier
Master Cylinder	99 - 95	R131472	Gas; w/JB7
Power Brake Booster	Years	Part No.	Qualifier
Hydro Booster	99 - 97	527352	Diesel; w/JD5 or JD6
Hydro Booster	99 - 97	527358	Diesel; w/JD7
Hydro Booster	99 - 97	527358	Gas; w/JB8
Hydro Booster	96 - 95	527335	Diesel; w/JD5 or JD6
Hydro Booster	96 - 95	527336	Diesel; w/JD7
Hydro Booster	96 - 95	527336	Gas; w/JB8
Power Brake Booster	Years	Part No.	Qualifier
Power Brake Booster	99 - 97	5471085	Gas; w/o Master Cylinder; w/JB5 or JB6 or JB7
Power Brake Booster	96 - 95	501098	Gas; w/Master Cylinder; w/JB5 or JB6
Power Brake Booster	96 - 95	5471098	Gas; w/o Master Cylinder; w/JB5 or JB6

Brake Cables

Parking Brake Cable	Years	Sequential No.	Category No.	Qualifier
Parking Brake Cable	98 - 95	F140351	(BC140351)	Rear; L.H.; 7200 GVW; w/JB6, JD6; 84" Length
Parking Brake Cable	96 - 95	F132794	(BC132794)	Forward
Parking Brake Cable	96 - 95	F130691	(BC130691)	Rear; L.H.
Parking Brake Cable	96 - 95	F130692	(BC130692)	Rear; R.H.

ABS Components - Reman

ABS Hydraulic Unit	Years	Part No.	Qualifier
ABS Hydraulic Unit	99 - 95	RA125034	

Wheel Attaching Hardware

Front Wheel Stud	Years	Part No.	Qualifier
Wheel Lug Stud	99 - 95	BD61401	7200 GVW
Wheel Lug Stud	99 - 95	BD61426	8600 GVW
Rear Wheel Stud	Years	Part No.	Qualifier
Wheel Lug Stud	99 - 95	BD125934	7200 GVW
Wheel Lug Stud	99 - 95	BD61427	8600 GVW
Front Wheel Nut	Years	Part No.	Qualifier
Wheel Lug Nut	99 - 95	BD125916	External Thread
Rear Wheel Nut	Years	Part No.	Qualifier
Wheel Lug Nut	99 - 95	BD125916	External Thread

K2500 SUBURBAN - See Also C2500 SUBURBAN
Brake Pads & Shoes

Front Pads & Shoes	Years	SevereDuty	Lining No.	Qualifier
Brake Pads	99	SD784		w/Rear Disc
Brake Pads	99	SD370		w/Rear Drum
Brake Pads	98 - 96	SD370		
Brake Pads	95	SD369		7200 GVW; w/5 Stud Whl.
Brake Pads	95	SD370		8600 GVW; w/8 Stud Whl.
Rear Pads & Shoes	Years	SevereDuty	Lining No.	Qualifier
Brake Pads	99	SD785		
Brake Shoes	99 - 95	SDS655R	SX2042BDT-S36	13 x 2-1/2" Brake; Riveted
Brake Shoes	99 - 95	SDS656R	SX2157BDT-S36	13 x 3-1/2" Brake; Riveted
Brake Shoes	98 - 95	SDS473R	EX2073TD-S32	11-5/32 x 2-3/4" Brake; Riveted

Rotor & Drum

Front Rotor & Drum	Years	Part No.	Qualifier
Brake Rotor	99	BD125653	w/Rear Disc
Brake Rotor	99	BD61918	w/Rear Drum
Brake Rotor	98 - 96	BD61918	
Brake Rotor	95	BD61812	7200 GVW; w/6 Stud Whl.; Full-Cast Rotor; Replaces OE Composite Design
Brake Rotor	95	BD61918	8600 GVW; w/8 Stud Whl.

K2500 SUBURBAN (cont.) - See Also C2500 SUBURBAN

Rotor & Drum (cont.)

Rear Rotor & Drum	Years	Part No.	Qualifier
Brake Drum	99 - 95	BD60359	w/10-1/2" R.G.; 13 x 2-1/2" Brake
Brake Drum	99 - 95	BD125407	w/4.625" Dia. Ctr. Pilot Hole; 13 x 3-1/2" Brake
Brake Drum	99 - 95	BD125523	w/4.835" Dia. Ctr. Pilot Hole; 13 x 3-1/2" Brake
Brake Drum	99 - 95	BD60727	w/9-1/2" R.G.; 13 x 2-1/2" Brake
Brake Drum	98 - 95	BD61817	11-5/32 x 2-3/4" Brake
Brake Rotor	99	BD125656	w/13" Dia. Rotor; 8 Stud Whl.; w/4-5/8" Dia. Ctr. Pilot Hole
Brake Rotor	99	BD125657	w/13" Dia. Rotor; 8 Stud Whl.; w/4-53/64" Dia. Ctr. Pilot Hole

Brake Hardware

Front Brake Hardware	Years	Sequential No.	Category No.	Qualifier
Caliper Bolt/Pin	99 - 97	F117224S	(H5038)	
Caliper Bolt/Pin	96 - 95	F129642S	(H5062)	w/Rear Drum; w/DRW
Caliper Bolt/Pin	96 - 95	F117224S	(H5038)	w/Rear Drum; w/SRW
Disc Align Kit	99 - 95	F117225S	(H5584)	
Pin Boot Kit	96 - 95	F126906S	(H8209)	w/Rear Drum; w/DRW

Rear Brake Hardware	Years	Sequential No.	Category No.	Qualifier
Adjuster Kit	99 - 95	F98404	(H2584)	L.H.; 11-5/32 x 2-3/4" Brake
Adjuster Kit	99 - 95	F98406	(H2580)	L.H.; 13 x 2-1/2" Brake
Adjuster Kit	99 - 95	F111233	(H2687)	R.H.; 11-5/32 x 2-3/4" Brake
Adjuster Kit	99 - 95	F98407	(H2581)	R.H.; 13 x 2-1/2" Brake
Adjuster Screw	99 - 95	F73181S	(H1530)	L.H.; 11-5/32 x 2-3/4" Brake
Adjuster Screw	99 - 95	F83294	(H1550)	L.H.; 13 x 2-1/2" Brake
Adjuster Screw	99 - 95	F73182S	(H1531)	R.H.; 11-5/32 x 2-3/4" Brake
Adjuster Screw	99 - 95	F83295	(H1551)	R.H.; 13 x 2-1/2" Brake
Combi Kit	99 - 95	F98455S	(H7046)	11-5/32 x 2-3/4" Brake
↳Adjuster Spring Kit		F45936S	(H415)	
↳Hold Down Kit		F98422S	(H4018)	
↳Return Spring Kit		F45927S	(H324)	
Combi Kit	99 - 95	F98457S	(H7055)	13 x 2-1/2" Brake
↳Adjuster Spring Kit		F73145S	(H425)	
↳Hold Down Kit		F113455S	(H4098)	
↳Return Spring Kit		F59100S	(H600)	

Calipers - Reman

Front, Loaded	Years	Left No.	Right No.	Qualifier	Piston
Loaded Caliper	99 - 95	AS116294	AS116295	w/3.16" Single Piston Caliper	M
Front, Unloaded	Years	Left No.	Right No.	Qualifier	Piston
Unloaded Caliper	99 - 95	CR116294	CR116295	w/3.16" Single Piston Caliper	M

Hydraulics - New

Master Cylinder	Years	Sequential No.	Category No.	Qualifier
Master Cylinder	99 - 95	F131472	(MC131472)	w/Hydro-Boost; 1-1/4" Bore
Master Cylinder	98 - 95	F131468	(MC131468)	w/o Diesel; 7200 GVW; 1-1/8" Bore
Rear Wheel Cylinder	Years	Sequential No.	Category No.	Qualifier
Wheel Cylinder	99 - 98	F79767	(WC79767)	1-1/16" Bore
Wheel Cylinder	97 - 95	F116359	(WC116359)	7200 GVW; 1" Bore
Wheel Cylinder	97 - 95	F79767	(WC79767)	8600 GVW; 1-1/16" Bore
Clutch Master Cylind	Years	Sequential No.	Category No.	Qualifier
Clutch Master Cylinder	99 - 97	F133507	(CM133507)	w/o Diesel; 45/64" Bore
Clutch Master Cylinder	96	F133507	(CM133507)	45/64" Bore
Clutch Master Cylinder	95	F126856	(CM126856)	45/64" Bore
Clutch Slave Cylinder	Years	Sequential No.	Category No.	Qualifier
Clutch Slave Cylinder	99 - 96	F134322	(SC134322)	
Clutch Slave Cylinder	95	F126872	(SC126872)	25/32" Bore
Front Brake Hose	Years	Sequential No.	Category No.	Qualifier
Brake Hose	99	F138063	(BH138063)	L.H.; 8600 GVW; w/Rear Drum
Brake Hose	99	F120542	(BH120542)	R.H.; 8600 GVW; w/Rear Drum

↳Sub-Kit of Combi-Kit is available separately.

Piston: M - OE Metal Piston P - OE Phenolic Piston

K2500 SUBURBAN (cont.) - See Also C2500 SUBURBAN
Hydraulics - New (cont.)

Front Brake Hose	Years	Sequential No.	Category No.	Qualifier
Brake Hose	98 - 96	F138063	(BH138063)	L.H.; 8600 GVW
Brake Hose	98 - 96	F138064	(BH138064)	R.H.; 8600 GVW
Brake Hose	96 - 95	F118083	(BH118083)	L.H.; 7200 GVW
Brake Hose	96 - 95	F118084	(BH118084)	R.H.; 7200 GVW
Brake Hose	95	F120541	(BH120541)	L.H.; 8600 GVW
Brake Hose	95	F120542	(BH120542)	R.H.; 8600 GVW
Rear Brake Hose	Years	Sequential No.	Category No.	Qualifier
Brake Hose	99	F118117	(BH118117)	w/Rear Drum
Brake Hose	98 - 95	F118117	(BH118117)	

Hydraulics - Reman

Master Cylinder	Years	Part No.	Qualifier
Master Cylinder	99 - 95	R131472	Diesel
Master Cylinder	99 - 95	R116881	Gas; w/JB6
Master Cylinder	99 - 95	R131472	Gas; w/JB7
Power Brake Booster	Years	Part No.	Qualifier
Hydro Booster	99 - 97	527352	Diesel; w/JD5 or JD6
Hydro Booster	99 - 97	527358	Diesel; w/JD7
Hydro Booster	99 - 97	527358	Gas; w/JB8
Hydro Booster	96 - 95	527335	Diesel; w/JD5 or JD6
Hydro Booster	96 - 95	527336	Diesel; w/JD7
Hydro Booster	96 - 95	527336	Gas; w/JB8
Power Brake Booster	Years	Part No.	Qualifier
Power Brake Booster	99 - 97	5471085	Gas; w/o Master Cylinder; w/JB5 or JB6 or JB7
Power Brake Booster	96 - 95	501098	Gas; w/Master Cylinder; w/JB5 or JB6 or JB7
Power Brake Booster	96 - 95	5471098	Gas; w/o Master Cylinder; w/JB5 or JB6 or JB7

Brake Cables

Parking Brake Cable	Years	Sequential No.	Category No.	Qualifier
Parking Brake Cable	98 - 95	F140351	(BC140351)	Rear; L.H.; 7200 GVW; w/JB6, JD6; 84" Length
Parking Brake Cable	96 - 95	F130691	(BC130691)	Rear; L.H.
Parking Brake Cable	95	F132794	(BC132794)	Forward
Parking Brake Cable	95	F130441	(BC130441)	Forward; 52" Length
Parking Brake Cable	95	F130692	(BC130692)	Rear; R.H.

ABS Components - Reman

ABS Hydraulic Unit	Years	Part No.	Qualifier
ABS Hydraulic Unit	99 - 95	RA125034	

Wheel Attaching Hardware

Front Wheel Stud	Years	Part No.	Qualifier
Wheel Lug Stud	99 - 95	BD61423	7200 GVW
Wheel Lug Stud	99 - 95	BD61425	8600 GVW
Rear Wheel Stud	Years	Part No.	Qualifier
Wheel Lug Stud	99 - 95	BD125934	7200 GVW
Wheel Lug Stud	99 - 95	BD61427	8600 GVW
Front Wheel Nut	Years	Part No.	Qualifier
Wheel Lug Nut	99 - 95	BD125916	External Thread
Rear Wheel Nut	Years	Part No.	Qualifier
Wheel Lug Nut	99 - 95	BD125916	External Thread

SUBURBAN 2500
Brake Pads & Shoes

Front Pads & Shoes	Years	SevereDuty	Lining No.	Qualifier
Brake Pads	06 - 00	SD784		
Rear Pads & Shoes	Years	SevereDuty	Lining No.	Qualifier
Brake Pads	06 - 00	SD785		

CHEVROLET - 3/4 TON SUBURBAN



SUBURBAN 2500 (cont.)

Rotor & Drum

Front Rotor & Drum	Years	Part No.	Qualifier
Brake Rotor	06 - 05	BD125653	
Brake Rotor	04 - 01	BD125653	Exc. 2" Body Raise Pkg.
Brake Rotor	04 - 01	BD126036	w/2" Body Raise Pkg.
Brake Rotor	00	BD125653	

Rear Rotor & Drum	Years	Part No.	Qualifier
Brake Rotor	06 - 03	BD126179	w/13" Dia. Rotor; 8 Stud Whl.; w/4-5/8" Dia. Center Pilot Hole; 1-5/8" Mounting Height
Brake Rotor	06 - 00	BD125656	w/13" Dia. Rotor; 8 Stud Whl.; w/4-5/8" Dia. Ctr. Pilot Hole; 3" Mounting Height
Brake Rotor	06 - 00	BD125657	w/13" Dia. Rotor; 8 Stud Whl.; w/4-53/64" Dia. Ctr. Pilot Hole

Brake Hardware

Front Brake Hardware	Years	Sequential No.	Category No.	Qualifier
Caliper Bolt/Pin	05 - 00	F139700	(H5095)	
Disc Align Kit	04 - 00	F139708	(H5646)	
Pin Boot Kit	04 - 00	F138697S	(H8221)	

Rear Brake Hardware	Years	Sequential No.	Category No.	Qualifier
Caliper Bolt/Pin	04 - 00	F139712	(H5096)	
Disc Align Kit	04 - 00	F139707	(H5645)	
Pin Boot Kit	04 - 00	F138697S	(H8221)	

Calipers - Reman

Front, Unloaded	Years	Left No.	Right No.	Qualifier	Piston
Unloaded Caliper	06 - 00	CRB134347	CRB134348	w/Dual Piston Caliper; Supplied w/Mtg. Brkt.	P
Unloaded Caliper	06 - 00	CR134347	CR134348	w/Dual Piston Caliper; Supplied w/o Mtg. Brkt.	P

Rear, Unloaded	Years	Left No.	Right No.	Qualifier	Piston
Unloaded Caliper	06 - 00	CRB134345	CRB134346	w/Dual Piston Caliper; Supplied w/Mtg. Brkt.	P
Unloaded Caliper	06 - 00	CR134345	CR134346	w/Dual Piston Caliper; Supplied w/o Mtg. Brkt.	P

Hydraulics - New

Master Cylinder	Years	Sequential No.	Category No.	Qualifier
Master Cylinder	06 - 03	F140480	(MC140480)	w/Hydro-Boost; w/o ABS; 1-15/32" Bore

Clutch Master Cylind	Years	Sequential No.	Category No.	Qualifier
Clutch Master Cylinder	04 - 01	F134526	(CM134526)	w/5 Spd. Trans.; 45/64" Bore
Clutch Master Cylinder	00	F134526	(CM134526)	45/64" Bore

Clutch Slave Cylinder	Years	Sequential No.	Category No.	Qualifier
Clutch Slave Cylinder	04 - 03	F140212	(SC140212)	w/5 Spd. Trans.; 1-7/32" Bore
Clutch Slave Cylinder	04 - 01	F140318	(SC140318)	w/6 Spd. Trans.
Clutch Slave Cylinder	02 - 01	F140158	(SC140158)	w/5 Spd. Trans.
Clutch Slave Cylinder	00	F134322	(SC134322)	

Hydraulics - Reman

Master Cylinder	Years	Part No.	Qualifier
Master Cylinder	02 - 00	R134735	w/JC5
Master Cylinder	02 - 00	R134734	w/JH5 or JH6 or JH7

Power Brake Booster	Years	Part No.	Qualifier
Hydro Booster	02 - 00	527359	w/JH5 or JH6

Power Brake Booster	Years	Part No.	Qualifier
Power Brake Booster	02 - 00	5474818	w/o Master Cylinder; w/JC5

Brake Cables

Parking Brake Cable	Years	Sequential No.	Category No.	Qualifier
Parking Brake Cable	04 - 00	F140234	(BC140234)	Intermediate; 40" Length

Wheel Attaching Hardware

Front Wheel Stud	Years	Part No.	Qualifier
Wheel Lug Stud	05 - 00	BD125938	

Rear Wheel Stud	Years	Part No.	Qualifier
Wheel Lug Stud	04 - 01	BD125961	M14 x 1.5 x 28
Wheel Lug Stud	04 - 00	BD125938	M14 x 1.5 x 29

Piston: M - OE Metal Piston P - OE Phenolic Piston

SUBURBAN 2500 (cont.)
Wheel Attaching Hardware (cont.)

Front Wheel Nut	Years	Part No.	Qualifier
Wheel Lug Nut	04 - 00	BD61404	Bulge; w/Alum. Whl.
Wheel Lug Nut	04 - 00	BD125916	External Thread; Exc. Alum. Whl.
Rear Wheel Nut	Years	Part No.	Qualifier
Wheel Lug Nut	04 - 00	BD61404	Bulge; w/Alum. Whl.
Wheel Lug Nut	04 - 00	BD125916	External Thread; Exc. Alum. Whl.

CHEVROLET - 3/4 TON TRUCK
AVALANCHE 2500
Brake Pads & Shoes

Front Pads & Shoes	Years	SevereDuty	Lining No.	Qualifier
Brake Pads	06 - 02	SD784		
Rear Pads & Shoes	Years	SevereDuty	Lining No.	Qualifier
Brake Pads	06 - 02	SD785		

Rotor & Drum

Front Rotor & Drum	Years	Part No.	Qualifier
Brake Rotor	06 - 05	BD125653	
Brake Rotor	04 - 02	BD125653	Exc. 2" Body Raise Pkg.
Brake Rotor	04 - 02	BD126036	w/2" Body Raise Pkg.
Rear Rotor & Drum	Years	Part No.	Qualifier
Brake Rotor	06 - 02	BD125657	

Brake Hardware

Front Brake Hardware	Years	Sequential No.	Category No.	Qualifier
Disc Align Kit	05 - 02	F139708	(H5646)	
Pin Boot Kit	04 - 02	F138697S	(H8221)	
Rear Brake Hardware	Years	Sequential No.	Category No.	Qualifier
Caliper Bolt/Pin	05 - 02	F139712	(H5096)	
Disc Align Kit	03 - 02	F139707	(H5645)	
Pin Boot Kit	05 - 02	F138697S	(H8221)	

Calipers - Reman

Front, Unloaded	Years	Left No.	Right No.	Qualifier	Piston
Unloaded Caliper	06 - 02	CRB134347	CRB134348	w/Dual Piston Caliper; Supplied w/Mtg. Brkt.	P
Unloaded Caliper	06 - 02	CR134347	CR134348	w/Dual Piston Caliper; Supplied w/o Mtg. Brkt.	P
Rear, Unloaded	Years	Left No.	Right No.	Qualifier	Piston
Unloaded Caliper	06 - 02	CRB134345	CRB134346	w/Dual Piston Caliper; Supplied w/Mtg. Brkt.	P
Unloaded Caliper	06 - 02	CR134345	CR134346	w/Dual Piston Caliper; Supplied w/o Mtg. Brkt.	P

Hydraulics - New

Master Cylinder	Years	Sequential No.	Category No.	Qualifier
Master Cylinder	06 - 03	F140480	(MC140480)	w/Hydro-Boost; w/o ABS; 1-15/32" Bore
Clutch Master Cylind	Years	Sequential No.	Category No.	Qualifier
Clutch Master Cylinder	04 - 02	F134526	(CM134526)	w/5 Spd. Trans.; 45/64" Bore
Clutch Slave Cylinder	Years	Sequential No.	Category No.	Qualifier
Clutch Slave Cylinder	04 - 02	F140318	(SC140318)	w/5 Spd. Trans.
Clutch Slave Cylinder	04 - 03	F140212	(SC140212)	w/5 Spd. Trans.; 1-7/32" Bore
Clutch Slave Cylinder	02	F140158	(SC140158)	w/5 Spd. Trans.

Hydraulics - Reman

Master Cylinder	Years	Part No.	Qualifier
Master Cylinder	02	R134735	w/JC5
Master Cylinder	02	R134734	w/JH5 or JH6 or JH7
Power Brake Booster	Years	Part No.	Qualifier
Hydro Booster	02	527359	w/JH5 or JH6
Power Brake Booster	Years	Part No.	Qualifier
Power Brake Booster	02	5474818	w/o Master Cylinder; w/JC5

Piston: M - OE Metal Piston P - OE Phenolic Piston

CHEVROLET - 3/4 TON TRUCK



AVALANCHE 2500 (cont.)

Brake Cables

Parking Brake Cable	Years	Sequential No.	Category No.	Qualifier
Parking Brake Cable	04 - 02	F140234	(BC140234)	Intermediate; 40" Length

Wheel Attaching Hardware

Front Wheel Stud	Years	Part No.	Qualifier
Wheel Lug Stud	05 - 02	BD125938	
Wheel Lug Stud	02	BD125961	M14 x 1.5 x 28; Exc. Alum. Whl.
Wheel Lug Stud	02	BD125938	M14 x 1.5 x 29; Exc. Alum. Whl.
Rear Wheel Stud	Years	Part No.	Qualifier
Wheel Lug Stud	06 - 02	BD125938	M14 x 1.5 x 29
Wheel Lug Stud	05 - 02	BD125961	M14 x 1.5 x 28
Front Wheel Nut	Years	Part No.	Qualifier
Wheel Lug Nut	05 - 02	BD61404	Bulge
Wheel Lug Nut	05 - 02	BD125916	External Thread
Rear Wheel Nut	Years	Part No.	Qualifier
Wheel Lug Nut	05 - 02	BD61404	Bulge
Wheel Lug Nut	05 - 02	BD125916	External Thread

C2500 PICKUP - See Also K2500 PICKUP

Brake Pads & Shoes

Front Pads & Shoes	Years	SevereDuty	Lining No.	Qualifier
Brake Pads	00 - 99	SD784		w/Rear Disc
Brake Pads	00 - 99	SD370		w/Rear Drum
Brake Pads	98 - 89	SD369		7200 GVW
Brake Pads	98 - 89	SD370		8600 GVW
Brake Pads	88	SD369		
Brake Pads	86 - 85	SD52		7200 GVW
Brake Pads	86 - 84	SD153		8600 GVW; H/D Brake
Brake Pads	84 - 81	SD52		6400-7200 GVW
Brake Pads	83	SD153		8200-8600 GVW; H/D Brake
Brake Pads	82	SD153		8600 GVW; H/D Brake
Brake Pads	81	SD153		7500-8200 GVW; H/D Brake
Rear Pads & Shoes	Years	SevereDuty	Lining No.	Qualifier
Brake Pads	00 - 99	SD785		
Brake Shoes	00 - 92	SDS655R	SX2042BDT-S36	13 x 2-1/2" Brake; Riveted
Brake Shoes	98 - 88	SDS473R	EX2073TD-S32	11-5/32 x 2-3/4" Brake; Riveted
Brake Shoes	92	SDS656R	SX2157BDT-S36	13 x 3-1/2" Brake; Riveted
Brake Shoes	91 - 89	SDS451R	EX2042ADT-S32	13 x 2-1/2" Brake; Riveted
Brake Shoes	86 - 81	SDS473R	EX2073TD-S32	11-5/32 x 2-3/4" Brake; Riveted
Brake Shoes	86 - 81	SDS451R	EX2042ADT-S32	13 x 2-1/2" Brake; Riveted

Rotor & Drum

Front Rotor & Drum	Years	Part No.	Qualifier
Brake Rotor	00	BD125653	w/Rear Disc
Brake Rotor	00 - 99	BD125212	w/Rear Drum
Brake Rotor	99	BD125654	w/Rear Disc
Brake Rotor	98 - 95	BD125592	7200 GVW
Brake Rotor	98 - 93	BD125212	8600 GVW
Brake Rotor	94 - 92	BD125208	7200 GVW
Brake Rotor	92 - 88	BD61814	8600 GVW
Brake Rotor	91 - 88	BD61819	7200 GVW
Brake Rotor	86 - 81	BD60402	
Rear Rotor & Drum	Years	Part No.	Qualifier
Brake Drum	00 - 99	BD60359	13 x 2-1/2" Brake
Brake Drum	98 - 88	BD61817	11-5/32 x 2-3/4" Brake
Brake Drum	98 - 91	BD60359	w/10-1/2" R.G.; 13 x 2-1/2" Brake
Brake Drum	98 - 90	BD60727	w/9-1/2" R.G.; 13 x 2-1/2" Brake
Brake Drum	92	BD125523	13 x 3-1/2" Brake

C2500 PICKUP (cont.) - See Also K2500 PICKUP
Rotor & Drum (cont.)

Rear Rotor & Drum	Years	Part No.	Qualifier
Brake Drum	90	BD61891	w/10-1/2" R.G.; 1st Design; 13 x 2-1/2" Brake
Brake Drum	90	BD60359	w/10-1/2" R.G.; 2nd Design; 13 x 2-1/2" Brake
Brake Drum	89	BD60727	13 x 2-1/2" Brake
Brake Drum	86 - 85	BD60724	7200 GVW; 11-5/32 x 2-3/4" Brake
Brake Drum	86 - 84	BD60359	8600 GVW; H/D Brake; w/10-1/2 R.G.; 13 x 2-1/2" Brake
Brake Drum	86 - 84	BD60727	8600 GVW; H/D Brake; w/9-1/2" R.G.; 13 x 2-1/2" Brake
Brake Drum	84	BD60724	6400-7200 GVW; 11-5/32 x 2-3/4" Brake
Brake Drum	83	BD60595	6400-7200 GVW; 4-5/8" Wide Drum; 11-5/32 x 2-3/4" Brake
Brake Drum	83	BD60724	6400-7200 GVW; 6-3/8" Wide Drum; 11-5/32 x 2-3/4" Brake
Brake Drum	83	BD60359	8200-8600 GVW; H/D Brake; w/10-1/2 R.G.; 13 x 2-1/2" Brake
Brake Drum	83	BD60623	8200-8600 GVW; H/D Brake; w/9-1/2" R.G.; 4-5/8" Wide Drum; 13 x 2-1/2" Brake
Brake Drum	83	BD60727	8200-8600 GVW; H/D Brake; w/9-1/2" R.G.; 6-3/8" Wide Drum; 13 x 2-1/2" Brake
Brake Drum	82 - 81	BD60595	6400-7200 GVW; 11-5/32 x 2-3/4" Brake
Brake Drum	82	BD60359	8600 GVW; H/D Brake; w/10-1/2 R.G.; 13 x 2-1/2" Brake
Brake Drum	82	BD60623	8600 GVW; H/D Brake; w/9-1/2" R.G.; 13 x 2-1/2" Brake
Brake Drum	81	BD60623	7500-8200 GVW; H/D Brake; 13 x 2-1/2" Brake
Brake Rotor	00 - 99	BD125656	w/13" Dia. Rotor; 8 Stud Whl.; w/4-5/8" Dia. Ctr. Pilot Hole
Brake Rotor	00 - 99	BD125657	w/13" Dia. Rotor; 8 Stud Whl.; w/4-53/64" Dia. Ctr. Pilot Hole

Brake Hardware

Front Brake Hardware	Years	Sequential No.	Category No.	Qualifier
Caliper Bolt/Pin	00 - 97	F117224S	(H5038)	
Caliper Bolt/Pin	96 - 92	F73237S	(H5019)	w/Rear Disc
Caliper Bolt/Pin	96 - 92	F129642S	(H5062)	w/Rear Drum; w/DRW
Caliper Bolt/Pin	96 - 92	F117224S	(H5038)	w/Rear Drum; w/SRW
Caliper Bolt/Pin	91 - 88	F117224S	(H5038)	
Caliper Bolt/Pin	86 - 81	F76074S	(H5004)	
Disc Align Kit	99 - 88	F117225S	(H5584)	
Disc Align Kit	86 - 81	F73674S	(H5500)	
Pin Boot Kit	96 - 92	F126906S	(H8209)	w/Rear Drum; w/DRW

Rear Brake Hardware	Years	Sequential No.	Category No.	Qualifier
Adjuster Kit	00 - 88	F98406	(H2580)	L.H.; 13 x 2-1/2" Brake
Adjuster Kit	00 - 88	F98407	(H2581)	R.H.; 13 x 2-1/2" Brake
Adjuster Kit	99 - 88	F98404	(H2584)	L.H.; 11-5/32 x 2-3/4" Brake
Adjuster Kit	99 - 88	F111233	(H2687)	R.H.; 11-5/32 x 2-3/4" Brake
Adjuster Kit	86 - 81	F98404	(H2584)	L.H.; 11-5/32 x 2-3/4" Brake
Adjuster Kit	86 - 81	F98406	(H2580)	L.H.; 13 x 2-1/2" Brake
Adjuster Kit	86 - 83	F111233	(H2687)	R.H.; 11-5/32 x 2-3/4" Brake
Adjuster Kit	86 - 81	F98407	(H2581)	R.H.; 13 x 2-1/2" Brake
Adjuster Kit	82 - 81	F98405	(H2585)	R.H.; 11-5/32 x 2-3/4" Brake
Adjuster Screw	00 - 88	F83294	(H1550)	L.H.; 13 x 2-1/2" Brake
Adjuster Screw	00 - 88	F83295	(H1551)	R.H.; 13 x 2-1/2" Brake
Adjuster Screw	99 - 88	F73181S	(H1530)	L.H.; 11-5/32 x 2-3/4" Brake
Adjuster Screw	99 - 88	F73182S	(H1531)	R.H.; 11-5/32 x 2-3/4" Brake
Adjuster Screw	86 - 81	F73181S	(H1530)	L.H.; 11-5/32 x 2-3/4" Brake
Adjuster Screw	86 - 81	F83294	(H1550)	L.H.; 13 x 2-1/2" Brake
Adjuster Screw	86 - 81	F73182S	(H1531)	R.H.; 11-5/32 x 2-3/4" Brake
Adjuster Screw	86 - 81	F83295	(H1551)	R.H.; 13 x 2-1/2" Brake
Combi Kit	00 - 88	F98457S	(H7055)	13 x 2-1/2" Brake
↳Adjuster Spring Kit		F73145S	(H425)	
↳Hold Down Kit		F113455S	(H4098)	
↳Return Spring Kit		F59100S	(H600)	
Combi Kit	99 - 88	F98455S	(H7046)	11-5/32 x 2-3/4" Brake
↳Adjuster Spring Kit		F45936S	(H415)	
↳Hold Down Kit		F98422S	(H4018)	
↳Return Spring Kit		F45927S	(H324)	

↳Sub-Kit of Combi-Kit is available separately.

CHEVROLET - 3/4 TON TRUCK



C2500 PICKUP (cont.) - See Also K2500 PICKUP

Brake Hardware (cont.)

Rear Brake Hardware	Years	Sequential No.	Category No.	Qualifier
Combi Kit	86 - 81	F98455S	(H7046)	11-5/32 x 2-3/4" Brake
↳Adjuster Spring Kit		F45936S	(H415)	
↳Hold Down Kit		F98422S	(H4018)	
↳Return Spring Kit		F45927S	(H324)	
Combi Kit	86 - 81	F98457S	(H7055)	13 x 2-1/2" Brake
↳Adjuster Spring Kit		F73145S	(H425)	
↳Hold Down Kit		F113455S	(H4098)	
↳Return Spring Kit		F59100S	(H600)	

Calipers - Reman

Front, Loaded	Years	Left No.	Right No.	Qualifier	Piston
Loaded Caliper	00 - 89	AS116294	AS116295	8600 GVW; w/3.16" Single Piston Caliper	M
Loaded Caliper	98 - 89	AS116292	AS116293	7200 GVW; w/2.94" Single Piston Caliper	M
Loaded Caliper	88	AS116292	AS116293	w/2.94" Single Piston Caliper	M
Loaded Caliper	86 - 81	AS98884	AS98885	w/JB6, JD6; w/2.94" Single Piston Caliper	M
Loaded Caliper	86 - 81	AS98954	AS98955	w/JB7, JD7; w/3.16" Single Piston Caliper	M
Front, Unloaded	Years	Left No.	Right No.	Qualifier	Piston
Unloaded Caliper	00 - 89	CR116294	CR116295	8600 GVW; w/3.16" Single Piston Caliper	M
Unloaded Caliper	98 - 89	CR116292	CR116293	7200 GVW; w/2.94" Single Piston Caliper	M
Unloaded Caliper	88	CR116292	CR116293	w/2.94" Single Piston Caliper	M
Unloaded Caliper	86 - 81	CR98884	CR98885	w/JB6, JD6; w/2.94" Single Piston Caliper	M
Unloaded Caliper	86 - 81	CR98954	CR98955	w/JB7, JD7; w/3.16" Single Piston Caliper	M

Hydraulics - New

Master Cylinder	Years	Sequential No.	Category No.	Qualifier
Master Cylinder	00 - 99	F131472	(MC131472)	w/Hydro-Boost; w/Rear Drum; 1-1/4" Bore
Master Cylinder	00 - 99	F131472	(MC131472)	w/Vacuum Boost; w/Rear Drum; 1-1/4" Bore
Master Cylinder	98 - 95	F131472	(MC131472)	8600 GVW; w/Hydro-Boost; 1-1/4" Bore
Master Cylinder	98 - 94	F131468	(MC131468)	w/o Diesel; 7200 GVW; 1-1/8" Bore
Master Cylinder	94	F131472	(MC131472)	Diesel; w/Hydro-Boost; 1-1/4" Bore
Master Cylinder	94	F131472	(MC131472)	w/o Diesel; 8600 GVW; w/Hydro-Boost; 1-1/4" Bore
Master Cylinder	93 - 88	F116627	(MC116627)	Diesel; w/Hydro-Boost; 1-1/4" Bore
Master Cylinder	93 - 89	F116881	(MC116881)	w/o Diesel; 7200 GVW; 1-1/8" Bore
Master Cylinder	93 - 88	F116627	(MC116627)	w/o Diesel; 8600 GVW; w/Hydro-Boost; 1-1/4" Bore
Master Cylinder	88	F116881	(MC116881)	w/o Diesel; 8600 GVW; 1-1/8" Bore
Master Cylinder	86 - 81	F104464	(MC104464)	1-1/4" Bore; 13" Brake
Master Cylinder	86 - 82	F104456	(MC104456)	w/Hydro-Boost; 1-3/16" Bore; 11" Brake
Master Cylinder	86 - 82	F104516	(MC104516)	w/Vacuum Boost; 1-1/8" Bore; 11" Brake
Master Cylinder	81	F104516	(MC104516)	1-1/8" Bore; 11" Brake
Rear Wheel Cylinder	Years	Sequential No.	Category No.	Qualifier
Wheel Cylinder	00 - 99	F79767	(WC79767)	1-1/16" Bore
Wheel Cylinder	98 - 88	F116359	(WC116359)	7200 GVW; 1" Bore
Wheel Cylinder	86 - 89	F79767	(WC79767)	8600 GVW; 1-1/16" Bore
Wheel Cylinder	86 - 85	F51088	(WC51088)	6600-7200 GVW; 11" Brake; 1" Bore
Wheel Cylinder	86 - 84	F79767	(WC79767)	8600 GVW; 13" Brake; 1-1/16" Bore
Wheel Cylinder	84 - 82	F51088	(WC51088)	6400-7200 GVW; 11" Brake; 1" Bore
Wheel Cylinder	83	F79767	(WC79767)	8200-8600 GVW; 13" Brake; 1/16" Bore
Wheel Cylinder	82	F79767	(WC79767)	8600 GVW; 13" Brake; 1-1/16" Bore
Wheel Cylinder	81	F51088	(WC51088)	6400-7100 GVW; 11" Brake; 1" Bore
Wheel Cylinder	81	F79767	(WC79767)	7500-8200 GVW; 13" Brake; 1-1/16" Bore
Clutch Master Cylind	Years	Sequential No.	Category No.	Qualifier
Clutch Master Cylinder	00	F133507	(CM133507)	45/64" Bore
Clutch Master Cylinder	99 - 97	F133507	(CM133507)	w/o Diesel; 45/64" Bore
Clutch Master Cylinder	96	F133507	(CM133507)	45/64" Bore
Clutch Master Cylinder	95 - 92	F126856	(CM126856)	45/64" Bore
Clutch Master Cylinder	91 - 88	F119584	(CM119584)	11/16" Bore

↳Sub-Kit of Combi-Kit is available separately.

Piston: M - OE Metal Piston P - OE Phenolic Piston

C2500 PICKUP (cont.) - See Also K2500 PICKUP
Hydraulics - New (cont.)

Clutch Master Cylind	Years	Sequential No.	Category No.	Qualifier
Clutch Master Cylinder	86 - 85	F110273	(CM110273)	11/16" Bore
Clutch Slave Cylinder	Years	Sequential No.	Category No.	Qualifier
Clutch Slave Cylinder	00 - 96	F134322	(SC134322)	
Clutch Slave Cylinder	95 - 92	F126872	(SC126872)	25/32" Bore
Clutch Slave Cylinder	91 - 88	F103762	(SC103762)	13/16" Bore
Clutch Slave Cylinder	86 - 85	F103483	(SC103483)	13/16" Bore
Front Brake Hose	Years	Sequential No.	Category No.	Qualifier
Brake Hose	00 - 99	F133852	(BH133852)	L.H.; 8600 GVW; w/Rear Drum
Brake Hose	00 - 99	F133851	(BH133851)	R.H.; 8600 GVW; w/Rear Drum
Brake Hose	98 - 89	F116846	(BH116846)	L.H.; 7200 GVW
Brake Hose	98 - 93	F133852	(BH133852)	L.H.; 8600 GVW
Brake Hose	98 - 89	F116847	(BH116847)	R.H.; 7200 GVW
Brake Hose	98 - 93	F133851	(BH133851)	R.H.; 8600 GVW
Brake Hose	92 - 89	F116848	(BH116848)	L.H.; 8600 GVW
Brake Hose	92 - 89	F116849	(BH116849)	R.H.; 8600 GVW
Brake Hose	88	F116846	(BH116846)	L.H.
Brake Hose	88	F116847	(BH116847)	R.H.
Brake Hose	86 - 85	F102464	(BH102464)	L.H.; 7200 GVW
Brake Hose	86 - 84	F110424	(BH110424)	L.H.; 8600 GVW
Brake Hose	86 - 85	F102465	(BH102465)	R.H.; 7200 GVW
Brake Hose	86 - 84	F110425	(BH110425)	R.H.; 8600 GVW
Brake Hose	84 - 81	F102464	(BH102464)	L.H.; 6400-7200 GVW
Brake Hose	84 - 81	F102465	(BH102465)	R.H.; 6400-7200 GVW
Brake Hose	83	F110424	(BH110424)	L.H.; 8200-8600 GVW
Brake Hose	83	F110425	(BH110425)	R.H.; 8200-8600 GVW
Brake Hose	82	F110424	(BH110424)	L.H.; 6400-8600 GVW
Brake Hose	82	F110425	(BH110425)	R.H.; 6400-8600 GVW
Brake Hose	81	F110424	(BH110424)	L.H.; 7500-8200 GVW
Brake Hose	81	F110425	(BH110425)	R.H.; 7500-8200 GVW
Rear Brake Hose	Years	Sequential No.	Category No.	Qualifier
Brake Hose	00 - 99	F118117	(BH118117)	w/Rear Drum
Brake Hose	98 - 88	F118117	(BH118117)	
Brake Hose	86 - 84	F113148	(BH113148)	6.2;7.4L
Brake Hose	86 - 84	F80967	(BH80967)	w/o Diesel
Brake Hose	83 - 81	F80967	(BH80967)	

Hydraulics - Reman

Master Cylinder	Years	Part No.	Qualifier
Master Cylinder	00 - 94	R131472	Diesel; w/JD6 or JD7
Master Cylinder	00 - 88	R116881	Gas; w/JB6
Master Cylinder	00 - 94	R131472	Gas; w/JB7
Master Cylinder	93 - 88	R116627	Diesel; w/JD6 or JD7
Master Cylinder	93 - 88	R116627	Gas; w/JB7
Master Cylinder	86 - 82	R104456	Diesel; w/JD6
Master Cylinder	86 - 82	R104464	Diesel; w/JD7
Master Cylinder	86 - 82	R104516	Gas; w/JB6
Master Cylinder	86 - 82	R104464	Gas; w/JB7
Master Cylinder	81	R104516	w/JB6
Master Cylinder	81	R104464	w/JB7
Power Brake Booster	Years	Part No.	Qualifier
Hydro Booster	00 - 97	527352	Diesel; w/JD5 or JD6
Hydro Booster	00 - 97	527358	Diesel; w/JD7
Hydro Booster	00 - 97	527358	Gas; w/JB8
Hydro Booster	96 - 95	527335	Diesel; w/JD6
Hydro Booster	96 - 95	527336	Diesel; w/JD7
Hydro Booster	96 - 95	527336	Gas; w/JB8

C2500 PICKUP (cont.) - See Also K2500 PICKUP

Hydraulics - Reman (cont.)

Power Brake Booster	Years	Part No.	Qualifier
Hydro Booster	94	527341	Diesel; w/JD6
Hydro Booster	94	527334	Diesel; w/JD7
Hydro Booster	94	527334	Gas; w/JB8
Hydro Booster	93 - 92	527250	Diesel; w/JD6 or JD7
Hydro Booster	91 - 88	527250	Diesel; w/JD6
Hydro Booster	91 - 88	527328	Diesel; w/JD7
Hydro Booster	91 - 88	527328	Gas; w/JB8
Hydro Booster	86 - 84	527248	Diesel; w/JD6 or JD7
Hydro Booster	83 - 82	527307	Diesel; w/JD6 or JD7

Power Brake Booster	Years	Part No.	Qualifier
Power Brake Booster	00 - 97	5471085	Gas; w/o Master Cylinder; w/JB6 or JB7
Power Brake Booster	96 - 95	501098	Gas; w/Master Cylinder; w/JB6
Power Brake Booster	96 - 95	501067	Gas; w/Master Cylinder; w/JB7
Power Brake Booster	96 - 95	5471098	Gas; w/o Master Cylinder; w/JB6
Power Brake Booster	94	501080	Gas; w/Master Cylinder; w/JB7
Power Brake Booster	94	5471046	Gas; w/o Master Cylinder; w/JB7
Power Brake Booster	93 - 88	501047	Gas; w/Master Cylinder; w/JB6
Power Brake Booster	93 - 88	501074	Gas; w/Master Cylinder; w/JB7
Power Brake Booster	93 - 88	5471046	Gas; w/o Master Cylinder; w/JB6 or JB7
Power Brake Booster	86 - 82	509089	Gas; w/Master Cylinder; w/JB6; w/Pedal Rod No. C14
Power Brake Booster	86 - 82	501056	Gas; w/Master Cylinder; w/JB7; w/Pedal Rod No. C17
Power Brake Booster	86 - 82	5471069	Gas; w/o Master Cylinder; w/JB6; w/Pedal Rod No. C14
Power Brake Booster	86 - 82	5471056	Gas; w/o Master Cylinder; w/JB7; w/Pedal Rod No. C17
Power Brake Booster	81	509089	Gas; w/Master Cylinder; w/JB6
Power Brake Booster	81	501056	Gas; w/Master Cylinder; w/JB7
Power Brake Booster	81	5471069	Gas; w/o Master Cylinder; w/JB6
Power Brake Booster	81	5471056	Gas; w/o Master Cylinder; w/JB7

Brake Cables

Parking Brake Cable	Years	Sequential No.	Category No.	Qualifier
Parking Brake Cable	00	F140356	(BC140356)	Rear; R.H.; Exc. 5.7L; 7200 GVW; w/3.73, 4.10 A.R.; w/JD7; 104" Length
Parking Brake Cable	00	F140356	(BC140356)	Rear; R.H.; Exc. 5.7L; 8600 GVW; w/3.73, 4.10 A.R.; w/JD7; 104" Length
Parking Brake Cable	00 - 96	F140360	(BC140360)	Rear; R.H.; w/o Diesel; 8600 GVW; w/3.73, 4.10 A.R.; Exc. Floating Axle; w/JB7; 103" Length
Parking Brake Cable	00 - 96	F140356	(BC140356)	Rear; R.H.; w/o Diesel; 8600 GVW; w/3.73, 4.10 A.R.; w/4 Spd. A/T; w/Floating Axle; w/JB7, JD7; 104" Length
Parking Brake Cable	99 - 96	F140356	(BC140356)	Rear; R.H.; 6.5; 7.4L; 7200 GVW; w/3.73, 4.10 A.R.; w/JD7; 104" Length
Parking Brake Cable	99 - 96	F140356	(BC140356)	Rear; R.H.; 6.5; 7.4L; 8600 GVW; w/3.73, 4.10 A.R.; w/JD7; 104" Length
Parking Brake Cable	98 - 96	F128658	(BC128658)	Rear; L.H.; 7200 GVW; 84" Length
Parking Brake Cable	98 - 96	F140351	(BC140351)	Rear; L.H.; 7200 GVW; Exc. Crew Cab; w/JB6, JD6; 84" Length
Parking Brake Cable	98 - 96	F128997	(BC128997)	Rear; L.H.; 8600 GVW; w/3.73, 4.10 A.R.; Exc. Floating Axle; w/Limited Slip Differential; w/JB7
Parking Brake Cable	96 - 92	F124666	(BC124666)	Rear; R.H.; 7200 GVW; 131-1/2", 141-1/2" WB; w/JB6, JD6; 103" Length
Parking Brake Cable	96	F129675	(BC129675)	Rear; R.H.; 7200 GVW; 155-1/2" WB
Parking Brake Cable	96	F124667	(BC124667)	Rear; R.H.; 8600 GVW; 131-1/2", 141-1/2" WB; 104" Length
Parking Brake Cable	96	F129675	(BC129675)	Rear; R.H.; 8600 GVW; 155-1/2" WB
Parking Brake Cable	96	F140356	(BC140356)	Rear; R.H.; w/o Diesel; 8600 GVW; w/3.73, 4.10 A.R.; w/5 Spd. M/T; w/JB7, JD7; 104" Length
Parking Brake Cable	95	F132792	(BC132792)	Forward; 141-1/2" WB
Parking Brake Cable	95	F132795	(BC132795)	Forward; 155-1/2" WB
Parking Brake Cable	95	F128997	(BC128997)	Rear; L.H.; 7200 GVW; 131-1/2" WB; w/JB7, JD7
Parking Brake Cable	95 - 92	F128658	(BC128658)	Rear; L.H.; 7200 GVW; 131-1/2", 141-1/2" WB; 84" Length
Parking Brake Cable	95 - 92	F140351	(BC140351)	Rear; L.H.; 7200 GVW; w/JB6, JD6; 84" Length
Parking Brake Cable	95	F128997	(BC128997)	Rear; L.H.; 8600 GVW; 131-1/2" WB; w/JB7, JD7
Parking Brake Cable	95	F129675	(BC129675)	Rear; R.H.; 7200 GVW; 155-1/2" WB; w/JB7, JD7
Parking Brake Cable	95 - 92	F124667	(BC124667)	Rear; R.H.; 8600 GVW; 131-1/2", 141-1/2" WB; w/JB7, JD7; 104" Length

C2500 PICKUP (cont.) - See Also K2500 PICKUP
Brake Cables (cont.)

Parking Brake Cable	Years	Sequential No.	Category No.	Qualifier
Parking Brake Cable	95	F129675	(BC129675)	Rear; R.H.; 8600 GVW; 155-1/2" WB; w/JB7, JD7
Parking Brake Cable	95	F140356	(BC140356)	Rear; R.H.; Exc. 4.3;5.0L; 7200 GVW; w/JB7, JD7; 104" Length
Parking Brake Cable	95	F140356	(BC140356)	Rear; R.H.; Exc. 4.3;5.0L; 8600 GVW; w/JB7, JD7; 104" Length
Parking Brake Cable	95	F140360	(BC140360)	Rear; R.H.; w/o Diesel; 7200 GVW; Exc. Floating Axle; w/JB7; 103" Length
Parking Brake Cable	95	F140360	(BC140360)	Rear; R.H.; w/o Diesel; 8600 GVW; Exc. Floating Axle; w/JB7; 103" Length
Parking Brake Cable	94 - 90	F124685	(BC124685)	Forward; 131-1/2" WB
Parking Brake Cable	94 - 90	F124684	(BC124684)	Forward; 141-1/2" WB
Parking Brake Cable	94 - 90	F124681	(BC124681)	Forward; 155-1/2" WB
Parking Brake Cable	94 - 92	F128997	(BC128997)	Rear; L.H.; 131-1/2" WB; w/JB7, JD7
Parking Brake Cable	94 - 92	F129675	(BC129675)	Rear; R.H.; 155-1/2" WB; w/JB7, JD7
Parking Brake Cable	94	F140356	(BC140356)	Rear; R.H.; Exc. 4.3;5.0L; w/JB7, JD7; 104" Length
Parking Brake Cable	94 - 92	F140360	(BC140360)	Rear; R.H.; w/o Diesel; Exc. Floating Axle; w/JB7; 103" Length
Parking Brake Cable	93 - 92	F140356	(BC140356)	Rear; R.H.; 6.5;7.4L; w/JB7, JD7; 104" Length
Parking Brake Cable	91 - 90	F128997	(BC128997)	Rear; L.H.; 7200 GVW; 155-1/2" WB
Parking Brake Cable	91 - 90	F128658	(BC128658)	Rear; L.H.; 7500 GVW; 131-1/2" WB; 84" Length
Parking Brake Cable	91 - 90	F128658	(BC128658)	Rear; L.H.; 7500 GVW; 141-1/2" WB; 84" Length
Parking Brake Cable	91 - 90	F128997	(BC128997)	Rear; L.H.; 8600 GVW
Parking Brake Cable	91 - 90	F124666	(BC124666)	Rear; R.H.; 7500 GVW; 131-1/2", 141-1/2" WB; 103" Length
Parking Brake Cable	91 - 90	F129675	(BC129675)	Rear; R.H.; 7500 GVW; 155-1/2" WB
Parking Brake Cable	91 - 90	F124667	(BC124667)	Rear; R.H.; 8500 GVW; 104" Length
Parking Brake Cable	89 - 88	F124687	(BC124687)	Forward; 131-1/2" WB
Parking Brake Cable	89	F129638	(BC129638)	Forward; 141-1/2" WB
Parking Brake Cable	89 - 88	F124682	(BC124682)	Forward; 155-1/2" WB
Parking Brake Cable	89 - 88	F123935	(BC123935)	Rear; L.H.
Parking Brake Cable	89	F124666	(BC124666)	Rear; R.H.; 103" Length
Parking Brake Cable	89	F124667	(BC124667)	Rear; R.H.; 104" Length
Parking Brake Cable	88	F124478	(BC124478)	Rear; R.H.
Parking Brake Cable	86 - 84	F108771	(BC108771)	Forward; 131-1/2" WB
Parking Brake Cable	86 - 84	F108772	(BC108772)	Forward; 164-1/2" WB
Parking Brake Cable	86 - 84	F108767	(BC108767)	Rear; L.H.; 131-1/2" WB; 11" Brake
Parking Brake Cable	86 - 81	F88581	(BC88581)	Rear; L.H.; 131-1/2" WB; 11" Brake
Parking Brake Cable	86 - 84	F124137	(BC124137)	Rear; L.H.; 131-1/2" WB; 13" Brake
Parking Brake Cable	86 - 84	F124137	(BC124137)	Rear; L.H.; 164-1/2" WB
Parking Brake Cable	86 - 84	F108768	(BC108768)	Rear; R.H.; 131-1/2" WB; 11" Brake
Parking Brake Cable	86 - 81	F88581	(BC88581)	Rear; R.H.; 131-1/2" WB; 11" Brake
Parking Brake Cable	86 - 84	F108764	(BC108764)	Rear; R.H.; 131-1/2" WB; 13" Brake
Parking Brake Cable	86 - 84	F108764	(BC108764)	Rear; R.H.; 164-1/2" WB
Parking Brake Cable	83 - 81	F105561	(BC105561)	Forward; 131-1/2" WB
Parking Brake Cable	83 - 81	F105562	(BC105562)	Forward; 164-1/2" WB
Parking Brake Cable	83 - 81	F105964	(BC105964)	Intermediate; 131-1/2" WB; 11" Brake
Parking Brake Cable	83 - 81	F101981	(BC101981)	Intermediate; 131-1/2" WB; 13" Brake
Parking Brake Cable	83 - 81	F108179	(BC108179)	Intermediate; 164-1/2" WB
Parking Brake Cable	83 - 81	F108760	(BC108760)	Rear; L.H.; 131-1/2" WB; 13" Brake
Parking Brake Cable	83 - 81	F108760	(BC108760)	Rear; L.H.; 164-1/2" WB
Parking Brake Cable	83 - 81	F108760	(BC108760)	Rear; R.H.; 131-1/2" WB; 13" Brake
Parking Brake Cable	83 - 81	F108760	(BC108760)	Rear; R.H.; 164-1/2" WB

ABS Components - New

ABS Modulator	Years	Sequential No.	Category No.	Qualifier
ABS Modulator	90 - 88	F121007	(AB121007)	

ABS Components - Reman

ABS Module	Years	Part No.	Qualifier
ABS Module	94	RA121036	
ABS Module	93 - 88	RA121000	
ABS Hydraulic Unit	Years	Part No.	Qualifier
ABS Hydraulic Unit	99 - 95	RA125034	

CHEVROLET - 3/4 TON TRUCK



C2500 PICKUP (cont.) - See Also K2500 PICKUP

ABS Components - Reman (cont.)

ABS Hydraulic Unit	Years	Part No.	Qualifier
ABS Hydraulic Unit	94	RA122006	
ABS Hydraulic Unit	93 - 91	RA122006	7200 lb. GVW
ABS Hydraulic Unit	93 - 91	RA122008	8600 lb. GVW
ABS Hydraulic Unit	90 - 88	RA122003	

Wheel Attaching Hardware

Front Wheel Stud	Years	Part No.	Qualifier
Wheel Lug Stud	00	BD61426	
Wheel Lug Stud	99 - 88	BD61401	7200 GVW
Wheel Lug Stud	99 - 88	BD61426	8600 GVW
Wheel Lug Stud	86 - 81	BD60906	

Rear Wheel Stud	Years	Part No.	Qualifier
Wheel Lug Stud	00 - 90	BD125934	7200 GVW
Wheel Lug Stud	00 - 90	BD61427	8600 GVW
Wheel Lug Stud	89 - 88	BD125934	
Wheel Lug Stud	86 - 82	BD60963	w/11-5/32" Drum; w/9-1/2" R.G.
Wheel Lug Stud	86 - 81	BD61053	w/13" Drum; 10-1/2" R.G.
Wheel Lug Stud	86 - 82	BD60963	w/13" Drum; w/9-1/2" R.G.
Wheel Lug Stud	81	BD60963	w/11-5/32" Drum; 2" Bolt
Wheel Lug Stud	81	BD61135	w/11-5/32" Drum; 2-3/4" Bolt
Wheel Lug Stud	81	BD60963	w/13" Drum; 9-1/2" R.G.

Front Wheel Nut	Years	Part No.	Qualifier
Wheel Lug Nut	00 - 90	BD125916	External Thread
Wheel Lug Nut	89 - 88	BD61404	Bulge
Wheel Lug Nut	86 - 81	BD61287	Std. Open

Rear Wheel Nut	Years	Part No.	Qualifier
Wheel Lug Nut	00 - 90	BD125916	External Thread
Wheel Lug Nut	89 - 88	BD61404	Bulge
Wheel Lug Nut	86 - 81	BD61287	Std. Open

K2500 PICKUP - See Also C2500 PICKUP

Brake Pads & Shoes

Front Pads & Shoes	Years	SevereDuty	Lining No.	Qualifier
Brake Pads	00 - 99	SD784		w/Rear Disc
Brake Pads	00 - 99	SD370		w/Rear Drum
Brake Pads	98 - 96	SD370		
Brake Pads	95 - 92	SD369		7200 GVW; w/5 Stud Whl.
Brake Pads	95 - 92	SD370		8600 GVW; w/8 Stud Whl.
Brake Pads	91 - 89	SD369		7200 GVW
Brake Pads	91 - 89	SD370		8600 GVW
Brake Pads	88	SD369		
Brake Pads	86 - 83	SD52		6600 GVW
Brake Pads	86 - 83	SD153		8600 GVW; H/D Brake
Brake Pads	82 - 81	SD153		7500-8200 GVW; H/D Brake
Brake Pads	81	SD52		6800 GVW

Rear Pads & Shoes	Years	SevereDuty	Lining No.	Qualifier
Brake Pads	00 - 99	SD785		
Brake Shoes	00 - 92	SDS655R	SX2042BDT-S36	13 x 2-1/2" Brake; Riveted
Brake Shoes	98 - 88	SDS473R	EX2073TD-S32	11-5/32 x 2-3/4" Brake; Riveted
Brake Shoes	91 - 89	SDS451R	EX2042ADT-S32	13 x 2-1/2" Brake; Riveted
Brake Shoes	86 - 81	SDS473R	EX2073TD-S32	11-5/32 x 2-3/4" Brake; Riveted
Brake Shoes	86 - 81	SDS451R	EX2042ADT-S32	13 x 2-1/2" Brake; Riveted

Rotor & Drum

Front Rotor & Drum	Years	Part No.	Qualifier
Brake Rotor	00 - 99	BD125653	w/Rear Disc
Brake Rotor	00 - 99	BD61918	w/Rear Drum

K2500 PICKUP (cont.) - See Also C2500 PICKUP
Rotor & Drum (cont.)

Front Rotor & Drum	Years	Part No.	Qualifier
Brake Rotor	98 - 96	BD61918	
Brake Rotor	95 - 89	BD61812	7200 GVW; w/6 Stud Whl.; Full-Cast Rotor; Replaces OE Composite Design
Brake Rotor	95 - 89	BD61918	8600 GVW; w/8 Stud Whl.
Brake Rotor	88	BD61812	Full-Cast Rotor; Replaces OE Composite Design
Brake Rotor	86 - 83	BD60427	
Brake Rotor	82 - 81	BD60427	Use w/BD61708 Hub
Rotor Hub	86 - 81	BD61708	L.H.; Use w/BD60427 Rotor
Rotor Hub	86 - 81	BD61708	R.H.; Use w/BD60427 Rotor

Rear Rotor & Drum	Years	Part No.	Qualifier
Brake Drum	00 - 91	BD60359	w/10-1/2" R.G.; 13 x 2-1/2" Brake
Brake Drum	99 - 89	BD60727	w/9-1/2" R.G.; 13 x 2-1/2" Brake
Brake Drum	98 - 88	BD61817	11-5/32 x 2-3/4" Brake
Brake Drum	90	BD61891	w/10-1/2" R.G.; 1st Design; 13 x 2-1/2" Brake
Brake Drum	90	BD60359	w/10-1/2" R.G.; 2nd Design; 13 x 2-1/2" Brake
Brake Drum	86 - 84	BD60724	6600 GVW; 11-5/32 x 2-3/4" Brake
Brake Drum	86 - 84	BD60727	8600 GVW; H/D Brake; 13 x 2-1/2" Brake
Brake Drum	83	BD60595	6600 GVW; 4-5/8" Wide Drum; 11-5/32 x 2-3/4" Brake
Brake Drum	83	BD60724	6600 GVW; 6-3/8" Wide Drum; 11-5/32 x 2-3/4" Brake
Brake Drum	83	BD60623	8600 GVW; H/D Brake; 4-5/8" Wide Drum; 13 x 2-1/2" Brake
Brake Drum	83	BD60727	8600 GVW; H/D Brake; 6-3/8" Wide Drum; 13 x 2-1/2" Brake
Brake Drum	82	BD60595	6600 GVW; 11-5/32 x 2-3/4" Brake
Brake Drum	82	BD60623	8600 GVW; H/D Brake; 13 x 2-1/2" Brake
Brake Drum	81	BD60595	6800 GVW; 11-5/32 x 2-3/4" Brake
Brake Drum	81	BD60623	7500-8200 GVW; H/D Brake; 13 x 2-1/2" Brake
Brake Rotor	00 - 99	BD125656	w/13" Dia. Rotor; 8 Stud Whl.; w/4-5/8" Dia. Ctr. Pilot Hole
Brake Rotor	00 - 99	BD125657	w/13" Dia. Rotor; 8 Stud Whl.; w/4-53/64" Dia. Ctr. Pilot Hole

Brake Hardware

Front Brake Hardware	Years	Sequential No.	Category No.	Qualifier
Caliper Bolt/Pin	00 - 97	F117224S	(H5038)	
Caliper Bolt/Pin	96 - 92	F129642S	(H5062)	w/Rear Drum; w/DRW
Caliper Bolt/Pin	96 - 92	F117224S	(H5038)	w/Rear Drum; w/SRW
Caliper Bolt/Pin	91 - 88	F117224S	(H5038)	
Caliper Bolt/Pin	86 - 81	F76074S	(H5004)	
Disc Align Kit	99 - 88	F117225S	(H5584)	
Disc Align Kit	86 - 81	F73674S	(H5500)	
Pin Boot Kit	96 - 92	F126906S	(H8209)	w/Rear Drum; w/DRW

Rear Brake Hardware	Years	Sequential No.	Category No.	Qualifier
Adjuster Kit	99 - 88	F98404	(H2584)	L.H.; 11-5/32 x 2-3/4" Brake
Adjuster Kit	99 - 88	F98406	(H2580)	L.H.; 13 x 2-1/2" Brake
Adjuster Kit	99 - 88	F111233	(H2687)	R.H.; 11-5/32 x 2-3/4" Brake
Adjuster Kit	99 - 88	F98407	(H2581)	R.H.; 13 x 2-1/2" Brake
Adjuster Kit	86 - 81	F98404	(H2584)	L.H.; 11-5/32 x 2-3/4" Brake
Adjuster Kit	86 - 81	F98406	(H2580)	L.H.; 13 x 2-1/2" Brake
Adjuster Kit	86 - 83	F111233	(H2687)	R.H.; 11-5/32 x 2-3/4" Brake
Adjuster Kit	86 - 81	F98407	(H2581)	R.H.; 13 x 2-1/2" Brake
Adjuster Kit	82 - 81	F98405	(H2585)	R.H.; 11-5/32 x 2-3/4" Brake
Adjuster Screw	99 - 88	F73181S	(H1530)	L.H.; 11-5/32 x 2-3/4" Brake
Adjuster Screw	99 - 88	F83294	(H1550)	L.H.; 13 x 2-1/2" Brake
Adjuster Screw	99 - 88	F73182S	(H1531)	R.H.; 11-5/32 x 2-3/4" Brake
Adjuster Screw	99 - 88	F83295	(H1551)	R.H.; 13 x 2-1/2" Brake
Adjuster Screw	86 - 81	F73181S	(H1530)	L.H.; 11-5/32 x 2-3/4" Brake
Adjuster Screw	86 - 81	F83294	(H1550)	L.H.; 13 x 2-1/2" Brake
Adjuster Screw	86 - 81	F73182S	(H1531)	R.H.; 11-5/32 x 2-3/4" Brake
Adjuster Screw	86 - 81	F83295	(H1551)	R.H.; 13 x 2-1/2" Brake

↳ Sub-Kit of Combi-Kit is available separately.

CHEVROLET - 3/4 TON TRUCK



K2500 PICKUP (cont.) - See Also C2500 PICKUP

Brake Hardware (cont.)

Rear Brake Hardware	Years	Sequential No.	Category No.	Qualifier
Combi Kit	99 - 88	F98455S	(H7046)	11-5/32 x 2-3/4" Brake
↳Adjuster Spring Kit		F45936S	(H415)	
↳Hold Down Kit		F98422S	(H4018)	
↳Return Spring Kit		F45927S	(H324)	
Combi Kit	99 - 88	F98457S	(H7055)	13 x 2-1/2" Brake
↳Adjuster Spring Kit		F73145S	(H425)	
↳Hold Down Kit		F113455S	(H4098)	
↳Return Spring Kit		F59100S	(H600)	
Combi Kit	86 - 81	F98455S	(H7046)	11-5/32 x 2-3/4" Brake
↳Adjuster Spring Kit		F45936S	(H415)	
↳Hold Down Kit		F98422S	(H4018)	
↳Return Spring Kit		F45927S	(H324)	
Combi Kit	86 - 81	F98457S	(H7055)	13 x 2-1/2" Brake
↳Adjuster Spring Kit		F73145S	(H425)	
↳Hold Down Kit		F113455S	(H4098)	
↳Return Spring Kit		F59100S	(H600)	

Calipers - Reman

Front, Loaded	Years	Left No.	Right No.	Qualifier	Piston
Loaded Caliper	00 - 89	AS116294	AS116295	8600 GVW; w/3.16" Single Piston Caliper	M
Loaded Caliper	98 - 89	AS116292	AS116293	7200 GVW; w/2.94" Single Piston Caliper	M
Loaded Caliper	88	AS116292	AS116293	w/2.94" Single Piston Caliper	M
Loaded Caliper	86 - 81	AS98886	AS98887	w/JB6, JD6; w/2.94" Single Piston Caliper	M
Loaded Caliper	86 - 81	AS98954	AS98955	w/JB7, JD7; w/3.16" Single Piston Caliper	M

Front, Unloaded	Years	Left No.	Right No.	Qualifier	Piston
Unloaded Caliper	00 - 89	CR116294	CR116295	8600 GVW; w/3.16" Single Piston Caliper	M
Unloaded Caliper	98 - 89	CR116292	CR116293	7200 GVW; w/2.94" Single Piston Caliper	M
Unloaded Caliper	88	CR116292	CR116293	w/2.94" Single Piston Caliper	M
Unloaded Caliper	86 - 81	CR98886	CR98887	w/JB6, JD6; w/2.94" Single Piston Caliper	M
Unloaded Caliper	86 - 81	CR98954	CR98955	w/JB7, JD7; w/3.16" Single Piston Caliper	M

Hydraulics - New

Master Cylinder	Years	Sequential No.	Category No.	Qualifier
Master Cylinder	00 - 99	F131472	(MC131472)	w/Hydro-Boost; w/Rear Drum; 1-1/4" Bore
Master Cylinder	98 - 95	F131472	(MC131472)	8600 GVW; w/Hydro-Boost; 1-1/4" Bore
Master Cylinder	98 - 94	F131468	(MC131468)	w/o Diesel; 7200 GVW; 1-1/8" Bore
Master Cylinder	94	F131472	(MC131472)	Diesel; w/Hydro-Boost; 1-1/4" Bore
Master Cylinder	94	F131472	(MC131472)	w/o Diesel; 8600 GVW; w/Hydro-Boost; 1-1/4" Bore
Master Cylinder	93 - 88	F116627	(MC116627)	Diesel; w/Hydro-Boost; 1-1/4" Bore
Master Cylinder	93 - 88	F116881	(MC116881)	w/o Diesel; 7200 GVW; 1-1/8" Bore
Master Cylinder	93 - 88	F116627	(MC116627)	w/o Diesel; 8600 GVW; w/Hydro-Boost; 1-1/4" Bore
Master Cylinder	86 - 84	F104456	(MC104456)	Diesel; 6600 GVW; w/Hydro-Boost; 1-3/16" Bore
Master Cylinder	86 - 84	F104516	(MC104516)	w/o Diesel; 6600 GVW; 1-1/8" Bore
Master Cylinder	86 - 84	F104464	(MC104464)	w/o Diesel; 8600 GVW; 1-1/4" Bore
Master Cylinder	83 - 81	F104464	(MC104464)	1-1/4" Bore; 13" Brake
Master Cylinder	83 - 82	F104456	(MC104456)	Diesel; 1-3/16" Bore; 11" Brake
Master Cylinder	83 - 82	F104516	(MC104516)	w/o Diesel; 1-1/8" Bore; 11" Brake
Master Cylinder	81	F104516	(MC104516)	1-1/8" Bore; 11" Brake

Rear Wheel Cylinder	Years	Sequential No.	Category No.	Qualifier
Wheel Cylinder	00 - 98	F79767	(WC79767)	1-1/16" Bore
Wheel Cylinder	97 - 88	F116359	(WC116359)	7200 GVW; 1" Bore
Wheel Cylinder	97 - 89	F79767	(WC79767)	8600 GVW; 1-1/16" Bore
Wheel Cylinder	86 - 81	F51088	(WC51088)	6600-7200 GVW; 11" Brake; 1" Bore
Wheel Cylinder	86 - 82	F79767	(WC79767)	8600 GVW; 13" Brake; 1-1/16" Bore
Wheel Cylinder	81	F79767	(WC79767)	7500-8200 GVW; 13" Brake; 1-1/16" Bore

↳Sub-Kit of Combi-Kit is available separately.

Piston: M - OE Metal Piston P - OE Phenolic Piston

K2500 PICKUP (cont.) - See Also C2500 PICKUP
Hydraulics - New (cont.)

Clutch Master Cylind	Years	Sequential No.	Category No.	Qualifier
Clutch Master Cylinder	00	F133507	(CM133507)	45/64" Bore
Clutch Master Cylinder	99 - 97	F133507	(CM133507)	w/o Diesel; 45/64" Bore
Clutch Master Cylinder	96	F133507	(CM133507)	45/64" Bore
Clutch Master Cylinder	95 - 92	F126856	(CM126856)	45/64" Bore
Clutch Master Cylinder	91 - 88	F119584	(CM119584)	11/16" Bore
Clutch Master Cylinder	86 - 84	F110273	(CM110273)	11/16" Bore
Clutch Slave Cylinder	Years	Sequential No.	Category No.	Qualifier
Clutch Slave Cylinder	00 - 96	F134322	(SC134322)	
Clutch Slave Cylinder	95 - 92	F126872	(SC126872)	25/32" Bore
Clutch Slave Cylinder	91 - 88	F103762	(SC103762)	13/16" Bore
Clutch Slave Cylinder	86 - 84	F103483	(SC103483)	13/16" Bore
Front Brake Hose	Years	Sequential No.	Category No.	Qualifier
Brake Hose	00 - 99	F138063	(BH138063)	L.H.; 8600 GVW; w/Rear Drum
Brake Hose	00 - 99	F120542	(BH120542)	R.H.; 8600 GVW; w/Rear Drum
Brake Hose	98 - 96	F138063	(BH138063)	L.H.; 8600 GVW
Brake Hose	98 - 96	F138064	(BH138064)	R.H.; 8600 GVW
Brake Hose	96 - 88	F118083	(BH118083)	L.H.; 7200 GVW
Brake Hose	96 - 88	F118084	(BH118084)	R.H.; 7200 GVW
Brake Hose	95 - 89	F120541	(BH120541)	L.H.; 8600 GVW
Brake Hose	95 - 89	F120542	(BH120542)	R.H.; 8600 GVW
Brake Hose	86 - 82	F104345	(BH104345)	L.H.; 6600 GVW
Brake Hose	86 - 82	F104346	(BH104346)	L.H.; 8600 GVW
Brake Hose	86 - 84	F104347	(BH104347)	R.H.; 6600 GVW
Brake Hose	86 - 84	F106359	(BH106359)	R.H.; 8600 GVW
Brake Hose	83 - 82	F106359	(BH106359)	R.H.; Diesel; 6600 GVW
Brake Hose	83 - 82	F104347	(BH104347)	R.H.; Diesel; 8600 GVW
Brake Hose	83 - 82	F104347	(BH104347)	R.H.; w/o Diesel; 6600 GVW
Brake Hose	83 - 82	F106359	(BH106359)	R.H.; w/o Diesel; 8600 GVW
Brake Hose	81	F104345	(BH104345)	L.H.; 6800 GVW
Brake Hose	81	F104346	(BH104346)	L.H.; 7500-8200 GVW
Brake Hose	81	F104347	(BH104347)	R.H.; 6800 GVW
Brake Hose	81	F106359	(BH106359)	R.H.; 7500-8200 GVW
Rear Brake Hose	Years	Sequential No.	Category No.	Qualifier
Brake Hose	00 - 99	F118117	(BH118117)	w/Rear Drum
Brake Hose	98 - 88	F118117	(BH118117)	
Brake Hose	86 - 84	F113148	(BH113148)	Diesel
Brake Hose	86 - 84	F80967	(BH80967)	w/o Diesel
Brake Hose	83 - 81	F80967	(BH80967)	

Hydraulics - Reman

Master Cylinder	Years	Part No.	Qualifier
Master Cylinder	00 - 94	R131472	Diesel; w/JD6 or JD7
Master Cylinder	00 - 88	R116881	Gas; w/JB6
Master Cylinder	00 - 94	R131472	Gas; w/JB7
Master Cylinder	93 - 88	R116627	Diesel; w/JD6 or JD7
Master Cylinder	93 - 88	R116627	Gas; w/JB7
Master Cylinder	86 - 82	R104456	Diesel; w/JD6
Master Cylinder	86 - 82	R104464	Diesel; w/JD7
Master Cylinder	86 - 82	R104516	Gas; w/JB6
Master Cylinder	86 - 82	R104464	Gas; w/JB7
Master Cylinder	81	R104516	w/JB6
Master Cylinder	81	R104464	w/JB7
Power Brake Booster	Years	Part No.	Qualifier
Hydro Booster	00 - 97	527352	Diesel; w/JD5 or JD6
Hydro Booster	00 - 97	527358	Diesel; w/JD7
Hydro Booster	00 - 97	527358	Gas; w/JB8

K2500 PICKUP (cont.) - See Also C2500 PICKUP

Hydraulics - Reman (cont.)

Power Brake Booster	Years	Part No.	Qualifier
Hydro Booster	96 - 95	527335	Diesel; w/JD6
Hydro Booster	96 - 95	527336	Diesel; w/JD7
Hydro Booster	96 - 95	527336	Gas; w/JB8
Hydro Booster	94	527341	Diesel; w/JD6
Hydro Booster	94	527334	Diesel; w/JD7
Hydro Booster	94	527334	Gas; w/JB8
Hydro Booster	93 - 92	527345	Diesel; w/JD6 or JD7
Hydro Booster	91 - 88	527250	Diesel; w/JD6
Hydro Booster	91 - 88	527328	Diesel; w/JD7
Hydro Booster	91 - 88	527328	Gas; w/JB8
Hydro Booster	86 - 84	527248	Diesel; w/JD6 or JD7
Hydro Booster	83 - 82	527307	Diesel; w/JD6 or JD7

Power Brake Booster	Years	Part No.	Qualifier
Power Brake Booster	00 - 97	5471085	Gas; w/o Master Cylinder; w/JB6 or JB7
Power Brake Booster	96 - 95	501098	Gas; w/Master Cylinder; w/JB6
Power Brake Booster	96 - 95	501067	Gas; w/Master Cylinder; w/JB7
Power Brake Booster	96 - 95	5471098	Gas; w/o Master Cylinder; w/JB6 or JB7
Power Brake Booster	94	501098	Gas; w/Master Cylinder; w/JB6; w/Vacuum Boost
Power Brake Booster	94	501080	Gas; w/Master Cylinder; w/JB7; w/Vacuum Boost
Power Brake Booster	94	5471098	Gas; w/o Master Cylinder; w/JB6; w/Vacuum Boost
Power Brake Booster	94	5471046	Gas; w/o Master Cylinder; w/JB7; w/Vacuum Boost
Power Brake Booster	93 - 88	501047	Gas; w/Master Cylinder; w/JB6
Power Brake Booster	93 - 88	501074	Gas; w/Master Cylinder; w/JB7
Power Brake Booster	93 - 88	5471046	Gas; w/o Master Cylinder; w/JB6 or JB7
Power Brake Booster	86 - 82	509089	Gas; w/Master Cylinder; w/JB6; w/Pedal Rod No. C14
Power Brake Booster	86 - 82	501056	Gas; w/Master Cylinder; w/JB7; w/Pedal Rod No. C17
Power Brake Booster	86 - 82	5471069	Gas; w/o Master Cylinder; w/JB6; w/Pedal Rod No. C14
Power Brake Booster	86 - 82	5471056	Gas; w/o Master Cylinder; w/JB7; w/Pedal Rod No. C17
Power Brake Booster	81	509089	Gas; w/Master Cylinder; w/JB6
Power Brake Booster	81	501056	Gas; w/Master Cylinder; w/JB7
Power Brake Booster	81	5471069	Gas; w/o Master Cylinder; w/JB6
Power Brake Booster	81	5471056	Gas; w/o Master Cylinder; w/JB7

Brake Cables

Parking Brake Cable	Years	Sequential No.	Category No.	Qualifier
Parking Brake Cable	00	F140356	(BC140356)	Rear; R.H.; Exc. 5.7L; 7200 GVW; w/3.73, 4.10 A.R.; w/JD7; 104" Length
Parking Brake Cable	00	F140356	(BC140356)	Rear; R.H.; Exc. 5.7L; 8600 GVW; w/3.73, 4.10 A.R.; w/JD7; 104" Length
Parking Brake Cable	00 - 96	F140360	(BC140360)	Rear; R.H.; w/o Diesel; 8600 GVW; w/3.73, 4.10 A.R.; Exc. Floating Axle; w/JB7; 103" Length
Parking Brake Cable	00 - 96	F140356	(BC140356)	Rear; R.H.; w/o Diesel; 8600 GVW; w/3.73, 4.10 A.R.; w/4 Spd. A/T; w/Floating Axle; w/JB7, JD7; 104" Length
Parking Brake Cable	99 - 98	F140356	(BC140356)	Rear; R.H.; 6.5;7.4L; 7200 GVW; w/3.73, 4.10 A.R.; w/JD7; 104" Length
Parking Brake Cable	99 - 98	F140356	(BC140356)	Rear; R.H.; 6.5;7.4L; 8600 GVW; w/3.73, 4.10 A.R.; w/JD7; 104" Length
Parking Brake Cable	98 - 96	F128658	(BC128658)	Rear; L.H.; 7200 GVW; 84" Length
Parking Brake Cable	98 - 92	F140351	(BC140351)	Rear; L.H.; 7200 GVW; w/JB6, JD6; 84" Length
Parking Brake Cable	98 - 92	F128997	(BC128997)	Rear; L.H.; 8600 GVW
Parking Brake Cable	97 - 96	F140356	(BC140356)	Rear; R.H.; Exc. 5.7L; 7200 GVW; w/3.73, 4.10 A.R.; w/JD7; 104" Length
Parking Brake Cable	97 - 96	F140356	(BC140356)	Rear; R.H.; Exc. 5.7L; 8600 GVW; w/3.73, 4.10 A.R.; w/JD7; 104" Length
Parking Brake Cable	96 - 92	F124666	(BC124666)	Rear; R.H.; 7200 GVW; 131-1/2", 141-1/2" WB; 103" Length
Parking Brake Cable	96 - 92	F129675	(BC129675)	Rear; R.H.; 7200 GVW; 155-1/2" WB
Parking Brake Cable	96 - 92	F124667	(BC124667)	Rear; R.H.; 8600 GVW; 104" Length
Parking Brake Cable	96	F140356	(BC140356)	Rear; R.H.; w/o Diesel; 8600 GVW; w/3.73, 4.10 A.R.; w/5 Spd. M/T; w/JB7, JD7; 104" Length
Parking Brake Cable	95 - 90	F124684	(BC124684)	Forward; 141-1/2" WB
Parking Brake Cable	95	F132795	(BC132795)	Forward; 155-1/2" WB
Parking Brake Cable	95 - 92	F128658	(BC128658)	Rear; L.H.; 7200 GVW; 131-1/2", 141-1/2" WB; 84" Length

K2500 PICKUP (cont.) - See Also C2500 PICKUP
Brake Cables (cont.)

Parking Brake Cable	Years	Sequential No.	Category No.	Qualifier
Parking Brake Cable	95	F140356	(BC140356)	Rear; R.H.; Exc. 4.3;5.0L; 7200 GVW; w/JB7, JD7; 104" Length
Parking Brake Cable	95	F140356	(BC140356)	Rear; R.H.; Exc. 4.3;5.0L; 8600 GVW; w/JB7, JD7; 104" Length
Parking Brake Cable	95	F140360	(BC140360)	Rear; R.H.; w/o Diesel; 7200 GVW; Exc. Floating Axle; w/JB7; 103" Length
Parking Brake Cable	95	F140360	(BC140360)	Rear; R.H.; w/o Diesel; 8600 GVW; Exc. Floating Axle; w/JB7; 103" Length
Parking Brake Cable	94 - 90	F124685	(BC124685)	Forward; 131-1/2" WB
Parking Brake Cable	94 - 90	F124681	(BC124681)	Forward; 155-1/2" WB
Parking Brake Cable	94 - 92	F128997	(BC128997)	Rear; L.H.; 7200 GVW; 155-1/2" WB
Parking Brake Cable	94	F140356	(BC140356)	Rear; R.H.; Exc. 4.3;5.0L; w/JB7, JD7; 104" Length
Parking Brake Cable	94 - 92	F140360	(BC140360)	Rear; R.H.; w/o Diesel; Exc. Floating Axle; w/JB7; 103" Length
Parking Brake Cable	93 - 92	F140356	(BC140356)	Rear; R.H.; 6.5;7.4L; w/JB7, JD7; 104" Length
Parking Brake Cable	91 - 90	F128658	(BC128658)	Rear; L.H.; 7500 GVW; 84" Length
Parking Brake Cable	91 - 90	F128997	(BC128997)	Rear; L.H.; 8500 GVW
Parking Brake Cable	91 - 90	F124666	(BC124666)	Rear; R.H.; 7500 GVW; 103" Length
Parking Brake Cable	91 - 90	F124667	(BC124667)	Rear; R.H.; 8500 GVW; 104" Length
Parking Brake Cable	89 - 88	F124687	(BC124687)	Forward; 131-1/2" WB
Parking Brake Cable	89 - 88	F129638	(BC129638)	Forward; 141-1/2" WB
Parking Brake Cable	89 - 88	F124682	(BC124682)	Forward; 155-1/2" WB
Parking Brake Cable	89 - 88	F123935	(BC123935)	Rear; L.H.
Parking Brake Cable	89	F124666	(BC124666)	Rear; R.H.; 103" Length
Parking Brake Cable	89	F124667	(BC124667)	Rear; R.H.; 104" Length
Parking Brake Cable	88	F124478	(BC124478)	Rear; R.H.
Parking Brake Cable	86 - 84	F108771	(BC108771)	Forward; 131-1/2" WB
Parking Brake Cable	86 - 84	F108772	(BC108772)	Forward; 164-1/2" WB
Parking Brake Cable	86 - 84	F108767	(BC108767)	Rear; L.H.; 131-1/2" WB; 11" Brake
Parking Brake Cable	86 - 84	F124137	(BC124137)	Rear; L.H.; 131-1/2" WB; 13" Brake
Parking Brake Cable	86 - 84	F124137	(BC124137)	Rear; L.H.; 164-1/2" WB
Parking Brake Cable	86 - 84	F108768	(BC108768)	Rear; R.H.; 131-1/2" WB; 11" Brake
Parking Brake Cable	86 - 84	F108764	(BC108764)	Rear; R.H.; 131-1/2" WB; 13" Brake
Parking Brake Cable	86 - 84	F108764	(BC108764)	Rear; R.H.; 164-1/2" WB
Parking Brake Cable	83 - 81	F109228	(BC109228)	Forward
Parking Brake Cable	83 - 82	F86371	(BC86371)	Intermediate
Parking Brake Cable	83 - 82	F108760	(BC108760)	Rear; L.H.; 131-1/2" WB
Parking Brake Cable	83 - 82	F88581	(BC88581)	Rear; L.H.; 131-1/2" WB
Parking Brake Cable	83 - 82	F108760	(BC108760)	Rear; R.H.; 131-1/2" WB
Parking Brake Cable	83 - 82	F88581	(BC88581)	Rear; R.H.; 131-1/2" WB
Parking Brake Cable	81	F105970	(BC105970)	Intermediate; 131-1/2" WB; 11" Brake
Parking Brake Cable	81	F86371	(BC86371)	Intermediate; 131-1/2" WB; 13" Brake
Parking Brake Cable	81	F88581	(BC88581)	Rear; L.H.
Parking Brake Cable	81	F88581	(BC88581)	Rear; R.H.

ABS Components - New

ABS Modulator	Years	Sequential No.	Category No.	Qualifier
ABS Modulator	89 - 88	F121007	(AB121007)	
ABS Wheel Sensor	Years	Sequential No.	Category No.	Qualifier
ABS Wheel Sensor	91 - 88	F121028	(AB121028)	Rear

ABS Components - Reman

ABS Module	Years	Part No.	Qualifier
ABS Module	94	RA121036	
ABS Module	93 - 88	RA121000	
ABS Hydraulic Unit	Years	Part No.	Qualifier
ABS Hydraulic Unit	98 - 95	RA125034	
ABS Hydraulic Unit	94	RA122006	
ABS Hydraulic Unit	93 - 90	RA122006	7200 lb. GVW
ABS Hydraulic Unit	93 - 90	RA122008	8600 lb. GVW
ABS Hydraulic Unit	89 - 88	RA122003	

CHEVROLET - 3/4 TON TRUCK



K2500 PICKUP (cont.) - See Also C2500 PICKUP

Wheel Attaching Hardware

Front Wheel Stud	Years	Part No.	Qualifier
Wheel Lug Stud	00 - 92	BD61423	7200 GVW
Wheel Lug Stud	00 - 92	BD61425	8600 GVW
Wheel Lug Stud	91 - 88	BD61425	
Wheel Lug Stud	86 - 81	BD60907	

Rear Wheel Stud	Years	Part No.	Qualifier
Wheel Lug Stud	00 - 92	BD125934	7200 GVW
Wheel Lug Stud	00 - 92	BD61427	8600 GVW
Wheel Lug Stud	91 - 90	BD125934	w/11-5/32" Drum
Wheel Lug Stud	91 - 90	BD61427	w/13" Drum
Wheel Lug Stud	89 - 88	BD125934	
Wheel Lug Stud	86 - 82	BD60963	w/11-5/32" Drum; w/9-1/2" R.G.
Wheel Lug Stud	86 - 81	BD61053	w/13" Drum; 10-1/2" R.G.
Wheel Lug Stud	86 - 82	BD60963	w/13" Drum; w/9-1/2" R.G.
Wheel Lug Stud	81	BD60963	w/11-5/32" Drum; 2" Bolt
Wheel Lug Stud	81	BD61135	w/11-5/32" Drum; 2-3/4" Bolt
Wheel Lug Stud	81	BD60963	w/13" Drum; 9-1/2" R.G.

Front Wheel Nut	Years	Part No.	Qualifier
Wheel Lug Nut	00 - 90	BD125916	External Thread
Wheel Lug Nut	89 - 88	BD61404	Bulge
Wheel Lug Nut	86 - 81	BD61287	Std. Open

Rear Wheel Nut	Years	Part No.	Qualifier
Wheel Lug Nut	00 - 90	BD125916	External Thread
Wheel Lug Nut	89 - 88	BD61404	Bulge
Wheel Lug Nut	86 - 81	BD61287	Std. Open

R2500 PICKUP - See Also V2500 PICKUP

Brake Pads & Shoes

Front Pads & Shoes	Years	SevereDuty	Lining No.	Qualifier
Brake Pads	89	SD153		
Brake Pads	88 - 87	SD52		7200 GVW
Brake Pads	88 - 87	SD153		8600 GVW; H/D Brake

Rear Pads & Shoes	Years	SevereDuty	Lining No.	Qualifier
Brake Shoes	89	SDS451R	EX2042ADT-S32	13 x 2-1/2" Brake; Riveted
Brake Shoes	88 - 87	SDS473R	EX2073TD-S32	11-5/32 x 2-3/4" Brake; Riveted
Brake Shoes	88 - 87	SDS451R	EX2042ADT-S32	13 x 2-1/2" Brake; Riveted

Rotor & Drum

Front Rotor & Drum	Years	Part No.	Qualifier
Brake Rotor	89	BD60402	
Brake Rotor	88 - 87	BD60402	

Rear Rotor & Drum	Years	Part No.	Qualifier
Brake Drum	89	BD60359	w/10-1/2" R.G.; 13 x 2-1/2" Brake
Brake Drum	89	BD60727	w/9-1/2" R.G.; 13 x 2-1/2" Brake
Brake Drum	88 - 87	BD60724	7200 GVW; 11-5/32 x 2-3/4" Brake
Brake Drum	88	BD60359	8600 GVW; w/10-1/2" R.G.; 13 x 2-1/2" Brake
Brake Drum	88	BD60727	8600 GVW; w/9-1/2" R.G.; 13 x 2-1/2" Brake
Brake Drum	87	BD60359	8600 GVW; H/D Brake; w/10-1/2 R.G.; 13 x 2-1/2" Brake
Brake Drum	87	BD60727	8600 GVW; H/D Brake; w/9-1/2" R.G.; 13 x 2-1/2" Brake

Brake Hardware

Front Brake Hardware	Years	Sequential No.	Category No.	Qualifier
Caliper Bolt/Pin	89	F76074S	(H5004)	
Caliper Bolt/Pin	88 - 87	F76074S	(H5004)	
Disc Align Kit	89	F73674S	(H5500)	
Disc Align Kit	88 - 87	F73674S	(H5500)	

Rear Brake Hardware	Years	Sequential No.	Category No.	Qualifier
Adjuster Kit	89	F98406	(H2580)	L.H.

R2500 PICKUP (cont.) - See Also V2500 PICKUP

Brake Hardware (cont.)

Rear Brake Hardware	Years	Sequential No.	Category No.	Qualifier
Adjuster Kit	89	F98407	(H2581)	R.H.
Adjuster Kit	88 - 87	F98404	(H2584)	L.H.; 11-5/32 x 2-3/4" Brake
Adjuster Kit	88 - 87	F98406	(H2580)	L.H.; 13 x 2-1/2" Brake
Adjuster Kit	88 - 87	F111233	(H2687)	R.H.; 11-5/32 x 2-3/4" Brake
Adjuster Kit	88 - 87	F98407	(H2581)	R.H.; 13 x 2-1/2" Brake
Adjuster Screw	89	F83294	(H1550)	L.H.
Adjuster Screw	89	F83295	(H1551)	R.H.
Adjuster Screw	88 - 87	F73181S	(H1530)	L.H.; 11-5/32 x 2-3/4" Brake
Adjuster Screw	88 - 87	F83294	(H1550)	L.H.; 13 x 2-1/2" Brake
Adjuster Screw	88 - 87	F73182S	(H1531)	R.H.; 11-5/32 x 2-3/4" Brake
Adjuster Screw	88 - 87	F83295	(H1551)	R.H.; 13 x 2-1/2" Brake
Combi Kit	89	F98457S	(H7055)	
↳Adjuster Spring Kit		F73145S	(H425)	
↳Hold Down Kit		F113455S	(H4098)	
↳Return Spring Kit		F59100S	(H600)	
Combi Kit	88 - 87	F98455S	(H7046)	11-5/32 x 2-3/4" Brake
↳Adjuster Spring Kit		F45936S	(H415)	
↳Hold Down Kit		F98422S	(H4018)	
↳Return Spring Kit		F45927S	(H324)	
Combi Kit	88 - 87	F98457S	(H7055)	13 x 2-1/2" Brake
↳Adjuster Spring Kit		F73145S	(H425)	
↳Hold Down Kit		F113455S	(H4098)	
↳Return Spring Kit		F59100S	(H600)	

Calipers - Reman

Front, Loaded	Years	Left No.	Right No.	Qualifier	Piston
Loaded Caliper	89	AS98954	AS98955		M
Loaded Caliper	88 - 87	AS98884	AS98885	w/JB6, JD6; w/2.94" Single Piston Caliper	M
Loaded Caliper	88 - 87	AS98954	AS98955	w/JB7, JD7; w/3.16" Single Piston Caliper	M
Front, Unloaded	Years	Left No.	Right No.	Qualifier	Piston
Unloaded Caliper	89	CR98954	CR98955		M
Unloaded Caliper	88 - 87	CR98884	CR98885	w/JB6, JD6; w/2.94" Single Piston Caliper	M
Unloaded Caliper	88 - 87	CR98954	CR98955	w/JB7, JD7; w/3.16" Single Piston Caliper	M

Hydraulics - New

Master Cylinder	Years	Sequential No.	Category No.	Qualifier
Master Cylinder	89	F104464	(MC104464)	1-1/4" Bore
Master Cylinder	88 - 87	F104464	(MC104464)	1-1/4" Bore; 13" Brake
Master Cylinder	88 - 87	F104456	(MC104456)	w/Hydro-Boost; 1-3/16" Bore; 11" Brake
Master Cylinder	88 - 87	F104516	(MC104516)	w/Vacuum Boost; 1-1/8" Bore; 11" Brake
Rear Wheel Cylinder	Years	Sequential No.	Category No.	Qualifier
Wheel Cylinder	89	F79767	(WC79767)	1-1/16" Bore
Wheel Cylinder	88	F51088	(WC51088)	11" Brake; 1" Bore
Wheel Cylinder	88	F79767	(WC79767)	13" Brake; 1-1/16" Bore
Wheel Cylinder	87	F51088	(WC51088)	6600-7200 GVW; 11" Brake; 1" Bore
Wheel Cylinder	87	F79767	(WC79767)	8600 GVW; 13" Brake; 1-1/16" Bore
Clutch Master Cylind	Years	Sequential No.	Category No.	Qualifier
Clutch Master Cylinder	89	F110273	(CM110273)	11/16" Bore
Clutch Master Cylinder	88 - 87	F110273	(CM110273)	11/16" Bore
Clutch Slave Cylinder	Years	Sequential No.	Category No.	Qualifier
Clutch Slave Cylinder	89	F103483	(SC103483)	13/16" Bore
Clutch Slave Cylinder	88 - 87	F103483	(SC103483)	13/16" Bore
Front Brake Hose	Years	Sequential No.	Category No.	Qualifier
Brake Hose	89	F110424	(BH110424)	L.H.
Brake Hose	89	F110425	(BH110425)	R.H.
Brake Hose	88 - 87	F102464	(BH102464)	L.H.; 7200 GVW

↳Sub-Kit of Combi-Kit is available separately.

Piston: M - OE Metal Piston P - OE Phenolic Piston

R2500 PICKUP (cont.) - See Also V2500 PICKUP

Hydraulics - New (cont.)

Front Brake Hose	Years	Sequential No.	Category No.	Qualifier
Brake Hose	88 - 87	F110424	(BH110424)	L.H.; 8600 GVW
Brake Hose	88 - 87	F102465	(BH102465)	R.H.; 7200 GVW
Brake Hose	88 - 87	F110425	(BH110425)	R.H.; 8600 GVW

Rear Brake Hose	Years	Sequential No.	Category No.	Qualifier
Brake Hose	89	F113148	(BH113148)	Diesel
Brake Hose	89	F80967	(BH80967)	w/o Diesel
Brake Hose	88	F113148	(BH113148)	6.2;7.4L
Brake Hose	88	F80967	(BH80967)	w/o Diesel
Brake Hose	87	F80967	(BH80967)	Exc. 7.4L
Brake Hose	87	F113148	(BH113148)	w/o Diesel

Hydraulics - Reman

Master Cylinder	Years	Part No.	Qualifier
Master Cylinder	89	R104456	Diesel; w/JD6
Master Cylinder	89	R104464	Diesel; w/JD7
Master Cylinder	89	R104516	Gas; w/JB6
Master Cylinder	89	R104464	Gas; w/JB7
Master Cylinder	88 - 87	R104456	Diesel; w/JD6
Master Cylinder	88 - 87	R104464	Diesel; w/JD7
Master Cylinder	88 - 87	R104516	Gas; w/JB6
Master Cylinder	88 - 87	R104464	Gas; w/JB7

Power Brake Booster	Years	Part No.	Qualifier
Hydro Booster	89	527248	Diesel; w/JD6 or JD7
Hydro Booster	88 - 87	527248	Diesel; w/JD6 or JD7

Power Brake Booster	Years	Part No.	Qualifier
Power Brake Booster	89	501059	Gas; w/Master Cylinder; w/JB7
Power Brake Booster	89	5471059	Gas; w/o Master Cylinder; w/JB7
Power Brake Booster	88	501056	Gas; w/Master Cylinder; Vin No. K; w/JB7
Power Brake Booster	88	501059	Gas; w/Master Cylinder; Vin No. N; w/JB7
Power Brake Booster	88	501056	Gas; w/Master Cylinder; Vin No. T; w/JB7
Power Brake Booster	88	5471056	Gas; w/o Master Cylinder; Vin No. K; w/JB7
Power Brake Booster	88	5471059	Gas; w/o Master Cylinder; Vin No. N; w/JB7
Power Brake Booster	88	5471056	Gas; w/o Master Cylinder; Vin No. T; w/JB7
Power Brake Booster	87	509089	Gas; w/Master Cylinder; w/JB6; w/Pedal Rod No. C14
Power Brake Booster	87	501056	Gas; w/Master Cylinder; w/JB7; w/Pedal Rod No. C17
Power Brake Booster	87	5471069	Gas; w/o Master Cylinder; w/JB6; w/Pedal Rod No. C14
Power Brake Booster	87	5471056	Gas; w/o Master Cylinder; w/JB7; w/Pedal Rod No. C17

Brake Cables

Parking Brake Cable	Years	Sequential No.	Category No.	Qualifier
Parking Brake Cable	89	F108772	(BC108772)	Forward; 4 Door; w/SRW
Parking Brake Cable	89	F124137	(BC124137)	Rear; L.H.; 4 Door; w/SRW
Parking Brake Cable	89	F108764	(BC108764)	Rear; R.H.; 4 Door; w/SRW
Parking Brake Cable	88 - 87	F124686	(BC124686)	Forward; 131-1/2" WB
Parking Brake Cable	88 - 87	F108772	(BC108772)	Forward; 164-1/2" WB
Parking Brake Cable	88 - 87	F124137	(BC124137)	Rear; L.H.; 131-1/2" WB; 13" Brake
Parking Brake Cable	88	F124137	(BC124137)	Rear; L.H.; 164-1/2" WB; 13" Brake
Parking Brake Cable	88 - 87	F116604	(BC116604)	Rear; R.H.; 131-1/2" WB; 11" Brake
Parking Brake Cable	88	F124766	(BC124766)	Rear; R.H.; 131-1/2" WB; 13" Brake
Parking Brake Cable	88	F124766	(BC124766)	Rear; R.H.; 164-1/2" WB; 13" Brake
Parking Brake Cable	87	F129828	(BC129828)	Rear; L.H.; 131-1/2" WB; 11" Brake
Parking Brake Cable	87	F124137	(BC124137)	Rear; L.H.; 164-1/2" WB
Parking Brake Cable	87	F108764	(BC108764)	Rear; R.H.; 131-1/2" WB; 13" Brake
Parking Brake Cable	87	F108764	(BC108764)	Rear; R.H.; 164-1/2" WB

R2500 PICKUP (cont.) - See Also V2500 PICKUP
Wheel Attaching Hardware

Front Wheel Stud	Years	Part No.	Qualifier
Wheel Lug Stud	89	BD61401	7200 GVW
Wheel Lug Stud	89	BD61426	8600 GVW
Wheel Lug Stud	88 - 87	BD60906	
Rear Wheel Stud	Years	Part No.	Qualifier
Wheel Lug Stud	89	BD125934	
Wheel Lug Stud	88	BD61053	10-1/2" R.G.
Wheel Lug Stud	88	BD60963	9-1/2" R.G.
Wheel Lug Stud	87	BD60963	w/11-5/32" Drum; w/9-1/2" R.G.
Wheel Lug Stud	87	BD61053	w/13" Drum; 10-1/2" R.G.
Wheel Lug Stud	87	BD60963	w/13" Drum; w/9-1/2" R.G.
Front Wheel Nut	Years	Part No.	Qualifier
Wheel Lug Nut	89	BD61404	Bulge
Wheel Lug Nut	88 - 87	BD61287	Std. Open
Rear Wheel Nut	Years	Part No.	Qualifier
Wheel Lug Nut	89	BD61404	Bulge
Wheel Lug Nut	88 - 87	BD61287	Std. Open

SILVERADO 2500 - See Also SILVERADO 2500 HD
Brake Pads & Shoes

Front Pads & Shoes	Years	SevereDuty	Lining No.	Qualifier
Brake Pads	04 - 99	SD784		
Rear Pads & Shoes	Years	SevereDuty	Lining No.	Qualifier
Brake Pads	04 - 99	SD785		
Parking Brake Shoes	Years	SevereDuty	Lining No.	Qualifier
Parking Brake Shoes	04 - 99	SDS771	EX2192	Bonded

Rotor & Drum

Front Rotor & Drum	Years	Part No.	Qualifier
Brake Rotor	04 - 01	BD125653	Exc. 2" Body Raise Pkg.
Brake Rotor	04 - 01	BD126036	w/2" Body Raise Pkg.
Brake Rotor	00 - 99	BD125653	
Rear Rotor & Drum	Years	Part No.	Qualifier
Brake Rotor	04 - 99	BD125656	w/13" Dia. Rotor; 8 Stud Whl.; w/4-5/8" Dia. Ctr. Pilot Hole
Brake Rotor	04 - 99	BD125657	w/13" Dia. Rotor; 8 Stud Whl.; w/4-53/64" Dia. Ctr. Pilot Hole

Brake Hardware

Front Brake Hardware	Years	Sequential No.	Category No.	Qualifier
Caliper Bolt/Pin	04 - 99	F139700	(H5095)	
Disc Align Kit	04 - 99	F139708	(H5646)	
Pin Boot Kit	04 - 99	F138697S	(H8221)	
Rear Brake Hardware	Years	Sequential No.	Category No.	Qualifier
Caliper Bolt/Pin	04 - 99	F139712	(H5096)	
Disc Align Kit	04 - 99	F139707	(H5645)	
Pin Boot Kit	04 - 99	F138697S	(H8221)	

Calipers - Reman

Front, Unloaded	Years	Left No.	Right No.	Qualifier	Piston
Unloaded Caliper	04 - 99	CRB134347	CRB134348	w/Dual Piston Caliper; Supplied w/Mtg. Brkt.	P
Unloaded Caliper	04 - 99	CR134347	CR134348	w/Dual Piston Caliper; Supplied w/o Mtg. Brkt.	P
Rear, Unloaded	Years	Left No.	Right No.	Qualifier	Piston
Unloaded Caliper	04 - 99	CRB134345	CRB134346	w/Dual Piston Caliper; Supplied w/Mtg. Brkt.	P
Unloaded Caliper	04 - 99	CR134345	CR134346	w/Dual Piston Caliper; Supplied w/o Mtg. Brkt.	P

Hydraulics - New

Master Cylinder	Years	Sequential No.	Category No.	Qualifier
Master Cylinder	04 - 03	F140480	(MC140480)	w/Hydro-Boost; w/o ABS; 1-15/32" Bore
Clutch Master Cylind	Years	Sequential No.	Category No.	Qualifier
Clutch Master Cylinder	04 - 01	F134526	(CM134526)	w/5 Spd. Trans.; 45/64" Bore

Piston: M - OE Metal Piston P - OE Phenolic Piston

CHEVROLET - 3/4 TON TRUCK



SILVERADO 2500 (cont.) - See Also SILVERADO 2500 HD

Hydraulics - New (cont.)

Clutch Master Cylinder	Years	Sequential No.	Category No.	Qualifier
Clutch Master Cylinder	00 - 99	F134526	(CM134526)	45/64" Bore
Clutch Slave Cylinder	Years	Sequential No.	Category No.	Qualifier
Clutch Slave Cylinder	04 - 03	F140212	(SC140212)	w/5 Spd. Trans.; 1-7/32" Bore
Clutch Slave Cylinder	04 - 01	F140318	(SC140318)	w/6 Spd. Trans.
Clutch Slave Cylinder	02 - 01	F140158	(SC140158)	w/5 Spd. Trans.
Clutch Slave Cylinder	00 - 99	F134322	(SC134322)	

Hydraulics - Reman

Master Cylinder	Years	Part No.	Qualifier
Master Cylinder	02 - 99	R134735	w/JC5
Master Cylinder	02 - 99	R134734	w/JH5 or JH6 or JH7
Power Brake Booster	Years	Part No.	Qualifier
Hydro Booster	02 - 00	527359	w/JH5 or JH6 or JH7
Power Brake Booster	Years	Part No.	Qualifier
Power Brake Booster	02 - 99	5474818	Gas; w/o Master Cylinder; w/JC5

Brake Cables

Parking Brake Cable	Years	Sequential No.	Category No.	Qualifier
Parking Brake Cable	04 - 99	F140234	(BC140234)	Intermediate; 133" WB; Reg. Cab; 8' Bed; 40" Length
Parking Brake Cable	04 - 99	F140237	(BC140237)	Intermediate; 143-1/2" WB; Ext. Cab; 6-1/2' Bed; 51" Length
Parking Brake Cable	00 - 99	F140236	(BC140236)	Intermediate; 157-1/2" WB; Ext. Cab; 8' Bed; 65" Length

Wheel Attaching Hardware

Front Wheel Stud	Years	Part No.	Qualifier
Wheel Lug Stud	04 - 99	BD125938	
Rear Wheel Stud	Years	Part No.	Qualifier
Wheel Lug Stud	04 - 99	BD125961	M14 x 1.5 x 28
Wheel Lug Stud	04 - 99	BD125938	M14 x 1.5 x 29
Front Wheel Nut	Years	Part No.	Qualifier
Wheel Lug Nut	04 - 99	BD61404	Bulge; w/Alum. Whl.
Wheel Lug Nut	04 - 99	BD125916	External Thread; Exc. Alum. Whl.
Rear Wheel Nut	Years	Part No.	Qualifier
Wheel Lug Nut	04 - 99	BD61404	Bulge; w/Alum. Whl.
Wheel Lug Nut	04 - 99	BD125916	External Thread; Exc. Alum. Whl.

SILVERADO 2500 HD - See Also SILVERADO 2500

Brake Pads & Shoes

Front Pads & Shoes	Years	SevereDuty	Lining No.	Qualifier
Brake Pads	06 - 01	SD784		
Rear Pads & Shoes	Years	SevereDuty	Lining No.	Qualifier
Brake Pads	06 - 01	SD785		
Parking Brake Shoes	Years	SevereDuty	Lining No.	Qualifier
Parking Brake Shoes	04 - 01	SDS771	EX2192	Bonded

Rotor & Drum

Front Rotor & Drum	Years	Part No.	Qualifier
Brake Rotor	06	BD125653	
Brake Rotor	05	BD125653	8600 GVW
Brake Rotor	05	BD126036	Exc. 8600 GVW
Brake Rotor	04 - 01	BD125653	Exc. 2" Body Raise Pkg.
Brake Rotor	04 - 01	BD126036	w/2" Body Raise Pkg.
Rear Rotor & Drum	Years	Part No.	Qualifier
Brake Rotor	06 - 01	BD125657	w/13" Dia. Rotor; 8 Stud Whl.; w/4-53/64" Dia. Ctr. Pilot Hole
Brake Rotor	04 - 01	BD125656	w/13" Dia. Rotor; 8 Stud Whl.; w/4-5/8" Dia. Ctr. Pilot Hole

Brake Hardware

Front Brake Hardware	Years	Sequential No.	Category No.	Qualifier
Caliper Bolt/Pin	05 - 01	F139700	(H5095)	
Disc Align Kit	05 - 01	F139708	(H5646)	

SILVERADO 2500 HD (cont.) - See Also SILVERADO 2500
Brake Hardware (cont.)

Front Brake Hardware	Years	Sequential No.	Category No.	Qualifier
Pin Boot Kit	05 - 01	F138697S	(H8221)	
Rear Brake Hardware	Years	Sequential No.	Category No.	Qualifier
Caliper Bolt/Pin	05 - 01	F139712	(H5096)	
Disc Align Kit	03 - 01	F139707	(H5645)	
Pin Boot Kit	05 - 01	F138697S	(H8221)	

Calipers - Reman

Front, Unloaded	Years	Left No.	Right No.	Qualifier	Piston
Unloaded Caliper	06 - 01	CRB134347	CRB134348	w/Dual Piston Caliper; Supplied w/Mtg. Brkt.	P
Unloaded Caliper	06 - 01	CR134347	CR134348	w/Dual Piston Caliper; Supplied w/o Mtg. Brkt.	P
Rear, Unloaded	Years	Left No.	Right No.	Qualifier	Piston
Unloaded Caliper	06 - 01	CRB134345	CRB134346	w/Dual Piston Caliper; Supplied w/Mtg. Brkt.	P
Unloaded Caliper	06 - 01	CR134345	CR134346	w/Dual Piston Caliper; Supplied w/o Mtg. Brkt.	P

Hydraulics - New

Master Cylinder	Years	Sequential No.	Category No.	Qualifier
Master Cylinder	06 - 03	F140480	(MC140480)	w/Hydro-Boost; w/o ABS; 1-15/32" Bore
Clutch Master Cylind	Years	Sequential No.	Category No.	Qualifier
Clutch Master Cylinder	04 - 01	F134526	(CM134526)	w/5 Spd. Trans.; 45/64" Bore
Clutch Slave Cylinder	Years	Sequential No.	Category No.	Qualifier
Clutch Slave Cylinder	04 - 03	F140212	(SC140212)	w/5 Spd. Trans.; 1-7/32" Bore
Clutch Slave Cylinder	02 - 01	F140158	(SC140158)	w/5 Spd. Trans.

Hydraulics - Reman

Master Cylinder	Years	Part No.	Qualifier
Master Cylinder	02 - 01	R134735	w/JC5
Master Cylinder	02 - 01	R134734	w/JH5 or JH6 or JH7
Power Brake Booster	Years	Part No.	Qualifier
Hydro Booster	02 - 01	527359	w/JH5 or JH6 or JH7
Power Brake Booster	Years	Part No.	Qualifier
Power Brake Booster	02 - 01	5474818	Gas; w/o Master Cylinder; w/JC5

Wheel Attaching Hardware

Front Wheel Stud	Years	Part No.	Qualifier
Wheel Lug Stud	05 - 01	BD125938	
Rear Wheel Stud	Years	Part No.	Qualifier
Wheel Lug Stud	05	BD125938	
Wheel Lug Stud	04 - 01	BD125961	M14 x 1.5 x 28
Wheel Lug Stud	04 - 01	BD125938	M14 x 1.5 x 29
Front Wheel Nut	Years	Part No.	Qualifier
Wheel Lug Nut	04 - 01	BD61404	Bulge; w/Alum. Whl.
Wheel Lug Nut	04 - 01	BD125916	External Thread; Exc. Alum. Whl.
Rear Wheel Nut	Years	Part No.	Qualifier
Wheel Lug Nut	04 - 01	BD61404	Bulge; w/Alum. Whl.
Wheel Lug Nut	04 - 01	BD125916	External Thread; Exc. Alum. Whl.

V2500 PICKUP - See Also R2500 PICKUP
Brake Pads & Shoes

Front Pads & Shoes	Years	SevereDuty	Lining No.	Qualifier
Brake Pads	87	SD52		6600 GVW
Brake Pads	87	SD153		8600 GVW; H/D Brake
Rear Pads & Shoes	Years	SevereDuty	Lining No.	Qualifier
Brake Shoes	87	SDS473R	EX2073TD-S32	11-5/32 x 2-3/4" Brake; Riveted
Brake Shoes	87	SDS451R	EX2042ADT-S32	13 x 2-1/2" Brake; Riveted

Rotor & Drum

Front Rotor & Drum	Years	Part No.	Qualifier
Brake Rotor	87	BD60427	
Rotor Hub	87	BD61708	L.H.; Use w/BD60427 Rotor

Piston: M - OE Metal Piston **P** - OE Phenolic Piston

CHEVROLET - 3/4 TON TRUCK



V2500 PICKUP (cont.) - See Also R2500 PICKUP

Rotor & Drum (cont.)					
Front Rotor & Drum	Years	Part No.	Qualifier		
Rotor Hub	87	BD61708	R.H.; Use w/BD60427 Rotor		
Rear Rotor & Drum	Years	Part No.	Qualifier		
Brake Drum	87	BD60724	6600 GVW; 11-5/32 x 2-3/4" Brake		
Brake Drum	87	BD60727	8600 GVW; H/D Brake; 13 x 2-1/2" Brake		
Brake Hardware					
Front Brake Hardware	Years	Sequential No.	Category No.	Qualifier	
Caliper Bolt/Pin	87	F76074S	(H5004)		
Disc Align Kit	87	F73674S	(H5500)		
Rear Brake Hardware	Years	Sequential No.	Category No.	Qualifier	
Adjuster Kit	87	F98404	(H2584)	L.H.; 11-5/32 x 2-3/4" Brake	
Adjuster Kit	87	F98406	(H2580)	L.H.; 13 x 2-1/2" Brake	
Adjuster Kit	87	F111233	(H2687)	R.H.; 11-5/32 x 2-3/4" Brake	
Adjuster Kit	87	F98407	(H2581)	R.H.; 13 x 2-1/2" Brake	
Adjuster Screw	87	F73181S	(H1530)	L.H.; 11-5/32 x 2-3/4" Brake	
Adjuster Screw	87	F83294	(H1550)	L.H.; 13 x 2-1/2" Brake	
Adjuster Screw	87	F73182S	(H1531)	R.H.; 11-5/32 x 2-3/4" Brake	
Adjuster Screw	87	F83295	(H1551)	R.H.; 13 x 2-1/2" Brake	
Combi Kit	87	F98455S	(H7046)	11-5/32 x 2-3/4" Brake	
↳Adjuster Spring Kit		F45936S	(H415)		
↳Hold Down Kit		F98422S	(H4018)		
↳Return Spring Kit		F45927S	(H324)		
Combi Kit	87	F98457S	(H7055)	13 x 2-1/2" Brake	
↳Adjuster Spring Kit		F73145S	(H425)		
↳Hold Down Kit		F113455S	(H4098)		
↳Return Spring Kit		F59100S	(H600)		
Calipers - Reman					
Front, Loaded	Years	Left No.	Right No.	Qualifier	Piston
Loaded Caliper	87	AS98886	AS98887	w/JB6, JD6; w/2.94" Single Piston Caliper	M
Loaded Caliper	87	AS98954	AS98955	w/JB7, JD7; w/3.16" Single Piston Caliper	M
Front, Unloaded	Years	Left No.	Right No.	Qualifier	Piston
Unloaded Caliper	87	CR98886	CR98887	w/JB6, JD6; w/2.94" Single Piston Caliper	M
Unloaded Caliper	87	CR98954	CR98955	w/JB7, JD7; w/3.16" Single Piston Caliper	M
Hydraulics - New					
Master Cylinder	Years	Sequential No.	Category No.	Qualifier	
Master Cylinder	87	F104464	(MC104464)	8600 GVW; 1-1/4" Bore	
Master Cylinder	87	F104456	(MC104456)	Diesel; 6600 GVW; w/Hydro-Boost; 1-3/16" Bore	
Master Cylinder	87	F104516	(MC104516)	w/o Diesel; 6600 GVW; 1-1/8" Bore	
Rear Wheel Cylinder	Years	Sequential No.	Category No.	Qualifier	
Wheel Cylinder	87	F51088	(WC51088)	6600-7200 GVW; 11" Brake; 1" Bore	
Wheel Cylinder	87	F79767	(WC79767)	8600 GVW; 13" Brake; 1-1/16" Bore	
Clutch Master Cylind	Years	Sequential No.	Category No.	Qualifier	
Clutch Master Cylinder	87	F110273	(CM110273)	11/16" Bore	
Clutch Slave Cylinder	Years	Sequential No.	Category No.	Qualifier	
Clutch Slave Cylinder	87	F103483	(SC103483)	13/16" Bore	
Front Brake Hose	Years	Sequential No.	Category No.	Qualifier	
Brake Hose	87	F104345	(BH104345)	L.H.; 6600 GVW	
Brake Hose	87	F104346	(BH104346)	L.H.; 8600 GVW	
Brake Hose	87	F104347	(BH104347)	R.H.; 6600 GVW	
Brake Hose	87	F106359	(BH106359)	R.H.; 8600 GVW	
Rear Brake Hose	Years	Sequential No.	Category No.	Qualifier	
Brake Hose	87	F113148	(BH113148)	Diesel	
Brake Hose	87	F80967	(BH80967)	w/o Diesel	

↳Sub-Kit of Combi-Kit is available separately.

Piston: M - OE Metal Piston P - OE Phenolic Piston

V2500 PICKUP (cont.) - See Also R2500 PICKUP
Hydraulics - Reman

Master Cylinder	Years	Part No.	Qualifier
Master Cylinder	87	R104456	Diesel; w/JD6
Master Cylinder	87	R104464	Diesel; w/JD7
Master Cylinder	87	R104516	Gas; w/JB6
Master Cylinder	87	R104464	Gas; w/JB7
Power Brake Booster	Years	Part No.	Qualifier
Hydro Booster	87	527248	Diesel; w/JD6 or JD7
Power Brake Booster	Years	Part No.	Qualifier
Power Brake Booster	87	509089	Gas; w/Master Cylinder; w/JB6; w/Pedal Rod No. C14
Power Brake Booster	87	501056	Gas; w/Master Cylinder; w/JB7; w/Pedal Rod No. C17
Power Brake Booster	87	5471069	Gas; w/o Master Cylinder; w/JB6; w/Pedal Rod No. C14
Power Brake Booster	87	5471056	Gas; w/o Master Cylinder; w/JB7; w/Pedal Rod No. C17

Brake Cables

Parking Brake Cable	Years	Sequential No.	Category No.	Qualifier
Parking Brake Cable	87	F124686	(BC124686)	Forward; 131-1/2" WB
Parking Brake Cable	87	F108772	(BC108772)	Forward; 164-1/2" WB
Parking Brake Cable	87	F129828	(BC129828)	Rear; L.H.; 131-1/2" WB; 11" Brake
Parking Brake Cable	87	F124137	(BC124137)	Rear; L.H.; 131-1/2" WB; 13" Brake
Parking Brake Cable	87	F124137	(BC124137)	Rear; L.H.; 164-1/2" WB
Parking Brake Cable	87	F116604	(BC116604)	Rear; R.H.; 131-1/2" WB; 11" Brake
Parking Brake Cable	87	F108764	(BC108764)	Rear; R.H.; 131-1/2" WB; 13" Brake
Parking Brake Cable	87	F108764	(BC108764)	Rear; R.H.; 164-1/2" WB

Wheel Attaching Hardware

Front Wheel Stud	Years	Part No.	Qualifier
Wheel Lug Stud	87	BD60907	
Rear Wheel Stud	Years	Part No.	Qualifier
Wheel Lug Stud	87	BD60963	w/11-5/32" Drum; w/9-1/2" R.G.
Wheel Lug Stud	87	BD61053	w/13" Drum; 10-1/2" R.G.
Wheel Lug Stud	87	BD60963	w/13" Drum; w/9-1/2" R.G.
Front Wheel Nut	Years	Part No.	Qualifier
Wheel Lug Nut	87	BD61287	Std. Open
Rear Wheel Nut	Years	Part No.	Qualifier
Wheel Lug Nut	87	BD61287	Std. Open

CHEVROLET - 3/4 TON VAN
EXPRESS 2500
Brake Pads & Shoes

Front Pads & Shoes	Years	SevereDuty	Lining No.	Qualifier
Brake Pads	06 - 03	SD784		8500-8600 GVW
Brake Pads	05 - 03	SD785		7300 GVW
Brake Pads	02 - 01	SD459		Diesel
Brake Pads	02 - 01	SD369		w/o Diesel; 7300 GVW; w/6 Stud Whl.
Brake Pads	02 - 01	SD370		w/o Diesel; 7700-8600 GVW; w/8 Stud Whl.
Brake Pads	00 - 99	SD369		7300 GVW; w/6 Stud Whl.
Brake Pads	00 - 99	SD370		7700-8600 GVW; w/8 Stud Whl.
Rear Pads & Shoes	Years	SevereDuty	Lining No.	Qualifier
Brake Pads	06 - 03	SD974		
Brake Shoes	02 - 99	SDS473R	EX2073TD-S32	w/6 Stud Whl.; 11-5/32 x 2-3/4" Brake; Riveted
Brake Shoes	02 - 99	SDS655R	SX2042BDT-S36	w/8 Stud Whl.; 13 x 2-1/2" Brake; Riveted
Brake Shoes	02 - 99	SDS656R	SX2157BDT-S36	w/8 Stud Whl.; 13 x 3-1/2" Brake; Riveted

Rotor & Drum

Front Rotor & Drum	Years	Part No.	Qualifier
Brake Rotor	06 - 03	BD125653	8500-8600 GVW
Brake Rotor	05 - 03	BD125654	7300 GVW

EXPRESS 2500 (cont.)

Rotor & Drum (cont.)

Front Rotor & Drum	Years	Part No.	Qualifier
Brake Rotor	02 - 01	BD125765	Diesel
Brake Rotor	02 - 99	BD125592	w/6 Stud Whl.
Brake Rotor	02 - 99	BD125212	w/8 Stud Whl.

Rear Rotor & Drum	Years	Part No.	Qualifier
Brake Drum	02 - 99	BD61817	11-5/32 x 2-3/4" Brake
Brake Drum	02 - 99	BD60727	13 x 2-1/2" Brake
Brake Drum	02 - 00	BD125523	13 x 3-1/2" Brake
Brake Drum	99	BD125407	w/4.625" Dia. Ctr. Pilot Hole; 13 x 3-1/2" Brake
Brake Drum	99	BD125523	w/4.835" Dia. Ctr. Pilot Hole; 13 x 3-1/2" Brake
Brake Rotor	06	BD125657	Diesel
Brake Rotor	06	BD125656	w/o Diesel; 8500-8600 GVW
Brake Rotor	05 - 03	BD125656	8500-8600 GVW

Brake Hardware

Front Brake Hardware	Years	Sequential No.	Category No.	Qualifier
Caliper Bolt/Pin	05 - 03	F139712	(H5096)	7300 GVW
Caliper Bolt/Pin	04 - 03	F139700	(H5095)	8500-8600 GVW
Caliper Bolt/Pin	02 - 01	F129642S	(H5062)	Diesel
Caliper Bolt/Pin	02 - 01	F117224S	(H5038)	w/o Diesel
Caliper Bolt/Pin	00 - 99	F117224S	(H5038)	
Disc Align Kit	05 - 03	F139707	(H5645)	7300 GVW
Disc Align Kit	04 - 03	F139708	(H5646)	8500-8600 GVW
Disc Align Kit	02 - 99	F117225S	(H5584)	
Pin Boot Kit	05 - 03	F138697S	(H8221)	

Rear Brake Hardware	Years	Sequential No.	Category No.	Qualifier
Adjuster Kit	02 - 99	F98404	(H2584)	L.H.; 11-5/32 x 2-3/4" Brake
Adjuster Kit	02 - 99	F98406	(H2580)	L.H.; 13 x 2-1/2" Brake
Adjuster Kit	02 - 99	F111233	(H2687)	R.H.; 11-5/32 x 2-3/4" Brake
Adjuster Kit	02 - 99	F98407	(H2581)	R.H.; 13 x 2-1/2" Brake
Adjuster Screw	02 - 99	F73181S	(H1530)	L.H.; 11-5/32 x 2-3/4" Brake
Adjuster Screw	02 - 99	F83294	(H1550)	L.H.; 13 x 2-1/2" Brake
Adjuster Screw	02 - 99	F73182S	(H1531)	R.H.; 11-5/32 x 2-3/4" Brake
Adjuster Screw	02 - 99	F83295	(H1551)	R.H.; 13 x 2-1/2" Brake
Caliper Bolt/Pin	05 - 03	F139370	(H5091)	
Combi Kit	02 - 99	F134117S	(H7217)	11-5/32 x 2-3/4" Brake
↳Adjuster Spring Kit		F45936S	(H415)	
↳Return Spring Kit		F45927S	(H324)	
Combi Kit	02 - 99	F98457S	(H7055)	13 x 2-1/2" Brake
↳Adjuster Spring Kit		F73145S	(H425)	
↳Hold Down Kit		F113455S	(H4098)	
↳Return Spring Kit		F59100S	(H600)	
Disc Align Kit	03	F139864	(H5665)	
Pin Boot Kit	05 - 03	F140514	(H8240)	

Calipers - Reman

Front, Loaded	Years	Left No.	Right No.	Qualifier	Piston
Loaded Caliper	02	AS120226	AS120227	Diesel	M
Loaded Caliper	02	AS116292	AS116293	Exc. Diesel; 7300 GVW; w/2.94" Single Piston Caliper	M
Loaded Caliper	02	AS116294	AS116295	Exc. Diesel; Exc. 7300 GVW; w/3.16" Single Piston Caliper	M
Loaded Caliper	01 - 99	AS116292	AS116293	7300 GVW; w/2.94" Single Piston Caliper	M
Loaded Caliper	01 - 99	AS116294	AS116295	Exc. 7300 GVW; w/3.16" Single Piston Caliper	M
Front, Unloaded	Years	Left No.	Right No.	Qualifier	Piston
Unloaded Caliper	05 - 03	CRB134346	CRB134345	7300 GVW; w/Dual Piston Caliper; Supplied w/Mtg. Brkt.	P
Unloaded Caliper	05 - 03	CR134346	CR134345	7300 GVW; w/Dual Piston Caliper; Supplied w/o Mtg. Brkt.	P
Unloaded Caliper	05 - 03	CRB134347	CRB134348	8500-8600 GVW; w/Dual Piston Caliper; Supplied w/Mtg. Brkt.	P
Unloaded Caliper	05 - 03	CR134347	CR134348	8500-8600 GVW; w/Dual Piston Caliper; Supplied w/o Mtg. Brkt.	P
Unloaded Caliper	02	CR120226	CR120227	Diesel	M

↳Sub-Kit of Combi-Kit is available separately.

Piston: M - OE Metal Piston P - OE Phenolic Piston

EXPRESS 2500 (cont.)
Calipers - Reman (cont.)

Front, Unloaded	Years	Left No.	Right No.	Qualifier	Piston
Unloaded Caliper	02	CR116292	CR116293	Exc. Diesel; 7300 GVW; w/2.94" Single Piston Caliper	M
Unloaded Caliper	02	CR116294	CR116295	Exc. Diesel; Exc. 7300 GVW; w/3.16" Single Piston Caliper	M
Unloaded Caliper	01 - 99	CR116292	CR116293	7300 GVW; w/2.94" Single Piston Caliper	M
Unloaded Caliper	01 - 99	CR116294	CR116295	Exc. 7300 GVW; w/3.16" Single Piston Caliper	M
Rear, Unloaded	Years	Left No.	Right No.	Qualifier	Piston
Unloaded Caliper	05 - 03	CR135118	CR135117	8500-8600 GVW	P

Hydraulics - New

Master Cylinder	Years	Sequential No.	Category No.	Qualifier
Master Cylinder	02 - 99	F139959	(MC139959)	w/JD7; 1-1/4" Bore
Master Cylinder	02 - 99	F140292	(MC140292)	w/o Diesel; w/JB6; 1-1/8" Bore
Rear Wheel Cylinder	Years	Sequential No.	Category No.	Qualifier
Wheel Cylinder	02 - 99	F131225	(WC131225)	15/16" Bore
Wheel Cylinder	02 - 99	F79767	(WC79767)	w/o Diesel; w/Hydro-Boost; 1-1/16" Bore
Wheel Cylinder	01 - 99	F116359	(WC116359)	Diesel; w/Hydro-Boost; 1" Bore
Front Brake Hose	Years	Sequential No.	Category No.	Qualifier
Brake Hose	05 - 03	F140304	(BH140304)	L.H.; 7300 GVW
Brake Hose	05 - 03	F140305	(BH140305)	R.H.; 7300 GVW
Brake Hose	02 - 01	F140498	(BH140498)	L.H.; Diesel; w/Hydro-Boost
Brake Hose	02 - 01	F140496	(BH140496)	L.H.; w/o Diesel; w/SRW
Brake Hose	02 - 99	F138061	(BH138061)	L.H.; w/Vacuum Boost
Brake Hose	02 - 01	F140499	(BH140499)	R.H.; w/Hydro-Boost
Brake Hose	02 - 01	F140497	(BH140497)	R.H.; w/o Diesel; w/SRW
Brake Hose	02 - 99	F138062	(BH138062)	R.H.; w/Vacuum Boost
Brake Hose	00 - 99	F140496	(BH140496)	L.H.; w/Hydro-Boost
Brake Hose	00 - 99	F140497	(BH140497)	R.H.; w/Hydro-Boost
Rear Brake Hose	Years	Sequential No.	Category No.	Qualifier
Brake Hose	02 - 99	F118117	(BH118117)	

Hydraulics - Reman

Master Cylinder	Years	Part No.	Qualifier
Master Cylinder	02 - 99	R134626	Diesel
Master Cylinder	02 - 99	R134627	Gas
Power Brake Booster	Years	Part No.	Qualifier
Hydro Booster	01 - 99	527342	Diesel
Power Brake Booster	Years	Part No.	Qualifier
Power Brake Booster	02 - 99	5474810	Gas; w/o Master Cylinder

Brake Cables

Parking Brake Cable	Years	Sequential No.	Category No.	Qualifier
Parking Brake Cable	02 - 99	F138836	(BC138836)	Forward
Parking Brake Cable	02 - 99	F138900	(BC138900)	Intermediate; 155" WB
Parking Brake Cable	02 - 99	F140296	(BC140296)	Rear; L.H.; w/JB6; 63" Length
Parking Brake Cable	02 - 99	F140173	(BC140173)	Rear; R.H.; w/JB6; 90" Length

Wheel Attaching Hardware

Front Wheel Stud	Years	Part No.	Qualifier
Wheel Lug Stud	05 - 03	BD125938	
Wheel Lug Stud	02 - 99	BD61426	
Rear Wheel Stud	Years	Part No.	Qualifier
Wheel Lug Stud	05 - 03	BD125938	
Wheel Lug Stud	02 - 99	BD61427	w/11-5/32" Drum
Wheel Lug Stud	02 - 99	BD125934	w/13" Drum
Front Wheel Nut	Years	Part No.	Qualifier
Wheel Lug Nut	05 - 99	BD125916	External Thread
Rear Wheel Nut	Years	Part No.	Qualifier
Wheel Lug Nut	05 - 99	BD125916	External Thread

Piston: M - OE Metal Piston P - OE Phenolic Piston

CHEVROLET - 3/4 TON VAN



G2500 VAN - See Also P2500 VAN

Brake Pads & Shoes

Front Pads & Shoes	Years	SevereDuty	Lining No.	Qualifier
Brake Pads	98	SD369		7300 GVW; w/6 Stud Whl.
Brake Pads	98	SD370		7700-8600 GVW; w/8 Stud Whl.
Brake Pads	97 - 96	SD369		7300 GVW; w/6 Stud Whl.
Brake Pads	97 - 96	SD370		7700-8600 GVW; w/8 Stud Whl.
Brake Pads	95 - 81	SD52		

Rear Pads & Shoes	Years	SevereDuty	Lining No.	Qualifier
Brake Shoes	98	SDS473R	EX2073TD-S32	11-5/32 x 2-3/4" Brake; Riveted
Brake Shoes	98	SDS655R	SX2042BDT-S36	13 x 2-1/2" Brake; Riveted
Brake Shoes	98	SDS656R	SX2157BDT-S36	13 x 3-1/2" Brake; Riveted
Brake Shoes	97 - 81	SDS473R	EX2073TD-S32	11-5/32 x 2-3/4" Brake; Riveted
Brake Shoes	97 - 96	SDS655R	SX2042BDT-S36	13 x 2-1/2" Brake; Riveted
Brake Shoes	97 - 96	SDS656R	SX2157BDT-S36	13 x 3-1/2" Brake; Riveted

Rotor & Drum

Front Rotor & Drum	Years	Part No.	Qualifier
Brake Rotor	98	BD125592	w/6 Stud Whl.
Brake Rotor	98	BD125212	w/8 Stud Whl.
Brake Rotor	97 - 96	BD125592	w/6 Stud Whl.
Brake Rotor	97 - 96	BD125212	w/8 Stud Whl.
Brake Rotor	95 - 93	BD125343	w/Hydro Boost
Brake Rotor	95 - 93	BD125344	w/Vacuum Boost
Brake Rotor	92	BD60729	w/Hydro Boost
Brake Rotor	92	BD60258	w/Vacuum Boost
Brake Rotor	91 - 83	BD60729	Diesel
Brake Rotor	91 - 83	BD60258	w/o Diesel
Brake Rotor	82 - 81	BD60258	

Rear Rotor & Drum	Years	Part No.	Qualifier
Brake Drum	98	BD61817	11-5/32 x 2-3/4" Brake
Brake Drum	98	BD60727	13 x 2-1/2" Brake
Brake Drum	98	BD125407	w/4.625" Dia. Ctr. Pilot Hole; 13 x 3-1/2" Brake
Brake Drum	98	BD125523	w/4.835" Dia. Ctr. Pilot Hole; 13 x 3-1/2" Brake
Brake Drum	97 - 96	BD61817	11-5/32 x 2-3/4" Brake
Brake Drum	97 - 96	BD60727	13 x 2-1/2" Brake
Brake Drum	97 - 96	BD125407	w/4.625" Dia. Ctr. Pilot Hole; 13 x 3-1/2" Brake
Brake Drum	97 - 96	BD125523	w/4.835" Dia. Ctr. Pilot Hole; 13 x 3-1/2" Brake
Brake Drum	95 - 81	BD125051	11-5/32 x 2-3/4" Brake

Brake Hardware

Front Brake Hardware	Years	Sequential No.	Category No.	Qualifier
Caliper Bolt/Pin	98	F117224S	(H5038)	
Caliper Bolt/Pin	97 - 96	F117224S	(H5038)	
Caliper Bolt/Pin	95 - 81	F76074S	(H5004)	
Disc Align Kit	98	F117225S	(H5584)	
Disc Align Kit	97 - 96	F117225S	(H5584)	
Disc Align Kit	95 - 81	F73674S	(H5500)	

Rear Brake Hardware	Years	Sequential No.	Category No.	Qualifier
Adjuster Kit	98	F98404	(H2584)	L.H.; 11-5/32 x 2-3/4" Brake
Adjuster Kit	98	F98406	(H2580)	L.H.; 13 x 2-1/2" Brake
Adjuster Kit	98	F111233	(H2687)	R.H.; 11-5/32 x 2-3/4" Brake
Adjuster Kit	98	F98407	(H2581)	R.H.; 13 x 2-1/2" Brake
Adjuster Kit	97 - 83	F98404	(H2584)	L.H.; 11-5/32 x 2-3/4" Brake
Adjuster Kit	97 - 83	F98406	(H2580)	L.H.; 13 x 2-1/2" Brake
Adjuster Kit	97 - 83	F111233	(H2687)	R.H.; 11-5/32 x 2-3/4" Brake
Adjuster Kit	97 - 83	F98407	(H2581)	R.H.; 13 x 2-1/2" Brake
Adjuster Kit	82 - 81	F98404	(H2584)	L.H.
Adjuster Kit	82 - 81	F98405	(H2585)	R.H.
Adjuster Screw	98	F73181S	(H1530)	L.H.; 11-5/32 x 2-3/4" Brake

G2500 VAN (cont.) - See Also P2500 VAN
Brake Hardware (cont.)

Rear Brake Hardware	Years	Sequential No.	Category No.	Qualifier
Adjuster Screw	98	F83294	(H1550)	L.H.; 13 x 2-1/2" Brake
Adjuster Screw	98	F73182S	(H1531)	R.H.; 11-5/32 x 2-3/4" Brake
Adjuster Screw	98	F83295	(H1551)	R.H.; 13 x 2-1/2" Brake
Adjuster Screw	97 - 81	F73181S	(H1530)	L.H.; 11-5/32 x 2-3/4" Brake
Adjuster Screw	97 - 83	F83294	(H1550)	L.H.; 13 x 2-1/2" Brake
Adjuster Screw	97 - 81	F73182S	(H1531)	R.H.; 11-5/32 x 2-3/4" Brake
Adjuster Screw	97 - 83	F83295	(H1551)	R.H.; 13 x 2-1/2" Brake
Combi Kit	98	F134117S	(H7217)	11-5/32 x 2-3/4" Brake
↳Adjuster Spring Kit		F45936S	(H415)	
↳Return Spring Kit		F45927S	(H324)	
Combi Kit	98	F98457S	(H7055)	13 x 2-1/2" Brake
↳Adjuster Spring Kit		F73145S	(H425)	
↳Hold Down Kit		F113455S	(H4098)	
↳Return Spring Kit		F59100S	(H600)	
Combi Kit	97 - 96	F134117S	(H7217)	11-5/32 x 2-3/4" Brake
↳Adjuster Spring Kit		F45936S	(H415)	
↳Return Spring Kit		F45927S	(H324)	
Combi Kit	97 - 96	F98457S	(H7055)	13 x 2-1/2" Brake
↳Adjuster Spring Kit		F73145S	(H425)	
↳Hold Down Kit		F113455S	(H4098)	
↳Return Spring Kit		F59100S	(H600)	
Combi Kit	95 - 81	F98455S	(H7046)	11-5/32 x 2-3/4" Brake
↳Adjuster Spring Kit		F45936S	(H415)	
↳Hold Down Kit		F98422S	(H4018)	
↳Return Spring Kit		F45927S	(H324)	

Calipers - Reman

Front, Loaded	Years	Left No.	Right No.	Qualifier	Piston
Loaded Caliper	98	AS116292	AS116293	7300 GVW; w/2.94" Single Piston Caliper	M
Loaded Caliper	98	AS116294	AS116295	Exc. 7300 GVW; w/3.16" Single Piston Caliper	M
Loaded Caliper	97 - 96	AS116292	AS116293	7300 GVW; w/2.94" Single Piston Caliper	M
Loaded Caliper	97 - 96	AS116294	AS116295	Exc. 7300 GVW; w/3.16" Single Piston Caliper	M
Loaded Caliper	95 - 81	AS98884	AS98885		M
Front, Unloaded	Years	Left No.	Right No.	Qualifier	Piston
Unloaded Caliper	98	CR116292	CR116293	7300 GVW; w/2.94" Single Piston Caliper	M
Unloaded Caliper	98	CR116294	CR116295	Exc. 7300 GVW; w/3.16" Single Piston Caliper	M
Unloaded Caliper	97 - 96	CR116292	CR116293	7300 GVW; w/2.94" Single Piston Caliper	M
Unloaded Caliper	97 - 96	CR116294	CR116295	Exc. 7300 GVW; w/3.16" Single Piston Caliper	M
Unloaded Caliper	95 - 81	CR98884	CR98885		M

Hydraulics - New

Master Cylinder	Years	Sequential No.	Category No.	Qualifier
Master Cylinder	98	F139959	(MC139959)	w/JD7; 1-1/4" Bore
Master Cylinder	98	F140292	(MC140292)	w/o Diesel; w/JB6; 1-1/8" Bore
Master Cylinder	97 - 96	F139959	(MC139959)	w/JD7; 1-1/4" Bore
Master Cylinder	97 - 96	F140292	(MC140292)	w/o Diesel; w/JB6; 1-1/8" Bore
Master Cylinder	95 - 83	F104456	(MC104456)	Diesel; w/Hydro-Boost; 1-3/16" Bore
Master Cylinder	95 - 85	F110887	(MC110887)	w/o Diesel; 1-1/8" Bore
Master Cylinder	84 - 83	F104514	(MC104514)	w/o Diesel; 1-1/8" Bore
Master Cylinder	82 - 81	F104514	(MC104514)	1-1/8" Bore
Rear Wheel Cylinder	Years	Sequential No.	Category No.	Qualifier
Wheel Cylinder	98	F131225	(WC131225)	15/16" Bore
Wheel Cylinder	98	F116359	(WC116359)	Diesel; w/Hydro-Boost; 1" Bore
Wheel Cylinder	98	F79767	(WC79767)	w/o Diesel; w/Hydro-Boost; 1-1/16" Bore
Wheel Cylinder	97 - 96	F131225	(WC131225)	15/16" Bore
Wheel Cylinder	97 - 96	F116359	(WC116359)	Diesel; w/Hydro-Boost; 1" Bore

↳Sub-Kit of Combi-Kit is available separately.

Piston: M - OE Metal Piston P - OE Phenolic Piston

G2500 VAN (cont.) - See Also P2500 VAN

Hydraulics - New (cont.)

Rear Wheel Cylinder	Years	Sequential No.	Category No.	Qualifier
Wheel Cylinder	97 - 96	F79767	(WC79767)	w/o Diesel; w/Hydro-Boost; 1-1/16" Bore
Wheel Cylinder	95 - 81	F51081	(WC51081)	15/16" Bore
Front Brake Hose	Years	Sequential No.	Category No.	Qualifier
Brake Hose	98	F140496	(BH140496)	L.H.; w/Hydro-Boost
Brake Hose	98	F138061	(BH138061)	L.H.; w/Vacuum Boost
Brake Hose	98	F140497	(BH140497)	R.H.; w/Hydro-Boost
Brake Hose	98	F138062	(BH138062)	R.H.; w/Vacuum Boost
Brake Hose	97 - 96	F140496	(BH140496)	L.H.; w/Hydro-Boost
Brake Hose	97 - 96	F138061	(BH138061)	L.H.; w/Vacuum Boost
Brake Hose	97 - 96	F140497	(BH140497)	R.H.; w/Hydro-Boost
Brake Hose	97 - 96	F138062	(BH138062)	R.H.; w/Vacuum Boost
Brake Hose	95 - 83	F110159	(BH110159)	L.H.
Brake Hose	95 - 83	F110158	(BH110158)	R.H.
Brake Hose	82 - 81	F102464	(BH102464)	L.H.
Brake Hose	82 - 81	F102465	(BH102465)	R.H.
Rear Brake Hose	Years	Sequential No.	Category No.	Qualifier
Brake Hose	98	F118117	(BH118117)	
Brake Hose	97 - 96	F118117	(BH118117)	
Brake Hose	95 - 81	F86560	(BH86560)	

Hydraulics - Reman

Master Cylinder	Years	Part No.	Qualifier
Master Cylinder	98	R134626	Diesel
Master Cylinder	98	R134627	Gas
Master Cylinder	97 - 96	R134626	Diesel
Master Cylinder	97 - 96	R134627	Gas
Master Cylinder	95 - 83	R104456	Diesel
Master Cylinder	95 - 85	R110887	Gas
Master Cylinder	84 - 83	R105118	Gas
Master Cylinder	82 - 81	R105118	
Power Brake Booster	Years	Part No.	Qualifier
Hydro Booster	98	527342	Diesel
Hydro Booster	97 - 96	527342	Diesel
Hydro Booster	95 - 94	527340	Diesel
Hydro Booster	93 - 84	527306	Diesel
Hydro Booster	83	527307	Diesel
Power Brake Booster	Years	Part No.	Qualifier
Power Brake Booster	98	5474810	Gas; w/o Master Cylinder
Power Brake Booster	97 - 96	5474810	Gas; w/o Master Cylinder
Power Brake Booster	95 - 94	5471063	Gas; w/o Master Cylinder
Power Brake Booster	93 - 85	501050	Gas; w/Master Cylinder
Power Brake Booster	93 - 81	5471050	Gas; w/o Master Cylinder
Power Brake Booster	84 - 81	509102	Gas; w/Master Cylinder

Brake Cables

Parking Brake Cable	Years	Sequential No.	Category No.	Qualifier
Parking Brake Cable	98	F138836	(BC138836)	Forward
Parking Brake Cable	98	F138900	(BC138900)	Intermediate; 155" WB
Parking Brake Cable	98	F140296	(BC140296)	Rear; L.H.; w/JB6; 63" Length
Parking Brake Cable	98	F140173	(BC140173)	Rear; R.H.; w/JB6; 90" Length
Parking Brake Cable	97 - 96	F138836	(BC138836)	Forward
Parking Brake Cable	97 - 96	F138900	(BC138900)	Intermediate; 155" WB
Parking Brake Cable	97	F140296	(BC140296)	Rear; L.H.; w/JB6; 63" Length
Parking Brake Cable	97 - 96	F140173	(BC140173)	Rear; R.H.; w/JB6; 90" Length
Parking Brake Cable	96	F138112	(BC138112)	Rear; L.H.; w/JB6
Parking Brake Cable	95 - 92	F124691	(BC124691)	Forward; 110" WB

G2500 VAN (cont.) - See Also P2500 VAN
Brake Cables (cont.)

Parking Brake Cable	Years	Sequential No.	Category No.	Qualifier
Parking Brake Cable	95 - 83	F124688	(BC124688)	Forward; 125" WB
Parking Brake Cable	95 - 89	F123949	(BC123949)	Rear; L.H.
Parking Brake Cable	95 - 89	F124763	(BC124763)	Rear; R.H.
Parking Brake Cable	91 - 88	F124691	(BC124691)	Forward; 110", 125" WB
Parking Brake Cable	88 - 83	F108774	(BC108774)	Rear; L.H.
Parking Brake Cable	88 - 83	F108775	(BC108775)	Rear; R.H.
Parking Brake Cable	87 - 83	F124691	(BC124691)	Forward; 110" WB
Parking Brake Cable	82 - 81	F88584	(BC88584)	Forward
Parking Brake Cable	82 - 81	F101986	(BC101986)	Intermediate; 110" WB
Parking Brake Cable	82 - 81	F126816	(BC126816)	Intermediate; 125" WB
Parking Brake Cable	82 - 81	F88582	(BC88582)	Rear; L.H.
Parking Brake Cable	82 - 81	F88582	(BC88582)	Rear; R.H.

ABS Components - Reman

ABS Module	Years	Part No.	Qualifier
ABS Module	92 - 90	RA121000	

ABS Hydraulic Unit	Years	Part No.	Qualifier
ABS Hydraulic Unit	98	RA125034	
ABS Hydraulic Unit	97 - 96	RA125034	
ABS Hydraulic Unit	95	RA125025	
ABS Hydraulic Unit	94	RA125019	
ABS Hydraulic Unit	93	RA125018	
ABS Hydraulic Unit	92 - 91	RA122040	
ABS Hydraulic Unit	90	RA122005	

Wheel Attaching Hardware

Front Wheel Stud	Years	Part No.	Qualifier
Wheel Lug Stud	98	BD61426	
Wheel Lug Stud	97 - 96	BD61426	
Wheel Lug Stud	95 - 81	BD60901	

Rear Wheel Stud	Years	Part No.	Qualifier
Wheel Lug Stud	98	BD61427	w/11-5/32" Drum
Wheel Lug Stud	98	BD125934	w/13" Drum
Wheel Lug Stud	97 - 96	BD61427	w/11-5/32" Drum
Wheel Lug Stud	97 - 96	BD125934	w/13" Drum
Wheel Lug Stud	95 - 81	BD61483	

Front Wheel Nut	Years	Part No.	Qualifier
Wheel Lug Nut	98	BD125916	External Thread
Wheel Lug Nut	97 - 96	BD125916	External Thread
Wheel Lug Nut	95 - 85	BD61299	Bulge
Wheel Lug Nut	95 - 81	BD61283	Std. Open; 1/2"-20 Thread; 13/16" Hex

Rear Wheel Nut	Years	Part No.	Qualifier
Wheel Lug Nut	98	BD125916	External Thread
Wheel Lug Nut	97 - 96	BD125916	External Thread
Wheel Lug Nut	95 - 85	BD61299	Bulge
Wheel Lug Nut	95 - 81	BD61283	Std. Open; 1/2"-20 Thread; 13/16" Hex

P2500 VAN - See Also G2500 VAN
Brake Pads & Shoes

Front Pads & Shoes	Years	SevereDuty	Lining No.	Qualifier
Brake Pads	89 - 81	SD52		6800 GVW
Brake Pads	89 - 85	SD153		8000 GVW; H/D Brake
Brake Pads	84 - 81	SD153		7500-8000 GVW; H/D Brake

Rear Pads & Shoes	Years	SevereDuty	Lining No.	Qualifier
Brake Shoes	89 - 81	SDS473R	EX2073TD-S32	11-5/32 x 2-3/4" Brake; Riveted
Brake Shoes	89 - 81	SDS451R	EX2042ADT-S32	13 x 2-1/2" Brake; Riveted

CHEVROLET - 3/4 TON VAN



P2500 VAN (cont.) - See Also G2500 VAN

Rotor & Drum

Front Rotor & Drum	Years	Part No.	Qualifier
Brake Rotor	89 - 81	BD60402	

Rear Rotor & Drum

Rear Rotor & Drum	Years	Part No.	Qualifier
Brake Drum	89 - 88	BD60724	11-5/32 x 2-3/4" Brake
Brake Drum	89 - 88	BD60727	13 x 2-1/2" Brake
Brake Drum	87 - 84	BD60724	6800 GVW; 11-5/32 x 2-3/4" Brake
Brake Drum	87 - 85	BD60727	8000 GVW; H/D Brake; 13 x 2-1/2" Brake
Brake Drum	84	BD60727	7500-8000 GVW; H/D Brake; 13 x 2-1/2" Brake
Brake Drum	83	BD60727	6600-8200 GVW; 13 x 2-1/2" Brake
Brake Drum	83	BD60595	6800 GVW; 4-5/8" Wide Drum; 11-5/32 x 2-3/4" Brake
Brake Drum	83	BD60724	6800 GVW; 6-3/8" Wide Drum; 11-5/32 x 2-3/4" Brake
Brake Drum	83	BD60623	7500-8000 GVW; H/D Brake; 4-5/8" Wide Drum; 13 x 2-1/2" Brake
Brake Drum	82 - 81	BD60595	6800 GVW; 11-5/32 x 2-3/4" Brake
Brake Drum	82 - 81	BD60623	7500-8000 GVW; H/D Brake; 13 x 2-1/2" Brake

Brake Hardware

Front Brake Hardware	Years	Sequential No.	Category No.	Qualifier
Caliper Bolt/Pin	89 - 81	F76074S	(H5004)	
Disc Align Kit	89 - 81	F73674S	(H5500)	

Rear Brake Hardware

Rear Brake Hardware	Years	Sequential No.	Category No.	Qualifier
Adjuster Kit	89 - 81	F98404	(H2584)	L.H.; 11-5/32 x 2-3/4" Brake
Adjuster Kit	89 - 81	F98406	(H2580)	L.H.; 13 x 2-1/2" Brake
Adjuster Kit	89 - 83	F111233	(H2687)	R.H.; 11-5/32 x 2-3/4" Brake
Adjuster Kit	89 - 81	F98407	(H2581)	R.H.; 13 x 2-1/2" Brake
Adjuster Kit	82 - 81	F98405	(H2585)	R.H.; 11-5/32 x 2-3/4" Brake
Adjuster Screw	89 - 81	F73181S	(H1530)	L.H.; 11-5/32 x 2-3/4" Brake
Adjuster Screw	89 - 88	F83294	(H1550)	L.H.; 13 x 2-1/2" Brake
Adjuster Screw	89 - 81	F73182S	(H1531)	R.H.; 11-5/32 x 2-3/4" Brake
Adjuster Screw	89 - 88	F83295	(H1551)	R.H.; 13 x 2-1/2" Brake
Adjuster Screw	81	F83294	(H1550)	L.H.; H/D Brake; 13 x 2-1/2" Brake
Adjuster Screw	81	F83295	(H1551)	R.H.; H/D Brake; 13 x 2-1/2" Brake
Combi Kit	89 - 81	F98455S	(H7046)	11-5/32 x 2-3/4" Brake
↳Adjuster Spring Kit		F45936S	(H415)	
↳Hold Down Kit		F98422S	(H4018)	
↳Return Spring Kit		F45927S	(H324)	
Combi Kit	89 - 81	F98457S	(H7055)	13 x 2-1/2" Brake
↳Adjuster Spring Kit		F73145S	(H425)	
↳Hold Down Kit		F113455S	(H4098)	
↳Return Spring Kit		F59100S	(H600)	

Calipers - Reman

Front, Loaded	Years	Left No.	Right No.	Qualifier	Piston
Loaded Caliper	89 - 81	AS98884	AS98885	w/JB6, JD6; w/2.94" Single Piston Caliper	M
Loaded Caliper	89 - 81	AS98954	AS98955	w/JB7, JD7; w/3.16" Single Piston Caliper	M

Front, Unloaded	Years	Left No.	Right No.	Qualifier	Piston
Unloaded Caliper	89 - 81	CR98884	CR98885	w/JB6, JD6; w/2.94" Single Piston Caliper	M
Unloaded Caliper	89 - 81	CR98954	CR98955	w/JB7, JD7; w/3.16" Single Piston Caliper	M

Hydraulics - New

Master Cylinder	Years	Sequential No.	Category No.	Qualifier
Master Cylinder	89 - 84	F104456	(MC104456)	Diesel; 6800 GVW; w/Hydro-Boost; 1-3/16" Bore
Master Cylinder	89 - 85	F108148	(MC108148)	Diesel; 8000 GVW; w/Hydro-Boost; 1-1/4" Bore
Master Cylinder	89 - 85	F110887	(MC110887)	w/o Diesel; 6800 GVW; 1-1/8" Bore
Master Cylinder	89 - 85	F110888	(MC110888)	w/o Diesel; 8000 GVW; 1-1/4" Bore
Master Cylinder	84	F108148	(MC108148)	7500-8000 GVW; w/Hydro-Boost; 1-1/4" Bore
Master Cylinder	84	F104514	(MC104514)	w/o Diesel; 6800 GVW; 1-1/8" Bore
Master Cylinder	83 - 81	F101266	(MC101266)	1-1/4" Bore; 13" Brake
Master Cylinder	83	F104456	(MC104456)	Diesel; w/Hydro-Boost; w/Bendix Brake System; 1-3/16" Bore; 11" Brake

↳Sub-Kit of Combi-Kit is available separately.

Piston: M - OE Metal Piston P - OE Phenolic Piston

P2500 VAN (cont.) - See Also G2500 VAN
Hydraulics - New (cont.)

Master Cylinder	Years	Sequential No.	Category No.	Qualifier
Master Cylinder	83	F104514	(MC104514)	w/o Diesel; 1-1/8" Bore; 11" Brake
Master Cylinder	82 - 81	F104514	(MC104514)	1-1/8" Bore; 11" Brake
Master Cylinder	82	F104456	(MC104456)	w/Hydro-Boost; w/Bendix Brake System; 1-3/16" Bore; 11" Brake
Master Cylinder	82	F104464	(MC104464)	w/Hydro-Boost; w/Moraine Brake System; 1-1/4" Bore; 11" Brake
Rear Wheel Cylinder	Years	Sequential No.	Category No.	Qualifier
Wheel Cylinder	89 - 85	F51088	(WC51088)	6800 GVW; 1" Bore
Wheel Cylinder	89 - 85	F79767	(WC79767)	8000 GVW; 1-1/16" Bore
Wheel Cylinder	84 - 81	F51088	(WC51088)	6600-7200 GVW; 11" Brake; 1" Bore
Wheel Cylinder	84 - 81	F79767	(WC79767)	7500-8000 GVW; 13" Brake; 1-1/16" Bore
Front Brake Hose	Years	Sequential No.	Category No.	Qualifier
Brake Hose	89 - 81	F102464	(BH102464)	L.H.; 6800 GVW
Brake Hose	89 - 85	F110424	(BH110424)	L.H.; 8000 GVW
Brake Hose	89 - 81	F102465	(BH102465)	R.H.; 6800 GVW
Brake Hose	89 - 85	F110425	(BH110425)	R.H.; 8000 GVW
Brake Hose	84 - 81	F110424	(BH110424)	L.H.; 7500-8000 GVW
Brake Hose	84 - 81	F110425	(BH110425)	R.H.; 7500-8000 GVW
Rear Brake Hose	Years	Sequential No.	Category No.	Qualifier
Brake Hose	89 - 81	F80967	(BH80967)	

Hydraulics - Reman

Master Cylinder	Years	Part No.	Qualifier
Master Cylinder	89 - 85	R104456	Diesel; w/JD6
Master Cylinder	89 - 85	R108148	Diesel; w/JD7
Master Cylinder	89 - 85	R110887	Gas; w/JB6
Master Cylinder	89 - 85	R110888	Gas; w/JB7
Master Cylinder	84 - 82	R104456	Diesel; w/JD6; w/Hydro Boost
Master Cylinder	84 - 82	R101266	Diesel; w/JD7; w/Hydro Boost
Master Cylinder	84 - 82	R105118	Gas; w/JB6; w/Vacuum Boost
Master Cylinder	84 - 82	R101266	Gas; w/JB7; w/Vacuum Boost
Master Cylinder	81	R105118	w/JB6
Master Cylinder	81	R101266	w/JB7
Power Brake Booster	Years	Part No.	Qualifier
Hydro Booster	89 - 82	527327	Diesel; w/JD6 or JD7
Power Brake Booster	Years	Part No.	Qualifier
Power Brake Booster	89 - 85	501079	Gas; w/Master Cylinder; w/JB6
Power Brake Booster	89 - 85	501054	Gas; w/Master Cylinder; w/JB7
Power Brake Booster	89 - 85	5471054	Gas; w/o Master Cylinder
Power Brake Booster	84 - 81	509137	Gas; w/Master Cylinder; w/JB6
Power Brake Booster	84 - 81	509140	Gas; w/Master Cylinder; w/JB7
Power Brake Booster	84 - 81	5471054	Gas; w/o Master Cylinder; w/JB6
Power Brake Booster	84 - 81	5471084	Gas; w/o Master Cylinder; w/JB7

Brake Cables

Parking Brake Cable	Years	Sequential No.	Category No.	Qualifier
Parking Brake Cable	89	F124670	(BC124670)	Forward; 86" Length
Parking Brake Cable	89 - 85	F111068	(BC111068)	Intermediate; 125" WB
Parking Brake Cable	89 - 85	F111069	(BC111069)	Intermediate; 133" WB
Parking Brake Cable	89	F108767	(BC108767)	Rear; L.H.
Parking Brake Cable	89	F108768	(BC108768)	Rear; R.H.
Parking Brake Cable	88 - 84	F108777	(BC108777)	Forward
Parking Brake Cable	88	F108767	(BC108767)	Rear; L.H.; 11" Brake
Parking Brake Cable	88 - 84	F124137	(BC124137)	Rear; L.H.; 13" Brake
Parking Brake Cable	88	F108768	(BC108768)	Rear; R.H.; 125" WB; 11" Brake
Parking Brake Cable	88	F116604	(BC116604)	Rear; R.H.; 133" WB; 11" Brake
Parking Brake Cable	88	F108764	(BC108764)	Rear; R.H.; 133" WB; 13" Brake
Parking Brake Cable	88	F124766	(BC124766)	Rear; R.H.; 133" WB; 13" Brake

CHEVROLET - 3/4 TON VAN



P2500 VAN (cont.) - See Also G2500 VAN

Brake Cables (cont.)

Parking Brake Cable	Years	Sequential No.	Category No.	Qualifier
Parking Brake Cable	87 - 84	F108767	(BC108767)	Rear; L.H.; 1st Design; 11" Brake
Parking Brake Cable	87 - 84	F88581	(BC88581)	Rear; L.H.; 2nd Design; 11" Brake
Parking Brake Cable	87 - 84	F108764	(BC108764)	Rear; R.H.; 13" Brake
Parking Brake Cable	87 - 84	F108768	(BC108768)	Rear; R.H.; 1st Design; 11" Brake
Parking Brake Cable	87 - 84	F88581	(BC88581)	Rear; R.H.; 2nd Design; 11" Brake
Parking Brake Cable	84	F112990	(BC112990)	Intermediate; 125" WB
Parking Brake Cable	84	F108778	(BC108778)	Intermediate; 133" WB
Parking Brake Cable	83 - 81	F101984	(BC101984)	Intermediate; 125" WB; 11" Brake
Parking Brake Cable	83 - 81	F105963	(BC105963)	Intermediate; 125" WB; 13" Brake
Parking Brake Cable	83 - 81	F108180	(BC108180)	Intermediate; 133" WB; 11" Brake
Parking Brake Cable	83 - 81	F108184	(BC108184)	Intermediate; 133" WB; 13" Brake
Parking Brake Cable	83 - 81	F108760	(BC108760)	Rear; L.H.; 1st Design
Parking Brake Cable	83 - 81	F88581	(BC88581)	Rear; L.H.; 2nd Design
Parking Brake Cable	83 - 81	F108760	(BC108760)	Rear; R.H.; 1st Design
Parking Brake Cable	83 - 81	F88581	(BC88581)	Rear; R.H.; 2nd Design

Wheel Attaching Hardware

Front Wheel Stud	Years	Part No.	Qualifier
Wheel Lug Stud	89 - 81	BD60906	
Rear Wheel Stud	Years	Part No.	Qualifier
Wheel Lug Stud	89 - 81	BD60963	
Front Wheel Nut	Years	Part No.	Qualifier
Wheel Lug Nut	89 - 81	BD61287	Std. Open
Rear Wheel Nut	Years	Part No.	Qualifier
Wheel Lug Nut	89 - 81	BD61287	Std. Open

CHEVROLET -1 TON TRUCK

C3500 PICKUP - See Also K3500 PICKUP

Brake Pads & Shoes

Front Pads & Shoes	Years	SevereDuty	Lining No.	Qualifier
Brake Pads	02 - 01	SD184		
Brake Pads	00 - 91	SD459		Exc. H/D Chassis Cab; w/DRW
Brake Pads	00 - 91	SD370		Exc. H/D Chassis Cab; w/SRW
Brake Pads	00 - 95	SD184		w/H/D Chassis Cab
Brake Pads	94 - 93	SD184		From VIN No. RJ107933; w/H/D Chassis Cab
Brake Pads	94 - 93	SD149		To VIN No. RJ107933; w/H/D Chassis Cab
Brake Pads	92 - 91	SD149		w/H/D Chassis Cab
Brake Pads	90	SD459		w/DRW
Brake Pads	90	SD370		w/SRW
Brake Pads	89 - 88	SD370		
Brake Pads	86 - 81	SD149		
Rear Pads & Shoes	Years	SevereDuty	Lining No.	Qualifier
Brake Pads	02 - 01	SD184		
Brake Pads	00 - 95	SD184		w/H/D Chassis Cab
Brake Pads	94 - 93	SD184		From VIN No. RJ514540; w/H/D Chassis Cab
Brake Pads	94 - 93	SD149		To VIN No. RJ107933; w/H/D Chassis Cab
Brake Pads	92 - 91	SD149		w/H/D Chassis Cab
Brake Shoes	00 - 92	SDS656R	SX2157BDT-S36 13 x 3-1/2" Brake; Riveted	
Brake Shoes	94 - 92	SDS655R	SX2042BDT-S36 13 x 2-1/2" Brake; Riveted	
Brake Shoes	91 - 88	SDS451R	EX2042ADT-S32 13 x 2-1/2" Brake; Riveted	
Brake Shoes	91 - 88	SDS452R	EX2157TD-S32 13 x 3-1/2" Brake; Riveted	
Brake Shoes	86 - 81	SDS452R	EX2157TD-S32 13 x 3-1/2" Brake; Riveted	

Rotor & Drum

Front Rotor & Drum	Years	Part No.	Qualifier
Brake Rotor	02 - 01	BD125639	

C3500 PICKUP (cont.) - See Also K3500 PICKUP
Rotor & Drum (cont.)

Front Rotor & Drum	Years	Part No.	Qualifier
Brake Rotor	00 - 95	BD125471	Exc. H/D Chassis Cab; w/DRW
Brake Rotor	00 - 93	BD125212	Exc. H/D Chassis Cab; w/SRW
Brake Rotor	00 - 95	BD125639	w/H/D Chassis Cab
Brake Rotor	94 - 91	BD125167	Exc. H/D Chassis Cab; w/DRW
Brake Rotor	94 - 93	BD125639	From VIN No. RJ107933; w/H/D Chassis Cab
Brake Rotor	94 - 93	BD61808	To VIN No. RJ107933; w/H/D Chassis Cab
Brake Rotor	92 - 91	BD61814	Exc. H/D Chassis Cab; w/SRW
Brake Rotor	92 - 91	BD61808	w/H/D Chassis Cab
Brake Rotor	90	BD125167	w/DRW
Brake Rotor	90 - 88	BD61814	w/SRW
Brake Rotor	86 - 81	BD60443	w/DRW
Brake Rotor	86 - 81	BD125332	w/SRW

Rear Rotor & Drum	Years	Part No.	Qualifier
Brake Drum	00 - 96	BD125245	9000 GVW; Exc. H/D Chassis Cab; w/DRW; 13 x 3-1/2" Brake
Brake Drum	00 - 96	BD60356	Exc. 9000 GVW; Exc. H/D Chassis Cab; w/DRW; 13 x 3-1/2" Brake
Brake Drum	00 - 96	BD125407	w/SRW; w/4.625" Dia. Ctr. Pilot Hole; 13 x 3-1/2" Brake
Brake Drum	00 - 96	BD125523	w/SRW; w/4.835" Dia. Ctr. Pilot Hole; 13 x 3-1/2" Brake
Brake Drum	95	BD125523	10000 GVW; w/SRW; 13 x 3-1/2" Brake
Brake Drum	95	BD125245	Exc. 10000 GVW; w/SRW; 13 x 3-1/2" Brake
Brake Drum	95 - 91	BD60356	Exc. H/D Chassis Cab; w/DRW; 13 x 3-1/2" Brake
Brake Drum	94 - 91	BD60359	w/SRW; 13 x 2-1/2" Brake
Brake Drum	94 - 92	BD125523	w/SRW; 13 x 3-1/2" Brake
Brake Drum	90 - 88	BD60356	w/DRW; 13 x 3-1/2" Brake
Brake Drum	90 - 88	BD61891	w/SRW; w/10-1/2" R.G.; 13 x 2-1/2" Brake
Brake Drum	90 - 88	BD60727	w/SRW; w/9-1/2" R.G.; 13 x 2-1/2" Brake
Brake Drum	86 - 81	BD60356	w/DRW; 13 x 3-1/2" Brake
Brake Drum	86 - 81	BD60357	w/SRW; 13 x 3-1/2" Brake
Brake Rotor	02 - 01	BD125516	
Brake Rotor	00 - 95	BD125516	w/H/D Chassis Cab
Brake Rotor	94 - 93	BD125516	From VIN No. RJ107933; w/H/D Chassis Cab
Brake Rotor	94 - 93	BD60593	To VIN No. RJ107933; w/H/D Chassis Cab
Brake Rotor	92 - 91	BD60593	w/H/D Chassis Cab

Brake Hardware

Front Brake Hardware	Years	Sequential No.	Category No.	Qualifier
Caliper Bolt/Pin	99 - 92	F73237S	(H5019)	w/Rear Disc
Caliper Bolt/Pin	99 - 92	F129642S	(H5062)	w/Rear Drum; w/DRW
Caliper Bolt/Pin	99 - 92	F117224S	(H5038)	w/Rear Drum; w/SRW
Caliper Bolt/Pin	91	F129642S	(H5062)	w/DRW; Exc. H/D Chassis Cab
Caliper Bolt/Pin	91	F73237S	(H5019)	w/DRW; w/H/D Chassis Cab
Caliper Bolt/Pin	91 - 90	F117224S	(H5038)	w/SRW
Caliper Bolt/Pin	90	F129642S	(H5062)	w/DRW
Caliper Bolt/Pin	89 - 88	F117224S	(H5038)	
Caliper Bolt/Pin	86 - 81	F73237S	(H5019)	w/Sliding Bendix Caliper
Caliper Bolt/Pin	81	F76074S	(H5004)	w/Floating Delco Caliper
Disc Align Kit	99 - 95	F112090S	(H5566)	w/DRW
Disc Align Kit	99 - 91	F117225S	(H5584)	w/SRW
Disc Align Kit	94 - 93	F112090S	(H5566)	From VIN No. RJ107933; w/Floating Delco Caliper; w/H/D Chassis Cab; w/DRW
Disc Align Kit	94 - 93	F107402S	(H5555)	To VIN No. RJ107933; w/H/D Chassis Cab; w/DRW; w/Sliding Bendix Caliper; .040 O/S; Refer to Center Abutment page in rear
Disc Align Kit	94 - 93	F107403S	(H5556)	To VIN No. RJ107933; w/H/D Chassis Cab; w/DRW; w/Sliding Bendix Caliper; .080 O/S; Refer to Center Abutment page in rear
Disc Align Kit	94 - 93	F107404S	(H5557)	To VIN No. RJ107933; w/H/D Chassis Cab; w/DRW; w/Sliding Bendix Caliper; .120 O/S; Refer to Center Abutment page in rear
Disc Align Kit	94 - 93	F107405S	(H5558)	To VIN No. RJ107933; w/H/D Chassis Cab; w/DRW; w/Sliding Bendix Caliper; .160 O/S; Refer to Center Abutment page in rear

CHEVROLET -1 TON TRUCK



C3500 PICKUP (cont.) - See Also K3500 PICKUP

Brake Hardware (cont.)				
Front Brake Hardware	Years	Sequential No.	Category No.	Qualifier
Disc Align Kit	94 - 93	F107401S	(H5562)	To VIN No. RJ107933; w/H/D Chassis Cab; w/DRW; w/Sliding Bendix Caliper; Std.
Disc Align Kit	92 - 91	F107402S	(H5555)	w/H/D Chassis Cab; w/DRW; w/Sliding Bendix Caliper; .040 O/S; Refer to Center Abutment page in rear
Disc Align Kit	92 - 91	F107403S	(H5556)	w/H/D Chassis Cab; w/DRW; w/Sliding Bendix Caliper; .080 O/S; Refer to Center Abutment page in rear
Disc Align Kit	92 - 91	F107404S	(H5557)	w/H/D Chassis Cab; w/DRW; w/Sliding Bendix Caliper; .120 O/S; Refer to Center Abutment page in rear
Disc Align Kit	92 - 91	F107405S	(H5558)	w/H/D Chassis Cab; w/DRW; w/Sliding Bendix Caliper; .160 O/S; Refer to Center Abutment page in rear
Disc Align Kit	92 - 91	F107401S	(H5562)	w/H/D Chassis Cab; w/DRW; w/Sliding Bendix Caliper; Std.
Disc Align Kit	90 - 88	F117225S	(H5584)	
Disc Align Kit	86 - 81	F107402S	(H5555)	w/Sliding Bendix Caliper; .040 O/S; Refer to Center Abutment page in rear
Disc Align Kit	86 - 81	F107403S	(H5556)	w/Sliding Bendix Caliper; .080 O/S; Refer to Center Abutment page in rear
Disc Align Kit	86 - 81	F107404S	(H5557)	w/Sliding Bendix Caliper; .120 O/S; Refer to Center Abutment page in rear
Disc Align Kit	86 - 81	F107405S	(H5558)	w/Sliding Bendix Caliper; .160 O/S; Refer to Center Abutment page in rear
Disc Align Kit	86 - 81	F107401S	(H5562)	w/Sliding Bendix Caliper; Std.
Pin Boot Kit	99 - 92	F126906S	(H8209)	w/Rear Drum; w/DRW
Pin Boot Kit	91	F126906S	(H8209)	w/DRW; Exc. H/D Chassis Cab
Pin Boot Kit	90	F126906S	(H8209)	w/DRW
Rear Brake Hardware	Years	Sequential No.	Category No.	Qualifier
Adjuster Kit	00 - 88	F98406	(H2580)	L.H.; 13 x 2-1/2" Brake
Adjuster Kit	00 - 88	F98406	(H2580)	L.H.; 13 x 3-1/2" Brake
Adjuster Kit	00 - 88	F98407	(H2581)	R.H.; 13 x 2-1/2" Brake
Adjuster Kit	00 - 88	F98407	(H2581)	R.H.; 13 x 3-1/2" Brake
Adjuster Kit	86 - 81	F98406	(H2580)	L.H.
Adjuster Kit	86 - 81	F98407	(H2581)	R.H.
Adjuster Screw	00 - 88	F83294	(H1550)	L.H.; 13 x 2-1/2" Brake
Adjuster Screw	00 - 88	F83294	(H1550)	L.H.; 13 x 3-1/2" Brake
Adjuster Screw	00 - 88	F83295	(H1551)	R.H.; 13 x 2-1/2" Brake
Adjuster Screw	00 - 88	F83295	(H1551)	R.H.; 13 x 3-1/2" Brake
Adjuster Screw	86 - 81	F83294	(H1550)	L.H.
Adjuster Screw	86 - 81	F83295	(H1551)	R.H.
Caliper Bolt/Pin	99 - 91	F73237S	(H5019)	
Combi Kit	00 - 88	F98457S	(H7055)	13 x 2-1/2" Brake
↳Adjuster Spring Kit		F73145S	(H425)	
↳Hold Down Kit		F113455S	(H4098)	
↳Return Spring Kit		F59100S	(H600)	
Combi Kit	00 - 88	F98457S	(H7055)	13 x 3-1/2" Brake
↳Adjuster Spring Kit		F73145S	(H425)	
↳Hold Down Kit		F113455S	(H4098)	
↳Return Spring Kit		F59100S	(H600)	
Combi Kit	86 - 81	F98457S	(H7055)	
↳Adjuster Spring Kit		F73145S	(H425)	
↳Hold Down Kit		F113455S	(H4098)	
↳Return Spring Kit		F59100S	(H600)	
Disc Align Kit	99 - 95	F112090S	(H5566)	w/DRW
Disc Align Kit	94 - 93	F112090S	(H5566)	From VIN No. RJ107933; w/Floating Delco Caliper; w/H/D Chassis Cab; w/DRW
Disc Align Kit	94 - 93	F107402S	(H5555)	To VIN No. RJ107933; w/H/D Chassis Cab; w/DRW; w/Sliding Bendix Caliper; .040 O/S; Refer to Center Abutment page in rear
Disc Align Kit	94 - 93	F107403S	(H5556)	To VIN No. RJ107933; w/H/D Chassis Cab; w/DRW; w/Sliding Bendix Caliper; .080 O/S; Refer to Center Abutment page in rear
Disc Align Kit	94 - 93	F107404S	(H5557)	To VIN No. RJ107933; w/H/D Chassis Cab; w/DRW; w/Sliding Bendix Caliper; .120 O/S; Refer to Center Abutment page in rear
Disc Align Kit	94 - 93	F107405S	(H5558)	To VIN No. RJ107933; w/H/D Chassis Cab; w/DRW; w/Sliding Bendix Caliper; .160 O/S; Refer to Center Abutment page in rear
Disc Align Kit	94 - 93	F107401S	(H5562)	To VIN No. RJ107933; w/H/D Chassis Cab; w/DRW; w/Sliding Bendix Caliper; Std.

↳Sub-Kit of Combi-Kit is available separately.

C3500 PICKUP (cont.) - See Also K3500 PICKUP
Brake Hardware (cont.)

<i>Rear Brake Hardware</i>	<i>Years</i>	<i>Sequential No.</i>	<i>Category No.</i>	<i>Qualifier</i>
Disc Align Kit	92 - 91	F107402S	(H5555)	w/H/D Chassis Cab; w/DRW; w/Sliding Bendix Caliper; .040 O/S; Refer to Center Abutment page in rear
Disc Align Kit	92 - 91	F107403S	(H5556)	w/H/D Chassis Cab; w/DRW; w/Sliding Bendix Caliper; .080 O/S; Refer to Center Abutment page in rear
Disc Align Kit	92 - 91	F107404S	(H5557)	w/H/D Chassis Cab; w/DRW; w/Sliding Bendix Caliper; .120 O/S; Refer to Center Abutment page in rear
Disc Align Kit	92 - 91	F107405S	(H5558)	w/H/D Chassis Cab; w/DRW; w/Sliding Bendix Caliper; .160 O/S; Refer to Center Abutment page in rear
Disc Align Kit	92 - 91	F107401S	(H5562)	w/H/D Chassis Cab; w/DRW; w/Sliding Bendix Caliper; Std.

Calipers - Reman

<i>Front, Loaded</i>	<i>Years</i>	<i>Left No.</i>	<i>Right No.</i>	<i>Qualifier</i>	<i>Piston</i>
Loaded Caliper	02	AS98906A	AS98907A		M
Loaded Caliper	01	AS98906A	AS98907A	w/o Wrecker Pkg.	M
Loaded Caliper	00 - 94	AS98906A	AS98907A	w/Rear Disc	M
Loaded Caliper	00 - 91	AS120226	AS120227	w/Rear Drum; w/DRW	M
Loaded Caliper	00 - 91	AS116294	AS116295	w/Rear Drum; w/SRW; w/3.16" Single Piston Caliper	M
Loaded Caliper	93 - 91	AS98906	AS98907	w/Rear Disc	M
Loaded Caliper	90	AS120226	AS120227	w/DRW	M
Loaded Caliper	90	AS116294	AS116295	w/SRW; w/3.16" Single Piston Caliper	M
Loaded Caliper	89 - 88	AS116294	AS116295	w/3.16" Single Piston Caliper	M
Loaded Caliper	86 - 81	AS98954	AS98955	Pin Type Caliper	M
Loaded Caliper	86 - 81	AS98906	AS98907	Slide Type Caliper	M

<i>Rear, Loaded</i>	<i>Years</i>	<i>Left No.</i>	<i>Right No.</i>	<i>Qualifier</i>	<i>Piston</i>
Loaded Caliper	02	AS98906A	AS98907A		M
Loaded Caliper	01 - 95	AS98906A	AS98907A	w/o Wrecker Pkg.	M
Loaded Caliper	97 - 95	AS134261	AS134261	w/Wrecker Pkg.	P
Loaded Caliper	94	AS98906A	AS98907A		M
Loaded Caliper	93 - 91	AS98906	AS98907		M

<i>Front, Unloaded</i>	<i>Years</i>	<i>Left No.</i>	<i>Right No.</i>	<i>Qualifier</i>	<i>Piston</i>
Unloaded Caliper	02 - 01	CR98906	CR98907	Std. Cab Chassis	M
Unloaded Caliper	00 - 91	CR98906	CR98907	w/Rear Disc	M
Unloaded Caliper	00 - 91	CR120226	CR120227	w/Rear Drum; w/DRW	M
Unloaded Caliper	00 - 91	CR116294	CR116295	w/Rear Drum; w/SRW; w/3.16" Single Piston Caliper	M
Unloaded Caliper	90	CR120226	CR120227	w/DRW	M
Unloaded Caliper	90	CR116294	CR116295	w/SRW; w/3.16" Single Piston Caliper	M
Unloaded Caliper	89 - 88	CR116294	CR116295	w/3.16" Single Piston Caliper	M
Unloaded Caliper	86 - 81	CR98954	CR98955	Pin Type Caliper	M
Unloaded Caliper	86 - 81	CR98906	CR98907	Slide Type Caliper	M

<i>Rear, Unloaded</i>	<i>Years</i>	<i>Left No.</i>	<i>Right No.</i>	<i>Qualifier</i>	<i>Piston</i>
Unloaded Caliper	02	CR98906	CR98907	Std. Cab Chassis	M
Unloaded Caliper	01	CR98906	CR98907	Std. Cab Chassis; w/o Wrecker Pkg.	M
Unloaded Caliper	01	CR134369	CR134369	Std. Cab Chassis; w/Wrecker Pkg.	M
Unloaded Caliper	00 - 95	CR98906	CR98907	w/o Wrecker Pkg.	M
Unloaded Caliper	00 - 98	CR134369	CR134369	w/Wrecker Pkg.	M
Unloaded Caliper	97 - 95	CR134261	CR134261	w/Wrecker Pkg.; w/Casting No. 4152828	P
Unloaded Caliper	97 - 95	CR134261S	CR134261S	w/Wrecker Pkg.; w/Casting No. 4152828	O
Unloaded Caliper	97 - 95	CR134369	CR134369	w/Wrecker Pkg.; w/Casting No. 452828N	M
Unloaded Caliper	94 - 91	CR98906	CR98907		M

Hydraulics - New

<i>Master Cylinder</i>	<i>Years</i>	<i>Sequential No.</i>	<i>Category No.</i>	<i>Qualifier</i>
Master Cylinder	00 - 94	F131509	(MC131509)	w/Hydro-Boost; w/Rear Drum; 1-1/4" Bore
Master Cylinder	93	F120590	(MC120590)	w/Hydro-Boost; w/DRW; w/Rear Drum; 1-1/4" Bore
Master Cylinder	93	F116627	(MC116627)	w/Hydro-Boost; w/SRW; w/Rear Drum; 1-1/4" Bore
Master Cylinder	92 - 91	F120590	(MC120590)	w/DRW; w/Rear Drum; 1-1/4" Bore
Master Cylinder	92 - 91	F116627	(MC116627)	w/SRW; w/Rear Drum; 1-1/4" Bore

Piston: M - OE Metal Piston P - OE Phenolic Piston O - Metal Piston Option

CHEVROLET -1 TON TRUCK



C3500 PICKUP (cont.) - See Also K3500 PICKUP

Hydraulics - New (cont.)

Master Cylinder	Years	Sequential No.	Category No.	Qualifier
Master Cylinder	91	F103239	(MC103239)	w/Hydro-Boost; w/Rear Disc; 1-11/32" Bore
Master Cylinder	90	F120590	(MC120590)	w/DRW; 1-1/4" Bore
Master Cylinder	90	F116627	(MC116627)	w/SRW; 1-1/4" Bore
Master Cylinder	89 - 88	F116627	(MC116627)	1-1/4" Bore
Master Cylinder	86 - 84	F108145	(MC108145)	w/Hydro-Boost; 1-5/16" Bore
Master Cylinder	83	F98953	(MC98953)	w/Hydro-Boost; Stamped 1605; 1-5/16" Bore
Master Cylinder	83	F108145	(MC108145)	w/Hydro-Boost; Stamped 1925; 1-5/16" Bore
Master Cylinder	82 - 81	F98953	(MC98953)	w/Hydro-Boost; 1-5/16" Bore
Rear Wheel Cylinder	Years	Sequential No.	Category No.	Qualifier
Wheel Cylinder	00 - 88	F79768	(WC79768)	w/DRW; 1-3/16" Bore
Wheel Cylinder	00 - 88	F79767	(WC79767)	w/SRW; 1-1/16" Bore
Wheel Cylinder	86 - 84	F79768	(WC79768)	w/DRW; 1-3/16" Bore
Wheel Cylinder	86 - 84	F79767	(WC79767)	w/SRW; 1-1/16" Bore
Wheel Cylinder	83 - 81	F79768	(WC79768)	1-3/16" Bore
Clutch Master Cylind	Years	Sequential No.	Category No.	Qualifier
Clutch Master Cylinder	02 - 97	F133507	(CM133507)	45/64" Bore
Clutch Master Cylinder	96	F133507	(CM133507)	45/64" Bore
Clutch Master Cylinder	95 - 92	F126856	(CM126856)	45/64" Bore
Clutch Master Cylinder	90 - 88	F119584	(CM119584)	11/16" Bore
Clutch Master Cylinder	86 - 85	F110273	(CM110273)	11/16" Bore
Clutch Slave Cylinder	Years	Sequential No.	Category No.	Qualifier
Clutch Slave Cylinder	02 - 01	F140095	(SC140095)	w/o Diesel
Clutch Slave Cylinder	01	F134322	(SC134322)	Diesel
Clutch Slave Cylinder	00 - 96	F134322	(SC134322)	
Clutch Slave Cylinder	95 - 92	F126872	(SC126872)	25/32" Bore
Clutch Slave Cylinder	91 - 88	F103762	(SC103762)	13/16" Bore
Clutch Slave Cylinder	86 - 85	F103483	(SC103483)	13/16" Bore
Front Brake Hose	Years	Sequential No.	Category No.	Qualifier
Brake Hose	02 - 97	F124600	(BH124600)	L.H.; 15000 GVW; Chassis Cab; 183-1/2" WB
Brake Hose	02 - 97	F124601	(BH124601)	R.H.; 15000 GVW; Chassis Cab; 183-1/2" WB
Brake Hose	00 - 97	F123304	(BH123304)	L.H.; 10000 GVW; Ext. Cab
Brake Hose	00 - 97	F123304	(BH123304)	L.H.; 11000 GVW; Ext. Cab
Brake Hose	00 - 97	F123304	(BH123304)	L.H.; Under 9200 GVW; Reg. Cab; w/DRW
Brake Hose	00 - 97	F133852	(BH133852)	L.H.; Under 9200 GVW; Reg. Cab; w/SRW
Brake Hose	00 - 97	F123305	(BH123305)	R.H.; 10000 GVW; Ext. Cab
Brake Hose	00 - 97	F123305	(BH123305)	R.H.; 11000 GVW; Ext. Cab
Brake Hose	00 - 97	F123305	(BH123305)	R.H.; Under 9200 GVW; Reg. Cab; w/DRW
Brake Hose	00 - 97	F133851	(BH133851)	R.H.; Under 9200 GVW; Reg. Cab; w/SRW
Brake Hose	96 - 91	F123304	(BH123304)	L.H.; w/DRW; Exc. H/D Chassis Cab
Brake Hose	96 - 93	F133852	(BH133852)	L.H.; w/SRW
Brake Hose	96 - 91	F123305	(BH123305)	R.H.; w/DRW; Exc. H/D Chassis Cab
Brake Hose	96 - 93	F133851	(BH133851)	R.H.; w/SRW
Brake Hose	94 - 91	F124600	(BH124600)	L.H.; H/D Chassis Cab; w/DRW
Brake Hose	94 - 91	F124601	(BH124601)	R.H.; H/D Chassis Cab; w/DRW
Brake Hose	92 - 88	F116848	(BH116848)	L.H.; w/SRW
Brake Hose	92 - 88	F116849	(BH116849)	R.H.; w/SRW
Brake Hose	90	F123304	(BH123304)	L.H.; w/DRW
Brake Hose	90	F123305	(BH123305)	R.H.; w/DRW
Brake Hose	86 - 81	F88957	(BH88957)	L.H.
Brake Hose	86 - 81	F88958	(BH88958)	R.H.
Rear Brake Hose	Years	Sequential No.	Category No.	Qualifier
Brake Hose	02 - 96	F104341	(BH104341)	L.H.; Chassis Cab; w/H/D Pkg.; w/DRW; Exc. Wrecker Pkg.
Brake Hose	02 - 96	F104342	(BH104342)	R.H.; Chassis Cab; w/H/D Pkg.; w/DRW; Exc. Wrecker Pkg.
Brake Hose	01 - 97	F132987	(BH132987)	L.H.; Exc. 15000 GVW; Wrecker Prep.
Brake Hose	01 - 97	F132988	(BH132988)	R.H.; Exc. 15000 GVW; Wrecker Prep.

C3500 PICKUP (cont.) - See Also K3500 PICKUP
Hydraulics - New (cont.)

Rear Brake Hose	Years	Sequential No.	Category No.	Qualifier
Brake Hose	00 - 99	F118117	(BH118117)	Exc. 15000 GVW; Chassis Cab
Brake Hose	98 - 97	F118117	(BH118117)	15000 GVW; w/DRW; Exc. H/D Chassis Cab
Brake Hose	98 - 97	F118117	(BH118117)	15000 GVW; w/SRW
Brake Hose	96	F132987	(BH132987)	L.H.; Wrecker Prep.
Brake Hose	96	F132988	(BH132988)	R.H.; Wrecker Prep.
Brake Hose	96 - 95	F118117	(BH118117)	w/DRW; Exc. H/D Chassis Cab
Brake Hose	96 - 95	F118117	(BH118117)	w/SRW
Brake Hose	95	F111141	(BH111141)	H/D Chassis Cab; w/DRW
Brake Hose	94 - 91	F104341	(BH104341)	L.H.; H/D Chassis Cab; w/DRW
Brake Hose	94 - 91	F104342	(BH104342)	R.H.; H/D Chassis Cab; w/DRW
Brake Hose	94 - 91	F123303	(BH123303)	w/DRW; Exc. H/D Chassis Cab
Brake Hose	94 - 91	F118117	(BH118117)	w/DRW; w/Rear Disc
Brake Hose	94 - 91	F118117	(BH118117)	w/SRW; w/Rear Disc
Brake Hose	90	F104341	(BH104341)	L.H.; w/DRW
Brake Hose	90	F104342	(BH104342)	R.H.; w/DRW
Brake Hose	90	F118117	(BH118117)	w/SRW
Brake Hose	89 - 88	F118117	(BH118117)	
Brake Hose	86 - 84	F113148	(BH113148)	6.2;7.4L
Brake Hose	86 - 84	F80967	(BH80967)	w/o Diesel
Brake Hose	83 - 81	F80967	(BH80967)	

Hydraulics - Reman

Master Cylinder	Years	Part No.	Qualifier
Master Cylinder	02 - 01	R131328	
Master Cylinder	00 - 94	R131328	w/Rear Disc
Master Cylinder	00 - 94	R120590	w/Rear Drum
Master Cylinder	93 - 92	R116627	Diesel
Master Cylinder	93 - 92	R120590	Gas; w/DRW; w/Rear Drum
Master Cylinder	93 - 92	R122232	Gas; w/Rear Disc
Master Cylinder	93 - 92	R116627	Gas; w/SRW; w/Rear Drum
Master Cylinder	91 - 90	R120590	w/Hydro Boost; w/JB8
Master Cylinder	91 - 90	R116627	w/JB7 or JD7
Master Cylinder	91 - 90	R103239	w/Rear Disc; w/JF9
Master Cylinder	89 - 88	R116627	
Master Cylinder	86 - 81	R98953	w/Casting No. 1605
Master Cylinder	86 - 81	R108145	w/Casting No. 1925

Power Brake Booster	Years	Part No.	Qualifier
Hydro Booster	01	527338	w/Rear Disc; w/JF9
Hydro Booster	00 - 97	527338	w/Rear Disc; w/Hydro Boost
Hydro Booster	00 - 97	527358	w/Rear Drum; w/Hydro Boost
Hydro Booster	96 - 95	527338	w/Rear Disc
Hydro Booster	96 - 95	527336	w/Rear Drum
Hydro Booster	94	527337	w/Rear Disc; w/Hydro Boost
Hydro Booster	94	527334	w/Rear Drum; w/Hydro Boost
Hydro Booster	93 - 92	527345	Diesel
Hydro Booster	93 - 92	527332	Gas; w/Rear Disc
Hydro Booster	93 - 92	527345	Gas; w/Rear Drum; w/DRW
Hydro Booster	93 - 92	527250	Gas; w/Rear Drum; w/SRW
Hydro Booster	91 - 90	529383	Diesel; w/Rear Disc; w/JF9
Hydro Booster	91 - 90	527328	Diesel; w/Rear Drum; w/JD7
Hydro Booster	91 - 90	529383	Gas; w/Rear Disc; w/JF9
Hydro Booster	91 - 90	527328	Gas; w/Rear Drum; w/JB8
Hydro Booster	89 - 88	527328	
Hydro Booster	86 - 82	527307	Diesel
Hydro Booster	81	529386	4.8L; Diesel

C3500 PICKUP (cont.) - See Also K3500 PICKUP

Hydraulics - Reman (cont.)

Power Brake Booster	Years	Part No.	Qualifier
Power Brake Booster	91 - 90	501074	Gas; w/Master Cylinder; w/JB7
Power Brake Booster	91 - 90	5471046	Gas; w/o Master Cylinder; w/JB7
Power Brake Booster	89 - 88	501074	Gas; w/Master Cylinder; w/Vacuum Boost
Power Brake Booster	89 - 88	5471046	Gas; w/o Master Cylinder; w/Vacuum Boost

Brake Cables

Parking Brake Cable	Years	Sequential No.	Category No.	Qualifier
Parking Brake Cable	02 - 95	F140345	(BC140345)	Forward; 15000 GVW; Chassis Cab; w/Std. Cab; 135-1/2", 159-1/2", 183-1/2" WB; 59" Length
Parking Brake Cable	01	F140356	(BC140356)	Rear; R.H.; Std. Cab; w/135-1/2" or 159-1/2" or 183-1/2" WB; 104" Length
Parking Brake Cable	00 - 95	F140358	(BC140358)	Rear; L.H.; 4 Door Crew Cab; w/168-1/2" WB; w/JB8; 82" Length
Parking Brake Cable	00 - 92	F140349	(BC140349)	Rear; L.H.; Chassis Cab; w/135-1/2", 159-1/2" WB; w/JB8; 87" Length
Parking Brake Cable	00 - 99	F140358	(BC140358)	Rear; L.H.; Exc. Chassis Cab; 4 Door Crew Cab; w/141-1/2" WB; w/JB8; 82" Length
Parking Brake Cable	00 - 92	F140359	(BC140359)	Rear; R.H.; 4 Door Crew Cab; w/168-1/2" WB; w/JB8; 97" Length
Parking Brake Cable	00 - 92	F140357	(BC140357)	Rear; R.H.; Chassis Cab; Exc. Wide Track RA; w/135-1/2", 159-1/2" WB; w/JB8; 91" Length
Parking Brake Cable	00 - 92	F140348	(BC140348)	Rear; R.H.; Chassis Cab; w/Wide Track RA; w/135-1/2", 159-1/2" WB; w/JB8; 96" Length
Parking Brake Cable	00 - 99	F140359	(BC140359)	Rear; R.H.; Exc. Chassis Cab; 4 Door Crew Cab; w/141-1/2" WB; w/JB8; 97" Length
Parking Brake Cable	00 - 97	F140357	(BC140357)	Rear; R.H.; Std. Cab; w/SRW; w/131-1/2" WB; w/JB8; 91" Length
Parking Brake Cable	00 - 96	F140356	(BC140356)	Rear; R.H.; w/4.10, 4.56 A.R.; w/JB8; 104" Length
Parking Brake Cable	98 - 95	F138635	(BC138635)	Rear; L.H.; w/SRW; w/164-1/2" WB; w/JB8
Parking Brake Cable	96 - 95	F132795	(BC132795)	Forward; 155-1/2" WB
Parking Brake Cable	96 - 95	F133059	(BC133059)	Forward; Exc. 15000 GVW; 135-1/2" WB
Parking Brake Cable	96 - 92	F128997	(BC128997)	Rear; L.H.; w/131-1/2", 155-1/2", 168-1/2" WB
Parking Brake Cable	96 - 92	F129676	(BC129676)	Rear; L.H.; w/o Wide Track RA; w/135-1/2", 159-1/2" WB
Parking Brake Cable	96 - 95	F129677	(BC129677)	Rear; R.H.; 10000-14000 GVW; w/135-1/2", 159-1/2" WB
Parking Brake Cable	96 - 95	F129678	(BC129678)	Rear; R.H.; 9000 GVW; Chassis Cab; w/o Wide Track RA; w/159-1/2" WB
Parking Brake Cable	96 - 92	F129675	(BC129675)	Rear; R.H.; w/131-1/2", 155-1/2", 168-1/2" WB
Parking Brake Cable	96 - 92	F130444	(BC130444)	Rear; R.H.; w/164-1/2" WB
Parking Brake Cable	95 - 92	F140356	(BC140356)	Rear; R.H.; w/JB8; 104" Length
Parking Brake Cable	94 - 92	F124685	(BC124685)	Forward; 131-1/2" WB
Parking Brake Cable	94 - 92	F130442	(BC130442)	Forward; 164-1/2" WB
Parking Brake Cable	94 - 92	F124685	(BC124685)	Forward; Exc. 15000 GVW; 135-1/2" WB
Parking Brake Cable	94 - 92	F124681	(BC124681)	Forward; Exc. 15000 GVW; 159-1/2" WB
Parking Brake Cable	94 - 92	F124685	(BC124685)	Forward; Exc. Ext. Cab; 155-1/2" WB
Parking Brake Cable	94 - 92	F124681	(BC124681)	Forward; Ext. Cab; 155-1/2" WB
Parking Brake Cable	94 - 92	F130880	(BC130880)	Rear; L.H.; w/164-1/2" WB
Parking Brake Cable	94 - 92	F129677	(BC129677)	Rear; R.H.; 10000-14000 GVW; w/135-1/2" WB
Parking Brake Cable	94 - 92	F129678	(BC129678)	Rear; R.H.; 9000 GVW; w/o Wide Track RA; w/159-1/2" WB
Parking Brake Cable	91 - 90	F124685	(BC124685)	Forward; 131-1/2" WB; w/SRW
Parking Brake Cable	91 - 90	F124685	(BC124685)	Forward; 135-1/2" WB; w/SRW
Parking Brake Cable	91 - 90	F124681	(BC124681)	Forward; 155-1/2" WB; w/DRW
Parking Brake Cable	91 - 90	F124685	(BC124685)	Forward; 155-1/2" WB; w/SRW
Parking Brake Cable	91 - 90	F124681	(BC124681)	Forward; 159-1/2" WB
Parking Brake Cable	91 - 90	F128997	(BC128997)	Rear; L.H.; w/155-1/2" WB
Parking Brake Cable	91 - 90	F129676	(BC129676)	Rear; L.H.; w/159-1/2" WB
Parking Brake Cable	91 - 90	F129678	(BC129678)	Rear; R.H.; w/159-1/2" WB
Parking Brake Cable	89 - 88	F124687	(BC124687)	Forward; 131-1/2" WB; w/10-1/2" R.G.
Parking Brake Cable	89 - 88	F124685	(BC124685)	Forward; 131-1/2" WB; w/9-1/2" R.G.
Parking Brake Cable	89 - 88	F124687	(BC124687)	Forward; 135-1/2" WB
Parking Brake Cable	89 - 88	F124682	(BC124682)	Forward; 155-1/2", 159-1/2" WB
Parking Brake Cable	89 - 88	F123936	(BC123936)	Rear; L.H.
Parking Brake Cable	89 - 88	F124764	(BC124764)	Rear; R.H.; w/10-1/2" R.G.; w/131-1/2" WB
Parking Brake Cable	89 - 88	F124764	(BC124764)	Rear; R.H.; w/10-1/2" R.G.; w/135-1/2" WB
Parking Brake Cable	89 - 88	F124764	(BC124764)	Rear; R.H.; w/10-1/2" R.G.; w/155-1/2" WB
Parking Brake Cable	89 - 88	F124667	(BC124667)	Rear; R.H.; w/9-1/2" R.G.; w/131-1/2" WB; 104" Length
Parking Brake Cable	89 - 88	F124667	(BC124667)	Rear; R.H.; w/9-1/2" R.G.; w/135-1/2" WB; 104" Length

C3500 PICKUP (cont.) - See Also K3500 PICKUP
Brake Cables (cont.)

Parking Brake Cable	Years	Sequential No.	Category No.	Qualifier
Parking Brake Cable	89 - 88	F124667	(BC124667)	Rear; R.H.; w/9-1/2" R.G.; w/159-1/2" WB; 104" Length
Parking Brake Cable	86 - 84	F108771	(BC108771)	Forward; 131-1/2" WB
Parking Brake Cable	86 - 84	F108773	(BC108773)	Forward; 135-1/2" WB
Parking Brake Cable	86 - 84	F109226	(BC109226)	Forward; 159-1/2" WB
Parking Brake Cable	86 - 84	F108772	(BC108772)	Forward; 164-1/2" WB
Parking Brake Cable	86 - 84	F124137	(BC124137)	Rear; L.H.; w/DRW; Exc. Dana Axle
Parking Brake Cable	86 - 84	F108765	(BC108765)	Rear; L.H.; w/DRW; w/Dana Axle
Parking Brake Cable	86 - 84	F124137	(BC124137)	Rear; L.H.; w/SRW
Parking Brake Cable	86 - 84	F108764	(BC108764)	Rear; R.H.; w/DRW; Exc. Dana Axle
Parking Brake Cable	86 - 84	F108766	(BC108766)	Rear; R.H.; w/DRW; w/Dana Axle
Parking Brake Cable	86 - 84	F108764	(BC108764)	Rear; R.H.; w/SRW
Parking Brake Cable	83 - 81	F105562	(BC105562)	Forward
Parking Brake Cable	83 - 81	F105964	(BC105964)	Intermediate; 131-1/2" WB
Parking Brake Cable	83 - 81	F108180	(BC108180)	Intermediate; 135-1/2" WB
Parking Brake Cable	83 - 81	F108181	(BC108181)	Intermediate; 159-1/2" WB
Parking Brake Cable	83 - 81	F108179	(BC108179)	Intermediate; 164-1/2" WB
Parking Brake Cable	83 - 82	F108760	(BC108760)	Rear; L.H.; w/10-1/2" R.G.
Parking Brake Cable	83 - 82	F108760	(BC108760)	Rear; R.H.; w/10-1/2" R.G.
Parking Brake Cable	81	F88581	(BC88581)	Rear; L.H.
Parking Brake Cable	81	F88581	(BC88581)	Rear; R.H.

ABS Components - New

ABS Modulator	Years	Sequential No.	Category No.	Qualifier
ABS Modulator	90 - 88	F121007	(AB121007)	

ABS Components - Reman

ABS Module	Years	Part No.	Qualifier
ABS Module	94	RA121035	w/Rear Disc
ABS Module	94	RA121036	w/Rear Drum
ABS Module	93 - 92	RA121002	w/Rear Disc
ABS Module	93 - 92	RA121000	w/Rear Drum
ABS Module	91 - 88	RA121000	

ABS Hydraulic Unit	Years	Part No.	Qualifier
ABS Hydraulic Unit	99 - 95	RA125034	w/Rear Drum
ABS Hydraulic Unit	94 - 92	RA122010	w/Rear Disc
ABS Hydraulic Unit	94 - 92	RA122007	w/Rear Drum
ABS Hydraulic Unit	91	RA122007	
ABS Hydraulic Unit	90 - 88	RA122003	

Wheel Attaching Hardware

Front Wheel Stud	Years	Part No.	Qualifier
Wheel Lug Stud	02	BD61394	
Wheel Lug Stud	01 - 95	BD61394	w/DRW; w/Rear Disc
Wheel Lug Stud	01 - 92	BD61416	w/DRW; w/Rear Drum; 14mm Bolt
Wheel Lug Stud	01 - 88	BD61426	w/SRW
Wheel Lug Stud	94	BD61394	w/DRW; w/Rear Disc; 5/8-18 Bolt
Wheel Lug Stud	93 - 92	BD61394	w/DRW; w/Rear Disc
Wheel Lug Stud	91 - 88	BD61416	w/DRW; 14mm Bolt
Wheel Lug Stud	91	BD61394	w/DRW; 5/8" Bolt
Wheel Lug Stud	86 - 81	BD60909	w/DRW
Wheel Lug Stud	86 - 81	BD60906	w/SRW

Rear Wheel Stud	Years	Part No.	Qualifier
Wheel Lug Stud	01 - 96	BD61403	w/DRW; w/Drum Brake
Wheel Lug Stud	01 - 88	BD61427	w/SRW
Wheel Lug Stud	95 - 91	BD61400	w/DRW; w/Disc Brake
Wheel Lug Stud	95 - 94	BD61393	w/DRW; w/Drum Brake; Exc. Limited Slip
Wheel Lug Stud	95 - 94	BD61403	w/DRW; w/Drum Brake; w/Limited Slip

CHEVROLET -1 TON TRUCK



C3500 PICKUP (cont.) - See Also K3500 PICKUP

Wheel Attaching Hardware (cont.)

<i>Rear Wheel Stud</i>	<i>Years</i>	<i>Part No.</i>	<i>Qualifier</i>
Wheel Lug Stud	93 - 91	BD61403	w/DRW; w/Drum Brake
Wheel Lug Stud	90 - 88	BD61403	w/DRW
Wheel Lug Stud	86 - 81	BD61393	w/DRW
Wheel Lug Stud	86 - 81	BD61053	w/SRW
<i>Front Wheel Nut</i>	<i>Years</i>	<i>Part No.</i>	<i>Qualifier</i>
Wheel Lug Nut	02	BD61294	Std. Open
Wheel Lug Nut	01 - 91	BD125926	External Thread; w/DRW; w/Rear Drum
Wheel Lug Nut	01 - 90	BD125916	External Thread; w/SRW
Wheel Lug Nut	94	BD61294	Standard Open; w/DRW; w/Rear Disc; 5/8-18 Front Bolt
Wheel Lug Nut	93 - 91	BD61294	Std. Open; w/DRW; w/Disc Brake
Wheel Lug Nut	90	BD125926	External Thread; w/DRW
Wheel Lug Nut	90 - 88	BD61406	Flattop - Black; w/DRW
Wheel Lug Nut	89 - 88	BD61404	Bulge; w/SRW
Wheel Lug Nut	86 - 81	BD125839	Std. Open; w/DRW
Wheel Lug Nut	86 - 81	BD61287	Std. Open; w/SRW
<i>Rear Wheel Nut</i>	<i>Years</i>	<i>Part No.</i>	<i>Qualifier</i>
Wheel Lug Nut	02	BD61294	Std. Open
Wheel Lug Nut	01 - 91	BD125926	External Thread; w/DRW; w/Drum Brake
Wheel Lug Nut	01 - 90	BD125916	External Thread; w/SRW
Wheel Lug Nut	01 - 95	BD61294	Std. Open; w/DRW; w/Disc Brake
Wheel Lug Nut	94 - 91	BD61294	Standard Open; w/DRW; w/Disc Brake
Wheel Lug Nut	90	BD125926	External Thread; w/DRW
Wheel Lug Nut	90 - 88	BD61406	Flattop - Black; w/DRW
Wheel Lug Nut	89 - 88	BD61404	Bulge; w/SRW
Wheel Lug Nut	86 - 81	BD125839	Std. Open; w/DRW
Wheel Lug Nut	86 - 81	BD61287	Std. Open; w/SRW

K3500 PICKUP - See Also C3500 PICKUP

Brake Pads & Shoes

<i>Front Pads & Shoes</i>	<i>Years</i>	<i>SevereDuty</i>	<i>Lining No.</i>	<i>Qualifier</i>
Brake Pads	00 - 90	SD459		w/DRW
Brake Pads	00 - 90	SD370		w/SRW
Brake Pads	89 - 88	SD370		
Brake Pads	86 - 81	SD149		
<i>Rear Pads & Shoes</i>	<i>Years</i>	<i>SevereDuty</i>	<i>Lining No.</i>	<i>Qualifier</i>
Brake Shoes	00 - 92	SDS656R	SX2157BDT-S36 13 x 3-1/2" Brake; Riveted	
Brake Shoes	94 - 92	SDS655R	SX2042BDT-S36 13 x 2-1/2" Brake; Riveted	
Brake Shoes	91 - 88	SDS451R	EX2042ADT-S32 13 x 2-1/2" Brake; Riveted	
Brake Shoes	91 - 88	SDS452R	EX2157TD-S32 13 x 3-1/2" Brake; Riveted	
Brake Shoes	86 - 81	SDS452R	EX2157TD-S32 13 x 3-1/2" Brake; Riveted	

Rotor & Drum

<i>Front Rotor & Drum</i>	<i>Years</i>	<i>Part No.</i>	<i>Qualifier</i>
Brake Rotor	00 - 90	BD125346	w/DRW
Brake Rotor	00 - 90	BD61918	w/SRW
Brake Rotor	89 - 88	BD61918	
Brake Rotor	86 - 81	BD60597	w/DRW
Brake Rotor	86 - 81	BD60622	w/SRW
<i>Rear Rotor & Drum</i>	<i>Years</i>	<i>Part No.</i>	<i>Qualifier</i>
Brake Drum	00 - 99	BD125407	w/4.625" Dia. Ctr. Pilot Hole; w/SRW; 13 x 3-1/2" Brake
Brake Drum	00 - 99	BD125523	w/4.835" Dia. Ctr. Pilot Hole; w/SRW; 13 x 3-1/2" Brake
Brake Drum	00 - 88	BD60356	w/DRW; 13 x 3-1/2" Brake
Brake Drum	98 - 97	BD125245	w/SRW; 13 x 3-1/2" Brake
Brake Drum	96	BD125407	w/SRW; 13 x 3-1/2" Brake
Brake Drum	95	BD125245	w/SRW; 9000 GVW; 13 x 3-1/2" Brake
Brake Drum	95	BD125523	w/SRW; Exc. 9000 GVW; 13 x 3-1/2" Brake

K3500 PICKUP (cont.) - See Also C3500 PICKUP

Rotor & Drum (cont.)

Rear Rotor & Drum	Years	Part No.	Qualifier
Brake Drum	94 - 91	BD60359	w/SRW; 13 x 2-1/2" Brake
Brake Drum	90 - 88	BD61891	w/SRW; w/10-1/2" R.G.; 13 x 2-1/2" Brake
Brake Drum	90 - 88	BD60727	w/SRW; w/9-1/2" R.G.; 13 x 2-1/2" Brake
Brake Drum	86 - 81	BD60356	w/DRW; 13 x 3-1/2" Brake
Brake Drum	86 - 81	BD60357	w/SRW; 13 x 3-1/2" Brake

Brake Hardware

Front Brake Hardware	Years	Sequential No.	Category No.	Qualifier
Caliper Bolt/Pin	99 - 97	F73237S	(H5019)	w/Rear Disc
Caliper Bolt/Pin	99 - 97	F129642S	(H5062)	w/Rear Drum; w/DRW
Caliper Bolt/Pin	99 - 97	F117224S	(H5038)	w/Rear Drum; w/SRW
Caliper Bolt/Pin	96 - 90	F129642S	(H5062)	w/DRW
Caliper Bolt/Pin	96 - 88	F117224S	(H5038)	w/SRW
Caliper Bolt/Pin	86 - 81	F73237S	(H5019)	
Disc Align Kit	00 - 90	F117225S	(H5584)	w/SRW
Disc Align Kit	89 - 88	F117225S	(H5584)	
Disc Align Kit	86 - 81	F107402S	(H5555)	w/Sliding Bendix Caliper; .040 O/S; Refer to Center Abutment page in rear
Disc Align Kit	86 - 81	F107403S	(H5556)	w/Sliding Bendix Caliper; .080 O/S; Refer to Center Abutment page in rear
Disc Align Kit	86 - 81	F107404S	(H5557)	w/Sliding Bendix Caliper; .120 O/S; Refer to Center Abutment page in rear
Disc Align Kit	86 - 81	F107405S	(H5558)	w/Sliding Bendix Caliper; .160 O/S; Refer to Center Abutment page in rear
Disc Align Kit	86 - 81	F107401S	(H5562)	w/Sliding Bendix Caliper; Std.
Pin Boot Kit	00 - 92	F126906S	(H8209)	w/Rear Drum; w/DRW
Pin Boot Kit	91 - 90	F126906S	(H8209)	w/DRW

Rear Brake Hardware	Years	Sequential No.	Category No.	Qualifier
Adjuster Kit	00 - 88	F98406	(H2580)	L.H.
Adjuster Kit	00 - 88	F98407	(H2581)	R.H.
Adjuster Kit	86 - 81	F98406	(H2580)	L.H.
Adjuster Kit	86 - 81	F98407	(H2581)	R.H.
Adjuster Screw	00 - 88	F83294	(H1550)	L.H.
Adjuster Screw	00 - 88	F83295	(H1551)	R.H.
Adjuster Screw	86 - 81	F83294	(H1550)	L.H.
Adjuster Screw	86 - 81	F83295	(H1551)	R.H.
Caliper Bolt/Pin	99 - 97	F73237S	(H5019)	
Combi Kit	00 - 88	F98457S	(H7055)	
↳Adjuster Spring Kit		F73145S	(H425)	
↳Hold Down Kit		F113455S	(H4098)	
↳Return Spring Kit		F59100S	(H600)	
Combi Kit	86 - 81	F98457S	(H7055)	
↳Adjuster Spring Kit		F73145S	(H425)	
↳Hold Down Kit		F113455S	(H4098)	
↳Return Spring Kit		F59100S	(H600)	
Disc Align Kit	99 - 97	F112090S	(H5566)	

Calipers - Reman

Front, Loaded	Years	Left No.	Right No.	Qualifier	Piston
Loaded Caliper	00 - 90	AS120226	AS120227	w/DRW	M
Loaded Caliper	00 - 90	AS116294	AS116295	w/SRW; w/3.16" Single Piston Caliper	M
Loaded Caliper	89 - 88	AS116294	AS116295	w/3.16" Single Piston Caliper	M
Loaded Caliper	86 - 81	AS98906	AS98907		M
Front, Unloaded	Years	Left No.	Right No.	Qualifier	Piston
Unloaded Caliper	00 - 90	CR120226	CR120227	w/DRW	M
Unloaded Caliper	00 - 90	CR116294	CR116295	w/SRW; w/3.16" Single Piston Caliper	M
Unloaded Caliper	89 - 88	CR116294	CR116295	w/3.16" Single Piston Caliper	M
Unloaded Caliper	86 - 81	CR98906	CR98907		M

↳Sub-Kit of Combi-Kit is available separately.

Piston: M - OE Metal Piston P - OE Phenolic Piston

CHEVROLET -1 TON TRUCK



K3500 PICKUP (cont.) - See Also C3500 PICKUP

Hydraulics - New				
Master Cylinder	Years	Sequential No.	Category No.	Qualifier
Master Cylinder	00 - 94	F131509	(MC131509)	w/Hydro-Boost; w/Rear Drum; 1-1/4" Bore
Master Cylinder	93 - 92	F120590	(MC120590)	w/Hydro-Boost; w/DRW; 1-1/4" Bore
Master Cylinder	93 - 92	F116627	(MC116627)	w/Hydro-Boost; w/SRW; 1-1/4" Bore
Master Cylinder	91 - 90	F120590	(MC120590)	w/DRW; 1-1/4" Bore
Master Cylinder	91 - 90	F116627	(MC116627)	w/SRW; 1-1/4" Bore
Master Cylinder	89 - 88	F116627	(MC116627)	1-1/4" Bore
Master Cylinder	86 - 84	F108145	(MC108145)	w/Hydro-Boost; 1-5/16" Bore
Master Cylinder	83 - 81	F98953	(MC98953)	w/Hydro-Boost; Stamped 1605; 1-5/16" Bore
Master Cylinder	83	F108145	(MC108145)	w/Hydro-Boost; Stamped 1925; 1-5/16" Bore
Rear Wheel Cylinder	Years	Sequential No.	Category No.	Qualifier
Wheel Cylinder	00 - 88	F79768	(WC79768)	w/DRW; 1-3/16" Bore
Wheel Cylinder	00 - 88	F79767	(WC79767)	w/SRW; 1-1/16" Bore
Wheel Cylinder	86 - 84	F79768	(WC79768)	w/DRW; 1-3/16" Bore
Wheel Cylinder	86 - 84	F79767	(WC79767)	w/SRW; 1-1/16" Bore
Wheel Cylinder	83 - 81	F79768	(WC79768)	1-3/16" Bore
Clutch Master Cylind	Years	Sequential No.	Category No.	Qualifier
Clutch Master Cylinder	00 - 96	F133507	(CM133507)	45/64" Bore
Clutch Master Cylinder	95 - 92	F126856	(CM126856)	45/64" Bore
Clutch Master Cylinder	91 - 88	F119584	(CM119584)	11/16" Bore
Clutch Master Cylinder	86 - 84	F110273	(CM110273)	11/16" Bore
Clutch Slave Cylinder	Years	Sequential No.	Category No.	Qualifier
Clutch Slave Cylinder	00 - 96	F134322	(SC134322)	
Clutch Slave Cylinder	95 - 92	F126872	(SC126872)	25/32" Bore
Clutch Slave Cylinder	91 - 88	F103762	(SC103762)	13/16" Bore
Clutch Slave Cylinder	86 - 84	F103483	(SC103483)	13/16" Bore
Front Brake Hose	Years	Sequential No.	Category No.	Qualifier
Brake Hose	00 - 97	F138063	(BH138063)	L.H.
Brake Hose	00 - 97	F138064	(BH138064)	R.H.
Brake Hose	96 - 95	F123304	(BH123304)	L.H.; w/DRW
Brake Hose	96	F138063	(BH138063)	L.H.; w/SRW
Brake Hose	96 - 95	F123305	(BH123305)	R.H.; w/DRW
Brake Hose	96	F138064	(BH138064)	R.H.; w/SRW
Brake Hose	94 - 90	F123306	(BH123306)	L.H.; w/DRW
Brake Hose	94 - 90	F120541	(BH120541)	L.H.; w/SRW
Brake Hose	94 - 90	F123307	(BH123307)	R.H.; w/DRW
Brake Hose	94 - 90	F120542	(BH120542)	R.H.; w/SRW
Brake Hose	89 - 88	F120541	(BH120541)	L.H.
Brake Hose	89 - 88	F120542	(BH120542)	R.H.
Brake Hose	86 - 83	F107274	(BH107274)	L.H.
Brake Hose	86 - 83	F107275	(BH107275)	R.H.
Brake Hose	82 - 81	F98918	(BH98918)	L.H.
Brake Hose	82 - 81	F98919	(BH98919)	R.H.
Rear Brake Hose	Years	Sequential No.	Category No.	Qualifier
Brake Hose	00 - 95	F118117	(BH118117)	
Brake Hose	94 - 90	F123303	(BH123303)	w/DRW
Brake Hose	94 - 90	F118117	(BH118117)	w/SRW
Brake Hose	89 - 88	F118117	(BH118117)	
Brake Hose	86 - 84	F113148	(BH113148)	6.2;7.4L
Brake Hose	86 - 84	F80967	(BH80967)	w/o Diesel
Brake Hose	83 - 81	F80967	(BH80967)	
Hydraulics - Reman				
Master Cylinder	Years	Part No.	Qualifier	
Master Cylinder	98 - 94	R120590		
Master Cylinder	93 - 92	R120590	w/DRW	
Master Cylinder	93 - 92	R116627	w/SRW	

K3500 PICKUP (cont.) - See Also C3500 PICKUP
Hydraulics - Reman (cont.)

Master Cylinder	Years	Part No.	Qualifier
Master Cylinder	91 - 90	R116627	w/JB7 or JD7
Master Cylinder	91 - 90	R120590	w/JB8; w/Hydro Boost
Master Cylinder	89 - 88	R116627	
Master Cylinder	86 - 81	R98953	w/Casting No. 1605
Master Cylinder	86 - 81	R108145	w/Casting No. 1925

Power Brake Booster	Years	Part No.	Qualifier
Hydro Booster	00 - 97	527358	w/Rear Drum
Hydro Booster	96 - 95	527336	w/Rear Drum
Hydro Booster	94	527334	
Hydro Booster	93 - 92	527345	w/JD7
Hydro Booster	91 - 90	527328	Diesel; w/JD7
Hydro Booster	91 - 90	527328	Gas; w/JB8
Hydro Booster	89 - 88	527328	
Hydro Booster	86 - 82	527307	
Hydro Booster	81	529386	

Power Brake Booster	Years	Part No.	Qualifier
Power Brake Booster	91 - 90	501074	Gas; w/Master Cylinder; w/JB7
Power Brake Booster	91 - 90	5471046	Gas; w/o Master Cylinder; w/JB7
Power Brake Booster	89 - 88	501074	Gas; w/Master Cylinder; w/Vacuum Boost
Power Brake Booster	89 - 88	5471046	Gas; w/o Master Cylinder; w/Vacuum Boost

Brake Cables

Parking Brake Cable	Years	Sequential No.	Category No.	Qualifier
Parking Brake Cable	00 - 95	F140358	(BC140358)	Rear; L.H.; 4 Door Crew Cab; w/168-1/2" WB; w/JB8; 82" Length
Parking Brake Cable	00 - 92	F140349	(BC140349)	Rear; L.H.; Chassis Cab; w/135-1/2", 159-1/2" WB; w/JB8; 87" Length
Parking Brake Cable	00 - 99	F140358	(BC140358)	Rear; L.H.; Exc. Chassis Cab; 4 Door Crew Cab; w/141-1/2" WB; w/JB8; 82" Length
Parking Brake Cable	00 - 92	F140359	(BC140359)	Rear; R.H.; 4 Door Crew Cab; w/168-1/2" WB; w/JB8; 97" Length
Parking Brake Cable	00 - 92	F140357	(BC140357)	Rear; R.H.; Chassis Cab; Exc. Wide Track RA; w/135-1/2", 159-1/2" WB; w/JB8; 91" Length
Parking Brake Cable	00 - 92	F140348	(BC140348)	Rear; R.H.; Chassis Cab; w/Wide Track RA; w/135-1/2", 159-1/2" WB; w/JB8; 96" Length
Parking Brake Cable	00 - 99	F140359	(BC140359)	Rear; R.H.; Exc. Chassis Cab; 4 Door Crew Cab; w/141-1/2" WB; w/JB8; 97" Length
Parking Brake Cable	00 - 97	F140357	(BC140357)	Rear; R.H.; Std. Cab; w/SRW; w/131-1/2" WB; w/JB8; 91" Length
Parking Brake Cable	00 - 96	F140356	(BC140356)	Rear; R.H.; w/4.10, 4.56 A.R.; w/JB8; 104" Length
Parking Brake Cable	98 - 97	F138635	(BC138635)	Rear; L.H.; w/SRW; w/164-1/2" WB; w/JB8
Parking Brake Cable	96 - 95	F132795	(BC132795)	Forward; 155-1/2" WB
Parking Brake Cable	96 - 92	F128997	(BC128997)	Rear; L.H.; w/131-1/2", 155-1/2", 168-1/2" WB
Parking Brake Cable	96 - 92	F129676	(BC129676)	Rear; L.H.; w/o Wide Track RA; w/135-1/2", 159-1/2" WB
Parking Brake Cable	96 - 92	F129677	(BC129677)	Rear; R.H.; 10000-14000 GVW; w/135-1/2" WB
Parking Brake Cable	96 - 92	F129678	(BC129678)	Rear; R.H.; 9000 GVW; w/o Wide Track RA; w/159-1/2" WB
Parking Brake Cable	96 - 92	F129675	(BC129675)	Rear; R.H.; w/131-1/2", 155-1/2", 168-1/2" WB
Parking Brake Cable	96 - 92	F130444	(BC130444)	Rear; R.H.; w/164-1/2" WB
Parking Brake Cable	95 - 92	F140356	(BC140356)	Rear; R.H.; w/JB8; 104" Length
Parking Brake Cable	94 - 92	F130442	(BC130442)	Forward; 164-1/2" WB
Parking Brake Cable	94 - 92	F124685	(BC124685)	Forward; Exc. 15000 GVW; 131-1/2" WB
Parking Brake Cable	94 - 92	F124685	(BC124685)	Forward; Exc. 15000 GVW; 135-1/2" WB
Parking Brake Cable	94 - 92	F124685	(BC124685)	Forward; Exc. 15000 GVW; 155-1/2" WB
Parking Brake Cable	94 - 92	F124681	(BC124681)	Forward; Exc. 15000 GVW; 159-1/2" WB
Parking Brake Cable	94 - 92	F124685	(BC124685)	Forward; Exc. 15000 GVW; 168-1/2" WB
Parking Brake Cable	94 - 92	F124681	(BC124681)	Forward; Ext. Cab; 155-1/2" WB
Parking Brake Cable	94 - 92	F130880	(BC130880)	Rear; L.H.; w/164-1/2" WB
Parking Brake Cable	92	F124685	(BC124685)	Forward; 131-1/2", 135-1/2" WB
Parking Brake Cable	91 - 90	F124681	(BC124681)	Forward; 159-1/2" WB; w/SRW
Parking Brake Cable	91 - 90	F124681	(BC124681)	Forward; w/DRW
Parking Brake Cable	91 - 90	F124685	(BC124685)	Forward; w/SRW; Exc. 159-1/2" WB
Parking Brake Cable	91 - 90	F123936	(BC123936)	Rear; L.H.; w/131-1/2" WB
Parking Brake Cable	91 - 90	F129676	(BC129676)	Rear; L.H.; w/159-1/2" WB
Parking Brake Cable	91 - 90	F123936	(BC123936)	Rear; L.H.; w/SRW; w/135-1/2" WB

K3500 PICKUP (cont.) - See Also C3500 PICKUP

Brake Cables (cont.)

Parking Brake Cable	Years	Sequential No.	Category No.	Qualifier
Parking Brake Cable	91 - 90	F128997	(BC128997)	Rear; L.H.; w/SRW; w/155-1/2" WB
Parking Brake Cable	91 - 90	F124667	(BC124667)	Rear; R.H.; Exc. 159-1/2" WB; 104" Length
Parking Brake Cable	91 - 90	F129678	(BC129678)	Rear; R.H.; w/159-1/2" WB
Parking Brake Cable	89 - 88	F124687	(BC124687)	Forward; 131-1/2" WB; w/10-1/2" R.G.; w/DRW
Parking Brake Cable	89 - 88	F124687	(BC124687)	Forward; 131-1/2" WB; w/9-1/2" R.G.; w/DRW
Parking Brake Cable	89 - 88	F124685	(BC124685)	Forward; 131-1/2" WB; w/9-1/2" R.G.; w/SRW
Parking Brake Cable	89 - 88	F124687	(BC124687)	Forward; 135-1/2" WB
Parking Brake Cable	89 - 88	F124682	(BC124682)	Forward; 155-1/2", 159-1/2" WB
Parking Brake Cable	89 - 88	F123936	(BC123936)	Rear; L.H.
Parking Brake Cable	89 - 88	F124764	(BC124764)	Rear; R.H.; w/10-1/2" R.G.; w/155-1/2" WB
Parking Brake Cable	89 - 88	F124667	(BC124667)	Rear; R.H.; w/135-1/2" WB; 104" Length
Parking Brake Cable	89 - 88	F124764	(BC124764)	Rear; R.H.; w/159-1/2" WB
Parking Brake Cable	89 - 88	F124764	(BC124764)	Rear; R.H.; w/9-1/2" R.G.; w/131-1/2" WB
Parking Brake Cable	89 - 88	F124667	(BC124667)	Rear; R.H.; w/9-1/2" R.G.; w/155-1/2" WB; 104" Length
Parking Brake Cable	89 - 88	F124667	(BC124667)	Rear; R.H.; w/DRW; w/9-1/2" R.G.; w/131-1/2" WB; 104" Length
Parking Brake Cable	86 - 84	F108771	(BC108771)	Forward; 131-1/2" WB
Parking Brake Cable	86 - 84	F108773	(BC108773)	Forward; 135-1/2" WB
Parking Brake Cable	86 - 84	F109226	(BC109226)	Forward; 159-1/2" WB
Parking Brake Cable	86 - 84	F108772	(BC108772)	Forward; 164-1/2" WB
Parking Brake Cable	86 - 84	F108765	(BC108765)	Rear; L.H.; w/DRW; Exc. Dana Axle
Parking Brake Cable	86 - 84	F124137	(BC124137)	Rear; L.H.; w/DRW; w/Dana Axle
Parking Brake Cable	86 - 84	F124137	(BC124137)	Rear; L.H.; w/SRW; w/Dana Axle
Parking Brake Cable	86 - 84	F108766	(BC108766)	Rear; R.H.; w/DRW; Exc. Dana Axle
Parking Brake Cable	86 - 84	F108764	(BC108764)	Rear; R.H.; w/DRW; w/Dana Axle
Parking Brake Cable	86 - 84	F108764	(BC108764)	Rear; R.H.; w/SRW; w/Dana Axle
Parking Brake Cable	83 - 81	F109228	(BC109228)	Forward
Parking Brake Cable	83 - 81	F86371	(BC86371)	Intermediate; 131-1/2" WB
Parking Brake Cable	83 - 81	F108183	(BC108183)	Intermediate; 159-1/2" WB
Parking Brake Cable	83 - 81	F108182	(BC108182)	Intermediate; 164-1/2" WB
Parking Brake Cable	83 - 82	F108760	(BC108760)	Rear; L.H.; w/DRW; w/10-1/2" R.G.
Parking Brake Cable	83 - 82	F88581	(BC88581)	Rear; L.H.; w/SRW; Exc. 10-1/2" R.G.
Parking Brake Cable	83 - 82	F108760	(BC108760)	Rear; R.H.; w/DRW; w/10-1/2" R.G.
Parking Brake Cable	83 - 82	F88581	(BC88581)	Rear; R.H.; w/SRW; Exc. 10-1/2" R.G.
Parking Brake Cable	81	F88581	(BC88581)	Rear; L.H.
Parking Brake Cable	81	F88581	(BC88581)	Rear; R.H.

ABS Components - New

ABS Modulator	Years	Sequential No.	Category No.	Qualifier
ABS Modulator	89 - 88	F121007	(AB121007)	
ABS Wheel Sensor	Years	Sequential No.	Category No.	Qualifier
ABS Wheel Sensor	91 - 88	F121028	(AB121028)	Rear

ABS Components - Reman

ABS Module	Years	Part No.	Qualifier
ABS Module	94	RA121036	
ABS Module	93 - 88	RA121000	
ABS Hydraulic Unit	Years	Part No.	Qualifier
ABS Hydraulic Unit	99	RA125034	w/Rear Drum
ABS Hydraulic Unit	98 - 95	RA125034	
ABS Hydraulic Unit	94 - 91	RA122007	
ABS Hydraulic Unit	90	RA122008	
ABS Hydraulic Unit	89 - 88	RA122003	

Wheel Attaching Hardware

Front Wheel Stud	Years	Part No.	Qualifier
Wheel Lug Stud	00 - 88	BD61425	
Wheel Lug Stud	86 - 81	BD61276	w/DRW

K3500 PICKUP (cont.) - See Also C3500 PICKUP
Wheel Attaching Hardware (cont.)

Front Wheel Stud	Years	Part No.	Qualifier
Wheel Lug Stud	86 - 81	BD61381	w/SRW
Rear Wheel Stud	Years	Part No.	Qualifier
Wheel Lug Stud	00 - 92	BD61403	w/DRW
Wheel Lug Stud	00 - 88	BD61427	w/SRW
Wheel Lug Stud	91	BD61400	w/DRW; w/Disc Brake
Wheel Lug Stud	91	BD61403	w/DRW; w/Drum Brake
Wheel Lug Stud	90 - 88	BD61403	w/DRW
Wheel Lug Stud	86 - 81	BD61393	w/DRW
Wheel Lug Stud	86 - 81	BD61053	w/SRW
Front Wheel Nut	Years	Part No.	Qualifier
Wheel Lug Nut	00 - 92	BD125926	External Thread; w/DRW
Wheel Lug Nut	00 - 90	BD125916	External Thread; w/SRW
Wheel Lug Nut	91	BD125926	External Thread; w/DRW; w/Rear Drum
Wheel Lug Nut	91	BD61294	Std. Open; w/DRW; w/Disc Brake
Wheel Lug Nut	90	BD125926	External Thread; w/DRW
Wheel Lug Nut	90 - 88	BD61406	Flattop - Black; w/DRW
Wheel Lug Nut	89 - 88	BD61404	Bulge; w/SRW
Wheel Lug Nut	86 - 81	BD125839	Std. Open; w/DRW
Wheel Lug Nut	86 - 81	BD61287	Std. Open; w/SRW
Rear Wheel Nut	Years	Part No.	Qualifier
Wheel Lug Nut	00 - 92	BD125926	External Thread; w/DRW
Wheel Lug Nut	00 - 90	BD125916	External Thread; w/SRW
Wheel Lug Nut	91	BD125926	External Thread; w/DRW; w/Drum Brake
Wheel Lug Nut	91	BD61294	Standard Open; w/DRW; w/Disc Brake
Wheel Lug Nut	90	BD125926	External Thread; w/DRW
Wheel Lug Nut	90 - 88	BD61406	Flattop - Black; w/DRW
Wheel Lug Nut	89 - 88	BD61404	Bulge; w/SRW
Wheel Lug Nut	86 - 81	BD125839	Std. Open; w/DRW
Wheel Lug Nut	86 - 81	BD61287	Std. Open; w/SRW

R3500 PICKUP - See Also V3500 PICKUP
Brake Pads & Shoes

Front Pads & Shoes	Years	SevereDuty	Lining No.	Qualifier
Brake Pads	91 - 89	SD149		
Brake Pads	88 - 87	SD149		
Rear Pads & Shoes	Years	SevereDuty	Lining No.	Qualifier
Brake Shoes	91 - 89	SDS452R	EX2157TD-S32	13 x 3-1/2" Brake; Riveted
Brake Shoes	88 - 87	SDS452R	EX2157TD-S32	13 x 3-1/2" Brake; Riveted

Rotor & Drum

Front Rotor & Drum	Years	Part No.	Qualifier
Brake Rotor	91 - 89	BD60443	w/DRW
Brake Rotor	91 - 89	BD125332	w/SRW
Brake Rotor	88 - 87	BD60443	w/DRW
Brake Rotor	88 - 87	BD125332	w/SRW
Rear Rotor & Drum	Years	Part No.	Qualifier
Brake Drum	91 - 89	BD60356	w/DRW; 13 x 3-1/2" Brake
Brake Drum	90 - 89	BD60357	w/SRW; 13 x 3-1/2" Brake
Brake Drum	88 - 87	BD60356	w/DRW; 13 x 3-1/2" Brake
Brake Drum	88 - 87	BD60357	w/SRW; 13 x 3-1/2" Brake

Brake Hardware

Front Brake Hardware	Years	Sequential No.	Category No.	Qualifier
Caliper Bolt/Pin	91 - 89	F73237S	(H5019)	
Caliper Bolt/Pin	88 - 87	F73237S	(H5019)	
Disc Align Kit	91 - 89	F107402S	(H5555)	w/Sliding Bendix Caliper; .040 O/S; Refer to Center Abutment page in rear
Disc Align Kit	91 - 89	F107403S	(H5556)	w/Sliding Bendix Caliper; .080 O/S; Refer to Center Abutment page in rear

CHEVROLET -1 TON TRUCK



R3500 PICKUP (cont.) - See Also V3500 PICKUP

Brake Hardware (cont.)

Front Brake Hardware	Years	Sequential No.	Category No.	Qualifier
Disc Align Kit	91 - 89	F107404S	(H5557)	w/Sliding Bendix Caliper; .120 O/S; Refer to Center Abutment page in rear
Disc Align Kit	91 - 89	F107405S	(H5558)	w/Sliding Bendix Caliper; .160 O/S; Refer to Center Abutment page in rear
Disc Align Kit	91 - 89	F107401S	(H5562)	w/Sliding Bendix Caliper; Std.
Disc Align Kit	88 - 87	F107402S	(H5555)	w/Sliding Bendix Caliper; .040 O/S; Refer to Center Abutment page in rear
Disc Align Kit	88 - 87	F107403S	(H5556)	w/Sliding Bendix Caliper; .080 O/S; Refer to Center Abutment page in rear
Disc Align Kit	88 - 87	F107404S	(H5557)	w/Sliding Bendix Caliper; .120 O/S; Refer to Center Abutment page in rear
Disc Align Kit	88 - 87	F107405S	(H5558)	w/Sliding Bendix Caliper; .160 O/S; Refer to Center Abutment page in rear
Disc Align Kit	88 - 87	F107401S	(H5562)	w/Sliding Bendix Caliper; Std.

Rear Brake Hardware	Years	Sequential No.	Category No.	Qualifier
Adjuster Kit	91 - 89	F98406	(H2580)	L.H.
Adjuster Kit	91 - 89	F98407	(H2581)	R.H.
Adjuster Kit	88 - 87	F98406	(H2580)	L.H.
Adjuster Kit	88 - 87	F98407	(H2581)	R.H.
Adjuster Screw	91 - 89	F83294	(H1550)	L.H.
Adjuster Screw	91 - 89	F83295	(H1551)	R.H.
Adjuster Screw	88 - 87	F83294	(H1550)	L.H.
Adjuster Screw	88 - 87	F83295	(H1551)	R.H.
Combi Kit	91 - 89	F98457S	(H7055)	
↳Adjuster Spring Kit		F73145S	(H425)	
↳Hold Down Kit		F113455S	(H4098)	
↳Return Spring Kit		F59100S	(H600)	
Combi Kit	88 - 87	F98457S	(H7055)	
↳Adjuster Spring Kit		F73145S	(H425)	
↳Hold Down Kit		F113455S	(H4098)	
↳Return Spring Kit		F59100S	(H600)	

Calipers - Reman

Front, Loaded	Years	Left No.	Right No.	Qualifier	Piston
Loaded Caliper	91 - 89	AS98906	AS98907		M
Loaded Caliper	88 - 87	AS98906	AS98907		M
Front, Unloaded	Years	Left No.	Right No.	Qualifier	Piston
Unloaded Caliper	91 - 89	CR98906	CR98907		M
Unloaded Caliper	88 - 87	CR98906	CR98907		M

Hydraulics - New

Master Cylinder	Years	Sequential No.	Category No.	Qualifier
Master Cylinder	91 - 89	F108145	(MC108145)	w/Hydro-Boost; 1-5/16" Bore
Master Cylinder	88 - 87	F108145	(MC108145)	w/Hydro-Boost; 1-5/16" Bore
Rear Wheel Cylinder	Years	Sequential No.	Category No.	Qualifier
Wheel Cylinder	91 - 89	F79768	(WC79768)	w/DRW; 1-3/16" Bore
Wheel Cylinder	91 - 89	F79767	(WC79767)	w/SRW; 1-1/16" Bore
Wheel Cylinder	88 - 87	F79768	(WC79768)	w/DRW; 1-3/16" Bore
Wheel Cylinder	88 - 87	F79767	(WC79767)	w/SRW; 1-1/16" Bore
Clutch Master Cylind	Years	Sequential No.	Category No.	Qualifier
Clutch Master Cylinder	91 - 89	F110273	(CM110273)	11/16" Bore
Clutch Master Cylinder	88 - 87	F110273	(CM110273)	11/16" Bore
Clutch Slave Cylinder	Years	Sequential No.	Category No.	Qualifier
Clutch Slave Cylinder	91 - 89	F103483	(SC103483)	13/16" Bore
Clutch Slave Cylinder	88 - 87	F103483	(SC103483)	13/16" Bore
Front Brake Hose	Years	Sequential No.	Category No.	Qualifier
Brake Hose	91 - 89	F88957	(BH88957)	L.H.
Brake Hose	91 - 89	F88958	(BH88958)	R.H.
Brake Hose	88 - 87	F88957	(BH88957)	L.H.
Brake Hose	88 - 87	F88958	(BH88958)	R.H.
Rear Brake Hose	Years	Sequential No.	Category No.	Qualifier
Brake Hose	91 - 89	F113148	(BH113148)	Diesel

↳Sub-Kit of Combi-Kit is available separately.

Piston: M - OE Metal Piston P - OE Phenolic Piston

R3500 PICKUP (cont.) - See Also V3500 PICKUP
Hydraulics - New (cont.)

Rear Brake Hose	Years	Sequential No.	Category No.	Qualifier
Brake Hose	91 - 89	F80967	(BH80967)	w/o Diesel
Brake Hose	88 - 87	F113148	(BH113148)	Diesel
Brake Hose	88 - 87	F80967	(BH80967)	w/o Diesel

Hydraulics - Reman

Master Cylinder	Years	Part No.	Qualifier
Master Cylinder	91 - 89	R108145	w/Hydro Boost
Master Cylinder	88 - 87	R108145	w/Hydro Boost

Power Brake Booster	Years	Part No.	Qualifier
Hydro Booster	91 - 89	527307	
Hydro Booster	88 - 87	527307	

Brake Cables

Parking Brake Cable	Years	Sequential No.	Category No.	Qualifier
Parking Brake Cable	91 - 90	F108772	(BC108772)	Forward
Parking Brake Cable	91 - 89	F124645	(BC124645)	Rear; L.H.; w/DRW; Exc. Dana Axle
Parking Brake Cable	91 - 89	F124137	(BC124137)	Rear; L.H.; w/DRW; w/Dana Axle
Parking Brake Cable	91 - 89	F124137	(BC124137)	Rear; L.H.; w/SRW; w/Dana Axle
Parking Brake Cable	91 - 89	F124765	(BC124765)	Rear; R.H.; w/DRW; Exc. Dana Axle
Parking Brake Cable	91 - 89	F124479	(BC124479)	Rear; R.H.; w/DRW; w/Dana Axle
Parking Brake Cable	91 - 89	F124766	(BC124766)	Rear; R.H.; w/SRW
Parking Brake Cable	89	F124686	(BC124686)	Forward; 131-1/2" WB
Parking Brake Cable	89	F129830	(BC129830)	Forward; 135-1/2" WB
Parking Brake Cable	89	F129831	(BC129831)	Forward; 159-1/2" WB
Parking Brake Cable	89	F108772	(BC108772)	Forward; 164-1/2" WB
Parking Brake Cable	88	F124686	(BC124686)	Forward; 131-1/2" WB
Parking Brake Cable	88	F129830	(BC129830)	Forward; 135-1/2" WB
Parking Brake Cable	88	F129831	(BC129831)	Forward; 159-1/2" WB
Parking Brake Cable	88 - 87	F108772	(BC108772)	Forward; 164-1/2" WB
Parking Brake Cable	88 - 87	F108765	(BC108765)	Rear; L.H.; w/DRW; Exc. Dana Axle
Parking Brake Cable	88 - 87	F124137	(BC124137)	Rear; L.H.; w/DRW; w/Dana Axle
Parking Brake Cable	88 - 87	F124137	(BC124137)	Rear; L.H.; w/SRW; w/Dana Axle
Parking Brake Cable	88 - 87	F124765	(BC124765)	Rear; R.H.; w/DRW; Exc. Dana Axle
Parking Brake Cable	88	F124479	(BC124479)	Rear; R.H.; w/DRW; w/Dana Axle
Parking Brake Cable	88	F124766	(BC124766)	Rear; R.H.; w/SRW
Parking Brake Cable	87	F108771	(BC108771)	Forward; 131-1/2" WB
Parking Brake Cable	87	F108773	(BC108773)	Forward; 135-1/2" WB
Parking Brake Cable	87	F109226	(BC109226)	Forward; 159-1/2" WB
Parking Brake Cable	87	F108764	(BC108764)	Rear; R.H.; w/DRW; w/Dana Axle
Parking Brake Cable	87	F108764	(BC108764)	Rear; R.H.; w/SRW; w/Dana Axle

Wheel Attaching Hardware

Front Wheel Stud	Years	Part No.	Qualifier
Wheel Lug Stud	91 - 89	BD60909	w/DRW
Wheel Lug Stud	91 - 89	BD60906	w/SRW
Wheel Lug Stud	88 - 87	BD60909	w/DRW
Wheel Lug Stud	88 - 87	BD60906	w/SRW

Rear Wheel Stud	Years	Part No.	Qualifier
Wheel Lug Stud	91 - 89	BD61393	w/DRW
Wheel Lug Stud	91 - 89	BD61053	w/SRW
Wheel Lug Stud	88 - 87	BD61393	w/DRW
Wheel Lug Stud	88 - 87	BD61053	w/SRW

Front Wheel Nut	Years	Part No.	Qualifier
Wheel Lug Nut	91 - 89	BD125839	Std. Open; w/DRW
Wheel Lug Nut	91 - 89	BD61287	Std. Open; w/SRW
Wheel Lug Nut	88 - 87	BD125839	Std. Open; w/DRW
Wheel Lug Nut	88 - 87	BD61287	Std. Open; w/SRW

CHEVROLET -1 TON TRUCK



R3500 PICKUP (cont.) - See Also V3500 PICKUP

Wheel Attaching Hardware (cont.)

Rear Wheel Nut	Years	Part No.	Qualifier
Wheel Lug Nut	91 - 89	BD125839	Std. Open; w/DRW
Wheel Lug Nut	91 - 89	BD61287	Std. Open; w/SRW
Wheel Lug Nut	88 - 87	BD125839	Std. Open; w/DRW
Wheel Lug Nut	88 - 87	BD61287	Std. Open; w/SRW

SILVERADO 3500

Brake Pads & Shoes

Front Pads & Shoes	Years	SevereDuty	Lining No.	Qualifier
Brake Pads	06 - 03	SD784		
Brake Pads	02 - 01	SD784		Exc. H/D Chassis Cab
Brake Pads	02 - 01	SD184		w/H/D Chassis Cab

Rear Pads & Shoes	Years	SevereDuty	Lining No.	Qualifier
Brake Pads	06 - 04	SD785		9900 GVW
Brake Pads	06 - 04	SD909		Exc. 9900 GVW
Brake Pads	03	SD909		
Brake Pads	02 - 01	SD909		Exc. H/D Chassis Cab
Brake Pads	02 - 01	SD184		w/H/D Chassis Cab

Parking Brake Shoes	Years	SevereDuty	Lining No.	Qualifier
Parking Brake Shoes	04 - 01	SDS771	EX2192	Bonded

Rotor & Drum

Front Rotor & Drum	Years	Part No.	Qualifier
Brake Rotor	06 - 04	BD126036	9900 GVW
Brake Rotor	06 - 04	BD125779	Exc. 9900 GVW
Brake Rotor	03	BD125779	
Brake Rotor	02 - 01	BD125639	w/5 Stud Whl.
Brake Rotor	02 - 01	BD125779	w/8 Stud Whl.

Rear Rotor & Drum	Years	Part No.	Qualifier
Brake Rotor	06 - 03	BD125778	w/12-51/64" Dia. Rotor; 8 Stud Whl.; 4-53/64" Height
Brake Rotor	06 - 04	BD125657	w/13" Dia. Rotor; 8 Stud Whl.; 3-21/32" Height
Brake Rotor	02 - 01	BD125516	w/10 Stud Whl.
Brake Rotor	02 - 01	BD125778	w/8 Stud Whl.

Brake Hardware

Front Brake Hardware	Years	Sequential No.	Category No.	Qualifier
Caliper Bolt/Pin	05 - 01	F139700	(H5095)	
Disc Align Kit	04 - 01	F139708	(H5646)	
Pin Boot Kit	04 - 01	F138697S	(H8221)	

Rear Brake Hardware	Years	Sequential No.	Category No.	Qualifier
Caliper Bolt/Pin	05 - 01	F139700	(H5095)	
Disc Align Kit	03 - 01	F139867	(H5668)	
Pin Boot Kit	04 - 01	F138697S	(H8221)	

Parking Brake	Years	Sequential No.	Category No.	Qualifier
Combi Kit	04 - 01	F139879	(H7242)	

Calipers - Reman

Front, Loaded	Years	Left No.	Right No.	Qualifier	Piston
Loaded Caliper	06 - 04	AS134558	AS134559	12000 GVW	P
Loaded Caliper	03 - 01	AS134558	AS134559		P

Rear, Loaded	Years	Left No.	Right No.	Qualifier	Piston
Loaded Caliper	06 - 04	AS134556	AS134557	12000 GVW	P
Loaded Caliper	03 - 01	AS134556	AS134557		P

Front, Unloaded	Years	Left No.	Right No.	Qualifier	Piston
Unloaded Caliper	06 - 04	CR134558	CR134559	12000 GVW	P
Unloaded Caliper	06 - 04	CRB134347	CRB134348	9900 GVW; w/Dual Piston Caliper; Supplied w/Mtg. Brkt.	P
Unloaded Caliper	06 - 04	CR134347	CR134348	9900 GVW; w/Dual Piston Caliper; Supplied w/o Mtg. Brkt.	P
Unloaded Caliper	03 - 01	CR134558	CR134559		P

Piston: M - OE Metal Piston P - OE Phenolic Piston

SILVERADO 3500 (cont.)
Calipers - Reman (cont.)

<i>Rear, Unloaded</i>	<i>Years</i>	<i>Left No.</i>	<i>Right No.</i>	<i>Qualifier</i>	<i>Piston</i>
Unloaded Caliper	06 - 04	CR134556	CR134557	12000 GVW	P
Unloaded Caliper	06 - 04	CRB134345	CRB134346	9900 GVW; w/Dual Piston Caliper; Supplied w/Mtg. Brkt.	P
Unloaded Caliper	06 - 04	CR134345	CR134346	9900 GVW; w/Dual Piston Caliper; Supplied w/o Mtg. Brkt.	P
Unloaded Caliper	03 - 01	CR134556	CR134557		P

Hydraulics - New

<i>Master Cylinder</i>	<i>Years</i>	<i>Sequential No.</i>	<i>Category No.</i>	<i>Qualifier</i>
Master Cylinder	06 - 03	F140480	(MC140480)	w/Hydro-Boost; w/o ABS; 1-15/32" Bore
<i>Clutch Master Cylind</i>	<i>Years</i>	<i>Sequential No.</i>	<i>Category No.</i>	<i>Qualifier</i>
Clutch Master Cylinder	04 - 01	F134526	(CM134526)	w/5 Spd. Trans.; 45/64" Bore
<i>Clutch Slave Cylinder</i>	<i>Years</i>	<i>Sequential No.</i>	<i>Category No.</i>	<i>Qualifier</i>
Clutch Slave Cylinder	04 - 03	F140212	(SC140212)	w/5 Spd. Trans.; 1-7/32" Bore
Clutch Slave Cylinder	04 - 01	F140318	(SC140318)	w/6 Spd. Trans.
Clutch Slave Cylinder	02 - 01	F140158	(SC140158)	w/5 Spd. Trans.

Hydraulics - Reman

<i>Master Cylinder</i>	<i>Years</i>	<i>Part No.</i>	<i>Qualifier</i>
Master Cylinder	02 - 01	R134735	w/JC5
Master Cylinder	02 - 01	R134734	w/JH5 or JH6 or JH7
<i>Power Brake Booster</i>	<i>Years</i>	<i>Part No.</i>	<i>Qualifier</i>
Hydro Booster	02 - 01	527359	w/JH5 or JH6 or JH7
<i>Power Brake Booster</i>	<i>Years</i>	<i>Part No.</i>	<i>Qualifier</i>
Power Brake Booster	02 - 01	5474818	Gas; w/o Master Cylinder; w/JC5

Wheel Attaching Hardware

<i>Front Wheel Stud</i>	<i>Years</i>	<i>Part No.</i>	<i>Qualifier</i>
Wheel Lug Stud	05 - 01	BD125938	M14 x 1.5 x 29
Wheel Lug Stud	05 - 01	BD125960	M14 x 1.5 x 37
<i>Rear Wheel Stud</i>	<i>Years</i>	<i>Part No.</i>	<i>Qualifier</i>
Wheel Lug Stud	05 - 01	BD125961	M14 x 1.5 x 28
<i>Front Wheel Nut</i>	<i>Years</i>	<i>Part No.</i>	<i>Qualifier</i>
Wheel Lug Nut	05 - 01	BD125998	Dome - Black
<i>Rear Wheel Nut</i>	<i>Years</i>	<i>Part No.</i>	<i>Qualifier</i>
Wheel Lug Nut	05 - 01	BD125998	Dome - Black

V3500 PICKUP - See Also R3500 PICKUP
Brake Pads & Shoes

<i>Front Pads & Shoes</i>	<i>Years</i>	<i>SevereDuty</i>	<i>Lining No.</i>	<i>Qualifier</i>
Brake Pads	91 - 89	SD149		
Brake Pads	88 - 87	SD149		
<i>Rear Pads & Shoes</i>	<i>Years</i>	<i>SevereDuty</i>	<i>Lining No.</i>	<i>Qualifier</i>
Brake Shoes	91 - 89	SDS452R	EX2157TD-S32	13 x 3-1/2" Brake; Riveted
Brake Shoes	88 - 87	SDS452R	EX2157TD-S32	13 x 3-1/2" Brake; Riveted

Rotor & Drum

<i>Front Rotor & Drum</i>	<i>Years</i>	<i>Part No.</i>	<i>Qualifier</i>
Brake Rotor	91 - 89	BD60597	w/DRW
Brake Rotor	91 - 89	BD60622	w/SRW
Brake Rotor	88 - 87	BD60597	w/DRW
Brake Rotor	88 - 87	BD60622	w/SRW
<i>Rear Rotor & Drum</i>	<i>Years</i>	<i>Part No.</i>	<i>Qualifier</i>
Brake Drum	91 - 89	BD60356	w/DRW; 13 x 3-1/2" Brake
Brake Drum	91 - 89	BD60357	w/SRW; 13 x 3-1/2" Brake
Brake Drum	88 - 87	BD60356	w/DRW; 13 x 3-1/2" Brake
Brake Drum	88 - 87	BD60357	w/SRW; 13 x 3-1/2" Brake

Piston: M - OE Metal Piston P - OE Phenolic Piston

CHEVROLET -1 TON TRUCK



V3500 PICKUP (cont.) - See Also R3500 PICKUP

Brake Hardware					
Front Brake Hardware	Years	Sequential No.	Category No.	Qualifier	
Caliper Bolt/Pin	91 - 89	F73237S	(H5019)		
Caliper Bolt/Pin	88 - 87	F73237S	(H5019)		
Disc Align Kit	91 - 89	F107402S	(H5555)	w/Sliding Bendix Caliper; .040 O/S; Refer to Center Abutment page in rear	
Disc Align Kit	91 - 89	F107403S	(H5556)	w/Sliding Bendix Caliper; .080 O/S; Refer to Center Abutment page in rear	
Disc Align Kit	91 - 89	F107404S	(H5557)	w/Sliding Bendix Caliper; .120 O/S; Refer to Center Abutment page in rear	
Disc Align Kit	91 - 89	F107405S	(H5558)	w/Sliding Bendix Caliper; .160 O/S; Refer to Center Abutment page in rear	
Disc Align Kit	91 - 89	F107401S	(H5562)	w/Sliding Bendix Caliper; Std.	
Disc Align Kit	88 - 87	F107402S	(H5555)	w/Sliding Bendix Caliper; .040 O/S; Refer to Center Abutment page in rear	
Disc Align Kit	88 - 87	F107403S	(H5556)	w/Sliding Bendix Caliper; .080 O/S; Refer to Center Abutment page in rear	
Disc Align Kit	88 - 87	F107404S	(H5557)	w/Sliding Bendix Caliper; .120 O/S; Refer to Center Abutment page in rear	
Disc Align Kit	88 - 87	F107405S	(H5558)	w/Sliding Bendix Caliper; .160 O/S; Refer to Center Abutment page in rear	
Disc Align Kit	88 - 87	F107401S	(H5562)	w/Sliding Bendix Caliper; Std.	
Rear Brake Hardware	Years	Sequential No.	Category No.	Qualifier	
Adjuster Kit	91 - 89	F98406	(H2580)	L.H.	
Adjuster Kit	91 - 89	F98407	(H2581)	R.H.	
Adjuster Kit	88 - 87	F98406	(H2580)	L.H.	
Adjuster Kit	88 - 87	F98407	(H2581)	R.H.	
Adjuster Screw	91 - 89	F83294	(H1550)	L.H.	
Adjuster Screw	91 - 89	F83295	(H1551)	R.H.	
Adjuster Screw	88 - 87	F83294	(H1550)	L.H.	
Adjuster Screw	88 - 87	F83295	(H1551)	R.H.	
Combi Kit	91 - 89	F98457S	(H7055)		
↳Adjuster Spring Kit		F73145S	(H425)		
↳Hold Down Kit		F113455S	(H4098)		
↳Return Spring Kit		F59100S	(H600)		
Combi Kit	88 - 87	F98457S	(H7055)		
↳Adjuster Spring Kit		F73145S	(H425)		
↳Hold Down Kit		F113455S	(H4098)		
↳Return Spring Kit		F59100S	(H600)		
Calipers - Reman					
Front, Loaded	Years	Left No.	Right No.	Qualifier	Piston
Loaded Caliper	91 - 89	AS98906	AS98907		M
Loaded Caliper	88 - 87	AS98906	AS98907		M
Front, Unloaded	Years	Left No.	Right No.	Qualifier	Piston
Unloaded Caliper	91 - 89	CR98906	CR98907		M
Unloaded Caliper	88 - 87	CR98906	CR98907		M
Hydraulics - New					
Master Cylinder	Years	Sequential No.	Category No.	Qualifier	
Master Cylinder	91 - 89	F108145	(MC108145)	w/Hydro-Boost; 1-5/16" Bore	
Master Cylinder	88 - 87	F108145	(MC108145)	w/Hydro-Boost; 1-5/16" Bore	
Rear Wheel Cylinder	Years	Sequential No.	Category No.	Qualifier	
Wheel Cylinder	91 - 89	F79768	(WC79768)	w/DRW; 1-3/16" Bore	
Wheel Cylinder	91 - 89	F79767	(WC79767)	w/SRW; 1-1/16" Bore	
Wheel Cylinder	88 - 87	F79768	(WC79768)	w/DRW; 1-3/16" Bore	
Wheel Cylinder	88 - 87	F79767	(WC79767)	w/SRW; 1-1/16" Bore	
Clutch Master Cylind	Years	Sequential No.	Category No.	Qualifier	
Clutch Master Cylinder	91 - 89	F110273	(CM110273)	11/16" Bore	
Clutch Master Cylinder	88 - 87	F110273	(CM110273)	11/16" Bore	
Clutch Slave Cylinder	Years	Sequential No.	Category No.	Qualifier	
Clutch Slave Cylinder	91 - 89	F103483	(SC103483)	13/16" Bore	
Clutch Slave Cylinder	88 - 87	F103483	(SC103483)	13/16" Bore	
Front Brake Hose	Years	Sequential No.	Category No.	Qualifier	
Brake Hose	91 - 89	F107274	(BH107274)	L.H.	
Brake Hose	91 - 89	F107275	(BH107275)	R.H.	

↳Sub-Kit of Combi-Kit is available separately.

Piston: M - OE Metal Piston P - OE Phenolic Piston

V3500 PICKUP (cont.) - See Also R3500 PICKUP
Hydraulics - New (cont.)

Front Brake Hose	Years	Sequential No.	Category No.	Qualifier
Brake Hose	88 - 87	F107274	(BH107274)	L.H.
Brake Hose	88 - 87	F107275	(BH107275)	R.H.
Rear Brake Hose	Years	Sequential No.	Category No.	Qualifier
Brake Hose	91 - 90	F113148	(BH113148)	Diesel
Brake Hose	91 - 89	F80967	(BH80967)	w/o Diesel
Brake Hose	89	F113148	(BH113148)	Exc. 5.7L
Brake Hose	88 - 87	F113148	(BH113148)	6.2;7.4L
Brake Hose	88 - 87	F80967	(BH80967)	w/o Diesel

Hydraulics - Reman

Master Cylinder	Years	Part No.	Qualifier
Master Cylinder	91 - 89	R108145	w/Hydro Boost
Master Cylinder	88 - 87	R108145	w/Hydro Boost
Power Brake Booster	Years	Part No.	Qualifier
Hydro Booster	91 - 89	527307	
Hydro Booster	88 - 87	527307	

Brake Cables

Parking Brake Cable	Years	Sequential No.	Category No.	Qualifier
Parking Brake Cable	91 - 90	F108772	(BC108772)	Forward
Parking Brake Cable	91 - 89	F124645	(BC124645)	Rear; L.H.; w/DRW; Exc. Dana Axle
Parking Brake Cable	91 - 89	F124137	(BC124137)	Rear; L.H.; w/DRW; w/Dana Axle
Parking Brake Cable	91 - 89	F124137	(BC124137)	Rear; L.H.; w/SRW; w/Dana Axle
Parking Brake Cable	91 - 89	F124765	(BC124765)	Rear; R.H.; w/DRW; Exc. Dana Axle
Parking Brake Cable	91 - 89	F124479	(BC124479)	Rear; R.H.; w/DRW; w/Dana Axle
Parking Brake Cable	91 - 89	F124766	(BC124766)	Rear; R.H.; w/SRW
Parking Brake Cable	89	F124686	(BC124686)	Forward; 131-1/2" WB
Parking Brake Cable	89	F129830	(BC129830)	Forward; 135-1/2" WB
Parking Brake Cable	89	F129831	(BC129831)	Forward; 159-1/2" WB
Parking Brake Cable	89	F108772	(BC108772)	Forward; 164-1/2" WB
Parking Brake Cable	88	F124686	(BC124686)	Forward; 131-1/2" WB
Parking Brake Cable	88	F129830	(BC129830)	Forward; 135-1/2" WB
Parking Brake Cable	88	F129831	(BC129831)	Forward; 159-1/2" WB
Parking Brake Cable	88 - 87	F108772	(BC108772)	Forward; 164-1/2" WB
Parking Brake Cable	88 - 87	F108765	(BC108765)	Rear; L.H.; w/DRW; Exc. Dana Axle
Parking Brake Cable	88 - 87	F124137	(BC124137)	Rear; L.H.; w/DRW; w/Dana Axle
Parking Brake Cable	88 - 87	F124137	(BC124137)	Rear; L.H.; w/SRW; w/Dana Axle
Parking Brake Cable	88	F124765	(BC124765)	Rear; R.H.; w/DRW; Exc. Dana Axle
Parking Brake Cable	88	F124479	(BC124479)	Rear; R.H.; w/DRW; w/Dana Axle
Parking Brake Cable	88	F124766	(BC124766)	Rear; R.H.; w/SRW
Parking Brake Cable	87	F108771	(BC108771)	Forward; 131-1/2" WB
Parking Brake Cable	87	F108773	(BC108773)	Forward; 135-1/2" WB
Parking Brake Cable	87	F109226	(BC109226)	Forward; 159-1/2" WB
Parking Brake Cable	87	F124766	(BC124766)	Rear; R.H.; w/DRW; Exc. Dana Axle
Parking Brake Cable	87	F108764	(BC108764)	Rear; R.H.; w/DRW; w/Dana Axle
Parking Brake Cable	87	F108764	(BC108764)	Rear; R.H.; w/SRW; w/Dana Axle

Wheel Attaching Hardware

Front Wheel Stud	Years	Part No.	Qualifier
Wheel Lug Stud	91 - 89	BD61381	
Wheel Lug Stud	88 - 87	BD61276	w/DRW
Wheel Lug Stud	88 - 87	BD61381	w/SRW
Rear Wheel Stud	Years	Part No.	Qualifier
Wheel Lug Stud	91 - 89	BD61053	
Wheel Lug Stud	88 - 87	BD61393	w/DRW
Wheel Lug Stud	88 - 87	BD61053	w/SRW

CHEVROLET -1 TON TRUCK



V3500 PICKUP (cont.) - See Also R3500 PICKUP

Wheel Attaching Hardware (cont.)

Front Wheel Nut	Years	Part No.	Qualifier
Wheel Lug Nut	91 - 89	BD61287	Std. Open
Wheel Lug Nut	88 - 87	BD125839	Std. Open; w/DRW
Wheel Lug Nut	88	BD61287	Std. Open; w/DRW
Wheel Lug Nut	87	BD61287	Std. Open; w/SRW
Rear Wheel Nut	Years	Part No.	Qualifier
Wheel Lug Nut	91 - 89	BD61287	Std. Open
Wheel Lug Nut	88 - 87	BD125839	Std. Open; w/DRW
Wheel Lug Nut	88	BD61287	Std. Open; w/DRW
Wheel Lug Nut	87	BD61287	Std. Open; w/SRW

CHEVROLET -1 TON VAN

EXPRESS 3500

Brake Pads & Shoes

Front Pads & Shoes	Years	SevereDuty	Lining No.	Qualifier
Brake Pads	06 - 03	SD784		
Brake Pads	02	SD459		
Brake Pads	01 - 99	SD459		w/DRW
Brake Pads	01 - 99	SD845		w/SRW
Rear Pads & Shoes	Years	SevereDuty	Lining No.	Qualifier
Brake Pads	06 - 03	SD989		Commercial Chassis; w/DRW
Brake Pads	06 - 03	SD974		Commercial Chassis; w/SRW
Brake Pads	06 - 03	SD974		Exc. Commercial Chassis
Brake Shoes	02 - 99	SDS656R	SX2157BDT-S36	13 x 3-1/2" Brake; Riveted

Rotor & Drum

Front Rotor & Drum	Years	Part No.	Qualifier
Brake Rotor	06 - 03	BD126036	8600-9600 GVW
Brake Rotor	05 - 03	BD125779	10000-12000 GVW
Brake Rotor	02 - 01	BD125471	Commercial Chassis; w/DRW
Brake Rotor	02 - 01	BD125765	Commercial Chassis; w/SRW; 2nd Design; Rotor Casting No. 15769075
Brake Rotor	02 - 01	BD125765	Exc. Commercial Chassis; 2nd Design; Rotor Casting No. 15769075
Brake Rotor	01	BD125212	Commercial Chassis; w/SRW
Brake Rotor	01	BD125212	Exc. Commercial Chassis; 1st Design; Rotor Casting No. 15649968
Brake Rotor	00 - 99	BD125471	w/DRW
Brake Rotor	00 - 99	BD125212	w/SRW
Rear Rotor & Drum	Years	Part No.	Qualifier
Brake Drum	02 - 99	BD60356	w/DRW; 13 x 3-1/2" Brake
Brake Drum	02 - 99	BD125523	w/SRW; 13 x 3-1/2" Brake
Brake Rotor	06	BD125778	w/12-51/64" Dia. Rotor; 8 Stud Whl.; 4-53/64" Height
Brake Rotor	06	BD125657	w/13" Dia. Rotor; 8 Stud Whl.; w/4-53/64" Dia. Ctr. Pilot Hole
Brake Rotor	06	BD125656	w/13" Dia. Rotor; 8 Stud Whl.; w/4-5/8 Dia. Ctr. Pilot Hole
Brake Rotor	05 - 03	BD125778	Commercial Chassis; w/DRW; w/12-51/64" Dia. Rotor; 8 Stud Whl.; 4-53/64" Height
Brake Rotor	05 - 03	BD125657	Commercial Chassis; w/SRW; w/13" Dia. Rotor; 8 Stud Whl.; w/4-53/64" Dia. Ctr. Pilot Hole
Brake Rotor	05 - 03	BD125657	Exc. Commercial Chassis; w/13" Dia. Rotor; 8 Stud Whl.; w/4-53/64" Dia. Ctr. Pilot Hole

Brake Hardware

Front Brake Hardware	Years	Sequential No.	Category No.	Qualifier
Caliper Bolt/Pin	05 - 03	F139700	(H5095)	
Caliper Bolt/Pin	02 - 99	F129642S	(H5062)	w/Floating Delco Caliper; w/DRW
Caliper Bolt/Pin	02 - 99	F117224S	(H5038)	w/Floating Delco Caliper; w/SRW
Caliper Bolt/Pin	02 - 99	F73237S	(H5019)	w/Sliding Bendix Caliper
Disc Align Kit	02 - 99	F117225S	(H5584)	w/Floating Delco Caliper
Disc Align Kit	02 - 99	F107401S	(H5562)	w/Sliding Bendix Caliper; Std.
Rear Brake Hardware	Years	Sequential No.	Category No.	Qualifier
Adjuster Kit	02 - 99	F98406	(H2580)	L.H.
Adjuster Kit	02 - 99	F98407	(H2581)	R.H.

EXPRESS 3500 (cont.)

Brake Hardware (cont.)

Rear Brake Hardware	Years	Sequential No.	Category No.	Qualifier
Adjuster Screw	02 - 99	F83294	(H1550)	L.H.
Adjuster Screw	02 - 99	F83295	(H1551)	R.H.
Caliper Bolt/Pin	06 - 03	F139370	(H5091)	
Combi Kit	02 - 99	F98457S	(H7055)	
↳Adjuster Spring Kit		F73145S	(H425)	
↳Hold Down Kit		F113455S	(H4098)	
↳Return Spring Kit		F59100S	(H600)	
Disc Align Kit	04 - 03	F139864	(H5665)	w/SRW
Disc Align Kit	03	F140512	(H5678)	w/DRW
Pin Boot Kit	06 - 03	F140514	(H8240)	

Parking Brake	Years	Sequential No.	Category No.	Qualifier
Combi Kit	03	F139879	(H7242)	

Calipers - Reman

Front, Loaded	Years	Left No.	Right No.	Qualifier	Piston
Loaded Caliper	05 - 03	AS134558	AS134559	10000-12300 GVW	P
Loaded Caliper	02	AS120226	AS120227		M
Loaded Caliper	01 - 99	AS120226	AS120227	Cutaway; w/DRW; 139" WB	M
Loaded Caliper	01 - 99	AS116294	AS116295	Cutaway; w/SRW; 139" WB; w/3.16" Single Piston Caliper	M
Loaded Caliper	01 - 99	AS120226	AS120227	Exc. 139" WB; Cutaway	M
Loaded Caliper	01 - 99	AS116294	AS116295	Exc. Cutaway; w/3.16" Single Piston Caliper	M

Front, Unloaded	Years	Left No.	Right No.	Qualifier	Piston
Unloaded Caliper	05 - 03	CR134558	CR134559	10000-12300 GVW	P
Unloaded Caliper	05 - 03	CRB134347	CRB134348	8600-9600 GVW; w/Dual Piston Caliper; Supplied w/Mtg. Brkt.	P
Unloaded Caliper	05 - 03	CR134347	CR134348	8600-9600 GVW; w/Dual Piston Caliper; Supplied w/o Mtg. Brkt.	P
Unloaded Caliper	02	CR120226	CR120227		M
Unloaded Caliper	01 - 99	CR120226	CR120227	Cutaway; w/DRW; 139" WB	M
Unloaded Caliper	01 - 99	CR116294	CR116295	Cutaway; w/SRW; 139" WB; w/3.16" Single Piston Caliper	M
Unloaded Caliper	01 - 99	CR120226	CR120227	Exc. 139" WB; Cutaway	M
Unloaded Caliper	01 - 99	CR116294	CR116295	Exc. Cutaway; w/3.16" Single Piston Caliper	M

Rear, Unloaded	Years	Left No.	Right No.	Qualifier	Piston
Unloaded Caliper	05 - 03	CR135118	CR135117	w/SRW	P

Hydraulics - New

Master Cylinder	Years	Sequential No.	Category No.	Qualifier
Master Cylinder	02 - 99	F139959	(MC139959)	1-1/4" Bore

Rear Wheel Cylinder	Years	Sequential No.	Category No.	Qualifier
Wheel Cylinder	01 - 99	F116359	(WC116359)	w/SRW; 1" Bore
Wheel Cylinder	00 - 99	F79768	(WC79768)	w/DRW; 1-3/16" Bore

Front Brake Hose	Years	Sequential No.	Category No.	Qualifier
Brake Hose	02 - 01	F140498	(BH140498)	L.H.
Brake Hose	02 - 01	F140499	(BH140499)	R.H.
Brake Hose	00 - 99	F140498	(BH140498)	L.H.; w/DRW
Brake Hose	00 - 99	F140496	(BH140496)	L.H.; w/SRW
Brake Hose	00 - 99	F140499	(BH140499)	R.H.; w/DRW
Brake Hose	00 - 99	F140497	(BH140497)	R.H.; w/SRW

Rear Brake Hose	Years	Sequential No.	Category No.	Qualifier
Brake Hose	02 - 99	F118117	(BH118117)	

Hydraulics - Reman

Master Cylinder	Years	Part No.	Qualifier
Master Cylinder	02 - 99	R134626	

Power Brake Booster	Years	Part No.	Qualifier
Hydro Booster	01 - 99	527343	w/DRW
Hydro Booster	01 - 99	527342	w/SRW

↳Sub-Kit of Combi-Kit is available separately.

Piston: M - OE Metal Piston P - OE Phenolic Piston

EXPRESS 3500 (cont.)

Brake Cables

Parking Brake Cable	Years	Sequential No.	Category No.	Qualifier
Parking Brake Cable	02 - 99	F138836	(BC138836)	Forward; Exc. Cutaway
Parking Brake Cable	02 - 99	F138900	(BC138900)	Intermediate; 155", 159" WB
Parking Brake Cable	02 - 99	F140240	(BC140240)	Intermediate; 177" WB; 37" Length

Wheel Attaching Hardware

Front Wheel Stud	Years	Part No.	Qualifier
Wheel Lug Stud	05 - 03	BD125960	
Wheel Lug Stud	02 - 99	BD61416	w/DRW; 14mm Bolt
Wheel Lug Stud	02 - 99	BD61426	w/SRW

Rear Wheel Stud	Years	Part No.	Qualifier
Wheel Lug Stud	05 - 03	BD125961	M14 x 1.5 x 28
Wheel Lug Stud	02 - 99	BD61403	w/DRW
Wheel Lug Stud	02	BD125962	w/SRW
Wheel Lug Stud	01 - 99	BD61427	w/SRW

Front Wheel Nut	Years	Part No.	Qualifier
Wheel Lug Nut	05 - 03	BD125916	External Thread
Wheel Lug Nut	04 - 03	BD125998	Dome - Black
Wheel Lug Nut	02 - 99	BD125926	External Thread; w/DRW
Wheel Lug Nut	02 - 99	BD125916	External Thread; w/SRW

Rear Wheel Nut	Years	Part No.	Qualifier
Wheel Lug Nut	05 - 03	BD125916	External Thread
Wheel Lug Nut	04 - 03	BD125998	Dome - Black
Wheel Lug Nut	02 - 99	BD125926	External Thread; w/DRW
Wheel Lug Nut	02 - 99	BD125916	External Thread; w/SRW

G3500 VAN - See Also P3500 VAN

Brake Pads & Shoes

Front Pads & Shoes	Years	SevereDuty	Lining No.	Qualifier
Brake Pads	98	SD459		w/DRW
Brake Pads	98	SD845		w/SRW
Brake Pads	97	SD459		w/DRW
Brake Pads	97	SD845		w/SRW
Brake Pads	96	SD153		Exc. EXPRESS; 8400 GVW
Brake Pads	96	SD149		Exc. EXPRESS; 9200-10000 GVW
Brake Pads	96	SD459		EXPRESS
Brake Pads	95 - 92	SD153		8400 GVW
Brake Pads	95 - 92	SD149		9200-10000 GVW
Brake Pads	91 - 85	SD149		10000 GVW
Brake Pads	91 - 85	SD153		8600 GVW
Brake Pads	84 - 82	SD153		7100-8600 GVW
Brake Pads	84 - 82	SD149		8900 GVW; w/DRW
Brake Pads	81	SD153		7700-8400 GVW
Brake Pads	81	SD149		8900-10000 GVW; w/DRW

Rear Pads & Shoes	Years	SevereDuty	Lining No.	Qualifier
Brake Shoes	98	SDS656R	SX2157BDT-S36 13 x 3-1/2"	Brake; Riveted
Brake Shoes	97 - 92	SDS656R	SX2157BDT-S36 13 x 3-1/2"	Brake; Riveted
Brake Shoes	96 - 92	SDS655R	SX2042BDT-S36 13 x 2-1/2"	Brake; Riveted
Brake Shoes	82 - 81	SDS451R	EX2042ADT-S32 13 x 2-1/2"	Brake; Riveted
Brake Shoes	82 - 81	SDS452R	EX2157TD-S32 13 x 3-1/2"	Brake; Riveted

Rotor & Drum

Front Rotor & Drum	Years	Part No.	Qualifier
Brake Rotor	98	BD125471	w/DRW
Brake Rotor	98	BD125212	w/SRW
Brake Rotor	97	BD125471	w/DRW
Brake Rotor	97	BD125212	w/SRW
Brake Rotor	96	BD125379	Exc. EXPRESS; 10000 GVW; w/DRW

G3500 VAN (cont.) - See Also P3500 VAN
Rotor & Drum (cont.)

Front Rotor & Drum	Years	Part No.	Qualifier
Brake Rotor	96	BD125331	Exc. EXPRESS; 8400 GVW; w/ABS Exciter Ring
Brake Rotor	96	BD125330	Exc. EXPRESS; 8400 GVW; w/o ABS Exciter Ring
Brake Rotor	96	BD125471	Exc. EXPRESS; 9200 GVW; w/DRW
Brake Rotor	96	BD125333	Exc. EXPRESS; 9200-10000 GVW; w/SRW; w/ABS Exciter Ring
Brake Rotor	96	BD125332	Exc. EXPRESS; 9200-10000 GVW; w/SRW; w/o ABS Exciter Ring
Brake Rotor	96	BD125471	EXPRESS; w/DRW
Brake Rotor	96	BD125212	EXPRESS; w/SRW
Brake Rotor	95 - 93	BD125379	10000 GVW; w/DRW
Brake Rotor	95 - 93	BD125331	8400 GVW; w/ABS Exciter Ring
Brake Rotor	95 - 93	BD125330	8400 GVW; w/o ABS Exciter Ring
Brake Rotor	95 - 93	BD125379	9200 GVW; w/DRW
Brake Rotor	95 - 93	BD125333	9200-10000 GVW; w/SRW; w/ABS Exciter Ring
Brake Rotor	95 - 93	BD125332	9200-10000 GVW; w/SRW; w/o ABS Exciter Ring
Brake Rotor	92 - 85	BD60443	10000 GVW
Brake Rotor	92	BD60402	8400 GVW
Brake Rotor	92	BD125333	9200 GVW; w/ABS Exciter Ring
Brake Rotor	92	BD125332	9200 GVW; w/o ABS Exciter Ring
Brake Rotor	91 - 85	BD60402	8600 GVW
Brake Rotor	84 - 82	BD60402	7100-8600 GVW
Brake Rotor	84 - 81	BD60443	8900-10500 GVW
Brake Rotor	81	BD60402	7700-8400 GVW

Rear Rotor & Drum	Years	Part No.	Qualifier
Brake Drum	98	BD60356	w/DRW; 13 x 3-1/2" Brake
Brake Drum	98	BD125523	w/SRW; 13 x 3-1/2" Brake
Brake Drum	97	BD60356	w/DRW; 13 x 3-1/2" Brake
Brake Drum	97	BD125523	w/SRW; 13 x 3-1/2" Brake
Brake Drum	96	BD60356	Exc. EXPRESS; 10000 GVW; 13 x 3-1/2" Brake
Brake Drum	96	BD60359	Exc. EXPRESS; 8400 GVW; w/10-1/2" R.G.; 13 x 2-1/2" Brake
Brake Drum	96	BD60727	Exc. EXPRESS; 8400 GVW; w/9-1/2" R.G.; 13 x 2-1/2" Brake
Brake Drum	96	BD125245	Exc. EXPRESS; 9200 GVW; 13 x 3-1/2" Brake
Brake Drum	96	BD60356	EXPRESS; w/DRW; 13 x 3-1/2" Brake
Brake Drum	96	BD125523	EXPRESS; w/SRW; 13 x 3-1/2" Brake
Brake Drum	95 - 87	BD60356	10000 GVW; 13 x 3-1/2" Brake
Brake Drum	95 - 92	BD60359	8400 GVW; w/10-1/2" R.G.; 13 x 2-1/2" Brake
Brake Drum	95 - 92	BD60727	8400 GVW; w/9-1/2" R.G.; 13 x 2-1/2" Brake
Brake Drum	95 - 92	BD125245	9200 GVW; 13 x 3-1/2" Brake
Brake Drum	91 - 88	BD60727	8600 GVW; w/9-1/2" R.G.; 13 x 2-1/2" Brake
Brake Drum	89 - 88	BD60359	8600 GVW; w/10-1/2" R.G.; 13 x 2-1/2" Brake
Brake Drum	87 - 85	BD60727	8600 GVW; 13 x 2-1/2" Brake
Brake Drum	86 - 85	BD60356	10000 GVW; w/DRW; 13 x 3-1/2" Brake
Brake Drum	86 - 85	BD60357	10000 GVW; w/SRW; 13 x 3-1/2" Brake
Brake Drum	84 - 82	BD60359	7100-8600 GVW; 13 x 2-1/2" Brake
Brake Drum	84 - 82	BD60356	8900-10500 GVW; w/DRW; 13 x 3-1/2" Brake
Brake Drum	81	BD60359	7700-8400 GVW; 13 x 2-1/2" Brake
Brake Drum	81	BD60356	8900-10000 GVW; w/DRW; 13 x 3-1/2" Brake

Brake Hardware

Front Brake Hardware	Years	Sequential No.	Category No.	Qualifier
Caliper Bolt/Pin	98	F129642S	(H5062)	w/Floating Delco Caliper; w/DRW
Caliper Bolt/Pin	98	F117224S	(H5038)	w/Floating Delco Caliper; w/SRW
Caliper Bolt/Pin	98	F73237S	(H5019)	w/Sliding Bendix Caliper
Caliper Bolt/Pin	97	F129642S	(H5062)	w/Floating Delco Caliper; w/DRW
Caliper Bolt/Pin	97	F117224S	(H5038)	w/Floating Delco Caliper; w/SRW
Caliper Bolt/Pin	97	F73237S	(H5019)	w/Sliding Bendix Caliper
Caliper Bolt/Pin	96	F76074S	(H5004)	Exc. EXPRESS; 8400 GVW; w/Floating Delco Caliper
Caliper Bolt/Pin	96	F73237S	(H5019)	Exc. EXPRESS; 9200-10000 GVW; w/Sliding Bendix Caliper

G3500 VAN (cont.) - See Also P3500 VAN

Brake Hardware (cont.)				
Front Brake Hardware	Years	Sequential No.	Category No.	Qualifier
Caliper Bolt/Pin	96	F129642S	(H5062)	EXPRESS; w/DRW
Caliper Bolt/Pin	96	F117224S	(H5038)	EXPRESS; w/SRW
Caliper Bolt/Pin	95 - 81	F76074S	(H5004)	7100-8600 GVW; w/Floating Delco Caliper
Caliper Bolt/Pin	95 - 81	F73237S	(H5019)	8900-10500 GVW; w/Sliding Bendix Caliper
Disc Align Kit	98	F117225S	(H5584)	w/Floating Delco Caliper
Disc Align Kit	98	F107401S	(H5562)	w/Sliding Bendix Caliper; Std.
Disc Align Kit	97	F117225S	(H5584)	w/Floating Delco Caliper
Disc Align Kit	97	F107401S	(H5562)	w/Sliding Bendix Caliper; Std.
Disc Align Kit	96	F107402S	(H5555)	Exc. EXPRESS; 10000 GVW; w/Sliding Bendix Caliper; .040 O/S; Refer to Center Abutment page in rear
Disc Align Kit	96	F107403S	(H5556)	Exc. EXPRESS; 10000 GVW; w/Sliding Bendix Caliper; .080 O/S; Refer to Center Abutment page in rear
Disc Align Kit	96	F107404S	(H5557)	Exc. EXPRESS; 10000 GVW; w/Sliding Bendix Caliper; .120 O/S; Refer to Center Abutment page in rear
Disc Align Kit	96	F107405S	(H5558)	Exc. EXPRESS; 10000 GVW; w/Sliding Bendix Caliper; .160 O/S; Refer to Center Abutment page in rear
Disc Align Kit	96	F107401S	(H5562)	Exc. Express; 10000 GVW; w/Sliding Bendix Caliper; Std.
Disc Align Kit	96	F73674S	(H5500)	Exc. EXPRESS; 8400 GVW; w/Floating Delco Caliper
Disc Align Kit	96	F107401S	(H5562)	Express; 10000 GVW; w/Sliding Bendix Caliper; Std.
Disc Align Kit	96	F117225S	(H5584)	EXPRESS; 8400 GVW; w/Floating Delco Caliper
Disc Align Kit	95 - 81	F73674S	(H5500)	7100-8600 GVW; w/Floating Delco Caliper
Disc Align Kit	95 - 81	F107402S	(H5555)	8900-10500 GVW; w/Sliding Bendix Caliper; .040 O/S; Refer to Center Abutment page in rear
Disc Align Kit	95 - 81	F107403S	(H5556)	8900-10500 GVW; w/Sliding Bendix Caliper; .080 O/S; Refer to Center Abutment page in rear
Disc Align Kit	95 - 81	F107404S	(H5557)	8900-10500 GVW; w/Sliding Bendix Caliper; .120 O/S; Refer to Center Abutment page in rear
Disc Align Kit	95 - 81	F107405S	(H5558)	8900-10500 GVW; w/Sliding Bendix Caliper; .160 O/S; Refer to Center Abutment page in rear
Disc Align Kit	95 - 81	F107401S	(H5562)	8900-10500 GVW; w/Sliding Bendix Caliper; Std.
Rear Brake Hardware	Years	Sequential No.	Category No.	Qualifier
Adjuster Kit	98	F98406	(H2580)	L.H.
Adjuster Kit	98	F98407	(H2581)	R.H.
Adjuster Kit	97 - 81	F98406	(H2580)	L.H.
Adjuster Kit	97 - 81	F98407	(H2581)	R.H.
Adjuster Screw	98	F83294	(H1550)	L.H.
Adjuster Screw	98	F83295	(H1551)	R.H.
Adjuster Screw	97 - 81	F83294	(H1550)	L.H.
Adjuster Screw	97 - 81	F83295	(H1551)	R.H.
Combi Kit	98	F98457S	(H7055)	
↳Adjuster Spring Kit		F73145S	(H425)	
↳Hold Down Kit		F113455S	(H4098)	
↳Return Spring Kit		F59100S	(H600)	
Combi Kit	97 - 81	F98457S	(H7055)	
↳Adjuster Spring Kit		F73145S	(H425)	
↳Hold Down Kit		F113455S	(H4098)	
↳Return Spring Kit		F59100S	(H600)	
Disc Align Kit	94 - 92	F107402S	(H5555)	8900-10500 GVW; w/Sliding Bendix Caliper; .040 O/S; Refer to Center Abutment page in rear
Disc Align Kit	94 - 92	F107403S	(H5556)	8900-10500 GVW; w/Sliding Bendix Caliper; .080 O/S; Refer to Center Abutment page in rear
Disc Align Kit	94 - 92	F107404S	(H5557)	8900-10500 GVW; w/Sliding Bendix Caliper; .120 O/S; Refer to Center Abutment page in rear
Disc Align Kit	94 - 92	F107405S	(H5558)	8900-10500 GVW; w/Sliding Bendix Caliper; .160 O/S; Refer to Center Abutment page in rear
Disc Align Kit	94 - 92	F107401S	(H5562)	8900-10500 GVW; w/Sliding Bendix Caliper; Std.

↳Sub-Kit of Combi-Kit is available separately.

G3500 VAN (cont.) - See Also P3500 VAN

Calipers - Reman

Front, Loaded	Years	Left No.	Right No.	Qualifier	Piston
Loaded Caliper	98	AS120226	AS120227	Cutaway; Exc. 139" WB	M
Loaded Caliper	98	AS120226	AS120227	Cutaway; w/DRW; 139" WB	M
Loaded Caliper	98	AS116294	AS116295	Cutaway; w/SRW; 139" WB; w/3.16" Single Piston Caliper	M
Loaded Caliper	98	AS116294	AS116295	Exc. Cutaway; w/3.16" Single Piston Caliper	M
Loaded Caliper	97	AS120226	AS120227	Cutaway; Exc. 139" WB	M
Loaded Caliper	97	AS120226	AS120227	Cutaway; w/DRW; 139" WB	M
Loaded Caliper	97	AS116294	AS116295	Cutaway; w/SRW; 139" WB; w/3.16" Single Piston Caliper	M
Loaded Caliper	97	AS116294	AS116295	Exc. Cutaway; w/3.16" Single Piston Caliper	M
Loaded Caliper	96	AS98954	AS98955	Exc. Express; w/JB7, JD7	M
Loaded Caliper	96	AS98906	AS98907	Exc. Express; w/JB8	M
Loaded Caliper	96	AS120226	AS120227	Express; w/DRW; 139", 159", 177" WB	M
Loaded Caliper	96	AS116294	AS116295	Express; w/SRW; 139" WB; w/3.16" Single Piston Caliper	M
Loaded Caliper	95 - 81	AS98954	AS98955	Pin Type Caliper; w/JB7, JD7; w/3.16" Single Piston Caliper	M
Loaded Caliper	95 - 81	AS98906	AS98907	Slide Type Caliper; w/JB8; w/3.38" Single Piston Caliper	M

Front, Unloaded	Years	Left No.	Right No.	Qualifier	Piston
Unloaded Caliper	98	CR120226	CR120227	Cutaway; Exc. 139" WB	M
Unloaded Caliper	98	CR120226	CR120227	Cutaway; w/DRW; 139" WB	M
Unloaded Caliper	98	CR116294	CR116295	Cutaway; w/SRW; 139" WB; w/3.16" Single Piston Caliper	M
Unloaded Caliper	98	CR116294	CR116295	Exc. Cutaway; w/3.16" Single Piston Caliper	M
Unloaded Caliper	97	CR120226	CR120227	Cutaway; Exc. 139" WB	M
Unloaded Caliper	97	CR120226	CR120227	Cutaway; w/DRW; 139" WB	M
Unloaded Caliper	97	CR116294	CR116295	Cutaway; w/SRW; 139" WB; w/3.16" Single Piston Caliper	M
Unloaded Caliper	97	CR116294	CR116295	Exc. Cutaway; w/3.16" Single Piston Caliper	M
Unloaded Caliper	96	CR98954	CR98955	Exc. Express; w/JB7, JD7	M
Unloaded Caliper	96	CR98906	CR98907	Exc. Express; w/JB8	M
Unloaded Caliper	96	CR120226	CR120227	Express; w/DRW; 139", 159", 177" WB	M
Unloaded Caliper	96	CR116294	CR116295	Express; w/SRW; 139" WB; w/3.16" Single Piston Caliper	M
Unloaded Caliper	95 - 81	CR98954	CR98955	Pin Type Caliper; w/JB7, JD7; w/3.16" Single Piston Caliper	M
Unloaded Caliper	95 - 81	CR98906	CR98907	Slide Type Caliper; w/JB8; w/3.38" Single Piston Caliper	M

Hydraulics - New

Master Cylinder	Years	Sequential No.	Category No.	Qualifier
Master Cylinder	98	F139959	(MC139959)	1-1/4" Bore
Master Cylinder	97 - 96	F139959	(MC139959)	1-1/4" Bore
Master Cylinder	96	F103239	(MC103239)	Exc. EXPRESS; 1-11/32" Bore
Master Cylinder	96 - 85	F110888	(MC110888)	w/o Diesel; w/SRW; 1-1/4" Bore
Master Cylinder	95	F103239	(MC103239)	w/Hydro-Boost; 1-11/32" Bore
Master Cylinder	94 - 92	F103239	(MC103239)	Diesel; w/Hydro-Boost; 1-11/32" Bore
Master Cylinder	94 - 92	F103239	(MC103239)	w/o Diesel; w/Hydro-Boost; w/DRW; 1-11/32" Bore
Master Cylinder	84	F108148	(MC108148)	Diesel; w/Hydro-Boost; w/SRW; 1-1/4" Bore
Master Cylinder	84	F108148	(MC108148)	w/o Diesel; w/SRW; 1-1/4" Bore
Master Cylinder	83 - 82	F101266	(MC101266)	w/SRW; 1-1/4" Bore
Master Cylinder	81	F101269	(MC101269)	6400-7400 GVW; 1-1/8" Bore
Master Cylinder	81	F101266	(MC101266)	7700-8400 GVW; 1-1/4" Bore

Rear Wheel Cylinder	Years	Sequential No.	Category No.	Qualifier
Wheel Cylinder	98	F79768	(WC79768)	w/DRW; 1-3/16" Bore
Wheel Cylinder	98	F116359	(WC116359)	w/SRW; 1" Bore
Wheel Cylinder	97 - 95	F79768	(WC79768)	w/DRW; 1-3/16" Bore
Wheel Cylinder	97 - 95	F79767	(WC79767)	w/SRW; 1-1/16" Bore
Wheel Cylinder	94 - 85	F79768	(WC79768)	10000 GVW; 1-3/16" Bore
Wheel Cylinder	94 - 92	F79767	(WC79767)	8600-9200 GVW; 1-1/16" Bore
Wheel Cylinder	91 - 85	F79767	(WC79767)	8600 GVW; 1-1/16" Bore
Wheel Cylinder	84 - 82	F79767	(WC79767)	7100-8600 GVW; 1-1/16" Bore
Wheel Cylinder	84 - 82	F79768	(WC79768)	8900-10500 GVW; 1-3/16" Bore
Wheel Cylinder	81	F79767	(WC79767)	7700-8400 GVW; 13" Brake; 1-1/16" Bore
Wheel Cylinder	81	F79768	(WC79768)	8900-10000 GVW; 1-3/16" Bore

Piston: M - OE Metal Piston P - OE Phenolic Piston

G3500 VAN (cont.) - See Also P3500 VAN

Hydraulics - New (cont.)

Front Brake Hose	Years	Sequential No.	Category No.	Qualifier
Brake Hose	98	F140498	(BH140498)	L.H.; w/DRW
Brake Hose	98	F140496	(BH140496)	L.H.; w/SRW
Brake Hose	98	F140499	(BH140499)	R.H.; w/DRW
Brake Hose	98	F140497	(BH140497)	R.H.; w/SRW
Brake Hose	97	F140498	(BH140498)	L.H.; w/DRW
Brake Hose	97	F140496	(BH140496)	L.H.; w/SRW
Brake Hose	97	F140499	(BH140499)	R.H.; w/DRW
Brake Hose	97	F140497	(BH140497)	R.H.; w/SRW
Brake Hose	96	F107272	(BH107272)	L.H.; Exc. EXPRESS; 10000 GVW
Brake Hose	96	F140498	(BH140498)	L.H.; EXPRESS; w/DRW
Brake Hose	96	F140496	(BH140496)	L.H.; EXPRESS; w/SRW
Brake Hose	96	F132205	(BH132205)	R.H.; Exc. EXPRESS; 10000 GVW
Brake Hose	96	F140499	(BH140499)	R.H.; EXPRESS; w/DRW
Brake Hose	96	F140497	(BH140497)	R.H.; EXPRESS; w/SRW
Brake Hose	95	F107272	(BH107272)	L.H.; 10000 GVW
Brake Hose	95	F132205	(BH132205)	R.H.; 10000 GVW
Brake Hose	94 - 85	F110426	(BH110426)	L.H.; 8600 GVW
Brake Hose	94 - 92	F107272	(BH107272)	L.H.; 9200-10000 GVW
Brake Hose	94 - 85	F110427	(BH110427)	R.H.; 8600 GVW
Brake Hose	94 - 92	F132205	(BH132205)	R.H.; 9200-10000 GVW
Brake Hose	91 - 85	F107272	(BH107272)	L.H.; 10000 GVW
Brake Hose	91 - 85	F132205	(BH132205)	R.H.; 10000 GVW
Brake Hose	84 - 83	F110426	(BH110426)	L.H.; 7100-8600 GVW
Brake Hose	84 - 83	F107272	(BH107272)	L.H.; 8900-10500 GVW
Brake Hose	84 - 83	F110427	(BH110427)	R.H.; 7100-8600 GVW
Brake Hose	84 - 83	F132205	(BH132205)	R.H.; 8900-10500 GVW
Brake Hose	82	F110424	(BH110424)	L.H.; 7100-8600 GVW
Brake Hose	82 - 81	F88957	(BH88957)	L.H.; 8900-10500 GVW
Brake Hose	82	F110425	(BH110425)	R.H.; 7100-8600 GVW
Brake Hose	82 - 81	F88958	(BH88958)	R.H.; 8900-10500 GVW
Brake Hose	81	F110424	(BH110424)	L.H.; 7700-8400 GVW
Brake Hose	81	F110425	(BH110425)	R.H.; 7700-8400 GVW

Rear Brake Hose

Years	Sequential No.	Category No.	Qualifier
98	F118117	(BH118117)	
97	F118117	(BH118117)	
96	F118117	(BH118117)	Exc. EXPRESS
95 - 92	F86560	(BH86560)	8600-10000 GVW
91 - 81	F86560	(BH86560)	

Hydraulics - Reman

Master Cylinder	Years	Part No.	Qualifier
Master Cylinder	98	R134626	
Master Cylinder	97	R134626	
Master Cylinder	96	R110888	Exc. Express; JB7
Master Cylinder	96	R103238	Exc. Express; JB8 or JD7
Master Cylinder	96	R134626	Express
Master Cylinder	95 - 85	R110888	w/JB7
Master Cylinder	95 - 85	R103238	w/JB8
Master Cylinder	95 - 85	R103238	w/JD7
Master Cylinder	84 - 81	R101266	Diesel; w/JD7
Master Cylinder	84 - 81	R101266	Gas; w/JB7
Master Cylinder	84 - 81	R103238	Gas; w/JB8

Power Brake Booster

Years	Part No.	Qualifier
98	527343	w/DRW
98	527342	w/SRW
97	527343	w/DRW

G3500 VAN (cont.) - See Also P3500 VAN
Hydraulics - Reman (cont.)

Power Brake Booster	Years	Part No.	Qualifier
Hydro Booster	97	527342	w/SRW
Hydro Booster	96	527339	Exc. Express; w/DRW; w/JB8
Hydro Booster	96	527340	Exc. Express; w/SRW; w/JD7
Hydro Booster	96	527343	Express; w/DRW
Hydro Booster	96	527342	Express; w/SRW
Hydro Booster	95 - 94	527339	w/DRW; w/JB8
Hydro Booster	95 - 94	527340	w/SRW; w/JD7
Hydro Booster	93 - 84	527255	w/DRW; w/JB8
Hydro Booster	93 - 84	527306	w/SRW; w/JD7
Hydro Booster	83	527255	w/DRW; w/JB8
Hydro Booster	83	527329	w/SRW; w/JD7
Hydro Booster	82 - 81	527255	w/JB8
Hydro Booster	82 - 81	529386	w/JB8

Power Brake Booster	Years	Part No.	Qualifier
Power Brake Booster	96 - 95	5471063	Gas; w/o Master Cylinder; Exc. Express; w/SRW
Power Brake Booster	94	5471068	Gas; w/o Master Cylinder; w/SRW; w/JB7
Power Brake Booster	93 - 88	501075	Gas; w/Master Cylinder; w/SRW; 7.4L Eng.; w/JB7
Power Brake Booster	93 - 88	501078	Gas; w/Master Cylinder; w/SRW; Exc. 7.4L Eng.; w/JB7
Power Brake Booster	93 - 88	5471075	Gas; w/o Master Cylinder; w/SRW; 7.4L Eng.; w/JB7
Power Brake Booster	93 - 88	5471050	Gas; w/o Master Cylinder; w/SRW; Exc. 7.4L Eng.; w/JB7
Power Brake Booster	87 - 85	501078	Gas; w/Master Cylinder; w/SRW; w/JB7
Power Brake Booster	87 - 85	5471050	Gas; w/o Master Cylinder; w/SRW; w/JB7
Power Brake Booster	84	501073	Gas; w/Master Cylinder; w/SRW; w/JB7; w/Vacuum Boost
Power Brake Booster	84	5471050	Gas; w/o Master Cylinder; w/SRW; w/JB7; w/Vacuum Boost
Power Brake Booster	83 - 81	501024	Gas; w/Master Cylinder; w/SRW; w/JB7
Power Brake Booster	83 - 81	5471024	Gas; w/o Master Cylinder; w/SRW; w/JB7

Brake Cables

Parking Brake Cable	Years	Sequential No.	Category No.	Qualifier
Parking Brake Cable	98	F138836	(BC138836)	Forward; Exc. Cutaway
Parking Brake Cable	98	F138900	(BC138900)	Intermediate; 155", 159" WB
Parking Brake Cable	98	F140240	(BC140240)	Intermediate; 177" WB; 37" Length
Parking Brake Cable	97	F138836	(BC138836)	Forward; Exc. Cutaway
Parking Brake Cable	97	F138900	(BC138900)	Intermediate; 155", 159" WB
Parking Brake Cable	97 - 96	F140240	(BC140240)	Intermediate; 177" WB; 37" Length
Parking Brake Cable	96 - 83	F124688	(BC124688)	Forward; 125" WB
Parking Brake Cable	96 - 83	F124683	(BC124683)	Forward; 146" WB
Parking Brake Cable	96 - 89	F124138	(BC124138)	Rear; L.H.; w/SRW
Parking Brake Cable	96 - 89	F124615	(BC124615)	Rear; R.H.; w/SRW
Parking Brake Cable	95 - 89	F124767	(BC124767)	Rear; L.H.; w/DRW
Parking Brake Cable	95 - 85	F124768	(BC124768)	Rear; R.H.; w/DRW
Parking Brake Cable	88 - 83	F112987	(BC112987)	Rear; L.H.; w/SRW
Parking Brake Cable	88 - 83	F112988	(BC112988)	Rear; R.H.; w/SRW
Parking Brake Cable	84 - 83	F108761	(BC108761)	Rear; L.H.; w/DRW; 1-Lock Fitting
Parking Brake Cable	84 - 83	F124767	(BC124767)	Rear; L.H.; w/DRW; 2-Lock Fitting
Parking Brake Cable	84 - 83	F108762	(BC108762)	Rear; R.H.; w/DRW; 1-Lock Fitting
Parking Brake Cable	84 - 83	F124768	(BC124768)	Rear; R.H.; w/DRW; 2-Lock Fitting
Parking Brake Cable	82 - 81	F88584	(BC88584)	Forward; 110", 125" WB
Parking Brake Cable	82 - 81	F108178	(BC108178)	Forward; 146" WB
Parking Brake Cable	82 - 81	F101986	(BC101986)	Intermediate; 110" WB
Parking Brake Cable	82 - 81	F126816	(BC126816)	Intermediate; 125", 138" WB
Parking Brake Cable	82 - 81	F88830	(BC88830)	Rear; L.H.
Parking Brake Cable	82 - 81	F88830	(BC88830)	Rear; R.H.

G3500 VAN (cont.) - See Also P3500 VAN

ABS Components - Reman

ABS Module	Years	Part No.	Qualifier
ABS Module	92 - 90	RA121000	
ABS Hydraulic Unit	Years	Part No.	Qualifier
ABS Hydraulic Unit	97 - 96	RA125034	
ABS Hydraulic Unit	95	RA125025	
ABS Hydraulic Unit	94	RA125019	
ABS Hydraulic Unit	93	RA125018	
ABS Hydraulic Unit	92 - 91	RA122038	w/Hydro Boost; w/JD7 or JD8
ABS Hydraulic Unit	92 - 91	RA122039	w/Vacuum Boost; w/JB7
ABS Hydraulic Unit	90	RA122004	

Wheel Attaching Hardware

Front Wheel Stud	Years	Part No.	Qualifier
Wheel Lug Stud	98	BD61416	w/DRW; 14mm Bolt
Wheel Lug Stud	98	BD61426	w/SRW
Wheel Lug Stud	97	BD61416	w/DRW; 14mm Bolt
Wheel Lug Stud	97	BD61426	w/SRW
Wheel Lug Stud	96	BD60906	Exc. Express; w/13 x 2-1/2" Rear Drum; w/JB7 or JD7
Wheel Lug Stud	96	BD60909	Exc. Express; w/13 x 3-1/2" Rear Drum; w/JB8
Wheel Lug Stud	96	BD61416	Express; w/DRW; 14mm Bolt
Wheel Lug Stud	96	BD61426	Express; w/SRW
Wheel Lug Stud	95	BD60906	w/13 x 2-1/2" Rear Drum; w/JB7 or JD7
Wheel Lug Stud	95	BD60909	w/13 x 3-1/2" Rear Drum; w/JB8
Wheel Lug Stud	94 - 85	BD60906	w/13 x 2-1/2" Drum; w/JB7 or JD7
Wheel Lug Stud	94 - 85	BD60909	w/13 x 3-1/2" Drum; w/JB8
Wheel Lug Stud	84 - 81	BD60909	w/DRW
Wheel Lug Stud	84 - 81	BD60906	w/SRW
Rear Wheel Stud	Years	Part No.	Qualifier
Wheel Lug Stud	98	BD61403	w/DRW
Wheel Lug Stud	98	BD61427	w/SRW
Wheel Lug Stud	97	BD61403	w/DRW
Wheel Lug Stud	97	BD61427	w/SRW
Wheel Lug Stud	96	BD60963	Exc. Express; w/13 x 2-1/2" Drum; w/JB7 or JD7
Wheel Lug Stud	96	BD61053	Exc. Express; w/SRW; w/13 x 3-1/2" Drum; w/JB8
Wheel Lug Stud	96	BD61403	Express; w/DRW
Wheel Lug Stud	96	BD61427	Express; w/SRW
Wheel Lug Stud	95 - 85	BD60963	w/13 x 2-1/2" Drum; w/JB7 or JD7
Wheel Lug Stud	95 - 85	BD61393	w/DRW; w/13 x 3-1/2" Drum; w/JB8
Wheel Lug Stud	95 - 85	BD61053	w/SRW; w/13 x 3-1/2" Drum; w/JB8
Wheel Lug Stud	84 - 81	BD61393	w/DRW
Wheel Lug Stud	84 - 83	BD60963	w/SRW
Wheel Lug Stud	82 - 81	BD61053	w/SRW
Front Wheel Nut	Years	Part No.	Qualifier
Wheel Lug Nut	98	BD125926	External Thread; w/DRW
Wheel Lug Nut	98	BD125916	External Thread; w/SRW
Wheel Lug Nut	97	BD125926	External Thread; w/DRW
Wheel Lug Nut	97	BD125916	External Thread; w/SRW
Wheel Lug Nut	96	BD125926	External Thread; Express; w/DRW
Wheel Lug Nut	96	BD125916	External Thread; Express; w/SRW
Wheel Lug Nut	96	BD61287	Std. Open; Exc. Express; w/13 x 2-1/2" Drum; w/JB7 or JD7
Wheel Lug Nut	96	BD125839	Std. Open; Exc. Express; w/DRW; w/13 x 2-1/2" Drum; w/JB8
Wheel Lug Nut	95 - 85	BD61287	Std. Open; w/13 x 2-1/2" Rear Drum; w/JB7 or JD7
Wheel Lug Nut	95 - 85	BD125839	Std. Open; w/DRW; w/13 x 2-1/2" Rear Drum; w/JB8
Wheel Lug Nut	95 - 85	BD61287	Std. Open; w/SRW; w/13 x 2-1/2" Rear Drum; w/JB8
Wheel Lug Nut	84 - 81	BD125839	Std. Open; w/DRW
Wheel Lug Nut	84 - 81	BD61287	Std. Open; w/SRW

G3500 VAN (cont.) - See Also P3500 VAN
Wheel Attaching Hardware (cont.)

Rear Wheel Nut	Years	Part No.	Qualifier
Wheel Lug Nut	98	BD125926	External Thread; w/DRW
Wheel Lug Nut	98	BD125916	External Thread; w/SRW
Wheel Lug Nut	97	BD125926	External Thread; w/DRW
Wheel Lug Nut	97	BD125916	External Thread; w/SRW
Wheel Lug Nut	96	BD125926	External Thread; Express; w/DRW
Wheel Lug Nut	96	BD125916	External Thread; Express; w/SRW
Wheel Lug Nut	96	BD61287	Std. Open; Exc. Express; w/13 x 2-1/2" Drum; w/JB7 or JD7
Wheel Lug Nut	96	BD125839	Std. Open; Exc. Express; w/DRW; w/13 x 2-1/2" Drum; w/JB8
Wheel Lug Nut	95 - 85	BD61287	Std. Open; w/13 x 2-1/2" Drum; w/JB7 or JD7
Wheel Lug Nut	95 - 85	BD125839	Std. Open; w/DRW; w/13 x 2-1/2" Drum; w/JB8
Wheel Lug Nut	95 - 85	BD61287	Std. Open; w/SRW; w/13 x 2-1/2" Drum; w/JB8
Wheel Lug Nut	84 - 81	BD125839	Std. Open; w/DRW
Wheel Lug Nut	84 - 81	BD61287	Std. Open; w/SRW

P3500 VAN - See Also G3500 VAN
Brake Pads & Shoes

Front Pads & Shoes	Years	SevereDuty	Lining No.	Qualifier
Brake Pads	99 - 97	SD184		w/Rear Disc
Brake Pads	99 - 97	SD149		w/Rear Drum
Brake Pads	96 - 95	SD149		
Brake Pads	94 - 81	SD153		7600-8400 GVW
Brake Pads	94 - 81	SD149		9000-14500 GVW
Rear Pads & Shoes	Years	SevereDuty	Lining No.	Qualifier
Brake Pads	99 - 97	SD184		
Brake Pads	96 - 81	SD149		
Brake Shoes	99 - 92	SDS655R	SX2042BDT-S36	13 x 2-1/2" Brake; Riveted
Brake Shoes	99 - 93	SDS656R	SX2157BDT-S36	13 x 3-1/2" Brake; Riveted
Brake Shoes	92 - 81	SDS452R	EX2157TD-S32	13 x 3-1/2" Brake; Riveted
Brake Shoes	91 - 81	SDS451R	EX2042ADT-S32	13 x 2-1/2" Brake; Riveted

Rotor & Drum

Front Rotor & Drum	Years	Part No.	Qualifier
Brake Rotor	99 - 97	BD125789	4400 lb. FA; w/Rear Drum; Exc. MH Chassis
Brake Rotor	99 - 97	BD125379	9000-14500 GVW; w/DRW; Exc. MH Chassis
Brake Rotor	99 - 93	BD125333	9000-14500 GVW; w/SRW; Exc. MH Chassis; w/ABS Exciter Ring
Brake Rotor	99 - 93	BD125332	9000-14500 GVW; w/SRW; Exc. MH Chassis; w/o ABS Exciter Ring
Brake Rotor	99 - 97	BD125333	MH Chassis; w/ABS Exciter Ring
Brake Rotor	99 - 97	BD125332	MH Chassis; w/o ABS Exciter Ring
Brake Rotor	99 - 97	BD125639	w/Rear Disc
Brake Rotor	96 - 93	BD60443	9000-14500 GVW; w/DRW; Exc. MH Chassis
Brake Rotor	96 - 93	BD60443	MH Chassis
Brake Rotor	96 - 81	BD61808	w/Rear Disc
Brake Rotor	92 - 81	BD60402	7600-8400 GVW; Exc. MH Chassis
Brake Rotor	92 - 82	BD60443	9000-14500 GVW; w/DRW; Exc. I-Beam FA
Brake Rotor	92 - 85	BD61846	9000-14500 GVW; w/DRW; w/I-Beam FA
Brake Rotor	92 - 81	BD125332	9000-14500 GVW; w/SRW; Exc. MH Chassis
Brake Rotor	81	BD60443	9000-14500 GVW; w/DRW; Exc. I-Beam FA; MH Chassis
Rear Rotor & Drum	Years	Part No.	Qualifier
Brake Drum	99 - 81	BD60359	13 x 2-1/2" Brake
Brake Drum	99 - 81	BD60356	w/DRW; 13 x 3-1/2" Brake
Brake Drum	99 - 92	BD125245	w/SRW; 13 x 3-1/2" Brake
Brake Drum	91 - 81	BD60357	w/SRW; 13 x 3-1/2" Brake
Brake Rotor	99 - 97	BD125516	
Brake Rotor	96 - 81	BD60593	

P3500 VAN (cont.) - See Also G3500 VAN

Brake Hardware

Front Brake Hardware	Years	Sequential No.	Category No.	Qualifier
Caliper Bolt/Pin	96 - 81	F76074S	(H5004)	7600-8400 GVW; w/Floating Delco Caliper
Caliper Bolt/Pin	96 - 81	F73237S	(H5019)	9000-14500 GVW; w/Sliding Bendix Caliper
Disc Align Kit	99 - 97	F138694S	(H5627)	
Disc Align Kit	96 - 81	F107402S	(H5555)	9000-14500 GVW; w/Sliding Bendix Caliper; .040 O/S; Refer to Center Abutment page in rear
Disc Align Kit	96 - 81	F107403S	(H5556)	9000-14500 GVW; w/Sliding Bendix Caliper; .080 O/S; Refer to Center Abutment page in rear
Disc Align Kit	96 - 81	F107404S	(H5557)	9000-14500 GVW; w/Sliding Bendix Caliper; .120 O/S; Refer to Center Abutment page in rear
Disc Align Kit	96 - 81	F107405S	(H5558)	9000-14500 GVW; w/Sliding Bendix Caliper; .160 O/S; Refer to Center Abutment page in rear
Disc Align Kit	96 - 81	F107401S	(H5562)	9000-14500 GVW; w/Sliding Bendix Caliper; Std.
Disc Align Kit	94 - 81	F73674S	(H5500)	7600-8400 GVW; w/Floating Delco Caliper

Rear Brake Hardware	Years	Sequential No.	Category No.	Qualifier
Adjuster Kit	99 - 81	F98406	(H2580)	L.H.
Adjuster Kit	99 - 81	F98407	(H2581)	R.H.
Adjuster Screw	99 - 81	F83294	(H1550)	L.H.
Adjuster Screw	99 - 81	F83295	(H1551)	R.H.
Caliper Bolt/Pin	96 - 81	F73237S	(H5019)	w/Sliding Bendix Caliper
Combi Kit	99 - 81	F98457S	(H7055)	
↳Adjuster Spring Kit		F73145S	(H425)	
↳Hold Down Kit		F113455S	(H4098)	
↳Return Spring Kit		F59100S	(H600)	
Disc Align Kit	99 - 97	F138694S	(H5627)	
Disc Align Kit	96 - 81	F107402S	(H5555)	w/Sliding Bendix Caliper; .040 O/S; Refer to Center Abutment page in rear
Disc Align Kit	96 - 81	F107403S	(H5556)	w/Sliding Bendix Caliper; .080 O/S; Refer to Center Abutment page in rear
Disc Align Kit	96 - 81	F107404S	(H5557)	w/Sliding Bendix Caliper; .120 O/S; Refer to Center Abutment page in rear
Disc Align Kit	96 - 81	F107405S	(H5558)	w/Sliding Bendix Caliper; .160 O/S; Refer to Center Abutment page in rear
Disc Align Kit	96 - 81	F107401S	(H5562)	w/Sliding Bendix Caliper; Std.

Calipers - Reman

Front, Loaded	Years	Left No.	Right No.	Qualifier	Piston
Loaded Caliper	99 - 97	AS98906	AS98907	w/Rear Drum	M
Loaded Caliper	96 - 94	AS98906	AS98907		M
Loaded Caliper	93 - 81	AS98954	AS98955	Pin Type Caliper; w/JB7, JD7; w/3.16" Single Piston Caliper	M
Loaded Caliper	93 - 81	AS98906	AS98907	Slide Type Caliper; w/JB8; w/3.38" Single Piston Caliper	M
Loaded Caliper	93 - 81	AS98906	AS98907	w/Rear Disc; w/JF9	M

Rear, Loaded	Years	Left No.	Right No.	Qualifier	Piston
Loaded Caliper	96 - 81	AS98906	AS98907		M

Front, Unloaded	Years	Left No.	Right No.	Qualifier	Piston
Unloaded Caliper	99 - 97	CR134369	CR134369	w/Rear Disc	M
Unloaded Caliper	99 - 97	CR98906	CR98907	w/Rear Drum	M
Unloaded Caliper	96 - 94	CR98906	CR98907		M
Unloaded Caliper	93 - 81	CR98954	CR98955	Pin Type Caliper; w/JB7, JD7; w/3.16" Single Piston Caliper	M
Unloaded Caliper	93 - 81	CR98906	CR98907	Slide Type Caliper; w/JB8; w/3.38" Single Piston Caliper	M
Unloaded Caliper	93 - 81	CR98906	CR98907	w/Rear Disc; w/JF9	M

Rear, Unloaded	Years	Left No.	Right No.	Qualifier	Piston
Unloaded Caliper	99 - 97	CR134369	CR134369		M
Unloaded Caliper	96 - 81	CR98906	CR98907		M

Hydraulics - New

Master Cylinder	Years	Sequential No.	Category No.	Qualifier
Master Cylinder	99 - 95	F131509	(MC131509)	MH Chassis; w/Hydro-Boost; w/Rear Drum; Flat Back Cowl; 1-1/4" Bore
Master Cylinder	95 - 93	F103239	(MC103239)	FC Chassis; w/Hydro-Boost; w/Rear Disc; 1-11/32" Bore
Master Cylinder	95 - 93	F108145	(MC108145)	FC Chassis; w/Hydro-Boost; w/Rear Drum; 1-5/16" Bore
Master Cylinder	95	F103239	(MC103239)	MH Chassis; w/Hydro-Boost; w/Rear Disc; 1-11/32" Bore
Master Cylinder	95 - 93	F108145	(MC108145)	MH Chassis; w/Hydro-Boost; w/Rear Drum; 1-5/16" Bore

↳Sub-Kit of Combi-Kit is available separately.

Piston: M - OE Metal Piston P - OE Phenolic Piston

P3500 VAN (cont.) - See Also G3500 VAN
Hydraulics - New (cont.)

Master Cylinder	Years	Sequential No.	Category No.	Qualifier
Master Cylinder	94 - 93	F103239	(MC103239)	Chassis Cab; w/Hydro-Boost; w/Rear Drum; 1-11/32" Bore
Master Cylinder	93	F110888	(MC110888)	Exc. MH Chassis; 1-1/4" Bore
Master Cylinder	92 - 85	F108145	(MC108145)	9000-12300 GVW; w/Hydro-Boost; 1-5/16" Bore
Master Cylinder	92	F108148	(MC108148)	Diesel; 8200 GVW; w/Hydro-Boost; Exc. MH Chassis; 1-1/4" Bore
Master Cylinder	92 - 82	F103239	(MC103239)	w/Hydro-Boost; w/Rear Disc; 1-11/32" Bore
Master Cylinder	92	F110888	(MC110888)	w/o Diesel; 8200 GVW; Exc. MH Chassis; 1-1/4" Bore
Master Cylinder	91 - 85	F108148	(MC108148)	Diesel; 8200 GVW; w/Hydro-Boost; 1-1/4" Bore
Master Cylinder	91 - 85	F110888	(MC110888)	w/o Diesel; 8200 GVW; 1-1/4" Bore
Master Cylinder	84	F108145	(MC108145)	9000-11500 GVW; w/Hydro-Boost; 1-5/16" Bore
Master Cylinder	84	F108148	(MC108148)	Diesel; 7600-8200 GVW; w/Hydro-Boost; 1-1/4" Bore
Master Cylinder	84	F108148	(MC108148)	w/o Diesel; 7600-8200 GVW; 1-1/4" Bore
Master Cylinder	83 - 82	F101266	(MC101266)	1-1/4" Bore
Master Cylinder	83 - 82	F98953	(MC98953)	w/Hydro-Boost; Stamped 1605; 1-5/16" Bore
Master Cylinder	83	F108145	(MC108145)	w/Hydro-Boost; Stamped 1925; 1-5/16" Bore
Master Cylinder	81	F98953	(MC98953)	10900 GVW; w/Hydro-Boost; w/H/D Brake; 1-5/16" Bore
Master Cylinder	81	F103239	(MC103239)	12000-14500 GVW; w/Hydro-Boost; w/Rear Disc; 1-11/32" Bore
Master Cylinder	81	F101266	(MC101266)	7600-8200 GVW; 1-1/4" Bore
Rear Wheel Cylinder	Years	Sequential No.	Category No.	Qualifier
Wheel Cylinder	99 - 88	F79767	(WC79767)	1-1/16" Bore
Wheel Cylinder	99 - 88	F79768	(WC79768)	1-3/16" Bore
Wheel Cylinder	87 - 85	F79767	(WC79767)	8200 GVW; 1-1/16" Bore
Wheel Cylinder	87 - 85	F79767	(WC79767)	9000-14500 GVW; w/SRW; 1-1/16" Bore
Wheel Cylinder	87 - 85	F79768	(WC79768)	MH Chassis; 9000-14500 GVW; w/DRW; 1-3/16" Bore
Wheel Cylinder	84 - 81	F79767	(WC79767)	7600-8200 GVW; 1-1/16" Bore
Wheel Cylinder	84 - 82	F79768	(WC79768)	9000-11500 GVW; 1-3/16" Bore
Wheel Cylinder	81	F79768	(WC79768)	9000-10900 GVW; 1-3/16" Bore
Wheel Cylinder	81	F79768	(WC79768)	MH Chassis; 10500-12500 GVW; 1-3/16" Bore
Clutch Master Cylind	Years	Sequential No.	Category No.	Qualifier
Clutch Master Cylinder	95 - 92	F126858	(CM126858)	45/64" Bore
Clutch Slave Cylinder	Years	Sequential No.	Category No.	Qualifier
Clutch Slave Cylinder	99 - 96	F134322	(SC134322)	w/o Diesel
Clutch Slave Cylinder	95 - 92	F126872	(SC126872)	25/32" Bore
Front Brake Hose	Years	Sequential No.	Category No.	Qualifier
Brake Hose	99 - 97	F139209	(BH139209)	L.H.; MH Chassis; w/Rear Disc
Brake Hose	99 - 97	F88950	(BH88950)	L.H.; MH Chassis; w/Rear Drum
Brake Hose	99 - 97	F138866	(BH138866)	R.H.; Exc. MH Chassis
Brake Hose	99 - 97	F138865	(BH138865)	R.H.; MH Chassis; Exc. 5000 lb. FA
Brake Hose	99 - 97	F139213	(BH139213)	R.H.; MH Chassis; w/5000 lb. FA; w/Rear Disc
Brake Hose	96 - 95	F88957	(BH88957)	L.H.; Exc. MH Chassis
Brake Hose	96 - 95	F88950	(BH88950)	L.H.; MH Chassis
Brake Hose	96 - 95	F88958	(BH88958)	R.H.; Exc. MH Chassis
Brake Hose	94 - 92	F110424	(BH110424)	L.H.; 8400 GVW; Exc. MH Chassis
Brake Hose	94 - 93	F88950	(BH88950)	L.H.; 8400 GVW; Exc. MH Chassis; Exc. FC Chassis
Brake Hose	94 - 88	F88957	(BH88957)	L.H.; 9000-14500 GVW; w/o I-Beam FA; Exc. MH Chassis
Brake Hose	94 - 93	F111397	(BH111397)	L.H.; w/o Diesel; 9000-14500 GVW; 4.3L; w/I-Beam FA; Exc. MH Chassis
Brake Hose	94 - 92	F110425	(BH110425)	R.H.; 8400 GVW; Exc. MH Chassis
Brake Hose	94 - 93	F113296	(BH113296)	R.H.; 8400 GVW; Exc. MH Chassis; Exc. FC Chassis
Brake Hose	94 - 93	F111398	(BH111398)	R.H.; 9000-14500 GVW; w/I-Beam FA; Exc. MH Chassis
Brake Hose	94 - 88	F88958	(BH88958)	R.H.; 9000-14500 GVW; w/o I-Beam FA; Exc. MH Chassis
Brake Hose	92 - 85	F88950	(BH88950)	L.H.; MH Chassis; w/o I-Beam FA
Brake Hose	92	F111397	(BH111397)	L.H.; w/I-Beam FA; Exc. 4.3L
Brake Hose	92 - 90	F111398	(BH111398)	R.H.; Exc. 4.3L; w/I-Beam FA; Exc. 4.3L
Brake Hose	92 - 85	F113296	(BH113296)	R.H.; MH Chassis; w/o I-Beam FA
Brake Hose	92 - 90	F111397	(BH111397)	w/o Diesel; 9000-14500 GVW; 4.3L; w/I-Beam FA; Exc. MH Chassis
Brake Hose	91 - 88	F110424	(BH110424)	L.H.; 8200 GVW; Exc. MH Chassis

P3500 VAN (cont.) - See Also G3500 VAN

Hydraulics - New (cont.)

Front Brake Hose	Years	Sequential No.	Category No.	Qualifier
Brake Hose	91 - 90	F111397	(BH111397)	L.H.; Exc. 4.3L; w/l-Beam FA; Exc. 4.3L
Brake Hose	91 - 88	F110425	(BH110425)	R.H.; 8200 GVW; Exc. MH Chassis
Brake Hose	89 - 88	F111397	(BH111397)	L.H.; w/l-Beam FA
Brake Hose	89 - 88	F111398	(BH111398)	R.H.; w/l-Beam FA
Brake Hose	87 - 85	F110424	(BH110424)	L.H.; 8200 GVW
Brake Hose	87 - 85	F88957	(BH88957)	L.H.; 9000-14500 GVW; w/o I-Beam FA
Brake Hose	87 - 85	F111397	(BH111397)	L.H.; MH Chassis; 9000-14500 GVW; w/l-Beam FA
Brake Hose	87 - 85	F110425	(BH110425)	R.H.; 8200 GVW
Brake Hose	87 - 85	F88958	(BH88958)	R.H.; 9000-14500 GVW; w/o I-Beam FA
Brake Hose	87 - 85	F111398	(BH111398)	R.H.; MH Chassis; 9000-14500 GVW; w/l-Beam FA
Brake Hose	87 - 82	F104342	(BH104342)	R.H.; MH Chassis; w/Rear Disc
Brake Hose	84 - 81	F110424	(BH110424)	L.H.; 7600-8200 GVW
Brake Hose	84 - 82	F88957	(BH88957)	L.H.; 9000-11500 GVW, w/H/D Rear Disc
Brake Hose	84 - 82	F104341	(BH104341)	L.H.; MH Chassis; w/Rear Disc
Brake Hose	84 - 82	F88950	(BH88950)	L.H.; MH Chassis; w/Rear Drum
Brake Hose	84 - 81	F110425	(BH110425)	R.H.; 7600-8200 GVW
Brake Hose	84 - 82	F88958	(BH88958)	R.H.; 9000-11500 GVW, w/H/D Rear Disc
Brake Hose	84 - 82	F88951	(BH88951)	R.H.; MH Chassis; w/Rear Drum
Brake Hose	81	F88957	(BH88957)	L.H.; 9000-14500 GVW, w/H/D Brake
Brake Hose	81	F88950	(BH88950)	L.H.; MH Chassis; 10500-12500 GVW
Brake Hose	81	F104341	(BH104341)	L.H.; MH Chassis; 14500 GVW
Brake Hose	81	F88958	(BH88958)	R.H.; 9000-14500 GVW, w/H/D Brake
Brake Hose	81	F88951	(BH88951)	R.H.; MH Chassis; 10500-12500 GVW
Brake Hose	81	F104342	(BH104342)	R.H.; MH Chassis; 14500 GVW

Rear Brake Hose	Years	Sequential No.	Category No.	Qualifier
Brake Hose	99 - 95	F80967	(BH80967)	Inner; Exc. MH Chassis
Brake Hose	99 - 95	F132926	(BH132926)	Inner; MH Chassis
Brake Hose	99 - 97	F132987	(BH132987)	L.H.; w/Rear Disc
Brake Hose	99 - 97	F132988	(BH132988)	R.H.; w/Rear Disc
Brake Hose	96 - 88	F104341	(BH104341)	L.H.; w/Rear Disc
Brake Hose	96 - 88	F104342	(BH104342)	R.H.; w/Rear Disc
Brake Hose	94 - 88	F80967	(BH80967)	Inner
Brake Hose	94 - 93	F80967	(BH80967)	MH Chassis; w/Rear Drum
Brake Hose	92 - 85	F80967	(BH80967)	w/Rear Drum
Brake Hose	87 - 85	F104341	(BH104341)	L.H.; MH Chassis; w/Rear Disc
Brake Hose	84 - 82	F80967	(BH80967)	
Brake Hose	81	F80967	(BH80967)	10900-12000 GVW
Brake Hose	81	F98920	(BH98920)	10900-12000 GVW
Brake Hose	81	F80967	(BH80967)	7600-10900 GVW; w/Rear Drum
Brake Hose	81	F98920	(BH98920)	7600-10900 GVW; w/Rear Drum

Hydraulics - Reman

Master Cylinder	Years	Part No.	Qualifier
Master Cylinder	99 - 97	R131328	w/o Cab; w/Rear Disc
Master Cylinder	99 - 97	R120590	w/o Cab; w/Rear Drum
Master Cylinder	96 - 95	R131328	FC Chassis; w/Cab; w/Rear Disc
Master Cylinder	96 - 95	R103238	FC Chassis; w/Cab; w/Rear Drum
Master Cylinder	96 - 95	R103239	FC Chassis; w/o Cab; w/Rear Disc
Master Cylinder	96 - 95	R108145	FC Chassis; w/o Cab; w/Rear Drum
Master Cylinder	96 - 95	R122232	MH Chassis; w/Cab; w/Rear Disc
Master Cylinder	96 - 95	R103238	MH Chassis; w/Cab; w/Rear Drum
Master Cylinder	96 - 95	R131328	MH Chassis; w/o Cab; w/Rear Disc
Master Cylinder	96 - 95	R120590	MH Chassis; w/o Cab; w/Rear Drum
Master Cylinder	94 - 93	R122232	w/Cab; w/Rear Disc
Master Cylinder	94 - 93	R103238	w/Cab; w/Rear Drum
Master Cylinder	94 - 93	R103239	w/o Cab; w/Rear Disc

P3500 VAN (cont.) - See Also G3500 VAN
Hydraulics - Reman (cont.)

Master Cylinder	Years	Part No.	Qualifier
Master Cylinder	94 - 93	R110888	w/o Cab; w/Rear Drum; w/JB7
Master Cylinder	94 - 93	R108145	w/o Cab; w/Rear Drum; w/JB8 or JD7
Master Cylinder	92 - 85	R103239	FC and MH Chassis; w/Rear Disc
Master Cylinder	92 - 85	R110888	FC and MH Chassis; w/Rear Drum; w/JB7
Master Cylinder	92 - 85	R108145	FC and MH Chassis; w/Rear Drum; w/JB8
Master Cylinder	92 - 85	R108148	FC and MH Chassis; w/Rear Drum; w/JD7
Master Cylinder	84 - 81	R103239	w/Rear Disc
Master Cylinder	84 - 81	R108148	w/Rear Drum; w/JB7 or JD7
Master Cylinder	84 - 81	R98953	w/Rear Drum; w/JB8; w/Casting No. 1605
Master Cylinder	84 - 81	R108145	w/Rear Drum; w/JB8; w/Casting No. 1925

Power Brake Booster	Years	Part No.	Qualifier
Hydro Booster	99 - 98	527350	FC Chassis; w/o Cab; w/Rear Drum
Hydro Booster	97	527351	FC Chassis; w/o Cab; w/Rear Disc; w/JF9
Hydro Booster	97	527350	FC Chassis; w/o Cab; w/Rear Drum; w/JB7 or JB8
Hydro Booster	96 - 95	527330	FC Chassis; w/Cab; w/Rear Disc
Hydro Booster	96 - 95	527331	FC Chassis; w/Cab; w/Rear Drum
Hydro Booster	96 - 95	529384	FC Chassis; w/o Cab; w/Rear Disc
Hydro Booster	96 - 95	527256	FC Chassis; w/o Cab; w/Rear Drum
Hydro Booster	96 - 95	527330	MH Chassis; w/Cab; w/Rear Disc
Hydro Booster	96 - 95	527331	MH Chassis; w/Cab; w/Rear Drum
Hydro Booster	96 - 95	529384	MH Chassis; w/o Cab; w/Rear Disc
Hydro Booster	96 - 95	527349	MH Chassis; w/o Cab; w/Rear Disc; w/JF9
Hydro Booster	94 - 93	527330	FC Chassis; w/Cab; w/Rear Disc; w/Hydro Boost
Hydro Booster	94 - 93	527331	FC Chassis; w/Cab; w/Rear Drum; w/Hydro Boost
Hydro Booster	94 - 93	529384	FC Chassis; w/o Cab; w/Rear Disc; w/Hydro Boost
Hydro Booster	94 - 93	527256	FC Chassis; w/o Cab; w/Rear Drum; w/Hydro Boost
Hydro Booster	94 - 93	527330	MH Chassis; w/Cab; w/Rear Disc; w/Hydro Boost
Hydro Booster	94 - 93	527331	MH Chassis; w/Cab; w/Rear Drum; w/Hydro Boost
Hydro Booster	94 - 93	529383	MH Chassis; w/o Cab; w/Rear Disc; w/Hydro Boost
Hydro Booster	94 - 93	527257	MH Chassis; w/o Cab; w/Rear Drum; w/Hydro Boost
Hydro Booster	92 - 82	529384	FC Chassis; w/Rear Disc; w/o Hydro Boost
Hydro Booster	92 - 82	527256	FC Chassis; w/Rear Drum; w/JB8; w/Hydro Boost
Hydro Booster	92 - 82	527327	FC Chassis; w/Rear Drum; w/JD7; w/Hydro Boost
Hydro Booster	92 - 82	529383	MH Chassis; w/Rear Disc; w/o Hydro Boost
Hydro Booster	92 - 82	527257	MH Chassis; w/Rear Drum; w/JB8; w/Hydro Boost
Hydro Booster	92 - 82	527327	MH Chassis; w/Rear Drum; w/JD7; w/Hydro Boost
Hydro Booster	81	529387	FC Chassis; w/Rear Disc
Hydro Booster	81	529386	FC Chassis; w/Rear Drum; w/JB8
Hydro Booster	81	529387	FC Chassis; w/Rear Drum; w/JD7
Hydro Booster	81	529387	MH Chassis; w/Rear Disc
Hydro Booster	81	529386	MH Chassis; w/Rear Drum

Power Brake Booster	Years	Part No.	Qualifier
Power Brake Booster	93	501054	Gas; w/Master Cylinder; FC Chassis; w/o Cab; w/Rear Drum; w/JB7
Power Brake Booster	93	5471054	Gas; w/o Master Cylinder; FC Chassis; w/o Cab; w/Rear Drum; w/JB7
Power Brake Booster	92 - 85	501054	Gas; w/Master Cylinder; w/Rear Drum; w/JB7
Power Brake Booster	92 - 85	5471054	Gas; w/o Master Cylinder; w/Rear Drum; w/JB7
Power Brake Booster	84 - 81	5471084	Gas; w/o Master Cylinder; FC Chassis; w/Rear Drum; w/JB7

Brake Cables

Parking Brake Cable	Years	Sequential No.	Category No.	Qualifier
Parking Brake Cable	99 - 97	F140266	(BC140266)	Rear; FC Chassis; w/Rear Disc; 16" Length
Parking Brake Cable	98 - 96	F130446	(BC130446)	Forward
Parking Brake Cable	98 - 92	F111068	(BC111068)	Intermediate; 125" WB
Parking Brake Cable	98 - 92	F111069	(BC111069)	Intermediate; 133" WB
Parking Brake Cable	98 - 92	F111071	(BC111071)	Intermediate; 157" WB
Parking Brake Cable	98 - 95	F111072	(BC111072)	Intermediate; FC Chassis; 178" WB

P3500 VAN (cont.) - See Also G3500 VAN

Brake Cables (cont.)				
Parking Brake Cable	Years	Sequential No.	Category No.	Qualifier
Parking Brake Cable	98 - 92	F109224	(BC109224)	Intermediate; MH Chassis; 158-1/2" WB
Parking Brake Cable	98 - 95	F124645	(BC124645)	Rear; L.H.; w/DRW
Parking Brake Cable	98 - 95	F124137	(BC124137)	Rear; L.H.; w/SRW
Parking Brake Cable	98 - 95	F124765	(BC124765)	Rear; R.H.; w/DRW
Parking Brake Cable	98 - 95	F124766	(BC124766)	Rear; R.H.; w/SRW
Parking Brake Cable	97 - 95	F111070	(BC111070)	Intermediate; 137" WB
Parking Brake Cable	97 - 93	F129210	(BC129210)	Intermediate; MH Chassis; 178" WB
Parking Brake Cable	96 - 95	F140266	(BC140266)	Rear; FC Chassis; w/Rear Disc; Flat Back Cowl; 16" Length
Parking Brake Cable	96 - 93	F140105	(BC140105)	Rear; FC Chassis; w/Rear Disc; w/Cab; 52" Length
Parking Brake Cable	95	F130446	(BC130446)	Forward; Exc. MH Chassis; 10000 GVW; w/JB8
Parking Brake Cable	95 - 93	F139064	(BC139064)	Forward; MH Chassis; 10000 GVW; w/JB8
Parking Brake Cable	94 - 92	F124670	(BC124670)	Forward; FC Chassis; 86" Length
Parking Brake Cable	94 - 92	F124668	(BC124668)	Forward; FC Chassis; 91" Length
Parking Brake Cable	94 - 92	F129975	(BC129975)	Forward; FC Chassis; 97" Length
Parking Brake Cable	94 - 93	F130446	(BC130446)	Forward; MH Chassis; FC Chassis
Parking Brake Cable	94 - 92	F133057	(BC133057)	Forward; MH Chassis; 16000 GVW
Parking Brake Cable	94	F129971	(BC129971)	Forward; MH Chassis; w/Rear Disc; 1st Design
Parking Brake Cable	94 - 93	F111072	(BC111072)	Intermediate; 178" WB
Parking Brake Cable	94 - 93	F111070	(BC111070)	Intermediate; FC Chassis; 137" WB
Parking Brake Cable	94 - 93	F111070	(BC111070)	Intermediate; MH Chassis; 137" WB
Parking Brake Cable	94 - 93	F124137	(BC124137)	Rear; L.H.; 137" WB; w/SRW
Parking Brake Cable	94 - 93	F124137	(BC124137)	Rear; L.H.; 158-1/2" WB; w/SRW
Parking Brake Cable	94 - 93	F124645	(BC124645)	Rear; L.H.; MH Chassis; 137" WB; w/DRW
Parking Brake Cable	94 - 93	F124645	(BC124645)	Rear; L.H.; MH Chassis; 158-1/2" WB; w/DRW
Parking Brake Cable	94 - 93	F129976	(BC129976)	Rear; L.H.; MH Chassis; 16000 GVW
Parking Brake Cable	94 - 93	F124766	(BC124766)	Rear; R.H.; 137" WB; w/SRW
Parking Brake Cable	94 - 93	F124766	(BC124766)	Rear; R.H.; 158-1/2" WB; w/SRW
Parking Brake Cable	94 - 93	F124765	(BC124765)	Rear; R.H.; MH Chassis; 137" WB; w/DRW
Parking Brake Cable	94 - 93	F124765	(BC124765)	Rear; R.H.; MH Chassis; 158-1/2" WB; w/DRW
Parking Brake Cable	94 - 93	F129976	(BC129976)	Rear; R.H.; MH Chassis; 16000 GVW
Parking Brake Cable	93 - 91	F129971	(BC129971)	Forward; MH Chassis; w/Rear Disc
Parking Brake Cable	92	F111070	(BC111070)	Intermediate; MH Chassis; 137" WB; w/SRW
Parking Brake Cable	92	F111072	(BC111072)	Intermediate; MH Chassis; 178" WB
Parking Brake Cable	92	F111070	(BC111070)	Intermediate; MH Chassis; w/DRW
Parking Brake Cable	92	F129976	(BC129976)	Rear; L.H.; MH Chassis; 16000 GVW; w/DRW
Parking Brake Cable	92	F124645	(BC124645)	Rear; L.H.; MH Chassis; w/DRW; Exc. 16000 GVW
Parking Brake Cable	92	F124137	(BC124137)	Rear; L.H.; w/SRW
Parking Brake Cable	92	F129976	(BC129976)	Rear; R.H.; MH Chassis; 16000 GVW; w/DRW
Parking Brake Cable	92	F124765	(BC124765)	Rear; R.H.; MH Chassis; w/DRW; Exc. 16000 GVW
Parking Brake Cable	92	F124766	(BC124766)	Rear; R.H.; w/SRW
Parking Brake Cable	91	F124670	(BC124670)	Forward; 86" Length
Parking Brake Cable	91	F124668	(BC124668)	Forward; 91" Length
Parking Brake Cable	91	F129975	(BC129975)	Forward; 97" Length
Parking Brake Cable	91	F111068	(BC111068)	Intermediate; 125" WB; w/Rear Drum
Parking Brake Cable	91 - 85	F111069	(BC111069)	Intermediate; 133" WB; w/Rear Drum
Parking Brake Cable	91	F111071	(BC111071)	Intermediate; 157" WB; w/Rear Drum
Parking Brake Cable	91 - 85	F111070	(BC111070)	Intermediate; MH Chassis; 137" WB; w/Rear Drum
Parking Brake Cable	91 - 89	F109224	(BC109224)	Intermediate; MH Chassis; 158-1/2" WB; w/Rear Drum
Parking Brake Cable	91	F111072	(BC111072)	Intermediate; MH Chassis; 178" WB; w/Rear Drum
Parking Brake Cable	91	F129976	(BC129976)	Rear; L.H.; MH Chassis; 16000 GVW
Parking Brake Cable	91	F124645	(BC124645)	Rear; L.H.; MH Chassis; w/DRW; w/Rear Drum; Exc. 16000 GVW
Parking Brake Cable	91	F124137	(BC124137)	Rear; L.H.; w/SRW; w/Rear Drum; Incl. MH Chassis
Parking Brake Cable	91	F129976	(BC129976)	Rear; R.H.; MH Chassis; 16000 GVW
Parking Brake Cable	91 - 88	F124765	(BC124765)	Rear; R.H.; MH Chassis; w/DRW; w/Rear Drum; Exc. 16000 GVW
Parking Brake Cable	91	F124766	(BC124766)	Rear; R.H.; w/SRW; w/Rear Drum; Incl. MH Chassis

P3500 VAN (cont.) - See Also G3500 VAN
Brake Cables (cont.)

Parking Brake Cable	Years	Sequential No.	Category No.	Qualifier
Parking Brake Cable	90 - 89	F129963	(BC129963)	Forward; MH Chassis; w/Rear Disc
Parking Brake Cable	90 - 84	F124699	(BC124699)	Forward; MH Chassis; w/Rear Drum
Parking Brake Cable	90 - 89	F129795	(BC129795)	Forward; w/Rear Disc; w/A/T
Parking Brake Cable	90 - 89	F129796	(BC129796)	Forward; w/Rear Disc; w/M/T
Parking Brake Cable	90 - 89	F124670	(BC124670)	Forward; w/Rear Drum; 86" Length
Parking Brake Cable	90 - 85	F111068	(BC111068)	Intermediate; 125" WB; w/DRW; w/Rear Drum
Parking Brake Cable	90 - 85	F111068	(BC111068)	Intermediate; 125" WB; w/SRW
Parking Brake Cable	90 - 89	F111071	(BC111071)	Intermediate; 157" WB
Parking Brake Cable	90 - 89	F111072	(BC111072)	Intermediate; 178" WB; w/Rear Disc
Parking Brake Cable	90 - 84	F108765	(BC108765)	Rear; L.H.; MH Chassis; w/DRW; w/Rear Drum
Parking Brake Cable	90 - 89	F124645	(BC124645)	Rear; L.H.; w/DRW; w/Rear Drum
Parking Brake Cable	90 - 84	F124137	(BC124137)	Rear; L.H.; w/SRW
Parking Brake Cable	90 - 89	F124766	(BC124766)	Rear; R.H.; w/SRW
Parking Brake Cable	89	F108764	(BC108764)	Rear; R.H.; w/SRW
Parking Brake Cable	88 - 85	F129795	(BC129795)	Forward; w/DRW; w/Rear Disc; w/A/T
Parking Brake Cable	88 - 85	F129796	(BC129796)	Forward; w/DRW; w/Rear Disc; w/M/T
Parking Brake Cable	88 - 84	F108777	(BC108777)	Forward; w/DRW; w/Rear Drum
Parking Brake Cable	88 - 84	F108777	(BC108777)	Forward; w/SRW; w/Rear Drum
Parking Brake Cable	88	F109224	(BC109224)	Intermediate; 157" WB; w/DRW
Parking Brake Cable	88 - 85	F111072	(BC111072)	Intermediate; 178" WB; w/DRW; w/Rear Drum
Parking Brake Cable	88 - 85	F111071	(BC111071)	Intermediate; 8200 GVW; 157" WB; w/SRW
Parking Brake Cable	88 - 85	F109224	(BC109224)	Intermediate; 9000 GVW; w/SRW; 157" WB
Parking Brake Cable	88 - 85	F124645	(BC124645)	Rear; L.H.; w/DRW; w/Rear Disc
Parking Brake Cable	88	F108764	(BC108764)	Rear; R.H.; 137" WB; w/SRW
Parking Brake Cable	88	F108764	(BC108764)	Rear; R.H.; 178" WB; w/SRW
Parking Brake Cable	88	F108764	(BC108764)	Rear; R.H.; MH Chassis; 137" WB; w/DRW
Parking Brake Cable	88	F108764	(BC108764)	Rear; R.H.; MH Chassis; 158-1/2" WB; w/DRW
Parking Brake Cable	87 - 84	F109224	(BC109224)	Intermediate; 157" WB; w/DRW; w/Rear Drum
Parking Brake Cable	87 - 85	F111072	(BC111072)	Intermediate; w/DRW; w/Rear Disc
Parking Brake Cable	87	F108764	(BC108764)	Rear; R.H.; 125" WB; w/SRW
Parking Brake Cable	87	F124766	(BC124766)	Rear; R.H.; 137" WB; w/SRW
Parking Brake Cable	87	F108764	(BC108764)	Rear; R.H.; 158-1/2" WB; w/SRW
Parking Brake Cable	87	F124766	(BC124766)	Rear; R.H.; 178" WB; w/SRW
Parking Brake Cable	87	F124765	(BC124765)	Rear; R.H.; MH Chassis; w/DRW; w/Rear Drum
Parking Brake Cable	86 - 85	F111071	(BC111071)	Intermediate; 158-1/2" WB
Parking Brake Cable	86 - 84	F108766	(BC108766)	Rear; R.H.; MH Chassis; w/DRW; w/Rear Drum
Parking Brake Cable	86 - 84	F108764	(BC108764)	Rear; R.H.; w/SRW
Parking Brake Cable	84	F112990	(BC112990)	Intermediate; 125" WB; w/DRW; w/Rear Drum
Parking Brake Cable	84	F112990	(BC112990)	Intermediate; 125" WB; w/SRW
Parking Brake Cable	84	F108778	(BC108778)	Intermediate; 133" WB; w/Rear Drum
Parking Brake Cable	84	F109224	(BC109224)	Intermediate; 157" WB; w/SRW
Parking Brake Cable	84	F129210	(BC129210)	Intermediate; 178" WB; w/DRW; w/Rear Drum
Parking Brake Cable	84	F108100	(BC108100)	Intermediate; MH Chassis; 158-1/2" WB; w/Rear Drum
Parking Brake Cable	83 - 81	F105963	(BC105963)	Intermediate; 125" WB; w/Rear Drum
Parking Brake Cable	83 - 81	F108184	(BC108184)	Intermediate; 133" WB; w/Rear Drum
Parking Brake Cable	83 - 81	F108526	(BC108526)	Intermediate; 137" WB; w/Rear Drum; Incl. MH Chassis
Parking Brake Cable	83 - 81	F108186	(BC108186)	Intermediate; 157" WB; w/Rear Drum
Parking Brake Cable	83 - 81	F108185	(BC108185)	Intermediate; 158-1/2" WB; w/Rear Drum; Incl. MH Chassis
Parking Brake Cable	83 - 81	F108187	(BC108187)	Intermediate; 178" WB; w/Rear Drum
Parking Brake Cable	83 - 81	F108760	(BC108760)	Rear; L.H.; w/Rear Drum; w/10-1/2" R.G.
Parking Brake Cable	83 - 81	F88581	(BC88581)	Rear; L.H.; w/Rear Drum; w/9-1/2" R.G.
Parking Brake Cable	83 - 81	F108760	(BC108760)	Rear; R.H.; w/Rear Drum; w/10-1/2" R.G.
Parking Brake Cable	83 - 81	F88581	(BC88581)	Rear; R.H.; w/Rear Drum; w/9-1/2" R.G.

P3500 VAN (cont.) - See Also G3500 VAN

Wheel Attaching Hardware

Front Wheel Stud	Years	Part No.	Qualifier
Wheel Lug Stud	99 - 97	BD61394	w/DRW; w/Rear Disc; 5/8-18 Bolt
Wheel Lug Stud	99 - 95	BD60909	w/DRW; w/Rear Drum
Wheel Lug Stud	99 - 95	BD60906	w/SRW
Wheel Lug Stud	96 - 81	BD61394	w/DRW; w/Rear Disc
Wheel Lug Stud	94 - 91	BD60909	w/Drum
Wheel Lug Stud	90 - 81	BD60909	w/DRW; w/Rear Drum
Wheel Lug Stud	90 - 81	BD60906	w/SRW
Rear Wheel Stud	Years	Part No.	Qualifier
Wheel Lug Stud	99 - 98	BD61393	Exc. MH Chassis; w/Cab; w/DRW; w/Drum Brake
Wheel Lug Stud	99 - 98	BD61053	Exc. MH Chassis; w/Cab; w/SRW
Wheel Lug Stud	97 - 81	BD61393	w/DRW; w/Drum Brake
Wheel Lug Stud	97 - 81	BD61053	w/SRW
Wheel Lug Stud	94 - 81	BD61400	w/DRW; w/Disc Brake
Front Wheel Nut	Years	Part No.	Qualifier
Wheel Lug Nut	99 - 98	BD61294	Std. Open; w/DRW; 5/8" Thread; w/Rear Disc
Wheel Lug Nut	99 - 98	BD125839	Std. Open; w/DRW; 9/16" Thread; w/Rear Drum
Wheel Lug Nut	99 - 81	BD61287	Std. Open; w/SRW
Wheel Lug Nut	97 - 95	BD61294	Std. Open; w/DRW; w/Rear Disc
Wheel Lug Nut	97 - 81	BD125839	Std. Open; w/DRW; w/Rear Drum
Wheel Lug Nut	94 - 81	BD61294	Std. Open; w/DRW; w/Disc Brake
Rear Wheel Nut	Years	Part No.	Qualifier
Wheel Lug Nut	99 - 98	BD61294	Std. Open; Exc. MH Chassis; w/Cab; w/DRW; w/Disc Brake; 5/8" Thread
Wheel Lug Nut	99 - 98	BD125839	Std. Open; Exc. MH Chassis; w/Cab; w/DRW; w/Drum Brake; 9/16" Thread
Wheel Lug Nut	99 - 98	BD61287	Std. Open; Exc. MH Chassis; w/Cab; w/SRW
Wheel Lug Nut	97 - 95	BD61294	Std. Open; w/DRW; w/Disc Brake
Wheel Lug Nut	97 - 81	BD125839	Std. Open; w/DRW; w/Drum Brake
Wheel Lug Nut	97 - 81	BD61287	Std. Open; w/SRW
Wheel Lug Nut	94 - 81	BD61294	Standard Open; w/DRW; w/Disc Brake

CHEVROLET MD B-Series

B6P042

Brake Pads & Shoes

Front Pads & Shoes	Years	SevereDuty	Lining No.	Qualifier
Brake Pads	91 - 88	SD225		Bendix; 2.88" 2-Piston Caliper
Brake Pads	91 - 88	SD224		Dayton; 2.50" 2-Piston Caliper
Brake Pads	87 - 83	SD225A		Bendix; 2.88" 2-Piston Caliper; Serial No. 4150868
Brake Pads	87 - 83	SD224		Dayton; 2.50" 2-Piston Caliper; Serial No. 60450388
Brake Shoes	91 - 83	4524Q	4524B	w/Air Brakes; Rockwell/Meritor; Q-Series; 16-1/2 x 5
Brake Shoes	91 - 83	4514Q	4514G	w/Air Brakes; Rockwell/Meritor; Q-Series; 16-1/2 x 6
Brake Shoes	91 - 83	1307T	1307	w/Air Brakes; Rockwell/Meritor; T-Series; 15 x 3-1/2
Brake Shoes	91 - 83	1308T	1308T	w/Air Brakes; Rockwell/Meritor; T-Series; 15 x 4
Brake Shoes	87 - 83	SDS299R	EX2039D-S32	Hyd. Brakes; Auto Adj.; 14 x 2-1/2
Brake Shoes	87 - 83	SDS321R	EX1245AD-S32	Hyd. Brakes; Auto Adj.; 15 x 3
Brake Shoes	87 - 83	SDS322R	EX1280BD-S32	Hyd. Brakes; Auto Adj.; 15 x 3-1/2
Brake Shoes	87 - 83	SDS235R	EX1245AD-S32	Hyd. Brakes; Man. Adj.; 15 x 3
Brake Shoes	87 - 83	SDS463R	EX1280D-S32	Hyd. Brakes; Man. Adj.; 15 x 3-1/2
Rear Pads & Shoes	Years	SevereDuty	Lining No.	Qualifier
Brake Pads	91 - 88	SD225		Bendix; 2.88" 2-Piston Caliper
Brake Pads	91 - 88	SD224		Dayton; 2.50" 2-Piston Caliper
Brake Pads	87 - 83	SD225A		Bendix; 2.88" 2-Piston Caliper; Serial No. 3366615 or 4150868
Brake Pads	87 - 83	SD224		Dayton; 2.50" 2-Piston Caliper; Serial No. 60450394 or 60050185 or 60450410
Brake Shoes	91 - 83	4311E	4311J	w/Air Brakes; Eaton/Spicer; 16-1/2 x 7
Brake Shoes	91 - 83	4524Q	4524B	w/Air Brakes; Rockwell/Meritor; Q-Series; 16-1/2 x 5
Brake Shoes	91 - 83	4514Q	4514G	w/Air Brakes; Rockwell/Meritor; Q-Series; 16-1/2 x 6

Brake Pads & Shoes (cont.)

Rear Pads & Shoes	Years	SevereDuty	Lining No.	Qualifier
Brake Shoes	91 - 83	4515Q	4515E	w/Air Brakes; Rockwell/Meritor; Q-Series; 16-1/2 x 7
Brake Shoes	87 - 83	SDS427R	EX4640D	Hyd. Brakes; 15 x 4
Brake Shoes	87 - 83	SDS442R	EX4639D-S32	Hyd. Brakes; 15 x 5
Brake Shoes	87 - 83	SDS381R	EX4596D-S32	Hyd. Brakes; 15 x 6
Brake Shoes	87 - 83	SDS383R	EX4597D-S32	Hyd. Brakes; 15 x 7
Brake Shoes	87 - 83	SDS386R	EX1255D-S32	Hyd. Brakes; 16 x 6
Parking Brake Shoes	Years	SevereDuty	Lining No.	Qualifier
Brake Shoes	91 - 83	SDS449R	EX2159TD	11 x 2
Brake Shoes	91 - 83	SDS692	EX2079D-S32	12 x 3
Brake Shoes	91 - 83	SDS647	EX2086D	9 x 3

Rotor & Drum

Front Rotor & Drum	Years	Part No.	Qualifier
Brake Rotor	91 - 88	BD125359	7000 lb. FA; Hat-Shaped; 5-Hole Rotor; Hyd; Budd
Brake Rotor	91 - 88	BD125088	7000 lb. FA; Hat-Shaped; 5-Hole Rotor; Hyd; Dayton or Gunite
Brake Rotor	91 - 88	BD125357	7000 lb. FA; Hat-Shaped; 6-Hole Rotor; Hyd; Budd
Brake Rotor	91 - 88	BD125358	7000 lb. FA; Hat-Shaped; 6-Hole Rotor; Hyd; Dayton
Brake Rotor	91 - 88	BD125090	8100-12000 lb. FA; Hat-Shaped; 10-Hole Rotor; Hyd; Dayton or Gunite
Brake Rotor	87 - 83	BD125359	7000 lb. FA; Hat-Shaped; 5-Hole Rotor; Budd
Brake Rotor	87 - 83	BD125088	7000 lb. FA; Hat-Shaped; 5-Hole Rotor; Dayton or Gunite
Brake Rotor	87 - 83	BD125357	7000 lb. FA; Hat-Shaped; 6-Hole Rotor; Budd
Brake Rotor	87 - 83	BD125358	7000 lb. FA; Hat-Shaped; 6-Hole Rotor; Dayton
Brake Rotor	87 - 83	BD125090	8100-12000 lb. FA; Hat-Shaped; 10-Hole Rotor; Dayton or Gunite
Rear Rotor & Drum	Years	Part No.	Qualifier
Brake Rotor	91 - 88	BD125088	15000 lb. RA; Hat-Shaped; 5-Hole Rotor; Hyd
Brake Rotor	91 - 88	BD125358	15000 lb. RA; Hat-Shaped; 6-Hole Rotor; Hyd
Brake Rotor	91 - 88	BD125090	17000-19000 lb. RA; Hat-Shaped; 10-Hole Rotor; Hyd
Brake Rotor	91 - 88	BD125338	21000-23000 lb. RA; U-Shaped; 10-Hole Rotor; Hyd
Brake Rotor	87 - 83	BD125088	15000 lb. RA; Hat-Shaped; 5-Hole Rotor
Brake Rotor	87 - 83	BD125358	15000 lb. RA; Hat-Shaped; 6-Hole Rotor
Brake Rotor	87 - 83	BD125090	17000-19000 lb. RA; Hat-Shaped; 10-Hole Rotor
Brake Rotor	87 - 83	BD125338	21000-23000 lb. RA; U-Shaped; 10-Hole Rotor

Brake Hardware

Front Brake Hardware	Years	Sequential No.	Category No.	Qualifier
Adjuster Kit	87 - 83	F128889	(H2906)	L.H.; GM; 14" Brake
Adjuster Kit	87 - 83	F140819	(H2714)	L.H.; Wagner; Auto Adj.
Adjuster Kit	87 - 83	F128990	(H2929)	L.H.; Wagner; Man. Adj.
Adjuster Kit	87 - 83	F128890	(H2907)	R.H.; GM; 14" Brake
Adjuster Kit	87 - 83	F140820	(H2715)	R.H.; Wagner; Auto Adj.
Adjuster Kit	87 - 83	F128990	(H2929)	R.H.; Wagner; Man. Adj.
Combi Kit	87 - 83	F117009	(H7177)	GM; 14" Brake
↳Adjuster Spring Kit		F73145S	(H425)	
↳Return Spring Kit		F73143	(H601)	
Combi Kit	87 - 83	F117025	(H7173)	Wagner; 15" Brake; Auto Adj.
↳Hold Down Kit		F73399	(H4201)	
↳Return Spring Kit		F36445	(H521)	
Combi Kit	87 - 83	F117026	(H7172)	Wagner; 15" Brake; Man. Adj.
↳Hold Down Kit		F19408	(H4200)	
↳Return Spring Kit		F36445	(H521)	
Disc Align Kit	91 - 83	F112090S	(H5566)	Bendix; 2.88" 2-Piston Caliper
Disc Align Kit	91 - 83	F134105	(H5613)	Dayton; 2.50" 2-Piston Caliper
Rear Brake Hardware	Years	Sequential No.	Category No.	Qualifier
Adjuster Kit	87 - 83	F128891	(H2908)	L.H.; GM; 15" Brake
Adjuster Kit	87 - 83	F59157	(H2902)	L.H.; Wagner; 15" Brake; Auto Adj.
Adjuster Kit	87 - 83	F128894S	(H2911)	L.H.; Wagner; 15" Brake; Man. Adj.

↳Sub-Kit of Combi-Kit is available separately.

B6P042 (cont.)

Brake Hardware (cont.)

Rear Brake Hardware	Years	Sequential No.	Category No.	Qualifier
Adjuster Kit	87 - 83	F128895S	(H2912)	L.H.; Wagner; 16" Brake; Man. Adj.
Adjuster Kit	87 - 83	F128892	(H2909)	R.H.; GM; 15" Brake
Adjuster Kit	87 - 83	F59158	(H2903)	R.H.; Wagner; 15" Brake; Auto Adj.
Adjuster Kit	87 - 83	F128894S	(H2911)	R.H.; Wagner; 15" Brake; Man. Adj.
Adjuster Kit	87 - 83	F128895S	(H2912)	R.H.; Wagner; 16" Brake; Man. Adj.
Adjuster Screw	87 - 83	F128880S	(H1710)	L.H.; GM; 15" Brake
Adjuster Screw	87 - 83	F140823	(H1607)	L.H.; Wagner; 15" Brake
Adjuster Screw	87 - 83	F19291	(H1700)	L.H.; Wagner; 16" Brake
Adjuster Screw	87 - 83	F128881S	(H1711)	R.H.; GM; 15" Brake
Adjuster Screw	87 - 83	F140818	(H1606)	R.H.; Wagner; 15" Brake
Adjuster Screw	87 - 83	F19292	(H1701)	R.H.; Wagner; 16" Brake
Combi Kit	87 - 83	F140612	(H3008)	GM; 15" Brake
↳Hold Down Kit		F128928	(H4202)	
↳Return Spring Kit		F86408	(H552)	
Combi Kit	87 - 83	F117027	(H7171)	Wagner
↳Adjuster Spring Kit		F78727	(H451)	
↳Hold Down Kit		F19309	(H5079)	
↳Return Spring Kit		F98318	(H609)	
Disc Align Kit	91 - 83	F112090S	(H5566)	Bendix; 2.88" 2-Piston Caliper
Disc Align Kit	91 - 83	F134105	(H5613)	Dayton; 2.50" 2-Piston Caliper

Calipers - Reman

Front, Loaded	Years	Left No.	Right No.	Qualifier	Piston
Loaded Caliper	91 - 83	AS120549	AS120549	Bendix; 2.88" 2-Piston Caliper	P
Loaded Caliper	91 - 83	AS120549S	AS120549S	Bendix; 2.88" 2-Piston Caliper	O
Loaded Caliper	91 - 83	AS134782	AS134782	Dayton; 2.50" 2-Piston Caliper	M
Rear, Loaded	Years	Left No.	Right No.	Qualifier	Piston
Loaded Caliper	91 - 83	AS120549	AS120549	Bendix; 2.88" 2-Piston Caliper	P
Loaded Caliper	91 - 83	AS120549S	AS120549S	Bendix; 2.88" 2-Piston Caliper	O
Loaded Caliper	91 - 83	AS134782	AS134782	Dayton; 2.50" 2-Piston Caliper	M
Front, Unloaded	Years	Left No.	Right No.	Qualifier	Piston
Unloaded Caliper	91 - 83	CR120549	CR120549	Bendix; 2.88" 2-Piston Caliper	P
Unloaded Caliper	91 - 83	CR120549S	CR120549S	Bendix; 2.88" 2-Piston Caliper	O
Unloaded Caliper	91 - 83	CR134782	CR134782	Dayton; 2.50" 2-Piston Caliper	M
Rear, Unloaded	Years	Left No.	Right No.	Qualifier	Piston
Unloaded Caliper	91 - 83	CR120549	CR120549	Bendix; 2.88" 2-Piston Caliper	P
Unloaded Caliper	91 - 83	CR120549S	CR120549S	Bendix; 2.88" 2-Piston Caliper	O
Unloaded Caliper	91 - 83	CR134782	CR134782	Dayton; 2.50" 2-Piston Caliper	M

Hydraulics - New

Master Cylinder	Years	Sequential No.	Category No.	Qualifier
Master Cylinder	91 - 87	F116702	(MC116702)	Bendix; 19000 lb. RA
Master Cylinder	86 - 83	F116702	(MC116702)	Bendix; Plastic Reservoir
Front Wheel Cylinder	Years	Sequential No.	Category No.	Qualifier
Wheel Cylinder	87 - 83	F34401	(WC34401)	L.H.; 14 x 2-1/2" Brake
Wheel Cylinder	87 - 83	F8852	(WC8852)	L.H.; 15 x 3" Brake
Wheel Cylinder	87 - 83	F34402	(WC34402)	R.H.; 14 x 2-1/2" Brake
Wheel Cylinder	87 - 83	F8853	(WC8853)	R.H.; 15 x 3" Brake
Front Brake Hose	Years	Sequential No.	Category No.	Qualifier
Brake Hose	91 - 83	F124054	(BH124054)	1/8" ID; 22" Length
Rear Brake Hose	Years	Sequential No.	Category No.	Qualifier
Brake Hose	91 - 83	F102336	(BH102336)	1/8" ID; 7/16" Nut; 24 Thread; 18" Length

Hydraulics - Reman

Power Brake Booster	Years	Part No.	Qualifier
Power Brake Booster	87 - 83	529900	w/o Master Cylinder; Delco; Dual Power; Hydraulic Section
Power Brake Booster	87 - 83	5479900	w/o Master Cylinder; Delco; Dual Power; Vacuum Section; w/7" Rod

↳Sub-Kit of Combi-Kit is available separately.

Piston: M - OE Metal Piston P - OE Phenolic Piston O - Metal Piston Option

B6P042 (cont.)
Hydraulics - Reman (cont.)

Power Brake Booster	Years	Part No.	Qualifier
Power Brake Booster	87 - 83	529902	w/o Master Cylinder; Delco; Hy-Power; w/Serial No. 2823435; w/7" Pedal Rod
Power Brake Booster	83	518052	w/Master Cylinder; Hydro-Boost; w/Serial No. 2513815
Power Brake Booster	83	518051	w/Master Cylinder; Hydro-Vac; w/Serial No. 2513814

B7T042
Brake Pads & Shoes

Front Pads & Shoes	Years	SevereDuty	Lining No.	Qualifier
Brake Pads	02 - 00	SD225B		Bendix; 2.88" 2-Piston Caliper
Brake Pads	02 - 00	SD224		Dayton; 2.50" 2-Piston Caliper
Brake Pads	99	SD225B		Bendix; 2.88" 2-Piston Caliper; w/Interim Control
Brake Pads	99	SD225		Bendix; 2.88" 2-Piston Caliper; w/o Interim Control
Brake Pads	99	SD224		Dayton; 2.50" 2-Piston Caliper; 8100 lb. FA
Brake Pads	98 - 97	SD225		Bendix; 2.88" 2-Piston Caliper
Brake Pads	98 - 97	SD224		Dayton; 2.50" 2-Piston Caliper
Brake Pads	96 - 93	SD225		Bendix; 2.88" 2-Piston Caliper; w/o Serial No. 15566042
Brake Pads	96 - 93	SD225A		Bendix; 2.88" 2-Piston Caliper; w/Serial No. 15566042
Brake Pads	96 - 93	SD224		Dayton; 2.50" 2-Piston Caliper; 8100 lb. FA
Brake Shoes	02 - 97	4702Q	4702	w/Air Brakes; Rockwell/Meritor; Q-Plus; 15 x 4
Brake Shoes	96 - 93	1308Q	1308T	w/Air Brakes; Rockwell/Meritor; Q-Series; 15 x 4
Rear Pads & Shoes	Years	SevereDuty	Lining No.	Qualifier
Brake Pads	02 - 00	SD225B		Bendix; 2.88" 2-Piston Caliper; 19000 lb. RA
Brake Pads	02 - 00	SD224		Dayton; 2.50" 2-Piston Caliper; 15000 lb. RA
Brake Pads	99 - 97	SD225		Bendix; 2.88" 2-Piston Caliper; w/o Serial No. 4153360
Brake Pads	99 - 97	SD225B		Bendix; 2.88" 2-Piston Caliper; w/Serial No. 4153360
Brake Pads	99 - 97	SD224		Dayton; 2.50" 2-Piston Caliper
Brake Pads	96 - 93	SD225		Bendix; 2.88" 2-Piston Caliper; 17000-19000 lb. RA
Brake Pads	96 - 93	SD225A		Bendix; 2.88" 2-Piston Caliper; 21000-23000 lb. RA
Brake Pads	96 - 93	SD224		Dayton; 2.50" 2-Piston Caliper; 15000 lb. RA
Brake Shoes	02 - 97	4707Q	4707	w/Air Brakes; Rockwell/Meritor; Q-Plus; 16-1/2 x 7
Brake Shoes	96 - 93	4515Q	4515E	w/Air Brakes; Rockwell/Meritor; Q-Series; 16-1/2 x 7
Parking Brake Shoes	Years	SevereDuty	Lining No.	Qualifier
Brake Shoes	02 - 93	SDS824R	EX1556D	12 x 3
Brake Shoes	02 - 93	SDS647	EX2086D	9 x 3

Rotor & Drum

Front Rotor & Drum	Years	Part No.	Qualifier
Brake Rotor	02 - 97	BD125488	10000 lb. FA; Hat-Shaped; 10-Hole Rotor
Brake Rotor	02 - 97	BD125088	8100 lb. FA; Hat-Shaped; 5-Hole Rotor
Brake Rotor	96 - 93	BD125090	11000-12000 lb. FA; Hat-Shaped; 10-Hole Rotor
Brake Rotor	96 - 93	BD125088	8100 lb. FA; Hat-Shaped; 5-Hole Rotor; Dayton
Rear Rotor & Drum	Years	Part No.	Qualifier
Brake Rotor	02 - 00	BD125665	15000 lb. RA; Hat-Shaped; 10-Hole Rotor; Hyd; w/o ABS
Brake Rotor	02 - 00	BD125088	15000 lb. RA; Hat-Shaped; 5-Hole Rotor; Hyd; w/ABS
Brake Rotor	02 - 00	BD125488	16000-19000 lb. RA; Hat-Shaped; 10-Hole Rotor; Hyd; w/ABS
Brake Rotor	02 - 00	BD125668	16000-19000 lb. RA; Hat-Shaped; 10-Hole Rotor; Hyd; w/o ABS
Brake Rotor	99 - 97	BD125665	15000 lb. RA; Hat-Shaped; 10-Hole Rotor; w/o ABS
Brake Rotor	99 - 97	BD125088	15000 lb. RA; Hat-Shaped; 5-Hole Rotor; w/ABS
Brake Rotor	99 - 97	BD125488	16000-19000 lb. RA; Hat-Shaped; 10-Hole Rotor; w/ABS
Brake Rotor	99 - 97	BD125090	16000-19000 lb. RA; Hat-Shaped; 10-Hole Rotor; w/o ABS
Brake Rotor	96 - 93	BD125088	15000 lb. RA; Hat-Shaped; 5-Hole Rotor
Brake Rotor	96 - 93	BD125090	16000-19000 lb. RA; Hat-Shaped; 10-Hole Rotor

Brake Hardware

Front Brake Hardware	Years	Sequential No.	Category No.	Qualifier
Disc Align Kit	02 - 93	F112090S	(H5566)	Bendix; 2.88" 2-Piston Caliper
Disc Align Kit	02 - 93	F134105	(H5613)	Dayton; 2.50" 2-Piston Caliper

B7T042 (cont.)

Brake Hardware (cont.)

<i>Rear Brake Hardware</i>	<i>Years</i>	<i>Sequential No.</i>	<i>Category No.</i>	<i>Qualifier</i>
Disc Align Kit	02 - 93	F112090S	(H5566)	Bendix; 2.88" 2-Piston Caliper
Disc Align Kit	02 - 93	F134105	(H5613)	Dayton; 2.50" 2-Piston Caliper

Calipers - Reman

<i>Front, Loaded</i>	<i>Years</i>	<i>Left No.</i>	<i>Right No.</i>	<i>Qualifier</i>	<i>Piston</i>
Loaded Caliper	02 - 93	AS120549	AS120549	Bendix; 2.88" 2-Piston Caliper	P
Loaded Caliper	02 - 93	AS120549S	AS120549S	Bendix; 2.88" 2-Piston Caliper	O
Loaded Caliper	02 - 93	AS134782	AS134782	Dayton; 2.50" 2-Piston Caliper	M

<i>Rear, Loaded</i>	<i>Years</i>	<i>Left No.</i>	<i>Right No.</i>	<i>Qualifier</i>	<i>Piston</i>
Loaded Caliper	02 - 93	AS120549	AS120549	Bendix; 2.88" 2-Piston Caliper	P
Loaded Caliper	02 - 93	AS120549S	AS120549S	Bendix; 2.88" 2-Piston Caliper	O
Loaded Caliper	02 - 93	AS134782	AS134782	Dayton; 2.50" 2-Piston Caliper	M

<i>Front, Unloaded</i>	<i>Years</i>	<i>Left No.</i>	<i>Right No.</i>	<i>Qualifier</i>	<i>Piston</i>
Unloaded Caliper	02 - 93	CR120549	CR120549	Bendix; 2.88" 2-Piston Caliper	P
Unloaded Caliper	02 - 93	CR120549S	CR120549S	Bendix; 2.88" 2-Piston Caliper	O
Unloaded Caliper	02 - 93	CR134782	CR134782	Dayton; 2.50" 2-Piston Caliper	M

<i>Rear, Unloaded</i>	<i>Years</i>	<i>Left No.</i>	<i>Right No.</i>	<i>Qualifier</i>	<i>Piston</i>
Unloaded Caliper	02 - 93	CR120549	CR120549	Bendix; 2.88" 2-Piston Caliper	P
Unloaded Caliper	02 - 93	CR120549S	CR120549S	Bendix; 2.88" 2-Piston Caliper	O
Unloaded Caliper	02 - 93	CR134782	CR134782	Dayton; 2.50" 2-Piston Caliper	M

Hydraulics - New

<i>Master Cylinder</i>	<i>Years</i>	<i>Sequential No.</i>	<i>Category No.</i>	<i>Qualifier</i>
------------------------	--------------	-----------------------	---------------------	------------------

Master Cylinder	96 - 93	F140745	(MC140745)	8100 lb. FA
-----------------	---------	---------	------------	-------------

<i>Front Brake Hose</i>	<i>Years</i>	<i>Sequential No.</i>	<i>Category No.</i>	<i>Qualifier</i>
-------------------------	--------------	-----------------------	---------------------	------------------

Brake Hose	02 - 97	F132935	(BH132935)	w/ABS
Brake Hose	02 - 97	F140743	(BH140743)	w/o ABS
Brake Hose	96 - 93	F132935	(BH132935)	To Caliper

<i>Rear Brake Hose</i>	<i>Years</i>	<i>Sequential No.</i>	<i>Category No.</i>	<i>Qualifier</i>
------------------------	--------------	-----------------------	---------------------	------------------

Brake Hose	02 - 97	F140734	(BH140734)	L.H.; w/ABS; 19000 lb. RA; Single Reduction
Brake Hose	02 - 97	F140740	(BH140740)	L.H.; w/o ABS
Brake Hose	02 - 97	F140735	(BH140735)	R.H.; w/ABS; 19000 lb. RA; Single Reduction
Brake Hose	02 - 97	F140741	(BH140741)	R.H.; w/o ABS
Brake Hose	02 - 97	F132934	(BH132934)	w/ABS; 15000 lb. RA; To Top of RA Hsg.
Brake Hose	02 - 97	F132934	(BH132934)	w/ABS; 19000 lb. RA; Dual Reduction
Brake Hose	02 - 97	F132926	(BH132926)	w/ABS; To Rear Feed Pipe
Brake Hose	96 - 93	F132926	(BH132926)	To Rear Feed Pipe
Brake Hose	96 - 93	F132934	(BH132934)	To Top of RA Hsg.

Hydraulics - Reman

<i>Power Brake Booster</i>	<i>Years</i>	<i>Part No.</i>	<i>Qualifier</i>
----------------------------	--------------	-----------------	------------------

Power Brake Booster	96 - 93	529920	w/o Master Cylinder; w/9" Pedal Rod
---------------------	---------	--------	-------------------------------------

CHEVROLET MD C-Series

C5D042

Brake Pads & Shoes

<i>Front Pads & Shoes</i>	<i>Years</i>	<i>SevereDuty</i>	<i>Lining No.</i>	<i>Qualifier</i>
-------------------------------	--------------	-------------------	-------------------	------------------

Brake Pads	90 - 88	SD225		Bendix; 2.88" 2-Piston Caliper
Brake Pads	90 - 88	SD184		Bendix; 3.38" 1-Piston Caliper
Brake Pads	90 - 88	SD224		Dayton; 2.50" 2-Piston Caliper
Brake Pads	87 - 83	SD225A		Bendix; 2.88" 2-Piston Caliper; H/D; Serial No. 4150868
Brake Pads	87 - 83	SD225		Bendix; 2.88" 2-Piston Caliper; L/D; Serial No. 4151244 or 3368188
Brake Pads	87 - 83	SD224		Dayton; 2.50" 2-Piston Caliper; Serial No. 60450388
Brake Shoes	90 - 77	1307T	1307	w/Air Brakes; Rockwell/Meritor; T-Series; 15 x 3-1/2
Brake Shoes	90 - 77	1308T	1308T	w/Air Brakes; Rockwell/Meritor; T-Series; 15 x 4
Brake Shoes	87 - 77	SDS299R	EX2039D-S32	Hyd. Brakes; Auto Adj.; 14 x 2-1/2

Piston: M - OE Metal Piston P - OE Phenolic Piston O - Metal Piston Option

Brake Pads & Shoes (cont.)

Front Pads & Shoes	Years	SevereDuty	Lining No.	Qualifier
Brake Shoes	87 - 77	SDS321R	EX1245AD-S32	Hyd. Brakes; Auto Adj.; 15 x 3
Brake Shoes	87 - 77	SDS322R	EX1280BD-S32	Hyd. Brakes; Auto Adj.; 15 x 3-1/2
Brake Shoes	87 - 77	SDS235R	EX1245AD-S32	Hyd. Brakes; Man. Adj.; 15 x 3
Brake Shoes	87 - 77	SDS463R	EX1280D-S32	Hyd. Brakes; Man. Adj.; 15 x 3-1/2
Rear Pads & Shoes	Years	SevereDuty	Lining No.	Qualifier
Brake Pads	90 - 88	SD225		Bendix; 2.88" 2-Piston Caliper
Brake Pads	90 - 88	SD224		Dayton; 2.50" 2-Piston Caliper
Brake Pads	87 - 83	SD225A		Bendix; 2.88" 2-Piston Caliper H/D; Serial No. 3366615 or 4150868
Brake Pads	87 - 83	SD225		Bendix; 2.88" 2-Piston Caliper L/D; Serial No. 4151244 or 3368188
Brake Pads	87 - 83	SD224		Dayton; 2.50" 2-Piston Caliper; Serial No. 60450394 or 60050185 or 60450410
Brake Shoes	90 - 77	4311E	4311J	w/Air Brakes; Eaton/Spicer; 16-1/2 x 7
Brake Shoes	90 - 77	4515P	4515E	w/Air Brakes; Rockwell/Meritor; P-Series; 16-1/2 x 7
Brake Shoes	90 - 77	4524Q	4524B	w/Air Brakes; Rockwell/Meritor; Q-Series; 16-1/2 x 5
Brake Shoes	90 - 77	4514Q	4514G	w/Air Brakes; Rockwell/Meritor; Q-Series; 16-1/2 x 6
Brake Shoes	90 - 77	4515Q	4515E	w/Air Brakes; Rockwell/Meritor; Q-Series; 16-1/2 x 7
Brake Shoes	87 - 77	SDS452R	EX2157TD-S32	Hyd. Brakes; 13 x 3-1/2
Brake Shoes	87 - 77	SDS427R	EX4640D	Hyd. Brakes; 15 x 4
Brake Shoes	87 - 77	SDS442R	EX4639D-S32	Hyd. Brakes; 15 x 5
Brake Shoes	87 - 77	SDS381R	EX4596D-S32	Hyd. Brakes; 15 x 6
Brake Shoes	87 - 77	SDS383R	EX4597D-S32	Hyd. Brakes; 15 x 7
Brake Shoes	87 - 77	SDS386R	EX1255D-S32	Hyd. Brakes; 16 x 6
Parking Brake Shoes	Years	SevereDuty	Lining No.	Qualifier
Brake Shoes	90 - 77	SDS449R	EX2159TD	11 x 2
Brake Shoes	90 - 88	SDS692	EX2079D-S32	12 x 3
Brake Shoes	90 - 77	SDS647	EX2086D	9 x 3

Rotor & Drum

Front Rotor & Drum	Years	Part No.	Qualifier
Brake Rotor	90 - 83	BD125115	5000 lb. FA; Hat-Shaped; 5-Hole Rotor; Dayton
Brake Rotor	90 - 83	BD125089	5000 lb. FA; Hat-Shaped; 6-Hole Rotor; Dayton
Brake Rotor	90 - 83	BD125359	7000 lb. FA; Hat-Shaped; 5-Hole Rotor; Budd
Brake Rotor	90 - 83	BD125088	7000 lb. FA; Hat-Shaped; 5-Hole Rotor; Dayton or Gunit
Brake Rotor	90 - 83	BD125357	7000 lb. FA; Hat-Shaped; 6-Hole Rotor; Budd
Brake Rotor	90 - 83	BD125358	7000 lb. FA; Hat-Shaped; 6-Hole Rotor; Dayton
Brake Rotor	90 - 83	BD125090	8100-12000 lb. FA; Hat-Shaped; 10-Hole Rotor; Dayton or Gunit
Rear Rotor & Drum	Years	Part No.	Qualifier
Brake Drum	87 - 77	BD60356	Hyd. Brakes; 13 x 3-1/2
Brake Rotor	90 - 83	BD125088	15000 lb. RA; Hat-Shaped; 5-Hole Rotor
Brake Rotor	90 - 83	BD125358	15000 lb. RA; Hat-Shaped; 6-Hole Rotor
Brake Rotor	90 - 83	BD125090	17000-19000 lb. RA; Hat-Shaped; 10-Hole Rotor
Brake Rotor	90 - 83	BD125338	21000-23000 lb. RA; U-Shaped; 10-Hole Rotor

Brake Hardware

Front Brake Hardware	Years	Sequential No.	Category No.	Qualifier
Adjuster Kit	87 - 77	F128889	(H2906)	L.H.; GM; 14" Brake
Adjuster Kit	87 - 77	F140819	(H2714)	L.H.; Wagner; Auto Adj.
Adjuster Kit	87 - 77	F128990	(H2929)	L.H.; Wagner; Man. Adj.
Adjuster Kit	87 - 77	F128890	(H2907)	R.H.; GM; 14" Brake
Adjuster Kit	87 - 77	F140820	(H2715)	R.H.; Wagner; Auto Adj.
Adjuster Kit	87 - 77	F128990	(H2929)	R.H.; Wagner; Man. Adj.
Combi Kit	87 - 77	F117009	(H7177)	GM; 14" Brake
↳Adjuster Spring Kit		F73145S	(H425)	
↳Return Spring Kit		F73143	(H601)	
Combi Kit	87 - 77	F117025	(H7173)	Wagner; 15" Brake; Auto Adj.
↳Hold Down Kit		F73399	(H4201)	
↳Return Spring Kit		F36445	(H521)	

↳Sub-Kit of Combi-Kit is available separately.

C5D042 (cont.)

Brake Hardware (cont.)

Front Brake Hardware	Years	Sequential No.	Category No.	Qualifier
Combi Kit	87 - 77	F117026	(H7172)	Wagner; 15" Brake; Man. Adj.
↳Hold Down Kit		F19408	(H4200)	
↳Return Spring Kit		F36445	(H521)	
Disc Align Kit	90 - 83	F112090S	(H5566)	Bendix; 2.88" 2-Piston Caliper
Disc Align Kit	90 - 88	F107401S	(H5562)	Bendix; 3.38" 1-Piston Caliper
Disc Align Kit	90 - 83	F134105	(H5613)	Dayton; 2.50" 2-Piston Caliper

Rear Brake Hardware	Years	Sequential No.	Category No.	Qualifier
---------------------	-------	----------------	--------------	-----------

Adjuster Kit	87 - 77	F98406	(H2580)	L.H.; GM; 13" Brake
Adjuster Kit	87 - 77	F128891	(H2908)	L.H.; GM; 15" Brake
Adjuster Kit	87 - 77	F59157	(H2902)	L.H.; Wagner; 15" Brake; Auto Adj.
Adjuster Kit	87 - 77	F128894S	(H2911)	L.H.; Wagner; 15" Brake; Man. Adj.
Adjuster Kit	87 - 77	F128895S	(H2912)	L.H.; Wagner; 16" Brake; Man. Adj.
Adjuster Kit	87 - 77	F98407	(H2581)	R.H.; GM; 13" Brake
Adjuster Kit	87 - 77	F128892	(H2909)	R.H.; GM; 15" Brake
Adjuster Kit	87 - 77	F59158	(H2903)	R.H.; Wagner; 15" Brake; Auto Adj.
Adjuster Kit	87 - 77	F128894S	(H2911)	R.H.; Wagner; 15" Brake; Man. Adj.
Adjuster Kit	87 - 77	F128895S	(H2912)	R.H.; Wagner; 16" Brake; Man. Adj.
Adjuster Screw	87 - 77	F128882	(H1712)	L.H.; GM; 13" Brake
Adjuster Screw	87 - 77	F128880S	(H1710)	L.H.; GM; 15" Brake
Adjuster Screw	87 - 77	F140823	(H1607)	L.H.; Wagner; 15" Brake
Adjuster Screw	87 - 77	F19291	(H1700)	L.H.; Wagner; 16" Brake
Adjuster Screw	87 - 77	F128883	(H1713)	R.H.; GM; 13" Brake
Adjuster Screw	87 - 77	F128881S	(H1711)	R.H.; GM; 15" Brake
Adjuster Screw	87 - 77	F140818	(H1606)	R.H.; Wagner; 15" Brake
Adjuster Screw	87 - 77	F19292	(H1701)	R.H.; Wagner; 16" Brake
Combi Kit	87 - 77	F98457S	(H7055)	GM; 13" Brake
↳Adjuster Spring Kit		F73145S	(H425)	
↳Hold Down Kit		F113455S	(H4098)	
↳Return Spring Kit		F59100S	(H600)	
Combi Kit	87 - 77	F140612	(H3008)	GM; 15" Brake
↳Hold Down Kit		F128928	(H4202)	
↳Return Spring Kit		F86408	(H552)	
Combi Kit	87 - 77	F117027	(H7171)	Wagner
↳Adjuster Spring Kit		F78727	(H451)	
↳Hold Down Kit		F19309	(H5079)	
↳Return Spring Kit		F98318	(H609)	
Disc Align Kit	90 - 83	F112090S	(H5566)	Bendix; 2.88" 2-Piston Caliper
Disc Align Kit	90 - 83	F134105	(H5613)	Dayton; 2.50" 2-Piston Caliper

Calipers - Reman

Front, Loaded	Years	Left No.	Right No.	Qualifier	Piston
---------------	-------	----------	-----------	-----------	--------

Loaded Caliper	90 - 83	AS120549	AS120549	Bendix; 2.88" 2-Piston Caliper	P
Loaded Caliper	90 - 83	AS120549S	AS120549S	Bendix; 2.88" 2-Piston Caliper	O
Loaded Caliper	90 - 88	AS98906A	AS98907A	Bendix; 3.38" 1-Piston Caliper	M
Loaded Caliper	90 - 83	AS134782	AS134782	Dayton; 2.50" 2-Piston Caliper	M

Rear, Loaded	Years	Left No.	Right No.	Qualifier	Piston
--------------	-------	----------	-----------	-----------	--------

Loaded Caliper	90 - 83	AS120549	AS120549	Bendix; 2.88" 2-Piston Caliper	P
Loaded Caliper	90 - 83	AS120549S	AS120549S	Bendix; 2.88" 2-Piston Caliper	O
Loaded Caliper	90 - 83	AS134782	AS134782	Dayton; 2.50" 2-Piston Caliper	M

Front, Unloaded	Years	Left No.	Right No.	Qualifier	Piston
-----------------	-------	----------	-----------	-----------	--------

Unloaded Caliper	90 - 83	CR120549	CR120549	Bendix; 2.88" 2-Piston Caliper	P
Unloaded Caliper	90 - 83	CR120549S	CR120549S	Bendix; 2.88" 2-Piston Caliper	O
Unloaded Caliper	90 - 88	CR98906	CR98907	Bendix; 3.38" 1-Piston Caliper	M
Unloaded Caliper	90 - 83	CR134782	CR134782	Dayton; 2.50" 2-Piston Caliper	M

↳Sub-Kit of Combi-Kit is available separately.

Piston: M - OE Metal Piston P - OE Phenolic Piston O - Metal Piston Option

C5D042 (cont.)
Calipers - Reman (cont.)

<i>Rear, Unloaded</i>	<i>Years</i>	<i>Left No.</i>	<i>Right No.</i>	<i>Qualifier</i>	<i>Piston</i>
Unloaded Caliper	90 - 83	CR120549	CR120549	Bendix; 2.88" 2-Piston Caliper	P
Unloaded Caliper	90 - 83	CR120549S	CR120549S	Bendix; 2.88" 2-Piston Caliper	O
Unloaded Caliper	90 - 83	CR134782	CR134782	Dayton; 2.50" 2-Piston Caliper	M

Hydraulics - New

<i>Master Cylinder</i>	<i>Years</i>	<i>Sequential No.</i>	<i>Category No.</i>	<i>Qualifier</i>
Master Cylinder	90 - 88	F116702	(MC116702)	80 Cubic Inch; 6-1/2" DIM from cntr piston to top fill cap
Master Cylinder	86 - 83	F119399	(MC119399)	Bendix; Cast Iron Reservoir
<i>Front Wheel Cylinder</i>	<i>Years</i>	<i>Sequential No.</i>	<i>Category No.</i>	<i>Qualifier</i>
Wheel Cylinder	87 - 77	F34401	(WC34401)	L.H.; 14 x 2-1/2" Brake
Wheel Cylinder	87 - 77	F8852	(WC8852)	L.H.; 15 x 3" Brake
Wheel Cylinder	87 - 77	F34402	(WC34402)	R.H.; 14 x 2-1/2" Brake
Wheel Cylinder	87 - 77	F8853	(WC8853)	R.H.; 15 x 3" Brake
<i>Rear Wheel Cylinder</i>	<i>Years</i>	<i>Sequential No.</i>	<i>Category No.</i>	<i>Qualifier</i>
Wheel Cylinder	87 - 77	F79767	(WC79767)	L.H.; 13 x 3-1/2" Brake
Wheel Cylinder	87 - 77	F78744	(WC78744)	L.H.; 15 x 4" or 15 x 5" Brake
Wheel Cylinder	87 - 77	F79767	(WC79767)	R.H.; 13 x 3-1/2" Brake
Wheel Cylinder	87 - 77	F78745	(WC78745)	R.H.; 15 x 4" or 15 x 5" Brake
<i>Front Brake Hose</i>	<i>Years</i>	<i>Sequential No.</i>	<i>Category No.</i>	<i>Qualifier</i>
Brake Hose	90 - 88	F118118	(BH118118)	5000 lb. FA
Brake Hose	90 - 88	F124054	(BH124054)	7000-12000 lb. FA; 1/8" ID; 22" Length
Brake Hose	84 - 83	F109138	(BH109138)	5000 lb. FA; 1/8" ID; 21" Length
<i>Rear Brake Hose</i>	<i>Years</i>	<i>Sequential No.</i>	<i>Category No.</i>	<i>Qualifier</i>
Brake Hose	90 - 83	F102336	(BH102336)	1/8" ID; 7/16" Nut; 24 Thread; 18" Length

Hydraulics - Reman

<i>Power Brake Booster</i>	<i>Years</i>	<i>Part No.</i>	<i>Qualifier</i>
Power Brake Booster	87 - 77	529900	w/o Master Cylinder; Delco; Dual Power; Hydraulic Section
Power Brake Booster	87 - 77	5479900	w/o Master Cylinder; Delco; Dual Power; Vacuum Section; w/7" Rod
Power Brake Booster	87 - 83	529902	w/o Master Cylinder; Delco; Hy-Power; w/Serial No. 2823435; w/7" Pedal Rod
Power Brake Booster	83 - 77	518061	w/Master Cylinder; Hydro-Vac; w/Dual System

C6D042
Brake Pads & Shoes

<i>Front Pads & Shoes</i>	<i>Years</i>	<i>SevereDuty</i>	<i>Lining No.</i>	<i>Qualifier</i>
Brake Pads	90 - 88	SD225		Bendix; 2.88" 2-Piston Caliper
Brake Pads	90 - 88	SD184		Bendix; 3.38" 1-Piston Caliper
Brake Pads	90 - 88	SD224		Dayton; 2.50" 2-Piston Caliper
Brake Pads	90 - 83	SD225A		Bendix; 2.88" 2-Piston Caliper; H/D; Serial No. 4150868
Brake Pads	87 - 83	SD225		Bendix; 2.88" 2-Piston Caliper; L/D; Serial No. 4151244 or 3368188
Brake Pads	87 - 83	SD224		Dayton; 2.50" 2-Piston Caliper; Serial No. 60450388
Brake Shoes	90 - 77	4524Q	4524B	w/Air Brakes; Rockwell/Meritor; Q-Series; 16-1/2 x 5
Brake Shoes	90 - 77	4514Q	4514G	w/Air Brakes; Rockwell/Meritor; Q-Series; 16-1/2 x 6
Brake Shoes	90 - 77	1307T	1307	w/Air Brakes; Rockwell/Meritor; T-Series; 15 x 3-1/2
Brake Shoes	90 - 77	1308T	1308T	w/Air Brakes; Rockwell/Meritor; T-Series; 15 x 4
Brake Shoes	87 - 77	SDS299R	EX2039D-S32	Hyd. Brakes; Auto Adj.; 14 x 2-1/2
Brake Shoes	87 - 77	SDS321R	EX1245AD-S32	Hyd. Brakes; Auto Adj.; 15 x 3
Brake Shoes	87 - 77	SDS322R	EX1280BD-S32	Hyd. Brakes; Auto Adj.; 15 x 3-1/2
Brake Shoes	87 - 77	SDS235R	EX1245AD-S32	Hyd. Brakes; Man. Adj.; 15 x 3
Brake Shoes	87 - 77	SDS463R	EX1280D-S32	Hyd. Brakes; Man. Adj.; 15 x 3-1/2
<i>Rear Pads & Shoes</i>	<i>Years</i>	<i>SevereDuty</i>	<i>Lining No.</i>	<i>Qualifier</i>
Brake Pads	90 - 88	SD225		Bendix; 2.88" 2-Piston Caliper
Brake Pads	90 - 88	SD224		Dayton; 2.50" 2-Piston Caliper
Brake Pads	87 - 83	SD225A		Bendix; 2.88" 2-Piston Caliper H/D; Serial No. 3366615 or 4150868
Brake Pads	87 - 83	SD225		Bendix; 2.88" 2-Piston Caliper L/D; Serial No. 4151244 or 3368188
Brake Pads	87 - 83	SD224		Dayton; 2.50" 2-Piston Caliper; Serial No. 60450394 or 60050185 or 60450410

Piston: M - OE Metal Piston P - OE Phenolic Piston O - Metal Piston Option

C6D042 (cont.)

Brake Pads & Shoes (cont.)

Rear Pads & Shoes	Years	SevereDuty	Lining No.	Qualifier
Brake Shoes	90 - 77	4311E	4311J	w/Air Brakes; Eaton/Spicer; 16-1/2 x 7
Brake Shoes	90 - 77	4515P	4515E	w/Air Brakes; Rockwell/Meritor; P-Series; 16-1/2 x 7
Brake Shoes	90 - 77	4524Q	4524B	w/Air Brakes; Rockwell/Meritor; Q-Series; 16-1/2 x 5
Brake Shoes	90 - 77	4514Q	4514G	w/Air Brakes; Rockwell/Meritor; Q-Series; 16-1/2 x 6
Brake Shoes	90 - 77	4515Q	4515E	w/Air Brakes; Rockwell/Meritor; Q-Series; 16-1/2 x 7
Brake Shoes	87 - 77	SDS427R	EX4640D	Hyd. Brakes; 15 x 4
Brake Shoes	87 - 77	SDS442R	EX4639D-S32	Hyd. Brakes; 15 x 5
Brake Shoes	87 - 77	SDS381R	EX4596D-S32	Hyd. Brakes; 15 x 6
Brake Shoes	87 - 77	SDS383R	EX4597D-S32	Hyd. Brakes; 15 x 7
Brake Shoes	87 - 77	SDS386R	EX1255D-S32	Hyd. Brakes; 16 x 6

Parking Brake Shoes	Years	SevereDuty	Lining No.	Qualifier
Brake Shoes	90 - 77	SDS449R	EX2159TD	11 x 2
Brake Shoes	90 - 88	SDS692	EX2079D-S32	12 x 3
Brake Shoes	90 - 77	SDS647	EX2086D	9 x 3

Rotor & Drum

Front Rotor & Drum	Years	Part No.	Qualifier
Brake Rotor	90 - 83	BD125115	5000 lb. FA; Hat-Shaped; 5-Hole Rotor; Dayton
Brake Rotor	90 - 83	BD125089	5000 lb. FA; Hat-Shaped; 6-Hole Rotor; Dayton
Brake Rotor	90 - 83	BD125359	7000 lb. FA; Hat-Shaped; 5-Hole Rotor; Budd
Brake Rotor	90 - 83	BD125088	7000 lb. FA; Hat-Shaped; 5-Hole Rotor; Dayton or Gunite
Brake Rotor	90 - 83	BD125357	7000 lb. FA; Hat-Shaped; 6-Hole Rotor; Budd
Brake Rotor	90 - 83	BD125358	7000 lb. FA; Hat-Shaped; 6-Hole Rotor; Dayton
Brake Rotor	90 - 83	BD125090	8100-12000 lb. FA; Hat-Shaped; 10-Hole Rotor; Dayton or Gunite

Rear Rotor & Drum	Years	Part No.	Qualifier
Brake Rotor	90 - 83	BD125088	15000 lb. RA; Hat-Shaped; 5-Hole Rotor
Brake Rotor	90 - 83	BD125358	15000 lb. RA; Hat-Shaped; 6-Hole Rotor
Brake Rotor	90 - 83	BD125090	17000-19000 lb. RA; Hat-Shaped; 10-Hole Rotor
Brake Rotor	90 - 83	BD125338	21000-23000 lb. RA; U-Shaped; 10-Hole Rotor

Brake Hardware

Front Brake Hardware	Years	Sequential No.	Category No.	Qualifier
Adjuster Kit	87 - 77	F128889	(H2906)	L.H.; GM; 14" Brake
Adjuster Kit	87 - 77	F140819	(H2714)	L.H.; Wagner; Auto Adj.
Adjuster Kit	87 - 77	F128990	(H2929)	L.H.; Wagner; Man. Adj.
Adjuster Kit	87 - 77	F128890	(H2907)	R.H.; GM; 14" Brake
Adjuster Kit	87 - 77	F140820	(H2715)	R.H.; Wagner; Auto Adj.
Adjuster Kit	87 - 77	F128990	(H2929)	R.H.; Wagner; Man. Adj.
Combi Kit	87 - 77	F117009	(H7177)	GM; 14" Brake
↳Adjuster Spring Kit		F73145S	(H425)	
↳Return Spring Kit		F73143	(H601)	
Combi Kit	87 - 77	F117025	(H7173)	Wagner; 15" Brake; Auto Adj.
↳Hold Down Kit		F73399	(H4201)	
↳Return Spring Kit		F36445	(H521)	
Combi Kit	87 - 77	F117026	(H7172)	Wagner; 15" Brake; Man. Adj.
↳Hold Down Kit		F19408	(H4200)	
↳Return Spring Kit		F36445	(H521)	
Disc Align Kit	90 - 83	F112090S	(H5566)	Bendix; 2.88" 2-Piston Caliper
Disc Align Kit	90 - 88	F107401S	(H5562)	Bendix; 3.38" 1-Piston Caliper
Disc Align Kit	90 - 83	F134105	(H5613)	Dayton; 2.50" 2-Piston Caliper

Rear Brake Hardware	Years	Sequential No.	Category No.	Qualifier
Adjuster Kit	87 - 77	F128891	(H2908)	L.H.; GM; 15" Brake
Adjuster Kit	87 - 77	F59157	(H2902)	L.H.; Wagner; 15" Brake; Auto Adj.
Adjuster Kit	87 - 77	F128894S	(H2911)	L.H.; Wagner; 15" Brake; Man. Adj.
Adjuster Kit	87 - 77	F128895S	(H2912)	L.H.; Wagner; 16" Brake; Man. Adj.
Adjuster Kit	87 - 77	F128892	(H2909)	R.H.; GM; 15" Brake

↳Sub-Kit of Combi-Kit is available separately.

Brake Hardware (cont.)

Rear Brake Hardware	Years	Sequential No.	Category No.	Qualifier
Adjuster Kit	87 - 77	F59158	(H2903)	R.H.; Wagner; 15" Brake; Auto Adj.
Adjuster Kit	87 - 77	F128894S	(H2911)	R.H.; Wagner; 15" Brake; Man. Adj.
Adjuster Kit	87 - 77	F128895S	(H2912)	R.H.; Wagner; 16" Brake; Man. Adj.
Adjuster Screw	87 - 77	F128880S	(H1710)	L.H.; GM; 15" Brake
Adjuster Screw	87 - 77	F140823	(H1607)	L.H.; Wagner; 15" Brake
Adjuster Screw	87 - 77	F19291	(H1700)	L.H.; Wagner; 16" Brake
Adjuster Screw	87 - 77	F128881S	(H1711)	R.H.; GM; 15" Brake
Adjuster Screw	87 - 77	F140818	(H1606)	R.H.; Wagner; 15" Brake
Adjuster Screw	87 - 77	F19292	(H1701)	R.H.; Wagner; 16" Brake
Combi Kit	87 - 77	F140612	(H3008)	GM; 15" Brake
↳Hold Down Kit		F128928	(H4202)	
↳Return Spring Kit		F86408	(H552)	
Combi Kit	87 - 77	F117027	(H7171)	Wagner
↳Adjuster Spring Kit		F78727	(H451)	
↳Hold Down Kit		F19309	(H5079)	
↳Return Spring Kit		F98318	(H609)	
Disc Align Kit	90 - 83	F112090S	(H5566)	Bendix; 2.88" 2-Piston Caliper
Disc Align Kit	90 - 83	F134105	(H5613)	Dayton; 2.50" 2-Piston Caliper

Calipers - Reman

Front, Loaded	Years	Left No.	Right No.	Qualifier	Piston
Loaded Caliper	90 - 83	AS120549	AS120549	Bendix; 2.88" 2-Piston Caliper	P
Loaded Caliper	90 - 83	AS120549S	AS120549S	Bendix; 2.88" 2-Piston Caliper	O
Loaded Caliper	90 - 88	AS98906A	AS98907A	Bendix; 3.38" 1-Piston Caliper	M
Loaded Caliper	90 - 83	AS134782	AS134782	Dayton; 2.50" 2-Piston Caliper	M
Rear, Loaded	Years	Left No.	Right No.	Qualifier	Piston
Loaded Caliper	90 - 83	AS120549	AS120549	Bendix; 2.88" 2-Piston Caliper	P
Loaded Caliper	90 - 83	AS120549S	AS120549S	Bendix; 2.88" 2-Piston Caliper	O
Loaded Caliper	90 - 83	AS134782	AS134782	Dayton; 2.50" 2-Piston Caliper	M
Front, Unloaded	Years	Left No.	Right No.	Qualifier	Piston
Unloaded Caliper	90 - 83	CR120549	CR120549	Bendix; 2.88" 2-Piston Caliper	P
Unloaded Caliper	90 - 83	CR120549S	CR120549S	Bendix; 2.88" 2-Piston Caliper	O
Unloaded Caliper	90 - 88	CR98906	CR98907	Bendix; 3.38" 1-Piston Caliper	M
Unloaded Caliper	90 - 83	CR134782	CR134782	Dayton; 2.50" 2-Piston Caliper	M
Rear, Unloaded	Years	Left No.	Right No.	Qualifier	Piston
Unloaded Caliper	90 - 83	CR120549	CR120549	Bendix; 2.88" 2-Piston Caliper	P
Unloaded Caliper	90 - 83	CR120549S	CR120549S	Bendix; 2.88" 2-Piston Caliper	O
Unloaded Caliper	90 - 83	CR134782	CR134782	Dayton; 2.50" 2-Piston Caliper	M

Hydraulics - New

Master Cylinder	Years	Sequential No.	Category No.	Qualifier
Master Cylinder	90 - 88	F116702	(MC116702)	80 Cubic Inch; 6-1/2" DIM from cntr piston to top fill cap
Master Cylinder	87	F116702	(MC116702)	80 Cubic Inch; 6-1/2" DIM
Master Cylinder	86 - 83	F119399	(MC119399)	Bendix; Cast Iron Reservoir
Master Cylinder	86 - 83	F116702	(MC116702)	Bendix; Plastic Reservoir
Front Wheel Cylinder	Years	Sequential No.	Category No.	Qualifier
Wheel Cylinder	87 - 77	F34401	(WC34401)	L.H.; 14 x 2-1/2" Brake
Wheel Cylinder	87 - 77	F8852	(WC8852)	L.H.; 15 x 3" Brake
Wheel Cylinder	87 - 77	F34402	(WC34402)	R.H.; 14 x 2-1/2" Brake
Wheel Cylinder	87 - 77	F8853	(WC8853)	R.H.; 15 x 3" Brake
Rear Wheel Cylinder	Years	Sequential No.	Category No.	Qualifier
Wheel Cylinder	87 - 77	F78744	(WC78744)	L.H.; 15 x 4" or 15 x 5" Brake
Wheel Cylinder	87 - 77	F78745	(WC78745)	R.H.; 15 x 4" or 15 x 5" Brake
Front Brake Hose	Years	Sequential No.	Category No.	Qualifier
Brake Hose	90 - 88	F118118	(BH118118)	5000 lb. FA
Brake Hose	90 - 83	F124054	(BH124054)	7000-12000 lb. FA; 1/8" ID; 22" Length

↳Sub-Kit of Combi-Kit is available separately.

Piston: M - OE Metal Piston P - OE Phenolic Piston O - Metal Piston Option

C6D042 (cont.)

Hydraulics - New (cont.)

Front Brake Hose	Years	Sequential No.	Category No.	Qualifier
Brake Hose	84 - 83	F109138	(BH109138)	5000 lb. FA; 1/8" ID; 21" Length
Rear Brake Hose	Years	Sequential No.	Category No.	Qualifier
Brake Hose	90 - 83	F102336	(BH102336)	Gas; 1/8" ID; 7/16" Nut; 24 Thread; 18" Length
Brake Hose	84 - 83	F103315	(BH103315)	Diesel; 1/8" ID; 7/16" Nut; 24 Thread; 24" Length
Brake Hose	84 - 83	F111947	(BH111947)	Gas; 1/8" ID; 7/16" Nut; 24 Thread; 25" Length

Hydraulics - Reman

Power Brake Booster	Years	Part No.	Qualifier
Power Brake Booster	87 - 77	529900	w/o Master Cylinder; Delco; Dual Power; Hydraulic Section
Power Brake Booster	87 - 77	5479900	w/o Master Cylinder; Delco; Dual Power; Vacuum Section; w/7" Rod
Power Brake Booster	87 - 83	529902	w/o Master Cylinder; Delco; Hy-Power; w/Serial No. 2823435; w/7" Pedal Rod
Power Brake Booster	83 - 77	518009	w/Master Cylinder; Hydro-Vac; w/Serial No. 2504305 or 2505479 or 2510400 or 2510401 or 2513811 or 2513812 or 2513812
Power Brake Booster	83 - 77	518000	w/Master Cylinder; Hydro-Vac; w/Serial No. 2508096 or 2508827 or 2512065 or 2512554 or 2515050
Power Brake Booster	83 - 77	518051	w/Master Cylinder; Hydro-Vac; w/Serial No. 2513814

C7D042

Brake Pads & Shoes

Front Pads & Shoes	Years	SevereDuty	Lining No.	Qualifier
Brake Pads	90 - 88	SD225		Bendix; 2.88" 2-Piston Caliper
Brake Pads	90 - 88	SD184		Bendix; 3.38" 1-Piston Caliper
Brake Pads	90 - 88	SD224		Dayton; 2.50" 2-Piston Caliper
Brake Pads	87 - 83	SD225A		Bendix; 2.88" 2-Piston Caliper; H/D; Serial No. 4150868
Brake Pads	87 - 83	SD225		Bendix; 2.88" 2-Piston Caliper; L/D; Serial No. 4151244 or 3368188
Brake Pads	87 - 83	SD224		Dayton; 2.50" 2-Piston Caliper; Serial No. 60450388
Brake Shoes	90 - 77	4524Q	4524B	w/Air Brakes; Rockwell/Meritor; Q-Series; 16-1/2 x 5
Brake Shoes	90 - 77	4514Q	4514G	w/Air Brakes; Rockwell/Meritor; Q-Series; 16-1/2 x 6
Brake Shoes	90 - 77	1307T	1307	w/Air Brakes; Rockwell/Meritor; T-Series; 15 x 3-1/2
Brake Shoes	90 - 77	1308T	1308T	w/Air Brakes; Rockwell/Meritor; T-Series; 15 x 4
Brake Shoes	87 - 77	SDS299R	EX2039D-S32	Hyd. Brakes; Auto Adj.; 14 x 2-1/2
Brake Shoes	87 - 77	SDS321R	EX1245AD-S32	Hyd. Brakes; Auto Adj.; 15 x 3
Brake Shoes	87 - 77	SDS322R	EX1280BD-S32	Hyd. Brakes; Auto Adj.; 15 x 3-1/2
Brake Shoes	87 - 77	SDS235R	EX1245AD-S32	Hyd. Brakes; Man. Adj.; 15 x 3
Brake Shoes	87 - 77	SDS463R	EX1280D-S32	Hyd. Brakes; Man. Adj.; 15 x 3-1/2
Rear Pads & Shoes	Years	SevereDuty	Lining No.	Qualifier
Brake Pads	90 - 88	SD225		Bendix; 2.88" 2-Piston Caliper
Brake Pads	90 - 88	SD224		Dayton; 2.50" 2-Piston Caliper
Brake Pads	87 - 83	SD225A		Bendix; 2.88" 2-Piston Caliper H/D; Serial No. 3366615 or 4150868
Brake Pads	87 - 83	SD225		Bendix; 2.88" 2-Piston Caliper L/D; Serial No. 4151244 or 3368188
Brake Pads	87 - 83	SD224		Dayton; 2.50" 2-Piston Caliper; Serial No. 60450394 or 60050185 or 60450410
Brake Shoes	90 - 77	4311E	4311J	w/Air Brakes; Eaton/Spicer; 16-1/2 x 7
Brake Shoes	90 - 77	4515P	4515E	w/Air Brakes; Rockwell/Meritor; P-Series; 16-1/2 x 7
Brake Shoes	90 - 77	4524Q	4524B	w/Air Brakes; Rockwell/Meritor; Q-Series; 16-1/2 x 5
Brake Shoes	90 - 77	4514Q	4514G	w/Air Brakes; Rockwell/Meritor; Q-Series; 16-1/2 x 6
Brake Shoes	90 - 77	4515Q	4515E	w/Air Brakes; Rockwell/Meritor; Q-Series; 16-1/2 x 7
Brake Shoes	87 - 77	SDS427R	EX4640D	Hyd. Brakes; 15 x 4
Brake Shoes	87 - 77	SDS442R	EX4639D-S32	Hyd. Brakes; 15 x 5
Brake Shoes	87 - 77	SDS381R	EX4596D-S32	Hyd. Brakes; 15 x 6
Brake Shoes	87 - 77	SDS383R	EX4597D-S32	Hyd. Brakes; 15 x 7
Brake Shoes	87 - 77	SDS386R	EX1255D-S32	Hyd. Brakes; 16 x 6
Parking Brake Shoes	Years	SevereDuty	Lining No.	Qualifier
Brake Shoes	90 - 77	SDS449R	EX2159TD	11 x 2
Brake Shoes	90 - 88	SDS692	EX2079D-S32	12 x 3
Brake Shoes	90 - 77	SDS647	EX2086D	9 x 3

Rotor & Drum

Front Rotor & Drum	Years	Part No.	Qualifier
Brake Rotor	90 - 83	BD125115	5000 lb. FA; Hat-Shaped; 5-Hole Rotor; Dayton
Brake Rotor	90 - 83	BD125089	5000 lb. FA; Hat-Shaped; 6-Hole Rotor; Dayton
Brake Rotor	90 - 83	BD125359	7000 lb. FA; Hat-Shaped; 5-Hole Rotor; Budd
Brake Rotor	90 - 83	BD125088	7000 lb. FA; Hat-Shaped; 5-Hole Rotor; Dayton or Gunite
Brake Rotor	90 - 83	BD125357	7000 lb. FA; Hat-Shaped; 6-Hole Rotor; Budd
Brake Rotor	90 - 83	BD125358	7000 lb. FA; Hat-Shaped; 6-Hole Rotor; Dayton
Brake Rotor	90 - 83	BD125090	8100-12000 lb. FA; Hat-Shaped; 10-Hole Rotor; Dayton or Gunite

Rear Rotor & Drum	Years	Part No.	Qualifier
Brake Rotor	90 - 83	BD125088	15000 lb. RA; Hat-Shaped; 5-Hole Rotor
Brake Rotor	90 - 83	BD125358	15000 lb. RA; Hat-Shaped; 6-Hole Rotor
Brake Rotor	90 - 83	BD125090	17000-19000 lb. RA; Hat-Shaped; 10-Hole Rotor
Brake Rotor	90 - 83	BD125338	21000-23000 lb. RA; U-Shaped; 10-Hole Rotor

Brake Hardware

Front Brake Hardware	Years	Sequential No.	Category No.	Qualifier
Adjuster Kit	87 - 77	F128889	(H2906)	L.H.; GM; 14" Brake
Adjuster Kit	87 - 77	F140819	(H2714)	L.H.; Wagner; Auto Adj.
Adjuster Kit	87 - 77	F128990	(H2929)	L.H.; Wagner; Man. Adj.
Adjuster Kit	87 - 77	F128890	(H2907)	R.H.; GM; 14" Brake
Adjuster Kit	87 - 77	F140820	(H2715)	R.H.; Wagner; Auto Adj.
Adjuster Kit	87 - 77	F128990	(H2929)	R.H.; Wagner; Man. Adj.
Combi Kit	87 - 77	F117009	(H7177)	GM; 14" Brake
↳Adjuster Spring Kit		F73145S	(H425)	
↳Return Spring Kit		F73143	(H601)	
Combi Kit	87 - 77	F117025	(H7173)	Wagner; 15" Brake; Auto Adj.
↳Hold Down Kit		F73399	(H4201)	
↳Return Spring Kit		F36445	(H521)	
Combi Kit	87 - 77	F117026	(H7172)	Wagner; 15" Brake; Man. Adj.
↳Hold Down Kit		F19408	(H4200)	
↳Return Spring Kit		F36445	(H521)	
Disc Align Kit	90 - 83	F112090S	(H5566)	Bendix; 2.88" 2-Piston Caliper
Disc Align Kit	90 - 88	F107401S	(H5562)	Bendix; 3.38" 1-Piston Caliper
Disc Align Kit	90 - 83	F134105	(H5613)	Dayton; 2.50" 2-Piston Caliper

Rear Brake Hardware	Years	Sequential No.	Category No.	Qualifier
Adjuster Kit	87 - 77	F128891	(H2908)	L.H.; GM; 15" Brake
Adjuster Kit	87 - 77	F59157	(H2902)	L.H.; Wagner; 15" Brake; Auto Adj.
Adjuster Kit	87 - 77	F128894S	(H2911)	L.H.; Wagner; 15" Brake; Man. Adj.
Adjuster Kit	87 - 77	F128895S	(H2912)	L.H.; Wagner; 16" Brake; Man. Adj.
Adjuster Kit	87 - 77	F128892	(H2909)	R.H.; GM; 15" Brake
Adjuster Kit	87 - 77	F59158	(H2903)	R.H.; Wagner; 15" Brake; Auto Adj.
Adjuster Kit	87 - 77	F128894S	(H2911)	R.H.; Wagner; 15" Brake; Man. Adj.
Adjuster Kit	87 - 77	F128895S	(H2912)	R.H.; Wagner; 16" Brake; Man. Adj.
Adjuster Screw	87 - 77	F128880S	(H1710)	L.H.; GM; 15" Brake
Adjuster Screw	87 - 77	F140823	(H1607)	L.H.; Wagner; 15" Brake
Adjuster Screw	87 - 77	F19291	(H1700)	L.H.; Wagner; 16" Brake
Adjuster Screw	87 - 77	F128881S	(H1711)	R.H.; GM; 15" Brake
Adjuster Screw	87 - 77	F140818	(H1606)	R.H.; Wagner; 15" Brake
Adjuster Screw	87 - 77	F19292	(H1701)	R.H.; Wagner; 16" Brake
Combi Kit	87 - 77	F140612	(H3008)	GM; 15" Brake
↳Hold Down Kit		F128928	(H4202)	
↳Return Spring Kit		F86408	(H552)	
Combi Kit	87 - 77	F117027	(H7171)	Wagner
↳Adjuster Spring Kit		F78727	(H451)	
↳Hold Down Kit		F19309	(H5079)	
↳Return Spring Kit		F98318	(H609)	

↳Sub-Kit of Combi-Kit is available separately.

C7D042 (cont.)

Brake Hardware (cont.)

<i>Rear Brake Hardware</i>	<i>Years</i>	<i>Sequential No.</i>	<i>Category No.</i>	<i>Qualifier</i>
Disc Align Kit	90 - 83	F112090S	(H5566)	Bendix; 2.88" 2-Piston Caliper
Disc Align Kit	90 - 83	F134105	(H5613)	Dayton; 2.50" 2-Piston Caliper

Calipers - Reman

<i>Front, Loaded</i>	<i>Years</i>	<i>Left No.</i>	<i>Right No.</i>	<i>Qualifier</i>	<i>Piston</i>
Loaded Caliper	90 - 83	AS120549	AS120549	Bendix; 2.88" 2-Piston Caliper	P
Loaded Caliper	90 - 83	AS120549S	AS120549S	Bendix; 2.88" 2-Piston Caliper	O
Loaded Caliper	90 - 88	AS98906A	AS98907A	Bendix; 3.38" 1-Piston Caliper	M
Loaded Caliper	90 - 83	AS134782	AS134782	Dayton; 2.50" 2-Piston Caliper	M

<i>Rear, Loaded</i>	<i>Years</i>	<i>Left No.</i>	<i>Right No.</i>	<i>Qualifier</i>	<i>Piston</i>
Loaded Caliper	90 - 83	AS120549	AS120549	Bendix; 2.88" 2-Piston Caliper	P
Loaded Caliper	90 - 83	AS120549S	AS120549S	Bendix; 2.88" 2-Piston Caliper	O
Loaded Caliper	90 - 83	AS134782	AS134782	Dayton; 2.50" 2-Piston Caliper	M

<i>Front, Unloaded</i>	<i>Years</i>	<i>Left No.</i>	<i>Right No.</i>	<i>Qualifier</i>	<i>Piston</i>
Unloaded Caliper	90 - 83	CR120549	CR120549	Bendix; 2.88" 2-Piston Caliper	P
Unloaded Caliper	90 - 83	CR120549S	CR120549S	Bendix; 2.88" 2-Piston Caliper	O
Unloaded Caliper	90 - 88	CR98906	CR98907	Bendix; 3.38" 1-Piston Caliper	M
Unloaded Caliper	90 - 83	CR134782	CR134782	Dayton; 2.50" 2-Piston Caliper	M

<i>Rear, Unloaded</i>	<i>Years</i>	<i>Left No.</i>	<i>Right No.</i>	<i>Qualifier</i>	<i>Piston</i>
Unloaded Caliper	90 - 83	CR120549	CR120549	Bendix; 2.88" 2-Piston Caliper	P
Unloaded Caliper	90 - 83	CR120549S	CR120549S	Bendix; 2.88" 2-Piston Caliper	O
Unloaded Caliper	90 - 83	CR134782	CR134782	Dayton; 2.50" 2-Piston Caliper	M

Hydraulics - New

<i>Master Cylinder</i>	<i>Years</i>	<i>Sequential No.</i>	<i>Category No.</i>	<i>Qualifier</i>
Master Cylinder	90 - 88	F116702	(MC116702)	80 Cubic Inch; 6-1/2" DIM from cntr piston to top fill cap
Master Cylinder	87	F116702	(MC116702)	80 Cubic Inch; 6-1/2" DIM
Master Cylinder	86 - 83	F116702	(MC116702)	Bendix; Plastic Reservoir

<i>Front Wheel Cylinder</i>	<i>Years</i>	<i>Sequential No.</i>	<i>Category No.</i>	<i>Qualifier</i>
Wheel Cylinder	87 - 77	F34401	(WC34401)	L.H.; 14 x 2-1/2" Brake
Wheel Cylinder	87 - 77	F8852	(WC8852)	L.H.; 15 x 3" Brake
Wheel Cylinder	87 - 77	F34402	(WC34402)	R.H.; 14 x 2-1/2" Brake
Wheel Cylinder	87 - 77	F8853	(WC8853)	R.H.; 15 x 3" Brake

<i>Rear Wheel Cylinder</i>	<i>Years</i>	<i>Sequential No.</i>	<i>Category No.</i>	<i>Qualifier</i>
Wheel Cylinder	87 - 77	F78744	(WC78744)	L.H.; 15 x 4" or 15 x 5" Brake
Wheel Cylinder	87 - 77	F78745	(WC78745)	R.H.; 15 x 4" or 15 x 5" Brake

<i>Front Brake Hose</i>	<i>Years</i>	<i>Sequential No.</i>	<i>Category No.</i>	<i>Qualifier</i>
Brake Hose	90 - 88	F118118	(BH118118)	5000 lb. FA
Brake Hose	90 - 83	F124054	(BH124054)	7000-12000 lb. FA; 1/8" ID; 22" Length

<i>Rear Brake Hose</i>	<i>Years</i>	<i>Sequential No.</i>	<i>Category No.</i>	<i>Qualifier</i>
Brake Hose	90 - 83	F102336	(BH102336)	Gas; 1/8" ID; 7/16" Nut; 24 Thread; 18" Length
Brake Hose	84 - 83	F103315	(BH103315)	Diesel; 1/8" ID; 7/16" Nut; 24 Thread; 24" Length
Brake Hose	84 - 83	F111947	(BH111947)	Gas; 1/8" ID; 7/16" Nut; 24 Thread; 25" Length

Hydraulics - Reman

<i>Power Brake Booster</i>	<i>Years</i>	<i>Part No.</i>	<i>Qualifier</i>
Power Brake Booster	87 - 77	529900	w/o Master Cylinder; Delco; Dual Power; Hydraulic Section
Power Brake Booster	87 - 77	5479900	w/o Master Cylinder; Delco; Dual Power; Vacuum Section; w/7" Rod
Power Brake Booster	87 - 83	529902	w/o Master Cylinder; Delco; Hy-Power; w/Serial No. 2823435; w/7" Pedal Rod
Power Brake Booster	83 - 77	518051	w/Master Cylinder; Hydro-Vac; w/15" Rear Brakes

C7D064

Brake Pads & Shoes

<i>Front Pads & Shoes</i>	<i>Years</i>	<i>SevereDuty</i>	<i>Lining No.</i>	<i>Qualifier</i>
Brake Pads	90 - 88	SD225		Bendix; 2.88" 2-Piston Caliper
Brake Pads	90 - 88	SD184		Bendix; 3.38" 1-Piston Caliper
Brake Pads	90 - 88	SD224		Dayton; 2.50" 2-Piston Caliper

Piston: M - OE Metal Piston P - OE Phenolic Piston O - Metal Piston Option

Brake Pads & Shoes (cont.)

Front Pads & Shoes	Years	SevereDuty	Lining No.	Qualifier
Brake Pads	87 - 83	SD225A		Bendix; 2.88" 2-Piston Caliper; H/D; Serial No. 4150868
Brake Pads	87 - 83	SD225		Bendix; 2.88" 2-Piston Caliper; L/D; Serial No. 4151244 or 3368188
Brake Pads	87 - 83	SD224		Dayton; 2.50" 2-Piston Caliper; Serial No. 60450388
Brake Shoes	90 - 77	4524Q	4524B	w/Air Brakes; Rockwell/Meritor; Q-Series; 16-1/2 x 5
Brake Shoes	90 - 77	4514Q	4514G	w/Air Brakes; Rockwell/Meritor; Q-Series; 16-1/2 x 6
Brake Shoes	90 - 77	1307T	1307	w/Air Brakes; Rockwell/Meritor; T-Series; 15 x 3-1/2
Brake Shoes	90 - 77	1308T	1308T	w/Air Brakes; Rockwell/Meritor; T-Series; 15 x 4
Brake Shoes	87 - 77	SDS299R	EX2039D-S32	Hyd. Brakes; Auto Adj.; 14 x 2-1/2
Brake Shoes	87 - 77	SDS321R	EX1245AD-S32	Hyd. Brakes; Auto Adj.; 15 x 3
Brake Shoes	87 - 77	SDS322R	EX1280BD-S32	Hyd. Brakes; Auto Adj.; 15 x 3-1/2
Brake Shoes	87 - 77	SDS235R	EX1245AD-S32	Hyd. Brakes; Man. Adj.; 15 x 3
Brake Shoes	87 - 77	SDS463R	EX1280D-S32	Hyd. Brakes; Man. Adj.; 15 x 3-1/2
Rear Pads & Shoes	Years	SevereDuty	Lining No.	Qualifier
Brake Pads	90 - 88	SD225		Bendix; 2.88" 2-Piston Caliper
Brake Pads	90 - 88	SD224		Dayton; 2.50" 2-Piston Caliper
Brake Pads	87 - 83	SD225A		Bendix; 2.88" 2-Piston Caliper H/D; Serial No. 3366615 or 4150868
Brake Pads	87 - 83	SD225		Bendix; 2.88" 2-Piston Caliper L/D; Serial No. 4151244 or 3368188
Brake Pads	87 - 83	SD224		Dayton; 2.50" 2-Piston Caliper; Serial No. 60450394 or 60050185 or 60450410
Brake Shoes	90 - 77	4311E	4311J	w/Air Brakes; Eaton/Spicer; 16-1/2 x 7
Brake Shoes	90 - 77	4515P	4515E	w/Air Brakes; Rockwell/Meritor; P-Series; 16-1/2 x 7
Brake Shoes	90 - 77	4524Q	4524B	w/Air Brakes; Rockwell/Meritor; Q-Series; 16-1/2 x 5
Brake Shoes	90 - 77	4514Q	4514G	w/Air Brakes; Rockwell/Meritor; Q-Series; 16-1/2 x 6
Brake Shoes	90 - 77	4515Q	4515E	w/Air Brakes; Rockwell/Meritor; Q-Series; 16-1/2 x 7
Brake Shoes	87 - 77	SDS427R	EX4640D	Hyd. Brakes; 15 x 4
Brake Shoes	87 - 77	SDS442R	EX4639D-S32	Hyd. Brakes; 15 x 5
Brake Shoes	87 - 77	SDS381R	EX4596D-S32	Hyd. Brakes; 15 x 6
Brake Shoes	87 - 77	SDS383R	EX4597D-S32	Hyd. Brakes; 15 x 7
Brake Shoes	87 - 77	SDS386R	EX1255D-S32	Hyd. Brakes; 16 x 6
Parking Brake Shoes	Years	SevereDuty	Lining No.	Qualifier
Brake Shoes	90 - 77	SDS449R	EX2159TD	11 x 2
Brake Shoes	90 - 88	SDS692	EX2079D-S32	12 x 3
Brake Shoes	90 - 77	SDS647	EX2086D	9 x 3

Rotor & Drum

Front Rotor & Drum	Years	Part No.	Qualifier
Brake Rotor	90 - 83	BD125115	5000 lb. FA; Hat-Shaped; 5-Hole Rotor; Dayton
Brake Rotor	90 - 83	BD125089	5000 lb. FA; Hat-Shaped; 6-Hole Rotor; Dayton
Brake Rotor	90 - 83	BD125359	7000 lb. FA; Hat-Shaped; 5-Hole Rotor; Budd
Brake Rotor	90 - 83	BD125088	7000 lb. FA; Hat-Shaped; 5-Hole Rotor; Dayton or Gunite
Brake Rotor	90 - 83	BD125357	7000 lb. FA; Hat-Shaped; 6-Hole Rotor; Budd
Brake Rotor	90 - 83	BD125358	7000 lb. FA; Hat-Shaped; 6-Hole Rotor; Dayton
Brake Rotor	90 - 83	BD125090	8100-12000 lb. FA; Hat-Shaped; 10-Hole Rotor; Dayton or Gunite
Rear Rotor & Drum	Years	Part No.	Qualifier
Brake Rotor	90 - 83	BD125090	34000 lb. TRA; Hat-Shaped; 10-Hole Rotor
Brake Rotor	90 - 83	BD125338	38000-44000 lb. TRA; U-Shaped; 10-Hole Rotor

Brake Hardware

Front Brake Hardware	Years	Sequential No.	Category No.	Qualifier
Adjuster Kit	87 - 77	F128889	(H2906)	L.H.; GM; 14" Brake
Adjuster Kit	87 - 77	F140819	(H2714)	L.H.; Wagner; Auto Adj.
Adjuster Kit	87 - 77	F128990	(H2929)	L.H.; Wagner; Man. Adj.
Adjuster Kit	87 - 77	F128890	(H2907)	R.H.; GM; 14" Brake
Adjuster Kit	87 - 77	F140820	(H2715)	R.H.; Wagner; Auto Adj.
Adjuster Kit	87 - 77	F128990	(H2929)	R.H.; Wagner; Man. Adj.

↳ Sub-Kit of Combi-Kit is available separately.

C7D064 (cont.)

Brake Hardware (cont.)

Front Brake Hardware	Years	Sequential No.	Category No.	Qualifier
Combi Kit	87 - 77	F117009	(H7177)	GM; 14" Brake
↳Adjuster Spring Kit		F73145S	(H425)	
↳Return Spring Kit		F73143	(H601)	
Combi Kit	87 - 77	F117025	(H7173)	Wagner; 15" Brake; Auto Adj.
↳Hold Down Kit		F73399	(H4201)	
↳Return Spring Kit		F36445	(H521)	
Combi Kit	87 - 77	F117026	(H7172)	Wagner; 15" Brake; Man. Adj.
↳Hold Down Kit		F19408	(H4200)	
↳Return Spring Kit		F36445	(H521)	
Disc Align Kit	90 - 83	F112090S	(H5566)	Bendix; 2.88" 2-Piston Caliper
Disc Align Kit	90 - 88	F107401S	(H5562)	Bendix; 3.38" 1-Piston Caliper
Disc Align Kit	90 - 83	F134105	(H5613)	Dayton; 2.50" 2-Piston Caliper

Rear Brake Hardware

Years	Sequential No.	Category No.	Qualifier	
87 - 77	F128891	(H2908)	L.H.; GM; 15" Brake	
87 - 77	F59157	(H2902)	L.H.; Wagner; 15" Brake; Auto Adj.	
87 - 77	F128894S	(H2911)	L.H.; Wagner; 15" Brake; Man. Adj.	
87 - 77	F128895S	(H2912)	L.H.; Wagner; 16" Brake; Man. Adj.	
87 - 77	F128892	(H2909)	R.H.; GM; 15" Brake	
87 - 77	F59158	(H2903)	R.H.; Wagner; 15" Brake; Auto Adj.	
87 - 77	F128894S	(H2911)	R.H.; Wagner; 15" Brake; Man. Adj.	
87 - 77	F128895S	(H2912)	R.H.; Wagner; 16" Brake; Man. Adj.	
87 - 77	F128880S	(H1710)	L.H.; GM; 15" Brake	
87 - 77	F140823	(H1607)	L.H.; Wagner; 15" Brake	
87 - 77	F19291	(H1700)	L.H.; Wagner; 16" Brake	
87 - 77	F128881S	(H1711)	R.H.; GM; 15" Brake	
87 - 77	F140818	(H1606)	R.H.; Wagner; 15" Brake	
87 - 77	F19292	(H1701)	R.H.; Wagner; 16" Brake	
87 - 77	F140612	(H3008)	GM; 15" Brake	
↳Hold Down Kit		F128928	(H4202)	
↳Return Spring Kit		F86408	(H552)	
Combi Kit	87 - 77	F117027	(H7171)	Wagner
↳Adjuster Spring Kit		F78727	(H451)	
↳Hold Down Kit		F19309	(H5079)	
↳Return Spring Kit		F98318	(H609)	
Disc Align Kit	90 - 83	F112090S	(H5566)	Bendix; 2.88" 2-Piston Caliper
Disc Align Kit	90 - 83	F134105	(H5613)	Dayton; 2.50" 2-Piston Caliper

Calipers - Reman

Front, Loaded	Years	Left No.	Right No.	Qualifier	Piston
Loaded Caliper	90 - 83	AS120549	AS120549	Bendix; 2.88" 2-Piston Caliper	P
Loaded Caliper	90 - 83	AS120549S	AS120549S	Bendix; 2.88" 2-Piston Caliper	O
Loaded Caliper	90 - 88	AS98906A	AS98907A	Bendix; 3.38" 1-Piston Caliper	M
Loaded Caliper	90 - 83	AS134782	AS134782	Dayton; 2.50" 2-Piston Caliper	M
Rear, Loaded	Years	Left No.	Right No.	Qualifier	Piston
Loaded Caliper	90 - 83	AS120549	AS120549	Bendix; 2.88" 2-Piston Caliper	P
Loaded Caliper	90 - 83	AS120549S	AS120549S	Bendix; 2.88" 2-Piston Caliper	O
Loaded Caliper	90 - 83	AS134782	AS134782	Dayton; 2.50" 2-Piston Caliper	M
Front, Unloaded	Years	Left No.	Right No.	Qualifier	Piston
Unloaded Caliper	90 - 83	CR120549	CR120549	Bendix; 2.88" 2-Piston Caliper	P
Unloaded Caliper	90 - 83	CR120549S	CR120549S	Bendix; 2.88" 2-Piston Caliper	O
Unloaded Caliper	90 - 88	CR98906	CR98907	Bendix; 3.38" 1-Piston Caliper	M
Unloaded Caliper	90 - 83	CR134782	CR134782	Dayton; 2.50" 2-Piston Caliper	M
Rear, Unloaded	Years	Left No.	Right No.	Qualifier	Piston
Unloaded Caliper	90 - 83	CR120549	CR120549	Bendix; 2.88" 2-Piston Caliper	P
Unloaded Caliper	90 - 83	CR120549S	CR120549S	Bendix; 2.88" 2-Piston Caliper	O

↳Sub-Kit of Combi-Kit is available separately.

Piston: M - OE Metal Piston P - OE Phenolic Piston O - Metal Piston Option

C7D064 (cont.)
Calipers - Reman (cont.)

<i>Rear, Unloaded</i>	<i>Years</i>	<i>Left No.</i>	<i>Right No.</i>	<i>Qualifier</i>	<i>Piston</i>
Unloaded Caliper	90 - 83	CR134782	CR134782	Dayton; 2.50" 2-Piston Caliper	M

Hydraulics - New

<i>Master Cylinder</i>	<i>Years</i>	<i>Sequential No.</i>	<i>Category No.</i>	<i>Qualifier</i>
Master Cylinder	90 - 88	F116702	(MC116702)	80 Cubic Inch; 6-1/2" DIM from cntr piston to top fill cap
Master Cylinder	87	F116702	(MC116702)	80 Cubic Inch; 6-1/2" DIM
Master Cylinder	86 - 83	F116702	(MC116702)	Bendix; Plastic Reservoir
Master Cylinder	86 - 83	F100558	(MC100558)	Wagner; Cast Iron Reservoir
<i>Front Wheel Cylinder</i>	<i>Years</i>	<i>Sequential No.</i>	<i>Category No.</i>	<i>Qualifier</i>
Wheel Cylinder	87 - 77	F34401	(WC34401)	L.H.; 14 x 2-1/2" Brake
Wheel Cylinder	87 - 77	F8852	(WC8852)	L.H.; 15 x 3" Brake
Wheel Cylinder	87 - 77	F34402	(WC34402)	R.H.; 14 x 2-1/2" Brake
Wheel Cylinder	87 - 77	F8853	(WC8853)	R.H.; 15 x 3" Brake
<i>Rear Wheel Cylinder</i>	<i>Years</i>	<i>Sequential No.</i>	<i>Category No.</i>	<i>Qualifier</i>
Wheel Cylinder	87 - 77	F78744	(WC78744)	L.H.; 15 x 4" or 15 x 5" Brake
Wheel Cylinder	87 - 77	F78745	(WC78745)	R.H.; 15 x 4" or 15 x 5" Brake
<i>Front Brake Hose</i>	<i>Years</i>	<i>Sequential No.</i>	<i>Category No.</i>	<i>Qualifier</i>
Brake Hose	90 - 85	F124054	(BH124054)	7000-12000 lb. FA; 1/8" ID; 22" Length
Brake Hose	84 - 83	F106646	(BH106646)	7000-12000 lb. FA; 1/8" ID; 7" Length
<i>Rear Brake Hose</i>	<i>Years</i>	<i>Sequential No.</i>	<i>Category No.</i>	<i>Qualifier</i>
Brake Hose	90 - 84	F102336	(BH102336)	Gas; 1/8" ID; 7/16" Nut; 24 Thread; 18" Length
Brake Hose	84	F103315	(BH103315)	Diesel; 1/8" ID; 7/16" Nut; 24 Thread; 24" Length
Brake Hose	84	F111947	(BH111947)	Gas; 1/8" ID; 7/16" Nut; 24 Thread; 25" Length
Brake Hose	83	F71305	(BH71305)	Diesel; 3/16" ID; 7/16" Nut; 20/24 Thread; 17" Length
Brake Hose	83	F71305	(BH71305)	Gas; 3/16" ID; 7/16" Nut; 20/24 Thread; 17" Length

Hydraulics - Reman

<i>Power Brake Booster</i>	<i>Years</i>	<i>Part No.</i>	<i>Qualifier</i>
Power Brake Booster	87 - 77	529900	w/o Master Cylinder; Delco; Dual Power; Hydraulic Section
Power Brake Booster	87 - 77	5479900	w/o Master Cylinder; Delco; Dual Power; Vacuum Section; w/7" Rod
Power Brake Booster	87 - 83	529902	w/o Master Cylinder; Delco; Hy-Power; w/Serial No. 2823435; w/7" Pedal Rod
Power Brake Booster	83 - 77	518008	w/Master Cylinder; Hydro-Vac; Diesel; w/Serial No. 2512064
Power Brake Booster	83 - 77	518009	w/Master Cylinder; Hydro-Vac; Gas; w/Serial No. 2504305 or 2505479 or 2510400 or 2510401 or 2513811 or 2513812 or 2513812
Power Brake Booster	83 - 77	518051	w/Master Cylinder; Hydro-Vac; w/15" Rear Brakes

CHEVROLET MD C-Series Kodiak
C4500
Brake Pads & Shoes

<i>Front Pads & Shoes</i>	<i>Years</i>	<i>SevereDuty</i>	<i>Lining No.</i>	<i>Qualifier</i>
Brake Pads	07 - 03	SD1010		6250 lb. FA; TRW; 2.36" 2 Piston Caliper
Brake Pads	07 - 03	SD1010		6250 lb. FA; TRW; 2.60" 2 Piston Caliper
Brake Pads	07 - 03	SD1032		7000-8000 lb. FA; Dayton; 2.52" 4-Piston Caliper
Brake Pads	07 - 03	SD1032		7000-8000 lb. FA; Dayton; 2.75" 4-Piston Caliper
<i>Rear Pads & Shoes</i>	<i>Years</i>	<i>SevereDuty</i>	<i>Lining No.</i>	<i>Qualifier</i>
Brake Pads	07 - 03	SD1010		11000-13000 lb. RA; TRW; 2.36" 2-Piston Caliper; 5-Hole Rotor; w/o Parking Brake
Brake Pads	07 - 03	SD1064		11000-13000 lb. RA; TRW; 2.60" 2-Piston Caliper; 10-Hole Rotor; w/Parking Brake
Brake Pads	07 - 03	SD1010		11000-13000 lb. RA; TRW; 2.60" 2-Piston Caliper; 5-Hole Rotor; w/o Parking Brake
<i>Parking Brake Shoes</i>	<i>Years</i>	<i>SevereDuty</i>	<i>Lining No.</i>	<i>Qualifier</i>
Brake Shoes	07 - 03	SDS647	EX2086D	9 x 3

Rotor & Drum

<i>Front Rotor & Drum</i>	<i>Years</i>	<i>Part No.</i>	<i>Qualifier</i>
Brake Rotor	07 - 03	BD126365	6250 lb. FA; Hat-Shaped; 5-Hole Rotor; w/o Hub
Brake Rotor	07 - 03	BD126365	7000 lb. FA; Hat-Shaped; 5-Hole Rotor; 2WD; w/o Hub

Piston: M - OE Metal Piston P - OE Phenolic Piston

C4500 (cont.)

Rotor & Drum (cont.)

<i>Rear Rotor & Drum</i>	<i>Years</i>	<i>Part No.</i>	<i>Qualifier</i>
Brake Rotor	07 - 03	BD126365	11000 lb. RA; Hat-Shaped; 10-Hole Rotor; w/Hub
Brake Rotor	07 - 03	BD126365	13000 lb. RA; Hat-Shaped; 10-Hole Rotor; w/o Parking Brake; w/o Hub
Brake Rotor	07 - 03	BD126369	13000 lb. RA; Hat-Shaped; 10-Hole Rotor; w/Parking Brake; w/Hub

Brake Hardware

<i>Front Brake Hardware</i>	<i>Years</i>	<i>Sequential No.</i>	<i>Category No.</i>	<i>Qualifier</i>
Disc Align Kit	07 - 03	F140770	(H5711)	6250 lb. FA; TRW; 2.36" 2 Piston Caliper
Disc Align Kit	07 - 03	F140770	(H5711)	6250 lb. FA; TRW; 2.60" 2 Piston Caliper
Disc Align Kit	07 - 03	F140771	(H5712)	7000-8000 lb. FA; Dayton; 2.52" 4-Piston Caliper
Disc Align Kit	07 - 03	F140630	(H3026)	7000-8000 lb. FA; Dayton; 2.75" 4-Piston Caliper

<i>Rear Brake Hardware</i>	<i>Years</i>	<i>Sequential No.</i>	<i>Category No.</i>	<i>Qualifier</i>
Disc Align Kit	07 - 03	F140770	(H5711)	11000-13000 lb. RA; TRW; 2.36" 2-Piston Caliper
Disc Align Kit	07 - 03	F140770	(H5711)	11000-13000 lb. RA; TRW; 2.60" 2-Piston Caliper

Calipers - Reman

<i>Front, Loaded</i>	<i>Years</i>	<i>Left No.</i>	<i>Right No.</i>	<i>Qualifier</i>	<i>Piston</i>
Loaded Caliper	07 - 03	AS135212	AS135212	6250 lb. FA; TRW; 2.36" 2 Piston Caliper; Serial No. 135743	M
Loaded Caliper	07 - 03	AS135214	AS135214	6250 lb. FA; TRW; 2.60" 2 Piston Caliper; Serial No. 135607	M
Loaded Caliper	07 - 03	AS134821A	AS134820A	7000-8000 lb. FA; Dayton; 2.52" 4-Piston Caliper; Serial No. 602F / 604F	M
Loaded Caliper	07 - 03	AS134580A	AS134581A	7000-8000 lb. FA; Dayton; 2.75" 4-Piston Caliper; Serial No. 581F / 583F	M
Loaded Caliper	07 - 03	AS134818A	AS134819A	7000-8000 lb. FA; Dayton; 2.75" 4-Piston Caliper; Serial No. 595F / 597F	M

<i>Rear, Loaded</i>	<i>Years</i>	<i>Left No.</i>	<i>Right No.</i>	<i>Qualifier</i>	<i>Piston</i>
Loaded Caliper	07 - 03	AS135212	AS135212	11000-13000 lb. RA; TRW; 2.36" 2-Piston Caliper; 5-Hole Rotor; w/o Parking Brake; Serial No. 135743	M
Loaded Caliper	07 - 03	AS135216	AS135216	11000-13000 lb. RA; TRW; 2.60" 2-Piston Caliper; 10-Hole Rotor; w/Parking Brake	M
Loaded Caliper	07 - 03	AS135214	AS135214	11000-13000 lb. RA; TRW; 2.60" 2-Piston Caliper; 5-Hole Rotor; w/o Parking Brake; Serial No. 135607	M

<i>Front, Unloaded</i>	<i>Years</i>	<i>Left No.</i>	<i>Right No.</i>	<i>Qualifier</i>	<i>Piston</i>
Unloaded Caliper	07 - 03	CR135212	CR135212	6250 lb. FA; TRW; 2.36" 2 Piston Caliper; Serial No. 135743	M
Unloaded Caliper	07 - 03	CR135214	CR135214	6250 lb. FA; TRW; 2.60" 2 Piston Caliper; Serial No. 135607	M
Unloaded Caliper	07 - 03	CR134821	CR134820	7000-8000 lb. FA; Dayton; 2.52" 4-Piston Caliper; Serial No. 602F / 604F	M
Unloaded Caliper	07 - 03	CR134580	CR134581	7000-8000 lb. FA; Dayton; 2.75" 4-Piston Caliper; Serial No. 581F / 583F	M
Unloaded Caliper	07 - 03	CR134818	CR134819	7000-8000 lb. FA; Dayton; 2.75" 4-Piston Caliper; Serial No. 595F / 597F	M

<i>Rear, Unloaded</i>	<i>Years</i>	<i>Left No.</i>	<i>Right No.</i>	<i>Qualifier</i>	<i>Piston</i>
Unloaded Caliper	07 - 03	CR135212	CR135212	11000-13000 lb. RA; TRW; 2.36" 2-Piston Caliper; 5-Hole Rotor; w/o Parking Brake; Serial No. 135743	M
Unloaded Caliper	07 - 03	CR135216	CR135216	11000-13000 lb. RA; TRW; 2.60" 2-Piston Caliper; 10-Hole Rotor; w/Parking Brake	M
Unloaded Caliper	07 - 03	CR135214	CR135214	11000-13000 lb. RA; TRW; 2.60" 2-Piston Caliper; 5-Hole Rotor; w/o Parking Brake; Serial No. 135607	M

C5500

Brake Pads & Shoes

<i>Front Pads & Shoes</i>	<i>Years</i>	<i>SevereDuty</i>	<i>Lining No.</i>	<i>Qualifier</i>
Brake Pads	07 - 03	SD1010		6250 lb. FA; TRW; 2.36" 2-Piston Caliper
Brake Pads	07 - 03	SD1010		6250 lb. FA; TRW; 2.60" 2-Piston Caliper
Brake Pads	07 - 03	SD1032		7000-8000 lb. FA; Dayton; 2.52" 4-Piston Caliper
Brake Pads	07 - 03	SD1032		7000-8000 lb. FA; Dayton; 2.75" 4-Piston Caliper

<i>Rear Pads & Shoes</i>	<i>Years</i>	<i>SevereDuty</i>	<i>Lining No.</i>	<i>Qualifier</i>
Brake Pads	07 - 03	SD1010		11000-13000 lb. RA; TRW; 2.36" 2-Piston Caliper; 5-Hole Rotor; w/o Parking Brake
Brake Pads	07 - 03	SD1064		11000-13000 lb. RA; TRW; 2.60" 2-Piston Caliper; 10-Hole Rotor; w/Parking Brake
Brake Pads	07 - 03	SD1010		11000-13000 lb. RA; TRW; 2.60" 2-Piston Caliper; 5-Hole Rotor; w/o Parking Brake
Brake Pads	07 - 03	SD1032		15000-19000 lb. RA; Dayton; 2.52" 4-Piston Caliper
Brake Pads	07 - 03	SD1032		15000-19000 lb. RA; Dayton; 2.75" 4-Piston Caliper

<i>Parking Brake Shoes</i>	<i>Years</i>	<i>SevereDuty</i>	<i>Lining No.</i>	<i>Qualifier</i>
Brake Shoes	07 - 03	SDS647	EX2086D	9 x 3

Piston: M - OE Metal Piston P - OE Phenolic Piston

Rotor & Drum

Front Rotor & Drum	Years	Part No.	Qualifier
Brake Rotor	07 - 03	BD126365	6250 lb. FA; Hat-Shaped; 5-Hole Rotor; w/Hub
Brake Rotor	07 - 03	BD126365	7000 lb. FA; Hat-Shaped; 5-Hole Rotor; 2WD; w/o Hub
Brake Rotor	07 - 03	BD126363	8000 lb. FA; Hat-Shaped; w/Hub

Rear Rotor & Drum	Years	Part No.	Qualifier
Brake Rotor	07 - 06	BD126365	13000 lb. RA; Hat-Shaped; 10-Hole Rotor; Dual Reduction; w/o Parking Brake; w/Hub
Brake Rotor	07 - 06	BD126369	13000 lb. RA; Hat-Shaped; 10-Hole Rotor; Dual Reduction; w/Parking Brake; w/o Hub; w/ABS Ring
Brake Rotor	07 - 06	BD126363	13000 lb. RA; Hat-Shaped; 10-Hole Rotor; Single Reduction; w/Hub
Brake Rotor	07 - 06	BD126363	19000 lb. RA; Hat-Shaped; 10-Hole Rotor; Single Reduction; w/Hub
Brake Rotor	05 - 03	BD126365	13000 lb. RA; Hat-Shaped; 10-Hole Rotor; w/o Parking Brake; w/Hub
Brake Rotor	05 - 03	BD126369	13000 lb. RA; Hat-Shaped; 10-Hole Rotor; w/Parking Brake; w/o Hub; w/ABS Ring
Brake Rotor	05 - 03	BD126363	15000-19000 lb. RA; Hat-Shaped; 10-Hole Rotor; w/Hub

Brake Hardware

Front Brake Hardware	Years	Sequential No.	Category No.	Qualifier
Disc Align Kit	07 - 03	F140770	(H5711)	6250 lb. FA; TRW; 2.36" 2-Piston Caliper
Disc Align Kit	07 - 03	F140770	(H5711)	6250 lb. FA; TRW; 2.60" 2-Piston Caliper
Disc Align Kit	07 - 03	F140771	(H5712)	7000-8000 lb. FA; Dayton; 2.52" 4-Piston Caliper
Disc Align Kit	07 - 03	F140630	(H3026)	7000-8000 lb. FA; Dayton; 2.75" 4-Piston Caliper

Rear Brake Hardware	Years	Sequential No.	Category No.	Qualifier
Disc Align Kit	07 - 03	F140770	(H5711)	11000-13000 lb. RA; TRW; 2.36" 2-Piston Caliper
Disc Align Kit	07 - 03	F140770	(H5711)	11000-13000 lb. RA; TRW; 2.60" 2-Piston Caliper
Disc Align Kit	07 - 03	F140771	(H5712)	15000-19000 lb. RA; Dayton; 2.52" 4-Piston Caliper
Disc Align Kit	07 - 03	F140630	(H3026)	15000-19000 lb. RA; Dayton; 2.75" 4-Piston Caliper

Calipers - Reman

Front, Loaded	Years	Left No.	Right No.	Qualifier	Piston
Loaded Caliper	07 - 03	AS135212	AS135212	6250 lb. FA; TRW; 2.36" 2-Piston Caliper; Serial No. 135743	M
Loaded Caliper	07 - 03	AS135214	AS135214	6250 lb. FA; TRW; 2.60" 2-Piston Caliper; Serial No. 135607	M
Loaded Caliper	07 - 03	AS134821A	AS134820A	7000-8000 lb. FA; Dayton; 2.52" 4-Piston Caliper; Serial No. 602F / 604F	M
Loaded Caliper	07 - 03	AS134580A	AS134581A	7000-8000 lb. FA; Dayton; 2.75" 4-Piston Caliper; Serial No. 581F / 583F	M
Loaded Caliper	07 - 03	AS134818A	AS134819A	7000-8000 lb. FA; Dayton; 2.75" 4-Piston Caliper; Serial No. 595F / 597F	M

Rear, Loaded	Years	Left No.	Right No.	Qualifier	Piston
Loaded Caliper	07 - 03	AS135212	AS135212	11000-13000 lb. RA; TRW; 2.36" 2-Piston Caliper; 5-Hole Rotor; w/o Parking Brake; Serial No. 135743	M
Loaded Caliper	07 - 03	AS135216	AS135216	11000-13000 lb. RA; TRW; 2.60" 2-Piston Caliper; 10-Hole Rotor; w/Parking Brake	M
Loaded Caliper	07 - 03	AS135214	AS135214	11000-13000 lb. RA; TRW; 2.60" 2-Piston Caliper; 5-Hole Rotor; w/o Parking Brake; Serial No. 135607	M
Loaded Caliper	07 - 03	AS134821A	AS134820A	15000-19000 lb. RA; Dayton; 2.52" 4-Piston Caliper; Serial No. 602F / 604F	M
Loaded Caliper	07 - 03	AS134580A	AS134581A	15000-19000 lb. RA; Dayton; 2.75" 4-Piston Caliper; Serial No. 581F / 583F	M
Loaded Caliper	07 - 03	AS134818A	AS134819A	15000-19000 lb. RA; Dayton; 2.75" 4-Piston Caliper; Serial No. 595F / 597F	M

Front, Unloaded	Years	Left No.	Right No.	Qualifier	Piston
Unloaded Caliper	07 - 03	CR135212	CR135212	6250 lb. FA; TRW; 2.36" 2-Piston Caliper; Serial No. 135743	M
Unloaded Caliper	07 - 03	CR135214	CR135214	6250 lb. FA; TRW; 2.60" 2-Piston Caliper; Serial No. 135607	M
Unloaded Caliper	07 - 03	CR134821	CR134820	7000-8000 lb. FA; Dayton; 2.52" 4-Piston Caliper; Serial No. 602F / 604F	M
Unloaded Caliper	07 - 03	CR134580	CR134581	7000-8000 lb. FA; Dayton; 2.75" 4-Piston Caliper; Serial No. 581F / 583F	M
Unloaded Caliper	07 - 03	CR134818	CR134819	7000-8000 lb. FA; Dayton; 2.75" 4-Piston Caliper; Serial No. 595F / 597F	M

Rear, Unloaded	Years	Left No.	Right No.	Qualifier	Piston
Unloaded Caliper	07 - 03	CR135212	CR135212	11000-13000 lb. RA; TRW; 2.36" 2-Piston Caliper; 5-Hole Rotor; w/o Parking Brake; Serial No. 135743	M
Unloaded Caliper	07 - 03	CR135216	CR135216	11000-13000 lb. RA; TRW; 2.60" 2-Piston Caliper; 10-Hole Rotor; w/Parking Brake	M
Unloaded Caliper	07 - 03	CR135214	CR135214	11000-13000 lb. RA; TRW; 2.60" 2-Piston Caliper; 5-Hole Rotor; w/o Parking Brake; Serial No. 135607	M
Unloaded Caliper	07 - 03	CR134821	CR134820	15000-19000 lb. RA; Dayton; 2.52" 4-Piston Caliper; Serial No. 602F / 604F	M
Unloaded Caliper	07 - 03	CR134580	CR134581	15000-19000 lb. RA; Dayton; 2.75" 4-Piston Caliper; Serial No. 581F / 583F	M
Unloaded Caliper	07 - 03	CR134818	CR134819	15000-19000 lb. RA; Dayton; 2.75" 4-Piston Caliper; Serial No. 595F / 597F	M

Piston: M - OE Metal Piston P - OE Phenolic Piston



C5H042

Brake Pads & Shoes

Front Pads & Shoes	Years	SevereDuty	Lining No.	Qualifier
Brake Pads	02 - 99	SD225B		Bendix; 2.88" 2-Piston Caliper; 11000-12000 lb. FA
Brake Pads	02 - 99	SD224		Dayton; 2.50" 2-Piston Caliper; 8100 lb. FA
Brake Pads	98 - 90	SD225A		Bendix; 2.88" 2-Piston Caliper
Brake Pads	98 - 90	SD224		Dayton; 2.50" 2-Piston Caliper

Rear Pads & Shoes	Years	SevereDuty	Lining No.	Qualifier
Brake Pads	02 - 97	SD225B		Bendix; 2.88" 2-Piston Caliper; 19000 lb. RA
Brake Pads	02 - 97	SD224		Dayton; 2.50" 2-Piston Caliper; 15000 lb. RA
Brake Pads	02 - 97	SD769		Dayton; 2.52" 4-Piston Caliper; w/o Wear Sensor
Brake Pads	02	SD1032		Dayton; 2.52" 4-Piston Caliper; w/Wear Sensor
Brake Pads	02 - 97	SD769		Dayton; 2.75" 4-Piston Caliper; w/o Wear Sensor
Brake Pads	02	SD1032		Dayton; 2.75" 4-Piston Caliper; w/Wear Sensor
Brake Pads	96 - 90	SD225A		Bendix; 2.88" 2-Piston Caliper
Brake Pads	96 - 90	SD224		Dayton; 2.50" 2-Piston Caliper
Brake Pads	96 - 95	SD769		Dayton; 2.52" 4-Piston Caliper
Brake Pads	96 - 95	SD769		Dayton; 2.75" 4-Piston Caliper

Parking Brake Shoes	Years	SevereDuty	Lining No.	Qualifier
Brake Shoes	02 - 97	SDS647	EX2086D	Driveline Config.; 9 x 3
Brake Shoes	02 - 97	SDS824R	EX1556D	w/MT; 12 x 3
Brake Shoes	96 - 90	SDS824R	EX1556D	12 x 3
Brake Shoes	96 - 90	SDS647	EX2086D	9 x 3

Rotor & Drum

Front Rotor & Drum	Years	Part No.	Qualifier
Brake Rotor	02 - 97	BD125088	8100 lb. FA; Hat-Shaped; 5-Hole Rotor
Brake Rotor	96 - 90	BD125090	11000-12000 lb. FA; Hat-Shaped; 10-Hole Rotor
Brake Rotor	96 - 90	BD125088	8100 lb. FA; Hat-Shaped; 5-Hole Rotor; Dayton

Rear Rotor & Drum	Years	Part No.	Qualifier
Brake Rotor	02 - 97	BD125665	15000 lb. RA; Hat-Shaped; 10-Hole Rotor; w/o ABS
Brake Rotor	02 - 97	BD125088	15000 lb. RA; Hat-Shaped; 5-Hole Rotor; w/ABS
Brake Rotor	02 - 97	BD125339	16000-19000 lb. RA; Hat-Shaped; 10-Hole Rotor; w/ABS; w/2-Piston Caliper
Brake Rotor	02 - 97	BD125488	16000-19000 lb. RA; Hat-Shaped; 10-Hole Rotor; w/ABS; w/2-Piston Caliper; w/Special Pads
Brake Rotor	02 - 97	BD125339	16000-19000 lb. RA; Hat-Shaped; 10-Hole Rotor; w/o ABS
Brake Rotor	02 - 97	BD125668	16000-19000 lb. RA; Hat-Shaped; 10-Hole Rotor; w/o ABS; w/2-Piston Caliper
Brake Rotor	02 - 97	BD125666	16000-19000 lb. RA; Hat-Shaped; 10-Hole Rotor; w/o ABS; w/4-Piston Caliper
Brake Rotor	02 - 97	BD125487	21000-23000 lb. RA; Hat-Shaped; 10-Hole Rotor
Brake Rotor	02 - 97	BD125667	21000-23000 lb. RA; U-Shaped; 10-Hole Rotor; w/o ABS
Brake Rotor	96 - 90	BD125088	15000 lb. RA; Hat-Shaped; 5-Hole Rotor
Brake Rotor	96 - 90	BD125339	16000-19000 lb. RA; Hat-Shaped; 10-Hole Rotor; w/ABS
Brake Rotor	96 - 90	BD125090	16000-19000 lb. RA; Hat-Shaped; 10-Hole Rotor; w/o ABS
Brake Rotor	96 - 90	BD125487	21000-23000 lb. RA; Hat-Shaped; 10-Hole Rotor; w/ABS
Brake Rotor	96 - 90	BD125338	21000-23000 lb. RA; U-Shaped; 10-Hole Rotor; w/o ABS

Brake Hardware

Front Brake Hardware	Years	Sequential No.	Category No.	Qualifier
Disc Align Kit	02 - 90	F112090S	(H5566)	Bendix; 2.88" 2-Piston Caliper
Disc Align Kit	02 - 90	F134105	(H5613)	Dayton; 2.50" 2-Piston Caliper

Rear Brake Hardware	Years	Sequential No.	Category No.	Qualifier
Disc Align Kit	02 - 90	F112090S	(H5566)	Bendix; 2.88" 2-Piston Caliper
Disc Align Kit	02 - 90	F134105	(H5613)	Dayton; 2.50" 2-Piston Caliper
Disc Align Kit	02 - 95	F140771	(H5712)	Dayton; 2.52" 4-Piston Caliper
Disc Align Kit	02 - 95	F140630	(H3026)	Dayton; 2.75" 4-Piston Caliper

Calipers - Reman

Front, Loaded	Years	Left No.	Right No.	Qualifier	Piston
Loaded Caliper	02 - 90	AS120549	AS120549	Bendix; 2.88" 2-Piston Caliper	P
Loaded Caliper	02 - 90	AS120549S	AS120549S	Bendix; 2.88" 2-Piston Caliper	O

Piston: M - OE Metal Piston P - OE Phenolic Piston O - Metal Piston Option

Calipers - Reman (cont.)

Front, Loaded	Years	Left No.	Right No.	Qualifier	Piston
Loaded Caliper	02 - 90	AS134782	AS134782	Dayton; 2.50" 2-Piston Caliper	M
Rear, Loaded	Years	Left No.	Right No.	Qualifier	Piston
Loaded Caliper	02 - 97	AS120549	AS120549	Bendix; 2.88" 2-Piston Caliper; 19000 lb. RA	P
Loaded Caliper	02 - 97	AS120549S	AS120549S	Bendix; 2.88" 2-Piston Caliper; 19000 lb. RA	O
Loaded Caliper	02 - 97	AS134782	AS134782	Dayton; 2.50" 2-Piston Caliper; 15000 lb. RA	M
Loaded Caliper	02 - 97	AS134821	AS134820	Dayton; 2.52" 4-Piston Caliper; Serial No. 602C / 604C; w/o Wear Sensor	M
Loaded Caliper	02	AS134821A	AS134820A	Dayton; 2.52" 4-Piston Caliper; Serial No. 602C / 604C; w/Wear Sensor	P
Loaded Caliper	02 - 97	AS134580	AS134581	Dayton; 2.75" 4-Piston Caliper; Serial No. 581F / 583F; w/o Wear Sensor	M
Loaded Caliper	02	AS134580A	AS134581A	Dayton; 2.75" 4-Piston Caliper; Serial No. 581F / 583F; w/Wear Sensor	P
Loaded Caliper	02 - 97	AS134818	AS134819	Dayton; 2.75" 4-Piston Caliper; Serial No. 595B / 597B; w/o Wear Sensor	M
Loaded Caliper	02	AS134818A	AS134819A	Dayton; 2.75" 4-Piston Caliper; Serial No. 595B / 597B; w/Wear Sensor	P
Loaded Caliper	96 - 90	AS120549	AS120549	Bendix; 2.88" 2-Piston Caliper	P
Loaded Caliper	96 - 90	AS120549S	AS120549S	Bendix; 2.88" 2-Piston Caliper	O
Loaded Caliper	96 - 90	AS134782	AS134782	Dayton; 2.50" 2-Piston Caliper	M
Loaded Caliper	96 - 95	AS134821	AS134820	Dayton; 2.52" 4-Piston Caliper; Serial No. 602C / 604C	M
Loaded Caliper	96 - 95	AS134580	AS134581	Dayton; 2.75" 4-Piston Caliper; Serial No. 581F / 583F	M
Loaded Caliper	96 - 95	AS134818	AS134819	Dayton; 2.75" 4-Piston Caliper; Serial No. 595B / 597B	M
Front, Unloaded	Years	Left No.	Right No.	Qualifier	Piston
Unloaded Caliper	02 - 90	CR120549	CR120549	Bendix; 2.88" 2-Piston Caliper	P
Unloaded Caliper	02 - 90	CR120549S	CR120549S	Bendix; 2.88" 2-Piston Caliper	O
Unloaded Caliper	02 - 90	CR134782	CR134782	Dayton; 2.50" 2-Piston Caliper	M
Rear, Unloaded	Years	Left No.	Right No.	Qualifier	Piston
Unloaded Caliper	02 - 90	CR120549	CR120549	Bendix; 2.88" 2-Piston Caliper	P
Unloaded Caliper	02 - 90	CR120549S	CR120549S	Bendix; 2.88" 2-Piston Caliper	O
Unloaded Caliper	02 - 90	CR134782	CR134782	Dayton; 2.50" 2-Piston Caliper	M
Unloaded Caliper	02 - 95	CR134821	CR134820	Dayton; 2.52" 4-Piston Caliper; Serial No. 602C / 604C	M
Unloaded Caliper	02 - 95	CR134580	CR134581	Dayton; 2.75" 4-Piston Caliper; Serial No. 581F / 583F	M
Unloaded Caliper	02 - 95	CR134818	CR134819	Dayton; 2.75" 4-Piston Caliper; Serial No. 595B / 597B	M

Hydraulics - New

Master Cylinder	Years	Sequential No.	Category No.	Qualifier
Master Cylinder	96 - 92	F140745	(MC140745)	8100 lb. FA
Master Cylinder	91 - 90	F140745	(MC140745)	
Front Brake Hose	Years	Sequential No.	Category No.	Qualifier
Brake Hose	02 - 97	F132935	(BH132935)	L.H.; w/ABS; To Caliper
Brake Hose	02 - 97	F140743	(BH140743)	L.H.; w/o ABS
Brake Hose	02 - 97	F132935	(BH132935)	R.H.; w/ABS; To Caliper
Brake Hose	02 - 97	F140743	(BH140743)	R.H.; w/o ABS
Brake Hose	96 - 90	F132935	(BH132935)	L.H.; To Caliper
Brake Hose	96 - 90	F132935	(BH132935)	R.H.; To Caliper
Rear Brake Hose	Years	Sequential No.	Category No.	Qualifier
Brake Hose	02 - 90	F132934	(BH132934)	Crossover; To Top of RA Hsg.
Brake Hose	02 - 97	F132926	(BH132926)	Incl. Tee
Brake Hose	02 - 97	F140734	(BH140734)	L.H.; Crossover; w/Rear Drum
Brake Hose	02 - 97	F140740	(BH140740)	L.H.; Crossover; w/Rear Drum; w/Air Ride
Brake Hose	02 - 97	F140742	(BH140742)	L.H.; Exc. Low Pro; w/Rear Disc
Brake Hose	02 - 97	F140739	(BH140739)	L.H.; Low Pro; w/Rear Disc; w/o ABS; w/Pipe
Brake Hose	02 - 97	F140737	(BH140737)	L.H.; To RA; w/o Air Ride
Brake Hose	02 - 97	F140736	(BH140736)	Low Pro; w/Rear Drum; w/o Air Ride
Brake Hose	02 - 97	F140735	(BH140735)	R.H.; Crossover; w/Rear Drum
Brake Hose	02 - 97	F140741	(BH140741)	R.H.; Crossover; w/Rear Drum; w/Air Ride
Brake Hose	02 - 97	F140766	(BH140766)	R.H.; Exc. Low Pro; w/Rear Disc
Brake Hose	02 - 97	F140738	(BH140738)	R.H.; Low Pro; w/Rear Disc; w/o ABS; w/Pipe
Brake Hose	02 - 97	F140737	(BH140737)	R.H.; To RA; w/o Air Ride
Brake Hose	96 - 93	F132926	(BH132926)	To Rear Feed Pipe

Piston: M - OE Metal Piston P - OE Phenolic Piston O - Metal Piston Option



C5H042 (cont.)

Hydraulics - New (cont.)

Rear Brake Hose	Years	Sequential No.	Category No.	Qualifier
Brake Hose	92 - 90	F111947	(BH111947)	To Rear Feed Pipe; 1/8" ID; 7/16" Nut; 24 Thread; 25" Length

C6500

Brake Pads & Shoes

Front Pads & Shoes	Years	SevereDuty	Lining No.	Qualifier
Brake Pads	07 - 03	SD1032		Dayton; 2.52" 4-Piston Caliper
Brake Pads	07 - 03	SD1032		Dayton; 2.75" 4-Piston Caliper
Rear Pads & Shoes	Years	SevereDuty	Lining No.	Qualifier
Brake Pads	07 - 03	SD1032		Dayton; 2.52" 4-Piston Caliper
Brake Pads	07 - 03	SD1032		Dayton; 2.75" 4-Piston Caliper
Parking Brake Shoes	Years	SevereDuty	Lining No.	Qualifier
Brake Shoes	07 - 03	SDS647	EX2086D	9 x 3
Brake Shoes	07 - 03	SDS824R	EX1556D	w/MT; 12 x 3

Rotor & Drum

Front Rotor & Drum	Years	Part No.	Qualifier
Brake Rotor	07 - 03	BD126363	8000-12000 lb. FA; Hat-Shaped; 10-Hole Rotor
Rear Rotor & Drum	Years	Part No.	Qualifier
Brake Rotor	07 - 03	BD126363	15000-19000 lb. RA; Hat-Shaped; 10-Hole Rotor
Brake Rotor	07 - 03	BD126370	21000 lb. RA; U-Shaped; 10-Hole Rotor

Brake Hardware

Front Brake Hardware	Years	Sequential No.	Category No.	Qualifier
Disc Align Kit	07 - 03	F140771	(H5712)	Dayton; 2.52" 4-Piston Caliper
Disc Align Kit	07 - 03	F140630	(H3026)	Dayton; 2.75" 4-Piston Caliper
Rear Brake Hardware	Years	Sequential No.	Category No.	Qualifier
Disc Align Kit	07 - 03	F140771	(H5712)	Dayton; 2.52" 4-Piston Caliper
Disc Align Kit	07 - 03	F140630	(H3026)	Dayton; 2.75" 4-Piston Caliper

Calipers - Reman

Front, Loaded	Years	Left No.	Right No.	Qualifier	Piston
Loaded Caliper	07 - 03	AS134821A	AS134820A	Dayton; 2.52" 4-Piston Caliper; Serial No. 602F / 604F	M
Loaded Caliper	07 - 03	AS134580A	AS134581A	Dayton; 2.75" 4-Piston Caliper; Serial No. 581F / 583F	M
Loaded Caliper	07 - 03	AS134818A	AS134819A	Dayton; 2.75" 4-Piston Caliper; Serial No. 595F / 597F	M
Rear, Loaded	Years	Left No.	Right No.	Qualifier	Piston
Loaded Caliper	07 - 03	AS134821A	AS134820A	Dayton; 2.52" 4-Piston Caliper; Serial No. 602F / 604F	M
Loaded Caliper	07 - 03	AS134580A	AS134581A	Dayton; 2.75" 4-Piston Caliper; Serial No. 581F / 583F	M
Loaded Caliper	07 - 03	AS134818A	AS134819A	Dayton; 2.75" 4-Piston Caliper; Serial No. 595F / 597F	M
Front, Unloaded	Years	Left No.	Right No.	Qualifier	Piston
Unloaded Caliper	07 - 03	CR134821	CR134820	Dayton; 2.52" 4-Piston Caliper; Serial No. 602F / 604F	M
Unloaded Caliper	07 - 03	CR134580	CR134581	Dayton; 2.75" 4-Piston Caliper; Serial No. 581F / 583F	M
Unloaded Caliper	07 - 03	CR134818	CR134819	Dayton; 2.75" 4-Piston Caliper; Serial No. 595F / 597F	M
Rear, Unloaded	Years	Left No.	Right No.	Qualifier	Piston
Unloaded Caliper	07 - 03	CR134821	CR134820	Dayton; 2.52" 4-Piston Caliper; Serial No. 602F / 604F	M
Unloaded Caliper	07 - 03	CR134580	CR134581	Dayton; 2.75" 4-Piston Caliper; Serial No. 581F / 583F	M
Unloaded Caliper	07 - 03	CR134818	CR134819	Dayton; 2.75" 4-Piston Caliper; Serial No. 595F / 597F	M

C6H042

Brake Pads & Shoes

Front Pads & Shoes	Years	SevereDuty	Lining No.	Qualifier
Brake Pads	02 - 99	SD225B		Bendix; 2.88" 2-Piston Caliper; 11000-12000 lb. FA
Brake Pads	02 - 99	SD224		Dayton; 2.50" 2-Piston Caliper; 8100 lb. FA
Brake Pads	98 - 90	SD225A		Bendix; 2.88" 2-Piston Caliper
Brake Pads	98 - 90	SD224		Dayton; 2.50" 2-Piston Caliper
Brake Shoes	02 - 97	4702Q	4702	w/Air Brakes; Rockwell/Meritor; Q-Plus; 15 x 4
Brake Shoes	02 - 97	4720Q	4720	w/Air Brakes; Rockwell/Meritor; Q-Plus; 16-1/2 x 5
Brake Shoes	02 - 97	4715Q	4715	w/Air Brakes; Rockwell/Meritor; Q-Plus; 16-1/2 x 6

Piston: M - OE Metal Piston P - OE Phenolic Piston

Brake Pads & Shoes (cont.)

Front Pads & Shoes	Years	SevereDuty	Lining No.	Qualifier
Brake Shoes	02 - 90	4524Q	4524B	w/Air Brakes; Rockwell/Meritor; Q-Series; 16-1/2 x 5
Brake Shoes	02 - 90	4514Q	4514G	w/Air Brakes; Rockwell/Meritor; Q-Series; 16-1/2 x 6
Brake Shoes	96 - 90	1308Q	1308T	w/Air Brakes; Rockwell/Meritor; Q-Series; 15 x 4
Rear Pads & Shoes	Years	SevereDuty	Lining No.	Qualifier
Brake Pads	02 - 97	SD225B		Bendix; 2.88" 2-Piston Caliper; 19000 lb. RA
Brake Pads	02 - 97	SD224		Dayton; 2.50" 2-Piston Caliper; 15000 lb. RA
Brake Pads	02 - 97	SD769		Dayton; 2.52" 4-Piston Caliper; w/o Wear Sensor
Brake Pads	02	SD1032		Dayton; 2.52" 4-Piston Caliper; w/Wear Sensor
Brake Pads	02 - 97	SD769		Dayton; 2.75" 4-Piston Caliper; w/o Wear Sensor
Brake Pads	02	SD1032		Dayton; 2.75" 4-Piston Caliper; w/Wear Sensor
Brake Pads	96 - 90	SD225A		Bendix; 2.88" 2-Piston Caliper
Brake Pads	96 - 90	SD224		Dayton; 2.50" 2-Piston Caliper
Brake Pads	96 - 95	SD769		Dayton; 2.52" 4-Piston Caliper
Brake Pads	96 - 95	SD769		Dayton; 2.75" 4-Piston Caliper
Brake Shoes	02 - 90	4515P	4515E	w/Air Brakes; Rockwell/Meritor; P-Series; 16-1/2 x 7
Brake Shoes	02 - 97	4707Q	4707	w/Air Brakes; Rockwell/Meritor; Q-Plus; 16-1/2 x 7
Brake Shoes	96 - 90	4515Q	4515E	w/Air Brakes; Rockwell/Meritor; Q-Series; 16-1/2 x 7
Parking Brake Shoes	Years	SevereDuty	Lining No.	Qualifier
Brake Shoes	02 - 97	SDS647	EX2086D	Driveline Config.; 9 x 3
Brake Shoes	02 - 97	SDS824R	EX1556D	w/M/T; 12 x 3
Brake Shoes	96 - 90	SDS824R	EX1556D	12 x 3
Brake Shoes	96 - 90	SDS647	EX2086D	9 x 3

Rotor & Drum

Front Rotor & Drum	Years	Part No.	Qualifier
Brake Rotor	02 - 97	BD125088	8100 lb. FA; Hat-Shaped; 5-Hole Rotor
Brake Rotor	96 - 90	BD125090	11000-12000 lb. FA; Hat-Shaped; 10-Hole Rotor
Brake Rotor	96 - 90	BD125088	8100 lb. FA; Hat-Shaped; 5-Hole Rotor; Dayton
Rear Rotor & Drum	Years	Part No.	Qualifier
Brake Rotor	02 - 97	BD125665	15000 lb. RA; Hat-Shaped; 10-Hole Rotor; w/o ABS
Brake Rotor	02 - 97	BD125088	15000 lb. RA; Hat-Shaped; 5-Hole Rotor; w/ABS
Brake Rotor	02 - 97	BD125339	16000-19000 lb. RA; Hat-Shaped; 10-Hole Rotor; w/ABS; w/2-Piston Caliper
Brake Rotor	02 - 97	BD125488	16000-19000 lb. RA; Hat-Shaped; 10-Hole Rotor; w/ABS; w/2-Piston Caliper; w/Special Pads
Brake Rotor	02 - 97	BD125339	16000-19000 lb. RA; Hat-Shaped; 10-Hole Rotor; w/o ABS
Brake Rotor	02 - 97	BD125668	16000-19000 lb. RA; Hat-Shaped; 10-Hole Rotor; w/o ABS; w/2-Piston Caliper
Brake Rotor	02 - 97	BD125666	16000-19000 lb. RA; Hat-Shaped; 10-Hole Rotor; w/o ABS; w/4-Piston Caliper
Brake Rotor	02 - 97	BD125487	21000-23000 lb. RA; Hat-Shaped; 10-Hole Rotor
Brake Rotor	02 - 97	BD125667	21000-23000 lb. RA; U-Shaped; 10-Hole Rotor; w/o ABS
Brake Rotor	96 - 90	BD125088	15000 lb. RA; Hat-Shaped; 5-Hole Rotor
Brake Rotor	96 - 90	BD125339	16000-19000 lb. RA; Hat-Shaped; 10-Hole Rotor; w/ABS
Brake Rotor	96 - 90	BD125090	16000-19000 lb. RA; Hat-Shaped; 10-Hole Rotor; w/o ABS
Brake Rotor	96 - 90	BD125487	21000-23000 lb. RA; Hat-Shaped; 10-Hole Rotor; w/ABS
Brake Rotor	96 - 90	BD125338	21000-23000 lb. RA; U-Shaped; 10-Hole Rotor; w/o ABS

Brake Hardware

Front Brake Hardware	Years	Sequential No.	Category No.	Qualifier
Disc Align Kit	02 - 90	F112090S	(H5566)	Bendix; 2.88" 2-Piston Caliper
Disc Align Kit	02 - 90	F134105	(H5613)	Dayton; 2.50" 2-Piston Caliper
Rear Brake Hardware	Years	Sequential No.	Category No.	Qualifier
Disc Align Kit	02 - 90	F112090S	(H5566)	Bendix; 2.88" 2-Piston Caliper
Disc Align Kit	02 - 90	F134105	(H5613)	Dayton; 2.50" 2-Piston Caliper
Disc Align Kit	02 - 95	F140771	(H5712)	Dayton; 2.52" 4-Piston Caliper
Disc Align Kit	02 - 95	F140630	(H3026)	Dayton; 2.75" 4-Piston Caliper

Piston: M - OE Metal Piston P - OE Phenolic Piston

C6H042 (cont.)

Calipers - Reman

Front, Loaded	Years	Left No.	Right No.	Qualifier	Piston
Loaded Caliper	02 - 90	AS120549	AS120549	Bendix; 2.88" 2-Piston Caliper	P
Loaded Caliper	02 - 90	AS120549S	AS120549S	Bendix; 2.88" 2-Piston Caliper	O
Loaded Caliper	02 - 90	AS134782	AS134782	Dayton; 2.50" 2-Piston Caliper	M

Rear, Loaded	Years	Left No.	Right No.	Qualifier	Piston
Loaded Caliper	02 - 97	AS120549	AS120549	Bendix; 2.88" 2-Piston Caliper; 19000 lb. RA	P
Loaded Caliper	02 - 97	AS120549S	AS120549S	Bendix; 2.88" 2-Piston Caliper; 19000 lb. RA	O
Loaded Caliper	02 - 97	AS134782	AS134782	Dayton; 2.50" 2-Piston Caliper; 15000 lb. RA	M
Loaded Caliper	02 - 97	AS134821	AS134820	Dayton; 2.52" 4-Piston Caliper; Serial No. 602C / 604C; w/o Wear Sensor	M
Loaded Caliper	02	AS134821A	AS134820A	Dayton; 2.52" 4-Piston Caliper; Serial No. 602C / 604C; w/Wear Sensor	P
Loaded Caliper	02 - 97	AS134580	AS134581	Dayton; 2.75" 4-Piston Caliper; Serial No. 581F / 583F; w/o Wear Sensor	M
Loaded Caliper	02	AS134580A	AS134581A	Dayton; 2.75" 4-Piston Caliper; Serial No. 581F / 583F; w/Wear Sensor	P
Loaded Caliper	02 - 97	AS134818	AS134819	Dayton; 2.75" 4-Piston Caliper; Serial No. 595B / 597B; w/o Wear Sensor	M
Loaded Caliper	02	AS134818A	AS134819A	Dayton; 2.75" 4-Piston Caliper; Serial No. 595B / 597B; w/Wear Sensor	P
Loaded Caliper	96 - 90	AS120549	AS120549	Bendix; 2.88" 2-Piston Caliper	P
Loaded Caliper	96 - 90	AS120549S	AS120549S	Bendix; 2.88" 2-Piston Caliper	O
Loaded Caliper	96 - 90	AS134782	AS134782	Dayton; 2.50" 2-Piston Caliper	M
Loaded Caliper	96 - 95	AS134821	AS134820	Dayton; 2.52" 4-Piston Caliper; Serial No. 602C / 604C	M
Loaded Caliper	96 - 95	AS134580	AS134581	Dayton; 2.75" 4-Piston Caliper; Serial No. 581F / 583F	M
Loaded Caliper	96 - 95	AS134818	AS134819	Dayton; 2.75" 4-Piston Caliper; Serial No. 595B / 597B	M

Front, Unloaded	Years	Left No.	Right No.	Qualifier	Piston
Unloaded Caliper	02 - 90	CR120549	CR120549	Bendix; 2.88" 2-Piston Caliper	P
Unloaded Caliper	02 - 90	CR120549S	CR120549S	Bendix; 2.88" 2-Piston Caliper	O
Unloaded Caliper	02 - 90	CR134782	CR134782	Dayton; 2.50" 2-Piston Caliper	M

Rear, Unloaded	Years	Left No.	Right No.	Qualifier	Piston
Unloaded Caliper	02 - 90	CR120549	CR120549	Bendix; 2.88" 2-Piston Caliper	P
Unloaded Caliper	02 - 90	CR120549S	CR120549S	Bendix; 2.88" 2-Piston Caliper	O
Unloaded Caliper	02 - 90	CR134782	CR134782	Dayton; 2.50" 2-Piston Caliper	M
Unloaded Caliper	02 - 95	CR134821	CR134820	Dayton; 2.52" 4-Piston Caliper; Serial No. 602C / 604C	M
Unloaded Caliper	02 - 95	CR134580	CR134581	Dayton; 2.75" 4-Piston Caliper; Serial No. 581F / 583F	M
Unloaded Caliper	02 - 95	CR134818	CR134819	Dayton; 2.75" 4-Piston Caliper; Serial No. 595B / 597B	M

Hydraulics - New

Master Cylinder	Years	Sequential No.	Category No.	Qualifier
Master Cylinder	96 - 92	F140745	(MC140745)	8100 lb. FA
Master Cylinder	91 - 90	F140745	(MC140745)	

Front Brake Hose	Years	Sequential No.	Category No.	Qualifier
Brake Hose	02 - 97	F132935	(BH132935)	L.H.; w/ABS; To Caliper
Brake Hose	02 - 97	F140743	(BH140743)	L.H.; w/o ABS
Brake Hose	02 - 97	F132935	(BH132935)	R.H.; w/ABS; To Caliper
Brake Hose	02 - 97	F140743	(BH140743)	R.H.; w/o ABS
Brake Hose	96 - 90	F132935	(BH132935)	L.H.; To Caliper
Brake Hose	96 - 90	F132935	(BH132935)	R.H.; To Caliper

Rear Brake Hose	Years	Sequential No.	Category No.	Qualifier
Brake Hose	02 - 90	F132934	(BH132934)	Crossover; To Top of RA Hsg.
Brake Hose	02 - 97	F132926	(BH132926)	Incl. Tee
Brake Hose	02 - 97	F140734	(BH140734)	L.H.; Crossover; w/Rear Drum
Brake Hose	02 - 97	F140740	(BH140740)	L.H.; Crossover; w/Rear Drum; w/Air Ride
Brake Hose	02 - 97	F140742	(BH140742)	L.H.; Exc. Low Pro; w/Rear Disc
Brake Hose	02 - 97	F140739	(BH140739)	L.H.; Low Pro; w/Rear Disc; w/o ABS; w/Pipe
Brake Hose	02 - 97	F140737	(BH140737)	L.H.; To RA; w/o Air Ride
Brake Hose	02 - 97	F140736	(BH140736)	Low Pro; w/Rear Drum; w/o Air Ride
Brake Hose	02 - 97	F140735	(BH140735)	R.H.; Crossover; w/Rear Drum
Brake Hose	02 - 97	F140741	(BH140741)	R.H.; Crossover; w/Rear Drum; w/Air Ride
Brake Hose	02 - 97	F140766	(BH140766)	R.H.; Exc. Low Pro; w/Rear Disc
Brake Hose	02 - 97	F140738	(BH140738)	R.H.; Low Pro; w/Rear Disc; w/o ABS; w/Pipe

Piston: M - OE Metal Piston P - OE Phenolic Piston O - Metal Piston Option

C6H042 (cont.)
Hydraulics - New (cont.)

Rear Brake Hose	Years	Sequential No.	Category No.	Qualifier
Brake Hose	02 - 97	F140737	(BH140737)	R.H.; To RA; w/o Air Ride
Brake Hose	96 - 93	F132926	(BH132926)	To Rear Feed Pipe
Brake Hose	92 - 90	F111947	(BH111947)	To Rear Feed Pipe; 1/8" ID; 7/16" Nut; 24 Thread; 25" Length

Hydraulics - Reman

Power Brake Booster	Years	Part No.	Qualifier
Power Brake Booster	96 - 90	529920	w/o Master Cylinder; w/9" Pedal Rod

C7500
Brake Pads & Shoes

Front Pads & Shoes	Years	SevereDuty	Lining No.	Qualifier
Brake Pads	07 - 03	SD1032		Dayton; 2.52" 4-Piston Caliper
Brake Pads	07 - 03	SD1032		Dayton; 2.75" 4-Piston Caliper
Brake Shoes	07 - 03	4702Q	4702	w/Air Brakes; Rockwell/Meritor; Q-Plus; 15 x 4
Brake Shoes	07 - 03	4720Q	4720	w/Air Brakes; Rockwell/Meritor; Q-Plus; 16-1/2 x 5
Brake Shoes	07 - 03	4715Q	4715	w/Air Brakes; Rockwell/Meritor; Q-Plus; 16-1/2 x 6
Rear Pads & Shoes	Years	SevereDuty	Lining No.	Qualifier
Brake Pads	07 - 03	SD1032		Dayton; 2.52" 4-Piston Caliper
Brake Pads	07 - 03	SD1032		Dayton; 2.75" 4-Piston Caliper
Brake Shoes	07 - 03	4707Q	4707	w/Air Brakes; Rockwell/Meritor; Q-Plus; 16-1/2 x 7
Parking Brake Shoes	Years	SevereDuty	Lining No.	Qualifier
Brake Shoes	07 - 03	SDS647	EX2086D	9 x 3
Brake Shoes	07 - 03	SDS824R	EX1556D	w/M/T; 12 x 3

Rotor & Drum

Front Rotor & Drum	Years	Part No.	Qualifier
Brake Rotor	07 - 03	BD126363	8000-12000 lb. FA; Hat-Shaped; 10-Hole Rotor
Rear Rotor & Drum	Years	Part No.	Qualifier
Brake Rotor	07 - 03	BD126363	19000 lb. RA; Hat-Shaped; 10-Hole Rotor
Brake Rotor	07 - 03	BD126370	21000 lb. RA; U-Shaped; 10-Hole Rotor

Brake Hardware

Front Brake Hardware	Years	Sequential No.	Category No.	Qualifier
Disc Align Kit	07 - 03	F140771	(H5712)	Dayton; 2.52" 4-Piston Caliper
Disc Align Kit	07 - 03	F140630	(H3026)	Dayton; 2.75" 4-Piston Caliper
Rear Brake Hardware	Years	Sequential No.	Category No.	Qualifier
Disc Align Kit	07 - 03	F140771	(H5712)	Dayton; 2.52" 4-Piston Caliper
Disc Align Kit	07 - 03	F140630	(H3026)	Dayton; 2.75" 4-Piston Caliper

Calipers - Reman

Front, Loaded	Years	Left No.	Right No.	Qualifier	Piston
Loaded Caliper	07 - 03	AS134821A	AS134820A	Dayton; 2.52" 4-Piston Caliper; Serial No. 602F / 604F	M
Loaded Caliper	07 - 03	AS134580A	AS134581A	Dayton; 2.75" 4-Piston Caliper; Serial No. 581F / 583F	M
Loaded Caliper	07 - 03	AS134818A	AS134819A	Dayton; 2.75" 4-Piston Caliper; Serial No. 595F / 597F	M
Rear, Loaded	Years	Left No.	Right No.	Qualifier	Piston
Loaded Caliper	07 - 03	AS134821A	AS134820A	Dayton; 2.52" 4-Piston Caliper; Serial No. 602F / 604F	M
Loaded Caliper	07 - 03	AS134580A	AS134581A	Dayton; 2.75" 4-Piston Caliper; Serial No. 581F / 583F	M
Loaded Caliper	07 - 03	AS134818A	AS134819A	Dayton; 2.75" 4-Piston Caliper; Serial No. 595F / 597F	M
Front, Unloaded	Years	Left No.	Right No.	Qualifier	Piston
Unloaded Caliper	07 - 03	CR134821	CR134820	Dayton; 2.52" 4-Piston Caliper; Serial No. 602F / 604F	M
Unloaded Caliper	07 - 03	CR134580	CR134581	Dayton; 2.75" 4-Piston Caliper; Serial No. 581F / 583F	M
Unloaded Caliper	07 - 03	CR134818	CR134819	Dayton; 2.75" 4-Piston Caliper; Serial No. 595F / 597F	M
Rear, Unloaded	Years	Left No.	Right No.	Qualifier	Piston
Unloaded Caliper	07 - 03	CR134821	CR134820	Dayton; 2.52" 4-Piston Caliper; Serial No. 602F / 604F	M
Unloaded Caliper	07 - 03	CR134580	CR134581	Dayton; 2.75" 4-Piston Caliper; Serial No. 581F / 583F	M
Unloaded Caliper	07 - 03	CR134818	CR134819	Dayton; 2.75" 4-Piston Caliper; Serial No. 595F / 597F	M

Piston: M - OE Metal Piston P - OE Phenolic Piston

C7H042

Brake Pads & Shoes

Front Pads & Shoes	Years	SevereDuty	Lining No.	Qualifier
Brake Pads	02 - 97	SD225B		Bendix; 2.88" 2-Piston Caliper
Brake Pads	02 - 97	SD224		Dayton; 2.50" 2-Piston Caliper
Brake Pads	96 - 93	SD225A		Bendix; 2.88" 2-Piston Caliper; w/o Special Thickness
Brake Pads	96 - 93	SD225B		Bendix; 2.88" 2-Piston Caliper; w/Special Thickness
Brake Pads	96 - 93	SD224		Dayton; 2.50" 2-Piston Caliper; 8100 lb. FA
Brake Pads	92 - 90	SD225A		Bendix; 2.88" 2-Piston Caliper
Brake Pads	92 - 90	SD224		Dayton; 2.50" 2-Piston Caliper
Brake Shoes	02 - 97	4702Q	4702	w/Air Brakes; Rockwell/Meritor; Q-Plus; 15 x 4
Brake Shoes	02 - 97	4720Q	4720	w/Air Brakes; Rockwell/Meritor; Q-Plus; 16-1/2 x 5
Brake Shoes	02 - 97	4715Q	4715	w/Air Brakes; Rockwell/Meritor; Q-Plus; 16-1/2 x 6
Brake Shoes	02 - 90	4524Q	4524B	w/Air Brakes; Rockwell/Meritor; Q-Series; 16-1/2 x 5
Brake Shoes	02 - 90	4514Q	4514G	w/Air Brakes; Rockwell/Meritor; Q-Series; 16-1/2 x 6
Brake Shoes	96 - 90	1308Q	1308T	w/Air Brakes; Rockwell/Meritor; Q-Series; 15 x 4

Rear Pads & Shoes

Rear Pads & Shoes	Years	SevereDuty	Lining No.	Qualifier
Brake Pads	02 - 97	SD225B		Bendix; 2.88" 2-Piston Caliper
Brake Pads	02 - 97	SD224		Dayton; 2.50" 2-Piston Caliper
Brake Pads	02 - 97	SD769		Dayton; 2.52" 4-Piston Caliper; w/o Wear Sensor
Brake Pads	02	SD1032		Dayton; 2.52" 4-Piston Caliper; w/Wear Sensor
Brake Pads	02 - 97	SD769		Dayton; 2.75" 4-Piston Caliper; w/o Wear Sensor
Brake Pads	02	SD1032		Dayton; 2.75" 4-Piston Caliper; w/Wear Sensor
Brake Pads	96 - 94	SD225A		Bendix; 2.88" 2-Piston Caliper; w/o Special Thickness
Brake Pads	96 - 94	SD225B		Bendix; 2.88" 2-Piston Caliper; w/Special Thickness
Brake Pads	96 - 94	SD224		Dayton; 2.50" 2-Piston Caliper; 15000 lb. RA
Brake Pads	96 - 95	SD769		Dayton; 2.52" 4-Piston Caliper
Brake Pads	96 - 95	SD769		Dayton; 2.75" 4-Piston Caliper
Brake Pads	93 - 90	SD225A		Bendix; 2.88" 2-Piston Caliper
Brake Pads	93 - 90	SD224		Dayton; 2.50" 2-Piston Caliper
Brake Shoes	02 - 90	4515P	4515E	w/Air Brakes; Rockwell/Meritor; P-Series; 16-1/2 x 7
Brake Shoes	02 - 97	4707Q	4707	w/Air Brakes; Rockwell/Meritor; Q-Plus; 16-1/2 x 7
Brake Shoes	96 - 90	4515Q	4515E	w/Air Brakes; Rockwell/Meritor; Q-Series; 16-1/2 x 7

Parking Brake Shoes

Parking Brake Shoes	Years	SevereDuty	Lining No.	Qualifier
Brake Shoes	02 - 97	SDS647	EX2086D	Driveline Config.; 9 x 3
Brake Shoes	02 - 97	SDS824R	EX1556D	w/MT; 12 x 3
Brake Shoes	96 - 90	SDS824R	EX1556D	12 x 3
Brake Shoes	96 - 90	SDS647	EX2086D	9 x 3

Rotor & Drum

Front Rotor & Drum

Front Rotor & Drum	Years	Part No.	Qualifier
Brake Rotor	02 - 90	BD125090	11000-12000 lb. FA; Hat-Shaped; 10-Hole Rotor
Brake Rotor	02 - 90	BD125488	11000-12000 lb. FA; Hat-Shaped; 10-Hole Rotor; w/Special Pads
Brake Rotor	02 - 90	BD125088	8100 lb. FA; Hat-Shaped; 5-Hole Rotor

Rear Rotor & Drum

Rear Rotor & Drum	Years	Part No.	Qualifier
Brake Rotor	02 - 97	BD125088	15000 lb. RA; Hat-Shaped; 5-Hole Rotor; w/ABS
Brake Rotor	02 - 97	BD125339	16000-19000 lb. RA; Hat-Shaped; 10-Hole Rotor; w/ABS; w/2-Piston Caliper
Brake Rotor	02 - 97	BD125488	16000-19000 lb. RA; Hat-Shaped; 10-Hole Rotor; w/ABS; w/2-Piston Caliper; w/Special Pads
Brake Rotor	02 - 97	BD125339	16000-19000 lb. RA; Hat-Shaped; 10-Hole Rotor; w/o ABS
Brake Rotor	02 - 97	BD125668	16000-19000 lb. RA; Hat-Shaped; 10-Hole Rotor; w/o ABS; w/2-Piston Caliper
Brake Rotor	02 - 97	BD125666	16000-19000 lb. RA; Hat-Shaped; 10-Hole Rotor; w/o ABS; w/4-Piston Caliper
Brake Rotor	02 - 97	BD125487	21000-23000 lb. RA; Hat-Shaped; 10-Hole Rotor
Brake Rotor	02 - 97	BD125667	21000-23000 lb. RA; U-Shaped; 10-Hole Rotor; w/o ABS
Brake Rotor	96 - 90	BD125088	15000 lb. RA; Hat-Shaped; 5-Hole Rotor
Brake Rotor	96 - 90	BD125339	16000-19000 lb. RA; Hat-Shaped; 10-Hole Rotor; w/ABS
Brake Rotor	96 - 90	BD125488	16000-19000 lb. RA; Hat-Shaped; 10-Hole Rotor; w/ABS; w/Special Pads
Brake Rotor	96 - 90	BD125090	16000-19000 lb. RA; Hat-Shaped; 10-Hole Rotor; w/o ABS
Brake Rotor	96 - 90	BD125487	21000-23000 lb. RA; Hat-Shaped; 10-Hole Rotor; w/ABS

C7H042 (cont.)
Rotor & Drum (cont.)

Rear Rotor & Drum	Years	Part No.	Qualifier
Brake Rotor	96 - 90	BD125338	21000-23000 lb. RA; U-Shaped; 10-Hole Rotor; w/o ABS

Brake Hardware

Front Brake Hardware	Years	Sequential No.	Category No.	Qualifier
Disc Align Kit	02 - 90	F112090S	(H5566)	Bendix; 2.88" 2-Piston Caliper
Disc Align Kit	02 - 90	F134105	(H5613)	Dayton; 2.50" 2-Piston Caliper

Rear Brake Hardware	Years	Sequential No.	Category No.	Qualifier
Disc Align Kit	02 - 90	F112090S	(H5566)	Bendix; 2.88" 2-Piston Caliper
Disc Align Kit	02 - 90	F134105	(H5613)	Dayton; 2.50" 2-Piston Caliper
Disc Align Kit	02 - 95	F140771	(H5712)	Dayton; 2.52" 4-Piston Caliper
Disc Align Kit	02 - 95	F140630	(H3026)	Dayton; 2.75" 4-Piston Caliper

Calipers - Reman

Front, Loaded	Years	Left No.	Right No.	Qualifier	Piston
Loaded Caliper	02 - 90	AS120549	AS120549	Bendix; 2.88" 2-Piston Caliper	P
Loaded Caliper	02 - 90	AS120549S	AS120549S	Bendix; 2.88" 2-Piston Caliper	O
Loaded Caliper	02 - 90	AS134782	AS134782	Dayton; 2.50" 2-Piston Caliper	M

Rear, Loaded	Years	Left No.	Right No.	Qualifier	Piston
Loaded Caliper	02 - 97	AS120549	AS120549	Bendix; 2.88" 2-Piston Caliper; 19000 lb. RA	P
Loaded Caliper	02 - 97	AS120549S	AS120549S	Bendix; 2.88" 2-Piston Caliper; 19000 lb. RA	O
Loaded Caliper	02 - 97	AS134782	AS134782	Dayton; 2.50" 2-Piston Caliper; 15000 lb. RA	M
Loaded Caliper	02 - 97	AS134821	AS134820	Dayton; 2.52" 4-Piston Caliper; Serial No. 602C / 604C; w/o Wear Sensor	M
Loaded Caliper	02	AS134821A	AS134820A	Dayton; 2.52" 4-Piston Caliper; Serial No. 602C / 604C; w/Wear Sensor	P
Loaded Caliper	02 - 97	AS134580	AS134581	Dayton; 2.75" 4-Piston Caliper; Serial No. 581F / 583F; w/o Wear Sensor	M
Loaded Caliper	02	AS134580A	AS134581A	Dayton; 2.75" 4-Piston Caliper; Serial No. 581F / 583F; w/Wear Sensor	P
Loaded Caliper	02 - 97	AS134818	AS134819	Dayton; 2.75" 4-Piston Caliper; Serial No. 595B / 597B; w/o Wear Sensor	M
Loaded Caliper	02	AS134818A	AS134819A	Dayton; 2.75" 4-Piston Caliper; Serial No. 595B / 597B; w/Wear Sensor	P
Loaded Caliper	96 - 90	AS120549	AS120549	Bendix; 2.88" 2-Piston Caliper	P
Loaded Caliper	96 - 90	AS120549S	AS120549S	Bendix; 2.88" 2-Piston Caliper	O
Loaded Caliper	96 - 90	AS134782	AS134782	Dayton; 2.50" 2-Piston Caliper	M
Loaded Caliper	96 - 95	AS134821	AS134820	Dayton; 2.52" 4-Piston Caliper; Serial No. 602C / 604C	M
Loaded Caliper	96 - 95	AS134580	AS134581	Dayton; 2.75" 4-Piston Caliper; Serial No. 581F / 583F	M
Loaded Caliper	96 - 95	AS134818	AS134819	Dayton; 2.75" 4-Piston Caliper; Serial No. 595B / 597B	M

Front, Unloaded	Years	Left No.	Right No.	Qualifier	Piston
Unloaded Caliper	02 - 90	CR120549	CR120549	Bendix; 2.88" 2-Piston Caliper	P
Unloaded Caliper	02 - 90	CR120549S	CR120549S	Bendix; 2.88" 2-Piston Caliper	O
Unloaded Caliper	02 - 90	CR134782	CR134782	Dayton; 2.50" 2-Piston Caliper	M

Rear, Unloaded	Years	Left No.	Right No.	Qualifier	Piston
Unloaded Caliper	02 - 90	CR120549	CR120549	Bendix; 2.88" 2-Piston Caliper	P
Unloaded Caliper	02 - 90	CR120549S	CR120549S	Bendix; 2.88" 2-Piston Caliper	O
Unloaded Caliper	02 - 90	CR134782	CR134782	Dayton; 2.50" 2-Piston Caliper	M
Unloaded Caliper	02 - 95	CR134821	CR134820	Dayton; 2.52" 4-Piston Caliper; Serial No. 602C / 604C	M
Unloaded Caliper	02 - 95	CR134580	CR134581	Dayton; 2.75" 4-Piston Caliper; Serial No. 581F / 583F	M
Unloaded Caliper	02 - 95	CR134818	CR134819	Dayton; 2.75" 4-Piston Caliper; Serial No. 595B / 597B	M

Hydraulics - New

Master Cylinder	Years	Sequential No.	Category No.	Qualifier
Master Cylinder	96 - 92	F140745	(MC140745)	8100 lb. FA
Master Cylinder	91 - 90	F140745	(MC140745)	

Front Brake Hose	Years	Sequential No.	Category No.	Qualifier
Brake Hose	02 - 97	F132935	(BH132935)	L.H.; w/ABS; To Caliper
Brake Hose	02 - 97	F140743	(BH140743)	L.H.; w/o ABS
Brake Hose	02 - 97	F132935	(BH132935)	R.H.; w/ABS; To Caliper
Brake Hose	02 - 97	F140743	(BH140743)	R.H.; w/o ABS
Brake Hose	96 - 90	F132935	(BH132935)	L.H.; To Caliper
Brake Hose	96 - 90	F132935	(BH132935)	R.H.; To Caliper

Piston: M - OE Metal Piston P - OE Phenolic Piston O - Metal Piston Option

C7H042 (cont.)

Hydraulics - New (cont.)

Rear Brake Hose	Years	Sequential No.	Category No.	Qualifier
Brake Hose	02 - 90	F132934	(BH132934)	Crossover; To Top of RA Hsg.
Brake Hose	02 - 97	F132926	(BH132926)	Incl. Tee
Brake Hose	02 - 97	F140734	(BH140734)	L.H.; Crossover; w/Rear Drum
Brake Hose	02 - 97	F140740	(BH140740)	L.H.; Crossover; w/Rear Drum; w/Air Ride
Brake Hose	02 - 97	F140742	(BH140742)	L.H.; Exc. Low Pro; w/Rear Disc
Brake Hose	02 - 97	F140739	(BH140739)	L.H.; Low Pro; w/Rear Disc; w/o ABS; w/Pipe
Brake Hose	02 - 97	F140737	(BH140737)	L.H.; To RA; w/o Air Ride
Brake Hose	02 - 97	F140735	(BH140735)	R.H.; Crossover; w/Rear Drum
Brake Hose	02 - 97	F140741	(BH140741)	R.H.; Crossover; w/Rear Drum; w/Air Ride
Brake Hose	02 - 97	F140766	(BH140766)	R.H.; Exc. Low Pro; w/Rear Disc
Brake Hose	02 - 97	F140738	(BH140738)	R.H.; Low Pro; w/Rear Disc; w/o ABS; w/Pipe
Brake Hose	02 - 97	F140737	(BH140737)	R.H.; To RA; w/o Air Ride
Brake Hose	96 - 93	F132926	(BH132926)	To Rear Feed Pipe
Brake Hose	92 - 90	F111947	(BH111947)	To Rear Feed Pipe; 1/8" ID; 7/16" Nut; 24 Thread; 25" Length

Hydraulics - Reman

Power Brake Booster	Years	Part No.	Qualifier
Power Brake Booster	96 - 90	529920	w/o Master Cylinder; w/9" Pedal Rod

C7H064

Brake Pads & Shoes

Front Pads & Shoes	Years	SevereDuty	Lining No.	Qualifier
Brake Pads	02 - 97	SD225B		Bendix; 2.88" 2-Piston Caliper
Brake Pads	02 - 97	SD224		Dayton; 2.50" 2-Piston Caliper
Brake Pads	96 - 93	SD225A		Bendix; 2.88" 2-Piston Caliper; w/o Special Thickness
Brake Pads	96 - 93	SD225B		Bendix; 2.88" 2-Piston Caliper; w/Special Thickness
Brake Pads	96 - 93	SD224		Dayton; 2.50" 2-Piston Caliper; 8100 lb. FA
Brake Pads	92 - 90	SD225A		Bendix; 2.88" 2-Piston Caliper
Brake Pads	92 - 90	SD224		Dayton; 2.50" 2-Piston Caliper
Brake Shoes	02 - 97	4702Q	4702	w/Air Brakes; Rockwell/Meritor; Q-Plus; 15 x 4
Brake Shoes	02 - 97	4720Q	4720	w/Air Brakes; Rockwell/Meritor; Q-Plus; 16-1/2 x 5
Brake Shoes	02 - 97	4715Q	4715	w/Air Brakes; Rockwell/Meritor; Q-Plus; 16-1/2 x 6
Brake Shoes	02 - 90	4524Q	4524B	w/Air Brakes; Rockwell/Meritor; Q-Series; 16-1/2 x 5
Brake Shoes	02 - 90	4514Q	4514G	w/Air Brakes; Rockwell/Meritor; Q-Series; 16-1/2 x 6
Brake Shoes	96 - 90	1308Q	1308T	w/Air Brakes; Rockwell/Meritor; Q-Series; 15 x 4
Rear Pads & Shoes	Years	SevereDuty	Lining No.	Qualifier
Brake Pads	02 - 97	SD225B		Bendix; 2.88" 2-Piston Caliper
Brake Pads	02 - 97	SD224		Dayton; 2.50" 2-Piston Caliper
Brake Pads	02 - 97	SD769		Dayton; 2.52" 4-Piston Caliper; w/o Wear Sensor
Brake Pads	02	SD1032		Dayton; 2.52" 4-Piston Caliper; w/Wear Sensor
Brake Pads	02 - 97	SD769		Dayton; 2.75" 4-Piston Caliper; w/o Wear Sensor
Brake Pads	02	SD1032		Dayton; 2.75" 4-Piston Caliper; w/Wear Sensor
Brake Pads	96 - 94	SD225A		Bendix; 2.88" 2-Piston Caliper; w/o Special Thickness
Brake Pads	96 - 94	SD225B		Bendix; 2.88" 2-Piston Caliper; w/Special Thickness
Brake Pads	96 - 94	SD224		Dayton; 2.50" 2-Piston Caliper; 15000 lb. RA
Brake Pads	96 - 95	SD769		Dayton; 2.52" 4-Piston Caliper
Brake Pads	96 - 95	SD769		Dayton; 2.75" 4-Piston Caliper
Brake Pads	93 - 90	SD225A		Bendix; 2.88" 2-Piston Caliper
Brake Pads	93 - 90	SD224		Dayton; 2.50" 2-Piston Caliper
Brake Shoes	02 - 90	4515P	4515E	w/Air Brakes; Rockwell/Meritor; P-Series; 16-1/2 x 7
Brake Shoes	02 - 97	4707Q	4707	w/Air Brakes; Rockwell/Meritor; Q-Plus; 16-1/2 x 7
Brake Shoes	96 - 90	4515Q	4515E	w/Air Brakes; Rockwell/Meritor; Q-Series; 16-1/2 x 7
Parking Brake Shoes	Years	SevereDuty	Lining No.	Qualifier
Brake Shoes	02 - 97	SDS647	EX2086D	Driveline Config.; 9 x 3
Brake Shoes	02 - 97	SDS824R	EX1556D	w/MT; 12 x 3
Brake Shoes	96 - 90	SDS824R	EX1556D	12 x 3

Brake Pads & Shoes (cont.)

Parking Brake Shoes	Years	SevereDuty	Lining No.	Qualifier
Brake Shoes	96 - 90	SDS647	EX2086D	9 x 3

Rotor & Drum

Front Rotor & Drum	Years	Part No.	Qualifier
Brake Rotor	02 - 90	BD125090	11000-12000 lb. FA; Hat-Shaped; 10-Hole Rotor
Brake Rotor	02 - 90	BD125488	11000-12000 lb. FA; Hat-Shaped; 10-Hole Rotor; w/Special Pads
Brake Rotor	02 - 90	BD125088	8100 lb. FA; Hat-Shaped; 5-Hole Rotor

Rear Rotor & Drum	Years	Part No.	Qualifier
Brake Rotor	02 - 97	BD125339	34000 lb. TRA; Hat-Shaped; 10-Hole Rotor; w/ABS; w/2-Piston Caliper
Brake Rotor	02 - 97	BD125488	34000 lb. TRA; Hat-Shaped; 10-Hole Rotor; w/ABS; w/2-Piston Caliper; w/Special Pads
Brake Rotor	02 - 97	BD125339	34000 lb. TRA; Hat-Shaped; 10-Hole Rotor; w/o ABS
Brake Rotor	02 - 97	BD125668	34000 lb. TRA; Hat-Shaped; 10-Hole Rotor; w/o ABS; w/2-Piston Caliper
Brake Rotor	02 - 97	BD125666	34000 lb. TRA; Hat-Shaped; 10-Hole Rotor; w/o ABS; w/4-Piston Caliper
Brake Rotor	02 - 97	BD125487	38000-44000 lb. TRA; Hat-Shaped; 10-Hole Rotor
Brake Rotor	02 - 97	BD125667	38000-44000 lb. TRA; U-Shaped; 10-Hole Rotor; w/o ABS
Brake Rotor	96 - 90	BD125339	34000 lb. TRA; Hat-Shaped; 10-Hole Rotor; w/ABS
Brake Rotor	96 - 90	BD125488	34000 lb. TRA; Hat-Shaped; 10-Hole Rotor; w/ABS; w/Special Pads
Brake Rotor	96 - 90	BD125090	34000 lb. TRA; Hat-Shaped; 10-Hole Rotor; w/o ABS
Brake Rotor	96 - 90	BD125487	38000-44000 lb. TRA; Hat-Shaped; 10-Hole Rotor; w/ABS
Brake Rotor	96 - 90	BD125338	38000-44000 lb. TRA; U-Shaped; 10-Hole Rotor; w/o ABS

Brake Hardware

Front Brake Hardware	Years	Sequential No.	Category No.	Qualifier
Disc Align Kit	02 - 90	F112090S	(H5566)	Bendix; 2.88" 2-Piston Caliper
Disc Align Kit	02 - 90	F134105	(H5613)	Dayton; 2.50" 2-Piston Caliper

Rear Brake Hardware	Years	Sequential No.	Category No.	Qualifier
Disc Align Kit	02 - 90	F112090S	(H5566)	Bendix; 2.88" 2-Piston Caliper
Disc Align Kit	02 - 90	F134105	(H5613)	Dayton; 2.50" 2-Piston Caliper
Disc Align Kit	02 - 95	F140771	(H5712)	Dayton; 2.52" 4-Piston Caliper
Disc Align Kit	02 - 95	F140630	(H3026)	Dayton; 2.75" 4-Piston Caliper

Calipers - Reman

Front, Loaded	Years	Left No.	Right No.	Qualifier	Piston
Loaded Caliper	02 - 90	AS120549	AS120549	Bendix; 2.88" 2-Piston Caliper	P
Loaded Caliper	02 - 90	AS120549S	AS120549S	Bendix; 2.88" 2-Piston Caliper	O
Loaded Caliper	02 - 90	AS134782	AS134782	Dayton; 2.50" 2-Piston Caliper	M
Rear, Loaded	Years	Left No.	Right No.	Qualifier	Piston
Loaded Caliper	02 - 97	AS120549	AS120549	Bendix; 2.88" 2-Piston Caliper; 19000 lb. RA	P
Loaded Caliper	02 - 97	AS120549S	AS120549S	Bendix; 2.88" 2-Piston Caliper; 19000 lb. RA	O
Loaded Caliper	02 - 97	AS134782	AS134782	Dayton; 2.50" 2-Piston Caliper; 15000 lb. RA	M
Loaded Caliper	02 - 97	AS134821	AS134820	Dayton; 2.52" 4-Piston Caliper; Serial No. 602C / 604C; w/o Wear Sensor	M
Loaded Caliper	02	AS134821A	AS134820A	Dayton; 2.52" 4-Piston Caliper; Serial No. 602C / 604C; w/Wear Sensor	P
Loaded Caliper	02 - 97	AS134580	AS134581	Dayton; 2.75" 4-Piston Caliper; Serial No. 581F / 583F; w/o Wear Sensor	M
Loaded Caliper	02	AS134580A	AS134581A	Dayton; 2.75" 4-Piston Caliper; Serial No. 581F / 583F; w/Wear Sensor	P
Loaded Caliper	02 - 97	AS134818	AS134819	Dayton; 2.75" 4-Piston Caliper; Serial No. 595B / 597B; w/o Wear Sensor	M
Loaded Caliper	02	AS134818A	AS134819A	Dayton; 2.75" 4-Piston Caliper; Serial No. 595B / 597B; w/Wear Sensor	P
Loaded Caliper	96 - 90	AS120549	AS120549	Bendix; 2.88" 2-Piston Caliper	P
Loaded Caliper	96 - 90	AS120549S	AS120549S	Bendix; 2.88" 2-Piston Caliper	O
Loaded Caliper	96 - 90	AS134782	AS134782	Dayton; 2.50" 2-Piston Caliper	M
Loaded Caliper	96 - 95	AS134821	AS134820	Dayton; 2.52" 4-Piston Caliper; Serial No. 602C / 604C	M
Loaded Caliper	96 - 95	AS134580	AS134581	Dayton; 2.75" 4-Piston Caliper; Serial No. 581F / 583F	M
Loaded Caliper	96 - 95	AS134818	AS134819	Dayton; 2.75" 4-Piston Caliper; Serial No. 595B / 597B	M
Front, Unloaded	Years	Left No.	Right No.	Qualifier	Piston
Unloaded Caliper	02 - 90	CR120549	CR120549	Bendix; 2.88" 2-Piston Caliper	P
Unloaded Caliper	02 - 90	CR120549S	CR120549S	Bendix; 2.88" 2-Piston Caliper	O
Unloaded Caliper	02 - 90	CR134782	CR134782	Dayton; 2.50" 2-Piston Caliper	M

Piston: M - OE Metal Piston P - OE Phenolic Piston O - Metal Piston Option



C7H064 (cont.)

Calipers - Reman (cont.)

<i>Rear, Unloaded</i>	<i>Years</i>	<i>Left No.</i>	<i>Right No.</i>	<i>Qualifier</i>	<i>Piston</i>
Unloaded Caliper	02 - 90	CR120549	CR120549	Bendix; 2.88" 2-Piston Caliper	P
Unloaded Caliper	02 - 90	CR120549S	CR120549S	Bendix; 2.88" 2-Piston Caliper	O
Unloaded Caliper	02 - 90	CR134782	CR134782	Dayton; 2.50" 2-Piston Caliper	M
Unloaded Caliper	02 - 95	CR134821	CR134820	Dayton; 2.52" 4-Piston Caliper; Serial No. 602C / 604C	M
Unloaded Caliper	02 - 95	CR134580	CR134581	Dayton; 2.75" 4-Piston Caliper; Serial No. 581F / 583F	M
Unloaded Caliper	02 - 95	CR134818	CR134819	Dayton; 2.75" 4-Piston Caliper; Serial No. 595B / 597B	M

Hydraulics - New

<i>Master Cylinder</i>	<i>Years</i>	<i>Sequential No.</i>	<i>Category No.</i>	<i>Qualifier</i>
Master Cylinder	96 - 92	F140745	(MC140745)	8100 lb. FA
Master Cylinder	91 - 90	F140745	(MC140745)	

<i>Front Brake Hose</i>	<i>Years</i>	<i>Sequential No.</i>	<i>Category No.</i>	<i>Qualifier</i>
Brake Hose	02 - 97	F132935	(BH132935)	L.H.; w/ABS; To Caliper
Brake Hose	02 - 97	F140743	(BH140743)	L.H.; w/o ABS
Brake Hose	02 - 97	F132935	(BH132935)	R.H.; w/ABS; To Caliper
Brake Hose	02 - 97	F140743	(BH140743)	R.H.; w/o ABS
Brake Hose	96 - 90	F132935	(BH132935)	L.H.; To Caliper
Brake Hose	96 - 90	F132935	(BH132935)	R.H.; To Caliper

<i>Rear Brake Hose</i>	<i>Years</i>	<i>Sequential No.</i>	<i>Category No.</i>	<i>Qualifier</i>
Brake Hose	02 - 90	F132934	(BH132934)	Crossover; To Top of RA Hsg.
Brake Hose	02 - 97	F132926	(BH132926)	Incl. Tee
Brake Hose	02 - 97	F140734	(BH140734)	L.H.; Crossover; w/Rear Drum
Brake Hose	02 - 97	F140740	(BH140740)	L.H.; Crossover; w/Rear Drum; w/Air Ride
Brake Hose	02 - 97	F140742	(BH140742)	L.H.; Exc. Low Pro; w/Rear Disc
Brake Hose	02 - 97	F140739	(BH140739)	L.H.; Low Pro; w/Rear Disc; w/o ABS; w/Pipe
Brake Hose	02 - 97	F140737	(BH140737)	L.H.; To RA; w/o Air Ride
Brake Hose	02 - 97	F140735	(BH140735)	R.H.; Crossover; w/Rear Drum
Brake Hose	02 - 97	F140741	(BH140741)	R.H.; Crossover; w/Rear Drum; w/Air Ride
Brake Hose	02 - 97	F140766	(BH140766)	R.H.; Exc. Low Pro; w/Rear Disc
Brake Hose	02 - 97	F140738	(BH140738)	R.H.; Low Pro; w/Rear Disc; w/o ABS; w/Pipe
Brake Hose	02 - 97	F140737	(BH140737)	R.H.; To RA; w/o Air Ride
Brake Hose	96 - 93	F132926	(BH132926)	To Rear Feed Pipe
Brake Hose	92 - 90	F111947	(BH111947)	To Rear Feed Pipe; 1/8" ID; 7/16" Nut; 24 Thread; 25" Length

Hydraulics - Reman

<i>Power Brake Booster</i>	<i>Years</i>	<i>Part No.</i>	<i>Qualifier</i>
Power Brake Booster	96 - 90	529920	w/o Master Cylinder; w/9" Pedal Rod

C8500

Brake Pads & Shoes

<i>Front Pads & Shoes</i>	<i>Years</i>	<i>SevereDuty</i>	<i>Lining No.</i>	<i>Qualifier</i>
Brake Shoes	07 - 03	4702Q	4702	w/Air Brakes; Rockwell/Meritor; Q-Plus; 15 x 4
Brake Shoes	07 - 03	4720Q	4720	w/Air Brakes; Rockwell/Meritor; Q-Plus; 16-1/2 x 5
Brake Shoes	07 - 03	4715Q	4715	w/Air Brakes; Rockwell/Meritor; Q-Plus; 16-1/2 x 6
<i>Rear Pads & Shoes</i>	<i>Years</i>	<i>SevereDuty</i>	<i>Lining No.</i>	<i>Qualifier</i>
Brake Shoes	07 - 03	4707Q	4707	w/Air Brakes; Rockwell/Meritor; Q-Plus; 16-1/2 x 7
<i>Parking Brake Shoes</i>	<i>Years</i>	<i>SevereDuty</i>	<i>Lining No.</i>	<i>Qualifier</i>
Brake Shoes	07 - 03	SDS647	EX2086D	Driveline Config.; 9 x 3
Brake Shoes	07 - 03	SDS824R	EX1556D	Drum-in-Hat Config.; 12 x 3

CHEVROLET MD F-Series

F6B042

Brake Pads & Shoes

<i>Front Pads & Shoes</i>	<i>Years</i>	<i>SevereDuty</i>	<i>Lining No.</i>	<i>Qualifier</i>
Brake Pads	02 - 96	SD225B		Bendix; 2.88" 2-Piston Caliper
Brake Pads	02 - 96	SD224		Dayton; 2.50" 2-Piston Caliper

Piston: M - OE Metal Piston P - OE Phenolic Piston O - Metal Piston Option

Brake Pads & Shoes (cont.)
Front Pads & Shoes

Years	SevereDuty	Lining No.	Qualifier
02 - 96	4702Q	4702	w/Air Brakes; Q-Plus; 15 x 4
02 - 96	4720Q	4720	w/Air Brakes; Q-Plus; 16-1/2 x 5

Rear Pads & Shoes

Years	SevereDuty	Lining No.	Qualifier
02 - 96	SD225B		Bendix; 2.88" 2-Piston Caliper
02 - 96	SD224		Dayton; 2.50" 2-Piston Caliper
02 - 98	SD769		Dayton; 2.52" 4-Piston Caliper; w/o Wear Sensor
02	SD1032		Dayton; 2.52" 4-Piston Caliper; w/Wear Sensor
02 - 98	SD769		Dayton; 2.75" 4-Piston Caliper; w/o Wear Sensor
02	SD1032		Dayton; 2.75" 4-Piston Caliper; w/Wear Sensor
02 - 96	4707Q	4707	w/Air Brakes; Q-Plus; 16-1/2 x 7

Parking Brake Shoes

Years	SevereDuty	Lining No.	Qualifier
02 - 96	SDS647	EX2086D	Driveline Config.; 9 x 3
02 - 96	SDS824R	EX1556D	Drum-in-Hat Config.; 12 x 3

Rotor & Drum
Front Rotor & Drum

Years	Part No.	Qualifier
02 - 96	BD125088	8100 lb. FA; Hat-Shaped; 5-Hole

Rear Rotor & Drum

Years	Part No.	Qualifier
02 - 96	BD125665	15000 lb. RA; Hat-Shaped; 10-Hole
02 - 96	BD125338	16900-19000 lb. RA; Hat-Shaped; 10-Hole; w/2-Piston Caliper
02 - 96	BD125668	16900-19000 lb. RA; Hat-Shaped; 10-Hole; w/2-Piston Caliper
02 - 98	BD125666	16900-19000 lb. RA; Hat-Shaped; 10-Hole; w/4-Piston Caliper
02 - 96	BD125667	21000-23000 lb. RA; U-Shaped; 10-Hole

Brake Hardware
Front Brake Hardware

Years	Sequential No.	Category No.	Qualifier
02 - 96	F112090S	(H5566)	Bendix; 2.88" 2-Piston Caliper
02 - 96	F134105	(H5613)	Dayton; 2.50" 2-Piston Caliper

Rear Brake Hardware

Years	Sequential No.	Category No.	Qualifier
02 - 96	F112090S	(H5566)	Bendix; 2.88" 2-Piston Caliper
02 - 96	F134105	(H5613)	Dayton; 2.50" 2-Piston Caliper
02 - 98	F140630	(H3026)	Dayton; 2.52" 4-Piston Caliper; w/o Wear Sensor
02	F140771	(H5712)	Dayton; 2.52" 4-Piston Caliper; w/Wear Sensor
02 - 98	F140630	(H3026)	Dayton; 2.75" 4-Piston Caliper; w/o Wear Sensor
02	F140771	(H5712)	Dayton; 2.75" 4-Piston Caliper; w/Wear Sensor

Calipers - Reman
Front, Loaded

Years	Left No.	Right No.	Qualifier	Piston
02 - 96	AS120549	AS120549	Bendix; 2.88" 2-Piston Caliper	P
02 - 96	AS120549S	AS120549S	Bendix; 2.88" 2-Piston Caliper	O
02 - 96	AS134782	AS134782	Dayton; 2.50" 2-Piston Caliper	M

Rear, Loaded

Years	Left No.	Right No.	Qualifier	Piston
02 - 96	AS120549	AS120549	Bendix; 2.88" 2-Piston Caliper	P
02 - 96	AS120549S	AS120549S	Bendix; 2.88" 2-Piston Caliper	O
02 - 96	AS134782	AS134782	Dayton; 2.50" 2-Piston Caliper	M
02 - 98	AS134821	AS134820	Dayton; 2.52" 4-Piston Caliper; Serial No. 602C / 604C; w/o Wear Sensor	M
02	AS134821A	AS134820A	Dayton; 2.52" 4-Piston Caliper; Serial No. 602C / 604C; w/Wear Sensor	P
02 - 98	AS134580	AS134581	Dayton; 2.75" 4-Piston Caliper; Serial No. 581F / 583F; w/o Wear Sensor	M
02	AS134580A	AS134581A	Dayton; 2.75" 4-Piston Caliper; Serial No. 581F / 583F; w/Wear Sensor	P
02 - 98	AS134818	AS134819	Dayton; 2.75" 4-Piston Caliper; Serial No. 595F / 597F; w/o Wear Sensor	M
02	AS134818A	AS134819A	Dayton; 2.75" 4-Piston Caliper; Serial No. 595F / 597F; w/Wear Sensor	P

Front, Unloaded

Years	Left No.	Right No.	Qualifier	Piston
02 - 96	CR120549	CR120549	Bendix; 2.88" 2-Piston Caliper	P
02 - 96	CR120549S	CR120549S	Bendix; 2.88" 2-Piston Caliper	O
02 - 96	CR134782	CR134782	Dayton; 2.50" 2-Piston Caliper	M

Rear, Unloaded

Years	Left No.	Right No.	Qualifier	Piston
02 - 96	CR120549	CR120549	Bendix; 2.88" 2-Piston Caliper	P

Piston: M - OE Metal Piston P - OE Phenolic Piston O - Metal Piston Option

F6B042 (cont.)

Calipers - Reman (cont.)

<i>Rear, Unloaded</i>	<i>Years</i>	<i>Left No.</i>	<i>Right No.</i>	<i>Qualifier</i>	<i>Piston</i>
Unloaded Caliper	02 - 96	CR120549S	CR120549S	Bendix; 2.88" 2-Piston Caliper	O
Unloaded Caliper	02 - 96	CR134782	CR134782	Dayton; 2.50" 2-Piston Caliper	M
Unloaded Caliper	02 - 98	CR134821	CR134820	Dayton; 2.52" 4-Piston Caliper; Serial No. 602C / 604C	M
Unloaded Caliper	02 - 98	CR134580	CR134581	Dayton; 2.75" 4-Piston Caliper; Serial No. 581F / 583F	M
Unloaded Caliper	02 - 98	CR134818	CR134819	Dayton; 2.75" 4-Piston Caliper; Serial No. 595F / 597F	M

Hydraulics - New

<i>Front Brake Hose</i>	<i>Years</i>	<i>Sequential No.</i>	<i>Category No.</i>	<i>Qualifier</i>
Brake Hose	02 - 96	F140743	(BH140743)	
<i>Rear Brake Hose</i>	<i>Years</i>	<i>Sequential No.</i>	<i>Category No.</i>	<i>Qualifier</i>
Brake Hose	02 - 96	F140736	(BH140736)	L.H.; w/Low Pro
Brake Hose	02 - 99	F140738	(BH140738)	L.H.; w/Low Pro; w/Pipe
Brake Hose	02 - 96	F140737	(BH140737)	L.H.; w/o Low Pro
Brake Hose	02 - 99	F140742	(BH140742)	L.H.; w/o Low Pro; w/Pipe
Brake Hose	02 - 96	F140736	(BH140736)	R.H.; w/Low Pro
Brake Hose	02 - 99	F140739	(BH140739)	R.H.; w/Low Pro; w/Pipe
Brake Hose	02 - 96	F140737	(BH140737)	R.H.; w/o Low Pro
Brake Hose	02 - 99	F140766	(BH140766)	R.H.; w/o Low Pro; w/Pipe

F7B042

Brake Pads & Shoes

<i>Front Pads & Shoes</i>	<i>Years</i>	<i>SevereDuty</i>	<i>Lining No.</i>	<i>Qualifier</i>
Brake Pads	02 - 96	SD225B		Bendix; 2.88" 2-Piston Caliper
Brake Pads	02 - 96	SD224		Dayton; 2.50" 2-Piston Caliper
Brake Shoes	02 - 96	4702Q	4702	w/Air Brakes; Q-Plus; 15 x 4
Brake Shoes	02 - 96	4720Q	4720	w/Air Brakes; Q-Plus; 16-1/2 x 5
Brake Shoes	02 - 96	4524Q	4524B	w/Air Brakes; Q-Series; 16-1/2 x 5
<i>Rear Pads & Shoes</i>	<i>Years</i>	<i>SevereDuty</i>	<i>Lining No.</i>	<i>Qualifier</i>
Brake Pads	02 - 96	SD225B		Bendix; 2.88" 2-Piston Caliper
Brake Pads	02 - 96	SD224		Dayton; 2.50" 2-Piston Caliper
Brake Pads	02 - 98	SD769		Dayton; 2.52" 4-Piston Caliper; w/o Wear Sensor
Brake Pads	02	SD1032		Dayton; 2.52" 4-Piston Caliper; w/Wear Sensor
Brake Pads	02 - 98	SD769		Dayton; 2.75" 4-Piston Caliper; w/o Wear Sensor
Brake Pads	02	SD1032		Dayton; 2.75" 4-Piston Caliper; w/Wear Sensor
Brake Shoes	02 - 96	4707Q	4707	w/Air Brakes; Q-Plus; 16-1/2 x 7
Brake Shoes	02 - 96	4515P	4515E	w/Air Brakes; Q-Series; 16-1/2 x 7
<i>Parking Brake Shoes</i>	<i>Years</i>	<i>SevereDuty</i>	<i>Lining No.</i>	<i>Qualifier</i>
Brake Shoes	02 - 96	SDS647	EX2086D	Driveline Config.; 9 x 3
Brake Shoes	02 - 96	SDS824R	EX1556D	Drum-in-Hat Config.; 12 x 3

Rotor & Drum

<i>Front Rotor & Drum</i>	<i>Years</i>	<i>Part No.</i>	<i>Qualifier</i>
Brake Rotor	02 - 96	BD125488	11000 lb. FA; Hat-Shaped; 10-Hole
Brake Rotor	02 - 96	BD125088	8100 lb. FA; Hat-Shaped; 5-Hole
<i>Rear Rotor & Drum</i>	<i>Years</i>	<i>Part No.</i>	<i>Qualifier</i>
Brake Rotor	02 - 96	BD125338	16900-19000 lb. RA; Hat-Shaped; 10-Hole; w/2-Piston Caliper
Brake Rotor	02 - 96	BD125668	16900-19000 lb. RA; Hat-Shaped; 10-Hole; w/2-Piston Caliper
Brake Rotor	02 - 98	BD125666	16900-19000 lb. RA; Hat-Shaped; 10-Hole; w/4-Piston Caliper
Brake Rotor	02 - 96	BD125667	21000-23000 lb. RA; U-Shaped; 10-Hole
Brake Rotor	00 - 96	BD125665	15000 lb. RA; Hat-Shaped; 10-Hole

Brake Hardware

<i>Front Brake Hardware</i>	<i>Years</i>	<i>Sequential No.</i>	<i>Category No.</i>	<i>Qualifier</i>
Disc Align Kit	02 - 96	F112090S	(H5566)	Bendix; 2.88" 2-Piston Caliper
Disc Align Kit	02 - 96	F134105	(H5613)	Dayton; 2.50" 2-Piston Caliper
<i>Rear Brake Hardware</i>	<i>Years</i>	<i>Sequential No.</i>	<i>Category No.</i>	<i>Qualifier</i>
Disc Align Kit	02 - 96	F112090S	(H5566)	Bendix; 2.88" 2-Piston Caliper

Piston: M - OE Metal Piston P - OE Phenolic Piston O - Metal Piston Option

F7B042 (cont.)
Brake Hardware (cont.)

<i>Rear Brake Hardware</i>	<i>Years</i>	<i>Sequential No.</i>	<i>Category No.</i>	<i>Qualifier</i>
Disc Align Kit	02 - 96	F134105	(H5613)	Dayton; 2.50" 2-Piston Caliper
Disc Align Kit	02 - 98	F140630	(H3026)	Dayton; 2.52" 4-Piston Caliper; w/o Wear Sensor
Disc Align Kit	02	F140771	(H5712)	Dayton; 2.52" 4-Piston Caliper; w/Wear Sensor
Disc Align Kit	02 - 98	F140630	(H3026)	Dayton; 2.75" 4-Piston Caliper; w/o Wear Sensor
Disc Align Kit	02	F140771	(H5712)	Dayton; 2.75" 4-Piston Caliper; w/Wear Sensor

Calipers - Reman

<i>Front, Loaded</i>	<i>Years</i>	<i>Left No.</i>	<i>Right No.</i>	<i>Qualifier</i>	<i>Piston</i>
Loaded Caliper	02 - 96	AS120549	AS120549	Bendix; 2.88" 2-Piston Caliper	P
Loaded Caliper	02 - 96	AS120549S	AS120549S	Bendix; 2.88" 2-Piston Caliper	O
Loaded Caliper	02 - 96	AS134782	AS134782	Dayton; 2.50" 2-Piston Caliper	M

<i>Rear, Loaded</i>	<i>Years</i>	<i>Left No.</i>	<i>Right No.</i>	<i>Qualifier</i>	<i>Piston</i>
Loaded Caliper	02 - 96	AS120549	AS120549	Bendix; 2.88" 2-Piston Caliper	P
Loaded Caliper	02 - 96	AS120549S	AS120549S	Bendix; 2.88" 2-Piston Caliper	O
Loaded Caliper	02 - 96	AS134782	AS134782	Dayton; 2.50" 2-Piston Caliper	M
Loaded Caliper	02 - 98	AS134821	AS134820	Dayton; 2.52" 4-Piston Caliper; Serial No. 602C / 604C; w/o Wear Sensor	M
Loaded Caliper	02	AS134821A	AS134820A	Dayton; 2.52" 4-Piston Caliper; Serial No. 602C / 604C; w/Wear Sensor	P
Loaded Caliper	02 - 98	AS134580	AS134581	Dayton; 2.75" 4-Piston Caliper; Serial No. 581F / 583F; w/o Wear Sensor	M
Loaded Caliper	02	AS134580A	AS134581A	Dayton; 2.75" 4-Piston Caliper; Serial No. 581F / 583F; w/Wear Sensor	P
Loaded Caliper	02 - 98	AS134818	AS134819	Dayton; 2.75" 4-Piston Caliper; Serial No. 595F / 597F; w/o Wear Sensor	M
Loaded Caliper	02	AS134818A	AS134819A	Dayton; 2.75" 4-Piston Caliper; Serial No. 595F / 597F; w/Wear Sensor	P

<i>Front, Unloaded</i>	<i>Years</i>	<i>Left No.</i>	<i>Right No.</i>	<i>Qualifier</i>	<i>Piston</i>
Unloaded Caliper	02 - 96	CR120549	CR120549	Bendix; 2.88" 2-Piston Caliper	P
Unloaded Caliper	02 - 96	CR120549S	CR120549S	Bendix; 2.88" 2-Piston Caliper	O
Unloaded Caliper	02 - 96	CR134782	CR134782	Dayton; 2.50" 2-Piston Caliper	M

<i>Rear, Unloaded</i>	<i>Years</i>	<i>Left No.</i>	<i>Right No.</i>	<i>Qualifier</i>	<i>Piston</i>
Unloaded Caliper	02 - 96	CR120549	CR120549	Bendix; 2.88" 2-Piston Caliper	P
Unloaded Caliper	02 - 96	CR120549S	CR120549S	Bendix; 2.88" 2-Piston Caliper	O
Unloaded Caliper	02 - 96	CR134782	CR134782	Dayton; 2.50" 2-Piston Caliper	M
Unloaded Caliper	02 - 98	CR134821	CR134820	Dayton; 2.52" 4-Piston Caliper; Serial No. 602C / 604C	M
Unloaded Caliper	02 - 98	CR134580	CR134581	Dayton; 2.75" 4-Piston Caliper; Serial No. 581F / 583F	M
Unloaded Caliper	02 - 98	CR134818	CR134819	Dayton; 2.75" 4-Piston Caliper; Serial No. 595F / 597F	M

Hydraulics - New

<i>Front Brake Hose</i>	<i>Years</i>	<i>Sequential No.</i>	<i>Category No.</i>	<i>Qualifier</i>
-------------------------	--------------	-----------------------	---------------------	------------------

Brake Hose	02 - 96	F140743	(BH140743)	
------------	---------	---------	------------	--

<i>Rear Brake Hose</i>	<i>Years</i>	<i>Sequential No.</i>	<i>Category No.</i>	<i>Qualifier</i>
------------------------	--------------	-----------------------	---------------------	------------------

Brake Hose	02 - 96	F140736	(BH140736)	L.H.; w/Low Pro
Brake Hose	02 - 99	F140738	(BH140738)	L.H.; w/Low Pro; w/Pipe
Brake Hose	02 - 96	F140737	(BH140737)	L.H.; w/o Low Pro
Brake Hose	02 - 99	F140742	(BH140742)	L.H.; w/o Low Pro; w/Pipe
Brake Hose	02 - 96	F140736	(BH140736)	R.H.; w/Low Pro
Brake Hose	02 - 99	F140739	(BH140739)	R.H.; w/Low Pro; w/Pipe
Brake Hose	02 - 96	F140737	(BH140737)	R.H.; w/o Low Pro
Brake Hose	02 - 99	F140766	(BH140766)	R.H.; w/o Low Pro; w/Pipe

F7B064
Brake Pads & Shoes

<i>Front Pads & Shoes</i>	<i>Years</i>	<i>SevereDuty</i>	<i>Lining No.</i>	<i>Qualifier</i>
-------------------------------	--------------	-------------------	-------------------	------------------

Brake Pads	02 - 96	SD225B		Bendix; 2.88" 2-Piston Caliper
Brake Pads	02 - 96	SD224		Dayton; 2.50" 2-Piston Caliper
Brake Shoes	02 - 96	4702Q	4702	w/Air Brakes; Q-Plus; 15 x 4
Brake Shoes	02 - 96	4720Q	4720	w/Air Brakes; Q-Plus; 16-1/2 x 5
Brake Shoes	02 - 96	4524Q	4524B	w/Air Brakes; Q-Series; 16-1/2 x 5

<i>Rear Pads & Shoes</i>	<i>Years</i>	<i>SevereDuty</i>	<i>Lining No.</i>	<i>Qualifier</i>
------------------------------	--------------	-------------------	-------------------	------------------

Brake Pads	02 - 96	SD225B		Bendix; 2.88" 2-Piston Caliper
------------	---------	--------	--	--------------------------------

Piston: M - OE Metal Piston P - OE Phenolic Piston O - Metal Piston Option



F7B064 (cont.)

Brake Pads & Shoes (cont.)

Rear Pads & Shoes	Years	SevereDuty	Lining No.	Qualifier
Brake Pads	02 - 96	SD224		Dayton; 2.50" 2-Piston Caliper
Brake Pads	02 - 98	SD769		Dayton; 2.52" 4-Piston Caliper; w/o Wear Sensor
Brake Pads	02	SD1032		Dayton; 2.52" 4-Piston Caliper; w/Wear Sensor
Brake Pads	02 - 98	SD769		Dayton; 2.75" 4-Piston Caliper; w/o Wear Sensor
Brake Pads	02	SD1032		Dayton; 2.75" 4-Piston Caliper; w/Wear Sensor
Brake Shoes	02 - 96	4707Q	4707	w/Air Brakes; Q-Plus; 16-1/2 x 7
Parking Brake Shoes	Years	SevereDuty	Lining No.	Qualifier
Brake Shoes	02 - 96	SDS647	EX2086D	Driveline Config.; 9 x 3
Brake Shoes	02 - 96	SDS824R	EX1556D	Drum-in-Hat Config.; 12 x 3

Rotor & Drum

Front Rotor & Drum	Years	Part No.	Qualifier
Brake Rotor	02 - 96	BD125488	11000 lb. FA; Hat-Shaped; 10-Hole
Brake Rotor	02 - 96	BD125088	8100 lb. FA; Hat-Shaped; 5-Hole
Rear Rotor & Drum	Years	Part No.	Qualifier
Brake Rotor	02 - 96	BD125338	34000 lb. TRA; Hat-Shaped; 10-Hole; w/2-Piston Caliper
Brake Rotor	02 - 96	BD125668	34000 lb. TRA; Hat-Shaped; 10-Hole; w/2-Piston Caliper
Brake Rotor	02 - 98	BD125666	34000 lb. TRA; Hat-Shaped; 10-Hole; w/4-Piston Caliper
Brake Rotor	02 - 96	BD125667	38000-44000 lb. TRA; U-Shaped; 10-Hole

Brake Hardware

Front Brake Hardware	Years	Sequential No.	Category No.	Qualifier
Disc Align Kit	02 - 96	F112090S	(H5566)	Bendix; 2.88" 2-Piston Caliper
Disc Align Kit	02 - 96	F134105	(H5613)	Dayton; 2.50" 2-Piston Caliper
Rear Brake Hardware	Years	Sequential No.	Category No.	Qualifier
Disc Align Kit	02 - 96	F112090S	(H5566)	Bendix; 2.88" 2-Piston Caliper
Disc Align Kit	02 - 96	F134105	(H5613)	Dayton; 2.50" 2-Piston Caliper
Disc Align Kit	02 - 98	F140630	(H3026)	Dayton; 2.52" 4-Piston Caliper; w/o Wear Sensor
Disc Align Kit	02	F140771	(H5712)	Dayton; 2.52" 4-Piston Caliper; w/Wear Sensor
Disc Align Kit	02 - 98	F140630	(H3026)	Dayton; 2.75" 4-Piston Caliper; w/o Wear Sensor
Disc Align Kit	02	F140771	(H5712)	Dayton; 2.75" 4-Piston Caliper; w/Wear Sensor

Calipers - Reman

Front, Loaded	Years	Left No.	Right No.	Qualifier	Piston
Loaded Caliper	02 - 96	AS120549	AS120549	Bendix; 2.88" 2-Piston Caliper	P
Loaded Caliper	02 - 96	AS120549S	AS120549S	Bendix; 2.88" 2-Piston Caliper	O
Loaded Caliper	02 - 96	AS134782	AS134782	Dayton; 2.50" 2-Piston Caliper	M
Rear, Loaded	Years	Left No.	Right No.	Qualifier	Piston
Loaded Caliper	02 - 96	AS120549	AS120549	Bendix; 2.88" 2-Piston Caliper	P
Loaded Caliper	02 - 96	AS120549S	AS120549S	Bendix; 2.88" 2-Piston Caliper	O
Loaded Caliper	02 - 96	AS134782	AS134782	Dayton; 2.50" 2-Piston Caliper	M
Loaded Caliper	02 - 98	AS134821	AS134820	Dayton; 2.52" 4-Piston Caliper; Serial No. 602C / 604C; w/o Wear Sensor	M
Loaded Caliper	02	AS134821A	AS134820A	Dayton; 2.52" 4-Piston Caliper; Serial No. 602C / 604C; w/Wear Sensor	P
Loaded Caliper	02 - 98	AS134580	AS134581	Dayton; 2.75" 4-Piston Caliper; Serial No. 581F / 583F; w/o Wear Sensor	M
Loaded Caliper	02	AS134580A	AS134581A	Dayton; 2.75" 4-Piston Caliper; Serial No. 581F / 583F; w/Wear Sensor	P
Loaded Caliper	02 - 98	AS134818	AS134819	Dayton; 2.75" 4-Piston Caliper; Serial No. 595F / 597F; w/o Wear Sensor	M
Loaded Caliper	02	AS134818A	AS134819A	Dayton; 2.75" 4-Piston Caliper; Serial No. 595F / 597F; w/Wear Sensor	P
Front, Unloaded	Years	Left No.	Right No.	Qualifier	Piston
Unloaded Caliper	02 - 96	CR120549	CR120549	Bendix; 2.88" 2-Piston Caliper	P
Unloaded Caliper	02 - 96	CR120549S	CR120549S	Bendix; 2.88" 2-Piston Caliper	O
Unloaded Caliper	02 - 96	CR134782	CR134782	Dayton; 2.50" 2-Piston Caliper	M
Rear, Unloaded	Years	Left No.	Right No.	Qualifier	Piston
Unloaded Caliper	02 - 96	CR120549	CR120549	Bendix; 2.88" 2-Piston Caliper	P
Unloaded Caliper	02 - 96	CR120549S	CR120549S	Bendix; 2.88" 2-Piston Caliper	O
Unloaded Caliper	02 - 96	CR134782	CR134782	Dayton; 2.50" 2-Piston Caliper	M
Unloaded Caliper	02 - 98	CR134821	CR134820	Dayton; 2.52" 4-Piston Caliper; Serial No. 602C / 604C	M
Unloaded Caliper	02 - 98	CR134580	CR134581	Dayton; 2.75" 4-Piston Caliper; Serial No. 581F / 583F	M

Piston: M - OE Metal Piston P - OE Phenolic Piston O - Metal Piston Option

F7B064 (cont.)
Calipers - Reman (cont.)

<i>Rear, Unloaded</i>	<i>Years</i>	<i>Left No.</i>	<i>Right No.</i>	<i>Qualifier</i>	<i>Piston</i>
Unloaded Caliper	02 - 98	CR134818	CR134819	Dayton; 2.75" 4-Piston Caliper; Serial No. 595F / 597F	M

Hydraulics - New

<i>Front Brake Hose</i>	<i>Years</i>	<i>Sequential No.</i>	<i>Category No.</i>	<i>Qualifier</i>
Brake Hose	02 - 96	F140743	(BH140743)	
<i>Rear Brake Hose</i>	<i>Years</i>	<i>Sequential No.</i>	<i>Category No.</i>	<i>Qualifier</i>
Brake Hose	02 - 96	F140736	(BH140736)	L.H.; w/Low Pro
Brake Hose	02 - 99	F140738	(BH140738)	L.H.; w/Low Pro; w/Pipe
Brake Hose	02 - 96	F140737	(BH140737)	L.H.; w/o Low Pro
Brake Hose	02 - 99	F140742	(BH140742)	L.H.; w/o Low Pro; w/Pipe
Brake Hose	02 - 96	F140736	(BH140736)	R.H.; w/Low Pro
Brake Hose	02 - 99	F140739	(BH140739)	R.H.; w/Low Pro; w/Pipe
Brake Hose	02 - 96	F140737	(BH140737)	R.H.; w/o Low Pro
Brake Hose	02 - 99	F140766	(BH140766)	R.H.; w/o Low Pro; w/Pipe

CHEVROLET MD P-Series
P4T042
Brake Pads & Shoes

<i>Front Pads & Shoes</i>	<i>Years</i>	<i>SevereDuty</i>	<i>Lining No.</i>	<i>Qualifier</i>
Brake Pads	90 - 79	SD184		Bendix; 3.38" 1-Piston Caliper
Brake Pads	90 - 79	SD224		Dayton; 2.50" 2-Piston Caliper
Brake Shoes	90 - 79	SDS299R	EX2039D-S32	Hyd. Brakes; Auto Adj.; 14 x 2-1/2
Brake Shoes	90 - 79	SDS321R	EX1245AD-S32	Hyd. Brakes; Auto Adj.; 15 x 3
Brake Shoes	90 - 79	SDS235R	EX1245AD-S32	Hyd. Brakes; Man. Adj.; 15 x 3
<i>Rear Pads & Shoes</i>	<i>Years</i>	<i>SevereDuty</i>	<i>Lining No.</i>	<i>Qualifier</i>
Brake Pads	90 - 79	SD224		Dayton; 2.50" 2-Piston Caliper
Brake Shoes	90 - 79	SDS452R	EX2157TD-S32	Hyd. Brakes; 13 x 3-1/2
Brake Shoes	90 - 79	SDS427R	EX4640D	Hyd. Brakes; 15 x 4
Brake Shoes	90 - 79	SDS442R	EX4639D-S32	Hyd. Brakes; 15 x 5
<i>Parking Brake Shoes</i>	<i>Years</i>	<i>SevereDuty</i>	<i>Lining No.</i>	<i>Qualifier</i>
Brake Shoes	90 - 79	SDS449R	EX2159TD	11 x 2
Brake Shoes	90 - 79	SDS647	EX2086D	9 x 3

Rotor & Drum

<i>Front Rotor & Drum</i>	<i>Years</i>	<i>Part No.</i>	<i>Qualifier</i>
Brake Rotor	90 - 79	BD125089	5000 lb. FA; Hat-Shaped; 6-Hole Rotor; Dayton
Brake Rotor	90 - 79	BD61808	5000 lb. FA; Hat-Shaped; 8-Hole Rotor; Budd
<i>Rear Rotor & Drum</i>	<i>Years</i>	<i>Part No.</i>	<i>Qualifier</i>
Brake Drum	90 - 79	BD60356	Hyd. Brakes; 13 x 3-1/2
Brake Rotor	90 - 79	BD125358	15000 lb. RA; Hat-Shaped; 6-Hole Rotor
Brake Rotor	89 - 83	BD125088	15000 lb. RA; Hat-Shaped; 5-Hole Rotor

Brake Hardware

<i>Front Brake Hardware</i>	<i>Years</i>	<i>Sequential No.</i>	<i>Category No.</i>	<i>Qualifier</i>
Adjuster Kit	90 - 79	F128889	(H2906)	L.H.; GM; 14" Brake
Adjuster Kit	90 - 79	F140819	(H2714)	L.H.; Wagner; Auto Adj.
Adjuster Kit	90 - 79	F128990	(H2929)	L.H.; Wagner; Man. Adj.
Adjuster Kit	90 - 79	F128890	(H2907)	R.H.; GM; 14" Brake
Adjuster Kit	90 - 79	F140820	(H2715)	R.H.; Wagner; Auto Adj.
Adjuster Kit	90 - 79	F128990	(H2929)	R.H.; Wagner; Man. Adj.
Combi Kit	90 - 79	F117009	(H7177)	GM; 14" Brake
↳Adjuster Spring Kit		F73145S	(H425)	
↳Return Spring Kit		F73143	(H601)	
Combi Kit	90 - 79	F117025	(H7173)	Wagner; 15" Brake; Auto Adj.
↳Hold Down Kit		F73399	(H4201)	
↳Return Spring Kit		F36445	(H521)	

↳Sub-Kit of Combi-Kit is available separately.

Piston: M - OE Metal Piston P - OE Phenolic Piston

P4T042 (cont.)

Brake Hardware (cont.)

Front Brake Hardware	Years	Sequential No.	Category No.	Qualifier
Combi Kit	90 - 79	F117026	(H7172)	Wagner; 15" Brake; Man. Adj.
↳Hold Down Kit		F19408	(H4200)	
↳Return Spring Kit		F36445	(H521)	
Disc Align Kit	90 - 79	F107401S	(H5562)	Bendix; 3.38" 1-Piston Caliper
Disc Align Kit	90 - 79	F134105	(H5613)	Dayton; 2.50" 2-Piston Caliper

Rear Brake Hardware	Years	Sequential No.	Category No.	Qualifier
Adjuster Kit	90 - 79	F98406	(H2580)	L.H.; GM; 13" Brake
Adjuster Kit	90 - 79	F128891	(H2908)	L.H.; GM; 15" Brake
Adjuster Kit	90 - 79	F98407	(H2581)	R.H.; GM; 13" Brake
Adjuster Kit	90 - 79	F128892	(H2909)	R.H.; GM; 15" Brake
Adjuster Screw	90 - 79	F128882	(H1712)	L.H.; GM; 13" Brake
Adjuster Screw	90 - 79	F128880S	(H1710)	L.H.; GM; 15" Brake
Adjuster Screw	90 - 79	F128883	(H1713)	R.H.; GM; 13" Brake
Adjuster Screw	90 - 79	F128881S	(H1711)	R.H.; GM; 15" Brake
Combi Kit	90 - 79	F98457S	(H7055)	GM; 13" Brake
↳Adjuster Spring Kit		F73145S	(H425)	
↳Hold Down Kit		F113455S	(H4098)	
↳Return Spring Kit		F59100S	(H600)	
Combi Kit	90 - 79	F140612	(H3008)	GM; 15" Brake
↳Hold Down Kit		F128928	(H4202)	
↳Return Spring Kit		F86408	(H552)	
Disc Align Kit	90 - 79	F134105	(H5613)	Dayton; 2.50" 2-Piston Caliper

Calipers - Reman

Front, Loaded	Years	Left No.	Right No.	Qualifier	Piston
Loaded Caliper	90 - 88	AS98906A	AS98907A	Bendix; 3.38" 1-Piston Caliper	M
Loaded Caliper	90 - 79	AS134782	AS134782	Dayton; 2.50" 2-Piston Caliper	M

Rear, Loaded	Years	Left No.	Right No.	Qualifier	Piston
Loaded Caliper	90 - 79	AS134782	AS134782	Dayton; 2.50" 2-Piston Caliper	M

Front, Unloaded	Years	Left No.	Right No.	Qualifier	Piston
Unloaded Caliper	90 - 88	CR98906	CR98907	Bendix; 3.38" 1-Piston Caliper	M
Unloaded Caliper	90 - 79	CR134782	CR134782	Dayton; 2.50" 2-Piston Caliper	M

Rear, Unloaded	Years	Left No.	Right No.	Qualifier	Piston
Unloaded Caliper	90 - 79	CR134782	CR134782	Dayton; 2.50" 2-Piston Caliper	M

Hydraulics - New

Master Cylinder	Years	Sequential No.	Category No.	Qualifier
Master Cylinder	87 - 84	F119399	(MC119399)	Bendix; Cast Iron Reservoir
Master Cylinder	83 - 82	F119399	(MC119399)	Bendix; Cast Iron Reservoir; w/Delco Hi-Perf. Booster
Master Cylinder	83 - 82	F77034	(MC77034)	Bendix; Cast Iron Reservoir; w/o Delco Hi-Perf. Booster
Master Cylinder	81 - 79	F77034	(MC77034)	Bendix; Cast Iron Reservoir; Split Syst.

Front Wheel Cylinder	Years	Sequential No.	Category No.	Qualifier
Wheel Cylinder	90 - 79	F34401	(WC34401)	L.H.; 14 x 2-1/2" Brake
Wheel Cylinder	90 - 79	F8852	(WC8852)	L.H.; 15 x 3" Brake
Wheel Cylinder	90 - 79	F34402	(WC34402)	R.H.; 14 x 2-1/2" Brake
Wheel Cylinder	90 - 79	F8853	(WC8853)	R.H.; 15 x 3" Brake

Rear Wheel Cylinder	Years	Sequential No.	Category No.	Qualifier
Wheel Cylinder	90 - 79	F79767	(WC79767)	L.H.; 13 x 3-1/2" Brake
Wheel Cylinder	90 - 79	F78744	(WC78744)	L.H.; 15 x 4" or 15 x 5" Brake
Wheel Cylinder	90 - 79	F79767	(WC79767)	R.H.; 13 x 3-1/2" Brake
Wheel Cylinder	90 - 79	F78745	(WC78745)	R.H.; 15 x 4" or 15 x 5" Brake

Front Brake Hose	Years	Sequential No.	Category No.	Qualifier
Brake Hose	90 - 85	F123795	(BH123795)	5000 lb. FA; To Frame; w/17mm Mtg Hole; T589 or T709
Brake Hose	87 - 83	F124607	(BH124607)	5000 lb. FA; 1/8 x 21"

Rear Brake Hose	Years	Sequential No.	Category No.	Qualifier
Brake Hose	90 - 84	F102336	(BH102336)	2WD; 1/8" ID; 7/16" Nut; 24 Thread; w/Hi Perf. Delco Booster; 18" Length

↳Sub-Kit of Combi-Kit is available separately.

Piston: M - OE Metal Piston P - OE Phenolic Piston

P4T042 (cont.)

Hydraulics - New (cont.)

Rear Brake Hose	Years	Sequential No.	Category No.	Qualifier
Brake Hose	90 - 84	F123795	(BH123795)	To Frame; w/17mm Mtg Hole; T589; T709
Brake Hose	83 - 79	F111947	(BH111947)	1/8" ID; 7/16" Nut; 24 Thread; 1/2" OD; 25" Length
Brake Hose	83 - 79	F103315	(BH103315)	1/8" ID; 7/16" Nut; 24 Thread; 24" Length
Brake Hose	83 - 79	F102336	(BH102336)	1/8" ID; 7/16" Nut; 24 Thread; w/Hi-Perf. Delco Booster; 18" Length
Brake Hose	83 - 79	F71305	(BH71305)	3/16" ID; 7/16" Nut; 20/24 Thread; 17" Length

Hydraulics - Reman

Power Brake Booster	Years	Part No.	Qualifier
Power Brake Booster	90 - 88	529903	w/o Master Cylinder; Delco; Hy-Power
Power Brake Booster	87 - 83	529902	w/o Master Cylinder; Delco; Hy-Power; w/Serial No. 2823435; w/7" Pedal Rod
Power Brake Booster	87 - 83	529903	w/o Master Cylinder; Delco; Hy-Power; w/Serial No. 18015765 or 5474216
Power Brake Booster	83 - 79	518027	w/Master Cylinder; Dual; w/ABS; w/Serial No. 2503139 or 2508829 or 2512066

P6S042

Brake Pads & Shoes

Front Pads & Shoes	Years	SevereDuty	Lining No.	Qualifier
Brake Pads	96 - 92	SD225A		Bendix; 2.88" 2-Piston Caliper
Brake Pads	96 - 92	SD224		Dayton; 2.50" 2-Piston Caliper
Rear Pads & Shoes	Years	SevereDuty	Lining No.	Qualifier
Brake Pads	96 - 92	SD225A		Bendix; 2.88" 2-Piston Caliper
Brake Pads	96 - 92	SD224		Dayton; 2.50" 2-Piston Caliper
Parking Brake Shoes	Years	SevereDuty	Lining No.	Qualifier
Brake Shoes	96 - 92	SDS824R	EX1556D	12 x 3
Brake Shoes	96 - 92	SDS647	EX2086D	9 x 3

Rotor & Drum

Front Rotor & Drum	Years	Part No.	Qualifier
Brake Rotor	96 - 92	BD125090	11000-12000 lb. FA; Hat-Shaped; 10-Hole Rotor
Brake Rotor	96 - 92	BD125088	8100 lb. FA; Hat-Shaped; 5-Hole Rotor
Rear Rotor & Drum	Years	Part No.	Qualifier
Brake Rotor	96 - 92	BD125088	15000 lb. RA; Hat-Shaped; 5-Hole Rotor
Brake Rotor	96 - 92	BD125090	16000-19000 lb. RA; Hat-Shaped; 10-Hole Rotor

Brake Hardware

Front Brake Hardware	Years	Sequential No.	Category No.	Qualifier
Disc Align Kit	96 - 92	F112090S	(H5566)	Bendix; 2.88" 2-Piston Caliper
Disc Align Kit	96 - 92	F134105	(H5613)	Dayton; 2.50" 2-Piston Caliper
Rear Brake Hardware	Years	Sequential No.	Category No.	Qualifier
Disc Align Kit	96 - 92	F112090S	(H5566)	Bendix; 2.88" 2-Piston Caliper
Disc Align Kit	96 - 92	F134105	(H5613)	Dayton; 2.50" 2-Piston Caliper

Calipers - Reman

Front, Loaded	Years	Left No.	Right No.	Qualifier	Piston
Loaded Caliper	96 - 92	AS120549	AS120549	Bendix; 2.88" 2-Piston Caliper	P
Loaded Caliper	96 - 92	AS120549S	AS120549S	Bendix; 2.88" 2-Piston Caliper	O
Loaded Caliper	96 - 92	AS134782	AS134782	Dayton; 2.50" 2-Piston Caliper	M
Rear, Loaded	Years	Left No.	Right No.	Qualifier	Piston
Loaded Caliper	96 - 92	AS120549	AS120549	Bendix; 2.88" 2-Piston Caliper	P
Loaded Caliper	96 - 92	AS120549S	AS120549S	Bendix; 2.88" 2-Piston Caliper	O
Loaded Caliper	96 - 92	AS134782	AS134782	Dayton; 2.50" 2-Piston Caliper	M
Front, Unloaded	Years	Left No.	Right No.	Qualifier	Piston
Unloaded Caliper	96 - 92	CR120549	CR120549	Bendix; 2.88" 2-Piston Caliper	P
Unloaded Caliper	96 - 92	CR120549S	CR120549S	Bendix; 2.88" 2-Piston Caliper	O
Unloaded Caliper	96 - 92	CR134782	CR134782	Dayton; 2.50" 2-Piston Caliper	M
Rear, Unloaded	Years	Left No.	Right No.	Qualifier	Piston
Unloaded Caliper	96 - 92	CR120549	CR120549	Bendix; 2.88" 2-Piston Caliper	P
Unloaded Caliper	96 - 92	CR120549S	CR120549S	Bendix; 2.88" 2-Piston Caliper	O
Unloaded Caliper	96 - 92	CR134782	CR134782	Dayton; 2.50" 2-Piston Caliper	M

Piston: M - OE Metal Piston P - OE Phenolic Piston O - Metal Piston Option

P6S042 (cont.)

Hydraulics - New

Master Cylinder	Years	Sequential No.	Category No.	Qualifier
Master Cylinder	96 - 92	F140745	(MC140745)	8100 lb. FA
Front Brake Hose	Years	Sequential No.	Category No.	Qualifier
Brake Hose	96 - 92	F132935	(BH132935)	L.H.; To Caliper
Brake Hose	96 - 92	F132935	(BH132935)	R.H.; To Caliper
Rear Brake Hose	Years	Sequential No.	Category No.	Qualifier
Brake Hose	96 - 92	F132909	(BH132909)	From MC
Brake Hose	96 - 93	F132926	(BH132926)	To Rear Feed Pipe
Brake Hose	96 - 92	F132934	(BH132934)	To Top of RA Hsg.
Brake Hose	92	F111947	(BH111947)	To Rear Feed Pipe; 1/8" ID; 7/16" Nut; 24 Thread; 25" Length

Hydraulics - Reman

Power Brake Booster	Years	Part No.	Qualifier
Power Brake Booster	96 - 92	529920	w/o Master Cylinder; w/9" Pedal Rod

P6T042

Brake Pads & Shoes

Front Pads & Shoes	Years	SevereDuty	Lining No.	Qualifier
Brake Pads	90 - 83	SD225A		Bendix; 2.88" 2-Piston Caliper; H/D; Serial No. 4150868
Brake Pads	90 - 83	SD225		Bendix; 2.88" 2-Piston Caliper; L/D; Serial No. 4151244 or 3368188
Brake Pads	90 - 83	SD184		Bendix; 3.38" 1-Piston Caliper; Serial No. 4151324 or 4151325
Brake Pads	90 - 83	SD224		Dayton; 2.50" 2-Piston Caliper; Serial No. 60450388
Brake Shoes	90 - 83	SDS299R	EX2039D-S32	Hyd. Brakes; Auto Adj.; 14 x 2-1/2
Brake Shoes	90 - 83	SDS321R	EX1245AD-S32	Hyd. Brakes; Auto Adj.; 15 x 3
Brake Shoes	90 - 83	SDS322R	EX1280BD-S32	Hyd. Brakes; Auto Adj.; 15 x 3-1/2
Brake Shoes	90 - 83	SDS235R	EX1245AD-S32	Hyd. Brakes; Man. Adj.; 15 x 3
Brake Shoes	90 - 83	SDS463R	EX1280D-S32	Hyd. Brakes; Man. Adj.; 15 x 3-1/2
Brake Shoes	90 - 83	1307T	1307	w/Air Brakes; Rockwell/Meritor; T-Series; 15 x 3-1/2
Brake Shoes	90 - 83	1308T	1308T	w/Air Brakes; Rockwell/Meritor; T-Series; 15 x 4
Rear Pads & Shoes	Years	SevereDuty	Lining No.	Qualifier
Brake Pads	90 - 83	SD225A		Bendix; 2.88" 2-Piston Caliper H/D; Serial No. 3366615 or 4150868
Brake Pads	90 - 83	SD225		Bendix; 2.88" 2-Piston Caliper L/D; Serial No. 4151244 or 3368188
Brake Pads	90 - 83	SD224		Dayton; 2.50" 2-Piston Caliper; Serial No. 60450394 or 60050185 or 60450410
Brake Shoes	90 - 83	SDS452R	EX2157TD-S32	Hyd. Brakes; 13 x 3-1/2
Brake Shoes	90 - 83	SDS427R	EX4640D	Hyd. Brakes; 15 x 4
Brake Shoes	90 - 83	SDS442R	EX4639D-S32	Hyd. Brakes; 15 x 5
Brake Shoes	90 - 83	SDS381R	EX4596D-S32	Hyd. Brakes; 15 x 6
Brake Shoes	90 - 83	SDS383R	EX4597D-S32	Hyd. Brakes; 15 x 7
Brake Shoes	90 - 83	4311E	4311J	w/Air Brakes; Eaton/Spicer; 16-1/2 x 7
Brake Shoes	90 - 83	4524Q	4524B	w/Air Brakes; Rockwell/Meritor; Q-Series; 16-1/2 x 5
Brake Shoes	90 - 83	4514Q	4514G	w/Air Brakes; Rockwell/Meritor; Q-Series; 16-1/2 x 6
Brake Shoes	90 - 83	4515Q	4515E	w/Air Brakes; Rockwell/Meritor; Q-Series; 16-1/2 x 7
Parking Brake Shoes	Years	SevereDuty	Lining No.	Qualifier
Brake Shoes	90 - 83	SDS449R	EX2159TD	11 x 2
Brake Shoes	90 - 83	SDS647	EX2086D	9 x 3

Rotor & Drum

Front Rotor & Drum	Years	Part No.	Qualifier
Brake Rotor	90 - 83	BD125115	5000 lb. FA; Hat-Shaped; 5-Hole Rotor; Dayton
Brake Rotor	90 - 83	BD125089	5000 lb. FA; Hat-Shaped; 6-Hole Rotor; Dayton
Brake Rotor	90 - 83	BD125359	7000 lb. FA; Hat-Shaped; 5-Hole Rotor; Budd
Brake Rotor	90 - 83	BD125088	7000 lb. FA; Hat-Shaped; 5-Hole Rotor; Dayton or Gunitite
Brake Rotor	90 - 83	BD125357	7000 lb. FA; Hat-Shaped; 6-Hole Rotor; Budd
Brake Rotor	90 - 83	BD125358	7000 lb. FA; Hat-Shaped; 6-Hole Rotor; Dayton
Brake Rotor	90 - 83	BD125090	8100-12000 lb. FA; Hat-Shaped; 10-Hole Rotor; Dayton or Gunitite
Rear Rotor & Drum	Years	Part No.	Qualifier
Brake Drum	90 - 83	BD60356	Hyd. Brakes; 13 x 3-1/2

Rotor & Drum (cont.)

Rear Rotor & Drum	Years	Part No.	Qualifier
Brake Rotor	90 - 83	BD125088	15000 lb. RA; Hat-Shaped; 5-Hole Rotor
Brake Rotor	90 - 83	BD125358	15000 lb. RA; Hat-Shaped; 6-Hole Rotor
Brake Rotor	90 - 83	BD125090	17000-19000 lb. RA; Hat-Shaped; 10-Hole Rotor
Brake Rotor	90 - 83	BD125338	21000-23000 lb. RA; U-Shaped; 10-Hole Rotor

Brake Hardware

Front Brake Hardware	Years	Sequential No.	Category No.	Qualifier
Adjuster Kit	90 - 83	F128889	(H2906)	L.H.; GM; 14" Brake
Adjuster Kit	90 - 83	F140819	(H2714)	L.H.; Wagner; Auto Adj.
Adjuster Kit	90 - 83	F128990	(H2929)	L.H.; Wagner; Man. Adj.
Adjuster Kit	90 - 83	F128890	(H2907)	R.H.; GM; 14" Brake
Adjuster Kit	90 - 83	F140820	(H2715)	R.H.; Wagner; Auto Adj.
Adjuster Kit	90 - 83	F128990	(H2929)	R.H.; Wagner; Man. Adj.
Combi Kit	90 - 83	F117009	(H7177)	GM; 14" Brake
↳Adjuster Spring Kit		F73145S	(H425)	
↳Return Spring Kit		F73143	(H601)	
Combi Kit	90 - 83	F117025	(H7173)	Wagner; 15" Brake; Auto Adj.
↳Hold Down Kit		F73399	(H4201)	
↳Return Spring Kit		F36445	(H521)	
Combi Kit	90 - 83	F117026	(H7172)	Wagner; 15" Brake; Man. Adj.
↳Hold Down Kit		F19408	(H4200)	
↳Return Spring Kit		F36445	(H521)	
Disc Align Kit	90 - 83	F112090S	(H5566)	Bendix; 2.88" 2-Piston Caliper
Disc Align Kit	90 - 83	F107401S	(H5562)	Bendix; 3.38" 1-Piston Caliper
Disc Align Kit	90 - 83	F134105	(H5613)	Dayton; 2.50" 2-Piston Caliper

Rear Brake Hardware	Years	Sequential No.	Category No.	Qualifier
Adjuster Kit	90 - 83	F98406	(H2580)	L.H.; GM; 13" Brake
Adjuster Kit	90 - 83	F128891	(H2908)	L.H.; GM; 15" Brake
Adjuster Kit	90 - 83	F59157	(H2902)	L.H.; Wagner; 15" Brake; Auto Adj.
Adjuster Kit	90 - 83	F128894S	(H2911)	L.H.; Wagner; 15" Brake; Man. Adj.
Adjuster Kit	90 - 83	F98407	(H2581)	R.H.; GM; 13" Brake
Adjuster Kit	90 - 83	F128892	(H2909)	R.H.; GM; 15" Brake
Adjuster Kit	90 - 83	F59158	(H2903)	R.H.; Wagner; 15" Brake; Auto Adj.
Adjuster Kit	90 - 83	F128894S	(H2911)	R.H.; Wagner; 15" Brake; Man. Adj.
Adjuster Screw	90 - 83	F128882	(H1712)	L.H.; GM; 13" Brake
Adjuster Screw	90 - 83	F128880S	(H1710)	L.H.; GM; 15" Brake
Adjuster Screw	90 - 83	F140823	(H1607)	L.H.; Wagner; 15" Brake
Adjuster Screw	90 - 83	F128883	(H1713)	R.H.; GM; 13" Brake
Adjuster Screw	90 - 83	F128881S	(H1711)	R.H.; GM; 15" Brake
Adjuster Screw	90 - 83	F140818	(H1606)	R.H.; Wagner; 15" Brake
Combi Kit	90 - 83	F98457S	(H7055)	GM; 13" Brake
↳Adjuster Spring Kit		F73145S	(H425)	
↳Hold Down Kit		F113455S	(H4098)	
↳Return Spring Kit		F59100S	(H600)	
Combi Kit	90 - 83	F140612	(H3008)	GM; 15" Brake
↳Hold Down Kit		F128928	(H4202)	
↳Return Spring Kit		F86408	(H552)	
Combi Kit	90 - 83	F117027	(H7171)	Wagner
↳Adjuster Spring Kit		F78727	(H451)	
↳Hold Down Kit		F19309	(H5079)	
↳Return Spring Kit		F98318	(H609)	
Disc Align Kit	90 - 83	F112090S	(H5566)	Bendix; 2.88" 2-Piston Caliper
Disc Align Kit	90 - 83	F134105	(H5613)	Dayton; 2.50" 2-Piston Caliper

↳Sub-Kit of Combi-Kit is available separately.

Piston: M - OE Metal Piston P - OE Phenolic Piston



P6T042 (cont.)

Calipers - Reman					
Front, Loaded	Years	Left No.	Right No.	Qualifier	Piston
Loaded Caliper	90 - 83	AS120549	AS120549	Bendix; 2.88" 2-Piston Caliper	P
Loaded Caliper	90 - 83	AS120549S	AS120549S	Bendix; 2.88" 2-Piston Caliper	O
Loaded Caliper	90 - 88	AS98906A	AS98907A	Bendix; 3.38" 1-Piston Caliper	M
Loaded Caliper	90 - 83	AS134782	AS134782	Dayton; 2.50" 2-Piston Caliper	M
Rear, Loaded	Years	Left No.	Right No.	Qualifier	Piston
Loaded Caliper	90 - 83	AS120549	AS120549	Bendix; 2.88" 2-Piston Caliper	P
Loaded Caliper	90 - 83	AS120549S	AS120549S	Bendix; 2.88" 2-Piston Caliper	O
Loaded Caliper	90 - 83	AS134782	AS134782	Dayton; 2.50" 2-Piston Caliper	M
Front, Unloaded	Years	Left No.	Right No.	Qualifier	Piston
Unloaded Caliper	90 - 83	CR120549	CR120549	Bendix; 2.88" 2-Piston Caliper	P
Unloaded Caliper	90 - 83	CR120549S	CR120549S	Bendix; 2.88" 2-Piston Caliper	O
Unloaded Caliper	90 - 88	CR98906	CR98907	Bendix; 3.38" 1-Piston Caliper	M
Unloaded Caliper	90 - 83	CR134782	CR134782	Dayton; 2.50" 2-Piston Caliper	M
Rear, Unloaded	Years	Left No.	Right No.	Qualifier	Piston
Unloaded Caliper	90 - 83	CR120549	CR120549	Bendix; 2.88" 2-Piston Caliper	P
Unloaded Caliper	90 - 83	CR120549S	CR120549S	Bendix; 2.88" 2-Piston Caliper	O
Unloaded Caliper	90 - 83	CR134782	CR134782	Dayton; 2.50" 2-Piston Caliper	M
Hydraulics - New					
Master Cylinder	Years	Sequential No.	Category No.	Qualifier	
Master Cylinder	90 - 88	F116702	(MC116702)	80 Cubic Inch; 6-1/2" DIM from cntr piston to top fill cap	
Master Cylinder	87	F119399	(MC119399)	Cast Iron Reservoir; w/Delco Hi-Perf. Booster	
Master Cylinder	87	F116702	(MC116702)	Plastic Reservoir; Plastic; 80 Cubic Inch; 6-1/2" DIM	
Master Cylinder	86 - 83	F119399	(MC119399)	Bendix; Cast Iron Reservoir	
Master Cylinder	86 - 83	F116702	(MC116702)	Bendix; Plastic Reservoir	
Master Cylinder	86 - 83	F100560	(MC100560)	Wagner; Cast Iron Reservoir	
Front Wheel Cylinder	Years	Sequential No.	Category No.	Qualifier	
Wheel Cylinder	87 - 83	F34401	(WC34401)	L.H.; 14 x 2-1/2" Brake	
Wheel Cylinder	87 - 83	F8852	(WC8852)	L.H.; 15 x 3" Brake	
Wheel Cylinder	87 - 83	F34402	(WC34402)	R.H.; 14 x 2-1/2" Brake	
Wheel Cylinder	87 - 83	F8853	(WC8853)	R.H.; 15 x 3" Brake	
Rear Wheel Cylinder	Years	Sequential No.	Category No.	Qualifier	
Wheel Cylinder	87 - 83	F79767	(WC79767)	L.H.; 13 x 3-1/2" Brake	
Wheel Cylinder	87 - 83	F78744	(WC78744)	L.H.; 15 x 4" or 15 x 5" Brake	
Wheel Cylinder	87 - 83	F79767	(WC79767)	R.H.; 13 x 3-1/2" Brake	
Wheel Cylinder	87 - 83	F78745	(WC78745)	R.H.; 15 x 4" or 15 x 5" Brake	
Front Brake Hose	Years	Sequential No.	Category No.	Qualifier	
Brake Hose	90 - 88	F124054	(BH124054)	2WD; 1/8" ID; w/Hi-Perf. Delco Booster; MH Chassis; Incl. Bracket ; 22" Length	
Brake Hose	90 - 88	F118118	(BH118118)	5000 lb. FA	
Brake Hose	87 - 86	F124054	(BH124054)	2WD; 1/8" ID; w/Hi-Perf. Delco Booster; MH Chassis; SOA; Incl. Bracket ; 22" Length	
Brake Hose	87 - 86	F106646	(BH106646)	7000 lb. FA; 1/8" ID; SOA; 7" Length	
Brake Hose	85 - 83	F124054	(BH124054)	2WD; 1/8" ID; w/Hi-Perf. Delco Booster; MH Chassis; Incl. Bracket ; 22" Length	
Brake Hose	85 - 83	F109138	(BH109138)	5000 lb. FA; 1/8" ID; 21" Length	
Brake Hose	85 - 83	F106646	(BH106646)	7000 lb. FA; 1/8" ID; 7" Length	
Rear Brake Hose	Years	Sequential No.	Category No.	Qualifier	
Brake Hose	90 - 83	F102336	(BH102336)	1/8" ID; 7/16" Nut; 24 Thread; w/Hi-Perf. Delco Moraine Booster; 18" Length	
Brake Hose	83	F103315	(BH103315)	1/8" ID; 7/16" Nut; 24 Thread; 24" Length	
Hydraulics - Reman					
Power Brake Booster	Years	Part No.	Qualifier		
Power Brake Booster	90 - 88	529903		w/o Master Cylinder; Delco; Hy-Power	
Power Brake Booster	87 - 83	529903		w/o Master Cylinder; Delco; Hy-Power; w/Serial No. 18015765 or 5474216	
Power Brake Booster	87 - 83	529902		w/o Master Cylinder; Delco; Hy-Power; w/Serial No. 2823435; w/7" Pedal Rod	
Power Brake Booster	83	518052		w/Master Cylinder; Hydro-Boost; w/Serial No. 2513815	
Power Brake Booster	83	518051		w/Master Cylinder; Hydro-Vac; w/Serial No. 2513814	

Piston: M - OE Metal Piston P - OE Phenolic Piston O - Metal Piston Option

Brake Pads & Shoes

Front Pads & Shoes	Years	SevereDuty	Lining No.	Qualifier
Brake Pads	91 - 88	SD225		Bendix; 2.88" 2-Piston Caliper
Brake Pads	91 - 88	SD224		Dayton; 2.50" 2-Piston Caliper
Brake Pads	87 - 83	SD225A		Bendix; 2.88" 2-Piston Caliper; Serial No. 4150868
Brake Pads	87 - 83	SD224		Dayton; 2.50" 2-Piston Caliper; Serial No. 60450388
Brake Shoes	91 - 83	4524Q	4524B	w/Air Brakes; Rockwell/Meritor; Q-Series; 16-1/2 x 5
Brake Shoes	91 - 83	4514Q	4514G	w/Air Brakes; Rockwell/Meritor; Q-Series; 16-1/2 x 6
Brake Shoes	91 - 83	1307T	1307	w/Air Brakes; Rockwell/Meritor; T-Series; 15 x 3-1/2
Brake Shoes	91 - 83	1308T	1308T	w/Air Brakes; Rockwell/Meritor; T-Series; 15 x 4

Rear Pads & Shoes	Years	SevereDuty	Lining No.	Qualifier
Brake Pads	91 - 88	SD225		Bendix; 2.88" 2-Piston Caliper
Brake Pads	91 - 88	SD224		Dayton; 2.50" 2-Piston Caliper
Brake Pads	87 - 83	SD225A		Bendix; 2.88" 2-Piston Caliper; Serial No. 3366615 or 4150868
Brake Pads	87 - 83	SD224		Dayton; 2.50" 2-Piston Caliper; Serial No. 60450394 or 60050185 or 60450410
Brake Shoes	91 - 83	4311E	4311J	w/Air Brakes; Eaton/Spicer; 16-1/2 x 7
Brake Shoes	91 - 83	4524Q	4524B	w/Air Brakes; Rockwell/Meritor; Q-Series; 16-1/2 x 5
Brake Shoes	91 - 83	4514Q	4514G	w/Air Brakes; Rockwell/Meritor; Q-Series; 16-1/2 x 6
Brake Shoes	91 - 83	4515Q	4515E	w/Air Brakes; Rockwell/Meritor; Q-Series; 16-1/2 x 7
Brake Shoes	87 - 83	SDS427R	EX4640D	Hyd. Brakes; 15 x 4
Brake Shoes	87 - 83	SDS442R	EX4639D-S32	Hyd. Brakes; 15 x 5
Brake Shoes	87 - 83	SDS381R	EX4596D-S32	Hyd. Brakes; 15 x 6
Brake Shoes	87 - 83	SDS383R	EX4597D-S32	Hyd. Brakes; 15 x 7
Brake Shoes	87 - 83	SDS386R	EX1255D-S32	Hyd. Brakes; 16 x 6

Parking Brake Shoes	Years	SevereDuty	Lining No.	Qualifier
Brake Shoes	91 - 83	SDS449R	EX2159TD	11 x 2
Brake Shoes	91 - 88	SDS692	EX2079D-S32	12 x 3
Brake Shoes	91 - 83	SDS647	EX2086D	9 x 3

Rotor & Drum

Front Rotor & Drum	Years	Part No.	Qualifier
Brake Rotor	91 - 88	BD125359	7000 lb. FA; Hat-Shaped; 5-Hole Rotor; Hyd; Budd
Brake Rotor	91 - 88	BD125088	7000 lb. FA; Hat-Shaped; 5-Hole Rotor; Hyd; Dayton or Gunite
Brake Rotor	91 - 88	BD125357	7000 lb. FA; Hat-Shaped; 6-Hole Rotor; Hyd; Budd
Brake Rotor	91 - 88	BD125358	7000 lb. FA; Hat-Shaped; 6-Hole Rotor; Hyd; Dayton
Brake Rotor	91 - 88	BD125090	8100-12000 lb. FA; Hat-Shaped; 10-Hole Rotor; Hyd; Dayton or Gunite
Brake Rotor	87 - 83	BD125359	7000 lb. FA; Hat-Shaped; 5-Hole Rotor; Budd
Brake Rotor	87 - 83	BD125088	7000 lb. FA; Hat-Shaped; 5-Hole Rotor; Dayton or Gunite
Brake Rotor	87 - 83	BD125357	7000 lb. FA; Hat-Shaped; 6-Hole Rotor; Budd
Brake Rotor	87 - 83	BD125358	7000 lb. FA; Hat-Shaped; 6-Hole Rotor; Dayton
Brake Rotor	87 - 83	BD125090	8100-12000 lb. FA; Hat-Shaped; 10-Hole Rotor; Dayton or Gunite

Rear Rotor & Drum	Years	Part No.	Qualifier
Brake Rotor	91 - 88	BD125088	15000 lb. RA; Hat-Shaped; 5-Hole Rotor; Hyd
Brake Rotor	91 - 88	BD125358	15000 lb. RA; Hat-Shaped; 6-Hole Rotor; Hyd
Brake Rotor	91 - 88	BD125090	17000-19000 lb. RA; Hat-Shaped; 10-Hole Rotor; Hyd
Brake Rotor	91 - 88	BD125338	21000-23000 lb. RA; U-Shaped; 10-Hole Rotor; Hyd
Brake Rotor	87 - 83	BD125088	15000 lb. RA; Hat-Shaped; 5-Hole Rotor
Brake Rotor	87 - 83	BD125358	15000 lb. RA; Hat-Shaped; 6-Hole Rotor
Brake Rotor	87 - 83	BD125090	17000-19000 lb. RA; Hat-Shaped; 10-Hole Rotor
Brake Rotor	87 - 83	BD125338	21000-23000 lb. RA; U-Shaped; 10-Hole Rotor

Brake Hardware

Front Brake Hardware	Years	Sequential No.	Category No.	Qualifier
Disc Align Kit	91 - 83	F112090S	(H5566)	Bendix; 2.88" 2-Piston Caliper
Disc Align Kit	91 - 83	F134105	(H5613)	Dayton; 2.50" 2-Piston Caliper

Rear Brake Hardware	Years	Sequential No.	Category No.	Qualifier
Adjuster Kit	87 - 83	F128891	(H2908)	L.H.; GM; 15" Brake
Adjuster Kit	87 - 83	F59157	(H2902)	L.H.; Wagner; 15" Brake; Auto Adj.

S7T042 (cont.)

Brake Hardware (cont.)

Rear Brake Hardware	Years	Sequential No.	Category No.	Qualifier
Adjuster Kit	87 - 83	F128894S	(H2911)	L.H.; Wagner; 15" Brake; Man. Adj.
Adjuster Kit	87 - 83	F128895S	(H2912)	L.H.; Wagner; 16" Brake; Man. Adj.
Adjuster Kit	87 - 83	F128892	(H2909)	R.H.; GM; 15" Brake
Adjuster Kit	87 - 83	F59158	(H2903)	R.H.; Wagner; 15" Brake; Auto Adj.
Adjuster Kit	87 - 83	F128894S	(H2911)	R.H.; Wagner; 15" Brake; Man. Adj.
Adjuster Kit	87 - 83	F128895S	(H2912)	R.H.; Wagner; 16" Brake; Man. Adj.
Adjuster Screw	87 - 83	F128880S	(H1710)	L.H.; GM; 15" Brake
Adjuster Screw	87 - 83	F140823	(H1607)	L.H.; Wagner; 15" Brake
Adjuster Screw	87 - 83	F19291	(H1700)	L.H.; Wagner; 16" Brake
Adjuster Screw	87 - 83	F128881S	(H1711)	R.H.; GM; 15" Brake
Adjuster Screw	87 - 83	F140818	(H1606)	R.H.; Wagner; 15" Brake
Adjuster Screw	87 - 83	F19292	(H1701)	R.H.; Wagner; 16" Brake
Combi Kit	87 - 83	F140612	(H3008)	GM; 15" Brake
↳Hold Down Kit		F128928	(H4202)	
↳Return Spring Kit		F86408	(H552)	
Combi Kit	87 - 83	F117027	(H7171)	Wagner
↳Adjuster Spring Kit		F78727	(H451)	
↳Hold Down Kit		F19309	(H5079)	
↳Return Spring Kit		F98318	(H609)	
Disc Align Kit	91 - 83	F112090S	(H5566)	Bendix; 2.88" 2-Piston Caliper
Disc Align Kit	91 - 83	F134105	(H5613)	Dayton; 2.50" 2-Piston Caliper

Calipers - Reman

Front, Loaded	Years	Left No.	Right No.	Qualifier	Piston
Loaded Caliper	91 - 83	AS120549	AS120549	Bendix; 2.88" 2-Piston Caliper	P
Loaded Caliper	91 - 83	AS120549S	AS120549S	Bendix; 2.88" 2-Piston Caliper	O
Loaded Caliper	91 - 83	AS134782	AS134782	Dayton; 2.50" 2-Piston Caliper	M
Rear, Loaded	Years	Left No.	Right No.	Qualifier	Piston
Loaded Caliper	91 - 83	AS120549	AS120549	Bendix; 2.88" 2-Piston Caliper	P
Loaded Caliper	91 - 83	AS120549S	AS120549S	Bendix; 2.88" 2-Piston Caliper	O
Loaded Caliper	91 - 83	AS134782	AS134782	Dayton; 2.50" 2-Piston Caliper	M
Front, Unloaded	Years	Left No.	Right No.	Qualifier	Piston
Unloaded Caliper	91 - 83	CR120549	CR120549	Bendix; 2.88" 2-Piston Caliper	P
Unloaded Caliper	91 - 83	CR120549S	CR120549S	Bendix; 2.88" 2-Piston Caliper	O
Unloaded Caliper	91 - 83	CR134782	CR134782	Dayton; 2.50" 2-Piston Caliper	M
Rear, Unloaded	Years	Left No.	Right No.	Qualifier	Piston
Unloaded Caliper	91 - 83	CR120549	CR120549	Bendix; 2.88" 2-Piston Caliper	P
Unloaded Caliper	91 - 83	CR120549S	CR120549S	Bendix; 2.88" 2-Piston Caliper	O
Unloaded Caliper	91 - 83	CR134782	CR134782	Dayton; 2.50" 2-Piston Caliper	M

Hydraulics - New

Master Cylinder	Years	Sequential No.	Category No.	Qualifier
Master Cylinder	91 - 87	F120402	(MC120402)	Bendix
Master Cylinder	86 - 83	F119399	(MC119399)	Bendix; Cast Iron Reservoir
Rear Wheel Cylinder	Years	Sequential No.	Category No.	Qualifier
Wheel Cylinder	87 - 83	F78744	(WC78744)	L.H.; 15 x 4" or 15 x 5" Brake
Wheel Cylinder	87 - 83	F78745	(WC78745)	R.H.; 15 x 4" or 15 x 5" Brake
Front Brake Hose	Years	Sequential No.	Category No.	Qualifier
Brake Hose	91 - 89	F132913	(BH132913)	Upper; From Stand-off Brk to Wheel
Rear Brake Hose	Years	Sequential No.	Category No.	Qualifier
Brake Hose	91 - 85	F102336	(BH102336)	1/8" ID; 7/16" Nut; 24 Thread; 18" Length

Hydraulics - Reman

Power Brake Booster	Years	Part No.	Qualifier
Power Brake Booster	87 - 83	529900	w/o Master Cylinder; Delco; Dual Power; Hydraulic Section
Power Brake Booster	87 - 83	5479900	w/o Master Cylinder; Delco; Dual Power; Vacuum Section; w/7" Rod
Power Brake Booster	87 - 83	529902	w/o Master Cylinder; Delco; Hy-Power; w/Serial No. 2823435; w/7" Pedal Rod

↳Sub-Kit of Combi-Kit is available separately.

Piston: M - OE Metal Piston P - OE Phenolic Piston O - Metal Piston Option

S7T042 (cont.)
Hydraulics - Reman (cont.)

Power Brake Booster	Years	Part No.	Qualifier
Power Brake Booster	83	518052	w/Master Cylinder; Hydro-Boost; w/Serial No. 2513815
Power Brake Booster	83	518051	w/Master Cylinder; Hydro-Vac; w/15" Rear Brakes

CHEVROLET MD T-Series
T6500
Brake Pads & Shoes

Front Pads & Shoes	Years	SevereDuty	Lining No.	Qualifier
Brake Pads	07 - 03	SD1032		Dayton; 2.52" 4-Piston Caliper; w/Wear Sensor
Brake Pads	07 - 03	SD1032		Dayton; 2.75" 4-Piston Caliper; w/Wear Sensor
Rear Pads & Shoes	Years	SevereDuty	Lining No.	Qualifier
Brake Pads	07 - 03	SD1032		Dayton; 2.52" 4-Piston Caliper; w/Wear Sensor
Brake Pads	07 - 03	SD1032		Dayton; 2.75" 4-Piston Caliper; w/Wear Sensor
Parking Brake Shoes	Years	SevereDuty	Lining No.	Qualifier
Brake Shoes	07 - 03	SDS647	EX2086D	Driveline Config.; 9 x 3
Brake Shoes	07 - 03	SDS824R	EX1556D	Drum-in-Hat Config.; 12 x 3

Rotor & Drum

Front Rotor & Drum	Years	Part No.	Qualifier
Brake Rotor	07 - 03	BD126363	15000-19000 lb. RA; Hat-Shaped; 10-Hole
Rear Rotor & Drum	Years	Part No.	Qualifier
Brake Rotor	07 - 03	BD126363	15000-19000 lb. RA; Hat-Shaped; 10-Hole
Brake Rotor	05 - 03	BD126370	21000 lb. RA; U-Shaped; 10-Hole

Brake Hardware

Front Brake Hardware	Years	Sequential No.	Category No.	Qualifier
Disc Align Kit	07 - 03	F140771	(H5712)	Dayton; 2.52" 4-Piston Caliper; w/Wear Sensor
Disc Align Kit	07 - 03	F140771	(H5712)	Dayton; 2.75" 4-Piston Caliper; w/Wear Sensor
Rear Brake Hardware	Years	Sequential No.	Category No.	Qualifier
Disc Align Kit	07 - 03	F140771	(H5712)	Dayton; 2.52" 4-Piston Caliper; w/Wear Sensor
Disc Align Kit	07 - 03	F140771	(H5712)	Dayton; 2.75" 4-Piston Caliper; w/Wear Sensor

Calipers - Reman

Front, Loaded	Years	Left No.	Right No.	Qualifier	Piston
Loaded Caliper	07 - 03	AS134821A	AS134820A	Dayton; 2.52" 4-Piston Caliper; Serial No. 602C / 604C	M
Loaded Caliper	07 - 03	AS134580A	AS134581A	Dayton; 2.75" 4-Piston Caliper; Serial No. 581F / 583F	M
Loaded Caliper	07 - 03	AS134818A	AS134819A	Dayton; 2.75" 4-Piston Caliper; Serial No. 595F / 597F	M
Rear, Loaded	Years	Left No.	Right No.	Qualifier	Piston
Loaded Caliper	07 - 03	AS134821A	AS134820A	Dayton; 2.52" 4-Piston Caliper; Serial No. 602C / 604C	M
Loaded Caliper	07 - 03	AS134580A	AS134581A	Dayton; 2.75" 4-Piston Caliper; Serial No. 581F / 583F	M
Loaded Caliper	07 - 03	AS134818A	AS134819A	Dayton; 2.75" 4-Piston Caliper; Serial No. 595F / 597F	M
Front, Unloaded	Years	Left No.	Right No.	Qualifier	Piston
Unloaded Caliper	07 - 03	CR134821	CR134820	Dayton; 2.52" 4-Piston Caliper; Serial No. 602C / 604C	M
Unloaded Caliper	07 - 03	CR134580	CR134581	Dayton; 2.75" 4-Piston Caliper; Serial No. 581F / 583F	M
Unloaded Caliper	07 - 03	CR134818	CR134819	Dayton; 2.75" 4-Piston Caliper; Serial No. 595F / 597F	M
Rear, Unloaded	Years	Left No.	Right No.	Qualifier	Piston
Unloaded Caliper	07 - 03	CR134821	CR134820	Dayton; 2.52" 4-Piston Caliper; Serial No. 602C / 604C	M
Unloaded Caliper	07 - 03	CR134580	CR134581	Dayton; 2.75" 4-Piston Caliper; Serial No. 581F / 583F	M
Unloaded Caliper	07 - 03	CR134818	CR134819	Dayton; 2.75" 4-Piston Caliper; Serial No. 595F / 597F	M

T7500
Brake Pads & Shoes

Front Pads & Shoes	Years	SevereDuty	Lining No.	Qualifier
Brake Pads	07 - 03	SD1032		Dayton; 2.52" 4-Piston Caliper; w/Wear Sensor
Brake Pads	07 - 03	SD1032		Dayton; 2.75" 4-Piston Caliper; w/Wear Sensor
Brake Shoes	07 - 03	4702Q	4702	w/Air Brakes; Q-Plus; 15 x 4
Brake Shoes	07 - 03	4720Q	4720	w/Air Brakes; Q-Plus; 16-1/2 x 5
Brake Shoes	07 - 03	4715Q	4715	w/Air Brakes; Q-Plus; 16-1/2 x 6

Piston: M - OE Metal Piston P - OE Phenolic Piston

T7500 (cont.)

Brake Pads & Shoes (cont.)

Rear Pads & Shoes	Years	SevereDuty	Lining No.	Qualifier
Brake Pads	07 - 03	SD1032		Dayton; 2.52" 4-Piston Caliper; w/Wear Sensor
Brake Pads	07 - 03	SD1032		Dayton; 2.75" 4-Piston Caliper; w/Wear Sensor
Brake Shoes	07 - 03	4707Q	4707	w/Air Brakes; Q-Plus; 16-1/2 x 7
Parking Brake Shoes	Years	SevereDuty	Lining No.	Qualifier
Brake Shoes	07 - 03	SDS647	EX2086D	Driveline Config.; 9 x 3
Brake Shoes	07 - 03	SDS824R	EX1556D	Drum-in-Hat Config.; 12 x 3

Rotor & Drum

Front Rotor & Drum	Years	Part No.	Qualifier
Brake Rotor	07 - 03	BD126363	15000-19000 lb. RA; Hat-Shaped; 10-Hole
Rear Rotor & Drum	Years	Part No.	Qualifier
Brake Rotor	07 - 03	BD126363	15000-19000 lb. RA; Hat-Shaped; 10-Hole
Brake Rotor	07 - 03	BD126370	21000 lb. RA; U-Shaped; 10-Hole

Brake Hardware

Front Brake Hardware	Years	Sequential No.	Category No.	Qualifier
Disc Align Kit	07 - 03	F140771	(H5712)	Dayton; 2.52" 4-Piston Caliper; w/Wear Sensor
Disc Align Kit	07 - 03	F140771	(H5712)	Dayton; 2.75" 4-Piston Caliper; w/Wear Sensor
Rear Brake Hardware	Years	Sequential No.	Category No.	Qualifier
Disc Align Kit	07 - 03	F140771	(H5712)	Dayton; 2.52" 4-Piston Caliper; w/Wear Sensor
Disc Align Kit	07 - 03	F140771	(H5712)	Dayton; 2.75" 4-Piston Caliper; w/Wear Sensor

Calipers - Reman

Front, Loaded	Years	Left No.	Right No.	Qualifier	Piston
Loaded Caliper	07 - 03	AS134821A	AS134820A	Dayton; 2.52" 4-Piston Caliper; Serial No. 602C / 604C	M
Loaded Caliper	07 - 03	AS134580A	AS134581A	Dayton; 2.75" 4-Piston Caliper; Serial No. 581F / 583F	M
Loaded Caliper	07 - 03	AS134818A	AS134819A	Dayton; 2.75" 4-Piston Caliper; Serial No. 595F / 597F	M
Rear, Loaded	Years	Left No.	Right No.	Qualifier	Piston
Loaded Caliper	07 - 03	AS134821A	AS134820A	Dayton; 2.52" 4-Piston Caliper; Serial No. 602C / 604C	M
Loaded Caliper	07 - 03	AS134580A	AS134581A	Dayton; 2.75" 4-Piston Caliper; Serial No. 581F / 583F	M
Loaded Caliper	07 - 03	AS134818A	AS134819A	Dayton; 2.75" 4-Piston Caliper; Serial No. 595F / 597F	M
Front, Unloaded	Years	Left No.	Right No.	Qualifier	Piston
Unloaded Caliper	07 - 03	CR134821	CR134820	Dayton; 2.52" 4-Piston Caliper; Serial No. 602C / 604C	M
Unloaded Caliper	07 - 03	CR134580	CR134581	Dayton; 2.75" 4-Piston Caliper; Serial No. 581F / 583F	M
Unloaded Caliper	07 - 03	CR134818	CR134819	Dayton; 2.75" 4-Piston Caliper; Serial No. 595F / 597F	M
Rear, Unloaded	Years	Left No.	Right No.	Qualifier	Piston
Unloaded Caliper	07 - 03	CR134821	CR134820	Dayton; 2.52" 4-Piston Caliper; Serial No. 602C / 604C	M
Unloaded Caliper	07 - 03	CR134580	CR134581	Dayton; 2.75" 4-Piston Caliper; Serial No. 581F / 583F	M
Unloaded Caliper	07 - 03	CR134818	CR134819	Dayton; 2.75" 4-Piston Caliper; Serial No. 595F / 597F	M

T8500

Brake Pads & Shoes

Front Pads & Shoes	Years	SevereDuty	Lining No.	Qualifier
Brake Shoes	07 - 03	4702Q	4702	w/Air Brakes; Q-Plus; 15 x 4
Brake Shoes	07 - 03	4720Q	4720	w/Air Brakes; Q-Plus; 16-1/2 x 5
Brake Shoes	07 - 03	4715Q	4715	w/Air Brakes; Q-Plus; 16-1/2 x 6
Rear Pads & Shoes	Years	SevereDuty	Lining No.	Qualifier
Brake Shoes	07 - 03	4707Q	4707	w/Air Brakes; Q-Plus; 16-1/2 x 7
Parking Brake Shoes	Years	SevereDuty	Lining No.	Qualifier
Brake Shoes	07 - 03	SDS647	EX2086D	Driveline Config.; 9 x 3
Brake Shoes	07 - 03	SDS824R	EX1556D	Drum-in-Hat Config.; 12 x 3

CHEVROLET MD W-Series

W4S042

Brake Pads & Shoes

Front Pads & Shoes	Years	SevereDuty	Lining No.	Qualifier
Brake Pads	94 - 86	SD546		Akebono; 2.12" 2-Piston Caliper

Piston: M - OE Metal Piston P - OE Phenolic Piston

Brake Pads & Shoes (cont.)

Front Pads & Shoes	Years	SevereDuty	Lining No.	Qualifier
Brake Shoes	94 - 91	SDS612R	EX1416D-S32	13000 lb. Susp.; 12-5/8 x 3
Brake Shoes	94 - 91	SDS699R	EX1482D-S32	14250 lb. Susp.; 12-5/8 x 4
Brake Shoes	90 - 86	SDS612R	EX1416D-S32	12-5/8 x 3

Rear Pads & Shoes	Years	SevereDuty	Lining No.	Qualifier
Brake Shoes	94 - 91	SDS612R	EX1416D-S32	From 12/93; w/o Flat Low; Diesel; 13000 lb. Susp.; 12-5/8 x 3
Brake Shoes	94 - 91	SDS699R	EX1482D-S32	From 12/93; w/o Flat Low; Diesel; 14250 lb. Susp.; 12-5/8 x 4
Brake Shoes	94 - 91	SDS699R	EX1482D-S32	From 12/93; w/o Flat Low; Gas; 13000 lb. Susp.; 12-5/8 x 4
Brake Shoes	94 - 91	SDS612R	EX1416D-S32	From 12/93; w/o Flat Low; Gas; 14250 lb. Susp.; 12-5/8 x 3
Brake Shoes	93 - 88	SDS668R	EX1454D-S32	w/Flat Low; 11-3/4 x 3
Brake Shoes	90 - 88	SDS612R	EX1416D-S32	w/o Flat Low; 12-5/8 x 3
Brake Shoes	87 - 86	SDS612R	EX1416D-S32	12-5/8 x 3

Rotor & Drum

Front Rotor & Drum	Years	Part No.	Qualifier
Brake Rotor	94	BD125627	Hat-Shaped; 12-Hole
Brake Rotor	93	BD125627	From 12/93; Hat-Shaped; 12-Hole
Brake Rotor	93	BD125324	To 11/93; Hat-Shaped; 12-Hole
Brake Rotor	92 - 87	BD125324	Hat-Shaped; 12-Hole

Brake Hardware

Front Brake Hardware	Years	Sequential No.	Category No.	Qualifier
Combi Kit	94 - 91	F128865	(H7212)	12-5/8 x 3" Brake; 13000 lb. Susp.
Combi Kit	94 - 91	F140627	(H3023)	12-5/8 x 4" Brake; 14250 lb. Susp.; Return Spring Kit
Combi Kit	90 - 86	F128865	(H7212)	12-5/8 x 3" Brake
Disc Align Kit	94 - 92	F140609	(H3005)	Akebono; 2.12" 2-Piston Caliper
Disc Align Kit	91 - 86	F140606	(H3002)	Akebono; 2.12" 2-Piston Caliper

Rear Brake Hardware	Years	Sequential No.	Category No.	Qualifier
Combi Kit	94 - 91	F128865	(H7212)	From 12/93; 12-5/8 x 3" Brake; w/o Flat Low; Diesel; 13000 lb. Susp.
Combi Kit	94 - 91	F128865	(H7212)	From 12/93; 12-5/8 x 3" Brake; w/o Flat Low; Gas; 14250 lb. Susp.
Combi Kit	94 - 91	F140627	(H3023)	From 12/93; 12-5/8 x 4" Brake; w/o Flat Low; Diesel; 14250 lb. Susp.; Return Spring Kit
Combi Kit	94 - 91	F140627	(H3023)	From 12/93; 12-5/8 x 4" Brake; w/o Flat Low; Gas; 13000 lb. Susp.; Return Spring Kit
Combi Kit	93 - 88	F140622	(H3018)	11-3/4 x 3" Brake; w/Flat Low
Combi Kit	90 - 88	F128865	(H7212)	12-5/8 x 3" Brake; w/o Flat Low
Combi Kit	87 - 86	F128865	(H7212)	12-5/8 x 3" Brake

Calipers - Reman

Front, Loaded	Years	Left No.	Right No.	Qualifier	Piston
Loaded Caliper	94 - 86	AS134275	AS134276	Akebono; 2.12" 2-Piston Caliper	M
Front, Unloaded	Years	Left No.	Right No.	Qualifier	Piston
Unloaded Caliper	94 - 86	CR134275	CR134276	Akebono; 2.12" 2-Piston Caliper	M

Hydraulics - New

Master Cylinder	Years	Sequential No.	Category No.	Qualifier
Master Cylinder	94	F131790	(MC131790)	Exc. Strip Chassis; 1-1/4" Bore
Master Cylinder	93	F131790	(MC131790)	From 12/93; Exc. Strip Chassis; 1-1/4" Bore
Master Cylinder	93	F131790	(MC131790)	To 11/93; 13000 lb. Susp.; Exc. Strip Chassis; 1-1/4" Bore
Master Cylinder	93	F122230	(MC122230)	To 11/93; 13000 lb. Susp.; Strip Chassis
Master Cylinder	92 - 91	F131790	(MC131790)	13000 lb. Susp.; Exc. Strip Chassis; 1-1/4" Bore
Master Cylinder	92 - 91	F122230	(MC122230)	13000 lb. Susp.; Strip Chassis
Master Cylinder	90 - 89	F131790	(MC131790)	w/Front Disc; Exc. Strip Chassis; 1-1/4" Bore
Master Cylinder	90 - 89	F122230	(MC122230)	w/Front Disc; Strip Chassis
Master Cylinder	90 - 89	F122224	(MC122224)	w/Front Drum; Exc. Strip Chassis; 1-1/8" Bore
Master Cylinder	90 - 89	F122226	(MC122226)	w/Front Drum; Strip Chassis
Master Cylinder	88	F131790	(MC131790)	From 6/88; w/Front Disc; Exc. Strip Chassis; 1-1/4" Bore
Master Cylinder	88	F122230	(MC122230)	From 6/88; w/Front Disc; Strip Chassis
Master Cylinder	88	F122224	(MC122224)	From 6/88; w/Front Drum; Exc. Strip Chassis; 1-1/8" Bore
Master Cylinder	88	F122226	(MC122226)	From 6/88; w/Front Drum; Strip Chassis
Master Cylinder	88	F131790	(MC131790)	To 5/88; w/Front Disc; Exc. Strip Chassis; 1-1/4" Bore

Piston: M - OE Metal Piston P - OE Phenolic Piston

W4S042 (cont.)

Hydraulics - New (cont.)

Master Cylinder	Years	Sequential No.	Category No.	Qualifier
Master Cylinder	88	F122230	(MC122230)	To 5/88; w/Front Disc; Strip Chassis
Master Cylinder	88	F122228	(MC122228)	To 5/88; w/Front Drum; Exc. Strip Chassis
Master Cylinder	88	F122226	(MC122226)	To 5/88; w/Front Drum; Strip Chassis
Master Cylinder	87	F131790	(MC131790)	From 8/87; w/Front Disc; Exc. Strip Chassis; 1-1/4" Bore
Master Cylinder	87	F122230	(MC122230)	From 8/87; w/Front Disc; Strip Chassis
Master Cylinder	87	F122228	(MC122228)	From 8/87; w/Front Drum; Exc. Strip Chassis
Master Cylinder	87	F122226	(MC122226)	From 8/87; w/Front Drum; Strip Chassis
Master Cylinder	87	F131790	(MC131790)	To 7/87; Exc. Strip Chassis; 13000 lb. Susp.; 1-1/4" Bore
Master Cylinder	87	F122228	(MC122228)	To 7/87; Exc. Strip Chassis; 14250 lb. Susp.
Master Cylinder	87	F122226	(MC122226)	To 7/87; Strip Chassis
Master Cylinder	86	F131790	(MC131790)	Exc. Strip Chassis; 13000 lb. Susp.; 1-1/4" Bore
Master Cylinder	86	F122228	(MC122228)	Exc. Strip Chassis; 14250 lb. Susp.
Master Cylinder	86	F122226	(MC122226)	Strip Chassis
Front Wheel Cylinder	Years	Sequential No.	Category No.	Qualifier
Wheel Cylinder	94 - 91	F123243	(WC123243)	L.H.; 12-5/8 x 3" Brake; 13000 lb. Susp.; w/Bleeder; Back
Wheel Cylinder	94 - 91	F123241	(WC123241)	L.H.; 12-5/8 x 3" Brake; 13000 lb. Susp.; w/o Bleeder; Fwd.
Wheel Cylinder	94 - 91	F128417	(WC128417)	L.H.; 12-5/8 x 4" Brake; 14250 lb. Susp.; w/Bleeder; Back
Wheel Cylinder	94 - 91	F123244	(WC123244)	R.H.; 12-5/8 x 3" Brake; 13000 lb. Susp.; w/Bleeder; Back
Wheel Cylinder	94 - 91	F123242	(WC123242)	R.H.; 12-5/8 x 3" Brake; 13000 lb. Susp.; w/o Bleeder; Fwd.
Wheel Cylinder	94 - 91	F128420	(WC128420)	R.H.; 12-5/8 x 4" Brake; 14250 lb. Susp.; w/o Bleeder; Fwd.
Wheel Cylinder	90 - 86	F123243	(WC123243)	L.H.; 12-5/8 x 3" Brake; w/Bleeder; Back
Wheel Cylinder	90 - 86	F123241	(WC123241)	L.H.; 12-5/8 x 3" Brake; w/o Bleeder; Fwd.
Wheel Cylinder	90 - 86	F123244	(WC123244)	R.H.; 12-5/8 x 3" Brake; w/Bleeder; Back
Wheel Cylinder	90 - 86	F123242	(WC123242)	R.H.; 12-5/8 x 3" Brake; w/o Bleeder; Fwd.
Rear Wheel Cylinder	Years	Sequential No.	Category No.	Qualifier
Wheel Cylinder	94 - 93	F140760	(WC140760)	L.H.; From 12/93; 12-5/8 x 3" Brake; Diesel w/13000 lb. Susp. or Gas w/14250 lb. Susp.; Back
Wheel Cylinder	94 - 93	F140760	(WC140760)	L.H.; From 12/93; 12-5/8 x 3" Brake; Diesel w/13000 lb. Susp. or Gas w/14250 lb. Susp.; Fwd.
Wheel Cylinder	94 - 93	F140756	(WC140756)	L.H.; From 12/93; 12-5/8 x 4" Brake; Diesel w/14250 lb. Susp. or Gas w/13000 lb. Susp.; Back
Wheel Cylinder	94 - 93	F140756	(WC140756)	L.H.; From 12/93; 12-5/8 x 4" Brake; Diesel w/14250 lb. Susp. or Gas w/13000 lb. Susp.; Fwd.
Wheel Cylinder	94 - 93	F140758	(WC140758)	R.H.; From 12/93; 12-5/8 x 3" Brake; Diesel w/13000 lb. Susp. or Gas w/14250 lb. Susp.; Back
Wheel Cylinder	94 - 93	F140757	(WC140757)	R.H.; From 12/93; 12-5/8 x 3" Brake; Diesel w/13000 lb. Susp. or Gas w/14250 lb. Susp.; Fwd.
Wheel Cylinder	94 - 93	F140755	(WC140755)	R.H.; From 12/93; 12-5/8 x 4" Brake; Diesel w/14250 lb. Susp. or Gas w/13000 lb. Susp.; Back
Wheel Cylinder	94 - 93	F140754	(WC140754)	R.H.; From 12/93; 12-5/8 x 4" Brake; Diesel w/14250 lb. Susp. or Gas w/13000 lb. Susp.; Fwd.
Wheel Cylinder	93	F123249	(WC123249)	L.H.; To 11/93; 11-3/4 x 3" Brake; w/Flat Low; w/Front Drum; Back
Wheel Cylinder	93	F123249	(WC123249)	L.H.; To 11/93; 11-3/4 x 3" Brake; w/Flat Low; w/Front Drum; Fwd.
Wheel Cylinder	93	F123246	(WC123246)	L.H.; To 11/93; 12-5/8 x 3" Brake; w/o Flat Low; 13000 lb. Susp.; Diesel; Back; 1-1/16" Bore
Wheel Cylinder	93	F123246	(WC123246)	L.H.; To 11/93; 12-5/8 x 3" Brake; w/o Flat Low; 13000 lb. Susp.; Diesel; Fwd.; 1-1/16" Bore
Wheel Cylinder	93	F140756	(WC140756)	L.H.; To 11/93; 12-5/8 x 3" Brake; w/o Flat Low; 13000 lb. Susp.; Gas; Back
Wheel Cylinder	93	F140756	(WC140756)	L.H.; To 11/93; 12-5/8 x 3" Brake; w/o Flat Low; 13000 lb. Susp.; Gas; Fwd.
Wheel Cylinder	93	F140760	(WC140760)	L.H.; To 11/93; 12-5/8 x 4" Brake; w/o Flat Low; 14250 lb. Susp.; w/Front Disc; Back
Wheel Cylinder	93	F140760	(WC140760)	L.H.; To 11/93; 12-5/8 x 4" Brake; w/o Flat Low; 14250 lb. Susp.; w/Front Disc; Fwd.
Wheel Cylinder	93	F128466	(WC128466)	L.H.; To 11/93; 12-5/8 x 4" Brake; w/o Flat Low; 14250 lb. Susp.; w/Front Drum; Back
Wheel Cylinder	93	F128466	(WC128466)	L.H.; To 11/93; 12-5/8 x 4" Brake; w/o Flat Low; 14250 lb. Susp.; w/Front Drum; Fwd.
Wheel Cylinder	93	F123251	(WC123251)	R.H.; To 11/93; 11-3/4 x 3" Brake; w/Flat Low; w/Front Drum; Back
Wheel Cylinder	93	F123250	(WC123250)	R.H.; To 11/93; 11-3/4 x 3" Brake; w/Flat Low; w/Front Drum; Fwd.
Wheel Cylinder	93	F123248	(WC123248)	R.H.; To 11/93; 12-5/8 x 3" Brake; w/o Flat Low; 13000 lb. Susp.; Diesel; Back; 1-1/16" Bore
Wheel Cylinder	93	F123247	(WC123247)	R.H.; To 11/93; 12-5/8 x 3" Brake; w/o Flat Low; 13000 lb. Susp.; Diesel; Fwd.; 1-1/16" Bore
Wheel Cylinder	93	F140755	(WC140755)	R.H.; To 11/93; 12-5/8 x 3" Brake; w/o Flat Low; 13000 lb. Susp.; Gas; Back

Hydraulics - New (cont.)

Rear Wheel Cylinder	Years	Sequential No.	Category No.	Qualifier
Wheel Cylinder	93	F140754	(WC140754)	R.H.; To 11/93; 12-5/8 x 3" Brake; w/o Flat Low; 13000 lb. Susp.; Gas; Fwd.
Wheel Cylinder	93	F140758	(WC140758)	R.H.; To 11/93; 12-5/8 x 4" Brake; w/o Flat Low; 14250 lb. Susp.; w/Front Disc; Back
Wheel Cylinder	93	F140757	(WC140757)	R.H.; To 11/93; 12-5/8 x 4" Brake; w/o Flat Low; 14250 lb. Susp.; w/Front Disc; Fwd.
Wheel Cylinder	93	F128468	(WC128468)	R.H.; To 11/93; 12-5/8 x 4" Brake; w/o Flat Low; 14250 lb. Susp.; w/Front Drum; Back
Wheel Cylinder	93	F128467	(WC128467)	R.H.; To 11/93; 12-5/8 x 4" Brake; w/o Flat Low; 14250 lb. Susp.; w/Front Drum; Fwd.
Wheel Cylinder	93	F128465	(WC128465)	To 11/93; 11-3/4 x 3" Brake; w/Flat Low; w/Front Disc; Back
Wheel Cylinder	93	F128464	(WC128464)	To 11/93; 11-3/4 x 3" Brake; w/Flat Low; w/Front Disc; Fwd.
Wheel Cylinder	92 - 91	F128465	(WC128465)	11-3/4 x 3" Brake; w/Flat Low; w/Front Disc; Back
Wheel Cylinder	92 - 91	F128464	(WC128464)	11-3/4 x 3" Brake; w/Flat Low; w/Front Disc; Fwd.
Wheel Cylinder	92 - 91	F123249	(WC123249)	L.H.; 11-3/4 x 3" Brake; w/Flat Low; w/Front Drum; Back
Wheel Cylinder	92 - 91	F123249	(WC123249)	L.H.; 11-3/4 x 3" Brake; w/Flat Low; w/Front Drum; Fwd.
Wheel Cylinder	92 - 91	F123246	(WC123246)	L.H.; 12-5/8 x 3" Brake; w/o Flat Low; 13000 lb. Susp.; Diesel; Back; 1-1/16" Bore
Wheel Cylinder	92 - 91	F123246	(WC123246)	L.H.; 12-5/8 x 3" Brake; w/o Flat Low; 13000 lb. Susp.; Diesel; Fwd.; 1-1/16" Bore
Wheel Cylinder	92 - 91	F140756	(WC140756)	L.H.; 12-5/8 x 3" Brake; w/o Flat Low; 13000 lb. Susp.; Gas; Back
Wheel Cylinder	92 - 91	F140756	(WC140756)	L.H.; 12-5/8 x 3" Brake; w/o Flat Low; 13000 lb. Susp.; Gas; Fwd.
Wheel Cylinder	92 - 91	F140760	(WC140760)	L.H.; 12-5/8 x 4" Brake; w/o Flat Low; 14250 lb. Susp.; w/Front Disc; Back
Wheel Cylinder	92 - 91	F140760	(WC140760)	L.H.; 12-5/8 x 4" Brake; w/o Flat Low; 14250 lb. Susp.; w/Front Disc; Fwd.
Wheel Cylinder	92 - 91	F128466	(WC128466)	L.H.; 12-5/8 x 4" Brake; w/o Flat Low; 14250 lb. Susp.; w/Front Drum; Back
Wheel Cylinder	92 - 91	F128466	(WC128466)	L.H.; 12-5/8 x 4" Brake; w/o Flat Low; 14250 lb. Susp.; w/Front Drum; Fwd.
Wheel Cylinder	92 - 91	F123251	(WC123251)	R.H.; 11-3/4 x 3" Brake; w/Flat Low; w/Front Drum; Back
Wheel Cylinder	92 - 91	F123250	(WC123250)	R.H.; 11-3/4 x 3" Brake; w/Flat Low; w/Front Drum; Fwd.
Wheel Cylinder	92 - 91	F123248	(WC123248)	R.H.; 12-5/8 x 3" Brake; w/o Flat Low; 13000 lb. Susp.; Diesel; Back; 1-1/16" Bore
Wheel Cylinder	92 - 91	F123247	(WC123247)	R.H.; 12-5/8 x 3" Brake; w/o Flat Low; 13000 lb. Susp.; Diesel; Fwd.; 1-1/16" Bore
Wheel Cylinder	92 - 91	F140755	(WC140755)	R.H.; 12-5/8 x 3" Brake; w/o Flat Low; 13000 lb. Susp.; Gas; Back
Wheel Cylinder	92 - 91	F140754	(WC140754)	R.H.; 12-5/8 x 3" Brake; w/o Flat Low; 13000 lb. Susp.; Gas; Fwd.
Wheel Cylinder	92 - 91	F140758	(WC140758)	R.H.; 12-5/8 x 4" Brake; w/o Flat Low; 14250 lb. Susp.; w/Front Disc; Back
Wheel Cylinder	92 - 91	F140757	(WC140757)	R.H.; 12-5/8 x 4" Brake; w/o Flat Low; 14250 lb. Susp.; w/Front Disc; Fwd.
Wheel Cylinder	92 - 91	F128468	(WC128468)	R.H.; 12-5/8 x 4" Brake; w/o Flat Low; 14250 lb. Susp.; w/Front Drum; Back
Wheel Cylinder	92 - 91	F128467	(WC128467)	R.H.; 12-5/8 x 4" Brake; w/o Flat Low; 14250 lb. Susp.; w/Front Drum; Fwd.
Wheel Cylinder	90 - 88	F123259	(WC123259)	11-3/4 x 3" Brake; w/Flat Low; w/Front Disc; Back
Wheel Cylinder	90 - 88	F140760	(WC140760)	L.H.; 12-5/8 x 3" Brake; w/o Flat Low; w/Front Disc; Back
Wheel Cylinder	90 - 88	F140760	(WC140760)	L.H.; 12-5/8 x 3" Brake; w/o Flat Low; w/Front Disc; Fwd.
Wheel Cylinder	90 - 88	F123246	(WC123246)	L.H.; 12-5/8 x 3" Brake; w/o Flat Low; w/Front Drum; Back; 1-1/16" Bore
Wheel Cylinder	90 - 88	F123246	(WC123246)	L.H.; 12-5/8 x 3" Brake; w/o Flat Low; w/Front Drum; Fwd.; 1-1/16" Bore
Wheel Cylinder	90 - 88	F140758	(WC140758)	R.H.; 12-5/8 x 3" Brake; w/o Flat Low; w/Front Disc; Back
Wheel Cylinder	90 - 88	F140757	(WC140757)	R.H.; 12-5/8 x 3" Brake; w/o Flat Low; w/Front Disc; Fwd.
Wheel Cylinder	90 - 88	F123248	(WC123248)	R.H.; 12-5/8 x 3" Brake; w/o Flat Low; w/Front Drum; Back; 1-1/16" Bore
Wheel Cylinder	90 - 88	F123247	(WC123247)	R.H.; 12-5/8 x 3" Brake; w/o Flat Low; w/Front Drum; Fwd.; 1-1/16" Bore
Wheel Cylinder	87	F123259	(WC123259)	From 8/87; 11-3/4 x 3" Brake; w/Flat Low; w/Front Disc; Back
Wheel Cylinder	87	F140760	(WC140760)	L.H.; From 8/87; 12-5/8 x 3" Brake; w/o Flat Low; w/Front Disc; Back
Wheel Cylinder	87	F140760	(WC140760)	L.H.; From 8/87; 12-5/8 x 3" Brake; w/o Flat Low; w/Front Disc; Fwd.
Wheel Cylinder	87	F123246	(WC123246)	L.H.; From 8/87; 12-5/8 x 3" Brake; w/o Flat Low; w/Front Drum; Back; 1-1/16" Bore
Wheel Cylinder	87	F123246	(WC123246)	L.H.; From 8/87; 12-5/8 x 3" Brake; w/o Flat Low; w/Front Drum; Fwd.; 1-1/16" Bore
Wheel Cylinder	87	F123246	(WC123246)	L.H.; To 7/87; 12-5/8 x 3" Brake; Back; 1-1/16" Bore
Wheel Cylinder	87	F123246	(WC123246)	L.H.; To 7/87; 12-5/8 x 3" Brake; Fwd.; 1-1/16" Bore
Wheel Cylinder	87	F140758	(WC140758)	R.H.; From 8/87; 12-5/8 x 3" Brake; w/o Flat Low; w/Front Disc; Back
Wheel Cylinder	87	F140757	(WC140757)	R.H.; From 8/87; 12-5/8 x 3" Brake; w/o Flat Low; w/Front Disc; Fwd.
Wheel Cylinder	87	F123248	(WC123248)	R.H.; From 8/87; 12-5/8 x 3" Brake; w/o Flat Low; w/Front Drum; Back; 1-1/16" Bore
Wheel Cylinder	87	F123247	(WC123247)	R.H.; From 8/87; 12-5/8 x 3" Brake; w/o Flat Low; w/Front Drum; Fwd.; 1-1/16" Bore
Wheel Cylinder	87	F123248	(WC123248)	R.H.; To 7/87; 12-5/8 x 3" Brake; Back; 1-1/16" Bore
Wheel Cylinder	87	F123247	(WC123247)	R.H.; To 7/87; 12-5/8 x 3" Brake; Fwd.; 1-1/16" Bore
Wheel Cylinder	86	F123246	(WC123246)	L.H.; 12-5/8 x 3" Brake; Back; 1-1/16" Bore
Wheel Cylinder	86	F123246	(WC123246)	L.H.; 12-5/8 x 3" Brake; Fwd.; 1-1/16" Bore
Wheel Cylinder	86	F123248	(WC123248)	R.H.; 12-5/8 x 3" Brake; Back; 1-1/16" Bore
Wheel Cylinder	86	F123247	(WC123247)	R.H.; 12-5/8 x 3" Brake; Fwd.; 1-1/16" Bore

W4S042 (cont.)

Hydraulics - New (cont.)				
Clutch Master Cylind	Years	Sequential No.	Category No.	Qualifier
Clutch Master Cylinder	94 - 86	F123690	(CM123690)	Exc. Stripped Chassis; 3/4" Bore
Clutch Master Cylinder	94 - 86	F128946	(CM128946)	Stripped Chassis; 3/4" Bore
Clutch Slave Cylinder	Years	Sequential No.	Category No.	Qualifier
Clutch Slave Cylinder	94 - 86	F123693	(SC123693)	1" Bore
Front Brake Hose	Years	Sequential No.	Category No.	Qualifier
Brake Hose	94	F123792	(BH123792)	
Brake Hose	93 - 87	F123792	(BH123792)	w/Disc Brake
Brake Hose	93 - 86	F123791	(BH123791)	w/Drum Brake
Rear Brake Hose	Years	Sequential No.	Category No.	Qualifier
Brake Hose	94 - 86	F123793	(BH123793)	

W5R042

Brake Pads & Shoes				
Front Pads & Shoes	Years	SevereDuty	Lining No.	Qualifier
Brake Shoes	94 - 87	SDS672R	EX1458D-S32	12-5/8 x 4-3/8
Rear Pads & Shoes	Years	SevereDuty	Lining No.	Qualifier
Brake Shoes	94 - 87	SDS669R	EX1455D-S32	12-5/8 x 4-3/4
Brake Hardware				
Front Brake Hardware	Years	Sequential No.	Category No.	Qualifier
Combi Kit	94 - 87	F140621	(H3017)	12-5/8 x 4-3/8" Brake
Rear Brake Hardware	Years	Sequential No.	Category No.	Qualifier
Combi Kit	94 - 87	F140620	(H3016)	12-5/8 x 4-3/4" Brake
Hydraulics - New				
Front Brake Hose	Years	Sequential No.	Category No.	Qualifier
Brake Hose	94 - 87	F126748	(BH126748)	
Rear Brake Hose	Years	Sequential No.	Category No.	Qualifier
Brake Hose	94 - 87	F126750	(BH126750)	

W5S042

Brake Pads & Shoes				
Front Pads & Shoes	Years	SevereDuty	Lining No.	Qualifier
Brake Shoes	96 - 94	SDS672R	EX1458D-S32	Air Over Hyd.; 12-5/8 x 4-3/8
Rear Pads & Shoes	Years	SevereDuty	Lining No.	Qualifier
Brake Shoes	96 - 94	SDS727R	EX1498D	Air Over Hyd.; 12-5/8 x 5-3/4
Brake Hardware				
Front Brake Hardware	Years	Sequential No.	Category No.	Qualifier
Combi Kit	96 - 94	F140621	(H3017)	12-5/8 x 4-3/8" Brake; Air Over Hyd.
Rear Brake Hardware	Years	Sequential No.	Category No.	Qualifier
Combi Kit	96 - 94	F140620	(H3016)	12-5/8 x 5-3/4" Brake; Air Over Hyd.
Hydraulics - New				
Rear Wheel Cylinder	Years	Sequential No.	Category No.	Qualifier
Wheel Cylinder	94	F131825	(WC131825)	To 9/94; 12-5/8 x 5-3/4" Brake; w/Man Adj.; Bottom
Wheel Cylinder	94	F131823	(WC131823)	To 9/94; 12-5/8 x 5-3/4" Brake; w/Man Adj.; Top
Front Brake Hose	Years	Sequential No.	Category No.	Qualifier
Brake Hose	96 - 94	F126748	(BH126748)	
Rear Brake Hose	Years	Sequential No.	Category No.	Qualifier
Brake Hose	96 - 94	F126751	(BH126751)	

W6N042

Brake Pads & Shoes				
Front Pads & Shoes	Years	SevereDuty	Lining No.	Qualifier
Brake Shoes	80 - 77	SDS321R	EX1245AD-S32	Hyd. Brakes; Auto Adj.; 15 x 3
Brake Shoes	80 - 77	SDS322R	EX1280BD-S32	Hyd. Brakes; Auto Adj.; 15 x 3-1/2
Brake Shoes	80 - 77	SDS235R	EX1245AD-S32	Hyd. Brakes; Man. Adj.; 15 x 3

W6N042 (cont.)
Brake Pads & Shoes (cont.)

Front Pads & Shoes	Years	SevereDuty	Lining No.	Qualifier
Brake Shoes	80 - 77	SDS463R	EX1280D-S32	Hyd. Brakes; Man. Adj.; 15 x 3-1/2
Rear Pads & Shoes	Years	SevereDuty	Lining No.	Qualifier
Brake Shoes	80 - 77	SDS427R	EX4640D	Hyd. Brakes; 15 x 4
Brake Shoes	80 - 77	SDS442R	EX4639D-S32	Hyd. Brakes; 15 x 5
Brake Shoes	80 - 77	SDS381R	EX4596D-S32	Hyd. Brakes; 15 x 6
Brake Shoes	80 - 77	SDS383R	EX4597D-S32	Hyd. Brakes; 15 x 7
Brake Shoes	80 - 77	SDS386R	EX1255D-S32	Hyd. Brakes; 16 x 6

Brake Hardware

Front Brake Hardware	Years	Sequential No.	Category No.	Qualifier
Adjuster Kit	80 - 77	F140819	(H2714)	L.H.; Wagner; Auto Adj.
Adjuster Kit	80 - 77	F128990	(H2929)	L.H.; Wagner; Man. Adj.
Adjuster Kit	80 - 77	F140820	(H2715)	R.H.; Wagner; Auto Adj.
Adjuster Kit	80 - 77	F128990	(H2929)	R.H.; Wagner; Man. Adj.
Combi Kit	80 - 77	F117025	(H7173)	Wagner; 15" Brake; Auto Adj.
↳Hold Down Kit		F73399	(H4201)	
↳Return Spring Kit		F36445	(H521)	
Combi Kit	80 - 77	F117026	(H7172)	Wagner; 15" Brake; Man. Adj.
↳Hold Down Kit		F19408	(H4200)	
↳Return Spring Kit		F36445	(H521)	

Rear Brake Hardware	Years	Sequential No.	Category No.	Qualifier
Adjuster Kit	80 - 77	F128891	(H2908)	L.H.; GM; 15" Brake
Adjuster Kit	80 - 77	F59157	(H2902)	L.H.; Wagner; 15" Brake; Auto Adj.
Adjuster Kit	80 - 77	F128894S	(H2911)	L.H.; Wagner; 15" Brake; Man. Adj.
Adjuster Kit	80 - 77	F128895S	(H2912)	L.H.; Wagner; 16" Brake; Man. Adj.
Adjuster Kit	80 - 77	F128892	(H2909)	R.H.; GM; 15" Brake
Adjuster Kit	80 - 77	F59158	(H2903)	R.H.; Wagner; 15" Brake; Auto Adj.
Adjuster Kit	80 - 77	F128894S	(H2911)	R.H.; Wagner; 15" Brake; Man. Adj.
Adjuster Kit	80 - 77	F128895S	(H2912)	R.H.; Wagner; 16" Brake; Man. Adj.
Adjuster Screw	80 - 77	F128880S	(H1710)	L.H.; GM; 15" Brake
Adjuster Screw	80 - 77	F140823	(H1607)	L.H.; Wagner; 15" Brake
Adjuster Screw	80 - 77	F19291	(H1700)	L.H.; Wagner; 16" Brake
Adjuster Screw	80 - 77	F128881S	(H1711)	R.H.; GM; 15" Brake
Adjuster Screw	80 - 77	F140818	(H1606)	R.H.; Wagner; 15" Brake
Adjuster Screw	80 - 77	F19292	(H1701)	R.H.; Wagner; 16" Brake
Combi Kit	80 - 77	F140612	(H3008)	GM; 15" Brake
↳Hold Down Kit		F128928	(H4202)	
↳Return Spring Kit		F86408	(H552)	
Combi Kit	80 - 77	F117027	(H7171)	Wagner
↳Adjuster Spring Kit		F78727	(H451)	
↳Hold Down Kit		F19309	(H5079)	
↳Return Spring Kit		F98318	(H609)	

Hydraulics - Reman

Power Brake Booster	Years	Part No.	Qualifier
Power Brake Booster	80 - 77	518050	w/Master Cylinder; Hydro-Boost; Diesel; w/Serial No. 2504304 or 2513813
Power Brake Booster	80 - 77	518008	w/Master Cylinder; Hydro-Boost; Diesel; w/Serial No. 2512064
Power Brake Booster	80 - 77	518000	w/Master Cylinder; Hydro-Vac; Gas; w/Serial No. 2508096 or 2508827 or 2512065 or 2512554 or 2515050
Power Brake Booster	80 - 77	518001	w/Master Cylinder; Hydro-Vac; Gas; w/Single Diaphragm

W6R042
Brake Pads & Shoes

Front Pads & Shoes	Years	SevereDuty	Lining No.	Qualifier
Brake Shoes	96 - 94	SDS616R	EX1421D-S32	15-3/4 x 5-1/2
Brake Shoes	93 - 86	SDS603R	EX1411D-S32	w/Low Deck; 12-5/8 x 4
Brake Shoes	93 - 86	SDS616R	EX1421D-S32	w/o Low Deck; 15-3/4 x 5-1/2

↳Sub-Kit of Combi-Kit is available separately.

W6R042 (cont.)

Brake Pads & Shoes (cont.)

Rear Pads & Shoes	Years	SevereDuty	Lining No.	Qualifier
Brake Shoes	96 - 94	SDS615R	EX1420D-S32	16-1/8 x 4-1/2
Brake Shoes	93 - 86	SDS615R	EX1420D-S32	39/8 or 41/8 Final Gear; 16-1/8 x 4-1/2
Brake Shoes	93 - 86	SDS604R	EX1412D-S43	39/9 Final Gear; 14-5/8 x 5-1/4

Brake Hardware

Front Brake Hardware	Years	Sequential No.	Category No.	Qualifier
Adjuster Kit	93 - 86	F128918	(H2933)	12-5/8 x 4" Brake; w/Low Deck
Combi Kit	96 - 94	F140628	(H3024)	15-3/4 x 5-1/2" Brake; Return Spring Kit
Combi Kit	93 - 86	F128867	(H7214)	12-5/8 x 4" Brake; w/Low Deck
Combi Kit	93 - 86	F140628	(H3024)	15-3/4 x 5-1/2" Brake; w/o Low Deck; Return Spring Kit

Rear Brake Hardware	Years	Sequential No.	Category No.	Qualifier
Adjuster Kit	93 - 86	F128917	(H2932)	14-5/8 x 5-1/4" Brake; 39/9 Final Gear
Combi Kit	96 - 94	F128867	(H7214)	16-1/8 x 4-1/2" Brake
Combi Kit	93 - 86	F128867	(H7214)	14-5/8 x 5-1/4" Brake; 39/9 Final Gear
Combi Kit	93 - 86	F128867	(H7214)	16-1/8 x 4-1/2" Brake; 39/8 or 41/8 Final Gear

Hydraulics - New

Front Wheel Cylinder	Years	Sequential No.	Category No.	Qualifier
Wheel Cylinder	94	F131665	(WC131665)	L.H.; To 9/94; 15-3/4 x 5-1/2" Brake; w/Man Adj.; Back
Wheel Cylinder	94	F123269	(WC123269)	L.H.; To 9/94; 15-3/4 x 5-1/2" Brake; w/Man Adj.; Fwd.
Wheel Cylinder	94	F131664	(WC131664)	R.H.; To 9/94; 15-3/4 x 5-1/2" Brake; w/Man Adj.; Back
Wheel Cylinder	94	F123270	(WC123270)	R.H.; To 9/94; 15-3/4 x 5-1/2" Brake; w/Man Adj.; Fwd.
Wheel Cylinder	93	F131665	(WC131665)	L.H.; From 2/93; 15-3/4 x 5-1/2" Brake; w/o Low Deck; Back
Wheel Cylinder	93	F123269	(WC123269)	L.H.; From 2/93; 15-3/4 x 5-1/2" Brake; w/o Low Deck; Fwd.
Wheel Cylinder	93	F128475	(WC128475)	L.H.; To 1/93; 15-3/4 x 5-1/2" Brake; w/Low Deck
Wheel Cylinder	93	F131665	(WC131665)	L.H.; To 1/93; 15-3/4 x 5-1/2" Brake; w/o Low Deck; Back
Wheel Cylinder	93	F123269	(WC123269)	L.H.; To 1/93; 15-3/4 x 5-1/2" Brake; w/o Low Deck; Fwd.
Wheel Cylinder	93	F131664	(WC131664)	R.H.; From 2/93; 15-3/4 x 5-1/2" Brake; w/o Low Deck; Back
Wheel Cylinder	93	F123270	(WC123270)	R.H.; From 2/93; 15-3/4 x 5-1/2" Brake; w/o Low Deck; Fwd.
Wheel Cylinder	93	F128476	(WC128476)	R.H.; To 1/93; 15-3/4 x 5-1/2" Brake; w/Low Deck
Wheel Cylinder	93	F131664	(WC131664)	R.H.; To 1/93; 15-3/4 x 5-1/2" Brake; w/o Low Deck; Back
Wheel Cylinder	93	F123270	(WC123270)	R.H.; To 1/93; 15-3/4 x 5-1/2" Brake; w/o Low Deck; Fwd.
Wheel Cylinder	92	F128475	(WC128475)	L.H.; From 4/92; 15-3/4 x 5-1/2" Brake; w/Low Deck
Wheel Cylinder	92	F131665	(WC131665)	L.H.; From 4/92; 15-3/4 x 5-1/2" Brake; w/o Low Deck; Back
Wheel Cylinder	92	F123269	(WC123269)	L.H.; From 4/92; 15-3/4 x 5-1/2" Brake; w/o Low Deck; Fwd.
Wheel Cylinder	92	F128475	(WC128475)	L.H.; To 3/92; 15-3/4 x 5-1/2" Brake; w/Low Deck
Wheel Cylinder	92	F123269	(WC123269)	L.H.; To 3/92; 15-3/4 x 5-1/2" Brake; w/o Low Deck
Wheel Cylinder	92	F128476	(WC128476)	R.H.; From 4/92; 15-3/4 x 5-1/2" Brake; w/Low Deck
Wheel Cylinder	92	F131664	(WC131664)	R.H.; From 4/92; 15-3/4 x 5-1/2" Brake; w/o Low Deck; Back
Wheel Cylinder	92	F123270	(WC123270)	R.H.; From 4/92; 15-3/4 x 5-1/2" Brake; w/o Low Deck; Fwd.
Wheel Cylinder	92	F128476	(WC128476)	R.H.; To 3/92; 15-3/4 x 5-1/2" Brake; w/Low Deck
Wheel Cylinder	92	F123270	(WC123270)	R.H.; To 3/92; 15-3/4 x 5-1/2" Brake; w/o Low Deck
Wheel Cylinder	91 - 90	F128475	(WC128475)	L.H.; 15-3/4 x 5-1/2" Brake; w/Low Deck
Wheel Cylinder	91 - 90	F123269	(WC123269)	L.H.; 15-3/4 x 5-1/2" Brake; w/o Low Deck
Wheel Cylinder	91 - 90	F128476	(WC128476)	R.H.; 15-3/4 x 5-1/2" Brake; w/Low Deck
Wheel Cylinder	91 - 90	F123270	(WC123270)	R.H.; 15-3/4 x 5-1/2" Brake; w/o Low Deck
Wheel Cylinder	89	F128475	(WC128475)	L.H.; From 12/89; 15-3/4 x 5-1/2" Brake; w/Low Deck
Wheel Cylinder	89	F123269	(WC123269)	L.H.; From 12/89; 15-3/4 x 5-1/2" Brake; w/o Low Deck
Wheel Cylinder	89	F123269	(WC123269)	L.H.; To 11/89; 15-3/4 x 5-1/2" Brake
Wheel Cylinder	89	F128476	(WC128476)	R.H.; From 12/89; 15-3/4 x 5-1/2" Brake; w/Low Deck
Wheel Cylinder	89	F123270	(WC123270)	R.H.; From 12/89; 15-3/4 x 5-1/2" Brake; w/o Low Deck
Wheel Cylinder	89	F123270	(WC123270)	R.H.; To 11/89; 15-3/4 x 5-1/2" Brake
Wheel Cylinder	88 - 86	F123269	(WC123269)	L.H.; 15-3/4 x 5-1/2" Brake
Wheel Cylinder	88 - 86	F123270	(WC123270)	R.H.; 15-3/4 x 5-1/2" Brake

Rear Wheel Cylinder	Years	Sequential No.	Category No.	Qualifier
Wheel Cylinder	94	F123274	(WC123274)	L.H.; To 9/94; 16-1/8 x 4-1/2" Brake; w/Man Adj.; Back

W6R042 (cont.)
Hydraulics - New (cont.)

Rear Wheel Cylinder	Years	Sequential No.	Category No.	Qualifier
Wheel Cylinder	94	F123272	(WC123272)	L.H.; To 9/94; 16-1/8 x 4-1/2" Brake; w/Man Adj.; Fwd.
Wheel Cylinder	94	F123275	(WC123275)	R.H.; To 9/94; 16-1/8 x 4-1/2" Brake; w/Man Adj.; Back
Wheel Cylinder	94	F123273	(WC123273)	R.H.; To 9/94; 16-1/8 x 4-1/2" Brake; w/Man Adj.; Fwd.
Wheel Cylinder	93	F123274	(WC123274)	L.H.; From 2/93; 16-1/8 x 4-1/2" Brake; Final Gear 14.5"; Back
Wheel Cylinder	93	F123272	(WC123272)	L.H.; From 2/93; 16-1/8 x 4-1/2" Brake; Final Gear 14.5"; Fwd.
Wheel Cylinder	93	F128478	(WC128478)	L.H.; To 1/93; 16-1/8 x 4-1/2" Brake; Final Gear 13.5"; Fwd.
Wheel Cylinder	93	F123274	(WC123274)	L.H.; To 1/93; 16-1/8 x 4-1/2" Brake; Final Gear 14.5"; Back
Wheel Cylinder	93	F123272	(WC123272)	L.H.; To 1/93; 16-1/8 x 4-1/2" Brake; Final Gear 14.5"; Fwd.
Wheel Cylinder	93	F131799	(WC131799)	R.H.; From 2/93; 16-1/8 x 4-1/2" Brake; Final Gear 13.5"; Fwd.
Wheel Cylinder	93	F123275	(WC123275)	R.H.; From 2/93; 16-1/8 x 4-1/2" Brake; Final Gear 14.5"; Back
Wheel Cylinder	93	F123273	(WC123273)	R.H.; From 2/93; 16-1/8 x 4-1/2" Brake; Final Gear 14.5"; Fwd.
Wheel Cylinder	93	F128479	(WC128479)	R.H.; To 1/93; 16-1/8 x 4-1/2" Brake; Final Gear 13.5"; Fwd.
Wheel Cylinder	93	F123275	(WC123275)	R.H.; To 1/93; 16-1/8 x 4-1/2" Brake; Final Gear 14.5"; Back
Wheel Cylinder	93	F123273	(WC123273)	R.H.; To 1/93; 16-1/8 x 4-1/2" Brake; Final Gear 14.5"; Fwd.
Wheel Cylinder	92 - 91	F128478	(WC128478)	L.H.; 16-1/8 x 4-1/2" Brake; Final Gear 13.5"; Fwd.
Wheel Cylinder	92 - 91	F123274	(WC123274)	L.H.; 16-1/8 x 4-1/2" Brake; Final Gear 14.5"; Back
Wheel Cylinder	92 - 91	F123272	(WC123272)	L.H.; 16-1/8 x 4-1/2" Brake; Final Gear 14.5"; Fwd.
Wheel Cylinder	92 - 91	F128479	(WC128479)	R.H.; 16-1/8 x 4-1/2" Brake; Final Gear 13.5"; Fwd.
Wheel Cylinder	92 - 91	F123275	(WC123275)	R.H.; 16-1/8 x 4-1/2" Brake; Final Gear 14.5"; Back
Wheel Cylinder	92 - 91	F123273	(WC123273)	R.H.; 16-1/8 x 4-1/2" Brake; Final Gear 14.5"; Fwd.
Wheel Cylinder	90 - 89	F123274	(WC123274)	L.H.; 16-1/8 x 4-1/2" Brake; 39/8 or 41/8 Final Gear 14.5"; Back
Wheel Cylinder	90 - 89	F123272	(WC123272)	L.H.; 16-1/8 x 4-1/2" Brake; 39/8 or 41/8 Final Gear 14.5"; Fwd.
Wheel Cylinder	90 - 89	F128478	(WC128478)	L.H.; 16-1/8 x 4-1/2" Brake; 39/9 Final Gear 14.5"; Fwd.
Wheel Cylinder	90 - 89	F123275	(WC123275)	R.H.; 16-1/8 x 4-1/2" Brake; 39/8 or 41/8 Final Gear 14.5"; Back
Wheel Cylinder	90 - 89	F123273	(WC123273)	R.H.; 16-1/8 x 4-1/2" Brake; 39/8 or 41/8 Final Gear 14.5"; Fwd.
Wheel Cylinder	90 - 89	F128479	(WC128479)	R.H.; 16-1/8 x 4-1/2" Brake; 39/9 Final Gear 14.5"; Fwd.
Rear Brake Hose	Years	Sequential No.	Category No.	Qualifier
Brake Hose	96 - 86	F126751	(BH126751)	

W7H042
Brake Pads & Shoes

Front Pads & Shoes	Years	SevereDuty	Lining No.	Qualifier
Brake Shoes	96 - 88	SDS718R	EX1418D-S43	w/Air Brakes; 16-1/8 x 5-1/2
Rear Pads & Shoes	Years	SevereDuty	Lining No.	Qualifier
Brake Shoes	96 - 88	SDS4734R	EX4734D	w/Air Brakes; 16-1/8 x 7

Hydraulics - New

Clutch Slave Cylinder	Years	Sequential No.	Category No.	Qualifier
Clutch Slave Cylinder	90 - 87	F128948	(SC128948)	Spicer Trans.; 1" Bore

W7M042
Brake Pads & Shoes

Front Pads & Shoes	Years	SevereDuty	Lining No.	Qualifier
Brake Shoes	96 - 86	SDS613R	EX1418D-S43	Air Over Hyd.; 16-1/8 x 5-1/2
Brake Shoes	96 - 88	SDS718R	EX1418D-S43	w/Air Brakes; 16-1/8 x 5-1/2
Rear Pads & Shoes	Years	SevereDuty	Lining No.	Qualifier
Brake Shoes	96 - 86	SDS613R	EX1418D-S43	Air Over Hyd.; 16-1/8 x 5-1/2
Brake Shoes	96 - 94	SDS4734R	EX4734D	w/Air Brakes

Brake Hardware

Front Brake Hardware	Years	Sequential No.	Category No.	Qualifier
Combi Kit	96 - 86	F140629	(H3025)	16-1/8 x 5-1/2" Brake; Air Over Hyd.; Return Spring Kit
Rear Brake Hardware	Years	Sequential No.	Category No.	Qualifier
Combi Kit	96 - 86	F140629	(H3025)	16-1/8 x 5-1/2" Brake; Air Over Hyd.; Return Spring Kit

Hydraulics - New

Front Wheel Cylinder	Years	Sequential No.	Category No.	Qualifier
Wheel Cylinder	94	F123277	(WC123277)	L.H.; To 9/94; 16-1/8 x 5-1/2" Brake; Air Over Hyd.; w/Man Adj.

W7M042 (cont.)

Hydraulics - New (cont.)

Front Wheel Cylinder	Years	Sequential No.	Category No.	Qualifier
Wheel Cylinder	94	F123278	(WC123278)	R.H.; To 9/94; 16-1/8 x 5-1/2" Brake; Air Over Hyd.; w/Man Adj.
Wheel Cylinder	93 - 89	F123277	(WC123277)	L.H.; 16-1/8 x 5-1/2" Brake; Air Over Hyd.
Wheel Cylinder	93 - 89	F123278	(WC123278)	R.H.; 16-1/8 x 5-1/2" Brake; Air Over Hyd.
Rear Wheel Cylinder	Years	Sequential No.	Category No.	Qualifier
Wheel Cylinder	94	F123280	(WC123280)	To 9/94; 16-1/8 x 5-1/2" Brake; Air Over Hyd.; w/Man Adj.
Wheel Cylinder	93 - 86	F123280	(WC123280)	16-1/8 x 5-1/2" Brake; Air Over Hyd.
Front Brake Hose	Years	Sequential No.	Category No.	Qualifier
Brake Hose	96 - 86	F126751	(BH126751)	Air Over Hyd.
Rear Brake Hose	Years	Sequential No.	Category No.	Qualifier
Brake Hose	96 - 86	F126752	(BH126752)	Air Over Hyd.

W7N042

Brake Pads & Shoes

Front Pads & Shoes	Years	SevereDuty	Lining No.	Qualifier
Brake Shoes	80 - 77	SDS321R	EX1245AD-S32	Hyd. Brakes; Auto Adj.; 15 x 3
Brake Shoes	80 - 77	SDS322R	EX1280BD-S32	Hyd. Brakes; Auto Adj.; 15 x 3-1/2
Brake Shoes	80 - 77	SDS235R	EX1245AD-S32	Hyd. Brakes; Man. Adj.; 15 x 3
Brake Shoes	80 - 77	SDS463R	EX1280D-S32	Hyd. Brakes; Man. Adj.; 15 x 3-1/2
Rear Pads & Shoes	Years	SevereDuty	Lining No.	Qualifier
Brake Shoes	80 - 77	SDS427R	EX4640D	Hyd. Brakes; 15 x 4
Brake Shoes	80 - 77	SDS442R	EX4639D-S32	Hyd. Brakes; 15 x 5
Brake Shoes	80 - 77	SDS381R	EX4596D-S32	Hyd. Brakes; 15 x 6
Brake Shoes	80 - 77	SDS383R	EX4597D-S32	Hyd. Brakes; 15 x 7
Brake Shoes	80 - 77	SDS386R	EX1255D-S32	Hyd. Brakes; 16 x 6

Brake Hardware

Front Brake Hardware	Years	Sequential No.	Category No.	Qualifier
Adjuster Kit	80 - 77	F140819	(H2714)	L.H.; Wagner; Auto Adj.
Adjuster Kit	80 - 77	F128990	(H2929)	L.H.; Wagner; Man. Adj.
Adjuster Kit	80 - 77	F140820	(H2715)	R.H.; Wagner; Auto Adj.
Adjuster Kit	80 - 77	F128990	(H2929)	R.H.; Wagner; Man. Adj.
Combi Kit	80 - 77	F117025	(H7173)	Wagner; 15" Brake; Auto Adj.
↳Hold Down Kit		F73399	(H4201)	
↳Return Spring Kit		F36445	(H521)	
Combi Kit	80 - 77	F117026	(H7172)	Wagner; 15" Brake; Man. Adj.
↳Hold Down Kit		F19408	(H4200)	
↳Return Spring Kit		F36445	(H521)	
Rear Brake Hardware	Years	Sequential No.	Category No.	Qualifier
Adjuster Kit	80 - 77	F128891	(H2908)	L.H.; GM; 15" Brake
Adjuster Kit	80 - 77	F59157	(H2902)	L.H.; Wagner; 15" Brake; Auto Adj.
Adjuster Kit	80 - 77	F128894S	(H2911)	L.H.; Wagner; 15" Brake; Man. Adj.
Adjuster Kit	80 - 77	F128895S	(H2912)	L.H.; Wagner; 16" Brake; Man. Adj.
Adjuster Kit	80 - 77	F128892	(H2909)	R.H.; GM; 15" Brake
Adjuster Kit	80 - 77	F59158	(H2903)	R.H.; Wagner; 15" Brake; Auto Adj.
Adjuster Kit	80 - 77	F128894S	(H2911)	R.H.; Wagner; 15" Brake; Man. Adj.
Adjuster Kit	80 - 77	F128895S	(H2912)	R.H.; Wagner; 16" Brake; Man. Adj.
Adjuster Screw	80 - 77	F128880S	(H1710)	L.H.; GM; 15" Brake
Adjuster Screw	80 - 77	F140823	(H1607)	L.H.; Wagner; 15" Brake
Adjuster Screw	80 - 77	F19291	(H1700)	L.H.; Wagner; 16" Brake
Adjuster Screw	80 - 77	F128881S	(H1711)	R.H.; GM; 15" Brake
Adjuster Screw	80 - 77	F140818	(H1606)	R.H.; Wagner; 15" Brake
Adjuster Screw	80 - 77	F19292	(H1701)	R.H.; Wagner; 16" Brake
Combi Kit	80 - 77	F140612	(H3008)	GM; 15" Brake
↳Hold Down Kit		F128928	(H4202)	
↳Return Spring Kit		F86408	(H552)	

↳Sub-Kit of Combi-Kit is available separately.

W7N042 (cont.)

Brake Hardware (cont.)

Rear Brake Hardware	Years	Sequential No.	Category No.	Qualifier
Combi Kit	80 - 77	F117027	(H7171)	Wagner
↳Adjuster Spring Kit		F78727	(H451)	
↳Hold Down Kit		F19309	(H5079)	
↳Return Spring Kit		F98318	(H609)	

Hydraulics - Reman

Power Brake Booster	Years	Part No.	Qualifier
Power Brake Booster	80 - 77	518009	w/Master Cylinder; Hydro-Vac; Gas

W7T042

Brake Pads & Shoes

Front Pads & Shoes	Years	SevereDuty	Lining No.	Qualifier
Brake Shoes	93 - 87	SDS718R	EX1418D-S43	w/Air Brakes; 16-1/8 x 5-1/2
Rear Pads & Shoes	Years	SevereDuty	Lining No.	Qualifier
Brake Shoes	93 - 87	SDS4734R	EX4734D	w/Air Brakes; 16-1/8 x 7

Hydraulics - New

Clutch Slave Cylinder	Years	Sequential No.	Category No.	Qualifier
Clutch Slave Cylinder	90 - 87	F128948	(SC128948)	Spicer Trans.; 1" Bore

CHEVROLET MD W-Series Diesel

W3500 DIESEL

Brake Pads & Shoes

Front Pads & Shoes	Years	SevereDuty	Lining No.	Qualifier
Brake Pads	07 - 98	SD825		Akebono; 2.13" 2-Piston Caliper
Brake Pads	97 - 94	SD546		Akebono; 2.12" 2-Piston Caliper
Rear Pads & Shoes	Years	SevereDuty	Lining No.	Qualifier
Brake Shoes	04 - 94	SDS726R	EX1417D-S32	12-5/8 x 3

Rotor & Drum

Front Rotor & Drum	Years	Part No.	Qualifier
Brake Rotor	04 - 98	BD126396	Hat-Shaped; 12-Hole
Brake Rotor	97 - 94	BD125627	Hat-Shaped; 12-Hole

Brake Hardware

Front Brake Hardware	Years	Sequential No.	Category No.	Qualifier
Caliper Bolt/Pin	07 - 98	F140773	(H14945)	Akebono; 2.13" 2-Piston Caliper
Disc Align Kit	07 - 98	F140608	(H3004)	Akebono; 2.13" 2-Piston Caliper
Disc Align Kit	97 - 94	F140609	(H3005)	Akebono; 2.12" 2-Piston Caliper

Rear Brake Hardware	Years	Sequential No.	Category No.	Qualifier
Combi Kit	04 - 94	F128865	(H7212)	12-5/8 x 3" Brake

Calipers - Reman

Front, Loaded	Years	Left No.	Right No.	Qualifier	Piston
Loaded Caliper	07 - 04	AS135218	AS135217	Akebono; 2.13" 2-Piston Caliper	M
Loaded Caliper	03 - 98	AS135225	AS135224	Akebono; 2.13" 2-Piston Caliper	M
Loaded Caliper	97 - 94	AS134275	AS134276	Akebono; 2.12" 2-Piston Caliper	M

Front, Unloaded	Years	Left No.	Right No.	Qualifier	Piston
Unloaded Caliper	07 - 04	CR135218	CR135217	Akebono; 2.13" 2-Piston Caliper	M
Unloaded Caliper	03 - 98	CR135225	CR135224	Akebono; 2.13" 2-Piston Caliper	M
Unloaded Caliper	97 - 94	CR134275	CR134276	Akebono; 2.12" 2-Piston Caliper	M

Hydraulics - New

Master Cylinder	Years	Sequential No.	Category No.	Qualifier
Master Cylinder	04 - 02	F140752	(MC140752)	
Master Cylinder	01	F140752	(MC140752)	From 10/01
Master Cylinder	01	F140749	(MC140749)	To 9/01
Master Cylinder	00 - 98	F140749	(MC140749)	
Master Cylinder	97	F140749	(MC140749)	From 11/97

↳Sub-Kit of Combi-Kit is available separately.

Piston: M - OE Metal Piston P - OE Phenolic Piston

W3500 DIESEL (cont.)

Hydraulics - New (cont.)

Master Cylinder	Years	Sequential No.	Category No.	Qualifier
Master Cylinder	97	F140750	(MC140750)	To 10/97
Master Cylinder	96	F140750	(MC140750)	
Master Cylinder	95	F140750	(MC140750)	From 11/95
Master Cylinder	95	F140749	(MC140749)	To 10/95
Master Cylinder	94	F140749	(MC140749)	

Rear Wheel Cylinder	Years	Sequential No.	Category No.	Qualifier
Wheel Cylinder	04 - 99	F140759	(WC140759)	L.H.; 12-1/2 x 3" Brake; Back
Wheel Cylinder	04 - 94	F140760	(WC140760)	L.H.; 12-1/2 x 3" Brake; Fwd.
Wheel Cylinder	04 - 94	F140758	(WC140758)	R.H.; 12-1/2 x 3" Brake; Back
Wheel Cylinder	04 - 94	F140757	(WC140757)	R.H.; 12-1/2 x 3" Brake; Fwd.
Wheel Cylinder	98 - 94	F140760	(WC140760)	L.H.; 12-1/2 x 3" Brake; Back

Clutch Slave Cylinder	Years	Sequential No.	Category No.	Qualifier
Clutch Slave Cylinder	97 - 94	F123693	(SC123693)	1" Bore

W4500 DIESEL

Brake Pads & Shoes

Front Pads & Shoes	Years	SevereDuty	Lining No.	Qualifier
Brake Pads	07 - 98	SD825		Akebono; 2.13" 2-Piston Caliper
Brake Pads	97 - 94	SD546		Akebono; 2.12" 2-Piston Caliper

Rear Pads & Shoes	Years	SevereDuty	Lining No.	Qualifier
Brake Shoes	04 - 94	SDS699R	EX1482D-S32	12-5/8 x 4

Rotor & Drum

Front Rotor & Drum	Years	Part No.	Qualifier
Brake Rotor	04 - 98	BD126396	Hat-Shaped; 12-Hole
Brake Rotor	97 - 94	BD125627	Hat-Shaped; 12-Hole

Brake Hardware

Front Brake Hardware	Years	Sequential No.	Category No.	Qualifier
Caliper Bolt/Pin	07 - 98	F140773	(H14945)	Akebono; 2.13" 2-Piston Caliper
Disc Align Kit	07 - 98	F140608	(H3004)	Akebono; 2.13" 2-Piston Caliper
Disc Align Kit	97 - 94	F140609	(H3005)	Akebono; 2.12" 2-Piston Caliper

Rear Brake Hardware	Years	Sequential No.	Category No.	Qualifier
Combi Kit	04 - 94	F140627	(H3023)	12-5/8 x 4" Brake; Return Spring Kit

Calipers - Reman

Front, Loaded	Years	Left No.	Right No.	Qualifier	Piston
Loaded Caliper	07 - 04	AS135218	AS135217	Akebono; 2.13" 2-Piston Caliper	M
Loaded Caliper	03 - 98	AS135225	AS135224	Akebono; 2.13" 2-Piston Caliper	M
Loaded Caliper	97 - 94	AS134275	AS134276	Akebono; 2.12" 2-Piston Caliper	M

Front, Unloaded	Years	Left No.	Right No.	Qualifier	Piston
Unloaded Caliper	07 - 04	CR135218	CR135217	Akebono; 2.13" 2-Piston Caliper	M
Unloaded Caliper	03 - 98	CR135225	CR135224	Akebono; 2.13" 2-Piston Caliper	M
Unloaded Caliper	97 - 94	CR134275	CR134276	Akebono; 2.12" 2-Piston Caliper	M

Hydraulics - New

Master Cylinder	Years	Sequential No.	Category No.	Qualifier
Master Cylinder	04 - 02	F140752	(MC140752)	
Master Cylinder	01	F140752	(MC140752)	From 10/01
Master Cylinder	01	F140749	(MC140749)	To 9/01
Master Cylinder	00 - 98	F140749	(MC140749)	
Master Cylinder	97	F140749	(MC140749)	From 11/97
Master Cylinder	97	F140750	(MC140750)	To 10/97
Master Cylinder	96	F140750	(MC140750)	
Master Cylinder	95	F140750	(MC140750)	From 11/95
Master Cylinder	95	F140749	(MC140749)	To 10/95
Master Cylinder	94	F140749	(MC140749)	

Piston: M - OE Metal Piston P - OE Phenolic Piston

W4500 DIESEL (cont.)
Hydraulics - New (cont.)

<i>Rear Wheel Cylinder</i>	<i>Years</i>	<i>Sequential No.</i>	<i>Category No.</i>	<i>Qualifier</i>
Wheel Cylinder	02 - 99	F140765	(WC140765)	L.H.; From 1/99; 12-5/8 x 4" Brake; Back
Wheel Cylinder	02 - 99	F140756	(WC140756)	L.H.; From 1/99; 12-5/8 x 4" Brake; Fwd.
Wheel Cylinder	02 - 99	F140755	(WC140755)	R.H.; From 1/99; 12-5/8 x 4" Brake; Back
Wheel Cylinder	02 - 99	F140754	(WC140754)	R.H.; From 1/99; 12-5/8 x 4" Brake; Fwd.
Wheel Cylinder	98 - 94	F140756	(WC140756)	L.H.; To 12/98; 12-5/8 x 4" Brake; Back
Wheel Cylinder	98 - 94	F140756	(WC140756)	L.H.; To 12/98; 12-5/8 x 4" Brake; Fwd.
Wheel Cylinder	98 - 94	F140755	(WC140755)	R.H.; To 12/98; 12-5/8 x 4" Brake; Back
Wheel Cylinder	98 - 94	F140754	(WC140754)	R.H.; To 12/98; 12-5/8 x 4" Brake; Fwd.
<i>Clutch Slave Cylinder</i>	<i>Years</i>	<i>Sequential No.</i>	<i>Category No.</i>	<i>Qualifier</i>
Clutch Slave Cylinder	97 - 94	F123693	(SC123693)	1" Bore

W5500 DIESEL
Brake Pads & Shoes

<i>Front Pads & Shoes</i>	<i>Years</i>	<i>SevereDuty</i>	<i>Lining No.</i>	<i>Qualifier</i>
Brake Pads	07 - 99	SD827		Akebono; 2.24" 2-Piston caliper
Brake Pads	98	SD826		Akebono; 2.24" 2-Piston caliper
<i>Rear Pads & Shoes</i>	<i>Years</i>	<i>SevereDuty</i>	<i>Lining No.</i>	<i>Qualifier</i>
Brake Shoes	05 - 98	SDS792R	EX1534D	12-1/4 x 4-3/4

Rotor & Drum

<i>Front Rotor & Drum</i>	<i>Years</i>	<i>Part No.</i>	<i>Qualifier</i>
Brake Rotor	04 - 99	BD126393	Hat-Shaped; 12-Hole
Brake Rotor	98	BD126395	Hat-Shaped; 12-Hole

Brake Hardware

<i>Front Brake Hardware</i>	<i>Years</i>	<i>Sequential No.</i>	<i>Category No.</i>	<i>Qualifier</i>
Caliper Bolt/Pin	07 - 98	F140773	(H14945)	Akebono; 2.24" 2-Piston caliper
Disc Align Kit	07 - 98	F140608	(H3004)	Akebono; 2.24" 2-Piston caliper
<i>Rear Brake Hardware</i>	<i>Years</i>	<i>Sequential No.</i>	<i>Category No.</i>	<i>Qualifier</i>
Combi Kit	05 - 98	F140626	(H3022)	12-1/4 x 4-3/4" Brake

Calipers - Reman

<i>Front, Loaded</i>	<i>Years</i>	<i>Left No.</i>	<i>Right No.</i>	<i>Qualifier</i>	<i>Piston</i>
Loaded Caliper	04	AS135220	AS135219	Akebono; 2.24" 2-Piston Caliper	M
Loaded Caliper	03 - 99	AS135227	AS135226	Akebono; 2.24" 2-Piston Caliper	M
Loaded Caliper	98	AS135223	AS135222	Akebono; 2.24" 2-Piston caliper	M
<i>Front, Unloaded</i>	<i>Years</i>	<i>Left No.</i>	<i>Right No.</i>	<i>Qualifier</i>	<i>Piston</i>
Unloaded Caliper	04	CR135220	CR135219	Akebono; 2.24" 2-Piston Caliper	M
Unloaded Caliper	03 - 99	CR135227	CR135226	Akebono; 2.24" 2-Piston Caliper	M
Unloaded Caliper	98	CR135223	CR135222	Akebono; 2.24" 2-Piston caliper	M

Hydraulics - New

<i>Master Cylinder</i>	<i>Years</i>	<i>Sequential No.</i>	<i>Category No.</i>	<i>Qualifier</i>
Master Cylinder	04 - 98	F140751	(MC140751)	

CHEVROLET MD W-Series Gas
W3500 GAS
Brake Pads & Shoes

<i>Front Pads & Shoes</i>	<i>Years</i>	<i>SevereDuty</i>	<i>Lining No.</i>	<i>Qualifier</i>
Brake Pads	07 - 98	SD825		Akebono; 2.13" 2-Piston Caliper
Brake Pads	97	SD825		From 10/97; Akebono; 2.13" 2-Piston Caliper
Brake Pads	97	SD546		To 9/97; Akebono; 2.12" 2-Piston Caliper
Brake Pads	96 - 94	SD546		Akebono; 2.12" 2-Piston Caliper
<i>Rear Pads & Shoes</i>	<i>Years</i>	<i>SevereDuty</i>	<i>Lining No.</i>	<i>Qualifier</i>
Brake Shoes	04 - 02	SDS699R	EX1482D-S32	12-5/8 x 4
Brake Shoes	01	SDS699R	EX1482D-S32	From 7/01; 12-5/8 x 4
Brake Shoes	01	SDS726R	EX1417D-S32	To 6/01; 12-5/8 x 3

Piston: M - OE Metal Piston P - OE Phenolic Piston

W3500 GAS (cont.)

Brake Pads & Shoes (cont.)

Rear Pads & Shoes	Years	SevereDuty	Lining No.	Qualifier
Brake Shoes	00 - 98	SDS726R	EX1417D-S32	12-5/8 x 3
Brake Shoes	97	SDS726R	EX1417D-S32	From 10/97; 12-5/8 x 3
Brake Shoes	97	SDS699R	EX1482D-S32	To 9/97; 12-5/8 x 4
Brake Shoes	96 - 94	SDS699R	EX1482D-S32	12-5/8 x 4

Rotor & Drum

Front Rotor & Drum	Years	Part No.	Qualifier
Brake Rotor	04 - 00	BD126396	Hat-Shaped; 12-Hole
Brake Rotor	99	BD126396	From 7/99; Hat-Shaped; 12-Hole
Brake Rotor	99	BD126396	In 6/99; Hat-Shaped; 12-Hole; w/ABS
Brake Rotor	99	BD126395	In 6/99; Hat-Shaped; 12-Hole; w/o ABS
Brake Rotor	99	BD126396	To 5/99; Hat-Shaped; 12-Hole
Brake Rotor	98	BD126396	Hat-Shaped; 12-Hole
Brake Rotor	97	BD126396	From 10/97; Hat-Shaped; 12-Hole
Brake Rotor	97	BD125627	To 9/97; Hat-Shaped; 12-Hole
Brake Rotor	96 - 94	BD125627	Hat-Shaped; 12-Hole

Brake Hardware

Front Brake Hardware	Years	Sequential No.	Category No.	Qualifier
Caliper Bolt/Pin	07 - 98	F140773	(H14945)	Akebono; 2.13" 2-Piston Caliper
Caliper Bolt/Pin	97	F140773	(H14945)	From 10/97; Akebono; 2.13" 2-Piston Caliper
Disc Align Kit	07 - 98	F140608	(H3004)	Akebono; 2.13" 2-Piston Caliper
Disc Align Kit	97	F140608	(H3004)	From 10/97; Akebono; 2.13" 2-Piston Caliper
Disc Align Kit	97	F140609	(H3005)	To 9/97; Akebono; 2.12" 2-Piston Caliper
Disc Align Kit	96 - 94	F140609	(H3005)	Akebono; 2.12" 2-Piston Caliper

Rear Brake Hardware	Years	Sequential No.	Category No.	Qualifier
Combi Kit	04 - 02	F140627	(H3023)	12-5/8 x 4" Brake; Return Spring Kit
Combi Kit	01	F140627	(H3023)	From 7/01; 12-5/8 x 4" Brake; Return Spring Kit
Combi Kit	01	F128865	(H7212)	To 6/01; 12-5/8 x 3" Brake
Combi Kit	00 - 98	F128865	(H7212)	12-5/8 x 3" Brake
Combi Kit	97	F128865	(H7212)	From 10/97; 12-5/8 x 3" Brake
Combi Kit	97	F140627	(H3023)	To 9/97; 12-5/8 x 4" Brake; Return Spring Kit
Combi Kit	96 - 94	F140627	(H3023)	12-5/8 x 4" Brake; Return Spring Kit

Calipers - Reman

Front, Loaded	Years	Left No.	Right No.	Qualifier	Piston
Loaded Caliper	07 - 04	AS135218	AS135217	Akebono; 2.13" 2-Piston Caliper	M
Loaded Caliper	03 - 98	AS135225	AS135224	Akebono; 2.13" 2-Piston Caliper	M
Loaded Caliper	97	AS135225	AS135224	From 10/97; Akebono; 2.13" 2-Piston Caliper	M
Loaded Caliper	97	AS134275	AS134276	To 9/97; Akebono; 2.12" 2-Piston Caliper	M
Loaded Caliper	96 - 94	AS134275	AS134276	Akebono; 2.12" 2-Piston Caliper	M

Front, Unloaded	Years	Left No.	Right No.	Qualifier	Piston
Unloaded Caliper	07 - 04	CR135218	CR135217	Akebono; 2.13" 2-Piston Caliper	M
Unloaded Caliper	03 - 98	CR135225	CR135224	Akebono; 2.13" 2-Piston Caliper	M
Unloaded Caliper	97	CR135225	CR135224	From 10/97; Akebono; 2.13" 2-Piston Caliper	M
Unloaded Caliper	97	CR134275	CR134276	To 9/97; Akebono; 2.12" 2-Piston Caliper	M
Unloaded Caliper	96 - 94	CR134275	CR134276	Akebono; 2.12" 2-Piston Caliper	M

Hydraulics - New

Master Cylinder	Years	Sequential No.	Category No.	Qualifier
Master Cylinder	04 - 02	F140752	(MC140752)	
Master Cylinder	01	F140752	(MC140752)	From 10/01
Master Cylinder	01	F140749	(MC140749)	To 9/01
Master Cylinder	00 - 98	F140749	(MC140749)	
Master Cylinder	97	F140749	(MC140749)	From 11/97
Master Cylinder	97	F140750	(MC140750)	To 10/97
Master Cylinder	96	F140750	(MC140750)	
Master Cylinder	95	F140750	(MC140750)	From 11/95

Piston: M - OE Metal Piston P - OE Phenolic Piston

W3500 GAS (cont.)

Hydraulics - New (cont.)

Master Cylinder	Years	Sequential No.	Category No.	Qualifier
Master Cylinder	95	F140749	(MC140749)	To 10/95
Master Cylinder	94	F140749	(MC140749)	
Rear Wheel Cylinder	Years	Sequential No.	Category No.	Qualifier
Wheel Cylinder	02	F140765	(WC140765)	L.H.; To 6/02; 12-5/8 x 4" Brake; Back
Wheel Cylinder	02	F140756	(WC140756)	L.H.; To 6/02; 12-5/8 x 4" Brake; Fwd.
Wheel Cylinder	02	F140755	(WC140755)	R.H.; To 6/02; 12-5/8 x 4" Brake; Back
Wheel Cylinder	02	F140754	(WC140754)	R.H.; To 6/02; 12-5/8 x 4" Brake; Fwd.
Wheel Cylinder	01	F140765	(WC140765)	L.H.; From 7/01; 12-5/8 x 4" Brake; Back
Wheel Cylinder	01	F140756	(WC140756)	L.H.; From 7/01; 12-5/8 x 4" Brake; Fwd.
Wheel Cylinder	01	F140759	(WC140759)	L.H.; To 6/01; 12-1/2 x 3" Brake; Back
Wheel Cylinder	01	F140760	(WC140760)	L.H.; To 6/01; 12-1/2 x 3" Brake; Fwd.
Wheel Cylinder	01	F140755	(WC140755)	R.H.; From 7/01; 12-5/8 x 4" Brake; Back
Wheel Cylinder	01	F140754	(WC140754)	R.H.; From 7/01; 12-5/8 x 4" Brake; Fwd.
Wheel Cylinder	01	F140758	(WC140758)	R.H.; To 6/01; 12-1/2 x 3" Brake; Back
Wheel Cylinder	01	F140757	(WC140757)	R.H.; To 6/01; 12-1/2 x 3" Brake; Fwd.
Wheel Cylinder	00	F140759	(WC140759)	L.H.; 12-1/2 x 3" Brake; Back
Wheel Cylinder	00	F140760	(WC140760)	L.H.; 12-1/2 x 3" Brake; Fwd.
Wheel Cylinder	00	F140758	(WC140758)	R.H.; 12-1/2 x 3" Brake; Back
Wheel Cylinder	00	F140757	(WC140757)	R.H.; 12-1/2 x 3" Brake; Fwd.
Wheel Cylinder	99	F140759	(WC140759)	L.H.; From 2/99; To 7/99; 12-1/2 x 3" Brake; Back; w/4-Whl. ABS
Wheel Cylinder	99	F140760	(WC140760)	L.H.; From 2/99; To 7/99; 12-1/2 x 3" Brake; Back; w/o 4-Whl. ABS
Wheel Cylinder	99	F140760	(WC140760)	L.H.; From 2/99; To 7/99; 12-1/2 x 3" Brake; Fwd.
Wheel Cylinder	99	F140759	(WC140759)	L.H.; From 8/99; 12-1/2 x 3" Brake; Back
Wheel Cylinder	99	F140760	(WC140760)	L.H.; From 8/99; 12-1/2 x 3" Brake; Fwd.
Wheel Cylinder	99 - 98	F140760	(WC140760)	L.H.; To 1/99; 12-1/2 x 3" Brake; Back
Wheel Cylinder	99 - 98	F140760	(WC140760)	L.H.; To 1/99; 12-1/2 x 3" Brake; Fwd.
Wheel Cylinder	99	F140758	(WC140758)	R.H.; From 2/99; To 7/99; 12-1/2 x 3" Brake; Back; w/4-Whl. ABS
Wheel Cylinder	99	F140758	(WC140758)	R.H.; From 2/99; To 7/99; 12-1/2 x 3" Brake; Back; w/o 4-Whl. ABS
Wheel Cylinder	99	F140757	(WC140757)	R.H.; From 2/99; To 7/99; 12-1/2 x 3" Brake; Fwd.
Wheel Cylinder	99	F140758	(WC140758)	R.H.; From 8/99; 12-1/2 x 3" Brake; Back
Wheel Cylinder	99	F140757	(WC140757)	R.H.; From 8/99; 12-1/2 x 3" Brake; Fwd.
Wheel Cylinder	99 - 98	F140758	(WC140758)	R.H.; To 1/99; 12-1/2 x 3" Brake; Back
Wheel Cylinder	99 - 98	F140757	(WC140757)	R.H.; To 1/99; 12-1/2 x 3" Brake; Fwd.
Wheel Cylinder	97	F140760	(WC140760)	L.H.; From 10/97; 12-1/2 x 3" Brake; Back
Wheel Cylinder	97	F140760	(WC140760)	L.H.; From 10/97; 12-1/2 x 3" Brake; Fwd.
Wheel Cylinder	97	F140756	(WC140756)	L.H.; To 9/97; 12-5/8 x 4" Brake; Back
Wheel Cylinder	97	F140756	(WC140756)	L.H.; To 9/97; 12-5/8 x 4" Brake; Fwd.
Wheel Cylinder	97	F140758	(WC140758)	R.H.; From 10/97; 12-1/2 x 3" Brake; Back
Wheel Cylinder	97	F140757	(WC140757)	R.H.; From 10/97; 12-1/2 x 3" Brake; Fwd.
Wheel Cylinder	97	F140755	(WC140755)	R.H.; To 9/97; 12-5/8 x 4" Brake; Back
Wheel Cylinder	97	F140754	(WC140754)	R.H.; To 9/97; 12-5/8 x 4" Brake; Fwd.
Wheel Cylinder	96 - 94	F140756	(WC140756)	L.H.; 12-5/8 x 4" Brake; Back
Wheel Cylinder	96 - 94	F140756	(WC140756)	L.H.; 12-5/8 x 4" Brake; Fwd.
Wheel Cylinder	96 - 94	F140755	(WC140755)	R.H.; 12-5/8 x 4" Brake; Back
Wheel Cylinder	96 - 94	F140754	(WC140754)	R.H.; 12-5/8 x 4" Brake; Fwd.

W4500 GAS

Brake Pads & Shoes

Front Pads & Shoes	Years	SevereDuty	Lining No.	Qualifier
Brake Pads	07 - 00	SD827		Akebono; 2.24" 2-Piston Caliper; w/ABS
Brake Pads	99 - 98	SD826		Akebono; 2.24" 2-Piston Caliper; w/o ABS
Brake Pads	97	SD826		From 10/97; Akebono; 2.24" 2-Piston Caliper; w/o ABS
Brake Pads	97	SD546		To 9/97; Akebono; 2.12" 2-Piston Caliper
Brake Pads	96 - 94	SD546		Akebono; 2.12" 2-Piston Caliper

W4500 GAS (cont.)

Brake Pads & Shoes (cont.)

Rear Pads & Shoes	Years	SevereDuty	Lining No.	Qualifier
Brake Shoes	04 - 98	SDS792R	EX1534D	12-1/4 x 4-3/4
Brake Shoes	97	SDS792R	EX1534D	From 10/97; 12-1/4 x 4-3/4
Brake Shoes	97	SDS726R	EX1417D-S32	To 9/97; 12-5/8 x 3
Brake Shoes	96 - 94	SDS726R	EX1417D-S32	12-5/8 x 3

Rotor & Drum

Front Rotor & Drum	Years	Part No.	Qualifier
Brake Rotor	04 - 00	BD126393	Hat-Shaped; 12-Hole
Brake Rotor	99	BD126393	From 7/99; Hat-Shaped; 12-Hole
Brake Rotor	99	BD126393	In 6/99; Hat-Shaped; 12-Hole; w/ABS
Brake Rotor	99	BD126396	In 6/99; Hat-Shaped; 12-Hole; w/o ABS
Brake Rotor	99	BD126393	To 5/99; Hat-Shaped; 12-Hole; w/ABS
Brake Rotor	99	BD126395	To 5/99; Hat-Shaped; 12-Hole; w/o ABS
Brake Rotor	98	BD126393	From 11/98; Hat-Shaped; 12-Hole; w/ABS
Brake Rotor	98	BD126395	From 11/98; Hat-Shaped; 12-Hole; w/o ABS
Brake Rotor	98	BD126393	To 10/98; Hat-Shaped; 12-Hole; w/Calif. Emmissions
Brake Rotor	98	BD126395	To 10/98; Hat-Shaped; 12-Hole; w/o Calif. Emmissions
Brake Rotor	97	BD126393	From 10/97; Hat-Shaped; 12-Hole; w/Calif. Emmissions
Brake Rotor	97	BD126395	From 10/97; Hat-Shaped; 12-Hole; w/o Calif. Emmissions
Brake Rotor	97	BD125627	To 9/97; Hat-Shaped; 12-Hole
Brake Rotor	96 - 94	BD125627	Hat-Shaped; 12-Hole

Brake Hardware

Front Brake Hardware	Years	Sequential No.	Category No.	Qualifier
Caliper Bolt/Pin	07 - 98	F140773	(H14945)	Akebono; 2.24" 2-Piston caliper
Caliper Bolt/Pin	97	F140773	(H14945)	From 10/97; Akebono; 2.24" 2-Piston caliper
Disc Align Kit	07 - 00	F140608	(H3004)	Akebono; 2.24" 2-Piston Caliper; w/ABS
Disc Align Kit	99 - 98	F140608	(H3004)	Akebono; 2.24" 2-Piston caliper; w/o ABS
Disc Align Kit	97	F140608	(H3004)	From 10/97; Akebono; 2.24" 2-Piston caliper; w/o ABS
Disc Align Kit	97	F140609	(H3005)	To 9/97; Akebono; 2.12" 2-Piston Caliper
Disc Align Kit	96 - 94	F140609	(H3005)	Akebono; 2.12" 2-Piston Caliper

Rear Brake Hardware	Years	Sequential No.	Category No.	Qualifier
Combi Kit	04 - 98	F140626	(H3022)	12-1/4 x 4-3/4" Brake
Combi Kit	97	F140626	(H3022)	From 10/97; 12-1/4 x 4-3/4" Brake
Combi Kit	97	F128865	(H7212)	To 9/97; 12-5/8 x 3" Brake
Combi Kit	96 - 94	F128865	(H7212)	12-5/8 x 3" Brake

Calipers - Reman

Front, Loaded	Years	Left No.	Right No.	Qualifier	Piston
Loaded Caliper	07 - 04	AS135220	AS135219	Akebono; 2.24" 2-Piston Caliper; w/ABS	M
Loaded Caliper	03 - 00	AS135227	AS135226	Akebono; 2.24" 2-Piston Caliper; w/ABS	M
Loaded Caliper	99 - 98	AS135223	AS135222	Akebono; 2.24" 2-Piston caliper; w/o ABS	M
Loaded Caliper	97	AS135223	AS135222	From 10/97; Akebono; 2.24" 2-Piston caliper; w/o ABS	M
Loaded Caliper	97	AS134275	AS134276	To 9/97; Akebono; 2.12" 2-Piston Caliper	M
Loaded Caliper	96 - 94	AS134275	AS134276	Akebono; 2.12" 2-Piston Caliper	M

Front, Unloaded	Years	Left No.	Right No.	Qualifier	Piston
Unloaded Caliper	07 - 04	CR135220	CR135219	Akebono; 2.24" 2-Piston Caliper; w/ABS	M
Unloaded Caliper	03 - 00	CR135227	CR135226	Akebono; 2.24" 2-Piston Caliper; w/ABS	M
Unloaded Caliper	99 - 98	CR135223	CR135222	Akebono; 2.24" 2-Piston caliper; w/o ABS	M
Unloaded Caliper	97	CR135223	CR135222	From 10/97; Akebono; 2.24" 2-Piston caliper; w/o ABS	M
Unloaded Caliper	97	CR134275	CR134276	To 9/97; Akebono; 2.12" 2-Piston Caliper	M
Unloaded Caliper	96 - 94	CR134275	CR134276	Akebono; 2.12" 2-Piston Caliper	M

Hydraulics - New

Master Cylinder	Years	Sequential No.	Category No.	Qualifier
Master Cylinder	04 - 02	F140753	(MC140753)	
Master Cylinder	01	F140753	(MC140753)	From 10/01
Master Cylinder	01	F140751	(MC140751)	To 9/01

Piston: M - OE Metal Piston P - OE Phenolic Piston

W4500 GAS (cont.)
Hydraulics - New (cont.)

Master Cylinder	Years	Sequential No.	Category No.	Qualifier
Master Cylinder	00 - 98	F140751	(MC140751)	
Master Cylinder	97	F140751	(MC140751)	From 10/97
Master Cylinder	97	F140750	(MC140750)	To 9/97
Master Cylinder	96	F140750	(MC140750)	
Master Cylinder	95	F140750	(MC140750)	From 11/95
Master Cylinder	95	F140749	(MC140749)	To 10/95
Master Cylinder	94	F140749	(MC140749)	
Rear Wheel Cylinder	Years	Sequential No.	Category No.	Qualifier
Wheel Cylinder	97	F140760	(WC140760)	L.H.; To 9/97; 12-1/2 x 3" Brake; Back
Wheel Cylinder	97	F140760	(WC140760)	L.H.; To 9/97; 12-1/2 x 3" Brake; Fwd.
Wheel Cylinder	97	F140758	(WC140758)	R.H.; To 9/97; 12-1/2 x 3" Brake; Back
Wheel Cylinder	97	F140757	(WC140757)	R.H.; To 9/97; 12-1/2 x 3" Brake; Fwd.
Wheel Cylinder	96 - 94	F140760	(WC140760)	L.H.; 12-1/2 x 3" Brake; Back
Wheel Cylinder	96 - 94	F140760	(WC140760)	L.H.; 12-1/2 x 3" Brake; Fwd.
Wheel Cylinder	96 - 94	F140758	(WC140758)	R.H.; 12-1/2 x 3" Brake; Back
Wheel Cylinder	96 - 94	F140757	(WC140757)	R.H.; 12-1/2 x 3" Brake; Fwd.

CHRYSLER
CONCORDE
Brake Pads & Shoes

Front Pads & Shoes	Years	SevereDuty	Lining No.	Qualifier
Brake Pads	04 - 02	SD730C		Exc. H/D Brake
Brake Pads	04 - 02	SD730C		H/D Brake
Brake Pads	01 - 99	SD730C		
Brake Pads	97 - 95	SD591		
Rear Pads & Shoes	Years	SevereDuty	Lining No.	Qualifier
Brake Pads	04 - 02	SD782		w/Perf. Susp.
Brake Pads	04 - 02	SD782		w/Touring Susp.
Brake Pads	01 - 98	SD782		w/ABS
Brake Pads	97 - 95	SD782		
Brake Shoes	97 - 95	SDS657A	EX1444	8-21/32 x 1-37/64" Brake; Bonded

Rotor & Drum

Front Rotor & Drum	Years	Part No.	Qualifier
Brake Rotor	04 - 01	BD125676	w/ABS
Brake Rotor	04 - 01	BD125638	w/o ABS
Brake Rotor	00 - 99	BD125676	Euro.
Brake Rotor	00 - 99	BD125636	w/11-1/8" Dia. Rotor; Exc. Euro.
Brake Rotor	00 - 99	BD125638	w/11-11/16" Dia. Rotor; Exc. Euro.
Brake Rotor	98	BD125636	w/11-1/8" Dia. Rotor
Brake Rotor	98	BD125638	w/11-11/16" Dia. Rotor
Brake Rotor	97 - 95	BD125309	
Rear Rotor & Drum	Years	Part No.	Qualifier
Brake Drum	97 - 95	BD125300	8-21/32 x 1-37/64" Brake
Brake Rotor	04 - 95	BD125306	

Brake Hardware

Front Brake Hardware	Years	Sequential No.	Category No.	Qualifier
Caliper Bolt/Pin	04 - 95	F124505S	(H5053)	
Disc Align Kit	04 - 98	F138686S	(H5313)	
Disc Align Kit	03 - 99	F139831	(H5660)	Bracket-Shim Kit
Disc Align Kit	97 - 95	F139775	(H5652)	Caliper Anchor Bracket Repair Kit
Pin Boot Kit	04 - 95	F117215S	(H18000C)	
Rear Brake Hardware	Years	Sequential No.	Category No.	Qualifier
Caliper Bolt/Pin	04 - 95	F124505S	(H5053)	
Combi Kit	97 - 95	F120971S	(H7083)	8-21/32 x 1-37/64" Brake
Pin Boot Kit	04 - 95	F117215S	(H18000C)	

CONCORDE (cont.)

Brake Hardware (cont.)

Parking Brake	Years	Sequential No.	Category No.	Qualifier
Adjuster Screw	04 - 95	F138682S	(H1588)	L.H.
Adjuster Screw	04 - 95	F138682S	(H1588)	R.H.
Combi Kit	04 - 02	F138099S	(H7220)	
Combi Kit	01 - 95	F138098S	(H7219)	

Calipers - Reman

Front, Loaded	Years	Left No.	Right No.	Qualifier	Piston
Loaded Caliper	97 - 95	AS134031	AS134030		P
Front, Unloaded	Years	Left No.	Right No.	Qualifier	Piston
Unloaded Caliper	04 - 95	CR134031	CR134030		P
Unloaded Caliper	04 - 95	CR134031S	CR134030S		O
Rear, Unloaded	Years	Left No.	Right No.	Qualifier	Piston
Unloaded Caliper	04 - 98	CR123636	CR123637		P
Unloaded Caliper	04 - 98	CR123636S	CR123637S		O
Unloaded Caliper	97 - 95	CR119330	CR119331		P
Unloaded Caliper	97 - 95	CR119330S	CR119331S		O

Hydraulics - New

Master Cylinder	Years	Sequential No.	Category No.	Qualifier
Master Cylinder	04 - 02	F134440	(MC134440)	w/o ABS; Exc. H/D
Master Cylinder	01 - 98	F134440	(MC134440)	
Master Cylinder	97 - 96	F131401	(MC131401)	w/ABS; w/o Traction Control; 15/16" Bore
Master Cylinder	97 - 96	F131392	(MC131392)	w/ABS; w/Traction Control; 15/16" Bore
Master Cylinder	95	F131392	(MC131392)	w/o ABS; 15/16" Bore
Rear Wheel Cylinder	Years	Sequential No.	Category No.	Qualifier
Wheel Cylinder	97 - 95	F128250	(WC128250)	3/4" Bore
Front Brake Hose	Years	Sequential No.	Category No.	Qualifier
Brake Hose	04 - 98	F138632	(BH138632)	L.H.
Brake Hose	04 - 98	F138633	(BH138633)	R.H.
Brake Hose	97 - 95	F130277	(BH130277)	L.H.
Brake Hose	97 - 95	F130278	(BH130278)	R.H.
Rear Brake Hose	Years	Sequential No.	Category No.	Qualifier
Brake Hose	01 - 98	F138630	(BH138630)	L.H.
Brake Hose	01 - 98	F138631	(BH138631)	R.H.
Brake Hose	97 - 95	F130295	(BH130295)	L.H.; Female Ftg.
Brake Hose	97 - 95	F132431	(BH132431)	L.H.; Male Ftg.
Brake Hose	97 - 95	F130296	(BH130296)	R.H.; Female Ftg.
Brake Hose	97 - 95	F132432	(BH132432)	R.H.; Male Ftg.

Hydraulics - Reman

Master Cylinder	Years	Part No.	Qualifier
Master Cylinder	04 - 02	R134642	w/ABS; Exc. H/D
Master Cylinder	04 - 02	R134739	w/o ABS
Master Cylinder	01 - 98	R134642	
Master Cylinder	97 - 96	R128404	w/o Traction Control
Master Cylinder	97 - 96	R131965	w/Traction Control
Master Cylinder	95	R131206	
Power Brake Booster	Years	Part No.	Qualifier
Power Brake Booster	03 - 98	5473176	w/o Master Cylinder
Power Brake Booster	97 - 96	503176	w/Master Cylinder; w/o Traction Control
Power Brake Booster	97 - 95	5473176	w/o Master Cylinder; w/o Traction Control
Power Brake Booster	97 - 96	5473194	w/o Master Cylinder; w/Traction Control
Power Brake Booster	95	503193	w/Master Cylinder; w/Traction Control
Power Brake Booster	95	5473187	w/o Master Cylinder; w/Traction Control

Brake Cables

Parking Brake Cable	Years	Sequential No.	Category No.	Qualifier
Parking Brake Cable	97 - 95	F139238	(BC139238)	Intermediate

Piston: M - OE Metal Piston P - OE Phenolic Piston O - Metal Piston Option

CONCORDE (cont.)
Brake Cables (cont.)

Parking Brake Cable	Years	Sequential No.	Category No.	Qualifier
Parking Brake Cable	97 - 95	F132070	(BC132070)	Rear; L.H.
Parking Brake Cable	97 - 95	F132070	(BC132070)	Rear; R.H.

ABS Components - Reman

ABS Module	Years	Part No.	Qualifier
ABS Module	95	RA121455	w/o Traction Control
ABS Module	95	RA121431	w/Traction Control

ABS Pump/Motor	Years	Part No.	Qualifier
ABS Pump/Motor	95	RA124401	w/o Traction Control; Incl. Pump/Motor; Also Avail. Separately
ABS Pump/Motor	95	RA124402	w/Traction Control; Incl. Pump/Motor; Also Avail. Separately

Wheel Attaching Hardware

Front Wheel Stud	Years	Part No.	Qualifier
Wheel Lug Stud	04 - 02	BD125986	
Wheel Lug Stud	01 - 95	BD125932	

Rear Wheel Stud	Years	Part No.	Qualifier
Wheel Lug Stud	04 - 02	BD125963	
Wheel Lug Stud	01 - 95	BD125932	

Front Wheel Nut	Years	Part No.	Qualifier
Wheel Lug Nut	04 - 95	BD125911	Dome - Stainless; 31mm Length
Wheel Lug Nut	97 - 95	BD61302	Std. Open

Rear Wheel Nut	Years	Part No.	Qualifier
Wheel Lug Nut	04 - 95	BD125911	Dome - Stainless; 31mm Length
Wheel Lug Nut	97 - 95	BD61302	Std. Open

(Canadian Model) INTREPID
Brake Pads & Shoes

Front Pads & Shoes	Years	SevereDuty	Lining No.	Qualifier
Brake Pads	97 - 95	SD591		

Rear Pads & Shoes	Years	SevereDuty	Lining No.	Qualifier
Brake Pads	03	SD782		w/ABS
Brake Pads	01 - 98	SD782		w/ABS
Brake Pads	97 - 95	SD782		
Brake Shoes	97 - 95	SDS657A	EX1444	8-21/32 x 1-37/64" Brake; Bonded

Rotor & Drum

Front Rotor & Drum	Years	Part No.	Qualifier
Brake Rotor	03	BD125676	Euro.
Brake Rotor	03	BD125636	w/11-1/8" Dia. Rotor; Exc. Euro.
Brake Rotor	03	BD125638	w/11-11/16" Dia. Rotor; Exc. Euro.
Brake Rotor	01 - 99	BD125676	Euro.
Brake Rotor	01 - 99	BD125636	w/11-1/8" Dia. Rotor; Exc. Euro.
Brake Rotor	01 - 99	BD125638	w/11-11/16" Dia. Rotor; Exc. Euro.
Brake Rotor	98	BD125636	w/11-1/8" Dia. Rotor
Brake Rotor	98	BD125638	w/11-11/16" Dia. Rotor
Brake Rotor	97 - 95	BD125309	

Rear Rotor & Drum	Years	Part No.	Qualifier
Brake Drum	97 - 95	BD125300	8-21/32 x 1-37/64" Brake
Brake Rotor	03	BD125306	
Brake Rotor	01 - 95	BD125306	

Brake Hardware

Front Brake Hardware	Years	Sequential No.	Category No.	Qualifier
Disc Align Kit	01 - 98	F138686S	(H5313)	
Disc Align Kit	97 - 95	F139775	(H5652)	Caliper Anchor Bracket Repair Kit

Rear Brake Hardware	Years	Sequential No.	Category No.	Qualifier
Combi Kit	97 - 95	F120971S	(H7083)	

INTREPID (Canadian Model) (cont.)

Brake Hardware (cont.)

Parking Brake	Years	Sequential No.	Category No.	Qualifier
Adjuster Screw	03	F138682S	(H1588)	L.H.
Adjuster Screw	03	F138682S	(H1588)	R.H.
Adjuster Screw	01 - 98	F138682S	(H1588)	L.H.
Adjuster Screw	01 - 98	F138682S	(H1588)	R.H.
Combi Kit	97 - 95	F138098S	(H7219)	

Calipers - Reman

Front, Loaded	Years	Left No.	Right No.	Qualifier	Piston
Loaded Caliper	97 - 95	AS134031	AS134030		P

Front, Unloaded	Years	Left No.	Right No.	Qualifier	Piston
Unloaded Caliper	03	CR134031	CR134030		P
Unloaded Caliper	03	CR134031S	CR134030S		O
Unloaded Caliper	01 - 95	CR134031	CR134030		P
Unloaded Caliper	01 - 95	CR134031S	CR134030S		O

Rear, Unloaded	Years	Left No.	Right No.	Qualifier	Piston
Unloaded Caliper	03	CR123636	CR123637		P
Unloaded Caliper	03	CR123636S	CR123637S		O
Unloaded Caliper	01 - 98	CR123636	CR123637		P
Unloaded Caliper	01 - 98	CR123636S	CR123637S		O
Unloaded Caliper	97 - 95	CR119330	CR119331		P
Unloaded Caliper	97 - 95	CR119330S	CR119331S		O

Hydraulics - New

Master Cylinder	Years	Sequential No.	Category No.	Qualifier
Master Cylinder	03	F134440	(MC134440)	w/ABS; Exc. H/D
Master Cylinder	01	F134440	(MC134440)	w/ABS
Master Cylinder	00 - 98	F134440	(MC134440)	
Master Cylinder	97 - 96	F131401	(MC131401)	w/ABS; w/o Traction Control; 15/16" Bore
Master Cylinder	97 - 96	F131392	(MC131392)	w/ABS; w/Traction Control; 15/16" Bore
Master Cylinder	97 - 96	F131401	(MC131401)	w/o ABS; 15/16" Bore
Master Cylinder	95	F131401	(MC131401)	w/ABS; w/ Traction Control; 15/16" Bore
Master Cylinder	95	F131392	(MC131392)	w/ABS; w/o Traction Control; 15/16" Bore
Master Cylinder	95	F131401	(MC131401)	w/o ABS; w/o Traction Control; 15/16" Bore

Rear Wheel Cylinder	Years	Sequential No.	Category No.	Qualifier
Wheel Cylinder	97 - 95	F128250	(WC128250)	3/4" Bore

Front Brake Hose	Years	Sequential No.	Category No.	Qualifier
Brake Hose	03	F138632	(BH138632)	L.H.
Brake Hose	03	F138633	(BH138633)	R.H.
Brake Hose	01 - 98	F138632	(BH138632)	L.H.
Brake Hose	01 - 98	F138633	(BH138633)	R.H.
Brake Hose	97 - 95	F130277	(BH130277)	L.H.
Brake Hose	97 - 95	F130278	(BH130278)	R.H.

Rear Brake Hose	Years	Sequential No.	Category No.	Qualifier
Brake Hose	01 - 98	F138630	(BH138630)	L.H.
Brake Hose	01 - 98	F138631	(BH138631)	R.H.
Brake Hose	97 - 95	F130295	(BH130295)	L.H.; w/Rear Disc; w/o Steel Brkt.
Brake Hose	97 - 95	F132431	(BH132431)	L.H.; w/Rear Disc; w/Steel Brkt.
Brake Hose	97 - 95	F130293	(BH130293)	L.H.; w/Rear Drum; w/o Transitory Level Emis. Pkg.; w/o Steel Brkt.
Brake Hose	97 - 95	F130296	(BH130296)	R.H.; w/Rear Disc; w/o Steel Brkt.
Brake Hose	97 - 95	F132432	(BH132432)	R.H.; w/Rear Disc; w/Steel Brkt.
Brake Hose	97 - 95	F130294	(BH130294)	R.H.; w/Rear Drum; w/o Transitory Level Emis. Pkg.; w/o Steel Brkt.

Hydraulics - Reman

Master Cylinder	Years	Part No.	Qualifier
Master Cylinder	01 - 98	R134642	
Master Cylinder	97 - 96	R128404	w/o Traction Control
Master Cylinder	97 - 96	R131965	w/Traction Control
Master Cylinder	95	R131206	w/ABS

Piston: M - OE Metal Piston P - OE Phenolic Piston O - Metal Piston Option

(Canadian Model) INTREPID (cont.)
Hydraulics - Reman (cont.)

Master Cylinder	Years	Part No.	Qualifier
Master Cylinder	95	R128404	w/o ABS
Power Brake Booster	Years	Part No.	Qualifier
Power Brake Booster	03	5473176	w/o Master Cylinder
Power Brake Booster	01 - 98	5473176	w/o Master Cylinder
Power Brake Booster	97 - 96	503176	w/Master Cylinder; w/o Traction Control
Power Brake Booster	97 - 96	5473176	w/o Master Cylinder; w/o Traction Control
Power Brake Booster	97 - 96	5473194	w/o Master Cylinder; w/Traction Control
Power Brake Booster	95	503193	w/Master Cylinder; w/ABS; w/Traction Control
Power Brake Booster	95	503176	w/Master Cylinder; w/o ABS
Power Brake Booster	95	5473187	w/o Master Cylinder; w/ABS; w/Traction Control
Power Brake Booster	95	5473176	w/o Master Cylinder; w/o ABS

CHRYSLER - MINIVAN
GRAND VOYAGER
Brake Pads & Shoes

Front Pads & Shoes	Years	SevereDuty	Lining No.	Qualifier
Brake Pads	00	SD591		

Rotor & Drum

Front Rotor & Drum	Years	Part No.	Qualifier
Brake Rotor	00	BD125483	w/10" Dia. Rotor
Rear Rotor & Drum	Years	Part No.	Qualifier
Brake Drum	00	BD125491	w/2-1/4" Dia. Ctr. Pilot Hole; 9-27/32 x 2-11/64" Brake
Brake Drum	00	BD125493	w/2-7/8" Dia. Ctr. Pilot Hole; 9-27/32 x 2-11/64" Brake
Brake Rotor	00	BD125537	

Brake Hardware

Front Brake Hardware	Years	Sequential No.	Category No.	Qualifier
Disc Align Kit	00	F139775	(H5652)	Caliper Anchor Bracket Repair Kit
Pin Boot Kit	00	F132614S	(H8217)	w/Rear Disc
Pin Boot Kit	00	F139714	(H8235)	w/Rear Drum
Rear Brake Hardware	Years	Sequential No.	Category No.	Qualifier
Combi Kit	00	F134098S	(H7216)	
Pin Boot Kit	00	F130898S	(H8212)	

Calipers - Reman

Front, Loaded	Years	Left No.	Right No.	Qualifier	Piston
Loaded Caliper	00	AS134031	AS134030		P
Front, Unloaded	Years	Left No.	Right No.	Qualifier	Piston
Unloaded Caliper	00	CR134031	CR134030		P
Unloaded Caliper	00	CR134031S	CR134030S		O
Rear, Unloaded	Years	Left No.	Right No.	Qualifier	Piston
Unloaded Caliper	00	CR134570	CR134570		P

Hydraulics - New

Master Cylinder	Years	Sequential No.	Category No.	Qualifier
Master Cylinder	00	F134433	(MC134433)	AWD; w/o Traction Control; 119" WB; 15/16" Bore
Master Cylinder	00	F131512	(MC131512)	FWD; w/o Traction Control; 114" WB; 15/16" Bore
Master Cylinder	00	F131963	(MC131963)	w/Traction Control; 15/16" Bore
Rear Wheel Cylinder	Years	Sequential No.	Category No.	Qualifier
Wheel Cylinder	00	F131966	(WC131966)	13/16" Bore
Front Brake Hose	Years	Sequential No.	Category No.	Qualifier
Brake Hose	00	F132361	(BH132361)	L.H.
Brake Hose	00	F132362	(BH132362)	R.H.
Rear Brake Hose	Years	Sequential No.	Category No.	Qualifier
Brake Hose	00	F132359	(BH132359)	Inner

Piston: M - OE Metal Piston P - OE Phenolic Piston O - Metal Piston Option

GRAND VOYAGER (cont.)

Hydraulics - Reman

<i>Master Cylinder</i>	<i>Years</i>	<i>Part No.</i>	<i>Qualifier</i>
Master Cylinder	00	R134634	w/o Traction Control
Master Cylinder	00	R134635	w/Traction Control
<i>Power Brake Booster</i>	<i>Years</i>	<i>Part No.</i>	<i>Qualifier</i>
Power Brake Booster	00	5474229	w/o Master Cylinder

Wheel Attaching Hardware

<i>Front Wheel Stud</i>	<i>Years</i>	<i>Part No.</i>	<i>Qualifier</i>
Wheel Lug Stud	00	BD125930	
<i>Rear Wheel Stud</i>	<i>Years</i>	<i>Part No.</i>	<i>Qualifier</i>
Wheel Lug Stud	00	BD125930	w/Disc Brake
Wheel Lug Stud	00	BD61173	w/Drum Brake
<i>Front Wheel Nut</i>	<i>Years</i>	<i>Part No.</i>	<i>Qualifier</i>
Wheel Lug Nut	00	BD125911	Dome - Stainless; 31mm Length
Wheel Lug Nut	00	BD61302	Std. Open
<i>Rear Wheel Nut</i>	<i>Years</i>	<i>Part No.</i>	<i>Qualifier</i>
Wheel Lug Nut	00	BD125911	Dome - Stainless; 31mm Length
Wheel Lug Nut	00	BD61302	Std. Open

TOWN_COUNTRY

Brake Pads & Shoes

<i>Front Pads & Shoes</i>	<i>Years</i>	<i>SevereDuty</i>	<i>Lining No.</i>	<i>Qualifier</i>
Brake Pads	06 - 01	SD857		w/Rear Disc
Brake Pads	04 - 03	SD856		w/Rear Drum; w/ABS
Brake Pads	04 - 03	SD857		w/Rear Drum; w/o ABS
Brake Pads	02 - 01	SD856		w/Rear Drum
Brake Pads	00 - 96	SD591		
Brake Pads	95	SD521		
<i>Rear Pads & Shoes</i>	<i>Years</i>	<i>SevereDuty</i>	<i>Lining No.</i>	<i>Qualifier</i>
Brake Shoes	95	SDS446R	EX2025TD	11 x 2-1/2" Brake; Riveted
Brake Shoes	95	SDS538R	EX2168T	9 x 2-1/2" Brake; Riveted

Rotor & Drum

<i>Front Rotor & Drum</i>	<i>Years</i>	<i>Part No.</i>	<i>Qualifier</i>
Brake Rotor	06	BD125768	
Brake Rotor	05 - 01	BD125768	w/Rear Disc
Brake Rotor	05 - 01	BD125761	w/Rear Drum
Brake Rotor	00 - 96	BD125483	w/14" Whl.
Brake Rotor	00 - 97	BD125502	w/15", 16" Whl.
Brake Rotor	96	BD125502	From 12/5/95; w/15", 16" Whl.
Brake Rotor	96	BD125156	To 12/5/95; w/11-1/8" Dia. Rotor
Brake Rotor	95	BD61946	w/10-1/4" Dia. Rotor
Brake Rotor	95	BD125156	w/11-1/8" Dia. Rotor
<i>Rear Rotor & Drum</i>	<i>Years</i>	<i>Part No.</i>	<i>Qualifier</i>
Brake Drum	05 - 03	BD126034	9-27/32 x 2-11/64" Brake
Brake Drum	02 - 01	BD125493	9-27/32 x 2-11/64" Brake
Brake Drum	00 - 96	BD125491	w/2-1/4" Dia. Ctr. Pilot Hole; 9-27/32 x 2-11/64" Brake
Brake Drum	00 - 96	BD125493	w/2-7/8" Dia. Ctr. Pilot Hole; 9-27/32 x 2-11/64" Brake
Brake Drum	95	BD60187	11 x 2-1/2" Brake
Brake Drum	95	BD60831	2-1/4" Dia. Ctr. Pilot Hole; 9 x 2-1/2" Brake
Brake Drum	95	BD60883	2-13/16" Dia. Ctr. Pilot Hole; 9 x 2-1/2" Brake
Brake Rotor	06 - 97	BD125537	

Brake Hardware

<i>Front Brake Hardware</i>	<i>Years</i>	<i>Sequential No.</i>	<i>Category No.</i>	<i>Qualifier</i>
Caliper Bolt/Pin	05 - 01	F132517S	(H5078)	w/Rear Disc
Caliper Bolt/Pin	05 - 01	F139713	(H14915)	w/Rear Drum
Caliper Bolt/Pin	00 - 96	F130894S	(H5075)	

TOWN_COUNTRY (cont.)

Brake Hardware (cont.)

Front Brake Hardware	Years	Sequential No.	Category No.	Qualifier
Caliper Bolt/Pin	95	F126899S	(H5061)	
Disc Align Kit	05 - 01	F139772	(H5314)	w/Rear Disc
Disc Align Kit	05 - 01	F139773	(H5651)	w/Rear Drum
Disc Align Kit	00 - 95	F139775	(H5652)	Caliper Anchor Bracket Repair Kit
Disc Align Kit	95	F126908S	(H5461)	
Pin Boot Kit	05 - 01	F132614S	(H8217)	w/Rear Disc
Pin Boot Kit	05 - 01	F139714	(H8235)	w/Rear Drum
Pin Boot Kit	00 - 95	F117215S	(H18000C)	

Rear Brake Hardware	Years	Sequential No.	Category No.	Qualifier
Adjuster Kit	03 - 96	F139385	(H2646)	L.H.; FWD
Adjuster Kit	03 - 96	F139386	(H2647)	R.H.; FWD
Adjuster Kit	95	F98364S	(H2534)	L.H.; AWD
Adjuster Kit	95	F98356S	(H2526)	L.H.; FWD
Adjuster Kit	95	F98365S	(H2535)	R.H.; AWD
Adjuster Kit	95	F98357S	(H2527)	R.H.; FWD
Adjuster Screw	95	F73151S	(H1526)	L.H.; AWD
Adjuster Screw	95	F73151S	(H1526)	L.H.; FWD
Adjuster Screw	95	F73150S	(H1527)	R.H.
Caliper Bolt/Pin	05 - 96	F132517S	(H5078)	
Combi Kit	05 - 96	F134098S	(H7216)	
Combi Kit	95	F126903S	(H7202)	AWD
Combi Kit	95	F113343S	(H7170)	FWD
↳Adjuster Spring Kit		F107182S	(H495)	
↳Hold Down Kit		F113344S	(H4043)	
↳Return Spring Kit		F36460S	(H181)	
Pin Boot Kit	05 - 96	F130898S	(H8212)	

Parking Brake	Years	Sequential No.	Category No.	Qualifier
Adjuster Screw	05 - 98	F138683S	(H1589)	L.H.
Adjuster Screw	05 - 98	F138683S	(H1589)	R.H.
Combi Kit	05 - 97	F138695S	(H7221)	w/Rear Disc

Calipers - Reman

Front, Loaded	Years	Left No.	Right No.	Qualifier	Piston
Loaded Caliper	00 - 96	AS134031	AS134030		P
Loaded Caliper	95	AS123608	AS123609	w/14" Whl.	P
Loaded Caliper	95	AS123606	AS123607	w/15" Whl.	P

Front, Unloaded	Years	Left No.	Right No.	Qualifier	Piston
Unloaded Caliper	05 - 04	CRB134523	CRB134522	w/Rear Disc; Supplied w/Mtg. Brkt.	P
Unloaded Caliper	05 - 04	CR134523	CR134522	w/Rear Disc; Supplied w/o Mtg. Brkt.	P
Unloaded Caliper	04	CRB134534	CRB134535	w/Rear Drum; Supplied w/Mtg. Brkt.	P
Unloaded Caliper	04	CR134534	CR134535	w/Rear Drum; Supplied w/o Mtg. Brkt.	P
Unloaded Caliper	03 - 01	CRB134523	CRB134522	Supplied w/Mtg. Brkt.	P
Unloaded Caliper	03 - 01	CR134523	CR134522	Supplied w/o Mtg. Brkt.	P
Unloaded Caliper	00 - 96	CR134031	CR134030		P
Unloaded Caliper	00 - 96	CR134031S	CR134030S		O
Unloaded Caliper	95	CRB123608	CRB123609	w/14" Whl.; Supplied w/Mtg. Brkt.	P
Unloaded Caliper	95	CRB123608S	CRB123609S	w/14" Whl.; Supplied w/Mtg. Brkt.	O
Unloaded Caliper	95	CR123608	CR123609	w/14" Whl.; Supplied w/o Mtg. Brkt.	P
Unloaded Caliper	95	CR123608S	CR123609S	w/14" Whl.; Supplied w/o Mtg. Brkt.	O
Unloaded Caliper	95	CRB123606	CRB123607	w/15" Whl.; Supplied w/Mtg. Brkt.	P
Unloaded Caliper	95	CRB123606S	CRB123607S	w/15" Whl.; Supplied w/Mtg. Brkt.	O
Unloaded Caliper	95	CR123606	CR123607	w/15" Whl.; Supplied w/o Mtg. Brkt.	P
Unloaded Caliper	95	CR123606S	CR123607S	w/15" Whl.; Supplied w/o Mtg. Brkt.	O

Rear, Unloaded	Years	Left No.	Right No.	Qualifier	Piston
Unloaded Caliper	05 - 00	CR134570	CR134570		P
Unloaded Caliper	99 - 97	CR133964	CR133964		P

↳Sub-Kit of Combi-Kit is available separately.

Piston: M - OE Metal Piston P - OE Phenolic Piston O - Metal Piston Option

TOWN_COUNTRY (cont.)

Hydraulics - New

Master Cylinder	Years	Sequential No.	Category No.	Qualifier
Master Cylinder	06 - 03	F140176	(MC140176)	w/Rear Drum; 15/16" Bore
Master Cylinder	02 - 01	F140176	(MC140176)	w/Rear Disc; w/o Traction Control; 15/16" Bore
Master Cylinder	02 - 01	F140394	(MC140394)	w/Rear Disc; w/Traction Control; 15/16" Bore
Master Cylinder	02 - 01	F140176	(MC140176)	w/Rear Drum; w/o ABS; 15/16" Bore
Master Cylinder	00 - 98	F134433	(MC134433)	AWD; w/o Traction Control; 119" WB; 15/16" Bore
Master Cylinder	00 - 96	F131512	(MC131512)	FWD; w/o Traction Control; 114" WB; 15/16" Bore
Master Cylinder	00 - 97	F131963	(MC131963)	w/Traction Control; 15/16" Bore
Master Cylinder	95	F108168	(MC108168)	w/o ABS; 15/16" Bore

Rear Wheel Cylinder	Years	Sequential No.	Category No.	Qualifier
Wheel Cylinder	05 - 96	F131966	(WC131966)	13/16" Bore
Wheel Cylinder	99 - 96	F131511	(WC131511)	3/4" Bore
Wheel Cylinder	95	F123412	(WC123412)	AWD; 3/4" Bore
Wheel Cylinder	95	F109532	(WC109532)	FWD; w/ABS; 3/4" Bore
Wheel Cylinder	95	F131013	(WC131013)	FWD; w/o ABS; 11/16" Bore

Front Brake Hose	Years	Sequential No.	Category No.	Qualifier
Brake Hose	00 - 96	F132361	(BH132361)	L.H.
Brake Hose	00 - 96	F132362	(BH132362)	R.H.
Brake Hose	95	F126774	(BH126774)	L.H.; w/ABS
Brake Hose	95	F130314	(BH130314)	L.H.; w/o ABS
Brake Hose	95	F126775	(BH126775)	R.H.; w/ABS
Brake Hose	95	F130315	(BH130315)	R.H.; w/o ABS

Rear Brake Hose	Years	Sequential No.	Category No.	Qualifier
Brake Hose	00	F132359	(BH132359)	Inner
Brake Hose	99 - 96	F132360	(BH132360)	AWD
Brake Hose	99 - 96	F132359	(BH132359)	FWD
Brake Hose	95	F120522	(BH120522)	w/ABS
Brake Hose	95	F130685	(BH130685)	w/o ABS

Hydraulics - Reman

Master Cylinder	Years	Part No.	Qualifier
Master Cylinder	05 - 03	R134762	w/o Traction Control; w/Rear Disc
Master Cylinder	05 - 01	R134764	w/o Traction Control; w/Rear Drum
Master Cylinder	02 - 01	R134763	w/o Traction Control; w/Rear Disc
Master Cylinder	02 - 01	R134761	w/Traction Control; w/Rear Disc
Master Cylinder	00 - 98	R134762	AWD; w/o Traction Control
Master Cylinder	00 - 97	R134634	FWD; w/o Traction Control
Master Cylinder	00 - 97	R134635	FWD; w/Traction Control
Master Cylinder	96	R134634	
Master Cylinder	95	R108168	

Power Brake Booster	Years	Part No.	Qualifier
Power Brake Booster	04 - 01	5474230	w/o Master Cylinder
Power Brake Booster	00 - 96	5474229	w/o Master Cylinder
Power Brake Booster	95	509217	w/Master Cylinder
Power Brake Booster	95	5474226	w/o Master Cylinder

Brake Cables

Parking Brake Cable	Years	Sequential No.	Category No.	Qualifier
Parking Brake Cable	02 - 96	F133092	(BC133092)	Forward
Parking Brake Cable	00 - 96	F133094	(BC133094)	Rear; L.H.; w/Rear Drum; Exc. Long WB
Parking Brake Cable	00 - 96	F133095	(BC133095)	Rear; R.H.; w/Rear Drum; Exc. Long WB
Parking Brake Cable	98	F133093	(BC133093)	Intermediate; w/o Flex
Parking Brake Cable	97 - 96	F133093	(BC133093)	Intermediate
Parking Brake Cable	97 - 96	F133096	(BC133096)	Rear; L.H.; w/Long WB; w/Rear Drum
Parking Brake Cable	97 - 96	F133097	(BC133097)	Rear; R.H.; w/Long WB; w/Rear Drum
Parking Brake Cable	95	F130341	(BC130341)	Forward; 112" WB
Parking Brake Cable	95	F130413	(BC130413)	Forward; FWD; 119" WB

TOWN_COUNTRY (cont.)
Brake Cables (cont.)

Parking Brake Cable	Years	Sequential No.	Category No.	Qualifier
Parking Brake Cable	95	F130343	(BC130343)	Rear; L.H.; 112" WB
Parking Brake Cable	95	F130348	(BC130348)	Rear; L.H.; 119" WB
Parking Brake Cable	95	F130349	(BC130349)	Rear; R.H.; 112" WB
Parking Brake Cable	95	F130347	(BC130347)	Rear; R.H.; 119" WB

ABS Components - Reman

ABS Module	Years	Part No.	Qualifier
ABS Module	95	RA121114	AWD
ABS Module	95	RA121111	FWD
ABS Hydraulic Unit	Years	Part No.	Qualifier
ABS Hydraulic Unit	95	RA122109	FWD
ABS Pump/Motor	Years	Part No.	Qualifier
ABS Pump/Motor	95	RA124104	AWD; Incl. Pump/Motor; Also Avail. Separately

Wheel Attaching Hardware

Front Wheel Stud	Years	Part No.	Qualifier
Wheel Lug Stud	05 - 98	BD125930	
Wheel Lug Stud	97 - 96	BD61374	w/14" Whl.
Wheel Lug Stud	97 - 96	BD125930	w/15" Whl.
Wheel Lug Stud	95	BD61374	AWD; w/14" Whl.
Wheel Lug Stud	95	BD125930	AWD; w/15" Whl.
Wheel Lug Stud	95	BD61374	FWD; w/14" Whl.
Wheel Lug Stud	95	BD125930	FWD; w/15" Whl.
Rear Wheel Stud	Years	Part No.	Qualifier
Wheel Lug Stud	04 - 97	BD125930	w/Disc Brake
Wheel Lug Stud	04 - 97	BD61173	w/Drum Brake
Wheel Lug Stud	96	BD61173	
Wheel Lug Stud	95	BD60928	FWD
Front Wheel Nut	Years	Part No.	Qualifier
Wheel Lug Nut	05 - 03	BD125911	Dome - Bright; 31mm Length
Wheel Lug Nut	05 - 95	BD61302	Std. Open
Wheel Lug Nut	03 - 95	BD125911	Dome - Stainless; 31mm Length
Wheel Lug Nut	95	BD61288	Bulge
Rear Wheel Nut	Years	Part No.	Qualifier
Wheel Lug Nut	05 - 03	BD125911	Dome - Bright; 31mm Length
Wheel Lug Nut	05 - 95	BD61302	Std. Open
Wheel Lug Nut	03 - 95	BD125911	Dome - Stainless; 31mm Length
Wheel Lug Nut	95	BD61288	Bulge

VOYAGER
Brake Pads & Shoes

Front Pads & Shoes	Years	SevereDuty	Lining No.	Qualifier
Brake Pads	03 - 01	SD857		w/Rear Disc
Brake Pads	03 - 01	SD856		w/Rear Drum
Brake Pads	00	SD591		

Rotor & Drum

Front Rotor & Drum	Years	Part No.	Qualifier
Brake Rotor	03 - 01	BD125768	w/Rear Disc
Brake Rotor	03 - 01	BD125761	w/Rear Drum
Brake Rotor	00	BD125483	
Rear Rotor & Drum	Years	Part No.	Qualifier
Brake Drum	03	BD126034	9-27/32 x 2-11/64" Brake
Brake Drum	02 - 01	BD125493	9-27/32 x 2-11/64" Brake
Brake Drum	00	BD125491	2-1/4" Dia. Ctr. Pilot Hole; 9-27/32 x 2-11/64" Brake
Brake Drum	00	BD125493	2-7/8" Dia. Ctr. Pilot Hole; 9-27/32 x 2-11/64" Brake
Brake Rotor	03 - 00	BD125537	

VOYAGER (cont.)

Brake Hardware					
Front Brake Hardware	Years	Sequential No.	Category No.	Qualifier	
Caliper Bolt/Pin	03 - 01	F132517S	(H5078)	w/Rear Disc	
Caliper Bolt/Pin	03 - 01	F139713	(H14915)	w/Rear Drum	
Disc Align Kit	02 - 01	F139772	(H5314)	w/Rear Disc	
Disc Align Kit	02 - 01	F139773	(H5651)	w/Rear Drum	
Disc Align Kit	00	F139775	(H5652)	Caliper Anchor Bracket Repair Kit	
Pin Boot Kit	03 - 01	F132614S	(H8217)	w/Rear Disc	
Pin Boot Kit	03 - 01	F139714	(H8235)	w/Rear Drum	
Rear Brake Hardware	Years	Sequential No.	Category No.	Qualifier	
Adjuster Kit	03 - 01	F139385	(H2646)	L.H.	
Adjuster Kit	03 - 01	F139386	(H2647)	R.H.	
Caliper Bolt/Pin	03 - 01	F132517S	(H5078)		
Combi Kit	03 - 00	F134098S	(H7216)		
Pin Boot Kit	03 - 00	F130898S	(H8212)		
Parking Brake	Years	Sequential No.	Category No.	Qualifier	
Combi Kit	03 - 01	F138695S	(H7221)	w/Rear Disc	
Calipers - Reman					
Front, Loaded	Years	Left No.	Right No.	Qualifier	Piston
Loaded Caliper	00	AS134031	AS134030		P
Front, Unloaded	Years	Left No.	Right No.	Qualifier	Piston
Unloaded Caliper	03 - 01	CRB134523	CRB134522	w/Rear Disc; Supplied w/Mtg. Brkt.	P
Unloaded Caliper	03 - 01	CR134523	CR134522	w/Rear Disc; Supplied w/o Mtg. Brkt.	P
Unloaded Caliper	03 - 01	CRB134534	CRB134535	w/Rear Drum; Supplied w/Mtg. Brkt.	P
Unloaded Caliper	03 - 01	CR134534	CR134535	w/Rear Drum; Supplied w/o Mtg. Brkt.	P
Unloaded Caliper	00	CR134031	CR134030		P
Unloaded Caliper	00	CR134031S	CR134030S		O
Rear, Unloaded	Years	Left No.	Right No.	Qualifier	Piston
Unloaded Caliper	03 - 00	CR134570	CR134570		P
Hydraulics - New					
Master Cylinder	Years	Sequential No.	Category No.	Qualifier	
Master Cylinder	03 - 01	F140176	(MC140176)	w/Rear Drum; w/o ABS; 15/16" Bore	
Master Cylinder	02 - 01	F140176	(MC140176)	w/Rear Disc; w/o Traction Control; 15/16" Bore	
Master Cylinder	02 - 01	F140394	(MC140394)	w/Rear Disc; w/Traction Control; 15/16" Bore	
Master Cylinder	00	F134433	(MC134433)	AWD; w/o Traction Control; 119" WB; 15/16" Bore	
Master Cylinder	00	F131512	(MC131512)	FWD; w/o Traction Control; 114" WB; 15/16" Bore	
Master Cylinder	00	F131963	(MC131963)	w/Traction Control; 15/16" Bore	
Rear Wheel Cylinder	Years	Sequential No.	Category No.	Qualifier	
Wheel Cylinder	03 - 00	F131966	(WC131966)	13/16" Bore	
Front Brake Hose	Years	Sequential No.	Category No.	Qualifier	
Brake Hose	00	F132361	(BH132361)	L.H.	
Brake Hose	00	F132362	(BH132362)	R.H.	
Rear Brake Hose	Years	Sequential No.	Category No.	Qualifier	
Brake Hose	00	F132359	(BH132359)	Inner	
Hydraulics - Reman					
Master Cylinder	Years	Part No.	Qualifier		
Master Cylinder	03 - 01	R134764	w/o Traction Control; w/Rear Drum		
Master Cylinder	02 - 01	R134763	w/o Traction Control; w/Rear Disc		
Master Cylinder	02 - 01	R134761	w/Traction Control; w/Rear Disc		
Master Cylinder	00	R134634	w/o Traction Control		
Master Cylinder	00	R134635	w/Traction Control		
Power Brake Booster	Years	Part No.	Qualifier		
Power Brake Booster	03 - 01	5474230	w/o Master Cylinder		
Power Brake Booster	00	5474229	w/o Master Cylinder		

Piston: M - OE Metal Piston P - OE Phenolic Piston O - Metal Piston Option

VOYAGER (cont.)
Wheel Attaching Hardware

Front Wheel Stud	Years	Part No.	Qualifier
Wheel Lug Stud	03 - 00	BD125930	
Rear Wheel Stud	Years	Part No.	Qualifier
Wheel Lug Stud	03 - 00	BD125930	w/Disc Brake
Wheel Lug Stud	03 - 00	BD61173	w/Drum Brake
Front Wheel Nut	Years	Part No.	Qualifier
Wheel Lug Nut	03	BD125911	Dome - Bright; 31mm Length
Wheel Lug Nut	03 - 00	BD125911	Dome - Stainless; 31mm Length
Wheel Lug Nut	03 - 00	BD61302	Std. Open
Rear Wheel Nut	Years	Part No.	Qualifier
Wheel Lug Nut	03	BD125911	Dome - Bright; 31mm Length
Wheel Lug Nut	03 - 00	BD125911	Dome - Stainless; 31mm Length
Wheel Lug Nut	03 - 00	BD61302	Std. Open

DODGE
INTREPID
Brake Pads & Shoes

Front Pads & Shoes	Years	SevereDuty	Lining No.	Qualifier
Brake Pads	04 - 02	SD730C		Exc. H/D Brake
Brake Pads	04 - 02	SD730C		H/D Brake
Brake Pads	01 - 98	SD730C		
Brake Pads	97 - 95	SD591		
Rear Pads & Shoes	Years	SevereDuty	Lining No.	Qualifier
Brake Pads	04 - 02	SD782		w/Perf. Pkg.
Brake Pads	04 - 02	SD782		w/Touring Susp.
Brake Pads	01 - 98	SD782		w/ABS; w/16" Steel Whl.
Brake Pads	97 - 95	SD782		
Brake Shoes	97 - 95	SDS657A	EX1444	8-21/32 x 1-37/64" Brake; Bonded

Rotor & Drum

Front Rotor & Drum	Years	Part No.	Qualifier
Brake Rotor	04 - 01	BD125676	w/ABS
Brake Rotor	04 - 01	BD125638	w/o ABS
Brake Rotor	00 - 99	BD125676	Euro.
Brake Rotor	00 - 99	BD125636	w/11-1/8" Dia. Rotor; Exc. Euro.
Brake Rotor	00 - 99	BD125638	w/11-11/16" Dia. Rotor; Exc. Euro.
Brake Rotor	98	BD125636	w/11-1/8" Dia. Rotor
Brake Rotor	98	BD125638	w/11-11/16" Dia. Rotor
Brake Rotor	97 - 95	BD125309	
Rear Rotor & Drum	Years	Part No.	Qualifier
Brake Drum	97 - 95	BD125300	8-21/32 x 1-37/64" Brake
Brake Rotor	04 - 95	BD125306	

Brake Hardware

Front Brake Hardware	Years	Sequential No.	Category No.	Qualifier
Caliper Bolt/Pin	04 - 95	F124505S	(H5053)	
Disc Align Kit	04 - 98	F138686S	(H5313)	
Disc Align Kit	03 - 99	F139831	(H5660)	Bracket-Shim Kit
Disc Align Kit	97 - 95	F139775	(H5652)	Caliper Anchor Bracket Repair Kit
Pin Boot Kit	04 - 95	F117215S	(H18000C)	
Rear Brake Hardware	Years	Sequential No.	Category No.	Qualifier
Adjuster Kit	97 - 95	F124503S	(H2622)	L.H.
Adjuster Kit	97 - 95	F124504S	(H2623)	R.H.
Caliper Bolt/Pin	04 - 95	F124505S	(H5053)	
Combi Kit	97 - 95	F120971S	(H7083)	
Pin Boot Kit	04 - 95	F117215S	(H18000C)	

INTREPID (cont.)

Brake Hardware (cont.)

Parking Brake	Years	Sequential No.	Category No.	Qualifier
Adjuster Screw	04 - 98	F138682S	(H1588)	L.H.
Adjuster Screw	04 - 98	F138682S	(H1588)	R.H.
Combi Kit	04 - 02	F138099S	(H7220)	
Combi Kit	01 - 95	F138098S	(H7219)	

Calipers - Reman

Front, Loaded	Years	Left No.	Right No.	Qualifier	Piston
Loaded Caliper	97 - 95	AS134031	AS134030		P
Front, Unloaded	Years	Left No.	Right No.	Qualifier	Piston
Unloaded Caliper	04 - 95	CR134031	CR134030		P
Unloaded Caliper	04 - 95	CR134031S	CR134030S		O
Rear, Unloaded	Years	Left No.	Right No.	Qualifier	Piston
Unloaded Caliper	04 - 98	CR123636	CR123637		P
Unloaded Caliper	04 - 98	CR123636S	CR123637S		O
Unloaded Caliper	97 - 95	CR119330	CR119331		P
Unloaded Caliper	97 - 95	CR119330S	CR119331S		O

Hydraulics - New

Master Cylinder	Years	Sequential No.	Category No.	Qualifier
Master Cylinder	04 - 03	F134440	(MC134440)	w/ABS; Exc. H/D
Master Cylinder	02 - 01	F134440	(MC134440)	w/ABS
Master Cylinder	00 - 98	F134440	(MC134440)	
Master Cylinder	97 - 96	F131401	(MC131401)	w/o Traction Control; 15/16" Bore
Master Cylinder	97 - 96	F131392	(MC131392)	w/Traction Control; 15/16" Bore
Master Cylinder	95	F131392	(MC131392)	w/ABS; 15/16" Bore
Master Cylinder	95	F131401	(MC131401)	w/o ABS; 15/16" Bore

Rear Wheel Cylinder	Years	Sequential No.	Category No.	Qualifier
Wheel Cylinder	97 - 95	F128250	(WC128250)	3/4" Bore

Front Brake Hose	Years	Sequential No.	Category No.	Qualifier
Brake Hose	04 - 98	F138632	(BH138632)	L.H.
Brake Hose	04 - 98	F138633	(BH138633)	R.H.
Brake Hose	97 - 95	F130277	(BH130277)	L.H.
Brake Hose	97 - 95	F130278	(BH130278)	R.H.

Rear Brake Hose	Years	Sequential No.	Category No.	Qualifier
Brake Hose	01 - 98	F138630	(BH138630)	L.H.
Brake Hose	01 - 98	F138631	(BH138631)	R.H.
Brake Hose	97 - 95	F130295	(BH130295)	L.H.; w/Rear Disc; w/o Steel Brkt.
Brake Hose	97 - 95	F132431	(BH132431)	L.H.; w/Rear Disc; w/Steel Brkt.
Brake Hose	97 - 96	F130293	(BH130293)	L.H.; w/Rear Drum; w/o Transitory Level Emis. Pkg.; w/o Steel Brkt.
Brake Hose	97 - 95	F130296	(BH130296)	R.H.; w/Rear Disc; w/o Steel Brkt.
Brake Hose	97 - 95	F132432	(BH132432)	R.H.; w/Rear Disc; w/Steel Brkt.
Brake Hose	97 - 96	F130294	(BH130294)	R.H.; w/Rear Drum; w/o Transitory Level Emis. Pkg.; w/o Steel Brkt.
Brake Hose	95	F130293	(BH130293)	L.H.; w/Rear Drum; w/o Steel Brkt.
Brake Hose	95	F130294	(BH130294)	R.H.; w/Rear Drum; w/o Steel Brkt.

Hydraulics - Reman

Master Cylinder	Years	Part No.	Qualifier
Master Cylinder	03 - 02	R134642	w/ABS; Exc. H/D
Master Cylinder	03 - 02	R134739	w/o ABS
Master Cylinder	01 - 98	R134642	
Master Cylinder	97 - 96	R128404	w/o Traction Control
Master Cylinder	97 - 96	R131965	w/Traction Control
Master Cylinder	95	R131206	w/ABS
Master Cylinder	95	R128404	w/o ABS

Power Brake Booster	Years	Part No.	Qualifier
Power Brake Booster	03 - 98	5473176	w/o Master Cylinder
Power Brake Booster	97 - 96	503176	w/Master Cylinder; w/o Traction Control

Piston: M - OE Metal Piston P - OE Phenolic Piston O - Metal Piston Option

INTREPID (cont.)
Hydraulics - Reman (cont.)

Power Brake Booster	Years	Part No.	Qualifier
Power Brake Booster	97 - 96	5473176	w/o Master Cylinder; w/o Traction Control
Power Brake Booster	97 - 96	5473194	w/o Master Cylinder; w/Traction Control
Power Brake Booster	95	503193	w/Master Cylinder; w/ABS; w/Traction Control
Power Brake Booster	95	503176	w/Master Cylinder; w/o ABS
Power Brake Booster	95	5473187	w/o Master Cylinder; w/ABS; w/Traction Control
Power Brake Booster	95	5473176	w/o Master Cylinder; w/o ABS

Brake Cables

Parking Brake Cable	Years	Sequential No.	Category No.	Qualifier
Parking Brake Cable	97 - 95	F139238	(BC139238)	Intermediate; w/Rear Drum
Parking Brake Cable	97 - 95	F132070	(BC132070)	Rear; L.H.; w/Rear Disc
Parking Brake Cable	97 - 95	F132070	(BC132070)	Rear; R.H.; w/Rear Disc
Parking Brake Cable	97 - 95	F132069	(BC132069)	Rear; R.H.; w/Rear Drum

ABS Components - Reman

ABS Module	Years	Part No.	Qualifier
ABS Module	95	RA121455	w/o Traction Control
ABS Module	95	RA121431	w/Traction Control

ABS Pump/Motor	Years	Part No.	Qualifier
ABS Pump/Motor	95	RA124401	w/o Traction Control; Incl. Pump/Motor; Also Avail. Separately
ABS Pump/Motor	95	RA124402	w/Traction Control; Incl. Pump/Motor; Also Avail. Separately

Wheel Attaching Hardware

Front Wheel Stud	Years	Part No.	Qualifier
Wheel Lug Stud	04	BD125986	
Wheel Lug Stud	01 - 95	BD125932	

Rear Wheel Stud	Years	Part No.	Qualifier
Wheel Lug Stud	04 - 02	BD125963	
Wheel Lug Stud	01 - 95	BD125932	

Front Wheel Nut	Years	Part No.	Qualifier
Wheel Lug Nut	04	BD125911	Dome - Bright; 31mm Length
Wheel Lug Nut	03 - 95	BD125911	Dome - Stainless; 31mm Length
Wheel Lug Nut	97 - 95	BD61302	Std. Open

Rear Wheel Nut	Years	Part No.	Qualifier
Wheel Lug Nut	04	BD125911	Dome - Bright; 31mm Length
Wheel Lug Nut	03 - 95	BD125911	Dome - Stainless; 31mm Length
Wheel Lug Nut	97 - 95	BD61302	Std. Open

DODGE - MINIVAN
CARAVAN
Brake Pads & Shoes

Front Pads & Shoes	Years	SevereDuty	Lining No.	Qualifier
Brake Pads	06 - 01	SD857		w/Rear Disc
Brake Pads	04 - 03	SD856		w/Rear Drum; w/ABS
Brake Pads	04 - 03	SD857		w/Rear Drum; w/o ABS
Brake Pads	02 - 01	SD856		w/Rear Drum
Brake Pads	00 - 96	SD591		
Brake Pads	95	SD521		w/14" Whl.
Brake Pads	95	SD522		w/15" Whl.

Rear Pads & Shoes	Years	SevereDuty	Lining No.	Qualifier
Brake Shoes	95	SDS446R	EX2025TD	11 x 2-1/2" Brake; Riveted
Brake Shoes	95	SDS538R	EX2168T	9 x 2-1/2" Brake; Riveted

Rotor & Drum

Front Rotor & Drum	Years	Part No.	Qualifier
Brake Rotor	06	BD125768	
Brake Rotor	05 - 01	BD125768	w/Rear Disc

CARAVAN (cont.)

Rotor & Drum (cont.)

Front Rotor & Drum	Years	Part No.	Qualifier
Brake Rotor	05 - 01	BD125761	w/Rear Drum
Brake Rotor	00 - 96	BD125483	w/10" Dia. Rotor
Brake Rotor	00 - 97	BD125502	w/11-1/8" Dia. Rotor
Brake Rotor	96	BD125502	From 12/5/95; w/11-1/8" Dia. Rotor
Brake Rotor	96	BD125156	To 12/5/95; w/11-1/8" Dia. Rotor
Brake Rotor	95	BD61946	w/10-1/4" Dia. Rotor
Brake Rotor	95	BD125156	w/11-1/8" Dia. Rotor

Rear Rotor & Drum

Years	Part No.	Qualifier
05 - 03	BD126034	9-27/32 x 2-11/64" Brake
02 - 01	BD125493	9-27/32 x 2-11/64" Brake
00 - 96	BD125491	w/2-1/4" Dia. Ctr. Pilot Hole; 9-27/32 x 2-11/64" Brake
00 - 96	BD125493	w/2-7/8" Dia. Ctr. Pilot Hole; 9-27/32 x 2-11/64" Brake
95	BD60187	11 x 2-1/2" Brake
95	BD60831	w/2-1/4" Dia. Ctr. Pilot Hole; 9 x 2-1/2" Brake
95	BD60883	w/2-13/16" Dia. Ctr. Pilot Hole; 9 x 2-1/2" Brake
06 - 97	BD125537	

Brake Hardware

Front Brake Hardware

Years	Sequential No.	Category No.	Qualifier
05 - 01	F132517S	(H5078)	w/Rear Disc
05 - 01	F139713	(H14915)	w/Rear Drum
00 - 96	F130894S	(H5075)	
95	F126899S	(H5061)	
05 - 01	F139772	(H5314)	w/Rear Disc
05 - 01	F139773	(H5651)	w/Rear Drum
00 - 96	F139775	(H5652)	Caliper Anchor Bracket Repair Kit
95	F126908S	(H5461)	
95	F139775	(H5652)	w/14" Whl.; Caliper Anchor Bracket Repair Kit
95	F139775	(H5652)	w/15" Whl.; Caliper Anchor Bracket Repair Kit
05 - 01	F132614S	(H8217)	w/Rear Disc
05 - 01	F139714	(H8235)	w/Rear Drum
00 - 95	F117215S	(H18000C)	

Rear Brake Hardware

Years	Sequential No.	Category No.	Qualifier
00 - 96	F139385	(H2646)	L.H.; FWD
00 - 96	F139386	(H2647)	R.H.; FWD
95	F98364S	(H2534)	L.H.; AWD
95	F98356S	(H2526)	L.H.; FWD
95	F98365S	(H2535)	R.H.; AWD
95	F98357S	(H2527)	R.H.; FWD
95	F73151S	(H1526)	L.H.
95	F73150S	(H1527)	R.H.
05 - 96	F132517S	(H5078)	
05 - 96	F134098S	(H7216)	
95	F126903S	(H7202)	AWD
95	F113343S	(H7170)	FWD
	F107182S	(H495)	
	F113344S	(H4043)	
	F36460S	(H181)	
05 - 96	F130898S	(H8212)	

Parking Brake

Years	Sequential No.	Category No.	Qualifier
05 - 98	F138683S	(H1589)	L.H.
05 - 98	F138683S	(H1589)	R.H.
05 - 97	F138695S	(H7221)	

Calipers - Reman

Front, Loaded	Years	Left No.	Right No.	Qualifier	Piston
Loaded Caliper	00 - 96	AS134031	AS134030		P

↳Sub-Kit of Combi-Kit is available separately.

Piston: M - OE Metal Piston P - OE Phenolic Piston

CARAVAN (cont.)

Calipers - Reman (cont.)

Front, Loaded	Years	Left No.	Right No.	Qualifier	Piston
Loaded Caliper	95	AS123608	AS123609	w/14" Whl.	P
Loaded Caliper	95	AS123606	AS123607	w/15" Whl.	P
Front, Unloaded	Years	Left No.	Right No.	Qualifier	Piston
Unloaded Caliper	05 - 01	CRB134523	CRB134522	w/Rear Disc; Supplied w/Mtg. Brkt.	P
Unloaded Caliper	05 - 01	CR134523	CR134522	w/Rear Disc; Supplied w/o Mtg. Brkt.	P
Unloaded Caliper	04 - 01	CRB134534	CRB134535	w/Rear Drum; Supplied w/Mtg. Brkt.	P
Unloaded Caliper	04 - 01	CR134534	CR134535	w/Rear Drum; Supplied w/o Mtg. Brkt.	P
Unloaded Caliper	00 - 96	CR134031	CR134030		P
Unloaded Caliper	00 - 96	CR134031S	CR134030S		O
Unloaded Caliper	95	CRB123608	CRB123609	w/14" Whl.; Supplied w/Mtg. Brkt.	P
Unloaded Caliper	95	CRB123608S	CRB123609S	w/14" Whl.; Supplied w/Mtg. Brkt.	O
Unloaded Caliper	95	CR123608	CR123609	w/14" Whl.; Supplied w/o Mtg. Brkt.	P
Unloaded Caliper	95	CR123608S	CR123609S	w/14" Whl.; Supplied w/o Mtg. Brkt.	O
Unloaded Caliper	95	CRB123606	CRB123607	w/15" Whl.; Supplied w/Mtg. Brkt.	P
Unloaded Caliper	95	CRB123606S	CRB123607S	w/15" Whl.; Supplied w/Mtg. Brkt.	O
Unloaded Caliper	95	CR123606	CR123607	w/15" Whl.; Supplied w/o Mtg. Brkt.	P
Unloaded Caliper	95	CR123606S	CR123607S	w/15" Whl.; Supplied w/o Mtg. Brkt.	O
Rear, Unloaded	Years	Left No.	Right No.	Qualifier	Piston
Unloaded Caliper	05 - 00	CR134570	CR134570		P
Unloaded Caliper	99 - 97	CR133964	CR133964		P

Hydraulics - New

Master Cylinder	Years	Sequential No.	Category No.	Qualifier
Master Cylinder	06 - 03	F140176	(MC140176)	w/Rear Drum; w/o ABS; 15/16" Bore
Master Cylinder	02 - 01	F140176	(MC140176)	w/Rear Disc; w/o Traction Control; 15/16" Bore
Master Cylinder	02 - 01	F140394	(MC140394)	w/Rear Disc; w/Traction Control; 15/16" Bore
Master Cylinder	02 - 01	F140176	(MC140176)	w/Rear Drum; 15/16" Bore
Master Cylinder	00 - 98	F134433	(MC134433)	AWD; w/o Traction Control; 119" WB; 15/16" Bore
Master Cylinder	00 - 96	F131512	(MC131512)	FWD; w/o Traction Control; 114" WB; 15/16" Bore
Master Cylinder	00 - 97	F131963	(MC131963)	w/Traction Control; 15/16" Bore
Master Cylinder	95	F108168	(MC108168)	15/16" Bore
Rear Wheel Cylinder	Years	Sequential No.	Category No.	Qualifier
Wheel Cylinder	05 - 96	F131966	(WC131966)	13/16" Bore
Wheel Cylinder	99 - 96	F131511	(WC131511)	3/4" Bore
Wheel Cylinder	95	F123412	(WC123412)	AWD; 3/4" Bore
Wheel Cylinder	95	F109532	(WC109532)	FWD; w/ABS; 3/4" Bore
Wheel Cylinder	95	F131013	(WC131013)	FWD; w/o ABS; 11/16" Bore
Front Brake Hose	Years	Sequential No.	Category No.	Qualifier
Brake Hose	00 - 96	F132361	(BH132361)	L.H.
Brake Hose	00 - 96	F132362	(BH132362)	R.H.
Brake Hose	95	F126774	(BH126774)	L.H.; w/ABS
Brake Hose	95	F130314	(BH130314)	L.H.; w/o ABS
Brake Hose	95	F126775	(BH126775)	R.H.; w/ABS
Brake Hose	95	F130315	(BH130315)	R.H.; w/o ABS
Rear Brake Hose	Years	Sequential No.	Category No.	Qualifier
Brake Hose	00 - 96	F132359	(BH132359)	FWD
Brake Hose	99 - 97	F132360	(BH132360)	AWD; w/Rear Drum
Brake Hose	96	F132360	(BH132360)	AWD
Brake Hose	95	F120522	(BH120522)	w/ABS
Brake Hose	95	F130685	(BH130685)	w/o ABS

Hydraulics - Reman

Master Cylinder	Years	Part No.	Qualifier
Master Cylinder	04 - 01	R134764	w/o Traction Control; w/Rear Drum
Master Cylinder	02 - 01	R134763	w/o Traction Control; w/Rear Disc
Master Cylinder	02 - 01	R134761	w/Traction Control; w/Rear Disc

Piston: M - OE Metal Piston P - OE Phenolic Piston O - Metal Piston Option

CARAVAN (cont.)

Hydraulics - Reman (cont.)

Master Cylinder	Years	Part No.	Qualifier
Master Cylinder	00 - 97	R134634	w/o Traction Control
Master Cylinder	00 - 97	R134635	w/Traction Control
Master Cylinder	96	R134634	
Master Cylinder	95	R108168	

Power Brake Booster	Years	Part No.	Qualifier
Power Brake Booster	04 - 01	5474230	w/o Master Cylinder
Power Brake Booster	00 - 96	5474229	w/o Master Cylinder
Power Brake Booster	95	509217	w/Master Cylinder
Power Brake Booster	95	5474226	w/o Master Cylinder

Brake Cables

Parking Brake Cable	Years	Sequential No.	Category No.	Qualifier
Parking Brake Cable	02 - 96	F133092	(BC133092)	Forward
Parking Brake Cable	00 - 96	F133094	(BC133094)	Rear; L.H.; w/Rear Drum; Exc. Long WB
Parking Brake Cable	00 - 96	F133095	(BC133095)	Rear; R.H.; w/Rear Drum; Exc. Long WB
Parking Brake Cable	98 - 96	F133093	(BC133093)	Intermediate
Parking Brake Cable	97 - 96	F133096	(BC133096)	Rear; L.H.; w/Long WB; w/Rear Drum
Parking Brake Cable	97 - 96	F133097	(BC133097)	Rear; R.H.; w/Long WB; w/Rear Drum
Parking Brake Cable	95	F130413	(BC130413)	Forward; AWD
Parking Brake Cable	95	F130341	(BC130341)	Forward; FWD; 112" WB
Parking Brake Cable	95	F130413	(BC130413)	Forward; FWD; 119" WB
Parking Brake Cable	95	F130348	(BC130348)	Rear; L.H.; AWD
Parking Brake Cable	95	F130343	(BC130343)	Rear; L.H.; FWD; 112" WB
Parking Brake Cable	95	F130347	(BC130347)	Rear; L.H.; FWD; 119" WB
Parking Brake Cable	95	F130349	(BC130349)	Rear; R.H.; AWD

ABS Components - Reman

ABS Module	Years	Part No.	Qualifier
ABS Module	95	RA121114	AWD
ABS Module	95	RA121111	FWD

ABS Pump/Motor	Years	Part No.	Qualifier
ABS Pump/Motor	95	RA124104	AWD; Incl. Pump/Motor; Also Avail. Separately
ABS Pump/Motor	95	RA124106	FWD; Incl. Pump/Motor; Also Avail. Separately

Wheel Attaching Hardware

Front Wheel Stud	Years	Part No.	Qualifier
Wheel Lug Stud	05 - 98	BD125930	
Wheel Lug Stud	97 - 95	BD61374	w/14" Whl.
Wheel Lug Stud	97 - 95	BD125930	w/15" Whl.

Rear Wheel Stud	Years	Part No.	Qualifier
Wheel Lug Stud	05 - 97	BD125930	w/Disc Brake
Wheel Lug Stud	05 - 97	BD61173	w/Drum Brake
Wheel Lug Stud	96	BD61173	
Wheel Lug Stud	95	BD60928	FWD

Front Wheel Nut	Years	Part No.	Qualifier
Wheel Lug Nut	05 - 01	BD125911	Dome - Bright; 31mm Length
Wheel Lug Nut	05 - 95	BD61302	Std. Open
Wheel Lug Nut	03 - 95	BD125911	Dome - Stainless; 31mm Length
Wheel Lug Nut	95	BD61288	Bulge

Rear Wheel Nut	Years	Part No.	Qualifier
Wheel Lug Nut	05 - 01	BD125911	Dome - Bright; 31mm Length
Wheel Lug Nut	05 - 95	BD61302	Std. Open
Wheel Lug Nut	03 - 95	BD125911	Dome - Stainless; 31mm Length
Wheel Lug Nut	95	BD61288	Bulge

GRAND CARAVAN
Brake Pads & Shoes

Front Pads & Shoes	Years	SevereDuty	Lining No.	Qualifier
Brake Pads	06 - 01	SD857		w/Rear Disc
Brake Pads	04 - 03	SD856		w/Rear Drum; w/ABS
Brake Pads	04 - 03	SD857		w/Rear Drum; w/o ABS
Brake Pads	02 - 01	SD856		w/Rear Drum
Brake Pads	00 - 96	SD591		
Brake Pads	95	SD521		w/14" Whl.
Brake Pads	95	SD522		w/15" Whl.

Rear Pads & Shoes	Years	SevereDuty	Lining No.	Qualifier
Brake Shoes	95	SDS446R	EX2025TD	11 x 2-1/2" Brake; Riveted
Brake Shoes	95	SDS538R	EX2168T	9 x 2-1/2" Brake; Riveted

Rotor & Drum

Front Rotor & Drum	Years	Part No.	Qualifier
Brake Rotor	06	BD125768	
Brake Rotor	05 - 01	BD125768	w/Rear Disc
Brake Rotor	05 - 01	BD125761	w/Rear Drum
Brake Rotor	00 - 96	BD125483	w/10" Dia. Rotor
Brake Rotor	00 - 97	BD125502	w/11-1/8" Dia. Rotor
Brake Rotor	96	BD125502	From 12/5/95; w/11-1/8" Dia. Rotor
Brake Rotor	96	BD125156	To 12/5/95; w/11-1/8" Dia. Rotor
Brake Rotor	95	BD61946	w/10-1/4" Dia. Rotor
Brake Rotor	95	BD125156	w/11-1/8" Dia. Rotor

Rear Rotor & Drum	Years	Part No.	Qualifier
Brake Drum	05 - 03	BD126034	9-27/32 x 2-11/64" Brake
Brake Drum	02 - 01	BD125493	9-27/32 x 2-11/64" Brake
Brake Drum	00 - 96	BD125491	w/2-1/4" Dia. Ctr. Pilot Hole; 9-27/32 x 2-11/64" Brake
Brake Drum	00 - 96	BD125493	w/2-7/8" Dia. Ctr. Pilot Hole; 9-27/32 x 2-11/64" Brake
Brake Drum	95	BD60187	11 x 2-1/2" Brake
Brake Drum	95	BD60831	w/14" Whl.; 9 x 2-1/2" Brake
Brake Drum	95	BD60883	w/15" Whl.; 9 x 2-1/2" Brake
Brake Rotor	06 - 97	BD125537	

Brake Hardware

Front Brake Hardware	Years	Sequential No.	Category No.	Qualifier
Caliper Bolt/Pin	05 - 01	F132517S	(H5078)	w/Rear Disc
Caliper Bolt/Pin	05 - 01	F139713	(H14915)	w/Rear Drum
Caliper Bolt/Pin	00 - 96	F130894S	(H5075)	
Caliper Bolt/Pin	95	F126899S	(H5061)	
Disc Align Kit	05 - 01	F139772	(H5314)	w/Rear Disc
Disc Align Kit	05 - 01	F139773	(H5651)	w/Rear Drum
Disc Align Kit	00 - 96	F139775	(H5652)	Caliper Anchor Bracket Repair Kit
Disc Align Kit	95	F126908S	(H5461)	
Disc Align Kit	95	F139775	(H5652)	w/14" Whl.; Caliper Anchor Bracket Repair Kit
Disc Align Kit	95	F139775	(H5652)	w/15" Whl.; Caliper Anchor Bracket Repair Kit
Pin Boot Kit	05 - 01	F132614S	(H8217)	w/Rear Disc
Pin Boot Kit	05 - 01	F139714	(H8235)	w/Rear Drum
Pin Boot Kit	00 - 95	F117215S	(H18000C)	

Rear Brake Hardware	Years	Sequential No.	Category No.	Qualifier
Adjuster Kit	00 - 96	F139385	(H2646)	L.H.; FWD
Adjuster Kit	00 - 96	F139386	(H2647)	R.H.; FWD
Adjuster Kit	95	F98364S	(H2534)	L.H.; AWD
Adjuster Kit	95	F98356S	(H2526)	L.H.; FWD
Adjuster Kit	95	F98365S	(H2535)	R.H.; AWD
Adjuster Kit	95	F98357S	(H2527)	R.H.; FWD
Adjuster Screw	95	F73151S	(H1526)	L.H.
Adjuster Screw	95	F73150S	(H1527)	R.H.
Caliper Bolt/Pin	05 - 96	F132517S	(H5078)	

GRAND CARAVAN (cont.)

Brake Hardware (cont.)

Rear Brake Hardware	Years	Sequential No.	Category No.	Qualifier
Combi Kit	05 - 96	F134098S	(H7216)	
Combi Kit	95	F126903S	(H7202)	AWD
Combi Kit	95	F113343S	(H7170)	FWD
↳Adjuster Spring Kit		F107182S	(H495)	
↳Hold Down Kit		F113344S	(H4043)	
↳Return Spring Kit		F36460S	(H181)	
Pin Boot Kit	05 - 96	F130898S	(H8212)	

Parking Brake

Years	Sequential No.	Category No.	Qualifier
05 - 98	F138683S	(H1589)	L.H.
05 - 98	F138683S	(H1589)	R.H.
05 - 97	F138695S	(H7221)	

Calipers - Reman

Front, Loaded	Years	Left No.	Right No.	Qualifier	Piston
Loaded Caliper	00 - 96	AS134031	AS134030		P
Loaded Caliper	95	AS123608	AS123609	w/14" Whl.	P
Loaded Caliper	95	AS123606	AS123607	w/15" Whl.	P

Front, Unloaded

Years	Left No.	Right No.	Qualifier	Piston
05 - 01	CRB134523	CRB134522	w/Rear Disc; Supplied w/Mtg. Brkt.	P
05 - 01	CR134523	CR134522	w/Rear Disc; Supplied w/o Mtg. Brkt.	P
04 - 01	CRB134534	CRB134535	w/Rear Drum; Supplied w/Mtg. Brkt.	P
04 - 01	CR134534	CR134535	w/Rear Drum; Supplied w/o Mtg. Brkt.	P
00 - 96	CR134031	CR134030		P
00 - 96	CR134031S	CR134030S		O
95	CRB123608	CRB123609	w/14" Whl.; Supplied w/Mtg. Brkt.	P
95	CRB123608S	CRB123609S	w/14" Whl.; Supplied w/Mtg. Brkt.	O
95	CR123608	CR123609	w/14" Whl.; Supplied w/o Mtg. Brkt.	P
95	CR123608S	CR123609S	w/14" Whl.; Supplied w/o Mtg. Brkt.	O
95	CRB123606	CRB123607	w/15" Whl.; Supplied w/Mtg. Brkt.	P
95	CRB123606S	CRB123607S	w/15" Whl.; Supplied w/Mtg. Brkt.	O
95	CR123606	CR123607	w/15" Whl.; Supplied w/o Mtg. Brkt.	P
95	CR123606S	CR123607S	w/15" Whl.; Supplied w/o Mtg. Brkt.	O

Rear, Unloaded

Years	Left No.	Right No.	Qualifier	Piston
05 - 00	CR134570	CR134570		P
99 - 97	CR133964	CR133964		P

Hydraulics - New

Master Cylinder

Years	Sequential No.	Category No.	Qualifier
04 - 01	F140176	(MC140176)	w/Rear Drum; w/o ABS; 15/16" Bore
02 - 01	F140176	(MC140176)	w/Rear Disc; w/o Traction Control; 15/16" Bore
02 - 01	F140394	(MC140394)	w/Rear Disc; w/Traction Control; 15/16" Bore
00 - 98	F134433	(MC134433)	AWD; w/o Traction Control; 119" WB; 15/16" Bore
00 - 96	F131512	(MC131512)	FWD; w/o Traction Control; 114" WB; 15/16" Bore
00 - 97	F131963	(MC131963)	w/Traction Control; 15/16" Bore
95	F108168	(MC108168)	15/16" Bore

Rear Wheel Cylinder

Years	Sequential No.	Category No.	Qualifier
04 - 96	F131966	(WC131966)	13/16" Bore
99 - 96	F131511	(WC131511)	3/4" Bore
95	F123412	(WC123412)	AWD; 3/4" Bore
95	F109532	(WC109532)	FWD; w/ABS; 3/4" Bore
95	F131013	(WC131013)	FWD; w/o ABS; 11/16" Bore

Front Brake Hose

Years	Sequential No.	Category No.	Qualifier
00 - 96	F132361	(BH132361)	L.H.
00 - 96	F132362	(BH132362)	R.H.
95	F126774	(BH126774)	L.H.; w/ABS
95	F130314	(BH130314)	L.H.; w/o ABS
95	F126775	(BH126775)	R.H.; w/ABS

↳Sub-Kit of Combi-Kit is available separately.

Piston: M - OE Metal Piston P - OE Phenolic Piston O - Metal Piston Option

GRAND CARAVAN (cont.)
Hydraulics - New (cont.)

Front Brake Hose	Years	Sequential No.	Category No.	Qualifier
Brake Hose	95	F130315	(BH130315)	R.H.; w/o ABS
Rear Brake Hose	Years	Sequential No.	Category No.	Qualifier
Brake Hose	00 - 96	F132359	(BH132359)	FWD
Brake Hose	99 - 97	F132360	(BH132360)	AWD; w/Rear Drum
Brake Hose	96	F132360	(BH132360)	AWD
Brake Hose	95	F120522	(BH120522)	w/ABS
Brake Hose	95	F130685	(BH130685)	w/o ABS

Hydraulics - Reman

Master Cylinder	Years	Part No.	Qualifier
Master Cylinder	02 - 01	R134763	w/o Traction Control; w/Rear Disc
Master Cylinder	02 - 01	R134764	w/o Traction Control; w/Rear Drum
Master Cylinder	02 - 01	R134761	w/Traction Control; w/Rear Disc
Master Cylinder	00 - 98	R134762	AWD; w/o Traction Control
Master Cylinder	00 - 97	R134634	FWD; w/o Traction Control
Master Cylinder	00 - 97	R134635	FWD; w/Traction Control
Master Cylinder	96	R134634	
Master Cylinder	95	R108168	
Power Brake Booster	Years	Part No.	Qualifier
Power Brake Booster	03	5474230	SPORT; w/o Master Cylinder
Power Brake Booster	02 - 01	5474230	w/o Master Cylinder
Power Brake Booster	00 - 96	5474229	w/o Master Cylinder
Power Brake Booster	95	509217	w/Master Cylinder
Power Brake Booster	95	5474226	w/o Master Cylinder

Brake Cables

Parking Brake Cable	Years	Sequential No.	Category No.	Qualifier
Parking Brake Cable	02 - 96	F133092	(BC133092)	Forward
Parking Brake Cable	00 - 96	F133094	(BC133094)	Rear; L.H.; w/Rear Drum; Exc. Long WB
Parking Brake Cable	00 - 96	F133095	(BC133095)	Rear; R.H.; w/Rear Drum; Exc. Long WB
Parking Brake Cable	98 - 96	F133093	(BC133093)	Intermediate
Parking Brake Cable	97 - 96	F133096	(BC133096)	Rear; L.H.; w/Long WB; w/Rear Drum
Parking Brake Cable	97 - 96	F133097	(BC133097)	Rear; R.H.; w/Long WB; w/Rear Drum
Parking Brake Cable	95	F130413	(BC130413)	Forward; AWD
Parking Brake Cable	95	F130341	(BC130341)	Forward; FWD; 112" WB
Parking Brake Cable	95	F130413	(BC130413)	Forward; FWD; 119" WB
Parking Brake Cable	95	F130348	(BC130348)	Rear; L.H.; AWD
Parking Brake Cable	95	F130343	(BC130343)	Rear; L.H.; FWD; 112" WB
Parking Brake Cable	95	F130347	(BC130347)	Rear; L.H.; FWD; 119" WB
Parking Brake Cable	95	F130349	(BC130349)	Rear; R.H.; AWD

ABS Components - Reman

ABS Module	Years	Part No.	Qualifier
ABS Module	95	RA121114	AWD
ABS Module	95	RA121111	FWD
ABS Hydraulic Unit	Years	Part No.	Qualifier
ABS Hydraulic Unit	95	RA122109	FWD
ABS Pump/Motor	Years	Part No.	Qualifier
ABS Pump/Motor	95	RA124104	AWD; Incl. Pump/Motor; Also Avail. Separately

Wheel Attaching Hardware

Front Wheel Stud	Years	Part No.	Qualifier
Wheel Lug Stud	05 - 98	BD125930	
Wheel Lug Stud	97 - 95	BD61374	w/14" Whl.
Wheel Lug Stud	97 - 95	BD125930	w/15" Whl.
Rear Wheel Stud	Years	Part No.	Qualifier
Wheel Lug Stud	05 - 97	BD125930	w/Disc Brake
Wheel Lug Stud	05 - 97	BD61173	w/Drum Brake

GRAND CARAVAN (cont.)

Wheel Attaching Hardware (cont.)

<i>Rear Wheel Stud</i>	<i>Years</i>	<i>Part No.</i>	<i>Qualifier</i>
Wheel Lug Stud	96	BD61173	
Wheel Lug Stud	95	BD60928	FWD
<i>Front Wheel Nut</i>	<i>Years</i>	<i>Part No.</i>	<i>Qualifier</i>
Wheel Lug Nut	05 - 03	BD125911	Dome - Bright; 31mm Length
Wheel Lug Nut	05 - 95	BD61302	Std. Open
Wheel Lug Nut	03 - 95	BD125911	Dome - Stainless; 31mm Length
Wheel Lug Nut	95	BD61288	Bulge
<i>Rear Wheel Nut</i>	<i>Years</i>	<i>Part No.</i>	<i>Qualifier</i>
Wheel Lug Nut	05 - 03	BD125911	Dome - Bright; 31mm Length
Wheel Lug Nut	05 - 95	BD61302	Std. Open
Wheel Lug Nut	03 - 95	BD125911	Dome - Stainless; 31mm Length
Wheel Lug Nut	95	BD61288	Bulge

DODGE - TRUCK

DAKOTA

Brake Pads & Shoes

<i>Front Pads & Shoes</i>	<i>Years</i>	<i>SevereDuty</i>	<i>Lining No.</i>	<i>Qualifier</i>
Brake Pads	04 - 03	SD962		
Brake Pads	02 - 00	SD820		
Brake Pads	99	SD746		
Brake Pads	98 - 97	SD529A		
Brake Pads	96 - 95	SD529		2WD
Brake Pads	96 - 95	SD529A		4WD
<i>Rear Pads & Shoes</i>	<i>Years</i>	<i>SevereDuty</i>	<i>Lining No.</i>	<i>Qualifier</i>
Brake Pads	04 - 03	SD963		
Brake Shoes	04 - 00	SDS734	EX2182T	11 x 2-1/4" Brake; Bonded
Brake Shoes	02 - 95	SDS538R	EX2168T	9 x 2-1/2" Brake; Riveted
Brake Shoes	99 - 95	SDS445R	EX2089TD	10 x 2-1/2" Brake; Riveted

Rotor & Drum

<i>Front Rotor & Drum</i>	<i>Years</i>	<i>Part No.</i>	<i>Qualifier</i>
Brake Rotor	04 - 03	BD126042	
Brake Rotor	02 - 97	BD125632	
Brake Rotor	96 - 95	BD125427	2WD; w/4 Whl. ABS
Brake Rotor	96 - 95	BD125161	2WD; w/RWAL
Brake Rotor	96 - 95	BD125166	4WD
<i>Rear Rotor & Drum</i>	<i>Years</i>	<i>Part No.</i>	<i>Qualifier</i>
Brake Drum	04 - 03	BD126043	11 x 2-1/4" Brake
Brake Drum	04 - 95	BD125157	9 x 2-1/2" Brake
Brake Drum	02 - 00	BD125610	11 x 2-1/4" Brake
Brake Drum	99	BD125658	10 x 2-1/2" Brake
Brake Drum	98 - 95	BD125165	10 x 2-1/2" Brake
Brake Rotor	04 - 03	BD126044	

Brake Hardware

<i>Front Brake Hardware</i>	<i>Years</i>	<i>Sequential No.</i>	<i>Category No.</i>	<i>Qualifier</i>
Caliper Bolt/Pin	04 - 03	F139823	(H5097)	
Caliper Bolt/Pin	02 - 97	F132517S	(H5078)	
Caliper Bolt/Pin	96 - 95	F104625S	(H5022)	
Disc Align Kit	04 - 03	F140516	(H5680)	
Disc Align Kit	02 - 00	F139828	(H5658)	
Disc Align Kit	02 - 99	F139775	(H5652)	Caliper Anchor Bracket Repair Kit
Disc Align Kit	96 - 95	F113857	(H5569)	2WD
Pin Boot Kit	04 - 03	F140515	(H8241)	
Pin Boot Kit	02 - 00	F130898S	(H8212)	
Pin Boot Kit	99 - 95	F117189S	(H8200)	

DAKOTA (cont.)

Brake Hardware (cont.)

Rear Brake Hardware	Years	Sequential No.	Category No.	Qualifier
Adjuster Kit	04 - 00	F138096S	(H2702)	L.H.; 11 x 2-1/4" Brake
Adjuster Kit	04 - 00	F138097S	(H2703)	R.H.; 11 x 2-1/4" Brake
Adjuster Kit	02 - 95	F98356S	(H2526)	L.H.; 9 x 2-1/2" Brake
Adjuster Kit	02 - 95	F98357S	(H2527)	R.H.; 9 x 2-1/2" Brake
Adjuster Kit	99 - 95	F98358S	(H2528)	L.H.; 10 x 2-1/2" Brake
Adjuster Kit	99 - 95	F98359S	(H2529)	R.H.; 10 x 2-1/2" Brake
Adjuster Screw	04 - 95	F73151S	(H1526)	L.H.
Adjuster Screw	04 - 95	F73150S	(H1527)	R.H.
Combi Kit	04 - 00	F138801	(H7218)	11 x 2-1/4" Brake
↳Hold Down Kit		F117126S	(H4097)	
↳Return Spring Kit		F36466S	(H325)	
Combi Kit	02 - 95	F113343S	(H7170)	9 x 2-1/2" Brake
↳Adjuster Spring Kit		F107182S	(H495)	
↳Hold Down Kit		F113344S	(H4043)	
↳Return Spring Kit		F36460S	(H181)	
Combi Kit	99 - 95	F98454	(H7044)	10 x 2-1/2" Brake
↳Adjuster Spring Kit		F45948	(H428)	
↳Hold Down Kit		F19471S	(H4030)	
↳Return Spring Kit		F36454S	(H102)	
Disc Align Kit	04 - 03	F139886	(H5675)	

Calipers - Reman

Front, Loaded	Years	Left No.	Right No.	Qualifier	Piston
Loaded Caliper	04 - 03	AS134794	AS134795		P
Loaded Caliper	02 - 00	AS134504	AS134505		P
Front, Unloaded	Years	Left No.	Right No.	Qualifier	Piston
Unloaded Caliper	04 - 03	CRB134794	CRB134795	Supplied w/Mtg. Brkt.	P
Unloaded Caliper	04 - 03	CR134794	CR134795	Supplied w/o Mtg. Brkt.	P
Unloaded Caliper	02 - 00	CR134504	CR134505		P
Unloaded Caliper	99	CR134306	CR134305		P
Unloaded Caliper	98 - 97	CR134308	CR134307		P
Unloaded Caliper	96 - 95	CR124108	CR124109		P
Unloaded Caliper	96 - 95	CR124108S	CR124109S		O
Rear, Unloaded	Years	Left No.	Right No.	Qualifier	Piston
Unloaded Caliper	04 - 03	CR134804	CR134805		P

Hydraulics - New

Master Cylinder	Years	Sequential No.	Category No.	Qualifier
Master Cylinder	01	F139956	(MC139956)	1" Bore
Master Cylinder	00 - 99	F134437	(MC134437)	15/16" Bore
Master Cylinder	98 - 97	F131964	(MC131964)	1" Bore
Master Cylinder	96 - 95	F128340	(MC128340)	15/16" Bore
Rear Wheel Cylinder	Years	Sequential No.	Category No.	Qualifier
Wheel Cylinder	04 - 00	F78974	(WC78974)	L.H.; 11" Brake; 1" Bore
Wheel Cylinder	04 - 00	F78975	(WC78975)	R.H.; 11" Brake; 1" Bore
Wheel Cylinder	02 - 95	F109532	(WC109532)	9" Brake; 3/4" Bore
Wheel Cylinder	99 - 95	F113704	(WC113704)	10" Brake; 13/16" Bore
Clutch Master Cylind	Years	Sequential No.	Category No.	Qualifier
Clutch Master Cylinder	96	F133439	(CM133439)	1" Bore
Clutch Master Cylinder	95	F133439	(CM133439)	Exc. 4 Cyl.; 1" Bore
Clutch Slave Cylinder	Years	Sequential No.	Category No.	Qualifier
Clutch Slave Cylinder	96 - 95	F126880	(SC126880)	1" Bore
Front Brake Hose	Years	Sequential No.	Category No.	Qualifier
Brake Hose	00 - 98	F139927	(BH139927)	L.H.; 2WD
Brake Hose	00	F139935	(BH139925)	L.H.; 4WD
Brake Hose	00 - 98	F139928	(BH139928)	R.H.; 2WD

↳Sub-Kit of Combi-Kit is available separately.

Piston: M - OE Metal Piston P - OE Phenolic Piston O - Metal Piston Option

DAKOTA (cont.)

Hydraulics - New (cont.)

Front Brake Hose	Years	Sequential No.	Category No.	Qualifier
Brake Hose	00	F139936	(BH139936)	R.H.; 4WD
Brake Hose	99 - 98	F139929	(BH139929)	L.H.; 4WD
Brake Hose	99 - 98	F139930	(BH139930)	R.H.; 4WD
Brake Hose	97	F124758	(BH124758)	L.H.; w/4 Whl. ABS
Brake Hose	97	F124759	(BH124759)	R.H.; w/4 Whl. ABS
Brake Hose	96 - 95	F132230	(BH132230)	L.H.; 2WD
Brake Hose	96 - 95	F124758	(BH124758)	L.H.; 4WD
Brake Hose	96 - 95	F132349	(BH132349)	R.H.; 2WD
Brake Hose	96 - 95	F124759	(BH124759)	R.H.; 4WD
Rear Brake Hose	Years	Sequential No.	Category No.	Qualifier
Brake Hose	02 - 98	F138843	(BH138843)	
Brake Hose	97	F138843	(BH138843)	w/ABS
Brake Hose	96 - 95	F120520	(BH120520)	

Hydraulics - Reman

Master Cylinder	Years	Part No.	Qualifier
Master Cylinder	02 - 99	R134759	
Master Cylinder	98 - 97	R131937	
Master Cylinder	96 - 95	R128340	
Power Brake Booster	Years	Part No.	Qualifier
Power Brake Booster	02 - 99	5471902	w/o Master Cylinder
Power Brake Booster	98 - 97	5474236	w/o Master Cylinder
Power Brake Booster	96 - 95	504222	w/Master Cylinder
Power Brake Booster	96 - 95	5474203	w/o Master Cylinder

Brake Cables

Parking Brake Cable	Years	Sequential No.	Category No.	Qualifier
Parking Brake Cable	04 - 00	F140271	(BC140271)	Intermediate; Club Cab; 131" WB; 18" Length
Parking Brake Cable	04 - 03	F140271	(BC140271)	Intermediate; Quad Cab; 131" WB; 18" Length
Parking Brake Cable	02	F132374	(BC132374)	Intermediate; Quad Cab; 131" WB
Parking Brake Cable	01 - 00	F140271	(BC140271)	Intermediate; Quad Cab; 131" WB; 18" Length
Parking Brake Cable	99 - 97	F140272	(BC140272)	Forward; 58" Length
Parking Brake Cable	99 - 97	F138818	(BC138818)	Intermediate; 124" WB; Std. Cab
Parking Brake Cable	99 - 97	F140271	(BC140271)	Intermediate; 131" WB; Club Cab; 18" Length
Parking Brake Cable	96 - 95	F133056	(BC133056)	Forward; 2WD
Parking Brake Cable	96 - 95	F124699	(BC124699)	Forward; 4WD
Parking Brake Cable	96 - 95	F132244	(BC132244)	Intermediate; 2WD; Club Cab
Parking Brake Cable	96 - 95	F129216	(BC129216)	Intermediate; 2WD; Std. Cab; 6-1/2' Bed
Parking Brake Cable	96 - 95	F129217	(BC129217)	Intermediate; 2WD; Std. Cab; 8' Bed
Parking Brake Cable	96 - 95	F130878	(BC130878)	Intermediate; 4WD; Club Cab
Parking Brake Cable	96 - 95	F132245	(BC132245)	Intermediate; 4WD; Std. Cab; 6-1/2' Bed
Parking Brake Cable	96 - 95	F129218	(BC129218)	Intermediate; 4WD; Std. Cab; 8' Bed
Parking Brake Cable	96 - 95	F116487	(BC116487)	Rear; L.H.; 10" Brake
Parking Brake Cable	96 - 95	F128635	(BC128635)	Rear; L.H.; 9" Brake
Parking Brake Cable	96 - 95	F116487	(BC116487)	Rear; R.H.; 10" Brake
Parking Brake Cable	96 - 95	F128635	(BC128635)	Rear; R.H.; 9" Brake

ABS Components - New

ABS Wheel Sensor	Years	Sequential No.	Category No.	Qualifier
ABS Wheel Sensor	97 - 95	F121013	(AB121013)	Rear; L.H.
ABS Wheel Sensor	97 - 95	F121013	(AB121013)	Rear; R.H.

ABS Components - Reman

ABS Module	Years	Part No.	Qualifier
ABS Module	96 - 95	RA121001	w/2 Whl. ABS
ABS Module	96 - 95	RA121042	w/4 Whl. ABS
ABS Hydraulic Unit	Years	Part No.	Qualifier
ABS Hydraulic Unit	96 - 95	RA122057	w/2 Whl. ABS

DAKOTA (cont.)
ABS Components - Reman (cont.)

ABS Hydraulic Unit	Years	Part No.	Qualifier
ABS Hydraulic Unit	96 - 95	RA122035	w/4 Whl. ABS

Wheel Attaching Hardware

Front Wheel Stud	Years	Part No.	Qualifier
-------------------------	--------------	-----------------	------------------

Wheel Lug Stud	04 - 97	BD125933	
Wheel Lug Stud	96 - 95	BD60960	2WD
Wheel Lug Stud	96 - 95	BD125933	4WD

Rear Wheel Stud	Years	Part No.	Qualifier
------------------------	--------------	-----------------	------------------

Wheel Lug Stud	04 - 00	BD61499	
Wheel Lug Stud	99 - 98	BD125933	
Wheel Lug Stud	97 - 95	BD61235	

Front Wheel Nut	Years	Part No.	Qualifier
------------------------	--------------	-----------------	------------------

Wheel Lug Nut	04 - 01	BD125920	Bulge
Wheel Lug Nut	00 - 97	BD125915	Dome - Bright
Wheel Lug Nut	00 - 95	BD61281	Std. Open
Wheel Lug Nut	96 - 95	BD61161	Flattop - Bright

Rear Wheel Nut	Years	Part No.	Qualifier
-----------------------	--------------	-----------------	------------------

Wheel Lug Nut	04 - 01	BD125920	Bulge
Wheel Lug Nut	00 - 97	BD125915	Dome - Bright
Wheel Lug Nut	00 - 95	BD61281	Std. Open
Wheel Lug Nut	96 - 95	BD61161	Flattop - Bright

DURANGO
Brake Pads & Shoes

Front Pads & Shoes	Years	SevereDuty	Lining No.	Qualifier
-------------------------------	--------------	-------------------	-------------------	------------------

Brake Pads	06 - 04	SD966B		
Brake Pads	03	SD966A		
Brake Pads	02 - 00	SD820		
Brake Pads	99 - 98	SD746		

Rear Pads & Shoes	Years	SevereDuty	Lining No.	Qualifier
------------------------------	--------------	-------------------	-------------------	------------------

Brake Pads	06 - 04	SD967A		
Brake Pads	03	SD967		
Brake Shoes	03 - 98	SDS734	EX2182T	11 x 2-1/4" Brake; Bonded

Parking Brake Shoes	Years	SevereDuty	Lining No.	Qualifier
----------------------------	--------------	-------------------	-------------------	------------------

Parking Brake Shoes	03	SDS771	EX2192	Bonded
---------------------	----	--------	--------	--------

Rotor & Drum

Front Rotor & Drum	Years	Part No.	Qualifier
-------------------------------	--------------	-----------------	------------------

Brake Rotor	05 - 04	BD126062	
Brake Rotor	03	BD126041	
Brake Rotor	02 - 98	BD125632	

Rear Rotor & Drum	Years	Part No.	Qualifier
------------------------------	--------------	-----------------	------------------

Brake Drum	03 - 98	BD125610	11 x 2-1/4" Brake
Brake Rotor	05 - 04	BD126002	
Brake Rotor	03	BD126040	

Brake Hardware

Front Brake Hardware	Years	Sequential No.	Category No.	Qualifier
-----------------------------	--------------	-----------------------	---------------------	------------------

Caliper Bolt/Pin	04 - 03	F126899S	(H5061)	
Caliper Bolt/Pin	02 - 98	F132517S	(H5078)	
Disc Align Kit	05 - 03	F138118S	(H5616)	
Disc Align Kit	02 - 00	F139828	(H5658)	
Disc Align Kit	02 - 98	F139775	(H5652)	Caliper Anchor Bracket Repair Kit
Pin Boot Kit	05 - 03	F139361	(H8227)	
Pin Boot Kit	02 - 98	F130898S	(H8212)	

Rear Brake Hardware	Years	Sequential No.	Category No.	Qualifier
----------------------------	--------------	-----------------------	---------------------	------------------

Adjuster Kit	02 - 98	F138096S	(H2702)	L.H.
Adjuster Kit	02 - 98	F138097S	(H2703)	R.H.

DURANGO (cont.)

Brake Hardware (cont.)

Rear Brake Hardware	Years	Sequential No.	Category No.	Qualifier
Adjuster Screw	02 - 98	F73151S	(H1526)	L.H.
Adjuster Screw	02 - 98	F73150S	(H1527)	R.H.
Combi Kit	02 - 98	F138801	(H7218)	
↳Hold Down Kit		F117126S	(H4097)	
↳Return Spring Kit		F36466S	(H325)	
Disc Align Kit	05 - 03	F139827	(H5657)	
Pin Boot Kit	05 - 03	F139361	(H8227)	

Parking Brake	Years	Sequential No.	Category No.	Qualifier
Combi Kit	05 - 03	F139725	(H7231)	

Calipers - Reman

Front, Loaded	Years	Left No.	Right No.	Qualifier	Piston
Loaded Caliper	02 - 00	AS134504	AS134505		P
Loaded Caliper	99 - 98	AS134306	AS134305		P

Front, Unloaded	Years	Left No.	Right No.	Qualifier	Piston
Unloaded Caliper	04	CRB134604	CRB134605	Supplied w/Mtg. Brkt.	M
Unloaded Caliper	04	CR134604	CR134605	Supplied w/o Mtg. Brkt.	M
Unloaded Caliper	03	CRB134809	CRB134808	Supplied w/Mtg. Brkt.	P
Unloaded Caliper	03	CR134809	CR134808	Supplied w/o Mtg. Brkt.	P
Unloaded Caliper	02 - 00	CR134504	CR134505		P
Unloaded Caliper	99 - 98	CR134306	CR134305		P

Rear, Unloaded	Years	Left No.	Right No.	Qualifier	Piston
Unloaded Caliper	05 - 03	CRB134606	CRB134607	Supplied w/Mtg. Brkt.	P
Unloaded Caliper	05 - 03	CR134606	CR134607	Supplied w/o Mtg. Brkt.	P

Hydraulics - New

Master Cylinder	Years	Sequential No.	Category No.	Qualifier
Master Cylinder	01	F139956	(MC139956)	1" Bore
Master Cylinder	00 - 99	F134437	(MC134437)	15/16" Bore
Master Cylinder	98	F134441	(MC134441)	1-1/16" Bore

Rear Wheel Cylinder	Years	Sequential No.	Category No.	Qualifier
Wheel Cylinder	02 - 00	F78974	(WC78974)	L.H.; 1" Bore
Wheel Cylinder	02 - 00	F78975	(WC78975)	R.H.; 1" Bore
Wheel Cylinder	99 - 98	F17507	(WC17507)	L.H.; 7/8" Bore
Wheel Cylinder	99 - 98	F17508	(WC17508)	R.H.; 7/8" Bore

Front Brake Hose	Years	Sequential No.	Category No.	Qualifier
Brake Hose	02 - 00	F139927	(BH139927)	L.H.; 2WD
Brake Hose	02 - 00	F139935	(BH139925)	L.H.; 4WD
Brake Hose	02 - 00	F139928	(BH139928)	R.H.; 2WD
Brake Hose	02 - 00	F139936	(BH139936)	R.H.; 4WD
Brake Hose	99 - 98	F139929	(BH139929)	L.H.
Brake Hose	99 - 98	F139930	(BH139930)	R.H.

Rear Brake Hose	Years	Sequential No.	Category No.	Qualifier
Brake Hose	02 - 00	F139937	(BH139937)	Inner
Brake Hose	99 - 98	F138843	(BH138843)	w/ABS
Brake Hose	99 - 98	F138622	(BH138622)	w/RWAL

Hydraulics - Reman

Master Cylinder	Years	Part No.	Qualifier
Master Cylinder	03 - 99	R134759	
Master Cylinder	98	R134758	

Power Brake Booster	Years	Part No.	Qualifier
Power Brake Booster	03	5471902	4WD; w/o Master Cylinder
Power Brake Booster	02 - 99	5471902	w/o Master Cylinder
Power Brake Booster	98	5473165	w/o Master Cylinder

↳Sub-Kit of Combi-Kit is available separately.

Piston: M - OE Metal Piston P - OE Phenolic Piston

DURANGO (cont.)

Wheel Attaching Hardware

Front Wheel Stud	Years	Part No.	Qualifier
Wheel Lug Stud	05 - 03	BD125933	4WD
Wheel Lug Stud	02 - 98	BD125933	
Rear Wheel Stud	Years	Part No.	Qualifier
Wheel Lug Stud	05 - 98	BD61499	
Front Wheel Nut	Years	Part No.	Qualifier
Wheel Lug Nut	05 - 98	BD125920	Bulge
Wheel Lug Nut	05 - 98	BD125915	Dome - Bright
Rear Wheel Nut	Years	Part No.	Qualifier
Wheel Lug Nut	05 - 98	BD125920	Bulge
Wheel Lug Nut	05 - 98	BD125915	Dome - Bright

DODGE - 1/2 TON TRUCK

D100 PICKUP - See Also W100 PICKUP

Brake Pads & Shoes

Front Pads & Shoes	Years	SevereDuty	Lining No.	Qualifier
Brake Pads	89 - 86	SD269		
Rear Pads & Shoes	Years	SevereDuty	Lining No.	Qualifier
Brake Shoes	89 - 86	SDS446R	EX2025TD	11 x 2-1/2" Brake; Riveted
Brake Shoes	87 - 86	SDS445R	EX2089TD	10 x 2-1/2" Brake; Riveted

Rotor & Drum

Front Rotor & Drum	Years	Part No.	Qualifier
Brake Rotor	89 - 86	BD60784	
Rear Rotor & Drum	Years	Part No.	Qualifier
Brake Drum	89 - 86	BD60732	11 x 2-1/2" Brake
Brake Drum	87 - 86	BD60140	10 x 2-1/2" Brake

Brake Hardware

Front Brake Hardware	Years	Sequential No.	Category No.	Qualifier
Disc Align Kit	89 - 86	F76178S	(H5516)	
Rear Brake Hardware	Years	Sequential No.	Category No.	Qualifier
Adjuster Kit	89 - 86	F98358S	(H2528)	L.H.; 10 x 2-1/2" Brake
Adjuster Kit	89 - 86	F98364S	(H2534)	L.H.; 11 x 2-1/4" Brake
Adjuster Kit	89 - 86	F98359S	(H2529)	R.H.; 10 x 2-1/2" Brake
Adjuster Kit	89 - 86	F98365S	(H2535)	R.H.; 11 x 2-1/4" Brake
Adjuster Screw	89 - 86	F73151S	(H1526)	L.H.; 10 x 2-1/2" Brake
Adjuster Screw	89 - 86	F73151S	(H1526)	L.H.; 11 x 2-1/4" Brake
Adjuster Screw	89 - 86	F73150S	(H1527)	R.H.; 10 x 2-1/2" Brake
Adjuster Screw	89 - 86	F73150S	(H1527)	R.H.; 11 x 2-1/4" Brake
Combi Kit	89 - 86	F98454	(H7044)	10 x 2-1/2" Brake
↳Adjuster Spring Kit		F45948	(H428)	
↳Hold Down Kit		F19471S	(H4030)	
↳Return Spring Kit		F36454S	(H102)	
Combi Kit	89 - 86	F78544S	(H7133)	11 x 2-1/4" Brake
↳Adjuster Spring Kit		F73170S	(H435)	
↳Hold Down Kit		F19471S	(H4030)	
↳Return Spring Kit		F36403S	(H111)	

Calipers - Reman

Front, Loaded	Years	Left No.	Right No.	Qualifier	Piston
Loaded Caliper	89 - 86	AS104396B	AS104397B	w/Single Piston Caliper	P
Loaded Caliper	89 - 86	AS104396BS	AS104397BS	w/Single Piston Caliper	O
Front, Unloaded	Years	Left No.	Right No.	Qualifier	Piston
Unloaded Caliper	89 - 86	CR104396	CR104397	w/Single Piston Caliper	P
Unloaded Caliper	89 - 86	CR104396S	CR104397S	w/Single Piston Caliper	O

↳Sub-Kit of Combi-Kit is available separately.

Piston: M - OE Metal Piston P - OE Phenolic Piston O - Metal Piston Option

D100 PICKUP (cont.) - See Also W100 PICKUP

Hydraulics - New

Master Cylinder	Years	Sequential No.	Category No.	Qualifier
Master Cylinder	89 - 86	F98895	(MC98895)	1-1/8" Bore
Rear Wheel Cylinder	Years	Sequential No.	Category No.	Qualifier
Wheel Cylinder	89 - 86	F106315	(WC106315)	15/16" Bore
Clutch Master Cylind	Years	Sequential No.	Category No.	Qualifier
Clutch Master Cylinder	89 - 88	F126863	(CM126863)	7/8" Bore
Clutch Master Cylinder	87 - 86	F126864	(CM126864)	7/8" Bore
Clutch Slave Cylinder	Years	Sequential No.	Category No.	Qualifier
Clutch Slave Cylinder	89 - 88	F126877	(SC126877)	1" Bore
Clutch Slave Cylinder	89 - 86	F126878	(SC126878)	1" Bore
Front Brake Hose	Years	Sequential No.	Category No.	Qualifier
Brake Hose	89 - 86	F106669	(BH106669)	
Rear Brake Hose	Years	Sequential No.	Category No.	Qualifier
Brake Hose	89	F124718	(BH124718)	
Brake Hose	88 - 86	F106330	(BH106330)	

Hydraulics - Reman

Master Cylinder	Years	Part No.	Qualifier
Master Cylinder	89 - 86	R98895	
Power Brake Booster	Years	Part No.	Qualifier
Power Brake Booster	89	504206	Gas; w/Master Cylinder
Power Brake Booster	89	5474206	Gas; w/o Master Cylinder
Power Brake Booster	88 - 87	504205	Gas; w/Master Cylinder
Power Brake Booster	88 - 87	5474205	Gas; w/o Master Cylinder
Power Brake Booster	86	509218	Gas; w/Master Cylinder
Power Brake Booster	86	5473734	Gas; w/o Master Cylinder

Brake Cables

Parking Brake Cable	Years	Sequential No.	Category No.	Qualifier
Parking Brake Cable	89 - 86	F102644	(BC102644)	Forward
Parking Brake Cable	89 - 86	F102645	(BC102645)	Intermediate; 115" WB
Parking Brake Cable	89 - 86	F102647	(BC102647)	Intermediate; 131" WB
Parking Brake Cable	89 - 88	F126844	(BC126844)	Rear; L.H.
Parking Brake Cable	89 - 88	F126917	(BC126917)	Rear; R.H.
Parking Brake Cable	87 - 86	F108737	(BC108737)	Rear; L.H.
Parking Brake Cable	87 - 86	F108736	(BC108736)	Rear; R.H.

ABS Components - New

ABS Control Module	Years	Sequential No.	Category No.	Qualifier
ABS Control Module	89 - 88	F121023	(AB121023)	
ABS Modulator	Years	Sequential No.	Category No.	Qualifier
ABS Modulator	89 - 88	F121015	(AB121015)	
ABS Wheel Sensor	Years	Sequential No.	Category No.	Qualifier
ABS Wheel Sensor	89 - 88	F121013	(AB121013)	Rear; L.H.
ABS Wheel Sensor	89 - 88	F121013	(AB121013)	Rear; R.H.

ABS Components - Reman

ABS Module	Years	Part No.	Qualifier
ABS Module	89	RA121001	
ABS Hydraulic Unit	Years	Part No.	Qualifier
ABS Hydraulic Unit	89	RA122011	

Wheel Attaching Hardware

Front Wheel Stud	Years	Part No.	Qualifier
Wheel Lug Stud	89 - 86	BD60960	
Rear Wheel Stud	Years	Part No.	Qualifier
Wheel Lug Stud	89 - 86	BD61235	
Front Wheel Nut	Years	Part No.	Qualifier
Wheel Lug Nut	89 - 86	BD125915	Dome - Bright

D100 PICKUP (cont.) - See Also W100 PICKUP
Wheel Attaching Hardware (cont.)

Front Wheel Nut	Years	Part No.	Qualifier
Wheel Lug Nut	89 - 86	BD61161	Flattop - Bright
Wheel Lug Nut	89 - 86	BD61281	Std. Open
Rear Wheel Nut	Years	Part No.	Qualifier
Wheel Lug Nut	89 - 86	BD125915	Dome - Bright
Wheel Lug Nut	89 - 86	BD61161	Flattop - Bright
Wheel Lug Nut	89 - 86	BD61281	Std. Open

D150 PICKUP - See Also W150 PICKUP
Brake Pads & Shoes

Front Pads & Shoes	Years	SevereDuty	Lining No.	Qualifier
Brake Pads	93 - 81	SD269		
Rear Pads & Shoes	Years	SevereDuty	Lining No.	Qualifier
Brake Shoes	93 - 85	SDS446R	EX2025TD	11 x 2-1/2" Brake; Riveted
Brake Shoes	87 - 81	SDS445R	EX2089TD	10 x 2-1/2" Brake; Riveted
Brake Shoes	81	SDS446R	EX2025TD	11 x 2-1/2" Brake; Riveted

Rotor & Drum

Front Rotor & Drum	Years	Part No.	Qualifier
Brake Rotor	93 - 85	BD60784	
Brake Rotor	84 - 82	BD60472	
Brake Rotor	81	BD60418	
Rear Rotor & Drum	Years	Part No.	Qualifier
Brake Drum	93 - 85	BD60732	11 x 2-1/2" Brake
Brake Drum	87 - 84	BD60140	10 x 2-1/2" Brake
Brake Drum	83 - 82	BD60140	Exc. Finned Drum; 10 x 2-1/2" Brake
Brake Drum	83	BD60350	Finned Drum; 10 x 2-1/2" Brake
Brake Drum	81	BD60140	10 x 2-1/2" Brake
Brake Drum	81	BD60187	11 x 2-1/2" Brake

Brake Hardware

Front Brake Hardware	Years	Sequential No.	Category No.	Qualifier
Disc Align Kit	93 - 81	F76178S	(H5516)	
Rear Brake Hardware	Years	Sequential No.	Category No.	Qualifier
Adjuster Kit	93 - 91	F98364S	(H2534)	L.H.
Adjuster Kit	93 - 91	F98365S	(H2535)	R.H.
Adjuster Kit	90 - 81	F98358S	(H2528)	L.H.; 10 x 2-1/2" Brake
Adjuster Kit	90 - 81	F98364S	(H2534)	L.H.; 11 x 2-1/4" Brake
Adjuster Kit	90 - 81	F98359S	(H2529)	R.H.; 10 x 2-1/2" Brake
Adjuster Kit	90 - 81	F98365S	(H2535)	R.H.; 11 x 2-1/4" Brake
Adjuster Screw	93 - 91	F73151S	(H1526)	L.H.
Adjuster Screw	93 - 91	F73150S	(H1527)	R.H.
Adjuster Screw	90 - 81	F73151S	(H1526)	L.H.; 10 x 2-1/2" Brake
Adjuster Screw	90 - 81	F73151S	(H1526)	L.H.; 11 x 2-1/4" Brake
Adjuster Screw	90 - 81	F73150S	(H1527)	R.H.; 10 x 2-1/2" Brake
Adjuster Screw	90 - 81	F73150S	(H1527)	R.H.; 11 x 2-1/4" Brake
Combi Kit	93 - 81	F78544S	(H7133)	11 x 2-1/4" Brake
↳Adjuster Spring Kit		F73170S	(H435)	
↳Hold Down Kit		F19471S	(H4030)	
↳Return Spring Kit		F36403S	(H111)	
Combi Kit	90 - 81	F98454	(H7044)	10 x 2-1/2" Brake
↳Adjuster Spring Kit		F45948	(H428)	
↳Hold Down Kit		F19471S	(H4030)	
↳Return Spring Kit		F36454S	(H102)	

Calipers - Reman

Front, Loaded	Years	Left No.	Right No.	Qualifier	Piston
Loaded Caliper	93 - 84	AS104396B	AS104397B	w/Single Piston Caliper	P

↳Sub-Kit of Combi-Kit is available separately.

Piston: M - OE Metal Piston P - OE Phenolic Piston O - Metal Piston Option

DODGE - 1/2 TON TRUCK



D150 PICKUP (cont.) - See Also W150 PICKUP

Calipers - Reman (cont.)					
Front, Loaded	Years	Left No.	Right No.	Qualifier	Piston
Loaded Caliper	93 - 84	AS104396BS	AS104397BS	w/Single Piston Caliper	O
Loaded Caliper	83 - 81	AS104396	AS104397	w/Single Piston Caliper	P
Loaded Caliper	83 - 81	AS104396S	AS104397S	w/Single Piston Caliper	O
Front, Unloaded	Years	Left No.	Right No.	Qualifier	Piston
Unloaded Caliper	93 - 81	CR104396	CR104397	w/Single Piston Caliper	P
Unloaded Caliper	93 - 81	CR104396S	CR104397S	w/Single Piston Caliper	O
Hydraulics - New					
Master Cylinder	Years	Sequential No.	Category No.	Qualifier	
Master Cylinder	93 - 85	F98895	(MC98895)	1-1/8" Bore	
Master Cylinder	84 - 82	F98895	(MC98895)	Alum.; 1-1/8" Bore	
Master Cylinder	81	F98895	(MC98895)	w/Manual Brake; w/Alum. Body; 1-1/8" Bore	
Rear Wheel Cylinder	Years	Sequential No.	Category No.	Qualifier	
Wheel Cylinder	93 - 81	F106315	(WC106315)	15/16" Bore	
Clutch Master Cylind	Years	Sequential No.	Category No.	Qualifier	
Clutch Master Cylinder	93	F126868	(CM126868)	7/8" Bore	
Clutch Master Cylinder	92 - 88	F126863	(CM126863)	7/8" Bore	
Clutch Master Cylinder	87 - 85	F126864	(CM126864)	7/8" Bore	
Clutch Slave Cylinder	Years	Sequential No.	Category No.	Qualifier	
Clutch Slave Cylinder	93	F126880	(SC126880)	1" Bore	
Clutch Slave Cylinder	92	F126881	(SC126881)	1" Bore	
Clutch Slave Cylinder	91 - 88	F126877	(SC126877)	1" Bore	
Clutch Slave Cylinder	91 - 85	F126878	(SC126878)	1" Bore	
Front Brake Hose	Years	Sequential No.	Category No.	Qualifier	
Brake Hose	93 - 81	F106669	(BH106669)		
Rear Brake Hose	Years	Sequential No.	Category No.	Qualifier	
Brake Hose	93 - 89	F124718	(BH124718)		
Brake Hose	88 - 82	F106330	(BH106330)		
Brake Hose	81	F97659	(BH97659)		
Hydraulics - Reman					
Master Cylinder	Years	Part No.	Qualifier		
Master Cylinder	93 - 81	R98895			
Power Brake Booster	Years	Part No.	Qualifier		
Power Brake Booster	93 - 89	504206	Gas; w/Master Cylinder		
Power Brake Booster	93 - 89	5474206	Gas; w/o Master Cylinder		
Power Brake Booster	88 - 87	504205	Gas; w/Master Cylinder		
Power Brake Booster	88 - 87	5474205	Gas; w/o Master Cylinder		
Power Brake Booster	86 - 84	509218	Gas; w/Master Cylinder		
Power Brake Booster	86 - 84	5473734	Gas; w/o Master Cylinder		
Power Brake Booster	83 - 81	503770	Gas; w/Master Cylinder		
Power Brake Booster	83 - 81	5473770	Gas; w/o Master Cylinder		
Brake Cables					
Parking Brake Cable	Years	Sequential No.	Category No.	Qualifier	
Parking Brake Cable	93 - 82	F102644	(BC102644)	Forward	
Parking Brake Cable	93 - 81	F102645	(BC102645)	Intermediate; 115" WB	
Parking Brake Cable	93 - 81	F102647	(BC102647)	Intermediate; 131" WB	
Parking Brake Cable	93 - 90	F102649	(BC102649)	Intermediate; 149" WB	
Parking Brake Cable	93 - 88	F126844	(BC126844)	Rear; L.H.	
Parking Brake Cable	93 - 88	F126917	(BC126917)	Rear; R.H.	
Parking Brake Cable	87 - 84	F108737	(BC108737)	Rear; L.H.	
Parking Brake Cable	87 - 84	F108736	(BC108736)	Rear; R.H.	
Parking Brake Cable	83 - 81	F102649	(BC102649)	Intermediate; 149" WB	
Parking Brake Cable	83 - 81	F101658	(BC101658)	Rear; L.H.	
Parking Brake Cable	83 - 82	F108521	(BC108521)	Rear; R.H.	
Parking Brake Cable	81	F102646	(BC102646)	Forward; w/Frame Reinforcement	

Piston: M - OE Metal Piston P - OE Phenolic Piston O - Metal Piston Option

D150 PICKUP (cont.) - See Also W150 PICKUP
Brake Cables (cont.)

Parking Brake Cable	Years	Sequential No.	Category No.	Qualifier
Parking Brake Cable	81	F102648	(BC102648)	Intermediate; 133" WB
Parking Brake Cable	81	F108521	(BC108521)	Rear; R.H.; 10" Brake
Parking Brake Cable	81	F101659	(BC101659)	Rear; R.H.; 11" Brake

ABS Components - New

ABS Control Module	Years	Sequential No.	Category No.	Qualifier
ABS Control Module	91 - 90	F121022	(AB121022)	
ABS Control Module	89 - 88	F121023	(AB121023)	
ABS Modulator	Years	Sequential No.	Category No.	Qualifier
ABS Modulator	91 - 90	F121019	(AB121019)	
ABS Modulator	89 - 88	F121015	(AB121015)	
ABS Wheel Sensor	Years	Sequential No.	Category No.	Qualifier
ABS Wheel Sensor	91 - 88	F121013	(AB121013)	Rear; L.H.
ABS Wheel Sensor	91 - 88	F121013	(AB121013)	Rear; R.H.

ABS Components - Reman

ABS Module	Years	Part No.	Qualifier
ABS Module	93 - 89	RA121001	
ABS Hydraulic Unit	Years	Part No.	Qualifier
ABS Hydraulic Unit	93 - 90	RA122019	
ABS Hydraulic Unit	89	RA122011	

Wheel Attaching Hardware

Front Wheel Stud	Years	Part No.	Qualifier
Wheel Lug Stud	93 - 86	BD60960	
Wheel Lug Stud	85 - 81	BD60960	Budd Rotor
Wheel Lug Stud	85 - 81	BD60961	Kelsey-Hayes Rotor
Rear Wheel Stud	Years	Part No.	Qualifier
Wheel Lug Stud	93 - 81	BD61235	
Front Wheel Nut	Years	Part No.	Qualifier
Wheel Lug Nut	93 - 81	BD125915	Dome - Bright
Wheel Lug Nut	93 - 81	BD61161	Flattop - Bright
Wheel Lug Nut	93 - 81	BD61281	Std. Open
Rear Wheel Nut	Years	Part No.	Qualifier
Wheel Lug Nut	93 - 81	BD125915	Dome - Bright
Wheel Lug Nut	93 - 81	BD61161	Flattop - Bright
Wheel Lug Nut	93 - 81	BD61281	Std. Open

RAM 1500 PICKUP
Brake Pads & Shoes

Front Pads & Shoes	Years	SevereDuty	Lining No.	Qualifier
Brake Pads	06	SD965		Mega Cab
Brake Pads	05 - 04	SD966B		Exc. SRT10
Brake Pads	03 - 02	SD966B		
Brake Pads	01 - 00	SD842		2WD
Brake Pads	01 - 00	SD758		4WD
Brake Pads	99 - 94	SD369		
Rear Pads & Shoes	Years	SevereDuty	Lining No.	Qualifier
Brake Pads	06	SD967A		Exc. SRT-10; Exc. Mega Cab
Brake Pads	06	SD702A		Exc. SRT-10; Mega Cab
Brake Pads	05	SD967A		Exc. SRT10
Brake Pads	04 - 02	SD967A		
Brake Shoes	01 - 00	SDS734	EX2182T	11 x 2-1/4" Brake; Bonded
Brake Shoes	99 - 94	SDS462R	EX2134ATD	11 x 2" Brake; Riveted
Parking Brake Shoes	Years	SevereDuty	Lining No.	Qualifier
Parking Brake Shoes	03 - 02	SDS771	EX2192	4WD; Bonded

DODGE - 1/2 TON TRUCK



RAM 1500 PICKUP (cont.)

Rotor & Drum			
Front Rotor & Drum	Years	Part No.	Qualifier
Brake Rotor	06	BD126045	Exc. SRT-10; Mega Cab
Brake Rotor	05	BD126062	Exc. SRT10; Exc. Perf., Exc. H/D Brake
Brake Rotor	04	BD126062	Exc. Perf., Exc. H/D Brake
Brake Rotor	03 - 02	BD126062	
Brake Rotor	01 - 00	BD125751	2WD
Brake Rotor	01 - 00	BD125744	4WD
Brake Rotor	99 - 94	BD125390	2WD
Brake Rotor	99 - 94	BD125388	4WD

Rear Rotor & Drum	Years	Part No.	Qualifier
Brake Drum	01 - 00	BD125747	11 x 2-1/4" Brake
Brake Drum	99 - 94	BD125394	11 x 2" Brake
Brake Rotor	06	BD126049	Exc. SRT-10; Mega Cab
Brake Rotor	05	BD126158	SRT-10
Brake Rotor	04	BD126002	Exc. H/D Brake
Brake Rotor	04	BD126158	H/D Brake
Brake Rotor	03 - 02	BD126002	

Brake Hardware				
Front Brake Hardware	Years	Sequential No.	Category No.	Qualifier
Caliper Bolt/Pin	05 - 00	F126899S	(H5061)	
Caliper Bolt/Pin	99 - 94	F117224S	(H5038)	
Disc Align Kit	05 - 00	F138118S	(H5616)	
Disc Align Kit	99 - 98	F117225S	(H5584)	2WD
Disc Align Kit	97 - 94	F117225S	(H5584)	4WD
Pin Boot Kit	05 - 00	F139361	(H8227)	
Pin Boot Kit	99 - 94	F130901S	(H8215)	

Rear Brake Hardware	Years	Sequential No.	Category No.	Qualifier
Adjuster Kit	01 - 00	F138096S	(H2702)	L.H.
Adjuster Kit	01 - 00	F138097S	(H2703)	R.H.
Adjuster Kit	99 - 94	F98412	(H2578)	L.H.
Adjuster Kit	99 - 94	F98413	(H2579)	R.H.
Adjuster Screw	01 - 00	F73151S	(H1526)	L.H.
Adjuster Screw	01 - 00	F73150S	(H1527)	R.H.
Adjuster Screw	99 - 94	F73181S	(H1530)	L.H.
Adjuster Screw	99 - 94	F73182S	(H1531)	R.H.
Combi Kit	01 - 00	F138801	(H7218)	
↳Hold Down Kit		F117126S	(H4097)	
↳Return Spring Kit		F36466S	(H325)	
Combi Kit	99 - 94	F130896S	(H7205)	
↳Adjuster Spring Kit		F73180S	(H439)	
↳Return Spring Kit		F73179S	(H348)	
Disc Align Kit	05 - 02	F139827	(H5657)	
Pin Boot Kit	05 - 00	F139361	(H8227)	

Parking Brake	Years	Sequential No.	Category No.	Qualifier
Combi Kit	04 - 02	F139850	(H7238)	

Calipers - Reman					
Front, Loaded	Years	Left No.	Right No.	Qualifier	Piston
Loaded Caliper	05 - 02	AS134604	AS134605		M
Loaded Caliper	99 - 94	AS116292	AS116293	w/2.94" Single Piston Caliper	M
Front, Unloaded	Years	Left No.	Right No.	Qualifier	Piston
Unloaded Caliper	05 - 02	CRB134604	CRB134605	Supplied w/Mtg. Brkt.	M
Unloaded Caliper	05 - 02	CR134604	CR134605	Supplied w/o Mtg. Brkt.	M
Unloaded Caliper	01 - 00	CR134510	CR134511	w/Dual Piston Caliper	P
Unloaded Caliper	99 - 94	CR116292	CR116293	w/2.94" Single Piston Caliper	M
Rear, Unloaded	Years	Left No.	Right No.	Qualifier	Piston
Unloaded Caliper	05 - 02	CRB134606	CRB134607	Supplied w/Mtg. Brkt.	P

↳Sub-Kit of Combi-Kit is available separately.

Piston: M - OE Metal Piston P - OE Phenolic Piston

RAM 1500 PICKUP (cont.)
Calipers - Reman (cont.)

<i>Rear, Unloaded</i>	<i>Years</i>	<i>Left No.</i>	<i>Right No.</i>	<i>Qualifier</i>	<i>Piston</i>
Unloaded Caliper	05 - 02	CR134606	CR134607	Supplied w/o Mtg. Brkt.	P

Hydraulics - New

<i>Master Cylinder</i>	<i>Years</i>	<i>Sequential No.</i>	<i>Category No.</i>	<i>Qualifier</i>
Master Cylinder	01 - 98	F134430	(MC134430)	1-1/4" Bore
Master Cylinder	97 - 94	F131468	(MC131468)	1-1/8" Bore
<i>Rear Wheel Cylinder</i>	<i>Years</i>	<i>Sequential No.</i>	<i>Category No.</i>	<i>Qualifier</i>
Wheel Cylinder	02 - 00	F78974	(WC78974)	L.H.; 1" Bore
Wheel Cylinder	02 - 00	F78975	(WC78975)	R.H.; 1" Bore
Wheel Cylinder	99 - 94	F131225	(WC131225)	15/16" Bore
<i>Clutch Master Cylind</i>	<i>Years</i>	<i>Sequential No.</i>	<i>Category No.</i>	<i>Qualifier</i>
Clutch Master Cylinder	01 - 98	F134554	(CM134554)	29/32" Bore
Clutch Master Cylinder	97 - 94	F130545	(CM130545)	7/8" Bore
<i>Clutch Slave Cylinder</i>	<i>Years</i>	<i>Sequential No.</i>	<i>Category No.</i>	<i>Qualifier</i>
Clutch Slave Cylinder	97 - 94	F126881	(SC126881)	1" Bore
<i>Front Brake Hose</i>	<i>Years</i>	<i>Sequential No.</i>	<i>Category No.</i>	<i>Qualifier</i>

Brake Hose	03 - 02	F139938	(BH139938)	L.H.; w/ABS
Brake Hose	03 - 02	F140004	(BH140004)	L.H.; w/RWAL
Brake Hose	03 - 02	F139939	(BH139939)	R.H.; w/ABS
Brake Hose	03 - 02	F140005	(BH140005)	R.H.; w/RWAL
Brake Hose	01 - 00	F139933	(BH139933)	L.H.; 2WD; w/Independent Susp.; w/ABS
Brake Hose	01 - 00	F139931	(BH139931)	L.H.; 2WD; w/Independent Susp.; w/RWAL
Brake Hose	01	F139948	(BH139948)	L.H.; 2WD; w/Solid Axle
Brake Hose	01 - 00	F139948	(BH139948)	L.H.; 4WD; w/ABS
Brake Hose	01 - 00	F139950	(BH139950)	L.H.; 4WD; w/RWAL
Brake Hose	01 - 00	F139934	(BH139934)	R.H.; 2WD; w/Independent Susp.; w/ABS
Brake Hose	01 - 00	F139932	(BH139932)	R.H.; 2WD; w/Independent Susp.; w/RWAL
Brake Hose	01	F139949	(BH139949)	R.H.; 2WD; w/Solid Axle
Brake Hose	01 - 00	F139949	(BH139949)	R.H.; 4WD; w/ABS
Brake Hose	01 - 00	F139951	(BH139951)	R.H.; 4WD; w/RWAL
Brake Hose	00	F139933	(BH139933)	L.H.; 2WD; w/Solid Axle
Brake Hose	00	F139934	(BH139934)	R.H.; 2WD; w/Solid Axle
Brake Hose	99 - 95	F132295	(BH132295)	L.H.; 2WD; w/ABS
Brake Hose	99 - 96	F138070	(BH138070)	L.H.; 2WD; w/RWAL
Brake Hose	99 - 95	F132296	(BH132296)	L.H.; 4WD; w/ABS
Brake Hose	99 - 94	F132147	(BH132147)	R.H.; 2WD; w/RWAL
Brake Hose	99 - 95	F132149	(BH132149)	R.H.; 4WD
Brake Hose	97 - 95	F132161	(BH132161)	R.H.; 2WD; w/ABS
Brake Hose	95 - 94	F132146	(BH132146)	L.H.; 2WD; w/RWAL
Brake Hose	94	F132160	(BH132160)	L.H.; 2WD; w/4 Whl. ABS
Brake Hose	94	F132162	(BH132162)	L.H.; 4WD; w/4 Whl. ABS
Brake Hose	94	F132148	(BH132148)	L.H.; 4WD; w/RWAL
Brake Hose	94	F132161	(BH132161)	R.H.; 2WD; w/4 Whl. ABS
Brake Hose	94	F132149	(BH132149)	R.H.; 4WD; w/RWAL

<i>Rear Brake Hose</i>	<i>Years</i>	<i>Sequential No.</i>	<i>Category No.</i>	<i>Qualifier</i>
Brake Hose	01 - 98	F118546	(BH118546)	To 7/4/00; w/Rear Drum
Brake Hose	97 - 94	F120520	(BH120520)	

Hydraulics - Reman

<i>Master Cylinder</i>	<i>Years</i>	<i>Part No.</i>	<i>Qualifier</i>
Master Cylinder	01 - 98	R134716	
Master Cylinder	97	R131472	
Master Cylinder	96 - 94	R116881	
<i>Power Brake Booster</i>	<i>Years</i>	<i>Part No.</i>	<i>Qualifier</i>
Hydro Booster	00	527354	Ext. Cab

Piston: M - OE Metal Piston P - OE Phenolic Piston

RAM 1500 PICKUP (cont.)

Hydraulics - Reman (cont.)

Power Brake Booster	Years	Part No.	Qualifier
Power Brake Booster	03	5474409	Gas; w/o Master Cylinder
Power Brake Booster	02	5474423	Gas; w/o Master Cylinder; Ext. Cab; Exc. LT265/75R16 or LT275/70R17 Tires
Power Brake Booster	02	5474422	Gas; w/o Master Cylinder; Ext. Cab; w/LT265/75R16 or LT275/70R17 Tires
Power Brake Booster	02	5474409	Gas; w/o Master Cylinder; Std. Cab; w/Vacuum Boos
Power Brake Booster	01	5474423	Gas; w/o Master Cylinder; w/Vacuum Boost; Exc. LT265/75R16 or LT275/70R17 Tires
Power Brake Booster	01	5474422	Gas; w/o Master Cylinder; w/Vacuum Boost; w/LT265/75R16 or LT275/70R17 Tires
Power Brake Booster	00	5474423	Gas; w/o Master Cylinder; Ext. Cab; w/Vacuum Boost; Exc. LT265/75R16 or LT275/70R17 Tires
Power Brake Booster	00	5474422	Gas; w/o Master Cylinder; Ext. Cab; w/Vacuum Boost; Ext. Cab; w/LT265/75R16 or LT275/70R17 Tires
Power Brake Booster	00	5474422	Gas; w/o Master Cylinder; Std. Cab; w/Vacuum Boost
Power Brake Booster	99 - 98	5474421	Gas; w/o Master Cylinder
Power Brake Booster	97 - 94	5474803	Gas; w/o Master Cylinder

Brake Cables

Parking Brake Cable	Years	Sequential No.	Category No.	Qualifier
Parking Brake Cable	05 - 02	F132374	(BC132374)	Intermediate; Quad Cab
Parking Brake Cable	05 - 04	F140306	(BC140306)	Rear; L.H.; Exc. SRT10; w/120-1/2" WB; Std. Cab; w/o Perf. Pkg.; 69" Length
Parking Brake Cable	05	F140306	(BC140306)	Rear; L.H.; Exc. SRT10; w/140-1/2" WB; Quad Cab; 69" Length
Parking Brake Cable	05 - 04	F140307	(BC140307)	Rear; L.H.; Exc. SRT10; w/140-1/2" WB; Std. Cab; 90" Length
Parking Brake Cable	05 - 04	F140307	(BC140307)	Rear; L.H.; Exc. SRT10; w/160-1/2" WB; Quad Cab; 90" Length
Parking Brake Cable	05	F140309	(BC140309)	Rear; L.H.; SRT10; w/140-1/2" WB; Quad Cab; 120" Length
Parking Brake Cable	05 - 04	F140309	(BC140309)	Rear; R.H.; Exc. SRT10; w/120-1/2" WB; Std. Cab; w/o Perf. Pkg.; 120" Length
Parking Brake Cable	05	F140309	(BC140309)	Rear; R.H.; Exc. SRT10; w/140-1/2" WB; Quad Cab; 120" Length
Parking Brake Cable	05 - 04	F140310	(BC140310)	Rear; R.H.; Exc. SRT10; w/140-1/2" WB; Std. Cab; 140" Length
Parking Brake Cable	05 - 04	F140310	(BC140310)	Rear; R.H.; Exc. SRT10; w/160-1/2" WB; Quad Cab; 140" Length
Parking Brake Cable	05	F140306	(BC140306)	Rear; R.H.; SRT10; w/140-1/2" WB; Quad Cab; 69" Length
Parking Brake Cable	04	F140306	(BC140306)	Rear; L.H.; Exc. SRT10; w/140-1/2" WB; Quad Cab; w/o Perf. Pkg.; 69" Length
Parking Brake Cable	04	F140309	(BC140309)	Rear; R.H.; Exc. SRT10; w/140-1/2" WB; Quad Cab; w/o Perf. Pkg.; 120" Length
Parking Brake Cable	03 - 02	F140306	(BC140306)	Rear; L.H.; w/120-1/2" WB; Std. Cab; 69" Length
Parking Brake Cable	03 - 02	F140306	(BC140306)	Rear; L.H.; w/140-1/2" WB; Quad Cab; 69" Length
Parking Brake Cable	03 - 02	F140307	(BC140307)	Rear; L.H.; w/140-1/2" WB; Std. Cab; 90" Length
Parking Brake Cable	03 - 02	F140307	(BC140307)	Rear; L.H.; w/160-1/2" WB; Quad Cab; 90" Length
Parking Brake Cable	03 - 02	F140309	(BC140309)	Rear; R.H.; w/120-1/2" WB; Std. Cab; 120" Length
Parking Brake Cable	03 - 02	F140309	(BC140309)	Rear; R.H.; w/140-1/2" WB; Quad Cab; 120" Length
Parking Brake Cable	03 - 02	F140310	(BC140310)	Rear; R.H.; w/140-1/2" WB; Std. Cab; 140" Length
Parking Brake Cable	03 - 02	F140310	(BC140310)	Rear; R.H.; w/160-1/2" WB; Quad Cab; 140" Length
Parking Brake Cable	01 - 00	F140169	(BC140169)	Forward; 64" Length
Parking Brake Cable	01	F140385	(BC140385)	Intermediate; From 7/5/00; Exc. Std. Cab; 138" WB; 18" Length
Parking Brake Cable	01	F140386	(BC140386)	Intermediate; From 7/5/00; Exc. Std. Cab; 154" WB; 34" Length
Parking Brake Cable	01	F140387	(BC140387)	Intermediate; From 7/5/00; Std. Cab; w/134" WB; 14" Length
Parking Brake Cable	01 - 00	F140380	(BC140380)	Intermediate; To 7/4/00; Exc. Std. Cab; 138" WB; 17" Length
Parking Brake Cable	01 - 00	F132377	(BC132377)	Intermediate; To 7/4/00; Exc. Std. Cab; 154" WB
Parking Brake Cable	01 - 00	F140381	(BC140381)	Intermediate; To 7/4/00; Std. Cab; w/138" WB; 13" Length
Parking Brake Cable	01 - 00	F140170	(BC140170)	Rear; L.H.; 47" Length
Parking Brake Cable	99 - 95	F132373	(BC132373)	Forward; Club Cab, Exd. Cab
Parking Brake Cable	99 - 94	F133068	(BC133068)	Forward; Exc. Club Cab
Parking Brake Cable	99 - 96	F132272	(BC132272)	Intermediate; w/8' Bed
Parking Brake Cable	99 - 95	F132375	(BC132375)	Rear; L.H.
Parking Brake Cable	99 - 95	F140314	(BC140314)	Rear; R.H.; Club Cab; 104" Length
Parking Brake Cable	99 - 95	F132376	(BC132376)	Rear; R.H.; Exc. Club Cab
Parking Brake Cable	96 - 95	F132374	(BC132374)	Intermediate; Club Cab; w/6-1/2' Bed
Parking Brake Cable	95	F132377	(BC132377)	Intermediate; Club Cab; w/8' Bed
Parking Brake Cable	95	F132272	(BC132272)	Intermediate; Exc. Club Cab; w/o 8' Bed
Parking Brake Cable	94	F132272	(BC132272)	Intermediate; w/8' Bed
Parking Brake Cable	94	F132273	(BC132273)	Rear; L.H.; w/6-1/2' Bed

RAM 1500 PICKUP (cont.)
Brake Cables (cont.)

Parking Brake Cable	Years	Sequential No.	Category No.	Qualifier
Parking Brake Cable	94	F133069	(BC133069)	Rear; R.H.

ABS Components - New

ABS Wheel Sensor	Years	Sequential No.	Category No.	Qualifier
ABS Wheel Sensor	97 - 94	F121013	(AB121013)	Rear; L.H.
ABS Wheel Sensor	97 - 94	F121013	(AB121013)	Rear; R.H.

ABS Components - Reman

ABS Module	Years	Part No.	Qualifier
ABS Module	97 - 94	RA121041	w/2 Whl. ABS

ABS Hydraulic Unit	Years	Part No.	Qualifier
ABS Hydraulic Unit	98 - 94	RA122056	w/2 Whl. ABS
ABS Hydraulic Unit	98 - 94	RA122055	w/4 Whl. ABS

Wheel Attaching Hardware

Front Wheel Stud	Years	Part No.	Qualifier
Wheel Lug Stud	01 - 00	BD125887	
Wheel Lug Stud	99 - 94	BD60967	2WD
Wheel Lug Stud	99 - 94	BD125887	4WD

Rear Wheel Stud	Years	Part No.	Qualifier
Wheel Lug Stud	99 - 94	BD61178	

Front Wheel Nut	Years	Part No.	Qualifier
Wheel Lug Nut	05 - 02	BD125999	Dome - Bright
Wheel Lug Nut	01 - 94	BD125915	Dome - Bright

Rear Wheel Nut	Years	Part No.	Qualifier
Wheel Lug Nut	05 - 02	BD125999	Dome - Bright
Wheel Lug Nut	01 - 94	BD125915	Dome - Bright

W100 PICKUP - See Also D100 PICKUP
Brake Pads & Shoes

Front Pads & Shoes	Years	SevereDuty	Lining No.	Qualifier
Brake Pads	89 - 86	SD269		

Rear Pads & Shoes	Years	SevereDuty	Lining No.	Qualifier
Brake Shoes	89 - 86	SDS446R	EX2025TD	11 x 2-1/2" Brake; Riveted

Rotor & Drum

Front Rotor & Drum	Years	Part No.	Qualifier
Brake Rotor	89 - 86	BD60609	
Rotor Hub	89 - 86	BD61709	L.H.; Use w/BD60609 Rotor
Rotor Hub	89 - 86	BD61709	R.H.; Use w/BD60609 Rotor

Rear Rotor & Drum	Years	Part No.	Qualifier
Brake Drum	89 - 86	BD60732	11 x 2-1/2" Brake

Brake Hardware

Front Brake Hardware	Years	Sequential No.	Category No.	Qualifier
Disc Align Kit	89 - 86	F76178S	(H5516)	

Rear Brake Hardware	Years	Sequential No.	Category No.	Qualifier
Adjuster Kit	89 - 86	F98364S	(H2534)	L.H.
Adjuster Kit	89 - 86	F98365S	(H2535)	R.H.
Adjuster Screw	89 - 86	F73151S	(H1526)	L.H.
Adjuster Screw	89 - 86	F73150S	(H1527)	R.H.
Combi Kit	89 - 86	F78544S	(H7133)	
↳Adjuster Spring Kit		F73170S	(H435)	
↳Hold Down Kit		F19471S	(H4030)	
↳Return Spring Kit		F36403S	(H111)	

Calipers - Reman

Front, Loaded	Years	Left No.	Right No.	Qualifier	Piston
Loaded Caliper	89 - 86	AS104396B	AS104397B	w/Single Piston Caliper	P

↳Sub-Kit of Combi-Kit is available separately.

Piston: M - OE Metal Piston P - OE Phenolic Piston O - Metal Piston Option

DODGE - 1/2 TON TRUCK



W100 PICKUP (cont.) - See Also D100 PICKUP

Calipers - Reman (cont.)

Front, Loaded	Years	Left No.	Right No.	Qualifier	Piston
Loaded Caliper	89 - 86	AS104396BS	AS104397BS	w/Single Piston Caliper	O
Front, Unloaded	Years	Left No.	Right No.	Qualifier	Piston
Unloaded Caliper	89 - 86	CR104396	CR104397	w/Single Piston Caliper	P
Unloaded Caliper	89 - 86	CR104396S	CR104397S	w/Single Piston Caliper	O

Hydraulics - New

Master Cylinder	Years	Sequential No.	Category No.	Qualifier
Master Cylinder	89 - 86	F98895	(MC98895)	1-1/8" Bore
Rear Wheel Cylinder	Years	Sequential No.	Category No.	Qualifier
Wheel Cylinder	89 - 86	F106315	(WC106315)	15/16" Bore
Clutch Master Cylind	Years	Sequential No.	Category No.	Qualifier
Clutch Master Cylinder	89	F126863	(CM126863)	7/8" Bore
Front Brake Hose	Years	Sequential No.	Category No.	Qualifier
Brake Hose	89	F97661	(BH97661)	
Brake Hose	89	F120521	(BH120521)	Center
Brake Hose	88 - 86	F111396	(BH111396)	Inner
Brake Hose	88 - 86	F97661	(BH97661)	Outer
Rear Brake Hose	Years	Sequential No.	Category No.	Qualifier
Brake Hose	89	F124718	(BH124718)	
Brake Hose	88 - 86	F106330	(BH106330)	

Hydraulics - Reman

Master Cylinder	Years	Part No.	Qualifier
Master Cylinder	89 - 86	R98895	
Power Brake Booster	Years	Part No.	Qualifier
Power Brake Booster	89	504206	Gas; w/Master Cylinder
Power Brake Booster	89	5474206	Gas; w/o Master Cylinder
Power Brake Booster	88 - 87	504205	Gas; w/Master Cylinder
Power Brake Booster	88 - 87	5474205	Gas; w/o Master Cylinder
Power Brake Booster	86	509218	Gas; w/Master Cylinder
Power Brake Booster	86	5473734	Gas; w/o Master Cylinder

Brake Cables

Parking Brake Cable	Years	Sequential No.	Category No.	Qualifier
Parking Brake Cable	89 - 86	F102644	(BC102644)	Forward
Parking Brake Cable	89 - 86	F102645	(BC102645)	Intermediate; 115" WB
Parking Brake Cable	89 - 86	F102647	(BC102647)	Intermediate; 131" WB
Parking Brake Cable	89 - 88	F126844	(BC126844)	Rear; L.H.
Parking Brake Cable	89 - 88	F126917	(BC126917)	Rear; R.H.
Parking Brake Cable	87 - 86	F108737	(BC108737)	Rear; L.H.
Parking Brake Cable	87 - 86	F108736	(BC108736)	Rear; R.H.

ABS Components - New

ABS Control Module	Years	Sequential No.	Category No.	Qualifier
ABS Control Module	89 - 88	F121023	(AB121023)	
ABS Modulator	Years	Sequential No.	Category No.	Qualifier
ABS Modulator	89 - 88	F121015	(AB121015)	
ABS Wheel Sensor	Years	Sequential No.	Category No.	Qualifier
ABS Wheel Sensor	89 - 88	F121013	(AB121013)	Rear; L.H.
ABS Wheel Sensor	89 - 88	F121013	(AB121013)	Rear; R.H.

ABS Components - Reman

ABS Module	Years	Part No.	Qualifier
ABS Module	89	RA121001	
ABS Hydraulic Unit	Years	Part No.	Qualifier
ABS Hydraulic Unit	89	RA122011	

Piston: M - OE Metal Piston P - OE Phenolic Piston O - Metal Piston Option

W100 PICKUP (cont.) - See Also D100 PICKUP
Wheel Attaching Hardware

Front Wheel Stud	Years	Part No.	Qualifier
Wheel Lug Stud	89 - 86	BD60959	
Rear Wheel Stud	Years	Part No.	Qualifier
Wheel Lug Stud	89 - 86	BD61235	
Front Wheel Nut	Years	Part No.	Qualifier
Wheel Lug Nut	89 - 86	BD125915	Dome - Bright
Wheel Lug Nut	89 - 86	BD61161	Flattop - Bright
Wheel Lug Nut	89 - 86	BD61281	Std. Open
Rear Wheel Nut	Years	Part No.	Qualifier
Wheel Lug Nut	89 - 86	BD125915	Dome - Bright
Wheel Lug Nut	89 - 86	BD61161	Flattop - Bright
Wheel Lug Nut	89 - 86	BD61281	Std. Open

W150 PICKUP - See Also D150 PICKUP
Brake Pads & Shoes

Front Pads & Shoes	Years	SevereDuty	Lining No.	Qualifier
Brake Pads	93 - 81	SD269		
Rear Pads & Shoes	Years	SevereDuty	Lining No.	Qualifier
Brake Shoes	93 - 84	SDS446R	EX2025TD	11 x 2-1/2" Brake; Riveted
Brake Shoes	84 - 81	SDS445R	EX2089TD	10 x 2-1/2" Brake; Riveted

Rotor & Drum

Front Rotor & Drum	Years	Part No.	Qualifier
Brake Rotor	93 - 81	BD60609	
Rotor Hub	93 - 81	BD61709	L.H.; Use w/BD60609 Rotor
Rotor Hub	93 - 81	BD61709	R.H.; Use w/BD60609 Rotor
Rear Rotor & Drum	Years	Part No.	Qualifier
Brake Drum	93 - 84	BD60732	11 x 2-1/2" Brake
Brake Drum	84 - 81	BD60625	10 x 2-1/2" Brake

Brake Hardware

Front Brake Hardware	Years	Sequential No.	Category No.	Qualifier
Disc Align Kit	93 - 81	F76178S	(H5516)	
Rear Brake Hardware	Years	Sequential No.	Category No.	Qualifier
Adjuster Kit	93 - 84	F98364S	(H2534)	L.H.; 11 x 2-1/4" Brake
Adjuster Kit	93 - 84	F98365S	(H2535)	R.H.; 11 x 2-1/4" Brake
Adjuster Kit	84 - 81	F98358S	(H2528)	L.H.; 10 x 2-1/2" Brake
Adjuster Kit	84 - 81	F98359S	(H2529)	R.H.; 10 x 2-1/2" Brake
Adjuster Kit	81	F98364S	(H2534)	L.H.; 11 x 2-1/4" Brake
Adjuster Kit	81	F98365S	(H2535)	R.H.; 11 x 2-1/4" Brake
Adjuster Screw	93 - 84	F73151S	(H1526)	L.H.; 11 x 2-1/4" Brake
Adjuster Screw	93 - 84	F73150S	(H1527)	R.H.; 11 x 2-1/4" Brake
Adjuster Screw	84 - 81	F73151S	(H1526)	L.H.; 10 x 2-1/2" Brake
Adjuster Screw	84 - 81	F73150S	(H1527)	R.H.; 10 x 2-1/2" Brake
Adjuster Screw	81	F73151S	(H1526)	L.H.; 11 x 2-1/4" Brake
Adjuster Screw	81	F73150S	(H1527)	R.H.; 11 x 2-1/4" Brake
Combi Kit	93 - 84	F78544S	(H7133)	11 x 2-1/4" Brake
↳Adjuster Spring Kit		F73170S	(H435)	
↳Hold Down Kit		F19471S	(H4030)	
↳Return Spring Kit		F36403S	(H111)	
Combi Kit	84 - 81	F98454	(H7044)	10 x 2-1/2" Brake
↳Adjuster Spring Kit		F45948	(H428)	
↳Hold Down Kit		F19471S	(H4030)	
↳Return Spring Kit		F36454S	(H102)	

Calipers - Reman

Front, Loaded	Years	Left No.	Right No.	Qualifier	Piston
Loaded Caliper	93 - 84	AS104396B	AS104397B	w/Single Piston Caliper	P

↳Sub-Kit of Combi-Kit is available separately.

Piston: M - OE Metal Piston P - OE Phenolic Piston O - Metal Piston Option

DODGE - 1/2 TON TRUCK



W150 PICKUP (cont.) - See Also D150 PICKUP

Calipers - Reman (cont.)					
Front, Loaded	Years	Left No.	Right No.	Qualifier	Piston
Loaded Caliper	93 - 84	AS104396BS	AS104397BS	w/Single Piston Caliper	O
Loaded Caliper	83 - 81	AS104396	AS104397	w/Single Piston Caliper	P
Loaded Caliper	83 - 81	AS104396S	AS104397S	w/Single Piston Caliper	O
Front, Unloaded	Years	Left No.	Right No.	Qualifier	Piston
Unloaded Caliper	93 - 81	CR104396	CR104397	w/Single Piston Caliper	P
Unloaded Caliper	93 - 81	CR104396S	CR104397S	w/Single Piston Caliper	O
Hydraulics - New					
Master Cylinder	Years	Sequential No.	Category No.	Qualifier	
Master Cylinder	93 - 82	F98895	(MC98895)	1-1/8" Bore	
Master Cylinder	81	F98895	(MC98895)	w/Vacuum Boost; Alum.; 1-1/8" Bore	
Master Cylinder	81	F88783	(MC88783)	w/Vacuum Boost; Cast Iron; 1-1/32" Bore	
Rear Wheel Cylinder	Years	Sequential No.	Category No.	Qualifier	
Wheel Cylinder	93 - 81	F106315	(WC106315)	15/16" Bore	
Clutch Master Cylind	Years	Sequential No.	Category No.	Qualifier	
Clutch Master Cylinder	93 - 92	F126868	(CM126868)	7/8" Bore	
Clutch Master Cylinder	91 - 89	F126863	(CM126863)	7/8" Bore	
Clutch Slave Cylinder	Years	Sequential No.	Category No.	Qualifier	
Clutch Slave Cylinder	93 - 92	F126880	(SC126880)	1" Bore	
Clutch Slave Cylinder	91 - 89	F126877	(SC126877)	1" Bore	
Clutch Slave Cylinder	91 - 88	F126878	(SC126878)	1" Bore	
Front Brake Hose	Years	Sequential No.	Category No.	Qualifier	
Brake Hose	93 - 89	F97661	(BH97661)		
Brake Hose	93 - 89	F120521	(BH120521)	Center	
Brake Hose	88 - 85	F111396	(BH111396)	Inner	
Brake Hose	88 - 81	F97661	(BH97661)	Outer	
Brake Hose	84 - 81	F113877	(BH113877)	Inner	
Rear Brake Hose	Years	Sequential No.	Category No.	Qualifier	
Brake Hose	93 - 89	F124718	(BH124718)		
Brake Hose	88 - 82	F106330	(BH106330)		
Brake Hose	81	F97659	(BH97659)		
Hydraulics - Reman					
Master Cylinder	Years	Part No.	Qualifier		
Master Cylinder	93 - 81	R98895			
Power Brake Booster	Years	Part No.	Qualifier		
Power Brake Booster	93 - 89	504206	Gas; w/Master Cylinder		
Power Brake Booster	93 - 89	5474206	Gas; w/o Master Cylinder		
Power Brake Booster	88 - 87	504205	Gas; w/Master Cylinder		
Power Brake Booster	88 - 87	5474205	Gas; w/o Master Cylinder		
Power Brake Booster	86 - 84	509218	Gas; w/Master Cylinder		
Power Brake Booster	86 - 84	5473734	Gas; w/o Master Cylinder		
Power Brake Booster	83 - 81	503770	Gas; w/Master Cylinder		
Power Brake Booster	83 - 81	5473770	Gas; w/o Master Cylinder		
Brake Cables					
Parking Brake Cable	Years	Sequential No.	Category No.	Qualifier	
Parking Brake Cable	93 - 82	F102644	(BC102644)	Forward	
Parking Brake Cable	93 - 81	F102645	(BC102645)	Intermediate; 115" WB	
Parking Brake Cable	93 - 81	F102647	(BC102647)	Intermediate; 131" WB	
Parking Brake Cable	93 - 90	F102649	(BC102649)	Intermediate; 149" WB	
Parking Brake Cable	93 - 88	F126844	(BC126844)	Rear; L.H.	
Parking Brake Cable	93 - 88	F126917	(BC126917)	Rear; R.H.	
Parking Brake Cable	87 - 84	F108737	(BC108737)	Rear; L.H.	
Parking Brake Cable	87 - 84	F108736	(BC108736)	Rear; R.H.	
Parking Brake Cable	83 - 81	F102649	(BC102649)	Intermediate; 149" WB	
Parking Brake Cable	83 - 81	F101658	(BC101658)	Rear; L.H.	

Piston: M - OE Metal Piston P - OE Phenolic Piston O - Metal Piston Option

W150 PICKUP (cont.) - See Also D150 PICKUP

Brake Cables (cont.)

Parking Brake Cable	Years	Sequential No.	Category No.	Qualifier
Parking Brake Cable	83 - 82	F108521	(BC108521)	Rear; R.H.
Parking Brake Cable	81	F102646	(BC102646)	Forward; w/Frame Reinforcement
Parking Brake Cable	81	F102648	(BC102648)	Intermediate; 133" WB
Parking Brake Cable	81	F108521	(BC108521)	Rear; R.H.; 10" Brake
Parking Brake Cable	81	F101659	(BC101659)	Rear; R.H.; 11" Brake

ABS Components - New

ABS Control Module	Years	Sequential No.	Category No.	Qualifier
ABS Control Module	91 - 90	F121022	(AB121022)	
ABS Control Module	89 - 88	F121023	(AB121023)	

ABS Modulator	Years	Sequential No.	Category No.	Qualifier
ABS Modulator	91 - 90	F121019	(AB121019)	
ABS Modulator	89 - 88	F121015	(AB121015)	

ABS Wheel Sensor	Years	Sequential No.	Category No.	Qualifier
ABS Wheel Sensor	91 - 88	F121013	(AB121013)	Rear; L.H.
ABS Wheel Sensor	91 - 88	F121013	(AB121013)	Rear; R.H.

ABS Components - Reman

ABS Module	Years	Part No.	Qualifier
ABS Module	93 - 89	RA121001	

ABS Hydraulic Unit	Years	Part No.	Qualifier
ABS Hydraulic Unit	93 - 90	RA122019	
ABS Hydraulic Unit	89	RA122011	

Wheel Attaching Hardware

Front Wheel Stud	Years	Part No.	Qualifier
Wheel Lug Stud	93 - 86	BD60959	
Wheel Lug Stud	85 - 84	BD60936	
Wheel Lug Stud	83 - 82	BD60959	
Wheel Lug Stud	81	BD60959	w/Locking Hubs
Wheel Lug Stud	81	BD60920	w/o Locking Hubs

Rear Wheel Stud	Years	Part No.	Qualifier
Wheel Lug Stud	93 - 81	BD61235	

Front Wheel Nut	Years	Part No.	Qualifier
Wheel Lug Nut	93 - 81	BD125915	Dome - Bright
Wheel Lug Nut	93 - 84	BD61161	Flattop - Bright
Wheel Lug Nut	93 - 81	BD61281	Std. Open

Rear Wheel Nut	Years	Part No.	Qualifier
Wheel Lug Nut	93 - 81	BD125915	Dome - Bright
Wheel Lug Nut	93 - 84	BD61161	Flattop - Bright
Wheel Lug Nut	93 - 81	BD61281	Std. Open

DODGE - 1/2 TON VAN

B1500 VAN

Brake Pads & Shoes

Front Pads & Shoes	Years	SevereDuty	Lining No.	Qualifier
Brake Pads	98	SD758		
Brake Pads	97 - 95	SD269		
Brake Pads	94 - 81	SD269		

Rear Pads & Shoes	Years	SevereDuty	Lining No.	Qualifier
Brake Shoes	98 - 95	SDS446R	EX2025TD	11 x 2-1/2" Brake; Riveted
Brake Shoes	98	SDS734	EX2182T	11 x 2-1/4" Brake; Bonded
Brake Shoes	94 - 84	SDS446R	EX2025TD	11 x 2-1/2" Brake; Riveted
Brake Shoes	87 - 81	SDS445R	EX2089TD	10 x 2-1/2" Brake; Riveted
Brake Shoes	81	SDS446R	EX2025TD	11 x 2-1/2" Brake; Riveted

B1500 VAN (cont.)

Rotor & Drum				
Front Rotor & Drum	Years	Part No.	Qualifier	
Brake Rotor	98	BD125640		
Brake Rotor	97 - 95	BD60784		
Brake Rotor	97 - 95	BD125389		w/4 Whl. ABS
Brake Rotor	94 - 85	BD60784		
Brake Rotor	94	BD125389		w/4 Whl. ABS
Brake Rotor	84 - 82	BD60472		
Brake Rotor	81	BD60418		
Rear Rotor & Drum	Years	Part No.	Qualifier	
Brake Drum	98 - 95	BD60732		11 x 2-1/2" Brake
Brake Drum	98	BD125749		11 x 2-1/4" Brake
Brake Drum	94 - 85	BD60732		11 x 2-1/2" Brake
Brake Drum	87 - 84	BD60140		10 x 2-1/2" Brake
Brake Drum	84	BD60187		11 x 2-1/2" Brake
Brake Drum	83 - 82	BD60140		Exc. Finned Drum; 10 x 2-1/2" Brake
Brake Drum	83 - 82	BD60350		Finned Drum; 10 x 2-1/2" Brake
Brake Drum	81	BD60140		10 x 2-1/2" Brake
Brake Drum	81	BD60187		11 x 2-1/2" Brake
Brake Hardware				
Front Brake Hardware	Years	Sequential No.	Category No.	Qualifier
Caliper Bolt/Pin	98	F138106S	(H5084)	
Disc Align Kit	98 - 95	F76178S	(H5516)	
Disc Align Kit	94 - 81	F76178S	(H5516)	
Rear Brake Hardware	Years	Sequential No.	Category No.	Qualifier
Adjuster Kit	98 - 95	F98364S	(H2534)	L.H.
Adjuster Kit	98 - 95	F98365S	(H2535)	R.H.
Adjuster Kit	94 - 84	F98364S	(H2534)	L.H.; 11 x 2-1/4" Brake
Adjuster Kit	94 - 84	F98365S	(H2535)	R.H.; 11 x 2-1/4" Brake
Adjuster Kit	87 - 81	F98358S	(H2528)	L.H.; 10 x 2-1/2" Brake
Adjuster Kit	87 - 81	F98359S	(H2529)	R.H.; 10 x 2-1/2" Brake
Adjuster Kit	81	F98364S	(H2534)	L.H.; 11 x 2-1/4" Brake
Adjuster Kit	81	F98365S	(H2535)	R.H.; 11 x 2-1/4" Brake
Adjuster Screw	98 - 95	F73151S	(H1526)	L.H.
Adjuster Screw	98 - 95	F73150S	(H1527)	R.H.
Adjuster Screw	94 - 84	F73151S	(H1526)	L.H.; 11 x 2-1/4" Brake
Adjuster Screw	94 - 84	F73150S	(H1527)	R.H.; 11 x 2-1/4" Brake
Adjuster Screw	87 - 81	F73151S	(H1526)	L.H.; 10 x 2-1/2" Brake
Adjuster Screw	87 - 81	F73150S	(H1527)	R.H.; 10 x 2-1/2" Brake
Adjuster Screw	81	F73151S	(H1526)	L.H.; 11 x 2-1/4" Brake
Adjuster Screw	81	F73150S	(H1527)	R.H.; 11 x 2-1/4" Brake
Combi Kit	98 - 95	F78544S	(H7133)	
↳Adjuster Spring Kit		F73170S	(H435)	
↳Hold Down Kit		F19471S	(H4030)	
↳Return Spring Kit		F36403S	(H111)	
Combi Kit	94 - 84	F78544S	(H7133)	11 x 2-1/4" Brake
↳Adjuster Spring Kit		F73170S	(H435)	
↳Hold Down Kit		F19471S	(H4030)	
↳Return Spring Kit		F36403S	(H111)	
Combi Kit	87 - 81	F98454	(H7044)	10 x 2-1/2" Brake
↳Adjuster Spring Kit		F45948	(H428)	
↳Hold Down Kit		F19471S	(H4030)	
↳Return Spring Kit		F36454S	(H102)	
Combi Kit	81	F78544S	(H7133)	11 x 2-1/4" Brake
↳Adjuster Spring Kit		F73170S	(H435)	
↳Hold Down Kit		F19471S	(H4030)	
↳Return Spring Kit		F36403S	(H111)	

↳Sub-Kit of Combi-Kit is available separately.

B1500 VAN (cont.)

Calipers - Reman

Front, Loaded	Years	Left No.	Right No.	Qualifier	Piston
Loaded Caliper	98 - 95	AS104396B	AS104397B	w/Single Piston Caliper	P
Loaded Caliper	98 - 95	AS104396BS	AS104397BS	w/Single Piston Caliper	O
Loaded Caliper	94 - 84	AS104396B	AS104397B	w/Single Piston Caliper	P
Loaded Caliper	94 - 84	AS104396BS	AS104397BS	w/Single Piston Caliper	O
Loaded Caliper	83 - 81	AS104396	AS104397	w/Single Piston Caliper	P
Loaded Caliper	83 - 81	AS104396S	AS104397S	w/Single Piston Caliper	O

Front, Unloaded	Years	Left No.	Right No.	Qualifier	Piston
Unloaded Caliper	98	CR134510	CR134511	w/Dual Piston Caliper	P
Unloaded Caliper	98 - 95	CR104396	CR104397	w/Single Piston Caliper	P
Unloaded Caliper	98 - 95	CR104396S	CR104397S	w/Single Piston Caliper	O
Unloaded Caliper	94 - 81	CR104396	CR104397	w/Single Piston Caliper	P
Unloaded Caliper	94 - 81	CR104396S	CR104397S	w/Single Piston Caliper	O

Hydraulics - New

Master Cylinder	Years	Sequential No.	Category No.	Qualifier
Master Cylinder	97 - 95	F134438	(MC134438)	1-1/8" Bore
Master Cylinder	94	F134438	(MC134438)	1-1/8" Bore
Master Cylinder	93 - 90	F123524	(MC123524)	1-1/8" Bore
Master Cylinder	89 - 81	F98895	(MC98895)	1-1/8" Bore

Rear Wheel Cylinder	Years	Sequential No.	Category No.	Qualifier
Wheel Cylinder	98	F78974	(WC78974)	L.H.; 1" Bore
Wheel Cylinder	98	F78975	(WC78975)	R.H.; 1" Bore
Wheel Cylinder	97 - 95	F106315	(WC106315)	15/16" Bore
Wheel Cylinder	94 - 81	F106315	(WC106315)	15/16" Bore

Clutch Master Cylind	Years	Sequential No.	Category No.	Qualifier
Clutch Master Cylinder	93	F126863	(CM126863)	7/8" Bore
Clutch Master Cylinder	92 - 88	F126862	(CM126862)	7/8" Bore

Clutch Slave Cylinder	Years	Sequential No.	Category No.	Qualifier
Clutch Slave Cylinder	93	F126881	(SC126881)	1" Bore
Clutch Slave Cylinder	92	F126880	(SC126880)	1" Bore
Clutch Slave Cylinder	91 - 88	F126877	(SC126877)	1" Bore

Front Brake Hose	Years	Sequential No.	Category No.	Qualifier
Brake Hose	98 - 95	F132034	(BH132034)	L.H.; w/ABS
Brake Hose	98 - 95	F132033	(BH132033)	L.H.; w/RWAL
Brake Hose	98 - 95	F106329	(BH106329)	R.H.
Brake Hose	96 - 95	F123785	(BH123785)	L.H.; Exc. Sport Susp.
Brake Hose	94	F132034	(BH132034)	L.H.; w/4 Whl. ABS
Brake Hose	94	F132033	(BH132033)	L.H.; w/RWAL
Brake Hose	94	F106329	(BH106329)	R.H.; w/RWAL
Brake Hose	93 - 90	F124719	(BH124719)	L.H.
Brake Hose	93 - 82	F106329	(BH106329)	R.H.
Brake Hose	89 - 82	F106328	(BH106328)	L.H.
Brake Hose	81	F98931	(BH98931)	L.H.
Brake Hose	81	F98932	(BH98932)	R.H.

Rear Brake Hose	Years	Sequential No.	Category No.	Qualifier
Brake Hose	98 - 97	F107281	(BH107281)	
Brake Hose	96 - 95	F123296	(BH123296)	
Brake Hose	94 - 90	F123296	(BH123296)	
Brake Hose	89 - 87	F107281	(BH107281)	
Brake Hose	86 - 82	F106347	(BH106347)	
Brake Hose	81	F100771	(BH100771)	

Hydraulics - Reman

Master Cylinder	Years	Part No.	Qualifier
Master Cylinder	98	R134813	
Master Cylinder	97 - 95	R123524	
Master Cylinder	94 - 90	R123524	

Piston: M - OE Metal Piston P - OE Phenolic Piston O - Metal Piston Option

B1500 VAN (cont.)

Hydraulics - Reman (cont.)

Master Cylinder	Years	Part No.	Qualifier
Master Cylinder	89 - 84	R98895M	w/Manual Brake
Master Cylinder	89 - 81	R98895	w/Power Brake
Master Cylinder	83 - 81	R98895M	w/Manual Brake; w/Alum. Hsg.
Master Cylinder	83 - 81	R88783M	w/Manual Brake; w/Cast Iron Hsg.

Power Brake Booster	Years	Part No.	Qualifier
Power Brake Booster	98	504217	w/Master Cylinder; Early
Power Brake Booster	98	5474202	w/o Master Cylinder; Early
Power Brake Booster	98	5474415	w/o Master Cylinder; Late
Power Brake Booster	97 - 95	504217	w/Master Cylinder
Power Brake Booster	97 - 95	5474202	w/o Master Cylinder
Power Brake Booster	94 - 90	504217	w/Master Cylinder
Power Brake Booster	94 - 88	5474202	w/o Master Cylinder
Power Brake Booster	89 - 88	504202	w/Master Cylinder
Power Brake Booster	87 - 85	503772	w/Master Cylinder
Power Brake Booster	87 - 85	5473772	w/o Master Cylinder
Power Brake Booster	84 - 81	503771	w/Master Cylinder
Power Brake Booster	84 - 81	5473771	w/o Master Cylinder

Brake Cables

Parking Brake Cable	Years	Sequential No.	Category No.	Qualifier
Parking Brake Cable	98 - 95	F139253	(BC139253)	Intermediate; 127" WB
Parking Brake Cable	97	F140371	(BC140371)	Forward; 103" Length
Parking Brake Cable	96 - 95	F140370	(BC140370)	Forward; 102" Length
Parking Brake Cable	96 - 95	F133098	(BC133098)	Rear; L.H.
Parking Brake Cable	94	F132268	(BC132268)	Forward; 109" WB
Parking Brake Cable	94	F132269	(BC132269)	Forward; 127" WB
Parking Brake Cable	94 - 90	F132271	(BC132271)	Rear; L.H.
Parking Brake Cable	94 - 92	F132270	(BC132270)	Rear; R.H.
Parking Brake Cable	93 - 89	F128637	(BC128637)	Forward; 109" WB
Parking Brake Cable	93 - 89	F128632	(BC128632)	Forward; 127" WB
Parking Brake Cable	91 - 90	F126920	(BC126920)	Rear; R.H.
Parking Brake Cable	89	F132271	(BC132271)	Rear; L.H.; Stripped Chassis
Parking Brake Cable	89	F126920	(BC126920)	Rear; R.H.; Stripped Chassis
Parking Brake Cable	88 - 81	F103395	(BC103395)	Forward; 109" WB
Parking Brake Cable	88 - 84	F108733	(BC108733)	Forward; 127" WB
Parking Brake Cable	88 - 84	F108734	(BC108734)	Rear; L.H.
Parking Brake Cable	88 - 84	F108735	(BC108735)	Rear; R.H.
Parking Brake Cable	83 - 81	F102636	(BC102636)	Forward; 127" WB
Parking Brake Cable	83 - 81	F102639	(BC102639)	Rear; L.H.
Parking Brake Cable	83 - 81	F102638	(BC102638)	Rear; R.H.

ABS Components - New

ABS Control Module	Years	Sequential No.	Category No.	Qualifier
ABS Control Module	91 - 90	F121022	(AB121022)	w/AC
ABS Control Module	91 - 90	F121024	(AB121024)	w/o AC

ABS Modulator	Years	Sequential No.	Category No.	Qualifier
ABS Modulator	91 - 90	F121018	(AB121018)	

ABS Wheel Sensor	Years	Sequential No.	Category No.	Qualifier
ABS Wheel Sensor	97 - 95	F121013	(AB121013)	Rear; L.H.
ABS Wheel Sensor	97 - 95	F121013	(AB121013)	Rear; R.H.
ABS Wheel Sensor	94 - 92	F121013	(AB121013)	Rear; L.H.
ABS Wheel Sensor	94 - 92	F121013	(AB121013)	Rear; R.H.
ABS Wheel Sensor	91 - 90	F121013	(AB121013)	Rear; L.H.
ABS Wheel Sensor	91 - 90	F121013	(AB121013)	Rear; R.H.

B1500 VAN (cont.)
ABS Components - Reman

ABS Module	Years	Part No.	Qualifier
ABS Module	97 - 95	RA121003	w/2 Whl. ABS; w/AC
ABS Module	97 - 95	RA121006	w/2 Whl. ABS; w/o AC
ABS Module	97 - 95	RA121023	w/4 Whl. ABS
ABS Module	94	RA121003	w/2 Whl. ABS; w/AC
ABS Module	94	RA121006	w/2 Whl. ABS; w/o AC
ABS Module	94	RA121023	w/4 Whl. ABS
ABS Module	93 - 92	RA121003	w/AC
ABS Module	93 - 92	RA121006	w/o AC
ABS Module	91 - 90	RA121005	w/AC
ABS Module	91 - 90	RA121004	w/o AC

ABS Hydraulic Unit	Years	Part No.	Qualifier
ABS Hydraulic Unit	97 - 95	RA122058	w/2 Whl. ABS
ABS Hydraulic Unit	97 - 95	RA122034	w/4 Whl. ABS
ABS Hydraulic Unit	94	RA122056	w/2 Whl. ABS
ABS Hydraulic Unit	94	RA122034	w/4 Whl. ABS
ABS Hydraulic Unit	93 - 90	RA122018	

Wheel Attaching Hardware

Front Wheel Stud	Years	Part No.	Qualifier
Wheel Lug Stud	98 - 95	BD60960	
Wheel Lug Stud	94 - 86	BD60960	
Wheel Lug Stud	85 - 81	BD60960	Budd Rotor
Wheel Lug Stud	85 - 81	BD60961	Kelsey-Hayes Rotor

Rear Wheel Stud	Years	Part No.	Qualifier
Wheel Lug Stud	98 - 95	BD61235	
Wheel Lug Stud	94 - 81	BD61235	

Front Wheel Nut	Years	Part No.	Qualifier
Wheel Lug Nut	98 - 95	BD125920	Bulge
Wheel Lug Nut	98 - 95	BD125915	Dome - Bright
Wheel Lug Nut	98 - 95	BD61161	Flattop - Bright
Wheel Lug Nut	98 - 95	BD61281	Std. Open
Wheel Lug Nut	94 - 86	BD125920	Bulge
Wheel Lug Nut	94 - 81	BD125915	Dome - Bright
Wheel Lug Nut	94 - 81	BD61161	Flattop - Bright
Wheel Lug Nut	94 - 81	BD61281	Std. Open

Rear Wheel Nut	Years	Part No.	Qualifier
Wheel Lug Nut	98 - 95	BD125920	Bulge
Wheel Lug Nut	98 - 95	BD125915	Dome - Bright
Wheel Lug Nut	98 - 95	BD61161	Flattop - Bright
Wheel Lug Nut	98 - 95	BD61281	Std. Open
Wheel Lug Nut	94 - 86	BD125920	Bulge
Wheel Lug Nut	94 - 81	BD125915	Dome - Bright
Wheel Lug Nut	94 - 81	BD61161	Flattop - Bright
Wheel Lug Nut	94 - 81	BD61281	Std. Open

RAM 1500 VAN
Brake Pads & Shoes

Front Pads & Shoes	Years	SevereDuty	Lining No.	Qualifier
Brake Pads	03	SD966		
Brake Pads	02 - 99	SD758		

Rear Pads & Shoes	Years	SevereDuty	Lining No.	Qualifier
Brake Pads	03	SD967		
Brake Shoes	02 - 99	SDS734	EX2182T	11 x 2-1/4" Brake; Bonded

Rotor & Drum

Front Rotor & Drum	Years	Part No.	Qualifier
Brake Rotor	02 - 99	BD125640	

DODGE - 1/2 TON VAN



RAM 1500 VAN (cont.)

Rotor & Drum (cont.)

Rear Rotor & Drum	Years	Part No.	Qualifier
Brake Drum	02 - 99	BD125749	11 x 2-1/4" Brake

Brake Hardware

Front Brake Hardware	Years	Sequential No.	Category No.	Qualifier
Caliper Bolt/Pin	03 - 99	F138106S	(H5084)	
Disc Align Kit	03 - 99	F138118S	(H5616)	
Pin Boot Kit	03 - 99	F139361	(H8227)	

Rear Brake Hardware	Years	Sequential No.	Category No.	Qualifier
Adjuster Kit	02 - 99	F138096S	(H2702)	L.H.
Adjuster Kit	02 - 99	F138097S	(H2703)	R.H.
Combi Kit	01 - 99	F138801	(H7218)	
↳ Hold Down Kit		F117126S	(H4097)	
↳ Return Spring Kit		F36466S	(H325)	
Disc Align Kit	03	F139827	(H5657)	

Calipers - Reman

Front, Unloaded	Years	Left No.	Right No.	Qualifier	Piston
Unloaded Caliper	03	CR134604	CR134605		M
Unloaded Caliper	02 - 99	CR134510	CR134511	w/Dual Piston Caliper	P
Rear, Unloaded	Years	Left No.	Right No.	Qualifier	Piston
Unloaded Caliper	03	CRB134606	CRB134607	Supplied w/Mtg. Brkt.	P
Unloaded Caliper	03	CR134606	CR134607	Supplied w/o Mtg. Brkt.	P

Hydraulics - New

Master Cylinder	Years	Sequential No.	Category No.	Qualifier
Master Cylinder	03 - 99	F140285	(MC140285)	1-1/4" Bore
Rear Wheel Cylinder	Years	Sequential No.	Category No.	Qualifier
Wheel Cylinder	02 - 99	F78974	(WC78974)	L.H.; 1" Bore
Wheel Cylinder	02 - 99	F78975	(WC78975)	R.H.; 1" Bore
Front Brake Hose	Years	Sequential No.	Category No.	Qualifier
Brake Hose	03 - 99	F138842	(BH138842)	L.H.; w/ABS
Brake Hose	03 - 99	F138840	(BH138840)	L.H.; w/RWAL
Brake Hose	03 - 99	F138841	(BH138841)	R.H.
Rear Brake Hose	Years	Sequential No.	Category No.	Qualifier
Brake Hose	02 - 99	F138844	(BH138844)	

Hydraulics - Reman

Master Cylinder	Years	Part No.	Qualifier
Master Cylinder	03 - 99	R134813	
Power Brake Booster	Years	Part No.	Qualifier
Power Brake Booster	02 - 99	5474415	w/o Master Cylinder

Brake Cables

Parking Brake Cable	Years	Sequential No.	Category No.	Qualifier
Parking Brake Cable	03 - 99	F139253	(BC139253)	Intermediate; 127" WB

Wheel Attaching Hardware

Front Wheel Stud	Years	Part No.	Qualifier
Wheel Lug Stud	03 - 99	BD60960	
Front Wheel Nut	Years	Part No.	Qualifier
Wheel Lug Nut	03 - 99	BD125920	Bulge
Wheel Lug Nut	03 - 99	BD125915	Dome - Bright
Wheel Lug Nut	03 - 99	BD61281	Std. Open
Rear Wheel Nut	Years	Part No.	Qualifier
Wheel Lug Nut	03 - 99	BD125920	Bulge
Wheel Lug Nut	03 - 99	BD125915	Dome - Bright
Wheel Lug Nut	03 - 99	BD61281	Std. Open

↳ Sub-Kit of Combi-Kit is available separately.

Piston: M - OE Metal Piston P - OE Phenolic Piston

D250 PICKUP - See Also W250 PICKUP

Brake Pads & Shoes

Front Pads & Shoes	Years	SevereDuty	Lining No.	Qualifier
Brake Pads	93 - 81	SD269		
Rear Pads & Shoes	Years	SevereDuty	Lining No.	Qualifier
Brake Shoes	93 - 90	SDS446R	EX2025TD	11 x 2-1/2" Brake; Riveted
Brake Shoes	93 - 81	SDS357AR	EX2146ATD	12 x 2-1/2" Brake; Riveted
Brake Shoes	89 - 81	SDS358AR	EX2140TD	12 x 3" Brake; Riveted

Rotor & Drum

Front Rotor & Drum	Years	Part No.	Qualifier
Brake Rotor	93 - 89	BD60731	3300 lb. FA
Brake Rotor	93 - 89	BD61915	4000 lb. FA
Brake Rotor	88 - 86	BD60731	
Brake Rotor	85 - 81	BD60617	4000 lb. FA
Brake Rotor	85 - 81	BD60731	Exc. 4000 lb. FA
Rear Rotor & Drum	Years	Part No.	Qualifier
Brake Drum	93 - 90	BD60732	11 x 2-1/2" Brake
Brake Drum	93 - 90	BD60302	5500-5800 lb. RA; 12 x 2-1/2" Brake
Brake Drum	93 - 90	BD60328	6200 lb. RA; 12 x 3" Brake
Brake Drum	93 - 90	BD60880	w/9-1/4" R.G.; 12 x 2-1/2" Brake
Brake Drum	89 - 86	BD60880	12 x 2-1/2" Brake
Brake Drum	89 - 81	BD60328	12 x 3" Brake
Brake Drum	85 - 81	BD60302	12 x 2-1/2" Brake

Brake Hardware

Front Brake Hardware	Years	Sequential No.	Category No.	Qualifier
Disc Align Kit	93 - 92	F76178S	(H5516)	
Disc Align Kit	91 - 89	F76178S	(H5516)	3300-4000 lb. FA
Disc Align Kit	88 - 82	F76178S	(H5516)	
Rear Brake Hardware	Years	Sequential No.	Category No.	Qualifier
Adjuster Kit	93 - 86	F98416	(H2588)	L.H.
Adjuster Kit	93 - 86	F98417	(H2589)	R.H.
Adjuster Kit	85 - 81	F98398	(H2576)	L.H.; 12 x 2-1/2" or 3" Brake
Adjuster Kit	85 - 81	F98376S	(H2546)	L.H.; 12-1/8 x 2" Brake
Adjuster Kit	85 - 81	F98399	(H2577)	R.H.; 12 x 2-1/2" or 3" Brake
Adjuster Kit	85 - 81	F98377S	(H2547)	R.H.; 12-1/8 x 2" Brake
Adjuster Screw	93 - 86	F79799	(H1534)	L.H.
Adjuster Screw	93 - 86	F79800	(H1535)	R.H.
Adjuster Screw	85 - 81	F98328	(H1540)	L.H.; 12 x 2-1/2" or 3" Brake
Adjuster Screw	85 - 81	F67401S	(H1520)	L.H.; 12-1/2 x 2" Brake
Adjuster Screw	85 - 81	F98329	(H1541)	R.H.; 12 x 2-1/2" or 3" Brake
Adjuster Screw	85 - 81	F67400S	(H1521)	R.H.; 12-1/2 x 2" Brake
Combi Kit	93 - 81	F88754	(H7042)	12 x 2-1/2" or 3" Brake
↳Adjuster Spring Kit		F73105	(H430)	
↳Hold Down Kit		F59054	(H4099)	
↳Return Spring Kit		F73207	(H547)	
Combi Kit	90 - 88	F78559S	(H7139)	12-1/8 x 2" Brake
Combi Kit	81	F78559S	(H7139)	12-1/8 x 2" Brake

Calipers - Reman

Front, Loaded	Years	Left No.	Right No.	Qualifier	Piston
Loaded Caliper	93 - 84	AS104396B	AS104397B	w/Single Piston Caliper	P
Loaded Caliper	93 - 84	AS104396BS	AS104397BS	w/Single Piston Caliper	O
Front, Unloaded	Years	Left No.	Right No.	Qualifier	Piston
Unloaded Caliper	93 - 81	CR104396	CR104397	w/Single Piston Caliper	P
Unloaded Caliper	93 - 81	CR104396S	CR104397S	w/Single Piston Caliper	O

Hydraulics - New

Master Cylinder	Years	Sequential No.	Category No.	Qualifier
Master Cylinder	93 - 89	F98896	(MC98896)	1-1/8" Bore

↳Sub-Kit of Combi-Kit is available separately.

Piston: M - OE Metal Piston P - OE Phenolic Piston O - Metal Piston Option

D250 PICKUP (cont.) - See Also W250 PICKUP

Hydraulics - New (cont.)

Master Cylinder	Years	Sequential No.	Category No.	Qualifier
Master Cylinder	88	F98895	(MC98895)	5500 GVW; 9-1/4" R.G.; 1-1/8" Bore
Master Cylinder	88	F98896	(MC98896)	Exc. 5500 GVW, Exc. 9-1/4" R.G.; 1-1/8" Bore
Master Cylinder	87 - 86	F98896	(MC98896)	4500 lb. RA; 1-1/8" Bore
Master Cylinder	87 - 86	F98895	(MC98895)	5800 lb. RA; 1-1/8" Bore
Master Cylinder	85 - 81	F98895	(MC98895)	1-1/8" Bore

Rear Wheel Cylinder	Years	Sequential No.	Category No.	Qualifier
Wheel Cylinder	93 - 90	F106315	(WC106315)	15/16" Bore
Wheel Cylinder	93 - 92	F78974	(WC78974)	L.H.; 12 x 2-1/2" Brake; 1" Bore
Wheel Cylinder	93 - 92	F17507	(WC17507)	L.H.; 12 x 2-1/2" Brake; 7/8" Bore
Wheel Cylinder	93 - 92	F78975	(WC78975)	R.H.; 12 x 2-1/2" Brake; 1" Bore
Wheel Cylinder	93 - 92	F17508	(WC17508)	R.H.; 12 x 2-1/2" Brake; 7/8" Bore
Wheel Cylinder	91 - 88	F78974	(WC78974)	L.H.; 1" Bore
Wheel Cylinder	91 - 82	F17507	(WC17507)	L.H.; 7/8" Bore
Wheel Cylinder	91 - 81	F78975	(WC78975)	R.H.; 1" Bore
Wheel Cylinder	91 - 82	F17508	(WC17508)	R.H.; 7/8" Bore
Wheel Cylinder	89 - 84	F35325	(WC35325)	L.H.; 1-1/8" Bore
Wheel Cylinder	89 - 84	F35326	(WC35326)	R.H.; 1-1/8" Bore
Wheel Cylinder	87 - 84	F106923	(WC106923)	R.H.; 1-1/16" Bore
Wheel Cylinder	85 - 81	F78974	(WC78974)	L.H.; 1" Bore
Wheel Cylinder	85 - 84	F106922	(WC106922)	L.H.; 1-1/16" Bore
Wheel Cylinder	83 - 82	F106922	(WC106922)	L.H.; w/DRW; 1-1/16" Bore
Wheel Cylinder	83 - 82	F106923	(WC106923)	R.H.; w/DRW; 1-1/16" Bore

Clutch Master Cylind	Years	Sequential No.	Category No.	Qualifier
Clutch Master Cylinder	93	F126868	(CM126868)	7/8" Bore
Clutch Master Cylinder	92	F126863	(CM126863)	7/8" Bore
Clutch Master Cylinder	91 - 89	F130544	(CM130544)	Diesel; 7/8" Bore
Clutch Master Cylinder	91	F126863	(CM126863)	w/o Diesel; 7/8" Bore

Clutch Slave Cylinder	Years	Sequential No.	Category No.	Qualifier
Clutch Slave Cylinder	93	F126881	(SC126881)	1" Bore
Clutch Slave Cylinder	92	F126880	(SC126880)	1" Bore
Clutch Slave Cylinder	91 - 89	F126878	(SC126878)	Diesel; 1" Bore
Clutch Slave Cylinder	91	F126877	(SC126877)	w/o Diesel; 1" Bore

Front Brake Hose	Years	Sequential No.	Category No.	Qualifier
Brake Hose	93 - 84	F106669	(BH106669)	
Brake Hose	83 - 82	F97661	(BH97661)	
Brake Hose	81	F106669	(BH106669)	

Rear Brake Hose	Years	Sequential No.	Category No.	Qualifier
Brake Hose	93 - 89	F124718	(BH124718)	
Brake Hose	88 - 82	F106330	(BH106330)	
Brake Hose	81	F97659	(BH97659)	

Hydraulics - Reman

Master Cylinder	Years	Part No.	Qualifier
Master Cylinder	93 - 89	R98896	
Master Cylinder	88 - 86	R98895	w/Alum. Hsg.
Master Cylinder	88 - 86	R98896	w/Cast Iron Hsg.
Master Cylinder	85 - 81	R98895	

Power Brake Booster	Years	Part No.	Qualifier
Power Brake Booster	93 - 89	503360	Gas; w/Master Cylinder
Power Brake Booster	93 - 89	5473360	Gas; w/o Master Cylinder
Power Brake Booster	88 - 86	509232	Gas; w/Master Cylinder; w/Alum. Hsg.
Power Brake Booster	88 - 86	503360	Gas; w/Master Cylinder; w/Cast Iron Hsg.
Power Brake Booster	88 - 86	5473146	Gas; w/o Master Cylinder; w/Alum. Hsg.
Power Brake Booster	88 - 86	5473360	Gas; w/o Master Cylinder; w/Cast Iron Hsg.
Power Brake Booster	85 - 84	509232	Gas; w/Master Cylinder
Power Brake Booster	85 - 84	5473146	Gas; w/o Master Cylinder

D250 PICKUP (cont.) - See Also W250 PICKUP
Hydraulics - Reman (cont.)

Power Brake Booster	Years	Part No.	Qualifier
Power Brake Booster	83 - 81	509234	Gas; w/Master Cylinder
Power Brake Booster	83 - 81	5473145	Gas; w/o Master Cylinder

Brake Cables

Parking Brake Cable	Years	Sequential No.	Category No.	Qualifier
Parking Brake Cable	93 - 90	F124695	(BC124695)	Forward; 131" WB
Parking Brake Cable	93 - 90	F124692	(BC124692)	Forward; 149" WB
Parking Brake Cable	93 - 88	F128638	(BC128638)	Rear; L.H.
Parking Brake Cable	93 - 90	F128639	(BC128639)	Rear; R.H.
Parking Brake Cable	89 - 88	F124695	(BC124695)	Forward
Parking Brake Cable	89 - 88	F128631	(BC128631)	Rear; R.H.
Parking Brake Cable	87 - 82	F102646	(BC102646)	Forward
Parking Brake Cable	87 - 84	F103398	(BC103398)	Intermediate
Parking Brake Cable	87 - 82	F112981	(BC112981)	Rear; L.H.
Parking Brake Cable	87 - 82	F108522	(BC108522)	Rear; R.H.
Parking Brake Cable	83 - 82	F103398	(BC103398)	Intermediate; 131" WB
Parking Brake Cable	83 - 82	F101048	(BC101048)	Intermediate; 149" WB
Parking Brake Cable	81	F102644	(BC102644)	Forward; w/Frame Reinforcement
Parking Brake Cable	81	F102646	(BC102646)	Forward; w/o Frame Reinforcement
Parking Brake Cable	81	F102647	(BC102647)	Intermediate; 131" WB; 12-1/8 x 2" Brake
Parking Brake Cable	81	F103398	(BC103398)	Intermediate; 131", 133" WB; 12 x 2-1/2", 12 x 3" Brake
Parking Brake Cable	81	F102648	(BC102648)	Intermediate; 133" WB; 12-1/8 x 2" Brake
Parking Brake Cable	81	F101048	(BC101048)	Intermediate; 149" WB; 12 x 2-1/2" or 3" Brake
Parking Brake Cable	81	F101046	(BC101046)	Intermediate; 149" WB; 12-1/8 x 2" Brake
Parking Brake Cable	81	F102650	(BC102650)	Intermediate; 165" WB
Parking Brake Cable	81	F112981	(BC112981)	Rear; L.H.; 12 x 2-1/2" Brake
Parking Brake Cable	81	F112982	(BC112982)	Rear; L.H.; 12 x 3" Brake
Parking Brake Cable	81	F102652	(BC102652)	Rear; L.H.; 12-1/8 x 2" Brake
Parking Brake Cable	81	F108522	(BC108522)	Rear; R.H.; 12 x 2-1/2" or 3" Brake
Parking Brake Cable	81	F102651	(BC102651)	Rear; R.H.; 12-1/8 x 2" Brake

ABS Components - New

ABS Control Module	Years	Sequential No.	Category No.	Qualifier
ABS Control Module	91 - 90	F121022	(AB121022)	
ABS Control Module	89 - 88	F121023	(AB121023)	
ABS Modulator	Years	Sequential No.	Category No.	Qualifier
ABS Modulator	91 - 90	F121021	(AB121021)	
ABS Modulator	89 - 88	F121016	(AB121016)	
ABS Wheel Sensor	Years	Sequential No.	Category No.	Qualifier
ABS Wheel Sensor	91 - 88	F121013	(AB121013)	Rear; L.H.
ABS Wheel Sensor	91 - 88	F121013	(AB121013)	Rear; R.H.

ABS Components - Reman

ABS Module	Years	Part No.	Qualifier
ABS Module	93 - 89	RA121001	
ABS Hydraulic Unit	Years	Part No.	Qualifier
ABS Hydraulic Unit	93 - 90	RA122020	
ABS Hydraulic Unit	89	RA122014	

Wheel Attaching Hardware

Front Wheel Stud	Years	Part No.	Qualifier
Wheel Lug Stud	93 - 90	BD60943	Diesel
Wheel Lug Stud	93 - 90	BD60961	w/o Diesel
Wheel Lug Stud	89 - 86	BD60961	w/5 Stud Whl.
Wheel Lug Stud	89 - 86	BD60943	w/8 Stud Whl.
Wheel Lug Stud	85 - 84	BD60943	
Wheel Lug Stud	83 - 82	BD60960	Exc. 4000 lb. FA; Budd Rotor
Wheel Lug Stud	83 - 82	BD60961	Exc. 4000 lb. FA; Kelsey-Hayes Rotor

D250 PICKUP (cont.) - See Also W250 PICKUP

Wheel Attaching Hardware (cont.)

Front Wheel Stud	Years	Part No.	Qualifier
Wheel Lug Stud	83 - 82	BD60943	w/4000 lb. FA
Wheel Lug Stud	81	BD60943	4000 FA
Wheel Lug Stud	81	BD60960	Exc. 4000 FA; Budd Rotor
Wheel Lug Stud	81	BD60961	Exc. 4000 FA; Kelsey-Hayes Rotor
Rear Wheel Stud	Years	Part No.	Qualifier
Wheel Lug Stud	93 - 84	BD61499	Chrysler RA
Wheel Lug Stud	93 - 86	BD61246	Dana; 5500 RA
Wheel Lug Stud	85 - 84	BD61246	Dana RA
Wheel Lug Stud	83 - 82	BD61246	
Wheel Lug Stud	81	BD61138	Budd; w/12-1/8 x 2" Drum
Wheel Lug Stud	81	BD61056	Motor Wheel; w/12-1/8 x 2" Drum
Wheel Lug Stud	81	BD61246	w/12 x 2-1/2" Drum
Front Wheel Nut	Years	Part No.	Qualifier
Wheel Lug Nut	93 - 90	BD125946	Std. Open
Wheel Lug Nut	89 - 86	BD125915	Dome - Bright
Wheel Lug Nut	89 - 86	BD61161	Flattop - Bright
Wheel Lug Nut	89 - 86	BD61281	Std. Open; w/5 Stud Whl.
Wheel Lug Nut	89 - 86	BD125946	Std. Open; w/8 Stud Whl.
Wheel Lug Nut	85 - 81	BD125946	Std. Open
Rear Wheel Nut	Years	Part No.	Qualifier
Wheel Lug Nut	93 - 81	BD125946	Std. Open
Wheel Lug Nut	89 - 86	BD125915	Dome - Bright
Wheel Lug Nut	89 - 86	BD61161	Flattop - Bright

RAM 2500 PICKUP

Brake Pads & Shoes

Front Pads & Shoes	Years	SevereDuty	Lining No.	Qualifier
Brake Pads	06	SD965		
Brake Pads	05 - 03	SD965		
Brake Pads	02 - 01	SD859		
Brake Pads	00	SD821		
Brake Pads	99	SD459A		4WD; Exc. 7500 GVW
Brake Pads	99	SD845		7500 GVW
Brake Pads	98 - 94	SD459		4WD; Exc. 7500 GVW
Brake Pads	98 - 94	SD370		7500 GVW
Rear Pads & Shoes	Years	SevereDuty	Lining No.	Qualifier
Brake Pads	06	SD702A		
Brake Pads	05 - 03	SD702A		
Brake Pads	02 - 01	SD1096		
Brake Shoes	01 - 00	SDS583R	EX2171TD	12-1/8 x 3-1/2" Brake; Riveted
Brake Shoes	99 - 94	SDS655R	SX2042BDT-S36	13 x 2-1/2" Brake; Riveted
Parking Brake Shoes	Years	SevereDuty	Lining No.	Qualifier
Parking Brake Shoes	01 - 00	SDS771	EX2192	Bonded

Rotor & Drum

Front Rotor & Drum	Years	Part No.	Qualifier
Brake Rotor	06	BD126045	
Brake Rotor	05 - 03	BD126045	
Brake Rotor	02 - 00	BD125745	
Brake Rotor	99 - 94	BD125387	2WD
Brake Rotor	99 - 94	BD125346	4WD; Exc. 7500 GVW
Brake Rotor	98 - 94	BD61918	4WD; 7500 GVW
Rear Rotor & Drum	Years	Part No.	Qualifier
Brake Drum	01 - 00	BD125748	12-1/8 x 3-1/2" Brake
Brake Drum	99 - 94	BD125393	13 x 2-1/2" Brake
Brake Rotor	06	BD126049	
Brake Rotor	05 - 03	BD126049	

RAM 2500 PICKUP (cont.)

Rotor & Drum (cont.)

Rear Rotor & Drum	Years	Part No.	Qualifier
Brake Rotor	02 - 01	BD125760	

Brake Hardware

Front Brake Hardware	Years	Sequential No.	Category No.	Qualifier
Caliper Bolt/Pin	05 - 00	F126899S	(H5061)	
Caliper Bolt/Pin	99 - 95	F129642S	(H5062)	4500 lb. Axle
Caliper Bolt/Pin	99 - 95	F117224S	(H5038)	4WD; 3500 lb. Axle
Caliper Bolt/Pin	94	F117224S	(H5038)	4WD; 7500 GVW
Caliper Bolt/Pin	94	F129642S	(H5062)	Exc. 7500 GVW
Disc Align Kit	05 - 00	F139812	(H5649)	
Disc Align Kit	99 - 95	F117225S	(H5584)	4WD; 3500 lb. Axle
Disc Align Kit	94	F117225S	(H5584)	2WD
Disc Align Kit	94	F117225S	(H5584)	4WD; 7500 GVW
Pin Boot Kit	05 - 00	F139361	(H8227)	
Pin Boot Kit	99 - 95	F130901S	(H8215)	3500 lb. Axle
Pin Boot Kit	96 - 95	F126906S	(H8209)	4500 lb. Axle
Pin Boot Kit	94	F126906S	(H8209)	7500 GVW
Pin Boot Kit	94	F130901S	(H8215)	Exc. 7500 GVW

Rear Brake Hardware	Years	Sequential No.	Category No.	Qualifier
Adjuster Kit	99 - 94	F98406	(H2580)	L.H.; 13 x 2-1/2" Brake
Adjuster Kit	99 - 94	F98407	(H2581)	R.H.; 13 x 2-1/2" Brake
Adjuster Screw	99 - 94	F83294	(H1550)	L.H.; 13 x 2-1/2" Brake
Adjuster Screw	99 - 94	F83295	(H1551)	R.H.; 13 x 2-1/2" Brake
Caliper Bolt/Pin	05 - 00	F126899S	(H5061)	
Combi Kit	01 - 00	F88754	(H7042)	12-1/8 x 3-1/2" Brake
↳Adjuster Spring Kit		F73105	(H430)	
↳Hold Down Kit		F59054	(H4099)	
↳Return Spring Kit		F73207	(H547)	
Combi Kit	99 - 94	F98457S	(H7055)	13 x 2-1/2" Brake
↳Adjuster Spring Kit		F73145S	(H425)	
↳Hold Down Kit		F113455S	(H4098)	
↳Return Spring Kit		F59100S	(H600)	
Disc Align Kit	05 - 01	F140518	(H5683)	
Pin Boot Kit	05 - 00	F139361	(H8227)	

Parking Brake	Years	Sequential No.	Category No.	Qualifier
Combi Kit	04 - 01	F139725	(H7231)	

Calipers - Reman

Front, Loaded	Years	Left No.	Right No.	Qualifier	Piston
Loaded Caliper	02 - 00	AS134356	AS134355		P
Loaded Caliper	99 - 97	AS116294	AS116295	2WD; w/3.16" Single Piston Caliper	M
Loaded Caliper	99 - 97	AS116294	AS116295	4WD; 7500 GVW; w/3.16" Single Piston Caliper	M
Loaded Caliper	99 - 97	AS120226	AS120227	4WD; 8800 GVW	M
Loaded Caliper	96 - 94	AS116294	AS116295	7500 GVW; w/3.16" Single Piston Caliper	M
Loaded Caliper	96 - 94	AS120226	AS120227	8800 GVW	M

Front, Unloaded	Years	Left No.	Right No.	Qualifier	Piston
Unloaded Caliper	06	CR135018	CR135019		P
Unloaded Caliper	05 - 03	CR135018	CR135019		P
Unloaded Caliper	02 - 00	CRB134356	CRB134355	Supplied w/Mtg. Brkt.	P
Unloaded Caliper	02 - 00	CR134356	CR134355	Supplied w/o Mtg. Brkt.	P
Unloaded Caliper	99 - 97	CR116294	CR116295	2WD; w/3.16" Single Piston Caliper	M
Unloaded Caliper	99 - 97	CR116294	CR116295	4WD; 7500 GVW; w/3.16" Single Piston Caliper	M
Unloaded Caliper	99 - 97	CR120226	CR120227	4WD; 8800 GVW	M
Unloaded Caliper	96 - 94	CR116294	CR116295	7500 GVW; w/3.16" Single Piston Caliper	M
Unloaded Caliper	96 - 94	CR120226	CR120227	8800 GVW	M

Rear, Unloaded	Years	Left No.	Right No.	Qualifier	Piston
Unloaded Caliper	06	CRB135016	CRB135017	Supplied w/Mtg. Brkt.	P

↳Sub-Kit of Combi-Kit is available separately.

Piston: M - OE Metal Piston P - OE Phenolic Piston

DODGE - 3/4 TON TRUCK



RAM 2500 PICKUP (cont.)

Calipers - Reman (cont.)

<i>Rear, Unloaded</i>	<i>Years</i>	<i>Left No.</i>	<i>Right No.</i>	<i>Qualifier</i>	<i>Piston</i>
Unloaded Caliper	06	CR135016	CR135017	Supplied w/o Mtg. Brkt.	P
Unloaded Caliper	05 - 04	CRB135016	CRB135017	Supplied w/Mtg. Brkt.	P
Unloaded Caliper	05 - 04	CR135016	CR135017	Supplied w/o Mtg. Brkt.	P
Unloaded Caliper	03	CRB135016	CRB135017	Fins On Top Of Housing; Supplied w/Mtg. Brkt.	P
Unloaded Caliper	03	CR135016	CR135017	Fins On Top Of Housing; Supplied w/o Mtg. Brkt.	P
Unloaded Caliper	02 - 01	CR134542	CR134543		P

Hydraulics - New

<i>Master Cylinder</i>	<i>Years</i>	<i>Sequential No.</i>	<i>Category No.</i>	<i>Qualifier</i>
Master Cylinder	01	F134430	(MC134430)	To 7/4/00; 1-1/4" Bore
Master Cylinder	00 - 98	F134430	(MC134430)	1-1/4" Bore
Master Cylinder	97 - 94	F131472	(MC131472)	2WD; 1-1/4" Bore
Master Cylinder	97 - 94	F131472	(MC131472)	4WD; 7500 GVW; 1-1/4" Bore
Master Cylinder	97 - 94	F131471	(MC131471)	4WD; 8800 GVW; 1-1/4" Bore

<i>Rear Wheel Cylinder</i>	<i>Years</i>	<i>Sequential No.</i>	<i>Category No.</i>	<i>Qualifier</i>
Wheel Cylinder	02 - 00	F78974	(WC78974)	L.H.; 1" Bore
Wheel Cylinder	02 - 00	F78975	(WC78975)	R.H.; 1" Bore
Wheel Cylinder	99 - 94	F131225	(WC131225)	15/16" Bore

<i>Clutch Master Cylind</i>	<i>Years</i>	<i>Sequential No.</i>	<i>Category No.</i>	<i>Qualifier</i>
Clutch Master Cylinder	01 - 98	F134554	(CM134554)	29/32" Bore
Clutch Master Cylinder	97 - 94	F130545	(CM130545)	7/8" Bore

<i>Clutch Slave Cylinder</i>	<i>Years</i>	<i>Sequential No.</i>	<i>Category No.</i>	<i>Qualifier</i>
Clutch Slave Cylinder	97	F130546	(SC130546)	Exc. 5.2L; 1" Bore
Clutch Slave Cylinder	97	F126881	(SC126881)	w/o Diesel; 1" Bore
Clutch Slave Cylinder	96 - 95	F130546	(SC130546)	Exc. Cng; 1" Bore
Clutch Slave Cylinder	96 - 95	F126881	(SC126881)	Exc. Diesel; 1" Bore
Clutch Slave Cylinder	94	F130546	(SC130546)	Exc. 5.2L; 1" Bore
Clutch Slave Cylinder	94	F126881	(SC126881)	w/o Diesel; 1" Bore

<i>Front Brake Hose</i>	<i>Years</i>	<i>Sequential No.</i>	<i>Category No.</i>	<i>Qualifier</i>
Brake Hose	02 - 00	F139933	(BH139933)	L.H.; 2WD; w/Independent Susp.; w/ABS
Brake Hose	02 - 00	F139948	(BH139948)	L.H.; 4WD; w/ABS
Brake Hose	02 - 00	F139934	(BH139934)	R.H.; 2WD; w/Independent Susp.; w/ABS
Brake Hose	02 - 00	F139949	(BH139949)	R.H.; 4WD; w/ABS
Brake Hose	01 - 00	F139931	(BH139931)	L.H.; 2WD; w/Independent Susp.; w/RWAL
Brake Hose	01	F139948	(BH139948)	L.H.; 2WD; w/Solid Axle
Brake Hose	01 - 00	F139950	(BH139950)	L.H.; 4WD; w/RWAL
Brake Hose	01 - 00	F139932	(BH139932)	R.H.; 2WD; w/Independent Susp.; w/RWAL
Brake Hose	01	F139949	(BH139949)	R.H.; 2WD; w/Solid Axle
Brake Hose	01 - 00	F139951	(BH139951)	R.H.; 4WD; w/RWAL
Brake Hose	00	F139933	(BH139933)	L.H.; 2WD; w/Solid Axle
Brake Hose	00	F139934	(BH139934)	R.H.; 2WD; w/Solid Axle
Brake Hose	99 - 95	F132295	(BH132295)	L.H.; 2WD; w/ABS
Brake Hose	99 - 95	F138070	(BH138070)	L.H.; 2WD; w/RWAL
Brake Hose	99 - 95	F132296	(BH132296)	L.H.; 4WD; w/ABS
Brake Hose	99 - 95	F132161	(BH132161)	R.H.; 2WD; w/ABS
Brake Hose	99 - 94	F132147	(BH132147)	R.H.; 2WD; w/RWAL
Brake Hose	99 - 95	F132149	(BH132149)	R.H.; 4WD
Brake Hose	94	F132160	(BH132160)	L.H.; 2WD; w/4 Whl. ABS
Brake Hose	94	F132146	(BH132146)	L.H.; 2WD; w/RWAL
Brake Hose	94	F132162	(BH132162)	L.H.; 4WD; w/4 Whl. ABS
Brake Hose	94	F132148	(BH132148)	L.H.; 4WD; w/RWAL
Brake Hose	94	F132161	(BH132161)	R.H.; 2WD; w/4 Whl. ABS
Brake Hose	94	F132149	(BH132149)	R.H.; 4WD; w/RWAL

<i>Rear Brake Hose</i>	<i>Years</i>	<i>Sequential No.</i>	<i>Category No.</i>	<i>Qualifier</i>
Brake Hose	02 - 01	F140301	(BH140301)	From 7/5/00

Piston: M - OE Metal Piston P - OE Phenolic Piston

RAM 2500 PICKUP (cont.)
Hydraulics - New (cont.)

Rear Brake Hose	Years	Sequential No.	Category No.	Qualifier
Brake Hose	01 - 98	F118546	(BH118546)	To 7/4/00; w/Rear Drum
Brake Hose	97 - 94	F120520	(BH120520)	

Hydraulics - Reman

Master Cylinder	Years	Part No.	Qualifier
Master Cylinder	02	R134794	Ext. Cab
Master Cylinder	01	R134794	From 7/4/00
Master Cylinder	01	R134716	To 7/4/00
Master Cylinder	00 - 98	R134716	
Master Cylinder	97	R131472	2WD; Gas
Master Cylinder	97	R131472	4WD; Gas; 7500 lb. GVW
Master Cylinder	97	R131940	4WD; Gas; 8800 lb. GVW
Master Cylinder	97	R134626	Diesel
Master Cylinder	96 - 94	R131472	2WD; 8800 lb. GVW
Master Cylinder	96 - 94	R131940	4WD; 8800 lb. GVW

Power Brake Booster	Years	Part No.	Qualifier
Hydro Booster	02 - 98	527354	
Hydro Booster	97	527355	

Power Brake Booster	Years	Part No.	Qualifier
Power Brake Booster	02	5474409	Gas; w/o Master Cylinder; w/Vacuum Boost; Std. Cab
Power Brake Booster	01	5474423	To 7/4/00; Gas; w/o Master Cylinder; w/Vacuum Boost
Power Brake Booster	00	5474423	Gas; w/o Master Cylinder; w/Vacuum Boost
Power Brake Booster	97	5474803	Gas; w/o Master Cylinder; w/Vacuum Boost
Power Brake Booster	96 - 94	5474803	Gas; w/o Master Cylinder

Brake Cables

Parking Brake Cable	Years	Sequential No.	Category No.	Qualifier
Parking Brake Cable	05 - 03	F132374	(BC132374)	Intermediate; w/140-1/2" WB; Quad Cab
Parking Brake Cable	05 - 03	F132374	(BC132374)	Intermediate; w/160-1/2" WB; Quad Cab
Parking Brake Cable	04 - 03	F140308	(BC140308)	Rear; L.H.; w/140" WB; Quad Cab; 60" Length
Parking Brake Cable	04 - 03	F140311	(BC140311)	Rear; R.H.; w/140" WB; Quad Cab; 119" Length
Parking Brake Cable	02 - 00	F140169	(BC140169)	Forward; 64" Length
Parking Brake Cable	02	F140386	(BC140386)	Intermediate; Club Cab; w/154" WB; 34" Length
Parking Brake Cable	02	F140385	(BC140385)	Intermediate; Diesel; Exc. Std. Cab; 154" WB; w/Dual Piston Caliper; 18" Length
Parking Brake Cable	02	F140385	(BC140385)	Intermediate; Exc. Std. Cab; 138" WB; w/Dual Piston Caliper; 18" Length
Parking Brake Cable	02	F140386	(BC140386)	Intermediate; Exc. Std. Cab; 138" WB; w/Dual Piston Caliper; 34" Length
Parking Brake Cable	02	F140385	(BC140385)	Intermediate; Quad Cab; w/138" WB; 18" Length
Parking Brake Cable	02	F140387	(BC140387)	Intermediate; Std. Cab; w/Dual Piston Caliper; 14" Length
Parking Brake Cable	01	F140385	(BC140385)	Intermediate; Diesel; From 7/5/00; Exc. Std. Cab; 154" WB; w/Dual Piston Caliper; 18" Length
Parking Brake Cable	01	F140386	(BC140386)	Intermediate; Exc. 8 Cyl.; From 7/5/00; Exc. Std. Cab; 138" WB; w/Dual Piston Caliper; 34" Length
Parking Brake Cable	01	F140385	(BC140385)	Intermediate; From 7/5/00; Exc. Std. Cab; 138" WB; w/Dual Piston Caliper; 18" Length
Parking Brake Cable	01	F140383	(BC140383)	Intermediate; To 7/4/00; Club Cab; w/154" WB; 40" Length
Parking Brake Cable	01	F140386	(BC140386)	Intermediate; w/o Diesel; From 7/5/00; Exc. Std. Cab; 154" WB; w/Dual Piston Caliper; 34" Length
Parking Brake Cable	01 - 00	F140313	(BC140313)	Rear; L.H.; 2WD; To 7/4/00; 53" Length
Parking Brake Cable	01 - 00	F140312	(BC140312)	Rear; L.H.; 4WD; To 7/4/00; 55" Length
Parking Brake Cable	00	F140383	(BC140383)	Intermediate; Club Cab; w/154" WB; 40" Length
Parking Brake Cable	99 - 95	F132373	(BC132373)	Forward; Club Cab, Exc. Cab
Parking Brake Cable	99 - 94	F133068	(BC133068)	Forward; Exc. Club Cab
Parking Brake Cable	99 - 96	F132272	(BC132272)	Intermediate; 154" WB; Exc. Std. Cab
Parking Brake Cable	99 - 94	F132378	(BC132378)	Rear; L.H.
Parking Brake Cable	99 - 95	F138651	(BC138651)	Rear; R.H.; Club Cab
Parking Brake Cable	99 - 95	F132379	(BC132379)	Rear; R.H.; Exc. Club Cab
Parking Brake Cable	94	F132275	(BC132275)	Rear; R.H.

RAM 2500 PICKUP (cont.)

ABS Components - New

<i>ABS Wheel Sensor</i>	<i>Years</i>	<i>Sequential No.</i>	<i>Category No.</i>	<i>Qualifier</i>
ABS Wheel Sensor	97 - 94	F121013	(AB121013)	Rear; L.H.
ABS Wheel Sensor	97 - 94	F121013	(AB121013)	Rear; R.H.

ABS Components - Reman

<i>ABS Module</i>	<i>Years</i>	<i>Part No.</i>	<i>Qualifier</i>
ABS Module	97 - 94	RA121041	w/2 Whl. ABS
<i>ABS Hydraulic Unit</i>	<i>Years</i>	<i>Part No.</i>	<i>Qualifier</i>
ABS Hydraulic Unit	98 - 94	RA122056	w/2 Whl. ABS
ABS Hydraulic Unit	98 - 94	RA122055	w/4 Whl. ABS

Wheel Attaching Hardware

<i>Front Wheel Stud</i>	<i>Years</i>	<i>Part No.</i>	<i>Qualifier</i>
Wheel Lug Stud	05 - 03	BD125985	
Wheel Lug Stud	02 - 01	BD125964	
Wheel Lug Stud	00	BD60931	
Wheel Lug Stud	99 - 94	BD125944	4WD; 7500 GVW
Wheel Lug Stud	99 - 98	BD125937	4WD; 8800 GVW
<i>Rear Wheel Stud</i>	<i>Years</i>	<i>Part No.</i>	<i>Qualifier</i>
Wheel Lug Stud	02 - 00	BD60931	
Wheel Lug Stud	99 - 95	BD60931	w/Dana RA
Wheel Lug Stud	94	BD60931	Dana RA
<i>Front Wheel Nut</i>	<i>Years</i>	<i>Part No.</i>	<i>Qualifier</i>
Wheel Lug Nut	05 - 94	BD125928	Bulge
<i>Rear Wheel Nut</i>	<i>Years</i>	<i>Part No.</i>	<i>Qualifier</i>
Wheel Lug Nut	05 - 94	BD125928	Bulge

W250 PICKUP - See Also D250 PICKUP

Brake Pads & Shoes

<i>Front Pads & Shoes</i>	<i>Years</i>	<i>SevereDuty</i>	<i>Lining No.</i>	<i>Qualifier</i>
Brake Pads	93 - 81	SD149		4500 lb. FA
Brake Pads	93 - 81	SD269		Exc. 4500 lb. FA
<i>Rear Pads & Shoes</i>	<i>Years</i>	<i>SevereDuty</i>	<i>Lining No.</i>	<i>Qualifier</i>
Brake Shoes	93 - 90	SDS446R	EX2025TD	11 x 2-1/2" Brake; Riveted
Brake Shoes	93 - 81	SDS357AR	EX2146ATD	12 x 2-1/2" Brake; Riveted

Rotor & Drum

<i>Front Rotor & Drum</i>	<i>Years</i>	<i>Part No.</i>	<i>Qualifier</i>
Brake Rotor	93 - 90	BD102137	4500 lb. FA; Hub Casting No. 102764
Brake Rotor	93 - 90	BD60622	4500 lb. FA; Hub Casting No. 102764
Brake Rotor	93 - 82	BD60610	Exc. 4500 lb. FA
Brake Rotor	89 - 81	BD102137	4500 lb. FA
Rotor Hub	93 - 85	BD61710	L.H.; Exc. 4500 lb. FA; Use w/BD60610 Rotor
Rotor Hub	93 - 85	BD61710	R.H.; Exc. 4500 lb. FA; Use w/BD60610 Rotor
<i>Rear Rotor & Drum</i>	<i>Years</i>	<i>Part No.</i>	<i>Qualifier</i>
Brake Drum	93 - 90	BD60732	11 x 2-1/2" Brake
Brake Drum	93 - 90	BD60302	5500-5800 lb. RA; 12 x 2-1/2" Brake
Brake Drum	93 - 90	BD60328	6200 lb. RA; 12 x 3" Brake
Brake Drum	93 - 90	BD60880	w/9-1/4" R.G.; 12 x 2-1/2" Brake
Brake Drum	89 - 86	BD60880	12 x 2-1/2" Brake
Brake Drum	85 - 81	BD60302	12 x 2-1/2" Brake

Brake Hardware

<i>Front Brake Hardware</i>	<i>Years</i>	<i>Sequential No.</i>	<i>Category No.</i>	<i>Qualifier</i>
Caliper Bolt/Pin	93 - 92	F73237S	(H5019)	H/D Axle
Caliper Bolt/Pin	91	F73237S	(H5019)	4500 lb. FA
Caliper Bolt/Pin	90 - 88	F73237S	(H5019)	4500 lb. FA; w/SRW
Caliper Bolt/Pin	90 - 88	F73237S	(H5019)	w/DRW
Caliper Bolt/Pin	87 - 81	F73237S	(H5019)	4500 lb. FA

W250 PICKUP (cont.) - See Also D250 PICKUP
Brake Hardware (cont.)

Front Brake Hardware	Years	Sequential No.	Category No.	Qualifier
Disc Align Kit	93 - 85	F113367S	(H5561)	4500 lb. FA
Disc Align Kit	93 - 81	F76178S	(H5516)	Exc. 4500 lb. FA
Disc Align Kit	84 - 81	F113364S	(H5519)	4500 lb. FA
Rear Brake Hardware	Years	Sequential No.	Category No.	Qualifier
Adjuster Kit	93 - 86	F98416	(H2588)	L.H.
Adjuster Kit	93 - 86	F98417	(H2589)	R.H.
Adjuster Kit	85 - 81	F98398	(H2576)	L.H.
Adjuster Kit	85 - 81	F98399	(H2577)	R.H.
Adjuster Screw	93 - 86	F79799	(H1534)	L.H.
Adjuster Screw	93 - 86	F79800	(H1535)	R.H.
Adjuster Screw	85 - 81	F98328	(H1540)	L.H.
Adjuster Screw	85 - 81	F98329	(H1541)	R.H.
Combi Kit	93 - 81	F88754	(H7042)	
↳Adjuster Spring Kit		F73105	(H430)	
↳Hold Down Kit		F59054	(H4099)	
↳Return Spring Kit		F73207	(H547)	

Calipers - Reman

Front, Loaded	Years	Left No.	Right No.	Qualifier	Piston
Loaded Caliper	93 - 84	AS104396B	AS104397B	3500 lb. FA; w/Single Piston Caliper	P
Loaded Caliper	93 - 84	AS104396BS	AS104397BS	3500 lb. FA; w/Single Piston Caliper	O
Loaded Caliper	93 - 90	AS98906	AS98907	4500 lb. FA	M
Front, Unloaded	Years	Left No.	Right No.	Qualifier	Piston
Unloaded Caliper	93 - 81	CR104396	CR104397	3500 lb. FA; w/Single Piston Caliper	P
Unloaded Caliper	93 - 81	CR104396S	CR104397S	3500 lb. FA; w/Single Piston Caliper	O
Unloaded Caliper	93 - 90	CR98906	CR98907	4500 lb. FA	M
Unloaded Caliper	89 - 81	CR98683	CR98684	4500 lb. FA	M

Hydraulics - New

Master Cylinder	Years	Sequential No.	Category No.	Qualifier
Master Cylinder	93 - 89	F98896	(MC98896)	1-1/8" Bore
Master Cylinder	88 - 81	F98896	(MC98896)	4500 lb. FA; 1-1/8" Bore
Master Cylinder	88 - 81	F98895	(MC98895)	Exc. 4500 lb. FA; 1-1/8" Bore
Rear Wheel Cylinder	Years	Sequential No.	Category No.	Qualifier
Wheel Cylinder	93 - 81	F78974	(WC78974)	L.H.; 1" Bore
Wheel Cylinder	93	F35325	(WC35325)	L.H.; 1-1/8" Bore
Wheel Cylinder	93 - 82	F17507	(WC17507)	L.H.; 7/8" Bore
Wheel Cylinder	93 - 81	F78975	(WC78975)	R.H.; 1" Bore
Wheel Cylinder	93	F35326	(WC35326)	R.H.; 1-1/8" Bore
Wheel Cylinder	93 - 82	F17508	(WC17508)	R.H.; 7/8" Bore
Wheel Cylinder	92 - 91	F106315	(WC106315)	15/16" Bore
Wheel Cylinder	90 - 84	F35325	(WC35325)	L.H.; 1-1/8" Bore
Wheel Cylinder	90 - 84	F35326	(WC35326)	R.H.; 1-1/8" Bore
Clutch Master Cylind	Years	Sequential No.	Category No.	Qualifier
Clutch Master Cylinder	93	F126868	(CM126868)	7/8" Bore
Clutch Master Cylinder	92	F126863	(CM126863)	7/8" Bore
Clutch Master Cylinder	91 - 89	F130544	(CM130544)	Diesel; 7/8" Bore
Clutch Master Cylinder	91	F126863	(CM126863)	w/o Diesel; 7/8" Bore
Clutch Slave Cylinder	Years	Sequential No.	Category No.	Qualifier
Clutch Slave Cylinder	93	F126880	(SC126880)	1" Bore
Clutch Slave Cylinder	92	F126881	(SC126881)	1" Bore
Clutch Slave Cylinder	91 - 89	F126878	(SC126878)	Diesel; 1" Bore
Clutch Slave Cylinder	91	F126877	(SC126877)	w/o Diesel; 1" Bore
Front Brake Hose	Years	Sequential No.	Category No.	Qualifier
Brake Hose	93 - 87	F113877	(BH113877)	Inner; 4500 lb. FA
Brake Hose	93 - 89	F120521	(BH120521)	Inner; Exc. 4500 lb. FA

↳Sub-Kit of Combi-Kit is available separately.

Piston: M - OE Metal Piston P - OE Phenolic Piston O - Metal Piston Option

W250 PICKUP (cont.) - See Also D250 PICKUP

Hydraulics - New (cont.)				
Front Brake Hose	Years	Sequential No.	Category No.	Qualifier
Brake Hose	93 - 81	F98937	(BH98937)	L.H.; 4500 lb. FA
Brake Hose	93 - 81	F97661	(BH97661)	Outer; Exc. 4500 lb. FA
Brake Hose	93 - 88	F98938	(BH98938)	R.H.; Outer; 4500 lb. FA
Brake Hose	88 - 87	F111396	(BH111396)	Inner; Exc. 4500 lb. FA
Brake Hose	87 - 81	F98938	(BH98938)	R.H.; 4500 lb. FA
Brake Hose	86 - 85	F111396	(BH111396)	Inner
Brake Hose	84 - 81	F113877	(BH113877)	Inner; 4500 lb. FA

Rear Brake Hose	Years	Sequential No.	Category No.	Qualifier
Brake Hose	93 - 89	F124718	(BH124718)	
Brake Hose	88 - 82	F106330	(BH106330)	
Brake Hose	81	F97659	(BH97659)	

Hydraulics - Reman				
Master Cylinder	Years	Part No.	Qualifier	
Master Cylinder	93 - 89	R98896		
Master Cylinder	88 - 81	R98895	3500 lb. FA	
Master Cylinder	88 - 81	R98896	4500 lb. FA	

Power Brake Booster	Years	Part No.	Qualifier	
Power Brake Booster	93 - 89	503360	Gas; w/Master Cylinder	
Power Brake Booster	93 - 89	5473360	Gas; w/o Master Cylinder	
Power Brake Booster	88 - 84	509232	Gas; w/Master Cylinder; 3500 lb. FA	
Power Brake Booster	88 - 84	503360	Gas; w/Master Cylinder; 4500 lb. FA	
Power Brake Booster	88 - 84	5473146	Gas; w/o Master Cylinder; 3500 lb. FA	
Power Brake Booster	88 - 84	5473360	Gas; w/o Master Cylinder; 4500 lb. FA	
Power Brake Booster	83 - 81	509234	Gas; w/Master Cylinder; 3500 lb. FA	
Power Brake Booster	83 - 81	509235	Gas; w/Master Cylinder; 4500 lb. FA	
Power Brake Booster	83 - 81	5473145	Gas; w/o Master Cylinder; 3500 lb. FA	
Power Brake Booster	83 - 81	5473353	Gas; w/o Master Cylinder; 4500 lb. FA	

Brake Cables				
Parking Brake Cable	Years	Sequential No.	Category No.	Qualifier
Parking Brake Cable	93 - 88	F124695	(BC124695)	Forward; 131" WB
Parking Brake Cable	93 - 88	F124692	(BC124692)	Forward; 149" WB
Parking Brake Cable	93 - 88	F128638	(BC128638)	Rear; L.H.
Parking Brake Cable	93 - 90	F128639	(BC128639)	Rear; R.H.
Parking Brake Cable	89 - 88	F128631	(BC128631)	Rear; R.H.
Parking Brake Cable	87 - 82	F102646	(BC102646)	Forward
Parking Brake Cable	87 - 81	F103398	(BC103398)	Intermediate; 131" WB
Parking Brake Cable	87 - 81	F101048	(BC101048)	Intermediate; 149" WB
Parking Brake Cable	87 - 81	F112981	(BC112981)	Rear; L.H.
Parking Brake Cable	87 - 81	F108522	(BC108522)	Rear; R.H.
Parking Brake Cable	81	F102646	(BC102646)	Forward; w/Frame Reinforcement
Parking Brake Cable	81	F102644	(BC102644)	Forward; w/o Frame Reinforcement
Parking Brake Cable	81	F102648	(BC102648)	Intermediate; 133" WB

ABS Components - New				
ABS Control Module	Years	Sequential No.	Category No.	Qualifier
ABS Control Module	91 - 90	F121022	(AB121022)	
ABS Control Module	89 - 88	F121023	(AB121023)	

ABS Modulator	Years	Sequential No.	Category No.	Qualifier
ABS Modulator	91 - 90	F121021	(AB121021)	
ABS Modulator	89 - 88	F121016	(AB121016)	

ABS Wheel Sensor	Years	Sequential No.	Category No.	Qualifier
ABS Wheel Sensor	91 - 88	F121013	(AB121013)	Rear; L.H.
ABS Wheel Sensor	91 - 88	F121013	(AB121013)	Rear; R.H.

W250 PICKUP (cont.) - See Also D250 PICKUP
ABS Components - Reman

ABS Module	Years	Part No.	Qualifier
ABS Module	93 - 89	RA121001	
ABS Hydraulic Unit	Years	Part No.	Qualifier
ABS Hydraulic Unit	93 - 90	RA122020	
ABS Hydraulic Unit	89	RA122014	

Wheel Attaching Hardware

Front Wheel Stud	Years	Part No.	Qualifier
Wheel Lug Stud	93 - 86	BD60959	3500 FA
Wheel Lug Stud	93 - 86	BD60936	4500 FA
Wheel Lug Stud	85 - 84	BD60936	
Wheel Lug Stud	83 - 81	BD60959	3500 FA
Wheel Lug Stud	83 - 81	BD60936	4500 FA
Rear Wheel Stud	Years	Part No.	Qualifier
Wheel Lug Stud	93 - 84	BD61499	Chrysler RA
Wheel Lug Stud	93 - 86	BD61246	Dana; 5500 RA
Wheel Lug Stud	90 - 86	BD61246	Dana; 6200 RA
Wheel Lug Stud	85 - 84	BD61246	Dana RA
Wheel Lug Stud	83 - 82	BD61246	
Wheel Lug Stud	81	BD61138	Budd; w/12-1/8 x 2" Drum
Wheel Lug Stud	81	BD61056	Motor Wheel; w/12-1/8 x 2" Drum
Wheel Lug Stud	81	BD61246	w/12 x 2-1/2" Drum
Front Wheel Nut	Years	Part No.	Qualifier
Wheel Lug Nut	93 - 81	BD125946	Std. Open
Rear Wheel Nut	Years	Part No.	Qualifier
Wheel Lug Nut	93 - 81	BD125946	Std. Open

DODGE - 3/4 TON VAN
B2500 VAN
Brake Pads & Shoes

Front Pads & Shoes	Years	SevereDuty	Lining No.	Qualifier
Brake Pads	98	SD655A		
Brake Pads	97 - 95	SD269		
Brake Pads	94 - 81	SD269		
Rear Pads & Shoes	Years	SevereDuty	Lining No.	Qualifier
Brake Shoes	98 - 95	SDS446R	EX2025TD	11 x 2-1/2" Brake; Riveted
Brake Shoes	94 - 84	SDS446R	EX2025TD	11 x 2-1/2" Brake; Riveted
Brake Shoes	87 - 81	SDS445R	EX2089TD	10 x 2-1/2" Brake; Riveted
Brake Shoes	81	SDS446R	EX2025TD	11 x 2-1/2" Brake; Riveted

Rotor & Drum

Front Rotor & Drum	Years	Part No.	Qualifier
Brake Rotor	98	BD125640	w/5 Stud Whl.
Brake Rotor	98	BD125784	w/8 Stud Whl.
Brake Rotor	97 - 95	BD125389	w/4 Whl. ABS
Brake Rotor	97 - 95	BD60784	w/RWAL
Brake Rotor	94	BD125389	w/4 Whl. ABS
Brake Rotor	94	BD60784	w/RWAL
Brake Rotor	93 - 85	BD60784	
Brake Rotor	84 - 82	BD60472	
Brake Rotor	81	BD60418	
Rear Rotor & Drum	Years	Part No.	Qualifier
Brake Drum	98 - 95	BD60732	11 x 2-1/2" Brake
Brake Drum	94 - 84	BD60732	11 x 2-1/2" Brake
Brake Drum	87 - 84	BD60140	10 x 2-1/2" Brake
Brake Drum	83 - 82	BD60140	Exc. Finned Drum; 10 x 2-1/2" Brake
Brake Drum	83	BD60350	Finned Drum; 10 x 2-1/2" Brake

DODGE - 3/4 TON VAN



B2500 VAN (cont.)

Rotor & Drum (cont.)

Rear Rotor & Drum	Years	Part No.	Qualifier
Brake Drum	81	BD60140	10 x 2-1/2" Brake
Brake Drum	81	BD60187	11 x 2-1/2" Brake

Brake Hardware

Front Brake Hardware	Years	Sequential No.	Category No.	Qualifier
Caliper Bolt/Pin	98	F138106S	(H5084)	
Disc Align Kit	98	F132611S	(H5602)	
Disc Align Kit	97 - 95	F76178S	(H5516)	
Disc Align Kit	94 - 81	F76178S	(H5516)	
Pin Boot Kit	98	F139361	(H8227)	

Rear Brake Hardware	Years	Sequential No.	Category No.	Qualifier
Adjuster Kit	98 - 95	F98364S	(H2534)	L.H.
Adjuster Kit	98 - 95	F98365S	(H2535)	R.H.
Adjuster Kit	94 - 91	F98364S	(H2534)	L.H.
Adjuster Kit	94 - 91	F98365S	(H2535)	R.H.
Adjuster Kit	90 - 81	F98358S	(H2528)	L.H.; 10 x 2-1/2" Brake
Adjuster Kit	90 - 81	F98364S	(H2534)	L.H.; 11 x 2-1/2" Brake
Adjuster Kit	90 - 81	F98359S	(H2529)	R.H.; 10 x 2-1/2" Brake
Adjuster Kit	90 - 81	F98365S	(H2535)	R.H.; 11 x 2-1/2" Brake
Adjuster Screw	98 - 95	F73151S	(H1526)	L.H.
Adjuster Screw	98 - 95	F73150S	(H1527)	R.H.
Adjuster Screw	94 - 91	F73151S	(H1526)	L.H.
Adjuster Screw	94 - 91	F73150S	(H1527)	R.H.
Adjuster Screw	90 - 81	F73151S	(H1526)	L.H.; 10 x 2-1/2" Brake
Adjuster Screw	90 - 81	F73151S	(H1526)	L.H.; 11 x 2-1/2" Brake
Adjuster Screw	90 - 81	F73150S	(H1527)	R.H.; 10 x 2-1/2" Brake
Adjuster Screw	90 - 81	F73150S	(H1527)	R.H.; 11 x 2-1/2" Brake
Combi Kit	98 - 95	F78544S	(H7133)	
↳Adjuster Spring Kit		F73170S	(H435)	
↳Hold Down Kit		F19471S	(H4030)	
↳Return Spring Kit		F36403S	(H111)	
Combi Kit	94 - 81	F78544S	(H7133)	11 x 2-1/2" Brake
↳Adjuster Spring Kit		F73170S	(H435)	
↳Hold Down Kit		F19471S	(H4030)	
↳Return Spring Kit		F36403S	(H111)	
Combi Kit	90 - 81	F98454	(H7044)	10 x 2-1/2" Brake
↳Adjuster Spring Kit		F45948	(H428)	
↳Hold Down Kit		F19471S	(H4030)	
↳Return Spring Kit		F36454S	(H102)	

Calipers - Reman

Front, Loaded	Years	Left No.	Right No.	Qualifier	Piston
Loaded Caliper	98 - 95	AS104396B	AS104397B	w/Single Piston Caliper	P
Loaded Caliper	98 - 95	AS104396BS	AS104397BS	w/Single Piston Caliper	O
Loaded Caliper	94 - 84	AS104396B	AS104397B	w/Single Piston Caliper	P
Loaded Caliper	94 - 84	AS104396BS	AS104397BS	w/Single Piston Caliper	O
Loaded Caliper	83 - 81	AS104396	AS104397	w/Single Piston Caliper	P
Loaded Caliper	83 - 81	AS104396S	AS104397S	w/Single Piston Caliper	O
Front, Unloaded	Years	Left No.	Right No.	Qualifier	Piston
Unloaded Caliper	98	CRB134354	CRB134353	w/Dual Piston Caliper; Supplied w/Mtg. Brkt.	P
Unloaded Caliper	98	CR134354	CR134353	w/Dual Piston Caliper; Supplied w/o Mtg. Brkt.	P
Unloaded Caliper	98 - 95	CR104396	CR104397	w/Single Piston Caliper	P
Unloaded Caliper	98 - 95	CR104396S	CR104397S	w/Single Piston Caliper	O
Unloaded Caliper	94 - 81	CR104396	CR104397	w/Single Piston Caliper	P
Unloaded Caliper	94 - 81	CR104396S	CR104397S	w/Single Piston Caliper	O

↳Sub-Kit of Combi-Kit is available separately.

Piston: M - OE Metal Piston P - OE Phenolic Piston O - Metal Piston Option

B2500 VAN (cont.)
Hydraulics - New

Master Cylinder	Years	Sequential No.	Category No.	Qualifier
Master Cylinder	97 - 95	F134438	(MC134438)	1-1/8" Bore
Master Cylinder	94	F134438	(MC134438)	1-1/8" Bore
Master Cylinder	93 - 90	F123524	(MC123524)	1-1/8" Bore
Master Cylinder	89 - 81	F98895	(MC98895)	1-1/8" Bore
Rear Wheel Cylinder	Years	Sequential No.	Category No.	Qualifier
Wheel Cylinder	98 - 95	F106315	(WC106315)	11 x 2-1/2" Brake; 15/16" Bore
Wheel Cylinder	98	F101610	(WC101610)	12 x 2-1/2" Brake; 15/16" Bore
Wheel Cylinder	94 - 81	F106315	(WC106315)	15/16" Bore
Clutch Master Cylind	Years	Sequential No.	Category No.	Qualifier
Clutch Master Cylinder	93	F126863	(CM126863)	7/8" Bore
Clutch Master Cylinder	92 - 88	F126862	(CM126862)	7/8" Bore
Clutch Slave Cylinder	Years	Sequential No.	Category No.	Qualifier
Clutch Slave Cylinder	93	F126881	(SC126881)	1" Bore
Clutch Slave Cylinder	92 - 90	F126880	(SC126880)	1" Bore
Clutch Slave Cylinder	89 - 88	F126877	(SC126877)	1" Bore
Front Brake Hose	Years	Sequential No.	Category No.	Qualifier
Brake Hose	98 - 95	F132034	(BH132034)	L.H.; w/ABS
Brake Hose	98 - 95	F132033	(BH132033)	L.H.; w/RWAL
Brake Hose	98 - 95	F106329	(BH106329)	R.H.
Brake Hose	96 - 95	F123785	(BH123785)	L.H.; Exc. Sport Susp.
Brake Hose	94	F132034	(BH132034)	L.H.; w/4 Whl. ABS
Brake Hose	94	F132033	(BH132033)	L.H.; w/RWAL
Brake Hose	94 - 82	F106329	(BH106329)	R.H.
Brake Hose	93 - 90	F124719	(BH124719)	L.H.
Brake Hose	89 - 82	F106328	(BH106328)	L.H.
Brake Hose	81	F98931	(BH98931)	L.H.
Brake Hose	81	F98932	(BH98932)	R.H.
Rear Brake Hose	Years	Sequential No.	Category No.	Qualifier
Brake Hose	98 - 97	F107281	(BH107281)	
Brake Hose	96 - 95	F123296	(BH123296)	
Brake Hose	94 - 90	F123296	(BH123296)	
Brake Hose	89 - 86	F107281	(BH107281)	
Brake Hose	85 - 82	F106347	(BH106347)	
Brake Hose	81	F100771	(BH100771)	

Hydraulics - Reman

Master Cylinder	Years	Part No.	Qualifier
Master Cylinder	98	R134813	
Master Cylinder	97 - 95	R123524	
Master Cylinder	94 - 90	R123524	
Master Cylinder	89 - 84	R98895	
Master Cylinder	83 - 81	R98895	w/Power Brake
Master Cylinder	81	R98895M	w/Manual Brake; w/Alum. Hsg.
Master Cylinder	81	R88783M	w/Manual Brake; w/Cast Iron Hsg.
Power Brake Booster	Years	Part No.	Qualifier
Hydro Booster	84 - 81	529385	O-Ring Type Port
Power Brake Booster	Years	Part No.	Qualifier
Power Brake Booster	98	504217	w/Master Cylinder; Early
Power Brake Booster	98	5474202	w/o Master Cylinder; Early
Power Brake Booster	98	5474415	w/o Master Cylinder; Late
Power Brake Booster	97 - 95	504217	w/Master Cylinder
Power Brake Booster	97 - 95	5474202	w/o Master Cylinder
Power Brake Booster	94 - 90	504217	w/Master Cylinder
Power Brake Booster	94 - 88	5474202	w/o Master Cylinder
Power Brake Booster	89 - 88	504202	w/Master Cylinder
Power Brake Booster	87 - 85	503772	w/Master Cylinder

B2500 VAN (cont.)

Hydraulics - Reman (cont.)

Power Brake Booster	Years	Part No.	Qualifier
Power Brake Booster	87 - 85	5473772	w/o Master Cylinder
Power Brake Booster	84 - 81	503771	w/Master Cylinder; w/Vacuum Boost
Power Brake Booster	84 - 81	5473771	w/o Master Cylinder; w/Vacuum Boost

Brake Cables

Parking Brake Cable	Years	Sequential No.	Category No.	Qualifier
Parking Brake Cable	97	F140371	(BC140371)	Forward; 103" Length
Parking Brake Cable	97 - 95	F139253	(BC139253)	Intermediate; 127" WB
Parking Brake Cable	97	F128634	(BC128634)	Rear; L.H.; Exc. 8250 lb. RA, Exc. 9250 lb. L/D Chrysler RA
Parking Brake Cable	97	F128719	(BC128719)	Rear; R.H.; Exc. 8250 lb. RA, Exc. 9250 lb. L/D Chrysler RA
Parking Brake Cable	96 - 95	F140370	(BC140370)	Forward; 102" Length
Parking Brake Cable	96 - 95	F133098	(BC133098)	Rear; L.H.
Parking Brake Cable	94	F132268	(BC132268)	Forward; 109" WB
Parking Brake Cable	94	F132269	(BC132269)	Forward; 127" WB
Parking Brake Cable	94 - 89	F132271	(BC132271)	Rear; L.H.
Parking Brake Cable	94	F132270	(BC132270)	Rear; R.H.
Parking Brake Cable	93 - 89	F128637	(BC128637)	Forward; 109" WB
Parking Brake Cable	93 - 89	F128632	(BC128632)	Forward; 127" WB
Parking Brake Cable	93 - 89	F126920	(BC126920)	Rear; R.H.
Parking Brake Cable	88 - 81	F103395	(BC103395)	Forward; 109" WB
Parking Brake Cable	88 - 84	F108733	(BC108733)	Forward; 127" WB
Parking Brake Cable	88 - 84	F108734	(BC108734)	Rear; L.H.
Parking Brake Cable	88 - 84	F108735	(BC108735)	Rear; R.H.
Parking Brake Cable	83 - 81	F102636	(BC102636)	Forward; 127" WB
Parking Brake Cable	83 - 81	F102639	(BC102639)	Rear; L.H.
Parking Brake Cable	83 - 81	F102638	(BC102638)	Rear; R.H.

ABS Components - New

ABS Control Module	Years	Sequential No.	Category No.	Qualifier
ABS Control Module	91 - 90	F121022	(AB121022)	w/AC
ABS Control Module	91 - 90	F121024	(AB121024)	w/o AC
ABS Modulator	Years	Sequential No.	Category No.	Qualifier
ABS Modulator	91 - 90	F121018	(AB121018)	
ABS Wheel Sensor	Years	Sequential No.	Category No.	Qualifier
ABS Wheel Sensor	97 - 95	F121013	(AB121013)	Rear; L.H.
ABS Wheel Sensor	97 - 95	F121013	(AB121013)	Rear; R.H.
ABS Wheel Sensor	94 - 92	F121013	(AB121013)	Rear; L.H.
ABS Wheel Sensor	94 - 92	F121013	(AB121013)	Rear; R.H.
ABS Wheel Sensor	91 - 90	F121013	(AB121013)	Rear; L.H.
ABS Wheel Sensor	91 - 90	F121013	(AB121013)	Rear; R.H.

ABS Components - Reman

ABS Module	Years	Part No.	Qualifier
ABS Module	97 - 95	RA121003	w/2 Whl. ABS; w/AC
ABS Module	97 - 95	RA121006	w/2 Whl. ABS; w/o AC
ABS Module	97 - 95	RA121023	w/4 Whl. ABS
ABS Module	94	RA121003	w/2 Whl. ABS; w/AC
ABS Module	94	RA121006	w/2 Whl. ABS; w/o AC
ABS Module	94	RA121023	w/4 Whl. ABS
ABS Module	93 - 92	RA121003	
ABS Module	93 - 92	RA121006	
ABS Module	91 - 90	RA121004	
ABS Module	91 - 90	RA121005	
ABS Hydraulic Unit	Years	Part No.	Qualifier
ABS Hydraulic Unit	97 - 95	RA122058	w/2 Whl. ABS
ABS Hydraulic Unit	97 - 95	RA122034	w/4 Whl. ABS
ABS Hydraulic Unit	94	RA122056	w/2 Whl. ABS

ABS Components - Reman (cont.)

ABS Hydraulic Unit	Years	Part No.	Qualifier
ABS Hydraulic Unit	94	RA122034	w/4 Whl. ABS
ABS Hydraulic Unit	93 - 90	RA122018	

Wheel Attaching Hardware

Front Wheel Stud	Years	Part No.	Qualifier
Wheel Lug Stud	97	BD60961	w/Chrysler RA
Wheel Lug Stud	97	BD61137	w/Dana H/D RA
Wheel Lug Stud	97	BD60943	w/Dana RA
Wheel Lug Stud	96 - 95	BD60960	
Wheel Lug Stud	94 - 86	BD60960	
Wheel Lug Stud	85 - 81	BD60960	Budd Rotor
Wheel Lug Stud	85 - 81	BD60961	Kelsey-Hayes Rotor

Rear Wheel Stud	Years	Part No.	Qualifier
Wheel Lug Stud	98	BD60931	w/Dana RA
Wheel Lug Stud	97	BD61235	Chrysler RA; w/5 Stud Whl.
Wheel Lug Stud	97	BD61499	Chrysler RA; w/8 Stud Whl.
Wheel Lug Stud	96 - 95	BD61235	w/8-1/4" R.G.
Wheel Lug Stud	96 - 95	BD61499	w/9-1/4" R.G.
Wheel Lug Stud	94 - 90	BD61235	8-1/4" R.G.
Wheel Lug Stud	94 - 90	BD61499	9-1/4" R.G.
Wheel Lug Stud	89 - 81	BD61235	

Front Wheel Nut	Years	Part No.	Qualifier
Wheel Lug Nut	98	BD125928	Std. Open
Wheel Lug Nut	97	BD125920	Bulge; Chrysler RA
Wheel Lug Nut	97	BD125920	Bulge; Dana RA
Wheel Lug Nut	97	BD125915	Dome - Bright; Chrysler RA
Wheel Lug Nut	97	BD125915	Dome - Bright; Dana RA
Wheel Lug Nut	97	BD61281	Std. Open; Chrysler RA
Wheel Lug Nut	97	BD61281	Std. Open; Dana RA
Wheel Lug Nut	97	BD61294	Std. Open; w/Dana H/D RA
Wheel Lug Nut	96 - 95	BD125920	Bulge
Wheel Lug Nut	96 - 95	BD125915	Dome - Bright
Wheel Lug Nut	96 - 95	BD61161	Flattop - Bright
Wheel Lug Nut	96 - 95	BD61281	Std. Open
Wheel Lug Nut	94 - 90	BD125920	Bulge
Wheel Lug Nut	94 - 81	BD125915	Dome - Bright
Wheel Lug Nut	94 - 81	BD61161	Flattop - Bright
Wheel Lug Nut	94 - 81	BD61281	Std. Open

Rear Wheel Nut	Years	Part No.	Qualifier
Wheel Lug Nut	98	BD125928	Std. Open
Wheel Lug Nut	97	BD125920	Bulge; Chrysler RA
Wheel Lug Nut	97	BD125920	Bulge; Dana RA
Wheel Lug Nut	97	BD125915	Dome - Bright; Chrysler RA
Wheel Lug Nut	97	BD125915	Dome - Bright; Dana RA
Wheel Lug Nut	97	BD61281	Std. Open; Chrysler RA
Wheel Lug Nut	97	BD61281	Std. Open; Dana RA
Wheel Lug Nut	97	BD61294	Std. Open; w/Dana H/D RA
Wheel Lug Nut	96 - 95	BD125920	Bulge
Wheel Lug Nut	96 - 95	BD125915	Dome - Bright
Wheel Lug Nut	96 - 95	BD61161	Flattop - Bright
Wheel Lug Nut	96 - 95	BD61281	Std. Open
Wheel Lug Nut	94 - 90	BD125920	Bulge
Wheel Lug Nut	94 - 81	BD125915	Dome - Bright
Wheel Lug Nut	94 - 81	BD61161	Flattop - Bright
Wheel Lug Nut	94 - 81	BD61281	Std. Open

RAM 2500 VAN

Brake Pads & Shoes

Front Pads & Shoes	Years	SevereDuty	Lining No.	Qualifier
Brake Pads	03 - 99	SD655A		
Rear Pads & Shoes	Years	SevereDuty	Lining No.	Qualifier
Brake Shoes	03 - 99	SDS583R	EX2171TD	12-1/8 x 3-1/2" Brake; Riveted
Brake Shoes	02 - 99	SDS734	EX2182T	11 x 2-1/4" Brake; Bonded

Rotor & Drum

Front Rotor & Drum	Years	Part No.	Qualifier
Brake Rotor	03 - 99	BD125640	w/5 Stud Whl.
Brake Rotor	03 - 99	BD125784	w/8 Stud Whl.
Rear Rotor & Drum	Years	Part No.	Qualifier
Brake Drum	03 - 99	BD125750	12-1/8 x 3-1/2" Brake
Brake Drum	02 - 99	BD125749	11 x 2-1/4" Brake

Brake Hardware

Front Brake Hardware	Years	Sequential No.	Category No.	Qualifier
Caliper Bolt/Pin	03 - 99	F138106S	(H5084)	
Disc Align Kit	03 - 99	F132611S	(H5602)	
Pin Boot Kit	03 - 99	F139361	(H8227)	
Rear Brake Hardware	Years	Sequential No.	Category No.	Qualifier
Adjuster Kit	03 - 99	F98416	(H2588)	L.H.; 12-1/8 x 3-1/2" Brake
Adjuster Kit	03 - 99	F98417	(H2589)	R.H.; 12-1/8 x 3-1/2" Brake
Adjuster Kit	02 - 99	F138096S	(H2702)	L.H.; 11 x 2-1/4" Brake
Adjuster Kit	02 - 99	F138097S	(H2703)	R.H.; 11 x 2-1/4" Brake
Adjuster Screw	03 - 99	F79799	(H1534)	L.H.; 12-1/8 x 3-1/2" Brake
Adjuster Screw	03 - 99	F79800	(H1535)	R.H.; 12-1/8 x 3-1/2" Brake
Combi Kit	01 - 00	F88754	(H7042)	12-1/8 x 3-1/2" Brake
↳Adjuster Spring Kit		F73105	(H430)	
↳Hold Down Kit		F59054	(H4099)	
↳Return Spring Kit		F73207	(H547)	
Combi Kit	99	F78544S	(H7133)	
↳Adjuster Spring Kit		F73170S	(H435)	
↳Hold Down Kit		F19471S	(H4030)	
↳Return Spring Kit		F36403S	(H111)	

Calipers - Reman

Front, Unloaded	Years	Left No.	Right No.	Qualifier	Piston
Unloaded Caliper	03	CRB135014	CRB135015	Supplied w/Mtg. Brkt.	P
Unloaded Caliper	03	CR135014	CR135015	Supplied w/o Mtg. Brkt.	P
Unloaded Caliper	02 - 99	CRB134354	CRB134353	w/Dual Piston Caliper; Supplied w/Mtg. Brkt.	P
Unloaded Caliper	02 - 99	CR134354	CR134353	w/Dual Piston Caliper; Supplied w/o Mtg. Brkt.	P

Hydraulics - New

Master Cylinder	Years	Sequential No.	Category No.	Qualifier
Master Cylinder	03 - 99	F140285	(MC140285)	1-1/4" Bore
Rear Wheel Cylinder	Years	Sequential No.	Category No.	Qualifier
Wheel Cylinder	03 - 99	F101610	(WC101610)	w/Dana 60 Axle; 15/16" Bore
Wheel Cylinder	02 - 99	F78974	(WC78974)	L.H.; 1" Bore
Wheel Cylinder	02 - 99	F78975	(WC78975)	R.H.; 1" Bore
Front Brake Hose	Years	Sequential No.	Category No.	Qualifier
Brake Hose	03 - 99	F138842	(BH138842)	L.H.; w/ABS
Brake Hose	03 - 99	F138840	(BH138840)	L.H.; w/RWAL
Brake Hose	03 - 99	F138841	(BH138841)	R.H.
Rear Brake Hose	Years	Sequential No.	Category No.	Qualifier
Brake Hose	02 - 99	F138844	(BH138844)	

Hydraulics - Reman

Master Cylinder	Years	Part No.	Qualifier
Master Cylinder	03 - 99	R134813	

↳Sub-Kit of Combi-Kit is available separately.

Piston: M - OE Metal Piston P - OE Phenolic Piston

RAM 2500 VAN (cont.)
Hydraulics - Reman (cont.)

Power Brake Booster	Years	Part No.	Qualifier
Power Brake Booster	03 - 99	5474415	w/o Master Cylinder

Brake Cables

Parking Brake Cable	Years	Sequential No.	Category No.	Qualifier
Parking Brake Cable	02 - 99	F138818	(BC138818)	Intermediate; 124" WB

Wheel Attaching Hardware

Rear Wheel Stud	Years	Part No.	Qualifier
Wheel Lug Stud	02 - 99	BD60931	w/Dana RA
Front Wheel Nut	Years	Part No.	Qualifier
Wheel Lug Nut	03 - 99	BD125928	Bulge
Rear Wheel Nut	Years	Part No.	Qualifier
Wheel Lug Nut	03 - 99	BD125928	Bulge

SPRINTER 2500
Brake Pads & Shoes

Front Pads & Shoes	Years	SevereDuty	Lining No.	Qualifier
Brake Pads	06 - 04	SD949		Bosch
Brake Pads	06 - 04	SD950		Galfer
Brake Pads	06 - 04	SD950		Teves
Brake Pads	06 - 04	SD949		Wabco
Rear Pads & Shoes	Years	SevereDuty	Lining No.	Qualifier
Brake Pads	06 - 04	SD928		w/272mm Dia. Rotor; Bosch
Brake Pads	06 - 04	SD1006		w/272mm Dia. Rotor; Teves; 5.15" Length; w/Hole for Wear Sensor
Brake Pads	06 - 04	SD1229		w/272mm Dia. Rotor; Teves; 5.15" Length; w/o Hole for Wear Sensor
Brake Pads	06 - 04	SD951		w/272mm Dia. Rotor; Teves; 5.57" Length
Brake Pads	06 - 04	SD949		w/285mm Dia. Rotor; Bosch
Brake Pads	06 - 04	SD949		w/285mm Dia. Rotor; Wabco

Rotor & Drum

Front Rotor & Drum	Years	Part No.	Qualifier
Brake Rotor	06 - 04	BD126271	w/15" Whl.; From Axle S-482214 or Y-422060
Brake Rotor	06 - 04	BD126307	w/15" Whl.; To Axle S-482213 or Y-422059
Brake Rotor	06 - 04	BD126265	w/16" Whl.
Rear Rotor & Drum	Years	Part No.	Qualifier
Brake Rotor	06 - 04	BD126279	w/272mm Dia Rotor
Brake Rotor	06 - 04	BD126280	w/285mm Dia Rotor

Brake Hardware

Front Brake Hardware	Years	Sequential No.	Category No.	Qualifier
Caliper Bolt/Pin	06 - 04	F140715	(H4816)	Bosch
Caliper Bolt/Pin	06 - 04	F132517S	(H5078)	Galfer
Caliper Bolt/Pin	06 - 04	F132517S	(H5078)	Teves
Caliper Bolt/Pin	06 - 04	F140714	(H4812)	Wabco
Disc Align Kit	06 - 04	F140712	(H5708)	Bosch
Disc Align Kit	06 - 04	F140711	(H5707)	Galfer
Disc Align Kit	06 - 04	F140711	(H5707)	Teves
Disc Align Kit	06 - 04	F140712	(H5708)	Wabco
Pin Boot Kit	06 - 04	F132614S	(H8217)	Teves
Rear Brake Hardware	Years	Sequential No.	Category No.	Qualifier
Caliper Bolt/Pin	06 - 04	F140813	(H4818)	w/272mm Dia. Rotor; Bosch
Caliper Bolt/Pin	06 - 04	F132517S	(H5078)	w/272mm Dia. Rotor; Teves
Caliper Bolt/Pin	06 - 04	F140715	(H4816)	w/285mm Dia. Rotor; Bosch
Caliper Bolt/Pin	06 - 04	F140714	(H4812)	w/285mm Dia. Rotor; Wabco
Disc Align Kit	06 - 04	F140713	(H5709)	w/272mm Dia. Rotor; Bosch
Disc Align Kit	06 - 04	F140713	(H5709)	w/272mm Dia. Rotor; Teves
Disc Align Kit	06 - 04	F140712	(H5708)	w/285mm Dia. Rotor; Bosch
Disc Align Kit	06 - 04	F140712	(H5708)	w/285mm Dia. Rotor; Wabco

SPRINTER 2500 (cont.)

Brake Hardware (cont.)

<i>Rear Brake Hardware</i>	<i>Years</i>	<i>Sequential No.</i>	<i>Category No.</i>	<i>Qualifier</i>
Pin Boot Kit	06 - 04	F132614S	(H8217)	w/272mm Dia. Rotor; Teves

<i>Parking Brake</i>	<i>Years</i>	<i>Sequential No.</i>	<i>Category No.</i>	<i>Qualifier</i>
Combi Kit	06 - 04	F140716	(H7245)	

Calipers - Reman

<i>Front, Loaded</i>	<i>Years</i>	<i>Left No.</i>	<i>Right No.</i>	<i>Qualifier</i>	<i>Piston</i>
Loaded Caliper	06 - 04	AS135201	AS135200	Bosch; 1.77" 2-Piston Caliper	M
Loaded Caliper	06 - 04	AS135203	AS135202	Teves; 2.35" 1-Piston Caliper	M
Loaded Caliper	06 - 04	AS135209	AS135208	Wabco; 1.72" 2-Piston Caliper	M

<i>Rear, Loaded</i>	<i>Years</i>	<i>Left No.</i>	<i>Right No.</i>	<i>Qualifier</i>	<i>Piston</i>
Loaded Caliper	06 - 04	AS135204	AS135205	w/272mm Dia. Rotor; Bosch; 2.05" 1-Piston Caliper	M
Loaded Caliper	06 - 04	AS135210	AS135211	w/272mm Dia. Rotor; Teves; 2.05" 1-Piston Caliper; 5.15" Pad; w/Hole for Wear Sensor	M
Loaded Caliper	06 - 04	AS135210A	AS135211A	w/272mm Dia. Rotor; Teves; 2.05" 1-Piston Caliper; 5.15" Pad; w/o Hole for Wear Sensor	M
Loaded Caliper	06 - 04	AS135209	AS135208	w/285mm Dia. Rotor; Bosch; 1.72" 2-Piston Caliper	M
Loaded Caliper	06 - 04	AS135207	AS135206	w/285mm Dia. Rotor; Wabco; 1.72" 2-Piston Caliper	M
Loaded Caliper	06 - 04	AS135201	AS135200	w/285mm Dia. Rotor; Wabco; 1.77" 2-Piston Caliper	M

<i>Front, Unloaded</i>	<i>Years</i>	<i>Left No.</i>	<i>Right No.</i>	<i>Qualifier</i>	<i>Piston</i>
Unloaded Caliper	06 - 04	CR135201	CR135200	Bosch; 1.77" 2-Piston Caliper	M
Unloaded Caliper	06 - 04	CR135203	CR135202	Teves; 2.35" 1-Piston Caliper	M
Unloaded Caliper	06 - 04	CR135209	CR135208	Wabco; 1.72" 2-Piston Caliper	M

<i>Rear, Unloaded</i>	<i>Years</i>	<i>Left No.</i>	<i>Right No.</i>	<i>Qualifier</i>	<i>Piston</i>
Unloaded Caliper	06 - 04	CR135204	CR135205	w/272mm Dia. Rotor; Bosch; 2.05" 1-Piston Caliper	M
Unloaded Caliper	06 - 04	CR135210	CR135211	w/272mm Dia. Rotor; Teves; 2.05" 1-Piston Caliper; 5.15" Pad	M
Unloaded Caliper	06 - 04	CR135209	CR135208	w/285mm Dia. Rotor; Bosch; 1.72" 2-Piston Caliper	M
Unloaded Caliper	06 - 04	CR135207	CR135206	w/285mm Dia. Rotor; Wabco; 1.72" 2-Piston Caliper	M
Unloaded Caliper	06 - 04	CR135201	CR135200	w/285mm Dia. Rotor; Wabco; 1.77" 2-Piston Caliper	M

Hydraulics - New

<i>Master Cylinder</i>	<i>Years</i>	<i>Sequential No.</i>	<i>Category No.</i>	<i>Qualifier</i>
Master Cylinder	06 - 04	F140763	(MC140763)	2WD; HD; Line No. 3 or 7
Master Cylinder	06 - 04	F140764	(MC140764)	2WD; MD; 2-Door; Line No. 2 or 6
Master Cylinder	06 - 04	F140763	(MC140763)	2WD; MD; 4-Door; Line No. 2 or 6
Master Cylinder	06 - 04	F140764	(MC140764)	4WD; LD; 2-Door; Line No. 2 or 6
Master Cylinder	06 - 04	F140763	(MC140763)	4WD; LD; 4-Door; Line No. 2 or 6
Master Cylinder	06 - 04	F140763	(MC140763)	4WD; MD; Line No. 3 or 7

<i>Front Brake Hose</i>	<i>Years</i>	<i>Sequential No.</i>	<i>Category No.</i>	<i>Qualifier</i>
Brake Hose	06 - 04	F140732	(BH140732)	

<i>Rear Brake Hose</i>	<i>Years</i>	<i>Sequential No.</i>	<i>Category No.</i>	<i>Qualifier</i>
Brake Hose	06 - 04	F140733	(BH140733)	2WD; HD; Line No. 3 or 7
Brake Hose	06 - 04	F140732	(BH140732)	2WD; MD; Line No. 2 or 6
Brake Hose	06 - 04	F140732	(BH140732)	4WD; LD; Line No. 2 or 6
Brake Hose	06 - 04	F140733	(BH140733)	4WD; MD; Line No. 3 or 7

Hydraulics - Reman

<i>Power Brake Booster</i>	<i>Years</i>	<i>Part No.</i>	<i>Qualifier</i>
Power Brake Booster	06 - 04	5474231	w/o Master Cylinder

DODGE -1 TON TRUCK

D350 PICKUP - See Also W350 PICKUP

Brake Pads & Shoes

<i>Front Pads & Shoes</i>	<i>Years</i>	<i>SevereDuty</i>	<i>Lining No.</i>	<i>Qualifier</i>
Brake Pads	93 - 81	SD269		

<i>Rear Pads & Shoes</i>	<i>Years</i>	<i>SevereDuty</i>	<i>Lining No.</i>	<i>Qualifier</i>
Brake Shoes	93 - 83	SDS357AR	EX2146ATD	12 x 2-1/2" Brake; Riveted
Brake Shoes	93 - 81	SDS358AR	EX2140TD	12 x 3" Brake; Riveted
Brake Shoes	81	SDS357AR	EX2146ATD	12 x 2-1/2" Brake; Riveted

Piston: M - OE Metal Piston P - OE Phenolic Piston

D350 PICKUP (cont.) - See Also W350 PICKUP

Rotor & Drum

Front Rotor & Drum	Years	Part No.	Qualifier
Brake Rotor	93 - 90	BD60731	3300 lb. FA; w/SRW
Brake Rotor	93 - 81	BD60434	w/DRW
Brake Rotor	93	BD61915	w/o Diesel; Exc. 3300 lb. FA
Brake Rotor	93 - 90	BD61915	w/SRW; Exc. 3300 lb. FA
Brake Rotor	89 - 86	BD60731	w/SRW
Brake Rotor	85 - 82	BD60617	4000 lb. FA; w/SRW
Brake Rotor	85 - 82	BD60731	w/SRW; Exc. 4000 lb. FA
Brake Rotor	81	BD60617	w/SRW

Rear Rotor & Drum	Years	Part No.	Qualifier
Brake Drum	93 - 92	BD60880	12 x 2-1/2" Brake
Brake Drum	93 - 92	BD60328	12 x 3" Brake
Brake Drum	91	BD60328	w/DRW; 12 x 3" Brake
Brake Drum	91	BD60880	w/SRW; 12 x 2-1/2" Brake
Brake Drum	90	BD60880	12 x 2-1/2" Brake
Brake Drum	90	BD60328	12 x 3" Brake
Brake Drum	89 - 88	BD60328	w/DRW; 12 x 3" Brake
Brake Drum	89 - 86	BD60880	w/SRW; 12 x 2-1/2" Brake
Brake Drum	87 - 81	BD60328	12 x 3" Brake
Brake Drum	85 - 84	BD60302	w/SRW; 12 x 2-1/2" Brake

Brake Hardware

Front Brake Hardware	Years	Sequential No.	Category No.	Qualifier
Disc Align Kit	93 - 81	F76178S	(H5516)	

Rear Brake Hardware	Years	Sequential No.	Category No.	Qualifier
Adjuster Kit	93 - 86	F98416	(H2588)	L.H.
Adjuster Kit	93 - 86	F98417	(H2589)	R.H.
Adjuster Kit	85 - 81	F98398	(H2576)	L.H.
Adjuster Kit	85 - 81	F98399	(H2577)	R.H.
Adjuster Screw	93 - 86	F79799	(H1534)	L.H.
Adjuster Screw	93 - 86	F79800	(H1535)	R.H.
Adjuster Screw	85 - 81	F98328	(H1540)	L.H.
Adjuster Screw	85 - 81	F98329	(H1541)	R.H.
Combi Kit	93 - 82	F88754	(H7042)	
↳Adjuster Spring Kit		F73105	(H430)	
↳Hold Down Kit		F59054	(H4099)	
↳Return Spring Kit		F73207	(H547)	
Combi Kit	81	F88754	(H7042)	12 x 2-1/2" Brake
↳Adjuster Spring Kit		F73105	(H430)	
↳Hold Down Kit		F59054	(H4099)	
↳Return Spring Kit		F73207	(H547)	

Calipers - Reman

Front, Loaded	Years	Left No.	Right No.	Qualifier	Piston
Loaded Caliper	93 - 84	AS104396B	AS104397B	w/Single Piston Caliper	P
Loaded Caliper	93 - 84	AS104396BS	AS104397BS	w/Single Piston Caliper	O
Front, Unloaded	Years	Left No.	Right No.	Qualifier	Piston
Unloaded Caliper	93 - 81	CR104396	CR104397	w/Single Piston Caliper	P
Unloaded Caliper	93 - 81	CR104396S	CR104397S	w/Single Piston Caliper	O

Hydraulics - New

Master Cylinder	Years	Sequential No.	Category No.	Qualifier
Master Cylinder	93 - 86	F98896	(MC98896)	1-1/8" Bore
Master Cylinder	85 - 84	F98895	(MC98895)	w/Vacuum Boost; Alum.; 1-1/8" Bore
Master Cylinder	85 - 84	F98896	(MC98896)	w/Vacuum Boost; Steel; 1-1/8" Bore
Master Cylinder	83 - 82	F98895	(MC98895)	1-1/8" Bore
Master Cylinder	81	F98895	(MC98895)	w/Vacuum Boost; Alum.; 1-1/8" Bore

↳Sub-Kit of Combi-Kit is available separately.

Piston: M - OE Metal Piston P - OE Phenolic Piston O - Metal Piston Option

D350 PICKUP (cont.) - See Also W350 PICKUP

Hydraulics - New (cont.)

Rear Wheel Cylinder	Years	Sequential No.	Category No.	Qualifier
Wheel Cylinder	93 - 81	F78974	(WC78974)	L.H.; 1" Bore
Wheel Cylinder	93 - 84	F35325	(WC35325)	L.H.; 1-1/8" Bore
Wheel Cylinder	93 - 84	F17507	(WC17507)	L.H.; 7/8" Bore
Wheel Cylinder	93 - 81	F78975	(WC78975)	R.H.; 1" Bore
Wheel Cylinder	93 - 84	F35326	(WC35326)	R.H.; 1-1/8" Bore
Wheel Cylinder	93 - 84	F17508	(WC17508)	R.H.; 7/8" Bore
Wheel Cylinder	87 - 82	F106922	(WC106922)	L.H.; 1-1/16" Bore
Wheel Cylinder	87 - 82	F106923	(WC106923)	R.H.; 1-1/16" Bore

Clutch Master Cylind	Years	Sequential No.	Category No.	Qualifier
Clutch Master Cylinder	93	F126868	(CM126868)	7/8" Bore
Clutch Master Cylinder	92	F126863	(CM126863)	7/8" Bore
Clutch Master Cylinder	91 - 89	F130544	(CM130544)	Diesel; 7/8" Bore
Clutch Master Cylinder	91	F126863	(CM126863)	w/o Diesel; 7/8" Bore
Clutch Master Cylinder	88	F130544	(CM130544)	7/8" Bore

Clutch Slave Cylinder	Years	Sequential No.	Category No.	Qualifier
Clutch Slave Cylinder	93	F126880	(SC126880)	1" Bore
Clutch Slave Cylinder	92	F126881	(SC126881)	1" Bore
Clutch Slave Cylinder	91 - 89	F126878	(SC126878)	Diesel; 1" Bore
Clutch Slave Cylinder	91	F126877	(SC126877)	w/o Diesel; 1" Bore
Clutch Slave Cylinder	88	F126878	(SC126878)	1" Bore

Front Brake Hose	Years	Sequential No.	Category No.	Qualifier
Brake Hose	93 - 81	F106669	(BH106669)	

Rear Brake Hose	Years	Sequential No.	Category No.	Qualifier
Brake Hose	93 - 89	F124718	(BH124718)	
Brake Hose	88 - 82	F106330	(BH106330)	
Brake Hose	81	F97659	(BH97659)	

Hydraulics - Reman

Master Cylinder	Years	Part No.	Qualifier
Master Cylinder	93 - 88	R98896	
Master Cylinder	87 - 84	R98895	w/Alum. Hsg.
Master Cylinder	87 - 84	R98896	w/Cast Iron Hsg.
Master Cylinder	83 - 81	R98895	

Power Brake Booster	Years	Part No.	Qualifier
Power Brake Booster	93 - 88	503360	Gas; w/Master Cylinder
Power Brake Booster	93 - 88	5473360	Gas; w/o Master Cylinder
Power Brake Booster	87 - 84	509232	Gas; w/Master Cylinder; w/Alum. Hsg.
Power Brake Booster	87 - 84	503360	Gas; w/Master Cylinder; w/Cast Iron Hsg.
Power Brake Booster	87 - 84	5473146	Gas; w/o Master Cylinder; w/Alum. Hsg.
Power Brake Booster	87 - 84	5473360	Gas; w/o Master Cylinder; w/Cast Iron Hsg.
Power Brake Booster	83 - 81	509234	Gas; w/Master Cylinder
Power Brake Booster	83 - 81	5473145	Gas; w/o Master Cylinder

Brake Cables

Parking Brake Cable	Years	Sequential No.	Category No.	Qualifier
Parking Brake Cable	93 - 88	F124695	(BC124695)	Forward; 131" WB
Parking Brake Cable	93 - 88	F124693	(BC124693)	Forward; 135" WB
Parking Brake Cable	93 - 88	F124694	(BC124694)	Forward; 159" WB
Parking Brake Cable	93 - 88	F128638	(BC128638)	Rear; L.H.
Parking Brake Cable	93 - 88	F129209	(BC129209)	Rear; R.H.; 131" WB; w/DRW
Parking Brake Cable	93 - 90	F128639	(BC128639)	Rear; R.H.; Exc. 131" WB; w/DRW
Parking Brake Cable	89 - 81	F101172	(BC101172)	Intermediate; 135" WB
Parking Brake Cable	89 - 81	F103397	(BC103397)	Intermediate; 159" WB
Parking Brake Cable	89 - 88	F128631	(BC128631)	Rear; R.H.; Exc. 131" WB; w/DRW
Parking Brake Cable	87 - 82	F102646	(BC102646)	Forward
Parking Brake Cable	87 - 81	F103398	(BC103398)	Intermediate; 131" WB

D350 PICKUP (cont.) - See Also W350 PICKUP
Brake Cables (cont.)

Parking Brake Cable	Years	Sequential No.	Category No.	Qualifier
Parking Brake Cable	87 - 81	F101048	(BC101048)	Intermediate; 149" WB
Parking Brake Cable	87 - 81	F102650	(BC102650)	Intermediate; 165" WB
Parking Brake Cable	87 - 82	F112981	(BC112981)	Rear; L.H.
Parking Brake Cable	87 - 81	F108522	(BC108522)	Rear; R.H.
Parking Brake Cable	81	F102644	(BC102644)	Forward; w/Frame Reinforcement
Parking Brake Cable	81	F102646	(BC102646)	Forward; w/o Frame Reinforcement
Parking Brake Cable	81	F112982	(BC112982)	Rear; L.H.; 12 x 2-1/2" Brake
Parking Brake Cable	81	F112981	(BC112981)	Rear; L.H.; 12 x 3" Brake

ABS Components - New

ABS Control Module	Years	Sequential No.	Category No.	Qualifier
ABS Control Module	91 - 90	F121022	(AB121022)	
ABS Control Module	89 - 88	F121023	(AB121023)	
ABS Modulator	Years	Sequential No.	Category No.	Qualifier
ABS Modulator	91 - 90	F121020	(AB121020)	w/DRW
ABS Modulator	91 - 90	F121021	(AB121021)	w/SRW
ABS Modulator	89 - 88	F121017	(AB121017)	w/DRW
ABS Modulator	89 - 88	F121016	(AB121016)	w/SRW
ABS Wheel Sensor	Years	Sequential No.	Category No.	Qualifier
ABS Wheel Sensor	91 - 88	F121013	(AB121013)	Rear; L.H.
ABS Wheel Sensor	91 - 88	F121013	(AB121013)	Rear; R.H.

ABS Components - Reman

ABS Module	Years	Part No.	Qualifier
ABS Module	93 - 89	RA121001	
ABS Hydraulic Unit	Years	Part No.	Qualifier
ABS Hydraulic Unit	93 - 90	RA122021	w/DRW
ABS Hydraulic Unit	93 - 90	RA122020	w/SRW
ABS Hydraulic Unit	89	RA122015	w/DRW
ABS Hydraulic Unit	89	RA122014	w/SRW

Wheel Attaching Hardware

Front Wheel Stud	Years	Part No.	Qualifier
Wheel Lug Stud	93 - 90	BD60943	Diesel; w/SRW
Wheel Lug Stud	93 - 81	BD60938	w/DRW
Wheel Lug Stud	93 - 90	BD60961	w/o Diesel; w/SRW
Wheel Lug Stud	89 - 86	BD60961	w/SRW
Wheel Lug Stud	85 - 81	BD60943	w/SRW; 1/2" Thread
Wheel Lug Stud	85 - 81	BD61137	w/SRW; 5/8" Thread
Rear Wheel Stud	Years	Part No.	Qualifier
Wheel Lug Stud	93 - 81	BD60940	w/DRW; w/12 x 3" Drum
Wheel Lug Stud	93 - 90	BD61246	w/SRW; w/12 x 2-1/2" Drum
Wheel Lug Stud	89 - 88	BD61246	w/SRW; 5800 RA; w/12 x 2-1/2" Drum
Wheel Lug Stud	89 - 81	BD60937	w/SRW; w/12 x 3" Drum
Wheel Lug Stud	87 - 81	BD61246	w/SRW; w/12 x 2-1/2" Drum
Wheel Lug Stud	81	BD61138	w/SRW; Budd; w/12-1/8 x 2" Drum
Wheel Lug Stud	81	BD61056	w/SRW; Motor Wheel; w/12-1/8 x 2" Drum
Front Wheel Nut	Years	Part No.	Qualifier
Wheel Lug Nut	93 - 90	BD125946	Std. Open
Wheel Lug Nut	89 - 81	BD61295	Flat Faced Open
Wheel Lug Nut	89 - 81	BD125946	Std. Open; 1/2" Thread
Wheel Lug Nut	89 - 81	BD61294	Std. Open; 5/8" Thread
Rear Wheel Nut	Years	Part No.	Qualifier
Wheel Lug Nut	93 - 90	BD125946	Std. Open
Wheel Lug Nut	89 - 81	BD61295	Flat Faced Open
Wheel Lug Nut	89 - 81	BD125946	Std. Open; 1/2" Thread
Wheel Lug Nut	89 - 81	BD61294	Std. Open; 5/8" Thread

DODGE -1 TON TRUCK



RAM 3500 PICKUP

Brake Pads & Shoes

Front Pads & Shoes	Years	SevereDuty	Lining No.	Qualifier
Brake Pads	06	SD965		
Brake Pads	05 - 03	SD965		
Brake Pads	02 - 01	SD859		
Brake Pads	00	SD821		
Brake Pads	99	SD459A		
Brake Pads	98 - 94	SD459		

Rear Pads & Shoes	Years	SevereDuty	Lining No.	Qualifier
Brake Pads	06	SD702A		
Brake Pads	05 - 03	SD702A		
Brake Pads	02 - 01	SD1096		
Brake Shoes	01 - 00	SDS583R	EX2171TD	12-1/8 x 3-1/2" Brake; Riveted
Brake Shoes	99 - 94	SDS656R	SX2157BDT-S36	13 x 3-1/2" Brake; Riveted

Parking Brake Shoes	Years	SevereDuty	Lining No.	Qualifier
Parking Brake Shoes	03 - 00	SDS771	EX2192	Bonded

Rotor & Drum

Front Rotor & Drum	Years	Part No.	Qualifier
Brake Rotor	06	BD126045	
Brake Rotor	05 - 03	BD126045	
Brake Rotor	02 - 00	BD125745	
Brake Rotor	99 - 94	BD125631	2WD; 10500 GVW; w/4 Whl. ABS
Brake Rotor	99 - 94	BD125399	2WD; 10500 GVW; w/RWAL
Brake Rotor	99 - 94	BD125346	2WD; Exc. 10500 GVW
Brake Rotor	99 - 94	BD125346	4WD

Rear Rotor & Drum	Years	Part No.	Qualifier
Brake Drum	01 - 00	BD125757	12-1/8 x 3-1/2" Brake
Brake Drum	99 - 94	BD125395	13 x 3-1/2" Brake
Brake Rotor	06	BD126049	
Brake Rotor	05 - 03	BD126049	
Brake Rotor	02 - 01	BD125760	

Brake Hardware

Front Brake Hardware	Years	Sequential No.	Category No.	Qualifier
Caliper Bolt/Pin	05 - 00	F126899S	(H5061)	
Caliper Bolt/Pin	99 - 94	F129642S	(H5062)	
Disc Align Kit	05 - 00	F139812	(H5649)	
Pin Boot Kit	05 - 00	F139361	(H8227)	
Pin Boot Kit	96 - 94	F126906S	(H8209)	

Rear Brake Hardware	Years	Sequential No.	Category No.	Qualifier
Adjuster Kit	99 - 94	F98406	(H2580)	L.H.; 13 x 2-1/2" Brake
Adjuster Kit	99 - 94	F98407	(H2581)	R.H.; 13 x 2-1/2" Brake
Adjuster Screw	99 - 94	F83294	(H1550)	L.H.; 13 x 2-1/2" Brake
Adjuster Screw	99 - 94	F83295	(H1551)	R.H.; 13 x 2-1/2" Brake
Caliper Bolt/Pin	04 - 00	F126899S	(H5061)	
Combi Kit	01 - 00	F88754	(H7042)	12-1/8 x 3-1/2" Brake
↳Adjuster Spring Kit		F73105	(H430)	
↳Hold Down Kit		F59054	(H4099)	
↳Return Spring Kit		F73207	(H547)	
Combi Kit	99 - 94	F98457S	(H7055)	13 x 2-1/2" Brake
↳Adjuster Spring Kit		F73145S	(H425)	
↳Hold Down Kit		F113455S	(H4098)	
↳Return Spring Kit		F59100S	(H600)	
Disc Align Kit	04 - 01	F140518	(H5683)	
Pin Boot Kit	04 - 00	F139361	(H8227)	

Parking Brake	Years	Sequential No.	Category No.	Qualifier
Combi Kit	04 - 01	F139725	(H7231)	

↳Sub-Kit of Combi-Kit is available separately.

RAM 3500 PICKUP (cont.)

Calipers - Reman

Front, Loaded	Years	Left No.	Right No.	Qualifier	Piston
Loaded Caliper	06	AS135018	AS135019		P
Loaded Caliper	05 - 03	AS135018	AS135019		P
Loaded Caliper	02 - 00	AS134356	AS134355		P
Loaded Caliper	99 - 94	AS120226	AS120227		M

Front, Unloaded	Years	Left No.	Right No.	Qualifier	Piston
Unloaded Caliper	06	CR135018	CR135019		P
Unloaded Caliper	05 - 03	CR135018	CR135019		P
Unloaded Caliper	02 - 00	CRB134356	CRB134355	Supplied w/Mtg. Brkt.	P
Unloaded Caliper	02 - 00	CR134356	CR134355	Supplied w/o Mtg. Brkt.	P
Unloaded Caliper	99 - 94	CR120226	CR120227		M

Rear, Unloaded	Years	Left No.	Right No.	Qualifier	Piston
Unloaded Caliper	06	CR135102	CR135103	w/DRW	P
Unloaded Caliper	06	CRB135016	CRB135017	w/SRW; Supplied w/Mtg. Brkt.	P
Unloaded Caliper	06	CR135016	CR135017	w/SRW; Supplied w/o Mtg. Brkt.	P
Unloaded Caliper	05 - 03	CR135102	CR135103	w/DRW	P
Unloaded Caliper	05 - 04	CRB135016	CRB135017	w/SRW; Supplied w/Mtg. Brkt.	P
Unloaded Caliper	05 - 04	CR135016	CR135017	w/SRW; Supplied w/o Mtg. Brkt.	P
Unloaded Caliper	03	CRB135016	CRB135017	w/SRW; Fins On Top Of Housing; Supplied w/Mtg. Brkt.	P
Unloaded Caliper	03	CR135016	CR135017	w/SRW; Fins On Top Of Housing; Supplied w/o Mtg. Brkt.	P
Unloaded Caliper	02 - 01	CR134548	CR134549		P

Hydraulics - New

Master Cylinder	Years	Sequential No.	Category No.	Qualifier
Master Cylinder	01	F134430	(MC134430)	To 7/4/00; 1-1/4" Bore
Master Cylinder	00 - 98	F134430	(MC134430)	1-1/4" Bore
Master Cylinder	97 - 95	F131471	(MC131471)	1-1/4" Bore

Rear Wheel Cylinder	Years	Sequential No.	Category No.	Qualifier
Wheel Cylinder	02 - 00	F78974	(WC78974)	L.H.; 1" Bore
Wheel Cylinder	02 - 00	F78975	(WC78975)	R.H.; 1" Bore
Wheel Cylinder	99 - 94	F79767	(WC79767)	1-1/16" Bore

Clutch Master Cylind	Years	Sequential No.	Category No.	Qualifier
Clutch Master Cylinder	01 - 98	F134554	(CM134554)	29/32" Bore
Clutch Master Cylinder	97 - 94	F130545	(CM130545)	7/8" Bore

Clutch Slave Cylinder	Years	Sequential No.	Category No.	Qualifier
Clutch Slave Cylinder	97 - 94	F130546	(SC130546)	Exc. 8 Cyl.; 1" Bore
Clutch Slave Cylinder	97 - 94	F126881	(SC126881)	w/o Diesel; 1" Bore

Front Brake Hose	Years	Sequential No.	Category No.	Qualifier
Brake Hose	02 - 00	F139933	(BH139933)	L.H.; 2WD; w/Independent Susp.; w/ABS
Brake Hose	02 - 00	F139948	(BH139948)	L.H.; 4WD; w/ABS
Brake Hose	02 - 00	F139934	(BH139934)	R.H.; 2WD; w/Independent Susp.; w/ABS
Brake Hose	02 - 00	F139949	(BH139949)	R.H.; 4WD; w/ABS
Brake Hose	01 - 00	F139931	(BH139931)	L.H.; 2WD; w/Independent Susp.; w/RWAL
Brake Hose	01	F139948	(BH139948)	L.H.; 2WD; w/Solid Axle
Brake Hose	01 - 00	F139950	(BH139950)	L.H.; 4WD; w/RWAL
Brake Hose	01 - 00	F139932	(BH139932)	R.H.; 2WD; w/Independent Susp.; w/RWAL
Brake Hose	01	F139949	(BH139949)	R.H.; 2WD; w/Solid Axle
Brake Hose	01 - 00	F139951	(BH139951)	R.H.; 4WD; w/RWAL
Brake Hose	00	F139933	(BH139933)	L.H.; 2WD; w/Solid Axle
Brake Hose	00	F139934	(BH139934)	R.H.; 2WD; w/Solid Axle
Brake Hose	99 - 95	F132296	(BH132296)	L.H.; 2WD; Chassis Cab; w/ABS
Brake Hose	99	F132295	(BH132295)	L.H.; 2WD; w/ABS
Brake Hose	99 - 98	F138070	(BH138070)	L.H.; 2WD; w/RWAL; Exc. Chassis Cab
Brake Hose	99 - 95	F132296	(BH132296)	L.H.; 4WD; w/ABS
Brake Hose	99 - 95	F132149	(BH132149)	R.H.; 2WD; Chassis Cab
Brake Hose	99 - 98	F132147	(BH132147)	R.H.; 2WD; w/RWAL; Exc. Chassis Cab
Brake Hose	99 - 95	F132149	(BH132149)	R.H.; 4WD

Piston: M - OE Metal Piston P - OE Phenolic Piston

RAM 3500 PICKUP (cont.)

Hydraulics - New (cont.)

Front Brake Hose	Years	Sequential No.	Category No.	Qualifier
Brake Hose	98	F132295	(BH132295)	L.H.; 2WD; w/4 Whl. ABS
Brake Hose	97 - 95	F132146	(BH132146)	L.H.; 2WD; Exc. 138", 162" WB
Brake Hose	97 - 95	F132147	(BH132147)	R.H.; 2WD; Exc. 138", 162" WB
Brake Hose	96 - 95	F132148	(BH132148)	L.H.; 2WD; 138", 162" WB
Brake Hose	94	F132148	(BH132148)	L.H.; 2WD; 5.9L
Brake Hose	94	F132148	(BH132148)	L.H.; 4WD; w/o Diesel
Brake Hose	94	F132149	(BH132149)	R.H.; 2WD; Chassis Cab; w/RWAL
Brake Hose	94	F132149	(BH132149)	R.H.; 4WD; w/RWAL

Rear Brake Hose

Years	Sequential No.	Category No.	Qualifier
02	F140301	(BH140301)	
01	F140301	(BH140301)	From 7/5/00
01	F118546	(BH118546)	To 7/4/00; w/Rear Drum
00 - 98	F118546	(BH118546)	w/Rear Drum
97 - 94	F120520	(BH120520)	

Hydraulics - Reman

Master Cylinder	Years	Part No.	Qualifier
Master Cylinder	02	R134794	Ext. Cab
Master Cylinder	01	R134794	From 7/4/00
Master Cylinder	01	R134716	To 7/4/00
Master Cylinder	00 - 98	R134716	
Master Cylinder	97	R134626	Diesel
Master Cylinder	97	R131940	Gas
Master Cylinder	96 - 94	R131940	

Power Brake Booster

Years	Part No.	Qualifier
02 - 98	527354	
97	527355	

Power Brake Booster

Years	Part No.	Qualifier
05 - 02	5474409	Gas; w/o Master Cylinder; Std. Cab; w/Vacuum Boost
97	5474803	Gas; w/o Master Cylinder; w/Vacuum Boost
96 - 94	5474803	Gas; w/o Master Cylinder

Brake Cables

Parking Brake Cable	Years	Sequential No.	Category No.	Qualifier
Parking Brake Cable	05 - 03	F132374	(BC132374)	Intermediate; w/140-1/2" WB; Quad Cab
Parking Brake Cable	05 - 03	F132374	(BC132374)	Intermediate; w/160-1/2" WB; Quad Cab
Parking Brake Cable	04 - 03	F140308	(BC140308)	Rear; L.H.; w/140" WB; Quad Cab; 60" Length
Parking Brake Cable	04 - 03	F140311	(BC140311)	Rear; R.H.; w/140" WB; Quad Cab; 119" Length
Parking Brake Cable	02 - 00	F140169	(BC140169)	Forward; 64" Length
Parking Brake Cable	02	F140386	(BC140386)	Intermediate; Exc. Std. Cab; Exc. Chassis Cab; w/154" WB; 34" Length
Parking Brake Cable	02	F140386	(BC140386)	Intermediate; Quad Cab; w/154" WB; 34" Length
Parking Brake Cable	02	F140387	(BC140387)	Intermediate; Std. Cab; Exc. Chassis Cab; w/134" WB; 14" Length
Parking Brake Cable	02	F140384	(BC140384)	Intermediate; Std. Cab; w/162" WB; 22" Length
Parking Brake Cable	01	F140386	(BC140386)	Intermediate; From 7/5/00; Exc. Std. Cab; Exc. Chassis Cab; w/154" WB; 34" Length
Parking Brake Cable	01	F140384	(BC140384)	Intermediate; From 7/5/00; Std. Cab; w/162" WB; 22" Length
Parking Brake Cable	01	F140383	(BC140383)	Intermediate; To 7/4/00; Club Cab; w/154" WB; 40" Length
Parking Brake Cable	01	F140313	(BC140313)	Rear; L.H.; 2WD; To 7/4/00; 53" Length
Parking Brake Cable	01	F140312	(BC140312)	Rear; L.H.; 4WD; To 7/4/00; 55" Length
Parking Brake Cable	00	F140383	(BC140383)	Intermediate; Club Cab; w/154" WB; 40" Length
Parking Brake Cable	00	F140313	(BC140313)	Rear; L.H.; 2WD; 53" Length
Parking Brake Cable	00	F140312	(BC140312)	Rear; L.H.; 4WD; 55" Length
Parking Brake Cable	99 - 95	F132373	(BC132373)	Forward; Club Cab, Exd. Cab
Parking Brake Cable	99 - 94	F133068	(BC133068)	Forward; Exc. Club Cab
Parking Brake Cable	99 - 98	F132272	(BC132272)	Intermediate; 154" WB; Exc. Std. Cab
Parking Brake Cable	99 - 98	F140382	(BC140382)	Intermediate; Reg. Cab; w/162" WB; 21" Length
Parking Brake Cable	99 - 95	F138872	(BC138872)	Rear; L.H.; Chassis Cab
Parking Brake Cable	99 - 94	F132378	(BC132378)	Rear; L.H.; Exc. Chassis Cab

RAM 3500 PICKUP (cont.)
Brake Cables (cont.)

Parking Brake Cable	Years	Sequential No.	Category No.	Qualifier
Parking Brake Cable	99 - 95	F132379	(BC132379)	Rear; R.H.; 138" WB; Exc. Club Cab; Exc. Chassis Cab
Parking Brake Cable	99 - 95	F138839	(BC138839)	Rear; R.H.; Chassis Cab
Parking Brake Cable	99 - 95	F138651	(BC138651)	Rear; R.H.; Club Cab; w/Attached Bed
Parking Brake Cable	97 - 94	F140382	(BC140382)	Intermediate; w/Reg. Cab; w/162" WB; 21" Length
Parking Brake Cable	94	F132274	(BC132274)	Rear; L.H.; Chassis Cab
Parking Brake Cable	94	F132275	(BC132275)	Rear; R.H.; Exc. Chassis Cab

ABS Components - New

ABS Wheel Sensor	Years	Sequential No.	Category No.	Qualifier
ABS Wheel Sensor	97 - 94	F121013	(AB121013)	Rear; L.H.
ABS Wheel Sensor	97 - 94	F121013	(AB121013)	Rear; R.H.

ABS Components - Reman

ABS Module	Years	Part No.	Qualifier
ABS Module	97 - 94	RA121041	w/2 Whl. ABS
ABS Module	96	RA121003	Gas; w/2 Whl. ABS; w/AC
ABS Module	96	RA121006	Gas; w/2 Whl. ABS; w/o AC

ABS Hydraulic Unit	Years	Part No.	Qualifier
ABS Hydraulic Unit	98 - 94	RA122056	w/2 Whl. ABS
ABS Hydraulic Unit	98 - 94	RA122055	w/4 Whl. ABS

Wheel Attaching Hardware

Front Wheel Stud	Years	Part No.	Qualifier
Wheel Lug Stud	02 - 01	BD125964	
Wheel Lug Stud	00	BD125886	
Wheel Lug Stud	99 - 94	BD61411	2WD; w/SRW
Wheel Lug Stud	99 - 94	BD125943	4WD; w/SRW
Wheel Lug Stud	99 - 95	BD125943	w/DRW
Wheel Lug Stud	94	BD125943	4WD; w/DRW

Rear Wheel Stud	Years	Part No.	Qualifier
Wheel Lug Stud	05 - 03	BD125985	
Wheel Lug Stud	02 - 94	BD125886	

Front Wheel Nut	Years	Part No.	Qualifier
Wheel Lug Nut	01 - 94	BD125928	Bulge; w/SRW

Rear Wheel Nut	Years	Part No.	Qualifier
Wheel Lug Nut	01 - 94	BD125928	Bulge; w/SRW

W350 PICKUP - See Also D350 PICKUP
Brake Pads & Shoes

Front Pads & Shoes	Years	SevereDuty	Lining No.	Qualifier
Brake Pads	93 - 90	SD149		
Brake Pads	89 - 82	SD149		w/DRW
Brake Pads	89 - 82	SD149		w/SRW; 4500 lb. FA
Brake Pads	89 - 82	SD269		w/SRW; Exc. 4500 lb. FA
Brake Pads	81	SD149		

Rear Pads & Shoes	Years	SevereDuty	Lining No.	Qualifier
Brake Shoes	93 - 84	SDS357AR	EX2146ATD	12 x 2-1/2" Brake; Riveted
Brake Shoes	93 - 81	SDS358AR	EX2140TD	12 x 3" Brake; Riveted

Rotor & Drum

Front Rotor & Drum	Years	Part No.	Qualifier
Brake Rotor	93 - 90	BD60597	w/DRW; Hub Casting No. 102764
Brake Rotor	93 - 90	BD60622	w/SRW; w/Hub Casting No. 102764
Brake Rotor	93 - 90	BD102137	w/SRW; w/Hub Casting No. 99756
Brake Rotor	93 - 92	BD102138	w/SRW; w/Hub Casting No. 99756
Brake Rotor	91 - 90	BD102138	w/DRW; Hub Casting No. 99756
Brake Rotor	89 - 88	BD102137	4500 lb. FA; w/SRW
Brake Rotor	89 - 81	BD102138	w/DRW

DODGE -1 TON TRUCK



W350 PICKUP (cont.) - See Also D350 PICKUP

Rotor & Drum (cont.)

Front Rotor & Drum	Years	Part No.	Qualifier
Brake Rotor	89 - 82	BD60610	w/SRW; Exc. 4500 lb. FA
Brake Rotor	87 - 82	BD102137	w/SRW; Exc. 4500 lb. FA
Brake Rotor	81	BD102137	w/SRW
Rotor Hub	89 - 86	BD61710	L.H.; w/SRW; Exc. 4500 lb. FA; Use w/BD60610 Rotor
Rotor Hub	89 - 86	BD61710	R.H.; w/SRW; Exc. 4500 lb. FA; Use w/BD60610 Rotor

Rear Rotor & Drum	Years	Part No.	Qualifier
Brake Drum	93 - 88	BD60880	12 x 2-1/2" Brake
Brake Drum	93 - 81	BD60328	12 x 3" Brake
Brake Drum	87 - 86	BD60880	w/SRW; 12 x 2-1/2" Brake
Brake Drum	85 - 84	BD60302	w/SRW; 12 x 2-1/2" Brake

Brake Hardware

Front Brake Hardware	Years	Sequential No.	Category No.	Qualifier
Caliper Bolt/Pin	93 - 92	F73237S	(H5019)	H/D Axle
Caliper Bolt/Pin	91 - 90	F73237S	(H5019)	
Caliper Bolt/Pin	89 - 82	F73237S	(H5019)	4500 lb. FA; w/SRW
Caliper Bolt/Pin	89 - 82	F73237S	(H5019)	w/DRW
Caliper Bolt/Pin	81	F73237S	(H5019)	
Disc Align Kit	93 - 92	F113367S	(H5561)	H/D Axle
Disc Align Kit	93 - 92	F76178S	(H5516)	Std. Axle
Disc Align Kit	91 - 90	F113367S	(H5561)	
Disc Align Kit	89 - 82	F113367S	(H5561)	4500 lb. FA; w/SRW
Disc Align Kit	89 - 82	F113367S	(H5561)	w/DRW
Disc Align Kit	89 - 82	F76178S	(H5516)	w/SRW; Exc. 4500 lb. FA

Rear Brake Hardware	Years	Sequential No.	Category No.	Qualifier
Adjuster Kit	93 - 86	F98416	(H2588)	L.H.
Adjuster Kit	93 - 86	F98417	(H2589)	R.H.
Adjuster Kit	85 - 81	F98398	(H2576)	L.H.
Adjuster Kit	85 - 81	F98399	(H2577)	R.H.
Adjuster Screw	93 - 86	F79799	(H1534)	L.H.
Adjuster Screw	93 - 86	F79800	(H1535)	R.H.
Adjuster Screw	85 - 81	F98328	(H1540)	L.H.
Adjuster Screw	85 - 81	F98329	(H1541)	R.H.
Combi Kit	93 - 82	F88754	(H7042)	
↳Adjuster Spring Kit		F73105	(H430)	
↳Hold Down Kit		F59054	(H4099)	
↳Return Spring Kit		F73207	(H547)	
Combi Kit	81	F88754	(H7042)	12 x 2-1/2" Brake
↳Adjuster Spring Kit		F73105	(H430)	
↳Hold Down Kit		F59054	(H4099)	
↳Return Spring Kit		F73207	(H547)	

Calipers - Reman

Front, Loaded	Years	Left No.	Right No.	Qualifier	Piston
Loaded Caliper	93 - 90	AS98906	AS98907		M
Loaded Caliper	89 - 84	AS104396B	AS104397B	3500 lb. FA; w/Single Piston Caliper	P
Loaded Caliper	89 - 84	AS104396BS	AS104397BS	3500 lb. FA; w/Single Piston Caliper	O

Front, Unloaded	Years	Left No.	Right No.	Qualifier	Piston
Unloaded Caliper	93 - 90	CR98906	CR98907		M
Unloaded Caliper	89 - 82	CR104396	CR104397	3500 lb. FA; w/Single Piston Caliper	P
Unloaded Caliper	89 - 82	CR104396S	CR104397S	3500 lb. FA; w/Single Piston Caliper	O
Unloaded Caliper	89 - 82	CR98683	CR98684	4500 lb. FA	M
Unloaded Caliper	81	CR98683	CR98684		M

Hydraulics - New

Master Cylinder	Years	Sequential No.	Category No.	Qualifier
Master Cylinder	93 - 86	F98896	(MC98896)	1-1/8" Bore

↳Sub-Kit of Combi-Kit is available separately.

Piston: M - OE Metal Piston P - OE Phenolic Piston O - Metal Piston Option

W350 PICKUP (cont.) - See Also D350 PICKUP
Hydraulics - New (cont.)

Master Cylinder	Years	Sequential No.	Category No.	Qualifier
Master Cylinder	85 - 84	F98896	(MC98896)	4500 lb. FA; 1-1/8" Bore
Master Cylinder	85 - 84	F98895	(MC98895)	Exc. 4500 lb. FA; 1-1/8" Bore
Master Cylinder	83 - 82	F98896	(MC98896)	To 7/5/83; 4500 lb. FA; 1-1/8" Bore
Master Cylinder	81	F98896	(MC98896)	1-1/8" Bore
Rear Wheel Cylinder	Years	Sequential No.	Category No.	Qualifier
Wheel Cylinder	93 - 81	F78974	(WC78974)	L.H.; 1" Bore
Wheel Cylinder	93 - 84	F35325	(WC35325)	L.H.; 1-1/8" Bore
Wheel Cylinder	93 - 84	F17507	(WC17507)	L.H.; 7/8" Bore
Wheel Cylinder	93 - 81	F78975	(WC78975)	R.H.; 1" Bore
Wheel Cylinder	93 - 84	F35326	(WC35326)	R.H.; 1-1/8" Bore
Wheel Cylinder	93 - 84	F17508	(WC17508)	R.H.; 7/8" Bore
Wheel Cylinder	87 - 86	F106922	(WC106922)	L.H.; w/DRW; 1-1/16" Bore
Wheel Cylinder	87 - 86	F106923	(WC106923)	R.H.; w/DRW; 1-1/16" Bore
Wheel Cylinder	85 - 82	F106922	(WC106922)	L.H.; 1-1/16" Bore
Wheel Cylinder	85 - 82	F106923	(WC106923)	R.H.; 1-1/16" Bore
Wheel Cylinder	81	F18984	(WC18984)	L.H.; 1-1/16" Bore
Wheel Cylinder	81	F18985	(WC18985)	R.H.; 1-1/16" Bore
Clutch Master Cylind	Years	Sequential No.	Category No.	Qualifier
Clutch Master Cylinder	93	F126868	(CM126868)	7/8" Bore
Clutch Master Cylinder	92	F126863	(CM126863)	7/8" Bore
Clutch Master Cylinder	91 - 89	F130544	(CM130544)	Diesel; 7/8" Bore
Clutch Master Cylinder	91	F126863	(CM126863)	w/o Diesel; 7/8" Bore
Clutch Slave Cylinder	Years	Sequential No.	Category No.	Qualifier
Clutch Slave Cylinder	93	F126880	(SC126880)	1" Bore
Clutch Slave Cylinder	92	F126881	(SC126881)	1" Bore
Clutch Slave Cylinder	91 - 89	F126878	(SC126878)	Diesel; 1" Bore
Clutch Slave Cylinder	91	F126877	(SC126877)	w/o Diesel; 1" Bore
Clutch Slave Cylinder	88	F126878	(SC126878)	1" Bore
Front Brake Hose	Years	Sequential No.	Category No.	Qualifier
Brake Hose	93 - 91	F113877	(BH113877)	Inner
Brake Hose	93 - 91	F98937	(BH98937)	L.H.; Outer
Brake Hose	93 - 91	F98938	(BH98938)	R.H.; Outer
Brake Hose	90 - 87	F113877	(BH113877)	Inner; 4500 lb. FA
Brake Hose	90	F120521	(BH120521)	Inner; Exc. 4500 lb. FA
Brake Hose	90 - 82	F98937	(BH98937)	L.H.; Outer; 4500 lb. FA
Brake Hose	90 - 82	F97661	(BH97661)	Outer; Exc. 4500 lb. FA
Brake Hose	90 - 82	F98938	(BH98938)	R.H.; Outer; 4500 lb. FA
Brake Hose	88 - 87	F111396	(BH111396)	Inner; Exc. 4500 lb. FA
Brake Hose	86 - 84	F111396	(BH111396)	Inner
Brake Hose	83 - 81	F113877	(BH113877)	Inner
Brake Hose	81	F98937	(BH98937)	L.H.; Outer
Brake Hose	81	F98938	(BH98938)	R.H.; Outer
Rear Brake Hose	Years	Sequential No.	Category No.	Qualifier
Brake Hose	93 - 89	F124718	(BH124718)	
Brake Hose	88 - 82	F106330	(BH106330)	
Brake Hose	81	F97659	(BH97659)	

Hydraulics - Reman

Master Cylinder	Years	Part No.	Qualifier
Master Cylinder	93 - 81	R98896	
Power Brake Booster	Years	Part No.	Qualifier
Power Brake Booster	93 - 84	503360	Gas; w/Master Cylinder
Power Brake Booster	93 - 84	5473360	Gas; w/o Master Cylinder
Power Brake Booster	83 - 81	509235	Gas; w/Master Cylinder
Power Brake Booster	83 - 81	5473353	Gas; w/o Master Cylinder

W350 PICKUP (cont.) - See Also D350 PICKUP

Brake Cables				
Parking Brake Cable	Years	Sequential No.	Category No.	Qualifier
Parking Brake Cable	93 - 88	F124695	(BC124695)	Forward; 131" WB
Parking Brake Cable	93 - 88	F124693	(BC124693)	Forward; 135" WB
Parking Brake Cable	93 - 88	F124694	(BC124694)	Forward; 159" WB
Parking Brake Cable	93 - 88	F128638	(BC128638)	Rear; L.H.
Parking Brake Cable	93 - 88	F129209	(BC129209)	Rear; R.H.; 131" WB; w/DRW
Parking Brake Cable	93 - 90	F128639	(BC128639)	Rear; R.H.; Exc. 131" WB; w/DRW
Parking Brake Cable	89 - 81	F101172	(BC101172)	Intermediate; 135" WB
Parking Brake Cable	89 - 81	F103397	(BC103397)	Intermediate; 159" WB
Parking Brake Cable	89 - 88	F128631	(BC128631)	Rear; R.H.; Exc. 131" WB; w/DRW
Parking Brake Cable	87 - 82	F102646	(BC102646)	Forward
Parking Brake Cable	87 - 81	F103398	(BC103398)	Intermediate; 131" WB
Parking Brake Cable	87 - 81	F101048	(BC101048)	Intermediate; 149" WB
Parking Brake Cable	87 - 81	F102650	(BC102650)	Intermediate; 165" WB
Parking Brake Cable	87 - 82	F112981	(BC112981)	Rear; L.H.
Parking Brake Cable	87 - 81	F108522	(BC108522)	Rear; R.H.
Parking Brake Cable	81	F102644	(BC102644)	Forward; w/Frame Reinforcement
Parking Brake Cable	81	F102646	(BC102646)	Forward; w/o Frame Reinforcement
Parking Brake Cable	81	F112982	(BC112982)	Rear; L.H.; 12 x 2-1/2" Brake
Parking Brake Cable	81	F112981	(BC112981)	Rear; L.H.; 12 x 3" Brake
ABS Components - New				
ABS Control Module	Years	Sequential No.	Category No.	Qualifier
ABS Control Module	91 - 90	F121022	(AB121022)	
ABS Control Module	89 - 88	F121023	(AB121023)	
ABS Modulator	Years	Sequential No.	Category No.	Qualifier
ABS Modulator	91 - 90	F121020	(AB121020)	w/DRW
ABS Modulator	91 - 90	F121021	(AB121021)	w/SRW
ABS Modulator	89 - 88	F121017	(AB121017)	w/DRW
ABS Modulator	89 - 88	F121016	(AB121016)	w/SRW
ABS Wheel Sensor	Years	Sequential No.	Category No.	Qualifier
ABS Wheel Sensor	91 - 88	F121013	(AB121013)	Rear; L.H.
ABS Wheel Sensor	91 - 88	F121013	(AB121013)	Rear; R.H.
ABS Components - Reman				
ABS Module	Years	Part No.	Qualifier	
ABS Module	93 - 89	RA121001		
ABS Hydraulic Unit	Years	Part No.	Qualifier	
ABS Hydraulic Unit	93 - 90	RA122021	w/DRW	
ABS Hydraulic Unit	93 - 90	RA122020	w/SRW	
ABS Hydraulic Unit	89	RA122015	w/DRW	
ABS Hydraulic Unit	89	RA122014	w/SRW	
Wheel Attaching Hardware				
Front Wheel Stud	Years	Part No.	Qualifier	
Wheel Lug Stud	93 - 90	BD61394	w/DRW	
Wheel Lug Stud	93 - 86	BD60936	w/SRW	
Wheel Lug Stud	89 - 81	BD60938	w/DRW	
Wheel Lug Stud	85 - 84	BD60941	w/SRW	
Wheel Lug Stud	83	BD60941	5.9L; w/SRW	
Wheel Lug Stud	82 - 81	BD60941	w/SRW	
Rear Wheel Stud	Years	Part No.	Qualifier	
Wheel Lug Stud	93 - 90	BD60940	w/DRW	
Wheel Lug Stud	93 - 90	BD61246	w/SRW; w/12 x 2-1/2" Drum	
Wheel Lug Stud	89 - 81	BD60940	w/DRW; w/12 x 3" Drum	
Wheel Lug Stud	89 - 88	BD61246	w/SRW; 5800 RA; w/12 x 2-1/2" Drum	
Wheel Lug Stud	89 - 81	BD60937	w/SRW; w/12 x 3" Drum	
Wheel Lug Stud	87 - 81	BD61246	w/SRW; w/12 x 2-1/2" Drum	

W350 PICKUP (cont.) - See Also D350 PICKUP
Wheel Attaching Hardware (cont.)

Rear Wheel Stud	Years	Part No.	Qualifier
Wheel Lug Stud	81	BD61138	w/SRW; Budd; w/12-1/8 x 2" Drum
Wheel Lug Stud	81	BD61056	w/SRW; Motor Wheel; w/12-1/8 x 2" Drum
Front Wheel Nut	Years	Part No.	Qualifier
Wheel Lug Nut	93 - 81	BD125946	Std. Open; w/SRW; 1/2" Thread
Wheel Lug Nut	92 - 81	BD61295	Flat Faced Open; w/DRW
Wheel Lug Nut	89 - 81	BD61294	Std. Open; w/SRW; 5/8" Thread
Rear Wheel Nut	Years	Part No.	Qualifier
Wheel Lug Nut	93 - 81	BD61295	Flat Faced Open; w/DRW
Wheel Lug Nut	93 - 81	BD125946	Std. Open; w/SRW; 1/2" Thread
Wheel Lug Nut	89 - 81	BD61294	Std. Open; w/SRW; 5/8" Thread

DODGE -1 TON VAN
B3500 VAN
Brake Pads & Shoes

Front Pads & Shoes	Years	SevereDuty	Lining No.	Qualifier
Brake Pads	98	SD655A		
Brake Pads	97 - 95	SD269		
Brake Pads	94 - 81	SD269		
Rear Pads & Shoes	Years	SevereDuty	Lining No.	Qualifier
Brake Shoes	98	SDS583R	EX2171TD	12-1/8 x 3-1/2" Brake; Riveted
Brake Shoes	97 - 95	SDS357AR	EX2146ATD	12 x 2-1/2" Brake; Riveted
Brake Shoes	97 - 95	SDS358AR	EX2140TD	12 x 3" Brake; Riveted
Brake Shoes	94 - 81	SDS357AR	EX2146ATD	12 x 2-1/2" Brake; Riveted
Brake Shoes	94 - 81	SDS358AR	EX2140TD	12 x 3" Brake; Riveted

Rotor & Drum

Front Rotor & Drum	Years	Part No.	Qualifier
Brake Rotor	98	BD125640	w/5 Stud Whl.
Brake Rotor	98	BD125784	w/8 Stud Whl.
Brake Rotor	97 - 96	BD125445	3600 lb. FA; w/4 Whl. ABS
Brake Rotor	97 - 95	BD60617	4000 lb. FA
Brake Rotor	97 - 95	BD60731	w/RWAL
Brake Rotor	95	BD125445	w/4 Whl. ABS; Exc. 4000 lb. FA
Brake Rotor	94 - 84	BD60617	4000 lb. FA
Brake Rotor	94	BD125445	w/4 Whl. ABS; Exc. 4000 lb. FA
Brake Rotor	94	BD60731	w/RWAL; Exc. 4000 lb. FA
Brake Rotor	93 - 84	BD60731	Exc. 4000 lb. FA
Brake Rotor	83 - 81	BD60731	Exc. H/D Brake
Brake Rotor	83 - 82	BD60617	H/D Brake
Brake Rotor	81	BD60434	w/DRW
Brake Rotor	81	BD60617	w/SRW; H/D
Rear Rotor & Drum	Years	Part No.	Qualifier
Brake Drum	98	BD125750	12-1/8 x 3-1/2" Brake
Brake Drum	97 - 96	BD125511	9250 lb. RA; 12 x 3" Brake
Brake Drum	97 - 96	BD125501	w/5500 lb. Dana 60 RA; Outboard Mounted Drum; 12 x 3" Brake
Brake Drum	97 - 96	BD125465	w/6200 lb. Dana 60 RA; Outboard Mounted Drum
Brake Drum	97 - 96	BD60302	w/Dana RA; Inboard Mounted Drum; 12 x 2-1/2" Brake
Brake Drum	96 - 95	BD60880	9250 lb. RA; 12 x 2-1/2" Brake
Brake Drum	95	BD60606	6200 lb. RA; 12 x 3" Brake
Brake Drum	95	BD60302	Exc. 6200 lb. RA; 12 x 2-1/2" Brake
Brake Drum	95	BD60302	Exc. 9250 lb. RA; 12 x 2-1/2" Brake
Brake Drum	94	BD60606	6200 lb. RA; 12 x 3" Brake
Brake Drum	94	BD60880	9250 lb. RA; 12 x 2-1/2" Brake
Brake Drum	94	BD60302	Exc. 6200 lb. RA; 12 x 2-1/2" Brake
Brake Drum	94	BD60302	Exc. 9250 lb. RA; 12 x 2-1/2" Brake

B3500 VAN (cont.)

Rotor & Drum (cont.)

Rear Rotor & Drum	Years	Part No.	Qualifier
Brake Drum	93 - 90	BD60880	12 x 2-1/2" Brake
Brake Drum	93 - 88	BD60606	12 x 3" Brake
Brake Drum	89 - 88	BD60302	5500 lb. RA; 12 x 2-1/2" Brake
Brake Drum	89 - 88	BD60880	Exc. 5500 lb. RA; 12 x 2-1/2" Brake
Brake Drum	87 - 86	BD60606	9000 GVW; Exc. Casting No. 95961; 12 x 3" Brake
Brake Drum	87 - 84	BD60302	Exc. 9-1/4" R.G.; 12 x 2-1/2" Brake
Brake Drum	87 - 86	BD60328	Exc. 9000 GVW; Exc. Casting No. 95961; 12 x 3" Brake
Brake Drum	87 - 84	BD60880	w/9-1/4" R.G.; 12 x 2-1/2" Brake
Brake Drum	87 - 86	BD60340	w/Casting No. 95961; 12 x 3" Brake
Brake Drum	85 - 82	BD60606	9000 GVW; 12 x 3" Brake
Brake Drum	85 - 84	BD60328	w/9-1/4" R.G.; Exc. 9000 GVW; 12 x 3" Brake
Brake Drum	83 - 82	BD60302	12 x 2-1/2" Brake
Brake Drum	83 - 82	BD60328	Exc. 9000 GVW; 12 x 3" Brake
Brake Drum	81	BD60606	9000 GVW; w/SRW; 12 x 3" Brake
Brake Drum	81	BD60328	w/DRW; 12 x 3" Brake
Brake Drum	81	BD60302	w/SRW; 12 x 2-1/2" Brake
Brake Drum	81	BD60328	w/SRW; Exc. 9000 GVW; 12 x 3" Brake

Brake Hardware

Front Brake Hardware	Years	Sequential No.	Category No.	Qualifier
Caliper Bolt/Pin	98	F138106S	(H5084)	
Disc Align Kit	98	F132611S	(H5602)	
Disc Align Kit	97 - 95	F76178S	(H5516)	
Disc Align Kit	94 - 81	F76178S	(H5516)	
Pin Boot Kit	98	F139361	(H8227)	

Rear Brake Hardware	Years	Sequential No.	Category No.	Qualifier
Adjuster Kit	98 - 95	F98416	(H2588)	L.H.
Adjuster Kit	98 - 95	F98417	(H2589)	R.H.
Adjuster Kit	94 - 86	F98416	(H2588)	L.H.
Adjuster Kit	94 - 86	F98417	(H2589)	R.H.
Adjuster Kit	85 - 82	F98398	(H2576)	L.H.
Adjuster Kit	85 - 82	F98399	(H2577)	R.H.
Adjuster Kit	81	F98398	(H2576)	L.H.; 12 x 2-1/2" Brake
Adjuster Kit	81	F98399	(H2577)	R.H.; 12 x 2-1/2" Brake
Adjuster Screw	98 - 95	F79799	(H1534)	L.H.
Adjuster Screw	98 - 95	F79800	(H1535)	R.H.
Adjuster Screw	94 - 86	F79799	(H1534)	L.H.
Adjuster Screw	94 - 86	F79800	(H1535)	R.H.
Adjuster Screw	85 - 81	F98328	(H1540)	L.H.
Adjuster Screw	85 - 81	F98329	(H1541)	R.H.
Combi Kit	98 - 95	F88754	(H7042)	
↳Adjuster Spring Kit		F73105	(H430)	
↳Hold Down Kit		F59054	(H4099)	
↳Return Spring Kit		F73207	(H547)	
Combi Kit	94 - 82	F88754	(H7042)	
↳Adjuster Spring Kit		F73105	(H430)	
↳Hold Down Kit		F59054	(H4099)	
↳Return Spring Kit		F73207	(H547)	
Combi Kit	81	F88754	(H7042)	12 x 2-1/2" Brake
↳Adjuster Spring Kit		F73105	(H430)	
↳Hold Down Kit		F59054	(H4099)	
↳Return Spring Kit		F73207	(H547)	

Calipers - Reman

Front, Loaded	Years	Left No.	Right No.	Qualifier	Piston
Loaded Caliper	98 - 95	AS104396B	AS104397B	w/Single Piston Caliper	P
Loaded Caliper	98 - 95	AS104396BS	AS104397BS	w/Single Piston Caliper	O

↳Sub-Kit of Combi-Kit is available separately.

Piston: M - OE Metal Piston P - OE Phenolic Piston O - Metal Piston Option

B3500 VAN (cont.)
Calipers - Reman (cont.)

Front, Loaded	Years	Left No.	Right No.	Qualifier	Piston
Loaded Caliper	94 - 84	AS104396B	AS104397B	w/Single Piston Caliper	P
Loaded Caliper	94 - 84	AS104396BS	AS104397BS	w/Single Piston Caliper	O
Front, Unloaded	Years	Left No.	Right No.	Qualifier	Piston
Unloaded Caliper	98	CRB134354	CRB134353	w/Dual Piston Caliper; Supplied w/Mtg. Brkt.	P
Unloaded Caliper	98	CR134354	CR134353	w/Dual Piston Caliper; Supplied w/o Mtg. Brkt.	P
Unloaded Caliper	98 - 95	CR104396	CR104397	w/Single Piston Caliper	P
Unloaded Caliper	98 - 95	CR104396S	CR104397S	w/Single Piston Caliper	O
Unloaded Caliper	94 - 81	CR104396	CR104397	w/Single Piston Caliper	P
Unloaded Caliper	94 - 81	CR104396S	CR104397S	w/Single Piston Caliper	O

Hydraulics - New

Master Cylinder	Years	Sequential No.	Category No.	Qualifier
Master Cylinder	97 - 95	F134438	(MC134438)	1-1/8" Bore
Master Cylinder	94 - 90	F123524	(MC123524)	1-1/8" Bore
Master Cylinder	94	F134438	(MC134438)	1-1/8" Bore
Master Cylinder	89 - 88	F98895	(MC98895)	1-1/8" Bore
Master Cylinder	87 - 82	F98895	(MC98895)	Exc. School Bus; 1-1/8" Bore
Master Cylinder	87 - 84	F84058	(MC84058)	School Bus; w/Hydro-Boost; 1-5/16" Bore
Master Cylinder	81	F98895	(MC98895)	w/Vacuum Boost; Alum.; 1-1/8" Bore
Rear Wheel Cylinder	Years	Sequential No.	Category No.	Qualifier
Wheel Cylinder	98	F101610	(WC101610)	12-1/8 x 3-1/2" Brake; 15/16" Bore
Wheel Cylinder	98 - 95	F17507	(WC17507)	L.H.; 12 x 2-1/2" Brake; 7/8" Bore
Wheel Cylinder	98 - 95	F17507	(WC17507)	L.H.; Chrysler 9-1/4" RA; 12 x 3" Brake; 7/8" Bore
Wheel Cylinder	98 - 95	F78974	(WC78974)	L.H.; w/Dana 60 Axle; 12 x 3" Brake; 1" Bore
Wheel Cylinder	98 - 95	F17508	(WC17508)	R.H.; 12 x 2-1/2" Brake; 7/8" Bore
Wheel Cylinder	98 - 95	F17508	(WC17508)	R.H.; Chrysler 9-1/4" RA; 12 x 3" Brake; 7/8" Bore
Wheel Cylinder	98 - 95	F78975	(WC78975)	R.H.; w/Dana 60 Axle; 12 x 3" Brake; 1" Bore
Wheel Cylinder	94	F17507	(WC17507)	L.H.; 12 x 2-1/2" Brake; 7/8" Bore
Wheel Cylinder	94	F17507	(WC17507)	L.H.; Chrysler 9-1/4" RA; 12 x 3" Brake; 7/8" Bore
Wheel Cylinder	94	F78974	(WC78974)	L.H.; w/Dana 60 Axle; 12 x 3" Brake; 1" Bore
Wheel Cylinder	94	F17508	(WC17508)	R.H.; 12 x 2-1/2" Brake; 7/8" Bore
Wheel Cylinder	94	F17508	(WC17508)	R.H.; Chrysler 9-1/4" RA; 12 x 3" Brake; 7/8" Bore
Wheel Cylinder	94	F78975	(WC78975)	R.H.; w/Dana 60 Axle; 12 x 3" Brake; 1" Bore
Wheel Cylinder	93 - 82	F78974	(WC78974)	L.H.; 1" Bore
Wheel Cylinder	93 - 82	F17507	(WC17507)	L.H.; 7/8" Bore
Wheel Cylinder	93 - 82	F78975	(WC78975)	R.H.; 1" Bore
Wheel Cylinder	93 - 82	F17508	(WC17508)	R.H.; 7/8" Bore
Wheel Cylinder	90 - 84	F35325	(WC35325)	L.H.; 1-1/8" Bore
Wheel Cylinder	90 - 84	F35326	(WC35326)	R.H.; 1-1/8" Bore
Wheel Cylinder	87 - 84	F106922	(WC106922)	L.H.; 1-1/16" Bore
Wheel Cylinder	87 - 84	F106923	(WC106923)	R.H.; 1-1/16" Bore
Wheel Cylinder	81	F78974	(WC78974)	L.H.; 12 x 2-1/2" Brake; 1" Bore
Wheel Cylinder	81	F18984	(WC18984)	L.H.; 12 x 3" Brake; 1-1/16" Bore
Wheel Cylinder	81	F78975	(WC78975)	R.H.; 12 x 2-1/2" Brake; 1" Bore
Wheel Cylinder	81	F18985	(WC18985)	R.H.; 12 x 3" Brake; 1-1/16" Bore
Clutch Master Cylind	Years	Sequential No.	Category No.	Qualifier
Clutch Master Cylinder	93	F126863	(CM126863)	7/8" Bore
Clutch Master Cylinder	92 - 91	F126862	(CM126862)	7/8" Bore
Clutch Slave Cylinder	Years	Sequential No.	Category No.	Qualifier
Clutch Slave Cylinder	93	F126881	(SC126881)	1" Bore
Clutch Slave Cylinder	92	F126880	(SC126880)	1" Bore
Clutch Slave Cylinder	91	F126877	(SC126877)	1" Bore
Front Brake Hose	Years	Sequential No.	Category No.	Qualifier
Brake Hose	98 - 95	F132034	(BH132034)	L.H.; w/ABS
Brake Hose	98 - 95	F132033	(BH132033)	L.H.; w/RWAL

Piston: M - OE Metal Piston P - OE Phenolic Piston O - Metal Piston Option

B3500 VAN (cont.)

Hydraulics - New (cont.)

Front Brake Hose	Years	Sequential No.	Category No.	Qualifier
Brake Hose	98 - 95	F106329	(BH106329)	R.H.
Brake Hose	96 - 95	F132208	(BH132208)	L.H.
Brake Hose	96 - 95	F123785	(BH123785)	L.H.; Exc. Sport Susp.
Brake Hose	94	F132034	(BH132034)	L.H.; w/4 Whl. ABS
Brake Hose	94	F132033	(BH132033)	L.H.; w/RWAL
Brake Hose	94 - 82	F106329	(BH106329)	R.H.
Brake Hose	94	F106329	(BH106329)	R.H.; w/RWAL
Brake Hose	93 - 90	F124719	(BH124719)	L.H.
Brake Hose	89 - 82	F106328	(BH106328)	L.H.
Brake Hose	81	F98931	(BH98931)	L.H.
Brake Hose	81	F98932	(BH98932)	R.H.

Rear Brake Hose	Years	Sequential No.	Category No.	Qualifier
Brake Hose	98	F138844	(BH138844)	
Brake Hose	97 - 95	F123297	(BH123297)	
Brake Hose	94 - 90	F123297	(BH123297)	
Brake Hose	89 - 82	F106347	(BH106347)	
Brake Hose	81	F100771	(BH100771)	

Hydraulics - Reman

Master Cylinder	Years	Part No.	Qualifier
Master Cylinder	98	R134813	
Master Cylinder	97 - 95	R123524	
Master Cylinder	94 - 90	R123524	
Master Cylinder	89 - 85	R98895	Exc. 3300 lb. FA
Master Cylinder	84 - 81	R84058	w/Hydro Boost
Master Cylinder	84 - 81	R88783M	w/Manual Brake
Master Cylinder	84 - 81	R98895	w/Manual Brake; w/Vacuum Boost

Power Brake Booster	Years	Part No.	Qualifier
Hydro Booster	84 - 81	529385	

Power Brake Booster	Years	Part No.	Qualifier
Power Brake Booster	98	503130	w/Master Cylinder; 4000 lb. FA; Early
Power Brake Booster	98	504217	w/Master Cylinder; Exc. 4000 lb. FA; Early
Power Brake Booster	98	5473130	w/o Master Cylinder; 4000 lb. FA; Early
Power Brake Booster	98	5474202	w/o Master Cylinder; Exc. 4000 lb. FA; Early
Power Brake Booster	98	5474415	w/o Master Cylinder; Late
Power Brake Booster	97 - 95	503130	w/Master Cylinder; 4000 lb. FA
Power Brake Booster	97 - 95	504217	w/Master Cylinder; Exc. 4000 lb. FA
Power Brake Booster	97 - 95	5473130	w/o Master Cylinder; 4000 lb. FA
Power Brake Booster	97 - 95	5474202	w/o Master Cylinder; Exc. 4000 lb. FA
Power Brake Booster	94 - 90	504217	w/Master Cylinder; 3300-3600 lb. FA
Power Brake Booster	94 - 90	503130	w/Master Cylinder; 4000 lb. FA
Power Brake Booster	94 - 90	5474202	w/o Master Cylinder; 3300-3600 lb. FA
Power Brake Booster	94 - 90	5473130	w/o Master Cylinder; 4000 lb. FA
Power Brake Booster	89 - 88	504202	w/Master Cylinder; 3600 lb. FA; w/Vacuum Boost
Power Brake Booster	89 - 88	503131	w/Master Cylinder; 4000 lb. FA; w/Vacuum Boost
Power Brake Booster	89 - 88	5474202	w/o Master Cylinder; 3600 lb. FA; w/Vacuum Boost
Power Brake Booster	89 - 88	5473131	w/o Master Cylinder; 4000 lb. FA; w/Vacuum Boost
Power Brake Booster	87 - 85	503774	w/Master Cylinder; 3600 lb. FA
Power Brake Booster	87 - 85	503131	w/Master Cylinder; 4000 lb. FA
Power Brake Booster	87 - 85	5473774	w/o Master Cylinder; 3600 lb. FA
Power Brake Booster	87 - 85	5473131	w/o Master Cylinder; 4000 lb. FA
Power Brake Booster	84 - 81	509244	w/Master Cylinder; 3600 lb. FA; Exc. Trans. Mtd. Aux. Battery
Power Brake Booster	84 - 81	503131	w/Master Cylinder; 3600 lb. FA; w/Trans. Mtd. Aux. Battery
Power Brake Booster	84 - 81	503131	w/Master Cylinder; 4000 lb. FA; w/Vacuum Boost
Power Brake Booster	84 - 81	5473022	w/o Master Cylinder; 3600 lb. FA; Exc. Trans. Mtd. Aux. Battery
Power Brake Booster	84 - 81	5473131	w/o Master Cylinder; 3600 lb. FA; w/Trans. Mtd. Aux. Battery

Hydraulics - Reman (cont.)

Power Brake Booster	Years	Part No.	Qualifier
Power Brake Booster	84 - 81	5473131	w/o Master Cylinder; 4000 lb. FA; w/Vacuum Boost

Brake Cables

Parking Brake Cable	Years	Sequential No.	Category No.	Qualifier
Parking Brake Cable	97	F140371	(BC140371)	Forward; 103" Length
Parking Brake Cable	97 - 95	F128634	(BC128634)	Rear; L.H.
Parking Brake Cable	97 - 95	F128719	(BC128719)	Rear; R.H.
Parking Brake Cable	96 - 95	F140370	(BC140370)	Forward; 102" Length
Parking Brake Cable	94	F132269	(BC132269)	Forward; 127" WB
Parking Brake Cable	94 - 89	F128634	(BC128634)	Rear; L.H.
Parking Brake Cable	94 - 89	F128719	(BC128719)	Rear; R.H.
Parking Brake Cable	93 - 89	F128632	(BC128632)	Forward
Parking Brake Cable	88	F111083	(BC111083)	Forward; Exc. Stripped Chassis
Parking Brake Cable	88	F124696	(BC124696)	Forward; L.H.; Stripped Chassis
Parking Brake Cable	88	F124697	(BC124697)	Forward; R.H.; Stripped Chassis
Parking Brake Cable	88	F128634	(BC128634)	Rear; L.H.; Stripped Chassis
Parking Brake Cable	88	F128719	(BC128719)	Rear; R.H.; Stripped Chassis
Parking Brake Cable	87 - 84	F111083	(BC111083)	Forward
Parking Brake Cable	87 - 84	F111084	(BC111084)	Rear; L.H.
Parking Brake Cable	87 - 82	F111085	(BC111085)	Rear; R.H.
Parking Brake Cable	83 - 82	F102642	(BC102642)	Forward
Parking Brake Cable	83 - 82	F112983	(BC112983)	Rear; L.H.; Exc. School Bus
Parking Brake Cable	83 - 82	F111084	(BC111084)	Rear; L.H.; School Bus
Parking Brake Cable	81	F102641	(BC102641)	Forward; 109" WB
Parking Brake Cable	81	F102642	(BC102642)	Forward; 127" WB
Parking Brake Cable	81	F102637	(BC102637)	Forward; 163" WB
Parking Brake Cable	81	F112983	(BC112983)	Rear; L.H.; 109" WB; Exc. School Bus
Parking Brake Cable	81	F112983	(BC112983)	Rear; L.H.; 127" WB; Exc. School Bus
Parking Brake Cable	81	F112983	(BC112983)	Rear; L.H.; 145" WB
Parking Brake Cable	81	F101656	(BC101656)	Rear; L.H.; 163" WB
Parking Brake Cable	81	F111084	(BC111084)	Rear; L.H.; School Bus; 109" WB
Parking Brake Cable	81	F111084	(BC111084)	Rear; L.H.; School Bus; 127" WB
Parking Brake Cable	81	F112985	(BC112985)	Rear; R.H.; 109" WB; Exc. School Bus
Parking Brake Cable	81	F112985	(BC112985)	Rear; R.H.; 127" WB; Exc. School Bus
Parking Brake Cable	81	F112985	(BC112985)	Rear; R.H.; 145" WB
Parking Brake Cable	81	F102640	(BC102640)	Rear; R.H.; 163" WB
Parking Brake Cable	81	F111085	(BC111085)	Rear; R.H.; School Bus; 109" WB
Parking Brake Cable	81	F111085	(BC111085)	Rear; R.H.; School Bus; 127" WB

ABS Components - New

ABS Control Module	Years	Sequential No.	Category No.	Qualifier
ABS Control Module	91 - 90	F121022	(AB121022)	w/AC
ABS Control Module	91 - 90	F121024	(AB121024)	w/o AC

ABS Modulator	Years	Sequential No.	Category No.	Qualifier
ABS Modulator	91 - 90	F121018	(AB121018)	

ABS Wheel Sensor	Years	Sequential No.	Category No.	Qualifier
ABS Wheel Sensor	97 - 95	F121013	(AB121013)	Rear; L.H.
ABS Wheel Sensor	97 - 95	F121013	(AB121013)	Rear; R.H.
ABS Wheel Sensor	94 - 92	F121013	(AB121013)	Rear; L.H.
ABS Wheel Sensor	94 - 92	F121013	(AB121013)	Rear; R.H.
ABS Wheel Sensor	91 - 90	F121013	(AB121013)	Rear; L.H.
ABS Wheel Sensor	91 - 90	F121013	(AB121013)	Rear; R.H.

ABS Components - Reman

ABS Module	Years	Part No.	Qualifier
ABS Module	97 - 95	RA121003	w/2 Whl. ABS; w/AC
ABS Module	97 - 95	RA121006	w/2 Whl. ABS; w/o AC

B3500 VAN (cont.)

ABS Components - Reman (cont.)

ABS Module	Years	Part No.	Qualifier
ABS Module	95	RA121023	w/4 Whl. ABS
ABS Module	94	RA121003	w/2 Whl. ABS; w/AC
ABS Module	94	RA121006	w/2 Whl. ABS; w/o AC
ABS Module	94	RA121023	w/4 Whl. ABS
ABS Module	93 - 92	RA121003	
ABS Module	93 - 92	RA121006	
ABS Module	91 - 90	RA121004	
ABS Module	91 - 90	RA121005	

ABS Hydraulic Unit	Years	Part No.	Qualifier
ABS Hydraulic Unit	97 - 95	RA122058	w/2 Whl. ABS
ABS Hydraulic Unit	97 - 95	RA122034	w/4 Whl. ABS
ABS Hydraulic Unit	94	RA122056	w/2 Whl. ABS
ABS Hydraulic Unit	94	RA122034	w/4 Whl. ABS
ABS Hydraulic Unit	93 - 90	RA122018	

Wheel Attaching Hardware

Front Wheel Stud	Years	Part No.	Qualifier
Wheel Lug Stud	97	BD60961	w/Chrysler RA
Wheel Lug Stud	97	BD61137	w/Dana H/D RA
Wheel Lug Stud	97	BD60943	w/Dana RA
Wheel Lug Stud	96 - 95	BD60943	1/2" Thread
Wheel Lug Stud	96 - 95	BD61137	5/8" Thread
Wheel Lug Stud	94 - 90	BD60961	1/2" Thread
Wheel Lug Stud	94 - 90	BD61137	5/8" Thread
Wheel Lug Stud	89 - 86	BD60961	Exc. 4000 FA; w/5 Stud Whl.; 1/2" Thread
Wheel Lug Stud	89 - 86	BD60943	Exc. 4000 FA; w/8 Stud Whl.; 1/2" Thread
Wheel Lug Stud	85 - 84	BD61137	9000 GVW
Wheel Lug Stud	85 - 84	BD60943	Exc. 9000 GVW
Wheel Lug Stud	83 - 81	BD60943	9000 GVW; 1/2" Thread
Wheel Lug Stud	83 - 81	BD61137	9000 GVW; 5/8" Thread
Wheel Lug Stud	83 - 81	BD60960	Exc. 9000 GVW; Budd Rotor
Wheel Lug Stud	83 - 81	BD60961	Exc. 9000 GVW; Kelsey-Hayes Rotor

Rear Wheel Stud	Years	Part No.	Qualifier
Wheel Lug Stud	98	BD60931	w/Dana RA
Wheel Lug Stud	97 - 95	BD61499	Chrysler RA
Wheel Lug Stud	96 - 95	BD61246	Dana; w/12 x 2-1/2" Drum
Wheel Lug Stud	96 - 95	BD60937	Dana; w/12 x 3" Drum
Wheel Lug Stud	94 - 86	BD61499	Chrysler RA
Wheel Lug Stud	94 - 90	BD60937	Cutaway Cab; w/DRW
Wheel Lug Stud	94 - 86	BD61246	Dana; w/12 x 2-1/2" Drum
Wheel Lug Stud	94 - 86	BD60937	Dana; w/12 x 3" Drum
Wheel Lug Stud	89 - 86	BD60940	Cutaway Cab; w/DRW
Wheel Lug Stud	85 - 82	BD60937	9000 GVW
Wheel Lug Stud	85 - 84	BD61499	Exc. 9000 GVW
Wheel Lug Stud	83 - 82	BD61246	Exc. 9000 GVW
Wheel Lug Stud	81	BD61138	Budd; w/12-1/8 x 2" Drum
Wheel Lug Stud	81	BD61056	Motor Wheel; w/12-1/8 x 2" Drum
Wheel Lug Stud	81	BD61246	w/12 x 2-1/2" Drum
Wheel Lug Stud	81	BD60937	w/12 x 3" Drum

Front Wheel Nut	Years	Part No.	Qualifier
Wheel Lug Nut	98	BD125928	Std. Open
Wheel Lug Nut	97	BD125920	Bulge; Chrysler RA
Wheel Lug Nut	97	BD125920	Bulge; Dana RA
Wheel Lug Nut	97	BD125915	Dome - Bright; Chrysler RA
Wheel Lug Nut	97	BD125915	Dome - Bright; Dana RA
Wheel Lug Nut	97	BD61294	Std. Open; w/Dana H/D RA

B3500 VAN (cont.)

Wheel Attaching Hardware (cont.)

Front Wheel Nut	Years	Part No.	Qualifier
Wheel Lug Nut	96 - 95	BD125946	Std. Open; 1/2" Thread
Wheel Lug Nut	96 - 95	BD61294	Std. Open; 5/8" Thread
Wheel Lug Nut	94 - 90	BD125946	Std. Open; 1/2" Thread
Wheel Lug Nut	94 - 81	BD61294	Std. Open; 5/8" Thread
Wheel Lug Nut	89 - 86	BD61281	Std. Open; Exc. 4000 FA; w/5 Stud Whl.; 1/2" Thread
Wheel Lug Nut	89 - 86	BD125946	Std. Open; Exc. 4000 FA; w/8 Stud Whl.; 1/2" Thread
Wheel Lug Nut	85 - 81	BD125946	Std. Open; 1/2" Thread
Wheel Lug Nut	81	BD61281	Std. Open
Rear Wheel Nut	Years	Part No.	Qualifier
Wheel Lug Nut	98	BD125928	Std. Open
Wheel Lug Nut	97	BD125920	Bulge; Chrysler RA
Wheel Lug Nut	97	BD125920	Bulge; Dana RA
Wheel Lug Nut	97	BD125915	Dome - Bright; Chrysler RA
Wheel Lug Nut	97	BD125915	Dome - Bright; Dana RA
Wheel Lug Nut	97	BD61294	Std. Open; w/Dana H/D RA
Wheel Lug Nut	96 - 95	BD125946	Std. Open; 1/2" Thread
Wheel Lug Nut	96 - 95	BD61294	Std. Open; 5/8" Thread
Wheel Lug Nut	94 - 86	BD61295	Flat Faced Open; Cutaway Cab; w/DRW
Wheel Lug Nut	94 - 81	BD125946	Std. Open; 1/2" Thread
Wheel Lug Nut	94 - 81	BD61294	Std. Open; 5/8" Thread
Wheel Lug Nut	81	BD61281	Std. Open

RAM 3500 VAN

Brake Pads & Shoes

Front Pads & Shoes	Years	SevereDuty	Lining No.	Qualifier
Brake Pads	03 - 99	SD655A		
Rear Pads & Shoes	Years	SevereDuty	Lining No.	Qualifier
Brake Shoes	03 - 99	SDS583R	EX2171TD	12-1/8 x 3-1/2" Brake; Riveted

Rotor & Drum

Front Rotor & Drum	Years	Part No.	Qualifier
Brake Rotor	03 - 99	BD125784	w/8 Stud Whl.
Brake Rotor	02 - 99	BD125640	w/5 Stud Whl.
Rear Rotor & Drum	Years	Part No.	Qualifier
Brake Drum	03 - 99	BD125750	12-1/8 x 3-1/2" Brake

Brake Hardware

Front Brake Hardware	Years	Sequential No.	Category No.	Qualifier
Caliper Bolt/Pin	03 - 99	F138106S	(H5084)	
Disc Align Kit	03 - 99	F132611S	(H5602)	
Pin Boot Kit	03 - 99	F139361	(H8227)	
Rear Brake Hardware	Years	Sequential No.	Category No.	Qualifier
Adjuster Kit	03 - 99	F98416	(H2588)	L.H.; 12-1/8 x 3-1/2" Brake
Adjuster Kit	03 - 99	F98417	(H2589)	R.H.; 12-1/8 x 3-1/2" Brake
Adjuster Screw	03 - 99	F79799	(H1534)	L.H.; 12-1/8 x 3-1/2" Brake
Adjuster Screw	03 - 99	F79800	(H1535)	R.H.; 12-1/8 x 3-1/2" Brake
Combi Kit	01 - 99	F88754	(H7042)	12-1/8 x 3-1/2" Brake
↳Adjuster Spring Kit		F73105	(H430)	
↳Hold Down Kit		F59054	(H4099)	
↳Return Spring Kit		F73207	(H547)	

Calipers - Reman

Front, Unloaded	Years	Left No.	Right No.	Qualifier	Piston
Unloaded Caliper	03	CRB135014	CRB135015	Supplied w/Mtg. Brkt.	P
Unloaded Caliper	03	CR135014	CR135015	Supplied w/o Mtg. Brkt.	P
Unloaded Caliper	02 - 99	CRB134354	CRB134353	w/Dual Piston Caliper; Supplied w/Mtg. Brkt.	P
Unloaded Caliper	02 - 99	CR134354	CR134353	w/Dual Piston Caliper; Supplied w/o Mtg. Brkt.	P

↳Sub-Kit of Combi-Kit is available separately.

Piston: M - OE Metal Piston P - OE Phenolic Piston

RAM 3500 VAN (cont.)

Hydraulics - New

<i>Master Cylinder</i>	<i>Years</i>	<i>Sequential No.</i>	<i>Category No.</i>	<i>Qualifier</i>
Master Cylinder	03 - 99	F140285	(MC140285)	1-1/4" Bore
<i>Rear Wheel Cylinder</i>	<i>Years</i>	<i>Sequential No.</i>	<i>Category No.</i>	<i>Qualifier</i>
Wheel Cylinder	03 - 99	F101610	(WC101610)	w/Dana 60 Axle; 12-1/8" Brake; 15/16" Bore
<i>Front Brake Hose</i>	<i>Years</i>	<i>Sequential No.</i>	<i>Category No.</i>	<i>Qualifier</i>
Brake Hose	03 - 99	F138842	(BH138842)	L.H.; w/ABS
Brake Hose	03 - 99	F138840	(BH138840)	L.H.; w/RWAL
Brake Hose	03 - 99	F138841	(BH138841)	R.H.
<i>Rear Brake Hose</i>	<i>Years</i>	<i>Sequential No.</i>	<i>Category No.</i>	<i>Qualifier</i>
Brake Hose	02 - 99	F138844	(BH138844)	

Hydraulics - Reman

<i>Master Cylinder</i>	<i>Years</i>	<i>Part No.</i>	<i>Qualifier</i>
Master Cylinder	03 - 99	R134813	
<i>Power Brake Booster</i>	<i>Years</i>	<i>Part No.</i>	<i>Qualifier</i>
Power Brake Booster	03 - 99	5474415	w/o Master Cylinder

Wheel Attaching Hardware

<i>Rear Wheel Stud</i>	<i>Years</i>	<i>Part No.</i>	<i>Qualifier</i>
Wheel Lug Stud	02 - 99	BD60931	w/Dana RA
<i>Front Wheel Nut</i>	<i>Years</i>	<i>Part No.</i>	<i>Qualifier</i>
Wheel Lug Nut	03 - 99	BD125928	Bulge
<i>Rear Wheel Nut</i>	<i>Years</i>	<i>Part No.</i>	<i>Qualifier</i>
Wheel Lug Nut	03 - 99	BD125928	Bulge

SPRINTER 3500

Brake Pads & Shoes

<i>Front Pads & Shoes</i>	<i>Years</i>	<i>SevereDuty</i>	<i>Lining No.</i>	<i>Qualifier</i>
Brake Pads	06 - 04	SD949		Bosch
Brake Pads	06 - 04	SD950		Galfer
Brake Pads	06 - 04	SD950		Teves
Brake Pads	06 - 04	SD949		Wabco
<i>Rear Pads & Shoes</i>	<i>Years</i>	<i>SevereDuty</i>	<i>Lining No.</i>	<i>Qualifier</i>
Brake Pads	06 - 04	SD928		w/272mm Dia. Rotor; Bosch
Brake Pads	06 - 04	SD1006		w/272mm Dia. Rotor; Teves; 5.15" Length; w/Hole for Wear Sensor
Brake Pads	06 - 04	SD1229		w/272mm Dia. Rotor; Teves; 5.15" Length; w/o Hole for Wear Sensor
Brake Pads	06 - 04	SD951		w/272mm Dia. Rotor; Teves; 5.57" Length
Brake Pads	06 - 04	SD949		w/285mm Dia. Rotor; Bosch
Brake Pads	06 - 04	SD949		w/285mm Dia. Rotor; Wabco

Rotor & Drum

<i>Front Rotor & Drum</i>	<i>Years</i>	<i>Part No.</i>	<i>Qualifier</i>
Brake Rotor	06 - 04	BD126271	w/15" Whl.; From Axle S-482214 or Y-422060
Brake Rotor	06 - 04	BD126307	w/15" Whl.; To Axle S-482213 or Y-422059
Brake Rotor	06 - 04	BD126265	w/16" Whl.
<i>Rear Rotor & Drum</i>	<i>Years</i>	<i>Part No.</i>	<i>Qualifier</i>
Brake Rotor	06 - 04	BD126279	w/272mm Dia Rotor
Brake Rotor	06 - 04	BD126280	w/285mm Dia Rotor

Brake Hardware

<i>Front Brake Hardware</i>	<i>Years</i>	<i>Sequential No.</i>	<i>Category No.</i>	<i>Qualifier</i>
Caliper Bolt/Pin	06 - 04	F140715	(H4816)	Bosch
Caliper Bolt/Pin	06 - 04	F132517S	(H5078)	Galfer
Caliper Bolt/Pin	06 - 04	F132517S	(H5078)	Teves
Caliper Bolt/Pin	06 - 04	F140714	(H4812)	Wabco
Disc Align Kit	06 - 04	F140712	(H5708)	Bosch
Disc Align Kit	06 - 04	F140711	(H5707)	Galfer
Disc Align Kit	06 - 04	F140711	(H5707)	Teves
Disc Align Kit	06 - 04	F140712	(H5708)	Wabco

SPRINTER 3500 (cont.)
Brake Hardware (cont.)
Front Brake Hardware

Years	Sequential No.	Category No.	Qualifier
06 - 04	F132614S	(H8217)	Teves

Rear Brake Hardware

Years	Sequential No.	Category No.	Qualifier
06 - 04	F140813	(H4818)	w/272mm Dia. Rotor; Bosch
06 - 04	F132517S	(H5078)	w/272mm Dia. Rotor; Teves
06 - 04	F140715	(H4816)	w/285mm Dia. Rotor; Bosch
06 - 04	F140714	(H4812)	w/285mm Dia. Rotor; Wabco
06 - 04	F140713	(H5709)	w/272mm Dia. Rotor; Bosch
06 - 04	F140713	(H5709)	w/272mm Dia. Rotor; Teves
06 - 04	F140712	(H5708)	w/285mm Dia. Rotor; Bosch
06 - 04	F140712	(H5708)	w/285mm Dia. Rotor; Wabco
06 - 04	F132614S	(H8217)	w/272mm Dia. Rotor; Teves

Parking Brake

Years	Sequential No.	Category No.	Qualifier
06 - 04	F140716	(H7245)	

Calipers - Reman
Front, Loaded

Years	Left No.	Right No.	Qualifier	Piston
06 - 04	AS135201	AS135200	Bosch; 1.77" 2-Piston Caliper	M
06 - 04	AS135203	AS135202	Teves; 2.35" 1-Piston Caliper	M
06 - 04	AS135209	AS135208	Wabco; 1.72" 2-Piston Caliper	M

Rear, Loaded

Years	Left No.	Right No.	Qualifier	Piston
06 - 04	AS135204	AS135205	w/272mm Dia. Rotor; Bosch; 2.05" 1-Piston Caliper	M
06 - 04	AS135210	AS135211	w/272mm Dia. Rotor; Teves; 2.05" 1-Piston Caliper; 5.15" Pad; w/Hole for Wear Sensor	M
06 - 04	AS135210A	AS135211A	w/272mm Dia. Rotor; Teves; 2.05" 1-Piston Caliper; 5.15" Pad; w/o Hole for Wear Sensor	M
06 - 04	AS135209	AS135208	w/285mm Dia. Rotor; Bosch; 1.72" 2-Piston Caliper	M
06 - 04	AS135207	AS135206	w/285mm Dia. Rotor; Wabco; 1.72" 2-Piston Caliper	M
06 - 04	AS135201	AS135200	w/285mm Dia. Rotor; Wabco; 1.77" 2-Piston Caliper	M

Front, Unloaded

Years	Left No.	Right No.	Qualifier	Piston
06 - 04	CR135201	CR135200	Bosch; 1.77" 2-Piston Caliper	M
06 - 04	CR135203	CR135202	Teves; 2.35" 1-Piston Caliper	M
06 - 04	CR135209	CR135208	Wabco; 1.72" 2-Piston Caliper	M

Rear, Unloaded

Years	Left No.	Right No.	Qualifier	Piston
06 - 04	CR135204	CR135205	w/272mm Dia. Rotor; Bosch; 2.05" 1-Piston Caliper	M
06 - 04	CR135210	CR135211	w/272mm Dia. Rotor; Teves; 2.05" 1-Piston Caliper; 5.15" Pad	M
06 - 04	CR135209	CR135208	w/285mm Dia. Rotor; Bosch; 1.72" 2-Piston Caliper	M
06 - 04	CR135207	CR135206	w/285mm Dia. Rotor; Wabco; 1.72" 2-Piston Caliper	M
06 - 04	CR135201	CR135200	w/285mm Dia. Rotor; Wabco; 1.77" 2-Piston Caliper	M

Hydraulics - New
Master Cylinder

Years	Sequential No.	Category No.	Qualifier
06 - 04	F140763	(MC140763)	2WD; HD; Line No. 3 or 7
06 - 04	F140764	(MC140764)	2WD; MD; 2-Door; Line No. 2 or 6
06 - 04	F140763	(MC140763)	2WD; MD; 4-Door; Line No. 2 or 6
06 - 04	F140764	(MC140764)	4WD; LD; 2-Door; Line No. 2 or 6
06 - 04	F140763	(MC140763)	4WD; LD; 4-Door; Line No. 2 or 6
06 - 04	F140763	(MC140763)	4WD; MD; Line No. 3 or 7

Front Brake Hose

Years	Sequential No.	Category No.	Qualifier
06 - 04	F140732	(BH140732)	

Rear Brake Hose

Years	Sequential No.	Category No.	Qualifier
06 - 04	F140733	(BH140733)	2WD; HD; Line No. 3 or 7
06 - 04	F140732	(BH140732)	2WD; MD; Line No. 2 or 6
06 - 04	F140732	(BH140732)	4WD; LD; Line No. 2 or 6
06 - 04	F140733	(BH140733)	4WD; MD; Line No. 3 or 7

Hydraulics - Reman
Power Brake Booster

Years	Part No.	Qualifier
06 - 04	5474231	w/o Master Cylinder

Piston: M - OE Metal Piston P - OE Phenolic Piston

CROWN VICTORIA

Brake Pads & Shoes

Front Pads & Shoes	Years	SevereDuty	Lining No.	Qualifier
Brake Pads	06 - 03	SD931		Exc. Police
Brake Pads	06 - 03	SD931		Police
Brake Pads	02 - 98	SD748		
Brake Pads	97 - 95	SD659		

Rear Pads & Shoes	Years	SevereDuty	Lining No.	Qualifier
Brake Pads	04 - 03	SD932		5-7th Position OF VIN No. = P71, P74; Exc. Long WB
Brake Pads	02 - 99	SD674		Exc. Police
Brake Pads	02 - 98	SD674A		Police
Brake Pads	98	SD674		
Brake Pads	97 - 96	SD674		Exc. Police
Brake Pads	97 - 96	SD674A		Police; w/Phenolic Piston Caliper
Brake Pads	97 - 96	SD674		Police; w/Steel Piston Caliper
Brake Pads	95	SD662		Police

Rotor & Drum

Front Rotor & Drum	Years	Part No.	Qualifier
Brake Rotor	06 - 03	BD125785	
Brake Rotor	02 - 98	BD125514	
Brake Rotor	97 - 95	BD125476	

Rear Rotor & Drum	Years	Part No.	Qualifier
Brake Rotor	06 - 03	BD125786	
Brake Rotor	02 - 96	BD125481	
Brake Rotor	95	BD125155	

Brake Hardware

Front Brake Hardware	Years	Sequential No.	Category No.	Qualifier
Caliper Bolt/Pin	06 - 03	F139844	(H5098)	
Caliper Bolt/Pin	02 - 98	F138685S	(H5087)	
Caliper Bolt/Pin	97 - 95	F139368	(H14903)	
Disc Align Kit	06 - 03	F139840	(H5662)	
Disc Align Kit	02 - 98	F138692S	(H5625)	
Disc Align Kit	97 - 95	F134114S	(H5618)	
Pin Boot Kit	06 - 03	F129662S	(H18023)	
Pin Boot Kit	02 - 98	F138698S	(H8222)	
Pin Boot Kit	97 - 95	F132973S	(H8218)	

Rear Brake Hardware	Years	Sequential No.	Category No.	Qualifier
Caliper Bolt/Pin	06 - 95	F124508S	(H5054)	
Disc Align Kit	06 - 03	F139839	(H5661)	
Disc Align Kit	02 - 95	F133826S	(H5477)	
Pin Boot Kit	05 - 96	F117215S	(H18000C)	
Pin Boot Kit	95	F130898S	(H8212)	

Parking Brake	Years	Sequential No.	Category No.	Qualifier
Adjuster Screw	05 - 97	F139706	(H1592)	
Adjuster Screw	95	F139716	(H1593)	
Combi Kit	06 - 03	F139838	(H7237)	
Combi Kit	02 - 96	F138696S	(H7222)	
Combi Kit	95	F139715	(H7225)	

Calipers - Reman

Front, Loaded	Years	Left No.	Right No.	Qualifier	Piston
Loaded Caliper	02 - 98	AS134313	AS134314		P
Loaded Caliper	97 - 95	AS132697	AS132698	Exc. Police	M

Rear, Loaded	Years	Left No.	Right No.	Qualifier	Piston
Loaded Caliper	02 - 01	AS139245	AS139245		P
Loaded Caliper	00 - 98	AS139245	AS139245	Police	P
Loaded Caliper	97 - 96	AS139245	AS139245	Police; w/Phenolic Piston	P
Loaded Caliper	97 - 96	AS134011A	AS134011A	Police; w/Steel Piston	M
Loaded Caliper	95	AS128661	AS128661		P

Piston: M - OE Metal Piston P - OE Phenolic Piston

CROWN VICTORIA (cont.)
Calipers - Reman (cont.)

Front, Unloaded	Years	Left No.	Right No.	Qualifier	Piston
Unloaded Caliper	05 - 03	CRB134610	CRB134611	Supplied w/Mtg. Brkt.	M
Unloaded Caliper	05 - 03	CR134610	CR134611	Supplied w/o Mtg. Brkt.	M
Unloaded Caliper	02 - 98	CRB134313	CRB134314	Supplied w/Mtg. Brkt.	P
Unloaded Caliper	02 - 98	CR134313	CR134314	Supplied w/o Mtg. Brkt.	P
Unloaded Caliper	97 - 95	CRB132697	CRB132698	Supplied w/Mtg. Brkt.	M
Unloaded Caliper	97 - 95	CR132697	CR132698	Supplied w/o Mtg. Brkt.	M
Rear, Unloaded	Years	Left No.	Right No.	Qualifier	Piston
Unloaded Caliper	05 - 03	CR134614	CR134615		M
Unloaded Caliper	02 - 01	CR139245	CR139245		P
Unloaded Caliper	00 - 98	CR134011	CR134011	Exc. Police	M
Unloaded Caliper	00 - 98	CR139245	CR139245	Police	P
Unloaded Caliper	97 - 96	CR134011	CR134011	Exc. H/D Brake	M
Unloaded Caliper	97 - 96	CR139245	CR139245	H/D Brake	P
Unloaded Caliper	95	CR128661	CR128661		P
Unloaded Caliper	95	CR128661S	CR128661S		O

Hydraulics - New

Master Cylinder	Years	Sequential No.	Category No.	Qualifier
Master Cylinder	06 - 01	F140128	(MC140128)	w/o ABS; 1" Bore
Master Cylinder	05 - 01	F140129	(MC140129)	w/Traction Control; w/o Interactive Vehicle Dynamics; 1" Bore
Master Cylinder	04 - 01	F140491	(MC140491)	w/ABS; w/o Traction Control; 1" Bore
Master Cylinder	00 - 98	F140128	(MC140128)	w/o Traction Control; 1" Bore
Master Cylinder	00 - 98	F134464	(MC134464)	w/Traction Control
Master Cylinder	97	F140128	(MC140128)	Exc. POLICE INTERCEPTOR; w/o Traction Control; No O-Ring Required; 1" Bore
Master Cylinder	97	F140492	(MC140492)	Exc. POLICE INTERCEPTOR; w/Traction Control; 1" Bore
Master Cylinder	97	F140493	(MC140493)	POLICE INTERCEPTOR; w/Traction Control; 1" Bore
Master Cylinder	97	F134330	(MC134330)	POLICE INTERCEPTOR; w/Traction Control; w/o Speed Control; No O-Ring Required
Master Cylinder	96 - 95	F131475	(MC131475)	Exc. POLICE INTERCEPTOR; w/o Traction Control; 1" Bore
Master Cylinder	96	F140337	(MC140337)	Exc. POLICE INTERCEPTOR; w/Traction Control; Contains Pressure Switch; 1" Bore
Master Cylinder	96 - 95	F131474	(MC131474)	POLICE INTERCEPTOR; w/o Traction Control; 1" Bore
Master Cylinder	96	F131870	(MC131870)	POLICE INTERCEPTOR; w/Traction Control; No O-Ring Required
Master Cylinder	95	F131469	(MC131469)	Exc. POLICE INTERCEPTOR; w/Traction Control; 1" Bore
Master Cylinder	95	F131470	(MC131470)	POLICE INTERCEPTOR; w/Traction Control; 1-1/16" Bore
Front Brake Hose	Years	Sequential No.	Category No.	Qualifier
Brake Hose	05 - 03	F140144	(BH140144)	L.H.
Brake Hose	05 - 03	F140145	(BH140145)	R.H.
Brake Hose	02 - 01	F140154	(BH140154)	L.H.; w/ABS
Brake Hose	02 - 98	F139136	(BH139136)	L.H.; w/o ABS
Brake Hose	02 - 98	F140155	(BH140155)	R.H.
Brake Hose	00 - 98	F140233	(BH140233)	L.H.; w/ABS
Brake Hose	97 - 95	F132337	(BH132337)	L.H.
Brake Hose	97 - 95	F132338	(BH132338)	R.H.
Rear Brake Hose	Years	Sequential No.	Category No.	Qualifier
Brake Hose	05 - 03	F140146	(BH140146)	L.H.
Brake Hose	05 - 03	F140147	(BH140147)	R.H.
Brake Hose	02 - 99	F140332	(BH140332)	L.H.; From 12/18/98; w/o Traction Control
Brake Hose	02 - 98	F138802	(BH138802)	L.H.; w/Traction Control
Brake Hose	02 - 99	F140143	(BH140143)	R.H.; From 12/15/98
Brake Hose	99 - 98	F140143	(BH140143)	R.H.; To 12/14/98; w/o Traction Control
Brake Hose	99 - 98	F138802	(BH138802)	R.H.; To 12/14/98; w/Traction Control
Brake Hose	97 - 95	F132345	(BH132345)	L.H.; w/ABS
Brake Hose	97 - 95	F132344	(BH132344)	L.H.; w/o ABS
Brake Hose	97 - 95	F132345	(BH132345)	R.H.

Piston: M - OE Metal Piston P - OE Phenolic Piston O - Metal Piston Option

CROWN VICTORIA (cont.)

Hydraulics - Reman

Master Cylinder	Years	Part No.	Qualifier
Master Cylinder	04 - 01	R134748	w/ABS; w/o Traction Control
Master Cylinder	04 - 01	R134751	w/ABS; w/Traction Control; w/o Interactive Vehicle Dynamics
Master Cylinder	04 - 01	R131475	w/o ABS
Master Cylinder	00 - 98	R131475	w/o Traction Control
Master Cylinder	00 - 98	R134810	w/Traction Control
Master Cylinder	97 - 95	R131475	Exc. Police; w/o Traction Control
Master Cylinder	97 - 96	R131873	Exc. Police; w/Traction Control
Master Cylinder	97 - 96	R131474	Police; w/ABS; w/o Traction Control
Master Cylinder	97 - 96	R134631	Police; w/ABS; w/Traction Control; w/Cruise
Master Cylinder	97 - 96	R131870	Police; w/ABS; w/Traction Control; w/o Cruise
Master Cylinder	97 - 96	R131474	Police; w/o ABS
Master Cylinder	95	R131469	Exc. Police; w/Traction Control
Master Cylinder	95	R131474	Police; w/o Traction Control
Master Cylinder	95	R131470	Police; w/Traction Control

Power Brake Booster	Years	Part No.	Qualifier
Power Brake Booster	02 - 01	5473169	w/o Master Cylinder; w/o ABS; w/o Interactive Vehicle Dynamics
Power Brake Booster	00 - 95	5473183	w/o Master Cylinder; Exc. Police
Power Brake Booster	00 - 95	5473197	w/o Master Cylinder; Police
Power Brake Booster	98 - 95	5473197	w/o Master Cylinder

Brake Cables

Parking Brake Cable	Years	Sequential No.	Category No.	Qualifier
Parking Brake Cable	97 - 96	F138086	(BC138086)	Rear; L.H.; w/o Cng
Parking Brake Cable	97 - 96	F138604	(BC138604)	Rear; R.H.; w/o Cng

Wheel Attaching Hardware

Front Wheel Stud	Years	Part No.	Qualifier
Wheel Lug Stud	05 - 02	BD125942	
Wheel Lug Stud	01	BD125942	Exc. Sport Pkg.
Wheel Lug Stud	00 - 98	BD125942	
Wheel Lug Stud	97 - 95	BD125845	

Rear Wheel Stud	Years	Part No.	Qualifier
Wheel Lug Stud	01	BD125846	Exc. Sport Pkg.
Wheel Lug Stud	00 - 95	BD125846	

Front Wheel Nut	Years	Part No.	Qualifier
Wheel Lug Nut	05 - 95	BD61299	Bulge
Wheel Lug Nut	05 - 95	BD61283	Std. Open; 1/2"-20 Thread; 13/16" Hex

Rear Wheel Nut	Years	Part No.	Qualifier
Wheel Lug Nut	05 - 95	BD61299	Bulge
Wheel Lug Nut	05 - 95	BD61283	Std. Open; 1/2"-20 Thread; 13/16" Hex

FORD - MINIVAN

AEROSTAR

Brake Pads & Shoes

Front Pads & Shoes	Years	SevereDuty	Lining No.	Qualifier
Brake Pads	97 - 95	SD249		

Rear Pads & Shoes	Years	SevereDuty	Lining No.	Qualifier
Brake Shoes	97 - 95	SDS169R	EX2089TD	10 x 2-1/2" Brake; Riveted

Rotor & Drum

Front Rotor & Drum	Years	Part No.	Qualifier
Brake Rotor	97 - 95	BD60663	2WD
Brake Rotor	97 - 95	BD125109	AWD

Rear Rotor & Drum	Years	Part No.	Qualifier
Brake Drum	97 - 95	BD125216	10 x 2-1/2" Brake

AEROSTAR (cont.)
Brake Hardware

Front Brake Hardware	Years	Sequential No.	Category No.	Qualifier
Caliper Bolt/Pin	97 - 95	F111231S	(H5031)	
Disc Align Kit	97 - 95	F114476S	(H5571)	
Rear Brake Hardware	Years	Sequential No.	Category No.	Qualifier
Adjuster Kit	97 - 95	F113825S	(H2612)	L.H.; 10 x 2-1/2" Brake
Adjuster Kit	97 - 95	F98414S	(H2592)	L.H.; 9 x 1-3/4" Brake
Adjuster Kit	97 - 95	F113826S	(H2613)	R.H.; 10 x 2-1/2" Brake
Adjuster Kit	97 - 95	F98415S	(H2593)	R.H.; 9 x 1-3/4" Brake
Adjuster Screw	97 - 95	F67433S	(H1522)	L.H.; 10 x 1-3/4" Brake
Adjuster Screw	97 - 95	F67433S	(H1522)	L.H.; 10 x 2-1/2" Brake
Adjuster Screw	97 - 95	F117072S	(H1542)	L.H.; 9 x 1-3/4" Brake
Adjuster Screw	97 - 95	F67434S	(H1523)	R.H.; 10 x 1-3/4" Brake
Adjuster Screw	97 - 95	F67434S	(H1523)	R.H.; 10 x 2-1/2" Brake
Adjuster Screw	97 - 95	F117073S	(H1543)	R.H.; 9 x 1-3/4" Brake
Combi Kit	97 - 95	F98972S	(H7067)	10 x 2-1/2" Brake
↳Adjuster Spring Kit		F36470S	(H412)	
↳Hold Down Kit		F98974S	(H4079)	
↳Return Spring Kit		F73231S	(H322)	

Calipers - Reman

Front, Loaded	Years	Left No.	Right No.	Qualifier	Piston
Loaded Caliper	97 - 95	AS110414	AS110413		P
Loaded Caliper	97 - 95	AS110414S	AS110413S		O
Front, Unloaded	Years	Left No.	Right No.	Qualifier	Piston
Unloaded Caliper	97 - 95	CR110414	CR110413		P
Unloaded Caliper	97 - 95	CR110414S	CR110413S		O

Hydraulics - New

Master Cylinder	Years	Sequential No.	Category No.	Qualifier
Master Cylinder	97 - 95	F129283	(MC129283)	1-1/16" Bore
Rear Wheel Cylinder	Years	Sequential No.	Category No.	Qualifier
Wheel Cylinder	97 - 95	F131372	(WC131372)	15/16" Bore
Clutch Master Cylind	Years	Sequential No.	Category No.	Qualifier
Clutch Master Cylinder	97 - 95	F126887	(CM126887)	45/64" Bore
Clutch Slave Cylinder	Years	Sequential No.	Category No.	Qualifier
Clutch Slave Cylinder	97 - 95	F126893	(SC126893)	1-9/16" Bore
Front Brake Hose	Years	Sequential No.	Category No.	Qualifier
Brake Hose	97 - 95	F123290	(BH123290)	L.H.
Brake Hose	97 - 95	F123291	(BH123291)	R.H.
Rear Brake Hose	Years	Sequential No.	Category No.	Qualifier
Brake Hose	97 - 95	F134790	(BH134790)	

Hydraulics - Reman

Master Cylinder	Years	Part No.	Qualifier
Master Cylinder	97 - 95	R129283	
Power Brake Booster	Years	Part No.	Qualifier
Power Brake Booster	97 - 95	503133	w/Master Cylinder
Power Brake Booster	97 - 95	5473133	w/o Master Cylinder

Brake Cables

Parking Brake Cable	Years	Sequential No.	Category No.	Qualifier
Parking Brake Cable	97 - 95	F129958	(BC129958)	Forward
Parking Brake Cable	97 - 95	F116477	(BC116477)	Rear; L.H.; 10" Brake
Parking Brake Cable	97 - 95	F120985	(BC120985)	Rear; L.H.; 9" Brake
Parking Brake Cable	97 - 95	F116477	(BC116477)	Rear; R.H.; 10" Brake
Parking Brake Cable	97 - 95	F120985	(BC120985)	Rear; R.H.; 9" Brake

↳Sub-Kit of Combi-Kit is available separately.

Piston: M - OE Metal Piston P - OE Phenolic Piston O - Metal Piston Option

AEROSTAR (cont.)

ABS Components - New

ABS Wheel Sensor	Years	Sequential No.	Category No.	Qualifier
ABS Wheel Sensor	97 - 95	F121000	(AB121000)	Rear

ABS Components - Reman

ABS Module	Years	Part No.	Qualifier
ABS Module	97 - 95	RA121011	

ABS Hydraulic Unit	Years	Part No.	Qualifier
ABS Hydraulic Unit	97 - 95	RA122028	

Wheel Attaching Hardware

Front Wheel Stud	Years	Part No.	Qualifier
------------------	-------	----------	-----------

Wheel Lug Stud	97 - 95	BD60967	2WD
Wheel Lug Stud	97 - 95	BD61228	4WD

Rear Wheel Stud	Years	Part No.	Qualifier
-----------------	-------	----------	-----------

Wheel Lug Stud	97 - 95	BD60930	
----------------	---------	---------	--

Front Wheel Nut	Years	Part No.	Qualifier
-----------------	-------	----------	-----------

Wheel Lug Nut	97 - 95	BD125920	Bulge
Wheel Lug Nut	97 - 95	BD125902	Dome - Stainless
Wheel Lug Nut	97 - 95	BD61281	Std. Open

Rear Wheel Nut	Years	Part No.	Qualifier
----------------	-------	----------	-----------

Wheel Lug Nut	97 - 95	BD125920	Bulge
Wheel Lug Nut	97 - 95	BD125902	Dome - Stainless
Wheel Lug Nut	97 - 95	BD61281	Std. Open

WINDSTAR

Brake Pads & Shoes

Front Pads & Shoes	Years	SevereDuty	Lining No.	Qualifier
--------------------	-------	------------	------------	-----------

Brake Pads	03 - 99	SD803		
Brake Pads	98 - 95	SD601		

Rotor & Drum

Front Rotor & Drum	Years	Part No.	Qualifier
--------------------	-------	----------	-----------

Brake Rotor	03 - 99	BD125678	
Brake Rotor	98 - 95	BD125720	

Rear Rotor & Drum	Years	Part No.	Qualifier
-------------------	-------	----------	-----------

Brake Drum	03 - 95	BD125403	9-27/32 x 2-11/64" Brake
Brake Rotor	03 - 95	BD125461	

Brake Hardware

Front Brake Hardware	Years	Sequential No.	Category No.	Qualifier
----------------------	-------	----------------	--------------	-----------

Caliper Bolt/Pin	03 - 99	F139373	(H5094)	
Caliper Bolt/Pin	98 - 95	F130893S	(H5074)	
Disc Align Kit	03 - 99	F139359	(H5642)	
Disc Align Kit	98 - 95	F138603S	(H5468)	
Pin Boot Kit	03 - 95	F130899S	(H8213)	

Rear Brake Hardware	Years	Sequential No.	Category No.	Qualifier
---------------------	-------	----------------	--------------	-----------

Adjuster Kit	01 - 95	F130246S	(H2630)	L.H.
Adjuster Kit	01 - 95	F130247S	(H2631)	R.H.
Caliper Bolt/Pin	03 - 95	F130894S	(H5075)	
Combi Kit	03 - 95	F130392	(H7204)	
Disc Align Kit	03 - 99	F138693S	(H5626)	
Disc Align Kit	98 - 95	F138095S	(H5474)	
Pin Boot Kit	03 - 95	F117215S	(H18000C)	

Parking Brake	Years	Sequential No.	Category No.	Qualifier
---------------	-------	----------------	--------------	-----------

Adjuster Screw	01 - 95	F139706	(H1592)	
Combi Kit	03 - 95	F139720	(H7228)	

Calipers - Reman

Front, Unloaded	Years	Left No.	Right No.	Qualifier	Piston
-----------------	-------	----------	-----------	-----------	--------

Unloaded Caliper	03 - 99	CRB134350	CRB134349	Supplied w/Mtg. Brkt.	P
Unloaded Caliper	03 - 99	CR134350	CR134349	Supplied w/o Mtg. Brkt.	P

Piston: M - OE Metal Piston P - OE Phenolic Piston

WINDSTAR (cont.)
Calipers - Reman (cont.)

Front, Unloaded	Years	Left No.	Right No.	Qualifier	Piston
Unloaded Caliper	98 - 95	CRB132688	CRB132687	Supplied w/Mtg. Brkt.	P
Unloaded Caliper	98 - 95	CRB132688S	CRB132687S	Supplied w/Mtg. Brkt.	O
Unloaded Caliper	98 - 95	CR132688	CR132687	Supplied w/o Mtg. Brkt.	P
Unloaded Caliper	98 - 95	CR132688S	CR132687S	Supplied w/o Mtg. Brkt.	O
Rear, Unloaded	Years	Left No.	Right No.	Qualifier	Piston
Unloaded Caliper	03 - 95	CR132689	CR132690		M

Hydraulics - New

Master Cylinder	Years	Sequential No.	Category No.	Qualifier
Master Cylinder	03 - 02	F140085	(MC140085)	w/Interactive Vehicle Dynamics; 1" Bore
Master Cylinder	03 - 01	F140084	(MC140084)	w/Rear Disc; w/ABS; w/Traction Control; 1" Bore
Master Cylinder	03	F140086	(MC140086)	w/Rear Disc; w/ABS; w/Traction Control; 1" Bore
Master Cylinder	02 - 99	F140086	(MC140086)	w/Rear Disc; w/Traction Control; 1" Bore
Master Cylinder	02 - 99	F140088	(MC140088)	w/Rear Drum; w/o Traction Control; 1-1/16" Bore
Master Cylinder	02 - 99	F140087	(MC140087)	w/Rear Drum; w/Traction Control; 1-1/16" Bore
Master Cylinder	00 - 99	F140084	(MC140084)	w/Rear Disc; w/o Traction Control; 1" Bore
Master Cylinder	98	F134463	(MC134463)	w/o Traction Control; 1" Bore
Master Cylinder	98 - 96	F134455	(MC134455)	w/Traction Control
Master Cylinder	97 - 95	F131214	(MC131214)	w/o Traction Control; 1-1/16" Bore

Rear Wheel Cylinder	Years	Sequential No.	Category No.	Qualifier
Wheel Cylinder	03 - 95	F128289	(WC128289)	1" Bore

Front Brake Hose	Years	Sequential No.	Category No.	Qualifier
Brake Hose	03 - 00	F140077	(BH140077)	L.H.
Brake Hose	03 - 00	F140078	(BH140078)	R.H.
Brake Hose	99	F140077	(BH140077)	L.H.; From 11/02/98
Brake Hose	99	F132321	(BH132321)	L.H.; To 11/2/98
Brake Hose	99	F140078	(BH140078)	R.H.; From 11/02/98
Brake Hose	99	F132320	(BH132320)	R.H.; To 11/2/98
Brake Hose	98 - 95	F132321	(BH132321)	L.H.
Brake Hose	98 - 95	F132320	(BH132320)	R.H.

Rear Brake Hose	Years	Sequential No.	Category No.	Qualifier
Brake Hose	03 - 95	F133386	(BH133386)	L.H.; w/Rear Disc
Brake Hose	03 - 95	F133387	(BH133387)	R.H.; w/Rear Disc
Brake Hose	98 - 95	F132413	(BH132413)	L.H.; w/Rear Drum
Brake Hose	98 - 95	F132412	(BH132412)	R.H.; w/Rear Drum

Hydraulics - Reman

Master Cylinder	Years	Part No.	Qualifier
Master Cylinder	02 - 99	R134765	w/o Traction Control; w/Rear Drum
Master Cylinder	98	R134717	w/o Traction Control
Master Cylinder	97 - 96	R131214	w/o Traction Control
Master Cylinder	97 - 96	R133644	w/Traction Control
Master Cylinder	95	R131214	

Power Brake Booster	Years	Part No.	Qualifier
Power Brake Booster	03 - 99	5471903	w/o Master Cylinder; w/o Interactive Vehicle Dynamics
Power Brake Booster	98 - 95	5474223	w/o Master Cylinder

Brake Cables

Parking Brake Cable	Years	Sequential No.	Category No.	Qualifier
Parking Brake Cable	03 - 95	F140254	(BC140254)	Forward
Parking Brake Cable	03 - 02	F140113	(BC140113)	Rear; L.H.; w/Rear Disc
Parking Brake Cable	03 - 99	F140097	(BC140097)	Rear; L.H.; w/Rear Drum
Parking Brake Cable	03 - 02	F140253	(BC140253)	Rear; R.H.; w/Rear Disc
Parking Brake Cable	03 - 99	F140166	(BC140166)	Rear; R.H.; w/Rear Drum
Parking Brake Cable	01 - 00	F140053	(BC140053)	Rear; L.H.; w/Rear Disc
Parking Brake Cable	01 - 00	F140054	(BC140054)	Rear; R.H.; w/Rear Disc
Parking Brake Cable	99	F140168	(BC140168)	Rear; L.H.; w/Rear Disc

Piston: M - OE Metal Piston P - OE Phenolic Piston O - Metal Piston Option

WINDSTAR (cont.)

Brake Cables (cont.)				
Parking Brake Cable	Years	Sequential No.	Category No.	Qualifier
Parking Brake Cable	99	F140112	(BC140112)	Rear; R.H.; w/Rear Disc
Parking Brake Cable	98 - 96	F140101	(BC140101)	Rear; L.H.; w/Rear Disc; 66" Length
Parking Brake Cable	98 - 95	F132455	(BC132455)	Rear; L.H.; w/Rear Drum
Parking Brake Cable	98 - 96	F140098	(BC140098)	Rear; R.H.; w/Rear Disc; 69" Length
Parking Brake Cable	98 - 95	F132454	(BC132454)	Rear; R.H.; w/Rear Drum
Parking Brake Cable	95	F140106	(BC140106)	Rear; L.H.; 1st Design; w/Rear Disc; 66" Length
Parking Brake Cable	95	F140101	(BC140101)	Rear; L.H.; 2nd Design; w/Rear Disc; 66" Length
Parking Brake Cable	95	F138827	(BC138827)	Rear; R.H.; 1st Design; w/Rear Disc
Parking Brake Cable	95	F140098	(BC140098)	Rear; R.H.; 2nd Design; w/Rear Disc; 69" Length

Wheel Attaching Hardware			
Front Wheel Stud	Years	Part No.	Qualifier
Wheel Lug Stud	98 - 95	BD61184	
Rear Wheel Stud	Years	Part No.	Qualifier
Wheel Lug Stud	03 - 99	BD125955	
Wheel Lug Stud	98	BD125955	From 8/4/97
Front Wheel Nut	Years	Part No.	Qualifier
Wheel Lug Nut	03 - 95	BD61288	Bulge
Wheel Lug Nut	03 - 98	BD61288	Dome - Stainless
Wheel Lug Nut	03 - 95	BD61302	Std. Open
Rear Wheel Nut	Years	Part No.	Qualifier
Wheel Lug Nut	03 - 95	BD61288	Bulge
Wheel Lug Nut	03 - 98	BD61288	Dome - Stainless
Wheel Lug Nut	03 - 95	BD61302	Std. Open

FORD - TRUCK

BRONCO				
Brake Pads & Shoes				
Front Pads & Shoes	Years	SevereDuty	Lining No.	Qualifier
Brake Pads	96 - 95	SD632		
Rear Pads & Shoes	Years	SevereDuty	Lining No.	Qualifier
Brake Shoes	96 - 95	SDS263R	EX2121TD	11-1/32 x 2-1/4" Brake; Riveted
Rotor & Drum				
Front Rotor & Drum	Years	Part No.	Qualifier	
Brake Rotor	96 - 95	BD125408	Exc. 3.07 A.R.	
Brake Rotor	96 - 95	BD60441	w/3.07 A.R.	
Rear Rotor & Drum	Years	Part No.	Qualifier	
Brake Drum	96 - 95	BD60884	11-1/32 x 2-1/4" Brake	
Brake Hardware				
Front Brake Hardware	Years	Sequential No.	Category No.	Qualifier
Caliper Bolt/Pin	96 - 95	F124505S	(H5053)	
Disc Align Kit	96 - 95	F132522S	(H5600)	
Pin Boot Kit	96 - 95	F117215S	(H18000C)	
Rear Brake Hardware	Years	Sequential No.	Category No.	Qualifier
Adjuster Kit	96 - 95	F98374S	(H2544)	L.H.
Adjuster Kit	96 - 95	F98375S	(H2545)	R.H.
Adjuster Screw	96 - 95	F67401S	(H1520)	L.H.
Adjuster Screw	96 - 95	F67400S	(H1521)	R.H.
Combi Kit	96 - 95	F117127S	(H7071)	
↳Adjuster Spring Kit		F36470S	(H412)	
↳Hold Down Kit		F117126S	(H4097)	
↳Return Spring Kit		F36466S	(H325)	

↳Sub-Kit of Combi-Kit is available separately.

Piston: M - OE Metal Piston P - OE Phenolic Piston

BRONCO (cont.)
Calipers - Reman

Front, Loaded	Years	Left No.	Right No.	Qualifier	Piston
Loaded Caliper	96 - 95	AS132685	AS132686	w/Single Piston Caliper	P
Loaded Caliper	96 - 95	AS132685S	AS132686S	w/Single Piston Caliper	O
Front, Unloaded	Years	Left No.	Right No.	Qualifier	Piston
Unloaded Caliper	96 - 95	CR132685	CR132686	w/Single Piston Caliper	P
Unloaded Caliper	96 - 95	CR132685S	CR132686S	w/Single Piston Caliper	O

Hydraulics - New

Master Cylinder	Years	Sequential No.	Category No.	Qualifier
Master Cylinder	96 - 95	F131210	(MC131210)	w/Cruise Control; 1-1/16" Bore
Master Cylinder	96 - 95	F120369	(MC120369)	w/o Cruise Control; 1-1/16" Bore
Rear Wheel Cylinder	Years	Sequential No.	Category No.	Qualifier
Wheel Cylinder	96 - 95	F59240	(WC59240)	L.H.; 15/16" Bore
Wheel Cylinder	96 - 95	F59241	(WC59241)	R.H.; 15/16" Bore
Clutch Master Cylind	Years	Sequential No.	Category No.	Qualifier
Clutch Master Cylinder	96 - 95	F126887	(CM126887)	45/64" Bore
Clutch Slave Cylinder	Years	Sequential No.	Category No.	Qualifier
Clutch Slave Cylinder	96 - 95	F126893	(SC126893)	1-9/16" Bore
Front Brake Hose	Years	Sequential No.	Category No.	Qualifier
Brake Hose	96 - 95	F132468	(BH132468)	L.H.
Brake Hose	96 - 95	F132467	(BH132467)	R.H.
Rear Brake Hose	Years	Sequential No.	Category No.	Qualifier
Brake Hose	96 - 95	F119387	(BH119387)	

Hydraulics - Reman

Master Cylinder	Years	Part No.	Qualifier
Master Cylinder	96 - 95	R131210	w/Cruise
Master Cylinder	96 - 95	R120369	w/o Cruise
Power Brake Booster	Years	Part No.	Qualifier
Power Brake Booster	96 - 95	5474219	w/o Master Cylinder

Brake Cables

Parking Brake Cable	Years	Sequential No.	Category No.	Qualifier
Parking Brake Cable	96 - 95	F132061	(BC132061)	Forward
Parking Brake Cable	96 - 95	F129224	(BC129224)	Intermediate
Parking Brake Cable	96 - 95	F132089	(BC132089)	Rear; L.H.
Parking Brake Cable	96 - 95	F132090	(BC132090)	Rear; R.H.

ABS Components - Reman

ABS Module	Years	Part No.	Qualifier
ABS Module	96 - 95	RA121450	
ABS Hydraulic Unit	Years	Part No.	Qualifier
ABS Hydraulic Unit	96 - 95	RA122420	

Wheel Attaching Hardware

Front Wheel Stud	Years	Part No.	Qualifier
Wheel Lug Stud	96 - 95	BD60918	
Rear Wheel Stud	Years	Part No.	Qualifier
Wheel Lug Stud	96 - 95	BD60930	
Front Wheel Nut	Years	Part No.	Qualifier
Wheel Lug Nut	96 - 95	BD61283	Std. Open; 1/2"-20 Thread; 13/16" Hex
Rear Wheel Nut	Years	Part No.	Qualifier
Wheel Lug Nut	96 - 95	BD61283	Std. Open; 1/2"-20 Thread; 13/16" Hex

EXCURSION
Brake Pads & Shoes

Front Pads & Shoes	Years	SevereDuty	Lining No.	Qualifier
Brake Pads	05 - 00	SD756		

Piston: M - OE Metal Piston P - OE Phenolic Piston O - Metal Piston Option

EXCURSION (cont.)

Brake Pads & Shoes (cont.)

Rear Pads & Shoes	Years	SevereDuty	Lining No.	Qualifier
Brake Pads	05 - 00	SD757		
Parking Brake Shoes	Years	SevereDuty	Lining No.	Qualifier
Parking Brake Shoes	03 - 00	SDS771	EX2192	Bonded

Rotor & Drum

Front Rotor & Drum	Years	Part No.	Qualifier
Brake Rotor	05	BD126213	2WD; w/Twin I-Beam Axle; w/SRW; w/4 Whl. ABS
Brake Rotor	05 - 00	BD125646	2WD; w/Twin I-Beam Axle; w/SRW; w/RWAL
Brake Rotor	05 - 01	BD125715	4WD
Brake Rotor	04 - 01	BD125714	2WD; w/Mono Beam Axle
Brake Rotor	04 - 03	BD126113	2WD; w/Twin I-Beam Axle; w/4 Whl. ABS
Brake Rotor	02 - 00	BD125651	2WD; w/Twin I-Beam Axle; w/DRW; w/4 Whl. ABS
Brake Rotor	02 - 00	BD125645	2WD; w/Twin I-Beam Axle; w/SRW; w/4 Whl. ABS
Brake Rotor	00	BD125715	4WD; From 3/22/99
Brake Rotor	00	BD125662	4WD; To 3/22/99
Rear Rotor & Drum	Years	Part No.	Qualifier
Brake Rotor	05 - 00	BD125660	

Brake Hardware

Front Brake Hardware	Years	Sequential No.	Category No.	Qualifier
Caliper Bolt/Pin	02 - 00	F139370	(H5091)	
Disc Align Kit	02 - 00	F139357	(H5638)	
Pin Boot Kit	02 - 00	F139362	(H8228)	
Rear Brake Hardware	Years	Sequential No.	Category No.	Qualifier
Caliper Bolt/Pin	02 - 00	F139371	(H5092)	
Disc Align Kit	02 - 00	F139353	(H5484)	
Pin Boot Kit	02 - 00	F139363	(H8229)	
Parking Brake	Years	Sequential No.	Category No.	Qualifier
Combi Kit	03 - 00	F139717	(H7226)	

Calipers - Reman

Front, Loaded	Years	Left No.	Right No.	Qualifier	Piston
Loaded Caliper	05 - 00	AS134536	AS134537		P
Rear, Loaded	Years	Left No.	Right No.	Qualifier	Piston
Loaded Caliper	05 - 00	AS134362	AS134361		P
Front, Unloaded	Years	Left No.	Right No.	Qualifier	Piston
Unloaded Caliper	05 - 00	CRB134536	CRB134537	Supplied w/Mtg. Brkt.	P
Unloaded Caliper	05 - 00	CR134536	CR134537	Supplied w/o Mtg. Brkt.	P
Rear, Unloaded	Years	Left No.	Right No.	Qualifier	Piston
Unloaded Caliper	05 - 00	CRB134362	CRB134361	Supplied w/Mtg. Brkt.	P
Unloaded Caliper	05 - 00	CR134362	CR134361	Supplied w/o Mtg. Brkt.	P

Hydraulics - New

Master Cylinder	Years	Sequential No.	Category No.	Qualifier
Master Cylinder	05	F134457	(MC134457)	w/o Cruise Control; Booster ID 2C42-2B559-LA; 1-5/16" Bore
Master Cylinder	03	F134454	(MC134454)	To 11/03/02; w/Cruise Control; w/Hydro-Boost
Master Cylinder	02 - 00	F134454	(MC134454)	w/Cruise Control; w/Hydro-Boost
Front Brake Hose	Years	Sequential No.	Category No.	Qualifier
Brake Hose	05 - 00	F140323	(BH140323)	L.H.; 4WD
Brake Hose	05 - 00	F140325	(BH140325)	R.H.; 4WD

Hydraulics - Reman

Master Cylinder	Years	Part No.	Qualifier
Master Cylinder	04 - 00	R134792	
Power Brake Booster	Years	Part No.	Qualifier
Hydro Booster	04 - 00	527357	w/Cruise
Power Brake Booster	Years	Part No.	Qualifier
Power Brake Booster	04 - 00	5474420	Gas; w/o Master Cylinder; w/Vacuum Boost; Over 8500 lb. GVW; w/Cruise

Piston: M - OE Metal Piston P - OE Phenolic Piston

EXCURSION (cont.)
Wheel Attaching Hardware

Front Wheel Stud	Years	Part No.	Qualifier
Wheel Lug Stud	05	BD125976	2WD; w/o Diesel
Wheel Lug Stud	05	BD125941	4WD; w/o Diesel
Wheel Lug Stud	04 - 00	BD125976	2WD
Wheel Lug Stud	04 - 00	BD125941	4WD
Rear Wheel Stud	Years	Part No.	Qualifier
Wheel Lug Stud	05	BD125941	2WD; w/o Diesel
Wheel Lug Stud	05	BD125941	4WD; w/o Diesel
Wheel Lug Stud	05	BD125941	Diesel
Wheel Lug Stud	04 - 00	BD125941	
Front Wheel Nut	Years	Part No.	Qualifier
Wheel Lug Nut	05 - 00	BD125927	Flat Faced Open
Rear Wheel Nut	Years	Part No.	Qualifier
Wheel Lug Nut	05 - 00	BD125927	Flat Faced Open

EXPEDITION
Brake Pads & Shoes

Front Pads & Shoes	Years	SevereDuty	Lining No.	Qualifier
Brake Pads	06 - 03	SD934		
Brake Pads	02 - 97	SD702		
Rear Pads & Shoes	Years	SevereDuty	Lining No.	Qualifier
Brake Pads	06 - 03	SD935		
Brake Pads	02 - 97	SD711		

Rotor & Drum

Front Rotor & Drum	Years	Part No.	Qualifier
Brake Rotor	06 - 03	BD125780	
Brake Rotor	02 - 01	BD126005	2WD
Brake Rotor	02 - 97	BD125727	4WD
Brake Rotor	00	BD126005	2WD; From 11/29/99
Brake Rotor	00	BD125689	2WD; To 11/29/99
Brake Rotor	99 - 97	BD125689	2WD
Rear Rotor & Drum	Years	Part No.	Qualifier
Brake Rotor	06 - 03	BD125781	
Brake Rotor	02 - 97	BD125752	

Brake Hardware

Front Brake Hardware	Years	Sequential No.	Category No.	Qualifier
Caliper Bolt/Pin	05 - 03	F139871	(H4801)	
Caliper Bolt/Pin	02 - 97	F138106S	(H5084)	
Disc Align Kit	05 - 03	F139870	(H5669)	
Disc Align Kit	02 - 97	F138118S	(H5616)	
Pin Boot Kit	03	F139872	(H8238)	
Pin Boot Kit	02 - 97	F117215S	(H18000C)	
Rear Brake Hardware	Years	Sequential No.	Category No.	Qualifier
Caliper Bolt/Pin	03	F132517S	(H5078)	
Disc Align Kit	03	F139873	(H5670)	
Disc Align Kit	02 - 97	F138116S	(H5479)	
Pin Boot Kit	05 - 03	F132614S	(H8217)	
Parking Brake	Years	Sequential No.	Category No.	Qualifier
Adjuster Screw	02 - 00	F139704	(H1591)	
Combi Kit	05 - 97	F139705	(H7224)	

Calipers - Reman

Front, Loaded	Years	Left No.	Right No.	Qualifier	Piston
Loaded Caliper	02 - 97	AS133965	AS133966		P
Front, Unloaded	Years	Left No.	Right No.	Qualifier	Piston
Unloaded Caliper	05 - 04	CRB134780	CRB134781	Supplied w/Mtg. Brkt.	M
Unloaded Caliper	05 - 04	CR134780	CR134781	Supplied w/o Mtg. Brkt.	M

Piston: M - OE Metal Piston P - OE Phenolic Piston

EXPEDITION (cont.)

Calipers - Reman (cont.)

<i>Front, Unloaded</i>	<i>Years</i>	<i>Left No.</i>	<i>Right No.</i>	<i>Qualifier</i>	<i>Piston</i>
Unloaded Caliper	03	CRB134780	CRB134781	From 7/15/02; Supplied w/Mtg. Brkt.	M
Unloaded Caliper	03	CR134780	CR134781	From 7/15/02; Supplied w/o Mtg. Brkt.	M
Unloaded Caliper	03	CRB134618	CRB134619	To 7/15/02; Supplied w/Mtg. Brkt.	M
Unloaded Caliper	03	CR134618	CR134619	To 7/15/02; Supplied w/o Mtg. Brkt.	M
Unloaded Caliper	02 - 97	CRB133965	CRB133966	Supplied w/Mtg. Brkt.	M
Unloaded Caliper	02 - 97	CR133965	CR133966	Supplied w/o Mtg. Brkt.	P

<i>Rear, Unloaded</i>	<i>Years</i>	<i>Left No.</i>	<i>Right No.</i>	<i>Qualifier</i>	<i>Piston</i>
Unloaded Caliper	05 - 03	CR134602	CR134603		M
Unloaded Caliper	02 - 97	CR133969	CR133970		P

Hydraulics - New

<i>Master Cylinder</i>	<i>Years</i>	<i>Sequential No.</i>	<i>Category No.</i>	<i>Qualifier</i>
Master Cylinder	05	F134457	(MC134457)	w/o Cruise Control; Booster ID 2C24-2B559-LA; 1-5/16" Bore
Master Cylinder	02 - 00	F131993	(MC131993)	w/Cruise Control; 1-1/4" Bore
Master Cylinder	99 - 97	F140083	(MC140083)	w/Cruise Control; 1-1/4" Bore
Master Cylinder	99 - 97	F131972	(MC131972)	w/Rear Drum; w/o Cruise Control; 1-1/4" Bore

<i>Front Brake Hose</i>	<i>Years</i>	<i>Sequential No.</i>	<i>Category No.</i>	<i>Qualifier</i>
Brake Hose	02 - 99	F140076	(BH140076)	L.H.; 2WD
Brake Hose	02 - 97	F139248	(BH139248)	R.H.; 2WD
Brake Hose	02 - 97	F138045	(BH138045)	R.H.; 4WD
Brake Hose	98 - 97	F139247	(BH139247)	L.H.; 2WD
Brake Hose	98 - 97	F138044	(BH138044)	L.H.; 4WD

<i>Rear Brake Hose</i>	<i>Years</i>	<i>Sequential No.</i>	<i>Category No.</i>	<i>Qualifier</i>
Brake Hose	02 - 99	F140148	(BH140148)	L.H.
Brake Hose	02 - 99	F140149	(BH140149)	R.H.
Brake Hose	98 - 97	F134792	(BH134792)	R.H.

Hydraulics - Reman

<i>Master Cylinder</i>	<i>Years</i>	<i>Part No.</i>	<i>Qualifier</i>
Master Cylinder	02	R134749	w/Cruise; w/o Interactive Vehicle Dynamics
Master Cylinder	01	R134749	From 5/25/01; w/Cruise
Master Cylinder	01	R134639	To 5/25/01; w/Cruise
Master Cylinder	00 - 97	R134639	w/Cruise
Master Cylinder	00 - 97	R134638	w/o Cruise

<i>Power Brake Booster</i>	<i>Years</i>	<i>Part No.</i>	<i>Qualifier</i>
Power Brake Booster	02 - 97	5474408	Gas; w/o Master Cylinder; w/o Interactive Vehicle Dynamics

Brake Cables

<i>Parking Brake Cable</i>	<i>Years</i>	<i>Sequential No.</i>	<i>Category No.</i>	<i>Qualifier</i>
Parking Brake Cable	98 - 97	F140058	(BC140058)	Forward; 66" Length

Wheel Attaching Hardware

<i>Front Wheel Stud</i>	<i>Years</i>	<i>Part No.</i>	<i>Qualifier</i>
Wheel Lug Stud	05 - 01	BD125967	
Wheel Lug Stud	00	BD125854	2WD; 12mm Thread
Wheel Lug Stud	99 - 97	BD125854	

<i>Rear Wheel Stud</i>	<i>Years</i>	<i>Part No.</i>	<i>Qualifier</i>
Wheel Lug Stud	05 - 01	BD125967	
Wheel Lug Stud	00	BD125854	2WD; 12mm Thread
Wheel Lug Stud	99 - 97	BD125854	

<i>Front Wheel Nut</i>	<i>Years</i>	<i>Part No.</i>	<i>Qualifier</i>
Wheel Lug Nut	05 - 01	BD125927	Flat Faced Open
Wheel Lug Nut	05 - 03	BD140023	Flat Faced Open
Wheel Lug Nut	00	BD125927	From 11/28/99; Flat Faced Open; 14mm Thread
Wheel Lug Nut	00	BD125921	To 11/28/99; Flat Faced Open; 12mm Thread
Wheel Lug Nut	99 - 97	BD125921	Flat Faced Open

<i>Rear Wheel Nut</i>	<i>Years</i>	<i>Part No.</i>	<i>Qualifier</i>
Wheel Lug Nut	05 - 01	BD125927	Flat Faced Open

Piston: M - OE Metal Piston P - OE Phenolic Piston

EXPEDITION (cont.)
Wheel Attaching Hardware (cont.)

Rear Wheel Nut	Years	Part No.	Qualifier
Wheel Lug Nut	05 - 03	BD140023	Flat Faced Open
Wheel Lug Nut	00	BD125927	From 11/28/99; Flat Faced Open; 14mm Thread
Wheel Lug Nut	00	BD125921	To 11/28/99; Flat Faced Open; 12mm Thread
Wheel Lug Nut	99 - 97	BD125921	Flat Faced Open

EXPLORER - See Also EXPLORER SPORT TRAC
Brake Pads & Shoes

Front Pads & Shoes	Years	SevereDuty	Lining No.	Qualifier
Brake Pads	05 - 04	SD833		
Brake Pads	03 - 02	SD833		Exc. Sport
Brake Pads	03 - 01	SD833		Sport
Brake Pads	01	SD652		Exc. Sport
Brake Pads	00 - 95	SD652		

Rear Pads & Shoes	Years	SevereDuty	Lining No.	Qualifier
Brake Pads	05 - 04	SD881		
Brake Pads	03 - 02	SD881		Exc. Sport
Brake Pads	03	SD667		Sport; w/Steel Piston Caliper
Brake Pads	01 - 95	SD667		
Brake Shoes	03 - 01	SDS734	EX2182T	11 x 2-1/4" Brake; Bonded

Rotor & Drum

Front Rotor & Drum	Years	Part No.	Qualifier
Brake Rotor	05 - 04	BD125758	
Brake Rotor	03 - 01	BD125726	2WD; Sport
Brake Rotor	03 - 01	BD125721	4WD; Sport
Brake Rotor	03 - 02	BD125758	Exc. Sport
Brake Rotor	01	BD125495	2WD; w/ABS; Exc. Sport
Brake Rotor	01	BD61911	2WD; w/RWAL; Exc. Sport
Brake Rotor	01	BD125494	4WD; Exc. Sport
Brake Rotor	00 - 95	BD125495	2WD; w/ABS
Brake Rotor	00	BD61911	2WD; w/RWAL
Brake Rotor	00 - 99	BD125494	4WD
Brake Rotor	99 - 95	BD61911	2WD; w/o ABS
Brake Rotor	98	BD125494	4WD; w/ABS
Brake Rotor	97 - 95	BD125494	4WD; w/4 Whl. ABS

Rear Rotor & Drum	Years	Part No.	Qualifier
Brake Drum	03 - 01	BD125729	11 x 2-1/4" Brake
Brake Rotor	05 - 04	BD125759	
Brake Rotor	03 - 02	BD125759	Exc. Sport
Brake Rotor	03	BD126031	Sport
Brake Rotor	02	BD125463	Sport
Brake Rotor	01 - 95	BD125463	

Brake Hardware

Front Brake Hardware	Years	Sequential No.	Category No.	Qualifier
Caliper Bolt/Pin	05 - 95	F139368	(H14903)	
Disc Align Kit	05 - 03	F139821	(H5654)	
Disc Align Kit	02	F139821	(H5654)	Exc. Sport
Disc Align Kit	02 - 01	F139709	(H5647)	Sport
Disc Align Kit	01	F134104S	(H5606)	Exc. Sport
Disc Align Kit	00 - 95	F134104S	(H5606)	
Pin Boot Kit	05 - 95	F132973S	(H8218)	

Rear Brake Hardware	Years	Sequential No.	Category No.	Qualifier
Caliper Bolt/Pin	05 - 02	F139868	(H4800)	
Caliper Bolt/Pin	01 - 95	F124508S	(H5054)	
Disc Align Kit	05 - 02	F139359	(H5642)	
Disc Align Kit	01 - 95	F138693S	(H5626)	
Pin Boot Kit	05 - 95	F117215S	(H18000C)	

EXPLORER (cont.) - See Also EXPLORER SPORT TRAC

Brake Hardware (cont.)

Parking Brake	Years	Sequential No.	Category No.	Qualifier
Adjuster Screw	03 - 95	F139706	(H1592)	
Combi Kit	03 - 02	F139874	(H7240)	
Combi Kit	01 - 95	F139731	(H7233)	

Calipers - Reman

Front, Loaded	Years	Left No.	Right No.	Qualifier	Piston
Loaded Caliper	05 - 02	AS134506	AS134507		P
Loaded Caliper	01 - 95	AS132683	AS132684		M

Front, Unloaded	Years	Left No.	Right No.	Qualifier	Piston
Unloaded Caliper	05 - 01	CRB134506	CRB134507	Supplied w/Mtg. Brkt.	P
Unloaded Caliper	05 - 01	CR134506	CR134507	Supplied w/o Mtg. Brkt.	P
Unloaded Caliper	03	CRB134786	CRB134787	Supplied w/Mtg. Brkt.	P
Unloaded Caliper	03	CR134786	CR134787	Supplied w/o Mtg. Brkt.	P
Unloaded Caliper	01 - 95	CRB132683	CRB132684	Supplied w/Mtg. Brkt.	M
Unloaded Caliper	01 - 95	CR132683	CR132684	Supplied w/o Mtg. Brkt.	M

Rear, Unloaded	Years	Left No.	Right No.	Qualifier	Piston
Unloaded Caliper	05 - 02	CR134502	CR134503		P
Unloaded Caliper	05 - 02	CR134572S	CR134573S		O
Unloaded Caliper	02 - 01	CR132699	CR132700		M
Unloaded Caliper	01	CR134502	CR134503	From 1/02/01	P
Unloaded Caliper	01	CR134572S	CR134573S	From 1/02/01	O
Unloaded Caliper	01	CR132699	CR132700	To 1/02/01	M
Unloaded Caliper	00 - 95	CR132699	CR132700		M

Hydraulics - New

Master Cylinder	Years	Sequential No.	Category No.	Qualifier
Master Cylinder	05	F134457	(MC134457)	w/o Cruise Control; Booster ID 2C42-2B559-LA; 1-5/16" Bore
Master Cylinder	02	F139954	(MC139954)	2 Door; w/Cruise Control; 1-1/16" Bore
Master Cylinder	02	F139953	(MC139953)	2 Door; w/o Cruise Control; 1-1/16" Bore
Master Cylinder	02	F139955	(MC139955)	A/T; w/o Traction Control; 1-1/16" Bore
Master Cylinder	02	F139955	(MC139955)	Exc. Sport; Exc. MT; 1-1/16" Bore
Master Cylinder	02	F139954	(MC139954)	Sport; w/Cruise Control; 1-1/16" Bore
Master Cylinder	02	F139953	(MC139953)	Sport; w/o Cruise Control; 1-1/16" Bore
Master Cylinder	01	F139955	(MC139955)	1-1/16" Bore
Master Cylinder	01 - 00	F140180	(MC140180)	Postal; RHD; 1-1/16" Bore
Master Cylinder	01	F139954	(MC139954)	w/Cruise Control; 1-1/16" Bore
Master Cylinder	01	F139953	(MC139953)	w/o Cruise Control; 1-1/16" Bore
Master Cylinder	00 - 98	F139954	(MC139954)	2 Door; w/Cruise Control; 1-1/16" Bore
Master Cylinder	00 - 98	F139953	(MC139953)	2 Door; w/o Cruise Control; 1-1/16" Bore
Master Cylinder	00 - 98	F139955	(MC139955)	4 Door; 1-1/16" Bore
Master Cylinder	97 - 95	F131397	(MC131397)	w/Cruise Control; w/o Proportioning Valve; 1-1/16" Bore
Master Cylinder	97 - 95	F131573	(MC131573)	w/Cruise Control; w/Proportioning Valve; 1-1/16" Bore
Master Cylinder	97 - 95	F131399	(MC131399)	w/o Cruise Control; w/o Proportioning Valve; 1-1/16" Bore

Rear Wheel Cylinder	Years	Sequential No.	Category No.	Qualifier
Wheel Cylinder	02 - 01	F134736	(WC134736)	L.H.; Sport; 7/8" Bore
Wheel Cylinder	02 - 01	F134737	(WC134737)	R.H.; Sport; 7/8" Bore

Clutch Master Cylind	Years	Sequential No.	Category No.	Qualifier
Clutch Master Cylinder	01 - 98	F140132	(CM140132)	4.0L; 5/8" Bore
Clutch Master Cylinder	97 - 95	F140133	(CM140133)	4.0L; 5/8" Bore

Clutch Slave Cylinder	Years	Sequential No.	Category No.	Qualifier
Clutch Slave Cylinder	01 - 00	F140317	(SC140317)	w/5 Spd. Trans.; 1-1/8" Bore
Clutch Slave Cylinder	97 - 95	F126893	(SC126893)	1-9/16" Bore

Front Brake Hose	Years	Sequential No.	Category No.	Qualifier
Brake Hose	03 - 02	F134795	(BH134795)	L.H.; Sport
Brake Hose	03 - 02	F134794	(BH134794)	R.H.; Sport
Brake Hose	02	F140047	(BH140047)	L.H.; Exc. Sport
Brake Hose	02	F140048	(BH140048)	R.H.; Exc. Sport

Piston: M - OE Metal Piston P - OE Phenolic Piston O - Metal Piston Option

EXPLORER (cont.) - See Also EXPLORER SPORT TRAC
Hydraulics - New (cont.)

Front Brake Hose	Years	Sequential No.	Category No.	Qualifier
Brake Hose	01 - 96	F134795	(BH134795)	L.H.
Brake Hose	01 - 96	F134794	(BH134794)	R.H.
Brake Hose	95	F132755	(BH132755)	L.H.
Brake Hose	95	F133392	(BH133392)	R.H.
Rear Brake Hose	Years	Sequential No.	Category No.	Qualifier
Brake Hose	05 - 04	F140230	(BH140230)	L.H.; w/o Traction Control
Brake Hose	05 - 04	F140232	(BH140232)	L.H.; w/Traction Control
Brake Hose	05 - 02	F140231	(BH140231)	R.H.; Exc. Sport
Brake Hose	03 - 02	F140230	(BH140230)	L.H.; w/o Traction Control; Exc. Sport
Brake Hose	03 - 02	F140232	(BH140232)	L.H.; w/Traction Control; Exc. Sport
Brake Hose	02	F139250	(BH139250)	L.H.; Sport
Brake Hose	02	F138074	(BH138074)	R.H.; Sport
Brake Hose	01 - 96	F139250	(BH139250)	L.H.
Brake Hose	01 - 95	F138074	(BH138074)	R.H.
Brake Hose	95	F132766	(BH132766)	L.H.

Hydraulics - Reman

Master Cylinder	Years	Part No.	Qualifier
Master Cylinder	03 - 02	R134711	Exc. Sport; w/A/T
Master Cylinder	03 - 01	R134712	Sport; w/Cruise
Master Cylinder	03 - 01	R134710	Sport; w/o Cruise
Master Cylinder	01	R134711	Exc. Sport
Master Cylinder	00 - 98	R134712	w/Cruise; 2 Door
Master Cylinder	00 - 98	R134711	w/Cruise; 4 Door
Master Cylinder	00 - 98	R134710	w/o Cruise; 2 Door
Master Cylinder	97 - 96	R131397	w/Cruise
Master Cylinder	97 - 96	R131399	w/o Cruise
Master Cylinder	95	R131397	w/Cruise; w/o Proportioning Valve
Master Cylinder	95	R131936	w/Cruise; w/Proportioning Valve
Master Cylinder	95	R131399	w/o Cruise; w/o Proportioning Valves
Master Cylinder	95	R131935	w/o Cruise; w/Proportioning Valves
Power Brake Booster	Years	Part No.	Qualifier
Power Brake Booster	05 - 02	5471904	w/o Master Cylinder
Power Brake Booster	01 - 99	5471901	w/o Master Cylinder
Power Brake Booster	98 - 95	5473189	w/o Master Cylinder

Brake Cables

Parking Brake Cable	Years	Sequential No.	Category No.	Qualifier
Parking Brake Cable	99 - 95	F138611	(BC138611)	Rear; L.H.
Parking Brake Cable	97 - 95	F138886	(BC138886)	Forward
Parking Brake Cable	97 - 95	F133079	(BC133079)	Intermediate; 102" WB
Parking Brake Cable	97 - 95	F133080	(BC133080)	Intermediate; 112" WB

ABS Components - Reman

ABS Hydraulic Unit	Years	Part No.	Qualifier
ABS Hydraulic Unit	97 - 96	RA122443	w/4 Whl. ABS
ABS Hydraulic Unit	95	RA122443	4 Door
ABS Hydraulic Unit	95	RA122443	From 4/95; 2 Door
ABS Hydraulic Unit	95	RA122444	To 4/95; 2 Door

Wheel Attaching Hardware

Front Wheel Stud	Years	Part No.	Qualifier
Wheel Lug Stud	05 - 02	BD60967	2WD; Sport
Wheel Lug Stud	05 - 02	BD125887	4WD; Sport
Wheel Lug Stud	05 - 02	BD125990	Exc. Sport
Wheel Lug Stud	01 - 95	BD60967	2WD
Wheel Lug Stud	01 - 95	BD125887	4WD

EXPLORER (cont.) - See Also EXPLORER SPORT TRAC

Wheel Attaching Hardware (cont.)

Rear Wheel Stud	Years	Part No.	Qualifier
Wheel Lug Stud	05 - 02	BD125969	
Wheel Lug Stud	02 - 95	BD125846	
Front Wheel Nut	Years	Part No.	Qualifier
Wheel Lug Nut	05	BD125902	Dome - Bright
Wheel Lug Nut	04 - 02	BD125902	Dome - Stainless
Wheel Lug Nut	01 - 95	BD125920	Bulge
Wheel Lug Nut	01 - 98	BD125924	Wire Wheel Retaining Nut; Match Original
Wheel Lug Nut	97 - 95	BD125924	Wire Wheel Retaining Nut
Rear Wheel Nut	Years	Part No.	Qualifier
Wheel Lug Nut	05	BD125902	Dome - Bright
Wheel Lug Nut	04 - 02	BD125902	Dome - Stainless
Wheel Lug Nut	01 - 95	BD125920	Bulge
Wheel Lug Nut	01 - 98	BD125924	Wire Wheel Retaining Nut; Match Original
Wheel Lug Nut	97 - 95	BD125924	Wire Wheel Retaining Nut

EXPLORER SPORT TRAC - See Also EXPLORER

Brake Pads & Shoes

Front Pads & Shoes	Years	SevereDuty	Lining No.	Qualifier
Brake Pads	03 - 01	SD833		
Rear Pads & Shoes	Years	SevereDuty	Lining No.	Qualifier
Brake Pads	05 - 03	SD667		w/Steel Piston Caliper
Brake Pads	01	SD667		
Brake Shoes	03 - 01	SDS734	EX2182T	11 x 2-1/4" Brake; Bonded

Rotor & Drum

Front Rotor & Drum	Years	Part No.	Qualifier
Brake Rotor	05 - 01	BD125726	2WD
Brake Rotor	05 - 01	BD125721	4WD
Rear Rotor & Drum	Years	Part No.	Qualifier
Brake Drum	03 - 01	BD125729	11 x 2-1/4" Brake
Brake Rotor	05 - 03	BD126031	
Brake Rotor	02 - 01	BD125463	

Brake Hardware

Front Brake Hardware	Years	Sequential No.	Category No.	Qualifier
Caliper Bolt/Pin	03 - 02	F139882	(H4804)	
Caliper Bolt/Pin	01	F139368	(H14903)	
Disc Align Kit	05 - 03	F139821	(H5654)	
Disc Align Kit	02 - 01	F139709	(H5647)	
Pin Boot Kit	05 - 01	F132973S	(H8218)	
Rear Brake Hardware	Years	Sequential No.	Category No.	Qualifier
Adjuster Kit	03 - 01	F138096S	(H2702)	L.H.
Adjuster Kit	03 - 01	F138097S	(H2703)	R.H.
Adjuster Screw	03 - 01	F73151S	(H1526)	L.H.
Adjuster Screw	03 - 01	F73150S	(H1527)	R.H.
Caliper Bolt/Pin	05 - 02	F139868	(H4800)	
Caliper Bolt/Pin	01	F124508S	(H5054)	
Disc Align Kit	05 - 02	F139359	(H5642)	
Disc Align Kit	01	F138693S	(H5626)	
Pin Boot Kit	05 - 01	F117215S	(H18000C)	
Parking Brake	Years	Sequential No.	Category No.	Qualifier
Adjuster Screw	03 - 01	F139706	(H1592)	
Combi Kit	03 - 02	F139874	(H7240)	
Combi Kit	01	F139731	(H7233)	

Calipers - Reman

Front, Loaded	Years	Left No.	Right No.	Qualifier	Piston
Loaded Caliper	02	AS134506	AS134507		P

Piston: M - OE Metal Piston P - OE Phenolic Piston

EXPLORER SPORT TRAC (cont.) - See Also EXPLORER
Calipers - Reman (cont.)

Front, Unloaded	Years	Left No.	Right No.	Qualifier	Piston
Unloaded Caliper	05 - 03	CRB134786	CRB134787	Supplied w/Mtg. Brkt.	P
Unloaded Caliper	05 - 03	CR134786	CR134787	Supplied w/o Mtg. Brkt.	P
Unloaded Caliper	02 - 01	CRB134506	CRB134507	Supplied w/Mtg. Brkt.	P
Unloaded Caliper	02 - 01	CR134506	CR134507	Supplied w/o Mtg. Brkt.	P
Rear, Unloaded	Years	Left No.	Right No.	Qualifier	Piston
Unloaded Caliper	05 - 03	CR134502	CR134503		P
Unloaded Caliper	05 - 03	CR134572S	CR134573S		O

Hydraulics - New

Master Cylinder	Years	Sequential No.	Category No.	Qualifier
Master Cylinder	05	F139953	(MC139953)	1-1/16" Bore
Master Cylinder	05	F134457	(MC134457)	w/o Cruise Control; Booster ID 2C42-2B559-LA; 1-5/16" Bore
Master Cylinder	04	F139953	(MC139953)	w/o Flex; 1-1/16" Bore
Master Cylinder	03	F139953	(MC139953)	1-1/16" Bore
Master Cylinder	02 - 01	F139954	(MC139954)	w/Cruise Control; 1-1/16" Bore
Master Cylinder	02 - 01	F139953	(MC139953)	w/o Cruise Control; 1-1/16" Bore
Master Cylinder	01	F140180	(MC140180)	Postal; RHD; 1-1/16" Bore
Rear Wheel Cylinder	Years	Sequential No.	Category No.	Qualifier
Wheel Cylinder	02 - 01	F134736	(WC134736)	L.H.; Sport; 7/8" Bore
Wheel Cylinder	02 - 01	F134737	(WC134737)	R.H.; Sport; 7/8" Bore
Clutch Master Cylind	Years	Sequential No.	Category No.	Qualifier
Clutch Master Cylinder	01	F140132	(CM140132)	4.0L; 5/8" Bore
Clutch Slave Cylinder	Years	Sequential No.	Category No.	Qualifier
Clutch Slave Cylinder	01	F140317	(SC140317)	w/5 Spd. M/T; w/4.0L Eng.; 1-1/8" Bore
Front Brake Hose	Years	Sequential No.	Category No.	Qualifier
Brake Hose	05 - 01	F134795	(BH134795)	L.H.
Brake Hose	05 - 01	F134794	(BH134794)	R.H.

Hydraulics - Reman

Master Cylinder	Years	Part No.	Qualifier
Master Cylinder	04 - 01	R134712	w/Cruise
Master Cylinder	04 - 01	R134710	w/o Cruise
Power Brake Booster	Years	Part No.	Qualifier
Power Brake Booster	04 - 01	5471901	w/o Master Cylinder

Wheel Attaching Hardware

Front Wheel Stud	Years	Part No.	Qualifier
Wheel Lug Stud	05 - 01	BD60967	2WD
Wheel Lug Stud	04 - 01	BD125887	4WD
Rear Wheel Stud	Years	Part No.	Qualifier
Wheel Lug Stud	02 - 01	BD125846	
Front Wheel Nut	Years	Part No.	Qualifier
Wheel Lug Nut	05	BD125902	Dome - Bright
Wheel Lug Nut	04 - 02	BD125902	Dome - Stainless
Wheel Lug Nut	01	BD125920	Bulge
Wheel Lug Nut	01	BD125924	Wire Wheel Retaining Nut; Match Original
Rear Wheel Nut	Years	Part No.	Qualifier
Wheel Lug Nut	05	BD125902	Dome - Bright
Wheel Lug Nut	04 - 02	BD125902	Dome - Stainless
Wheel Lug Nut	01	BD125920	Bulge
Wheel Lug Nut	01	BD125924	Wire Wheel Retaining Nut; Match Original

RANGER
Brake Pads & Shoes

Front Pads & Shoes	Years	SevereDuty	Lining No.	Qualifier
Brake Pads	06 - 03	SD833		
Brake Pads	02 - 95	SD652		

Piston: M - OE Metal Piston P - OE Phenolic Piston O - Metal Piston Option

RANGER (cont.)

Brake Pads & Shoes (cont.)

Rear Pads & Shoes	Years	SevereDuty	Lining No.	Qualifier
Brake Pads	02 - 98	SD667		Electric

Rotor & Drum

Front Rotor & Drum	Years	Part No.	Qualifier
Brake Rotor	06	BD125495	2WD
Brake Rotor	05 - 01	BD125777	2WD; w/Coil Spring Front Susp.; w/RWAL
Brake Rotor	05 - 98	BD125773	2WD; w/Torsion Bar Front Susp.; w/RWAL
Brake Rotor	05 - 03	BD125721	4WD
Brake Rotor	04 - 98	BD125683	2WD; w/10-9/32" Dia. Rotor; w/4 Whl. ABS
Brake Rotor	04 - 98	BD125495	2WD; w/11-9/32" Dia. Rotor; w/4 Whl. ABS
Brake Rotor	02 - 98	BD125494	4WD
Brake Rotor	02 - 98	BD125495	Electric
Brake Rotor	00 - 98	BD125469	2WD; w/Coil Spring Front Susp.; w/RWAL
Brake Rotor	97 - 95	BD125473	2WD; w/4 Whl. ABS
Brake Rotor	97 - 95	BD125469	2WD; w/RWAL
Brake Rotor	97 - 95	BD125498	4WD; w/4 Whl. ABS
Brake Rotor	97	BD125711	4WD; w/RWAL
Brake Rotor	96 - 95	BD60693	4WD; w/RWAL

Rear Rotor & Drum	Years	Part No.	Qualifier
Brake Drum	06 - 98	BD125586	9 x 1-3/4" Brake
Brake Drum	05 - 98	BD125134	10 x 2-1/2" Brake
Brake Drum	00 - 97	BD125710	4WD; w/H/D Susp.; 10 x 2-1/2" Brake
Brake Drum	97 - 95	BD60720	10 x 2-1/2" Brake
Brake Drum	97 - 95	BD60787	9 x 1-3/4" Brake
Brake Rotor	02 - 98	BD125463	Electric

Brake Hardware

Front Brake Hardware	Years	Sequential No.	Category No.	Qualifier
Caliper Bolt/Pin	06 - 04	F139823	(H5097)	
Caliper Bolt/Pin	03	F139882	(H4804)	
Caliper Bolt/Pin	02 - 95	F139368	(H14903)	
Disc Align Kit	05 - 03	F139821	(H5654)	
Disc Align Kit	02 - 95	F134104S	(H5606)	
Pin Boot Kit	03 - 95	F132973S	(H8218)	

Rear Brake Hardware	Years	Sequential No.	Category No.	Qualifier
Adjuster Kit	03 - 02	F134091S	(H2642)	L.H.
Adjuster Kit	03 - 02	F134090S	(H2643)	R.H.
Adjuster Kit	01 - 95	F134089S	(H2644)	L.H.; 10 x 2-1/2" Brake
Adjuster Kit	01 - 95	F134091S	(H2642)	L.H.; 9 x 1-3/4" Brake
Adjuster Kit	01 - 95	F134088S	(H2645)	R.H.; 10 x 2-1/2" Brake
Adjuster Kit	01 - 95	F134090S	(H2643)	R.H.; 9 x 1-3/4" Brake
Combi Kit	03 - 95	F134100S	(H7210)	10 x 2-1/2" Brake
↳Adjuster Spring Kit		F36470S	(H412)	
↳Hold Down Kit		F98974S	(H4079)	
↳Return Spring Kit		F36454S	(H102)	
Combi Kit	02 - 95	F134099S	(H7211)	9 x 1-3/4" Brake
↳Adjuster Spring Kit		F73107S	(H438)	
↳Return Spring Kit		F73106S	(H345)	

Calipers - Reman

Front, Loaded	Years	Left No.	Right No.	Qualifier	Piston
Loaded Caliper	04 - 03	AS134506	AS134507		P
Loaded Caliper	02 - 98	AS132683	AS132684		M
Loaded Caliper	97 - 95	AS132683	AS132684	4WD	M
Front, Unloaded	Years	Left No.	Right No.	Qualifier	Piston
Unloaded Caliper	05	CR134506	CR134507		P
Unloaded Caliper	04 - 03	CRB134506	CRB134507	Supplied w/Mtg. Brkt.	P

↳Sub-Kit of Combi-Kit is available separately.

Piston: M - OE Metal Piston P - OE Phenolic Piston

RANGER (cont.)
Calipers - Reman (cont.)

Front, Unloaded	Years	Left No.	Right No.	Qualifier	Piston
Unloaded Caliper	04 - 03	CR134506	CR134507	Supplied w/o Mtg. Brkt.	P
Unloaded Caliper	02 - 98	CRB132683	CRB132684	Supplied w/Mtg. Brkt.	M
Unloaded Caliper	02 - 95	CR132683	CR132684	Supplied w/o Mtg. Brkt.	M
Unloaded Caliper	97 - 95	CRB132683A	CRB132684A	2WD; Supplied w/Mtg. Brkt.	M
Unloaded Caliper	97 - 95	CRB132683	CRB132684	4WD; Supplied w/Mtg. Brkt.	M
Rear, Unloaded	Years	Left No.	Right No.	Qualifier	Piston
Unloaded Caliper	02 - 98	CR132699	CR132700	Electric	M

Hydraulics - New

Master Cylinder	Years	Sequential No.	Category No.	Qualifier
Master Cylinder	05 - 04	F140180	(MC140180)	w/o Cruise Control; 1-1/16" Bore
Master Cylinder	03	F139955	(MC139955)	w/o Cruise Control; 1-1/16" Bore
Master Cylinder	02 - 01	F139955	(MC139955)	Exc. Electric; w/o Cruise Control; 1-1/16" Bore
Master Cylinder	00 - 99	F139954	(MC139954)	Exc. Electric; w/Cruise Control; 1-1/16" Bore
Master Cylinder	00 - 99	F139953	(MC139953)	Exc. Electric; w/o Cruise Control; 1-1/16" Bore
Master Cylinder	98	F139954	(MC139954)	w/o Electric; w/Cruise Control; 1-1/16" Bore
Master Cylinder	98	F139953	(MC139953)	w/o Electric; w/o Cruise Control; 1-1/16" Bore
Master Cylinder	97 - 95	F131397	(MC131397)	w/Cruise Control; w/o Proportioning Valve; 1-1/16" Bore
Master Cylinder	97 - 95	F131399	(MC131399)	w/o Cruise Control; w/o Proportioning Valve; 1-1/16" Bore
Rear Wheel Cylinder	Years	Sequential No.	Category No.	Qualifier
Wheel Cylinder	06 - 03	F134318	(WC134318)	10" Brake; 13/16" Bore
Wheel Cylinder	06 - 01	F101604	(WC101604)	9" Brake; 3/4" Bore
Wheel Cylinder	02 - 01	F131518	(WC131518)	10" Brake; 3/4" Bore
Wheel Cylinder	00 - 98	F134318	(WC134318)	10" Brake; 13/16" Bore
Wheel Cylinder	00 - 98	F34876	(WC34876)	9" Brake; 13/16" Bore
Wheel Cylinder	97 - 95	F131518	(WC131518)	10" Brake; 3/4" Bore
Wheel Cylinder	97 - 95	F106492	(WC106492)	9" Brake; 3/4" Bore
Clutch Master Cylind	Years	Sequential No.	Category No.	Qualifier
Clutch Master Cylinder	00 - 98	F140132	(CM140132)	5/8" Bore
Clutch Master Cylinder	97 - 95	F140133	(CM140133)	5/8" Bore
Clutch Slave Cylinder	Years	Sequential No.	Category No.	Qualifier
Clutch Slave Cylinder	05 - 04	F140317	(SC140317)	From 8/4/03; w/5 Spd. Trans.; 1-1/8" Bore
Clutch Slave Cylinder	03 - 95	F140317	(SC140317)	1-1/8" Bore
Clutch Slave Cylinder	97 - 95	F126893	(SC126893)	1-9/16" Bore
Front Brake Hose	Years	Sequential No.	Category No.	Qualifier
Brake Hose	05 - 98	F139260	(BH139260)	L.H.; 2WD; w/RWAL
Brake Hose	05 - 98	F134795	(BH134795)	L.H.; 4WD; w/4 Whl. ABS
Brake Hose	05 - 98	F134794	(BH134794)	R.H.; 4WD
Brake Hose	00 - 98	F139261	(BH139261)	R.H.; 2WD
Brake Hose	97 - 95	F133804	(BH133804)	L.H.; 2WD; w/4 Whl. ABS
Brake Hose	97 - 95	F133806	(BH133806)	L.H.; 2WD; w/RWAL
Brake Hose	97	F134796	(BH134796)	L.H.; 4WD
Brake Hose	97 - 95	F133805	(BH133805)	R.H.; 2WD
Brake Hose	97 - 95	F133399	(BH133399)	R.H.; 4WD
Brake Hose	96 - 95	F133398	(BH133398)	L.H.; 4WD
Rear Brake Hose	Years	Sequential No.	Category No.	Qualifier
Brake Hose	05 - 03	F133803	(BH133803)	
Brake Hose	02 - 99	F133803	(BH133803)	Exc. Electric
Brake Hose	98	F133803	(BH133803)	w/o Electric
Brake Hose	97 - 95	F133803	(BH133803)	

Hydraulics - Reman

Master Cylinder	Years	Part No.	Qualifier
Master Cylinder	03	R134711	w/Cruise
Master Cylinder	02 - 01	R134711	Exc. Electric; w/Cruise
Master Cylinder	00	R134712	Exc. Electric; w/Cruise

Piston: M - OE Metal Piston P - OE Phenolic Piston

RANGER (cont.)				
Hydraulics - Reman (cont.)				
Master Cylinder	Years	Part No.	Qualifier	
Master Cylinder	00	R134710	Exc. Electric; w/o Cruise	
Master Cylinder	99	R134710	Exc. Electric; Mexico Built; w/o Cruise	
Master Cylinder	99	R134712	Exc. Electric; USA Built; w/Cruise	
Master Cylinder	99	R134710	Exc. Electric; USA Built; w/o Cruise	
Master Cylinder	98	R134710	w/o Electric; Mexico Built; w/o Cruise	
Master Cylinder	98	R134712	w/o Electric; USA Built; w/Cruise	
Master Cylinder	98	R134710	w/o Electric; USA Built; w/o Cruise	
Master Cylinder	97 - 95	R131397	w/Cruise	
Master Cylinder	97 - 95	R131399	w/o Cruise	
Power Brake Booster	Years	Part No.	Qualifier	
Power Brake Booster	03 - 95	5473189	w/o Master Cylinder; Exc. Electric	
Brake Cables				
Parking Brake Cable	Years	Sequential No.	Category No.	Qualifier
Parking Brake Cable	97 - 95	F133090	(BC133090)	Forward; Std. Cab; 6' Bed
Parking Brake Cable	97 - 95	F133091	(BC133091)	Forward; Std. Cab; 7' Bed
Parking Brake Cable	97 - 95	F133089	(BC133089)	Forward; SUPER
ABS Components - Reman				
ABS Module	Years	Part No.	Qualifier	
ABS Module	98 - 96	RA121011	w/2 Whl. ABS	
ABS Module	95	RA121043	w/2 Whl. ABS	
Wheel Attaching Hardware				
Front Wheel Stud	Years	Part No.	Qualifier	
Wheel Lug Stud	05	BD60967	2WD	
Wheel Lug Stud	05 - 03	BD125887	4WD	
Wheel Lug Stud	02 - 99	BD60967	2WD; Exc. Electric	
Wheel Lug Stud	02 - 99	BD125887	4WD; Exc. Electric	
Wheel Lug Stud	98	BD60967	2WD; Exc. Electric	
Wheel Lug Stud	98	BD125887	4WD; Exc. Electric	
Wheel Lug Stud	97 - 95	BD60967	2WD	
Wheel Lug Stud	97 - 95	BD125852	4WD	
Rear Wheel Stud	Years	Part No.	Qualifier	
Wheel Lug Stud	05	BD60930	2WD	
Wheel Lug Stud	05 - 03	BD60930	4WD	
Wheel Lug Stud	05	BD60967	Electric	
Wheel Lug Stud	02 - 99	BD60930	2WD; Exc. Electric	
Wheel Lug Stud	02 - 99	BD60930	4WD; Exc. Electric	
Wheel Lug Stud	02 - 98	BD60967	Electric	
Wheel Lug Stud	98	BD60930	Exc. Electric	
Wheel Lug Stud	97 - 95	BD60930		
Front Wheel Nut	Years	Part No.	Qualifier	
Wheel Lug Nut	05	BD125924	Wire Wheel Retaining Nut	
Wheel Lug Nut	04 - 03	BD125924	4WD; Wire Wheel Retaining Nut; Match Original	
Wheel Lug Nut	02 - 99	BD125924	Exc. Electric; Wire Wheel Retaining Nut; Match Original	
Wheel Lug Nut	98	BD125924	Exc. Electric; Wire Wheel Retaining Nut; Match Original	
Wheel Lug Nut	97 - 95	BD61281	Std. Open	
Wheel Lug Nut	97 - 95	BD125924	Wire Wheel Retaining Nut	
Rear Wheel Nut	Years	Part No.	Qualifier	
Wheel Lug Nut	05	BD125924	Wire Wheel Retaining Nut	
Wheel Lug Nut	04 - 03	BD125924	4WD; Wire Wheel Retaining Nut; Match Original	
Wheel Lug Nut	02 - 98	BD125924	Electric; Wire Wheel Retaining Nut	
Wheel Lug Nut	02 - 99	BD125924	Exc. Electric; Wire Wheel Retaining Nut; Match Original	
Wheel Lug Nut	98	BD125924	Exc. Electric; Wire Wheel Retaining Nut; Match Original	
Wheel Lug Nut	97 - 95	BD61281	Std. Open	
Wheel Lug Nut	97 - 95	BD125924	Wire Wheel Retaining Nut	

Brake Pads & Shoes

Front Pads & Shoes	Years	SevereDuty	Lining No.	Qualifier
Brake Pads	83 - 81	SD50		4600-4700 GVW; w/Manual Brake
Brake Pads	83 - 81	SD50		5000-5100 GVW
Rear Pads & Shoes	Years	SevereDuty	Lining No.	Qualifier
Brake Shoes	83 - 81	SDS263R	EX2121TD	11-1/32 x 2-1/4" Brake; Riveted
Brake Shoes	82 - 81	SDS169R	EX2089TD	10 x 2-1/2" Brake; Riveted

Rotor & Drum

Front Rotor & Drum	Years	Part No.	Qualifier
Brake Rotor	83 - 81	BD60428	2WD; 4600-4700 GVW; w/Manual Brake
Brake Rotor	83 - 81	BD60533	2WD; 4600-4700 GVW; w/Power Brake
Brake Rotor	83 - 81	BD60428	2WD; 5000-5100 GVW
Rotor Hub	83 - 81	BD61706	L.H.; Use w/BD60441 Rotor
Rotor Hub	83 - 81	BD61706	R.H.; Use w/BD60441 Rotor
Rear Rotor & Drum	Years	Part No.	Qualifier
Brake Drum	83 - 81	BD60351	11-1/32 x 2-1/4" Brake
Brake Drum	82 - 81	BD60543	10 x 2-1/2" Brake

Brake Hardware

Front Brake Hardware	Years	Sequential No.	Category No.	Qualifier
Caliper Bolt/Pin	83 - 82	F102554S	(H5010C)	
Disc Align Kit	83 - 81	F102553S	(H5515)	
Rear Brake Hardware	Years	Sequential No.	Category No.	Qualifier
Adjuster Kit	81	F113825S	(H2612)	L.H.; 10 x 2-1/2" Brake
Adjuster Kit	81	F98374S	(H2544)	L.H.; 11-1/32 x 2-1/4" Brake
Adjuster Kit	81	F113826S	(H2613)	R.H.; 10 x 2-1/2" Brake
Adjuster Kit	81	F98375S	(H2545)	R.H.; 11-1/32 x 2-1/4" Brake
Adjuster Screw	81	F67433S	(H1522)	L.H.; 10 x 2-1/2" Brake
Adjuster Screw	81	F67401S	(H1520)	L.H.; 11-1/32 x 2-1/4" Brake
Adjuster Screw	81	F67434S	(H1523)	R.H.; 10 x 2-1/2" Brake
Adjuster Screw	81	F67400S	(H1521)	R.H.; 11-1/32 x 2-1/4" Brake
Combi Kit	83	F98972S	(H7067)	
↳Adjuster Spring Kit		F36470S	(H412)	
↳Hold Down Kit		F98974S	(H4079)	
↳Return Spring Kit		F73231S	(H322)	
Combi Kit	82 - 81	F120994S	(H7160)	10 x 2-1/2" Brake
↳Adjuster Spring Kit		F36470S	(H412)	
↳Hold Down Kit		F19471S	(H4030)	
↳Return Spring Kit		F73231S	(H322)	
Combi Kit	82 - 81	F78551S	(H7041)	11-1/32 x 2-1/4" Brake
↳Adjuster Spring Kit		F36470S	(H412)	
↳Hold Down Kit		F19471S	(H4030)	
↳Return Spring Kit		F36466S	(H325)	

Calipers - Reman

Front, Loaded	Years	Left No.	Right No.	Qualifier	Piston
Loaded Caliper	83 - 81	AS102432	AS102433	4600-4700 GVW; w/Man. Brake; w/2.88" Single Piston Caliper	P
Loaded Caliper	83 - 81	AS102432S	AS102433S	4600-4700 GVW; w/Man. Brake; w/2.88" Single Piston Caliper	O
Loaded Caliper	83 - 81	AS102432	AS102433	5000-5150 GVW; w/Power Brake; w/2.88" Single Piston Caliper	P
Loaded Caliper	83 - 81	AS102432S	AS102433S	5000-5150 GVW; w/Power Brake; w/2.88" Single Piston Caliper	O
Front, Unloaded	Years	Left No.	Right No.	Qualifier	Piston
Unloaded Caliper	83 - 81	CR102432	CR102433	4600-4700 GVW; w/Man. Brake; w/2.88" Single Piston Caliper	P
Unloaded Caliper	83 - 81	CR102432S	CR102433S	4600-4700 GVW; w/Man. Brake; w/2.88" Single Piston Caliper	O
Unloaded Caliper	83 - 81	CR102428	CR102425	4600-4700 GVW; w/Power Brake; w/2.63" Single Piston Caliper	P
Unloaded Caliper	83 - 81	CR102428S	CR102425S	4600-4700 GVW; w/Power Brake; w/2.63" Single Piston Caliper	O
Unloaded Caliper	83 - 81	CR102432	CR102433	5000-5150 GVW; w/Power Brake; w/2.88" Single Piston Caliper	P
Unloaded Caliper	83 - 81	CR102432S	CR102433S	5000-5150 GVW; w/Power Brake; w/2.88" Single Piston Caliper	O

↳Sub-Kit of Combi-Kit is available separately.

Piston: M - OE Metal Piston P - OE Phenolic Piston O - Metal Piston Option

F-100 PICKUP (cont.)

Hydraulics - New

Master Cylinder	Years	Sequential No.	Category No.	Qualifier
Master Cylinder	83 - 81	F97934	(MC97934)	1" Bore
Master Cylinder	83 - 81	F102418	(MC102418)	w/Manual Brake; 1" Bore
Rear Wheel Cylinder	Years	Sequential No.	Category No.	Qualifier
Wheel Cylinder	83	F59240	(WC59240)	L.H.; 15/16" Bore
Wheel Cylinder	83	F59241	(WC59241)	R.H.; 15/16" Bore
Wheel Cylinder	82 - 81	F73620	(WC73620)	L.H.; 10" Brake; 15/16" Bore
Wheel Cylinder	82 - 81	F59240	(WC59240)	L.H.; 11" Brake; 15/16" Bore
Wheel Cylinder	82 - 81	F73621	(WC73621)	R.H.; 10" Brake; 15/16" Bore
Wheel Cylinder	82 - 81	F59241	(WC59241)	R.H.; 11" Brake; 15/16" Bore
Front Brake Hose	Years	Sequential No.	Category No.	Qualifier
Brake Hose	83 - 81	F103201	(BH103201)	L.H.
Brake Hose	83 - 81	F103200	(BH103200)	R.H.
Rear Brake Hose	Years	Sequential No.	Category No.	Qualifier
Brake Hose	83 - 81	F119387	(BH119387)	2WD
Brake Hose	83 - 81	F119386	(BH119386)	4WD

Hydraulics - Reman

Master Cylinder	Years	Part No.	Qualifier
Master Cylinder	83 - 81	R102418	w/Manual Brake; Supplied With Pedal Rod
Master Cylinder	83 - 81	R97934	w/Power Brake
Power Brake Booster	Years	Part No.	Qualifier
Power Brake Booster	83 - 81	504201	Gas; w/Master Cylinder
Power Brake Booster	83 - 81	5474201	Gas; w/o Master Cylinder

Brake Cables

Parking Brake Cable	Years	Sequential No.	Category No.	Qualifier
Parking Brake Cable	83 - 81	F109069	(BC109069)	Forward; 113", 136" WB
Parking Brake Cable	83 - 81	F108079	(BC108079)	Forward; 116" WB
Parking Brake Cable	83 - 81	F109070	(BC109070)	Forward; 138" WB
Parking Brake Cable	83 - 81	F109071	(BC109071)	Forward; 155" WB
Parking Brake Cable	83 - 81	F102654	(BC102654)	Rear; L.H.
Parking Brake Cable	83 - 81	F102653	(BC102653)	Rear; R.H.

Wheel Attaching Hardware

Front Wheel Stud	Years	Part No.	Qualifier
Wheel Lug Stud	83 - 81	BD61388	5000-5100 GVW
Wheel Lug Stud	83 - 81	BD61186	w/Power Brake; 4600-4700 GVW
Rear Wheel Stud	Years	Part No.	Qualifier
Wheel Lug Stud	83 - 81	BD60930	
Front Wheel Nut	Years	Part No.	Qualifier
Wheel Lug Nut	83 - 81	BD61283	Std. Open; 1/2"-20 Thread; 13/16" Hex
Rear Wheel Nut	Years	Part No.	Qualifier
Wheel Lug Nut	83 - 81	BD61283	Std. Open; 1/2"-20 Thread; 13/16" Hex

F-150 PICKUP

Brake Pads & Shoes

Front Pads & Shoes	Years	SevereDuty	Lining No.	Qualifier
Brake Pads	06 - 05	SD1083		
Brake Pads	04	SD702		11th Digit of VIN No. = B; 7700 GVW
Brake Pads	04	SD679		11th Digit of VIN No. = B; Exc. 7700 GVW
Brake Pads	04	SD1083		11th Digit of VIN No. = K, N
Brake Pads	03 - 00	SD702		7700 GVW; Exc. Lightning
Brake Pads	03 - 00	SD679		Exc. 7700 GVW; Exc. Lightning
Brake Pads	03 - 99	SD702		Lightning
Brake Pads	99	SD679		Exc. Lightning
Brake Pads	98 - 97	SD679		
Brake Pads	96 - 94	SD632		

Brake Pads & Shoes (cont.)

Front Pads & Shoes	Years	SevereDuty	Lining No.	Qualifier
Brake Pads	93 - 87	SD360		
Brake Pads	86	SD50		w/Manual Brake
Brake Pads	86	SD360		w/Power Brake
Brake Pads	85 - 81	SD50		
Brake Pads	83 - 81	SD50		5000-5100 GVW

Rear Pads & Shoes	Years	SevereDuty	Lining No.	Qualifier
Brake Pads	06 - 05	SD1012		
Brake Pads	04	SD711		11th Digit of VIN No. = B
Brake Pads	04	SD1012		11th Digit of VIN No. = K, N
Brake Pads	03 - 97	SD711		
Brake Shoes	01 - 97	SDS723	EX2182T	11-1/32 x 2-1/4" Brake; Bonded
Brake Shoes	96 - 86	SDS263R	EX2121TD	11-1/32 x 2-1/4" Brake; Riveted
Brake Shoes	85	SDS263R	EX2121TD	From 11/84; 11-1/32 x 2-1/4" Brake; Riveted
Brake Shoes	84 - 81	SDS263R	EX2121TD	11-1/32 x 2-1/4" Brake; Riveted

Rotor & Drum

Front Rotor & Drum	Years	Part No.	Qualifier
Brake Rotor	06 - 05	BD126116	2WD; Exc. H/D Payload Pkg.
Brake Rotor	06 - 05	BD126115	2WD; w/H/D Payload Pkg.
Brake Rotor	06 - 05	BD126111	4WD; Exc. H/D Payload Pkg.
Brake Rotor	06 - 05	BD126112	4WD; w/H/D Payload Pkg.
Brake Rotor	04	BD125707	2WD; 11th Digit of VIN No. = B; 7700 GVW; w/7 Stud Whl.; w/4 Whl. ABS
Brake Rotor	04	BD125706	2WD; 11th Digit of VIN No. = B; 7700 GVW; w/7 Stud Whl.; w/RWAL
Brake Rotor	04	BD125468	2WD; 11th Digit of VIN No. = B; 7700 GVW; w/8 Stud Whl.
Brake Rotor	04	BD125728	2WD; 11th Digit of VIN No. = B; w/5 Stud Whl.; Exc. 7700 GVW
Brake Rotor	04	BD126005	2WD; 11th Digit of VIN No. = C; w/4 Whl. ABS
Brake Rotor	04	BD126116	2WD; 11th Digit of VIN No. = K, N; Exc. H/D Payload Pkg.
Brake Rotor	04	BD126115	2WD; 11th Digit of VIN No. = K, N; w/H/D Payload Pkg.
Brake Rotor	04	BD125529	4WD; 11th Digit of VIN No. = B; 7700 GVW; w/7 Stud Whl.
Brake Rotor	04	BD125512	4WD; 11th Digit of VIN No. = B; Exc. 7700 GVW; w/5 Stud Whl.
Brake Rotor	04	BD126111	4WD; 11th Digit of VIN No. = K, N; Exc. H/D Payload Pkg.
Brake Rotor	04	BD126112	4WD; 11th Digit of VIN No. = K, N; w/H/D Payload Pkg.
Brake Rotor	03 - 00	BD125707	2WD; 7700 GVW; w/7 Stud Whl.; w/4 Whl. ABS
Brake Rotor	03 - 00	BD125706	2WD; 7700 GVW; w/7 Stud Whl.; w/RWAL
Brake Rotor	03 - 00	BD125468	2WD; 7700 GVW; w/8 Stud Whl.
Brake Rotor	03	BD126005	2WD; Lightning; w/4 Whl. ABS
Brake Rotor	03 - 00	BD125728	2WD; w/5 Stud Whl.; Exc. Nascar/Lightning Opt.; Exc. 7700 GVW
Brake Rotor	03 - 00	BD125529	4WD; 7700 GVW; w/7 Stud Whl.
Brake Rotor	03 - 00	BD125512	4WD; w/5 Stud Whl.; Exc. 7700 GVW
Brake Rotor	02 - 00	BD126005	2WD; Nascar/Lightning Opt.; w/4 Whl. ABS
Brake Rotor	99	BD126005	2WD; From 11/29/99; Nascar/Lightning Opt.; w/4 Whl. ABS
Brake Rotor	99	BD125728	2WD; From 11/29/99; w/5 Stud Whl.; Exc. Nascar/Lightning Opt.; Exc. 7700 GVW
Brake Rotor	99	BD125490	2WD; To 11/29/99; Exc. Nascar/Lightning Opt.
Brake Rotor	99	BD125689	2WD; To 11/29/99; Nascar/Lightning Opt.; w/4 Whl. ABS
Brake Rotor	99 - 97	BD125512	4WD
Brake Rotor	98	BD125490	2WD; Exc. Nascar Opt.
Brake Rotor	98	BD125689	2WD; Nascar Opt.; w/4 Whl. ABS
Brake Rotor	98	BD125712	2WD; Nascar Opt.; w/RWAL
Brake Rotor	97	BD125490	2WD
Brake Rotor	96 - 94	BD125496	2WD
Brake Rotor	96 - 94	BD125408	4WD
Brake Rotor	93 - 84	BD60428	2WD
Brake Rotor	93 - 90	BD60441	4WD
Brake Rotor	89 - 88	BD60441	4WD; From 5/88; w/Manual Locking Hub
Brake Rotor	89 - 87	BD60441	4WD; w/Auto Locking Hub
Brake Rotor	89	BD60879	To 5/88; w/Manual Locking Hub

F-150 PICKUP (cont.)

Rotor & Drum (cont.)

Front Rotor & Drum	Years	Part No.	Qualifier
Brake Rotor	88	BD60879	4WD; To 5/88; w/Manual Locking Hub
Brake Rotor	87	BD60879	4WD; w/Manual Locking Hub
Brake Rotor	86 - 84	BD60441	4WD
Brake Rotor	83 - 81	BD60428	2WD; 5000-5100 GVW
Brake Rotor	83 - 81	BD60441	4WD; Use w/BD61706 Hub
Rotor Hub	92 - 88	BD61706	L.H.; 4WD; Use w/BD60441 Rotor
Rotor Hub	92 - 88	BD61706	R.H.; 4WD; Use w/BD60441 Rotor
Rotor Hub	87 - 81	BD61706	L.H.; Use w/BD60441 Rotor
Rotor Hub	87 - 81	BD61706	R.H.; Use w/BD60441 Rotor

Rear Rotor & Drum

Years	Part No.	Qualifier
02 - 00	BD125492	w/5 Stud Whl.; 11-1/32 x 2-1/4" Brake
02 - 00	BD125589	w/7 Stud Whl.; 12 x 2-1/2" Brake
99 - 97	BD125492	11-1/32 x 2-1/4" Brake
96 - 87	BD60884	11-1/32 x 2-1/4" Brake
86 - 81	BD60351	11-1/32 x 2-1/4" Brake
06 - 05	BD126110	Exc. H/D Payload Pkg.
06 - 05	BD126117	w/H/D Payload Pkg.
04	BD125530	11th Digit of VIN No. = B; 7700 GVW; w/7 Stud Whl.
04	BD125752	11th Digit of VIN No. = B; Exc. 7700 GVW; w/5 Stud Whl.
04	BD126110	11th Digit of VIN No. = K, N; Exc. H/D Payload Pkg.
04	BD126117	11th Digit of VIN No. = K, N; w/H/D Payload Pkg.
03 - 00	BD125530	7700 GVW; w/7 Stud Whl.
03 - 00	BD125752	Exc. 7700 GVW; Exc 7 Stud Whl.
99 - 97	BD125752	

Brake Hardware

Front Brake Hardware

Years	Sequential No.	Category No.	Qualifier
04	F139368	(H14903)	11th Digit of VIN No. = B; Exc. Lightning
03 - 01	F138106S	(H5084)	7700 GVW
03 - 01	F139368	(H14903)	Exc. 7700 GVW
00 - 97	F139368	(H14903)	
96 - 94	F124505S	(H5053)	Guide Bolt
96 - 94	F111231S	(H5031)	Slide Pin
93 - 86	F111231S	(H5031)	
85 - 82	F102554S	(H5010C)	
05	F140519	(H5682)	
04	F140519	(H5682)	11th Digit of VIN No. = K, N
03 - 01	F138118S	(H5616)	7700 GVW
03 - 01	F134104S	(H5606)	Exc. 7700 GVW
00 - 97	F134104S	(H5606)	
96 - 94	F132522S	(H5600)	
93 - 86	F114476S	(H5571)	
85	F76172S	(H5520)	
84 - 81	F102553S	(H5515)	
04	F132973S	(H8218)	11th Digit of VIN No. = B; Exc. 7700 GVW
03 - 01	F117215S	(H18000C)	7700 GVW
03 - 01	F132973S	(H8218)	Exc. 7700 GVW
00 - 97	F132973S	(H8218)	
96 - 94	F117215S	(H18000C)	

Rear Brake Hardware

Years	Sequential No.	Category No.	Qualifier
00 - 97	F138096S	(H2702)	L.H.
00 - 97	F138097S	(H2703)	R.H.
96 - 84	F98374S	(H2544)	L.H.
96 - 84	F98375S	(H2545)	R.H.
83 - 81	F113825S	(H2612)	L.H.; 10 x 2-1/2" Brake
83 - 81	F98374S	(H2544)	L.H.; 11-1/32 x 2-1/4" Brake

F-150 PICKUP (cont.)

Brake Hardware (cont.)

Rear Brake Hardware	Years	Sequential No.	Category No.	Qualifier
Adjuster Kit	83 - 81	F113826S	(H2613)	R.H.; 10 x 2-1/2" Brake
Adjuster Kit	83 - 81	F98375S	(H2545)	R.H.; 11-1/32 x 2-1/4" Brake
Adjuster Screw	00 - 97	F73151S	(H1526)	L.H.
Adjuster Screw	00 - 97	F73150S	(H1527)	R.H.
Adjuster Screw	96 - 84	F67401S	(H1520)	L.H.
Adjuster Screw	96 - 84	F67400S	(H1521)	R.H.
Adjuster Screw	83 - 82	F67433S	(H1522)	L.H.; 10 x 2-1/2" Brake
Adjuster Screw	83 - 81	F67401S	(H1520)	L.H.; 11-1/32 x 2-1/4" Brake
Adjuster Screw	83 - 82	F67434S	(H1523)	R.H.; 10 x 2-1/2" Brake
Adjuster Screw	83 - 81	F67400S	(H1521)	R.H.; 11-1/32 x 2-1/4" Brake
Caliper Bolt/Pin	04	F130894S	(H5075)	11th Digit of VIN No. = B
Caliper Bolt/Pin	03 - 00	F130894S	(H5075)	
Combi Kit	00 - 97	F138801	(H7218)	11-1/32 x 2-1/4" Brake
↳Hold Down Kit		F117126S	(H4097)	
↳Return Spring Kit		F36466S	(H325)	
Combi Kit	96 - 83	F117127S	(H7071)	
↳Adjuster Spring Kit		F36470S	(H412)	
↳Hold Down Kit		F117126S	(H4097)	
↳Return Spring Kit		F36466S	(H325)	
Combi Kit	82	F78551S	(H7041)	
↳Adjuster Spring Kit		F36470S	(H412)	
↳Hold Down Kit		F19471S	(H4030)	
↳Return Spring Kit		F36466S	(H325)	
Combi Kit	81	F120994S	(H7160)	10 x 2-1/2" Brake
↳Adjuster Spring Kit		F36470S	(H412)	
↳Hold Down Kit		F19471S	(H4030)	
↳Return Spring Kit		F73231S	(H322)	
Combi Kit	81	F78551S	(H7041)	11-1/32 x 2-1/4" Brake
↳Adjuster Spring Kit		F36470S	(H412)	
↳Hold Down Kit		F19471S	(H4030)	
↳Return Spring Kit		F36466S	(H325)	
Disc Align Kit	04	F138116S	(H5479)	11th Digit of VIN No. = B
Disc Align Kit	04	F139886	(H5675)	11th Digit of VIN No. = K, N
Disc Align Kit	03 - 00	F138116S	(H5479)	
Pin Boot Kit	04	F117215S	(H18000C)	11th Digit of VIN No. = B
Pin Boot Kit	03 - 00	F117215S	(H18000C)	

Parking Brake	Years	Sequential No.	Category No.	Qualifier
Adjuster Screw	05	F139704	(H1591)	
Adjuster Screw	04 - 99	F139704	(H1591)	
Combi Kit	05	F139705	(H7224)	
Combi Kit	04 - 99	F139705	(H7224)	

Calipers - Reman

Front, Loaded	Years	Left No.	Right No.	Qualifier	Piston
Loaded Caliper	04	AS133965	AS133966	Exc. LIGHTNING; 11th Digit of VIN No. = B; 7700 GVW	P
Loaded Caliper	04	AS134359	AS134360	Exc. LIGHTNING; 11th Digit of VIN No. = B; w/Rear Disc; Exc. 7700 GVW	P
Loaded Caliper	04	AS133942	AS133943	Exc. LIGHTNING; 11th Digit of VIN No. = B; w/Rear Drum; Exc. 7700 GVW; w/Dual Piston Caliper	P
Loaded Caliper	04	AS133965	AS133966	LIGHTNING; 11th Digit of VIN No. = B	P
Loaded Caliper	03 - 00	AS133965	AS133966	Exc. LIGHTNING; 7700 GVW	P
Loaded Caliper	03 - 00	AS134359	AS134360	Exc. LIGHTNING; w/Rear Disc; Exc. 7700 GVW	P
Loaded Caliper	03 - 00	AS133942	AS133943	Exc. LIGHTNING; w/Rear Drum; Exc. 7700 GVW; w/Dual Piston Caliper	P
Loaded Caliper	03 - 00	AS133942S	AS133943S	Exc. LIGHTNING; w/Rear Drum; Exc. 7700 GVW; w/Dual Piston Caliper	O
Loaded Caliper	03 - 99	AS133965	AS133966	LIGHTNING	P
Loaded Caliper	99	AS134359	AS134360	Exc. LIGHTNING; w/Rear Disc	P
Loaded Caliper	99	AS133942	AS133943	Exc. LIGHTNING; w/Rear Drum; w/Dual Piston Caliper	P

↳Sub-Kit of Combi-Kit is available separately.

Piston: M - OE Metal Piston P - OE Phenolic Piston O - Metal Piston Option

FORD - 1/2 TON TRUCK



F-150 PICKUP (cont.)

Calipers - Reman (cont.)

Front, Loaded	Years	Left No.	Right No.	Qualifier	Piston
Loaded Caliper	99	AS133942S	AS133943S	Exc. LIGHTNING; w/Rear Drum; w/Dual Piston Caliper	O
Loaded Caliper	98 - 97	AS134359	AS134360	w/Rear Disc	P
Loaded Caliper	98 - 97	AS133942	AS133943	w/Rear Drum; w/Dual Piston Caliper	P
Loaded Caliper	98 - 97	AS133942S	AS133943S	w/Rear Drum; w/Dual Piston Caliper	O
Loaded Caliper	96	AS133942	AS133943	w/Dual Piston Caliper	P
Loaded Caliper	96	AS133942S	AS133943S	w/Dual Piston Caliper	O
Loaded Caliper	96 - 94	AS132685	AS132686	w/Single Piston Caliper	P
Loaded Caliper	96 - 94	AS132685S	AS132686S	w/Single Piston Caliper	O
Loaded Caliper	93 - 86	AS112482	AS112483		P
Loaded Caliper	93 - 86	AS112482S	AS112483S		O
Loaded Caliper	85 - 81	AS102432	AS102433	w/2.88" Single Piston Caliper	P
Loaded Caliper	85 - 81	AS102432S	AS102433S	w/2.88" Single Piston Caliper	O
Front, Unloaded	Years	Left No.	Right No.	Qualifier	Piston
Unloaded Caliper	05	CR134792	CR134793	To 11/29/04	P
Unloaded Caliper	04	CR134792	CR134793	11th Digit of VIN No. = K, N	P
Unloaded Caliper	04	CRB133965	CRB133966	Exc. LIGHTNING; 11th Digit of VIN No. = B; 7700 GVW; Supplied w/Mtg. Brkt.	P
Unloaded Caliper	04	CRB133965S	CRB133966S	Exc. LIGHTNING; 11th Digit of VIN No. = B; 7700 GVW; Supplied w/Mtg. Brkt.	O
Unloaded Caliper	04	CR133965	CR133966	Exc. LIGHTNING; 11th Digit of VIN No. = B; 7700 GVW; Supplied w/o Mtg. Brkt.	P
Unloaded Caliper	04	CR133965S	CR133966S	Exc. LIGHTNING; 11th Digit of VIN No. = B; 7700 GVW; Supplied w/o Mtg. Brkt.	O
Unloaded Caliper	04	CRB134359	CRB134360	Exc. LIGHTNING; 11th Digit of VIN No. = B; w/Rear Disc; Exc. 7700 GVW; Supplied w/Mtg. Brkt.	P
Unloaded Caliper	04	CR134359	CR134360	Exc. LIGHTNING; 11th Digit of VIN No. = B; w/Rear Disc; Exc. 7700 GVW; Supplied w/o Mtg. Brkt.	P
Unloaded Caliper	04	CRB133942	CRB133943	Exc. LIGHTNING; 11th Digit of VIN No. = B; w/Rear Drum; Exc. 7700 GVW; w/Dual Piston Caliper; Supplied w/Mtg. Brkt.	P
Unloaded Caliper	04	CRB133942S	CRB133943S	Exc. LIGHTNING; 11th Digit of VIN No. = B; w/Rear Drum; Exc. 7700 GVW; w/Dual Piston Caliper; Supplied w/Mtg. Brkt.	O
Unloaded Caliper	04	CR133942	CR133943	Exc. LIGHTNING; 11th Digit of VIN No. = B; w/Rear Drum; Exc. 7700 GVW; w/Dual Piston Caliper; Supplied w/o Mtg. Brkt.	P
Unloaded Caliper	04	CR133942S	CR133943S	Exc. LIGHTNING; 11th Digit of VIN No. = B; w/Rear Drum; Exc. 7700 GVW; w/Dual Piston Caliper; Supplied w/o Mtg. Brkt.	O
Unloaded Caliper	04	CRB133965	CRB133966	LIGHTNING; 11th Digit of VIN No. = B; Supplied w/Mtg. Brkt.	P
Unloaded Caliper	04	CRB133965S	CRB133966S	LIGHTNING; 11th Digit of VIN No. = B; Supplied w/Mtg. Brkt.	O
Unloaded Caliper	04	CR133965	CR133966	LIGHTNING; 11th Digit of VIN No. = B; Supplied w/o Mtg. Brkt.	P
Unloaded Caliper	04	CR133965S	CR133966S	LIGHTNING; 11th Digit of VIN No. = B; Supplied w/o Mtg. Brkt.	O
Unloaded Caliper	03 - 00	CRB133965	CRB133966	Exc. LIGHTNING; 7700 GVW; Supplied w/Mtg. Brkt.	P
Unloaded Caliper	03 - 00	CRB133965S	CRB133966S	Exc. LIGHTNING; 7700 GVW; Supplied w/Mtg. Brkt.	O
Unloaded Caliper	03 - 00	CR133965	CR133966	Exc. LIGHTNING; 7700 GVW; Supplied w/o Mtg. Brkt.	P
Unloaded Caliper	03 - 00	CR133965S	CR133966S	Exc. LIGHTNING; 7700 GVW; Supplied w/o Mtg. Brkt.	O
Unloaded Caliper	03 - 00	CRB134359	CRB134360	Exc. LIGHTNING; w/Rear Disc; Exc. 7700 GVW; Supplied w/Mtg. Brkt.	P
Unloaded Caliper	03 - 00	CR134359	CR134360	Exc. LIGHTNING; w/Rear Disc; Exc. 7700 GVW; Supplied w/o Mtg. Brkt.	P
Unloaded Caliper	03 - 00	CRB133942	CRB133943	Exc. LIGHTNING; w/Rear Drum; Exc. 7700 GVW; w/Dual Piston Caliper; Supplied w/Mtg. Brkt.	P
Unloaded Caliper	03 - 00	CRB133942S	CRB133943S	Exc. LIGHTNING; w/Rear Drum; Exc. 7700 GVW; w/Dual Piston Caliper; Supplied w/Mtg. Brkt.	O
Unloaded Caliper	03 - 00	CR133942	CR133943	Exc. LIGHTNING; w/Rear Drum; Exc. 7700 GVW; w/Dual Piston Caliper; Supplied w/o Mtg. Brkt.	P
Unloaded Caliper	03 - 00	CR133942S	CR133943S	Exc. LIGHTNING; w/Rear Drum; Exc. 7700 GVW; w/Dual Piston Caliper; Supplied w/o Mtg. Brkt.	O
Unloaded Caliper	03 - 99	CRB133965	CRB133966	LIGHTNING; Supplied w/Mtg. Brkt.	P
Unloaded Caliper	03 - 99	CRB133965S	CRB133966S	LIGHTNING; Supplied w/Mtg. Brkt.	O
Unloaded Caliper	03 - 99	CR133965	CR133966	LIGHTNING; Supplied w/o Mtg. Brkt.	P
Unloaded Caliper	03 - 99	CR133965S	CR133966S	LIGHTNING; Supplied w/o Mtg. Brkt.	O
Unloaded Caliper	99	CRB134359	CRB134360	Exc. LIGHTNING; w/Rear Disc; Supplied w/Mtg. Brkt.	P
Unloaded Caliper	99	CR134359	CR134360	Exc. LIGHTNING; w/Rear Disc; Supplied w/o Mtg. Brkt.	P
Unloaded Caliper	99	CRB133942	CRB133943	Exc. LIGHTNING; w/Rear Drum; w/Dual Piston Caliper; Supplied w/Mtg. Brkt.	P
Unloaded Caliper	99	CRB133942S	CRB133943S	Exc. LIGHTNING; w/Rear Drum; w/Dual Piston Caliper; Supplied w/Mtg. Brkt.	O
Unloaded Caliper	99	CR133942	CR133943	Exc. LIGHTNING; w/Rear Drum; w/Dual Piston Caliper; Supplied w/o Mtg. Brkt.	P

Piston: M - OE Metal Piston P - OE Phenolic Piston O - Metal Piston Option

F-150 PICKUP (cont.)

Calipers - Reman (cont.)

Front, Unloaded	Years	Left No.	Right No.	Qualifier	Piston
Unloaded Caliper	99	CR133942S	CR133943S	Exc. LIGHTNING; w/Rear Drum; w/Dual Piston Caliper; Supplied w/o Mtg. Brkt.	O
Unloaded Caliper	98 - 97	CRB134359	CRB134360	w/Rear Disc; Supplied w/Mtg. Brkt.	P
Unloaded Caliper	98 - 97	CR134359	CR134360	w/Rear Disc; Supplied w/o Mtg. Brkt.	P
Unloaded Caliper	98 - 97	CRB133942	CRB133943	w/Rear Drum; w/Dual Piston Caliper; Supplied w/Mtg. Brkt.	P
Unloaded Caliper	98 - 97	CRB133942S	CRB133943S	w/Rear Drum; w/Dual Piston Caliper; Supplied w/Mtg. Brkt.	O
Unloaded Caliper	98 - 97	CR133942	CR133943	w/Rear Drum; w/Dual Piston Caliper; Supplied w/o Mtg. Brkt.	P
Unloaded Caliper	98 - 97	CR133942S	CR133943S	w/Rear Drum; w/Dual Piston Caliper; Supplied w/o Mtg. Brkt.	O
Unloaded Caliper	96	CRB133942	CRB133943	w/Dual Piston Caliper; Supplied w/Mtg. Brkt.	P
Unloaded Caliper	96	CRB133942S	CRB133943S	w/Dual Piston Caliper; Supplied w/Mtg. Brkt.	O
Unloaded Caliper	96	CR133942	CR133943	w/Dual Piston Caliper; Supplied w/o Mtg. Brkt.	P
Unloaded Caliper	96	CR133942S	CR133943S	w/Dual Piston Caliper; Supplied w/o Mtg. Brkt.	O
Unloaded Caliper	96 - 94	CR132685	CR132686	w/Single Piston Caliper	P
Unloaded Caliper	96 - 94	CR132685S	CR132686S	w/Single Piston Caliper	O
Unloaded Caliper	93 - 86	CR112482	CR112483		P
Unloaded Caliper	93 - 86	CR112482S	CR112483S		O
Unloaded Caliper	85 - 81	CR102432	CR102433	w/2.88" Single Piston Caliper	P
Unloaded Caliper	85 - 81	CR102432S	CR102433S	w/2.88" Single Piston Caliper	O

Rear, Unloaded	Years	Left No.	Right No.	Qualifier	Piston
Unloaded Caliper	05	CR134790	CR134791		P
Unloaded Caliper	04	CR133969	CR133970	11th Digit of VIN No. = B	P
Unloaded Caliper	04	CR133969S	CR133970S	11th Digit of VIN No. = B	O
Unloaded Caliper	04	CR134790	CR134791	11th Digit of VIN No. = K, N	P
Unloaded Caliper	03 - 97	CR133969	CR133970		P
Unloaded Caliper	03 - 97	CR133969S	CR133970S		O

Hydraulics - New

Master Cylinder	Years	Sequential No.	Category No.	Qualifier
Master Cylinder	03 - 00	F131993	(MC131993)	w/Rear Disc; w/Cruise Control; 1-1/4" Bore
Master Cylinder	99 - 97	F131210	(MC131210)	w/Cruise Control; w/Rear Drum; 1-1/16" Bore
Master Cylinder	96 - 94	F131210	(MC131210)	w/Cruise Control; 1-1/16" Bore
Master Cylinder	96 - 94	F120369	(MC120369)	w/o Cruise Control; 1-1/16" Bore
Master Cylinder	93 - 88	F120369	(MC120369)	1-1/16" Bore
Master Cylinder	87	F120369	(MC120369)	From 4/87; 1-1/16" Bore
Master Cylinder	87	F120370	(MC120370)	To 4/87; 1" Bore
Master Cylinder	86 - 81	F97934	(MC97934)	1" Bore
Master Cylinder	85 - 84	F102418	(MC102418)	w/Manual Brake; 1" Bore

Rear Wheel Cylinder	Years	Sequential No.	Category No.	Qualifier
Wheel Cylinder	00 - 97	F78974	(WC78974)	L.H.; 1" Bore
Wheel Cylinder	00 - 97	F78975	(WC78975)	R.H.; 1" Bore
Wheel Cylinder	96 - 83	F59240	(WC59240)	L.H.; 15/16" Bore
Wheel Cylinder	96 - 83	F59241	(WC59241)	R.H.; 15/16" Bore
Wheel Cylinder	82 - 81	F59240	(WC59240)	L.H.; 11" Brake; 15/16" Bore
Wheel Cylinder	82 - 81	F59241	(WC59241)	R.H.; 11" Brake; 15/16" Bore

Clutch Master Cylind	Years	Sequential No.	Category No.	Qualifier
Clutch Master Cylinder	04 - 99	F131853	(CM131853)	Under 8500 GVW; 45/64" Bore
Clutch Master Cylinder	98 - 97	F131853	(CM131853)	45/64" Bore
Clutch Master Cylinder	96 - 93	F126887	(CM126887)	45/64" Bore
Clutch Master Cylinder	92	F126886	(CM126886)	7/8" Bore
Clutch Master Cylinder	91 - 88	F117053	(CM117053)	7/8" Bore
Clutch Master Cylinder	87 - 84	F110710	(CM110710)	7/8" Bore
Clutch Master Cylinder	86	F117053	(CM117053)	w/5 Spd. Trans.; 7/8" Bore

Clutch Slave Cylinder	Years	Sequential No.	Category No.	Qualifier
Clutch Slave Cylinder	04 - 00	F140317	(SC140317)	1-1/8" Bore
Clutch Slave Cylinder	01 - 96	F126893	(SC126893)	1-9/16" Bore
Clutch Slave Cylinder	95 - 93	F126893	(SC126893)	Exc. 4 Spd. T-18 M/T; 1-9/16" Bore
Clutch Slave Cylinder	95 - 93	F126891	(SC126891)	w/4 Spd. T-18 M/T; 53/64" Bore

Piston: M - OE Metal Piston P - OE Phenolic Piston O - Metal Piston Option

F-150 PICKUP (cont.)

Hydraulics - New (cont.)

Clutch Slave Cylinder	Years	Sequential No.	Category No.	Qualifier
Clutch Slave Cylinder	92 - 88	F126890	(SC126890)	Exc. 4 Spd. T-18 M/T; 1-1/32" Bore
Clutch Slave Cylinder	92 - 88	F103485	(SC103485)	w/4 Spd. T-18 M/T; 1" Bore
Clutch Slave Cylinder	87	F103485	(SC103485)	1" Bore
Clutch Slave Cylinder	86	F103485	(SC103485)	w/4 Spd. T-18 M/T; 1" Bore
Clutch Slave Cylinder	85 - 84	F103485	(SC103485)	1" Bore

Front Brake Hose	Years	Sequential No.	Category No.	Qualifier
Brake Hose	04	F140076	(BH140076)	L.H.; 2WD; 11th Digit of VIN No. = B; w/4 Whl. ABS
Brake Hose	04	F139247	(BH139247)	L.H.; 2WD; 11th Digit of VIN No. = B; w/RWAL
Brake Hose	04	F138044	(BH138044)	L.H.; 4WD; 11th Digit of VIN No. = B
Brake Hose	04	F139248	(BH139248)	R.H.; 2WD; 11th Digit of VIN No. = B; w/4 Whl. ABS
Brake Hose	04	F138045	(BH138045)	R.H.; 4WD; 11th Digit of VIN No. = B
Brake Hose	03 - 99	F140076	(BH140076)	L.H.; 2WD; w/4 Whl. ABS
Brake Hose	03 - 99	F139247	(BH139247)	L.H.; 2WD; w/RWAL
Brake Hose	03 - 99	F138044	(BH138044)	L.H.; 4WD; w/RWAL
Brake Hose	03 - 99	F139248	(BH139248)	R.H.; 2WD; w/4 Whl. ABS
Brake Hose	03 - 99	F138045	(BH138045)	R.H.; 4WD; w/RWAL
Brake Hose	98 - 97	F139247	(BH139247)	L.H.; 2WD
Brake Hose	98 - 97	F138044	(BH138044)	L.H.; 4WD
Brake Hose	98 - 96	F139177	(BH139177)	R.H.
Brake Hose	98 - 97	F139248	(BH139248)	R.H.; 2WD
Brake Hose	98 - 97	F138045	(BH138045)	R.H.; 4WD
Brake Hose	96 - 92	F132319	(BH132319)	L.H.
Brake Hose	96 - 92	F132318	(BH132318)	R.H.
Brake Hose	91 - 90	F124724	(BH124724)	L.H.
Brake Hose	89 - 81	F103201	(BH103201)	L.H.
Brake Hose	89 - 81	F103200	(BH103200)	R.H.

Rear Brake Hose	Years	Sequential No.	Category No.	Qualifier
Brake Hose	02 - 97	F134791	(BH134791)	2WD; w/Rear Drum
Brake Hose	02 - 97	F134792	(BH134792)	4WD; w/Rear Drum
Brake Hose	96	F134791	(BH134791)	2WD; From 6/96
Brake Hose	96	F130431	(BH130431)	2WD; To 6/96
Brake Hose	96 - 92	F130426	(BH130426)	4WD
Brake Hose	95 - 92	F130431	(BH130431)	2WD
Brake Hose	91 - 81	F119387	(BH119387)	2WD
Brake Hose	91 - 89	F124595	(BH124595)	4WD; From 4/89
Brake Hose	89	F119386	(BH119386)	To 4/89
Brake Hose	88	F119386	(BH119386)	
Brake Hose	87 - 81	F119386	(BH119386)	4WD

Hydraulics - Reman

Master Cylinder	Years	Part No.	Qualifier
Master Cylinder	04 - 03	R134749	w/Rear Disc; w/Cruise; Exc. Harley Davidson; Exc. Lightning
Master Cylinder	04 - 03	R1222159	w/Rear Disc; w/Cruise; Harley Davidson or Lightning
Master Cylinder	04 - 03	R1222160	w/Rear Disc; w/o Cruise
Master Cylinder	04 - 03	R134757	w/Rear Drum; w/Cruise
Master Cylinder	04 - 99	R120369	w/Rear Drum; w/o Cruise
Master Cylinder	02	R1222160	From 12/13/01; w/Rear Disc; w/o Cruise
Master Cylinder	02	R134638	To 12/12/01; w/Rear Disc; w/o Cruise
Master Cylinder	02	R134749	w/Rear Disc; w/Cruise
Master Cylinder	02 - 99	R131210	w/Rear Drum; w/Cruise
Master Cylinder	01 - 99	R134639	w/Rear Disc; w/Cruise
Master Cylinder	01 - 99	R134638	w/Rear Disc; w/o Cruise
Master Cylinder	98 - 94	R131210	w/Cruise
Master Cylinder	98 - 94	R120369	w/o Cruise
Master Cylinder	93 - 88	R120369	
Master Cylinder	87	R120369	From 4/87

Hydraulics - Reman (cont.)

Master Cylinder	Years	Part No.	Qualifier
Master Cylinder	87	R120370	To 4/87
Master Cylinder	86 - 81	R102418	w/Manual Brake; Supplied With Pedal Rod
Master Cylinder	86 - 81	R97934	w/Power Brake
Power Brake Booster	Years	Part No.	Qualifier
Power Brake Booster	03	5474408	Gas; w/o Master Cylinder; w/Rear Disc
Power Brake Booster	02	5474408	From 12/13/01; Gas; w/o Master Cylinder; w/Rear Disc
Power Brake Booster	01 - 00	5474408	Gas; w/o Master Cylinder
Power Brake Booster	99	5474408	Gas; w/o Master Cylinder; w/Rear Disc
Power Brake Booster	99	5474225	Gas; w/o Master Cylinder; w/Rear Drum
Power Brake Booster	98 - 97	5474225	Gas; w/o Master Cylinder
Power Brake Booster	96 - 94	5474219	Gas; w/o Master Cylinder
Power Brake Booster	93 - 89	504210	Gas; w/Master Cylinder
Power Brake Booster	93 - 89	5474210	Gas; w/o Master Cylinder
Power Brake Booster	88	504212	Gas; w/Master Cylinder; 10-3/4" Dia.
Power Brake Booster	88	504210	Gas; w/Master Cylinder; 11-1/2" Dia.
Power Brake Booster	88	5474211	Gas; w/o Master Cylinder; 10-3/4" Dia.
Power Brake Booster	88	5474210	Gas; w/o Master Cylinder; 11-1/2" Dia.
Power Brake Booster	87	504212	From 4/87; Gas; w/Master Cylinder
Power Brake Booster	87 - 84	5474211	Gas; w/o Master Cylinder
Power Brake Booster	87	504211	To 4/87; Gas; w/Master Cylinder
Power Brake Booster	86 - 84	509315	Gas; w/Master Cylinder
Power Brake Booster	83 - 81	504201	Gas; w/Master Cylinder
Power Brake Booster	83 - 81	5474201	Gas; w/o Master Cylinder

Brake Cables

Parking Brake Cable	Years	Sequential No.	Category No.	Qualifier
Parking Brake Cable	03 - 97	F139188	(BC139188)	Rear; L.H.; From 6/24/96; w/Rear Drum; 44" Length
Parking Brake Cable	02 - 00	F140293	(BC140293)	Rear; R.H.; 7700 GVW
Parking Brake Cable	99	F140368	(BC140368)	Rear; R.H.; 120" WB; w/Rear Drum; 110" Length
Parking Brake Cable	99	F140369	(BC140369)	Rear; R.H.; 139" WB; w/Rear Drum; 129" Length
Parking Brake Cable	99 - 97	F140182	(BC140182)	Rear; R.H.; From 6/24/96; 158" WB; w/Rear Drum; 147" Length
Parking Brake Cable	98 - 97	F140058	(BC140058)	Forward; From 6/24/96; 66" Length
Parking Brake Cable	98 - 97	F139194	(BC139194)	Rear; R.H.; From 6/24/96 To 8/31/97; 120" WB; 110" Length
Parking Brake Cable	98 - 96	F140369	(BC140369)	Rear; R.H.; From 6/24/96; 139" WB; 129" Length
Parking Brake Cable	97	F140368	(BC140368)	Forward; R.H.; From 9/1/97; w/120" WB; 110" Length
Parking Brake Cable	97	F138888	(BC138888)	Forward; To 6/24/96; 120" WB; 77" Length
Parking Brake Cable	97	F138650	(BC138650)	Forward; To 6/24/96; 139" WB; 95" Length
Parking Brake Cable	97	F140367	(BC140367)	Forward; To 6/24/96; w/157" WB; 113" Length
Parking Brake Cable	96	F140104	(BC140104)	Forward; 45" Length
Parking Brake Cable	96 - 92	F132453	(BC132453)	Intermediate; 116" WB
Parking Brake Cable	96 - 92	F129225	(BC129225)	Intermediate; 133", 136" WB
Parking Brake Cable	96 - 92	F129226	(BC129226)	Intermediate; 138" WB
Parking Brake Cable	96 - 92	F129227	(BC129227)	Intermediate; 155" WB
Parking Brake Cable	96 - 92	F129228	(BC129228)	Intermediate; 160" WB
Parking Brake Cable	96 - 92	F129229	(BC129229)	Intermediate; w/Super Cab
Parking Brake Cable	96 - 87	F128641	(BC128641)	Rear; L.H.; w/Ambulance Pkg.
Parking Brake Cable	96 - 92	F132089	(BC132089)	Rear; L.H.; w/o Ambulance Pkg.
Parking Brake Cable	96 - 87	F128642	(BC128642)	Rear; R.H.; w/Ambulance Pkg.
Parking Brake Cable	96 - 92	F132090	(BC132090)	Rear; R.H.; w/o Ambulance Pkg.
Parking Brake Cable	95 - 92	F132061	(BC132061)	Forward
Parking Brake Cable	91 - 84	F129202	(BC129202)	Forward; 116" WB
Parking Brake Cable	91 - 81	F109069	(BC109069)	Forward; 133", 136" WB
Parking Brake Cable	91 - 81	F109070	(BC109070)	Forward; 138" WB
Parking Brake Cable	91 - 81	F109071	(BC109071)	Forward; 155" WB
Parking Brake Cable	91 - 87	F120900	(BC120900)	Rear; L.H.; w/o Ambulance Pkg.
Parking Brake Cable	91 - 87	F120909	(BC120909)	Rear; R.H.; w/o Ambulance Pkg.

F-150 PICKUP (cont.)

Brake Cables (cont.)

<i>Parking Brake Cable</i>	<i>Years</i>	<i>Sequential No.</i>	<i>Category No.</i>	<i>Qualifier</i>
Parking Brake Cable	86 - 81	F102654	(BC102654)	Rear; L.H.
Parking Brake Cable	86 - 81	F102653	(BC102653)	Rear; R.H.
Parking Brake Cable	83 - 81	F108079	(BC108079)	Forward; 116" WB

ABS Components - New

<i>ABS Control Module</i>	<i>Years</i>	<i>Sequential No.</i>	<i>Category No.</i>	<i>Qualifier</i>
ABS Control Module	91 - 87	F121047	(AB121047)	

<i>ABS Wheel Sensor</i>	<i>Years</i>	<i>Sequential No.</i>	<i>Category No.</i>	<i>Qualifier</i>
ABS Wheel Sensor	92 - 87	F121000	(AB121000)	Rear

ABS Components - Reman

<i>ABS Module</i>	<i>Years</i>	<i>Part No.</i>	<i>Qualifier</i>
ABS Module	94 - 92	RA121015	w/SRW
ABS Module	91 - 90	RA121012	w/SRW
ABS Module	89 - 87	RA121009	

<i>ABS Hydraulic Unit</i>	<i>Years</i>	<i>Part No.</i>	<i>Qualifier</i>
ABS Hydraulic Unit	96 - 95	RA122060	
ABS Hydraulic Unit	94 - 87	RA122025	

Wheel Attaching Hardware

<i>Front Wheel Stud</i>	<i>Years</i>	<i>Part No.</i>	<i>Qualifier</i>
Wheel Lug Stud	05	BD125967	2WD; w/5 Stud Whl.; 14mm Thread
Wheel Lug Stud	05	BD125992	2WD; w/7 Stud Whl.; 12mm Thread
Wheel Lug Stud	05	BD61164	2WD; w/8 Stud Whl.; 12mm Thread
Wheel Lug Stud	05	BD125967	4WD; w/5 Stud Whl.; 14mm Thread
Wheel Lug Stud	05	BD125870	4WD; w/7 Stud Whl.; 12mm Thread
Wheel Lug Stud	04 - 01	BD61164	2WD; w/8 Stud Whl.; 12mm Thread
Wheel Lug Stud	04 - 00	BD125870	4WD; w/7 Stud Whl.; 12mm Thread
Wheel Lug Stud	04 - 01	BD125967	w/5 Stud Whl.; 14mm Thread
Wheel Lug Stud	00	BD61164	2WD; 9/16" Thread
Wheel Lug Stud	00	BD125854	2WD; w/5 Stud Whl.; 12mm Thread
Wheel Lug Stud	00	BD125854	2WD; w/7 Stud Whl.; 12mm Thread
Wheel Lug Stud	00	BD125870	4WD; w/5 Stud Whl.; 12mm Thread
Wheel Lug Stud	99 - 97	BD125854	2WD
Wheel Lug Stud	99 - 97	BD125870	4WD
Wheel Lug Stud	96 - 81	BD61388	2WD
Wheel Lug Stud	96 - 89	BD60918	4WD
Wheel Lug Stud	88 - 87	BD60918	4WD; Auto. Locking Hubs
Wheel Lug Stud	88	BD125852	4WD; From 3/1/88; Man. Locking Hubs
Wheel Lug Stud	88	BD60918	4WD; From 5/1/88; Man. Locking Hubs
Wheel Lug Stud	88	BD60918	4WD; To 2/29/88; Man. Locking Hubs; w/3.07 A.R.
Wheel Lug Stud	88	BD125852	4WD; To 2/29/88; Man. Locking Hubs; w/3.54 or 4.09 A.R.
Wheel Lug Stud	88	BD125852	4WD; To 4/30/88; Man. Locking Hubs
Wheel Lug Stud	87	BD60918	4WD; Man. Locking Hubs; w/3.07 A.R.
Wheel Lug Stud	87	BD125852	4WD; Man. Locking Hubs; w/3.54 or 4.09 A.R.
Wheel Lug Stud	86 - 81	BD60918	4WD

<i>Rear Wheel Stud</i>	<i>Years</i>	<i>Part No.</i>	<i>Qualifier</i>
Wheel Lug Stud	05	BD125967	2WD; w/5 Stud Whl.; 14mm Thread
Wheel Lug Stud	05	BD125854	2WD; w/7 Stud Whl.; 12mm Thread
Wheel Lug Stud	05	BD125854	2WD; w/8 Stud Whl.; 12mm Thread
Wheel Lug Stud	05	BD125967	4WD; w/5 Stud Whl.; 14mm Thread
Wheel Lug Stud	05	BD125854	4WD; w/7 Stud Whl.; 12mm Thread
Wheel Lug Stud	04 - 01	BD125854	2WD; w/7 Stud Whl.; w/8 Stud Whl.; 12mm Thread
Wheel Lug Stud	04 - 01	BD125854	4WD; w/7 Stud Whl.; 12mm Thread
Wheel Lug Stud	04 - 01	BD125967	w/5 Stud Whl.; 14mm Thread
Wheel Lug Stud	00	BD125854	12mm Thread
Wheel Lug Stud	99 - 97	BD125854	

F-150 PICKUP (cont.)
Wheel Attaching Hardware (cont.)

Rear Wheel Stud	Years	Part No.	Qualifier
Wheel Lug Stud	96 - 81	BD60930	
Front Wheel Nut	Years	Part No.	Qualifier
Wheel Lug Nut	04 - 00	BD140001	Dome - Black, 14mm Thread
Wheel Lug Nut	04 - 00	BD125927	From 11/28/99; Flat Faced Open; 14mm Thread
Wheel Lug Nut	04 - 00	BD125921	To 11/28/99; Flat Faced Open; 12mm Thread
Wheel Lug Nut	02 - 01	BD125921	Flat Faced Open
Wheel Lug Nut	00 - 97	BD140021	Flanged Flat Face; 12mm Thread
Wheel Lug Nut	99 - 97	BD125921	Flat Faced Open
Wheel Lug Nut	96 - 81	BD61283	Std. Open; 1/2"-20 Thread; 13/16" Hex
Rear Wheel Nut	Years	Part No.	Qualifier
Wheel Lug Nut	04 - 00	BD140001	Dome - Black, 14mm Thread
Wheel Lug Nut	04 - 00	BD125927	From 11/28/99; Flat Faced Open; 14mm Thread
Wheel Lug Nut	04 - 00	BD125921	To 11/28/99; Flat Faced Open; 12mm Thread
Wheel Lug Nut	02 - 01	BD125921	Flat Faced Open
Wheel Lug Nut	00 - 97	BD140021	Flanged Flat Face; 12mm Thread
Wheel Lug Nut	99 - 97	BD125921	Flat Faced Open
Wheel Lug Nut	96 - 81	BD61283	Std. Open; 1/2"-20 Thread; 13/16" Hex

FORD - 1/2 TON VAN
E-100 ECONOLINE
Brake Pads & Shoes

Front Pads & Shoes	Years	SevereDuty	Lining No.	Qualifier
Brake Pads	83 - 81	SD50		
Rear Pads & Shoes	Years	SevereDuty	Lining No.	Qualifier
Brake Shoes	83 - 81	SDS263R	EX2121TD	11-1/32 x 2-1/4" Brake; Riveted

Rotor & Drum

Front Rotor & Drum	Years	Part No.	Qualifier
Brake Rotor	83 - 81	BD60428	
Rear Rotor & Drum	Years	Part No.	Qualifier
Brake Drum	83 - 81	BD60351	11-1/32 x 2-1/4" Brake

Brake Hardware

Front Brake Hardware	Years	Sequential No.	Category No.	Qualifier
Caliper Bolt/Pin	83 - 82	F102554S	(H5010C)	
Disc Align Kit	83 - 81	F102553S	(H5515)	
Rear Brake Hardware	Years	Sequential No.	Category No.	Qualifier
Adjuster Kit	83 - 81	F98374S	(H2544)	L.H.
Adjuster Kit	83 - 81	F98375S	(H2545)	R.H.
Adjuster Screw	83 - 81	F67401S	(H1520)	L.H.
Adjuster Screw	83 - 81	F67400S	(H1521)	R.H.
Combi Kit	83	F117127S	(H7071)	
↳Adjuster Spring Kit		F36470S	(H412)	
↳Hold Down Kit		F117126S	(H4097)	
↳Return Spring Kit		F36466S	(H325)	
Combi Kit	82 - 81	F78551S	(H7041)	
↳Adjuster Spring Kit		F36470S	(H412)	
↳Hold Down Kit		F19471S	(H4030)	
↳Return Spring Kit		F36466S	(H325)	

Calipers - Reman

Front, Loaded	Years	Left No.	Right No.	Qualifier	Piston
Loaded Caliper	83 - 81	AS76818A	AS76819A	Over 6350 GVW	P
Front, Unloaded	Years	Left No.	Right No.	Qualifier	Piston
Unloaded Caliper	83 - 81	CR76818	CR76819		P
Unloaded Caliper	83 - 81	CR76818S	CR76819S		O

↳Sub-Kit of Combi-Kit is available separately.

Piston: M - OE Metal Piston P - OE Phenolic Piston O - Metal Piston Option

E-100 ECONOLINE (cont.)

Hydraulics - New				
Master Cylinder	Years	Sequential No.	Category No.	Qualifier
Master Cylinder	83 - 81	F97934	(MC97934)	1" Bore
Master Cylinder	83 - 81	F97924	(MC97924)	w/Manual Brake; 1" Bore
Rear Wheel Cylinder	Years	Sequential No.	Category No.	Qualifier
Wheel Cylinder	83 - 81	F59240	(WC59240)	L.H.; 15/16" Bore
Wheel Cylinder	83 - 81	F59241	(WC59241)	R.H.; 15/16" Bore
Front Brake Hose	Years	Sequential No.	Category No.	Qualifier
Brake Hose	83 - 81	F80976	(BH80976)	L.H.
Brake Hose	83 - 81	F80977	(BH80977)	R.H.
Rear Brake Hose	Years	Sequential No.	Category No.	Qualifier
Brake Hose	83 - 81	F88996	(BH88996)	

Hydraulics - Reman				
Master Cylinder	Years	Part No.	Qualifier	
Master Cylinder	83 - 81	R97924	w/Manual Brake	
Master Cylinder	83 - 81	R97934	w/Power Brake	
Power Brake Booster	Years	Part No.	Qualifier	
Power Brake Booster	83 - 81	503718	Gas; w/Master Cylinder	
Power Brake Booster	83 - 81	5473718	Gas; w/o Master Cylinder	

Brake Cables				
Parking Brake Cable	Years	Sequential No.	Category No.	Qualifier
Parking Brake Cable	83 - 81	F109062	(BC109062)	Forward; 124" WB
Parking Brake Cable	83 - 81	F102663	(BC102663)	Forward; 138" WB
Parking Brake Cable	83 - 81	F120986	(BC120986)	Rear; L.H.
Parking Brake Cable	83 - 81	F102655	(BC102655)	Rear; R.H.

Wheel Attaching Hardware				
Front Wheel Stud	Years	Part No.	Qualifier	
Wheel Lug Stud	83 - 81	BD61388		
Rear Wheel Stud	Years	Part No.	Qualifier	
Wheel Lug Stud	83 - 81	BD60930		
Front Wheel Nut	Years	Part No.	Qualifier	
Wheel Lug Nut	83 - 81	BD61299	Bulge	
Wheel Lug Nut	83 - 81	BD61283	Dome - Stainless	
Wheel Lug Nut	83 - 81	BD61283	Std. Open; 1/2"-20 Thread; 13/16" Hex	
Rear Wheel Nut	Years	Part No.	Qualifier	
Wheel Lug Nut	83 - 81	BD61299	Bulge	
Wheel Lug Nut	83 - 81	BD61283	Dome - Stainless	
Wheel Lug Nut	83 - 81	BD61283	Std. Open; 1/2"-20 Thread; 13/16" Hex	

E-150 ECONOLINE

Brake Pads & Shoes				
Front Pads & Shoes	Years	SevereDuty	Lining No.	Qualifier
Brake Pads	06	SD1045		
Brake Pads	05 - 04	SD1045		
Brake Pads	03 - 94	SD632		
Brake Pads	93 - 87	SD360		
Brake Pads	86	SD50		w/Manual Brake
Brake Pads	86	SD360		w/Power Brake
Brake Pads	85 - 84	SD50		
Brake Pads	83 - 81	SD50		
Rear Pads & Shoes	Years	SevereDuty	Lining No.	Qualifier
Brake Pads	06	SD1046		
Brake Pads	05 - 04	SD1046		
Brake Shoes	06	SDS723	EX2182T	11-1/32 x 2-1/4" Brake; Bonded
Brake Shoes	05 - 97	SDS723	EX2182T	11-1/32 x 2-1/4" Brake; Bonded
Brake Shoes	96 - 86	SDS263R	EX2121TD	11-1/32 x 2-1/4" Brake; Riveted
Brake Shoes	85	SDS263R	EX2121TD	From 11/84; 11-1/32 x 2-1/4" Brake; Riveted

E-150 ECONOLINE (cont.)

Brake Pads & Shoes (cont.)

Rear Pads & Shoes	Years	SevereDuty	Lining No.	Qualifier
Brake Shoes	83 - 81	SDS263R	EX2121TD	11-1/32 x 2-1/4" Brake; Riveted

Rotor & Drum

Front Rotor & Drum	Years	Part No.	Qualifier
Brake Rotor	06	BD126114	w/4 Whl. ABS
Brake Rotor	06	BD125496	w/RWAL
Brake Rotor	05 - 04	BD126114	w/4 Whl. ABS
Brake Rotor	05 - 94	BD125496	w/RWAL
Brake Rotor	03 - 94	BD125404	w/4 Whl. ABS
Brake Rotor	93 - 81	BD60428	

Rear Rotor & Drum	Years	Part No.	Qualifier
Brake Drum	06	BD126004	11-1/32 x 2-1/4" Brake
Brake Drum	04 - 00	BD126004	11-1/32 x 2-1/4" Brake
Brake Drum	99 - 87	BD60884	11-1/32 x 2-1/4" Brake
Brake Drum	86 - 81	BD60351	11-1/32 x 2-1/4" Brake
Brake Rotor	06	BD126118	
Brake Rotor	05 - 04	BD126118	

Brake Hardware

Front Brake Hardware	Years	Sequential No.	Category No.	Qualifier
Caliper Bolt/Pin	03 - 95	F124505S	(H5053)	
Caliper Bolt/Pin	94 - 86	F111231S	(H5031)	
Caliper Bolt/Pin	85 - 82	F102554S	(H5010C)	
Disc Align Kit	06	F132522S	(H5600)	
Disc Align Kit	05 - 94	F132522S	(H5600)	
Disc Align Kit	93 - 86	F114476S	(H5571)	
Disc Align Kit	85	F76172S	(H5520)	
Disc Align Kit	84 - 81	F102553S	(H5515)	
Pin Boot Kit	03 - 94	F117215S	(H18000C)	

Rear Brake Hardware	Years	Sequential No.	Category No.	Qualifier
Adjuster Kit	04 - 97	F138096S	(H2702)	L.H.
Adjuster Kit	04 - 97	F138097S	(H2703)	R.H.
Adjuster Kit	96 - 81	F98374S	(H2544)	L.H.
Adjuster Kit	96 - 81	F98375S	(H2545)	R.H.
Adjuster Screw	05 - 97	F73150S	(H1527)	R.H.
Adjuster Screw	04 - 97	F73151S	(H1526)	L.H.
Adjuster Screw	96 - 81	F67401S	(H1520)	L.H.
Adjuster Screw	96 - 81	F67400S	(H1521)	R.H.
Combi Kit	05 - 97	F138801	(H7218)	
↳Hold Down Kit		F117126S	(H4097)	
↳Return Spring Kit		F36466S	(H325)	
Combi Kit	96 - 83	F117127S	(H7071)	
↳Adjuster Spring Kit		F36470S	(H412)	
↳Hold Down Kit		F117126S	(H4097)	
↳Return Spring Kit		F36466S	(H325)	
Combi Kit	82 - 81	F78551S	(H7041)	
↳Adjuster Spring Kit		F36470S	(H412)	
↳Hold Down Kit		F19471S	(H4030)	
↳Return Spring Kit		F36466S	(H325)	

Calipers - Reman

Front, Loaded	Years	Left No.	Right No.	Qualifier	Piston
Loaded Caliper	02 - 94	AS132685	AS132686	w/Single Piston Caliper	P
Loaded Caliper	02 - 94	AS132685S	AS132686S	w/Single Piston Caliper	O
Loaded Caliper	93 - 86	AS112482	AS112483		P
Loaded Caliper	93 - 86	AS112482S	AS112483S		O
Loaded Caliper	85 - 84	AS102432	AS102433	w/2.88" Single Piston Caliper	P
Loaded Caliper	85 - 84	AS102432S	AS102433S	w/2.88" Single Piston Caliper	O

↳Sub-Kit of Combi-Kit is available separately.

Piston: M - OE Metal Piston P - OE Phenolic Piston O - Metal Piston Option

E-150 ECONOLINE (cont.)

Calipers - Reman (cont.)

<i>Front, Loaded</i>	<i>Years</i>	<i>Left No.</i>	<i>Right No.</i>	<i>Qualifier</i>	<i>Piston</i>
Loaded Caliper	83 - 81	AS76818A	AS76819A	Over 6350 GVW	P
<i>Front, Unloaded</i>	<i>Years</i>	<i>Left No.</i>	<i>Right No.</i>	<i>Qualifier</i>	<i>Piston</i>
Unloaded Caliper	06	CR135119	CR135120		P
Unloaded Caliper	05 - 03	CR135119	CR135120		P
Unloaded Caliper	02 - 94	CR132685	CR132686	w/Single Piston Caliper	P
Unloaded Caliper	02 - 94	CR132685S	CR132686S	w/Single Piston Caliper	O
Unloaded Caliper	93 - 86	CR112482	CR112483		P
Unloaded Caliper	93 - 86	CR112482S	CR112483S		O
Unloaded Caliper	85 - 84	CR102432	CR102433	w/2.88" Single Piston Caliper	P
Unloaded Caliper	85 - 84	CR102432S	CR102433S	w/2.88" Single Piston Caliper	O
Unloaded Caliper	83 - 81	CR76818	CR76819		P
Unloaded Caliper	83 - 81	CR76818S	CR76819S		O

Hydraulics - New

<i>Master Cylinder</i>	<i>Years</i>	<i>Sequential No.</i>	<i>Category No.</i>	<i>Qualifier</i>
Master Cylinder	05 - 04	F140655	(MC140655)	w/Cruise Control; 1-1/4" Bore
Master Cylinder	05	F134457	(MC134457)	w/o Cruise Control; 1-5/16" Bore
Master Cylinder	04	F140456	(MC140456)	w/o Cruise Control; 1-1/4" Bore
Master Cylinder	03	F140479	(MC140479)	To 12/01/02; w/Cruise Control; 1-1/8" Bore
Master Cylinder	02	F140479	(MC140479)	w/Cruise Control; 1-1/8" Bore
Master Cylinder	96 - 94	F131210	(MC131210)	w/Cruise Control; 1-1/16" Bore
Master Cylinder	96 - 94	F120369	(MC120369)	w/o Cruise Control; 1-1/16" Bore
Master Cylinder	93 - 88	F120369	(MC120369)	1-1/16" Bore
Master Cylinder	87	F120370	(MC120370)	1" Bore
Master Cylinder	86	F110917	(MC110917)	From 9/85; 1-1/16" Bore
Master Cylinder	86	F97934	(MC97934)	To 9/85; 1" Bore
Master Cylinder	85 - 81	F97934	(MC97934)	1" Bore
Master Cylinder	83 - 81	F97924	(MC97924)	w/Manual Brake; 1" Bore
<i>Rear Wheel Cylinder</i>	<i>Years</i>	<i>Sequential No.</i>	<i>Category No.</i>	<i>Qualifier</i>
Wheel Cylinder	06	F78974	(WC78974)	L.H.; 1" Bore
Wheel Cylinder	06	F78975	(WC78975)	R.H.; 1" Bore
Wheel Cylinder	05 - 98	F78974	(WC78974)	L.H.; 1" Bore
Wheel Cylinder	05 - 98	F78975	(WC78975)	R.H.; 1" Bore
Wheel Cylinder	97 - 81	F59240	(WC59240)	L.H.; 15/16" Bore
Wheel Cylinder	97 - 81	F59241	(WC59241)	R.H.; 15/16" Bore
<i>Clutch Master Cylind</i>	<i>Years</i>	<i>Sequential No.</i>	<i>Category No.</i>	<i>Qualifier</i>
Clutch Master Cylinder	89 - 84	F110269	(CM110269)	7/8" Bore
<i>Clutch Slave Cylinder</i>	<i>Years</i>	<i>Sequential No.</i>	<i>Category No.</i>	<i>Qualifier</i>
Clutch Slave Cylinder	89 - 88	F126890	(SC126890)	1-1/32" Bore
Clutch Slave Cylinder	87 - 84	F103485	(SC103485)	1" Bore
<i>Front Brake Hose</i>	<i>Years</i>	<i>Sequential No.</i>	<i>Category No.</i>	<i>Qualifier</i>
Brake Hose	03 - 94	F132192	(BH132192)	L.H.; w/4 Whl. ABS
Brake Hose	03 - 94	F132193	(BH132193)	L.H.; w/RWAL
Brake Hose	03 - 94	F132194	(BH132194)	R.H.
Brake Hose	93 - 92	F130428	(BH130428)	L.H.
Brake Hose	93 - 92	F130429	(BH130429)	R.H.
Brake Hose	91 - 84	F111134	(BH111134)	L.H.
Brake Hose	91 - 84	F111135	(BH111135)	R.H.
Brake Hose	83 - 81	F80976	(BH80976)	L.H.
Brake Hose	83 - 81	F80977	(BH80977)	R.H.
<i>Rear Brake Hose</i>	<i>Years</i>	<i>Sequential No.</i>	<i>Category No.</i>	<i>Qualifier</i>
Brake Hose	06	F133837	(BH133837)	
Brake Hose	05 - 94	F133837	(BH133837)	
Brake Hose	93 - 90	F124714	(BH124714)	
Brake Hose	89 - 84	F119385	(BH119385)	
Brake Hose	83 - 81	F88996	(BH88996)	

Piston: M - OE Metal Piston P - OE Phenolic Piston O - Metal Piston Option

Hydraulics - Reman

Master Cylinder	Years	Part No.	Qualifier
Master Cylinder	03	R134718	w/Cruise; Booster I.D. No. 2C242B559HB
Master Cylinder	03	R134628	w/o Cruise; Booster I.D. No. 2C242B559JB
Master Cylinder	02 - 01	R134718	w/Cruise; Booster I.D. No. 1C242B559AA
Master Cylinder	02 - 01	R134628	w/o Cruise; Booster I.D. No. 1C242B559BA, 2C242B559JB
Master Cylinder	02 - 01	R134718	w/o Cruise; Booster I.D. No. YC252B559AA
Master Cylinder	00	R134718	w/Cruise; Booster I.D. No. XC252B559AB
Master Cylinder	00	R134718	w/o Cruise; Booster I.D. No. YC252B559AA
Master Cylinder	00	R134628	w/o Cruise; Booster I.D. No. YC252B559BA, YC252B559BB
Master Cylinder	99 - 97	R134718	w/Cruise
Master Cylinder	99 - 97	R134628	w/o Cruise
Master Cylinder	96 - 94	R131210	w/Cruise
Master Cylinder	96 - 94	R120369	w/o Cruise
Master Cylinder	93 - 88	R120369	
Master Cylinder	87	R120370	
Master Cylinder	86	R110917	From 9/85
Master Cylinder	86	R97934	To 9/85
Master Cylinder	85 - 84	R97934	
Master Cylinder	83 - 81	R97924	w/Manual Brake
Master Cylinder	83 - 81	R97934	w/Power Brake

Power Brake Booster	Years	Part No.	Qualifier
Power Brake Booster	02	5474418	Gas; w/o Master Cylinder; I.D. No. 1C242B559AA
Power Brake Booster	01 - 99	5474418	Gas; w/o Master Cylinder
Power Brake Booster	98 - 97	5474412	Gas; w/o Master Cylinder
Power Brake Booster	96 - 95	5474402	Gas; w/o Master Cylinder; w/Dual Diaphragm
Power Brake Booster	96 - 95	5474224	Gas; w/o Master Cylinder; w/Single Diaphragm
Power Brake Booster	94	504405	Gas; w/Master Cylinder; w/Cruise
Power Brake Booster	94	504406	Gas; w/Master Cylinder; w/o Cruise
Power Brake Booster	94	5474402	Gas; w/o Master Cylinder
Power Brake Booster	93 - 92	504402	Gas; w/Master Cylinder; Over 6500 lb. GVW
Power Brake Booster	93 - 92	504218	Gas; w/Master Cylinder; Under 6500 lb. GVW
Power Brake Booster	93 - 92	5474402	Gas; w/o Master Cylinder; Over 6500 lb. GVW
Power Brake Booster	93 - 92	5474218	Gas; w/o Master Cylinder; Under 6500 lb. GVW
Power Brake Booster	91 - 89	504302	Gas; w/Master Cylinder
Power Brake Booster	91 - 89	5474302	Gas; w/o Master Cylinder
Power Brake Booster	88	504302	From 12/87; Gas; w/Master Cylinder
Power Brake Booster	88	5474302	From 12/87; Gas; w/o Master Cylinder
Power Brake Booster	88	504207	To 12/87; Gas; w/Master Cylinder
Power Brake Booster	88	5474204	To 12/87; Gas; w/o Master Cylinder
Power Brake Booster	87	504209	Gas; w/Master Cylinder
Power Brake Booster	87	5474204	Gas; w/o Master Cylinder
Power Brake Booster	86	504204	From 9/85; Gas; w/Master Cylinder
Power Brake Booster	86	5474204	From 9/85; Gas; w/o Master Cylinder
Power Brake Booster	86	509318	To 9/85; Gas; w/Master Cylinder
Power Brake Booster	86	5473736	To 9/85; Gas; w/o Master Cylinder
Power Brake Booster	85 - 84	509318	Gas; w/Master Cylinder
Power Brake Booster	85 - 84	5473736	Gas; w/o Master Cylinder
Power Brake Booster	83 - 81	503718	Gas; w/Master Cylinder
Power Brake Booster	83 - 81	5473718	Gas; w/o Master Cylinder

Brake Cables

Parking Brake Cable	Years	Sequential No.	Category No.	Qualifier
Parking Brake Cable	02 - 97	F138822	(BC138822)	Forward
Parking Brake Cable	99 - 95	F133082	(BC133082)	Rear; L.H.
Parking Brake Cable	99 - 97	F138111	(BC138111)	Rear; R.H.
Parking Brake Cable	98	F140390	(BC140390)	Intermediate; 158" WB; 36" Length
Parking Brake Cable	97 - 96	F139252	(BC139252)	Intermediate; 138" WB; Stripped Chassis

FORD - 1/2 TON VAN



E-150 ECONOLINE (cont.)

Brake Cables (cont.)

Parking Brake Cable	Years	Sequential No.	Category No.	Qualifier
Parking Brake Cable	96 - 95	F133084	(BC133084)	Forward
Parking Brake Cable	96 - 95	F133083	(BC133083)	Intermediate
Parking Brake Cable	96 - 95	F133081	(BC133081)	Rear; R.H.
Parking Brake Cable	94 - 92	F132082	(BC132082)	Forward; Exc. Stripped Chassis
Parking Brake Cable	94 - 92	F132083	(BC132083)	Forward; Stripped Chassis
Parking Brake Cable	94 - 92	F132449	(BC132449)	Intermediate
Parking Brake Cable	94 - 92	F129222	(BC129222)	Rear; L.H.
Parking Brake Cable	94 - 92	F129223	(BC129223)	Rear; R.H.
Parking Brake Cable	91 - 88	F120902	(BC120902)	Forward; 124" WB
Parking Brake Cable	91 - 88	F120903	(BC120903)	Forward; 138" WB
Parking Brake Cable	91 - 87	F120989	(BC120989)	Rear; L.H.
Parking Brake Cable	91 - 87	F120904	(BC120904)	Rear; R.H.
Parking Brake Cable	87	F109062	(BC109062)	Forward; From 2/87; 124", 138" WB
Parking Brake Cable	87	F102663	(BC102663)	Forward; To 2/87; 138" WB
Parking Brake Cable	86 - 81	F109062	(BC109062)	Forward; 124" WB
Parking Brake Cable	86 - 81	F102663	(BC102663)	Forward; 138" WB
Parking Brake Cable	86 - 81	F120986	(BC120986)	Rear; L.H.
Parking Brake Cable	86 - 81	F102655	(BC102655)	Rear; R.H.

ABS Components - New

ABS Wheel Sensor	Years	Sequential No.	Category No.	Qualifier
ABS Wheel Sensor	95 - 90	F121000	(AB121000)	Rear

ABS Components - Reman

ABS Module	Years	Part No.	Qualifier
ABS Module	96 - 93	RA121021	w/2 Whl. ABS
ABS Module	92	RA121021	
ABS Module	91 - 90	RA121017	

ABS Hydraulic Unit	Years	Part No.	Qualifier
ABS Hydraulic Unit	96 - 95	RA122061	w/2 Whl. ABS
ABS Hydraulic Unit	94 - 93	RA122024	w/2 Whl. ABS
ABS Hydraulic Unit	92 - 90	RA122025	

Wheel Attaching Hardware

Front Wheel Stud	Years	Part No.	Qualifier
Wheel Lug Stud	05 - 81	BD61388	

Rear Wheel Stud	Years	Part No.	Qualifier
Wheel Lug Stud	05 - 01	BD125966	
Wheel Lug Stud	00 - 81	BD60930	

Front Wheel Nut	Years	Part No.	Qualifier
Wheel Lug Nut	05 - 81	BD61299	Bulge
Wheel Lug Nut	05 - 81	BD61283	Std. Open; 1/2"-20 Thread; 13/16" Hex
Wheel Lug Nut	94 - 86	BD61283	Dome - Stainless
Wheel Lug Nut	85	BD61283	w/o Gas; Dome - Stainless
Wheel Lug Nut	84 - 81	BD61283	Dome - Stainless

Rear Wheel Nut	Years	Part No.	Qualifier
Wheel Lug Nut	05 - 81	BD61299	Bulge
Wheel Lug Nut	05 - 81	BD61283	Std. Open; 1/2"-20 Thread; 13/16" Hex
Wheel Lug Nut	94 - 86	BD61283	Dome - Stainless
Wheel Lug Nut	85	BD61283	w/o Gas; Dome - Stainless
Wheel Lug Nut	84 - 81	BD61283	Dome - Stainless

FORD - 3/4 TON TRUCK

F-250 PICKUP

Brake Pads & Shoes

Front Pads & Shoes	Years	SevereDuty	Lining No.	Qualifier
Brake Pads	06	SD1069		

F-250 PICKUP (cont.)
Brake Pads & Shoes (cont.)

Front Pads & Shoes	Years	SevereDuty	Lining No.	Qualifier
Brake Pads	05	SD1069		
Brake Pads	04 - 99	SD756		Super Duty
Brake Pads	99	SD756		Over 8500 GVW
Brake Pads	99 - 97	SD702		Under 8500 GVW
Brake Pads	98 - 97	SD655		Over 8500 GVW
Brake Pads	96 - 95	SD655		2WD
Brake Pads	96 - 95	SD655		4WD; Over 8500 GVW
Brake Pads	96 - 95	SD450		4WD; Under 8500 GVW
Brake Pads	94 - 86	SD450		
Brake Pads	85 - 81	SD450		2WD; w/Dual Piston Caliper
Brake Pads	85 - 84	SD50		2WD; w/Single Piston Caliper
Brake Pads	85 - 81	SD450		4WD
Brake Pads	83 - 81	SD50		2WD; w/Single Piston Caliper

Rear Pads & Shoes	Years	SevereDuty	Lining No.	Qualifier
Brake Pads	06	SD1068		w/SRW
Brake Pads	05	SD1067		w/DRW
Brake Pads	05	SD1068		w/SRW
Brake Pads	04 - 99	SD757		Super Duty
Brake Pads	99	SD757		Over 8500 GVW
Brake Pads	99 - 98	SD711		Under 8500 GVW
Brake Pads	97	SD711		
Brake Shoes	99 - 98	SDS357NR	SX2146ATD	Over 8500 GVW; 12 x 2-1/2" Brake; Riveted
Brake Shoes	99 - 98	SDS358AR	EX2140TD	Over 8500 GVW; 12 x 3" Brake; Riveted
Brake Shoes	99 - 98	SDS357AR	EX2146ATD	Under 8500 GVW; 12 x 2-1/2" Brake; Riveted
Brake Shoes	97 - 81	SDS357NR	SX2146ATD	12 x 2-1/2" Brake; Riveted
Brake Shoes	97 - 81	SDS358AR	EX2140TD	12 x 3" Brake; Riveted
Brake Shoes	83 - 81	SDS357AR	EX2146ATD	12 x 2-1/2" Brake; Riveted

Parking Brake Shoes	Years	SevereDuty	Lining No.	Qualifier
Parking Brake Shoes	04 - 99	SDS771	EX2192	Super Duty; Bonded

Rotor & Drum

Front Rotor & Drum	Years	Part No.	Qualifier
Brake Rotor	06	BD126213	2WD; w/SRW
Brake Rotor	06	BD126275	4WD; w/DRW
Brake Rotor	06	BD126272	4WD; w/SRW
Brake Rotor	05	BD126213	2WD; w/SRW
Brake Rotor	05	BD126275	4WD; w/DRW
Brake Rotor	05	BD126272	4WD; w/SRW
Brake Rotor	04 - 99	BD125714	2WD; Super Duty; w/Mono Beam Axle
Brake Rotor	04 - 03	BD126113	2WD; Super Duty; w/Twin I-Beam Axle; w/4 Whl. ABS
Brake Rotor	04 - 99	BD125646	2WD; Super Duty; w/Twin I-Beam Axle; w/SRW; w/RWAL
Brake Rotor	04 - 99	BD125715	4WD; Super Duty; 3.73, 4.10, 4.30 A.R.
Brake Rotor	03 - 00	BD125714	4WD; Super Duty; 4.88 A.R., 5.38 A.R.
Brake Rotor	02 - 99	BD125651	2WD; Super Duty; w/Twin I-Beam Axle; w/DRW; w/4 Whl. ABS
Brake Rotor	02 - 99	BD125645	2WD; Super Duty; w/Twin I-Beam Axle; w/SRW; w/4 Whl. ABS
Brake Rotor	99	BD125651	2WD; Over 8500 GVW; w/DRW; w/4 Whl. ABS
Brake Rotor	99	BD125645	2WD; Over 8500 GVW; w/SRW; w/4 Whl. ABS
Brake Rotor	99	BD125646	2WD; Over 8500 GVW; w/SRW; w/RWAL
Brake Rotor	99 - 97	BD125707	2WD; Under 8500 GVW; w/4 Whl. ABS
Brake Rotor	99 - 97	BD125706	2WD; Under 8500 GVW; w/RWAL
Brake Rotor	99	BD125662	4WD; Over 8500 GVW
Brake Rotor	99	BD125715	4WD; Super Duty; From 3/22/99; 3.73, 4.10, 4.30 A.R.
Brake Rotor	99	BD125714	4WD; Super Duty; From 3/22/99; 4.88 A.R., 5.38 A.R.
Brake Rotor	99	BD125662	4WD; Super Duty; To 3/22/99; 3.73, 4.10, 4.30 A.R.
Brake Rotor	99	BD125746	4WD; Super Duty; To 3/22/99; 4.88 A.R., 5.38 A.R.
Brake Rotor	99 - 97	BD125529	4WD; Under 8500 GVW

F-250 PICKUP (cont.)

Rotor & Drum (cont.)

Front Rotor & Drum	Years	Part No.	Qualifier
Brake Rotor	98 - 97	BD125468	2WD; Over 8500 GVW
Brake Rotor	98 - 95	BD125474	4WD; Over 8500 GVW
Brake Rotor	96 - 95	BD125468	2WD
Brake Rotor	96 - 95	BD60394	4WD; Under 8500 GVW
Brake Rotor	94 - 92	BD61910	2WD
Brake Rotor	94 - 92	BD60394	4WD
Brake Rotor	91 - 86	BD61910	2WD; w/Dual Piston Caliper
Brake Rotor	91 - 86	BD60394	4WD; w/Dual Piston Caliper
Brake Rotor	85 - 81	BD61885	2WD; Over 8500 GVW; w/Dual Piston Caliper
Brake Rotor	85 - 81	BD60541	2WD; Under 8500 GVW; w/Dual Piston Caliper
Brake Rotor	85 - 81	BD60532	2WD; w/Single Piston Caliper
Brake Rotor	85 - 81	BD60394	4WD
Rotor Hub	94 - 92	BD61705	L.H.; 4WD; 3850 lb. FA
Rotor Hub	94 - 92	BD61705	R.H.; 4WD; 3850 lb. FA
Rotor Hub	91 - 88	BD61705	L.H.; 4WD; 3850 lb. FA; w/Dual Piston Caliper
Rotor Hub	91 - 88	BD61711	L.H.; 4WD; w/SRW; 4600 lb. FA; w/Dual Piston Caliper
Rotor Hub	91 - 88	BD61705	R.H.; 4WD; 3850 lb. FA; w/Dual Piston Caliper
Rotor Hub	91 - 88	BD61711	R.H.; 4WD; w/SRW; 4600 lb. FA; w/Dual Piston Caliper
Rotor Hub	87	BD61705	L.H.; 3850 lb. FA; w/Dual Piston Caliper
Rotor Hub	87	BD61711	L.H.; w/SRW; 4600 lb. FA; w/Dual Piston Caliper
Rotor Hub	87	BD61705	R.H.; 3850 lb. FA; w/Dual Piston Caliper
Rotor Hub	87	BD61711	R.H.; w/SRW; 4600 lb. FA; w/Dual Piston Caliper

Rear Rotor & Drum

Rear Rotor & Drum	Years	Part No.	Qualifier
Brake Drum	99 - 98	BD60819	Over 8500 GVW; 12 x 3" Brake
Brake Drum	99 - 98	BD125589	Under 8500 GVW; 12 x 2-1/2" Brake
Brake Drum	97	BD125589	12 x 2-1/2" Brake
Brake Drum	97 - 95	BD60819	12 x 3" Brake
Brake Drum	96 - 95	BD60868	12 x 2-1/2" Brake
Brake Drum	94 - 90	BD60868	5300 lb. RA; 12 x 2-1/2" Brake
Brake Drum	94 - 93	BD60819	6250 lb. RA; 12 x 3" Brake
Brake Drum	92 - 90	BD60465	6250 lb. RA; Exc. 10-1/4" R.G.; 12 x 3" Brake
Brake Drum	92	BD60819	w/10-1/4" R.G.; 6250 lb. RA; 12 x 3" Brake
Brake Drum	91 - 85	BD60819	w/10-1/4" R.G.; 12 x 3" Brake
Brake Drum	89 - 87	BD60868	12 x 2-1/2" Brake
Brake Drum	89 - 85	BD60465	Exc. 10-1/4" R.G.; 12 x 3" Brake
Brake Drum	86	BD60393	w/7-1/2", 9-3/4", 10-1/2" R.G.; 12 x 2-1/2" Brake
Brake Drum	86	BD60868	w/8-13/16", 10-1/4" R.G.; 12 x 2-1/2" Brake
Brake Drum	85 - 81	BD60393	12 x 2-1/2" Brake
Brake Drum	84	BD60465	12 x 3" Brake
Brake Drum	83	BD60793	From 2/83; 12 x 3" Brake
Brake Drum	83	BD60465	To 2/83; 12 x 3" Brake
Brake Drum	82 - 81	BD60465	12 x 3" Brake
Brake Rotor	06	BD126276	w/DRW
Brake Rotor	06	BD126274	w/SRW
Brake Rotor	05	BD126276	w/DRW
Brake Rotor	05	BD126274	w/SRW
Brake Rotor	04 - 99	BD125660	Super Duty
Brake Rotor	99 - 97	BD125530	Under 8500 GVW

Brake Hardware

Front Brake Hardware	Years	Sequential No.	Category No.	Qualifier
Caliper Bolt/Pin	03 - 01	F139875	(H4802)	
Caliper Bolt/Pin	99	F139370	(H5091)	Super Duty
Caliper Bolt/Pin	99 - 97	F138106S	(H5084)	Under 8500 GVW
Caliper Bolt/Pin	98 - 95	F126899S	(H5061)	Over 8500 GVW
Caliper Bolt/Pin	94 - 86	F111231S	(H5031)	

F-250 PICKUP (cont.)

Brake Hardware (cont.)

Front Brake Hardware	Years	Sequential No.	Category No.	Qualifier
Caliper Bolt/Pin	85 - 82	F102554S	(H5010C)	
Disc Align Kit	06	F140538	(H5688)	
Disc Align Kit	05	F140538	(H5688)	
Disc Align Kit	04 - 99	F139357	(H5638)	Super Duty
Disc Align Kit	99 - 97	F138118S	(H5616)	
Disc Align Kit	96 - 95	F114477	(H5572)	4WD; Under 8500 GVW
Disc Align Kit	96 - 95	F132611S	(H5602)	Over 8500 GVW
Disc Align Kit	94 - 92	F114477	(H5572)	
Disc Align Kit	91 - 87	F114477	(H5572)	w/Dual Piston Caliper
Disc Align Kit	86	F114477	(H5572)	
Disc Align Kit	85 - 81	F97900	(H5529)	2WD; w/Dual Piston Caliper
Disc Align Kit	85	F76172S	(H5520)	w/Single Piston Caliper
Disc Align Kit	84 - 81	F102553S	(H5515)	w/Single Piston Caliper
Pin Boot Kit	05 - 99	F139362	(H8228)	Super Duty
Pin Boot Kit	99 - 97	F117215S	(H18000C)	
Pin Boot Kit	96 - 95	F117215S	(H18000C)	Over 8500 GVW

Rear Brake Hardware	Years	Sequential No.	Category No.	Qualifier
Adjuster Kit	97 - 81	F98416	(H2588)	L.H.
Adjuster Kit	97 - 81	F98417	(H2589)	R.H.
Adjuster Screw	97 - 81	F79799	(H1534)	L.H.
Adjuster Screw	97 - 81	F79800	(H1535)	R.H.
Caliper Bolt/Pin	05 - 99	F139371	(H5092)	Super Duty
Combi Kit	98 - 81	F78555	(H7146)	12 x 2-1/2" Brake
↳Adjuster Spring Kit		F67454S	(H423)	
↳Return Spring Kit		F67455	(H546)	
Combi Kit	98 - 81	F102555	(H7164)	12 x 3" Brake
↳Adjuster Spring Kit		F106695	(H446)	
↳Return Spring Kit		F67455	(H546)	
Disc Align Kit	06	F140539	(H5689)	w/SRW
Disc Align Kit	05	F140539	(H5689)	w/SRW
Disc Align Kit	04 - 99	F139353	(H5484)	Super Duty
Disc Align Kit	99 - 97	F138116S	(H5479)	
Pin Boot Kit	05 - 99	F139363	(H8229)	Super Duty

Parking Brake	Years	Sequential No.	Category No.	Qualifier
Combi Kit	01 - 99	F139717	(H7226)	Super Duty
Combi Kit	99	F139717	(H7226)	

Calipers - Reman

Front, Loaded	Years	Left No.	Right No.	Qualifier	Piston
Loaded Caliper	04 - 00	AS134536	AS134537		P
Loaded Caliper	99	AS134301	AS134300	Super Duty	M
Loaded Caliper	98	AS133965	AS133966		P
Loaded Caliper	98	AS133965S	AS133966S		O
Loaded Caliper	97	AS133118	AS133119	Over 8500 GVW	P
Loaded Caliper	97	AS133965	AS133966	Under 8500 GVW	P
Loaded Caliper	97	AS133965S	AS133966S	Under 8500 GVW	O
Loaded Caliper	96 - 95	AS133118	AS133119		P
Loaded Caliper	94 - 89	AS128856	AS128857		P
Loaded Caliper	88 - 86	AS116931	AS116932		P
Loaded Caliper	85 - 81	AS102432	AS102433	w/2.88" Single Piston Caliper	P
Loaded Caliper	85 - 81	AS102432S	AS102433S	w/2.88" Single Piston Caliper	O
Loaded Caliper	85 - 81	AS102430	AS102431	w/Dual Piston Caliper	M

Rear, Loaded	Years	Left No.	Right No.	Qualifier	Piston
Loaded Caliper	04 - 01	AS134362	AS134361		P
Loaded Caliper	00	AS134362	AS134361	From 12/20/99	P
Loaded Caliper	00	AS134302	AS134302	To 12/20/99	M
Loaded Caliper	99	AS134302	AS134302	Super Duty	M

↳Sub-Kit of Combi-Kit is available separately.

Piston: M - OE Metal Piston P - OE Phenolic Piston O - Metal Piston Option

FORD - 3/4 TON TRUCK



F-250 PICKUP (cont.)

Calipers - Reman (cont.)

Front, Unloaded	Years	Left No.	Right No.	Qualifier	Piston
Unloaded Caliper	04 - 00	CRB134536	CRB134537	Super Duty; Supplied w/Mtg. Brkt.	P
Unloaded Caliper	04 - 00	CR134536	CR134537	Super Duty; Supplied w/o Mtg. Brkt.	P
Unloaded Caliper	99	CRB134301	CRB134300	Super Duty; Supplied w/Mtg. Brkt.	M
Unloaded Caliper	99	CR134301	CR134300	Super Duty; Supplied w/o Mtg. Brkt.	M
Unloaded Caliper	99 - 98	CRB133965	CRB133966	Supplied w/Mtg. Brkt.	M
Unloaded Caliper	99 - 98	CRB133965S	CRB133966S	Supplied w/Mtg. Brkt.	O
Unloaded Caliper	99 - 98	CR133965	CR133966	Supplied w/o Mtg. Brkt.	P
Unloaded Caliper	99 - 98	CR133965S	CR133966S	Supplied w/o Mtg. Brkt.	O
Unloaded Caliper	97	CRB133118	CRB133119	Over 8500 GVW; Supplied w/Mtg. Brkt.	P
Unloaded Caliper	97	CR133118	CR133119	Over 8500 GVW; Supplied w/o Mtg. Brkt.	P
Unloaded Caliper	97	CR133118S	CR133119S	Over 8500 GVW; Supplied w/o Mtg. Brkt.	O
Unloaded Caliper	97	CRB133965	CRB133966	Under 8500 GVW; Supplied w/Mtg. Brkt.	M
Unloaded Caliper	97	CRB133965S	CRB133966S	Under 8500 GVW; Supplied w/Mtg. Brkt.	O
Unloaded Caliper	97	CR133965	CR133966	Under 8500 GVW; Supplied w/o Mtg. Brkt.	P
Unloaded Caliper	97	CR133965S	CR133966S	Under 8500 GVW; Supplied w/o Mtg. Brkt.	O
Unloaded Caliper	96 - 95	CRB133118	CRB133119	Supplied w/Mtg. Brkt.	P
Unloaded Caliper	96 - 95	CRB133118S	CRB133119S	Supplied w/Mtg. Brkt.	O
Unloaded Caliper	96 - 95	CR133118	CR133119	Supplied w/o Mtg. Brkt.	P
Unloaded Caliper	96 - 95	CR133118S	CR133119S	Supplied w/o Mtg. Brkt.	O
Unloaded Caliper	94 - 89	CR128856	CR128857		P
Unloaded Caliper	88 - 86	CR116931	CR116932		P
Unloaded Caliper	85 - 81	CR102432	CR102433	w/2.88" Single Piston Caliper	P
Unloaded Caliper	85 - 81	CR102432S	CR102433S	w/2.88" Single Piston Caliper	O
Unloaded Caliper	85 - 81	CR102430	CR102431	w/Dual Piston Caliper	M

Rear, Unloaded	Years	Left No.	Right No.	Qualifier	Piston
Unloaded Caliper	04 - 01	CRB134362	CRB134361	Supplied w/Mtg. Brkt.	P
Unloaded Caliper	04 - 01	CR134362	CR134361	Supplied w/o Mtg. Brkt.	P
Unloaded Caliper	00	CRB134362	CRB134361	From 12/20/99; Supplied w/Mtg. Brkt.	P
Unloaded Caliper	00	CR134362	CR134361	From 12/20/99; Supplied w/o Mtg. Brkt.	P
Unloaded Caliper	00	CRB134302	CRB134302	To 12/20/99; Supplied w/Mtg. Brkt.	M
Unloaded Caliper	00	CR134302	CR134302	To 12/20/99; Supplied w/o Mtg. Brkt.	M
Unloaded Caliper	99 - 98	CR133969	CR133970		P
Unloaded Caliper	99 - 98	CR133969S	CR133970S		O
Unloaded Caliper	99	CRB134302	CRB134302	Super Duty; Supplied w/Mtg. Brkt.	M
Unloaded Caliper	99	CR134302	CR134302	Super Duty; Supplied w/o Mtg. Brkt.	M
Unloaded Caliper	97	CR133969	CR133970	Under 8500 GVW	P
Unloaded Caliper	97	CR133969S	CR133970S	Under 8500 GVW	O

Hydraulics - New

Master Cylinder	Years	Sequential No.	Category No.	Qualifier
Master Cylinder	03	F134454	(MC134454)	To 11/03/02; w/Cruise Control; w/Hydro-Boost
Master Cylinder	02 - 99	F134454	(MC134454)	Super Duty; w/Cruise Control
Master Cylinder	99 - 97	F131993	(MC131993)	Under 8500 GVW; w/Cruise Control; w/Rear Disc; 1-1/4" Bore
Master Cylinder	99 - 97	F140083	(MC140083)	Under 8500 GVW; w/Cruise Control; w/Rear Drum; 1-1/4" Bore
Master Cylinder	99 - 97	F131972	(MC131972)	Under 8500 GVW; w/o Cruise Control; w/Rear Drum; 1-1/4" Bore
Master Cylinder	97 - 96	F131993	(MC131993)	2WD; Diesel; Over 8500 GVW, w/o Cruise Control; 1-1/4" Bore
Master Cylinder	97 - 96	F140083	(MC140083)	4WD; Exc. Diesel; Over 8500 GVW, w/Cruise Control; 1-1/4" Bore
Master Cylinder	97 - 96	F131972	(MC131972)	4WD; Over 8500 GVW, w/o Cruise Control; 1-1/4" Bore
Master Cylinder	95 - 94	F131211	(MC131211)	2WD; Diesel; w/Cruise Control; 1-1/8" Bore
Master Cylinder	95 - 94	F131306	(MC131306)	2WD; Exc. Diesel; w/Cruise Control; 1-1/8" Bore
Master Cylinder	95 - 94	F131211	(MC131211)	4WD; w/Cruise Control; 1-1/8" Bore
Master Cylinder	95 - 94	F120368	(MC120368)	w/o Cruise Control; 1-1/8" Bore
Master Cylinder	93	F120368	(MC120368)	1-1/8" Bore
Master Cylinder	92 - 87	F120368	(MC120368)	Over 7000 GVW; 1-1/8" Bore
Master Cylinder	92 - 87	F120369	(MC120369)	Under 7000 GVW; 1-1/16" Bore

Piston: M - OE Metal Piston P - OE Phenolic Piston O - Metal Piston Option

F-250 PICKUP (cont.)
Hydraulics - New (cont.)

Master Cylinder	Years	Sequential No.	Category No.	Qualifier
Master Cylinder	86 - 84	F110919	(MC110919)	Over 8500 GVW; 1-1/8" Bore
Master Cylinder	86 - 84	F110917	(MC110917)	Under 8500 GVW; 1-1/16" Bore
Master Cylinder	83 - 81	F97934	(MC97934)	2WD; Exc. 8500 GVW; w/Single Piston Caliper; 1" Bore
Master Cylinder	83 - 81	F102421	(MC102421)	8500 GVW; w/Dual Piston Caliper; 1-1/16" Bore
Master Cylinder	83 - 81	F102420	(MC102420)	Exc. 8500 GVW; w/Dual Piston Caliper; 1-1/16" Bore
Rear Wheel Cylinder	Years	Sequential No.	Category No.	Qualifier
Wheel Cylinder	99 - 85	F78974	(WC78974)	L.H.; 12 x 2-1/2" Brake; 1" Bore
Wheel Cylinder	99 - 85	F78975	(WC78975)	R.H.; 12 x 2-1/2" Brake; 1" Bore
Wheel Cylinder	98 - 95	F131875	(WC131875)	L.H.; 12 x 3" Brake; 1-1/8" Bore
Wheel Cylinder	98 - 95	F131874	(WC131874)	R.H.; 12 x 3" Brake; 1-1/8" Bore
Wheel Cylinder	94 - 93	F73615	(WC73615)	L.H.; 12 x 3" Brake; 1-1/16" Bore
Wheel Cylinder	94 - 93	F73614	(WC73614)	R.H.; 12 x 3" Brake; 1-1/16" Bore
Wheel Cylinder	92 - 84	F57146	(WC57146)	L.H.; 12 x 3" Brake; 1" Bore
Wheel Cylinder	92 - 84	F57147	(WC57147)	R.H.; 12 x 3" Brake; 1" Bore
Wheel Cylinder	84	F78974	(WC78974)	L.H.; Exc. H/D Brake; 12 x 2-1/2" Brake; 1" Bore
Wheel Cylinder	84	F59240	(WC59240)	L.H.; H/D Brake; 12 x 2-1/2" Brake; 15/16" Bore
Wheel Cylinder	84	F78975	(WC78975)	R.H.; Exc. H/D Brake; 12 x 2-1/2" Brake; 1" Bore
Wheel Cylinder	84	F59241	(WC59241)	R.H.; H/D Brake; 12 x 2-1/2" Brake; 15/16" Bore
Wheel Cylinder	83 - 81	F59240	(WC59240)	L.H.; 5300 lb. RA; 15/16" Bore
Wheel Cylinder	83	F57146	(WC57146)	L.H.; 6250 lb. RA; 1" Bore
Wheel Cylinder	83 - 81	F59241	(WC59241)	R.H.; 5300 lb. RA; 15/16" Bore
Wheel Cylinder	83	F57147	(WC57147)	R.H.; 6250 lb. RA; 1" Bore
Wheel Cylinder	82	F57146	(WC57146)	L.H.; From 9/21/81; 6250 lb. RA; 1" Bore
Wheel Cylinder	82	F18984	(WC18984)	L.H.; To 9/21/81; 6250 lb. RA; 1-1/16" Bore
Wheel Cylinder	82	F57147	(WC57147)	R.H.; From 9/21/81; 6250 lb. RA; 1" Bore
Wheel Cylinder	82	F18985	(WC18985)	R.H.; To 9/21/81; 6250 lb. RA; 1-1/16" Bore
Wheel Cylinder	81	F18984	(WC18984)	L.H.; 6250 lb. RA; 1-1/16" Bore
Wheel Cylinder	81	F18985	(WC18985)	R.H.; 6250 lb. RA; 1-1/16" Bore
Clutch Master Cylind	Years	Sequential No.	Category No.	Qualifier
Clutch Master Cylinder	04 - 99	F134514	(CM134514)	Super Duty
Clutch Master Cylinder	99 - 97	F131853	(CM131853)	Under 8500 GVW; 45/64" Bore
Clutch Master Cylinder	97	F126886	(CM126886)	Diesel; Over 8500 GVW; 7/8" Bore
Clutch Master Cylinder	97	F126887	(CM126887)	Exc. Diesel; Over 8500 GVW; 45/64" Bore
Clutch Master Cylinder	96 - 93	F126886	(CM126886)	Diesel; 7/8" Bore
Clutch Master Cylinder	96 - 94	F126887	(CM126887)	Exc. Diesel; 45/64" Bore
Clutch Master Cylinder	93	F126887	(CM126887)	w/o Diesel; 45/64" Bore
Clutch Master Cylinder	92	F126886	(CM126886)	7/8" Bore
Clutch Master Cylinder	91 - 88	F117053	(CM117053)	7/8" Bore
Clutch Master Cylinder	87 - 82	F110710	(CM110710)	7/8" Bore
Clutch Slave Cylinder	Years	Sequential No.	Category No.	Qualifier
Clutch Slave Cylinder	03 - 99	F134504	(SC134504)	Super Duty; Diesel; 6 Spd. M/T; 13/16" Bore
Clutch Slave Cylinder	03 - 99	F134508	(SC134508)	Super Duty; w/o Diesel; w/5 Spd. Trans.; 13/16" Bore
Clutch Slave Cylinder	98	F103476	(SC103476)	Over 8500 GVW; 1-1/4" Bore
Clutch Slave Cylinder	97	F103476	(SC103476)	Exc. Cng; Over 8500 GVW; 1-1/4" Bore
Clutch Slave Cylinder	96 - 95	F103476	(SC103476)	Exc. 5.0;5.8L; 1-1/4" Bore
Clutch Slave Cylinder	96 - 94	F126893	(SC126893)	Exc. Diesel; 1-9/16" Bore
Clutch Slave Cylinder	94	F126892	(SC126892)	Exc. 5.0;5.8L; 1st Design; 1-1/32" Bore
Clutch Slave Cylinder	94	F103476	(SC103476)	Exc. 5.0;5.8L; 2nd Design; 1-1/4" Bore
Clutch Slave Cylinder	93	F126892	(SC126892)	7.3;7.5L; 1st Design; 1-1/32" Bore
Clutch Slave Cylinder	93	F103476	(SC103476)	7.3;7.5L; 2nd Design; 1-1/4" Bore
Clutch Slave Cylinder	93	F126891	(SC126891)	7.3;7.5L; w/4 Spd. T-18 M/T; 53/64" Bore
Clutch Slave Cylinder	93	F126893	(SC126893)	w/o Diesel; 1-9/16" Bore
Clutch Slave Cylinder	92 - 88	F103476	(SC103476)	7.3;7.5L; 1-1/4" Bore
Clutch Slave Cylinder	92 - 88	F103485	(SC103485)	w/4 Spd. T-18 M/T; 1" Bore
Clutch Slave Cylinder	92 - 88	F126890	(SC126890)	w/o Diesel; 1-1/32" Bore

F-250 PICKUP (cont.)

Hydraulics - New (cont.)

Clutch Slave Cylinder	Years	Sequential No.	Category No.	Qualifier
Clutch Slave Cylinder	87 - 86	F103476	(SC103476)	6.9;7.5L; 1-1/4" Bore
Clutch Slave Cylinder	87 - 86	F103485	(SC103485)	w/o Diesel; 1" Bore
Clutch Slave Cylinder	85	F103485	(SC103485)	Exc. Diesel; 1" Bore
Clutch Slave Cylinder	85 - 84	F103476	(SC103476)	Exc. Lpg; 1-1/4" Bore
Clutch Slave Cylinder	84 - 83	F103485	(SC103485)	w/o Diesel; 1" Bore
Clutch Slave Cylinder	83	F103476	(SC103476)	6.9;7.5L; 1-1/4" Bore
Clutch Slave Cylinder	82 - 81	F103485	(SC103485)	1" Bore

Front Brake Hose	Years	Sequential No.	Category No.	Qualifier
Brake Hose	04 - 99	F140323	(BH140323)	L.H.; 4WD; Super Duty; Over 8500 GVW; w/4 Whl. ABS; w/Auto Locking Hub
Brake Hose	04 - 99	F138927	(BH138927)	L.H.; 4WD; Super Duty; Over 8500 GVW; w/4 Whl. ABS; w/Manual Locking Hub
Brake Hose	04 - 99	F140324	(BH140324)	L.H.; 4WD; Super Duty; Over 8500 GVW; w/RWAL; w/Auto Locking Hub
Brake Hose	04 - 99	F138924	(BH138924)	L.H.; 4WD; Super Duty; Over 8500 GVW; w/RWAL; w/Manual Locking Hub
Brake Hose	04 - 99	F140325	(BH140325)	R.H.; 4WD; Super Duty; Over 8500 GVW; w/Auto Locking Hub
Brake Hose	04 - 99	F138926	(BH138926)	R.H.; 4WD; Super Duty; Over 8500 GVW; w/Manual Locking Hub
Brake Hose	99	F140076	(BH140076)	L.H.; 2WD; Under 8500 GVW; w/ABS
Brake Hose	99	F139247	(BH139247)	L.H.; 2WD; Under 8500 GVW; w/RWAL
Brake Hose	99	F138044	(BH138044)	L.H.; 4WD; Under 8500 GVW; w/RWAL
Brake Hose	99	F139248	(BH139248)	R.H.; 2WD; Under 8500 GVW; w/ABS
Brake Hose	99	F138045	(BH138045)	R.H.; 4WD; Under 8500 GVW; w/RWAL
Brake Hose	98 - 97	F132771	(BH132771)	L.H.; 2WD; Over 8500 GVW
Brake Hose	98 - 97	F139247	(BH139247)	L.H.; 2WD; Under 8500 GVW
Brake Hose	98 - 95	F132752	(BH132752)	L.H.; 4WD; Over 8500 GVW
Brake Hose	98 - 97	F138044	(BH138044)	L.H.; 4WD; Under 8500 GVW
Brake Hose	98 - 97	F132770	(BH132770)	R.H.; 2WD; Over 8500 GVW
Brake Hose	98 - 97	F139248	(BH139248)	R.H.; 2WD; Under 8500 GVW
Brake Hose	98 - 95	F132753	(BH132753)	R.H.; 4WD; Over 8500 GVW
Brake Hose	98 - 97	F138045	(BH138045)	R.H.; 4WD; Under 8500 GVW
Brake Hose	96 - 95	F132771	(BH132771)	L.H.; 2WD
Brake Hose	96 - 95	F124727	(BH124727)	L.H.; 4WD; Under 8500 GVW
Brake Hose	96 - 95	F132770	(BH132770)	R.H.; 2WD
Brake Hose	96 - 95	F106367	(BH106367)	R.H.; 4WD; Under 8500 GVW
Brake Hose	94 - 90	F124726	(BH124726)	L.H.; 2WD
Brake Hose	94 - 90	F124727	(BH124727)	L.H.; 4WD
Brake Hose	94 - 90	F103302	(BH103302)	R.H.; 2WD
Brake Hose	94 - 90	F106367	(BH106367)	R.H.; 4WD
Brake Hose	89 - 86	F103302	(BH103302)	2WD
Brake Hose	89 - 81	F106367	(BH106367)	4WD
Brake Hose	85 - 81	F103302	(BH103302)	2WD; w/Dual Piston Caliper
Brake Hose	85 - 81	F103201	(BH103201)	L.H.; 2WD; w/Single Piston Caliper
Brake Hose	85 - 81	F103200	(BH103200)	R.H.; 2WD; w/Single Piston Caliper

Rear Brake Hose	Years	Sequential No.	Category No.	Qualifier
Brake Hose	99 - 97	F134792	(BH134792)	4WD; Under 8500 GVW
Brake Hose	99	F134792	(BH134792)	Super Duty
Brake Hose	98 - 97	F130431	(BH130431)	2WD; Over 8500 GVW
Brake Hose	98 - 97	F134791	(BH134791)	2WD; Under 8500 GVW
Brake Hose	98 - 97	F130426	(BH130426)	4WD; Over 8500 GVW
Brake Hose	96 - 92	F130431	(BH130431)	2WD
Brake Hose	96 - 92	F130426	(BH130426)	4WD
Brake Hose	91 - 88	F119387	(BH119387)	2WD
Brake Hose	91 - 88	F119386	(BH119386)	4WD
Brake Hose	87 - 86	F113378	(BH113378)	133" WB; w/Mono Beam FA
Brake Hose	87 - 86	F113379	(BH113379)	137" WB; w/Mono Beam FA
Brake Hose	87 - 86	F113378	(BH113378)	153" WB; w/Mono Beam FA
Brake Hose	87 - 86	F113379	(BH113379)	161" WB; w/Mono Beam FA
Brake Hose	87 - 86	F113378	(BH113378)	168" WB; w/Mono Beam FA

F-250 PICKUP (cont.)
Hydraulics - New (cont.)

Rear Brake Hose	Years	Sequential No.	Category No.	Qualifier
Brake Hose	87 - 86	F119387	(BH119387)	2WD; Exc. Mono Beam FA
Brake Hose	87 - 86	F119386	(BH119386)	4WD; Exc. Mono Beam FA
Brake Hose	85 - 81	F119387	(BH119387)	2WD
Brake Hose	85 - 81	F119386	(BH119386)	4WD

Hydraulics - Reman

Master Cylinder	Years	Part No.	Qualifier
Master Cylinder	04 - 99	R134792	Super Duty; w/Cruise
Master Cylinder	04 - 99	R134793	Super Duty; w/o Cruise
Master Cylinder	99	R134792	w/Cruise; Over 8500 lb. GVW
Master Cylinder	99	R134639	w/Cruise; Under 8500 lb. GVW
Master Cylinder	99	R134793	w/o Cruise; Over 8500 lb. GVW
Master Cylinder	99	R134638	w/o Cruise; Under 8500 lb. GVW
Master Cylinder	98 - 97	R131306	2WD; w/Cruise; Over 8500 lb. GVW
Master Cylinder	98 - 97	R134639	2WD; w/Cruise; Under 8500 lb. GVW
Master Cylinder	98 - 97	R120368	2WD; w/o Cruise; Over 8500 lb. GVW
Master Cylinder	98 - 97	R134638	2WD; w/o Cruise; Under 8500 lb. GVW
Master Cylinder	96 - 94	R131306	2WD; Gas; w/Cruise
Master Cylinder	96 - 94	R120368	2WD; Gas; w/o Cruise
Master Cylinder	96 - 94	R134639	4WD; Gas; w/Cruise
Master Cylinder	96 - 94	R134638	4WD; Gas; w/o Cruise
Master Cylinder	96 - 94	R134639	Diesel; w/Cruise
Master Cylinder	96 - 94	R134638	Diesel; w/o Cruise
Master Cylinder	93	R120368	
Master Cylinder	92 - 87	R120368	Over 7000 lb. GVW
Master Cylinder	92 - 87	R120369	Under 7000 lb. GVW
Master Cylinder	86 - 84	R110919	Over 8500 lb. GVW
Master Cylinder	86 - 84	R110917	Under 8500 lb. GVW
Master Cylinder	83 - 81	R102421	Over 8500 lb. GVW
Master Cylinder	83 - 81	R102420	Under 8500 lb. GVW; w/Dual Piston
Master Cylinder	83 - 81	R97934	Under 8500 lb. GVW; w/Single Piston

Power Brake Booster	Years	Part No.	Qualifier
Hydro Booster	00 - 99	527357	Super Duty

Power Brake Booster	Years	Part No.	Qualifier
Power Brake Booster	04 - 99	5474420	Gas; w/o Master Cylinder; Super Duty; w/Vacuum Boost
Power Brake Booster	99 - 97	5474400	Gas; w/o Master Cylinder; Over 8500 lb. GVW
Power Brake Booster	99 - 97	5474408	Gas; w/o Master Cylinder; Under 8500 lb. GVW
Power Brake Booster	96 - 94	504404	Gas; w/Master Cylinder; w/Cruise
Power Brake Booster	96 - 93	504400	Gas; w/Master Cylinder; w/o Cruise
Power Brake Booster	96 - 93	5474400	Gas; w/o Master Cylinder
Power Brake Booster	94 - 93	504404	Gas; w/Master Cylinder; w/Cruise
Power Brake Booster	94	504404	Gas; w/Master Cylinder; w/Cruise; Incl. Pump/Motor; Also Avail. Separately
Power Brake Booster	92 - 90	504400	Gas; w/Master Cylinder; Over 7000 lb. GVW
Power Brake Booster	92 - 89	504210	Gas; w/Master Cylinder; Under 7000 lb. GVW
Power Brake Booster	92 - 90	5474400	Gas; w/o Master Cylinder; Over 7000 lb. GVW
Power Brake Booster	92 - 89	5474210	Gas; w/o Master Cylinder; Under 7000 lb. GVW
Power Brake Booster	89 - 87	504400	Gas; w/Master Cylinder; Over 7000 lb. GVW; w/Pedal Rod No. 15315
Power Brake Booster	89 - 87	5473181	Gas; w/o Master Cylinder; Over 7000 lb. GVW; w/Pedal Rod No. 14838
Power Brake Booster	89 - 87	5474400	Gas; w/o Master Cylinder; Over 7000 lb. GVW; w/Pedal Rod No. 15315
Power Brake Booster	88 - 87	504212	Gas; w/Master Cylinder; Under 7000 lb. GVW
Power Brake Booster	88 - 87	5474211	Gas; w/o Master Cylinder; Under 7000 lb. GVW
Power Brake Booster	86 - 84	509331	Gas; w/Master Cylinder; Over 8500 lb. GVW
Power Brake Booster	86 - 84	509330	Gas; w/Master Cylinder; Under 8500 lb. GVW
Power Brake Booster	86 - 84	5473355	Gas; w/o Master Cylinder; Over 8500 lb. GVW
Power Brake Booster	86 - 84	5474211	Gas; w/o Master Cylinder; Under 8500 lb. GVW
Power Brake Booster	83 - 81	509332	Gas; w/Master Cylinder; Over 8500 lb. GVW

F-250 PICKUP (cont.)

Hydraulics - Reman (cont.)

Power Brake Booster	Years	Part No.	Qualifier
Power Brake Booster	83 - 81	509333	Gas; w/Master Cylinder; Under 8500 lb. GVW; w/Dual Piston
Power Brake Booster	83 - 81	504201	Gas; w/Master Cylinder; Under 8500 lb. GVW; w/Single Piston
Power Brake Booster	83 - 81	5473356	Gas; w/o Master Cylinder; Over 8500 lb. GVW
Power Brake Booster	83 - 81	5474201	Gas; w/o Master Cylinder; Under 8500 lb. GVW

Brake Cables

Parking Brake Cable	Years	Sequential No.	Category No.	Qualifier
Parking Brake Cable	99 - 97	F140058	(BC140058)	Forward; Under 8500 GVW; w/Rear Disc; 66" Length
Parking Brake Cable	99 - 97	F139251	(BC139251)	Intermediate; Under 8500 GVW
Parking Brake Cable	99 - 97	F138837	(BC138837)	Rear; L.H.; Under 8500 GVW; w/Rear Drum
Parking Brake Cable	99	F140293	(BC140293)	Rear; R.H.; Under 8500 GVW; w/Rear Disc
Parking Brake Cable	99 - 98	F140099	(BC140099)	Rear; R.H.; Under 8500 GVW; w/Rear Drum
Parking Brake Cable	98 - 96	F140104	(BC140104)	Forward; Over 8500 GVW; 45" Length
Parking Brake Cable	98 - 97	F140107	(BC140107)	Forward; Under 8500 GVW; w/Rear Drum; 92" Length
Parking Brake Cable	98 - 97	F140108	(BC140108)	Rear; L.H.; To 9/29/98; Under 8500 GVW; w/Rear Disc; 39" Length
Parking Brake Cable	97	F128641	(BC128641)	Rear; L.H.; Over 8500 GVW; w/Ambulance Pkg.
Parking Brake Cable	97 - 90	F140167	(BC140167)	Rear; L.H.; Over 8500 GVW; w/o Ambulance Pkg.; 63" Length
Parking Brake Cable	97	F128642	(BC128642)	Rear; R.H.; Over 8500 GVW; w/Ambulance Pkg.
Parking Brake Cable	97 - 90	F140111	(BC140111)	Rear; R.H.; Over 8500 GVW; w/o Ambulance Pkg.; 95" Length
Parking Brake Cable	97	F138821	(BC138821)	Rear; R.H.; Under 8500 GVW; w/Rear Drum
Parking Brake Cable	96 - 92	F109071	(BC109071)	Forward; 155" WB; w/o Ambulance Pkg.
Parking Brake Cable	96 - 92	F132061	(BC132061)	Forward; Exc. 155" WB; Exc. Ambulance Pkg.
Parking Brake Cable	96 - 92	F129225	(BC129225)	Intermediate; 133", 136" WB
Parking Brake Cable	96 - 92	F129226	(BC129226)	Intermediate; 138" WB
Parking Brake Cable	96 - 92	F129227	(BC129227)	Intermediate; 155" WB
Parking Brake Cable	96 - 92	F129228	(BC129228)	Intermediate; 160" WB
Parking Brake Cable	96 - 92	F129229	(BC129229)	Intermediate; w/Super Cab
Parking Brake Cable	96 - 88	F128641	(BC128641)	Rear; L.H.; w/Ambulance Pkg.
Parking Brake Cable	96 - 88	F128642	(BC128642)	Rear; R.H.; w/Ambulance Pkg.
Parking Brake Cable	96 - 92	F132092	(BC132092)	Rear; R.H.; w/o Ambulance Pkg.
Parking Brake Cable	91 - 81	F109069	(BC109069)	Forward; 133" WB
Parking Brake Cable	91 - 81	F109070	(BC109070)	Forward; 138" WB
Parking Brake Cable	91 - 81	F109071	(BC109071)	Forward; 155" WB
Parking Brake Cable	91 - 81	F108326	(BC108326)	Forward; 168" WB
Parking Brake Cable	89 - 88	F120907	(BC120907)	Rear; L.H.; w/o Ambulance Pkg.
Parking Brake Cable	89 - 88	F120908	(BC120908)	Rear; R.H.; w/o Ambulance Pkg.
Parking Brake Cable	87	F120907	(BC120907)	Rear; L.H.; From 2/87
Parking Brake Cable	87	F108324	(BC108324)	Rear; L.H.; To 2/87
Parking Brake Cable	87 - 81	F120908	(BC120908)	Rear; R.H.
Parking Brake Cable	86 - 81	F108324	(BC108324)	Rear; L.H.
Parking Brake Cable	83 - 81	F120898	(BC120898)	Forward; 160" WB

ABS Components - New

ABS Control Module	Years	Sequential No.	Category No.	Qualifier
ABS Control Module	91 - 90	F121047	(AB121047)	Exc. Super Duty
ABS Control Module	91 - 90	F121048	(AB121048)	Super Duty
ABS Control Module	89 - 87	F121047	(AB121047)	

ABS Modulator	Years	Sequential No.	Category No.	Qualifier
ABS Modulator	91 - 87	F121001	(AB121001)	Over 8500 GVW

ABS Wheel Sensor	Years	Sequential No.	Category No.	Qualifier
ABS Wheel Sensor	94 - 87	F121000	(AB121000)	Rear

ABS Components - Reman

ABS Module	Years	Part No.	Qualifier
ABS Module	94 - 92	RA121015	w/SRW
ABS Module	91 - 90	RA121014	w/DRW
ABS Module	91 - 90	RA121012	w/SRW

F-250 PICKUP (cont.)
ABS Components - Reman (cont.)

ABS Module	Years	Part No.	Qualifier
ABS Module	89 - 87	RA121009	
ABS Hydraulic Unit	Years	Part No.	Qualifier
ABS Hydraulic Unit	98 - 97	RA122060	Over 8500 lb. GVW
ABS Hydraulic Unit	96 - 95	RA122060	
ABS Hydraulic Unit	94 - 87	RA122024	Over 8500 lb. GVW
ABS Hydraulic Unit	94 - 87	RA122026	Under 8500 lb. GVW

Wheel Attaching Hardware

Front Wheel Stud	Years	Part No.	Qualifier
Wheel Lug Stud	05	BD125976	w/o Diesel; 14mm Thread
Wheel Lug Stud	04 - 01	BD125976	14mm Thread
Wheel Lug Stud	00 - 99	BD125941	Super Duty; 14mm Thread
Wheel Lug Stud	00 - 99	BD125854	Super Duty; 2WD; 12mm Thread
Wheel Lug Stud	00 - 99	BD125870	Super Duty; 4WD; 12mm Thread
Wheel Lug Stud	99 - 97	BD125854	2WD; Under 8500 GVW
Wheel Lug Stud	99 - 97	BD125870	4WD; Under 8500 GVW
Wheel Lug Stud	97	BD61164	2WD; Over 8500 GVW
Wheel Lug Stud	97	BD60932	4WD; Over 8500 GVW
Wheel Lug Stud	96 - 90	BD61164	2WD
Wheel Lug Stud	96 - 90	BD60932	4WD
Wheel Lug Stud	89 - 86	BD60932	4WD; 3850 FA
Wheel Lug Stud	89 - 86	BD60932	4WD; 4600 FA; Exc. 3.54 A.R.
Wheel Lug Stud	89 - 86	BD60959	4WD; 4600 FA; w/3.54 A.R.
Wheel Lug Stud	86	BD61164	2WD
Wheel Lug Stud	85 - 81	BD61388	2WD
Wheel Lug Stud	85	BD60959	4500 FA
Wheel Lug Stud	85	BD60932	4WD; 3850 FA; Exc. 4.10 A.R.
Wheel Lug Stud	85	BD60959	4WD; 3850 FA; w/4.10 A.R.
Wheel Lug Stud	84	BD60932	4WD; From 10/1/83; 3850 FA; Exc. 4.10 A.R.
Wheel Lug Stud	84	BD60959	4WD; From 10/1/83; 3850 FA; w/4.10 A.R.
Wheel Lug Stud	84	BD60959	4WD; From 10/1/83; 4600 FA
Wheel Lug Stud	84	BD60932	4WD; To 9/30/83; Over 8500 GVW
Wheel Lug Stud	84	BD60959	4WD; To 9/30/83; Under 8500 GVW
Wheel Lug Stud	83 - 82	BD60932	4WD; Over 8500 GVW
Wheel Lug Stud	83 - 82	BD60959	4WD; Under 8500 GVW
Wheel Lug Stud	81	BD60959	4WD; 3800 FA; w/3.00 A.R.
Wheel Lug Stud	81	BD60959	4WD; 3800 FA; w/3.54 A.R.; Auto. Locking Hubs
Wheel Lug Stud	81	BD60959	4WD; 3800 FA; w/3.54 A.R.; Man. Locking Hubs; w/Limited Slip
Wheel Lug Stud	81	BD60932	4WD; 3800 FA; w/3.54 A.R.; Man. Locking Hubs; w/o Limited Slip; Over 8500 GVW
Wheel Lug Stud	81	BD60959	4WD; 3800 FA; w/3.54 A.R.; Man. Locking Hubs; w/o Limited Slip; Under 8500 GVW
Wheel Lug Stud	81	BD60959	4WD; 4500 FA; w/3.54 A.R.
Wheel Lug Stud	81	BD60932	4WD; 4500 FA; w/4.10 A.R.
Rear Wheel Stud	Years	Part No.	Qualifier
Wheel Lug Stud	05 - 99	BD125941	Super Duty; 14mm Thread
Wheel Lug Stud	05 - 99	BD61175	Super Duty; 9/16" Thread
Wheel Lug Stud	00 - 99	BD125854	Super Duty; 12mm Thread
Wheel Lug Stud	99 - 97	BD125854	Under 8500 GVW
Wheel Lug Stud	97	BD61175	Over 8500 GVW
Wheel Lug Stud	96 - 87	BD61194	w/12 x 2-1/2" Drum
Wheel Lug Stud	96 - 90	BD61175	w/12 x 3" Drum
Wheel Lug Stud	89 - 87	BD61164	2WD
Wheel Lug Stud	89 - 85	BD60984	w/12 x 3" Drum, Exc. 10-1/4" R.G.
Wheel Lug Stud	89 - 85	BD61175	w/12 x 3" Drum; 10-1/4" R.G.
Wheel Lug Stud	86	BD61194	w/12 x 2-1/2" Drum; 8-13/16 or 10-1/4" R.G.
Wheel Lug Stud	86	BD61162	w/12 x 2-1/2" Drum; 9-3/4" R.G.
Wheel Lug Stud	85	BD61186	w/12 x 2-1/2" Drum; 10-1/4" R.G.

FORD - 3/4 TON TRUCK



F-250 PICKUP (cont.)

Wheel Attaching Hardware (cont.)

<i>Rear Wheel Stud</i>	<i>Years</i>	<i>Part No.</i>	<i>Qualifier</i>
Wheel Lug Stud	85	BD61162	w/12 x 2-1/2" Drum; Exc. 10-1/4" R.G.
Wheel Lug Stud	84	BD61162	w/12 x 2-1/2" Drum
Wheel Lug Stud	84	BD60984	w/12 x 3" Drum
Wheel Lug Stud	83 - 82	BD61167	From 2/1/83; L.H. Thread; w/12 x 3" Drum
Wheel Lug Stud	83 - 82	BD61168	From 2/1/83; R.H. Thread; w/12 x 3" Drum
Wheel Lug Stud	83 - 82	BD60985	To 1/31/83; L.H. Thread; w/12 x 3" Drum
Wheel Lug Stud	83 - 82	BD60984	To 1/31/83; R.H. Thread; w/12 x 3" Drum
Wheel Lug Stud	83 - 81	BD60929	w/12 x 2-1/2" Drum
Wheel Lug Stud	81	BD60985	L.H. Thread; w/12 x 3" Drum
Wheel Lug Stud	81	BD60984	R.H. Thread; w/12 x 3" Drum
<i>Front Wheel Nut</i>	<i>Years</i>	<i>Part No.</i>	<i>Qualifier</i>
Wheel Lug Nut	05 - 03	BD125927	Flat Faced Open
Wheel Lug Nut	99 - 97	BD125921	Flat Faced Open; Under 8500 GVW
Wheel Lug Nut	97	BD61287	Std. Open; Over 8500 GVW
Wheel Lug Nut	96 - 92	BD61287	Std. Open
Wheel Lug Nut	91 - 87	BD61325	Std. Open
Wheel Lug Nut	89 - 87	BD61283	4WD; Std. Open; 1/2"-20 Thread; 13/16" Hex; 4600 FA; w/3.54 A.R.
Wheel Lug Nut	86 - 84	BD61325	Std. Open; 1-1/16" Hex
Wheel Lug Nut	86 - 84	BD61283	Std. Open; 1/2"-20 Thread; 13/16" Hex
Wheel Lug Nut	83 - 82	BD61325	4WD; Std. Open; Over 8500 GVW
Wheel Lug Nut	83 - 82	BD61283	Std. Open; 1/2"-20 Thread; 13/16" Hex; Under 8500 GVW
Wheel Lug Nut	81	BD61325	Std. Open; 1-1/16" Hex
Wheel Lug Nut	81	BD61283	Std. Open; 1/2"-20 Thread; 13/16" Hex
<i>Rear Wheel Nut</i>	<i>Years</i>	<i>Part No.</i>	<i>Qualifier</i>
Wheel Lug Nut	05 - 03	BD125927	Flat Faced Open
Wheel Lug Nut	99 - 97	BD125921	Flat Faced Open; Under 8500 GVW
Wheel Lug Nut	97	BD61287	Std. Open; Over 8500 GVW
Wheel Lug Nut	96 - 92	BD61287	Std. Open
Wheel Lug Nut	91 - 87	BD61325	Std. Open
Wheel Lug Nut	86 - 84	BD61325	Std. Open; 1-1/16" Hex
Wheel Lug Nut	86 - 84	BD61283	Std. Open; 1/2"-20 Thread; 13/16" Hex
Wheel Lug Nut	83 - 81	BD61325	R.H. Thread; Std. Open; w/12 x 3" Drum
Wheel Lug Nut	83 - 81	BD61283	Std. Open; 1/2"-20 Thread; 13/16" Hex; w/12 x 2-1/2" Drum

FORD - 3/4 TON VAN

E-250 ECONOLINE

Brake Pads & Shoes

<i>Front Pads & Shoes</i>	<i>Years</i>	<i>SevereDuty</i>	<i>Lining No.</i>	<i>Qualifier</i>
Brake Pads	06	SD655		
Brake Pads	05 - 95	SD655		
Brake Pads	94 - 92	SD557		
Brake Pads	91 - 81	SD450		
<i>Rear Pads & Shoes</i>	<i>Years</i>	<i>SevereDuty</i>	<i>Lining No.</i>	<i>Qualifier</i>
Brake Pads	06	SD802		
Brake Pads	05 - 99	SD802		
Brake Shoes	06	SDS357NR	SX2146ATD	12 x 2-1/2" Brake; Riveted
Brake Shoes	06	SDS358AR	EX2140TD	12 x 3" Brake; Riveted
Brake Shoes	05 - 84	SDS358AR	EX2140TD	12 x 3" Brake; Riveted
Brake Shoes	04 - 84	SDS357NR	SX2146ATD	12 x 2-1/2" Brake; Riveted
Brake Shoes	83 - 81	SDS357AR	EX2146ATD	12 x 2-1/2" Brake; Riveted

Rotor & Drum

<i>Front Rotor & Drum</i>	<i>Years</i>	<i>Part No.</i>	<i>Qualifier</i>
Brake Rotor	06	BD125477	w/4 Whl. ABS
Brake Rotor	06	BD125468	w/RWAL
Brake Rotor	05 - 95	BD125477	w/4 Whl. ABS

Rotor & Drum (cont.)

Front Rotor & Drum	Years	Part No.	Qualifier
Brake Rotor	05 - 95	BD125468	w/RWAL
Brake Rotor	94	BD125411	w/4 Whl. ABS
Brake Rotor	94	BD125410	w/RWAL
Brake Rotor	93 - 92	BD125410	
Brake Rotor	91 - 86	BD61910	
Brake Rotor	85 - 84	BD61885	Over 8500 GVW
Brake Rotor	85 - 84	BD60541	Under 8500 GVW
Brake Rotor	83 - 82	BD60541	
Brake Rotor	81	BD60541	From 11/3/80
Brake Rotor	81	BD60469	To 11/3/80

Rear Rotor & Drum	Years	Part No.	Qualifier
Brake Drum	06	BD125692	12 x 3" Brake
Brake Drum	05 - 95	BD125692	12 x 3" Brake
Brake Drum	98 - 92	BD60868	12 x 2-1/2" Brake
Brake Drum	94 - 92	BD60793	12 x 3" Brake
Brake Drum	91 - 87	BD60819	12 x 3" Brake
Brake Drum	91 - 87	BD60393	w/7-1/2", 9-3/4" R.G.; 12 x 2-1/2" Brake
Brake Drum	91 - 89	BD60868	w/8-13/16" R.G.; 12 x 2-1/2" Brake
Brake Drum	88 - 86	BD60868	w/8-13/16", 10-1/4" R.G.; 12 x 2-1/2" Brake
Brake Drum	86 - 84	BD60465	12 x 3" Brake
Brake Drum	86	BD60393	w/7-1/2", 9-3/4", 10-1/2" R.G.; 12 x 2-1/2" Brake
Brake Drum	85 - 81	BD60393	12 x 2-1/2" Brake
Brake Rotor	06	BD125694	
Brake Rotor	05 - 99	BD125694	

Brake Hardware

Front Brake Hardware	Years	Sequential No.	Category No.	Qualifier
Caliper Bolt/Pin	05 - 95	F126899S	(H5061)	
Caliper Bolt/Pin	94 - 92	F130379S	(H5068)	
Caliper Bolt/Pin	91 - 86	F111231S	(H5031)	
Caliper Bolt/Pin	85 - 82	F102554S	(H5010C)	
Disc Align Kit	05 - 95	F132611S	(H5602)	
Disc Align Kit	94 - 92	F130266S	(H5445)	
Disc Align Kit	91 - 86	F114477	(H5572)	
Disc Align Kit	85 - 81	F97900	(H5529)	
Pin Boot Kit	05 - 95	F117215S	(H18000C)	
Pin Boot Kit	94 - 92	F130393S	(H8211)	

Rear Brake Hardware	Years	Sequential No.	Category No.	Qualifier
Adjuster Kit	01 - 81	F98416	(H2588)	L.H.
Adjuster Kit	01 - 81	F98417	(H2589)	R.H.
Adjuster Screw	01 - 81	F79799	(H1534)	L.H.
Adjuster Screw	01 - 81	F79800	(H1535)	R.H.
Caliper Bolt/Pin	01 - 99	F126899S	(H5061)	
Combi Kit	03 - 81	F78555	(H7146)	12 x 2-1/2" Brake
↳Adjuster Spring Kit		F67454S	(H423)	
↳Return Spring Kit		F67455	(H546)	
Combi Kit	01 - 81	F102555	(H7164)	12 x 3" Brake
↳Adjuster Spring Kit		F106695	(H446)	
↳Return Spring Kit		F67455	(H546)	
Disc Align Kit	01 - 99	F138118S	(H5616)	
Pin Boot Kit	01 - 99	F139361	(H8227)	

Parking Brake	Years	Sequential No.	Category No.	Qualifier
Adjuster Screw	03 - 00	F139719	(H1594)	L.H.
Adjuster Screw	03 - 00	F139719	(H1594)	R.H.
Combi Kit	03 - 00	F139869	(H7239)	

↳Sub-Kit of Combi-Kit is available separately.

FORD - 3/4 TON VAN



E-250 ECONOLINE (cont.)

Calipers - Reman					
Front, Loaded	Years	Left No.	Right No.	Qualifier	Piston
Loaded Caliper	99	AS133118	AS133119	To 5/18/99	P
Loaded Caliper	98 - 95	AS133118	AS133119		P
Loaded Caliper	94 - 92	AS128780	AS128781		P
Loaded Caliper	94 - 92	AS128780S	AS128781S		O
Loaded Caliper	91 - 89	AS128856	AS128857		P
Loaded Caliper	88 - 86	AS116931	AS116932		P
Loaded Caliper	85 - 81	AS102430	AS102431	w/Dual Piston Caliper	M
Rear, Loaded	Years	Left No.	Right No.	Qualifier	Piston
Loaded Caliper	05 - 99	AS134357	AS134358		P
Front, Unloaded	Years	Left No.	Right No.	Qualifier	Piston
Unloaded Caliper	06	CR134508	CR134509		P
Unloaded Caliper	05 - 00	CRB134508	CRB134509	Supplied w/Mtg. Brkt.	P
Unloaded Caliper	05 - 00	CR134508	CR134509	Supplied w/o Mtg. Brkt.	P
Unloaded Caliper	99	CRB134508	CRB134509	From 5/18/99; Supplied w/Mtg. Brkt.	P
Unloaded Caliper	99	CR134508	CR134509	From 5/18/99; Supplied w/o Mtg. Brkt.	P
Unloaded Caliper	99	CRB133118	CRB133119	To 5/18/99; Supplied w/Mtg. Brkt.	P
Unloaded Caliper	99	CR133118	CR133119	To 5/18/99; Supplied w/o Mtg. Brkt.	P
Unloaded Caliper	99	CR133118S	CR133119S	To 5/18/99; Supplied w/o Mtg. Brkt.	O
Unloaded Caliper	98 - 95	CRB133118	CRB133119	Supplied w/Mtg. Brkt.	P
Unloaded Caliper	98 - 95	CRB133118S	CRB133119S	Supplied w/Mtg. Brkt.	O
Unloaded Caliper	98 - 95	CR133118	CR133119	Supplied w/o Mtg. Brkt.	P
Unloaded Caliper	98 - 95	CR133118S	CR133119S	Supplied w/o Mtg. Brkt.	O
Unloaded Caliper	94 - 92	CR128780	CR128781		P
Unloaded Caliper	94 - 92	CR128780S	CR128781S		O
Unloaded Caliper	91 - 89	CR128856	CR128857		P
Unloaded Caliper	88 - 86	CR116931	CR116932		P
Unloaded Caliper	85 - 81	CR102430	CR102431	w/Dual Piston Caliper	M
Rear, Unloaded	Years	Left No.	Right No.	Qualifier	Piston
Unloaded Caliper	05 - 99	CRB134358	CRB134357	Supplied w/Mtg. Brkt.	P
Unloaded Caliper	05 - 99	CR134358	CR134357	Supplied w/o Mtg. Brkt.	P
Hydraulics - New					
Master Cylinder	Years	Sequential No.	Category No.	Qualifier	
Master Cylinder	06	F140463	(MC140463)	w/Cruise Control; 1-5/16" Bore	
Master Cylinder	06	F134457	(MC134457)	w/o Cruise Control; 1-5/16" Bore	
Master Cylinder	05 - 01	F140463	(MC140463)	w/Cruise Control; 1-5/16" Bore	
Master Cylinder	05 - 01	F134457	(MC134457)	w/o Cruise Control; 1-5/16" Bore	
Master Cylinder	00	F140463	(MC140463)	From 1/10/00; w/Cruise Control; 1-5/16" Bore	
Master Cylinder	00 - 99	F134457	(MC134457)	From 1/10/00; w/o Cruise Control; 1-5/16" Bore	
Master Cylinder	96 - 94	F131211	(MC131211)	w/Cruise Control; 1-1/8" Bore	
Master Cylinder	96 - 94	F120368	(MC120368)	w/o Cruise Control; 1-1/8" Bore	
Master Cylinder	93	F120368	(MC120368)	1-1/8" Bore	
Master Cylinder	92	F129285	(MC129285)	1-1/8" Bore	
Master Cylinder	91 - 87	F120368	(MC120368)	Over 7000 GVW; 1-1/8" Bore	
Master Cylinder	91 - 87	F120369	(MC120369)	Under 7000 GVW; 1-1/16" Bore	
Master Cylinder	86	F110917	(MC110917)	From 9/85; Under 8500 GVW; 1-1/16" Bore	
Master Cylinder	86 - 84	F110919	(MC110919)	Over 8500 GVW; 1-1/8" Bore	
Master Cylinder	86	F97936	(MC97936)	To 1/85; Under 8500 GVW; 1-1/16" Bore	
Master Cylinder	85 - 84	F97936	(MC97936)	Under 8500 GVW; 1-1/16" Bore	
Master Cylinder	83 - 81	F97936	(MC97936)	1-1/16" Bore	
Rear Wheel Cylinder	Years	Sequential No.	Category No.	Qualifier	
Wheel Cylinder	06	F78974	(WC78974)	L.H.; 12 x 2-1/2" Brake; 1" Bore	
Wheel Cylinder	06	F78975	(WC78975)	R.H.; 12 x 2-1/2" Brake; 1" Bore	
Wheel Cylinder	05 - 84	F78974	(WC78974)	L.H.; 12 x 2-1/2" Brake; 1" Bore	
Wheel Cylinder	05 - 84	F78975	(WC78975)	R.H.; 12 x 2-1/2" Brake; 1" Bore	
Wheel Cylinder	98 - 95	F131875	(WC131875)	L.H.; 12 x 3" Brake; 1-1/8" Bore	

Piston: M - OE Metal Piston P - OE Phenolic Piston O - Metal Piston Option

E-250 ECONOLINE (cont.)
Hydraulics - New (cont.)

Rear Wheel Cylinder	Years	Sequential No.	Category No.	Qualifier
Wheel Cylinder	98 - 95	F131874	(WC131874)	R.H.; 12 x 3" Brake; 1-1/8" Bore
Wheel Cylinder	94 - 93	F73615	(WC73615)	L.H.; 12 x 3" Brake; 1-1/16" Bore
Wheel Cylinder	94 - 93	F73614	(WC73614)	R.H.; 12 x 3" Brake; 1-1/16" Bore
Wheel Cylinder	92 - 84	F57146	(WC57146)	L.H.; 12 x 3" Brake; 1" Bore
Wheel Cylinder	92 - 84	F57147	(WC57147)	R.H.; 12 x 3" Brake; 1" Bore
Wheel Cylinder	83 - 81	F57146	(WC57146)	L.H.; 1" Bore
Wheel Cylinder	83 - 81	F57147	(WC57147)	R.H.; 1" Bore
Clutch Master Cylind	Years	Sequential No.	Category No.	Qualifier
Clutch Master Cylinder	89 - 84	F110269	(CM110269)	7/8" Bore
Clutch Slave Cylinder	Years	Sequential No.	Category No.	Qualifier
Clutch Slave Cylinder	89 - 88	F126890	(SC126890)	1-1/32" Bore
Clutch Slave Cylinder	87 - 84	F103485	(SC103485)	1" Bore
Front Brake Hose	Years	Sequential No.	Category No.	Qualifier
Brake Hose	02 - 95	F133395	(BH133395)	L.H.; w/4 Whl. ABS
Brake Hose	02 - 95	F132754	(BH132754)	L.H.; w/RWAL
Brake Hose	02 - 95	F132773	(BH132773)	R.H.
Brake Hose	94	F132195	(BH132195)	L.H.; w/4 Whl. ABS
Brake Hose	94	F132196	(BH132196)	L.H.; w/RWAL
Brake Hose	94	F133813	(BH133813)	R.H.
Brake Hose	93 - 92	F130430	(BH130430)	L.H.; w/Dual Piston Caliper
Brake Hose	93 - 92	F132298	(BH132298)	R.H.; w/Dual Piston Caliper
Brake Hose	91 - 82	F107255	(BH107255)	L.H.
Brake Hose	91 - 81	F106365	(BH106365)	R.H.
Brake Hose	81	F107255	(BH107255)	L.H.; From 2/2/81
Brake Hose	81	F102474	(BH102474)	L.H.; To 2/2/81
Rear Brake Hose	Years	Sequential No.	Category No.	Qualifier
Brake Hose	05 - 92	F133837	(BH133837)	INNER
Brake Hose	91	F128682	(BH128682)	
Brake Hose	88 - 86	F120872	(BH120872)	
Brake Hose	85	F120872	(BH120872)	From 3/85
Brake Hose	85	F119385	(BH119385)	To 3/85
Brake Hose	84 - 81	F119385	(BH119385)	

Hydraulics - Reman

Master Cylinder	Years	Part No.	Qualifier
Master Cylinder	03 - 01	R134795	w/Cruise
Master Cylinder	03 - 01	R134796	w/o Cruise
Master Cylinder	00	R134795	w/Cruise; Booster I.D. No. XC252B559EC
Master Cylinder	00	R134713	w/o Cruise; Booster I.D. No. XC252B559DB
Master Cylinder	00	R134796	w/o Cruise; Booster I.D. No. XC252B559PC
Master Cylinder	99 - 97	R134630	w/Cruise
Master Cylinder	99 - 97	R134713	w/o Cruise
Master Cylinder	96 - 94	R131306	w/Cruise
Master Cylinder	96 - 94	R120368	w/o Cruise
Master Cylinder	93	R120368	
Master Cylinder	92	R129285	
Master Cylinder	91 - 87	R120368	Over 7000 lb. GVW
Master Cylinder	91 - 87	R120369	Under 7000 lb. GVW
Master Cylinder	86	R110917	From 9/85; Under 8500 lb. GVW
Master Cylinder	86 - 84	R110919	Over 8500 lb. GVW
Master Cylinder	86	R97936	To 9/85; Under 8500 lb. GVW
Master Cylinder	85 - 84	R97936	Under 8500 lb. GVW
Master Cylinder	83 - 81	R97936	
Power Brake Booster	Years	Part No.	Qualifier
Power Brake Booster	04	5474419	From I.D. No. 3C242B599CC; Gas; w/o Master Cylinder; w/Cruise
Power Brake Booster	03 - 01	5474419	Gas; w/o Master Cylinder

E-250 ECONOLINE (cont.)

Hydraulics - Reman (cont.)

<i>Power Brake Booster</i>	<i>Years</i>	<i>Part No.</i>	<i>Qualifier</i>
Power Brake Booster	00	5474419	From 1/10/00; Gas; w/o Master Cylinder; w/Cruise
Power Brake Booster	00	5474418	From 1/10/00; Gas; w/o Master Cylinder; w/o Cruise
Power Brake Booster	00	5474418	To 1/10/00; Gas; w/o Master Cylinder; w/Cruise
Power Brake Booster	00	5474412	To 1/10/00; Gas; w/o Master Cylinder; w/o Cruise
Power Brake Booster	99	5474418	Gas; w/o Master Cylinder; w/Cruise
Power Brake Booster	99	5474412	Gas; w/o Master Cylinder; w/o Cruise
Power Brake Booster	98 - 97	5474412	Gas; w/o Master Cylinder
Power Brake Booster	96 - 94	504403	Gas; w/Master Cylinder; w/Cruise; Incl. Pump/Motor; Also Avail. Separately
Power Brake Booster	96 - 94	504407	Gas; w/Master Cylinder; w/o Cruise
Power Brake Booster	96 - 92	5474402	Gas; w/o Master Cylinder
Power Brake Booster	93	504407	Gas; w/Master Cylinder
Power Brake Booster	92	504402	Gas; w/Master Cylinder
Power Brake Booster	91 - 87	504401	Gas; w/Master Cylinder; Over 7000 lb. GVW
Power Brake Booster	91 - 88	504302	Gas; w/Master Cylinder; Under 7000 lb. GVW
Power Brake Booster	91 - 87	5474401	Gas; w/o Master Cylinder; Over 7000 lb. GVW
Power Brake Booster	91 - 88	5474302	Gas; w/o Master Cylinder; Under 7000 lb. GVW
Power Brake Booster	87	504207	Gas; w/Master Cylinder; Under 7000 lb. GVW
Power Brake Booster	87	5474204	Gas; w/o Master Cylinder; Under 7000 lb. GVW
Power Brake Booster	86	504204	From 9/85; Gas; w/Master Cylinder; Under 8500 lb. GVW
Power Brake Booster	86	5474204	From 9/85; Gas; w/o Master Cylinder; Under 8500 lb. GVW
Power Brake Booster	86 - 84	509336	Gas; w/Master Cylinder; Over 8500 lb. GVW
Power Brake Booster	86 - 84	5473357	Gas; w/o Master Cylinder; Over 8500 lb. GVW
Power Brake Booster	86	503017	To 9/85; Gas; w/Master Cylinder; Under 8500 lb. GVW
Power Brake Booster	86	5473017	To 9/85; Gas; w/o Master Cylinder; Under 8500 lb. GVW
Power Brake Booster	85 - 84	503017	Gas; w/Master Cylinder; Under 8500 lb. GVW
Power Brake Booster	85 - 84	5473017	Gas; w/o Master Cylinder; Under 8500 lb. GVW
Power Brake Booster	83 - 81	503016	Gas; w/Master Cylinder
Power Brake Booster	83 - 81	5473016	Gas; w/o Master Cylinder

Brake Cables

<i>Parking Brake Cable</i>	<i>Years</i>	<i>Sequential No.</i>	<i>Category No.</i>	<i>Qualifier</i>
Parking Brake Cable	04	F139252	(BC139252)	Intermediate; 5.4L; 138" WB; Stripped Chassis
Parking Brake Cable	03 - 96	F139252	(BC139252)	Intermediate; 138" WB; Stripped Chassis
Parking Brake Cable	00 - 97	F140390	(BC140390)	Intermediate; 158" WB; 36" Length
Parking Brake Cable	00	F140374	(BC140374)	Rear; R.H.; To 9/30/00; 5300-5400 lb. RA; 101" Length
Parking Brake Cable	99 - 96	F138822	(BC138822)	Forward; From 12/4/95; w/138" WB
Parking Brake Cable	99	F140374	(BC140374)	Rear; R.H.; Exc. 124" WB; 101" Length
Parking Brake Cable	98 - 97	F140374	(BC140374)	Rear; R.H.; 101" Length
Parking Brake Cable	97 - 95	F133086	(BC133086)	Rear; L.H.; 5300-5400 lb. RA
Parking Brake Cable	96	F133084	(BC133084)	Forward; To 12/3/95
Parking Brake Cable	96 - 95	F140392	(BC140392)	Intermediate; 124" WB; Stripped Chassis; 14" Length
Parking Brake Cable	96	F133083	(BC133083)	Intermediate; To 12/3/95; 138" WB
Parking Brake Cable	96 - 95	F140391	(BC140391)	Intermediate; To 12/3/95; 176" WB; Color Code Blue; 69" Length
Parking Brake Cable	96 - 95	F133085	(BC133085)	Rear; R.H.; 5300-5400 lb. RA
Parking Brake Cable	95	F133084	(BC133084)	Forward
Parking Brake Cable	95	F133083	(BC133083)	Intermediate; 138" WB
Parking Brake Cable	94 - 92	F132082	(BC132082)	Forward; Exc. Stripped Chassis
Parking Brake Cable	94 - 92	F132083	(BC132083)	Forward; Stripped Chassis
Parking Brake Cable	94 - 92	F132449	(BC132449)	Intermediate; 138" WB
Parking Brake Cable	94 - 92	F132450	(BC132450)	Intermediate; 158" WB
Parking Brake Cable	94 - 92	F132451	(BC132451)	Intermediate; 176" WB
Parking Brake Cable	94 - 92	F132084	(BC132084)	Rear; L.H.
Parking Brake Cable	94 - 92	F132085	(BC132085)	Rear; R.H.
Parking Brake Cable	91 - 88	F120903	(BC120903)	Forward
Parking Brake Cable	91 - 81	F109060	(BC109060)	Rear; L.H.
Parking Brake Cable	91 - 81	F109059	(BC109059)	Rear; R.H.

E-250 ECONOLINE (cont.)
Brake Cables (cont.)

Parking Brake Cable	Years	Sequential No.	Category No.	Qualifier
Parking Brake Cable	87	F102663	(BC102663)	Forward
Parking Brake Cable	86 - 81	F102662	(BC102662)	Forward; 124" WB
Parking Brake Cable	86 - 81	F102663	(BC102663)	Forward; 138" WB

ABS Components - New

ABS Wheel Sensor	Years	Sequential No.	Category No.	Qualifier
ABS Wheel Sensor	95 - 90	F121000	(AB121000)	Rear

ABS Components - Reman

ABS Module	Years	Part No.	Qualifier
ABS Module	96 - 95	RA121021	w/2 Whl. ABS
ABS Module	94	RA121021	w/SRW; w/2 Whl. ABS
ABS Module	93 - 92	RA121022	w/DRW
ABS Module	93 - 92	RA121021	w/SRW
ABS Module	91 - 90	RA121018	w/DRW
ABS Module	91 - 90	RA121017	w/SRW

ABS Hydraulic Unit	Years	Part No.	Qualifier
ABS Hydraulic Unit	96 - 95	RA122061	w/2 Whl. ABS
ABS Hydraulic Unit	94	RA122024	w/2 Whl. ABS
ABS Hydraulic Unit	93 - 90	RA122024	

Wheel Attaching Hardware

Front Wheel Stud	Years	Part No.	Qualifier
Wheel Lug Stud	05 - 86	BD61164	
Wheel Lug Stud	85	BD61388	Exc. Lpg
Wheel Lug Stud	84 - 81	BD61388	

Rear Wheel Stud	Years	Part No.	Qualifier
Wheel Lug Stud	05 - 92	BD61194	
Wheel Lug Stud	91 - 90	BD61194	w/12 x 2-1/2" Drum
Wheel Lug Stud	91 - 90	BD61175	w/12 x 3" Drum
Wheel Lug Stud	89 - 86	BD61194	w/12 x 2-1/2" Drum; 8-13/16" R.G.
Wheel Lug Stud	89 - 86	BD61162	w/12 x 2-1/2" Drum; 9-3/4" R.G.
Wheel Lug Stud	89 - 84	BD60984	w/12 x 3" Drum
Wheel Lug Stud	85 - 84	BD61162	w/12 x 2-1/2" Drum
Wheel Lug Stud	83 - 81	BD60929	

Front Wheel Nut	Years	Part No.	Qualifier
Wheel Lug Nut	05 - 92	BD61287	Std. Open
Wheel Lug Nut	91 - 90	BD61325	Std. Open
Wheel Lug Nut	89 - 81	BD61283	Std. Open; 1/2"-20 Thread; 13/16" Hex

Rear Wheel Nut	Years	Part No.	Qualifier
Wheel Lug Nut	05 - 92	BD61287	Std. Open
Wheel Lug Nut	91 - 90	BD61325	Std. Open
Wheel Lug Nut	89 - 81	BD61283	Std. Open; 1/2"-20 Thread; 13/16" Hex
Wheel Lug Nut	89 - 86	BD61325	Std. Open; 9/16"-18 Thread
Wheel Lug Nut	85	BD61325	Exc. Lpg; Std. Open; 9/16"-18 Thread
Wheel Lug Nut	84	BD61325	Std. Open; 9/16"-18 Thread

FORD -1 TON TRUCK
F-350 PICKUP
Brake Pads & Shoes

Front Pads & Shoes	Years	SevereDuty	Lining No.	Qualifier
Brake Pads	06	SD1069		
Brake Pads	05	SD1069		
Brake Pads	04 - 99	SD756		
Brake Pads	99	SD411		Commercial Chassis
Brake Pads	97 - 95	SD655		
Brake Pads	94 - 92	SD450		

FORD -1 TON TRUCK



F-350 PICKUP (cont.)

Brake Pads & Shoes (cont.)

Front Pads & Shoes	Years	SevereDuty	Lining No.	Qualifier
Brake Pads	91 - 88	SD450		Exc. SD, Stripped Chassis
Brake Pads	91 - 88	SD411		SD, Stripped Chassis
Brake Pads	87 - 81	SD450		

Rear Pads & Shoes	Years	SevereDuty	Lining No.	Qualifier
Brake Pads	06	SD1068		w/SRW
Brake Pads	05	SD1067		w/DRW
Brake Pads	05	SD1068		w/SRW
Brake Pads	04 - 99	SD757		
Brake Pads	99	SD411		Commercial Chassis
Brake Pads	91 - 88	SD411		SD, Stripped Chassis
Brake Shoes	97 - 92	SDS583R	EX2171TD	w/DRW; 12-1/8 x 3-1/2" Brake; Riveted
Brake Shoes	97 - 92	SDS358AR	EX2140TD	w/SRW; 12 x 3" Brake; Riveted
Brake Shoes	91 - 88	SDS583R	EX2171TD	w/DRW; Exc. SD; Exc. Stripped Chassis; 12-1/8 x 3-1/2" Brake; Riveted
Brake Shoes	91 - 88	SDS358AR	EX2140TD	w/SRW; Exc. SD; Exc. Stripped Chassis; 12 x 3" Brake; Riveted
Brake Shoes	87 - 81	SDS358AR	EX2140TD	12 x 3" Brake; Riveted
Brake Shoes	87	SDS583R	EX2171TD	12-1/8 x 3-1/2" Brake; Riveted

Parking Brake Shoes	Years	SevereDuty	Lining No.	Qualifier
Parking Brake Shoes	03 - 99	SDS771	EX2192	Bonded

Rotor & Drum

Front Rotor & Drum	Years	Part No.	Qualifier
Brake Rotor	06	BD126213	2WD; w/SRW
Brake Rotor	06	BD126275	4WD; w/DRW
Brake Rotor	06	BD126272	4WD; w/SRW
Brake Rotor	05	BD126213	2WD; w/SRW
Brake Rotor	05	BD126275	4WD; w/DRW
Brake Rotor	05	BD126272	4WD; w/SRW
Brake Rotor	04 - 99	BD125714	2WD; w/Mono Beam Axle
Brake Rotor	04 - 03	BD126113	2WD; w/Twin I-Beam Axle; w/4 Whl. ABS
Brake Rotor	04 - 99	BD125646	2WD; w/Twin I-Beam Axle; w/SRW; w/RWAL
Brake Rotor	04 - 00	BD125715	4WD; 3.73, 4.10, 4.30 A.R.
Brake Rotor	03 - 00	BD125714	4WD; 4.88 A.R., 5.38 A.R.
Brake Rotor	02 - 99	BD125651	2WD; w/Twin I-Beam Axle; w/DRW; w/4 Whl. ABS
Brake Rotor	02 - 99	BD125645	2WD; w/Twin I-Beam Axle; w/SRW; w/4 Whl. ABS
Brake Rotor	99	BD125715	4WD; From 3/22/99; 3.73, 4.10, 4.30 A.R.
Brake Rotor	99	BD125714	4WD; From 3/22/99; 4.88 A.R., 5.38 A.R.
Brake Rotor	99	BD125662	4WD; To 3/22/99; 3.73, 4.10, 4.30 A.R.
Brake Rotor	99	BD125746	4WD; To 3/22/99; 4.88 A.R., 5.38 A.R.
Brake Rotor	97 - 95	BD125552	2WD; w/DRW
Brake Rotor	97 - 95	BD125468	2WD; w/SRW
Brake Rotor	97 - 95	BD125474	4WD
Brake Rotor	94 - 81	BD60468	2WD; w/DRW
Brake Rotor	94 - 86	BD61910	2WD; w/SRW
Brake Rotor	94 - 93	BD60394	4WD
Brake Rotor	92	BD60394	4WD; From 4/14/92; w/DRW
Brake Rotor	92	BD60530	4WD; To 4/14/92; w/DRW
Brake Rotor	92 - 86	BD60394	4WD; w/SRW
Brake Rotor	91 - 85	BD60530	4WD; w/DRW
Brake Rotor	91 - 88	BD61833	SD
Brake Rotor	85 - 81	BD61885	2WD; w/SRW
Brake Rotor	85	BD60394	4WD; 4500 lb. FA; w/SRW
Brake Rotor	84 - 81	BD60394	4WD
Rotor Hub	91 - 88	BD61711	L.H.; 4WD; w/SRW; 4600 lb. FA
Rotor Hub	91 - 88	BD61711	R.H.; 4WD; w/SRW; 4600 lb. FA

Rear Rotor & Drum	Years	Part No.	Qualifier
Brake Drum	97 - 87	BD60885	w/DRW; 12-1/8 x 3-1/2" Brake

F-350 PICKUP (cont.)
Rotor & Drum (cont.)

Rear Rotor & Drum	Years	Part No.	Qualifier
Brake Drum	97 - 93	BD60819	w/SRW; 12 x 3" Brake
Brake Drum	92 - 85	BD60465	w/SRW; Exc. 10-1/4" R.G.; 12 x 3" Brake
Brake Drum	92 - 85	BD60819	w/SRW; w/10-1/4" R.G.; 12 x 3" Brake
Brake Drum	89 - 87	BD60330	w/DRW; 12 x 3" Brake
Brake Drum	86 - 85	BD60330	w/DRW; Exc. 10-1/4" R.G.; 12 x 3" Brake
Brake Drum	86 - 85	BD60818	w/DRW; w/10-1/4" R.G.; 12 x 3" Brake
Brake Drum	84 - 81	BD60330	w/DRW; 12 x 3" Brake
Brake Drum	84	BD60465	w/SRW; 12 x 3" Brake
Brake Drum	83 - 82	BD60793	From 2/83; w/SRW; 12 x 3" Brake
Brake Drum	83 - 82	BD60465	To 2/83; w/SRW; 12 x 3" Brake
Brake Drum	81	BD60465	w/SRW; 12 x 3" Brake
Brake Rotor	06	BD126276	w/DRW
Brake Rotor	06	BD126274	w/SRW
Brake Rotor	05	BD126276	w/DRW
Brake Rotor	05	BD126274	w/SRW
Brake Rotor	04 - 99	BD125644	w/DRW
Brake Rotor	04 - 99	BD125660	w/SRW
Brake Rotor	99	BD125649	Commercial Chassis
Brake Rotor	91 - 88	BD61833	SD

Brake Hardware

Front Brake Hardware	Years	Sequential No.	Category No.	Qualifier
Caliper Bolt/Pin	03 - 00	F139875	(H4802)	
Caliper Bolt/Pin	99	F139370	(H5091)	
Caliper Bolt/Pin	97 - 95	F126899S	(H5061)	
Caliper Bolt/Pin	94 - 85	F111231S	(H5031)	
Caliper Bolt/Pin	84 - 82	F102554S	(H5010C)	
Disc Align Kit	06	F140538	(H5688)	
Disc Align Kit	05	F140538	(H5688)	
Disc Align Kit	03 - 99	F139357	(H5638)	
Disc Align Kit	97 - 95	F132611S	(H5602)	
Disc Align Kit	94 - 86	F114477	(H5572)	
Disc Align Kit	85 - 81	F97900	(H5529)	
Pin Boot Kit	03 - 99	F139362	(H8228)	
Pin Boot Kit	97 - 95	F117215S	(H18000C)	
Rear Brake Hardware	Years	Sequential No.	Category No.	Qualifier
Adjuster Kit	96 - 81	F98416	(H2588)	L.H.
Adjuster Kit	96 - 81	F98417	(H2589)	R.H.
Adjuster Screw	96 - 81	F79799	(H1534)	L.H.
Adjuster Screw	96 - 81	F79800	(H1535)	R.H.
Caliper Bolt/Pin	03 - 99	F139371	(H5092)	
Combi Kit	97 - 82	F102555	(H7164)	12 x 3" Brake
↳Adjuster Spring Kit		F106695	(H446)	
↳Return Spring Kit		F67455	(H546)	
Combi Kit	97 - 87	F117217	(H7197)	12-1/8 x 3-1/2" Brake
↳Adjuster Spring Kit		F73105	(H430)	
↳Return Spring Kit		F67455	(H546)	
Combi Kit	81	F102555	(H7164)	
↳Adjuster Spring Kit		F106695	(H446)	
↳Return Spring Kit		F67455	(H546)	
Disc Align Kit	06	F140539	(H5689)	w/SRW
Disc Align Kit	05	F140539	(H5689)	w/SRW
Disc Align Kit	03 - 00	F139353	(H5484)	
Pin Boot Kit	03 - 99	F139363	(H8229)	
Parking Brake	Years	Sequential No.	Category No.	Qualifier
Combi Kit	01 - 99	F139717	(H7226)	

↳Sub-Kit of Combi-Kit is available separately.

FORD -1 TON TRUCK



F-350 PICKUP (cont.)

Calipers - Reman					
Front, Loaded	Years	Left No.	Right No.	Qualifier	Piston
Loaded Caliper	04 - 00	AS134536	AS134537		P
Loaded Caliper	99	AS134301	AS134300		M
Loaded Caliper	97 - 95	AS133118	AS133119		P
Loaded Caliper	94 - 89	AS128856	AS128857		P
Loaded Caliper	88 - 86	AS116931	AS116932		P
Loaded Caliper	85 - 81	AS102430	AS102431	w/Dual Piston Caliper	M
Rear, Loaded	Years	Left No.	Right No.	Qualifier	Piston
Loaded Caliper	04 - 01	AS134362	AS134361		P
Loaded Caliper	00	AS134362	AS134361	From 12/20/99	P
Loaded Caliper	00	AS134302	AS134302	To 12/20/99	M
Loaded Caliper	99	AS134302	AS134302		M
Front, Unloaded	Years	Left No.	Right No.	Qualifier	Piston
Unloaded Caliper	04 - 00	CRB134536	CRB134537	Supplied w/Mtg. Brkt.	P
Unloaded Caliper	04 - 00	CR134536	CR134537	Supplied w/o Mtg. Brkt.	P
Unloaded Caliper	99	CRB134301	CRB134300	Supplied w/Mtg. Brkt.	M
Unloaded Caliper	99	CR134301	CR134300	Supplied w/o Mtg. Brkt.	M
Unloaded Caliper	97 - 95	CRB133118	CRB133119	Supplied w/Mtg. Brkt.	P
Unloaded Caliper	97 - 95	CRB133118S	CRB133119S	Supplied w/Mtg. Brkt.	O
Unloaded Caliper	97 - 95	CR133118	CR133119	Supplied w/o Mtg. Brkt.	P
Unloaded Caliper	97 - 95	CR133118S	CR133119S	Supplied w/o Mtg. Brkt.	O
Unloaded Caliper	94 - 89	CR128856	CR128857		P
Unloaded Caliper	88 - 86	CR116931	CR116932		P
Unloaded Caliper	85 - 81	CR102430	CR102431	w/Dual Piston Caliper	M
Rear, Unloaded	Years	Left No.	Right No.	Qualifier	Piston
Unloaded Caliper	04 - 01	CRB134362	CRB134361	Supplied w/Mtg. Brkt.	P
Unloaded Caliper	04 - 01	CR134362	CR134361	Supplied w/o Mtg. Brkt.	P
Unloaded Caliper	00	CRB134362	CRB134361	From 12/20/99; Supplied w/Mtg. Brkt.	P
Unloaded Caliper	00	CR134362	CR134361	From 12/20/99; Supplied w/o Mtg. Brkt.	P
Unloaded Caliper	00	CRB134302	CRB134302	To 12/20/99; Supplied w/Mtg. Brkt.	M
Unloaded Caliper	00	CR134302	CR134302	To 12/20/99; Supplied w/o Mtg. Brkt.	M
Unloaded Caliper	99	CRB134302	CRB134302	Supplied w/Mtg. Brkt.	M
Unloaded Caliper	99	CR134302	CR134302	Supplied w/o Mtg. Brkt.	M
Hydraulics - New					
Master Cylinder	Years	Sequential No.	Category No.	Qualifier	
Master Cylinder	04 - 03	F134454	(MC134454)	w/Cruise Control; w/Vacuum Boost	
Master Cylinder	02 - 99	F134454	(MC134454)	w/Cruise Control	
Master Cylinder	97 - 96	F140083	(MC140083)	2WD; Diesel; w/SRW; 133" WB; w/Cruise Control; 1-1/4" Bore	
Master Cylinder	97 - 96	F131972	(MC131972)	2WD; Diesel; w/SRW; 133" WB; w/o Cruise Control; 1-1/4" Bore	
Master Cylinder	97 - 96	F131993	(MC131993)	2WD; Diesel; w/SRW; 168" WB; w/Cruise Control; 1-1/4" Bore	
Master Cylinder	97 - 96	F131993	(MC131993)	2WD; w/o Diesel; w/SRW; w/Cruise Control; 1-1/4" Bore	
Master Cylinder	97 - 96	F140083	(MC140083)	4WD; w/SRW; w/Cruise Control; 1-1/4" Bore	
Master Cylinder	97 - 96	F131972	(MC131972)	4WD; w/SRW; w/o Cruise Control; 1-1/4" Bore	
Master Cylinder	97 - 96	F131993	(MC131993)	w/DRW; w/Cruise Control; 1-1/4" Bore	
Master Cylinder	95	F131211	(MC131211)	2WD; Diesel; w/SRW; w/Cruise Control; 1-1/8" Bore	
Master Cylinder	95	F131306	(MC131306)	2WD; w/o Diesel; 9200 GVW; Crew Cab; w/SRW; w/Cruise Control; 1-1/8" Bore	
Master Cylinder	95	F131211	(MC131211)	4WD; w/SRW; w/Cruise Control; 1-1/8" Bore	
Master Cylinder	95 - 94	F131306	(MC131306)	w/DRW; w/Cruise Control; 1-1/8" Bore	
Master Cylinder	95 - 94	F120368	(MC120368)	w/o Cruise Control; 1-1/8" Bore	
Master Cylinder	94 - 93	F131211	(MC131211)	w/SRW; 1-1/8" Bore	
Master Cylinder	93 - 87	F120368	(MC120368)	1-1/8" Bore	
Master Cylinder	86 - 84	F110919	(MC110919)	1-1/8" Bore	
Master Cylinder	83 - 81	F102421	(MC102421)	1-1/16" Bore	
Rear Wheel Cylinder	Years	Sequential No.	Category No.	Qualifier	
Wheel Cylinder	97 - 87	F113757	(WC113757)	L.H.; w/DRW; 1-3/16" Bore	
Wheel Cylinder	97 - 95	F131875	(WC131875)	L.H.; w/SRW; 1-1/8" Bore	

Piston: M - OE Metal Piston P - OE Phenolic Piston O - Metal Piston Option

F-350 PICKUP (cont.)
Hydraulics - New (cont.)

Rear Wheel Cylinder	Years	Sequential No.	Category No.	Qualifier
Wheel Cylinder	97 - 87	F113758	(WC113758)	R.H.; w/DRW; 1-3/16" Bore
Wheel Cylinder	97 - 95	F131874	(WC131874)	R.H.; w/SRW; 1-1/8" Bore
Wheel Cylinder	94 - 93	F73614	(WC73614)	L.H.; w/SRW; 1-1/16" Bore
Wheel Cylinder	94 - 93	F73615	(WC73615)	R.H.; w/SRW; 1-1/16" Bore
Wheel Cylinder	92	F57147	(WC57147)	L.H.; w/SRW; 1" Bore
Wheel Cylinder	92	F57146	(WC57146)	R.H.; w/SRW; 1" Bore
Wheel Cylinder	91 - 84	F57146	(WC57146)	L.H.; w/SRW; 1" Bore
Wheel Cylinder	91 - 84	F57147	(WC57147)	R.H.; w/SRW; 1" Bore
Wheel Cylinder	86 - 84	F35325	(WC35325)	L.H.; w/DRW; 1-1/8" Bore
Wheel Cylinder	86 - 84	F35326	(WC35326)	R.H.; w/DRW; 1-1/8" Bore
Wheel Cylinder	83 - 81	F57146	(WC57146)	L.H.; 1" Bore
Wheel Cylinder	83 - 81	F18984	(WC18984)	L.H.; 1-1/16" Bore
Wheel Cylinder	83 - 81	F57147	(WC57147)	R.H.; 1" Bore
Wheel Cylinder	83 - 81	F18985	(WC18985)	R.H.; 1-1/16" Bore
Clutch Master Cylind	Years	Sequential No.	Category No.	Qualifier
Clutch Master Cylinder	04 - 99	F134514	(CM134514)	Exc. Stripped Chassis
Clutch Master Cylinder	99	F120276	(CM120276)	Stripped Chassis; 7/8" Bore
Clutch Master Cylinder	97 - 92	F126886	(CM126886)	Diesel; 7/8" Bore
Clutch Master Cylinder	97 - 93	F126887	(CM126887)	w/o Diesel; 45/64" Bore
Clutch Master Cylinder	92	F120276	(CM120276)	Stripped Chassis; 7/8" Bore
Clutch Master Cylinder	91 - 88	F117053	(CM117053)	Exc. Stripped Chassis; 7/8" Bore
Clutch Master Cylinder	91 - 88	F120276	(CM120276)	Super Duty, Stripped Chassis; 7/8" Bore
Clutch Master Cylinder	87 - 83	F110710	(CM110710)	7/8" Bore
Clutch Slave Cylinder	Years	Sequential No.	Category No.	Qualifier
Clutch Slave Cylinder	03 - 99	F134504	(SC134504)	Diesel; 6 Spd. M/T; 13/16" Bore
Clutch Slave Cylinder	03 - 99	F134508	(SC134508)	w/o Diesel; w/5 Spd. Trans.; 13/16" Bore
Clutch Slave Cylinder	97	F126892	(SC126892)	Exc. 5.8L; 1st Design; 1-1/32" Bore
Clutch Slave Cylinder	97	F103476	(SC103476)	Exc. 5.8L; 2nd Design; 1-1/4" Bore
Clutch Slave Cylinder	97 - 93	F126893	(SC126893)	w/o Diesel; 1-9/16" Bore
Clutch Slave Cylinder	96 - 93	F126892	(SC126892)	7.3;7.5L; 1st Design; 1-1/32" Bore
Clutch Slave Cylinder	96 - 93	F103476	(SC103476)	7.3;7.5L; 2nd Design; 1-1/4" Bore
Clutch Slave Cylinder	94 - 93	F126891	(SC126891)	w/4 Spd. T-18 M/T; 53/64" Bore
Clutch Slave Cylinder	92 - 88	F103476	(SC103476)	7.3;7.5L; 1-1/4" Bore
Clutch Slave Cylinder	92 - 90	F103485	(SC103485)	w/4 Spd. T-18 M/T; 1" Bore
Clutch Slave Cylinder	92 - 88	F126890	(SC126890)	w/o Diesel; 1-1/32" Bore
Clutch Slave Cylinder	89	F103485	(SC103485)	2WD; w/4 Spd. T-18 M/T; 1" Bore
Clutch Slave Cylinder	89	F103476	(SC103476)	4WD; w/4 Spd. T-18 M/T; 1-1/4" Bore
Clutch Slave Cylinder	87 - 86	F103476	(SC103476)	6.9;7.5L; 1-1/4" Bore
Clutch Slave Cylinder	87 - 86	F103485	(SC103485)	w/o Diesel; 1" Bore
Clutch Slave Cylinder	85	F103485	(SC103485)	Exc. Diesel; 1" Bore
Clutch Slave Cylinder	85 - 84	F103476	(SC103476)	Exc. Lpg; 1-1/4" Bore
Clutch Slave Cylinder	84	F103485	(SC103485)	w/o Diesel; 1" Bore
Clutch Slave Cylinder	83	F103476	(SC103476)	6.9;7.5L; 1-1/4" Bore
Front Brake Hose	Years	Sequential No.	Category No.	Qualifier
Brake Hose	04 - 99	F140323	(BH140323)	L.H.; 4WD; Over 8500 GVW; w/4 Whl. ABS; w/Auto Locking Hub
Brake Hose	04 - 99	F138927	(BH138927)	L.H.; 4WD; Over 8500 GVW; w/4 Whl. ABS; w/Manual Locking Hub
Brake Hose	04 - 99	F140324	(BH140324)	L.H.; 4WD; Over 8500 GVW; w/RWAL; w/Auto Locking Hub
Brake Hose	04 - 99	F138924	(BH138924)	L.H.; 4WD; Over 8500 GVW; w/RWAL; w/Manual Locking Hub
Brake Hose	04 - 99	F140325	(BH140325)	R.H.; 4WD; Over 8500 GVW; w/Auto Locking Hub
Brake Hose	04 - 99	F138926	(BH138926)	R.H.; 4WD; Over 8500 GVW; w/Manual Locking Hub
Brake Hose	97 - 95	F132771	(BH132771)	L.H.; 2WD
Brake Hose	97 - 95	F132752	(BH132752)	L.H.; 4WD
Brake Hose	97 - 95	F132770	(BH132770)	R.H.; 2WD
Brake Hose	97 - 95	F132753	(BH132753)	R.H.; 4WD
Brake Hose	94 - 90	F124726	(BH124726)	L.H.; 2WD

F-350 PICKUP (cont.)

Hydraulics - New (cont.)

Front Brake Hose	Years	Sequential No.	Category No.	Qualifier
Brake Hose	94 - 90	F124727	(BH124727)	L.H.; 4WD
Brake Hose	94 - 90	F103302	(BH103302)	R.H.; 2WD
Brake Hose	94 - 90	F106367	(BH106367)	R.H.; 4WD
Brake Hose	91 - 90	F120859	(BH120859)	L.H.; Stripped Chassis
Brake Hose	91 - 90	F124728	(BH124728)	L.H.; Super Duty
Brake Hose	91 - 88	F120860	(BH120860)	R.H.; Super Duty, Stripped Chassis
Brake Hose	89 - 81	F103302	(BH103302)	2WD
Brake Hose	89 - 81	F106367	(BH106367)	4WD
Brake Hose	89 - 88	F120859	(BH120859)	L.H.; Super Duty, Stripped Chassis

Rear Brake Hose	Years	Sequential No.	Category No.	Qualifier
Brake Hose	97 - 92	F130431	(BH130431)	2WD
Brake Hose	97 - 92	F130426	(BH130426)	4WD
Brake Hose	91 - 88	F119386	(BH119386)	Exc. Stripped Chassis
Brake Hose	91 - 88	F128683	(BH128683)	Inner; Stripped Chassis
Brake Hose	91 - 88	F128671	(BH128671)	Inner; Super Duty
Brake Hose	91 - 88	F132461	(BH132461)	L.H.; Outer; Stripped Chassis
Brake Hose	91 - 88	F132457	(BH132457)	L.H.; Outer; Super Duty
Brake Hose	91 - 89	F132462	(BH132462)	R.H.; Outer; Stripped Chassis
Brake Hose	91 - 88	F132458	(BH132458)	R.H.; Outer; Super Duty
Brake Hose	88	F132462	(BH132462)	R.H.; Outer
Brake Hose	88	F119387	(BH119387)	R.H.; To 1/88; Exc. Stripped Chassis
Brake Hose	87 - 86	F113378	(BH113378)	133" WB; w/Mono Beam FA
Brake Hose	87 - 86	F113379	(BH113379)	137" WB; w/Mono Beam FA
Brake Hose	87 - 86	F113378	(BH113378)	153" WB; w/Mono Beam FA
Brake Hose	87 - 86	F113379	(BH113379)	161" WB; w/Mono Beam FA
Brake Hose	87 - 86	F113378	(BH113378)	168" WB; w/Mono Beam FA
Brake Hose	87 - 86	F119387	(BH119387)	Exc. Mono Beam FA
Brake Hose	86	F119386	(BH119386)	Exc. Mono Beam FA
Brake Hose	85 - 81	F119386	(BH119386)	2WD
Brake Hose	85 - 81	F119387	(BH119387)	4WD

Hydraulics - Reman

Master Cylinder	Years	Part No.	Qualifier
Master Cylinder	04 - 99	R134792	w/Cruise
Master Cylinder	04 - 99	R134793	w/o Cruise
Master Cylinder	97 - 96	R131306	2WD; Gas; w/Cruise
Master Cylinder	97 - 96	R120368	2WD; Gas; w/o Cruise
Master Cylinder	97 - 96	R134639	4WD; Gas; w/Cruise
Master Cylinder	97 - 96	R134638	4WD; Gas; w/o Cruise
Master Cylinder	97 - 96	R134639	Diesel; w/Cruise; 133" WB
Master Cylinder	97 - 96	R131306	Diesel; w/Cruise; 168" WB
Master Cylinder	97 - 96	R134638	Diesel; w/o Cruise; 133" WB
Master Cylinder	97 - 96	R120368	Diesel; w/o Cruise; 168" WB
Master Cylinder	95 - 93	R131306	w/Cruise
Master Cylinder	95 - 93	R120368	w/o Cruise
Master Cylinder	92 - 87	R120368	
Master Cylinder	86 - 84	R110919	
Master Cylinder	83 - 81	R102421	

Power Brake Booster	Years	Part No.	Qualifier
Hydro Booster	00 - 99	527357	Exc. Std. Cab

Power Brake Booster	Years	Part No.	Qualifier
Power Brake Booster	03 - 99	5474420	Gas; w/o Master Cylinder; w/Vacuum Boost; Exc. Std. Cab
Power Brake Booster	97 - 90	5474400	Gas; w/o Master Cylinder
Power Brake Booster	95 - 94	504404	Gas; w/Master Cylinder; w/Cruise; Incl. Pump/Motor; Also Avail. Separately
Power Brake Booster	93 - 90	504400	Gas; w/Master Cylinder
Power Brake Booster	89 - 87	504400	Gas; w/Master Cylinder; w/Pedal Rod No. 15315

Hydraulics - Reman (cont.)

Power Brake Booster	Years	Part No.	Qualifier
Power Brake Booster	89 - 87	5473181	Gas; w/o Master Cylinder; w/Pedal Rod No. 14838
Power Brake Booster	89 - 87	5474400	Gas; w/o Master Cylinder; w/Pedal Rod No. 15315
Power Brake Booster	86 - 84	509331	Gas; w/Master Cylinder
Power Brake Booster	86 - 84	5473355	Gas; w/o Master Cylinder
Power Brake Booster	83 - 81	509332	Gas; w/Master Cylinder
Power Brake Booster	83 - 81	5473356	Gas; w/o Master Cylinder

Brake Cables

Parking Brake Cable	Years	Sequential No.	Category No.	Qualifier
Parking Brake Cable	97 - 96	F140104	(BC140104)	Forward; 45" Length
Parking Brake Cable	97	F140167	(BC140167)	Rear; L.H.; 63" Length
Parking Brake Cable	97	F128641	(BC128641)	Rear; L.H.; Commercial Chassis
Parking Brake Cable	97	F140108	(BC140108)	Rear; L.H.; Exc. Commercial Chassis; 39" Length
Parking Brake Cable	97	F128642	(BC128642)	Rear; R.H.; Commercial Chassis
Parking Brake Cable	97	F140111	(BC140111)	Rear; R.H.; Exc. Commercial Chassis; 95" Length
Parking Brake Cable	96 - 84	F109072	(BC109072)	Forward; 160" WB
Parking Brake Cable	96 - 92	F132061	(BC132061)	Forward; Exc. 160" WB
Parking Brake Cable	96 - 92	F129225	(BC129225)	Intermediate; 133", 136" WB
Parking Brake Cable	96 - 92	F129226	(BC129226)	Intermediate; 138" WB
Parking Brake Cable	96 - 92	F129227	(BC129227)	Intermediate; 155" WB
Parking Brake Cable	96 - 92	F129228	(BC129228)	Intermediate; 160" WB
Parking Brake Cable	96 - 92	F129229	(BC129229)	Intermediate; 168" WB
Parking Brake Cable	96 - 92	F132093	(BC132093)	Rear; L.H.; w/Ambulance Pkg.
Parking Brake Cable	96 - 90	F140167	(BC140167)	Rear; L.H.; w/o Ambulance Pkg.; 63" Length
Parking Brake Cable	96 - 90	F140111	(BC140111)	Rear; R.H.; 95" Length
Parking Brake Cable	96 - 92	F132094	(BC132094)	Rear; R.H.; w/Ambulance Pkg.
Parking Brake Cable	96 - 92	F132092	(BC132092)	Rear; R.H.; w/o Ambulance Pkg.
Parking Brake Cable	91 - 81	F109069	(BC109069)	Forward; 133", 136" WB
Parking Brake Cable	91 - 81	F109071	(BC109071)	Forward; 155" WB
Parking Brake Cable	91 - 81	F108326	(BC108326)	Forward; 168" WB
Parking Brake Cable	91 - 88	F128641	(BC128641)	Rear; L.H.; w/Ambulance Pkg.
Parking Brake Cable	91 - 88	F128642	(BC128642)	Rear; R.H.; w/Ambulance Pkg.
Parking Brake Cable	89 - 88	F120907	(BC120907)	Rear; L.H.; w/o Ambulance Pkg.
Parking Brake Cable	89 - 88	F120908	(BC120908)	Rear; R.H.; w/o Ambulance Pkg.
Parking Brake Cable	87	F120907	(BC120907)	Rear; L.H.; From 2/87
Parking Brake Cable	87	F108324	(BC108324)	Rear; L.H.; To 2/87
Parking Brake Cable	87 - 81	F120908	(BC120908)	Rear; R.H.
Parking Brake Cable	86 - 81	F108324	(BC108324)	Rear; L.H.
Parking Brake Cable	83 - 81	F120898	(BC120898)	Forward; 160" WB

ABS Components - New

ABS Control Module	Years	Sequential No.	Category No.	Qualifier
ABS Control Module	91 - 87	F121048	(AB121048)	
ABS Modulator	Years	Sequential No.	Category No.	Qualifier
ABS Modulator	94 - 87	F121001	(AB121001)	
ABS Wheel Sensor	Years	Sequential No.	Category No.	Qualifier
ABS Wheel Sensor	91 - 87	F121000	(AB121000)	Rear

ABS Components - Reman

ABS Module	Years	Part No.	Qualifier
ABS Module	94 - 92	RA121016	w/DRW
ABS Module	94 - 92	RA121015	w/SRW
ABS Module	91 - 90	RA121014	w/DRW
ABS Module	91 - 90	RA121012	w/SRW
ABS Module	89 - 87	RA121009	
ABS Hydraulic Unit	Years	Part No.	Qualifier
ABS Hydraulic Unit	97 - 95	RA122060	

F-350 PICKUP (cont.)

ABS Components - Reman (cont.)

<i>ABS Hydraulic Unit</i>	<i>Years</i>	<i>Part No.</i>	<i>Qualifier</i>
ABS Hydraulic Unit	94 - 87	RA122024	

Wheel Attaching Hardware

<i>Front Wheel Stud</i>	<i>Years</i>	<i>Part No.</i>	<i>Qualifier</i>
-------------------------	--------------	-----------------	------------------

Wheel Lug Stud	05 - 01	BD125976	
Wheel Lug Stud	00 - 99	BD125941	2WD; w/SRW; w/Single Beam FA
Wheel Lug Stud	00 - 99	BD125976	4WD; w/DRW
Wheel Lug Stud	97 - 95	BD61164	2WD
Wheel Lug Stud	97 - 95	BD60932	4WD
Wheel Lug Stud	94 - 90	BD61164	2WD; 7.3;7.5L
Wheel Lug Stud	94 - 90	BD61164	2WD; w/o Diesel; w/DRW
Wheel Lug Stud	94 - 90	BD61164	2WD; w/o Diesel; w/SRW
Wheel Lug Stud	94 - 90	BD60932	4WD; 7.3;7.5L
Wheel Lug Stud	94 - 90	BD60932	4WD; w/o Diesel; w/DRW
Wheel Lug Stud	94 - 90	BD60932	4WD; w/o Diesel; w/SRW
Wheel Lug Stud	89 - 85	BD61164	2WD
Wheel Lug Stud	89 - 86	BD60932	4WD
Wheel Lug Stud	85	BD60959	4WD; 4500 FA
Wheel Lug Stud	85	BD60932	4WD; 5000 FA
Wheel Lug Stud	84	BD61164	2WD; From 1/1/84; w/DRW
Wheel Lug Stud	84	BD60931	2WD; To 12/31/83; w/DRW
Wheel Lug Stud	84 - 81	BD61164	2WD; w/SRW
Wheel Lug Stud	84	BD60932	4WD; 4500 FA
Wheel Lug Stud	84	BD60959	4WD; 4600 FA; w/4.10 A.R
Wheel Lug Stud	84	BD60959	4WD; From 10/1/83; 4600 FA; w/3.54 A.R.
Wheel Lug Stud	84	BD60932	4WD; To 9/30/83; 4600 FA; w/3.54 A.R
Wheel Lug Stud	83 - 81	BD60931	2WD; w/DRW
Wheel Lug Stud	83 - 81	BD60932	4WD

<i>Rear Wheel Stud</i>	<i>Years</i>	<i>Part No.</i>	<i>Qualifier</i>
------------------------	--------------	-----------------	------------------

Wheel Lug Stud	05 - 01	BD125941	
Wheel Lug Stud	00 - 99	BD125941	2WD; w/Single Beam FA
Wheel Lug Stud	00 - 99	BD125941	2WD; w/SRW
Wheel Lug Stud	97 - 90	BD61175	
Wheel Lug Stud	89 - 85	BD61175	10-1/4" R.G.
Wheel Lug Stud	89 - 85	BD61163	w/DRW; Exc. 10-1/4" R.G.
Wheel Lug Stud	89 - 85	BD60984	w/SRW; Exc. 10-1/4" R.G.
Wheel Lug Stud	84	BD61163	From 1/1/84; w/DRW
Wheel Lug Stud	84	BD60984	R.H. Thread; w/SRW
Wheel Lug Stud	84	BD60985	To 12/31/83; L.H. Thread; w/DRW
Wheel Lug Stud	84	BD60984	To 12/31/83; R.H. Thread; w/DRW
Wheel Lug Stud	83 - 81	BD61167	From 2/1/83; L.H. Thread; w/SRW
Wheel Lug Stud	83 - 81	BD61168	From 2/1/83; R.H. Thread; w/SRW
Wheel Lug Stud	83 - 81	BD60985	L.H. Thread; w/DRW
Wheel Lug Stud	83	BD60984	R.H. Thread; w/DRW
Wheel Lug Stud	83 - 81	BD60985	To 1/31/83; L.H. Thread; w/SRW
Wheel Lug Stud	83 - 81	BD60984	To 1/31/83; R.H. Thread; w/SRW
Wheel Lug Stud	82	BD60984	Lpg; R.H. Thread
Wheel Lug Stud	82	BD60984	w/o Gas; R.H. Thread; w/DRW
Wheel Lug Stud	81	BD60984	R.H. Thread; w/DRW

<i>Front Wheel Nut</i>	<i>Years</i>	<i>Part No.</i>	<i>Qualifier</i>
------------------------	--------------	-----------------	------------------

Wheel Lug Nut	05 - 99	BD125927	Flat Faced Open
Wheel Lug Nut	97 - 92	BD125925	Flat Faced Open; w/DRW
Wheel Lug Nut	97 - 92	BD61287	Std. Open; w/SRW
Wheel Lug Nut	91 - 90	BD61169	Flat Faced Open; w/DRW
Wheel Lug Nut	91 - 90	BD61325	Std. Open; w/SRW
Wheel Lug Nut	89 - 85	BD61169	2WD; Flat Faced Open; w/DRW

F-350 PICKUP (cont.)
Wheel Attaching Hardware (cont.)

Front Wheel Nut	Years	Part No.	Qualifier
Wheel Lug Nut	89 - 81	BD61325	2WD; Std. Open; w/SRW
Wheel Lug Nut	89 - 86	BD61325	4WD; Std. Open
Wheel Lug Nut	85	BD61283	4WD; Std. Open; 1/2"-20 Thread; 13/16" Hex; 4600 FA
Wheel Lug Nut	85	BD61325	4WD; Std. Open; 5000 FA
Wheel Lug Nut	84	BD61169	2WD; From 1/1/84; Flat Faced Open; w/DRW
Wheel Lug Nut	84	BD60933	2WD; To 12/31/83; Std. Open; w/DRW
Wheel Lug Nut	84 - 81	BD61325	4WD; Std. Open
Wheel Lug Nut	84	BD61283	4WD; Std. Open; 1/2"-20 Thread; 13/16" Hex
Wheel Lug Nut	84	BD61325	Std. Open; 1-1/16" Hex
Wheel Lug Nut	83 - 81	BD60933	2WD; Std. Open; w/DRW
Rear Wheel Nut	Years	Part No.	Qualifier
Wheel Lug Nut	05 - 99	BD125927	Flat Faced Open
Wheel Lug Nut	97 - 92	BD125925	Flat Faced Open; w/DRW
Wheel Lug Nut	97 - 92	BD61287	Std. Open; w/SRW
Wheel Lug Nut	91 - 85	BD61169	Flat Faced Open; w/DRW
Wheel Lug Nut	91 - 84	BD61325	Std. Open; w/SRW
Wheel Lug Nut	84	BD61169	2WD; From 1/1/84; Flat Faced Open; w/DRW
Wheel Lug Nut	84	BD61169	From 1/1/84; Flat Faced Open; w/DRW
Wheel Lug Nut	84	BD61296	To 12/31/83; L.H. Thread; Std. Open; w/DRW
Wheel Lug Nut	84	BD60933	To 12/31/83; R.H. Thread; Std. Open; w/DRW
Wheel Lug Nut	83 - 81	BD61296	L.H. Thread; Std. Open; w/DRW
Wheel Lug Nut	83 - 81	BD60933	R.H. Thread; Std. Open; w/DRW
Wheel Lug Nut	83 - 81	BD61325	R.H. Thread; Std. Open; w/SRW

FORD -1 TON VAN
E SUPER DUTY - See Also E-350 ECONOLINE
Brake Pads & Shoes

Front Pads & Shoes	Years	SevereDuty	Lining No.	Qualifier
Brake Pads	02 - 96	SD411		
Rear Pads & Shoes	Years	SevereDuty	Lining No.	Qualifier
Brake Pads	02 - 01	SD655		
Brake Pads	00 - 96	SD411		
Parking Brake Shoes	Years	SevereDuty	Lining No.	Qualifier
Parking Brake Shoes	02 - 96	SDS771	EX2192	Bonded

Rotor & Drum

Front Rotor & Drum	Years	Part No.	Qualifier
Brake Rotor	02 - 96	BD125630	w/4 Whl. ABS
Brake Rotor	02 - 96	BD125629	w/RWAL
Rear Rotor & Drum	Years	Part No.	Qualifier
Brake Rotor	02 - 96	BD125550	

Brake Hardware

Front Brake Hardware	Years	Sequential No.	Category No.	Qualifier
Caliper Bolt/Pin	02 - 99	F138106S	(H5084)	
Disc Align Kit	02 - 99	F124501	(H5586)	
Pin Boot Kit	02 - 99	F139361	(H8227)	
Rear Brake Hardware	Years	Sequential No.	Category No.	Qualifier
Caliper Bolt/Pin	02 - 99	F124500S	(H5042)	
Disc Align Kit	02 - 99	F124501	(H5586)	

Calipers - Reman

Front, Loaded	Years	Left No.	Right No.	Qualifier	Piston
Loaded Caliper	02 - 96	AS133118	AS133119		P
Rear, Loaded	Years	Left No.	Right No.	Qualifier	Piston
Loaded Caliper	01 - 96	AS134299	AS134298		P

Piston: M - OE Metal Piston P - OE Phenolic Piston

E SUPER DUTY (cont.) - See Also E-350 ECONOLINE

Calipers - Reman (cont.)

<i>Front, Unloaded</i>	<i>Years</i>	<i>Left No.</i>	<i>Right No.</i>	<i>Qualifier</i>	<i>Piston</i>
Unloaded Caliper	02 - 96	CRB133118	CRB133119	Supplied w/Mtg. Brkt.	P
Unloaded Caliper	02 - 96	CRB133118S	CRB133119S	Supplied w/Mtg. Brkt.	O
Unloaded Caliper	02 - 96	CR133118	CR133119	Supplied w/o Mtg. Brkt.	P
Unloaded Caliper	02 - 96	CR133118S	CR133119S	Supplied w/o Mtg. Brkt.	O
<i>Rear, Unloaded</i>	<i>Years</i>	<i>Left No.</i>	<i>Right No.</i>	<i>Qualifier</i>	<i>Piston</i>
Unloaded Caliper	02 - 96	CR134299	CR134298		P

Hydraulics - New

<i>Master Cylinder</i>	<i>Years</i>	<i>Sequential No.</i>	<i>Category No.</i>	<i>Qualifier</i>
Master Cylinder	02 - 99	F134465	(MC134465)	w/Hydro-Boost; 1-5/16" Bore
Master Cylinder	98	F131212	(MC131212)	To 12/22/97; w/Hydro-Boost; 1-5/16" Bore
Master Cylinder	98 - 97	F140462	(MC140462)	w/Vacuum Boost; w/Cruise; Commercial Chassis; 1-1/4" Bore
Master Cylinder	98 - 97	F140462	(MC140462)	w/Vacuum Boost; w/Cruise; w/DRW; 1-1/4" Bore
Master Cylinder	97	F131212	(MC131212)	w/Hydro-Boost; 1-5/16" Bore
Master Cylinder	96	F131212	(MC131212)	Commercial Chassis; Hydro-Boost; 1-5/16" Bore
Master Cylinder	96	F131306	(MC131306)	Commercial Chassis; Vacuum Boost; w/Cruise Control; 1-1/8" Bore
Master Cylinder	96	F120368	(MC120368)	Commercial Chassis; Vacuum Boost; w/o Cruise Control; 1-1/8" Bore
Master Cylinder	96	F131211	(MC131211)	Exc. Commercial Chassis; Vacuum Boost; w/Cruise Control; 1-1/8" Bore
Master Cylinder	96	F120368	(MC120368)	Exc. Commercial Chassis; Vacuum Boost; w/o Cruise Control; 1-1/8" Bore

<i>Front Brake Hose</i>	<i>Years</i>	<i>Sequential No.</i>	<i>Category No.</i>	<i>Qualifier</i>
Brake Hose	02 - 96	F132754	(BH132754)	L.H.; w/RWAL
Brake Hose	02 - 96	F132773	(BH132773)	R.H.
Brake Hose	02 - 96	F133395	(BH133395)	R.H.; w/4 Whl. ABS

<i>Rear Brake Hose</i>	<i>Years</i>	<i>Sequential No.</i>	<i>Category No.</i>	<i>Qualifier</i>
Brake Hose	02 - 96	F134793	(BH134793)	

Hydraulics - Reman

<i>Master Cylinder</i>	<i>Years</i>	<i>Part No.</i>	<i>Qualifier</i>
Master Cylinder	02 - 99	R134797	w/Hydro Boost
Master Cylinder	02 - 99	R134795	w/Vacuum Boost; w/Cruise
Master Cylinder	02 - 99	R134796	w/Vacuum Boost; w/o Cruise
Master Cylinder	98	R134630	Exc. Cutaway; Exc. Stripped Chassis; w/SRW; w/Cruise
Master Cylinder	98	R131212	To 12/22/97; Cutaway or Stripped Chassis
Master Cylinder	97 - 96	R131212	Cutaway or Stripped Chassis
Master Cylinder	97 - 96	R134630	Passenger or Cargo Van; w/SRW; w/Cruise

<i>Power Brake Booster</i>	<i>Years</i>	<i>Part No.</i>	<i>Qualifier</i>
Hydro Booster	98 - 97	527356	Exc. 5.4L

<i>Power Brake Booster</i>	<i>Years</i>	<i>Part No.</i>	<i>Qualifier</i>
Power Brake Booster	02 - 00	5474419	Gas; w/o Master Cylinder; w/Vacuum Boost; w/o Cruise; I.D. No. XC252B559EC
Power Brake Booster	99	5474419	From 1/10/00; Gas; w/o Master Cylinder; w/Vacuum Boost; w/o Cruise; I.D. No. XC252B559EC
Power Brake Booster	98 - 97	5474412	Gas; w/o Master Cylinder; w/Vacuum Boost

Brake Cables

<i>Parking Brake Cable</i>	<i>Years</i>	<i>Sequential No.</i>	<i>Category No.</i>	<i>Qualifier</i>
Parking Brake Cable	02 - 97	F140373	(BC140373)	Rear; R.H.; 158" or 176" WB; RV Cutaway; 123" Length

Wheel Attaching Hardware

<i>Front Wheel Stud</i>	<i>Years</i>	<i>Part No.</i>	<i>Qualifier</i>
Wheel Lug Stud	02 - 99	BD61164	
<i>Rear Wheel Stud</i>	<i>Years</i>	<i>Part No.</i>	<i>Qualifier</i>
Wheel Lug Stud	02 - 99	BD61175	
<i>Front Wheel Nut</i>	<i>Years</i>	<i>Part No.</i>	<i>Qualifier</i>
Wheel Lug Nut	02 - 99	BD125925	Flat Faced Open
<i>Rear Wheel Nut</i>	<i>Years</i>	<i>Part No.</i>	<i>Qualifier</i>
Wheel Lug Nut	02 - 99	BD125925	Flat Faced Open

Piston: M - OE Metal Piston P - OE Phenolic Piston O - Metal Piston Option

E-350 ECONOLINE - See Also E SUPER DUTY
Brake Pads & Shoes

Front Pads & Shoes	Years	SevereDuty	Lining No.	Qualifier
Brake Pads	06	SD655		
Brake Pads	05 - 95	SD655		
Brake Pads	94 - 92	SD557		
Brake Pads	91 - 81	SD450		

Rear Pads & Shoes	Years	SevereDuty	Lining No.	Qualifier
Brake Pads	06	SD802		
Brake Pads	05 - 99	SD802		
Brake Pads	98 - 97	SD411		
Brake Shoes	06	SDS358AR	EX2140TD	12 x 3" Brake; Riveted
Brake Shoes	05 - 99	SDS358AR	EX2140TD	12 x 3" Brake; Riveted
Brake Shoes	98 - 87	SDS583R	EX2171TD	12-1/8 x 3-1/2" Brake; Riveted
Brake Shoes	96 - 81	SDS358AR	EX2140TD	12 x 3" Brake; Riveted

Parking Brake Shoes	Years	SevereDuty	Lining No.	Qualifier
Parking Brake Shoes	03 - 99	SDS771	EX2192	Bonded

Rotor & Drum

Front Rotor & Drum	Years	Part No.	Qualifier
Brake Rotor	06	BD125630	w/DRW; w/4 Whl. ABS
Brake Rotor	06	BD125629	w/DRW; w/RWAL
Brake Rotor	06	BD125477	w/SRW; w/4 Whl. ABS
Brake Rotor	06	BD125468	w/SRW; w/RWAL
Brake Rotor	05 - 95	BD125630	w/DRW; w/4 Whl. ABS
Brake Rotor	05 - 95	BD125629	w/DRW; w/RWAL
Brake Rotor	05 - 95	BD125477	w/SRW; w/4 Whl. ABS
Brake Rotor	05 - 95	BD125468	w/SRW; w/RWAL
Brake Rotor	94 - 81	BD60468	w/DRW
Brake Rotor	94 - 93	BD125411	w/SRW; w/4 Whl. ABS
Brake Rotor	94 - 93	BD125410	w/SRW; w/RWAL
Brake Rotor	92	BD125410	w/SRW
Brake Rotor	91 - 86	BD61910	w/SRW
Brake Rotor	85 - 82	BD61885	w/SRW
Brake Rotor	81	BD61885	From 11/3/80
Brake Rotor	81	BD60470	To 11/3/80

Rear Rotor & Drum	Years	Part No.	Qualifier
Brake Drum	05 - 99	BD125692	12 x 3" Brake
Brake Drum	98 - 92	BD125385	6340 lb. RA; w/SRW; 12-1/8 x 3-1/2" Brake
Brake Drum	98 - 95	BD60885	7800-8000 lb. RA; 12-1/8 x 3-1/2" Brake
Brake Drum	96 - 92	BD60793	w/SRW; 12 x 3" Brake
Brake Drum	94 - 87	BD60885	w/DRW; 12-1/8 x 3-1/2" Brake
Brake Drum	94 - 92	BD60885	w/SRW; 7800-8000 lb. RA; 12-1/8 x 3-1/2" Brake
Brake Drum	91 - 81	BD60330	w/DRW; 12 x 3" Brake
Brake Drum	91 - 87	BD60819	w/SRW; 12 x 3" Brake
Brake Drum	86 - 85	BD60465	w/SRW; Exc. 10-1/4" R.G.; 12 x 3" Brake
Brake Drum	86 - 85	BD60819	w/SRW; w/10-1/4" R.G.; 12 x 3" Brake
Brake Drum	84 - 81	BD60465	w/SRW; 12 x 3" Brake
Brake Rotor	06	BD125701	w/DRW
Brake Rotor	06	BD125694	w/SRW
Brake Rotor	05 - 99	BD125701	w/DRW
Brake Rotor	05 - 99	BD125694	w/SRW
Brake Rotor	98 - 97	BD125550	

Brake Hardware

Front Brake Hardware	Years	Sequential No.	Category No.	Qualifier
Caliper Bolt/Pin	05 - 95	F126899S	(H5061)	
Caliper Bolt/Pin	94 - 92	F130379S	(H5068)	
Caliper Bolt/Pin	91 - 86	F111231S	(H5031)	
Caliper Bolt/Pin	85 - 82	F102554S	(H5010C)	

E-350 ECONOLINE (cont.) - See Also E SUPER DUTY

Brake Hardware (cont.)

Front Brake Hardware	Years	Sequential No.	Category No.	Qualifier
Disc Align Kit	05 - 95	F132611S	(H5602)	
Disc Align Kit	94 - 92	F130266S	(H5445)	
Disc Align Kit	91 - 86	F114477	(H5572)	
Disc Align Kit	85 - 81	F97900	(H5529)	
Pin Boot Kit	01 - 95	F117215S	(H18000C)	
Pin Boot Kit	94 - 92	F130393S	(H8211)	

Rear Brake Hardware	Years	Sequential No.	Category No.	Qualifier
Adjuster Kit	05 - 81	F98416	(H2588)	L.H.
Adjuster Kit	05 - 81	F98417	(H2589)	R.H.
Adjuster Screw	05 - 81	F79799	(H1534)	L.H.
Adjuster Screw	05 - 81	F79800	(H1535)	R.H.
Caliper Bolt/Pin	05 - 99	F126899S	(H5061)	
Combi Kit	05 - 82	F102555	(H7164)	12 x 3" Brake
↳Adjuster Spring Kit		F106695	(H446)	
↳Return Spring Kit		F67455	(H546)	
Combi Kit	98 - 82	F117217	(H7197)	12-1/8 x 3-1/2" Brake
↳Adjuster Spring Kit		F73105	(H430)	
↳Return Spring Kit		F67455	(H546)	
Combi Kit	81	F102555	(H7164)	
↳Adjuster Spring Kit		F106695	(H446)	
↳Return Spring Kit		F67455	(H546)	
Disc Align Kit	05 - 99	F138118S	(H5616)	
Pin Boot Kit	05 - 99	F139361	(H8227)	

Parking Brake	Years	Sequential No.	Category No.	Qualifier
Adjuster Screw	03 - 00	F139719	(H1594)	L.H.
Adjuster Screw	03 - 00	F139719	(H1594)	R.H.
Combi Kit	03 - 00	F139869	(H7239)	w/SRW

Calipers - Reman

Front, Loaded	Years	Left No.	Right No.	Qualifier	Piston
Loaded Caliper	99	AS133118	AS133119	To 5/18/99	P
Loaded Caliper	98 - 95	AS133118	AS133119		P
Loaded Caliper	94 - 92	AS128780	AS128781		P
Loaded Caliper	94 - 92	AS128780S	AS128781S		O
Loaded Caliper	91 - 89	AS128856	AS128857		P
Loaded Caliper	88 - 86	AS116931	AS116932		P
Loaded Caliper	85 - 81	AS102430	AS102431	w/Dual Piston Caliper	M

Rear, Loaded	Years	Left No.	Right No.	Qualifier	Piston
Loaded Caliper	05 - 99	AS134357	AS134358		P

Front, Unloaded	Years	Left No.	Right No.	Qualifier	Piston
Unloaded Caliper	05 - 00	CRB134508	CRB134509	Supplied w/Mtg. Brkt.	P
Unloaded Caliper	05 - 00	CR134508	CR134509	Supplied w/o Mtg. Brkt.	P
Unloaded Caliper	99	CRB134508	CRB134509	From 5/18/99; Supplied w/Mtg. Brkt.	P
Unloaded Caliper	99	CR134508	CR134509	From 5/18/99; Supplied w/o Mtg. Brkt.	P
Unloaded Caliper	99	CRB133118	CRB133119	To 5/18/99; Supplied w/Mtg. Brkt.	P
Unloaded Caliper	99	CRB133118S	CRB133119S	To 5/18/99; Supplied w/Mtg. Brkt.	O
Unloaded Caliper	99	CR133118	CR133119	To 5/18/99; Supplied w/o Mtg. Brkt.	P
Unloaded Caliper	99	CR133118S	CR133119S	To 5/18/99; Supplied w/o Mtg. Brkt.	O
Unloaded Caliper	98 - 95	CRB133118	CRB133119	Supplied w/Mtg. Brkt.	P
Unloaded Caliper	98 - 95	CRB133118S	CRB133119S	Supplied w/Mtg. Brkt.	O
Unloaded Caliper	98 - 95	CR133118	CR133119	Supplied w/o Mtg. Brkt.	P
Unloaded Caliper	98 - 95	CR133118S	CR133119S	Supplied w/o Mtg. Brkt.	O
Unloaded Caliper	94 - 92	CR128780	CR128781		P
Unloaded Caliper	94 - 92	CR128780S	CR128781S		O
Unloaded Caliper	91 - 89	CR128856	CR128857		P
Unloaded Caliper	88 - 86	CR116931	CR116932		P
Unloaded Caliper	85 - 81	CR102430	CR102431	w/Dual Piston Caliper	M

↳Sub-Kit of Combi-Kit is available separately.

Piston: M - OE Metal Piston P - OE Phenolic Piston O - Metal Piston Option

E-350 ECONOLINE (cont.) - See Also E SUPER DUTY
Calipers - Reman (cont.)

<i>Rear, Unloaded</i>	<i>Years</i>	<i>Left No.</i>	<i>Right No.</i>	<i>Qualifier</i>	<i>Piston</i>
Unloaded Caliper	05 - 99	CRB134358	CRB134357	Supplied w/Mtg. Brkt.	P
Unloaded Caliper	05 - 99	CR134358	CR134357	Supplied w/o Mtg. Brkt.	P

Hydraulics - New

<i>Master Cylinder</i>	<i>Years</i>	<i>Sequential No.</i>	<i>Category No.</i>	<i>Qualifier</i>
Master Cylinder	06	F140463	(MC140463)	w/Cruise Control; 1-5/16" Bore
Master Cylinder	06	F134457	(MC134457)	w/o Cruise Control; 1-5/16" Bore
Master Cylinder	05 - 01	F140463	(MC140463)	w/Cruise Control; 1-5/16" Bore
Master Cylinder	05 - 98	F134457	(MC134457)	w/o Cruise Control; 1-5/16" Bore
Master Cylinder	01 - 99	F134465	(MC134465)	Super Duty; 1-5/16" Bore
Master Cylinder	00	F140463	(MC140463)	From 1/10/00; w/Cruise Control; 1-5/16" Bore
Master Cylinder	98	F131212	(MC131212)	To 12/21/97; Commercial Chassis; w/Hydro-Boost; 1-5/16" Bore
Master Cylinder	98 - 97	F140462	(MC140462)	w/Cruise Control; Commercial Chassis; 1-1/4" Bore
Master Cylinder	98 - 97	F140462	(MC140462)	w/Cruise Control; w/DRW; 1-1/4" Bore
Master Cylinder	97 - 96	F131212	(MC131212)	Commercial Chassis; w/Hydro-Boost; 1-5/16" Bore
Master Cylinder	96	F131306	(MC131306)	Commercial Chassis; w/Vacuum Boost; w/Cruise Control; 1-1/8" Bore
Master Cylinder	96	F120368	(MC120368)	Commercial Chassis; w/Vacuum Boost; w/o Cruise Control; 1-1/8" Bore
Master Cylinder	96	F131211	(MC131211)	Exc. Commercial Chassis; w/Vacuum Boost; w/Cruise Control; 1-1/8" Bore
Master Cylinder	96	F120368	(MC120368)	Exc. Commercial Chassis; w/Vacuum Boost; w/o Cruise Control; 1-1/8" Bore
Master Cylinder	95 - 94	F131306	(MC131306)	Commercial Chassis; w/Cruise Control; 1-1/8" Bore
Master Cylinder	95 - 94	F131211	(MC131211)	Exc. Commercial Chassis; w/Cruise Control; 1-1/8" Bore
Master Cylinder	95 - 94	F120368	(MC120368)	Exc. Commercial Chassis; w/o Cruise Control; 1-1/8" Bore
Master Cylinder	93	F120368	(MC120368)	1-1/8" Bore
Master Cylinder	92	F129286	(MC129286)	w/DRW; 1-1/8" Bore
Master Cylinder	92	F129285	(MC129285)	w/SRW; 1-1/8" Bore
Master Cylinder	91 - 87	F120368	(MC120368)	1-1/8" Bore
Master Cylinder	86 - 84	F110919	(MC110919)	1-1/8" Bore
Master Cylinder	83 - 81	F97938	(MC97938)	1-1/16" Bore

<i>Rear Wheel Cylinder</i>	<i>Years</i>	<i>Sequential No.</i>	<i>Category No.</i>	<i>Qualifier</i>
Wheel Cylinder	06	F113757	(WC113757)	L.H.; w/DRW; 1-3/16" Bore
Wheel Cylinder	06	F131875	(WC131875)	L.H.; w/SRW; 1-1/8" Bore
Wheel Cylinder	06	F113758	(WC113758)	R.H.; w/DRW; 1-3/16" Bore
Wheel Cylinder	06	F131874	(WC131874)	R.H.; w/SRW; 1-1/8" Bore
Wheel Cylinder	05 - 95	F113757	(WC113757)	L.H.; w/DRW; 1-3/16" Bore
Wheel Cylinder	05 - 95	F131875	(WC131875)	L.H.; w/SRW; 1-1/8" Bore
Wheel Cylinder	05 - 95	F113758	(WC113758)	R.H.; w/DRW; 1-3/16" Bore
Wheel Cylinder	05 - 95	F131874	(WC131874)	R.H.; w/SRW; 1-1/8" Bore
Wheel Cylinder	94 - 92	F113757	(WC113757)	L.H.; w/DRW; 12 x 3" Brake; 1-3/16" Bore
Wheel Cylinder	94 - 92	F35325	(WC35325)	L.H.; w/DRW; 12 x 3-1/2" Brake; 1-1/8" Bore
Wheel Cylinder	94 - 93	F73615	(WC73615)	L.H.; w/SRW; 1-1/16" Bore
Wheel Cylinder	94 - 92	F113758	(WC113758)	R.H.; w/DRW; 12 x 3" Brake; 1-3/16" Bore
Wheel Cylinder	94 - 92	F35326	(WC35326)	R.H.; w/DRW; 12 x 3-1/2" Brake; 1-1/8" Bore
Wheel Cylinder	94 - 93	F73614	(WC73614)	R.H.; w/SRW; 1-1/16" Bore
Wheel Cylinder	92	F57146	(WC57146)	L.H.; w/SRW; 12 x 3" Brake; 1" Bore
Wheel Cylinder	92	F73615	(WC73615)	L.H.; w/SRW; 12 x 3-1/2" Brake; 1-1/16" Bore
Wheel Cylinder	92	F57147	(WC57147)	R.H.; w/SRW; 12 x 3" Brake; 1" Bore
Wheel Cylinder	92	F73614	(WC73614)	R.H.; w/SRW; 12 x 3-1/2" Brake; 1-1/16" Bore
Wheel Cylinder	91 - 84	F35325	(WC35325)	L.H.; w/DRW; 1-1/8" Bore
Wheel Cylinder	91 - 84	F57146	(WC57146)	L.H.; w/SRW; 1" Bore
Wheel Cylinder	91 - 84	F35326	(WC35326)	R.H.; w/DRW; 1-1/8" Bore
Wheel Cylinder	91 - 84	F57147	(WC57147)	R.H.; w/SRW; 1" Bore
Wheel Cylinder	83 - 81	F57146	(WC57146)	L.H.; School Bus; 1" Bore
Wheel Cylinder	83 - 81	F57147	(WC57147)	R.H.; School Bus; 1" Bore
Wheel Cylinder	81	F18984	(WC18984)	L.H.; Exc. School Bus; 1-1/16" Bore
Wheel Cylinder	81	F18985	(WC18985)	R.H.; Exc. School Bus; 1-1/16" Bore

Piston: M - OE Metal Piston P - OE Phenolic Piston

E-350 ECONOLINE (cont.) - See Also E SUPER DUTY

Hydraulics - New (cont.)

Clutch Master Cylind	Years	Sequential No.	Category No.	Qualifier
Clutch Master Cylinder	99 - 92	F118415	(CM118415)	Chassis Cab; 7/8" Bore
Clutch Master Cylinder	99 - 92	F117053	(CM117053)	Stripped Chassis; 7/8" Bore
Clutch Master Cylinder	91 - 90	F118415	(CM118415)	Chassis Cab; w/Dual Piston Caliper; 7/8" Bore
Clutch Master Cylinder	91 - 90	F117053	(CM117053)	Stripped Chassis; w/Dual Piston Caliper; 7/8" Bore
Clutch Master Cylinder	89 - 88	F118415	(CM118415)	Chassis Cab; 7/8" Bore
Clutch Master Cylinder	89 - 88	F110269	(CM110269)	Exc. Chassis Cab; 7/8" Bore
Clutch Master Cylinder	87 - 84	F110269	(CM110269)	7/8" Bore

Clutch Slave Cylinder	Years	Sequential No.	Category No.	Qualifier
Clutch Slave Cylinder	97 - 90	F103485	(SC103485)	1" Bore
Clutch Slave Cylinder	89 - 88	F126890	(SC126890)	1-1/32" Bore
Clutch Slave Cylinder	87 - 85	F103485	(SC103485)	1" Bore
Clutch Slave Cylinder	84	F103485	(SC103485)	Exc. 5.8L; 1" Bore

Front Brake Hose	Years	Sequential No.	Category No.	Qualifier
Brake Hose	02 - 95	F132754	(BH132754)	L.H.; w/RWAL
Brake Hose	01 - 95	F132773	(BH132773)	R.H.
Brake Hose	00 - 95	F133395	(BH133395)	L.H.; w/4 Whl. ABS
Brake Hose	94 - 93	F132195	(BH132195)	L.H.; w/4 Whl. ABS
Brake Hose	94 - 93	F132196	(BH132196)	L.H.; w/RWAL
Brake Hose	94 - 93	F133813	(BH133813)	R.H.
Brake Hose	92	F130430	(BH130430)	L.H.; w/Dual Piston Caliper
Brake Hose	92	F132298	(BH132298)	R.H.; w/Dual Piston Caliper
Brake Hose	91 - 82	F107255	(BH107255)	L.H.
Brake Hose	91 - 81	F106365	(BH106365)	R.H.
Brake Hose	81	F107255	(BH107255)	L.H.; From 2/2/81
Brake Hose	81	F102474	(BH102474)	L.H.; To 2/2/81

Rear Brake Hose	Years	Sequential No.	Category No.	Qualifier
Brake Hose	05 - 92	F133837	(BH133837)	
Brake Hose	91 - 90	F128682	(BH128682)	
Brake Hose	89 - 86	F120872	(BH120872)	
Brake Hose	85	F120872	(BH120872)	From 3/85
Brake Hose	85	F119385	(BH119385)	To 3/85
Brake Hose	84 - 81	F119385	(BH119385)	

Hydraulics - Reman

Master Cylinder	Years	Part No.	Qualifier
Master Cylinder	03 - 01	R134795	w/Cruise; Booster I.D. No. 2C242B559KA
Master Cylinder	03 - 00	R134796	w/o Cruise; Booster I.D. No. XC252B559PC
Master Cylinder	00	R134795	w/Cruise; Booster I.D. No. XC252B559EC
Master Cylinder	00	R134713	w/o Cruise; Booster I.D. No. XC252B559DB
Master Cylinder	99	R134797	To 5/2/99; w/Hydro Boost
Master Cylinder	99	R134795	w/Vacuum Boost; w/Cruise
Master Cylinder	99	R134796	w/Vacuum Boost; w/o Cruise
Master Cylinder	98 - 97	R134629	Cutaway or Stripped Chassis; w/o Cruise
Master Cylinder	98 - 97	R134713	Exc. Cutaway or Stripped Chassis; w/o Cruise
Master Cylinder	98 - 97	R134709	w/DRW; w/Cruise
Master Cylinder	98 - 97	R134630	w/SRW; w/Cruise
Master Cylinder	96 - 94	R131306	w/Cruise
Master Cylinder	96 - 94	R120368	w/o Cruise
Master Cylinder	93	R120368	
Master Cylinder	92	R129285	
Master Cylinder	91 - 87	R120368	
Master Cylinder	86 - 84	R110919	
Master Cylinder	83 - 81	R97938	

Power Brake Booster	Years	Part No.	Qualifier
Power Brake Booster	04	5474419	From I.D. No. 3C242B559CC; Gas; w/o Master Cylinder; w/Cruise
Power Brake Booster	03 - 01	5474419	Gas; w/o Master Cylinder

E-350 ECONOLINE (cont.) - See Also E SUPER DUTY
Hydraulics - Reman (cont.)

Power Brake Booster	Years	Part No.	Qualifier
Power Brake Booster	00 - 99	5474419	Gas; w/o Master Cylinder; Cutaway
Power Brake Booster	00 - 99	5474418	Gas; w/o Master Cylinder; Exc. Cutaway
Power Brake Booster	98 - 97	5474412	Gas; w/o Master Cylinder
Power Brake Booster	96 - 94	504403	Gas; w/Master Cylinder; w/Cruise; Incl. Pump/Motor; Also Avail. Separately
Power Brake Booster	96 - 94	504407	Gas; w/Master Cylinder; w/o Cruise
Power Brake Booster	96 - 92	5474402	Gas; w/o Master Cylinder
Power Brake Booster	93	504407	Gas; w/Master Cylinder
Power Brake Booster	92	504402	Gas; w/Master Cylinder
Power Brake Booster	91 - 90	503321	Gas; w/Master Cylinder; Cutaway
Power Brake Booster	91 - 90	504401	Gas; w/Master Cylinder; Exc. Cutaway
Power Brake Booster	91 - 90	5474401	Gas; w/o Master Cylinder; Exc. Cutaway
Power Brake Booster	89 - 87	504401	Gas; w/Master Cylinder
Power Brake Booster	89 - 87	5474401	Gas; w/o Master Cylinder
Power Brake Booster	86	509336	Gas; w/Master Cylinder
Power Brake Booster	86	5473357	Gas; w/o Master Cylinder
Power Brake Booster	85	509336	Exc. Lpg; Gas; w/Master Cylinder
Power Brake Booster	85	5473357	Exc. Lpg; Gas; w/o Master Cylinder
Power Brake Booster	84	509336	Gas; w/Master Cylinder
Power Brake Booster	84	5473357	Gas; w/o Master Cylinder
Power Brake Booster	83 - 81	503312	Gas; w/Master Cylinder
Power Brake Booster	83 - 81	5473312	Gas; w/o Master Cylinder

Brake Cables

Parking Brake Cable	Years	Sequential No.	Category No.	Qualifier
Parking Brake Cable	04 - 97	F140373	(BC140373)	Rear; R.H.; 158" or 176" WB; RV Cutaway; 123" Length
Parking Brake Cable	98	F138822	(BC138822)	Forward; Exc. Stripped Chassis
Parking Brake Cable	98 - 96	F139252	(BC139252)	Intermediate; 138" WB; Stripped Chassis
Parking Brake Cable	97	F140390	(BC140390)	Intermediate; 158" WB; Exc. Stripped Chassis; 36" Length
Parking Brake Cable	97 - 95	F133086	(BC133086)	Rear; L.H.; 8000 lb. RA
Parking Brake Cable	96 - 95	F133084	(BC133084)	Forward
Parking Brake Cable	96 - 95	F133083	(BC133083)	Intermediate; 138" WB; Exc. Stripped Chassis
Parking Brake Cable	96 - 95	F133088	(BC133088)	Rear; L.H.; Exc. 8000 lb. RA
Parking Brake Cable	96 - 95	F133085	(BC133085)	Rear; R.H.; 8000 lb. RA
Parking Brake Cable	96 - 95	F133087	(BC133087)	Rear; R.H.; Exc. 8000 lb. RA
Parking Brake Cable	95	F140391	(BC140391)	Intermediate; 176" WB; 69" Length
Parking Brake Cable	94 - 92	F132452	(BC132452)	Forward; Commercial Chassis
Parking Brake Cable	94 - 92	F132082	(BC132082)	Forward; Exc. Commercial Chassis, Exc. Stripped Chassis
Parking Brake Cable	94 - 92	F132083	(BC132083)	Forward; w/Rec. Stripped Chassis
Parking Brake Cable	94 - 92	F132449	(BC132449)	Intermediate; 138" WB
Parking Brake Cable	94 - 92	F132450	(BC132450)	Intermediate; 158" WB
Parking Brake Cable	94 - 92	F132451	(BC132451)	Intermediate; 176" WB
Parking Brake Cable	94 - 92	F132084	(BC132084)	Rear; L.H.; 5300-5400 lb. RA
Parking Brake Cable	94 - 92	F133086	(BC133086)	Rear; L.H.; 6300-7800 lb. RA
Parking Brake Cable	94 - 92	F132085	(BC132085)	Rear; R.H.; 5300-5400 lb. RA
Parking Brake Cable	94 - 92	F132087	(BC132087)	Rear; R.H.; 6300-7800 lb. RA
Parking Brake Cable	94 - 92	F132088	(BC132088)	Rear; R.H.; 8000 lb. RA
Parking Brake Cable	91 - 88	F120903	(BC120903)	Forward; 138" WB; Exc. Stripped Chassis
Parking Brake Cable	91 - 81	F116497	(BC116497)	Forward; 138" WB; Stripped Chassis
Parking Brake Cable	91 - 88	F120905	(BC120905)	Forward; 158" WB; Exc. Stripped Chassis
Parking Brake Cable	91 - 81	F116496	(BC116496)	Forward; 158" WB; Stripped Chassis
Parking Brake Cable	91	F120906	(BC120906)	Forward; 176" WB
Parking Brake Cable	91 - 81	F109060	(BC109060)	Rear; L.H.
Parking Brake Cable	91 - 81	F109059	(BC109059)	Rear; R.H.
Parking Brake Cable	90 - 81	F129204	(BC129204)	Forward; 176" WB
Parking Brake Cable	87 - 81	F102663	(BC102663)	Forward; 138" WB; Exc. Stripped Chassis
Parking Brake Cable	87 - 81	F109063	(BC109063)	Forward; 158" WB; Exc. Stripped Chassis

E-350 ECONOLINE (cont.) - See Also E SUPER DUTY

ABS Components - New

<i>ABS Wheel Sensor</i>	<i>Years</i>	<i>Sequential No.</i>	<i>Category No.</i>	<i>Qualifier</i>
ABS Wheel Sensor	95 - 90	F121000	(AB121000)	Rear

ABS Components - Reman

<i>ABS Module</i>	<i>Years</i>	<i>Part No.</i>	<i>Qualifier</i>
ABS Module	96 - 94	RA121022	w/DRW; w/2 Whl. ABS
ABS Module	96 - 94	RA121021	w/SRW; w/2 Whl. ABS
ABS Module	93 - 92	RA121022	w/DRW
ABS Module	93 - 92	RA121021	w/SRW
ABS Module	91 - 90	RA121018	w/DRW
ABS Module	91 - 90	RA121017	w/SRW
<i>ABS Hydraulic Unit</i>	<i>Years</i>	<i>Part No.</i>	<i>Qualifier</i>
ABS Hydraulic Unit	96 - 95	RA122061	w/2 Whl. ABS
ABS Hydraulic Unit	94 - 90	RA122024	

Wheel Attaching Hardware

<i>Front Wheel Stud</i>	<i>Years</i>	<i>Part No.</i>	<i>Qualifier</i>
Wheel Lug Stud	05 - 86	BD61164	
Wheel Lug Stud	94 - 90	BD61164	w/o Diesel; w/DRW
Wheel Lug Stud	94 - 90	BD61164	w/o Diesel; w/SRW
Wheel Lug Stud	85	BD61164	Exc. Lpg
Wheel Lug Stud	85	BD61164	Lpg; w/SRW
Wheel Lug Stud	84	BD61164	From 1/1/84; w/DRW
Wheel Lug Stud	84	BD60931	To 12/31/83; w/DRW
Wheel Lug Stud	84 - 81	BD61164	w/SRW
Wheel Lug Stud	83 - 81	BD60931	w/DRW
<i>Rear Wheel Stud</i>	<i>Years</i>	<i>Part No.</i>	<i>Qualifier</i>
Wheel Lug Stud	05 - 90	BD61175	
Wheel Lug Stud	94 - 90	BD61175	w/o Diesel; w/DRW
Wheel Lug Stud	94 - 90	BD61175	w/o Diesel; w/SRW
Wheel Lug Stud	89 - 87	BD61163	w/DRW; w/12 x 3" Drum
Wheel Lug Stud	89 - 87	BD61175	w/DRW; w/12-1/8 x 3-1/2" Drum
Wheel Lug Stud	89 - 85	BD60984	w/SRW
Wheel Lug Stud	86	BD61163	w/DRW
Wheel Lug Stud	85	BD61163	Exc. Lpg; w/DRW
Wheel Lug Stud	84	BD61163	From 1/1/84; w/DRW
Wheel Lug Stud	84	BD60984	R.H. Thread; w/SRW
Wheel Lug Stud	84	BD60985	To 12/31/83; L.H. Thread; w/DRW
Wheel Lug Stud	84	BD60984	To 12/31/83; R.H. Thread; w/DRW
Wheel Lug Stud	83 - 81	BD60985	L.H. Thread; w/DRW
Wheel Lug Stud	83 - 81	BD60984	R.H. Thread
<i>Front Wheel Nut</i>	<i>Years</i>	<i>Part No.</i>	<i>Qualifier</i>
Wheel Lug Nut	05 - 92	BD125925	Flat Faced Open; w/DRW
Wheel Lug Nut	05 - 92	BD61287	Std. Open; w/SRW
Wheel Lug Nut	91 - 85	BD61169	Flat Faced Open; w/DRW
Wheel Lug Nut	91 - 81	BD61325	Std. Open; w/SRW
Wheel Lug Nut	84	BD61169	From 1/1/84; Flat Faced Open; w/DRW
Wheel Lug Nut	84	BD60933	To 12/31/83; Std. Open; w/DRW
Wheel Lug Nut	83 - 81	BD60933	Std. Open; w/DRW
<i>Rear Wheel Nut</i>	<i>Years</i>	<i>Part No.</i>	<i>Qualifier</i>
Wheel Lug Nut	05 - 92	BD125925	Flat Faced Open; w/DRW
Wheel Lug Nut	05 - 92	BD61287	Std. Open; w/SRW
Wheel Lug Nut	91 - 85	BD61169	Flat Faced Open; w/DRW
Wheel Lug Nut	91 - 81	BD61325	Std. Open; w/SRW
Wheel Lug Nut	84	BD61169	From 1/1/84; Flat Faced Open; w/DRW
Wheel Lug Nut	84	BD61296	To 12/31/83; L.H. Thread; Std. Open; w/DRW
Wheel Lug Nut	84	BD60933	To 12/31/83; Std. Open; w/DRW

E-350 ECONOLINE (cont.) - See Also E SUPER DUTY
Wheel Attaching Hardware (cont.)

Rear Wheel Nut	Years	Part No.	Qualifier
Wheel Lug Nut	83 - 81	BD61296	L.H. Thread; Std. Open; w/DRW
Wheel Lug Nut	83 - 81	BD60933	R.H. Thread; Std. Open; w/DRW

FORD -1+ TON TRUCK
F-450 SUPER DUTY PICKUP
Brake Pads & Shoes

Front Pads & Shoes	Years	SevereDuty	Lining No.	Qualifier
Brake Pads	05	SD1066		
Brake Pads	04 - 99	SD777		
Brake Pads	97 - 90	SD411		

Rear Pads & Shoes	Years	SevereDuty	Lining No.	Qualifier
Brake Pads	05	SD1066		
Brake Pads	04 - 99	SD777		
Brake Pads	97 - 90	SD411		

Rotor & Drum

Front Rotor & Drum	Years	Part No.	Qualifier
Brake Rotor	04 - 99	BD125714	2WD
Brake Rotor	04	BD125715	4WD
Brake Rotor	03 - 01	BD125715	4WD; 3.73, 4.10, 4.30 A.R.; w/DRW; w/RWAL
Brake Rotor	03 - 01	BD125714	4WD; 4.30, 4.88, 5.38 A.R.; w/DRW; w/4 Whl. ABS
Brake Rotor	00 - 99	BD125714	4WD; From 3/22/99; 4.88 A.R., 5.38 A.R.
Brake Rotor	00 - 99	BD125715	4WD; From 3/22/99; Exc. 4.88, 5.38 A.R.
Brake Rotor	99	BD125746	4WD; To 3/22/99; 4.88 A.R., 5.38 A.R.
Brake Rotor	99	BD125662	4WD; To 3/22/99; Exc. 4.88, 5.38 A.R.
Brake Rotor	97 - 90	BD61833	

Rear Rotor & Drum	Years	Part No.	Qualifier
Brake Rotor	05	BD126276	
Brake Rotor	04 - 02	BD125788	w/Exciter Ring
Brake Rotor	04 - 02	BD125649	w/o Exciter Ring
Brake Rotor	01 - 99	BD125649	
Brake Rotor	97 - 90	BD61833	

Brake Hardware

Front Brake Hardware	Years	Sequential No.	Category No.	Qualifier
Caliper Bolt/Pin	05	F139372	(H5093)	
Caliper Bolt/Pin	04 - 99	F139372	(H5093)	
Caliper Bolt/Pin	96 - 90	F124500S	(H5042)	
Disc Align Kit	05	F139355	(H5639)	
Disc Align Kit	04 - 99	F139355	(H5639)	
Disc Align Kit	96 - 92	F124501	(H5586)	
Pin Boot Kit	05	F139364	(H8230)	
Pin Boot Kit	04 - 99	F139364	(H8230)	

Rear Brake Hardware	Years	Sequential No.	Category No.	Qualifier
Caliper Bolt/Pin	05	F139371	(H5092)	
Caliper Bolt/Pin	04 - 99	F139371	(H5092)	
Caliper Bolt/Pin	96 - 90	F124500S	(H5042)	
Disc Align Kit	05	F139355	(H5639)	
Disc Align Kit	04 - 99	F139355	(H5639)	
Disc Align Kit	96 - 92	F124501	(H5586)	
Pin Boot Kit	03 - 99	F139364	(H8230)	

Parking Brake	Years	Sequential No.	Category No.	Qualifier
Combi Kit	05	F139718	(H7227)	
Combi Kit	04 - 99	F139718	(H7227)	

Calipers - Reman

Front, Loaded	Years	Left No.	Right No.	Qualifier	Piston
Loaded Caliper	04 - 99	AS134372	AS134371		P

Piston: M - OE Metal Piston P - OE Phenolic Piston

FORD -1+ TON TRUCK



F-450 SUPER DUTY PICKUP (cont.)

Calipers - Reman (cont.)

Front, Loaded	Years	Left No.	Right No.	Qualifier	Piston
Loaded Caliper	97 - 90	AS130127	AS130128		M
Rear, Loaded	Years	Left No.	Right No.	Qualifier	Piston
Loaded Caliper	04 - 00	AS134371	AS134372		P
Loaded Caliper	99	AS134371	AS134372	From 6/15/98	P
Loaded Caliper	99	AS134371	AS134371	To 6/14/98	P
Loaded Caliper	97 - 90	AS130127	AS130128		M
Front, Unloaded	Years	Left No.	Right No.	Qualifier	Piston
Unloaded Caliper	97 - 90	CR130127	CR130128		M
Rear, Unloaded	Years	Left No.	Right No.	Qualifier	Piston
Unloaded Caliper	04 - 00	CRB134371	CRB134372	Supplied w/Mtg. Brkt.	P
Unloaded Caliper	04 - 00	CR134371	CR134372	Supplied w/o Mtg. Brkt.	P
Unloaded Caliper	99	CRB134371	CRB134372	From 6/15/98; Supplied w/Mtg. Brkt.	P
Unloaded Caliper	99	CR134371	CR134372	From 6/15/98; Supplied w/o Mtg. Brkt.	P
Unloaded Caliper	99	CRB134371	CRB134371	To 6/14/98; Supplied w/Mtg. Brkt.	P
Unloaded Caliper	99	CR134371	CR134371	To 6/14/98; Supplied w/o Mtg. Brkt.	P
Unloaded Caliper	97 - 90	CR130127	CR130128		M

Hydraulics - New

Master Cylinder	Years	Sequential No.	Category No.	Qualifier
Master Cylinder	04	F134454	(MC134454)	w/Vacuum Boost
Master Cylinder	03	F134454	(MC134454)	To 11/03/02; w/Hydro-Boost; w/Cruise Control
Master Cylinder	03	F134454	(MC134454)	w/Vacuum Boost; w/Cruise Control
Master Cylinder	02 - 99	F134454	(MC134454)	w/Hydro-Boost; w/Cruise Control
Master Cylinder	02 - 99	F134454	(MC134454)	w/Vacuum Boost
Master Cylinder	97 - 96	F131972	(MC131972)	2WD; Diesel; 133" WB; w/SRW; w/o Cruise Control; 1-1/4" Bore
Master Cylinder	97 - 96	F131972	(MC131972)	4WD; w/SRW; w/o Cruise Control; 1-1/4" Bore
Clutch Master Cylind	Years	Sequential No.	Category No.	Qualifier
Clutch Master Cylinder	04 - 99	F134514	(CM134514)	
Clutch Slave Cylinder	Years	Sequential No.	Category No.	Qualifier
Clutch Slave Cylinder	03 - 99	F134504	(SC134504)	Diesel; 6 Spd. M/T; 13/16" Bore
Clutch Slave Cylinder	03 - 99	F134508	(SC134508)	w/o Diesel; w/5 Spd. Trans.; 13/16" Bore
Front Brake Hose	Years	Sequential No.	Category No.	Qualifier
Brake Hose	97 - 95	F133396	(BH133396)	L.H.
Brake Hose	97 - 95	F133397	(BH133397)	R.H.
Brake Hose	94 - 90	F133396	(BH133396)	L.H.; 2WD
Brake Hose	94 - 90	F124727	(BH124727)	L.H.; 4WD
Brake Hose	94 - 90	F133397	(BH133397)	R.H.; 2WD
Brake Hose	94 - 90	F106367	(BH106367)	R.H.; 4WD
Rear Brake Hose	Years	Sequential No.	Category No.	Qualifier
Brake Hose	97 - 92	F138075	(BH138075)	Inner

Hydraulics - Reman

Master Cylinder	Years	Part No.	Qualifier
Master Cylinder	04 - 99	R134792	w/Cruise
Master Cylinder	04 - 99	R134793	w/o Cruise
Master Cylinder	97 - 90	R131212	w/Cruise
Master Cylinder	97 - 90	R116811	w/o Cruise
Power Brake Booster	Years	Part No.	Qualifier
Hydro Booster	97 - 90	527079	
Power Brake Booster	Years	Part No.	Qualifier
Power Brake Booster	97 - 90	5474400	Gas; w/o Master Cylinder; w/Vacuum Boost

Brake Cables

Parking Brake Cable	Years	Sequential No.	Category No.	Qualifier
Parking Brake Cable	97 - 92	F132095	(BC132095)	Forward
Parking Brake Cable	97 - 90	F140167	(BC140167)	Rear; L.H.; 63" Length
Parking Brake Cable	97 - 90	F140111	(BC140111)	Rear; R.H.; 95" Length

Piston: M - OE Metal Piston P - OE Phenolic Piston

F-450 SUPER DUTY PICKUP (cont.)
Brake Cables (cont.)

Parking Brake Cable	Years	Sequential No.	Category No.	Qualifier
Parking Brake Cable	91 - 90	F129631	(BC129631)	Forward

ABS Components - New

ABS Control Module	Years	Sequential No.	Category No.	Qualifier
ABS Control Module	91 - 90	F121048	(AB121048)	
ABS Modulator	Years	Sequential No.	Category No.	Qualifier
ABS Modulator	91 - 90	F121001	(AB121001)	
ABS Wheel Sensor	Years	Sequential No.	Category No.	Qualifier
ABS Wheel Sensor	91 - 90	F121000	(AB121000)	Rear

Wheel Attaching Hardware

Front Wheel Stud	Years	Part No.	Qualifier
Wheel Lug Stud	05	BD125976	
Wheel Lug Stud	04 - 01	BD125976	
Wheel Lug Stud	00 - 99	BD125941	2WD; w/SRW; w/Single Beam FA
Wheel Lug Stud	00 - 99	BD125976	4WD; w/DRW
Wheel Lug Stud	97 - 90	BD61411	2WD; w/10 Stud Whl.
Wheel Lug Stud	97 - 90	BD61164	2WD; w/8 Stud Whl.
Wheel Lug Stud	97 - 90	BD60932	4WD
Rear Wheel Stud	Years	Part No.	Qualifier
Wheel Lug Stud	05	BD125994	
Wheel Lug Stud	04 - 01	BD125941	
Wheel Lug Stud	00 - 99	BD125941	2WD; w/Single Beam FA
Wheel Lug Stud	00 - 99	BD125941	2WD; w/SRW
Wheel Lug Stud	97 - 90	BD61412	w/10 Stud Whl.
Wheel Lug Stud	97 - 90	BD61175	w/8 Stud Whl.
Front Wheel Nut	Years	Part No.	Qualifier
Wheel Lug Nut	05	BD125927	Flat Faced Open
Wheel Lug Nut	04 - 99	BD125927	Flat Faced Open
Wheel Lug Nut	97 - 92	BD125925	Flat Faced Open; w/DRW
Wheel Lug Nut	97 - 92	BD61287	Std. Open; w/SRW
Wheel Lug Nut	91 - 90	BD61169	Flat Faced Open; w/DRW
Wheel Lug Nut	91 - 90	BD61325	Std. Open; w/SRW
Rear Wheel Nut	Years	Part No.	Qualifier
Wheel Lug Nut	05	BD125927	Flat Faced Open
Wheel Lug Nut	04 - 99	BD125927	Flat Faced Open
Wheel Lug Nut	97 - 92	BD125925	Flat Faced Open; w/DRW
Wheel Lug Nut	97 - 92	BD61287	Std. Open; w/SRW
Wheel Lug Nut	91 - 90	BD61169	Flat Faced Open; w/DRW
Wheel Lug Nut	91 - 90	BD61325	Std. Open; w/SRW

F-550 SUPER DUTY PICKUP
Brake Pads & Shoes

Front Pads & Shoes	Years	SevereDuty	Lining No.	Qualifier
Brake Pads	05	SD1066		
Brake Pads	04 - 99	SD777		
Rear Pads & Shoes	Years	SevereDuty	Lining No.	Qualifier
Brake Pads	05	SD1066		
Brake Pads	04 - 99	SD777		

Rotor & Drum

Front Rotor & Drum	Years	Part No.	Qualifier
Brake Rotor	04 - 99	BD125714	2WD
Brake Rotor	04	BD125715	4WD
Brake Rotor	03 - 01	BD125715	4WD; 4.30 A.R.; w/DRW; w/RWAL
Brake Rotor	03 - 01	BD125714	4WD; 4.30, 4.88, 5.38 A.R.; w/DRW; w/4 Whl. ABS
Brake Rotor	00 - 99	BD125714	4WD; From 3/22/99
Brake Rotor	99	BD125746	4WD; To 3/22/99

F-550 SUPER DUTY PICKUP (cont.)

Rotor & Drum (cont.)

Rear Rotor & Drum	Years	Part No.	Qualifier
Brake Rotor	05	BD126276	
Brake Rotor	04 - 02	BD125788	w/Exciter Ring
Brake Rotor	04 - 02	BD125649	w/o Exciter Ring
Brake Rotor	01 - 99	BD125649	

Brake Hardware

Front Brake Hardware	Years	Sequential No.	Category No.	Qualifier
Caliper Bolt/Pin	05	F139372	(H5093)	
Caliper Bolt/Pin	04 - 99	F139372	(H5093)	
Disc Align Kit	05	F139355	(H5639)	
Disc Align Kit	04 - 99	F139355	(H5639)	
Pin Boot Kit	05	F139364	(H8230)	
Pin Boot Kit	04 - 99	F139364	(H8230)	

Rear Brake Hardware	Years	Sequential No.	Category No.	Qualifier
Caliper Bolt/Pin	05	F139371	(H5092)	
Caliper Bolt/Pin	04 - 00	F139371	(H5092)	
Disc Align Kit	05	F139355	(H5639)	
Disc Align Kit	04 - 99	F139355	(H5639)	
Pin Boot Kit	03 - 99	F139364	(H8230)	

Parking Brake	Years	Sequential No.	Category No.	Qualifier
Combi Kit	05	F139718	(H7227)	
Combi Kit	04 - 99	F139718	(H7227)	

Calipers - Reman

Front, Loaded	Years	Left No.	Right No.	Qualifier	Piston
Loaded Caliper	04 - 99	AS134372	AS134371		P

Rear, Loaded	Years	Left No.	Right No.	Qualifier	Piston
Loaded Caliper	04 - 00	AS134372	AS134371		P
Loaded Caliper	99	AS134371	AS134372	From 6/15/98	P
Loaded Caliper	99	AS134371	AS134371	To 6/15/98	P

Front, Unloaded	Years	Left No.	Right No.	Qualifier	Piston
Unloaded Caliper	04 - 99	CRB134372	CRB134371	Supplied w/Mtg. Brkt.	P
Unloaded Caliper	04 - 99	CR134372	CR134371	Supplied w/o Mtg. Brkt.	P

Rear, Unloaded	Years	Left No.	Right No.	Qualifier	Piston
Unloaded Caliper	04 - 00	CRB134372	CRB134371	Supplied w/Mtg. Brkt.	P
Unloaded Caliper	04 - 00	CR134372	CR134371	Supplied w/o Mtg. Brkt.	P
Unloaded Caliper	99	CRB134371	CRB134372	From 6/15/98; Supplied w/Mtg. Brkt.	P
Unloaded Caliper	99	CR134371	CR134372	From 6/15/98; Supplied w/o Mtg. Brkt.	P
Unloaded Caliper	99	CRB134371	CRB134371	To 6/15/98; Supplied w/Mtg. Brkt.	P
Unloaded Caliper	99	CR134371	CR134371	To 6/15/98; Supplied w/o Mtg. Brkt.	P

Hydraulics - New

Master Cylinder	Years	Sequential No.	Category No.	Qualifier
Master Cylinder	04	F134454	(MC134454)	w/Vacuum Boost
Master Cylinder	03	F134454	(MC134454)	To 11/03/02; w/Hydro-Boost; w/Cruise Control
Master Cylinder	03	F134454	(MC134454)	w/Vacuum Boost; w/Cruise Control
Master Cylinder	02 - 99	F134454	(MC134454)	w/Hydro-Boost; w/Cruise Control
Master Cylinder	02 - 99	F134454	(MC134454)	w/Vacuum Boost

Clutch Master Cylind	Years	Sequential No.	Category No.	Qualifier
Clutch Master Cylinder	04 - 99	F134514	(CM134514)	

Clutch Slave Cylinder	Years	Sequential No.	Category No.	Qualifier
Clutch Slave Cylinder	03 - 99	F134504	(SC134504)	Diesel; 6 Spd. M/T; 13/16" Bore
Clutch Slave Cylinder	03 - 99	F134508	(SC134508)	w/o Diesel; w/5 Spd. Trans.; 13/16" Bore

Hydraulics - Reman

Master Cylinder	Years	Part No.	Qualifier
Master Cylinder	04 - 99	R134792	w/Cruise
Master Cylinder	04 - 99	R134793	w/o Cruise

Piston: M - OE Metal Piston P - OE Phenolic Piston

F-550 SUPER DUTY PICKUP (cont.)
Wheel Attaching Hardware

Front Wheel Stud	Years	Part No.	Qualifier
Wheel Lug Stud	05	BD125976	
Wheel Lug Stud	04 - 01	BD125976	
Wheel Lug Stud	00 - 99	BD125941	2WD; w/SRW; w/Single Beam FA
Wheel Lug Stud	00 - 99	BD125976	4WD; w/DRW
Rear Wheel Stud	Years	Part No.	Qualifier
Wheel Lug Stud	05	BD125994	
Wheel Lug Stud	04 - 01	BD125941	
Wheel Lug Stud	00 - 99	BD125941	2WD; w/Single Beam FA
Wheel Lug Stud	00 - 99	BD125941	2WD; w/SRW
Front Wheel Nut	Years	Part No.	Qualifier
Wheel Lug Nut	05	BD125927	Flat Faced Open
Wheel Lug Nut	04 - 99	BD125927	Flat Faced Open
Rear Wheel Nut	Years	Part No.	Qualifier
Wheel Lug Nut	05	BD125927	Flat Faced Open
Wheel Lug Nut	04 - 99	BD125927	Flat Faced Open

F53 STRIPPED CHASSIS
Brake Pads & Shoes

Front Pads & Shoes	Years	SevereDuty	Lining No.	Qualifier
Brake Pads	97 - 88	SD411		
Rear Pads & Shoes	Years	SevereDuty	Lining No.	Qualifier
Brake Pads	97 - 88	SD411		

Rotor & Drum

Front Rotor & Drum	Years	Part No.	Qualifier
Brake Rotor	97 - 88	BD61833	
Rear Rotor & Drum	Years	Part No.	Qualifier
Brake Rotor	97 - 88	BD61833	

Brake Hardware

Front Brake Hardware	Years	Sequential No.	Category No.	Qualifier
Caliper Bolt/Pin	97 - 89	F124500S	(H5042)	
Disc Align Kit	97 - 92	F124501	(H5586)	
Rear Brake Hardware	Years	Sequential No.	Category No.	Qualifier
Caliper Bolt/Pin	97 - 89	F124500S	(H5042)	
Disc Align Kit	97 - 92	F124501	(H5586)	

Calipers - Reman

Front, Loaded	Years	Left No.	Right No.	Qualifier	Piston
Loaded Caliper	97 - 89	AS130127	AS130128		M
Rear, Loaded	Years	Left No.	Right No.	Qualifier	Piston
Loaded Caliper	97 - 89	AS130127	AS130128		M
Front, Unloaded	Years	Left No.	Right No.	Qualifier	Piston
Unloaded Caliper	97 - 89	CR130127	CR130128		M
Rear, Unloaded	Years	Left No.	Right No.	Qualifier	Piston
Unloaded Caliper	97 - 89	CR130127	CR130128		M

Hydraulics - New

Master Cylinder	Years	Sequential No.	Category No.	Qualifier
Master Cylinder	97 - 92	F131212	(MC131212)	w/Cruise Control; 1-5/16" Bore
Master Cylinder	97 - 93	F116811	(MC116811)	w/o Cruise Control; 1-5/16" Bore
Clutch Master Cylind	Years	Sequential No.	Category No.	Qualifier
Clutch Master Cylinder	97 - 93	F126886	(CM126886)	7/8" Bore
Clutch Master Cylinder	92 - 89	F120276	(CM120276)	7/8" Bore
Clutch Slave Cylinder	Years	Sequential No.	Category No.	Qualifier
Clutch Slave Cylinder	97 - 92	F103476	(SC103476)	1 Ton; 1-1/4" Bore
Clutch Slave Cylinder	91 - 90	F103476	(SC103476)	Exc. 4 Spd. T-18 M/T; 1-1/4" Bore
Clutch Slave Cylinder	91 - 90	F103485	(SC103485)	w/4 Spd. T-18 M/T; 1" Bore

Piston: M - OE Metal Piston P - OE Phenolic Piston

F53 STRIPPED CHASSIS (cont.)

Hydraulics - New (cont.)

<i>Clutch Slave Cylinder</i>	<i>Years</i>	<i>Sequential No.</i>	<i>Category No.</i>	<i>Qualifier</i>
Clutch Slave Cylinder	89	F103476	(SC103476)	1-1/4" Bore
<i>Front Brake Hose</i>	<i>Years</i>	<i>Sequential No.</i>	<i>Category No.</i>	<i>Qualifier</i>
Brake Hose	97 - 88	F120859	(BH120859)	L.H.
Brake Hose	97 - 88	F120860	(BH120860)	R.H.
<i>Rear Brake Hose</i>	<i>Years</i>	<i>Sequential No.</i>	<i>Category No.</i>	<i>Qualifier</i>
Brake Hose	97 - 92	F132772	(BH132772)	Inner
Brake Hose	97 - 92	F132463	(BH132463)	L.H.; Outer
Brake Hose	97 - 92	F132464	(BH132464)	R.H.; Outer
Brake Hose	91 - 88	F128683	(BH128683)	Inner
Brake Hose	91 - 88	F132461	(BH132461)	L.H.; Outer
Brake Hose	91 - 88	F132462	(BH132462)	R.H.; Outer

Hydraulics - Reman

<i>Master Cylinder</i>	<i>Years</i>	<i>Part No.</i>	<i>Qualifier</i>
Master Cylinder	97 - 90	R131212	w/Cruise
Master Cylinder	97 - 90	R116811	w/o Cruise
Master Cylinder	89	R116811	
<i>Power Brake Booster</i>	<i>Years</i>	<i>Part No.</i>	<i>Qualifier</i>
Hydro Booster	96 - 89	527079	

Brake Cables

<i>Parking Brake Cable</i>	<i>Years</i>	<i>Sequential No.</i>	<i>Category No.</i>	<i>Qualifier</i>
Parking Brake Cable	94	F132096	(BC132096)	Forward; To 5/94; Stripped Chassis
Parking Brake Cable	93 - 92	F132096	(BC132096)	Forward; Stripped Chassis
Parking Brake Cable	91 - 90	F132096	(BC132096)	Forward
Parking Brake Cable	89	F128664	(BC128664)	Forward

Wheel Attaching Hardware

<i>Front Wheel Stud</i>	<i>Years</i>	<i>Part No.</i>	<i>Qualifier</i>
Wheel Lug Stud	97 - 90	BD61411	2WD; w/10 Stud Whl.
Wheel Lug Stud	97 - 90	BD61164	2WD; w/8 Stud Whl.
Wheel Lug Stud	97 - 90	BD60932	4WD
Wheel Lug Stud	89	BD61411	
<i>Rear Wheel Stud</i>	<i>Years</i>	<i>Part No.</i>	<i>Qualifier</i>
Wheel Lug Stud	97 - 90	BD61412	w/10 Stud Whl.
Wheel Lug Stud	97 - 90	BD61175	w/8 Stud Whl.
Wheel Lug Stud	89	BD61412	
<i>Front Wheel Nut</i>	<i>Years</i>	<i>Part No.</i>	<i>Qualifier</i>
Wheel Lug Nut	97 - 92	BD125925	Flat Faced Open; w/DRW
Wheel Lug Nut	97 - 92	BD61287	Std. Open; w/SRW
Wheel Lug Nut	91 - 90	BD61169	Flat Faced Open; w/DRW
Wheel Lug Nut	91 - 90	BD61325	Std. Open; w/SRW
Wheel Lug Nut	89	BD61169	Flat Faced Open
<i>Rear Wheel Nut</i>	<i>Years</i>	<i>Part No.</i>	<i>Qualifier</i>
Wheel Lug Nut	97 - 92	BD125925	Flat Faced Open; w/DRW
Wheel Lug Nut	97 - 92	BD61287	Std. Open; w/SRW
Wheel Lug Nut	91 - 90	BD61169	Flat Faced Open; w/DRW
Wheel Lug Nut	91 - 90	BD61325	Std. Open; w/SRW
Wheel Lug Nut	89	BD61169	Flat Faced Open

F59 STRIPPED CHASSIS

Brake Pads & Shoes

<i>Front Pads & Shoes</i>	<i>Years</i>	<i>SevereDuty</i>	<i>Lining No.</i>	<i>Qualifier</i>
Brake Pads	96 - 88	SD411		
<i>Rear Pads & Shoes</i>	<i>Years</i>	<i>SevereDuty</i>	<i>Lining No.</i>	<i>Qualifier</i>
Brake Pads	96 - 88	SD411		

F59 STRIPPED CHASSIS (cont.)

Rotor & Drum					
Front Rotor & Drum	Years	Part No.	Qualifier		
Brake Rotor	96 - 88	BD61833			
Rear Rotor & Drum	Years	Part No.	Qualifier		
Brake Rotor	96 - 88	BD61833			
Brake Hardware					
Front Brake Hardware	Years	Sequential No.	Category No.	Qualifier	
Caliper Bolt/Pin	96 - 89	F124500S	(H5042)		
Disc Align Kit	96 - 92	F124501	(H5586)		
Rear Brake Hardware	Years	Sequential No.	Category No.	Qualifier	
Caliper Bolt/Pin	96 - 89	F124500S	(H5042)		
Disc Align Kit	96 - 92	F124501	(H5586)		
Calipers - Reman					
Front, Loaded	Years	Left No.	Right No.	Qualifier	Piston
Loaded Caliper	96 - 89	AS130127	AS130128		M
Rear, Loaded	Years	Left No.	Right No.	Qualifier	Piston
Loaded Caliper	96 - 89	AS130127	AS130128		M
Front, Unloaded	Years	Left No.	Right No.	Qualifier	Piston
Unloaded Caliper	96 - 89	CR130127	CR130128		M
Rear, Unloaded	Years	Left No.	Right No.	Qualifier	Piston
Unloaded Caliper	96 - 89	CR130127	CR130128		M
Hydraulics - New					
Master Cylinder	Years	Sequential No.	Category No.	Qualifier	
Master Cylinder	96 - 92	F131212	(MC131212)	w/Cruise Control; 1-5/16" Bore	
Master Cylinder	96 - 93	F116811	(MC116811)	w/o Cruise Control; 1-5/16" Bore	
Clutch Master Cylind	Years	Sequential No.	Category No.	Qualifier	
Clutch Master Cylinder	96 - 93	F126886	(CM126886)	7/8" Bore	
Clutch Master Cylinder	92 - 89	F120276	(CM120276)	7/8" Bore	
Clutch Slave Cylinder	Years	Sequential No.	Category No.	Qualifier	
Clutch Slave Cylinder	96 - 92	F103476	(SC103476)	1 Ton; 1-1/4" Bore	
Clutch Slave Cylinder	91 - 90	F103476	(SC103476)	Exc. 4 Spd. T-18 M/T; 1-1/4" Bore	
Clutch Slave Cylinder	91 - 90	F103485	(SC103485)	w/4 Spd. T-18 M/T; 1" Bore	
Clutch Slave Cylinder	89	F103476	(SC103476)	1-1/4" Bore	
Front Brake Hose	Years	Sequential No.	Category No.	Qualifier	
Brake Hose	96 - 88	F120859	(BH120859)	L.H.	
Brake Hose	96 - 88	F120860	(BH120860)	R.H.	
Rear Brake Hose	Years	Sequential No.	Category No.	Qualifier	
Brake Hose	96 - 92	F132772	(BH132772)	Inner	
Brake Hose	96 - 92	F132463	(BH132463)	L.H.; Outer	
Brake Hose	96 - 92	F132464	(BH132464)	R.H.; Outer	
Brake Hose	91 - 88	F128683	(BH128683)	Inner	
Brake Hose	91 - 88	F132461	(BH132461)	L.H.; Outer	
Brake Hose	91 - 88	F132462	(BH132462)	R.H.; Outer	
Hydraulics - Reman					
Master Cylinder	Years	Part No.	Qualifier		
Master Cylinder	96 - 90	R131212	w/Cruise		
Master Cylinder	96 - 90	R116811	w/o Cruise		
Master Cylinder	89	R116811			
Power Brake Booster	Years	Part No.	Qualifier		
Hydro Booster	96 - 89	527079			
Brake Cables					
Parking Brake Cable	Years	Sequential No.	Category No.	Qualifier	
Parking Brake Cable	96 - 92	F124664	(BC124664)	Forward	
Parking Brake Cable	91 - 89	F128664	(BC128664)	Forward	

Piston: M - OE Metal Piston P - OE Phenolic Piston

FORD -1+ TON TRUCK



F59 STRIPPED CHASSIS (cont.)

Wheel Attaching Hardware				
Front Wheel Stud	Years	Part No.	Qualifier	
Wheel Lug Stud	96 - 90	BD61411	2WD; w/10 Stud Whl.	
Wheel Lug Stud	96 - 90	BD61164	2WD; w/8 Stud Whl.	
Wheel Lug Stud	96 - 90	BD60932	4WD	
Wheel Lug Stud	89	BD61411		
Rear Wheel Stud	Years	Part No.	Qualifier	
Wheel Lug Stud	96 - 90	BD61412	w/10 Stud Whl.	
Wheel Lug Stud	96 - 90	BD61175	w/8 Stud Whl.	
Wheel Lug Stud	89	BD61412		
Front Wheel Nut	Years	Part No.	Qualifier	
Wheel Lug Nut	96 - 92	BD125925	Flat Faced Open; w/DRW	
Wheel Lug Nut	96 - 92	BD61287	Std. Open; w/SRW	
Wheel Lug Nut	91 - 90	BD61169	Flat Faced Open; w/DRW	
Wheel Lug Nut	91 - 90	BD61325	Std. Open; w/SRW	
Wheel Lug Nut	89	BD61169	Flat Faced Open	
Rear Wheel Nut	Years	Part No.	Qualifier	
Wheel Lug Nut	96 - 92	BD125925	Flat Faced Open; w/DRW	
Wheel Lug Nut	96 - 92	BD61287	Std. Open; w/SRW	
Wheel Lug Nut	91 - 90	BD61169	Flat Faced Open; w/DRW	
Wheel Lug Nut	91 - 90	BD61325	Std. Open; w/SRW	
Wheel Lug Nut	89	BD61169	Flat Faced Open	

FORD -1+ TON VAN

E-450 ECONOLINE

Brake Pads & Shoes					
Front Pads & Shoes	Years	SevereDuty	Lining No.	Qualifier	
Brake Pads	05 - 03	SD655			
Rear Pads & Shoes	Years	SevereDuty	Lining No.	Qualifier	
Brake Pads	05 - 03	SD411			
Rotor & Drum					
Front Rotor & Drum	Years	Part No.	Qualifier		
Brake Rotor	05 - 03	BD125630	w/4 Whl. ABS		
Brake Rotor	05 - 03	BD125629	w/RWAL		
Rear Rotor & Drum	Years	Part No.	Qualifier		
Brake Rotor	05 - 03	BD125550	11000 lb. RA		
Brake Rotor	05 - 03	BD125694	6340 lb. RA		
Brake Rotor	05 - 03	BD125701	7800-8000 lb. RA		
Brake Hardware					
Front Brake Hardware	Years	Sequential No.	Category No.	Qualifier	
Caliper Bolt/Pin	05 - 03	F126899S	(H5061)		
Pin Boot Kit	05 - 03	F139361	(H8227)		
Rear Brake Hardware	Years	Sequential No.	Category No.	Qualifier	
Adjuster Kit	05 - 03	F98416	(H2588)	L.H.	
Adjuster Kit	05 - 03	F98417	(H2589)	R.H.	
Adjuster Screw	05 - 03	F79799	(H1534)	L.H.	
Adjuster Screw	05 - 03	F79800	(H1535)	R.H.	
Caliper Bolt/Pin	05 - 03	F126899S	(H5061)		
Combi Kit	05 - 03	F102555	(H7164)		
↳Adjuster Spring Kit		F106695	(H446)		
↳Return Spring Kit		F67455	(H546)		
Disc Align Kit	05 - 03	F138118S	(H5616)		
Pin Boot Kit	05 - 03	F139361	(H8227)		
Calipers - Reman					
Front, Loaded	Years	Left No.	Right No.	Qualifier	Piston
Loaded Caliper	05 - 03	AS133118	AS133119		P

↳Sub-Kit of Combi-Kit is available separately.

Piston: M - OE Metal Piston P - OE Phenolic Piston

E-450 ECONOLINE (cont.)
Calipers - Reman (cont.)

Rear, Loaded	Years	Left No.	Right No.	Qualifier	Piston
Loaded Caliper	05 - 03	AS134299	AS134298		P
Front, Unloaded	Years	Left No.	Right No.	Qualifier	Piston
Unloaded Caliper	05 - 03	CRB133118	CRB133119	Supplied w/Mtg. Brkt.	P
Unloaded Caliper	05 - 03	CRB133118S	CRB133119S	Supplied w/Mtg. Brkt.	O
Unloaded Caliper	05 - 03	CR133118	CR133119	Supplied w/o Mtg. Brkt.	P
Unloaded Caliper	05 - 03	CR133118S	CR133119S	Supplied w/o Mtg. Brkt.	O
Rear, Unloaded	Years	Left No.	Right No.	Qualifier	Piston
Unloaded Caliper	05 - 03	CR134299	CR134298		P

Hydraulics - New

Master Cylinder	Years	Sequential No.	Category No.	Qualifier
Master Cylinder	05	F134457	(MC134457)	w/o Cruise Control; 1-5/16" Bore
Front Brake Hose	Years	Sequential No.	Category No.	Qualifier
Brake Hose	05 - 03	F132754	(BH132754)	L.H.; w/RWAL
Brake Hose	05 - 03	F132773	(BH132773)	R.H.
Brake Hose	05 - 03	F133395	(BH133395)	R.H.; w/4 Whl. ABS
Rear Brake Hose	Years	Sequential No.	Category No.	Qualifier
Brake Hose	05 - 03	F134793	(BH134793)	

Brake Cables

Parking Brake Cable	Years	Sequential No.	Category No.	Qualifier
Parking Brake Cable	04 - 03	F140373	(BC140373)	Rear; R.H.; 158" or 176" WB; RV Cutaway; 123" Length

Wheel Attaching Hardware

Front Wheel Stud	Years	Part No.	Qualifier
Wheel Lug Stud	05 - 03	BD61164	
Rear Wheel Stud	Years	Part No.	Qualifier
Wheel Lug Stud	05 - 03	BD61175	
Front Wheel Nut	Years	Part No.	Qualifier
Wheel Lug Nut	05 - 03	BD125925	Flat Faced Open
Rear Wheel Nut	Years	Part No.	Qualifier
Wheel Lug Nut	05 - 03	BD125925	Flat Faced Open

FORD MD A-Series
A850
Brake Pads & Shoes

Front Pads & Shoes	Years	SevereDuty	Lining No.	Qualifier
Brake Pads	98 - 96	SD224		Dayton; 2.50" 2-Piston Caliper
Brake Pads	98 - 96	SD236		Dayton; 2.88" 2-Piston Caliper
Brake Shoes	98 - 96	4693R	4693	w/Air Brakes; Bendix; 15 x 4
Brake Shoes	98 - 96	4702Q	4702	w/Air Brakes; Rockwell/Meritor; Q-Plus; 15 x 4
Brake Shoes	98 - 96	1308Q	1308T	w/Air Brakes; Rockwell/Meritor; Q-Series; 15 x 4
Rear Pads & Shoes	Years	SevereDuty	Lining No.	Qualifier
Brake Shoes	98 - 96	SDS542R	EX4528AD-S43	Hyd. Brakes; Lucas; 15 x 5
Brake Shoes	98 - 96	SDS543R	EX4504AD-S43	Hyd. Brakes; Lucas; 15 x 6
Brake Shoes	98 - 96	SDS544AR	EX4505AD-S4Q	Hyd. Brakes; Lucas; 15 x 7
Brake Shoes	98 - 96	4515B	4515E	w/Air Brakes; Bendix; 16-1/2 x 7
Brake Shoes	98 - 96	4707Q	4707	w/Air Brakes; Rockwell/Meritor; Q-Plus; 16-1/2 x 7
Brake Shoes	98 - 96	4515Q	4515E	w/Air Brakes; Rockwell/Meritor; Q-Series; 16-1/2 x 7

Rotor & Drum

Rear Rotor & Drum	Years	Part No.	Qualifier
Brake Drum	98 - 96	BD126376	15 x 5" Hyd. Brakes; Dayton; 20" Spoke Wheel
Brake Drum	98 - 96	BD126379	15 x 5" Hyd. Brakes; Dayton; 6-Hole Disc Wheel
Brake Drum	98 - 96	BD126375	15 x 5" Hyd. Brakes; Dayton; 8-Hole Disc Wheel
Brake Drum	98 - 96	BD126400	15 x 6" Hyd. Brakes; Dayton; 20" Spoke Wheel
Brake Drum	98 - 96	BD126399	15 x 6" Hyd. Brakes; Dayton; 6-Hole Disc Wheel

Piston: M - OE Metal Piston P - OE Phenolic Piston O - Metal Piston Option

A850 (cont.)

Rotor & Drum (cont.)

Rear Rotor & Drum	Years	Part No.	Qualifier
Brake Drum	98 - 96	BD126397	15 x 6" Hyd. Brakes; Dayton; 8-Hole Disc Wheel
Brake Drum	98 - 96	BD126378	15 x 7" Hyd. Brakes; Budd; 10-Hole Disc Wheel; 15000 lb. RA
Brake Drum	98 - 96	BD126378	15 x 7" Hyd. Brakes; Budd; 10-Hole Disc Wheel; 17000-18000 lb. RA
Brake Drum	98 - 96	BD126378	15 x 7" Hyd. Brakes; Budd; 10-Hole Disc Wheel; 20000-21000 lb. RA
Brake Drum	98 - 96	BD126373	15 x 7" Hyd. Brakes; Budd; 10-Hole Disc Wheel; 34000 lb. TRA
Brake Drum	98 - 96	BD126377	15 x 7" Hyd. Brakes; Dayton; 20" Spoke Wheel; 17000-18000 lb. RA
Brake Drum	98 - 96	BD126374	15 x 7" Hyd. Brakes; Dayton; 20" Spoke Wheel; 21000-22000 lb. RA
Brake Drum	98 - 96	BD126377	15 x 7" Hyd. Brakes; Dayton; 20" Spoke Wheel; 34000 lb. TRA
Brake Drum	98 - 96	BD126401	15 x 7" Hyd. Brakes; Dayton; 8-Hole Disc Wheel; 17000-19000 lb. RA

Brake Hardware

Front Brake Hardware	Years	Sequential No.	Category No.	Qualifier
Disc Align Kit	98 - 96	F134105	(H5613)	Dayton; 2.50" 2-Piston Caliper
Disc Align Kit	98 - 96	F128926	(H5609)	Dayton; 2.88" 2-Piston Caliper

Rear Brake Hardware	Years	Sequential No.	Category No.	Qualifier
Adjuster Kit	98 - 96	F112097	(H2901)	L.H.; Lucas
Adjuster Kit	98 - 96	F112097	(H2901)	R.H.; Lucas
Combi Kit	98 - 96	F112096	(H7195)	Lucas

Calipers - Reman

Front, Loaded	Years	Left No.	Right No.	Qualifier	Piston
Loaded Caliper	98 - 96	AS120313	AS120313	Dayton; 2.50" 2-Piston Caliper; w/6 Holes on Back	M
Loaded Caliper	98 - 96	AS108723	AS108723	Dayton; 2.88" 2-Piston Caliper	M

Front, Unloaded	Years	Left No.	Right No.	Qualifier	Piston
Unloaded Caliper	98 - 96	CR120313	CR120313	Dayton; 2.50" 2-Piston Caliper; w/6 Holes on Back	M
Unloaded Caliper	98 - 96	CR108723	CR108723	Dayton; 2.88" 2-Piston Caliper	M

Hydraulics - New

Master Cylinder	Years	Sequential No.	Category No.	Qualifier
Master Cylinder	98 - 96	F119400	(MC119400)	Split Syst.; Hydro-Max; 1-3/4" Bore
Master Cylinder	98 - 96	F110980	(MC110980)	Split Syst.; Hydro-Max; 2" Bore

A950

Brake Pads & Shoes

Front Pads & Shoes	Years	SevereDuty	Lining No.	Qualifier
Brake Pads	98 - 96	SD224		Dayton; 2.50" 2-Piston Caliper
Brake Pads	98 - 96	SD236		Dayton; 2.88" 2-Piston Caliper
Brake Shoes	98 - 96	4693R	4693	w/Air Brakes; Bendix; 15 x 4
Brake Shoes	98 - 96	4702Q	4702	w/Air Brakes; Rockwell/Meritor; Q-Plus; 15 x 4
Brake Shoes	98 - 96	1308Q	1308T	w/Air Brakes; Rockwell/Meritor; Q-Series; 15 x 4

Rear Pads & Shoes	Years	SevereDuty	Lining No.	Qualifier
Brake Shoes	98 - 96	SDS542R	EX4528AD-S43	Hyd. Brakes; Lucas; 15 x 5
Brake Shoes	98 - 96	SDS543R	EX4504AD-S43	Hyd. Brakes; Lucas; 15 x 6
Brake Shoes	98 - 96	SDS544AR	EX4505AD-S4Q	Hyd. Brakes; Lucas; 15 x 7
Brake Shoes	98 - 96	4515B	4515E	w/Air Brakes; Bendix; 16-1/2 x 7
Brake Shoes	98 - 96	4707Q	4707	w/Air Brakes; Rockwell/Meritor; Q-Plus; 16-1/2 x 7
Brake Shoes	98 - 96	4515Q	4515E	w/Air Brakes; Rockwell/Meritor; Q-Series; 16-1/2 x 7

Rotor & Drum

Rear Rotor & Drum	Years	Part No.	Qualifier
Brake Drum	98 - 96	BD126376	15 x 5" Hyd. Brakes; Dayton; 20" Spoke Wheel
Brake Drum	98 - 96	BD126379	15 x 5" Hyd. Brakes; Dayton; 6-Hole Disc Wheel
Brake Drum	98 - 96	BD126375	15 x 5" Hyd. Brakes; Dayton; 8-Hole Disc Wheel
Brake Drum	98 - 96	BD126400	15 x 6" Hyd. Brakes; Dayton; 20" Spoke Wheel
Brake Drum	98 - 96	BD126399	15 x 6" Hyd. Brakes; Dayton; 6-Hole Disc Wheel
Brake Drum	98 - 96	BD126397	15 x 6" Hyd. Brakes; Dayton; 8-Hole Disc Wheel
Brake Drum	98 - 96	BD126378	15 x 7" Hyd. Brakes; Budd; 10-Hole Disc Wheel; 15000 lb. RA
Brake Drum	98 - 96	BD126378	15 x 7" Hyd. Brakes; Budd; 10-Hole Disc Wheel; 17000-18000 lb. RA

Piston: M - OE Metal Piston P - OE Phenolic Piston

A950 (cont.)
Rotor & Drum (cont.)

Rear Rotor & Drum	Years	Part No.	Qualifier
Brake Drum	98 - 96	BD126378	15 x 7" Hyd. Brakes; Budd; 10-Hole Disc Wheel; 20000-21000 lb. RA
Brake Drum	98 - 96	BD126373	15 x 7" Hyd. Brakes; Budd; 10-Hole Disc Wheel; 34000 lb. TRA
Brake Drum	98 - 96	BD126377	15 x 7" Hyd. Brakes; Dayton; 20" Spoke Wheel; 17000-18000 lb. RA
Brake Drum	98 - 96	BD126374	15 x 7" Hyd. Brakes; Dayton; 20" Spoke Wheel; 21000-22000 lb. RA
Brake Drum	98 - 96	BD126377	15 x 7" Hyd. Brakes; Dayton; 20" Spoke Wheel; 34000 lb. TRA
Brake Drum	98 - 96	BD126401	15 x 7" Hyd. Brakes; Dayton; 8-Hole Disc Wheel; 17000-19000 lb. RA

Brake Hardware

Front Brake Hardware	Years	Sequential No.	Category No.	Qualifier
Disc Align Kit	98 - 96	F134105	(H5613)	Dayton; 2.50" 2-Piston Caliper
Disc Align Kit	98 - 96	F128926	(H5609)	Dayton; 2.88" 2-Piston Caliper

Rear Brake Hardware	Years	Sequential No.	Category No.	Qualifier
Adjuster Kit	98 - 96	F112097	(H2901)	L.H.; Lucas
Adjuster Kit	98 - 96	F112097	(H2901)	R.H.; Lucas
Combi Kit	98 - 96	F112096	(H7195)	Lucas

Calipers - Reman

Front, Loaded	Years	Left No.	Right No.	Qualifier	Piston
Loaded Caliper	98 - 96	AS120313	AS120313	Dayton; 2.50" 2-Piston Caliper; w/6 Holes on Back	M
Loaded Caliper	98 - 96	AS108723	AS108723	Dayton; 2.88" 2-Piston Caliper	M

Front, Unloaded	Years	Left No.	Right No.	Qualifier	Piston
Unloaded Caliper	98 - 96	CR120313	CR120313	Dayton; 2.50" 2-Piston Caliper; w/6 Holes on Back	M
Unloaded Caliper	98 - 96	CR108723	CR108723	Dayton; 2.88" 2-Piston Caliper	M

Hydraulics - New

Master Cylinder	Years	Sequential No.	Category No.	Qualifier
Master Cylinder	98 - 96	F119400	(MC119400)	Split Syst.; Hydro-Max; 1-3/4" Bore
Master Cylinder	98 - 96	F110980	(MC110980)	Split Syst.; Hydro-Max; 2" Bore

FORD MD B-Series
B600
Brake Pads & Shoes

Front Pads & Shoes	Years	SevereDuty	Lining No.	Qualifier
Brake Pads	94 - 84	SD224		Dayton; 2.50" 2-Piston Caliper
Brake Pads	94 - 90	SD236		Dayton; 2.88" 2-Piston Caliper
Brake Shoes	83 - 80	SDS361R	EX2060D-S32	Hyd. Brakes; Kelsey Hayes; 14 x 2-1/2
Brake Shoes	83 - 80	SDS321R	EX1245AD-S32	Hyd. Brakes; Wagner; 15 x 3

Rear Pads & Shoes	Years	SevereDuty	Lining No.	Qualifier
Brake Shoes	94 - 84	SDS542R	EX4528AD-S43	Hyd. Brakes; Lucas; 15 x 5
Brake Shoes	94 - 84	SDS543R	EX4504AD-S43	Hyd. Brakes; Lucas; 15 x 6
Brake Shoes	83 - 80	SDS401R	EX4647D-S32	Hyd. Brakes; Kelsey Hayes; 15 x 4
Brake Shoes	83 - 80	SDS400R	EX4646D-S32	Hyd. Brakes; Kelsey Hayes; 15 x 5
Brake Shoes	83 - 80	SDS381R	EX4596D-S32	Hyd. Brakes; Wagner; 15 x 6

Parking Brake Shoes	Years	SevereDuty	Lining No.	Qualifier
Brake Shoes	83 - 80	SDS842R	EX1303AD	10 x 3
Brake Shoes	83 - 80	SDS647	EX2086D	9 x 3

Rotor & Drum

Front Rotor & Drum	Years	Part No.	Qualifier
Brake Rotor	94	BD125485	10000-12000 lb. FA; Hat-Shaped; 10-Hole; 7-1/4" Bolt Circle
Brake Rotor	94	BD125087	10000-12000 lb. FA; U-Shaped; 10-Hole; 11-1/4" Bolt Circle
Brake Rotor	94	BD125214	10000-12000 lb. FA; U-Shaped; 6-Hole
Brake Rotor	94	BD125617	6000-7000 lb. FA; Hat-Shaped; 10-Hole
Brake Rotor	94	BD125085	6000-7000 lb. FA; Hat-Shaped; 6-Hole
Brake Rotor	94	BD125485	8000-9000 lb. FA; Hat-Shaped; 10-Hole; 7-1/4" Bolt Circle
Brake Rotor	94	BD125087	8000-9000 lb. FA; U-Shaped; 10-Hole; 11-1/4" Bolt Circle
Brake Rotor	94	BD125214	8000-9000 lb. FA; U-Shaped; 6-Hole; 11-1/4" Bolt Circle; w/Spoke Wheels

Piston: M - OE Metal Piston P - OE Phenolic Piston

B600 (cont.)

Rotor & Drum (cont.)

Front Rotor & Drum	Years	Part No.	Qualifier
Brake Rotor	94	BD125086	8000-9000 lb. FA; U-Shaped; 6-Hole; 8-3/4" Bolt Circle; w/Disc Wheels
Brake Rotor	93 - 90	BD125087	10000-12000 lb. FA; U-Shaped; 10-Hole
Brake Rotor	93 - 90	BD125214	10000-12000 lb. FA; U-Shaped; 6-Hole; Dayton
Brake Rotor	93 - 90	BD125085	6000-7000 lb. FA; Hat-Shaped; 6-Hole; Dayton
Brake Rotor	93 - 90	BD125087	8000-9000 lb. FA; U-Shaped; 10-Hole; Dayton
Brake Rotor	93 - 90	BD125214	8000-9000 lb. FA; U-Shaped; 6-Hole; 11-1/4" Bolt Circle; Dayton
Brake Rotor	93 - 90	BD125086	8000-9000 lb. FA; U-Shaped; 6-Hole; 8-3/4" Bolt Circle; Dayton
Brake Rotor	93 - 90	BD125305	8000-9000 lb. FA; U-Shaped; 8-Hole
Brake Rotor	89 - 84	BD125085	6000-7500 lb. FA; Hat-Shaped; 6-Hole
Brake Rotor	89 - 84	BD125087	8000-9000 lb. FA; U-Shaped; 10-Hole
Brake Rotor	89 - 84	BD125214	8000-9000 lb. FA; U-Shaped; 6-Hole; 11-1/4" Bolt Circle
Brake Rotor	89 - 84	BD125086	8000-9000 lb. FA; U-Shaped; 6-Hole; 8-3/4" Bolt Circle
Brake Rotor	89 - 84	BD125087	9500-12000 lb. FA; U-Shaped; 10-Hole
Brake Rotor	89 - 84	BD125214	9500-12000 lb. FA; U-Shaped; 6-Hole

Rear Rotor & Drum	Years	Part No.	Qualifier
Brake Drum	94 - 90	BD126376	15 x 5" Hyd. Brakes; Dayton; 20" Spoke Wheel
Brake Drum	94 - 84	BD126379	15 x 5" Hyd. Brakes; Dayton; 6-Hole Disc Wheel
Brake Drum	94 - 90	BD126375	15 x 5" Hyd. Brakes; Dayton; 8-Hole Disc Wheel
Brake Drum	94 - 90	BD126399	15 x 6" Hyd. Brakes; Dayton; 6-Hole Disc Wheel
Brake Drum	94 - 90	BD126397	15 x 6" Hyd. Brakes; Dayton; 8-Hole Disc Wheel
Brake Drum	94	BD126400	From 6/01/94; 15 x 6" Hyd. Brakes; Dayton; 20" Spoke Wheel
Brake Drum	94	BD126380	To 5/30/94; 15 x 6" Hyd. Brakes; Dayton; 20" Spoke Wheel
Brake Drum	93 - 84	BD126380	15 x 6" Hyd. Brakes; Dayton; 20" Spoke Wheel
Brake Drum	89 - 80	BD126399	15 x 6" Hyd. Brakes; Dayton; 6-Hole Disc Wheel; 17000-18000 lb. RA

Brake Hardware

Front Brake Hardware	Years	Sequential No.	Category No.	Qualifier
Adjuster Kit	83 - 80	F128898	(H2915)	L.H.; Kelsey Hayes
Adjuster Kit	83 - 80	F59159	(H2904)	L.H.; Wagner
Adjuster Kit	83 - 80	F128899	(H2916)	R.H.; Kelsey Hayes
Adjuster Kit	83 - 80	F59160	(H2905)	R.H.; Wagner
Combi Kit	83 - 80	F117015	(H7186)	Kelsey Hayes
↳Adjuster Spring Kit		F117152S	(H427)	
↳Return Spring Kit		F71521	(H602)	
Combi Kit	83 - 80	F117025	(H7173)	Wagner
↳Hold Down Kit		F73399	(H4201)	
↳Return Spring Kit		F36445	(H521)	
Disc Align Kit	94 - 84	F134105	(H5613)	Dayton; 2.50" 2-Piston Caliper
Disc Align Kit	94 - 90	F128926	(H5609)	Dayton; 2.88" 2-Piston Caliper

Rear Brake Hardware	Years	Sequential No.	Category No.	Qualifier
Adjuster Kit	94 - 84	F112097	(H2901)	L.H.; Lucas
Adjuster Kit	94 - 84	F112097	(H2901)	R.H.; Lucas
Adjuster Kit	83 - 80	F128891	(H2908)	L.H.; Kelsey Hayes
Adjuster Kit	83 - 80	F59157	(H2902)	L.H.; Wagner; 15" Brake; Auto Adj.
Adjuster Kit	83 - 80	F128894S	(H2911)	L.H.; Wagner; 15" Brake; Man. Adj.
Adjuster Kit	83 - 80	F128892	(H2909)	R.H.; Kelsey Hayes
Adjuster Kit	83 - 80	F59158	(H2903)	R.H.; Wagner; 15" Brake; Auto Adj.
Adjuster Kit	83 - 80	F128894S	(H2911)	R.H.; Wagner; 15" Brake; Man. Adj.
Adjuster Screw	83 - 80	F140823	(H1607)	L.H.; Wagner; 15" Brake
Adjuster Screw	83 - 80	F140818	(H1606)	R.H.; Wagner; 15" Brake
Combi Kit	94 - 84	F112096	(H7195)	Lucas
Combi Kit	83 - 80	F117014	(H7187)	Kelsey Hayes
↳Return Spring Kit		F73591	(H612)	

↳Sub-Kit of Combi-Kit is available separately.

Brake Hardware (cont.)

Rear Brake Hardware	Years	Sequential No.	Category No.	Qualifier
Combi Kit	83 - 80	F117027	(H7171)	Wagner
↳Adjuster Spring Kit		F78727	(H451)	
↳Hold Down Kit		F19309	(H5079)	
↳Return Spring Kit		F98318	(H609)	

Calipers - Reman

Front, Loaded	Years	Left No.	Right No.	Qualifier	Piston
Loaded Caliper	94 - 84	AS120313	AS120313	Dayton; 2.50" 2-Piston Caliper; w/6 Holes on Back	M
Loaded Caliper	94 - 90	AS108723	AS108723	Dayton; 2.88" 2-Piston Caliper	M
Front, Unloaded	Years	Left No.	Right No.	Qualifier	Piston
Unloaded Caliper	94 - 84	CR120313	CR120313	Dayton; 2.50" 2-Piston Caliper; w/6 Holes on Back	M
Unloaded Caliper	94 - 90	CR108723	CR108723	Dayton; 2.88" 2-Piston Caliper	M

Hydraulics - New

Master Cylinder	Years	Sequential No.	Category No.	Qualifier
Master Cylinder	94 - 90	F140744	(MC140744)	Split Syst.; Hydro-Max II; w/Booster; 2" Bore
Master Cylinder	94 - 92	F103254	(MC103254)	Split Syst.; Hydro-Max; w/o Booster; 1-3/4" Bore
Master Cylinder	91 - 90	F119400	(MC119400)	Split Syst.; Hydro-Max; w/o Booster; 1-3/4" Bore
Master Cylinder	89 - 84	F119400	(MC119400)	Split Syst.; Hydro-Max; Frame Mtd.; 1-3/4" Bore
Master Cylinder	83	F119398	(MC119398)	Split Syst.; Hydro-Max; Frame Mtd.; 1-3/4" Bore
Master Cylinder	82 - 80	F119401	(MC119401)	Frame Mtd.; 1-3/4" Bore

Front Wheel Cylinder	Years	Sequential No.	Category No.	Qualifier
Wheel Cylinder	83 - 80	F103223	(WC103223)	L.H.; 14 x 2-1/2" Kelsey Hayes; 5500 lb. FA; 1-3/32" Bore
Wheel Cylinder	83 - 80	F55890	(WC55890)	L.H.; 14 x 2-1/2" Kelsey Hayes; 6000 lb. FA; 1-3/32" Bore
Wheel Cylinder	83 - 80	F73531	(WC73531)	L.H.; 15 x 3" Wagner; Lower; 1-1/4" Bore
Wheel Cylinder	83 - 80	F43375	(WC43375)	L.H.; 15 x 3" Wagner; Lower; 1-1/8" Bore
Wheel Cylinder	83 - 80	F73537	(WC73537)	L.H.; 15 x 3" Wagner; Upper; Single Syst.; 1-1/4" Bore
Wheel Cylinder	83 - 80	F73500	(WC73500)	L.H.; 15 x 3" Wagner; Upper; Single Syst.; 1-1/8" Bore
Wheel Cylinder	83 - 80	F73543	(WC73543)	L.H.; 15 x 3" Wagner; Upper; Split Syst.; 1-1/4" Bore
Wheel Cylinder	83 - 80	F71940	(WC71940)	L.H.; 15 x 3" Wagner; Upper; Split Syst.; 1-1/8" Bore
Wheel Cylinder	83 - 80	F103224	(WC103224)	R.H.; 14 x 2-1/2" Kelsey Hayes; 5500 lb. FA; 1-3/32" Bore
Wheel Cylinder	83 - 80	F55891	(WC55891)	R.H.; 14 x 2-1/2" Kelsey Hayes; 6000 lb. FA; 1-3/32" Bore
Wheel Cylinder	83 - 80	F73532	(WC73532)	R.H.; 15 x 3" Wagner; Lower; 1-1/4" Bore
Wheel Cylinder	83 - 80	F43376	(WC43376)	R.H.; 15 x 3" Wagner; Lower; 1-1/8" Bore
Wheel Cylinder	83 - 80	F73538	(WC73538)	R.H.; 15 x 3" Wagner; Upper; Single Syst.; 1-1/4" Bore
Wheel Cylinder	83 - 80	F73501	(WC73501)	R.H.; 15 x 3" Wagner; Upper; Single Syst.; 1-1/8" Bore
Wheel Cylinder	83 - 80	F73544	(WC73544)	R.H.; 15 x 3" Wagner; Upper; Split Syst.; 1-1/4" Bore
Wheel Cylinder	83 - 80	F71941	(WC71941)	R.H.; 15 x 3" Wagner; Upper; Split Syst.; 1-1/8" Bore

Rear Wheel Cylinder	Years	Sequential No.	Category No.	Qualifier
Wheel Cylinder	94 - 84	F118104	(WC118104)	L.H.; 15 x 5" Lucas; 1-3/4" Bore
Wheel Cylinder	94 - 84	F118104	(WC118104)	L.H.; 15 x 6" Lucas; 15000-19000 lb. RA; 8000 lb. FA; 1-3/4" Bore
Wheel Cylinder	94 - 84	F118106	(WC118106)	L.H.; 15 x 6" Lucas; 15000-19000 lb. RA; Exc. 8000 lb. FA; 1-5/8" Bore
Wheel Cylinder	94 - 84	F118104	(WC118104)	L.H.; 15 x 7" Lucas; 17500-22000 lb. RA; 1-3/4" Bore
Wheel Cylinder	94 - 84	F118105	(WC118105)	R.H.; 15 x 5" Lucas; 1-3/4" Bore
Wheel Cylinder	94 - 84	F118105	(WC118105)	R.H.; 15 x 6" Lucas; 15000-19000 lb. RA; 8000 lb. FA; 1-3/4" Bore
Wheel Cylinder	94 - 84	F118107	(WC118107)	R.H.; 15 x 6" Lucas; 15000-19000 lb. RA; Exc. 8000 lb. FA; 1-5/8" Bore
Wheel Cylinder	94 - 84	F118105	(WC118105)	R.H.; 15 x 7" Lucas; 17500-22000 lb. RA; 1-3/4" Bore
Wheel Cylinder	83 - 80	F71238	(WC71238)	15 x 5" Kelsey Hayes; 15000 lb. RA; 1-5/8" Bore
Wheel Cylinder	83 - 80	F78743	(WC78743)	15 x 5" Kelsey Hayes; 17500 lb. RA; 1-1/2" Bore
Wheel Cylinder	83 - 80	F24489	(WC24489)	15 x 6" Wagner; 1-5/8" Bore
Wheel Cylinder	83 - 80	F26159	(WC26159)	15 x 7" Wagner; 1-1/2" Bore
Wheel Cylinder	83 - 80	F26172	(WC26172)	16 x 6" Wagner; 1-5/8" Bore

Front Brake Hose	Years	Sequential No.	Category No.	Qualifier
Brake Hose	94 - 83	F111945	(BH111945)	w/Disc Brakes
Brake Hose	89 - 80	F103308	(BH103308)	L.H.; w/Drum Brakes; 6000-7000 lb. FA; Single Syst.
Brake Hose	89 - 80	F106649	(BH106649)	L.H.; w/Drum Brakes; 6000-7000 lb. FA; Split Syst.

↳Sub-Kit of Combi-Kit is available separately.

Piston: M - OE Metal Piston P - OE Phenolic Piston

B600 (cont.)

Hydraulics - New (cont.)

Front Brake Hose	Years	Sequential No.	Category No.	Qualifier
Brake Hose	89 - 80	F103310	(BH103310)	L.H.; w/Drum Brakes; 9000 lb. FA; Front Cyl.
Brake Hose	89 - 80	F103309	(BH103309)	L.H.; w/Drum Brakes; 9000 lb. FA; Rear Cyl.
Brake Hose	89 - 80	F103312	(BH103312)	R.H.; w/Drum Brakes; 6000-7000 lb. FA; Single Syst.
Brake Hose	89 - 80	F103311	(BH103311)	R.H.; w/Drum Brakes; 6000-7000 lb. FA; Split Syst.
Brake Hose	89 - 80	F103314	(BH103314)	R.H.; w/Drum Brakes; 9000 lb. FA; Front Cyl.
Brake Hose	89 - 80	F103313	(BH103313)	R.H.; w/Drum Brakes; 9000 lb. FA; Rear Cyl.

Rear Brake Hose	Years	Sequential No.	Category No.	Qualifier
Brake Hose	94 - 84	F110130	(BH110130)	Hyd. Brakes
Brake Hose	83 - 80	F80023	(BH80023)	Front Port of Connection
Brake Hose	83 - 80	F80022	(BH80022)	Rear Port of Connection

Hydraulics - Reman

Power Brake Booster	Years	Part No.	Qualifier
Power Brake Booster	94 - 84	529807	Dual System; Hydro-Max; w/o Master Cyl.
Power Brake Booster	83 - 80	529803	Dual System; Hydro-Max; w/o Master Cyl.

B700

Brake Pads & Shoes

Front Pads & Shoes	Years	SevereDuty	Lining No.	Qualifier
Brake Pads	94 - 84	SD224		Dayton; 2.50" 2-Piston Caliper
Brake Pads	94 - 83	SD236		Dayton; 2.88" 2-Piston Caliper
Brake Shoes	94 - 88	4693R	4693	w/Air Brakes; Bendix; 15 x 4
Brake Shoes	94 - 90	4702Q	4702	w/Air Brakes; Rockwell/Meritor; Q-Plus; 15 x 4
Brake Shoes	94 - 80	1308Q	1308T	w/Air Brakes; Rockwell/Meritor; Q-Series; 15 x 4
Brake Shoes	89 - 80	SDS321R	EX1245AD-S32	Hyd. Brakes; Wagner; 15 x 3
Brake Shoes	89 - 84	1308E	1308	w/Air Brakes; Eaton; 15 x 4
Brake Shoes	83 - 80	SDS361R	EX2060D-S32	Hyd. Brakes; Kelsey Hayes; 14 x 2-1/2

Rear Pads & Shoes	Years	SevereDuty	Lining No.	Qualifier
Brake Shoes	94 - 84	SDS542R	EX4528AD-S43	Hyd. Brakes; Lucas; 15 x 5
Brake Shoes	94 - 84	SDS543R	EX4504AD-S43	Hyd. Brakes; Lucas; 15 x 6
Brake Shoes	94 - 84	SDS544AR	EX4505AD-S4Q	Hyd. Brakes; Lucas; 15 x 7
Brake Shoes	94 - 90	4515B	4515E	w/Air Brakes; Bendix; 16-1/2 x 7
Brake Shoes	94 - 90	4707Q	4707	w/Air Brakes; Rockwell/Meritor; Q-Plus; 16-1/2 x 7
Brake Shoes	94 - 90	4515Q	4515E	w/Air Brakes; Rockwell/Meritor; Q-Series; 16-1/2 x 7
Brake Shoes	83 - 80	SDS400R	EX4646D-S32	Hyd. Brakes; Kelsey Hayes; 15 x 5
Brake Shoes	83 - 80	SDS381R	EX4596D-S32	Hyd. Brakes; Wagner; 15 x 6
Brake Shoes	83 - 80	SDS383R	EX4597D-S32	Hyd. Brakes; Wagner; 15 x 7
Brake Shoes	83 - 80	4311E	4311J	w/Air Brakes; Eaton; 16-1/2 x 7
Brake Shoes	83 - 80	4524Q	4524B	w/Air Brakes; Rockwell/Meritor; Q-Series; 16-1/2 x 5
Brake Shoes	83 - 80	4515Q	4515E	w/Air Brakes; Rockwell/Meritor; Q-Series; 16-1/2 x 7

Parking Brake Shoes	Years	SevereDuty	Lining No.	Qualifier
Brake Shoes	83 - 80	SDS842R	EX1303AD	10 x 3
Brake Shoes	83 - 80	SDS647	EX2086D	9 x 3

Rotor & Drum

Front Rotor & Drum	Years	Part No.	Qualifier
Brake Rotor	94	BD125485	10000-12000 lb. FA; Hat-Shaped; 10-Hole; 7-1/4" Bolt Circle
Brake Rotor	94	BD125087	10000-12000 lb. FA; U-Shaped; 10-Hole; 11-1/4" Bolt Circle
Brake Rotor	94	BD125214	10000-12000 lb. FA; U-Shaped; 6-Hole
Brake Rotor	94	BD125617	6000-7000 lb. FA; Hat-Shaped; 10-Hole
Brake Rotor	94	BD125085	6000-7000 lb. FA; Hat-Shaped; 6-Hole
Brake Rotor	94	BD125485	8000-9000 lb. FA; Hat-Shaped; 10-Hole; 7-1/4" Bolt Circle
Brake Rotor	94	BD125087	8000-9000 lb. FA; U-Shaped; 10-Hole; 11-1/4" Bolt Circle
Brake Rotor	94	BD125214	8000-9000 lb. FA; U-Shaped; 6-Hole; 11-1/4" Bolt Circle; w/Spoke Wheels
Brake Rotor	94	BD125086	8000-9000 lb. FA; U-Shaped; 6-Hole; 8-3/4" Bolt Circle; w/Disc Wheels
Brake Rotor	93 - 90	BD125087	10000-12000 lb. FA; U-Shaped; 10-Hole
Brake Rotor	93 - 90	BD125214	10000-12000 lb. FA; U-Shaped; 6-Hole; Dayton

Rotor & Drum (cont.)

Front Rotor & Drum	Years	Part No.	Qualifier
Brake Rotor	93 - 90	BD125085	6000-7000 lb. FA; Hat-Shaped; 6-Hole; Dayton
Brake Rotor	93 - 90	BD125087	8000-9000 lb. FA; U-Shaped; 10-Hole; Dayton
Brake Rotor	93 - 90	BD125214	8000-9000 lb. FA; U-Shaped; 6-Hole; 11-1/4" Bolt Circle; Dayton
Brake Rotor	93 - 90	BD125086	8000-9000 lb. FA; U-Shaped; 6-Hole; 8-3/4" Bolt Circle; Dayton
Brake Rotor	93 - 90	BD125305	8000-9000 lb. FA; U-Shaped; 8-Hole
Brake Rotor	89 - 83	BD125085	6000-7500 lb. FA; Hat-Shaped; 6-Hole
Brake Rotor	89 - 83	BD125087	8000-9000 lb. FA; U-Shaped; 10-Hole
Brake Rotor	89 - 83	BD125214	8000-9000 lb. FA; U-Shaped; 6-Hole; 11-1/4" Bolt Circle
Brake Rotor	89 - 83	BD125086	8000-9000 lb. FA; U-Shaped; 6-Hole; 8-3/4" Bolt Circle
Brake Rotor	89 - 83	BD125087	9500-12000 lb. FA; U-Shaped; 10-Hole
Brake Rotor	89 - 83	BD125214	9500-12000 lb. FA; U-Shaped; 6-Hole

Rear Rotor & Drum	Years	Part No.	Qualifier
Brake Drum	94 - 90	BD126376	15 x 5" Hyd. Brakes; Dayton; 20" Spoke Wheel
Brake Drum	94 - 84	BD126379	15 x 5" Hyd. Brakes; Dayton; 6-Hole Disc Wheel
Brake Drum	94 - 90	BD126375	15 x 5" Hyd. Brakes; Dayton; 8-Hole Disc Wheel
Brake Drum	94 - 90	BD126399	15 x 6" Hyd. Brakes; Dayton; 6-Hole Disc Wheel
Brake Drum	94 - 90	BD126397	15 x 6" Hyd. Brakes; Dayton; 8-Hole Disc Wheel
Brake Drum	94 - 90	BD126378	15 x 7" Hyd. Brakes; Budd; 10-Hole Disc Wheel; 15000 lb. RA
Brake Drum	94 - 90	BD126378	15 x 7" Hyd. Brakes; Budd; 10-Hole Disc Wheel; 17000-18000 lb. RA
Brake Drum	94 - 90	BD126378	15 x 7" Hyd. Brakes; Budd; 10-Hole Disc Wheel; 20000-21000 lb. RA
Brake Drum	94 - 90	BD126377	15 x 7" Hyd. Brakes; Dayton; 20" Spoke Wheel; 17000-18000 lb. RA
Brake Drum	94 - 90	BD126374	15 x 7" Hyd. Brakes; Dayton; 20" Spoke Wheel; 21000-22000 lb. RA
Brake Drum	94 - 90	BD126401	15 x 7" Hyd. Brakes; Dayton; 8-Hole Disc Wheel; 17000-19000 lb. RA
Brake Drum	94	BD126400	From 6/01/94; 15 x 6" Hyd. Brakes; Dayton; 20" Spoke Wheel
Brake Drum	94	BD126380	To 5/30/94; 15 x 6" Hyd. Brakes; Dayton; 20" Spoke Wheel
Brake Drum	93 - 84	BD126380	15 x 6" Hyd. Brakes; Dayton; 20" Spoke Wheel
Brake Drum	89 - 80	BD126399	15 x 6" Hyd. Brakes; Dayton; 6-Hole Disc Wheel; 17000-18000 lb. RA
Brake Drum	89	BD126373	15 x 7" Hyd. Brakes; Budd; 10-Hole Disc Wheel; 19000 lb. RA
Brake Drum	89	BD126378	15 x 7" Hyd. Brakes; Budd; 10-Hole Disc Wheel; 22000 lb. RA
Brake Drum	88 - 80	BD126373	15 x 7" Hyd. Brakes; Budd; 10-Hole Disc Wheel

Brake Hardware

Front Brake Hardware	Years	Sequential No.	Category No.	Qualifier
Adjuster Kit	89 - 80	F59159	(H2904)	L.H.; Wagner
Adjuster Kit	89 - 80	F59160	(H2905)	R.H.; Wagner
Adjuster Kit	83 - 80	F128898	(H2915)	L.H.; Kelsey Hayes
Adjuster Kit	83 - 80	F128899	(H2916)	R.H.; Kelsey Hayes
Combi Kit	89 - 80	F117025	(H7173)	Wagner
↳Hold Down Kit		F73399	(H4201)	
↳Return Spring Kit		F36445	(H521)	
Combi Kit	83 - 80	F117015	(H7186)	Kelsey Hayes
↳Adjuster Spring Kit		F117152S	(H427)	
↳Return Spring Kit		F71521	(H602)	
Disc Align Kit	94 - 84	F134105	(H5613)	Dayton; 2.50" 2-Piston Caliper
Disc Align Kit	94 - 87	F128926	(H5609)	Dayton; 2.88" 2-Piston Caliper
Disc Align Kit	86 - 83	F128927	(H5610)	Dayton; 2.88" 2-Piston Caliper

Rear Brake Hardware	Years	Sequential No.	Category No.	Qualifier
Adjuster Kit	94 - 84	F112097	(H2901)	L.H.; Lucas
Adjuster Kit	94 - 84	F112097	(H2901)	R.H.; Lucas
Adjuster Kit	83 - 80	F128891	(H2908)	L.H.; Kelsey Hayes
Adjuster Kit	83 - 80	F59157	(H2902)	L.H.; Wagner; 15" Brake; Auto Adj.
Adjuster Kit	83 - 80	F128894S	(H2911)	L.H.; Wagner; 15" Brake; Man. Adj.
Adjuster Kit	83 - 80	F128892	(H2909)	R.H.; Kelsey Hayes
Adjuster Kit	83 - 80	F59158	(H2903)	R.H.; Wagner; 15" Brake; Auto Adj.
Adjuster Kit	83 - 80	F128894S	(H2911)	R.H.; Wagner; 15" Brake; Man. Adj.
Adjuster Screw	83 - 80	F140823	(H1607)	L.H.; Wagner; 15" Brake

↳Sub-Kit of Combi-Kit is available separately.

B700 (cont.)

Brake Hardware (cont.)

Rear Brake Hardware	Years	Sequential No.	Category No.	Qualifier
Adjuster Screw	83 - 80	F140818	(H1606)	R.H.; Wagner; 15" Brake
Combi Kit	94 - 84	F112096	(H7195)	Lucas
Combi Kit	83 - 80	F117014	(H7187)	Kelsey Hayes
↳Return Spring Kit		F73591	(H612)	
Combi Kit	83 - 80	F117027	(H7171)	Wagner
↳Adjuster Spring Kit		F78727	(H451)	
↳Hold Down Kit		F19309	(H5079)	
↳Return Spring Kit		F98318	(H609)	

Calipers - Reman

Front, Loaded	Years	Left No.	Right No.	Qualifier	Piston
Loaded Caliper	94 - 84	AS120313	AS120313	Dayton; 2.50" 2-Piston Caliper; w/6 Holes on Back	M
Loaded Caliper	94 - 83	AS108723	AS108723	Dayton; 2.88" 2-Piston Caliper	M
Front, Unloaded	Years	Left No.	Right No.	Qualifier	Piston
Unloaded Caliper	94 - 84	CR120313	CR120313	Dayton; 2.50" 2-Piston Caliper; w/6 Holes on Back	M
Unloaded Caliper	94 - 83	CR108723	CR108723	Dayton; 2.88" 2-Piston Caliper	M

Hydraulics - New

Master Cylinder	Years	Sequential No.	Category No.	Qualifier
Master Cylinder	94 - 90	F140744	(MC140744)	Split Syst.; Hydro-Max II; w/Booster; 2" Bore
Master Cylinder	94 - 92	F103254	(MC103254)	Split Syst.; Hydro-Max; w/o Booster; 1-3/4" Bore
Master Cylinder	91 - 90	F119400	(MC119400)	Split Syst.; Hydro-Max; w/o Booster; 1-3/4" Bore
Master Cylinder	89 - 84	F119400	(MC119400)	Split Syst.; Hydro-Max; Frame Mtd.; 1-3/4" Bore
Master Cylinder	83	F119398	(MC119398)	Split Syst.; Hydro-Max; Frame Mtd.; 1-3/4" Bore
Master Cylinder	82 - 80	F119401	(MC119401)	Frame Mtd.; 1-3/4" Bore

Front Wheel Cylinder	Years	Sequential No.	Category No.	Qualifier
Wheel Cylinder	83 - 80	F103223	(WC103223)	L.H.; 14 x 2-1/2" Kelsey Hayes; 5500 lb. FA; 1-3/32" Bore
Wheel Cylinder	83 - 80	F55890	(WC55890)	L.H.; 14 x 2-1/2" Kelsey Hayes; 6000 lb. FA; 1-3/32" Bore
Wheel Cylinder	83 - 80	F73531	(WC73531)	L.H.; 15 x 3" Wagner; Lower; 1-1/4" Bore
Wheel Cylinder	83 - 80	F43375	(WC43375)	L.H.; 15 x 3" Wagner; Lower; 1-1/8" Bore
Wheel Cylinder	83 - 80	F73537	(WC73537)	L.H.; 15 x 3" Wagner; Upper; Single Syst.; 1-1/4" Bore
Wheel Cylinder	83 - 80	F73500	(WC73500)	L.H.; 15 x 3" Wagner; Upper; Single Syst.; 1-1/8" Bore
Wheel Cylinder	83 - 80	F73543	(WC73543)	L.H.; 15 x 3" Wagner; Upper; Split Syst.; 1-1/4" Bore
Wheel Cylinder	83 - 80	F71940	(WC71940)	L.H.; 15 x 3" Wagner; Upper; Split Syst.; 1-1/8" Bore
Wheel Cylinder	83 - 80	F103224	(WC103224)	R.H.; 14 x 2-1/2" Kelsey Hayes; 5500 lb. FA; 1-3/32" Bore
Wheel Cylinder	83 - 80	F55891	(WC55891)	R.H.; 14 x 2-1/2" Kelsey Hayes; 6000 lb. FA; 1-3/32" Bore
Wheel Cylinder	83 - 80	F73532	(WC73532)	R.H.; 15 x 3" Wagner; Lower; 1-1/4" Bore
Wheel Cylinder	83 - 80	F43376	(WC43376)	R.H.; 15 x 3" Wagner; Lower; 1-1/8" Bore
Wheel Cylinder	83 - 80	F73538	(WC73538)	R.H.; 15 x 3" Wagner; Upper; Single Syst.; 1-1/4" Bore
Wheel Cylinder	83 - 80	F73501	(WC73501)	R.H.; 15 x 3" Wagner; Upper; Single Syst.; 1-1/8" Bore
Wheel Cylinder	83 - 80	F73544	(WC73544)	R.H.; 15 x 3" Wagner; Upper; Split Syst.; 1-1/4" Bore
Wheel Cylinder	83 - 80	F71941	(WC71941)	R.H.; 15 x 3" Wagner; Upper; Split Syst.; 1-1/8" Bore

Rear Wheel Cylinder	Years	Sequential No.	Category No.	Qualifier
Wheel Cylinder	94 - 84	F118104	(WC118104)	L.H.; 15 x 5" Lucas; 1-3/4" Bore
Wheel Cylinder	94 - 84	F118104	(WC118104)	L.H.; 15 x 6" Lucas; 15000-19000 lb. RA; 8000 lb. FA; 1-3/4" Bore
Wheel Cylinder	94 - 84	F118106	(WC118106)	L.H.; 15 x 6" Lucas; 15000-19000 lb. RA; Exc. 8000 lb. FA; 1-5/8" Bore
Wheel Cylinder	94 - 84	F118104	(WC118104)	L.H.; 15 x 7" Lucas; 17500-22000 lb. RA; 1-3/4" Bore
Wheel Cylinder	94 - 84	F118105	(WC118105)	R.H.; 15 x 5" Lucas; 1-3/4" Bore
Wheel Cylinder	94 - 84	F118105	(WC118105)	R.H.; 15 x 6" Lucas; 15000-19000 lb. RA; 8000 lb. FA; 1-3/4" Bore
Wheel Cylinder	94 - 84	F118107	(WC118107)	R.H.; 15 x 6" Lucas; 15000-19000 lb. RA; Exc. 8000 lb. FA; 1-5/8" Bore
Wheel Cylinder	94 - 84	F118105	(WC118105)	R.H.; 15 x 7" Lucas; 17500-22000 lb. RA; 1-3/4" Bore
Wheel Cylinder	83 - 80	F71238	(WC71238)	15 x 5" Kelsey Hayes; 15000 lb. RA; 1-5/8" Bore
Wheel Cylinder	83 - 80	F78743	(WC78743)	15 x 5" Kelsey Hayes; 17500 lb. RA; 1-1/2" Bore
Wheel Cylinder	83 - 80	F24489	(WC24489)	15 x 6" Wagner; 1-5/8" Bore
Wheel Cylinder	83 - 80	F26159	(WC26159)	15 x 7" Wagner; 1-1/2" Bore
Wheel Cylinder	83 - 80	F26172	(WC26172)	16 x 6" Wagner; 1-5/8" Bore

↳Sub-Kit of Combi-Kit is available separately.

Piston: M - OE Metal Piston P - OE Phenolic Piston

Hydraulics - New (cont.)

Front Brake Hose	Years	Sequential No.	Category No.	Qualifier
Brake Hose	94 - 83	F111945	(BH111945)	w/Disc Brakes
Brake Hose	89 - 80	F103308	(BH103308)	L.H.; w/Drum Brakes; 6000-7000 lb. FA; Single Syst.
Brake Hose	89 - 80	F106649	(BH106649)	L.H.; w/Drum Brakes; 6000-7000 lb. FA; Split Syst.
Brake Hose	89 - 80	F103310	(BH103310)	L.H.; w/Drum Brakes; 9000 lb. FA; Front Cyl.
Brake Hose	89 - 80	F103309	(BH103309)	L.H.; w/Drum Brakes; 9000 lb. FA; Rear Cyl.
Brake Hose	89 - 80	F103312	(BH103312)	R.H.; w/Drum Brakes; 6000-7000 lb. FA; Single Syst.
Brake Hose	89 - 80	F103311	(BH103311)	R.H.; w/Drum Brakes; 6000-7000 lb. FA; Split Syst.
Brake Hose	89 - 80	F103314	(BH103314)	R.H.; w/Drum Brakes; 9000 lb. FA; Front Cyl.
Brake Hose	89 - 80	F103313	(BH103313)	R.H.; w/Drum Brakes; 9000 lb. FA; Rear Cyl.
Rear Brake Hose	Years	Sequential No.	Category No.	Qualifier
Brake Hose	94 - 84	F110130	(BH110130)	Hyd. Brakes
Brake Hose	83 - 80	F80023	(BH80023)	Front Port of Connection
Brake Hose	83 - 80	F80022	(BH80022)	Rear Port of Connection

Hydraulics - Reman

Power Brake Booster	Years	Part No.	Qualifier
Power Brake Booster	94 - 84	529807	Dual System; Hydro-Max; w/o Master Cyl.
Power Brake Booster	83 - 80	529803	Dual System; Hydro-Max; w/o Master Cyl.

Brake Pads & Shoes

Front Pads & Shoes	Years	SevereDuty	Lining No.	Qualifier
Brake Pads	98 - 95	SD224		Dayton; 2.50" 2-Piston Caliper
Brake Pads	98 - 95	SD236		Dayton; 2.88" 2-Piston Caliper
Brake Shoes	98 - 95	4693R	4693	w/Air Brakes; Bendix; 15 x 4
Brake Shoes	98 - 95	4702Q	4702	w/Air Brakes; Rockwell/Meritor; Q-Plus; 15 x 4
Brake Shoes	98 - 95	1308Q	1308T	w/Air Brakes; Rockwell/Meritor; Q-Series; 15 x 4
Rear Pads & Shoes	Years	SevereDuty	Lining No.	Qualifier
Brake Shoes	98 - 95	SDS542R	EX4528AD-S43	Hyd. Brakes; Lucas; 15 x 5
Brake Shoes	98 - 95	SDS543R	EX4504AD-S43	Hyd. Brakes; Lucas; 15 x 6
Brake Shoes	98 - 95	SDS544AR	EX4505AD-S4Q	Hyd. Brakes; Lucas; 15 x 7
Brake Shoes	98 - 95	4515B	4515E	w/Air Brakes; Bendix; 16-1/2 x 7
Brake Shoes	98 - 95	4707Q	4707	w/Air Brakes; Rockwell/Meritor; Q-Plus; 16-1/2 x 7
Brake Shoes	98 - 95	4515Q	4515E	w/Air Brakes; Rockwell/Meritor; Q-Series; 16-1/2 x 7

Rotor & Drum

Front Rotor & Drum	Years	Part No.	Qualifier
Brake Rotor	98 - 95	BD125485	10000-12000 lb. FA; Hat-Shaped; 10-Hole; 7-1/4" Bolt Circle
Brake Rotor	98 - 95	BD125087	10000-12000 lb. FA; U-Shaped; 10-Hole; 11-1/4" Bolt Circle
Brake Rotor	98 - 95	BD125214	10000-12000 lb. FA; U-Shaped; 6-Hole
Brake Rotor	98 - 95	BD125617	6000-7000 lb. FA; Hat-Shaped; 10-Hole
Brake Rotor	98 - 95	BD125085	6000-7000 lb. FA; Hat-Shaped; 6-Hole
Brake Rotor	98 - 95	BD125485	8000-9000 lb. FA; Hat-Shaped; 10-Hole; 7-1/4" Bolt Circle
Brake Rotor	98 - 95	BD125087	8000-9000 lb. FA; U-Shaped; 10-Hole; 11-1/4" Bolt Circle
Brake Rotor	98 - 95	BD125214	8000-9000 lb. FA; U-Shaped; 6-Hole; 11-1/4" Bolt Circle; w/Spoke Wheels
Brake Rotor	98 - 95	BD125086	8000-9000 lb. FA; U-Shaped; 6-Hole; 8-3/4" Bolt Circle; w/Disc Wheels
Rear Rotor & Drum	Years	Part No.	Qualifier
Brake Drum	98 - 95	BD126376	15 x 5" Hyd. Brakes; Dayton; 20" Spoke Wheel
Brake Drum	98 - 95	BD126379	15 x 5" Hyd. Brakes; Dayton; 6-Hole Disc Wheel
Brake Drum	98 - 95	BD126375	15 x 5" Hyd. Brakes; Dayton; 8-Hole Disc Wheel
Brake Drum	98 - 95	BD126400	15 x 6" Hyd. Brakes; Dayton; 20" Spoke Wheel
Brake Drum	98 - 95	BD126399	15 x 6" Hyd. Brakes; Dayton; 6-Hole Disc Wheel
Brake Drum	98 - 95	BD126397	15 x 6" Hyd. Brakes; Dayton; 8-Hole Disc Wheel
Brake Drum	98 - 95	BD126378	15 x 7" Hyd. Brakes; Budd; 10-Hole Disc Wheel; 15000 lb. RA
Brake Drum	98 - 95	BD126378	15 x 7" Hyd. Brakes; Budd; 10-Hole Disc Wheel; 17000-18000 lb. RA
Brake Drum	98 - 95	BD126378	15 x 7" Hyd. Brakes; Budd; 10-Hole Disc Wheel; 20000-21000 lb. RA
Brake Drum	98 - 95	BD126377	15 x 7" Hyd. Brakes; Dayton; 20" Spoke Wheel; 17000-18000 lb. RA

B800 (cont.)

Rotor & Drum (cont.)

<i>Rear Rotor & Drum</i>	<i>Years</i>	<i>Part No.</i>	<i>Qualifier</i>
Brake Drum	98 - 95	BD126374	15 x 7" Hyd. Brakes; Dayton; 20" Spoke Wheel; 21000-22000 lb. RA
Brake Drum	98 - 95	BD126401	15 x 7" Hyd. Brakes; Dayton; 8-Hole Disc Wheel; 17000-19000 lb. RA

Brake Hardware

<i>Front Brake Hardware</i>	<i>Years</i>	<i>Sequential No.</i>	<i>Category No.</i>	<i>Qualifier</i>
Disc Align Kit	98 - 95	F134105	(H5613)	Dayton; 2.50" 2-Piston Caliper
Disc Align Kit	98 - 95	F128926	(H5609)	Dayton; 2.88" 2-Piston Caliper

<i>Rear Brake Hardware</i>	<i>Years</i>	<i>Sequential No.</i>	<i>Category No.</i>	<i>Qualifier</i>
Adjuster Kit	98 - 95	F112097	(H2901)	L.H.; Lucas
Adjuster Kit	98 - 95	F112097	(H2901)	R.H.; Lucas
Combi Kit	98 - 95	F112096	(H7195)	Lucas

Calipers - Reman

<i>Front, Loaded</i>	<i>Years</i>	<i>Left No.</i>	<i>Right No.</i>	<i>Qualifier</i>	<i>Piston</i>
Loaded Caliper	98 - 95	AS120313	AS120313	Dayton; 2.50" 2-Piston Caliper; w/6 Holes on Back	M
Loaded Caliper	98 - 95	AS108723	AS108723	Dayton; 2.88" 2-Piston Caliper	M

<i>Front, Unloaded</i>	<i>Years</i>	<i>Left No.</i>	<i>Right No.</i>	<i>Qualifier</i>	<i>Piston</i>
Unloaded Caliper	98 - 95	CR120313	CR120313	Dayton; 2.50" 2-Piston Caliper; w/6 Holes on Back	M
Unloaded Caliper	98 - 95	CR108723	CR108723	Dayton; 2.88" 2-Piston Caliper	M

Hydraulics - New

<i>Master Cylinder</i>	<i>Years</i>	<i>Sequential No.</i>	<i>Category No.</i>	<i>Qualifier</i>
Master Cylinder	98 - 95	F119400	(MC119400)	Split Syst.; Hydro-Max; 1-3/4" Bore

<i>Rear Wheel Cylinder</i>	<i>Years</i>	<i>Sequential No.</i>	<i>Category No.</i>	<i>Qualifier</i>
Wheel Cylinder	98 - 95	F118104	(WC118104)	L.H.; 15 x 5" Lucas; 1-3/4" Bore
Wheel Cylinder	98 - 95	F118104	(WC118104)	L.H.; 15 x 6" Lucas; 15000-19000 lb. RA; 8000 lb. FA; 1-3/4" Bore
Wheel Cylinder	98 - 95	F118106	(WC118106)	L.H.; 15 x 6" Lucas; 15000-19000 lb. RA; Exc. 8000 lb. FA; 1-5/8" Bore
Wheel Cylinder	98 - 95	F118104	(WC118104)	L.H.; 15 x 7" Lucas; 17500-22000 lb. RA; 1-3/4" Bore
Wheel Cylinder	98 - 95	F118105	(WC118105)	R.H.; 15 x 5" Lucas; 1-3/4" Bore
Wheel Cylinder	98 - 95	F118105	(WC118105)	R.H.; 15 x 6" Lucas; 15000-19000 lb. RA; 8000 lb. FA; 1-3/4" Bore
Wheel Cylinder	98 - 95	F118107	(WC118107)	R.H.; 15 x 6" Lucas; 15000-19000 lb. RA; Exc. 8000 lb. FA; 1-5/8" Bore
Wheel Cylinder	98 - 95	F118105	(WC118105)	R.H.; 15 x 7" Lucas; 17500-22000 lb. RA; 1-3/4" Bore

Hydraulics - Reman

<i>Power Brake Booster</i>	<i>Years</i>	<i>Part No.</i>	<i>Qualifier</i>
Power Brake Booster	98 - 95	529807	Dual System; Hydro-Max; w/o Master Cyl.

FORD MD C-Series

C600

Brake Pads & Shoes

<i>Front Pads & Shoes</i>	<i>Years</i>	<i>SevereDuty</i>	<i>Lining No.</i>	<i>Qualifier</i>
Brake Pads	86 - 84	SD224		Dayton; 2.50" 2-Piston Caliper
Brake Shoes	83 - 80	SDS361R	EX2060D-S32	Hyd. Brakes; Kelsey Hayes; 14 x 2-1/2
Brake Shoes	83 - 80	SDS321R	EX1245AD-S32	Hyd. Brakes; Wagner; 15 x 3

<i>Rear Pads & Shoes</i>	<i>Years</i>	<i>SevereDuty</i>	<i>Lining No.</i>	<i>Qualifier</i>
Brake Shoes	86 - 84	SDS542R	EX4528AD-S43	Hyd. Brakes; Lucas; 15 x 5
Brake Shoes	86 - 84	SDS543R	EX4504AD-S43	Hyd. Brakes; Lucas; 15 x 6
Brake Shoes	83 - 80	SDS400R	EX4646D-S32	Hyd. Brakes; Kelsey Hayes; 15 x 5
Brake Shoes	83 - 80	SDS381R	EX4596D-S32	Hyd. Brakes; Wagner; 15 x 6
Brake Shoes	83 - 80	4524Q	4524B	w/Air Brakes; Rockwell/Meritor; Q-Series; 16-1/2 x 5

<i>Parking Brake Shoes</i>	<i>Years</i>	<i>SevereDuty</i>	<i>Lining No.</i>	<i>Qualifier</i>
Brake Shoes	83 - 80	SDS842R	EX1303AD	10 x 3
Brake Shoes	83 - 80	SDS647	EX2086D	9 x 3

Rotor & Drum

<i>Front Rotor & Drum</i>	<i>Years</i>	<i>Part No.</i>	<i>Qualifier</i>
Brake Rotor	86 - 84	BD125085	6000-7500 lb. FA; Hat-Shaped; 6-Hole
Brake Rotor	86 - 84	BD125087	8000-9000 lb. FA; U-Shaped; 10-Hole

Piston: M - OE Metal Piston P - OE Phenolic Piston

Rotor & Drum (cont.)

Front Rotor & Drum	Years	Part No.	Qualifier
Brake Rotor	86 - 84	BD125214	8000-9000 lb. FA; U-Shaped; 6-Hole; 11-1/4" Bolt Circle
Brake Rotor	86 - 84	BD125086	8000-9000 lb. FA; U-Shaped; 6-Hole; 8-3/4" Bolt Circle
Brake Rotor	86 - 84	BD125087	9500-12000 lb. FA; U-Shaped; 10-Hole
Brake Rotor	86 - 84	BD125214	9500-12000 lb. FA; U-Shaped; 6-Hole

Rear Rotor & Drum	Years	Part No.	Qualifier
Brake Drum	86 - 84	BD126379	15 x 5" Hyd. Brakes; Dayton; 6-Hole Disc Wheel
Brake Drum	86 - 84	BD126380	15 x 6" Hyd. Brakes; Dayton; 20" Spoke Wheel
Brake Drum	86 - 80	BD126399	15 x 6" Hyd. Brakes; Dayton; 6-Hole Disc Wheel; 17000-18000 lb. RA

Brake Hardware

Front Brake Hardware	Years	Sequential No.	Category No.	Qualifier
Adjuster Kit	83 - 80	F128898	(H2915)	L.H.; Kelsey Hayes
Adjuster Kit	83 - 80	F59159	(H2904)	L.H.; Wagner
Adjuster Kit	83 - 80	F128899	(H2916)	R.H.; Kelsey Hayes
Adjuster Kit	83 - 80	F59160	(H2905)	R.H.; Wagner
Combi Kit	83 - 80	F117015	(H7186)	Kelsey Hayes
↳Adjuster Spring Kit		F117152S	(H427)	
↳Return Spring Kit		F71521	(H602)	
Combi Kit	83 - 80	F117025	(H7173)	Wagner
↳Hold Down Kit		F73399	(H4201)	
↳Return Spring Kit		F36445	(H521)	
Disc Align Kit	86 - 84	F134105	(H5613)	Dayton; 2.50" 2-Piston Caliper

Rear Brake Hardware	Years	Sequential No.	Category No.	Qualifier
Adjuster Kit	86 - 84	F112097	(H2901)	L.H.; Lucas
Adjuster Kit	86 - 84	F112097	(H2901)	R.H.; Lucas
Adjuster Kit	83 - 80	F128891	(H2908)	L.H.; Kelsey Hayes
Adjuster Kit	83 - 80	F59157	(H2902)	L.H.; Wagner; 15" Brake; Auto Adj.
Adjuster Kit	83 - 80	F128894S	(H2911)	L.H.; Wagner; 15" Brake; Man. Adj.
Adjuster Kit	83 - 80	F128892	(H2909)	R.H.; Kelsey Hayes
Adjuster Kit	83 - 80	F59158	(H2903)	R.H.; Wagner; 15" Brake; Auto Adj.
Adjuster Kit	83 - 80	F128894S	(H2911)	R.H.; Wagner; 15" Brake; Man. Adj.
Adjuster Screw	83 - 80	F140823	(H1607)	L.H.; Wagner; 15" Brake
Adjuster Screw	83 - 80	F140818	(H1606)	R.H.; Wagner; 15" Brake
Combi Kit	86 - 84	F112096	(H7195)	Lucas
Combi Kit	83 - 80	F117014	(H7187)	Kelsey Hayes
↳Return Spring Kit		F73591	(H612)	
Combi Kit	83 - 80	F117027	(H7171)	Wagner
↳Adjuster Spring Kit		F78727	(H451)	
↳Hold Down Kit		F19309	(H5079)	
↳Return Spring Kit		F98318	(H609)	

Calipers - Reman

Front, Loaded	Years	Left No.	Right No.	Qualifier	Piston
Loaded Caliper	86 - 84	AS120313	AS120313	Dayton; 2.50" 2-Piston Caliper; w/6 Holes on Back	M
Front, Unloaded	Years	Left No.	Right No.	Qualifier	Piston
Unloaded Caliper	86 - 84	CR120313	CR120313	Dayton; 2.50" 2-Piston Caliper; w/6 Holes on Back	M

Hydraulics - New

Master Cylinder	Years	Sequential No.	Category No.	Qualifier
Master Cylinder	86 - 84	F119400	(MC119400)	Split Syst.; Hydro-Max; 6000-7000 lb. FA; 1-3/4" Bore
Master Cylinder	86 - 84	F110980	(MC110980)	Split Syst.; Hydro-Max; 8000-12000 lb. FA; 2" Bore
Master Cylinder	83 - 80	F19450	(MC19450)	Single Syst.; Frame Mtd.; 17000 lb. RA; 1-1/2" Bore
Master Cylinder	83 - 80	F19451	(MC19451)	Single Syst.; Frame Mtd.; 18000-22000 lb. RA; 1-3/4" Bore
Master Cylinder	83 - 80	F78205	(MC78205)	Split Syst.; Frame Mtd.; 1-3/4" Bore
Front Wheel Cylinder	Years	Sequential No.	Category No.	Qualifier
Wheel Cylinder	83 - 80	F103223	(WC103223)	L.H.; 14 x 2-1/2" Kelsey Hayes; 5500 lb. FA; 1-3/32" Bore
Wheel Cylinder	83 - 80	F55890	(WC55890)	L.H.; 14 x 2-1/2" Kelsey Hayes; 6000 lb. FA; 1-3/32" Bore

↳Sub-Kit of Combi-Kit is available separately.

Piston: M - OE Metal Piston P - OE Phenolic Piston

C600 (cont.)				
Hydraulics - New (cont.)				
Front Wheel Cylinder	Years	Sequential No.	Category No.	Qualifier
Wheel Cylinder	83 - 80	F73531	(WC73531)	L.H.; 15 x 3" Wagner; Lower; 1-1/4" Bore
Wheel Cylinder	83 - 80	F43375	(WC43375)	L.H.; 15 x 3" Wagner; Lower; 1-1/8" Bore
Wheel Cylinder	83 - 80	F73537	(WC73537)	L.H.; 15 x 3" Wagner; Upper; Single Syst.; 1-1/4" Bore
Wheel Cylinder	83 - 80	F73500	(WC73500)	L.H.; 15 x 3" Wagner; Upper; Single Syst.; 1-1/8" Bore
Wheel Cylinder	83 - 80	F73543	(WC73543)	L.H.; 15 x 3" Wagner; Upper; Split Syst.; 1-1/4" Bore
Wheel Cylinder	83 - 80	F71940	(WC71940)	L.H.; 15 x 3" Wagner; Upper; Split Syst.; 1-1/8" Bore
Wheel Cylinder	83 - 80	F103224	(WC103224)	R.H.; 14 x 2-1/2" Kelsey Hayes; 5500 lb. FA; 1-3/32" Bore
Wheel Cylinder	83 - 80	F55891	(WC55891)	R.H.; 14 x 2-1/2" Kelsey Hayes; 6000 lb. FA; 1-3/32" Bore
Wheel Cylinder	83 - 80	F73532	(WC73532)	R.H.; 15 x 3" Wagner; Lower; 1-1/4" Bore
Wheel Cylinder	83 - 80	F43376	(WC43376)	R.H.; 15 x 3" Wagner; Lower; 1-1/8" Bore
Wheel Cylinder	83 - 80	F73538	(WC73538)	R.H.; 15 x 3" Wagner; Upper; Single Syst.; 1-1/4" Bore
Wheel Cylinder	83 - 80	F73501	(WC73501)	R.H.; 15 x 3" Wagner; Upper; Single Syst.; 1-1/8" Bore
Wheel Cylinder	83 - 80	F73544	(WC73544)	R.H.; 15 x 3" Wagner; Upper; Split Syst.; 1-1/4" Bore
Wheel Cylinder	83 - 80	F71941	(WC71941)	R.H.; 15 x 3" Wagner; Upper; Split Syst.; 1-1/8" Bore
Rear Wheel Cylinder	Years	Sequential No.	Category No.	Qualifier
Wheel Cylinder	86 - 84	F118104	(WC118104)	L.H.; 15 x 5" Lucas; 1-3/4" Bore
Wheel Cylinder	86 - 84	F118104	(WC118104)	L.H.; 15 x 6" Lucas; 15000-19000 lb. RA; 8000 lb. FA; 1-3/4" Bore
Wheel Cylinder	86 - 84	F118106	(WC118106)	L.H.; 15 x 6" Lucas; 15000-19000 lb. RA; Exc. 8000 lb. FA; 1-5/8" Bore
Wheel Cylinder	86 - 84	F118105	(WC118105)	R.H.; 15 x 5" Lucas; 1-3/4" Bore
Wheel Cylinder	86 - 84	F118105	(WC118105)	R.H.; 15 x 6" Lucas; 15000-19000 lb. RA; 8000 lb. FA; 1-3/4" Bore
Wheel Cylinder	86 - 84	F118107	(WC118107)	R.H.; 15 x 6" Lucas; 15000-19000 lb. RA; Exc. 8000 lb. FA; 1-5/8" Bore
Wheel Cylinder	83 - 80	F78743	(WC78743)	15 x 5" Kelsey Hayes; 15000 lb. RA; 1-1/2" Bore
Wheel Cylinder	83 - 80	F71238	(WC71238)	15 x 5" Kelsey Hayes; 17500-32000 lb. RA; 1-5/8" Bore
Wheel Cylinder	83 - 80	F24489	(WC24489)	15 x 6" Wagner; 1-5/8" Bore
Wheel Cylinder	83 - 80	F26159	(WC26159)	15 x 7" Wagner; 1-1/2" Bore
Front Brake Hose	Years	Sequential No.	Category No.	Qualifier
Brake Hose	86 - 80	F97844	(BH97844)	14 x 2-1/2" Brakes; Single Syst.
Brake Hose	86 - 80	F97844	(BH97844)	14 x 2-1/2" Brakes; Split Syst.
Brake Hose	86 - 80	F97844	(BH97844)	L.H.; 15 x 3" Brakes; Split Syst.
Brake Hose	86 - 80	F98749	(BH98749)	R.H.; 15 x 3" Brakes; Split Syst.
Brake Hose	86 - 83	F111945	(BH111945)	w/Disc Brakes
Rear Brake Hose	Years	Sequential No.	Category No.	Qualifier
Brake Hose	86 - 84	F110130	(BH110130)	Hyd. Brakes
Brake Hose	83 - 80	F80023	(BH80023)	Single Syst.
Brake Hose	83 - 80	F80023	(BH80023)	Split Syst.; Front Port of Connection
Brake Hose	83 - 80	F80022	(BH80022)	Split Syst.; Rear Port of Connection
Hydraulics - Reman				
Power Brake Booster	Years	Part No.	Qualifier	
Power Brake Booster	86 - 84	529807	Dual System; Hydro-Max; w/o Master Cyl.	
Power Brake Booster	83 - 81	518045	Dual System; Hydro-Vac; 18500-22000 lb. RA; w/Master Cyl.	
Power Brake Booster	83 - 81	518030	Dual System; Hydro-Vac; Exc. 18500-22000 lb. RA; w/Master Cyl.	
Power Brake Booster	83 - 81	518024	Single Syst.; Hydro-Vac; 18500-22000 lb. RA; w/Master Cyl.	
Power Brake Booster	83 - 81	518025	Single Syst.; Hydro-Vac; Exc. 18500-22000 lb. RA; w/Master Cyl.	
Power Brake Booster	80	518030	Dual System; Hydro-Vac; 18500-22000 lb. RA; From GG5001; w/Master Cyl.	
Power Brake Booster	80	518045	Dual System; Hydro-Vac; Exc. 18500-22000 lb. RA; From GG5001; w/Master Cyl.	
Power Brake Booster	80	518030	Dual System; Hydro-Vac; To GG5000; w/Master Cyl.	
Power Brake Booster	80	518024	Single Syst.; Hydro-Vac; 18500-22000 lb. RA; From GG5001; w/Master Cyl.	
Power Brake Booster	80	518025	Single Syst.; Hydro-Vac; Exc. 18500-22000 lb. RA; From GG5001; w/Master Cyl.	
Power Brake Booster	80	518025	Single Syst.; Hydro-Vac; To GG5000; w/Master Cyl.	
C700				
Brake Pads & Shoes				
Front Pads & Shoes	Years	SevereDuty	Lining No.	Qualifier
Brake Pads	86 - 84	SD224		Dayton; 2.50" 2-Piston Caliper
Brake Pads	86 - 83	SD236		Dayton; 2.88" 2-Piston Caliper

Brake Pads & Shoes (cont.)

Front Pads & Shoes	Years	SevereDuty	Lining No.	Qualifier
Brake Shoes	86 - 84	1308E	1308	w/Air Brakes; Eaton; 15 x 4
Brake Shoes	83 - 80	SDS361R	EX2060D-S32	Hyd. Brakes; Kelsey Hayes; 14 x 2-1/2
Brake Shoes	83 - 80	SDS321R	EX1245AD-S32	Hyd. Brakes; Wagner; 15 x 3
Rear Pads & Shoes	Years	SevereDuty	Lining No.	Qualifier
Brake Shoes	86 - 84	SDS542R	EX4528AD-S43	Hyd. Brakes; Lucas; 15 x 5
Brake Shoes	86 - 84	SDS543R	EX4504AD-S43	Hyd. Brakes; Lucas; 15 x 6
Brake Shoes	86 - 84	SDS544AR	EX4505AD-S4Q	Hyd. Brakes; Lucas; 15 x 7
Brake Shoes	83 - 80	SDS400R	EX4646D-S32	Hyd. Brakes; Kelsey Hayes; 15 x 5
Brake Shoes	83 - 80	SDS381R	EX4596D-S32	Hyd. Brakes; Wagner; 15 x 6
Brake Shoes	83 - 80	SDS383R	EX4597D-S32	Hyd. Brakes; Wagner; 15 x 7
Brake Shoes	83 - 80	4311E	4311J	w/Air Brakes; Eaton; 16-1/2 x 7
Brake Shoes	83 - 80	4524Q	4524B	w/Air Brakes; Rockwell/Meritor; Q-Series; 16-1/2 x 5
Brake Shoes	83 - 80	4515Q	4515E	w/Air Brakes; Rockwell/Meritor; Q-Series; 16-1/2 x 7
Parking Brake Shoes	Years	SevereDuty	Lining No.	Qualifier
Brake Shoes	83 - 80	SDS842R	EX1303AD	10 x 3
Brake Shoes	83 - 80	SDS647	EX2086D	9 x 3

Rotor & Drum

Front Rotor & Drum	Years	Part No.	Qualifier
Brake Rotor	86 - 84	BD125085	6000-7500 lb. FA; Hat-Shaped; 6-Hole
Brake Rotor	86 - 84	BD125087	8000-9000 lb. FA; U-Shaped; 10-Hole
Brake Rotor	86 - 84	BD125214	8000-9000 lb. FA; U-Shaped; 6-Hole; 11-1/4" Bolt Circle
Brake Rotor	86 - 84	BD125086	8000-9000 lb. FA; U-Shaped; 6-Hole; 8-3/4" Bolt Circle
Brake Rotor	86 - 84	BD125087	9500-12000 lb. FA; U-Shaped; 10-Hole
Brake Rotor	86 - 84	BD125214	9500-12000 lb. FA; U-Shaped; 6-Hole
Rear Rotor & Drum	Years	Part No.	Qualifier
Brake Drum	86 - 84	BD126379	15 x 5" Hyd. Brakes; Dayton; 6-Hole Disc Wheel
Brake Drum	86 - 84	BD126380	15 x 6" Hyd. Brakes; Dayton; 20" Spoke Wheel
Brake Drum	86 - 80	BD126399	15 x 6" Hyd. Brakes; Dayton; 6-Hole Disc Wheel; 17000-18000 lb. RA
Brake Drum	86 - 80	BD126373	15 x 7" Hyd. Brakes; Budd; 10-Hole Disc Wheel

Brake Hardware

Front Brake Hardware	Years	Sequential No.	Category No.	Qualifier
Adjuster Kit	83 - 80	F128898	(H2915)	L.H.; Kelsey Hayes
Adjuster Kit	83 - 80	F59159	(H2904)	L.H.; Wagner
Adjuster Kit	83 - 80	F128899	(H2916)	R.H.; Kelsey Hayes
Adjuster Kit	83 - 80	F59160	(H2905)	R.H.; Wagner
Combi Kit	83 - 80	F117015	(H7186)	Kelsey Hayes
↳Adjuster Spring Kit		F117152S	(H427)	
↳Return Spring Kit		F71521	(H602)	
Combi Kit	83 - 80	F117025	(H7173)	Wagner
↳Hold Down Kit		F73399	(H4201)	
↳Return Spring Kit		F36445	(H521)	
Disc Align Kit	86 - 84	F134105	(H5613)	Dayton; 2.50" 2-Piston Caliper
Disc Align Kit	86 - 83	F128927	(H5610)	Dayton; 2.88" 2-Piston Caliper
Rear Brake Hardware	Years	Sequential No.	Category No.	Qualifier
Adjuster Kit	86 - 84	F112097	(H2901)	L.H.; Lucas
Adjuster Kit	86 - 84	F112097	(H2901)	R.H.; Lucas
Adjuster Kit	83 - 80	F128891	(H2908)	L.H.; Kelsey Hayes
Adjuster Kit	83 - 80	F59157	(H2902)	L.H.; Wagner; 15" Brake; Auto Adj.
Adjuster Kit	83 - 80	F128894S	(H2911)	L.H.; Wagner; 15" Brake; Man. Adj.
Adjuster Kit	83 - 80	F128892	(H2909)	R.H.; Kelsey Hayes
Adjuster Kit	83 - 80	F59158	(H2903)	R.H.; Wagner; 15" Brake; Auto Adj.
Adjuster Kit	83 - 80	F128894S	(H2911)	R.H.; Wagner; 15" Brake; Man. Adj.
Adjuster Screw	83 - 80	F140823	(H1607)	L.H.; Wagner; 15" Brake
Adjuster Screw	83 - 80	F140818	(H1606)	R.H.; Wagner; 15" Brake

↳Sub-Kit of Combi-Kit is available separately.

C700 (cont.)

Brake Hardware (cont.)

Rear Brake Hardware	Years	Sequential No.	Category No.	Qualifier
Combi Kit	86 - 84	F112096	(H7195)	Lucas
Combi Kit	83 - 80	F117014	(H7187)	Kelsey Hayes
↳Return Spring Kit		F73591	(H612)	
Combi Kit	83 - 80	F117027	(H7171)	Wagner
↳Adjuster Spring Kit		F78727	(H451)	
↳Hold Down Kit		F19309	(H5079)	
↳Return Spring Kit		F98318	(H609)	

Calipers - Reman

Front, Loaded	Years	Left No.	Right No.	Qualifier	Piston
Loaded Caliper	86 - 84	AS120313	AS120313	Dayton; 2.50" 2-Piston Caliper; w/6 Holes on Back	M
Loaded Caliper	86 - 83	AS108723	AS108723	Dayton; 2.88" 2-Piston Caliper	M
Front, Unloaded	Years	Left No.	Right No.	Qualifier	Piston
Unloaded Caliper	86 - 84	CR120313	CR120313	Dayton; 2.50" 2-Piston Caliper; w/6 Holes on Back	M
Unloaded Caliper	86 - 83	CR108723	CR108723	Dayton; 2.88" 2-Piston Caliper	M

Hydraulics - New

Master Cylinder	Years	Sequential No.	Category No.	Qualifier
Master Cylinder	86 - 84	F119400	(MC119400)	Split Syst.; Hydro-Max; 6000-7000 lb. FA; 1-3/4" Bore
Master Cylinder	86 - 84	F110980	(MC110980)	Split Syst.; Hydro-Max; 8000-12000 lb. FA; 2" Bore
Master Cylinder	83 - 80	F19450	(MC19450)	Single Syst.; Frame Mtd.; 17000 lb. RA; 1-1/2" Bore
Master Cylinder	83 - 80	F19451	(MC19451)	Single Syst.; Frame Mtd.; 18000-22000 lb. RA; 1-3/4" Bore
Master Cylinder	83 - 80	F78205	(MC78205)	Split Syst.; Frame Mtd.; 1-3/4" Bore

Front Wheel Cylinder	Years	Sequential No.	Category No.	Qualifier
Wheel Cylinder	83 - 80	F73531	(WC73531)	L.H.; 15 x 3" Wagner; Lower; 1-1/4" Bore
Wheel Cylinder	83 - 80	F43375	(WC43375)	L.H.; 15 x 3" Wagner; Lower; 1-1/8" Bore
Wheel Cylinder	83 - 80	F73537	(WC73537)	L.H.; 15 x 3" Wagner; Upper; Single Syst.; 1-1/4" Bore
Wheel Cylinder	83 - 80	F73500	(WC73500)	L.H.; 15 x 3" Wagner; Upper; Single Syst.; 1-1/8" Bore
Wheel Cylinder	83 - 80	F73543	(WC73543)	L.H.; 15 x 3" Wagner; Upper; Split Syst.; 1-1/4" Bore
Wheel Cylinder	83 - 80	F71940	(WC71940)	L.H.; 15 x 3" Wagner; Upper; Split Syst.; 1-1/8" Bore
Wheel Cylinder	83 - 80	F73532	(WC73532)	R.H.; 15 x 3" Wagner; Lower; 1-1/4" Bore
Wheel Cylinder	83 - 80	F43376	(WC43376)	R.H.; 15 x 3" Wagner; Lower; 1-1/8" Bore
Wheel Cylinder	83 - 80	F73538	(WC73538)	R.H.; 15 x 3" Wagner; Upper; Single Syst.; 1-1/4" Bore
Wheel Cylinder	83 - 80	F73501	(WC73501)	R.H.; 15 x 3" Wagner; Upper; Single Syst.; 1-1/8" Bore
Wheel Cylinder	83 - 80	F73544	(WC73544)	R.H.; 15 x 3" Wagner; Upper; Split Syst.; 1-1/4" Bore
Wheel Cylinder	83 - 80	F71941	(WC71941)	R.H.; 15 x 3" Wagner; Upper; Split Syst.; 1-1/8" Bore

Rear Wheel Cylinder	Years	Sequential No.	Category No.	Qualifier
Wheel Cylinder	86 - 84	F118104	(WC118104)	L.H.; 15 x 5" Lucas; 1-3/4" Bore
Wheel Cylinder	86 - 84	F118104	(WC118104)	L.H.; 15 x 6" Lucas; 15000-19000 lb. RA; 8000 lb. FA; 1-3/4" Bore
Wheel Cylinder	86 - 84	F118106	(WC118106)	L.H.; 15 x 6" Lucas; 15000-19000 lb. RA; Exc. 8000 lb. FA; 1-5/8" Bore
Wheel Cylinder	86 - 84	F118104	(WC118104)	L.H.; 15 x 7" Lucas; 17500-22000 lb. RA; 1-3/4" Bore
Wheel Cylinder	86 - 84	F118105	(WC118105)	R.H.; 15 x 5" Lucas; 1-3/4" Bore
Wheel Cylinder	86 - 84	F118105	(WC118105)	R.H.; 15 x 6" Lucas; 15000-19000 lb. RA; 8000 lb. FA; 1-3/4" Bore
Wheel Cylinder	86 - 84	F118107	(WC118107)	R.H.; 15 x 6" Lucas; 15000-19000 lb. RA; Exc. 8000 lb. FA; 1-5/8" Bore
Wheel Cylinder	86 - 84	F118105	(WC118105)	R.H.; 15 x 7" Lucas; 17500-22000 lb. RA; 1-3/4" Bore
Wheel Cylinder	83 - 80	F78743	(WC78743)	15 x 5" Kelsey Hayes; 15000 lb. RA; 1-1/2" Bore
Wheel Cylinder	83 - 80	F71238	(WC71238)	15 x 5" Kelsey Hayes; 17500-32000 lb. RA; 1-5/8" Bore
Wheel Cylinder	83 - 80	F24489	(WC24489)	15 x 6" Wagner; 1-5/8" Bore
Wheel Cylinder	83 - 80	F26159	(WC26159)	15 x 7" Wagner; 1-1/2" Bore

Front Brake Hose	Years	Sequential No.	Category No.	Qualifier
Brake Hose	86 - 80	F97844	(BH97844)	14 x 2-1/2" Brakes; Single Syst.
Brake Hose	86 - 80	F97844	(BH97844)	14 x 2-1/2" Brakes; Split Syst.
Brake Hose	86 - 80	F97844	(BH97844)	L.H.; 15 x 3" Brakes; Split Syst.
Brake Hose	86 - 80	F98749	(BH98749)	R.H.; 15 x 3" Brakes; Split Syst.
Brake Hose	86 - 83	F111945	(BH111945)	w/Disc Brakes

↳Sub-Kit of Combi-Kit is available separately.

Piston: M - OE Metal Piston P - OE Phenolic Piston

Hydraulics - New (cont.)

Rear Brake Hose	Years	Sequential No.	Category No.	Qualifier
Brake Hose	86 - 84	F110130	(BH110130)	Hyd. Brakes
Brake Hose	83 - 80	F80023	(BH80023)	Single Syst.
Brake Hose	83 - 80	F80023	(BH80023)	Split Syst.; Front Port of Connection
Brake Hose	83 - 80	F80022	(BH80022)	Split Syst.; Rear Port of Connection

Hydraulics - Reman

Power Brake Booster	Years	Part No.	Qualifier
Power Brake Booster	86 - 84	529807	Dual System; Hydro-Max; w/o Master Cyl.
Power Brake Booster	83 - 81	518045	Dual System; Hydro-Vac; 18500-22000 lb. RA; w/Master Cyl.
Power Brake Booster	83 - 81	518030	Dual System; Hydro-Vac; Exc. 18500-22000 lb. RA; w/Master Cyl.
Power Brake Booster	83 - 81	518024	Single Syst.; Hydro-Vac; 18500-22000 lb. RA; w/Master Cyl.
Power Brake Booster	83 - 81	518025	Single Syst.; Hydro-Vac; Exc. 18500-22000 lb. RA; w/Master Cyl.
Power Brake Booster	80	518030	Dual System; Hydro-Vac; 18500-22000 lb. RA; From GG5001; w/Master Cyl.
Power Brake Booster	80	518045	Dual System; Hydro-Vac; Exc. 18500-22000 lb. RA; From GG5001; w/Master Cyl.
Power Brake Booster	80	518030	Dual System; Hydro-Vac; To GG5000; w/Master Cyl.
Power Brake Booster	80	518024	Single Syst.; Hydro-Vac; 18500-22000 lb. RA; From GG5001; w/Master Cyl.
Power Brake Booster	80	518025	Single Syst.; Hydro-Vac; Exc. 18500-22000 lb. RA; From GG5001; w/Master Cyl.
Power Brake Booster	80	518025	Single Syst.; Hydro-Vac; To GG5000; w/Master Cyl.

Brake Pads & Shoes

Front Pads & Shoes	Years	SevereDuty	Lining No.	Qualifier
Brake Pads	90 - 84	SD224		Dayton; 2.50" 2-Piston Caliper
Brake Pads	90 - 83	SD236		Dayton; 2.88" 2-Piston Caliper
Brake Shoes	90 - 88	4693R	4693	w/Air Brakes; Bendix; 15 x 4
Brake Shoes	90	4702Q	4702	w/Air Brakes; Rockwell/Meritor; Q-Plus; 15 x 4
Brake Shoes	90 - 80	1308Q	1308T	w/Air Brakes; Rockwell/Meritor; Q-Series; 15 x 4
Brake Shoes	89 - 83	4605R	4605	w/Air Brakes; Bendix; 15 x 6
Brake Shoes	89 - 84	1308E	1308	w/Air Brakes; Eaton; 15 x 4
Brake Shoes	89 - 80	1307T	1307	w/Air Brakes; Rockwell/Meritor; T-Series; 15 x 3-1/2
Brake Shoes	83 - 80	SDS361R	EX2060D-S32	Hyd. Brakes; Kelsey Hayes; 14 x 2-1/2
Brake Shoes	83 - 80	SDS321R	EX1245AD-S32	Hyd. Brakes; Wagner; 15 x 3

Rear Pads & Shoes	Years	SevereDuty	Lining No.	Qualifier
Brake Shoes	90 - 84	SDS542R	EX4528AD-S43	Hyd. Brakes; Lucas; 15 x 5
Brake Shoes	90 - 84	SDS543R	EX4504AD-S43	Hyd. Brakes; Lucas; 15 x 6
Brake Shoes	90 - 84	SDS544AR	EX4505AD-S4Q	Hyd. Brakes; Lucas; 15 x 7
Brake Shoes	90 - 87	4515B	4515E	w/Air Brakes; Bendix; 16-1/2 x 7
Brake Shoes	90	4707Q	4707	w/Air Brakes; Rockwell/Meritor; Q-Plus; 16-1/2 x 7
Brake Shoes	90 - 80	4515Q	4515E	w/Air Brakes; Rockwell/Meritor; Q-Series; 16-1/2 x 7
Brake Shoes	89 - 80	4311E	4311J	w/Air Brakes; Eaton; 16-1/2 x 7
Brake Shoes	83 - 80	SDS381R	EX4596D-S32	Hyd. Brakes; Wagner; 15 x 6
Brake Shoes	83 - 80	SDS383R	EX4597D-S32	Hyd. Brakes; Wagner; 15 x 7
Brake Shoes	83 - 80	SDS386R	EX1255D-S32	Hyd. Brakes; Wagner; 16 x 6
Brake Shoes	83 - 80	4524Q	4524B	w/Air Brakes; Rockwell/Meritor; Q-Series; 16-1/2 x 5

Parking Brake Shoes	Years	SevereDuty	Lining No.	Qualifier
Brake Shoes	83 - 80	SDS842R	EX1303AD	10 x 3
Brake Shoes	83 - 80	SDS647	EX2086D	9 x 3

Rotor & Drum

Front Rotor & Drum	Years	Part No.	Qualifier
Brake Rotor	90	BD125087	10000-12000 lb. FA; U-Shaped; 10-Hole
Brake Rotor	90	BD125214	10000-12000 lb. FA; U-Shaped; 6-Hole
Brake Rotor	90	BD125085	6000-7000 lb. FA; Hat-Shaped; 6-Hole
Brake Rotor	90	BD125087	8000-9000 lb. FA; U-Shaped; 10-Hole; Dayton
Brake Rotor	90	BD125214	8000-9000 lb. FA; U-Shaped; 6-Hole; 11-1/4" Bolt Circle; Dayton
Brake Rotor	90	BD125086	8000-9000 lb. FA; U-Shaped; 6-Hole; 8-3/4" Bolt Circle; Dayton
Brake Rotor	89 - 84	BD125085	6000-7500 lb. FA; Hat-Shaped; 6-Hole

C800 (cont.)

Rotor & Drum (cont.)

Front Rotor & Drum	Years	Part No.	Qualifier
Brake Rotor	89 - 84	BD125087	8000-9000 lb. FA; U-Shaped; 10-Hole
Brake Rotor	89 - 84	BD125214	8000-9000 lb. FA; U-Shaped; 6-Hole; 11-1/4" Bolt Circle
Brake Rotor	89 - 84	BD125086	8000-9000 lb. FA; U-Shaped; 6-Hole; 8-3/4" Bolt Circle
Brake Rotor	89 - 84	BD125087	9500-12000 lb. FA; U-Shaped; 10-Hole
Brake Rotor	89 - 84	BD125214	9500-12000 lb. FA; U-Shaped; 6-Hole

Rear Rotor & Drum

Rear Rotor & Drum	Years	Part No.	Qualifier
Brake Drum	90	BD126376	15 x 5" Hyd. Brakes; Dayton; 20" Spoke Wheel
Brake Drum	90 - 84	BD126379	15 x 5" Hyd. Brakes; Dayton; 6-Hole Disc Wheel
Brake Drum	90	BD126375	15 x 5" Hyd. Brakes; Dayton; 8-Hole Disc Wheel
Brake Drum	90 - 84	BD126380	15 x 6" Hyd. Brakes; Dayton; 20" Spoke Wheel
Brake Drum	90	BD126399	15 x 6" Hyd. Brakes; Dayton; 6-Hole Disc Wheel
Brake Drum	90	BD126397	15 x 6" Hyd. Brakes; Dayton; 8-Hole Disc Wheel
Brake Drum	90	BD126378	15 x 7" Hyd. Brakes; Budd; 10-Hole Disc Wheel; 15000 lb. RA
Brake Drum	90	BD126378	15 x 7" Hyd. Brakes; Budd; 10-Hole Disc Wheel; 17000-18000 lb. RA
Brake Drum	90	BD126378	15 x 7" Hyd. Brakes; Budd; 10-Hole Disc Wheel; 20000-21000 lb. RA
Brake Drum	90 - 89	BD126373	15 x 7" Hyd. Brakes; Budd; 10-Hole Disc Wheel; 34000 lb. TRA
Brake Drum	90	BD126377	15 x 7" Hyd. Brakes; Dayton; 20" Spoke Wheel; 17000-18000 lb. RA
Brake Drum	90	BD126374	15 x 7" Hyd. Brakes; Dayton; 20" Spoke Wheel; 21000-22000 lb. RA
Brake Drum	90	BD126377	15 x 7" Hyd. Brakes; Dayton; 20" Spoke Wheel; 34000 lb. TRA
Brake Drum	90	BD126401	15 x 7" Hyd. Brakes; Dayton; 8-Hole Disc Wheel; 17000-19000 lb. RA
Brake Drum	89 - 80	BD126399	15 x 6" Hyd. Brakes; Dayton; 6-Hole Disc Wheel; 17000-18000 lb. RA
Brake Drum	89	BD126373	15 x 7" Hyd. Brakes; Budd; 10-Hole Disc Wheel; 19000 lb. RA
Brake Drum	89	BD126378	15 x 7" Hyd. Brakes; Budd; 10-Hole Disc Wheel; 22000 lb. RA
Brake Drum	88 - 80	BD126373	15 x 7" Hyd. Brakes; Budd; 10-Hole Disc Wheel

Brake Hardware

Front Brake Hardware

Front Brake Hardware	Years	Sequential No.	Category No.	Qualifier
Adjuster Kit	83 - 80	F128898	(H2915)	L.H.; Kelsey Hayes
Adjuster Kit	83 - 80	F59159	(H2904)	L.H.; Wagner
Adjuster Kit	83 - 80	F128899	(H2916)	R.H.; Kelsey Hayes
Adjuster Kit	83 - 80	F59160	(H2905)	R.H.; Wagner
Combi Kit	83 - 80	F117015	(H7186)	Kelsey Hayes
↳Adjuster Spring Kit		F117152S	(H427)	
↳Return Spring Kit		F71521	(H602)	
Combi Kit	83 - 80	F117025	(H7173)	Wagner
↳Hold Down Kit		F73399	(H4201)	
↳Return Spring Kit		F36445	(H521)	
Disc Align Kit	90 - 84	F134105	(H5613)	Dayton; 2.50" 2-Piston Caliper
Disc Align Kit	90 - 87	F128926	(H5609)	Dayton; 2.88" 2-Piston Caliper
Disc Align Kit	86 - 83	F128927	(H5610)	Dayton; 2.88" 2-Piston Caliper

Rear Brake Hardware

Rear Brake Hardware	Years	Sequential No.	Category No.	Qualifier
Adjuster Kit	90 - 84	F112097	(H2901)	L.H.; Lucas
Adjuster Kit	90 - 84	F112097	(H2901)	R.H.; Lucas
Adjuster Kit	83 - 80	F59157	(H2902)	L.H.; Wagner; 15" Brake; Auto Adj.
Adjuster Kit	83 - 80	F128894S	(H2911)	L.H.; Wagner; 15" Brake; Man. Adj.
Adjuster Kit	83 - 80	F128895S	(H2912)	L.H.; Wagner; 16" Brake; Man. Adj.
Adjuster Kit	83 - 80	F59158	(H2903)	R.H.; Wagner; 15" Brake; Auto Adj.
Adjuster Kit	83 - 80	F128894S	(H2911)	R.H.; Wagner; 15" Brake; Man. Adj.
Adjuster Kit	83 - 80	F128895S	(H2912)	R.H.; Wagner; 16" Brake; Man. Adj.
Adjuster Screw	83 - 80	F140823	(H1607)	L.H.; Wagner; 15" Brake
Adjuster Screw	83 - 80	F19291	(H1700)	L.H.; Wagner; 16" Brake
Adjuster Screw	83 - 80	F140818	(H1606)	R.H.; Wagner; 15" Brake
Adjuster Screw	83 - 80	F19292	(H1701)	R.H.; Wagner; 16" Brake
Combi Kit	90 - 84	F112096	(H7195)	Lucas

↳Sub-Kit of Combi-Kit is available separately.

Brake Hardware (cont.)

Rear Brake Hardware	Years	Sequential No.	Category No.	Qualifier
Combi Kit	83 - 80	F117027	(H7171)	Wagner
↳Adjuster Spring Kit		F78727	(H451)	
↳Hold Down Kit		F19309	(H5079)	
↳Return Spring Kit		F98318	(H609)	

Calipers - Reman

Front, Loaded	Years	Left No.	Right No.	Qualifier	Piston
Loaded Caliper	90 - 84	AS120313	AS120313	Dayton; 2.50" 2-Piston Caliper; w/6 Holes on Back	M
Loaded Caliper	90 - 83	AS108723	AS108723	Dayton; 2.88" 2-Piston Caliper	M
Front, Unloaded	Years	Left No.	Right No.	Qualifier	Piston
Unloaded Caliper	90 - 84	CR120313	CR120313	Dayton; 2.50" 2-Piston Caliper; w/6 Holes on Back	M
Unloaded Caliper	90 - 83	CR108723	CR108723	Dayton; 2.88" 2-Piston Caliper	M

Hydraulics - New

Master Cylinder	Years	Sequential No.	Category No.	Qualifier
Master Cylinder	90 - 84	F119400	(MC119400)	Split Syst.; Hydro-Max; 6000-7000 lb. FA; 1-3/4" Bore
Master Cylinder	90 - 84	F110980	(MC110980)	Split Syst.; Hydro-Max; 8000-12000 lb. FA; 2" Bore
Master Cylinder	83 - 80	F19450	(MC19450)	Single Syst.; Frame Mtd.; 17000 lb. RA; 1-1/2" Bore
Master Cylinder	83 - 80	F19451	(MC19451)	Single Syst.; Frame Mtd.; 18000-22000 lb. RA; 1-3/4" Bore
Master Cylinder	83 - 80	F78205	(MC78205)	Split Syst.; Frame Mtd.; 1-3/4" Bore

Front Wheel Cylinder	Years	Sequential No.	Category No.	Qualifier
Wheel Cylinder	83 - 80	F73531	(WC73531)	L.H.; 15 x 3" Wagner; Lower; 1-1/4" Bore
Wheel Cylinder	83 - 80	F43375	(WC43375)	L.H.; 15 x 3" Wagner; Lower; 1-1/8" Bore
Wheel Cylinder	83 - 80	F73537	(WC73537)	L.H.; 15 x 3" Wagner; Upper; Single Syst.; 1-1/4" Bore
Wheel Cylinder	83 - 80	F73500	(WC73500)	L.H.; 15 x 3" Wagner; Upper; Single Syst.; 1-1/8" Bore
Wheel Cylinder	83 - 80	F73543	(WC73543)	L.H.; 15 x 3" Wagner; Upper; Split Syst.; 1-1/4" Bore
Wheel Cylinder	83 - 80	F71940	(WC71940)	L.H.; 15 x 3" Wagner; Upper; Split Syst.; 1-1/8" Bore
Wheel Cylinder	83 - 80	F73532	(WC73532)	R.H.; 15 x 3" Wagner; Lower; 1-1/4" Bore
Wheel Cylinder	83 - 80	F43376	(WC43376)	R.H.; 15 x 3" Wagner; Lower; 1-1/8" Bore
Wheel Cylinder	83 - 80	F73538	(WC73538)	R.H.; 15 x 3" Wagner; Upper; Single Syst.; 1-1/4" Bore
Wheel Cylinder	83 - 80	F73501	(WC73501)	R.H.; 15 x 3" Wagner; Upper; Single Syst.; 1-1/8" Bore
Wheel Cylinder	83 - 80	F73544	(WC73544)	R.H.; 15 x 3" Wagner; Upper; Split Syst.; 1-1/4" Bore
Wheel Cylinder	83 - 80	F71941	(WC71941)	R.H.; 15 x 3" Wagner; Upper; Split Syst.; 1-1/8" Bore

Rear Wheel Cylinder	Years	Sequential No.	Category No.	Qualifier
Wheel Cylinder	90 - 84	F118104	(WC118104)	L.H.; 15 x 6" Lucas; 15000-19000 lb. RA; 8000 lb. FA; 1-3/4" Bore
Wheel Cylinder	90 - 84	F118106	(WC118106)	L.H.; 15 x 6" Lucas; 15000-19000 lb. RA; Exc. 8000 lb. FA; 1-5/8" Bore
Wheel Cylinder	90 - 84	F118104	(WC118104)	L.H.; 15 x 7" Lucas; 17500-22000 lb. RA; 1-3/4" Bore
Wheel Cylinder	90 - 84	F118106	(WC118106)	L.H.; 15 x 7" Lucas; 34000 lb. TRA; 1-5/8" Bore
Wheel Cylinder	90 - 84	F118105	(WC118105)	R.H.; 15 x 6" Lucas; 15000-19000 lb. RA; 8000 lb. FA; 1-3/4" Bore
Wheel Cylinder	90 - 84	F118107	(WC118107)	R.H.; 15 x 6" Lucas; 15000-19000 lb. RA; Exc. 8000 lb. FA; 1-5/8" Bore
Wheel Cylinder	90 - 84	F118105	(WC118105)	R.H.; 15 x 7" Lucas; 17500-22000 lb. RA; 1-3/4" Bore
Wheel Cylinder	90 - 84	F118107	(WC118107)	R.H.; 15 x 7" Lucas; 34000 lb. TRA; 1-5/8" Bore
Wheel Cylinder	83 - 80	F24489	(WC24489)	15 x 6" Wagner; 1-5/8" Bore
Wheel Cylinder	83 - 80	F26159	(WC26159)	15 x 7" Wagner; 1-1/2" Bore
Wheel Cylinder	83 - 80	F26172	(WC26172)	16 x 6" Wagner; 1-5/8" Bore

Front Brake Hose	Years	Sequential No.	Category No.	Qualifier
Brake Hose	90	F111945	(BH111945)	w/Disc Brakes; Exc. Tandem
Brake Hose	90	F132936	(BH132936)	w/Drum Brakes; Tandem
Brake Hose	89 - 80	F97844	(BH97844)	14 x 2-1/2" Brakes; Single Syst.
Brake Hose	89 - 80	F97844	(BH97844)	14 x 2-1/2" Brakes; Split Syst.
Brake Hose	89 - 80	F97844	(BH97844)	L.H.; 15 x 3" Brakes; Split Syst.
Brake Hose	89 - 80	F98749	(BH98749)	R.H.; 15 x 3" Brakes; Split Syst.
Brake Hose	89 - 80	F124053	(BH124053)	w/Air Disc
Brake Hose	89 - 83	F111945	(BH111945)	w/Disc Brakes

Rear Brake Hose	Years	Sequential No.	Category No.	Qualifier
Brake Hose	90 - 84	F110130	(BH110130)	Hyd. Brakes

↳Sub-Kit of Combi-Kit is available separately.

Piston: M - OE Metal Piston P - OE Phenolic Piston

C800 (cont.)

Hydraulics - New (cont.)

Rear Brake Hose	Years	Sequential No.	Category No.	Qualifier
Brake Hose	83 - 80	F80023	(BH80023)	Single Syst.
Brake Hose	83 - 80	F80023	(BH80023)	Split Syst.; Front Port of Connection
Brake Hose	83 - 80	F80022	(BH80022)	Split Syst.; Rear Port of Connection

Hydraulics - Reman

Power Brake Booster	Years	Part No.	Qualifier
Power Brake Booster	90 - 84	529807	Dual System; Hydro-Max; w/o Master Cyl.
Power Brake Booster	83 - 81	518045	Dual System; Hydro-Vac; 18500-22000 lb. RA; w/Master Cyl.
Power Brake Booster	83 - 81	518030	Dual System; Hydro-Vac; Exc. 18500-22000 lb. RA; w/Master Cyl.
Power Brake Booster	83 - 81	518024	Single Syst.; Hydro-Vac; 18500-22000 lb. RA; w/Master Cyl.
Power Brake Booster	83 - 81	518025	Single Syst.; Hydro-Vac; Exc. 18500-22000 lb. RA; w/Master Cyl.
Power Brake Booster	80	518030	Dual System; Hydro-Vac; 18500-22000 lb. RA; From GG5001; w/Master Cyl.
Power Brake Booster	80	518045	Dual System; Hydro-Vac; Exc. 18500-22000 lb. RA; From GG5001; w/Master Cyl.
Power Brake Booster	80	518030	Dual System; Hydro-Vac; To GG5000; w/Master Cyl.
Power Brake Booster	80	518024	Single Syst.; Hydro-Vac; 18500-22000 lb. RA; From GG5001; w/Master Cyl.
Power Brake Booster	80	518025	Single Syst.; Hydro-Vac; Exc. 18500-22000 lb. RA; From GG5001; w/Master Cyl.
Power Brake Booster	80	518025	Single Syst.; Hydro-Vac; To GG5000; w/Master Cyl.

C900

Brake Pads & Shoes

Front Pads & Shoes	Years	SevereDuty	Lining No.	Qualifier
Brake Shoes	81 - 80	SDS361R	EX2060D-S32	Hyd. Brakes; Kelsey Hayes; 14 x 2-1/2
Brake Shoes	81 - 80	SDS321R	EX1245AD-S32	Hyd. Brakes; Wagner; 15 x 3
Brake Shoes	81 - 80	1308Q	1308T	w/Air Brakes; Rockwell/Meritor; Q-Series; 15 x 4
Brake Shoes	81 - 80	1307T	1307	w/Air Brakes; Rockwell/Meritor; T-Series; 15 x 3-1/2

Rear Pads & Shoes	Years	SevereDuty	Lining No.	Qualifier
Brake Shoes	81 - 80	SDS381R	EX4596D-S32	Hyd. Brakes; Wagner; 15 x 6
Brake Shoes	81 - 80	SDS383R	EX4597D-S32	Hyd. Brakes; Wagner; 15 x 7
Brake Shoes	81 - 80	SDS386R	EX1255D-S32	Hyd. Brakes; Wagner; 16 x 6
Brake Shoes	81 - 80	4311E	4311J	w/Air Brakes; Eaton; 16-1/2 x 7
Brake Shoes	81 - 80	4524Q	4524B	w/Air Brakes; Rockwell/Meritor; Q-Series; 16-1/2 x 5
Brake Shoes	81 - 80	4515Q	4515E	w/Air Brakes; Rockwell/Meritor; Q-Series; 16-1/2 x 7

Parking Brake Shoes	Years	SevereDuty	Lining No.	Qualifier
Brake Shoes	81 - 80	SDS842R	EX1303AD	10 x 3
Brake Shoes	81 - 80	SDS647	EX2086D	9 x 3

Rotor & Drum

Rear Rotor & Drum	Years	Part No.	Qualifier
Brake Drum	81 - 80	BD126399	15 x 6" Hyd. Brakes; Dayton; 6-Hole Disc Wheel; 17000-18000 lb. RA
Brake Drum	81 - 80	BD126373	15 x 7" Hyd. Brakes; Budd; 10-Hole Disc Wheel

Brake Hardware

Front Brake Hardware	Years	Sequential No.	Category No.	Qualifier
Adjuster Kit	81 - 80	F128898	(H2915)	L.H.; Kelsey Hayes
Adjuster Kit	81 - 80	F59159	(H2904)	L.H.; Wagner
Adjuster Kit	81 - 80	F128899	(H2916)	R.H.; Kelsey Hayes
Adjuster Kit	81 - 80	F59160	(H2905)	R.H.; Wagner
Combi Kit	81 - 80	F117015	(H7186)	Kelsey Hayes
↳Adjuster Spring Kit		F117152S	(H427)	
↳Return Spring Kit		F71521	(H602)	
Combi Kit	81 - 80	F117025	(H7173)	Wagner
↳Hold Down Kit		F73399	(H4201)	
↳Return Spring Kit		F36445	(H521)	

Rear Brake Hardware	Years	Sequential No.	Category No.	Qualifier
Adjuster Kit	81 - 80	F59157	(H2902)	L.H.; Wagner; 15" Brake; Auto Adj.
Adjuster Kit	81 - 80	F128894S	(H2911)	L.H.; Wagner; 15" Brake; Man. Adj.
Adjuster Kit	81 - 80	F128895S	(H2912)	L.H.; Wagner; 16" Brake; Man. Adj.

↳Sub-Kit of Combi-Kit is available separately.

Brake Hardware (cont.)

Rear Brake Hardware	Years	Sequential No.	Category No.	Qualifier
Adjuster Kit	81 - 80	F59158	(H2903)	R.H.; Wagner; 15" Brake; Auto Adj.
Adjuster Kit	81 - 80	F128894S	(H2911)	R.H.; Wagner; 15" Brake; Man. Adj.
Adjuster Kit	81 - 80	F128895S	(H2912)	R.H.; Wagner; 16" Brake; Man. Adj.
Adjuster Screw	81 - 80	F140823	(H1607)	L.H.; Wagner; 15" Brake
Adjuster Screw	81 - 80	F19291	(H1700)	L.H.; Wagner; 16" Brake
Adjuster Screw	81 - 80	F140818	(H1606)	R.H.; Wagner; 15" Brake
Adjuster Screw	81 - 80	F19292	(H1701)	R.H.; Wagner; 16" Brake
Combi Kit	81 - 80	F117027	(H7171)	Wagner
↳Adjuster Spring Kit		F78727	(H451)	
↳Hold Down Kit		F19309	(H5079)	
↳Return Spring Kit		F98318	(H609)	

Hydraulics - New

Master Cylinder	Years	Sequential No.	Category No.	Qualifier
Master Cylinder	81 - 80	F19450	(MC19450)	Single Syst.; Frame Mtd.; 17000 lb. RA; 1-1/2" Bore
Master Cylinder	81 - 80	F19451	(MC19451)	Single Syst.; Frame Mtd.; 18000-22000 lb. RA; 1-3/4" Bore
Master Cylinder	81 - 80	F78205	(MC78205)	Split Syst.; Frame Mtd.; 1-3/4" Bore

Front Wheel Cylinder	Years	Sequential No.	Category No.	Qualifier
Wheel Cylinder	81 - 80	F73531	(WC73531)	L.H.; 15 x 3" Wagner; Lower; 1-1/4" Bore
Wheel Cylinder	81 - 80	F43375	(WC43375)	L.H.; 15 x 3" Wagner; Lower; 1-1/8" Bore
Wheel Cylinder	81 - 80	F73537	(WC73537)	L.H.; 15 x 3" Wagner; Upper; Single Syst.; 1-1/4" Bore
Wheel Cylinder	81 - 80	F73500	(WC73500)	L.H.; 15 x 3" Wagner; Upper; Single Syst.; 1-1/8" Bore
Wheel Cylinder	81 - 80	F73543	(WC73543)	L.H.; 15 x 3" Wagner; Upper; Split Syst.; 1-1/4" Bore
Wheel Cylinder	81 - 80	F71940	(WC71940)	L.H.; 15 x 3" Wagner; Upper; Split Syst.; 1-1/8" Bore
Wheel Cylinder	81 - 80	F73532	(WC73532)	R.H.; 15 x 3" Wagner; Lower; 1-1/4" Bore
Wheel Cylinder	81 - 80	F43376	(WC43376)	R.H.; 15 x 3" Wagner; Lower; 1-1/8" Bore
Wheel Cylinder	81 - 80	F73538	(WC73538)	R.H.; 15 x 3" Wagner; Upper; Single Syst.; 1-1/4" Bore
Wheel Cylinder	81 - 80	F73501	(WC73501)	R.H.; 15 x 3" Wagner; Upper; Single Syst.; 1-1/8" Bore
Wheel Cylinder	81 - 80	F73544	(WC73544)	R.H.; 15 x 3" Wagner; Upper; Split Syst.; 1-1/4" Bore
Wheel Cylinder	81 - 80	F71941	(WC71941)	R.H.; 15 x 3" Wagner; Upper; Split Syst.; 1-1/8" Bore

Rear Wheel Cylinder	Years	Sequential No.	Category No.	Qualifier
Wheel Cylinder	81 - 80	F24489	(WC24489)	15 x 6" Wagner; 1-5/8" Bore
Wheel Cylinder	81 - 80	F26159	(WC26159)	15 x 7" Wagner; 1-1/2" Bore
Wheel Cylinder	81 - 80	F26172	(WC26172)	16 x 6" Wagner; 1-5/8" Bore

Front Brake Hose	Years	Sequential No.	Category No.	Qualifier
Brake Hose	81 - 80	F97844	(BH97844)	14 x 2-1/2" Brakes; Single Syst.
Brake Hose	81 - 80	F97844	(BH97844)	14 x 2-1/2" Brakes; Split Syst.
Brake Hose	81 - 80	F97844	(BH97844)	L.H.; 15 x 3" Brakes; Split Syst.
Brake Hose	81 - 80	F98749	(BH98749)	R.H.; 15 x 3" Brakes; Split Syst.
Brake Hose	81 - 80	F124053	(BH124053)	w/Air Disc

Rear Brake Hose	Years	Sequential No.	Category No.	Qualifier
Brake Hose	81 - 80	F80023	(BH80023)	Single Syst.
Brake Hose	81 - 80	F80023	(BH80023)	Split Syst.; Front Port of Connection
Brake Hose	81 - 80	F80022	(BH80022)	Split Syst.; Rear Port of Connection

Hydraulics - Reman

Power Brake Booster	Years	Part No.	Qualifier
Power Brake Booster	81	518045	Dual System; Hydro-Vac; 18500-22000 lb. RA; w/Master Cyl.
Power Brake Booster	81	518030	Dual System; Hydro-Vac; Exc. 18500-22000 lb. RA; w/Master Cyl.
Power Brake Booster	81	518024	Single Syst.; Hydro-Vac; 18500-22000 lb. RA; w/Master Cyl.
Power Brake Booster	81	518025	Single Syst.; Hydro-Vac; Exc. 18500-22000 lb. RA; w/Master Cyl.
Power Brake Booster	80	518030	Dual System; Hydro-Vac; 18500-22000 lb. RA; From GG5001; w/Master Cyl.
Power Brake Booster	80	518045	Dual System; Hydro-Vac; Exc. 18500-22000 lb. RA; From GG5001; w/Master Cyl.
Power Brake Booster	80	518030	Dual System; Hydro-Vac; To GG5000; w/Master Cyl.
Power Brake Booster	80	518024	Single Syst.; Hydro-Vac; 18500-22000 lb. RA; From GG5001; w/Master Cyl.
Power Brake Booster	80	518025	Single Syst.; Hydro-Vac; Exc. 18500-22000 lb. RA; From GG5001; w/Master Cyl.

↳Sub-Kit of Combi-Kit is available separately.

C900 (cont.)

Hydraulics - Reman (cont.)

Power Brake Booster	Years	Part No.	Qualifier
Power Brake Booster	80	518025	Single Syst.; Hydro-Vac; To GG5000; w/Master Cyl.

FORD MD Cargo

CF600

Brake Pads & Shoes

Front Pads & Shoes	Years	SevereDuty	Lining No.	Qualifier
Brake Pads	90 - 86	SD379		Varga; 2.88" 2-Piston Caliper; Square Pads
Brake Shoes	90 - 86	4693R	4693	w/Air Brakes; Bendix; 15 x 4

Rear Pads & Shoes	Years	SevereDuty	Lining No.	Qualifier
Brake Shoes	90 - 86	SDS544AR	EX4505AD-S4Q	Hyd. Brakes; Lucas; 15 x 7
Brake Shoes	90 - 87	4515B	4515E	w/Air Brakes; Bendix; 16-1/2 x 7

Rotor & Drum

Front Rotor & Drum	Years	Part No.	Qualifier
Brake Rotor	90	BD125247	10000-12000 lb. FA; U-Shaped; 8-Hole
Brake Rotor	90	BD125085	6000-7000 lb. FA; Hat-Shaped; 6-Hole
Brake Rotor	90	BD125086	8000-9000 lb. FA; U-Shaped; 6-Hole
Brake Rotor	90	BD125247	8000-9000 lb. FA; U-Shaped; 8-Hole; Varga
Brake Rotor	89 - 86	BD125085	6000-7500 lb. FA; Hat-Shaped; 6-Hole
Brake Rotor	89 - 86	BD125087	8000-9000 lb. FA; U-Shaped; 10-Hole
Brake Rotor	89 - 86	BD125214	8000-9000 lb. FA; U-Shaped; 6-Hole; 11-1/4" Bolt Circle
Brake Rotor	89 - 86	BD125086	8000-9000 lb. FA; U-Shaped; 6-Hole; 8-3/4" Bolt Circle
Brake Rotor	89 - 86	BD125247	8000-9000 lb. FA; U-Shaped; 8-Hole
Brake Rotor	89 - 86	BD125087	9500-12000 lb. FA; U-Shaped; 10-Hole
Brake Rotor	89 - 86	BD125214	9500-12000 lb. FA; U-Shaped; 6-Hole
Brake Rotor	89 - 86	BD125247	9500-12000 lb. FA; U-Shaped; 8-Hole

Rear Rotor & Drum	Years	Part No.	Qualifier
Brake Drum	90 - 86	BD126381	15 x 7" Hyd. Brakes; 8-Hole Disc Wheel; 17000-18000 lb. RA

Brake Hardware

Front Brake Hardware	Years	Sequential No.	Category No.	Qualifier
Caliper Bolt/Pin	90 - 86	F140821	(H4819)	Varga; 2.88" 2-Piston Caliper; Square Pads

Rear Brake Hardware	Years	Sequential No.	Category No.	Qualifier
Adjuster Kit	90 - 86	F112097	(H2901)	L.H.; Lucas
Adjuster Kit	90 - 86	F112097	(H2901)	R.H.; Lucas
Combi Kit	90 - 86	F112096	(H7195)	Lucas

Calipers - Reman

Front, Loaded	Years	Left No.	Right No.	Qualifier	Piston
Loaded Caliper	90 - 86	AS134366	AS134365	Varga; 2.88" 2-Piston Caliper; Square Pads	M

Front, Unloaded	Years	Left No.	Right No.	Qualifier	Piston
Unloaded Caliper	90 - 86	CR134366	CR134365	Varga; 2.88" 2-Piston Caliper; Square Pads	M

Hydraulics - New

Master Cylinder	Years	Sequential No.	Category No.	Qualifier
Master Cylinder	90 - 86	F117264	(MC117264)	w/Reservoir

Rear Wheel Cylinder	Years	Sequential No.	Category No.	Qualifier
Wheel Cylinder	90 - 86	F118104	(WC118104)	L.H.; 15 x 7" Lucas; 17500-22000 lb. RA; 1-3/4" Bore
Wheel Cylinder	90 - 86	F118105	(WC118105)	R.H.; 15 x 7" Lucas; 17500-22000 lb. RA; 1-3/4" Bore

Front Brake Hose	Years	Sequential No.	Category No.	Qualifier
Brake Hose	90 - 86	F111945	(BH111945)	Hyd. Brakes

Rear Brake Hose	Years	Sequential No.	Category No.	Qualifier
Brake Hose	90 - 86	F118650	(BH118650)	Hyd. Brakes

Piston: M - OE Metal Piston P - OE Phenolic Piston

CF700

Brake Pads & Shoes

Front Pads & Shoes	Years	SevereDuty	Lining No.	Qualifier
Brake Pads	90 - 86	SD379		Varga; 2.88" 2-Piston Caliper; Square Pads
Brake Shoes	97 - 86	4693R	4693	w/Air Brakes; Bendix; 15 x 4
Rear Pads & Shoes	Years	SevereDuty	Lining No.	Qualifier
Brake Shoes	97 - 86	SDS544AR	EX4505AD-S4Q	Hyd. Brakes; Lucas; 15 x 7
Brake Shoes	97 - 87	4515B	4515E	w/Air Brakes; Bendix; 16-1/2 x 7

Rotor & Drum

Front Rotor & Drum	Years	Part No.	Qualifier
Brake Rotor	90	BD125247	10000-12000 lb. FA; U-Shaped; 8-Hole; Varga
Brake Rotor	90	BD125085	6000-7000 lb. FA; Hat-Shaped; 6-Hole
Brake Rotor	90	BD125086	8000-9000 lb. FA; U-Shaped; 6-Hole; Dayton
Brake Rotor	90	BD125247	8000-9000 lb. FA; U-Shaped; 8-Hole; Varga
Brake Rotor	89 - 86	BD125085	6000-7500 lb. FA; Hat-Shaped; 6-Hole
Brake Rotor	89 - 86	BD125087	8000-9000 lb. FA; U-Shaped; 10-Hole
Brake Rotor	89 - 86	BD125214	8000-9000 lb. FA; U-Shaped; 6-Hole; 11-1/4" Bolt Circle
Brake Rotor	89 - 86	BD125086	8000-9000 lb. FA; U-Shaped; 6-Hole; 8-3/4" Bolt Circle
Brake Rotor	89 - 86	BD125247	8000-9000 lb. FA; U-Shaped; 8-Hole; 10-7/8" Bolt Circle
Brake Rotor	89 - 86	BD125087	9500-12000 lb. FA; U-Shaped; 10-Hole
Brake Rotor	89 - 86	BD125214	9500-12000 lb. FA; U-Shaped; 6-Hole
Brake Rotor	89 - 86	BD125247	9500-12000 lb. FA; U-Shaped; 8-Hole
Rear Rotor & Drum	Years	Part No.	Qualifier
Brake Drum	97 - 86	BD126381	15 x 7" Hyd. Brakes; 8-Hole Disc Wheel; 17000-18000 lb. RA

Brake Hardware

Front Brake Hardware	Years	Sequential No.	Category No.	Qualifier
Caliper Bolt/Pin	90 - 86	F140821	(H4819)	Varga; 2.88" 2-Piston Caliper; Square Pads
Rear Brake Hardware	Years	Sequential No.	Category No.	Qualifier
Adjuster Kit	97 - 86	F112097	(H2901)	L.H.; Lucas
Adjuster Kit	97 - 86	F112097	(H2901)	R.H.; Lucas
Combi Kit	97 - 86	F112096	(H7195)	Lucas

Calipers - Reman

Front, Loaded	Years	Left No.	Right No.	Qualifier	Piston
Loaded Caliper	90 - 86	AS134366	AS134365	Varga; 2.88" 2-Piston Caliper; Square Pads	M
Front, Unloaded	Years	Left No.	Right No.	Qualifier	Piston
Unloaded Caliper	90 - 86	CR134366	CR134365	Varga; 2.88" 2-Piston Caliper; Square Pads	M

Hydraulics - New

Master Cylinder	Years	Sequential No.	Category No.	Qualifier
Master Cylinder	97 - 86	F117264	(MC117264)	w/Reservoir
Rear Wheel Cylinder	Years	Sequential No.	Category No.	Qualifier
Wheel Cylinder	97 - 86	F118104	(WC118104)	L.H.; 15 x 7" Lucas; 17500-22000 lb. RA; 1-3/4" Bore
Wheel Cylinder	97 - 86	F118105	(WC118105)	R.H.; 15 x 7" Lucas; 17500-22000 lb. RA; 1-3/4" Bore
Front Brake Hose	Years	Sequential No.	Category No.	Qualifier
Brake Hose	97 - 86	F111945	(BH111945)	Hyd. Brakes
Rear Brake Hose	Years	Sequential No.	Category No.	Qualifier
Brake Hose	97 - 86	F118650	(BH118650)	Hyd. Brakes

CF800

Brake Pads & Shoes

Front Pads & Shoes	Years	SevereDuty	Lining No.	Qualifier
Brake Pads	90 - 87	SD379		Varga; 2.88" 2-Piston Caliper; Square Pads
Brake Shoes	97 - 87	4693R	4693	w/Air Brakes; Bendix; 15 x 4
Rear Pads & Shoes	Years	SevereDuty	Lining No.	Qualifier
Brake Shoes	97 - 87	SDS544AR	EX4505AD-S4Q	Hyd. Brakes; Lucas; 15 x 7
Brake Shoes	97 - 87	4515B	4515E	w/Air Brakes; Bendix; 16-1/2 x 7

Piston: M - OE Metal Piston P - OE Phenolic Piston

CF800 (cont.)

Rotor & Drum				
Front Rotor & Drum	Years	Part No.	Qualifier	
Brake Rotor	90	BD125304	10000-12000 lb. FA; U-Shaped; 10-Hole; Varga	
Brake Rotor	90	BD125085	6000-7000 lb. FA; Hat-Shaped; 6-Hole	
Brake Rotor	90	BD125304	8000-9000 lb. FA; U-Shaped; 10-Hole; Varga	
Brake Rotor	90	BD125086	8000-9000 lb. FA; U-Shaped; 6-Hole; Dayton	
Brake Rotor	89 - 87	BD125085	6000-7500 lb. FA; Hat-Shaped; 6-Hole	
Brake Rotor	89 - 87	BD125304	8000-9000 lb. FA; U-Shaped; 10-Hole; 11-1/2" Bolt Circle	
Brake Rotor	89 - 87	BD125087	8000-9000 lb. FA; U-Shaped; 10-Hole; 11-1/4" Bolt Circle	
Brake Rotor	89 - 87	BD125214	8000-9000 lb. FA; U-Shaped; 6-Hole; 11-1/4" Bolt Circle	
Brake Rotor	89 - 87	BD125086	8000-9000 lb. FA; U-Shaped; 6-Hole; 8-3/4" Bolt Circle	
Brake Rotor	89 - 87	BD125304	9500-12000 lb. FA; U-Shaped; 10-Hole; 11-1/2" Bolt Circle	
Brake Rotor	89 - 87	BD125087	9500-12000 lb. FA; U-Shaped; 10-Hole; 11-1/4" Bolt Circle	
Brake Rotor	89 - 87	BD125214	9500-12000 lb. FA; U-Shaped; 6-Hole	
Rear Rotor & Drum	Years	Part No.	Qualifier	
Brake Drum	97 - 87	BD126381	15 x 7" Hyd. Brakes; 8-Hole Disc Wheel; 17000-18000 lb. RA	

Brake Hardware				
Front Brake Hardware	Years	Sequential No.	Category No.	Qualifier
Caliper Bolt/Pin	90 - 87	F140821	(H4819)	Varga; 2.88" 2-Piston Caliper; Square Pads
Rear Brake Hardware	Years	Sequential No.	Category No.	Qualifier
Adjuster Kit	97 - 87	F112097	(H2901)	L.H.; Lucas
Adjuster Kit	97 - 87	F112097	(H2901)	R.H.; Lucas
Combi Kit	97 - 87	F112096	(H7195)	Lucas

Calipers - Reman					
Front, Loaded	Years	Left No.	Right No.	Qualifier	Piston
Loaded Caliper	90 - 87	AS134366	AS134365	Varga; 2.88" 2-Piston Caliper; Square Pads	M
Front, Unloaded	Years	Left No.	Right No.	Qualifier	Piston
Unloaded Caliper	90 - 87	CR134366	CR134365	Varga; 2.88" 2-Piston Caliper; Square Pads	M

Hydraulics - New				
Master Cylinder	Years	Sequential No.	Category No.	Qualifier
Master Cylinder	97 - 87	F119400	(MC119400)	Split Syst.; Hydro-Max; 1-3/4" Bore
Master Cylinder	97 - 87	F110980	(MC110980)	Split Syst.; Hydro-Max; 2" Bore
Rear Wheel Cylinder	Years	Sequential No.	Category No.	Qualifier
Wheel Cylinder	97 - 87	F118104	(WC118104)	L.H.; 15 x 7" Lucas; 17500-22000 lb. RA; 1-3/4" Bore
Wheel Cylinder	97 - 87	F118106	(WC118106)	L.H.; 15 x 7" Lucas; 34000 lb. TRA; 1-5/8" Bore
Wheel Cylinder	97 - 87	F118105	(WC118105)	R.H.; 15 x 7" Lucas; 17500-22000 lb. RA; 1-3/4" Bore
Wheel Cylinder	97 - 87	F118107	(WC118107)	R.H.; 15 x 7" Lucas; 34000 lb. TRA; 1-5/8" Bore
Rear Brake Hose	Years	Sequential No.	Category No.	Qualifier
Brake Hose	97 - 90	F118650	(BH118650)	Hyd. Brakes

FORD MD CL-Series

CL900				
Brake Pads & Shoes				
Front Pads & Shoes	Years	SevereDuty	Lining No.	Qualifier
Brake Shoes	92 - 90	4702Q	4702	w/Air Brakes; Rockwell/Meritor; Q-Plus; 15 x 4
Brake Shoes	92 - 80	1308Q	1308T	w/Air Brakes; Rockwell/Meritor; Q-Series; 15 x 4
Brake Shoes	89 - 84	1308E	1308	w/Air Brakes; Eaton; 15 x 4
Rear Pads & Shoes	Years	SevereDuty	Lining No.	Qualifier
Brake Shoes	92 - 87	4515B	4515E	w/Air Brakes; Bendix; 16-1/2 x 7
Brake Shoes	92 - 90	4707Q	4707	w/Air Brakes; Rockwell/Meritor; Q-Plus; 16-1/2 x 7
Brake Shoes	92 - 80	4515Q	4515E	w/Air Brakes; Rockwell/Meritor; Q-Series; 16-1/2 x 7
Brake Shoes	89 - 80	4311E	4311J	w/Air Brakes; Eaton; 16-1/2 x 7

Piston: M - OE Metal Piston P - OE Phenolic Piston

Brake Pads & Shoes

Front Pads & Shoes	Years	SevereDuty	Lining No.	Qualifier
Brake Pads	94 - 84	SD224		Dayton; 2.50" 2-Piston Caliper
Brake Pads	94 - 90	SD236		Dayton; 2.88" 2-Piston Caliper
Brake Shoes	83 - 80	SDS361R	EX2060D-S32	Hyd. Brakes; Kelsey Hayes; 14 x 2-1/2
Brake Shoes	83 - 80	SDS321R	EX1245AD-S32	Hyd. Brakes; Wagner; 15 x 3
Rear Pads & Shoes	Years	SevereDuty	Lining No.	Qualifier
Brake Shoes	94 - 84	SDS542R	EX4528AD-S43	Hyd. Brakes; Lucas; 15 x 5
Brake Shoes	94 - 84	SDS543R	EX4504AD-S43	Hyd. Brakes; Lucas; 15 x 6
Brake Shoes	83 - 80	SDS401R	EX4647D-S32	Hyd. Brakes; Kelsey Hayes; 15 x 4
Brake Shoes	83 - 80	SDS400R	EX4646D-S32	Hyd. Brakes; Kelsey Hayes; 15 x 5
Brake Shoes	83 - 80	SDS381R	EX4596D-S32	Hyd. Brakes; Wagner; 15 x 6
Parking Brake Shoes	Years	SevereDuty	Lining No.	Qualifier
Brake Shoes	83 - 80	SDS842R	EX1303AD	10 x 3
Brake Shoes	83 - 80	SDS647	EX2086D	9 x 3

Rotor & Drum

Front Rotor & Drum	Years	Part No.	Qualifier
Brake Rotor	94	BD125485	10000-12000 lb. FA; Hat-Shaped; 10-Hole; 7-1/4" Bolt Circle
Brake Rotor	94	BD125087	10000-12000 lb. FA; U-Shaped; 10-Hole; 11-1/4" Bolt Circle
Brake Rotor	94	BD125214	10000-12000 lb. FA; U-Shaped; 6-Hole
Brake Rotor	94	BD125617	6000-7000 lb. FA; Hat-Shaped; 10-Hole
Brake Rotor	94	BD125085	6000-7000 lb. FA; Hat-Shaped; 6-Hole
Brake Rotor	94	BD125485	8000-9000 lb. FA; Hat-Shaped; 10-Hole; 7-1/4" Bolt Circle
Brake Rotor	94	BD125087	8000-9000 lb. FA; U-Shaped; 10-Hole; 11-1/4" Bolt Circle
Brake Rotor	94	BD125214	8000-9000 lb. FA; U-Shaped; 6-Hole; 11-1/4" Bolt Circle; w/Spoke Wheels
Brake Rotor	94	BD125086	8000-9000 lb. FA; U-Shaped; 6-Hole; 8-3/4" Bolt Circle; w/Disc Wheels
Brake Rotor	93 - 90	BD125087	10000-12000 lb. FA; U-Shaped; 10-Hole
Brake Rotor	93 - 90	BD125214	10000-12000 lb. FA; U-Shaped; 6-Hole; Dayton
Brake Rotor	93 - 90	BD125085	6000-7000 lb. FA; Hat-Shaped; 6-Hole; Dayton
Brake Rotor	93 - 90	BD125087	8000-9000 lb. FA; U-Shaped; 10-Hole; Dayton
Brake Rotor	93 - 90	BD125214	8000-9000 lb. FA; U-Shaped; 6-Hole; 11-1/4" Bolt Circle; Dayton
Brake Rotor	93 - 90	BD125086	8000-9000 lb. FA; U-Shaped; 6-Hole; 8-3/4" Bolt Circle; Dayton
Brake Rotor	93 - 90	BD125305	8000-9000 lb. FA; U-Shaped; 8-Hole
Brake Rotor	89 - 84	BD125085	6000-7500 lb. FA; Hat-Shaped; 6-Hole
Brake Rotor	89 - 84	BD125087	8000-9000 lb. FA; U-Shaped; 10-Hole
Brake Rotor	89 - 84	BD125214	8000-9000 lb. FA; U-Shaped; 6-Hole; 11-1/4" Bolt Circle
Brake Rotor	89 - 84	BD125086	8000-9000 lb. FA; U-Shaped; 6-Hole; 8-3/4" Bolt Circle
Brake Rotor	89 - 84	BD125087	9500-12000 lb. FA; U-Shaped; 10-Hole
Brake Rotor	89 - 84	BD125214	9500-12000 lb. FA; U-Shaped; 6-Hole
Rear Rotor & Drum	Years	Part No.	Qualifier
Brake Drum	94 - 90	BD126376	15 x 5" Hyd. Brakes; Dayton; 20" Spoke Wheel
Brake Drum	94 - 84	BD126379	15 x 5" Hyd. Brakes; Dayton; 6-Hole Disc Wheel
Brake Drum	94 - 90	BD126375	15 x 5" Hyd. Brakes; Dayton; 8-Hole Disc Wheel
Brake Drum	94 - 90	BD126399	15 x 6" Hyd. Brakes; Dayton; 6-Hole Disc Wheel
Brake Drum	94 - 90	BD126397	15 x 6" Hyd. Brakes; Dayton; 8-Hole Disc Wheel
Brake Drum	94	BD126400	From 6/01/94; 15 x 6" Hyd. Brakes; Dayton; 20" Spoke Wheel
Brake Drum	94	BD126380	To 5/30/94; 15 x 6" Hyd. Brakes; Dayton; 20" Spoke Wheel
Brake Drum	93 - 84	BD126380	15 x 6" Hyd. Brakes; Dayton; 20" Spoke Wheel
Brake Drum	89 - 80	BD126399	15 x 6" Hyd. Brakes; Dayton; 6-Hole Disc Wheel; 17000-18000 lb. RA

Brake Hardware

Front Brake Hardware	Years	Sequential No.	Category No.	Qualifier
Adjuster Kit	83 - 80	F128898	(H2915)	L.H.; Kelsey Hayes
Adjuster Kit	83 - 80	F59159	(H2904)	L.H.; Wagner
Adjuster Kit	83 - 80	F128899	(H2916)	R.H.; Kelsey Hayes
Adjuster Kit	83 - 80	F59160	(H2905)	R.H.; Wagner

↳ Sub-Kit of Combi-Kit is available separately.

F600 (cont.)

Brake Hardware (cont.)

Front Brake Hardware	Years	Sequential No.	Category No.	Qualifier
Combi Kit	83 - 80	F117015	(H7186)	Kelsey Hayes
↳Adjuster Spring Kit		F117152S	(H427)	
↳Return Spring Kit		F71521	(H602)	
Combi Kit	83 - 80	F117025	(H7173)	Wagner
↳Hold Down Kit		F73399	(H4201)	
↳Return Spring Kit		F36445	(H521)	
Disc Align Kit	94 - 84	F134105	(H5613)	Dayton; 2.50" 2-Piston Caliper
Disc Align Kit	94 - 90	F128926	(H5609)	Dayton; 2.88" 2-Piston Caliper

Rear Brake Hardware

Years	Sequential No.	Category No.	Qualifier
94 - 84	F112097	(H2901)	L.H.; Lucas
94 - 84	F112097	(H2901)	R.H.; Lucas
83 - 80	F128891	(H2908)	L.H.; Kelsey Hayes
83 - 80	F59157	(H2902)	L.H.; Wagner; 15" Brake; Auto Adj.
83 - 80	F128894S	(H2911)	L.H.; Wagner; 15" Brake; Man. Adj.
83 - 80	F128892	(H2909)	R.H.; Kelsey Hayes
83 - 80	F59158	(H2903)	R.H.; Wagner; 15" Brake; Auto Adj.
83 - 80	F128894S	(H2911)	R.H.; Wagner; 15" Brake; Man. Adj.
83 - 80	F140823	(H1607)	L.H.; Wagner; 15" Brake
83 - 80	F140818	(H1606)	R.H.; Wagner; 15" Brake
94 - 84	F112096	(H7195)	Lucas
83 - 80	F117014	(H7187)	Kelsey Hayes
↳Return Spring Kit	F73591	(H612)	
83 - 80	F117027	(H7171)	Wagner
↳Adjuster Spring Kit	F78727	(H451)	
↳Hold Down Kit	F19309	(H5079)	
↳Return Spring Kit	F98318	(H609)	

Calipers - Reman

Front, Loaded	Years	Left No.	Right No.	Qualifier	Piston
Loaded Caliper	94 - 84	AS120313	AS120313	Dayton; 2.50" 2-Piston Caliper; w/6 Holes on Back	M
Loaded Caliper	94 - 90	AS108723	AS108723	Dayton; 2.88" 2-Piston Caliper	M
Front, Unloaded	Years	Left No.	Right No.	Qualifier	Piston
Unloaded Caliper	94 - 84	CR120313	CR120313	Dayton; 2.50" 2-Piston Caliper; w/6 Holes on Back	M
Unloaded Caliper	94 - 90	CR108723	CR108723	Dayton; 2.88" 2-Piston Caliper	M

Hydraulics - New

Master Cylinder	Years	Sequential No.	Category No.	Qualifier
Master Cylinder	94 - 90	F140744	(MC140744)	Split Syst.; Hydro-Max II; w/Booster; 2" Bore
Master Cylinder	94 - 90	F119400	(MC119400)	Split Syst.; Hydro-Max; 1-3/4" Bore
Master Cylinder	89 - 84	F119400	(MC119400)	Split Syst.; Hydro-Max; Dash Mtd.; 1-3/4" Bore
Master Cylinder	83	F119401	(MC119401)	Single Syst.; Hydro-Max; Dash Mtd.; Diesel; 1-3/4" Bore
Master Cylinder	83	F103254	(MC103254)	Single Syst.; Hydro-Vac; Frame Mtd.; Gas; 1-1/2" Bore
Master Cylinder	83	F119398	(MC119398)	Split Syst.; Dash Mtd.; 1-3/4" Bore
Master Cylinder	82 - 80	F119401	(MC119401)	Hydro-Max; Dash Mtd.; 1-3/4" Bore
Master Cylinder	82 - 80	F103254	(MC103254)	Hydro-Vac; Frame Mtd.; 1-1/2" Bore

Front Wheel Cylinder

Years	Sequential No.	Category No.	Qualifier
83 - 80	F103223	(WC103223)	L.H.; 14 x 2-1/2" Kelsey Hayes; 5500 lb. FA; 1-3/32" Bore
83 - 80	F55890	(WC55890)	L.H.; 14 x 2-1/2" Kelsey Hayes; 6000 lb. FA; 1-3/32" Bore
83 - 80	F73531	(WC73531)	L.H.; 15 x 3" Wagner; Lower; 1-1/4" Bore
83 - 80	F43375	(WC43375)	L.H.; 15 x 3" Wagner; Lower; 1-1/8" Bore
83 - 80	F73537	(WC73537)	L.H.; 15 x 3" Wagner; Upper; Single Syst.; 1-1/4" Bore
83 - 80	F73500	(WC73500)	L.H.; 15 x 3" Wagner; Upper; Single Syst.; 1-1/8" Bore
83 - 80	F73543	(WC73543)	L.H.; 15 x 3" Wagner; Upper; Split Syst.; 1-1/4" Bore
83 - 80	F71940	(WC71940)	L.H.; 15 x 3" Wagner; Upper; Split Syst.; 1-1/8" Bore
83 - 80	F103224	(WC103224)	R.H.; 14 x 2-1/2" Kelsey Hayes; 5500 lb. FA; 1-3/32" Bore
83 - 80	F55891	(WC55891)	R.H.; 14 x 2-1/2" Kelsey Hayes; 6000 lb. FA; 1-3/32" Bore

↳Sub-Kit of Combi-Kit is available separately.

Piston: M - OE Metal Piston P - OE Phenolic Piston

Hydraulics - New (cont.)

Front Wheel Cylinder	Years	Sequential No.	Category No.	Qualifier
Wheel Cylinder	83 - 80	F73532	(WC73532)	R.H.; 15 x 3" Wagner; Lower; 1-1/4" Bore
Wheel Cylinder	83 - 80	F43376	(WC43376)	R.H.; 15 x 3" Wagner; Lower; 1-1/8" Bore
Wheel Cylinder	83 - 80	F73538	(WC73538)	R.H.; 15 x 3" Wagner; Upper; Single Syst.; 1-1/4" Bore
Wheel Cylinder	83 - 80	F73501	(WC73501)	R.H.; 15 x 3" Wagner; Upper; Single Syst.; 1-1/8" Bore
Wheel Cylinder	83 - 80	F73544	(WC73544)	R.H.; 15 x 3" Wagner; Upper; Split Syst.; 1-1/4" Bore
Wheel Cylinder	83 - 80	F71941	(WC71941)	R.H.; 15 x 3" Wagner; Upper; Split Syst.; 1-1/8" Bore

Rear Wheel Cylinder	Years	Sequential No.	Category No.	Qualifier
Wheel Cylinder	94 - 84	F118104	(WC118104)	L.H.; 15 x 5" Lucas; 1-3/4" Bore
Wheel Cylinder	94 - 84	F118104	(WC118104)	L.H.; 15 x 6" Lucas; 15000-19000 lb. RA; 8000 lb. FA; 1-3/4" Bore
Wheel Cylinder	94 - 84	F118106	(WC118106)	L.H.; 15 x 6" Lucas; 15000-19000 lb. RA; Exc. 8000 lb. FA; 1-5/8" Bore
Wheel Cylinder	94 - 84	F118104	(WC118104)	L.H.; 15 x 7" Lucas; 17500-22000 lb. RA; 1-3/4" Bore
Wheel Cylinder	94 - 84	F118105	(WC118105)	R.H.; 15 x 5" Lucas; 1-3/4" Bore
Wheel Cylinder	94 - 84	F118105	(WC118105)	R.H.; 15 x 6" Lucas; 15000-19000 lb. RA; 8000 lb. FA; 1-3/4" Bore
Wheel Cylinder	94 - 84	F118107	(WC118107)	R.H.; 15 x 6" Lucas; 15000-19000 lb. RA; Exc. 8000 lb. FA; 1-5/8" Bore
Wheel Cylinder	94 - 84	F118105	(WC118105)	R.H.; 15 x 7" Lucas; 17500-22000 lb. RA; 1-3/4" Bore
Wheel Cylinder	83 - 80	F78743	(WC78743)	15 x 5" Kelsey Hayes; 15000 lb. RA; 1-1/2" Bore
Wheel Cylinder	83 - 80	F71238	(WC71238)	15 x 5" Kelsey Hayes; 17500-32000 lb. RA; 1-5/8" Bore
Wheel Cylinder	83 - 80	F24489	(WC24489)	15 x 6" Wagner; 1-5/8" Bore
Wheel Cylinder	83 - 80	F26159	(WC26159)	15 x 7" Wagner; 1-1/2" Bore
Wheel Cylinder	83 - 80	F26172	(WC26172)	16 x 6" Wagner; 1-5/8" Bore

Front Brake Hose	Years	Sequential No.	Category No.	Qualifier
Brake Hose	94 - 83	F111945	(BH111945)	w/Disc Brakes
Brake Hose	89 - 80	F103308	(BH103308)	L.H.; w/Drum Brakes; Single Syst.; 6000-7000 lb. FA
Brake Hose	89 - 80	F103310	(BH103310)	L.H.; w/Drum Brakes; Single Syst.; 9000 lb. FA
Brake Hose	89 - 80	F103308	(BH103308)	L.H.; w/Drum Brakes; Split Syst.; 6000-7000 lb. FA; After GJ5001
Brake Hose	89 - 80	F106649	(BH106649)	L.H.; w/Drum Brakes; Split Syst.; 6000-7000 lb. FA; Before GJ5001
Brake Hose	89 - 80	F103309	(BH103309)	L.H.; w/Drum Brakes; Split Syst.; 9000 lb. FA; Lower
Brake Hose	89 - 80	F103310	(BH103310)	L.H.; w/Drum Brakes; Split Syst.; 9000 lb. FA; Upper
Brake Hose	89 - 80	F103312	(BH103312)	R.H.; w/Drum Brakes; Single Syst.; 6000-7000 lb. FA
Brake Hose	89 - 80	F103314	(BH103314)	R.H.; w/Drum Brakes; Single Syst.; 9000 lb. FA
Brake Hose	89 - 80	F103312	(BH103312)	R.H.; w/Drum Brakes; Split Syst.; 6000-7000 lb. FA; After GJ5001
Brake Hose	89 - 80	F103311	(BH103311)	R.H.; w/Drum Brakes; Split Syst.; 6000-7000 lb. FA; Before GJ5001
Brake Hose	89 - 80	F103313	(BH103313)	R.H.; w/Drum Brakes; Split Syst.; 9000 lb. FA; Lower
Brake Hose	89 - 80	F103314	(BH103314)	R.H.; w/Drum Brakes; Split Syst.; 9000 lb. FA; Upper
Brake Hose	89 - 80	F106648	(BH106648)	w/Drum Brakes; Single Syst.; 5500 lb. FA
Brake Hose	89 - 80	F106648	(BH106648)	w/Drum Brakes; Split Syst.; 5500 lb. FA

Rear Brake Hose	Years	Sequential No.	Category No.	Qualifier
Brake Hose	94 - 84	F110130	(BH110130)	Hyd. Brakes
Brake Hose	83 - 80	F80023	(BH80023)	Single Syst.
Brake Hose	83 - 80	F80023	(BH80023)	Split Syst.; Front Port of Connector
Brake Hose	83 - 80	F80022	(BH80022)	Split Syst.; Rear Port of Connector

Hydraulics - Reman

Power Brake Booster	Years	Part No.	Qualifier
Power Brake Booster	94 - 84	529807	Hydro-Max; w/o Master Cyl.
Power Brake Booster	83 - 80	529803	Hydro-Max; w/o Master Cyl.
Power Brake Booster	83 - 80	518024	Hydro-Vac; w/Master Cyl.

Brake Pads & Shoes

Front Pads & Shoes	Years	SevereDuty	Lining No.	Qualifier
Brake Pads	06 - 04	SD786		Bosch; 2.50" 2-Piston Caliper
Brake Pads	06 - 04	SD786A		Bosch; 2.88" 2-Piston Caliper
Brake Pads	03 - 01	SD224		Dayton; 2.50" 2-Piston Caliper
Brake Pads	03 - 00	SD769		Dayton; 2.52" 4-Piston Caliper; w/o Sensor
Brake Pads	03 - 00	SD1032		Dayton; 2.52" 4-Piston Caliper; w/Sensor

F650 (cont.)

Brake Pads & Shoes (cont.)

Front Pads & Shoes	Years	SevereDuty	Lining No.	Qualifier
Brake Pads	03 - 00	SD769		Dayton; 2.75" 4-Piston Caliper; w/o Sensor
Brake Pads	03 - 00	SD1032		Dayton; 2.75" 4-Piston Caliper; w/Sensor
Brake Shoes	06 - 00	4702Q	4702	w/Air Brakes; Rockwell/Meritor; Q-Plus; 15 x 4

Rear Pads & Shoes	Years	SevereDuty	Lining No.	Qualifier
Brake Pads	06 - 04	SD786		Bosch; 2.50" 2-Piston Caliper
Brake Pads	06 - 04	SD786A		Bosch; 2.88" 2-Piston Caliper
Brake Pads	03 - 00	SD769		Dayton; 2.75" 4-Piston Caliper; w/o Sensor
Brake Pads	03 - 00	SD1032		Dayton; 2.75" 4-Piston Caliper; w/Sensor
Brake Shoes	06 - 04	4710Q	4710	w/Air Brakes; Rockwell/Meritor; Q-Plus; 15 x 8-5/8
Brake Shoes	06 - 00	4707Q	4707	w/Air Brakes; Rockwell/Meritor; Q-Plus; 16-1/2 x 7

Rotor & Drum

Front Rotor & Drum	Years	Part No.	Qualifier
Brake Rotor	06 - 04	BD126361	10-Hole; 7-1/4" Bolt Circle
Brake Rotor	06 - 04	BD126364	5-Hole; 6-1/4" Bolt Circle
Brake Rotor	03 - 00	BD126345	9000 lb. FA; 10-Hole

Rear Rotor & Drum	Years	Part No.	Qualifier
Brake Rotor	06 - 04	BD126366	10-Hole; 7-1/4" Bolt Circle
Brake Rotor	06 - 04	BD126364	5-Hole; 6-1/4" Bolt Circle
Brake Rotor	03 - 00	BD126362	17000 lb. RA; 10-Hole

Brake Hardware

Front Brake Hardware	Years	Sequential No.	Category No.	Qualifier
Disc Align Kit	06 - 04	F140769	(H5710)	Bosch; 2.50" 2-Piston Caliper
Disc Align Kit	06 - 04	F140769	(H5710)	Bosch; 2.88" 2-Piston Caliper
Disc Align Kit	03 - 01	F134105	(H5613)	Dayton; 2.50" 2-Piston Caliper
Disc Align Kit	03 - 00	F140630	(H3026)	Dayton; 2.52" 4-Piston Caliper; w/o Sensor
Disc Align Kit	03 - 00	F140771	(H5712)	Dayton; 2.52" 4-Piston Caliper; w/Sensor
Disc Align Kit	03 - 00	F140630	(H3026)	Dayton; 2.75" 4-Piston Caliper; w/o Sensor
Disc Align Kit	03 - 00	F140771	(H5712)	Dayton; 2.75" 4-Piston Caliper; w/Sensor

Rear Brake Hardware	Years	Sequential No.	Category No.	Qualifier
Disc Align Kit	06 - 04	F140769	(H5710)	Bosch; 2.50" 2-Piston Caliper
Disc Align Kit	06 - 04	F140769	(H5710)	Bosch; 2.88" 2-Piston Caliper
Disc Align Kit	03 - 00	F140630	(H3026)	Dayton; 2.75" 4-Piston Caliper; w/o Sensor
Disc Align Kit	03 - 00	F140630	(H3026)	Dayton; 2.75" 4-Piston Caliper; w/Sensor

Calipers - Reman

Front, Loaded	Years	Left No.	Right No.	Qualifier	Piston
Loaded Caliper	06 - 04	AS135025	AS135025	Bosch; 2.60" 2-Piston Caliper	P
Loaded Caliper	06 - 04	AS135024	AS135024	Bosch; 2.88" 2-Piston Caliper	P
Loaded Caliper	03 - 01	AS120313	AS120313	Dayton; 2.50" 2-Piston Caliper	M
Loaded Caliper	03 - 00	AS134820	AS134821	Dayton; 2.52" 4-Piston Caliper; Serial No. 602C / 604C; w/o Sensor	P
Loaded Caliper	03 - 00	AS134820A	AS134821A	Dayton; 2.52" 4-Piston Caliper; Serial No. 602C / 604C; w/Sensor	P
Loaded Caliper	03 - 00	AS134580	AS134581	Dayton; 2.75" 4-Piston Caliper; Serial No. 581F / 583F; w/o Sensor	P
Loaded Caliper	03 - 00	AS134580A	AS134581A	Dayton; 2.75" 4-Piston Caliper; Serial No. 581F / 583F; w/Sensor	P
Loaded Caliper	03 - 00	AS134818	AS134819	Dayton; 2.75" 4-Piston Caliper; Serial No. 595B / 597B; w/o Sensor	P
Loaded Caliper	03 - 00	AS134818A	AS134819A	Dayton; 2.75" 4-Piston Caliper; Serial No. 595B / 597B; w/Sensor	P

Rear, Loaded	Years	Left No.	Right No.	Qualifier	Piston
Loaded Caliper	06 - 04	AS135025	AS135025	Bosch; 2.60" 2-Piston Caliper	P
Loaded Caliper	06 - 04	AS135024	AS135024	Bosch; 2.88" 2-Piston Caliper	P
Loaded Caliper	03 - 00	AS134580	AS134581	Dayton; 2.75" 4-Piston Caliper; Serial No. 581F / 583F; w/o Sensor	P
Loaded Caliper	03 - 00	AS134580	AS134581	Dayton; 2.75" 4-Piston Caliper; Serial No. 581F / 583F; w/Sensor	P
Loaded Caliper	03 - 00	AS134818	AS134819	Dayton; 2.75" 4-Piston Caliper; Serial No. 595B / 597B; w/o Sensor	P
Loaded Caliper	03 - 00	AS134818	AS134819	Dayton; 2.75" 4-Piston Caliper; Serial No. 595B / 597B; w/Sensor	P

Front, Unloaded	Years	Left No.	Right No.	Qualifier	Piston
Unloaded Caliper	06 - 04	CR135025	CR135025	Bosch; 2.60" 2-Piston Caliper	P
Unloaded Caliper	06 - 04	CR135024	CR135024	Bosch; 2.88" 2-Piston Caliper	P

Piston: M - OE Metal Piston P - OE Phenolic Piston

F650 (cont.)
Calipers - Reman (cont.)

<i>Front, Unloaded</i>	<i>Years</i>	<i>Left No.</i>	<i>Right No.</i>	<i>Qualifier</i>	<i>Piston</i>
Unloaded Caliper	03 - 01	CR120313	CR120313	Dayton; 2.50" 2-Piston Caliper	M
Unloaded Caliper	03 - 00	CR134820	CR134821	Dayton; 2.52" 4-Piston Caliper; Serial No. 602C / 604C	P
Unloaded Caliper	03 - 00	CR134580	CR134581	Dayton; 2.75" 4-Piston Caliper; Serial No. 581F / 583F	P
Unloaded Caliper	03 - 00	CR134818	CR134819	Dayton; 2.75" 4-Piston Caliper; Serial No. 595B / 597B	P
<i>Rear, Unloaded</i>	<i>Years</i>	<i>Left No.</i>	<i>Right No.</i>	<i>Qualifier</i>	<i>Piston</i>
Unloaded Caliper	06 - 04	CR135025	CR135025	Bosch; 2.60" 2-Piston Caliper	P
Unloaded Caliper	06 - 04	CR135024	CR135024	Bosch; 2.88" 2-Piston Caliper	P
Unloaded Caliper	03 - 00	CR134580	CR134581	Dayton; 2.75" 4-Piston Caliper; Serial No. 581F / 583F	P
Unloaded Caliper	03 - 00	CR134818	CR134819	Dayton; 2.75" 4-Piston Caliper; Serial No. 595B / 597B	P

Hydraulics - New

<i>Master Cylinder</i>	<i>Years</i>	<i>Sequential No.</i>	<i>Category No.</i>	<i>Qualifier</i>
Master Cylinder	06 - 00	F140744	(MC140744)	Split Syst.; Hydro-Max II; w/Booster; 2" Bore

F700
Brake Pads & Shoes

<i>Front Pads & Shoes</i>	<i>Years</i>	<i>SevereDuty</i>	<i>Lining No.</i>	<i>Qualifier</i>
Brake Pads	98 - 84	SD224		Dayton; 2.50" 2-Piston Caliper
Brake Pads	98 - 83	SD236		Dayton; 2.88" 2-Piston Caliper
Brake Shoes	98 - 88	4693R	4693	w/Air Brakes; Bendix; 15 x 4
Brake Shoes	98 - 90	4702Q	4702	w/Air Brakes; Rockwell/Meritor; Q-Plus; 15 x 4
Brake Shoes	98 - 80	1308Q	1308T	w/Air Brakes; Rockwell/Meritor; Q-Series; 15 x 4
Brake Shoes	89 - 80	SDS321R	EX1245AD-S32	Hyd. Brakes; Wagner; 15 x 3
Brake Shoes	89 - 84	1308E	1308	w/Air Brakes; Eaton; 15 x 4
Brake Shoes	83 - 80	SDS361R	EX2060D-S32	Hyd. Brakes; Kelsey Hayes; 14 x 2-1/2
<i>Rear Pads & Shoes</i>	<i>Years</i>	<i>SevereDuty</i>	<i>Lining No.</i>	<i>Qualifier</i>
Brake Shoes	98 - 84	SDS542R	EX4528AD-S43	Hyd. Brakes; Lucas; 15 x 5
Brake Shoes	98 - 84	SDS543R	EX4504AD-S43	Hyd. Brakes; Lucas; 15 x 6
Brake Shoes	98 - 84	SDS544AR	EX4505AD-S4Q	Hyd. Brakes; Lucas; 15 x 7
Brake Shoes	98 - 90	4515B	4515E	w/Air Brakes; Bendix; 16-1/2 x 7
Brake Shoes	98 - 90	4707Q	4707	w/Air Brakes; Rockwell/Meritor; Q-Plus; 16-1/2 x 7
Brake Shoes	98 - 90	4515Q	4515E	w/Air Brakes; Rockwell/Meritor; Q-Series; 16-1/2 x 7
Brake Shoes	83 - 80	SDS400R	EX4646D-S32	Hyd. Brakes; Kelsey Hayes; 15 x 5
Brake Shoes	83 - 80	SDS381R	EX4596D-S32	Hyd. Brakes; Wagner; 15 x 6
Brake Shoes	83 - 80	SDS383R	EX4597D-S32	Hyd. Brakes; Wagner; 15 x 7
Brake Shoes	83 - 80	4311E	4311J	w/Air Brakes; Eaton; 16-1/2 x 7
Brake Shoes	83 - 80	4524Q	4524B	w/Air Brakes; Rockwell/Meritor; Q-Series; 16-1/2 x 5
Brake Shoes	83 - 80	4515Q	4515E	w/Air Brakes; Rockwell/Meritor; Q-Series; 16-1/2 x 7
<i>Parking Brake Shoes</i>	<i>Years</i>	<i>SevereDuty</i>	<i>Lining No.</i>	<i>Qualifier</i>
Brake Shoes	83 - 80	SDS842R	EX1303AD	10 x 3
Brake Shoes	83 - 80	SDS647	EX2086D	9 x 3

Rotor & Drum

<i>Front Rotor & Drum</i>	<i>Years</i>	<i>Part No.</i>	<i>Qualifier</i>
Brake Rotor	98 - 94	BD125485	10000-12000 lb. FA; Hat-Shaped; 10-Hole; 7-1/4" Bolt Circle
Brake Rotor	98 - 94	BD125087	10000-12000 lb. FA; U-Shaped; 10-Hole; 11-1/4" Bolt Circle
Brake Rotor	98 - 94	BD125214	10000-12000 lb. FA; U-Shaped; 6-Hole
Brake Rotor	98 - 94	BD125617	6000-7000 lb. FA; Hat-Shaped; 10-Hole
Brake Rotor	98 - 94	BD125085	6000-7000 lb. FA; Hat-Shaped; 6-Hole
Brake Rotor	98 - 94	BD125485	8000-9000 lb. FA; Hat-Shaped; 10-Hole; 7-1/4" Bolt Circle
Brake Rotor	98 - 94	BD125087	8000-9000 lb. FA; U-Shaped; 10-Hole; 11-1/4" Bolt Circle
Brake Rotor	98 - 94	BD125214	8000-9000 lb. FA; U-Shaped; 6-Hole; 11-1/4" Bolt Circle; w/Spoke Wheels
Brake Rotor	98 - 94	BD125086	8000-9000 lb. FA; U-Shaped; 6-Hole; 8-3/4" Bolt Circle; w/Disc Wheels
Brake Rotor	93 - 90	BD125087	10000-12000 lb. FA; U-Shaped; 10-Hole
Brake Rotor	93 - 90	BD125214	10000-12000 lb. FA; U-Shaped; 6-Hole; Dayton
Brake Rotor	93 - 90	BD125085	6000-7000 lb. FA; Hat-Shaped; 6-Hole; Dayton
Brake Rotor	93 - 90	BD125087	8000-9000 lb. FA; U-Shaped; 10-Hole; Dayton

Piston: M - OE Metal Piston P - OE Phenolic Piston

F700 (cont.)

Rotor & Drum (cont.)

Front Rotor & Drum	Years	Part No.	Qualifier
Brake Rotor	93 - 90	BD125214	8000-9000 lb. FA; U-Shaped; 6-Hole; 11-1/4" Bolt Circle; Dayton
Brake Rotor	93 - 90	BD125086	8000-9000 lb. FA; U-Shaped; 6-Hole; 8-3/4" Bolt Circle; Dayton
Brake Rotor	93 - 90	BD125305	8000-9000 lb. FA; U-Shaped; 8-Hole
Brake Rotor	89 - 84	BD125085	6000-7500 lb. FA; Hat-Shaped; 6-Hole
Brake Rotor	89 - 84	BD125087	8000-9000 lb. FA; U-Shaped; 10-Hole
Brake Rotor	89 - 84	BD125214	8000-9000 lb. FA; U-Shaped; 6-Hole; 11-1/4" Bolt Circle
Brake Rotor	89 - 84	BD125086	8000-9000 lb. FA; U-Shaped; 6-Hole; 8-3/4" Bolt Circle
Brake Rotor	89 - 84	BD125087	9500-12000 lb. FA; U-Shaped; 10-Hole
Brake Rotor	89 - 84	BD125214	9500-12000 lb. FA; U-Shaped; 6-Hole

Rear Rotor & Drum	Years	Part No.	Qualifier
Brake Drum	98 - 90	BD126376	15 x 5" Hyd. Brakes; Dayton; 20" Spoke Wheel
Brake Drum	98 - 84	BD126379	15 x 5" Hyd. Brakes; Dayton; 6-Hole Disc Wheel
Brake Drum	98 - 90	BD126375	15 x 5" Hyd. Brakes; Dayton; 8-Hole Disc Wheel
Brake Drum	98 - 95	BD126400	15 x 6" Hyd. Brakes; Dayton; 20" Spoke Wheel
Brake Drum	98 - 90	BD126399	15 x 6" Hyd. Brakes; Dayton; 6-Hole Disc Wheel
Brake Drum	98 - 90	BD126397	15 x 6" Hyd. Brakes; Dayton; 8-Hole Disc Wheel
Brake Drum	98 - 90	BD126378	15 x 7" Hyd. Brakes; Budd; 10-Hole Disc Wheel; 15000 lb. RA
Brake Drum	98 - 90	BD126378	15 x 7" Hyd. Brakes; Budd; 10-Hole Disc Wheel; 17000-18000 lb. RA
Brake Drum	98 - 90	BD126378	15 x 7" Hyd. Brakes; Budd; 10-Hole Disc Wheel; 20000-21000 lb. RA
Brake Drum	98 - 90	BD126377	15 x 7" Hyd. Brakes; Dayton; 20" Spoke Wheel; 17000-18000 lb. RA
Brake Drum	98 - 90	BD126374	15 x 7" Hyd. Brakes; Dayton; 20" Spoke Wheel; 21000-22000 lb. RA
Brake Drum	98 - 90	BD126401	15 x 7" Hyd. Brakes; Dayton; 8-Hole Disc Wheel; 17000-19000 lb. RA
Brake Drum	94	BD126400	From 6/01/94; 15 x 6" Hyd. Brakes; Dayton; 20" Spoke Wheel
Brake Drum	94	BD126380	To 5/30/94; 15 x 6" Hyd. Brakes; Dayton; 20" Spoke Wheel
Brake Drum	93 - 84	BD126380	15 x 6" Hyd. Brakes; Dayton; 20" Spoke Wheel
Brake Drum	89 - 80	BD126399	15 x 6" Hyd. Brakes; Dayton; 6-Hole Disc Wheel; 17000-18000 lb. RA
Brake Drum	89	BD126373	15 x 7" Hyd. Brakes; Budd; 10-Hole Disc Wheel; 19000 lb. RA
Brake Drum	89	BD126378	15 x 7" Hyd. Brakes; Budd; 10-Hole Disc Wheel; 22000 lb. RA
Brake Drum	88 - 80	BD126373	15 x 7" Hyd. Brakes; Budd; 10-Hole Disc Wheel

Brake Hardware

Front Brake Hardware	Years	Sequential No.	Category No.	Qualifier
Adjuster Kit	89 - 80	F59159	(H2904)	L.H.; Wagner
Adjuster Kit	89 - 80	F59160	(H2905)	R.H.; Wagner
Adjuster Kit	83 - 80	F128898	(H2915)	L.H.; Kelsey Hayes
Adjuster Kit	83 - 80	F128899	(H2916)	R.H.; Kelsey Hayes
Combi Kit	89 - 80	F117025	(H7173)	Wagner
↳Hold Down Kit		F73399	(H4201)	
↳Return Spring Kit		F36445	(H521)	
Combi Kit	83 - 80	F117015	(H7186)	Kelsey Hayes
↳Adjuster Spring Kit		F117152S	(H427)	
↳Return Spring Kit		F71521	(H602)	
Disc Align Kit	98 - 84	F134105	(H5613)	Dayton; 2.50" 2-Piston Caliper
Disc Align Kit	98 - 87	F128926	(H5609)	Dayton; 2.88" 2-Piston Caliper
Disc Align Kit	86 - 83	F128927	(H5610)	Dayton; 2.88" 2-Piston Caliper

Rear Brake Hardware	Years	Sequential No.	Category No.	Qualifier
Adjuster Kit	98 - 84	F112097	(H2901)	L.H.; Lucas
Adjuster Kit	98 - 84	F112097	(H2901)	R.H.; Lucas
Adjuster Kit	83 - 80	F128891	(H2908)	L.H.; Kelsey Hayes
Adjuster Kit	83 - 80	F59157	(H2902)	L.H.; Wagner; 15" Brake; Auto Adj.
Adjuster Kit	83 - 80	F128894S	(H2911)	L.H.; Wagner; 15" Brake; Man. Adj.
Adjuster Kit	83 - 80	F128892	(H2909)	R.H.; Kelsey Hayes
Adjuster Kit	83 - 80	F59158	(H2903)	R.H.; Wagner; 15" Brake; Auto Adj.
Adjuster Kit	83 - 80	F128894S	(H2911)	R.H.; Wagner; 15" Brake; Man. Adj.
Adjuster Screw	83 - 80	F140823	(H1607)	L.H.; Wagner; 15" Brake
Adjuster Screw	83 - 80	F140818	(H1606)	R.H.; Wagner; 15" Brake

↳Sub-Kit of Combi-Kit is available separately.

Brake Hardware (cont.)

Rear Brake Hardware	Years	Sequential No.	Category No.	Qualifier
Combi Kit	98 - 84	F112096	(H7195)	Lucas
Combi Kit	83 - 80	F117014	(H7187)	Kelsey Hayes
↳Return Spring Kit		F73591	(H612)	
Combi Kit	83 - 80	F117027	(H7171)	Wagner
↳Adjuster Spring Kit		F78727	(H451)	
↳Hold Down Kit		F19309	(H5079)	
↳Return Spring Kit		F98318	(H609)	

Calipers - Reman

Front, Loaded	Years	Left No.	Right No.	Qualifier	Piston
Loaded Caliper	98 - 84	AS120313	AS120313	Dayton; 2.50" 2-Piston Caliper; w/6 Holes on Back	M
Loaded Caliper	98 - 83	AS108723	AS108723	Dayton; 2.88" 2-Piston Caliper	M
Front, Unloaded	Years	Left No.	Right No.	Qualifier	Piston
Unloaded Caliper	98 - 84	CR120313	CR120313	Dayton; 2.50" 2-Piston Caliper; w/6 Holes on Back	M
Unloaded Caliper	98 - 83	CR108723	CR108723	Dayton; 2.88" 2-Piston Caliper	M

Hydraulics - New

Master Cylinder	Years	Sequential No.	Category No.	Qualifier
Master Cylinder	98 - 90	F140744	(MC140744)	Split Syst.; Hydro-Max II; w/Booster; 2" Bore
Master Cylinder	98 - 90	F119400	(MC119400)	Split Syst.; Hydro-Max; 1-3/4" Bore
Master Cylinder	89 - 84	F119400	(MC119400)	Split Syst.; Hydro-Max; Dash Mtd.; 1-3/4" Bore
Master Cylinder	83	F119401	(MC119401)	Single Syst.; Hydro-Max; Dash Mtd.; Diesel; 1-3/4" Bore
Master Cylinder	83	F103254	(MC103254)	Single Syst.; Hydro-Vac; Frame Mtd.; Gas; 1-1/2" Bore
Master Cylinder	83	F119398	(MC119398)	Split Syst.; Dash Mtd.; 1-3/4" Bore
Master Cylinder	82 - 80	F119401	(MC119401)	Hydro-Max; Dash Mtd.; 1-3/4" Bore
Master Cylinder	82 - 80	F103254	(MC103254)	Hydro-Vac; Frame Mtd.; 1-1/2" Bore

Front Wheel Cylinder	Years	Sequential No.	Category No.	Qualifier
Wheel Cylinder	83 - 80	F103223	(WC103223)	L.H.; 14 x 2-1/2" Kelsey Hayes; 5500 lb. FA; 1-3/32" Bore
Wheel Cylinder	83 - 80	F55890	(WC55890)	L.H.; 14 x 2-1/2" Kelsey Hayes; 6000 lb. FA; 1-3/32" Bore
Wheel Cylinder	83 - 80	F73531	(WC73531)	L.H.; 15 x 3" Wagner; Lower; 1-1/4" Bore
Wheel Cylinder	83 - 80	F43375	(WC43375)	L.H.; 15 x 3" Wagner; Lower; 1-1/8" Bore
Wheel Cylinder	83 - 80	F73537	(WC73537)	L.H.; 15 x 3" Wagner; Upper; Single Syst.; 1-1/4" Bore
Wheel Cylinder	83 - 80	F73500	(WC73500)	L.H.; 15 x 3" Wagner; Upper; Single Syst.; 1-1/8" Bore
Wheel Cylinder	83 - 80	F73543	(WC73543)	L.H.; 15 x 3" Wagner; Upper; Split Syst.; 1-1/4" Bore
Wheel Cylinder	83 - 80	F71940	(WC71940)	L.H.; 15 x 3" Wagner; Upper; Split Syst.; 1-1/8" Bore
Wheel Cylinder	83 - 80	F103224	(WC103224)	R.H.; 14 x 2-1/2" Kelsey Hayes; 5500 lb. FA; 1-3/32" Bore
Wheel Cylinder	83 - 80	F55891	(WC55891)	R.H.; 14 x 2-1/2" Kelsey Hayes; 6000 lb. FA; 1-3/32" Bore
Wheel Cylinder	83 - 80	F73532	(WC73532)	R.H.; 15 x 3" Wagner; Lower; 1-1/4" Bore
Wheel Cylinder	83 - 80	F43376	(WC43376)	R.H.; 15 x 3" Wagner; Lower; 1-1/8" Bore
Wheel Cylinder	83 - 80	F73538	(WC73538)	R.H.; 15 x 3" Wagner; Upper; Single Syst.; 1-1/4" Bore
Wheel Cylinder	83 - 80	F73501	(WC73501)	R.H.; 15 x 3" Wagner; Upper; Single Syst.; 1-1/8" Bore
Wheel Cylinder	83 - 80	F73544	(WC73544)	R.H.; 15 x 3" Wagner; Upper; Split Syst.; 1-1/4" Bore
Wheel Cylinder	83 - 80	F71941	(WC71941)	R.H.; 15 x 3" Wagner; Upper; Split Syst.; 1-1/8" Bore

Rear Wheel Cylinder	Years	Sequential No.	Category No.	Qualifier
Wheel Cylinder	98 - 84	F118104	(WC118104)	L.H.; 15 x 5" Lucas; 1-3/4" Bore
Wheel Cylinder	98 - 84	F118104	(WC118104)	L.H.; 15 x 6" Lucas; 15000-19000 lb. RA; 8000 lb. FA; 1-3/4" Bore
Wheel Cylinder	98 - 84	F118106	(WC118106)	L.H.; 15 x 6" Lucas; 15000-19000 lb. RA; Exc. 8000 lb. FA; 1-5/8" Bore
Wheel Cylinder	98 - 84	F118104	(WC118104)	L.H.; 15 x 7" Lucas; 17500-22000 lb. RA; 1-3/4" Bore
Wheel Cylinder	98 - 84	F118105	(WC118105)	R.H.; 15 x 5" Lucas; 1-3/4" Bore
Wheel Cylinder	98 - 84	F118105	(WC118105)	R.H.; 15 x 6" Lucas; 15000-19000 lb. RA; 8000 lb. FA; 1-3/4" Bore
Wheel Cylinder	98 - 84	F118107	(WC118107)	R.H.; 15 x 6" Lucas; 15000-19000 lb. RA; Exc. 8000 lb. FA; 1-5/8" Bore
Wheel Cylinder	98 - 84	F118105	(WC118105)	R.H.; 15 x 7" Lucas; 17500-22000 lb. RA; 1-3/4" Bore
Wheel Cylinder	83 - 80	F78743	(WC78743)	15 x 5" Kelsey Hayes; 15000 lb. RA; 1-1/2" Bore
Wheel Cylinder	83 - 80	F71238	(WC71238)	15 x 5" Kelsey Hayes; 17500-32000 lb. RA; 1-5/8" Bore
Wheel Cylinder	83 - 80	F24489	(WC24489)	15 x 6" Wagner; 1-5/8" Bore
Wheel Cylinder	83 - 80	F26159	(WC26159)	15 x 7" Wagner; 1-1/2" Bore

↳Sub-Kit of Combi-Kit is available separately.

Piston: M - OE Metal Piston P - OE Phenolic Piston

F700 (cont.)

Hydraulics - New (cont.)

Rear Wheel Cylinder	Years	Sequential No.	Category No.	Qualifier
----------------------------	--------------	-----------------------	---------------------	------------------

Wheel Cylinder	83 - 80	F26172	(WC26172)	16 x 6" Wagner; 1-5/8" Bore
----------------	---------	--------	-----------	-----------------------------

Front Brake Hose	Years	Sequential No.	Category No.	Qualifier
-------------------------	--------------	-----------------------	---------------------	------------------

Brake Hose	98 - 83	F111945	(BH111945)	w/Disc Brakes
Brake Hose	89 - 80	F103308	(BH103308)	L.H.; w/Drum Brakes; Single Syst.; 6000-7000 lb. FA
Brake Hose	89 - 80	F103310	(BH103310)	L.H.; w/Drum Brakes; Single Syst.; 9000 lb. FA
Brake Hose	89 - 80	F103308	(BH103308)	L.H.; w/Drum Brakes; Split Syst.; 6000-7000 lb. FA; After GJ5001
Brake Hose	89 - 80	F106649	(BH106649)	L.H.; w/Drum Brakes; Split Syst.; 6000-7000 lb. FA; Before GJ5001
Brake Hose	89 - 80	F103309	(BH103309)	L.H.; w/Drum Brakes; Split Syst.; 9000 lb. FA; Lower
Brake Hose	89 - 80	F103310	(BH103310)	L.H.; w/Drum Brakes; Split Syst.; 9000 lb. FA; Upper
Brake Hose	89 - 80	F103312	(BH103312)	R.H.; w/Drum Brakes; Single Syst.; 6000-7000 lb. FA
Brake Hose	89 - 80	F103314	(BH103314)	R.H.; w/Drum Brakes; Single Syst.; 9000 lb. FA
Brake Hose	89 - 80	F103312	(BH103312)	R.H.; w/Drum Brakes; Split Syst.; 6000-7000 lb. FA; After GJ5001
Brake Hose	89 - 80	F103311	(BH103311)	R.H.; w/Drum Brakes; Split Syst.; 6000-7000 lb. FA; Before GJ5001
Brake Hose	89 - 80	F103313	(BH103313)	R.H.; w/Drum Brakes; Split Syst.; 9000 lb. FA; Lower
Brake Hose	89 - 80	F103314	(BH103314)	R.H.; w/Drum Brakes; Split Syst.; 9000 lb. FA; Upper
Brake Hose	89 - 80	F106648	(BH106648)	w/Drum Brakes; Single Syst.; 5500 lb. FA
Brake Hose	89 - 80	F106648	(BH106648)	w/Drum Brakes; Split Syst.; 5500 lb. FA

Rear Brake Hose	Years	Sequential No.	Category No.	Qualifier
------------------------	--------------	-----------------------	---------------------	------------------

Brake Hose	98 - 84	F110130	(BH110130)	Hyd. Brakes
Brake Hose	83 - 80	F80023	(BH80023)	Single Syst.
Brake Hose	83 - 80	F80023	(BH80023)	Split Syst.; Front Port of Connector
Brake Hose	83 - 80	F80022	(BH80022)	Split Syst.; Rear Port of Connector

Hydraulics - Reman

Power Brake Booster	Years	Part No.	Qualifier
----------------------------	--------------	-----------------	------------------

Power Brake Booster	98 - 84	529807	Hydro-Max; w/o Master Cyl.
Power Brake Booster	83 - 80	529803	Hydro-Max; w/o Master Cyl.
Power Brake Booster	83 - 80	518024	Hydro-Vac; w/Master Cyl.

F750

Brake Pads & Shoes

Front Pads & Shoes	Years	SevereDuty	Lining No.	Qualifier
-------------------------------	--------------	-------------------	-------------------	------------------

Brake Pads	06 - 04	SD786A		Bosch; 2.88" 2-Piston Caliper
Brake Pads	03 - 01	SD224		Dayton; 2.50" 2-Piston Caliper
Brake Pads	03 - 00	SD769		Dayton; 2.52" 4-Piston Caliper; w/o Sensor
Brake Pads	03 - 00	SD1032		Dayton; 2.52" 4-Piston Caliper; w/Sensor
Brake Pads	03 - 00	SD769		Dayton; 2.75" 4-Piston Caliper; w/o Sensor
Brake Pads	03 - 00	SD1032		Dayton; 2.75" 4-Piston Caliper; w/Sensor
Brake Shoes	06 - 00	4702Q	4702	w/Air Brakes; Rockwell/Meritor; Q-Plus; 15 x 4

Rear Pads & Shoes	Years	SevereDuty	Lining No.	Qualifier
------------------------------	--------------	-------------------	-------------------	------------------

Brake Pads	06 - 04	SD786A		Bosch; 2.88" 2-Piston Caliper
Brake Pads	03 - 00	SD769		Dayton; 2.75" 4-Piston Caliper; w/o Sensor
Brake Pads	03 - 00	SD1032		Dayton; 2.75" 4-Piston Caliper; w/Sensor
Brake Shoes	06 - 00	4707Q	4707	w/Air Brakes; Rockwell/Meritor; Q-Plus; 16-1/2 x 7

Rotor & Drum

Front Rotor & Drum	Years	Part No.	Qualifier
-------------------------------	--------------	-----------------	------------------

Brake Rotor	06 - 04	BD126361	10-Hole; 7-1/4" Bolt Circle
Brake Rotor	03 - 00	BD126345	9000 lb. FA; 10-Hole

Rear Rotor & Drum	Years	Part No.	Qualifier
------------------------------	--------------	-----------------	------------------

Brake Rotor	06 - 04	BD126366	10-Hole; 7-1/4" Bolt Circle
Brake Rotor	03 - 00	BD126362	17000 lb. RA; 10-Hole
Brake Rotor	03 - 00	BD126368	21000 lb. RA; 10-Hole

Brake Hardware

Front Brake Hardware	Years	Sequential No.	Category No.	Qualifier
-----------------------------	--------------	-----------------------	---------------------	------------------

Disc Align Kit	06 - 04	F140769	(H5710)	Bosch; 2.88" 2-Piston Caliper
----------------	---------	---------	---------	-------------------------------

Brake Hardware (cont.)

Front Brake Hardware	Years	Sequential No.	Category No.	Qualifier
Disc Align Kit	03 - 01	F134105	(H5613)	Dayton; 2.50" 2-Piston Caliper
Disc Align Kit	03 - 00	F140630	(H3026)	Dayton; 2.52" 4-Piston Caliper; w/o Sensor
Disc Align Kit	03 - 00	F140771	(H5712)	Dayton; 2.52" 4-Piston Caliper; w/Sensor
Disc Align Kit	03 - 00	F140630	(H3026)	Dayton; 2.75" 4-Piston Caliper; w/o Sensor
Disc Align Kit	03 - 00	F140771	(H5712)	Dayton; 2.75" 4-Piston Caliper; w/Sensor

Rear Brake Hardware	Years	Sequential No.	Category No.	Qualifier
Disc Align Kit	06 - 04	F140769	(H5710)	Bosch; 2.88" 2-Piston Caliper
Disc Align Kit	03 - 00	F140630	(H3026)	Dayton; 2.75" 4-Piston Caliper; w/o Sensor
Disc Align Kit	03 - 00	F140630	(H3026)	Dayton; 2.75" 4-Piston Caliper; w/Sensor

Calipers - Reman

Front, Loaded	Years	Left No.	Right No.	Qualifier	Piston
Loaded Caliper	06 - 04	AS135024	AS135024	Bosch; 2.88" 2-Piston Caliper	P
Loaded Caliper	03 - 01	AS120313	AS120313	Dayton; 2.50" 2-Piston Caliper	M
Loaded Caliper	03 - 00	AS134820	AS134821	Dayton; 2.52" 4-Piston Caliper; Serial No. 602C / 604C; w/o Sensor	P
Loaded Caliper	03 - 00	AS134820A	AS134821A	Dayton; 2.52" 4-Piston Caliper; Serial No. 602C / 604C; w/Sensor	P
Loaded Caliper	03 - 00	AS134580	AS134581	Dayton; 2.75" 4-Piston Caliper; Serial No. 581F / 583F; w/o Sensor	P
Loaded Caliper	03 - 00	AS134580A	AS134581A	Dayton; 2.75" 4-Piston Caliper; Serial No. 581F / 583F; w/Sensor	P
Loaded Caliper	03 - 00	AS134818	AS134819	Dayton; 2.75" 4-Piston Caliper; Serial No. 595B / 597B; w/o Sensor	P
Loaded Caliper	03 - 00	AS134818A	AS134819A	Dayton; 2.75" 4-Piston Caliper; Serial No. 595B / 597B; w/Sensor	P

Rear, Loaded	Years	Left No.	Right No.	Qualifier	Piston
Loaded Caliper	06 - 04	AS135024	AS135024	Bosch; 2.88" 2-Piston Caliper	P
Loaded Caliper	03 - 00	AS134580	AS134581	Dayton; 2.75" 4-Piston Caliper; Serial No. 581F / 583F; w/o Sensor	P
Loaded Caliper	03 - 00	AS134580	AS134581	Dayton; 2.75" 4-Piston Caliper; Serial No. 581F / 583F; w/Sensor	P
Loaded Caliper	03 - 00	AS134818	AS134819	Dayton; 2.75" 4-Piston Caliper; Serial No. 595B / 597B; w/o Sensor	P
Loaded Caliper	03 - 00	AS134818	AS134819	Dayton; 2.75" 4-Piston Caliper; Serial No. 595B / 597B; w/Sensor	P

Front, Unloaded	Years	Left No.	Right No.	Qualifier	Piston
Unloaded Caliper	06 - 04	CR135024	CR135024	Bosch; 2.88" 2-Piston Caliper	P
Unloaded Caliper	03 - 01	CR120313	CR120313	Dayton; 2.50" 2-Piston Caliper	M
Unloaded Caliper	03 - 00	CR134820	CR134821	Dayton; 2.52" 4-Piston Caliper; Serial No. 602C / 604C	P
Unloaded Caliper	03 - 00	CR134580	CR134581	Dayton; 2.75" 4-Piston Caliper; Serial No. 581F / 583F	P
Unloaded Caliper	03 - 00	CR134818	CR134819	Dayton; 2.75" 4-Piston Caliper; Serial No. 595B / 597B	P

Rear, Unloaded	Years	Left No.	Right No.	Qualifier	Piston
Unloaded Caliper	06 - 04	CR135024	CR135024	Bosch; 2.88" 2-Piston Caliper	P
Unloaded Caliper	03 - 00	CR134580	CR134581	Dayton; 2.75" 4-Piston Caliper; Serial No. 581F / 583F	P
Unloaded Caliper	03 - 00	CR134818	CR134819	Dayton; 2.75" 4-Piston Caliper; Serial No. 595B / 597B	P

Hydraulics - New

Master Cylinder	Years	Sequential No.	Category No.	Qualifier
Master Cylinder	06 - 00	F140744	(MC140744)	Split Syst.; Hydro-Max II; w/Booster; 2" Bore

Brake Pads & Shoes

Front Pads & Shoes	Years	SevereDuty	Lining No.	Qualifier
Brake Pads	99 - 84	SD224		Dayton; 2.50" 2-Piston Caliper
Brake Pads	99 - 83	SD236		Dayton; 2.88" 2-Piston Caliper
Brake Shoes	99 - 88	4693R	4693	w/Air Brakes; Bendix; 15 x 4
Brake Shoes	99 - 90	4702Q	4702	w/Air Brakes; Rockwell/Meritor; Q-Plus; 15 x 4
Brake Shoes	99 - 80	1308Q	1308T	w/Air Brakes; Rockwell/Meritor; Q-Series; 15 x 4
Brake Shoes	89 - 80	SDS321R	EX1245AD-S32	Hyd. Brakes; Wagner; 15 x 3
Brake Shoes	89 - 84	1308E	1308	w/Air Brakes; Eaton; 15 x 4
Brake Shoes	83 - 80	SDS361R	EX2060D-S32	Hyd. Brakes; Kelsey Hayes; 14 x 2-1/2

Rear Pads & Shoes	Years	SevereDuty	Lining No.	Qualifier
Brake Shoes	99 - 84	SDS542R	EX4528AD-S43	Hyd. Brakes; Lucas; 15 x 5
Brake Shoes	99 - 84	SDS543R	EX4504AD-S43	Hyd. Brakes; Lucas; 15 x 6
Brake Shoes	99 - 84	SDS544AR	EX4505AD-S4Q	Hyd. Brakes; Lucas; 15 x 7

Piston: M - OE Metal Piston P - OE Phenolic Piston

F800 (cont.)

Brake Pads & Shoes (cont.)

Rear Pads & Shoes	Years	SevereDuty	Lining No.	Qualifier
Brake Shoes	99 - 90	4515B	4515E	w/Air Brakes; Bendix; 16-1/2 x 7
Brake Shoes	99 - 90	4707Q	4707	w/Air Brakes; Rockwell/Meritor; Q-Plus; 16-1/2 x 7
Brake Shoes	99 - 90	4515Q	4515E	w/Air Brakes; Rockwell/Meritor; Q-Series; 16-1/2 x 7
Brake Shoes	83 - 80	SDS400R	EX4646D-S32	Hyd. Brakes; Kelsey Hayes; 15 x 5
Brake Shoes	83 - 80	SDS381R	EX4596D-S32	Hyd. Brakes; Wagner; 15 x 6
Brake Shoes	83 - 80	SDS383R	EX4597D-S32	Hyd. Brakes; Wagner; 15 x 7
Brake Shoes	83 - 80	4311E	4311J	w/Air Brakes; Eaton; 16-1/2 x 7
Brake Shoes	83 - 80	4524Q	4524B	w/Air Brakes; Rockwell/Meritor; Q-Series; 16-1/2 x 5
Brake Shoes	83 - 80	4515Q	4515E	w/Air Brakes; Rockwell/Meritor; Q-Series; 16-1/2 x 7

Parking Brake Shoes	Years	SevereDuty	Lining No.	Qualifier
Brake Shoes	83 - 80	SDS842R	EX1303AD	10 x 3
Brake Shoes	83 - 80	SDS647	EX2086D	9 x 3

Rotor & Drum

Front Rotor & Drum	Years	Part No.	Qualifier
Brake Rotor	99 - 94	BD125485	10000-12000 lb. FA; Hat-Shaped; 10-Hole; 7-1/4" Bolt Circle
Brake Rotor	99 - 94	BD125087	10000-12000 lb. FA; U-Shaped; 10-Hole; 11-1/4" Bolt Circle
Brake Rotor	99 - 94	BD125214	10000-12000 lb. FA; U-Shaped; 6-Hole
Brake Rotor	99 - 94	BD125617	6000-7000 lb. FA; Hat-Shaped; 10-Hole
Brake Rotor	99 - 94	BD125085	6000-7000 lb. FA; Hat-Shaped; 6-Hole
Brake Rotor	99 - 94	BD125485	8000-9000 lb. FA; Hat-Shaped; 10-Hole; 7-1/4" Bolt Circle
Brake Rotor	99 - 94	BD125087	8000-9000 lb. FA; U-Shaped; 10-Hole; 11-1/4" Bolt Circle
Brake Rotor	99 - 94	BD125214	8000-9000 lb. FA; U-Shaped; 6-Hole; 11-1/4" Bolt Circle; w/Spoke Wheels
Brake Rotor	99 - 94	BD125086	8000-9000 lb. FA; U-Shaped; 6-Hole; 8-3/4" Bolt Circle; w/Disc Wheels
Brake Rotor	93 - 90	BD125087	10000-12000 lb. FA; U-Shaped; 10-Hole
Brake Rotor	93 - 90	BD125214	10000-12000 lb. FA; U-Shaped; 6-Hole; Dayton
Brake Rotor	93 - 90	BD125085	6000-7000 lb. FA; Hat-Shaped; 6-Hole; Dayton
Brake Rotor	93 - 90	BD125087	8000-9000 lb. FA; U-Shaped; 10-Hole; Dayton
Brake Rotor	93 - 90	BD125214	8000-9000 lb. FA; U-Shaped; 6-Hole; 11-1/4" Bolt Circle; Dayton
Brake Rotor	93 - 90	BD125086	8000-9000 lb. FA; U-Shaped; 6-Hole; 8-3/4" Bolt Circle; Dayton
Brake Rotor	93 - 90	BD125305	8000-9000 lb. FA; U-Shaped; 8-Hole
Brake Rotor	89 - 84	BD125085	6000-7500 lb. FA; Hat-Shaped; 6-Hole
Brake Rotor	89 - 84	BD125087	8000-9000 lb. FA; U-Shaped; 10-Hole
Brake Rotor	89 - 84	BD125214	8000-9000 lb. FA; U-Shaped; 6-Hole; 11-1/4" Bolt Circle
Brake Rotor	89 - 84	BD125086	8000-9000 lb. FA; U-Shaped; 6-Hole; 8-3/4" Bolt Circle
Brake Rotor	89 - 84	BD125087	9500-12000 lb. FA; U-Shaped; 10-Hole
Brake Rotor	89 - 84	BD125214	9500-12000 lb. FA; U-Shaped; 6-Hole

Rear Rotor & Drum	Years	Part No.	Qualifier
Brake Drum	99 - 90	BD126376	15 x 5" Hyd. Brakes; Dayton; 20" Spoke Wheel
Brake Drum	99 - 84	BD126379	15 x 5" Hyd. Brakes; Dayton; 6-Hole Disc Wheel
Brake Drum	99 - 90	BD126375	15 x 5" Hyd. Brakes; Dayton; 8-Hole Disc Wheel
Brake Drum	99 - 95	BD126400	15 x 6" Hyd. Brakes; Dayton; 20" Spoke Wheel
Brake Drum	99 - 90	BD126399	15 x 6" Hyd. Brakes; Dayton; 6-Hole Disc Wheel
Brake Drum	99 - 90	BD126397	15 x 6" Hyd. Brakes; Dayton; 8-Hole Disc Wheel
Brake Drum	99 - 90	BD126378	15 x 7" Hyd. Brakes; Budd; 10-Hole Disc Wheel; 15000 lb. RA
Brake Drum	99 - 90	BD126378	15 x 7" Hyd. Brakes; Budd; 10-Hole Disc Wheel; 17000-18000 lb. RA
Brake Drum	99 - 90	BD126378	15 x 7" Hyd. Brakes; Budd; 10-Hole Disc Wheel; 20000-21000 lb. RA
Brake Drum	99 - 89	BD126373	15 x 7" Hyd. Brakes; Budd; 10-Hole Disc Wheel; 34000 lb. TRA
Brake Drum	99 - 90	BD126377	15 x 7" Hyd. Brakes; Dayton; 20" Spoke Wheel; 17000-18000 lb. RA
Brake Drum	99 - 90	BD126374	15 x 7" Hyd. Brakes; Dayton; 20" Spoke Wheel; 21000-22000 lb. RA
Brake Drum	99 - 90	BD126377	15 x 7" Hyd. Brakes; Dayton; 20" Spoke Wheel; 34000 lb. TRA
Brake Drum	99 - 90	BD126401	15 x 7" Hyd. Brakes; Dayton; 8-Hole Disc Wheel; 17000-19000 lb. RA
Brake Drum	94	BD126400	From 6/01/94; 15 x 6" Hyd. Brakes; Dayton; 20" Spoke Wheel
Brake Drum	94	BD126380	To 5/30/94; 15 x 6" Hyd. Brakes; Dayton; 20" Spoke Wheel
Brake Drum	93 - 84	BD126380	15 x 6" Hyd. Brakes; Dayton; 20" Spoke Wheel
Brake Drum	89 - 80	BD126399	15 x 6" Hyd. Brakes; Dayton; 6-Hole Disc Wheel; 17000-18000 lb. RA

Rotor & Drum (cont.)

Rear Rotor & Drum	Years	Part No.	Qualifier
Brake Drum	89	BD126373	15 x 7" Hyd. Brakes; Budd; 10-Hole Disc Wheel; 19000 lb. RA
Brake Drum	89	BD126378	15 x 7" Hyd. Brakes; Budd; 10-Hole Disc Wheel; 22000 lb. RA
Brake Drum	88 - 80	BD126373	15 x 7" Hyd. Brakes; Budd; 10-Hole Disc Wheel

Brake Hardware

Front Brake Hardware	Years	Sequential No.	Category No.	Qualifier
Adjuster Kit	89 - 80	F59159	(H2904)	L.H.; Wagner
Adjuster Kit	89 - 80	F59160	(H2905)	R.H.; Wagner
Adjuster Kit	83 - 80	F128898	(H2915)	L.H.; Kelsey Hayes
Adjuster Kit	83 - 80	F128899	(H2916)	R.H.; Kelsey Hayes
Combi Kit	89 - 80	F117025	(H7173)	Wagner
↳Hold Down Kit		F73399	(H4201)	
↳Return Spring Kit		F36445	(H521)	
Combi Kit	83 - 80	F117015	(H7186)	Kelsey Hayes
↳Adjuster Spring Kit		F117152S	(H427)	
↳Return Spring Kit		F71521	(H602)	
Disc Align Kit	99 - 84	F134105	(H5613)	Dayton; 2.50" 2-Piston Caliper
Disc Align Kit	99 - 87	F128926	(H5609)	Dayton; 2.88" 2-Piston Caliper
Disc Align Kit	86 - 83	F128927	(H5610)	Dayton; 2.88" 2-Piston Caliper

Rear Brake Hardware	Years	Sequential No.	Category No.	Qualifier
Adjuster Kit	99 - 84	F112097	(H2901)	L.H.; Lucas
Adjuster Kit	99 - 84	F112097	(H2901)	R.H.; Lucas
Adjuster Kit	83 - 80	F128891	(H2908)	L.H.; Kelsey Hayes
Adjuster Kit	83 - 80	F59157	(H2902)	L.H.; Wagner; 15" Brake; Auto Adj.
Adjuster Kit	83 - 80	F128894S	(H2911)	L.H.; Wagner; 15" Brake; Man. Adj.
Adjuster Kit	83 - 80	F128892	(H2909)	R.H.; Kelsey Hayes
Adjuster Kit	83 - 80	F59158	(H2903)	R.H.; Wagner; 15" Brake; Auto Adj.
Adjuster Kit	83 - 80	F128894S	(H2911)	R.H.; Wagner; 15" Brake; Man. Adj.
Adjuster Screw	83 - 80	F140823	(H1607)	L.H.; Wagner; 15" Brake
Adjuster Screw	83 - 80	F140818	(H1606)	R.H.; Wagner; 15" Brake
Combi Kit	99 - 84	F112096	(H7195)	Lucas
Combi Kit	83 - 80	F117014	(H7187)	Kelsey Hayes
↳Return Spring Kit		F73591	(H612)	
Combi Kit	83 - 80	F117027	(H7171)	Wagner
↳Adjuster Spring Kit		F78727	(H451)	
↳Hold Down Kit		F19309	(H5079)	
↳Return Spring Kit		F98318	(H609)	

Calipers - Reman

Front, Loaded	Years	Left No.	Right No.	Qualifier	Piston
Loaded Caliper	99 - 84	AS120313	AS120313	Dayton; 2.50" 2-Piston Caliper; w/6 Holes on Back	M
Loaded Caliper	99 - 83	AS108723	AS108723	Dayton; 2.88" 2-Piston Caliper	M
Front, Unloaded	Years	Left No.	Right No.	Qualifier	Piston
Unloaded Caliper	99 - 84	CR120313	CR120313	Dayton; 2.50" 2-Piston Caliper; w/6 Holes on Back	M
Unloaded Caliper	99 - 83	CR108723	CR108723	Dayton; 2.88" 2-Piston Caliper	M

Hydraulics - New

Master Cylinder	Years	Sequential No.	Category No.	Qualifier
Master Cylinder	99 - 90	F140744	(MC140744)	Split Syst.; Hydro-Max II; w/Booster; 2" Bore
Master Cylinder	99 - 90	F119400	(MC119400)	Split Syst.; Hydro-Max; 1-3/4" Bore
Master Cylinder	89 - 84	F119400	(MC119400)	Split Syst.; Hydro-Max; Dash Mtd.; 1-3/4" Bore
Master Cylinder	83	F119401	(MC119401)	Single Syst.; Hydro-Max; Dash Mtd.; Diesel; 1-3/4" Bore
Master Cylinder	83	F103254	(MC103254)	Single Syst.; Hydro-Vac; Frame Mtd.; Gas; 1-1/2" Bore
Master Cylinder	83	F119398	(MC119398)	Split Syst.; Hydro-Max; Dash Mtd.; 1-3/4" Bore
Master Cylinder	82 - 80	F119401	(MC119401)	Hydro-Max; Dash Mtd.; 1-3/4" Bore
Master Cylinder	82 - 80	F103254	(MC103254)	Hydro-Vac; Frame Mtd.; 1-1/2" Bore

↳Sub-Kit of Combi-Kit is available separately.

Piston: M - OE Metal Piston P - OE Phenolic Piston

F800 (cont.)

Hydraulics - New (cont.)

Front Wheel Cylinder	Years	Sequential No.	Category No.	Qualifier
Wheel Cylinder	83 - 80	F103223	(WC103223)	L.H.; 14 x 2-1/2" Kelsey Hayes; 5500 lb. FA; 1-3/32" Bore
Wheel Cylinder	83 - 80	F55890	(WC55890)	L.H.; 14 x 2-1/2" Kelsey Hayes; 6000 lb. FA; 1-3/32" Bore
Wheel Cylinder	83 - 80	F73531	(WC73531)	L.H.; 15 x 3" Wagner; Lower; 1-1/4" Bore
Wheel Cylinder	83 - 80	F43375	(WC43375)	L.H.; 15 x 3" Wagner; Lower; 1-1/8" Bore
Wheel Cylinder	83 - 80	F73537	(WC73537)	L.H.; 15 x 3" Wagner; Upper; Single Syst.; 1-1/4" Bore
Wheel Cylinder	83 - 80	F73500	(WC73500)	L.H.; 15 x 3" Wagner; Upper; Single Syst.; 1-1/8" Bore
Wheel Cylinder	83 - 80	F73543	(WC73543)	L.H.; 15 x 3" Wagner; Upper; Split Syst.; 1-1/4" Bore
Wheel Cylinder	83 - 80	F71940	(WC71940)	L.H.; 15 x 3" Wagner; Upper; Split Syst.; 1-1/8" Bore
Wheel Cylinder	83 - 80	F103224	(WC103224)	R.H.; 14 x 2-1/2" Kelsey Hayes; 5500 lb. FA; 1-3/32" Bore
Wheel Cylinder	83 - 80	F55891	(WC55891)	R.H.; 14 x 2-1/2" Kelsey Hayes; 6000 lb. FA; 1-3/32" Bore
Wheel Cylinder	83 - 80	F73532	(WC73532)	R.H.; 15 x 3" Wagner; Lower; 1-1/4" Bore
Wheel Cylinder	83 - 80	F43376	(WC43376)	R.H.; 15 x 3" Wagner; Lower; 1-1/8" Bore
Wheel Cylinder	83 - 80	F73538	(WC73538)	R.H.; 15 x 3" Wagner; Upper; Single Syst.; 1-1/4" Bore
Wheel Cylinder	83 - 80	F73501	(WC73501)	R.H.; 15 x 3" Wagner; Upper; Single Syst.; 1-1/8" Bore
Wheel Cylinder	83 - 80	F73544	(WC73544)	R.H.; 15 x 3" Wagner; Upper; Split Syst.; 1-1/4" Bore
Wheel Cylinder	83 - 80	F71941	(WC71941)	R.H.; 15 x 3" Wagner; Upper; Split Syst.; 1-1/8" Bore
Rear Wheel Cylinder	Years	Sequential No.	Category No.	Qualifier
Wheel Cylinder	99 - 84	F118104	(WC118104)	L.H.; 15 x 5" Lucas; 1-3/4" Bore
Wheel Cylinder	99 - 84	F118104	(WC118104)	L.H.; 15 x 6" Lucas; 15000-19000 lb. RA; 8000 lb. FA; 1-3/4" Bore
Wheel Cylinder	99 - 84	F118106	(WC118106)	L.H.; 15 x 6" Lucas; 15000-19000 lb. RA; Exc. 8000 lb. FA; 1-5/8" Bore
Wheel Cylinder	99 - 84	F118104	(WC118104)	L.H.; 15 x 7" Lucas; 17500-22000 lb. RA; 1-3/4" Bore
Wheel Cylinder	99 - 84	F118106	(WC118106)	L.H.; 15 x 7" Lucas; 34000 lb. TRA; 1-5/8" Bore
Wheel Cylinder	99 - 84	F118105	(WC118105)	R.H.; 15 x 5" Lucas; 1-3/4" Bore
Wheel Cylinder	99 - 84	F118105	(WC118105)	R.H.; 15 x 6" Lucas; 15000-19000 lb. RA; 8000 lb. FA; 1-3/4" Bore
Wheel Cylinder	99 - 84	F118107	(WC118107)	R.H.; 15 x 6" Lucas; 15000-19000 lb. RA; Exc. 8000 lb. FA; 1-5/8" Bore
Wheel Cylinder	99 - 84	F118105	(WC118105)	R.H.; 15 x 7" Lucas; 17500-22000 lb. RA; 1-3/4" Bore
Wheel Cylinder	99 - 84	F118107	(WC118107)	R.H.; 15 x 7" Lucas; 34000 lb. TRA; 1-5/8" Bore
Wheel Cylinder	83 - 80	F78743	(WC78743)	15 x 5" Kelsey Hayes; 15000 lb. RA; 1-1/2" Bore
Wheel Cylinder	83 - 80	F71238	(WC71238)	15 x 5" Kelsey Hayes; 17500-32000 lb. RA; 1-5/8" Bore
Wheel Cylinder	83 - 80	F24489	(WC24489)	15 x 6" Wagner; 1-5/8" Bore
Wheel Cylinder	83 - 80	F26159	(WC26159)	15 x 7" Wagner; 1-1/2" Bore
Wheel Cylinder	83 - 80	F26172	(WC26172)	16 x 6" Wagner; 1-5/8" Bore
Front Brake Hose	Years	Sequential No.	Category No.	Qualifier
Brake Hose	99 - 83	F111945	(BH111945)	w/Disc Brakes
Brake Hose	89 - 80	F103308	(BH103308)	L.H.; w/Drum Brakes; Single Syst.; 6000-7000 lb. FA
Brake Hose	89 - 80	F103310	(BH103310)	L.H.; w/Drum Brakes; Single Syst.; 9000 lb. FA
Brake Hose	89 - 80	F103308	(BH103308)	L.H.; w/Drum Brakes; Split Syst.; 6000-7000 lb. FA; After GJ5001
Brake Hose	89 - 80	F106649	(BH106649)	L.H.; w/Drum Brakes; Split Syst.; 6000-7000 lb. FA; Before GJ5001
Brake Hose	89 - 80	F103309	(BH103309)	L.H.; w/Drum Brakes; Split Syst.; 9000 lb. FA; Lower
Brake Hose	89 - 80	F103310	(BH103310)	L.H.; w/Drum Brakes; Split Syst.; 9000 lb. FA; Upper
Brake Hose	89 - 80	F103312	(BH103312)	R.H.; w/Drum Brakes; Single Syst.; 6000-7000 lb. FA
Brake Hose	89 - 80	F103314	(BH103314)	R.H.; w/Drum Brakes; Single Syst.; 9000 lb. FA
Brake Hose	89 - 80	F103312	(BH103312)	R.H.; w/Drum Brakes; Split Syst.; 6000-7000 lb. FA; After GJ5001
Brake Hose	89 - 80	F103311	(BH103311)	R.H.; w/Drum Brakes; Split Syst.; 6000-7000 lb. FA; Before GJ5001
Brake Hose	89 - 80	F103313	(BH103313)	R.H.; w/Drum Brakes; Split Syst.; 9000 lb. FA; Lower
Brake Hose	89 - 80	F103314	(BH103314)	R.H.; w/Drum Brakes; Split Syst.; 9000 lb. FA; Upper
Brake Hose	89 - 80	F106648	(BH106648)	w/Drum Brakes; Single Syst.; 5500 lb. FA
Brake Hose	89 - 80	F106648	(BH106648)	w/Drum Brakes; Split Syst.; 5500 lb. FA
Rear Brake Hose	Years	Sequential No.	Category No.	Qualifier
Brake Hose	99 - 84	F110130	(BH110130)	Hyd. Brakes
Brake Hose	89 - 84	F110130	(BH110130)	Hyd. Brakes; Forward Tandem Axle; Primary; 2 Req'd
Brake Hose	89 - 84	F111946	(BH111946)	Hyd. Brakes; Forward Tandem Axle; Secondary; 1 Req'd
Brake Hose	89 - 84	F110130	(BH110130)	Hyd. Brakes; Rear Tandem Axle; Primary; 2 Req'd
Brake Hose	83	F110130	(BH110130)	Hyd. Brakes; Primary; 2 Req'd
Brake Hose	83 - 80	F80023	(BH80023)	Single Syst.

Hydraulics - New (cont.)

Rear Brake Hose	Years	Sequential No.	Category No.	Qualifier
Brake Hose	83 - 80	F80023	(BH80023)	Split Syst.; Front Port of Connector
Brake Hose	83 - 80	F80022	(BH80022)	Split Syst.; Rear Port of Connector

Hydraulics - Reman

Power Brake Booster	Years	Part No.	Qualifier
Power Brake Booster	99 - 84	529807	Hydro-Max; w/o Master Cyl.
Power Brake Booster	90 - 84	529802	Hydro-Max; Tandem; w/o Master Cyl.
Power Brake Booster	83 - 80	529803	Hydro-Max; w/o Master Cyl.
Power Brake Booster	83 - 80	518024	Hydro-Vac; w/Master Cyl.

Brake Pads & Shoes

Front Pads & Shoes	Years	SevereDuty	Lining No.	Qualifier
Brake Pads	98 - 85	SD224		Dayton; 2.50" 2-Piston Caliper
Brake Pads	98 - 85	SD236		Dayton; 2.88" 2-Piston Caliper
Brake Shoes	98 - 88	4693R	4693	w/Air Brakes; Bendix; 15 x 4
Brake Shoes	98 - 90	4702Q	4702	w/Air Brakes; Rockwell/Meritor; Q-Plus; 15 x 4
Brake Shoes	98 - 85	1308Q	1308T	w/Air Brakes; Rockwell/Meritor; Q-Series; 15 x 4
Brake Shoes	89 - 85	SDS321R	EX1245AD-S32	Hyd. Brakes; Wagner; 15 x 3
Brake Shoes	89 - 85	1308E	1308	w/Air Brakes; Eaton; 15 x 4

Rear Pads & Shoes	Years	SevereDuty	Lining No.	Qualifier
Brake Shoes	98 - 85	SDS542R	EX4528AD-S43	Hyd. Brakes; Lucas; 15 x 5
Brake Shoes	98 - 85	SDS543R	EX4504AD-S43	Hyd. Brakes; Lucas; 15 x 6
Brake Shoes	98 - 85	SDS544AR	EX4505AD-S4Q	Hyd. Brakes; Lucas; 15 x 7
Brake Shoes	98 - 90	4515B	4515E	w/Air Brakes; Bendix; 16-1/2 x 7
Brake Shoes	98 - 90	4707Q	4707	w/Air Brakes; Rockwell/Meritor; Q-Plus; 16-1/2 x 7
Brake Shoes	98 - 90	4515Q	4515E	w/Air Brakes; Rockwell/Meritor; Q-Series; 16-1/2 x 7

Rotor & Drum

Front Rotor & Drum	Years	Part No.	Qualifier
Brake Rotor	98 - 94	BD125485	10000-12000 lb. FA; Hat-Shaped; 10-Hole; 7-1/4" Bolt Circle
Brake Rotor	98 - 94	BD125087	10000-12000 lb. FA; U-Shaped; 10-Hole; 11-1/4" Bolt Circle
Brake Rotor	98 - 94	BD125214	10000-12000 lb. FA; U-Shaped; 6-Hole
Brake Rotor	98 - 94	BD125617	6000-7000 lb. FA; Hat-Shaped; 10-Hole
Brake Rotor	98 - 94	BD125085	6000-7000 lb. FA; Hat-Shaped; 6-Hole
Brake Rotor	98 - 94	BD125485	8000-9000 lb. FA; Hat-Shaped; 10-Hole; 7-1/4" Bolt Circle
Brake Rotor	98 - 94	BD125087	8000-9000 lb. FA; U-Shaped; 10-Hole; 11-1/4" Bolt Circle
Brake Rotor	98 - 94	BD125214	8000-9000 lb. FA; U-Shaped; 6-Hole; 11-1/4" Bolt Circle; w/Spoke Wheels
Brake Rotor	98 - 94	BD125086	8000-9000 lb. FA; U-Shaped; 6-Hole; 8-3/4" Bolt Circle; w/Disc Wheels
Brake Rotor	93 - 90	BD125087	10000-12000 lb. FA; U-Shaped; 10-Hole
Brake Rotor	93 - 90	BD125214	10000-12000 lb. FA; U-Shaped; 6-Hole; Dayton
Brake Rotor	93 - 90	BD125085	6000-7000 lb. FA; Hat-Shaped; 6-Hole; Dayton
Brake Rotor	93 - 90	BD125087	8000-9000 lb. FA; U-Shaped; 10-Hole; Dayton
Brake Rotor	93 - 90	BD125214	8000-9000 lb. FA; U-Shaped; 6-Hole; 11-1/4" Bolt Circle; Dayton
Brake Rotor	93 - 90	BD125086	8000-9000 lb. FA; U-Shaped; 6-Hole; 8-3/4" Bolt Circle; Dayton
Brake Rotor	93 - 90	BD125305	8000-9000 lb. FA; U-Shaped; 8-Hole
Brake Rotor	89 - 85	BD125085	6000-7500 lb. FA; Hat-Shaped; 6-Hole
Brake Rotor	89 - 85	BD125087	8000-9000 lb. FA; U-Shaped; 10-Hole
Brake Rotor	89 - 85	BD125214	8000-9000 lb. FA; U-Shaped; 6-Hole; 11-1/4" Bolt Circle
Brake Rotor	89 - 85	BD125086	8000-9000 lb. FA; U-Shaped; 6-Hole; 8-3/4" Bolt Circle
Brake Rotor	89 - 85	BD125087	9500-12000 lb. FA; U-Shaped; 10-Hole
Brake Rotor	89 - 85	BD125214	9500-12000 lb. FA; U-Shaped; 6-Hole

Rear Rotor & Drum	Years	Part No.	Qualifier
Brake Drum	98 - 90	BD126376	15 x 5" Hyd. Brakes; Dayton; 20" Spoke Wheel
Brake Drum	98 - 85	BD126379	15 x 5" Hyd. Brakes; Dayton; 6-Hole Disc Wheel
Brake Drum	98 - 90	BD126375	15 x 5" Hyd. Brakes; Dayton; 8-Hole Disc Wheel
Brake Drum	98 - 95	BD126400	15 x 6" Hyd. Brakes; Dayton; 20" Spoke Wheel

F900 (cont.)

Rotor & Drum (cont.)

Rear Rotor & Drum	Years	Part No.	Qualifier
Brake Drum	98 - 90	BD126399	15 x 6" Hyd. Brakes; Dayton; 6-Hole Disc Wheel
Brake Drum	98 - 90	BD126397	15 x 6" Hyd. Brakes; Dayton; 8-Hole Disc Wheel
Brake Drum	98 - 90	BD126378	15 x 7" Hyd. Brakes; Budd; 10-Hole Disc Wheel; 15000 lb. RA
Brake Drum	98 - 90	BD126378	15 x 7" Hyd. Brakes; Budd; 10-Hole Disc Wheel; 17000-18000 lb. RA
Brake Drum	98 - 90	BD126378	15 x 7" Hyd. Brakes; Budd; 10-Hole Disc Wheel; 20000-21000 lb. RA
Brake Drum	98 - 89	BD126373	15 x 7" Hyd. Brakes; Budd; 10-Hole Disc Wheel; 34000 lb. TRA
Brake Drum	98 - 90	BD126377	15 x 7" Hyd. Brakes; Dayton; 20" Spoke Wheel; 17000-18000 lb. RA
Brake Drum	98 - 90	BD126374	15 x 7" Hyd. Brakes; Dayton; 20" Spoke Wheel; 21000-22000 lb. RA
Brake Drum	98 - 90	BD126377	15 x 7" Hyd. Brakes; Dayton; 20" Spoke Wheel; 34000 lb. TRA
Brake Drum	98 - 90	BD126401	15 x 7" Hyd. Brakes; Dayton; 8-Hole Disc Wheel; 17000-19000 lb. RA
Brake Drum	94	BD126400	From 6/01/94; 15 x 6" Hyd. Brakes; Dayton; 20" Spoke Wheel
Brake Drum	94	BD126380	To 5/30/94; 15 x 6" Hyd. Brakes; Dayton; 20" Spoke Wheel
Brake Drum	93 - 85	BD126380	15 x 6" Hyd. Brakes; Dayton; 20" Spoke Wheel
Brake Drum	89 - 85	BD126399	15 x 6" Hyd. Brakes; Dayton; 6-Hole Disc Wheel; 17000-18000 lb. RA
Brake Drum	89	BD126373	15 x 7" Hyd. Brakes; Budd; 10-Hole Disc Wheel; 19000 lb. RA
Brake Drum	89	BD126378	15 x 7" Hyd. Brakes; Budd; 10-Hole Disc Wheel; 22000 lb. RA
Brake Drum	88 - 85	BD126373	15 x 7" Hyd. Brakes; Budd; 10-Hole Disc Wheel

Brake Hardware

Front Brake Hardware	Years	Sequential No.	Category No.	Qualifier
Adjuster Kit	89 - 85	F59159	(H2904)	L.H.; Wagner
Adjuster Kit	89 - 85	F59160	(H2905)	R.H.; Wagner
Combi Kit	89 - 85	F117025	(H7173)	Wagner
↳Hold Down Kit		F73399	(H4201)	
↳Return Spring Kit		F36445	(H521)	
Disc Align Kit	98 - 85	F134105	(H5613)	Dayton; 2.50" 2-Piston Caliper
Disc Align Kit	98 - 87	F128926	(H5609)	Dayton; 2.88" 2-Piston Caliper
Disc Align Kit	86 - 85	F128927	(H5610)	Dayton; 2.88" 2-Piston Caliper

Rear Brake Hardware	Years	Sequential No.	Category No.	Qualifier
Adjuster Kit	98 - 85	F112097	(H2901)	L.H.; Lucas
Adjuster Kit	98 - 85	F112097	(H2901)	R.H.; Lucas
Combi Kit	98 - 85	F112096	(H7195)	Lucas

Calipers - Reman

Front, Loaded	Years	Left No.	Right No.	Qualifier	Piston
Loaded Caliper	98 - 85	AS120313	AS120313	Dayton; 2.50" 2-Piston Caliper; w/6 Holes on Back	M
Loaded Caliper	98 - 85	AS108723	AS108723	Dayton; 2.88" 2-Piston Caliper	M
Front, Unloaded	Years	Left No.	Right No.	Qualifier	Piston
Unloaded Caliper	98 - 85	CR120313	CR120313	Dayton; 2.50" 2-Piston Caliper; w/6 Holes on Back	M
Unloaded Caliper	98 - 85	CR108723	CR108723	Dayton; 2.88" 2-Piston Caliper	M

Hydraulics - New

Master Cylinder	Years	Sequential No.	Category No.	Qualifier
Master Cylinder	98 - 85	F110980	(MC110980)	Split Syst.; Hydro-Max; 2" Bore

Rear Wheel Cylinder	Years	Sequential No.	Category No.	Qualifier
Wheel Cylinder	98 - 85	F118104	(WC118104)	L.H.; 15 x 5" Lucas; 1-3/4" Bore
Wheel Cylinder	98 - 85	F118104	(WC118104)	L.H.; 15 x 6" Lucas; 15000-19000 lb. RA; 8000 lb. FA; 1-3/4" Bore
Wheel Cylinder	98 - 85	F118106	(WC118106)	L.H.; 15 x 6" Lucas; 15000-19000 lb. RA; Exc. 8000 lb. FA; 1-5/8" Bore
Wheel Cylinder	98 - 85	F118104	(WC118104)	L.H.; 15 x 7" Lucas; 17500-22000 lb. RA; 1-3/4" Bore
Wheel Cylinder	98 - 85	F118106	(WC118106)	L.H.; 15 x 7" Lucas; 34000 lb. TRA; 1-5/8" Bore
Wheel Cylinder	98 - 85	F118105	(WC118105)	R.H.; 15 x 5" Lucas; 1-3/4" Bore
Wheel Cylinder	98 - 85	F118105	(WC118105)	R.H.; 15 x 6" Lucas; 15000-19000 lb. RA; 8000 lb. FA; 1-3/4" Bore
Wheel Cylinder	98 - 85	F118107	(WC118107)	R.H.; 15 x 6" Lucas; 15000-19000 lb. RA; Exc. 8000 lb. FA; 1-5/8" Bore
Wheel Cylinder	98 - 85	F118105	(WC118105)	R.H.; 15 x 7" Lucas; 17500-22000 lb. RA; 1-3/4" Bore
Wheel Cylinder	98 - 85	F118107	(WC118107)	R.H.; 15 x 7" Lucas; 34000 lb. TRA; 1-5/8" Bore

Rear Brake Hose	Years	Sequential No.	Category No.	Qualifier
Brake Hose	98 - 85	F110130	(BH110130)	Hyd. Brakes; Forward Tandem Axle; Primary; 2 Req'd

↳Sub-Kit of Combi-Kit is available separately.

Piston: M - OE Metal Piston P - OE Phenolic Piston

Hydraulics - New (cont.)

Rear Brake Hose	Years	Sequential No.	Category No.	Qualifier
Brake Hose	98 - 85	F110130	(BH110130)	Hyd. Brakes; Rear Tandem Axle; Primary; 2 Req'd
Brake Hose	89 - 85	F111946	(BH111946)	Hyd. Brakes; Forward Tandem Axle; Secondary; 1 Req'd

Hydraulics - Reman

Power Brake Booster	Years	Part No.	Qualifier
Power Brake Booster	98 - 85	529802	Hydro-Max; w/o Master Cyl.

FORD MD L-Series
Brake Pads & Shoes

Front Pads & Shoes	Years	SevereDuty	Lining No.	Qualifier
Brake Pads	97 - 84	SD224		Dayton; 2.50" 2-Piston Caliper
Brake Pads	97 - 83	SD236		Dayton; 2.88" 2-Piston Caliper
Brake Shoes	97 - 88	4693R	4693	w/Air Brakes; Bendix; 15 x 4
Brake Shoes	97 - 90	4702Q	4702	w/Air Brakes; Rockwell/Meritor; Q-Plus; 15 x 4
Brake Shoes	97 - 80	1308Q	1308T	w/Air Brakes; Rockwell/Meritor; Q-Series; 15 x 4
Brake Shoes	89 - 83	4605R	4605	w/Air Brakes; Bendix; 15 x 6
Brake Shoes	89 - 84	1308E	1308	w/Air Brakes; Eaton; 15 x 4
Brake Shoes	83 - 80	SDS361R	EX2060D-S32	Hyd. Brakes; Kelsey Hayes; 14 x 2-1/2
Brake Shoes	83 - 80	SDS321R	EX1245AD-S32	Hyd. Brakes; Wagner; 15 x 3

Rear Pads & Shoes	Years	SevereDuty	Lining No.	Qualifier
Brake Shoes	97 - 84	SDS542R	EX4528AD-S43	Hyd. Brakes; Lucas; 15 x 5
Brake Shoes	97 - 84	SDS543R	EX4504AD-S43	Hyd. Brakes; Lucas; 15 x 6
Brake Shoes	97 - 84	SDS544AR	EX4505AD-S4Q	Hyd. Brakes; Lucas; 15 x 7
Brake Shoes	97 - 87	4515B	4515E	w/Air Brakes; Bendix; 16-1/2 x 7
Brake Shoes	97 - 90	4707Q	4707	w/Air Brakes; Rockwell/Meritor; Q-Plus; 16-1/2 x 7
Brake Shoes	97 - 80	4515Q	4515E	w/Air Brakes; Rockwell/Meritor; Q-Series; 16-1/2 x 7
Brake Shoes	89 - 80	4311E	4311J	w/Air Brakes; Eaton; 16-1/2 x 7
Brake Shoes	83 - 80	SDS400R	EX4646D-S32	Hyd. Brakes; Kelsey Hayes; 15 x 5
Brake Shoes	83 - 80	SDS381R	EX4596D-S32	Hyd. Brakes; Wagner; 15 x 6
Brake Shoes	83 - 80	SDS383R	EX4597D-S32	Hyd. Brakes; Wagner; 15 x 7
Brake Shoes	83 - 80	4524Q	4524B	w/Air Brakes; Rockwell/Meritor; Q-Series; 16-1/2 x 5
Brake Shoes	83 - 80	4471Q	4471B	w/Air Brakes; Rockwell/Meritor; Q-Series; 18 x 7

Parking Brake Shoes	Years	SevereDuty	Lining No.	Qualifier
Brake Shoes	83 - 80	SDS842R	EX1303AD	10 x 3
Brake Shoes	83 - 80	SDS647	EX2086D	9 x 3

Rotor & Drum

Front Rotor & Drum	Years	Part No.	Qualifier
Brake Rotor	97 - 94	BD125485	10000-12000 lb. FA; Hat-Shaped; 10-Hole; 7-1/4" Bolt Circle
Brake Rotor	97 - 90	BD125087	10000-12000 lb. FA; U-Shaped; 10-Hole
Brake Rotor	97 - 94	BD125087	10000-12000 lb. FA; U-Shaped; 10-Hole; 11-1/4" Bolt Circle
Brake Rotor	97 - 94	BD125214	10000-12000 lb. FA; U-Shaped; 6-Hole
Brake Rotor	97 - 94	BD125617	6000-7000 lb. FA; Hat-Shaped; 10-Hole
Brake Rotor	97 - 94	BD125085	6000-7000 lb. FA; Hat-Shaped; 6-Hole
Brake Rotor	97 - 94	BD125485	8000-9000 lb. FA; Hat-Shaped; 10-Hole
Brake Rotor	97 - 94	BD125086	8000-9000 lb. FA; U-Shaped; 6-Hole
Brake Rotor	97 - 94	BD125214	8000-9000 lb. FA; U-Shaped; 6-Hole; 11-1/4" Bolt Circle; w/Spoke Wheels
Brake Rotor	97 - 94	BD125086	8000-9000 lb. FA; U-Shaped; 6-Hole; 8-3/4" Bolt Circle; w/Disc Wheels
Brake Rotor	93 - 90	BD125087	10000-12000 lb. FA; U-Shaped; 10-Hole; Dayton
Brake Rotor	93 - 90	BD125214	10000-12000 lb. FA; U-Shaped; 6-Hole; Dayton
Brake Rotor	93 - 90	BD125085	6000-7000 lb. FA; Hat-Shaped; 6-Hole; Dayton
Brake Rotor	93 - 90	BD125087	8000-9000 lb. FA; U-Shaped; 10-Hole; Dayton
Brake Rotor	93 - 90	BD125214	8000-9000 lb. FA; U-Shaped; 6-Hole; 11-1/4" Bolt Circle; Dayton
Brake Rotor	93 - 90	BD125086	8000-9000 lb. FA; U-Shaped; 6-Hole; 8-3/4" Bolt Circle; Dayton
Brake Rotor	93 - 90	BD125086	8000-9000 lb. FA; U-Shaped; 6-Hole; Dayton

L800 (cont.)

Rotor & Drum (cont.)

Front Rotor & Drum	Years	Part No.	Qualifier
Brake Rotor	89 - 84	BD125085	6000-7500 lb. FA; Hat-Shaped; 6-Hole
Brake Rotor	89 - 84	BD125087	8000-9000 lb. FA; U-Shaped; 10-Hole
Brake Rotor	89 - 84	BD125214	8000-9000 lb. FA; U-Shaped; 6-Hole; 11-1/4" Bolt Circle
Brake Rotor	89 - 84	BD125086	8000-9000 lb. FA; U-Shaped; 6-Hole; 8-3/4" Bolt Circle
Brake Rotor	89 - 84	BD125087	9500-12000 lb. FA; U-Shaped; 10-Hole
Brake Rotor	89 - 84	BD125214	9500-12000 lb. FA; U-Shaped; 6-Hole

Rear Rotor & Drum

Rear Rotor & Drum	Years	Part No.	Qualifier
Brake Drum	97 - 90	BD126376	15 x 5" Hyd. Brakes; Dayton; 20" Spoke Wheel
Brake Drum	97 - 84	BD126379	15 x 5" Hyd. Brakes; Dayton; 6-Hole Disc Wheel
Brake Drum	97 - 90	BD126375	15 x 5" Hyd. Brakes; Dayton; 8-Hole Disc Wheel
Brake Drum	97 - 95	BD126400	15 x 6" Hyd. Brakes; Dayton; 20" Spoke Wheel
Brake Drum	97 - 90	BD126399	15 x 6" Hyd. Brakes; Dayton; 6-Hole Disc Wheel
Brake Drum	97 - 90	BD126397	15 x 6" Hyd. Brakes; Dayton; 8-Hole Disc Wheel
Brake Drum	97 - 90	BD126378	15 x 7" Hyd. Brakes; Budd; 10-Hole Disc Wheel; 15000 lb. RA
Brake Drum	97 - 90	BD126378	15 x 7" Hyd. Brakes; Budd; 10-Hole Disc Wheel; 20000-21000 lb. RA
Brake Drum	97 - 90	BD126378	15 x 7" Hyd. Brakes; Budd; 10-Hole Disc Wheel; 20000-21000 lb. RA
Brake Drum	97 - 89	BD126373	15 x 7" Hyd. Brakes; Budd; 10-Hole Disc Wheel; 34000 lb. TRA
Brake Drum	97 - 90	BD126377	15 x 7" Hyd. Brakes; Dayton; 20" Spoke Wheel; 17000-18000 lb. RA
Brake Drum	97 - 90	BD126374	15 x 7" Hyd. Brakes; Dayton; 20" Spoke Wheel; 21000-22000 lb. RA
Brake Drum	97 - 90	BD126377	15 x 7" Hyd. Brakes; Dayton; 20" Spoke Wheel; 34000 lb. TRA
Brake Drum	97 - 90	BD126401	15 x 7" Hyd. Brakes; Dayton; 8-Hole Disc Wheel; 17000-19000 lb. RA
Brake Drum	94	BD126400	From 6/01/94; 15 x 6" Hyd. Brakes; Dayton; 20" Spoke Wheel
Brake Drum	94	BD126380	To 5/30/94; 15 x 6" Hyd. Brakes; Dayton; 20" Spoke Wheel
Brake Drum	93 - 84	BD126380	15 x 6" Hyd. Brakes; Dayton; 20" Spoke Wheel
Brake Drum	89 - 80	BD126399	15 x 6" Hyd. Brakes; Dayton; 6-Hole Disc Wheel; 17000-18000 lb. RA
Brake Drum	89	BD126373	15 x 7" Hyd. Brakes; Budd; 10-Hole Disc Wheel; 19000 lb. RA
Brake Drum	89	BD126378	15 x 7" Hyd. Brakes; Budd; 10-Hole Disc Wheel; 22000 lb. RA
Brake Drum	88 - 80	BD126373	15 x 7" Hyd. Brakes; Budd; 10-Hole Disc Wheel

Brake Hardware

Front Brake Hardware

Front Brake Hardware	Years	Sequential No.	Category No.	Qualifier
Adjuster Kit	83 - 80	F128898	(H2915)	L.H.; Kelsey Hayes
Adjuster Kit	83 - 80	F59159	(H2904)	L.H.; Wagner
Adjuster Kit	83 - 80	F128899	(H2916)	R.H.; Kelsey Hayes
Adjuster Kit	83 - 80	F59160	(H2905)	R.H.; Wagner
Combi Kit	83 - 80	F117015	(H7186)	Kelsey Hayes
↳Adjuster Spring Kit		F117152S	(H427)	
↳Return Spring Kit		F71521	(H602)	
Combi Kit	83 - 80	F117025	(H7173)	Wagner
↳Hold Down Kit		F73399	(H4201)	
↳Return Spring Kit		F36445	(H521)	
Disc Align Kit	97 - 84	F134105	(H5613)	Dayton; 2.50" 2-Piston Caliper
Disc Align Kit	97 - 87	F128926	(H5609)	Dayton; 2.88" 2-Piston Caliper
Disc Align Kit	86 - 83	F128927	(H5610)	Dayton; 2.88" 2-Piston Caliper

Rear Brake Hardware

Rear Brake Hardware	Years	Sequential No.	Category No.	Qualifier
Adjuster Kit	97 - 84	F112097	(H2901)	L.H.; Lucas
Adjuster Kit	97 - 84	F112097	(H2901)	R.H.; Lucas
Adjuster Kit	83 - 80	F128891	(H2908)	L.H.; Kelsey Hayes
Adjuster Kit	83 - 80	F59157	(H2902)	L.H.; Wagner; 15" Brake; Auto Adj.
Adjuster Kit	83 - 80	F128894S	(H2911)	L.H.; Wagner; 15" Brake; Man. Adj.
Adjuster Kit	83 - 80	F128892	(H2909)	R.H.; Kelsey Hayes
Adjuster Kit	83 - 80	F59158	(H2903)	R.H.; Wagner; 15" Brake; Auto Adj.
Adjuster Kit	83 - 80	F128894S	(H2911)	R.H.; Wagner; 15" Brake; Man. Adj.
Adjuster Screw	83 - 80	F140823	(H1607)	L.H.; Wagner; 15" Brake
Adjuster Screw	83 - 80	F140818	(H1606)	R.H.; Wagner; 15" Brake
Combi Kit	97 - 84	F112096	(H7195)	Lucas

↳Sub-Kit of Combi-Kit is available separately.

Brake Hardware (cont.)

Rear Brake Hardware	Years	Sequential No.	Category No.	Qualifier
Combi Kit	83 - 80	F117014	(H7187)	Kelsey Hayes
↳Return Spring Kit		F73591	(H612)	
Combi Kit	83 - 80	F117027	(H7171)	Wagner
↳Adjuster Spring Kit		F78727	(H451)	
↳Hold Down Kit		F19309	(H5079)	
↳Return Spring Kit		F98318	(H609)	

Calipers - Reman

Front, Loaded	Years	Left No.	Right No.	Qualifier	Piston
Loaded Caliper	97 - 84	AS120313	AS120313	Dayton; 2.50" 2-Piston Caliper; w/6 Holes on Back	M
Loaded Caliper	97 - 83	AS108723	AS108723	Dayton; 2.88" 2-Piston Caliper	M

Front, Unloaded	Years	Left No.	Right No.	Qualifier	Piston
Unloaded Caliper	97 - 84	CR120313	CR120313	Dayton; 2.50" 2-Piston Caliper; w/6 Holes on Back	M
Unloaded Caliper	97 - 83	CR108723	CR108723	Dayton; 2.88" 2-Piston Caliper	M

Hydraulics - New

Master Cylinder	Years	Sequential No.	Category No.	Qualifier
Master Cylinder	97 - 90	F119400	(MC119400)	Split Syst.; Hydro-Max; 1-3/4" Bore
Master Cylinder	97 - 90	F110980	(MC110980)	Split Syst.; Hydro-Max; 2" Bore
Master Cylinder	89 - 84	F119400	(MC119400)	Split Syst.; Hydro-Max; Dash Mtd.; Exc. Tandem; 1-3/4" Bore
Master Cylinder	83 - 80	F75994	(MC75994)	14 x 2-1/2" Brakes; Split Syst.; Frame Mtd.; 1-3/4" Bore
Master Cylinder	83 - 80	F75996	(MC75996)	15 x 3" Brakes; Single Syst.; Frame Mtd.; Exc. Tandem; 1-3/4" Bore
Master Cylinder	83 - 80	F75998	(MC75998)	15 x 3" Brakes; Single Syst.; Frame Mtd.; Tandem; 1-3/4" Bore
Master Cylinder	83 - 80	F75995	(MC75995)	15 x 3" Brakes; Split Syst.; Frame Mtd.; w/6000-7000 lb. FA and 17000-18000 lb. RA; 1-3/4" Bore
Master Cylinder	83 - 80	F75997	(MC75997)	15 x 3" Brakes; Split Syst.; Frame Mtd.; w/6000-7000 lb. FA and 22000 lb. RA; 1-3/4" Bore
Master Cylinder	83 - 80	F75995	(MC75995)	15 x 3" Brakes; Split Syst.; Frame Mtd.; w/9000 lb. FA and 17000 lb. RA; 1-3/4" Bore
Master Cylinder	83 - 80	F75997	(MC75997)	15 x 3" Brakes; Split Syst.; Frame Mtd.; w/9000 lb. FA and 18000-22000 lb. RA; 1-3/4" Bore

Front Wheel Cylinder	Years	Sequential No.	Category No.	Qualifier
Wheel Cylinder	83 - 80	F73531	(WC73531)	L.H.; 15 x 3" Wagner; Lower; 1-1/4" Bore
Wheel Cylinder	83 - 80	F43375	(WC43375)	L.H.; 15 x 3" Wagner; Lower; 1-1/8" Bore
Wheel Cylinder	83 - 80	F73537	(WC73537)	L.H.; 15 x 3" Wagner; Upper; Single Syst.; 1-1/4" Bore
Wheel Cylinder	83 - 80	F73500	(WC73500)	L.H.; 15 x 3" Wagner; Upper; Single Syst.; 1-1/8" Bore
Wheel Cylinder	83 - 80	F73543	(WC73543)	L.H.; 15 x 3" Wagner; Upper; Split Syst.; 1-1/4" Bore
Wheel Cylinder	83 - 80	F71940	(WC71940)	L.H.; 15 x 3" Wagner; Upper; Split Syst.; 1-1/8" Bore
Wheel Cylinder	83 - 80	F73532	(WC73532)	R.H.; 15 x 3" Wagner; Lower; 1-1/4" Bore
Wheel Cylinder	83 - 80	F43376	(WC43376)	R.H.; 15 x 3" Wagner; Lower; 1-1/8" Bore
Wheel Cylinder	83 - 80	F73538	(WC73538)	R.H.; 15 x 3" Wagner; Upper; Single Syst.; 1-1/4" Bore
Wheel Cylinder	83 - 80	F73501	(WC73501)	R.H.; 15 x 3" Wagner; Upper; Single Syst.; 1-1/8" Bore
Wheel Cylinder	83 - 80	F73544	(WC73544)	R.H.; 15 x 3" Wagner; Upper; Split Syst.; 1-1/4" Bore
Wheel Cylinder	83 - 80	F71941	(WC71941)	R.H.; 15 x 3" Wagner; Upper; Split Syst.; 1-1/8" Bore

Rear Wheel Cylinder	Years	Sequential No.	Category No.	Qualifier
Wheel Cylinder	97 - 84	F118104	(WC118104)	L.H.; 15 x 5" Lucas; 1-3/4" Bore
Wheel Cylinder	97 - 84	F118104	(WC118104)	L.H.; 15 x 6" Lucas; 15000-19000 lb. RA; 8000 lb. FA; 1-3/4" Bore
Wheel Cylinder	97 - 84	F118106	(WC118106)	L.H.; 15 x 6" Lucas; 15000-19000 lb. RA; Exc. 8000 lb. FA; 1-5/8" Bore
Wheel Cylinder	97 - 84	F118104	(WC118104)	L.H.; 15 x 7" Lucas; 17500-22000 lb. RA; 1-3/4" Bore
Wheel Cylinder	97 - 84	F118106	(WC118106)	L.H.; 15 x 7" Lucas; 34000 lb. TRA; 1-5/8" Bore
Wheel Cylinder	97 - 84	F118105	(WC118105)	R.H.; 15 x 5" Lucas; 1-3/4" Bore
Wheel Cylinder	97 - 84	F118105	(WC118105)	R.H.; 15 x 6" Lucas; 15000-19000 lb. RA; 8000 lb. FA; 1-3/4" Bore
Wheel Cylinder	97 - 84	F118107	(WC118107)	R.H.; 15 x 6" Lucas; 15000-19000 lb. RA; Exc. 8000 lb. FA; 1-5/8" Bore
Wheel Cylinder	97 - 84	F118105	(WC118105)	R.H.; 15 x 7" Lucas; 17500-22000 lb. RA; 1-3/4" Bore
Wheel Cylinder	97 - 84	F118107	(WC118107)	R.H.; 15 x 7" Lucas; 34000 lb. TRA; 1-5/8" Bore
Wheel Cylinder	83 - 80	F78743	(WC78743)	15 x 5" Kelsey Hayes; 15000 lb. RA; 1-1/2" Bore
Wheel Cylinder	83 - 80	F71238	(WC71238)	15 x 5" Kelsey Hayes; 17500-32000 lb. RA; 1-5/8" Bore
Wheel Cylinder	83 - 80	F24489	(WC24489)	15 x 6" Wagner; 1-5/8" Bore
Wheel Cylinder	83 - 80	F26159	(WC26159)	15 x 7" Wagner; 1-1/2" Bore

↳Sub-Kit of Combi-Kit is available separately.

Piston: M - OE Metal Piston P - OE Phenolic Piston

L800 (cont.)

Hydraulics - New (cont.)

Front Brake Hose	Years	Sequential No.	Category No.	Qualifier
Brake Hose	97 - 90	F111945	(BH111945)	w/Disc Brakes; Exc. Tandem
Brake Hose	97 - 90	F132936	(BH132936)	w/Drum Brakes; Tandem
Brake Hose	89 - 80	F79350	(BH79350)	L.H.; w/Drum Brakes; Split Syst.
Brake Hose	89 - 80	F80962	(BH80962)	R.H.; w/Drum Brakes; Split Syst.
Brake Hose	89 - 80	F97844	(BH97844)	w/Air Disc
Brake Hose	89 - 83	F111945	(BH111945)	w/Disc Brakes
Brake Hose	89 - 80	F80962	(BH80962)	w/Drum Brakes; Single Syst.

Rear Brake Hose	Years	Sequential No.	Category No.	Qualifier
Brake Hose	97 - 84	F110130	(BH110130)	Hyd. Brakes; Forward Tandem Axle; Primary; 2 Req'd
Brake Hose	97 - 84	F110130	(BH110130)	Hyd. Brakes; Rear Tandem Axle; Primary; 2 Req'd
Brake Hose	89 - 84	F111946	(BH111946)	Hyd. Brakes; Forward Tandem Axle; Secondary; 1 Req'd
Brake Hose	83 - 80	F80023	(BH80023)	Exc. Tandem; Single Syst.
Brake Hose	83 - 80	F80023	(BH80023)	Exc. Tandem; Split Syst.; Front Port of Connector
Brake Hose	83 - 80	F80022	(BH80022)	Exc. Tandem; Split Syst.; Rear Port of Connector
Brake Hose	83 - 80	F103205	(BH103205)	Tandem; To Clip on Axle
Brake Hose	83 - 80	F103204	(BH103204)	Tandem; To Frame Bracket

Hydraulics - Reman

Power Brake Booster	Years	Part No.	Qualifier
Power Brake Booster	97 - 84	529806	Dual System; Hydro-Max; Exc. Tandem; w/o Master Cyl.
Power Brake Booster	97 - 84	529808	Dual System; Hydro-Max; Tandem; w/o Master Cyl.
Power Brake Booster	97 - 84	529904	Dual System; Hydro-Max; w/Pump and Motor Assy; w/o Master Cyl.
Power Brake Booster	83 - 80	518007	Dual System; Hydro-Vac; Front; w/Master Cyl.
Power Brake Booster	83 - 80	518030	Dual System; Hydro-Vac; Rear; w/Master Cyl.
Power Brake Booster	83 - 80	518024	Single Syst.; Hydro-Vac; Exc. Tandem; From GG5001; w/Master Cyl.
Power Brake Booster	83 - 80	518025	Single Syst.; Hydro-Vac; Exc. Tandem; To GG5000; w/Master Cyl.
Power Brake Booster	83 - 80	518040	Single Syst.; Hydro-Vac; Tandem; Dual Diaphragm; w/Master Cyl.

L900

Brake Pads & Shoes

Front Pads & Shoes	Years	SevereDuty	Lining No.	Qualifier
Brake Pads	97 - 84	SD224		Dayton; 2.50" 2-Piston Caliper
Brake Pads	97 - 83	SD236		Dayton; 2.88" 2-Piston Caliper
Brake Shoes	97 - 88	4693R	4693	w/Air Brakes; Bendix; 15 x 4
Brake Shoes	97 - 90	4702Q	4702	w/Air Brakes; Rockwell/Meritor; Q-Plus; 15 x 4
Brake Shoes	97 - 80	1308Q	1308T	w/Air Brakes; Rockwell/Meritor; Q-Series; 15 x 4
Brake Shoes	89 - 83	4605R	4605	w/Air Brakes; Bendix; 15 x 6
Brake Shoes	89 - 84	1308E	1308	w/Air Brakes; Eaton; 15 x 4
Brake Shoes	83 - 80	SDS361R	EX2060D-S32	Hyd. Brakes; Kelsey Hayes; 14 x 2-1/2
Brake Shoes	83 - 80	SDS321R	EX1245AD-S32	Hyd. Brakes; Wagner; 15 x 3

Rear Pads & Shoes	Years	SevereDuty	Lining No.	Qualifier
Brake Shoes	97 - 84	SDS542R	EX4528AD-S43	Hyd. Brakes; Lucas; 15 x 5
Brake Shoes	97 - 84	SDS543R	EX4504AD-S43	Hyd. Brakes; Lucas; 15 x 6
Brake Shoes	97 - 84	SDS544AR	EX4505AD-S4Q	Hyd. Brakes; Lucas; 15 x 7
Brake Shoes	97 - 87	4515B	4515E	w/Air Brakes; Bendix; 16-1/2 x 7
Brake Shoes	97 - 90	4707Q	4707	w/Air Brakes; Rockwell/Meritor; Q-Plus; 16-1/2 x 7
Brake Shoes	97 - 80	4515Q	4515E	w/Air Brakes; Rockwell/Meritor; Q-Series; 16-1/2 x 7
Brake Shoes	89 - 80	4311E	4311J	w/Air Brakes; Eaton; 16-1/2 x 7
Brake Shoes	83 - 80	SDS400R	EX4646D-S32	Hyd. Brakes; Kelsey Hayes; 15 x 5
Brake Shoes	83 - 80	SDS381R	EX4596D-S32	Hyd. Brakes; Wagner; 15 x 6
Brake Shoes	83 - 80	SDS383R	EX4597D-S32	Hyd. Brakes; Wagner; 15 x 7
Brake Shoes	83 - 80	4524Q	4524B	w/Air Brakes; Rockwell/Meritor; Q-Series; 16-1/2 x 5
Brake Shoes	83 - 80	4471Q	4471B	w/Air Brakes; Rockwell/Meritor; Q-Series; 18 x 7

Parking Brake Shoes	Years	SevereDuty	Lining No.	Qualifier
Brake Shoes	83 - 80	SDS842R	EX1303AD	10 x 3
Brake Shoes	83 - 80	SDS647	EX2086D	9 x 3

Rotor & Drum				
Front Rotor & Drum	Years	Part No.	Qualifier	
Brake Rotor	97 - 94	BD125485	10000-12000 lb. FA; Hat-Shaped; 10-Hole; 7-1/4" Bolt Circle	
Brake Rotor	97 - 90	BD125087	10000-12000 lb. FA; U-Shaped; 10-Hole	
Brake Rotor	97 - 94	BD125087	10000-12000 lb. FA; U-Shaped; 10-Hole; 11-1/4" Bolt Circle	
Brake Rotor	97 - 94	BD125214	10000-12000 lb. FA; U-Shaped; 6-Hole	
Brake Rotor	97 - 94	BD125617	6000-7000 lb. FA; Hat-Shaped; 10-Hole	
Brake Rotor	97 - 94	BD125085	6000-7000 lb. FA; Hat-Shaped; 6-Hole	
Brake Rotor	97 - 94	BD125485	8000-9000 lb. FA; Hat-Shaped; 10-Hole	
Brake Rotor	97 - 94	BD125086	8000-9000 lb. FA; U-Shaped; 6-Hole	
Brake Rotor	97 - 94	BD125214	8000-9000 lb. FA; U-Shaped; 6-Hole; 11-1/4" Bolt Circle; w/Spoke Wheels	
Brake Rotor	97 - 94	BD125086	8000-9000 lb. FA; U-Shaped; 6-Hole; 8-3/4" Bolt Circle; w/Disc Wheels	
Brake Rotor	93 - 90	BD125087	10000-12000 lb. FA; U-Shaped; 10-Hole; Dayton	
Brake Rotor	93 - 90	BD125214	10000-12000 lb. FA; U-Shaped; 6-Hole; Dayton	
Brake Rotor	93 - 90	BD125085	6000-7000 lb. FA; Hat-Shaped; 6-Hole; Dayton	
Brake Rotor	93 - 90	BD125087	8000-9000 lb. FA; U-Shaped; 10-Hole; Dayton	
Brake Rotor	93 - 90	BD125214	8000-9000 lb. FA; U-Shaped; 6-Hole; 11-1/4" Bolt Circle; Dayton	
Brake Rotor	93 - 90	BD125086	8000-9000 lb. FA; U-Shaped; 6-Hole; 8-3/4" Bolt Circle; Dayton	
Brake Rotor	93 - 90	BD125086	8000-9000 lb. FA; U-Shaped; 6-Hole; Dayton	
Brake Rotor	89 - 84	BD125085	6000-7500 lb. FA; Hat-Shaped; 6-Hole	
Brake Rotor	89 - 84	BD125087	8000-9000 lb. FA; U-Shaped; 10-Hole	
Brake Rotor	89 - 84	BD125214	8000-9000 lb. FA; U-Shaped; 6-Hole; 11-1/4" Bolt Circle	
Brake Rotor	89 - 84	BD125086	8000-9000 lb. FA; U-Shaped; 6-Hole; 8-3/4" Bolt Circle	
Brake Rotor	89 - 84	BD125087	9500-12000 lb. FA; U-Shaped; 10-Hole	
Brake Rotor	89 - 84	BD125214	9500-12000 lb. FA; U-Shaped; 6-Hole	
Rear Rotor & Drum	Years	Part No.	Qualifier	
Brake Drum	97 - 90	BD126376	15 x 5" Hyd. Brakes; Dayton; 20" Spoke Wheel	
Brake Drum	97 - 84	BD126379	15 x 5" Hyd. Brakes; Dayton; 6-Hole Disc Wheel	
Brake Drum	97 - 90	BD126375	15 x 5" Hyd. Brakes; Dayton; 8-Hole Disc Wheel	
Brake Drum	97 - 95	BD126400	15 x 6" Hyd. Brakes; Dayton; 20" Spoke Wheel	
Brake Drum	97 - 90	BD126399	15 x 6" Hyd. Brakes; Dayton; 6-Hole Disc Wheel	
Brake Drum	97 - 90	BD126397	15 x 6" Hyd. Brakes; Dayton; 8-Hole Disc Wheel	
Brake Drum	97 - 90	BD126378	15 x 7" Hyd. Brakes; Budd; 10-Hole Disc Wheel; 15000 lb. RA	
Brake Drum	97 - 90	BD126378	15 x 7" Hyd. Brakes; Budd; 10-Hole Disc Wheel; 17000-18000 lb. RA	
Brake Drum	97 - 90	BD126378	15 x 7" Hyd. Brakes; Budd; 10-Hole Disc Wheel; 20000-21000 lb. RA	
Brake Drum	97 - 89	BD126373	15 x 7" Hyd. Brakes; Budd; 10-Hole Disc Wheel; 34000 lb. TRA	
Brake Drum	97 - 90	BD126377	15 x 7" Hyd. Brakes; Dayton; 20" Spoke Wheel; 17000-18000 lb. RA	
Brake Drum	97 - 90	BD126374	15 x 7" Hyd. Brakes; Dayton; 20" Spoke Wheel; 21000-22000 lb. RA	
Brake Drum	97 - 90	BD126377	15 x 7" Hyd. Brakes; Dayton; 20" Spoke Wheel; 34000 lb. TRA	
Brake Drum	97 - 90	BD126401	15 x 7" Hyd. Brakes; Dayton; 8-Hole Disc Wheel; 17000-19000 lb. RA	
Brake Drum	94	BD126400	From 6/01/94; 15 x 6" Hyd. Brakes; Dayton; 20" Spoke Wheel	
Brake Drum	94	BD126380	To 5/30/94; 15 x 6" Hyd. Brakes; Dayton; 20" Spoke Wheel	
Brake Drum	93 - 84	BD126380	15 x 6" Hyd. Brakes; Dayton; 20" Spoke Wheel	
Brake Drum	89 - 80	BD126399	15 x 6" Hyd. Brakes; Dayton; 6-Hole Disc Wheel; 17000-18000 lb. RA	
Brake Drum	89	BD126373	15 x 7" Hyd. Brakes; Budd; 10-Hole Disc Wheel; 19000 lb. RA	
Brake Drum	89	BD126378	15 x 7" Hyd. Brakes; Budd; 10-Hole Disc Wheel; 22000 lb. RA	
Brake Drum	88 - 80	BD126373	15 x 7" Hyd. Brakes; Budd; 10-Hole Disc Wheel	
Brake Hardware				
Front Brake Hardware	Years	Sequential No.	Category No.	Qualifier
Adjuster Kit	83 - 80	F128898	(H2915)	L.H.; Kelsey Hayes
Adjuster Kit	83 - 80	F59159	(H2904)	L.H.; Wagner
Adjuster Kit	83 - 80	F128899	(H2916)	R.H.; Kelsey Hayes
Adjuster Kit	83 - 80	F59160	(H2905)	R.H.; Wagner
Combi Kit	83 - 80	F117015	(H7186)	Kelsey Hayes
↳Adjuster Spring Kit		F117152S	(H427)	
↳Return Spring Kit		F71521	(H602)	

↳Sub-Kit of Combi-Kit is available separately.

L900 (cont.)

Brake Hardware (cont.)

Front Brake Hardware	Years	Sequential No.	Category No.	Qualifier
Combi Kit	83 - 80	F117025	(H7173)	Wagner
↳Hold Down Kit		F73399	(H4201)	
↳Return Spring Kit		F36445	(H521)	
Disc Align Kit	97 - 84	F134105	(H5613)	Dayton; 2.50" 2-Piston Caliper
Disc Align Kit	97 - 87	F128926	(H5609)	Dayton; 2.88" 2-Piston Caliper
Disc Align Kit	86 - 83	F128927	(H5610)	Dayton; 2.88" 2-Piston Caliper

Rear Brake Hardware	Years	Sequential No.	Category No.	Qualifier
Adjuster Kit	97 - 84	F112097	(H2901)	L.H.; Lucas
Adjuster Kit	97 - 84	F112097	(H2901)	R.H.; Lucas
Adjuster Kit	83 - 80	F128891	(H2908)	L.H.; Kelsey Hayes
Adjuster Kit	83 - 80	F59157	(H2902)	L.H.; Wagner; 15" Brake; Auto Adj.
Adjuster Kit	83 - 80	F128894S	(H2911)	L.H.; Wagner; 15" Brake; Man. Adj.
Adjuster Kit	83 - 80	F128892	(H2909)	R.H.; Kelsey Hayes
Adjuster Kit	83 - 80	F59158	(H2903)	R.H.; Wagner; 15" Brake; Auto Adj.
Adjuster Kit	83 - 80	F128894S	(H2911)	R.H.; Wagner; 15" Brake; Man. Adj.
Adjuster Screw	83 - 80	F140823	(H1607)	L.H.; Wagner; 15" Brake
Adjuster Screw	83 - 80	F140818	(H1606)	R.H.; Wagner; 15" Brake
Combi Kit	97 - 84	F112096	(H7195)	Lucas
Combi Kit	83 - 80	F117014	(H7187)	Kelsey Hayes
↳Return Spring Kit		F73591	(H612)	
Combi Kit	83 - 80	F117027	(H7171)	Wagner
↳Adjuster Spring Kit		F78727	(H451)	
↳Hold Down Kit		F19309	(H5079)	
↳Return Spring Kit		F98318	(H609)	

Calipers - Reman

Front, Loaded	Years	Left No.	Right No.	Qualifier	Piston
Loaded Caliper	97 - 84	AS120313	AS120313	Dayton; 2.50" 2-Piston Caliper; w/6 Holes on Back	M
Loaded Caliper	97 - 83	AS108723	AS108723	Dayton; 2.88" 2-Piston Caliper	M
Front, Unloaded	Years	Left No.	Right No.	Qualifier	Piston
Unloaded Caliper	97 - 84	CR120313	CR120313	Dayton; 2.50" 2-Piston Caliper; w/6 Holes on Back	M
Unloaded Caliper	97 - 83	CR108723	CR108723	Dayton; 2.88" 2-Piston Caliper	M

Hydraulics - New

Master Cylinder	Years	Sequential No.	Category No.	Qualifier
Master Cylinder	97 - 90	F119400	(MC119400)	Split Syst.; Hydro-Max; 1-3/4" Bore
Master Cylinder	97 - 90	F110980	(MC110980)	Split Syst.; Hydro-Max; 2" Bore
Master Cylinder	89 - 84	F119400	(MC119400)	Split Syst.; Hydro-Max; Dash Mtd.; Exc. Tandem; 1-3/4" Bore
Master Cylinder	83 - 80	F75994	(MC75994)	14 x 2-1/2" Brakes; Split Syst.; Frame Mtd.; 1-3/4" Bore
Master Cylinder	83 - 80	F75996	(MC75996)	15 x 3" Brakes; Single Syst.; Frame Mtd.; Exc. Tandem; 1-3/4" Bore
Master Cylinder	83 - 80	F75998	(MC75998)	15 x 3" Brakes; Single Syst.; Frame Mtd.; Tandem; 1-3/4" Bore
Master Cylinder	83 - 80	F75995	(MC75995)	15 x 3" Brakes; Split Syst.; Frame Mtd.; w/6000-7000 lb. FA and 17000-18000 lb. RA; 1-3/4" Bore
Master Cylinder	83 - 80	F75997	(MC75997)	15 x 3" Brakes; Split Syst.; Frame Mtd.; w/6000-7000 lb. FA and 22000 lb. RA; 1-3/4" Bore
Master Cylinder	83 - 80	F75995	(MC75995)	15 x 3" Brakes; Split Syst.; Frame Mtd.; w/9000 lb. FA and 17000 lb. RA; 1-3/4" Bore
Master Cylinder	83 - 80	F75997	(MC75997)	15 x 3" Brakes; Split Syst.; Frame Mtd.; w/9000 lb. FA and 18000-22000 lb. RA; 1-3/4" Bore

Front Wheel Cylinder	Years	Sequential No.	Category No.	Qualifier
Wheel Cylinder	83 - 80	F73531	(WC73531)	L.H.; 15 x 3" Wagner; Lower; 1-1/4" Bore
Wheel Cylinder	83 - 80	F43375	(WC43375)	L.H.; 15 x 3" Wagner; Lower; 1-1/8" Bore
Wheel Cylinder	83 - 80	F73537	(WC73537)	L.H.; 15 x 3" Wagner; Upper; Single Syst.; 1-1/4" Bore
Wheel Cylinder	83 - 80	F73500	(WC73500)	L.H.; 15 x 3" Wagner; Upper; Single Syst.; 1-1/8" Bore
Wheel Cylinder	83 - 80	F73543	(WC73543)	L.H.; 15 x 3" Wagner; Upper; Split Syst.; 1-1/4" Bore
Wheel Cylinder	83 - 80	F71940	(WC71940)	L.H.; 15 x 3" Wagner; Upper; Split Syst.; 1-1/8" Bore
Wheel Cylinder	83 - 80	F73532	(WC73532)	R.H.; 15 x 3" Wagner; Lower; 1-1/4" Bore
Wheel Cylinder	83 - 80	F43376	(WC43376)	R.H.; 15 x 3" Wagner; Lower; 1-1/8" Bore
Wheel Cylinder	83 - 80	F73538	(WC73538)	R.H.; 15 x 3" Wagner; Upper; Single Syst.; 1-1/4" Bore

↳Sub-Kit of Combi-Kit is available separately.

Piston: M - OE Metal Piston P - OE Phenolic Piston

Hydraulics - New (cont.)

Front Wheel Cylinder	Years	Sequential No.	Category No.	Qualifier
Wheel Cylinder	83 - 80	F73501	(WC73501)	R.H.; 15 x 3" Wagner; Upper; Single Syst.; 1-1/8" Bore
Wheel Cylinder	83 - 80	F73544	(WC73544)	R.H.; 15 x 3" Wagner; Upper; Split Syst.; 1-1/4" Bore
Wheel Cylinder	83 - 80	F71941	(WC71941)	R.H.; 15 x 3" Wagner; Upper; Split Syst.; 1-1/8" Bore
Rear Wheel Cylinder	Years	Sequential No.	Category No.	Qualifier
Wheel Cylinder	97 - 84	F118104	(WC118104)	L.H.; 15 x 5" Lucas; 1-3/4" Bore
Wheel Cylinder	97 - 84	F118104	(WC118104)	L.H.; 15 x 6" Lucas; 15000-19000 lb. RA; 8000 lb. FA; 1-3/4" Bore
Wheel Cylinder	97 - 84	F118106	(WC118106)	L.H.; 15 x 6" Lucas; 15000-19000 lb. RA; Exc. 8000 lb. FA; 1-5/8" Bore
Wheel Cylinder	97 - 84	F118104	(WC118104)	L.H.; 15 x 7" Lucas; 17500-22000 lb. RA; 1-3/4" Bore
Wheel Cylinder	97 - 84	F118106	(WC118106)	L.H.; 15 x 7" Lucas; 34000 lb. TRA; 1-5/8" Bore
Wheel Cylinder	97 - 84	F118105	(WC118105)	R.H.; 15 x 5" Lucas; 1-3/4" Bore
Wheel Cylinder	97 - 84	F118105	(WC118105)	R.H.; 15 x 6" Lucas; 15000-19000 lb. RA; 8000 lb. FA; 1-3/4" Bore
Wheel Cylinder	97 - 84	F118107	(WC118107)	R.H.; 15 x 6" Lucas; 15000-19000 lb. RA; Exc. 8000 lb. FA; 1-5/8" Bore
Wheel Cylinder	97 - 84	F118105	(WC118105)	R.H.; 15 x 7" Lucas; 17500-22000 lb. RA; 1-3/4" Bore
Wheel Cylinder	97 - 84	F118107	(WC118107)	R.H.; 15 x 7" Lucas; 34000 lb. TRA; 1-5/8" Bore
Wheel Cylinder	83 - 80	F78743	(WC78743)	15 x 5" Kelsey Hayes; 15000 lb. RA; 1-1/2" Bore
Wheel Cylinder	83 - 80	F71238	(WC71238)	15 x 5" Kelsey Hayes; 17500-32000 lb. RA; 1-5/8" Bore
Wheel Cylinder	83 - 80	F24489	(WC24489)	15 x 6" Wagner; 1-5/8" Bore
Wheel Cylinder	83 - 80	F26159	(WC26159)	15 x 7" Wagner; 1-1/2" Bore
Front Brake Hose	Years	Sequential No.	Category No.	Qualifier
Brake Hose	97 - 90	F111945	(BH111945)	w/Disc Brakes; Exc. Tandem
Brake Hose	97 - 90	F132936	(BH132936)	w/Drum Brakes; Tandem
Brake Hose	89 - 80	F79350	(BH79350)	L.H.; w/Drum Brakes; Split Syst.
Brake Hose	89 - 80	F80962	(BH80962)	R.H.; w/Drum Brakes; Split Syst.
Brake Hose	89 - 80	F97844	(BH97844)	w/Air Disc
Brake Hose	89 - 83	F111945	(BH111945)	w/Disc Brakes
Brake Hose	89 - 80	F80962	(BH80962)	w/Drum Brakes; Single Syst.
Rear Brake Hose	Years	Sequential No.	Category No.	Qualifier
Brake Hose	83 - 80	F80023	(BH80023)	Exc. Tandem; Single Syst.
Brake Hose	83 - 80	F80023	(BH80023)	Exc. Tandem; Split Syst.; Front Port of Connector
Brake Hose	83 - 80	F80022	(BH80022)	Exc. Tandem; Split Syst.; Rear Port of Connector
Brake Hose	83 - 80	F103205	(BH103205)	Tandem; To Clip on Axle
Brake Hose	83 - 80	F103204	(BH103204)	Tandem; To Frame Bracket

Hydraulics - Reman

Power Brake Booster	Years	Part No.	Qualifier
Power Brake Booster	97 - 84	529806	Dual System; Hydro-Max; Exc. Tandem; w/o Master Cyl.
Power Brake Booster	97 - 84	529808	Dual System; Hydro-Max; Tandem; w/o Master Cyl.
Power Brake Booster	97 - 84	529904	Dual System; Hydro-Max; w/Pump and Motor Assy; w/o Master Cyl.
Power Brake Booster	83 - 80	518007	Dual System; Hydro-Vac; Front; w/Master Cyl.
Power Brake Booster	83 - 80	518030	Dual System; Hydro-Vac; Rear; w/Master Cyl.
Power Brake Booster	83 - 80	518025	Single Syst.; Hydro-Vac; Exc. Tandem; To GG5000; w/Master Cyl.
Power Brake Booster	83 - 80	518040	Single Syst.; Hydro-Vac; Tandem; Dual Diaphragm; w/Master Cyl.

FORD MD LA-Series AeroMax
Brake Pads & Shoes

Front Pads & Shoes	Years	SevereDuty	Lining No.	Qualifier
Brake Pads	97 - 90	SD224		Dayton; 2.50" 2-Piston Caliper
Brake Pads	97 - 90	SD236		Dayton; 2.88" 2-Piston Caliper
Brake Shoes	97 - 90	4693R	4693	w/Air Brakes; Bendix; 15 x 4
Brake Shoes	97 - 90	4702Q	4702	w/Air Brakes; Rockwell/Meritor; Q-Plus; 15 x 4
Brake Shoes	97 - 90	1308Q	1308T	w/Air Brakes; Rockwell/Meritor; Q-Series; 15 x 4
Rear Pads & Shoes	Years	SevereDuty	Lining No.	Qualifier
Brake Shoes	97 - 90	SDS542R	EX4528AD-S43	Hyd. Brakes; Lucas; 15 x 5
Brake Shoes	97 - 90	SDS543R	EX4504AD-S43	Hyd. Brakes; Lucas; 15 x 6

LA800 (cont.)

Brake Pads & Shoes (cont.)

Rear Pads & Shoes	Years	SevereDuty	Lining No.	Qualifier
Brake Shoes	97 - 90	SDS544AR	EX4505AD-S4Q	Hyd. Brakes; Lucas; 15 x 7
Brake Shoes	97 - 90	4515B	4515E	w/Air Brakes; Bendix; 16-1/2 x 7
Brake Shoes	97 - 90	4707Q	4707	w/Air Brakes; Rockwell/Meritor; Q-Plus; 16-1/2 x 7
Brake Shoes	97 - 90	4515Q	4515E	w/Air Brakes; Rockwell/Meritor; Q-Series; 16-1/2 x 7

Rotor & Drum

Rear Rotor & Drum	Years	Part No.	Qualifier
Brake Drum	97 - 90	BD126376	15 x 5" Hyd. Brakes; Dayton; 20" Spoke Wheel
Brake Drum	97 - 90	BD126379	15 x 5" Hyd. Brakes; Dayton; 6-Hole Disc Wheel
Brake Drum	97 - 90	BD126375	15 x 5" Hyd. Brakes; Dayton; 8-Hole Disc Wheel
Brake Drum	97 - 95	BD126400	15 x 6" Hyd. Brakes; Dayton; 20" Spoke Wheel
Brake Drum	97 - 90	BD126399	15 x 6" Hyd. Brakes; Dayton; 6-Hole Disc Wheel
Brake Drum	97 - 90	BD126397	15 x 6" Hyd. Brakes; Dayton; 8-Hole Disc Wheel
Brake Drum	97 - 90	BD126378	15 x 7" Hyd. Brakes; Budd; 10-Hole Disc Wheel; 15000 lb. RA
Brake Drum	97 - 90	BD126378	15 x 7" Hyd. Brakes; Budd; 10-Hole Disc Wheel; 17000-18000 lb. RA
Brake Drum	97 - 90	BD126378	15 x 7" Hyd. Brakes; Budd; 10-Hole Disc Wheel; 20000-21000 lb. RA
Brake Drum	97 - 90	BD126373	15 x 7" Hyd. Brakes; Budd; 10-Hole Disc Wheel; 34000 lb. TRA
Brake Drum	97 - 90	BD126377	15 x 7" Hyd. Brakes; Dayton; 20" Spoke Wheel; 17000-18000 lb. RA
Brake Drum	97 - 90	BD126374	15 x 7" Hyd. Brakes; Dayton; 20" Spoke Wheel; 21000-22000 lb. RA
Brake Drum	97 - 90	BD126377	15 x 7" Hyd. Brakes; Dayton; 20" Spoke Wheel; 34000 lb. TRA
Brake Drum	97 - 90	BD126401	15 x 7" Hyd. Brakes; Dayton; 8-Hole Disc Wheel; 17000-19000 lb. RA
Brake Drum	94	BD126400	From 6/01/94; 15 x 6" Hyd. Brakes; Dayton; 20" Spoke Wheel
Brake Drum	94	BD126380	To 5/30/94; 15 x 6" Hyd. Brakes; Dayton; 20" Spoke Wheel
Brake Drum	93 - 90	BD126380	15 x 6" Hyd. Brakes; Dayton; 20" Spoke Wheel

Brake Hardware

Front Brake Hardware	Years	Sequential No.	Category No.	Qualifier
Disc Align Kit	97 - 90	F134105	(H5613)	Dayton; 2.50" 2-Piston Caliper
Disc Align Kit	97 - 90	F128926	(H5609)	Dayton; 2.88" 2-Piston Caliper

Rear Brake Hardware	Years	Sequential No.	Category No.	Qualifier
Adjuster Kit	97 - 90	F112097	(H2901)	L.H.; Lucas
Adjuster Kit	97 - 90	F112097	(H2901)	R.H.; Lucas
Combi Kit	97 - 90	F112096	(H7195)	Lucas

Calipers - Reman

Front, Loaded	Years	Left No.	Right No.	Qualifier	Piston
Loaded Caliper	97 - 90	AS120313	AS120313	Dayton; 2.50" 2-Piston Caliper; w/6 Holes on Back	M
Loaded Caliper	97 - 90	AS108723	AS108723	Dayton; 2.88" 2-Piston Caliper	M

Front, Unloaded	Years	Left No.	Right No.	Qualifier	Piston
Unloaded Caliper	97 - 90	CR120313	CR120313	Dayton; 2.50" 2-Piston Caliper; w/6 Holes on Back	M
Unloaded Caliper	97 - 90	CR108723	CR108723	Dayton; 2.88" 2-Piston Caliper	M

Hydraulics - New

Master Cylinder	Years	Sequential No.	Category No.	Qualifier
Master Cylinder	97 - 90	F119400	(MC119400)	Split Syst.; Hydro-Max; 1-3/4" Bore
Master Cylinder	97 - 90	F110980	(MC110980)	Split Syst.; Hydro-Max; 2" Bore

LA900

Brake Pads & Shoes

Front Pads & Shoes	Years	SevereDuty	Lining No.	Qualifier
Brake Pads	97 - 88	SD224		Dayton; 2.50" 2-Piston Caliper
Brake Pads	97 - 88	SD236		Dayton; 2.88" 2-Piston Caliper
Brake Shoes	97 - 88	4693R	4693	w/Air Brakes; Bendix; 15 x 4
Brake Shoes	97 - 90	4702Q	4702	w/Air Brakes; Rockwell/Meritor; Q-Plus; 15 x 4
Brake Shoes	97 - 88	1308Q	1308T	w/Air Brakes; Rockwell/Meritor; Q-Series; 15 x 4
Brake Shoes	89 - 88	4605R	4605	w/Air Brakes; Bendix; 15 x 6
Brake Shoes	89 - 88	1308E	1308	w/Air Brakes; Eaton; 15 x 4

Piston: M - OE Metal Piston P - OE Phenolic Piston

Brake Pads & Shoes (cont.)

Rear Pads & Shoes	Years	SevereDuty	Lining No.	Qualifier
Brake Shoes	97 - 88	SDS542R	EX4528AD-S43	Hyd. Brakes; Lucas; 15 x 5
Brake Shoes	97 - 88	SDS543R	EX4504AD-S43	Hyd. Brakes; Lucas; 15 x 6
Brake Shoes	97 - 88	SDS544AR	EX4505AD-S4Q	Hyd. Brakes; Lucas; 15 x 7
Brake Shoes	97 - 88	4515B	4515E	w/Air Brakes; Bendix; 16-1/2 x 7
Brake Shoes	97 - 90	4707Q	4707	w/Air Brakes; Rockwell/Meritor; Q-Plus; 16-1/2 x 7
Brake Shoes	97 - 88	4515Q	4515E	w/Air Brakes; Rockwell/Meritor; Q-Series; 16-1/2 x 7
Brake Shoes	89 - 88	4311E	4311J	w/Air Brakes; Eaton; 16-1/2 x 7

Rotor & Drum

Rear Rotor & Drum	Years	Part No.	Qualifier
Brake Drum	97 - 90	BD126376	15 x 5" Hyd. Brakes; Dayton; 20" Spoke Wheel
Brake Drum	97 - 88	BD126379	15 x 5" Hyd. Brakes; Dayton; 6-Hole Disc Wheel
Brake Drum	97 - 90	BD126375	15 x 5" Hyd. Brakes; Dayton; 8-Hole Disc Wheel
Brake Drum	97 - 95	BD126400	15 x 6" Hyd. Brakes; Dayton; 20" Spoke Wheel
Brake Drum	97 - 90	BD126399	15 x 6" Hyd. Brakes; Dayton; 6-Hole Disc Wheel
Brake Drum	97 - 90	BD126397	15 x 6" Hyd. Brakes; Dayton; 8-Hole Disc Wheel
Brake Drum	97 - 90	BD126378	15 x 7" Hyd. Brakes; Budd; 10-Hole Disc Wheel; 15000 lb. RA
Brake Drum	97 - 90	BD126378	15 x 7" Hyd. Brakes; Budd; 10-Hole Disc Wheel; 17000-18000 lb. RA
Brake Drum	97 - 90	BD126378	15 x 7" Hyd. Brakes; Budd; 10-Hole Disc Wheel; 20000-21000 lb. RA
Brake Drum	97 - 89	BD126373	15 x 7" Hyd. Brakes; Budd; 10-Hole Disc Wheel; 34000 lb. TRA
Brake Drum	97 - 90	BD126377	15 x 7" Hyd. Brakes; Dayton; 20" Spoke Wheel; 17000-18000 lb. RA
Brake Drum	97 - 90	BD126374	15 x 7" Hyd. Brakes; Dayton; 20" Spoke Wheel; 21000-22000 lb. RA
Brake Drum	97 - 90	BD126377	15 x 7" Hyd. Brakes; Dayton; 20" Spoke Wheel; 34000 lb. TRA
Brake Drum	97 - 90	BD126401	15 x 7" Hyd. Brakes; Dayton; 8-Hole Disc Wheel; 17000-19000 lb. RA
Brake Drum	94	BD126400	From 6/01/94; 15 x 6" Hyd. Brakes; Dayton; 20" Spoke Wheel
Brake Drum	94	BD126380	To 5/30/94; 15 x 6" Hyd. Brakes; Dayton; 20" Spoke Wheel
Brake Drum	93 - 88	BD126380	15 x 6" Hyd. Brakes; Dayton; 20" Spoke Wheel
Brake Drum	89 - 88	BD126399	15 x 6" Hyd. Brakes; Dayton; 6-Hole Disc Wheel; 17000-18000 lb. RA
Brake Drum	89	BD126373	15 x 7" Hyd. Brakes; Budd; 10-Hole Disc Wheel; 19000 lb. RA
Brake Drum	89	BD126378	15 x 7" Hyd. Brakes; Budd; 10-Hole Disc Wheel; 22000 lb. RA
Brake Drum	88	BD126373	15 x 7" Hyd. Brakes; Budd; 10-Hole Disc Wheel

Brake Hardware

Front Brake Hardware	Years	Sequential No.	Category No.	Qualifier
Disc Align Kit	97 - 88	F134105	(H5613)	Dayton; 2.50" 2-Piston Caliper
Disc Align Kit	97 - 88	F128926	(H5609)	Dayton; 2.88" 2-Piston Caliper

Rear Brake Hardware	Years	Sequential No.	Category No.	Qualifier
Adjuster Kit	97 - 88	F112097	(H2901)	L.H.; Lucas
Adjuster Kit	97 - 88	F112097	(H2901)	R.H.; Lucas
Combi Kit	97 - 88	F112096	(H7195)	Lucas

Calipers - Reman

Front, Loaded	Years	Left No.	Right No.	Qualifier	Piston
Loaded Caliper	97 - 88	AS120313	AS120313	Dayton; 2.50" 2-Piston Caliper; w/6 Holes on Back	M
Loaded Caliper	97 - 88	AS108723	AS108723	Dayton; 2.88" 2-Piston Caliper	M

Front, Unloaded	Years	Left No.	Right No.	Qualifier	Piston
Unloaded Caliper	97 - 88	CR120313	CR120313	Dayton; 2.50" 2-Piston Caliper; w/6 Holes on Back	M
Unloaded Caliper	97 - 88	CR108723	CR108723	Dayton; 2.88" 2-Piston Caliper	M

Hydraulics - New

Master Cylinder	Years	Sequential No.	Category No.	Qualifier
Master Cylinder	97 - 88	F119400	(MC119400)	Split Syst.; Hydro-Max; 1-3/4" Bore
Master Cylinder	97 - 88	F110980	(MC110980)	Split Syst.; Hydro-Max; 2" Bore

Front Brake Hose	Years	Sequential No.	Category No.	Qualifier
Brake Hose	97 - 90	F132936	(BH132936)	Hyd. Brakes

Piston: M - OE Metal Piston P - OE Phenolic Piston

CD4				
Brake Pads & Shoes				
Front Pads & Shoes	Years	SevereDuty	Lining No.	Qualifier
Brake Pads	06	SD1066		2.36" 2-Piston Caliper
Rear Pads & Shoes	Years	SevereDuty	Lining No.	Qualifier
Brake Pads	06	SD1066		2.36" 2-Piston Caliper

CD5				
Brake Pads & Shoes				
Front Pads & Shoes	Years	SevereDuty	Lining No.	Qualifier
Brake Pads	06	SD1066		2.36" 2-Piston Caliper
Rear Pads & Shoes	Years	SevereDuty	Lining No.	Qualifier
Brake Pads	06	SD1066		2.36" 2-Piston Caliper

FORD MD LL-Series

LL900				
Brake Pads & Shoes				
Front Pads & Shoes	Years	SevereDuty	Lining No.	Qualifier
Brake Pads	97 - 84	SD224		Dayton; 2.50" 2-Piston Caliper
Brake Pads	97 - 83	SD236		Dayton; 2.88" 2-Piston Caliper
Brake Shoes	97 - 88	4693R	4693	w/Air Brakes; Bendix; 15 x 4
Brake Shoes	97 - 90	4702Q	4702	w/Air Brakes; Rockwell/Meritor; Q-Plus; 15 x 4
Brake Shoes	97 - 82	1308Q	1308T	w/Air Brakes; Rockwell/Meritor; Q-Series; 15 x 4
Brake Shoes	89 - 83	4605R	4605	w/Air Brakes; Bendix; 15 x 6
Brake Shoes	89 - 84	1308E	1308	w/Air Brakes; Eaton; 15 x 4
Brake Shoes	83 - 82	SDS361R	EX2060D-S32	Hyd. Brakes; Kelsey Hayes; 14 x 2-1/2
Brake Shoes	83 - 82	SDS321R	EX1245AD-S32	Hyd. Brakes; Wagner; 15 x 3
Rear Pads & Shoes	Years	SevereDuty	Lining No.	Qualifier
Brake Shoes	97 - 84	SDS542R	EX4528AD-S43	Hyd. Brakes; Lucas; 15 x 5
Brake Shoes	97 - 84	SDS543R	EX4504AD-S43	Hyd. Brakes; Lucas; 15 x 6
Brake Shoes	97 - 84	SDS544AR	EX4505AD-S4Q	Hyd. Brakes; Lucas; 15 x 7
Brake Shoes	97 - 87	4515B	4515E	w/Air Brakes; Bendix; 16-1/2 x 7
Brake Shoes	97 - 90	4707Q	4707	w/Air Brakes; Rockwell/Meritor; Q-Plus; 16-1/2 x 7
Brake Shoes	97 - 82	4515Q	4515E	w/Air Brakes; Rockwell/Meritor; Q-Series; 16-1/2 x 7
Brake Shoes	89 - 82	4311E	4311J	w/Air Brakes; Eaton; 16-1/2 x 7
Brake Shoes	83 - 82	SDS400R	EX4646D-S32	Hyd. Brakes; Kelsey Hayes; 15 x 5
Brake Shoes	83 - 82	SDS381R	EX4596D-S32	Hyd. Brakes; Wagner; 15 x 6
Brake Shoes	83 - 82	SDS383R	EX4597D-S32	Hyd. Brakes; Wagner; 15 x 7
Brake Shoes	83 - 82	SDS386R	EX1255D-S32	Hyd. Brakes; Wagner; 16 x 6
Brake Shoes	83 - 82	4524Q	4524B	w/Air Brakes; Rockwell/Meritor; Q-Series; 16-1/2 x 5
Brake Shoes	83 - 82	4471Q	4471B	w/Air Brakes; Rockwell/Meritor; Q-Series; 18 x 7
Parking Brake Shoes	Years	SevereDuty	Lining No.	Qualifier
Brake Shoes	83 - 82	SDS842R	EX1303AD	10 x 3
Brake Shoes	83 - 82	SDS647	EX2086D	9 x 3

Rotor & Drum			
Rear Rotor & Drum	Years	Part No.	Qualifier
Brake Drum	97 - 90	BD126376	15 x 5" Hyd. Brakes; Dayton; 20" Spoke Wheel
Brake Drum	97 - 84	BD126379	15 x 5" Hyd. Brakes; Dayton; 6-Hole Disc Wheel
Brake Drum	97 - 90	BD126375	15 x 5" Hyd. Brakes; Dayton; 8-Hole Disc Wheel
Brake Drum	97 - 95	BD126400	15 x 6" Hyd. Brakes; Dayton; 20" Spoke Wheel
Brake Drum	97 - 90	BD126399	15 x 6" Hyd. Brakes; Dayton; 6-Hole Disc Wheel
Brake Drum	97 - 90	BD126397	15 x 6" Hyd. Brakes; Dayton; 8-Hole Disc Wheel
Brake Drum	97 - 90	BD126378	15 x 7" Hyd. Brakes; Budd; 10-Hole Disc Wheel; 15000 lb. RA
Brake Drum	97 - 90	BD126378	15 x 7" Hyd. Brakes; Budd; 10-Hole Disc Wheel; 17000-18000 lb. RA
Brake Drum	97 - 90	BD126378	15 x 7" Hyd. Brakes; Budd; 10-Hole Disc Wheel; 20000-21000 lb. RA
Brake Drum	97 - 89	BD126373	15 x 7" Hyd. Brakes; Budd; 10-Hole Disc Wheel; 34000 lb. TRA
Brake Drum	97 - 90	BD126377	15 x 7" Hyd. Brakes; Dayton; 20" Spoke Wheel; 17000-18000 lb. RA

Rotor & Drum (cont.)

Rear Rotor & Drum	Years	Part No.	Qualifier
Brake Drum	97 - 90	BD126374	15 x 7" Hyd. Brakes; Dayton; 20" Spoke Wheel; 21000-22000 lb. RA
Brake Drum	97 - 90	BD126377	15 x 7" Hyd. Brakes; Dayton; 20" Spoke Wheel; 34000 lb. TRA
Brake Drum	97 - 90	BD126401	15 x 7" Hyd. Brakes; Dayton; 8-Hole Disc Wheel; 17000-19000 lb. RA
Brake Drum	94	BD126400	From 6/01/94; 15 x 6" Hyd. Brakes; Dayton; 20" Spoke Wheel
Brake Drum	94	BD126380	To 5/30/94; 15 x 6" Hyd. Brakes; Dayton; 20" Spoke Wheel
Brake Drum	93 - 84	BD126380	15 x 6" Hyd. Brakes; Dayton; 20" Spoke Wheel
Brake Drum	89 - 82	BD126399	15 x 6" Hyd. Brakes; Dayton; 6-Hole Disc Wheel; 17000-18000 lb. RA
Brake Drum	89	BD126373	15 x 7" Hyd. Brakes; Budd; 10-Hole Disc Wheel; 19000 lb. RA
Brake Drum	89	BD126378	15 x 7" Hyd. Brakes; Budd; 10-Hole Disc Wheel; 22000 lb. RA
Brake Drum	88 - 82	BD126373	15 x 7" Hyd. Brakes; Budd; 10-Hole Disc Wheel

Brake Hardware

Front Brake Hardware	Years	Sequential No.	Category No.	Qualifier
Adjuster Kit	83 - 82	F128898	(H2915)	L.H.; Kelsey Hayes
Adjuster Kit	83 - 82	F59159	(H2904)	L.H.; Wagner
Adjuster Kit	83 - 82	F128899	(H2916)	R.H.; Kelsey Hayes
Adjuster Kit	83 - 82	F59160	(H2905)	R.H.; Wagner
Combi Kit	83 - 82	F117015	(H7186)	Kelsey Hayes
↳Adjuster Spring Kit		F117152S	(H427)	
↳Return Spring Kit		F71521	(H602)	
Combi Kit	83 - 82	F117025	(H7173)	Wagner
↳Hold Down Kit		F73399	(H4201)	
↳Return Spring Kit		F36445	(H521)	
Disc Align Kit	97 - 84	F134105	(H5613)	Dayton; 2.50" 2-Piston Caliper
Disc Align Kit	97 - 87	F128926	(H5609)	Dayton; 2.88" 2-Piston Caliper
Disc Align Kit	86 - 83	F128927	(H5610)	Dayton; 2.88" 2-Piston Caliper

Rear Brake Hardware	Years	Sequential No.	Category No.	Qualifier
Adjuster Kit	97 - 84	F112097	(H2901)	L.H.; Lucas
Adjuster Kit	97 - 84	F112097	(H2901)	R.H.; Lucas
Adjuster Kit	83 - 82	F128891	(H2908)	L.H.; Kelsey Hayes
Adjuster Kit	83 - 82	F59157	(H2902)	L.H.; Wagner; 15" Brake; Auto Adj.
Adjuster Kit	83 - 82	F128894S	(H2911)	L.H.; Wagner; 15" Brake; Man. Adj.
Adjuster Kit	83 - 82	F128895S	(H2912)	L.H.; Wagner; 16" Brake; Man. Adj.
Adjuster Kit	83 - 82	F128892	(H2909)	R.H.; Kelsey Hayes
Adjuster Kit	83 - 82	F59158	(H2903)	R.H.; Wagner; 15" Brake; Auto Adj.
Adjuster Kit	83 - 82	F128894S	(H2911)	R.H.; Wagner; 15" Brake; Man. Adj.
Adjuster Kit	83 - 82	F128895S	(H2912)	R.H.; Wagner; 16" Brake; Man. Adj.
Adjuster Screw	83 - 82	F140823	(H1607)	L.H.; Wagner; 15" Brake
Adjuster Screw	83 - 82	F19291	(H1700)	L.H.; Wagner; 16" Brake
Adjuster Screw	83 - 82	F140818	(H1606)	R.H.; Wagner; 15" Brake
Adjuster Screw	83 - 82	F19292	(H1701)	R.H.; Wagner; 16" Brake
Combi Kit	97 - 84	F112096	(H7195)	Lucas
Combi Kit	83 - 82	F117014	(H7187)	Kelsey Hayes
↳Return Spring Kit		F73591	(H612)	
Combi Kit	83 - 82	F117027	(H7171)	Wagner
↳Adjuster Spring Kit		F78727	(H451)	
↳Hold Down Kit		F19309	(H5079)	
↳Return Spring Kit		F98318	(H609)	

Calipers - Reman

Front, Loaded	Years	Left No.	Right No.	Qualifier	Piston
Loaded Caliper	97 - 84	AS120313	AS120313	Dayton; 2.50" 2-Piston Caliper; w/6 Holes on Back	M
Loaded Caliper	97 - 83	AS108723	AS108723	Dayton; 2.88" 2-Piston Caliper	M
Front, Unloaded	Years	Left No.	Right No.	Qualifier	Piston
Unloaded Caliper	97 - 84	CR120313	CR120313	Dayton; 2.50" 2-Piston Caliper; w/6 Holes on Back	M
Unloaded Caliper	97 - 83	CR108723	CR108723	Dayton; 2.88" 2-Piston Caliper	M

↳Sub-Kit of Combi-Kit is available separately.

Piston: M - OE Metal Piston P - OE Phenolic Piston

LL900 (cont.)

Hydraulics - New				
Master Cylinder	Years	Sequential No.	Category No.	Qualifier
Master Cylinder	97 - 84	F119400	(MC119400)	Split Syst.; Hydro-Max; 1-3/4" Bore
Master Cylinder	97 - 84	F110980	(MC110980)	Split Syst.; Hydro-Max; 2" Bore
Master Cylinder	83	F119401	(MC119401)	Single Syst.; 1-3/4" Bore
Master Cylinder	83	F119398	(MC119398)	Split Syst.; Hydro-Max; 1-3/4" Bore
Master Cylinder	82	F119401	(MC119401)	Hydro-Max; 1-3/4" Bore
Front Wheel Cylinder	Years	Sequential No.	Category No.	Qualifier
Wheel Cylinder	83 - 82	F73531	(WC73531)	L.H.; 15 x 3" Wagner; Lower; 1-1/4" Bore
Wheel Cylinder	83 - 82	F43375	(WC43375)	L.H.; 15 x 3" Wagner; Lower; 1-1/8" Bore
Wheel Cylinder	83 - 82	F73537	(WC73537)	L.H.; 15 x 3" Wagner; Upper; Single Syst.; 1-1/4" Bore
Wheel Cylinder	83 - 82	F73500	(WC73500)	L.H.; 15 x 3" Wagner; Upper; Single Syst.; 1-1/8" Bore
Wheel Cylinder	83 - 82	F73543	(WC73543)	L.H.; 15 x 3" Wagner; Upper; Split Syst.; 1-1/4" Bore
Wheel Cylinder	83 - 82	F71940	(WC71940)	L.H.; 15 x 3" Wagner; Upper; Split Syst.; 1-1/8" Bore
Wheel Cylinder	83 - 82	F73532	(WC73532)	R.H.; 15 x 3" Wagner; Lower; 1-1/4" Bore
Wheel Cylinder	83 - 82	F43376	(WC43376)	R.H.; 15 x 3" Wagner; Lower; 1-1/8" Bore
Wheel Cylinder	83 - 82	F73538	(WC73538)	R.H.; 15 x 3" Wagner; Upper; Single Syst.; 1-1/4" Bore
Wheel Cylinder	83 - 82	F73501	(WC73501)	R.H.; 15 x 3" Wagner; Upper; Single Syst.; 1-1/8" Bore
Wheel Cylinder	83 - 82	F73544	(WC73544)	R.H.; 15 x 3" Wagner; Upper; Split Syst.; 1-1/4" Bore
Wheel Cylinder	83 - 82	F71941	(WC71941)	R.H.; 15 x 3" Wagner; Upper; Split Syst.; 1-1/8" Bore
Rear Wheel Cylinder	Years	Sequential No.	Category No.	Qualifier
Wheel Cylinder	97 - 84	F118104	(WC118104)	L.H.; 15 x 6" Lucas; 15000-19000 lb. RA; 8000 lb. FA; 1-3/4" Bore
Wheel Cylinder	97 - 84	F118106	(WC118106)	L.H.; 15 x 6" Lucas; 15000-19000 lb. RA; Exc. 8000 lb. FA; 1-5/8" Bore
Wheel Cylinder	97 - 84	F118104	(WC118104)	L.H.; 15 x 7" Lucas; 17500-22000 lb. RA; 1-3/4" Bore
Wheel Cylinder	97 - 84	F118106	(WC118106)	L.H.; 15 x 7" Lucas; 34000 lb. TRA; 1-5/8" Bore
Wheel Cylinder	97 - 84	F118105	(WC118105)	R.H.; 15 x 6" Lucas; 15000-19000 lb. RA; 8000 lb. FA; 1-3/4" Bore
Wheel Cylinder	97 - 84	F118107	(WC118107)	R.H.; 15 x 6" Lucas; 15000-19000 lb. RA; Exc. 8000 lb. FA; 1-5/8" Bore
Wheel Cylinder	97 - 84	F118105	(WC118105)	R.H.; 15 x 7" Lucas; 17500-22000 lb. RA; 1-3/4" Bore
Wheel Cylinder	97 - 84	F118107	(WC118107)	R.H.; 15 x 7" Lucas; 34000 lb. TRA; 1-5/8" Bore
Wheel Cylinder	83 - 82	F24489	(WC24489)	15 x 6" Wagner; 1-5/8" Bore
Wheel Cylinder	83 - 82	F26159	(WC26159)	15 x 7" Wagner; 1-1/2" Bore

FORD MD LLA-Series

LLA900				
Brake Pads & Shoes				
Front Pads & Shoes	Years	SevereDuty	Lining No.	Qualifier
Brake Pads	97 - 90	SD224		Dayton; 2.50" 2-Piston Caliper
Brake Pads	97 - 90	SD236		Dayton; 2.88" 2-Piston Caliper
Brake Shoes	97 - 90	4693R	4693	w/Air Brakes; Bendix; 15 x 4
Brake Shoes	97 - 90	4702Q	4702	w/Air Brakes; Rockwell/Meritor; Q-Plus; 15 x 4
Brake Shoes	97 - 90	1308Q	1308T	w/Air Brakes; Rockwell/Meritor; Q-Series; 15 x 4
Rear Pads & Shoes	Years	SevereDuty	Lining No.	Qualifier
Brake Shoes	97 - 90	SDS542R	EX4528AD-S43	Hyd. Brakes; Lucas; 15 x 5
Brake Shoes	97 - 90	SDS543R	EX4504AD-S43	Hyd. Brakes; Lucas; 15 x 6
Brake Shoes	97 - 90	SDS544AR	EX4505AD-S4Q	Hyd. Brakes; Lucas; 15 x 7
Brake Shoes	97 - 90	4515B	4515E	w/Air Brakes; Bendix; 16-1/2 x 7
Brake Shoes	97 - 90	4707Q	4707	w/Air Brakes; Rockwell/Meritor; Q-Plus; 16-1/2 x 7
Brake Shoes	97 - 90	4515Q	4515E	w/Air Brakes; Rockwell/Meritor; Q-Series; 16-1/2 x 7
Rotor & Drum				
Rear Rotor & Drum	Years	Part No.	Qualifier	
Brake Drum	97 - 90	BD126376	15 x 5" Hyd. Brakes; Dayton; 20" Spoke Wheel	
Brake Drum	97 - 90	BD126379	15 x 5" Hyd. Brakes; Dayton; 6-Hole Disc Wheel	
Brake Drum	97 - 90	BD126375	15 x 5" Hyd. Brakes; Dayton; 8-Hole Disc Wheel	
Brake Drum	97 - 95	BD126400	15 x 6" Hyd. Brakes; Dayton; 20" Spoke Wheel	
Brake Drum	97 - 90	BD126399	15 x 6" Hyd. Brakes; Dayton; 6-Hole Disc Wheel	
Brake Drum	97 - 90	BD126397	15 x 6" Hyd. Brakes; Dayton; 8-Hole Disc Wheel	

LLA900 (cont.)
Rotor & Drum (cont.)

Rear Rotor & Drum	Years	Part No.	Qualifier
Brake Drum	97 - 90	BD126378	15 x 7" Hyd. Brakes; Budd; 10-Hole Disc Wheel; 15000 lb. RA
Brake Drum	97 - 90	BD126378	15 x 7" Hyd. Brakes; Budd; 10-Hole Disc Wheel; 17000-18000 lb. RA
Brake Drum	97 - 90	BD126378	15 x 7" Hyd. Brakes; Budd; 10-Hole Disc Wheel; 20000-21000 lb. RA
Brake Drum	97 - 90	BD126373	15 x 7" Hyd. Brakes; Budd; 10-Hole Disc Wheel; 34000 lb. TRA
Brake Drum	97 - 90	BD126377	15 x 7" Hyd. Brakes; Dayton; 20" Spoke Wheel; 17000-18000 lb. RA
Brake Drum	97 - 90	BD126374	15 x 7" Hyd. Brakes; Dayton; 20" Spoke Wheel; 21000-22000 lb. RA
Brake Drum	97 - 90	BD126377	15 x 7" Hyd. Brakes; Dayton; 20" Spoke Wheel; 34000 lb. TRA
Brake Drum	97 - 90	BD126401	15 x 7" Hyd. Brakes; Dayton; 8-Hole Disc Wheel; 17000-19000 lb. RA
Brake Drum	94	BD126400	From 6/01/94; 15 x 6" Hyd. Brakes; Dayton; 20" Spoke Wheel
Brake Drum	94	BD126380	To 5/30/94; 15 x 6" Hyd. Brakes; Dayton; 20" Spoke Wheel
Brake Drum	93 - 90	BD126380	15 x 6" Hyd. Brakes; Dayton; 20" Spoke Wheel

Brake Hardware

Front Brake Hardware	Years	Sequential No.	Category No.	Qualifier
Disc Align Kit	97 - 90	F134105	(H5613)	Dayton; 2.50" 2-Piston Caliper
Disc Align Kit	97 - 90	F128926	(H5609)	Dayton; 2.88" 2-Piston Caliper

Rear Brake Hardware	Years	Sequential No.	Category No.	Qualifier
Adjuster Kit	97 - 90	F112097	(H2901)	L.H.; Lucas
Adjuster Kit	97 - 90	F112097	(H2901)	R.H.; Lucas
Combi Kit	97 - 90	F112096	(H7195)	Lucas

Calipers - Reman

Front, Loaded	Years	Left No.	Right No.	Qualifier	Piston
Loaded Caliper	97 - 90	AS120313	AS120313	Dayton; 2.50" 2-Piston Caliper; w/6 Holes on Back	M
Loaded Caliper	97 - 90	AS108723	AS108723	Dayton; 2.88" 2-Piston Caliper	M

Front, Unloaded	Years	Left No.	Right No.	Qualifier	Piston
Unloaded Caliper	97 - 90	CR120313	CR120313	Dayton; 2.50" 2-Piston Caliper; w/6 Holes on Back	M
Unloaded Caliper	97 - 90	CR108723	CR108723	Dayton; 2.88" 2-Piston Caliper	M

Hydraulics - New

Master Cylinder	Years	Sequential No.	Category No.	Qualifier
Master Cylinder	97 - 90	F119400	(MC119400)	Split Syst.; Hydro-Max; 1-3/4" Bore
Master Cylinder	97 - 90	F110980	(MC110980)	Split Syst.; Hydro-Max; 2" Bore

Front Brake Hose	Years	Sequential No.	Category No.	Qualifier
Brake Hose	97 - 90	F132936	(BH132936)	Hyd. Brakes

FORD MD LLS-Series
LLS900
Brake Pads & Shoes

Front Pads & Shoes	Years	SevereDuty	Lining No.	Qualifier
Brake Pads	97 - 90	SD224		Dayton; 2.50" 2-Piston Caliper
Brake Pads	97 - 90	SD236		Dayton; 2.88" 2-Piston Caliper
Brake Shoes	97 - 90	4693R	4693	w/Air Brakes; Bendix; 15 x 4
Brake Shoes	97 - 90	4702Q	4702	w/Air Brakes; Rockwell/Meritor; Q-Plus; 15 x 4
Brake Shoes	97 - 90	1308Q	1308T	w/Air Brakes; Rockwell/Meritor; Q-Series; 15 x 4

Rear Pads & Shoes	Years	SevereDuty	Lining No.	Qualifier
Brake Shoes	97 - 90	SDS542R	EX4528AD-S43	Hyd. Brakes; Lucas; 15 x 5
Brake Shoes	97 - 90	SDS543R	EX4504AD-S43	Hyd. Brakes; Lucas; 15 x 6
Brake Shoes	97 - 90	SDS544AR	EX4505AD-S4Q	Hyd. Brakes; Lucas; 15 x 7
Brake Shoes	97 - 90	4515B	4515E	w/Air Brakes; Bendix; 16-1/2 x 7
Brake Shoes	97 - 90	4707Q	4707	w/Air Brakes; Rockwell/Meritor; Q-Plus; 16-1/2 x 7
Brake Shoes	97 - 90	4515Q	4515E	w/Air Brakes; Rockwell/Meritor; Q-Series; 16-1/2 x 7

Rotor & Drum

Rear Rotor & Drum	Years	Part No.	Qualifier
Brake Drum	97 - 90	BD126376	15 x 5" Hyd. Brakes; Dayton; 20" Spoke Wheel
Brake Drum	97 - 90	BD126379	15 x 5" Hyd. Brakes; Dayton; 6-Hole Disc Wheel

Piston: M - OE Metal Piston P - OE Phenolic Piston

LLS900 (cont.)

Rotor & Drum (cont.)

<i>Rear Rotor & Drum</i>	<i>Years</i>	<i>Part No.</i>	<i>Qualifier</i>
Brake Drum	97 - 90	BD126375	15 x 5" Hyd. Brakes; Dayton; 8-Hole Disc Wheel
Brake Drum	97 - 95	BD126400	15 x 6" Hyd. Brakes; Dayton; 20" Spoke Wheel
Brake Drum	97 - 90	BD126399	15 x 6" Hyd. Brakes; Dayton; 6-Hole Disc Wheel
Brake Drum	97 - 90	BD126397	15 x 6" Hyd. Brakes; Dayton; 8-Hole Disc Wheel
Brake Drum	97 - 90	BD126378	15 x 7" Hyd. Brakes; Budd; 10-Hole Disc Wheel; 15000 lb. RA
Brake Drum	97 - 90	BD126378	15 x 7" Hyd. Brakes; Budd; 10-Hole Disc Wheel; 17000-18000 lb. RA
Brake Drum	97 - 90	BD126378	15 x 7" Hyd. Brakes; Budd; 10-Hole Disc Wheel; 20000-21000 lb. RA
Brake Drum	97 - 90	BD126373	15 x 7" Hyd. Brakes; Budd; 10-Hole Disc Wheel; 34000 lb. TRA
Brake Drum	97 - 90	BD126377	15 x 7" Hyd. Brakes; Dayton; 20" Spoke Wheel; 17000-18000 lb. RA
Brake Drum	97 - 90	BD126374	15 x 7" Hyd. Brakes; Dayton; 20" Spoke Wheel; 21000-22000 lb. RA
Brake Drum	97 - 90	BD126377	15 x 7" Hyd. Brakes; Dayton; 20" Spoke Wheel; 34000 lb. TRA
Brake Drum	97 - 90	BD126401	15 x 7" Hyd. Brakes; Dayton; 8-Hole Disc Wheel; 17000-19000 lb. RA
Brake Drum	94	BD126400	From 6/01/94; 15 x 6" Hyd. Brakes; Dayton; 20" Spoke Wheel
Brake Drum	94	BD126380	To 5/30/94; 15 x 6" Hyd. Brakes; Dayton; 20" Spoke Wheel
Brake Drum	93 - 90	BD126380	15 x 6" Hyd. Brakes; Dayton; 20" Spoke Wheel

Brake Hardware

<i>Front Brake Hardware</i>	<i>Years</i>	<i>Sequential No.</i>	<i>Category No.</i>	<i>Qualifier</i>
Disc Align Kit	97 - 90	F134105	(H5613)	Dayton; 2.50" 2-Piston Caliper
Disc Align Kit	97 - 90	F128926	(H5609)	Dayton; 2.88" 2-Piston Caliper

<i>Rear Brake Hardware</i>	<i>Years</i>	<i>Sequential No.</i>	<i>Category No.</i>	<i>Qualifier</i>
Adjuster Kit	97 - 90	F112097	(H2901)	L.H.; Lucas
Adjuster Kit	97 - 90	F112097	(H2901)	R.H.; Lucas
Combi Kit	97 - 90	F112096	(H7195)	Lucas

Calipers - Reman

<i>Front, Loaded</i>	<i>Years</i>	<i>Left No.</i>	<i>Right No.</i>	<i>Qualifier</i>	<i>Piston</i>
Loaded Caliper	97 - 90	AS120313	AS120313	Dayton; 2.50" 2-Piston Caliper; w/6 Holes on Back	M
Loaded Caliper	97 - 90	AS108723	AS108723	Dayton; 2.88" 2-Piston Caliper	M

<i>Front, Unloaded</i>	<i>Years</i>	<i>Left No.</i>	<i>Right No.</i>	<i>Qualifier</i>	<i>Piston</i>
Unloaded Caliper	97 - 90	CR120313	CR120313	Dayton; 2.50" 2-Piston Caliper; w/6 Holes on Back	M
Unloaded Caliper	97 - 90	CR108723	CR108723	Dayton; 2.88" 2-Piston Caliper	M

Hydraulics - New

<i>Master Cylinder</i>	<i>Years</i>	<i>Sequential No.</i>	<i>Category No.</i>	<i>Qualifier</i>
Master Cylinder	97 - 90	F119400	(MC119400)	Split Syst.; Hydro-Max; 1-3/4" Bore
Master Cylinder	97 - 90	F110980	(MC110980)	Split Syst.; Hydro-Max; 2" Bore

FORD MD LN-Series

LN600

Brake Pads & Shoes

<i>Front Pads & Shoes</i>	<i>Years</i>	<i>SevereDuty</i>	<i>Lining No.</i>	<i>Qualifier</i>
Brake Pads	85 - 84	SD224		Dayton; 2.50" 2-Piston Caliper
Brake Pads	85 - 83	SD236		Dayton; 2.88" 2-Piston Caliper
Brake Shoes	83 - 80	SDS361R	EX2060D-S32	Hyd. Brakes; Kelsey Hayes; 14 x 2-1/2
Brake Shoes	83 - 80	SDS321R	EX1245AD-S32	Hyd. Brakes; Wagner; 15 x 3

<i>Rear Pads & Shoes</i>	<i>Years</i>	<i>SevereDuty</i>	<i>Lining No.</i>	<i>Qualifier</i>
Brake Shoes	85 - 84	SDS542R	EX4528AD-S43	Hyd. Brakes; Lucas; 15 x 5
Brake Shoes	85 - 84	SDS543R	EX4504AD-S43	Hyd. Brakes; Lucas; 15 x 6
Brake Shoes	83 - 80	SDS400R	EX4646D-S32	Hyd. Brakes; Kelsey Hayes; 15 x 5
Brake Shoes	83 - 80	SDS381R	EX4596D-S32	Hyd. Brakes; Wagner; 15 x 6
Brake Shoes	83 - 80	4524Q	4524B	w/Air Brakes; Rockwell/Meritor; Q-Series; 16-1/2 x 5

<i>Parking Brake Shoes</i>	<i>Years</i>	<i>SevereDuty</i>	<i>Lining No.</i>	<i>Qualifier</i>
Brake Shoes	83 - 80	SDS842R	EX1303AD	10 x 3
Brake Shoes	83 - 80	SDS647	EX2086D	9 x 3

Piston: M - OE Metal Piston P - OE Phenolic Piston

LN600 (cont.)
Rotor & Drum

Front Rotor & Drum	Years	Part No.	Qualifier
Brake Rotor	85 - 84	BD125085	6000-7500 lb. FA; Hat-Shaped; 6-Hole
Brake Rotor	85 - 84	BD125087	8000-9000 lb. FA; U-Shaped; 10-Hole
Brake Rotor	85 - 84	BD125214	8000-9000 lb. FA; U-Shaped; 6-Hole; 11-1/4" Bolt Circle
Brake Rotor	85 - 84	BD125086	8000-9000 lb. FA; U-Shaped; 6-Hole; 8-3/4" Bolt Circle
Brake Rotor	85 - 84	BD125087	9500-12000 lb. FA; U-Shaped; 10-Hole
Brake Rotor	85 - 84	BD125214	9500-12000 lb. FA; U-Shaped; 6-Hole
Rear Rotor & Drum	Years	Part No.	Qualifier
Brake Drum	85 - 84	BD126379	15 x 5" Hyd. Brakes; Dayton; 6-Hole Disc Wheel
Brake Drum	85 - 84	BD126380	15 x 6" Hyd. Brakes; Dayton; 20" Spoke Wheel
Brake Drum	85 - 80	BD126399	15 x 6" Hyd. Brakes; Dayton; 6-Hole Disc Wheel; 17000-18000 lb. RA

Brake Hardware

Front Brake Hardware	Years	Sequential No.	Category No.	Qualifier
Adjuster Kit	83 - 80	F128898	(H2915)	L.H.; Kelsey Hayes
Adjuster Kit	83 - 80	F59159	(H2904)	L.H.; Wagner
Adjuster Kit	83 - 80	F128899	(H2916)	R.H.; Kelsey Hayes
Adjuster Kit	83 - 80	F59160	(H2905)	R.H.; Wagner
Combi Kit	83 - 80	F117015	(H7186)	Kelsey Hayes
↳Adjuster Spring Kit		F117152S	(H427)	
↳Return Spring Kit		F71521	(H602)	
Combi Kit	83 - 80	F117025	(H7173)	Wagner
↳Hold Down Kit		F73399	(H4201)	
↳Return Spring Kit		F36445	(H521)	
Disc Align Kit	85 - 84	F134105	(H5613)	Dayton; 2.50" 2-Piston Caliper
Disc Align Kit	85 - 83	F128927	(H5610)	Dayton; 2.88" 2-Piston Caliper
Rear Brake Hardware	Years	Sequential No.	Category No.	Qualifier
Adjuster Kit	85 - 84	F112097	(H2901)	L.H.; Lucas
Adjuster Kit	85 - 84	F112097	(H2901)	R.H.; Lucas
Adjuster Kit	83 - 80	F128891	(H2908)	L.H.; Kelsey Hayes
Adjuster Kit	83 - 80	F59157	(H2902)	L.H.; Wagner; 15" Brake; Auto Adj.
Adjuster Kit	83 - 80	F128894S	(H2911)	L.H.; Wagner; 15" Brake; Man. Adj.
Adjuster Kit	83 - 80	F128892	(H2909)	R.H.; Kelsey Hayes
Adjuster Kit	83 - 80	F59158	(H2903)	R.H.; Wagner; 15" Brake; Auto Adj.
Adjuster Kit	83 - 80	F128894S	(H2911)	R.H.; Wagner; 15" Brake; Man. Adj.
Adjuster Screw	83 - 80	F140823	(H1607)	L.H.; Wagner; 15" Brake
Adjuster Screw	83 - 80	F140818	(H1606)	R.H.; Wagner; 15" Brake
Combi Kit	85 - 84	F112096	(H7195)	Lucas
Combi Kit	83 - 80	F117014	(H7187)	Kelsey Hayes
↳Return Spring Kit		F73591	(H612)	
Combi Kit	83 - 80	F117027	(H7171)	Wagner
↳Adjuster Spring Kit		F78727	(H451)	
↳Hold Down Kit		F19309	(H5079)	
↳Return Spring Kit		F98318	(H609)	

Calipers - Reman

Front, Loaded	Years	Left No.	Right No.	Qualifier	Piston
Loaded Caliper	85 - 84	AS120313	AS120313	Dayton; 2.50" 2-Piston Caliper; w/6 Holes on Back	M
Loaded Caliper	85 - 83	AS108723	AS108723	Dayton; 2.88" 2-Piston Caliper	M
Front, Unloaded	Years	Left No.	Right No.	Qualifier	Piston
Unloaded Caliper	85 - 84	CR120313	CR120313	Dayton; 2.50" 2-Piston Caliper; w/6 Holes on Back	M
Unloaded Caliper	85 - 83	CR108723	CR108723	Dayton; 2.88" 2-Piston Caliper	M

Hydraulics - New

Master Cylinder	Years	Sequential No.	Category No.	Qualifier
Master Cylinder	85 - 84	F119400	(MC119400)	Split Syst.; Hydro-Max; Dash Mtd.; Exc. Tandem; 1-3/4" Bore
Master Cylinder	83 - 80	F75994	(MC75994)	14 x 2-1/2" Brakes; Split Syst.; Frame Mtd.; 1-3/4" Bore

↳Sub-Kit of Combi-Kit is available separately.

Piston: M - OE Metal Piston P - OE Phenolic Piston

LN600 (cont.)

Hydraulics - New (cont.)

Master Cylinder	Years	Sequential No.	Category No.	Qualifier
Master Cylinder	83 - 80	F75995	(MC75995)	15 x 3" Brakes; Split Syst.; Frame Mtd.; w/6000-7000 lb. FA and 17000-18000 lb. RA; 1-3/4" Bore
Master Cylinder	83 - 80	F75997	(MC75997)	15 x 3" Brakes; Split Syst.; Frame Mtd.; w/6000-7000 lb. FA and 22000 lb. RA; 1-3/4" Bore
Master Cylinder	83 - 80	F75995	(MC75995)	15 x 3" Brakes; Split Syst.; Frame Mtd.; w/9000 lb. FA and 17000 lb. RA; 1-3/4" Bore
Master Cylinder	83 - 80	F75997	(MC75997)	15 x 3" Brakes; Split Syst.; Frame Mtd.; w/9000 lb. FA and 18000-22000 lb. RA; 1-3/4" Bore

Front Wheel Cylinder	Years	Sequential No.	Category No.	Qualifier
Wheel Cylinder	83 - 80	F103223	(WC103223)	L.H.; 14 x 2-1/2" Kelsey Hayes; 5500 lb. FA; 1-3/32" Bore
Wheel Cylinder	83 - 80	F55890	(WC55890)	L.H.; 14 x 2-1/2" Kelsey Hayes; 6000 lb. FA; 1-3/32" Bore
Wheel Cylinder	83 - 80	F73531	(WC73531)	L.H.; 15 x 3" Wagner; Lower; 1-1/4" Bore
Wheel Cylinder	83 - 80	F43375	(WC43375)	L.H.; 15 x 3" Wagner; Lower; 1-1/8" Bore
Wheel Cylinder	83 - 80	F73537	(WC73537)	L.H.; 15 x 3" Wagner; Upper; Single Syst.; 1-1/4" Bore
Wheel Cylinder	83 - 80	F73500	(WC73500)	L.H.; 15 x 3" Wagner; Upper; Single Syst.; 1-1/8" Bore
Wheel Cylinder	83 - 80	F73543	(WC73543)	L.H.; 15 x 3" Wagner; Upper; Split Syst.; 1-1/4" Bore
Wheel Cylinder	83 - 80	F71940	(WC71940)	L.H.; 15 x 3" Wagner; Upper; Split Syst.; 1-1/8" Bore
Wheel Cylinder	83 - 80	F103224	(WC103224)	R.H.; 14 x 2-1/2" Kelsey Hayes; 5500 lb. FA; 1-3/32" Bore
Wheel Cylinder	83 - 80	F55891	(WC55891)	R.H.; 14 x 2-1/2" Kelsey Hayes; 6000 lb. FA; 1-3/32" Bore
Wheel Cylinder	83 - 80	F73532	(WC73532)	R.H.; 15 x 3" Wagner; Lower; 1-1/4" Bore
Wheel Cylinder	83 - 80	F43376	(WC43376)	R.H.; 15 x 3" Wagner; Lower; 1-1/8" Bore
Wheel Cylinder	83 - 80	F73538	(WC73538)	R.H.; 15 x 3" Wagner; Upper; Single Syst.; 1-1/4" Bore
Wheel Cylinder	83 - 80	F73501	(WC73501)	R.H.; 15 x 3" Wagner; Upper; Single Syst.; 1-1/8" Bore
Wheel Cylinder	83 - 80	F73544	(WC73544)	R.H.; 15 x 3" Wagner; Upper; Split Syst.; 1-1/4" Bore
Wheel Cylinder	83 - 80	F71941	(WC71941)	R.H.; 15 x 3" Wagner; Upper; Split Syst.; 1-1/8" Bore

Rear Wheel Cylinder	Years	Sequential No.	Category No.	Qualifier
Wheel Cylinder	85 - 84	F118104	(WC118104)	L.H.; 15 x 5" Lucas; 1-3/4" Bore
Wheel Cylinder	85 - 84	F118104	(WC118104)	L.H.; 15 x 6" Lucas; 15000-19000 lb. RA; 8000 lb. FA; 1-3/4" Bore
Wheel Cylinder	85 - 84	F118106	(WC118106)	L.H.; 15 x 6" Lucas; 15000-19000 lb. RA; Exc. 8000 lb. FA; 1-5/8" Bore
Wheel Cylinder	85 - 84	F118105	(WC118105)	R.H.; 15 x 5" Lucas; 1-3/4" Bore
Wheel Cylinder	85 - 84	F118105	(WC118105)	R.H.; 15 x 6" Lucas; 15000-19000 lb. RA; 8000 lb. FA; 1-3/4" Bore
Wheel Cylinder	85 - 84	F118107	(WC118107)	R.H.; 15 x 6" Lucas; 15000-19000 lb. RA; Exc. 8000 lb. FA; 1-5/8" Bore
Wheel Cylinder	83 - 80	F78743	(WC78743)	15 x 5" Kelsey Hayes; 15000 lb. RA; 1-1/2" Bore
Wheel Cylinder	83 - 80	F71238	(WC71238)	15 x 5" Kelsey Hayes; 17500-32000 lb. RA; 1-5/8" Bore
Wheel Cylinder	83 - 80	F24489	(WC24489)	15 x 6" Wagner; 1-5/8" Bore
Wheel Cylinder	83 - 80	F26159	(WC26159)	15 x 7" Wagner; 1-1/2" Bore

Front Brake Hose	Years	Sequential No.	Category No.	Qualifier
Brake Hose	85 - 80	F97844	(BH97844)	L.H.; w/Drum Brakes; Split Syst.
Brake Hose	85 - 80	F98749	(BH98749)	R.H.; w/Drum Brakes; Split Syst.
Brake Hose	85 - 83	F111945	(BH111945)	w/Disc Brakes
Brake Hose	85 - 80	F97844	(BH97844)	w/Drum Brakes; Single Syst.

Rear Brake Hose	Years	Sequential No.	Category No.	Qualifier
Brake Hose	85 - 84	F110130	(BH110130)	Hyd. Brakes
Brake Hose	83 - 80	F80023	(BH80023)	Single Syst.
Brake Hose	83 - 80	F80023	(BH80023)	Split Syst.; Front Port of Connector
Brake Hose	83 - 80	F80022	(BH80022)	Split Syst.; Rear Port of Connector

Hydraulics - Reman

Power Brake Booster	Years	Part No.	Qualifier
Power Brake Booster	85 - 84	529806	Dual System; Hydro-Max; w/o Master Cyl.
Power Brake Booster	85 - 84	529904	Dual System; Hydro-Max; w/Pump and Motor Assy; w/o Master Cyl.
Power Brake Booster	83 - 80	518007	Bendix; Dual System; Frame Mount; Hydro-Vac; Front; w/Master Cyl.
Power Brake Booster	83 - 80	518030	Bendix; Dual System; Frame Mount; Hydro-Vac; Rear; w/Master Cyl.
Power Brake Booster	83 - 80	518006	Midland Ross; Single Syst.; Dash Mount; Hydro-Vac; w/Master Cyl.
Power Brake Booster	83 - 80	509402	Midland Ross; Single Syst.; Dash Mount; Vacuum Booster; w/10 3/8" Rod; w/1-Piston Master Cyl.; w/Master Cyl.
Power Brake Booster	83 - 80	5479402	Midland Ross; Single Syst.; Dash Mount; Vacuum Booster; w/10 3/8" Rod; w/1-Piston Master Cyl.; w/o Master Cyl.

Brake Pads & Shoes

Front Pads & Shoes	Years	SevereDuty	Lining No.	Qualifier
Brake Pads	97 - 84	SD224		Dayton; 2.50" 2-Piston Caliper
Brake Pads	97 - 83	SD236		Dayton; 2.88" 2-Piston Caliper
Brake Shoes	97 - 88	4693R	4693	w/Air Brakes; Bendix; 15 x 4
Brake Shoes	97 - 90	4702Q	4702	w/Air Brakes; Rockwell/Meritor; Q-Plus; 15 x 4
Brake Shoes	97 - 89	1308Q	1308T	w/Air Brakes; Rockwell/Meritor; Q-Series; 15 x 4
Brake Shoes	89 - 84	1308E	1308	w/Air Brakes; Eaton; 15 x 4
Brake Shoes	83 - 80	SDS361R	EX2060D-S32	Hyd. Brakes; Kelsey Hayes; 14 x 2-1/2
Brake Shoes	83 - 80	SDS321R	EX1245AD-S32	Hyd. Brakes; Wagner; 15 x 3

Rear Pads & Shoes	Years	SevereDuty	Lining No.	Qualifier
Brake Shoes	97 - 84	SDS542R	EX4528AD-S43	Hyd. Brakes; Lucas; 15 x 5
Brake Shoes	97 - 84	SDS543R	EX4504AD-S43	Hyd. Brakes; Lucas; 15 x 6
Brake Shoes	97 - 84	SDS544AR	EX4505AD-S4Q	Hyd. Brakes; Lucas; 15 x 7
Brake Shoes	97 - 90	4515B	4515E	w/Air Brakes; Bendix; 16-1/2 x 7
Brake Shoes	97 - 90	4707Q	4707	w/Air Brakes; Rockwell/Meritor; Q-Plus; 16-1/2 x 7
Brake Shoes	97 - 90	4515Q	4515E	w/Air Brakes; Rockwell/Meritor; Q-Series; 16-1/2 x 7
Brake Shoes	83 - 80	SDS400R	EX4646D-S32	Hyd. Brakes; Kelsey Hayes; 15 x 5
Brake Shoes	83 - 80	SDS381R	EX4596D-S32	Hyd. Brakes; Wagner; 15 x 6
Brake Shoes	83 - 80	SDS383R	EX4597D-S32	Hyd. Brakes; Wagner; 15 x 7
Brake Shoes	83 - 80	4311E	4311J	w/Air Brakes; Eaton; 16-1/2 x 7
Brake Shoes	83 - 80	4524Q	4524B	w/Air Brakes; Rockwell/Meritor; Q-Series; 16-1/2 x 5
Brake Shoes	83 - 80	4515Q	4515E	w/Air Brakes; Rockwell/Meritor; Q-Series; 16-1/2 x 7

Parking Brake Shoes	Years	SevereDuty	Lining No.	Qualifier
Brake Shoes	83 - 80	SDS842R	EX1303AD	10 x 3
Brake Shoes	83 - 80	SDS647	EX2086D	9 x 3

Rotor & Drum

Front Rotor & Drum	Years	Part No.	Qualifier
Brake Rotor	97 - 94	BD125485	10000-12000 lb. FA; Hat-Shaped; 10-Hole; 7-1/4" Bolt Circle
Brake Rotor	97 - 94	BD125087	10000-12000 lb. FA; U-Shaped; 10-Hole; 11-1/4" Bolt Circle
Brake Rotor	97 - 94	BD125214	10000-12000 lb. FA; U-Shaped; 6-Hole
Brake Rotor	97 - 94	BD125617	6000-7000 lb. FA; Hat-Shaped; 10-Hole
Brake Rotor	97 - 94	BD125085	6000-7000 lb. FA; Hat-Shaped; 6-Hole
Brake Rotor	97 - 94	BD125485	8000-9000 lb. FA; Hat-Shaped; 10-Hole
Brake Rotor	97 - 94	BD125214	8000-9000 lb. FA; U-Shaped; 6-Hole; 11-1/4" Bolt Circle; w/Spoke Wheels
Brake Rotor	97 - 94	BD125086	8000-9000 lb. FA; U-Shaped; 6-Hole; 8-3/4" Bolt Circle; w/Disc Wheels
Brake Rotor	93 - 90	BD125087	10000-12000 lb. FA; U-Shaped; 10-Hole
Brake Rotor	93 - 90	BD125214	10000-12000 lb. FA; U-Shaped; 6-Hole; Dayton
Brake Rotor	93 - 90	BD125085	6000-7000 lb. FA; Hat-Shaped; 6-Hole; Dayton
Brake Rotor	93 - 90	BD125087	8000-9000 lb. FA; U-Shaped; 10-Hole; Dayton
Brake Rotor	93 - 90	BD125214	8000-9000 lb. FA; U-Shaped; 6-Hole; 11-1/4" Bolt Circle; Dayton
Brake Rotor	93 - 90	BD125086	8000-9000 lb. FA; U-Shaped; 6-Hole; 8-3/4" Bolt Circle; Dayton
Brake Rotor	89 - 84	BD125085	6000-7500 lb. FA; Hat-Shaped; 6-Hole
Brake Rotor	89 - 84	BD125087	8000-9000 lb. FA; U-Shaped; 10-Hole
Brake Rotor	89 - 84	BD125214	8000-9000 lb. FA; U-Shaped; 6-Hole; 11-1/4" Bolt Circle
Brake Rotor	89 - 84	BD125086	8000-9000 lb. FA; U-Shaped; 6-Hole; 8-3/4" Bolt Circle
Brake Rotor	89 - 84	BD125087	9500-12000 lb. FA; U-Shaped; 10-Hole
Brake Rotor	89 - 84	BD125214	9500-12000 lb. FA; U-Shaped; 6-Hole

Rear Rotor & Drum	Years	Part No.	Qualifier
Brake Drum	97 - 90	BD126376	15 x 5" Hyd. Brakes; Dayton; 20" Spoke Wheel
Brake Drum	97 - 84	BD126379	15 x 5" Hyd. Brakes; Dayton; 6-Hole Disc Wheel
Brake Drum	97 - 90	BD126375	15 x 5" Hyd. Brakes; Dayton; 8-Hole Disc Wheel
Brake Drum	97 - 95	BD126400	15 x 6" Hyd. Brakes; Dayton; 20" Spoke Wheel
Brake Drum	97 - 90	BD126399	15 x 6" Hyd. Brakes; Dayton; 6-Hole Disc Wheel
Brake Drum	97 - 90	BD126397	15 x 6" Hyd. Brakes; Dayton; 8-Hole Disc Wheel
Brake Drum	97 - 90	BD126378	15 x 7" Hyd. Brakes; Budd; 10-Hole Disc Wheel; 15000 lb. RA
Brake Drum	97 - 90	BD126378	15 x 7" Hyd. Brakes; Budd; 10-Hole Disc Wheel; 17000-18000 lb. RA

LN700 (cont.)

Rotor & Drum (cont.)

Rear Rotor & Drum	Years	Part No.	Qualifier
Brake Drum	97 - 90	BD126378	15 x 7" Hyd. Brakes; Budd; 10-Hole Disc Wheel; 20000-21000 lb. RA
Brake Drum	97 - 90	BD126377	15 x 7" Hyd. Brakes; Dayton; 20" Spoke Wheel; 17000-18000 lb. RA
Brake Drum	97 - 90	BD126374	15 x 7" Hyd. Brakes; Dayton; 20" Spoke Wheel; 21000-22000 lb. RA
Brake Drum	97 - 90	BD126401	15 x 7" Hyd. Brakes; Dayton; 8-Hole Disc Wheel; 17000-19000 lb. RA
Brake Drum	94	BD126400	From 6/01/94; 15 x 6" Hyd. Brakes; Dayton; 20" Spoke Wheel
Brake Drum	94	BD126380	To 5/30/94; 15 x 6" Hyd. Brakes; Dayton; 20" Spoke Wheel
Brake Drum	93 - 84	BD126380	15 x 6" Hyd. Brakes; Dayton; 20" Spoke Wheel
Brake Drum	89 - 80	BD126399	15 x 6" Hyd. Brakes; Dayton; 6-Hole Disc Wheel; 17000-18000 lb. RA
Brake Drum	89	BD126373	15 x 7" Hyd. Brakes; Budd; 10-Hole Disc Wheel; 19000 lb. RA
Brake Drum	89	BD126378	15 x 7" Hyd. Brakes; Budd; 10-Hole Disc Wheel; 22000 lb. RA
Brake Drum	88 - 80	BD126373	15 x 7" Hyd. Brakes; Budd; 10-Hole Disc Wheel

Brake Hardware

Front Brake Hardware	Years	Sequential No.	Category No.	Qualifier
Adjuster Kit	83 - 80	F128898	(H2915)	L.H.; Kelsey Hayes
Adjuster Kit	83 - 80	F59159	(H2904)	L.H.; Wagner
Adjuster Kit	83 - 80	F128899	(H2916)	R.H.; Kelsey Hayes
Adjuster Kit	83 - 80	F59160	(H2905)	R.H.; Wagner
Combi Kit	83 - 80	F117015	(H7186)	Kelsey Hayes
↳Adjuster Spring Kit		F117152S	(H427)	
↳Return Spring Kit		F71521	(H602)	
Combi Kit	83 - 80	F117025	(H7173)	Wagner
↳Hold Down Kit		F73399	(H4201)	
↳Return Spring Kit		F36445	(H521)	
Disc Align Kit	97 - 84	F134105	(H5613)	Dayton; 2.50" 2-Piston Caliper
Disc Align Kit	97 - 87	F128926	(H5609)	Dayton; 2.88" 2-Piston Caliper
Disc Align Kit	86 - 83	F128927	(H5610)	Dayton; 2.88" 2-Piston Caliper

Rear Brake Hardware	Years	Sequential No.	Category No.	Qualifier
Adjuster Kit	97 - 84	F112097	(H2901)	L.H.; Lucas
Adjuster Kit	97 - 84	F112097	(H2901)	R.H.; Lucas
Adjuster Kit	83 - 80	F128891	(H2908)	L.H.; Kelsey Hayes
Adjuster Kit	83 - 80	F59157	(H2902)	L.H.; Wagner; 15" Brake; Auto Adj.
Adjuster Kit	83 - 80	F128894S	(H2911)	L.H.; Wagner; 15" Brake; Man. Adj.
Adjuster Kit	83 - 80	F128892	(H2909)	R.H.; Kelsey Hayes
Adjuster Kit	83 - 80	F59158	(H2903)	R.H.; Wagner; 15" Brake; Auto Adj.
Adjuster Kit	83 - 80	F128894S	(H2911)	R.H.; Wagner; 15" Brake; Man. Adj.
Adjuster Screw	83 - 80	F140823	(H1607)	L.H.; Wagner; 15" Brake
Adjuster Screw	83 - 80	F140818	(H1606)	R.H.; Wagner; 15" Brake
Combi Kit	97 - 84	F112096	(H7195)	Lucas
Combi Kit	83 - 80	F117014	(H7187)	Kelsey Hayes
↳Return Spring Kit		F73591	(H612)	
Combi Kit	83 - 80	F117027	(H7171)	Wagner
↳Adjuster Spring Kit		F78727	(H451)	
↳Hold Down Kit		F19309	(H5079)	
↳Return Spring Kit		F98318	(H609)	

Calipers - Reman

Front, Loaded	Years	Left No.	Right No.	Qualifier	Piston
Loaded Caliper	97 - 84	AS120313	AS120313	Dayton; 2.50" 2-Piston Caliper; w/6 Holes on Back	M
Loaded Caliper	97 - 83	AS108723	AS108723	Dayton; 2.88" 2-Piston Caliper	M
Front, Unloaded	Years	Left No.	Right No.	Qualifier	Piston
Unloaded Caliper	97 - 84	CR120313	CR120313	Dayton; 2.50" 2-Piston Caliper; w/6 Holes on Back	M
Unloaded Caliper	97 - 83	CR108723	CR108723	Dayton; 2.88" 2-Piston Caliper	M

Hydraulics - New

Master Cylinder	Years	Sequential No.	Category No.	Qualifier
Master Cylinder	97 - 90	F119400	(MC119400)	Split Syst.; Hydro-Max; 1-3/4" Bore

↳Sub-Kit of Combi-Kit is available separately.

Piston: M - OE Metal Piston P - OE Phenolic Piston

Hydraulics - New (cont.)

Master Cylinder	Years	Sequential No.	Category No.	Qualifier
Master Cylinder	89 - 84	F119400	(MC119400)	Split Syst.; Hydro-Max; Dash Mtd.; Exc. Tandem; 1-3/4" Bore
Master Cylinder	83 - 80	F75994	(MC75994)	14 x 2-1/2" Brakes; Split Syst.; Frame Mtd.; 1-3/4" Bore
Master Cylinder	83 - 80	F75995	(MC75995)	15 x 3" Brakes; Split Syst.; Frame Mtd.; w/6000-7000 lb. FA and 17000-18000 lb. RA; 1-3/4" Bore
Master Cylinder	83 - 80	F75997	(MC75997)	15 x 3" Brakes; Split Syst.; Frame Mtd.; w/6000-7000 lb. FA and 22000 lb. RA; 1-3/4" Bore
Master Cylinder	83 - 80	F75995	(MC75995)	15 x 3" Brakes; Split Syst.; Frame Mtd.; w/9000 lb. FA and 17000 lb. RA; 1-3/4" Bore
Master Cylinder	83 - 80	F75997	(MC75997)	15 x 3" Brakes; Split Syst.; Frame Mtd.; w/9000 lb. FA and 18000-22000 lb. RA; 1-3/4" Bore

Front Wheel Cylinder	Years	Sequential No.	Category No.	Qualifier
Wheel Cylinder	83 - 80	F103223	(WC103223)	L.H.; 14 x 2-1/2" Kelsey Hayes; 5500 lb. FA; 1-3/32" Bore
Wheel Cylinder	83 - 80	F55890	(WC55890)	L.H.; 14 x 2-1/2" Kelsey Hayes; 6000 lb. FA; 1-3/32" Bore
Wheel Cylinder	83 - 80	F73531	(WC73531)	L.H.; 15 x 3" Wagner; Lower; 1-1/4" Bore
Wheel Cylinder	83 - 80	F43375	(WC43375)	L.H.; 15 x 3" Wagner; Lower; 1-1/8" Bore
Wheel Cylinder	83 - 80	F73537	(WC73537)	L.H.; 15 x 3" Wagner; Upper; Single Syst.; 1-1/4" Bore
Wheel Cylinder	83 - 80	F73500	(WC73500)	L.H.; 15 x 3" Wagner; Upper; Single Syst.; 1-1/8" Bore
Wheel Cylinder	83 - 80	F73543	(WC73543)	L.H.; 15 x 3" Wagner; Upper; Split Syst.; 1-1/4" Bore
Wheel Cylinder	83 - 80	F71940	(WC71940)	L.H.; 15 x 3" Wagner; Upper; Split Syst.; 1-1/8" Bore
Wheel Cylinder	83 - 80	F103224	(WC103224)	R.H.; 14 x 2-1/2" Kelsey Hayes; 5500 lb. FA; 1-3/32" Bore
Wheel Cylinder	83 - 80	F55891	(WC55891)	R.H.; 14 x 2-1/2" Kelsey Hayes; 6000 lb. FA; 1-3/32" Bore
Wheel Cylinder	83 - 80	F73532	(WC73532)	R.H.; 15 x 3" Wagner; Lower; 1-1/4" Bore
Wheel Cylinder	83 - 80	F43376	(WC43376)	R.H.; 15 x 3" Wagner; Lower; 1-1/8" Bore
Wheel Cylinder	83 - 80	F73538	(WC73538)	R.H.; 15 x 3" Wagner; Upper; Single Syst.; 1-1/4" Bore
Wheel Cylinder	83 - 80	F73501	(WC73501)	R.H.; 15 x 3" Wagner; Upper; Single Syst.; 1-1/8" Bore
Wheel Cylinder	83 - 80	F73544	(WC73544)	R.H.; 15 x 3" Wagner; Upper; Split Syst.; 1-1/4" Bore
Wheel Cylinder	83 - 80	F71941	(WC71941)	R.H.; 15 x 3" Wagner; Upper; Split Syst.; 1-1/8" Bore

Rear Wheel Cylinder	Years	Sequential No.	Category No.	Qualifier
Wheel Cylinder	97 - 84	F118104	(WC118104)	L.H.; 15 x 5" Lucas; 1-3/4" Bore
Wheel Cylinder	97 - 84	F118104	(WC118104)	L.H.; 15 x 6" Lucas; 15000-19000 lb. RA; 8000 lb. FA; 1-3/4" Bore
Wheel Cylinder	97 - 84	F118106	(WC118106)	L.H.; 15 x 6" Lucas; 15000-19000 lb. RA; Exc. 8000 lb. FA; 1-5/8" Bore
Wheel Cylinder	97 - 84	F118104	(WC118104)	L.H.; 15 x 7" Lucas; 17500-22000 lb. RA; 1-3/4" Bore
Wheel Cylinder	97 - 84	F118105	(WC118105)	R.H.; 15 x 5" Lucas; 1-3/4" Bore
Wheel Cylinder	97 - 84	F118105	(WC118105)	R.H.; 15 x 6" Lucas; 15000-19000 lb. RA; 8000 lb. FA; 1-3/4" Bore
Wheel Cylinder	97 - 84	F118107	(WC118107)	R.H.; 15 x 6" Lucas; 15000-19000 lb. RA; Exc. 8000 lb. FA; 1-5/8" Bore
Wheel Cylinder	97 - 84	F118105	(WC118105)	R.H.; 15 x 7" Lucas; 17500-22000 lb. RA; 1-3/4" Bore
Wheel Cylinder	83 - 80	F78743	(WC78743)	15 x 5" Kelsey Hayes; 15000 lb. RA; 1-1/2" Bore
Wheel Cylinder	83 - 80	F71238	(WC71238)	15 x 5" Kelsey Hayes; 17500-32000 lb. RA; 1-5/8" Bore
Wheel Cylinder	83 - 80	F24489	(WC24489)	15 x 6" Wagner; 1-5/8" Bore
Wheel Cylinder	83 - 80	F26159	(WC26159)	15 x 7" Wagner; 1-1/2" Bore

Front Brake Hose	Years	Sequential No.	Category No.	Qualifier
Brake Hose	97 - 83	F111945	(BH111945)	w/Disc Brakes
Brake Hose	89 - 80	F97844	(BH97844)	L.H.; w/Drum Brakes; Split Syst.
Brake Hose	89 - 80	F98749	(BH98749)	R.H.; w/Drum Brakes; Split Syst.
Brake Hose	89 - 80	F97844	(BH97844)	w/Drum Brakes; Single Syst.

Rear Brake Hose	Years	Sequential No.	Category No.	Qualifier
Brake Hose	97 - 84	F110130	(BH110130)	Hyd. Brakes
Brake Hose	83 - 80	F80023	(BH80023)	Single Syst.
Brake Hose	83 - 80	F80023	(BH80023)	Split Syst.; Front Port of Connector
Brake Hose	83 - 80	F80022	(BH80022)	Split Syst.; Rear Port of Connector

Hydraulics - Reman

Power Brake Booster	Years	Part No.	Qualifier
Power Brake Booster	97 - 84	529806	Dual System; Hydro-Max; w/o Master Cyl.
Power Brake Booster	97 - 84	529904	Dual System; Hydro-Max; w/Pump and Motor Assy; w/o Master Cyl.
Power Brake Booster	83 - 80	518007	Bendix; Dual System; Frame Mount; Hydro-Vac; Front; w/Master Cyl.
Power Brake Booster	83 - 80	518030	Bendix; Dual System; Frame Mount; Hydro-Vac; Rear; w/Master Cyl.
Power Brake Booster	83 - 80	518006	Midland Ross; Single Syst.; Dash Mount; Hydro-Vac; w/Master Cyl.

LN700 (cont.)

Hydraulics - Reman (cont.)

Power Brake Booster	Years	Part No.	Qualifier
Power Brake Booster	83 - 80	509402	Midland Ross; Single Syst.; Dash Mount; Vacuum Booster; w/10 3/8" Rod; w/1-Piston Master Cyl.; w/Master Cyl.
Power Brake Booster	83 - 80	5479402	Midland Ross; Single Syst.; Dash Mount; Vacuum Booster; w/10 3/8" Rod; w/1-Piston Master Cyl.; w/o Master Cyl.

LN800

Brake Pads & Shoes

Front Pads & Shoes	Years	SevereDuty	Lining No.	Qualifier
Brake Pads	97 - 84	SD224		Dayton; 2.50" 2-Piston Caliper
Brake Pads	97 - 83	SD236		Dayton; 2.88" 2-Piston Caliper
Brake Shoes	97 - 88	4693R	4693	w/Air Brakes; Bendix; 15 x 4
Brake Shoes	97 - 90	4702Q	4702	w/Air Brakes; Rockwell/Meritor; Q-Plus; 15 x 4
Brake Shoes	97 - 80	1308Q	1308T	w/Air Brakes; Rockwell/Meritor; Q-Series; 15 x 4
Brake Shoes	89 - 83	4605R	4605	w/Air Brakes; Bendix; 15 x 6
Brake Shoes	89 - 84	1308E	1308	w/Air Brakes; Eaton; 15 x 4
Brake Shoes	83 - 80	SDS361R	EX2060D-S32	Hyd. Brakes; Kelsey Hayes; 14 x 2-1/2
Brake Shoes	83 - 80	SDS321R	EX1245AD-S32	Hyd. Brakes; Wagner; 15 x 3

Rear Pads & Shoes	Years	SevereDuty	Lining No.	Qualifier
Brake Shoes	97 - 84	SDS542R	EX4528AD-S43	Hyd. Brakes; Lucas; 15 x 5
Brake Shoes	97 - 84	SDS543R	EX4504AD-S43	Hyd. Brakes; Lucas; 15 x 6
Brake Shoes	97 - 84	SDS544AR	EX4505AD-S4Q	Hyd. Brakes; Lucas; 15 x 7
Brake Shoes	97 - 87	4515B	4515E	w/Air Brakes; Bendix; 16-1/2 x 7
Brake Shoes	97 - 90	4707Q	4707	w/Air Brakes; Rockwell/Meritor; Q-Plus; 16-1/2 x 7
Brake Shoes	97 - 80	4515Q	4515E	w/Air Brakes; Rockwell/Meritor; Q-Series; 16-1/2 x 7
Brake Shoes	89 - 80	4311E	4311J	w/Air Brakes; Eaton; 16-1/2 x 7
Brake Shoes	83 - 80	SDS400R	EX4646D-S32	Hyd. Brakes; Kelsey Hayes; 15 x 5
Brake Shoes	83 - 80	SDS381R	EX4596D-S32	Hyd. Brakes; Wagner; 15 x 6
Brake Shoes	83 - 80	SDS383R	EX4597D-S32	Hyd. Brakes; Wagner; 15 x 7
Brake Shoes	83 - 80	SDS386R	EX1255D-S32	Hyd. Brakes; Wagner; 16 x 6
Brake Shoes	83 - 80	4524Q	4524B	w/Air Brakes; Rockwell/Meritor; Q-Series; 16-1/2 x 5
Brake Shoes	83 - 80	4471Q	4471B	w/Air Brakes; Rockwell/Meritor; Q-Series; 18 x 7

Parking Brake Shoes	Years	SevereDuty	Lining No.	Qualifier
Brake Shoes	83 - 80	SDS842R	EX1303AD	10 x 3
Brake Shoes	83 - 80	SDS647	EX2086D	9 x 3

Rotor & Drum

Front Rotor & Drum	Years	Part No.	Qualifier
Brake Rotor	97 - 94	BD125485	10000-12000 lb. FA; Hat-Shaped; 10-Hole; 7-1/4" Bolt Circle
Brake Rotor	97 - 94	BD125087	10000-12000 lb. FA; U-Shaped; 10-Hole; 11-1/4" Bolt Circle
Brake Rotor	97 - 94	BD125214	10000-12000 lb. FA; U-Shaped; 6-Hole
Brake Rotor	97 - 94	BD125617	6000-7000 lb. FA; Hat-Shaped; 10-Hole
Brake Rotor	97 - 94	BD125085	6000-7000 lb. FA; Hat-Shaped; 6-Hole
Brake Rotor	97 - 94	BD125485	8000-9000 lb. FA; Hat-Shaped; 10-Hole
Brake Rotor	97 - 94	BD125214	8000-9000 lb. FA; U-Shaped; 6-Hole; 11-1/4" Bolt Circle; w/Spoke Wheels
Brake Rotor	97 - 94	BD125086	8000-9000 lb. FA; U-Shaped; 6-Hole; 8-3/4" Bolt Circle; w/Disc Wheels
Brake Rotor	93 - 90	BD125087	10000-12000 lb. FA; U-Shaped; 10-Hole
Brake Rotor	93 - 90	BD125214	10000-12000 lb. FA; U-Shaped; 6-Hole; Dayton
Brake Rotor	93 - 90	BD125085	6000-7000 lb. FA; Hat-Shaped; 6-Hole; Dayton
Brake Rotor	93 - 90	BD125087	8000-9000 lb. FA; U-Shaped; 10-Hole; Dayton
Brake Rotor	93 - 90	BD125214	8000-9000 lb. FA; U-Shaped; 6-Hole; 11-1/4" Bolt Circle; Dayton
Brake Rotor	93 - 90	BD125086	8000-9000 lb. FA; U-Shaped; 6-Hole; 8-3/4" Bolt Circle; Dayton
Brake Rotor	89 - 84	BD125085	6000-7500 lb. FA; Hat-Shaped; 6-Hole
Brake Rotor	89 - 84	BD125087	8000-9000 lb. FA; U-Shaped; 10-Hole
Brake Rotor	89 - 84	BD125214	8000-9000 lb. FA; U-Shaped; 6-Hole; 11-1/4" Bolt Circle
Brake Rotor	89 - 84	BD125086	8000-9000 lb. FA; U-Shaped; 6-Hole; 8-3/4" Bolt Circle
Brake Rotor	89 - 84	BD125087	9500-12000 lb. FA; U-Shaped; 10-Hole

Rotor & Drum (cont.)

Front Rotor & Drum	Years	Part No.	Qualifier
Brake Rotor	89 - 84	BD125214	9500-12000 lb. FA; U-Shaped; 6-Hole
Rear Rotor & Drum	Years	Part No.	Qualifier
Brake Drum	97 - 90	BD126376	15 x 5" Hyd. Brakes; Dayton; 20" Spoke Wheel
Brake Drum	97 - 84	BD126379	15 x 5" Hyd. Brakes; Dayton; 6-Hole Disc Wheel
Brake Drum	97 - 90	BD126375	15 x 5" Hyd. Brakes; Dayton; 8-Hole Disc Wheel
Brake Drum	97 - 95	BD126400	15 x 6" Hyd. Brakes; Dayton; 20" Spoke Wheel
Brake Drum	97 - 90	BD126399	15 x 6" Hyd. Brakes; Dayton; 6-Hole Disc Wheel
Brake Drum	97 - 90	BD126397	15 x 6" Hyd. Brakes; Dayton; 8-Hole Disc Wheel
Brake Drum	97 - 90	BD126378	15 x 7" Hyd. Brakes; Budd; 10-Hole Disc Wheel; 15000 lb. RA
Brake Drum	97 - 90	BD126378	15 x 7" Hyd. Brakes; Budd; 10-Hole Disc Wheel; 17000-18000 lb. RA
Brake Drum	97 - 90	BD126378	15 x 7" Hyd. Brakes; Budd; 10-Hole Disc Wheel; 20000-21000 lb. RA
Brake Drum	97 - 89	BD126373	15 x 7" Hyd. Brakes; Budd; 10-Hole Disc Wheel; 34000 lb. TRA
Brake Drum	97 - 90	BD126377	15 x 7" Hyd. Brakes; Dayton; 20" Spoke Wheel; 17000-18000 lb. RA
Brake Drum	97 - 90	BD126374	15 x 7" Hyd. Brakes; Dayton; 20" Spoke Wheel; 21000-22000 lb. RA
Brake Drum	97 - 90	BD126377	15 x 7" Hyd. Brakes; Dayton; 20" Spoke Wheel; 34000 lb. TRA
Brake Drum	97 - 90	BD126401	15 x 7" Hyd. Brakes; Dayton; 8-Hole Disc Wheel; 17000-19000 lb. RA
Brake Drum	94	BD126400	From 6/01/94; 15 x 6" Hyd. Brakes; Dayton; 20" Spoke Wheel
Brake Drum	94	BD126380	To 5/30/94; 15 x 6" Hyd. Brakes; Dayton; 20" Spoke Wheel
Brake Drum	93 - 84	BD126380	15 x 6" Hyd. Brakes; Dayton; 20" Spoke Wheel
Brake Drum	89 - 80	BD126399	15 x 6" Hyd. Brakes; Dayton; 6-Hole Disc Wheel; 17000-18000 lb. RA
Brake Drum	89	BD126373	15 x 7" Hyd. Brakes; Budd; 10-Hole Disc Wheel; 19000 lb. RA
Brake Drum	89	BD126378	15 x 7" Hyd. Brakes; Budd; 10-Hole Disc Wheel; 22000 lb. RA
Brake Drum	88 - 80	BD126373	15 x 7" Hyd. Brakes; Budd; 10-Hole Disc Wheel

Brake Hardware

Front Brake Hardware	Years	Sequential No.	Category No.	Qualifier
Adjuster Kit	83 - 80	F128898	(H2915)	L.H.; Kelsey Hayes
Adjuster Kit	83 - 80	F59159	(H2904)	L.H.; Wagner
Adjuster Kit	83 - 80	F128899	(H2916)	R.H.; Kelsey Hayes
Adjuster Kit	83 - 80	F59160	(H2905)	R.H.; Wagner
Combi Kit	83 - 80	F117015	(H7186)	Kelsey Hayes
↳Adjuster Spring Kit		F117152S	(H427)	
↳Return Spring Kit		F71521	(H602)	
Combi Kit	83 - 80	F117025	(H7173)	Wagner
↳Hold Down Kit		F73399	(H4201)	
↳Return Spring Kit		F36445	(H521)	
Disc Align Kit	97 - 84	F134105	(H5613)	Dayton; 2.50" 2-Piston Caliper
Disc Align Kit	97 - 87	F128926	(H5609)	Dayton; 2.88" 2-Piston Caliper
Disc Align Kit	86 - 83	F128927	(H5610)	Dayton; 2.88" 2-Piston Caliper
Rear Brake Hardware	Years	Sequential No.	Category No.	Qualifier
Adjuster Kit	97 - 84	F112097	(H2901)	L.H.; Lucas
Adjuster Kit	97 - 84	F112097	(H2901)	R.H.; Lucas
Adjuster Kit	83 - 80	F128891	(H2908)	L.H.; Kelsey Hayes
Adjuster Kit	83 - 80	F59157	(H2902)	L.H.; Wagner; 15" Brake; Auto Adj.
Adjuster Kit	83 - 80	F128894S	(H2911)	L.H.; Wagner; 15" Brake; Man. Adj.
Adjuster Kit	83 - 80	F128895S	(H2912)	L.H.; Wagner; 16" Brake; Man. Adj.
Adjuster Kit	83 - 80	F128892	(H2909)	R.H.; Kelsey Hayes
Adjuster Kit	83 - 80	F59158	(H2903)	R.H.; Wagner; 15" Brake; Auto Adj.
Adjuster Kit	83 - 80	F128894S	(H2911)	R.H.; Wagner; 15" Brake; Man. Adj.
Adjuster Kit	83 - 80	F128895S	(H2912)	R.H.; Wagner; 16" Brake; Man. Adj.
Adjuster Screw	83 - 80	F140823	(H1607)	L.H.; Wagner; 15" Brake
Adjuster Screw	83 - 80	F19291	(H1700)	L.H.; Wagner; 16" Brake
Adjuster Screw	83 - 80	F140818	(H1606)	R.H.; Wagner; 15" Brake
Adjuster Screw	83 - 80	F19292	(H1701)	R.H.; Wagner; 16" Brake
Combi Kit	97 - 84	F112096	(H7195)	Lucas

↳Sub-Kit of Combi-Kit is available separately.

LN800 (cont.)

Brake Hardware (cont.)

Rear Brake Hardware	Years	Sequential No.	Category No.	Qualifier
Combi Kit	83 - 80	F117014	(H7187)	Kelsey Hayes
↳Return Spring Kit		F73591	(H612)	
Combi Kit	83 - 80	F117027	(H7171)	Wagner
↳Adjuster Spring Kit		F78727	(H451)	
↳Hold Down Kit		F19309	(H5079)	
↳Return Spring Kit		F98318	(H609)	

Calipers - Reman

Front, Loaded	Years	Left No.	Right No.	Qualifier	Piston
Loaded Caliper	97 - 84	AS120313	AS120313	Dayton; 2.50" 2-Piston Caliper; w/6 Holes on Back	M
Loaded Caliper	97 - 83	AS108723	AS108723	Dayton; 2.88" 2-Piston Caliper	M
Front, Unloaded	Years	Left No.	Right No.	Qualifier	Piston
Unloaded Caliper	97 - 84	CR120313	CR120313	Dayton; 2.50" 2-Piston Caliper; w/6 Holes on Back	M
Unloaded Caliper	97 - 83	CR108723	CR108723	Dayton; 2.88" 2-Piston Caliper	M

Hydraulics - New

Master Cylinder	Years	Sequential No.	Category No.	Qualifier
Master Cylinder	97 - 90	F119400	(MC119400)	Split Syst.; Hydro-Max; 1-3/4" Bore
Master Cylinder	97 - 90	F110980	(MC110980)	Split Syst.; Hydro-Max; 2" Bore
Master Cylinder	89 - 84	F119400	(MC119400)	Split Syst.; Hydro-Max; Dash Mtd.; Exc. Tandem; 1-3/4" Bore
Master Cylinder	83 - 80	F75994	(MC75994)	14 x 2-1/2" Brakes; Split Syst.; Frame Mtd.; 1-3/4" Bore
Master Cylinder	83 - 80	F75996	(MC75996)	15 x 3" Brakes; Single Syst.; Frame Mtd.; Exc. Tandem; 1-3/4" Bore
Master Cylinder	83 - 80	F75998	(MC75998)	15 x 3" Brakes; Single Syst.; Frame Mtd.; Tandem; 1-3/4" Bore
Master Cylinder	83 - 80	F75995	(MC75995)	15 x 3" Brakes; Split Syst.; Frame Mtd.; w/6000-7000 lb. FA and 17000-18000 lb. RA; 1-3/4" Bore
Master Cylinder	83 - 80	F75997	(MC75997)	15 x 3" Brakes; Split Syst.; Frame Mtd.; w/6000-7000 lb. FA and 22000 lb. RA; 1-3/4" Bore
Master Cylinder	83 - 80	F75995	(MC75995)	15 x 3" Brakes; Split Syst.; Frame Mtd.; w/9000 lb. FA and 17000 lb. RA; 1-3/4" Bore
Master Cylinder	83 - 80	F75997	(MC75997)	15 x 3" Brakes; Split Syst.; Frame Mtd.; w/9000 lb. FA and 18000-22000 lb. RA; 1-3/4" Bore

Front Wheel Cylinder	Years	Sequential No.	Category No.	Qualifier
Wheel Cylinder	83 - 80	F73531	(WC73531)	L.H.; 15 x 3" Wagner; Lower; 1-1/4" Bore
Wheel Cylinder	83 - 80	F43375	(WC43375)	L.H.; 15 x 3" Wagner; Lower; 1-1/8" Bore
Wheel Cylinder	83 - 80	F73537	(WC73537)	L.H.; 15 x 3" Wagner; Upper; Single Syst.; 1-1/4" Bore
Wheel Cylinder	83 - 80	F73500	(WC73500)	L.H.; 15 x 3" Wagner; Upper; Single Syst.; 1-1/8" Bore
Wheel Cylinder	83 - 80	F73543	(WC73543)	L.H.; 15 x 3" Wagner; Upper; Split Syst.; 1-1/4" Bore
Wheel Cylinder	83 - 80	F71940	(WC71940)	L.H.; 15 x 3" Wagner; Upper; Split Syst.; 1-1/8" Bore
Wheel Cylinder	83 - 80	F73532	(WC73532)	R.H.; 15 x 3" Wagner; Lower; 1-1/4" Bore
Wheel Cylinder	83 - 80	F43376	(WC43376)	R.H.; 15 x 3" Wagner; Lower; 1-1/8" Bore
Wheel Cylinder	83 - 80	F73538	(WC73538)	R.H.; 15 x 3" Wagner; Upper; Single Syst.; 1-1/4" Bore
Wheel Cylinder	83 - 80	F73501	(WC73501)	R.H.; 15 x 3" Wagner; Upper; Single Syst.; 1-1/8" Bore
Wheel Cylinder	83 - 80	F73544	(WC73544)	R.H.; 15 x 3" Wagner; Upper; Split Syst.; 1-1/4" Bore
Wheel Cylinder	83 - 80	F71941	(WC71941)	R.H.; 15 x 3" Wagner; Upper; Split Syst.; 1-1/8" Bore

Rear Wheel Cylinder	Years	Sequential No.	Category No.	Qualifier
Wheel Cylinder	97 - 84	F118104	(WC118104)	L.H.; 15 x 5" Lucas; 1-3/4" Bore
Wheel Cylinder	97 - 84	F118104	(WC118104)	L.H.; 15 x 6" Lucas; 15000-19000 lb. RA; 8000 lb. FA; 1-3/4" Bore
Wheel Cylinder	97 - 84	F118106	(WC118106)	L.H.; 15 x 6" Lucas; 15000-19000 lb. RA; Exc. 8000 lb. FA; 1-5/8" Bore
Wheel Cylinder	97 - 84	F118104	(WC118104)	L.H.; 15 x 7" Lucas; 17500-22000 lb. RA; 1-3/4" Bore
Wheel Cylinder	97 - 84	F118106	(WC118106)	L.H.; 15 x 7" Lucas; 34000 lb. TRA; 1-5/8" Bore
Wheel Cylinder	97 - 84	F118105	(WC118105)	R.H.; 15 x 5" Lucas; 1-3/4" Bore
Wheel Cylinder	97 - 84	F118105	(WC118105)	R.H.; 15 x 6" Lucas; 15000-19000 lb. RA; 8000 lb. FA; 1-3/4" Bore
Wheel Cylinder	97 - 84	F118107	(WC118107)	R.H.; 15 x 6" Lucas; 15000-19000 lb. RA; Exc. 8000 lb. FA; 1-5/8" Bore
Wheel Cylinder	97 - 84	F118105	(WC118105)	R.H.; 15 x 7" Lucas; 17500-22000 lb. RA; 1-3/4" Bore
Wheel Cylinder	97 - 84	F118107	(WC118107)	R.H.; 15 x 7" Lucas; 34000 lb. TRA; 1-5/8" Bore
Wheel Cylinder	83 - 80	F78743	(WC78743)	15 x 5" Kelsey Hayes; 15000 lb. RA; 1-1/2" Bore
Wheel Cylinder	83 - 80	F71238	(WC71238)	15 x 5" Kelsey Hayes; 17500-32000 lb. RA; 1-5/8" Bore
Wheel Cylinder	83 - 80	F24489	(WC24489)	15 x 6" Wagner; 1-5/8" Bore
Wheel Cylinder	83 - 80	F26159	(WC26159)	15 x 7" Wagner; 1-1/2" Bore

↳Sub-Kit of Combi-Kit is available separately.

Piston: M - OE Metal Piston P - OE Phenolic Piston

Hydraulics - New (cont.)

Rear Wheel Cylinder	Years	Sequential No.	Category No.	Qualifier
Wheel Cylinder	83 - 80	F26172	(WC26172)	16 x 6" Wagner; 1-5/8" Bore
Front Brake Hose	Years	Sequential No.	Category No.	Qualifier
Brake Hose	97 - 90	F111945	(BH111945)	w/Disc Brakes; Exc. Tandem
Brake Hose	97 - 90	F132936	(BH132936)	w/Drum Brakes; Tandem
Brake Hose	89 - 80	F79350	(BH79350)	L.H.; w/Drum Brakes; Split Syst.
Brake Hose	89 - 80	F80962	(BH80962)	R.H.; w/Drum Brakes; Split Syst.
Brake Hose	89 - 80	F97844	(BH97844)	w/Air Disc
Brake Hose	89 - 83	F111945	(BH111945)	w/Disc Brakes
Brake Hose	89 - 80	F80962	(BH80962)	w/Drum Brakes; Single Syst.
Rear Brake Hose	Years	Sequential No.	Category No.	Qualifier
Brake Hose	97 - 84	F110130	(BH110130)	Hyd. Brakes; Exc. Tandem
Brake Hose	97 - 84	F110130	(BH110130)	Hyd. Brakes; Forward Tandem Axle; Primary; 2 Req'd
Brake Hose	97 - 84	F110130	(BH110130)	Hyd. Brakes; Rear Tandem Axle; Primary; 2 Req'd
Brake Hose	89 - 84	F111946	(BH111946)	Hyd. Brakes; Forward Tandem Axle; Secondary; 1 Req'd
Brake Hose	83 - 80	F80023	(BH80023)	Exc. Tandem; Single Syst.
Brake Hose	83 - 80	F80023	(BH80023)	Exc. Tandem; Split Syst.; Front Port of Connector
Brake Hose	83 - 80	F80022	(BH80022)	Exc. Tandem; Split Syst.; Rear Port of Connector
Brake Hose	83 - 80	F103205	(BH103205)	Tandem; To Clip on Axle
Brake Hose	83 - 80	F103204	(BH103204)	Tandem; To Frame Bracket

Hydraulics - Reman

Power Brake Booster	Years	Part No.	Qualifier
Power Brake Booster	97 - 84	529806	Dual System; Hydro-Max; Exc. Tandem; w/o Master Cyl.
Power Brake Booster	97 - 84	529808	Dual System; Hydro-Max; Tandem; w/o Master Cyl.
Power Brake Booster	97 - 84	529904	Dual System; Hydro-Max; w/Pump and Motor Assy; w/o Master Cyl.
Power Brake Booster	83 - 80	518007	Dual System; Hydro-Vac; Front; w/Master Cyl.
Power Brake Booster	83 - 80	518030	Dual System; Hydro-Vac; Rear; w/Master Cyl.
Power Brake Booster	83 - 80	518024	Single Syst.; Hydro-Vac; Exc. Tandem; From GG5001; w/Master Cyl.
Power Brake Booster	83 - 80	518025	Single Syst.; Hydro-Vac; Exc. Tandem; To GG5000; w/Master Cyl.
Power Brake Booster	83 - 80	518040	Single Syst.; Hydro-Vac; Tandem; Dual Diaphragm; w/Master Cyl.

Brake Pads & Shoes

Front Pads & Shoes	Years	SevereDuty	Lining No.	Qualifier
Brake Pads	97 - 84	SD224		Dayton; 2.50" 2-Piston Caliper
Brake Pads	97 - 83	SD236		Dayton; 2.88" 2-Piston Caliper
Brake Shoes	97 - 88	4693R	4693	w/Air Brakes; Bendix; 15 x 4
Brake Shoes	97 - 90	4702Q	4702	w/Air Brakes; Rockwell/Meritor; Q-Plus; 15 x 4
Brake Shoes	97 - 80	1308Q	1308T	w/Air Brakes; Rockwell/Meritor; Q-Series; 15 x 4
Brake Shoes	89 - 83	4605R	4605	w/Air Brakes; Bendix; 15 x 6
Brake Shoes	89 - 84	1308E	1308	w/Air Brakes; Eaton; 15 x 4
Brake Shoes	83 - 80	SDS361R	EX2060D-S32	Hyd. Brakes; Kelsey Hayes; 14 x 2-1/2
Brake Shoes	83 - 80	SDS321R	EX1245AD-S32	Hyd. Brakes; Wagner; 15 x 3
Rear Pads & Shoes	Years	SevereDuty	Lining No.	Qualifier
Brake Shoes	97 - 84	SDS542R	EX4528AD-S43	Hyd. Brakes; Lucas; 15 x 5
Brake Shoes	97 - 84	SDS543R	EX4504AD-S43	Hyd. Brakes; Lucas; 15 x 6
Brake Shoes	97 - 84	SDS544AR	EX4505AD-S4Q	Hyd. Brakes; Lucas; 15 x 7
Brake Shoes	97 - 87	4515B	4515E	w/Air Brakes; Bendix; 16-1/2 x 7
Brake Shoes	97 - 90	4707Q	4707	w/Air Brakes; Rockwell/Meritor; Q-Plus; 16-1/2 x 7
Brake Shoes	97 - 80	4515Q	4515E	w/Air Brakes; Rockwell/Meritor; Q-Series; 16-1/2 x 7
Brake Shoes	89 - 80	4311E	4311J	w/Air Brakes; Eaton; 16-1/2 x 7
Brake Shoes	83 - 80	SDS400R	EX4646D-S32	Hyd. Brakes; Kelsey Hayes; 15 x 5
Brake Shoes	83 - 80	SDS381R	EX4596D-S32	Hyd. Brakes; Wagner; 15 x 6
Brake Shoes	83 - 80	SDS383R	EX4597D-S32	Hyd. Brakes; Wagner; 15 x 7
Brake Shoes	83 - 80	SDS386R	EX1255D-S32	Hyd. Brakes; Wagner; 16 x 6
Brake Shoes	83 - 80	4524Q	4524B	w/Air Brakes; Rockwell/Meritor; Q-Series; 16-1/2 x 5

LN900 (cont.)

Brake Pads & Shoes (cont.)

Rear Pads & Shoes	Years	SevereDuty	Lining No.	Qualifier
Brake Shoes	83 - 80	4471Q	4471B	w/Air Brakes; Rockwell/Meritor; Q-Series; 18 x 7
Parking Brake Shoes	Years	SevereDuty	Lining No.	Qualifier
Brake Shoes	83 - 80	SDS842R	EX1303AD	10 x 3
Brake Shoes	83 - 80	SDS647	EX2086D	9 x 3

Rotor & Drum

Front Rotor & Drum	Years	Part No.	Qualifier
Brake Rotor	97 - 94	BD125485	10000-12000 lb. FA; Hat-Shaped; 10-Hole; 7-1/4" Bolt Circle
Brake Rotor	97 - 94	BD125087	10000-12000 lb. FA; U-Shaped; 10-Hole; 11-1/4" Bolt Circle
Brake Rotor	97 - 94	BD125214	10000-12000 lb. FA; U-Shaped; 6-Hole
Brake Rotor	97 - 94	BD125617	6000-7000 lb. FA; Hat-Shaped; 10-Hole
Brake Rotor	97 - 94	BD125085	6000-7000 lb. FA; Hat-Shaped; 6-Hole
Brake Rotor	97 - 94	BD125485	8000-9000 lb. FA; Hat-Shaped; 10-Hole
Brake Rotor	97 - 94	BD125214	8000-9000 lb. FA; U-Shaped; 6-Hole; 11-1/4" Bolt Circle; w/Spoke Wheels
Brake Rotor	97 - 94	BD125086	8000-9000 lb. FA; U-Shaped; 6-Hole; 8-3/4" Bolt Circle; w/Disc Wheels
Brake Rotor	93 - 90	BD125087	10000-12000 lb. FA; U-Shaped; 10-Hole
Brake Rotor	93 - 90	BD125214	10000-12000 lb. FA; U-Shaped; 6-Hole; Dayton
Brake Rotor	93 - 90	BD125085	6000-7000 lb. FA; Hat-Shaped; 6-Hole; Dayton
Brake Rotor	93 - 90	BD125087	8000-9000 lb. FA; U-Shaped; 10-Hole; Dayton
Brake Rotor	93 - 90	BD125214	8000-9000 lb. FA; U-Shaped; 6-Hole; 11-1/4" Bolt Circle; Dayton
Brake Rotor	93 - 90	BD125086	8000-9000 lb. FA; U-Shaped; 6-Hole; 8-3/4" Bolt Circle; Dayton
Brake Rotor	89 - 84	BD125085	6000-7500 lb. FA; Hat-Shaped; 6-Hole
Brake Rotor	89 - 84	BD125087	8000-9000 lb. FA; U-Shaped; 10-Hole
Brake Rotor	89 - 84	BD125214	8000-9000 lb. FA; U-Shaped; 6-Hole; 11-1/4" Bolt Circle
Brake Rotor	89 - 84	BD125086	8000-9000 lb. FA; U-Shaped; 6-Hole; 8-3/4" Bolt Circle
Brake Rotor	89 - 84	BD125087	9500-12000 lb. FA; U-Shaped; 10-Hole
Brake Rotor	89 - 84	BD125214	9500-12000 lb. FA; U-Shaped; 6-Hole

Rear Rotor & Drum	Years	Part No.	Qualifier
Brake Drum	97 - 90	BD126376	15 x 5" Hyd. Brakes; Dayton; 20" Spoke Wheel
Brake Drum	97 - 84	BD126379	15 x 5" Hyd. Brakes; Dayton; 6-Hole Disc Wheel
Brake Drum	97 - 90	BD126375	15 x 5" Hyd. Brakes; Dayton; 8-Hole Disc Wheel
Brake Drum	97 - 95	BD126400	15 x 6" Hyd. Brakes; Dayton; 20" Spoke Wheel
Brake Drum	97 - 90	BD126399	15 x 6" Hyd. Brakes; Dayton; 6-Hole Disc Wheel
Brake Drum	97 - 90	BD126397	15 x 6" Hyd. Brakes; Dayton; 8-Hole Disc Wheel
Brake Drum	97 - 90	BD126378	15 x 7" Hyd. Brakes; Budd; 10-Hole Disc Wheel; 15000 lb. RA
Brake Drum	97 - 90	BD126378	15 x 7" Hyd. Brakes; Budd; 10-Hole Disc Wheel; 17000-18000 lb. RA
Brake Drum	97 - 90	BD126378	15 x 7" Hyd. Brakes; Budd; 10-Hole Disc Wheel; 20000-21000 lb. RA
Brake Drum	97 - 89	BD126373	15 x 7" Hyd. Brakes; Budd; 10-Hole Disc Wheel; 34000 lb. TRA
Brake Drum	97 - 90	BD126377	15 x 7" Hyd. Brakes; Dayton; 20" Spoke Wheel; 17000-18000 lb. RA
Brake Drum	97 - 90	BD126374	15 x 7" Hyd. Brakes; Dayton; 20" Spoke Wheel; 21000-22000 lb. RA
Brake Drum	97 - 90	BD126377	15 x 7" Hyd. Brakes; Dayton; 20" Spoke Wheel; 34000 lb. TRA
Brake Drum	97 - 90	BD126401	15 x 7" Hyd. Brakes; Dayton; 8-Hole Disc Wheel; 17000-19000 lb. RA
Brake Drum	94	BD126400	From 6/01/94; 15 x 6" Hyd. Brakes; Dayton; 20" Spoke Wheel
Brake Drum	94	BD126380	To 5/30/94; 15 x 6" Hyd. Brakes; Dayton; 20" Spoke Wheel
Brake Drum	93 - 84	BD126380	15 x 6" Hyd. Brakes; Dayton; 20" Spoke Wheel
Brake Drum	89 - 80	BD126399	15 x 6" Hyd. Brakes; Dayton; 6-Hole Disc Wheel; 17000-18000 lb. RA
Brake Drum	89	BD126373	15 x 7" Hyd. Brakes; Budd; 10-Hole Disc Wheel; 19000 lb. RA
Brake Drum	89	BD126378	15 x 7" Hyd. Brakes; Budd; 10-Hole Disc Wheel; 22000 lb. RA
Brake Drum	88 - 80	BD126373	15 x 7" Hyd. Brakes; Budd; 10-Hole Disc Wheel

Brake Hardware

Front Brake Hardware	Years	Sequential No.	Category No.	Qualifier
Adjuster Kit	83 - 80	F128898	(H2915)	L.H.; Kelsey Hayes
Adjuster Kit	83 - 80	F59159	(H2904)	L.H.; Wagner
Adjuster Kit	83 - 80	F128899	(H2916)	R.H.; Kelsey Hayes
Adjuster Kit	83 - 80	F59160	(H2905)	R.H.; Wagner

↳ Sub-Kit of Combi-Kit is available separately.

Brake Hardware (cont.)

Front Brake Hardware	Years	Sequential No.	Category No.	Qualifier
Combi Kit	83 - 80	F117015	(H7186)	Kelsey Hayes
↳Adjuster Spring Kit		F117152S	(H427)	
↳Return Spring Kit		F71521	(H602)	
Combi Kit	83 - 80	F117025	(H7173)	Wagner
↳Hold Down Kit		F73399	(H4201)	
↳Return Spring Kit		F36445	(H521)	
Disc Align Kit	97 - 84	F134105	(H5613)	Dayton; 2.50" 2-Piston Caliper
Disc Align Kit	97 - 87	F128926	(H5609)	Dayton; 2.88" 2-Piston Caliper
Disc Align Kit	86 - 83	F128927	(H5610)	Dayton; 2.88" 2-Piston Caliper

Rear Brake Hardware	Years	Sequential No.	Category No.	Qualifier
Adjuster Kit	97 - 84	F112097	(H2901)	L.H.; Lucas
Adjuster Kit	97 - 84	F112097	(H2901)	R.H.; Lucas
Adjuster Kit	83 - 80	F128891	(H2908)	L.H.; Kelsey Hayes
Adjuster Kit	83 - 80	F59157	(H2902)	L.H.; Wagner; 15" Brake; Auto Adj.
Adjuster Kit	83 - 80	F128894S	(H2911)	L.H.; Wagner; 15" Brake; Man. Adj.
Adjuster Kit	83 - 80	F128895S	(H2912)	L.H.; Wagner; 16" Brake; Man. Adj.
Adjuster Kit	83 - 80	F128892	(H2909)	R.H.; Kelsey Hayes
Adjuster Kit	83 - 80	F59158	(H2903)	R.H.; Wagner; 15" Brake; Auto Adj.
Adjuster Kit	83 - 80	F128894S	(H2911)	R.H.; Wagner; 15" Brake; Man. Adj.
Adjuster Kit	83 - 80	F128895S	(H2912)	R.H.; Wagner; 16" Brake; Man. Adj.
Adjuster Screw	83 - 80	F140823	(H1607)	L.H.; Wagner; 15" Brake
Adjuster Screw	83 - 80	F19291	(H1700)	L.H.; Wagner; 16" Brake
Adjuster Screw	83 - 80	F140818	(H1606)	R.H.; Wagner; 15" Brake
Adjuster Screw	83 - 80	F19292	(H1701)	R.H.; Wagner; 16" Brake
Combi Kit	97 - 84	F112096	(H7195)	Lucas
Combi Kit	83 - 80	F117014	(H7187)	Kelsey Hayes
↳Return Spring Kit		F73591	(H612)	
Combi Kit	83 - 80	F117027	(H7171)	Wagner
↳Adjuster Spring Kit		F78727	(H451)	
↳Hold Down Kit		F19309	(H5079)	
↳Return Spring Kit		F98318	(H609)	

Calipers - Reman

Front, Loaded	Years	Left No.	Right No.	Qualifier	Piston
Loaded Caliper	97 - 84	AS120313	AS120313	Dayton; 2.50" 2-Piston Caliper; w/6 Holes on Back	M
Loaded Caliper	97 - 83	AS108723	AS108723	Dayton; 2.88" 2-Piston Caliper	M
Front, Unloaded	Years	Left No.	Right No.	Qualifier	Piston
Unloaded Caliper	97 - 84	CR120313	CR120313	Dayton; 2.50" 2-Piston Caliper; w/6 Holes on Back	M
Unloaded Caliper	97 - 83	CR108723	CR108723	Dayton; 2.88" 2-Piston Caliper	M

Hydraulics - New

Master Cylinder	Years	Sequential No.	Category No.	Qualifier
Master Cylinder	97 - 90	F119400	(MC119400)	Split Syst.; Hydro-Max; 1-3/4" Bore
Master Cylinder	97 - 90	F110980	(MC110980)	Split Syst.; Hydro-Max; 2" Bore
Master Cylinder	89 - 84	F119400	(MC119400)	Split Syst.; Hydro-Max; Dash Mtd.; Exc. Tandem; 1-3/4" Bore
Master Cylinder	83 - 80	F75994	(MC75994)	14 x 2-1/2" Brakes; Split Syst.; Frame Mtd.; 1-3/4" Bore
Master Cylinder	83 - 80	F75996	(MC75996)	15 x 3" Brakes; Single Syst.; Frame Mtd.; Exc. Tandem; 1-3/4" Bore
Master Cylinder	83 - 80	F75998	(MC75998)	15 x 3" Brakes; Single Syst.; Frame Mtd.; Tandem; 1-3/4" Bore
Master Cylinder	83 - 80	F75995	(MC75995)	15 x 3" Brakes; Split Syst.; Frame Mtd.; w/6000-7000 lb. FA and 17000-18000 lb. RA; 1-3/4" Bore
Master Cylinder	83 - 80	F75997	(MC75997)	15 x 3" Brakes; Split Syst.; Frame Mtd.; w/6000-7000 lb. FA and 22000 lb. RA; 1-3/4" Bore
Master Cylinder	83 - 80	F75995	(MC75995)	15 x 3" Brakes; Split Syst.; Frame Mtd.; w/9000 lb. FA and 17000 lb. RA; 1-3/4" Bore
Master Cylinder	83 - 80	F75997	(MC75997)	15 x 3" Brakes; Split Syst.; Frame Mtd.; w/9000 lb. FA and 18000-22000 lb. RA; 1-3/4" Bore
Front Wheel Cylinder	Years	Sequential No.	Category No.	Qualifier
Wheel Cylinder	83 - 80	F73531	(WC73531)	L.H.; 15 x 3" Wagner; Lower; 1-1/4" Bore
Wheel Cylinder	83 - 80	F43375	(WC43375)	L.H.; 15 x 3" Wagner; Lower; 1-1/8" Bore

↳Sub-Kit of Combi-Kit is available separately.

Piston: M - OE Metal Piston P - OE Phenolic Piston

LN900 (cont.)

Hydraulics - New (cont.)

Front Wheel Cylinder	Years	Sequential No.	Category No.	Qualifier
Wheel Cylinder	83 - 80	F73537	(WC73537)	L.H.; 15 x 3" Wagner; Upper; Single Syst.; 1-1/4" Bore
Wheel Cylinder	83 - 80	F73500	(WC73500)	L.H.; 15 x 3" Wagner; Upper; Single Syst.; 1-1/8" Bore
Wheel Cylinder	83 - 80	F73543	(WC73543)	L.H.; 15 x 3" Wagner; Upper; Split Syst.; 1-1/4" Bore
Wheel Cylinder	83 - 80	F71940	(WC71940)	L.H.; 15 x 3" Wagner; Upper; Split Syst.; 1-1/8" Bore
Wheel Cylinder	83 - 80	F73532	(WC73532)	R.H.; 15 x 3" Wagner; Lower; 1-1/4" Bore
Wheel Cylinder	83 - 80	F43376	(WC43376)	R.H.; 15 x 3" Wagner; Lower; 1-1/8" Bore
Wheel Cylinder	83 - 80	F73538	(WC73538)	R.H.; 15 x 3" Wagner; Upper; Single Syst.; 1-1/4" Bore
Wheel Cylinder	83 - 80	F73501	(WC73501)	R.H.; 15 x 3" Wagner; Upper; Single Syst.; 1-1/8" Bore
Wheel Cylinder	83 - 80	F73544	(WC73544)	R.H.; 15 x 3" Wagner; Upper; Split Syst.; 1-1/4" Bore
Wheel Cylinder	83 - 80	F71941	(WC71941)	R.H.; 15 x 3" Wagner; Upper; Split Syst.; 1-1/8" Bore

Rear Wheel Cylinder	Years	Sequential No.	Category No.	Qualifier
Wheel Cylinder	97 - 84	F118104	(WC118104)	L.H.; 15 x 5" Lucas; 1-3/4" Bore
Wheel Cylinder	97 - 84	F118104	(WC118104)	L.H.; 15 x 6" Lucas; 15000-19000 lb. RA; 8000 lb. FA; 1-3/4" Bore
Wheel Cylinder	97 - 84	F118106	(WC118106)	L.H.; 15 x 6" Lucas; 15000-19000 lb. RA; Exc. 8000 lb. FA; 1-5/8" Bore
Wheel Cylinder	97 - 84	F118104	(WC118104)	L.H.; 15 x 7" Lucas; 17500-22000 lb. RA; 1-3/4" Bore
Wheel Cylinder	97 - 84	F118106	(WC118106)	L.H.; 15 x 7" Lucas; 34000 lb. TRA; 1-5/8" Bore
Wheel Cylinder	97 - 84	F118105	(WC118105)	R.H.; 15 x 5" Lucas; 1-3/4" Bore
Wheel Cylinder	97 - 84	F118105	(WC118105)	R.H.; 15 x 6" Lucas; 15000-19000 lb. RA; 8000 lb. FA; 1-3/4" Bore
Wheel Cylinder	97 - 84	F118107	(WC118107)	R.H.; 15 x 6" Lucas; 15000-19000 lb. RA; Exc. 8000 lb. FA; 1-5/8" Bore
Wheel Cylinder	97 - 84	F118105	(WC118105)	R.H.; 15 x 7" Lucas; 17500-22000 lb. RA; 1-3/4" Bore
Wheel Cylinder	97 - 84	F118107	(WC118107)	R.H.; 15 x 7" Lucas; 34000 lb. TRA; 1-5/8" Bore
Wheel Cylinder	83 - 80	F78743	(WC78743)	15 x 5" Kelsey Hayes; 15000 lb. RA; 1-1/2" Bore
Wheel Cylinder	83 - 80	F71238	(WC71238)	15 x 5" Kelsey Hayes; 17500-32000 lb. RA; 1-5/8" Bore
Wheel Cylinder	83 - 80	F24489	(WC24489)	15 x 6" Wagner; 1-5/8" Bore
Wheel Cylinder	83 - 80	F26159	(WC26159)	15 x 7" Wagner; 1-1/2" Bore
Wheel Cylinder	83 - 80	F26172	(WC26172)	16 x 6" Wagner; 1-5/8" Bore

Front Brake Hose	Years	Sequential No.	Category No.	Qualifier
Brake Hose	97 - 90	F111945	(BH111945)	w/Disc Brakes; Exc. Tandem
Brake Hose	97 - 90	F132936	(BH132936)	w/Drum Brakes; Tandem
Brake Hose	89 - 80	F79350	(BH79350)	L.H.; w/Drum Brakes; Split Syst.
Brake Hose	89 - 80	F80962	(BH80962)	R.H.; w/Drum Brakes; Split Syst.
Brake Hose	89 - 80	F97844	(BH97844)	w/Air Disc
Brake Hose	89 - 83	F111945	(BH111945)	w/Disc Brakes
Brake Hose	89 - 80	F80962	(BH80962)	w/Drum Brakes; Single Syst.

Rear Brake Hose	Years	Sequential No.	Category No.	Qualifier
Brake Hose	97 - 84	F110130	(BH110130)	Exc. Tandem; Hyd. Brakes
Brake Hose	83 - 80	F80023	(BH80023)	Exc. Tandem; Single Syst.
Brake Hose	83 - 80	F80023	(BH80023)	Exc. Tandem; Split Syst.; Front Port of Connector
Brake Hose	83 - 80	F80022	(BH80022)	Exc. Tandem; Split Syst.; Rear Port of Connector
Brake Hose	83 - 80	F103205	(BH103205)	Tandem; To Clip on Axle
Brake Hose	83 - 80	F103204	(BH103204)	Tandem; To Frame Bracket

Hydraulics - Reman

Power Brake Booster	Years	Part No.	Qualifier
Power Brake Booster	97 - 84	529808	Dual System; Hydro-Max; Tandem; w/o Master Cyl.
Power Brake Booster	97 - 84	529904	Dual System; Hydro-Max; w/Pump and Motor Assy; w/o Master Cyl.
Power Brake Booster	83 - 80	518007	Dual System; Hydro-Vac; Front; w/Master Cyl.
Power Brake Booster	83 - 80	518030	Dual System; Hydro-Vac; Rear; w/Master Cyl.
Power Brake Booster	83 - 80	518040	Single Syst.; Hydro-Vac; Tandem; Dual Diaphragm; w/Master Cyl.

FORD MD Louisville

L8000

Brake Pads & Shoes

Front Pads & Shoes	Years	SevereDuty	Lining No.	Qualifier
Brake Pads	98 - 96	SD224		Dayton; 2.50" 2-Piston Caliper

Brake Pads & Shoes (cont.)

Front Pads & Shoes	Years	SevereDuty	Lining No.	Qualifier
Brake Pads	98 - 96	SD236		Dayton; 2.88" 2-Piston Caliper
Brake Shoes	98 - 96	4693R	4693	w/Air Brakes; Bendix; 15 x 4
Brake Shoes	98 - 96	4702Q	4702	w/Air Brakes; Rockwell/Meritor; Q-Plus; 15 x 4
Brake Shoes	98 - 96	1308Q	1308T	w/Air Brakes; Rockwell/Meritor; Q-Series; 15 x 4

Rear Pads & Shoes	Years	SevereDuty	Lining No.	Qualifier
Brake Shoes	98 - 96	SDS542R	EX4528AD-S43	Hyd. Brakes; Lucas; 15 x 5
Brake Shoes	98 - 96	SDS543R	EX4504AD-S43	Hyd. Brakes; Lucas; 15 x 6
Brake Shoes	98 - 96	SDS544AR	EX4505AD-S4Q	Hyd. Brakes; Lucas; 15 x 7
Brake Shoes	98 - 96	4515B	4515E	w/Air Brakes; Bendix; 16-1/2 x 7
Brake Shoes	98 - 96	4707Q	4707	w/Air Brakes; Rockwell/Meritor; Q-Plus; 16-1/2 x 7
Brake Shoes	98 - 96	4515Q	4515E	w/Air Brakes; Rockwell/Meritor; Q-Series; 16-1/2 x 7

Rotor & Drum

Rear Rotor & Drum	Years	Part No.	Qualifier
Brake Drum	98 - 96	BD126376	15 x 5" Hyd. Brakes; Dayton; 20" Spoke Wheel
Brake Drum	98 - 96	BD126379	15 x 5" Hyd. Brakes; Dayton; 6-Hole Disc Wheel
Brake Drum	98 - 96	BD126375	15 x 5" Hyd. Brakes; Dayton; 8-Hole Disc Wheel
Brake Drum	98 - 96	BD126400	15 x 6" Hyd. Brakes; Dayton; 20" Spoke Wheel
Brake Drum	98 - 96	BD126399	15 x 6" Hyd. Brakes; Dayton; 6-Hole Disc Wheel
Brake Drum	98 - 96	BD126397	15 x 6" Hyd. Brakes; Dayton; 8-Hole Disc Wheel
Brake Drum	98 - 96	BD126378	15 x 7" Hyd. Brakes; Budd; 10-Hole Disc Wheel; 15000 lb. RA
Brake Drum	98 - 96	BD126378	15 x 7" Hyd. Brakes; Budd; 10-Hole Disc Wheel; 17000-18000 lb. RA
Brake Drum	98 - 96	BD126378	15 x 7" Hyd. Brakes; Budd; 10-Hole Disc Wheel; 20000-21000 lb. RA
Brake Drum	98 - 96	BD126373	15 x 7" Hyd. Brakes; Budd; 10-Hole Disc Wheel; 34000 lb. TRA
Brake Drum	98 - 96	BD126377	15 x 7" Hyd. Brakes; Dayton; 20" Spoke Wheel; 17000-18000 lb. RA
Brake Drum	98 - 96	BD126374	15 x 7" Hyd. Brakes; Dayton; 20" Spoke Wheel; 21000-22000 lb. RA
Brake Drum	98 - 96	BD126377	15 x 7" Hyd. Brakes; Dayton; 20" Spoke Wheel; 34000 lb. TRA
Brake Drum	98 - 96	BD126401	15 x 7" Hyd. Brakes; Dayton; 8-Hole Disc Wheel; 17000-19000 lb. RA

Brake Hardware

Front Brake Hardware	Years	Sequential No.	Category No.	Qualifier
Disc Align Kit	98 - 96	F134105	(H5613)	Dayton; 2.50" 2-Piston Caliper
Disc Align Kit	98 - 96	F128926	(H5609)	Dayton; 2.88" 2-Piston Caliper

Rear Brake Hardware	Years	Sequential No.	Category No.	Qualifier
Adjuster Kit	98 - 96	F112097	(H2901)	L.H.; Lucas
Adjuster Kit	98 - 96	F112097	(H2901)	R.H.; Lucas
Combi Kit	98 - 96	F112096	(H7195)	Lucas

Calipers - Reman

Front, Loaded	Years	Left No.	Right No.	Qualifier	Piston
Loaded Caliper	98 - 96	AS120313	AS120313	Dayton; 2.50" 2-Piston Caliper; w/6 Holes on Back	M
Loaded Caliper	98 - 96	AS108723	AS108723	Dayton; 2.88" 2-Piston Caliper	M

Front, Unloaded	Years	Left No.	Right No.	Qualifier	Piston
Unloaded Caliper	98 - 96	CR120313	CR120313	Dayton; 2.50" 2-Piston Caliper; w/6 Holes on Back	M
Unloaded Caliper	98 - 96	CR108723	CR108723	Dayton; 2.88" 2-Piston Caliper	M

Hydraulics - New

Master Cylinder	Years	Sequential No.	Category No.	Qualifier
Master Cylinder	98 - 96	F119400	(MC119400)	Split Syst.; Hydro-Max; 1-3/4" Bore
Master Cylinder	98 - 96	F110980	(MC110980)	Split Syst.; Hydro-Max; 2" Bore

Hydraulics - Reman

Power Brake Booster	Years	Part No.	Qualifier
Power Brake Booster	98 - 96	529806	Dual System; Hydro-Max; Exc. Tandem; w/o Master Cyl.
Power Brake Booster	98 - 96	529808	Dual System; Hydro-Max; Tandem; w/o Master Cyl.
Power Brake Booster	98 - 96	529904	Dual System; Hydro-Max; w/Pump and Motor Assy; w/o Master Cyl.

Piston: M - OE Metal Piston P - OE Phenolic Piston

L9000					
Brake Pads & Shoes					
Front Pads & Shoes	Years	SevereDuty	Lining No.	Qualifier	
Brake Pads	98 - 96	SD224		Dayton; 2.50" 2-Piston Caliper	
Brake Pads	98 - 96	SD236		Dayton; 2.88" 2-Piston Caliper	
Brake Shoes	98 - 96	4693R	4693	w/Air Brakes; Bendix; 15 x 4	
Brake Shoes	98 - 96	4702Q	4702	w/Air Brakes; Rockwell/Meritor; Q-Plus; 15 x 4	
Brake Shoes	98 - 96	1308Q	1308T	w/Air Brakes; Rockwell/Meritor; Q-Series; 15 x 4	
Rear Pads & Shoes	Years	SevereDuty	Lining No.	Qualifier	
Brake Shoes	98 - 96	SDS542R	EX4528AD-S43	Hyd. Brakes; Lucas; 15 x 5	
Brake Shoes	98 - 96	SDS543R	EX4504AD-S43	Hyd. Brakes; Lucas; 15 x 6	
Brake Shoes	98 - 96	SDS544AR	EX4505AD-S4Q	Hyd. Brakes; Lucas; 15 x 7	
Brake Shoes	98 - 96	4515B	4515E	w/Air Brakes; Bendix; 16-1/2 x 7	
Brake Shoes	98 - 96	4707Q	4707	w/Air Brakes; Rockwell/Meritor; Q-Plus; 16-1/2 x 7	
Brake Shoes	98 - 96	4515Q	4515E	w/Air Brakes; Rockwell/Meritor; Q-Series; 16-1/2 x 7	
Rotor & Drum					
Rear Rotor & Drum	Years	Part No.	Qualifier		
Brake Drum	98 - 96	BD126376		15 x 5" Hyd. Brakes; Dayton; 20" Spoke Wheel	
Brake Drum	98 - 96	BD126379		15 x 5" Hyd. Brakes; Dayton; 6-Hole Disc Wheel	
Brake Drum	98 - 96	BD126375		15 x 5" Hyd. Brakes; Dayton; 8-Hole Disc Wheel	
Brake Drum	98 - 96	BD126400		15 x 6" Hyd. Brakes; Dayton; 20" Spoke Wheel	
Brake Drum	98 - 96	BD126399		15 x 6" Hyd. Brakes; Dayton; 6-Hole Disc Wheel	
Brake Drum	98 - 96	BD126397		15 x 6" Hyd. Brakes; Dayton; 8-Hole Disc Wheel	
Brake Drum	98 - 96	BD126378		15 x 7" Hyd. Brakes; Budd; 10-Hole Disc Wheel; 15000 lb. RA	
Brake Drum	98 - 96	BD126378		15 x 7" Hyd. Brakes; Budd; 10-Hole Disc Wheel; 17000-18000 lb. RA	
Brake Drum	98 - 96	BD126378		15 x 7" Hyd. Brakes; Budd; 10-Hole Disc Wheel; 20000-21000 lb. RA	
Brake Drum	98 - 96	BD126373		15 x 7" Hyd. Brakes; Budd; 10-Hole Disc Wheel; 34000 lb. TRA	
Brake Drum	98 - 96	BD126377		15 x 7" Hyd. Brakes; Dayton; 20" Spoke Wheel; 17000-18000 lb. RA	
Brake Drum	98 - 96	BD126374		15 x 7" Hyd. Brakes; Dayton; 20" Spoke Wheel; 21000-22000 lb. RA	
Brake Drum	98 - 96	BD126377		15 x 7" Hyd. Brakes; Dayton; 20" Spoke Wheel; 34000 lb. TRA	
Brake Drum	98 - 96	BD126401		15 x 7" Hyd. Brakes; Dayton; 8-Hole Disc Wheel; 17000-19000 lb. RA	
Brake Hardware					
Front Brake Hardware	Years	Sequential No.	Category No.	Qualifier	
Disc Align Kit	98 - 96	F134105	(H5613)	Dayton; 2.50" 2-Piston Caliper	
Disc Align Kit	98 - 96	F128926	(H5609)	Dayton; 2.88" 2-Piston Caliper	
Rear Brake Hardware	Years	Sequential No.	Category No.	Qualifier	
Adjuster Kit	98 - 96	F112097	(H2901)	L.H.; Lucas	
Adjuster Kit	98 - 96	F112097	(H2901)	R.H.; Lucas	
Combi Kit	98 - 96	F112096	(H7195)	Lucas	
Calipers - Reman					
Front, Loaded	Years	Left No.	Right No.	Qualifier	Piston
Loaded Caliper	98 - 96	AS120313	AS120313	Dayton; 2.50" 2-Piston Caliper; w/6 Holes on Back	M
Loaded Caliper	98 - 96	AS108723	AS108723	Dayton; 2.88" 2-Piston Caliper	M
Front, Unloaded	Years	Left No.	Right No.	Qualifier	Piston
Unloaded Caliper	98 - 96	CR120313	CR120313	Dayton; 2.50" 2-Piston Caliper; w/6 Holes on Back	M
Unloaded Caliper	98 - 96	CR108723	CR108723	Dayton; 2.88" 2-Piston Caliper	M
Hydraulics - New					
Master Cylinder	Years	Sequential No.	Category No.	Qualifier	
Master Cylinder	98 - 96	F119400	(MC119400)	Split Syst.; Hydro-Max; 1-3/4" Bore	
Master Cylinder	98 - 96	F110980	(MC110980)	Split Syst.; Hydro-Max; 2" Bore	
Hydraulics - Reman					
Power Brake Booster	Years	Part No.	Qualifier		
Power Brake Booster	98 - 96	529806		Dual System; Hydro-Max; Exc. Tandem; w/o Master Cyl.	
Power Brake Booster	98 - 96	529808		Dual System; Hydro-Max; Tandem; w/o Master Cyl.	
Power Brake Booster	98 - 96	529904		Dual System; Hydro-Max; w/Pump and Motor Assy; w/o Master Cyl.	

Piston: M - OE Metal Piston P - OE Phenolic Piston

Brake Pads & Shoes

Front Pads & Shoes	Years	SevereDuty	Lining No.	Qualifier
Brake Pads	97 - 84	SD224		Dayton; 2.50" 2-Piston Caliper
Brake Pads	97 - 83	SD236		Dayton; 2.88" 2-Piston Caliper
Brake Shoes	97 - 88	4693R	4693	w/Air Brakes; Bendix; 15 x 4
Brake Shoes	97 - 90	4702Q	4702	w/Air Brakes; Rockwell/Meritor; Q-Plus; 15 x 4
Brake Shoes	97 - 80	1308Q	1308T	w/Air Brakes; Rockwell/Meritor; Q-Series; 15 x 4
Brake Shoes	89 - 83	4605R	4605	w/Air Brakes; Bendix; 15 x 6
Brake Shoes	89 - 84	1308E	1308	w/Air Brakes; Eaton; 15 x 4
Brake Shoes	83 - 80	SDS361R	EX2060D-S32	Hyd. Brakes; Kelsey Hayes; 14 x 2-1/2
Brake Shoes	83 - 80	SDS321R	EX1245AD-S32	Hyd. Brakes; Wagner; 15 x 3

Rear Pads & Shoes	Years	SevereDuty	Lining No.	Qualifier
Brake Shoes	97 - 84	SDS542R	EX4528AD-S43	Hyd. Brakes; Lucas; 15 x 5
Brake Shoes	97 - 84	SDS543R	EX4504AD-S43	Hyd. Brakes; Lucas; 15 x 6
Brake Shoes	97 - 84	SDS544AR	EX4505AD-S4Q	Hyd. Brakes; Lucas; 15 x 7
Brake Shoes	97 - 87	4515B	4515E	w/Air Brakes; Bendix; 16-1/2 x 7
Brake Shoes	97 - 90	4707Q	4707	w/Air Brakes; Rockwell/Meritor; Q-Plus; 16-1/2 x 7
Brake Shoes	97 - 80	4515Q	4515E	w/Air Brakes; Rockwell/Meritor; Q-Series; 16-1/2 x 7
Brake Shoes	89 - 80	4311E	4311J	w/Air Brakes; Eaton; 16-1/2 x 7
Brake Shoes	83 - 80	SDS400R	EX4646D-S32	Hyd. Brakes; Kelsey Hayes; 15 x 5
Brake Shoes	83 - 80	SDS381R	EX4596D-S32	Hyd. Brakes; Wagner; 15 x 6
Brake Shoes	83 - 80	SDS383R	EX4597D-S32	Hyd. Brakes; Wagner; 15 x 7
Brake Shoes	83 - 80	SDS386R	EX1255D-S32	Hyd. Brakes; Wagner; 16 x 6
Brake Shoes	83 - 80	4524Q	4524B	w/Air Brakes; Rockwell/Meritor; Q-Series; 16-1/2 x 5
Brake Shoes	83 - 80	4471Q	4471B	w/Air Brakes; Rockwell/Meritor; Q-Series; 18 x 7

Parking Brake Shoes	Years	SevereDuty	Lining No.	Qualifier
Brake Shoes	83 - 80	SDS842R	EX1303AD	10 x 3
Brake Shoes	83 - 80	SDS647	EX2086D	9 x 3

Rotor & Drum

Front Rotor & Drum	Years	Part No.	Qualifier
Brake Rotor	97 - 94	BD125485	10000-12000 lb. FA; Hat-Shaped; 10-Hole; 7-1/4" Bolt Circle
Brake Rotor	97 - 90	BD125087	10000-12000 lb. FA; U-Shaped; 10-Hole
Brake Rotor	97 - 94	BD125087	10000-12000 lb. FA; U-Shaped; 10-Hole; 11-1/4" Bolt Circle
Brake Rotor	97 - 94	BD125214	10000-12000 lb. FA; U-Shaped; 6-Hole
Brake Rotor	97 - 94	BD125617	6000-7000 lb. FA; Hat-Shaped; 10-Hole
Brake Rotor	97 - 94	BD125085	6000-7000 lb. FA; Hat-Shaped; 6-Hole
Brake Rotor	97 - 94	BD125485	8000-9000 lb. FA; Hat-Shaped; 10-Hole
Brake Rotor	97 - 94	BD125086	8000-9000 lb. FA; U-Shaped; 6-Hole
Brake Rotor	97 - 94	BD125214	8000-9000 lb. FA; U-Shaped; 6-Hole; 11-1/4" Bolt Circle; w/Spoke Wheels
Brake Rotor	97 - 94	BD125086	8000-9000 lb. FA; U-Shaped; 6-Hole; 8-3/4" Bolt Circle; w/Disc Wheels
Brake Rotor	93 - 90	BD125087	10000-12000 lb. FA; U-Shaped; 10-Hole; Dayton
Brake Rotor	93 - 90	BD125214	10000-12000 lb. FA; U-Shaped; 6-Hole; Dayton
Brake Rotor	93 - 90	BD125085	6000-7000 lb. FA; Hat-Shaped; 6-Hole; Dayton
Brake Rotor	93 - 90	BD125087	8000-9000 lb. FA; U-Shaped; 10-Hole; Dayton
Brake Rotor	93 - 90	BD125214	8000-9000 lb. FA; U-Shaped; 6-Hole; 11-1/4" Bolt Circle; Dayton
Brake Rotor	93 - 90	BD125086	8000-9000 lb. FA; U-Shaped; 6-Hole; 8-3/4" Bolt Circle; Dayton
Brake Rotor	93 - 90	BD125086	8000-9000 lb. FA; U-Shaped; 6-Hole; Dayton
Brake Rotor	89 - 84	BD125085	6000-7500 lb. FA; Hat-Shaped; 6-Hole
Brake Rotor	89 - 84	BD125087	8000-9000 lb. FA; U-Shaped; 10-Hole
Brake Rotor	89 - 84	BD125214	8000-9000 lb. FA; U-Shaped; 6-Hole; 11-1/4" Bolt Circle
Brake Rotor	89 - 84	BD125086	8000-9000 lb. FA; U-Shaped; 6-Hole; 8-3/4" Bolt Circle
Brake Rotor	89 - 84	BD125087	9500-12000 lb. FA; U-Shaped; 10-Hole
Brake Rotor	89 - 84	BD125214	9500-12000 lb. FA; U-Shaped; 6-Hole

Rear Rotor & Drum	Years	Part No.	Qualifier
Brake Drum	97 - 90	BD126376	15 x 5" Hyd. Brakes; Dayton; 20" Spoke Wheel
Brake Drum	97 - 84	BD126379	15 x 5" Hyd. Brakes; Dayton; 6-Hole Disc Wheel
Brake Drum	97 - 90	BD126375	15 x 5" Hyd. Brakes; Dayton; 8-Hole Disc Wheel

LS800 (cont.)

Rotor & Drum (cont.)

Rear Rotor & Drum	Years	Part No.	Qualifier
Brake Drum	97 - 95	BD126400	15 x 6" Hyd. Brakes; Dayton; 20" Spoke Wheel
Brake Drum	97 - 90	BD126399	15 x 6" Hyd. Brakes; Dayton; 6-Hole Disc Wheel
Brake Drum	97 - 90	BD126397	15 x 6" Hyd. Brakes; Dayton; 8-Hole Disc Wheel
Brake Drum	97 - 90	BD126378	15 x 7" Hyd. Brakes; Budd; 10-Hole Disc Wheel; 15000 lb. RA
Brake Drum	97 - 90	BD126378	15 x 7" Hyd. Brakes; Budd; 10-Hole Disc Wheel; 17000-18000 lb. RA
Brake Drum	97 - 90	BD126378	15 x 7" Hyd. Brakes; Budd; 10-Hole Disc Wheel; 20000-21000 lb. RA
Brake Drum	97 - 89	BD126373	15 x 7" Hyd. Brakes; Budd; 10-Hole Disc Wheel; 34000 lb. TRA
Brake Drum	97 - 90	BD126377	15 x 7" Hyd. Brakes; Dayton; 20" Spoke Wheel; 17000-18000 lb. RA
Brake Drum	97 - 90	BD126374	15 x 7" Hyd. Brakes; Dayton; 20" Spoke Wheel; 21000-22000 lb. RA
Brake Drum	97 - 90	BD126377	15 x 7" Hyd. Brakes; Dayton; 20" Spoke Wheel; 34000 lb. TRA
Brake Drum	97 - 90	BD126401	15 x 7" Hyd. Brakes; Dayton; 8-Hole Disc Wheel; 17000-19000 lb. RA
Brake Drum	94	BD126400	From 6/01/94; 15 x 6" Hyd. Brakes; Dayton; 20" Spoke Wheel
Brake Drum	94	BD126380	To 5/30/94; 15 x 6" Hyd. Brakes; Dayton; 20" Spoke Wheel
Brake Drum	93 - 84	BD126380	15 x 6" Hyd. Brakes; Dayton; 20" Spoke Wheel
Brake Drum	89 - 80	BD126399	15 x 6" Hyd. Brakes; Dayton; 6-Hole Disc Wheel; 17000-18000 lb. RA
Brake Drum	89	BD126373	15 x 7" Hyd. Brakes; Budd; 10-Hole Disc Wheel; 19000 lb. RA
Brake Drum	89	BD126378	15 x 7" Hyd. Brakes; Budd; 10-Hole Disc Wheel; 22000 lb. RA
Brake Drum	88 - 80	BD126373	15 x 7" Hyd. Brakes; Budd; 10-Hole Disc Wheel

Brake Hardware

Front Brake Hardware	Years	Sequential No.	Category No.	Qualifier
Adjuster Kit	83 - 80	F128898	(H2915)	L.H.; Kelsey Hayes
Adjuster Kit	83 - 80	F59159	(H2904)	L.H.; Wagner
Adjuster Kit	83 - 80	F128899	(H2916)	R.H.; Kelsey Hayes
Adjuster Kit	83 - 80	F59160	(H2905)	R.H.; Wagner
Combi Kit	83 - 80	F117015	(H7186)	Kelsey Hayes
↳Adjuster Spring Kit		F117152S	(H427)	
↳Return Spring Kit		F71521	(H602)	
Combi Kit	83 - 80	F117025	(H7173)	Wagner
↳Hold Down Kit		F73399	(H4201)	
↳Return Spring Kit		F36445	(H521)	
Disc Align Kit	97 - 84	F134105	(H5613)	Dayton; 2.50" 2-Piston Caliper
Disc Align Kit	97 - 87	F128926	(H5609)	Dayton; 2.88" 2-Piston Caliper
Disc Align Kit	86 - 83	F128927	(H5610)	Dayton; 2.88" 2-Piston Caliper

Rear Brake Hardware	Years	Sequential No.	Category No.	Qualifier
Adjuster Kit	97 - 84	F112097	(H2901)	L.H.; Lucas
Adjuster Kit	97 - 84	F112097	(H2901)	R.H.; Lucas
Adjuster Kit	83 - 80	F128891	(H2908)	L.H.; Kelsey Hayes
Adjuster Kit	83 - 80	F59157	(H2902)	L.H.; Wagner; 15" Brake; Auto Adj.
Adjuster Kit	83 - 80	F128894S	(H2911)	L.H.; Wagner; 15" Brake; Man. Adj.
Adjuster Kit	83 - 80	F128895S	(H2912)	L.H.; Wagner; 16" Brake; Man. Adj.
Adjuster Kit	83 - 80	F128892	(H2909)	R.H.; Kelsey Hayes
Adjuster Kit	83 - 80	F59158	(H2903)	R.H.; Wagner; 15" Brake; Auto Adj.
Adjuster Kit	83 - 80	F128894S	(H2911)	R.H.; Wagner; 15" Brake; Man. Adj.
Adjuster Kit	83 - 80	F128895S	(H2912)	R.H.; Wagner; 16" Brake; Man. Adj.
Adjuster Screw	83 - 80	F140823	(H1607)	L.H.; Wagner; 15" Brake
Adjuster Screw	83 - 80	F19291	(H1700)	L.H.; Wagner; 16" Brake
Adjuster Screw	83 - 80	F140818	(H1606)	R.H.; Wagner; 15" Brake
Adjuster Screw	83 - 80	F19292	(H1701)	R.H.; Wagner; 16" Brake
Combi Kit	97 - 84	F112096	(H7195)	Lucas
Combi Kit	83 - 80	F117014	(H7187)	Kelsey Hayes
↳Return Spring Kit		F73591	(H612)	
Combi Kit	83 - 80	F117027	(H7171)	Wagner
↳Adjuster Spring Kit		F78727	(H451)	
↳Hold Down Kit		F19309	(H5079)	
↳Return Spring Kit		F98318	(H609)	

↳Sub-Kit of Combi-Kit is available separately.

LS800 (cont.)

Calipers - Reman

Front, Loaded	Years	Left No.	Right No.	Qualifier	Piston
Loaded Caliper	97 - 84	AS120313	AS120313	Dayton; 2.50" 2-Piston Caliper; w/6 Holes on Back	M
Loaded Caliper	97 - 83	AS108723	AS108723	Dayton; 2.88" 2-Piston Caliper	M
Front, Unloaded	Years	Left No.	Right No.	Qualifier	Piston
Unloaded Caliper	97 - 84	CR120313	CR120313	Dayton; 2.50" 2-Piston Caliper; w/6 Holes on Back	M
Unloaded Caliper	97 - 83	CR108723	CR108723	Dayton; 2.88" 2-Piston Caliper	M

Hydraulics - New

Master Cylinder	Years	Sequential No.	Category No.	Qualifier
Master Cylinder	97 - 90	F119400	(MC119400)	Split Syst.; Hydro-Max; 1-3/4" Bore
Master Cylinder	97 - 90	F110980	(MC110980)	Split Syst.; Hydro-Max; 2" Bore
Master Cylinder	89 - 84	F119400	(MC119400)	Split Syst.; Hydro-Max; Dash Mtd.; Exc. Tandem; 1-3/4" Bore
Master Cylinder	83 - 80	F75994	(MC75994)	14 x 2-1/2" Brakes; Split Syst.; Frame Mtd.; 1-3/4" Bore
Master Cylinder	83 - 80	F75996	(MC75996)	15 x 3" Brakes; Single Syst.; Frame Mtd.; Exc. Tandem; 1-3/4" Bore
Master Cylinder	83 - 80	F75998	(MC75998)	15 x 3" Brakes; Single Syst.; Frame Mtd.; Tandem; 1-3/4" Bore
Master Cylinder	83 - 80	F75995	(MC75995)	15 x 3" Brakes; Split Syst.; Frame Mtd.; w/6000-7000 lb. FA and 17000-18000 lb. RA; 1-3/4" Bore
Master Cylinder	83 - 80	F75997	(MC75997)	15 x 3" Brakes; Split Syst.; Frame Mtd.; w/6000-7000 lb. FA and 22000 lb. RA; 1-3/4" Bore
Master Cylinder	83 - 80	F75995	(MC75995)	15 x 3" Brakes; Split Syst.; Frame Mtd.; w/9000 lb. FA and 17000 lb. RA; 1-3/4" Bore
Master Cylinder	83 - 80	F75997	(MC75997)	15 x 3" Brakes; Split Syst.; Frame Mtd.; w/9000 lb. FA and 18000-22000 lb. RA; 1-3/4" Bore

Front Wheel Cylinder	Years	Sequential No.	Category No.	Qualifier
Wheel Cylinder	83 - 80	F73531	(WC73531)	L.H.; 15 x 3" Wagner; Lower; 1-1/4" Bore
Wheel Cylinder	83 - 80	F43375	(WC43375)	L.H.; 15 x 3" Wagner; Lower; 1-1/8" Bore
Wheel Cylinder	83 - 80	F73537	(WC73537)	L.H.; 15 x 3" Wagner; Upper; Single Syst.; 1-1/4" Bore
Wheel Cylinder	83 - 80	F73500	(WC73500)	L.H.; 15 x 3" Wagner; Upper; Single Syst.; 1-1/8" Bore
Wheel Cylinder	83 - 80	F73543	(WC73543)	L.H.; 15 x 3" Wagner; Upper; Split Syst.; 1-1/4" Bore
Wheel Cylinder	83 - 80	F71940	(WC71940)	L.H.; 15 x 3" Wagner; Upper; Split Syst.; 1-1/8" Bore
Wheel Cylinder	83 - 80	F73532	(WC73532)	R.H.; 15 x 3" Wagner; Lower; 1-1/4" Bore
Wheel Cylinder	83 - 80	F43376	(WC43376)	R.H.; 15 x 3" Wagner; Lower; 1-1/8" Bore
Wheel Cylinder	83 - 80	F73538	(WC73538)	R.H.; 15 x 3" Wagner; Upper; Single Syst.; 1-1/4" Bore
Wheel Cylinder	83 - 80	F73501	(WC73501)	R.H.; 15 x 3" Wagner; Upper; Single Syst.; 1-1/8" Bore
Wheel Cylinder	83 - 80	F73544	(WC73544)	R.H.; 15 x 3" Wagner; Upper; Split Syst.; 1-1/4" Bore
Wheel Cylinder	83 - 80	F71941	(WC71941)	R.H.; 15 x 3" Wagner; Upper; Split Syst.; 1-1/8" Bore

Rear Wheel Cylinder	Years	Sequential No.	Category No.	Qualifier
Wheel Cylinder	97 - 84	F118104	(WC118104)	L.H.; 15 x 5" Lucas; 1-3/4" Bore
Wheel Cylinder	97 - 84	F118105	(WC118105)	R.H.; 15 x 5" Lucas; 1-3/4" Bore
Wheel Cylinder	83 - 80	F78743	(WC78743)	15 x 5" Kelsey Hayes; 15000 lb. RA; 1-1/2" Bore
Wheel Cylinder	83 - 80	F71238	(WC71238)	15 x 5" Kelsey Hayes; 17500-32000 lb. RA; 1-5/8" Bore

Front Brake Hose	Years	Sequential No.	Category No.	Qualifier
Brake Hose	97 - 90	F132936	(BH132936)	Hyd. Brakes
Brake Hose	89 - 80	F80962	(BH80962)	Hyd. Brakes; Single Syst.
Brake Hose	89 - 80	F79350	(BH79350)	L.H.; Hyd. Brakes; Split Syst.
Brake Hose	89 - 80	F80962	(BH80962)	R.H.; Hyd. Brakes; Split Syst.
Brake Hose	89 - 80	F124052	(BH124052)	w/Air Disc

Hydraulics - Reman

Power Brake Booster	Years	Part No.	Qualifier
Power Brake Booster	83 - 80	518007	Dual System; Hydro-Vac; Front; w/Master Cyl.
Power Brake Booster	83 - 80	518030	Dual System; Hydro-Vac; Rear; w/Master Cyl.
Power Brake Booster	83 - 80	518040	Single Syst.; Hydro-Vac; Tandem; Dual Diaphragm; w/Master Cyl.

LS900

Brake Pads & Shoes

Front Pads & Shoes	Years	SevereDuty	Lining No.	Qualifier
Brake Pads	97 - 84	SD224		Dayton; 2.50" 2-Piston Caliper
Brake Pads	97 - 83	SD236		Dayton; 2.88" 2-Piston Caliper
Brake Shoes	97 - 88	4693R	4693	w/Air Brakes; Bendix; 15 x 4
Brake Shoes	97 - 90	4702Q	4702	w/Air Brakes; Rockwell/Meritor; Q-Plus; 15 x 4

Piston: M - OE Metal Piston P - OE Phenolic Piston

LS900 (cont.)

Brake Pads & Shoes (cont.)

Front Pads & Shoes	Years	SevereDuty	Lining No.	Qualifier
Brake Shoes	97 - 80	1308Q	1308T	w/Air Brakes; Rockwell/Meritor; Q-Series; 15 x 4
Brake Shoes	89 - 83	4605R	4605	w/Air Brakes; Bendix; 15 x 6
Brake Shoes	89 - 84	1308E	1308	w/Air Brakes; Eaton; 15 x 4
Brake Shoes	83 - 80	SDS361R	EX2060D-S32	Hyd. Brakes; Kelsey Hayes; 14 x 2-1/2
Brake Shoes	83 - 80	SDS321R	EX1245AD-S32	Hyd. Brakes; Wagner; 15 x 3
Rear Pads & Shoes	Years	SevereDuty	Lining No.	Qualifier
Brake Shoes	97 - 84	SDS542R	EX4528AD-S43	Hyd. Brakes; Lucas; 15 x 5
Brake Shoes	97 - 84	SDS543R	EX4504AD-S43	Hyd. Brakes; Lucas; 15 x 6
Brake Shoes	97 - 84	SDS544AR	EX4505AD-S4Q	Hyd. Brakes; Lucas; 15 x 7
Brake Shoes	97 - 87	4515B	4515E	w/Air Brakes; Bendix; 16-1/2 x 7
Brake Shoes	97 - 90	4707Q	4707	w/Air Brakes; Rockwell/Meritor; Q-Plus; 16-1/2 x 7
Brake Shoes	97 - 80	4515Q	4515E	w/Air Brakes; Rockwell/Meritor; Q-Series; 16-1/2 x 7
Brake Shoes	89 - 80	4311E	4311J	w/Air Brakes; Eaton; 16-1/2 x 7
Brake Shoes	83 - 80	SDS400R	EX4646D-S32	Hyd. Brakes; Kelsey Hayes; 15 x 5
Brake Shoes	83 - 80	SDS381R	EX4596D-S32	Hyd. Brakes; Wagner; 15 x 6
Brake Shoes	83 - 80	SDS383R	EX4597D-S32	Hyd. Brakes; Wagner; 15 x 7
Brake Shoes	83 - 80	SDS386R	EX1255D-S32	Hyd. Brakes; Wagner; 16 x 6
Brake Shoes	83 - 80	4524Q	4524B	w/Air Brakes; Rockwell/Meritor; Q-Series; 16-1/2 x 5
Brake Shoes	83 - 80	4471Q	4471B	w/Air Brakes; Rockwell/Meritor; Q-Series; 18 x 7
Parking Brake Shoes	Years	SevereDuty	Lining No.	Qualifier
Brake Shoes	83 - 80	SDS842R	EX1303AD	10 x 3
Brake Shoes	83 - 80	SDS647	EX2086D	9 x 3

Rotor & Drum

Front Rotor & Drum	Years	Part No.	Qualifier
Brake Rotor	97 - 94	BD125485	10000-12000 lb. FA; Hat-Shaped; 10-Hole; 7-1/4" Bolt Circle
Brake Rotor	97 - 90	BD125087	10000-12000 lb. FA; U-Shaped; 10-Hole
Brake Rotor	97 - 94	BD125087	10000-12000 lb. FA; U-Shaped; 10-Hole; 11-1/4" Bolt Circle
Brake Rotor	97 - 94	BD125214	10000-12000 lb. FA; U-Shaped; 6-Hole
Brake Rotor	97 - 94	BD125617	6000-7000 lb. FA; Hat-Shaped; 10-Hole
Brake Rotor	97 - 94	BD125085	6000-7000 lb. FA; Hat-Shaped; 6-Hole
Brake Rotor	97 - 94	BD125485	8000-9000 lb. FA; Hat-Shaped; 10-Hole
Brake Rotor	97 - 94	BD125086	8000-9000 lb. FA; U-Shaped; 6-Hole
Brake Rotor	97 - 94	BD125214	8000-9000 lb. FA; U-Shaped; 6-Hole; 11-1/4" Bolt Circle; w/Spoke Wheels
Brake Rotor	97 - 94	BD125086	8000-9000 lb. FA; U-Shaped; 6-Hole; 8-3/4" Bolt Circle; w/Disc Wheels
Brake Rotor	93 - 90	BD125087	10000-12000 lb. FA; U-Shaped; 10-Hole; Dayton
Brake Rotor	93 - 90	BD125214	10000-12000 lb. FA; U-Shaped; 6-Hole; Dayton
Brake Rotor	93 - 90	BD125085	6000-7000 lb. FA; Hat-Shaped; 6-Hole; Dayton
Brake Rotor	93 - 90	BD125087	8000-9000 lb. FA; U-Shaped; 10-Hole; Dayton
Brake Rotor	93 - 90	BD125214	8000-9000 lb. FA; U-Shaped; 6-Hole; 11-1/4" Bolt Circle; Dayton
Brake Rotor	93 - 90	BD125086	8000-9000 lb. FA; U-Shaped; 6-Hole; 8-3/4" Bolt Circle; Dayton
Brake Rotor	93 - 90	BD125086	8000-9000 lb. FA; U-Shaped; 6-Hole; Dayton
Brake Rotor	89 - 84	BD125085	6000-7500 lb. FA; Hat-Shaped; 6-Hole
Brake Rotor	89 - 84	BD125087	8000-9000 lb. FA; U-Shaped; 10-Hole
Brake Rotor	89 - 84	BD125214	8000-9000 lb. FA; U-Shaped; 6-Hole; 11-1/4" Bolt Circle
Brake Rotor	89 - 84	BD125086	8000-9000 lb. FA; U-Shaped; 6-Hole; 8-3/4" Bolt Circle
Brake Rotor	89 - 84	BD125087	9500-12000 lb. FA; U-Shaped; 10-Hole
Brake Rotor	89 - 84	BD125214	9500-12000 lb. FA; U-Shaped; 6-Hole
Rear Rotor & Drum	Years	Part No.	Qualifier
Brake Drum	97 - 90	BD126376	15 x 5" Hyd. Brakes; Dayton; 20" Spoke Wheel
Brake Drum	97 - 84	BD126379	15 x 5" Hyd. Brakes; Dayton; 6-Hole Disc Wheel
Brake Drum	97 - 90	BD126375	15 x 5" Hyd. Brakes; Dayton; 8-Hole Disc Wheel
Brake Drum	97 - 95	BD126400	15 x 6" Hyd. Brakes; Dayton; 20" Spoke Wheel
Brake Drum	97 - 90	BD126399	15 x 6" Hyd. Brakes; Dayton; 6-Hole Disc Wheel
Brake Drum	97 - 90	BD126397	15 x 6" Hyd. Brakes; Dayton; 8-Hole Disc Wheel
Brake Drum	97 - 90	BD126378	15 x 7" Hyd. Brakes; Budd; 10-Hole Disc Wheel; 15000 lb. RA

Rotor & Drum (cont.)

Rear Rotor & Drum	Years	Part No.	Qualifier
Brake Drum	97 - 90	BD126378	15 x 7" Hyd. Brakes; Budd; 10-Hole Disc Wheel; 17000-18000 lb. RA
Brake Drum	97 - 90	BD126378	15 x 7" Hyd. Brakes; Budd; 10-Hole Disc Wheel; 20000-21000 lb. RA
Brake Drum	97 - 89	BD126373	15 x 7" Hyd. Brakes; Budd; 10-Hole Disc Wheel; 34000 lb. TRA
Brake Drum	97 - 90	BD126377	15 x 7" Hyd. Brakes; Dayton; 20" Spoke Wheel; 17000-18000 lb. RA
Brake Drum	97 - 90	BD126374	15 x 7" Hyd. Brakes; Dayton; 20" Spoke Wheel; 21000-22000 lb. RA
Brake Drum	97 - 90	BD126377	15 x 7" Hyd. Brakes; Dayton; 20" Spoke Wheel; 34000 lb. TRA
Brake Drum	97 - 90	BD126401	15 x 7" Hyd. Brakes; Dayton; 8-Hole Disc Wheel; 17000-19000 lb. RA
Brake Drum	94	BD126400	From 6/01/94; 15 x 6" Hyd. Brakes; Dayton; 20" Spoke Wheel
Brake Drum	94	BD126380	To 5/30/94; 15 x 6" Hyd. Brakes; Dayton; 20" Spoke Wheel
Brake Drum	93 - 84	BD126380	15 x 6" Hyd. Brakes; Dayton; 20" Spoke Wheel
Brake Drum	89 - 80	BD126399	15 x 6" Hyd. Brakes; Dayton; 6-Hole Disc Wheel; 17000-18000 lb. RA
Brake Drum	89	BD126373	15 x 7" Hyd. Brakes; Budd; 10-Hole Disc Wheel; 19000 lb. RA
Brake Drum	89	BD126378	15 x 7" Hyd. Brakes; Budd; 10-Hole Disc Wheel; 22000 lb. RA
Brake Drum	88 - 80	BD126373	15 x 7" Hyd. Brakes; Budd; 10-Hole Disc Wheel

Brake Hardware

Front Brake Hardware	Years	Sequential No.	Category No.	Qualifier
Adjuster Kit	83 - 80	F128898	(H2915)	L.H.; Kelsey Hayes
Adjuster Kit	83 - 80	F59159	(H2904)	L.H.; Wagner
Adjuster Kit	83 - 80	F128899	(H2916)	R.H.; Kelsey Hayes
Adjuster Kit	83 - 80	F59160	(H2905)	R.H.; Wagner
Combi Kit	83 - 80	F117015	(H7186)	Kelsey Hayes
↳Adjuster Spring Kit		F117152S	(H427)	
↳Return Spring Kit		F71521	(H602)	
Combi Kit	83 - 80	F117025	(H7173)	Wagner
↳Hold Down Kit		F73399	(H4201)	
↳Return Spring Kit		F36445	(H521)	
Disc Align Kit	97 - 84	F134105	(H5613)	Dayton; 2.50" 2-Piston Caliper
Disc Align Kit	97 - 87	F128926	(H5609)	Dayton; 2.88" 2-Piston Caliper
Disc Align Kit	86 - 83	F128927	(H5610)	Dayton; 2.88" 2-Piston Caliper

Rear Brake Hardware	Years	Sequential No.	Category No.	Qualifier
Adjuster Kit	97 - 84	F112097	(H2901)	L.H.; Lucas
Adjuster Kit	97 - 84	F112097	(H2901)	R.H.; Lucas
Adjuster Kit	83 - 80	F128891	(H2908)	L.H.; Kelsey Hayes
Adjuster Kit	83 - 80	F59157	(H2902)	L.H.; Wagner; 15" Brake; Auto Adj.
Adjuster Kit	83 - 80	F128894S	(H2911)	L.H.; Wagner; 15" Brake; Man. Adj.
Adjuster Kit	83 - 80	F128895S	(H2912)	L.H.; Wagner; 16" Brake; Man. Adj.
Adjuster Kit	83 - 80	F128892	(H2909)	R.H.; Kelsey Hayes
Adjuster Kit	83 - 80	F59158	(H2903)	R.H.; Wagner; 15" Brake; Auto Adj.
Adjuster Kit	83 - 80	F128894S	(H2911)	R.H.; Wagner; 15" Brake; Man. Adj.
Adjuster Kit	83 - 80	F128895S	(H2912)	R.H.; Wagner; 16" Brake; Man. Adj.
Adjuster Screw	83 - 80	F140823	(H1607)	L.H.; Wagner; 15" Brake
Adjuster Screw	83 - 80	F19291	(H1700)	L.H.; Wagner; 16" Brake
Adjuster Screw	83 - 80	F140818	(H1606)	R.H.; Wagner; 15" Brake
Adjuster Screw	83 - 80	F19292	(H1701)	R.H.; Wagner; 16" Brake
Combi Kit	97 - 84	F112096	(H7195)	Lucas
Combi Kit	83 - 80	F117014	(H7187)	Kelsey Hayes
↳Return Spring Kit		F73591	(H612)	
Combi Kit	83 - 80	F117027	(H7171)	Wagner
↳Adjuster Spring Kit		F78727	(H451)	
↳Hold Down Kit		F19309	(H5079)	
↳Return Spring Kit		F98318	(H609)	

Calipers - Reman

Front, Loaded	Years	Left No.	Right No.	Qualifier	Piston
Loaded Caliper	97 - 84	AS120313	AS120313	Dayton; 2.50" 2-Piston Caliper; w/6 Holes on Back	M

↳Sub-Kit of Combi-Kit is available separately.

Piston: M - OE Metal Piston P - OE Phenolic Piston

LS900 (cont.)

Calipers - Reman (cont.)

<i>Front, Loaded</i>	<i>Years</i>	<i>Left No.</i>	<i>Right No.</i>	<i>Qualifier</i>	<i>Piston</i>
Loaded Caliper	97 - 83	AS108723	AS108723	Dayton; 2.88" 2-Piston Caliper	M
<i>Front, Unloaded</i>	<i>Years</i>	<i>Left No.</i>	<i>Right No.</i>	<i>Qualifier</i>	<i>Piston</i>
Unloaded Caliper	97 - 84	CR120313	CR120313	Dayton; 2.50" 2-Piston Caliper; w/6 Holes on Back	M
Unloaded Caliper	97 - 83	CR108723	CR108723	Dayton; 2.88" 2-Piston Caliper	M

Hydraulics - New

<i>Master Cylinder</i>	<i>Years</i>	<i>Sequential No.</i>	<i>Category No.</i>	<i>Qualifier</i>
Master Cylinder	97 - 90	F119400	(MC119400)	Split Syst.; Hydro-Max; 1-3/4" Bore
Master Cylinder	97 - 90	F110980	(MC110980)	Split Syst.; Hydro-Max; 2" Bore
Master Cylinder	89 - 84	F119400	(MC119400)	Split Syst.; Hydro-Max; Dash Mtd.; Exc. Tandem; 1-3/4" Bore
Master Cylinder	83 - 80	F75994	(MC75994)	14 x 2-1/2" Brakes; Split Syst.; Frame Mtd.; 1-3/4" Bore
Master Cylinder	83 - 80	F75996	(MC75996)	15 x 3" Brakes; Single Syst.; Frame Mtd.; Exc. Tandem; 1-3/4" Bore
Master Cylinder	83 - 80	F75998	(MC75998)	15 x 3" Brakes; Single Syst.; Frame Mtd.; Tandem; 1-3/4" Bore
Master Cylinder	83 - 80	F75995	(MC75995)	15 x 3" Brakes; Split Syst.; Frame Mtd.; w/6000-7000 lb. FA and 17000-18000 lb. RA; 1-3/4" Bore
Master Cylinder	83 - 80	F75997	(MC75997)	15 x 3" Brakes; Split Syst.; Frame Mtd.; w/6000-7000 lb. FA and 22000 lb. RA; 1-3/4" Bore
Master Cylinder	83 - 80	F75995	(MC75995)	15 x 3" Brakes; Split Syst.; Frame Mtd.; w/9000 lb. FA and 17000 lb. RA; 1-3/4" Bore
Master Cylinder	83 - 80	F75997	(MC75997)	15 x 3" Brakes; Split Syst.; Frame Mtd.; w/9000 lb. FA and 18000-22000 lb. RA; 1-3/4" Bore

Front Wheel Cylinder

<i>Front Wheel Cylinder</i>	<i>Years</i>	<i>Sequential No.</i>	<i>Category No.</i>	<i>Qualifier</i>
Wheel Cylinder	83 - 80	F73531	(WC73531)	L.H.; 15 x 3" Wagner; Lower; 1-1/4" Bore
Wheel Cylinder	83 - 80	F43375	(WC43375)	L.H.; 15 x 3" Wagner; Lower; 1-1/8" Bore
Wheel Cylinder	83 - 80	F73537	(WC73537)	L.H.; 15 x 3" Wagner; Upper; Single Syst.; 1-1/4" Bore
Wheel Cylinder	83 - 80	F73500	(WC73500)	L.H.; 15 x 3" Wagner; Upper; Single Syst.; 1-1/8" Bore
Wheel Cylinder	83 - 80	F73543	(WC73543)	L.H.; 15 x 3" Wagner; Upper; Split Syst.; 1-1/4" Bore
Wheel Cylinder	83 - 80	F71940	(WC71940)	L.H.; 15 x 3" Wagner; Upper; Split Syst.; 1-1/8" Bore
Wheel Cylinder	83 - 80	F73532	(WC73532)	R.H.; 15 x 3" Wagner; Lower; 1-1/4" Bore
Wheel Cylinder	83 - 80	F43376	(WC43376)	R.H.; 15 x 3" Wagner; Lower; 1-1/8" Bore
Wheel Cylinder	83 - 80	F73538	(WC73538)	R.H.; 15 x 3" Wagner; Upper; Single Syst.; 1-1/4" Bore
Wheel Cylinder	83 - 80	F73501	(WC73501)	R.H.; 15 x 3" Wagner; Upper; Single Syst.; 1-1/8" Bore
Wheel Cylinder	83 - 80	F73544	(WC73544)	R.H.; 15 x 3" Wagner; Upper; Split Syst.; 1-1/4" Bore
Wheel Cylinder	83 - 80	F71941	(WC71941)	R.H.; 15 x 3" Wagner; Upper; Split Syst.; 1-1/8" Bore

Rear Wheel Cylinder

<i>Rear Wheel Cylinder</i>	<i>Years</i>	<i>Sequential No.</i>	<i>Category No.</i>	<i>Qualifier</i>
Wheel Cylinder	97 - 84	F118104	(WC118104)	L.H.; 15 x 5" Lucas; 1-3/4" Bore
Wheel Cylinder	97 - 84	F118105	(WC118105)	R.H.; 15 x 5" Lucas; 1-3/4" Bore
Wheel Cylinder	83 - 80	F78743	(WC78743)	15 x 5" Kelsey Hayes; 15000 lb. RA; 1-1/2" Bore
Wheel Cylinder	83 - 80	F71238	(WC71238)	15 x 5" Kelsey Hayes; 17500-32000 lb. RA; 1-5/8" Bore

Front Brake Hose

<i>Front Brake Hose</i>	<i>Years</i>	<i>Sequential No.</i>	<i>Category No.</i>	<i>Qualifier</i>
Brake Hose	97 - 90	F132936	(BH132936)	Hyd. Brakes
Brake Hose	89 - 80	F80962	(BH80962)	Hyd. Brakes; Single Syst.
Brake Hose	89 - 80	F79350	(BH79350)	L.H.; Hyd. Brakes; Split Syst.
Brake Hose	89 - 80	F80962	(BH80962)	R.H.; Hyd. Brakes; Split Syst.
Brake Hose	89 - 80	F124052	(BH124052)	w/Air Disc

Hydraulics - Reman

<i>Power Brake Booster</i>	<i>Years</i>	<i>Part No.</i>	<i>Qualifier</i>
Power Brake Booster	83 - 80	518007	Dual System; Hydro-Vac; Front; w/Master Cyl.
Power Brake Booster	83 - 80	518030	Dual System; Hydro-Vac; Rear; w/Master Cyl.
Power Brake Booster	83 - 80	518040	Single Syst.; Hydro-Vac; Tandem; Dual Diaphragm; w/Master Cyl.

FORD MD N-Series

N600

Brake Pads & Shoes

<i>Front Pads & Shoes</i>	<i>Years</i>	<i>SevereDuty</i>	<i>Lining No.</i>	<i>Qualifier</i>
Brake Pads	85 - 84	SD224		Dayton; 2.50" 2-Piston Caliper
Brake Pads	85 - 83	SD236		Dayton; 2.88" 2-Piston Caliper
Brake Shoes	85 - 80	SDS321R	EX1245AD-S32	Hyd. Brakes; Wagner; 15 x 3

Piston: M - OE Metal Piston P - OE Phenolic Piston

Brake Pads & Shoes (cont.)

Front Pads & Shoes	Years	SevereDuty	Lining No.	Qualifier
Brake Shoes	85 - 84	4693R	4693	w/Air Brakes; Bendix; 15 x 4
Brake Shoes	85 - 83	4605R	4605	w/Air Brakes; Bendix; 15 x 6
Brake Shoes	85 - 84	1308E	1308	w/Air Brakes; Eaton; 15 x 4
Brake Shoes	85 - 80	1308Q	1308T	w/Air Brakes; Rockwell/Meritor; Q-Series; 15 x 4
Brake Shoes	85 - 80	1307T	1307	w/Air Brakes; Rockwell/Meritor; T-Series; 15 x 3-1/2
Brake Shoes	83 - 80	SDS361R	EX2060D-S32	Hyd. Brakes; Kelsey Hayes; 14 x 2-1/2
Rear Pads & Shoes	Years	SevereDuty	Lining No.	Qualifier
Brake Shoes	85 - 84	SDS542R	EX4528AD-S43	Hyd. Brakes; Lucas; 15 x 5
Brake Shoes	85 - 84	SDS543R	EX4504AD-S43	Hyd. Brakes; Lucas; 15 x 6
Brake Shoes	85 - 80	4311E	4311J	w/Air Brakes; Eaton; 16-1/2 x 7
Brake Shoes	85 - 80	4515Q	4515E	w/Air Brakes; Rockwell/Meritor; Q-Series; 16-1/2 x 7
Brake Shoes	83 - 80	SDS401R	EX4647D-S32	Hyd. Brakes; Kelsey Hayes; 15 x 4
Brake Shoes	83 - 80	SDS400R	EX4646D-S32	Hyd. Brakes; Kelsey Hayes; 15 x 5
Brake Shoes	83 - 80	SDS381R	EX4596D-S32	Hyd. Brakes; Wagner; 15 x 6
Brake Shoes	83 - 80	4524Q	4524B	w/Air Brakes; Rockwell/Meritor; Q-Series; 16-1/2 x 5
Parking Brake Shoes	Years	SevereDuty	Lining No.	Qualifier
Brake Shoes	83 - 80	SDS842R	EX1303AD	10 x 3
Brake Shoes	83 - 80	SDS647	EX2086D	9 x 3

Rotor & Drum

Rear Rotor & Drum	Years	Part No.	Qualifier
Brake Drum	85 - 84	BD126379	15 x 5" Hyd. Brakes; Dayton; 6-Hole Disc Wheel
Brake Drum	85 - 84	BD126380	15 x 6" Hyd. Brakes; Dayton; 20" Spoke Wheel
Brake Drum	85 - 80	BD126399	15 x 6" Hyd. Brakes; Dayton; 6-Hole Disc Wheel; 17000-18000 lb. RA

Brake Hardware

Front Brake Hardware	Years	Sequential No.	Category No.	Qualifier
Adjuster Kit	85 - 80	F59159	(H2904)	L.H.; Wagner
Adjuster Kit	85 - 80	F59160	(H2905)	R.H.; Wagner
Adjuster Kit	83 - 80	F128898	(H2915)	L.H.; Kelsey Hayes
Adjuster Kit	83 - 80	F128899	(H2916)	R.H.; Kelsey Hayes
Combi Kit	85 - 80	F117025	(H7173)	Wagner
↳Hold Down Kit		F73399	(H4201)	
↳Return Spring Kit		F36445	(H521)	
Combi Kit	83 - 80	F117015	(H7186)	Kelsey Hayes
↳Adjuster Spring Kit		F117152S	(H427)	
↳Return Spring Kit		F71521	(H602)	
Disc Align Kit	85 - 84	F134105	(H5613)	Dayton; 2.50" 2-Piston Caliper
Disc Align Kit	85 - 83	F128927	(H5610)	Dayton; 2.88" 2-Piston Caliper
Rear Brake Hardware	Years	Sequential No.	Category No.	Qualifier
Adjuster Kit	85 - 84	F112097	(H2901)	L.H.; Lucas
Adjuster Kit	85 - 84	F112097	(H2901)	R.H.; Lucas
Adjuster Kit	83 - 80	F128891	(H2908)	L.H.; Kelsey Hayes
Adjuster Kit	83 - 80	F59157	(H2902)	L.H.; Wagner; 15" Brake; Auto Adj.
Adjuster Kit	83 - 80	F128894S	(H2911)	L.H.; Wagner; 15" Brake; Man. Adj.
Adjuster Kit	83 - 80	F128892	(H2909)	R.H.; Kelsey Hayes
Adjuster Kit	83 - 80	F59158	(H2903)	R.H.; Wagner; 15" Brake; Auto Adj.
Adjuster Kit	83 - 80	F128894S	(H2911)	R.H.; Wagner; 15" Brake; Man. Adj.
Adjuster Screw	83 - 80	F140823	(H1607)	L.H.; Wagner; 15" Brake
Adjuster Screw	83 - 80	F140818	(H1606)	R.H.; Wagner; 15" Brake
Combi Kit	85 - 84	F112096	(H7195)	Lucas
Combi Kit	83 - 80	F117014	(H7187)	Kelsey Hayes
↳Return Spring Kit		F73591	(H612)	

↳Sub-Kit of Combi-Kit is available separately.

N600 (cont.)

Brake Hardware (cont.)

Rear Brake Hardware	Years	Sequential No.	Category No.	Qualifier
Combi Kit	83 - 80	F117027	(H7171)	Wagner
↳Adjuster Spring Kit		F78727	(H451)	
↳Hold Down Kit		F19309	(H5079)	
↳Return Spring Kit		F98318	(H609)	

Calipers - Reman

Front, Loaded	Years	Left No.	Right No.	Qualifier	Piston
Loaded Caliper	85 - 84	AS120313	AS120313	Dayton; 2.50" 2-Piston Caliper; w/6 Holes on Back	M
Loaded Caliper	85 - 83	AS108723	AS108723	Dayton; 2.88" 2-Piston Caliper	M
Front, Unloaded	Years	Left No.	Right No.	Qualifier	Piston
Unloaded Caliper	85 - 84	CR120313	CR120313	Dayton; 2.50" 2-Piston Caliper; w/6 Holes on Back	M
Unloaded Caliper	85 - 83	CR108723	CR108723	Dayton; 2.88" 2-Piston Caliper	M

Hydraulics - New

Master Cylinder	Years	Sequential No.	Category No.	Qualifier
Master Cylinder	85 - 84	F119400	(MC119400)	Split Syst.; Hydro-Max; 1-3/4" Bore
Master Cylinder	85 - 84	F110980	(MC110980)	Split Syst.; Hydro-Max; 2" Bore
Master Cylinder	83	F119401	(MC119401)	Single Syst.; 1-3/4" Bore
Master Cylinder	83	F119398	(MC119398)	Split Syst.; Hydro-Max; 1-3/4" Bore
Master Cylinder	82 - 80	F119401	(MC119401)	Hydro-Max; 1-3/4" Bore

N700

Brake Pads & Shoes

Front Pads & Shoes	Years	SevereDuty	Lining No.	Qualifier
Brake Pads	85 - 84	SD224		Dayton; 2.50" 2-Piston Caliper
Brake Pads	85 - 83	SD236		Dayton; 2.88" 2-Piston Caliper
Brake Shoes	85 - 80	SDS321R	EX1245AD-S32	Hyd. Brakes; Wagner; 15 x 3
Brake Shoes	85 - 84	4693R	4693	w/Air Brakes; Bendix; 15 x 4
Brake Shoes	85 - 83	4605R	4605	w/Air Brakes; Bendix; 15 x 6
Brake Shoes	85 - 84	1308E	1308	w/Air Brakes; Eaton; 15 x 4
Brake Shoes	85 - 80	1308Q	1308T	w/Air Brakes; Rockwell/Meritor; Q-Series; 15 x 4
Brake Shoes	85 - 80	1307T	1307	w/Air Brakes; Rockwell/Meritor; T-Series; 15 x 3-1/2
Brake Shoes	83 - 80	SDS361R	EX2060D-S32	Hyd. Brakes; Kelsey Hayes; 14 x 2-1/2
Rear Pads & Shoes	Years	SevereDuty	Lining No.	Qualifier
Brake Shoes	85 - 84	SDS542R	EX4528AD-S43	Hyd. Brakes; Lucas; 15 x 5
Brake Shoes	85 - 84	SDS543R	EX4504AD-S43	Hyd. Brakes; Lucas; 15 x 6
Brake Shoes	85 - 84	SDS544AR	EX4505AD-S4Q	Hyd. Brakes; Lucas; 15 x 7
Brake Shoes	85 - 80	4311E	4311J	w/Air Brakes; Eaton; 16-1/2 x 7
Brake Shoes	85 - 80	4515Q	4515E	w/Air Brakes; Rockwell/Meritor; Q-Series; 16-1/2 x 7
Brake Shoes	83 - 80	SDS400R	EX4646D-S32	Hyd. Brakes; Kelsey Hayes; 15 x 5
Brake Shoes	83 - 80	SDS381R	EX4596D-S32	Hyd. Brakes; Wagner; 15 x 6
Brake Shoes	83 - 80	SDS383R	EX4597D-S32	Hyd. Brakes; Wagner; 15 x 7
Brake Shoes	83 - 80	4524Q	4524B	w/Air Brakes; Rockwell/Meritor; Q-Series; 16-1/2 x 5
Parking Brake Shoes	Years	SevereDuty	Lining No.	Qualifier
Brake Shoes	83 - 80	SDS842R	EX1303AD	10 x 3
Brake Shoes	83 - 80	SDS647	EX2086D	9 x 3

Rotor & Drum

Rear Rotor & Drum	Years	Part No.	Qualifier
Brake Drum	85 - 84	BD126379	15 x 5" Hyd. Brakes; Dayton; 6-Hole Disc Wheel
Brake Drum	85 - 84	BD126380	15 x 6" Hyd. Brakes; Dayton; 20" Spoke Wheel
Brake Drum	85 - 80	BD126399	15 x 6" Hyd. Brakes; Dayton; 6-Hole Disc Wheel; 17000-18000 lb. RA
Brake Drum	85 - 80	BD126373	15 x 7" Hyd. Brakes; Budd; 10-Hole Disc Wheel

Brake Hardware

Front Brake Hardware	Years	Sequential No.	Category No.	Qualifier
Adjuster Kit	85 - 80	F59159	(H2904)	L.H.; Wagner
Adjuster Kit	85 - 80	F59160	(H2905)	R.H.; Wagner

↳Sub-Kit of Combi-Kit is available separately.

Piston: M - OE Metal Piston P - OE Phenolic Piston

Brake Hardware (cont.)

Front Brake Hardware	Years	Sequential No.	Category No.	Qualifier
Adjuster Kit	83 - 80	F128898	(H2915)	L.H.; Kelsey Hayes
Adjuster Kit	83 - 80	F128899	(H2916)	R.H.; Kelsey Hayes
Combi Kit	85 - 80	F117025	(H7173)	Wagner
↳Hold Down Kit		F73399	(H4201)	
↳Return Spring Kit		F36445	(H521)	
Combi Kit	83 - 80	F117015	(H7186)	Kelsey Hayes
↳Adjuster Spring Kit		F117152S	(H427)	
↳Return Spring Kit		F71521	(H602)	
Disc Align Kit	85 - 84	F134105	(H5613)	Dayton; 2.50" 2-Piston Caliper
Disc Align Kit	85 - 83	F128927	(H5610)	Dayton; 2.88" 2-Piston Caliper

Rear Brake Hardware	Years	Sequential No.	Category No.	Qualifier
Adjuster Kit	85 - 84	F112097	(H2901)	L.H.; Lucas
Adjuster Kit	85 - 84	F112097	(H2901)	R.H.; Lucas
Adjuster Kit	83 - 80	F128891	(H2908)	L.H.; Kelsey Hayes
Adjuster Kit	83 - 80	F59157	(H2902)	L.H.; Wagner; 15" Brake; Auto Adj.
Adjuster Kit	83 - 80	F128894S	(H2911)	L.H.; Wagner; 15" Brake; Man. Adj.
Adjuster Kit	83 - 80	F128892	(H2909)	R.H.; Kelsey Hayes
Adjuster Kit	83 - 80	F59158	(H2903)	R.H.; Wagner; 15" Brake; Auto Adj.
Adjuster Kit	83 - 80	F128894S	(H2911)	R.H.; Wagner; 15" Brake; Man. Adj.
Adjuster Screw	83 - 80	F140823	(H1607)	L.H.; Wagner; 15" Brake
Adjuster Screw	83 - 80	F140818	(H1606)	R.H.; Wagner; 15" Brake
Combi Kit	85 - 84	F112096	(H7195)	Lucas
Combi Kit	83 - 80	F117014	(H7187)	Kelsey Hayes
↳Return Spring Kit		F73591	(H612)	
Combi Kit	83 - 80	F117027	(H7171)	Wagner
↳Adjuster Spring Kit		F78727	(H451)	
↳Hold Down Kit		F19309	(H5079)	
↳Return Spring Kit		F98318	(H609)	

Calipers - Reman

Front, Loaded	Years	Left No.	Right No.	Qualifier	Piston
Loaded Caliper	85 - 84	AS120313	AS120313	Dayton; 2.50" 2-Piston Caliper; w/6 Holes on Back	M
Loaded Caliper	85 - 83	AS108723	AS108723	Dayton; 2.88" 2-Piston Caliper	M
Front, Unloaded	Years	Left No.	Right No.	Qualifier	Piston
Unloaded Caliper	85 - 84	CR120313	CR120313	Dayton; 2.50" 2-Piston Caliper; w/6 Holes on Back	M
Unloaded Caliper	85 - 83	CR108723	CR108723	Dayton; 2.88" 2-Piston Caliper	M

Hydraulics - New

Master Cylinder	Years	Sequential No.	Category No.	Qualifier
Master Cylinder	85 - 84	F119400	(MC119400)	Split Syst.; Hydro-Max; 1-3/4" Bore
Master Cylinder	85 - 84	F110980	(MC110980)	Split Syst.; Hydro-Max; 2" Bore
Master Cylinder	83	F119401	(MC119401)	Single Syst.; 1-3/4" Bore
Master Cylinder	83	F119398	(MC119398)	Split Syst.; Hydro-Max; 1-3/4" Bore
Master Cylinder	82 - 80	F119401	(MC119401)	Hydro-Max; 1-3/4" Bore

Brake Pads & Shoes

Front Pads & Shoes	Years	SevereDuty	Lining No.	Qualifier
Brake Pads	84	SD224		Dayton; 2.50" 2-Piston Caliper
Brake Pads	84 - 83	SD236		Dayton; 2.88" 2-Piston Caliper
Brake Shoes	84 - 80	SDS321R	EX1245AD-S32	Hyd. Brakes; Wagner; 15 x 3
Brake Shoes	84	4693R	4693	w/Air Brakes; Bendix; 15 x 4
Brake Shoes	84 - 83	4605R	4605	w/Air Brakes; Bendix; 15 x 6
Brake Shoes	84	1308E	1308	w/Air Brakes; Eaton; 15 x 4
Brake Shoes	84 - 80	1308Q	1308T	w/Air Brakes; Rockwell/Meritor; Q-Series; 15 x 4
Brake Shoes	84 - 80	1307T	1307	w/Air Brakes; Rockwell/Meritor; T-Series; 15 x 3-1/2

↳Sub-Kit of Combi-Kit is available separately.

Piston: M - OE Metal Piston P - OE Phenolic Piston

N800 (cont.)				
Brake Pads & Shoes (cont.)				
Front Pads & Shoes	Years	SevereDuty	Lining No.	Qualifier
Brake Shoes	83 - 80	SDS361R	EX2060D-S32	Hyd. Brakes; Kelsey Hayes; 14 x 2-1/2
Rear Pads & Shoes	Years	SevereDuty	Lining No.	Qualifier
Brake Shoes	84	SDS542R	EX4528AD-S43	Hyd. Brakes; Lucas; 15 x 5
Brake Shoes	84	SDS543R	EX4504AD-S43	Hyd. Brakes; Lucas; 15 x 6
Brake Shoes	84	SDS544AR	EX4505AD-S4Q	Hyd. Brakes; Lucas; 15 x 7
Brake Shoes	83 - 80	SDS400R	EX4646D-S32	Hyd. Brakes; Kelsey Hayes; 15 x 5
Brake Shoes	83 - 80	SDS381R	EX4596D-S32	Hyd. Brakes; Wagner; 15 x 6
Brake Shoes	83 - 80	SDS383R	EX4597D-S32	Hyd. Brakes; Wagner; 15 x 7
Brake Shoes	83 - 80	SDS386R	EX1255D-S32	Hyd. Brakes; Wagner; 16 x 6
Brake Shoes	83 - 80	4524Q	4524B	w/Air Brakes; Rockwell/Meritor; Q-Series; 16-1/2 x 5
Brake Shoes	81 - 80	4311E	4311J	w/Air Brakes; Eaton; 16-1/2 x 7
Brake Shoes	81 - 80	4515Q	4515E	w/Air Brakes; Rockwell/Meritor; Q-Series; 16-1/2 x 7
Parking Brake Shoes	Years	SevereDuty	Lining No.	Qualifier
Brake Shoes	83 - 80	SDS842R	EX1303AD	10 x 3
Brake Shoes	83 - 80	SDS647	EX2086D	9 x 3
Rotor & Drum				
Rear Rotor & Drum	Years	Part No.	Qualifier	
Brake Drum	84	BD126379	15 x 5" Hyd. Brakes; Dayton; 6-Hole Disc Wheel	
Brake Drum	84	BD126380	15 x 6" Hyd. Brakes; Dayton; 20" Spoke Wheel	
Brake Drum	84 - 80	BD126399	15 x 6" Hyd. Brakes; Dayton; 6-Hole Disc Wheel; 17000-18000 lb. RA	
Brake Drum	84 - 80	BD126373	15 x 7" Hyd. Brakes; Budd; 10-Hole Disc Wheel	
Brake Hardware				
Front Brake Hardware	Years	Sequential No.	Category No.	Qualifier
Adjuster Kit	84 - 80	F59159	(H2904)	L.H.; Wagner
Adjuster Kit	84 - 80	F59160	(H2905)	R.H.; Wagner
Adjuster Kit	83 - 80	F128898	(H2915)	L.H.; Kelsey Hayes
Adjuster Kit	83 - 80	F128899	(H2916)	R.H.; Kelsey Hayes
Combi Kit	84 - 80	F117025	(H7173)	Wagner
↳Hold Down Kit		F73399	(H4201)	
↳Return Spring Kit		F36445	(H521)	
Combi Kit	83 - 80	F117015	(H7186)	Kelsey Hayes
↳Adjuster Spring Kit		F117152S	(H427)	
↳Return Spring Kit		F71521	(H602)	
Disc Align Kit	84	F134105	(H5613)	Dayton; 2.50" 2-Piston Caliper
Disc Align Kit	84 - 83	F128927	(H5610)	Dayton; 2.88" 2-Piston Caliper
Rear Brake Hardware	Years	Sequential No.	Category No.	Qualifier
Adjuster Kit	84	F112097	(H2901)	L.H.; Lucas
Adjuster Kit	84	F112097	(H2901)	R.H.; Lucas
Adjuster Kit	83 - 80	F128891	(H2908)	L.H.; Kelsey Hayes
Adjuster Kit	83 - 80	F59157	(H2902)	L.H.; Wagner; 15" Brake; Auto Adj.
Adjuster Kit	83 - 80	F128894S	(H2911)	L.H.; Wagner; 15" Brake; Man. Adj.
Adjuster Kit	83 - 80	F128895S	(H2912)	L.H.; Wagner; 16" Brake; Man. Adj.
Adjuster Kit	83 - 80	F128892	(H2909)	R.H.; Kelsey Hayes
Adjuster Kit	83 - 80	F59158	(H2903)	R.H.; Wagner; 15" Brake; Auto Adj.
Adjuster Kit	83 - 80	F128894S	(H2911)	R.H.; Wagner; 15" Brake; Man. Adj.
Adjuster Kit	83 - 80	F128895S	(H2912)	R.H.; Wagner; 16" Brake; Man. Adj.
Adjuster Screw	83 - 80	F140823	(H1607)	L.H.; Wagner; 15" Brake
Adjuster Screw	83 - 80	F19291	(H1700)	L.H.; Wagner; 16" Brake
Adjuster Screw	83 - 80	F140818	(H1606)	R.H.; Wagner; 15" Brake
Adjuster Screw	83 - 80	F19292	(H1701)	R.H.; Wagner; 16" Brake
Combi Kit	84	F112096	(H7195)	Lucas
Combi Kit	83 - 80	F117014	(H7187)	Kelsey Hayes
↳Return Spring Kit		F73591	(H612)	

↳Sub-Kit of Combi-Kit is available separately.

Brake Hardware (cont.)

Rear Brake Hardware	Years	Sequential No.	Category No.	Qualifier
Combi Kit	83 - 80	F117027	(H7171)	Wagner
↳ Adjuster Spring Kit		F78727	(H451)	
↳ Hold Down Kit		F19309	(H5079)	
↳ Return Spring Kit		F98318	(H609)	

Calipers - Reman

Front, Loaded	Years	Left No.	Right No.	Qualifier	Piston
Loaded Caliper	84	AS120313	AS120313	Dayton; 2.50" 2-Piston Caliper; w/6 Holes on Back	M
Loaded Caliper	84 - 83	AS108723	AS108723	Dayton; 2.88" 2-Piston Caliper	M
Front, Unloaded	Years	Left No.	Right No.	Qualifier	Piston
Unloaded Caliper	84	CR120313	CR120313	Dayton; 2.50" 2-Piston Caliper; w/6 Holes on Back	M
Unloaded Caliper	84 - 83	CR108723	CR108723	Dayton; 2.88" 2-Piston Caliper	M

Hydraulics - New

Master Cylinder	Years	Sequential No.	Category No.	Qualifier
Master Cylinder	84	F119400	(MC119400)	Split Syst.; Hydro-Max; 1-3/4" Bore
Master Cylinder	84	F110980	(MC110980)	Split Syst.; Hydro-Max; 2" Bore
Master Cylinder	83	F119401	(MC119401)	Single Syst.; 1-3/4" Bore
Master Cylinder	83	F119398	(MC119398)	Split Syst.; Hydro-Max; 1-3/4" Bore
Master Cylinder	82 - 80	F119401	(MC119401)	Hydro-Max; 1-3/4" Bore

FREIGHTLINER Sprinter

Sprinter 2500

Brake Pads & Shoes

Front Pads & Shoes	Years	SevereDuty	Lining No.	Qualifier
Brake Pads	06 - 02	SD949		Bosch
Brake Pads	06 - 02	SD950		Galfer
Brake Pads	06 - 02	SD950		Teves
Brake Pads	06 - 02	SD949		Wabco
Rear Pads & Shoes	Years	SevereDuty	Lining No.	Qualifier
Brake Pads	06 - 02	SD928		w/272mm Dia. Rotor; Bosch
Brake Pads	06 - 02	SD1006		w/272mm Dia. Rotor; Teves; 5.15" Length; w/Hole for Wear Sensor
Brake Pads	06 - 02	SD1229		w/272mm Dia. Rotor; Teves; 5.15" Length; w/o Hole for Wear Sensor
Brake Pads	06 - 02	SD951		w/272mm Dia. Rotor; Teves; 5.57" Length
Brake Pads	06 - 02	SD949		w/285mm Dia. Rotor; Bosch
Brake Pads	06 - 02	SD949		w/285mm Dia. Rotor; Wabco

Rotor & Drum

Front Rotor & Drum	Years	Part No.	Qualifier
Brake Rotor	06 - 02	BD126271	w/15" Whl.; From Axle S-482214 or Y-422060
Brake Rotor	06 - 02	BD126307	w/15" Whl.; To Axle S-482213 or Y-422059
Brake Rotor	06 - 02	BD126265	w/16" Whl.
Rear Rotor & Drum	Years	Part No.	Qualifier
Brake Rotor	06 - 04	BD126279	w/272mm Dia Rotor
Brake Rotor	06 - 02	BD126280	w/285mm Dia Rotor
Brake Rotor	03 - 02	BD126279	w/272mm Dia Rotor; 15" Whls.; From Axle L-874989 or X-304861 or Z-161214
Brake Rotor	03 - 02	BD126382	w/272mm Dia Rotor; 15" Whls.; To Axle L-874988 or X-304860 or Z-161213

Brake Hardware

Front Brake Hardware	Years	Sequential No.	Category No.	Qualifier
Caliper Bolt/Pin	06 - 02	F140715	(H4816)	Bosch
Caliper Bolt/Pin	06 - 02	F132517S	(H5078)	Galfer
Caliper Bolt/Pin	06 - 02	F132517S	(H5078)	Teves
Caliper Bolt/Pin	06 - 02	F140714	(H4812)	Wabco
Disc Align Kit	06 - 02	F140712	(H5708)	Bosch
Disc Align Kit	06 - 02	F140711	(H5707)	Galfer
Disc Align Kit	06 - 02	F140711	(H5707)	Teves

↳ Sub-Kit of Combi-Kit is available separately.

Piston: M - OE Metal Piston P - OE Phenolic Piston

Sprinter 2500 (cont.)

Brake Hardware (cont.)

Front Brake Hardware	Years	Sequential No.	Category No.	Qualifier
Disc Align Kit	06 - 02	F140712	(H5708)	Wabco
Pin Boot Kit	06 - 02	F132614S	(H8217)	Teves

Rear Brake Hardware	Years	Sequential No.	Category No.	Qualifier
Caliper Bolt/Pin	06 - 02	F140813	(H4818)	w/272mm Dia. Rotor; Bosch
Caliper Bolt/Pin	06 - 02	F132517S	(H5078)	w/272mm Dia. Rotor; Teves
Caliper Bolt/Pin	06 - 02	F140715	(H4816)	w/285mm Dia. Rotor; Bosch
Caliper Bolt/Pin	06 - 02	F140714	(H4812)	w/285mm Dia. Rotor; Wabco
Disc Align Kit	06 - 02	F140713	(H5709)	w/272mm Dia. Rotor; Bosch
Disc Align Kit	06 - 02	F140713	(H5709)	w/272mm Dia. Rotor; Teves
Disc Align Kit	06 - 02	F140712	(H5708)	w/285mm Dia. Rotor; Bosch
Disc Align Kit	06 - 02	F140712	(H5708)	w/285mm Dia. Rotor; Wabco
Pin Boot Kit	06 - 02	F132614S	(H8217)	w/272mm Dia. Rotor; Teves

Parking Brake	Years	Sequential No.	Category No.	Qualifier
Combi Kit	06 - 02	F140716	(H7245)	

Calipers - Reman

Front, Loaded	Years	Left No.	Right No.	Qualifier	Piston
Loaded Caliper	06 - 02	AS135201	AS135200	Bosch; 1.77" 2-Piston Caliper	M
Loaded Caliper	06 - 02	AS135203	AS135202	Teves; 2.35" 1-Piston Caliper	M
Loaded Caliper	06 - 02	AS135209	AS135208	Wabco; 1.72" 2-Piston Caliper	M

Rear, Loaded	Years	Left No.	Right No.	Qualifier	Piston
Loaded Caliper	06 - 02	AS135204	AS135205	w/272mm Dia. Rotor; Bosch; 2.05" 1-Piston Caliper	M
Loaded Caliper	06 - 02	AS135210	AS135211	w/272mm Dia. Rotor; Teves; 2.05" 1-Piston Caliper; 5.15" Pad; w/Hole for Wear Sensor	M
Loaded Caliper	06 - 02	AS135210A	AS135211A	w/272mm Dia. Rotor; Teves; 2.05" 1-Piston Caliper; 5.15" Pad; w/o Hole for Wear Sensor	M
Loaded Caliper	06 - 02	AS135209	AS135208	w/285mm Dia. Rotor; Bosch; 1.72" 2-Piston Caliper	M
Loaded Caliper	06 - 05	AS135201	AS135200	w/285mm Dia. Rotor; Wabco; 1.77" 2-Piston Caliper	M
Loaded Caliper	04 - 02	AS135207	AS135206	w/285mm Dia. Rotor; Wabco; 1.72" 2-Piston Caliper	M

Front, Unloaded	Years	Left No.	Right No.	Qualifier	Piston
Unloaded Caliper	06 - 02	CR135201	CR135200	Bosch; 1.77" 2-Piston Caliper	M
Unloaded Caliper	06 - 02	CR135203	CR135202	Teves; 2.35" 1-Piston Caliper	M
Unloaded Caliper	06 - 02	CR135209	CR135208	Wabco; 1.72" 2-Piston Caliper	M

Rear, Unloaded	Years	Left No.	Right No.	Qualifier	Piston
Unloaded Caliper	06 - 02	CR135204	CR135205	w/272mm Dia. Rotor; Bosch; 2.05" 1-Piston Caliper	M
Unloaded Caliper	06 - 02	CR135210	CR135211	w/272mm Dia. Rotor; Teves; 2.05" 1-Piston Caliper; 5.15" Pad	M
Unloaded Caliper	06 - 02	CR135209	CR135208	w/285mm Dia. Rotor; Bosch; 1.72" 2-Piston Caliper	M
Unloaded Caliper	06 - 05	CR135201	CR135200	w/285mm Dia. Rotor; Wabco; 1.77" 2-Piston Caliper	M
Unloaded Caliper	04 - 02	CR135207	CR135206	w/285mm Dia. Rotor; Wabco; 1.72" 2-Piston Caliper	M

Hydraulics - New

Master Cylinder	Years	Sequential No.	Category No.	Qualifier
Master Cylinder	06 - 03	F140763	(MC140763)	2WD; HD; Line No. 3 or 7
Master Cylinder	06 - 03	F140764	(MC140764)	2WD; MD; 2-Door; Line No. 2 or 6
Master Cylinder	06 - 03	F140763	(MC140763)	2WD; MD; 4-Door; Line No. 2 or 6
Master Cylinder	06 - 03	F140764	(MC140764)	4WD; LD; 2-Door; Line No. 2 or 6
Master Cylinder	06 - 03	F140763	(MC140763)	4WD; LD; 4-Door; Line No. 2 or 6
Master Cylinder	06 - 03	F140763	(MC140763)	4WD; MD; Line No. 3 or 7
Master Cylinder	02	F140763	(MC140763)	2WD; From R400727; HD; Line No. 3 or 7
Master Cylinder	02	F140764	(MC140764)	2WD; From R400727; MD; Line No. 2 or 6
Master Cylinder	02	F140761	(MC140761)	2WD; To R400726; HD; Line No. 3 or 7
Master Cylinder	02	F140762	(MC140762)	2WD; To R400726; MD; Line No. 2 or 6
Master Cylinder	02	F140764	(MC140764)	4WD; From R400727; LD; Line No. 2 or 6
Master Cylinder	02	F140763	(MC140763)	4WD; From R400727; MD; Line No. 3 or 7
Master Cylinder	02	F140762	(MC140762)	4WD; To R400726; LD; Line No. 2 or 6
Master Cylinder	02	F140761	(MC140761)	4WD; To R400726; MD; Line No. 3 or 7

Front Brake Hose	Years	Sequential No.	Category No.	Qualifier
Brake Hose	06 - 02	F140732	(BH140732)	

Piston: M - OE Metal Piston P - OE Phenolic Piston

Sprinter 2500 (cont.)
Hydraulics - New (cont.)

Rear Brake Hose	Years	Sequential No.	Category No.	Qualifier
Brake Hose	06 - 02	F140733	(BH140733)	2WD; HD; Line No. 3 or 7
Brake Hose	06 - 02	F140732	(BH140732)	2WD; MD; Line No. 2 or 6
Brake Hose	06 - 02	F140732	(BH140732)	4WD; LD; Line No. 2 or 6
Brake Hose	06 - 02	F140733	(BH140733)	4WD; MD; Line No. 3 or 7

Hydraulics - Reman

Power Brake Booster	Years	Part No.	Qualifier
Power Brake Booster	06 - 03	5474231	w/o Master Cylinder
Power Brake Booster	02	5474231	From R400727; w/o Master Cylinder
Power Brake Booster	02	5474425	To R400726; w/o Master Cylinder

Sprinter 3500
Brake Pads & Shoes

Front Pads & Shoes	Years	SevereDuty	Lining No.	Qualifier
Brake Pads	06 - 02	SD949		Bosch
Brake Pads	06 - 02	SD950		Galfer
Brake Pads	06 - 02	SD950		Teves
Brake Pads	06 - 02	SD949		Wabco

Rear Pads & Shoes	Years	SevereDuty	Lining No.	Qualifier
Brake Pads	06 - 02	SD928		w/272mm Dia. Rotor; Bosch
Brake Pads	06 - 02	SD1006		w/272mm Dia. Rotor; Teves; 5.15" Length; w/Hole for Wear Sensor
Brake Pads	06 - 02	SD1229		w/272mm Dia. Rotor; Teves; 5.15" Length; w/o Hole for Wear Sensor
Brake Pads	06 - 02	SD951		w/272mm Dia. Rotor; Teves; 5.57" Length
Brake Pads	06 - 02	SD949		w/285mm Dia. Rotor; Bosch
Brake Pads	06 - 02	SD949		w/285mm Dia. Rotor; Wabco

Rotor & Drum

Front Rotor & Drum	Years	Part No.	Qualifier
Brake Rotor	06 - 02	BD126271	w/15" Whl.; From Axle S-482214 or Y-422060
Brake Rotor	06 - 02	BD126307	w/15" Whl.; To Axle S-482213 or Y-422059
Brake Rotor	06 - 02	BD126265	w/16" Whl.

Rear Rotor & Drum	Years	Part No.	Qualifier
Brake Rotor	06 - 04	BD126279	w/272mm Dia Rotor
Brake Rotor	06 - 02	BD126280	w/285mm Dia Rotor
Brake Rotor	03 - 02	BD126279	w/272mm Dia Rotor; 15" Whls.; From Axle L-874989 or X-304861 or Z-161214
Brake Rotor	03 - 02	BD126382	w/272mm Dia Rotor; 15" Whls.; To Axle L-874988 or X-304860 or Z-161213

Brake Hardware

Front Brake Hardware	Years	Sequential No.	Category No.	Qualifier
Caliper Bolt/Pin	06 - 02	F140715	(H4816)	Bosch
Caliper Bolt/Pin	06 - 02	F132517S	(H5078)	Galfer
Caliper Bolt/Pin	06 - 02	F132517S	(H5078)	Teves
Caliper Bolt/Pin	06 - 02	F140714	(H4812)	Wabco
Disc Align Kit	06 - 02	F140712	(H5708)	Bosch
Disc Align Kit	06 - 02	F140711	(H5707)	Galfer
Disc Align Kit	06 - 02	F140711	(H5707)	Teves
Disc Align Kit	06 - 02	F140712	(H5708)	Wabco
Pin Boot Kit	06 - 02	F132614S	(H8217)	Teves

Rear Brake Hardware	Years	Sequential No.	Category No.	Qualifier
Caliper Bolt/Pin	06 - 02	F140813	(H4818)	w/272mm Dia. Rotor; Bosch
Caliper Bolt/Pin	06 - 02	F132517S	(H5078)	w/272mm Dia. Rotor; Teves
Caliper Bolt/Pin	06 - 02	F140715	(H4816)	w/285mm Dia. Rotor; Bosch
Caliper Bolt/Pin	06 - 02	F140714	(H4812)	w/285mm Dia. Rotor; Wabco
Disc Align Kit	06 - 02	F140713	(H5709)	w/272mm Dia. Rotor; Bosch
Disc Align Kit	06 - 02	F140713	(H5709)	w/272mm Dia. Rotor; Teves
Disc Align Kit	06 - 02	F140712	(H5708)	w/285mm Dia. Rotor; Bosch
Disc Align Kit	06 - 02	F140712	(H5708)	w/285mm Dia. Rotor; Wabco

Sprinter 3500 (cont.)

Brake Hardware (cont.)

Rear Brake Hardware	Years	Sequential No.	Category No.	Qualifier
Pin Boot Kit	06 - 02	F132614S	(H8217)	w/272mm Dia. Rotor; Teves

Parking Brake	Years	Sequential No.	Category No.	Qualifier
Combi Kit	06 - 02	F140716	(H7245)	

Calipers - Reman

Front, Loaded	Years	Left No.	Right No.	Qualifier	Piston
Loaded Caliper	06 - 02	AS135201	AS135200	Bosch; 1.77" 2-Piston Caliper	M
Loaded Caliper	06 - 02	AS135203	AS135202	Teves; 2.35" 1-Piston Caliper	M
Loaded Caliper	06 - 02	AS135209	AS135208	Wabco; 1.72" 2-Piston Caliper	M

Rear, Loaded	Years	Left No.	Right No.	Qualifier	Piston
Loaded Caliper	06 - 02	AS135204	AS135205	w/272mm Dia. Rotor; Bosch; 2.05" 1-Piston Caliper	M
Loaded Caliper	06 - 02	AS135210	AS135211	w/272mm Dia. Rotor; Teves; 2.05" 1-Piston Caliper; 5.15" Pad; w/Hole for Wear Sensor	M
Loaded Caliper	06 - 02	AS135210A	AS135211A	w/272mm Dia. Rotor; Teves; 2.05" 1-Piston Caliper; 5.15" Pad; w/o Hole for Wear Sensor	M
Loaded Caliper	06 - 02	AS135209	AS135208	w/285mm Dia. Rotor; Bosch; 1.72" 2-Piston Caliper	M
Loaded Caliper	06 - 05	AS135201	AS135200	w/285mm Dia. Rotor; Wabco; 1.77" 2-Piston Caliper	M
Loaded Caliper	04 - 02	AS135207	AS135206	w/285mm Dia. Rotor; Wabco; 1.72" 2-Piston Caliper	M

Front, Unloaded	Years	Left No.	Right No.	Qualifier	Piston
Unloaded Caliper	06 - 02	CR135201	CR135200	Bosch; 1.77" 2-Piston Caliper	M
Unloaded Caliper	06 - 02	CR135203	CR135202	Teves; 2.35" 1-Piston Caliper	M
Unloaded Caliper	06 - 02	CR135209	CR135208	Wabco; 1.72" 2-Piston Caliper	M

Rear, Unloaded	Years	Left No.	Right No.	Qualifier	Piston
Unloaded Caliper	06 - 02	CR135204	CR135205	w/272mm Dia. Rotor; Bosch; 2.05" 1-Piston Caliper	M
Unloaded Caliper	06 - 02	CR135210	CR135211	w/272mm Dia. Rotor; Teves; 2.05" 1-Piston Caliper; 5.15" Pad	M
Unloaded Caliper	06 - 02	CR135209	CR135208	w/285mm Dia. Rotor; Bosch; 1.72" 2-Piston Caliper	M
Unloaded Caliper	06 - 05	CR135201	CR135200	w/285mm Dia. Rotor; Wabco; 1.77" 2-Piston Caliper	M
Unloaded Caliper	04 - 02	CR135207	CR135206	w/285mm Dia. Rotor; Wabco; 1.72" 2-Piston Caliper	M

Hydraulics - New

Master Cylinder	Years	Sequential No.	Category No.	Qualifier
Master Cylinder	06 - 03	F140763	(MC140763)	2WD; HD; Line No. 3 or 7
Master Cylinder	06 - 03	F140764	(MC140764)	2WD; MD; 2-Door; Line No. 2 or 6
Master Cylinder	06 - 03	F140763	(MC140763)	2WD; MD; 4-Door; Line No. 2 or 6
Master Cylinder	06 - 03	F140764	(MC140764)	4WD; LD; 2-Door; Line No. 2 or 6
Master Cylinder	06 - 03	F140763	(MC140763)	4WD; LD; 4-Door; Line No. 2 or 6
Master Cylinder	06 - 03	F140763	(MC140763)	4WD; MD; Line No. 3 or 7
Master Cylinder	02	F140763	(MC140763)	2WD; From R400727; HD; Line No. 3 or 7
Master Cylinder	02	F140764	(MC140764)	2WD; From R400727; MD; Line No. 2 or 6
Master Cylinder	02	F140761	(MC140761)	2WD; To R400726; HD; Line No. 3 or 7
Master Cylinder	02	F140762	(MC140762)	2WD; To R400726; MD; Line No. 2 or 6
Master Cylinder	02	F140764	(MC140764)	4WD; From R400727; LD; Line No. 2 or 6
Master Cylinder	02	F140763	(MC140763)	4WD; From R400727; MD; Line No. 3 or 7
Master Cylinder	02	F140762	(MC140762)	4WD; To R400726; LD; Line No. 2 or 6
Master Cylinder	02	F140761	(MC140761)	4WD; To R400726; MD; Line No. 3 or 7

Front Brake Hose	Years	Sequential No.	Category No.	Qualifier
Brake Hose	06 - 02	F140732	(BH140732)	

Rear Brake Hose	Years	Sequential No.	Category No.	Qualifier
Brake Hose	06 - 02	F140733	(BH140733)	2WD; HD; Line No. 3 or 7
Brake Hose	06 - 02	F140732	(BH140732)	2WD; MD; Line No. 2 or 6
Brake Hose	06 - 02	F140732	(BH140732)	4WD; LD; Line No. 2 or 6
Brake Hose	06 - 02	F140733	(BH140733)	4WD; MD; Line No. 3 or 7

Hydraulics - Reman

Power Brake Booster	Years	Part No.	Qualifier
Power Brake Booster	06 - 03	5474231	w/o Master Cylinder
Power Brake Booster	02	5474231	From R400727; w/o Master Cylinder
Power Brake Booster	02	5474425	To R400726; w/o Master Cylinder

Piston: M - OE Metal Piston P - OE Phenolic Piston

FL106
Brake Pads & Shoes

Front Pads & Shoes	Years	SevereDuty	Lining No.	Qualifier
Brake Shoes	03 - 95	4702Q	4702	w/Air Brakes; Rockwell/Meritor; Q-Plus; 15 x 4
Brake Shoes	03 - 95	4703Q	4703	w/Air Brakes; Rockwell/Meritor; Q-Plus; 15 x 5
Brake Shoes	03 - 95	1308Q	1308T	w/Air Brakes; Rockwell/Meritor; Q-Series; 15 x 4
Brake Shoes	03 - 95	4524Q	4524B	w/Air Brakes; Rockwell/Meritor; Q-Series; 16-1/2 x 5
Brake Shoes	03 - 95	4514Q	4514G	w/Air Brakes; Rockwell/Meritor; Q-Series; 16-1/2 x 6
Brake Shoes	03 - 95	1307T	1307	w/Air Brakes; Rockwell/Meritor; T-Series; 15 x 3-1/2
Brake Shoes	03 - 95	1308T	1308T	w/Air Brakes; Rockwell/Meritor; T-Series; 15 x 4
Rear Pads & Shoes	Years	SevereDuty	Lining No.	Qualifier
Brake Shoes	03 - 95	4709E	4709	w/Air Brakes; Eaton; Extended Service; 16-1/2 x 7
Brake Shoes	03 - 95	4515P	4515E	w/Air Brakes; Rockwell/Meritor; P-Series; 16-1/2 x 7
Brake Shoes	03 - 95	4710Q	4710	w/Air Brakes; Rockwell/Meritor; Q-Plus; 15 x 8-5/8
Brake Shoes	03 - 95	4707Q	4707	w/Air Brakes; Rockwell/Meritor; Q-Plus; 16-1/2 x 7
Brake Shoes	03 - 95	4718Q	4718	w/Air Brakes; Rockwell/Meritor; Q-Plus; 16-1/2 x 8
Brake Shoes	03 - 95	4514Q	4514G	w/Air Brakes; Rockwell/Meritor; Q-Series; 16-1/2 x 6
Brake Shoes	03 - 95	4515Q	4515E	w/Air Brakes; Rockwell/Meritor; Q-Series; 16-1/2 x 7

FL112
Brake Pads & Shoes

Front Pads & Shoes	Years	SevereDuty	Lining No.	Qualifier
Brake Shoes	03 - 95	4702Q	4702	w/Air Brakes; Rockwell/Meritor; Q-Plus; 15 x 4
Brake Shoes	03 - 95	4703Q	4703	w/Air Brakes; Rockwell/Meritor; Q-Plus; 15 x 5
Brake Shoes	03 - 95	1308Q	1308T	w/Air Brakes; Rockwell/Meritor; Q-Series; 15 x 4
Brake Shoes	03 - 95	4524Q	4524B	w/Air Brakes; Rockwell/Meritor; Q-Series; 16-1/2 x 5
Brake Shoes	03 - 95	4514Q	4514G	w/Air Brakes; Rockwell/Meritor; Q-Series; 16-1/2 x 6
Brake Shoes	03 - 95	1307T	1307	w/Air Brakes; Rockwell/Meritor; T-Series; 15 x 3-1/2
Brake Shoes	03 - 95	1308T	1308T	w/Air Brakes; Rockwell/Meritor; T-Series; 15 x 4
Rear Pads & Shoes	Years	SevereDuty	Lining No.	Qualifier
Brake Shoes	03 - 95	4709E	4709	w/Air Brakes; Eaton; Extended Service; 16-1/2 x 7
Brake Shoes	03 - 95	4515P	4515E	w/Air Brakes; Rockwell/Meritor; P-Series; 16-1/2 x 7
Brake Shoes	03 - 95	4710Q	4710	w/Air Brakes; Rockwell/Meritor; Q-Plus; 15 x 8-5/8
Brake Shoes	03 - 95	4707Q	4707	w/Air Brakes; Rockwell/Meritor; Q-Plus; 16-1/2 x 7
Brake Shoes	03 - 95	4718Q	4718	w/Air Brakes; Rockwell/Meritor; Q-Plus; 16-1/2 x 8
Brake Shoes	03 - 95	4514Q	4514G	w/Air Brakes; Rockwell/Meritor; Q-Series; 16-1/2 x 6
Brake Shoes	03 - 95	4515Q	4515E	w/Air Brakes; Rockwell/Meritor; Q-Series; 16-1/2 x 7

FL50
Brake Pads & Shoes

Front Pads & Shoes	Years	SevereDuty	Lining No.	Qualifier
Brake Pads	04 - 00	SD786		Bosch; 2.60" 2-Piston Caliper
Brake Pads	04 - 00	SD786A		Bosch; 2.88" 2-Piston Caliper
Brake Pads	00 - 91	SD184		Bendix; 2.60" 2-Piston Caliper
Brake Pads	00 - 91	SD225		Bendix; 2.88" 2-Piston Caliper
Brake Shoes	04 - 91	4702Q	4702	w/Air Brakes; Rockwell/Meritor; Q-Plus; 15 x 4
Brake Shoes	04 - 91	4703Q	4703	w/Air Brakes; Rockwell/Meritor; Q-Plus; 15 x 5
Brake Shoes	04 - 91	1308Q	1308T	w/Air Brakes; Rockwell/Meritor; Q-Series; 15 x 4
Brake Shoes	04 - 91	4524Q	4524B	w/Air Brakes; Rockwell/Meritor; Q-Series; 16-1/2 x 5
Brake Shoes	04 - 91	4514Q	4514G	w/Air Brakes; Rockwell/Meritor; Q-Series; 16-1/2 x 6
Brake Shoes	04 - 91	1307T	1307	w/Air Brakes; Rockwell/Meritor; T-Series; 15 x 3-1/2
Brake Shoes	04 - 91	1308T	1308T	w/Air Brakes; Rockwell/Meritor; T-Series; 15 x 4
Rear Pads & Shoes	Years	SevereDuty	Lining No.	Qualifier
Brake Pads	04 - 00	SD786		Bosch; 2.60" 2-Piston Caliper
Brake Pads	04 - 00	SD786A		Bosch; 2.88" 2-Piston Caliper
Brake Pads	00 - 91	SD184		Bendix; 2.60" 2-Piston Caliper
Brake Pads	00 - 91	SD225		Bendix; 2.88" 2-Piston Caliper
Brake Shoes	04 - 91	4709E	4709	w/Air Brakes; Eaton; Extended Service; 16-1/2 x 7
Brake Shoes	04 - 91	4515P	4515E	w/Air Brakes; Rockwell/Meritor; P-Series; 16-1/2 x 7



FL50 (cont.)

Brake Pads & Shoes (cont.)

Rear Pads & Shoes	Years	SevereDuty	Lining No.	Qualifier
Brake Shoes	04 - 91	4710Q	4710	w/Air Brakes; Rockwell/Meritor; Q-Plus; 15 x 8-5/8
Brake Shoes	04 - 91	4707Q	4707	w/Air Brakes; Rockwell/Meritor; Q-Plus; 16-1/2 x 7
Brake Shoes	04 - 91	4718Q	4718	w/Air Brakes; Rockwell/Meritor; Q-Plus; 16-1/2 x 8
Brake Shoes	04 - 91	4514Q	4514G	w/Air Brakes; Rockwell/Meritor; Q-Series; 16-1/2 x 6
Brake Shoes	04 - 91	4515Q	4515E	w/Air Brakes; Rockwell/Meritor; Q-Series; 16-1/2 x 7

Rotor & Drum

Front Rotor & Drum	Years	Part No.	Qualifier
Brake Rotor	04 - 00	BD126389	10000-12000 lb. FA; Hat-Shaped; 10-Hole Rotor
Brake Rotor	04 - 00	BD126394	10000-12000 lb. FA; U-Shaped; 10-Hole Rotor
Brake Rotor	04 - 00	BD126389	6000-8000 lb. FA; Hat-Shaped; 10-Hole Rotor
Brake Rotor	04 - 00	BD126391	6000-8000 lb. FA; Hat-Shaped; 5-Hole Rotor
Brake Rotor	04 - 00	BD126392	6000-8000 lb. FA; Hat-Shaped; 6-Hole Rotor

Rear Rotor & Drum	Years	Part No.	Qualifier
Brake Rotor	04 - 00	BD126389	10000-17500 lb. RA; Hat-Shaped; 10-Hole Rotor; 3-1/4" Height
Brake Rotor	04 - 00	BD126390	10000-17500 lb. RA; Hat-Shaped; 10-Hole Rotor; 4-1/2" Height
Brake Rotor	04 - 00	BD126392	10000-17500 lb. RA; Hat-Shaped; 6-Hole Rotor
Brake Rotor	04 - 00	BD126390	19000-21000 lb. RA; Hat-Shaped; 10-Hole Rotor
Brake Rotor	04 - 00	BD125382	19000-21000 lb. RA; U-Shaped; 5-Hole Rotor
Brake Rotor	04 - 00	BD125382	34000 lb. TRA; U-Shaped; 5-Hole Rotor

Brake Hardware

Front Brake Hardware	Years	Sequential No.	Category No.	Qualifier
Disc Align Kit	00 - 91	F112095S	(H5564)	Bendix; 2.60" 2-Piston Caliper
Disc Align Kit	00 - 91	F112090S	(H5566)	Bendix; 2.88" 2-Piston Caliper

Rear Brake Hardware	Years	Sequential No.	Category No.	Qualifier
Disc Align Kit	00 - 91	F112095S	(H5564)	Bendix; 2.60" 2-Piston Caliper
Disc Align Kit	00 - 91	F112090S	(H5566)	Bendix; 2.88" 2-Piston Caliper

Calipers - Reman

Front, Loaded	Years	Left No.	Right No.	Qualifier	Piston
Loaded Caliper	04 - 00	AS135025	AS135025	Bosch; 2.60" 2-Piston Caliper	P
Loaded Caliper	04 - 00	AS135024	AS135024	Bosch; 2.88" 2-Piston Caliper	P
Loaded Caliper	00 - 91	AS112057	AS112057	Bendix; 2.60" 2-Piston Caliper	P
Loaded Caliper	00 - 91	AS112057S	AS112057S	Bendix; 2.60" 2-Piston Caliper	O
Loaded Caliper	00 - 91	AS120549	AS120549	Bendix; 2.88" 2-Piston Caliper	P
Loaded Caliper	00 - 91	AS120549S	AS120549S	Bendix; 2.88" 2-Piston Caliper	O

Rear, Loaded	Years	Left No.	Right No.	Qualifier	Piston
Loaded Caliper	04 - 00	AS135025	AS135025	Bosch; 2.60" 2-Piston Caliper	P
Loaded Caliper	04 - 00	AS135024	AS135024	Bosch; 2.88" 2-Piston Caliper	P
Loaded Caliper	00 - 91	AS132525	AS132525	Bendix; 2.60" 2-Piston Caliper; w/Air Ride	P
Loaded Caliper	00 - 91	AS132525S	AS132525S	Bendix; 2.60" 2-Piston Caliper; w/Air Ride	O
Loaded Caliper	00 - 91	AS112057	AS112057	Bendix; 2.60" 2-Piston Caliper; w/o Air Ride	P
Loaded Caliper	00 - 91	AS112057S	AS112057S	Bendix; 2.60" 2-Piston Caliper; w/o Air Ride	O
Loaded Caliper	00 - 91	AS134267	AS134267	Bendix; 2.88" 2-Piston Caliper; w/Air Ride	M
Loaded Caliper	00 - 91	AS120549	AS120549	Bendix; 2.88" 2-Piston Caliper; w/o Air Ride	P
Loaded Caliper	00 - 91	AS120549S	AS120549S	Bendix; 2.88" 2-Piston Caliper; w/o Air Ride	O

Front, Unloaded	Years	Left No.	Right No.	Qualifier	Piston
Unloaded Caliper	04 - 00	CR135025	CR135025	Bosch; 2.60" 2-Piston Caliper	P
Unloaded Caliper	04 - 00	CR135024	CR135024	Bosch; 2.88" 2-Piston Caliper	P
Unloaded Caliper	00 - 91	CR112057	CR112057	Bendix; 2.60" 2-Piston Caliper	P
Unloaded Caliper	00 - 91	CR112057S	CR112057S	Bendix; 2.60" 2-Piston Caliper	O
Unloaded Caliper	00 - 91	CR120549	CR120549	Bendix; 2.88" 2-Piston Caliper	P
Unloaded Caliper	00 - 91	CR120549S	CR120549S	Bendix; 2.88" 2-Piston Caliper	O

Rear, Unloaded	Years	Left No.	Right No.	Qualifier	Piston
Unloaded Caliper	04 - 00	CR135025	CR135025	Bosch; 2.60" 2-Piston Caliper	P
Unloaded Caliper	04 - 00	CR135024	CR135024	Bosch; 2.88" 2-Piston Caliper	P

Piston: M - OE Metal Piston P - OE Phenolic Piston O - Metal Piston Option

FL50 (cont.)
Calipers - Reman (cont.)

<i>Rear, Unloaded</i>	<i>Years</i>	<i>Left No.</i>	<i>Right No.</i>	<i>Qualifier</i>	<i>Piston</i>
Unloaded Caliper	00 - 91	CR132525	CR132525	Bendix; 2.60" 2-Piston Caliper; w/Air Ride	P
Unloaded Caliper	00 - 91	CR132525S	CR132525S	Bendix; 2.60" 2-Piston Caliper; w/Air Ride	O
Unloaded Caliper	00 - 91	CR112057	CR112057	Bendix; 2.60" 2-Piston Caliper; w/o Air Ride	P
Unloaded Caliper	00 - 91	CR112057S	CR112057S	Bendix; 2.60" 2-Piston Caliper; w/o Air Ride	O
Unloaded Caliper	00 - 91	CR134267	CR134267	Bendix; 2.88" 2-Piston Caliper; w/Air Ride	M
Unloaded Caliper	00 - 91	CR120549	CR120549	Bendix; 2.88" 2-Piston Caliper; w/o Air Ride	P
Unloaded Caliper	00 - 91	CR120549S	CR120549S	Bendix; 2.88" 2-Piston Caliper; w/o Air Ride	O

FL60
Brake Pads & Shoes

<i>Front Pads & Shoes</i>	<i>Years</i>	<i>SevereDuty</i>	<i>Lining No.</i>	<i>Qualifier</i>
Brake Pads	04 - 01	SD786		Bosch; 2.60" 2-Piston Caliper
Brake Pads	04 - 01	SD786A		Bosch; 2.88" 2-Piston Caliper
Brake Pads	00 - 91	SD184		Bendix; 2.60" 2-Piston Caliper
Brake Pads	00 - 91	SD225		Bendix; 2.88" 2-Piston Caliper
Brake Shoes	04 - 91	4702Q	4702	w/Air Brakes; Rockwell/Meritor; Q-Plus; 15 x 4
Brake Shoes	04 - 91	4703Q	4703	w/Air Brakes; Rockwell/Meritor; Q-Plus; 15 x 5
Brake Shoes	04 - 91	1308Q	1308T	w/Air Brakes; Rockwell/Meritor; Q-Series; 15 x 4
Brake Shoes	04 - 91	4524Q	4524B	w/Air Brakes; Rockwell/Meritor; Q-Series; 16-1/2 x 5
Brake Shoes	04 - 91	4514Q	4514G	w/Air Brakes; Rockwell/Meritor; Q-Series; 16-1/2 x 6
Brake Shoes	04 - 91	1307T	1307	w/Air Brakes; Rockwell/Meritor; T-Series; 15 x 3-1/2
Brake Shoes	04 - 91	1308T	1308T	w/Air Brakes; Rockwell/Meritor; T-Series; 15 x 4

<i>Rear Pads & Shoes</i>	<i>Years</i>	<i>SevereDuty</i>	<i>Lining No.</i>	<i>Qualifier</i>
Brake Pads	04 - 00	SD786		Bosch; 2.60" 2-Piston Caliper
Brake Pads	04 - 00	SD786A		Bosch; 2.88" 2-Piston Caliper
Brake Pads	00 - 91	SD184		Bendix; 2.60" 2-Piston Caliper
Brake Pads	00 - 91	SD225		Bendix; 2.88" 2-Piston Caliper
Brake Shoes	04 - 91	4709E	4709	w/Air Brakes; Eaton; Extended Service; 16-1/2 x 7
Brake Shoes	04 - 91	4515P	4515E	w/Air Brakes; Rockwell/Meritor; P-Series; 16-1/2 x 7
Brake Shoes	04 - 91	4710Q	4710	w/Air Brakes; Rockwell/Meritor; Q-Plus; 15 x 8-5/8
Brake Shoes	04 - 91	4707Q	4707	w/Air Brakes; Rockwell/Meritor; Q-Plus; 16-1/2 x 7
Brake Shoes	04 - 91	4718Q	4718	w/Air Brakes; Rockwell/Meritor; Q-Plus; 16-1/2 x 8
Brake Shoes	04 - 91	4514Q	4514G	w/Air Brakes; Rockwell/Meritor; Q-Series; 16-1/2 x 6
Brake Shoes	04 - 91	4515Q	4515E	w/Air Brakes; Rockwell/Meritor; Q-Series; 16-1/2 x 7

Rotor & Drum

<i>Front Rotor & Drum</i>	<i>Years</i>	<i>Part No.</i>	<i>Qualifier</i>
Brake Rotor	04 - 00	BD126389	10000-12000 lb. FA; Hat-Shaped; 10-Hole Rotor
Brake Rotor	04 - 00	BD126394	10000-12000 lb. FA; U-Shaped; 10-Hole Rotor
Brake Rotor	04 - 00	BD126389	6000-8000 lb. FA; Hat-Shaped; 10-Hole Rotor
Brake Rotor	04 - 00	BD126391	6000-8000 lb. FA; Hat-Shaped; 5-Hole Rotor
Brake Rotor	04 - 00	BD126392	6000-8000 lb. FA; Hat-Shaped; 6-Hole Rotor

<i>Rear Rotor & Drum</i>	<i>Years</i>	<i>Part No.</i>	<i>Qualifier</i>
Brake Rotor	04 - 00	BD126389	10000-17500 lb. RA; Hat-Shaped; 10-Hole Rotor; 3-1/4" Height
Brake Rotor	04 - 00	BD126390	10000-17500 lb. RA; Hat-Shaped; 10-Hole Rotor; 4-1/2" Height
Brake Rotor	04 - 00	BD126392	10000-17500 lb. RA; Hat-Shaped; 6-Hole Rotor
Brake Rotor	04 - 00	BD126390	19000-21000 lb. RA; Hat-Shaped; 10-Hole Rotor
Brake Rotor	04 - 00	BD125382	19000-21000 lb. RA; U-Shaped; 5-Hole Rotor
Brake Rotor	04 - 00	BD125382	34000 lb. TRA; U-Shaped; 5-Hole Rotor

Brake Hardware

<i>Front Brake Hardware</i>	<i>Years</i>	<i>Sequential No.</i>	<i>Category No.</i>	<i>Qualifier</i>
Disc Align Kit	00 - 91	F112095S	(H5564)	Bendix; 2.60" 2-Piston Caliper
Disc Align Kit	00 - 91	F112090S	(H5566)	Bendix; 2.88" 2-Piston Caliper

<i>Rear Brake Hardware</i>	<i>Years</i>	<i>Sequential No.</i>	<i>Category No.</i>	<i>Qualifier</i>
Disc Align Kit	00 - 91	F112095S	(H5564)	Bendix; 2.60" 2-Piston Caliper
Disc Align Kit	00 - 91	F112090S	(H5566)	Bendix; 2.88" 2-Piston Caliper

Piston: M - OE Metal Piston P - OE Phenolic Piston O - Metal Piston Option



FL60 (cont.)

Calipers - Reman					
Front, Loaded	Years	Left No.	Right No.	Qualifier	Piston
Loaded Caliper	04 - 01	AS135025	AS135025	Bosch; 2.60" 2-Piston Caliper	P
Loaded Caliper	04 - 01	AS135024	AS135024	Bosch; 2.88" 2-Piston Caliper	P
Loaded Caliper	00 - 91	AS112057	AS112057	Bendix; 2.60" 2-Piston Caliper	P
Loaded Caliper	00 - 91	AS112057S	AS112057S	Bendix; 2.60" 2-Piston Caliper	O
Loaded Caliper	00 - 91	AS120549	AS120549	Bendix; 2.88" 2-Piston Caliper	P
Loaded Caliper	00 - 91	AS120549S	AS120549S	Bendix; 2.88" 2-Piston Caliper	O
Rear, Loaded	Years	Left No.	Right No.	Qualifier	Piston
Loaded Caliper	04 - 00	AS135025	AS135025	Bosch; 2.60" 2-Piston Caliper	P
Loaded Caliper	04 - 00	AS135024	AS135024	Bosch; 2.88" 2-Piston Caliper	P
Loaded Caliper	00 - 91	AS132525	AS132525	Bendix; 2.60" 2-Piston Caliper; w/Air Ride	P
Loaded Caliper	00 - 91	AS132525S	AS132525S	Bendix; 2.60" 2-Piston Caliper; w/Air Ride	O
Loaded Caliper	00 - 91	AS112057	AS112057	Bendix; 2.60" 2-Piston Caliper; w/o Air Ride	P
Loaded Caliper	00 - 91	AS112057S	AS112057S	Bendix; 2.60" 2-Piston Caliper; w/o Air Ride	O
Loaded Caliper	00 - 91	AS134267	AS134267	Bendix; 2.88" 2-Piston Caliper; w/Air Ride	M
Loaded Caliper	00 - 91	AS120549	AS120549	Bendix; 2.88" 2-Piston Caliper; w/o Air Ride	P
Loaded Caliper	00 - 91	AS120549S	AS120549S	Bendix; 2.88" 2-Piston Caliper; w/o Air Ride	O
Front, Unloaded	Years	Left No.	Right No.	Qualifier	Piston
Unloaded Caliper	04 - 01	CR135025	CR135025	Bosch; 2.60" 2-Piston Caliper	P
Unloaded Caliper	04 - 01	CR135024	CR135024	Bosch; 2.88" 2-Piston Caliper	P
Unloaded Caliper	00 - 91	CR112057	CR112057	Bendix; 2.60" 2-Piston Caliper	P
Unloaded Caliper	00 - 91	CR112057S	CR112057S	Bendix; 2.60" 2-Piston Caliper	O
Unloaded Caliper	00 - 91	CR120549	CR120549	Bendix; 2.88" 2-Piston Caliper	P
Unloaded Caliper	00 - 91	CR120549S	CR120549S	Bendix; 2.88" 2-Piston Caliper	O
Rear, Unloaded	Years	Left No.	Right No.	Qualifier	Piston
Unloaded Caliper	04 - 00	CR135025	CR135025	Bosch; 2.60" 2-Piston Caliper	P
Unloaded Caliper	04 - 00	CR135024	CR135024	Bosch; 2.88" 2-Piston Caliper	P
Unloaded Caliper	00 - 91	CR132525	CR132525	Bendix; 2.60" 2-Piston Caliper; w/Air Ride	P
Unloaded Caliper	00 - 91	CR132525S	CR132525S	Bendix; 2.60" 2-Piston Caliper; w/Air Ride	O
Unloaded Caliper	00 - 91	CR112057	CR112057	Bendix; 2.60" 2-Piston Caliper; w/o Air Ride	P
Unloaded Caliper	00 - 91	CR112057S	CR112057S	Bendix; 2.60" 2-Piston Caliper; w/o Air Ride	O
Unloaded Caliper	00 - 91	CR134267	CR134267	Bendix; 2.88" 2-Piston Caliper; w/Air Ride	M
Unloaded Caliper	00 - 91	CR120549	CR120549	Bendix; 2.88" 2-Piston Caliper; w/o Air Ride	P
Unloaded Caliper	00 - 91	CR120549S	CR120549S	Bendix; 2.88" 2-Piston Caliper; w/o Air Ride	O

FL70

Brake Pads & Shoes					
Front Pads & Shoes	Years	SevereDuty	Lining No.	Qualifier	
Brake Pads	04 - 00	SD786		Bosch; 2.60" 2-Piston Caliper	
Brake Pads	04 - 00	SD786A		Bosch; 2.88" 2-Piston Caliper	
Brake Pads	00 - 91	SD184		Bendix; 2.60" 2-Piston Caliper	
Brake Pads	00 - 91	SD225		Bendix; 2.88" 2-Piston Caliper	
Brake Shoes	04 - 91	4702Q	4702	w/Air Brakes; Rockwell/Meritor; Q-Plus; 15 x 4	
Brake Shoes	04 - 91	4703Q	4703	w/Air Brakes; Rockwell/Meritor; Q-Plus; 15 x 5	
Brake Shoes	04 - 91	1308Q	1308T	w/Air Brakes; Rockwell/Meritor; Q-Series; 15 x 4	
Brake Shoes	04 - 91	4524Q	4524B	w/Air Brakes; Rockwell/Meritor; Q-Series; 16-1/2 x 5	
Brake Shoes	04 - 91	4514Q	4514G	w/Air Brakes; Rockwell/Meritor; Q-Series; 16-1/2 x 6	
Brake Shoes	04 - 91	1307T	1307	w/Air Brakes; Rockwell/Meritor; T-Series; 15 x 3-1/2	
Brake Shoes	04 - 91	1308T	1308T	w/Air Brakes; Rockwell/Meritor; T-Series; 15 x 4	
Rear Pads & Shoes	Years	SevereDuty	Lining No.	Qualifier	
Brake Pads	04 - 00	SD786		Bosch; 2.60" 2-Piston Caliper	
Brake Pads	04 - 00	SD786A		Bosch; 2.88" 2-Piston Caliper	
Brake Pads	00 - 91	SD184		Bendix; 2.60" 2-Piston Caliper	
Brake Pads	00 - 91	SD225		Bendix; 2.88" 2-Piston Caliper	
Brake Shoes	04 - 91	4709E	4709	w/Air Brakes; Eaton; Extended Service; 16-1/2 x 7	
Brake Shoes	04 - 91	4515P	4515E	w/Air Brakes; Rockwell/Meritor; P-Series; 16-1/2 x 7	

Piston: M - OE Metal Piston P - OE Phenolic Piston O - Metal Piston Option

Brake Pads & Shoes (cont.)

Rear Pads & Shoes	Years	SevereDuty	Lining No.	Qualifier
Brake Shoes	04 - 91	4710Q	4710	w/Air Brakes; Rockwell/Meritor; Q-Plus; 15 x 8-5/8
Brake Shoes	04 - 91	4707Q	4707	w/Air Brakes; Rockwell/Meritor; Q-Plus; 16-1/2 x 7
Brake Shoes	04 - 91	4718Q	4718	w/Air Brakes; Rockwell/Meritor; Q-Plus; 16-1/2 x 8
Brake Shoes	04 - 91	4514Q	4514G	w/Air Brakes; Rockwell/Meritor; Q-Series; 16-1/2 x 6
Brake Shoes	04 - 91	4515Q	4515E	w/Air Brakes; Rockwell/Meritor; Q-Series; 16-1/2 x 7

Rotor & Drum

Front Rotor & Drum	Years	Part No.	Qualifier
Brake Rotor	04 - 00	BD126389	10000-12000 lb. FA; Hat-Shaped; 10-Hole Rotor
Brake Rotor	04 - 00	BD126394	10000-12000 lb. FA; U-Shaped; 10-Hole Rotor
Brake Rotor	04 - 00	BD126389	6000-8000 lb. FA; Hat-Shaped; 10-Hole Rotor
Brake Rotor	04 - 00	BD126391	6000-8000 lb. FA; Hat-Shaped; 5-Hole Rotor
Brake Rotor	04 - 00	BD126392	6000-8000 lb. FA; Hat-Shaped; 6-Hole Rotor

Rear Rotor & Drum	Years	Part No.	Qualifier
Brake Rotor	04 - 00	BD126389	10000-17500 lb. RA; Hat-Shaped; 10-Hole Rotor; 3-1/4" Height
Brake Rotor	04 - 00	BD126390	10000-17500 lb. RA; Hat-Shaped; 10-Hole Rotor; 4-1/2" Height
Brake Rotor	04 - 00	BD126392	10000-17500 lb. RA; Hat-Shaped; 6-Hole Rotor
Brake Rotor	04 - 00	BD126390	19000-21000 lb. RA; Hat-Shaped; 10-Hole Rotor
Brake Rotor	04 - 00	BD125382	19000-21000 lb. RA; U-Shaped; 5-Hole Rotor
Brake Rotor	04 - 00	BD125382	34000 lb. TRA; U-Shaped; 5-Hole Rotor

Brake Hardware

Front Brake Hardware	Years	Sequential No.	Category No.	Qualifier
Disc Align Kit	00 - 91	F112095S	(H5564)	Bendix; 2.60" 2-Piston Caliper
Disc Align Kit	00 - 91	F112090S	(H5566)	Bendix; 2.88" 2-Piston Caliper

Rear Brake Hardware	Years	Sequential No.	Category No.	Qualifier
Disc Align Kit	00 - 91	F112095S	(H5564)	Bendix; 2.60" 2-Piston Caliper
Disc Align Kit	00 - 91	F112090S	(H5566)	Bendix; 2.88" 2-Piston Caliper

Calipers - Reman

Front, Loaded	Years	Left No.	Right No.	Qualifier	Piston
Loaded Caliper	04 - 00	AS135025	AS135025	Bosch; 2.60" 2-Piston Caliper	P
Loaded Caliper	04 - 00	AS135024	AS135024	Bosch; 2.88" 2-Piston Caliper	P
Loaded Caliper	00 - 91	AS112057	AS112057	Bendix; 2.60" 2-Piston Caliper	P
Loaded Caliper	00 - 91	AS112057S	AS112057S	Bendix; 2.60" 2-Piston Caliper	O
Loaded Caliper	00 - 91	AS120549	AS120549	Bendix; 2.88" 2-Piston Caliper	P
Loaded Caliper	00 - 91	AS120549S	AS120549S	Bendix; 2.88" 2-Piston Caliper	O

Rear, Loaded	Years	Left No.	Right No.	Qualifier	Piston
Loaded Caliper	04 - 00	AS135025	AS135025	Bosch; 2.60" 2-Piston Caliper	P
Loaded Caliper	04 - 00	AS135024	AS135024	Bosch; 2.88" 2-Piston Caliper	P
Loaded Caliper	00 - 91	AS132525	AS132525	Bendix; 2.60" 2-Piston Caliper; w/Air Ride	P
Loaded Caliper	00 - 91	AS132525S	AS132525S	Bendix; 2.60" 2-Piston Caliper; w/Air Ride	O
Loaded Caliper	00 - 91	AS112057	AS112057	Bendix; 2.60" 2-Piston Caliper; w/o Air Ride	P
Loaded Caliper	00 - 91	AS112057S	AS112057S	Bendix; 2.60" 2-Piston Caliper; w/o Air Ride	O
Loaded Caliper	00 - 91	AS134267	AS134267	Bendix; 2.88" 2-Piston Caliper; w/Air Ride	M
Loaded Caliper	00 - 91	AS120549	AS120549	Bendix; 2.88" 2-Piston Caliper; w/o Air Ride	P
Loaded Caliper	00 - 91	AS120549S	AS120549S	Bendix; 2.88" 2-Piston Caliper; w/o Air Ride	O

Front, Unloaded	Years	Left No.	Right No.	Qualifier	Piston
Unloaded Caliper	04 - 00	CR135025	CR135025	Bosch; 2.60" 2-Piston Caliper	P
Unloaded Caliper	04 - 00	CR135024	CR135024	Bosch; 2.88" 2-Piston Caliper	P
Unloaded Caliper	00 - 91	CR112057	CR112057	Bendix; 2.60" 2-Piston Caliper	P
Unloaded Caliper	00 - 91	CR112057S	CR112057S	Bendix; 2.60" 2-Piston Caliper	O
Unloaded Caliper	00 - 91	CR120549	CR120549	Bendix; 2.88" 2-Piston Caliper	P
Unloaded Caliper	00 - 91	CR120549S	CR120549S	Bendix; 2.88" 2-Piston Caliper	O

Rear, Unloaded	Years	Left No.	Right No.	Qualifier	Piston
Unloaded Caliper	04 - 00	CR135025	CR135025	Bosch; 2.60" 2-Piston Caliper	P
Unloaded Caliper	04 - 00	CR135024	CR135024	Bosch; 2.88" 2-Piston Caliper	P

Piston: M - OE Metal Piston P - OE Phenolic Piston O - Metal Piston Option



FL70 (cont.)

Calipers - Reman (cont.)

<i>Rear, Unloaded</i>	<i>Years</i>	<i>Left No.</i>	<i>Right No.</i>	<i>Qualifier</i>	<i>Piston</i>
Unloaded Caliper	00 - 91	CR132525	CR132525	Bendix; 2.60" 2-Piston Caliper; w/Air Ride	P
Unloaded Caliper	00 - 91	CR132525S	CR132525S	Bendix; 2.60" 2-Piston Caliper; w/Air Ride	O
Unloaded Caliper	00 - 91	CR112057	CR112057	Bendix; 2.60" 2-Piston Caliper; w/o Air Ride	P
Unloaded Caliper	00 - 91	CR112057S	CR112057S	Bendix; 2.60" 2-Piston Caliper; w/o Air Ride	O
Unloaded Caliper	00 - 91	CR134267	CR134267	Bendix; 2.88" 2-Piston Caliper; w/Air Ride	M
Unloaded Caliper	00 - 91	CR120549	CR120549	Bendix; 2.88" 2-Piston Caliper; w/o Air Ride	P
Unloaded Caliper	00 - 91	CR120549S	CR120549S	Bendix; 2.88" 2-Piston Caliper; w/o Air Ride	O

FL80

Brake Pads & Shoes

<i>Front Pads & Shoes</i>	<i>Years</i>	<i>SevereDuty</i>	<i>Lining No.</i>	<i>Qualifier</i>
Brake Shoes	04 - 91	4702Q	4702	w/Air Brakes; Rockwell/Meritor; Q-Plus; 15 x 4
Brake Shoes	04 - 91	4703Q	4703	w/Air Brakes; Rockwell/Meritor; Q-Plus; 15 x 5
Brake Shoes	04 - 91	1308Q	1308T	w/Air Brakes; Rockwell/Meritor; Q-Series; 15 x 4
Brake Shoes	04 - 91	4524Q	4524B	w/Air Brakes; Rockwell/Meritor; Q-Series; 16-1/2 x 5
Brake Shoes	04 - 91	4514Q	4514G	w/Air Brakes; Rockwell/Meritor; Q-Series; 16-1/2 x 6
Brake Shoes	04 - 91	1307T	1307	w/Air Brakes; Rockwell/Meritor; T-Series; 15 x 3-1/2
Brake Shoes	04 - 91	1308T	1308T	w/Air Brakes; Rockwell/Meritor; T-Series; 15 x 4

<i>Rear Pads & Shoes</i>	<i>Years</i>	<i>SevereDuty</i>	<i>Lining No.</i>	<i>Qualifier</i>
Brake Shoes	04 - 91	4709E	4709	w/Air Brakes; Eaton; Extended Service; 16-1/2 x 7
Brake Shoes	04 - 91	4515P	4515E	w/Air Brakes; Rockwell/Meritor; P-Series; 16-1/2 x 7
Brake Shoes	04 - 91	4710Q	4710	w/Air Brakes; Rockwell/Meritor; Q-Plus; 15 x 8-5/8
Brake Shoes	04 - 91	4707Q	4707	w/Air Brakes; Rockwell/Meritor; Q-Plus; 16-1/2 x 7
Brake Shoes	04 - 91	4718Q	4718	w/Air Brakes; Rockwell/Meritor; Q-Plus; 16-1/2 x 8
Brake Shoes	04 - 91	4514Q	4514G	w/Air Brakes; Rockwell/Meritor; Q-Series; 16-1/2 x 6
Brake Shoes	04 - 91	4515Q	4515E	w/Air Brakes; Rockwell/Meritor; Q-Series; 16-1/2 x 7

MB50

Brake Pads & Shoes

<i>Front Pads & Shoes</i>	<i>Years</i>	<i>SevereDuty</i>	<i>Lining No.</i>	<i>Qualifier</i>
Brake Pads	95 - 91	SD184		Bendix; 2.60" 2-Piston Caliper
Brake Pads	95 - 91	SD225		Bendix; 2.88" 2-Piston Caliper
Brake Shoes	95 - 91	4702Q	4702	w/Air Brakes; Rockwell/Meritor; Q-Plus; 15 x 4
Brake Shoes	95 - 91	4703Q	4703	w/Air Brakes; Rockwell/Meritor; Q-Plus; 15 x 5
Brake Shoes	95 - 91	1308Q	1308T	w/Air Brakes; Rockwell/Meritor; Q-Series; 15 x 4
Brake Shoes	95 - 91	4524Q	4524B	w/Air Brakes; Rockwell/Meritor; Q-Series; 16-1/2 x 5
Brake Shoes	95 - 91	4514Q	4514G	w/Air Brakes; Rockwell/Meritor; Q-Series; 16-1/2 x 6
Brake Shoes	95 - 91	1307T	1307	w/Air Brakes; Rockwell/Meritor; T-Series; 15 x 3-1/2
Brake Shoes	95 - 91	1308T	1308T	w/Air Brakes; Rockwell/Meritor; T-Series; 15 x 4

<i>Rear Pads & Shoes</i>	<i>Years</i>	<i>SevereDuty</i>	<i>Lining No.</i>	<i>Qualifier</i>
Brake Pads	95 - 91	SD184		Bendix; 2.60" 2-Piston Caliper
Brake Pads	95 - 91	SD225		Bendix; 2.88" 2-Piston Caliper
Brake Shoes	95 - 91	4709E	4709	w/Air Brakes; Eaton; Extended Service; 16-1/2 x 7
Brake Shoes	95 - 91	4515P	4515E	w/Air Brakes; Rockwell/Meritor; P-Series; 16-1/2 x 7
Brake Shoes	95 - 91	4710Q	4710	w/Air Brakes; Rockwell/Meritor; Q-Plus; 15 x 8-5/8
Brake Shoes	95 - 91	4707Q	4707	w/Air Brakes; Rockwell/Meritor; Q-Plus; 16-1/2 x 7
Brake Shoes	95 - 91	4718Q	4718	w/Air Brakes; Rockwell/Meritor; Q-Plus; 16-1/2 x 8
Brake Shoes	95 - 91	4514Q	4514G	w/Air Brakes; Rockwell/Meritor; Q-Series; 16-1/2 x 6
Brake Shoes	95 - 91	4515Q	4515E	w/Air Brakes; Rockwell/Meritor; Q-Series; 16-1/2 x 7

Brake Hardware

<i>Front Brake Hardware</i>	<i>Years</i>	<i>Sequential No.</i>	<i>Category No.</i>	<i>Qualifier</i>
Disc Align Kit	95 - 91	F112095S	(H5564)	Bendix; 2.60" 2-Piston Caliper
Disc Align Kit	95 - 91	F112090S	(H5566)	Bendix; 2.88" 2-Piston Caliper

<i>Rear Brake Hardware</i>	<i>Years</i>	<i>Sequential No.</i>	<i>Category No.</i>	<i>Qualifier</i>
Disc Align Kit	95 - 91	F112095S	(H5564)	Bendix; 2.60" 2-Piston Caliper

Piston: M - OE Metal Piston P - OE Phenolic Piston O - Metal Piston Option

MB50 (cont.)
Brake Hardware (cont.)

Rear Brake Hardware	Years	Sequential No.	Category No.	Qualifier
Disc Align Kit	95 - 91	F112090S	(H5566)	Bendix; 2.88" 2-Piston Caliper

Calipers - Reman

Front, Loaded	Years	Left No.	Right No.	Qualifier	Piston
Loaded Caliper	95 - 91	AS112057	AS112057	Bendix; 2.60" 2-Piston Caliper	P
Loaded Caliper	95 - 91	AS112057S	AS112057S	Bendix; 2.60" 2-Piston Caliper	O
Loaded Caliper	95 - 91	AS120549	AS120549	Bendix; 2.88" 2-Piston Caliper	P
Loaded Caliper	95 - 91	AS120549S	AS120549S	Bendix; 2.88" 2-Piston Caliper	O
Rear, Loaded	Years	Left No.	Right No.	Qualifier	Piston
Loaded Caliper	95 - 91	AS132525	AS132525	Bendix; 2.60" 2-Piston Caliper; w/Air Ride	P
Loaded Caliper	95 - 91	AS132525S	AS132525S	Bendix; 2.60" 2-Piston Caliper; w/Air Ride	O
Loaded Caliper	95 - 91	AS112057	AS112057	Bendix; 2.60" 2-Piston Caliper; w/o Air Ride	P
Loaded Caliper	95 - 91	AS112057S	AS112057S	Bendix; 2.60" 2-Piston Caliper; w/o Air Ride	O
Loaded Caliper	95 - 91	AS134267	AS134267	Bendix; 2.88" 2-Piston Caliper; w/Air Ride	M
Loaded Caliper	95 - 91	AS120549	AS120549	Bendix; 2.88" 2-Piston Caliper; w/o Air Ride	P
Loaded Caliper	95 - 91	AS120549S	AS120549S	Bendix; 2.88" 2-Piston Caliper; w/o Air Ride	O
Front, Unloaded	Years	Left No.	Right No.	Qualifier	Piston
Unloaded Caliper	95 - 91	CR112057	CR112057	Bendix; 2.60" 2-Piston Caliper	P
Unloaded Caliper	95 - 91	CR112057S	CR112057S	Bendix; 2.60" 2-Piston Caliper	O
Unloaded Caliper	95 - 91	CR120549	CR120549	Bendix; 2.88" 2-Piston Caliper	P
Unloaded Caliper	95 - 91	CR120549S	CR120549S	Bendix; 2.88" 2-Piston Caliper	O
Rear, Unloaded	Years	Left No.	Right No.	Qualifier	Piston
Unloaded Caliper	95 - 91	CR132525	CR132525	Bendix; 2.60" 2-Piston Caliper; w/Air Ride	P
Unloaded Caliper	95 - 91	CR132525S	CR132525S	Bendix; 2.60" 2-Piston Caliper; w/Air Ride	O
Unloaded Caliper	95 - 91	CR112057	CR112057	Bendix; 2.60" 2-Piston Caliper; w/o Air Ride	P
Unloaded Caliper	95 - 91	CR112057S	CR112057S	Bendix; 2.60" 2-Piston Caliper; w/o Air Ride	O
Unloaded Caliper	95 - 91	CR134267	CR134267	Bendix; 2.88" 2-Piston Caliper; w/Air Ride	M
Unloaded Caliper	95 - 91	CR120549	CR120549	Bendix; 2.88" 2-Piston Caliper; w/o Air Ride	P
Unloaded Caliper	95 - 91	CR120549S	CR120549S	Bendix; 2.88" 2-Piston Caliper; w/o Air Ride	O

MB60
Brake Pads & Shoes

Front Pads & Shoes	Years	SevereDuty	Lining No.	Qualifier
Brake Pads	95 - 91	SD184		Bendix; 2.60" 2-Piston Caliper
Brake Pads	95 - 91	SD225		Bendix; 2.88" 2-Piston Caliper
Brake Shoes	95 - 91	4702Q	4702	w/Air Brakes; Rockwell/Meritor; Q-Plus; 15 x 4
Brake Shoes	95 - 91	4703Q	4703	w/Air Brakes; Rockwell/Meritor; Q-Plus; 15 x 5
Brake Shoes	95 - 91	1308Q	1308T	w/Air Brakes; Rockwell/Meritor; Q-Series; 15 x 4
Brake Shoes	95 - 91	4524Q	4524B	w/Air Brakes; Rockwell/Meritor; Q-Series; 16-1/2 x 5
Brake Shoes	95 - 91	4514Q	4514G	w/Air Brakes; Rockwell/Meritor; Q-Series; 16-1/2 x 6
Brake Shoes	95 - 91	1307T	1307	w/Air Brakes; Rockwell/Meritor; T-Series; 15 x 3-1/2
Brake Shoes	95 - 91	1308T	1308T	w/Air Brakes; Rockwell/Meritor; T-Series; 15 x 4
Rear Pads & Shoes	Years	SevereDuty	Lining No.	Qualifier
Brake Pads	95 - 91	SD184		Bendix; 2.60" 2-Piston Caliper
Brake Pads	95 - 91	SD225		Bendix; 2.88" 2-Piston Caliper
Brake Shoes	95 - 91	4709E	4709	w/Air Brakes; Eaton; Extended Service; 16-1/2 x 7
Brake Shoes	95 - 91	4515P	4515E	w/Air Brakes; Rockwell/Meritor; P-Series; 16-1/2 x 7
Brake Shoes	95 - 91	4710Q	4710	w/Air Brakes; Rockwell/Meritor; Q-Plus; 15 x 8-5/8
Brake Shoes	95 - 91	4707Q	4707	w/Air Brakes; Rockwell/Meritor; Q-Plus; 16-1/2 x 7
Brake Shoes	95 - 91	4718Q	4718	w/Air Brakes; Rockwell/Meritor; Q-Plus; 16-1/2 x 8
Brake Shoes	95 - 91	4514Q	4514G	w/Air Brakes; Rockwell/Meritor; Q-Series; 16-1/2 x 6
Brake Shoes	95 - 91	4515Q	4515E	w/Air Brakes; Rockwell/Meritor; Q-Series; 16-1/2 x 7

Brake Hardware

Front Brake Hardware	Years	Sequential No.	Category No.	Qualifier
Disc Align Kit	95 - 91	F112095S	(H5564)	Bendix; 2.60" 2-Piston Caliper

Piston: M - OE Metal Piston P - OE Phenolic Piston O - Metal Piston Option



MB60 (cont.)

Brake Hardware (cont.)

Front Brake Hardware	Years	Sequential No.	Category No.	Qualifier
Disc Align Kit	95 - 91	F112090S	(H5566)	Bendix; 2.88" 2-Piston Caliper

Rear Brake Hardware	Years	Sequential No.	Category No.	Qualifier
Disc Align Kit	95 - 91	F112095S	(H5564)	Bendix; 2.60" 2-Piston Caliper
Disc Align Kit	95 - 91	F112090S	(H5566)	Bendix; 2.88" 2-Piston Caliper

Calipers - Reman

Front, Loaded	Years	Left No.	Right No.	Qualifier	Piston
Loaded Caliper	95 - 91	AS112057	AS112057	Bendix; 2.60" 2-Piston Caliper	P
Loaded Caliper	95 - 91	AS112057S	AS112057S	Bendix; 2.60" 2-Piston Caliper	O
Loaded Caliper	95 - 91	AS120549	AS120549	Bendix; 2.88" 2-Piston Caliper	P
Loaded Caliper	95 - 91	AS120549S	AS120549S	Bendix; 2.88" 2-Piston Caliper	O

Rear, Loaded	Years	Left No.	Right No.	Qualifier	Piston
Loaded Caliper	95 - 91	AS132525	AS132525	Bendix; 2.60" 2-Piston Caliper; w/Air Ride	P
Loaded Caliper	95 - 91	AS132525S	AS132525S	Bendix; 2.60" 2-Piston Caliper; w/Air Ride	O
Loaded Caliper	95 - 91	AS112057	AS112057	Bendix; 2.60" 2-Piston Caliper; w/o Air Ride	P
Loaded Caliper	95 - 91	AS112057S	AS112057S	Bendix; 2.60" 2-Piston Caliper; w/o Air Ride	O
Loaded Caliper	95 - 91	AS134267	AS134267	Bendix; 2.88" 2-Piston Caliper; w/Air Ride	M
Loaded Caliper	95 - 91	AS120549	AS120549	Bendix; 2.88" 2-Piston Caliper; w/o Air Ride	P
Loaded Caliper	95 - 91	AS120549S	AS120549S	Bendix; 2.88" 2-Piston Caliper; w/o Air Ride	O

Front, Unloaded	Years	Left No.	Right No.	Qualifier	Piston
Unloaded Caliper	95 - 91	CR112057	CR112057	Bendix; 2.60" 2-Piston Caliper	P
Unloaded Caliper	95 - 91	CR112057S	CR112057S	Bendix; 2.60" 2-Piston Caliper	O
Unloaded Caliper	95 - 91	CR120549	CR120549	Bendix; 2.88" 2-Piston Caliper	P
Unloaded Caliper	95 - 91	CR120549S	CR120549S	Bendix; 2.88" 2-Piston Caliper	O

Rear, Unloaded	Years	Left No.	Right No.	Qualifier	Piston
Unloaded Caliper	95 - 91	CR132525	CR132525	Bendix; 2.60" 2-Piston Caliper; w/Air Ride	P
Unloaded Caliper	95 - 91	CR132525S	CR132525S	Bendix; 2.60" 2-Piston Caliper; w/Air Ride	O
Unloaded Caliper	95 - 91	CR112057	CR112057	Bendix; 2.60" 2-Piston Caliper; w/o Air Ride	P
Unloaded Caliper	95 - 91	CR112057S	CR112057S	Bendix; 2.60" 2-Piston Caliper; w/o Air Ride	O
Unloaded Caliper	95 - 91	CR134267	CR134267	Bendix; 2.88" 2-Piston Caliper; w/Air Ride	M
Unloaded Caliper	95 - 91	CR120549	CR120549	Bendix; 2.88" 2-Piston Caliper; w/o Air Ride	P
Unloaded Caliper	95 - 91	CR120549S	CR120549S	Bendix; 2.88" 2-Piston Caliper; w/o Air Ride	O

MB70

Brake Pads & Shoes

Front Pads & Shoes	Years	SevereDuty	Lining No.	Qualifier
Brake Pads	95 - 91	SD184		Bendix; 2.60" 2-Piston Caliper
Brake Pads	95 - 91	SD225		Bendix; 2.88" 2-Piston Caliper
Brake Shoes	95 - 91	4702Q	4702	w/Air Brakes; Rockwell/Meritor; Q-Plus; 15 x 4
Brake Shoes	95 - 91	4703Q	4703	w/Air Brakes; Rockwell/Meritor; Q-Plus; 15 x 5
Brake Shoes	95 - 91	1308Q	1308T	w/Air Brakes; Rockwell/Meritor; Q-Series; 15 x 4
Brake Shoes	95 - 91	4524Q	4524B	w/Air Brakes; Rockwell/Meritor; Q-Series; 16-1/2 x 5
Brake Shoes	95 - 91	4514Q	4514G	w/Air Brakes; Rockwell/Meritor; Q-Series; 16-1/2 x 6
Brake Shoes	95 - 91	1307T	1307	w/Air Brakes; Rockwell/Meritor; T-Series; 15 x 3-1/2
Brake Shoes	95 - 91	1308T	1308T	w/Air Brakes; Rockwell/Meritor; T-Series; 15 x 4

Rear Pads & Shoes	Years	SevereDuty	Lining No.	Qualifier
Brake Pads	95 - 91	SD184		Bendix; 2.60" 2-Piston Caliper
Brake Pads	95 - 91	SD225		Bendix; 2.88" 2-Piston Caliper
Brake Shoes	95 - 91	4709E	4709	w/Air Brakes; Eaton; Extended Service; 16-1/2 x 7
Brake Shoes	95 - 91	4515P	4515E	w/Air Brakes; Rockwell/Meritor; P-Series; 16-1/2 x 7
Brake Shoes	95 - 91	4710Q	4710	w/Air Brakes; Rockwell/Meritor; Q-Plus; 15 x 8-5/8
Brake Shoes	95 - 91	4707Q	4707	w/Air Brakes; Rockwell/Meritor; Q-Plus; 16-1/2 x 7
Brake Shoes	95 - 91	4718Q	4718	w/Air Brakes; Rockwell/Meritor; Q-Plus; 16-1/2 x 8
Brake Shoes	95 - 91	4514Q	4514G	w/Air Brakes; Rockwell/Meritor; Q-Series; 16-1/2 x 6
Brake Shoes	95 - 91	4515Q	4515E	w/Air Brakes; Rockwell/Meritor; Q-Series; 16-1/2 x 7

Piston: M - OE Metal Piston P - OE Phenolic Piston O - Metal Piston Option

MB70 (cont.)
Brake Hardware

Front Brake Hardware	Years	Sequential No.	Category No.	Qualifier
Disc Align Kit	95 - 91	F112095S	(H5564)	Bendix; 2.60" 2-Piston Caliper
Disc Align Kit	95 - 91	F112090S	(H5566)	Bendix; 2.88" 2-Piston Caliper
Rear Brake Hardware	Years	Sequential No.	Category No.	Qualifier
Disc Align Kit	95 - 91	F112095S	(H5564)	Bendix; 2.60" 2-Piston Caliper
Disc Align Kit	95 - 91	F112090S	(H5566)	Bendix; 2.88" 2-Piston Caliper

Calipers - Reman

Front, Loaded	Years	Left No.	Right No.	Qualifier	Piston
Loaded Caliper	95 - 91	AS112057	AS112057	Bendix; 2.60" 2-Piston Caliper	P
Loaded Caliper	95 - 91	AS112057S	AS112057S	Bendix; 2.60" 2-Piston Caliper	O
Loaded Caliper	95 - 91	AS120549	AS120549	Bendix; 2.88" 2-Piston Caliper	P
Loaded Caliper	95 - 91	AS120549S	AS120549S	Bendix; 2.88" 2-Piston Caliper	O
Rear, Loaded	Years	Left No.	Right No.	Qualifier	Piston
Loaded Caliper	95 - 91	AS132525	AS132525	Bendix; 2.60" 2-Piston Caliper; w/Air Ride	P
Loaded Caliper	95 - 91	AS132525S	AS132525S	Bendix; 2.60" 2-Piston Caliper; w/Air Ride	O
Loaded Caliper	95 - 91	AS112057	AS112057	Bendix; 2.60" 2-Piston Caliper; w/o Air Ride	P
Loaded Caliper	95 - 91	AS112057S	AS112057S	Bendix; 2.60" 2-Piston Caliper; w/o Air Ride	O
Loaded Caliper	95 - 91	AS134267	AS134267	Bendix; 2.88" 2-Piston Caliper; w/Air Ride	M
Loaded Caliper	95 - 91	AS120549	AS120549	Bendix; 2.88" 2-Piston Caliper; w/o Air Ride	P
Loaded Caliper	95 - 91	AS120549S	AS120549S	Bendix; 2.88" 2-Piston Caliper; w/o Air Ride	O
Front, Unloaded	Years	Left No.	Right No.	Qualifier	Piston
Unloaded Caliper	95 - 91	CR112057	CR112057	Bendix; 2.60" 2-Piston Caliper	P
Unloaded Caliper	95 - 91	CR112057S	CR112057S	Bendix; 2.60" 2-Piston Caliper	O
Unloaded Caliper	95 - 91	CR120549	CR120549	Bendix; 2.88" 2-Piston Caliper	P
Unloaded Caliper	95 - 91	CR120549S	CR120549S	Bendix; 2.88" 2-Piston Caliper	O
Rear, Unloaded	Years	Left No.	Right No.	Qualifier	Piston
Unloaded Caliper	95 - 91	CR132525	CR132525	Bendix; 2.60" 2-Piston Caliper; w/Air Ride	P
Unloaded Caliper	95 - 91	CR132525S	CR132525S	Bendix; 2.60" 2-Piston Caliper; w/Air Ride	O
Unloaded Caliper	95 - 91	CR112057	CR112057	Bendix; 2.60" 2-Piston Caliper; w/o Air Ride	P
Unloaded Caliper	95 - 91	CR112057S	CR112057S	Bendix; 2.60" 2-Piston Caliper; w/o Air Ride	O
Unloaded Caliper	95 - 91	CR134267	CR134267	Bendix; 2.88" 2-Piston Caliper; w/Air Ride	M
Unloaded Caliper	95 - 91	CR120549	CR120549	Bendix; 2.88" 2-Piston Caliper; w/o Air Ride	P
Unloaded Caliper	95 - 91	CR120549S	CR120549S	Bendix; 2.88" 2-Piston Caliper; w/o Air Ride	O

MB80
Brake Pads & Shoes

Front Pads & Shoes	Years	SevereDuty	Lining No.	Qualifier
Brake Shoes	95 - 91	4702Q	4702	w/Air Brakes; Rockwell/Meritor; Q-Plus; 15 x 4
Brake Shoes	95 - 91	4703Q	4703	w/Air Brakes; Rockwell/Meritor; Q-Plus; 15 x 5
Brake Shoes	95 - 91	1308Q	1308T	w/Air Brakes; Rockwell/Meritor; Q-Series; 15 x 4
Brake Shoes	95 - 91	4524Q	4524B	w/Air Brakes; Rockwell/Meritor; Q-Series; 16-1/2 x 5
Brake Shoes	95 - 91	4514Q	4514G	w/Air Brakes; Rockwell/Meritor; Q-Series; 16-1/2 x 6
Brake Shoes	95 - 91	1307T	1307	w/Air Brakes; Rockwell/Meritor; T-Series; 15 x 3-1/2
Brake Shoes	95 - 91	1308T	1308T	w/Air Brakes; Rockwell/Meritor; T-Series; 15 x 4
Rear Pads & Shoes	Years	SevereDuty	Lining No.	Qualifier
Brake Shoes	95 - 91	4709E	4709	w/Air Brakes; Eaton; Extended Service; 16-1/2 x 7
Brake Shoes	95 - 91	4515P	4515E	w/Air Brakes; Rockwell/Meritor; P-Series; 16-1/2 x 7
Brake Shoes	95 - 91	4710Q	4710	w/Air Brakes; Rockwell/Meritor; Q-Plus; 15 x 8-5/8
Brake Shoes	95 - 91	4707Q	4707	w/Air Brakes; Rockwell/Meritor; Q-Plus; 16-1/2 x 7
Brake Shoes	95 - 91	4718Q	4718	w/Air Brakes; Rockwell/Meritor; Q-Plus; 16-1/2 x 8
Brake Shoes	95 - 91	4514Q	4514G	w/Air Brakes; Rockwell/Meritor; Q-Series; 16-1/2 x 6
Brake Shoes	95 - 91	4515Q	4515E	w/Air Brakes; Rockwell/Meritor; Q-Series; 16-1/2 x 7

Piston: M - OE Metal Piston P - OE Phenolic Piston O - Metal Piston Option

FC70

Brake Pads & Shoes

Front Pads & Shoes	Years	SevereDuty	Lining No.	Qualifier
Brake Shoes	07 - 98	4693R	4693	w/Air Brakes; Bendix; 15 x 4
Rear Pads & Shoes	Years	SevereDuty	Lining No.	Qualifier
Brake Shoes	07 - 98	SDS544AR	EX4505AD-S4Q	Hyd. Brakes; Lucas; 15 x 7
Brake Shoes	07 - 98	4515B	4515E	w/Air Brakes; Bendix; 16-1/2 x 7

Rotor & Drum

Rear Rotor & Drum	Years	Part No.	Qualifier
Brake Drum	07 - 98	BD126381	15 x 7" Hyd. Brake; 17000-18000 lb. RA; 8-Hole Disc Wheel

Brake Hardware

Rear Brake Hardware	Years	Sequential No.	Category No.	Qualifier
Adjuster Kit	07 - 98	F112097	(H2901)	L.H.; Lucas
Adjuster Kit	07 - 98	F112097	(H2901)	R.H.; Lucas
Combi Kit	07 - 98	F112096	(H7195)	Lucas

Hydraulics - New

Master Cylinder	Years	Sequential No.	Category No.	Qualifier
Master Cylinder	07 - 98	F117264	(MC117264)	w/Reservoir
Rear Wheel Cylinder	Years	Sequential No.	Category No.	Qualifier
Wheel Cylinder	07 - 98	F118104	(WC118104)	L.H.; 15 x 7" Lucas; 17500-22000 lb. RA; 1-3/4" Bore
Wheel Cylinder	07 - 98	F118106	(WC118106)	L.H.; 15 x 7" Lucas; 34000 lb. RA; 1-5/8" Bore
Wheel Cylinder	07 - 98	F118105	(WC118105)	R.H.; 15 x 7" Lucas; 17500-22000 lb. RA; 1-3/4" Bore
Wheel Cylinder	07 - 98	F118107	(WC118107)	R.H.; 15 x 7" Lucas; 34000 lb. RA; 1-5/8" Bore
Front Brake Hose	Years	Sequential No.	Category No.	Qualifier
Brake Hose	07 - 98	F111945	(BH111945)	L.H.; Hyd. Brakes
Brake Hose	07 - 98	F111945	(BH111945)	R.H.; Hyd. Brakes
Rear Brake Hose	Years	Sequential No.	Category No.	Qualifier
Brake Hose	07 - 98	F118650	(BH118650)	L.H.; Hyd. Brakes
Brake Hose	07 - 98	F118650	(BH118650)	R.H.; Hyd. Brakes

FC80

Brake Pads & Shoes

Front Pads & Shoes	Years	SevereDuty	Lining No.	Qualifier
Brake Shoes	07 - 98	4693R	4693	w/Air Brakes; Bendix; 15 x 4
Rear Pads & Shoes	Years	SevereDuty	Lining No.	Qualifier
Brake Shoes	07 - 98	SDS544AR	EX4505AD-S4Q	Hyd. Brakes; Lucas; 15 x 7
Brake Shoes	07 - 98	4515B	4515E	w/Air Brakes; Bendix; 16-1/2 x 7

Rotor & Drum

Rear Rotor & Drum	Years	Part No.	Qualifier
Brake Drum	07 - 98	BD126381	15 x 7" Hyd. Brake; 17000-18000 lb. RA; 8-Hole Disc Wheel

Brake Hardware

Rear Brake Hardware	Years	Sequential No.	Category No.	Qualifier
Adjuster Kit	07 - 98	F112097	(H2901)	L.H.; Lucas
Adjuster Kit	07 - 98	F112097	(H2901)	R.H.; Lucas
Combi Kit	07 - 98	F112096	(H7195)	Lucas

Hydraulics - New

Master Cylinder	Years	Sequential No.	Category No.	Qualifier
Master Cylinder	07 - 98	F119400	(MC119400)	Split Syst.; Hydro-Max; 1-3/4" Bore
Master Cylinder	07 - 98	F110980	(MC110980)	Split Syst.; Hydro-Max; 2" Bore
Rear Wheel Cylinder	Years	Sequential No.	Category No.	Qualifier
Wheel Cylinder	07 - 98	F118104	(WC118104)	L.H.; 15 x 7" Lucas; 17500-22000 lb. RA; 1-3/4" Bore
Wheel Cylinder	07 - 98	F118106	(WC118106)	L.H.; 15 x 7" Lucas; 34000 lb. RA; 1-5/8" Bore
Wheel Cylinder	07 - 98	F118105	(WC118105)	R.H.; 15 x 7" Lucas; 17500-22000 lb. RA; 1-3/4" Bore
Wheel Cylinder	07 - 98	F118107	(WC118107)	R.H.; 15 x 7" Lucas; 34000 lb. RA; 1-5/8" Bore
Rear Brake Hose	Years	Sequential No.	Category No.	Qualifier
Brake Hose	07 - 98	F118650	(BH118650)	L.H.; Hyd. Brakes

Hydraulics - New (cont.)

Rear Brake Hose	Years	Sequential No.	Category No.	Qualifier
Brake Hose	07 - 98	F118650	(BH118650)	R.H.; Hyd. Brakes

FREIGHTLINER MD M2-Series
100
Brake Pads & Shoes

Front Pads & Shoes	Years	SevereDuty	Lining No.	Qualifier
Brake Pads	07 - 03	SD786		Bosch; 2.60" 2-Piston Caliper
Brake Pads	07 - 03	SD786A		Bosch; 2.88" 2-Piston Caliper
Brake Shoes	07 - 03	4702Q	4702	w/Air Brakes; Rockwell/Meritor; Q-Plus; 15 x 4
Brake Shoes	07 - 03	4703Q	4703	w/Air Brakes; Rockwell/Meritor; Q-Plus; 15 x 5
Brake Shoes	07 - 03	1308Q	1308T	w/Air Brakes; Rockwell/Meritor; Q-Series; 15 x 4
Brake Shoes	07 - 03	4524Q	4524B	w/Air Brakes; Rockwell/Meritor; Q-Series; 16-1/2 x 5
Brake Shoes	07 - 03	4514Q	4514G	w/Air Brakes; Rockwell/Meritor; Q-Series; 16-1/2 x 6
Brake Shoes	07 - 03	1307T	1307	w/Air Brakes; Rockwell/Meritor; T-Series; 15 x 3-1/2
Brake Shoes	07 - 03	1308T	1308T	w/Air Brakes; Rockwell/Meritor; T-Series; 15 x 4

Rear Pads & Shoes	Years	SevereDuty	Lining No.	Qualifier
Brake Pads	07 - 03	SD786		Bosch; 2.60" 2-Piston Caliper
Brake Pads	07 - 03	SD786A		Bosch; 2.88" 2-Piston Caliper
Brake Shoes	07 - 03	4709E	4709	w/Air Brakes; Eaton; Extended Service; 16-1/2 x 7
Brake Shoes	07 - 03	4515P	4515E	w/Air Brakes; Rockwell/Meritor; P-Series; 16-1/2 x 7
Brake Shoes	07 - 03	4710Q	4710	w/Air Brakes; Rockwell/Meritor; Q-Plus; 15 x 8-5/8
Brake Shoes	07 - 03	4707Q	4707	w/Air Brakes; Rockwell/Meritor; Q-Plus; 16-1/2 x 7
Brake Shoes	07 - 03	4718Q	4718	w/Air Brakes; Rockwell/Meritor; Q-Plus; 16-1/2 x 8
Brake Shoes	07 - 03	4514Q	4514G	w/Air Brakes; Rockwell/Meritor; Q-Series; 16-1/2 x 6
Brake Shoes	07 - 03	4515Q	4515E	w/Air Brakes; Rockwell/Meritor; Q-Series; 16-1/2 x 7

Rotor & Drum

Front Rotor & Drum	Years	Part No.	Qualifier
Brake Rotor	07 - 03	BD126389	10000-12000 lb. FA; Hat-Shaped; 10-Hole Rotor
Brake Rotor	07 - 03	BD126394	10000-12000 lb. FA; U-Shaped; 10-Hole Rotor
Brake Rotor	07 - 03	BD126389	6000-8000 lb. FA; Hat-Shaped; 10-Hole Rotor
Brake Rotor	07 - 03	BD126391	6000-8000 lb. FA; Hat-Shaped; 5-Hole Rotor
Brake Rotor	07 - 03	BD126392	6000-8000 lb. FA; Hat-Shaped; 6-Hole Rotor

Rear Rotor & Drum	Years	Part No.	Qualifier
Brake Rotor	07 - 03	BD126389	10000-17500 lb. RA; Hat-Shaped; 10-Hole Rotor; 3-1/4" Height
Brake Rotor	07 - 03	BD126390	10000-17500 lb. RA; Hat-Shaped; 10-Hole Rotor; 4-1/2" Height
Brake Rotor	07 - 03	BD126392	10000-17500 lb. RA; Hat-Shaped; 6-Hole Rotor
Brake Rotor	07 - 03	BD126390	19000-21000 lb. RA; Hat-Shaped; 10-Hole Rotor
Brake Rotor	07 - 03	BD125382	19000-21000 lb. RA; U-Shaped; 5-Hole Rotor
Brake Rotor	07 - 03	BD125382	34000 lb. TRA; U-Shaped; 5-Hole Rotor

Brake Hardware

Front Brake Hardware	Years	Sequential No.	Category No.	Qualifier
Disc Align Kit	07 - 05	F140769	(H5710)	Bosch; 2.60" 2-Piston Caliper
Disc Align Kit	07 - 05	F140769	(H5710)	Bosch; 2.88" 2-Piston Caliper

Rear Brake Hardware	Years	Sequential No.	Category No.	Qualifier
Disc Align Kit	07 - 05	F140769	(H5710)	Bosch; 2.60" 2-Piston Caliper
Disc Align Kit	07 - 05	F140769	(H5710)	Bosch; 2.88" 2-Piston Caliper

Calipers - Reman

Front, Loaded	Years	Left No.	Right No.	Qualifier	Piston
Loaded Caliper	07 - 03	AS135025	AS135025	Bosch; 2.60" 2-Piston Caliper	P
Loaded Caliper	07 - 03	AS135024	AS135024	Bosch; 2.88" 2-Piston Caliper	P

Rear, Loaded	Years	Left No.	Right No.	Qualifier	Piston
Loaded Caliper	07 - 03	AS135025	AS135025	Bosch; 2.60" 2-Piston Caliper	P
Loaded Caliper	07 - 03	AS135024	AS135024	Bosch; 2.88" 2-Piston Caliper	P

Piston: M - OE Metal Piston P - OE Phenolic Piston

100 (cont.)					
Calipers - Reman (cont.)					
<i>Front, Unloaded</i>	<i>Years</i>	<i>Left No.</i>	<i>Right No.</i>	<i>Qualifier</i>	<i>Piston</i>
Unloaded Caliper	07 - 03	CR135025	CR135025	Bosch; 2.60" 2-Piston Caliper	P
Unloaded Caliper	07 - 03	CR135024	CR135024	Bosch; 2.88" 2-Piston Caliper	P
<i>Rear, Unloaded</i>	<i>Years</i>	<i>Left No.</i>	<i>Right No.</i>	<i>Qualifier</i>	<i>Piston</i>
Unloaded Caliper	07 - 03	CR135025	CR135025	Bosch; 2.60" 2-Piston Caliper	P
Unloaded Caliper	07 - 03	CR135024	CR135024	Bosch; 2.88" 2-Piston Caliper	P
106					
Brake Pads & Shoes					
<i>Front Pads & Shoes</i>	<i>Years</i>	<i>SevereDuty</i>	<i>Lining No.</i>	<i>Qualifier</i>	
Brake Pads	07 - 03	SD786		Bosch; 2.60" 2-Piston Caliper	
Brake Pads	07 - 03	SD786A		Bosch; 2.88" 2-Piston Caliper	
Brake Shoes	07 - 03	4702Q	4702	w/Air Brakes; Rockwell/Meritor; Q-Plus; 15 x 4	
Brake Shoes	07 - 03	4703Q	4703	w/Air Brakes; Rockwell/Meritor; Q-Plus; 15 x 5	
Brake Shoes	07 - 03	1308Q	1308T	w/Air Brakes; Rockwell/Meritor; Q-Series; 15 x 4	
Brake Shoes	07 - 03	4524Q	4524B	w/Air Brakes; Rockwell/Meritor; Q-Series; 16-1/2 x 5	
Brake Shoes	07 - 03	4514Q	4514G	w/Air Brakes; Rockwell/Meritor; Q-Series; 16-1/2 x 6	
Brake Shoes	07 - 03	1307T	1307	w/Air Brakes; Rockwell/Meritor; T-Series; 15 x 3-1/2	
Brake Shoes	07 - 03	1308T	1308T	w/Air Brakes; Rockwell/Meritor; T-Series; 15 x 4	
<i>Rear Pads & Shoes</i>	<i>Years</i>	<i>SevereDuty</i>	<i>Lining No.</i>	<i>Qualifier</i>	
Brake Pads	07 - 03	SD786		Bosch; 2.60" 2-Piston Caliper	
Brake Pads	07 - 03	SD786A		Bosch; 2.88" 2-Piston Caliper	
Brake Shoes	07 - 03	4709E	4709	w/Air Brakes; Eaton; Extended Service; 16-1/2 x 7	
Brake Shoes	07 - 03	4515P	4515E	w/Air Brakes; Rockwell/Meritor; P-Series; 16-1/2 x 7	
Brake Shoes	07 - 03	4710Q	4710	w/Air Brakes; Rockwell/Meritor; Q-Plus; 15 x 8-5/8	
Brake Shoes	07 - 03	4707Q	4707	w/Air Brakes; Rockwell/Meritor; Q-Plus; 16-1/2 x 7	
Brake Shoes	07 - 03	4718Q	4718	w/Air Brakes; Rockwell/Meritor; Q-Plus; 16-1/2 x 8	
Brake Shoes	07 - 03	4514Q	4514G	w/Air Brakes; Rockwell/Meritor; Q-Series; 16-1/2 x 6	
Brake Shoes	07 - 03	4515Q	4515E	w/Air Brakes; Rockwell/Meritor; Q-Series; 16-1/2 x 7	
Rotor & Drum					
<i>Front Rotor & Drum</i>	<i>Years</i>	<i>Part No.</i>	<i>Qualifier</i>		
Brake Rotor	07 - 03	BD126389		10000-12000 lb. FA; Hat-Shaped; 10-Hole Rotor	
Brake Rotor	07 - 03	BD126394		10000-12000 lb. FA; U-Shaped; 10-Hole Rotor	
Brake Rotor	07 - 03	BD126389		6000-8000 lb. FA; Hat-Shaped; 10-Hole Rotor	
Brake Rotor	07 - 03	BD126391		6000-8000 lb. FA; Hat-Shaped; 5-Hole Rotor	
Brake Rotor	07 - 03	BD126392		6000-8000 lb. FA; Hat-Shaped; 6-Hole Rotor	
<i>Rear Rotor & Drum</i>	<i>Years</i>	<i>Part No.</i>	<i>Qualifier</i>		
Brake Rotor	07 - 03	BD126389		10000-17500 lb. RA; Hat-Shaped; 10-Hole Rotor; 3-1/4" Height	
Brake Rotor	07 - 03	BD126390		10000-17500 lb. RA; Hat-Shaped; 10-Hole Rotor; 4-1/2" Height	
Brake Rotor	07 - 03	BD126392		10000-17500 lb. RA; Hat-Shaped; 6-Hole Rotor	
Brake Rotor	07 - 03	BD126390		19000-21000 lb. RA; Hat-Shaped; 10-Hole Rotor	
Brake Rotor	07 - 03	BD125382		19000-21000 lb. RA; U-Shaped; 5-Hole Rotor	
Brake Rotor	07 - 03	BD125382		34000 lb. TRA; U-Shaped; 5-Hole Rotor	
Brake Hardware					
<i>Front Brake Hardware</i>	<i>Years</i>	<i>Sequential No.</i>	<i>Category No.</i>	<i>Qualifier</i>	
Disc Align Kit	07 - 03	F140769	(H5710)	Bosch; 2.60" 2-Piston Caliper	
Disc Align Kit	07 - 03	F140769	(H5710)	Bosch; 2.88" 2-Piston Caliper	
<i>Rear Brake Hardware</i>	<i>Years</i>	<i>Sequential No.</i>	<i>Category No.</i>	<i>Qualifier</i>	
Disc Align Kit	07 - 03	F140769	(H5710)	Bosch; 2.60" 2-Piston Caliper	
Disc Align Kit	07 - 03	F140769	(H5710)	Bosch; 2.88" 2-Piston Caliper	
Calipers - Reman					
<i>Front, Loaded</i>	<i>Years</i>	<i>Left No.</i>	<i>Right No.</i>	<i>Qualifier</i>	<i>Piston</i>
Loaded Caliper	07 - 03	AS135025	AS135025	Bosch; 2.60" 2-Piston Caliper	P
Loaded Caliper	07 - 03	AS135024	AS135024	Bosch; 2.88" 2-Piston Caliper	P

Piston: M - OE Metal Piston P - OE Phenolic Piston

106 (cont.)
Calipers - Reman (cont.)

<i>Rear, Loaded</i>	<i>Years</i>	<i>Left No.</i>	<i>Right No.</i>	<i>Qualifier</i>	<i>Piston</i>
Loaded Caliper	07 - 03	AS135025	AS135025	Bosch; 2.60" 2-Piston Caliper	P
Loaded Caliper	07 - 03	AS135024	AS135024	Bosch; 2.88" 2-Piston Caliper	P
<i>Front, Unloaded</i>	<i>Years</i>	<i>Left No.</i>	<i>Right No.</i>	<i>Qualifier</i>	<i>Piston</i>
Unloaded Caliper	07 - 03	CR135025	CR135025	Bosch; 2.60" 2-Piston Caliper	P
Unloaded Caliper	07 - 03	CR135024	CR135024	Bosch; 2.88" 2-Piston Caliper	P
<i>Rear, Unloaded</i>	<i>Years</i>	<i>Left No.</i>	<i>Right No.</i>	<i>Qualifier</i>	<i>Piston</i>
Unloaded Caliper	07 - 03	CR135025	CR135025	Bosch; 2.60" 2-Piston Caliper	P
Unloaded Caliper	07 - 03	CR135024	CR135024	Bosch; 2.88" 2-Piston Caliper	P

112
Brake Pads & Shoes

<i>Front Pads & Shoes</i>	<i>Years</i>	<i>SevereDuty</i>	<i>Lining No.</i>	<i>Qualifier</i>
Brake Shoes	07 - 03	4702Q	4702	w/Air Brakes; Rockwell/Meritor; Q-Plus; 15 x 4
Brake Shoes	07 - 03	4703Q	4703	w/Air Brakes; Rockwell/Meritor; Q-Plus; 15 x 5
Brake Shoes	07 - 03	1308Q	1308T	w/Air Brakes; Rockwell/Meritor; Q-Series; 15 x 4
Brake Shoes	07 - 03	4524Q	4524B	w/Air Brakes; Rockwell/Meritor; Q-Series; 16-1/2 x 5
Brake Shoes	07 - 03	4514Q	4514G	w/Air Brakes; Rockwell/Meritor; Q-Series; 16-1/2 x 6
Brake Shoes	07 - 03	1307T	1307	w/Air Brakes; Rockwell/Meritor; T-Series; 15 x 3-1/2
Brake Shoes	07 - 03	1308T	1308T	w/Air Brakes; Rockwell/Meritor; T-Series; 15 x 4
<i>Rear Pads & Shoes</i>	<i>Years</i>	<i>SevereDuty</i>	<i>Lining No.</i>	<i>Qualifier</i>
Brake Shoes	07 - 03	4709E	4709	w/Air Brakes; Eaton; Extended Service; 16-1/2 x 7
Brake Shoes	07 - 03	4515P	4515E	w/Air Brakes; Rockwell/Meritor; P-Series; 16-1/2 x 7
Brake Shoes	07 - 03	4710Q	4710	w/Air Brakes; Rockwell/Meritor; Q-Plus; 15 x 8-5/8
Brake Shoes	07 - 03	4707Q	4707	w/Air Brakes; Rockwell/Meritor; Q-Plus; 16-1/2 x 7
Brake Shoes	07 - 03	4718Q	4718	w/Air Brakes; Rockwell/Meritor; Q-Plus; 16-1/2 x 8
Brake Shoes	07 - 03	4514Q	4514G	w/Air Brakes; Rockwell/Meritor; Q-Series; 16-1/2 x 6
Brake Shoes	07 - 03	4515Q	4515E	w/Air Brakes; Rockwell/Meritor; Q-Series; 16-1/2 x 7

GMC - MINIVAN
SAFARI
Brake Pads & Shoes

<i>Front Pads & Shoes</i>	<i>Years</i>	<i>SevereDuty</i>	<i>Lining No.</i>	<i>Qualifier</i>
Brake Pads	05 - 03	SD785		
Brake Pads	02 - 95	SD52		2WD
Brake Pads	02 - 95	SD369		AWD
<i>Rear Pads & Shoes</i>	<i>Years</i>	<i>SevereDuty</i>	<i>Lining No.</i>	<i>Qualifier</i>
Brake Pads	05 - 03	SD792A		
Brake Shoes	02 - 95	SDS514R	EX2117ATD	9-1/2 x 2" Brake; Riveted

Rotor & Drum

<i>Front Rotor & Drum</i>	<i>Years</i>	<i>Part No.</i>	<i>Qualifier</i>
Brake Rotor	05 - 03	BD125654	
Brake Rotor	02 - 95	BD125171	2WD; w/ABS Exciter Ring
Brake Rotor	02 - 95	BD125050	AWD; Full-Cast Rotor; Replaces OE Composite Design
<i>Rear Rotor & Drum</i>	<i>Years</i>	<i>Part No.</i>	<i>Qualifier</i>
Brake Drum	02 - 95	BD60792	9-1/2 x 2" Brake
Brake Rotor	05 - 03	BD125655	w/12-13/16" Dia. Rotor; 6 Stud Whl.

Brake Hardware

<i>Front Brake Hardware</i>	<i>Years</i>	<i>Sequential No.</i>	<i>Category No.</i>	<i>Qualifier</i>
Caliper Bolt/Pin	05 - 03	F139712	(H5096)	
Caliper Bolt/Pin	02 - 95	F76075S	(H5002)	2WD
Caliper Bolt/Pin	02 - 95	F117224S	(H5038)	AWD
Disc Align Kit	05 - 03	F139707	(H5645)	
Disc Align Kit	02 - 95	F73674S	(H5500)	2WD
Disc Align Kit	02 - 95	F117225S	(H5584)	AWD

Piston: M - OE Metal Piston P - OE Phenolic Piston

SAFARI (cont.)					
Brake Hardware (cont.)					
Front Brake Hardware	Years	Sequential No.	Category No.	Qualifier	
Pin Boot Kit	05 - 03	F138697S	(H8221)		
Rear Brake Hardware	Years	Sequential No.	Category No.	Qualifier	
Adjuster Kit	01 - 95	F110937	(H2564)	L.H.	
Adjuster Kit	01 - 95	F110938	(H2565)	R.H.	
Adjuster Screw	01 - 95	F110934S	(H1536)	L.H.	
Adjuster Screw	01 - 95	F110935S	(H1537)	R.H.	
Caliper Bolt/Pin	05 - 03	F138102S	(H5081)		
Combi Kit	01 - 95	F110946S	(H7059)		
↳Adjuster Spring Kit		F110929S	(H404)		
↳Hold Down Kit		F79811S	(H4003)		
↳Return Spring Kit		F45941S	(H323)		
Disc Align Kit	05 - 03	F139710	(H5648)		
Pin Boot Kit	05 - 03	F138601S	(H18047)		
Calipers - Reman					
Front, Loaded	Years	Left No.	Right No.	Qualifier	Piston
Loaded Caliper	02 - 95	AS98670A	AS98671A	2WD	M
Loaded Caliper	02 - 95	AS116292	AS116293	AWD; w/2.94" Single Piston Caliper	M
Front, Unloaded	Years	Left No.	Right No.	Qualifier	Piston
Unloaded Caliper	05 - 03	CRB134346	CRB134345	w/Dual Piston Caliper; Supplied w/Mtg. Brkt.	P
Unloaded Caliper	05 - 03	CR134346	CR134345	w/Dual Piston Caliper; Supplied w/o Mtg. Brkt.	P
Unloaded Caliper	02 - 95	CR98670	CR98671	2WD	M
Unloaded Caliper	02 - 95	CR116292	CR116293	AWD; w/2.94" Single Piston Caliper	M
Rear, Unloaded	Years	Left No.	Right No.	Qualifier	Piston
Unloaded Caliper	05 - 03	CRB134344	CRB134343	Supplied w/Mtg. Brkt.	P
Unloaded Caliper	05 - 03	CR134344	CR134343	Supplied w/o Mtg. Brkt.	P
Hydraulics - New					
Master Cylinder	Years	Sequential No.	Category No.	Qualifier	
Master Cylinder	95	F120598	(MC120598)	w/Hydro-Boost; 1-1/4" Bore	
Rear Wheel Cylinder	Years	Sequential No.	Category No.	Qualifier	
Wheel Cylinder	02 - 95	F123199	(WC123199)	7/8" Bore	
Front Brake Hose	Years	Sequential No.	Category No.	Qualifier	
Brake Hose	05 - 03	F140228	(BH140228)	L.H.; 2WD	
Brake Hose	05 - 03	F140221	(BH140221)	L.H.; 4WD	
Brake Hose	05 - 03	F140229	(BH140229)	R.H.; 2WD	
Brake Hose	05 - 03	F140222	(BH140222)	R.H.; 4WD	
Brake Hose	02 - 00	F140072	(BH140072)	2WD	
Brake Hose	02 - 00	F140067	(BH140067)	L.H.; AWD	
Brake Hose	02 - 00	F140068	(BH140068)	R.H.; AWD	
Brake Hose	99 - 95	F106887	(BH106887)	2WD	
Brake Hose	99 - 95	F123301	(BH123301)	L.H.; AWD	
Brake Hose	99 - 95	F123302	(BH123302)	R.H.; AWD	
Rear Brake Hose	Years	Sequential No.	Category No.	Qualifier	
Brake Hose	05 - 03	F140245	(BH140245)	L.H.	
Brake Hose	05 - 03	F140246	(BH140246)	R.H.	
Brake Hose	02 - 95	F111141	(BH111141)		
Hydraulics - Reman					
Master Cylinder	Years	Part No.	Qualifier		
Master Cylinder	02 - 96	R131879			
Master Cylinder	95	R120598	w/Hydro Boost		
Power Brake Booster	Years	Part No.	Qualifier		
Hydro Booster	02 - 96	527353			
Hydro Booster	95	527333			

↳Sub-Kit of Combi-Kit is available separately.

Piston: M - OE Metal Piston P - OE Phenolic Piston

SAFARI (cont.)
Brake Cables

Parking Brake Cable	Years	Sequential No.	Category No.	Qualifier
Parking Brake Cable	04 - 96	F140264	(BC140264)	Forward; 64" Length
Parking Brake Cable	02 - 96	F140263	(BC140263)	Rear; L.H.; 62" Length
Parking Brake Cable	02 - 96	F138885	(BC138885)	Rear; R.H.
Parking Brake Cable	95	F124677	(BC124677)	Forward
Parking Brake Cable	95	F132382	(BC132382)	Rear; L.H.
Parking Brake Cable	95	F132383	(BC132383)	Rear; R.H.

ABS Components - Reman

ABS Hydraulic Unit	Years	Part No.	Qualifier
ABS Hydraulic Unit	95	RA125024	2WD
ABS Hydraulic Unit	95	RA125029	AWD

Wheel Attaching Hardware

Front Wheel Stud	Years	Part No.	Qualifier
Wheel Lug Stud	02 - 95	BD60901	2WD
Wheel Lug Stud	02 - 95	BD125809	4WD
Rear Wheel Stud	Years	Part No.	Qualifier
Wheel Lug Stud	02 - 95	BD61483	
Front Wheel Nut	Years	Part No.	Qualifier
Wheel Lug Nut	05 - 03	BD125916	External Thread
Wheel Lug Nut	02 - 95	BD61299	Bulge
Wheel Lug Nut	02 - 95	BD61283	Std. Open; 1/2"-20 Thread; 13/16" Hex
Rear Wheel Nut	Years	Part No.	Qualifier
Wheel Lug Nut	05 - 03	BD125916	External Thread
Wheel Lug Nut	02 - 95	BD61299	Bulge
Wheel Lug Nut	02 - 95	BD61283	Std. Open; 1/2"-20 Thread; 13/16" Hex

GMC - TRUCK
JIMMY
Brake Pads & Shoes

Front Pads & Shoes	Years	SevereDuty	Lining No.	Qualifier
Brake Pads	01 - 98	SD726		
Brake Pads	97	SD726		AWD
Brake Pads	97	SD154		Exc. AWD
Brake Pads	96 - 95	SD154		
Rear Pads & Shoes	Years	SevereDuty	Lining No.	Qualifier
Brake Shoes	97 - 95	SDS514R	EX2117ATD	9-1/2 x 2" Brake; Riveted

Rotor & Drum

Front Rotor & Drum	Years	Part No.	Qualifier
Brake Rotor	01 - 98	BD125559	
Brake Rotor	97 - 95	BD125172	2WD; w/ABS Exciter Ring
Brake Rotor	97 - 95	BD102075	4WD
Brake Rotor	97	BD125559	AWD
Rear Rotor & Drum	Years	Part No.	Qualifier
Brake Drum	97 - 95	BD125213	9-1/2 x 2" Brake
Brake Rotor	01 - 98	BD125577	2-19/32" Mounting Height
Brake Rotor	01 - 98	BD125505	3-15/32" Mounting Height
Brake Rotor	97	BD125505	

Brake Hardware

Front Brake Hardware	Years	Sequential No.	Category No.	Qualifier
Caliper Bolt/Pin	01 - 97	F76074S	(H5004)	2WD
Caliper Bolt/Pin	01 - 97	F138684S	(H5086)	4WD
Caliper Bolt/Pin	96 - 95	F76074S	(H5004)	
Disc Align Kit	01 - 97	F99333S	(H5524)	2WD
Disc Align Kit	01 - 97	F139703	(H5644)	4WD
Disc Align Kit	96 - 95	F99333S	(H5524)	

JIMMY (cont.)					
Brake Hardware (cont.)					
Front Brake Hardware	Years	Sequential No.	Category No.	Qualifier	
Pin Boot Kit	01 - 97	F138697S	(H8221)	4WD	
Rear Brake Hardware	Years	Sequential No.	Category No.	Qualifier	
Adjuster Kit	01 - 95	F110937	(H2564)	L.H.	
Adjuster Kit	01 - 95	F110938	(H2565)	R.H.	
Adjuster Screw	01 - 95	F108442S	(H1552)	L.H.	
Adjuster Screw	01 - 95	F108443S	(H1553)	R.H.	
Caliper Bolt/Pin	01 - 97	F138104S	(H5085)		
Combi Kit	01 - 95	F110946S	(H7059)		
↳Adjuster Spring Kit		F110929S	(H404)		
↳Hold Down Kit		F79811S	(H4003)		
↳Return Spring Kit		F45941S	(H323)		
Disc Align Kit	01 - 97	F138691S	(H5624)		
Pin Boot Kit	01 - 97	F138601S	(H18047)		
Calipers - Reman					
Front, Loaded	Years	Left No.	Right No.	Qualifier	Piston
Loaded Caliper	97 - 95	AS99022	AS99023	2WD	M
Loaded Caliper	97 - 95	AS98888	AS98889	4WD	M
Front, Unloaded	Years	Left No.	Right No.	Qualifier	Piston
Unloaded Caliper	01 - 98	CRB134304	CRB134303	Supplied w/Mtg. Brkt.	M
Unloaded Caliper	01 - 98	CR134304	CR134303	Supplied w/o Mtg. Brkt.	M
Unloaded Caliper	97 - 95	CR99022	CR99023	2WD	M
Unloaded Caliper	97 - 95	CR98888	CR98889	4WD	M
Unloaded Caliper	97	CRB134009	CRB134010	AWD; Supplied w/Mtg. Brkt.	M
Unloaded Caliper	97	CR134009	CR134010	AWD; Supplied w/o Mtg. Brkt.	M
Rear, Unloaded	Years	Left No.	Right No.	Qualifier	Piston
Unloaded Caliper	01 - 98	CRB134335	CRB134336	2WD; Supplied w/Mtg. Brkt.	P
Unloaded Caliper	01 - 98	CR134335	CR134336	2WD; Supplied w/o Mtg. Brkt.	P
Unloaded Caliper	01 - 98	CRB134336	CRB134335	4WD; Supplied w/Mtg. Brkt.	P
Unloaded Caliper	01 - 98	CR134336	CR134335	4WD; Supplied w/o Mtg. Brkt.	P
Unloaded Caliper	97	CRB134296	CRB134297	AWD; Supplied w/Mtg. Brkt.	M
Unloaded Caliper	97	CR134296	CR134297	AWD; Supplied w/o Mtg. Brkt.	M
Hydraulics - New					
Master Cylinder	Years	Sequential No.	Category No.	Qualifier	
Master Cylinder	01	F139958	(MC139958)	1" Bore	
Master Cylinder	00	F139958	(MC139958)	2 Door; 1" Bore	
Master Cylinder	00	F140131	(MC140131)	4 Door; 11th Position Vin = 2; 1" Bore	
Master Cylinder	00	F139958	(MC139958)	4 Door; 11th Position Vin = K; 1" Bore	
Master Cylinder	99 - 98	F140131	(MC140131)	1" Bore	
Master Cylinder	97 - 95	F107747	(MC107747)	Exc. Dbl. Diaphragm Boost; 15/16" Bore	
Master Cylinder	97 - 95	F139952	(MC139952)	w/Dbl. Diaphragm Boost; 15/16" Bore	
Rear Wheel Cylinder	Years	Sequential No.	Category No.	Qualifier	
Wheel Cylinder	97	F122222	(WC122222)	2WD; 3/4" Bore	
Wheel Cylinder	97	F123199	(WC123199)	4WD; 7/8" Bore	
Wheel Cylinder	96 - 95	F123199	(WC123199)	7/8" Bore	
Clutch Master Cylind	Years	Sequential No.	Category No.	Qualifier	
Clutch Master Cylinder	00 - 96	F134497	(CM134497)		
Clutch Master Cylinder	95	F130539	(CM130539)	23/32" Bore	
Clutch Slave Cylinder	Years	Sequential No.	Category No.	Qualifier	
Clutch Slave Cylinder	01 - 96	F134322	(SC134322)		
Clutch Slave Cylinder	95	F126874	(SC126874)	13/16" Bore	
Front Brake Hose	Years	Sequential No.	Category No.	Qualifier	
Brake Hose	01	F140247	(BH140247)	L.H.; 4WD	
Brake Hose	01	F140248	(BH140248)	R.H.; 4WD	
Brake Hose	00	F138918	(BH138918)	2WD; 2 Door	

↳Sub-Kit of Combi-Kit is available separately.

Piston: M - OE Metal Piston P - OE Phenolic Piston

Hydraulics - New (cont.)

Front Brake Hose	Years	Sequential No.	Category No.	Qualifier
Brake Hose	00	F138918	(BH138918)	2WD; 4 Door; 11th Position Vin = 2
Brake Hose	00	F140247	(BH140247)	L.H.; 4WD; 2 Door
Brake Hose	00	F139258	(BH139258)	L.H.; 4WD; 4 Door; 11th Position Vin = 2
Brake Hose	00	F140247	(BH140247)	L.H.; 4WD; 4 Door; 11th Position Vin = K
Brake Hose	00	F140248	(BH140248)	R.H.; 4WD; 2 Door
Brake Hose	00	F139259	(BH139259)	R.H.; 4WD; 4 Door; 11th Position Vin = 2
Brake Hose	00	F140248	(BH140248)	R.H.; 4WD; 4 Door; 11th Position Vin = K
Brake Hose	99 - 98	F138918	(BH138918)	2WD
Brake Hose	99 - 98	F139258	(BH139258)	L.H.; 4WD
Brake Hose	99 - 98	F139259	(BH139259)	R.H.; 4WD
Brake Hose	97 - 95	F132325	(BH132325)	2WD
Brake Hose	97 - 95	F124597	(BH124597)	L.H.; 4WD
Brake Hose	97 - 95	F124598	(BH124598)	R.H.; 4WD

Rear Brake Hose	Years	Sequential No.	Category No.	Qualifier
Brake Hose	01 - 95	F133853	(BH133853)	Inner; 2 Door
Brake Hose	01 - 95	F124599	(BH124599)	Inner; 4 Door
Brake Hose	01 - 98	F132988	(BH132988)	Outer; 2WD

Hydraulics - Reman

Master Cylinder	Years	Part No.	Qualifier
Master Cylinder	01	R134754	
Master Cylinder	00	R134715	11th Position of VIN = 2; Moraine Plant Built
Master Cylinder	00	R134754	11th Position of VIN = K; Linden Plant Built
Master Cylinder	99 - 98	R134715	

Power Brake Booster	Years	Part No.	Qualifier
Power Brake Booster	01 - 98	5474822	w/o Master Cylinder

Brake Cables

Parking Brake Cable	Years	Sequential No.	Category No.	Qualifier
Parking Brake Cable	97 - 96	F140344	(BC140344)	Rear; L.H.; 4 Door; 104" Length
Parking Brake Cable	97 - 96	F140361	(BC140361)	Rear; R.H.; 4WD; 2 Door; w/ZR2; 100" Length
Parking Brake Cable	95	F132384	(BC132384)	Forward
Parking Brake Cable	95	F132388	(BC132388)	Rear; L.H.; 4 Door
Parking Brake Cable	95	F132386	(BC132386)	Rear; L.H.; 4WD; 2 Door
Parking Brake Cable	95	F132387	(BC132387)	Rear; R.H.; 2 Door
Parking Brake Cable	95	F132389	(BC132389)	Rear; R.H.; 4 Door

ABS Components - Reman

ABS Hydraulic Unit	Years	Part No.	Qualifier
ABS Hydraulic Unit	95	RA125033	

Wheel Attaching Hardware

Front Wheel Stud	Years	Part No.	Qualifier
Wheel Lug Stud	01 - 95	BD60946	

Rear Wheel Stud	Years	Part No.	Qualifier
Wheel Lug Stud	01 - 95	BD60946	

Front Wheel Nut	Years	Part No.	Qualifier
------------------------	--------------	-----------------	------------------

Wheel Lug Nut	01 - 95	BD61445	External Thread
Wheel Lug Nut	01 - 95	BD61302	Std. Open

Rear Wheel Nut	Years	Part No.	Qualifier
-----------------------	--------------	-----------------	------------------

Wheel Lug Nut	01 - 95	BD61445	External Thread
Wheel Lug Nut	01 - 95	BD61302	Std. Open

SONOMA

Brake Pads & Shoes

Front Pads & Shoes	Years	SevereDuty	Lining No.	Qualifier
Brake Pads	04	SD726		
Brake Pads	03 - 98	SD726		4WD

SONOMA (cont.)

Brake Pads & Shoes (cont.)

Front Pads & Shoes	Years	SevereDuty	Lining No.	Qualifier
Brake Pads	02 - 98	SD154		2WD
Brake Pads	97 - 95	SD154		

Rear Pads & Shoes	Years	SevereDuty	Lining No.	Qualifier
Brake Shoes	03 - 95	SDS514R	EX2117ATD	9-1/2 x 2" Brake; Riveted

Rotor & Drum

Front Rotor & Drum	Years	Part No.	Qualifier
Brake Rotor	04	BD125559	
Brake Rotor	03 - 00	BD125172	2WD
Brake Rotor	03 - 98	BD125559	4WD
Brake Rotor	99 - 96	BD125172	2WD; w/ABS Exciter Ring
Brake Rotor	97 - 95	BD102075	4WD
Brake Rotor	95	BD60627	2WD; 2.2L
Brake Rotor	95	BD125172	2WD; 4.3L; w/ABS Exciter Ring

Rear Rotor & Drum	Years	Part No.	Qualifier
Brake Drum	03 - 95	BD125213	9-1/2 x 2" Brake
Brake Rotor	04	BD125577	
Brake Rotor	03	BD125577	2WD
Brake Rotor	03	BD125505	4WD
Brake Rotor	02 - 98	BD125505	

Brake Hardware

Front Brake Hardware	Years	Sequential No.	Category No.	Qualifier
Caliper Bolt/Pin	04 - 97	F138684S	(H5086)	4WD
Caliper Bolt/Pin	03 - 97	F76074S	(H5004)	2WD
Caliper Bolt/Pin	96 - 95	F76074S	(H5004)	
Disc Align Kit	04 - 97	F139703	(H5644)	4WD
Disc Align Kit	03 - 97	F99333S	(H5524)	2WD
Disc Align Kit	96 - 95	F99333S	(H5524)	
Pin Boot Kit	04 - 97	F138697S	(H8221)	4WD

Rear Brake Hardware	Years	Sequential No.	Category No.	Qualifier
Adjuster Kit	03 - 95	F110937	(H2564)	L.H.
Adjuster Kit	03 - 95	F110938	(H2565)	R.H.
Adjuster Screw	03 - 95	F108442S	(H1552)	L.H.
Adjuster Screw	03 - 95	F108443S	(H1553)	R.H.
Caliper Bolt/Pin	04 - 97	F138104S	(H5085)	
Combi Kit	03 - 95	F110946S	(H7059)	
↳Adjuster Spring Kit		F110929S	(H404)	
↳Hold Down Kit		F79811S	(H4003)	
↳Return Spring Kit		F45941S	(H323)	
Disc Align Kit	04 - 98	F138691S	(H5624)	
Pin Boot Kit	04 - 97	F138601S	(H18047)	

Calipers - Reman

Front, Loaded	Years	Left No.	Right No.	Qualifier	Piston
Loaded Caliper	02 - 95	AS99022	AS99023	2WD	M
Loaded Caliper	97 - 95	AS98888	AS98889	4WD	M

Front, Unloaded	Years	Left No.	Right No.	Qualifier	Piston
Unloaded Caliper	04	CRB134304	CRB134303	Supplied w/Mtg. Brkt.	M
Unloaded Caliper	04	CR134304	CR134303	Supplied w/o Mtg. Brkt.	M
Unloaded Caliper	03 - 95	CR99022	CR99023	2WD	M
Unloaded Caliper	03 - 98	CRB134304	CRB134303	4WD; Supplied w/Mtg. Brkt.	M
Unloaded Caliper	03 - 98	CR134304	CR134303	4WD; Supplied w/o Mtg. Brkt.	M
Unloaded Caliper	97 - 95	CR98888	CR98889	4WD	M

Rear, Unloaded	Years	Left No.	Right No.	Qualifier	Piston
Unloaded Caliper	04	CRB134336	CRB134335	Supplied w/Mtg. Brkt.	P
Unloaded Caliper	04	CR134336	CR134335	Supplied w/o Mtg. Brkt.	P

↳Sub-Kit of Combi-Kit is available separately.

Piston: M - OE Metal Piston P - OE Phenolic Piston

SONOMA (cont.)
Calipers - Reman (cont.)

<i>Rear, Unloaded</i>	<i>Years</i>	<i>Left No.</i>	<i>Right No.</i>	<i>Qualifier</i>	<i>Piston</i>
Unloaded Caliper	03	CRB134335	CRB134336	2WD; Exc. ZR2; Supplied w/Mtg. Brkt.	P
Unloaded Caliper	03	CR134335	CR134336	2WD; Exc. ZR2; Supplied w/o Mtg. Brkt.	P
Unloaded Caliper	03	CRB134336	CRB134335	2WD; ZR2; Supplied w/Mtg. Brkt.	P
Unloaded Caliper	03	CR134336	CR134335	2WD; ZR2; Supplied w/o Mtg. Brkt.	P
Unloaded Caliper	03 - 98	CRB134336	CRB134335	4WD; Supplied w/Mtg. Brkt.	P
Unloaded Caliper	03 - 98	CR134336	CR134335	4WD; Supplied w/o Mtg. Brkt.	P
Unloaded Caliper	02 - 98	CRB134335	CRB134336	2WD; Supplied w/Mtg. Brkt.	P
Unloaded Caliper	02 - 98	CR134335	CR134336	2WD; Supplied w/o Mtg. Brkt.	P

Hydraulics - New

<i>Master Cylinder</i>	<i>Years</i>	<i>Sequential No.</i>	<i>Category No.</i>	<i>Qualifier</i>
Master Cylinder	04 - 03	F139958	(MC139958)	1" Bore
Master Cylinder	02 - 00	F139958	(MC139958)	Exc. RHD; 1" Bore
Master Cylinder	99 - 98	F140131	(MC140131)	Exc. RHD; 1" Bore
Master Cylinder	97 - 95	F107747	(MC107747)	Exc. Dbl. Diaphragm Boost; 15/16" Bore
Master Cylinder	97 - 95	F139952	(MC139952)	w/Dbl. Diaphragm Boost; 15/16" Bore
<i>Rear Wheel Cylinder</i>	<i>Years</i>	<i>Sequential No.</i>	<i>Category No.</i>	<i>Qualifier</i>
Wheel Cylinder	03	F123199	(WC123199)	2WD; 7/8" Bore
Wheel Cylinder	02 - 95	F122222	(WC122222)	3/4" Bore
<i>Clutch Master Cylind</i>	<i>Years</i>	<i>Sequential No.</i>	<i>Category No.</i>	<i>Qualifier</i>
Clutch Master Cylinder	01 - 96	F134329	(CM134329)	2WD
Clutch Master Cylinder	00 - 96	F134497	(CM134497)	4WD
Clutch Master Cylinder	95	F130539	(CM130539)	23/32" Bore
<i>Clutch Slave Cylinder</i>	<i>Years</i>	<i>Sequential No.</i>	<i>Category No.</i>	<i>Qualifier</i>
Clutch Slave Cylinder	01 - 96	F134322	(SC134322)	w/5 Spd. Trans.
Clutch Slave Cylinder	95	F126873	(SC126873)	13/16" Bore
<i>Front Brake Hose</i>	<i>Years</i>	<i>Sequential No.</i>	<i>Category No.</i>	<i>Qualifier</i>
Brake Hose	04 - 00	F140247	(BH140247)	L.H.; 4WD
Brake Hose	04 - 00	F140248	(BH140248)	R.H.; 4WD
Brake Hose	03 - 00	F140071	(BH140071)	2WD
Brake Hose	99 - 95	F132325	(BH132325)	2WD
Brake Hose	99 - 98	F139258	(BH139258)	L.H.; 4WD
Brake Hose	99 - 98	F139259	(BH139259)	R.H.; 4WD
Brake Hose	97 - 95	F124597	(BH124597)	L.H.; 4WD
Brake Hose	97 - 95	F124598	(BH124598)	R.H.; 4WD
<i>Rear Brake Hose</i>	<i>Years</i>	<i>Sequential No.</i>	<i>Category No.</i>	<i>Qualifier</i>
Brake Hose	04	F124599	(BH124599)	Inner; Exc. Crew Cab
Brake Hose	04 - 98	F132988	(BH132988)	Outer; 2WD
Brake Hose	03 - 95	F124599	(BH124599)	Inner; 2WD
Brake Hose	03	F124599	(BH124599)	Inner; 4WD; Crew Cab; Chassis Pkg.; w/Z85
Brake Hose	01 - 95	F124599	(BH124599)	Inner; 4WD; Exc. ZR2
Brake Hose	01 - 95	F133853	(BH133853)	Inner; 4WD; ZR2

Hydraulics - Reman

<i>Master Cylinder</i>	<i>Years</i>	<i>Part No.</i>	<i>Qualifier</i>
Master Cylinder	03 - 01	R134754	
Master Cylinder	00	R134715	11th Position of VIN = 2; Moraine Plant Built
Master Cylinder	00	R134754	11th Position of VIN = K; Linden Plant Built
Master Cylinder	99 - 98	R134715	
Master Cylinder	97 - 95	R131941	
<i>Power Brake Booster</i>	<i>Years</i>	<i>Part No.</i>	<i>Qualifier</i>
Power Brake Booster	03	5474822	w/o Master Cylinder
Power Brake Booster	02	5474821	w/o Master Cylinder; w/Rear Disc
Power Brake Booster	02	5474822	w/o Master Cylinder; w/Rear Drum
Power Brake Booster	01 - 98	5474822	w/o Master Cylinder
Power Brake Booster	97 - 95	501061	w/Master Cylinder

Piston: M - OE Metal Piston P - OE Phenolic Piston

SONOMA (cont.)

Hydraulics - Reman (cont.)

Power Brake Booster	Years	Part No.	Qualifier
Power Brake Booster	97 - 95	5471061	w/o Master Cylinder

Brake Cables

Parking Brake Cable	Years	Sequential No.	Category No.	Qualifier
Parking Brake Cable	03 - 96	F138870	(BC138870)	Intermediate
Parking Brake Cable	03 - 96	F138849	(BC138849)	Rear; L.H.
Parking Brake Cable	03 - 96	F138892	(BC138892)	Rear; R.H.; 2WD; Exc. ZR2
Parking Brake Cable	95	F132384	(BC132384)	Forward
Parking Brake Cable	95	F138870	(BC138870)	Intermediate; 118" WB
Parking Brake Cable	95	F132385	(BC132385)	Intermediate; Ext. Cab
Parking Brake Cable	95	F132390	(BC132390)	Rear; L.H.
Parking Brake Cable	95	F132391	(BC132391)	Rear; R.H.

ABS Components - Reman

ABS Module	Years	Part No.	Qualifier
ABS Module	95	RA121036	4 Cyl.

ABS Hydraulic Unit	Years	Part No.	Qualifier
ABS Hydraulic Unit	95	RA122009	4 Cyl.
ABS Hydraulic Unit	95	RA125033	6 Cyl.

Wheel Attaching Hardware

Front Wheel Stud	Years	Part No.	Qualifier
Wheel Lug Stud	04 - 95	BD60946	

Rear Wheel Stud	Years	Part No.	Qualifier
Wheel Lug Stud	04 - 03	BD60946	M12 x 1.5 x 40; w/Alum. Whl.
Wheel Lug Stud	02 - 95	BD60946	

Front Wheel Nut	Years	Part No.	Qualifier
Wheel Lug Nut	04 - 95	BD61445	External Thread
Wheel Lug Nut	02 - 95	BD61302	Std. Open

Rear Wheel Nut	Years	Part No.	Qualifier
Wheel Lug Nut	04 - 95	BD61445	External Thread
Wheel Lug Nut	02 - 95	BD61302	Std. Open

YUKON - See Also YUKON DENALI

Brake Pads & Shoes

Front Pads & Shoes	Years	SevereDuty	Lining No.	Qualifier
Brake Pads	06 - 01	SD785		
Brake Pads	00	SD785		w/Rear Disc
Brake Pads	00	SD369		w/Rear Drum; Exc. Police
Brake Pads	00	SD370		w/Rear Drum; Police
Brake Pads	99	SD370		Diesel
Brake Pads	99 - 98	SD370		Police
Brake Pads	99	SD369		w/o Diesel; Exc. Police
Brake Pads	98	SD369		Exc. Police
Brake Pads	97 - 95	SD370		Diesel
Brake Pads	97 - 95	SD369		w/o Diesel

Rear Pads & Shoes	Years	SevereDuty	Lining No.	Qualifier
Brake Pads	06 - 03	SD974A		2WD
Brake Pads	06 - 03	SD975		4WD
Brake Pads	02 - 01	SD975		Exc. 4.10 A.R.
Brake Pads	02 - 01	SD792A		w/4.10 A.R.
Brake Pads	00	SD975		
Brake Shoes	00 - 95	SDS675R	EX1404AD	10 x 2-1/4" Brake; Riveted
Brake Shoes	00 - 95	SDS473R	EX2073TD-S32	11-5/32 x 2-3/4" Brake; Riveted

Rotor & Drum

Front Rotor & Drum	Years	Part No.	Qualifier
Brake Rotor	06 - 01	BD125654	

YUKON (cont.) - See Also YUKON DENALI

Rotor & Drum (cont.)

Front Rotor & Drum	Years	Part No.	Qualifier
Brake Rotor	00	BD125206	2WD; w/Rear Drum
Brake Rotor	00	BD61812	4WD; w/Rear Drum; Full-Cast Rotor; Replaces OE Composite Design
Brake Rotor	00	BD125654	w/Rear Disc
Brake Rotor	99 - 95	BD125206	2WD
Brake Rotor	99	BD61918	4WD; Diesel
Brake Rotor	99	BD61812	4WD; w/o Diesel; Full-Cast Rotor; Replaces OE Composite Design
Brake Rotor	98	BD61812	4WD; Full-Cast Rotor; Replaces OE Composite Design
Brake Rotor	97 - 95	BD61918	4WD; Diesel
Brake Rotor	97 - 95	BD61812	4WD; w/o Diesel; Full-Cast Rotor; Replaces OE Composite Design

Rear Rotor & Drum	Years	Part No.	Qualifier
Brake Drum	00	BD61823	10 x 2-1/4" Brake
Brake Drum	00 - 97	BD125207	2WD; 11-5/32 x 2-3/4" Brake
Brake Drum	00 - 95	BD125209	4WD; 11-5/32 x 2-3/4" Brake
Brake Drum	99 - 95	BD61823	2WD; 10 x 2-1/4" Brake
Brake Drum	99 - 95	BD61832	4WD; 10 x 2-1/4" Brake
Brake Rotor	06 - 03	BD126032	w/13" Dia. Rotor; 6 Stud Whl.
Brake Rotor	04 - 00	BD125655	w/12-13/16" Dia. Rotor; 6 Stud Whl.
Brake Rotor	02 - 00	BD125735	w/13" Dia. Rotor; 6 Stud Whl.

Brake Hardware

Front Brake Hardware	Years	Sequential No.	Category No.	Qualifier
Caliper Bolt/Pin	04 - 01	F139712	(H5096)	
Caliper Bolt/Pin	98 - 95	F117224S	(H5038)	
Disc Align Kit	04 - 01	F139707	(H5645)	
Disc Align Kit	96 - 95	F117225S	(H5584)	
Pin Boot Kit	05 - 01	F138697S	(H8221)	

Rear Brake Hardware	Years	Sequential No.	Category No.	Qualifier
Adjuster Kit	00 - 95	F124483S	(H2618)	L.H.; 10 x 2-1/4" Brake
Adjuster Kit	00 - 95	F124484S	(H2619)	R.H.; 10 x 2-1/4" Brake
Caliper Bolt/Pin	05 - 02	F140549	(H5102)	2WD
Caliper Bolt/Pin	05 - 01	F138102S	(H5081)	4WD
Combi Kit	00 - 95	F117226	(H7196)	10 x 2-1/4" Brake
↳Hold Down Kit		F117223S	(H4006)	
Combi Kit	00 - 95	F98455S	(H7046)	11-5/32 x 2-3/4" Brake
↳Adjuster Spring Kit		F45936S	(H415)	
↳Hold Down Kit		F98422S	(H4018)	
↳Return Spring Kit		F45927S	(H324)	
Disc Align Kit	05 - 03	F139865	(H5666)	2WD
Disc Align Kit	05 - 03	F140509	(H5677)	4WD
Disc Align Kit	02 - 01	F140509	(H5677)	Exc. 4.10 A.R.
Disc Align Kit	02 - 01	F139710	(H5648)	w/4.10 A.R.
Disc Align Kit	00	F140509	(H5677)	
Pin Boot Kit	05 - 00	F140511	(H8239)	2WD
Pin Boot Kit	05 - 00	F138601S	(H18047)	4WD

Calipers - Reman

Front, Loaded	Years	Left No.	Right No.	Qualifier	Piston
Loaded Caliper	00	AS116292	AS116293	5.7L; Exc. Police; Exc. Perf. Pkg.; w/2.94" Single Piston Caliper	M
Loaded Caliper	00	AS116294	AS116295	5.7L; Exc. Police; w/Perf. Pkg.; w/3.16" Single Piston Caliper	M
Loaded Caliper	00	AS116294	AS116295	5.7L; Police; w/3.16" Single Piston Caliper	M
Loaded Caliper	99	AS116294	AS116295	Diesel; w/3.16" Single Piston Caliper	M
Loaded Caliper	99	AS116292	AS116293	Exc. Diesel; Exc. Police; Exc. Perf. Pkg.; w/2.94" Single Piston Caliper	M
Loaded Caliper	99	AS116294	AS116295	Exc. Diesel; Exc. Police; w/Perf. Pkg.; w/3.16" Single Piston Caliper	M
Loaded Caliper	99	AS116294	AS116295	Exc. Diesel; Police; w/3.16" Single Piston Caliper	M
Loaded Caliper	98	AS116292	AS116293	Exc. Police; Exc. Perf. Pkg.; w/2.94" Single Piston Caliper	M
Loaded Caliper	98	AS116294	AS116295	Exc. Police; w/Perf. Pkg.; w/3.16" Single Piston Caliper	M
Loaded Caliper	98	AS116294	AS116295	Police; w/3.16" Single Piston Caliper	M

↳Sub-Kit of Combi-Kit is available separately.

Piston: M - OE Metal Piston P - OE Phenolic Piston

YUKON (cont.) - See Also YUKON DENALI

Calipers - Reman (cont.)					
Front, Loaded	Years	Left No.	Right No.	Qualifier	Piston
Loaded Caliper	97 - 95	AS116294	AS116295	Diesel; w/3.16" Single Piston Caliper	M
Loaded Caliper	97 - 95	AS116292	AS116293	Exc. Diesel; w/2.94" Single Piston Caliper	M
Front, Unloaded	Years	Left No.	Right No.	Qualifier	Piston
Unloaded Caliper	06 - 01	CRB134346	CRB134345	w/Dual Piston Caliper; Supplied w/Mtg. Brkt.	P
Unloaded Caliper	06 - 01	CR134346	CR134345	w/Dual Piston Caliper; Supplied w/o Mtg. Brkt.	P
Unloaded Caliper	00	CR116292	CR116293	5.7L; Exc. Police; Exc. Perf. Pkg.; w/2.94" Single Piston Caliper	M
Unloaded Caliper	00	CR116294	CR116295	5.7L; Exc. Police; w/Perf. Pkg.; w/3.16" Single Piston Caliper	M
Unloaded Caliper	00	CR116294	CR116295	5.7L; Police; w/3.16" Single Piston Caliper	M
Unloaded Caliper	00	CRB134346	CRB134345	Exc. 5.7L; w/Dual Piston Caliper; Supplied w/Mtg. Brkt.	P
Unloaded Caliper	00	CR134346	CR134345	Exc. 5.7L; w/Dual Piston Caliper; Supplied w/o Mtg. Brkt.	P
Unloaded Caliper	99	CR116294	CR116295	Diesel; w/3.16" Single Piston Caliper	M
Unloaded Caliper	99	CR116292	CR116293	Exc. Diesel; Exc. Police; Exc. Perf. Pkg.; w/2.94" Single Piston Caliper	M
Unloaded Caliper	99	CR116294	CR116295	Exc. Diesel; Exc. Police; w/Perf. Pkg.; w/3.16" Single Piston Caliper	M
Unloaded Caliper	99	CR116294	CR116295	Exc. Diesel; Police; w/3.16" Single Piston Caliper	M
Unloaded Caliper	98	CR116292	CR116293	Exc. Police; Exc. Perf. Pkg.; w/3.16" Single Piston Caliper	M
Unloaded Caliper	98	CR116294	CR116295	Exc. Police; w/Perf. Pkg.; w/3.16" Single Piston Caliper	M
Unloaded Caliper	98	CR116294	CR116295	Police; w/3.16" Single Piston Caliper	M
Unloaded Caliper	97 - 95	CR116294	CR116295	Diesel; w/3.16" Single Piston Caliper	M
Unloaded Caliper	97 - 95	CR116292	CR116293	Exc. Diesel; w/2.94" Single Piston Caliper	M
Rear, Unloaded	Years	Left No.	Right No.	Qualifier	Piston
Unloaded Caliper	05	CR135122	CR135121	2WD	P
Unloaded Caliper	05 - 03	CRB134513	CRB134512	4WD; Supplied w/Mtg. Brkt.	P
Unloaded Caliper	05 - 03	CR134513	CR134512	4WD; Supplied w/o Mtg. Brkt.	P
Unloaded Caliper	04 - 03	CR135122	CR135121	2WD; Exc. 6.0L	P
Unloaded Caliper	02 - 01	CRB134513	CRB134512	Supplied w/Mtg. Brkt.	P
Unloaded Caliper	02 - 01	CR134513	CR134512	Supplied w/o Mtg. Brkt.	P
Unloaded Caliper	00	CRB134513	CRB134512	Exc. 5.7L; Supplied w/Mtg. Brkt.	P
Unloaded Caliper	00	CR134513	CR134512	Exc. 5.7L; Supplied w/o Mtg. Brkt.	P
Hydraulics - New					
Master Cylinder	Years	Sequential No.	Category No.	Qualifier	
Master Cylinder	06 - 03	F140377	(MC140377)	7200 GVW; w/Active Brake Control; w/Hydro-Boost; 1-11/32" Bore	
Master Cylinder	06 - 05	F140376	(MC140376)	w/Vacuum Boost; w/o ABS; 7200 GVW	
Master Cylinder	04 - 03	F140375	(MC140375)	w/Vacuum Boost; w/ABS	
Master Cylinder	04 - 03	F140376	(MC140376)	w/Vacuum Boost; w/o ABS	
Master Cylinder	00	F131468	(MC131468)	Exc. Police; w/Rear Drum; 1-1/8" Bore	
Master Cylinder	00	F131472	(MC131472)	Police; w/Rear Drum; 1-1/4" Bore	
Master Cylinder	99	F131468	(MC131468)	Exc. Police; 1-1/8" Bore	
Master Cylinder	99	F131472	(MC131472)	Police; 1-1/4" Bore	
Master Cylinder	98	F131468	(MC131468)	1-1/8" Bore	
Master Cylinder	97 - 95	F131472	(MC131472)	w/Hydro-Boost; 1-1/4" Bore	
Master Cylinder	97	F131468	(MC131468)	w/Vacuum Boost; Exc. Police; 1-1/8" Bore	
Master Cylinder	96 - 95	F131468	(MC131468)	w/Vacuum Boost; 1-1/8" Bore	
Rear Wheel Cylinder	Years	Sequential No.	Category No.	Qualifier	
Wheel Cylinder	00 - 95	F116359	(WC116359)	H/D Brake; 1" Bore	
Wheel Cylinder	99 - 95	F116224	(WC116224)	Exc. H/D Brake; 1-3/16" Bore	
Clutch Master Cylind	Years	Sequential No.	Category No.	Qualifier	
Clutch Master Cylinder	04 - 01	F134526	(CM134526)	w/5 Spd. Trans.; 45/64" Bore	
Clutch Master Cylinder	00	F134526	(CM134526)	45/64" Bore	
Clutch Master Cylinder	99 - 96	F133507	(CM133507)	45/64" Bore	
Clutch Master Cylinder	95	F126856	(CM126856)	45/64" Bore	
Clutch Slave Cylinder	Years	Sequential No.	Category No.	Qualifier	
Clutch Slave Cylinder	04 - 03	F140212	(SC140212)	w/5 Spd. Trans.; 1-7/32" Bore	
Clutch Slave Cylinder	02 - 01	F140158	(SC140158)	w/5 Spd. Trans.	
Clutch Slave Cylinder	00 - 96	F134322	(SC134322)		

Piston: M - OE Metal Piston P - OE Phenolic Piston

YUKON (cont.) - See Also YUKON DENALI
Hydraulics - New (cont.)

Clutch Slave Cylinder	Years	Sequential No.	Category No.	Qualifier
Clutch Slave Cylinder	95	F126872	(SC126872)	25/32" Bore
Front Brake Hose	Years	Sequential No.	Category No.	Qualifier
Brake Hose	05 - 01	F140187	(BH140187)	L.H.
Brake Hose	05 - 01	F140188	(BH140188)	R.H.
Brake Hose	00	F116846	(BH116846)	L.H.; 2WD
Brake Hose	00	F118083	(BH118083)	L.H.; 4WD
Brake Hose	00	F116847	(BH116847)	R.H.; 2WD
Brake Hose	00	F118084	(BH118084)	R.H.; 4WD
Brake Hose	99	F133852	(BH133852)	L.H.; 2WD; Diesel
Brake Hose	99	F116846	(BH116846)	L.H.; 2WD; w/o Diesel
Brake Hose	99	F118083	(BH118083)	L.H.; 4WD; w/o Diesel
Brake Hose	99	F133851	(BH133851)	R.H.; 2WD; Diesel
Brake Hose	99	F116847	(BH116847)	R.H.; 2WD; w/o Diesel
Brake Hose	99	F118084	(BH118084)	R.H.; 4WD; w/o Diesel
Brake Hose	98	F116846	(BH116846)	L.H.; 2WD
Brake Hose	98	F118083	(BH118083)	L.H.; 4WD
Brake Hose	98	F116847	(BH116847)	R.H.; 2WD
Brake Hose	98	F118084	(BH118084)	R.H.; 4WD
Brake Hose	97	F133852	(BH133852)	L.H.; 2WD; Diesel
Brake Hose	97	F116846	(BH116846)	L.H.; 2WD; w/o Diesel
Brake Hose	97 - 96	F138063	(BH138063)	L.H.; 4WD; Diesel
Brake Hose	97 - 96	F118083	(BH118083)	L.H.; 4WD; w/o Diesel
Brake Hose	97	F133851	(BH133851)	R.H.; 2WD; Diesel
Brake Hose	97	F116847	(BH116847)	R.H.; 2WD; w/o Diesel
Brake Hose	97 - 96	F138064	(BH138064)	R.H.; 4WD; Diesel
Brake Hose	97 - 96	F118084	(BH118084)	R.H.; 4WD; w/o Diesel
Brake Hose	96 - 95	F116846	(BH116846)	L.H.; 2WD
Brake Hose	96 - 95	F116847	(BH116847)	R.H.; 2WD
Brake Hose	95	F118083	(BH118083)	L.H.; 4WD
Brake Hose	95	F118084	(BH118084)	R.H.; 4WD
Rear Brake Hose	Years	Sequential No.	Category No.	Qualifier
Brake Hose	04 - 03	F140243	(BH140243)	L.H.; 7200 GVW
Brake Hose	04 - 03	F140244	(BH140244)	R.H.; 7200 GVW
Brake Hose	02 - 01	F140243	(BH140243)	L.H.
Brake Hose	02 - 01	F140244	(BH140244)	R.H.
Brake Hose	00	F140243	(BH140243)	L.H.; w/Rear Disc
Brake Hose	00	F140244	(BH140244)	R.H.; w/Rear Disc
Brake Hose	00	F118117	(BH118117)	w/Rear Drum
Brake Hose	99 - 95	F118117	(BH118117)	
Hydraulics - Reman				
Master Cylinder	Years	Part No.	Qualifier	
Master Cylinder	02 - 01	R134735	w/JC5	
Master Cylinder	00	R116881	5.7L; Exc. Police	
Master Cylinder	00	R131472	5.7L; Police	
Master Cylinder	00	R134735	Exc. 5.7L	
Master Cylinder	99 - 95	R131472	Diesel	
Master Cylinder	99 - 95	R116881	Gas	
Power Brake Booster	Years	Part No.	Qualifier	
Hydro Booster	02 - 00	527359	w/JH5 or JH6	
Hydro Booster	99 - 97	527352	Diesel	
Hydro Booster	96 - 95	527335	Diesel	
Power Brake Booster	Years	Part No.	Qualifier	
Power Brake Booster	02 - 00	5474818	w/o Master Cylinder; w/JC5	
Power Brake Booster	00	5471085	w/o Master Cylinder; w/JB5 or JB6	
Power Brake Booster	99 - 97	501098	Gas; w/Master Cylinder	

YUKON (cont.) - See Also YUKON DENALI

Hydraulics - Reman (cont.)

Power Brake Booster	Years	Part No.	Qualifier
Power Brake Booster	99 - 97	5471085	Gas; w/o Master Cylinder
Power Brake Booster	96 - 95	501098	w/o Diesel; Gas; w/Master Cylinder
Power Brake Booster	96 - 95	5471098	w/o Diesel; Gas; w/o Master Cylinder

Brake Cables

Parking Brake Cable	Years	Sequential No.	Category No.	Qualifier
Parking Brake Cable	00	F140350	(BC140350)	Rear; R.H.; 2WD; 4 Door; Police; w/JB5; 117" Length
Parking Brake Cable	00	F140350	(BC140350)	Rear; R.H.; 4WD; 4 Door; Exc. Police; w/JB6, JD6; 117" Length
Parking Brake Cable	99 - 98	F140346	(BC140346)	Rear; L.H.; 2WD; 4 Door; Exc. Police; Exc. Chassis Perf. Pkg.; w/JB5, JD5; 81" Length
Parking Brake Cable	99 - 98	F140355	(BC140355)	Rear; R.H.; 2WD; 2 Door; w/JB5, JD5; 100" Length
Parking Brake Cable	99 - 98	F140350	(BC140350)	Rear; R.H.; 2WD; 4 Door; Police; w/Chassis Perf. Pkg.; w/JB5; 117" Length
Parking Brake Cable	99 - 98	F140355	(BC140355)	Rear; R.H.; 4WD; 2 Door; w/JB5, JD5; 100" Length
Parking Brake Cable	99 - 98	F140350	(BC140350)	Rear; R.H.; 4WD; 4 Door; w/JB6, JD6; 117" Length
Parking Brake Cable	97	F140346	(BC140346)	Rear; L.H.; 4 Door; w/JB5, JD5; 81" Length
Parking Brake Cable	97	F140355	(BC140355)	Rear; R.H.; 2 Door; w/JB5, JD5; 100" Length
Parking Brake Cable	97	F140350	(BC140350)	Rear; R.H.; 4 Door; w/JB6, JD6; 117" Length
Parking Brake Cable	96	F140346	(BC140346)	Rear; L.H.; 2WD; 4 Door; w/JB5, JD5; 81" Length
Parking Brake Cable	96	F140355	(BC140355)	Rear; R.H.; 2WD; 2 Door; w/JB5, JD5; 100" Length
Parking Brake Cable	96	F140355	(BC140355)	Rear; R.H.; 4WD; 2 Door; w/JB5, JD5; 100" Length
Parking Brake Cable	96	F140347	(BC140347)	Rear; R.H.; 4WD; 4 Door; w/JB6, JD6; 117" Length
Parking Brake Cable	95	F132791	(BC132791)	Forward
Parking Brake Cable	95	F129791	(BC129791)	Rear; L.H.; 2 Door; 77" Length
Parking Brake Cable	95	F140346	(BC140346)	Rear; L.H.; 4 Door; 81" Length
Parking Brake Cable	95	F140355	(BC140355)	Rear; R.H.; 2 Door; w/JB5, JD5; 100" Length
Parking Brake Cable	95	F129792	(BC129792)	Rear; R.H.; 4 Door; w/JB6, JD6; 100" Length
Parking Brake Cable	95	F140347	(BC140347)	Rear; R.H.; 4 Door; w/JB6, JD6; 117" Length

ABS Components - Reman

ABS Hydraulic Unit	Years	Part No.	Qualifier
ABS Hydraulic Unit	97 - 95	RA125034	

Wheel Attaching Hardware

Front Wheel Stud	Years	Part No.	Qualifier
Wheel Lug Stud	05 - 00	BD125938	
Wheel Lug Stud	99 - 95	BD61426	2WD; Diesel
Wheel Lug Stud	99 - 95	BD61401	2WD; Gas
Wheel Lug Stud	99 - 95	BD61425	4WD; Diesel
Wheel Lug Stud	99 - 95	BD61423	4WD; Gas

Rear Wheel Stud	Years	Part No.	Qualifier
Wheel Lug Stud	00	BD125938	
Wheel Lug Stud	99 - 95	BD61402	

Front Wheel Nut	Years	Part No.	Qualifier
Wheel Lug Nut	05 - 95	BD61404	Bulge
Wheel Lug Nut	05 - 95	BD125916	External Thread

Rear Wheel Nut	Years	Part No.	Qualifier
Wheel Lug Nut	05 - 95	BD61404	Bulge
Wheel Lug Nut	05 - 95	BD125916	External Thread

YUKON DENALI - See Also YUKON

Brake Pads & Shoes

Front Pads & Shoes	Years	SevereDuty	Lining No.	Qualifier
Brake Pads	06 - 05	SD785		

Rear Pads & Shoes	Years	SevereDuty	Lining No.	Qualifier
Brake Pads	06 - 05	SD975		

Rotor & Drum

Front Rotor & Drum	Years	Part No.	Qualifier
Brake Rotor	06 - 05	BD125654	

YUKON DENALI (cont.) - See Also YUKON

Rotor & Drum (cont.)					
Rear Rotor & Drum	Years	Part No.	Qualifier		
Brake Rotor	06 - 05	BD126032			
Brake Hardware					
Front Brake Hardware	Years	Sequential No.	Category No.	Qualifier	
Pin Boot Kit	05	F138697S	(H8221)		
Rear Brake Hardware	Years	Sequential No.	Category No.	Qualifier	
Caliper Bolt/Pin	05	F140549	(H5102)	2WD	
Caliper Bolt/Pin	05	F138102S	(H5081)	4WD	
Disc Align Kit	05	F139865	(H5666)	2WD	
Disc Align Kit	05	F140509	(H5677)	4WD	
Pin Boot Kit	05	F140511	(H8239)	2WD	
Pin Boot Kit	05	F138601S	(H18047)	4WD	
Calipers - Reman					
Front, Unloaded	Years	Left No.	Right No.	Qualifier	Piston
Unloaded Caliper	06 - 05	CRB134346	CRB134345	w/Dual Piston Caliper; Supplied w/Mtg. Brkt.	P
Unloaded Caliper	06 - 05	CR134346	CR134345	w/Dual Piston Caliper; Supplied w/o Mtg. Brkt.	P
Rear, Unloaded	Years	Left No.	Right No.	Qualifier	Piston
Unloaded Caliper	05	CRB134513	CRB134512	Supplied w/Mtg. Brkt.	P
Unloaded Caliper	05	CR134513	CR134512	Supplied w/o Mtg. Brkt.	P
Hydraulics - New					
Master Cylinder	Years	Sequential No.	Category No.	Qualifier	
Master Cylinder	06 - 05	F140377	(MC140377)	7200 GVW; w/Active Brake Control; w/Hydro-Boost; 1-11/32" Bore	
Master Cylinder	06 - 05	F140376	(MC140376)	w/Vacuum Boost; w/o ABS; 7200 GVW	
Front Brake Hose	Years	Sequential No.	Category No.	Qualifier	
Brake Hose	05	F140187	(BH140187)	L.H.	
Brake Hose	05	F140188	(BH140188)	R.H.	

GMC - 1/2 TON SUBURBAN
C1500 SUBURBAN - See Also K1500 SUBURBAN

Brake Pads & Shoes					
Front Pads & Shoes	Years	SevereDuty	Lining No.	Qualifier	
Brake Pads	99 - 95	SD370		Diesel	
Brake Pads	99 - 95	SD369		w/o Diesel	
Rear Pads & Shoes	Years	SevereDuty	Lining No.	Qualifier	
Brake Shoes	99 - 95	SDS473R	EX2073TD-S32	11-5/32 x 2-3/4" Brake; Riveted	
Brake Shoes	99 - 95	SDS655R	SX2042BDT-S36	13 x 2-1/2" Brake; Riveted	
Rotor & Drum					
Front Rotor & Drum	Years	Part No.	Qualifier		
Brake Rotor	99 - 95	BD125212	Diesel		
Brake Rotor	99 - 95	BD125206	w/o Diesel		
Rear Rotor & Drum	Years	Part No.	Qualifier		
Brake Drum	99 - 95	BD125207	11-5/32 x 2-3/4" Brake		
Brake Drum	99 - 95	BD60727	13 x 2-1/2" Brake		
Brake Hardware					
Front Brake Hardware	Years	Sequential No.	Category No.	Qualifier	
Caliper Bolt/Pin	99 - 97	F117224S	(H5038)		
Caliper Bolt/Pin	96 - 95	F73237S	(H5019)	w/Rear Disc	
Caliper Bolt/Pin	96 - 95	F129642S	(H5062)	w/Rear Drum; w/DRW	
Caliper Bolt/Pin	96 - 95	F117224S	(H5038)	w/Rear Drum; w/SRW	
Disc Align Kit	99 - 95	F117225S	(H5584)	w/Rear Drum	
Pin Boot Kit	96 - 95	F126906S	(H8209)	w/Rear Drum; w/DRW	
Rear Brake Hardware	Years	Sequential No.	Category No.	Qualifier	
Adjuster Kit	99 - 95	F98404	(H2584)	L.H.; 11-5/32 x 2-3/4" Brake	
Adjuster Kit	99 - 95	F98406	(H2580)	L.H.; 13 x 2-1/2" Brake	

Piston: M - OE Metal Piston P - OE Phenolic Piston

C1500 SUBURBAN (cont.) - See Also K1500 SUBURBAN

Brake Hardware (cont.)

Rear Brake Hardware	Years	Sequential No.	Category No.	Qualifier
Adjuster Kit	99 - 95	F111233	(H2687)	R.H.; 11-5/32 x 2-3/4" Brake
Adjuster Kit	99 - 95	F98407	(H2581)	R.H.; 13 x 2-1/2" Brake
Adjuster Screw	99 - 95	F73181S	(H1530)	L.H.; 11-5/32 x 2-3/4" Brake
Adjuster Screw	99 - 95	F83294	(H1550)	L.H.; 13 x 2-1/2" Brake
Adjuster Screw	99 - 95	F73182S	(H1531)	R.H.; 11-5/32 x 2-3/4" Brake
Adjuster Screw	99 - 95	F83295	(H1551)	R.H.; 13 x 2-1/2" Brake
Caliper Bolt/Pin	96 - 95	F73237S	(H5019)	
Combi Kit	99 - 95	F98455S	(H7046)	11-5/32 x 2-3/4" Brake
↳Adjuster Spring Kit		F45936S	(H415)	
↳Hold Down Kit		F98422S	(H4018)	
↳Return Spring Kit		F45927S	(H324)	
Combi Kit	99 - 95	F98457S	(H7055)	13 x 2-1/2" Brake
↳Adjuster Spring Kit		F73145S	(H425)	
↳Hold Down Kit		F113455S	(H4098)	
↳Return Spring Kit		F59100S	(H600)	

Calipers - Reman

Front, Loaded	Years	Left No.	Right No.	Qualifier	Piston
Loaded Caliper	99 - 95	AS116294	AS116295	Diesel; w/3.16" Single Piston Caliper	M
Loaded Caliper	99 - 95	AS116292	AS116293	Exc. Diesel; w/2.94" Single Piston Caliper	M
Front, Unloaded	Years	Left No.	Right No.	Qualifier	Piston
Unloaded Caliper	99 - 95	CR116294	CR116295	Diesel; w/3.16" Single Piston Caliper	M
Unloaded Caliper	99 - 95	CR116292	CR116293	Exc. Diesel; w/2.94" Single Piston Caliper	M

Hydraulics - New

Master Cylinder	Years	Sequential No.	Category No.	Qualifier
Master Cylinder	99 - 97	F131472	(MC131472)	Diesel; Police, Chassis Perf. Pkg.; 1-1/4" Bore
Master Cylinder	99 - 97	F131468	(MC131468)	w/o Diesel; Exc. Police; w/Rear Drum; 1-1/8" Bore
Master Cylinder	96 - 95	F131472	(MC131472)	Diesel; 1-1/4" Bore
Master Cylinder	96 - 95	F131468	(MC131468)	w/o Diesel; w/JB5, JB5; 1-1/8" Bore
Rear Wheel Cylinder	Years	Sequential No.	Category No.	Qualifier
Wheel Cylinder	99 - 95	F116359	(WC116359)	7200 GVW; 1" Bore
Wheel Cylinder	99 - 95	F79767	(WC79767)	8600 GVW; 1-1/16" Bore
Clutch Master Cylind	Years	Sequential No.	Category No.	Qualifier
Clutch Master Cylinder	99 - 96	F133507	(CM133507)	45/64" Bore
Clutch Master Cylinder	95	F126856	(CM126856)	45/64" Bore
Clutch Slave Cylinder	Years	Sequential No.	Category No.	Qualifier
Clutch Slave Cylinder	99 - 96	F134322	(SC134322)	
Clutch Slave Cylinder	95	F126872	(SC126872)	25/32" Bore
Front Brake Hose	Years	Sequential No.	Category No.	Qualifier
Brake Hose	99 - 95	F133852	(BH133852)	L.H.; Diesel
Brake Hose	99 - 95	F116846	(BH116846)	L.H.; w/o Diesel
Brake Hose	99 - 95	F133851	(BH133851)	R.H.; Diesel
Brake Hose	99 - 95	F116847	(BH116847)	R.H.; w/o Diesel
Rear Brake Hose	Years	Sequential No.	Category No.	Qualifier
Brake Hose	99 - 95	F118117	(BH118117)	

Hydraulics - Reman

Master Cylinder	Years	Part No.	Qualifier
Master Cylinder	99 - 95	R131472	Diesel; w/JD6 or JD7
Master Cylinder	99 - 95	R116881	Gas; w/JB6
Master Cylinder	99 - 95	R131472	Gas; w/JB7
Power Brake Booster	Years	Part No.	Qualifier
Hydro Booster	99 - 97	527352	Diesel; w/JD5 or JD6
Hydro Booster	99 - 97	527358	Diesel; w/JD7
Hydro Booster	99 - 97	527358	Gas; w/JB8
Hydro Booster	96 - 95	527335	Diesel; w/JD5 or JD6

↳Sub-Kit of Combi-Kit is available separately.

Piston: M - OE Metal Piston P - OE Phenolic Piston

C1500 SUBURBAN (cont.) - See Also K1500 SUBURBAN
Hydraulics - Reman (cont.)

Power Brake Booster	Years	Part No.	Qualifier
Hydro Booster	96 - 95	527336	Diesel; w/JD7
Hydro Booster	96 - 95	527336	Gas; w/JB8
Power Brake Booster	Years	Part No.	Qualifier
Power Brake Booster	99 - 97	5471085	Gas; w/o Master Cylinder; w/JB5 or JB6 or JB7
Power Brake Booster	96 - 95	501098	Gas; w/Master Cylinder; w/JB5 or JB6 or JB7
Power Brake Booster	96 - 95	5471098	Gas; w/o Master Cylinder; w/JB5 or JB6 or JB7

Brake Cables

Parking Brake Cable	Years	Sequential No.	Category No.	Qualifier
Parking Brake Cable	99 - 95	F140352	(BC140352)	Rear; L.H.; w/3.42, 3.73 A.R.; w/JB6; 86" Length
Parking Brake Cable	99 - 95	F140388	(BC140388)	Rear; R.H.; w/3.42, 3.73 A.R.; w/JB6, JD6; 36" Length
Parking Brake Cable	99 - 98	F140350	(BC140350)	Rear; R.H.; w/Police Pkg.; w/JB5; 117" Length
Parking Brake Cable	98 - 95	F130879	(BC130879)	Rear; L.H.; Exc. JD7
Parking Brake Cable	98 - 95	F130443	(BC130443)	Rear; R.H.; Exc. JD7
Parking Brake Cable	95	F132794	(BC132794)	Forward
Parking Brake Cable	95	F130691	(BC130691)	Rear; L.H.; w/JD7
Parking Brake Cable	95	F130692	(BC130692)	Rear; R.H.; w/JD7

ABS Components - Reman

ABS Hydraulic Unit	Years	Part No.	Qualifier
ABS Hydraulic Unit	99 - 95	RA125034	

Wheel Attaching Hardware

Front Wheel Stud	Years	Part No.	Qualifier
Wheel Lug Stud	99 - 95	BD61426	Diesel
Wheel Lug Stud	99 - 95	BD61401	w/o Diesel
Rear Wheel Stud	Years	Part No.	Qualifier
Wheel Lug Stud	99 - 96	BD61402	w/11-5/32" Drum
Wheel Lug Stud	99 - 96	BD125934	w/13" Drum
Wheel Lug Stud	95	BD61402	w/11-7/8" Dia. Rotor; w/JB5 or JD5
Wheel Lug Stud	95	BD125934	w/12-1/2" Dia. Rotor; w/JB6 or JD6 or JD7
Front Wheel Nut	Years	Part No.	Qualifier
Wheel Lug Nut	99 - 95	BD61404	Bulge
Wheel Lug Nut	99 - 95	BD125916	External Thread
Rear Wheel Nut	Years	Part No.	Qualifier
Wheel Lug Nut	99 - 95	BD61404	Bulge
Wheel Lug Nut	99 - 95	BD125916	External Thread

K1500 SUBURBAN - See Also C1500 SUBURBAN
Brake Pads & Shoes

Front Pads & Shoes	Years	SevereDuty	Lining No.	Qualifier
Brake Pads	99 - 95	SD370		Diesel
Brake Pads	99 - 95	SD369		w/o Diesel
Rear Pads & Shoes	Years	SevereDuty	Lining No.	Qualifier
Brake Shoes	99 - 95	SDS473R	EX2073TD-S32	11-5/32 x 2-3/4" Brake; Riveted
Brake Shoes	99 - 95	SDS655R	SX2042BDT-S36	13 x 2-1/2" Brake; Riveted

Rotor & Drum

Front Rotor & Drum	Years	Part No.	Qualifier
Brake Rotor	99 - 95	BD61918	Diesel
Brake Rotor	99 - 95	BD61812	w/o Diesel; Full-Cast Rotor; Replaces OE Composite Design
Rear Rotor & Drum	Years	Part No.	Qualifier
Brake Drum	99 - 95	BD125209	11-5/32 x 2-3/4" Brake
Brake Drum	99 - 95	BD60727	13 x 2-1/2" Brake

Brake Hardware

Front Brake Hardware	Years	Sequential No.	Category No.	Qualifier
Caliper Bolt/Pin	99 - 97	F117224S	(H5038)	

K1500 SUBURBAN (cont.) - See Also C1500 SUBURBAN

Brake Hardware (cont.)

Front Brake Hardware	Years	Sequential No.	Category No.	Qualifier
Caliper Bolt/Pin	96 - 95	F129642S	(H5062)	w/Rear Drum; w/DRW
Caliper Bolt/Pin	96 - 95	F117224S	(H5038)	w/Rear Drum; w/SRW
Disc Align Kit	99 - 95	F117225S	(H5584)	
Pin Boot Kit	96 - 95	F126906S	(H8209)	w/Rear Drum; w/DRW

Rear Brake Hardware	Years	Sequential No.	Category No.	Qualifier
Adjuster Kit	99 - 95	F98404	(H2584)	L.H.; 11-5/32 x 2-3/4" Brake
Adjuster Kit	99 - 95	F98406	(H2580)	L.H.; 13 x 2-1/2" Brake
Adjuster Kit	99 - 95	F111233	(H2687)	R.H.; 11-5/32 x 2-3/4" Brake
Adjuster Kit	99 - 95	F98407	(H2581)	R.H.; 13 x 2-1/2" Brake
Adjuster Screw	99 - 95	F73181S	(H1530)	L.H.; 11-5/32 x 2-3/4" Brake
Adjuster Screw	99 - 95	F83294	(H1550)	L.H.; 13 x 2-1/2" Brake
Adjuster Screw	99 - 95	F73182S	(H1531)	R.H.; 11-5/32 x 2-3/4" Brake
Adjuster Screw	99 - 95	F83295	(H1551)	R.H.; 13 x 2-1/2" Brake
Combi Kit	99 - 95	F98455S	(H7046)	11-5/32 x 2-3/4" Brake
↳Adjuster Spring Kit		F45936S	(H415)	
↳Hold Down Kit		F98422S	(H4018)	
↳Return Spring Kit		F45927S	(H324)	
Combi Kit	99 - 95	F98457S	(H7055)	13 x 2-1/2" Brake
↳Adjuster Spring Kit		F73145S	(H425)	
↳Hold Down Kit		F113455S	(H4098)	
↳Return Spring Kit		F59100S	(H600)	

Calipers - Reman

Front, Loaded	Years	Left No.	Right No.	Qualifier	Piston
Loaded Caliper	99 - 95	AS116294	AS116295	Diesel; w/3.16" Single Piston Caliper	M
Loaded Caliper	99 - 95	AS116292	AS116293	Exc. Diesel; w/2.94" Single Piston Caliper	M
Front, Unloaded	Years	Left No.	Right No.	Qualifier	Piston
Unloaded Caliper	99 - 95	CR116294	CR116295	Diesel; w/3.16" Single Piston Caliper	M
Unloaded Caliper	99 - 95	CR116292	CR116293	Exc. Diesel; w/2.94" Single Piston Caliper	M

Hydraulics - New

Master Cylinder	Years	Sequential No.	Category No.	Qualifier
Master Cylinder	99 - 97	F131472	(MC131472)	Diesel; Police, Chassis Perf. Pkg.; 1-1/4" Bore
Master Cylinder	99 - 97	F131468	(MC131468)	w/o Diesel; Exc. Police; w/Rear Drum; 1-1/8" Bore
Master Cylinder	96 - 95	F131472	(MC131472)	Diesel; 1-1/4" Bore
Master Cylinder	96 - 95	F131468	(MC131468)	w/o Diesel; w/JB5, JB5; 1-1/8" Bore
Rear Wheel Cylinder	Years	Sequential No.	Category No.	Qualifier
Wheel Cylinder	99 - 95	F116224	(WC116224)	Exc. H/D Brake; 1-3/16" Bore
Wheel Cylinder	99 - 95	F116359	(WC116359)	H/D Brake; 1" Bore
Clutch Master Cylind	Years	Sequential No.	Category No.	Qualifier
Clutch Master Cylinder	99 - 96	F133507	(CM133507)	45/64" Bore
Clutch Master Cylinder	95	F126856	(CM126856)	45/64" Bore
Clutch Slave Cylinder	Years	Sequential No.	Category No.	Qualifier
Clutch Slave Cylinder	99 - 96	F134322	(SC134322)	
Clutch Slave Cylinder	95	F126872	(SC126872)	25/32" Bore
Front Brake Hose	Years	Sequential No.	Category No.	Qualifier
Brake Hose	99 - 96	F138063	(BH138063)	L.H.; Diesel
Brake Hose	99	F118083	(BH118083)	L.H.; w/o Diesel; w/Rear Drum
Brake Hose	99 - 96	F138064	(BH138064)	R.H.; Diesel
Brake Hose	99	F118084	(BH118084)	R.H.; w/o Diesel; w/Rear Drum
Brake Hose	98 - 96	F118083	(BH118083)	L.H.; w/o Diesel
Brake Hose	98 - 96	F118084	(BH118084)	R.H.; w/o Diesel
Brake Hose	95	F118083	(BH118083)	L.H.
Brake Hose	95	F118084	(BH118084)	R.H.
Rear Brake Hose	Years	Sequential No.	Category No.	Qualifier
Brake Hose	99 - 95	F118117	(BH118117)	

↳Sub-Kit of Combi-Kit is available separately.

Piston: M - OE Metal Piston P - OE Phenolic Piston

K1500 SUBURBAN (cont.) - See Also C1500 SUBURBAN
Hydraulics - Reman

Master Cylinder	Years	Part No.	Qualifier
Master Cylinder	99 - 95	R131472	Diesel; w/JD6 or JD7
Master Cylinder	99 - 95	R116881	Gas; w/JB6
Master Cylinder	99 - 95	R131472	Gas; w/JB7
Power Brake Booster	Years	Part No.	Qualifier
Hydro Booster	99 - 97	527352	Diesel; w/JD5 or JD6
Hydro Booster	99 - 97	527358	Diesel; w/JD7
Hydro Booster	99 - 97	527358	Gas; w/JB8
Hydro Booster	96 - 95	527335	Diesel; w/JD5 or JD6
Hydro Booster	96 - 95	527336	Diesel; w/JD7
Hydro Booster	96 - 95	527336	Gas; w/JB8
Power Brake Booster	Years	Part No.	Qualifier
Power Brake Booster	99 - 97	5471085	Gas; w/o Master Cylinder; w/JB5 or JB6 or JB7
Power Brake Booster	96 - 95	501098	Gas; w/Master Cylinder; w/JB5 or JB6 or JB7
Power Brake Booster	96 - 95	5471098	Gas; w/o Master Cylinder; w/JB5 or JB6 or JB7

Brake Cables

Parking Brake Cable	Years	Sequential No.	Category No.	Qualifier
Parking Brake Cable	99 - 95	F140352	(BC140352)	Rear; L.H.; w/3.42, 3.73 A.R.; w/JB6; 86" Length
Parking Brake Cable	99 - 95	F140388	(BC140388)	Rear; R.H.; w/3.42, 3.73 A.R.; w/JB6, JD6; 36" Length
Parking Brake Cable	98 - 95	F130879	(BC130879)	Rear; L.H.
Parking Brake Cable	98 - 95	F130443	(BC130443)	Rear; R.H.
Parking Brake Cable	95	F132794	(BC132794)	Forward

ABS Components - Reman

ABS Hydraulic Unit	Years	Part No.	Qualifier
ABS Hydraulic Unit	99 - 95	RA125034	

Wheel Attaching Hardware

Front Wheel Stud	Years	Part No.	Qualifier
Wheel Lug Stud	99 - 98	BD61425	Diesel
Wheel Lug Stud	99 - 98	BD61423	w/o Diesel
Wheel Lug Stud	97 - 95	BD61423	
Rear Wheel Stud	Years	Part No.	Qualifier
Wheel Lug Stud	99 - 98	BD125934	Diesel
Wheel Lug Stud	99 - 98	BD61402	w/o Diesel; w/11-5/32" Drum
Wheel Lug Stud	99 - 98	BD125934	w/o Diesel; w/13" Drum
Wheel Lug Stud	96 - 95	BD125934	
Front Wheel Nut	Years	Part No.	Qualifier
Wheel Lug Nut	99 - 95	BD61404	Bulge
Wheel Lug Nut	99 - 95	BD125916	External Thread
Rear Wheel Nut	Years	Part No.	Qualifier
Wheel Lug Nut	99 - 95	BD61404	Bulge
Wheel Lug Nut	99 - 95	BD125916	External Thread

YUKON DENALI XL - See Also YUKON XL 1500
Brake Pads & Shoes

Front Pads & Shoes	Years	SevereDuty	Lining No.	Qualifier
Brake Pads	06 - 05	SD785		
Rear Pads & Shoes	Years	SevereDuty	Lining No.	Qualifier
Brake Pads	06 - 05	SD974A		2WD
Brake Pads	06 - 05	SD975		4WD

Rotor & Drum

Front Rotor & Drum	Years	Part No.	Qualifier
Brake Rotor	06 - 05	BD125654	
Rear Rotor & Drum	Years	Part No.	Qualifier
Brake Rotor	06 - 05	BD126032	

YUKON DENALI XL (cont.) - See Also YUKON XL 1500

Brake Hardware

Front Brake Hardware	Years	Sequential No.	Category No.	Qualifier
Pin Boot Kit	05	F138697S	(H8221)	

Rear Brake Hardware	Years	Sequential No.	Category No.	Qualifier
----------------------------	--------------	-----------------------	---------------------	------------------

Caliper Bolt/Pin	05	F140549	(H5102)	2WD
Caliper Bolt/Pin	05	F138102S	(H5081)	4WD
Disc Align Kit	05	F139865	(H5666)	2WD
Disc Align Kit	05	F140509	(H5677)	4WD
Pin Boot Kit	05	F140511	(H8239)	2WD
Pin Boot Kit	05	F138601S	(H18047)	4WD

Calipers - Reman

Front, Unloaded	Years	Left No.	Right No.	Qualifier	Piston
------------------------	--------------	-----------------	------------------	------------------	---------------

Unloaded Caliper	06 - 05	CRB134346	CRB134345	w/Dual Piston Caliper; Supplied w/Mtg. Brkt.	P
Unloaded Caliper	06 - 05	CR134346	CR134345	w/Dual Piston Caliper; Supplied w/o Mtg. Brkt.	P

Rear, Unloaded	Years	Left No.	Right No.	Qualifier	Piston
-----------------------	--------------	-----------------	------------------	------------------	---------------

Unloaded Caliper	05	CRB134513	CRB134512	Supplied w/Mtg. Brkt.	P
Unloaded Caliper	05	CR134513	CR134512	Supplied w/o Mtg. Brkt.	P

Hydraulics - New

Master Cylinder	Years	Sequential No.	Category No.	Qualifier
------------------------	--------------	-----------------------	---------------------	------------------

Master Cylinder	06 - 05	F140377	(MC140377)	7200 GVW; w/Active Brake Control; w/Hydro-Boost; 1-11/32" Bore
Master Cylinder	06 - 05	F140376	(MC140376)	w/Vacuum Boost; w/o ABS; 7200 GVW

Front Brake Hose	Years	Sequential No.	Category No.	Qualifier
-------------------------	--------------	-----------------------	---------------------	------------------

Brake Hose	05	F140187	(BH140187)	L.H.
Brake Hose	05	F140188	(BH140188)	R.H.

YUKON XL 1500 - See Also YUKON DENALI XL

Brake Pads & Shoes

Front Pads & Shoes	Years	SevereDuty	Lining No.	Qualifier
-------------------------------	--------------	-------------------	-------------------	------------------

Brake Pads	06 - 00	SD785		
------------	---------	-------	--	--

Rear Pads & Shoes	Years	SevereDuty	Lining No.	Qualifier
------------------------------	--------------	-------------------	-------------------	------------------

Brake Pads	06 - 03	SD974A		2WD
Brake Pads	06 - 03	SD975		4WD
Brake Pads	02 - 01	SD975		Exc. 4.10 A.R.
Brake Pads	02 - 01	SD792A		w/4.10 A.R.
Brake Pads	00	SD975		

Rotor & Drum

Front Rotor & Drum	Years	Part No.	Qualifier
-------------------------------	--------------	-----------------	------------------

Brake Rotor	06 - 00	BD125654	
-------------	---------	----------	--

Rear Rotor & Drum	Years	Part No.	Qualifier
------------------------------	--------------	-----------------	------------------

Brake Rotor	06 - 03	BD126032	w/13" Dia. Rotor; 6 Stud Whl.
Brake Rotor	04 - 00	BD125655	w/12-13/16" Dia. Rotor; 6 Stud Whl.
Brake Rotor	02 - 00	BD125735	w/13" Dia. Rotor; 6 Stud Whl.

Brake Hardware

Front Brake Hardware	Years	Sequential No.	Category No.	Qualifier
-----------------------------	--------------	-----------------------	---------------------	------------------

Caliper Bolt/Pin	04 - 01	F139712	(H5096)	
Disc Align Kit	04 - 01	F139707	(H5645)	
Pin Boot Kit	05 - 01	F138697S	(H8221)	

Rear Brake Hardware	Years	Sequential No.	Category No.	Qualifier
----------------------------	--------------	-----------------------	---------------------	------------------

Caliper Bolt/Pin	05 - 02	F140549	(H5102)	2WD
Caliper Bolt/Pin	05 - 01	F138102S	(H5081)	4WD
Disc Align Kit	05 - 03	F139865	(H5666)	2WD
Disc Align Kit	05 - 03	F140509	(H5677)	4WD
Disc Align Kit	02 - 01	F140509	(H5677)	Exc. 4.10 A.R.
Disc Align Kit	02 - 01	F139710	(H5648)	w/4.10 A.R.
Disc Align Kit	00	F140509	(H5677)	
Pin Boot Kit	05 - 00	F140511	(H8239)	2WD

Piston: M - OE Metal Piston P - OE Phenolic Piston

YUKON XL 1500 (cont.) - See Also YUKON DENALI XL
Brake Hardware (cont.)

Rear Brake Hardware	Years	Sequential No.	Category No.	Qualifier
Pin Boot Kit	05 - 00	F138601S	(H18047)	4WD

Calipers - Reman

Front, Unloaded	Years	Left No.	Right No.	Qualifier	Piston
Unloaded Caliper	06 - 00	CRB134346	CRB134345	w/Dual Piston Caliper; Supplied w/Mtg. Brkt.	P
Unloaded Caliper	06 - 00	CR134346	CR134345	w/Dual Piston Caliper; Supplied w/o Mtg. Brkt.	P
Rear, Unloaded	Years	Left No.	Right No.	Qualifier	Piston
Unloaded Caliper	05 - 03	CR135122	CR135121	2WD	P
Unloaded Caliper	05 - 03	CRB134513	CRB134512	4WD; Supplied w/Mtg. Brkt.	P
Unloaded Caliper	05 - 03	CR134513	CR134512	4WD; Supplied w/o Mtg. Brkt.	P
Unloaded Caliper	02 - 00	CRB134513	CRB134512	Supplied w/Mtg. Brkt.	P
Unloaded Caliper	02 - 00	CR134513	CR134512	Supplied w/o Mtg. Brkt.	P

Hydraulics - New

Master Cylinder	Years	Sequential No.	Category No.	Qualifier
Master Cylinder	06 - 03	F140377	(MC140377)	7200 GVW; w/Active Brake Control; w/Hydro-Boost; 1-11/32" Bore
Master Cylinder	06 - 05	F140376	(MC140376)	w/Vacuum Boost; w/o ABS; 7200 GVW
Master Cylinder	04 - 03	F140375	(MC140375)	w/Vacuum Boost; w/ABS
Master Cylinder	04 - 03	F140376	(MC140376)	w/Vacuum Boost; w/o ABS
Rear Wheel Cylinder	Years	Sequential No.	Category No.	Qualifier
Wheel Cylinder	00	F116359	(WC116359)	
Clutch Master Cylind	Years	Sequential No.	Category No.	Qualifier
Clutch Master Cylinder	04 - 01	F134526	(CM134526)	w/5 Spd. Trans.; 45/64" Bore
Clutch Master Cylinder	00	F134526	(CM134526)	45/64" Bore
Clutch Slave Cylinder	Years	Sequential No.	Category No.	Qualifier
Clutch Slave Cylinder	04 - 03	F140212	(SC140212)	w/5 Spd. Trans.; 1-7/32" Bore
Clutch Slave Cylinder	02 - 01	F140158	(SC140158)	w/5 Spd. Trans.
Clutch Slave Cylinder	00	F134322	(SC134322)	
Front Brake Hose	Years	Sequential No.	Category No.	Qualifier
Brake Hose	05 - 00	F140187	(BH140187)	L.H.
Brake Hose	05 - 00	F140188	(BH140188)	R.H.
Rear Brake Hose	Years	Sequential No.	Category No.	Qualifier
Brake Hose	04 - 03	F140243	(BH140243)	L.H.; 7200 GVW
Brake Hose	04 - 03	F140244	(BH140244)	R.H.; 7200 GVW
Brake Hose	02 - 00	F140243	(BH140243)	L.H.
Brake Hose	02 - 00	F140244	(BH140244)	R.H.

Hydraulics - Reman

Master Cylinder	Years	Part No.	Qualifier
Master Cylinder	02 - 00	R134735	w/JC5
Master Cylinder	02 - 00	R134734	w/JH5 or JH6 or JH7
Power Brake Booster	Years	Part No.	Qualifier
Hydro Booster	02 - 00	527359	w/JH5 or JH6
Power Brake Booster	Years	Part No.	Qualifier
Power Brake Booster	02 - 00	5474818	w/o Master Cylinder; w/JC5

Wheel Attaching Hardware

Front Wheel Stud	Years	Part No.	Qualifier
Wheel Lug Stud	05 - 00	BD125938	
Front Wheel Nut	Years	Part No.	Qualifier
Wheel Lug Nut	05 - 00	BD61404	Bulge
Wheel Lug Nut	05 - 00	BD125916	External Thread
Rear Wheel Nut	Years	Part No.	Qualifier
Wheel Lug Nut	05 - 00	BD61404	Bulge
Wheel Lug Nut	05 - 00	BD125916	External Thread

Piston: M - OE Metal Piston P - OE Phenolic Piston

GMC - 1/2 TON TRUCK



C1500 PICKUP - See Also K1500 PICKUP

Brake Pads & Shoes

Front Pads & Shoes	Years	SevereDuty	Lining No.	Qualifier
Brake Pads	99	SD785		w/Rear Disc
Brake Pads	99	SD369		w/Rear Drum
Brake Pads	98 - 92	SD369		
Brake Pads	91 - 88	SD369		155-1/2" WB
Brake Pads	91 - 88	SD368		Exc. 155-1/2" WB
Brake Pads	86 - 84	SD52		
Brake Pads	83 - 81	SD52		

Rear Pads & Shoes	Years	SevereDuty	Lining No.	Qualifier
Brake Pads	99	SD792A		
Brake Shoes	99 - 92	SDS675R	EX1404AD	10 x 2-1/4" Brake; Riveted
Brake Shoes	91 - 88	SDS593	EX1404D	10 x 2-1/4" Brake; Bonded
Brake Shoes	86 - 81	SDS449R	EX2159TD	11 x 2" Brake; Riveted
Brake Shoes	86 - 81	SDS473R	EX2073TD-S32	11-5/32 x 2-3/4" Brake; Riveted

Rotor & Drum

Front Rotor & Drum	Years	Part No.	Qualifier
Brake Rotor	99	BD125654	w/Rear Disc
Brake Rotor	99	BD125206	w/Rear Drum
Brake Rotor	98 - 95	BD125206	
Brake Rotor	94 - 92	BD125205	
Brake Rotor	91 - 88	BD61815	155-1/2" WB
Brake Rotor	91 - 88	BD61813	Exc. 155-1/2" WB
Brake Rotor	86 - 84	BD60258	Diesel
Brake Rotor	86 - 84	BD60476	w/o Diesel; 4900-5600 GVW
Brake Rotor	86 - 84	BD60258	w/o Diesel; 6100-6800 GVW
Brake Rotor	83 - 81	BD60476	4900-5600 GVW
Brake Rotor	83 - 81	BD60258	6000 GVW; H/D Brake

Rear Rotor & Drum	Years	Part No.	Qualifier
Brake Drum	99 - 88	BD61823	10 x 2-1/4" Brake
Brake Drum	86 - 81	BD60294	11 x 2" Brake
Brake Drum	86 - 81	BD125051	11-5/32 x 2-3/4" Brake
Brake Rotor	99	BD125655	

Brake Hardware

Front Brake Hardware	Years	Sequential No.	Category No.	Qualifier
Caliper Bolt/Pin	99 - 97	F117224S	(H5038)	
Caliper Bolt/Pin	96 - 92	F73237S	(H5019)	w/Rear Disc
Caliper Bolt/Pin	96 - 92	F129642S	(H5062)	w/Rear Drum; w/DRW
Caliper Bolt/Pin	96 - 92	F117224S	(H5038)	w/Rear Drum; w/SRW
Caliper Bolt/Pin	91 - 88	F117224S	(H5038)	
Caliper Bolt/Pin	86 - 81	F76074S	(H5004)	
Disc Align Kit	99 - 88	F117225S	(H5584)	
Disc Align Kit	86 - 81	F73674S	(H5500)	
Pin Boot Kit	96 - 92	F126906S	(H8209)	w/Rear Drum; w/DRW

Rear Brake Hardware	Years	Sequential No.	Category No.	Qualifier
Adjuster Kit	99 - 88	F124483S	(H2618)	L.H.; 10 x 2-1/4" Brake
Adjuster Kit	99 - 92	F98404	(H2584)	L.H.; 11-5/32 x 2-3/4" Brake
Adjuster Kit	99 - 88	F124484S	(H2619)	R.H.; 10 x 2-1/4" Brake
Adjuster Kit	99 - 92	F111233	(H2687)	R.H.; 11-5/32 x 2-3/4" Brake
Adjuster Kit	86 - 81	F98404	(H2584)	L.H.
Adjuster Kit	86 - 83	F111233	(H2687)	R.H.
Adjuster Kit	82 - 81	F98405	(H2585)	R.H.
Adjuster Screw	99 - 92	F73181S	(H1530)	L.H.; 11-5/32 x 2-3/4" Brake
Adjuster Screw	99 - 92	F73182S	(H1531)	R.H.; 11-5/32 x 2-3/4" Brake
Adjuster Screw	86 - 81	F73181S	(H1530)	L.H.
Adjuster Screw	86 - 81	F73182S	(H1531)	R.H.
Caliper Bolt/Pin	96 - 92	F73237S	(H5019)	

↳ Sub-Kit of Combi-Kit is available separately.

C1500 PICKUP (cont.) - See Also K1500 PICKUP

Brake Hardware (cont.)

Rear Brake Hardware	Years	Sequential No.	Category No.	Qualifier
Combi Kit	99 - 88	F117226	(H7196)	10 x 2-1/4" Brake
↳Hold Down Kit		F117223S	(H4006)	
Combi Kit	99 - 92	F98455S	(H7046)	11-5/32 x 2-3/4" Brake
↳Adjuster Spring Kit		F45936S	(H415)	
↳Hold Down Kit		F98422S	(H4018)	
↳Return Spring Kit		F45927S	(H324)	
Combi Kit	86 - 81	F98455S	(H7046)	11-5/32 x 2-3/4" Brake
↳Adjuster Spring Kit		F45936S	(H415)	
↳Hold Down Kit		F98422S	(H4018)	
↳Return Spring Kit		F45927S	(H324)	

Calipers - Reman

Front, Loaded	Years	Left No.	Right No.	Qualifier	Piston
Loaded Caliper	99 - 92	AS116292	AS116293	w/2.94" Single Piston Caliper	M
Loaded Caliper	91 - 88	AS116292	AS116293	Ext. Cab; w/H/D Chassis F44; w/2.94" Single Piston Caliper	M
Loaded Caliper	91 - 88	AS116292	AS116293	Ext. Cab; w/o H/D Chassis F44; w/2.94" Single Piston Caliper	M
Loaded Caliper	91 - 88	AS116292	AS116293	Std. Cab; w/H/D Chassis F44; w/2.94" Single Piston Caliper	M
Loaded Caliper	91 - 88	AS116290	AS116291	Std. Cab; w/o H/D Chassis F44; w/2.50" Single Piston Caliper	M

Front, Unloaded	Years	Left No.	Right No.	Qualifier	Piston
Unloaded Caliper	99 - 92	CR116292	CR116293	w/2.94" Single Piston Caliper	M
Unloaded Caliper	91 - 88	CR116292	CR116293	Ext. Cab; w/H/D Chassis F44; w/2.94" Single Piston Caliper	M
Unloaded Caliper	91 - 88	CR116292	CR116293	Ext. Cab; w/o H/D Chassis F44; w/2.94" Single Piston Caliper	M
Unloaded Caliper	91 - 88	CR116292	CR116293	Std. Cab; w/H/D Chassis F44; w/2.94" Single Piston Caliper	M
Unloaded Caliper	91 - 88	CR116290	CR116291	Std. Cab; w/o H/D Chassis F44; w/2.50" Single Piston Caliper	M
Unloaded Caliper	86 - 81	CR98670	CR98671	w/JB1, JB3	M
Unloaded Caliper	86 - 81	CR98884	CR98885	w/JB5, JD3, JD5	M

Hydraulics - New

Master Cylinder	Years	Sequential No.	Category No.	Qualifier
Master Cylinder	99	F131468	(MC131468)	w/Rear Drum; 1-1/8" Bore
Master Cylinder	98 - 94	F131472	(MC131472)	Diesel; 1-1/4" Bore
Master Cylinder	98 - 95	F131468	(MC131468)	w/o Diesel; 1-1/8" Bore
Master Cylinder	94 - 92	F116881	(MC116881)	w/o Diesel; 1-1/8" Bore
Master Cylinder	93 - 90	F116627	(MC116627)	Diesel; w/Hydro-Boost; 1-1/4" Bore
Master Cylinder	91 - 90	F116626	(MC116626)	w/o Diesel; 155-1/2" WB; Exc. H/D Brake; Exc. 8600 GVW; 1" Bore
Master Cylinder	91 - 90	F116881	(MC116881)	w/o Diesel; 155-1/2" WB; w/H/D Brake; Exc. 8600 GVW; 1-1/8" Bore
Master Cylinder	91 - 90	F116627	(MC116627)	w/o Diesel; 8600 GVW; w/Hydro-Boost; 1-1/4" Bore
Master Cylinder	89 - 88	F116627	(MC116627)	w/Hydro-Boost; 1-1/4" Bore
Master Cylinder	89 - 88	F116625	(MC116625)	w/Manual Brake; 15/16" Bore
Master Cylinder	89 - 88	F116626	(MC116626)	w/Vacuum Boost; 155-1/2" WB; Exc. H/D Brake; 1" Bore
Master Cylinder	89 - 88	F116881	(MC116881)	w/Vacuum Boost; 155-1/2" WB; w/H/D Brake; 1-1/8" Bore
Master Cylinder	86 - 81	F104456	(MC104456)	w/Hydro-Boost; 1-3/16" Bore
Master Cylinder	86 - 81	F104466	(MC104466)	w/Manual Brake; 1" Bore
Master Cylinder	86 - 81	F104516	(MC104516)	w/Vacuum Boost; 1-1/8" Bore

Rear Wheel Cylinder	Years	Sequential No.	Category No.	Qualifier
Wheel Cylinder	99 - 92	F116224	(WC116224)	1-3/16" Bore
Wheel Cylinder	91 - 88	F116224	(WC116224)	155-1/2" WB; H/D Brake; 1-3/16" Bore
Wheel Cylinder	91 - 88	F116263	(WC116263)	Exc. 155-1/2" WB; Exc. H/D Brake; 1-1/8" Bore
Wheel Cylinder	86 - 85	F79767	(WC79767)	11 x 2" Brake; 1-1/16" Bore
Wheel Cylinder	86 - 82	F51081	(WC51081)	11-5/32 x 2-3/4" Brake; 15/16" Bore
Wheel Cylinder	84 - 82	F51088	(WC51088)	11" Brake; 1" Bore
Wheel Cylinder	81	F51088	(WC51088)	4900-5600 GVW; 1" Bore
Wheel Cylinder	81	F51081	(WC51081)	6000 GVW; H/D Brake; 15/16" Bore

Clutch Master Cylind	Years	Sequential No.	Category No.	Qualifier
Clutch Master Cylinder	99 - 96	F133507	(CM133507)	45/64" Bore
Clutch Master Cylinder	95 - 92	F126856	(CM126856)	45/64" Bore

↳Sub-Kit of Combi-Kit is available separately.

Piston: M - OE Metal Piston P - OE Phenolic Piston

GMC - 1/2 TON TRUCK



C1500 PICKUP (cont.) - See Also K1500 PICKUP

Hydraulics - New (cont.)

Clutch Master Cylind	Years	Sequential No.	Category No.	Qualifier
Clutch Master Cylinder	90 - 88	F119584	(CM119584)	11/16" Bore
Clutch Master Cylinder	86 - 85	F110273	(CM110273)	11/16" Bore
Clutch Slave Cylinder	Years	Sequential No.	Category No.	Qualifier
Clutch Slave Cylinder	99 - 96	F134322	(SC134322)	
Clutch Slave Cylinder	95 - 92	F126872	(SC126872)	25/32" Bore
Clutch Slave Cylinder	91 - 88	F103762	(SC103762)	13/16" Bore
Clutch Slave Cylinder	86 - 85	F103483	(SC103483)	13/16" Bore
Front Brake Hose	Years	Sequential No.	Category No.	Qualifier
Brake Hose	99	F116846	(BH116846)	L.H.; w/Rear Drum
Brake Hose	99	F116847	(BH116847)	R.H.; w/Rear Drum
Brake Hose	98 - 95	F116846	(BH116846)	L.H.
Brake Hose	98 - 88	F116847	(BH116847)	R.H.
Brake Hose	94 - 88	F116846	(BH116846)	L.H.; w/Rear Drum
Brake Hose	86 - 82	F102464	(BH102464)	L.H.; Diesel
Brake Hose	86 - 82	F106357	(BH106357)	L.H.; w/o Diesel; 4900-5600 GVW
Brake Hose	86 - 82	F102465	(BH102465)	R.H.; Diesel
Brake Hose	86 - 82	F106358	(BH106358)	R.H.; w/o Diesel; 4900-5600 GVW
Brake Hose	81	F106357	(BH106357)	L.H.; 4900-5600 GVW
Brake Hose	81	F102464	(BH102464)	L.H.; 6000 GVW; w/H/D Brake
Brake Hose	81	F106358	(BH106358)	R.H.; 4900-5600 GVW
Brake Hose	81	F102465	(BH102465)	R.H.; 6000 GVW; w/H/D Brake
Rear Brake Hose	Years	Sequential No.	Category No.	Qualifier
Brake Hose	99 - 88	F118117	(BH118117)	
Brake Hose	86 - 84	F113148	(BH113148)	Diesel
Brake Hose	86 - 84	F80967	(BH80967)	w/o Diesel
Brake Hose	83 - 81	F80967	(BH80967)	

Hydraulics - Reman

Master Cylinder	Years	Part No.	Qualifier
Master Cylinder	99	R116881	w/JB5
Master Cylinder	98 - 90	R116627	Diesel; w/JB7
Master Cylinder	98 - 90	R116626	Gas; Exc. H/D Chassis; Std. Cab; w/F44
Master Cylinder	98 - 90	R116881	Gas; H/D Chassis; Ext. Cab; w/F44
Master Cylinder	98 - 90	R116881	Gas; w/JB6
Master Cylinder	98 - 90	R131472	Gas; w/JB7
Master Cylinder	89 - 88	R116625	Diesel; w/Manual Brake
Master Cylinder	89 - 88	R116627	Diesel; w/Power Brake
Master Cylinder	89 - 88	R116625	Gas; w/Manual Brake
Master Cylinder	89 - 88	R116881	Gas; w/Power Brake; Exc. H/D Chassis; Ext. Cab
Master Cylinder	89 - 88	R116626	Gas; w/Power Brake; Exc. H/D Chassis; Std. Cab
Master Cylinder	89 - 88	R116881	Gas; w/Power Brake; w/H/D Chassis
Master Cylinder	86 - 81	R104456	Diesel; w/JD3 or JD5
Master Cylinder	86 - 81	R104466	Gas; w/JB1
Master Cylinder	86 - 81	R104516	Gas; w/JB3 or JB5
Power Brake Booster	Years	Part No.	Qualifier
Hydro Booster	99 - 97	527352	Diesel; w/JD5 or JD6
Hydro Booster	99 - 97	527358	Diesel; w/JD7
Hydro Booster	99 - 97	527358	Gas; w/JB8
Hydro Booster	96 - 95	527335	Diesel; w/JD5 or JD6
Hydro Booster	96 - 95	527336	Diesel; w/JD7
Hydro Booster	96 - 95	527336	Gas; w/JB8
Hydro Booster	94	527341	Diesel
Hydro Booster	93 - 88	527250	Diesel
Hydro Booster	86 - 83	527248	Diesel; w/JD3 or JD5; w/Pedal Rod No. 71217
Power Brake Booster	Years	Part No.	Qualifier
Power Brake Booster	99 - 97	5471085	Gas; w/o Master Cylinder; w/JB5 or JB6

C1500 PICKUP (cont.) - See Also K1500 PICKUP
Hydraulics - Reman (cont.)

Power Brake Booster	Years	Part No.	Qualifier
Power Brake Booster	96 - 94	501098	Gas; w/Master Cylinder; w/JB5 or JB6
Power Brake Booster	96 - 94	5471098	Gas; w/o Master Cylinder; w/JB5 or JB6
Power Brake Booster	93 - 92	501047	Gas; w/Master Cylinder
Power Brake Booster	93 - 92	5471046	Gas; w/o Master Cylinder
Power Brake Booster	91 - 89	501046	Gas; w/Master Cylinder; Exc. H/D Chassis; 10-1/2" Dia.
Power Brake Booster	91 - 89	501047	Gas; w/Master Cylinder; H/D Chassis; 10-1/2" Dia.
Power Brake Booster	91 - 89	5471046	Gas; w/o Master Cylinder; 10-1/2" Dia.
Power Brake Booster	91 - 89	5471209	Gas; w/o Master Cylinder; 9" Dia.
Power Brake Booster	88	501142	Gas; w/Master Cylinder; Exc. H/D Chassis; w/Casting No. AB
Power Brake Booster	88	501046	Gas; w/Master Cylinder; Exc. H/D Chassis; w/Casting No. HR; 10-1/2" Dia.
Power Brake Booster	88	501047	Gas; w/Master Cylinder; H/D Chassis; w/Casting No. HR; 10-1/2" Dia.
Power Brake Booster	88	5471142	Gas; w/o Master Cylinder; w/Casting No. AB
Power Brake Booster	88	5471046	Gas; w/o Master Cylinder; w/Casting No. HR; 10-1/2" Dia.
Power Brake Booster	88	5471209	Gas; w/o Master Cylinder; w/Casting No. HR; 9" Dia.
Power Brake Booster	86 - 81	501140	Gas; w/Master Cylinder; w/JB3
Power Brake Booster	86 - 81	509089	Gas; w/Master Cylinder; w/JB5
Power Brake Booster	86 - 81	5471140	Gas; w/o Master Cylinder; w/JB3
Power Brake Booster	86 - 81	5471069	Gas; w/o Master Cylinder; w/JB5

Brake Cables

Parking Brake Cable	Years	Sequential No.	Category No.	Qualifier
Parking Brake Cable	99 - 92	F138803	(BC138803)	Rear; L.H.; w/JB5, JD5; 84" Length
Parking Brake Cable	99 - 92	F138939	(BC138939)	Rear; R.H.; w/JB5, JD5; 96" Length
Parking Brake Cable	96 - 92	F128658	(BC128658)	Rear; L.H.; 7200 GVW; Ext. Cab; w/JB6, JD6; 84" Length
Parking Brake Cable	96 - 92	F124666	(BC124666)	Rear; R.H.; 7200 GVW; Ext. Cab; w/JB6, JD6; 103" Length
Parking Brake Cable	95 - 90	F124689	(BC124689)	Forward; 117-1/2" WB
Parking Brake Cable	95 - 90	F124684	(BC124684)	Forward; 141-1/2" WB
Parking Brake Cable	95	F132795	(BC132795)	Forward; 155-1/2" WB
Parking Brake Cable	94 - 90	F124685	(BC124685)	Forward; 131-1/2" WB
Parking Brake Cable	94 - 90	F124681	(BC124681)	Forward; 155-1/2" WB
Parking Brake Cable	92	F128657	(BC128657)	Rear; L.H.; w/JB5, JD5; 56" Length
Parking Brake Cable	92	F124769	(BC124769)	Rear; R.H.; w/JB5, JD5; 104" Length
Parking Brake Cable	91 - 90	F128657	(BC128657)	Rear; L.H.; 56" Length
Parking Brake Cable	91 - 90	F124769	(BC124769)	Rear; R.H.; 104" Length
Parking Brake Cable	89 - 88	F124690	(BC124690)	Forward; 117-1/2" WB
Parking Brake Cable	89 - 88	F124687	(BC124687)	Forward; 131-1/2" WB
Parking Brake Cable	89	F129638	(BC129638)	Forward; 141-1/2" WB
Parking Brake Cable	89 - 88	F124682	(BC124682)	Forward; 155-1/2" WB
Parking Brake Cable	89	F123935	(BC123935)	Rear; L.H.; 141-1/2" WB
Parking Brake Cable	89	F124662	(BC124662)	Rear; L.H.; Exc. 141-1/2" WB
Parking Brake Cable	89	F124666	(BC124666)	Rear; R.H.; 141-1/2" WB; 103" Length
Parking Brake Cable	89	F124667	(BC124667)	Rear; R.H.; 141-1/2" WB; 104" Length
Parking Brake Cable	89	F124769	(BC124769)	Rear; R.H.; Exc. 141-1/2" WB; 104" Length
Parking Brake Cable	88	F124662	(BC124662)	Rear; L.H.
Parking Brake Cable	88	F124761	(BC124761)	Rear; R.H.
Parking Brake Cable	86 - 84	F113219	(BC113219)	Forward; 117-1/2" WB
Parking Brake Cable	86 - 84	F108771	(BC108771)	Forward; 131-1/2" WB
Parking Brake Cable	86 - 84	F108767	(BC108767)	Rear; L.H.
Parking Brake Cable	86 - 84	F108768	(BC108768)	Rear; R.H.
Parking Brake Cable	83 - 81	F105561	(BC105561)	Forward
Parking Brake Cable	83 - 81	F112994	(BC112994)	Intermediate; 117-1/2" WB
Parking Brake Cable	83 - 81	F105964	(BC105964)	Intermediate; 131-1/2" WB
Parking Brake Cable	83 - 81	F88583	(BC88583)	Rear; L.H.
Parking Brake Cable	83 - 81	F88583	(BC88583)	Rear; R.H.

C1500 PICKUP (cont.) - See Also K1500 PICKUP

ABS Components - New

ABS Modulator	Years	Sequential No.	Category No.	Qualifier
ABS Modulator	90 - 88	F121007	(AB121007)	

ABS Components - Reman

ABS Module	Years	Part No.	Qualifier
ABS Module	94	RA121036	
ABS Module	93 - 88	RA121000	

ABS Hydraulic Unit	Years	Part No.	Qualifier
ABS Hydraulic Unit	98 - 95	RA125034	
ABS Hydraulic Unit	94 - 91	RA122006	
ABS Hydraulic Unit	90 - 88	RA122003	

Wheel Attaching Hardware

Front Wheel Stud	Years	Part No.	Qualifier
Wheel Lug Stud	99	BD61401	
Wheel Lug Stud	98 - 92	BD61426	Diesel
Wheel Lug Stud	98 - 92	BD61401	w/o Diesel
Wheel Lug Stud	91 - 88	BD61401	
Wheel Lug Stud	86 - 81	BD60901	

Rear Wheel Stud	Years	Part No.	Qualifier
Wheel Lug Stud	99 - 96	BD61402	w/11-5/32" Drum
Wheel Lug Stud	99 - 96	BD125934	w/13" Drum
Wheel Lug Stud	95 - 92	BD61402	w/11-7/8" Dia. Rotor; w/JB5 or JD5
Wheel Lug Stud	95 - 92	BD125934	w/12-1/2" Dia. Rotor; w/JB6 or JD6 or JD7
Wheel Lug Stud	91 - 88	BD61402	w/10" Drum
Wheel Lug Stud	91 - 88	BD125934	w/11-5/32" Drum
Wheel Lug Stud	86 - 81	BD61483	

Front Wheel Nut	Years	Part No.	Qualifier
Wheel Lug Nut	99 - 88	BD61404	Bulge
Wheel Lug Nut	99 - 88	BD125916	External Thread
Wheel Lug Nut	91 - 88	BD61405	Flattop - Black; 30.5mm Length
Wheel Lug Nut	86 - 81	BD61283	Std. Open; 1/2"-20 Thread; 13/16" Hex

Rear Wheel Nut	Years	Part No.	Qualifier
Wheel Lug Nut	99 - 88	BD61404	Bulge
Wheel Lug Nut	99 - 88	BD125916	External Thread
Wheel Lug Nut	91 - 88	BD61405	Flattop - Black; 30.5mm Length
Wheel Lug Nut	86 - 81	BD61283	Std. Open; 1/2"-20 Thread; 13/16" Hex

K1500 PICKUP - See Also C1500 PICKUP

Brake Pads & Shoes

Front Pads & Shoes	Years	SevereDuty	Lining No.	Qualifier
Brake Pads	99	SD785		w/Rear Disc
Brake Pads	99	SD369		w/Rear Drum
Brake Pads	98 - 92	SD369		
Brake Pads	91 - 88	SD368		Exc. H/D Brake
Brake Pads	91 - 88	SD369		H/D Brake
Brake Pads	86 - 84	SD52		
Brake Pads	83 - 81	SD52		

Rear Pads & Shoes	Years	SevereDuty	Lining No.	Qualifier
Brake Pads	99	SD792A		
Brake Shoes	99 - 92	SDS675R	EX1404AD	10 x 2-1/4" Brake; Riveted
Brake Shoes	99 - 89	SDS473R	EX2073TD-S32	11-5/32 x 2-3/4" Brake; Riveted
Brake Shoes	91 - 88	SDS593	EX1404D	10 x 2-1/4" Brake; Bonded
Brake Shoes	86 - 81	SDS473R	EX2073TD-S32	11-5/32 x 2-3/4" Brake; Riveted

Rotor & Drum

Front Rotor & Drum	Years	Part No.	Qualifier
Brake Rotor	99	BD125654	w/Rear Disc
Brake Rotor	99	BD61812	w/Rear Drum; Full-Cast Rotor; Replaces OE Composite Design

K1500 PICKUP (cont.) - See Also C1500 PICKUP

Rotor & Drum (cont.)

Front Rotor & Drum	Years	Part No.	Qualifier
Brake Rotor	98 - 92	BD61812	Full-Cast Rotor; Replaces OE Composite Design
Brake Rotor	91 - 88	BD61809	Exc. H/D Brake; Full-Cast Rotor; Replaces OE Composite Design
Brake Rotor	91 - 88	BD61812	H/D Brake; Full-Cast Rotor; Replaces OE Composite Design
Brake Rotor	86 - 81	BD60413	
Rotor Hub	86 - 81	BD61707	L.H.; Use w/BD60413 Rotor
Rotor Hub	86 - 81	BD61707	R.H.; Use w/BD60413 Rotor

Rear Rotor & Drum	Years	Part No.	Qualifier
Brake Drum	99 - 88	BD61832	10 x 2-1/4" Brake
Brake Drum	99 - 89	BD61817	11-5/32 x 2-3/4" Brake
Brake Drum	86 - 81	BD125052	11-5/32 x 2-3/4" Brake
Brake Rotor	99	BD125655	

Brake Hardware

Front Brake Hardware	Years	Sequential No.	Category No.	Qualifier
Caliper Bolt/Pin	99 - 97	F117224S	(H5038)	
Caliper Bolt/Pin	96 - 92	F129642S	(H5062)	w/Rear Drum; w/DRW
Caliper Bolt/Pin	96 - 92	F117224S	(H5038)	w/Rear Drum; w/SRW
Caliper Bolt/Pin	91 - 88	F117224S	(H5038)	
Caliper Bolt/Pin	86 - 81	F76074S	(H5004)	
Disc Align Kit	99 - 88	F117225S	(H5584)	
Disc Align Kit	86 - 81	F73674S	(H5500)	
Pin Boot Kit	96 - 92	F126906S	(H8209)	w/Rear Drum; w/DRW

Rear Brake Hardware	Years	Sequential No.	Category No.	Qualifier
Adjuster Kit	99 - 88	F124483S	(H2618)	L.H.; 10 x 2-1/4" Brake
Adjuster Kit	99 - 88	F98404	(H2584)	L.H.; 11-5/32 x 2-3/4" Brake
Adjuster Kit	99 - 88	F124484S	(H2619)	R.H.; 10 x 2-1/4" Brake
Adjuster Kit	99 - 88	F111233	(H2687)	R.H.; 11-5/32 x 2-3/4" Brake
Adjuster Kit	86 - 81	F98404	(H2584)	L.H.
Adjuster Kit	86 - 83	F111233	(H2687)	R.H.
Adjuster Kit	82 - 81	F98405	(H2585)	R.H.
Adjuster Screw	99 - 88	F73181S	(H1530)	L.H.; 11-5/32 x 2-3/4" Brake
Adjuster Screw	99 - 88	F73182S	(H1531)	R.H.; 11-5/32 x 2-3/4" Brake
Adjuster Screw	86 - 81	F73181S	(H1530)	L.H.
Adjuster Screw	86 - 81	F73182S	(H1531)	R.H.
Combi Kit	99 - 88	F117226	(H7196)	10 x 2-1/4" Brake
↳Hold Down Kit		F117223S	(H4006)	
Combi Kit	99 - 89	F98455S	(H7046)	11-5/32 x 2-3/4" Brake
↳Adjuster Spring Kit		F45936S	(H415)	
↳Hold Down Kit		F98422S	(H4018)	
↳Return Spring Kit		F45927S	(H324)	
Combi Kit	86 - 81	F98455S	(H7046)	
↳Adjuster Spring Kit		F45936S	(H415)	
↳Hold Down Kit		F98422S	(H4018)	
↳Return Spring Kit		F45927S	(H324)	

Calipers - Reman

Front, Loaded	Years	Left No.	Right No.	Qualifier	Piston
Loaded Caliper	99 - 92	AS116292	AS116293	w/2.94" Single Piston Caliper	M
Loaded Caliper	91 - 88	AS116292	AS116293	Ext. Cab; w/H/D Chassis F44; w/2.94" Single Piston Caliper	M
Loaded Caliper	91 - 88	AS116292	AS116293	Ext. Cab; w/o H/D Chassis F44; w/2.94" Single Piston Caliper	M
Loaded Caliper	91 - 88	AS116292	AS116293	Std. Cab; w/H/D Chassis F44; w/2.94" Single Piston Caliper	M
Loaded Caliper	91 - 88	AS116290	AS116291	Std. Cab; w/o H/D Chassis F44; w/2.50" Single Piston Caliper	M
Loaded Caliper	86 - 81	AS98886	AS98887	w/2.94" Single Piston Caliper	M

Front, Unloaded	Years	Left No.	Right No.	Qualifier	Piston
Unloaded Caliper	99 - 92	CR116292	CR116293	w/2.94" Single Piston Caliper	M
Unloaded Caliper	91 - 88	CR116292	CR116293	Ext. Cab; w/H/D Chassis F44; w/2.94" Single Piston Caliper	M
Unloaded Caliper	91 - 88	CR116292	CR116293	Ext. Cab; w/o H/D Chassis F44; w/2.94" Single Piston Caliper	M

↳Sub-Kit of Combi-Kit is available separately.

Piston: M - OE Metal Piston P - OE Phenolic Piston

GMC - 1/2 TON TRUCK



K1500 PICKUP (cont.) - See Also C1500 PICKUP

Calipers - Reman (cont.)					
Front, Unloaded	Years	Left No.	Right No.	Qualifier	Piston
Unloaded Caliper	91 - 88	CR116292	CR116293	Std. Cab; w/H/D Chassis F44; w/2.94" Single Piston Caliper	M
Unloaded Caliper	91 - 88	CR116290	CR116291	Std. Cab; w/o H/D Chassis F44; w/2.50" Single Piston Caliper	M
Unloaded Caliper	86 - 81	CR98886	CR98887	w/2.94" Single Piston Caliper	M
Hydraulics - New					
Master Cylinder	Years	Sequential No.	Category No.	Qualifier	
Master Cylinder	99	F131468	(MC131468)	w/Rear Drum; 1-1/8" Bore	
Master Cylinder	98 - 94	F131472	(MC131472)	Diesel; 1-1/4" Bore	
Master Cylinder	98 - 94	F131468	(MC131468)	w/o Diesel; 1-1/8" Bore	
Master Cylinder	93 - 90	F116627	(MC116627)	Diesel; w/Hydro-Boost; 1-1/4" Bore	
Master Cylinder	93 - 92	F116881	(MC116881)	w/o Diesel; 1-1/8" Bore	
Master Cylinder	91 - 90	F116626	(MC116626)	w/o Diesel; 155-1/2" WB; Exc. H/D Brake; Exc. 8600 GVW; 1" Bore	
Master Cylinder	91 - 90	F116881	(MC116881)	w/o Diesel; 155-1/2" WB; w/H/D Brake; Exc. 8600 GVW; 1-1/8" Bore	
Master Cylinder	91 - 90	F116627	(MC116627)	w/o Diesel; 8600 GVW; w/Hydro-Boost; 1-1/4" Bore	
Master Cylinder	89 - 88	F116627	(MC116627)	w/Hydro-Boost; 1-1/4" Bore	
Master Cylinder	89 - 88	F116626	(MC116626)	w/Vacuum Boost; 155-1/2" WB; Exc. H/D Brake; 1" Bore	
Master Cylinder	89 - 88	F116881	(MC116881)	w/Vacuum Boost; 155-1/2" WB; w/H/D Brake; 1-1/8" Bore	
Master Cylinder	86 - 82	F104456	(MC104456)	w/Hydro-Boost; 1-3/16" Bore	
Master Cylinder	86 - 82	F104516	(MC104516)	w/Vacuum Boost; 1-1/8" Bore	
Master Cylinder	81	F104516	(MC104516)	1-1/8" Bore	
Rear Wheel Cylinder	Years	Sequential No.	Category No.	Qualifier	
Wheel Cylinder	99 - 92	F116224	(WC116224)	Exc. H/D Brake; 1-3/16" Bore	
Wheel Cylinder	99 - 92	F116359	(WC116359)	H/D Brake; 1" Bore	
Wheel Cylinder	91 - 88	F116224	(WC116224)	155-1/2" WB; Exc. H/D Chassis; H/D Brake; 1-3/16" Bore	
Wheel Cylinder	91 - 88	F116359	(WC116359)	155-1/2" WB; H/D Chassis; H/D Brake; 1" Bore	
Wheel Cylinder	91 - 88	F116263	(WC116263)	Exc. 155-1/2" WB; Exc. H/D Brake; 1-1/8" Bore	
Wheel Cylinder	86 - 81	F51081	(WC51081)	15/16" Bore	
Clutch Master Cylind	Years	Sequential No.	Category No.	Qualifier	
Clutch Master Cylinder	99 - 97	F133507	(CM133507)	45/64" Bore	
Clutch Master Cylinder	96	F133507	(CM133507)	45/64" Bore	
Clutch Master Cylinder	95 - 92	F126856	(CM126856)	45/64" Bore	
Clutch Master Cylinder	91 - 88	F119584	(CM119584)	11/16" Bore	
Clutch Master Cylinder	86 - 84	F110273	(CM110273)	11/16" Bore	
Clutch Slave Cylinder	Years	Sequential No.	Category No.	Qualifier	
Clutch Slave Cylinder	99 - 96	F134322	(SC134322)		
Clutch Slave Cylinder	95 - 92	F126872	(SC126872)	25/32" Bore	
Clutch Slave Cylinder	91 - 88	F103762	(SC103762)	13/16" Bore	
Clutch Slave Cylinder	86 - 84	F103483	(SC103483)	13/16" Bore	
Front Brake Hose	Years	Sequential No.	Category No.	Qualifier	
Brake Hose	99	F118083	(BH118083)	L.H.; w/Rear Drum	
Brake Hose	99	F118084	(BH118084)	R.H.; w/Rear Drum	
Brake Hose	98 - 88	F118083	(BH118083)	L.H.	
Brake Hose	98 - 88	F118084	(BH118084)	R.H.	
Brake Hose	86 - 81	F104345	(BH104345)	L.H.	
Brake Hose	86 - 81	F104347	(BH104347)	R.H.	
Rear Brake Hose	Years	Sequential No.	Category No.	Qualifier	
Brake Hose	99 - 88	F118117	(BH118117)		
Brake Hose	86 - 84	F113148	(BH113148)	Diesel	
Brake Hose	86 - 84	F80967	(BH80967)	w/o Diesel	
Brake Hose	83 - 81	F80967	(BH80967)		
Hydraulics - Reman					
Master Cylinder	Years	Part No.	Qualifier		
Master Cylinder	99	R131472	Diesel		
Master Cylinder	99	R116881	Gas		
Master Cylinder	98 - 94	R116881	w/JB5 or JD6		

Piston: M - OE Metal Piston P - OE Phenolic Piston

K1500 PICKUP (cont.) - See Also C1500 PICKUP
Hydraulics - Reman (cont.)

Master Cylinder	Years	Part No.	Qualifier
Master Cylinder	98 - 94	R131472	w/JD5
Master Cylinder	93 - 88	R116627	Diesel; w/JD5
Master Cylinder	93 - 88	R116881	Gas; Ext. Cab; w/JB5 or JB6
Master Cylinder	93 - 88	R116626	Gas; Std. Cab; w/JB5 or JB6
Master Cylinder	86 - 81	R104456	Diesel; w/JD5
Master Cylinder	86 - 81	R104516	Gas; w/JB5

Power Brake Booster	Years	Part No.	Qualifier
Hydro Booster	99 - 97	527352	Diesel; w/JD5 or JD6
Hydro Booster	99 - 97	527358	Diesel; w/JD7
Hydro Booster	99 - 97	527358	Gas; w/JB8
Hydro Booster	96 - 95	527335	Diesel; w/JD5 or JD6
Hydro Booster	96 - 95	527336	Diesel; w/JD7
Hydro Booster	96 - 95	527336	Gas; w/JB8
Hydro Booster	94	527341	Diesel
Hydro Booster	93 - 88	527250	Diesel
Hydro Booster	86 - 83	527248	Diesel; w/JD5; w/Pedal Rod No. 71217

Power Brake Booster	Years	Part No.	Qualifier
Power Brake Booster	99	5471085	Gas; w/o Master Cylinder; w/JB5 or JB6
Power Brake Booster	98 - 97	5471085	Gas; w/o Master Cylinder; w/JB6
Power Brake Booster	96 - 95	501098	Gas; w/Master Cylinder; w/JB6
Power Brake Booster	96 - 95	5471098	Gas; w/o Master Cylinder; w/JB6
Power Brake Booster	94	501098	Gas; w/Master Cylinder
Power Brake Booster	94	5471098	Gas; w/o Master Cylinder
Power Brake Booster	93 - 92	501047	Gas; w/Master Cylinder; JB5 or JB6
Power Brake Booster	93 - 92	5471046	Gas; w/o Master Cylinder; JB5 or JB6
Power Brake Booster	91 - 89	501047	Gas; w/Master Cylinder; 10-1/2" Dia.; Exc. H/D Chassis
Power Brake Booster	91 - 89	501046	Gas; w/Master Cylinder; 10-1/2" Dia.; H/D Chassis
Power Brake Booster	91 - 89	5471295	Gas; w/o Master Cylinder; w/JB3
Power Brake Booster	91 - 89	5471046	Gas; w/o Master Cylinder; w/JB5 or JD6; 10-1/2" Dia.
Power Brake Booster	91 - 89	5471209	Gas; w/o Master Cylinder; w/JB5 or JD6; 9" Dia.
Power Brake Booster	88	501142	Gas; w/Master Cylinder; w/Casting No. AB
Power Brake Booster	88	501046	Gas; w/Master Cylinder; w/Casting No. HR; Exc. H/D Chassis
Power Brake Booster	88	501047	Gas; w/Master Cylinder; w/Casting No. HR; w/H/D Chassis
Power Brake Booster	88	5471142	Gas; w/o Master Cylinder; w/Casting No. AB
Power Brake Booster	88	5471046	Gas; w/o Master Cylinder; w/Casting No. HR; 10-1/2" Dia.
Power Brake Booster	88	5471209	Gas; w/o Master Cylinder; w/Casting No. HR; 9" Dia.
Power Brake Booster	86 - 82	509089	Gas; w/Master Cylinder; w/JB5
Power Brake Booster	86 - 82	5471069	Gas; w/o Master Cylinder; w/JB5
Power Brake Booster	81	509089	Gas; w/Master Cylinder
Power Brake Booster	81	5471069	Gas; w/o Master Cylinder

Brake Cables

Parking Brake Cable	Years	Sequential No.	Category No.	Qualifier
Parking Brake Cable	99 - 92	F138803	(BC138803)	Rear; L.H.; Exc. H/D Chassis; w/JB5, JD5; 84" Length
Parking Brake Cable	99	F140351	(BC140351)	Rear; L.H.; w/H/D Chassis; w/Ext. Cab; w/JB6, JD6; 84" Length
Parking Brake Cable	99	F138939	(BC138939)	Rear; R.H.; Exc. H/D Chassis; w/JB5, JD5; 96" Length
Parking Brake Cable	98 - 92	F128658	(BC128658)	Rear; L.H.; w/H/D Chassis; w/JB6, JD6; Ext. Cab; 84" Length
Parking Brake Cable	98 - 92	F133061	(BC133061)	Rear; R.H.; Exc. H/D Chassis; 117-1/2", 131-1/2", 141-1/2", 155-1/2" WB; 96" Length
Parking Brake Cable	98 - 92	F124666	(BC124666)	Rear; R.H.; w/H/D Chassis; w/Ext. Cab; w/JB6, JD6; 103" Length
Parking Brake Cable	95	F132793	(BC132793)	Forward; 117-1/2" WB
Parking Brake Cable	95	F132792	(BC132792)	Forward; 141-1/2" WB
Parking Brake Cable	95	F132795	(BC132795)	Forward; 155-1/2" WB
Parking Brake Cable	94 - 93	F124689	(BC124689)	Forward; 117-1/2", 131-1/2" WB
Parking Brake Cable	94 - 93	F124684	(BC124684)	Forward; 141-1/2" WB; w/H/D Brake
Parking Brake Cable	94 - 93	F132795	(BC132795)	Forward; Exc. H/D Brake; 155-1/2" WB
Parking Brake Cable	94 - 93	F124681	(BC124681)	Forward; w/H/D Brake; 155-1/2" WB

K1500 PICKUP (cont.) - See Also C1500 PICKUP

Brake Cables (cont.)

<i>Parking Brake Cable</i>	<i>Years</i>	<i>Sequential No.</i>	<i>Category No.</i>	<i>Qualifier</i>
Parking Brake Cable	92 - 90	F124689	(BC124689)	Forward; 117-1/2" WB
Parking Brake Cable	92 - 90	F124685	(BC124685)	Forward; 131-1/2" WB
Parking Brake Cable	92 - 90	F124684	(BC124684)	Forward; 141-1/2" WB
Parking Brake Cable	92 - 90	F124681	(BC124681)	Forward; 155-1/2" WB
Parking Brake Cable	92	F128657	(BC128657)	Rear; L.H.; 1st Design; 117-1/2", 131-1/2" WB; 56" Length
Parking Brake Cable	92	F124769	(BC124769)	Rear; R.H.; 1st Design; 117-1/2", 131-1/2" WB; 104" Length
Parking Brake Cable	91 - 90	F128657	(BC128657)	Rear; L.H.; 117-1/2", 131-1/2" WB; 56" Length
Parking Brake Cable	91 - 90	F128658	(BC128658)	Rear; L.H.; 141-1/2", 155-1/2" WB; 84" Length
Parking Brake Cable	91 - 90	F124769	(BC124769)	Rear; R.H.; 117-1/2", 131-1/2" WB; 104" Length
Parking Brake Cable	91 - 90	F124666	(BC124666)	Rear; R.H.; 141-1/2", 155-1/2" WB; 103" Length
Parking Brake Cable	89 - 88	F124690	(BC124690)	Forward; 117-1/2" WB
Parking Brake Cable	89 - 88	F124687	(BC124687)	Forward; 131-1/2" WB
Parking Brake Cable	89 - 88	F124682	(BC124682)	Forward; 141-1/2", 155-1/2" WB
Parking Brake Cable	89 - 88	F123935	(BC123935)	Rear; L.H.; 141-1/2" WB
Parking Brake Cable	89 - 88	F124662	(BC124662)	Rear; L.H.; Exc. 141-1/2" WB
Parking Brake Cable	89 - 88	F124478	(BC124478)	Rear; R.H.; 141-1/2" WB
Parking Brake Cable	89 - 88	F124761	(BC124761)	Rear; R.H.; Exc. 141-1/2" WB
Parking Brake Cable	86 - 84	F113219	(BC113219)	Forward; 117-1/2" WB
Parking Brake Cable	86 - 84	F108771	(BC108771)	Forward; 131-1/2" WB
Parking Brake Cable	86 - 84	F108767	(BC108767)	Rear; L.H.
Parking Brake Cable	86 - 84	F108768	(BC108768)	Rear; R.H.
Parking Brake Cable	83 - 81	F109228	(BC109228)	Forward
Parking Brake Cable	83 - 81	F105968	(BC105968)	Intermediate; 117-1/2" WB
Parking Brake Cable	83 - 82	F86371	(BC86371)	Intermediate; 131-1/2" WB
Parking Brake Cable	83 - 81	F88583	(BC88583)	Rear; L.H.
Parking Brake Cable	83 - 81	F88583	(BC88583)	Rear; R.H.
Parking Brake Cable	81	F38600	(BC38600)	Intermediate; 131-1/2" WB

ABS Components - New

<i>ABS Modulator</i>	<i>Years</i>	<i>Sequential No.</i>	<i>Category No.</i>	<i>Qualifier</i>
ABS Modulator	90 - 88	F121007	(AB121007)	

ABS Components - Reman

<i>ABS Module</i>	<i>Years</i>	<i>Part No.</i>	<i>Qualifier</i>
ABS Module	94	RA121036	
ABS Module	93 - 88	RA121000	

<i>ABS Hydraulic Unit</i>	<i>Years</i>	<i>Part No.</i>	<i>Qualifier</i>
ABS Hydraulic Unit	99 - 95	RA125034	
ABS Hydraulic Unit	94 - 90	RA122006	
ABS Hydraulic Unit	89 - 88	RA122003	

Wheel Attaching Hardware

<i>Front Wheel Stud</i>	<i>Years</i>	<i>Part No.</i>	<i>Qualifier</i>
Wheel Lug Stud	99 - 88	BD61423	
Wheel Lug Stud	95	BD61423	Diesel; w/11-7/8" Dia. Rotor; w/JB5 or JD5
Wheel Lug Stud	86 - 81	BD60908	

<i>Rear Wheel Stud</i>	<i>Years</i>	<i>Part No.</i>	<i>Qualifier</i>
Wheel Lug Stud	99 - 92	BD61402	w/11-7/8" Dia. Rotor; w/JB5 or JD5
Wheel Lug Stud	99 - 92	BD125934	w/12-1/2" Dia. Rotor; w/JB6 or JD6 or JD7
Wheel Lug Stud	91 - 88	BD61402	w/10" Drum
Wheel Lug Stud	91 - 88	BD125934	w/11-5/32" Drum
Wheel Lug Stud	86 - 81	BD61203	

<i>Front Wheel Nut</i>	<i>Years</i>	<i>Part No.</i>	<i>Qualifier</i>
Wheel Lug Nut	99 - 92	BD61404	Bulge
Wheel Lug Nut	99 - 90	BD125916	External Thread
Wheel Lug Nut	89 - 88	BD61404	Bulge
Wheel Lug Nut	89 - 88	BD61405	Flattop - Black

K1500 PICKUP (cont.) - See Also C1500 PICKUP
Wheel Attaching Hardware (cont.)

Front Wheel Nut	Years	Part No.	Qualifier
Wheel Lug Nut	86 - 81	BD61285	Std. Open
Rear Wheel Nut	Years	Part No.	Qualifier
Wheel Lug Nut	99 - 92	BD61404	Bulge
Wheel Lug Nut	99 - 90	BD125916	External Thread
Wheel Lug Nut	89 - 88	BD61404	Bulge
Wheel Lug Nut	89 - 88	BD61405	Flattop - Black
Wheel Lug Nut	86 - 81	BD61285	Std. Open

R1500 PICKUP - See Also V1500 PICKUP
Brake Pads & Shoes

Front Pads & Shoes	Years	SevereDuty	Lining No.	Qualifier
Brake Pads	87	SD52		
Rear Pads & Shoes	Years	SevereDuty	Lining No.	Qualifier
Brake Shoes	87	SDS449R	EX2159TD	11 x 2" Brake; Riveted
Brake Shoes	87	SDS473R	EX2073TD-S32	11-5/32 x 2-3/4" Brake; Riveted

Rotor & Drum

Front Rotor & Drum	Years	Part No.	Qualifier
Brake Rotor	87	BD60258	Diesel
Brake Rotor	87	BD60476	w/o Diesel; 4900-5600 GVW
Brake Rotor	87	BD60258	w/o Diesel; 6100-7000 GVW
Rear Rotor & Drum	Years	Part No.	Qualifier
Brake Drum	87	BD60294	11 x 2" Brake
Brake Drum	87	BD125051	11-5/32 x 2-3/4" Brake

Brake Hardware

Front Brake Hardware	Years	Sequential No.	Category No.	Qualifier
Caliper Bolt/Pin	87	F76074S	(H5004)	
Disc Align Kit	87	F73674S	(H5500)	
Rear Brake Hardware	Years	Sequential No.	Category No.	Qualifier
Adjuster Kit	87	F98404	(H2584)	L.H.
Adjuster Kit	87	F111233	(H2687)	R.H.
Adjuster Screw	87	F73181S	(H1530)	L.H.
Adjuster Screw	87	F73182S	(H1531)	R.H.
Combi Kit	87	F98455S	(H7046)	
↳Adjuster Spring Kit		F45936S	(H415)	
↳Hold Down Kit		F98422S	(H4018)	
↳Return Spring Kit		F45927S	(H324)	

Calipers - Reman

Front, Loaded	Years	Left No.	Right No.	Qualifier	Piston
Loaded Caliper	87	AS98670A	AS98671A	w/JB1, JB3	M
Loaded Caliper	87	AS98884	AS98885	w/JB5, JD5	M
Front, Unloaded	Years	Left No.	Right No.	Qualifier	Piston
Unloaded Caliper	87	CR98670	CR98671	w/JB1, JB3	M
Unloaded Caliper	87	CR98884	CR98885	w/JB5, JD5	M

Hydraulics - New

Master Cylinder	Years	Sequential No.	Category No.	Qualifier
Master Cylinder	87	F104456	(MC104456)	w/Hydro-Boost; 1-3/16" Bore
Master Cylinder	87	F104466	(MC104466)	w/Manual Brake; 1" Bore
Master Cylinder	87	F104516	(MC104516)	w/Vacuum Boost; 1-1/8" Bore
Rear Wheel Cylinder	Years	Sequential No.	Category No.	Qualifier
Wheel Cylinder	87	F79767	(WC79767)	11 x 2" Brake; 1-1/16" Bore
Wheel Cylinder	87	F51081	(WC51081)	11-5/32 x 2-3/4" Brake; 15/16" Bore
Clutch Master Cylind	Years	Sequential No.	Category No.	Qualifier
Clutch Master Cylinder	87	F110273	(CM110273)	11/16" Bore

↳Sub-Kit of Combi-Kit is available separately.

Piston: M - OE Metal Piston P - OE Phenolic Piston

R1500 PICKUP (cont.) - See Also V1500 PICKUP

Hydraulics - New (cont.)

<i>Clutch Slave Cylinder</i>	<i>Years</i>	<i>Sequential No.</i>	<i>Category No.</i>	<i>Qualifier</i>
------------------------------	--------------	-----------------------	---------------------	------------------

Clutch Slave Cylinder	87	F103483	(SC103483)	13/16" Bore
-----------------------	----	---------	------------	-------------

<i>Front Brake Hose</i>	<i>Years</i>	<i>Sequential No.</i>	<i>Category No.</i>	<i>Qualifier</i>
-------------------------	--------------	-----------------------	---------------------	------------------

Brake Hose	87	F102464	(BH102464)	L.H.; Diesel
Brake Hose	87	F106357	(BH106357)	L.H.; w/o Diesel; 4900-5600 GVW
Brake Hose	87	F102465	(BH102465)	R.H.; Diesel
Brake Hose	87	F106358	(BH106358)	R.H.; w/o Diesel; 4900-5600 GVW

<i>Rear Brake Hose</i>	<i>Years</i>	<i>Sequential No.</i>	<i>Category No.</i>	<i>Qualifier</i>
------------------------	--------------	-----------------------	---------------------	------------------

Brake Hose	87	F113148	(BH113148)	Diesel
Brake Hose	87	F80967	(BH80967)	w/o Diesel

Hydraulics - Reman

<i>Master Cylinder</i>	<i>Years</i>	<i>Part No.</i>	<i>Qualifier</i>
------------------------	--------------	-----------------	------------------

Master Cylinder	87	R104456	Diesel; w/JD5
Master Cylinder	87	R104466	Gas; w/JB1
Master Cylinder	87	R104516	Gas; w/JB3 or JB5

<i>Power Brake Booster</i>	<i>Years</i>	<i>Part No.</i>	<i>Qualifier</i>
----------------------------	--------------	-----------------	------------------

Hydro Booster	87	527248	Diesel; w/JD5
---------------	----	--------	---------------

<i>Power Brake Booster</i>	<i>Years</i>	<i>Part No.</i>	<i>Qualifier</i>
----------------------------	--------------	-----------------	------------------

Power Brake Booster	87	501140	Gas; w/Master Cylinder; w/JB3
Power Brake Booster	87	509089	Gas; w/Master Cylinder; w/JB5
Power Brake Booster	87	5471140	Gas; w/o Master Cylinder; w/JB3
Power Brake Booster	87	5471069	Gas; w/o Master Cylinder; w/JB5

Brake Cables

<i>Parking Brake Cable</i>	<i>Years</i>	<i>Sequential No.</i>	<i>Category No.</i>	<i>Qualifier</i>
----------------------------	--------------	-----------------------	---------------------	------------------

Parking Brake Cable	87	F113219	(BC113219)	Forward; 117-1/2" WB
Parking Brake Cable	87	F108771	(BC108771)	Forward; 131-1/2" WB
Parking Brake Cable	87	F129828	(BC129828)	Rear; L.H.
Parking Brake Cable	87	F108768	(BC108768)	Rear; R.H.

Wheel Attaching Hardware

<i>Front Wheel Stud</i>	<i>Years</i>	<i>Part No.</i>	<i>Qualifier</i>
-------------------------	--------------	-----------------	------------------

Wheel Lug Stud	87	BD60901	
----------------	----	---------	--

<i>Rear Wheel Stud</i>	<i>Years</i>	<i>Part No.</i>	<i>Qualifier</i>
------------------------	--------------	-----------------	------------------

Wheel Lug Stud	87	BD61483	
----------------	----	---------	--

<i>Front Wheel Nut</i>	<i>Years</i>	<i>Part No.</i>	<i>Qualifier</i>
------------------------	--------------	-----------------	------------------

Wheel Lug Nut	87	BD61283	Std. Open; 1/2"-20 Thread; 13/16" Hex
---------------	----	---------	---------------------------------------

<i>Rear Wheel Nut</i>	<i>Years</i>	<i>Part No.</i>	<i>Qualifier</i>
-----------------------	--------------	-----------------	------------------

Wheel Lug Nut	87	BD61283	Std. Open; 1/2"-20 Thread; 13/16" Hex
---------------	----	---------	---------------------------------------

SIERRA 1500 - See Also SIERRA 1500 HD / DENALI

Brake Pads & Shoes

<i>Front Pads & Shoes</i>	<i>Years</i>	<i>SevereDuty</i>	<i>Lining No.</i>	<i>Qualifier</i>
-------------------------------	--------------	-------------------	-------------------	------------------

Brake Pads	06 - 05	SD785		Exc. H/D Brake; w/JC4
Brake Pads	06 - 05	SD784		H/D Brake
Brake Pads	04 - 01	SD784		Crew Cab
Brake Pads	04 - 01	SD785		Exc. Crew Cab
Brake Pads	00 - 99	SD785		

<i>Rear Pads & Shoes</i>	<i>Years</i>	<i>SevereDuty</i>	<i>Lining No.</i>	<i>Qualifier</i>
------------------------------	--------------	-------------------	-------------------	------------------

Brake Pads	06 - 05	SD975		4WD; 7200 GVW; Ext. Cab or Crew Cab; Exc. H/D Brake
Brake Pads	06 - 05	SD785		H/D Brake
Brake Pads	04 - 03	SD785		2WD; w/Crew Cab; Exc. 4WS
Brake Pads	04 - 03	SD975		4WD; Exc. Crew Cab; w/4WS; w/Sport Perf. Pkg.
Brake Pads	04 - 03	SD785		4WD; w/Crew Cab; Exc. 4WS
Brake Pads	02 - 01	SD785		Crew Cab
Brake Pads	02 - 01	SD792A		Exc. Crew Cab
Brake Pads	00 - 99	SD792A		

SIERRA 1500 (cont.) - See Also SIERRA 1500 HD / DENALI

Rotor & Drum

Front Rotor & Drum	Years	Part No.	Qualifier
Brake Rotor	06 - 05	BD125653	Crew Cab; w/Rear Disc
Brake Rotor	06 - 05	BD125654	Exc. Crew Cab; w/Rear Disc
Brake Rotor	06 - 05	BD126358	w/Rear Drum
Brake Rotor	04 - 01	BD125653	Crew Cab
Brake Rotor	04 - 01	BD125654	Exc. Crew Cab
Brake Rotor	00 - 99	BD125654	

Rear Rotor & Drum	Years	Part No.	Qualifier
Brake Drum	06 - 05	BD126267	
Brake Rotor	06 - 99	BD125655	w/12-13/16" Dia. Rotor; 6 Stud Whl.
Brake Rotor	06 - 02	BD126032	w/13" Dia. Rotor; 6 Stud Whl.
Brake Rotor	06 - 03	BD126179	w/13" Dia. Rotor; 8 Stud Whl.; w/4-5/8" Dia. Center Pilot Hole; 1-5/8" Mounting Height
Brake Rotor	06 - 01	BD125656	w/13" Dia. Rotor; 8 Stud Whl.; w/4-5/8" Dia. Ctr. Pilot Hole; 3" Mounting Height
Brake Rotor	01	BD125735	w/13" Dia. Rotor; 6 Stud Whl.

Brake Hardware

Front Brake Hardware	Years	Sequential No.	Category No.	Qualifier
Caliper Bolt/Pin	04 - 01	F139700	(H5095)	Crew Cab
Caliper Bolt/Pin	04 - 01	F139712	(H5096)	Exc. Crew Cab
Caliper Bolt/Pin	00 - 99	F138102S	(H5081)	
Disc Align Kit	04 - 01	F139708	(H5646)	Crew Cab
Disc Align Kit	04 - 01	F139707	(H5645)	Exc. Crew Cab
Disc Align Kit	00 - 99	F139707	(H5645)	
Pin Boot Kit	04 - 01	F138697S	(H8221)	

Rear Brake Hardware	Years	Sequential No.	Category No.	Qualifier
Caliper Bolt/Pin	05 - 03	F138102S	(H5081)	w/Dual Piston Caliper
Caliper Bolt/Pin	05	F140549	(H5102)	w/Single Piston Caliper
Caliper Bolt/Pin	04 - 03	F139859	(H5099)	w/Single Piston Caliper
Caliper Bolt/Pin	02 - 99	F138102S	(H5081)	
Disc Align Kit	04 - 03	F139707	(H5645)	Crew Cab; Exc. 9-1/2" R.G.
Disc Align Kit	04 - 03	F139710	(H5648)	Crew Cab; w/9-1/2" R.G.
Disc Align Kit	04 - 03	F139884	(H5673)	Exc. Crew Cab; 6400 GVW
Disc Align Kit	04 - 03	F139710	(H5648)	Exc. Crew Cab; 7200 GVW
Disc Align Kit	04 - 03	F140509	(H5677)	Exc. Crew Cab; w/4WS
Disc Align Kit	02 - 01	F139707	(H5645)	Crew Cab; Exc. 4WS
Disc Align Kit	02 - 01	F139710	(H5648)	Exc. Crew Cab; Exc. 4WS
Disc Align Kit	02 - 01	F140509	(H5677)	w/4WS
Disc Align Kit	00 - 99	F139710	(H5648)	
Pin Boot Kit	05	F140511	(H8239)	2WD
Pin Boot Kit	04 - 99	F138601S	(H18047)	4WD

Calipers - Reman

Front, Unloaded	Years	Left No.	Right No.	Qualifier	Piston
Unloaded Caliper	06 - 05	CRB134346	CRB134345	Exc. 9900 GVW; w/Rear Disc; w/Dual Piston Caliper; Supplied w/Mtg. Brkt.	P
Unloaded Caliper	06 - 05	CR134346	CR134345	Exc. 9900 GVW; w/Rear Disc; w/Dual Piston Caliper; Supplied w/o Mtg. Brkt.	P
Unloaded Caliper	05	CRB134347	CRB134348	9900 GVW; w/Dual Piston Caliper; Supplied w/Mtg. Brkt.	P
Unloaded Caliper	05	CR134347	CR134348	9900 GVW; w/Dual Piston Caliper; Supplied w/o Mtg. Brkt.	P
Unloaded Caliper	04	CRB134346	CRB134345	w/Dual Piston Caliper; Supplied w/Mtg. Brkt.	P
Unloaded Caliper	04	CR134346	CR134345	w/Dual Piston Caliper; Supplied w/o Mtg. Brkt.	P
Unloaded Caliper	03 - 01	CRB134347	CRB134348	9900 GVW; w/Dual Piston Caliper; Supplied w/Mtg. Brkt.	P
Unloaded Caliper	03 - 01	CR134347	CR134348	9900 GVW; w/Dual Piston Caliper; Supplied w/o Mtg. Brkt.	P
Unloaded Caliper	03	CRB134346	CRB134345	Exc. 9900 GVW; w/Dual Piston Caliper; Supplied w/Mtg. Brkt.	P
Unloaded Caliper	03	CR134346	CR134345	Exc. 9900 GVW; w/Dual Piston Caliper; Supplied w/o Mtg. Brkt.	P
Unloaded Caliper	02 - 01	CRB134346	CRB134345	7200 GVW; w/Dual Piston Caliper; Supplied w/Mtg. Brkt.	P
Unloaded Caliper	02 - 01	CR134346	CR134345	7200 GVW; w/Dual Piston Caliper; Supplied w/o Mtg. Brkt.	P
Unloaded Caliper	00 - 99	CRB134346	CRB134345	w/Dual Piston Caliper; Supplied w/Mtg. Brkt.	P
Unloaded Caliper	00 - 99	CR134346	CR134345	w/Dual Piston Caliper; Supplied w/o Mtg. Brkt.	P

Piston: M - OE Metal Piston P - OE Phenolic Piston

SIERRA 1500 (cont.) - See Also SIERRA 1500 HD / DENALI

Calipers - Reman (cont.)

<i>Rear, Unloaded</i>	<i>Years</i>	<i>Left No.</i>	<i>Right No.</i>	<i>Qualifier</i>	<i>Piston</i>
Unloaded Caliper	05	CR135122	CR135121	2WD; 6400 GVW	P
Unloaded Caliper	05	CRB134616	CRB134617	4WD; 6400 GVW; Supplied w/Mtg. Brkt.	P
Unloaded Caliper	05	CR134616	CR134617	4WD; 6400 GVW; Supplied w/o Mtg. Brkt.	P
Unloaded Caliper	05 - 03	CRB134513	CRB134512	7200 GVW; Supplied w/Mtg. Brkt.	P
Unloaded Caliper	05 - 03	CR134513	CR134512	7200 GVW; Supplied w/o Mtg. Brkt.	P
Unloaded Caliper	05	CRB134345	CRB134346	9900 GVW; w/Dual Piston Caliper; Supplied w/Mtg. Brkt.	P
Unloaded Caliper	05	CR134345	CR134346	9900 GVW; w/Dual Piston Caliper; Supplied w/o Mtg. Brkt.	P
Unloaded Caliper	04	CRB134616	CRB134617	6400 GVW; Supplied w/Mtg. Brkt.	P
Unloaded Caliper	04	CR134616	CR134617	6400 GVW; Supplied w/o Mtg. Brkt.	P
Unloaded Caliper	03	CR134616	CR134617	6400 GVW	P
Unloaded Caliper	03 - 01	CRB134345	CRB134346	9900 GVW; w/Dual Piston Caliper; Supplied w/Mtg. Brkt.	P
Unloaded Caliper	03 - 01	CR134345	CR134346	9900 GVW; w/Dual Piston Caliper; Supplied w/o Mtg. Brkt.	P
Unloaded Caliper	02	CRB134344	CRB134343	7200 GVW; Supplied w/Mtg. Brkt.	P
Unloaded Caliper	02	CR134344	CR134343	7200 GVW; Supplied w/o Mtg. Brkt.	P
Unloaded Caliper	01	CRB134513	CRB134512	7200 GVW; w/Luxury Edition Pkg.; w/Y91; Supplied w/Mtg. Brkt.	P
Unloaded Caliper	01	CR134513	CR134512	7200 GVW; w/Luxury Edition Pkg.; w/Y91; Supplied w/o Mtg. Brkt.	P
Unloaded Caliper	01	CRB134344	CRB134343	7200 GVW; w/o Luxury Edition Pkg.; Exc. Y91; Supplied w/Mtg. Brkt.	P
Unloaded Caliper	01	CR134344	CR134343	7200 GVW; w/o Luxury Edition Pkg.; Exc. Y91; Supplied w/o Mtg. Brkt.	P
Unloaded Caliper	00 - 99	CRB134344	CRB134343	Supplied w/Mtg. Brkt.	P
Unloaded Caliper	00 - 99	CR134344	CR134343	Supplied w/o Mtg. Brkt.	P

Hydraulics - New

<i>Master Cylinder</i>	<i>Years</i>	<i>Sequential No.</i>	<i>Category No.</i>	<i>Qualifier</i>
------------------------	--------------	-----------------------	---------------------	------------------

Master Cylinder	06 - 05	F140480	(MC140480)	w/Hydro-Boost; w/o ABS; 1-15/32" Bore
Master Cylinder	06 - 05	F140376	(MC140376)	w/Vacuum Boost; w/o ABS; 7200 GVW
Master Cylinder	04 - 03	F140480	(MC140480)	w/Hydro-Boost; 1-15/32" Bore
Master Cylinder	04 - 03	F140376	(MC140376)	w/Vacuum Boost; w/o ABS

<i>Clutch Master Cylind</i>	<i>Years</i>	<i>Sequential No.</i>	<i>Category No.</i>	<i>Qualifier</i>
-----------------------------	--------------	-----------------------	---------------------	------------------

Clutch Master Cylinder	04 - 01	F134526	(CM134526)	w/5 Spd. Trans.; 45/64" Bore
Clutch Master Cylinder	00 - 99	F134526	(CM134526)	45/64" Bore

<i>Clutch Slave Cylinder</i>	<i>Years</i>	<i>Sequential No.</i>	<i>Category No.</i>	<i>Qualifier</i>
------------------------------	--------------	-----------------------	---------------------	------------------

Clutch Slave Cylinder	04 - 03	F140212	(SC140212)	w/5 Spd. Trans.; 1-7/32" Bore
Clutch Slave Cylinder	02 - 01	F140158	(SC140158)	w/5 Spd. Trans.
Clutch Slave Cylinder	00 - 99	F134322	(SC134322)	

<i>Front Brake Hose</i>	<i>Years</i>	<i>Sequential No.</i>	<i>Category No.</i>	<i>Qualifier</i>
-------------------------	--------------	-----------------------	---------------------	------------------

Brake Hose	05 - 99	F140187	(BH140187)	L.H.; 4WD
Brake Hose	05 - 99	F140188	(BH140188)	R.H.; 4WD
Brake Hose	03 - 99	F140021	(BH140021)	L.H.; 2WD; Improved OE design
Brake Hose	03 - 99	F140022	(BH140022)	R.H.; 2WD; Improved OE design

<i>Rear Brake Hose</i>	<i>Years</i>	<i>Sequential No.</i>	<i>Category No.</i>	<i>Qualifier</i>
------------------------	--------------	-----------------------	---------------------	------------------

Brake Hose	03	F140019	(BH140019)	L.H.; 6400 GVW; Improved OE design
Brake Hose	03	F140020	(BH140020)	R.H.; 6400 GVW; Improved OE design
Brake Hose	02	F140019	(BH140019)	L.H.; Exc. 4WS; Improved OE design
Brake Hose	02	F140020	(BH140020)	R.H.; Exc. 4WS; Improved OE design
Brake Hose	01 - 99	F140019	(BH140019)	L.H.; Improved OE design
Brake Hose	01 - 99	F140020	(BH140020)	R.H.; Improved OE design

Hydraulics - Reman

<i>Master Cylinder</i>	<i>Years</i>	<i>Part No.</i>	<i>Qualifier</i>
------------------------	--------------	-----------------	------------------

Master Cylinder	02 - 99	R134735	w/JC5
Master Cylinder	02 - 99	R134734	w/JH5 or JH6 or JH7

<i>Power Brake Booster</i>	<i>Years</i>	<i>Part No.</i>	<i>Qualifier</i>
----------------------------	--------------	-----------------	------------------

Hydro Booster	02 - 00	527359	w/JH5 or JH6 or JH7
---------------	---------	--------	---------------------

<i>Power Brake Booster</i>	<i>Years</i>	<i>Part No.</i>	<i>Qualifier</i>
----------------------------	--------------	-----------------	------------------

Power Brake Booster	02 - 99	5474818	Gas; w/o Master Cylinder; w/JC5
---------------------	---------	---------	---------------------------------

Piston: M - OE Metal Piston P - OE Phenolic Piston

SIERRA 1500 (cont.) - See Also SIERRA 1500 HD / DENALI
Brake Cables

Parking Brake Cable	Years	Sequential No.	Category No.	Qualifier
Parking Brake Cable	04 - 99	F140235	(BC140235)	Intermediate; 116" WB; Reg. Cab; 6-1/2' Bed; 20" Length
Parking Brake Cable	04 - 99	F140234	(BC140234)	Intermediate; 133" WB; Reg. Cab; 8' Bed; 40" Length
Parking Brake Cable	04	F140237	(BC140237)	Intermediate; 143-1/2" WB; Crew Cab; 6-1/2' Bed; 51" Length
Parking Brake Cable	04 - 99	F140237	(BC140237)	Intermediate; 143-1/2" WB; Ext. Cab; 6-1/2' Bed; 51" Length
Parking Brake Cable	04 - 99	F140236	(BC140236)	Intermediate; 157-1/2" WB; Ext. Cab; 8' Bed; 65" Length

Wheel Attaching Hardware

Front Wheel Stud	Years	Part No.	Qualifier
Wheel Lug Stud	05 - 99	BD125938	
Rear Wheel Stud	Years	Part No.	Qualifier
Wheel Lug Stud	05 - 99	BD125938	M14 x 1.5 x 29
Front Wheel Nut	Years	Part No.	Qualifier
Wheel Lug Nut	04 - 99	BD61404	Bulge; w/Alum. Whl.
Wheel Lug Nut	04 - 99	BD125916	External Thread; Exc. Alum. Whl.
Rear Wheel Nut	Years	Part No.	Qualifier
Wheel Lug Nut	04 - 99	BD61404	Bulge; w/Alum. Whl.
Wheel Lug Nut	04 - 99	BD125916	External Thread; Exc. Alum. Whl.

SIERRA 1500 HD - See Also SIERRA 1500 / DENALI
Brake Pads & Shoes

Front Pads & Shoes	Years	SevereDuty	Lining No.	Qualifier
Brake Pads	06 - 05	SD785		Exc. H/D Brake; w/JC4
Brake Pads	06 - 05	SD784		H/D Brake
Brake Pads	03 - 01	SD784		Crew Cab
Brake Pads	03 - 01	SD785		Exc. Crew Cab
Rear Pads & Shoes	Years	SevereDuty	Lining No.	Qualifier
Brake Pads	06 - 05	SD975		4WD; 7200 GVW; Ext. Cab or Crew Cab; Exc. H/D Brake
Brake Pads	06 - 05	SD785		H/D Brake
Brake Pads	03	SD785		2WD; w/Crew Cab; Exc. 4WS
Brake Pads	03	SD975		4WD; Exc. Crew Cab; w/4WS; w/Sport Perf. Pkg.
Brake Pads	03	SD785		4WD; w/Crew Cab; Exc. 4WS
Brake Pads	02 - 01	SD785		Crew Cab
Brake Pads	02 - 01	SD792A		Exc. Crew Cab

Rotor & Drum

Front Rotor & Drum	Years	Part No.	Qualifier
Brake Rotor	06 - 05	BD125653	Crew Cab; w/Rear Disc
Brake Rotor	06 - 05	BD125654	Exc. Crew Cab; w/Rear Disc
Brake Rotor	06 - 05	BD126358	w/Rear Drum
Brake Rotor	03 - 01	BD125653	Crew Cab
Brake Rotor	03 - 01	BD125654	Exc. Crew Cab
Rear Rotor & Drum	Years	Part No.	Qualifier
Brake Drum	06 - 05	BD126267	
Brake Rotor	06 - 05	BD125655	w/12-13/16" Dia. Rotor; 6 Stud Whl.
Brake Rotor	06 - 05	BD126032	w/13" Dia. Rotor; 6 Stud Whl.
Brake Rotor	06 - 05	BD126179	w/13" Dia. Rotor; 8 Stud Whl.; w/4-5/8" Dia. Center Pilot Hole; 1-5/8" Mounting Height
Brake Rotor	06 - 05	BD125656	w/13" Dia. Rotor; 8 Stud Whl.; w/4-5/8" Dia. Ctr. Pilot Hole; 3" Mounting Height
Brake Rotor	03 - 01	BD125655	w/12-13/16" Dia. Rotor; 6 Stud Whl.
Brake Rotor	03 - 02	BD126032	w/13" Dia. Rotor; 6 Stud Whl.
Brake Rotor	03	BD126179	w/13" Dia. Rotor; 8 Stud Whl.; w/4-5/8" Dia. Center Pilot Hole; 1-5/8" Mounting Height
Brake Rotor	03 - 01	BD125656	w/13" Dia. Rotor; 8 Stud Whl.; w/4-5/8" Dia. Ctr. Pilot Hole; 3" Mounting Height
Brake Rotor	01	BD125735	w/13" Dia. Rotor; 6 Stud Whl.

Brake Hardware

Front Brake Hardware	Years	Sequential No.	Category No.	Qualifier
Caliper Bolt/Pin	03 - 01	F139700	(H5095)	Crew Cab
Caliper Bolt/Pin	03 - 01	F139712	(H5096)	Exc. Crew Cab

SIERRA 1500 HD (cont.) - See Also SIERRA 1500 / DENALI

Brake Hardware (cont.)

Front Brake Hardware	Years	Sequential No.	Category No.	Qualifier
Disc Align Kit	03 - 01	F139708	(H5646)	Crew Cab
Disc Align Kit	03 - 01	F139707	(H5645)	Exc. Crew Cab
Pin Boot Kit	03 - 01	F138697S	(H8221)	

Rear Brake Hardware	Years	Sequential No.	Category No.	Qualifier
Caliper Bolt/Pin	05	F138102S	(H5081)	w/Dual Piston Caliper
Caliper Bolt/Pin	05	F140549	(H5102)	w/Single Piston Caliper
Caliper Bolt/Pin	03	F138102S	(H5081)	w/Dual Piston Caliper
Caliper Bolt/Pin	03	F139859	(H5099)	w/Single Piston Caliper
Caliper Bolt/Pin	02 - 01	F138102S	(H5081)	
Disc Align Kit	03	F139707	(H5645)	Crew Cab; Exc. 9-1/2" R.G.
Disc Align Kit	03	F139710	(H5648)	Crew Cab; w/9-1/2" R.G.
Disc Align Kit	03	F139884	(H5673)	Exc. Crew Cab; 6400 GVW
Disc Align Kit	03	F139710	(H5648)	Exc. Crew Cab; 7200 GVW
Disc Align Kit	03	F140509	(H5677)	Exc. Crew Cab; w/4WS
Disc Align Kit	02 - 01	F139707	(H5645)	Crew Cab; Exc. 4WS
Disc Align Kit	02 - 01	F139710	(H5648)	Exc. Crew Cab; Exc. 4WS
Disc Align Kit	02 - 01	F140509	(H5677)	w/4WS
Pin Boot Kit	05	F140511	(H8239)	2WD
Pin Boot Kit	03 - 01	F138601S	(H18047)	4WD

Calipers - Reman

Front, Unloaded	Years	Left No.	Right No.	Qualifier	Piston
Unloaded Caliper	06 - 05	CRB134347	CRB134348	9900 GVW; w/Dual Piston Caliper; Supplied w/Mtg. Brkt.	P
Unloaded Caliper	06 - 05	CR134347	CR134348	9900 GVW; w/Dual Piston Caliper; Supplied w/o Mtg. Brkt.	P
Unloaded Caliper	03 - 01	CRB134347	CRB134348	9900 GVW; w/Dual Piston Caliper; Supplied w/Mtg. Brkt.	P
Unloaded Caliper	03 - 01	CR134347	CR134348	9900 GVW; w/Dual Piston Caliper; Supplied w/o Mtg. Brkt.	P

Rear, Unloaded	Years	Left No.	Right No.	Qualifier	Piston
Unloaded Caliper	06 - 05	CRB134345	CRB134346	9900 GVW; w/Dual Piston Caliper; Supplied w/Mtg. Brkt.	P
Unloaded Caliper	06 - 05	CR134345	CR134346	9900 GVW; w/Dual Piston Caliper; Supplied w/o Mtg. Brkt.	P
Unloaded Caliper	03 - 01	CRB134345	CRB134346	9900 GVW; w/Dual Piston Caliper; Supplied w/Mtg. Brkt.	P
Unloaded Caliper	03 - 01	CR134345	CR134346	9900 GVW; w/Dual Piston Caliper; Supplied w/o Mtg. Brkt.	P

Hydraulics - New

Master Cylinder	Years	Sequential No.	Category No.	Qualifier
Master Cylinder	06 - 05	F140480	(MC140480)	w/Hydro-Boost; w/o ABS; 1-15/32" Bore
Master Cylinder	06 - 05	F140376	(MC140376)	w/Vacuum Boost; w/o ABS; 7200 GVW
Master Cylinder	03	F140480	(MC140480)	w/Hydro-Boost; 1-15/32" Bore
Master Cylinder	03	F140376	(MC140376)	w/Vacuum Boost; w/o ABS

Clutch Master Cylind	Years	Sequential No.	Category No.	Qualifier
Clutch Master Cylinder	03 - 01	F134526	(CM134526)	w/5 Spd. Trans.; 45/64" Bore

Clutch Slave Cylinder	Years	Sequential No.	Category No.	Qualifier
Clutch Slave Cylinder	03	F140212	(SC140212)	w/5 Spd. Trans.; 1-7/32" Bore
Clutch Slave Cylinder	02 - 01	F140158	(SC140158)	w/5 Spd. Trans.

Front Brake Hose	Years	Sequential No.	Category No.	Qualifier
Brake Hose	05	F140187	(BH140187)	L.H.; 4WD
Brake Hose	05	F140188	(BH140188)	R.H.; 4WD
Brake Hose	03 - 01	F140021	(BH140021)	L.H.; 2WD; Improved OE Design
Brake Hose	03 - 01	F140187	(BH140187)	L.H.; 4WD
Brake Hose	03 - 01	F140022	(BH140022)	R.H.; 2WD; Improved OE Design
Brake Hose	03 - 01	F140188	(BH140188)	R.H.; 4WD

Rear Brake Hose	Years	Sequential No.	Category No.	Qualifier
Brake Hose	03	F140019	(BH140019)	L.H.; 6400 GVW; Improved OE Design
Brake Hose	03	F140020	(BH140020)	R.H.; 6400 GVW; Improved OE Design
Brake Hose	02	F140019	(BH140019)	L.H.; Exc. 4WS; Improved OE Design
Brake Hose	02	F140020	(BH140020)	R.H.; Exc. 4WS; Improved OE Design
Brake Hose	01	F140019	(BH140019)	L.H.; Improved OE Design

Piston: M - OE Metal Piston P - OE Phenolic Piston

SIERRA 1500 HD (cont.) - See Also SIERRA 1500 / DENALI
Hydraulics - New (cont.)

Rear Brake Hose	Years	Sequential No.	Category No.	Qualifier
Brake Hose	01	F140020	(BH140020)	R.H.; Improved OE Design

Hydraulics - Reman

Master Cylinder	Years	Part No.	Qualifier
Master Cylinder	02 - 01	R134735	w/JC5
Master Cylinder	02 - 01	R134734	w/JH5 or JH6 or JH7

Power Brake Booster	Years	Part No.	Qualifier
Hydro Booster	02 - 01	527359	w/JH5 or JH6 or JH7

Power Brake Booster	Years	Part No.	Qualifier
Power Brake Booster	02 - 01	5474818	Gas; w/o Master Cylinder; w/JC5

Brake Cables

Parking Brake Cable	Years	Sequential No.	Category No.	Qualifier
Parking Brake Cable	03 - 01	F140235	(BC140235)	Intermediate; 116" WB; Reg. Cab; 6-1/2' Bed; 20" Length
Parking Brake Cable	03 - 01	F140234	(BC140234)	Intermediate; 133" WB; Reg. Cab; 8' Bed; 40" Length
Parking Brake Cable	03 - 01	F140237	(BC140237)	Intermediate; 143-1/2" WB; Ext. Cab; 6-1/2' Bed; 51" Length
Parking Brake Cable	03 - 01	F140236	(BC140236)	Intermediate; 157-1/2" WB; Ext. Cab; 8' Bed; 65" Length

Wheel Attaching Hardware

Front Wheel Stud	Years	Part No.	Qualifier
Wheel Lug Stud	05	BD125938	
Wheel Lug Stud	03 - 01	BD125938	

Rear Wheel Stud	Years	Part No.	Qualifier
Wheel Lug Stud	03 - 01	BD125938	M14 x 1.5 x 29

Front Wheel Nut	Years	Part No.	Qualifier
Wheel Lug Nut	03 - 01	BD61404	Bulge; w/Alum. Whl.
Wheel Lug Nut	03 - 01	BD125916	External Thread; Exc. Alum. Whl.

Rear Wheel Nut	Years	Part No.	Qualifier
Wheel Lug Nut	03 - 01	BD61404	Bulge; w/Alum. Whl.
Wheel Lug Nut	03 - 01	BD125916	External Thread; Exc. Alum. Whl.

SIERRA DENALI - See Also SIERRA 1500 / HD
Brake Pads & Shoes

Front Pads & Shoes	Years	SevereDuty	Lining No.	Qualifier
Brake Pads	06 - 05	SD785		Exc. H/D Brake; w/JC4
Brake Pads	06 - 05	SD784		H/D Brake
Brake Pads	04 - 02	SD784		Crew Cab
Brake Pads	04 - 02	SD785		Exc. Crew Cab

Rear Pads & Shoes	Years	SevereDuty	Lining No.	Qualifier
Brake Pads	06 - 05	SD975		2WD; 6400 GVW; Ext. Cab, Reg. Cab; Exc. H/D Brake; Incl. H/D Hardware Kit
Brake Pads	06 - 05	SD975		4WD; 6400 GVW; Ext. Cab, Reg. Cab; Exc. H/D Brake; Incl. H/D Hardware Kit
Brake Pads	06 - 05	SD975		4WD; 7200 GVW; Ext. Cab or Crew Cab; Exc. H/D Brake
Brake Pads	06 - 05	SD785		H/D Brake
Brake Pads	04 - 03	SD785		2WD; w/Crew Cab; Exc. 4WS
Brake Pads	04 - 03	SD975		4WD; Exc. Crew Cab; w/4WS; w/Sport Perf. Pkg.
Brake Pads	04 - 03	SD785		4WD; w/Crew Cab; Exc. 4WS
Brake Pads	03	SD792A		2WD; Exc. Crew Cab; Exc. 4WS; Exc. Sport Perf. Pkg.
Brake Pads	03	SD792A		4WD; Exc. Crew Cab; Exc. 4WS; Exc. Sport Perf. Pkg.
Brake Pads	02	SD785		Crew Cab
Brake Pads	02	SD792A		Exc. Crew Cab

Rotor & Drum

Front Rotor & Drum	Years	Part No.	Qualifier
Brake Rotor	06 - 05	BD125653	Crew Cab; w/Rear Disc
Brake Rotor	06 - 05	BD125654	Exc. Crew Cab; w/Rear Disc
Brake Rotor	04 - 02	BD125653	Crew Cab
Brake Rotor	04 - 02	BD125654	Exc. Crew Cab

SIERRA DENALI (cont.) - See Also SIERRA 1500 / HD

Rotor & Drum (cont.)

Rear Rotor & Drum	Years	Part No.	Qualifier
Brake Drum	06 - 05	BD126267	
Brake Rotor	06 - 02	BD125655	w/12-13/16" Dia. Rotor; 6 Stud Whl.
Brake Rotor	06 - 02	BD126032	w/13" Dia. Rotor; 6 Stud Whl.
Brake Rotor	06 - 03	BD126179	w/13" Dia. Rotor; 8 Stud Whl.; w/4-5/8" Dia. Center Pilot Hole; 1-5/8" Mounting Height
Brake Rotor	06 - 02	BD125656	w/13" Dia. Rotor; 8 Stud Whl.; w/4-5/8" Dia. Ctr. Pilot Hole; 3" Mounting Height

Brake Hardware

Front Brake Hardware	Years	Sequential No.	Category No.	Qualifier
Caliper Bolt/Pin	04 - 02	F139700	(H5095)	Crew Cab
Caliper Bolt/Pin	04 - 02	F139712	(H5096)	Exc. Crew Cab
Disc Align Kit	03 - 02	F139708	(H5646)	Crew Cab
Disc Align Kit	03 - 02	F139707	(H5645)	Exc. Crew Cab
Pin Boot Kit	03 - 02	F138697S	(H8221)	

Rear Brake Hardware	Years	Sequential No.	Category No.	Qualifier
Caliper Bolt/Pin	05 - 03	F138102S	(H5081)	w/Dual Piston Caliper
Caliper Bolt/Pin	05	F140549	(H5102)	w/Single Piston Caliper
Caliper Bolt/Pin	04 - 03	F139859	(H5099)	w/Single Piston Caliper
Caliper Bolt/Pin	02	F138102S	(H5081)	
Disc Align Kit	04 - 03	F139707	(H5645)	Crew Cab; Exc. 9-1/2" R.G.
Disc Align Kit	04 - 03	F139710	(H5648)	Crew Cab; w/9-1/2" R.G.
Disc Align Kit	04 - 03	F139884	(H5673)	Exc. Crew Cab; 6400 GVW
Disc Align Kit	04 - 03	F139710	(H5648)	Exc. Crew Cab; 7200 GVW
Disc Align Kit	04 - 03	F140509	(H5677)	Exc. Crew Cab; w/4WS
Disc Align Kit	02	F139710	(H5648)	Crew Cab; Exc. 4WS
Disc Align Kit	02	F139707	(H5645)	Exc. Crew Cab; Exc. 4WS
Disc Align Kit	02	F140509	(H5677)	w/4WS
Pin Boot Kit	05	F140511	(H8239)	2WD
Pin Boot Kit	04 - 02	F138601S	(H18047)	4WD

Hydraulics - New

Master Cylinder	Years	Sequential No.	Category No.	Qualifier
Master Cylinder	06 - 05	F140376	(MC140376)	w/Vacuum Boost; 7200 GVW
Master Cylinder	04 - 03	F140376	(MC140376)	w/Vacuum Boost

Clutch Master Cylind	Years	Sequential No.	Category No.	Qualifier
Clutch Master Cylinder	04 - 02	F134526	(CM134526)	w/5 Spd. Trans.; 45/64" Bore

Clutch Slave Cylinder	Years	Sequential No.	Category No.	Qualifier
Clutch Slave Cylinder	04 - 03	F140212	(SC140212)	w/5 Spd. Trans.; 1-7/32" Bore
Clutch Slave Cylinder	02	F140158	(SC140158)	w/5 Spd. Trans.

Front Brake Hose	Years	Sequential No.	Category No.	Qualifier
Brake Hose	05 - 02	F140187	(BH140187)	L.H.; 4WD
Brake Hose	05 - 02	F140188	(BH140188)	R.H.; 4WD
Brake Hose	03 - 02	F140021	(BH140021)	L.H.; 2WD; Improved OE Design
Brake Hose	03 - 02	F140022	(BH140022)	R.H.; 2WD; Improved OE Design

Rear Brake Hose	Years	Sequential No.	Category No.	Qualifier
Brake Hose	03	F140019	(BH140019)	L.H.; 6400 GVW; Improved OE Design
Brake Hose	03	F140020	(BH140020)	R.H.; 6400 GVW; Improved OE Design
Brake Hose	02	F140019	(BH140019)	L.H.; Exc. 4WS; Improved OE Design
Brake Hose	02	F140020	(BH140020)	R.H.; Exc. 4WS; Improved OE Design

Hydraulics - Reman

Master Cylinder	Years	Part No.	Qualifier
Master Cylinder	02	R134735	w/JC5
Master Cylinder	02	R134734	w/JH5 or JH6 or JH7

Power Brake Booster	Years	Part No.	Qualifier
Hydro Booster	02	527359	w/JH5 or JH6 or JH7

Power Brake Booster	Years	Part No.	Qualifier
Power Brake Booster	02	5474818	Gas; w/o Master Cylinder; w/JC5

SIERRA DENALI (cont.) - See Also SIERRA 1500 / HD

Brake Cables

Parking Brake Cable	Years	Sequential No.	Category No.	Qualifier
Parking Brake Cable	04 - 02	F140235	(BC140235)	Intermediate; 116" WB; Reg. Cab; 6-1/2' Bed; 20" Length
Parking Brake Cable	04 - 02	F140234	(BC140234)	Intermediate; 133" WB; Reg. Cab; 8' Bed; 40" Length
Parking Brake Cable	04	F140237	(BC140237)	Intermediate; 143-1/2" WB; Crew Cab; 6-1/2' Bed; 51" Length
Parking Brake Cable	04 - 02	F140236	(BC140236)	Intermediate; 157-1/2" WB; Ext. Cab; 8' Bed; 65" Length
Parking Brake Cable	04 - 02	F140237	(BC140237)	Intermediate; AWD; 143-1/2" WB; Ext. Cab; 6-1/2' Bed; 51" Length

Wheel Attaching Hardware

Front Wheel Stud	Years	Part No.	Qualifier
Wheel Lug Stud	05 - 02	BD125938	Exc. Alum. Whl.
Wheel Lug Stud	05 - 02	BD125938	w/Alum. Whl.
Front Wheel Nut	Years	Part No.	Qualifier
Wheel Lug Nut	05 - 02	BD61404	Bulge
Wheel Lug Nut	05 - 02	BD125916	External Thread
Rear Wheel Nut	Years	Part No.	Qualifier
Wheel Lug Nut	05 - 02	BD61404	Bulge
Wheel Lug Nut	05 - 02	BD125916	External Thread

V1500 PICKUP - See Also R1500 PICKUP

Brake Pads & Shoes

Front Pads & Shoes	Years	SevereDuty	Lining No.	Qualifier
Brake Pads	87	SD52		
Rear Pads & Shoes	Years	SevereDuty	Lining No.	Qualifier
Brake Shoes	87	SDS473R	EX2073TD-S32	11-5/32 x 2-3/4" Brake; Riveted

Rotor & Drum

Front Rotor & Drum	Years	Part No.	Qualifier
Brake Rotor	87	BD60413	
Rotor Hub	87	BD61707	L.H.; Use w/BD60413 Rotor
Rotor Hub	87	BD61707	R.H.; Use w/BD60413 Rotor
Rear Rotor & Drum	Years	Part No.	Qualifier
Brake Drum	87	BD125052	11-5/32 x 2-3/4" Brake

Brake Hardware

Front Brake Hardware	Years	Sequential No.	Category No.	Qualifier
Caliper Bolt/Pin	87	F76074S	(H5004)	
Disc Align Kit	87	F73674S	(H5500)	
Rear Brake Hardware	Years	Sequential No.	Category No.	Qualifier
Adjuster Kit	87	F98404	(H2584)	L.H.
Adjuster Kit	87	F111233	(H2687)	R.H.
Adjuster Screw	87	F73181S	(H1530)	L.H.
Adjuster Screw	87	F73182S	(H1531)	R.H.
Combi Kit	87	F98455S	(H7046)	
↳Adjuster Spring Kit		F45936S	(H415)	
↳Hold Down Kit		F98422S	(H4018)	
↳Return Spring Kit		F45927S	(H324)	

Calipers - Reman

Front, Loaded	Years	Left No.	Right No.	Qualifier	Piston
Loaded Caliper	87	AS98886	AS98887	w/2.94" Single Piston Caliper	M
Front, Unloaded	Years	Left No.	Right No.	Qualifier	Piston
Unloaded Caliper	87	CR98886	CR98887	w/2.94" Single Piston Caliper	M

Hydraulics - New

Master Cylinder	Years	Sequential No.	Category No.	Qualifier
Master Cylinder	87	F104456	(MC104456)	w/Hydro-Boost; 1-3/16" Bore
Master Cylinder	87	F104516	(MC104516)	w/Vacuum Boost; 1-1/8" Bore
Rear Wheel Cylinder	Years	Sequential No.	Category No.	Qualifier
Wheel Cylinder	87	F51081	(WC51081)	15/16" Bore

↳Sub-Kit of Combi-Kit is available separately.

Piston: M - OE Metal Piston P - OE Phenolic Piston

GMC - 1/2 TON TRUCK



V1500 PICKUP (cont.) - See Also R1500 PICKUP

Hydraulics - New (cont.)				
Clutch Master Cylinder	Years	Sequential No.	Category No.	Qualifier
Clutch Master Cylinder	87	F110273	(CM110273)	11/16" Bore
Clutch Slave Cylinder	Years	Sequential No.	Category No.	Qualifier
Clutch Slave Cylinder	87	F103483	(SC103483)	13/16" Bore
Front Brake Hose	Years	Sequential No.	Category No.	Qualifier
Brake Hose	87	F104345	(BH104345)	L.H.
Brake Hose	87	F104347	(BH104347)	R.H.
Rear Brake Hose	Years	Sequential No.	Category No.	Qualifier
Brake Hose	87	F113148	(BH113148)	Diesel
Brake Hose	87	F80967	(BH80967)	w/o Diesel
Hydraulics - Reman				
Master Cylinder	Years	Part No.	Qualifier	
Master Cylinder	87	R104456	Diesel; w/JD5	
Master Cylinder	87	R104516	Gas; w/JB5	
Power Brake Booster	Years	Part No.	Qualifier	
Hydro Booster	87	527248	Diesel; w/JD5	
Power Brake Booster	Years	Part No.	Qualifier	
Power Brake Booster	87	509089	Gas; w/Master Cylinder; w/JB5	
Power Brake Booster	87	5471069	Gas; w/o Master Cylinder; w/JB5	
Brake Cables				
Parking Brake Cable	Years	Sequential No.	Category No.	Qualifier
Parking Brake Cable	87	F113219	(BC113219)	Forward; 117-1/2" WB
Parking Brake Cable	87	F108771	(BC108771)	Forward; 131-1/2" WB
Parking Brake Cable	87	F129828	(BC129828)	Rear; L.H.
Parking Brake Cable	87	F108768	(BC108768)	Rear; R.H.
Wheel Attaching Hardware				
Front Wheel Stud	Years	Part No.	Qualifier	
Wheel Lug Stud	87	BD60908		
Rear Wheel Stud	Years	Part No.	Qualifier	
Wheel Lug Stud	87	BD61203		
Front Wheel Nut	Years	Part No.	Qualifier	
Wheel Lug Nut	87	BD61285	Std. Open	
Rear Wheel Nut	Years	Part No.	Qualifier	
Wheel Lug Nut	87	BD61285	Std. Open	

GMC - 1/2 TON VAN

G1500 VAN				
Brake Pads & Shoes				
Front Pads & Shoes	Years	SevereDuty	Lining No.	Qualifier
Brake Pads	98 - 96	SD369		
Brake Pads	95 - 84	SD52		
Brake Pads	83 - 81	SD52		
Rear Pads & Shoes	Years	SevereDuty	Lining No.	Qualifier
Brake Shoes	98 - 81	SDS473R	EX2073TD-S32	11-5/32 x 2-3/4" Brake; Riveted
Brake Shoes	89 - 81	SDS449R	EX2159TD	11 x 2" Brake; Riveted
Rotor & Drum				
Front Rotor & Drum	Years	Part No.	Qualifier	
Brake Rotor	98 - 96	BD125206		
Brake Rotor	95 - 93	BD125343	w/Hydro-Boost	
Brake Rotor	95 - 93	BD125344	w/Vacuum Boost	
Brake Rotor	92 - 81	BD60258		
Rear Rotor & Drum	Years	Part No.	Qualifier	
Brake Drum	98 - 96	BD125207	11-5/32 x 2-3/4" Brake	
Brake Drum	95 - 81	BD125051	11-5/32 x 2-3/4" Brake	

G1500 VAN (cont.)
Rotor & Drum (cont.)

Rear Rotor & Drum	Years	Part No.	Qualifier
Brake Drum	89 - 81	BD60294	11 x 2" Brake

Brake Hardware

Front Brake Hardware	Years	Sequential No.	Category No.	Qualifier
Caliper Bolt/Pin	98 - 96	F117224S	(H5038)	
Caliper Bolt/Pin	95 - 81	F76074S	(H5004)	
Disc Align Kit	98 - 96	F117225S	(H5584)	
Disc Align Kit	95 - 81	F73674S	(H5500)	

Rear Brake Hardware	Years	Sequential No.	Category No.	Qualifier
Adjuster Kit	98 - 81	F98404	(H2584)	L.H.
Adjuster Kit	98 - 83	F111233	(H2687)	R.H.
Adjuster Kit	82 - 81	F98405	(H2585)	R.H.
Adjuster Screw	98 - 83	F73181S	(H1530)	L.H.
Adjuster Screw	98 - 83	F73182S	(H1531)	R.H.
Adjuster Screw	81	F73181S	(H1530)	L.H.
Adjuster Screw	81	F73182S	(H1531)	R.H.
Combi Kit	98 - 96	F134117S	(H7217)	
↳Adjuster Spring Kit		F45936S	(H415)	
↳Return Spring Kit		F45927S	(H324)	
Combi Kit	95 - 81	F98455S	(H7046)	
↳Adjuster Spring Kit		F45936S	(H415)	
↳Hold Down Kit		F98422S	(H4018)	
↳Return Spring Kit		F45927S	(H324)	

Calipers - Reman

Front, Loaded	Years	Left No.	Right No.	Qualifier	Piston
Loaded Caliper	98 - 96	AS116292	AS116293	w/2.94" Single Piston Caliper	M
Loaded Caliper	95 - 81	AS98884	AS98885		M

Front, Unloaded	Years	Left No.	Right No.	Qualifier	Piston
Unloaded Caliper	98 - 96	CR116292	CR116293	w/2.94" Single Piston Caliper	M
Unloaded Caliper	95 - 81	CR98884	CR98885		M

Hydraulics - New

Master Cylinder	Years	Sequential No.	Category No.	Qualifier
Master Cylinder	98 - 96	F140292	(MC140292)	w/JB6; 1-1/8" Bore
Master Cylinder	95 - 85	F110887	(MC110887)	1-1/8" Bore
Master Cylinder	87 - 85	F110886	(MC110886)	w/Manual Brake; 1" Bore
Master Cylinder	84 - 81	F104514	(MC104514)	1-1/8" Bore
Master Cylinder	84 - 81	F104545	(MC104545)	w/Manual Brake; 1" Bore

Rear Wheel Cylinder	Years	Sequential No.	Category No.	Qualifier
Wheel Cylinder	98 - 96	F131225	(WC131225)	15/16" Bore
Wheel Cylinder	95 - 89	F51081	(WC51081)	15/16" Bore
Wheel Cylinder	88 - 85	F79767	(WC79767)	4900-5600 GVW; 1-1/16" Bore
Wheel Cylinder	88	F51081	(WC51081)	6000 GVW; 15/16" Bore
Wheel Cylinder	87 - 81	F51081	(WC51081)	6000 GVW; H/D Brake; 15/16" Bore
Wheel Cylinder	84 - 81	F51088	(WC51088)	4900-5600 GVW; 1" Bore

Front Brake Hose	Years	Sequential No.	Category No.	Qualifier
Brake Hose	98 - 96	F138061	(BH138061)	L.H.
Brake Hose	98 - 96	F138062	(BH138062)	R.H.
Brake Hose	95 - 83	F110159	(BH110159)	L.H.
Brake Hose	95 - 83	F110158	(BH110158)	R.H.
Brake Hose	82 - 81	F102464	(BH102464)	L.H.
Brake Hose	82 - 81	F102465	(BH102465)	R.H.

Rear Brake Hose	Years	Sequential No.	Category No.	Qualifier
Brake Hose	98 - 96	F118117	(BH118117)	
Brake Hose	95 - 81	F86560	(BH86560)	

↳Sub-Kit of Combi-Kit is available separately.

Piston: M - OE Metal Piston P - OE Phenolic Piston

G1500 VAN (cont.)

Hydraulics - Reman

Master Cylinder	Years	Part No.	Qualifier
Master Cylinder	98 - 96	R134627	
Master Cylinder	95 - 88	R110887	
Master Cylinder	87 - 85	R110886	w/JB1
Master Cylinder	87 - 85	R110887	w/JB3 or JB5
Master Cylinder	84 - 81	R104545	w/JB1; Supplied With Pedal Rod
Master Cylinder	84 - 81	R105118	w/JB3 or JB5

Power Brake Booster

Power Brake Booster	Years	Part No.	Qualifier
Power Brake Booster	98 - 96	5474810	Gas; w/o Master Cylinder
Power Brake Booster	95 - 94	5471063	Gas; w/o Master Cylinder
Power Brake Booster	93 - 90	501050	Gas; w/Master Cylinder
Power Brake Booster	93 - 90	5471050	Gas; w/o Master Cylinder
Power Brake Booster	89 - 85	501050	Gas; w/Master Cylinder; w/Dual Diaphragm; w/JB5
Power Brake Booster	89 - 85	501150	Gas; w/Master Cylinder; w/Single Diaphragm; w/JB3
Power Brake Booster	89 - 81	5471050	Gas; w/o Master Cylinder; w/Dual Diaphragm; w/JB5
Power Brake Booster	89 - 81	5471150	Gas; w/o Master Cylinder; w/Single Diaphragm; w/JB3
Power Brake Booster	84 - 81	509102	Gas; w/Master Cylinder; w/Dual Diaphragm; w/JB5
Power Brake Booster	84 - 81	509101	Gas; w/Master Cylinder; w/Single Diaphragm; w/JB3

Brake Cables

Parking Brake Cable	Years	Sequential No.	Category No.	Qualifier
Parking Brake Cable	98 - 96	F138836	(BC138836)	Forward
Parking Brake Cable	98 - 97	F140296	(BC140296)	Rear; L.H.; w/JB6; 63" Length
Parking Brake Cable	98 - 96	F140173	(BC140173)	Rear; R.H.; w/JB6; 90" Length
Parking Brake Cable	96	F138112	(BC138112)	Rear; L.H.
Parking Brake Cable	95 - 88	F124691	(BC124691)	Forward; 110", 125" WB
Parking Brake Cable	95 - 83	F124688	(BC124688)	Forward; 125" WB
Parking Brake Cable	95 - 89	F123949	(BC123949)	Rear; L.H.
Parking Brake Cable	95 - 89	F124763	(BC124763)	Rear; R.H.
Parking Brake Cable	88 - 83	F108774	(BC108774)	Rear; L.H.
Parking Brake Cable	88 - 83	F108775	(BC108775)	Rear; R.H.
Parking Brake Cable	87 - 83	F124691	(BC124691)	Forward; 110" WB
Parking Brake Cable	82 - 81	F88584	(BC88584)	Forward
Parking Brake Cable	82 - 81	F101986	(BC101986)	Intermediate; 110" WB
Parking Brake Cable	82 - 81	F126816	(BC126816)	Intermediate; 125" WB
Parking Brake Cable	82 - 81	F88582	(BC88582)	Rear; L.H.
Parking Brake Cable	82 - 81	F88582	(BC88582)	Rear; R.H.

ABS Components - Reman

ABS Module

ABS Module	Years	Part No.	Qualifier
ABS Module	92 - 90	RA121000	

ABS Hydraulic Unit

ABS Hydraulic Unit	Years	Part No.	Qualifier
ABS Hydraulic Unit	98 - 96	RA125034	
ABS Hydraulic Unit	95	RA125025	
ABS Hydraulic Unit	94	RA125019	
ABS Hydraulic Unit	93	RA125018	
ABS Hydraulic Unit	92 - 91	RA122040	
ABS Hydraulic Unit	90	RA122005	

Wheel Attaching Hardware

Front Wheel Stud

Front Wheel Stud	Years	Part No.	Qualifier
Wheel Lug Stud	98 - 96	BD61401	
Wheel Lug Stud	95 - 81	BD60901	

Rear Wheel Stud

Rear Wheel Stud	Years	Part No.	Qualifier
Wheel Lug Stud	98 - 96	BD61402	
Wheel Lug Stud	95 - 81	BD61483	

Front Wheel Nut

Front Wheel Nut	Years	Part No.	Qualifier
Wheel Lug Nut	98 - 96	BD61404	Bulge
Wheel Lug Nut	98 - 96	BD125916	External Thread

G1500 VAN (cont.)

Wheel Attaching Hardware (cont.)

Front Wheel Nut	Years	Part No.	Qualifier
Wheel Lug Nut	95 - 81	BD61283	Std. Open; 1/2"-20 Thread; 13/16" Hex
Rear Wheel Nut	Years	Part No.	Qualifier
Wheel Lug Nut	98 - 96	BD61404	Bulge
Wheel Lug Nut	98 - 96	BD125916	External Thread
Wheel Lug Nut	95 - 81	BD61283	Std. Open; 1/2"-20 Thread; 13/16" Hex

SAVANA 1500

Brake Pads & Shoes

Front Pads & Shoes	Years	SevereDuty	Lining No.	Qualifier
Brake Pads	06 - 03	SD785		
Brake Pads	02 - 99	SD369		
Rear Pads & Shoes	Years	SevereDuty	Lining No.	Qualifier
Brake Pads	06 - 03	SD974A		
Brake Shoes	02 - 99	SDS473R	EX2073TD-S32	11-5/32 x 2-3/4" Brake; Riveted

Rotor & Drum

Front Rotor & Drum	Years	Part No.	Qualifier
Brake Rotor	06 - 03	BD125654	
Brake Rotor	02 - 99	BD125206	
Rear Rotor & Drum	Years	Part No.	Qualifier
Brake Drum	02 - 99	BD125207	11-5/32 x 2-3/4" Brake
Brake Rotor	06 - 03	BD126032	

Brake Hardware

Front Brake Hardware	Years	Sequential No.	Category No.	Qualifier
Caliper Bolt/Pin	06 - 03	F139712	(H5096)	
Caliper Bolt/Pin	02 - 99	F117224S	(H5038)	
Disc Align Kit	06 - 03	F139707	(H5645)	
Disc Align Kit	02 - 99	F117225S	(H5584)	
Pin Boot Kit	06 - 03	F138697S	(H8221)	
Rear Brake Hardware	Years	Sequential No.	Category No.	Qualifier
Adjuster Kit	02 - 99	F98404	(H2584)	L.H.
Adjuster Kit	02 - 99	F111233	(H2687)	R.H.
Adjuster Screw	02 - 99	F73181S	(H1530)	L.H.
Adjuster Screw	02 - 99	F73182S	(H1531)	R.H.
Caliper Bolt/Pin	05 - 03	F140549	(H5102)	2WD
Combi Kit	02 - 99	F134117S	(H7217)	
↳Adjuster Spring Kit		F45936S	(H415)	
↳Return Spring Kit		F45927S	(H324)	
Disc Align Kit	04 - 03	F139865	(H5666)	2WD

Calipers - Reman

Front, Loaded	Years	Left No.	Right No.	Qualifier	Piston
Loaded Caliper	02 - 99	AS116292	AS116293	w/2.94" Single Piston Caliper	M
Front, Unloaded	Years	Left No.	Right No.	Qualifier	Piston
Unloaded Caliper	05 - 03	CRB134346	CRB134345	w/Dual Piston Caliper; Supplied w/Mtg. Brkt.	P
Unloaded Caliper	05 - 03	CR134346	CR134345	w/Dual Piston Caliper; Supplied w/o Mtg. Brkt.	P
Unloaded Caliper	02 - 99	CR116292	CR116293	w/2.94" Single Piston Caliper	M
Rear, Unloaded	Years	Left No.	Right No.	Qualifier	Piston
Unloaded Caliper	05 - 03	CR135122	CR135121		P

Hydraulics - New

Master Cylinder	Years	Sequential No.	Category No.	Qualifier
Master Cylinder	02 - 99	F140292	(MC140292)	w/JB6; 1-1/8" Bore
Rear Wheel Cylinder	Years	Sequential No.	Category No.	Qualifier
Wheel Cylinder	02 - 99	F131225	(WC131225)	15/16" Bore
Front Brake Hose	Years	Sequential No.	Category No.	Qualifier
Brake Hose	06 - 03	F140304	(BH140304)	L.H.

↳Sub-Kit of Combi-Kit is available separately.

Piston: M - OE Metal Piston P - OE Phenolic Piston

SAVANA 1500 (cont.)

Hydraulics - New (cont.)

Front Brake Hose	Years	Sequential No.	Category No.	Qualifier
Brake Hose	06 - 03	F140305	(BH140305)	R.H.
Brake Hose	02 - 99	F138061	(BH138061)	L.H.
Brake Hose	02 - 99	F138062	(BH138062)	R.H.
Rear Brake Hose	Years	Sequential No.	Category No.	Qualifier
Brake Hose	02 - 99	F118117	(BH118117)	

Hydraulics - Reman

Master Cylinder	Years	Part No.	Qualifier
Master Cylinder	02 - 99	R134627	
Power Brake Booster	Years	Part No.	Qualifier
Power Brake Booster	02 - 99	5474810	Gas; w/o Master Cylinder

Brake Cables

Parking Brake Cable	Years	Sequential No.	Category No.	Qualifier
Parking Brake Cable	02 - 99	F138836	(BC138836)	Forward
Parking Brake Cable	02 - 99	F140296	(BC140296)	Rear; L.H.; w/JB6; 63" Length
Parking Brake Cable	02 - 99	F140173	(BC140173)	Rear; R.H.; w/JB6; 90" Length

ABS Components - Reman

ABS Hydraulic Unit	Years	Part No.	Qualifier
ABS Hydraulic Unit	99	RA125034	

Wheel Attaching Hardware

Front Wheel Stud	Years	Part No.	Qualifier
Wheel Lug Stud	05 - 03	BD125938	
Wheel Lug Stud	02 - 99	BD61401	
Rear Wheel Stud	Years	Part No.	Qualifier
Wheel Lug Stud	02 - 99	BD61402	
Front Wheel Nut	Years	Part No.	Qualifier
Wheel Lug Nut	05 - 99	BD61404	Bulge
Wheel Lug Nut	05 - 99	BD125916	External Thread
Rear Wheel Nut	Years	Part No.	Qualifier
Wheel Lug Nut	05 - 99	BD61404	Bulge
Wheel Lug Nut	05 - 99	BD125916	External Thread

GMC - 3/4 TON SUBURBAN

C2500 SUBURBAN - See Also K2500 SUBURBAN

Brake Pads & Shoes

Front Pads & Shoes	Years	SevereDuty	Lining No.	Qualifier
Brake Pads	99	SD784		w/Rear Disc
Brake Pads	99	SD370		w/Rear Drum
Brake Pads	98 - 95	SD369		7200 GVW
Brake Pads	98 - 95	SD370		8600 GVW
Rear Pads & Shoes	Years	SevereDuty	Lining No.	Qualifier
Brake Pads	99	SD785		
Brake Shoes	99 - 95	SDS655R	SX2042BDT-S36	13 x 2-1/2" Brake; Riveted
Brake Shoes	99 - 95	SDS656R	SX2157BDT-S36	13 x 3-1/2" Brake; Riveted
Brake Shoes	98 - 95	SDS473R	EX2073TD-S32	11-5/32 x 2-3/4" Brake; Riveted

Rotor & Drum

Front Rotor & Drum	Years	Part No.	Qualifier
Brake Rotor	99	BD125654	w/Rear Disc
Brake Rotor	99	BD125212	w/Rear Drum
Brake Rotor	98 - 95	BD125592	7200 GVW
Brake Rotor	98 - 95	BD125212	8600 GVW
Rear Rotor & Drum	Years	Part No.	Qualifier
Brake Drum	99 - 95	BD60359	w/10-1/2" R.G.; 13 x 2-1/2" Brake
Brake Drum	99 - 95	BD125407	w/4.625" Dia. Ctr. Pilot Hole; 13 x 3-1/2" Brake

C2500 SUBURBAN (cont.) - See Also K2500 SUBURBAN

Rotor & Drum (cont.)

Rear Rotor & Drum	Years	Part No.	Qualifier
Brake Drum	99 - 95	BD125523	w/4.835" Dia. Ctr. Pilot Hole; 13 x 3-1/2" Brake
Brake Drum	99 - 95	BD60727	w/9-1/2" R.G.; 13 x 2-1/2" Brake
Brake Drum	98 - 95	BD61817	11-5/32 x 2-3/4" Brake
Brake Rotor	99	BD125656	w/13" Dia. Rotor; 8 Stud Whl.; w/4-5/8" Dia. Ctr. Pilot Hole
Brake Rotor	99	BD125657	w/13" Dia. Rotor; 8 Stud Whl.; w/4-53/64" Dia. Ctr. Pilot Hole

Brake Hardware

Front Brake Hardware	Years	Sequential No.	Category No.	Qualifier
Caliper Bolt/Pin	99 - 97	F117224S	(H5038)	
Caliper Bolt/Pin	96 - 95	F73237S	(H5019)	w/Rear Disc
Caliper Bolt/Pin	96 - 95	F129642S	(H5062)	w/Rear Drum; w/DRW
Caliper Bolt/Pin	96 - 95	F117224S	(H5038)	w/Rear Drum; w/SRW
Disc Align Kit	99 - 95	F117225S	(H5584)	
Pin Boot Kit	96 - 95	F126906S	(H8209)	w/Rear Drum; w/DRW

Rear Brake Hardware	Years	Sequential No.	Category No.	Qualifier
Adjuster Kit	99 - 95	F98404	(H2584)	L.H.; 11-5/32 x 2-3/4" Brake
Adjuster Kit	99 - 95	F98406	(H2580)	L.H.; 13 x 2-1/2" Brake
Adjuster Kit	99 - 95	F111233	(H2687)	R.H.; 11-5/32 x 2-3/4" Brake
Adjuster Kit	99 - 95	F98407	(H2581)	R.H.; 13 x 2-1/2" Brake
Adjuster Screw	99 - 95	F73181S	(H1530)	L.H.; 11-5/32 x 2-3/4" Brake
Adjuster Screw	99 - 95	F83294	(H1550)	L.H.; 13 x 2-1/2" Brake
Adjuster Screw	99 - 95	F73182S	(H1531)	R.H.; 11-5/32 x 2-3/4" Brake
Adjuster Screw	99 - 95	F83295	(H1551)	R.H.; 13 x 2-1/2" Brake
Caliper Bolt/Pin	96 - 95	F73237S	(H5019)	
Combi Kit	99 - 95	F98455S	(H7046)	11-5/32 x 2-3/4" Brake
↳Adjuster Spring Kit		F45936S	(H415)	
↳Hold Down Kit		F98422S	(H4018)	
↳Return Spring Kit		F45927S	(H324)	
Combi Kit	99 - 95	F98457S	(H7055)	13 x 2-1/2" Brake
↳Adjuster Spring Kit		F73145S	(H425)	
↳Hold Down Kit		F113455S	(H4098)	
↳Return Spring Kit		F59100S	(H600)	

Calipers - Reman

Front, Loaded	Years	Left No.	Right No.	Qualifier	Piston
Loaded Caliper	99 - 95	AS116294	AS116295	w/3.16" Single Piston Caliper	M
Front, Unloaded	Years	Left No.	Right No.	Qualifier	Piston
Unloaded Caliper	99 - 95	CR116294	CR116295	w/3.16" Single Piston Caliper	M

Hydraulics - New

Master Cylinder	Years	Sequential No.	Category No.	Qualifier
Master Cylinder	99	F131472	(MC131472)	w/Rear Drum; 1-1/4" Bore
Master Cylinder	98 - 95	F131472	(MC131472)	w/Hydro-Boost; 1-1/4" Bore
Master Cylinder	98 - 95	F131468	(MC131468)	w/o Diesel; 7200 GVW; 1-1/8" Bore
Rear Wheel Cylinder	Years	Sequential No.	Category No.	Qualifier
Wheel Cylinder	99	F79767	(WC79767)	1-1/16" Bore
Wheel Cylinder	98 - 95	F116359	(WC116359)	7200 GVW; 1" Bore
Wheel Cylinder	98 - 95	F79767	(WC79767)	8600 GVW; 1-1/16" Bore
Clutch Master Cylind	Years	Sequential No.	Category No.	Qualifier
Clutch Master Cylinder	99 - 97	F133507	(CM133507)	w/o Diesel; 45/64" Bore
Clutch Master Cylinder	96	F133507	(CM133507)	45/64" Bore
Clutch Master Cylinder	95	F126856	(CM126856)	45/64" Bore
Clutch Slave Cylinder	Years	Sequential No.	Category No.	Qualifier
Clutch Slave Cylinder	99 - 96	F134322	(SC134322)	
Clutch Slave Cylinder	95	F126872	(SC126872)	25/32" Bore
Front Brake Hose	Years	Sequential No.	Category No.	Qualifier
Brake Hose	99	F133852	(BH133852)	L.H.; 8600 GVW; w/Rear Drum

↳Sub-Kit of Combi-Kit is available separately.

Piston: M - OE Metal Piston P - OE Phenolic Piston

C2500 SUBURBAN (cont.) - See Also K2500 SUBURBAN

Hydraulics - New (cont.)

Front Brake Hose	Years	Sequential No.	Category No.	Qualifier
Brake Hose	99	F133851	(BH133851)	R.H.; 8600 GVW; w/Rear Drum
Brake Hose	98 - 95	F116846	(BH116846)	L.H.; 7200 GVW
Brake Hose	98 - 95	F133852	(BH133852)	L.H.; 8600 GVW
Brake Hose	98 - 95	F116847	(BH116847)	R.H.; 7200 GVW
Brake Hose	98 - 95	F133851	(BH133851)	R.H.; 8600 GVW

Rear Brake Hose	Years	Sequential No.	Category No.	Qualifier
Brake Hose	99	F118117	(BH118117)	w/Rear Drum
Brake Hose	98 - 95	F118117	(BH118117)	

Hydraulics - Reman

Master Cylinder	Years	Part No.	Qualifier
Master Cylinder	99 - 95	R131472	Diesel
Master Cylinder	99 - 95	R116881	Gas; w/JB6
Master Cylinder	99 - 95	R131472	Gas; w/JB7

Power Brake Booster	Years	Part No.	Qualifier
Hydro Booster	99 - 97	527352	Diesel; w/JD5 or JD6
Hydro Booster	99 - 97	527358	Diesel; w/JD7
Hydro Booster	99 - 97	527358	Gas; w/JB8
Hydro Booster	96 - 95	527335	Diesel; w/JD5 or JD6
Hydro Booster	96 - 95	527336	Diesel; w/JD7
Hydro Booster	96 - 95	527336	Gas; w/JB8

Power Brake Booster	Years	Part No.	Qualifier
Power Brake Booster	99 - 97	5471085	Gas; w/o Master Cylinder; w/JB5 or JB6 or JB7
Power Brake Booster	96 - 95	501098	Gas; w/Master Cylinder; w/JB5 or JB6 or JB7
Power Brake Booster	96 - 95	5471098	Gas; w/o Master Cylinder; w/JB5 or JB6 or JB7

Brake Cables

Parking Brake Cable	Years	Sequential No.	Category No.	Qualifier
Parking Brake Cable	98 - 95	F140351	(BC140351)	Rear; L.H.; 7200 GVW; w/JB6, JD6; 84" Length
Parking Brake Cable	96 - 95	F132794	(BC132794)	Forward
Parking Brake Cable	96 - 95	F130691	(BC130691)	Rear; L.H.
Parking Brake Cable	96 - 95	F130692	(BC130692)	Rear; R.H.

ABS Components - Reman

ABS Hydraulic Unit	Years	Part No.	Qualifier
ABS Hydraulic Unit	99 - 95	RA125034	

Wheel Attaching Hardware

Front Wheel Stud	Years	Part No.	Qualifier
Wheel Lug Stud	99 - 95	BD61401	7200 GVW
Wheel Lug Stud	99 - 95	BD61426	8600 GVW

Rear Wheel Stud	Years	Part No.	Qualifier
Wheel Lug Stud	99 - 95	BD125934	7200 GVW
Wheel Lug Stud	99 - 95	BD61427	8600 GVW

Front Wheel Nut	Years	Part No.	Qualifier
Wheel Lug Nut	99 - 95	BD125916	External Thread

Rear Wheel Nut	Years	Part No.	Qualifier
Wheel Lug Nut	99 - 95	BD125916	External Thread

K2500 SUBURBAN - See Also C2500 SUBURBAN

Brake Pads & Shoes

Front Pads & Shoes	Years	SevereDuty	Lining No.	Qualifier
Brake Pads	99	SD784		w/Rear Disc
Brake Pads	99	SD370		w/Rear Drum
Brake Pads	98 - 96	SD370		
Brake Pads	95	SD369		7200 GVW
Brake Pads	95	SD370		8600 GVW

K2500 SUBURBAN (cont.) - See Also C2500 SUBURBAN

Brake Pads & Shoes (cont.)

Rear Pads & Shoes	Years	SevereDuty	Lining No.	Qualifier
Brake Pads	99	SD785		
Brake Shoes	99 - 95	SDS655R	SX2042BDT-S36	13 x 2-1/2" Brake; Riveted
Brake Shoes	99 - 95	SDS656R	SX2157BDT-S36	13 x 3-1/2" Brake; Riveted
Brake Shoes	98 - 95	SDS473R	EX2073TD-S32	11-5/32 x 2-3/4" Brake; Riveted

Rotor & Drum

Front Rotor & Drum	Years	Part No.	Qualifier
Brake Rotor	99	BD125653	w/Rear Disc
Brake Rotor	99	BD61918	w/Rear Drum
Brake Rotor	98 - 96	BD61918	
Brake Rotor	95	BD61812	7200 GVW; Full-Cast Rotor; Replaces OE Composite Design
Brake Rotor	95	BD61918	8600 GVW

Rear Rotor & Drum	Years	Part No.	Qualifier
Brake Drum	99 - 95	BD60359	w/10-1/2" R.G.; 13 x 2-1/2" Brake
Brake Drum	99 - 95	BD125407	w/4.625" Dia. Ctr. Pilot Hole; 13 x 3-1/2" Brake
Brake Drum	99 - 95	BD125523	w/4.835" Dia. Ctr. Pilot Hole; 13 x 3-1/2" Brake
Brake Drum	98 - 95	BD61817	11-5/32 x 2-3/4" Brake
Brake Drum	98 - 95	BD60727	w/9-1/2" R.G.; 13 x 2-1/2" Brake
Brake Rotor	99	BD125656	w/13" Dia. Rotor; 8 Stud Whl.; w/4-5/8" Dia. Ctr. Pilot Hole
Brake Rotor	99	BD125657	w/13" Dia. Rotor; 8 Stud Whl.; w/4-53/64" Dia. Ctr. Pilot Hole

Brake Hardware

Front Brake Hardware	Years	Sequential No.	Category No.	Qualifier
Caliper Bolt/Pin	99 - 97	F117224S	(H5038)	
Caliper Bolt/Pin	96 - 95	F129642S	(H5062)	w/Rear Drum; w/DRW
Caliper Bolt/Pin	96 - 95	F117224S	(H5038)	w/Rear Drum; w/SRW
Disc Align Kit	99 - 95	F117225S	(H5584)	
Pin Boot Kit	96 - 95	F126906S	(H8209)	w/Rear Drum; w/DRW

Rear Brake Hardware	Years	Sequential No.	Category No.	Qualifier
Adjuster Kit	99 - 95	F98404	(H2584)	L.H.; 11-5/32 x 2-3/4" Brake
Adjuster Kit	99 - 95	F98406	(H2580)	L.H.; 13 x 2-1/2" Brake
Adjuster Kit	99 - 95	F111233	(H2687)	R.H.; 11-5/32 x 2-3/4" Brake
Adjuster Kit	99 - 95	F98407	(H2581)	R.H.; 13 x 2-1/2" Brake
Adjuster Screw	99 - 95	F73181S	(H1530)	L.H.; 11-5/32 x 2-3/4" Brake
Adjuster Screw	99 - 95	F83294	(H1550)	L.H.; 13 x 2-1/2" Brake
Adjuster Screw	99 - 95	F73182S	(H1531)	R.H.; 11-5/32 x 2-3/4" Brake
Adjuster Screw	99 - 95	F83295	(H1551)	R.H.; 13 x 2-1/2" Brake
Combi Kit	99 - 95	F98457S	(H7055)	13 x 2-1/2" Brake
↳Adjuster Spring Kit		F73145S	(H425)	
↳Hold Down Kit		F113455S	(H4098)	
↳Return Spring Kit		F59100S	(H600)	
Combi Kit	98 - 95	F98455S	(H7046)	11-5/32 x 2-3/4" Brake
↳Adjuster Spring Kit		F45936S	(H415)	
↳Hold Down Kit		F98422S	(H4018)	
↳Return Spring Kit		F45927S	(H324)	

Calipers - Reman

Front, Loaded	Years	Left No.	Right No.	Qualifier	Piston
Loaded Caliper	99 - 95	AS116294	AS116295	w/3.16" Single Piston Caliper	M
Front, Unloaded	Years	Left No.	Right No.	Qualifier	Piston
Unloaded Caliper	99 - 95	CR116294	CR116295	w/3.16" Single Piston Caliper	M

Hydraulics - New

Master Cylinder	Years	Sequential No.	Category No.	Qualifier
Master Cylinder	99 - 95	F131472	(MC131472)	w/Hydro-Boost; 1-1/4" Bore
Master Cylinder	98 - 95	F131468	(MC131468)	w/o Diesel; 7200 GVW; 1-1/8" Bore
Rear Wheel Cylinder	Years	Sequential No.	Category No.	Qualifier
Wheel Cylinder	99 - 98	F79767	(WC79767)	1-1/16" Bore

↳Sub-Kit of Combi-Kit is available separately.

Piston: M - OE Metal Piston P - OE Phenolic Piston

K2500 SUBURBAN (cont.) - See Also C2500 SUBURBAN

Hydraulics - New (cont.)

Rear Wheel Cylinder	Years	Sequential No.	Category No.	Qualifier
Wheel Cylinder	97 - 95	F116359	(WC116359)	7200 GVW; 1" Bore
Wheel Cylinder	97 - 95	F79767	(WC79767)	8600 GVW; 1-1/16" Bore
Clutch Master Cylind	Years	Sequential No.	Category No.	Qualifier
Clutch Master Cylinder	99 - 97	F133507	(CM133507)	w/o Diesel; 45/64" Bore
Clutch Master Cylinder	96	F133507	(CM133507)	45/64" Bore
Clutch Master Cylinder	95	F126856	(CM126856)	45/64" Bore
Clutch Slave Cylinder	Years	Sequential No.	Category No.	Qualifier
Clutch Slave Cylinder	99 - 96	F134322	(SC134322)	
Clutch Slave Cylinder	95	F126872	(SC126872)	25/32" Bore
Front Brake Hose	Years	Sequential No.	Category No.	Qualifier
Brake Hose	99	F138063	(BH138063)	L.H.; 8600 GVW; w/Rear Drum
Brake Hose	99	F120542	(BH120542)	R.H.; 8600 GVW; w/Rear Drum
Brake Hose	98 - 96	F138063	(BH138063)	L.H.; 8600 GVW
Brake Hose	98 - 96	F138064	(BH138064)	R.H.; 8600 GVW
Brake Hose	96 - 95	F118083	(BH118083)	L.H.; 7200 GVW
Brake Hose	96 - 95	F118084	(BH118084)	R.H.; 7200 GVW
Brake Hose	95	F120541	(BH120541)	L.H.; 8600 GVW
Brake Hose	95	F120542	(BH120542)	R.H.; 8600 GVW
Rear Brake Hose	Years	Sequential No.	Category No.	Qualifier
Brake Hose	99	F118117	(BH118117)	w/Rear Drum
Brake Hose	98 - 95	F118117	(BH118117)	

Hydraulics - Reman

Master Cylinder	Years	Part No.	Qualifier
Master Cylinder	99 - 95	R131472	Diesel
Master Cylinder	99 - 95	R116881	Gas; w/JB6
Master Cylinder	99 - 95	R131472	Gas; w/JB7
Power Brake Booster	Years	Part No.	Qualifier
Hydro Booster	99 - 97	527352	Diesel; w/JD5 or JD6
Hydro Booster	99 - 97	527358	Diesel; w/JD7
Hydro Booster	99 - 97	527358	Gas; w/JB8
Hydro Booster	96 - 95	527335	Diesel; w/JD5 or JD6
Hydro Booster	96 - 95	527336	Diesel; w/JD7
Hydro Booster	96 - 95	527336	Gas; w/JB8
Power Brake Booster	Years	Part No.	Qualifier
Power Brake Booster	99 - 97	5471085	Gas; w/o Master Cylinder; w/JB5 or JB6 or JB7
Power Brake Booster	96 - 95	501098	Gas; w/Master Cylinder; w/JB5 or JB6 or JB7
Power Brake Booster	96 - 95	5471098	Gas; w/o Master Cylinder; w/JB5 or JB6 or JB7

Brake Cables

Parking Brake Cable	Years	Sequential No.	Category No.	Qualifier
Parking Brake Cable	98 - 95	F140351	(BC140351)	Rear; L.H.; 7200 GVW; w/JB6, JD6; 84" Length
Parking Brake Cable	96 - 95	F130691	(BC130691)	Rear; L.H.
Parking Brake Cable	95	F132794	(BC132794)	Forward
Parking Brake Cable	95	F130441	(BC130441)	Forward; 52" Length
Parking Brake Cable	95	F130692	(BC130692)	Rear; R.H.

ABS Components - Reman

ABS Hydraulic Unit	Years	Part No.	Qualifier
ABS Hydraulic Unit	99 - 95	RA125034	

Wheel Attaching Hardware

Front Wheel Stud	Years	Part No.	Qualifier
Wheel Lug Stud	99 - 95	BD61423	7200 GVW
Wheel Lug Stud	99 - 95	BD61425	8600 GVW
Rear Wheel Stud	Years	Part No.	Qualifier
Wheel Lug Stud	99 - 95	BD125934	7200 GVW

K2500 SUBURBAN (cont.) - See Also C2500 SUBURBAN

Wheel Attaching Hardware (cont.)

Rear Wheel Stud	Years	Part No.	Qualifier
Wheel Lug Stud	99 - 95	BD61427	8600 GVW
Front Wheel Nut	Years	Part No.	Qualifier
Wheel Lug Nut	99 - 95	BD125916	External Thread
Rear Wheel Nut	Years	Part No.	Qualifier
Wheel Lug Nut	99 - 95	BD125916	External Thread

YUKON XL 2500

Brake Pads & Shoes

Front Pads & Shoes	Years	SevereDuty	Lining No.	Qualifier
Brake Pads	06 - 00	SD784		
Rear Pads & Shoes	Years	SevereDuty	Lining No.	Qualifier
Brake Pads	06 - 00	SD785		

Rotor & Drum

Front Rotor & Drum	Years	Part No.	Qualifier
Brake Rotor	06 - 05	BD125653	
Brake Rotor	04 - 01	BD125653	Exc. 2" Body Raise Pkg.
Brake Rotor	04 - 01	BD126036	w/2" Body Raise Pkg.
Brake Rotor	00	BD125654	
Rear Rotor & Drum	Years	Part No.	Qualifier
Brake Rotor	06 - 03	BD126179	w/13" Dia. Rotor; 8 Stud Whl.; w/4-5/8" Dia. Center Pilot Hole; 1-5/8" Mounting Height
Brake Rotor	06 - 00	BD125656	w/13" Dia. Rotor; 8 Stud Whl.; w/4-5/8" Dia. Ctr. Pilot Hole; 3" Mounting Height
Brake Rotor	06 - 00	BD125657	w/13" Dia. Rotor; 8 Stud Whl.; w/4-53/64" Dia. Ctr. Pilot Hole

Brake Hardware

Front Brake Hardware	Years	Sequential No.	Category No.	Qualifier
Caliper Bolt/Pin	02 - 00	F139700	(H5095)	
Disc Align Kit	04 - 00	F139708	(H5646)	
Pin Boot Kit	04 - 00	F138697S	(H8221)	
Rear Brake Hardware	Years	Sequential No.	Category No.	Qualifier
Caliper Bolt/Pin	04 - 00	F139712	(H5096)	
Disc Align Kit	04 - 00	F139707	(H5645)	
Pin Boot Kit	04 - 01	F138697S	(H8221)	
Pin Boot Kit	00	F138601S	(H18047)	

Calipers - Reman

Front, Unloaded	Years	Left No.	Right No.	Qualifier	Piston
Unloaded Caliper	06 - 00	CRB134347	CRB134348	w/Dual Piston Caliper; Supplied w/Mtg. Brkt.	P
Unloaded Caliper	06 - 00	CR134347	CR134348	w/Dual Piston Caliper; Supplied w/o Mtg. Brkt.	P
Rear, Unloaded	Years	Left No.	Right No.	Qualifier	Piston
Unloaded Caliper	06 - 00	CRB134345	CRB134346	w/Dual Piston Caliper; Supplied w/Mtg. Brkt.	P
Unloaded Caliper	06 - 00	CR134345	CR134346	w/Dual Piston Caliper; Supplied w/o Mtg. Brkt.	P

Hydraulics - New

Master Cylinder	Years	Sequential No.	Category No.	Qualifier
Master Cylinder	06 - 03	F140480	(MC140480)	w/Hydro-Boost; w/o ABS; 1-15/32" Bore
Clutch Master Cylind	Years	Sequential No.	Category No.	Qualifier
Clutch Master Cylinder	04 - 01	F134526	(CM134526)	w/5 Spd. Trans.; 45/64" Bore
Clutch Master Cylinder	00	F134526	(CM134526)	45/64" Bore
Clutch Slave Cylinder	Years	Sequential No.	Category No.	Qualifier
Clutch Slave Cylinder	04 - 03	F140212	(SC140212)	w/5 Spd. Trans.; 1-7/32" Bore
Clutch Slave Cylinder	04 - 01	F140318	(SC140318)	w/6 Spd. Trans.
Clutch Slave Cylinder	02 - 01	F140158	(SC140158)	w/5 Spd. Trans.
Clutch Slave Cylinder	00	F134322	(SC134322)	

Hydraulics - Reman

Master Cylinder	Years	Part No.	Qualifier
Master Cylinder	02 - 00	R134735	w/JC5
Master Cylinder	02 - 00	R134734	w/JH5 or JH6 or JH7

Piston: M - OE Metal Piston P - OE Phenolic Piston

YUKON XL 2500 (cont.)

Hydraulics - Reman (cont.)

<i>Power Brake Booster</i>	<i>Years</i>	<i>Part No.</i>	<i>Qualifier</i>
Hydro Booster	02 - 00	527359	w/JH5 or JH6
<i>Power Brake Booster</i>	<i>Years</i>	<i>Part No.</i>	<i>Qualifier</i>
Power Brake Booster	02 - 00	5474818	w/o Master Cylinder; w/JC5

Brake Cables

<i>Parking Brake Cable</i>	<i>Years</i>	<i>Sequential No.</i>	<i>Category No.</i>	<i>Qualifier</i>
Parking Brake Cable	04 - 00	F140234	(BC140234)	Intermediate; 40" Length

Wheel Attaching Hardware

<i>Front Wheel Stud</i>	<i>Years</i>	<i>Part No.</i>	<i>Qualifier</i>
Wheel Lug Stud	05 - 00	BD125938	
<i>Rear Wheel Stud</i>	<i>Years</i>	<i>Part No.</i>	<i>Qualifier</i>
Wheel Lug Stud	05 - 01	BD125961	M14 x 1.5 x 28
Wheel Lug Stud	05 - 01	BD125938	M14 x 1.5 x 29
Wheel Lug Stud	00	BD125938	
<i>Front Wheel Nut</i>	<i>Years</i>	<i>Part No.</i>	<i>Qualifier</i>
Wheel Lug Nut	05 - 00	BD61404	Bulge
Wheel Lug Nut	05 - 00	BD125916	External Thread
<i>Rear Wheel Nut</i>	<i>Years</i>	<i>Part No.</i>	<i>Qualifier</i>
Wheel Lug Nut	05 - 00	BD61404	Bulge
Wheel Lug Nut	05 - 00	BD125916	External Thread

GMC - 3/4 TON TRUCK

C2500 PICKUP - See Also K2500 PICKUP

Brake Pads & Shoes

<i>Front Pads & Shoes</i>	<i>Years</i>	<i>SevereDuty</i>	<i>Lining No.</i>	<i>Qualifier</i>
Brake Pads	00 - 99	SD784		w/Rear Disc
Brake Pads	00 - 99	SD370		w/Rear Drum
Brake Pads	98 - 89	SD369		7200 GVW
Brake Pads	98 - 89	SD370		8600 GVW
Brake Pads	88	SD369		
Brake Pads	86 - 85	SD52		7200 GVW
Brake Pads	86 - 84	SD153		8600 GVW; H/D Brake
Brake Pads	84 - 81	SD52		6400-7200 GVW
Brake Pads	83	SD153		8200-8600 GVW; H/D Brake
Brake Pads	82	SD153		8600 GVW; H/D Brake
Brake Pads	81	SD153		7500-8200 GVW; H/D Brake
<i>Rear Pads & Shoes</i>	<i>Years</i>	<i>SevereDuty</i>	<i>Lining No.</i>	<i>Qualifier</i>
Brake Pads	00 - 99	SD785		
Brake Shoes	00 - 92	SDS655R	SX2042BDT-S36	13 x 2-1/2" Brake; Riveted
Brake Shoes	98 - 88	SDS473R	EX2073TD-S32	11-5/32 x 2-3/4" Brake; Riveted
Brake Shoes	92	SDS656R	SX2157BDT-S36	13 x 3-1/2" Brake; Riveted
Brake Shoes	91 - 89	SDS451R	EX2042ADT-S32	13 x 2-1/2" Brake; Riveted
Brake Shoes	86 - 81	SDS473R	EX2073TD-S32	11-5/32 x 2-3/4" Brake; Riveted
Brake Shoes	86 - 81	SDS451R	EX2042ADT-S32	13 x 2-1/2" Brake; Riveted

Rotor & Drum

<i>Front Rotor & Drum</i>	<i>Years</i>	<i>Part No.</i>	<i>Qualifier</i>
Brake Rotor	00	BD125653	w/Rear Disc
Brake Rotor	00 - 99	BD125212	w/Rear Drum
Brake Rotor	99	BD125654	w/Rear Disc
Brake Rotor	98 - 95	BD125592	7200 GVW
Brake Rotor	98 - 93	BD125212	8600 GVW
Brake Rotor	94 - 92	BD125208	7200 GVW
Brake Rotor	92 - 88	BD61814	8600 GVW
Brake Rotor	91 - 88	BD61819	7200 GVW
Brake Rotor	86 - 81	BD60402	

C2500 PICKUP (cont.) - See Also K2500 PICKUP
Rotor & Drum (cont.)

Rear Rotor & Drum	Years	Part No.	Qualifier
Brake Drum	00 - 99	BD60359	13 x 2-1/2" Brake
Brake Drum	98 - 88	BD61817	11-5/32 x 2-3/4" Brake
Brake Drum	98 - 91	BD60359	8600 GVW; w/10-1/2" R.G.; 13 x 2-1/2" Brake
Brake Drum	98 - 89	BD60727	8600 GVW; w/9-1/2" R.G.; 13 x 2-1/2" Brake
Brake Drum	92	BD125523	13 x 3-1/2" Brake
Brake Drum	90	BD60359	8600 GVW; w/10-1/2" R.G.; 2nd Design; 13 x 2-1/2" Brake
Brake Drum	90	BD61891	8600 GVW; w/9-1/2" R.G.; 13 x 2-1/2" Brake
Brake Drum	86 - 85	BD60724	7200 GVW; 11-5/32 x 2-3/4" Brake
Brake Drum	86 - 84	BD60359	8600 GVW; H/D Brake; w/10-1/2 R.G.; 13 x 2-1/2" Brake
Brake Drum	86 - 84	BD60727	8600 GVW; H/D Brake; w/9-1/2" R.G.; 13 x 2-1/2" Brake
Brake Drum	84	BD60724	6400-7200 GVW; 11-5/32 x 2-3/4" Brake
Brake Drum	83	BD60595	6400-7200 GVW; 4-5/8" Wide Drum; 11-5/32 x 2-3/4" Brake
Brake Drum	83	BD60724	6400-7200 GVW; 6-3/8" Wide Drum; 11-5/32 x 2-3/4" Brake
Brake Drum	83	BD60359	8200-8600 GVW; H/D Brake; w/10-1/2 R.G.; 13 x 2-1/2" Brake
Brake Drum	83	BD60623	8200-8600 GVW; H/D Brake; w/9-1/2" R.G.; 4-5/8" Wide Drum; 13 x 2-1/2" Brake
Brake Drum	83	BD60727	8200-8600 GVW; H/D Brake; w/9-1/2" R.G.; 6-3/8" Wide Drum; 13 x 2-1/2" Brake
Brake Drum	82 - 81	BD60595	6400-7200 GVW; 11-5/32 x 2-3/4" Brake
Brake Drum	82	BD60359	8600 GVW; H/D Brake; w/10-1/2 R.G.; 13 x 2-1/2" Brake
Brake Drum	82	BD60623	8600 GVW; H/D Brake; w/9-1/2" R.G.; 13 x 2-1/2" Brake
Brake Drum	81	BD60623	7500-8200 GVW; H/D Brake; 13 x 2-1/2" Brake
Brake Rotor	00 - 99	BD125656	w/13" Dia. Rotor; 8 Stud Whl.; w/4-5/8" Dia. Ctr. Pilot Hole
Brake Rotor	00 - 99	BD125657	w/13" Dia. Rotor; 8 Stud Whl.; w/4-53/64" Dia. Ctr. Pilot Hole

Brake Hardware

Front Brake Hardware	Years	Sequential No.	Category No.	Qualifier
Caliper Bolt/Pin	00	F129642S	(H5062)	w/Rear Drum; w/DRW
Caliper Bolt/Pin	99 - 97	F117224S	(H5038)	
Caliper Bolt/Pin	96 - 92	F73237S	(H5019)	w/Rear Disc
Caliper Bolt/Pin	96 - 92	F129642S	(H5062)	w/Rear Drum; w/DRW
Caliper Bolt/Pin	96 - 92	F117224S	(H5038)	w/Rear Drum; w/SRW
Caliper Bolt/Pin	91 - 88	F117224S	(H5038)	
Caliper Bolt/Pin	86 - 81	F76074S	(H5004)	
Disc Align Kit	99 - 88	F117225S	(H5584)	
Disc Align Kit	86 - 81	F73674S	(H5500)	
Pin Boot Kit	96 - 92	F126906S	(H8209)	w/Rear Drum; w/DRW

Rear Brake Hardware	Years	Sequential No.	Category No.	Qualifier
Adjuster Kit	00 - 88	F98404	(H2584)	L.H.; 11-5/32 x 2-3/4" Brake
Adjuster Kit	00 - 88	F98406	(H2580)	L.H.; 13 x 2-1/2" Brake
Adjuster Kit	00 - 88	F111233	(H2687)	R.H.; 11-5/32 x 2-3/4" Brake
Adjuster Kit	00 - 88	F98407	(H2581)	R.H.; 13 x 2-1/2" Brake
Adjuster Kit	86 - 81	F98404	(H2584)	L.H.; 11-5/32 x 2-3/4" Brake
Adjuster Kit	86 - 81	F98406	(H2580)	L.H.; 13 x 2-1/2" Brake
Adjuster Kit	86 - 83	F111233	(H2687)	R.H.; 11-5/32 x 2-3/4" Brake
Adjuster Kit	86 - 81	F98407	(H2581)	R.H.; 13 x 2-1/2" Brake
Adjuster Kit	82 - 81	F98405	(H2585)	R.H.; 11-5/32 x 2-3/4" Brake
Adjuster Screw	00 - 88	F73181S	(H1530)	L.H.; 11-5/32 x 2-3/4" Brake
Adjuster Screw	00 - 88	F83294	(H1550)	L.H.; 13 x 2-1/2" Brake
Adjuster Screw	00 - 88	F73182S	(H1531)	R.H.; 11-5/32 x 2-3/4" Brake
Adjuster Screw	00 - 88	F83295	(H1551)	R.H.; 13 x 2-1/2" Brake
Adjuster Screw	86 - 81	F73181S	(H1530)	L.H.; 11-5/32 x 2-3/4" Brake
Adjuster Screw	86 - 81	F83294	(H1550)	L.H.; 13 x 2-1/2" Brake
Adjuster Screw	86 - 81	F73182S	(H1531)	R.H.; 11-5/32 x 2-3/4" Brake
Adjuster Screw	86 - 81	F83295	(H1551)	R.H.; 13 x 2-1/2" Brake
Caliper Bolt/Pin	96 - 92	F73237S	(H5019)	

↳Sub-Kit of Combi-Kit is available separately.

C2500 PICKUP (cont.) - See Also K2500 PICKUP

Brake Hardware (cont.)

Rear Brake Hardware	Years	Sequential No.	Category No.	Qualifier
Combi Kit	00 - 88	F98457S	(H7055)	13 x 2-1/2" Brake
↳Adjuster Spring Kit		F73145S	(H425)	
↳Hold Down Kit		F113455S	(H4098)	
↳Return Spring Kit		F59100S	(H600)	
Combi Kit	99 - 88	F98455S	(H7046)	11-5/32 x 2-3/4" Brake
↳Adjuster Spring Kit		F45936S	(H415)	
↳Hold Down Kit		F98422S	(H4018)	
↳Return Spring Kit		F45927S	(H324)	
Combi Kit	86 - 81	F98455S	(H7046)	11-5/32 x 2-3/4" Brake
↳Adjuster Spring Kit		F45936S	(H415)	
↳Hold Down Kit		F98422S	(H4018)	
↳Return Spring Kit		F45927S	(H324)	
Combi Kit	86 - 81	F98457S	(H7055)	13 x 2-1/2" Brake
↳Adjuster Spring Kit		F73145S	(H425)	
↳Hold Down Kit		F113455S	(H4098)	
↳Return Spring Kit		F59100S	(H600)	

Calipers - Reman

Front, Loaded	Years	Left No.	Right No.	Qualifier	Piston
Loaded Caliper	00 - 89	AS116294	AS116295	8600 GVW; w/3.16" Single Piston Caliper	M
Loaded Caliper	98 - 89	AS116292	AS116293	7200 GVW; w/2.94" Single Piston Caliper	M
Loaded Caliper	88	AS116292	AS116293	w/2.94" Single Piston Caliper	M

Front, Unloaded	Years	Left No.	Right No.	Qualifier	Piston
Unloaded Caliper	00 - 89	CR116294	CR116295	8600 GVW; w/3.16" Single Piston Caliper	M
Unloaded Caliper	98 - 89	CR116292	CR116293	7200 GVW; w/2.94" Single Piston Caliper	M
Unloaded Caliper	88	CR116292	CR116293	w/2.94" Single Piston Caliper	M
Unloaded Caliper	86 - 81	CR98884	CR98885	w/JB6, JD6; w/2.94" Single Piston Caliper	M
Unloaded Caliper	86 - 81	CR98954	CR98955	w/JB7, JD7; w/3.16" Single Piston Caliper	M

Hydraulics - New

Master Cylinder	Years	Sequential No.	Category No.	Qualifier
Master Cylinder	00 - 99	F131472	(MC131472)	w/Hydro-Boost; w/Rear Drum; 1-1/4" Bore
Master Cylinder	00 - 99	F131472	(MC131472)	w/Vacuum Boost; w/Rear Drum; 1-1/4" Bore
Master Cylinder	98 - 95	F131472	(MC131472)	8600 GVW; w/Hydro-Boost; 1-1/4" Bore
Master Cylinder	98 - 94	F131468	(MC131468)	w/o Diesel; 7200 GVW; 1-1/8" Bore
Master Cylinder	94	F131472	(MC131472)	Diesel; w/Hydro-Boost; 1-1/4" Bore
Master Cylinder	94	F131472	(MC131472)	w/o Diesel; 8600 GVW; w/Hydro-Boost; 1-1/4" Bore
Master Cylinder	93 - 88	F116627	(MC116627)	Diesel; w/Hydro-Boost; 1-1/4" Bore
Master Cylinder	93 - 89	F116881	(MC116881)	w/o Diesel; 7200 GVW; 1-1/8" Bore
Master Cylinder	93 - 88	F116627	(MC116627)	w/o Diesel; 8600 GVW; w/Hydro-Boost; 1-1/4" Bore
Master Cylinder	88	F116881	(MC116881)	w/o Diesel; 8600 GVW; 1-1/8" Bore
Master Cylinder	86 - 81	F104464	(MC104464)	1-1/4" Bore; 13" Brake
Master Cylinder	86 - 82	F104456	(MC104456)	w/Hydro-Boost; 1-3/16" Bore; 11" Brake
Master Cylinder	86 - 82	F104516	(MC104516)	w/Vacuum Boost; 1-1/8" Bore; 11" Brake
Master Cylinder	81	F104516	(MC104516)	1-1/8" Bore; 11" Brake

Rear Wheel Cylinder	Years	Sequential No.	Category No.	Qualifier
Wheel Cylinder	00 - 99	F79767	(WC79767)	1-1/16" Bore
Wheel Cylinder	98 - 88	F116359	(WC116359)	7200 GVW; 1" Bore
Wheel Cylinder	98 - 89	F79767	(WC79767)	8600 GVW; 1-1/16" Bore
Wheel Cylinder	86 - 85	F51088	(WC51088)	6600-7200 GVW; 11" Brake; 1" Bore
Wheel Cylinder	86 - 84	F79767	(WC79767)	8600 GVW; 13" Brake; 1-1/16" Bore
Wheel Cylinder	84 - 82	F51088	(WC51088)	6400-7200 GVW; 11" Brake; 1" Bore
Wheel Cylinder	83	F79767	(WC79767)	8200-8600 GVW; 13" Brake; 1/16" Bore
Wheel Cylinder	82	F79767	(WC79767)	8600 GVW; 13" Brake; 1-1/16" Bore
Wheel Cylinder	81	F51088	(WC51088)	6400-7100 GVW; 11" Brake; 1" Bore
Wheel Cylinder	81	F79767	(WC79767)	7500-8200 GVW; 13" Brake; 1-1/16" Bore

↳Sub-Kit of Combi-Kit is available separately.

Piston: M - OE Metal Piston P - OE Phenolic Piston

C2500 PICKUP (cont.) - See Also K2500 PICKUP
Hydraulics - New (cont.)

Clutch Master Cylind	Years	Sequential No.	Category No.	Qualifier
Clutch Master Cylinder	00	F133507	(CM133507)	45/64" Bore
Clutch Master Cylinder	99 - 97	F133507	(CM133507)	w/o Diesel; 45/64" Bore
Clutch Master Cylinder	96	F133507	(CM133507)	45/64" Bore
Clutch Master Cylinder	95 - 92	F126856	(CM126856)	45/64" Bore
Clutch Master Cylinder	91 - 88	F119584	(CM119584)	11/16" Bore
Clutch Master Cylinder	86 - 85	F110273	(CM110273)	11/16" Bore
Clutch Slave Cylinder	Years	Sequential No.	Category No.	Qualifier
Clutch Slave Cylinder	00 - 96	F134322	(SC134322)	
Clutch Slave Cylinder	95 - 92	F126872	(SC126872)	25/32" Bore
Clutch Slave Cylinder	91 - 88	F103762	(SC103762)	13/16" Bore
Clutch Slave Cylinder	86 - 85	F103483	(SC103483)	13/16" Bore
Front Brake Hose	Years	Sequential No.	Category No.	Qualifier
Brake Hose	00 - 99	F133852	(BH133852)	L.H.; 8600 GVW; w/Rear Drum
Brake Hose	00 - 99	F133851	(BH133851)	R.H.; 8600 GVW; w/Rear Drum
Brake Hose	98 - 89	F116846	(BH116846)	L.H.; 7200 GVW
Brake Hose	98 - 93	F133852	(BH133852)	L.H.; 8600 GVW
Brake Hose	98 - 89	F116847	(BH116847)	R.H.; 7200 GVW
Brake Hose	98 - 93	F133851	(BH133851)	R.H.; 8600 GVW
Brake Hose	92 - 89	F116848	(BH116848)	L.H.; 8600 GVW
Brake Hose	92 - 89	F116849	(BH116849)	R.H.; 8600 GVW
Brake Hose	88	F116846	(BH116846)	L.H.
Brake Hose	88	F116847	(BH116847)	R.H.
Brake Hose	86 - 85	F102464	(BH102464)	L.H.; 7200 GVW
Brake Hose	86 - 84	F110424	(BH110424)	L.H.; 8600 GVW
Brake Hose	86 - 85	F102465	(BH102465)	R.H.; 7200 GVW
Brake Hose	86 - 84	F110425	(BH110425)	R.H.; 8600 GVW
Brake Hose	84 - 81	F102464	(BH102464)	L.H.; 6400-7200 GVW
Brake Hose	84 - 81	F102465	(BH102465)	R.H.; 6400-7200 GVW
Brake Hose	83	F110424	(BH110424)	L.H.; 8200-8600 GVW
Brake Hose	83	F110425	(BH110425)	R.H.; 8200-8600 GVW
Brake Hose	82	F110424	(BH110424)	L.H.; 8600 GVW
Brake Hose	82	F110425	(BH110425)	R.H.; 8600 GVW
Brake Hose	81	F110424	(BH110424)	L.H.; 7500-8200 GVW
Brake Hose	81	F110425	(BH110425)	R.H.; 7500-8200 GVW
Rear Brake Hose	Years	Sequential No.	Category No.	Qualifier
Brake Hose	00 - 99	F118117	(BH118117)	w/Rear Drum
Brake Hose	98 - 88	F118117	(BH118117)	
Brake Hose	86 - 84	F113148	(BH113148)	Diesel
Brake Hose	86 - 84	F80967	(BH80967)	w/o Diesel
Brake Hose	83 - 81	F80967	(BH80967)	

Hydraulics - Reman

Master Cylinder	Years	Part No.	Qualifier
Master Cylinder	00 - 94	R131472	Diesel; w/JD6 or JD7
Master Cylinder	00 - 88	R116881	Gas; w/JB6
Master Cylinder	00 - 94	R131472	Gas; w/JB7
Master Cylinder	93 - 88	R116627	Diesel; w/JD6 or JD7
Master Cylinder	93 - 88	R116627	Gas; w/JB7
Master Cylinder	86 - 82	R104456	Diesel; w/JD6
Master Cylinder	86 - 82	R104464	Diesel; w/JD7
Master Cylinder	86 - 82	R104516	Gas; w/JB6
Master Cylinder	86 - 82	R104464	Gas; w/JB7
Master Cylinder	81	R104516	w/JB6
Master Cylinder	81	R104464	w/JB7
Power Brake Booster	Years	Part No.	Qualifier
Hydro Booster	00 - 97	527352	Diesel; w/JD5 or JD6

C2500 PICKUP (cont.) - See Also K2500 PICKUP

Hydraulics - Reman (cont.)

Power Brake Booster	Years	Part No.	Qualifier
Hydro Booster	00 - 97	527358	Diesel; w/JD7
Hydro Booster	00 - 97	527358	Gas; w/JB8
Hydro Booster	96 - 95	527335	Diesel; w/JD6
Hydro Booster	96 - 95	527336	Diesel; w/JD7
Hydro Booster	96 - 95	527336	Gas; w/JB8
Hydro Booster	94	527341	Diesel; w/JD6
Hydro Booster	94	527334	Diesel; w/JD7
Hydro Booster	94	527334	Gas; w/JB8
Hydro Booster	93 - 92	527250	Diesel; w/JD6 or JD7
Hydro Booster	91 - 88	527250	Diesel; w/JD6
Hydro Booster	91 - 88	527328	Diesel; w/JD7
Hydro Booster	91 - 88	527328	Gas; w/JB8
Hydro Booster	86 - 84	527248	Diesel; w/JD6 or JD7
Hydro Booster	83 - 82	527307	Diesel; w/JD6 or JD7

Power Brake Booster	Years	Part No.	Qualifier
Power Brake Booster	00 - 97	5471085	Gas; w/o Master Cylinder; w/JB6 or JB7
Power Brake Booster	96 - 95	501098	Gas; w/Master Cylinder; w/JB6
Power Brake Booster	96 - 95	501067	Gas; w/Master Cylinder; w/JB7
Power Brake Booster	96 - 95	5471098	Gas; w/o Master Cylinder; w/JB6 or JB7
Power Brake Booster	94	501080	Gas; w/Master Cylinder; w/JB7
Power Brake Booster	94	5471098	Gas; w/o Master Cylinder; w/JB6
Power Brake Booster	94	5471046	Gas; w/o Master Cylinder; w/JB7
Power Brake Booster	93 - 88	501047	Gas; w/Master Cylinder; w/JB6
Power Brake Booster	93 - 88	501074	Gas; w/Master Cylinder; w/JB7
Power Brake Booster	93 - 88	5471046	Gas; w/o Master Cylinder; w/JB6 or JB7
Power Brake Booster	86 - 82	509089	Gas; w/Master Cylinder; w/JB6; w/Pedal Rod No. C14
Power Brake Booster	86 - 82	501056	Gas; w/Master Cylinder; w/JB7; w/Pedal Rod No. C17
Power Brake Booster	86 - 82	5471069	Gas; w/o Master Cylinder; w/JB6; w/Pedal Rod No. C14
Power Brake Booster	86 - 82	5471056	Gas; w/o Master Cylinder; w/JB7; w/Pedal Rod No. C17
Power Brake Booster	81	509089	Gas; w/Master Cylinder; w/JB6
Power Brake Booster	81	501056	Gas; w/Master Cylinder; w/JB7
Power Brake Booster	81	5471069	Gas; w/o Master Cylinder; w/JB6
Power Brake Booster	81	5471056	Gas; w/o Master Cylinder; w/JB7

Brake Cables

Parking Brake Cable	Years	Sequential No.	Category No.	Qualifier
Parking Brake Cable	00	F140356	(BC140356)	Rear; R.H.; Exc. 5.7L; 7200 GVW; w/3.73, 4.10 A.R.; w/JD7; 104" Length
Parking Brake Cable	00	F140356	(BC140356)	Rear; R.H.; Exc. 5.7L; 8600 GVW; w/3.73, 4.10 A.R.; w/JD7; 104" Length
Parking Brake Cable	00 - 96	F140360	(BC140360)	Rear; R.H.; w/o Diesel; 8600 GVW; w/3.73, 4.10 A.R.; Exc. Floating Axle; w/JB7; 103" Length
Parking Brake Cable	00 - 96	F140356	(BC140356)	Rear; R.H.; w/o Diesel; 8600 GVW; w/3.73, 4.10 A.R.; w/4 Spd. A/T; w/Floating Axle; w/JB7, JD7; 104" Length
Parking Brake Cable	99	F140356	(BC140356)	Rear; R.H.; 6.5;7.4L; 7200 GVW; w/3.73, 4.10 A.R.; w/JD7; 104" Length
Parking Brake Cable	99	F140356	(BC140356)	Rear; R.H.; 6.5;7.4L; 8600 GVW; w/3.73, 4.10 A.R.; w/JD7; 104" Length
Parking Brake Cable	98 - 96	F128658	(BC128658)	Rear; L.H.; 7200 GVW; 84" Length
Parking Brake Cable	98 - 96	F140351	(BC140351)	Rear; L.H.; 7200 GVW; Exc. Crew Cab; w/JB6, JD6; 84" Length
Parking Brake Cable	98 - 96	F128997	(BC128997)	Rear; L.H.; w/o Diesel; 8600 GVW; w/3.73, 4.10 A.R.; Exc. Floating Axle; w/Limited Slip Differential; w/JB7
Parking Brake Cable	98	F140356	(BC140356)	Rear; R.H.; Exc. 5.7L; 7200 GVW; w/3.73, 4.10 A.R.; w/JD7; 104" Length
Parking Brake Cable	98	F140356	(BC140356)	Rear; R.H.; Exc. 5.7L; 8600 GVW; w/3.73, 4.10 A.R.; w/JD7; 104" Length
Parking Brake Cable	97 - 96	F140356	(BC140356)	Rear; R.H.; 6.5;7.4L; 7200 GVW; w/3.73, 4.10 A.R.; w/JD7; 104" Length
Parking Brake Cable	97 - 96	F140356	(BC140356)	Rear; R.H.; 6.5;7.4L; 8600 GVW; w/3.73, 4.10 A.R.; w/JD7; 104" Length
Parking Brake Cable	96 - 92	F124666	(BC124666)	Rear; R.H.; 7200 GVW; 131-1/2", 141-1/2" WB; w/JB6, JD6; 103" Length
Parking Brake Cable	96	F129675	(BC129675)	Rear; R.H.; 7200 GVW; 155-1/2" WB
Parking Brake Cable	96	F124667	(BC124667)	Rear; R.H.; 8600 GVW; 131-1/2", 141-1/2" WB; 104" Length
Parking Brake Cable	96	F129675	(BC129675)	Rear; R.H.; 8600 GVW; 155-1/2" WB

C2500 PICKUP (cont.) - See Also K2500 PICKUP
Brake Cables (cont.)

Parking Brake Cable	Years	Sequential No.	Category No.	Qualifier
Parking Brake Cable	96	F140356	(BC140356)	Rear; R.H.; w/o Diesel; 8600 GVW; w/3.73, 4.10 A.R.; w/5 Spd. M/T; w/JB7, JD7; 104" Length
Parking Brake Cable	95	F132792	(BC132792)	Forward; 141-1/2" WB
Parking Brake Cable	95	F132795	(BC132795)	Forward; 155-1/2" WB
Parking Brake Cable	95 - 92	F128658	(BC128658)	Rear; L.H.; 7200 GVW; 131-1/2", 141-1/2" WB; 84" Length
Parking Brake Cable	95 - 92	F140351	(BC140351)	Rear; L.H.; 7200 GVW; w/JB6, JD6; 84" Length
Parking Brake Cable	95	F128997	(BC128997)	Rear; L.H.; w/o Diesel; 7200 GVW; 131-1/2" WB; w/JB7, JD7
Parking Brake Cable	95	F128997	(BC128997)	Rear; L.H.; w/o Diesel; 8600 GVW; 131-1/2" WB; w/JB7, JD7
Parking Brake Cable	95	F129675	(BC129675)	Rear; R.H.; 7200 GVW; 155-1/2" WB; w/JB7, JD7
Parking Brake Cable	95 - 92	F124667	(BC124667)	Rear; R.H.; 8600 GVW; 131-1/2", 141-1/2" WB; w/JB7, JD7; 104" Length
Parking Brake Cable	95	F129675	(BC129675)	Rear; R.H.; 8600 GVW; 155-1/2" WB; w/JB7, JD7
Parking Brake Cable	95	F140356	(BC140356)	Rear; R.H.; Exc. 4.3;5.0L; 7200 GVW; w/JB7, JD7; 104" Length
Parking Brake Cable	95	F140356	(BC140356)	Rear; R.H.; Exc. 4.3;5.0L; 8600 GVW; w/JB7, JD7; 104" Length
Parking Brake Cable	95	F140360	(BC140360)	Rear; R.H.; w/o Diesel; 7200 GVW; Exc. Floating Axle; w/JB7; 103" Length
Parking Brake Cable	95	F140360	(BC140360)	Rear; R.H.; w/o Diesel; 8600 GVW; Exc. Floating Axle; w/JB7; 103" Length
Parking Brake Cable	94 - 90	F124685	(BC124685)	Forward; 131-1/2" WB
Parking Brake Cable	94 - 90	F124684	(BC124684)	Forward; 141-1/2" WB
Parking Brake Cable	94 - 90	F124681	(BC124681)	Forward; 155-1/2" WB
Parking Brake Cable	94 - 92	F128997	(BC128997)	Rear; L.H.; w/o Diesel; 131-1/2" WB; w/JB7, JD7
Parking Brake Cable	94 - 92	F129675	(BC129675)	Rear; R.H.; 155-1/2" WB; w/JB7, JD7
Parking Brake Cable	94	F140356	(BC140356)	Rear; R.H.; Exc. 4.3;5.0L; w/JB7, JD7; 104" Length
Parking Brake Cable	94 - 92	F140360	(BC140360)	Rear; R.H.; w/o Diesel; Exc. Floating Axle; w/JB7; 103" Length
Parking Brake Cable	93 - 92	F140356	(BC140356)	Rear; R.H.; 6.5;7.4L; w/JB7, JD7; 104" Length
Parking Brake Cable	91 - 90	F128658	(BC128658)	Rear; L.H.; 7500 GVW; 131-1/2" WB; 84" Length
Parking Brake Cable	91 - 90	F128658	(BC128658)	Rear; L.H.; 7500 GVW; 141-1/2" WB; 84" Length
Parking Brake Cable	91 - 90	F128997	(BC128997)	Rear; L.H.; 7500 GVW; 155-1/2" WB
Parking Brake Cable	91 - 90	F128997	(BC128997)	Rear; L.H.; 8500 GVW
Parking Brake Cable	91 - 90	F124666	(BC124666)	Rear; R.H.; 7500 GVW; 131-1/2", 141-1/2" WB; 103" Length
Parking Brake Cable	91 - 90	F129675	(BC129675)	Rear; R.H.; 7500 GVW; 155-1/2" WB
Parking Brake Cable	91 - 90	F124667	(BC124667)	Rear; R.H.; 8500 GVW; 104" Length
Parking Brake Cable	89 - 88	F124687	(BC124687)	Forward; 131-1/2" WB
Parking Brake Cable	89	F129638	(BC129638)	Forward; 141-1/2" WB
Parking Brake Cable	89 - 88	F124682	(BC124682)	Forward; 155-1/2" WB
Parking Brake Cable	89 - 88	F123935	(BC123935)	Rear; L.H.
Parking Brake Cable	89	F124666	(BC124666)	Rear; R.H.; 103" Length
Parking Brake Cable	89	F124667	(BC124667)	Rear; R.H.; 104" Length
Parking Brake Cable	88	F124478	(BC124478)	Rear; R.H.
Parking Brake Cable	86 - 84	F108771	(BC108771)	Forward; 131-1/2" WB
Parking Brake Cable	86 - 84	F108772	(BC108772)	Forward; 164-1/2" WB
Parking Brake Cable	86 - 84	F108767	(BC108767)	Rear; L.H.; 131-1/2" WB; 11-5/32" Brake
Parking Brake Cable	86 - 81	F88581	(BC88581)	Rear; L.H.; 131-1/2" WB; 11-5/32" Brake
Parking Brake Cable	86 - 84	F124137	(BC124137)	Rear; L.H.; 131-1/2" WB; 13" Brake
Parking Brake Cable	86 - 84	F124137	(BC124137)	Rear; L.H.; 164-1/2" WB
Parking Brake Cable	86 - 84	F108768	(BC108768)	Rear; R.H.; 131-1/2" WB; 11-5/32" Brake
Parking Brake Cable	86 - 81	F88581	(BC88581)	Rear; R.H.; 131-1/2" WB; 11-5/32" Brake
Parking Brake Cable	86 - 84	F108764	(BC108764)	Rear; R.H.; 131-1/2" WB; 13" Brake
Parking Brake Cable	86 - 84	F108764	(BC108764)	Rear; R.H.; 164-1/2" WB
Parking Brake Cable	83 - 81	F105561	(BC105561)	Forward; 131-1/2" WB
Parking Brake Cable	83 - 81	F105562	(BC105562)	Forward; 164-1/2" WB
Parking Brake Cable	83 - 81	F105964	(BC105964)	Intermediate; 131-1/2" WB; 11-5/32" Brake
Parking Brake Cable	83 - 81	F101981	(BC101981)	Intermediate; 131-1/2" WB; 13" Brake
Parking Brake Cable	83 - 81	F108179	(BC108179)	Intermediate; 164-1/2" WB
Parking Brake Cable	83 - 81	F108760	(BC108760)	Rear; L.H.; 131-1/2" WB; 13" Brake
Parking Brake Cable	83 - 81	F108760	(BC108760)	Rear; L.H.; 164-1/2" WB
Parking Brake Cable	83 - 81	F108760	(BC108760)	Rear; R.H.; 131-1/2" WB; 13" Brake

C2500 PICKUP (cont.) - See Also K2500 PICKUP

Brake Cables (cont.)

<i>Parking Brake Cable</i>	<i>Years</i>	<i>Sequential No.</i>	<i>Category No.</i>	<i>Qualifier</i>
Parking Brake Cable	83 - 81	F108760	(BC108760)	Rear; R.H.; 164-1/2" WB

ABS Components - New

<i>ABS Modulator</i>	<i>Years</i>	<i>Sequential No.</i>	<i>Category No.</i>	<i>Qualifier</i>
ABS Modulator	90 - 88	F121007	(AB121007)	

ABS Components - Reman

<i>ABS Module</i>	<i>Years</i>	<i>Part No.</i>	<i>Qualifier</i>
ABS Module	94	RA121036	
ABS Module	93 - 88	RA121000	

<i>ABS Hydraulic Unit</i>	<i>Years</i>	<i>Part No.</i>	<i>Qualifier</i>
ABS Hydraulic Unit	99 - 95	RA125034	
ABS Hydraulic Unit	94	RA122006	
ABS Hydraulic Unit	93 - 91	RA122006	7200 lb. GVW
ABS Hydraulic Unit	93 - 91	RA122008	8600 lb. GVW
ABS Hydraulic Unit	90 - 88	RA122003	

Wheel Attaching Hardware

<i>Front Wheel Stud</i>	<i>Years</i>	<i>Part No.</i>	<i>Qualifier</i>
Wheel Lug Stud	00	BD61426	
Wheel Lug Stud	99 - 88	BD61401	7200 GVW
Wheel Lug Stud	99 - 88	BD61426	8600 GVW
Wheel Lug Stud	86 - 81	BD60906	

<i>Rear Wheel Stud</i>	<i>Years</i>	<i>Part No.</i>	<i>Qualifier</i>
Wheel Lug Stud	00 - 90	BD125934	7200 GVW
Wheel Lug Stud	00 - 90	BD61427	8600 GVW
Wheel Lug Stud	89 - 88	BD125934	
Wheel Lug Stud	86 - 82	BD60963	w/11-5/32" Drum; w/9-1/2" R.G.
Wheel Lug Stud	86 - 81	BD61053	w/13" Drum; 10-1/2" R.G.
Wheel Lug Stud	86 - 82	BD60963	w/13" Drum; w/9-1/2" R.G.
Wheel Lug Stud	81	BD60963	w/11-5/32" Drum; 2" Bolt
Wheel Lug Stud	81	BD61135	w/11-5/32" Drum; 2-3/4" Bolt
Wheel Lug Stud	81	BD60963	w/13" Drum; 9-1/2" R.G.

<i>Front Wheel Nut</i>	<i>Years</i>	<i>Part No.</i>	<i>Qualifier</i>
Wheel Lug Nut	00 - 90	BD125916	External Thread
Wheel Lug Nut	89 - 88	BD61404	Bulge
Wheel Lug Nut	86 - 81	BD61287	Std. Open

<i>Rear Wheel Nut</i>	<i>Years</i>	<i>Part No.</i>	<i>Qualifier</i>
Wheel Lug Nut	00 - 90	BD125916	External Thread
Wheel Lug Nut	89 - 88	BD61404	Bulge
Wheel Lug Nut	86 - 81	BD61287	Std. Open

K2500 PICKUP - See Also C2500 PICKUP

Brake Pads & Shoes

<i>Front Pads & Shoes</i>	<i>Years</i>	<i>SevereDuty</i>	<i>Lining No.</i>	<i>Qualifier</i>
Brake Pads	00 - 99	SD784		w/Rear Disc
Brake Pads	00 - 99	SD370		w/Rear Drum
Brake Pads	98 - 96	SD370		
Brake Pads	95 - 89	SD369		7200 GVW
Brake Pads	95 - 89	SD370		8600 GVW
Brake Pads	88	SD369		
Brake Pads	86 - 83	SD52		6600 GVW
Brake Pads	86 - 81	SD153		8600 GVW; H/D Brake
Brake Pads	81	SD52		6800 GVW

<i>Rear Pads & Shoes</i>	<i>Years</i>	<i>SevereDuty</i>	<i>Lining No.</i>	<i>Qualifier</i>
Brake Pads	99	SD785		
Brake Shoes	00 - 92	SDS655R	SX2042BDT-S36	13 x 2-1/2" Brake; Riveted
Brake Shoes	98 - 88	SDS473R	EX2073TD-S32	11-5/32 x 2-3/4" Brake; Riveted

K2500 PICKUP (cont.) - See Also C2500 PICKUP
Brake Pads & Shoes (cont.)

Rear Pads & Shoes	Years	SevereDuty	Lining No.	Qualifier
Brake Shoes	91 - 89	SDS451R	EX2042ADT-S32	13 x 2-1/2" Brake; Riveted
Brake Shoes	86 - 81	SDS473R	EX2073TD-S32	11-5/32 x 2-3/4" Brake; Riveted
Brake Shoes	86 - 81	SDS451R	EX2042ADT-S32	13 x 2-1/2" Brake; Riveted

Rotor & Drum

Front Rotor & Drum	Years	Part No.	Qualifier
Brake Rotor	00 - 99	BD125653	w/Rear Disc
Brake Rotor	99	BD61918	w/Rear Drum
Brake Rotor	98 - 96	BD61918	
Brake Rotor	95 - 89	BD61812	7200 GVW; w/6 Stud Whl.; Full-Cast Rotor; Replaces OE Composite Design
Brake Rotor	95 - 89	BD61918	8600 GVW; w/8 Stud Whl.
Brake Rotor	88	BD61812	Full-Cast Rotor; Replaces OE Composite Design
Brake Rotor	86 - 83	BD60427	
Brake Rotor	82 - 81	BD60427	Use w/BD61708 Hub
Rotor Hub	86 - 81	BD61708	L.H.; Use w/BD60427 Rotor
Rotor Hub	86 - 81	BD61708	R.H.; Use w/BD60427 Rotor

Rear Rotor & Drum	Years	Part No.	Qualifier
Brake Drum	00 - 91	BD60359	w/10-1/2" R.G.; 13 x 2-1/2" Brake
Brake Drum	99 - 88	BD61817	11-5/32 x 2-3/4" Brake
Brake Drum	98 - 90	BD60727	w/9-1/2" R.G.; 13 x 2-1/2" Brake
Brake Drum	90	BD61891	w/10-1/2" R.G.; 1st Design; 13 x 2-1/2" Brake
Brake Drum	90	BD60359	w/10-1/2" R.G.; 2nd Design; 13 x 2-1/2" Brake
Brake Drum	89	BD60727	13 x 2-1/2" Brake
Brake Drum	86 - 84	BD60724	6600 GVW; 11-5/32 x 2-3/4" Brake
Brake Drum	86 - 84	BD60727	8600 GVW; H/D Brake; 13 x 2-1/2" Brake
Brake Drum	83	BD60595	6600 GVW; 4-5/8" Wide Drum; 11-5/32 x 2-3/4" Brake
Brake Drum	83	BD60724	6600 GVW; 6-3/8" Wide Drum; 11-5/32 x 2-3/4" Brake
Brake Drum	83	BD60623	8600 GVW; H/D Brake; 4-5/8" Wide Drum; 13 x 2-1/2" Brake
Brake Drum	83	BD60727	8600 GVW; H/D Brake; 6-3/8" Wide Drum; 13 x 2-1/2" Brake
Brake Drum	82	BD60595	6600 GVW; 11-5/32 x 2-3/4" Brake
Brake Drum	82	BD60623	8600 GVW; H/D Brake; 13 x 2-1/2" Brake
Brake Drum	81	BD60595	6800 GVW; 11-5/32 x 2-3/4" Brake
Brake Drum	81	BD60623	7500-8200 GVW; H/D Brake; 13 x 2-1/2" Brake
Brake Rotor	00 - 99	BD125656	w/13" Dia. Rotor; 8 Stud Whl.; w/4-5/8" Dia. Ctr. Pilot Hole
Brake Rotor	00 - 99	BD125657	w/13" Dia. Rotor; 8 Stud Whl.; w/4-53/64" Dia. Ctr. Pilot Hole

Brake Hardware

Front Brake Hardware	Years	Sequential No.	Category No.	Qualifier
Caliper Bolt/Pin	00	F129642S	(H5062)	w/Rear Drum; w/DRW
Caliper Bolt/Pin	00	F117224S	(H5038)	w/Rear Drum; w/SRW
Caliper Bolt/Pin	99 - 97	F117224S	(H5038)	
Caliper Bolt/Pin	96 - 92	F129642S	(H5062)	w/Rear Drum; w/DRW
Caliper Bolt/Pin	96 - 92	F117224S	(H5038)	w/Rear Drum; w/SRW
Caliper Bolt/Pin	91 - 88	F117224S	(H5038)	
Caliper Bolt/Pin	86 - 81	F76074S	(H5004)	
Disc Align Kit	99 - 88	F117225S	(H5584)	
Disc Align Kit	86 - 81	F73674S	(H5500)	
Pin Boot Kit	96 - 92	F126906S	(H8209)	w/Rear Drum; w/DRW

Rear Brake Hardware	Years	Sequential No.	Category No.	Qualifier
Adjuster Kit	00 - 88	F98404	(H2584)	L.H.; 11-5/32 x 2-3/4" Brake
Adjuster Kit	00 - 88	F98406	(H2580)	L.H.; 13 x 2-1/2" Brake
Adjuster Kit	00 - 88	F111233	(H2687)	R.H.; 11-5/32 x 2-3/4" Brake
Adjuster Kit	00 - 88	F98407	(H2581)	R.H.; 13 x 2-1/2" Brake
Adjuster Kit	86 - 81	F98404	(H2584)	L.H.; 11-5/32 x 2-3/4" Brake
Adjuster Kit	86 - 81	F98406	(H2580)	L.H.; 13 x 2-1/2" Brake
Adjuster Kit	86 - 83	F111233	(H2687)	R.H.; 11-5/32 x 2-3/4" Brake
Adjuster Kit	86 - 81	F98407	(H2581)	R.H.; 13 x 2-1/2" Brake

K2500 PICKUP (cont.) - See Also C2500 PICKUP

Brake Hardware (cont.)

Rear Brake Hardware	Years	Sequential No.	Category No.	Qualifier
Adjuster Kit	82 - 81	F98405	(H2585)	R.H.; 11-5/32 x 2-3/4" Brake
Adjuster Screw	00 - 88	F73181S	(H1530)	L.H.; 11-5/32 x 2-3/4" Brake
Adjuster Screw	00 - 88	F83294	(H1550)	L.H.; 13 x 2-1/2" Brake
Adjuster Screw	00 - 88	F73182S	(H1531)	R.H.; 11-5/32 x 2-3/4" Brake
Adjuster Screw	00 - 88	F83295	(H1551)	R.H.; 13 x 2-1/2" Brake
Adjuster Screw	86 - 81	F73181S	(H1530)	L.H.; 11-5/32 x 2-3/4" Brake
Adjuster Screw	86 - 81	F83294	(H1550)	L.H.; 13 x 2-1/2" Brake
Adjuster Screw	86 - 81	F73182S	(H1531)	R.H.; 11-5/32 x 2-3/4" Brake
Adjuster Screw	86 - 81	F83295	(H1551)	R.H.; 13 x 2-1/2" Brake
Combi Kit	99 - 88	F98457S	(H7055)	13 x 2-1/2" Brake
↳Adjuster Spring Kit		F73145S	(H425)	
↳Hold Down Kit		F113455S	(H4098)	
↳Return Spring Kit		F59100S	(H600)	
Combi Kit	98 - 88	F98455S	(H7046)	11-5/32 x 2-3/4" Brake
↳Adjuster Spring Kit		F45936S	(H415)	
↳Hold Down Kit		F98422S	(H4018)	
↳Return Spring Kit		F45927S	(H324)	
Combi Kit	86 - 81	F98455S	(H7046)	11-5/32 x 2-3/4" Brake
↳Adjuster Spring Kit		F45936S	(H415)	
↳Hold Down Kit		F98422S	(H4018)	
↳Return Spring Kit		F45927S	(H324)	
Combi Kit	86 - 81	F98457S	(H7055)	13 x 2-1/2" Brake
↳Adjuster Spring Kit		F73145S	(H425)	
↳Hold Down Kit		F113455S	(H4098)	
↳Return Spring Kit		F59100S	(H600)	

Calipers - Reman

Front, Loaded	Years	Left No.	Right No.	Qualifier	Piston
Loaded Caliper	00 - 89	AS116294	AS116295	8600 GVW; w/3.16" Single Piston Caliper	M
Loaded Caliper	98 - 89	AS116292	AS116293	7200 GVW; w/2.94" Single Piston Caliper	M
Loaded Caliper	88	AS116292	AS116293	w/2.94" Single Piston Caliper	M
Loaded Caliper	86 - 81	AS98886	AS98887	w/JB6, JD6; w/2.94" Single Piston Caliper	M
Loaded Caliper	86 - 81	AS98954	AS98955	w/JB7, JD7; w/3.16" Single Piston Caliper	M
Front, Unloaded	Years	Left No.	Right No.	Qualifier	Piston
Unloaded Caliper	00 - 89	CR116294	CR116295	8600 GVW; w/3.16" Single Piston Caliper	M
Unloaded Caliper	98 - 89	CR116292	CR116293	7200 GVW; w/2.94" Single Piston Caliper	M
Unloaded Caliper	88	CR116292	CR116293	w/2.94" Single Piston Caliper	M
Unloaded Caliper	86 - 81	CR98886	CR98887	w/JB6, JD6; w/2.94" Single Piston Caliper	M
Unloaded Caliper	86 - 81	CR98954	CR98955	w/JB7, JD7; w/3.16" Single Piston Caliper	M

Hydraulics - New

Master Cylinder	Years	Sequential No.	Category No.	Qualifier
Master Cylinder	00 - 99	F131472	(MC131472)	w/Hydro-Boost; w/Rear Drum; 1-1/4" Bore
Master Cylinder	98 - 95	F131472	(MC131472)	8600 GVW; w/Hydro-Boost; 1-1/4" Bore
Master Cylinder	98 - 94	F131468	(MC131468)	w/o Diesel; 7200 GVW; 1-1/8" Bore
Master Cylinder	94	F131472	(MC131472)	Diesel; w/Hydro-Boost; 1-1/4" Bore
Master Cylinder	94	F131472	(MC131472)	w/o Diesel; 8600 GVW; w/Hydro-Boost; 1-1/4" Bore
Master Cylinder	93 - 88	F116627	(MC116627)	Diesel; w/Hydro-Boost; 1-1/4" Bore
Master Cylinder	93 - 88	F116881	(MC116881)	w/o Diesel; 7200 GVW; 1-1/8" Bore
Master Cylinder	93 - 88	F116627	(MC116627)	w/o Diesel; 8600 GVW; w/Hydro-Boost; 1-1/4" Bore
Master Cylinder	86 - 84	F104456	(MC104456)	w/Hydro-Boost; 1-3/16" Bore
Master Cylinder	86 - 84	F104516	(MC104516)	w/Vacuum Boost; 6600 GVW; 1-1/8" Bore
Master Cylinder	86 - 84	F104464	(MC104464)	w/Vacuum Boost; 8600 GVW; 1-1/4" Bore
Master Cylinder	83 - 81	F104464	(MC104464)	1-1/4" Bore; 13" Brake
Master Cylinder	83 - 82	F104456	(MC104456)	w/Hydro-Boost; 1-3/16" Bore; 11" Brake
Master Cylinder	83 - 82	F104516	(MC104516)	w/Vacuum Boost; 1-1/8" Bore; 11" Brake

↳Sub-Kit of Combi-Kit is available separately.

Piston: M - OE Metal Piston P - OE Phenolic Piston

K2500 PICKUP (cont.) - See Also C2500 PICKUP
Hydraulics - New (cont.)

Master Cylinder	Years	Sequential No.	Category No.	Qualifier
Master Cylinder	81	F104516	(MC104516)	1-1/8" Bore; 11" Brake
Rear Wheel Cylinder	Years	Sequential No.	Category No.	Qualifier
Wheel Cylinder	00 - 98	F79767	(WC79767)	1-1/16" Bore
Wheel Cylinder	97 - 88	F116359	(WC116359)	7200 GVW; 1" Bore
Wheel Cylinder	97 - 89	F79767	(WC79767)	8600 GVW; 1-1/16" Bore
Wheel Cylinder	86 - 81	F51088	(WC51088)	6600-7200 GVW; 11" Brake; 1" Bore
Wheel Cylinder	86 - 82	F79767	(WC79767)	8600 GVW; 13" Brake; 1-1/16" Bore
Wheel Cylinder	81	F79767	(WC79767)	7500-8200 GVW; 13" Brake; 1-1/16" Bore
Clutch Master Cylind	Years	Sequential No.	Category No.	Qualifier
Clutch Master Cylinder	00	F133507	(CM133507)	45/64" Bore
Clutch Master Cylinder	99 - 97	F133507	(CM133507)	w/o Diesel; 45/64" Bore
Clutch Master Cylinder	96	F133507	(CM133507)	45/64" Bore
Clutch Master Cylinder	95 - 92	F126856	(CM126856)	45/64" Bore
Clutch Master Cylinder	91 - 88	F119584	(CM119584)	11/16" Bore
Clutch Master Cylinder	86 - 84	F110273	(CM110273)	11/16" Bore
Clutch Slave Cylinder	Years	Sequential No.	Category No.	Qualifier
Clutch Slave Cylinder	00 - 96	F134322	(SC134322)	
Clutch Slave Cylinder	95 - 92	F126872	(SC126872)	25/32" Bore
Clutch Slave Cylinder	91 - 88	F103762	(SC103762)	13/16" Bore
Clutch Slave Cylinder	86 - 84	F103483	(SC103483)	13/16" Bore
Front Brake Hose	Years	Sequential No.	Category No.	Qualifier
Brake Hose	00 - 99	F138063	(BH138063)	L.H.; 8600 GVW; w/Rear Drum
Brake Hose	00 - 99	F120542	(BH120542)	R.H.; 8600 GVW; w/Rear Drum
Brake Hose	98 - 96	F138063	(BH138063)	L.H.; 8600 GVW
Brake Hose	98 - 96	F138064	(BH138064)	R.H.; 8600 GVW
Brake Hose	96 - 89	F118083	(BH118083)	L.H.; 7200 GVW
Brake Hose	96 - 89	F118084	(BH118084)	R.H.; 7200 GVW
Brake Hose	95 - 89	F120541	(BH120541)	L.H.; 8600 GVW
Brake Hose	95 - 89	F120542	(BH120542)	R.H.; 8600 GVW
Brake Hose	88	F118083	(BH118083)	L.H.
Brake Hose	88	F118084	(BH118084)	R.H.
Brake Hose	86 - 82	F104345	(BH104345)	L.H.; 6600 GVW
Brake Hose	86 - 82	F104346	(BH104346)	L.H.; 8600 GVW
Brake Hose	86 - 84	F104347	(BH104347)	R.H.; 6600 GVW
Brake Hose	86 - 84	F106359	(BH106359)	R.H.; 8600 GVW
Brake Hose	83 - 82	F106359	(BH106359)	R.H.; Diesel; 6600 GVW
Brake Hose	83 - 82	F104347	(BH104347)	R.H.; Diesel; 8600 GVW
Brake Hose	83 - 82	F104347	(BH104347)	R.H.; w/o Diesel; 6600 GVW
Brake Hose	83 - 82	F106359	(BH106359)	R.H.; w/o Diesel; 8600 GVW
Brake Hose	81	F104345	(BH104345)	L.H.; 6800 GVW
Brake Hose	81	F104346	(BH104346)	L.H.; 7500-8200 GVW
Brake Hose	81	F104347	(BH104347)	R.H.; 6800 GVW
Brake Hose	81	F106359	(BH106359)	R.H.; 7500-8200 GVW
Rear Brake Hose	Years	Sequential No.	Category No.	Qualifier
Brake Hose	00 - 99	F118117	(BH118117)	w/Rear Drum
Brake Hose	98 - 88	F118117	(BH118117)	
Brake Hose	86 - 84	F113148	(BH113148)	Diesel
Brake Hose	86 - 84	F80967	(BH80967)	w/o Diesel
Brake Hose	83 - 81	F80967	(BH80967)	

Hydraulics - Reman

Master Cylinder	Years	Part No.	Qualifier
Master Cylinder	00 - 94	R131472	Diesel; w/JD6 or JD7
Master Cylinder	00 - 88	R116881	Gas; w/JB6
Master Cylinder	00 - 94	R131472	Gas; w/JB7
Master Cylinder	93 - 88	R116627	Diesel; w/JD6 or JD7

K2500 PICKUP (cont.) - See Also C2500 PICKUP

Hydraulics - Reman (cont.)

Master Cylinder	Years	Part No.	Qualifier
Master Cylinder	93 - 88	R116627	Gas; w/JB7
Master Cylinder	86 - 82	R104456	Diesel; w/JD6
Master Cylinder	86 - 82	R104464	Diesel; w/JD7
Master Cylinder	86 - 82	R104516	Gas; w/JB6
Master Cylinder	86 - 82	R104464	Gas; w/JB7
Master Cylinder	81	R104516	w/JB6
Master Cylinder	81	R104464	w/JB7

Power Brake Booster	Years	Part No.	Qualifier
Hydro Booster	00 - 97	527358	Diesel; w/JD7
Hydro Booster	00 - 97	527358	Gas; w/JB8
Hydro Booster	99 - 97	527352	Diesel; w/JD5 or JD6
Hydro Booster	96 - 95	527335	Diesel; w/JD6
Hydro Booster	96 - 95	527336	Diesel; w/JD7
Hydro Booster	96 - 95	527336	Gas; w/JB8
Hydro Booster	94	527341	Diesel; w/JD6
Hydro Booster	94	527334	Diesel; w/JD7
Hydro Booster	94	527334	Gas; w/JB8
Hydro Booster	93 - 92	527345	Diesel; w/JD6 or JD7
Hydro Booster	91 - 88	527250	Diesel; w/JD6
Hydro Booster	91 - 88	527328	Diesel; w/JD7
Hydro Booster	91 - 88	527328	Gas; w/JB8
Hydro Booster	86 - 84	527248	Diesel; w/JD6 or JD7
Hydro Booster	83 - 82	527307	Diesel; w/JD6 or JD7

Power Brake Booster	Years	Part No.	Qualifier
Power Brake Booster	00 - 97	5471085	Gas; w/o Master Cylinder; w/JB6 or JB7
Power Brake Booster	96 - 95	501098	Gas; w/Master Cylinder; w/JB6
Power Brake Booster	96 - 95	501067	Gas; w/Master Cylinder; w/JB7
Power Brake Booster	96 - 95	5471098	Gas; w/o Master Cylinder; w/JB6 or JB7
Power Brake Booster	94	501098	Gas; w/Master Cylinder; w/JB6; w/Vacuum Boost
Power Brake Booster	94	501080	Gas; w/Master Cylinder; w/JB7; w/Vacuum Boost
Power Brake Booster	94	5471098	Gas; w/o Master Cylinder; w/JB6; w/Vacuum Boost
Power Brake Booster	94	5471046	Gas; w/o Master Cylinder; w/JB7; w/Vacuum Boost
Power Brake Booster	93 - 88	501047	Gas; w/Master Cylinder; w/JB6
Power Brake Booster	93 - 88	501074	Gas; w/Master Cylinder; w/JB7
Power Brake Booster	93 - 88	5471046	Gas; w/o Master Cylinder; w/JB6 or JB7
Power Brake Booster	86 - 82	509089	Gas; w/Master Cylinder; w/JB6; w/Pedal Rod No. C14
Power Brake Booster	86 - 82	501056	Gas; w/Master Cylinder; w/JB7; w/Pedal Rod No. C17
Power Brake Booster	86 - 82	5471069	Gas; w/o Master Cylinder; w/JB6; w/Pedal Rod No. C14
Power Brake Booster	86 - 82	5471056	Gas; w/o Master Cylinder; w/JB7; w/Pedal Rod No. C17
Power Brake Booster	81	509089	Gas; w/Master Cylinder; w/JB6
Power Brake Booster	81	501056	Gas; w/Master Cylinder; w/JB7
Power Brake Booster	81	5471069	Gas; w/o Master Cylinder; w/JB6
Power Brake Booster	81	5471056	Gas; w/o Master Cylinder; w/JB7

Brake Cables

Parking Brake Cable	Years	Sequential No.	Category No.	Qualifier
Parking Brake Cable	00	F140356	(BC140356)	Rear; R.H.; Exc. 5.7L; 7200 GVW; w/3.73, 4.10 A.R.; w/JD7; 104" Length
Parking Brake Cable	00	F140356	(BC140356)	Rear; R.H.; Exc. 5.7L; 8600 GVW; w/3.73, 4.10 A.R.; w/JD7; 104" Length
Parking Brake Cable	00 - 96	F140360	(BC140360)	Rear; R.H.; w/o Diesel; 8600 GVW; w/3.73, 4.10 A.R.; Exc. Floating Axle; w/JB7; 103" Length
Parking Brake Cable	00 - 96	F140356	(BC140356)	Rear; R.H.; w/o Diesel; 8600 GVW; w/3.73, 4.10 A.R.; w/4 Spd. A/T; w/Floating Axle; w/JB7, JD7; 104" Length
Parking Brake Cable	99 - 98	F140356	(BC140356)	Rear; R.H.; 6.5;7.4L; 7200 GVW; w/3.73, 4.10 A.R.; w/JD7; 104" Length
Parking Brake Cable	99 - 98	F140356	(BC140356)	Rear; R.H.; 6.5;7.4L; 8600 GVW; w/3.73, 4.10 A.R.; w/JD7; 104" Length
Parking Brake Cable	98 - 96	F128658	(BC128658)	Rear; L.H.; 7200 GVW; 84" Length
Parking Brake Cable	98 - 92	F140351	(BC140351)	Rear; L.H.; 7200 GVW; w/JB6, JD6; 84" Length

K2500 PICKUP (cont.) - See Also C2500 PICKUP
Brake Cables (cont.)

Parking Brake Cable	Years	Sequential No.	Category No.	Qualifier
Parking Brake Cable	98 - 92	F128997	(BC128997)	Rear; L.H.; 8600 GVW
Parking Brake Cable	97 - 96	F140356	(BC140356)	Rear; R.H.; Exc. 5.7L; 7200 GVW; w/3.73, 4.10 A.R.; w/JD7; 104" Length
Parking Brake Cable	97 - 96	F140356	(BC140356)	Rear; R.H.; Exc. 5.7L; 8600 GVW; w/3.73, 4.10 A.R.; w/JD7; 104" Length
Parking Brake Cable	96 - 92	F124666	(BC124666)	Rear; R.H.; 7200 GVW; 131-1/2", 141-1/2" WB; 103" Length
Parking Brake Cable	96 - 92	F129675	(BC129675)	Rear; R.H.; 7200 GVW; 155-1/2" WB
Parking Brake Cable	96 - 92	F124667	(BC124667)	Rear; R.H.; 8600 GVW; 104" Length
Parking Brake Cable	96	F140356	(BC140356)	Rear; R.H.; w/o Diesel; 8600 GVW; w/3.73, 4.10 A.R.; w/5 Spd. M/T; w/JB7, JD7; 104" Length
Parking Brake Cable	95 - 90	F124684	(BC124684)	Forward; 141-1/2" WB
Parking Brake Cable	95	F132795	(BC132795)	Forward; 155-1/2" WB
Parking Brake Cable	95 - 92	F128658	(BC128658)	Rear; L.H.; 7200 GVW; 131-1/2", 141-1/2" WB; 84" Length
Parking Brake Cable	95	F140356	(BC140356)	Rear; R.H.; Exc. 4.3;5.0L; 7200 GVW; w/JB7, JD7; 104" Length
Parking Brake Cable	95	F140356	(BC140356)	Rear; R.H.; Exc. 4.3;5.0L; 8600 GVW; w/JB7, JD7; 104" Length
Parking Brake Cable	95	F140360	(BC140360)	Rear; R.H.; w/o Diesel; 7200 GVW; Exc. Floating Axle; w/JB7; 103" Length
Parking Brake Cable	95	F140360	(BC140360)	Rear; R.H.; w/o Diesel; 8600 GVW; Exc. Floating Axle; w/JB7; 103" Length
Parking Brake Cable	94 - 90	F124685	(BC124685)	Forward; 131-1/2" WB
Parking Brake Cable	94 - 90	F124681	(BC124681)	Forward; 155-1/2" WB
Parking Brake Cable	94 - 92	F128997	(BC128997)	Rear; L.H.; 7200 GVW; 155-1/2" WB
Parking Brake Cable	94	F140356	(BC140356)	Rear; R.H.; Exc. 4.3;5.0L; w/JB7, JD7; 104" Length
Parking Brake Cable	94 - 92	F140360	(BC140360)	Rear; R.H.; w/o Diesel; Exc. Floating Axle; w/JB7; 103" Length
Parking Brake Cable	93 - 92	F140356	(BC140356)	Rear; R.H.; 6.5;7.4L; w/JB7, JD7; 104" Length
Parking Brake Cable	91 - 90	F128658	(BC128658)	Rear; L.H.; 7500 GVW; 84" Length
Parking Brake Cable	91 - 90	F128997	(BC128997)	Rear; L.H.; 8500 GVW
Parking Brake Cable	91 - 90	F124666	(BC124666)	Rear; R.H.; 7500 GVW; 103" Length
Parking Brake Cable	91 - 90	F124667	(BC124667)	Rear; R.H.; 8500 GVW; 104" Length
Parking Brake Cable	89 - 88	F124687	(BC124687)	Forward; 131-1/2" WB
Parking Brake Cable	89 - 88	F129638	(BC129638)	Forward; 141-1/2" WB
Parking Brake Cable	89 - 88	F124682	(BC124682)	Forward; 155-1/2" WB
Parking Brake Cable	89 - 88	F123935	(BC123935)	Rear; L.H.
Parking Brake Cable	89	F124666	(BC124666)	Rear; R.H.; 103" Length
Parking Brake Cable	89	F124667	(BC124667)	Rear; R.H.; 104" Length
Parking Brake Cable	88	F124478	(BC124478)	Rear; R.H.
Parking Brake Cable	86 - 84	F108771	(BC108771)	Forward; 131-1/2" WB
Parking Brake Cable	86 - 84	F108772	(BC108772)	Forward; 164-1/2" WB
Parking Brake Cable	86 - 84	F108767	(BC108767)	Rear; L.H.; 131-1/2" WB; 11-5/32" Brake
Parking Brake Cable	86 - 84	F124137	(BC124137)	Rear; L.H.; 131-1/2" WB; 13" Brake
Parking Brake Cable	86 - 84	F124137	(BC124137)	Rear; L.H.; 164-1/2" WB
Parking Brake Cable	86 - 84	F108768	(BC108768)	Rear; R.H.; 131-1/2" WB; 11-5/32" Brake
Parking Brake Cable	86 - 84	F108764	(BC108764)	Rear; R.H.; 131-1/2" WB; 13" Brake
Parking Brake Cable	86 - 84	F108764	(BC108764)	Rear; R.H.; 164-1/2" WB
Parking Brake Cable	83 - 81	F109228	(BC109228)	Forward
Parking Brake Cable	83 - 82	F86371	(BC86371)	Intermediate
Parking Brake Cable	83 - 82	F108760	(BC108760)	Rear; L.H.; 131-1/2" WB
Parking Brake Cable	83 - 82	F88581	(BC88581)	Rear; L.H.; 131-1/2" WB
Parking Brake Cable	83 - 82	F108760	(BC108760)	Rear; R.H.; 131-1/2" WB
Parking Brake Cable	83 - 82	F88581	(BC88581)	Rear; R.H.; 131-1/2" WB
Parking Brake Cable	81	F105970	(BC105970)	Intermediate; 131-1/2" WB; 11-5/32" Brake
Parking Brake Cable	81	F86371	(BC86371)	Intermediate; 131-1/2" WB; 13" Brake
Parking Brake Cable	81	F88581	(BC88581)	Rear; L.H.
Parking Brake Cable	81	F88581	(BC88581)	Rear; R.H.

ABS Components - New

ABS Modulator	Years	Sequential No.	Category No.	Qualifier
ABS Modulator	89 - 88	F121007	(AB121007)	
ABS Wheel Sensor	Years	Sequential No.	Category No.	Qualifier
ABS Wheel Sensor	91 - 88	F121028	(AB121028)	Rear

K2500 PICKUP (cont.) - See Also C2500 PICKUP

ABS Components - Reman

ABS Module	Years	Part No.	Qualifier
ABS Module	94	RA121036	
ABS Module	93 - 88	RA121000	
ABS Hydraulic Unit	Years	Part No.	Qualifier
ABS Hydraulic Unit	98 - 95	RA125034	
ABS Hydraulic Unit	94	RA122006	
ABS Hydraulic Unit	93 - 90	RA122006	7200 lb. GVW
ABS Hydraulic Unit	93 - 90	RA122008	8600 lb. GVW
ABS Hydraulic Unit	89 - 88	RA122003	

Wheel Attaching Hardware

Front Wheel Stud	Years	Part No.	Qualifier
Wheel Lug Stud	00 - 92	BD61423	7200 GVW
Wheel Lug Stud	00 - 92	BD61425	8600 GVW
Wheel Lug Stud	91 - 88	BD61425	
Wheel Lug Stud	86 - 81	BD60907	
Rear Wheel Stud	Years	Part No.	Qualifier
Wheel Lug Stud	00 - 92	BD125934	7200 GVW
Wheel Lug Stud	00 - 92	BD61427	8600 GVW
Wheel Lug Stud	91 - 90	BD125934	w/11-5/32" Drum
Wheel Lug Stud	91 - 90	BD61427	w/13" Drum
Wheel Lug Stud	89 - 88	BD125934	
Wheel Lug Stud	86 - 82	BD60963	w/11-5/32" Drum; w/9-1/2" R.G.
Wheel Lug Stud	86 - 81	BD61053	w/13" Drum; 10-1/2" R.G.
Wheel Lug Stud	86 - 82	BD60963	w/13" Drum; w/9-1/2" R.G.
Wheel Lug Stud	81	BD60963	w/11-5/32" Drum; 2" Bolt
Wheel Lug Stud	81	BD61135	w/11-5/32" Drum; 2-3/4" Bolt
Wheel Lug Stud	81	BD60963	w/13" Drum; 9-1/2" R.G.
Front Wheel Nut	Years	Part No.	Qualifier
Wheel Lug Nut	00 - 90	BD125916	External Thread
Wheel Lug Nut	89 - 88	BD61404	Bulge
Wheel Lug Nut	86 - 81	BD61287	Std. Open
Rear Wheel Nut	Years	Part No.	Qualifier
Wheel Lug Nut	00 - 90	BD125916	External Thread
Wheel Lug Nut	89 - 88	BD61404	Bulge
Wheel Lug Nut	86 - 81	BD61287	Std. Open

R2500 PICKUP - See Also V2500 PICKUP

Brake Pads & Shoes

Front Pads & Shoes	Years	SevereDuty	Lining No.	Qualifier
Brake Pads	89	SD153		
Brake Pads	88 - 87	SD52		7200 GVW
Brake Pads	88	SD153		8600 GVW
Brake Pads	87	SD153		8600 GVW; H/D Brake
Rear Pads & Shoes	Years	SevereDuty	Lining No.	Qualifier
Brake Shoes	89 - 87	SDS451R	EX2042ADT-S32	13 x 2-1/2" Brake; Riveted
Brake Shoes	88 - 87	SDS473R	EX2073TD-S32	11-5/32 x 2-3/4" Brake; Riveted

Rotor & Drum

Front Rotor & Drum	Years	Part No.	Qualifier
Brake Rotor	89 - 87	BD60402	
Rear Rotor & Drum	Years	Part No.	Qualifier
Brake Drum	89 - 88	BD60359	w/10-1/2" R.G.; 13 x 2-1/2" Brake
Brake Drum	89 - 88	BD60727	w/9-1/2" R.G.; 13 x 2-1/2" Brake
Brake Drum	88	BD60724	11-5/32 x 2-3/4" Brake
Brake Drum	87	BD60724	7200 GVW; 11-5/32 x 2-3/4" Brake
Brake Drum	87	BD60359	8600 GVW; H/D Brake; w/10-1/2 R.G.; 13 x 2-1/2" Brake
Brake Drum	87	BD60727	8600 GVW; w/9-1/2" R.G.; H/D Brake; 13 x 2-1/2" Brake

R2500 PICKUP (cont.) - See Also V2500 PICKUP

Brake Hardware

Front Brake Hardware	Years	Sequential No.	Category No.	Qualifier
Caliper Bolt/Pin	89 - 87	F76074S	(H5004)	
Disc Align Kit	89 - 87	F73674S	(H5500)	
Rear Brake Hardware	Years	Sequential No.	Category No.	Qualifier
Adjuster Kit	89 - 87	F98406	(H2580)	L.H.
Adjuster Kit	89 - 87	F98407	(H2581)	R.H.
Adjuster Screw	89 - 87	F83294	(H1550)	L.H.
Adjuster Screw	89 - 87	F83295	(H1551)	R.H.
Combi Kit	89 - 87	F98457S	(H7055)	
↳Adjuster Spring Kit		F73145S	(H425)	
↳Hold Down Kit		F113455S	(H4098)	
↳Return Spring Kit		F59100S	(H600)	

Calipers - Reman

Front, Loaded	Years	Left No.	Right No.	Qualifier	Piston
Loaded Caliper	89	AS98954	AS98955		M
Loaded Caliper	88 - 87	AS98884	AS98885	w/JB6, JD6; w/2.94" Single Piston Caliper	M
Loaded Caliper	88 - 87	AS98954	AS98955	w/JB7, JD7; w/3.16" Single Piston Caliper	M
Front, Unloaded	Years	Left No.	Right No.	Qualifier	Piston
Unloaded Caliper	89	CR98954	CR98955		M
Unloaded Caliper	88 - 87	CR98884	CR98885	w/JB6, JD6; w/2.94" Single Piston Caliper	M
Unloaded Caliper	88 - 87	CR98954	CR98955	w/JB7, JD7; w/3.16" Single Piston Caliper	M

Hydraulics - New

Master Cylinder	Years	Sequential No.	Category No.	Qualifier
Master Cylinder	89	F104464	(MC104464)	1-1/4" Bore
Master Cylinder	88 - 87	F104464	(MC104464)	1-1/4" Bore; 13" Brake
Master Cylinder	88 - 87	F104456	(MC104456)	w/Hydro-Boost; 1-3/16" Bore; 11" Brake
Master Cylinder	88 - 87	F104516	(MC104516)	w/Vacuum Boost; 1-1/8" Bore; 11" Brake
Rear Wheel Cylinder	Years	Sequential No.	Category No.	Qualifier
Wheel Cylinder	89	F79767	(WC79767)	1-1/16" Bore
Wheel Cylinder	88	F51088	(WC51088)	11" Brake; 1" Bore
Wheel Cylinder	88	F79767	(WC79767)	13" Brake; 1-1/16" Bore
Wheel Cylinder	87	F51088	(WC51088)	6600-7200 GVW; 11" Brake; 1" Bore
Wheel Cylinder	87	F79767	(WC79767)	8600 GVW; 13" Brake; 1-1/16" Bore
Clutch Master Cylind	Years	Sequential No.	Category No.	Qualifier
Clutch Master Cylinder	89 - 87	F110273	(CM110273)	11/16" Bore
Clutch Slave Cylinder	Years	Sequential No.	Category No.	Qualifier
Clutch Slave Cylinder	89 - 87	F103483	(SC103483)	13/16" Bore
Front Brake Hose	Years	Sequential No.	Category No.	Qualifier
Brake Hose	89	F110424	(BH110424)	L.H.
Brake Hose	89	F110425	(BH110425)	R.H.
Brake Hose	88 - 87	F102464	(BH102464)	L.H.; 7200 GVW
Brake Hose	88 - 87	F110424	(BH110424)	L.H.; 8600 GVW
Brake Hose	88 - 87	F102465	(BH102465)	R.H.; 7200 GVW
Brake Hose	88 - 87	F110425	(BH110425)	R.H.; 8600 GVW
Rear Brake Hose	Years	Sequential No.	Category No.	Qualifier
Brake Hose	89	F113148	(BH113148)	Diesel
Brake Hose	89 - 88	F80967	(BH80967)	w/o Diesel
Brake Hose	88	F113148	(BH113148)	6.2; 7.4L
Brake Hose	87	F80967	(BH80967)	Exc. 7.4L
Brake Hose	87	F113148	(BH113148)	w/o Diesel

Hydraulics - Reman

Master Cylinder	Years	Part No.	Qualifier
Master Cylinder	89 - 87	R104456	Diesel; w/JD6
Master Cylinder	89 - 87	R104464	Diesel; w/JD7
Master Cylinder	89 - 87	R104516	Gas; w/JB6

↳Sub-Kit of Combi-Kit is available separately.

Piston: M - OE Metal Piston P - OE Phenolic Piston

R2500 PICKUP (cont.) - See Also V2500 PICKUP

Hydraulics - Reman (cont.)

Master Cylinder	Years	Part No.	Qualifier
Master Cylinder	89 - 87	R104464	Gas; w/JB7
Power Brake Booster	Years	Part No.	Qualifier
Hydro Booster	89 - 87	527248	Diesel; w/JD6 or JD7
Power Brake Booster	Years	Part No.	Qualifier
Power Brake Booster	89 - 88	501056	Gas; w/Master Cylinder; Vin No. K; w/JB7
Power Brake Booster	89 - 88	501059	Gas; w/Master Cylinder; Vin No. N; w/JB7
Power Brake Booster	89 - 88	5471056	Gas; w/o Master Cylinder; Vin No. K; w/JB7
Power Brake Booster	89 - 88	5471059	Gas; w/o Master Cylinder; Vin No. N; w/JB7
Power Brake Booster	87	509089	Gas; w/Master Cylinder; w/JB6; w/Pedal Rod No. C14
Power Brake Booster	87	501056	Gas; w/Master Cylinder; w/JB7; w/Pedal Rod No. C17
Power Brake Booster	87	5471069	Gas; w/o Master Cylinder; w/JB6; w/Pedal Rod No. C14
Power Brake Booster	87	5471056	Gas; w/o Master Cylinder; w/JB7; w/Pedal Rod No. C17

Brake Cables

Parking Brake Cable	Years	Sequential No.	Category No.	Qualifier
Parking Brake Cable	89	F124686	(BC124686)	Forward; 13 x 1-5/32" Brake
Parking Brake Cable	89	F108772	(BC108772)	Forward; 4 Door; w/SRW
Parking Brake Cable	89	F124137	(BC124137)	Rear; L.H.; 4 Door; w/SRW
Parking Brake Cable	89	F108764	(BC108764)	Rear; R.H.; 4 Door; w/SRW
Parking Brake Cable	87	F124686	(BC124686)	Forward; 131-1/2" WB
Parking Brake Cable	87	F108772	(BC108772)	Forward; 164-1/2" WB
Parking Brake Cable	87	F129828	(BC129828)	Rear; L.H.; 131-1/2" WB; 11-5/32" Brake
Parking Brake Cable	87	F124137	(BC124137)	Rear; L.H.; 131-1/2" WB; 13" Brake
Parking Brake Cable	87	F124137	(BC124137)	Rear; L.H.; 164-1/2" WB
Parking Brake Cable	87	F116604	(BC116604)	Rear; R.H.; 131-1/2" WB; 11-5/32" Brake
Parking Brake Cable	87	F108764	(BC108764)	Rear; R.H.; 131-1/2" WB; 13" Brake
Parking Brake Cable	87	F108764	(BC108764)	Rear; R.H.; 164-1/2" WB

Wheel Attaching Hardware

Front Wheel Stud	Years	Part No.	Qualifier
Wheel Lug Stud	89	BD61401	7200 GVW
Wheel Lug Stud	89	BD61426	8600 GVW
Wheel Lug Stud	88 - 87	BD60906	
Rear Wheel Stud	Years	Part No.	Qualifier
Wheel Lug Stud	89	BD125934	
Wheel Lug Stud	88	BD61053	10-1/2" R.G.
Wheel Lug Stud	88	BD60963	9-1/2" R.G.
Wheel Lug Stud	87	BD60963	w/11-5/32" Drum; w/9-1/2" R.G.
Wheel Lug Stud	87	BD61053	w/13" Drum; 10-1/2" R.G.
Wheel Lug Stud	87	BD60963	w/13" Drum; w/9-1/2" R.G.
Front Wheel Nut	Years	Part No.	Qualifier
Wheel Lug Nut	89	BD61404	Bulge
Wheel Lug Nut	88 - 87	BD61287	Std. Open
Rear Wheel Nut	Years	Part No.	Qualifier
Wheel Lug Nut	89	BD61404	Bulge
Wheel Lug Nut	88 - 87	BD61287	Std. Open

SIERRA 2500 - See Also SIERRA 2500 HD

Brake Pads & Shoes

Front Pads & Shoes	Years	SevereDuty	Lining No.	Qualifier
Brake Pads	04 - 01	SD784		
Brake Pads	00 - 99	SD784		w/Rear Disc
Brake Pads	00 - 99	SD370		w/Rear Drum
Rear Pads & Shoes	Years	SevereDuty	Lining No.	Qualifier
Brake Pads	04 - 99	SD785		
Brake Shoes	00 - 99	SDS655R	SX2042BDT-S36	13 x 2-1/2" Brake; Riveted

SIERRA 2500 (cont.) - See Also SIERRA 2500 HD
Brake Pads & Shoes (cont.)

Parking Brake Shoes	Years	SevereDuty	Lining No.	Qualifier
Parking Brake Shoes	01 - 99	SDS771	EX2192	Bonded

Rotor & Drum

Front Rotor & Drum	Years	Part No.	Qualifier
Brake Rotor	04 - 01	BD125653	Exc. 2" Body Raise Pkg.
Brake Rotor	04 - 01	BD126036	w/2" Body Raise Pkg.
Brake Rotor	00 - 99	BD125212	2WD; w/Rear Drum
Brake Rotor	00 - 99	BD61918	4WD; w/Rear Drum
Brake Rotor	00 - 99	BD125653	w/Rear Disc
Rear Rotor & Drum	Years	Part No.	Qualifier
Brake Drum	00 - 99	BD60727	13 x 2-1/2" Brake
Brake Rotor	04 - 99	BD125656	w/13" Dia. Rotor; 8 Stud Whl.; w/4-5/8" Dia. Ctr. Pilot Hole
Brake Rotor	04 - 99	BD125657	w/13" Dia. Rotor; 8 Stud Whl.; w/4-53/64" Dia. Ctr. Pilot Hole

Brake Hardware

Front Brake Hardware	Years	Sequential No.	Category No.	Qualifier
Caliper Bolt/Pin	02 - 99	F139700	(H5095)	
Disc Align Kit	04 - 99	F139708	(H5646)	
Pin Boot Kit	04 - 99	F138697S	(H8221)	
Rear Brake Hardware	Years	Sequential No.	Category No.	Qualifier
Adjuster Kit	00 - 99	F98406	(H2580)	L.H.
Adjuster Kit	00 - 99	F98407	(H2581)	R.H.
Adjuster Screw	00 - 99	F83294	(H1550)	L.H.
Adjuster Screw	00 - 99	F83295	(H1551)	R.H.
Caliper Bolt/Pin	04 - 01	F139712	(H5096)	
Disc Align Kit	04 - 01	F139707	(H5645)	
Pin Boot Kit	04 - 99	F138697S	(H8221)	

Calipers - Reman

Front, Unloaded	Years	Left No.	Right No.	Qualifier	Piston
Unloaded Caliper	04 - 99	CRB134347	CRB134348	w/Dual Piston Caliper; Supplied w/Mtg. Brkt.	P
Unloaded Caliper	04 - 99	CR134347	CR134348	w/Dual Piston Caliper; Supplied w/o Mtg. Brkt.	P
Rear, Unloaded	Years	Left No.	Right No.	Qualifier	Piston
Unloaded Caliper	04 - 99	CRB134345	CRB134346	w/Dual Piston Caliper; Supplied w/Mtg. Brkt.	P
Unloaded Caliper	04 - 99	CR134345	CR134346	w/Dual Piston Caliper; Supplied w/o Mtg. Brkt.	P

Hydraulics - New

Master Cylinder	Years	Sequential No.	Category No.	Qualifier
Master Cylinder	04 - 03	F140480	(MC140480)	w/Hydro-Boost; w/o ABS; 1-15/32" Bore
Clutch Master Cylind	Years	Sequential No.	Category No.	Qualifier
Clutch Master Cylinder	04 - 01	F134526	(CM134526)	w/5 Spd. Trans.; 45/64" Bore
Clutch Master Cylinder	00 - 99	F134526	(CM134526)	45/64" Bore
Clutch Slave Cylinder	Years	Sequential No.	Category No.	Qualifier
Clutch Slave Cylinder	04 - 03	F140212	(SC140212)	w/5 Spd. Trans.; 1-7/32" Bore
Clutch Slave Cylinder	04 - 01	F140318	(SC140318)	w/6 Spd. Trans.
Clutch Slave Cylinder	02 - 01	F140158	(SC140158)	w/5 Spd. Trans.
Clutch Slave Cylinder	00 - 99	F134322	(SC134322)	

Hydraulics - Reman

Master Cylinder	Years	Part No.	Qualifier
Master Cylinder	02 - 99	R134735	w/JC5
Master Cylinder	02 - 99	R134734	w/JH5 or JH6 or JH7
Power Brake Booster	Years	Part No.	Qualifier
Hydro Booster	02 - 00	527359	w/JH5 or JH6 or JH7
Power Brake Booster	Years	Part No.	Qualifier
Power Brake Booster	02 - 99	5474818	Gas; w/o Master Cylinder; w/JC5

Piston: M - OE Metal Piston P - OE Phenolic Piston

SIERRA 2500 (cont.) - See Also SIERRA 2500 HD

Brake Cables

<i>Parking Brake Cable</i>	<i>Years</i>	<i>Sequential No.</i>	<i>Category No.</i>	<i>Qualifier</i>
Parking Brake Cable	04 - 99	F140234	(BC140234)	Intermediate; 133" WB; Reg. Cab; 8' Bed; 40" Length
Parking Brake Cable	04 - 99	F140237	(BC140237)	Intermediate; 143-1/2" WB; Ext. Cab; 6-1/2' Bed; 51" Length
Parking Brake Cable	00 - 99	F140236	(BC140236)	Intermediate; 157-1/2" WB; Ext. Cab; 8' Bed; 65" Length

Wheel Attaching Hardware

<i>Front Wheel Stud</i>	<i>Years</i>	<i>Part No.</i>	<i>Qualifier</i>
Wheel Lug Stud	04 - 99	BD125938	
<i>Rear Wheel Stud</i>	<i>Years</i>	<i>Part No.</i>	<i>Qualifier</i>
Wheel Lug Stud	04 - 99	BD125961	M14 x 1.5 x 28
Wheel Lug Stud	04 - 99	BD125938	M14 x 1.5 x 29
<i>Front Wheel Nut</i>	<i>Years</i>	<i>Part No.</i>	<i>Qualifier</i>
Wheel Lug Nut	04 - 99	BD61404	Bulge; w/Alum. Whl.
Wheel Lug Nut	04 - 99	BD125916	External Thread; Exc. Alum. Whl.
<i>Rear Wheel Nut</i>	<i>Years</i>	<i>Part No.</i>	<i>Qualifier</i>
Wheel Lug Nut	04 - 99	BD61404	Bulge; w/Alum. Whl.
Wheel Lug Nut	04 - 99	BD125916	External Thread; Exc. Alum. Whl.

SIERRA 2500 HD - See Also SIERRA 2500

Brake Pads & Shoes

<i>Front Pads & Shoes</i>	<i>Years</i>	<i>SevereDuty</i>	<i>Lining No.</i>	<i>Qualifier</i>
Brake Pads	06 - 01	SD784		
<i>Rear Pads & Shoes</i>	<i>Years</i>	<i>SevereDuty</i>	<i>Lining No.</i>	<i>Qualifier</i>
Brake Pads	06 - 01	SD785		

Rotor & Drum

<i>Front Rotor & Drum</i>	<i>Years</i>	<i>Part No.</i>	<i>Qualifier</i>
Brake Rotor	06	BD125653	
Brake Rotor	05	BD125653	8600 GVW
Brake Rotor	05	BD126036	Exc. 8600 GVW
Brake Rotor	04 - 01	BD125653	Exc. 2" Body Raise Pkg.
Brake Rotor	04 - 01	BD126036	w/2" Body Raise Pkg.
<i>Rear Rotor & Drum</i>	<i>Years</i>	<i>Part No.</i>	<i>Qualifier</i>
Brake Rotor	06 - 01	BD125657	w/13" Dia. Rotor; 8 Stud Whl.; w/4-53/64" Dia. Ctr. Pilot Hole
Brake Rotor	04 - 01	BD125656	w/13" Dia. Rotor; 8 Stud Whl.; w/4-5/8" Dia. Ctr. Pilot Hole

Brake Hardware

<i>Front Brake Hardware</i>	<i>Years</i>	<i>Sequential No.</i>	<i>Category No.</i>	<i>Qualifier</i>
Disc Align Kit	03 - 01	F139708	(H5646)	
Pin Boot Kit	04 - 01	F138697S	(H8221)	
<i>Rear Brake Hardware</i>	<i>Years</i>	<i>Sequential No.</i>	<i>Category No.</i>	<i>Qualifier</i>
Caliper Bolt/Pin	05 - 01	F139712	(H5096)	
Disc Align Kit	03 - 01	F139707	(H5645)	
Pin Boot Kit	05 - 01	F138697S	(H8221)	

Calipers - Reman

<i>Front, Unloaded</i>	<i>Years</i>	<i>Left No.</i>	<i>Right No.</i>	<i>Qualifier</i>	<i>Piston</i>
Unloaded Caliper	06 - 01	CRB134347	CRB134348	w/Dual Piston Caliper; Supplied w/Mtg. Brkt.	P
Unloaded Caliper	06 - 01	CR134347	CR134348	w/Dual Piston Caliper; Supplied w/o Mtg. Brkt.	P
<i>Rear, Unloaded</i>	<i>Years</i>	<i>Left No.</i>	<i>Right No.</i>	<i>Qualifier</i>	<i>Piston</i>
Unloaded Caliper	06 - 01	CRB134345	CRB134346	w/Dual Piston Caliper; Supplied w/Mtg. Brkt.	P
Unloaded Caliper	06 - 01	CR134345	CR134346	w/Dual Piston Caliper; Supplied w/o Mtg. Brkt.	P

Hydraulics - New

<i>Master Cylinder</i>	<i>Years</i>	<i>Sequential No.</i>	<i>Category No.</i>	<i>Qualifier</i>
Master Cylinder	06 - 03	F140480	(MC140480)	w/Hydro-Boost; w/o ABS; 1-15/32" Bore
<i>Clutch Master Cylind</i>	<i>Years</i>	<i>Sequential No.</i>	<i>Category No.</i>	<i>Qualifier</i>
Clutch Master Cylinder	04 - 01	F134526	(CM134526)	w/5 Spd. Trans.; 45/64" Bore
<i>Clutch Slave Cylinder</i>	<i>Years</i>	<i>Sequential No.</i>	<i>Category No.</i>	<i>Qualifier</i>
Clutch Slave Cylinder	04 - 03	F140212	(SC140212)	w/5 Spd. Trans.; 1-7/32" Bore

Piston: M - OE Metal Piston P - OE Phenolic Piston

SIERRA 2500 HD (cont.) - See Also SIERRA 2500
Hydraulics - New (cont.)

Clutch Slave Cylinder	Years	Sequential No.	Category No.	Qualifier
Clutch Slave Cylinder	02 - 01	F140158	(SC140158)	w/5 Spd. Trans.

Hydraulics - Reman

Master Cylinder	Years	Part No.	Qualifier
Master Cylinder	02 - 01	R134735	w/JC5
Master Cylinder	02 - 01	R134734	w/JH5 or JH6 or JH7
Power Brake Booster	Years	Part No.	Qualifier
Hydro Booster	02 - 01	527359	w/JH5 or JH6 or JH7
Power Brake Booster	Years	Part No.	Qualifier
Power Brake Booster	02 - 01	5474818	Gas; w/o Master Cylinder; w/JC5

Wheel Attaching Hardware

Front Wheel Stud	Years	Part No.	Qualifier
Wheel Lug Stud	05 - 01	BD125938	
Rear Wheel Stud	Years	Part No.	Qualifier
Wheel Lug Stud	05 - 01	BD125961	M14 x 1.5 x 28
Wheel Lug Stud	05 - 01	BD125938	M14 x 1.5 x 29
Front Wheel Nut	Years	Part No.	Qualifier
Wheel Lug Nut	04 - 01	BD61404	Bulge; w/Alum. Whl.
Wheel Lug Nut	04 - 01	BD125916	External Thread; Exc. Alum. Whl.
Rear Wheel Nut	Years	Part No.	Qualifier
Wheel Lug Nut	04 - 01	BD61404	Bulge; w/Alum. Whl.
Wheel Lug Nut	04 - 01	BD125916	External Thread; Exc. Alum. Whl.

V2500 PICKUP - See Also R2500 PICKUP
Brake Pads & Shoes

Front Pads & Shoes	Years	SevereDuty	Lining No.	Qualifier
Brake Pads	87	SD52		6600 GVW
Brake Pads	87	SD153		8600 GVW; H/D Brake
Rear Pads & Shoes	Years	SevereDuty	Lining No.	Qualifier
Brake Shoes	87	SDS473R	EX2073TD-S32	11-5/32 x 2-3/4" Brake; Riveted
Brake Shoes	87	SDS451R	EX2042ADT-S32	13 x 2-1/2" Brake; Riveted

Rotor & Drum

Front Rotor & Drum	Years	Part No.	Qualifier
Brake Rotor	87	BD60427	
Rotor Hub	87	BD61708	L.H.; Use w/BD60427 Rotor
Rotor Hub	87	BD61708	R.H.; Use w/BD60427 Rotor
Rear Rotor & Drum	Years	Part No.	Qualifier
Brake Drum	87	BD60724	6600 GVW; 11-5/32 x 2-3/4" Brake
Brake Drum	87	BD60727	8600 GVW; H/D Brake; 13 x 2-1/2" Brake

Brake Hardware

Front Brake Hardware	Years	Sequential No.	Category No.	Qualifier
Caliper Bolt/Pin	87	F76074S	(H5004)	
Disc Align Kit	87	F73674S	(H5500)	
Rear Brake Hardware	Years	Sequential No.	Category No.	Qualifier
Adjuster Kit	87	F98404	(H2584)	L.H.; 11-5/32 x 2-3/4" Brake
Adjuster Kit	87	F98406	(H2580)	L.H.; 13 x 2-1/2" Brake
Adjuster Kit	87	F111233	(H2687)	R.H.; 11-5/32 x 2-3/4" Brake
Adjuster Kit	87	F98407	(H2581)	R.H.; 13 x 2-1/2" Brake
Adjuster Screw	87	F73181S	(H1530)	L.H.; 11-5/32 x 2-3/4" Brake
Adjuster Screw	87	F83294	(H1550)	L.H.; 13 x 2-1/2" Brake
Adjuster Screw	87	F73182S	(H1531)	R.H.; 11-5/32 x 2-3/4" Brake
Adjuster Screw	87	F83295	(H1551)	R.H.; 13 x 2-1/2" Brake

↳ Sub-Kit of Combi-Kit is available separately.

V2500 PICKUP (cont.) - See Also R2500 PICKUP

Brake Hardware (cont.)					
Rear Brake Hardware	Years	Sequential No.	Category No.	Qualifier	
Combi Kit	87	F98455S	(H7046)	11-5/32 x 2-3/4" Brake	
↳Adjuster Spring Kit		F45936S	(H415)		
↳Hold Down Kit		F98422S	(H4018)		
↳Return Spring Kit		F45927S	(H324)		
Combi Kit	87	F98457S	(H7055)	13 x 2-1/2" Brake	
↳Adjuster Spring Kit		F73145S	(H425)		
↳Hold Down Kit		F113455S	(H4098)		
↳Return Spring Kit		F59100S	(H600)		
Calipers - Reman					
Front, Loaded	Years	Left No.	Right No.	Qualifier	Piston
Loaded Caliper	87	AS98886	AS98887	w/JB6, JD6; w/2.94" Single Piston Caliper	M
Loaded Caliper	87	AS98954	AS98955	w/JB7, JD7; w/3.16" Single Piston Caliper	M
Front, Unloaded	Years	Left No.	Right No.	Qualifier	Piston
Unloaded Caliper	87	CR98886	CR98887	w/JB6, JD6; w/2.94" Single Piston Caliper	M
Unloaded Caliper	87	CR98954	CR98955	w/JB7, JD7; w/3.16" Single Piston Caliper	M
Hydraulics - New					
Master Cylinder	Years	Sequential No.	Category No.	Qualifier	
Master Cylinder	87	F104456	(MC104456)	w/Hydro-Boost; 1-3/16" Bore	
Master Cylinder	87	F104516	(MC104516)	w/Vacuum Boost; 6600 GVW; 1-1/8" Bore	
Master Cylinder	87	F104464	(MC104464)	w/Vacuum Boost; 8600 GVW; 1-1/4" Bore	
Rear Wheel Cylinder	Years	Sequential No.	Category No.	Qualifier	
Wheel Cylinder	87	F51088	(WC51088)	6600-7200 GVW; 11" Brake; 1" Bore	
Wheel Cylinder	87	F79767	(WC79767)	8600 GVW; 13" Brake; 1-1/16" Bore	
Clutch Master Cylind	Years	Sequential No.	Category No.	Qualifier	
Clutch Master Cylinder	87	F110273	(CM110273)	11/16" Bore	
Clutch Slave Cylinder	Years	Sequential No.	Category No.	Qualifier	
Clutch Slave Cylinder	87	F103483	(SC103483)	13/16" Bore	
Front Brake Hose	Years	Sequential No.	Category No.	Qualifier	
Brake Hose	87	F104345	(BH104345)	L.H.; 6600 GVW	
Brake Hose	87	F104346	(BH104346)	L.H.; 8600 GVW	
Brake Hose	87	F104347	(BH104347)	R.H.; 6600 GVW	
Brake Hose	87	F106359	(BH106359)	R.H.; 8600 GVW	
Rear Brake Hose	Years	Sequential No.	Category No.	Qualifier	
Brake Hose	87	F113148	(BH113148)	Diesel	
Brake Hose	87	F80967	(BH80967)	w/o Diesel	
Hydraulics - Reman					
Master Cylinder	Years	Part No.	Qualifier		
Master Cylinder	87	R104456	Diesel; w/JD6		
Master Cylinder	87	R104464	Diesel; w/JD7		
Master Cylinder	87	R104516	Gas; w/JB6		
Master Cylinder	87	R104464	Gas; w/JB7		
Power Brake Booster	Years	Part No.	Qualifier		
Hydro Booster	87	527248	Diesel; w/JD6 or JD7		
Power Brake Booster	Years	Part No.	Qualifier		
Power Brake Booster	87	509089	Gas; w/Master Cylinder; w/JB6; w/Pedal Rod No. C14		
Power Brake Booster	87	501056	Gas; w/Master Cylinder; w/JB7; w/Pedal Rod No. C17		
Power Brake Booster	87	5471069	Gas; w/o Master Cylinder; w/JB6; w/Pedal Rod No. C14		
Power Brake Booster	87	5471056	Gas; w/o Master Cylinder; w/JB7; w/Pedal Rod No. C17		
Brake Cables					
Parking Brake Cable	Years	Sequential No.	Category No.	Qualifier	
Parking Brake Cable	87	F124686	(BC124686)	Forward; 131-1/2" WB	
Parking Brake Cable	87	F108772	(BC108772)	Forward; 164-1/2" WB	
Parking Brake Cable	87	F129828	(BC129828)	Rear; L.H.; 131-1/2" WB; 11-5/32" Brake	

↳Sub-Kit of Combi-Kit is available separately.

Piston: M - OE Metal Piston P - OE Phenolic Piston

V2500 PICKUP (cont.) - See Also R2500 PICKUP
Brake Cables (cont.)

Parking Brake Cable	Years	Sequential No.	Category No.	Qualifier
Parking Brake Cable	87	F124137	(BC124137)	Rear; L.H.; 131-1/2" WB; 13" Brake
Parking Brake Cable	87	F124137	(BC124137)	Rear; L.H.; 164-1/2" WB
Parking Brake Cable	87	F116604	(BC116604)	Rear; R.H.; 131-1/2" WB; 11-5/32" Brake
Parking Brake Cable	87	F108764	(BC108764)	Rear; R.H.; 131-1/2" WB; 13" Brake
Parking Brake Cable	87	F108764	(BC108764)	Rear; R.H.; 164-1/2" WB

Wheel Attaching Hardware

Front Wheel Stud	Years	Part No.	Qualifier
Wheel Lug Stud	87	BD60907	
Rear Wheel Stud	Years	Part No.	Qualifier
Wheel Lug Stud	87	BD60963	w/11-5/32" Drum; w/9-1/2" R.G.
Wheel Lug Stud	87	BD61053	w/13" Drum; 10-1/2" R.G.
Wheel Lug Stud	87	BD60963	w/13" Drum; w/9-1/2" R.G.
Front Wheel Nut	Years	Part No.	Qualifier
Wheel Lug Nut	87	BD61287	Std. Open
Rear Wheel Nut	Years	Part No.	Qualifier
Wheel Lug Nut	87	BD61287	Std. Open

GMC - 3/4 TON VAN
G2500 VAN - See Also P2500 VAN
Brake Pads & Shoes

Front Pads & Shoes	Years	SevereDuty	Lining No.	Qualifier
Brake Pads	98 - 96	SD369		7300 GVW
Brake Pads	98 - 96	SD370		7700-8600 GVW
Brake Pads	95 - 81	SD52		
Rear Pads & Shoes	Years	SevereDuty	Lining No.	Qualifier
Brake Shoes	98 - 81	SDS473R	EX2073TD-S32	11-5/32 x 2-3/4" Brake; Riveted
Brake Shoes	98 - 96	SDS655R	SX2042BDT-S36	13 x 2-1/2" Brake; Riveted
Brake Shoes	98 - 96	SDS656R	SX2157BDT-S36	13 x 3-1/2" Brake; Riveted

Rotor & Drum

Front Rotor & Drum	Years	Part No.	Qualifier
Brake Rotor	98 - 96	BD125592	7300 GVW
Brake Rotor	98 - 96	BD125212	7700-8600 GVW
Brake Rotor	95 - 93	BD125343	w/Hydro-Boost
Brake Rotor	95 - 93	BD125344	w/Vacuum Boost
Brake Rotor	92 - 83	BD60729	w/Hydro-Boost
Brake Rotor	92 - 83	BD60258	w/Vacuum Boost
Brake Rotor	82 - 81	BD60258	
Rear Rotor & Drum	Years	Part No.	Qualifier
Brake Drum	98 - 96	BD61817	11-5/32 x 2-3/4" Brake
Brake Drum	98 - 96	BD60727	13 x 2-1/2" Brake
Brake Drum	98 - 96	BD125407	w/4.625" Dia. Ctr. Pilot Hole; 13 x 3-1/2" Brake
Brake Drum	98 - 96	BD125523	w/4.835" Dia. Ctr. Pilot Hole; 13 x 3-1/2" Brake
Brake Drum	95 - 81	BD125051	11-5/32 x 2-3/4" Brake

Brake Hardware

Front Brake Hardware	Years	Sequential No.	Category No.	Qualifier
Caliper Bolt/Pin	98 - 96	F117224S	(H5038)	
Caliper Bolt/Pin	95 - 81	F76074S	(H5004)	
Disc Align Kit	98 - 96	F117225S	(H5584)	
Disc Align Kit	95 - 81	F73674S	(H5500)	
Rear Brake Hardware	Years	Sequential No.	Category No.	Qualifier
Adjuster Kit	98 - 81	F98404	(H2584)	L.H.; 11-5/32 x 2-3/4" Brake
Adjuster Kit	98 - 83	F98406	(H2580)	L.H.; 13 x 2-1/2" Brake
Adjuster Kit	98 - 83	F111233	(H2687)	R.H.; 11-5/32 x 2-3/4" Brake
Adjuster Kit	98 - 83	F98407	(H2581)	R.H.; 13 x 2-1/2" Brake

G2500 VAN (cont.) - See Also P2500 VAN

Brake Hardware (cont.)

Rear Brake Hardware	Years	Sequential No.	Category No.	Qualifier
Adjuster Kit	82 - 81	F98405	(H2585)	R.H.; 11-5/32 x 2-3/4" Brake
Adjuster Screw	98 - 81	F73181S	(H1530)	L.H.; 11-5/32 x 2-3/4" Brake
Adjuster Screw	98 - 83	F83294	(H1550)	L.H.; 13 x 2-1/2" Brake
Adjuster Screw	98 - 81	F73182S	(H1531)	R.H.; 11-5/32 x 2-3/4" Brake
Adjuster Screw	98 - 83	F83295	(H1551)	R.H.; 13 x 2-1/2" Brake
Combi Kit	98 - 96	F134117S	(H7217)	11-5/32 x 2-3/4" Brake
↳Adjuster Spring Kit		F45936S	(H415)	
↳Return Spring Kit		F45927S	(H324)	
Combi Kit	97 - 96	F98457S	(H7055)	13 x 2-1/2" Brake
↳Adjuster Spring Kit		F73145S	(H425)	
↳Hold Down Kit		F113455S	(H4098)	
↳Return Spring Kit		F59100S	(H600)	
Combi Kit	95 - 88	F98455S	(H7046)	11-5/32 x 2-3/4" Brake
↳Adjuster Spring Kit		F45936S	(H415)	
↳Hold Down Kit		F98422S	(H4018)	
↳Return Spring Kit		F45927S	(H324)	
Combi Kit	87 - 81	F98455S	(H7046)	
↳Adjuster Spring Kit		F45936S	(H415)	
↳Hold Down Kit		F98422S	(H4018)	
↳Return Spring Kit		F45927S	(H324)	

Calipers - Reman

Front, Loaded	Years	Left No.	Right No.	Qualifier	Piston
Loaded Caliper	98 - 96	AS116292	AS116293	7300 GVW; w/2.94" Single Piston Caliper	M
Loaded Caliper	98 - 96	AS116294	AS116295	Exc. 7300 GVW; w/3.16" Single Piston Caliper	M
Loaded Caliper	95 - 81	AS98884	AS98885		M
Front, Unloaded	Years	Left No.	Right No.	Qualifier	Piston
Unloaded Caliper	98 - 96	CR116292	CR116293	7300 GVW; w/2.94" Single Piston Caliper	M
Unloaded Caliper	98 - 96	CR116294	CR116295	Exc. 7300 GVW; w/3.16" Single Piston Caliper	M
Unloaded Caliper	95 - 81	CR98884	CR98885		M

Hydraulics - New

Master Cylinder	Years	Sequential No.	Category No.	Qualifier
Master Cylinder	98 - 96	F139959	(MC139959)	w/JD7; 1-1/4" Bore
Master Cylinder	98 - 96	F140292	(MC140292)	w/o Diesel; w/JB6; 1-1/8" Bore
Master Cylinder	95 - 83	F104456	(MC104456)	Diesel; w/Hydro-Boost; 1-3/16" Bore
Master Cylinder	95 - 85	F110887	(MC110887)	w/o Diesel; 1-1/8" Bore
Master Cylinder	84 - 83	F104514	(MC104514)	w/o Diesel; 1-1/8" Bore
Master Cylinder	82 - 81	F104514	(MC104514)	1-1/8" Bore
Rear Wheel Cylinder	Years	Sequential No.	Category No.	Qualifier
Wheel Cylinder	98 - 96	F131225	(WC131225)	15/16" Bore
Wheel Cylinder	98 - 96	F116359	(WC116359)	Diesel; w/Hydro-Boost; 1" Bore
Wheel Cylinder	98 - 96	F79767	(WC79767)	w/o Diesel; w/Hydro-Boost; 1-1/16" Bore
Wheel Cylinder	95 - 81	F51081	(WC51081)	15/16" Bore
Front Brake Hose	Years	Sequential No.	Category No.	Qualifier
Brake Hose	98 - 96	F140496	(BH140496)	L.H.; w/Hydro-Boost
Brake Hose	98 - 96	F138061	(BH138061)	L.H.; w/Vacuum Boost
Brake Hose	98 - 96	F140497	(BH140497)	R.H.; w/Hydro-Boost
Brake Hose	98 - 96	F138062	(BH138062)	R.H.; w/Vacuum Boost
Brake Hose	95 - 83	F110159	(BH110159)	L.H.
Brake Hose	95 - 83	F110158	(BH110158)	R.H.
Brake Hose	82 - 81	F102464	(BH102464)	L.H.
Brake Hose	82 - 81	F102465	(BH102465)	R.H.
Rear Brake Hose	Years	Sequential No.	Category No.	Qualifier
Brake Hose	98 - 96	F118117	(BH118117)	
Brake Hose	95 - 81	F86560	(BH86560)	

↳Sub-Kit of Combi-Kit is available separately.

Piston: M - OE Metal Piston P - OE Phenolic Piston

G2500 VAN (cont.) - See Also P2500 VAN
Hydraulics - Reman

Master Cylinder	Years	Part No.	Qualifier
Master Cylinder	98 - 96	R134626	Diesel
Master Cylinder	98 - 96	R134627	Gas
Master Cylinder	95 - 81	R104456	Diesel
Master Cylinder	95 - 85	R110887	Gas
Master Cylinder	84 - 81	R105118	Gas

Power Brake Booster	Years	Part No.	Qualifier
Hydro Booster	98 - 96	527342	Diesel
Hydro Booster	95 - 94	527340	Diesel
Hydro Booster	93 - 84	527306	Diesel
Hydro Booster	83	527307	Diesel

Power Brake Booster	Years	Part No.	Qualifier
Power Brake Booster	98 - 96	5474810	Gas; w/o Master Cylinder
Power Brake Booster	95 - 94	5471063	Gas; w/o Master Cylinder
Power Brake Booster	93 - 85	501050	Gas; w/Master Cylinder
Power Brake Booster	93 - 81	5471050	Gas; w/o Master Cylinder
Power Brake Booster	84 - 81	509102	Gas; w/Master Cylinder

Brake Cables

Parking Brake Cable	Years	Sequential No.	Category No.	Qualifier
Parking Brake Cable	98 - 96	F138836	(BC138836)	Forward
Parking Brake Cable	98 - 96	F138900	(BC138900)	Intermediate; 155" WB
Parking Brake Cable	98 - 97	F140296	(BC140296)	Rear; L.H.; w/JB6; 63" Length
Parking Brake Cable	98 - 96	F140173	(BC140173)	Rear; R.H.; w/JB6; 90" Length
Parking Brake Cable	96	F138112	(BC138112)	Rear; L.H.; w/JB6
Parking Brake Cable	95 - 92	F124691	(BC124691)	Forward; 110" WB
Parking Brake Cable	95 - 83	F124688	(BC124688)	Forward; 125" WB
Parking Brake Cable	95 - 89	F123949	(BC123949)	Rear; L.H.
Parking Brake Cable	95 - 89	F124763	(BC124763)	Rear; R.H.
Parking Brake Cable	91 - 88	F124691	(BC124691)	Forward; 110", 125" WB
Parking Brake Cable	88 - 83	F108774	(BC108774)	Rear; L.H.
Parking Brake Cable	88 - 83	F108775	(BC108775)	Rear; R.H.
Parking Brake Cable	87 - 83	F124691	(BC124691)	Forward; 110" WB
Parking Brake Cable	82 - 81	F88584	(BC88584)	Forward
Parking Brake Cable	82 - 81	F101986	(BC101986)	Intermediate; 110" WB
Parking Brake Cable	82 - 81	F126816	(BC126816)	Intermediate; 125" WB
Parking Brake Cable	82 - 81	F88582	(BC88582)	Rear; L.H.
Parking Brake Cable	82 - 81	F88582	(BC88582)	Rear; R.H.

ABS Components - Reman

ABS Module	Years	Part No.	Qualifier
ABS Module	92 - 90	RA121000	

ABS Hydraulic Unit	Years	Part No.	Qualifier
ABS Hydraulic Unit	98 - 96	RA125034	
ABS Hydraulic Unit	95	RA125025	
ABS Hydraulic Unit	94	RA125019	
ABS Hydraulic Unit	93	RA125018	
ABS Hydraulic Unit	92 - 91	RA122040	
ABS Hydraulic Unit	90	RA122005	

Wheel Attaching Hardware

Front Wheel Stud	Years	Part No.	Qualifier
Wheel Lug Stud	98 - 96	BD61426	
Wheel Lug Stud	95 - 81	BD60901	

Rear Wheel Stud	Years	Part No.	Qualifier
Wheel Lug Stud	98 - 96	BD61427	w/11-5/32" Drum
Wheel Lug Stud	98 - 96	BD125934	w/13" Drum
Wheel Lug Stud	95 - 81	BD61483	

G2500 VAN (cont.) - See Also P2500 VAN

Wheel Attaching Hardware (cont.)

Front Wheel Nut	Years	Part No.	Qualifier
Wheel Lug Nut	98 - 96	BD125916	External Thread
Wheel Lug Nut	95 - 85	BD61299	Bulge
Wheel Lug Nut	95 - 81	BD61283	Std. Open; 1/2"-20 Thread; 13/16" Hex
Rear Wheel Nut	Years	Part No.	Qualifier
Wheel Lug Nut	98 - 96	BD125916	External Thread
Wheel Lug Nut	95 - 85	BD61299	Bulge
Wheel Lug Nut	95 - 81	BD61283	Std. Open; 1/2"-20 Thread; 13/16" Hex

P2500 VAN - See Also G2500 VAN

Brake Pads & Shoes

Front Pads & Shoes	Years	SevereDuty	Lining No.	Qualifier
Brake Pads	89 - 81	SD52		6800 GVW
Brake Pads	89 - 88	SD153		8000 GVW
Brake Pads	87 - 85	SD153		8000 GVW; H/D Brake
Brake Pads	84 - 81	SD153		7500-8000 GVW; H/D Brake
Rear Pads & Shoes	Years	SevereDuty	Lining No.	Qualifier
Brake Shoes	89 - 81	SDS473R	EX2073TD-S32	11-5/32 x 2-3/4" Brake; Riveted
Brake Shoes	89 - 81	SDS451R	EX2042ADT-S32	13 x 2-1/2" Brake; Riveted

Rotor & Drum

Front Rotor & Drum	Years	Part No.	Qualifier
Brake Rotor	89 - 81	BD60402	
Rear Rotor & Drum	Years	Part No.	Qualifier
Brake Drum	89 - 88	BD60724	11-5/32 x 2-3/4" Brake
Brake Drum	89 - 88	BD60727	13 x 2-1/2" Brake
Brake Drum	87 - 84	BD60724	6800 GVW; 11-5/32 x 2-3/4" Brake
Brake Drum	87 - 85	BD60727	8000 GVW; H/D Brake; 13 x 2-1/2" Brake
Brake Drum	84	BD60727	7500-8000 GVW; H/D Brake; 13 x 2-1/2" Brake
Brake Drum	83	BD60727	6600-8200 GVW; 13 x 2-1/2" Brake
Brake Drum	83	BD60595	6800 GVW; 4-5/8" Wide Drum; 11-5/32 x 2-3/4" Brake
Brake Drum	83	BD60724	6800 GVW; 6-3/8" Wide Drum; 11-5/32 x 2-3/4" Brake
Brake Drum	83	BD60623	7500-8000 GVW; H/D Brake; 4-5/8" Wide Drum; 13 x 2-1/2" Brake
Brake Drum	82 - 81	BD60595	6800 GVW; 11-5/32 x 2-3/4" Brake
Brake Drum	82 - 81	BD60623	7500-8000 GVW; H/D Brake; 13 x 2-1/2" Brake

Brake Hardware

Front Brake Hardware	Years	Sequential No.	Category No.	Qualifier
Caliper Bolt/Pin	89 - 81	F76074S	(H5004)	
Disc Align Kit	89 - 81	F73674S	(H5500)	
Rear Brake Hardware	Years	Sequential No.	Category No.	Qualifier
Adjuster Kit	89 - 81	F98404	(H2584)	L.H.; 11-5/32 x 2-3/4" Brake
Adjuster Kit	89 - 81	F98406	(H2580)	L.H.; 13 x 2-1/2" Brake
Adjuster Kit	89 - 83	F111233	(H2687)	R.H.; 11-5/32 x 2-3/4" Brake
Adjuster Kit	89 - 81	F98407	(H2581)	R.H.; 13 x 2-1/2" Brake
Adjuster Kit	82 - 81	F98405	(H2585)	R.H.; 11-5/32 x 2-3/4" Brake
Adjuster Screw	89 - 81	F73181S	(H1530)	L.H.; 11-5/32 x 2-3/4" Brake
Adjuster Screw	89 - 81	F83294	(H1550)	L.H.; 13 x 2-1/2" Brake
Adjuster Screw	89 - 81	F73182S	(H1531)	R.H.; 11-5/32 x 2-3/4" Brake
Adjuster Screw	89 - 81	F83295	(H1551)	R.H.; 13 x 2-1/2" Brake
Combi Kit	89 - 81	F98455S	(H7046)	11-5/32 x 2-3/4" Brake
↳Adjuster Spring Kit		F45936S	(H415)	
↳Hold Down Kit		F98422S	(H4018)	
↳Return Spring Kit		F45927S	(H324)	
Combi Kit	89 - 81	F98457S	(H7055)	13 x 2-1/2" Brake
↳Adjuster Spring Kit		F73145S	(H425)	
↳Hold Down Kit		F113455S	(H4098)	
↳Return Spring Kit		F59100S	(H600)	

↳Sub-Kit of Combi-Kit is available separately.

P2500 VAN (cont.) - See Also G2500 VAN
Calipers - Reman

Front, Loaded	Years	Left No.	Right No.	Qualifier	Piston
Loaded Caliper	89 - 81	AS98884	AS98885	w/JB6, JD6; w/2.94" Single Piston Caliper	M
Loaded Caliper	89 - 81	AS98954	AS98955	w/JB7, JD7; w/3.16" Single Piston Caliper	M
Front, Unloaded	Years	Left No.	Right No.	Qualifier	Piston
Unloaded Caliper	89 - 81	CR98884	CR98885	w/JB6, JD6; w/2.94" Single Piston Caliper	M
Unloaded Caliper	89 - 81	CR98954	CR98955	w/JB7, JD7; w/3.16" Single Piston Caliper	M

Hydraulics - New

Master Cylinder	Years	Sequential No.	Category No.	Qualifier
Master Cylinder	89 - 84	F104456	(MC104456)	Diesel; 6800 GVW; w/Hydro-Boost; 1-3/16" Bore
Master Cylinder	89 - 85	F108148	(MC108148)	Diesel; 8000 GVW; w/Hydro-Boost; 1-1/4" Bore
Master Cylinder	89 - 85	F110887	(MC110887)	w/o Diesel; 6800 GVW; 1-1/8" Bore
Master Cylinder	89 - 85	F110888	(MC110888)	w/o Diesel; 8000 GVW; 1-1/4" Bore
Master Cylinder	84	F108148	(MC108148)	7500-8000 GVW; w/Hydro-Boost; 1-1/4" Bore
Master Cylinder	84	F104514	(MC104514)	w/o Diesel; 6800 GVW; 1-1/8" Bore
Master Cylinder	83 - 81	F101266	(MC101266)	1-1/4" Bore; 13" Brake
Master Cylinder	83	F104456	(MC104456)	Diesel; w/Hydro-Boost; w/Bendix Brake System; 1-3/16" Bore; 11" Brake
Master Cylinder	83	F104514	(MC104514)	w/o Diesel; 1-1/8" Bore; 11" Brake
Master Cylinder	82 - 81	F104514	(MC104514)	1-1/8" Bore; 11" Brake
Master Cylinder	82	F104456	(MC104456)	w/Hydro-Boost; w/Bendix Brake System; 1-3/16" Bore; 11" Brake
Master Cylinder	82	F104464	(MC104464)	w/Hydro-Boost; w/Moraine Brake System; 1-1/4" Bore; 11" Brake
Rear Wheel Cylinder	Years	Sequential No.	Category No.	Qualifier
Wheel Cylinder	89 - 85	F51088	(WC51088)	6800 GVW; 1" Bore
Wheel Cylinder	89 - 85	F79767	(WC79767)	8000 GVW; 1-1/16" Bore
Wheel Cylinder	84 - 81	F51088	(WC51088)	11" Brake; 1" Bore
Wheel Cylinder	84 - 81	F79767	(WC79767)	13" Brake; 1-1/16" Bore
Front Brake Hose	Years	Sequential No.	Category No.	Qualifier
Brake Hose	89 - 81	F102464	(BH102464)	L.H.; 6800 GVW
Brake Hose	89 - 85	F110424	(BH110424)	L.H.; 8000 GVW
Brake Hose	89 - 81	F102465	(BH102465)	R.H.; 6800 GVW
Brake Hose	89 - 85	F110425	(BH110425)	R.H.; 8000 GVW
Brake Hose	84 - 81	F110424	(BH110424)	L.H.; 7500-8000 GVW
Brake Hose	84 - 81	F110425	(BH110425)	R.H.; 7500-8000 GVW
Rear Brake Hose	Years	Sequential No.	Category No.	Qualifier
Brake Hose	89 - 81	F80967	(BH80967)	

Hydraulics - Reman

Master Cylinder	Years	Part No.	Qualifier
Master Cylinder	89 - 85	R104456	Diesel; w/JD6
Master Cylinder	89 - 85	R108148	Diesel; w/JD7
Master Cylinder	89 - 85	R110887	Gas; w/JB6
Master Cylinder	89 - 85	R110888	Gas; w/JB7
Master Cylinder	84 - 82	R104456	Diesel; w/JD6; w/Hydro Boost
Master Cylinder	84 - 82	R101266	Diesel; w/JD7; w/Hydro Boost
Master Cylinder	84 - 82	R105118	Gas; w/JB6; w/Vacuum Boost
Master Cylinder	84 - 82	R101266	Gas; w/JB7; w/Vacuum Boost
Master Cylinder	81	R105118	w/JB6
Master Cylinder	81	R101266	w/JB7
Power Brake Booster	Years	Part No.	Qualifier
Hydro Booster	89 - 82	527327	Diesel; w/JD6 or JD7
Power Brake Booster	Years	Part No.	Qualifier
Power Brake Booster	89 - 85	501079	Gas; w/Master Cylinder; w/JB6
Power Brake Booster	89 - 85	501054	Gas; w/Master Cylinder; w/JB7
Power Brake Booster	89 - 85	5471054	Gas; w/o Master Cylinder; w/JB6 or JB7
Power Brake Booster	84 - 81	509137	Gas; w/Master Cylinder; w/JB6
Power Brake Booster	84 - 81	509140	Gas; w/Master Cylinder; w/JB7
Power Brake Booster	84 - 81	5471054	Gas; w/o Master Cylinder; w/JB6

Piston: M - OE Metal Piston P - OE Phenolic Piston

P2500 VAN (cont.) - See Also G2500 VAN

Hydraulics - Reman (cont.)

Power Brake Booster	Years	Part No.	Qualifier
Power Brake Booster	84 - 81	5471084	Gas; w/o Master Cylinder; w/JB7

Brake Cables

Parking Brake Cable	Years	Sequential No.	Category No.	Qualifier
Parking Brake Cable	89	F124670	(BC124670)	Forward; 86" Length
Parking Brake Cable	89 - 85	F111068	(BC111068)	Intermediate; 125" WB
Parking Brake Cable	89 - 85	F111069	(BC111069)	Intermediate; 133" WB
Parking Brake Cable	89	F108767	(BC108767)	Rear; L.H.
Parking Brake Cable	89	F108768	(BC108768)	Rear; R.H.
Parking Brake Cable	88 - 84	F108777	(BC108777)	Forward
Parking Brake Cable	88	F108767	(BC108767)	Rear; L.H.; 11-5/32" Brake
Parking Brake Cable	88 - 84	F124137	(BC124137)	Rear; L.H.; 13" Brake
Parking Brake Cable	88	F108768	(BC108768)	Rear; R.H.; 125" WB; 11-5/32" Brake
Parking Brake Cable	88	F108764	(BC108764)	Rear; R.H.; 125" WB; 13" Brake
Parking Brake Cable	88	F116604	(BC116604)	Rear; R.H.; 133" WB; 11-5/32" Brake
Parking Brake Cable	88	F124766	(BC124766)	Rear; R.H.; 133" WB; 13" Brake
Parking Brake Cable	87 - 84	F108767	(BC108767)	Rear; L.H.; 1st Design; 11-5/32" Brake
Parking Brake Cable	87 - 84	F88581	(BC88581)	Rear; L.H.; 2nd Design; 11-5/32" Brake
Parking Brake Cable	87 - 84	F108764	(BC108764)	Rear; R.H.; 13" Brake
Parking Brake Cable	87 - 84	F108768	(BC108768)	Rear; R.H.; 1st Design; 11-5/32" Brake
Parking Brake Cable	87 - 84	F88581	(BC88581)	Rear; R.H.; 2nd Design; 11-5/32" Brake
Parking Brake Cable	84	F112990	(BC112990)	Intermediate; 125" WB
Parking Brake Cable	84	F108778	(BC108778)	Intermediate; 133" WB
Parking Brake Cable	83 - 81	F101984	(BC101984)	Intermediate; 125" WB; 11-5/32" Brake
Parking Brake Cable	83 - 81	F105963	(BC105963)	Intermediate; 125" WB; 13" Brake
Parking Brake Cable	83 - 81	F108180	(BC108180)	Intermediate; 133" WB; 11-5/32" Brake
Parking Brake Cable	83 - 81	F108184	(BC108184)	Intermediate; 133" WB; 13" Brake
Parking Brake Cable	83 - 81	F108760	(BC108760)	Rear; L.H.; 1st Design
Parking Brake Cable	83 - 81	F88581	(BC88581)	Rear; L.H.; 2nd Design
Parking Brake Cable	83 - 81	F108760	(BC108760)	Rear; R.H.; 1st Design
Parking Brake Cable	83 - 81	F88581	(BC88581)	Rear; R.H.; 2nd Design

Wheel Attaching Hardware

Front Wheel Stud	Years	Part No.	Qualifier
Wheel Lug Stud	89 - 81	BD60906	
Rear Wheel Stud	Years	Part No.	Qualifier
Wheel Lug Stud	89 - 81	BD60963	
Front Wheel Nut	Years	Part No.	Qualifier
Wheel Lug Nut	89 - 81	BD61287	Std. Open
Rear Wheel Nut	Years	Part No.	Qualifier
Wheel Lug Nut	89 - 81	BD61287	Std. Open

SAVANA 2500

Brake Pads & Shoes

Front Pads & Shoes	Years	SevereDuty	Lining No.	Qualifier
Brake Pads	06 - 03	SD784		8500-8600 GVW
Brake Pads	05 - 03	SD785		7300 GVW
Brake Pads	02 - 01	SD459		Diesel
Brake Pads	02 - 01	SD369		w/o Diesel; 7300 GVW; w/6 Stud Whl.
Brake Pads	02 - 01	SD370		w/o Diesel; 7700-8600 GVW; w/8 Stud Whl.
Brake Pads	00 - 99	SD369		7300 GVW; w/6 Stud Whl.
Brake Pads	00 - 99	SD370		7700-8600 GVW; w/8 Stud Whl.
Rear Pads & Shoes	Years	SevereDuty	Lining No.	Qualifier
Brake Pads	06 - 03	SD974		
Brake Shoes	02 - 99	SDS473R	EX2073TD-S32	11-5/32 x 2-3/4" Brake; Riveted
Brake Shoes	02 - 99	SDS655R	SX2042BDT-S36	13 x 2-1/2" Brake; Riveted
Brake Shoes	02 - 99	SDS656R	SX2157BDT-S36	13 x 3-1/2" Brake; Riveted

SAVANA 2500 (cont.)

Rotor & Drum

Front Rotor & Drum	Years	Part No.	Qualifier
Brake Rotor	06 - 03	BD125653	8500-8600 GVW
Brake Rotor	05 - 03	BD125654	7300 GVW
Brake Rotor	02 - 99	BD125592	7300 GVW; w/6 Stud Whl.
Brake Rotor	02 - 99	BD125212	7700-8600 GVW; w/8 Stud Whl.
Brake Rotor	02 - 01	BD125765	Diesel

Rear Rotor & Drum	Years	Part No.	Qualifier
Brake Drum	02 - 99	BD61817	11-5/32 x 2-3/4" Brake
Brake Drum	02 - 99	BD60727	13 x 2-1/2" Brake
Brake Drum	02 - 00	BD125523	13 x 3-1/2" Brake
Brake Drum	99	BD125407	w/4.625" Dia. Ctr. Pilot Hole; 13 x 3-1/2" Brake
Brake Drum	99	BD125523	w/4.835" Dia. Ctr. Pilot Hole; 13 x 3-1/2" Brake
Brake Rotor	06	BD125657	Diesel
Brake Rotor	06	BD125656	w/o Diesel; 8500-8600 GVW
Brake Rotor	05 - 03	BD125656	8500-8600 GVW

Brake Hardware

Front Brake Hardware	Years	Sequential No.	Category No.	Qualifier
Caliper Bolt/Pin	05 - 03	F139712	(H5096)	7300 GVW
Caliper Bolt/Pin	04 - 03	F139700	(H5095)	8500-8600 GVW
Caliper Bolt/Pin	02 - 01	F129642S	(H5062)	Diesel
Caliper Bolt/Pin	02 - 01	F117224S	(H5038)	w/o Diesel
Caliper Bolt/Pin	00 - 99	F117224S	(H5038)	
Disc Align Kit	05 - 03	F139707	(H5645)	7300 GVW
Disc Align Kit	04 - 03	F139708	(H5646)	8500-8600 GVW
Disc Align Kit	02 - 99	F117225S	(H5584)	
Pin Boot Kit	05 - 03	F138697S	(H8221)	

Rear Brake Hardware	Years	Sequential No.	Category No.	Qualifier
Adjuster Kit	02 - 99	F98404	(H2584)	L.H.; 11-5/32 x 2-3/4" Brake
Adjuster Kit	02 - 99	F98406	(H2580)	L.H.; 13 x 2-1/2" Brake
Adjuster Kit	02 - 99	F111233	(H2687)	R.H.; 11-5/32 x 2-3/4" Brake
Adjuster Kit	02 - 99	F98407	(H2581)	R.H.; 13 x 2-1/2" Brake
Adjuster Screw	02 - 99	F73181S	(H1530)	L.H.; 11-5/32 x 2-3/4" Brake
Adjuster Screw	02 - 99	F83294	(H1550)	L.H.; 13 x 2-1/2" Brake
Adjuster Screw	02 - 99	F73182S	(H1531)	R.H.; 11-5/32 x 2-3/4" Brake
Adjuster Screw	02 - 99	F83295	(H1551)	R.H.; 13 x 2-1/2" Brake
Caliper Bolt/Pin	05 - 03	F139370	(H5091)	
Combi Kit	02 - 99	F134117S	(H7217)	11-5/32 x 2-3/4" Brake
↳Adjuster Spring Kit		F45936S	(H415)	
↳Return Spring Kit		F45927S	(H324)	
Combi Kit	02 - 99	F98457S	(H7055)	13 x 2-1/2" Brake
↳Adjuster Spring Kit		F73145S	(H425)	
↳Hold Down Kit		F113455S	(H4098)	
↳Return Spring Kit		F59100S	(H600)	
Disc Align Kit	04 - 03	F139864	(H5665)	
Pin Boot Kit	05 - 03	F140514	(H8240)	

Calipers - Reman

Front, Loaded	Years	Left No.	Right No.	Qualifier	Piston
Loaded Caliper	02	AS120226	AS120227	Diesel	M
Loaded Caliper	02	AS116292	AS116293	Exc. Diesel; 7300 GVW; w/2.94" Single Piston Caliper	M
Loaded Caliper	02	AS116294	AS116295	Exc. Diesel; Exc. 7300 GVW; w/3.16" Single Piston Caliper	M
Loaded Caliper	01 - 99	AS116292	AS116293	7300 GVW; w/2.94" Single Piston Caliper	M
Loaded Caliper	01 - 99	AS116294	AS116295	Exc. 7300 GVW; w/3.16" Single Piston Caliper	M

Front, Unloaded	Years	Left No.	Right No.	Qualifier	Piston
Unloaded Caliper	05 - 03	CRB134346	CRB134345	7300 GVW; w/Dual Piston Caliper; Supplied w/Mtg. Brkt.	P
Unloaded Caliper	05 - 03	CR134346	CR134345	7300 GVW; w/Dual Piston Caliper; Supplied w/o Mtg. Brkt.	P
Unloaded Caliper	05 - 03	CRB134347	CRB134348	8500-8600 GVW; w/Dual Piston Caliper; Supplied w/Mtg. Brkt.	P

↳Sub-Kit of Combi-Kit is available separately.

Piston: M - OE Metal Piston P - OE Phenolic Piston

SAVANA 2500 (cont.)

Calipers - Reman (cont.)

<i>Front, Unloaded</i>	<i>Years</i>	<i>Left No.</i>	<i>Right No.</i>	<i>Qualifier</i>	<i>Piston</i>
Unloaded Caliper	05 - 03	CR134347	CR134348	8500-8600 GVW; w/Dual Piston Caliper; Supplied w/o Mtg. Brkt.	P
Unloaded Caliper	02	CR120226	CR120227	Diesel	M
Unloaded Caliper	02	CR116292	CR116293	Exc. Diesel; 7300 GVW; w/2.94" Single Piston Caliper	M
Unloaded Caliper	02	CR116294	CR116295	Exc. Diesel; Exc. 7300 GVW; w/3.16" Single Piston Caliper	M
Unloaded Caliper	01 - 99	CR116292	CR116293	7300 GVW; w/2.94" Single Piston Caliper	M
Unloaded Caliper	01 - 99	CR116294	CR116295	Exc. 7300 GVW; w/3.16" Single Piston Caliper	M

<i>Rear, Unloaded</i>	<i>Years</i>	<i>Left No.</i>	<i>Right No.</i>	<i>Qualifier</i>	<i>Piston</i>
Unloaded Caliper	05 - 03	CR135118	CR135117	8500-8600 GVW	P

Hydraulics - New

<i>Master Cylinder</i>	<i>Years</i>	<i>Sequential No.</i>	<i>Category No.</i>	<i>Qualifier</i>
Master Cylinder	02 - 99	F139959	(MC139959)	w/JD7; 1-1/4" Bore
Master Cylinder	02 - 99	F140292	(MC140292)	w/o Diesel; w/JB6; 1-1/8" Bore

<i>Rear Wheel Cylinder</i>	<i>Years</i>	<i>Sequential No.</i>	<i>Category No.</i>	<i>Qualifier</i>
Wheel Cylinder	02 - 99	F131225	(WC131225)	15/16" Bore
Wheel Cylinder	02 - 99	F79767	(WC79767)	w/o Diesel; 1-1/16" Bore
Wheel Cylinder	01 - 99	F116359	(WC116359)	Diesel; w/Hydro-Boost; 1" Bore

<i>Front Brake Hose</i>	<i>Years</i>	<i>Sequential No.</i>	<i>Category No.</i>	<i>Qualifier</i>
Brake Hose	05 - 03	F140304	(BH140304)	L.H.; 7300 GVW
Brake Hose	05 - 03	F140305	(BH140305)	R.H.; 7300 GVW
Brake Hose	02 - 01	F140498	(BH140498)	L.H.; Diesel; w/Hydro-Boost
Brake Hose	02 - 01	F140496	(BH140496)	L.H.; w/o Diesel; w/Hydro-Boost
Brake Hose	02 - 99	F138061	(BH138061)	L.H.; w/Vacuum Boost
Brake Hose	02 - 01	F140499	(BH140499)	R.H.; Diesel; w/Hydro-Boost
Brake Hose	02 - 01	F140497	(BH140497)	R.H.; w/o Diesel; w/Hydro-Boost
Brake Hose	02 - 99	F138062	(BH138062)	R.H.; w/Vacuum Boost
Brake Hose	00 - 99	F140496	(BH140496)	L.H.; w/Hydro-Boost

<i>Rear Brake Hose</i>	<i>Years</i>	<i>Sequential No.</i>	<i>Category No.</i>	<i>Qualifier</i>
Brake Hose	02 - 99	F118117	(BH118117)	

Hydraulics - Reman

<i>Master Cylinder</i>	<i>Years</i>	<i>Part No.</i>	<i>Qualifier</i>
Master Cylinder	02 - 99	R134626	Diesel
Master Cylinder	02 - 99	R134627	Gas

<i>Power Brake Booster</i>	<i>Years</i>	<i>Part No.</i>	<i>Qualifier</i>
Hydro Booster	01 - 99	527342	Diesel

<i>Power Brake Booster</i>	<i>Years</i>	<i>Part No.</i>	<i>Qualifier</i>
Power Brake Booster	02 - 99	5474810	Gas; w/o Master Cylinder

Brake Cables

<i>Parking Brake Cable</i>	<i>Years</i>	<i>Sequential No.</i>	<i>Category No.</i>	<i>Qualifier</i>
Parking Brake Cable	02 - 99	F138836	(BC138836)	Forward
Parking Brake Cable	02 - 99	F138900	(BC138900)	Intermediate; 155" WB
Parking Brake Cable	02 - 99	F140296	(BC140296)	Rear; L.H.; w/JB6; 63" Length
Parking Brake Cable	02 - 99	F140173	(BC140173)	Rear; R.H.; w/JB6; 90" Length

Wheel Attaching Hardware

<i>Front Wheel Stud</i>	<i>Years</i>	<i>Part No.</i>	<i>Qualifier</i>
Wheel Lug Stud	05 - 03	BD125938	
Wheel Lug Stud	02 - 99	BD61426	

<i>Rear Wheel Stud</i>	<i>Years</i>	<i>Part No.</i>	<i>Qualifier</i>
Wheel Lug Stud	05 - 03	BD125938	
Wheel Lug Stud	02 - 99	BD61427	w/11-5/32" Drum
Wheel Lug Stud	02 - 99	BD125934	w/13" Drum

<i>Front Wheel Nut</i>	<i>Years</i>	<i>Part No.</i>	<i>Qualifier</i>
Wheel Lug Nut	05 - 99	BD125916	External Thread

Piston: M - OE Metal Piston P - OE Phenolic Piston

SAVANA 2500 (cont.)
Wheel Attaching Hardware (cont.)

Rear Wheel Nut	Years	Part No.	Qualifier
Wheel Lug Nut	05 - 99	BD125916	External Thread

GMC -1 TON TRUCK
C3500 PICKUP - See Also K3500 PICKUP
Brake Pads & Shoes

Front Pads & Shoes	Years	SevereDuty	Lining No.	Qualifier
Brake Pads	02 - 01	SD184		
Brake Pads	00 - 91	SD459		Exc. H/D Chassis Cab; w/DRW
Brake Pads	00 - 91	SD370		Exc. H/D Chassis Cab; w/SRW
Brake Pads	00 - 95	SD184		w/H/D Chassis Cab
Brake Pads	94 - 93	SD184		From VIN No. RJ514540; w/H/D Chassis Cab
Brake Pads	94 - 93	SD149		To VIN No. RJ514540; w/H/D Chassis Cab
Brake Pads	92 - 91	SD149		w/H/D Chassis Cab
Brake Pads	90	SD459		w/DRW
Brake Pads	90	SD370		w/SRW
Brake Pads	89 - 88	SD370		
Brake Pads	86 - 81	SD149		

Rear Pads & Shoes	Years	SevereDuty	Lining No.	Qualifier
Brake Pads	02 - 01	SD184		
Brake Pads	00 - 95	SD184		w/H/D Chassis Cab
Brake Pads	94 - 93	SD184		From VIN No. RJ514540; w/H/D Chassis Cab
Brake Pads	94 - 93	SD149		To VIN No. RJ514540; w/H/D Chassis Cab
Brake Pads	92 - 91	SD149		w/H/D Chassis Cab
Brake Shoes	00 - 92	SDS656R	SX2157BDT-S36	13 x 3-1/2" Brake; Riveted
Brake Shoes	94 - 92	SDS655R	SX2042BDT-S36	13 x 2-1/2" Brake; Riveted
Brake Shoes	91 - 88	SDS451R	EX2042ADT-S32	13 x 2-1/2" Brake; Riveted
Brake Shoes	91 - 88	SDS452R	EX2157TD-S32	Exc. H/D Chassis Cab; w/DRW; 13 x 3-1/2" Brake; Riveted
Brake Shoes	86 - 81	SDS452R	EX2157TD-S32	13 x 3-1/2" Brake; Riveted

Rotor & Drum

Front Rotor & Drum	Years	Part No.	Qualifier
Brake Rotor	02 - 01	BD125639	
Brake Rotor	00 - 95	BD125471	Exc. H/D Chassis Cab; w/DRW
Brake Rotor	00 - 93	BD125212	Exc. H/D Chassis Cab; w/SRW
Brake Rotor	00 - 95	BD125639	w/H/D Chassis Cab
Brake Rotor	94 - 91	BD125167	Exc. H/D Chassis Cab; w/DRW
Brake Rotor	94 - 93	BD125639	From VIN No. RJ514540; w/H/D Chassis Cab
Brake Rotor	94 - 93	BD61808	To VIN No. RJ514540; w/H/D Chassis Cab
Brake Rotor	92 - 91	BD61814	Exc. H/D Chassis Cab; w/SRW
Brake Rotor	92 - 91	BD61808	w/H/D Chassis Cab
Brake Rotor	90	BD125167	w/DRW
Brake Rotor	90 - 88	BD61814	w/SRW
Brake Rotor	86 - 81	BD60443	w/DRW
Brake Rotor	86 - 81	BD125332	w/SRW

Rear Rotor & Drum	Years	Part No.	Qualifier
Brake Drum	00 - 96	BD125245	9000 GVW; Exc. H/D Chassis Cab; w/DRW; 13 x 3-1/2" Brake
Brake Drum	00 - 96	BD60356	Exc. 9000 GVW; Exc. H/D Chassis Cab; w/DRW; 13 x 3-1/2" Brake
Brake Drum	00 - 96	BD125407	w/SRW; w/4.625" Dia. Ctr. Pilot Hole; 13 x 3-1/2" Brake
Brake Drum	00 - 96	BD125523	w/SRW; w/4.835" Dia. Ctr. Pilot Hole; 13 x 3-1/2" Brake
Brake Drum	95	BD125523	10000 GVW; w/SRW; 13 x 3-1/2" Brake
Brake Drum	95	BD125245	Exc. 10000 GVW; w/SRW; 13 x 3-1/2" Brake
Brake Drum	95 - 91	BD60356	Exc. H/D Chassis Cab; w/DRW; 13 x 3-1/2" Brake
Brake Drum	95 - 91	BD60359	w/SRW; 13 x 2-1/2" Brake
Brake Drum	94 - 92	BD125523	w/SRW; 13 x 3-1/2" Brake
Brake Drum	90 - 88	BD60356	w/DRW; 13 x 3-1/2" Brake
Brake Drum	90 - 88	BD61891	w/SRW; w/10-1/2" R.G.; 13 x 2-1/2" Brake

C3500 PICKUP (cont.) - See Also K3500 PICKUP

Rotor & Drum (cont.)				
Rear Rotor & Drum	Years	Part No.	Qualifier	
Brake Drum	90 - 88	BD60727	w/SRW; w/9-1/2" R.G.; 13 x 2-1/2" Brake	
Brake Drum	86 - 81	BD60356	w/DRW; 13 x 3-1/2" Brake	
Brake Drum	86 - 81	BD60357	w/SRW; 13 x 3-1/2" Brake	
Brake Rotor	02 - 01	BD125516		
Brake Rotor	00 - 95	BD125516	w/H/D Chassis Cab	
Brake Rotor	94 - 93	BD125516	From VIN No. RJ514540; w/H/D Chassis Cab	
Brake Rotor	94 - 93	BD60593	To VIN No. RJ514540; w/H/D Chassis Cab	
Brake Rotor	92 - 91	BD60593	w/H/D Chassis Cab	

Brake Hardware				
Front Brake Hardware	Years	Sequential No.	Category No.	Qualifier
Caliper Bolt/Pin	99 - 92	F73237S	(H5019)	w/Rear Disc
Caliper Bolt/Pin	99 - 92	F129642S	(H5062)	w/Rear Drum; w/DRW
Caliper Bolt/Pin	99 - 92	F117224S	(H5038)	w/Rear Drum; w/SRW
Caliper Bolt/Pin	91	F129642S	(H5062)	w/DRW; Exc. H/D Chassis Cab
Caliper Bolt/Pin	91	F73237S	(H5019)	w/DRW; w/H/D Chassis Cab
Caliper Bolt/Pin	91 - 90	F117224S	(H5038)	w/SRW
Caliper Bolt/Pin	90	F129642S	(H5062)	w/DRW
Caliper Bolt/Pin	89 - 88	F117224S	(H5038)	
Caliper Bolt/Pin	86 - 81	F73237S	(H5019)	w/Sliding Bendix Caliper
Caliper Bolt/Pin	81	F76074S	(H5004)	w/Floating Delco Caliper
Disc Align Kit	99 - 95	F112090S	(H5566)	w/DRW
Disc Align Kit	99 - 91	F117225S	(H5584)	w/SRW
Disc Align Kit	94 - 93	F112090S	(H5566)	From VIN No. RJ514540
Disc Align Kit	94 - 93	F107402S	(H5555)	To VIN No. RJ514540; w/H/D Chassis Cab; w/DRW; w/Sliding Bendix Caliper; .040 O/S; Refer to Center Abutment page in rear
Disc Align Kit	94 - 93	F107403S	(H5556)	To VIN No. RJ514540; w/H/D Chassis Cab; w/DRW; w/Sliding Bendix Caliper; .080 O/S; Refer to Center Abutment page in rear
Disc Align Kit	94 - 93	F107404S	(H5557)	To VIN No. RJ514540; w/H/D Chassis Cab; w/DRW; w/Sliding Bendix Caliper; .120 O/S; Refer to Center Abutment page in rear
Disc Align Kit	94 - 93	F107405S	(H5558)	To VIN No. RJ514540; w/H/D Chassis Cab; w/DRW; w/Sliding Bendix Caliper; .160 O/S; Refer to Center Abutment page in rear
Disc Align Kit	94 - 93	F107401S	(H5562)	To VIN No. RJ514540; w/H/D Chassis Cab; w/DRW; w/Sliding Bendix Caliper; Std.
Disc Align Kit	92 - 91	F107402S	(H5555)	w/H/D Chassis Cab; w/DRW; w/Sliding Bendix Caliper; .040 O/S; Refer to Center Abutment page in rear
Disc Align Kit	92 - 91	F107403S	(H5556)	w/H/D Chassis Cab; w/DRW; w/Sliding Bendix Caliper; .080 O/S; Refer to Center Abutment page in rear
Disc Align Kit	92 - 91	F107404S	(H5557)	w/H/D Chassis Cab; w/DRW; w/Sliding Bendix Caliper; .120 O/S; Refer to Center Abutment page in rear
Disc Align Kit	92 - 91	F107405S	(H5558)	w/H/D Chassis Cab; w/DRW; w/Sliding Bendix Caliper; .160 O/S; Refer to Center Abutment page in rear
Disc Align Kit	92 - 91	F107401S	(H5562)	w/H/D Chassis Cab; w/DRW; w/Sliding Bendix Caliper; Std.
Disc Align Kit	86 - 81	F107402S	(H5555)	w/Sliding Bendix Caliper; .040 O/S; Refer to Center Abutment page in rear
Disc Align Kit	86 - 81	F107403S	(H5556)	w/Sliding Bendix Caliper; .080 O/S; Refer to Center Abutment page in rear
Disc Align Kit	86 - 81	F107404S	(H5557)	w/Sliding Bendix Caliper; .120 O/S; Refer to Center Abutment page in rear
Disc Align Kit	86 - 81	F107405S	(H5558)	w/Sliding Bendix Caliper; .160 O/S; Refer to Center Abutment page in rear
Disc Align Kit	86 - 81	F107401S	(H5562)	w/Sliding Bendix Caliper; Std.
Disc Align Kit	81	F73674S	(H5500)	w/Floating Delco Caliper
Pin Boot Kit	99 - 92	F126906S	(H8209)	w/Rear Drum; w/DRW
Pin Boot Kit	91	F126906S	(H8209)	w/DRW; Exc. H/D Chassis Cab
Pin Boot Kit	90	F126906S	(H8209)	w/DRW

Rear Brake Hardware	Years	Sequential No.	Category No.	Qualifier
Adjuster Kit	02 - 88	F98406	(H2580)	L.H.
Adjuster Kit	02 - 88	F98407	(H2581)	R.H.
Adjuster Kit	86 - 81	F98406	(H2580)	L.H.
Adjuster Kit	86 - 81	F98407	(H2581)	R.H.
Adjuster Screw	02 - 88	F83294	(H1550)	L.H.

C3500 PICKUP (cont.) - See Also K3500 PICKUP

Brake Hardware (cont.)

Rear Brake Hardware	Years	Sequential No.	Category No.	Qualifier
Adjuster Screw	02 - 88	F83295	(H1551)	R.H.
Adjuster Screw	86 - 81	F83294	(H1550)	L.H.
Adjuster Screw	86 - 81	F83295	(H1551)	R.H.
Caliper Bolt/Pin	99 - 91	F73237S	(H5019)	
Combi Kit	00 - 88	F98457S	(H7055)	
↳Adjuster Spring Kit		F73145S	(H425)	
↳Hold Down Kit		F113455S	(H4098)	
↳Return Spring Kit		F59100S	(H600)	
Combi Kit	86 - 81	F98457S	(H7055)	
↳Adjuster Spring Kit		F73145S	(H425)	
↳Hold Down Kit		F113455S	(H4098)	
↳Return Spring Kit		F59100S	(H600)	
Disc Align Kit	99 - 95	F112090S	(H5566)	w/DRW
Disc Align Kit	94 - 93	F112090S	(H5566)	From VIN No. RJ514540; H/D Chassis Cab; w/DRW
Disc Align Kit	94 - 93	F107402S	(H5555)	To VIN No. RJ514540; w/H/D Chassis Cab; w/DRW; w/Sliding Bendix Caliper; .040 O/S; Refer to Center Abutment page in rear
Disc Align Kit	94 - 93	F107403S	(H5556)	To VIN No. RJ514540; w/H/D Chassis Cab; w/DRW; w/Sliding Bendix Caliper; .080 O/S; Refer to Center Abutment page in rear
Disc Align Kit	94 - 93	F107404S	(H5557)	To VIN No. RJ514540; w/H/D Chassis Cab; w/DRW; w/Sliding Bendix Caliper; .120 O/S; Refer to Center Abutment page in rear
Disc Align Kit	94 - 93	F107405S	(H5558)	To VIN No. RJ514540; w/H/D Chassis Cab; w/DRW; w/Sliding Bendix Caliper; .160 O/S; Refer to Center Abutment page in rear
Disc Align Kit	94 - 93	F107401S	(H5562)	To VIN No. RJ514540; w/H/D Chassis Cab; w/DRW; w/Sliding Bendix Caliper; Std.
Disc Align Kit	92 - 91	F107402S	(H5555)	w/H/D Chassis Cab; w/DRW; w/Sliding Bendix Caliper; .040 O/S; Refer to Center Abutment page in rear
Disc Align Kit	92 - 91	F107403S	(H5556)	w/H/D Chassis Cab; w/DRW; w/Sliding Bendix Caliper; .080 O/S; Refer to Center Abutment page in rear
Disc Align Kit	92 - 91	F107404S	(H5557)	w/H/D Chassis Cab; w/DRW; w/Sliding Bendix Caliper; .120 O/S; Refer to Center Abutment page in rear
Disc Align Kit	92 - 91	F107405S	(H5558)	w/H/D Chassis Cab; w/DRW; w/Sliding Bendix Caliper; .160 O/S; Refer to Center Abutment page in rear
Disc Align Kit	92 - 91	F107401S	(H5562)	w/H/D Chassis Cab; w/DRW; w/Sliding Bendix Caliper; Std.

Calipers - Reman

Front, Loaded	Years	Left No.	Right No.	Qualifier	Piston
Loaded Caliper	02	AS98906A	AS98907A		M
Loaded Caliper	01	AS98906A	AS98907A	w/o Wrecker Pkg.	M
Loaded Caliper	00 - 94	AS98906A	AS98907A	w/Rear Disc	M
Loaded Caliper	00 - 91	AS120226	AS120227	w/Rear Drum; w/DRW	M
Loaded Caliper	00 - 91	AS116294	AS116295	w/Rear Drum; w/SRW; w/3.16" Single Piston Caliper	M
Loaded Caliper	93 - 91	AS98906	AS98907	w/Rear Disc	M
Loaded Caliper	90	AS120226	AS120227	w/DRW	M
Loaded Caliper	90	AS116294	AS116295	w/SRW; w/3.16" Single Piston Caliper	M
Loaded Caliper	89 - 88	AS116294	AS116295	w/3.16" Single Piston Caliper	M
Loaded Caliper	86 - 81	AS98954	AS98955	Pin Type Caliper	M
Loaded Caliper	86 - 81	AS98906	AS98907	Slide Type Caliper	M
Rear, Loaded	Years	Left No.	Right No.	Qualifier	Piston
Loaded Caliper	02	AS98906A	AS98907A		M
Loaded Caliper	01 - 95	AS98906A	AS98907A	w/o Wrecker Pkg.	M
Loaded Caliper	97 - 95	AS134261	AS134261	w/Wrecker Pkg.	P
Loaded Caliper	94	AS98906A	AS98907A		M
Loaded Caliper	93 - 91	AS98906	AS98907		M
Front, Unloaded	Years	Left No.	Right No.	Qualifier	Piston
Unloaded Caliper	02 - 01	CR98906	CR98907	Std. Cab Chassis	M
Unloaded Caliper	00 - 91	CR98906	CR98907	w/Rear Disc	M
Unloaded Caliper	00 - 91	CR120226	CR120227	w/Rear Drum; w/DRW	M
Unloaded Caliper	00 - 91	CR116294	CR116295	w/Rear Drum; w/SRW; w/3.16" Single Piston Caliper	M

↳Sub-Kit of Combi-Kit is available separately.

Piston: M - OE Metal Piston P - OE Phenolic Piston

C3500 PICKUP (cont.) - See Also K3500 PICKUP

Calipers - Reman (cont.)					
Front, Unloaded	Years	Left No.	Right No.	Qualifier	Piston
Unloaded Caliper	90	CR120226	CR120227	w/DRW	M
Unloaded Caliper	90	CR116294	CR116295	w/SRW; w/3.16" Single Piston Caliper	M
Unloaded Caliper	89 - 88	CR116294	CR116295	w/3.16" Single Piston Caliper	M
Unloaded Caliper	86 - 81	CR98954	CR98955	Pin Type Caliper	M
Unloaded Caliper	86 - 81	CR98906	CR98907	Slide Type Caliper	M
Rear, Unloaded	Years	Left No.	Right No.	Qualifier	Piston
Unloaded Caliper	02	CR98906	CR98907	Std. Cab Chassis	M
Unloaded Caliper	01	CR98906	CR98907	Std. Cab Chassis; w/o Wrecker Pkg.	M
Unloaded Caliper	01	CR134369	CR134369	Std. Cab Chassis; w/Wrecker Pkg.	M
Unloaded Caliper	00 - 95	CR98906	CR98907	w/o Wrecker Pkg.	M
Unloaded Caliper	00 - 98	CR134369	CR134369	w/Wrecker Pkg.	M
Unloaded Caliper	97 - 95	CR134261	CR134261	w/Wrecker Pkg.; w/Casting No. 4152828	P
Unloaded Caliper	97 - 95	CR134261S	CR134261S	w/Wrecker Pkg.; w/Casting No. 4152828	O
Unloaded Caliper	97 - 95	CR134369	CR134369	w/Wrecker Pkg.; w/Casting No. 452828N	M
Unloaded Caliper	94 - 91	CR98906	CR98907		M

Hydraulics - New					
Master Cylinder	Years	Sequential No.	Category No.	Qualifier	
Master Cylinder	00 - 94	F131509	(MC131509)	w/Hydro-Boost; w/Rear Drum; 1-1/4" Bore	
Master Cylinder	93	F120590	(MC120590)	w/Hydro-Boost; w/DRW; w/Rear Drum; 1-1/4" Bore	
Master Cylinder	93	F116627	(MC116627)	w/Hydro-Boost; w/SRW; w/Rear Drum; 1-1/4" Bore	
Master Cylinder	92 - 91	F120590	(MC120590)	w/DRW; w/Rear Drum; 1-1/4" Bore	
Master Cylinder	92 - 91	F116627	(MC116627)	w/SRW; w/Rear Drum; 1-1/4" Bore	
Master Cylinder	91	F103239	(MC103239)	w/Hydro-Boost; w/Rear Disc; 1-11/32" Bore	
Master Cylinder	90	F120590	(MC120590)	w/DRW; 1-1/4" Bore	
Master Cylinder	90	F116627	(MC116627)	w/SRW; 1-1/4" Bore	
Master Cylinder	89 - 88	F116627	(MC116627)	1-1/4" Bore	
Master Cylinder	86 - 84	F108145	(MC108145)	w/Hydro-Boost; 1-5/16" Bore	
Master Cylinder	83 - 81	F98953	(MC98953)	w/Hydro-Boost; Stamped 1605; 1-5/16" Bore	
Master Cylinder	83	F108145	(MC108145)	w/Hydro-Boost; Stamped 1925; 1-5/16" Bore	
Rear Wheel Cylinder	Years	Sequential No.	Category No.	Qualifier	
Wheel Cylinder	00 - 88	F79768	(WC79768)	w/DRW; 1-3/16" Bore	
Wheel Cylinder	00 - 88	F79767	(WC79767)	w/SRW; 1-1/16" Bore	
Wheel Cylinder	86 - 84	F79768	(WC79768)	w/DRW; 1-3/16" Bore	
Wheel Cylinder	86 - 84	F79767	(WC79767)	w/SRW; 1-1/16" Bore	
Wheel Cylinder	83 - 81	F79768	(WC79768)	1-3/16" Bore	
Clutch Master Cylind	Years	Sequential No.	Category No.	Qualifier	
Clutch Master Cylinder	02 - 96	F133507	(CM133507)	45/64" Bore	
Clutch Master Cylinder	95 - 92	F126856	(CM126856)	45/64" Bore	
Clutch Master Cylinder	90 - 88	F119584	(CM119584)	11/16" Bore	
Clutch Master Cylinder	86 - 85	F110273	(CM110273)	11/16" Bore	
Clutch Slave Cylinder	Years	Sequential No.	Category No.	Qualifier	
Clutch Slave Cylinder	02 - 01	F140095	(SC140095)	w/o Diesel	
Clutch Slave Cylinder	01	F134322	(SC134322)	Diesel	
Clutch Slave Cylinder	00 - 96	F134322	(SC134322)		
Clutch Slave Cylinder	95 - 92	F126872	(SC126872)	25/32" Bore	
Clutch Slave Cylinder	91 - 88	F103762	(SC103762)	13/16" Bore	
Clutch Slave Cylinder	86 - 85	F103483	(SC103483)	13/16" Bore	
Front Brake Hose	Years	Sequential No.	Category No.	Qualifier	
Brake Hose	02 - 97	F124600	(BH124600)	L.H.; 15000 GVW; Chassis Cab; 183-1/2" WB	
Brake Hose	02 - 97	F124601	(BH124601)	R.H.; 15000 GVW; Chassis Cab; 183-1/2" WB	
Brake Hose	00 - 97	F123304	(BH123304)	L.H.; 10000 GVW; Ext. Cab	
Brake Hose	00 - 97	F123304	(BH123304)	L.H.; 11000 GVW; Ext. Cab	
Brake Hose	00 - 97	F123304	(BH123304)	L.H.; Under 9200 GVW; Reg. Cab; w/DRW	
Brake Hose	00 - 97	F133852	(BH133852)	L.H.; Under 9200 GVW; Reg. Cab; w/SRW	
Brake Hose	00 - 97	F123305	(BH123305)	R.H.; 10000 GVW; Ext. Cab	

Piston: M - OE Metal Piston P - OE Phenolic Piston O - Metal Piston Option

C3500 PICKUP (cont.) - See Also K3500 PICKUP
Hydraulics - New (cont.)

Front Brake Hose	Years	Sequential No.	Category No.	Qualifier
Brake Hose	00 - 97	F123305	(BH123305)	R.H.; 11000 GVW; Ext. Cab
Brake Hose	00 - 97	F123305	(BH123305)	R.H.; Under 9200 GVW; Reg. Cab; w/DRW
Brake Hose	00 - 97	F133851	(BH133851)	R.H.; Under 9200 GVW; Reg. Cab; w/SRW
Brake Hose	96 - 90	F123304	(BH123304)	L.H.; w/DRW
Brake Hose	96 - 93	F133852	(BH133852)	L.H.; w/SRW
Brake Hose	96 - 91	F123305	(BH123305)	R.H.; w/DRW; Exc. H/D Chassis Cab
Brake Hose	96 - 93	F133851	(BH133851)	R.H.; w/SRW
Brake Hose	94 - 91	F124600	(BH124600)	L.H.; H/D Chassis Cab; w/DRW
Brake Hose	94 - 91	F124601	(BH124601)	R.H.; H/D Chassis Cab; w/DRW
Brake Hose	92 - 90	F116848	(BH116848)	L.H.; w/SRW
Brake Hose	92 - 90	F116849	(BH116849)	R.H.; w/SRW
Brake Hose	90	F123305	(BH123305)	R.H.; w/DRW
Brake Hose	89 - 88	F116848	(BH116848)	L.H.
Brake Hose	89 - 88	F116849	(BH116849)	R.H.
Brake Hose	86 - 81	F88957	(BH88957)	L.H.
Brake Hose	86 - 81	F88958	(BH88958)	R.H.

Rear Brake Hose	Years	Sequential No.	Category No.	Qualifier
Brake Hose	02 - 96	F104341	(BH104341)	L.H.; Chassis Cab; w/H/D Pkg.; w/DRW; Exc. Wrecker Pkg.
Brake Hose	02 - 96	F104342	(BH104342)	R.H.; Chassis Cab; w/H/D Pkg.; w/DRW; Exc. Wrecker Pkg.
Brake Hose	01 - 97	F132987	(BH132987)	L.H.; Exc. 15000 GVW; Wrecker Prep.
Brake Hose	01 - 97	F132988	(BH132988)	R.H.; Exc. 15000 GVW; Wrecker Prep.
Brake Hose	00	F118117	(BH118117)	Exc. 15000 GVW; Chassis Cab
Brake Hose	99 - 97	F118117	(BH118117)	15000 GVW; w/DRW; Exc. H/D Chassis Cab
Brake Hose	99 - 97	F118117	(BH118117)	15000 GVW; w/SRW
Brake Hose	96	F132987	(BH132987)	L.H.; Wrecker Prep.
Brake Hose	96	F132988	(BH132988)	R.H.; Wrecker Prep.
Brake Hose	96 - 95	F118117	(BH118117)	w/DRW; Exc. H/D Chassis Cab
Brake Hose	96 - 95	F118117	(BH118117)	w/SRW
Brake Hose	95	F111141	(BH111141)	H/D Chassis Cab; w/DRW
Brake Hose	94 - 91	F104341	(BH104341)	L.H.; H/D Chassis Cab; w/DRW
Brake Hose	94 - 92	F104342	(BH104342)	R.H.; Chassis Cab; w/H/D Pkg.
Brake Hose	94 - 91	F123303	(BH123303)	w/DRW; Exc. H/D Chassis Cab
Brake Hose	94 - 91	F118117	(BH118117)	w/DRW; w/Rear Disc
Brake Hose	94 - 91	F118117	(BH118117)	w/SRW; w/Rear Disc
Brake Hose	91	F104342	(BH104342)	R.H.; H/D Chassis Cab; w/DRW
Brake Hose	90	F104341	(BH104341)	L.H.; w/DRW
Brake Hose	90	F104342	(BH104342)	R.H.; w/DRW
Brake Hose	90	F118117	(BH118117)	w/SRW
Brake Hose	89 - 88	F118117	(BH118117)	
Brake Hose	86 - 84	F113148	(BH113148)	6.2;7.4L
Brake Hose	86 - 84	F80967	(BH80967)	w/o Diesel
Brake Hose	83 - 81	F80967	(BH80967)	

Hydraulics - Reman

Master Cylinder	Years	Part No.	Qualifier
Master Cylinder	02 - 01	R131328	
Master Cylinder	00 - 94	R131328	w/Rear Disc
Master Cylinder	00 - 94	R120590	w/Rear Drum
Master Cylinder	93 - 92	R116627	Diesel
Master Cylinder	93 - 92	R122232	Gas; w/Rear Disc
Master Cylinder	93 - 92	R116627	Gas; w/SRW; w/Rear Drum
Master Cylinder	91 - 90	R120590	w/Hydro Boost; w/JB8
Master Cylinder	91 - 90	R116627	w/JB7 or JD7
Master Cylinder	91 - 90	R103239	w/Rear Disc; w/JF9
Master Cylinder	89 - 88	R116627	
Master Cylinder	86 - 81	R98953	w/Casting No. 1605

C3500 PICKUP (cont.) - See Also K3500 PICKUP

Hydraulics - Reman (cont.)

Master Cylinder	Years	Part No.	Qualifier
Master Cylinder	86 - 81	R108145	w/Casting No. 1925
Power Brake Booster	Years	Part No.	Qualifier
Hydro Booster	01	527338	w/Rear Disc; w/JF9
Hydro Booster	00 - 97	527338	w/Rear Disc; w/Hydro Boost
Hydro Booster	00 - 97	527358	w/Rear Drum; w/Hydro Boost
Hydro Booster	96 - 95	527338	w/Rear Disc
Hydro Booster	96 - 95	527336	w/Rear Drum
Hydro Booster	94	527337	w/Rear Disc; w/Hydro Boost
Hydro Booster	94	527334	w/Rear Drum; w/Hydro Boost
Hydro Booster	93 - 92	527345	Diesel
Hydro Booster	93 - 92	527332	Gas; w/Rear Disc
Hydro Booster	93 - 92	527345	Gas; w/Rear Drum; w/DRW
Hydro Booster	93 - 92	527250	Gas; w/Rear Drum; w/SRW
Hydro Booster	91 - 90	529383	Diesel; w/Rear Disc; w/JF9
Hydro Booster	91 - 90	527328	Diesel; w/Rear Drum; w/JD7
Hydro Booster	91 - 90	529383	Gas; w/Rear Disc; w/JF9
Hydro Booster	91 - 90	527328	Gas; w/Rear Drum; w/JB8
Hydro Booster	89 - 88	527328	w/Hydro Boost
Hydro Booster	86 - 82	527307	Diesel
Hydro Booster	81	529386	Diesel
Power Brake Booster	Years	Part No.	Qualifier
Power Brake Booster	91 - 90	501074	Gas; w/Master Cylinder; w/JB7
Power Brake Booster	91 - 90	5471046	Gas; w/o Master Cylinder; w/JB7
Power Brake Booster	89 - 88	501074	Gas; w/Master Cylinder; w/Vacuum Boost
Power Brake Booster	89 - 88	5471046	Gas; w/o Master Cylinder; w/Vacuum Boost

Brake Cables

Parking Brake Cable	Years	Sequential No.	Category No.	Qualifier
Parking Brake Cable	02 - 95	F140345	(BC140345)	Forward; 15000 GVW; Chassis Cab; w/Std. Cab; 135-1/2", 159-1/2", 183-1/2" WB; 59" Length
Parking Brake Cable	01	F140356	(BC140356)	Rear; R.H.; Std. Cab; w/135-1/2" or 159-1/2" or 183-1/2" WB; 104" Length
Parking Brake Cable	00 - 95	F140358	(BC140358)	Rear; L.H.; 4 Door Crew Cab; w/168-1/2" WB; w/JB8; 82" Length
Parking Brake Cable	00 - 92	F140349	(BC140349)	Rear; L.H.; Chassis Cab; w/135-1/2", 159-1/2" WB; w/JB8; 87" Length
Parking Brake Cable	00 - 99	F140358	(BC140358)	Rear; L.H.; Exc. Chassis Cab; 4 Door Crew Cab; w/141-1/2" WB; w/JB8; 82" Length
Parking Brake Cable	00 - 92	F140359	(BC140359)	Rear; R.H.; 4 Door Crew Cab; w/168-1/2" WB; w/JB8; 97" Length
Parking Brake Cable	00 - 92	F140357	(BC140357)	Rear; R.H.; Chassis Cab; Exc. Wide Track RA; w/135-1/2", 159-1/2" WB; w/JB8; 91" Length
Parking Brake Cable	00 - 92	F140348	(BC140348)	Rear; R.H.; Chassis Cab; w/Wide Track RA; w/135-1/2", 159-1/2" WB; w/JB8; 96" Length
Parking Brake Cable	00 - 99	F140359	(BC140359)	Rear; R.H.; Exc. Chassis Cab; 4 Door Crew Cab; w/141-1/2" WB; w/JB8; 97" Length
Parking Brake Cable	00 - 97	F140357	(BC140357)	Rear; R.H.; Std. Cab; w/SRW; w/131-1/2" WB; w/JB8; 91" Length
Parking Brake Cable	00 - 96	F140356	(BC140356)	Rear; R.H.; w/4.10, 4.56 A.R.; w/JB8; 104" Length
Parking Brake Cable	98 - 95	F138635	(BC138635)	Rear; L.H.; w/SRW; w/164-1/2" WB; w/JB8
Parking Brake Cable	96 - 95	F132795	(BC132795)	Forward; 155-1/2" WB
Parking Brake Cable	96 - 95	F133059	(BC133059)	Forward; Exc. 15000 GVW; 135-1/2" WB
Parking Brake Cable	96 - 92	F128997	(BC128997)	Rear; L.H.; w/131-1/2", 155-1/2", 168-1/2" WB
Parking Brake Cable	96 - 92	F129676	(BC129676)	Rear; L.H.; w/o Wide Track RA; w/135-1/2", 159-1/2" WB
Parking Brake Cable	96 - 95	F129677	(BC129677)	Rear; R.H.; 10000-14000 GVW; w/135-1/2", 159-1/2" WB
Parking Brake Cable	96 - 95	F129678	(BC129678)	Rear; R.H.; 9000 GVW; Chassis Cab; w/o Wide Track RA; w/159-1/2" WB
Parking Brake Cable	96 - 92	F129675	(BC129675)	Rear; R.H.; w/131-1/2", 155-1/2", 168-1/2" WB
Parking Brake Cable	96 - 92	F130444	(BC130444)	Rear; R.H.; w/164-1/2" WB
Parking Brake Cable	95 - 92	F140356	(BC140356)	Rear; R.H.; w/JB8; 104" Length
Parking Brake Cable	94 - 92	F124685	(BC124685)	Forward; 131-1/2" WB
Parking Brake Cable	94 - 92	F130442	(BC130442)	Forward; 164-1/2" WB
Parking Brake Cable	94 - 92	F124685	(BC124685)	Forward; Exc. 15000 GVW; 135-1/2" WB
Parking Brake Cable	94 - 92	F124681	(BC124681)	Forward; Exc. 15000 GVW; 159-1/2" WB
Parking Brake Cable	94 - 92	F124685	(BC124685)	Forward; Exc. Ext. Cab; 155-1/2" WB
Parking Brake Cable	94 - 92	F124681	(BC124681)	Forward; Ext. Cab; 155-1/2" WB

C3500 PICKUP (cont.) - See Also K3500 PICKUP
Brake Cables (cont.)

Parking Brake Cable	Years	Sequential No.	Category No.	Qualifier
Parking Brake Cable	94 - 92	F130880	(BC130880)	Rear; L.H.; w/164-1/2" WB
Parking Brake Cable	94 - 92	F129677	(BC129677)	Rear; R.H.; 10000-14000 GVW; w/135-1/2" WB
Parking Brake Cable	94 - 92	F129678	(BC129678)	Rear; R.H.; 9000 GVW; w/o Wide Track RA; w/159-1/2" WB
Parking Brake Cable	92 - 90	F124685	(BC124685)	Forward; 131-1/2" WB; w/SRW
Parking Brake Cable	92 - 90	F124685	(BC124685)	Forward; 135-1/2" WB; w/SRW
Parking Brake Cable	92 - 90	F124681	(BC124681)	Forward; 155-1/2" WB; w/DRW
Parking Brake Cable	92 - 90	F124685	(BC124685)	Forward; 155-1/2" WB; w/SRW
Parking Brake Cable	92 - 90	F124681	(BC124681)	Forward; 159-1/2" WB
Parking Brake Cable	91 - 90	F124667	(BC124667)	Rear; Exc. 159-1/2" WB; 104" Length
Parking Brake Cable	91 - 90	F128997	(BC128997)	Rear; L.H.; w/155-1/2" WB
Parking Brake Cable	91 - 90	F129676	(BC129676)	Rear; L.H.; w/159-1/2" WB
Parking Brake Cable	91 - 90	F129678	(BC129678)	Rear; R.H.; w/159-1/2" WB
Parking Brake Cable	89	F124687	(BC124687)	Forward; 131-1/2" WB; w/10-1/2" R.G.
Parking Brake Cable	89	F124687	(BC124687)	Forward; 135-1/2" WB; w/9-1/2" R.G.
Parking Brake Cable	89 - 88	F124682	(BC124682)	Forward; 155-1/2", 159-1/2" WB
Parking Brake Cable	89 - 88	F123936	(BC123936)	Rear; L.H.
Parking Brake Cable	89 - 88	F124764	(BC124764)	Rear; w/10-1/2" R.G.; w/131-1/2" WB
Parking Brake Cable	89 - 88	F124764	(BC124764)	Rear; w/10-1/2" R.G.; w/135-1/2" WB
Parking Brake Cable	89 - 88	F124764	(BC124764)	Rear; w/10-1/2" R.G.; w/155-1/2" WB
Parking Brake Cable	89 - 88	F124667	(BC124667)	Rear; w/9-1/2" R.G.; w/131-1/2" WB; 104" Length
Parking Brake Cable	89 - 88	F124667	(BC124667)	Rear; w/9-1/2" R.G.; w/135-1/2" WB; 104" Length
Parking Brake Cable	89 - 88	F124667	(BC124667)	Rear; w/9-1/2" R.G.; w/155-1/2" WB; 104" Length
Parking Brake Cable	89 - 88	F124667	(BC124667)	Rear; w/9-1/2" R.G.; w/159-1/2" WB; 104" Length
Parking Brake Cable	86 - 84	F108771	(BC108771)	Forward; 131-1/2" WB
Parking Brake Cable	86 - 84	F108773	(BC108773)	Forward; 135-1/2" WB
Parking Brake Cable	86 - 84	F109226	(BC109226)	Forward; 159-1/2" WB
Parking Brake Cable	86 - 84	F108772	(BC108772)	Forward; 164-1/2" WB
Parking Brake Cable	86 - 84	F124137	(BC124137)	Rear; L.H.; w/DRW; Exc. Dana Axle
Parking Brake Cable	86 - 84	F108765	(BC108765)	Rear; L.H.; w/DRW; w/Dana Axle
Parking Brake Cable	86 - 84	F124137	(BC124137)	Rear; L.H.; w/SRW
Parking Brake Cable	86 - 84	F108764	(BC108764)	Rear; R.H.; w/DRW; Exc. Dana Axle
Parking Brake Cable	86 - 84	F108766	(BC108766)	Rear; R.H.; w/DRW; w/Dana Axle
Parking Brake Cable	86 - 84	F108764	(BC108764)	Rear; R.H.; w/SRW
Parking Brake Cable	83 - 81	F105562	(BC105562)	Forward
Parking Brake Cable	83 - 81	F105964	(BC105964)	Intermediate; 131-1/2" WB
Parking Brake Cable	83 - 81	F108180	(BC108180)	Intermediate; 135-1/2" WB
Parking Brake Cable	83 - 81	F108181	(BC108181)	Intermediate; 159-1/2" WB
Parking Brake Cable	83 - 81	F108179	(BC108179)	Intermediate; 164-1/2" WB
Parking Brake Cable	83 - 82	F108760	(BC108760)	Rear; L.H.; w/10-1/2" R.G.
Parking Brake Cable	83 - 82	F108760	(BC108760)	Rear; R.H.; w/10-1/2" R.G.
Parking Brake Cable	81	F88581	(BC88581)	Rear; L.H.
Parking Brake Cable	81	F88581	(BC88581)	Rear; R.H.

ABS Components - New

ABS Modulator	Years	Sequential No.	Category No.	Qualifier
ABS Modulator	90 - 88	F121007	(AB121007)	

ABS Components - Reman

ABS Module	Years	Part No.	Qualifier
ABS Module	94	RA121035	w/Rear Disc
ABS Module	94	RA121036	w/Rear Drum
ABS Module	93 - 92	RA121002	w/Rear Disc
ABS Module	93 - 92	RA121000	w/Rear Drum
ABS Module	91 - 88	RA121000	
ABS Hydraulic Unit	Years	Part No.	Qualifier
ABS Hydraulic Unit	99 - 95	RA125034	w/Rear Drum

GMC -1 TON TRUCK



C3500 PICKUP (cont.) - See Also K3500 PICKUP

ABS Components - Reman (cont.)

ABS Hydraulic Unit	Years	Part No.	Qualifier
ABS Hydraulic Unit	94 - 92	RA122010	w/Rear Disc
ABS Hydraulic Unit	94 - 92	RA122007	w/Rear Drum
ABS Hydraulic Unit	91	RA122007	
ABS Hydraulic Unit	90 - 88	RA122003	

Wheel Attaching Hardware

Front Wheel Stud	Years	Part No.	Qualifier
Wheel Lug Stud	02	BD61394	
Wheel Lug Stud	01 - 95	BD61394	w/DRW; w/Rear Disc
Wheel Lug Stud	01 - 92	BD61416	w/DRW; w/Rear Drum; 14mm Bolt
Wheel Lug Stud	01 - 88	BD61426	w/SRW
Wheel Lug Stud	94	BD61394	w/DRW; w/Rear Disc; 5/8-18 Bolt
Wheel Lug Stud	93 - 92	BD61394	w/DRW; w/Rear Disc
Wheel Lug Stud	91 - 88	BD61416	w/DRW; 14mm Bolt
Wheel Lug Stud	91	BD61394	w/DRW; 5/8" Bolt
Wheel Lug Stud	86 - 81	BD60909	w/DRW
Wheel Lug Stud	86 - 81	BD60906	w/SRW

Rear Wheel Stud	Years	Part No.	Qualifier
Wheel Lug Stud	01 - 96	BD61403	w/DRW; w/Drum Brake
Wheel Lug Stud	01 - 88	BD61427	w/SRW
Wheel Lug Stud	95 - 91	BD61400	w/DRW; w/Disc Brake
Wheel Lug Stud	95 - 94	BD61393	w/DRW; w/Drum Brake; Exc. Limited Slip
Wheel Lug Stud	95 - 94	BD61403	w/DRW; w/Drum Brake; w/Limited Slip
Wheel Lug Stud	93 - 91	BD61403	w/DRW; w/Drum Brake
Wheel Lug Stud	90 - 88	BD61403	w/DRW
Wheel Lug Stud	86 - 81	BD61393	w/DRW
Wheel Lug Stud	86 - 81	BD61053	w/SRW

Front Wheel Nut	Years	Part No.	Qualifier
Wheel Lug Nut	02	BD61294	Std. Open
Wheel Lug Nut	01 - 91	BD125926	External Thread; w/DRW; w/Rear Drum
Wheel Lug Nut	01 - 90	BD125916	External Thread; w/SRW
Wheel Lug Nut	94	BD61294	Standard Open; w/DRW; w/Rear Disc; 5/8-18 Front Bolt
Wheel Lug Nut	93 - 91	BD61294	Std. Open; w/DRW; w/Disc Brake
Wheel Lug Nut	90	BD125926	External Thread; w/DRW
Wheel Lug Nut	90 - 88	BD61406	Flattop - Black; w/DRW
Wheel Lug Nut	89 - 88	BD61404	Bulge; w/SRW
Wheel Lug Nut	86 - 81	BD125839	Std. Open; w/DRW
Wheel Lug Nut	86 - 81	BD61287	Std. Open; w/SRW

Rear Wheel Nut	Years	Part No.	Qualifier
Wheel Lug Nut	02	BD61294	Std. Open
Wheel Lug Nut	01 - 91	BD125926	External Thread; w/DRW; w/Drum Brake
Wheel Lug Nut	01 - 90	BD125916	External Thread; w/SRW
Wheel Lug Nut	01 - 95	BD61294	Std. Open; w/DRW; w/Disc Brake
Wheel Lug Nut	94 - 91	BD61294	Standard Open; w/DRW; w/Disc Brake
Wheel Lug Nut	90	BD125926	External Thread; w/DRW
Wheel Lug Nut	90 - 88	BD61406	Flattop - Black; w/DRW
Wheel Lug Nut	89 - 88	BD61404	Bulge; w/SRW
Wheel Lug Nut	86 - 81	BD125839	Std. Open; w/DRW
Wheel Lug Nut	86 - 81	BD61287	Std. Open; w/SRW

K3500 PICKUP - See Also C3500 PICKUP

Brake Pads & Shoes

Front Pads & Shoes	Years	SevereDuty	Lining No.	Qualifier
Brake Pads	00 - 90	SD459		w/DRW
Brake Pads	00 - 90	SD370		w/SRW
Brake Pads	89 - 88	SD370		

K3500 PICKUP (cont.) - See Also C3500 PICKUP
Brake Pads & Shoes (cont.)

Front Pads & Shoes	Years	SevereDuty	Lining No.	Qualifier
Brake Pads	86 - 81	SD149		
Rear Pads & Shoes	Years	SevereDuty	Lining No.	Qualifier
Brake Shoes	00 - 92	SDS656R	SX2157BDT-S36	13 x 3-1/2" Brake; Riveted
Brake Shoes	94 - 92	SDS655R	SX2042BDT-S36	13 x 2-1/2" Brake; Riveted
Brake Shoes	91 - 88	SDS451R	EX2042ADT-S32	13 x 2-1/2" Brake; Riveted
Brake Shoes	91 - 88	SDS452R	EX2157TD-S32	13 x 3-1/2" Brake; Riveted
Brake Shoes	86 - 81	SDS452R	EX2157TD-S32	13 x 3-1/2" Brake; Riveted

Rotor & Drum

Front Rotor & Drum	Years	Part No.	Qualifier
Brake Rotor	00 - 90	BD125346	w/DRW
Brake Rotor	00 - 90	BD61918	w/SRW
Brake Rotor	89 - 88	BD61918	
Brake Rotor	86 - 81	BD60597	w/DRW
Brake Rotor	86 - 81	BD60622	w/SRW
Rear Rotor & Drum	Years	Part No.	Qualifier
Brake Drum	00 - 99	BD125407	w/4.625" Dia. Ctr. Pilot Hole; w/SRW; 13 x 3-1/2" Brake
Brake Drum	00 - 99	BD125523	w/4.835" Dia. Ctr. Pilot Hole; w/SRW; 13 x 3-1/2" Brake
Brake Drum	00 - 88	BD60356	w/DRW; 13 x 3-1/2" Brake
Brake Drum	98 - 97	BD125245	w/SRW; 13 x 3-1/2" Brake
Brake Drum	96	BD125407	w/SRW; 13 x 3-1/2" Brake
Brake Drum	95	BD125245	9000 GVW; w/SRW; 13 x 3-1/2" Brake
Brake Drum	95	BD125523	Exc. 9000 GVW; w/SRW; 13 x 3-1/2" Brake
Brake Drum	95 - 91	BD60359	w/SRW; 13 x 2-1/2" Brake
Brake Drum	90 - 88	BD61891	w/SRW; w/10-1/2" R.G.; 13 x 2-1/2" Brake
Brake Drum	90 - 88	BD60727	w/SRW; w/9-1/2" R.G.; 13 x 2-1/2" Brake
Brake Drum	86 - 81	BD60356	w/DRW; 13 x 3-1/2" Brake
Brake Drum	86 - 81	BD60357	w/SRW; 13 x 3-1/2" Brake

Brake Hardware

Front Brake Hardware	Years	Sequential No.	Category No.	Qualifier
Caliper Bolt/Pin	99 - 97	F73237S	(H5019)	w/Rear Disc
Caliper Bolt/Pin	99 - 97	F129642S	(H5062)	w/Rear Drum; w/DRW
Caliper Bolt/Pin	99 - 97	F117224S	(H5038)	w/Rear Drum; w/SRW
Caliper Bolt/Pin	96 - 90	F129642S	(H5062)	w/DRW
Caliper Bolt/Pin	96 - 88	F117224S	(H5038)	w/SRW
Caliper Bolt/Pin	86 - 81	F73237S	(H5019)	
Disc Align Kit	99 - 97	F112090S	(H5566)	w/Rear Disc
Disc Align Kit	99 - 88	F117225S	(H5584)	w/Rear Drum
Disc Align Kit	86 - 81	F107402S	(H5555)	w/Sliding Bendix Caliper; .040 O/S; Refer to Center Abutment page in rear
Disc Align Kit	86 - 81	F107403S	(H5556)	w/Sliding Bendix Caliper; .080 O/S; Refer to Center Abutment page in rear
Disc Align Kit	86 - 81	F107404S	(H5557)	w/Sliding Bendix Caliper; .120 O/S; Refer to Center Abutment page in rear
Disc Align Kit	86 - 81	F107405S	(H5558)	w/Sliding Bendix Caliper; .160 O/S; Refer to Center Abutment page in rear
Disc Align Kit	86 - 81	F107401S	(H5562)	w/Sliding Bendix Caliper; Std.
Pin Boot Kit	99 - 92	F126906S	(H8209)	w/Rear Drum; w/DRW
Pin Boot Kit	91 - 90	F126906S	(H8209)	w/DRW
Rear Brake Hardware	Years	Sequential No.	Category No.	Qualifier
Adjuster Kit	00 - 88	F98406	(H2580)	L.H.
Adjuster Kit	00 - 88	F98407	(H2581)	R.H.
Adjuster Kit	86 - 81	F98406	(H2580)	L.H.
Adjuster Kit	86 - 81	F98407	(H2581)	R.H.
Adjuster Screw	00 - 88	F83294	(H1550)	L.H.
Adjuster Screw	00 - 88	F83295	(H1551)	R.H.
Adjuster Screw	86 - 81	F83294	(H1550)	L.H.
Adjuster Screw	86 - 81	F83295	(H1551)	R.H.
Caliper Bolt/Pin	99 - 97	F73237S	(H5019)	w/Rear Disc

↳ Sub-Kit of Combi-Kit is available separately.

K3500 PICKUP (cont.) - See Also C3500 PICKUP

Brake Hardware (cont.)

Rear Brake Hardware	Years	Sequential No.	Category No.	Qualifier
Combi Kit	00 - 88	F98457S	(H7055)	
↳Adjuster Spring Kit		F73145S	(H425)	
↳Hold Down Kit		F113455S	(H4098)	
↳Return Spring Kit		F59100S	(H600)	
Combi Kit	86 - 81	F98457S	(H7055)	
↳Adjuster Spring Kit		F73145S	(H425)	
↳Hold Down Kit		F113455S	(H4098)	
↳Return Spring Kit		F59100S	(H600)	
Disc Align Kit	99 - 97	F112090S	(H5566)	w/Rear Disc

Calipers - Reman

Front, Loaded	Years	Left No.	Right No.	Qualifier	Piston
Loaded Caliper	00 - 90	AS120226	AS120227	w/DRW	M
Loaded Caliper	00 - 90	AS116294	AS116295	w/SRW; w/3.16" Single Piston Caliper	M
Loaded Caliper	89 - 88	AS116294	AS116295	w/3.16" Single Piston Caliper	M
Loaded Caliper	86 - 81	AS98906	AS98907		M
Front, Unloaded	Years	Left No.	Right No.	Qualifier	Piston
Unloaded Caliper	00 - 90	CR120226	CR120227	w/DRW	M
Unloaded Caliper	00 - 90	CR116294	CR116295	w/SRW; w/3.16" Single Piston Caliper	M
Unloaded Caliper	89 - 88	CR116294	CR116295	w/3.16" Single Piston Caliper	M
Unloaded Caliper	86 - 81	CR98906	CR98907		M

Hydraulics - New

Master Cylinder	Years	Sequential No.	Category No.	Qualifier
Master Cylinder	00 - 94	F131509	(MC131509)	w/Hydro-Boost; w/Rear Drum; 1-1/4" Bore
Master Cylinder	93 - 92	F120590	(MC120590)	w/Hydro-Boost; w/DRW; 1-1/4" Bore
Master Cylinder	93 - 92	F116627	(MC116627)	w/Hydro-Boost; w/SRW; 1-1/4" Bore
Master Cylinder	91 - 90	F120590	(MC120590)	w/DRW; 1-1/4" Bore
Master Cylinder	91 - 90	F116627	(MC116627)	w/SRW; 1-1/4" Bore
Master Cylinder	89 - 88	F116627	(MC116627)	1-1/4" Bore
Master Cylinder	86 - 84	F108145	(MC108145)	w/Hydro-Boost; 1-5/16" Bore
Master Cylinder	83 - 81	F98953	(MC98953)	w/Hydro-Boost; Stamped 1605; 1-5/16" Bore
Master Cylinder	83	F108145	(MC108145)	w/Hydro-Boost; Stamped 1925; 1-5/16" Bore

Rear Wheel Cylinder	Years	Sequential No.	Category No.	Qualifier
Wheel Cylinder	00 - 88	F79768	(WC79768)	w/DRW; 1-3/16" Bore
Wheel Cylinder	00 - 88	F79767	(WC79767)	w/SRW; 1-1/16" Bore
Wheel Cylinder	86 - 84	F79768	(WC79768)	w/DRW; 1-3/16" Bore
Wheel Cylinder	86 - 84	F79767	(WC79767)	w/SRW; 1-1/16" Bore
Wheel Cylinder	83 - 81	F79768	(WC79768)	1-3/16" Bore

Clutch Master Cylind	Years	Sequential No.	Category No.	Qualifier
Clutch Master Cylinder	00 - 96	F133507	(CM133507)	45/64" Bore
Clutch Master Cylinder	95 - 92	F126856	(CM126856)	45/64" Bore
Clutch Master Cylinder	91 - 88	F119584	(CM119584)	11/16" Bore
Clutch Master Cylinder	86 - 84	F110273	(CM110273)	11/16" Bore

Clutch Slave Cylinder	Years	Sequential No.	Category No.	Qualifier
Clutch Slave Cylinder	00 - 96	F134322	(SC134322)	
Clutch Slave Cylinder	95 - 92	F126872	(SC126872)	25/32" Bore
Clutch Slave Cylinder	91 - 88	F103762	(SC103762)	13/16" Bore
Clutch Slave Cylinder	86 - 84	F103483	(SC103483)	13/16" Bore

Front Brake Hose	Years	Sequential No.	Category No.	Qualifier
Brake Hose	00 - 97	F138063	(BH138063)	L.H.
Brake Hose	00 - 97	F138064	(BH138064)	R.H.
Brake Hose	96 - 95	F123304	(BH123304)	L.H.; w/DRW
Brake Hose	96	F138063	(BH138063)	L.H.; w/SRW
Brake Hose	96 - 95	F123305	(BH123305)	R.H.; w/DRW
Brake Hose	96	F138064	(BH138064)	R.H.; w/SRW

↳Sub-Kit of Combi-Kit is available separately.

Piston: M - OE Metal Piston P - OE Phenolic Piston

K3500 PICKUP (cont.) - See Also C3500 PICKUP
Hydraulics - New (cont.)

Front Brake Hose	Years	Sequential No.	Category No.	Qualifier
Brake Hose	94 - 90	F123306	(BH123306)	L.H.; w/DRW
Brake Hose	94 - 90	F120541	(BH120541)	L.H.; w/SRW
Brake Hose	94 - 90	F123307	(BH123307)	R.H.; w/DRW
Brake Hose	94 - 90	F120542	(BH120542)	R.H.; w/SRW
Brake Hose	89 - 88	F120541	(BH120541)	L.H.
Brake Hose	89 - 88	F120542	(BH120542)	R.H.
Brake Hose	86 - 83	F107274	(BH107274)	L.H.
Brake Hose	86 - 83	F107275	(BH107275)	R.H.
Brake Hose	82 - 81	F98918	(BH98918)	L.H.
Brake Hose	82 - 81	F98919	(BH98919)	R.H.

Rear Brake Hose	Years	Sequential No.	Category No.	Qualifier
Brake Hose	00 - 96	F118117	(BH118117)	
Brake Hose	94 - 90	F123303	(BH123303)	w/DRW
Brake Hose	94 - 90	F118117	(BH118117)	w/SRW
Brake Hose	89 - 88	F118117	(BH118117)	
Brake Hose	86 - 81	F80967	(BH80967)	

Hydraulics - Reman

Master Cylinder	Years	Part No.	Qualifier
Master Cylinder	98 - 94	R120590	
Master Cylinder	93 - 92	R120590	w/DRW
Master Cylinder	93 - 92	R116627	w/SRW
Master Cylinder	91 - 90	R116627	w/JB7 or JD7
Master Cylinder	91 - 90	R120590	w/JB8; w/Hydro Boost
Master Cylinder	89 - 88	R116627	
Master Cylinder	86 - 81	R98953	w/Casting No. 1605
Master Cylinder	86 - 81	R108145	w/Casting No. 1925

Power Brake Booster	Years	Part No.	Qualifier
Hydro Booster	00 - 97	527358	w/Rear Drum
Hydro Booster	96 - 95	527336	w/Rear Drum
Hydro Booster	94	527334	
Hydro Booster	93 - 92	527345	w/JD7
Hydro Booster	91 - 90	527328	Diesel; w/JD7
Hydro Booster	91 - 90	527328	Gas; w/JB8
Hydro Booster	89 - 88	527328	w/Hydro Boost
Hydro Booster	86 - 82	527307	
Hydro Booster	81	529386	

Power Brake Booster	Years	Part No.	Qualifier
Power Brake Booster	91 - 90	501074	Gas; w/Master Cylinder; w/JB7
Power Brake Booster	91 - 90	5471046	Gas; w/o Master Cylinder; w/JB7
Power Brake Booster	89 - 88	501074	Gas; w/Master Cylinder; w/Vacuum Boost
Power Brake Booster	89 - 88	5471046	Gas; w/o Master Cylinder; w/Vacuum Boost

Brake Cables

Parking Brake Cable	Years	Sequential No.	Category No.	Qualifier
Parking Brake Cable	00 - 95	F140358	(BC140358)	Rear; L.H.; 4 Door Crew Cab; w/168-1/2" WB; w/JB8; 82" Length
Parking Brake Cable	00 - 92	F140349	(BC140349)	Rear; L.H.; Chassis Cab; w/135-1/2", 159-1/2" WB; w/JB8; 87" Length
Parking Brake Cable	00 - 99	F140358	(BC140358)	Rear; L.H.; Exc. Chassis Cab; 4 Door Crew Cab; w/141-1/2" WB; w/JB8; 82" Length
Parking Brake Cable	00 - 92	F140359	(BC140359)	Rear; R.H.; 4 Door Crew Cab; w/168-1/2" WB; w/JB8; 97" Length
Parking Brake Cable	00 - 92	F140357	(BC140357)	Rear; R.H.; Chassis Cab; Exc. Wide Track RA; w/135-1/2", 159-1/2" WB; w/JB8; 91" Length
Parking Brake Cable	00 - 92	F140348	(BC140348)	Rear; R.H.; Chassis Cab; w/Wide Track RA; w/135-1/2", 159-1/2" WB; w/JB8; 96" Length
Parking Brake Cable	00 - 99	F140359	(BC140359)	Rear; R.H.; Exc. Chassis Cab; 4 Door Crew Cab; w/141-1/2" WB; w/JB8; 97" Length
Parking Brake Cable	00 - 97	F140357	(BC140357)	Rear; R.H.; Std. Cab; w/SRW; w/131-1/2" WB; w/JB8; 91" Length
Parking Brake Cable	00 - 96	F140356	(BC140356)	Rear; R.H.; w/4.10, 4.56 A.R.; w/JB8; 104" Length
Parking Brake Cable	98 - 97	F138635	(BC138635)	Rear; L.H.; w/SRW; w/164-1/2" WB; w/JB8
Parking Brake Cable	96 - 95	F132795	(BC132795)	Forward; 155-1/2" WB
Parking Brake Cable	96 - 92	F128997	(BC128997)	Rear; L.H.; w/131-1/2", 155-1/2", 168-1/2" WB

K3500 PICKUP (cont.) - See Also C3500 PICKUP

Brake Cables (cont.)				
Parking Brake Cable	Years	Sequential No.	Category No.	Qualifier
Parking Brake Cable	96 - 92	F129676	(BC129676)	Rear; L.H.; w/o Wide Track RA; w/135-1/2", 159-1/2" WB
Parking Brake Cable	96 - 92	F129677	(BC129677)	Rear; R.H.; 10000-14000 GVW; w/135-1/2" WB
Parking Brake Cable	96 - 92	F129678	(BC129678)	Rear; R.H.; 9000 GVW; w/o Wide Track RA; w/159-1/2" WB
Parking Brake Cable	96 - 92	F129675	(BC129675)	Rear; R.H.; w/131-1/2", 155-1/2", 168-1/2" WB
Parking Brake Cable	96 - 92	F130444	(BC130444)	Rear; R.H.; w/164-1/2" WB
Parking Brake Cable	95 - 92	F140356	(BC140356)	Rear; R.H.; w/JB8; 104" Length
Parking Brake Cable	94 - 92	F130442	(BC130442)	Forward; 164-1/2" WB
Parking Brake Cable	94 - 92	F124685	(BC124685)	Forward; Exc. 15000 GVW; 131-1/2" WB
Parking Brake Cable	94 - 92	F124685	(BC124685)	Forward; Exc. 15000 GVW; 135-1/2" WB
Parking Brake Cable	94 - 92	F124685	(BC124685)	Forward; Exc. 15000 GVW; 155-1/2" WB
Parking Brake Cable	94 - 92	F124685	(BC124685)	Forward; Exc. 15000 GVW; 168-1/2" WB
Parking Brake Cable	94 - 92	F124681	(BC124681)	Forward; Exc. 15000 GVW; Ext. Cab; 155-1/2" WB
Parking Brake Cable	94 - 92	F124681	(BC124681)	Forward; Exc. 15000 GVW; Ext. Cab; 159-1/2" WB
Parking Brake Cable	94 - 92	F130880	(BC130880)	Rear; L.H.; w/164-1/2" WB
Parking Brake Cable	92	F124685	(BC124685)	Forward; 131-1/2", 135-1/2" WB
Parking Brake Cable	92	F124681	(BC124681)	Forward; Exc. 15000 GVW; 159-1/2" WB
Parking Brake Cable	92	F124681	(BC124681)	Forward; Ext. Cab; 155-1/2" WB
Parking Brake Cable	91 - 90	F124681	(BC124681)	Forward; 159-1/2" WB; w/SRW
Parking Brake Cable	91 - 90	F124681	(BC124681)	Forward; w/DRW
Parking Brake Cable	91 - 90	F124685	(BC124685)	Forward; w/SRW; Exc. 159-1/2" WB
Parking Brake Cable	91 - 90	F123936	(BC123936)	Rear; L.H.; w/131-1/2" WB
Parking Brake Cable	91 - 90	F129676	(BC129676)	Rear; L.H.; w/159-1/2" WB
Parking Brake Cable	91 - 90	F123936	(BC123936)	Rear; L.H.; w/SRW; w/135-1/2" WB
Parking Brake Cable	91 - 90	F128997	(BC128997)	Rear; L.H.; w/SRW; w/155-1/2" WB
Parking Brake Cable	91 - 90	F124667	(BC124667)	Rear; R.H.; Exc. 159-1/2" WB; 104" Length
Parking Brake Cable	91 - 90	F129678	(BC129678)	Rear; R.H.; w/159-1/2" WB
Parking Brake Cable	89 - 88	F124687	(BC124687)	Forward; 131-1/2" WB; w/10-1/2" R.G.; w/DRW
Parking Brake Cable	89 - 88	F124687	(BC124687)	Forward; 131-1/2" WB; w/9-1/2" R.G.; w/DRW
Parking Brake Cable	89 - 88	F124685	(BC124685)	Forward; 131-1/2" WB; w/9-1/2" R.G.; w/SRW
Parking Brake Cable	89 - 88	F124687	(BC124687)	Forward; 135-1/2" WB
Parking Brake Cable	89 - 88	F124682	(BC124682)	Forward; 155-1/2", 159-1/2" WB
Parking Brake Cable	89 - 88	F123936	(BC123936)	Rear; L.H.
Parking Brake Cable	89 - 88	F124764	(BC124764)	Rear; R.H.; w/10-1/2" R.G.; w/155-1/2" WB
Parking Brake Cable	89 - 88	F124764	(BC124764)	Rear; R.H.; w/159-1/2" WB
Parking Brake Cable	89 - 88	F124667	(BC124667)	Rear; R.H.; w/9-1/2" R.G.; w/155-1/2" WB; 104" Length
Parking Brake Cable	89 - 88	F124667	(BC124667)	Rear; R.H.; w/DRW; w/9-1/2" R.G.; w/131-1/2" WB; 104" Length
Parking Brake Cable	89 - 88	F124764	(BC124764)	Rear; R.H.; w/SRW; w/10-1/2" R.G.; w/131-1/2" WB
Parking Brake Cable	89 - 88	F124764	(BC124764)	Rear; R.H.; w/SRW; w/9-1/2" R.G.; w/131-1/2" WB
Parking Brake Cable	86 - 84	F108771	(BC108771)	Forward; 131-1/2" WB
Parking Brake Cable	86 - 84	F108773	(BC108773)	Forward; 135-1/2" WB
Parking Brake Cable	86 - 84	F109226	(BC109226)	Forward; 159-1/2" WB
Parking Brake Cable	86 - 84	F108772	(BC108772)	Forward; 164-1/2" WB
Parking Brake Cable	86 - 84	F108765	(BC108765)	Rear; L.H.; w/DRW; Exc. Dana Axle
Parking Brake Cable	86 - 84	F124137	(BC124137)	Rear; L.H.; w/DRW; w/Dana Axle
Parking Brake Cable	86 - 84	F124137	(BC124137)	Rear; L.H.; w/SRW; w/Dana Axle
Parking Brake Cable	86 - 84	F108766	(BC108766)	Rear; R.H.; w/DRW; Exc. Dana Axle
Parking Brake Cable	86 - 84	F108764	(BC108764)	Rear; R.H.; w/DRW; w/Dana Axle
Parking Brake Cable	86 - 84	F108764	(BC108764)	Rear; R.H.; w/SRW; w/Dana Axle
Parking Brake Cable	83 - 81	F109228	(BC109228)	Forward
Parking Brake Cable	83 - 81	F86371	(BC86371)	Intermediate; 131-1/2" WB
Parking Brake Cable	83 - 81	F108183	(BC108183)	Intermediate; 159-1/2" WB
Parking Brake Cable	83 - 81	F108182	(BC108182)	Intermediate; 164-1/2" WB
Parking Brake Cable	83 - 82	F108760	(BC108760)	Rear; L.H.; w/DRW; w/10-1/2" R.G.
Parking Brake Cable	83 - 82	F88581	(BC88581)	Rear; L.H.; w/SRW; Exc. 10-1/2" R.G.
Parking Brake Cable	83 - 82	F108760	(BC108760)	Rear; R.H.; w/DRW; w/10-1/2" R.G.

K3500 PICKUP (cont.) - See Also C3500 PICKUP
Brake Cables (cont.)

Parking Brake Cable	Years	Sequential No.	Category No.	Qualifier
Parking Brake Cable	83 - 82	F88581	(BC88581)	Rear; R.H.; w/SRW; Exc. 10-1/2" R.G.
Parking Brake Cable	81	F88581	(BC88581)	Rear; L.H.
Parking Brake Cable	81	F88581	(BC88581)	Rear; R.H.

ABS Components - New

ABS Modulator	Years	Sequential No.	Category No.	Qualifier
ABS Modulator	89 - 88	F121007	(AB121007)	

ABS Wheel Sensor	Years	Sequential No.	Category No.	Qualifier
ABS Wheel Sensor	91	F121028	(AB121028)	Rear

ABS Components - Reman

ABS Module	Years	Part No.	Qualifier
ABS Module	94	RA121036	
ABS Module	93 - 88	RA121000	

ABS Hydraulic Unit	Years	Part No.	Qualifier
ABS Hydraulic Unit	99	RA125034	w/Rear Drum
ABS Hydraulic Unit	98 - 95	RA125034	
ABS Hydraulic Unit	94 - 91	RA122007	
ABS Hydraulic Unit	90	RA122008	
ABS Hydraulic Unit	89 - 88	RA122003	

Wheel Attaching Hardware

Front Wheel Stud	Years	Part No.	Qualifier
Wheel Lug Stud	00 - 88	BD61425	
Wheel Lug Stud	86 - 81	BD61276	w/DRW
Wheel Lug Stud	86 - 81	BD61381	w/SRW

Rear Wheel Stud	Years	Part No.	Qualifier
Wheel Lug Stud	00 - 92	BD61403	w/DRW
Wheel Lug Stud	00 - 88	BD61427	w/SRW
Wheel Lug Stud	91	BD61400	w/DRW; w/Disc Brake
Wheel Lug Stud	91	BD61403	w/DRW; w/Drum Brake
Wheel Lug Stud	90 - 88	BD61403	w/DRW
Wheel Lug Stud	86 - 81	BD61393	w/DRW
Wheel Lug Stud	86 - 81	BD61053	w/SRW

Front Wheel Nut	Years	Part No.	Qualifier
Wheel Lug Nut	00 - 92	BD125926	External Thread; w/DRW
Wheel Lug Nut	00 - 90	BD125916	External Thread; w/SRW
Wheel Lug Nut	91	BD125926	External Thread; w/DRW; w/Rear Drum
Wheel Lug Nut	91	BD61294	Std. Open; w/DRW; w/Disc Brake
Wheel Lug Nut	90	BD125926	External Thread; w/DRW
Wheel Lug Nut	90 - 88	BD61406	Flattop - Black; w/DRW
Wheel Lug Nut	89 - 88	BD61404	Bulge; w/SRW
Wheel Lug Nut	86 - 81	BD125839	Std. Open; w/DRW
Wheel Lug Nut	86 - 81	BD61287	Std. Open; w/SRW

Rear Wheel Nut	Years	Part No.	Qualifier
Wheel Lug Nut	00 - 92	BD125926	External Thread; w/DRW
Wheel Lug Nut	00 - 90	BD125916	External Thread; w/SRW
Wheel Lug Nut	91	BD125926	External Thread; w/DRW; w/Drum Brake
Wheel Lug Nut	91	BD61294	Standard Open; w/DRW; w/Disc Brake
Wheel Lug Nut	90	BD125926	External Thread; w/DRW
Wheel Lug Nut	90 - 88	BD61406	Flattop - Black; w/DRW
Wheel Lug Nut	89 - 88	BD61404	Bulge; w/SRW
Wheel Lug Nut	86 - 81	BD125839	Std. Open; w/DRW
Wheel Lug Nut	86 - 81	BD61287	Std. Open; w/SRW

R3500 PICKUP - See Also V3500 PICKUP

Brake Pads & Shoes					
Front Pads & Shoes	Years	SevereDuty	Lining No.	Qualifier	
Brake Pads	91 - 87	SD149			
Rear Pads & Shoes	Years	SevereDuty	Lining No.	Qualifier	
Brake Shoes	91 - 87	SDS452R	EX2157TD-S32	13 x 3-1/2" Brake; Riveted	
Rotor & Drum					
Front Rotor & Drum	Years	Part No.	Qualifier		
Brake Rotor	91 - 87	BD60443	w/DRW		
Brake Rotor	91 - 87	BD125332	w/SRW		
Rear Rotor & Drum	Years	Part No.	Qualifier		
Brake Drum	91 - 87	BD60356	w/DRW; 13 x 3-1/2" Brake		
Brake Drum	90 - 87	BD60357	w/SRW; 13 x 3-1/2" Brake		
Brake Hardware					
Front Brake Hardware	Years	Sequential No.	Category No.	Qualifier	
Caliper Bolt/Pin	91 - 87	F73237S	(H5019)		
Disc Align Kit	91 - 87	F107402S	(H5555)	w/Sliding Bendix Caliper; .040 O/S; Refer to Center Abutment page in rear	
Disc Align Kit	91 - 87	F107403S	(H5556)	w/Sliding Bendix Caliper; .080 O/S; Refer to Center Abutment page in rear	
Disc Align Kit	91 - 87	F107404S	(H5557)	w/Sliding Bendix Caliper; .120 O/S; Refer to Center Abutment page in rear	
Disc Align Kit	91 - 87	F107405S	(H5558)	w/Sliding Bendix Caliper; .160 O/S; Refer to Center Abutment page in rear	
Disc Align Kit	91 - 87	F107401S	(H5562)	w/Sliding Bendix Caliper; Std.	
Rear Brake Hardware	Years	Sequential No.	Category No.	Qualifier	
Adjuster Kit	91 - 88	F98406	(H2580)	L.H.	
Adjuster Kit	91 - 88	F98407	(H2581)	R.H.	
Adjuster Screw	91 - 88	F83294	(H1550)	L.H.	
Adjuster Screw	91 - 88	F83295	(H1551)	R.H.	
Combi Kit	91 - 87	F98457S	(H7055)		
↳Adjuster Spring Kit		F73145S	(H425)		
↳Hold Down Kit		F113455S	(H4098)		
↳Return Spring Kit		F59100S	(H600)		
Calipers - Reman					
Front, Loaded	Years	Left No.	Right No.	Qualifier	Piston
Loaded Caliper	91 - 87	AS98906	AS98907		M
Front, Unloaded	Years	Left No.	Right No.	Qualifier	Piston
Unloaded Caliper	91 - 87	CR98906	CR98907		M
Hydraulics - New					
Master Cylinder	Years	Sequential No.	Category No.	Qualifier	
Master Cylinder	91 - 87	F108145	(MC108145)	w/Hydro-Boost; 1-5/16" Bore	
Rear Wheel Cylinder	Years	Sequential No.	Category No.	Qualifier	
Wheel Cylinder	91 - 88	F79767	(WC79767)	1-1/16" Bore	
Wheel Cylinder	91 - 88	F79768	(WC79768)	1-3/16" Bore	
Wheel Cylinder	87	F79768	(WC79768)	w/DRW; 1-3/16" Bore	
Wheel Cylinder	87	F79767	(WC79767)	w/SRW; 1-1/16" Bore	
Clutch Master Cylind	Years	Sequential No.	Category No.	Qualifier	
Clutch Master Cylinder	91 - 87	F110273	(CM110273)	11/16" Bore	
Clutch Slave Cylinder	Years	Sequential No.	Category No.	Qualifier	
Clutch Slave Cylinder	91 - 87	F103483	(SC103483)	13/16" Bore	
Front Brake Hose	Years	Sequential No.	Category No.	Qualifier	
Brake Hose	91 - 87	F88957	(BH88957)	L.H.	
Brake Hose	91 - 87	F88958	(BH88958)	R.H.	
Rear Brake Hose	Years	Sequential No.	Category No.	Qualifier	
Brake Hose	91 - 87	F113148	(BH113148)	Diesel	
Brake Hose	91 - 87	F80967	(BH80967)	w/o Diesel	
Hydraulics - Reman					
Master Cylinder	Years	Part No.	Qualifier		
Master Cylinder	91 - 87	R108145	w/Hydro Boost		

↳Sub-Kit of Combi-Kit is available separately.

Piston: M - OE Metal Piston P - OE Phenolic Piston

R3500 PICKUP (cont.) - See Also V3500 PICKUP
Hydraulics - Reman (cont.)

Power Brake Booster	Years	Part No.	Qualifier
Hydro Booster	91 - 87	527307	

Brake Cables

Parking Brake Cable	Years	Sequential No.	Category No.	Qualifier
Parking Brake Cable	91 - 90	F108772	(BC108772)	Forward
Parking Brake Cable	91 - 89	F124645	(BC124645)	Rear; L.H.; w/DRW; Exc. Dana Axle
Parking Brake Cable	91 - 87	F124137	(BC124137)	Rear; L.H.; w/DRW; w/Dana Axle
Parking Brake Cable	91 - 87	F124137	(BC124137)	Rear; L.H.; w/SRW; w/Dana Axle
Parking Brake Cable	91 - 87	F124765	(BC124765)	Rear; R.H.; w/DRW; Exc. Dana Axle
Parking Brake Cable	91 - 88	F124479	(BC124479)	Rear; R.H.; w/DRW; w/Dana Axle
Parking Brake Cable	91 - 88	F124766	(BC124766)	Rear; R.H.; w/SRW
Parking Brake Cable	89 - 88	F124686	(BC124686)	Forward; 131-1/2" WB
Parking Brake Cable	89 - 88	F129830	(BC129830)	Forward; 135-1/2" WB
Parking Brake Cable	89 - 88	F129831	(BC129831)	Forward; 159-1/2" WB
Parking Brake Cable	89 - 87	F108772	(BC108772)	Forward; 164-1/2" WB
Parking Brake Cable	88 - 87	F108765	(BC108765)	Rear; L.H.; w/DRW; Exc. Dana Axle
Parking Brake Cable	87	F108771	(BC108771)	Forward; 131-1/2" WB
Parking Brake Cable	87	F108773	(BC108773)	Forward; 135-1/2" WB
Parking Brake Cable	87	F109226	(BC109226)	Forward; 159-1/2" WB
Parking Brake Cable	87	F108764	(BC108764)	Rear; R.H.; w/DRW; w/Dana Axle
Parking Brake Cable	87	F108764	(BC108764)	Rear; R.H.; w/SRW; w/Dana Axle

Wheel Attaching Hardware

Front Wheel Stud	Years	Part No.	Qualifier
Wheel Lug Stud	91 - 87	BD60909	w/DRW
Wheel Lug Stud	91 - 87	BD60906	w/SRW
Rear Wheel Stud	Years	Part No.	Qualifier
Wheel Lug Stud	91 - 87	BD61393	w/DRW
Wheel Lug Stud	91 - 87	BD61053	w/SRW
Front Wheel Nut	Years	Part No.	Qualifier
Wheel Lug Nut	91 - 87	BD125839	Std. Open; w/DRW
Wheel Lug Nut	91 - 87	BD61287	Std. Open; w/SRW
Rear Wheel Nut	Years	Part No.	Qualifier
Wheel Lug Nut	91 - 87	BD125839	Std. Open; w/DRW
Wheel Lug Nut	91 - 87	BD61287	Std. Open; w/SRW

SIERRA 3500 - See Also SIERRA C3
Brake Pads & Shoes

Front Pads & Shoes	Years	SevereDuty	Lining No.	Qualifier
Brake Pads	06 - 03	SD784		
Brake Pads	02 - 01	SD784		Exc. H/D Chassis Cab
Brake Pads	02 - 01	SD184		w/H/D Chassis Cab
Rear Pads & Shoes	Years	SevereDuty	Lining No.	Qualifier
Brake Pads	06 - 04	SD785		9000 GVW
Brake Pads	06 - 04	SD909		Exc. 9900 GVW
Brake Pads	03	SD909		
Brake Pads	02 - 01	SD909		Exc. H/D Chassis Cab
Brake Pads	02 - 01	SD184		w/H/D Chassis Cab
Parking Brake Shoes	Years	SevereDuty	Lining No.	Qualifier
Parking Brake Shoes	03 - 01	SDS771	EX2192	Bonded

Rotor & Drum

Front Rotor & Drum	Years	Part No.	Qualifier
Brake Rotor	06 - 04	BD126036	9900 GVW
Brake Rotor	06 - 04	BD125779	Exc. 9900 GVW
Brake Rotor	03	BD125779	
Brake Rotor	02 - 01	BD125779	Exc. H/D Chassis Cab, w/8 Stud Whl.

SIERRA 3500 (cont.) - See Also SIERRA C3

Rotor & Drum (cont.)

Front Rotor & Drum	Years	Part No.	Qualifier
Brake Rotor	02 - 01	BD125639	w/H/D Chassis Cab; w/5 Stud Whl.
Rear Rotor & Drum	Years	Part No.	Qualifier
Brake Rotor	06 - 03	BD125778	w/12-51/64" Dia. Rotor; 8 Stud Whl.; 4-53/64" Height
Brake Rotor	06 - 04	BD125657	w/13" Dia. Rotor; 8 Stud Whl.; 3-21/32" Height
Brake Rotor	02 - 01	BD125516	w/10 Stud Whl.
Brake Rotor	02 - 01	BD125778	w/8 Stud Whl.

Brake Hardware

Front Brake Hardware	Years	Sequential No.	Category No.	Qualifier
Caliper Bolt/Pin	05 - 01	F139700	(H5095)	
Disc Align Kit	04 - 01	F139708	(H5646)	
Pin Boot Kit	04 - 01	F138697S	(H8221)	
Rear Brake Hardware	Years	Sequential No.	Category No.	Qualifier
Caliper Bolt/Pin	05 - 01	F139700	(H5095)	
Disc Align Kit	03 - 01	F139867	(H5668)	
Pin Boot Kit	04 - 01	F138697S	(H8221)	
Parking Brake	Years	Sequential No.	Category No.	Qualifier
Combi Kit	04 - 01	F139879	(H7242)	

Calipers - Reman

Front, Loaded	Years	Left No.	Right No.	Qualifier	Piston
Loaded Caliper	06 - 04	AS134558	AS134559	12000 GVW	P
Loaded Caliper	03 - 01	AS134558	AS134559		P
Rear, Loaded	Years	Left No.	Right No.	Qualifier	Piston
Loaded Caliper	06 - 04	AS134556	AS134557	12000 GVW	P
Loaded Caliper	03 - 01	AS134556	AS134557		P
Front, Unloaded	Years	Left No.	Right No.	Qualifier	Piston
Unloaded Caliper	06 - 04	CR134558	CR134559	12000 GVW	P
Unloaded Caliper	06	CR134347	CR134348	9900 GVW; w/Dual Piston Caliper	P
Unloaded Caliper	05 - 04	CRB134347	CRB134348	9900 GVW; w/Dual Piston Caliper; Supplied w/Mtg. Brkt.	P
Unloaded Caliper	05 - 04	CR134347	CR134348	9900 GVW; w/Dual Piston Caliper; Supplied w/o Mtg. Brkt.	P
Unloaded Caliper	03 - 01	CR134558	CR134559		P
Rear, Unloaded	Years	Left No.	Right No.	Qualifier	Piston
Unloaded Caliper	06 - 04	CR134556	CR134557	12000 GVW	P
Unloaded Caliper	06	CR134345	CR134346	9900 GVW; w/Dual Piston Caliper	P
Unloaded Caliper	05 - 04	CRB134345	CRB134346	9900 GVW; w/Dual Piston Caliper; Supplied w/Mtg. Brkt.	P
Unloaded Caliper	05 - 04	CR134345	CR134346	9900 GVW; w/Dual Piston Caliper; Supplied w/o Mtg. Brkt.	P
Unloaded Caliper	03 - 01	CR134556	CR134557		P

Hydraulics - New

Master Cylinder	Years	Sequential No.	Category No.	Qualifier
Master Cylinder	06 - 03	F140480	(MC140480)	w/Hydro-Boost; w/o ABS; 1-15/32" Bore
Clutch Master Cylinder	Years	Sequential No.	Category No.	Qualifier
Clutch Master Cylinder	04 - 01	F134526	(CM134526)	w/5 Spd. Trans.; 45/64" Bore
Clutch Slave Cylinder	Years	Sequential No.	Category No.	Qualifier
Clutch Slave Cylinder	04 - 03	F140212	(SC140212)	w/5 Spd. Trans.; 1-7/32" Bore
Clutch Slave Cylinder	04 - 01	F140318	(SC140318)	w/6 Spd. Trans.
Clutch Slave Cylinder	02 - 01	F140158	(SC140158)	w/5 Spd. Trans.

Hydraulics - Reman

Master Cylinder	Years	Part No.	Qualifier
Master Cylinder	02 - 01	R134735	w/JC5
Master Cylinder	02 - 01	R134734	w/JH5 or JH6 or JH7
Power Brake Booster	Years	Part No.	Qualifier
Hydro Booster	02 - 01	527359	w/JH5 or JH6 or JH7
Power Brake Booster	Years	Part No.	Qualifier
Power Brake Booster	02 - 01	5474818	Gas; w/o Master Cylinder; w/JC5

Piston: M - OE Metal Piston P - OE Phenolic Piston

SIERRA 3500 (cont.) - See Also SIERRA C3
Wheel Attaching Hardware

Front Wheel Stud	Years	Part No.	Qualifier
Wheel Lug Stud	05 - 01	BD125938	M14 x 1.5 x 29
Wheel Lug Stud	05 - 01	BD125960	M14 x 1.5 x 37
Rear Wheel Stud	Years	Part No.	Qualifier
Wheel Lug Stud	05 - 01	BD125961	M14 x 1.5 x 28
Front Wheel Nut	Years	Part No.	Qualifier
Wheel Lug Nut	05	BD125916	External Thread
Wheel Lug Nut	04 - 01	BD125998	Dome - Black
Wheel Lug Nut	02 - 01	BD125926	External Thread; w/DRW
Wheel Lug Nut	02 - 01	BD125916	External Thread; w/SRW
Rear Wheel Nut	Years	Part No.	Qualifier
Wheel Lug Nut	05	BD125916	External Thread
Wheel Lug Nut	04 - 01	BD125998	Dome - Black
Wheel Lug Nut	02 - 01	BD125926	External Thread; w/DRW
Wheel Lug Nut	02 - 01	BD125916	External Thread; w/SRW

SIERRA C3 - See Also SIERRA 3500
Brake Pads & Shoes

Front Pads & Shoes	Years	SevereDuty	Lining No.	Qualifier
Brake Pads	01	SD784		Exc. H/D Chassis Cab
Brake Pads	01	SD184		w/H/D Chassis Cab
Rear Pads & Shoes	Years	SevereDuty	Lining No.	Qualifier
Brake Pads	01	SD909		Exc. H/D Chassis Cab
Brake Pads	01	SD184		w/H/D Chassis Cab

Rotor & Drum

Front Rotor & Drum	Years	Part No.	Qualifier
Brake Rotor	01	BD125779	Exc. H/D Chassis Cab, w/8 Stud Whl.
Brake Rotor	01	BD125639	w/H/D Chassis Cab; w/5 Stud Whl.
Rear Rotor & Drum	Years	Part No.	Qualifier
Brake Rotor	01	BD125778	w/11-1/2" R.G.; Exc. H/D Chassis Cab
Brake Rotor	01	BD125516	w/H/D Chassis Cab

Calipers - Reman

Front, Unloaded	Years	Left No.	Right No.	Qualifier	Piston
Unloaded Caliper	01	CRB134346	CRB134345	w/Dual Piston Caliper; Supplied w/Mtg. Brkt.	P
Unloaded Caliper	01	CR134346	CR134345	w/Dual Piston Caliper; Supplied w/o Mtg. Brkt.	P
Rear, Unloaded	Years	Left No.	Right No.	Qualifier	Piston
Unloaded Caliper	01	CRB134513	CRB134512	Supplied w/Mtg. Brkt.	P
Unloaded Caliper	01	CR134513	CR134512	Supplied w/o Mtg. Brkt.	P

Hydraulics - New

Clutch Master Cylind	Years	Sequential No.	Category No.	Qualifier
Clutch Master Cylinder	01	F134526	(CM134526)	w/5 Spd. Trans.; 45/64" Bore
Clutch Slave Cylinder	Years	Sequential No.	Category No.	Qualifier
Clutch Slave Cylinder	01	F140158	(SC140158)	w/5 Spd. Trans.

Hydraulics - Reman

Master Cylinder	Years	Part No.	Qualifier
Master Cylinder	01	R134735	w/JC5
Master Cylinder	01	R134734	w/JH5 or JH6 or JH7
Power Brake Booster	Years	Part No.	Qualifier
Hydro Booster	01	527359	w/JH5 or JH6 or JH7
Power Brake Booster	Years	Part No.	Qualifier
Power Brake Booster	01	5474818	Gas; w/o Master Cylinder; w/JC5

Wheel Attaching Hardware

Front Wheel Stud	Years	Part No.	Qualifier
Wheel Lug Stud	01	BD125960	

Piston: M - OE Metal Piston P - OE Phenolic Piston

SIERRA C3 (cont.) - See Also SIERRA 3500

Wheel Attaching Hardware (cont.)

Rear Wheel Stud	Years	Part No.	Qualifier
Wheel Lug Stud	01	BD125961	M14 x 1.5 x 28
Front Wheel Nut	Years	Part No.	Qualifier
Wheel Lug Nut	01	BD125998	Dome - Black
Rear Wheel Nut	Years	Part No.	Qualifier
Wheel Lug Nut	01	BD125998	Dome - Black

V3500 PICKUP - See Also R3500 PICKUP

Brake Pads & Shoes

Front Pads & Shoes	Years	SevereDuty	Lining No.	Qualifier
Brake Pads	91 - 87	SD149		
Rear Pads & Shoes	Years	SevereDuty	Lining No.	Qualifier
Brake Shoes	91 - 87	SDS452R	EX2157TD-S32	13 x 3-1/2" Brake; Riveted

Rotor & Drum

Front Rotor & Drum	Years	Part No.	Qualifier
Brake Rotor	91 - 87	BD60597	w/DRW
Brake Rotor	91 - 87	BD60622	w/SRW
Rear Rotor & Drum	Years	Part No.	Qualifier
Brake Drum	91 - 87	BD60356	w/DRW; 13 x 3-1/2" Brake
Brake Drum	91 - 87	BD60357	w/SRW; 13 x 3-1/2" Brake

Brake Hardware

Front Brake Hardware	Years	Sequential No.	Category No.	Qualifier
Caliper Bolt/Pin	91 - 87	F73237S	(H5019)	
Disc Align Kit	91 - 87	F107402S	(H5555)	w/Sliding Bendix Caliper; .040 O/S; Refer to Center Abutment page in rear
Disc Align Kit	91 - 87	F107403S	(H5556)	w/Sliding Bendix Caliper; .080 O/S; Refer to Center Abutment page in rear
Disc Align Kit	91 - 87	F107404S	(H5557)	w/Sliding Bendix Caliper; .120 O/S; Refer to Center Abutment page in rear
Disc Align Kit	91 - 87	F107405S	(H5558)	w/Sliding Bendix Caliper; .160 O/S; Refer to Center Abutment page in rear
Disc Align Kit	91 - 87	F107401S	(H5562)	w/Sliding Bendix Caliper; Std.
Rear Brake Hardware	Years	Sequential No.	Category No.	Qualifier
Adjuster Kit	91 - 87	F98406	(H2580)	L.H.
Adjuster Kit	91 - 87	F98407	(H2581)	R.H.
Adjuster Screw	91 - 87	F83294	(H1550)	L.H.
Adjuster Screw	91 - 87	F83295	(H1551)	R.H.
Combi Kit	91 - 87	F98457S	(H7055)	
↳Adjuster Spring Kit		F73145S	(H425)	
↳Hold Down Kit		F113455S	(H4098)	
↳Return Spring Kit		F59100S	(H600)	

Calipers - Reman

Front, Loaded	Years	Left No.	Right No.	Qualifier	Piston
Loaded Caliper	91 - 87	AS98906	AS98907		M
Front, Unloaded	Years	Left No.	Right No.	Qualifier	Piston
Unloaded Caliper	91 - 87	CR98906	CR98907		M

Hydraulics - New

Master Cylinder	Years	Sequential No.	Category No.	Qualifier
Master Cylinder	91 - 87	F108145	(MC108145)	w/Hydro-Boost; 1-5/16" Bore
Rear Wheel Cylinder	Years	Sequential No.	Category No.	Qualifier
Wheel Cylinder	91 - 87	F79768	(WC79768)	w/DRW; 1-3/16" Bore
Wheel Cylinder	91 - 87	F79767	(WC79767)	w/SRW; 1-1/16" Bore
Clutch Master Cylind	Years	Sequential No.	Category No.	Qualifier
Clutch Master Cylinder	91 - 87	F110273	(CM110273)	11/16" Bore
Clutch Slave Cylinder	Years	Sequential No.	Category No.	Qualifier
Clutch Slave Cylinder	91 - 87	F103483	(SC103483)	13/16" Bore
Front Brake Hose	Years	Sequential No.	Category No.	Qualifier
Brake Hose	91 - 87	F107274	(BH107274)	L.H.
Brake Hose	91 - 87	F107275	(BH107275)	R.H.

↳Sub-Kit of Combi-Kit is available separately.

Piston: M - OE Metal Piston P - OE Phenolic Piston

V3500 PICKUP (cont.) - See Also R3500 PICKUP
Hydraulics - New (cont.)

Rear Brake Hose	Years	Sequential No.	Category No.	Qualifier
Brake Hose	91 - 88	F113148	(BH113148)	Diesel
Brake Hose	91 - 87	F80967	(BH80967)	w/o Diesel
Brake Hose	87	F113148	(BH113148)	6.2;7.4L

Hydraulics - Reman

Master Cylinder	Years	Part No.	Qualifier
Master Cylinder	91 - 87	R108145	w/Hydro Boost

Power Brake Booster	Years	Part No.	Qualifier
Hydro Booster	91 - 87	527307	

Brake Cables

Parking Brake Cable	Years	Sequential No.	Category No.	Qualifier
Parking Brake Cable	91 - 90	F108772	(BC108772)	Forward
Parking Brake Cable	91 - 89	F124645	(BC124645)	Rear; L.H.; w/DRW; Exc. Dana Axle
Parking Brake Cable	91 - 87	F124137	(BC124137)	Rear; L.H.; w/DRW; w/Dana Axle
Parking Brake Cable	91 - 87	F124137	(BC124137)	Rear; L.H.; w/SRW; w/Dana Axle
Parking Brake Cable	91 - 88	F124765	(BC124765)	Rear; R.H.; w/DRW; Exc. Dana Axle
Parking Brake Cable	91 - 88	F124479	(BC124479)	Rear; R.H.; w/DRW; w/Dana Axle
Parking Brake Cable	91 - 88	F124766	(BC124766)	Rear; R.H.; w/SRW
Parking Brake Cable	89 - 88	F124686	(BC124686)	Forward; 131-1/2" WB
Parking Brake Cable	89 - 88	F129830	(BC129830)	Forward; 135-1/2" WB
Parking Brake Cable	89 - 88	F129831	(BC129831)	Forward; 159-1/2" WB
Parking Brake Cable	89 - 87	F108772	(BC108772)	Forward; 164-1/2" WB
Parking Brake Cable	88 - 87	F108765	(BC108765)	Rear; L.H.; w/DRW; Exc. Dana Axle
Parking Brake Cable	87	F108771	(BC108771)	Forward; 131-1/2" WB
Parking Brake Cable	87	F108773	(BC108773)	Forward; 135-1/2" WB
Parking Brake Cable	87	F109226	(BC109226)	Forward; 159-1/2" WB
Parking Brake Cable	87	F124766	(BC124766)	Rear; R.H.; w/DRW; Exc. Dana Axle
Parking Brake Cable	87	F108764	(BC108764)	Rear; R.H.; w/DRW; w/Dana Axle
Parking Brake Cable	87	F108764	(BC108764)	Rear; R.H.; w/SRW; w/Dana Axle

Wheel Attaching Hardware

Front Wheel Stud	Years	Part No.	Qualifier
Wheel Lug Stud	91 - 89	BD61381	
Wheel Lug Stud	88 - 87	BD61276	w/DRW
Wheel Lug Stud	88 - 87	BD61381	w/SRW

Rear Wheel Stud	Years	Part No.	Qualifier
Wheel Lug Stud	91 - 89	BD61053	
Wheel Lug Stud	88 - 87	BD61393	w/DRW
Wheel Lug Stud	88 - 87	BD61053	w/SRW

Front Wheel Nut	Years	Part No.	Qualifier
Wheel Lug Nut	91 - 89	BD61287	Std. Open
Wheel Lug Nut	88 - 87	BD125839	Std. Open; w/DRW
Wheel Lug Nut	88 - 87	BD61287	Std. Open; w/SRW

Rear Wheel Nut	Years	Part No.	Qualifier
Wheel Lug Nut	91 - 89	BD61287	Std. Open
Wheel Lug Nut	88 - 87	BD125839	Std. Open; w/DRW
Wheel Lug Nut	88	BD61287	Std. Open; w/DRW
Wheel Lug Nut	87	BD61287	Std. Open; w/SRW

GMC -1 TON VAN
G3500 VAN - See Also P3500 VAN
Brake Pads & Shoes

Front Pads & Shoes	Years	SevereDuty	Lining No.	Qualifier
Brake Pads	98 - 97	SD459		w/DRW
Brake Pads	98 - 97	SD845		w/SRW
Brake Pads	96	SD153		Exc. SAVANA; 8400 GWW

G3500 VAN (cont.) - See Also P3500 VAN

Brake Pads & Shoes (cont.)

Front Pads & Shoes	Years	SevereDuty	Lining No.	Qualifier
Brake Pads	96	SD149		Exc. SAVANA; 9200-10000 GVW
Brake Pads	96	SD459		SAVANA; w/DRW
Brake Pads	96	SD845		SAVANA; w/SRW
Brake Pads	95 - 92	SD153		8400 GVW
Brake Pads	95 - 92	SD149		9200-10000 GVW
Brake Pads	91 - 85	SD149		10000 GVW
Brake Pads	91 - 85	SD153		8600 GVW
Brake Pads	84 - 82	SD153		7100-8600 GVW
Brake Pads	84 - 82	SD149		8900-10500 GVW; w/DRW
Brake Pads	81	SD153		7700-8400 GVW
Brake Pads	81	SD149		8900-10000 GVW; w/DRW

Rear Pads & Shoes	Years	SevereDuty	Lining No.	Qualifier
Brake Shoes	98 - 92	SDS656R	SX2157BDT-S36 13 x 3-1/2"	Brake; Riveted
Brake Shoes	96 - 92	SDS655R	SX2042BDT-S36 13 x 2-1/2"	Brake; Riveted
Brake Shoes	82 - 81	SDS451R	EX2042ADT-S32 13 x 2-1/2"	Brake; Riveted
Brake Shoes	82 - 81	SDS452R	EX2157TD-S32 13 x 3-1/2"	Brake; Riveted

Rotor & Drum

Front Rotor & Drum	Years	Part No.	Qualifier
Brake Rotor	98 - 97	BD125471	w/DRW
Brake Rotor	98 - 97	BD125212	w/SRW
Brake Rotor	96	BD125379	Exc. SAVANA; 10000 GVW; w/DRW
Brake Rotor	96	BD125331	Exc. SAVANA; 8400 GVW; w/ABS Exciter Ring
Brake Rotor	96	BD125330	Exc. SAVANA; 8400 GVW; w/o ABS Exciter Ring
Brake Rotor	96	BD125471	Exc. SAVANA; 9200 GVW; w/DRW
Brake Rotor	96	BD125333	Exc. SAVANA; 9200-10000 GVW; w/SRW; w/ABS Exciter Ring
Brake Rotor	96	BD125332	Exc. SAVANA; 9200-10000 GVW; w/SRW; w/o ABS Exciter Ring
Brake Rotor	96	BD125471	SAVANA; w/DRW
Brake Rotor	96	BD125212	SAVANA; w/SRW
Brake Rotor	95 - 93	BD125379	10000 GVW; w/DRW
Brake Rotor	95 - 93	BD125331	8400 GVW; w/ABS Exciter Ring
Brake Rotor	95 - 93	BD125330	8400 GVW; w/o ABS Exciter Ring
Brake Rotor	95 - 93	BD125379	9200 GVW; w/DRW
Brake Rotor	95 - 93	BD125333	9200-10000 GVW; w/SRW; w/ABS Exciter Ring
Brake Rotor	95 - 93	BD125332	9200-10000 GVW; w/SRW; w/o ABS Exciter Ring
Brake Rotor	92 - 85	BD60443	10000 GVW
Brake Rotor	92	BD60402	8400 GVW
Brake Rotor	92	BD125333	9200 GVW; w/ABS Exciter Ring
Brake Rotor	92	BD125332	9200 GVW; w/o ABS Exciter Ring
Brake Rotor	91 - 85	BD60402	8600 GVW
Brake Rotor	84 - 82	BD60402	7100-8600 GVW
Brake Rotor	84 - 82	BD60443	8900-10500 GVW
Brake Rotor	81	BD60402	7700-8400 GVW
Brake Rotor	81	BD60443	8900-10000 GVW

Rear Rotor & Drum	Years	Part No.	Qualifier
Brake Drum	98 - 97	BD60356	w/DRW; 13 x 3-1/2" Brake
Brake Drum	98 - 97	BD125523	w/SRW; 13 x 3-1/2" Brake
Brake Drum	96	BD60356	Exc. SAVANA; 10000 GVW; 13 x 3-1/2" Brake
Brake Drum	96	BD60359	Exc. SAVANA; 8400 GVW; w/10-1/2" R.G.; 13 x 2-1/2" Brake
Brake Drum	96	BD60727	Exc. SAVANA; 8400 GVW; w/9-1/2" R.G.; 13 x 2-1/2" Brake
Brake Drum	96	BD125245	Exc. SAVANA; 9200 GVW; 13 x 3-1/2" Brake
Brake Drum	96	BD60356	SAVANA; w/DRW; 13 x 3-1/2" Brake
Brake Drum	96	BD125523	SAVANA; w/SRW; 13 x 3-1/2" Brake
Brake Drum	95 - 87	BD60356	10000 GVW; 13 x 3-1/2" Brake
Brake Drum	95 - 92	BD60359	8400 GVW; w/10-1/2" R.G.; 13 x 2-1/2" Brake
Brake Drum	95 - 92	BD60727	8400 GVW; w/9-1/2" R.G.; 13 x 2-1/2" Brake

G3500 VAN (cont.) - See Also P3500 VAN
Rotor & Drum (cont.)

Rear Rotor & Drum	Years	Part No.	Qualifier
Brake Drum	95 - 92	BD125245	9200 GVW; 13 x 3-1/2" Brake
Brake Drum	91 - 88	BD60727	8600 GVW; w/9-1/2" R.G.; 13 x 2-1/2" Brake
Brake Drum	89 - 88	BD60359	8600 GVW; w/10-1/2" R.G.; 13 x 2-1/2" Brake
Brake Drum	87 - 85	BD60727	8600 GVW; 13 x 2-1/2" Brake
Brake Drum	86 - 85	BD60356	10000 GVW; w/DRW; 13 x 3-1/2" Brake
Brake Drum	86 - 85	BD60357	10000 GVW; w/SRW; 13 x 3-1/2" Brake
Brake Drum	84 - 82	BD60359	7100-8600 GVW; 13 x 2-1/2" Brake
Brake Drum	84 - 82	BD60356	8900-10500 GVW; 13 x 3-1/2" Brake
Brake Drum	81	BD60359	7700-8400 GVW; 13 x 2-1/2" Brake
Brake Drum	81	BD60356	8900-10000 GVW; 13 x 3-1/2" Brake

Brake Hardware

Front Brake Hardware	Years	Sequential No.	Category No.	Qualifier
Caliper Bolt/Pin	98 - 97	F129642S	(H5062)	w/Floating Delco Caliper; w/DRW
Caliper Bolt/Pin	98 - 97	F117224S	(H5038)	w/Floating Delco Caliper; w/SRW
Caliper Bolt/Pin	98 - 97	F73237S	(H5019)	w/Sliding Bendix Caliper
Caliper Bolt/Pin	96	F129642S	(H5062)	BASE MODEL, SAVANA; w/DRW
Caliper Bolt/Pin	96	F117224S	(H5038)	BASE MODEL, SAVANA; w/SRW
Caliper Bolt/Pin	96	F76074S	(H5004)	Exc. SAVANA; w/Floating Delco Caliper
Caliper Bolt/Pin	96	F73237S	(H5019)	Exc. SAVANA; w/Sliding Bendix Caliper
Caliper Bolt/Pin	95 - 81	F76074S	(H5004)	7100-8600 GVW; w/Floating Delco Caliper
Caliper Bolt/Pin	95 - 81	F73237S	(H5019)	8900-10500 GVW; w/Sliding Bendix Caliper
Disc Align Kit	98 - 97	F117225S	(H5584)	w/Floating Delco Caliper
Disc Align Kit	98 - 97	F107401S	(H5562)	w/Sliding Bendix Caliper; Std.
Disc Align Kit	96	F117225S	(H5584)	BASE MODEL, SAVANA; w/Floating Delco Caliper
Disc Align Kit	96	F73674S	(H5500)	Exc. SAVANA; 8400 GVW; w/Floating Delco Caliper
Disc Align Kit	96	F107402S	(H5555)	Exc. SAVANA; 8900-10500 GVW; w/Sliding Bendix Caliper; .040 O/S; Refer to Center Abutment page in rear
Disc Align Kit	96	F107403S	(H5556)	Exc. SAVANA; 8900-10500 GVW; w/Sliding Bendix Caliper; .080 O/S; Refer to Center Abutment page in rear
Disc Align Kit	96	F107404S	(H5557)	Exc. SAVANA; 8900-10500 GVW; w/Sliding Bendix Caliper; .120 O/S; Refer to Center Abutment page in rear
Disc Align Kit	96	F107405S	(H5558)	Exc. SAVANA; 8900-10500 GVW; w/Sliding Bendix Caliper; .160 O/S; Refer to Center Abutment page in rear
Disc Align Kit	96	F107401S	(H5562)	Exc. Savana; 9200-10000 GVW; w/Sliding Bendix Caliper; Std.
Disc Align Kit	96	F107401S	(H5562)	Savana; w/Sliding Bendix Caliper; Std.
Disc Align Kit	95 - 81	F73674S	(H5500)	7100-8600 GVW; w/Floating Delco Caliper
Disc Align Kit	95 - 81	F107402S	(H5555)	8900-10500 GVW; w/Sliding Bendix Caliper; .040 O/S; Refer to Center Abutment page in rear
Disc Align Kit	95 - 81	F107403S	(H5556)	8900-10500 GVW; w/Sliding Bendix Caliper; .080 O/S; Refer to Center Abutment page in rear
Disc Align Kit	95 - 81	F107404S	(H5557)	8900-10500 GVW; w/Sliding Bendix Caliper; .120 O/S; Refer to Center Abutment page in rear
Disc Align Kit	95 - 81	F107405S	(H5558)	8900-10500 GVW; w/Sliding Bendix Caliper; .160 O/S; Refer to Center Abutment page in rear
Disc Align Kit	95 - 81	F107401S	(H5562)	8900-10500 GVW; w/Sliding Bendix Caliper; Std.

Rear Brake Hardware	Years	Sequential No.	Category No.	Qualifier
Adjuster Kit	98 - 81	F98406	(H2580)	L.H.
Adjuster Kit	98 - 81	F98407	(H2581)	R.H.
Adjuster Screw	98 - 81	F83294	(H1550)	L.H.
Adjuster Screw	98 - 81	F83295	(H1551)	R.H.
Combi Kit	98 - 81	F98457S	(H7055)	
↳Adjuster Spring Kit		F73145S	(H425)	
↳Hold Down Kit		F113455S	(H4098)	
↳Return Spring Kit		F59100S	(H600)	
Disc Align Kit	94 - 92	F107402S	(H5555)	w/Sliding Bendix Caliper; .040 O/S; Refer to Center Abutment page in rear
Disc Align Kit	94 - 92	F107403S	(H5556)	w/Sliding Bendix Caliper; .080 O/S; Refer to Center Abutment page in rear

↳Sub-Kit of Combi-Kit is available separately.

G3500 VAN (cont.) - See Also P3500 VAN

Brake Hardware (cont.)

Rear Brake Hardware	Years	Sequential No.	Category No.	Qualifier
Disc Align Kit	94 - 92	F107404S	(H5557)	w/Sliding Bendix Caliper; .120 O/S; Refer to Center Abutment page in rear
Disc Align Kit	94 - 92	F107405S	(H5558)	w/Sliding Bendix Caliper; .160 O/S; Refer to Center Abutment page in rear
Disc Align Kit	94 - 92	F107401S	(H5562)	w/Sliding Bendix Caliper; Std.

Calipers - Reman

Front, Loaded	Years	Left No.	Right No.	Qualifier	Piston
Loaded Caliper	98 - 97	AS120226	AS120227	Cutaway; Exc. 139" WB	M
Loaded Caliper	98 - 97	AS120226	AS120227	Cutaway; w/DRW; 139" WB	M
Loaded Caliper	98 - 97	AS116294	AS116295	Cutaway; w/SRW; 139" WB; w/3.16" Single Piston Caliper	M
Loaded Caliper	98 - 97	AS116294	AS116295	Exc. Cutaway; w/3.16" Single Piston Caliper	M
Loaded Caliper	96	AS98954	AS98955	Exc. Savana; w/JB7, JD7	M
Loaded Caliper	96	AS98906	AS98907	Exc. Savana; w/JB8	M
Loaded Caliper	96	AS120226	AS120227	Savana; w/DRW; 139", 159", 177" WB	M
Loaded Caliper	96	AS116294	AS116295	Savana; w/SRW; 139" WB; w/3.16" Single Piston Caliper	M
Loaded Caliper	95 - 81	AS98954	AS98955	Pin Type Caliper; w/JB7, JD7; w/3.16" Single Piston Caliper	M
Loaded Caliper	95 - 81	AS98906	AS98907	Slide Type Caliper; w/JB8; w/3.38" Single Piston Caliper	M

Front, Unloaded	Years	Left No.	Right No.	Qualifier	Piston
Unloaded Caliper	98 - 97	CR120226	CR120227	Cutaway; Exc. 139" WB	M
Unloaded Caliper	98 - 97	CR120226	CR120227	Cutaway; w/DRW; 139" WB	M
Unloaded Caliper	98 - 97	CR116294	CR116295	Cutaway; w/SRW; 139" WB; w/3.16" Single Piston Caliper	M
Unloaded Caliper	98 - 97	CR116294	CR116295	Exc. Cutaway; w/3.16" Single Piston Caliper	M
Unloaded Caliper	96	CR98954	CR98955	Exc. Savana; w/JB7, JD7	M
Unloaded Caliper	96	CR98906	CR98907	Exc. Savana; w/JB8	M
Unloaded Caliper	96	CR120226	CR120227	Savana; w/DRW; 139", 159", 177" WB	M
Unloaded Caliper	96	CR116294	CR116295	Savana; w/SRW; 139" WB; w/3.16" Single Piston Caliper	M
Unloaded Caliper	95 - 81	CR98954	CR98955	Pin Type Caliper; w/JB7, JD7; w/3.16" Single Piston Caliper	M
Unloaded Caliper	95 - 81	CR98906	CR98907	Slide Type Caliper; w/JB8; w/3.38" Single Piston Caliper	M

Hydraulics - New

Master Cylinder	Years	Sequential No.	Category No.	Qualifier
Master Cylinder	98 - 96	F139959	(MC139959)	1-1/4" Bore
Master Cylinder	96	F103239	(MC103239)	Exc. SAVANA; 1-11/32" Bore
Master Cylinder	96 - 85	F110888	(MC110888)	w/o Diesel; w/SRW; 1-1/4" Bore
Master Cylinder	95	F103239	(MC103239)	w/Hydro-Boost; 1-11/32" Bore
Master Cylinder	94 - 92	F103239	(MC103239)	Diesel; w/Hydro-Boost; 1-11/32" Bore
Master Cylinder	94 - 92	F103239	(MC103239)	w/o Diesel; w/Hydro-Boost; w/DRW; 1-11/32" Bore
Master Cylinder	87 - 85	F103239	(MC103239)	Diesel; w/Hydro-Boost; w/DRW; 1-11/32" Bore
Master Cylinder	84	F108148	(MC108148)	Diesel; w/Hydro-Boost; 1-1/4" Bore
Master Cylinder	84 - 81	F103239	(MC103239)	w/Hydro-Boost; w/DRW; 1-11/32" Bore
Master Cylinder	84	F108148	(MC108148)	w/o Diesel; w/SRW; 1-1/4" Bore
Master Cylinder	83 - 82	F101266	(MC101266)	1-1/4" Bore
Master Cylinder	81	F101269	(MC101269)	6400-7400 GVW; 1-1/8" Bore
Master Cylinder	81	F101266	(MC101266)	7700-8400 GVW; 1-1/4" Bore

Rear Wheel Cylinder	Years	Sequential No.	Category No.	Qualifier
Wheel Cylinder	98 - 95	F79768	(WC79768)	w/DRW; 1-3/16" Bore
Wheel Cylinder	98 - 95	F79767	(WC79767)	w/SRW; 1-1/16" Bore
Wheel Cylinder	94 - 85	F79768	(WC79768)	10000 GVW; 1-3/16" Bore
Wheel Cylinder	94 - 92	F79767	(WC79767)	8600-9200 GVW; 1-1/16" Bore
Wheel Cylinder	91 - 85	F79767	(WC79767)	8600 GVW; 1-1/16" Bore
Wheel Cylinder	84 - 82	F79767	(WC79767)	7100-8600 GVW; 1-1/16" Bore
Wheel Cylinder	84 - 82	F79768	(WC79768)	8900-10500 GVW; 1-3/16" Bore
Wheel Cylinder	81	F79767	(WC79767)	7700-8400 GVW; 13" Brake; 1-1/16" Bore
Wheel Cylinder	81	F79768	(WC79768)	8900-10000 GVW; 1-3/16" Bore

Front Brake Hose	Years	Sequential No.	Category No.	Qualifier
Brake Hose	98 - 97	F140498	(BH140498)	L.H.; w/DRW
Brake Hose	98 - 97	F140496	(BH140496)	L.H.; w/SRW

Piston: M - OE Metal Piston P - OE Phenolic Piston

G3500 VAN (cont.) - See Also P3500 VAN
Hydraulics - New (cont.)

Front Brake Hose	Years	Sequential No.	Category No.	Qualifier
Brake Hose	98 - 97	F140499	(BH140499)	R.H.; w/DRW
Brake Hose	98 - 97	F140497	(BH140497)	R.H.; w/SRW
Brake Hose	96	F107272	(BH107272)	L.H.; Exc. SAVANA; 10000 GVW
Brake Hose	96	F140498	(BH140498)	L.H.; SAVANA; w/DRW
Brake Hose	96	F140496	(BH140496)	L.H.; SAVANA; w/SRW
Brake Hose	96	F132205	(BH132205)	R.H.; Exc. SAVANA; 10000 GVW
Brake Hose	96	F140499	(BH140499)	R.H.; SAVANA; w/DRW
Brake Hose	96	F140497	(BH140497)	R.H.; SAVANA; w/SRW
Brake Hose	95	F107272	(BH107272)	L.H.; 10000 GVW
Brake Hose	95	F132205	(BH132205)	R.H.; 10000 GVW
Brake Hose	94 - 85	F110426	(BH110426)	L.H.; 8600 GVW
Brake Hose	94 - 92	F107272	(BH107272)	L.H.; 9200-10000 GVW
Brake Hose	94 - 85	F110427	(BH110427)	R.H.; 8600 GVW
Brake Hose	94 - 92	F132205	(BH132205)	R.H.; 9200-10000 GVW
Brake Hose	91 - 85	F107272	(BH107272)	L.H.; 10000 GVW
Brake Hose	91 - 85	F132205	(BH132205)	R.H.; 10000 GVW
Brake Hose	84 - 83	F110426	(BH110426)	L.H.; 7100-8600 GVW
Brake Hose	84 - 83	F107272	(BH107272)	L.H.; 8900-10500 GVW
Brake Hose	84 - 83	F110427	(BH110427)	R.H.; 7100-8600 GVW
Brake Hose	84 - 83	F132205	(BH132205)	R.H.; 8900-10500 GVW
Brake Hose	82	F110424	(BH110424)	L.H.; 7100-8600 GVW
Brake Hose	82 - 81	F88957	(BH88957)	L.H.; 8900-10500 GVW
Brake Hose	82	F110425	(BH110425)	R.H.; 7100-8600 GVW
Brake Hose	82 - 81	F88958	(BH88958)	R.H.; 8900-10500 GVW
Brake Hose	81	F110424	(BH110424)	L.H.; 7700-8400 GVW
Brake Hose	81	F110425	(BH110425)	R.H.; 7700-8400 GVW

Rear Brake Hose	Years	Sequential No.	Category No.	Qualifier
Brake Hose	98 - 97	F118117	(BH118117)	
Brake Hose	96	F118117	(BH118117)	Exc. SAVANA
Brake Hose	95 - 92	F86560	(BH86560)	8600-10000 GVW
Brake Hose	91 - 81	F86560	(BH86560)	

Hydraulics - Reman

Master Cylinder	Years	Part No.	Qualifier
Master Cylinder	98 - 97	R134626	
Master Cylinder	96	R110888	Exc. Savana; JB7
Master Cylinder	96	R103238	Exc. Savana; JB8 or JD7
Master Cylinder	96	R134626	Savana
Master Cylinder	95 - 85	R110888	w/JB7
Master Cylinder	95 - 85	R103238	w/JB8
Master Cylinder	95 - 85	R103238	w/JD7
Master Cylinder	84 - 81	R101266	Diesel; w/JD7
Master Cylinder	84 - 81	R101266	Gas; w/JB7
Master Cylinder	84 - 81	R103238	Gas; w/JB8

Power Brake Booster	Years	Part No.	Qualifier
Hydro Booster	98 - 97	527343	w/DRW
Hydro Booster	98 - 97	527342	w/SRW
Hydro Booster	96	527339	Exc. Savana; w/DRW; w/JB8
Hydro Booster	96	527340	Exc. Savana; w/SRW; w/JD7
Hydro Booster	96	527343	Savana; w/DRW
Hydro Booster	96	527342	Savana; w/SRW
Hydro Booster	95 - 94	527339	w/DRW; w/JB8
Hydro Booster	95 - 94	527340	w/SRW; w/JD7
Hydro Booster	93 - 83	527255	w/DRW; w/JB8
Hydro Booster	93 - 84	527306	w/SRW; w/JD7
Hydro Booster	83	527329	w/SRW; w/JD7

G3500 VAN (cont.) - See Also P3500 VAN

Hydraulics - Reman (cont.)

Power Brake Booster	Years	Part No.	Qualifier
Hydro Booster	82 - 81	527255	w/JB8
Hydro Booster	82 - 81	529386	w/JB8
Power Brake Booster	Years	Part No.	Qualifier
Power Brake Booster	96 - 95	5471063	Gas; w/o Master Cylinder; Exc. Savana; w/SRW
Power Brake Booster	94	5471068	Gas; w/o Master Cylinder; w/SRW; w/JB7
Power Brake Booster	93 - 88	501075	Gas; w/Master Cylinder; w/SRW; 7.4L Eng.; w/JB7
Power Brake Booster	93 - 88	501078	Gas; w/Master Cylinder; w/SRW; Exc. 7.4L Eng.; w/JB7
Power Brake Booster	93 - 88	5471075	Gas; w/o Master Cylinder; w/SRW; 7.4L Eng.; w/JB7
Power Brake Booster	93 - 88	5471050	Gas; w/o Master Cylinder; w/SRW; Exc. 7.4L Eng.; w/JB7
Power Brake Booster	87 - 85	501078	Gas; w/Master Cylinder; w/SRW; w/JB7
Power Brake Booster	87 - 85	5471050	Gas; w/o Master Cylinder; w/SRW; w/JB7
Power Brake Booster	84	501073	Gas; w/Master Cylinder; w/SRW; w/JB7; w/Vacuum Boost
Power Brake Booster	84	5471050	Gas; w/o Master Cylinder; w/SRW; w/JB7; w/Vacuum Boost
Power Brake Booster	83 - 81	501024	Gas; w/Master Cylinder; w/SRW; w/JB7
Power Brake Booster	83 - 81	5471024	Gas; w/o Master Cylinder; w/SRW; w/JB7

Brake Cables

Parking Brake Cable	Years	Sequential No.	Category No.	Qualifier
Parking Brake Cable	98 - 97	F138836	(BC138836)	Forward; Exc. Cutaway
Parking Brake Cable	98 - 97	F138900	(BC138900)	Intermediate; 155", 159" WB
Parking Brake Cable	98 - 96	F140240	(BC140240)	Intermediate; 177" WB; 37" Length
Parking Brake Cable	96 - 83	F124688	(BC124688)	Forward; 125" WB
Parking Brake Cable	96 - 83	F124683	(BC124683)	Forward; 146" WB
Parking Brake Cable	96 - 89	F124138	(BC124138)	Rear; L.H.; w/SRW
Parking Brake Cable	96 - 89	F124615	(BC124615)	Rear; R.H.; w/SRW
Parking Brake Cable	95 - 89	F124767	(BC124767)	Rear; L.H.; w/DRW
Parking Brake Cable	95 - 85	F124768	(BC124768)	Rear; R.H.; w/DRW
Parking Brake Cable	89 - 88	F112989	(BC112989)	Forward; 146" WB
Parking Brake Cable	88 - 83	F112987	(BC112987)	Rear; L.H.; w/SRW
Parking Brake Cable	88 - 83	F112988	(BC112988)	Rear; R.H.; w/SRW
Parking Brake Cable	84 - 83	F108761	(BC108761)	Rear; L.H.; w/DRW; 1-Lock Fitting
Parking Brake Cable	84 - 83	F124767	(BC124767)	Rear; L.H.; w/DRW; 2-Lock Fitting
Parking Brake Cable	84 - 83	F108762	(BC108762)	Rear; R.H.; w/DRW; 1-Lock Fitting
Parking Brake Cable	84 - 83	F124768	(BC124768)	Rear; R.H.; w/DRW; 2-Lock Fitting
Parking Brake Cable	82 - 81	F88584	(BC88584)	Forward; 110", 125" WB
Parking Brake Cable	82 - 81	F108178	(BC108178)	Forward; 146" WB
Parking Brake Cable	82 - 81	F101986	(BC101986)	Intermediate; 110" WB
Parking Brake Cable	82 - 81	F126816	(BC126816)	Intermediate; 125", 138" WB
Parking Brake Cable	82 - 81	F88830	(BC88830)	Rear; L.H.
Parking Brake Cable	82 - 81	F88830	(BC88830)	Rear; R.H.

ABS Components - Reman

ABS Module	Years	Part No.	Qualifier
ABS Module	92 - 90	RA121000	
ABS Hydraulic Unit	Years	Part No.	Qualifier
ABS Hydraulic Unit	97 - 96	RA125034	
ABS Hydraulic Unit	95	RA125025	
ABS Hydraulic Unit	94	RA125019	
ABS Hydraulic Unit	93	RA125018	
ABS Hydraulic Unit	92 - 91	RA122038	w/Hydro Boost; w/JD7 or JD8
ABS Hydraulic Unit	92 - 91	RA122039	w/Vacuum Boost; w/JB7
ABS Hydraulic Unit	90	RA122004	

Wheel Attaching Hardware

Front Wheel Stud	Years	Part No.	Qualifier
Wheel Lug Stud	98 - 97	BD61416	w/DRW; 14mm Bolt
Wheel Lug Stud	98 - 97	BD61426	w/SRW

G3500 VAN (cont.) - See Also P3500 VAN
Wheel Attaching Hardware (cont.)

Front Wheel Stud	Years	Part No.	Qualifier
Wheel Lug Stud	96	BD60906	Exc. Savana; w/13 x 2-1/2" Rear Drum; w/JB7 or JD7
Wheel Lug Stud	96	BD60909	Exc. Savana; w/13 x 3-1/2" Rear Drum; w/JB8
Wheel Lug Stud	96	BD61416	Savana; w/DRW; 14mm Bolt
Wheel Lug Stud	96	BD61426	Savana; w/SRW
Wheel Lug Stud	95	BD60906	w/13 x 2-1/2" Rear Drum; w/JB7 or JD7
Wheel Lug Stud	95	BD60909	w/13 x 3-1/2" Rear Drum; w/JB8
Wheel Lug Stud	94 - 85	BD60906	w/13 x 2-1/2" Drum; w/JB7 or JD7
Wheel Lug Stud	94 - 85	BD60909	w/13 x 3-1/2" Drum; w/JB8
Wheel Lug Stud	84 - 81	BD60909	w/DRW
Wheel Lug Stud	84 - 81	BD60906	w/SRW
Rear Wheel Stud	Years	Part No.	Qualifier
Wheel Lug Stud	98 - 88	BD61393	Exc. Savana; w/DRW; w/13 x 3-1/2" Drum; w/JB8
Wheel Lug Stud	98 - 97	BD61403	w/DRW
Wheel Lug Stud	98 - 97	BD61427	w/SRW
Wheel Lug Stud	96	BD60963	Exc. Savana; w/13 x 2-1/2" Drum; w/JB7 or JD7
Wheel Lug Stud	96	BD61053	Exc. Savana; w/SRW; w/13 x 3-1/2" Drum; w/JB8
Wheel Lug Stud	96	BD61403	Savana; w/DRW
Wheel Lug Stud	96	BD61427	Savana; w/SRW
Wheel Lug Stud	95 - 85	BD60963	w/13 x 2-1/2" Drum; w/JB7 or JD7
Wheel Lug Stud	95 - 85	BD61393	w/DRW; w/13 x 3-1/2" Drum; w/JB8
Wheel Lug Stud	95 - 85	BD61053	w/SRW; w/13 x 3-1/2" Drum; w/JB8
Wheel Lug Stud	84 - 81	BD61393	w/DRW
Wheel Lug Stud	84 - 83	BD60963	w/SRW
Wheel Lug Stud	82 - 81	BD61053	w/SRW
Front Wheel Nut	Years	Part No.	Qualifier
Wheel Lug Nut	98 - 96	BD125926	External Thread; w/DRW
Wheel Lug Nut	98 - 96	BD125916	External Thread; w/SRW
Wheel Lug Nut	96 - 85	BD61287	Std. Open; w/13 x 2-1/2" Rear Drum; w/JB7 or JD7
Wheel Lug Nut	96 - 85	BD125839	Std. Open; w/DRW; w/13 x 2-1/2" Rear Drum; w/JB8
Wheel Lug Nut	96 - 85	BD61287	Std. Open; w/SRW; w/13 x 2-1/2" Rear Drum; w/JB8
Wheel Lug Nut	84 - 81	BD125839	Std. Open; w/DRW
Wheel Lug Nut	84 - 81	BD61287	Std. Open; w/SRW
Rear Wheel Nut	Years	Part No.	Qualifier
Wheel Lug Nut	98 - 88	BD125926	External Thread; w/DRW
Wheel Lug Nut	98 - 96	BD125916	External Thread; w/SRW
Wheel Lug Nut	96 - 85	BD61287	Std. Open; w/13 x 2-1/2" Drum; w/JB7 or JD7
Wheel Lug Nut	96 - 85	BD125839	Std. Open; w/DRW; w/13 x 2-1/2" Drum; w/JB8
Wheel Lug Nut	96 - 85	BD61287	Std. Open; w/SRW; w/13 x 2-1/2" Drum; w/JB8
Wheel Lug Nut	84 - 81	BD125839	Std. Open; w/DRW
Wheel Lug Nut	84 - 81	BD61287	Std. Open; w/SRW

P3500 VAN - See Also G3500 VAN
Brake Pads & Shoes

Front Pads & Shoes	Years	SevereDuty	Lining No.	Qualifier
Brake Pads	99 - 97	SD184		w/Rear Disc
Brake Pads	99 - 97	SD149		w/Rear Drum
Brake Pads	96 - 95	SD149		
Brake Pads	94 - 81	SD153		7600-8400 GVW
Brake Pads	94 - 81	SD149		9000-14500 GVW
Rear Pads & Shoes	Years	SevereDuty	Lining No.	Qualifier
Brake Pads	99 - 97	SD184		
Brake Pads	96 - 81	SD149		
Brake Shoes	99 - 92	SDS655R	SX2042BDT-S36	13 x 2-1/2" Brake; Riveted
Brake Shoes	99 - 93	SDS656R	SX2157BDT-S36	13 x 3-1/2" Brake; Riveted
Brake Shoes	92 - 81	SDS452R	EX2157TD-S32	13 x 3-1/2" Brake; Riveted

P3500 VAN (cont.) - See Also G3500 VAN

Brake Pads & Shoes (cont.)

Rear Pads & Shoes	Years	SevereDuty	Lining No.	Qualifier
Brake Shoes	91 - 81	SDS451R	EX2042ADT-S3213 x 2-1/2"	Brake; Riveted

Rotor & Drum

Front Rotor & Drum	Years	Part No.	Qualifier
Brake Rotor	99 - 97	BD125789	4400 lb. FA; w/Rear Drum; Exc. MH Chassis
Brake Rotor	99 - 97	BD125379	9000-14500 GVW; w/DRW; Exc. MH Chassis
Brake Rotor	99 - 93	BD125333	9000-14500 GVW; w/SRW; Exc. MH Chassis; w/ABS Exciter Ring
Brake Rotor	99 - 93	BD125332	9000-14500 GVW; w/SRW; Exc. MH Chassis; w/o ABS Exciter Ring
Brake Rotor	99 - 97	BD125333	MH Chassis; w/ABS Exciter Ring
Brake Rotor	99 - 97	BD125332	MH Chassis; w/o ABS Exciter Ring
Brake Rotor	99 - 97	BD125639	w/Rear Disc
Brake Rotor	96 - 93	BD60443	9000-14500 GVW; w/DRW; Exc. MH Chassis
Brake Rotor	96 - 93	BD60443	MH Chassis
Brake Rotor	96 - 81	BD61808	w/Rear Disc
Brake Rotor	92 - 81	BD60402	7600-8400 GVW; Exc. MH Chassis
Brake Rotor	92 - 81	BD60443	9000-14500 GVW; w/DRW; Exc. I-Beam FA
Brake Rotor	92 - 85	BD61846	9000-14500 GVW; w/DRW; w/I-Beam FA
Brake Rotor	92 - 81	BD125332	9000-14500 GVW; w/SRW; Exc. MH Chassis

Rear Rotor & Drum	Years	Part No.	Qualifier
Brake Drum	99 - 81	BD60359	13 x 2-1/2" Brake
Brake Drum	99 - 81	BD60356	w/DRW; 13 x 3-1/2" Brake
Brake Drum	99 - 92	BD125245	w/SRW; 13 x 3-1/2" Brake
Brake Drum	91 - 81	BD60357	w/SRW; 13 x 3-1/2" Brake
Brake Rotor	99 - 97	BD125516	
Brake Rotor	96 - 81	BD60593	

Brake Hardware

Front Brake Hardware	Years	Sequential No.	Category No.	Qualifier
Caliper Bolt/Pin	96 - 81	F76074S	(H5004)	7600-8400 GVW; w/Floating Delco Caliper
Caliper Bolt/Pin	96 - 81	F73237S	(H5019)	9000-14500 GVW; w/Sliding Bendix Caliper
Disc Align Kit	99 - 97	F138694S	(H5627)	
Disc Align Kit	96 - 81	F107402S	(H5555)	9000-14500 GVW; w/Sliding Bendix Caliper; .040 O/S; Refer to Center Abutment page in rear
Disc Align Kit	96 - 81	F107403S	(H5556)	9000-14500 GVW; w/Sliding Bendix Caliper; .080 O/S; Refer to Center Abutment page in rear
Disc Align Kit	96 - 81	F107404S	(H5557)	9000-14500 GVW; w/Sliding Bendix Caliper; .120 O/S; Refer to Center Abutment page in rear
Disc Align Kit	96 - 81	F107405S	(H5558)	9000-14500 GVW; w/Sliding Bendix Caliper; .160 O/S; Refer to Center Abutment page in rear
Disc Align Kit	96 - 81	F107401S	(H5562)	9000-14500 GVW; w/Sliding Bendix Caliper; Std.
Disc Align Kit	94 - 81	F73674S	(H5500)	7600-8400 GVW; w/Floating Delco Caliper

Rear Brake Hardware	Years	Sequential No.	Category No.	Qualifier
Adjuster Kit	99 - 81	F98406	(H2580)	L.H.
Adjuster Kit	99 - 81	F98407	(H2581)	R.H.
Adjuster Screw	99 - 81	F83294	(H1550)	L.H.
Adjuster Screw	99 - 81	F83295	(H1551)	R.H.
Caliper Bolt/Pin	96 - 81	F73237S	(H5019)	w/Sliding Bendix Caliper
Combi Kit	99 - 81	F98457S	(H7055)	
↳Adjuster Spring Kit		F73145S	(H425)	
↳Hold Down Kit		F113455S	(H4098)	
↳Return Spring Kit		F59100S	(H600)	
Disc Align Kit	99 - 97	F138694S	(H5627)	
Disc Align Kit	96 - 81	F107402S	(H5555)	w/Sliding Bendix Caliper; .040 O/S; Refer to Center Abutment page in rear
Disc Align Kit	96 - 81	F107403S	(H5556)	w/Sliding Bendix Caliper; .080 O/S; Refer to Center Abutment page in rear
Disc Align Kit	96 - 81	F107404S	(H5557)	w/Sliding Bendix Caliper; .120 O/S; Refer to Center Abutment page in rear
Disc Align Kit	96 - 81	F107405S	(H5558)	w/Sliding Bendix Caliper; .160 O/S; Refer to Center Abutment page in rear
Disc Align Kit	96 - 81	F107401S	(H5562)	w/Sliding Bendix Caliper; Std.

↳Sub-Kit of Combi-Kit is available separately.

P3500 VAN (cont.) - See Also G3500 VAN
Calipers - Reman

Front, Loaded	Years	Left No.	Right No.	Qualifier	Piston
Loaded Caliper	99 - 97	AS98906	AS98907	w/Rear Drum	M
Loaded Caliper	96 - 94	AS98906	AS98907		M
Loaded Caliper	93 - 81	AS98954	AS98955	Pin Type Caliper; w/JB7, JD7; w/3.16" Single Piston Caliper	M
Loaded Caliper	93 - 81	AS98906	AS98907	Slide Type Caliper; w/JB8; w/3.38" Single Piston Caliper	M
Loaded Caliper	93 - 81	AS98906	AS98907	w/Rear Disc; w/JF9	M
Rear, Loaded	Years	Left No.	Right No.	Qualifier	Piston
Loaded Caliper	96 - 81	AS98906	AS98907		M
Front, Unloaded	Years	Left No.	Right No.	Qualifier	Piston
Unloaded Caliper	99 - 97	CR134369	CR134369	w/Rear Disc	M
Unloaded Caliper	99 - 97	CR98906	CR98907	w/Rear Drum	M
Unloaded Caliper	96 - 94	CR98906	CR98907		M
Unloaded Caliper	93 - 81	CR98954	CR98955	Pin Type Caliper; w/JB7, JD7; w/3.16" Single Piston Caliper	M
Unloaded Caliper	93 - 81	CR98906	CR98907	Slide Type Caliper; w/JB8; w/3.38" Single Piston Caliper	M
Unloaded Caliper	93 - 81	CR98906	CR98907	w/Rear Disc; w/JF9	M
Rear, Unloaded	Years	Left No.	Right No.	Qualifier	Piston
Unloaded Caliper	99 - 97	CR134369	CR134369		M
Unloaded Caliper	96 - 81	CR98906	CR98907		M

Hydraulics - New

Master Cylinder	Years	Sequential No.	Category No.	Qualifier
Master Cylinder	99 - 95	F131509	(MC131509)	MH Chassis; w/Hydro-Boost; w/Rear Drum; Flat Back Cowl; 1-1/4" Bore
Master Cylinder	95 - 93	F103239	(MC103239)	FC Chassis; w/Hydro-Boost; w/Rear Disc; 1-11/32" Bore
Master Cylinder	95 - 93	F108145	(MC108145)	FC Chassis; w/Hydro-Boost; w/Rear Drum; 1-5/16" Bore
Master Cylinder	95	F103239	(MC103239)	MH Chassis; w/Hydro-Boost; w/Rear Disc; 1-11/32" Bore
Master Cylinder	95 - 93	F108145	(MC108145)	MH Chassis; w/Hydro-Boost; w/Rear Drum; 1-5/16" Bore
Master Cylinder	94 - 93	F103239	(MC103239)	Chassis Cab; w/Hydro-Boost; 1-11/32" Bore
Master Cylinder	93	F110888	(MC110888)	Exc. MH Chassis; 1-1/4" Bore
Master Cylinder	92 - 85	F108145	(MC108145)	9000-12300 GVW; w/Hydro-Boost; 1-5/16" Bore
Master Cylinder	92	F108148	(MC108148)	Diesel; 8200 GVW; w/Hydro-Boost; Exc. MH Chassis; 1-1/4" Bore
Master Cylinder	92 - 82	F103239	(MC103239)	w/Hydro-Boost; w/Rear Disc; 1-11/32" Bore
Master Cylinder	92	F110888	(MC110888)	w/o Diesel; 8200 GVW; Exc. MH Chassis; 1-1/4" Bore
Master Cylinder	91 - 85	F108148	(MC108148)	Diesel; 8200 GVW; w/Hydro-Boost; 1-1/4" Bore
Master Cylinder	91 - 85	F110888	(MC110888)	w/o Diesel; 8200 GVW; 1-1/4" Bore
Master Cylinder	84	F108145	(MC108145)	9000-11500 GVW; w/Hydro-Boost; 1-5/16" Bore
Master Cylinder	84	F108148	(MC108148)	Diesel; 7600-8200 GVW; w/Hydro-Boost; 1-1/4" Bore
Master Cylinder	84	F108148	(MC108148)	w/o Diesel; 7600-8200 GVW; 1-1/4" Bore
Master Cylinder	83 - 82	F101266	(MC101266)	1-1/4" Bore
Master Cylinder	83 - 82	F103239	(MC103239)	w/Hydro-Boost; 1-11/32" Bore
Master Cylinder	83 - 82	F98953	(MC98953)	w/Hydro-Boost; Stamped 1605; 1-5/16" Bore
Master Cylinder	83	F108145	(MC108145)	w/Hydro-Boost; Stamped 1925; 1-5/16" Bore
Master Cylinder	81	F98953	(MC98953)	10900 GVW; w/Hydro-Boost; w/H/D Brake; 1-5/16" Bore
Master Cylinder	81	F103239	(MC103239)	12000-14500 GVW; w/Hydro-Boost; w/Rear Disc; 1-11/32" Bore
Master Cylinder	81	F101266	(MC101266)	7600-8200 GVW; 1-1/4" Bore
Rear Wheel Cylinder	Years	Sequential No.	Category No.	Qualifier
Wheel Cylinder	99 - 98	F79768	(WC79768)	w/DRW; 1-3/16" Bore
Wheel Cylinder	99 - 98	F79767	(WC79767)	w/SRW; 1-1/16" Bore
Wheel Cylinder	97 - 95	F79767	(WC79767)	1-1/16" Bore
Wheel Cylinder	97 - 95	F79768	(WC79768)	1-3/16" Bore
Wheel Cylinder	94 - 93	F79768	(WC79768)	w/DRW; 1-3/16" Bore
Wheel Cylinder	94 - 93	F79767	(WC79767)	w/SRW; 1-1/16" Bore
Wheel Cylinder	92	F79767	(WC79767)	8400 GVW; 1-1/16" Bore
Wheel Cylinder	92 - 85	F79767	(WC79767)	9000-14500 GVW; w/SRW; 1-1/16" Bore
Wheel Cylinder	92 - 85	F79768	(WC79768)	MH Chassis; 9000-14500 GVW; w/DRW; 1-3/16" Bore
Wheel Cylinder	91 - 85	F79767	(WC79767)	8200 GVW; 1-1/16" Bore
Wheel Cylinder	84 - 82	F79767	(WC79767)	7600-8200 GVW; 1-1/16" Bore
Wheel Cylinder	84 - 82	F79768	(WC79768)	9000-11500 GVW; 1-3/16" Bore

Piston: M - OE Metal Piston P - OE Phenolic Piston

P3500 VAN (cont.) - See Also G3500 VAN

Hydraulics - New (cont.)				
Rear Wheel Cylinder	Years	Sequential No.	Category No.	Qualifier
Wheel Cylinder	81	F79768	(WC79768)	9000-10900 GVW; 1-3/16" Bore
Wheel Cylinder	81	F79768	(WC79768)	MH Chassis; 10500-12500 GVW; 1-3/16" Bore
Clutch Master Cylind	Years	Sequential No.	Category No.	Qualifier
Clutch Master Cylinder	95 - 92	F126858	(CM126858)	45/64" Bore
Clutch Slave Cylinder	Years	Sequential No.	Category No.	Qualifier
Clutch Slave Cylinder	99 - 96	F134322	(SC134322)	w/o Diesel
Clutch Slave Cylinder	95 - 92	F126872	(SC126872)	25/32" Bore
Front Brake Hose	Years	Sequential No.	Category No.	Qualifier
Brake Hose	99 - 97	F139209	(BH139209)	L.H.; MH Chassis; w/Rear Disc
Brake Hose	99 - 97	F88950	(BH88950)	L.H.; MH Chassis; w/Rear Drum
Brake Hose	99 - 97	F138866	(BH138866)	R.H.; Exc. MH Chassis
Brake Hose	99 - 97	F138865	(BH138865)	R.H.; MH Chassis; Exc. 5000 lb. FA
Brake Hose	99 - 97	F139213	(BH139213)	R.H.; MH Chassis; w/5000 lb. FA; w/Rear Disc
Brake Hose	96 - 95	F88957	(BH88957)	L.H.; Exc. MH Chassis
Brake Hose	96 - 95	F88950	(BH88950)	L.H.; MH Chassis
Brake Hose	96 - 95	F88958	(BH88958)	R.H.; Exc. FC Chassis
Brake Hose	94 - 93	F88950	(BH88950)	L.H.; 8400 GVW; Exc. MH Chassis; Exc. FC Chassis
Brake Hose	94 - 88	F88957	(BH88957)	L.H.; 8400 GVW; Exc. MH Chassis; Exc. FC Chassis
Brake Hose	94 - 93	F111397	(BH111397)	L.H.; 9000-14500 GVW; w/I-Beam FA; Exc. MH Chassis
Brake Hose	94 - 85	F88957	(BH88957)	L.H.; 9000-14500 GVW; w/o I-Beam FA
Brake Hose	94 - 92	F110425	(BH110425)	R.H.; 8400 GVW; Exc. MH Chassis
Brake Hose	94 - 93	F113296	(BH113296)	R.H.; 8400 GVW; Exc. MH Chassis; Exc. FC Chassis
Brake Hose	94 - 88	F88958	(BH88958)	R.H.; 8400 GVW; Exc. MH Chassis; Exc. FC Chassis
Brake Hose	94 - 92	F111398	(BH111398)	R.H.; 9000-14500 GVW; w/I-Beam FA; Exc. MH Chassis
Brake Hose	94 - 85	F88958	(BH88958)	R.H.; 9000-14500 GVW; w/o I-Beam FA
Brake Hose	92 - 90	F111397	(BH111397)	9000-14500 GVW; 4.3L; w/I-Beam FA; Exc. MH Chassis
Brake Hose	92	F110424	(BH110424)	L.H.; 8400 GVW; Exc. MH Chassis
Brake Hose	92 - 85	F88950	(BH88950)	L.H.; MH Chassis; w/o I-Beam FA
Brake Hose	92 - 90	F111397	(BH111397)	L.H.; w/I-Beam FA; Exc. 4.3L
Brake Hose	92 - 85	F113296	(BH113296)	R.H.; MH Chassis; w/o I-Beam FA
Brake Hose	92 - 90	F111398	(BH111398)	R.H.; w/I-Beam FA; Exc. 4.3L
Brake Hose	91 - 88	F110424	(BH110424)	L.H.; 8200 GVW; Exc. MH Chassis
Brake Hose	91 - 88	F110425	(BH110425)	R.H.; 8200 GVW; Exc. MH Chassis
Brake Hose	89 - 88	F111397	(BH111397)	L.H.; w/I-Beam FA
Brake Hose	89 - 88	F111398	(BH111398)	R.H.; w/I-Beam FA
Brake Hose	87 - 85	F110424	(BH110424)	L.H.; 8200 GVW
Brake Hose	87 - 85	F111397	(BH111397)	L.H.; MH Chassis; 9000-14500 GVW; w/I-Beam FA
Brake Hose	87 - 85	F110425	(BH110425)	R.H.; 8200 GVW
Brake Hose	87 - 85	F111398	(BH111398)	R.H.; MH Chassis; 9000-14500 GVW; w/I-Beam FA
Brake Hose	87 - 82	F104342	(BH104342)	R.H.; MH Chassis; w/Rear Disc
Brake Hose	84 - 81	F110424	(BH110424)	L.H.; 7600-8200 GVW
Brake Hose	84 - 82	F88957	(BH88957)	L.H.; 9000-11500 GVW, w/H/D Rear Disc
Brake Hose	84 - 82	F104341	(BH104341)	L.H.; MH Chassis; w/Rear Disc
Brake Hose	84 - 82	F88950	(BH88950)	L.H.; MH Chassis; w/Rear Drum
Brake Hose	84 - 81	F110425	(BH110425)	R.H.; 7600-8200 GVW
Brake Hose	84 - 82	F88958	(BH88958)	R.H.; 9000-11500 GVW, w/H/D Rear Disc
Brake Hose	84 - 82	F88951	(BH88951)	R.H.; MH Chassis; w/Rear Drum
Brake Hose	81	F88957	(BH88957)	L.H.; 9000-14500 GVW, w/H/D Brake
Brake Hose	81	F88950	(BH88950)	L.H.; MH Chassis; 10500-12500 GVW
Brake Hose	81	F104341	(BH104341)	L.H.; MH Chassis; 14500 GVW
Brake Hose	81	F88958	(BH88958)	R.H.; 9000-14500 GVW, w/H/D Brake
Brake Hose	81	F88951	(BH88951)	R.H.; MH Chassis; 10500-12500 GVW
Brake Hose	81	F104342	(BH104342)	R.H.; MH Chassis; 14500 GVW
Rear Brake Hose	Years	Sequential No.	Category No.	Qualifier
Brake Hose	99 - 98	F132926	(BH132926)	Inner; MH Chassis

P3500 VAN (cont.) - See Also G3500 VAN
Hydraulics - New (cont.)

Rear Brake Hose	Years	Sequential No.	Category No.	Qualifier
Brake Hose	99 - 97	F132987	(BH132987)	L.H.; w/Rear Disc
Brake Hose	99 - 97	F132988	(BH132988)	R.H.; w/Rear Disc
Brake Hose	98 - 95	F80967	(BH80967)	Inner; Exc. MH Chassis
Brake Hose	96 - 88	F104341	(BH104341)	L.H.; w/Rear Disc
Brake Hose	96 - 88	F104342	(BH104342)	R.H.; w/Rear Disc
Brake Hose	94 - 88	F80967	(BH80967)	Inner
Brake Hose	87 - 85	F104341	(BH104341)	L.H.; MH Chassis; w/Rear Disc
Brake Hose	87 - 85	F80967	(BH80967)	w/Rear Drum
Brake Hose	84 - 82	F80967	(BH80967)	
Brake Hose	81	F80967	(BH80967)	10900-12000 GVW
Brake Hose	81	F98920	(BH98920)	10900-12000 GVW
Brake Hose	81	F80967	(BH80967)	7600-10900 GVW; w/Rear Drum
Brake Hose	81	F98920	(BH98920)	7600-10900 GVW; w/Rear Drum

Hydraulics - Reman

Master Cylinder	Years	Part No.	Qualifier
Master Cylinder	99 - 97	R131328	w/o Cab; w/Rear Disc
Master Cylinder	99 - 97	R120590	w/o Cab; w/Rear Drum
Master Cylinder	96 - 95	R131328	FC Chassis; w/Cab; w/Rear Disc
Master Cylinder	96 - 95	R103238	FC Chassis; w/Cab; w/Rear Drum
Master Cylinder	96 - 95	R103239	FC Chassis; w/o Cab; w/Rear Disc
Master Cylinder	96 - 95	R108145	FC Chassis; w/o Cab; w/Rear Drum
Master Cylinder	96 - 95	R122232	MH Chassis; w/Cab; w/Rear Disc
Master Cylinder	96 - 95	R103238	MH Chassis; w/Cab; w/Rear Drum
Master Cylinder	96 - 95	R131328	MH Chassis; w/o Cab; w/Rear Disc
Master Cylinder	96 - 95	R120590	MH Chassis; w/o Cab; w/Rear Drum
Master Cylinder	94 - 93	R122232	w/Cab; w/Rear Disc
Master Cylinder	94 - 93	R103238	w/Cab; w/Rear Drum
Master Cylinder	94 - 93	R103239	w/o Cab; w/Rear Disc
Master Cylinder	94 - 93	R110888	w/o Cab; w/Rear Drum; w/JB7
Master Cylinder	94 - 93	R108145	w/o Cab; w/Rear Drum; w/JB8 or JD7
Master Cylinder	92 - 85	R103239	FC and MH Chassis; w/Rear Disc
Master Cylinder	92 - 85	R110888	FC and MH Chassis; w/Rear Drum; w/JB7
Master Cylinder	92 - 85	R108145	FC and MH Chassis; w/Rear Drum; w/JB8
Master Cylinder	92 - 85	R108148	FC and MH Chassis; w/Rear Drum; w/JD7
Master Cylinder	84 - 81	R103239	w/Rear Disc
Master Cylinder	84 - 81	R108148	w/Rear Drum; w/JB7 or JD7
Master Cylinder	84 - 81	R98953	w/Rear Drum; w/JB8; w/Casting No. 1605
Master Cylinder	84 - 81	R108145	w/Rear Drum; w/JB8; w/Casting No. 1925

Power Brake Booster	Years	Part No.	Qualifier
Hydro Booster	99 - 98	527350	FC Chassis; w/o Cab; w/Rear Drum
Hydro Booster	97	527351	FC Chassis; w/o Cab; w/Rear Disc; w/JF9
Hydro Booster	97	527350	FC Chassis; w/o Cab; w/Rear Drum; w/JB7 or JB8
Hydro Booster	96 - 95	527330	FC Chassis; w/Cab; w/Rear Disc
Hydro Booster	96 - 95	527331	FC Chassis; w/Cab; w/Rear Drum
Hydro Booster	96 - 95	529384	FC Chassis; w/o Cab; w/Rear Disc
Hydro Booster	96 - 95	527256	FC Chassis; w/o Cab; w/Rear Drum
Hydro Booster	96 - 95	527330	MH Chassis; w/Cab; w/Rear Disc
Hydro Booster	96 - 95	527331	MH Chassis; w/Cab; w/Rear Drum
Hydro Booster	96 - 95	529384	MH Chassis; w/o Cab; w/Rear Disc
Hydro Booster	96 - 95	527349	MH Chassis; w/o Cab; w/Rear Disc; w/JF9
Hydro Booster	94 - 93	527330	FC Chassis; w/Cab; w/Rear Disc; w/Hydro Boost
Hydro Booster	94 - 93	527331	FC Chassis; w/Cab; w/Rear Drum; w/Hydro Boost
Hydro Booster	94 - 93	529384	FC Chassis; w/o Cab; w/Rear Disc; w/Hydro Boost
Hydro Booster	94 - 93	527256	FC Chassis; w/o Cab; w/Rear Drum; w/Hydro Boost
Hydro Booster	94 - 93	527330	MH Chassis; w/Cab; w/Rear Disc; w/Hydro Boost

P3500 VAN (cont.) - See Also G3500 VAN

Hydraulics - Reman (cont.)

Power Brake Booster	Years	Part No.	Qualifier
Hydro Booster	94 - 93	527331	MH Chassis; w/Cab; w/Rear Drum; w/Hydro Boost
Hydro Booster	94 - 93	529383	MH Chassis; w/o Cab; w/Rear Disc; w/Hydro Boost
Hydro Booster	94 - 93	527257	MH Chassis; w/o Cab; w/Rear Drum; w/Hydro Boost
Hydro Booster	92 - 82	529384	FC Chassis; w/Rear Disc; w/o Hydro Boost
Hydro Booster	92 - 82	527256	FC Chassis; w/Rear Drum; w/JB8; w/Hydro Boost
Hydro Booster	92 - 82	527327	FC Chassis; w/Rear Drum; w/JD7; w/Hydro Boost
Hydro Booster	92 - 82	529383	MH Chassis; w/Rear Disc; w/o Hydro Boost
Hydro Booster	92 - 82	527257	MH Chassis; w/Rear Drum; w/JB8; w/Hydro Boost
Hydro Booster	92 - 82	527327	MH Chassis; w/Rear Drum; w/JD7; w/Hydro Boost
Hydro Booster	81	529387	FC Chassis; w/Rear Disc
Hydro Booster	81	529386	FC Chassis; w/Rear Drum; w/JB8
Hydro Booster	81	529387	FC Chassis; w/Rear Drum; w/JD7
Hydro Booster	81	529387	MH Chassis; w/Rear Disc
Hydro Booster	81	529386	MH Chassis; w/Rear Drum

Power Brake Booster	Years	Part No.	Qualifier
Power Brake Booster	93	501054	Gas; w/Master Cylinder; FC Chassis; w/o Cab; w/Rear Drum; w/JB7
Power Brake Booster	93	5471054	Gas; w/o Master Cylinder; FC Chassis; w/o Cab; w/Rear Drum; w/JB7
Power Brake Booster	92 - 85	501054	Gas; w/Master Cylinder; w/Rear Drum; w/JB7
Power Brake Booster	92 - 85	5471054	Gas; w/o Master Cylinder; w/Rear Drum; w/JB7
Power Brake Booster	84 - 81	5471084	Gas; w/o Master Cylinder; FC Chassis; w/Rear Drum; w/JB7

Brake Cables

Parking Brake Cable	Years	Sequential No.	Category No.	Qualifier
Parking Brake Cable	99 - 97	F140266	(BC140266)	Rear; FC Chassis; w/Rear Disc; 16" Length
Parking Brake Cable	98 - 96	F130446	(BC130446)	Forward
Parking Brake Cable	98 - 92	F111068	(BC111068)	Intermediate; 125" WB
Parking Brake Cable	98 - 92	F111069	(BC111069)	Intermediate; 133" WB
Parking Brake Cable	98 - 92	F111071	(BC111071)	Intermediate; 157" WB
Parking Brake Cable	98 - 95	F111072	(BC111072)	Intermediate; FC Chassis; 178" WB
Parking Brake Cable	98 - 92	F109224	(BC109224)	Intermediate; MH Chassis; 158-1/2" WB
Parking Brake Cable	98 - 95	F124645	(BC124645)	Rear; L.H.; w/DRW
Parking Brake Cable	98 - 95	F124137	(BC124137)	Rear; L.H.; w/SRW
Parking Brake Cable	98 - 95	F124765	(BC124765)	Rear; R.H.; w/DRW
Parking Brake Cable	98 - 95	F124766	(BC124766)	Rear; R.H.; w/SRW
Parking Brake Cable	97 - 95	F111070	(BC111070)	Intermediate; 137" WB
Parking Brake Cable	97 - 93	F129210	(BC129210)	Intermediate; MH Chassis; 178" WB
Parking Brake Cable	96 - 95	F140266	(BC140266)	Rear; FC Chassis; w/Rear Disc; Flat Back Cowl; 16" Length
Parking Brake Cable	96 - 93	F140105	(BC140105)	Rear; FC Chassis; w/Rear Disc; w/Cab; 52" Length
Parking Brake Cable	95	F130446	(BC130446)	Forward; Exc. MH Chassis; 10000 GVW; w/JB8
Parking Brake Cable	95 - 93	F139064	(BC139064)	Forward; MH Chassis; 10000 GVW; w/JB8
Parking Brake Cable	94 - 92	F124670	(BC124670)	Forward; FC Chassis; 86" Length
Parking Brake Cable	94 - 92	F124668	(BC124668)	Forward; FC Chassis; 91" Length
Parking Brake Cable	94 - 92	F129975	(BC129975)	Forward; FC Chassis; 97" Length
Parking Brake Cable	94 - 93	F130446	(BC130446)	Forward; MH Chassis, FC Chassis
Parking Brake Cable	94 - 92	F133057	(BC133057)	Forward; MH Chassis; 16000 GVW
Parking Brake Cable	94	F129971	(BC129971)	Forward; MH Chassis; w/Rear Disc; 1st Design
Parking Brake Cable	94 - 93	F111072	(BC111072)	Intermediate; 178" WB
Parking Brake Cable	94 - 93	F111070	(BC111070)	Intermediate; FC Chassis; 137" WB
Parking Brake Cable	94 - 93	F111070	(BC111070)	Intermediate; MH Chassis; 137" WB
Parking Brake Cable	94 - 93	F124137	(BC124137)	Rear; L.H.; 137" WB; w/SRW
Parking Brake Cable	94 - 93	F124137	(BC124137)	Rear; L.H.; 158-1/2" WB; w/SRW
Parking Brake Cable	94 - 93	F124645	(BC124645)	Rear; L.H.; MH Chassis; 137" WB; w/DRW
Parking Brake Cable	94 - 93	F124645	(BC124645)	Rear; L.H.; MH Chassis; 158-1/2" WB; w/DRW
Parking Brake Cable	94 - 93	F129976	(BC129976)	Rear; L.H.; MH Chassis; 16000 GVW
Parking Brake Cable	94 - 93	F124766	(BC124766)	Rear; R.H.; 137" WB; w/SRW
Parking Brake Cable	94 - 93	F124766	(BC124766)	Rear; R.H.; 158-1/2" WB; w/SRW

P3500 VAN (cont.) - See Also G3500 VAN
Brake Cables (cont.)

Parking Brake Cable	Years	Sequential No.	Category No.	Qualifier
Parking Brake Cable	94 - 93	F124765	(BC124765)	Rear; R.H.; MH Chassis; 137" WB; w/DRW
Parking Brake Cable	94 - 93	F124765	(BC124765)	Rear; R.H.; MH Chassis; 158-1/2" WB; w/DRW
Parking Brake Cable	94 - 91	F129976	(BC129976)	Rear; R.H.; MH Chassis; 16000 GVW
Parking Brake Cable	93 - 91	F129971	(BC129971)	Forward; MH Chassis; w/Rear Disc
Parking Brake Cable	92	F111070	(BC111070)	Intermediate; MH Chassis; 137" WB; w/SRW
Parking Brake Cable	92	F111072	(BC111072)	Intermediate; MH Chassis; 178" WB
Parking Brake Cable	92	F111070	(BC111070)	Intermediate; MH Chassis; w/DRW
Parking Brake Cable	92	F124645	(BC124645)	Rear; L.H.; MH Chassis; w/DRW; Exc. 16000 GVW
Parking Brake Cable	92	F124137	(BC124137)	Rear; L.H.; w/SRW
Parking Brake Cable	92	F124765	(BC124765)	Rear; R.H.; MH Chassis; w/DRW; Exc. 16000 GVW
Parking Brake Cable	92	F124766	(BC124766)	Rear; R.H.; w/SRW
Parking Brake Cable	91	F124670	(BC124670)	Forward; 86" Length
Parking Brake Cable	91	F124668	(BC124668)	Forward; 91" Length
Parking Brake Cable	91	F129975	(BC129975)	Forward; 97" Length
Parking Brake Cable	91	F111068	(BC111068)	Intermediate; 125" WB; w/Rear Drum
Parking Brake Cable	91 - 85	F111069	(BC111069)	Intermediate; 133" WB; w/Rear Drum
Parking Brake Cable	91	F111071	(BC111071)	Intermediate; 157" WB; w/Rear Drum
Parking Brake Cable	91 - 85	F111070	(BC111070)	Intermediate; MH Chassis; 137" WB; w/Rear Drum
Parking Brake Cable	91 - 89	F109224	(BC109224)	Intermediate; MH Chassis; 158-1/2" WB; w/Rear Drum
Parking Brake Cable	91	F111072	(BC111072)	Intermediate; MH Chassis; 178" WB; w/Rear Drum
Parking Brake Cable	91	F124645	(BC124645)	Rear; L.H.; MH Chassis; w/DRW; w/Rear Drum; Exc. 16000 GVW
Parking Brake Cable	91	F124137	(BC124137)	Rear; L.H.; w/SRW; w/Rear Drum; Incl. MH Chassis
Parking Brake Cable	91	F124765	(BC124765)	Rear; R.H.; MH Chassis; w/DRW; w/Rear Drum; Exc. 16000 GVW
Parking Brake Cable	91	F124766	(BC124766)	Rear; R.H.; w/SRW; w/Rear Drum; Incl. MH Chassis
Parking Brake Cable	90 - 89	F129963	(BC129963)	Forward; MH Chassis; w/Rear Disc
Parking Brake Cable	90 - 84	F124699	(BC124699)	Forward; MH Chassis; w/Rear Drum
Parking Brake Cable	90 - 89	F129795	(BC129795)	Forward; w/Rear Disc; w/A/T
Parking Brake Cable	90 - 89	F129796	(BC129796)	Forward; w/Rear Disc; w/M/T
Parking Brake Cable	90 - 89	F124670	(BC124670)	Forward; w/Rear Drum; 86" Length
Parking Brake Cable	90 - 85	F111068	(BC111068)	Intermediate; 125" WB; w/DRW; w/Rear Drum
Parking Brake Cable	90 - 85	F111068	(BC111068)	Intermediate; 125" WB; w/SRW
Parking Brake Cable	90 - 89	F111071	(BC111071)	Intermediate; 157" WB
Parking Brake Cable	90 - 89	F111072	(BC111072)	Intermediate; 178" WB; w/Rear Disc
Parking Brake Cable	90 - 84	F108765	(BC108765)	Rear; L.H.; MH Chassis; w/DRW; w/Rear Drum
Parking Brake Cable	90 - 89	F124645	(BC124645)	Rear; L.H.; w/DRW; w/Rear Drum
Parking Brake Cable	90 - 84	F124137	(BC124137)	Rear; L.H.; w/SRW
Parking Brake Cable	90 - 87	F124765	(BC124765)	Rear; R.H.; MH Chassis; w/DRW; w/Rear Drum
Parking Brake Cable	90 - 89	F124766	(BC124766)	Rear; R.H.; w/SRW
Parking Brake Cable	89	F108764	(BC108764)	Rear; R.H.; w/SRW
Parking Brake Cable	88 - 85	F129795	(BC129795)	Forward; w/DRW; w/Rear Disc; w/A/T
Parking Brake Cable	88 - 85	F129796	(BC129796)	Forward; w/DRW; w/Rear Disc; w/M/T
Parking Brake Cable	88 - 84	F108777	(BC108777)	Forward; w/DRW; w/Rear Drum
Parking Brake Cable	88 - 84	F108777	(BC108777)	Forward; w/SRW; w/Rear Drum
Parking Brake Cable	88	F109224	(BC109224)	Intermediate; 157" WB; w/DRW
Parking Brake Cable	88 - 85	F111072	(BC111072)	Intermediate; 178" WB; w/DRW; w/Rear Drum
Parking Brake Cable	88 - 85	F111071	(BC111071)	Intermediate; 8200 GVW; 157" WB; w/SRW
Parking Brake Cable	88 - 85	F109224	(BC109224)	Intermediate; 9000 GVW; w/SRW; 157" WB
Parking Brake Cable	88 - 85	F124645	(BC124645)	Rear; L.H.; w/DRW; w/Rear Disc
Parking Brake Cable	88 - 87	F108764	(BC108764)	Rear; R.H.; 125" WB; w/SRW
Parking Brake Cable	88	F108764	(BC108764)	Rear; R.H.; 137" WB; w/SRW
Parking Brake Cable	88 - 87	F108764	(BC108764)	Rear; R.H.; 158-1/2" WB; w/SRW
Parking Brake Cable	88	F108764	(BC108764)	Rear; R.H.; 178" WB; w/SRW
Parking Brake Cable	87 - 84	F109224	(BC109224)	Intermediate; 157" WB; w/DRW; w/Rear Drum
Parking Brake Cable	87 - 85	F111072	(BC111072)	Intermediate; w/DRW; w/Rear Disc
Parking Brake Cable	87	F124766	(BC124766)	Rear; R.H.; 137" WB; w/SRW

P3500 VAN (cont.) - See Also G3500 VAN

Brake Cables (cont.)

<i>Parking Brake Cable</i>	<i>Years</i>	<i>Sequential No.</i>	<i>Category No.</i>	<i>Qualifier</i>
Parking Brake Cable	87	F124766	(BC124766)	Rear; R.H.; 178" WB; w/SRW
Parking Brake Cable	86 - 85	F111071	(BC111071)	Intermediate; 158-1/2" WB
Parking Brake Cable	86 - 84	F108766	(BC108766)	Rear; R.H.; MH Chassis; w/DRW; w/Rear Drum
Parking Brake Cable	86 - 84	F108764	(BC108764)	Rear; R.H.; w/SRW
Parking Brake Cable	84	F112990	(BC112990)	Intermediate; 125" WB; w/DRW; w/Rear Drum
Parking Brake Cable	84	F112990	(BC112990)	Intermediate; 125" WB; w/SRW
Parking Brake Cable	84	F108778	(BC108778)	Intermediate; 133" WB; w/Rear Drum
Parking Brake Cable	84	F109224	(BC109224)	Intermediate; 157" WB; w/SRW
Parking Brake Cable	84	F129210	(BC129210)	Intermediate; 178" WB; w/DRW; w/Rear Drum
Parking Brake Cable	84	F108100	(BC108100)	Intermediate; MH Chassis; 158-1/2" WB; w/Rear Drum
Parking Brake Cable	83 - 81	F105963	(BC105963)	Intermediate; 125" WB; w/Rear Drum
Parking Brake Cable	83 - 81	F108184	(BC108184)	Intermediate; 133" WB; w/Rear Drum
Parking Brake Cable	83 - 81	F108526	(BC108526)	Intermediate; 137" WB; w/Rear Drum; Incl. MH Chassis
Parking Brake Cable	83 - 81	F108186	(BC108186)	Intermediate; 157" WB; w/Rear Drum
Parking Brake Cable	83 - 81	F108185	(BC108185)	Intermediate; 158-1/2" WB; w/Rear Drum; Incl. MH Chassis
Parking Brake Cable	83 - 81	F108187	(BC108187)	Intermediate; 178" WB; w/Rear Drum
Parking Brake Cable	83 - 81	F108760	(BC108760)	Rear; L.H.; w/Rear Drum; w/10-1/2" R.G.
Parking Brake Cable	83 - 81	F88581	(BC88581)	Rear; L.H.; w/Rear Drum; w/9-1/2" R.G.
Parking Brake Cable	83 - 81	F108760	(BC108760)	Rear; R.H.; w/Rear Drum; w/10-1/2" R.G.
Parking Brake Cable	83 - 81	F88581	(BC88581)	Rear; R.H.; w/Rear Drum; w/9-1/2" R.G.

Wheel Attaching Hardware

<i>Front Wheel Stud</i>	<i>Years</i>	<i>Part No.</i>	<i>Qualifier</i>
Wheel Lug Stud	99 - 97	BD61394	w/DRW; w/Rear Disc; 5/8-18 Bolt
Wheel Lug Stud	99 - 95	BD60909	w/DRW; w/Rear Drum
Wheel Lug Stud	99 - 95	BD60906	w/SRW
Wheel Lug Stud	96 - 81	BD61394	w/DRW; w/Rear Disc
Wheel Lug Stud	94 - 91	BD60909	w/Drum
Wheel Lug Stud	90 - 81	BD60909	w/DRW; w/Rear Drum
Wheel Lug Stud	90 - 81	BD60906	w/SRW

<i>Rear Wheel Stud</i>	<i>Years</i>	<i>Part No.</i>	<i>Qualifier</i>
Wheel Lug Stud	99 - 98	BD61393	Exc. MH Chassis; w/Cab; w/DRW; w/Drum Brake
Wheel Lug Stud	99 - 98	BD61053	Exc. MH Chassis; w/Cab; w/SRW
Wheel Lug Stud	97 - 81	BD61393	w/DRW; w/Drum Brake
Wheel Lug Stud	97 - 81	BD61053	w/SRW
Wheel Lug Stud	94 - 81	BD61400	w/DRW; w/Disc Brake

<i>Front Wheel Nut</i>	<i>Years</i>	<i>Part No.</i>	<i>Qualifier</i>
Wheel Lug Nut	99 - 98	BD61294	Std. Open; w/DRW; 5/8" Thread; w/Rear Disc
Wheel Lug Nut	99 - 98	BD125839	Std. Open; w/DRW; 9/16" Thread; w/Rear Drum
Wheel Lug Nut	99 - 81	BD61287	Std. Open; w/SRW
Wheel Lug Nut	97 - 95	BD61294	Std. Open; w/DRW; w/Rear Disc
Wheel Lug Nut	97 - 81	BD125839	Std. Open; w/DRW; w/Rear Drum
Wheel Lug Nut	94 - 81	BD61294	Std. Open; w/DRW; w/Disc Brake

<i>Rear Wheel Nut</i>	<i>Years</i>	<i>Part No.</i>	<i>Qualifier</i>
Wheel Lug Nut	99 - 98	BD61294	Std. Open; Exc. MH Chassis; w/Cab; w/DRW; w/Disc Brake; 5/8" Thread
Wheel Lug Nut	99 - 98	BD125839	Std. Open; Exc. MH Chassis; w/Cab; w/DRW; w/Drum Brake; 9/16" Thread
Wheel Lug Nut	99 - 98	BD61287	Std. Open; Exc. MH Chassis; w/Cab; w/SRW
Wheel Lug Nut	97 - 95	BD61294	Std. Open; w/DRW; w/Disc Brake
Wheel Lug Nut	97 - 81	BD125839	Std. Open; w/DRW; w/Drum Brake
Wheel Lug Nut	97 - 81	BD61287	Std. Open; w/SRW
Wheel Lug Nut	94 - 81	BD61294	Standard Open; w/DRW; w/Disc Brake

SAVANA 3500

Brake Pads & Shoes

<i>Front Pads & Shoes</i>	<i>Years</i>	<i>SevereDuty</i>	<i>Lining No.</i>	<i>Qualifier</i>
Brake Pads	06 - 03	SD784		

Brake Pads & Shoes (cont.)

Front Pads & Shoes	Years	SevereDuty	Lining No.	Qualifier
Brake Pads	02	SD459		
Brake Pads	01 - 99	SD459		w/DRW
Brake Pads	01 - 99	SD845		w/SRW

Rear Pads & Shoes	Years	SevereDuty	Lining No.	Qualifier
Brake Pads	06 - 03	SD989		Commercial Chassis; w/DRW
Brake Pads	06 - 03	SD974		Commercial Chassis; w/SRW
Brake Pads	06 - 03	SD974		Exc. Commercial Chassis
Brake Shoes	02 - 99	SDS656R	SX2157BDT-S3613	13 x 3-1/2" Brake; Riveted

Rotor & Drum

Front Rotor & Drum	Years	Part No.	Qualifier
Brake Rotor	06 - 03	BD126036	8600-9600 GVW
Brake Rotor	05 - 03	BD125779	10000-12000 GVW
Brake Rotor	02 - 01	BD125471	Commercial Chassis; w/DRW
Brake Rotor	02 - 01	BD125765	Commercial Chassis; w/SRW; 2nd Design; Rotor Casting No. 15769075
Brake Rotor	02 - 01	BD125765	Exc. Commercial Chassis; 2nd Design; Rotor Casting No.15769075
Brake Rotor	01	BD125212	Commercial Chassis; w/SRW
Brake Rotor	01	BD125212	Exc. Commercial Chassis; 1st Design; Rotor Casting No. 15649968
Brake Rotor	00 - 99	BD125471	w/DRW
Brake Rotor	00 - 99	BD125212	w/SRW

Rear Rotor & Drum	Years	Part No.	Qualifier
Brake Drum	02 - 99	BD60356	w/DRW; 13 x 3-1/2" Brake
Brake Drum	02 - 99	BD125523	w/SRW; 13 x 3-1/2" Brake
Brake Rotor	06 - 03	BD125778	Commercial Chassis; w/DRW; w/12-51/64" Dia. Rotor; 8 Stud Whl.; 4-53/64" Height
Brake Rotor	06	BD125656	w/13" Dia. Rotor; 8 Stud Whl.; w/4-5/8 Dia. Ctr. Pilot Hole
Brake Rotor	05 - 03	BD125657	Commercial Chassis; w/SRW; w/13" Dia. Rotor; 8 Stud Whl.; w/4-53/64" Dia. Ctr. Pilot Hole
Brake Rotor	05 - 03	BD125657	Exc. Commercial Chassis; w/13" Dia. Rotor; 8 Stud Whl.; w/4-53/64" Dia. Ctr. Pilot Hole

Brake Hardware

Front Brake Hardware	Years	Sequential No.	Category No.	Qualifier
Caliper Bolt/Pin	05 - 03	F139700	(H5095)	
Caliper Bolt/Pin	02 - 99	F129642S	(H5062)	w/Floating Delco Caliper; w/DRW
Caliper Bolt/Pin	02 - 99	F117224S	(H5038)	w/Floating Delco Caliper; w/SRW
Caliper Bolt/Pin	02 - 99	F73237S	(H5019)	w/Sliding Bendix Caliper
Disc Align Kit	02 - 01	F117225S	(H5584)	w/Floating Delco Caliper
Disc Align Kit	02 - 99	F107401S	(H5562)	w/Sliding Bendix Caliper; Std.
Disc Align Kit	00 - 99	F117225S	(H5584)	w/Floating Delco Caliper; w/SRW

Rear Brake Hardware	Years	Sequential No.	Category No.	Qualifier
Adjuster Kit	02 - 99	F98406	(H2580)	L.H.
Adjuster Kit	02 - 99	F98407	(H2581)	R.H.
Adjuster Screw	02 - 99	F83294	(H1550)	L.H.
Adjuster Screw	02 - 99	F83295	(H1551)	R.H.
Caliper Bolt/Pin	06 - 03	F139370	(H5091)	
Combi Kit	02 - 99	F98457S	(H7055)	
↳Adjuster Spring Kit		F73145S	(H425)	
↳Hold Down Kit		F113455S	(H4098)	
↳Return Spring Kit		F59100S	(H600)	
Disc Align Kit	04 - 03	F139864	(H5665)	w/SRW
Disc Align Kit	03	F140512	(H5678)	w/DRW
Pin Boot Kit	06 - 03	F140514	(H8240)	

Parking Brake	Years	Sequential No.	Category No.	Qualifier
Combi Kit	03	F139879	(H7242)	

Calipers - Reman

Front, Loaded	Years	Left No.	Right No.	Qualifier	Piston
Loaded Caliper	05 - 03	AS134558	AS134559	10000-12300 GVW	P
Loaded Caliper	02	AS120226	AS120227		M

↳Sub-Kit of Combi-Kit is available separately.

Piston: M - OE Metal Piston P - OE Phenolic Piston

SAVANA 3500 (cont.)

Calipers - Reman (cont.)

Front, Loaded	Years	Left No.	Right No.	Qualifier	Piston
Loaded Caliper	01 - 99	AS120226	AS120227	Cutaway; Exc. 139" WB	M
Loaded Caliper	01 - 99	AS120226	AS120227	Cutaway; w/DRW; 139" WB	M
Loaded Caliper	01 - 99	AS116294	AS116295	Cutaway; w/SRW; 139" WB; w/3.16" Single Piston Caliper	M
Loaded Caliper	01 - 99	AS116294	AS116295	Exc. Cutaway; w/3.16" Single Piston Caliper	M

Front, Unloaded

Years	Left No.	Right No.	Qualifier	Piston
05 - 03	CR134558	CR134559	10000-12300 GVW	P
05 - 04	CRB134347	CRB134348	Exc. 10000-12300 GVW; w/Dual Piston Caliper; Supplied w/Mtg. Brkt.	P
05 - 04	CR134347	CR134348	Exc. 10000-12300 GVW; w/Dual Piston Caliper; Supplied w/o Mtg. Brkt.	P
03	CRB134347	CRB134348	8600-9600 GVW; w/Dual Piston Caliper; Supplied w/Mtg. Brkt.	P
03	CR134347	CR134348	8600-9600 GVW; w/Dual Piston Caliper; Supplied w/o Mtg. Brkt.	P
02	CR120226	CR120227		M
01 - 99	CR120226	CR120227	Cutaway; Exc. 139" WB	M
01 - 99	CR120226	CR120227	Cutaway; w/DRW; 139" WB	M
01 - 99	CR116294	CR116295	Cutaway; w/SRW; 139" WB; w/3.16" Single Piston Caliper	M
01 - 99	CR116294	CR116295	Exc. Cutaway; w/3.16" Single Piston Caliper	M

Rear, Unloaded

Years	Left No.	Right No.	Qualifier	Piston
05 - 03	CR135118	CR135117	w/SRW	P

Hydraulics - New

Master Cylinder

Years	Sequential No.	Category No.	Qualifier
02 - 99	F139959	(MC139959)	1-1/4" Bore

Rear Wheel Cylinder

Years	Sequential No.	Category No.	Qualifier
01 - 99	F116359	(WC116359)	w/SRW; 1" Bore
00 - 99	F79768	(WC79768)	w/DRW; 1-3/16" Bore

Front Brake Hose

Years	Sequential No.	Category No.	Qualifier
02 - 01	F140498	(BH140498)	L.H.
02 - 01	F140499	(BH140499)	R.H.
00 - 99	F140498	(BH140498)	L.H.; w/DRW
00 - 99	F140496	(BH140496)	L.H.; w/SRW
00 - 99	F140499	(BH140499)	R.H.; w/DRW
00 - 99	F140497	(BH140497)	R.H.; w/SRW

Rear Brake Hose

Years	Sequential No.	Category No.	Qualifier
02 - 99	F118117	(BH118117)	

Hydraulics - Reman

Master Cylinder

Years	Part No.	Qualifier
02 - 99	R134626	

Power Brake Booster

Years	Part No.	Qualifier
01 - 99	527343	w/DRW
01 - 99	527342	w/SRW

Brake Cables

Parking Brake Cable

Years	Sequential No.	Category No.	Qualifier
02 - 99	F138836	(BC138836)	Forward; Exc. Cutaway
02 - 99	F138900	(BC138900)	Intermediate; 155", 159" WB
02 - 99	F140240	(BC140240)	Intermediate; 177" WB; 37" Length

Wheel Attaching Hardware

Front Wheel Stud

Years	Part No.	Qualifier
05 - 03	BD125960	
02 - 99	BD61416	w/DRW; 14mm Bolt
02 - 99	BD61426	w/SRW

Rear Wheel Stud

Years	Part No.	Qualifier
05 - 03	BD125961	M14 x 1.5 x 28
02 - 99	BD61403	w/DRW
02	BD125962	w/SRW
01 - 99	BD61427	w/SRW

Piston: M - OE Metal Piston P - OE Phenolic Piston

SAVANA 3500 (cont.)
Wheel Attaching Hardware (cont.)

Front Wheel Nut	Years	Part No.	Qualifier
Wheel Lug Nut	04 - 03	BD125998	Dome - Black
Wheel Lug Nut	04 - 03	BD125916	External Thread
Wheel Lug Nut	02 - 99	BD125926	External Thread; w/DRW
Wheel Lug Nut	02 - 99	BD125916	External Thread; w/SRW
Rear Wheel Nut	Years	Part No.	Qualifier
Wheel Lug Nut	04 - 03	BD125998	Dome - Black
Wheel Lug Nut	04 - 03	BD125916	External Thread
Wheel Lug Nut	02 - 99	BD125926	External Thread; w/DRW
Wheel Lug Nut	02 - 99	BD125916	External Thread; w/SRW

GMC MD B-Series
B6P042
Brake Pads & Shoes

Front Pads & Shoes	Years	SevereDuty	Lining No.	Qualifier
Brake Pads	91 - 88	SD225		Bendix; 2.88" 2-Piston Caliper
Brake Pads	91 - 88	SD224		Dayton; 2.50" 2-Piston Caliper
Brake Pads	87 - 83	SD225A		Bendix; 2.88" 2-Piston Caliper; Serial No. 4150868
Brake Pads	87 - 83	SD224		Dayton; 2.50" 2-Piston Caliper; Serial No. 60450388
Brake Shoes	91 - 83	4524Q	4524B	w/Air Brakes; Rockwell/Meritor; Q-Series; 16-1/2 x 5
Brake Shoes	91 - 83	4514Q	4514G	w/Air Brakes; Rockwell/Meritor; Q-Series; 16-1/2 x 6
Brake Shoes	91 - 83	1307T	1307	w/Air Brakes; Rockwell/Meritor; T-Series; 15 x 3-1/2
Brake Shoes	91 - 83	1308T	1308T	w/Air Brakes; Rockwell/Meritor; T-Series; 15 x 4
Brake Shoes	87 - 83	SDS299R	EX2039D-S32	Hyd. Brakes; Auto Adj.; 14 x 2-1/2
Brake Shoes	87 - 83	SDS321R	EX1245AD-S32	Hyd. Brakes; Auto Adj.; 15 x 3
Brake Shoes	87 - 83	SDS322R	EX1280BD-S32	Hyd. Brakes; Auto Adj.; 15 x 3-1/2
Brake Shoes	87 - 83	SDS235R	EX1245AD-S32	Hyd. Brakes; Man. Adj.; 15 x 3
Brake Shoes	87 - 83	SDS463R	EX1280D-S32	Hyd. Brakes; Man. Adj.; 15 x 3-1/2
Rear Pads & Shoes	Years	SevereDuty	Lining No.	Qualifier
Brake Pads	91 - 88	SD225		Bendix; 2.88" 2-Piston Caliper
Brake Pads	91 - 88	SD224		Dayton; 2.50" 2-Piston Caliper
Brake Pads	87 - 83	SD225A		Bendix; 2.88" 2-Piston Caliper; Serial No. 3366615 or 4150868
Brake Pads	87 - 83	SD224		Dayton; 2.50" 2-Piston Caliper; Serial No. 60450394 or 60050185 or 60450410
Brake Shoes	91 - 83	4311E	4311J	w/Air Brakes; Eaton/Spicer; 16-1/2 x 7
Brake Shoes	91 - 83	4524Q	4524B	w/Air Brakes; Rockwell/Meritor; Q-Series; 16-1/2 x 5
Brake Shoes	91 - 83	4514Q	4514G	w/Air Brakes; Rockwell/Meritor; Q-Series; 16-1/2 x 6
Brake Shoes	91 - 83	4515Q	4515E	w/Air Brakes; Rockwell/Meritor; Q-Series; 16-1/2 x 7
Brake Shoes	87 - 83	SDS427R	EX4640D	Hyd. Brakes; 15 x 4
Brake Shoes	87 - 83	SDS442R	EX4639D-S32	Hyd. Brakes; 15 x 5
Brake Shoes	87 - 83	SDS381R	EX4596D-S32	Hyd. Brakes; 15 x 6
Brake Shoes	87 - 83	SDS383R	EX4597D-S32	Hyd. Brakes; 15 x 7
Brake Shoes	87 - 83	SDS386R	EX1255D-S32	Hyd. Brakes; 16 x 6
Parking Brake Shoes	Years	SevereDuty	Lining No.	Qualifier
Brake Shoes	91 - 83	SDS449R	EX2159TD	11 x 2
Brake Shoes	91 - 83	SDS692	EX2079D-S32	12 x 3
Brake Shoes	91 - 83	SDS647	EX2086D	9 x 3

Rotor & Drum

Front Rotor & Drum	Years	Part No.	Qualifier
Brake Rotor	91 - 88	BD125359	7000 lb. FA; Hat-Shaped; 5-Hole Rotor; Hyd; Budd
Brake Rotor	91 - 88	BD125088	7000 lb. FA; Hat-Shaped; 5-Hole Rotor; Hyd; Dayton or Gunitite
Brake Rotor	91 - 88	BD125357	7000 lb. FA; Hat-Shaped; 6-Hole Rotor; Hyd; Budd
Brake Rotor	91 - 88	BD125358	7000 lb. FA; Hat-Shaped; 6-Hole Rotor; Hyd; Dayton
Brake Rotor	91 - 88	BD125090	8100-12000 lb. FA; Hat-Shaped; 10-Hole Rotor; Hyd; Dayton or Gunitite
Brake Rotor	87 - 83	BD125359	7000 lb. FA; Hat-Shaped; 5-Hole Rotor; Budd
Brake Rotor	87 - 83	BD125088	7000 lb. FA; Hat-Shaped; 5-Hole Rotor; Dayton or Gunitite

B6P042 (cont.)

Rotor & Drum (cont.)

Front Rotor & Drum	Years	Part No.	Qualifier
Brake Rotor	87 - 83	BD125357	7000 lb. FA; Hat-Shaped; 6-Hole Rotor; Budd
Brake Rotor	87 - 83	BD125358	7000 lb. FA; Hat-Shaped; 6-Hole Rotor; Dayton
Brake Rotor	87 - 83	BD125090	8100-12000 lb. FA; Hat-Shaped; 10-Hole Rotor; Dayton or Gunite

Rear Rotor & Drum	Years	Part No.	Qualifier
Brake Rotor	91 - 88	BD125088	15000 lb. RA; Hat-Shaped; 5-Hole Rotor; Hyd
Brake Rotor	91 - 88	BD125358	15000 lb. RA; Hat-Shaped; 6-Hole Rotor; Hyd
Brake Rotor	91 - 88	BD125090	17000-19000 lb. RA; Hat-Shaped; 10-Hole Rotor; Hyd
Brake Rotor	91 - 88	BD125338	21000-23000 lb. RA; U-Shaped; 10-Hole Rotor; Hyd
Brake Rotor	87 - 83	BD125088	15000 lb. RA; Hat-Shaped; 5-Hole Rotor
Brake Rotor	87 - 83	BD125358	15000 lb. RA; Hat-Shaped; 6-Hole Rotor
Brake Rotor	87 - 83	BD125090	17000-19000 lb. RA; Hat-Shaped; 10-Hole Rotor
Brake Rotor	87 - 83	BD125338	21000-23000 lb. RA; U-Shaped; 10-Hole Rotor

Brake Hardware

Front Brake Hardware	Years	Sequential No.	Category No.	Qualifier
Adjuster Kit	87 - 83	F128889	(H2906)	L.H.; GM; 14" Brake
Adjuster Kit	87 - 83	F140819	(H2714)	L.H.; Wagner; Auto Adj.
Adjuster Kit	87 - 83	F128990	(H2929)	L.H.; Wagner; Man. Adj.
Adjuster Kit	87 - 83	F128890	(H2907)	R.H.; GM; 14" Brake
Adjuster Kit	87 - 83	F140820	(H2715)	R.H.; Wagner; Auto Adj.
Adjuster Kit	87 - 83	F128990	(H2929)	R.H.; Wagner; Man. Adj.
Combi Kit	87 - 83	F117009	(H7177)	GM; 14" Brake
↳Adjuster Spring Kit		F73145S	(H425)	
↳Return Spring Kit		F73143	(H601)	
Combi Kit	87 - 83	F117025	(H7173)	Wagner; 15" Brake; Auto Adj.
↳Hold Down Kit		F73399	(H4201)	
↳Return Spring Kit		F36445	(H521)	
Combi Kit	87 - 83	F117026	(H7172)	Wagner; 15" Brake; Man. Adj.
↳Hold Down Kit		F19408	(H4200)	
↳Return Spring Kit		F36445	(H521)	
Disc Align Kit	91 - 83	F112090S	(H5566)	Bendix; 2.88" 2-Piston Caliper
Disc Align Kit	91 - 83	F134105	(H5613)	Dayton; 2.50" 2-Piston Caliper

Rear Brake Hardware	Years	Sequential No.	Category No.	Qualifier
Adjuster Kit	87 - 83	F128891	(H2908)	L.H.; GM; 15" Brake
Adjuster Kit	87 - 83	F59157	(H2902)	L.H.; Wagner; 15" Brake; Auto Adj.
Adjuster Kit	87 - 83	F128894S	(H2911)	L.H.; Wagner; 15" Brake; Man. Adj.
Adjuster Kit	87 - 83	F128895S	(H2912)	L.H.; Wagner; 16" Brake; Man. Adj.
Adjuster Kit	87 - 83	F128892	(H2909)	R.H.; GM; 15" Brake
Adjuster Kit	87 - 83	F59158	(H2903)	R.H.; Wagner; 15" Brake; Auto Adj.
Adjuster Kit	87 - 83	F128894S	(H2911)	R.H.; Wagner; 15" Brake; Man. Adj.
Adjuster Kit	87 - 83	F128895S	(H2912)	R.H.; Wagner; 16" Brake; Man. Adj.
Adjuster Screw	87 - 83	F128880S	(H1710)	L.H.; GM; 15" Brake
Adjuster Screw	87 - 83	F140823	(H1607)	L.H.; Wagner; 15" Brake
Adjuster Screw	87 - 83	F19291	(H1700)	L.H.; Wagner; 16" Brake
Adjuster Screw	87 - 83	F128881S	(H1711)	R.H.; GM; 15" Brake
Adjuster Screw	87 - 83	F140818	(H1606)	R.H.; Wagner; 15" Brake
Adjuster Screw	87 - 83	F19292	(H1701)	R.H.; Wagner; 16" Brake
Combi Kit	87 - 83	F140612	(H3008)	GM; 15" Brake
↳Hold Down Kit		F128928	(H4202)	
↳Return Spring Kit		F86408	(H552)	
Combi Kit	87 - 83	F117027	(H7171)	Wagner
↳Adjuster Spring Kit		F78727	(H451)	
↳Hold Down Kit		F19309	(H5079)	
↳Return Spring Kit		F98318	(H609)	
Disc Align Kit	91 - 83	F112090S	(H5566)	Bendix; 2.88" 2-Piston Caliper

↳Sub-Kit of Combi-Kit is available separately.

B6P042 (cont.)

Brake Hardware (cont.)

Rear Brake Hardware	Years	Sequential No.	Category No.	Qualifier
Disc Align Kit	91 - 83	F134105	(H5613)	Dayton; 2.50" 2-Piston Caliper

Calipers - Reman

Front, Loaded	Years	Left No.	Right No.	Qualifier	Piston
Loaded Caliper	91 - 83	AS120549	AS120549	Bendix; 2.88" 2-Piston Caliper	P
Loaded Caliper	91 - 83	AS120549S	AS120549S	Bendix; 2.88" 2-Piston Caliper	O
Loaded Caliper	91 - 83	AS134782	AS134782	Dayton; 2.50" 2-Piston Caliper	M
Rear, Loaded	Years	Left No.	Right No.	Qualifier	Piston
Loaded Caliper	91 - 83	AS120549	AS120549	Bendix; 2.88" 2-Piston Caliper	P
Loaded Caliper	91 - 83	AS120549S	AS120549S	Bendix; 2.88" 2-Piston Caliper	O
Loaded Caliper	91 - 83	AS134782	AS134782	Dayton; 2.50" 2-Piston Caliper	M
Front, Unloaded	Years	Left No.	Right No.	Qualifier	Piston
Unloaded Caliper	91 - 83	CR120549	CR120549	Bendix; 2.88" 2-Piston Caliper	P
Unloaded Caliper	91 - 83	CR120549S	CR120549S	Bendix; 2.88" 2-Piston Caliper	O
Unloaded Caliper	91 - 83	CR134782	CR134782	Dayton; 2.50" 2-Piston Caliper	M
Rear, Unloaded	Years	Left No.	Right No.	Qualifier	Piston
Unloaded Caliper	91 - 83	CR120549	CR120549	Bendix; 2.88" 2-Piston Caliper	P
Unloaded Caliper	91 - 83	CR120549S	CR120549S	Bendix; 2.88" 2-Piston Caliper	O
Unloaded Caliper	91 - 83	CR134782	CR134782	Dayton; 2.50" 2-Piston Caliper	M

Hydraulics - New

Master Cylinder	Years	Sequential No.	Category No.	Qualifier
Master Cylinder	91 - 87	F116702	(MC116702)	Bendix; 19000 lb. RA
Master Cylinder	86 - 83	F116702	(MC116702)	Bendix; Plastic Reservoir
Front Wheel Cylinder	Years	Sequential No.	Category No.	Qualifier
Wheel Cylinder	87 - 83	F34401	(WC34401)	L.H.; 14 x 2-1/2" Brake
Wheel Cylinder	87 - 83	F8852	(WC8852)	L.H.; 15 x 3" Brake
Wheel Cylinder	87 - 83	F34402	(WC34402)	R.H.; 14 x 2-1/2" Brake
Wheel Cylinder	87 - 83	F8853	(WC8853)	R.H.; 15 x 3" Brake
Front Brake Hose	Years	Sequential No.	Category No.	Qualifier
Brake Hose	91 - 83	F124054	(BH124054)	1/8" ID; 22" Length
Rear Brake Hose	Years	Sequential No.	Category No.	Qualifier
Brake Hose	91 - 83	F102336	(BH102336)	1/8" ID; 7/16" Nut; 24 Thread; 18" Length

Hydraulics - Reman

Power Brake Booster	Years	Part No.	Qualifier
Power Brake Booster	87 - 83	529900	w/o Master Cylinder; Delco; Dual Power; Hydraulic Section
Power Brake Booster	87 - 83	5479900	w/o Master Cylinder; Delco; Dual Power; Vacuum Section; w/7" Rod
Power Brake Booster	87 - 83	529902	w/o Master Cylinder; Delco; Hy-Power; w/Serial No. 2823435; w/7" Pedal Rod
Power Brake Booster	83	518052	w/Master Cylinder; Hydro-Boost; w/Serial No. 2513815
Power Brake Booster	83	518051	w/Master Cylinder; Hydro-Vac; w/Serial No. 2513814

B7T042

Brake Pads & Shoes

Front Pads & Shoes	Years	SevereDuty	Lining No.	Qualifier
Brake Pads	02 - 00	SD225B		Bendix; 2.88" 2-Piston Caliper
Brake Pads	02 - 00	SD224		Dayton; 2.50" 2-Piston Caliper
Brake Pads	99	SD225B		Bendix; 2.88" 2-Piston Caliper; w/Interim Control
Brake Pads	99	SD225		Bendix; 2.88" 2-Piston Caliper; w/o Interim Control
Brake Pads	99	SD224		Dayton; 2.50" 2-Piston Caliper; 8100 lb. FA
Brake Pads	98 - 97	SD225		Bendix; 2.88" 2-Piston Caliper
Brake Pads	98 - 97	SD224		Dayton; 2.50" 2-Piston Caliper
Brake Pads	96 - 93	SD225		Bendix; 2.88" 2-Piston Caliper; w/o Serial No. 15566042
Brake Pads	96 - 93	SD225A		Bendix; 2.88" 2-Piston Caliper; w/Serial No. 15566042
Brake Pads	96 - 93	SD224		Dayton; 2.50" 2-Piston Caliper; 8100 lb. FA
Brake Shoes	02 - 97	4702Q	4702	w/Air Brakes; Rockwell/Meritor; Q-Plus; 15 x 4
Brake Shoes	96 - 93	1308Q	1308T	w/Air Brakes; Rockwell/Meritor; Q-Series; 15 x 4

Piston: M - OE Metal Piston P - OE Phenolic Piston O - Metal Piston Option

B7T042 (cont.)

Brake Pads & Shoes (cont.)

Rear Pads & Shoes	Years	SevereDuty	Lining No.	Qualifier
Brake Pads	02 - 00	SD225B		Bendix; 2.88" 2-Piston Caliper; 19000 lb. RA
Brake Pads	02 - 00	SD224		Dayton; 2.50" 2-Piston Caliper; 15000 lb. RA
Brake Pads	99 - 97	SD225		Bendix; 2.88" 2-Piston Caliper; w/o Serial No. 4153360
Brake Pads	99 - 97	SD225B		Bendix; 2.88" 2-Piston Caliper; w/Serial No. 4153360
Brake Pads	99 - 97	SD224		Dayton; 2.50" 2-Piston Caliper
Brake Pads	96 - 93	SD225		Bendix; 2.88" 2-Piston Caliper; 17000-19000 lb. RA
Brake Pads	96 - 93	SD225A		Bendix; 2.88" 2-Piston Caliper; 21000-23000 lb. RA
Brake Pads	96 - 93	SD224		Dayton; 2.50" 2-Piston Caliper; 15000 lb. RA
Brake Shoes	02 - 97	4707Q	4707	w/Air Brakes; Rockwell/Meritor; Q-Plus; 16-1/2 x 7
Brake Shoes	96 - 93	4515Q	4515E	w/Air Brakes; Rockwell/Meritor; Q-Series; 16-1/2 x 7

Parking Brake Shoes	Years	SevereDuty	Lining No.	Qualifier
Brake Shoes	02 - 93	SDS824R	EX1556D	12 x 3
Brake Shoes	02 - 93	SDS647	EX2086D	9 x 3

Rotor & Drum

Front Rotor & Drum	Years	Part No.	Qualifier
Brake Rotor	02 - 97	BD125488	10000 lb. FA; Hat-Shaped; 10-Hole Rotor
Brake Rotor	02 - 97	BD125088	8100 lb. FA; Hat-Shaped; 5-Hole Rotor
Brake Rotor	96 - 93	BD125090	11000-12000 lb. FA; Hat-Shaped; 10-Hole Rotor
Brake Rotor	96 - 93	BD125088	8100 lb. FA; Hat-Shaped; 5-Hole Rotor; Dayton

Rear Rotor & Drum	Years	Part No.	Qualifier
Brake Rotor	02 - 00	BD125665	15000 lb. RA; Hat-Shaped; 10-Hole Rotor; Hyd; w/o ABS
Brake Rotor	02 - 00	BD125088	15000 lb. RA; Hat-Shaped; 5-Hole Rotor; Hyd; w/ABS
Brake Rotor	02 - 00	BD125488	16000-19000 lb. RA; Hat-Shaped; 10-Hole Rotor; Hyd; w/ABS
Brake Rotor	02 - 00	BD125668	16000-19000 lb. RA; Hat-Shaped; 10-Hole Rotor; Hyd; w/o ABS
Brake Rotor	99 - 97	BD125665	15000 lb. RA; Hat-Shaped; 10-Hole Rotor; w/o ABS
Brake Rotor	99 - 97	BD125088	15000 lb. RA; Hat-Shaped; 5-Hole Rotor; w/ABS
Brake Rotor	99 - 97	BD125488	16000-19000 lb. RA; Hat-Shaped; 10-Hole Rotor; w/ABS
Brake Rotor	99 - 97	BD125090	16000-19000 lb. RA; Hat-Shaped; 10-Hole Rotor; w/o ABS
Brake Rotor	96 - 93	BD125088	15000 lb. RA; Hat-Shaped; 5-Hole Rotor
Brake Rotor	96 - 93	BD125090	16000-19000 lb. RA; Hat-Shaped; 10-Hole Rotor

Brake Hardware

Front Brake Hardware	Years	Sequential No.	Category No.	Qualifier
Disc Align Kit	02 - 93	F112090S	(H5566)	Bendix; 2.88" 2-Piston Caliper
Disc Align Kit	02 - 93	F134105	(H5613)	Dayton; 2.50" 2-Piston Caliper

Rear Brake Hardware	Years	Sequential No.	Category No.	Qualifier
Disc Align Kit	02 - 93	F112090S	(H5566)	Bendix; 2.88" 2-Piston Caliper
Disc Align Kit	02 - 93	F134105	(H5613)	Dayton; 2.50" 2-Piston Caliper

Calipers - Reman

Front, Loaded	Years	Left No.	Right No.	Qualifier	Piston
Loaded Caliper	02 - 93	AS120549	AS120549	Bendix; 2.88" 2-Piston Caliper	P
Loaded Caliper	02 - 93	AS120549S	AS120549S	Bendix; 2.88" 2-Piston Caliper	O
Loaded Caliper	02 - 93	AS134782	AS134782	Dayton; 2.50" 2-Piston Caliper	M

Rear, Loaded	Years	Left No.	Right No.	Qualifier	Piston
Loaded Caliper	02 - 93	AS120549	AS120549	Bendix; 2.88" 2-Piston Caliper	P
Loaded Caliper	02 - 93	AS120549S	AS120549S	Bendix; 2.88" 2-Piston Caliper	O
Loaded Caliper	02 - 93	AS134782	AS134782	Dayton; 2.50" 2-Piston Caliper	M

Front, Unloaded	Years	Left No.	Right No.	Qualifier	Piston
Unloaded Caliper	02 - 93	CR120549	CR120549	Bendix; 2.88" 2-Piston Caliper	P
Unloaded Caliper	02 - 93	CR120549S	CR120549S	Bendix; 2.88" 2-Piston Caliper	O
Unloaded Caliper	02 - 93	CR134782	CR134782	Dayton; 2.50" 2-Piston Caliper	M

Rear, Unloaded	Years	Left No.	Right No.	Qualifier	Piston
Unloaded Caliper	02 - 93	CR120549	CR120549	Bendix; 2.88" 2-Piston Caliper	P
Unloaded Caliper	02 - 93	CR120549S	CR120549S	Bendix; 2.88" 2-Piston Caliper	O
Unloaded Caliper	02 - 93	CR134782	CR134782	Dayton; 2.50" 2-Piston Caliper	M

Piston: M - OE Metal Piston P - OE Phenolic Piston O - Metal Piston Option

B7T042 (cont.)

Hydraulics - New

Master Cylinder	Years	Sequential No.	Category No.	Qualifier
Master Cylinder	96 - 93	F140745	(MC140745)	8100 lb. FA
Front Brake Hose	Years	Sequential No.	Category No.	Qualifier
Brake Hose	02 - 97	F132935	(BH132935)	w/ABS
Brake Hose	02 - 97	F140743	(BH140743)	w/o ABS
Brake Hose	96 - 93	F132935	(BH132935)	To Caliper
Rear Brake Hose	Years	Sequential No.	Category No.	Qualifier
Brake Hose	02 - 97	F140734	(BH140734)	L.H.; w/ABS; 19000 lb. RA; Single Reduction
Brake Hose	02 - 97	F140740	(BH140740)	L.H.; w/o ABS
Brake Hose	02 - 97	F140735	(BH140735)	R.H.; w/ABS; 19000 lb. RA; Single Reduction
Brake Hose	02 - 97	F140741	(BH140741)	R.H.; w/o ABS
Brake Hose	02 - 97	F132934	(BH132934)	w/ABS; 15000 lb. RA; To Top of RA Hsg.
Brake Hose	02 - 97	F132934	(BH132934)	w/ABS; 19000 lb. RA; Dual Reduction
Brake Hose	02 - 97	F132926	(BH132926)	w/ABS; To Rear Feed Pipe
Brake Hose	96 - 93	F132926	(BH132926)	To Rear Feed Pipe
Brake Hose	96 - 93	F132934	(BH132934)	To Top of RA Hsg.

Hydraulics - Reman

Power Brake Booster	Years	Part No.	Qualifier
Power Brake Booster	96 - 93	529920	w/o Master Cylinder; w/9" Pedal Rod

GMC MD C-Series

C5D042

Brake Pads & Shoes

Front Pads & Shoes	Years	SevereDuty	Lining No.	Qualifier
Brake Pads	90 - 88	SD225		Bendix; 2.88" 2-Piston Caliper
Brake Pads	90 - 88	SD184		Bendix; 3.38" 1-Piston Caliper
Brake Pads	90 - 88	SD224		Dayton; 2.50" 2-Piston Caliper
Brake Pads	87 - 83	SD225A		Bendix; 2.88" 2-Piston Caliper; H/D; Serial No. 4150868
Brake Pads	87 - 83	SD225		Bendix; 2.88" 2-Piston Caliper; L/D; Serial No. 4151244 or 3368188
Brake Pads	87 - 83	SD224		Dayton; 2.50" 2-Piston Caliper; Serial No. 60450388
Brake Shoes	90 - 77	1307T	1307	w/Air Brakes; Rockwell/Meritor; T-Series; 15 x 3-1/2
Brake Shoes	90 - 77	1308T	1308T	w/Air Brakes; Rockwell/Meritor; T-Series; 15 x 4
Brake Shoes	87 - 77	SDS299R	EX2039D-S32	Hyd. Brakes; Auto Adj.; 14 x 2-1/2
Brake Shoes	87 - 77	SDS321R	EX1245AD-S32	Hyd. Brakes; Auto Adj.; 15 x 3
Brake Shoes	87 - 77	SDS322R	EX1280BD-S32	Hyd. Brakes; Auto Adj.; 15 x 3-1/2
Brake Shoes	87 - 77	SDS235R	EX1245AD-S32	Hyd. Brakes; Man. Adj.; 15 x 3
Brake Shoes	87 - 77	SDS463R	EX1280D-S32	Hyd. Brakes; Man. Adj.; 15 x 3-1/2
Rear Pads & Shoes	Years	SevereDuty	Lining No.	Qualifier
Brake Pads	90 - 88	SD225		Bendix; 2.88" 2-Piston Caliper
Brake Pads	90 - 88	SD224		Dayton; 2.50" 2-Piston Caliper
Brake Pads	87 - 83	SD225A		Bendix; 2.88" 2-Piston Caliper H/D; Serial No. 3366615 or 4150868
Brake Pads	87 - 83	SD225		Bendix; 2.88" 2-Piston Caliper L/D; Serial No. 4151244 or 3368188
Brake Pads	87 - 83	SD224		Dayton; 2.50" 2-Piston Caliper; Serial No. 60450394 or 60050185 or 60450410
Brake Shoes	90 - 77	4311E	4311J	w/Air Brakes; Eaton/Spicer; 16-1/2 x 7
Brake Shoes	90 - 77	4515P	4515E	w/Air Brakes; Rockwell/Meritor; P-Series; 16-1/2 x 7
Brake Shoes	90 - 77	4524Q	4524B	w/Air Brakes; Rockwell/Meritor; Q-Series; 16-1/2 x 5
Brake Shoes	90 - 77	4514Q	4514G	w/Air Brakes; Rockwell/Meritor; Q-Series; 16-1/2 x 6
Brake Shoes	90 - 77	4515Q	4515E	w/Air Brakes; Rockwell/Meritor; Q-Series; 16-1/2 x 7
Brake Shoes	87 - 77	SDS452R	EX2157TD-S32	Hyd. Brakes; 13 x 3-1/2
Brake Shoes	87 - 77	SDS427R	EX4640D	Hyd. Brakes; 15 x 4
Brake Shoes	87 - 77	SDS442R	EX4639D-S32	Hyd. Brakes; 15 x 5
Brake Shoes	87 - 77	SDS381R	EX4596D-S32	Hyd. Brakes; 15 x 6
Brake Shoes	87 - 77	SDS383R	EX4597D-S32	Hyd. Brakes; 15 x 7
Brake Shoes	87 - 77	SDS386R	EX1255D-S32	Hyd. Brakes; 16 x 6

C5D042 (cont.)

Brake Pads & Shoes (cont.)

Parking Brake Shoes	Years	SevereDuty	Lining No.	Qualifier
Brake Shoes	90 - 77	SDS449R	EX2159TD	11 x 2
Brake Shoes	90 - 88	SDS692	EX2079D-S32	12 x 3
Brake Shoes	90 - 77	SDS647	EX2086D	9 x 3

Rotor & Drum

Front Rotor & Drum	Years	Part No.	Qualifier
Brake Rotor	90 - 83	BD125115	5000 lb. FA; Hat-Shaped; 5-Hole Rotor; Dayton
Brake Rotor	90 - 83	BD125089	5000 lb. FA; Hat-Shaped; 6-Hole Rotor; Dayton
Brake Rotor	90 - 83	BD125359	7000 lb. FA; Hat-Shaped; 5-Hole Rotor; Budd
Brake Rotor	90 - 83	BD125088	7000 lb. FA; Hat-Shaped; 5-Hole Rotor; Dayton or Gunite
Brake Rotor	90 - 83	BD125357	7000 lb. FA; Hat-Shaped; 6-Hole Rotor; Budd
Brake Rotor	90 - 83	BD125358	7000 lb. FA; Hat-Shaped; 6-Hole Rotor; Dayton
Brake Rotor	90 - 83	BD125090	8100-12000 lb. FA; Hat-Shaped; 10-Hole Rotor; Dayton or Gunite

Rear Rotor & Drum	Years	Part No.	Qualifier
Brake Drum	87 - 77	BD60356	Hyd. Brakes; 13 x 3-1/2
Brake Rotor	90 - 83	BD125088	15000 lb. RA; Hat-Shaped; 5-Hole Rotor
Brake Rotor	90 - 83	BD125358	15000 lb. RA; Hat-Shaped; 6-Hole Rotor
Brake Rotor	90 - 83	BD125090	17000-19000 lb. RA; Hat-Shaped; 10-Hole Rotor
Brake Rotor	90 - 83	BD125338	21000-23000 lb. RA; U-Shaped; 10-Hole Rotor

Brake Hardware

Front Brake Hardware	Years	Sequential No.	Category No.	Qualifier
Adjuster Kit	87 - 77	F128889	(H2906)	L.H.; GM; 14" Brake
Adjuster Kit	87 - 77	F140819	(H2714)	L.H.; Wagner; Auto Adj.
Adjuster Kit	87 - 77	F128990	(H2929)	L.H.; Wagner; Man. Adj.
Adjuster Kit	87 - 77	F128890	(H2907)	R.H.; GM; 14" Brake
Adjuster Kit	87 - 77	F140820	(H2715)	R.H.; Wagner; Auto Adj.
Adjuster Kit	87 - 77	F128990	(H2929)	R.H.; Wagner; Man. Adj.
Combi Kit	87 - 77	F117009	(H7177)	GM; 14" Brake
↳Adjuster Spring Kit		F73145S	(H425)	
↳Return Spring Kit		F73143	(H601)	
Combi Kit	87 - 77	F117025	(H7173)	Wagner; 15" Brake; Auto Adj.
↳Hold Down Kit		F73399	(H4201)	
↳Return Spring Kit		F36445	(H521)	
Combi Kit	87 - 77	F117026	(H7172)	Wagner; 15" Brake; Man. Adj.
↳Hold Down Kit		F19408	(H4200)	
↳Return Spring Kit		F36445	(H521)	
Disc Align Kit	90 - 83	F112090S	(H5566)	Bendix; 2.88" 2-Piston Caliper
Disc Align Kit	90 - 88	F107401S	(H5562)	Bendix; 3.38" 1-Piston Caliper
Disc Align Kit	90 - 83	F134105	(H5613)	Dayton; 2.50" 2-Piston Caliper

Rear Brake Hardware	Years	Sequential No.	Category No.	Qualifier
Adjuster Kit	87 - 77	F98406	(H2580)	L.H.; GM; 13" Brake
Adjuster Kit	87 - 77	F128891	(H2908)	L.H.; GM; 15" Brake
Adjuster Kit	87 - 77	F59157	(H2902)	L.H.; Wagner; 15" Brake; Auto Adj.
Adjuster Kit	87 - 77	F128894S	(H2911)	L.H.; Wagner; 15" Brake; Man. Adj.
Adjuster Kit	87 - 77	F128895S	(H2912)	L.H.; Wagner; 16" Brake; Man. Adj.
Adjuster Kit	87 - 77	F98407	(H2581)	R.H.; GM; 13" Brake
Adjuster Kit	87 - 77	F128892	(H2909)	R.H.; GM; 15" Brake
Adjuster Kit	87 - 77	F59158	(H2903)	R.H.; Wagner; 15" Brake; Auto Adj.
Adjuster Kit	87 - 77	F128894S	(H2911)	R.H.; Wagner; 15" Brake; Man. Adj.
Adjuster Kit	87 - 77	F128895S	(H2912)	R.H.; Wagner; 16" Brake; Man. Adj.
Adjuster Screw	87 - 77	F128882	(H1712)	L.H.; GM; 13" Brake
Adjuster Screw	87 - 77	F128880S	(H1710)	L.H.; GM; 15" Brake
Adjuster Screw	87 - 77	F140823	(H1607)	L.H.; Wagner; 15" Brake
Adjuster Screw	87 - 77	F19291	(H1700)	L.H.; Wagner; 16" Brake
Adjuster Screw	87 - 77	F128883	(H1713)	R.H.; GM; 13" Brake

↳Sub-Kit of Combi-Kit is available separately.

Brake Hardware (cont.)

Rear Brake Hardware	Years	Sequential No.	Category No.	Qualifier
Adjuster Screw	87 - 77	F128881S	(H1711)	R.H.; GM; 15" Brake
Adjuster Screw	87 - 77	F140818	(H1606)	R.H.; Wagner; 15" Brake
Adjuster Screw	87 - 77	F19292	(H1701)	R.H.; Wagner; 16" Brake
Combi Kit	87 - 77	F98457S	(H7055)	GM; 13" Brake
↳Adjuster Spring Kit		F73145S	(H425)	
↳Hold Down Kit		F113455S	(H4098)	
↳Return Spring Kit		F59100S	(H600)	
Combi Kit	87 - 77	F140612	(H3008)	GM; 15" Brake
↳Hold Down Kit		F128928	(H4202)	
↳Return Spring Kit		F86408	(H552)	
Combi Kit	87 - 77	F117027	(H7171)	Wagner
↳Adjuster Spring Kit		F78727	(H451)	
↳Hold Down Kit		F19309	(H5079)	
↳Return Spring Kit		F98318	(H609)	
Disc Align Kit	90 - 83	F112090S	(H5566)	Bendix; 2.88" 2-Piston Caliper
Disc Align Kit	90 - 83	F134105	(H5613)	Dayton; 2.50" 2-Piston Caliper

Calipers - Reman

Front, Loaded	Years	Left No.	Right No.	Qualifier	Piston
Loaded Caliper	90 - 83	AS120549	AS120549	Bendix; 2.88" 2-Piston Caliper	P
Loaded Caliper	90 - 83	AS120549S	AS120549S	Bendix; 2.88" 2-Piston Caliper	O
Loaded Caliper	90 - 88	AS98906A	AS98907A	Bendix; 3.38" 1-Piston Caliper	M
Loaded Caliper	90 - 83	AS134782	AS134782	Dayton; 2.50" 2-Piston Caliper	M
Rear, Loaded	Years	Left No.	Right No.	Qualifier	Piston
Loaded Caliper	90 - 83	AS120549	AS120549	Bendix; 2.88" 2-Piston Caliper	P
Loaded Caliper	90 - 83	AS120549S	AS120549S	Bendix; 2.88" 2-Piston Caliper	O
Loaded Caliper	90 - 83	AS134782	AS134782	Dayton; 2.50" 2-Piston Caliper	M
Front, Unloaded	Years	Left No.	Right No.	Qualifier	Piston
Unloaded Caliper	90 - 83	CR120549	CR120549	Bendix; 2.88" 2-Piston Caliper	P
Unloaded Caliper	90 - 83	CR120549S	CR120549S	Bendix; 2.88" 2-Piston Caliper	O
Unloaded Caliper	90 - 88	CR98906	CR98907	Bendix; 3.38" 1-Piston Caliper	M
Unloaded Caliper	90 - 83	CR134782	CR134782	Dayton; 2.50" 2-Piston Caliper	M
Rear, Unloaded	Years	Left No.	Right No.	Qualifier	Piston
Unloaded Caliper	90 - 83	CR120549	CR120549	Bendix; 2.88" 2-Piston Caliper	P
Unloaded Caliper	90 - 83	CR120549S	CR120549S	Bendix; 2.88" 2-Piston Caliper	O
Unloaded Caliper	90 - 83	CR134782	CR134782	Dayton; 2.50" 2-Piston Caliper	M

Hydraulics - New

Master Cylinder	Years	Sequential No.	Category No.	Qualifier
Master Cylinder	90 - 88	F116702	(MC116702)	80 Cubic Inch; 6-1/2" DIM from cntr piston to top fill cap
Master Cylinder	86 - 83	F119399	(MC119399)	Bendix; Cast Iron Reservoir
Front Wheel Cylinder	Years	Sequential No.	Category No.	Qualifier
Wheel Cylinder	87 - 77	F34401	(WC34401)	L.H.; 14 x 2-1/2" Brake
Wheel Cylinder	87 - 77	F8852	(WC8852)	L.H.; 15 x 3" Brake
Wheel Cylinder	87 - 77	F34402	(WC34402)	R.H.; 14 x 2-1/2" Brake
Wheel Cylinder	87 - 77	F8853	(WC8853)	R.H.; 15 x 3" Brake
Rear Wheel Cylinder	Years	Sequential No.	Category No.	Qualifier
Wheel Cylinder	87 - 77	F79767	(WC79767)	L.H.; 13 x 3-1/2" Brake
Wheel Cylinder	87 - 77	F78744	(WC78744)	L.H.; 15 x 4" or 15 x 5" Brake
Wheel Cylinder	87 - 77	F79767	(WC79767)	R.H.; 13 x 3-1/2" Brake
Wheel Cylinder	87 - 77	F78745	(WC78745)	R.H.; 15 x 4" or 15 x 5" Brake
Front Brake Hose	Years	Sequential No.	Category No.	Qualifier
Brake Hose	90 - 88	F118118	(BH118118)	5000 lb. FA
Brake Hose	90 - 88	F124054	(BH124054)	7000-12000 lb. FA; 1/8" ID; 22" Length
Brake Hose	84 - 83	F109138	(BH109138)	5000 lb. FA; 1/8" ID; 21" Length

↳Sub-Kit of Combi-Kit is available separately.

Piston: M - OE Metal Piston P - OE Phenolic Piston O - Metal Piston Option

C5D042 (cont.)

Hydraulics - New (cont.)

Rear Brake Hose	Years	Sequential No.	Category No.	Qualifier
Brake Hose	90 - 83	F102336	(BH102336)	1/8" ID; 7/16" Nut; 24 Thread; 18" Length

Hydraulics - Reman

Power Brake Booster	Years	Part No.	Qualifier
Power Brake Booster	87 - 77	529900	w/o Master Cylinder; Delco; Dual Power; Hydraulic Section
Power Brake Booster	87 - 77	5479900	w/o Master Cylinder; Delco; Dual Power; Vacuum Section; w/7" Rod
Power Brake Booster	87 - 83	529902	w/o Master Cylinder; Delco; Hy-Power; w/Serial No. 2823435; w/7" Pedal Rod
Power Brake Booster	83 - 77	518061	w/Master Cylinder; Hydro-Vac; w/Dual System

C6D042

Brake Pads & Shoes

Front Pads & Shoes	Years	SevereDuty	Lining No.	Qualifier
Brake Pads	90 - 88	SD225		Bendix; 2.88" 2-Piston Caliper
Brake Pads	90 - 88	SD184		Bendix; 3.38" 1-Piston Caliper
Brake Pads	90 - 88	SD224		Dayton; 2.50" 2-Piston Caliper
Brake Pads	87 - 83	SD225A		Bendix; 2.88" 2-Piston Caliper; H/D; Serial No. 4150868
Brake Pads	87 - 83	SD225		Bendix; 2.88" 2-Piston Caliper; L/D; Serial No. 4151244 or 3368188
Brake Pads	87 - 83	SD224		Dayton; 2.50" 2-Piston Caliper; Serial No. 60450388
Brake Shoes	90 - 77	4524Q	4524B	w/Air Brakes; Rockwell/Meritor; Q-Series; 16-1/2 x 5
Brake Shoes	90 - 77	4514Q	4514G	w/Air Brakes; Rockwell/Meritor; Q-Series; 16-1/2 x 6
Brake Shoes	90 - 77	1307T	1307	w/Air Brakes; Rockwell/Meritor; T-Series; 15 x 3-1/2
Brake Shoes	90 - 77	1308T	1308T	w/Air Brakes; Rockwell/Meritor; T-Series; 15 x 4
Brake Shoes	87 - 77	SDS299R	EX2039D-S32	Hyd. Brakes; Auto Adj.; 14 x 2-1/2
Brake Shoes	87 - 77	SDS321R	EX1245AD-S32	Hyd. Brakes; Auto Adj.; 15 x 3
Brake Shoes	87 - 77	SDS322R	EX1280BD-S32	Hyd. Brakes; Auto Adj.; 15 x 3-1/2
Brake Shoes	87 - 77	SDS235R	EX1245AD-S32	Hyd. Brakes; Man. Adj.; 15 x 3
Brake Shoes	87 - 77	SDS463R	EX1280D-S32	Hyd. Brakes; Man. Adj.; 15 x 3-1/2
Rear Pads & Shoes	Years	SevereDuty	Lining No.	Qualifier
Brake Pads	90 - 88	SD225		Bendix; 2.88" 2-Piston Caliper
Brake Pads	90 - 88	SD224		Dayton; 2.50" 2-Piston Caliper
Brake Pads	87 - 83	SD225A		Bendix; 2.88" 2-Piston Caliper H/D; Serial No. 3366615 or 4150868
Brake Pads	87 - 83	SD225		Bendix; 2.88" 2-Piston Caliper L/D; Serial No. 4151244 or 3368188
Brake Pads	87 - 83	SD224		Dayton; 2.50" 2-Piston Caliper; Serial No. 60450394 or 60050185 or 60450410
Brake Shoes	90 - 77	4311E	4311J	w/Air Brakes; Eaton/Spicer; 16-1/2 x 7
Brake Shoes	90 - 77	4515P	4515E	w/Air Brakes; Rockwell/Meritor; P-Series; 16-1/2 x 7
Brake Shoes	90 - 77	4524Q	4524B	w/Air Brakes; Rockwell/Meritor; Q-Series; 16-1/2 x 5
Brake Shoes	90 - 77	4514Q	4514G	w/Air Brakes; Rockwell/Meritor; Q-Series; 16-1/2 x 6
Brake Shoes	90 - 77	4515Q	4515E	w/Air Brakes; Rockwell/Meritor; Q-Series; 16-1/2 x 7
Brake Shoes	87 - 77	SDS427R	EX4640D	Hyd. Brakes; 15 x 4
Brake Shoes	87 - 77	SDS442R	EX4639D-S32	Hyd. Brakes; 15 x 5
Brake Shoes	87 - 77	SDS381R	EX4596D-S32	Hyd. Brakes; 15 x 6
Brake Shoes	87 - 77	SDS383R	EX4597D-S32	Hyd. Brakes; 15 x 7
Brake Shoes	87 - 77	SDS386R	EX1255D-S32	Hyd. Brakes; 16 x 6
Parking Brake Shoes	Years	SevereDuty	Lining No.	Qualifier
Brake Shoes	90 - 77	SDS449R	EX2159TD	11 x 2
Brake Shoes	90 - 88	SDS692	EX2079D-S32	12 x 3
Brake Shoes	90 - 77	SDS647	EX2086D	9 x 3

Rotor & Drum

Front Rotor & Drum	Years	Part No.	Qualifier
Brake Rotor	90 - 83	BD125115	5000 lb. FA; Hat-Shaped; 5-Hole Rotor; Dayton
Brake Rotor	90 - 83	BD125089	5000 lb. FA; Hat-Shaped; 6-Hole Rotor; Dayton
Brake Rotor	90 - 83	BD125359	7000 lb. FA; Hat-Shaped; 5-Hole Rotor; Budd
Brake Rotor	90 - 83	BD125088	7000 lb. FA; Hat-Shaped; 5-Hole Rotor; Dayton or Gunite
Brake Rotor	90 - 83	BD125357	7000 lb. FA; Hat-Shaped; 6-Hole Rotor; Budd
Brake Rotor	90 - 83	BD125358	7000 lb. FA; Hat-Shaped; 6-Hole Rotor; Dayton
Brake Rotor	90 - 83	BD125090	8100-12000 lb. FA; Hat-Shaped; 10-Hole Rotor; Dayton or Gunite

Rotor & Drum (cont.)

Rear Rotor & Drum	Years	Part No.	Qualifier
Brake Rotor	90 - 83	BD125088	15000 lb. RA; Hat-Shaped; 5-Hole Rotor
Brake Rotor	90 - 83	BD125358	15000 lb. RA; Hat-Shaped; 6-Hole Rotor
Brake Rotor	90 - 83	BD125090	17000-19000 lb. RA; Hat-Shaped; 10-Hole Rotor
Brake Rotor	90 - 83	BD125338	21000-23000 lb. RA; U-Shaped; 10-Hole Rotor

Brake Hardware

Front Brake Hardware	Years	Sequential No.	Category No.	Qualifier
Adjuster Kit	87 - 77	F128889	(H2906)	L.H.; GM; 14" Brake
Adjuster Kit	87 - 77	F140819	(H2714)	L.H.; Wagner; Auto Adj.
Adjuster Kit	87 - 77	F128990	(H2929)	L.H.; Wagner; Man. Adj.
Adjuster Kit	87 - 77	F128890	(H2907)	R.H.; GM; 14" Brake
Adjuster Kit	87 - 77	F140820	(H2715)	R.H.; Wagner; Auto Adj.
Adjuster Kit	87 - 77	F128990	(H2929)	R.H.; Wagner; Man. Adj.
Combi Kit	87 - 77	F117009	(H7177)	GM; 14" Brake
↳Adjuster Spring Kit		F73145S	(H425)	
↳Return Spring Kit		F73143	(H601)	
Combi Kit	87 - 77	F117025	(H7173)	Wagner; 15" Brake; Auto Adj.
↳Hold Down Kit		F73399	(H4201)	
↳Return Spring Kit		F36445	(H521)	
Combi Kit	87 - 77	F117026	(H7172)	Wagner; 15" Brake; Man. Adj.
↳Hold Down Kit		F19408	(H4200)	
↳Return Spring Kit		F36445	(H521)	
Disc Align Kit	90 - 83	F112090S	(H5566)	Bendix; 2.88" 2-Piston Caliper
Disc Align Kit	90 - 88	F107401S	(H5562)	Bendix; 3.38" 1-Piston Caliper
Disc Align Kit	90 - 83	F134105	(H5613)	Dayton; 2.50" 2-Piston Caliper

Rear Brake Hardware	Years	Sequential No.	Category No.	Qualifier
Adjuster Kit	87 - 77	F128891	(H2908)	L.H.; GM; 15" Brake
Adjuster Kit	87 - 77	F59157	(H2902)	L.H.; Wagner; 15" Brake; Auto Adj.
Adjuster Kit	87 - 77	F128894S	(H2911)	L.H.; Wagner; 15" Brake; Man. Adj.
Adjuster Kit	87 - 77	F128895S	(H2912)	L.H.; Wagner; 16" Brake; Man. Adj.
Adjuster Kit	87 - 77	F128892	(H2909)	R.H.; GM; 15" Brake
Adjuster Kit	87 - 77	F59158	(H2903)	R.H.; Wagner; 15" Brake; Auto Adj.
Adjuster Kit	87 - 77	F128894S	(H2911)	R.H.; Wagner; 15" Brake; Man. Adj.
Adjuster Kit	87 - 77	F128895S	(H2912)	R.H.; Wagner; 16" Brake; Man. Adj.
Adjuster Screw	87 - 77	F128880S	(H1710)	L.H.; GM; 15" Brake
Adjuster Screw	87 - 77	F140823	(H1607)	L.H.; Wagner; 15" Brake
Adjuster Screw	87 - 77	F19291	(H1700)	L.H.; Wagner; 16" Brake
Adjuster Screw	87 - 77	F128881S	(H1711)	R.H.; GM; 15" Brake
Adjuster Screw	87 - 77	F140818	(H1606)	R.H.; Wagner; 15" Brake
Adjuster Screw	87 - 77	F19292	(H1701)	R.H.; Wagner; 16" Brake
Combi Kit	87 - 77	F140612	(H3008)	GM; 15" Brake
↳Hold Down Kit		F128928	(H4202)	
↳Return Spring Kit		F86408	(H552)	
Combi Kit	87 - 77	F117027	(H7171)	Wagner
↳Adjuster Spring Kit		F78727	(H451)	
↳Hold Down Kit		F19309	(H5079)	
↳Return Spring Kit		F98318	(H609)	
Disc Align Kit	90 - 83	F112090S	(H5566)	Bendix; 2.88" 2-Piston Caliper
Disc Align Kit	90 - 83	F134105	(H5613)	Dayton; 2.50" 2-Piston Caliper

Calipers - Reman

Front, Loaded	Years	Left No.	Right No.	Qualifier	Piston
Loaded Caliper	90 - 83	AS120549	AS120549	Bendix; 2.88" 2-Piston Caliper	P
Loaded Caliper	90 - 83	AS120549S	AS120549S	Bendix; 2.88" 2-Piston Caliper	O
Loaded Caliper	90 - 88	AS98906A	AS98907A	Bendix; 3.38" 1-Piston Caliper	M
Loaded Caliper	90 - 83	AS134782	AS134782	Dayton; 2.50" 2-Piston Caliper	M

↳Sub-Kit of Combi-Kit is available separately.

Piston: M - OE Metal Piston P - OE Phenolic Piston O - Metal Piston Option

C6D042 (cont.)

Calipers - Reman (cont.)

<i>Rear, Loaded</i>	<i>Years</i>	<i>Left No.</i>	<i>Right No.</i>	<i>Qualifier</i>	<i>Piston</i>
Loaded Caliper	90 - 83	AS120549	AS120549	Bendix; 2.88" 2-Piston Caliper	P
Loaded Caliper	90 - 83	AS120549S	AS120549S	Bendix; 2.88" 2-Piston Caliper	O
Loaded Caliper	90 - 83	AS134782	AS134782	Dayton; 2.50" 2-Piston Caliper	M
<i>Front, Unloaded</i>	<i>Years</i>	<i>Left No.</i>	<i>Right No.</i>	<i>Qualifier</i>	<i>Piston</i>
Unloaded Caliper	90 - 83	CR120549	CR120549	Bendix; 2.88" 2-Piston Caliper	P
Unloaded Caliper	90 - 83	CR120549S	CR120549S	Bendix; 2.88" 2-Piston Caliper	O
Unloaded Caliper	90 - 88	CR98906	CR98907	Bendix; 3.38" 1-Piston Caliper	M
Unloaded Caliper	90 - 83	CR134782	CR134782	Dayton; 2.50" 2-Piston Caliper	M
<i>Rear, Unloaded</i>	<i>Years</i>	<i>Left No.</i>	<i>Right No.</i>	<i>Qualifier</i>	<i>Piston</i>
Unloaded Caliper	90 - 83	CR120549	CR120549	Bendix; 2.88" 2-Piston Caliper	P
Unloaded Caliper	90 - 83	CR120549S	CR120549S	Bendix; 2.88" 2-Piston Caliper	O
Unloaded Caliper	90 - 83	CR134782	CR134782	Dayton; 2.50" 2-Piston Caliper	M

Hydraulics - New

<i>Master Cylinder</i>	<i>Years</i>	<i>Sequential No.</i>	<i>Category No.</i>	<i>Qualifier</i>
Master Cylinder	90 - 88	F116702	(MC116702)	80 Cubic Inch; 6-1/2" DIM from cntr piston to top fill cap
Master Cylinder	87	F116702	(MC116702)	80 Cubic Inch; 6-1/2" DIM
Master Cylinder	86 - 83	F119399	(MC119399)	Bendix; Cast Iron Reservoir
Master Cylinder	86 - 83	F116702	(MC116702)	Bendix; Plastic Reservoir
<i>Front Wheel Cylinder</i>	<i>Years</i>	<i>Sequential No.</i>	<i>Category No.</i>	<i>Qualifier</i>
Wheel Cylinder	87 - 77	F34401	(WC34401)	L.H.; 14 x 2-1/2" Brake
Wheel Cylinder	87 - 77	F8852	(WC8852)	L.H.; 15 x 3" Brake
Wheel Cylinder	87 - 77	F34402	(WC34402)	R.H.; 14 x 2-1/2" Brake
Wheel Cylinder	87 - 77	F8853	(WC8853)	R.H.; 15 x 3" Brake
<i>Rear Wheel Cylinder</i>	<i>Years</i>	<i>Sequential No.</i>	<i>Category No.</i>	<i>Qualifier</i>
Wheel Cylinder	87 - 77	F78744	(WC78744)	L.H.; 15 x 4" or 15 x 5" Brake
Wheel Cylinder	87 - 77	F78745	(WC78745)	R.H.; 15 x 4" or 15 x 5" Brake
<i>Front Brake Hose</i>	<i>Years</i>	<i>Sequential No.</i>	<i>Category No.</i>	<i>Qualifier</i>
Brake Hose	90 - 88	F118118	(BH118118)	5000 lb. FA
Brake Hose	90 - 83	F124054	(BH124054)	7000-12000 lb. FA; 1/8" ID; 22" Length
Brake Hose	84 - 83	F109138	(BH109138)	5000 lb. FA; 1/8" ID; 21" Length
<i>Rear Brake Hose</i>	<i>Years</i>	<i>Sequential No.</i>	<i>Category No.</i>	<i>Qualifier</i>
Brake Hose	90 - 83	F102336	(BH102336)	Gas; 1/8" ID; 7/16" Nut; 24 Thread; 18" Length
Brake Hose	84 - 83	F103315	(BH103315)	Diesel; 1/8" ID; 7/16" Nut; 24 Thread; 24" Length
Brake Hose	84 - 83	F111947	(BH111947)	Gas; 1/8" ID; 7/16" Nut; 24 Thread; 25" Length

Hydraulics - Reman

<i>Power Brake Booster</i>	<i>Years</i>	<i>Part No.</i>	<i>Qualifier</i>
Power Brake Booster	87 - 77	529900	w/o Master Cylinder; Delco; Dual Power; Hydraulic Section
Power Brake Booster	87 - 77	5479900	w/o Master Cylinder; Delco; Dual Power; Vacuum Section; w/7" Rod
Power Brake Booster	87 - 83	529902	w/o Master Cylinder; Delco; Hy-Power; w/Serial No. 2823435; w/7" Pedal Rod
Power Brake Booster	83 - 77	518009	w/Master Cylinder; Hydro-Vac; w/Serial No. 2504305 or 2505479 or 2510400 or 2510401 or 2513811 or 2513812 or 2513812
Power Brake Booster	83 - 77	518000	w/Master Cylinder; Hydro-Vac; w/Serial No. 2508096 or 2508827 or 2512065 or 2512554 or 2515050
Power Brake Booster	83 - 77	518051	w/Master Cylinder; Hydro-Vac; w/Serial No. 2513814

C7D042

Brake Pads & Shoes

<i>Front Pads & Shoes</i>	<i>Years</i>	<i>SevereDuty</i>	<i>Lining No.</i>	<i>Qualifier</i>
Brake Pads	90 - 88	SD225		Bendix; 2.88" 2-Piston Caliper
Brake Pads	90 - 88	SD184		Bendix; 3.38" 1-Piston Caliper
Brake Pads	90 - 88	SD224		Dayton; 2.50" 2-Piston Caliper
Brake Pads	87 - 83	SD225A		Bendix; 2.88" 2-Piston Caliper; H/D; Serial No. 4150868
Brake Pads	87 - 83	SD225		Bendix; 2.88" 2-Piston Caliper; L/D; Serial No. 4151244 or 3368188
Brake Pads	87 - 83	SD224		Dayton; 2.50" 2-Piston Caliper; Serial No. 60450388
Brake Shoes	90 - 77	4524Q	4524B	w/Air Brakes; Rockwell/Meritor; Q-Series; 16-1/2 x 5

Piston: M - OE Metal Piston P - OE Phenolic Piston O - Metal Piston Option

Brake Pads & Shoes (cont.)

Front Pads & Shoes	Years	SevereDuty	Lining No.	Qualifier
Brake Shoes	90 - 77	4514Q	4514G	w/Air Brakes; Rockwell/Meritor; Q-Series; 16-1/2 x 6
Brake Shoes	90 - 77	1307T	1307	w/Air Brakes; Rockwell/Meritor; T-Series; 15 x 3-1/2
Brake Shoes	90 - 77	1308T	1308T	w/Air Brakes; Rockwell/Meritor; T-Series; 15 x 4
Brake Shoes	87 - 77	SDS299R	EX2039D-S32	Hyd. Brakes; Auto Adj.; 14 x 2-1/2
Brake Shoes	87 - 77	SDS321R	EX1245AD-S32	Hyd. Brakes; Auto Adj.; 15 x 3
Brake Shoes	87 - 77	SDS322R	EX1280BD-S32	Hyd. Brakes; Auto Adj.; 15 x 3-1/2
Brake Shoes	87 - 77	SDS235R	EX1245AD-S32	Hyd. Brakes; Man. Adj.; 15 x 3
Brake Shoes	87 - 77	SDS463R	EX1280D-S32	Hyd. Brakes; Man. Adj.; 15 x 3-1/2

Rear Pads & Shoes	Years	SevereDuty	Lining No.	Qualifier
Brake Pads	90 - 88	SD225		Bendix; 2.88" 2-Piston Caliper
Brake Pads	90 - 88	SD224		Dayton; 2.50" 2-Piston Caliper
Brake Pads	87 - 83	SD225A		Bendix; 2.88" 2-Piston Caliper H/D; Serial No. 3366615 or 4150868
Brake Pads	87 - 83	SD225		Bendix; 2.88" 2-Piston Caliper L/D; Serial No. 4151244 or 3368188
Brake Pads	87 - 83	SD224		Dayton; 2.50" 2-Piston Caliper; Serial No. 60450394 or 60050185 or 60450410
Brake Shoes	90 - 77	4311E	4311J	w/Air Brakes; Eaton/Spicer; 16-1/2 x 7
Brake Shoes	90 - 77	4515P	4515E	w/Air Brakes; Rockwell/Meritor; P-Series; 16-1/2 x 7
Brake Shoes	90 - 77	4524Q	4524B	w/Air Brakes; Rockwell/Meritor; Q-Series; 16-1/2 x 5
Brake Shoes	90 - 77	4514Q	4514G	w/Air Brakes; Rockwell/Meritor; Q-Series; 16-1/2 x 6
Brake Shoes	90 - 77	4515Q	4515E	w/Air Brakes; Rockwell/Meritor; Q-Series; 16-1/2 x 7
Brake Shoes	87 - 77	SDS427R	EX4640D	Hyd. Brakes; 15 x 4
Brake Shoes	87 - 77	SDS442R	EX4639D-S32	Hyd. Brakes; 15 x 5
Brake Shoes	87 - 77	SDS381R	EX4596D-S32	Hyd. Brakes; 15 x 6
Brake Shoes	87 - 77	SDS383R	EX4597D-S32	Hyd. Brakes; 15 x 7
Brake Shoes	87 - 77	SDS386R	EX1255D-S32	Hyd. Brakes; 16 x 6

Parking Brake Shoes	Years	SevereDuty	Lining No.	Qualifier
Brake Shoes	90 - 77	SDS449R	EX2159TD	11 x 2
Brake Shoes	90 - 88	SDS692	EX2079D-S32	12 x 3
Brake Shoes	90 - 77	SDS647	EX2086D	9 x 3

Rotor & Drum

Front Rotor & Drum	Years	Part No.	Qualifier
Brake Rotor	90 - 83	BD125115	5000 lb. FA; Hat-Shaped; 5-Hole Rotor; Dayton
Brake Rotor	90 - 83	BD125089	5000 lb. FA; Hat-Shaped; 6-Hole Rotor; Dayton
Brake Rotor	90 - 83	BD125359	7000 lb. FA; Hat-Shaped; 5-Hole Rotor; Budd
Brake Rotor	90 - 83	BD125088	7000 lb. FA; Hat-Shaped; 5-Hole Rotor; Dayton or Gunite
Brake Rotor	90 - 83	BD125357	7000 lb. FA; Hat-Shaped; 6-Hole Rotor; Budd
Brake Rotor	90 - 83	BD125358	7000 lb. FA; Hat-Shaped; 6-Hole Rotor; Dayton
Brake Rotor	90 - 83	BD125090	8100-12000 lb. FA; Hat-Shaped; 10-Hole Rotor; Dayton or Gunite

Rear Rotor & Drum	Years	Part No.	Qualifier
Brake Rotor	90 - 83	BD125088	15000 lb. RA; Hat-Shaped; 5-Hole Rotor
Brake Rotor	90 - 83	BD125358	15000 lb. RA; Hat-Shaped; 6-Hole Rotor
Brake Rotor	90 - 83	BD125090	17000-19000 lb. RA; Hat-Shaped; 10-Hole Rotor
Brake Rotor	90 - 83	BD125338	21000-23000 lb. RA; U-Shaped; 10-Hole Rotor

Brake Hardware

Front Brake Hardware	Years	Sequential No.	Category No.	Qualifier
Adjuster Kit	87 - 77	F128889	(H2906)	L.H.; GM; 14" Brake
Adjuster Kit	87 - 77	F140819	(H2714)	L.H.; Wagner; Auto Adj.
Adjuster Kit	87 - 77	F128990	(H2929)	L.H.; Wagner; Man. Adj.
Adjuster Kit	87 - 77	F128890	(H2907)	R.H.; GM; 14" Brake
Adjuster Kit	87 - 77	F140820	(H2715)	R.H.; Wagner; Auto Adj.
Adjuster Kit	87 - 77	F128990	(H2929)	R.H.; Wagner; Man. Adj.
Combi Kit	87 - 77	F117009	(H7177)	GM; 14" Brake
↳Adjuster Spring Kit		F73145S	(H425)	
↳Return Spring Kit		F73143	(H601)	

↳Sub-Kit of Combi-Kit is available separately.

C7D042 (cont.)

Brake Hardware (cont.)

Front Brake Hardware	Years	Sequential No.	Category No.	Qualifier
Combi Kit	87 - 77	F117025	(H7173)	Wagner; 15" Brake; Auto Adj.
↳Hold Down Kit		F73399	(H4201)	
↳Return Spring Kit		F36445	(H521)	
Combi Kit	87 - 77	F117026	(H7172)	Wagner; 15" Brake; Man. Adj.
↳Hold Down Kit		F19408	(H4200)	
↳Return Spring Kit		F36445	(H521)	
Disc Align Kit	90 - 83	F112090S	(H5566)	Bendix; 2.88" 2-Piston Caliper
Disc Align Kit	90 - 88	F107401S	(H5562)	Bendix; 3.38" 1-Piston Caliper
Disc Align Kit	90 - 83	F134105	(H5613)	Dayton; 2.50" 2-Piston Caliper

Rear Brake Hardware

Years	Sequential No.	Category No.	Qualifier	
87 - 77	F128891	(H2908)	L.H.; GM; 15" Brake	
87 - 77	F59157	(H2902)	L.H.; Wagner; 15" Brake; Auto Adj.	
87 - 77	F128894S	(H2911)	L.H.; Wagner; 15" Brake; Man. Adj.	
87 - 77	F128895S	(H2912)	L.H.; Wagner; 16" Brake; Man. Adj.	
87 - 77	F128892	(H2909)	R.H.; GM; 15" Brake	
87 - 77	F59158	(H2903)	R.H.; Wagner; 15" Brake; Auto Adj.	
87 - 77	F128894S	(H2911)	R.H.; Wagner; 15" Brake; Man. Adj.	
87 - 77	F128895S	(H2912)	R.H.; Wagner; 16" Brake; Man. Adj.	
87 - 77	F128880S	(H1710)	L.H.; GM; 15" Brake	
87 - 77	F140823	(H1607)	L.H.; Wagner; 15" Brake	
87 - 77	F19291	(H1700)	L.H.; Wagner; 16" Brake	
87 - 77	F128881S	(H1711)	R.H.; GM; 15" Brake	
87 - 77	F140818	(H1606)	R.H.; Wagner; 15" Brake	
87 - 77	F19292	(H1701)	R.H.; Wagner; 16" Brake	
87 - 77	F140612	(H3008)	GM; 15" Brake	
↳Hold Down Kit	F128928	(H4202)		
↳Return Spring Kit	F86408	(H552)		
Combi Kit	87 - 77	F117027	(H7171)	Wagner
↳Adjuster Spring Kit	F78727	(H451)		
↳Hold Down Kit	F19309	(H5079)		
↳Return Spring Kit	F98318	(H609)		
Disc Align Kit	90 - 83	F112090S	(H5566)	Bendix; 2.88" 2-Piston Caliper
Disc Align Kit	90 - 83	F134105	(H5613)	Dayton; 2.50" 2-Piston Caliper

Calipers - Reman

Front, Loaded	Years	Left No.	Right No.	Qualifier	Piston
Loaded Caliper	90 - 83	AS120549	AS120549	Bendix; 2.88" 2-Piston Caliper	P
Loaded Caliper	90 - 83	AS120549S	AS120549S	Bendix; 2.88" 2-Piston Caliper	O
Loaded Caliper	90 - 88	AS98906A	AS98907A	Bendix; 3.38" 1-Piston Caliper	M
Loaded Caliper	90 - 83	AS134782	AS134782	Dayton; 2.50" 2-Piston Caliper	M

Rear, Loaded	Years	Left No.	Right No.	Qualifier	Piston
Loaded Caliper	90 - 83	AS120549	AS120549	Bendix; 2.88" 2-Piston Caliper	P
Loaded Caliper	90 - 83	AS120549S	AS120549S	Bendix; 2.88" 2-Piston Caliper	O
Loaded Caliper	90 - 83	AS134782	AS134782	Dayton; 2.50" 2-Piston Caliper	M

Front, Unloaded	Years	Left No.	Right No.	Qualifier	Piston
Unloaded Caliper	90 - 83	CR120549	CR120549	Bendix; 2.88" 2-Piston Caliper	P
Unloaded Caliper	90 - 83	CR120549S	CR120549S	Bendix; 2.88" 2-Piston Caliper	O
Unloaded Caliper	90 - 88	CR98906	CR98907	Bendix; 3.38" 1-Piston Caliper	M
Unloaded Caliper	90 - 83	CR134782	CR134782	Dayton; 2.50" 2-Piston Caliper	M

Rear, Unloaded	Years	Left No.	Right No.	Qualifier	Piston
Unloaded Caliper	90 - 83	CR120549	CR120549	Bendix; 2.88" 2-Piston Caliper	P
Unloaded Caliper	90 - 83	CR120549S	CR120549S	Bendix; 2.88" 2-Piston Caliper	O
Unloaded Caliper	90 - 83	CR134782	CR134782	Dayton; 2.50" 2-Piston Caliper	M

↳Sub-Kit of Combi-Kit is available separately.

Piston: M - OE Metal Piston P - OE Phenolic Piston O - Metal Piston Option

C7D042 (cont.)
Hydraulics - New

Master Cylinder	Years	Sequential No.	Category No.	Qualifier
Master Cylinder	90 - 88	F116702	(MC116702)	80 Cubic Inch; 6-1/2" DIM from cntr piston to top fill cap
Master Cylinder	87	F116702	(MC116702)	80 Cubic Inch; 6-1/2" DIM
Master Cylinder	86 - 83	F116702	(MC116702)	Bendix; Plastic Reservoir
Front Wheel Cylinder	Years	Sequential No.	Category No.	Qualifier
Wheel Cylinder	87 - 77	F34401	(WC34401)	L.H.; 14 x 2-1/2" Brake
Wheel Cylinder	87 - 77	F8852	(WC8852)	L.H.; 15 x 3" Brake
Wheel Cylinder	87 - 77	F34402	(WC34402)	R.H.; 14 x 2-1/2" Brake
Wheel Cylinder	87 - 77	F8853	(WC8853)	R.H.; 15 x 3" Brake
Rear Wheel Cylinder	Years	Sequential No.	Category No.	Qualifier
Wheel Cylinder	87 - 77	F78744	(WC78744)	L.H.; 15 x 4" or 15 x 5" Brake
Wheel Cylinder	87 - 77	F78745	(WC78745)	R.H.; 15 x 4" or 15 x 5" Brake
Front Brake Hose	Years	Sequential No.	Category No.	Qualifier
Brake Hose	90 - 88	F118118	(BH118118)	5000 lb. FA
Brake Hose	90 - 83	F124054	(BH124054)	7000-12000 lb. FA; 1/8" ID; 22" Length
Rear Brake Hose	Years	Sequential No.	Category No.	Qualifier
Brake Hose	90 - 83	F102336	(BH102336)	Gas; 1/8" ID; 7/16" Nut; 24 Thread; 18" Length
Brake Hose	84 - 83	F103315	(BH103315)	Diesel; 1/8" ID; 7/16" Nut; 24 Thread; 24" Length
Brake Hose	84 - 83	F111947	(BH111947)	Gas; 1/8" ID; 7/16" Nut; 24 Thread; 25" Length

Hydraulics - Reman

Power Brake Booster	Years	Part No.	Qualifier
Power Brake Booster	87 - 77	529900	w/o Master Cylinder; Delco; Dual Power; Hydraulic Section
Power Brake Booster	87 - 77	5479900	w/o Master Cylinder; Delco; Dual Power; Vacuum Section; w/7" Rod
Power Brake Booster	87 - 83	529902	w/o Master Cylinder; Delco; Hy-Power; w/Serial No. 2823435; w/7" Pedal Rod
Power Brake Booster	83 - 77	518051	w/Master Cylinder; Hydro-Vac; w/15" Rear Brakes

C7D064
Brake Pads & Shoes

Front Pads & Shoes	Years	SevereDuty	Lining No.	Qualifier
Brake Pads	90 - 88	SD225		Bendix; 2.88" 2-Piston Caliper
Brake Pads	90 - 88	SD184		Bendix; 3.38" 1-Piston Caliper
Brake Pads	90 - 88	SD224		Dayton; 2.50" 2-Piston Caliper
Brake Pads	87 - 83	SD225A		Bendix; 2.88" 2-Piston Caliper; H/D; Serial No. 4150868
Brake Pads	87 - 83	SD225		Bendix; 2.88" 2-Piston Caliper; L/D; Serial No. 4151244 or 3368188
Brake Pads	87 - 83	SD224		Dayton; 2.50" 2-Piston Caliper; Serial No. 60450388
Brake Shoes	90 - 77	4524Q	4524B	w/Air Brakes; Rockwell/Meritor; Q-Series; 16-1/2 x 5
Brake Shoes	90 - 77	4514Q	4514G	w/Air Brakes; Rockwell/Meritor; Q-Series; 16-1/2 x 6
Brake Shoes	90 - 77	1307T	1307	w/Air Brakes; Rockwell/Meritor; T-Series; 15 x 3-1/2
Brake Shoes	90 - 77	1308T	1308T	w/Air Brakes; Rockwell/Meritor; T-Series; 15 x 4
Brake Shoes	87 - 77	SDS299R	EX2039D-S32	Hyd. Brakes; Auto Adj.; 14 x 2-1/2
Brake Shoes	87 - 77	SDS321R	EX1245AD-S32	Hyd. Brakes; Auto Adj.; 15 x 3
Brake Shoes	87 - 77	SDS322R	EX1280BD-S32	Hyd. Brakes; Auto Adj.; 15 x 3-1/2
Brake Shoes	87 - 77	SDS235R	EX1245AD-S32	Hyd. Brakes; Man. Adj.; 15 x 3
Brake Shoes	87 - 77	SDS463R	EX1280D-S32	Hyd. Brakes; Man. Adj.; 15 x 3-1/2
Rear Pads & Shoes	Years	SevereDuty	Lining No.	Qualifier
Brake Pads	90 - 88	SD225		Bendix; 2.88" 2-Piston Caliper
Brake Pads	90 - 88	SD224		Dayton; 2.50" 2-Piston Caliper
Brake Pads	87 - 83	SD225A		Bendix; 2.88" 2-Piston Caliper H/D; Serial No. 3366615 or 4150868
Brake Pads	87 - 83	SD225		Bendix; 2.88" 2-Piston Caliper L/D; Serial No. 4151244 or 3368188
Brake Pads	87 - 83	SD224		Dayton; 2.50" 2-Piston Caliper; Serial No. 60450394 or 60050185 or 60450410
Brake Shoes	90 - 77	4311E	4311J	w/Air Brakes; Eaton/Spicer; 16-1/2 x 7
Brake Shoes	90 - 77	4515P	4515E	w/Air Brakes; Rockwell/Meritor; P-Series; 16-1/2 x 7
Brake Shoes	90 - 77	4524Q	4524B	w/Air Brakes; Rockwell/Meritor; Q-Series; 16-1/2 x 5
Brake Shoes	90 - 77	4514Q	4514G	w/Air Brakes; Rockwell/Meritor; Q-Series; 16-1/2 x 6
Brake Shoes	90 - 77	4515Q	4515E	w/Air Brakes; Rockwell/Meritor; Q-Series; 16-1/2 x 7
Brake Shoes	87 - 77	SDS427R	EX4640D	Hyd. Brakes; 15 x 4

C7D064 (cont.)

Brake Pads & Shoes (cont.)

Rear Pads & Shoes	Years	SevereDuty	Lining No.	Qualifier
Brake Shoes	87 - 77	SDS442R	EX4639D-S32	Hyd. Brakes; 15 x 5
Brake Shoes	87 - 77	SDS381R	EX4596D-S32	Hyd. Brakes; 15 x 6
Brake Shoes	87 - 77	SDS383R	EX4597D-S32	Hyd. Brakes; 15 x 7
Brake Shoes	87 - 77	SDS386R	EX1255D-S32	Hyd. Brakes; 16 x 6

Parking Brake Shoes	Years	SevereDuty	Lining No.	Qualifier
Brake Shoes	90 - 77	SDS449R	EX2159TD	11 x 2
Brake Shoes	90 - 88	SDS692	EX2079D-S32	12 x 3
Brake Shoes	90 - 77	SDS647	EX2086D	9 x 3

Rotor & Drum

Front Rotor & Drum	Years	Part No.	Qualifier
Brake Rotor	90 - 83	BD125115	5000 lb. FA; Hat-Shaped; 5-Hole Rotor; Dayton
Brake Rotor	90 - 83	BD125089	5000 lb. FA; Hat-Shaped; 6-Hole Rotor; Dayton
Brake Rotor	90 - 83	BD125359	7000 lb. FA; Hat-Shaped; 5-Hole Rotor; Budd
Brake Rotor	90 - 83	BD125088	7000 lb. FA; Hat-Shaped; 5-Hole Rotor; Dayton or Gunitite
Brake Rotor	90 - 83	BD125357	7000 lb. FA; Hat-Shaped; 6-Hole Rotor; Budd
Brake Rotor	90 - 83	BD125358	7000 lb. FA; Hat-Shaped; 6-Hole Rotor; Dayton
Brake Rotor	90 - 83	BD125090	8100-12000 lb. FA; Hat-Shaped; 10-Hole Rotor; Dayton or Gunitite

Rear Rotor & Drum	Years	Part No.	Qualifier
Brake Rotor	90 - 83	BD125090	34000 lb. TRA; Hat-Shaped; 10-Hole Rotor
Brake Rotor	90 - 83	BD125338	38000-44000 lb. TRA; U-Shaped; 10-Hole Rotor

Brake Hardware

Front Brake Hardware	Years	Sequential No.	Category No.	Qualifier
Adjuster Kit	87 - 77	F128889	(H2906)	L.H.; GM; 14" Brake
Adjuster Kit	87 - 77	F140819	(H2714)	L.H.; Wagner; Auto Adj.
Adjuster Kit	87 - 77	F128990	(H2929)	L.H.; Wagner; Man. Adj.
Adjuster Kit	87 - 77	F128890	(H2907)	R.H.; GM; 14" Brake
Adjuster Kit	87 - 77	F140820	(H2715)	R.H.; Wagner; Auto Adj.
Adjuster Kit	87 - 77	F128990	(H2929)	R.H.; Wagner; Man. Adj.
Combi Kit	87 - 77	F117009	(H7177)	GM; 14" Brake
↳Adjuster Spring Kit		F73145S	(H425)	
↳Return Spring Kit		F73143	(H601)	
Combi Kit	87 - 77	F117025	(H7173)	Wagner; 15" Brake; Auto Adj.
↳Hold Down Kit		F73399	(H4201)	
↳Return Spring Kit		F36445	(H521)	
Combi Kit	87 - 77	F117026	(H7172)	Wagner; 15" Brake; Man. Adj.
↳Hold Down Kit		F19408	(H4200)	
↳Return Spring Kit		F36445	(H521)	
Disc Align Kit	90 - 83	F112090S	(H5566)	Bendix; 2.88" 2-Piston Caliper
Disc Align Kit	90 - 88	F107401S	(H5562)	Bendix; 3.38" 1-Piston Caliper
Disc Align Kit	90 - 83	F134105	(H5613)	Dayton; 2.50" 2-Piston Caliper

Rear Brake Hardware	Years	Sequential No.	Category No.	Qualifier
Adjuster Kit	87 - 77	F128891	(H2908)	L.H.; GM; 15" Brake
Adjuster Kit	87 - 77	F59157	(H2902)	L.H.; Wagner; 15" Brake; Auto Adj.
Adjuster Kit	87 - 77	F128894S	(H2911)	L.H.; Wagner; 15" Brake; Man. Adj.
Adjuster Kit	87 - 77	F128895S	(H2912)	L.H.; Wagner; 16" Brake; Man. Adj.
Adjuster Kit	87 - 77	F128892	(H2909)	R.H.; GM; 15" Brake
Adjuster Kit	87 - 77	F59158	(H2903)	R.H.; Wagner; 15" Brake; Auto Adj.
Adjuster Kit	87 - 77	F128894S	(H2911)	R.H.; Wagner; 15" Brake; Man. Adj.
Adjuster Kit	87 - 77	F128895S	(H2912)	R.H.; Wagner; 16" Brake; Man. Adj.
Adjuster Screw	87 - 77	F128880S	(H1710)	L.H.; GM; 15" Brake
Adjuster Screw	87 - 77	F140823	(H1607)	L.H.; Wagner; 15" Brake
Adjuster Screw	87 - 77	F19291	(H1700)	L.H.; Wagner; 16" Brake
Adjuster Screw	87 - 77	F128881S	(H1711)	R.H.; GM; 15" Brake
Adjuster Screw	87 - 77	F140818	(H1606)	R.H.; Wagner; 15" Brake

↳Sub-Kit of Combi-Kit is available separately.

Brake Hardware (cont.)

Rear Brake Hardware	Years	Sequential No.	Category No.	Qualifier
Adjuster Screw	87 - 77	F19292	(H1701)	R.H.; Wagner; 16" Brake
Combi Kit	87 - 77	F140612	(H3008)	GM; 15" Brake
↳Hold Down Kit		F128928	(H4202)	
↳Return Spring Kit		F86408	(H552)	
Combi Kit	87 - 77	F117027	(H7171)	Wagner
↳Adjuster Spring Kit		F78727	(H451)	
↳Hold Down Kit		F19309	(H5079)	
↳Return Spring Kit		F98318	(H609)	
Disc Align Kit	90 - 83	F112090S	(H5566)	Bendix; 2.88" 2-Piston Caliper
Disc Align Kit	90 - 83	F134105	(H5613)	Dayton; 2.50" 2-Piston Caliper

Calipers - Reman

Front, Loaded	Years	Left No.	Right No.	Qualifier	Piston
Loaded Caliper	90 - 83	AS120549	AS120549	Bendix; 2.88" 2-Piston Caliper	P
Loaded Caliper	90 - 83	AS120549S	AS120549S	Bendix; 2.88" 2-Piston Caliper	O
Loaded Caliper	90 - 88	AS98906A	AS98907A	Bendix; 3.38" 1-Piston Caliper	M
Loaded Caliper	90 - 83	AS134782	AS134782	Dayton; 2.50" 2-Piston Caliper	M
Rear, Loaded	Years	Left No.	Right No.	Qualifier	Piston
Loaded Caliper	90 - 83	AS120549	AS120549	Bendix; 2.88" 2-Piston Caliper	P
Loaded Caliper	90 - 83	AS120549S	AS120549S	Bendix; 2.88" 2-Piston Caliper	O
Loaded Caliper	90 - 83	AS134782	AS134782	Dayton; 2.50" 2-Piston Caliper	M
Front, Unloaded	Years	Left No.	Right No.	Qualifier	Piston
Unloaded Caliper	90 - 83	CR120549	CR120549	Bendix; 2.88" 2-Piston Caliper	P
Unloaded Caliper	90 - 83	CR120549S	CR120549S	Bendix; 2.88" 2-Piston Caliper	O
Unloaded Caliper	90 - 88	CR98906	CR98907	Bendix; 3.38" 1-Piston Caliper	M
Unloaded Caliper	90 - 83	CR134782	CR134782	Dayton; 2.50" 2-Piston Caliper	M
Rear, Unloaded	Years	Left No.	Right No.	Qualifier	Piston
Unloaded Caliper	90 - 83	CR120549	CR120549	Bendix; 2.88" 2-Piston Caliper	P
Unloaded Caliper	90 - 83	CR120549S	CR120549S	Bendix; 2.88" 2-Piston Caliper	O
Unloaded Caliper	90 - 83	CR134782	CR134782	Dayton; 2.50" 2-Piston Caliper	M

Hydraulics - New

Master Cylinder	Years	Sequential No.	Category No.	Qualifier
Master Cylinder	90 - 88	F116702	(MC116702)	80 Cubic Inch; 6-1/2" DIM from cntr piston to top fill cap
Master Cylinder	87	F116702	(MC116702)	80 Cubic Inch; 6-1/2" DIM
Master Cylinder	86 - 83	F116702	(MC116702)	Bendix; Plastic Reservoir
Master Cylinder	86 - 83	F100558	(MC100558)	Wagner; Cast Iron Reservoir
Front Wheel Cylinder	Years	Sequential No.	Category No.	Qualifier
Wheel Cylinder	87 - 77	F34401	(WC34401)	L.H.; 14 x 2-1/2" Brake
Wheel Cylinder	87 - 77	F8852	(WC8852)	L.H.; 15 x 3" Brake
Wheel Cylinder	87 - 77	F34402	(WC34402)	R.H.; 14 x 2-1/2" Brake
Wheel Cylinder	87 - 77	F8853	(WC8853)	R.H.; 15 x 3" Brake
Rear Wheel Cylinder	Years	Sequential No.	Category No.	Qualifier
Wheel Cylinder	87 - 77	F78744	(WC78744)	L.H.; 15 x 4" or 15 x 5" Brake
Wheel Cylinder	87 - 77	F78745	(WC78745)	R.H.; 15 x 4" or 15 x 5" Brake
Front Brake Hose	Years	Sequential No.	Category No.	Qualifier
Brake Hose	90 - 85	F124054	(BH124054)	7000-12000 lb. FA; 1/8" ID; 22" Length
Brake Hose	84 - 83	F106646	(BH106646)	7000-12000 lb. FA; 1/8" ID; 7" Length
Rear Brake Hose	Years	Sequential No.	Category No.	Qualifier
Brake Hose	90 - 84	F102336	(BH102336)	Gas; 1/8" ID; 7/16" Nut; 24 Thread; 18" Length
Brake Hose	84	F103315	(BH103315)	Diesel; 1/8" ID; 7/16" Nut; 24 Thread; 24" Length
Brake Hose	84	F111947	(BH111947)	Gas; 1/8" ID; 7/16" Nut; 24 Thread; 25" Length
Brake Hose	83	F71305	(BH71305)	Diesel; 3/16" ID; 7/16" Nut; 20/24 Thread; 17" Length
Brake Hose	83	F71305	(BH71305)	Gas; 3/16" ID; 7/16" Nut; 20/24 Thread; 17" Length

↳Sub-Kit of Combi-Kit is available separately.

Piston: M - OE Metal Piston P - OE Phenolic Piston O - Metal Piston Option

C7D064 (cont.)

Hydraulics - Reman

Power Brake Booster	Years	Part No.	Qualifier
Power Brake Booster	87 - 77	529900	w/o Master Cylinder; Delco; Dual Power; Hydraulic Section
Power Brake Booster	87 - 77	5479900	w/o Master Cylinder; Delco; Dual Power; Vacuum Section; w/7" Rod
Power Brake Booster	87 - 83	529902	w/o Master Cylinder; Delco; Hy-Power; w/Serial No. 2823435; w/7" Pedal Rod
Power Brake Booster	83 - 77	518008	w/Master Cylinder; Hydro-Vac; Diesel; w/Serial No. 2512064
Power Brake Booster	83 - 77	518009	w/Master Cylinder; Hydro-Vac; Gas; w/Serial No. 2504305 or 2505479 or 2510400 or 2510401 or 2513811 or 2513812 or 2513812
Power Brake Booster	83 - 77	518051	w/Master Cylinder; Hydro-Vac; w/15" Rear Brakes

GMC MD C-Series Topkick

C4500

Brake Pads & Shoes

Front Pads & Shoes	Years	SevereDuty	Lining No.	Qualifier
Brake Pads	07 - 03	SD1010		6250 lb. FA; TRW; 2.36" 2 Piston Caliper
Brake Pads	07 - 03	SD1010		6250 lb. FA; TRW; 2.60" 2 Piston Caliper
Brake Pads	07 - 03	SD1032		7000-8000 lb. FA; Dayton; 2.52" 4-Piston Caliper
Brake Pads	07 - 03	SD1032		7000-8000 lb. FA; Dayton; 2.75" 4-Piston Caliper
Rear Pads & Shoes	Years	SevereDuty	Lining No.	Qualifier
Brake Pads	07 - 03	SD1010		11000-13000 lb. RA; TRW; 2.36" 2-Piston Caliper; 5-Hole Rotor; w/o Parking Brake
Brake Pads	07 - 03	SD1064		11000-13000 lb. RA; TRW; 2.60" 2-Piston Caliper; 10-Hole Rotor; w/Parking Brake
Brake Pads	07 - 03	SD1010		11000-13000 lb. RA; TRW; 2.60" 2-Piston Caliper; 5-Hole Rotor; w/o Parking Brake
Parking Brake Shoes	Years	SevereDuty	Lining No.	Qualifier
Brake Shoes	07 - 03	SDS647	EX2086D	9 x 3

Rotor & Drum

Front Rotor & Drum	Years	Part No.	Qualifier
Brake Rotor	07 - 03	BD126365	6250 lb. FA; Hat-Shaped; 5-Hole Rotor; w/o Hub
Brake Rotor	07 - 03	BD126365	7000 lb. FA; Hat-Shaped; 5-Hole Rotor; 2WD; w/o Hub
Rear Rotor & Drum	Years	Part No.	Qualifier
Brake Rotor	07 - 03	BD126365	11000 lb. RA; Hat-Shaped; 10-Hole Rotor; w/Hub
Brake Rotor	07 - 03	BD126365	13000 lb. RA; Hat-Shaped; 10-Hole Rotor; w/o Parking Brake; w/o Hub
Brake Rotor	07 - 03	BD126369	13000 lb. RA; Hat-Shaped; 10-Hole Rotor; w/Parking Brake; w/Hub

Brake Hardware

Front Brake Hardware	Years	Sequential No.	Category No.	Qualifier
Disc Align Kit	07 - 03	F140770	(H5711)	6250 lb. FA; TRW; 2.36" 2 Piston Caliper
Disc Align Kit	07 - 03	F140770	(H5711)	6250 lb. FA; TRW; 2.60" 2 Piston Caliper
Disc Align Kit	07 - 03	F140771	(H5712)	7000-8000 lb. FA; Dayton; 2.52" 4-Piston Caliper
Disc Align Kit	07 - 03	F140630	(H3026)	7000-8000 lb. FA; Dayton; 2.75" 4-Piston Caliper
Rear Brake Hardware	Years	Sequential No.	Category No.	Qualifier
Disc Align Kit	07 - 03	F140770	(H5711)	11000-13000 lb. RA; TRW; 2.36" 2-Piston Caliper
Disc Align Kit	07 - 03	F140770	(H5711)	11000-13000 lb. RA; TRW; 2.60" 2-Piston Caliper

Calipers - Reman

Front, Loaded	Years	Left No.	Right No.	Qualifier	Piston
Loaded Caliper	07 - 03	AS135212	AS135212	6250 lb. FA; TRW; 2.36" 2 Piston Caliper; Serial No. 135743	M
Loaded Caliper	07 - 03	AS135214	AS135214	6250 lb. FA; TRW; 2.60" 2 Piston Caliper; Serial No. 135607	M
Loaded Caliper	07 - 03	AS134821A	AS134820A	7000-8000 lb. FA; Dayton; 2.52" 4-Piston Caliper; Serial No. 602F / 604F	M
Loaded Caliper	07 - 03	AS134580A	AS134581A	7000-8000 lb. FA; Dayton; 2.75" 4-Piston Caliper; Serial No. 581F / 583F	M
Loaded Caliper	07 - 03	AS134818A	AS134819A	7000-8000 lb. FA; Dayton; 2.75" 4-Piston Caliper; Serial No. 595F / 597F	M
Rear, Loaded	Years	Left No.	Right No.	Qualifier	Piston
Loaded Caliper	07 - 03	AS135212	AS135212	11000-13000 lb. RA; TRW; 2.36" 2-Piston Caliper; 5-Hole Rotor; w/o Parking Brake; Serial No. 135743	M
Loaded Caliper	07 - 03	AS135216	AS135216	11000-13000 lb. RA; TRW; 2.60" 2-Piston Caliper; 10-Hole Rotor; w/Parking Brake	M
Loaded Caliper	07 - 03	AS135214	AS135214	11000-13000 lb. RA; TRW; 2.60" 2-Piston Caliper; 5-Hole Rotor; w/o Parking Brake; Serial No. 135607	M
Front, Unloaded	Years	Left No.	Right No.	Qualifier	Piston
Unloaded Caliper	07 - 03	CR135212	CR135212	6250 lb. FA; TRW; 2.36" 2 Piston Caliper; Serial No. 135743	M

Piston: M - OE Metal Piston P - OE Phenolic Piston

C4500 (cont.)

Calipers - Reman (cont.)

Front, Unloaded	Years	Left No.	Right No.	Qualifier	Piston
Unloaded Caliper	07 - 03	CR135214	CR135214	6250 lb. FA; TRW; 2.60" 2-Piston Caliper; Serial No. 135607	M
Unloaded Caliper	07 - 03	CR134821	CR134820	7000-8000 lb. FA; Dayton; 2.52" 4-Piston Caliper; Serial No. 602F / 604F	M
Unloaded Caliper	07 - 03	CR134580	CR134581	7000-8000 lb. FA; Dayton; 2.75" 4-Piston Caliper; Serial No. 581F / 583F	M
Unloaded Caliper	07 - 03	CR134818	CR134819	7000-8000 lb. FA; Dayton; 2.75" 4-Piston Caliper; Serial No. 595F / 597F	M
Rear, Unloaded	Years	Left No.	Right No.	Qualifier	Piston
Unloaded Caliper	07 - 03	CR135212	CR135212	11000-13000 lb. RA; TRW; 2.36" 2-Piston Caliper; 5-Hole Rotor; w/o Parking Brake; Serial No. 135743	M
Unloaded Caliper	07 - 03	CR135216	CR135216	11000-13000 lb. RA; TRW; 2.60" 2-Piston Caliper; 10-Hole Rotor; w/Parking Brake	M
Unloaded Caliper	07 - 03	CR135214	CR135214	11000-13000 lb. RA; TRW; 2.60" 2-Piston Caliper; 5-Hole Rotor; w/o Parking Brake; Serial No. 135607	M

C5500

Brake Pads & Shoes

Front Pads & Shoes	Years	SevereDuty	Lining No.	Qualifier
Brake Pads	07 - 03	SD1010		6250 lb. FA; TRW; 2.36" 2-Piston Caliper
Brake Pads	07 - 03	SD1010		6250 lb. FA; TRW; 2.60" 2-Piston Caliper
Brake Pads	07 - 03	SD1032		7000-8000 lb. FA; Dayton; 2.52" 4-Piston Caliper
Brake Pads	07 - 03	SD1032		7000-8000 lb. FA; Dayton; 2.75" 4-Piston Caliper
Rear Pads & Shoes	Years	SevereDuty	Lining No.	Qualifier
Brake Pads	07 - 03	SD1010		11000-13000 lb. RA; TRW; 2.36" 2-Piston Caliper; 5-Hole Rotor; w/o Parking Brake
Brake Pads	07 - 03	SD1064		11000-13000 lb. RA; TRW; 2.60" 2-Piston Caliper; 10-Hole Rotor; w/Parking Brake
Brake Pads	07 - 03	SD1010		11000-13000 lb. RA; TRW; 2.60" 2-Piston Caliper; 5-Hole Rotor; w/o Parking Brake
Brake Pads	07 - 03	SD1032		15000-19000 lb. RA; Dayton; 2.52" 4-Piston Caliper
Brake Pads	07 - 03	SD1032		15000-19000 lb. RA; Dayton; 2.75" 4-Piston Caliper
Parking Brake Shoes	Years	SevereDuty	Lining No.	Qualifier
Brake Shoes	07 - 03	SDS647	EX2086D	9 x 3

Rotor & Drum

Front Rotor & Drum	Years	Part No.	Qualifier
Brake Rotor	07 - 03	BD126365	6250 lb. FA; Hat-Shaped; 5-Hole Rotor; w/Hub
Brake Rotor	07 - 03	BD126365	7000 lb. FA; Hat-Shaped; 5-Hole Rotor; 2WD; w/o Hub
Brake Rotor	07 - 03	BD126363	8000 lb. FA; Hat-Shaped; w/Hub
Rear Rotor & Drum	Years	Part No.	Qualifier
Brake Rotor	07 - 06	BD126365	13000 lb. RA; Hat-Shaped; 10-Hole Rotor; Dual Reduction; w/o Parking Brake; w/Hub
Brake Rotor	07 - 06	BD126369	13000 lb. RA; Hat-Shaped; 10-Hole Rotor; Dual Reduction; w/Parking Brake; w/o Hub; w/ABS Ring
Brake Rotor	07 - 06	BD126363	13000 lb. RA; Hat-Shaped; 10-Hole Rotor; Single Reduction; w/Hub
Brake Rotor	07 - 06	BD126363	19000 lb. RA; Hat-Shaped; 10-Hole Rotor; Single Reduction; w/Hub
Brake Rotor	05 - 03	BD126365	13000 lb. RA; Hat-Shaped; 10-Hole Rotor; w/o Parking Brake; w/Hub
Brake Rotor	05 - 03	BD126369	13000 lb. RA; Hat-Shaped; 10-Hole Rotor; w/Parking Brake; w/o Hub; w/ABS Ring
Brake Rotor	05 - 03	BD126363	15000-19000 lb. RA; Hat-Shaped; 10-Hole Rotor; w/Hub

Brake Hardware

Front Brake Hardware	Years	Sequential No.	Category No.	Qualifier
Disc Align Kit	07 - 03	F140770	(H5711)	6250 lb. FA; TRW; 2.36" 2-Piston Caliper
Disc Align Kit	07 - 03	F140770	(H5711)	6250 lb. FA; TRW; 2.60" 2-Piston Caliper
Disc Align Kit	07 - 03	F140771	(H5712)	7000-8000 lb. FA; Dayton; 2.52" 4-Piston Caliper
Disc Align Kit	07 - 03	F140630	(H3026)	7000-8000 lb. FA; Dayton; 2.75" 4-Piston Caliper
Rear Brake Hardware	Years	Sequential No.	Category No.	Qualifier
Disc Align Kit	07 - 03	F140770	(H5711)	11000-13000 lb. RA; TRW; 2.36" 2-Piston Caliper
Disc Align Kit	07 - 03	F140770	(H5711)	11000-13000 lb. RA; TRW; 2.60" 2-Piston Caliper
Disc Align Kit	07 - 03	F140771	(H5712)	15000-19000 lb. RA; Dayton; 2.52" 4-Piston Caliper
Disc Align Kit	07 - 03	F140630	(H3026)	15000-19000 lb. RA; Dayton; 2.75" 4-Piston Caliper

Calipers - Reman

Front, Loaded	Years	Left No.	Right No.	Qualifier	Piston
Loaded Caliper	07 - 03	AS135212	AS135212	6250 lb. FA; TRW; 2.36" 2-Piston Caliper; Serial No. 135743	M
Loaded Caliper	07 - 03	AS135214	AS135214	6250 lb. FA; TRW; 2.60" 2-Piston Caliper; Serial No. 135607	M

Piston: M - OE Metal Piston P - OE Phenolic Piston

C5500 (cont.)

Calipers - Reman (cont.)

Front, Loaded	Years	Left No.	Right No.	Qualifier	Piston
Loaded Caliper	07 - 03	AS134821A	AS134820A	7000-8000 lb. FA; Dayton; 2.52" 4-Piston Caliper; Serial No. 602F / 604F	M
Loaded Caliper	07 - 03	AS134580A	AS134581A	7000-8000 lb. FA; Dayton; 2.75" 4-Piston Caliper; Serial No. 581F / 583F	M
Loaded Caliper	07 - 03	AS134818A	AS134819A	7000-8000 lb. FA; Dayton; 2.75" 4-Piston Caliper; Serial No. 595F / 597F	M

Rear, Loaded	Years	Left No.	Right No.	Qualifier	Piston
Loaded Caliper	07 - 03	AS135212	AS135212	11000-13000 lb. RA; TRW; 2.36" 2-Piston Caliper; 5-Hole Rotor; w/o Parking Brake; Serial No. 135743	M
Loaded Caliper	07 - 03	AS135216	AS135216	11000-13000 lb. RA; TRW; 2.60" 2-Piston Caliper; 10-Hole Rotor; w/Parking Brake	M
Loaded Caliper	07 - 03	AS135214	AS135214	11000-13000 lb. RA; TRW; 2.60" 2-Piston Caliper; 5-Hole Rotor; w/o Parking Brake; Serial No. 135607	M
Loaded Caliper	07 - 03	AS134821A	AS134820A	15000-19000 lb. RA; Dayton; 2.52" 4-Piston Caliper; Serial No. 602F / 604F	M
Loaded Caliper	07 - 03	AS134580A	AS134581A	15000-19000 lb. RA; Dayton; 2.75" 4-Piston Caliper; Serial No. 581F / 583F	M
Loaded Caliper	07 - 03	AS134818A	AS134819A	15000-19000 lb. RA; Dayton; 2.75" 4-Piston Caliper; Serial No. 595F / 597F	M

Front, Unloaded	Years	Left No.	Right No.	Qualifier	Piston
Unloaded Caliper	07 - 03	CR135212	CR135212	6250 lb. FA; TRW; 2.36" 2-Piston Caliper; Serial No. 135743	M
Unloaded Caliper	07 - 03	CR135214	CR135214	6250 lb. FA; TRW; 2.60" 2-Piston Caliper; Serial No. 135607	M
Unloaded Caliper	07 - 03	CR134821	CR134820	7000-8000 lb. FA; Dayton; 2.52" 4-Piston Caliper; Serial No. 602F / 604F	M
Unloaded Caliper	07 - 03	CR134580	CR134581	7000-8000 lb. FA; Dayton; 2.75" 4-Piston Caliper; Serial No. 581F / 583F	M
Unloaded Caliper	07 - 03	CR134818	CR134819	7000-8000 lb. FA; Dayton; 2.75" 4-Piston Caliper; Serial No. 595F / 597F	M

Rear, Unloaded	Years	Left No.	Right No.	Qualifier	Piston
Unloaded Caliper	07 - 03	CR135212	CR135212	11000-13000 lb. RA; TRW; 2.36" 2-Piston Caliper; 5-Hole Rotor; w/o Parking Brake; Serial No. 135743	M
Unloaded Caliper	07 - 03	CR135216	CR135216	11000-13000 lb. RA; TRW; 2.60" 2-Piston Caliper; 10-Hole Rotor; w/Parking Brake	M
Unloaded Caliper	07 - 03	CR135214	CR135214	11000-13000 lb. RA; TRW; 2.60" 2-Piston Caliper; 5-Hole Rotor; w/o Parking Brake; Serial No. 135607	M
Unloaded Caliper	07 - 03	CR134821	CR134820	15000-19000 lb. RA; Dayton; 2.52" 4-Piston Caliper; Serial No. 602F / 604F	M
Unloaded Caliper	07 - 03	CR134580	CR134581	15000-19000 lb. RA; Dayton; 2.75" 4-Piston Caliper; Serial No. 581F / 583F	M
Unloaded Caliper	07 - 03	CR134818	CR134819	15000-19000 lb. RA; Dayton; 2.75" 4-Piston Caliper; Serial No. 595F / 597F	M

C5H042

Brake Pads & Shoes

Front Pads & Shoes	Years	SevereDuty	Lining No.	Qualifier
Brake Pads	02 - 99	SD225B		Bendix; 2.88" 2-Piston Caliper; 11000-12000 lb. FA
Brake Pads	02 - 99	SD224		Dayton; 2.50" 2-Piston Caliper; 8100 lb. FA
Brake Pads	98 - 90	SD225A		Bendix; 2.88" 2-Piston Caliper
Brake Pads	98 - 90	SD224		Dayton; 2.50" 2-Piston Caliper

Rear Pads & Shoes	Years	SevereDuty	Lining No.	Qualifier
Brake Pads	02 - 97	SD225B		Bendix; 2.88" 2-Piston Caliper; 19000 lb. RA
Brake Pads	02 - 97	SD224		Dayton; 2.50" 2-Piston Caliper; 15000 lb. RA
Brake Pads	02 - 97	SD769		Dayton; 2.52" 4-Piston Caliper; w/o Wear Sensor
Brake Pads	02	SD1032		Dayton; 2.52" 4-Piston Caliper; w/Wear Sensor
Brake Pads	02 - 97	SD769		Dayton; 2.75" 4-Piston Caliper; w/o Wear Sensor
Brake Pads	02	SD1032		Dayton; 2.75" 4-Piston Caliper; w/Wear Sensor
Brake Pads	96 - 90	SD225A		Bendix; 2.88" 2-Piston Caliper
Brake Pads	96 - 90	SD224		Dayton; 2.50" 2-Piston Caliper
Brake Pads	96 - 95	SD769		Dayton; 2.52" 4-Piston Caliper
Brake Pads	96 - 95	SD769		Dayton; 2.75" 4-Piston Caliper

Parking Brake Shoes	Years	SevereDuty	Lining No.	Qualifier
Brake Shoes	02 - 97	SDS647	EX2086D	Driveline Config.; 9 x 3
Brake Shoes	02 - 97	SDS824R	EX1556D	w/MT; 12 x 3
Brake Shoes	96 - 90	SDS824R	EX1556D	12 x 3
Brake Shoes	96 - 90	SDS647	EX2086D	9 x 3

Rotor & Drum

Front Rotor & Drum	Years	Part No.	Qualifier
Brake Rotor	02 - 97	BD125088	8100 lb. FA; Hat-Shaped; 5-Hole Rotor
Brake Rotor	96 - 90	BD125090	11000-12000 lb. FA; Hat-Shaped; 10-Hole Rotor

Piston: M - OE Metal Piston P - OE Phenolic Piston

Rotor & Drum (cont.)

Front Rotor & Drum	Years	Part No.	Qualifier
Brake Rotor	96 - 90	BD125088	8100 lb. FA; Hat-Shaped; 5-Hole Rotor; Dayton
Rear Rotor & Drum	Years	Part No.	Qualifier
Brake Rotor	02 - 97	BD125665	15000 lb. RA; Hat-Shaped; 10-Hole Rotor; w/o ABS
Brake Rotor	02 - 97	BD125088	15000 lb. RA; Hat-Shaped; 5-Hole Rotor; w/ABS
Brake Rotor	02 - 97	BD125339	16000-19000 lb. RA; Hat-Shaped; 10-Hole Rotor; w/ABS; w/2-Piston Caliper
Brake Rotor	02 - 97	BD125488	16000-19000 lb. RA; Hat-Shaped; 10-Hole Rotor; w/ABS; w/2-Piston Caliper; w/Special Pads
Brake Rotor	02 - 97	BD125339	16000-19000 lb. RA; Hat-Shaped; 10-Hole Rotor; w/o ABS
Brake Rotor	02 - 97	BD125668	16000-19000 lb. RA; Hat-Shaped; 10-Hole Rotor; w/o ABS; w/2-Piston Caliper
Brake Rotor	02 - 97	BD125666	16000-19000 lb. RA; Hat-Shaped; 10-Hole Rotor; w/o ABS; w/4-Piston Caliper
Brake Rotor	02 - 97	BD125487	21000-23000 lb. RA; Hat-Shaped; 10-Hole Rotor
Brake Rotor	02 - 97	BD125667	21000-23000 lb. RA; U-Shaped; 10-Hole Rotor; w/o ABS
Brake Rotor	96 - 90	BD125088	15000 lb. RA; Hat-Shaped; 5-Hole Rotor
Brake Rotor	96 - 90	BD125339	16000-19000 lb. RA; Hat-Shaped; 10-Hole Rotor; w/ABS
Brake Rotor	96 - 90	BD125090	16000-19000 lb. RA; Hat-Shaped; 10-Hole Rotor; w/o ABS
Brake Rotor	96 - 90	BD125487	21000-23000 lb. RA; Hat-Shaped; 10-Hole Rotor; w/ABS
Brake Rotor	96 - 90	BD125338	21000-23000 lb. RA; U-Shaped; 10-Hole Rotor; w/o ABS

Brake Hardware

Front Brake Hardware	Years	Sequential No.	Category No.	Qualifier
Disc Align Kit	02 - 90	F112090S	(H5566)	Bendix; 2.88" 2-Piston Caliper
Disc Align Kit	02 - 90	F134105	(H5613)	Dayton; 2.50" 2-Piston Caliper
Rear Brake Hardware	Years	Sequential No.	Category No.	Qualifier
Disc Align Kit	02 - 90	F112090S	(H5566)	Bendix; 2.88" 2-Piston Caliper
Disc Align Kit	02 - 90	F134105	(H5613)	Dayton; 2.50" 2-Piston Caliper
Disc Align Kit	02 - 95	F140771	(H5712)	Dayton; 2.52" 4-Piston Caliper
Disc Align Kit	02 - 95	F140630	(H3026)	Dayton; 2.75" 4-Piston Caliper

Calipers - Reman

Front, Loaded	Years	Left No.	Right No.	Qualifier	Piston
Loaded Caliper	02 - 90	AS120549	AS120549	Bendix; 2.88" 2-Piston Caliper	P
Loaded Caliper	02 - 90	AS120549S	AS120549S	Bendix; 2.88" 2-Piston Caliper	O
Loaded Caliper	02 - 90	AS134782	AS134782	Dayton; 2.50" 2-Piston Caliper	M
Rear, Loaded	Years	Left No.	Right No.	Qualifier	Piston
Loaded Caliper	02 - 97	AS120549	AS120549	Bendix; 2.88" 2-Piston Caliper; 19000 lb. RA	P
Loaded Caliper	02 - 97	AS120549S	AS120549S	Bendix; 2.88" 2-Piston Caliper; 19000 lb. RA	O
Loaded Caliper	02 - 97	AS134782	AS134782	Dayton; 2.50" 2-Piston Caliper; 15000 lb. RA	M
Loaded Caliper	02 - 97	AS134821	AS134820	Dayton; 2.52" 4-Piston Caliper; Serial No. 602C / 604C; w/o Wear Sensor	M
Loaded Caliper	02	AS134821A	AS134820A	Dayton; 2.52" 4-Piston Caliper; Serial No. 602C / 604C; w/Wear Sensor	P
Loaded Caliper	02 - 97	AS134580	AS134581	Dayton; 2.75" 4-Piston Caliper; Serial No. 581F / 583F; w/o Wear Sensor	M
Loaded Caliper	02	AS134580A	AS134581A	Dayton; 2.75" 4-Piston Caliper; Serial No. 581F / 583F; w/Wear Sensor	P
Loaded Caliper	02 - 97	AS134818	AS134819	Dayton; 2.75" 4-Piston Caliper; Serial No. 595B / 597B; w/o Wear Sensor	M
Loaded Caliper	02	AS134818A	AS134819A	Dayton; 2.75" 4-Piston Caliper; Serial No. 595B / 597B; w/Wear Sensor	P
Loaded Caliper	96 - 90	AS120549	AS120549	Bendix; 2.88" 2-Piston Caliper	P
Loaded Caliper	96 - 90	AS120549S	AS120549S	Bendix; 2.88" 2-Piston Caliper	O
Loaded Caliper	96 - 90	AS134782	AS134782	Dayton; 2.50" 2-Piston Caliper	M
Loaded Caliper	96 - 95	AS134821	AS134820	Dayton; 2.52" 4-Piston Caliper; Serial No. 602C / 604C	M
Loaded Caliper	96 - 95	AS134580	AS134581	Dayton; 2.75" 4-Piston Caliper; Serial No. 581F / 583F	M
Loaded Caliper	96 - 95	AS134818	AS134819	Dayton; 2.75" 4-Piston Caliper; Serial No. 595B / 597B	M
Front, Unloaded	Years	Left No.	Right No.	Qualifier	Piston
Unloaded Caliper	02 - 90	CR120549	CR120549	Bendix; 2.88" 2-Piston Caliper	P
Unloaded Caliper	02 - 90	CR120549S	CR120549S	Bendix; 2.88" 2-Piston Caliper	O
Unloaded Caliper	02 - 90	CR134782	CR134782	Dayton; 2.50" 2-Piston Caliper	M
Rear, Unloaded	Years	Left No.	Right No.	Qualifier	Piston
Unloaded Caliper	02 - 90	CR120549	CR120549	Bendix; 2.88" 2-Piston Caliper	P
Unloaded Caliper	02 - 90	CR120549S	CR120549S	Bendix; 2.88" 2-Piston Caliper	O

Piston: M - OE Metal Piston P - OE Phenolic Piston O - Metal Piston Option

C5H042 (cont.)

Calipers - Reman (cont.)

<i>Rear, Unloaded</i>	<i>Years</i>	<i>Left No.</i>	<i>Right No.</i>	<i>Qualifier</i>	<i>Piston</i>
Unloaded Caliper	02 - 90	CR134782	CR134782	Dayton; 2.50" 2-Piston Caliper	M
Unloaded Caliper	02 - 95	CR134821	CR134820	Dayton; 2.52" 4-Piston Caliper; Serial No. 602C / 604C	M
Unloaded Caliper	02 - 95	CR134580	CR134581	Dayton; 2.75" 4-Piston Caliper; Serial No. 581F / 583F	M
Unloaded Caliper	02 - 95	CR134818	CR134819	Dayton; 2.75" 4-Piston Caliper; Serial No. 595B / 597B	M

Hydraulics - New

<i>Master Cylinder</i>	<i>Years</i>	<i>Sequential No.</i>	<i>Category No.</i>	<i>Qualifier</i>
Master Cylinder	96 - 92	F140745	(MC140745)	8100 lb. FA
Master Cylinder	91 - 90	F140745	(MC140745)	

<i>Front Brake Hose</i>	<i>Years</i>	<i>Sequential No.</i>	<i>Category No.</i>	<i>Qualifier</i>
Brake Hose	02 - 97	F132935	(BH132935)	L.H.; w/ABS; To Caliper
Brake Hose	02 - 97	F140743	(BH140743)	L.H.; w/o ABS
Brake Hose	02 - 97	F132935	(BH132935)	R.H.; w/ABS; To Caliper
Brake Hose	02 - 97	F140743	(BH140743)	R.H.; w/o ABS
Brake Hose	96 - 90	F132935	(BH132935)	L.H.; To Caliper
Brake Hose	96 - 90	F132935	(BH132935)	R.H.; To Caliper

<i>Rear Brake Hose</i>	<i>Years</i>	<i>Sequential No.</i>	<i>Category No.</i>	<i>Qualifier</i>
Brake Hose	02 - 90	F132934	(BH132934)	Crossover; To Top of RA Hsg.
Brake Hose	02 - 97	F132926	(BH132926)	Incl. Tee
Brake Hose	02 - 97	F140734	(BH140734)	L.H.; Crossover; w/Rear Drum
Brake Hose	02 - 97	F140740	(BH140740)	L.H.; Crossover; w/Rear Drum; w/Air Ride
Brake Hose	02 - 97	F140742	(BH140742)	L.H.; Exc. Low Pro; w/Rear Disc
Brake Hose	02 - 97	F140739	(BH140739)	L.H.; Low Pro; w/Rear Disc; w/o ABS; w/Pipe
Brake Hose	02 - 97	F140737	(BH140737)	L.H.; To RA; w/o Air Ride
Brake Hose	02 - 97	F140736	(BH140736)	Low Pro; w/Rear Drum; w/o Air Ride
Brake Hose	02 - 97	F140735	(BH140735)	R.H.; Crossover; w/Rear Drum
Brake Hose	02 - 97	F140741	(BH140741)	R.H.; Crossover; w/Rear Drum; w/Air Ride
Brake Hose	02 - 97	F140766	(BH140766)	R.H.; Exc. Low Pro; w/Rear Disc
Brake Hose	02 - 97	F140738	(BH140738)	R.H.; Low Pro; w/Rear Disc; w/o ABS; w/Pipe
Brake Hose	02 - 97	F140737	(BH140737)	R.H.; To RA; w/o Air Ride
Brake Hose	96 - 93	F132926	(BH132926)	To Rear Feed Pipe
Brake Hose	92 - 90	F111947	(BH111947)	To Rear Feed Pipe; 1/8" ID; 7/16" Nut; 24 Thread; 25" Length

C6500

Brake Pads & Shoes

<i>Front Pads & Shoes</i>	<i>Years</i>	<i>SevereDuty</i>	<i>Lining No.</i>	<i>Qualifier</i>
Brake Pads	07 - 03	SD1032		Dayton; 2.52" 4-Piston Caliper
Brake Pads	07 - 03	SD1032		Dayton; 2.75" 4-Piston Caliper

<i>Rear Pads & Shoes</i>	<i>Years</i>	<i>SevereDuty</i>	<i>Lining No.</i>	<i>Qualifier</i>
Brake Pads	07 - 03	SD1032		Dayton; 2.52" 4-Piston Caliper
Brake Pads	07 - 03	SD1032		Dayton; 2.75" 4-Piston Caliper

<i>Parking Brake Shoes</i>	<i>Years</i>	<i>SevereDuty</i>	<i>Lining No.</i>	<i>Qualifier</i>
Brake Shoes	07 - 03	SDS647	EX2086D	9 x 3
Brake Shoes	07 - 03	SDS824R	EX1556D	w/M/T; 12 x 3

Rotor & Drum

<i>Front Rotor & Drum</i>	<i>Years</i>	<i>Part No.</i>	<i>Qualifier</i>
Brake Rotor	07 - 03	BD126363	8000-12000 lb. FA; Hat-Shaped; 10-Hole Rotor

<i>Rear Rotor & Drum</i>	<i>Years</i>	<i>Part No.</i>	<i>Qualifier</i>
Brake Rotor	07 - 03	BD126363	15000-19000 lb. RA; Hat-Shaped; 10-Hole Rotor
Brake Rotor	07 - 03	BD126370	21000 lb. RA; U-Shaped; 10-Hole Rotor

Brake Hardware

<i>Front Brake Hardware</i>	<i>Years</i>	<i>Sequential No.</i>	<i>Category No.</i>	<i>Qualifier</i>
Disc Align Kit	07 - 03	F140771	(H5712)	Dayton; 2.52" 4-Piston Caliper
Disc Align Kit	07 - 03	F140630	(H3026)	Dayton; 2.75" 4-Piston Caliper

Piston: M - OE Metal Piston P - OE Phenolic Piston

C6500 (cont.)
Brake Hardware (cont.)

Rear Brake Hardware	Years	Sequential No.	Category No.	Qualifier
Disc Align Kit	07 - 03	F140771	(H5712)	Dayton; 2.52" 4-Piston Caliper
Disc Align Kit	07 - 03	F140630	(H3026)	Dayton; 2.75" 4-Piston Caliper

Calipers - Reman

Front, Loaded	Years	Left No.	Right No.	Qualifier	Piston
Loaded Caliper	07 - 03	AS134821A	AS134820A	Dayton; 2.52" 4-Piston Caliper; Serial No. 602F / 604F	M
Loaded Caliper	07 - 03	AS134580A	AS134581A	Dayton; 2.75" 4-Piston Caliper; Serial No. 581F / 583F	M
Loaded Caliper	07 - 03	AS134818A	AS134819A	Dayton; 2.75" 4-Piston Caliper; Serial No. 595F / 597F	M
Rear, Loaded	Years	Left No.	Right No.	Qualifier	Piston
Loaded Caliper	07 - 03	AS134821A	AS134820A	Dayton; 2.52" 4-Piston Caliper; Serial No. 602F / 604F	M
Loaded Caliper	07 - 03	AS134580A	AS134581A	Dayton; 2.75" 4-Piston Caliper; Serial No. 581F / 583F	M
Loaded Caliper	07 - 03	AS134818A	AS134819A	Dayton; 2.75" 4-Piston Caliper; Serial No. 595F / 597F	M
Front, Unloaded	Years	Left No.	Right No.	Qualifier	Piston
Unloaded Caliper	07 - 03	CR134821	CR134820	Dayton; 2.52" 4-Piston Caliper; Serial No. 602F / 604F	M
Unloaded Caliper	07 - 03	CR134580	CR134581	Dayton; 2.75" 4-Piston Caliper; Serial No. 581F / 583F	M
Unloaded Caliper	07 - 03	CR134818	CR134819	Dayton; 2.75" 4-Piston Caliper; Serial No. 595F / 597F	M
Rear, Unloaded	Years	Left No.	Right No.	Qualifier	Piston
Unloaded Caliper	07 - 03	CR134821	CR134820	Dayton; 2.52" 4-Piston Caliper; Serial No. 602F / 604F	M
Unloaded Caliper	07 - 03	CR134580	CR134581	Dayton; 2.75" 4-Piston Caliper; Serial No. 581F / 583F	M
Unloaded Caliper	07 - 03	CR134818	CR134819	Dayton; 2.75" 4-Piston Caliper; Serial No. 595F / 597F	M

C6H042
Brake Pads & Shoes

Front Pads & Shoes	Years	SevereDuty	Lining No.	Qualifier
Brake Pads	02 - 99	SD225B		Bendix; 2.88" 2-Piston Caliper; 11000-12000 lb. FA
Brake Pads	02 - 99	SD224		Dayton; 2.50" 2-Piston Caliper; 8100 lb. FA
Brake Pads	98 - 90	SD225A		Bendix; 2.88" 2-Piston Caliper
Brake Pads	98 - 90	SD224		Dayton; 2.50" 2-Piston Caliper
Brake Shoes	02 - 97	4702Q	4702	w/Air Brakes; Rockwell/Meritor; Q-Plus; 15 x 4
Brake Shoes	02 - 97	4720Q	4720	w/Air Brakes; Rockwell/Meritor; Q-Plus; 16-1/2 x 5
Brake Shoes	02 - 97	4715Q	4715	w/Air Brakes; Rockwell/Meritor; Q-Plus; 16-1/2 x 6
Brake Shoes	02 - 90	4524Q	4524B	w/Air Brakes; Rockwell/Meritor; Q-Series; 16-1/2 x 5
Brake Shoes	02 - 90	4514Q	4514G	w/Air Brakes; Rockwell/Meritor; Q-Series; 16-1/2 x 6
Brake Shoes	96 - 90	1308Q	1308T	w/Air Brakes; Rockwell/Meritor; Q-Series; 15 x 4
Rear Pads & Shoes	Years	SevereDuty	Lining No.	Qualifier
Brake Pads	02 - 97	SD225B		Bendix; 2.88" 2-Piston Caliper; 19000 lb. RA
Brake Pads	02 - 97	SD224		Dayton; 2.50" 2-Piston Caliper; 15000 lb. RA
Brake Pads	02 - 97	SD769		Dayton; 2.52" 4-Piston Caliper; w/o Wear Sensor
Brake Pads	02	SD1032		Dayton; 2.52" 4-Piston Caliper; w/Wear Sensor
Brake Pads	02 - 97	SD769		Dayton; 2.75" 4-Piston Caliper; w/o Wear Sensor
Brake Pads	02	SD1032		Dayton; 2.75" 4-Piston Caliper; w/Wear Sensor
Brake Pads	96 - 90	SD225A		Bendix; 2.88" 2-Piston Caliper
Brake Pads	96 - 90	SD224		Dayton; 2.50" 2-Piston Caliper
Brake Pads	96 - 95	SD769		Dayton; 2.52" 4-Piston Caliper
Brake Pads	96 - 95	SD769		Dayton; 2.75" 4-Piston Caliper
Brake Shoes	02 - 90	4515P	4515E	w/Air Brakes; Rockwell/Meritor; P-Series; 16-1/2 x 7
Brake Shoes	02 - 97	4707Q	4707	w/Air Brakes; Rockwell/Meritor; Q-Plus; 16-1/2 x 7
Brake Shoes	96 - 90	4515Q	4515E	w/Air Brakes; Rockwell/Meritor; Q-Series; 16-1/2 x 7
Parking Brake Shoes	Years	SevereDuty	Lining No.	Qualifier
Brake Shoes	02 - 97	SDS647	EX2086D	Driveline Config.; 9 x 3
Brake Shoes	02 - 97	SDS824R	EX1556D	w/MT; 12 x 3
Brake Shoes	96 - 90	SDS824R	EX1556D	12 x 3
Brake Shoes	96 - 90	SDS647	EX2086D	9 x 3

Piston: M - OE Metal Piston P - OE Phenolic Piston

C6H042 (cont.)

Rotor & Drum

Front Rotor & Drum	Years	Part No.	Qualifier
Brake Rotor	02 - 97	BD125088	8100 lb. FA; Hat-Shaped; 5-Hole Rotor
Brake Rotor	96 - 90	BD125090	11000-12000 lb. FA; Hat-Shaped; 10-Hole Rotor
Brake Rotor	96 - 90	BD125088	8100 lb. FA; Hat-Shaped; 5-Hole Rotor; Dayton

Rear Rotor & Drum	Years	Part No.	Qualifier
------------------------------	--------------	-----------------	------------------

Brake Rotor	02 - 97	BD125665	15000 lb. RA; Hat-Shaped; 10-Hole Rotor; w/o ABS
Brake Rotor	02 - 97	BD125088	15000 lb. RA; Hat-Shaped; 5-Hole Rotor; w/ABS
Brake Rotor	02 - 97	BD125339	16000-19000 lb. RA; Hat-Shaped; 10-Hole Rotor; w/ABS; w/2-Piston Caliper
Brake Rotor	02 - 97	BD125488	16000-19000 lb. RA; Hat-Shaped; 10-Hole Rotor; w/ABS; w/2-Piston Caliper; w/Special Pads
Brake Rotor	02 - 97	BD125339	16000-19000 lb. RA; Hat-Shaped; 10-Hole Rotor; w/o ABS
Brake Rotor	02 - 97	BD125668	16000-19000 lb. RA; Hat-Shaped; 10-Hole Rotor; w/o ABS; w/2-Piston Caliper
Brake Rotor	02 - 97	BD125666	16000-19000 lb. RA; Hat-Shaped; 10-Hole Rotor; w/o ABS; w/4-Piston Caliper
Brake Rotor	02 - 97	BD125487	21000-23000 lb. RA; Hat-Shaped; 10-Hole Rotor
Brake Rotor	02 - 97	BD125667	21000-23000 lb. RA; U-Shaped; 10-Hole Rotor; w/o ABS
Brake Rotor	96 - 90	BD125088	15000 lb. RA; Hat-Shaped; 5-Hole Rotor
Brake Rotor	96 - 90	BD125339	16000-19000 lb. RA; Hat-Shaped; 10-Hole Rotor; w/ABS
Brake Rotor	96 - 90	BD125090	16000-19000 lb. RA; Hat-Shaped; 10-Hole Rotor; w/o ABS
Brake Rotor	96 - 90	BD125487	21000-23000 lb. RA; Hat-Shaped; 10-Hole Rotor; w/ABS
Brake Rotor	96 - 90	BD125338	21000-23000 lb. RA; U-Shaped; 10-Hole Rotor; w/o ABS

Brake Hardware

Front Brake Hardware	Years	Sequential No.	Category No.	Qualifier
-----------------------------	--------------	-----------------------	---------------------	------------------

Disc Align Kit	02 - 90	F112090S	(H5566)	Bendix; 2.88" 2-Piston Caliper
Disc Align Kit	02 - 90	F134105	(H5613)	Dayton; 2.50" 2-Piston Caliper

Rear Brake Hardware	Years	Sequential No.	Category No.	Qualifier
----------------------------	--------------	-----------------------	---------------------	------------------

Disc Align Kit	02 - 90	F112090S	(H5566)	Bendix; 2.88" 2-Piston Caliper
Disc Align Kit	02 - 90	F134105	(H5613)	Dayton; 2.50" 2-Piston Caliper
Disc Align Kit	02 - 95	F140771	(H5712)	Dayton; 2.52" 4-Piston Caliper
Disc Align Kit	02 - 95	F140630	(H3026)	Dayton; 2.75" 4-Piston Caliper

Calipers - Reman

Front, Loaded	Years	Left No.	Right No.	Qualifier	Piston
----------------------	--------------	-----------------	------------------	------------------	---------------

Loaded Caliper	02 - 90	AS120549	AS120549	Bendix; 2.88" 2-Piston Caliper	P
Loaded Caliper	02 - 90	AS120549S	AS120549S	Bendix; 2.88" 2-Piston Caliper	O
Loaded Caliper	02 - 90	AS134782	AS134782	Dayton; 2.50" 2-Piston Caliper	M

Rear, Loaded	Years	Left No.	Right No.	Qualifier	Piston
---------------------	--------------	-----------------	------------------	------------------	---------------

Loaded Caliper	02 - 97	AS120549	AS120549	Bendix; 2.88" 2-Piston Caliper; 19000 lb. RA	P
Loaded Caliper	02 - 97	AS120549S	AS120549S	Bendix; 2.88" 2-Piston Caliper; 19000 lb. RA	O
Loaded Caliper	02 - 97	AS134782	AS134782	Dayton; 2.50" 2-Piston Caliper; 15000 lb. RA	M
Loaded Caliper	02 - 97	AS134821	AS134820	Dayton; 2.52" 4-Piston Caliper; Serial No. 602C / 604C; w/o Wear Sensor	M
Loaded Caliper	02	AS134821A	AS134820A	Dayton; 2.52" 4-Piston Caliper; Serial No. 602C / 604C; w/Wear Sensor	P
Loaded Caliper	02 - 97	AS134580	AS134581	Dayton; 2.75" 4-Piston Caliper; Serial No. 581F / 583F; w/o Wear Sensor	M
Loaded Caliper	02	AS134580A	AS134581A	Dayton; 2.75" 4-Piston Caliper; Serial No. 581F / 583F; w/Wear Sensor	P
Loaded Caliper	02 - 97	AS134818	AS134819	Dayton; 2.75" 4-Piston Caliper; Serial No. 595B / 597B; w/o Wear Sensor	M
Loaded Caliper	02	AS134818A	AS134819A	Dayton; 2.75" 4-Piston Caliper; Serial No. 595B / 597B; w/Wear Sensor	P
Loaded Caliper	96 - 90	AS120549	AS120549	Bendix; 2.88" 2-Piston Caliper	P
Loaded Caliper	96 - 90	AS120549S	AS120549S	Bendix; 2.88" 2-Piston Caliper	O
Loaded Caliper	96 - 90	AS134782	AS134782	Dayton; 2.50" 2-Piston Caliper	M
Loaded Caliper	96 - 95	AS134821	AS134820	Dayton; 2.52" 4-Piston Caliper; Serial No. 602C / 604C	M
Loaded Caliper	96 - 95	AS134580	AS134581	Dayton; 2.75" 4-Piston Caliper; Serial No. 581F / 583F	M
Loaded Caliper	96 - 95	AS134818	AS134819	Dayton; 2.75" 4-Piston Caliper; Serial No. 595B / 597B	M

Front, Unloaded	Years	Left No.	Right No.	Qualifier	Piston
------------------------	--------------	-----------------	------------------	------------------	---------------

Unloaded Caliper	02 - 90	CR120549	CR120549	Bendix; 2.88" 2-Piston Caliper	P
Unloaded Caliper	02 - 90	CR120549S	CR120549S	Bendix; 2.88" 2-Piston Caliper	O
Unloaded Caliper	02 - 90	CR134782	CR134782	Dayton; 2.50" 2-Piston Caliper	M

Piston: M - OE Metal Piston P - OE Phenolic Piston O - Metal Piston Option

C6H042 (cont.)
Calipers - Reman (cont.)

<i>Rear, Unloaded</i>	<i>Years</i>	<i>Left No.</i>	<i>Right No.</i>	<i>Qualifier</i>	<i>Piston</i>
Unloaded Caliper	02 - 90	CR120549	CR120549	Bendix; 2.88" 2-Piston Caliper	P
Unloaded Caliper	02 - 90	CR120549S	CR120549S	Bendix; 2.88" 2-Piston Caliper	O
Unloaded Caliper	02 - 90	CR134782	CR134782	Dayton; 2.50" 2-Piston Caliper	M
Unloaded Caliper	02 - 95	CR134821	CR134820	Dayton; 2.52" 4-Piston Caliper; Serial No. 602C / 604C	M
Unloaded Caliper	02 - 95	CR134580	CR134581	Dayton; 2.75" 4-Piston Caliper; Serial No. 581F / 583F	M
Unloaded Caliper	02 - 95	CR134818	CR134819	Dayton; 2.75" 4-Piston Caliper; Serial No. 595B / 597B	M

Hydraulics - New

<i>Master Cylinder</i>	<i>Years</i>	<i>Sequential No.</i>	<i>Category No.</i>	<i>Qualifier</i>
Master Cylinder	96 - 92	F140745	(MC140745)	8100 lb. FA
Master Cylinder	91 - 90	F140745	(MC140745)	

<i>Front Brake Hose</i>	<i>Years</i>	<i>Sequential No.</i>	<i>Category No.</i>	<i>Qualifier</i>
Brake Hose	02 - 97	F132935	(BH132935)	L.H.; w/ABS; To Caliper
Brake Hose	02 - 97	F140743	(BH140743)	L.H.; w/o ABS
Brake Hose	02 - 97	F132935	(BH132935)	R.H.; w/ABS; To Caliper
Brake Hose	02 - 97	F140743	(BH140743)	R.H.; w/o ABS
Brake Hose	96 - 90	F132935	(BH132935)	L.H.; To Caliper
Brake Hose	96 - 90	F132935	(BH132935)	R.H.; To Caliper

<i>Rear Brake Hose</i>	<i>Years</i>	<i>Sequential No.</i>	<i>Category No.</i>	<i>Qualifier</i>
Brake Hose	02 - 90	F132934	(BH132934)	Crossover; To Top of RA Hsg.
Brake Hose	02 - 97	F132926	(BH132926)	Incl. Tee
Brake Hose	02 - 97	F140734	(BH140734)	L.H.; Crossover; w/Rear Drum
Brake Hose	02 - 97	F140740	(BH140740)	L.H.; Crossover; w/Rear Drum; w/Air Ride
Brake Hose	02 - 97	F140742	(BH140742)	L.H.; Exc. Low Pro; w/Rear Disc
Brake Hose	02 - 97	F140739	(BH140739)	L.H.; Low Pro; w/Rear Disc; w/o ABS; w/Pipe
Brake Hose	02 - 97	F140737	(BH140737)	L.H.; To RA; w/o Air Ride
Brake Hose	02 - 97	F140736	(BH140736)	Low Pro; w/Rear Drum; w/o Air Ride
Brake Hose	02 - 97	F140735	(BH140735)	R.H.; Crossover; w/Rear Drum
Brake Hose	02 - 97	F140741	(BH140741)	R.H.; Crossover; w/Rear Drum; w/Air Ride
Brake Hose	02 - 97	F140766	(BH140766)	R.H.; Exc. Low Pro; w/Rear Disc
Brake Hose	02 - 97	F140738	(BH140738)	R.H.; Low Pro; w/Rear Disc; w/o ABS; w/Pipe
Brake Hose	02 - 97	F140737	(BH140737)	R.H.; To RA; w/o Air Ride
Brake Hose	96 - 93	F132926	(BH132926)	To Rear Feed Pipe
Brake Hose	92 - 90	F111947	(BH111947)	To Rear Feed Pipe; 1/8" ID; 7/16" Nut; 24 Thread; 25" Length

Hydraulics - Reman

<i>Power Brake Booster</i>	<i>Years</i>	<i>Part No.</i>	<i>Qualifier</i>
Power Brake Booster	96 - 90	529920	w/o Master Cylinder; w/9" Pedal Rod

C7500
Brake Pads & Shoes

<i>Front Pads & Shoes</i>	<i>Years</i>	<i>SevereDuty</i>	<i>Lining No.</i>	<i>Qualifier</i>
Brake Pads	07 - 03	SD1032		Dayton; 2.52" 4-Piston Caliper
Brake Pads	07 - 03	SD1032		Dayton; 2.75" 4-Piston Caliper
Brake Shoes	07 - 03	4702Q	4702	w/Air Brakes; Rockwell/Meritor; Q-Plus; 15 x 4
Brake Shoes	07 - 03	4720Q	4720	w/Air Brakes; Rockwell/Meritor; Q-Plus; 16-1/2 x 5
Brake Shoes	07 - 03	4715Q	4715	w/Air Brakes; Rockwell/Meritor; Q-Plus; 16-1/2 x 6
<i>Rear Pads & Shoes</i>	<i>Years</i>	<i>SevereDuty</i>	<i>Lining No.</i>	<i>Qualifier</i>
Brake Pads	07 - 03	SD1032		Dayton; 2.52" 4-Piston Caliper
Brake Pads	07 - 03	SD1032		Dayton; 2.75" 4-Piston Caliper
Brake Shoes	07 - 03	4707Q	4707	w/Air Brakes; Rockwell/Meritor; Q-Plus; 16-1/2 x 7
<i>Parking Brake Shoes</i>	<i>Years</i>	<i>SevereDuty</i>	<i>Lining No.</i>	<i>Qualifier</i>
Brake Shoes	07 - 03	SDS647	EX2086D	9 x 3
Brake Shoes	07 - 03	SDS824R	EX1556D	w/MT; 12 x 3

Piston: M - OE Metal Piston P - OE Phenolic Piston O - Metal Piston Option

C7500 (cont.)

Rotor & Drum

Front Rotor & Drum	Years	Part No.	Qualifier
Brake Rotor	07 - 03	BD126363	8000-12000 lb. FA; Hat-Shaped; 10-Hole Rotor
Rear Rotor & Drum	Years	Part No.	Qualifier
Brake Rotor	07 - 03	BD126363	19000 lb. RA; Hat-Shaped; 10-Hole Rotor
Brake Rotor	07 - 03	BD126370	21000 lb. RA; U-Shaped; 10-Hole Rotor

Brake Hardware

Front Brake Hardware	Years	Sequential No.	Category No.	Qualifier
Disc Align Kit	07 - 03	F140771	(H5712)	Dayton; 2.52" 4-Piston Caliper
Disc Align Kit	07 - 03	F140630	(H3026)	Dayton; 2.75" 4-Piston Caliper
Rear Brake Hardware	Years	Sequential No.	Category No.	Qualifier
Disc Align Kit	07 - 03	F140771	(H5712)	Dayton; 2.52" 4-Piston Caliper
Disc Align Kit	07 - 03	F140630	(H3026)	Dayton; 2.75" 4-Piston Caliper

Calipers - Reman

Front, Loaded	Years	Left No.	Right No.	Qualifier	Piston
Loaded Caliper	07 - 03	AS134821A	AS134820A	Dayton; 2.52" 4-Piston Caliper; Serial No. 602F / 604F	M
Loaded Caliper	07 - 03	AS134580A	AS134581A	Dayton; 2.75" 4-Piston Caliper; Serial No. 581F / 583F	M
Loaded Caliper	07 - 03	AS134818A	AS134819A	Dayton; 2.75" 4-Piston Caliper; Serial No. 595F / 597F	M
Rear, Loaded	Years	Left No.	Right No.	Qualifier	Piston
Loaded Caliper	07 - 03	AS134821A	AS134820A	Dayton; 2.52" 4-Piston Caliper; Serial No. 602F / 604F	M
Loaded Caliper	07 - 03	AS134580A	AS134581A	Dayton; 2.75" 4-Piston Caliper; Serial No. 581F / 583F	M
Loaded Caliper	07 - 03	AS134818A	AS134819A	Dayton; 2.75" 4-Piston Caliper; Serial No. 595F / 597F	M
Front, Unloaded	Years	Left No.	Right No.	Qualifier	Piston
Unloaded Caliper	07 - 03	CR134821	CR134820	Dayton; 2.52" 4-Piston Caliper; Serial No. 602F / 604F	M
Unloaded Caliper	07 - 03	CR134580	CR134581	Dayton; 2.75" 4-Piston Caliper; Serial No. 581F / 583F	M
Unloaded Caliper	07 - 03	CR134818	CR134819	Dayton; 2.75" 4-Piston Caliper; Serial No. 595F / 597F	M
Rear, Unloaded	Years	Left No.	Right No.	Qualifier	Piston
Unloaded Caliper	07 - 03	CR134821	CR134820	Dayton; 2.52" 4-Piston Caliper; Serial No. 602F / 604F	M
Unloaded Caliper	07 - 03	CR134580	CR134581	Dayton; 2.75" 4-Piston Caliper; Serial No. 581F / 583F	M
Unloaded Caliper	07 - 03	CR134818	CR134819	Dayton; 2.75" 4-Piston Caliper; Serial No. 595F / 597F	M

C7H042

Brake Pads & Shoes

Front Pads & Shoes	Years	SevereDuty	Lining No.	Qualifier
Brake Pads	02 - 97	SD225B		Bendix; 2.88" 2-Piston Caliper
Brake Pads	02 - 97	SD224		Dayton; 2.50" 2-Piston Caliper
Brake Pads	96 - 93	SD225A		Bendix; 2.88" 2-Piston Caliper; w/o Special Thickness
Brake Pads	96 - 93	SD225B		Bendix; 2.88" 2-Piston Caliper; w/Special Thickness
Brake Pads	96 - 93	SD224		Dayton; 2.50" 2-Piston Caliper; 8100 lb. FA
Brake Pads	92 - 90	SD225A		Bendix; 2.88" 2-Piston Caliper
Brake Pads	92 - 90	SD224		Dayton; 2.50" 2-Piston Caliper
Brake Shoes	02 - 97	4702Q	4702	w/Air Brakes; Rockwell/Meritor; Q-Plus; 15 x 4
Brake Shoes	02 - 97	4720Q	4720	w/Air Brakes; Rockwell/Meritor; Q-Plus; 16-1/2 x 5
Brake Shoes	02 - 97	4715Q	4715	w/Air Brakes; Rockwell/Meritor; Q-Plus; 16-1/2 x 6
Brake Shoes	02 - 90	4524Q	4524B	w/Air Brakes; Rockwell/Meritor; Q-Series; 16-1/2 x 5
Brake Shoes	02 - 90	4514Q	4514G	w/Air Brakes; Rockwell/Meritor; Q-Series; 16-1/2 x 6
Brake Shoes	96 - 90	1308Q	1308T	w/Air Brakes; Rockwell/Meritor; Q-Series; 15 x 4
Rear Pads & Shoes	Years	SevereDuty	Lining No.	Qualifier
Brake Pads	02 - 97	SD225B		Bendix; 2.88" 2-Piston Caliper
Brake Pads	02 - 97	SD224		Dayton; 2.50" 2-Piston Caliper
Brake Pads	02 - 97	SD769		Dayton; 2.52" 4-Piston Caliper; w/o Wear Sensor
Brake Pads	02	SD1032		Dayton; 2.52" 4-Piston Caliper; w/Wear Sensor
Brake Pads	02 - 97	SD769		Dayton; 2.75" 4-Piston Caliper; w/o Wear Sensor
Brake Pads	02	SD1032		Dayton; 2.75" 4-Piston Caliper; w/Wear Sensor
Brake Pads	96 - 94	SD225A		Bendix; 2.88" 2-Piston Caliper; w/o Special Thickness
Brake Pads	96 - 94	SD225B		Bendix; 2.88" 2-Piston Caliper; w/Special Thickness

Piston: M - OE Metal Piston P - OE Phenolic Piston

Brake Pads & Shoes (cont.)

Rear Pads & Shoes	Years	SevereDuty	Lining No.	Qualifier
Brake Pads	96 - 94	SD224		Dayton; 2.50" 2-Piston Caliper; 15000 lb. RA
Brake Pads	96 - 95	SD769		Dayton; 2.52" 4-Piston Caliper
Brake Pads	96 - 95	SD769		Dayton; 2.75" 4-Piston Caliper
Brake Pads	93 - 90	SD225A		Bendix; 2.88" 2-Piston Caliper
Brake Pads	93 - 90	SD224		Dayton; 2.50" 2-Piston Caliper
Brake Shoes	02 - 90	4515P	4515E	w/Air Brakes; Rockwell/Meritor; P-Series; 16-1/2 x 7
Brake Shoes	02 - 97	4707Q	4707	w/Air Brakes; Rockwell/Meritor; Q-Plus; 16-1/2 x 7
Brake Shoes	96 - 90	4515Q	4515E	w/Air Brakes; Rockwell/Meritor; Q-Series; 16-1/2 x 7

Parking Brake Shoes	Years	SevereDuty	Lining No.	Qualifier
Brake Shoes	02 - 97	SDS647	EX2086D	Driveline Config.; 9 x 3
Brake Shoes	02 - 97	SDS824R	EX1556D	w/MT; 12 x 3
Brake Shoes	96 - 90	SDS824R	EX1556D	12 x 3
Brake Shoes	96 - 90	SDS647	EX2086D	9 x 3

Rotor & Drum

Front Rotor & Drum	Years	Part No.	Qualifier
Brake Rotor	02 - 90	BD125090	11000-12000 lb. FA; Hat-Shaped; 10-Hole Rotor
Brake Rotor	02 - 90	BD125488	11000-12000 lb. FA; Hat-Shaped; 10-Hole Rotor; w/Special Pads
Brake Rotor	02 - 90	BD125088	8100 lb. FA; Hat-Shaped; 5-Hole Rotor

Rear Rotor & Drum	Years	Part No.	Qualifier
Brake Rotor	02 - 97	BD125088	15000 lb. RA; Hat-Shaped; 5-Hole Rotor; w/ABS
Brake Rotor	02 - 97	BD125339	16000-19000 lb. RA; Hat-Shaped; 10-Hole Rotor; w/ABS; w/2-Piston Caliper
Brake Rotor	02 - 97	BD125488	16000-19000 lb. RA; Hat-Shaped; 10-Hole Rotor; w/ABS; w/2-Piston Caliper; w/Special Pads
Brake Rotor	02 - 97	BD125339	16000-19000 lb. RA; Hat-Shaped; 10-Hole Rotor; w/o ABS
Brake Rotor	02 - 97	BD125668	16000-19000 lb. RA; Hat-Shaped; 10-Hole Rotor; w/o ABS; w/2-Piston Caliper
Brake Rotor	02 - 97	BD125666	16000-19000 lb. RA; Hat-Shaped; 10-Hole Rotor; w/o ABS; w/4-Piston Caliper
Brake Rotor	02 - 97	BD125487	21000-23000 lb. RA; Hat-Shaped; 10-Hole Rotor
Brake Rotor	02 - 97	BD125667	21000-23000 lb. RA; U-Shaped; 10-Hole Rotor; w/o ABS
Brake Rotor	96 - 90	BD125088	15000 lb. RA; Hat-Shaped; 5-Hole Rotor
Brake Rotor	96 - 90	BD125339	16000-19000 lb. RA; Hat-Shaped; 10-Hole Rotor; w/ABS
Brake Rotor	96 - 90	BD125488	16000-19000 lb. RA; Hat-Shaped; 10-Hole Rotor; w/ABS; w/Special Pads
Brake Rotor	96 - 90	BD125090	16000-19000 lb. RA; Hat-Shaped; 10-Hole Rotor; w/o ABS
Brake Rotor	96 - 90	BD125487	21000-23000 lb. RA; Hat-Shaped; 10-Hole Rotor; w/ABS
Brake Rotor	96 - 90	BD125338	21000-23000 lb. RA; U-Shaped; 10-Hole Rotor; w/o ABS

Brake Hardware

Front Brake Hardware	Years	Sequential No.	Category No.	Qualifier
Disc Align Kit	02 - 90	F112090S	(H5566)	Bendix; 2.88" 2-Piston Caliper
Disc Align Kit	02 - 90	F134105	(H5613)	Dayton; 2.50" 2-Piston Caliper

Rear Brake Hardware	Years	Sequential No.	Category No.	Qualifier
Disc Align Kit	02 - 90	F112090S	(H5566)	Bendix; 2.88" 2-Piston Caliper
Disc Align Kit	02 - 90	F134105	(H5613)	Dayton; 2.50" 2-Piston Caliper
Disc Align Kit	02 - 95	F140771	(H5712)	Dayton; 2.52" 4-Piston Caliper
Disc Align Kit	02 - 95	F140630	(H3026)	Dayton; 2.75" 4-Piston Caliper

Calipers - Reman

Front, Loaded	Years	Left No.	Right No.	Qualifier	Piston
Loaded Caliper	02 - 90	AS120549	AS120549	Bendix; 2.88" 2-Piston Caliper	P
Loaded Caliper	02 - 90	AS120549S	AS120549S	Bendix; 2.88" 2-Piston Caliper	O
Loaded Caliper	02 - 90	AS134782	AS134782	Dayton; 2.50" 2-Piston Caliper	M

Rear, Loaded	Years	Left No.	Right No.	Qualifier	Piston
Loaded Caliper	02 - 97	AS120549	AS120549	Bendix; 2.88" 2-Piston Caliper; 19000 lb. RA	P
Loaded Caliper	02 - 97	AS120549S	AS120549S	Bendix; 2.88" 2-Piston Caliper; 19000 lb. RA	O
Loaded Caliper	02 - 97	AS134782	AS134782	Dayton; 2.50" 2-Piston Caliper; 15000 lb. RA	M
Loaded Caliper	02 - 97	AS134821	AS134820	Dayton; 2.52" 4-Piston Caliper; Serial No. 602C / 604C; w/o Wear Sensor	M
Loaded Caliper	02	AS134821A	AS134820A	Dayton; 2.52" 4-Piston Caliper; Serial No. 602C / 604C; w/Wear Sensor	P

Piston: M - OE Metal Piston P - OE Phenolic Piston O - Metal Piston Option

C7H042 (cont.)

Calipers - Reman (cont.)

<i>Rear, Loaded</i>	<i>Years</i>	<i>Left No.</i>	<i>Right No.</i>	<i>Qualifier</i>	<i>Piston</i>
Loaded Caliper	02 - 97	AS134580	AS134581	Dayton; 2.75" 4-Piston Caliper; Serial No. 581F / 583F; w/o Wear Sensor	M
Loaded Caliper	02	AS134580A	AS134581A	Dayton; 2.75" 4-Piston Caliper; Serial No. 581F / 583F; w/Wear Sensor	P
Loaded Caliper	02 - 97	AS134818	AS134819	Dayton; 2.75" 4-Piston Caliper; Serial No. 595B / 597B; w/o Wear Sensor	M
Loaded Caliper	02	AS134818A	AS134819A	Dayton; 2.75" 4-Piston Caliper; Serial No. 595B / 597B; w/Wear Sensor	P
Loaded Caliper	96 - 90	AS120549	AS120549	Bendix; 2.88" 2-Piston Caliper	P
Loaded Caliper	96 - 90	AS120549S	AS120549S	Bendix; 2.88" 2-Piston Caliper	O
Loaded Caliper	96 - 90	AS134782	AS134782	Dayton; 2.50" 2-Piston Caliper	M
Loaded Caliper	96 - 95	AS134821	AS134820	Dayton; 2.52" 4-Piston Caliper; Serial No. 602C / 604C	M
Loaded Caliper	96 - 95	AS134580	AS134581	Dayton; 2.75" 4-Piston Caliper; Serial No. 581F / 583F	M
Loaded Caliper	96 - 95	AS134818	AS134819	Dayton; 2.75" 4-Piston Caliper; Serial No. 595B / 597B	M

<i>Front, Unloaded</i>	<i>Years</i>	<i>Left No.</i>	<i>Right No.</i>	<i>Qualifier</i>	<i>Piston</i>
Unloaded Caliper	02 - 90	CR120549	CR120549	Bendix; 2.88" 2-Piston Caliper	P
Unloaded Caliper	02 - 90	CR120549S	CR120549S	Bendix; 2.88" 2-Piston Caliper	O
Unloaded Caliper	02 - 90	CR134782	CR134782	Dayton; 2.50" 2-Piston Caliper	M

<i>Rear, Unloaded</i>	<i>Years</i>	<i>Left No.</i>	<i>Right No.</i>	<i>Qualifier</i>	<i>Piston</i>
Unloaded Caliper	02 - 90	CR120549	CR120549	Bendix; 2.88" 2-Piston Caliper	P
Unloaded Caliper	02 - 90	CR120549S	CR120549S	Bendix; 2.88" 2-Piston Caliper	O
Unloaded Caliper	02 - 90	CR134782	CR134782	Dayton; 2.50" 2-Piston Caliper	M
Unloaded Caliper	02 - 95	CR134821	CR134820	Dayton; 2.52" 4-Piston Caliper; Serial No. 602C / 604C	M
Unloaded Caliper	02 - 95	CR134580	CR134581	Dayton; 2.75" 4-Piston Caliper; Serial No. 581F / 583F	M
Unloaded Caliper	02 - 95	CR134818	CR134819	Dayton; 2.75" 4-Piston Caliper; Serial No. 595B / 597B	M

Hydraulics - New

<i>Master Cylinder</i>	<i>Years</i>	<i>Sequential No.</i>	<i>Category No.</i>	<i>Qualifier</i>
Master Cylinder	96 - 92	F140745	(MC140745)	8100 lb. FA
Master Cylinder	91 - 90	F140745	(MC140745)	

<i>Front Brake Hose</i>	<i>Years</i>	<i>Sequential No.</i>	<i>Category No.</i>	<i>Qualifier</i>
Brake Hose	02 - 97	F132935	(BH132935)	L.H.; w/ABS; To Caliper
Brake Hose	02 - 97	F140743	(BH140743)	L.H.; w/o ABS
Brake Hose	02 - 97	F132935	(BH132935)	R.H.; w/ABS; To Caliper
Brake Hose	02 - 97	F140743	(BH140743)	R.H.; w/o ABS
Brake Hose	96 - 90	F132935	(BH132935)	L.H.; To Caliper
Brake Hose	96 - 90	F132935	(BH132935)	R.H.; To Caliper

<i>Rear Brake Hose</i>	<i>Years</i>	<i>Sequential No.</i>	<i>Category No.</i>	<i>Qualifier</i>
Brake Hose	02 - 90	F132934	(BH132934)	Crossover; To Top of RA Hsg.
Brake Hose	02 - 97	F132926	(BH132926)	Incl. Tee
Brake Hose	02 - 97	F140734	(BH140734)	L.H.; Crossover; w/Rear Drum
Brake Hose	02 - 97	F140740	(BH140740)	L.H.; Crossover; w/Rear Drum; w/Air Ride
Brake Hose	02 - 97	F140742	(BH140742)	L.H.; Exc. Low Pro; w/Rear Disc
Brake Hose	02 - 97	F140739	(BH140739)	L.H.; Low Pro; w/Rear Disc; w/o ABS; w/Pipe
Brake Hose	02 - 97	F140737	(BH140737)	L.H.; To RA; w/o Air Ride
Brake Hose	02 - 97	F140735	(BH140735)	R.H.; Crossover; w/Rear Drum
Brake Hose	02 - 97	F140741	(BH140741)	R.H.; Crossover; w/Rear Drum; w/Air Ride
Brake Hose	02 - 97	F140766	(BH140766)	R.H.; Exc. Low Pro; w/Rear Disc
Brake Hose	02 - 97	F140738	(BH140738)	R.H.; Low Pro; w/Rear Disc; w/o ABS; w/Pipe
Brake Hose	02 - 97	F140737	(BH140737)	R.H.; To RA; w/o Air Ride
Brake Hose	96 - 93	F132926	(BH132926)	To Rear Feed Pipe
Brake Hose	92 - 90	F111947	(BH111947)	To Rear Feed Pipe; 1/8" ID; 7/16" Nut; 24 Thread; 25" Length

Hydraulics - Reman

<i>Power Brake Booster</i>	<i>Years</i>	<i>Part No.</i>	<i>Qualifier</i>
Power Brake Booster	96 - 90	529920	w/o Master Cylinder; w/9" Pedal Rod

C7H064

Brake Pads & Shoes

<i>Front Pads & Shoes</i>	<i>Years</i>	<i>SevereDuty</i>	<i>Lining No.</i>	<i>Qualifier</i>
Brake Pads	02 - 97	SD225B		Bendix; 2.88" 2-Piston Caliper

Piston: M - OE Metal Piston P - OE Phenolic Piston O - Metal Piston Option

Brake Pads & Shoes (cont.)

Front Pads & Shoes	Years	SevereDuty	Lining No.	Qualifier
Brake Pads	02 - 97	SD224		Dayton; 2.50" 2-Piston Caliper
Brake Pads	96 - 93	SD225A		Bendix; 2.88" 2-Piston Caliper; w/o Special Thickness
Brake Pads	96 - 93	SD225B		Bendix; 2.88" 2-Piston Caliper; w/Special Thickness
Brake Pads	96 - 93	SD224		Dayton; 2.50" 2-Piston Caliper; 8100 lb. FA
Brake Pads	92 - 90	SD225A		Bendix; 2.88" 2-Piston Caliper
Brake Pads	92 - 90	SD224		Dayton; 2.50" 2-Piston Caliper
Brake Shoes	02 - 97	4702Q	4702	w/Air Brakes; Rockwell/Meritor; Q-Plus; 15 x 4
Brake Shoes	02 - 97	4720Q	4720	w/Air Brakes; Rockwell/Meritor; Q-Plus; 16-1/2 x 5
Brake Shoes	02 - 97	4715Q	4715	w/Air Brakes; Rockwell/Meritor; Q-Plus; 16-1/2 x 6
Brake Shoes	02 - 90	4524Q	4524B	w/Air Brakes; Rockwell/Meritor; Q-Series; 16-1/2 x 5
Brake Shoes	02 - 90	4514Q	4514G	w/Air Brakes; Rockwell/Meritor; Q-Series; 16-1/2 x 6
Brake Shoes	96 - 90	1308Q	1308T	w/Air Brakes; Rockwell/Meritor; Q-Series; 15 x 4
Rear Pads & Shoes	Years	SevereDuty	Lining No.	Qualifier
Brake Pads	02 - 97	SD225B		Bendix; 2.88" 2-Piston Caliper
Brake Pads	02 - 97	SD224		Dayton; 2.50" 2-Piston Caliper
Brake Pads	02 - 97	SD769		Dayton; 2.52" 4-Piston Caliper; w/o Wear Sensor
Brake Pads	02	SD1032		Dayton; 2.52" 4-Piston Caliper; w/Wear Sensor
Brake Pads	02 - 97	SD769		Dayton; 2.75" 4-Piston Caliper; w/o Wear Sensor
Brake Pads	02	SD1032		Dayton; 2.75" 4-Piston Caliper; w/Wear Sensor
Brake Pads	96 - 94	SD225A		Bendix; 2.88" 2-Piston Caliper; w/o Special Thickness
Brake Pads	96 - 94	SD225B		Bendix; 2.88" 2-Piston Caliper; w/Special Thickness
Brake Pads	96 - 94	SD224		Dayton; 2.50" 2-Piston Caliper; 15000 lb. RA
Brake Pads	96 - 95	SD769		Dayton; 2.52" 4-Piston Caliper
Brake Pads	96 - 95	SD769		Dayton; 2.75" 4-Piston Caliper
Brake Pads	93 - 90	SD225A		Bendix; 2.88" 2-Piston Caliper
Brake Pads	93 - 90	SD224		Dayton; 2.50" 2-Piston Caliper
Brake Shoes	02 - 90	4515P	4515E	w/Air Brakes; Rockwell/Meritor; P-Series; 16-1/2 x 7
Brake Shoes	02 - 97	4707Q	4707	w/Air Brakes; Rockwell/Meritor; Q-Plus; 16-1/2 x 7
Brake Shoes	96 - 90	4515Q	4515E	w/Air Brakes; Rockwell/Meritor; Q-Series; 16-1/2 x 7
Parking Brake Shoes	Years	SevereDuty	Lining No.	Qualifier
Brake Shoes	02 - 97	SDS647	EX2086D	Driveline Config.; 9 x 3
Brake Shoes	02 - 97	SDS824R	EX1556D	w/MT; 12 x 3
Brake Shoes	96 - 90	SDS824R	EX1556D	12 x 3
Brake Shoes	96 - 90	SDS647	EX2086D	9 x 3

Rotor & Drum

Front Rotor & Drum	Years	Part No.	Qualifier
Brake Rotor	02 - 90	BD125090	11000-12000 lb. FA; Hat-Shaped; 10-Hole Rotor
Brake Rotor	02 - 90	BD125488	11000-12000 lb. FA; Hat-Shaped; 10-Hole Rotor; w/Special Pads
Brake Rotor	02 - 90	BD125088	8100 lb. FA; Hat-Shaped; 5-Hole Rotor
Rear Rotor & Drum	Years	Part No.	Qualifier
Brake Rotor	02 - 97	BD125339	34000 lb. TRA; Hat-Shaped; 10-Hole Rotor; w/ABS; w/2-Piston Caliper
Brake Rotor	02 - 97	BD125488	34000 lb. TRA; Hat-Shaped; 10-Hole Rotor; w/ABS; w/2-Piston Caliper; w/Special Pads
Brake Rotor	02 - 97	BD125339	34000 lb. TRA; Hat-Shaped; 10-Hole Rotor; w/o ABS
Brake Rotor	02 - 97	BD125668	34000 lb. TRA; Hat-Shaped; 10-Hole Rotor; w/o ABS; w/2-Piston Caliper
Brake Rotor	02 - 97	BD125666	34000 lb. TRA; Hat-Shaped; 10-Hole Rotor; w/o ABS; w/4-Piston Caliper
Brake Rotor	02 - 97	BD125487	38000-44000 lb. TRA; Hat-Shaped; 10-Hole Rotor
Brake Rotor	02 - 97	BD125667	38000-44000 lb. TRA; U-Shaped; 10-Hole Rotor; w/o ABS
Brake Rotor	96 - 90	BD125339	34000 lb. TRA; Hat-Shaped; 10-Hole Rotor; w/ABS
Brake Rotor	96 - 90	BD125488	34000 lb. TRA; Hat-Shaped; 10-Hole Rotor; w/ABS; w/Special Pads
Brake Rotor	96 - 90	BD125090	34000 lb. TRA; Hat-Shaped; 10-Hole Rotor; w/o ABS
Brake Rotor	96 - 90	BD125487	38000-44000 lb. TRA; Hat-Shaped; 10-Hole Rotor; w/ABS
Brake Rotor	96 - 90	BD125338	38000-44000 lb. TRA; U-Shaped; 10-Hole Rotor; w/o ABS

C7H064 (cont.)

Brake Hardware

Front Brake Hardware	Years	Sequential No.	Category No.	Qualifier
Disc Align Kit	02 - 90	F112090S	(H5566)	Bendix; 2.88" 2-Piston Caliper
Disc Align Kit	02 - 90	F134105	(H5613)	Dayton; 2.50" 2-Piston Caliper

Rear Brake Hardware	Years	Sequential No.	Category No.	Qualifier
Disc Align Kit	02 - 90	F112090S	(H5566)	Bendix; 2.88" 2-Piston Caliper
Disc Align Kit	02 - 90	F134105	(H5613)	Dayton; 2.50" 2-Piston Caliper
Disc Align Kit	02 - 95	F140771	(H5712)	Dayton; 2.52" 4-Piston Caliper
Disc Align Kit	02 - 95	F140630	(H3026)	Dayton; 2.75" 4-Piston Caliper

Calipers - Reman

Front, Loaded	Years	Left No.	Right No.	Qualifier	Piston
Loaded Caliper	02 - 90	AS120549	AS120549	Bendix; 2.88" 2-Piston Caliper	P
Loaded Caliper	02 - 90	AS120549S	AS120549S	Bendix; 2.88" 2-Piston Caliper	O
Loaded Caliper	02 - 90	AS134782	AS134782	Dayton; 2.50" 2-Piston Caliper	M

Rear, Loaded	Years	Left No.	Right No.	Qualifier	Piston
Loaded Caliper	02 - 97	AS120549	AS120549	Bendix; 2.88" 2-Piston Caliper; 19000 lb. RA	P
Loaded Caliper	02 - 97	AS120549S	AS120549S	Bendix; 2.88" 2-Piston Caliper; 19000 lb. RA	O
Loaded Caliper	02 - 97	AS134782	AS134782	Dayton; 2.50" 2-Piston Caliper; 15000 lb. RA	M
Loaded Caliper	02 - 97	AS134821	AS134820	Dayton; 2.52" 4-Piston Caliper; Serial No. 602C / 604C; w/o Wear Sensor	M
Loaded Caliper	02	AS134821A	AS134820A	Dayton; 2.52" 4-Piston Caliper; Serial No. 602C / 604C; w/Wear Sensor	P
Loaded Caliper	02 - 97	AS134580	AS134581	Dayton; 2.75" 4-Piston Caliper; Serial No. 581F / 583F; w/o Wear Sensor	M
Loaded Caliper	02	AS134580A	AS134581A	Dayton; 2.75" 4-Piston Caliper; Serial No. 581F / 583F; w/Wear Sensor	P
Loaded Caliper	02 - 97	AS134818	AS134819	Dayton; 2.75" 4-Piston Caliper; Serial No. 595B / 597B; w/o Wear Sensor	M
Loaded Caliper	02	AS134818A	AS134819A	Dayton; 2.75" 4-Piston Caliper; Serial No. 595B / 597B; w/Wear Sensor	P
Loaded Caliper	96 - 90	AS120549	AS120549	Bendix; 2.88" 2-Piston Caliper	P
Loaded Caliper	96 - 90	AS120549S	AS120549S	Bendix; 2.88" 2-Piston Caliper	O
Loaded Caliper	96 - 90	AS134782	AS134782	Dayton; 2.50" 2-Piston Caliper	M
Loaded Caliper	96 - 95	AS134821	AS134820	Dayton; 2.52" 4-Piston Caliper; Serial No. 602C / 604C	M
Loaded Caliper	96 - 95	AS134580	AS134581	Dayton; 2.75" 4-Piston Caliper; Serial No. 581F / 583F	M
Loaded Caliper	96 - 95	AS134818	AS134819	Dayton; 2.75" 4-Piston Caliper; Serial No. 595B / 597B	M

Front, Unloaded	Years	Left No.	Right No.	Qualifier	Piston
Unloaded Caliper	02 - 90	CR120549	CR120549	Bendix; 2.88" 2-Piston Caliper	P
Unloaded Caliper	02 - 90	CR120549S	CR120549S	Bendix; 2.88" 2-Piston Caliper	O
Unloaded Caliper	02 - 90	CR134782	CR134782	Dayton; 2.50" 2-Piston Caliper	M

Rear, Unloaded	Years	Left No.	Right No.	Qualifier	Piston
Unloaded Caliper	02 - 90	CR120549	CR120549	Bendix; 2.88" 2-Piston Caliper	P
Unloaded Caliper	02 - 90	CR120549S	CR120549S	Bendix; 2.88" 2-Piston Caliper	O
Unloaded Caliper	02 - 90	CR134782	CR134782	Dayton; 2.50" 2-Piston Caliper	M
Unloaded Caliper	02 - 95	CR134821	CR134820	Dayton; 2.52" 4-Piston Caliper; Serial No. 602C / 604C	M
Unloaded Caliper	02 - 95	CR134580	CR134581	Dayton; 2.75" 4-Piston Caliper; Serial No. 581F / 583F	M
Unloaded Caliper	02 - 95	CR134818	CR134819	Dayton; 2.75" 4-Piston Caliper; Serial No. 595B / 597B	M

Hydraulics - New

Master Cylinder	Years	Sequential No.	Category No.	Qualifier
Master Cylinder	96 - 92	F140745	(MC140745)	8100 lb. FA
Master Cylinder	91 - 90	F140745	(MC140745)	

Front Brake Hose	Years	Sequential No.	Category No.	Qualifier
Brake Hose	02 - 97	F132935	(BH132935)	L.H.; w/ABS; To Caliper
Brake Hose	02 - 97	F140743	(BH140743)	L.H.; w/o ABS
Brake Hose	02 - 97	F132935	(BH132935)	R.H.; w/ABS; To Caliper
Brake Hose	02 - 97	F140743	(BH140743)	R.H.; w/o ABS
Brake Hose	96 - 90	F132935	(BH132935)	L.H.; To Caliper
Brake Hose	96 - 90	F132935	(BH132935)	R.H.; To Caliper

Rear Brake Hose	Years	Sequential No.	Category No.	Qualifier
Brake Hose	02 - 90	F132934	(BH132934)	Crossover; To Top of RA Hsg.
Brake Hose	02 - 97	F132926	(BH132926)	Incl. Tee
Brake Hose	02 - 97	F140734	(BH140734)	L.H.; Crossover; w/Rear Drum

Piston: M - OE Metal Piston P - OE Phenolic Piston O - Metal Piston Option

C7H064 (cont.)
Hydraulics - New (cont.)

Rear Brake Hose	Years	Sequential No.	Category No.	Qualifier
Brake Hose	02 - 97	F140740	(BH140740)	L.H.; Crossover; w/Rear Drum; w/Air Ride
Brake Hose	02 - 97	F140742	(BH140742)	L.H.; Exc. Low Pro; w/Rear Disc
Brake Hose	02 - 97	F140739	(BH140739)	L.H.; Low Pro; w/Rear Disc; w/o ABS; w/Pipe
Brake Hose	02 - 97	F140737	(BH140737)	L.H.; To RA; w/o Air Ride
Brake Hose	02 - 97	F140735	(BH140735)	R.H.; Crossover; w/Rear Drum
Brake Hose	02 - 97	F140741	(BH140741)	R.H.; Crossover; w/Rear Drum; w/Air Ride
Brake Hose	02 - 97	F140766	(BH140766)	R.H.; Exc. Low Pro; w/Rear Disc
Brake Hose	02 - 97	F140738	(BH140738)	R.H.; Low Pro; w/Rear Disc; w/o ABS; w/Pipe
Brake Hose	02 - 97	F140737	(BH140737)	R.H.; To RA; w/o Air Ride
Brake Hose	96 - 93	F132926	(BH132926)	To Rear Feed Pipe
Brake Hose	92 - 90	F111947	(BH111947)	To Rear Feed Pipe; 1/8" ID; 7/16" Nut; 24 Thread; 25" Length

Hydraulics - Reman

Power Brake Booster	Years	Part No.	Qualifier
Power Brake Booster	96 - 90	529920	w/o Master Cylinder; w/9" Pedal Rod

C8500
Brake Pads & Shoes

Front Pads & Shoes	Years	SevereDuty	Lining No.	Qualifier
Brake Shoes	07 - 03	4702Q	4702	w/Air Brakes; Rockwell/Meritor; Q-Plus; 15 x 4
Brake Shoes	07 - 03	4720Q	4720	w/Air Brakes; Rockwell/Meritor; Q-Plus; 16-1/2 x 5
Brake Shoes	07 - 03	4715Q	4715	w/Air Brakes; Rockwell/Meritor; Q-Plus; 16-1/2 x 6
Rear Pads & Shoes	Years	SevereDuty	Lining No.	Qualifier
Brake Shoes	07 - 03	4707Q	4707	w/Air Brakes; Rockwell/Meritor; Q-Plus; 16-1/2 x 7
Parking Brake Shoes	Years	SevereDuty	Lining No.	Qualifier
Brake Shoes	07 - 03	SDS647	EX2086D	Driveline Config.; 9 x 3
Brake Shoes	07 - 03	SDS824R	EX1556D	Drum-in-Hat Config.; 12 x 3

GMC MD F-Series
F6B042
Brake Pads & Shoes

Front Pads & Shoes	Years	SevereDuty	Lining No.	Qualifier
Brake Pads	02 - 96	SD225B		Bendix; 2.88" 2-Piston Caliper
Brake Pads	02 - 96	SD224		Dayton; 2.50" 2-Piston Caliper
Brake Shoes	02 - 96	4702Q	4702	w/Air Brakes; Q-Plus; 15 x 4
Brake Shoes	02 - 96	4720Q	4720	w/Air Brakes; Q-Plus; 16-1/2 x 5
Rear Pads & Shoes	Years	SevereDuty	Lining No.	Qualifier
Brake Pads	02 - 96	SD225B		Bendix; 2.88" 2-Piston Caliper
Brake Pads	02 - 96	SD224		Dayton; 2.50" 2-Piston Caliper
Brake Pads	02 - 98	SD769		Dayton; 2.52" 4-Piston Caliper; w/o Wear Sensor
Brake Pads	02	SD1032		Dayton; 2.52" 4-Piston Caliper; w/Wear Sensor
Brake Pads	02 - 98	SD769		Dayton; 2.75" 4-Piston Caliper; w/o Wear Sensor
Brake Pads	02	SD1032		Dayton; 2.75" 4-Piston Caliper; w/Wear Sensor
Brake Shoes	02 - 96	4707Q	4707	w/Air Brakes; Q-Plus; 16-1/2 x 7
Parking Brake Shoes	Years	SevereDuty	Lining No.	Qualifier
Brake Shoes	02 - 96	SDS647	EX2086D	Driveline Config.; 9 x 3
Brake Shoes	02 - 96	SDS824R	EX1556D	Drum-in-Hat Config.; 12 x 3

Rotor & Drum

Front Rotor & Drum	Years	Part No.	Qualifier
Brake Rotor	02 - 96	BD125088	8100 lb. FA; Hat-Shaped; 5-Hole
Rear Rotor & Drum	Years	Part No.	Qualifier
Brake Rotor	02 - 96	BD125665	15000 lb. RA; Hat-Shaped; 10-Hole
Brake Rotor	02 - 96	BD125338	16900-19000 lb. RA; Hat-Shaped; 10-Hole; w/2-Piston Caliper
Brake Rotor	02 - 96	BD125668	16900-19000 lb. RA; Hat-Shaped; 10-Hole; w/2-Piston Caliper
Brake Rotor	02 - 98	BD125666	16900-19000 lb. RA; Hat-Shaped; 10-Hole; w/4-Piston Caliper

F6B042 (cont.)

Rotor & Drum (cont.)

<i>Rear Rotor & Drum</i>	<i>Years</i>	<i>Part No.</i>	<i>Qualifier</i>
Brake Rotor	02 - 96	BD125667	21000-23000 lb. RA; U-Shaped; 10-Hole

Brake Hardware

<i>Front Brake Hardware</i>	<i>Years</i>	<i>Sequential No.</i>	<i>Category No.</i>	<i>Qualifier</i>
Disc Align Kit	02 - 96	F112090S	(H5566)	Bendix; 2.88" 2-Piston Caliper
Disc Align Kit	02 - 96	F134105	(H5613)	Dayton; 2.50" 2-Piston Caliper

<i>Rear Brake Hardware</i>	<i>Years</i>	<i>Sequential No.</i>	<i>Category No.</i>	<i>Qualifier</i>
Disc Align Kit	02 - 96	F112090S	(H5566)	Bendix; 2.88" 2-Piston Caliper
Disc Align Kit	02 - 96	F134105	(H5613)	Dayton; 2.50" 2-Piston Caliper
Disc Align Kit	02 - 98	F140630	(H3026)	Dayton; 2.52" 4-Piston Caliper; w/o Wear Sensor
Disc Align Kit	02	F140771	(H5712)	Dayton; 2.52" 4-Piston Caliper; w/Wear Sensor
Disc Align Kit	02 - 98	F140630	(H3026)	Dayton; 2.75" 4-Piston Caliper; w/o Wear Sensor
Disc Align Kit	02	F140771	(H5712)	Dayton; 2.75" 4-Piston Caliper; w/Wear Sensor

Calipers - Reman

<i>Front, Loaded</i>	<i>Years</i>	<i>Left No.</i>	<i>Right No.</i>	<i>Qualifier</i>	<i>Piston</i>
Loaded Caliper	02 - 96	AS120549	AS120549	Bendix; 2.88" 2-Piston Caliper	P
Loaded Caliper	02 - 96	AS120549S	AS120549S	Bendix; 2.88" 2-Piston Caliper	O
Loaded Caliper	02 - 96	AS134782	AS134782	Dayton; 2.50" 2-Piston Caliper	M

<i>Rear, Loaded</i>	<i>Years</i>	<i>Left No.</i>	<i>Right No.</i>	<i>Qualifier</i>	<i>Piston</i>
Loaded Caliper	02 - 96	AS120549	AS120549	Bendix; 2.88" 2-Piston Caliper	P
Loaded Caliper	02 - 96	AS120549S	AS120549S	Bendix; 2.88" 2-Piston Caliper	O
Loaded Caliper	02 - 96	AS134782	AS134782	Dayton; 2.50" 2-Piston Caliper	M
Loaded Caliper	02 - 98	AS134821	AS134820	Dayton; 2.52" 4-Piston Caliper; Serial No. 602C / 604C; w/o Wear Sensor	M
Loaded Caliper	02	AS134821A	AS134820A	Dayton; 2.52" 4-Piston Caliper; Serial No. 602C / 604C; w/Wear Sensor	P
Loaded Caliper	02 - 98	AS134580	AS134581	Dayton; 2.75" 4-Piston Caliper; Serial No. 581F / 583F; w/o Wear Sensor	M
Loaded Caliper	02	AS134580A	AS134581A	Dayton; 2.75" 4-Piston Caliper; Serial No. 581F / 583F; w/Wear Sensor	P
Loaded Caliper	02 - 98	AS134818	AS134819	Dayton; 2.75" 4-Piston Caliper; Serial No. 595F / 597F; w/o Wear Sensor	M
Loaded Caliper	02	AS134818A	AS134819A	Dayton; 2.75" 4-Piston Caliper; Serial No. 595F / 597F; w/Wear Sensor	P

<i>Front, Unloaded</i>	<i>Years</i>	<i>Left No.</i>	<i>Right No.</i>	<i>Qualifier</i>	<i>Piston</i>
Unloaded Caliper	02 - 96	CR120549	CR120549	Bendix; 2.88" 2-Piston Caliper	P
Unloaded Caliper	02 - 96	CR120549S	CR120549S	Bendix; 2.88" 2-Piston Caliper	O
Unloaded Caliper	02 - 96	CR134782	CR134782	Dayton; 2.50" 2-Piston Caliper	M

<i>Rear, Unloaded</i>	<i>Years</i>	<i>Left No.</i>	<i>Right No.</i>	<i>Qualifier</i>	<i>Piston</i>
Unloaded Caliper	02 - 96	CR120549	CR120549	Bendix; 2.88" 2-Piston Caliper	P
Unloaded Caliper	02 - 96	CR120549S	CR120549S	Bendix; 2.88" 2-Piston Caliper	O
Unloaded Caliper	02 - 96	CR134782	CR134782	Dayton; 2.50" 2-Piston Caliper	M
Unloaded Caliper	02 - 98	CR134821	CR134820	Dayton; 2.52" 4-Piston Caliper; Serial No. 602C / 604C	M
Unloaded Caliper	02 - 98	CR134580	CR134581	Dayton; 2.75" 4-Piston Caliper; Serial No. 581F / 583F	M
Unloaded Caliper	02 - 98	CR134818	CR134819	Dayton; 2.75" 4-Piston Caliper; Serial No. 595F / 597F	M

Hydraulics - New

<i>Front Brake Hose</i>	<i>Years</i>	<i>Sequential No.</i>	<i>Category No.</i>	<i>Qualifier</i>
Brake Hose	02 - 96	F140743	(BH140743)	

<i>Rear Brake Hose</i>	<i>Years</i>	<i>Sequential No.</i>	<i>Category No.</i>	<i>Qualifier</i>
Brake Hose	02 - 96	F140736	(BH140736)	L.H.; w/Low Pro
Brake Hose	02 - 99	F140738	(BH140738)	L.H.; w/Low Pro; w/Pipe
Brake Hose	02 - 96	F140737	(BH140737)	L.H.; w/o Low Pro
Brake Hose	02 - 99	F140742	(BH140742)	L.H.; w/o Low Pro; w/Pipe
Brake Hose	02 - 96	F140736	(BH140736)	R.H.; w/Low Pro
Brake Hose	02 - 99	F140739	(BH140739)	R.H.; w/Low Pro; w/Pipe
Brake Hose	02 - 96	F140737	(BH140737)	R.H.; w/o Low Pro
Brake Hose	02 - 99	F140766	(BH140766)	R.H.; w/o Low Pro; w/Pipe

Piston: M - OE Metal Piston P - OE Phenolic Piston O - Metal Piston Option

Brake Pads & Shoes

Front Pads & Shoes	Years	SevereDuty	Lining No.	Qualifier
Brake Pads	02 - 96	SD225B		Bendix; 2.88" 2-Piston Caliper
Brake Pads	02 - 96	SD224		Dayton; 2.50" 2-Piston Caliper
Brake Shoes	02 - 96	4702Q	4702	w/Air Brakes; Q-Plus; 15 x 4
Brake Shoes	02 - 96	4720Q	4720	w/Air Brakes; Q-Plus; 16-1/2 x 5
Brake Shoes	02 - 96	4524Q	4524B	w/Air Brakes; Q-Series; 16-1/2 x 5

Rear Pads & Shoes	Years	SevereDuty	Lining No.	Qualifier
Brake Pads	02 - 96	SD225B		Bendix; 2.88" 2-Piston Caliper
Brake Pads	02 - 96	SD224		Dayton; 2.50" 2-Piston Caliper
Brake Pads	02 - 98	SD769		Dayton; 2.52" 4-Piston Caliper; w/o Wear Sensor
Brake Pads	02	SD1032		Dayton; 2.52" 4-Piston Caliper; w/Wear Sensor
Brake Pads	02 - 98	SD769		Dayton; 2.75" 4-Piston Caliper; w/o Wear Sensor
Brake Pads	02	SD1032		Dayton; 2.75" 4-Piston Caliper; w/Wear Sensor
Brake Shoes	02 - 96	4707Q	4707	w/Air Brakes; Q-Plus; 16-1/2 x 7
Brake Shoes	02 - 96	4515P	4515E	w/Air Brakes; Q-Series; 16-1/2 x 7

Parking Brake Shoes	Years	SevereDuty	Lining No.	Qualifier
Brake Shoes	02 - 96	SDS647	EX2086D	Driveline Config.; 9 x 3
Brake Shoes	02 - 96	SDS824R	EX1556D	Drum-in-Hat Config.; 12 x 3

Rotor & Drum

Front Rotor & Drum	Years	Part No.	Qualifier
Brake Rotor	02 - 96	BD125488	11000 lb. FA; Hat-Shaped; 10-Hole
Brake Rotor	02 - 96	BD125088	8100 lb. FA; Hat-Shaped; 5-Hole

Rear Rotor & Drum	Years	Part No.	Qualifier
Brake Rotor	02 - 96	BD125338	16900-19000 lb. RA; Hat-Shaped; 10-Hole; w/2-Piston Caliper
Brake Rotor	02 - 96	BD125668	16900-19000 lb. RA; Hat-Shaped; 10-Hole; w/2-Piston Caliper
Brake Rotor	02 - 98	BD125666	16900-19000 lb. RA; Hat-Shaped; 10-Hole; w/4-Piston Caliper
Brake Rotor	02 - 96	BD125667	21000-23000 lb. RA; U-Shaped; 10-Hole
Brake Rotor	00 - 96	BD125665	15000 lb. RA; Hat-Shaped; 10-Hole

Brake Hardware

Front Brake Hardware	Years	Sequential No.	Category No.	Qualifier
Disc Align Kit	02 - 96	F112090S	(H5566)	Bendix; 2.88" 2-Piston Caliper
Disc Align Kit	02 - 96	F134105	(H5613)	Dayton; 2.50" 2-Piston Caliper

Rear Brake Hardware	Years	Sequential No.	Category No.	Qualifier
Disc Align Kit	02 - 96	F112090S	(H5566)	Bendix; 2.88" 2-Piston Caliper
Disc Align Kit	02 - 96	F134105	(H5613)	Dayton; 2.50" 2-Piston Caliper
Disc Align Kit	02 - 98	F140630	(H3026)	Dayton; 2.52" 4-Piston Caliper; w/o Wear Sensor
Disc Align Kit	02	F140771	(H5712)	Dayton; 2.52" 4-Piston Caliper; w/Wear Sensor
Disc Align Kit	02 - 98	F140630	(H3026)	Dayton; 2.75" 4-Piston Caliper; w/o Wear Sensor
Disc Align Kit	02	F140771	(H5712)	Dayton; 2.75" 4-Piston Caliper; w/Wear Sensor

Calipers - Reman

Front, Loaded	Years	Left No.	Right No.	Qualifier	Piston
Loaded Caliper	02 - 96	AS120549	AS120549	Bendix; 2.88" 2-Piston Caliper	P
Loaded Caliper	02 - 96	AS120549S	AS120549S	Bendix; 2.88" 2-Piston Caliper	O
Loaded Caliper	02 - 96	AS134782	AS134782	Dayton; 2.50" 2-Piston Caliper	M

Rear, Loaded	Years	Left No.	Right No.	Qualifier	Piston
Loaded Caliper	02 - 96	AS120549	AS120549	Bendix; 2.88" 2-Piston Caliper	P
Loaded Caliper	02 - 96	AS120549S	AS120549S	Bendix; 2.88" 2-Piston Caliper	O
Loaded Caliper	02 - 96	AS134782	AS134782	Dayton; 2.50" 2-Piston Caliper	M
Loaded Caliper	02 - 98	AS134821	AS134820	Dayton; 2.52" 4-Piston Caliper; Serial No. 602C / 604C; w/o Wear Sensor	M
Loaded Caliper	02	AS134821A	AS134820A	Dayton; 2.52" 4-Piston Caliper; Serial No. 602C / 604C; w/Wear Sensor	P
Loaded Caliper	02 - 98	AS134580	AS134581	Dayton; 2.75" 4-Piston Caliper; Serial No. 581F / 583F; w/o Wear Sensor	M
Loaded Caliper	02	AS134580A	AS134581A	Dayton; 2.75" 4-Piston Caliper; Serial No. 581F / 583F; w/Wear Sensor	P
Loaded Caliper	02 - 98	AS134818	AS134819	Dayton; 2.75" 4-Piston Caliper; Serial No. 595F / 597F; w/o Wear Sensor	M
Loaded Caliper	02	AS134818A	AS134819A	Dayton; 2.75" 4-Piston Caliper; Serial No. 595F / 597F; w/Wear Sensor	P

Piston: M - OE Metal Piston P - OE Phenolic Piston O - Metal Piston Option

F7B042 (cont.)

Calipers - Reman (cont.)

<i>Front, Unloaded</i>	<i>Years</i>	<i>Left No.</i>	<i>Right No.</i>	<i>Qualifier</i>	<i>Piston</i>
Unloaded Caliper	02 - 96	CR120549	CR120549	Bendix; 2.88" 2-Piston Caliper	P
Unloaded Caliper	02 - 96	CR120549S	CR120549S	Bendix; 2.88" 2-Piston Caliper	O
Unloaded Caliper	02 - 96	CR134782	CR134782	Dayton; 2.50" 2-Piston Caliper	M
<i>Rear, Unloaded</i>	<i>Years</i>	<i>Left No.</i>	<i>Right No.</i>	<i>Qualifier</i>	<i>Piston</i>
Unloaded Caliper	02 - 96	CR120549	CR120549	Bendix; 2.88" 2-Piston Caliper	P
Unloaded Caliper	02 - 96	CR120549S	CR120549S	Bendix; 2.88" 2-Piston Caliper	O
Unloaded Caliper	02 - 96	CR134782	CR134782	Dayton; 2.50" 2-Piston Caliper	M
Unloaded Caliper	02 - 98	CR134821	CR134820	Dayton; 2.52" 4-Piston Caliper; Serial No. 602C / 604C	M
Unloaded Caliper	02 - 98	CR134580	CR134581	Dayton; 2.75" 4-Piston Caliper; Serial No. 581F / 583F	M
Unloaded Caliper	02 - 98	CR134818	CR134819	Dayton; 2.75" 4-Piston Caliper; Serial No. 595F / 597F	M

Hydraulics - New

<i>Front Brake Hose</i>	<i>Years</i>	<i>Sequential No.</i>	<i>Category No.</i>	<i>Qualifier</i>
Brake Hose	02 - 96	F140743	(BH140743)	
<i>Rear Brake Hose</i>	<i>Years</i>	<i>Sequential No.</i>	<i>Category No.</i>	<i>Qualifier</i>
Brake Hose	02 - 96	F140736	(BH140736)	L.H.; w/Low Pro
Brake Hose	02 - 99	F140738	(BH140738)	L.H.; w/Low Pro; w/Pipe
Brake Hose	02 - 96	F140737	(BH140737)	L.H.; w/o Low Pro
Brake Hose	02 - 99	F140742	(BH140742)	L.H.; w/o Low Pro; w/Pipe
Brake Hose	02 - 96	F140736	(BH140736)	R.H.; w/Low Pro
Brake Hose	02 - 99	F140739	(BH140739)	R.H.; w/Low Pro; w/Pipe
Brake Hose	02 - 96	F140737	(BH140737)	R.H.; w/o Low Pro
Brake Hose	02 - 99	F140766	(BH140766)	R.H.; w/o Low Pro; w/Pipe

F7B064

Brake Pads & Shoes

<i>Front Pads & Shoes</i>	<i>Years</i>	<i>SevereDuty</i>	<i>Lining No.</i>	<i>Qualifier</i>
Brake Pads	02 - 96	SD225B		Bendix; 2.88" 2-Piston Caliper
Brake Pads	02 - 96	SD224		Dayton; 2.50" 2-Piston Caliper
Brake Shoes	02 - 96	4702Q	4702	w/Air Brakes; Q-Plus; 15 x 4
Brake Shoes	02 - 96	4720Q	4720	w/Air Brakes; Q-Plus; 16-1/2 x 5
Brake Shoes	02 - 96	4524Q	4524B	w/Air Brakes; Q-Series; 16-1/2 x 5
<i>Rear Pads & Shoes</i>	<i>Years</i>	<i>SevereDuty</i>	<i>Lining No.</i>	<i>Qualifier</i>
Brake Pads	02 - 96	SD225B		Bendix; 2.88" 2-Piston Caliper
Brake Pads	02 - 96	SD224		Dayton; 2.50" 2-Piston Caliper
Brake Pads	02 - 98	SD769		Dayton; 2.52" 4-Piston Caliper; w/o Wear Sensor
Brake Pads	02	SD1032		Dayton; 2.52" 4-Piston Caliper; w/Wear Sensor
Brake Pads	02 - 98	SD769		Dayton; 2.75" 4-Piston Caliper; w/o Wear Sensor
Brake Pads	02	SD1032		Dayton; 2.75" 4-Piston Caliper; w/Wear Sensor
Brake Shoes	02 - 96	4707Q	4707	w/Air Brakes; Q-Plus; 16-1/2 x 7
<i>Parking Brake Shoes</i>	<i>Years</i>	<i>SevereDuty</i>	<i>Lining No.</i>	<i>Qualifier</i>
Brake Shoes	02 - 96	SDS647	EX2086D	Driveline Config.; 9 x 3
Brake Shoes	02 - 96	SDS824R	EX1556D	Drum-in-Hat Config.; 12 x 3

Rotor & Drum

<i>Front Rotor & Drum</i>	<i>Years</i>	<i>Part No.</i>	<i>Qualifier</i>
Brake Rotor	02 - 96	BD125488	11000 lb. FA; Hat-Shaped; 10-Hole
Brake Rotor	02 - 96	BD125088	8100 lb. FA; Hat-Shaped; 5-Hole
<i>Rear Rotor & Drum</i>	<i>Years</i>	<i>Part No.</i>	<i>Qualifier</i>
Brake Rotor	02 - 96	BD125338	34000 lb. TRA; Hat-Shaped; 10-Hole; w/2-Piston Caliper
Brake Rotor	02 - 96	BD125668	34000 lb. TRA; Hat-Shaped; 10-Hole; w/2-Piston Caliper
Brake Rotor	02 - 98	BD125666	34000 lb. TRA; Hat-Shaped; 10-Hole; w/4-Piston Caliper
Brake Rotor	02 - 96	BD125667	38000-44000 lb. TRA; U-Shaped; 10-Hole

Brake Hardware

<i>Front Brake Hardware</i>	<i>Years</i>	<i>Sequential No.</i>	<i>Category No.</i>	<i>Qualifier</i>
Disc Align Kit	02 - 96	F112090S	(H5566)	Bendix; 2.88" 2-Piston Caliper

Piston: M - OE Metal Piston P - OE Phenolic Piston O - Metal Piston Option

F7B064 (cont.)

Brake Hardware (cont.)

Front Brake Hardware	Years	Sequential No.	Category No.	Qualifier
Disc Align Kit	02 - 96	F134105	(H5613)	Dayton; 2.50" 2-Piston Caliper
Rear Brake Hardware	Years	Sequential No.	Category No.	Qualifier
Disc Align Kit	02 - 96	F112090S	(H5566)	Bendix; 2.88" 2-Piston Caliper
Disc Align Kit	02 - 96	F134105	(H5613)	Dayton; 2.50" 2-Piston Caliper
Disc Align Kit	02 - 98	F140630	(H3026)	Dayton; 2.52" 4-Piston Caliper; w/o Wear Sensor
Disc Align Kit	02	F140771	(H5712)	Dayton; 2.52" 4-Piston Caliper; w/Wear Sensor
Disc Align Kit	02 - 98	F140630	(H3026)	Dayton; 2.75" 4-Piston Caliper; w/o Wear Sensor
Disc Align Kit	02	F140771	(H5712)	Dayton; 2.75" 4-Piston Caliper; w/Wear Sensor

Calipers - Reman

Front, Loaded	Years	Left No.	Right No.	Qualifier	Piston
Loaded Caliper	02 - 96	AS120549	AS120549	Bendix; 2.88" 2-Piston Caliper	P
Loaded Caliper	02 - 96	AS120549S	AS120549S	Bendix; 2.88" 2-Piston Caliper	O
Loaded Caliper	02 - 96	AS134782	AS134782	Dayton; 2.50" 2-Piston Caliper	M
Rear, Loaded	Years	Left No.	Right No.	Qualifier	Piston
Loaded Caliper	02 - 96	AS120549	AS120549	Bendix; 2.88" 2-Piston Caliper	P
Loaded Caliper	02 - 96	AS120549S	AS120549S	Bendix; 2.88" 2-Piston Caliper	O
Loaded Caliper	02 - 96	AS134782	AS134782	Dayton; 2.50" 2-Piston Caliper	M
Loaded Caliper	02 - 98	AS134821	AS134820	Dayton; 2.52" 4-Piston Caliper; Serial No. 602C / 604C; w/o Wear Sensor	M
Loaded Caliper	02	AS134821A	AS134820A	Dayton; 2.52" 4-Piston Caliper; Serial No. 602C / 604C; w/Wear Sensor	P
Loaded Caliper	02 - 98	AS134580	AS134581	Dayton; 2.75" 4-Piston Caliper; Serial No. 581F / 583F; w/o Wear Sensor	M
Loaded Caliper	02	AS134580A	AS134581A	Dayton; 2.75" 4-Piston Caliper; Serial No. 581F / 583F; w/Wear Sensor	P
Loaded Caliper	02 - 98	AS134818	AS134819	Dayton; 2.75" 4-Piston Caliper; Serial No. 595F / 597F; w/o Wear Sensor	M
Loaded Caliper	02	AS134818A	AS134819A	Dayton; 2.75" 4-Piston Caliper; Serial No. 595F / 597F; w/Wear Sensor	P
Front, Unloaded	Years	Left No.	Right No.	Qualifier	Piston
Unloaded Caliper	02 - 96	CR120549	CR120549	Bendix; 2.88" 2-Piston Caliper	P
Unloaded Caliper	02 - 96	CR120549S	CR120549S	Bendix; 2.88" 2-Piston Caliper	O
Unloaded Caliper	02 - 96	CR134782	CR134782	Dayton; 2.50" 2-Piston Caliper	M
Rear, Unloaded	Years	Left No.	Right No.	Qualifier	Piston
Unloaded Caliper	02 - 96	CR120549	CR120549	Bendix; 2.88" 2-Piston Caliper	P
Unloaded Caliper	02 - 96	CR120549S	CR120549S	Bendix; 2.88" 2-Piston Caliper	O
Unloaded Caliper	02 - 96	CR134782	CR134782	Dayton; 2.50" 2-Piston Caliper	M
Unloaded Caliper	02 - 98	CR134821	CR134820	Dayton; 2.52" 4-Piston Caliper; Serial No. 602C / 604C	M
Unloaded Caliper	02 - 98	CR134580	CR134581	Dayton; 2.75" 4-Piston Caliper; Serial No. 581F / 583F	M
Unloaded Caliper	02 - 98	CR134818	CR134819	Dayton; 2.75" 4-Piston Caliper; Serial No. 595F / 597F	M

Hydraulics - New

Front Brake Hose	Years	Sequential No.	Category No.	Qualifier
Brake Hose	02 - 96	F140743	(BH140743)	
Rear Brake Hose	Years	Sequential No.	Category No.	Qualifier
Brake Hose	02 - 96	F140736	(BH140736)	L.H.; w/Low Pro
Brake Hose	02 - 99	F140738	(BH140738)	L.H.; w/Low Pro; w/Pipe
Brake Hose	02 - 96	F140737	(BH140737)	L.H.; w/o Low Pro
Brake Hose	02 - 99	F140742	(BH140742)	L.H.; w/o Low Pro; w/Pipe
Brake Hose	02 - 96	F140736	(BH140736)	R.H.; w/Low Pro
Brake Hose	02 - 99	F140739	(BH140739)	R.H.; w/Low Pro; w/Pipe
Brake Hose	02 - 96	F140737	(BH140737)	R.H.; w/o Low Pro
Brake Hose	02 - 99	F140766	(BH140766)	R.H.; w/o Low Pro; w/Pipe

GMC MD P-Series

P4T042

Brake Pads & Shoes

Front Pads & Shoes	Years	SevereDuty	Lining No.	Qualifier
Brake Pads	90 - 79	SD184		Bendix; 3.38" 1-Piston Caliper
Brake Pads	90 - 79	SD224		Dayton; 2.50" 2-Piston Caliper
Brake Shoes	90 - 79	SDS299R	EX2039D-S32	Hyd. Brakes; Auto Adj.; 14 x 2-1/2

Piston: M - OE Metal Piston P - OE Phenolic Piston O - Metal Piston Option

P4T042 (cont.)

Brake Pads & Shoes (cont.)

Front Pads & Shoes	Years	SevereDuty	Lining No.	Qualifier
Brake Shoes	90 - 79	SDS321R	EX1245AD-S32	Hyd. Brakes; Auto Adj.; 15 x 3
Brake Shoes	90 - 79	SDS235R	EX1245AD-S32	Hyd. Brakes; Man. Adj.; 15 x 3
Rear Pads & Shoes	Years	SevereDuty	Lining No.	Qualifier
Brake Pads	90 - 79	SD224		Dayton; 2.50" 2-Piston Caliper
Brake Shoes	90 - 79	SDS452R	EX2157TD-S32	Hyd. Brakes; 13 x 3-1/2
Brake Shoes	90 - 79	SDS427R	EX4640D	Hyd. Brakes; 15 x 4
Brake Shoes	90 - 79	SDS442R	EX4639D-S32	Hyd. Brakes; 15 x 5
Parking Brake Shoes	Years	SevereDuty	Lining No.	Qualifier
Brake Shoes	90 - 79	SDS449R	EX2159TD	11 x 2
Brake Shoes	90 - 79	SDS647	EX2086D	9 x 3

Rotor & Drum

Front Rotor & Drum	Years	Part No.	Qualifier
Brake Rotor	90 - 79	BD125089	5000 lb. FA; Hat-Shaped; 6-Hole Rotor; Dayton
Brake Rotor	90 - 79	BD61808	5000 lb. FA; Hat-Shaped; 8-Hole Rotor; Budd
Rear Rotor & Drum	Years	Part No.	Qualifier
Brake Drum	90 - 79	BD60356	Hyd. Brakes; 13 x 3-1/2
Brake Rotor	90 - 79	BD125358	15000 lb. RA; Hat-Shaped; 6-Hole Rotor
Brake Rotor	89 - 83	BD125088	15000 lb. RA; Hat-Shaped; 5-Hole Rotor

Brake Hardware

Front Brake Hardware	Years	Sequential No.	Category No.	Qualifier
Adjuster Kit	90 - 79	F128889	(H2906)	L.H.; GM; 14" Brake
Adjuster Kit	90 - 79	F140819	(H2714)	L.H.; Wagner; Auto Adj.
Adjuster Kit	90 - 79	F128990	(H2929)	L.H.; Wagner; Man. Adj.
Adjuster Kit	90 - 79	F128890	(H2907)	R.H.; GM; 14" Brake
Adjuster Kit	90 - 79	F140820	(H2715)	R.H.; Wagner; Auto Adj.
Adjuster Kit	90 - 79	F128990	(H2929)	R.H.; Wagner; Man. Adj.
Combi Kit	90 - 79	F117009	(H7177)	GM; 14" Brake
↳Adjuster Spring Kit		F73145S	(H425)	
↳Return Spring Kit		F73143	(H601)	
Combi Kit	90 - 79	F117025	(H7173)	Wagner; 15" Brake; Auto Adj.
↳Hold Down Kit		F73399	(H4201)	
↳Return Spring Kit		F36445	(H521)	
Combi Kit	90 - 79	F117026	(H7172)	Wagner; 15" Brake; Man. Adj.
↳Hold Down Kit		F19408	(H4200)	
↳Return Spring Kit		F36445	(H521)	
Disc Align Kit	90 - 79	F107401S	(H5562)	Bendix; 3.38" 1-Piston Caliper
Disc Align Kit	90 - 79	F134105	(H5613)	Dayton; 2.50" 2-Piston Caliper

Rear Brake Hardware	Years	Sequential No.	Category No.	Qualifier
Adjuster Kit	90 - 79	F98406	(H2580)	L.H.; GM; 13" Brake
Adjuster Kit	90 - 79	F128891	(H2908)	L.H.; GM; 15" Brake
Adjuster Kit	90 - 79	F98407	(H2581)	R.H.; GM; 13" Brake
Adjuster Kit	90 - 79	F128892	(H2909)	R.H.; GM; 15" Brake
Adjuster Screw	90 - 79	F128882	(H1712)	L.H.; GM; 13" Brake
Adjuster Screw	90 - 79	F128880S	(H1710)	L.H.; GM; 15" Brake
Adjuster Screw	90 - 79	F128883	(H1713)	R.H.; GM; 13" Brake
Adjuster Screw	90 - 79	F128881S	(H1711)	R.H.; GM; 15" Brake
Combi Kit	90 - 79	F98457S	(H7055)	GM; 13" Brake
↳Adjuster Spring Kit		F73145S	(H425)	
↳Hold Down Kit		F113455S	(H4098)	
↳Return Spring Kit		F59100S	(H600)	
Combi Kit	90 - 79	F140612	(H3008)	GM; 15" Brake
↳Hold Down Kit		F128928	(H4202)	
↳Return Spring Kit		F86408	(H552)	
Disc Align Kit	90 - 79	F134105	(H5613)	Dayton; 2.50" 2-Piston Caliper

↳Sub-Kit of Combi-Kit is available separately.

P4T042 (cont.)
Calipers - Reman

Front, Loaded	Years	Left No.	Right No.	Qualifier	Piston
Loaded Caliper	90 - 88	AS98906A	AS98907A	Bendix; 3.38" 1-Piston Caliper	M
Loaded Caliper	90 - 79	AS134782	AS134782	Dayton; 2.50" 2-Piston Caliper	M
Rear, Loaded	Years	Left No.	Right No.	Qualifier	Piston
Loaded Caliper	90 - 79	AS134782	AS134782	Dayton; 2.50" 2-Piston Caliper	M
Front, Unloaded	Years	Left No.	Right No.	Qualifier	Piston
Unloaded Caliper	90 - 88	CR98906	CR98907	Bendix; 3.38" 1-Piston Caliper	M
Unloaded Caliper	90 - 79	CR134782	CR134782	Dayton; 2.50" 2-Piston Caliper	M
Rear, Unloaded	Years	Left No.	Right No.	Qualifier	Piston
Unloaded Caliper	90 - 79	CR134782	CR134782	Dayton; 2.50" 2-Piston Caliper	M

Hydraulics - New

Master Cylinder	Years	Sequential No.	Category No.	Qualifier
Master Cylinder	87 - 84	F119399	(MC119399)	Bendix; Cast Iron Reservoir
Master Cylinder	83 - 82	F119399	(MC119399)	Bendix; Cast Iron Reservoir; w/Delco Hi-Perf. Booster
Master Cylinder	83 - 82	F77034	(MC77034)	Bendix; Cast Iron Reservoir; w/o Delco Hi-Perf. Booster
Master Cylinder	81 - 79	F77034	(MC77034)	Bendix; Cast Iron Reservoir; Split Syst.
Front Wheel Cylinder	Years	Sequential No.	Category No.	Qualifier
Wheel Cylinder	90 - 79	F34401	(WC34401)	L.H.; 14 x 2-1/2" Brake
Wheel Cylinder	90 - 79	F8852	(WC8852)	L.H.; 15 x 3" Brake
Wheel Cylinder	90 - 79	F34402	(WC34402)	R.H.; 14 x 2-1/2" Brake
Wheel Cylinder	90 - 79	F8853	(WC8853)	R.H.; 15 x 3" Brake
Rear Wheel Cylinder	Years	Sequential No.	Category No.	Qualifier
Wheel Cylinder	90 - 79	F79767	(WC79767)	L.H.; 13 x 3-1/2" Brake
Wheel Cylinder	90 - 79	F78744	(WC78744)	L.H.; 15 x 4" or 15 x 5" Brake
Wheel Cylinder	90 - 79	F79767	(WC79767)	R.H.; 13 x 3-1/2" Brake
Wheel Cylinder	90 - 79	F78745	(WC78745)	R.H.; 15 x 4" or 15 x 5" Brake
Front Brake Hose	Years	Sequential No.	Category No.	Qualifier
Brake Hose	90 - 85	F123795	(BH123795)	5000 lb. FA; To Frame; w/17mm Mtg Hole; T589 or T709
Brake Hose	87 - 83	F124607	(BH124607)	5000 lb. FA; 1/8 x 21"
Rear Brake Hose	Years	Sequential No.	Category No.	Qualifier
Brake Hose	90 - 84	F102336	(BH102336)	2WD; 1/8" ID; 7/16" Nut; 24 Thread; w/Hi Perf. Delco Booster; 18" Length
Brake Hose	90 - 84	F123795	(BH123795)	To Frame; w/17mm Mtg Hole; T589; T709
Brake Hose	83 - 79	F111947	(BH111947)	1/8" ID; 7/16" Nut; 24 Thread; 1/2" OD; 25" Length
Brake Hose	83 - 79	F103315	(BH103315)	1/8" ID; 7/16" Nut; 24 Thread; 24" Length
Brake Hose	83 - 79	F102336	(BH102336)	1/8" ID; 7/16" Nut; 24 Thread; w/Hi-Perf. Delco Booster; 18" Length
Brake Hose	83 - 79	F71305	(BH71305)	3/16" ID; 7/16" Nut; 20/24 Thread; 17" Length

Hydraulics - Reman

Power Brake Booster	Years	Part No.	Qualifier
Power Brake Booster	90 - 88	529903	w/o Master Cylinder; Delco; Hy-Power
Power Brake Booster	87 - 83	529902	w/o Master Cylinder; Delco; Hy-Power; w/Serial No. 2823435; w/7" Pedal Rod
Power Brake Booster	87 - 83	529903	w/o Master Cylinder; Delco; Hy-Power; w/Serial No. 18015765 or 5474216
Power Brake Booster	83 - 79	518027	w/Master Cylinder; Dual; w/ABS; w/Serial No. 2503139 or 2508829 or 2512066

P6S042
Brake Pads & Shoes

Front Pads & Shoes	Years	SevereDuty	Lining No.	Qualifier
Brake Pads	96 - 92	SD225A		Bendix; 2.88" 2-Piston Caliper
Brake Pads	96 - 92	SD224		Dayton; 2.50" 2-Piston Caliper
Rear Pads & Shoes	Years	SevereDuty	Lining No.	Qualifier
Brake Pads	96 - 92	SD225A		Bendix; 2.88" 2-Piston Caliper
Brake Pads	96 - 92	SD224		Dayton; 2.50" 2-Piston Caliper
Parking Brake Shoes	Years	SevereDuty	Lining No.	Qualifier
Brake Shoes	96 - 92	SDS824R	EX1556D	12 x 3
Brake Shoes	96 - 92	SDS647	EX2086D	9 x 3

Piston: M - OE Metal Piston P - OE Phenolic Piston

P6S042 (cont.)

Rotor & Drum

Front Rotor & Drum	Years	Part No.	Qualifier
Brake Rotor	96 - 92	BD125090	11000-12000 lb. FA; Hat-Shaped; 10-Hole Rotor
Brake Rotor	96 - 92	BD125088	8100 lb. FA; Hat-Shaped; 5-Hole Rotor
Rear Rotor & Drum	Years	Part No.	Qualifier
Brake Rotor	96 - 92	BD125088	15000 lb. RA; Hat-Shaped; 5-Hole Rotor
Brake Rotor	96 - 92	BD125090	16000-19000 lb. RA; Hat-Shaped; 10-Hole Rotor

Brake Hardware

Front Brake Hardware	Years	Sequential No.	Category No.	Qualifier
Disc Align Kit	96 - 92	F112090S	(H5566)	Bendix; 2.88" 2-Piston Caliper
Disc Align Kit	96 - 92	F134105	(H5613)	Dayton; 2.50" 2-Piston Caliper
Rear Brake Hardware	Years	Sequential No.	Category No.	Qualifier
Disc Align Kit	96 - 92	F112090S	(H5566)	Bendix; 2.88" 2-Piston Caliper
Disc Align Kit	96 - 92	F134105	(H5613)	Dayton; 2.50" 2-Piston Caliper

Calipers - Reman

Front, Loaded	Years	Left No.	Right No.	Qualifier	Piston
Loaded Caliper	96 - 92	AS120549	AS120549	Bendix; 2.88" 2-Piston Caliper	P
Loaded Caliper	96 - 92	AS120549S	AS120549S	Bendix; 2.88" 2-Piston Caliper	O
Loaded Caliper	96 - 92	AS134782	AS134782	Dayton; 2.50" 2-Piston Caliper	M
Rear, Loaded	Years	Left No.	Right No.	Qualifier	Piston
Loaded Caliper	96 - 92	AS120549	AS120549	Bendix; 2.88" 2-Piston Caliper	P
Loaded Caliper	96 - 92	AS120549S	AS120549S	Bendix; 2.88" 2-Piston Caliper	O
Loaded Caliper	96 - 92	AS134782	AS134782	Dayton; 2.50" 2-Piston Caliper	M
Front, Unloaded	Years	Left No.	Right No.	Qualifier	Piston
Unloaded Caliper	96 - 92	CR120549	CR120549	Bendix; 2.88" 2-Piston Caliper	P
Unloaded Caliper	96 - 92	CR120549S	CR120549S	Bendix; 2.88" 2-Piston Caliper	O
Unloaded Caliper	96 - 92	CR134782	CR134782	Dayton; 2.50" 2-Piston Caliper	M
Rear, Unloaded	Years	Left No.	Right No.	Qualifier	Piston
Unloaded Caliper	96 - 92	CR120549	CR120549	Bendix; 2.88" 2-Piston Caliper	P
Unloaded Caliper	96 - 92	CR120549S	CR120549S	Bendix; 2.88" 2-Piston Caliper	O
Unloaded Caliper	96 - 92	CR134782	CR134782	Dayton; 2.50" 2-Piston Caliper	M

Hydraulics - New

Master Cylinder	Years	Sequential No.	Category No.	Qualifier
Master Cylinder	96 - 92	F140745	(MC140745)	8100 lb. FA
Front Brake Hose	Years	Sequential No.	Category No.	Qualifier
Brake Hose	96 - 92	F132935	(BH132935)	L.H.; To Caliper
Brake Hose	96 - 92	F132935	(BH132935)	R.H.; To Caliper
Rear Brake Hose	Years	Sequential No.	Category No.	Qualifier
Brake Hose	96 - 92	F132909	(BH132909)	From MC
Brake Hose	96 - 93	F132926	(BH132926)	To Rear Feed Pipe
Brake Hose	96 - 92	F132934	(BH132934)	To Top of RA Hsg.
Brake Hose	92	F111947	(BH111947)	To Rear Feed Pipe; 1/8" ID; 7/16" Nut; 24 Thread; 25" Length

Hydraulics - Reman

Power Brake Booster	Years	Part No.	Qualifier
Power Brake Booster	96 - 92	529920	w/o Master Cylinder; w/9" Pedal Rod

P6T042

Brake Pads & Shoes

Front Pads & Shoes	Years	SevereDuty	Lining No.	Qualifier
Brake Pads	90 - 83	SD225A		Bendix; 2.88" 2-Piston Caliper; H/D; Serial No. 4150868
Brake Pads	90 - 83	SD225		Bendix; 2.88" 2-Piston Caliper; L/D; Serial No. 4151244 or 3368188
Brake Pads	90 - 83	SD184		Bendix; 3.38" 1-Piston Caliper; Serial No. 4151324 or 4151325
Brake Pads	90 - 83	SD224		Dayton; 2.50" 2-Piston Caliper; Serial No. 60450388
Brake Shoes	90 - 83	SDS299R	EX2039D-S32	Hyd. Brakes; Auto Adj.; 14 x 2-1/2
Brake Shoes	90 - 83	SDS321R	EX1245AD-S32	Hyd. Brakes; Auto Adj.; 15 x 3
Brake Shoes	90 - 83	SDS322R	EX1280BD-S32	Hyd. Brakes; Auto Adj.; 15 x 3-1/2

Piston: M - OE Metal Piston P - OE Phenolic Piston O - Metal Piston Option

Brake Pads & Shoes (cont.)

Front Pads & Shoes	Years	SevereDuty	Lining No.	Qualifier
Brake Shoes	90 - 83	SDS235R	EX1245AD-S32	Hyd. Brakes; Man. Adj.; 15 x 3
Brake Shoes	90 - 83	SDS463R	EX1280D-S32	Hyd. Brakes; Man. Adj.; 15 x 3-1/2
Brake Shoes	90 - 83	1307T	1307	w/Air Brakes; Rockwell/Meritor; T-Series; 15 x 3-1/2
Brake Shoes	90 - 83	1308T	1308T	w/Air Brakes; Rockwell/Meritor; T-Series; 15 x 4

Rear Pads & Shoes	Years	SevereDuty	Lining No.	Qualifier
Brake Pads	90 - 83	SD225A		Bendix; 2.88" 2-Piston Caliper H/D; Serial No. 3366615 or 4150868
Brake Pads	90 - 83	SD225		Bendix; 2.88" 2-Piston Caliper L/D; Serial No. 4151244 or 3368188
Brake Pads	90 - 83	SD224		Dayton; 2.50" 2-Piston Caliper; Serial No. 60450394 or 60050185 or 60450410
Brake Shoes	90 - 83	SDS452R	EX2157TD-S32	Hyd. Brakes; 13 x 3-1/2
Brake Shoes	90 - 83	SDS427R	EX4640D	Hyd. Brakes; 15 x 4
Brake Shoes	90 - 83	SDS442R	EX4639D-S32	Hyd. Brakes; 15 x 5
Brake Shoes	90 - 83	SDS381R	EX4596D-S32	Hyd. Brakes; 15 x 6
Brake Shoes	90 - 83	SDS383R	EX4597D-S32	Hyd. Brakes; 15 x 7
Brake Shoes	90 - 83	4311E	4311J	w/Air Brakes; Eaton/Spicer; 16-1/2 x 7
Brake Shoes	90 - 83	4524Q	4524B	w/Air Brakes; Rockwell/Meritor; Q-Series; 16-1/2 x 5
Brake Shoes	90 - 83	4514Q	4514G	w/Air Brakes; Rockwell/Meritor; Q-Series; 16-1/2 x 6
Brake Shoes	90 - 83	4515Q	4515E	w/Air Brakes; Rockwell/Meritor; Q-Series; 16-1/2 x 7

Parking Brake Shoes	Years	SevereDuty	Lining No.	Qualifier
Brake Shoes	90 - 83	SDS449R	EX2159TD	11 x 2
Brake Shoes	90 - 83	SDS647	EX2086D	9 x 3

Rotor & Drum

Front Rotor & Drum	Years	Part No.	Qualifier
Brake Rotor	90 - 83	BD125115	5000 lb. FA; Hat-Shaped; 5-Hole Rotor; Dayton
Brake Rotor	90 - 83	BD125089	5000 lb. FA; Hat-Shaped; 6-Hole Rotor; Dayton
Brake Rotor	90 - 83	BD125359	7000 lb. FA; Hat-Shaped; 5-Hole Rotor; Budd
Brake Rotor	90 - 83	BD125088	7000 lb. FA; Hat-Shaped; 5-Hole Rotor; Dayton or Gunite
Brake Rotor	90 - 83	BD125357	7000 lb. FA; Hat-Shaped; 6-Hole Rotor; Budd
Brake Rotor	90 - 83	BD125358	7000 lb. FA; Hat-Shaped; 6-Hole Rotor; Dayton
Brake Rotor	90 - 83	BD125090	8100-12000 lb. FA; Hat-Shaped; 10-Hole Rotor; Dayton or Gunite

Rear Rotor & Drum	Years	Part No.	Qualifier
Brake Drum	90 - 83	BD60356	Hyd. Brakes; 13 x 3-1/2
Brake Rotor	90 - 83	BD125088	15000 lb. RA; Hat-Shaped; 5-Hole Rotor
Brake Rotor	90 - 83	BD125358	15000 lb. RA; Hat-Shaped; 6-Hole Rotor
Brake Rotor	90 - 83	BD125090	17000-19000 lb. RA; Hat-Shaped; 10-Hole Rotor
Brake Rotor	90 - 83	BD125338	21000-23000 lb. RA; U-Shaped; 10-Hole Rotor

Brake Hardware

Front Brake Hardware	Years	Sequential No.	Category No.	Qualifier
Adjuster Kit	90 - 83	F128889	(H2906)	L.H.; GM; 14" Brake
Adjuster Kit	90 - 83	F140819	(H2714)	L.H.; Wagner; Auto Adj.
Adjuster Kit	90 - 83	F128990	(H2929)	L.H.; Wagner; Man. Adj.
Adjuster Kit	90 - 83	F128890	(H2907)	R.H.; GM; 14" Brake
Adjuster Kit	90 - 83	F140820	(H2715)	R.H.; Wagner; Auto Adj.
Adjuster Kit	90 - 83	F128990	(H2929)	R.H.; Wagner; Man. Adj.
Combi Kit	90 - 83	F117009	(H7177)	GM; 14" Brake
↳Adjuster Spring Kit		F73145S	(H425)	
↳Return Spring Kit		F73143	(H601)	
Combi Kit	90 - 83	F117025	(H7173)	Wagner; 15" Brake; Auto Adj.
↳Hold Down Kit		F73399	(H4201)	
↳Return Spring Kit		F36445	(H521)	
Combi Kit	90 - 83	F117026	(H7172)	Wagner; 15" Brake; Man. Adj.
↳Hold Down Kit		F19408	(H4200)	
↳Return Spring Kit		F36445	(H521)	
Disc Align Kit	90 - 83	F112090S	(H5566)	Bendix; 2.88" 2-Piston Caliper
Disc Align Kit	90 - 83	F107401S	(H5562)	Bendix; 3.38" 1-Piston Caliper

↳Sub-Kit of Combi-Kit is available separately.

P6T042 (cont.)

Brake Hardware (cont.)

Front Brake Hardware	Years	Sequential No.	Category No.	Qualifier
Disc Align Kit	90 - 83	F134105	(H5613)	Dayton; 2.50" 2-Piston Caliper
Rear Brake Hardware	Years	Sequential No.	Category No.	Qualifier
Adjuster Kit	90 - 83	F98406	(H2580)	L.H.; GM; 13" Brake
Adjuster Kit	90 - 83	F128891	(H2908)	L.H.; GM; 15" Brake
Adjuster Kit	90 - 83	F59157	(H2902)	L.H.; Wagner; 15" Brake; Auto Adj.
Adjuster Kit	90 - 83	F128894S	(H2911)	L.H.; Wagner; 15" Brake; Man. Adj.
Adjuster Kit	90 - 83	F98407	(H2581)	R.H.; GM; 13" Brake
Adjuster Kit	90 - 83	F128892	(H2909)	R.H.; GM; 15" Brake
Adjuster Kit	90 - 83	F59158	(H2903)	R.H.; Wagner; 15" Brake; Auto Adj.
Adjuster Kit	90 - 83	F128894S	(H2911)	R.H.; Wagner; 15" Brake; Man. Adj.
Adjuster Screw	90 - 83	F128882	(H1712)	L.H.; GM; 13" Brake
Adjuster Screw	90 - 83	F128880S	(H1710)	L.H.; GM; 15" Brake
Adjuster Screw	90 - 83	F140823	(H1607)	L.H.; Wagner; 15" Brake
Adjuster Screw	90 - 83	F128883	(H1713)	R.H.; GM; 13" Brake
Adjuster Screw	90 - 83	F128881S	(H1711)	R.H.; GM; 15" Brake
Adjuster Screw	90 - 83	F140818	(H1606)	R.H.; Wagner; 15" Brake
Combi Kit	90 - 83	F98457S	(H7055)	GM; 13" Brake
↳Adjuster Spring Kit		F73145S	(H425)	
↳Hold Down Kit		F113455S	(H4098)	
↳Return Spring Kit		F59100S	(H600)	
Combi Kit	90 - 83	F140612	(H3008)	GM; 15" Brake
↳Hold Down Kit		F128928	(H4202)	
↳Return Spring Kit		F86408	(H552)	
Combi Kit	90 - 83	F117027	(H7171)	Wagner
↳Adjuster Spring Kit		F78727	(H451)	
↳Hold Down Kit		F19309	(H5079)	
↳Return Spring Kit		F98318	(H609)	
Disc Align Kit	90 - 83	F112090S	(H5566)	Bendix; 2.88" 2-Piston Caliper
Disc Align Kit	90 - 83	F134105	(H5613)	Dayton; 2.50" 2-Piston Caliper

Calipers - Reman

Front, Loaded	Years	Left No.	Right No.	Qualifier	Piston
Loaded Caliper	90 - 83	AS120549	AS120549	Bendix; 2.88" 2-Piston Caliper	P
Loaded Caliper	90 - 83	AS120549S	AS120549S	Bendix; 2.88" 2-Piston Caliper	O
Loaded Caliper	90 - 88	AS98906A	AS98907A	Bendix; 3.38" 1-Piston Caliper	M
Loaded Caliper	90 - 83	AS134782	AS134782	Dayton; 2.50" 2-Piston Caliper	M
Rear, Loaded	Years	Left No.	Right No.	Qualifier	Piston
Loaded Caliper	90 - 83	AS120549	AS120549	Bendix; 2.88" 2-Piston Caliper	P
Loaded Caliper	90 - 83	AS120549S	AS120549S	Bendix; 2.88" 2-Piston Caliper	O
Loaded Caliper	90 - 83	AS134782	AS134782	Dayton; 2.50" 2-Piston Caliper	M
Front, Unloaded	Years	Left No.	Right No.	Qualifier	Piston
Unloaded Caliper	90 - 83	CR120549	CR120549	Bendix; 2.88" 2-Piston Caliper	P
Unloaded Caliper	90 - 83	CR120549S	CR120549S	Bendix; 2.88" 2-Piston Caliper	O
Unloaded Caliper	90 - 88	CR98906	CR98907	Bendix; 3.38" 1-Piston Caliper	M
Unloaded Caliper	90 - 83	CR134782	CR134782	Dayton; 2.50" 2-Piston Caliper	M
Rear, Unloaded	Years	Left No.	Right No.	Qualifier	Piston
Unloaded Caliper	90 - 83	CR120549	CR120549	Bendix; 2.88" 2-Piston Caliper	P
Unloaded Caliper	90 - 83	CR120549S	CR120549S	Bendix; 2.88" 2-Piston Caliper	O
Unloaded Caliper	90 - 83	CR134782	CR134782	Dayton; 2.50" 2-Piston Caliper	M

Hydraulics - New

Master Cylinder	Years	Sequential No.	Category No.	Qualifier
Master Cylinder	90 - 88	F116702	(MC116702)	80 Cubic Inch; 6-1/2" DIM from cntr piston to top fill cap
Master Cylinder	87	F119399	(MC119399)	Cast Iron Reservoir; w/Delco Hi-Perf. Booster
Master Cylinder	87	F116702	(MC116702)	Plastic Reservoir; Plastic; 80 Cubic Inch; 6-1/2" DIM
Master Cylinder	86 - 83	F119399	(MC119399)	Bendix; Cast Iron Reservoir

↳Sub-Kit of Combi-Kit is available separately.

Piston: M - OE Metal Piston P - OE Phenolic Piston O - Metal Piston Option

P6T042 (cont.)
Hydraulics - New (cont.)

Master Cylinder	Years	Sequential No.	Category No.	Qualifier
Master Cylinder	86 - 83	F116702	(MC116702)	Bendix; Plastic Reservoir
Master Cylinder	86 - 83	F100560	(MC100560)	Wagner; Cast Iron Reservoir
Front Wheel Cylinder	Years	Sequential No.	Category No.	Qualifier
Wheel Cylinder	87 - 83	F34401	(WC34401)	L.H.; 14 x 2-1/2" Brake
Wheel Cylinder	87 - 83	F8852	(WC8852)	L.H.; 15 x 3" Brake
Wheel Cylinder	87 - 83	F34402	(WC34402)	R.H.; 14 x 2-1/2" Brake
Wheel Cylinder	87 - 83	F8853	(WC8853)	R.H.; 15 x 3" Brake
Rear Wheel Cylinder	Years	Sequential No.	Category No.	Qualifier
Wheel Cylinder	87 - 83	F79767	(WC79767)	L.H.; 13 x 3-1/2" Brake
Wheel Cylinder	87 - 83	F78744	(WC78744)	L.H.; 15 x 4" or 15 x 5" Brake
Wheel Cylinder	87 - 83	F79767	(WC79767)	R.H.; 13 x 3-1/2" Brake
Wheel Cylinder	87 - 83	F78745	(WC78745)	R.H.; 15 x 4" or 15 x 5" Brake
Front Brake Hose	Years	Sequential No.	Category No.	Qualifier
Brake Hose	90 - 88	F124054	(BH124054)	2WD; 1/8" ID; w/Hi-Perf. Delco Booster; MH Chassis; Incl. Bracket ; 22" Length
Brake Hose	90 - 88	F118118	(BH118118)	5000 lb. FA
Brake Hose	87 - 86	F124054	(BH124054)	2WD; 1/8" ID; w/Hi-Perf. Delco Booster; MH Chassis; SOA; Incl. Bracket ; 22" Length
Brake Hose	87 - 86	F106646	(BH106646)	7000 lb. FA; 1/8" ID; SOA; 7" Length
Brake Hose	85 - 83	F124054	(BH124054)	2WD; 1/8" ID; w/Hi-Perf. Delco Booster; MH Chassis; Incl. Bracket ; 22" Length
Brake Hose	85 - 83	F109138	(BH109138)	5000 lb. FA; 1/8" ID; 21" Length
Brake Hose	85 - 83	F106646	(BH106646)	7000 lb. FA; 1/8" ID; 7" Length
Rear Brake Hose	Years	Sequential No.	Category No.	Qualifier
Brake Hose	90 - 83	F102336	(BH102336)	1/8" ID; 7/16" Nut; 24 Thread; w/Hi-Perf. Delco Moraine Booster; 18" Length
Brake Hose	83	F103315	(BH103315)	1/8" ID; 7/16" Nut; 24 Thread; 24" Length

Hydraulics - Reman

Power Brake Booster	Years	Part No.	Qualifier
Power Brake Booster	90 - 88	529903	w/o Master Cylinder; Delco; Hy-Power
Power Brake Booster	87 - 83	529903	w/o Master Cylinder; Delco; Hy-Power; w/Serial No. 18015765 or 5474216
Power Brake Booster	87 - 83	529902	w/o Master Cylinder; Delco; Hy-Power; w/Serial No. 2823435; w/7" Pedal Rod
Power Brake Booster	83	518052	w/Master Cylinder; Hydro-Boost; w/Serial No. 2513815
Power Brake Booster	83	518051	w/Master Cylinder; Hydro-Vac; w/Serial No. 2513814

GMC MD S-Series
S7T042
Brake Pads & Shoes

Front Pads & Shoes	Years	SevereDuty	Lining No.	Qualifier
Brake Pads	91 - 88	SD225		Bendix; 2.88" 2-Piston Caliper
Brake Pads	91 - 88	SD224		Dayton; 2.50" 2-Piston Caliper
Brake Pads	87 - 83	SD225A		Bendix; 2.88" 2-Piston Caliper; Serial No. 4150868
Brake Pads	87 - 83	SD224		Dayton; 2.50" 2-Piston Caliper; Serial No. 60450388
Brake Shoes	91 - 83	4524Q	4524B	w/Air Brakes; Rockwell/Meritor; Q-Series; 16-1/2 x 5
Brake Shoes	91 - 83	4514Q	4514G	w/Air Brakes; Rockwell/Meritor; Q-Series; 16-1/2 x 6
Brake Shoes	91 - 83	1307T	1307	w/Air Brakes; Rockwell/Meritor; T-Series; 15 x 3-1/2
Brake Shoes	91 - 83	1308T	1308T	w/Air Brakes; Rockwell/Meritor; T-Series; 15 x 4
Rear Pads & Shoes	Years	SevereDuty	Lining No.	Qualifier
Brake Pads	91 - 88	SD225		Bendix; 2.88" 2-Piston Caliper
Brake Pads	91 - 88	SD224		Dayton; 2.50" 2-Piston Caliper
Brake Pads	87 - 83	SD225A		Bendix; 2.88" 2-Piston Caliper; Serial No. 3366615 or 4150868
Brake Pads	87 - 83	SD224		Dayton; 2.50" 2-Piston Caliper; Serial No. 60450394 or 60050185 or 60450410
Brake Shoes	91 - 83	4311E	4311J	w/Air Brakes; Eaton/Spicer; 16-1/2 x 7
Brake Shoes	91 - 83	4524Q	4524B	w/Air Brakes; Rockwell/Meritor; Q-Series; 16-1/2 x 5
Brake Shoes	91 - 83	4514Q	4514G	w/Air Brakes; Rockwell/Meritor; Q-Series; 16-1/2 x 6
Brake Shoes	91 - 83	4515Q	4515E	w/Air Brakes; Rockwell/Meritor; Q-Series; 16-1/2 x 7
Brake Shoes	87 - 83	SDS427R	EX4640D	Hyd. Brakes; 15 x 4
Brake Shoes	87 - 83	SDS442R	EX4639D-S32	Hyd. Brakes; 15 x 5

S7T042 (cont.)

Brake Pads & Shoes (cont.)

Rear Pads & Shoes	Years	SevereDuty	Lining No.	Qualifier
Brake Shoes	87 - 83	SDS381R	EX4596D-S32	Hyd. Brakes; 15 x 6
Brake Shoes	87 - 83	SDS383R	EX4597D-S32	Hyd. Brakes; 15 x 7
Brake Shoes	87 - 83	SDS386R	EX1255D-S32	Hyd. Brakes; 16 x 6

Parking Brake Shoes	Years	SevereDuty	Lining No.	Qualifier
Brake Shoes	91 - 83	SDS449R	EX2159TD	11 x 2
Brake Shoes	91 - 88	SDS692	EX2079D-S32	12 x 3
Brake Shoes	91 - 83	SDS647	EX2086D	9 x 3

Rotor & Drum

Front Rotor & Drum	Years	Part No.	Qualifier
Brake Rotor	91 - 88	BD125359	7000 lb. FA; Hat-Shaped; 5-Hole Rotor; Hyd; Budd
Brake Rotor	91 - 88	BD125088	7000 lb. FA; Hat-Shaped; 5-Hole Rotor; Hyd; Dayton or Gunite
Brake Rotor	91 - 88	BD125357	7000 lb. FA; Hat-Shaped; 6-Hole Rotor; Hyd; Budd
Brake Rotor	91 - 88	BD125358	7000 lb. FA; Hat-Shaped; 6-Hole Rotor; Hyd; Dayton
Brake Rotor	91 - 88	BD125090	8100-12000 lb. FA; Hat-Shaped; 10-Hole Rotor; Hyd; Dayton or Gunite
Brake Rotor	87 - 83	BD125359	7000 lb. FA; Hat-Shaped; 5-Hole Rotor; Budd
Brake Rotor	87 - 83	BD125088	7000 lb. FA; Hat-Shaped; 5-Hole Rotor; Dayton or Gunite
Brake Rotor	87 - 83	BD125357	7000 lb. FA; Hat-Shaped; 6-Hole Rotor; Budd
Brake Rotor	87 - 83	BD125358	7000 lb. FA; Hat-Shaped; 6-Hole Rotor; Dayton
Brake Rotor	87 - 83	BD125090	8100-12000 lb. FA; Hat-Shaped; 10-Hole Rotor; Dayton or Gunite

Rear Rotor & Drum	Years	Part No.	Qualifier
Brake Rotor	91 - 88	BD125088	15000 lb. RA; Hat-Shaped; 5-Hole Rotor; Hyd
Brake Rotor	91 - 88	BD125358	15000 lb. RA; Hat-Shaped; 6-Hole Rotor; Hyd
Brake Rotor	91 - 88	BD125090	17000-19000 lb. RA; Hat-Shaped; 10-Hole Rotor; Hyd
Brake Rotor	91 - 88	BD125338	21000-23000 lb. RA; U-Shaped; 10-Hole Rotor; Hyd
Brake Rotor	87 - 83	BD125088	15000 lb. RA; Hat-Shaped; 5-Hole Rotor
Brake Rotor	87 - 83	BD125358	15000 lb. RA; Hat-Shaped; 6-Hole Rotor
Brake Rotor	87 - 83	BD125090	17000-19000 lb. RA; Hat-Shaped; 10-Hole Rotor
Brake Rotor	87 - 83	BD125338	21000-23000 lb. RA; U-Shaped; 10-Hole Rotor

Brake Hardware

Front Brake Hardware	Years	Sequential No.	Category No.	Qualifier
Disc Align Kit	91 - 83	F112090S	(H5566)	Bendix; 2.88" 2-Piston Caliper
Disc Align Kit	91 - 83	F134105	(H5613)	Dayton; 2.50" 2-Piston Caliper

Rear Brake Hardware	Years	Sequential No.	Category No.	Qualifier
Adjuster Kit	87 - 83	F128891	(H2908)	L.H.; GM; 15" Brake
Adjuster Kit	87 - 83	F59157	(H2902)	L.H.; Wagner; 15" Brake; Auto Adj.
Adjuster Kit	87 - 83	F128894S	(H2911)	L.H.; Wagner; 15" Brake; Man. Adj.
Adjuster Kit	87 - 83	F128895S	(H2912)	L.H.; Wagner; 16" Brake; Man. Adj.
Adjuster Kit	87 - 83	F128892	(H2909)	R.H.; GM; 15" Brake
Adjuster Kit	87 - 83	F59158	(H2903)	R.H.; Wagner; 15" Brake; Auto Adj.
Adjuster Kit	87 - 83	F128894S	(H2911)	R.H.; Wagner; 15" Brake; Man. Adj.
Adjuster Kit	87 - 83	F128895S	(H2912)	R.H.; Wagner; 16" Brake; Man. Adj.
Adjuster Screw	87 - 83	F128880S	(H1710)	L.H.; GM; 15" Brake
Adjuster Screw	87 - 83	F140823	(H1607)	L.H.; Wagner; 15" Brake
Adjuster Screw	87 - 83	F19291	(H1700)	L.H.; Wagner; 16" Brake
Adjuster Screw	87 - 83	F128881S	(H1711)	R.H.; GM; 15" Brake
Adjuster Screw	87 - 83	F140818	(H1606)	R.H.; Wagner; 15" Brake
Adjuster Screw	87 - 83	F19292	(H1701)	R.H.; Wagner; 16" Brake
Combi Kit	87 - 83	F140612	(H3008)	GM; 15" Brake
↳Hold Down Kit		F128928	(H4202)	
↳Return Spring Kit		F86408	(H552)	
Combi Kit	87 - 83	F117027	(H7171)	Wagner
↳Adjuster Spring Kit		F78727	(H451)	
↳Hold Down Kit		F19309	(H5079)	
↳Return Spring Kit		F98318	(H609)	

↳Sub-Kit of Combi-Kit is available separately.

S7T042 (cont.)

Brake Hardware (cont.)

<i>Rear Brake Hardware</i>	<i>Years</i>	<i>Sequential No.</i>	<i>Category No.</i>	<i>Qualifier</i>
Disc Align Kit	91 - 83	F112090S	(H5566)	Bendix; 2.88" 2-Piston Caliper
Disc Align Kit	91 - 83	F134105	(H5613)	Dayton; 2.50" 2-Piston Caliper

Calipers - Reman

<i>Front, Loaded</i>	<i>Years</i>	<i>Left No.</i>	<i>Right No.</i>	<i>Qualifier</i>	<i>Piston</i>
Loaded Caliper	91 - 83	AS120549	AS120549	Bendix; 2.88" 2-Piston Caliper	P
Loaded Caliper	91 - 83	AS120549S	AS120549S	Bendix; 2.88" 2-Piston Caliper	O
Loaded Caliper	91 - 83	AS134782	AS134782	Dayton; 2.50" 2-Piston Caliper	M

<i>Rear, Loaded</i>	<i>Years</i>	<i>Left No.</i>	<i>Right No.</i>	<i>Qualifier</i>	<i>Piston</i>
Loaded Caliper	91 - 83	AS120549	AS120549	Bendix; 2.88" 2-Piston Caliper	P
Loaded Caliper	91 - 83	AS120549S	AS120549S	Bendix; 2.88" 2-Piston Caliper	O
Loaded Caliper	91 - 83	AS134782	AS134782	Dayton; 2.50" 2-Piston Caliper	M

<i>Front, Unloaded</i>	<i>Years</i>	<i>Left No.</i>	<i>Right No.</i>	<i>Qualifier</i>	<i>Piston</i>
Unloaded Caliper	91 - 83	CR120549	CR120549	Bendix; 2.88" 2-Piston Caliper	P
Unloaded Caliper	91 - 83	CR120549S	CR120549S	Bendix; 2.88" 2-Piston Caliper	O
Unloaded Caliper	91 - 83	CR134782	CR134782	Dayton; 2.50" 2-Piston Caliper	M

<i>Rear, Unloaded</i>	<i>Years</i>	<i>Left No.</i>	<i>Right No.</i>	<i>Qualifier</i>	<i>Piston</i>
Unloaded Caliper	91 - 83	CR120549	CR120549	Bendix; 2.88" 2-Piston Caliper	P
Unloaded Caliper	91 - 83	CR120549S	CR120549S	Bendix; 2.88" 2-Piston Caliper	O
Unloaded Caliper	91 - 83	CR134782	CR134782	Dayton; 2.50" 2-Piston Caliper	M

Hydraulics - New

<i>Master Cylinder</i>	<i>Years</i>	<i>Sequential No.</i>	<i>Category No.</i>	<i>Qualifier</i>
Master Cylinder	91 - 87	F120402	(MC120402)	Bendix
Master Cylinder	86 - 83	F119399	(MC119399)	Bendix; Cast Iron Reservoir

<i>Rear Wheel Cylinder</i>	<i>Years</i>	<i>Sequential No.</i>	<i>Category No.</i>	<i>Qualifier</i>
Wheel Cylinder	87 - 83	F78744	(WC78744)	L.H.; 15 x 4" or 15 x 5" Brake
Wheel Cylinder	87 - 83	F78745	(WC78745)	R.H.; 15 x 4" or 15 x 5" Brake

<i>Front Brake Hose</i>	<i>Years</i>	<i>Sequential No.</i>	<i>Category No.</i>	<i>Qualifier</i>
Brake Hose	91 - 89	F132913	(BH132913)	Upper; From Stand-off Brk to Wheel

<i>Rear Brake Hose</i>	<i>Years</i>	<i>Sequential No.</i>	<i>Category No.</i>	<i>Qualifier</i>
Brake Hose	91 - 85	F102336	(BH102336)	1/8" ID; 7/16" Nut; 24 Thread; 18" Length

Hydraulics - Reman

<i>Power Brake Booster</i>	<i>Years</i>	<i>Part No.</i>	<i>Qualifier</i>
Power Brake Booster	87 - 83	529900	w/o Master Cylinder; Delco; Dual Power; Hydraulic Section
Power Brake Booster	87 - 83	5479900	w/o Master Cylinder; Delco; Dual Power; Vacuum Section; w/7" Rod
Power Brake Booster	87 - 83	529902	w/o Master Cylinder; Delco; Hy-Power; w/Serial No. 2823435; w/7" Pedal Rod
Power Brake Booster	83	518052	w/Master Cylinder; Hydro-Boost; w/Serial No. 2513815
Power Brake Booster	83	518051	w/Master Cylinder; Hydro-Vac; w/15" Rear Brakes

GMC MD T-Series

T6500

Brake Pads & Shoes

<i>Front Pads & Shoes</i>	<i>Years</i>	<i>SevereDuty</i>	<i>Lining No.</i>	<i>Qualifier</i>
Brake Pads	07 - 03	SD1032		Dayton; 2.52" 4-Piston Caliper; w/Wear Sensor
Brake Pads	07 - 03	SD1032		Dayton; 2.75" 4-Piston Caliper; w/Wear Sensor

<i>Rear Pads & Shoes</i>	<i>Years</i>	<i>SevereDuty</i>	<i>Lining No.</i>	<i>Qualifier</i>
Brake Pads	07 - 03	SD1032		Dayton; 2.52" 4-Piston Caliper; w/Wear Sensor
Brake Pads	07 - 03	SD1032		Dayton; 2.75" 4-Piston Caliper; w/Wear Sensor

<i>Parking Brake Shoes</i>	<i>Years</i>	<i>SevereDuty</i>	<i>Lining No.</i>	<i>Qualifier</i>
Brake Shoes	07 - 03	SDS647	EX2086D	Driveline Config.; 9 x 3
Brake Shoes	07 - 03	SDS824R	EX1556D	Drum-in-Hat Config.; 12 x 3

Rotor & Drum

<i>Front Rotor & Drum</i>	<i>Years</i>	<i>Part No.</i>	<i>Qualifier</i>
Brake Rotor	07 - 03	BD126363	15000-19000 lb. RA; Hat-Shaped; 10-Hole

Piston: M - OE Metal Piston P - OE Phenolic Piston O - Metal Piston Option

T6500 (cont.)

Rotor & Drum (cont.)

<i>Rear Rotor & Drum</i>	<i>Years</i>	<i>Part No.</i>	<i>Qualifier</i>
Brake Rotor	07 - 03	BD126363	15000-19000 lb. RA; Hat-Shaped; 10-Hole
Brake Rotor	05 - 03	BD126370	21000 lb. RA; U-Shaped; 10-Hole

Brake Hardware

<i>Front Brake Hardware</i>	<i>Years</i>	<i>Sequential No.</i>	<i>Category No.</i>	<i>Qualifier</i>
Disc Align Kit	07 - 03	F140771	(H5712)	Dayton; 2.52" 4-Piston Caliper; w/Wear Sensor
Disc Align Kit	07 - 03	F140771	(H5712)	Dayton; 2.75" 4-Piston Caliper; w/Wear Sensor

<i>Rear Brake Hardware</i>	<i>Years</i>	<i>Sequential No.</i>	<i>Category No.</i>	<i>Qualifier</i>
Disc Align Kit	07 - 03	F140771	(H5712)	Dayton; 2.52" 4-Piston Caliper; w/Wear Sensor
Disc Align Kit	07 - 03	F140771	(H5712)	Dayton; 2.75" 4-Piston Caliper; w/Wear Sensor

Calipers - Reman

<i>Front, Loaded</i>	<i>Years</i>	<i>Left No.</i>	<i>Right No.</i>	<i>Qualifier</i>	<i>Piston</i>
Loaded Caliper	07 - 03	AS134821A	AS134820A	Dayton; 2.52" 4-Piston Caliper; Serial No. 602C / 604C	M
Loaded Caliper	07 - 03	AS134580A	AS134581A	Dayton; 2.75" 4-Piston Caliper; Serial No. 581F / 583F	M
Loaded Caliper	07 - 03	AS134818A	AS134819A	Dayton; 2.75" 4-Piston Caliper; Serial No. 595F / 597F	M

<i>Rear, Loaded</i>	<i>Years</i>	<i>Left No.</i>	<i>Right No.</i>	<i>Qualifier</i>	<i>Piston</i>
Loaded Caliper	07 - 03	AS134821A	AS134820A	Dayton; 2.52" 4-Piston Caliper; Serial No. 602C / 604C	M
Loaded Caliper	07 - 03	AS134580A	AS134581A	Dayton; 2.75" 4-Piston Caliper; Serial No. 581F / 583F	M
Loaded Caliper	07 - 03	AS134818A	AS134819A	Dayton; 2.75" 4-Piston Caliper; Serial No. 595F / 597F	M

<i>Front, Unloaded</i>	<i>Years</i>	<i>Left No.</i>	<i>Right No.</i>	<i>Qualifier</i>	<i>Piston</i>
Unloaded Caliper	07 - 03	CR134821	CR134820	Dayton; 2.52" 4-Piston Caliper; Serial No. 602C / 604C	M
Unloaded Caliper	07 - 03	CR134580	CR134581	Dayton; 2.75" 4-Piston Caliper; Serial No. 581F / 583F	M
Unloaded Caliper	07 - 03	CR134818	CR134819	Dayton; 2.75" 4-Piston Caliper; Serial No. 595F / 597F	M

<i>Rear, Unloaded</i>	<i>Years</i>	<i>Left No.</i>	<i>Right No.</i>	<i>Qualifier</i>	<i>Piston</i>
Unloaded Caliper	07 - 03	CR134821	CR134820	Dayton; 2.52" 4-Piston Caliper; Serial No. 602C / 604C	M
Unloaded Caliper	07 - 03	CR134580	CR134581	Dayton; 2.75" 4-Piston Caliper; Serial No. 581F / 583F	M
Unloaded Caliper	07 - 03	CR134818	CR134819	Dayton; 2.75" 4-Piston Caliper; Serial No. 595F / 597F	M

T7500

Brake Pads & Shoes

<i>Front Pads & Shoes</i>	<i>Years</i>	<i>SevereDuty</i>	<i>Lining No.</i>	<i>Qualifier</i>
Brake Pads	07 - 03	SD1032		Dayton; 2.52" 4-Piston Caliper; w/Wear Sensor
Brake Pads	07 - 03	SD1032		Dayton; 2.75" 4-Piston Caliper; w/Wear Sensor
Brake Shoes	07 - 03	4702Q	4702	w/Air Brakes; Q-Plus; 15 x 4
Brake Shoes	07 - 03	4720Q	4720	w/Air Brakes; Q-Plus; 16-1/2 x 5
Brake Shoes	07 - 03	4715Q	4715	w/Air Brakes; Q-Plus; 16-1/2 x 6

<i>Rear Pads & Shoes</i>	<i>Years</i>	<i>SevereDuty</i>	<i>Lining No.</i>	<i>Qualifier</i>
Brake Pads	07 - 03	SD1032		Dayton; 2.52" 4-Piston Caliper; w/Wear Sensor
Brake Pads	07 - 03	SD1032		Dayton; 2.75" 4-Piston Caliper; w/Wear Sensor
Brake Shoes	07 - 03	4707Q	4707	w/Air Brakes; Q-Plus; 16-1/2 x 7

<i>Parking Brake Shoes</i>	<i>Years</i>	<i>SevereDuty</i>	<i>Lining No.</i>	<i>Qualifier</i>
Brake Shoes	07 - 03	SDS647	EX2086D	Driveline Config.; 9 x 3
Brake Shoes	07 - 03	SDS824R	EX1556D	Drum-in-Hat Config.; 12 x 3

Rotor & Drum

<i>Front Rotor & Drum</i>	<i>Years</i>	<i>Part No.</i>	<i>Qualifier</i>
Brake Rotor	07 - 03	BD126363	15000-19000 lb. RA; Hat-Shaped; 10-Hole

<i>Rear Rotor & Drum</i>	<i>Years</i>	<i>Part No.</i>	<i>Qualifier</i>
Brake Rotor	07 - 03	BD126363	15000-19000 lb. RA; Hat-Shaped; 10-Hole
Brake Rotor	07 - 03	BD126370	21000 lb. RA; U-Shaped; 10-Hole

Brake Hardware

<i>Front Brake Hardware</i>	<i>Years</i>	<i>Sequential No.</i>	<i>Category No.</i>	<i>Qualifier</i>
Disc Align Kit	07 - 03	F140771	(H5712)	Dayton; 2.52" 4-Piston Caliper; w/Wear Sensor
Disc Align Kit	07 - 03	F140771	(H5712)	Dayton; 2.75" 4-Piston Caliper; w/Wear Sensor

<i>Rear Brake Hardware</i>	<i>Years</i>	<i>Sequential No.</i>	<i>Category No.</i>	<i>Qualifier</i>
Disc Align Kit	07 - 03	F140771	(H5712)	Dayton; 2.52" 4-Piston Caliper; w/Wear Sensor

Piston: M - OE Metal Piston P - OE Phenolic Piston

T7500 (cont.)
Brake Hardware (cont.)

Rear Brake Hardware	Years	Sequential No.	Category No.	Qualifier
Disc Align Kit	07 - 03	F140771	(H5712)	Dayton; 2.75" 4-Piston Caliper; w/Wear Sensor

Calipers - Reman

Front, Loaded	Years	Left No.	Right No.	Qualifier	Piston
Loaded Caliper	07 - 03	AS134821A	AS134820A	Dayton; 2.52" 4-Piston Caliper; Serial No. 602C / 604C	M
Loaded Caliper	07 - 03	AS134580A	AS134581A	Dayton; 2.75" 4-Piston Caliper; Serial No. 581F / 583F	M
Loaded Caliper	07 - 03	AS134818A	AS134819A	Dayton; 2.75" 4-Piston Caliper; Serial No. 595F / 597F	M
Rear, Loaded	Years	Left No.	Right No.	Qualifier	Piston
Loaded Caliper	07 - 03	AS134821A	AS134820A	Dayton; 2.52" 4-Piston Caliper; Serial No. 602C / 604C	M
Loaded Caliper	07 - 03	AS134580A	AS134581A	Dayton; 2.75" 4-Piston Caliper; Serial No. 581F / 583F	M
Loaded Caliper	07 - 03	AS134818A	AS134819A	Dayton; 2.75" 4-Piston Caliper; Serial No. 595F / 597F	M
Front, Unloaded	Years	Left No.	Right No.	Qualifier	Piston
Unloaded Caliper	07 - 03	CR134821	CR134820	Dayton; 2.52" 4-Piston Caliper; Serial No. 602C / 604C	M
Unloaded Caliper	07 - 03	CR134580	CR134581	Dayton; 2.75" 4-Piston Caliper; Serial No. 581F / 583F	M
Unloaded Caliper	07 - 03	CR134818	CR134819	Dayton; 2.75" 4-Piston Caliper; Serial No. 595F / 597F	M
Rear, Unloaded	Years	Left No.	Right No.	Qualifier	Piston
Unloaded Caliper	07 - 03	CR134821	CR134820	Dayton; 2.52" 4-Piston Caliper; Serial No. 602C / 604C	M
Unloaded Caliper	07 - 03	CR134580	CR134581	Dayton; 2.75" 4-Piston Caliper; Serial No. 581F / 583F	M
Unloaded Caliper	07 - 03	CR134818	CR134819	Dayton; 2.75" 4-Piston Caliper; Serial No. 595F / 597F	M

T8500
Brake Pads & Shoes

Front Pads & Shoes	Years	SevereDuty	Lining No.	Qualifier
Brake Shoes	07 - 03	4702Q	4702	w/Air Brakes; Q-Plus; 15 x 4
Brake Shoes	07 - 03	4720Q	4720	w/Air Brakes; Q-Plus; 16-1/2 x 5
Brake Shoes	07 - 03	4715Q	4715	w/Air Brakes; Q-Plus; 16-1/2 x 6
Rear Pads & Shoes	Years	SevereDuty	Lining No.	Qualifier
Brake Shoes	07 - 03	4707Q	4707	w/Air Brakes; Q-Plus; 16-1/2 x 7
Parking Brake Shoes	Years	SevereDuty	Lining No.	Qualifier
Brake Shoes	07 - 03	SDS647	EX2086D	Driveline Config.; 9 x 3
Brake Shoes	07 - 03	SDS824R	EX1556D	Drum-in-Hat Config.; 12 x 3

GMC MD W-Series
W4S042
Brake Pads & Shoes

Front Pads & Shoes	Years	SevereDuty	Lining No.	Qualifier
Brake Pads	94 - 86	SD546		Akebono; 2.12" 2-Piston Caliper
Brake Shoes	94 - 91	SDS612R	EX1416D-S32	13000 lb. Susp.; 12-5/8 x 3
Brake Shoes	94 - 91	SDS699R	EX1482D-S32	14250 lb. Susp.; 12-5/8 x 4
Brake Shoes	90 - 86	SDS612R	EX1416D-S32	12-5/8 x 3
Rear Pads & Shoes	Years	SevereDuty	Lining No.	Qualifier
Brake Shoes	94 - 91	SDS612R	EX1416D-S32	From 12/93; w/o Flat Low; Diesel; 13000 lb. Susp.; 12-5/8 x 3
Brake Shoes	94 - 91	SDS699R	EX1482D-S32	From 12/93; w/o Flat Low; Diesel; 14250 lb. Susp.; 12-5/8 x 4
Brake Shoes	94 - 91	SDS699R	EX1482D-S32	From 12/93; w/o Flat Low; Gas; 13000 lb. Susp.; 12-5/8 x 4
Brake Shoes	94 - 91	SDS612R	EX1416D-S32	From 12/93; w/o Flat Low; Gas; 14250 lb. Susp.; 12-5/8 x 3
Brake Shoes	93 - 88	SDS668R	EX1454D-S32	w/Flat Low; 11-3/4 x 3
Brake Shoes	90 - 88	SDS612R	EX1416D-S32	w/o Flat Low; 12-5/8 x 3
Brake Shoes	87 - 86	SDS612R	EX1416D-S32	12-5/8 x 3

Rotor & Drum

Front Rotor & Drum	Years	Part No.	Qualifier
Brake Rotor	94	BD125627	Hat-Shaped; 12-Hole
Brake Rotor	93	BD125627	From 12/93; Hat-Shaped; 12-Hole
Brake Rotor	93	BD125324	To 11/93; Hat-Shaped; 12-Hole
Brake Rotor	92 - 87	BD125324	Hat-Shaped; 12-Hole

Piston: M - OE Metal Piston P - OE Phenolic Piston

W4S042 (cont.)

Brake Hardware					
Front Brake Hardware	Years	Sequential No.	Category No.	Qualifier	
Combi Kit	94 - 91	F128865	(H7212)	12-5/8 x 3" Brake; 13000 lb. Susp.	
Combi Kit	94 - 91	F140627	(H3023)	12-5/8 x 4" Brake; 14250 lb. Susp.; Return Spring Kit	
Combi Kit	90 - 86	F128865	(H7212)	12-5/8 x 3" Brake	
Disc Align Kit	94 - 92	F140609	(H3005)	Akebono; 2.12" 2-Piston Caliper	
Disc Align Kit	91 - 86	F140606	(H3002)	Akebono; 2.12" 2-Piston Caliper	
Rear Brake Hardware	Years	Sequential No.	Category No.	Qualifier	
Combi Kit	94 - 91	F128865	(H7212)	From 12/93; 12-5/8 x 3" Brake; w/o Flat Low; Diesel; 13000 lb. Susp.	
Combi Kit	94 - 91	F128865	(H7212)	From 12/93; 12-5/8 x 3" Brake; w/o Flat Low; Gas; 14250 lb. Susp.	
Combi Kit	94 - 91	F140627	(H3023)	From 12/93; 12-5/8 x 4" Brake; w/o Flat Low; Diesel; 14250 lb. Susp.; Return Spring Kit	
Combi Kit	94 - 91	F140627	(H3023)	From 12/93; 12-5/8 x 4" Brake; w/o Flat Low; Gas; 13000 lb. Susp.; Return Spring Kit	
Combi Kit	93 - 88	F140622	(H3018)	11-3/4 x 3" Brake; w/Flat Low	
Combi Kit	90 - 88	F128865	(H7212)	12-5/8 x 3" Brake; w/o Flat Low	
Combi Kit	87 - 86	F128865	(H7212)	12-5/8 x 3" Brake	
Calipers - Reman					
Front, Loaded	Years	Left No.	Right No.	Qualifier	Piston
Loaded Caliper	94 - 86	AS134275	AS134276	Akebono; 2.12" 2-Piston Caliper	M
Front, Unloaded	Years	Left No.	Right No.	Qualifier	Piston
Unloaded Caliper	94 - 86	CR134275	CR134276	Akebono; 2.12" 2-Piston Caliper	M
Hydraulics - New					
Master Cylinder	Years	Sequential No.	Category No.	Qualifier	
Master Cylinder	94	F131790	(MC131790)	Exc. Strip Chassis; 1-1/4" Bore	
Master Cylinder	93	F131790	(MC131790)	From 12/93; Exc. Strip Chassis; 1-1/4" Bore	
Master Cylinder	93	F131790	(MC131790)	To 11/93; 13000 lb. Susp.; Exc. Strip Chassis; 1-1/4" Bore	
Master Cylinder	93	F122230	(MC122230)	To 11/93; 13000 lb. Susp.; Strip Chassis	
Master Cylinder	92 - 91	F131790	(MC131790)	13000 lb. Susp.; Exc. Strip Chassis; 1-1/4" Bore	
Master Cylinder	92 - 91	F122230	(MC122230)	13000 lb. Susp.; Strip Chassis	
Master Cylinder	90 - 89	F131790	(MC131790)	w/Front Disc; Exc. Strip Chassis; 1-1/4" Bore	
Master Cylinder	90 - 89	F122230	(MC122230)	w/Front Disc; Strip Chassis	
Master Cylinder	90 - 89	F122224	(MC122224)	w/Front Drum; Exc. Strip Chassis; 1-1/8" Bore	
Master Cylinder	90 - 89	F122226	(MC122226)	w/Front Drum; Strip Chassis	
Master Cylinder	88	F131790	(MC131790)	From 6/88; w/Front Disc; Exc. Strip Chassis; 1-1/4" Bore	
Master Cylinder	88	F122230	(MC122230)	From 6/88; w/Front Disc; Strip Chassis	
Master Cylinder	88	F122224	(MC122224)	From 6/88; w/Front Drum; Exc. Strip Chassis; 1-1/8" Bore	
Master Cylinder	88	F122226	(MC122226)	From 6/88; w/Front Drum; Strip Chassis	
Master Cylinder	88	F131790	(MC131790)	To 5/88; w/Front Disc; Exc. Strip Chassis; 1-1/4" Bore	
Master Cylinder	88	F122230	(MC122230)	To 5/88; w/Front Disc; Strip Chassis	
Master Cylinder	88	F122228	(MC122228)	To 5/88; w/Front Drum; Exc. Strip Chassis	
Master Cylinder	88	F122226	(MC122226)	To 5/88; w/Front Drum; Strip Chassis	
Master Cylinder	87	F131790	(MC131790)	From 8/87; w/Front Disc; Exc. Strip Chassis; 1-1/4" Bore	
Master Cylinder	87	F122230	(MC122230)	From 8/87; w/Front Disc; Strip Chassis	
Master Cylinder	87	F122228	(MC122228)	From 8/87; w/Front Drum; Exc. Strip Chassis	
Master Cylinder	87	F122226	(MC122226)	From 8/87; w/Front Drum; Strip Chassis	
Master Cylinder	87	F131790	(MC131790)	To 7/87; Exc. Strip Chassis; 13000 lb. Susp.; 1-1/4" Bore	
Master Cylinder	87	F122228	(MC122228)	To 7/87; Exc. Strip Chassis; 14250 lb. Susp.	
Master Cylinder	87	F122226	(MC122226)	To 7/87; Strip Chassis	
Master Cylinder	86	F131790	(MC131790)	Exc. Strip Chassis; 13000 lb. Susp.; 1-1/4" Bore	
Master Cylinder	86	F122228	(MC122228)	Exc. Strip Chassis; 14250 lb. Susp.	
Master Cylinder	86	F122226	(MC122226)	Strip Chassis	
Front Wheel Cylinder	Years	Sequential No.	Category No.	Qualifier	
Wheel Cylinder	94 - 91	F123243	(WC123243)	L.H.; 12-5/8 x 3" Brake; 13000 lb. Susp.; w/Bleeder; Back	
Wheel Cylinder	94 - 91	F123241	(WC123241)	L.H.; 12-5/8 x 3" Brake; 13000 lb. Susp.; w/o Bleeder; Fwd.	
Wheel Cylinder	94 - 91	F128417	(WC128417)	L.H.; 12-5/8 x 4" Brake; 14250 lb. Susp.; w/Bleeder; Back	
Wheel Cylinder	94 - 91	F123244	(WC123244)	R.H.; 12-5/8 x 3" Brake; 13000 lb. Susp.; w/Bleeder; Back	
Wheel Cylinder	94 - 91	F123242	(WC123242)	R.H.; 12-5/8 x 3" Brake; 13000 lb. Susp.; w/o Bleeder; Fwd.	

Piston: M - OE Metal Piston P - OE Phenolic Piston

Hydraulics - New (cont.)

Front Wheel Cylinder	Years	Sequential No.	Category No.	Qualifier
Wheel Cylinder	94 - 91	F128420	(WC128420)	R.H.; 12-5/8 x 4" Brake; 14250 lb. Susp.; w/o Bleeder; Fwd.
Wheel Cylinder	90 - 86	F123243	(WC123243)	L.H.; 12-5/8 x 3" Brake; w/Bleeder; Back
Wheel Cylinder	90 - 86	F123241	(WC123241)	L.H.; 12-5/8 x 3" Brake; w/o Bleeder; Fwd.
Wheel Cylinder	90 - 86	F123244	(WC123244)	R.H.; 12-5/8 x 3" Brake; w/Bleeder; Back
Wheel Cylinder	90 - 86	F123242	(WC123242)	R.H.; 12-5/8 x 3" Brake; w/o Bleeder; Fwd.
Rear Wheel Cylinder	Years	Sequential No.	Category No.	Qualifier
Wheel Cylinder	94 - 93	F140760	(WC140760)	L.H.; From 12/93; 12-5/8 x 3" Brake; Diesel w/13000 lb. Susp. or Gas w/14250 lb. Susp.; Back
Wheel Cylinder	94 - 93	F140760	(WC140760)	L.H.; From 12/93; 12-5/8 x 3" Brake; Diesel w/13000 lb. Susp. or Gas w/14250 lb. Susp.; Fwd.
Wheel Cylinder	94 - 93	F140756	(WC140756)	L.H.; From 12/93; 12-5/8 x 4" Brake; Diesel w/14250 lb. Susp. or Gas w/13000 lb. Susp.; Back
Wheel Cylinder	94 - 93	F140756	(WC140756)	L.H.; From 12/93; 12-5/8 x 4" Brake; Diesel w/14250 lb. Susp. or Gas w/13000 lb. Susp.; Fwd.
Wheel Cylinder	94 - 93	F140758	(WC140758)	R.H.; From 12/93; 12-5/8 x 3" Brake; Diesel w/13000 lb. Susp. or Gas w/14250 lb. Susp.; Back
Wheel Cylinder	94 - 93	F140757	(WC140757)	R.H.; From 12/93; 12-5/8 x 3" Brake; Diesel w/13000 lb. Susp. or Gas w/14250 lb. Susp.; Fwd.
Wheel Cylinder	94 - 93	F140755	(WC140755)	R.H.; From 12/93; 12-5/8 x 4" Brake; Diesel w/14250 lb. Susp. or Gas w/13000 lb. Susp.; Back
Wheel Cylinder	94 - 93	F140754	(WC140754)	R.H.; From 12/93; 12-5/8 x 4" Brake; Diesel w/14250 lb. Susp. or Gas w/13000 lb. Susp.; Fwd.
Wheel Cylinder	93	F123249	(WC123249)	L.H.; To 11/93; 11-3/4 x 3" Brake; w/Flat Low; w/Front Drum; Back
Wheel Cylinder	93	F123249	(WC123249)	L.H.; To 11/93; 11-3/4 x 3" Brake; w/Flat Low; w/Front Drum; Fwd.
Wheel Cylinder	93	F123246	(WC123246)	L.H.; To 11/93; 12-5/8 x 3" Brake; w/o Flat Low; 13000 lb. Susp.; Diesel; Back; 1-1/16" Bore
Wheel Cylinder	93	F123246	(WC123246)	L.H.; To 11/93; 12-5/8 x 3" Brake; w/o Flat Low; 13000 lb. Susp.; Diesel; Fwd.; 1-1/16" Bore
Wheel Cylinder	93	F140756	(WC140756)	L.H.; To 11/93; 12-5/8 x 3" Brake; w/o Flat Low; 13000 lb. Susp.; Gas; Back
Wheel Cylinder	93	F140756	(WC140756)	L.H.; To 11/93; 12-5/8 x 3" Brake; w/o Flat Low; 13000 lb. Susp.; Gas; Fwd.
Wheel Cylinder	93	F140760	(WC140760)	L.H.; To 11/93; 12-5/8 x 4" Brake; w/o Flat Low; 14250 lb. Susp.; w/Front Disc; Back
Wheel Cylinder	93	F140760	(WC140760)	L.H.; To 11/93; 12-5/8 x 4" Brake; w/o Flat Low; 14250 lb. Susp.; w/Front Disc; Fwd.
Wheel Cylinder	93	F128466	(WC128466)	L.H.; To 11/93; 12-5/8 x 4" Brake; w/o Flat Low; 14250 lb. Susp.; w/Front Drum; Back
Wheel Cylinder	93	F128466	(WC128466)	L.H.; To 11/93; 12-5/8 x 4" Brake; w/o Flat Low; 14250 lb. Susp.; w/Front Drum; Fwd.
Wheel Cylinder	93	F123251	(WC123251)	R.H.; To 11/93; 11-3/4 x 3" Brake; w/Flat Low; w/Front Drum; Back
Wheel Cylinder	93	F123250	(WC123250)	R.H.; To 11/93; 11-3/4 x 3" Brake; w/Flat Low; w/Front Drum; Fwd.
Wheel Cylinder	93	F123248	(WC123248)	R.H.; To 11/93; 12-5/8 x 3" Brake; w/o Flat Low; 13000 lb. Susp.; Diesel; Back; 1-1/16" Bore
Wheel Cylinder	93	F123247	(WC123247)	R.H.; To 11/93; 12-5/8 x 3" Brake; w/o Flat Low; 13000 lb. Susp.; Diesel; Fwd.; 1-1/16" Bore
Wheel Cylinder	93	F140755	(WC140755)	R.H.; To 11/93; 12-5/8 x 3" Brake; w/o Flat Low; 13000 lb. Susp.; Gas; Back
Wheel Cylinder	93	F140754	(WC140754)	R.H.; To 11/93; 12-5/8 x 3" Brake; w/o Flat Low; 13000 lb. Susp.; Gas; Fwd.
Wheel Cylinder	93	F140758	(WC140758)	R.H.; To 11/93; 12-5/8 x 4" Brake; w/o Flat Low; 14250 lb. Susp.; w/Front Disc; Back
Wheel Cylinder	93	F140757	(WC140757)	R.H.; To 11/93; 12-5/8 x 4" Brake; w/o Flat Low; 14250 lb. Susp.; w/Front Disc; Fwd.
Wheel Cylinder	93	F128468	(WC128468)	R.H.; To 11/93; 12-5/8 x 4" Brake; w/o Flat Low; 14250 lb. Susp.; w/Front Drum; Back
Wheel Cylinder	93	F128467	(WC128467)	R.H.; To 11/93; 12-5/8 x 4" Brake; w/o Flat Low; 14250 lb. Susp.; w/Front Drum; Fwd.
Wheel Cylinder	93	F128465	(WC128465)	To 11/93; 11-3/4 x 3" Brake; w/Flat Low; w/Front Disc; Back
Wheel Cylinder	93	F128464	(WC128464)	To 11/93; 11-3/4 x 3" Brake; w/Flat Low; w/Front Disc; Fwd.
Wheel Cylinder	92 - 91	F128465	(WC128465)	11-3/4 x 3" Brake; w/Flat Low; w/Front Disc; Back
Wheel Cylinder	92 - 91	F128464	(WC128464)	11-3/4 x 3" Brake; w/Flat Low; w/Front Disc; Fwd.
Wheel Cylinder	92 - 91	F123249	(WC123249)	L.H.; 11-3/4 x 3" Brake; w/Flat Low; w/Front Drum; Back
Wheel Cylinder	92 - 91	F123249	(WC123249)	L.H.; 11-3/4 x 3" Brake; w/Flat Low; w/Front Drum; Fwd.
Wheel Cylinder	92 - 91	F123246	(WC123246)	L.H.; 12-5/8 x 3" Brake; w/o Flat Low; 13000 lb. Susp.; Diesel; Back; 1-1/16" Bore
Wheel Cylinder	92 - 91	F123246	(WC123246)	L.H.; 12-5/8 x 3" Brake; w/o Flat Low; 13000 lb. Susp.; Diesel; Fwd.; 1-1/16" Bore
Wheel Cylinder	92 - 91	F140756	(WC140756)	L.H.; 12-5/8 x 3" Brake; w/o Flat Low; 13000 lb. Susp.; Gas; Back
Wheel Cylinder	92 - 91	F140756	(WC140756)	L.H.; 12-5/8 x 3" Brake; w/o Flat Low; 13000 lb. Susp.; Gas; Fwd.
Wheel Cylinder	92 - 91	F140760	(WC140760)	L.H.; 12-5/8 x 4" Brake; w/o Flat Low; 14250 lb. Susp.; w/Front Disc; Back
Wheel Cylinder	92 - 91	F140760	(WC140760)	L.H.; 12-5/8 x 4" Brake; w/o Flat Low; 14250 lb. Susp.; w/Front Disc; Fwd.
Wheel Cylinder	92 - 91	F128466	(WC128466)	L.H.; 12-5/8 x 4" Brake; w/o Flat Low; 14250 lb. Susp.; w/Front Drum; Back
Wheel Cylinder	92 - 91	F128466	(WC128466)	L.H.; 12-5/8 x 4" Brake; w/o Flat Low; 14250 lb. Susp.; w/Front Drum; Fwd.

W4S042 (cont.)

Hydraulics - New (cont.)

Rear Wheel Cylinder	Years	Sequential No.	Category No.	Qualifier
Wheel Cylinder	92 - 91	F123251	(WC123251)	R.H.; 11-3/4 x 3" Brake; w/Flat Low; w/Front Drum; Back
Wheel Cylinder	92 - 91	F123250	(WC123250)	R.H.; 11-3/4 x 3" Brake; w/Flat Low; w/Front Drum; Fwd.
Wheel Cylinder	92 - 91	F123248	(WC123248)	R.H.; 12-5/8 x 3" Brake; w/o Flat Low; 13000 lb. Susp.; Diesel; Back; 1-1/16" Bore
Wheel Cylinder	92 - 91	F123247	(WC123247)	R.H.; 12-5/8 x 3" Brake; w/o Flat Low; 13000 lb. Susp.; Diesel; Fwd.; 1-1/16" Bore
Wheel Cylinder	92 - 91	F140755	(WC140755)	R.H.; 12-5/8 x 3" Brake; w/o Flat Low; 13000 lb. Susp.; Gas; Back
Wheel Cylinder	92 - 91	F140754	(WC140754)	R.H.; 12-5/8 x 3" Brake; w/o Flat Low; 13000 lb. Susp.; Gas; Fwd.
Wheel Cylinder	92 - 91	F140758	(WC140758)	R.H.; 12-5/8 x 4" Brake; w/o Flat Low; 14250 lb. Susp.; w/Front Disc; Back
Wheel Cylinder	92 - 91	F140757	(WC140757)	R.H.; 12-5/8 x 4" Brake; w/o Flat Low; 14250 lb. Susp.; w/Front Disc; Fwd.
Wheel Cylinder	92 - 91	F128468	(WC128468)	R.H.; 12-5/8 x 4" Brake; w/o Flat Low; 14250 lb. Susp.; w/Front Drum; Back
Wheel Cylinder	92 - 91	F128467	(WC128467)	R.H.; 12-5/8 x 4" Brake; w/o Flat Low; 14250 lb. Susp.; w/Front Drum; Fwd.
Wheel Cylinder	90 - 88	F123259	(WC123259)	11-3/4 x 3" Brake; w/Flat Low; w/Front Disc; Back
Wheel Cylinder	90 - 88	F140760	(WC140760)	L.H.; 12-5/8 x 3" Brake; w/o Flat Low; w/Front Disc; Back
Wheel Cylinder	90 - 88	F140760	(WC140760)	L.H.; 12-5/8 x 3" Brake; w/o Flat Low; w/Front Disc; Fwd.
Wheel Cylinder	90 - 88	F123246	(WC123246)	L.H.; 12-5/8 x 3" Brake; w/o Flat Low; w/Front Drum; Back; 1-1/16" Bore
Wheel Cylinder	90 - 88	F123246	(WC123246)	L.H.; 12-5/8 x 3" Brake; w/o Flat Low; w/Front Drum; Fwd.; 1-1/16" Bore
Wheel Cylinder	90 - 88	F140758	(WC140758)	R.H.; 12-5/8 x 3" Brake; w/o Flat Low; w/Front Disc; Back
Wheel Cylinder	90 - 88	F140757	(WC140757)	R.H.; 12-5/8 x 3" Brake; w/o Flat Low; w/Front Disc; Fwd.
Wheel Cylinder	90 - 88	F123248	(WC123248)	R.H.; 12-5/8 x 3" Brake; w/o Flat Low; w/Front Drum; Back; 1-1/16" Bore
Wheel Cylinder	90 - 88	F123247	(WC123247)	R.H.; 12-5/8 x 3" Brake; w/o Flat Low; w/Front Drum; Fwd.; 1-1/16" Bore
Wheel Cylinder	87	F123259	(WC123259)	From 8/87; 11-3/4 x 3" Brake; w/Flat Low; w/Front Disc; Back
Wheel Cylinder	87	F140760	(WC140760)	L.H.; From 8/87; 12-5/8 x 3" Brake; w/o Flat Low; w/Front Disc; Back
Wheel Cylinder	87	F140760	(WC140760)	L.H.; From 8/87; 12-5/8 x 3" Brake; w/o Flat Low; w/Front Disc; Fwd.
Wheel Cylinder	87	F123246	(WC123246)	L.H.; From 8/87; 12-5/8 x 3" Brake; w/o Flat Low; w/Front Drum; Back; 1-1/16" Bore
Wheel Cylinder	87	F123246	(WC123246)	L.H.; From 8/87; 12-5/8 x 3" Brake; w/o Flat Low; w/Front Drum; Fwd.; 1-1/16" Bore
Wheel Cylinder	87	F123246	(WC123246)	L.H.; To 7/87; 12-5/8 x 3" Brake; Back; 1-1/16" Bore
Wheel Cylinder	87	F123246	(WC123246)	L.H.; To 7/87; 12-5/8 x 3" Brake; Fwd.; 1-1/16" Bore
Wheel Cylinder	87	F140758	(WC140758)	R.H.; From 8/87; 12-5/8 x 3" Brake; w/o Flat Low; w/Front Disc; Back
Wheel Cylinder	87	F140757	(WC140757)	R.H.; From 8/87; 12-5/8 x 3" Brake; w/o Flat Low; w/Front Disc; Fwd.
Wheel Cylinder	87	F123248	(WC123248)	R.H.; From 8/87; 12-5/8 x 3" Brake; w/o Flat Low; w/Front Drum; Back; 1-1/16" Bore
Wheel Cylinder	87	F123247	(WC123247)	R.H.; From 8/87; 12-5/8 x 3" Brake; w/o Flat Low; w/Front Drum; Fwd.; 1-1/16" Bore
Wheel Cylinder	87	F123248	(WC123248)	R.H.; To 7/87; 12-5/8 x 3" Brake; Back; 1-1/16" Bore
Wheel Cylinder	87	F123247	(WC123247)	R.H.; To 7/87; 12-5/8 x 3" Brake; Fwd.; 1-1/16" Bore
Wheel Cylinder	86	F123246	(WC123246)	L.H.; 12-5/8 x 3" Brake; Back; 1-1/16" Bore
Wheel Cylinder	86	F123246	(WC123246)	L.H.; 12-5/8 x 3" Brake; Fwd.; 1-1/16" Bore
Wheel Cylinder	86	F123248	(WC123248)	R.H.; 12-5/8 x 3" Brake; Back; 1-1/16" Bore
Wheel Cylinder	86	F123247	(WC123247)	R.H.; 12-5/8 x 3" Brake; Fwd.; 1-1/16" Bore

Clutch Master Cylind	Years	Sequential No.	Category No.	Qualifier
-----------------------------	--------------	-----------------------	---------------------	------------------

Clutch Master Cylinder	94 - 86	F123690	(CM123690)	Exc. Stripped Chassis; 3/4" Bore
Clutch Master Cylinder	94 - 86	F128946	(CM128946)	Stripped Chassis; 3/4" Bore

Clutch Slave Cylinder	Years	Sequential No.	Category No.	Qualifier
------------------------------	--------------	-----------------------	---------------------	------------------

Clutch Slave Cylinder	94 - 86	F123693	(SC123693)	1" Bore
-----------------------	---------	---------	------------	---------

Front Brake Hose	Years	Sequential No.	Category No.	Qualifier
-------------------------	--------------	-----------------------	---------------------	------------------

Brake Hose	94	F123792	(BH123792)	
Brake Hose	93 - 87	F123792	(BH123792)	w/Disc Brake
Brake Hose	93 - 86	F123791	(BH123791)	w/Drum Brake

Rear Brake Hose	Years	Sequential No.	Category No.	Qualifier
------------------------	--------------	-----------------------	---------------------	------------------

Brake Hose	94 - 86	F123793	(BH123793)	
------------	---------	---------	------------	--

W5R042

Brake Pads & Shoes

Front Pads & Shoes	Years	SevereDuty	Lining No.	Qualifier
-------------------------------	--------------	-------------------	-------------------	------------------

Brake Shoes	94 - 87	SDS672R	EX1458D-S32	12-5/8 x 4-3/8
-------------	---------	---------	-------------	----------------

Rear Pads & Shoes	Years	SevereDuty	Lining No.	Qualifier
------------------------------	--------------	-------------------	-------------------	------------------

Brake Shoes	94 - 87	SDS669R	EX1455D-S32	12-5/8 x 4-3/4
-------------	---------	---------	-------------	----------------

W5R042 (cont.)
Brake Hardware

Front Brake Hardware	Years	Sequential No.	Category No.	Qualifier
Combi Kit	94 - 87	F140621	(H3017)	12-5/8 x 4-3/8" Brake
Rear Brake Hardware	Years	Sequential No.	Category No.	Qualifier
Combi Kit	94 - 87	F140620	(H3016)	12-5/8 x 4-3/4" Brake

Hydraulics - New

Front Brake Hose	Years	Sequential No.	Category No.	Qualifier
Brake Hose	94 - 87	F126748	(BH126748)	
Rear Brake Hose	Years	Sequential No.	Category No.	Qualifier
Brake Hose	94 - 87	F126750	(BH126750)	

W5S042
Brake Pads & Shoes

Front Pads & Shoes	Years	SevereDuty	Lining No.	Qualifier
Brake Shoes	96 - 94	SDS672R	EX1458D-S32	Air Over Hyd.; 12-5/8 x 4-3/8
Rear Pads & Shoes	Years	SevereDuty	Lining No.	Qualifier
Brake Shoes	96 - 94	SDS727R	EX1498D	Air Over Hyd.; 12-5/8 x 5-3/4

Brake Hardware

Front Brake Hardware	Years	Sequential No.	Category No.	Qualifier
Combi Kit	96 - 94	F140621	(H3017)	12-5/8 x 4-3/8" Brake; Air Over Hyd.
Rear Brake Hardware	Years	Sequential No.	Category No.	Qualifier
Combi Kit	96 - 94	F140620	(H3016)	12-5/8 x 5-3/4" Brake; Air Over Hyd.

Hydraulics - New

Rear Wheel Cylinder	Years	Sequential No.	Category No.	Qualifier
Wheel Cylinder	94	F131825	(WC131825)	To 9/94; 12-5/8 x 5-3/4" Brake; w/Man Adj.; Bottom
Wheel Cylinder	94	F131823	(WC131823)	To 9/94; 12-5/8 x 5-3/4" Brake; w/Man Adj.; Top
Front Brake Hose	Years	Sequential No.	Category No.	Qualifier
Brake Hose	96 - 94	F126748	(BH126748)	
Rear Brake Hose	Years	Sequential No.	Category No.	Qualifier
Brake Hose	96 - 94	F126751	(BH126751)	

W6N042
Brake Pads & Shoes

Front Pads & Shoes	Years	SevereDuty	Lining No.	Qualifier
Brake Shoes	80 - 77	SDS321R	EX1245AD-S32	Hyd. Brakes; Auto Adj.; 15 x 3
Brake Shoes	80 - 77	SDS322R	EX1280BD-S32	Hyd. Brakes; Auto Adj.; 15 x 3-1/2
Brake Shoes	80 - 77	SDS235R	EX1245AD-S32	Hyd. Brakes; Man. Adj.; 15 x 3
Brake Shoes	80 - 77	SDS463R	EX1280D-S32	Hyd. Brakes; Man. Adj.; 15 x 3-1/2
Rear Pads & Shoes	Years	SevereDuty	Lining No.	Qualifier
Brake Shoes	80 - 77	SDS427R	EX4640D	Hyd. Brakes; 15 x 4
Brake Shoes	80 - 77	SDS442R	EX4639D-S32	Hyd. Brakes; 15 x 5
Brake Shoes	80 - 77	SDS381R	EX4596D-S32	Hyd. Brakes; 15 x 6
Brake Shoes	80 - 77	SDS383R	EX4597D-S32	Hyd. Brakes; 15 x 7
Brake Shoes	80 - 77	SDS386R	EX1255D-S32	Hyd. Brakes; 16 x 6

Brake Hardware

Front Brake Hardware	Years	Sequential No.	Category No.	Qualifier
Adjuster Kit	80 - 77	F140819	(H2714)	L.H.; Wagner; Auto Adj.
Adjuster Kit	80 - 77	F128990	(H2929)	L.H.; Wagner; Man. Adj.
Adjuster Kit	80 - 77	F140820	(H2715)	R.H.; Wagner; Auto Adj.
Adjuster Kit	80 - 77	F128990	(H2929)	R.H.; Wagner; Man. Adj.
Combi Kit	80 - 77	F117025	(H7173)	Wagner; 15" Brake; Auto Adj.
↳Hold Down Kit		F73399	(H4201)	
↳Return Spring Kit		F36445	(H521)	
Combi Kit	80 - 77	F117026	(H7172)	Wagner; 15" Brake; Man. Adj.
↳Hold Down Kit		F19408	(H4200)	
↳Return Spring Kit		F36445	(H521)	

↳Sub-Kit of Combi-Kit is available separately.

W6N042 (cont.)

Brake Hardware (cont.)

Rear Brake Hardware	Years	Sequential No.	Category No.	Qualifier
Adjuster Kit	80 - 77	F128891	(H2908)	L.H.; GM; 15" Brake
Adjuster Kit	80 - 77	F59157	(H2902)	L.H.; Wagner; 15" Brake; Auto Adj.
Adjuster Kit	80 - 77	F128894S	(H2911)	L.H.; Wagner; 15" Brake; Man. Adj.
Adjuster Kit	80 - 77	F128895S	(H2912)	L.H.; Wagner; 16" Brake; Man. Adj.
Adjuster Kit	80 - 77	F128892	(H2909)	R.H.; GM; 15" Brake
Adjuster Kit	80 - 77	F59158	(H2903)	R.H.; Wagner; 15" Brake; Auto Adj.
Adjuster Kit	80 - 77	F128894S	(H2911)	R.H.; Wagner; 15" Brake; Man. Adj.
Adjuster Kit	80 - 77	F128895S	(H2912)	R.H.; Wagner; 16" Brake; Man. Adj.
Adjuster Screw	80 - 77	F128880S	(H1710)	L.H.; GM; 15" Brake
Adjuster Screw	80 - 77	F140823	(H1607)	L.H.; Wagner; 15" Brake
Adjuster Screw	80 - 77	F19291	(H1700)	L.H.; Wagner; 16" Brake
Adjuster Screw	80 - 77	F128881S	(H1711)	R.H.; GM; 15" Brake
Adjuster Screw	80 - 77	F140818	(H1606)	R.H.; Wagner; 15" Brake
Adjuster Screw	80 - 77	F19292	(H1701)	R.H.; Wagner; 16" Brake
Combi Kit	80 - 77	F140612	(H3008)	GM; 15" Brake
↳Hold Down Kit		F128928	(H4202)	
↳Return Spring Kit		F86408	(H552)	
Combi Kit	80 - 77	F117027	(H7171)	Wagner
↳Adjuster Spring Kit		F78727	(H451)	
↳Hold Down Kit		F19309	(H5079)	
↳Return Spring Kit		F98318	(H609)	

Hydraulics - Reman

Power Brake Booster	Years	Part No.	Qualifier
Power Brake Booster	80 - 77	518050	w/Master Cylinder; Hydro-Boost; Diesel; w/Serial No. 2504304 or 2513813
Power Brake Booster	80 - 77	518008	w/Master Cylinder; Hydro-Boost; Diesel; w/Serial No. 2512064
Power Brake Booster	80 - 77	518000	w/Master Cylinder; Hydro-Vac; Gas; w/Serial No. 2508096 or 2508827 or 2512065 or 2512554 or 2515050
Power Brake Booster	80 - 77	518001	w/Master Cylinder; Hydro-Vac; Gas; w/Single Diaphragm

W6R042

Brake Pads & Shoes

Front Pads & Shoes	Years	SevereDuty	Lining No.	Qualifier
Brake Shoes	96 - 94	SDS616R	EX1421D-S32	15-3/4 x 5-1/2
Brake Shoes	93 - 86	SDS603R	EX1411D-S32	w/Low Deck; 12-5/8 x 4
Brake Shoes	93 - 86	SDS616R	EX1421D-S32	w/o Low Deck; 15-3/4 x 5-1/2
Rear Pads & Shoes	Years	SevereDuty	Lining No.	Qualifier
Brake Shoes	96 - 94	SDS615R	EX1420D-S32	16-1/8 x 4-1/2
Brake Shoes	93 - 86	SDS615R	EX1420D-S32	39/8 or 41/8 Final Gear; 16-1/8 x 4-1/2
Brake Shoes	93 - 86	SDS604R	EX1412D-S43	39/9 Final Gear; 14-5/8 x 5-1/4

Brake Hardware

Front Brake Hardware	Years	Sequential No.	Category No.	Qualifier
Adjuster Kit	93 - 86	F128918	(H2933)	12-5/8 x 4" Brake; w/Low Deck
Combi Kit	96 - 94	F140628	(H3024)	15-3/4 x 5-1/2" Brake; Return Spring Kit
Combi Kit	93 - 86	F128867	(H7214)	12-5/8 x 4" Brake; w/Low Deck
Combi Kit	93 - 86	F140628	(H3024)	15-3/4 x 5-1/2" Brake; w/o Low Deck; Return Spring Kit
Rear Brake Hardware	Years	Sequential No.	Category No.	Qualifier
Adjuster Kit	93 - 86	F128917	(H2932)	14-5/8 x 5-1/4" Brake; 39/9 Final Gear
Combi Kit	96 - 94	F128867	(H7214)	16-1/8 x 4-1/2" Brake
Combi Kit	93 - 86	F128867	(H7214)	14-5/8 x 5-1/4" Brake; 39/9 Final Gear
Combi Kit	93 - 86	F128867	(H7214)	16-1/8 x 4-1/2" Brake; 39/8 or 41/8 Final Gear

Hydraulics - New

Front Wheel Cylinder	Years	Sequential No.	Category No.	Qualifier
Wheel Cylinder	94	F131665	(WC131665)	L.H.; To 9/94; 15-3/4 x 5-1/2" Brake; w/Man Adj.; Back
Wheel Cylinder	94	F123269	(WC123269)	L.H.; To 9/94; 15-3/4 x 5-1/2" Brake; w/Man Adj.; Fwd.

↳Sub-Kit of Combi-Kit is available separately.

Hydraulics - New (cont.)

Front Wheel Cylinder	Years	Sequential No.	Category No.	Qualifier
Wheel Cylinder	94	F131664	(WC131664)	R.H.; To 9/94; 15-3/4 x 5-1/2" Brake; w/Man Adj.; Back
Wheel Cylinder	94	F123270	(WC123270)	R.H.; To 9/94; 15-3/4 x 5-1/2" Brake; w/Man Adj.; Fwd.
Wheel Cylinder	93	F131665	(WC131665)	L.H.; From 2/93; 15-3/4 x 5-1/2" Brake; w/o Low Deck; Back
Wheel Cylinder	93	F123269	(WC123269)	L.H.; From 2/93; 15-3/4 x 5-1/2" Brake; w/o Low Deck; Fwd.
Wheel Cylinder	93	F128475	(WC128475)	L.H.; To 1/93; 15-3/4 x 5-1/2" Brake; w/Low Deck
Wheel Cylinder	93	F131665	(WC131665)	L.H.; To 1/93; 15-3/4 x 5-1/2" Brake; w/o Low Deck; Back
Wheel Cylinder	93	F123269	(WC123269)	L.H.; To 1/93; 15-3/4 x 5-1/2" Brake; w/o Low Deck; Fwd.
Wheel Cylinder	93	F131664	(WC131664)	R.H.; From 2/93; 15-3/4 x 5-1/2" Brake; w/o Low Deck; Back
Wheel Cylinder	93	F123270	(WC123270)	R.H.; From 2/93; 15-3/4 x 5-1/2" Brake; w/o Low Deck; Fwd.
Wheel Cylinder	93	F128476	(WC128476)	R.H.; To 1/93; 15-3/4 x 5-1/2" Brake; w/Low Deck
Wheel Cylinder	93	F131664	(WC131664)	R.H.; To 1/93; 15-3/4 x 5-1/2" Brake; w/o Low Deck; Back
Wheel Cylinder	93	F123270	(WC123270)	R.H.; To 1/93; 15-3/4 x 5-1/2" Brake; w/o Low Deck; Fwd.
Wheel Cylinder	92	F128475	(WC128475)	L.H.; From 4/92; 15-3/4 x 5-1/2" Brake; w/Low Deck
Wheel Cylinder	92	F131665	(WC131665)	L.H.; From 4/92; 15-3/4 x 5-1/2" Brake; w/o Low Deck; Back
Wheel Cylinder	92	F123269	(WC123269)	L.H.; From 4/92; 15-3/4 x 5-1/2" Brake; w/o Low Deck; Fwd.
Wheel Cylinder	92	F128475	(WC128475)	L.H.; To 3/92; 15-3/4 x 5-1/2" Brake; w/Low Deck
Wheel Cylinder	92	F123269	(WC123269)	L.H.; To 3/92; 15-3/4 x 5-1/2" Brake; w/o Low Deck
Wheel Cylinder	92	F128476	(WC128476)	R.H.; From 4/92; 15-3/4 x 5-1/2" Brake; w/Low Deck
Wheel Cylinder	92	F131664	(WC131664)	R.H.; From 4/92; 15-3/4 x 5-1/2" Brake; w/o Low Deck; Back
Wheel Cylinder	92	F123270	(WC123270)	R.H.; From 4/92; 15-3/4 x 5-1/2" Brake; w/o Low Deck; Fwd.
Wheel Cylinder	92	F128476	(WC128476)	R.H.; To 3/92; 15-3/4 x 5-1/2" Brake; w/Low Deck
Wheel Cylinder	92	F123270	(WC123270)	R.H.; To 3/92; 15-3/4 x 5-1/2" Brake; w/o Low Deck
Wheel Cylinder	91 - 90	F128475	(WC128475)	L.H.; 15-3/4 x 5-1/2" Brake; w/Low Deck
Wheel Cylinder	91 - 90	F123269	(WC123269)	L.H.; 15-3/4 x 5-1/2" Brake; w/o Low Deck
Wheel Cylinder	91 - 90	F128476	(WC128476)	R.H.; 15-3/4 x 5-1/2" Brake; w/Low Deck
Wheel Cylinder	91 - 90	F123270	(WC123270)	R.H.; 15-3/4 x 5-1/2" Brake; w/o Low Deck
Wheel Cylinder	89	F128475	(WC128475)	L.H.; From 12/89; 15-3/4 x 5-1/2" Brake; w/Low Deck
Wheel Cylinder	89	F123269	(WC123269)	L.H.; From 12/89; 15-3/4 x 5-1/2" Brake; w/o Low Deck
Wheel Cylinder	89	F123269	(WC123269)	L.H.; To 11/89; 15-3/4 x 5-1/2" Brake
Wheel Cylinder	89	F128476	(WC128476)	R.H.; From 12/89; 15-3/4 x 5-1/2" Brake; w/Low Deck
Wheel Cylinder	89	F123270	(WC123270)	R.H.; From 12/89; 15-3/4 x 5-1/2" Brake; w/o Low Deck
Wheel Cylinder	89	F123270	(WC123270)	R.H.; To 11/89; 15-3/4 x 5-1/2" Brake
Wheel Cylinder	88 - 86	F123269	(WC123269)	L.H.; 15-3/4 x 5-1/2" Brake
Wheel Cylinder	88 - 86	F123270	(WC123270)	R.H.; 15-3/4 x 5-1/2" Brake
Rear Wheel Cylinder	Years	Sequential No.	Category No.	Qualifier
Wheel Cylinder	94	F123274	(WC123274)	L.H.; To 9/94; 16-1/8 x 4-1/2" Brake; w/Man Adj.; Back
Wheel Cylinder	94	F123272	(WC123272)	L.H.; To 9/94; 16-1/8 x 4-1/2" Brake; w/Man Adj.; Fwd.
Wheel Cylinder	94	F123275	(WC123275)	R.H.; To 9/94; 16-1/8 x 4-1/2" Brake; w/Man Adj.; Back
Wheel Cylinder	94	F123273	(WC123273)	R.H.; To 9/94; 16-1/8 x 4-1/2" Brake; w/Man Adj.; Fwd.
Wheel Cylinder	93	F123274	(WC123274)	L.H.; From 2/93; 16-1/8 x 4-1/2" Brake; Final Gear 14.5"; Back
Wheel Cylinder	93	F123272	(WC123272)	L.H.; From 2/93; 16-1/8 x 4-1/2" Brake; Final Gear 14.5"; Fwd.
Wheel Cylinder	93	F128478	(WC128478)	L.H.; To 1/93; 16-1/8 x 4-1/2" Brake; Final Gear 13.5"; Fwd.
Wheel Cylinder	93	F123274	(WC123274)	L.H.; To 1/93; 16-1/8 x 4-1/2" Brake; Final Gear 14.5"; Back
Wheel Cylinder	93	F123272	(WC123272)	L.H.; To 1/93; 16-1/8 x 4-1/2" Brake; Final Gear 14.5"; Fwd.
Wheel Cylinder	93	F131799	(WC131799)	R.H.; From 2/93; 16-1/8 x 4-1/2" Brake; Final Gear 13.5"; Fwd.
Wheel Cylinder	93	F123275	(WC123275)	R.H.; From 2/93; 16-1/8 x 4-1/2" Brake; Final Gear 14.5"; Back
Wheel Cylinder	93	F123273	(WC123273)	R.H.; From 2/93; 16-1/8 x 4-1/2" Brake; Final Gear 14.5"; Fwd.
Wheel Cylinder	93	F128479	(WC128479)	R.H.; To 1/93; 16-1/8 x 4-1/2" Brake; Final Gear 13.5"; Fwd.
Wheel Cylinder	93	F123275	(WC123275)	R.H.; To 1/93; 16-1/8 x 4-1/2" Brake; Final Gear 14.5"; Back
Wheel Cylinder	93	F123273	(WC123273)	R.H.; To 1/93; 16-1/8 x 4-1/2" Brake; Final Gear 14.5"; Fwd.
Wheel Cylinder	92 - 91	F128478	(WC128478)	L.H.; 16-1/8 x 4-1/2" Brake; Final Gear 13.5"; Fwd.
Wheel Cylinder	92 - 91	F123274	(WC123274)	L.H.; 16-1/8 x 4-1/2" Brake; Final Gear 14.5"; Back
Wheel Cylinder	92 - 91	F123272	(WC123272)	L.H.; 16-1/8 x 4-1/2" Brake; Final Gear 14.5"; Fwd.
Wheel Cylinder	92 - 91	F128479	(WC128479)	R.H.; 16-1/8 x 4-1/2" Brake; Final Gear 13.5"; Fwd.
Wheel Cylinder	92 - 91	F123275	(WC123275)	R.H.; 16-1/8 x 4-1/2" Brake; Final Gear 14.5"; Back

W6R042 (cont.)

Hydraulics - New (cont.)				
Rear Wheel Cylinder	Years	Sequential No.	Category No.	Qualifier
Wheel Cylinder	92 - 91	F123273	(WC123273)	R.H.; 16-1/8 x 4-1/2" Brake; Final Gear 14.5"; Fwd.
Wheel Cylinder	90 - 89	F123274	(WC123274)	L.H.; 16-1/8 x 4-1/2" Brake; 39/8 or 41/8 Final Gear 14.5"; Back
Wheel Cylinder	90 - 89	F123272	(WC123272)	L.H.; 16-1/8 x 4-1/2" Brake; 39/8 or 41/8 Final Gear 14.5"; Fwd.
Wheel Cylinder	90 - 89	F128478	(WC128478)	L.H.; 16-1/8 x 4-1/2" Brake; 39/9 Final Gear 14.5"; Fwd.
Wheel Cylinder	90 - 89	F123275	(WC123275)	R.H.; 16-1/8 x 4-1/2" Brake; 39/8 or 41/8 Final Gear 14.5"; Back
Wheel Cylinder	90 - 89	F123273	(WC123273)	R.H.; 16-1/8 x 4-1/2" Brake; 39/8 or 41/8 Final Gear 14.5"; Fwd.
Wheel Cylinder	90 - 89	F128479	(WC128479)	R.H.; 16-1/8 x 4-1/2" Brake; 39/9 Final Gear 14.5"; Fwd.
Rear Brake Hose	Years	Sequential No.	Category No.	Qualifier
Brake Hose	96 - 86	F126751	(BH126751)	

W7H042

Brake Pads & Shoes				
Front Pads & Shoes	Years	SevereDuty	Lining No.	Qualifier
Brake Shoes	96 - 88	SDS718R	EX1418D-S43	w/Air Brakes; 16-1/8 x 5-1/2
Rear Pads & Shoes	Years	SevereDuty	Lining No.	Qualifier
Brake Shoes	96 - 88	SDS4734R	EX4734D	w/Air Brakes; 16-1/8 x 7

Hydraulics - New				
Clutch Slave Cylinder	Years	Sequential No.	Category No.	Qualifier
Clutch Slave Cylinder	90 - 87	F128948	(SC128948)	Spicer Trans.; 1" Bore

W7M042

Brake Pads & Shoes				
Front Pads & Shoes	Years	SevereDuty	Lining No.	Qualifier
Brake Shoes	96 - 86	SDS613R	EX1418D-S43	Air Over Hyd.; 16-1/8 x 5-1/2
Brake Shoes	96 - 88	SDS718R	EX1418D-S43	w/Air Brakes; 16-1/8 x 5-1/2
Rear Pads & Shoes	Years	SevereDuty	Lining No.	Qualifier
Brake Shoes	96 - 86	SDS613R	EX1418D-S43	Air Over Hyd.; 16-1/8 x 5-1/2
Brake Shoes	96 - 94	SDS4734R	EX4734D	w/Air Brakes

Brake Hardware				
Front Brake Hardware	Years	Sequential No.	Category No.	Qualifier
Combi Kit	96 - 86	F140629	(H3025)	16-1/8 x 5-1/2" Brake; Air Over Hyd.; Return Spring Kit
Rear Brake Hardware	Years	Sequential No.	Category No.	Qualifier
Combi Kit	96 - 86	F140629	(H3025)	16-1/8 x 5-1/2" Brake; Air Over Hyd.; Return Spring Kit

Hydraulics - New				
Front Wheel Cylinder	Years	Sequential No.	Category No.	Qualifier
Wheel Cylinder	94	F123277	(WC123277)	L.H.; To 9/94; 16-1/8 x 5-1/2" Brake; Air Over Hyd.; w/Man Adj.
Wheel Cylinder	94	F123278	(WC123278)	R.H.; To 9/94; 16-1/8 x 5-1/2" Brake; Air Over Hyd.; w/Man Adj.
Wheel Cylinder	93 - 89	F123277	(WC123277)	L.H.; 16-1/8 x 5-1/2" Brake; Air Over Hyd.
Wheel Cylinder	93 - 89	F123278	(WC123278)	R.H.; 16-1/8 x 5-1/2" Brake; Air Over Hyd.
Rear Wheel Cylinder	Years	Sequential No.	Category No.	Qualifier
Wheel Cylinder	94	F123280	(WC123280)	To 9/94; 16-1/8 x 5-1/2" Brake; Air Over Hyd.; w/Man Adj.
Wheel Cylinder	93 - 86	F123280	(WC123280)	16-1/8 x 5-1/2" Brake; Air Over Hyd.
Front Brake Hose	Years	Sequential No.	Category No.	Qualifier
Brake Hose	96 - 86	F126751	(BH126751)	Air Over Hyd.
Rear Brake Hose	Years	Sequential No.	Category No.	Qualifier
Brake Hose	96 - 86	F126752	(BH126752)	Air Over Hyd.

W7N042

Brake Pads & Shoes				
Front Pads & Shoes	Years	SevereDuty	Lining No.	Qualifier
Brake Shoes	80 - 77	SDS321R	EX1245AD-S32	Hyd. Brakes; Auto Adj.; 15 x 3
Brake Shoes	80 - 77	SDS322R	EX1280BD-S32	Hyd. Brakes; Auto Adj.; 15 x 3-1/2
Brake Shoes	80 - 77	SDS235R	EX1245AD-S32	Hyd. Brakes; Man. Adj.; 15 x 3
Brake Shoes	80 - 77	SDS463R	EX1280D-S32	Hyd. Brakes; Man. Adj.; 15 x 3-1/2

W7N042 (cont.)

Brake Pads & Shoes (cont.)

Rear Pads & Shoes	Years	SevereDuty	Lining No.	Qualifier
Brake Shoes	80 - 77	SDS427R	EX4640D	Hyd. Brakes; 15 x 4
Brake Shoes	80 - 77	SDS442R	EX4639D-S32	Hyd. Brakes; 15 x 5
Brake Shoes	80 - 77	SDS381R	EX4596D-S32	Hyd. Brakes; 15 x 6
Brake Shoes	80 - 77	SDS383R	EX4597D-S32	Hyd. Brakes; 15 x 7
Brake Shoes	80 - 77	SDS386R	EX1255D-S32	Hyd. Brakes; 16 x 6

Brake Hardware

Front Brake Hardware	Years	Sequential No.	Category No.	Qualifier
Adjuster Kit	80 - 77	F140819	(H2714)	L.H.; Wagner; Auto Adj.
Adjuster Kit	80 - 77	F128990	(H2929)	L.H.; Wagner; Man. Adj.
Adjuster Kit	80 - 77	F140820	(H2715)	R.H.; Wagner; Auto Adj.
Adjuster Kit	80 - 77	F128990	(H2929)	R.H.; Wagner; Man. Adj.
Combi Kit	80 - 77	F117025	(H7173)	Wagner; 15" Brake; Auto Adj.
↳Hold Down Kit		F73399	(H4201)	
↳Return Spring Kit		F36445	(H521)	
Combi Kit	80 - 77	F117026	(H7172)	Wagner; 15" Brake; Man. Adj.
↳Hold Down Kit		F19408	(H4200)	
↳Return Spring Kit		F36445	(H521)	

Rear Brake Hardware	Years	Sequential No.	Category No.	Qualifier
Adjuster Kit	80 - 77	F128891	(H2908)	L.H.; GM; 15" Brake
Adjuster Kit	80 - 77	F59157	(H2902)	L.H.; Wagner; 15" Brake; Auto Adj.
Adjuster Kit	80 - 77	F128894S	(H2911)	L.H.; Wagner; 15" Brake; Man. Adj.
Adjuster Kit	80 - 77	F128895S	(H2912)	L.H.; Wagner; 16" Brake; Man. Adj.
Adjuster Kit	80 - 77	F128892	(H2909)	R.H.; GM; 15" Brake
Adjuster Kit	80 - 77	F59158	(H2903)	R.H.; Wagner; 15" Brake; Auto Adj.
Adjuster Kit	80 - 77	F128894S	(H2911)	R.H.; Wagner; 15" Brake; Man. Adj.
Adjuster Kit	80 - 77	F128895S	(H2912)	R.H.; Wagner; 16" Brake; Man. Adj.
Adjuster Screw	80 - 77	F128880S	(H1710)	L.H.; GM; 15" Brake
Adjuster Screw	80 - 77	F140823	(H1607)	L.H.; Wagner; 15" Brake
Adjuster Screw	80 - 77	F19291	(H1700)	L.H.; Wagner; 16" Brake
Adjuster Screw	80 - 77	F128881S	(H1711)	R.H.; GM; 15" Brake
Adjuster Screw	80 - 77	F140818	(H1606)	R.H.; Wagner; 15" Brake
Adjuster Screw	80 - 77	F19292	(H1701)	R.H.; Wagner; 16" Brake
Combi Kit	80 - 77	F140612	(H3008)	GM; 15" Brake
↳Hold Down Kit		F128928	(H4202)	
↳Return Spring Kit		F86408	(H552)	
Combi Kit	80 - 77	F117027	(H7171)	Wagner
↳Adjuster Spring Kit		F78727	(H451)	
↳Hold Down Kit		F19309	(H5079)	
↳Return Spring Kit		F98318	(H609)	

Hydraulics - Reman

Power Brake Booster	Years	Part No.	Qualifier
Power Brake Booster	80 - 77	518009	w/Master Cylinder; Hydro-Vac; Gas

W7T042

Brake Pads & Shoes

Front Pads & Shoes	Years	SevereDuty	Lining No.	Qualifier
Brake Shoes	93 - 87	SDS718R	EX1418D-S43	w/Air Brakes; 16-1/8 x 5-1/2

Rear Pads & Shoes	Years	SevereDuty	Lining No.	Qualifier
Brake Shoes	93 - 87	SDS4734R	EX4734D	w/Air Brakes; 16-1/8 x 7

Hydraulics - New

Clutch Slave Cylinder	Years	Sequential No.	Category No.	Qualifier
Clutch Slave Cylinder	90 - 87	F128948	(SC128948)	Spicer Trans.; 1" Bore

↳Sub-Kit of Combi-Kit is available separately.

W3500 DIESEL

Brake Pads & Shoes

Front Pads & Shoes	Years	SevereDuty	Lining No.	Qualifier
Brake Pads	07 - 98	SD825		Akebono; 2.13" 2-Piston Caliper
Brake Pads	97 - 94	SD546		Akebono; 2.12" 2-Piston Caliper

Rear Pads & Shoes	Years	SevereDuty	Lining No.	Qualifier
Brake Shoes	04 - 94	SDS726R	EX1417D-S32	12-5/8 x 3

Rotor & Drum

Front Rotor & Drum	Years	Part No.	Qualifier
Brake Rotor	04 - 98	BD126396	Hat-Shaped; 12-Hole
Brake Rotor	97 - 94	BD125627	Hat-Shaped; 12-Hole

Brake Hardware

Front Brake Hardware	Years	Sequential No.	Category No.	Qualifier
Caliper Bolt/Pin	07 - 98	F140773	(H14945)	Akebono; 2.13" 2-Piston Caliper
Disc Align Kit	07 - 98	F140608	(H3004)	Akebono; 2.13" 2-Piston Caliper
Disc Align Kit	97 - 94	F140609	(H3005)	Akebono; 2.12" 2-Piston Caliper

Rear Brake Hardware	Years	Sequential No.	Category No.	Qualifier
Combi Kit	04 - 94	F128865	(H7212)	12-5/8 x 3" Brake

Calipers - Reman

Front, Loaded	Years	Left No.	Right No.	Qualifier	Piston
Loaded Caliper	07 - 04	AS135218	AS135217	Akebono; 2.13" 2-Piston Caliper	M
Loaded Caliper	03 - 98	AS135225	AS135224	Akebono; 2.13" 2-Piston Caliper	M
Loaded Caliper	97 - 94	AS134275	AS134276	Akebono; 2.12" 2-Piston Caliper	M

Front, Unloaded	Years	Left No.	Right No.	Qualifier	Piston
Unloaded Caliper	07 - 04	CR135218	CR135217	Akebono; 2.13" 2-Piston Caliper	M
Unloaded Caliper	03 - 98	CR135225	CR135224	Akebono; 2.13" 2-Piston Caliper	M
Unloaded Caliper	97 - 94	CR134275	CR134276	Akebono; 2.12" 2-Piston Caliper	M

Hydraulics - New

Master Cylinder	Years	Sequential No.	Category No.	Qualifier
Master Cylinder	04 - 02	F140752	(MC140752)	
Master Cylinder	01	F140752	(MC140752)	From 10/01
Master Cylinder	01	F140749	(MC140749)	To 9/01
Master Cylinder	00 - 98	F140749	(MC140749)	
Master Cylinder	97	F140749	(MC140749)	From 11/97
Master Cylinder	97	F140750	(MC140750)	To 10/97
Master Cylinder	96	F140750	(MC140750)	
Master Cylinder	95	F140750	(MC140750)	From 11/95
Master Cylinder	95	F140749	(MC140749)	To 10/95
Master Cylinder	94	F140749	(MC140749)	

Rear Wheel Cylinder	Years	Sequential No.	Category No.	Qualifier
Wheel Cylinder	04 - 99	F140759	(WC140759)	L.H.; 12-1/2 x 3" Brake; Back
Wheel Cylinder	04 - 94	F140760	(WC140760)	L.H.; 12-1/2 x 3" Brake; Fwd.
Wheel Cylinder	04 - 94	F140758	(WC140758)	R.H.; 12-1/2 x 3" Brake; Back
Wheel Cylinder	04 - 94	F140757	(WC140757)	R.H.; 12-1/2 x 3" Brake; Fwd.
Wheel Cylinder	98 - 94	F140760	(WC140760)	L.H.; 12-1/2 x 3" Brake; Back

Clutch Slave Cylinder	Years	Sequential No.	Category No.	Qualifier
Clutch Slave Cylinder	97 - 94	F123693	(SC123693)	1" Bore

W4500 DIESEL

Brake Pads & Shoes

Front Pads & Shoes	Years	SevereDuty	Lining No.	Qualifier
Brake Pads	07 - 98	SD825		Akebono; 2.13" 2-Piston Caliper
Brake Pads	97 - 94	SD546		Akebono; 2.12" 2-Piston Caliper

Rear Pads & Shoes	Years	SevereDuty	Lining No.	Qualifier
Brake Shoes	04 - 94	SDS699R	EX1482D-S32	12-5/8 x 4

Piston: M - OE Metal Piston P - OE Phenolic Piston

W4500 DIESEL (cont.)
Rotor & Drum

Front Rotor & Drum	Years	Part No.	Qualifier
Brake Rotor	04 - 98	BD126396	Hat-Shaped; 12-Hole
Brake Rotor	97 - 94	BD125627	Hat-Shaped; 12-Hole

Brake Hardware

Front Brake Hardware	Years	Sequential No.	Category No.	Qualifier
Caliper Bolt/Pin	07 - 98	F140773	(H14945)	Akebono; 2.13" 2-Piston Caliper
Disc Align Kit	07 - 98	F140608	(H3004)	Akebono; 2.13" 2-Piston Caliper
Disc Align Kit	97 - 94	F140609	(H3005)	Akebono; 2.12" 2-Piston Caliper

Rear Brake Hardware	Years	Sequential No.	Category No.	Qualifier
Combi Kit	04 - 94	F140627	(H3023)	12-5/8 x 4" Brake; Return Spring Kit

Calipers - Reman

Front, Loaded	Years	Left No.	Right No.	Qualifier	Piston
Loaded Caliper	07 - 04	AS135218	AS135217	Akebono; 2.13" 2-Piston Caliper	M
Loaded Caliper	03 - 98	AS135225	AS135224	Akebono; 2.13" 2-Piston Caliper	M
Loaded Caliper	97 - 94	AS134275	AS134276	Akebono; 2.12" 2-Piston Caliper	M

Front, Unloaded	Years	Left No.	Right No.	Qualifier	Piston
Unloaded Caliper	07 - 04	CR135218	CR135217	Akebono; 2.13" 2-Piston Caliper	M
Unloaded Caliper	03 - 98	CR135225	CR135224	Akebono; 2.13" 2-Piston Caliper	M
Unloaded Caliper	97 - 94	CR134275	CR134276	Akebono; 2.12" 2-Piston Caliper	M

Hydraulics - New

Master Cylinder	Years	Sequential No.	Category No.	Qualifier
Master Cylinder	04 - 02	F140752	(MC140752)	
Master Cylinder	01	F140752	(MC140752)	From 10/01
Master Cylinder	01	F140749	(MC140749)	To 9/01
Master Cylinder	00 - 98	F140749	(MC140749)	
Master Cylinder	97	F140749	(MC140749)	From 11/97
Master Cylinder	97	F140750	(MC140750)	To 10/97
Master Cylinder	96	F140750	(MC140750)	
Master Cylinder	95	F140750	(MC140750)	From 11/95
Master Cylinder	95	F140749	(MC140749)	To 10/95
Master Cylinder	94	F140749	(MC140749)	

Rear Wheel Cylinder	Years	Sequential No.	Category No.	Qualifier
Wheel Cylinder	02 - 99	F140765	(WC140765)	L.H.; From 1/99; 12-5/8 x 4" Brake; Back
Wheel Cylinder	02 - 99	F140756	(WC140756)	L.H.; From 1/99; 12-5/8 x 4" Brake; Fwd.
Wheel Cylinder	02 - 99	F140755	(WC140755)	R.H.; From 1/99; 12-5/8 x 4" Brake; Back
Wheel Cylinder	02 - 99	F140754	(WC140754)	R.H.; From 1/99; 12-5/8 x 4" Brake; Fwd.
Wheel Cylinder	98 - 94	F140756	(WC140756)	L.H.; To 12/98; 12-5/8 x 4" Brake; Back
Wheel Cylinder	98 - 94	F140756	(WC140756)	L.H.; To 12/98; 12-5/8 x 4" Brake; Fwd.
Wheel Cylinder	98 - 94	F140755	(WC140755)	R.H.; To 12/98; 12-5/8 x 4" Brake; Back
Wheel Cylinder	98 - 94	F140754	(WC140754)	R.H.; To 12/98; 12-5/8 x 4" Brake; Fwd.

Clutch Slave Cylinder	Years	Sequential No.	Category No.	Qualifier
Clutch Slave Cylinder	97 - 94	F123693	(SC123693)	1" Bore

W5500 DIESEL
Brake Pads & Shoes

Front Pads & Shoes	Years	SevereDuty	Lining No.	Qualifier
Brake Pads	07 - 99	SD827		Akebono; 2.24" 2-Piston caliper
Brake Pads	98	SD826		Akebono; 2.24" 2-Piston caliper

Rear Pads & Shoes	Years	SevereDuty	Lining No.	Qualifier
Brake Shoes	05 - 98	SDS792R	EX1534D	12-1/4 x 4-3/4

Rotor & Drum

Front Rotor & Drum	Years	Part No.	Qualifier
Brake Rotor	04 - 99	BD126393	Hat-Shaped; 12-Hole
Brake Rotor	98	BD126395	Hat-Shaped; 12-Hole

Piston: M - OE Metal Piston P - OE Phenolic Piston

W5500 DIESEL (cont.)

Brake Hardware					
Front Brake Hardware	Years	Sequential No.	Category No.	Qualifier	
Caliper Bolt/Pin	07 - 98	F140773	(H14945)	Akebono; 2.24" 2-Piston caliper	
Disc Align Kit	07 - 98	F140608	(H3004)	Akebono; 2.24" 2-Piston caliper	
Rear Brake Hardware	Years	Sequential No.	Category No.	Qualifier	
Combi Kit	05 - 98	F140626	(H3022)	12-1/4 x 4-3/4" Brake	
Calipers - Reman					
Front, Loaded	Years	Left No.	Right No.	Qualifier	Piston
Loaded Caliper	04	AS135220	AS135219	Akebono; 2.24" 2-Piston Caliper	M
Loaded Caliper	03 - 99	AS135227	AS135226	Akebono; 2.24" 2-Piston Caliper	M
Loaded Caliper	98	AS135223	AS135222	Akebono; 2.24" 2-Piston caliper	M
Front, Unloaded	Years	Left No.	Right No.	Qualifier	Piston
Unloaded Caliper	04	CR135220	CR135219	Akebono; 2.24" 2-Piston Caliper	M
Unloaded Caliper	03 - 99	CR135227	CR135226	Akebono; 2.24" 2-Piston Caliper	M
Unloaded Caliper	98	CR135223	CR135222	Akebono; 2.24" 2-Piston caliper	M
Hydraulics - New					
Master Cylinder	Years	Sequential No.	Category No.	Qualifier	
Master Cylinder	04 - 98	F140751	(MC140751)		

GMC MD W-Series Gas

W3500 GAS

Brake Pads & Shoes				
Front Pads & Shoes	Years	SevereDuty	Lining No.	Qualifier
Brake Pads	07 - 98	SD825		Akebono; 2.13" 2-Piston Caliper
Brake Pads	97	SD825		From 10/97; Akebono; 2.13" 2-Piston Caliper
Brake Pads	97	SD546		To 9/97; Akebono; 2.12" 2-Piston Caliper
Brake Pads	96 - 94	SD546		Akebono; 2.12" 2-Piston Caliper
Rear Pads & Shoes	Years	SevereDuty	Lining No.	Qualifier
Brake Shoes	04 - 02	SDS699R	EX1482D-S32	12-5/8 x 4
Brake Shoes	01	SDS699R	EX1482D-S32	From 7/01; 12-5/8 x 4
Brake Shoes	01	SDS726R	EX1417D-S32	To 6/01; 12-5/8 x 3
Brake Shoes	00 - 98	SDS726R	EX1417D-S32	12-5/8 x 3
Brake Shoes	97	SDS726R	EX1417D-S32	From 10/97; 12-5/8 x 3
Brake Shoes	97	SDS699R	EX1482D-S32	To 9/97; 12-5/8 x 4
Brake Shoes	96 - 94	SDS699R	EX1482D-S32	12-5/8 x 4
Rotor & Drum				
Front Rotor & Drum	Years	Part No.	Qualifier	
Brake Rotor	04 - 00	BD126396	Hat-Shaped; 12-Hole	
Brake Rotor	99	BD126396	From 7/99; Hat-Shaped; 12-Hole	
Brake Rotor	99	BD126396	In 6/99; Hat-Shaped; 12-Hole; w/ABS	
Brake Rotor	99	BD126395	In 6/99; Hat-Shaped; 12-Hole; w/o ABS	
Brake Rotor	99	BD126396	To 5/99; Hat-Shaped; 12-Hole	
Brake Rotor	98	BD126396	Hat-Shaped; 12-Hole	
Brake Rotor	97	BD126396	From 10/97; Hat-Shaped; 12-Hole	
Brake Rotor	97	BD125627	To 9/97; Hat-Shaped; 12-Hole	
Brake Rotor	96 - 94	BD125627	Hat-Shaped; 12-Hole	
Brake Hardware				
Front Brake Hardware	Years	Sequential No.	Category No.	Qualifier
Caliper Bolt/Pin	07 - 98	F140773	(H14945)	Akebono; 2.13" 2-Piston Caliper
Caliper Bolt/Pin	97	F140773	(H14945)	From 10/97; Akebono; 2.13" 2-Piston Caliper
Disc Align Kit	07 - 98	F140608	(H3004)	Akebono; 2.13" 2-Piston Caliper
Disc Align Kit	97	F140608	(H3004)	From 10/97; Akebono; 2.13" 2-Piston Caliper
Disc Align Kit	97	F140609	(H3005)	To 9/97; Akebono; 2.12" 2-Piston Caliper
Disc Align Kit	96 - 94	F140609	(H3005)	Akebono; 2.12" 2-Piston Caliper

Piston: M - OE Metal Piston P - OE Phenolic Piston

W3500 GAS (cont.)

Brake Hardware (cont.)

<i>Rear Brake Hardware</i>	<i>Years</i>	<i>Sequential No.</i>	<i>Category No.</i>	<i>Qualifier</i>
Combi Kit	04 - 02	F140627	(H3023)	12-5/8 x 4" Brake; Return Spring Kit
Combi Kit	01	F140627	(H3023)	From 7/01; 12-5/8 x 4" Brake; Return Spring Kit
Combi Kit	01	F128865	(H7212)	To 6/01; 12-5/8 x 3" Brake
Combi Kit	00 - 98	F128865	(H7212)	12-5/8 x 3" Brake
Combi Kit	97	F128865	(H7212)	From 10/97; 12-5/8 x 3" Brake
Combi Kit	97	F140627	(H3023)	To 9/97; 12-5/8 x 4" Brake; Return Spring Kit
Combi Kit	96 - 94	F140627	(H3023)	12-5/8 x 4" Brake; Return Spring Kit

Calipers - Reman

<i>Front, Loaded</i>	<i>Years</i>	<i>Left No.</i>	<i>Right No.</i>	<i>Qualifier</i>	<i>Piston</i>
Loaded Caliper	07 - 04	AS135218	AS135217	Akebono; 2.13" 2-Piston Caliper	M
Loaded Caliper	03 - 98	AS135225	AS135224	Akebono; 2.13" 2-Piston Caliper	M
Loaded Caliper	97	AS135225	AS135224	From 10/97; Akebono; 2.13" 2-Piston Caliper	M
Loaded Caliper	97	AS134275	AS134276	To 9/97; Akebono; 2.12" 2-Piston Caliper	M
Loaded Caliper	96 - 94	AS134275	AS134276	Akebono; 2.12" 2-Piston Caliper	M

<i>Front, Unloaded</i>	<i>Years</i>	<i>Left No.</i>	<i>Right No.</i>	<i>Qualifier</i>	<i>Piston</i>
Unloaded Caliper	07 - 04	CR135218	CR135217	Akebono; 2.13" 2-Piston Caliper	M
Unloaded Caliper	03 - 98	CR135225	CR135224	Akebono; 2.13" 2-Piston Caliper	M
Unloaded Caliper	97	CR135225	CR135224	From 10/97; Akebono; 2.13" 2-Piston Caliper	M
Unloaded Caliper	97	CR134275	CR134276	To 9/97; Akebono; 2.12" 2-Piston Caliper	M
Unloaded Caliper	96 - 94	CR134275	CR134276	Akebono; 2.12" 2-Piston Caliper	M

Hydraulics - New

<i>Master Cylinder</i>	<i>Years</i>	<i>Sequential No.</i>	<i>Category No.</i>	<i>Qualifier</i>
Master Cylinder	04 - 02	F140752	(MC140752)	
Master Cylinder	01	F140752	(MC140752)	From 10/01
Master Cylinder	01	F140749	(MC140749)	To 9/01
Master Cylinder	00 - 98	F140749	(MC140749)	
Master Cylinder	97	F140749	(MC140749)	From 11/97
Master Cylinder	97	F140750	(MC140750)	To 10/97
Master Cylinder	96	F140750	(MC140750)	
Master Cylinder	95	F140750	(MC140750)	From 11/95
Master Cylinder	95	F140749	(MC140749)	To 10/95
Master Cylinder	94	F140749	(MC140749)	

<i>Rear Wheel Cylinder</i>	<i>Years</i>	<i>Sequential No.</i>	<i>Category No.</i>	<i>Qualifier</i>
Wheel Cylinder	02	F140765	(WC140765)	L.H.; To 6/02; 12-5/8 x 4" Brake; Back
Wheel Cylinder	02	F140756	(WC140756)	L.H.; To 6/02; 12-5/8 x 4" Brake; Fwd.
Wheel Cylinder	02	F140755	(WC140755)	R.H.; To 6/02; 12-5/8 x 4" Brake; Back
Wheel Cylinder	02	F140754	(WC140754)	R.H.; To 6/02; 12-5/8 x 4" Brake; Fwd.
Wheel Cylinder	01	F140765	(WC140765)	L.H.; From 7/01; 12-5/8 x 4" Brake; Back
Wheel Cylinder	01	F140756	(WC140756)	L.H.; From 7/01; 12-5/8 x 4" Brake; Fwd.
Wheel Cylinder	01	F140759	(WC140759)	L.H.; To 6/01; 12-1/2 x 3" Brake; Back
Wheel Cylinder	01	F140760	(WC140760)	L.H.; To 6/01; 12-1/2 x 3" Brake; Fwd.
Wheel Cylinder	01	F140755	(WC140755)	R.H.; From 7/01; 12-5/8 x 4" Brake; Back
Wheel Cylinder	01	F140754	(WC140754)	R.H.; From 7/01; 12-5/8 x 4" Brake; Fwd.
Wheel Cylinder	01	F140758	(WC140758)	R.H.; To 6/01; 12-1/2 x 3" Brake; Back
Wheel Cylinder	01	F140757	(WC140757)	R.H.; To 6/01; 12-1/2 x 3" Brake; Fwd.
Wheel Cylinder	00	F140759	(WC140759)	L.H.; 12-1/2 x 3" Brake; Back
Wheel Cylinder	00	F140760	(WC140760)	L.H.; 12-1/2 x 3" Brake; Fwd.
Wheel Cylinder	00	F140758	(WC140758)	R.H.; 12-1/2 x 3" Brake; Back
Wheel Cylinder	00	F140757	(WC140757)	R.H.; 12-1/2 x 3" Brake; Fwd.
Wheel Cylinder	99	F140759	(WC140759)	L.H.; From 2/99; To 7/99; 12-1/2 x 3" Brake; Back; w/4-Whl. ABS
Wheel Cylinder	99	F140760	(WC140760)	L.H.; From 2/99; To 7/99; 12-1/2 x 3" Brake; Back; w/o 4-Whl. ABS
Wheel Cylinder	99	F140760	(WC140760)	L.H.; From 2/99; To 7/99; 12-1/2 x 3" Brake; Fwd.
Wheel Cylinder	99	F140759	(WC140759)	L.H.; From 8/99; 12-1/2 x 3" Brake; Back
Wheel Cylinder	99	F140760	(WC140760)	L.H.; From 8/99; 12-1/2 x 3" Brake; Fwd.
Wheel Cylinder	99 - 98	F140760	(WC140760)	L.H.; To 1/99; 12-1/2 x 3" Brake; Back

Piston: M - OE Metal Piston P - OE Phenolic Piston

W3500 GAS (cont.)

Hydraulics - New (cont.)				
Rear Wheel Cylinder	Years	Sequential No.	Category No.	Qualifier
Wheel Cylinder	99 - 98	F140760	(WC140760)	L.H.; To 1/99; 12-1/2 x 3" Brake; Fwd.
Wheel Cylinder	99	F140758	(WC140758)	R.H.; From 2/99; To 7/99; 12-1/2 x 3" Brake; Back; w/4-Whl. ABS
Wheel Cylinder	99	F140758	(WC140758)	R.H.; From 2/99; To 7/99; 12-1/2 x 3" Brake; Back; w/o 4-Whl. ABS
Wheel Cylinder	99	F140757	(WC140757)	R.H.; From 2/99; To 7/99; 12-1/2 x 3" Brake; Fwd.
Wheel Cylinder	99	F140758	(WC140758)	R.H.; From 8/99; 12-1/2 x 3" Brake; Back
Wheel Cylinder	99	F140757	(WC140757)	R.H.; From 8/99; 12-1/2 x 3" Brake; Fwd.
Wheel Cylinder	99 - 98	F140758	(WC140758)	R.H.; To 1/99; 12-1/2 x 3" Brake; Back
Wheel Cylinder	99 - 98	F140757	(WC140757)	R.H.; To 1/99; 12-1/2 x 3" Brake; Fwd.
Wheel Cylinder	97	F140760	(WC140760)	L.H.; From 10/97; 12-1/2 x 3" Brake; Back
Wheel Cylinder	97	F140760	(WC140760)	L.H.; From 10/97; 12-1/2 x 3" Brake; Fwd.
Wheel Cylinder	97	F140756	(WC140756)	L.H.; To 9/97; 12-5/8 x 4" Brake; Back
Wheel Cylinder	97	F140756	(WC140756)	L.H.; To 9/97; 12-5/8 x 4" Brake; Fwd.
Wheel Cylinder	97	F140758	(WC140758)	R.H.; From 10/97; 12-1/2 x 3" Brake; Back
Wheel Cylinder	97	F140757	(WC140757)	R.H.; From 10/97; 12-1/2 x 3" Brake; Fwd.
Wheel Cylinder	97	F140755	(WC140755)	R.H.; To 9/97; 12-5/8 x 4" Brake; Back
Wheel Cylinder	97	F140754	(WC140754)	R.H.; To 9/97; 12-5/8 x 4" Brake; Fwd.
Wheel Cylinder	96 - 94	F140756	(WC140756)	L.H.; 12-5/8 x 4" Brake; Back
Wheel Cylinder	96 - 94	F140756	(WC140756)	L.H.; 12-5/8 x 4" Brake; Fwd.
Wheel Cylinder	96 - 94	F140755	(WC140755)	R.H.; 12-5/8 x 4" Brake; Back
Wheel Cylinder	96 - 94	F140754	(WC140754)	R.H.; 12-5/8 x 4" Brake; Fwd.

W4500 GAS

Brake Pads & Shoes				
Front Pads & Shoes	Years	SevereDuty	Lining No.	Qualifier
Brake Pads	07 - 00	SD827		Akebono; 2.24" 2-Piston Caliper; w/ABS
Brake Pads	99 - 98	SD826		Akebono; 2.24" 2-Piston Caliper; w/o ABS
Brake Pads	97	SD826		From 10/97; Akebono; 2.24" 2-Piston Caliper; w/o ABS
Brake Pads	97	SD546		To 9/97; Akebono; 2.12" 2-Piston Caliper
Brake Pads	96 - 94	SD546		Akebono; 2.12" 2-Piston Caliper
Rear Pads & Shoes	Years	SevereDuty	Lining No.	Qualifier
Brake Shoes	04 - 98	SDS792R	EX1534D	12-1/4 x 4-3/4
Brake Shoes	97	SDS792R	EX1534D	From 10/97; 12-1/4 x 4-3/4
Brake Shoes	97	SDS726R	EX1417D-S32	To 9/97; 12-5/8 x 3
Brake Shoes	96 - 94	SDS726R	EX1417D-S32	12-5/8 x 3

Rotor & Drum				
Front Rotor & Drum	Years	Part No.	Qualifier	
Brake Rotor	04 - 00	BD126393	Hat-Shaped; 12-Hole	
Brake Rotor	99	BD126393	From 7/99; Hat-Shaped; 12-Hole	
Brake Rotor	99	BD126393	In 6/99; Hat-Shaped; 12-Hole; w/ABS	
Brake Rotor	99	BD126396	In 6/99; Hat-Shaped; 12-Hole; w/o ABS	
Brake Rotor	99	BD126393	To 5/99; Hat-Shaped; 12-Hole; w/ABS	
Brake Rotor	99	BD126395	To 5/99; Hat-Shaped; 12-Hole; w/o ABS	
Brake Rotor	98	BD126393	From 11/98; Hat-Shaped; 12-Hole; w/ABS	
Brake Rotor	98	BD126395	From 11/98; Hat-Shaped; 12-Hole; w/o ABS	
Brake Rotor	98	BD126393	To 10/98; Hat-Shaped; 12-Hole; w/Calif. Emmissions	
Brake Rotor	98	BD126395	To 10/98; Hat-Shaped; 12-Hole; w/o Calif. Emmissions	
Brake Rotor	97	BD126393	From 10/97; Hat-Shaped; 12-Hole; w/Calif. Emmissions	
Brake Rotor	97	BD126395	From 10/97; Hat-Shaped; 12-Hole; w/o Calif. Emmissions	
Brake Rotor	97	BD125627	To 9/97; Hat-Shaped; 12-Hole	
Brake Rotor	96 - 94	BD125627	Hat-Shaped; 12-Hole	

Brake Hardware				
Front Brake Hardware	Years	Sequential No.	Category No.	Qualifier
Caliper Bolt/Pin	07 - 98	F140773	(H14945)	Akebono; 2.24" 2-Piston caliper
Caliper Bolt/Pin	97	F140773	(H14945)	From 10/97; Akebono; 2.24" 2-Piston caliper
Disc Align Kit	07 - 00	F140608	(H3004)	Akebono; 2.24" 2-Piston Caliper; w/ABS

W4500 GAS (cont.)

Brake Hardware (cont.)

Front Brake Hardware	Years	Sequential No.	Category No.	Qualifier
Disc Align Kit	99 - 98	F140608	(H3004)	Akebono; 2.24" 2-Piston caliper; w/o ABS
Disc Align Kit	97	F140608	(H3004)	From 10/97; Akebono; 2.24" 2-Piston caliper; w/o ABS
Disc Align Kit	97	F140609	(H3005)	To 9/97; Akebono; 2.12" 2-Piston Caliper
Disc Align Kit	96 - 94	F140609	(H3005)	Akebono; 2.12" 2-Piston Caliper

Rear Brake Hardware	Years	Sequential No.	Category No.	Qualifier
Combi Kit	04 - 98	F140626	(H3022)	12-1/4 x 4-3/4" Brake
Combi Kit	97	F140626	(H3022)	From 10/97; 12-1/4 x 4-3/4" Brake
Combi Kit	97	F128865	(H7212)	To 9/97; 12-5/8 x 3" Brake
Combi Kit	96 - 94	F128865	(H7212)	12-5/8 x 3" Brake

Calipers - Reman

Front, Loaded	Years	Left No.	Right No.	Qualifier	Piston
Loaded Caliper	07 - 04	AS135220	AS135219	Akebono; 2.24" 2-Piston Caliper; w/ABS	M
Loaded Caliper	03 - 00	AS135227	AS135226	Akebono; 2.24" 2-Piston Caliper; w/ABS	M
Loaded Caliper	99 - 98	AS135223	AS135222	Akebono; 2.24" 2-Piston caliper; w/o ABS	M
Loaded Caliper	97	AS135223	AS135222	From 10/97; Akebono; 2.24" 2-Piston caliper; w/o ABS	M
Loaded Caliper	97	AS134275	AS134276	To 9/97; Akebono; 2.12" 2-Piston Caliper	M
Loaded Caliper	96 - 94	AS134275	AS134276	Akebono; 2.12" 2-Piston Caliper	M

Front, Unloaded	Years	Left No.	Right No.	Qualifier	Piston
Unloaded Caliper	07 - 04	CR135220	CR135219	Akebono; 2.24" 2-Piston Caliper; w/ABS	M
Unloaded Caliper	03 - 00	CR135227	CR135226	Akebono; 2.24" 2-Piston Caliper; w/ABS	M
Unloaded Caliper	99 - 98	CR135223	CR135222	Akebono; 2.24" 2-Piston caliper; w/o ABS	M
Unloaded Caliper	97	CR135223	CR135222	From 10/97; Akebono; 2.24" 2-Piston caliper; w/o ABS	M
Unloaded Caliper	97	CR134275	CR134276	To 9/97; Akebono; 2.12" 2-Piston Caliper	M
Unloaded Caliper	96 - 94	CR134275	CR134276	Akebono; 2.12" 2-Piston Caliper	M

Hydraulics - New

Master Cylinder	Years	Sequential No.	Category No.	Qualifier
Master Cylinder	04 - 02	F140753	(MC140753)	
Master Cylinder	01	F140753	(MC140753)	From 10/01
Master Cylinder	01	F140751	(MC140751)	To 9/01
Master Cylinder	00 - 98	F140751	(MC140751)	
Master Cylinder	97	F140751	(MC140751)	From 10/97
Master Cylinder	97	F140750	(MC140750)	To 9/97
Master Cylinder	96	F140750	(MC140750)	
Master Cylinder	95	F140750	(MC140750)	From 11/95
Master Cylinder	95	F140749	(MC140749)	To 10/95
Master Cylinder	94	F140749	(MC140749)	

Rear Wheel Cylinder	Years	Sequential No.	Category No.	Qualifier
Wheel Cylinder	97	F140760	(WC140760)	L.H.; To 9/97; 12-1/2 x 3" Brake; Back
Wheel Cylinder	97	F140760	(WC140760)	L.H.; To 9/97; 12-1/2 x 3" Brake; Fwd.
Wheel Cylinder	97	F140758	(WC140758)	R.H.; To 9/97; 12-1/2 x 3" Brake; Back
Wheel Cylinder	97	F140757	(WC140757)	R.H.; To 9/97; 12-1/2 x 3" Brake; Fwd.
Wheel Cylinder	96 - 94	F140760	(WC140760)	L.H.; 12-1/2 x 3" Brake; Back
Wheel Cylinder	96 - 94	F140760	(WC140760)	L.H.; 12-1/2 x 3" Brake; Fwd.
Wheel Cylinder	96 - 94	F140758	(WC140758)	R.H.; 12-1/2 x 3" Brake; Back
Wheel Cylinder	96 - 94	F140757	(WC140757)	R.H.; 12-1/2 x 3" Brake; Fwd.

HINO Class-4

145

Brake Pads & Shoes

Front Pads & Shoes	Years	SevereDuty	Lining No.	Qualifier
Brake Pads	07 - 05	SD1062		2.36" 2-Piston Caliper

Rear Pads & Shoes	Years	SevereDuty	Lining No.	Qualifier
Brake Pads	07 - 05	SD1062		2.36" 2-Piston Caliper

Piston: M - OE Metal Piston P - OE Phenolic Piston

FA				
Brake Pads & Shoes				
Front Pads & Shoes	Years	SevereDuty	Lining No.	Qualifier
Brake Shoes	04 - 98	SDS684R	EX1469D-S32	Air Over Hyd.; 12-5/8 x 4-3/8
Brake Shoes	94 - 89	SDS683R	EX1468D-S32	Hyd. Brakes; 12-5/8 x 3
Rear Pads & Shoes	Years	SevereDuty	Lining No.	Qualifier
Brake Shoes	04 - 98	SDS685R	EX1470D-S32	Air Over Hyd.; 12-5/8 x 4-7/8
Brake Shoes	94 - 89	SDS683R	EX1468D-S32	Hyd. Brakes; 12-5/8 x 3
Brake Hardware				
Front Brake Hardware	Years	Sequential No.	Category No.	Qualifier
Combi Kit	04 - 98	F140616	(H3012)	Air Over Hyd.; 12-5/8 x 4-3/8" Brake
Combi Kit	94 - 89	F140615	(H3011)	Hyd. Brakes; 12-5/8 x 3" Brake
Rear Brake Hardware	Years	Sequential No.	Category No.	Qualifier
Combi Kit	04 - 98	F140617	(H3013)	Air Over Hyd.; 12-5/8 x 4-7/8" Brake
Combi Kit	94 - 89	F140615	(H3011)	Hyd. Brakes; 12-5/8 x 3" Brake

HINO Class-5

165					
Brake Pads & Shoes					
Front Pads & Shoes	Years	SevereDuty	Lining No.	Qualifier	
Brake Pads	07 - 05	SD1062		2.36" 2-Piston Caliper	
Rear Pads & Shoes	Years	SevereDuty	Lining No.	Qualifier	
Brake Pads	07 - 05	SD1062		2.36" 2-Piston Caliper	
185					
Brake Pads & Shoes					
Front Pads & Shoes	Years	SevereDuty	Lining No.	Qualifier	
Brake Pads	07 - 05	SD1062		2.36" 2-Piston Caliper	
Rear Pads & Shoes	Years	SevereDuty	Lining No.	Qualifier	
Brake Pads	07 - 05	SD769		Dayton; 2.52" 4-Piston Caliper; w/o Wear Sensor	
Brake Pads	07 - 05	SD1032		Dayton; 2.52" 4-Piston Caliper; w/Wear Sensor	
Brake Hardware					
Rear Brake Hardware	Years	Sequential No.	Category No.	Qualifier	
Disc Align Kit	07 - 05	F140771	(H5712)	Dayton; 2.52" 4-Piston Caliper	
Calipers - Reman					
Rear, Loaded	Years	Left No.	Right No.	Qualifier	Piston
Loaded Caliper	07 - 05	AS134821	AS134820	Dayton; 2.52" 4-Piston Caliper; Serial No. 602C / 604C; w/o Wear Sensor	M
Loaded Caliper	07 - 05	AS134821A	AS134820A	Dayton; 2.52" 4-Piston Caliper; Serial No. 602C / 604C; w/Wear Sensor	M
Rear, Unloaded	Years	Left No.	Right No.	Qualifier	Piston
Unloaded Caliper	07 - 05	CR134821	CR134820	Dayton; 2.52" 4-Piston Caliper; Serial No. 602C / 604C	M

FB				
Brake Pads & Shoes				
Front Pads & Shoes	Years	SevereDuty	Lining No.	Qualifier
Brake Shoes	04 - 90	SDS684R	EX1469D-S32	Air Over Hyd.; 12-5/8 x 4-3/8
Brake Shoes	90 - 87	SDS683R	EX1468D-S32	Hyd. Brakes; 12-5/8 x 3
Rear Pads & Shoes	Years	SevereDuty	Lining No.	Qualifier
Brake Shoes	04 - 90	SDS685R	EX1470D-S32	Air Over Hyd.; 12-5/8 x 4-7/8
Brake Shoes	90 - 87	SDS683R	EX1468D-S32	Hyd. Brakes; 12-5/8 x 3
Brake Hardware				
Front Brake Hardware	Years	Sequential No.	Category No.	Qualifier
Combi Kit	04 - 90	F140616	(H3012)	Air Over Hyd.; 12-5/8 x 4-3/8" Brake
Combi Kit	90 - 87	F140615	(H3011)	Hyd. Brakes; 12-5/8 x 3" Brake
Rear Brake Hardware	Years	Sequential No.	Category No.	Qualifier
Combi Kit	04 - 90	F140617	(H3013)	Air Over Hyd.; 12-5/8 x 4-7/8" Brake
Combi Kit	90 - 87	F140615	(H3011)	Hyd. Brakes; 12-5/8 x 3" Brake

Piston: M - OE Metal Piston P - OE Phenolic Piston

GC

Brake Pads & Shoes

Front Pads & Shoes	Years	SevereDuty	Lining No.	Qualifier
--------------------	-------	------------	------------	-----------

Brake Shoes	92 - 90	SDS684R	EX1469D-S32	Air Over Hyd.; 12-5/8 x 4-3/8
-------------	---------	---------	-------------	-------------------------------

Rear Pads & Shoes	Years	SevereDuty	Lining No.	Qualifier
-------------------	-------	------------	------------	-----------

Brake Shoes	92 - 90	SDS685R	EX1470D-S32	Air Over Hyd.; 12-5/8 x 4-7/8
-------------	---------	---------	-------------	-------------------------------

Brake Hardware

Front Brake Hardware	Years	Sequential No.	Category No.	Qualifier
----------------------	-------	----------------	--------------	-----------

Combi Kit	92 - 90	F140616	(H3012)	Air Over Hyd.; 12-5/8 x 4-3/8" Brake
-----------	---------	---------	---------	--------------------------------------

Rear Brake Hardware	Years	Sequential No.	Category No.	Qualifier
---------------------	-------	----------------	--------------	-----------

Combi Kit	92 - 90	F140617	(H3013)	Air Over Hyd.; 12-5/8 x 4-7/8" Brake
-----------	---------	---------	---------	--------------------------------------

HINO Class-6

238

Brake Pads & Shoes

Front Pads & Shoes	Years	SevereDuty	Lining No.	Qualifier
--------------------	-------	------------	------------	-----------

Brake Pads	07 - 05	SD769		Dayton; 2.52" 4-Piston Caliper; w/o Wear Sensor
------------	---------	-------	--	---

Brake Pads	07 - 05	SD1032		Dayton; 2.52" 4-Piston Caliper; w/Wear Sensor
------------	---------	--------	--	---

Rear Pads & Shoes	Years	SevereDuty	Lining No.	Qualifier
-------------------	-------	------------	------------	-----------

Brake Pads	07 - 05	SD769		Dayton; 2.52" 4-Piston Caliper; w/o Wear Sensor
------------	---------	-------	--	---

Brake Pads	07 - 05	SD1032		Dayton; 2.52" 4-Piston Caliper; w/Wear Sensor
------------	---------	--------	--	---

Brake Hardware

Front Brake Hardware	Years	Sequential No.	Category No.	Qualifier
----------------------	-------	----------------	--------------	-----------

Disc Align Kit	07 - 05	F140771	(H5712)	Dayton; 2.52" 4-Piston Caliper
----------------	---------	---------	---------	--------------------------------

Rear Brake Hardware	Years	Sequential No.	Category No.	Qualifier
---------------------	-------	----------------	--------------	-----------

Disc Align Kit	07 - 05	F140771	(H5712)	Dayton; 2.52" 4-Piston Caliper
----------------	---------	---------	---------	--------------------------------

Calipers - Reman

Front, Loaded	Years	Left No.	Right No.	Qualifier	Piston
---------------	-------	----------	-----------	-----------	--------

Loaded Caliper	07 - 05	AS134821	AS134820	Dayton; 2.52" 4-Piston Caliper; Serial No. 602C / 604C; w/o Wear Sensor	M
----------------	---------	----------	----------	---	---

Loaded Caliper	07 - 05	AS134821A	AS134820A	Dayton; 2.52" 4-Piston Caliper; Serial No. 602C / 604C; w/Wear Sensor	M
----------------	---------	-----------	-----------	---	---

Rear, Loaded	Years	Left No.	Right No.	Qualifier	Piston
--------------	-------	----------	-----------	-----------	--------

Loaded Caliper	07 - 05	AS134821	AS134820	Dayton; 2.52" 4-Piston Caliper; Serial No. 602C / 604C; w/o Wear Sensor	M
----------------	---------	----------	----------	---	---

Loaded Caliper	07 - 05	AS134821A	AS134820A	Dayton; 2.52" 4-Piston Caliper; Serial No. 602C / 604C; w/Wear Sensor	M
----------------	---------	-----------	-----------	---	---

Front, Unloaded	Years	Left No.	Right No.	Qualifier	Piston
-----------------	-------	----------	-----------	-----------	--------

Unloaded Caliper	07 - 05	CR134821	CR134820	Dayton; 2.52" 4-Piston Caliper; Serial No. 602C / 604C	M
------------------	---------	----------	----------	--	---

Rear, Unloaded	Years	Left No.	Right No.	Qualifier	Piston
----------------	-------	----------	-----------	-----------	--------

Unloaded Caliper	07 - 05	CR134821	CR134820	Dayton; 2.52" 4-Piston Caliper; Serial No. 602C / 604C	M
------------------	---------	----------	----------	--	---

258

Brake Pads & Shoes

Front Pads & Shoes	Years	SevereDuty	Lining No.	Qualifier
--------------------	-------	------------	------------	-----------

Brake Pads	07 - 05	SD769		Dayton; 2.52" 4-Piston Caliper; w/o Wear Sensor
------------	---------	-------	--	---

Brake Pads	07 - 05	SD1032		Dayton; 2.52" 4-Piston Caliper; w/Wear Sensor
------------	---------	--------	--	---

Rear Pads & Shoes	Years	SevereDuty	Lining No.	Qualifier
-------------------	-------	------------	------------	-----------

Brake Pads	07 - 05	SD769		Dayton; 2.52" 4-Piston Caliper; w/o Wear Sensor
------------	---------	-------	--	---

Brake Pads	07 - 05	SD1032		Dayton; 2.52" 4-Piston Caliper; w/Wear Sensor
------------	---------	--------	--	---

Brake Hardware

Front Brake Hardware	Years	Sequential No.	Category No.	Qualifier
----------------------	-------	----------------	--------------	-----------

Disc Align Kit	07 - 05	F140771	(H5712)	Dayton; 2.52" 4-Piston Caliper
----------------	---------	---------	---------	--------------------------------

Rear Brake Hardware	Years	Sequential No.	Category No.	Qualifier
---------------------	-------	----------------	--------------	-----------

Disc Align Kit	07 - 05	F140771	(H5712)	Dayton; 2.52" 4-Piston Caliper
----------------	---------	---------	---------	--------------------------------

Calipers - Reman

Front, Loaded	Years	Left No.	Right No.	Qualifier	Piston
---------------	-------	----------	-----------	-----------	--------

Loaded Caliper	07 - 05	AS134821	AS134820	Dayton; 2.52" 4-Piston Caliper; Serial No. 602C / 604C; w/o Wear Sensor	M
----------------	---------	----------	----------	---	---

Loaded Caliper	07 - 05	AS134821A	AS134820A	Dayton; 2.52" 4-Piston Caliper; Serial No. 602C / 604C; w/Wear Sensor	M
----------------	---------	-----------	-----------	---	---

Piston: M - OE Metal Piston P - OE Phenolic Piston

258 (cont.)

Calipers - Reman (cont.)

<i>Rear, Loaded</i>	<i>Years</i>	<i>Left No.</i>	<i>Right No.</i>	<i>Qualifier</i>	<i>Piston</i>
Loaded Caliper	07 - 05	AS134821	AS134820	Dayton; 2.52" 4-Piston Caliper; Serial No. 602C / 604C; w/o Wear Sensor	M
Loaded Caliper	07 - 05	AS134821A	AS134820A	Dayton; 2.52" 4-Piston Caliper; Serial No. 602C / 604C; w/Wear Sensor	M
<i>Front, Unloaded</i>	<i>Years</i>	<i>Left No.</i>	<i>Right No.</i>	<i>Qualifier</i>	<i>Piston</i>
Unloaded Caliper	07 - 05	CR134821	CR134820	Dayton; 2.52" 4-Piston Caliper; Serial No. 602C / 604C	M
<i>Rear, Unloaded</i>	<i>Years</i>	<i>Left No.</i>	<i>Right No.</i>	<i>Qualifier</i>	<i>Piston</i>
Unloaded Caliper	07 - 05	CR134821	CR134820	Dayton; 2.52" 4-Piston Caliper; Serial No. 602C / 604C	M

268

Brake Pads & Shoes

<i>Front Pads & Shoes</i>	<i>Years</i>	<i>SevereDuty</i>	<i>Lining No.</i>	<i>Qualifier</i>
Brake Pads	07 - 05	SD769		Dayton; 2.52" 4-Piston Caliper; w/o Wear Sensor
Brake Pads	07 - 05	SD1032		Dayton; 2.52" 4-Piston Caliper; w/Wear Sensor
Brake Pads	07 - 05	SD769		Dayton; 2.75" 4-Piston Caliper; w/o Wear Sensor
Brake Pads	07 - 05	SD1032		Dayton; 2.75" 4-Piston Caliper; w/Wear Sensor
Brake Shoes	07 - 05	4702Q	4702	w/Air Brakes; Meritor; Q-Plus; 15 x 4
<i>Rear Pads & Shoes</i>	<i>Years</i>	<i>SevereDuty</i>	<i>Lining No.</i>	<i>Qualifier</i>
Brake Pads	07 - 05	SD769		Dayton; 2.75" 4-Piston Caliper; w/o Wear Sensor
Brake Pads	07 - 05	SD1032		Dayton; 2.75" 4-Piston Caliper; w/Wear Sensor
Brake Shoes	07 - 05	4707Q	4707	w/Air Brakes; Meritor; Q-Plus; 16-1/2 x 7

Brake Hardware

<i>Front Brake Hardware</i>	<i>Years</i>	<i>Sequential No.</i>	<i>Category No.</i>	<i>Qualifier</i>
Disc Align Kit	07 - 05	F140771	(H5712)	Dayton; 2.52" 4-Piston Caliper
Disc Align Kit	07 - 05	F140630	(H3026)	Dayton; 2.75" 4-Piston Caliper
<i>Rear Brake Hardware</i>	<i>Years</i>	<i>Sequential No.</i>	<i>Category No.</i>	<i>Qualifier</i>
Disc Align Kit	07 - 05	F140630	(H3026)	Dayton; 2.75" 4-Piston Caliper

Calipers - Reman

<i>Front, Loaded</i>	<i>Years</i>	<i>Left No.</i>	<i>Right No.</i>	<i>Qualifier</i>	<i>Piston</i>
Loaded Caliper	07 - 05	AS134821	AS134820	Dayton; 2.52" 4-Piston Caliper; Serial No. 602C / 604C; w/o Wear Sensor	M
Loaded Caliper	07 - 05	AS134821A	AS134820A	Dayton; 2.52" 4-Piston Caliper; Serial No. 602C / 604C; w/Wear Sensor	M
Loaded Caliper	07 - 05	AS134580	AS134581	Dayton; 2.75" 4-Piston Caliper; Serial No. 581F / 583F; w/o Wear Sensor	M
Loaded Caliper	07 - 05	AS134580A	AS134581A	Dayton; 2.75" 4-Piston Caliper; Serial No. 581F / 583F; w/Wear Sensor	M
Loaded Caliper	07 - 05	AS134818	AS134819	Dayton; 2.75" 4-Piston Caliper; Serial No. 595F / 597F; w/o Wear Sensor	M
Loaded Caliper	07 - 05	AS134818A	AS134819A	Dayton; 2.75" 4-Piston Caliper; Serial No. 595F / 597F; w/Wear Sensor	M
<i>Rear, Loaded</i>	<i>Years</i>	<i>Left No.</i>	<i>Right No.</i>	<i>Qualifier</i>	<i>Piston</i>
Loaded Caliper	07 - 05	AS134580	AS134581	Dayton; 2.75" 4-Piston Caliper; Serial No. 581F / 583F; w/o Wear Sensor	M
Loaded Caliper	07 - 05	AS134580A	AS134581A	Dayton; 2.75" 4-Piston Caliper; Serial No. 581F / 583F; w/Wear Sensor	M
Loaded Caliper	07 - 05	AS134818	AS134819	Dayton; 2.75" 4-Piston Caliper; Serial No. 595F / 597F; w/o Wear Sensor	M
Loaded Caliper	07 - 05	AS134818A	AS134819A	Dayton; 2.75" 4-Piston Caliper; Serial No. 595F / 597F; w/Wear Sensor	M
<i>Front, Unloaded</i>	<i>Years</i>	<i>Left No.</i>	<i>Right No.</i>	<i>Qualifier</i>	<i>Piston</i>
Unloaded Caliper	07 - 05	CR134821	CR134820	Dayton; 2.52" 4-Piston Caliper; Serial No. 602C / 604C	M
Unloaded Caliper	07 - 05	CR134580	CR134581	Dayton; 2.75" 4-Piston Caliper; Serial No. 581F / 583F	M
Unloaded Caliper	07 - 05	CR134818	CR134819	Dayton; 2.75" 4-Piston Caliper; Serial No. 595F / 597F	M
<i>Rear, Unloaded</i>	<i>Years</i>	<i>Left No.</i>	<i>Right No.</i>	<i>Qualifier</i>	<i>Piston</i>
Unloaded Caliper	07 - 05	CR134580	CR134581	Dayton; 2.75" 4-Piston Caliper; Serial No. 581F / 583F	M
Unloaded Caliper	07 - 05	CR134818	CR134819	Dayton; 2.75" 4-Piston Caliper; Serial No. 595F / 597F	M

FD

Brake Pads & Shoes

<i>Front Pads & Shoes</i>	<i>Years</i>	<i>SevereDuty</i>	<i>Lining No.</i>	<i>Qualifier</i>
Brake Shoes	04 - 86	SDS684R	EX1469D-S32	Air Over Hyd.; 12-5/8 x 4-3/8
<i>Rear Pads & Shoes</i>	<i>Years</i>	<i>SevereDuty</i>	<i>Lining No.</i>	<i>Qualifier</i>
Brake Shoes	04 - 86	SDS685R	EX1470D-S32	Air Over Hyd.; 12-5/8 x 4-7/8

Piston: M - OE Metal Piston P - OE Phenolic Piston

FD (cont.)
Brake Hardware

Front Brake Hardware	Years	Sequential No.	Category No.	Qualifier
Combi Kit	04 - 86	F140616	(H3012)	Air Over Hyd.; 12-5/8 x 4-3/8" Brake
Rear Brake Hardware	Years	Sequential No.	Category No.	Qualifier
Combi Kit	04 - 86	F140617	(H3013)	Air Over Hyd.; 12-5/8 x 4-7/8" Brake

FE
Brake Pads & Shoes

Front Pads & Shoes	Years	SevereDuty	Lining No.	Qualifier
Brake Shoes	04 - 88	SDS617R	EX1422D-S43	Hyd. Brakes; 15-3/4 x 4-3/4
Brake Shoes	87 - 84	SDS617R	EX1422D-S43	Hyd. Brakes; FE17-19; 15-3/4 x 4-3/4
Rear Pads & Shoes	Years	SevereDuty	Lining No.	Qualifier
Brake Shoes	04 - 88	SDS614R	EX1419D-S43	Hyd. Brakes; 15-3/4 x 6
Brake Shoes	87 - 84	SDS614R	EX1419D-S43	Hyd. Brakes; FE17-19; 15-3/4 x 6

Brake Hardware

Front Brake Hardware	Years	Sequential No.	Category No.	Qualifier
Combi Kit	04 - 88	F128867	(H7214)	Hyd. Brakes; 15-3/4 x 4-3/4" Brake
Combi Kit	87 - 84	F128867	(H7214)	Hyd. Brakes; 15-3/4 x 4-3/4" Brake; FE17-19
Rear Brake Hardware	Years	Sequential No.	Category No.	Qualifier
Combi Kit	04 - 88	F140618	(H3014)	Hyd. Brakes; 15-3/4 x 6" Brake
Combi Kit	87 - 84	F140618	(H3014)	Hyd. Brakes; 15-3/4 x 6" Brake; FE17-19

HINO Class-7
338
Brake Pads & Shoes

Front Pads & Shoes	Years	SevereDuty	Lining No.	Qualifier
Brake Shoes	07 - 05	4702Q	4702	w/Air Brakes; Meritor; Q-Plus; 15 x 4
Rear Pads & Shoes	Years	SevereDuty	Lining No.	Qualifier
Brake Shoes	07 - 05	4707Q	4707	w/Air Brakes; Meritor; Q-Plus; 16-1/2 x 7

FF
Brake Pads & Shoes

Front Pads & Shoes	Years	SevereDuty	Lining No.	Qualifier
Brake Shoes	03 - 84	SDS617R	EX1422D-S43	Hyd. Brakes; 15-3/4 x 4-3/4
Rear Pads & Shoes	Years	SevereDuty	Lining No.	Qualifier
Brake Shoes	03 - 84	SDS614R	EX1419D-S43	Hyd. Brakes; 15-3/4 x 6

Brake Hardware

Front Brake Hardware	Years	Sequential No.	Category No.	Qualifier
Combi Kit	03 - 84	F128867	(H7214)	Hyd. Brakes; 15-3/4 x 4-3/4" Brake
Rear Brake Hardware	Years	Sequential No.	Category No.	Qualifier
Combi Kit	03 - 84	F140618	(H3014)	Hyd. Brakes; 15-3/4 x 6" Brake

FG
Brake Pads & Shoes

Front Pads & Shoes	Years	SevereDuty	Lining No.	Qualifier
Brake Shoes	85 - 84	SDS617R	EX1422D-S43	Hyd. Brakes; 15-3/4 x 4-3/4
Rear Pads & Shoes	Years	SevereDuty	Lining No.	Qualifier
Brake Shoes	85 - 84	SDS614R	EX1419D-S43	Hyd. Brakes; 15-3/4 x 6

Brake Hardware

Front Brake Hardware	Years	Sequential No.	Category No.	Qualifier
Combi Kit	85 - 84	F128867	(H7214)	Hyd. Brakes; 15-3/4 x 4-3/4" Brake
Rear Brake Hardware	Years	Sequential No.	Category No.	Qualifier
Combi Kit	85 - 84	F140618	(H3014)	Hyd. Brakes; 15-3/4 x 6" Brake

SF				
Brake Pads & Shoes				
Front Pads & Shoes	Years	SevereDuty	Lining No.	Qualifier
Brake Shoes	91 - 88	SDS4737R	EX4737D	w/Air Brakes; 15-7/8 x 5

SG				
Brake Pads & Shoes				
Front Pads & Shoes	Years	SevereDuty	Lining No.	Qualifier
Brake Shoes	04 - 86	SDS4737R	EX4737D	w/Air Brakes; 15-7/8 x 5

HUMMER

H1				
Brake Pads & Shoes				
Front Pads & Shoes	Years	SevereDuty	Lining No.	Qualifier
Brake Pads	06	SD788		10300-10800 GVW
Brake Pads	04 - 02	SD788		10300-10800 GVW
Brake Pads	01 - 00	SD788		10300-10800 GVW
Brake Pads	01 - 99	SD651		12100 GVW
Brake Pads	98 - 92	SD651		

Rear Pads & Shoes	Years	SevereDuty	Lining No.	Qualifier
Brake Pads	06	SD788		10300-10800 GVW
Brake Pads	04 - 02	SD788		10300-10800 GVW
Brake Pads	01 - 00	SD788		10300-10800 GVW
Brake Pads	01 - 99	SD651		12100 GVW
Brake Pads	98 - 92	SD651		

Hydraulics - Reman				
Master Cylinder	Years	Part No.	Qualifier	
Master Cylinder	01 - 99	R134812		
Master Cylinder	98 - 96	R134812	10300-10800 lb. GVW	
Master Cylinder	95 - 92	R134812		

Wheel Attaching Hardware				
Front Wheel Stud	Years	Part No.	Qualifier	
Wheel Lug Stud	99 - 92	BD60906		
Rear Wheel Stud	Years	Part No.	Qualifier	
Wheel Lug Stud	99 - 92	BD60906		
Front Wheel Nut	Years	Part No.	Qualifier	
Wheel Lug Nut	95 - 92	BD61287	Std. Open	
Rear Wheel Nut	Years	Part No.	Qualifier	
Wheel Lug Nut	95 - 92	BD61287	Std. Open	

H2				
Brake Pads & Shoes				
Front Pads & Shoes	Years	SevereDuty	Lining No.	Qualifier
Brake Pads	06 - 03	SD784		
Rear Pads & Shoes	Years	SevereDuty	Lining No.	Qualifier
Brake Pads	06 - 03	SD785		
Parking Brake Shoes	Years	SevereDuty	Lining No.	Qualifier
Parking Brake Shoes	04 - 03	SDS771	EX2192	Bonded

Rotor & Drum				
Front Rotor & Drum	Years	Part No.	Qualifier	
Brake Rotor	06 - 03	BD125653		
Rear Rotor & Drum	Years	Part No.	Qualifier	
Brake Rotor	06 - 03	BD125656		

Brake Hardware				
Front Brake Hardware	Years	Sequential No.	Category No.	Qualifier
Caliper Bolt/Pin	04 - 03	F139700	(H5095)	
Disc Align Kit	04 - 03	F139708	(H5646)	

H2 (cont.)

Brake Hardware (cont.)

Front Brake Hardware	Years	Sequential No.	Category No.	Qualifier
Pin Boot Kit	04 - 03	F138697S	(H8221)	
Rear Brake Hardware	Years	Sequential No.	Category No.	Qualifier
Caliper Bolt/Pin	04 - 03	F139712	(H5096)	
Disc Align Kit	04 - 03	F139707	(H5645)	
Pin Boot Kit	04 - 03	F138697S	(H8221)	
Parking Brake	Years	Sequential No.	Category No.	Qualifier
Combi Kit	05 - 03	F139725	(H7231)	

Calipers - Reman

Front, Unloaded	Years	Left No.	Right No.	Qualifier	Piston
Unloaded Caliper	06 - 03	CRB134347	CRB134348	w/Dual Piston Caliper; Supplied w/Mtg. Brkt.	P
Unloaded Caliper	06 - 03	CR134347	CR134348	w/Dual Piston Caliper; Supplied w/o Mtg. Brkt.	P
Rear, Unloaded	Years	Left No.	Right No.	Qualifier	Piston
Unloaded Caliper	06 - 03	CRB134346	CRB134345	w/Dual Piston Caliper; Supplied w/Mtg. Brkt.	P
Unloaded Caliper	06 - 03	CR134346	CR134345	w/Dual Piston Caliper; Supplied w/o Mtg. Brkt.	P

IC BUS Type-C Conventional

BE

Brake Pads & Shoes

Front Pads & Shoes	Years	SevereDuty	Lining No.	Qualifier
Brake Pads	07 - 02	SD786		Bosch; 2.60" 2-Piston Caliper
Brake Pads	07 - 02	SD786A		Bosch; 2.88" 2-Piston Caliper
Rear Pads & Shoes	Years	SevereDuty	Lining No.	Qualifier
Brake Pads	07 - 02	SD786		Bosch; 2.60" 2-Piston Caliper
Brake Pads	07 - 02	SD786A		Bosch; 2.88" 2-Piston Caliper

Rotor & Drum

Front Rotor & Drum	Years	Part No.	Qualifier
Brake Rotor	07 - 02	BD126361	6000-8000 lb. FA; Hat-Shaped; 10-Hole Rotor
Brake Rotor	07 - 02	BD126364	6000-8000 lb. FA; Hat-Shaped; 5-Hole Rotor
Brake Rotor	07 - 02	BD126392	6000-8000 lb. FA; Hat-Shaped; 6-Hole Rotor
Brake Rotor	07 - 02	BD126361	9000-14000 lb. FA; Hat-Shaped; 10-Hole Rotor
Brake Rotor	07 - 02	BD126394	9000-14000 lb. FA; U-Shaped; 10-Hole Rotor
Rear Rotor & Drum	Years	Part No.	Qualifier
Brake Rotor	07 - 02	BD126392	10000-17500 lb. RA; Hat-Shaped; 6-Hole Rotor; 3-1/2" Height
Brake Rotor	07 - 02	BD126361	13500-17500 lb. RA; Hat-Shaped; 10-Hole Rotor; 3-1/4" Height
Brake Rotor	07 - 02	BD126366	13500-17500 lb. RA; Hat-Shaped; 10-Hole Rotor; 4-1/2" Height
Brake Rotor	07 - 02	BD126366	19000-21000 lb. RA; Hat-Shaped; 10-Hole Rotor
Brake Rotor	07 - 02	BD125382	19000-21000 lb. RA; U-Shaped; 5-Hole Rotor

Calipers - Reman

Front, Loaded	Years	Left No.	Right No.	Qualifier	Piston
Loaded Caliper	07 - 02	AS135025	AS135025	Bosch; 2.60" 2-Piston Caliper	P
Loaded Caliper	07 - 02	AS135024	AS135024	Bosch; 2.88" 2-Piston Caliper	P
Rear, Loaded	Years	Left No.	Right No.	Qualifier	Piston
Loaded Caliper	07 - 02	AS135025	AS135025	Bosch; 2.60" 2-Piston Caliper	P
Loaded Caliper	07 - 02	AS135024	AS135024	Bosch; 2.88" 2-Piston Caliper	P
Front, Unloaded	Years	Left No.	Right No.	Qualifier	Piston
Unloaded Caliper	07 - 02	CR135025	CR135025	Bosch; 2.60" 2-Piston Caliper	P
Unloaded Caliper	07 - 02	CR135024	CR135024	Bosch; 2.88" 2-Piston Caliper	P
Rear, Unloaded	Years	Left No.	Right No.	Qualifier	Piston
Unloaded Caliper	07 - 02	CR135025	CR135025	Bosch; 2.60" 2-Piston Caliper	P
Unloaded Caliper	07 - 02	CR135024	CR135024	Bosch; 2.88" 2-Piston Caliper	P

Hydraulics - New

Master Cylinder	Years	Sequential No.	Category No.	Qualifier
Master Cylinder	07 - 02	F140747	(MC140747)	

Piston: M - OE Metal Piston P - OE Phenolic Piston

IC BUS Type-C Conventional



CE					
Brake Pads & Shoes					
Front Pads & Shoes	Years	SevereDuty	Lining No.	Qualifier	
Brake Pads	07 - 02	SD786		Bosch; 2.60" 2-Piston Caliper	
Brake Pads	07 - 02	SD786A		Bosch; 2.88" 2-Piston Caliper	
Rear Pads & Shoes	Years	SevereDuty	Lining No.	Qualifier	
Brake Pads	07 - 02	SD786		Bosch; 2.60" 2-Piston Caliper	
Brake Pads	07 - 02	SD786A		Bosch; 2.88" 2-Piston Caliper	
Rotor & Drum					
Front Rotor & Drum	Years	Part No.	Qualifier		
Brake Rotor	07 - 02	BD126361	6000-8000 lb. FA; Hat-Shaped; 10-Hole Rotor		
Brake Rotor	07 - 02	BD126364	6000-8000 lb. FA; Hat-Shaped; 5-Hole Rotor		
Brake Rotor	07 - 02	BD126392	6000-8000 lb. FA; Hat-Shaped; 6-Hole Rotor		
Brake Rotor	07 - 02	BD126361	9000-14000 lb. FA; Hat-Shaped; 10-Hole Rotor		
Brake Rotor	07 - 02	BD126394	9000-14000 lb. FA; U-Shaped; 10-Hole Rotor		
Rear Rotor & Drum	Years	Part No.	Qualifier		
Brake Rotor	07 - 02	BD126392	10000-17500 lb. RA; Hat-Shaped; 6-Hole Rotor; 3-1/2" Height		
Brake Rotor	07 - 02	BD126361	13500-17500 lb. RA; Hat-Shaped; 10-Hole Rotor; 3-1/4" Height		
Brake Rotor	07 - 02	BD126366	13500-17500 lb. RA; Hat-Shaped; 10-Hole Rotor; 4-1/2" Height		
Brake Rotor	07 - 02	BD126366	19000-21000 lb. RA; Hat-Shaped; 10-Hole Rotor		
Brake Rotor	07 - 02	BD125382	19000-21000 lb. RA; U-Shaped; 5-Hole Rotor		
Calipers - Reman					
Front, Loaded	Years	Left No.	Right No.	Qualifier	Piston
Loaded Caliper	07 - 02	AS135025	AS135025	Bosch; 2.60" 2-Piston Caliper	P
Loaded Caliper	07 - 02	AS135024	AS135024	Bosch; 2.88" 2-Piston Caliper	P
Rear, Loaded	Years	Left No.	Right No.	Qualifier	Piston
Loaded Caliper	07 - 02	AS135025	AS135025	Bosch; 2.60" 2-Piston Caliper	P
Loaded Caliper	07 - 02	AS135024	AS135024	Bosch; 2.88" 2-Piston Caliper	P
Front, Unloaded	Years	Left No.	Right No.	Qualifier	Piston
Unloaded Caliper	07 - 02	CR135025	CR135025	Bosch; 2.60" 2-Piston Caliper	P
Unloaded Caliper	07 - 02	CR135024	CR135024	Bosch; 2.88" 2-Piston Caliper	P
Rear, Unloaded	Years	Left No.	Right No.	Qualifier	Piston
Unloaded Caliper	07 - 02	CR135025	CR135025	Bosch; 2.60" 2-Piston Caliper	P
Unloaded Caliper	07 - 02	CR135024	CR135024	Bosch; 2.88" 2-Piston Caliper	P
Hydraulics - New					
Master Cylinder	Years	Sequential No.	Category No.	Qualifier	
Master Cylinder	07 - 02	F140747	(MC140747)		
HC					
Brake Pads & Shoes					
Front Pads & Shoes	Years	SevereDuty	Lining No.	Qualifier	
Brake Pads	07 - 04	SD786		Bosch; 2.60" 2-Piston Caliper	
Brake Pads	07 - 04	SD786A		Bosch; 2.88" 2-Piston Caliper	
Rear Pads & Shoes	Years	SevereDuty	Lining No.	Qualifier	
Brake Pads	07 - 04	SD786		Bosch; 2.60" 2-Piston Caliper	
Brake Pads	07 - 04	SD786A		Bosch; 2.88" 2-Piston Caliper	
Rotor & Drum					
Front Rotor & Drum	Years	Part No.	Qualifier		
Brake Rotor	07 - 04	BD126361	6000-8000 lb. FA; Hat-Shaped; 10-Hole Rotor		
Brake Rotor	07 - 04	BD126364	6000-8000 lb. FA; Hat-Shaped; 5-Hole Rotor		
Brake Rotor	07 - 04	BD126392	6000-8000 lb. FA; Hat-Shaped; 6-Hole Rotor		
Brake Rotor	07 - 04	BD126361	9000-14000 lb. FA; Hat-Shaped; 10-Hole Rotor		
Brake Rotor	07 - 04	BD126394	9000-14000 lb. FA; U-Shaped; 10-Hole Rotor		
Rear Rotor & Drum	Years	Part No.	Qualifier		
Brake Rotor	07 - 04	BD126392	10000-17500 lb. RA; Hat-Shaped; 6-Hole Rotor; 3-1/2" Height		
Brake Rotor	07 - 04	BD126361	13500-17500 lb. RA; Hat-Shaped; 10-Hole Rotor; 3-1/4" Height		
Brake Rotor	07 - 04	BD126366	13500-17500 lb. RA; Hat-Shaped; 10-Hole Rotor; 4-1/2" Height		

Piston: M - OE Metal Piston P - OE Phenolic Piston

HC (cont.)

Rotor & Drum (cont.)

Rear Rotor & Drum	Years	Part No.	Qualifier
Brake Rotor	07 - 04	BD126366	19000-21000 lb. RA; Hat-Shaped; 10-Hole Rotor
Brake Rotor	07 - 04	BD125382	19000-21000 lb. RA; U-Shaped; 5-Hole Rotor

Calipers - Reman

Front, Loaded	Years	Left No.	Right No.	Qualifier	Piston
Loaded Caliper	07 - 04	AS135025	AS135025	Bosch; 2.60" 2-Piston Caliper	P
Loaded Caliper	07 - 04	AS135024	AS135024	Bosch; 2.88" 2-Piston Caliper	P
Rear, Loaded	Years	Left No.	Right No.	Qualifier	Piston
Loaded Caliper	07 - 04	AS135025	AS135025	Bosch; 2.60" 2-Piston Caliper	P
Loaded Caliper	07 - 04	AS135024	AS135024	Bosch; 2.88" 2-Piston Caliper	P
Front, Unloaded	Years	Left No.	Right No.	Qualifier	Piston
Unloaded Caliper	07 - 04	CR135025	CR135025	Bosch; 2.60" 2-Piston Caliper	P
Unloaded Caliper	07 - 04	CR135024	CR135024	Bosch; 2.88" 2-Piston Caliper	P
Rear, Unloaded	Years	Left No.	Right No.	Qualifier	Piston
Unloaded Caliper	07 - 04	CR135025	CR135025	Bosch; 2.60" 2-Piston Caliper	P
Unloaded Caliper	07 - 04	CR135024	CR135024	Bosch; 2.88" 2-Piston Caliper	P

Hydraulics - New

Master Cylinder	Years	Sequential No.	Category No.	Qualifier
Master Cylinder	07 - 04	F140747	(MC140747)	

LC

Brake Pads & Shoes

Front Pads & Shoes	Years	SevereDuty	Lining No.	Qualifier
Brake Pads	07 - 04	SD786		Bosch; 2.60" 2-Piston Caliper
Brake Pads	07 - 04	SD786A		Bosch; 2.88" 2-Piston Caliper
Rear Pads & Shoes	Years	SevereDuty	Lining No.	Qualifier
Brake Pads	07 - 04	SD786		Bosch; 2.60" 2-Piston Caliper
Brake Pads	07 - 04	SD786A		Bosch; 2.88" 2-Piston Caliper

Rotor & Drum

Front Rotor & Drum	Years	Part No.	Qualifier
Brake Rotor	07 - 04	BD126361	6000-8000 lb. FA; Hat-Shaped; 10-Hole Rotor
Brake Rotor	07 - 04	BD126364	6000-8000 lb. FA; Hat-Shaped; 5-Hole Rotor
Brake Rotor	07 - 04	BD126392	6000-8000 lb. FA; Hat-Shaped; 6-Hole Rotor
Brake Rotor	07 - 04	BD126361	9000-14000 lb. FA; Hat-Shaped; 10-Hole Rotor
Brake Rotor	07 - 04	BD126394	9000-14000 lb. FA; U-Shaped; 10-Hole Rotor
Rear Rotor & Drum	Years	Part No.	Qualifier
Brake Rotor	07 - 04	BD126392	10000-17500 lb. RA; Hat-Shaped; 6-Hole Rotor; 3-1/2" Height
Brake Rotor	07 - 04	BD126361	13500-17500 lb. RA; Hat-Shaped; 10-Hole Rotor; 3-1/4" Height
Brake Rotor	07 - 04	BD126366	13500-17500 lb. RA; Hat-Shaped; 10-Hole Rotor; 4-1/2" Height
Brake Rotor	07 - 04	BD126366	19000-21000 lb. RA; Hat-Shaped; 10-Hole Rotor
Brake Rotor	07 - 04	BD125382	19000-21000 lb. RA; U-Shaped; 5-Hole Rotor

Calipers - Reman

Front, Loaded	Years	Left No.	Right No.	Qualifier	Piston
Loaded Caliper	07 - 04	AS135025	AS135025	Bosch; 2.60" 2-Piston Caliper	P
Loaded Caliper	07 - 04	AS135024	AS135024	Bosch; 2.88" 2-Piston Caliper	P
Rear, Loaded	Years	Left No.	Right No.	Qualifier	Piston
Loaded Caliper	07 - 04	AS135025	AS135025	Bosch; 2.60" 2-Piston Caliper	P
Loaded Caliper	07 - 04	AS135024	AS135024	Bosch; 2.88" 2-Piston Caliper	P
Front, Unloaded	Years	Left No.	Right No.	Qualifier	Piston
Unloaded Caliper	07 - 04	CR135025	CR135025	Bosch; 2.60" 2-Piston Caliper	P
Unloaded Caliper	07 - 04	CR135024	CR135024	Bosch; 2.88" 2-Piston Caliper	P
Rear, Unloaded	Years	Left No.	Right No.	Qualifier	Piston
Unloaded Caliper	07 - 04	CR135025	CR135025	Bosch; 2.60" 2-Piston Caliper	P
Unloaded Caliper	07 - 04	CR135024	CR135024	Bosch; 2.88" 2-Piston Caliper	P

Piston: M - OE Metal Piston P - OE Phenolic Piston

IC BUS Type-C Conventional



LC (cont.)

Hydraulics - New

Master Cylinder	Years	Sequential No.	Category No.	Qualifier
Master Cylinder	07 - 04	F140747	(MC140747)	

IC BUS Type-D Genesis

FC

Brake Pads & Shoes

Front Pads & Shoes	Years	SevereDuty	Lining No.	Qualifier
Brake Pads	07 - 04	SD786		Bosch; 2.60" 2-Piston Caliper
Brake Pads	07 - 04	SD786A		Bosch; 2.88" 2-Piston Caliper

Rear Pads & Shoes	Years	SevereDuty	Lining No.	Qualifier
Brake Pads	07 - 04	SD786		Bosch; 2.60" 2-Piston Caliper
Brake Pads	07 - 04	SD786A		Bosch; 2.88" 2-Piston Caliper

Rotor & Drum

Front Rotor & Drum	Years	Part No.	Qualifier
Brake Rotor	07 - 04	BD126361	6000-8000 lb. FA; Hat-Shaped; 10-Hole Rotor
Brake Rotor	07 - 04	BD126364	6000-8000 lb. FA; Hat-Shaped; 5-Hole Rotor
Brake Rotor	07 - 04	BD126392	6000-8000 lb. FA; Hat-Shaped; 6-Hole Rotor
Brake Rotor	07 - 04	BD126361	9000-14000 lb. FA; Hat-Shaped; 10-Hole Rotor
Brake Rotor	07 - 04	BD126394	9000-14000 lb. FA; U-Shaped; 10-Hole Rotor

Rear Rotor & Drum	Years	Part No.	Qualifier
Brake Rotor	07 - 04	BD126392	10000-17500 lb. RA; Hat-Shaped; 6-Hole Rotor; 3-1/2" Height
Brake Rotor	07 - 04	BD126361	13500-17500 lb. RA; Hat-Shaped; 10-Hole Rotor; 3-1/4" Height
Brake Rotor	07 - 04	BD126366	13500-17500 lb. RA; Hat-Shaped; 10-Hole Rotor; 4-1/2" Height
Brake Rotor	07 - 04	BD126366	19000-21000 lb. RA; Hat-Shaped; 10-Hole Rotor
Brake Rotor	07 - 04	BD125382	19000-21000 lb. RA; U-Shaped; 5-Hole Rotor

Calipers - Reman

Front, Loaded	Years	Left No.	Right No.	Qualifier	Piston
Loaded Caliper	07 - 04	AS135025	AS135025	Bosch; 2.60" 2-Piston Caliper	P
Loaded Caliper	07 - 04	AS135024	AS135024	Bosch; 2.88" 2-Piston Caliper	P

Rear, Loaded	Years	Left No.	Right No.	Qualifier	Piston
Loaded Caliper	07 - 04	AS135025	AS135025	Bosch; 2.60" 2-Piston Caliper	P
Loaded Caliper	07 - 04	AS135024	AS135024	Bosch; 2.88" 2-Piston Caliper	P

Front, Unloaded	Years	Left No.	Right No.	Qualifier	Piston
Unloaded Caliper	07 - 04	CR135025	CR135025	Bosch; 2.60" 2-Piston Caliper	P
Unloaded Caliper	07 - 04	CR135024	CR135024	Bosch; 2.88" 2-Piston Caliper	P

Rear, Unloaded	Years	Left No.	Right No.	Qualifier	Piston
Unloaded Caliper	07 - 04	CR135025	CR135025	Bosch; 2.60" 2-Piston Caliper	P
Unloaded Caliper	07 - 04	CR135024	CR135024	Bosch; 2.88" 2-Piston Caliper	P

Hydraulics - New

Master Cylinder	Years	Sequential No.	Category No.	Qualifier
Master Cylinder	07 - 04	F140748	(MC140748)	

FE

Brake Pads & Shoes

Front Pads & Shoes	Years	SevereDuty	Lining No.	Qualifier
Brake Pads	07 - 02	SD786		Bosch; 2.60" 2-Piston Caliper
Brake Pads	07 - 02	SD786A		Bosch; 2.88" 2-Piston Caliper

Rear Pads & Shoes	Years	SevereDuty	Lining No.	Qualifier
Brake Pads	07 - 02	SD786		Bosch; 2.60" 2-Piston Caliper
Brake Pads	07 - 02	SD786A		Bosch; 2.88" 2-Piston Caliper

Rotor & Drum

Front Rotor & Drum	Years	Part No.	Qualifier
Brake Rotor	07 - 02	BD126361	6000-8000 lb. FA; Hat-Shaped; 10-Hole Rotor
Brake Rotor	07 - 02	BD126364	6000-8000 lb. FA; Hat-Shaped; 5-Hole Rotor

Piston: M - OE Metal Piston P - OE Phenolic Piston

FE (cont.)

Rotor & Drum (cont.)

Front Rotor & Drum	Years	Part No.	Qualifier
Brake Rotor	07 - 02	BD126392	6000-8000 lb. FA; Hat-Shaped; 6-Hole Rotor
Brake Rotor	07 - 02	BD126361	9000-14000 lb. FA; Hat-Shaped; 10-Hole Rotor
Brake Rotor	07 - 02	BD126394	9000-14000 lb. FA; U-Shaped; 10-Hole Rotor

Rear Rotor & Drum	Years	Part No.	Qualifier
Brake Rotor	07 - 02	BD126392	10000-17500 lb. RA; Hat-Shaped; 6-Hole Rotor; 3-1/2" Height
Brake Rotor	07 - 02	BD126361	13500-17500 lb. RA; Hat-Shaped; 10-Hole Rotor; 3-1/4" Height
Brake Rotor	07 - 02	BD126366	13500-17500 lb. RA; Hat-Shaped; 10-Hole Rotor; 4-1/2" Height
Brake Rotor	07 - 02	BD126366	19000-21000 lb. RA; Hat-Shaped; 10-Hole Rotor
Brake Rotor	07 - 02	BD125382	19000-21000 lb. RA; U-Shaped; 5-Hole Rotor

Calipers - Reman

Front, Loaded	Years	Left No.	Right No.	Qualifier	Piston
Loaded Caliper	07 - 02	AS135025	AS135025	Bosch; 2.60" 2-Piston Caliper	P
Loaded Caliper	07 - 02	AS135024	AS135024	Bosch; 2.88" 2-Piston Caliper	P

Rear, Loaded	Years	Left No.	Right No.	Qualifier	Piston
Loaded Caliper	07 - 02	AS135025	AS135025	Bosch; 2.60" 2-Piston Caliper	P
Loaded Caliper	07 - 02	AS135024	AS135024	Bosch; 2.88" 2-Piston Caliper	P

Front, Unloaded	Years	Left No.	Right No.	Qualifier	Piston
Unloaded Caliper	07 - 02	CR135025	CR135025	Bosch; 2.60" 2-Piston Caliper	P
Unloaded Caliper	07 - 02	CR135024	CR135024	Bosch; 2.88" 2-Piston Caliper	P

Rear, Unloaded	Years	Left No.	Right No.	Qualifier	Piston
Unloaded Caliper	07 - 02	CR135025	CR135025	Bosch; 2.60" 2-Piston Caliper	P
Unloaded Caliper	07 - 02	CR135024	CR135024	Bosch; 2.88" 2-Piston Caliper	P

Hydraulics - New

Master Cylinder	Years	Sequential No.	Category No.	Qualifier
Master Cylinder	07 - 02	F140748	(MC140748)	

RC

Brake Pads & Shoes

Front Pads & Shoes	Years	SevereDuty	Lining No.	Qualifier
Brake Pads	07 - 04	SD786		Bosch; 2.60" 2-Piston Caliper
Brake Pads	07 - 04	SD786A		Bosch; 2.88" 2-Piston Caliper

Rear Pads & Shoes	Years	SevereDuty	Lining No.	Qualifier
Brake Pads	07 - 04	SD786		Bosch; 2.60" 2-Piston Caliper
Brake Pads	07 - 04	SD786A		Bosch; 2.88" 2-Piston Caliper

Rotor & Drum

Front Rotor & Drum	Years	Part No.	Qualifier
Brake Rotor	07 - 04	BD126361	6000-8000 lb. FA; Hat-Shaped; 10-Hole Rotor
Brake Rotor	07 - 04	BD126364	6000-8000 lb. FA; Hat-Shaped; 5-Hole Rotor
Brake Rotor	07 - 04	BD126392	6000-8000 lb. FA; Hat-Shaped; 6-Hole Rotor
Brake Rotor	07 - 04	BD126361	9000-14000 lb. FA; Hat-Shaped; 10-Hole Rotor
Brake Rotor	07 - 04	BD126394	9000-14000 lb. FA; U-Shaped; 10-Hole Rotor

Rear Rotor & Drum	Years	Part No.	Qualifier
Brake Rotor	07 - 04	BD126392	10000-17500 lb. RA; Hat-Shaped; 6-Hole Rotor; 3-1/2" Height
Brake Rotor	07 - 04	BD126361	13500-17500 lb. RA; Hat-Shaped; 10-Hole Rotor; 3-1/4" Height
Brake Rotor	07 - 04	BD126366	13500-17500 lb. RA; Hat-Shaped; 10-Hole Rotor; 4-1/2" Height
Brake Rotor	07 - 04	BD126366	19000-21000 lb. RA; Hat-Shaped; 10-Hole Rotor
Brake Rotor	07 - 04	BD125382	19000-21000 lb. RA; U-Shaped; 5-Hole Rotor

Calipers - Reman

Front, Loaded	Years	Left No.	Right No.	Qualifier	Piston
Loaded Caliper	07 - 04	AS135025	AS135025	Bosch; 2.60" 2-Piston Caliper	P
Loaded Caliper	07 - 04	AS135024	AS135024	Bosch; 2.88" 2-Piston Caliper	P

Rear, Loaded	Years	Left No.	Right No.	Qualifier	Piston
Loaded Caliper	07 - 04	AS135025	AS135025	Bosch; 2.60" 2-Piston Caliper	P
Loaded Caliper	07 - 04	AS135024	AS135024	Bosch; 2.88" 2-Piston Caliper	P

Piston: M - OE Metal Piston P - OE Phenolic Piston

RC (cont.)

Calipers - Reman (cont.)

<i>Front, Unloaded</i>	<i>Years</i>	<i>Left No.</i>	<i>Right No.</i>	<i>Qualifier</i>	<i>Piston</i>
Unloaded Caliper	07 - 04	CR135025	CR135025	Bosch; 2.60" 2-Piston Caliper	P
Unloaded Caliper	07 - 04	CR135024	CR135024	Bosch; 2.88" 2-Piston Caliper	P
<i>Rear, Unloaded</i>	<i>Years</i>	<i>Left No.</i>	<i>Right No.</i>	<i>Qualifier</i>	<i>Piston</i>
Unloaded Caliper	07 - 04	CR135025	CR135025	Bosch; 2.60" 2-Piston Caliper	P
Unloaded Caliper	07 - 04	CR135024	CR135024	Bosch; 2.88" 2-Piston Caliper	P

Hydraulics - New

<i>Master Cylinder</i>	<i>Years</i>	<i>Sequential No.</i>	<i>Category No.</i>	<i>Qualifier</i>
Master Cylinder	07 - 04	F140748	(MC140748)	

RE

Brake Pads & Shoes

<i>Front Pads & Shoes</i>	<i>Years</i>	<i>SevereDuty</i>	<i>Lining No.</i>	<i>Qualifier</i>
Brake Pads	07 - 02	SD786		Bosch; 2.60" 2-Piston Caliper
Brake Pads	07 - 02	SD786A		Bosch; 2.88" 2-Piston Caliper
<i>Rear Pads & Shoes</i>	<i>Years</i>	<i>SevereDuty</i>	<i>Lining No.</i>	<i>Qualifier</i>
Brake Pads	07 - 02	SD786		Bosch; 2.60" 2-Piston Caliper
Brake Pads	07 - 02	SD786A		Bosch; 2.88" 2-Piston Caliper

Rotor & Drum

<i>Front Rotor & Drum</i>	<i>Years</i>	<i>Part No.</i>	<i>Qualifier</i>
Brake Rotor	07 - 02	BD126361	6000-8000 lb. FA; Hat-Shaped; 10-Hole Rotor
Brake Rotor	07 - 02	BD126364	6000-8000 lb. FA; Hat-Shaped; 5-Hole Rotor
Brake Rotor	07 - 02	BD126392	6000-8000 lb. FA; Hat-Shaped; 6-Hole Rotor
Brake Rotor	07 - 02	BD126361	9000-14000 lb. FA; Hat-Shaped; 10-Hole Rotor
Brake Rotor	07 - 02	BD126394	9000-14000 lb. FA; U-Shaped; 10-Hole Rotor
<i>Rear Rotor & Drum</i>	<i>Years</i>	<i>Part No.</i>	<i>Qualifier</i>
Brake Rotor	07 - 02	BD126392	10000-17500 lb. RA; Hat-Shaped; 6-Hole Rotor; 3-1/2" Height
Brake Rotor	07 - 02	BD126361	13500-17500 lb. RA; Hat-Shaped; 10-Hole Rotor; 3-1/4" Height
Brake Rotor	07 - 02	BD126366	13500-17500 lb. RA; Hat-Shaped; 10-Hole Rotor; 4-1/2" Height
Brake Rotor	07 - 02	BD126366	19000-21000 lb. RA; Hat-Shaped; 10-Hole Rotor
Brake Rotor	07 - 02	BD125382	19000-21000 lb. RA; U-Shaped; 5-Hole Rotor

Calipers - Reman

<i>Front, Loaded</i>	<i>Years</i>	<i>Left No.</i>	<i>Right No.</i>	<i>Qualifier</i>	<i>Piston</i>
Loaded Caliper	07 - 02	AS135025	AS135025	Bosch; 2.60" 2-Piston Caliper	P
Loaded Caliper	07 - 02	AS135024	AS135024	Bosch; 2.88" 2-Piston Caliper	P
<i>Rear, Loaded</i>	<i>Years</i>	<i>Left No.</i>	<i>Right No.</i>	<i>Qualifier</i>	<i>Piston</i>
Loaded Caliper	07 - 02	AS135025	AS135025	Bosch; 2.60" 2-Piston Caliper	P
Loaded Caliper	07 - 02	AS135024	AS135024	Bosch; 2.88" 2-Piston Caliper	P
<i>Front, Unloaded</i>	<i>Years</i>	<i>Left No.</i>	<i>Right No.</i>	<i>Qualifier</i>	<i>Piston</i>
Unloaded Caliper	07 - 02	CR135025	CR135025	Bosch; 2.60" 2-Piston Caliper	P
Unloaded Caliper	07 - 02	CR135024	CR135024	Bosch; 2.88" 2-Piston Caliper	P
<i>Rear, Unloaded</i>	<i>Years</i>	<i>Left No.</i>	<i>Right No.</i>	<i>Qualifier</i>	<i>Piston</i>
Unloaded Caliper	07 - 02	CR135025	CR135025	Bosch; 2.60" 2-Piston Caliper	P
Unloaded Caliper	07 - 02	CR135024	CR135024	Bosch; 2.88" 2-Piston Caliper	P

Hydraulics - New

<i>Master Cylinder</i>	<i>Years</i>	<i>Sequential No.</i>	<i>Category No.</i>	<i>Qualifier</i>
Master Cylinder	07 - 02	F140748	(MC140748)	

INTERNATIONAL SUV

Scout 800

Rotor & Drum

<i>Front Rotor & Drum</i>	<i>Years</i>	<i>Part No.</i>	<i>Qualifier</i>
Brake Drum	71 - 70	BD60118	4WD; 10x 2" Brake

Piston: M - OE Metal Piston P - OE Phenolic Piston

Scout 800 (cont.)
Rotor & Drum (cont.)

Rear Rotor & Drum	Years	Part No.	Qualifier
Brake Drum	71 - 70	BD60170	11 x 1-3/4" Brake

Brake Hardware

Rear Brake Hardware	Years	Sequential No.	Category No.	Qualifier
Adjuster Kit	71 - 70	F98370S	(H2540)	L.H.; 11 x 1-3/4" Brake
Adjuster Kit	71 - 70	F98371S	(H2541)	R.H.; 11 x 1-3/4" Brake

Hydraulics - New

Master Cylinder	Years	Sequential No.	Category No.	Qualifier
Master Cylinder	71 - 70	F73302	(MC73302)	w/Vacuum Boost; w/Man. Brakes

Front Wheel Cylinder	Years	Sequential No.	Category No.	Qualifier
Wheel Cylinder	71 - 70	F40964	(WC40964)	L.H.; 4WD; 10 x 2" Brake
Wheel Cylinder	71 - 70	F40965	(WC40965)	R.H.; 4WD; 10 x 2" Brake

Rear Wheel Cylinder	Years	Sequential No.	Category No.	Qualifier
Wheel Cylinder	71 - 70	F17507	(WC17507)	L.H.; 11 x 1-3/4" Brake
Wheel Cylinder	71 - 70	F17508	(WC17508)	R.H.; 11 x 1-3/4" Brake

Hydraulics - Reman

Power Brake Booster	Years	Part No.	Qualifier
Power Brake Booster	71 - 70	509353	w/Master Cylinder
Power Brake Booster	71 - 70	5473704	w/o Master Cylinder

Scout II
Rotor & Drum

Front Rotor & Drum	Years	Part No.	Qualifier
Brake Drum	80 - 74	BD60274	11-1/8 x 2-1/4" Brake
Brake Rotor	80 - 74	BD60458	

Rear Rotor & Drum	Years	Part No.	Qualifier
Brake Drum	73 - 72	BD60170	11 x 1-3/4" Brake

Brake Hardware

Front Brake Hardware	Years	Sequential No.	Category No.	Qualifier
Adjuster Kit	73 - 72	F98370S	(H2540)	L.H.; 11 x 2" Brake
Adjuster Kit	73 - 72	F98371S	(H2541)	R.H.; 11 x 2" Brake
Caliper Bolt/Pin	80 - 74	F73237S	(H5019)	
Combi Kit	73 - 72	F78526S	(H7064)	11 x 2" Brake
↳Adjuster Spring Kit		F36435S	(H405)	
↳Hold Down Kit		F19472S	(H4049)	
↳Return Spring Kit		F36454S	(H102)	
Disc Align Kit	80 - 74	F73232S	(H5510)	

Rear Brake Hardware	Years	Sequential No.	Category No.	Qualifier
Adjuster Kit	80 - 74	F98370S	(H2540)	L.H.; 11-1/8 x 2-1/4" Brake
Adjuster Kit	80 - 74	F98371S	(H2541)	R.H.; 11-1/8 x 2-1/4" Brake
Adjuster Kit	73 - 72	F98370S	(H2540)	L.H.; 11 x 1-3/4" Brake
Adjuster Kit	73 - 72	F98371S	(H2541)	R.H.; 11 x 1-3/4" Brake
Combi Kit	80 - 74	F78528S	(H7101)	11-1/8 x 2-1/4" Brake

Calipers - Reman

Front, Unloaded	Years	Left No.	Right No.	Qualifier	Piston
Unloaded Caliper	80 - 74	CR83281	CR83280	Bendix; 3.13" 1-Piston Caliper	M

Hydraulics - New

Master Cylinder	Years	Sequential No.	Category No.	Qualifier
Master Cylinder	80 - 74	F86424	(MC86424)	w/Vacuum Boost
Master Cylinder	73 - 72	F79341	(MC79341)	w/Vacuum Boost

Front Wheel Cylinder	Years	Sequential No.	Category No.	Qualifier
Wheel Cylinder	73 - 72	F35325	(WC35325)	L.H.; 11 x 2" Brake
Wheel Cylinder	73 - 72	F35326	(WC35326)	R.H.; 11 x 2" Brake

↳Sub-Kit of Combi-Kit is available separately.

Piston: M - OE Metal Piston P - OE Phenolic Piston

Scout II (cont.)**Hydraulics - New (cont.)**

Rear Wheel Cylinder	Years	Sequential No.	Category No.	Qualifier
Wheel Cylinder	80 - 74	F59240	(WC59240)	L.H.; 11-1/8 x 2-1/4" Brake
Wheel Cylinder	80 - 74	F59241	(WC59241)	R.H.; 11-1/8 x 2-1/4" Brake
Wheel Cylinder	73 - 72	F37782	(WC37782)	L.H.; 11 x 1-3/4" Brake
Wheel Cylinder	73 - 72	F37783	(WC37783)	R.H.; 11 x 1-3/4" Brake

Hydraulics - Reman

Power Brake Booster	Years	Part No.	Qualifier
Power Brake Booster	80 - 74	503120	w/Master Cylinder
Power Brake Booster	80 - 74	5473120	w/o Master Cylinder
Power Brake Booster	73 - 72	509353	w/Master Cylinder
Power Brake Booster	73 - 72	5473704	w/o Master Cylinder

INTERNATIONAL 1/2 Ton Pickup**100 Pickup****Rotor & Drum**

Rear Rotor & Drum	Years	Part No.	Qualifier
Brake Drum	75 - 74	BD60170	11-1/8 x 2-1/4" Brake

Brake Hardware

Front Brake Hardware	Years	Sequential No.	Category No.	Qualifier
Caliper Bolt/Pin	75 - 74	F19469S	(H4020)	
Disc Align Kit	75 - 74	F73232S	(H5510)	

Rear Brake Hardware	Years	Sequential No.	Category No.	Qualifier
Adjuster Kit	75 - 74	F98370S	(H2540)	L.H.; 11-1/8 x 2-1/4" Brake
Adjuster Kit	75 - 74	F98371S	(H2541)	R.H.; 11-1/8 x 2-1/4" Brake

Calipers - Reman

Front, Unloaded	Years	Left No.	Right No.	Qualifier	Piston
Unloaded Caliper	75 - 74	CR83281	CR83280	Bendix; 3.13" 1-Piston Caliper	M

Hydraulics - New

Rear Wheel Cylinder	Years	Sequential No.	Category No.	Qualifier
Wheel Cylinder	75 - 74	F78974	(WC78974)	L.H.; 11-1/8 x 2-1/4" Brake
Wheel Cylinder	75 - 74	F78975	(WC78975)	R.H.; 11-1/8 x 2-1/4" Brake

Hydraulics - Reman

Power Brake Booster	Years	Part No.	Qualifier
Power Brake Booster	75 - 74	503113	w/Master Cylinder; w/Disc Brakes
Power Brake Booster	75 - 74	5473113	w/o Master Cylinder; w/Disc Brakes

1000 Pickup**Rotor & Drum**

Rear Rotor & Drum	Years	Part No.	Qualifier
Brake Drum	73 - 70	BD60274	11-1/8 x 2-1/4" Brake

Brake Hardware

Front Brake Hardware	Years	Sequential No.	Category No.	Qualifier
Adjuster Kit	73 - 70	F98374S	(H2544)	L.H.; 11 x 3" Brake
Adjuster Kit	73 - 70	F98375S	(H2545)	R.H.; 11 x 3" Brake
Caliper Bolt/Pin	73 - 71	F76077S	(H5089)	
Combi Kit	73 - 70	F19474S	(H4050)	11 x 3" Brake; Hold Down Kit

Rear Brake Hardware	Years	Sequential No.	Category No.	Qualifier
Adjuster Kit	73 - 70	F98374S	(H2544)	L.H.; 11-1/8 x 2-1/4" Brake
Adjuster Kit	73 - 70	F98375S	(H2545)	R.H.; 11-1/8 x 2-1/4" Brake
Combi Kit	73 - 70	F78536S	(H7116)	11-1/8 x 2-1/4" Brake

Calipers - Reman

Front, Unloaded	Years	Left No.	Right No.	Qualifier	Piston
Unloaded Caliper	73 - 71	CR76790	CR76791	Bendix; 3.13" 1-Piston Caliper	M

Piston: M - OE Metal Piston P - OE Phenolic Piston

1000 Pickup (cont.)
Hydraulics - New

Master Cylinder	Years	Sequential No.	Category No.	Qualifier
Master Cylinder	73 - 70	F86488	(MC86488)	w/Vacuum Boost
Master Cylinder	73 - 71	F73354	(MC73354)	w/Vacuum Boost; w/Man. Brakes
Front Wheel Cylinder	Years	Sequential No.	Category No.	Qualifier
Wheel Cylinder	73 - 70	F72257	(WC72257)	L.H.; 11 x 3" Brake
Wheel Cylinder	73 - 70	F72258	(WC72258)	R.H.; 11 x 3" Brake
Rear Wheel Cylinder	Years	Sequential No.	Category No.	Qualifier
Wheel Cylinder	73 - 70	F59240	(WC59240)	L.H.; 11-1/8 x 2-1/4" Brake
Wheel Cylinder	73 - 70	F59241	(WC59241)	R.H.; 11-1/8 x 2-1/4" Brake

Hydraulics - Reman

Power Brake Booster	Years	Part No.	Qualifier
Power Brake Booster	73 - 71	503113	w/Master Cylinder; w/Disc Brakes
Power Brake Booster	73 - 71	509356	w/Master Cylinder; w/Drum Brakes
Power Brake Booster	73 - 71	5473113	w/o Master Cylinder; w/Disc Brakes
Power Brake Booster	73 - 71	5473738	w/o Master Cylinder; w/Drum Brakes
Power Brake Booster	70	503509	w/Master Cylinder
Power Brake Booster	70	5473509	w/o Master Cylinder

1100 Pickup
Rotor & Drum

Front Rotor & Drum	Years	Part No.	Qualifier
Brake Drum	73 - 70	BD60275	2WD; 11 x 3" Brake
Brake Drum	73 - 70	BD60276	4WD; 11 x 3" Brake; Check for Availability
Rear Rotor & Drum	Years	Part No.	Qualifier
Brake Drum	73 - 70	BD60274	11-1/8 x 2-1/4" Brake

Brake Hardware

Rear Brake Hardware	Years	Sequential No.	Category No.	Qualifier
Adjuster Kit	73 - 70	F98374S	(H2544)	L.H.; 11-1/8 x 2-1/4" Brake
Adjuster Kit	73 - 70	F98375S	(H2545)	R.H.; 11-1/8 x 2-1/4" Brake
Combi Kit	73 - 70	F78528S	(H7101)	11-1/8 x 2-1/4" Brake

Hydraulics - New

Master Cylinder	Years	Sequential No.	Category No.	Qualifier
Master Cylinder	73 - 70	F73354	(MC73354)	w/Vacuum Boost; w/Man. Brakes
Front Wheel Cylinder	Years	Sequential No.	Category No.	Qualifier
Wheel Cylinder	73 - 70	F71800	(WC71800)	2WD; 11 x 3" Brake
Wheel Cylinder	73 - 70	F71801	(WC71801)	2WD; 11 x 3" Brake
Wheel Cylinder	73 - 70	F72280	(WC72280)	4WD; 11 x 3" Brake
Rear Wheel Cylinder	Years	Sequential No.	Category No.	Qualifier
Wheel Cylinder	73 - 70	F59240	(WC59240)	11-1/8 x 2-1/4" Brake
Wheel Cylinder	73 - 70	F59241	(WC59241)	11-1/8 x 2-1/4" Brake

Hydraulics - Reman

Power Brake Booster	Years	Part No.	Qualifier
Power Brake Booster	73 - 71	509356	w/Master Cylinder
Power Brake Booster	73 - 71	5473738	w/o Master Cylinder
Power Brake Booster	70	503509	w/Master Cylinder
Power Brake Booster	70	5473509	w/o Master Cylinder

INTERNATIONAL 1/2 Ton Wagon

100 Wagon
Rotor & Drum

Rear Rotor & Drum	Years	Part No.	Qualifier
Brake Drum	75 - 74	BD60170	11-1/8 x 2-1/4" Brake

100 Wagon (cont.)

Brake Hardware

Front Brake Hardware	Years	Sequential No.	Category No.	Qualifier
Caliper Bolt/Pin	75 - 74	F19469S	(H4020)	
Disc Align Kit	75 - 74	F73232S	(H5510)	

Rear Brake Hardware	Years	Sequential No.	Category No.	Qualifier
Adjuster Kit	75 - 74	F98370S	(H2540)	L.H.; 11-1/8 x 2-1/4" Brake
Adjuster Kit	75 - 74	F98371S	(H2541)	R.H.; 11-1/8 x 2-1/4" Brake

Calipers - Reman

Front, Unloaded	Years	Left No.	Right No.	Qualifier	Piston
Unloaded Caliper	75 - 74	CR83281	CR83280	Bendix; 3.13" 1-Piston Caliper	M

Hydraulics - New

Rear Wheel Cylinder	Years	Sequential No.	Category No.	Qualifier
Wheel Cylinder	75 - 74	F78974	(WC78974)	L.H.; 11-1/8 x 2-1/4" Brake
Wheel Cylinder	75 - 74	F78975	(WC78975)	R.H.; 11-1/8 x 2-1/4" Brake

Hydraulics - Reman

Power Brake Booster	Years	Part No.	Qualifier
Power Brake Booster	75 - 74	503113	w/Master Cylinder; w/Disc Brakes
Power Brake Booster	75 - 74	5473113	w/o Master Cylinder; w/Disc Brakes

1000 Wagon

Rotor & Drum

Rear Rotor & Drum	Years	Part No.	Qualifier
Brake Drum	73 - 70	BD60274	11-1/8 x 2-1/4" Brake

Brake Hardware

Front Brake Hardware	Years	Sequential No.	Category No.	Qualifier
Adjuster Kit	73 - 70	F98374S	(H2544)	L.H.; 11 x 3" Brake
Adjuster Kit	73 - 70	F98375S	(H2545)	R.H.; 11 x 3" Brake
Caliper Bolt/Pin	73 - 71	F76077S	(H5089)	
Combi Kit	73 - 70	F19474S	(H4050)	11 x 3" Brake; Hold Down Kit

Rear Brake Hardware	Years	Sequential No.	Category No.	Qualifier
Adjuster Kit	73 - 70	F98374S	(H2544)	L.H.; 11-1/8 x 2-1/4" Brake
Adjuster Kit	73 - 70	F98375S	(H2545)	R.H.; 11-1/8 x 2-1/4" Brake
Combi Kit	73 - 70	F78536S	(H7116)	11-1/8 x 2-1/4" Brake

Calipers - Reman

Front, Unloaded	Years	Left No.	Right No.	Qualifier	Piston
Unloaded Caliper	73 - 71	CR76790	CR76791	Bendix; 3.13" 1-Piston Caliper	M

Hydraulics - New

Master Cylinder	Years	Sequential No.	Category No.	Qualifier
Master Cylinder	73 - 70	F86488	(MC86488)	w/Vacuum Boost
Master Cylinder	73 - 70	F73354	(MC73354)	w/Vacuum Boost; w/Man. Brakes

Front Wheel Cylinder	Years	Sequential No.	Category No.	Qualifier
Wheel Cylinder	73 - 70	F72257	(WC72257)	L.H.; 11 x 3" Brake
Wheel Cylinder	73 - 70	F72258	(WC72258)	R.H.; 11 x 3" Brake

Rear Wheel Cylinder	Years	Sequential No.	Category No.	Qualifier
Wheel Cylinder	73 - 70	F59240	(WC59240)	L.H.; 11-1/8 x 2-1/4" Brake
Wheel Cylinder	73 - 70	F59241	(WC59241)	R.H.; 11-1/8 x 2-1/4" Brake

Hydraulics - Reman

Power Brake Booster	Years	Part No.	Qualifier
Power Brake Booster	73 - 71	503113	w/Master Cylinder; w/Disc Brakes
Power Brake Booster	73 - 71	509356	w/Master Cylinder; w/Drum Brakes
Power Brake Booster	73 - 71	5473113	w/o Master Cylinder; w/Disc Brakes
Power Brake Booster	73 - 71	5473738	w/o Master Cylinder; w/Drum Brakes
Power Brake Booster	70	503509	w/Master Cylinder
Power Brake Booster	70	5473509	w/o Master Cylinder

Piston: M - OE Metal Piston P - OE Phenolic Piston

1100 Wagon
Rotor & Drum

Front Rotor & Drum	Years	Part No.	Qualifier
Brake Drum	73 - 70	BD60275	2WD; 11 x 3" Brake
Brake Drum	73 - 70	BD60276	4WD; 11 x 3" Brake; Check for Availability

Rear Rotor & Drum	Years	Part No.	Qualifier
Brake Drum	73 - 70	BD60274	11-1/8 x 2-1/4" Brake

Brake Hardware

Rear Brake Hardware	Years	Sequential No.	Category No.	Qualifier
Adjuster Kit	73 - 70	F98374S	(H2544)	L.H.; 11-1/8 x 2-1/4" Brake
Adjuster Kit	73 - 70	F98375S	(H2545)	R.H.; 11-1/8 x 2-1/4" Brake
Combi Kit	73 - 70	F78528S	(H7101)	11-1/8 x 2-1/4" Brake

Hydraulics - New

Master Cylinder	Years	Sequential No.	Category No.	Qualifier
Master Cylinder	73 - 70	F73354	(MC73354)	w/Vacuum Boost; w/Man. Brakes

Front Wheel Cylinder	Years	Sequential No.	Category No.	Qualifier
Wheel Cylinder	73 - 70	F71800	(WC71800)	L.H.; 2WD; 11 x 3" Brake
Wheel Cylinder	73 - 70	F72280	(WC72280)	L.H.; 4WD; 11 x 3" Brake
Wheel Cylinder	73 - 70	F71801	(WC71801)	R.H.; 2WD; 11 x 3" Brake
Wheel Cylinder	73 - 70	F72280	(WC72280)	R.H.; 4WD; 11 x 3" Brake

Rear Wheel Cylinder	Years	Sequential No.	Category No.	Qualifier
Wheel Cylinder	73 - 70	F59240	(WC59240)	L.H.; 11-1/8 x 2-1/4" Brake
Wheel Cylinder	73 - 70	F59241	(WC59241)	R.H.; 11-1/8 x 2-1/4" Brake

Hydraulics - Reman

Power Brake Booster	Years	Part No.	Qualifier
Power Brake Booster	73 - 71	509356	w/Master Cylinder
Power Brake Booster	73 - 71	5473738	w/o Master Cylinder
Power Brake Booster	70	503509	w/Master Cylinder
Power Brake Booster	70	5473509	w/o Master Cylinder

INTERNATIONAL 3/4 Ton Pickup
1200 Pickup
Brake Pads & Shoes

Front Pads & Shoes	Years	SevereDuty	Lining No.	Qualifier
Brake Shoes	73 - 70	SDS357AR	EX2146ATD	Exc. H/D; 12 x 2-1/2"
Brake Shoes	73 - 70	SDS358AR	EX2140TD	w/H/D; 12 x 3"

Rear Pads & Shoes	Years	SevereDuty	Lining No.	Qualifier
Brake Shoes	73 - 70	SDS357AR	EX2146ATD	Exc. H/D; 12 x 2-1/2"
Brake Shoes	73 - 70	SDS358AR	EX2140TD	w/H/D; 12 x 3"

Brake Hardware

Front Brake Hardware	Years	Sequential No.	Category No.	Qualifier
Adjuster Kit	73 - 70	F98398	(H2576)	L.H.; 12" Brake
Adjuster Kit	73 - 70	F98399	(H2577)	R.H.; 12" Brake
Combi Kit	73 - 70	F88754	(H7042)	12" Brake
↳Adjuster Spring Kit		F73105	(H430)	
↳Hold Down Kit		F59054	(H4099)	
↳Return Spring Kit		F73207	(H547)	

Rear Brake Hardware	Years	Sequential No.	Category No.	Qualifier
Adjuster Kit	73 - 70	F98398	(H2576)	L.H.; 12" Brake
Adjuster Kit	73 - 70	F98399	(H2577)	R.H.; 12" Brake
Combi Kit	73 - 70	F88754	(H7042)	12" Brake
↳Adjuster Spring Kit		F73105	(H430)	
↳Hold Down Kit		F59054	(H4099)	
↳Return Spring Kit		F73207	(H547)	

↳Sub-Kit of Combi-Kit is available separately.



1200 Pickup (cont.)

Hydraulics - New

Master Cylinder	Years	Sequential No.	Category No.	Qualifier
Master Cylinder	73 - 70	F73356	(MC73356)	w/Vacuum Boost
Front Wheel Cylinder	Years	Sequential No.	Category No.	Qualifier
Wheel Cylinder	73 - 70	F73618	(WC73618)	L.H.; 2WD
Wheel Cylinder	73 - 70	F73619	(WC73619)	R.H.; 2WD
Rear Wheel Cylinder	Years	Sequential No.	Category No.	Qualifier
Wheel Cylinder	73 - 70	F73615	(WC73615)	L.H.; 12 x 2-1/2" Brake
Wheel Cylinder	73 - 70	F14521	(WC14521)	L.H.; 12 x 3" Brake
Wheel Cylinder	73 - 70	F73614	(WC73614)	R.H.; 12 x 2-1/2" Brake
Wheel Cylinder	73 - 70	F14522	(WC14522)	R.H.; 12 x 3" Brake

Hydraulics - Reman

Power Brake Booster	Years	Part No.	Qualifier
Power Brake Booster	73	509363	w/Master Cylinder
Power Brake Booster	72 - 70	503114	w/Master Cylinder
Power Brake Booster	72 - 70	5473113	w/o Master Cylinder

200 Pickup

Brake Pads & Shoes

Front Pads & Shoes	Years	SevereDuty	Lining No.	Qualifier
Brake Pads	75 - 74	SD149		2WD; 8200-10000 lb. GVW
Brake Shoes	75 - 74	SDS358AR	EX2140TD	12 x 3"
Rear Pads & Shoes	Years	SevereDuty	Lining No.	Qualifier
Brake Shoes	75 - 74	SDS357AR	EX2146ATD	6700-7500 lb. GVW; 12 x 2-1/2"
Brake Shoes	75 - 74	SDS358AR	EX2140TD	8200-10000 lb. GVW; 12 x 3"

Brake Hardware

Front Brake Hardware	Years	Sequential No.	Category No.	Qualifier
Caliper Bolt/Pin	75 - 74	F73237S	(H5019)	2WD; 6700-7500 lb. GVW; 12 x 2-1/2" Brake
Caliper Bolt/Pin	75 - 74	F73237S	(H5019)	2WD; 8200-10000 lb. GVW; 12 x 3" Brake
Caliper Bolt/Pin	75 - 74	F73237S	(H5019)	4WD; 6700-7500 lb. GVW; 12 x 2-1/2" Brake
Combi Kit	75 - 74	F88754	(H7042)	4WD; 8200-10000 lb. GVW; 12 x 3" Brake
↳Adjuster Spring Kit		F73105	(H430)	
↳Hold Down Kit		F59054	(H4099)	
↳Return Spring Kit		F73207	(H547)	
Disc Align Kit	75 - 74	F73232S	(H5510)	2WD; 6700-7500 lb. GVW; 12 x 2-1/2" Brake
Disc Align Kit	75 - 74	F113364S	(H5519)	2WD; 8200-10000 lb. GVW; 12 x 3" Brake
Disc Align Kit	75 - 74	F73232S	(H5510)	4WD; 6700-7500 lb. GVW; 12 x 2-1/2" Brake
Rear Brake Hardware	Years	Sequential No.	Category No.	Qualifier
Adjuster Kit	75 - 74	F98398	(H2576)	L.H.; 12" Brake
Adjuster Kit	75 - 74	F98399	(H2577)	R.H.; 12" Brake
Combi Kit	75 - 74	F88754	(H7042)	12" Brake
↳Adjuster Spring Kit		F73105	(H430)	
↳Hold Down Kit		F59054	(H4099)	
↳Return Spring Kit		F73207	(H547)	

Calipers - Reman

Front, Loaded	Years	Left No.	Right No.	Qualifier	Piston
Loaded Caliper	75 - 74	AS130210B	AS130211B	2WD; Bendix; 3.38" 1-Piston Caliper; 8200-10000 lb. GVW	M
Front, Unloaded	Years	Left No.	Right No.	Qualifier	Piston
Unloaded Caliper	75 - 74	CR83281	CR83280	2WD; Bendix; 3.13" 1-Piston Caliper; 6700-7700 lb. GVW	M
Unloaded Caliper	75 - 74	CR130210	CR130211	2WD; Bendix; 3.38" 1-Piston Caliper; 8200-10000 lb. GVW	M

Hydraulics - New

Master Cylinder	Years	Sequential No.	Category No.	Qualifier
Master Cylinder	75 - 74	F99299	(MC99299)	2WD; w/Vacuum Boost
Master Cylinder	75 - 74	F99299	(MC99299)	4WD; w/Vacuum Boost; 6700-7500 lb. GVW
Master Cylinder	75 - 74	F73356	(MC73356)	4WD; w/Vacuum Boost; 8200-10000 lb. GVW

↳Sub-Kit of Combi-Kit is available separately.

Piston: M - OE Metal Piston P - OE Phenolic Piston

200 Pickup (cont.)

Hydraulics - New (cont.)

Rear Wheel Cylinder	Years	Sequential No.	Category No.	Qualifier
Wheel Cylinder	75 - 74	F78314	(WC78314)	L.H.; 2WD; 6700-7500 lb. GVW; 12 x 3" Brake
Wheel Cylinder	75 - 74	F35325	(WC35325)	L.H.; 2WD; 8200-10000 lb. GVW; 12 x 2-1/2" Brake
Wheel Cylinder	75 - 74	F78314	(WC78314)	L.H.; 4WD; 6700-7500 lb. GVW; 12 x 3" Brake
Wheel Cylinder	75 - 74	F14521	(WC14521)	L.H.; 4WD; 8200-10000 lb. GVW; 12 x 2-1/2" Brake
Wheel Cylinder	75 - 74	F78315	(WC78315)	R.H.; 2WD; 6700-7500 lb. GVW; 12 x 3" Brake
Wheel Cylinder	75 - 74	F35326	(WC35326)	R.H.; 2WD; 8200-10000 lb. GVW; 12 x 2-1/2" Brake
Wheel Cylinder	75 - 74	F78315	(WC78315)	R.H.; 4WD; 6700-7500 lb. GVW; 12 x 3" Brake
Wheel Cylinder	75 - 74	F14521	(WC14521)	R.H.; 4WD; 8200-10000 lb. GVW; 12 x 2-1/2" Brake

Hydraulics - Reman

Power Brake Booster	Years	Part No.	Qualifier
Power Brake Booster	75 - 74	503113	w/Master Cylinder; w/Disc Brakes; Exc. H.D.
Power Brake Booster	75 - 74	509352	w/Master Cylinder; w/Disc Brakes; H.D.
Power Brake Booster	75 - 74	5473113	w/o Master Cylinder; w/Disc Brakes; Exc. H.D.

INTERNATIONAL 3/4 Ton Wagon

1200 Wagon

Brake Pads & Shoes

Front Pads & Shoes	Years	SevereDuty	Lining No.	Qualifier
Brake Shoes	73 - 70	SDS357AR	EX2146ATD	Exc. H/D; 12 x 2-1/2"
Brake Shoes	73 - 70	SDS358AR	EX2140TD	w/H/D; 12 x 3"
Rear Pads & Shoes	Years	SevereDuty	Lining No.	Qualifier
Brake Shoes	73 - 70	SDS357AR	EX2146ATD	Exc. H/D; 12 x 2-1/2"
Brake Shoes	73 - 70	SDS358AR	EX2140TD	w/H/D; 12 x 3"

Brake Hardware

Front Brake Hardware	Years	Sequential No.	Category No.	Qualifier
Adjuster Kit	73 - 70	F98398	(H2576)	L.H.; 12" Brake
Adjuster Kit	73 - 70	F98399	(H2577)	R.H.; 12" Brake
Combi Kit	73 - 70	F88754	(H7042)	12" Brake
↳Adjuster Spring Kit		F73105	(H430)	
↳Hold Down Kit		F59054	(H4099)	
↳Return Spring Kit		F73207	(H547)	
Rear Brake Hardware	Years	Sequential No.	Category No.	Qualifier
Adjuster Kit	73 - 70	F98398	(H2576)	L.H.; 12" Brake
Adjuster Kit	73 - 70	F98399	(H2577)	R.H.; 12" Brake
Combi Kit	73 - 70	F88754	(H7042)	12" Brake
↳Adjuster Spring Kit		F73105	(H430)	
↳Hold Down Kit		F59054	(H4099)	
↳Return Spring Kit		F73207	(H547)	

Hydraulics - New

Master Cylinder	Years	Sequential No.	Category No.	Qualifier
Master Cylinder	73 - 70	F73356	(MC73356)	w/Vacuum Boost
Front Wheel Cylinder	Years	Sequential No.	Category No.	Qualifier
Wheel Cylinder	73 - 70	F73618	(WC73618)	L.H.; 2WD
Wheel Cylinder	73 - 70	F73619	(WC73619)	R.H.; 2WD
Rear Wheel Cylinder	Years	Sequential No.	Category No.	Qualifier
Wheel Cylinder	73 - 70	F73615	(WC73615)	L.H.; 12 x 2-1/2" Brake
Wheel Cylinder	73 - 70	F14521	(WC14521)	L.H.; 12 x 3" Brake
Wheel Cylinder	73 - 70	F73614	(WC73614)	R.H.; 12 x 2-1/2" Brake
Wheel Cylinder	73 - 70	F14522	(WC14522)	R.H.; 12 x 3" Brake

Hydraulics - Reman

Power Brake Booster	Years	Part No.	Qualifier
Power Brake Booster	73	509363	w/Master Cylinder
Power Brake Booster	72 - 70	503114	w/Master Cylinder

↳Sub-Kit of Combi-Kit is available separately.



1200 Wagon (cont.)

Hydraulics - Reman (cont.)

Power Brake Booster	Years	Part No.	Qualifier
Power Brake Booster	72 - 70	5473113	w/o Master Cylinder

200 Wagon

Brake Pads & Shoes

Front Pads & Shoes	Years	SevereDuty	Lining No.	Qualifier
Brake Pads	75 - 74	SD149		2WD; 8200-10000 lb. GVW
Brake Shoes	75 - 74	SDS358AR	EX2140TD	12 x 3"

Rear Pads & Shoes	Years	SevereDuty	Lining No.	Qualifier
Brake Shoes	75 - 74	SDS357AR	EX2146ATD	6700-7500 lb. GVW; 12 x 2-1/2"
Brake Shoes	75 - 74	SDS358AR	EX2140TD	8200-10000 lb. GVW; 12 x 3"

Brake Hardware

Front Brake Hardware	Years	Sequential No.	Category No.	Qualifier
Caliper Bolt/Pin	75 - 74	F73237S	(H5019)	2WD; 6700-7500 lb. GVW; 12 x 2-1/2" Brake
Caliper Bolt/Pin	75 - 74	F73237S	(H5019)	2WD; 8200-10000 lb. GVW; 12 x 3" Brake
Caliper Bolt/Pin	75 - 74	F73237S	(H5019)	4WD; 6700-7500 lb. GVW; 12 x 2-1/2" Brake
Combi Kit	75 - 74	F88754	(H7042)	4WD; 8200-10000 lb. GVW; 12 x 3" Brake
↳Adjuster Spring Kit		F73105	(H430)	
↳Hold Down Kit		F59054	(H4099)	
↳Return Spring Kit		F73207	(H547)	
Disc Align Kit	75 - 74	F73232S	(H5510)	2WD; 6700-7500 lb. GVW; 12 x 2-1/2" Brake
Disc Align Kit	75 - 74	F113364S	(H5519)	2WD; 8200-10000 lb. GVW; 12 x 3" Brake
Disc Align Kit	75 - 74	F73232S	(H5510)	4WD; 6700-7500 lb. GVW; 12 x 2-1/2" Brake

Rear Brake Hardware	Years	Sequential No.	Category No.	Qualifier
Adjuster Kit	75 - 74	F98398	(H2576)	L.H.; 12" Brake
Adjuster Kit	75 - 74	F98399	(H2577)	R.H.; 12" Brake
Combi Kit	75 - 74	F88754	(H7042)	12" Brake
↳Adjuster Spring Kit		F73105	(H430)	
↳Hold Down Kit		F59054	(H4099)	
↳Return Spring Kit		F73207	(H547)	

Calipers - Reman

Front, Loaded	Years	Left No.	Right No.	Qualifier	Piston
Loaded Caliper	75 - 74	AS130210B	AS130211B	2WD; Bendix; 3.38" 1-Piston Caliper; 8200-10000 lb. GVW	M

Front, Unloaded	Years	Left No.	Right No.	Qualifier	Piston
Unloaded Caliper	75 - 74	CR83281	CR83280	2WD; Bendix; 3.13" 1-Piston Caliper; 6700-7700 lb. GVW	M
Unloaded Caliper	75 - 74	CR130210	CR130211	2WD; Bendix; 3.38" 1-Piston Caliper; 8200-10000 lb. GVW	M

Hydraulics - New

Master Cylinder	Years	Sequential No.	Category No.	Qualifier
Master Cylinder	75 - 74	F99299	(MC99299)	2WD; w/Vacuum Boost
Master Cylinder	75 - 74	F99299	(MC99299)	4WD; w/Vacuum Boost; 6700-7500 lb. GVW
Master Cylinder	75 - 74	F73356	(MC73356)	4WD; w/Vacuum Boost; 8200-10000 lb. GVW

Rear Wheel Cylinder	Years	Sequential No.	Category No.	Qualifier
Wheel Cylinder	75 - 74	F78314	(WC78314)	L.H.; 2WD; 6700-7500 lb. GVW; 12 x 3" Brake
Wheel Cylinder	75 - 74	F35325	(WC35325)	L.H.; 2WD; 8200-10000 lb. GVW; 12 x 2-1/2" Brake
Wheel Cylinder	75 - 74	F78314	(WC78314)	L.H.; 4WD; 6700-7500 lb. GVW; 12 x 3" Brake
Wheel Cylinder	75 - 74	F14521	(WC14521)	L.H.; 4WD; 8200-10000 lb. GVW; 12 x 2-1/2" Brake
Wheel Cylinder	75 - 74	F78315	(WC78315)	R.H.; 2WD; 6700-7500 lb. GVW; 12 x 3" Brake
Wheel Cylinder	75 - 74	F35326	(WC35326)	R.H.; 2WD; 8200-10000 lb. GVW; 12 x 2-1/2" Brake
Wheel Cylinder	75 - 74	F78315	(WC78315)	R.H.; 4WD; 6700-7500 lb. GVW; 12 x 3" Brake
Wheel Cylinder	75 - 74	F14521	(WC14521)	R.H.; 4WD; 8200-10000 lb. GVW; 12 x 2-1/2" Brake

Hydraulics - Reman

Power Brake Booster	Years	Part No.	Qualifier
Power Brake Booster	75 - 74	503113	w/Master Cylinder; w/Disc Brakes; Exc. H.D.
Power Brake Booster	75 - 74	509352	w/Master Cylinder; w/Disc Brakes; H.D.
Power Brake Booster	75 - 74	5473113	w/o Master Cylinder; w/Disc Brakes; Exc. H.D.

↳Sub-Kit of Combi-Kit is available separately.

Piston: M - OE Metal Piston P - OE Phenolic Piston

1300 Pickup
Brake Pads & Shoes

Front Pads & Shoes	Years	SevereDuty	Lining No.	Qualifier
Brake Shoes	73 - 70	SDS358AR	EX2140TD	12 x 3"
Rear Pads & Shoes	Years	SevereDuty	Lining No.	Qualifier
Brake Shoes	73 - 70	SDS358AR	EX2140TD	12 x 3"

Brake Hardware

Front Brake Hardware	Years	Sequential No.	Category No.	Qualifier
Adjuster Kit	73 - 70	F98398	(H2576)	L.H.; 12 x 3" Brake
Adjuster Kit	73 - 70	F98399	(H2577)	R.H.; 12 x 3" Brake
Combi Kit	73 - 70	F88754	(H7042)	12 x 3" Brake
↳Adjuster Spring Kit		F73105	(H430)	
↳Hold Down Kit		F59054	(H4099)	
↳Return Spring Kit		F73207	(H547)	
Rear Brake Hardware	Years	Sequential No.	Category No.	Qualifier
Adjuster Kit	73 - 70	F98398	(H2576)	L.H.; 12 x 3" Brake
Adjuster Kit	73 - 70	F98399	(H2577)	R.H.; 12 x 3" Brake
Combi Kit	73 - 70	F88754	(H7042)	12 x 3" Brake
↳Adjuster Spring Kit		F73105	(H430)	
↳Hold Down Kit		F59054	(H4099)	
↳Return Spring Kit		F73207	(H547)	

Hydraulics - New

Master Cylinder	Years	Sequential No.	Category No.	Qualifier
Master Cylinder	73 - 70	F73356	(MC73356)	w/Vacuum Boost; w/Man. Brakes
Front Wheel Cylinder	Years	Sequential No.	Category No.	Qualifier
Wheel Cylinder	73 - 70	F73618	(WC73618)	L.H.; 12 x 3" Brake
Wheel Cylinder	73 - 70	F73619	(WC73619)	R.H.; 12 x 3" Brake
Rear Wheel Cylinder	Years	Sequential No.	Category No.	Qualifier
Wheel Cylinder	73 - 70	F14521	(WC14521)	L.H.; 12 x 3" Brake
Wheel Cylinder	73 - 70	F14522	(WC14522)	R.H.; 12 x 3" Brake

Hydraulics - Reman

Power Brake Booster	Years	Part No.	Qualifier
Power Brake Booster	73	509363	w/Master Cylinder
Power Brake Booster	72 - 70	503114	w/Master Cylinder
Power Brake Booster	72 - 70	5473113	w/o Master Cylinder

INTERNATIONAL 1+ Ton Pickup
1500 Pickup
Brake Pads & Shoes

Front Pads & Shoes	Years	SevereDuty	Lining No.	Qualifier
Brake Shoes	73 - 70	SDS358AR	EX2140TD	12 x 3"
Rear Pads & Shoes	Years	SevereDuty	Lining No.	Qualifier
Brake Shoes	73 - 70	SDS358AR	EX2140TD	12 x 3"

Brake Hardware

Front Brake Hardware	Years	Sequential No.	Category No.	Qualifier
Adjuster Kit	73 - 70	F98398	(H2576)	L.H.; 12 x 3" Brake
Adjuster Kit	73 - 70	F98399	(H2577)	R.H.; 12 x 3" Brake
Combi Kit	73 - 70	F88754	(H7042)	12 x 3" Brake
↳Adjuster Spring Kit		F73105	(H430)	
↳Hold Down Kit		F59054	(H4099)	
↳Return Spring Kit		F73207	(H547)	
Rear Brake Hardware	Years	Sequential No.	Category No.	Qualifier
Adjuster Kit	73 - 70	F98398	(H2576)	L.H.; 12 x 3" Brake
Adjuster Kit	73 - 70	F98399	(H2577)	R.H.; 12 x 3" Brake

↳Sub-Kit of Combi-Kit is available separately.



1500 Pickup (cont.)

Brake Hardware (cont.)

Rear Brake Hardware	Years	Sequential No.	Category No.	Qualifier
Combi Kit	73 - 70	F88754	(H7042)	12 x 3" Brake
↳Adjuster Spring Kit		F73105	(H430)	
↳Hold Down Kit		F59054	(H4099)	
↳Return Spring Kit		F73207	(H547)	

Hydraulics - New

Master Cylinder	Years	Sequential No.	Category No.	Qualifier
------------------------	--------------	-----------------------	---------------------	------------------

Master Cylinder	73 - 70	F73356	(MC73356)	w/Vacuum Boost; w/Man. Brakes
-----------------	---------	--------	-----------	-------------------------------

Front Wheel Cylinder	Years	Sequential No.	Category No.	Qualifier
-----------------------------	--------------	-----------------------	---------------------	------------------

Wheel Cylinder	73 - 70	F73618	(WC73618)	L.H.; 12 x 3" Brake
----------------	---------	--------	-----------	---------------------

Wheel Cylinder	73 - 70	F43375	(WC43375)	L.H.; 14 x 2-1/2" Brake
----------------	---------	--------	-----------	-------------------------

Wheel Cylinder	73 - 70	F73619	(WC73619)	R.H.; 12 x 3" Brake
----------------	---------	--------	-----------	---------------------

Wheel Cylinder	73 - 70	F43376	(WC43376)	R.H.; 14 x 2-1/2" Brake
----------------	---------	--------	-----------	-------------------------

Rear Wheel Cylinder	Years	Sequential No.	Category No.	Qualifier
----------------------------	--------------	-----------------------	---------------------	------------------

Wheel Cylinder	73 - 70	F14521	(WC14521)	L.H.; 12 x 3" Brake
----------------	---------	--------	-----------	---------------------

Wheel Cylinder	73 - 70	F59922	(WC59922)	L.H.; 14-1/8 x 3" Brake
----------------	---------	--------	-----------	-------------------------

Wheel Cylinder	73 - 70	F14522	(WC14522)	R.H.; 12 x 3" Brake
----------------	---------	--------	-----------	---------------------

Wheel Cylinder	73 - 70	F59922	(WC59922)	R.H.; 14-1/8 x 3" Brake
----------------	---------	--------	-----------	-------------------------

Hydraulics - Reman

Power Brake Booster	Years	Part No.	Qualifier
----------------------------	--------------	-----------------	------------------

Power Brake Booster	73	509363	w/Master Cylinder
---------------------	----	--------	-------------------

Power Brake Booster	72 - 70	503114	w/Master Cylinder
---------------------	---------	--------	-------------------

Power Brake Booster	72 - 70	5473113	w/o Master Cylinder
---------------------	---------	---------	---------------------

500 Pickup

Brake Pads & Shoes

Front Pads & Shoes	Years	SevereDuty	Lining No.	Qualifier
-------------------------------	--------------	-------------------	-------------------	------------------

Brake Shoes	75 - 74	SDS358AR	EX2140TD	12 x 3"
-------------	---------	----------	----------	---------

Rear Pads & Shoes	Years	SevereDuty	Lining No.	Qualifier
------------------------------	--------------	-------------------	-------------------	------------------

Brake Shoes	75 - 74	SDS358AR	EX2140TD	12 x 3"
-------------	---------	----------	----------	---------

Brake Hardware

Front Brake Hardware	Years	Sequential No.	Category No.	Qualifier
-----------------------------	--------------	-----------------------	---------------------	------------------

Adjuster Kit	75 - 74	F98398	(H2576)	L.H.; 12 x 3" Brake
--------------	---------	--------	---------	---------------------

Adjuster Kit	75 - 74	F98399	(H2577)	R.H.; 12 x 3" Brake
--------------	---------	--------	---------	---------------------

Combi Kit	75 - 74	F88754	(H7042)	12 x 3" Brake
-----------	---------	--------	---------	---------------

↳Adjuster Spring Kit		F73105	(H430)	
----------------------	--	--------	--------	--

↳Hold Down Kit		F59054	(H4099)	
----------------	--	--------	---------	--

↳Return Spring Kit		F73207	(H547)	
--------------------	--	--------	--------	--

Rear Brake Hardware	Years	Sequential No.	Category No.	Qualifier
----------------------------	--------------	-----------------------	---------------------	------------------

Adjuster Kit	75 - 74	F98398	(H2576)	L.H.; 12 x 3" Brake
--------------	---------	--------	---------	---------------------

Adjuster Kit	75 - 74	F98399	(H2577)	R.H.; 12 x 3" Brake
--------------	---------	--------	---------	---------------------

Combi Kit	75 - 74	F88754	(H7042)	12 x 3" Brake
-----------	---------	--------	---------	---------------

↳Adjuster Spring Kit		F73105	(H430)	
----------------------	--	--------	--------	--

↳Hold Down Kit		F59054	(H4099)	
----------------	--	--------	---------	--

↳Return Spring Kit		F73207	(H547)	
--------------------	--	--------	--------	--

Hydraulics - New

Master Cylinder	Years	Sequential No.	Category No.	Qualifier
------------------------	--------------	-----------------------	---------------------	------------------

Master Cylinder	75 - 74	F73356	(MC73356)	w/Vacuum Boost
-----------------	---------	--------	-----------	----------------

Front Wheel Cylinder	Years	Sequential No.	Category No.	Qualifier
-----------------------------	--------------	-----------------------	---------------------	------------------

Wheel Cylinder	75 - 74	F73618	(WC73618)	L.H.; 12 x 3" Brake
----------------	---------	--------	-----------	---------------------

Wheel Cylinder	75 - 74	F43375	(WC43375)	L.H.; 14 x 2-1/2" Brake
----------------	---------	--------	-----------	-------------------------

Wheel Cylinder	75 - 74	F73619	(WC73619)	R.H.; 12 x 3" Brake
----------------	---------	--------	-----------	---------------------

Wheel Cylinder	75 - 74	F43376	(WC43376)	R.H.; 14 x 2-1/2" Brake
----------------	---------	--------	-----------	-------------------------

Rear Wheel Cylinder	Years	Sequential No.	Category No.	Qualifier
----------------------------	--------------	-----------------------	---------------------	------------------

Wheel Cylinder	75 - 74	F14521	(WC14521)	L.H.; 12 x 3" Brake
----------------	---------	--------	-----------	---------------------

↳Sub-Kit of Combi-Kit is available separately.

500 Pickup (cont.)
Hydraulics - New (cont.)

<i>Rear Wheel Cylinder</i>	<i>Years</i>	<i>Sequential No.</i>	<i>Category No.</i>	<i>Qualifier</i>
Wheel Cylinder	75 - 74	F59922	(WC59922)	L.H.; 14-1/8 x 3" Brake
Wheel Cylinder	75 - 74	F14522	(WC14522)	R.H.; 12 x 3" Brake
Wheel Cylinder	75 - 74	F59922	(WC59922)	R.H.; 14-1/8 x 3" Brake

Hydraulics - Reman

<i>Power Brake Booster</i>	<i>Years</i>	<i>Part No.</i>	<i>Qualifier</i>
Power Brake Booster	75 - 74	509363	w/Master Cylinder

INTERNATIONAL MD 1000-Series
1452
Brake Pads & Shoes

<i>Front Pads & Shoes</i>	<i>Years</i>	<i>SevereDuty</i>	<i>Lining No.</i>	<i>Qualifier</i>
Brake Pads	91 - 87	SD184		Bendix; 2.60" 2-Piston Caliper
Brake Pads	91 - 87	SD225		Bendix; 2.88" 2-Piston Caliper
Brake Pads	91 - 87	SD184		Bendix; 3.38" 1-Piston Caliper

<i>Rear Pads & Shoes</i>	<i>Years</i>	<i>SevereDuty</i>	<i>Lining No.</i>	<i>Qualifier</i>
Brake Pads	91 - 87	SD184		Bendix; 2.60" 2-Piston Caliper
Brake Pads	91 - 87	SD225		Bendix; 2.88" 2-Piston Caliper

<i>Parking Brake Shoes</i>	<i>Years</i>	<i>SevereDuty</i>	<i>Lining No.</i>	<i>Qualifier</i>
Brake Shoes	91 - 87	SDS842R	EX1303AD	Driveline Config.; 10 x 3
Brake Shoes	91 - 87	SDS647	EX2086D	Driveline Config.; 9 x 3

Rotor & Drum

<i>Front Rotor & Drum</i>	<i>Years</i>	<i>Part No.</i>	<i>Qualifier</i>
Brake Rotor	91 - 87	BD125484	10000-12000 lb. FA; Hyd.; Hat-Shaped; 10-Hole Rotor
Brake Rotor	91 - 87	BD126394	10000-12000 lb. FA; Hyd.; U-Shaped; 10-Hole Rotor
Brake Rotor	91 - 87	BD125484	6000-8000 lb. FA; Hyd.; Hat-Shaped; 10-Hole Rotor; 3-1/4" Height
Brake Rotor	91 - 87	BD125097	6000-8000 lb. FA; Hyd.; Hat-Shaped; 10-Hole Rotor; 4-1/2" Height
Brake Rotor	91 - 87	BD125361	6000-8000 lb. FA; Hyd.; Hat-Shaped; 5-Hole Rotor
Brake Rotor	91 - 87	BD125362	6000-8000 lb. FA; Hyd.; Hat-Shaped; 6-Hole Rotor

<i>Rear Rotor & Drum</i>	<i>Years</i>	<i>Part No.</i>	<i>Qualifier</i>
Brake Rotor	91 - 87	BD125484	10000-17500 lb. RA; Hyd.; Hat-Shaped; 10-Hole Rotor; 3-1/4" Height
Brake Rotor	91 - 87	BD125097	10000-17500 lb. RA; Hyd.; Hat-Shaped; 10-Hole Rotor; 4-1/2" Height
Brake Rotor	91 - 87	BD125362	10000-17500 lb. RA; Hyd.; Hat-Shaped; 6-Hole Rotor
Brake Rotor	91 - 87	BD125382	19000-21000 lb. RA; Hyd.; U-Shaped; 5-Hole Rotor
Brake Rotor	91 - 87	BD125382	34000 lb. TRA; Hyd.; U-Shaped; 5-Hole Rotor

Brake Hardware

<i>Front Brake Hardware</i>	<i>Years</i>	<i>Sequential No.</i>	<i>Category No.</i>	<i>Qualifier</i>
Disc Align Kit	91 - 87	F112095S	(H5564)	Bendix; 2.60" 2-Piston Caliper
Disc Align Kit	91 - 87	F112090S	(H5566)	Bendix; 2.88" 2-Piston Caliper
Disc Align Kit	91 - 87	F107401S	(H5562)	Bendix; 3.38" 1-Piston Caliper

<i>Rear Brake Hardware</i>	<i>Years</i>	<i>Sequential No.</i>	<i>Category No.</i>	<i>Qualifier</i>
Disc Align Kit	91 - 87	F112095S	(H5564)	Bendix; 2.60" 2-Piston Caliper
Disc Align Kit	91 - 87	F112090S	(H5566)	Bendix; 2.88" 2-Piston Caliper

Calipers - Reman

<i>Front, Loaded</i>	<i>Years</i>	<i>Left No.</i>	<i>Right No.</i>	<i>Qualifier</i>	<i>Piston</i>
Loaded Caliper	91 - 87	AS112057	AS112057	Bendix; 2.60" 2-Piston Caliper	P
Loaded Caliper	91 - 87	AS112057S	AS112057S	Bendix; 2.60" 2-Piston Caliper	O
Loaded Caliper	91 - 87	AS120549	AS120549	Bendix; 2.88" 2-Piston Caliper	P
Loaded Caliper	91 - 87	AS120549S	AS120549S	Bendix; 2.88" 2-Piston Caliper	O
Loaded Caliper	91 - 87	AS130211A	AS130210A	Bendix; 3.38" 1-Piston Caliper	M
<i>Rear, Loaded</i>	<i>Years</i>	<i>Left No.</i>	<i>Right No.</i>	<i>Qualifier</i>	<i>Piston</i>
Loaded Caliper	91 - 87	AS132525	AS132525	Bendix; 2.60" 2-Piston Caliper; w/Air Susp.	P
Loaded Caliper	91 - 87	AS132525S	AS132525S	Bendix; 2.60" 2-Piston Caliper; w/Air Susp.	O
Loaded Caliper	91 - 87	AS112057	AS112057	Bendix; 2.60" 2-Piston Caliper; w/o Air Susp.	P

Piston: M - OE Metal Piston P - OE Phenolic Piston O - Metal Piston Option

1452 (cont.)**Calipers - Reman (cont.)**

<i>Rear, Loaded</i>	<i>Years</i>	<i>Left No.</i>	<i>Right No.</i>	<i>Qualifier</i>	<i>Piston</i>
Loaded Caliper	91 - 87	AS112057S	AS112057S	Bendix; 2.60" 2-Piston Caliper; w/o Air Susp.	O
Loaded Caliper	91 - 87	AS134267	AS134267	Bendix; 2.88" 2-Piston Caliper; w/Air Susp.	M
Loaded Caliper	91 - 87	AS120549	AS120549	Bendix; 2.88" 2-Piston Caliper; w/o Air Susp.	P
Loaded Caliper	91 - 87	AS120549S	AS120549S	Bendix; 2.88" 2-Piston Caliper; w/o Air Susp.	O
<i>Front, Unloaded</i>	<i>Years</i>	<i>Left No.</i>	<i>Right No.</i>	<i>Qualifier</i>	<i>Piston</i>
Unloaded Caliper	91 - 87	CR112057	CR112057	Bendix; 2.60" 2-Piston Caliper	P
Unloaded Caliper	91 - 87	CR112057S	CR112057S	Bendix; 2.60" 2-Piston Caliper	O
Unloaded Caliper	91 - 87	CR120549	CR120549	Bendix; 2.88" 2-Piston Caliper	P
Unloaded Caliper	91 - 87	CR120549S	CR120549S	Bendix; 2.88" 2-Piston Caliper	O
Unloaded Caliper	91 - 87	CR130211	CR130210	Bendix; 3.38" 1-Piston Caliper	M
<i>Rear, Unloaded</i>	<i>Years</i>	<i>Left No.</i>	<i>Right No.</i>	<i>Qualifier</i>	<i>Piston</i>
Unloaded Caliper	91 - 87	CR132525	CR132525	Bendix; 2.60" 2-Piston Caliper; w/Air Susp.	P
Unloaded Caliper	91 - 87	CR132525S	CR132525S	Bendix; 2.60" 2-Piston Caliper; w/Air Susp.	O
Unloaded Caliper	91 - 87	CR112057	CR112057	Bendix; 2.60" 2-Piston Caliper; w/o Air Susp.	P
Unloaded Caliper	91 - 87	CR112057S	CR112057S	Bendix; 2.60" 2-Piston Caliper; w/o Air Susp.	O
Unloaded Caliper	91 - 87	CR134267	CR134267	Bendix; 2.88" 2-Piston Caliper; w/Air Susp.	M
Unloaded Caliper	91 - 87	CR120549	CR120549	Bendix; 2.88" 2-Piston Caliper; w/o Air Susp.	P
Unloaded Caliper	91 - 87	CR120549S	CR120549S	Bendix; 2.88" 2-Piston Caliper; w/o Air Susp.	O

Hydraulics - New

<i>Master Cylinder</i>	<i>Years</i>	<i>Sequential No.</i>	<i>Category No.</i>	<i>Qualifier</i>
Master Cylinder	91 - 87	F140747	(MC140747)	
<i>Front Brake Hose</i>	<i>Years</i>	<i>Sequential No.</i>	<i>Category No.</i>	<i>Qualifier</i>
Brake Hose	91 - 87	F132919	(BH132919)	Bendix; 2.60" 2-Piston Caliper; 8000 lb. FA
Brake Hose	91 - 87	F132920	(BH132920)	Bendix; 2.88" 2-Piston Caliper; 10000-12000 lb. FA
Brake Hose	91 - 87	F132918	(BH132918)	Bendix; 3.38" 1-Piston Caliper; 6000 lb. FA
<i>Rear Brake Hose</i>	<i>Years</i>	<i>Sequential No.</i>	<i>Category No.</i>	<i>Qualifier</i>
Brake Hose	91 - 87	F132921	(BH132921)	To Caliper; w/Air Susp.
Brake Hose	91 - 87	F132922	(BH132922)	To Caliper; w/Vari-Rate Susp.
Brake Hose	91 - 87	F107734	(BH107734)	To Frame

Hydraulics - Reman

<i>Power Brake Booster</i>	<i>Years</i>	<i>Part No.</i>	<i>Qualifier</i>
Hydro Booster	91 - 87	529917	High Pwr; Bendix Hydromax II; Complete Assy
Hydro Booster	91 - 87	529906	High Pwr; Bendix Hydromax II; Elect. Motor
Hydro Booster	91 - 87	529805	High Pwr; Bendix Hydromax II; Head

1652**Brake Pads & Shoes**

<i>Front Pads & Shoes</i>	<i>Years</i>	<i>SevereDuty</i>	<i>Lining No.</i>	<i>Qualifier</i>
Brake Pads	06 - 99	SD786		Bosch; 2.60" 2-Piston Caliper
Brake Pads	06 - 99	SD786A		Bosch; 2.88" 2-Piston Caliper
Brake Pads	98 - 87	SD184		Bendix; 2.60" 2-Piston Caliper
Brake Pads	98 - 87	SD225		Bendix; 2.88" 2-Piston Caliper
Brake Pads	98 - 87	SD184		Bendix; 3.38" 1-Piston Caliper
<i>Rear Pads & Shoes</i>	<i>Years</i>	<i>SevereDuty</i>	<i>Lining No.</i>	<i>Qualifier</i>
Brake Pads	06 - 99	SD786		Bosch; 2.60" 2-Piston Caliper
Brake Pads	06 - 99	SD786A		Bosch; 2.88" 2-Piston Caliper
Brake Pads	98 - 87	SD184		Bendix; 2.60" 2-Piston Caliper
Brake Pads	98 - 87	SD225		Bendix; 2.88" 2-Piston Caliper
<i>Parking Brake Shoes</i>	<i>Years</i>	<i>SevereDuty</i>	<i>Lining No.</i>	<i>Qualifier</i>
Brake Shoes	98 - 87	SDS842R	EX1303AD	Driveline Config.; 10 x 3
Brake Shoes	98 - 87	SDS647	EX2086D	Driveline Config.; 9 x 3

Rotor & Drum

<i>Front Rotor & Drum</i>	<i>Years</i>	<i>Part No.</i>	<i>Qualifier</i>
Brake Rotor	06 - 99	BD126361	10000-12000 lb. FA; Hat-Shaped; 10-Hole Rotor

Piston: M - OE Metal Piston P - OE Phenolic Piston O - Metal Piston Option

Rotor & Drum (cont.)

Front Rotor & Drum	Years	Part No.	Qualifier
Brake Rotor	06 - 99	BD126394	10000-12000 lb. FA; U-Shaped; 10-Hole Rotor
Brake Rotor	06 - 99	BD126361	6000-8000 lb. FA; Hat-Shaped; 10-Hole Rotor
Brake Rotor	06 - 99	BD126364	6000-8000 lb. FA; Hat-Shaped; 5-Hole Rotor
Brake Rotor	06 - 99	BD126392	6000-8000 lb. FA; Hat-Shaped; 6-Hole Rotor
Brake Rotor	98 - 87	BD125484	10000-12000 lb. FA; Hyd.; Hat-Shaped; 10-Hole Rotor
Brake Rotor	98 - 87	BD126394	10000-12000 lb. FA; Hyd.; U-Shaped; 10-Hole Rotor
Brake Rotor	98 - 87	BD125484	6000-8000 lb. FA; Hyd.; Hat-Shaped; 10-Hole Rotor; 3-1/4" Height
Brake Rotor	98 - 87	BD125097	6000-8000 lb. FA; Hyd.; Hat-Shaped; 10-Hole Rotor; 4-1/2" Height
Brake Rotor	98 - 87	BD125361	6000-8000 lb. FA; Hyd.; Hat-Shaped; 5-Hole Rotor
Brake Rotor	98 - 87	BD125362	6000-8000 lb. FA; Hyd.; Hat-Shaped; 6-Hole Rotor

Rear Rotor & Drum	Years	Part No.	Qualifier
Brake Rotor	06 - 99	BD126361	10000-17500 lb. RA; Hat-Shaped; 10-Hole Rotor; 3-1/4" Height
Brake Rotor	06 - 99	BD126366	10000-17500 lb. RA; Hat-Shaped; 10-Hole Rotor; 4-1/2" Height
Brake Rotor	06 - 99	BD126392	10000-17500 lb. RA; Hat-Shaped; 6-Hole Rotor; 3-1/2" Height
Brake Rotor	06 - 99	BD126366	19000-21000 lb. RA; Hat-Shaped; 10-Hole Rotor
Brake Rotor	06 - 99	BD125382	19000-21000 lb. RA; U-Shaped; 5-Hole Rotor
Brake Rotor	06 - 99	BD125382	34000 lb. TRA; U-Shaped; 5-Hole Rotor
Brake Rotor	98 - 87	BD125484	10000-17500 lb. RA; Hyd.; Hat-Shaped; 10-Hole Rotor; 3-1/4" Height
Brake Rotor	98 - 87	BD125097	10000-17500 lb. RA; Hyd.; Hat-Shaped; 10-Hole Rotor; 4-1/2" Height
Brake Rotor	98 - 87	BD125362	10000-17500 lb. RA; Hyd.; Hat-Shaped; 6-Hole Rotor
Brake Rotor	98 - 87	BD125382	19000-21000 lb. RA; Hyd.; U-Shaped; 5-Hole Rotor
Brake Rotor	98 - 87	BD125382	34000 lb. TRA; Hyd.; U-Shaped; 5-Hole Rotor

Brake Hardware

Front Brake Hardware	Years	Sequential No.	Category No.	Qualifier
Disc Align Kit	06 - 99	F140769	(H5710)	Bosch; 2.60" 2-Piston Caliper
Disc Align Kit	06 - 99	F140769	(H5710)	Bosch; 2.88" 2-Piston Caliper
Disc Align Kit	98 - 87	F112095S	(H5564)	Bendix; 2.60" 2-Piston Caliper
Disc Align Kit	98 - 87	F112090S	(H5566)	Bendix; 2.88" 2-Piston Caliper
Disc Align Kit	98 - 87	F107401S	(H5562)	Bendix; 3.38" 1-Piston Caliper

Rear Brake Hardware	Years	Sequential No.	Category No.	Qualifier
Disc Align Kit	06 - 99	F140769	(H5710)	Bosch; 2.60" 2-Piston Caliper
Disc Align Kit	06 - 99	F140769	(H5710)	Bosch; 2.88" 2-Piston Caliper
Disc Align Kit	98 - 87	F112095S	(H5564)	Bendix; 2.60" 2-Piston Caliper
Disc Align Kit	98 - 87	F112090S	(H5566)	Bendix; 2.88" 2-Piston Caliper

Calipers - Reman

Front, Loaded	Years	Left No.	Right No.	Qualifier	Piston
Loaded Caliper	06 - 99	AS135025	AS135025	Bosch; 2.60" 2-Piston Caliper	P
Loaded Caliper	06 - 99	AS135024	AS135024	Bosch; 2.88" 2-Piston Caliper	P
Loaded Caliper	98 - 87	AS112057	AS112057	Bendix; 2.60" 2-Piston Caliper	P
Loaded Caliper	98 - 87	AS112057S	AS112057S	Bendix; 2.60" 2-Piston Caliper	O
Loaded Caliper	98 - 87	AS120549	AS120549	Bendix; 2.88" 2-Piston Caliper	P
Loaded Caliper	98 - 87	AS120549S	AS120549S	Bendix; 2.88" 2-Piston Caliper	O
Loaded Caliper	98 - 87	AS130211A	AS130210A	Bendix; 3.38" 1-Piston Caliper	M

Rear, Loaded	Years	Left No.	Right No.	Qualifier	Piston
Loaded Caliper	06 - 99	AS135025	AS135025	Bosch; 2.60" 2-Piston Caliper	P
Loaded Caliper	06 - 99	AS135024	AS135024	Bosch; 2.88" 2-Piston Caliper	P
Loaded Caliper	98 - 87	AS132525	AS132525	Bendix; 2.60" 2-Piston Caliper; w/Air Susp.	P
Loaded Caliper	98 - 87	AS132525S	AS132525S	Bendix; 2.60" 2-Piston Caliper; w/Air Susp.	O
Loaded Caliper	98 - 87	AS112057	AS112057	Bendix; 2.60" 2-Piston Caliper; w/o Air Susp.	P
Loaded Caliper	98 - 87	AS112057S	AS112057S	Bendix; 2.60" 2-Piston Caliper; w/o Air Susp.	O
Loaded Caliper	98 - 87	AS134267	AS134267	Bendix; 2.88" 2-Piston Caliper; w/Air Susp.	M
Loaded Caliper	98 - 87	AS120549	AS120549	Bendix; 2.88" 2-Piston Caliper; w/o Air Susp.	P
Loaded Caliper	98 - 87	AS120549S	AS120549S	Bendix; 2.88" 2-Piston Caliper; w/o Air Susp.	O

Piston: M - OE Metal Piston P - OE Phenolic Piston O - Metal Piston Option

1652 (cont.)**Calipers - Reman (cont.)**

<i>Front, Unloaded</i>	<i>Years</i>	<i>Left No.</i>	<i>Right No.</i>	<i>Qualifier</i>	<i>Piston</i>
Unloaded Caliper	06 - 99	CR135025	CR135025	Bosch; 2.60" 2-Piston Caliper	P
Unloaded Caliper	06 - 99	CR135024	CR135024	Bosch; 2.88" 2-Piston Caliper	P
Unloaded Caliper	98 - 87	CR112057	CR112057	Bendix; 2.60" 2-Piston Caliper	P
Unloaded Caliper	98 - 87	CR112057S	CR112057S	Bendix; 2.60" 2-Piston Caliper	O
Unloaded Caliper	98 - 87	CR120549	CR120549	Bendix; 2.88" 2-Piston Caliper	P
Unloaded Caliper	98 - 87	CR120549S	CR120549S	Bendix; 2.88" 2-Piston Caliper	O
Unloaded Caliper	98 - 87	CR130211	CR130210	Bendix; 3.38" 1-Piston Caliper	M
<i>Rear, Unloaded</i>	<i>Years</i>	<i>Left No.</i>	<i>Right No.</i>	<i>Qualifier</i>	<i>Piston</i>
Unloaded Caliper	06 - 99	CR135025	CR135025	Bosch; 2.60" 2-Piston Caliper	P
Unloaded Caliper	06 - 99	CR135024	CR135024	Bosch; 2.88" 2-Piston Caliper	P
Unloaded Caliper	98 - 87	CR132525	CR132525	Bendix; 2.60" 2-Piston Caliper; w/Air Susp.	P
Unloaded Caliper	98 - 87	CR132525S	CR132525S	Bendix; 2.60" 2-Piston Caliper; w/Air Susp.	O
Unloaded Caliper	98 - 87	CR112057	CR112057	Bendix; 2.60" 2-Piston Caliper; w/o Air Susp.	P
Unloaded Caliper	98 - 87	CR112057S	CR112057S	Bendix; 2.60" 2-Piston Caliper; w/o Air Susp.	O
Unloaded Caliper	98 - 87	CR134267	CR134267	Bendix; 2.88" 2-Piston Caliper; w/Air Susp.	M
Unloaded Caliper	98 - 87	CR120549	CR120549	Bendix; 2.88" 2-Piston Caliper; w/o Air Susp.	P
Unloaded Caliper	98 - 87	CR120549S	CR120549S	Bendix; 2.88" 2-Piston Caliper; w/o Air Susp.	O

Hydraulics - New

<i>Master Cylinder</i>	<i>Years</i>	<i>Sequential No.</i>	<i>Category No.</i>	<i>Qualifier</i>
Master Cylinder	06 - 87	F140747	(MC140747)	Exc. UPS
<i>Front Brake Hose</i>	<i>Years</i>	<i>Sequential No.</i>	<i>Category No.</i>	<i>Qualifier</i>
Brake Hose	98 - 87	F132919	(BH132919)	Bendix; 2.60" 2-Piston Caliper; 8000 lb. FA
Brake Hose	98 - 87	F132920	(BH132920)	Bendix; 2.88" 2-Piston Caliper; 10000-12000 lb. FA
Brake Hose	98 - 87	F132918	(BH132918)	Bendix; 3.38" 1-Piston Caliper; 6000 lb. FA
<i>Rear Brake Hose</i>	<i>Years</i>	<i>Sequential No.</i>	<i>Category No.</i>	<i>Qualifier</i>
Brake Hose	98 - 87	F132921	(BH132921)	To Caliper; w/Air Susp.
Brake Hose	98 - 87	F132922	(BH132922)	To Caliper; w/Vari-Rate Susp.
Brake Hose	98 - 87	F107734	(BH107734)	To Frame

Hydraulics - Reman

<i>Power Brake Booster</i>	<i>Years</i>	<i>Part No.</i>	<i>Qualifier</i>
Hydro Booster	98 - 87	529917	High Pwr; Bendix Hydromax II; Complete Assy
Hydro Booster	98 - 87	529906	High Pwr; Bendix Hydromax II; Elect. Motor
Hydro Booster	98 - 87	529805	High Pwr; Bendix Hydromax II; Head

M1400**Brake Pads & Shoes**

<i>Front Pads & Shoes</i>	<i>Years</i>	<i>SevereDuty</i>	<i>Lining No.</i>	<i>Qualifier</i>
Brake Pads	89 - 87	SD184		Bendix; 2.60" 2-Piston Caliper
Brake Pads	89 - 87	SD225		Bendix; 2.88" 2-Piston Caliper
Brake Pads	89 - 87	SD184		Bendix; 3.38" 1-Piston Caliper
<i>Rear Pads & Shoes</i>	<i>Years</i>	<i>SevereDuty</i>	<i>Lining No.</i>	<i>Qualifier</i>
Brake Pads	89 - 87	SD184		Bendix; 2.60" 2-Piston Caliper
Brake Pads	89 - 87	SD225		Bendix; 2.88" 2-Piston Caliper
<i>Parking Brake Shoes</i>	<i>Years</i>	<i>SevereDuty</i>	<i>Lining No.</i>	<i>Qualifier</i>
Brake Shoes	89 - 87	SDS842R	EX1303AD	Driveline Config.; 10 x 3
Brake Shoes	89 - 87	SDS647	EX2086D	Driveline Config.; 9 x 3

Rotor & Drum

<i>Front Rotor & Drum</i>	<i>Years</i>	<i>Part No.</i>	<i>Qualifier</i>
Brake Rotor	89 - 87	BD125484	10000-12000 lb. FA; Hyd.; Hat-Shaped; 10-Hole Rotor
Brake Rotor	89 - 87	BD126394	10000-12000 lb. FA; Hyd.; U-Shaped; 10-Hole Rotor
Brake Rotor	89 - 87	BD125484	6000-8000 lb. FA; Hyd.; Hat-Shaped; 10-Hole Rotor; 3-1/4" Height
Brake Rotor	89 - 87	BD125097	6000-8000 lb. FA; Hyd.; Hat-Shaped; 10-Hole Rotor; 4-1/2" Height
Brake Rotor	89 - 87	BD125361	6000-8000 lb. FA; Hyd.; Hat-Shaped; 5-Hole Rotor
Brake Rotor	89 - 87	BD125362	6000-8000 lb. FA; Hyd.; Hat-Shaped; 6-Hole Rotor

Piston: M - OE Metal Piston P - OE Phenolic Piston O - Metal Piston Option

Rotor & Drum (cont.)

Rear Rotor & Drum	Years	Part No.	Qualifier
Brake Rotor	89 - 87	BD125484	10000-17500 lb. RA; Hyd.; Hat-Shaped; 10-Hole Rotor; 3-1/4" Height
Brake Rotor	89 - 87	BD125097	10000-17500 lb. RA; Hyd.; Hat-Shaped; 10-Hole Rotor; 4-1/2" Height
Brake Rotor	89 - 87	BD125362	10000-17500 lb. RA; Hyd.; Hat-Shaped; 6-Hole Rotor
Brake Rotor	89 - 87	BD125382	19000-21000 lb. RA; Hyd.; U-Shaped; 5-Hole Rotor
Brake Rotor	89 - 87	BD125382	34000 lb. TRA; Hyd.; U-Shaped; 5-Hole Rotor

Brake Hardware

Front Brake Hardware	Years	Sequential No.	Category No.	Qualifier
Disc Align Kit	89 - 87	F112095S	(H5564)	Bendix; 2.60" 2-Piston Caliper
Disc Align Kit	89 - 87	F112090S	(H5566)	Bendix; 2.88" 2-Piston Caliper
Disc Align Kit	89 - 87	F107401S	(H5562)	Bendix; 3.38" 1-Piston Caliper

Rear Brake Hardware	Years	Sequential No.	Category No.	Qualifier
Disc Align Kit	89 - 87	F112095S	(H5564)	Bendix; 2.60" 2-Piston Caliper
Disc Align Kit	89 - 87	F112090S	(H5566)	Bendix; 2.88" 2-Piston Caliper

Calipers - Reman

Front, Loaded	Years	Left No.	Right No.	Qualifier	Piston
Loaded Caliper	89 - 87	AS112057	AS112057	Bendix; 2.60" 2-Piston Caliper	P
Loaded Caliper	89 - 87	AS112057S	AS112057S	Bendix; 2.60" 2-Piston Caliper	O
Loaded Caliper	89 - 87	AS120549	AS120549	Bendix; 2.88" 2-Piston Caliper	P
Loaded Caliper	89 - 87	AS120549S	AS120549S	Bendix; 2.88" 2-Piston Caliper	O
Loaded Caliper	89 - 87	AS130211A	AS130210A	Bendix; 3.38" 1-Piston Caliper	M

Rear, Loaded	Years	Left No.	Right No.	Qualifier	Piston
Loaded Caliper	89 - 87	AS132525	AS132525	Bendix; 2.60" 2-Piston Caliper; w/Air Susp.	P
Loaded Caliper	89 - 87	AS132525S	AS132525S	Bendix; 2.60" 2-Piston Caliper; w/Air Susp.	O
Loaded Caliper	89 - 87	AS112057	AS112057	Bendix; 2.60" 2-Piston Caliper; w/o Air Susp.	P
Loaded Caliper	89 - 87	AS112057S	AS112057S	Bendix; 2.60" 2-Piston Caliper; w/o Air Susp.	O
Loaded Caliper	89 - 87	AS134267	AS134267	Bendix; 2.88" 2-Piston Caliper; w/Air Susp.	M
Loaded Caliper	89 - 87	AS120549	AS120549	Bendix; 2.88" 2-Piston Caliper; w/o Air Susp.	P
Loaded Caliper	89 - 87	AS120549S	AS120549S	Bendix; 2.88" 2-Piston Caliper; w/o Air Susp.	O

Front, Unloaded	Years	Left No.	Right No.	Qualifier	Piston
Unloaded Caliper	89 - 87	CR112057	CR112057	Bendix; 2.60" 2-Piston Caliper	P
Unloaded Caliper	89 - 87	CR112057S	CR112057S	Bendix; 2.60" 2-Piston Caliper	O
Unloaded Caliper	89 - 87	CR120549	CR120549	Bendix; 2.88" 2-Piston Caliper	P
Unloaded Caliper	89 - 87	CR120549S	CR120549S	Bendix; 2.88" 2-Piston Caliper	O
Unloaded Caliper	89 - 87	CR130211	CR130210	Bendix; 3.38" 1-Piston Caliper	M

Rear, Unloaded	Years	Left No.	Right No.	Qualifier	Piston
Unloaded Caliper	89 - 87	CR132525	CR132525	Bendix; 2.60" 2-Piston Caliper; w/Air Susp.	P
Unloaded Caliper	89 - 87	CR132525S	CR132525S	Bendix; 2.60" 2-Piston Caliper; w/Air Susp.	O
Unloaded Caliper	89 - 87	CR112057	CR112057	Bendix; 2.60" 2-Piston Caliper; w/o Air Susp.	P
Unloaded Caliper	89 - 87	CR112057S	CR112057S	Bendix; 2.60" 2-Piston Caliper; w/o Air Susp.	O
Unloaded Caliper	89 - 87	CR134267	CR134267	Bendix; 2.88" 2-Piston Caliper; w/Air Susp.	M
Unloaded Caliper	89 - 87	CR120549	CR120549	Bendix; 2.88" 2-Piston Caliper; w/o Air Susp.	P
Unloaded Caliper	89 - 87	CR120549S	CR120549S	Bendix; 2.88" 2-Piston Caliper; w/o Air Susp.	O

Hydraulics - New

Master Cylinder	Years	Sequential No.	Category No.	Qualifier
Master Cylinder	89 - 87	F140747	(MC140747)	

Front Brake Hose	Years	Sequential No.	Category No.	Qualifier
Brake Hose	89 - 87	F132919	(BH132919)	Bendix; 2.60" 2-Piston Caliper; 8000 lb. FA
Brake Hose	89 - 87	F132920	(BH132920)	Bendix; 2.88" 2-Piston Caliper; 10000-12000 lb. FA
Brake Hose	89 - 87	F132918	(BH132918)	Bendix; 3.38" 1-Piston Caliper; 6000 lb. FA

Rear Brake Hose	Years	Sequential No.	Category No.	Qualifier
Brake Hose	89 - 87	F132921	(BH132921)	To Caliper; w/Air Susp.
Brake Hose	89 - 87	F132922	(BH132922)	To Caliper; w/Vari-Rate Susp.
Brake Hose	89 - 87	F107734	(BH107734)	To Frame

Piston: M - OE Metal Piston P - OE Phenolic Piston O - Metal Piston Option

M1400 (cont.)**Hydraulics - Reman**

Power Brake Booster	Years	Part No.	Qualifier
Hydro Booster	89 - 87	529917	High Pwr; Bendix Hydromax II; Complete Assy
Hydro Booster	89 - 87	529906	High Pwr; Bendix Hydromax II; Elect. Motor
Hydro Booster	89 - 87	529805	High Pwr; Bendix Hydromax II; Head

M1600**Brake Pads & Shoes**

Front Pads & Shoes	Years	SevereDuty	Lining No.	Qualifier
Brake Pads	89 - 87	SD184		Bendix; 2.60" 2-Piston Caliper
Brake Pads	89 - 87	SD225		Bendix; 2.88" 2-Piston Caliper
Brake Pads	89 - 87	SD184		Bendix; 3.38" 1-Piston Caliper
Rear Pads & Shoes	Years	SevereDuty	Lining No.	Qualifier
Brake Pads	89 - 87	SD184		Bendix; 2.60" 2-Piston Caliper
Brake Pads	89 - 87	SD225		Bendix; 2.88" 2-Piston Caliper
Parking Brake Shoes	Years	SevereDuty	Lining No.	Qualifier
Brake Shoes	89 - 87	SDS842R	EX1303AD	Driveline Config.; 10 x 3
Brake Shoes	89 - 87	SDS647	EX2086D	Driveline Config.; 9 x 3

Rotor & Drum

Front Rotor & Drum	Years	Part No.	Qualifier
Brake Rotor	89 - 87	BD125484	10000-12000 lb. FA; Hyd.; Hat-Shaped; 10-Hole Rotor
Brake Rotor	89 - 87	BD126394	10000-12000 lb. FA; Hyd.; U-Shaped; 10-Hole Rotor
Brake Rotor	89 - 87	BD125484	6000-8000 lb. FA; Hyd.; Hat-Shaped; 10-Hole Rotor; 3-1/4" Height
Brake Rotor	89 - 87	BD125097	6000-8000 lb. FA; Hyd.; Hat-Shaped; 10-Hole Rotor; 4-1/2" Height
Brake Rotor	89 - 87	BD125361	6000-8000 lb. FA; Hyd.; Hat-Shaped; 5-Hole Rotor
Brake Rotor	89 - 87	BD125362	6000-8000 lb. FA; Hyd.; Hat-Shaped; 6-Hole Rotor
Rear Rotor & Drum	Years	Part No.	Qualifier
Brake Rotor	89 - 87	BD125484	10000-17500 lb. RA; Hyd.; Hat-Shaped; 10-Hole Rotor; 3-1/4" Height
Brake Rotor	89 - 87	BD125097	10000-17500 lb. RA; Hyd.; Hat-Shaped; 10-Hole Rotor; 4-1/2" Height
Brake Rotor	89 - 87	BD125362	10000-17500 lb. RA; Hyd.; Hat-Shaped; 6-Hole Rotor
Brake Rotor	89 - 87	BD125382	19000-21000 lb. RA; Hyd.; U-Shaped; 5-Hole Rotor
Brake Rotor	89 - 87	BD125382	34000 lb. TRA; Hyd.; U-Shaped; 5-Hole Rotor

Brake Hardware

Front Brake Hardware	Years	Sequential No.	Category No.	Qualifier
Disc Align Kit	89 - 87	F112095S	(H5564)	Bendix; 2.60" 2-Piston Caliper
Disc Align Kit	89 - 87	F112090S	(H5566)	Bendix; 2.88" 2-Piston Caliper
Disc Align Kit	89 - 87	F107401S	(H5562)	Bendix; 3.38" 1-Piston Caliper
Rear Brake Hardware	Years	Sequential No.	Category No.	Qualifier
Disc Align Kit	89 - 87	F112095S	(H5564)	Bendix; 2.60" 2-Piston Caliper
Disc Align Kit	89 - 87	F112090S	(H5566)	Bendix; 2.88" 2-Piston Caliper

Calipers - Reman

Front, Loaded	Years	Left No.	Right No.	Qualifier	Piston
Loaded Caliper	89 - 87	AS112057	AS112057	Bendix; 2.60" 2-Piston Caliper	P
Loaded Caliper	89 - 87	AS112057S	AS112057S	Bendix; 2.60" 2-Piston Caliper	O
Loaded Caliper	89 - 87	AS120549	AS120549	Bendix; 2.88" 2-Piston Caliper	P
Loaded Caliper	89 - 87	AS120549S	AS120549S	Bendix; 2.88" 2-Piston Caliper	O
Loaded Caliper	89 - 87	AS130211A	AS130210A	Bendix; 3.38" 1-Piston Caliper	M
Rear, Loaded	Years	Left No.	Right No.	Qualifier	Piston
Loaded Caliper	89 - 87	AS132525	AS132525	Bendix; 2.60" 2-Piston Caliper; w/Air Susp.	P
Loaded Caliper	89 - 87	AS132525S	AS132525S	Bendix; 2.60" 2-Piston Caliper; w/Air Susp.	O
Loaded Caliper	89 - 87	AS112057	AS112057	Bendix; 2.60" 2-Piston Caliper; w/o Air Susp.	P
Loaded Caliper	89 - 87	AS112057S	AS112057S	Bendix; 2.60" 2-Piston Caliper; w/o Air Susp.	O
Loaded Caliper	89 - 87	AS134267	AS134267	Bendix; 2.88" 2-Piston Caliper; w/Air Susp.	M
Loaded Caliper	89 - 87	AS120549	AS120549	Bendix; 2.88" 2-Piston Caliper; w/o Air Susp.	P
Loaded Caliper	89 - 87	AS120549S	AS120549S	Bendix; 2.88" 2-Piston Caliper; w/o Air Susp.	O

Piston: M - OE Metal Piston P - OE Phenolic Piston O - Metal Piston Option

M1600 (cont.)

Calipers - Reman (cont.)

<i>Front, Unloaded</i>	<i>Years</i>	<i>Left No.</i>	<i>Right No.</i>	<i>Qualifier</i>	<i>Piston</i>
Unloaded Caliper	89 - 87	CR112057	CR112057	Bendix; 2.60" 2-Piston Caliper	P
Unloaded Caliper	89 - 87	CR112057S	CR112057S	Bendix; 2.60" 2-Piston Caliper	O
Unloaded Caliper	89 - 87	CR120549	CR120549	Bendix; 2.88" 2-Piston Caliper	P
Unloaded Caliper	89 - 87	CR120549S	CR120549S	Bendix; 2.88" 2-Piston Caliper	O
Unloaded Caliper	89 - 87	CR130211	CR130210	Bendix; 3.38" 1-Piston Caliper	M
<i>Rear, Unloaded</i>	<i>Years</i>	<i>Left No.</i>	<i>Right No.</i>	<i>Qualifier</i>	<i>Piston</i>
Unloaded Caliper	89 - 87	CR132525	CR132525	Bendix; 2.60" 2-Piston Caliper; w/Air Susp.	P
Unloaded Caliper	89 - 87	CR132525S	CR132525S	Bendix; 2.60" 2-Piston Caliper; w/Air Susp.	O
Unloaded Caliper	89 - 87	CR112057	CR112057	Bendix; 2.60" 2-Piston Caliper; w/o Air Susp.	P
Unloaded Caliper	89 - 87	CR112057S	CR112057S	Bendix; 2.60" 2-Piston Caliper; w/o Air Susp.	O
Unloaded Caliper	89 - 87	CR134267	CR134267	Bendix; 2.88" 2-Piston Caliper; w/Air Susp.	M
Unloaded Caliper	89 - 87	CR120549	CR120549	Bendix; 2.88" 2-Piston Caliper; w/o Air Susp.	P
Unloaded Caliper	89 - 87	CR120549S	CR120549S	Bendix; 2.88" 2-Piston Caliper; w/o Air Susp.	O

Hydraulics - New

<i>Master Cylinder</i>	<i>Years</i>	<i>Sequential No.</i>	<i>Category No.</i>	<i>Qualifier</i>
Master Cylinder	89 - 87	F140747	(MC140747)	
<i>Front Brake Hose</i>	<i>Years</i>	<i>Sequential No.</i>	<i>Category No.</i>	<i>Qualifier</i>
Brake Hose	89 - 87	F132919	(BH132919)	Bendix; 2.60" 2-Piston Caliper; 8000 lb. FA
Brake Hose	89 - 87	F132920	(BH132920)	Bendix; 2.88" 2-Piston Caliper; 10000-12000 lb. FA
Brake Hose	89 - 87	F132918	(BH132918)	Bendix; 3.38" 1-Piston Caliper; 6000 lb. FA
<i>Rear Brake Hose</i>	<i>Years</i>	<i>Sequential No.</i>	<i>Category No.</i>	<i>Qualifier</i>
Brake Hose	89 - 87	F132921	(BH132921)	To Caliper; w/Air Susp.
Brake Hose	89 - 87	F132922	(BH132922)	To Caliper; w/Vari-Rate Susp.
Brake Hose	89 - 87	F107734	(BH107734)	To Frame

Hydraulics - Reman

<i>Power Brake Booster</i>	<i>Years</i>	<i>Part No.</i>	<i>Qualifier</i>
Hydro Booster	89 - 87	529917	High Pwr; Bendix Hydromax II; Complete Assy
Hydro Booster	89 - 87	529906	High Pwr; Bendix Hydromax II; Elect. Motor
Hydro Booster	89 - 87	529805	High Pwr; Bendix Hydromax II; Head

INTERNATIONAL MD 1600 CargoStar

CO1610

Brake Pads & Shoes

<i>Front Pads & Shoes</i>	<i>Years</i>	<i>SevereDuty</i>	<i>Lining No.</i>	<i>Qualifier</i>
Brake Pads	86 - 79	SD184		Bendix; 2.60" 2-Piston Caliper
Brake Pads	86 - 79	SD225		Bendix; 2.88" 2-Piston Caliper
Brake Pads	86 - 79	SD184		Bendix; 3.38" 1-Piston Caliper
Brake Shoes	86 - 71	SDS321R	EX1245AD-S32	Hyd. Brakes; Auto. Adj.; 15 x 3
Brake Shoes	86 - 71	SDS322R	EX1280BD-S32	Hyd. Brakes; Auto. Adj.; 15 x 3-1/2
Brake Shoes	86 - 71	SDS235R	EX1245AD-S32	Hyd. Brakes; Man. Adj.; 15 x 3
Brake Shoes	86 - 71	SDS463R	EX1280D-S32	Hyd. Brakes; Man. Adj.; 15 x 3-1/2
Brake Shoes	86 - 71	4223E	4223A	w/Air Brakes; Eaton/Spicer; 16-1/2 x 5
Brake Shoes	86 - 71	4524P	4524B	w/Air Brakes; Rockwell/Meritor; P-Series; 16-1/2 x 5
Brake Shoes	86 - 71	1307T	1307	w/Air Brakes; Rockwell/Meritor; T-Series; 15 x 3-1/2
Brake Shoes	86 - 71	1308T	1308T	w/Air Brakes; Rockwell/Meritor; T-Series; 15 x 4
Brake Shoes	86 - 71	4615S	4615	w/Air Brakes; Rockwell/Meritor; Wedge; 15 x 5
Brake Shoes	86 - 71	4605S	4605	w/Air Brakes; Rockwell/Meritor; Wedge; 15 x 6
<i>Rear Pads & Shoes</i>	<i>Years</i>	<i>SevereDuty</i>	<i>Lining No.</i>	<i>Qualifier</i>
Brake Pads	86 - 79	SD184		Bendix; 2.60" 2-Piston Caliper
Brake Pads	86 - 79	SD225		Bendix; 2.88" 2-Piston Caliper
Brake Shoes	86 - 71	SDS346R	EX1252D-S32	Hyd. Brakes; 15 x 5
Brake Shoes	86 - 71	SDS381R	EX4596D-S32	Hyd. Brakes; 15 x 6
Brake Shoes	86 - 71	SDS383R	EX4597D-S32	Hyd. Brakes; 15 x 7
Brake Shoes	86 - 71	SDS385R	EX1254D-S32	Hyd. Brakes; 16 x 5

Piston: M - OE Metal Piston P - OE Phenolic Piston O - Metal Piston Option

CO1610 (cont.)

Brake Pads & Shoes (cont.)

Rear Pads & Shoes	Years	SevereDuty	Lining No.	Qualifier
Brake Shoes	86 - 71	SDS386R	EX1255D-S32	Hyd. Brakes; 16 x 6
Brake Shoes	86 - 71	4311E	4311J	w/Air Brakes; Eaton/Spicer; 16-1/2 x 7
Brake Shoes	86 - 71	4514P	4514G	w/Air Brakes; Rockwell/Meritor; P-Series; 16-1/2 x 6
Brake Shoes	86 - 71	4515P	4515E	w/Air Brakes; Rockwell/Meritor; P-Series; 16-1/2 x 7
Brake Shoes	86 - 71	4605S	4605	w/Air Brakes; Rockwell/Meritor; Wedge; 15 x 6
Brake Shoes	86 - 71	4602S	4602	w/Air Brakes; Rockwell/Meritor; Wedge; 15 x 7

Parking Brake Shoes	Years	SevereDuty	Lining No.	Qualifier
Brake Shoes	86 - 71	SDS842R	EX1303AD	Driveline Config.; 10 x 3

Rotor & Drum

Front Rotor & Drum	Years	Part No.	Qualifier
Brake Rotor	86 - 79	BD125097	5000-7500 lb. FA; Hat-Shaped; 10-Hole Rotor
Brake Rotor	86 - 79	BD125361	5000-7500 lb. FA; Hat-Shaped; 5-Hole Rotor
Brake Rotor	86 - 79	BD125362	5000-7500 lb. FA; Hat-Shaped; 6-Hole Rotor
Brake Rotor	86 - 79	BD126402	5000-7500 lb. FA; U-Shaped; 5-Hole Rotor
Brake Rotor	86 - 79	BD125096	5000-7500 lb. FA; U-Shaped; 6-Hole Rotor
Brake Rotor	86	BD125244	From 2/01/86; 9000-12000 lb. FA; U-Shaped; 5-Hole Rotor
Brake Rotor	86	BD125098	To 1/31/86; 9000-12000 lb. FA; U-Shaped; 5-Hole Rotor
Brake Rotor	85 - 79	BD125098	9000-12000 lb. FA; U-Shaped; 5-Hole Rotor

Rear Rotor & Drum	Years	Part No.	Qualifier
Brake Rotor	86 - 79	BD125097	10000-15500 lb. RA; Hat-Shaped; 10-Hole Rotor
Brake Rotor	86 - 79	BD125362	10000-15500 lb. RA; Hat-Shaped; 6-Hole Rotor
Brake Rotor	86 - 79	BD126403	10000-15500 lb. RA; U-Shaped; 5-Hole Rotor
Brake Rotor	86 - 79	BD125096	10000-15500 lb. RA; U-Shaped; 6-Hole Rotor
Brake Rotor	86 - 79	BD125097	17000-19000 lb. RA; Hat-Shaped; 10-Hole Rotor
Brake Rotor	86 - 79	BD126394	17000-19000 lb. RA; U-Shaped; 10-Hole Rotor
Brake Rotor	86 - 79	BD125382	17000-19000 lb. RA; U-Shaped; 5-Hole Rotor; 12-3/4" Bolt Circle

Brake Hardware

Front Brake Hardware	Years	Sequential No.	Category No.	Qualifier
Adjuster Kit	86 - 71	F59159	(H2904)	L.H.; w/Auto Adj.
Adjuster Kit	86 - 71	F128990	(H2929)	L.H.; w/Man. Adj.
Adjuster Kit	86 - 71	F59160	(H2905)	R.H.; w/Auto Adj.
Adjuster Kit	86 - 71	F128990	(H2929)	R.H.; w/Man. Adj.
Combi Kit	86 - 71	F117025	(H7173)	14" Brake; w/Auto Adj.
↳Hold Down Kit		F73399	(H4201)	
↳Return Spring Kit		F36445	(H521)	
Combi Kit	86 - 71	F117018	(H7185)	14" Brake; w/Man. Adj.
↳Hold Down Kit		F19408	(H4200)	
↳Return Spring Kit		F36445	(H521)	
Combi Kit	86 - 71	F117025	(H7173)	15 x 3 or 15 x 3-1/2" Brake; w/Auto Adj.
↳Hold Down Kit		F73399	(H4201)	
↳Return Spring Kit		F36445	(H521)	
Combi Kit	86 - 71	F117026	(H7172)	15 x 3 or 15 x 3-1/2" Brake; w/Man. Adj.
↳Hold Down Kit		F19408	(H4200)	
↳Return Spring Kit		F36445	(H521)	
Combi Kit	86 - 71	F117025	(H7173)	15 x 5" Brake; w/Auto Adj.
↳Hold Down Kit		F73399	(H4201)	
↳Return Spring Kit		F36445	(H521)	
Combi Kit	86 - 71	F117019	(H7182)	15 x 5" Brake; w/Man. Adj.
↳Return Spring Kit		F36445	(H521)	
Disc Align Kit	86 - 79	F112095S	(H5564)	Bendix; 2.60" 2-Piston Caliper
Disc Align Kit	86 - 79	F112090S	(H5566)	Bendix; 2.88" 2-Piston Caliper
Disc Align Kit	86 - 79	F107401S	(H5562)	Bendix; 3.38" 1-Piston Caliper

Rear Brake Hardware	Years	Sequential No.	Category No.	Qualifier
Adjuster Kit	86 - 71	F59157	(H2902)	L.H.; 15" Brake; w/Auto Adj.

↳Sub-Kit of Combi-Kit is available separately.

Brake Hardware (cont.)

Rear Brake Hardware	Years	Sequential No.	Category No.	Qualifier
Adjuster Kit	86 - 71	F128894S	(H2911)	L.H.; 15" Brake; w/Man. Adj.
Adjuster Kit	86 - 71	F128895S	(H2912)	L.H.; 16" Brake; w/Man. Adj.
Adjuster Kit	86 - 71	F59158	(H2903)	R.H.; 15" Brake; w/Auto Adj.
Adjuster Kit	86 - 71	F128894S	(H2911)	R.H.; 15" Brake; w/Man. Adj.
Adjuster Kit	86 - 71	F128895S	(H2912)	R.H.; 16" Brake; w/Man. Adj.
Adjuster Screw	86 - 71	F140823	(H1607)	L.H.; 15" Brake
Adjuster Screw	86 - 71	F19291	(H1700)	L.H.; 16" Brake
Adjuster Screw	86 - 71	F140818	(H1606)	R.H.; 15" Brake
Adjuster Screw	86 - 71	F19292	(H1701)	R.H.; 16" Brake
Combi Kit	86 - 71	F117027	(H7171)	
↳Adjuster Spring Kit		F78727	(H451)	
↳Hold Down Kit		F19309	(H5079)	
↳Return Spring Kit		F98318	(H609)	
Disc Align Kit	86 - 79	F112095S	(H5564)	Bendix; 2.60" 2-Piston Caliper
Disc Align Kit	86 - 79	F112090S	(H5566)	Bendix; 2.88" 2-Piston Caliper

Calipers - Reman

Front, Loaded	Years	Left No.	Right No.	Qualifier	Piston
Loaded Caliper	86 - 79	AS112057	AS112057	Bendix; 2.60" 2-Piston Caliper	P
Loaded Caliper	86 - 79	AS112057S	AS112057S	Bendix; 2.60" 2-Piston Caliper	O
Loaded Caliper	86 - 79	AS120549	AS120549	Bendix; 2.88" 2-Piston Caliper	P
Loaded Caliper	86 - 79	AS120549S	AS120549S	Bendix; 2.88" 2-Piston Caliper	O
Loaded Caliper	86 - 79	AS130211A	AS130210A	Bendix; 3.38" 1-Piston Caliper	M
Rear, Loaded	Years	Left No.	Right No.	Qualifier	Piston
Loaded Caliper	86 - 79	AS112057	AS112057	Bendix; 2.60" 2-Piston Caliper	P
Loaded Caliper	86 - 79	AS112057S	AS112057S	Bendix; 2.60" 2-Piston Caliper	O
Loaded Caliper	86 - 79	AS120549	AS120549	Bendix; 2.88" 2-Piston Caliper	P
Loaded Caliper	86 - 79	AS120549S	AS120549S	Bendix; 2.88" 2-Piston Caliper	O
Front, Unloaded	Years	Left No.	Right No.	Qualifier	Piston
Unloaded Caliper	86 - 79	CR112057	CR112057	Bendix; 2.60" 2-Piston Caliper	P
Unloaded Caliper	86 - 79	CR112057S	CR112057S	Bendix; 2.60" 2-Piston Caliper	O
Unloaded Caliper	86 - 79	CR120549	CR120549	Bendix; 2.88" 2-Piston Caliper	P
Unloaded Caliper	86 - 79	CR120549S	CR120549S	Bendix; 2.88" 2-Piston Caliper	O
Unloaded Caliper	86 - 79	CR130211	CR130210	Bendix; 3.38" 1-Piston Caliper	M
Rear, Unloaded	Years	Left No.	Right No.	Qualifier	Piston
Unloaded Caliper	86 - 79	CR112057	CR112057	Bendix; 2.60" 2-Piston Caliper	P
Unloaded Caliper	86 - 79	CR112057S	CR112057S	Bendix; 2.60" 2-Piston Caliper	O
Unloaded Caliper	86 - 79	CR120549	CR120549	Bendix; 2.88" 2-Piston Caliper	P
Unloaded Caliper	86 - 79	CR120549S	CR120549S	Bendix; 2.88" 2-Piston Caliper	O

Hydraulics - New

Master Cylinder	Years	Sequential No.	Category No.	Qualifier
Master Cylinder	86 - 71	F76151	(MC76151)	Exc. H.D.; Frame Mtd.
Master Cylinder	86 - 71	F76154	(MC76154)	H.D.; Exc. Frame Mtd.
Front Wheel Cylinder	Years	Sequential No.	Category No.	Qualifier
Wheel Cylinder	86 - 71	F43383	(WC43383)	L.H.; 14 x 2-1/2" Brake; w/o Bleeder Screw; 1-1/4" Bore
Wheel Cylinder	86 - 71	F71940	(WC71940)	L.H.; 15 x 3" Brake; w/Bleeder Screw; 1-1/8" Bore
Wheel Cylinder	86 - 71	F43383	(WC43383)	L.H.; 15 x 3" Brake; w/o Bleeder Screw; 1-1/4" Bore
Wheel Cylinder	86 - 71	F8813	(WC8813)	L.H.; 15 x 3-1/2" Brake; w/o Bleeder Screw; 1-3/8" Bore
Wheel Cylinder	86 - 71	F43384	(WC43384)	R.H.; 14 x 2-1/2" Brake; w/o Bleeder Screw; 1-1/4" Bore
Wheel Cylinder	86 - 71	F71941	(WC71941)	R.H.; 15 x 3" Brake; w/Bleeder Screw; 1-1/8" Bore
Wheel Cylinder	86 - 71	F43384	(WC43384)	R.H.; 15 x 3" Brake; w/o Bleeder Screw; 1-1/4" Bore
Wheel Cylinder	86 - 71	F8814	(WC8814)	R.H.; 15 x 3-1/2" Brake; w/o Bleeder Screw; 1-3/8" Bore
Rear Wheel Cylinder	Years	Sequential No.	Category No.	Qualifier
Wheel Cylinder	86 - 71	F26159	(WC26159)	15 x 4" Brake; 1-1/2" Bore
Wheel Cylinder	86 - 71	F26159	(WC26159)	15 x 5" Brake; 1-1/2" Bore

↳Sub-Kit of Combi-Kit is available separately.

Piston: M - OE Metal Piston P - OE Phenolic Piston O - Metal Piston Option

CO1610 (cont.)**Hydraulics - New (cont.)**

Rear Wheel Cylinder	Years	Sequential No.	Category No.	Qualifier
Wheel Cylinder	86 - 71	F24489	(WC24489)	15 x 5" Brake; 1-5/8" Bore
Wheel Cylinder	86 - 71	F24489	(WC24489)	15 x 6" Brake; 1-5/8" Bore
Wheel Cylinder	86 - 71	F26172	(WC26172)	15 x 7" Brake; 1-3/4" Bore
Wheel Cylinder	86 - 71	F24489	(WC24489)	15 x 7" Brake; 1-5/8" Bore
Wheel Cylinder	86 - 71	F26172	(WC26172)	16 x 5" Brake; 1-3/4" Bore
Wheel Cylinder	86 - 71	F24489	(WC24489)	16 x 5" Brake; 1-5/8" Bore
Wheel Cylinder	86 - 71	F26172	(WC26172)	16 x 6" Brake; 1-3/4" Bore
Wheel Cylinder	86 - 71	F26181	(WC26181)	16 x 6" Brake; 1-7/8" Bore
Clutch Slave Cylinder	Years	Sequential No.	Category No.	Qualifier
Clutch Slave Cylinder	86 - 71	F43260	(SC43260)	
Front Brake Hose	Years	Sequential No.	Category No.	Qualifier
Brake Hose	86 - 71	F4751	(BH4751)	21-5/8" Length
Rear Brake Hose	Years	Sequential No.	Category No.	Qualifier
Brake Hose	86 - 71	F39508	(BH39508)	

Hydraulics - Reman

Power Brake Booster	Years	Part No.	Qualifier
Hydro Booster	86 - 79	529901	Dual; Head
Hydro Booster	86 - 79	529802	High Pwr; Bendix Hydromax II; Complete Assy
Hydro Booster	86 - 79	529904	High Pwr; Bendix Hydromax II; Elect. Motor
Hydro Booster	86 - 79	529920	High Pwr; Bendix Hydromax II; Head
Hydro Booster	86 - 79	529900	Single; Head
Power Brake Booster	Years	Part No.	Qualifier
Vacuum Booster	86 - 71	518054	Exc. Frame Mtd.; Single Diaphragm
Vacuum Booster	86 - 71	518002	Frame Mtd; Single Diaphragm

CO1630**Brake Pads & Shoes**

Front Pads & Shoes	Years	SevereDuty	Lining No.	Qualifier
Brake Shoes	72 - 71	SDS321R	EX1245AD-S32	Hyd. Brakes; Auto. Adj.; 15 x 3
Brake Shoes	72 - 71	SDS322R	EX1280BD-S32	Hyd. Brakes; Auto. Adj.; 15 x 3-1/2
Brake Shoes	72 - 71	SDS235R	EX1245AD-S32	Hyd. Brakes; Man. Adj.; 15 x 3
Brake Shoes	72 - 71	SDS463R	EX1280D-S32	Hyd. Brakes; Man. Adj.; 15 x 3-1/2
Brake Shoes	72 - 71	4223E	4223A	w/Air Brakes; Eaton/Spicer; 16-1/2 x 5
Brake Shoes	72 - 71	4524P	4524B	w/Air Brakes; Rockwell/Meritor; P-Series; 16-1/2 x 5
Brake Shoes	72 - 71	1307T	1307	w/Air Brakes; Rockwell/Meritor; T-Series; 15 x 3-1/2
Brake Shoes	72 - 71	1308T	1308T	w/Air Brakes; Rockwell/Meritor; T-Series; 15 x 4
Brake Shoes	72 - 71	4615S	4615	w/Air Brakes; Rockwell/Meritor; Wedge; 15 x 5
Brake Shoes	72 - 71	4605S	4605	w/Air Brakes; Rockwell/Meritor; Wedge; 15 x 6
Rear Pads & Shoes	Years	SevereDuty	Lining No.	Qualifier
Brake Shoes	72 - 71	SDS346R	EX1252D-S32	Hyd. Brakes; 15 x 5
Brake Shoes	72 - 71	SDS381R	EX4596D-S32	Hyd. Brakes; 15 x 6
Brake Shoes	72 - 71	SDS383R	EX4597D-S32	Hyd. Brakes; 15 x 7
Brake Shoes	72 - 71	SDS385R	EX1254D-S32	Hyd. Brakes; 16 x 5
Brake Shoes	72 - 71	SDS386R	EX1255D-S32	Hyd. Brakes; 16 x 6
Brake Shoes	72 - 71	4311E	4311J	w/Air Brakes; Eaton/Spicer; 16-1/2 x 7
Brake Shoes	72 - 71	4514P	4514G	w/Air Brakes; Rockwell/Meritor; P-Series; 16-1/2 x 6
Brake Shoes	72 - 71	4515P	4515E	w/Air Brakes; Rockwell/Meritor; P-Series; 16-1/2 x 7
Brake Shoes	72 - 71	4605S	4605	w/Air Brakes; Rockwell/Meritor; Wedge; 15 x 6
Brake Shoes	72 - 71	4602S	4602	w/Air Brakes; Rockwell/Meritor; Wedge; 15 x 7
Parking Brake Shoes	Years	SevereDuty	Lining No.	Qualifier
Brake Shoes	72 - 71	SDS842R	EX1303AD	Driveline Config.; 10 x 3

Brake Hardware

Front Brake Hardware	Years	Sequential No.	Category No.	Qualifier
Adjuster Kit	72 - 71	F59159	(H2904)	L.H.; w/Auto Adj.

Brake Hardware (cont.)

Front Brake Hardware	Years	Sequential No.	Category No.	Qualifier
Adjuster Kit	72 - 71	F128990	(H2929)	L.H.; w/Man. Adj.
Adjuster Kit	72 - 71	F59160	(H2905)	R.H.; w/Auto Adj.
Adjuster Kit	72 - 71	F128990	(H2929)	R.H.; w/Man. Adj.
Combi Kit	72 - 71	F117025	(H7173)	14" Brake; w/Auto Adj.
↳Hold Down Kit		F73399	(H4201)	
↳Return Spring Kit		F36445	(H521)	
Combi Kit	72 - 71	F117018	(H7185)	14" Brake; w/Man. Adj.
↳Hold Down Kit		F19408	(H4200)	
↳Return Spring Kit		F36445	(H521)	
Combi Kit	72 - 71	F117025	(H7173)	15 x 3 or 15 x 3-1/2" Brake; w/Auto Adj.
↳Hold Down Kit		F73399	(H4201)	
↳Return Spring Kit		F36445	(H521)	
Combi Kit	72 - 71	F117026	(H7172)	15 x 3 or 15 x 3-1/2" Brake; w/Man. Adj.
↳Hold Down Kit		F19408	(H4200)	
↳Return Spring Kit		F36445	(H521)	
Combi Kit	72 - 71	F117025	(H7173)	15 x 5" Brake; w/Auto Adj.
↳Hold Down Kit		F73399	(H4201)	
↳Return Spring Kit		F36445	(H521)	
Combi Kit	72 - 71	F117019	(H7182)	15 x 5" Brake; w/Man. Adj.
↳Return Spring Kit		F36445	(H521)	

Rear Brake Hardware	Years	Sequential No.	Category No.	Qualifier
Adjuster Kit	72 - 71	F59157	(H2902)	L.H.; 15" Brake; w/Auto Adj.
Adjuster Kit	72 - 71	F128894S	(H2911)	L.H.; 15" Brake; w/Man. Adj.
Adjuster Kit	72 - 71	F128895S	(H2912)	L.H.; 16" Brake; w/Man. Adj.
Adjuster Kit	72 - 71	F59158	(H2903)	R.H.; 15" Brake; w/Auto Adj.
Adjuster Kit	72 - 71	F128894S	(H2911)	R.H.; 15" Brake; w/Man. Adj.
Adjuster Kit	72 - 71	F128895S	(H2912)	R.H.; 16" Brake; w/Man. Adj.
Adjuster Screw	72 - 71	F140823	(H1607)	L.H.; 15" Brake
Adjuster Screw	72 - 71	F19291	(H1700)	L.H.; 16" Brake
Adjuster Screw	72 - 71	F140818	(H1606)	R.H.; 15" Brake
Adjuster Screw	72 - 71	F19292	(H1701)	R.H.; 16" Brake
Combi Kit	72 - 71	F117027	(H7171)	
↳Adjuster Spring Kit		F78727	(H451)	
↳Hold Down Kit		F19309	(H5079)	
↳Return Spring Kit		F98318	(H609)	

Hydraulics - New

Master Cylinder	Years	Sequential No.	Category No.	Qualifier
Master Cylinder	72 - 71	F76151	(MC76151)	Exc. H.D.; Frame Mtd.
Master Cylinder	72 - 71	F76154	(MC76154)	H.D.; Exc. Frame Mtd.
Front Wheel Cylinder	Years	Sequential No.	Category No.	Qualifier
Wheel Cylinder	72 - 71	F43383	(WC43383)	L.H.; 14 x 2-1/2" Brake; w/o Bleeder Screw; 1-1/4" Bore
Wheel Cylinder	72 - 71	F71940	(WC71940)	L.H.; 15 x 3" Brake; w/Bleeder Screw; 1-1/8" Bore
Wheel Cylinder	72 - 71	F43383	(WC43383)	L.H.; 15 x 3" Brake; w/o Bleeder Screw; 1-1/4" Bore
Wheel Cylinder	72 - 71	F8813	(WC8813)	L.H.; 15 x 3-1/2" Brake; w/o Bleeder Screw; 1-3/8" Bore
Wheel Cylinder	72 - 71	F43384	(WC43384)	R.H.; 14 x 2-1/2" Brake; w/o Bleeder Screw; 1-1/4" Bore
Wheel Cylinder	72 - 71	F71941	(WC71941)	R.H.; 15 x 3" Brake; w/Bleeder Screw; 1-1/8" Bore
Wheel Cylinder	72 - 71	F43384	(WC43384)	R.H.; 15 x 3" Brake; w/o Bleeder Screw; 1-1/4" Bore
Wheel Cylinder	72 - 71	F8814	(WC8814)	R.H.; 15 x 3-1/2" Brake; w/o Bleeder Screw; 1-3/8" Bore
Rear Wheel Cylinder	Years	Sequential No.	Category No.	Qualifier
Wheel Cylinder	72 - 71	F26159	(WC26159)	15 x 4" Brake; 1-1/2" Bore
Wheel Cylinder	72 - 71	F26159	(WC26159)	15 x 5" Brake; 1-1/2" Bore
Wheel Cylinder	72 - 71	F24489	(WC24489)	15 x 5" Brake; 1-5/8" Bore
Wheel Cylinder	72 - 71	F24489	(WC24489)	15 x 6" Brake; 1-5/8" Bore
Wheel Cylinder	72 - 71	F26172	(WC26172)	15 x 7" Brake; 1-3/4" Bore

↳Sub-Kit of Combi-Kit is available separately.

CO1630 (cont.)**Hydraulics - New (cont.)**

Rear Wheel Cylinder	Years	Sequential No.	Category No.	Qualifier
Wheel Cylinder	72 - 71	F24489	(WC24489)	15 x 7" Brake; 1-5/8" Bore
Wheel Cylinder	72 - 71	F26172	(WC26172)	16 x 5" Brake; 1-3/4" Bore
Wheel Cylinder	72 - 71	F24489	(WC24489)	16 x 5" Brake; 1-5/8" Bore
Wheel Cylinder	72 - 71	F26172	(WC26172)	16 x 6" Brake; 1-3/4" Bore
Wheel Cylinder	72 - 71	F26181	(WC26181)	16 x 6" Brake; 1-7/8" Bore
Clutch Slave Cylinder	Years	Sequential No.	Category No.	Qualifier
Clutch Slave Cylinder	72 - 71	F43260	(SC43260)	
Front Brake Hose	Years	Sequential No.	Category No.	Qualifier
Brake Hose	72 - 71	F4751	(BH4751)	21-5/8" Length
Rear Brake Hose	Years	Sequential No.	Category No.	Qualifier
Brake Hose	72 - 71	F39508	(BH39508)	

Hydraulics - Reman

Power Brake Booster	Years	Part No.	Qualifier
Vacuum Booster	72 - 71	518054	Exc. Frame Mtd.; Single Diaphragm
Vacuum Booster	72 - 71	518002	Frame Mtd; Single Diaphragm

CO1650**Brake Pads & Shoes**

Front Pads & Shoes	Years	SevereDuty	Lining No.	Qualifier
Brake Pads	86 - 79	SD184		Bendix; 2.60" 2-Piston Caliper
Brake Pads	86 - 79	SD225		Bendix; 2.88" 2-Piston Caliper
Brake Pads	86 - 79	SD184		Bendix; 3.38" 1-Piston Caliper
Brake Shoes	86 - 71	SDS321R	EX1245AD-S32	Hyd. Brakes; Auto. Adj.; 15 x 3
Brake Shoes	86 - 71	SDS322R	EX1280BD-S32	Hyd. Brakes; Auto. Adj.; 15 x 3-1/2
Brake Shoes	86 - 71	SDS235R	EX1245AD-S32	Hyd. Brakes; Man. Adj.; 15 x 3
Brake Shoes	86 - 71	SDS463R	EX1280D-S32	Hyd. Brakes; Man. Adj.; 15 x 3-1/2
Brake Shoes	86 - 71	4223E	4223A	w/Air Brakes; Eaton/Spicer; 16-1/2 x 5
Brake Shoes	86 - 71	4524P	4524B	w/Air Brakes; Rockwell/Meritor; P-Series; 16-1/2 x 5
Brake Shoes	86 - 71	1307T	1307	w/Air Brakes; Rockwell/Meritor; T-Series; 15 x 3-1/2
Brake Shoes	86 - 71	1308T	1308T	w/Air Brakes; Rockwell/Meritor; T-Series; 15 x 4
Brake Shoes	86 - 71	4615S	4615	w/Air Brakes; Rockwell/Meritor; Wedge; 15 x 5
Brake Shoes	86 - 71	4605S	4605	w/Air Brakes; Rockwell/Meritor; Wedge; 15 x 6
Rear Pads & Shoes	Years	SevereDuty	Lining No.	Qualifier
Brake Pads	86 - 79	SD184		Bendix; 2.60" 2-Piston Caliper
Brake Pads	86 - 79	SD225		Bendix; 2.88" 2-Piston Caliper
Brake Shoes	86 - 71	SDS346R	EX1252D-S32	Hyd. Brakes; 15 x 5
Brake Shoes	86 - 71	SDS381R	EX4596D-S32	Hyd. Brakes; 15 x 6
Brake Shoes	86 - 71	SDS383R	EX4597D-S32	Hyd. Brakes; 15 x 7
Brake Shoes	86 - 71	SDS385R	EX1254D-S32	Hyd. Brakes; 16 x 5
Brake Shoes	86 - 71	SDS386R	EX1255D-S32	Hyd. Brakes; 16 x 6
Brake Shoes	86 - 71	4311E	4311J	w/Air Brakes; Eaton/Spicer; 16-1/2 x 7
Brake Shoes	86 - 71	4514P	4514G	w/Air Brakes; Rockwell/Meritor; P-Series; 16-1/2 x 6
Brake Shoes	86 - 71	4515P	4515E	w/Air Brakes; Rockwell/Meritor; P-Series; 16-1/2 x 7
Brake Shoes	86 - 71	4605S	4605	w/Air Brakes; Rockwell/Meritor; Wedge; 15 x 6
Brake Shoes	86 - 71	4602S	4602	w/Air Brakes; Rockwell/Meritor; Wedge; 15 x 7
Parking Brake Shoes	Years	SevereDuty	Lining No.	Qualifier
Brake Shoes	86 - 71	SDS842R	EX1303AD	Driveline Config.; 10 x 3

Rotor & Drum

Front Rotor & Drum	Years	Part No.	Qualifier
Brake Rotor	86 - 79	BD125097	5000-7500 lb. FA; Hat-Shaped; 10-Hole Rotor
Brake Rotor	86 - 79	BD125361	5000-7500 lb. FA; Hat-Shaped; 5-Hole Rotor
Brake Rotor	86 - 79	BD125362	5000-7500 lb. FA; Hat-Shaped; 6-Hole Rotor
Brake Rotor	86 - 79	BD126402	5000-7500 lb. FA; U-Shaped; 5-Hole Rotor
Brake Rotor	86 - 79	BD125096	5000-7500 lb. FA; U-Shaped; 6-Hole Rotor
Brake Rotor	86	BD125244	From 2/01/86; 9000-12000 lb. FA; U-Shaped; 5-Hole Rotor

Rotor & Drum (cont.)

Front Rotor & Drum	Years	Part No.	Qualifier
Brake Rotor	86	BD125098	To 1/31/86; 9000-12000 lb. FA; U-Shaped; 5-Hole Rotor
Brake Rotor	85 - 79	BD125098	9000-12000 lb. FA; U-Shaped; 5-Hole Rotor
Rear Rotor & Drum	Years	Part No.	Qualifier
Brake Rotor	86 - 79	BD125097	10000-15500 lb. RA; Hat-Shaped; 10-Hole Rotor
Brake Rotor	86 - 79	BD125362	10000-15500 lb. RA; Hat-Shaped; 6-Hole Rotor
Brake Rotor	86 - 79	BD126403	10000-15500 lb. RA; U-Shaped; 5-Hole Rotor
Brake Rotor	86 - 79	BD125096	10000-15500 lb. RA; U-Shaped; 6-Hole Rotor
Brake Rotor	86 - 79	BD125097	17000-19000 lb. RA; Hat-Shaped; 10-Hole Rotor
Brake Rotor	86 - 79	BD126394	17000-19000 lb. RA; U-Shaped; 10-Hole Rotor
Brake Rotor	86 - 79	BD125382	17000-19000 lb. RA; U-Shaped; 5-Hole Rotor; 12-3/4" Bolt Circle

Brake Hardware

Front Brake Hardware	Years	Sequential No.	Category No.	Qualifier
Adjuster Kit	86 - 71	F59159	(H2904)	L.H.; w/Auto Adj.
Adjuster Kit	86 - 71	F128990	(H2929)	L.H.; w/Man. Adj.
Adjuster Kit	86 - 71	F59160	(H2905)	R.H.; w/Auto Adj.
Adjuster Kit	86 - 71	F128990	(H2929)	R.H.; w/Man. Adj.
Combi Kit	86 - 71	F117025	(H7173)	14" Brake; w/Auto Adj.
↳Hold Down Kit		F73399	(H4201)	
↳Return Spring Kit		F36445	(H521)	
Combi Kit	86 - 71	F117018	(H7185)	14" Brake; w/Man. Adj.
↳Hold Down Kit		F19408	(H4200)	
↳Return Spring Kit		F36445	(H521)	
Combi Kit	86 - 71	F117025	(H7173)	15 x 3 or 15 x 3-1/2" Brake; w/Auto Adj.
↳Hold Down Kit		F73399	(H4201)	
↳Return Spring Kit		F36445	(H521)	
Combi Kit	86 - 71	F117026	(H7172)	15 x 3 or 15 x 3-1/2" Brake; w/Man. Adj.
↳Hold Down Kit		F19408	(H4200)	
↳Return Spring Kit		F36445	(H521)	
Combi Kit	86 - 71	F117025	(H7173)	15 x 5" Brake; w/Auto Adj.
↳Hold Down Kit		F73399	(H4201)	
↳Return Spring Kit		F36445	(H521)	
Combi Kit	86 - 71	F117019	(H7182)	15 x 5" Brake; w/Man. Adj.
↳Return Spring Kit		F36445	(H521)	
Disc Align Kit	86 - 79	F112095S	(H5564)	Bendix; 2.60" 2-Piston Caliper
Disc Align Kit	86 - 79	F112090S	(H5566)	Bendix; 2.88" 2-Piston Caliper
Disc Align Kit	86 - 79	F107401S	(H5562)	Bendix; 3.38" 1-Piston Caliper
Rear Brake Hardware	Years	Sequential No.	Category No.	Qualifier
Adjuster Kit	86 - 71	F59157	(H2902)	L.H.; 15" Brake; w/Auto Adj.
Adjuster Kit	86 - 71	F128894S	(H2911)	L.H.; 15" Brake; w/Man. Adj.
Adjuster Kit	86 - 71	F128895S	(H2912)	L.H.; 16" Brake; w/Man. Adj.
Adjuster Kit	86 - 71	F59158	(H2903)	R.H.; 15" Brake; w/Auto Adj.
Adjuster Kit	86 - 71	F128894S	(H2911)	R.H.; 15" Brake; w/Man. Adj.
Adjuster Kit	86 - 71	F128895S	(H2912)	R.H.; 16" Brake; w/Man. Adj.
Adjuster Screw	86 - 71	F140823	(H1607)	L.H.; 15" Brake
Adjuster Screw	86 - 71	F19291	(H1700)	L.H.; 16" Brake
Adjuster Screw	86 - 71	F140818	(H1606)	R.H.; 15" Brake
Adjuster Screw	86 - 71	F19292	(H1701)	R.H.; 16" Brake
Combi Kit	86 - 71	F117027	(H7171)	
↳Adjuster Spring Kit		F78727	(H451)	
↳Hold Down Kit		F19309	(H5079)	
↳Return Spring Kit		F98318	(H609)	
Disc Align Kit	86 - 79	F112095S	(H5564)	Bendix; 2.60" 2-Piston Caliper
Disc Align Kit	86 - 79	F112090S	(H5566)	Bendix; 2.88" 2-Piston Caliper

↳Sub-Kit of Combi-Kit is available separately.

CO1650 (cont.)**Calipers - Reman**

Front, Loaded	Years	Left No.	Right No.	Qualifier	Piston
Loaded Caliper	86 - 79	AS112057	AS112057	Bendix; 2.60" 2-Piston Caliper	P
Loaded Caliper	86 - 79	AS112057S	AS112057S	Bendix; 2.60" 2-Piston Caliper	O
Loaded Caliper	86 - 79	AS120549	AS120549	Bendix; 2.88" 2-Piston Caliper	P
Loaded Caliper	86 - 79	AS120549S	AS120549S	Bendix; 2.88" 2-Piston Caliper	O
Loaded Caliper	86 - 79	AS130211A	AS130210A	Bendix; 3.38" 1-Piston Caliper	M

Rear, Loaded	Years	Left No.	Right No.	Qualifier	Piston
Loaded Caliper	86 - 79	AS112057	AS112057	Bendix; 2.60" 2-Piston Caliper	P
Loaded Caliper	86 - 79	AS112057S	AS112057S	Bendix; 2.60" 2-Piston Caliper	O
Loaded Caliper	86 - 79	AS120549	AS120549	Bendix; 2.88" 2-Piston Caliper	P
Loaded Caliper	86 - 79	AS120549S	AS120549S	Bendix; 2.88" 2-Piston Caliper	O

Front, Unloaded	Years	Left No.	Right No.	Qualifier	Piston
Unloaded Caliper	86 - 79	CR112057	CR112057	Bendix; 2.60" 2-Piston Caliper	P
Unloaded Caliper	86 - 79	CR112057S	CR112057S	Bendix; 2.60" 2-Piston Caliper	O
Unloaded Caliper	86 - 79	CR120549	CR120549	Bendix; 2.88" 2-Piston Caliper	P
Unloaded Caliper	86 - 79	CR120549S	CR120549S	Bendix; 2.88" 2-Piston Caliper	O
Unloaded Caliper	86 - 79	CR130211	CR130210	Bendix; 3.38" 1-Piston Caliper	M

Rear, Unloaded	Years	Left No.	Right No.	Qualifier	Piston
Unloaded Caliper	86 - 79	CR112057	CR112057	Bendix; 2.60" 2-Piston Caliper	P
Unloaded Caliper	86 - 79	CR112057S	CR112057S	Bendix; 2.60" 2-Piston Caliper	O
Unloaded Caliper	86 - 79	CR120549	CR120549	Bendix; 2.88" 2-Piston Caliper	P
Unloaded Caliper	86 - 79	CR120549S	CR120549S	Bendix; 2.88" 2-Piston Caliper	O

Hydraulics - New

Master Cylinder	Years	Sequential No.	Category No.	Qualifier
Master Cylinder	86 - 71	F76151	(MC76151)	Exc. H.D.; Frame Mtd.
Master Cylinder	86 - 71	F76154	(MC76154)	H.D.; Exc. Frame Mtd.

Front Wheel Cylinder	Years	Sequential No.	Category No.	Qualifier
Wheel Cylinder	86 - 71	F43383	(WC43383)	L.H.; 14 x 2-1/2" Brake; w/o Bleeder Screw; 1-1/4" Bore
Wheel Cylinder	86 - 71	F71940	(WC71940)	L.H.; 15 x 3" Brake; w/Bleeder Screw; 1-1/8" Bore
Wheel Cylinder	86 - 71	F43383	(WC43383)	L.H.; 15 x 3" Brake; w/o Bleeder Screw; 1-1/4" Bore
Wheel Cylinder	86 - 71	F8813	(WC8813)	L.H.; 15 x 3-1/2" Brake; w/o Bleeder Screw; 1-3/8" Bore
Wheel Cylinder	86 - 71	F43384	(WC43384)	R.H.; 14 x 2-1/2" Brake; w/o Bleeder Screw; 1-1/4" Bore
Wheel Cylinder	86 - 71	F71941	(WC71941)	R.H.; 15 x 3" Brake; w/Bleeder Screw; 1-1/8" Bore
Wheel Cylinder	86 - 71	F43384	(WC43384)	R.H.; 15 x 3" Brake; w/o Bleeder Screw; 1-1/4" Bore
Wheel Cylinder	86 - 71	F8814	(WC8814)	R.H.; 15 x 3-1/2" Brake; w/o Bleeder Screw; 1-3/8" Bore

Rear Wheel Cylinder	Years	Sequential No.	Category No.	Qualifier
Wheel Cylinder	86 - 71	F26159	(WC26159)	15 x 4" Brake; 1-1/2" Bore
Wheel Cylinder	86 - 71	F26159	(WC26159)	15 x 5" Brake; 1-1/2" Bore
Wheel Cylinder	86 - 71	F24489	(WC24489)	15 x 5" Brake; 1-5/8" Bore
Wheel Cylinder	86 - 71	F24489	(WC24489)	15 x 6" Brake; 1-5/8" Bore
Wheel Cylinder	86 - 71	F26172	(WC26172)	15 x 7" Brake; 1-3/4" Bore
Wheel Cylinder	86 - 71	F24489	(WC24489)	15 x 7" Brake; 1-5/8" Bore
Wheel Cylinder	86 - 71	F26172	(WC26172)	16 x 5" Brake; 1-3/4" Bore
Wheel Cylinder	86 - 71	F24489	(WC24489)	16 x 5" Brake; 1-5/8" Bore
Wheel Cylinder	86 - 71	F26172	(WC26172)	16 x 6" Brake; 1-3/4" Bore
Wheel Cylinder	86 - 71	F26181	(WC26181)	16 x 6" Brake; 1-7/8" Bore

Clutch Slave Cylinder	Years	Sequential No.	Category No.	Qualifier
Clutch Slave Cylinder	86 - 71	F43260	(SC43260)	

Front Brake Hose	Years	Sequential No.	Category No.	Qualifier
Brake Hose	86 - 71	F4751	(BH4751)	21-5/8" Length

Rear Brake Hose	Years	Sequential No.	Category No.	Qualifier
Brake Hose	86 - 71	F39508	(BH39508)	

Hydraulics - Reman

Power Brake Booster	Years	Part No.	Qualifier
Hydro Booster	86 - 79	529901	Dual; Head

Piston: M - OE Metal Piston P - OE Phenolic Piston O - Metal Piston Option

CO1650 (cont.)
Hydraulics - Reman (cont.)

Power Brake Booster	Years	Part No.	Qualifier
Hydro Booster	86 - 79	529802	High Pwr; Bendix Hydromax II; Complete Assy
Hydro Booster	86 - 79	529904	High Pwr; Bendix Hydromax II; Elect. Motor
Hydro Booster	86 - 79	529920	High Pwr; Bendix Hydromax II; Head
Hydro Booster	86 - 79	529900	Single; Head
Power Brake Booster	Years	Part No.	Qualifier
Vacuum Booster	86 - 71	518054	Exc. Frame Mtd.; Single Diaphragm
Vacuum Booster	86 - 71	518002	Frame Mtd; Single Diaphragm

INTERNATIONAL MD 1600 LoadStar
1600
Brake Pads & Shoes

Front Pads & Shoes	Years	SevereDuty	Lining No.	Qualifier
Brake Shoes	78 - 70	SDS321R	EX1245AD-S32	Hyd. Brakes; Auto. Adj.; 15 x 3
Brake Shoes	78 - 70	SDS322R	EX1280BD-S32	Hyd. Brakes; Auto. Adj.; 15 x 3-1/2
Brake Shoes	78 - 70	SDS235R	EX1245AD-S32	Hyd. Brakes; Man. Adj.; 15 x 3
Brake Shoes	78 - 70	SDS463R	EX1280D-S32	Hyd. Brakes; Man. Adj.; 15 x 3-1/2
Brake Shoes	78 - 70	4223E	4223A	w/Air Brakes; Eaton/Spicer; 16-1/2 x 5
Brake Shoes	78 - 70	1307T	1307	w/Air Brakes; Rockwell/Meritor; T-Series; 15 x 3-1/2
Brake Shoes	78 - 70	1308T	1308T	w/Air Brakes; Rockwell/Meritor; T-Series; 15 x 4
Brake Shoes	78 - 70	4615S	4615	w/Air Brakes; Rockwell/Meritor; Wedge; 15 x 5
Rear Pads & Shoes	Years	SevereDuty	Lining No.	Qualifier
Brake Shoes	78 - 70	SDS346R	EX1252D-S32	Hyd. Brakes; 15 x 5
Brake Shoes	78 - 70	SDS381R	EX4596D-S32	Hyd. Brakes; 15 x 6
Brake Shoes	78 - 70	SDS383R	EX4597D-S32	Hyd. Brakes; 15 x 7
Brake Shoes	78 - 70	SDS385R	EX1254D-S32	Hyd. Brakes; 16 x 5
Brake Shoes	78 - 70	SDS386R	EX1255D-S32	Hyd. Brakes; 16 x 6
Brake Shoes	78 - 70	4311E	4311J	w/Air Brakes; Eaton/Spicer; 16-1/2 x 7
Brake Shoes	78 - 70	4514P	4514G	w/Air Brakes; Rockwell/Meritor; P-Series; 16-1/2 x 6
Brake Shoes	78 - 70	4515P	4515E	w/Air Brakes; Rockwell/Meritor; P-Series; 16-1/2 x 7
Brake Shoes	78 - 70	4605S	4605	w/Air Brakes; Rockwell/Meritor; Wedge; 15 x 6
Brake Shoes	78 - 70	4602S	4602	w/Air Brakes; Rockwell/Meritor; Wedge; 15 x 7
Parking Brake Shoes	Years	SevereDuty	Lining No.	Qualifier
Brake Shoes	78 - 70	SDS842R	EX1303AD	Driveline Config.; 10 x 3

Brake Hardware

Front Brake Hardware	Years	Sequential No.	Category No.	Qualifier
Adjuster Kit	78 - 70	F59159	(H2904)	L.H.; w/Auto Adj.
Adjuster Kit	78 - 70	F128990	(H2929)	L.H.; w/Man. Adj.
Adjuster Kit	78 - 70	F59160	(H2905)	R.H.; w/Auto Adj.
Adjuster Kit	78 - 70	F128990	(H2929)	R.H.; w/Man. Adj.
Combi Kit	78 - 70	F117024	(H7178)	14" Brake; Bendix
Combi Kit	78 - 70	F117025	(H7173)	14" Brake; Wagner; w/Auto Adj.
↳Hold Down Kit		F73399	(H4201)	
↳Return Spring Kit		F36445	(H521)	
Combi Kit	78 - 70	F117018	(H7185)	14" Brake; Wagner; w/Man. Adj.
↳Hold Down Kit		F19408	(H4200)	
↳Return Spring Kit		F36445	(H521)	
Combi Kit	78 - 70	F117025	(H7173)	15 x 3 or 15 x 3-1/2" Brake; w/Auto Adj.
↳Hold Down Kit		F73399	(H4201)	
↳Return Spring Kit		F36445	(H521)	
Combi Kit	78 - 70	F117026	(H7172)	15 x 3 or 15 x 3-1/2" Brake; w/Man. Adj.
↳Hold Down Kit		F19408	(H4200)	
↳Return Spring Kit		F36445	(H521)	

↳Sub-Kit of Combi-Kit is available separately.

1600 (cont.)**Brake Hardware (cont.)**

Front Brake Hardware	Years	Sequential No.	Category No.	Qualifier
Combi Kit	78 - 70	F117025	(H7173)	15 x 5" Brake; w/Auto Adj.
↳ Hold Down Kit		F73399	(H4201)	
↳ Return Spring Kit		F36445	(H521)	
Combi Kit	78 - 70	F117019	(H7182)	15 x 5" Brake; w/Man. Adj.
↳ Return Spring Kit		F36445	(H521)	

Rear Brake Hardware	Years	Sequential No.	Category No.	Qualifier
Adjuster Kit	78 - 70	F59157	(H2902)	L.H.; 15" Brake; w/Auto Adj.
Adjuster Kit	78 - 70	F128894S	(H2911)	L.H.; 15" Brake; w/Man. Adj.
Adjuster Kit	78 - 70	F128895S	(H2912)	L.H.; 16" Brake; w/Man. Adj.
Adjuster Kit	78 - 70	F59158	(H2903)	R.H.; 15" Brake; w/Auto Adj.
Adjuster Kit	78 - 70	F128894S	(H2911)	R.H.; 15" Brake; w/Man. Adj.
Adjuster Kit	78 - 70	F128895S	(H2912)	R.H.; 16" Brake; w/Man. Adj.
Adjuster Screw	78 - 70	F140823	(H1607)	L.H.; 15" Brake
Adjuster Screw	78 - 70	F19291	(H1700)	L.H.; 16" Brake
Adjuster Screw	78 - 70	F140818	(H1606)	R.H.; 15" Brake
Adjuster Screw	78 - 70	F19292	(H1701)	R.H.; 16" Brake
Combi Kit	78 - 70	F117027	(H7171)	
↳ Adjuster Spring Kit		F78727	(H451)	
↳ Hold Down Kit		F19309	(H5079)	
↳ Return Spring Kit		F98318	(H609)	

Hydraulics - New

Master Cylinder	Years	Sequential No.	Category No.	Qualifier
Master Cylinder	78 - 70	F661	(MC661)	Single Syst.; Exc. H.D.; Frame Mtd.; Exc. Tandem
Master Cylinder	78 - 70	F2951	(MC2951)	Single Syst.; Exc. H.D.; Frame Mtd.; Tandem
Master Cylinder	78 - 70	F2842	(MC2842)	Single Syst.; H.D.; Exc. Frame Mtd.

Front Wheel Cylinder	Years	Sequential No.	Category No.	Qualifier
Wheel Cylinder	78 - 70	F949	(WC949)	16 x 2-1/2" Brake; w/o Bleeder Screw; 1-1/4" Bore
Wheel Cylinder	78 - 70	F71940	(WC71940)	L.H.; 14 x 2-1/2" Brake; w/Bleeder Screw; 1-1/8" Bore
Wheel Cylinder	78 - 70	F71940	(WC71940)	L.H.; 15 x 3" Brake; w/Bleeder Screw; 1-1/8" Bore
Wheel Cylinder	78 - 70	F43383	(WC43383)	L.H.; 15 x 3" Brake; w/o Bleeder Screw; 2WD; 1-1/4" Bore
Wheel Cylinder	78 - 70	F8852	(WC8852)	L.H.; 15 x 3" Brake; w/o Bleeder Screw; 4WD; 1-1/8" Bore
Wheel Cylinder	78 - 70	F8813	(WC8813)	L.H.; 15 x 3-1/2" Brake; w/o Bleeder Screw; 1-3/8" Bore
Wheel Cylinder	78 - 70	F71941	(WC71941)	R.H.; 14 x 2-1/2" Brake; w/Bleeder Screw; 1-1/8" Bore
Wheel Cylinder	78 - 70	F71941	(WC71941)	R.H.; 15 x 3" Brake; w/Bleeder Screw; 1-1/8" Bore
Wheel Cylinder	78 - 70	F43384	(WC43384)	R.H.; 15 x 3" Brake; w/o Bleeder Screw; 2WD; 1-1/4" Bore
Wheel Cylinder	78 - 70	F8853	(WC8853)	R.H.; 15 x 3" Brake; w/o Bleeder Screw; 4WD; 1-1/8" Bore
Wheel Cylinder	78 - 70	F8814	(WC8814)	R.H.; 15 x 3-1/2" Brake; w/o Bleeder Screw; 1-3/8" Bore

Rear Wheel Cylinder	Years	Sequential No.	Category No.	Qualifier
Wheel Cylinder	78 - 70	F26159	(WC26159)	15 x 4" Brake; 1-1/2" Bore
Wheel Cylinder	78 - 70	F26159	(WC26159)	15 x 5" Brake; 1-1/2" Bore
Wheel Cylinder	78 - 70	F24489	(WC24489)	15 x 5" Brake; 1-5/8" Bore
Wheel Cylinder	78 - 70	F24489	(WC24489)	15 x 6" Brake; 1-5/8" Bore
Wheel Cylinder	78 - 70	F26172	(WC26172)	15 x 7" Brake; 1-3/4" Bore
Wheel Cylinder	78 - 70	F24489	(WC24489)	15 x 7" Brake; 1-5/8" Bore
Wheel Cylinder	78 - 70	F26172	(WC26172)	16 x 5" Brake; 1-3/4" Bore
Wheel Cylinder	78 - 70	F24489	(WC24489)	16 x 5" Brake; 1-5/8" Bore
Wheel Cylinder	78 - 70	F26172	(WC26172)	16 x 6" Brake; 1-3/4" Bore

Clutch Master Cylind	Years	Sequential No.	Category No.	Qualifier
Clutch Master Cylinder	78 - 70	F78828	(CM78828)	Exc. FC Models; 6V-53 Eng.
Clutch Master Cylinder	78 - 70	F54699	(CM54699)	Exc. FC Models; Exc. 6V-53 Eng.

Clutch Slave Cylinder	Years	Sequential No.	Category No.	Qualifier
Clutch Slave Cylinder	78 - 70	F43260	(SC43260)	

Front Brake Hose	Years	Sequential No.	Category No.	Qualifier
Brake Hose	78 - 70	F4751	(BH4751)	2WD; Exc. FA-89 or 91; Exc. FA-101; Exc. FA-109 or 139; Exc. FA-208; 21-5/8" Length

↳ Sub-Kit of Combi-Kit is available separately.

1600 (cont.)

Hydraulics - New (cont.)

Front Brake Hose	Years	Sequential No.	Category No.	Qualifier
Brake Hose	78 - 70	F79359	(BH79359)	2WD; FA-109 or 139; 26-3/4" Length
Brake Hose	78 - 70	F8116	(BH8116)	2WD; FA-89 or 91; 18-7/8" Length
Brake Hose	78 - 70	F4050	(BH4050)	2WD; FA-89 or 91; 20" Length
Brake Hose	78 - 70	F4751	(BH4751)	4WD; 21-5/8" Length
Brake Hose	78 - 70	F79359	(BH79359)	4WD; 26-3/4" Length
Brake Hose	78 - 70	F79360	(BH79360)	L.H.; 2WD; FA-208; 22-1/4" Length
Brake Hose	78 - 70	F4751	(BH4751)	R.H.; 2WD; FA-208; 21-5/8" Length
Rear Brake Hose	Years	Sequential No.	Category No.	Qualifier
Brake Hose	78 - 70	F39508	(BH39508)	Exc. Tandem; Exc. Low Frame
Brake Hose	78 - 70	F102235	(BH102235)	Tandem; Fwd. RA
Brake Hose	78 - 70	F102236	(BH102236)	Tandem; Rear RA

Hydraulics - Reman

Power Brake Booster	Years	Part No.	Qualifier
Vacuum Booster	78 - 70	518037	Single Syst.; 34000 lb. TRA; Double Diaphragm
Vacuum Booster	78 - 70	518037	Single Syst.; DT466 Eng.; Double Diaphragm; 16000 lb. RA or 34000 lb. TRA
Vacuum Booster	78 - 70	518002	Single Syst.; DT466 Eng.; Single Diaphragm; Exc. 16000 lb. RA or 34000 lb. TRA
Vacuum Booster	78 - 70	518002	Single Syst.; Exc. Tandem; Single Diaphragm
Vacuum Booster	78 - 70	518054	Single Syst.; Heavy Duty; Single Diaphragm
Vacuum Booster	78 - 70	518022	Split Syst.; Single Diaphragm

1650

Brake Pads & Shoes

Front Pads & Shoes	Years	SevereDuty	Lining No.	Qualifier
Brake Shoes	78 - 70	SDS321R	EX1245AD-S32	Hyd. Brakes; Auto. Adj.; 15 x 3
Brake Shoes	78 - 70	SDS322R	EX1280BD-S32	Hyd. Brakes; Auto. Adj.; 15 x 3-1/2
Brake Shoes	78 - 70	SDS235R	EX1245AD-S32	Hyd. Brakes; Man. Adj.; 15 x 3
Brake Shoes	78 - 70	SDS463R	EX1280D-S32	Hyd. Brakes; Man. Adj.; 15 x 3-1/2
Brake Shoes	78 - 70	4223E	4223A	w/Air Brakes; Eaton/Spicer; 16-1/2 x 5
Brake Shoes	78 - 70	1307T	1307	w/Air Brakes; Rockwell/Meritor; T-Series; 15 x 3-1/2
Brake Shoes	78 - 70	1308T	1308T	w/Air Brakes; Rockwell/Meritor; T-Series; 15 x 4
Brake Shoes	78 - 70	4615S	4615	w/Air Brakes; Rockwell/Meritor; Wedge; 15 x 5
Rear Pads & Shoes	Years	SevereDuty	Lining No.	Qualifier
Brake Shoes	78 - 70	SDS346R	EX1252D-S32	Hyd. Brakes; 15 x 5
Brake Shoes	78 - 70	SDS381R	EX4596D-S32	Hyd. Brakes; 15 x 6
Brake Shoes	78 - 70	SDS383R	EX4597D-S32	Hyd. Brakes; 15 x 7
Brake Shoes	78 - 70	SDS385R	EX1254D-S32	Hyd. Brakes; 16 x 5
Brake Shoes	78 - 70	SDS386R	EX1255D-S32	Hyd. Brakes; 16 x 6
Brake Shoes	78 - 70	4311E	4311J	w/Air Brakes; Eaton/Spicer; 16-1/2 x 7
Brake Shoes	78 - 70	4514P	4514G	w/Air Brakes; Rockwell/Meritor; P-Series; 16-1/2 x 6
Brake Shoes	78 - 70	4515P	4515E	w/Air Brakes; Rockwell/Meritor; P-Series; 16-1/2 x 7
Brake Shoes	78 - 70	4605S	4605	w/Air Brakes; Rockwell/Meritor; Wedge; 15 x 6
Brake Shoes	78 - 70	4602S	4602	w/Air Brakes; Rockwell/Meritor; Wedge; 15 x 7
Parking Brake Shoes	Years	SevereDuty	Lining No.	Qualifier
Brake Shoes	78 - 70	SDS842R	EX1303AD	Driveline Config.; 10 x 3

Brake Hardware

Front Brake Hardware	Years	Sequential No.	Category No.	Qualifier
Adjuster Kit	78 - 70	F59159	(H2904)	L.H.; w/Auto Adj.
Adjuster Kit	78 - 70	F128990	(H2929)	L.H.; w/Man. Adj.
Adjuster Kit	78 - 70	F59160	(H2905)	R.H.; w/Auto Adj.
Adjuster Kit	78 - 70	F128990	(H2929)	R.H.; w/Man. Adj.
Combi Kit	78 - 70	F117024	(H7178)	14" Brake; Bendix
Combi Kit	78 - 70	F117025	(H7173)	14" Brake; Wagner; w/Auto Adj.
↳ Hold Down Kit		F73399	(H4201)	
↳ Return Spring Kit		F36445	(H521)	

↳ Sub-Kit of Combi-Kit is available separately.

1650 (cont.)**Brake Hardware (cont.)**

Front Brake Hardware	Years	Sequential No.	Category No.	Qualifier
Combi Kit	78 - 70	F117018	(H7185)	14" Brake; Wagner; w/Man. Adj.
↳Hold Down Kit		F19408	(H4200)	
↳Return Spring Kit		F36445	(H521)	
Combi Kit	78 - 70	F117025	(H7173)	15 x 3 or 15 x 3-1/2" Brake; w/Auto Adj.
↳Hold Down Kit		F73399	(H4201)	
↳Return Spring Kit		F36445	(H521)	
Combi Kit	78 - 70	F117026	(H7172)	15 x 3 or 15 x 3-1/2" Brake; w/Man. Adj.
↳Hold Down Kit		F19408	(H4200)	
↳Return Spring Kit		F36445	(H521)	
Combi Kit	78 - 70	F117025	(H7173)	15 x 5" Brake; w/Auto Adj.
↳Hold Down Kit		F73399	(H4201)	
↳Return Spring Kit		F36445	(H521)	
Combi Kit	78 - 70	F117019	(H7182)	15 x 5" Brake; w/Man. Adj.
↳Return Spring Kit		F36445	(H521)	

Rear Brake Hardware	Years	Sequential No.	Category No.	Qualifier
Adjuster Kit	78 - 70	F59157	(H2902)	L.H.; 15" Brake; w/Auto Adj.
Adjuster Kit	78 - 70	F128894S	(H2911)	L.H.; 15" Brake; w/Man. Adj.
Adjuster Kit	78 - 70	F128895S	(H2912)	L.H.; 16" Brake; w/Man. Adj.
Adjuster Kit	78 - 70	F59158	(H2903)	R.H.; 15" Brake; w/Auto Adj.
Adjuster Kit	78 - 70	F128894S	(H2911)	R.H.; 15" Brake; w/Man. Adj.
Adjuster Kit	78 - 70	F128895S	(H2912)	R.H.; 16" Brake; w/Man. Adj.
Adjuster Screw	78 - 70	F140823	(H1607)	L.H.; 15" Brake
Adjuster Screw	78 - 70	F19291	(H1700)	L.H.; 16" Brake
Adjuster Screw	78 - 70	F140818	(H1606)	R.H.; 15" Brake
Adjuster Screw	78 - 70	F19292	(H1701)	R.H.; 16" Brake
Combi Kit	78 - 70	F117027	(H7171)	
↳Adjuster Spring Kit		F78727	(H451)	
↳Hold Down Kit		F19309	(H5079)	
↳Return Spring Kit		F98318	(H609)	

Hydraulics - New

Master Cylinder	Years	Sequential No.	Category No.	Qualifier
Master Cylinder	78 - 70	F661	(MC661)	Single Syst.; Exc. H.D.; Frame Mtd.; Exc. Tandem
Master Cylinder	78 - 70	F2951	(MC2951)	Single Syst.; Exc. H.D.; Frame Mtd.; Tandem
Master Cylinder	78 - 70	F2842	(MC2842)	Single Syst.; H.D.; Exc. Frame Mtd.
Front Wheel Cylinder	Years	Sequential No.	Category No.	Qualifier
Wheel Cylinder	78 - 70	F949	(WC949)	16 x 2-1/2" Brake; w/o Bleeder Screw; 1-1/4" Bore
Wheel Cylinder	78 - 70	F71940	(WC71940)	L.H.; 14 x 2-1/2" Brake; w/Bleeder Screw; 1-1/8" Bore
Wheel Cylinder	78 - 70	F71940	(WC71940)	L.H.; 15 x 3" Brake; w/Bleeder Screw; 1-1/8" Bore
Wheel Cylinder	78 - 70	F43383	(WC43383)	L.H.; 15 x 3" Brake; w/o Bleeder Screw; 2WD; 1-1/4" Bore
Wheel Cylinder	78 - 70	F8852	(WC8852)	L.H.; 15 x 3" Brake; w/o Bleeder Screw; 4WD; 1-1/8" Bore
Wheel Cylinder	78 - 70	F8813	(WC8813)	L.H.; 15 x 3-1/2" Brake; w/o Bleeder Screw; 1-3/8" Bore
Wheel Cylinder	78 - 70	F71941	(WC71941)	R.H.; 14 x 2-1/2" Brake; w/Bleeder Screw; 1-1/8" Bore
Wheel Cylinder	78 - 70	F71941	(WC71941)	R.H.; 15 x 3" Brake; w/Bleeder Screw; 1-1/8" Bore
Wheel Cylinder	78 - 70	F43384	(WC43384)	R.H.; 15 x 3" Brake; w/o Bleeder Screw; 2WD; 1-1/4" Bore
Wheel Cylinder	78 - 70	F8853	(WC8853)	R.H.; 15 x 3" Brake; w/o Bleeder Screw; 4WD; 1-1/8" Bore
Wheel Cylinder	78 - 70	F8814	(WC8814)	R.H.; 15 x 3-1/2" Brake; w/o Bleeder Screw; 1-3/8" Bore
Rear Wheel Cylinder	Years	Sequential No.	Category No.	Qualifier
Wheel Cylinder	78 - 70	F26159	(WC26159)	15 x 4" Brake; 1-1/2" Bore
Wheel Cylinder	78 - 70	F26159	(WC26159)	15 x 5" Brake; 1-1/2" Bore
Wheel Cylinder	78 - 70	F24489	(WC24489)	15 x 5" Brake; 1-5/8" Bore
Wheel Cylinder	78 - 70	F24489	(WC24489)	15 x 6" Brake; 1-5/8" Bore
Wheel Cylinder	78 - 70	F26172	(WC26172)	15 x 7" Brake; 1-3/4" Bore
Wheel Cylinder	78 - 70	F24489	(WC24489)	15 x 7" Brake; 1-5/8" Bore
Wheel Cylinder	78 - 70	F26172	(WC26172)	16 x 5" Brake; 1-3/4" Bore

↳Sub-Kit of Combi-Kit is available separately.

Hydraulics - New (cont.)

Rear Wheel Cylinder	Years	Sequential No.	Category No.	Qualifier
Wheel Cylinder	78 - 70	F24489	(WC24489)	16 x 5" Brake; 1-5/8" Bore
Wheel Cylinder	78 - 70	F26172	(WC26172)	16 x 6" Brake; 1-3/4" Bore
Clutch Master Cylind	Years	Sequential No.	Category No.	Qualifier
Clutch Master Cylinder	78 - 70	F78828	(CM78828)	Exc. FC Models; 6V-53 Eng.
Clutch Master Cylinder	78 - 70	F54699	(CM54699)	Exc. FC Models; Exc. 6V-53 Eng.
Clutch Slave Cylinder	Years	Sequential No.	Category No.	Qualifier
Clutch Slave Cylinder	78 - 70	F43260	(SC43260)	
Front Brake Hose	Years	Sequential No.	Category No.	Qualifier
Brake Hose	78 - 70	F4751	(BH4751)	2WD; Exc. FA-89 or 91; Exc. FA-101; Exc. FA-109 or 139; Exc. FA-208; 21-5/8" Length
Brake Hose	78 - 70	F79359	(BH79359)	2WD; FA-109 or 139; 26-3/4" Length
Brake Hose	78 - 70	F8116	(BH8116)	2WD; FA-89 or 91; 18-7/8" Length
Brake Hose	78 - 70	F4050	(BH4050)	2WD; FA-89 or 91; 20" Length
Brake Hose	78 - 70	F4751	(BH4751)	4WD; 21-5/8" Length
Brake Hose	78 - 70	F79359	(BH79359)	4WD; 26-3/4" Length
Brake Hose	78 - 70	F79360	(BH79360)	L.H.; 2WD; FA-208; 22-1/4" Length
Brake Hose	78 - 70	F4751	(BH4751)	R.H.; 2WD; FA-208; 21-5/8" Length
Rear Brake Hose	Years	Sequential No.	Category No.	Qualifier
Brake Hose	78 - 70	F39508	(BH39508)	Exc. Tandem; Exc. Low Frame
Brake Hose	78 - 70	F102235	(BH102235)	Tandem; Fwd. RA
Brake Hose	78 - 70	F102236	(BH102236)	Tandem; Rear RA

Hydraulics - Reman

Power Brake Booster	Years	Part No.	Qualifier
Vacuum Booster	78 - 70	518037	Single Syst.; 34000 lb. TRA; Double Diaphragm
Vacuum Booster	78 - 70	518037	Single Syst.; DT466 Eng.; Double Diaphragm; 16000 lb. RA or 34000 lb. TRA
Vacuum Booster	78 - 70	518002	Single Syst.; DT466 Eng.; Single Diaphragm; Exc. 16000 lb. RA or 34000 lb. TRA
Vacuum Booster	78 - 70	518002	Single Syst.; Exc. Tandem; Single Diaphragm
Vacuum Booster	78 - 70	518054	Single Syst.; Heavy Duty; Single Diaphragm
Vacuum Booster	78 - 70	518022	Split Syst.; Single Diaphragm

Binder
Brake Pads & Shoes

Front Pads & Shoes	Years	SevereDuty	Lining No.	Qualifier
Brake Shoes	78 - 77	SDS321R	EX1245AD-S32	Hyd. Brakes; Auto. Adj.; 15 x 3
Brake Shoes	78 - 77	SDS322R	EX1280BD-S32	Hyd. Brakes; Auto. Adj.; 15 x 3-1/2
Brake Shoes	78 - 77	SDS235R	EX1245AD-S32	Hyd. Brakes; Man. Adj.; 15 x 3
Brake Shoes	78 - 77	SDS463R	EX1280D-S32	Hyd. Brakes; Man. Adj.; 15 x 3-1/2
Brake Shoes	78 - 77	4223E	4223A	w/Air Brakes; Eaton/Spicer; 16-1/2 x 5
Brake Shoes	78 - 77	1307T	1307	w/Air Brakes; Rockwell/Meritor; T-Series; 15 x 3-1/2
Brake Shoes	78 - 77	1308T	1308T	w/Air Brakes; Rockwell/Meritor; T-Series; 15 x 4
Brake Shoes	78 - 77	4615S	4615	w/Air Brakes; Rockwell/Meritor; Wedge; 15 x 5
Rear Pads & Shoes	Years	SevereDuty	Lining No.	Qualifier
Brake Shoes	78 - 77	SDS346R	EX1252D-S32	Hyd. Brakes; 15 x 5
Brake Shoes	78 - 77	SDS381R	EX4596D-S32	Hyd. Brakes; 15 x 6
Brake Shoes	78 - 77	SDS383R	EX4597D-S32	Hyd. Brakes; 15 x 7
Brake Shoes	78 - 77	SDS385R	EX1254D-S32	Hyd. Brakes; 16 x 5
Brake Shoes	78 - 77	SDS386R	EX1255D-S32	Hyd. Brakes; 16 x 6
Brake Shoes	78 - 77	4311E	4311J	w/Air Brakes; Eaton/Spicer; 16-1/2 x 7
Brake Shoes	78 - 77	4514P	4514G	w/Air Brakes; Rockwell/Meritor; P-Series; 16-1/2 x 6
Brake Shoes	78 - 77	4515P	4515E	w/Air Brakes; Rockwell/Meritor; P-Series; 16-1/2 x 7
Brake Shoes	78 - 77	4605S	4605	w/Air Brakes; Rockwell/Meritor; Wedge; 15 x 6
Brake Shoes	78 - 77	4602S	4602	w/Air Brakes; Rockwell/Meritor; Wedge; 15 x 7
Parking Brake Shoes	Years	SevereDuty	Lining No.	Qualifier
Brake Shoes	78 - 77	SDS842R	EX1303AD	Driveline Config.; 10 x 3



Binder (cont.)

Brake Hardware

Front Brake Hardware	Years	Sequential No.	Category No.	Qualifier
Adjuster Kit	78 - 77	F59159	(H2904)	L.H.; w/Auto Adj.
Adjuster Kit	78 - 77	F128990	(H2929)	L.H.; w/Man. Adj.
Adjuster Kit	78 - 77	F59160	(H2905)	R.H.; w/Auto Adj.
Adjuster Kit	78 - 77	F128990	(H2929)	R.H.; w/Man. Adj.
Combi Kit	78 - 77	F117024	(H7178)	14" Brake; Bendix
Combi Kit	78 - 77	F117025	(H7173)	14" Brake; Wagner; w/Auto Adj.
↳Hold Down Kit		F73399	(H4201)	
↳Return Spring Kit		F36445	(H521)	
Combi Kit	78 - 77	F117018	(H7185)	14" Brake; Wagner; w/Man. Adj.
↳Hold Down Kit		F19408	(H4200)	
↳Return Spring Kit		F36445	(H521)	
Combi Kit	78 - 77	F117025	(H7173)	15 x 3 or 15 x 3-1/2" Brake; w/Auto Adj.
↳Hold Down Kit		F73399	(H4201)	
↳Return Spring Kit		F36445	(H521)	
Combi Kit	78 - 77	F117026	(H7172)	15 x 3 or 15 x 3-1/2" Brake; w/Man. Adj.
↳Hold Down Kit		F19408	(H4200)	
↳Return Spring Kit		F36445	(H521)	
Combi Kit	78 - 77	F117025	(H7173)	15 x 5" Brake; w/Auto Adj.
↳Hold Down Kit		F73399	(H4201)	
↳Return Spring Kit		F36445	(H521)	
Combi Kit	78 - 77	F117019	(H7182)	15 x 5" Brake; w/Man. Adj.
↳Return Spring Kit		F36445	(H521)	

Rear Brake Hardware

Rear Brake Hardware	Years	Sequential No.	Category No.	Qualifier
Adjuster Kit	78 - 77	F59157	(H2902)	L.H.; 15" Brake; w/Auto Adj.
Adjuster Kit	78 - 77	F128894S	(H2911)	L.H.; 15" Brake; w/Man. Adj.
Adjuster Kit	78 - 77	F128895S	(H2912)	L.H.; 16" Brake; w/Man. Adj.
Adjuster Kit	78 - 77	F59158	(H2903)	R.H.; 15" Brake; w/Auto Adj.
Adjuster Kit	78 - 77	F128894S	(H2911)	R.H.; 15" Brake; w/Man. Adj.
Adjuster Kit	78 - 77	F128895S	(H2912)	R.H.; 16" Brake; w/Man. Adj.
Adjuster Screw	78 - 77	F140823	(H1607)	L.H.; 15" Brake
Adjuster Screw	78 - 77	F19291	(H1700)	L.H.; 16" Brake
Adjuster Screw	78 - 77	F140818	(H1606)	R.H.; 15" Brake
Adjuster Screw	78 - 77	F19292	(H1701)	R.H.; 16" Brake
Combi Kit	78 - 77	F117027	(H7171)	
↳Adjuster Spring Kit		F78727	(H451)	
↳Hold Down Kit		F19309	(H5079)	
↳Return Spring Kit		F98318	(H609)	

Hydraulics - New

Master Cylinder

Master Cylinder	Years	Sequential No.	Category No.	Qualifier
Master Cylinder	78 - 77	F661	(MC661)	Single Syst.; Exc. H.D.; Frame Mtd.; Exc. Tandem
Master Cylinder	78 - 77	F2951	(MC2951)	Single Syst.; Exc. H.D.; Frame Mtd.; Tandem
Master Cylinder	78 - 77	F2842	(MC2842)	Single Syst.; H.D.; Exc. Frame Mtd.

Front Wheel Cylinder

Front Wheel Cylinder	Years	Sequential No.	Category No.	Qualifier
Wheel Cylinder	78 - 77	F949	(WC949)	16 x 2-1/2" Brake; w/o Bleeder Screw; 1-1/4" Bore
Wheel Cylinder	78 - 77	F71940	(WC71940)	L.H.; 14 x 2-1/2" Brake; w/Bleeder Screw; 1-1/8" Bore
Wheel Cylinder	78 - 77	F71940	(WC71940)	L.H.; 15 x 3" Brake; w/Bleeder Screw; 1-1/8" Bore
Wheel Cylinder	78 - 77	F43383	(WC43383)	L.H.; 15 x 3" Brake; w/o Bleeder Screw; 2WD; 1-1/4" Bore
Wheel Cylinder	78 - 77	F8852	(WC8852)	L.H.; 15 x 3" Brake; w/o Bleeder Screw; 4WD; 1-1/8" Bore
Wheel Cylinder	78 - 77	F8813	(WC8813)	L.H.; 15 x 3-1/2" Brake; w/o Bleeder Screw; 1-3/8" Bore
Wheel Cylinder	78 - 77	F71941	(WC71941)	R.H.; 14 x 2-1/2" Brake; w/Bleeder Screw; 1-1/8" Bore
Wheel Cylinder	78 - 77	F71941	(WC71941)	R.H.; 15 x 3" Brake; w/Bleeder Screw; 1-1/8" Bore
Wheel Cylinder	78 - 77	F43384	(WC43384)	R.H.; 15 x 3" Brake; w/o Bleeder Screw; 2WD; 1-1/4" Bore
Wheel Cylinder	78 - 77	F8853	(WC8853)	R.H.; 15 x 3" Brake; w/o Bleeder Screw; 4WD; 1-1/8" Bore
Wheel Cylinder	78 - 77	F8814	(WC8814)	R.H.; 15 x 3-1/2" Brake; w/o Bleeder Screw; 1-3/8" Bore

↳Sub-Kit of Combi-Kit is available separately.

Hydraulics - New (cont.)

Rear Wheel Cylinder	Years	Sequential No.	Category No.	Qualifier
Wheel Cylinder	78 - 77	F26159	(WC26159)	15 x 4" Brake; 1-1/2" Bore
Wheel Cylinder	78 - 77	F26159	(WC26159)	15 x 5" Brake; 1-1/2" Bore
Wheel Cylinder	78 - 77	F24489	(WC24489)	15 x 5" Brake; 1-5/8" Bore
Wheel Cylinder	78 - 77	F24489	(WC24489)	15 x 6" Brake; 1-5/8" Bore
Wheel Cylinder	78 - 77	F26172	(WC26172)	15 x 7" Brake; 1-3/4" Bore
Wheel Cylinder	78 - 77	F24489	(WC24489)	15 x 7" Brake; 1-5/8" Bore
Wheel Cylinder	78 - 77	F26172	(WC26172)	16 x 5" Brake; 1-3/4" Bore
Wheel Cylinder	78 - 77	F24489	(WC24489)	16 x 5" Brake; 1-5/8" Bore
Wheel Cylinder	78 - 77	F26172	(WC26172)	16 x 6" Brake; 1-3/4" Bore
Clutch Master Cylind	Years	Sequential No.	Category No.	Qualifier
Clutch Master Cylinder	78 - 77	F78828	(CM78828)	Exc. FC Models; 6V-53 Eng.
Clutch Master Cylinder	78 - 77	F54699	(CM54699)	Exc. FC Models; Exc. 6V-53 Eng.
Clutch Slave Cylinder	Years	Sequential No.	Category No.	Qualifier
Clutch Slave Cylinder	78 - 77	F43260	(SC43260)	
Front Brake Hose	Years	Sequential No.	Category No.	Qualifier
Brake Hose	78 - 77	F4751	(BH4751)	2WD; Exc. FA-89 or 91; Exc. FA-101; Exc. FA-109 or 139; Exc. FA-208; 21-5/8" Length
Brake Hose	78 - 77	F79359	(BH79359)	2WD; FA-109 or 139; 26-3/4" Length
Brake Hose	78 - 77	F8116	(BH8116)	2WD; FA-89 or 91; 18-7/8" Length
Brake Hose	78 - 77	F4050	(BH4050)	2WD; FA-89 or 91; 20" Length
Brake Hose	78 - 77	F4751	(BH4751)	4WD; 21-5/8" Length
Brake Hose	78 - 77	F79359	(BH79359)	4WD; 26-3/4" Length
Brake Hose	78 - 77	F79360	(BH79360)	L.H.; 2WD; FA-208; 22-1/4" Length
Brake Hose	78 - 77	F4751	(BH4751)	R.H.; 2WD; FA-208; 21-5/8" Length
Rear Brake Hose	Years	Sequential No.	Category No.	Qualifier
Brake Hose	78 - 77	F39508	(BH39508)	Exc. Tandem; Exc. Low Frame
Brake Hose	78 - 77	F102235	(BH102235)	Tandem; Fwd. RA
Brake Hose	78 - 77	F102236	(BH102236)	Tandem; Rear RA

Hydraulics - Reman

Power Brake Booster	Years	Part No.	Qualifier
Vacuum Booster	78 - 77	518037	Single Syst.; 34000 lb. TRA; Double Diaphragm
Vacuum Booster	78 - 77	518037	Single Syst.; DT466 Eng.; Double Diaphragm; 16000 lb. RA or 34000 lb. TRA
Vacuum Booster	78 - 77	518002	Single Syst.; DT466 Eng.; Single Diaphragm; Exc. 16000 lb. RA or 34000 lb. TRA
Vacuum Booster	78 - 77	518002	Single Syst.; Exc. Tandem; Single Diaphragm
Vacuum Booster	78 - 77	518054	Single Syst.; Heavy Duty; Single Diaphragm

INTERNATIONAL MD 1600 S-Series
1624
Brake Pads & Shoes

Front Pads & Shoes	Years	SevereDuty	Lining No.	Qualifier
Brake Pads	89 - 79	SD184		Bendix; 2.60" 2-Piston Caliper
Brake Pads	89 - 79	SD225		Bendix; 2.88" 2-Piston Caliper
Brake Pads	89 - 79	SD184		Bendix; 3.38" 1-Piston Caliper
Brake Shoes	89 - 79	SDS321R	EX1245AD-S32	Hyd. Brakes; Auto. Adj.; 15 x 3
Brake Shoes	89 - 79	SDS322R	EX1280BD-S32	Hyd. Brakes; Auto. Adj.; 15 x 3-1/2
Brake Shoes	89 - 79	SDS235R	EX1245AD-S32	Hyd. Brakes; Man. Adj.; 15 x 3
Brake Shoes	89 - 79	SDS840R	EX1280D-S32	Hyd. Brakes; Man. Adj.; 15 x 3-1/2
Brake Shoes	89 - 79	4223E	4223A	w/Air Brakes; Eaton/Spicer; 16-1/2 x 5
Brake Shoes	89 - 79	4514Q	4514G	w/Air Brakes; Rockwell/Meritor; Q-Series; 16-1/2 x 6
Brake Shoes	89 - 79	1307T	1307	w/Air Brakes; Rockwell/Meritor; T-Series; 15 x 3-1/2
Brake Shoes	89 - 79	1308T	1308T	w/Air Brakes; Rockwell/Meritor; T-Series; 15 x 4
Brake Shoes	89 - 79	4605S	4605	w/Air Brakes; Rockwell/Meritor; Wedge; 15 x 6
Rear Pads & Shoes	Years	SevereDuty	Lining No.	Qualifier
Brake Pads	89 - 79	SD184		Bendix; 2.60" 2-Piston Caliper
Brake Pads	89 - 79	SD225		Bendix; 2.88" 2-Piston Caliper

1624 (cont.)

Brake Pads & Shoes (cont.)

Rear Pads & Shoes	Years	SevereDuty	Lining No.	Qualifier
Brake Shoes	89 - 79	SDS346R	EX1252D-S32	Hyd. Brakes; 15 x 5
Brake Shoes	89 - 79	SDS381R	EX4596D-S32	Hyd. Brakes; 15 x 6
Brake Shoes	89 - 79	SDS383R	EX4597D-S32	Hyd. Brakes; 15 x 7
Brake Shoes	89 - 79	SDS385R	EX1254D-S32	Hyd. Brakes; 16 x 5
Brake Shoes	89 - 79	SDS386R	EX1255D-S32	Hyd. Brakes; 16 x 6
Brake Shoes	89 - 79	4311E	4311J	w/Air Brakes; Eaton/Spicer; 16-1/2 x 7
Brake Shoes	89 - 79	4514P	4514G	w/Air Brakes; Rockwell/Meritor; P-Series; 16-1/2 x 6
Brake Shoes	89 - 79	4515P	4515E	w/Air Brakes; Rockwell/Meritor; P-Series; 16-1/2 x 7
Brake Shoes	89 - 79	4644P	4644A	w/Air Brakes; Rockwell/Meritor; P-Series; 16-1/2 x 8
Brake Shoes	89 - 79	4514Q	4514G	w/Air Brakes; Rockwell/Meritor; Q-Series; 16-1/2 x 6
Brake Shoes	89 - 79	4515Q	4515E	w/Air Brakes; Rockwell/Meritor; Q-Series; 16-1/2 x 7
Brake Shoes	89 - 79	4644Q	4644A	w/Air Brakes; Rockwell/Meritor; Q-Series; 16-1/2 x 8
Brake Shoes	89 - 79	4602S	4602	w/Air Brakes; Rockwell/Meritor; Wedge; 15 x 7
Parking Brake Shoes	Years	SevereDuty	Lining No.	Qualifier
Brake Shoes	89 - 79	SDS842R	EX1303AD	Driveline Config.; 10 x 3
Brake Shoes	89 - 79	SDS647	EX2086D	Driveline Config.; 9 x 3

Rotor & Drum

Front Rotor & Drum	Years	Part No.	Qualifier
Brake Rotor	89 - 79	BD125097	5000-7500 lb. FA; Hat-Shaped; 10-Hole Rotor
Brake Rotor	89 - 79	BD125361	5000-7500 lb. FA; Hat-Shaped; 5-Hole Rotor
Brake Rotor	89 - 79	BD125362	5000-7500 lb. FA; Hat-Shaped; 6-Hole Rotor
Brake Rotor	89 - 79	BD126402	5000-7500 lb. FA; U-Shaped; 5-Hole Rotor
Brake Rotor	89 - 79	BD125096	5000-7500 lb. FA; U-Shaped; 6-Hole Rotor
Brake Rotor	89 - 87	BD125244	9000-12000 lb. FA; U-Shaped; 5-Hole Rotor
Brake Rotor	86	BD125244	From 2/01/86; 9000-12000 lb. FA; U-Shaped; 5-Hole Rotor
Brake Rotor	86	BD125098	To 1/31/86; 9000-12000 lb. FA; U-Shaped; 5-Hole Rotor
Brake Rotor	85 - 79	BD125098	9000-12000 lb. FA; U-Shaped; 5-Hole Rotor
Rear Rotor & Drum	Years	Part No.	Qualifier
Brake Rotor	89 - 79	BD125097	10000-15500 lb. RA; Hat-Shaped; 10-Hole Rotor
Brake Rotor	89 - 79	BD125362	10000-15500 lb. RA; Hat-Shaped; 6-Hole Rotor
Brake Rotor	89 - 79	BD126403	10000-15500 lb. RA; U-Shaped; 5-Hole Rotor
Brake Rotor	89 - 79	BD125096	10000-15500 lb. RA; U-Shaped; 6-Hole Rotor
Brake Rotor	89 - 79	BD125097	17000-19000 lb. RA; Hat-Shaped; 10-Hole Rotor
Brake Rotor	89 - 79	BD126394	17000-19000 lb. RA; U-Shaped; 10-Hole Rotor
Brake Rotor	89 - 79	BD125382	17000-19000 lb. RA; U-Shaped; 5-Hole Rotor; 12-3/4" Bolt Circle

Brake Hardware

Front Brake Hardware	Years	Sequential No.	Category No.	Qualifier
Adjuster Kit	89 - 79	F59159	(H2904)	L.H.; w/Auto Adj.
Adjuster Kit	89 - 79	F128990	(H2929)	L.H.; w/Man. Adj.
Adjuster Kit	89 - 79	F59160	(H2905)	R.H.; w/Auto Adj.
Adjuster Kit	89 - 79	F128990	(H2929)	R.H.; w/Man. Adj.
Combi Kit	89 - 79	F117025	(H7173)	15 x 3 or 15 x 3-1/2" Brake; w/Auto Adj.
↳Hold Down Kit		F73399	(H4201)	
↳Return Spring Kit		F36445	(H521)	
Combi Kit	89 - 79	F117026	(H7172)	15 x 3 or 15 x 3-1/2" Brake; w/Man. Adj.
↳Hold Down Kit		F19408	(H4200)	
↳Return Spring Kit		F36445	(H521)	
Combi Kit	89 - 79	F117025	(H7173)	15 x 5" Brake; w/Auto Adj.
↳Hold Down Kit		F73399	(H4201)	
↳Return Spring Kit		F36445	(H521)	
Combi Kit	89 - 79	F117019	(H7182)	15 x 5" Brake; w/Man. Adj.
↳Return Spring Kit		F36445	(H521)	
Disc Align Kit	89 - 79	F112095S	(H5564)	Bendix; 2.60" 2-Piston Caliper
Disc Align Kit	89 - 79	F112090S	(H5566)	Bendix; 2.88" 2-Piston Caliper

↳Sub-Kit of Combi-Kit is available separately.

Brake Hardware (cont.)

Front Brake Hardware	Years	Sequential No.	Category No.	Qualifier
Disc Align Kit	89 - 79	F107401S	(H5562)	Bendix; 3.38" 1-Piston Caliper
Rear Brake Hardware	Years	Sequential No.	Category No.	Qualifier
Adjuster Kit	89 - 79	F59157	(H2902)	L.H.; 15" Brake; w/Auto Adj.
Adjuster Kit	89 - 79	F128894S	(H2911)	L.H.; 15" Brake; w/Man. Adj.
Adjuster Kit	89 - 79	F128895S	(H2912)	L.H.; 16" Brake; w/Man. Adj.
Adjuster Kit	89 - 79	F59158	(H2903)	R.H.; 15" Brake; w/Auto Adj.
Adjuster Kit	89 - 79	F128894S	(H2911)	R.H.; 15" Brake; w/Man. Adj.
Adjuster Kit	89 - 79	F128895S	(H2912)	R.H.; 16" Brake; w/Man. Adj.
Adjuster Screw	89 - 79	F140823	(H1607)	L.H.; 15" Brake
Adjuster Screw	89 - 79	F19291	(H1700)	L.H.; 16" Brake
Adjuster Screw	89 - 79	F140818	(H1606)	R.H.; 15" Brake
Adjuster Screw	89 - 79	F19292	(H1701)	R.H.; 16" Brake
Combi Kit	89 - 79	F117027	(H7171)	
↳Adjuster Spring Kit		F78727	(H451)	
↳Hold Down Kit		F19309	(H5079)	
↳Return Spring Kit		F98318	(H609)	
Disc Align Kit	89 - 79	F112095S	(H5564)	Bendix; 2.60" 2-Piston Caliper
Disc Align Kit	89 - 79	F112090S	(H5566)	Bendix; 2.88" 2-Piston Caliper

Calipers - Reman

Front, Loaded	Years	Left No.	Right No.	Qualifier	Piston
Loaded Caliper	89 - 79	AS112057	AS112057	Bendix; 2.60" 2-Piston Caliper	P
Loaded Caliper	89 - 79	AS112057S	AS112057S	Bendix; 2.60" 2-Piston Caliper	O
Loaded Caliper	89 - 79	AS120549	AS120549	Bendix; 2.88" 2-Piston Caliper	P
Loaded Caliper	89 - 79	AS120549S	AS120549S	Bendix; 2.88" 2-Piston Caliper	O
Loaded Caliper	89 - 79	AS130211A	AS130210A	Bendix; 3.38" 1-Piston Caliper	M
Rear, Loaded	Years	Left No.	Right No.	Qualifier	Piston
Loaded Caliper	89 - 79	AS112057	AS112057	Bendix; 2.60" 2-Piston Caliper	P
Loaded Caliper	89 - 79	AS112057S	AS112057S	Bendix; 2.60" 2-Piston Caliper	O
Loaded Caliper	89 - 79	AS120549	AS120549	Bendix; 2.88" 2-Piston Caliper	P
Loaded Caliper	89 - 79	AS120549S	AS120549S	Bendix; 2.88" 2-Piston Caliper	O
Front, Unloaded	Years	Left No.	Right No.	Qualifier	Piston
Unloaded Caliper	89 - 79	CR112057	CR112057	Bendix; 2.60" 2-Piston Caliper	P
Unloaded Caliper	89 - 79	CR112057S	CR112057S	Bendix; 2.60" 2-Piston Caliper	O
Unloaded Caliper	89 - 79	CR120549	CR120549	Bendix; 2.88" 2-Piston Caliper	P
Unloaded Caliper	89 - 79	CR120549S	CR120549S	Bendix; 2.88" 2-Piston Caliper	O
Unloaded Caliper	89 - 79	CR130211	CR130210	Bendix; 3.38" 1-Piston Caliper	M
Rear, Unloaded	Years	Left No.	Right No.	Qualifier	Piston
Unloaded Caliper	89 - 79	CR112057	CR112057	Bendix; 2.60" 2-Piston Caliper	P
Unloaded Caliper	89 - 79	CR112057S	CR112057S	Bendix; 2.60" 2-Piston Caliper	O
Unloaded Caliper	89 - 79	CR120549	CR120549	Bendix; 2.88" 2-Piston Caliper	P
Unloaded Caliper	89 - 79	CR120549S	CR120549S	Bendix; 2.88" 2-Piston Caliper	O

Hydraulics - New

Master Cylinder	Years	Sequential No.	Category No.	Qualifier
Master Cylinder	89 - 84	F113751	(MC113751)	w/Disc Brake; Split Syst.; w/High Pwr.
Master Cylinder	89 - 84	F116702	(MC116702)	w/Disc Brake; Split Syst.; w/Hydrovac; 19000 lb. RA
Master Cylinder	89 - 79	F661	(MC661)	w/Drum Brake; Single Syst.; Exc. Tandem; 15" Brake
Master Cylinder	89 - 79	F2842	(MC2842)	w/Drum Brake; Single Syst.; Exc. Tandem; 16" Brake; w/Air Actuated Hyd. Brks.
Master Cylinder	89 - 79	F2951	(MC2951)	w/Drum Brake; Single Syst.; Tandem
Master Cylinder	89 - 79	F119402	(MC119402)	w/Drum Brake; Split Syst.; w/High Pwr.
Master Cylinder	89 - 79	F119397	(MC119397)	w/Drum Brake; Split Syst.; w/Hydrovac
Master Cylinder	83	F113751	(MC113751)	From 8/26/83; w/Disc Brake; Split Syst.; w/High Pwr.
Master Cylinder	83	F116702	(MC116702)	From 8/26/83; w/Disc Brake; Split Syst.; w/Hydrovac; 19000 lb. RA
Master Cylinder	83	F119395	(MC119395)	To 8/25/83; w/Disc Brake; Split Syst.; w/High Pwr.
Master Cylinder	83	F119396	(MC119396)	To 8/25/83; w/Disc Brake; Split Syst.; w/Hydrovac

↳Sub-Kit of Combi-Kit is available separately.

Piston: M - OE Metal Piston P - OE Phenolic Piston O - Metal Piston Option

1624 (cont.)**Hydraulics - New (cont.)**

Master Cylinder	Years	Sequential No.	Category No.	Qualifier
Master Cylinder	82 - 79	F119395	(MC119395)	w/Disc Brake; Split Syst.; w/High Pwr.
Master Cylinder	82 - 79	F119396	(MC119396)	w/Disc Brake; Split Syst.; w/Hydrovac
Front Wheel Cylinder	Years	Sequential No.	Category No.	Qualifier
Wheel Cylinder	89 - 79	F43383	(WC43383)	L.H.; 15 x 3" Brake; w/o Bleeder Screw; 1-1/4" Bore
Wheel Cylinder	89 - 79	F43383	(WC43383)	L.H.; 15 x 3-1/2" Brake; w/o Bleeder Screw; 1-1/4" Bore
Wheel Cylinder	89 - 79	F86444	(WC86444)	L.H.; 15 x 5" Brake; w/Bleeder Screw; 1-1/2" Bore
Wheel Cylinder	89 - 79	F43384	(WC43384)	R.H.; 15 x 3" Brake; w/o Bleeder Screw; 1-1/4" Bore
Wheel Cylinder	89 - 79	F43384	(WC43384)	R.H.; 15 x 3-1/2" Brake; w/o Bleeder Screw; 1-1/4" Bore
Wheel Cylinder	89 - 79	F86445	(WC86445)	R.H.; 15 x 5" Brake; w/Bleeder Screw; 1-1/2" Bore
Rear Wheel Cylinder	Years	Sequential No.	Category No.	Qualifier
Wheel Cylinder	89 - 79	F24489	(WC24489)	15 x 5" Brake; 1-5/8" Bore
Wheel Cylinder	89 - 79	F24489	(WC24489)	15 x 6" Brake; 1-5/8" Bore
Wheel Cylinder	89 - 79	F24489	(WC24489)	15 x 7" Brake; 17000-17500 lb. RA; 1-5/8" Bore
Wheel Cylinder	89 - 79	F26172	(WC26172)	15 x 7" Brake; 18500-19000 lb. RA or 34000 lb. TRA; 1-3/4" Bore
Wheel Cylinder	89 - 79	F24489	(WC24489)	16 x 5" Brake; 17000-17500 lb. RA; 1-5/8" Bore
Wheel Cylinder	89 - 79	F26172	(WC26172)	16 x 5" Brake; 18500-19000 lb. RA or 34000 lb. TRA; 1-3/4" Bore
Wheel Cylinder	89 - 79	F26172	(WC26172)	16 x 6" Brake; 1-3/4" Bore
Clutch Slave Cylinder	Years	Sequential No.	Category No.	Qualifier
Clutch Slave Cylinder	89 - 79	F43260	(SC43260)	
Front Brake Hose	Years	Sequential No.	Category No.	Qualifier
Brake Hose	89 - 79	F111136	(BH111136)	2WD; 15 x 3" Brake
Brake Hose	89 - 79	F111138	(BH111138)	2WD; 15 x 3-1/2" Brake; Dual Syst.
Brake Hose	89 - 79	F111136	(BH111136)	2WD; 15 x 3-1/2" Brake; Single Syst.
Brake Hose	89 - 79	F111139	(BH111139)	2WD; 15 x 5" Brake; Dual Syst.; Exc. 15 x 22.5" Tires
Brake Hose	89 - 79	F111140	(BH111140)	2WD; 15 x 5" Brake; Dual Syst.; w/15 x 22.5" Tires
Brake Hose	89 - 79	F111136	(BH111136)	2WD; 15 x 5" Brake; Single Syst.; Exc. 15 x 22.5" Tires
Brake Hose	89 - 79	F107731	(BH107731)	2WD; Bendix; 2.60" 2-Piston Caliper; 7500-8000 lb. FA
Brake Hose	89 - 79	F113150	(BH113150)	2WD; Bendix; 2.88" 2-Piston Caliper; 10000-12000 lb. FA
Brake Hose	89 - 79	F113151	(BH113151)	2WD; Bendix; 3.38" 1-Piston Caliper
Brake Hose	89 - 79	F111137	(BH111137)	4WD
Rear Brake Hose	Years	Sequential No.	Category No.	Qualifier
Brake Hose	89 - 79	F107733	(BH107733)	w/Disc Brake; 11" Length
Brake Hose	89 - 79	F107734	(BH107734)	w/Disc Brake; 18" Length
Brake Hose	89 - 79	F113154	(BH113154)	w/Disc Brake; 9-7/8" Length
Brake Hose	89 - 79	F107734	(BH107734)	w/Drum Brake; 18" Length
Brake Hose	89 - 79	F107735	(BH107735)	w/Drum Brake; 23" Length
Brake Hose	89 - 79	F111393	(BH111393)	w/Drum Brake; 27" Length

Hydraulics - Reman

Power Brake Booster	Years	Part No.	Qualifier
Hydro Booster	89 - 79	529901	Dual Syst.; Head
Hydro Booster	89 - 79	529802	High Pwr; Bendix Hydromax II; Complete Assy
Hydro Booster	89 - 79	529904	High Pwr; Bendix Hydromax II; Elect. Motor
Hydro Booster	89 - 79	529920	High Pwr; Bendix Hydromax II; Head
Hydro Booster	89 - 79	529900	Single Syst.; Head
Power Brake Booster	Years	Part No.	Qualifier
Vacuum Booster	89 - 79	518049	Exc. Tandem; Single Diaphragm; 15" Brake
Vacuum Booster	89 - 79	518047	Exc. Tandem; Single Diaphragm; 16" Brake
Vacuum Booster	89 - 79	518046	Tandem; Double Diaphragm

1654**Brake Pads & Shoes**

Front Pads & Shoes	Years	SevereDuty	Lining No.	Qualifier
Brake Pads	89 - 79	SD184		Bendix; 2.60" 2-Piston Caliper
Brake Pads	89 - 79	SD225		Bendix; 2.88" 2-Piston Caliper
Brake Pads	89 - 79	SD184		Bendix; 3.38" 1-Piston Caliper

Brake Pads & Shoes (cont.)

Front Pads & Shoes	Years	SevereDuty	Lining No.	Qualifier
Brake Shoes	89 - 79	SDS321R	EX1245AD-S32	Hyd. Brakes; Auto. Adj.; 15 x 3
Brake Shoes	89 - 79	SDS322R	EX1280BD-S32	Hyd. Brakes; Auto. Adj.; 15 x 3-1/2
Brake Shoes	89 - 79	SDS235R	EX1245AD-S32	Hyd. Brakes; Man. Adj.; 15 x 3
Brake Shoes	89 - 79	SDS840R	EX1280D-S32	Hyd. Brakes; Man. Adj.; 15 x 3-1/2
Brake Shoes	89 - 79	4223E	4223A	w/Air Brakes; Eaton/Spicer; 16-1/2 x 5
Brake Shoes	89 - 79	4514Q	4514G	w/Air Brakes; Rockwell/Meritor; Q-Series; 16-1/2 x 6
Brake Shoes	89 - 79	1307T	1307	w/Air Brakes; Rockwell/Meritor; T-Series; 15 x 3-1/2
Brake Shoes	89 - 79	1308T	1308T	w/Air Brakes; Rockwell/Meritor; T-Series; 15 x 4
Brake Shoes	89 - 79	4605S	4605	w/Air Brakes; Rockwell/Meritor; Wedge; 15 x 6

Rear Pads & Shoes	Years	SevereDuty	Lining No.	Qualifier
Brake Pads	89 - 79	SD184		Bendix; 2.60" 2-Piston Caliper
Brake Pads	89 - 79	SD225		Bendix; 2.88" 2-Piston Caliper
Brake Shoes	89 - 79	SDS346R	EX1252D-S32	Hyd. Brakes; 15 x 5
Brake Shoes	89 - 79	SDS381R	EX4596D-S32	Hyd. Brakes; 15 x 6
Brake Shoes	89 - 79	SDS383R	EX4597D-S32	Hyd. Brakes; 15 x 7
Brake Shoes	89 - 79	SDS385R	EX1254D-S32	Hyd. Brakes; 16 x 5
Brake Shoes	89 - 79	SDS386R	EX1255D-S32	Hyd. Brakes; 16 x 6
Brake Shoes	89 - 79	4311E	4311J	w/Air Brakes; Eaton/Spicer; 16-1/2 x 7
Brake Shoes	89 - 79	4514P	4514G	w/Air Brakes; Rockwell/Meritor; P-Series; 16-1/2 x 6
Brake Shoes	89 - 79	4515P	4515E	w/Air Brakes; Rockwell/Meritor; P-Series; 16-1/2 x 7
Brake Shoes	89 - 79	4644P	4644A	w/Air Brakes; Rockwell/Meritor; P-Series; 16-1/2 x 8
Brake Shoes	89 - 79	4514Q	4514G	w/Air Brakes; Rockwell/Meritor; Q-Series; 16-1/2 x 6
Brake Shoes	89 - 79	4515Q	4515E	w/Air Brakes; Rockwell/Meritor; Q-Series; 16-1/2 x 7
Brake Shoes	89 - 79	4644Q	4644A	w/Air Brakes; Rockwell/Meritor; Q-Series; 16-1/2 x 8
Brake Shoes	89 - 79	4602S	4602	w/Air Brakes; Rockwell/Meritor; Wedge; 15 x 7

Parking Brake Shoes	Years	SevereDuty	Lining No.	Qualifier
Brake Shoes	89 - 79	SDS842R	EX1303AD	Driveline Config.; 10 x 3
Brake Shoes	89 - 79	SDS647	EX2086D	Driveline Config.; 9 x 3

Rotor & Drum

Front Rotor & Drum	Years	Part No.	Qualifier
Brake Rotor	89 - 79	BD125097	5000-7500 lb. FA; Hat-Shaped; 10-Hole Rotor
Brake Rotor	89 - 79	BD125361	5000-7500 lb. FA; Hat-Shaped; 5-Hole Rotor
Brake Rotor	89 - 79	BD125362	5000-7500 lb. FA; Hat-Shaped; 6-Hole Rotor
Brake Rotor	89 - 79	BD126402	5000-7500 lb. FA; U-Shaped; 5-Hole Rotor
Brake Rotor	89 - 79	BD125096	5000-7500 lb. FA; U-Shaped; 6-Hole Rotor
Brake Rotor	89 - 87	BD125244	9000-12000 lb. FA; U-Shaped; 5-Hole Rotor
Brake Rotor	86	BD125244	From 2/01/86; 9000-12000 lb. FA; U-Shaped; 5-Hole Rotor
Brake Rotor	86	BD125098	To 1/31/86; 9000-12000 lb. FA; U-Shaped; 5-Hole Rotor
Brake Rotor	85 - 79	BD125098	9000-12000 lb. FA; U-Shaped; 5-Hole Rotor

Rear Rotor & Drum	Years	Part No.	Qualifier
Brake Rotor	89 - 79	BD125097	10000-15500 lb. RA; Hat-Shaped; 10-Hole Rotor
Brake Rotor	89 - 79	BD125362	10000-15500 lb. RA; Hat-Shaped; 6-Hole Rotor
Brake Rotor	89 - 79	BD126403	10000-15500 lb. RA; U-Shaped; 5-Hole Rotor
Brake Rotor	89 - 79	BD125096	10000-15500 lb. RA; U-Shaped; 6-Hole Rotor
Brake Rotor	89 - 79	BD125097	17000-19000 lb. RA; Hat-Shaped; 10-Hole Rotor
Brake Rotor	89 - 79	BD126394	17000-19000 lb. RA; U-Shaped; 10-Hole Rotor
Brake Rotor	89 - 79	BD125382	17000-19000 lb. RA; U-Shaped; 5-Hole Rotor; 12-3/4" Bolt Circle

Brake Hardware

Front Brake Hardware	Years	Sequential No.	Category No.	Qualifier
Adjuster Kit	89 - 79	F59159	(H2904)	L.H.; w/Auto Adj.
Adjuster Kit	89 - 79	F128990	(H2929)	L.H.; w/Man. Adj.
Adjuster Kit	89 - 79	F59160	(H2905)	R.H.; w/Auto Adj.
Adjuster Kit	89 - 79	F128990	(H2929)	R.H.; w/Man. Adj.

↳ Sub-Kit of Combi-Kit is available separately.

1654 (cont.)

Brake Hardware (cont.)

Front Brake Hardware	Years	Sequential No.	Category No.	Qualifier
Combi Kit	89 - 79	F117025	(H7173)	15 x 3 or 15 x 3-1/2" Brake; w/Auto Adj.
↳Hold Down Kit		F73399	(H4201)	
↳Return Spring Kit		F36445	(H521)	
Combi Kit	89 - 79	F117026	(H7172)	15 x 3 or 15 x 3-1/2" Brake; w/Man. Adj.
↳Hold Down Kit		F19408	(H4200)	
↳Return Spring Kit		F36445	(H521)	
Combi Kit	89 - 79	F117025	(H7173)	15 x 5" Brake; w/Auto Adj.
↳Hold Down Kit		F73399	(H4201)	
↳Return Spring Kit		F36445	(H521)	
Combi Kit	89 - 79	F117019	(H7182)	15 x 5" Brake; w/Man. Adj.
↳Return Spring Kit		F36445	(H521)	
Disc Align Kit	89 - 79	F112095S	(H5564)	Bendix; 2.60" 2-Piston Caliper
Disc Align Kit	89 - 79	F112090S	(H5566)	Bendix; 2.88" 2-Piston Caliper
Disc Align Kit	89 - 79	F107401S	(H5562)	Bendix; 3.38" 1-Piston Caliper

Rear Brake Hardware	Years	Sequential No.	Category No.	Qualifier
Adjuster Kit	89 - 79	F59157	(H2902)	L.H.; 15" Brake; w/Auto Adj.
Adjuster Kit	89 - 79	F128894S	(H2911)	L.H.; 15" Brake; w/Man. Adj.
Adjuster Kit	89 - 79	F128895S	(H2912)	L.H.; 16" Brake; w/Man. Adj.
Adjuster Kit	89 - 79	F59158	(H2903)	R.H.; 15" Brake; w/Auto Adj.
Adjuster Kit	89 - 79	F128894S	(H2911)	R.H.; 15" Brake; w/Man. Adj.
Adjuster Kit	89 - 79	F128895S	(H2912)	R.H.; 16" Brake; w/Man. Adj.
Adjuster Screw	89 - 79	F140823	(H1607)	L.H.; 15" Brake
Adjuster Screw	89 - 79	F19291	(H1700)	L.H.; 16" Brake
Adjuster Screw	89 - 79	F140818	(H1606)	R.H.; 15" Brake
Adjuster Screw	89 - 79	F19292	(H1701)	R.H.; 16" Brake
Combi Kit	89 - 79	F117027	(H7171)	
↳Adjuster Spring Kit		F78727	(H451)	
↳Hold Down Kit		F19309	(H5079)	
↳Return Spring Kit		F98318	(H609)	
Disc Align Kit	89 - 79	F112095S	(H5564)	Bendix; 2.60" 2-Piston Caliper
Disc Align Kit	89 - 79	F112090S	(H5566)	Bendix; 2.88" 2-Piston Caliper

Calipers - Reman

Front, Loaded	Years	Left No.	Right No.	Qualifier	Piston
Loaded Caliper	89 - 79	AS112057	AS112057	Bendix; 2.60" 2-Piston Caliper	P
Loaded Caliper	89 - 79	AS112057S	AS112057S	Bendix; 2.60" 2-Piston Caliper	O
Loaded Caliper	89 - 79	AS120549	AS120549	Bendix; 2.88" 2-Piston Caliper	P
Loaded Caliper	89 - 79	AS120549S	AS120549S	Bendix; 2.88" 2-Piston Caliper	O
Loaded Caliper	89 - 79	AS130211A	AS130210A	Bendix; 3.38" 1-Piston Caliper	M
Rear, Loaded	Years	Left No.	Right No.	Qualifier	Piston
Loaded Caliper	89 - 79	AS112057	AS112057	Bendix; 2.60" 2-Piston Caliper	P
Loaded Caliper	89 - 79	AS112057S	AS112057S	Bendix; 2.60" 2-Piston Caliper	O
Loaded Caliper	89 - 79	AS120549	AS120549	Bendix; 2.88" 2-Piston Caliper	P
Loaded Caliper	89 - 79	AS120549S	AS120549S	Bendix; 2.88" 2-Piston Caliper	O
Front, Unloaded	Years	Left No.	Right No.	Qualifier	Piston
Unloaded Caliper	89 - 79	CR112057	CR112057	Bendix; 2.60" 2-Piston Caliper	P
Unloaded Caliper	89 - 79	CR112057S	CR112057S	Bendix; 2.60" 2-Piston Caliper	O
Unloaded Caliper	89 - 79	CR120549	CR120549	Bendix; 2.88" 2-Piston Caliper	P
Unloaded Caliper	89 - 79	CR120549S	CR120549S	Bendix; 2.88" 2-Piston Caliper	O
Unloaded Caliper	89 - 79	CR130211	CR130210	Bendix; 3.38" 1-Piston Caliper	M
Rear, Unloaded	Years	Left No.	Right No.	Qualifier	Piston
Unloaded Caliper	89 - 79	CR112057	CR112057	Bendix; 2.60" 2-Piston Caliper	P
Unloaded Caliper	89 - 79	CR112057S	CR112057S	Bendix; 2.60" 2-Piston Caliper	O
Unloaded Caliper	89 - 79	CR120549	CR120549	Bendix; 2.88" 2-Piston Caliper	P
Unloaded Caliper	89 - 79	CR120549S	CR120549S	Bendix; 2.88" 2-Piston Caliper	O

↳Sub-Kit of Combi-Kit is available separately.

Piston: M - OE Metal Piston P - OE Phenolic Piston O - Metal Piston Option

Hydraulics - New

Master Cylinder	Years	Sequential No.	Category No.	Qualifier
Master Cylinder	89 - 84	F113751	(MC113751)	w/Disc Brake; Split Syst.; w/High Pwr.
Master Cylinder	89 - 84	F116702	(MC116702)	w/Disc Brake; Split Syst.; w/Hydrovac; 19000 lb. RA
Master Cylinder	89 - 79	F661	(MC661)	w/Drum Brake; Single Syst.; Exc. Tandem; 15" Brake
Master Cylinder	89 - 79	F2842	(MC2842)	w/Drum Brake; Single Syst.; Exc. Tandem; 16" Brake; w/Air Actuated Hyd. Brks.
Master Cylinder	89 - 79	F2951	(MC2951)	w/Drum Brake; Single Syst.; Tandem
Master Cylinder	89 - 79	F119402	(MC119402)	w/Drum Brake; Split Syst.; w/High Pwr.
Master Cylinder	89 - 79	F119397	(MC119397)	w/Drum Brake; Split Syst.; w/Hydrovac
Master Cylinder	83	F113751	(MC113751)	From 8/26/83; w/Disc Brake; Split Syst.; w/High Pwr.
Master Cylinder	83	F116702	(MC116702)	From 8/26/83; w/Disc Brake; Split Syst.; w/Hydrovac; 19000 lb. RA
Master Cylinder	83	F119395	(MC119395)	To 8/25/83; w/Disc Brake; Split Syst.; w/High Pwr.
Master Cylinder	83	F119396	(MC119396)	To 8/25/83; w/Disc Brake; Split Syst.; w/Hydrovac
Master Cylinder	82 - 79	F119395	(MC119395)	w/Disc Brake; Split Syst.; w/High Pwr.
Master Cylinder	82 - 79	F119396	(MC119396)	w/Disc Brake; Split Syst.; w/Hydrovac

Front Wheel Cylinder	Years	Sequential No.	Category No.	Qualifier
Wheel Cylinder	89 - 79	F43383	(WC43383)	L.H.; 15 x 3" Brake; w/o Bleeder Screw; 1-1/4" Bore
Wheel Cylinder	89 - 79	F43383	(WC43383)	L.H.; 15 x 3-1/2" Brake; w/o Bleeder Screw; 1-1/4" Bore
Wheel Cylinder	89 - 79	F86444	(WC86444)	L.H.; 15 x 5" Brake; w/Bleeder Screw; 1-1/2" Bore
Wheel Cylinder	89 - 79	F43384	(WC43384)	R.H.; 15 x 3" Brake; w/o Bleeder Screw; 1-1/4" Bore
Wheel Cylinder	89 - 79	F43384	(WC43384)	R.H.; 15 x 3-1/2" Brake; w/o Bleeder Screw; 1-1/4" Bore
Wheel Cylinder	89 - 79	F86445	(WC86445)	R.H.; 15 x 5" Brake; w/Bleeder Screw; 1-1/2" Bore

Rear Wheel Cylinder	Years	Sequential No.	Category No.	Qualifier
Wheel Cylinder	89 - 79	F24489	(WC24489)	15 x 5" Brake; 1-5/8" Bore
Wheel Cylinder	89 - 79	F24489	(WC24489)	15 x 6" Brake; 1-5/8" Bore
Wheel Cylinder	89 - 79	F24489	(WC24489)	15 x 7" Brake; 17000-17500 lb. RA; 1-5/8" Bore
Wheel Cylinder	89 - 79	F26172	(WC26172)	15 x 7" Brake; 18500-19000 lb. RA or 34000 lb. TRA; 1-3/4" Bore
Wheel Cylinder	89 - 79	F24489	(WC24489)	16 x 5" Brake; 17000-17500 lb. RA; 1-5/8" Bore
Wheel Cylinder	89 - 79	F26172	(WC26172)	16 x 5" Brake; 18500-19000 lb. RA or 34000 lb. TRA; 1-3/4" Bore
Wheel Cylinder	89 - 79	F26172	(WC26172)	16 x 6" Brake; 1-3/4" Bore

Clutch Slave Cylinder	Years	Sequential No.	Category No.	Qualifier
Clutch Slave Cylinder	89 - 79	F43260	(SC43260)	

Front Brake Hose	Years	Sequential No.	Category No.	Qualifier
Brake Hose	89 - 79	F111136	(BH111136)	2WD; 15 x 3" Brake
Brake Hose	89 - 79	F111138	(BH111138)	2WD; 15 x 3-1/2" Brake; Dual Syst.
Brake Hose	89 - 79	F111136	(BH111136)	2WD; 15 x 3-1/2" Brake; Single Syst.
Brake Hose	89 - 79	F111139	(BH111139)	2WD; 15 x 5" Brake; Dual Syst.; Exc. 15 x 22.5" Tires
Brake Hose	89 - 79	F111140	(BH111140)	2WD; 15 x 5" Brake; Dual Syst.; w/15 x 22.5" Tires
Brake Hose	89 - 79	F111136	(BH111136)	2WD; 15 x 5" Brake; Single Syst.; Exc. 15 x 22.5" Tires
Brake Hose	89 - 79	F107731	(BH107731)	2WD; Bendix; 2.60" 2-Piston Caliper; 7500-8000 lb. FA
Brake Hose	89 - 79	F113150	(BH113150)	2WD; Bendix; 2.88" 2-Piston Caliper; 10000-12000 lb. FA
Brake Hose	89 - 79	F113151	(BH113151)	2WD; Bendix; 3.38" 1-Piston Caliper
Brake Hose	89 - 79	F111137	(BH111137)	4WD

Rear Brake Hose	Years	Sequential No.	Category No.	Qualifier
Brake Hose	89 - 79	F107733	(BH107733)	w/Disc Brake; 11" Length
Brake Hose	89 - 79	F107734	(BH107734)	w/Disc Brake; 18" Length
Brake Hose	89 - 79	F113154	(BH113154)	w/Disc Brake; 9-7/8" Length
Brake Hose	89 - 79	F107734	(BH107734)	w/Drum Brake; 18" Length
Brake Hose	89 - 79	F107735	(BH107735)	w/Drum Brake; 23" Length
Brake Hose	89 - 79	F111393	(BH111393)	w/Drum Brake; 27" Length

Hydraulics - Reman

Power Brake Booster	Years	Part No.	Qualifier
Hydro Booster	89 - 79	529901	Dual Syst.; Head
Hydro Booster	89 - 79	529802	High Pwr; Bendix Hydromax II; Complete Assy
Hydro Booster	89 - 79	529904	High Pwr; Bendix Hydromax II; Elect. Motor
Hydro Booster	89 - 79	529920	High Pwr; Bendix Hydromax II; Head



1654 (cont.)

Hydraulics - Reman (cont.)

Power Brake Booster	Years	Part No.	Qualifier
Hydro Booster	89 - 79	529900	Single Syst.; Head
Power Brake Booster	Years	Part No.	Qualifier
Vacuum Booster	89 - 79	518049	Exc. Tandem; Single Diaphragm; 15" Brake
Vacuum Booster	89 - 79	518047	Exc. Tandem; Single Diaphragm; 16" Brake
Vacuum Booster	89 - 79	518046	Tandem; Double Diaphragm

INTERNATIONAL MD 1600 SchoolMaster LoadStar

1603

Brake Pads & Shoes

Front Pads & Shoes	Years	SevereDuty	Lining No.	Qualifier
Brake Shoes	78 - 70	SDS321R	EX1245AD-S32	Hyd. Brakes; Auto. Adj.; 15 x 3
Brake Shoes	78 - 70	SDS322R	EX1280BD-S32	Hyd. Brakes; Auto. Adj.; 15 x 3-1/2
Brake Shoes	78 - 70	SDS235R	EX1245AD-S32	Hyd. Brakes; Man. Adj.; 15 x 3
Brake Shoes	78 - 70	SDS463R	EX1280D-S32	Hyd. Brakes; Man. Adj.; 15 x 3-1/2
Brake Shoes	78 - 70	4223E	4223A	w/Air Brakes; Eaton/Spicer; 16-1/2 x 5
Brake Shoes	78 - 70	1307T	1307	w/Air Brakes; Rockwell/Meritor; T-Series; 15 x 3-1/2
Brake Shoes	78 - 70	1308T	1308T	w/Air Brakes; Rockwell/Meritor; T-Series; 15 x 4
Brake Shoes	78 - 70	4615S	4615	w/Air Brakes; Rockwell/Meritor; Wedge; 15 x 5
Rear Pads & Shoes	Years	SevereDuty	Lining No.	Qualifier
Brake Shoes	78 - 70	SDS346R	EX1252D-S32	Hyd. Brakes; 15 x 5
Brake Shoes	78 - 70	SDS381R	EX4596D-S32	Hyd. Brakes; 15 x 6
Brake Shoes	78 - 70	SDS383R	EX4597D-S32	Hyd. Brakes; 15 x 7
Brake Shoes	78 - 70	SDS385R	EX1254D-S32	Hyd. Brakes; 16 x 5
Brake Shoes	78 - 70	SDS386R	EX1255D-S32	Hyd. Brakes; 16 x 6
Brake Shoes	78 - 70	4311E	4311J	w/Air Brakes; Eaton/Spicer; 16-1/2 x 7
Brake Shoes	78 - 70	4514P	4514G	w/Air Brakes; Rockwell/Meritor; P-Series; 16-1/2 x 6
Brake Shoes	78 - 70	4515P	4515E	w/Air Brakes; Rockwell/Meritor; P-Series; 16-1/2 x 7
Brake Shoes	78 - 70	4605S	4605	w/Air Brakes; Rockwell/Meritor; Wedge; 15 x 6
Brake Shoes	78 - 70	4602S	4602	w/Air Brakes; Rockwell/Meritor; Wedge; 15 x 7
Parking Brake Shoes	Years	SevereDuty	Lining No.	Qualifier
Brake Shoes	78 - 70	SDS842R	EX1303AD	Driveline Config.; 10 x 3

Brake Hardware

Front Brake Hardware	Years	Sequential No.	Category No.	Qualifier
Adjuster Kit	78 - 70	F59159	(H2904)	L.H.; w/Auto Adj.
Adjuster Kit	78 - 70	F128990	(H2929)	L.H.; w/Man. Adj.
Adjuster Kit	78 - 70	F59160	(H2905)	R.H.; w/Auto Adj.
Adjuster Kit	78 - 70	F128990	(H2929)	R.H.; w/Man. Adj.
Combi Kit	78 - 70	F117024	(H7178)	14" Brake; Bendix
Combi Kit	78 - 70	F117025	(H7173)	14" Brake; Wagner; w/Auto Adj.
↳Hold Down Kit		F73399	(H4201)	
↳Return Spring Kit		F36445	(H521)	
Combi Kit	78 - 70	F117018	(H7185)	14" Brake; Wagner; w/Man. Adj.
↳Hold Down Kit		F19408	(H4200)	
↳Return Spring Kit		F36445	(H521)	
Combi Kit	78 - 70	F117025	(H7173)	15 x 3 or 15 x 3-1/2" Brake; w/Auto Adj.
↳Hold Down Kit		F73399	(H4201)	
↳Return Spring Kit		F36445	(H521)	
Combi Kit	78 - 70	F117026	(H7172)	15 x 3 or 15 x 3-1/2" Brake; w/Man. Adj.
↳Hold Down Kit		F19408	(H4200)	
↳Return Spring Kit		F36445	(H521)	
Combi Kit	78 - 70	F117025	(H7173)	15 x 5" Brake; w/Auto Adj.
↳Hold Down Kit		F73399	(H4201)	
↳Return Spring Kit		F36445	(H521)	

↳Sub-Kit of Combi-Kit is available separately.

Brake Hardware (cont.)

Front Brake Hardware	Years	Sequential No.	Category No.	Qualifier
Combi Kit	78 - 70	F117019	(H7182)	15 x 5" Brake; w/Man. Adj.
↳Return Spring Kit		F36445	(H521)	
Rear Brake Hardware	Years	Sequential No.	Category No.	Qualifier
Adjuster Kit	78 - 70	F59157	(H2902)	L.H.; 15" Brake; w/Auto Adj.
Adjuster Kit	78 - 70	F128894S	(H2911)	L.H.; 15" Brake; w/Man. Adj.
Adjuster Kit	78 - 70	F128895S	(H2912)	L.H.; 16" Brake; w/Man. Adj.
Adjuster Kit	78 - 70	F59158	(H2903)	R.H.; 15" Brake; w/Auto Adj.
Adjuster Kit	78 - 70	F128894S	(H2911)	R.H.; 15" Brake; w/Man. Adj.
Adjuster Kit	78 - 70	F128895S	(H2912)	R.H.; 16" Brake; w/Man. Adj.
Adjuster Screw	78 - 70	F140823	(H1607)	L.H.; 15" Brake
Adjuster Screw	78 - 70	F19291	(H1700)	L.H.; 16" Brake
Adjuster Screw	78 - 70	F140818	(H1606)	R.H.; 15" Brake
Adjuster Screw	78 - 70	F19292	(H1701)	R.H.; 16" Brake
Combi Kit	78 - 70	F117027	(H7171)	
↳Adjuster Spring Kit		F78727	(H451)	
↳Hold Down Kit		F19309	(H5079)	
↳Return Spring Kit		F98318	(H609)	

Hydraulics - New

Master Cylinder	Years	Sequential No.	Category No.	Qualifier
Master Cylinder	78 - 70	F661	(MC661)	Single Syst.; Exc. H.D.; Frame Mtd.; Exc. Tandem
Master Cylinder	78 - 70	F2951	(MC2951)	Single Syst.; Exc. H.D.; Frame Mtd.; Tandem
Master Cylinder	78 - 70	F2842	(MC2842)	Single Syst.; H.D.; Exc. Frame Mtd.
Front Wheel Cylinder	Years	Sequential No.	Category No.	Qualifier
Wheel Cylinder	78 - 70	F949	(WC949)	16 x 2-1/2" Brake; w/o Bleeder Screw; 1-1/4" Bore
Wheel Cylinder	78 - 70	F71940	(WC71940)	L.H.; 14 x 2-1/2" Brake; w/Bleeder Screw; 1-1/8" Bore
Wheel Cylinder	78 - 70	F71940	(WC71940)	L.H.; 15 x 3" Brake; w/Bleeder Screw; 1-1/8" Bore
Wheel Cylinder	78 - 70	F43383	(WC43383)	L.H.; 15 x 3" Brake; w/o Bleeder Screw; 2WD; 1-1/4" Bore
Wheel Cylinder	78 - 70	F8852	(WC8852)	L.H.; 15 x 3" Brake; w/o Bleeder Screw; 4WD; 1-1/8" Bore
Wheel Cylinder	78 - 70	F8813	(WC8813)	L.H.; 15 x 3-1/2" Brake; w/o Bleeder Screw; 1-3/8" Bore
Wheel Cylinder	78 - 70	F71941	(WC71941)	R.H.; 14 x 2-1/2" Brake; w/Bleeder Screw; 1-1/8" Bore
Wheel Cylinder	78 - 70	F71941	(WC71941)	R.H.; 15 x 3" Brake; w/Bleeder Screw; 1-1/8" Bore
Wheel Cylinder	78 - 70	F43384	(WC43384)	R.H.; 15 x 3" Brake; w/o Bleeder Screw; 2WD; 1-1/4" Bore
Wheel Cylinder	78 - 70	F8853	(WC8853)	R.H.; 15 x 3" Brake; w/o Bleeder Screw; 4WD; 1-1/8" Bore
Wheel Cylinder	78 - 70	F8814	(WC8814)	R.H.; 15 x 3-1/2" Brake; w/o Bleeder Screw; 1-3/8" Bore
Rear Wheel Cylinder	Years	Sequential No.	Category No.	Qualifier
Wheel Cylinder	78 - 70	F26159	(WC26159)	15 x 4" Brake; 1-1/2" Bore
Wheel Cylinder	78 - 70	F26159	(WC26159)	15 x 5" Brake; 1-1/2" Bore
Wheel Cylinder	78 - 70	F24489	(WC24489)	15 x 5" Brake; 1-5/8" Bore
Wheel Cylinder	78 - 70	F24489	(WC24489)	15 x 6" Brake; 1-5/8" Bore
Wheel Cylinder	78 - 70	F26172	(WC26172)	15 x 7" Brake; 1-3/4" Bore
Wheel Cylinder	78 - 70	F24489	(WC24489)	15 x 7" Brake; 1-5/8" Bore
Wheel Cylinder	78 - 70	F26172	(WC26172)	16 x 5" Brake; 1-3/4" Bore
Wheel Cylinder	78 - 70	F24489	(WC24489)	16 x 5" Brake; 1-5/8" Bore
Wheel Cylinder	78 - 70	F26172	(WC26172)	16 x 6" Brake; 1-3/4" Bore
Clutch Master Cylinder	Years	Sequential No.	Category No.	Qualifier
Clutch Master Cylinder	78 - 70	F78828	(CM78828)	Exc. FC Models; 6V-53 Eng.
Clutch Master Cylinder	78 - 70	F54699	(CM54699)	Exc. FC Models; Exc. 6V-53 Eng.
Clutch Slave Cylinder	Years	Sequential No.	Category No.	Qualifier
Clutch Slave Cylinder	78 - 70	F43260	(SC43260)	
Front Brake Hose	Years	Sequential No.	Category No.	Qualifier
Brake Hose	78 - 70	F4751	(BH4751)	2WD; Exc. FA-89 or 91; Exc. FA-101; Exc. FA-109 or 139; Exc. FA-208; 21-5/8" Length
Brake Hose	78 - 70	F79359	(BH79359)	2WD; FA-109 or 139; 26-3/4" Length
Brake Hose	78 - 70	F8116	(BH8116)	2WD; FA-89 or 91; 18-7/8" Length
Brake Hose	78 - 70	F4050	(BH4050)	2WD; FA-89 or 91; 20" Length

↳Sub-Kit of Combi-Kit is available separately.

1603 (cont.)**Hydraulics - New (cont.)**

Front Brake Hose	Years	Sequential No.	Category No.	Qualifier
Brake Hose	78 - 70	F4751	(BH4751)	4WD; 21-5/8" Length
Brake Hose	78 - 70	F79359	(BH79359)	4WD; 26-3/4" Length
Brake Hose	78 - 70	F79360	(BH79360)	L.H.; 2WD; FA-208; 22-1/4" Length
Brake Hose	78 - 70	F4751	(BH4751)	R.H.; 2WD; FA-208; 21-5/8" Length

Rear Brake Hose	Years	Sequential No.	Category No.	Qualifier
Brake Hose	78 - 70	F39508	(BH39508)	Exc. Tandem; Exc. Low Frame
Brake Hose	78 - 70	F102235	(BH102235)	Tandem; Fwd. RA
Brake Hose	78 - 70	F102236	(BH102236)	Tandem; Rear RA

Hydraulics - Reman

Power Brake Booster	Years	Part No.	Qualifier
Vacuum Booster	78 - 70	518037	Single Syst.; 34000 lb. TRA; Double Diaphragm
Vacuum Booster	78 - 70	518037	Single Syst.; DT466 Eng.; Double Diaphragm; 16000 lb. RA or 34000 lb. TRA
Vacuum Booster	78 - 70	518002	Single Syst.; DT466 Eng.; Single Diaphragm; Exc. 16000 lb. RA or 34000 lb. TRA
Vacuum Booster	78 - 70	518002	Single Syst.; Exc. Tandem; Single Diaphragm
Vacuum Booster	78 - 70	518054	Single Syst.; Heavy Duty; Single Diaphragm
Vacuum Booster	78 - 70	518013	Split Syst.; Single Diaphragm

1610FC**Brake Pads & Shoes**

Front Pads & Shoes	Years	SevereDuty	Lining No.	Qualifier
Brake Shoes	78 - 77	SDS321R	EX1245AD-S32	Hyd. Brakes; Auto. Adj.; 15 x 3
Brake Shoes	78 - 77	SDS322R	EX1280BD-S32	Hyd. Brakes; Auto. Adj.; 15 x 3-1/2
Brake Shoes	78 - 77	SDS235R	EX1245AD-S32	Hyd. Brakes; Man. Adj.; 15 x 3
Brake Shoes	78 - 77	SDS463R	EX1280D-S32	Hyd. Brakes; Man. Adj.; 15 x 3-1/2
Brake Shoes	78 - 77	4223E	4223A	w/Air Brakes; Eaton/Spicer; 16-1/2 x 5
Brake Shoes	78 - 77	1307T	1307	w/Air Brakes; Rockwell/Meritor; T-Series; 15 x 3-1/2
Brake Shoes	78 - 77	1308T	1308T	w/Air Brakes; Rockwell/Meritor; T-Series; 15 x 4
Brake Shoes	78 - 77	4615S	4615	w/Air Brakes; Rockwell/Meritor; Wedge; 15 x 5

Rear Pads & Shoes	Years	SevereDuty	Lining No.	Qualifier
Brake Shoes	78 - 77	SDS346R	EX1252D-S32	Hyd. Brakes; 15 x 5
Brake Shoes	78 - 77	SDS381R	EX4596D-S32	Hyd. Brakes; 15 x 6
Brake Shoes	78 - 77	SDS383R	EX4597D-S32	Hyd. Brakes; 15 x 7
Brake Shoes	78 - 77	SDS385R	EX1254D-S32	Hyd. Brakes; 16 x 5
Brake Shoes	78 - 77	SDS386R	EX1255D-S32	Hyd. Brakes; 16 x 6
Brake Shoes	78 - 77	4311E	4311J	w/Air Brakes; Eaton/Spicer; 16-1/2 x 7
Brake Shoes	78 - 77	4514P	4514G	w/Air Brakes; Rockwell/Meritor; P-Series; 16-1/2 x 6
Brake Shoes	78 - 77	4515P	4515E	w/Air Brakes; Rockwell/Meritor; P-Series; 16-1/2 x 7
Brake Shoes	78 - 77	4605S	4605	w/Air Brakes; Rockwell/Meritor; Wedge; 15 x 6
Brake Shoes	78 - 77	4602S	4602	w/Air Brakes; Rockwell/Meritor; Wedge; 15 x 7

Parking Brake Shoes	Years	SevereDuty	Lining No.	Qualifier
Brake Shoes	78 - 77	SDS842R	EX1303AD	Driveline Config.; 10 x 3

Brake Hardware

Front Brake Hardware	Years	Sequential No.	Category No.	Qualifier
Adjuster Kit	78 - 77	F59159	(H2904)	L.H.; w/Auto Adj.
Adjuster Kit	78 - 77	F128990	(H2929)	L.H.; w/Man. Adj.
Adjuster Kit	78 - 77	F59160	(H2905)	R.H.; w/Auto Adj.
Adjuster Kit	78 - 77	F128990	(H2929)	R.H.; w/Man. Adj.
Combi Kit	78 - 77	F117024	(H7178)	14" Brake; Bendix
Combi Kit	78 - 77	F117025	(H7173)	14" Brake; Wagner; w/Auto Adj.
↳Hold Down Kit		F73399	(H4201)	
↳Return Spring Kit		F36445	(H521)	
Combi Kit	78 - 77	F117018	(H7185)	14" Brake; Wagner; w/Man. Adj.
↳Hold Down Kit		F19408	(H4200)	
↳Return Spring Kit		F36445	(H521)	

↳Sub-Kit of Combi-Kit is available separately.

Brake Hardware (cont.)

Front Brake Hardware	Years	Sequential No.	Category No.	Qualifier
Combi Kit	78 - 77	F117025	(H7173)	15 x 3 or 15 x 3-1/2" Brake; w/Auto Adj.
↳ Hold Down Kit		F73399	(H4201)	
↳ Return Spring Kit		F36445	(H521)	
Combi Kit	78 - 77	F117026	(H7172)	15 x 3 or 15 x 3-1/2" Brake; w/Man. Adj.
↳ Hold Down Kit		F19408	(H4200)	
↳ Return Spring Kit		F36445	(H521)	
Combi Kit	78 - 77	F117025	(H7173)	15 x 5" Brake; w/Auto Adj.
↳ Hold Down Kit		F73399	(H4201)	
↳ Return Spring Kit		F36445	(H521)	
Combi Kit	78 - 77	F117019	(H7182)	15 x 5" Brake; w/Man. Adj.
↳ Return Spring Kit		F36445	(H521)	

Rear Brake Hardware	Years	Sequential No.	Category No.	Qualifier
Adjuster Kit	78 - 77	F59157	(H2902)	L.H.; 15" Brake; w/Auto Adj.
Adjuster Kit	78 - 77	F128894S	(H2911)	L.H.; 15" Brake; w/Man. Adj.
Adjuster Kit	78 - 77	F128895S	(H2912)	L.H.; 16" Brake; w/Man. Adj.
Adjuster Kit	78 - 77	F59158	(H2903)	R.H.; 15" Brake; w/Auto Adj.
Adjuster Kit	78 - 77	F128894S	(H2911)	R.H.; 15" Brake; w/Man. Adj.
Adjuster Kit	78 - 77	F128895S	(H2912)	R.H.; 16" Brake; w/Man. Adj.
Adjuster Screw	78 - 77	F140823	(H1607)	L.H.; 15" Brake
Adjuster Screw	78 - 77	F19291	(H1700)	L.H.; 16" Brake
Adjuster Screw	78 - 77	F140818	(H1606)	R.H.; 15" Brake
Adjuster Screw	78 - 77	F19292	(H1701)	R.H.; 16" Brake
Combi Kit	78 - 77	F117027	(H7171)	
↳ Adjuster Spring Kit		F78727	(H451)	
↳ Hold Down Kit		F19309	(H5079)	
↳ Return Spring Kit		F98318	(H609)	

Hydraulics - New

Master Cylinder	Years	Sequential No.	Category No.	Qualifier
Master Cylinder	78 - 77	F661	(MC661)	Single Syst.; Exc. H.D.; Frame Mtd.; Exc. Tandem
Master Cylinder	78 - 77	F2951	(MC2951)	Single Syst.; Exc. H.D.; Frame Mtd.; Tandem
Master Cylinder	78 - 77	F2842	(MC2842)	Single Syst.; H.D.; Exc. Frame Mtd.

Front Wheel Cylinder	Years	Sequential No.	Category No.	Qualifier
Wheel Cylinder	78 - 77	F949	(WC949)	16 x 2-1/2" Brake; w/o Bleeder Screw; 1-1/4" Bore
Wheel Cylinder	78 - 77	F71940	(WC71940)	L.H.; 14 x 2-1/2" Brake; w/Bleeder Screw; 1-1/8" Bore
Wheel Cylinder	78 - 77	F71940	(WC71940)	L.H.; 15 x 3" Brake; w/Bleeder Screw; 1-1/8" Bore
Wheel Cylinder	78 - 77	F43383	(WC43383)	L.H.; 15 x 3" Brake; w/o Bleeder Screw; 2WD; 1-1/4" Bore
Wheel Cylinder	78 - 77	F8852	(WC8852)	L.H.; 15 x 3" Brake; w/o Bleeder Screw; 4WD; 1-1/8" Bore
Wheel Cylinder	78 - 77	F8813	(WC8813)	L.H.; 15 x 3-1/2" Brake; w/o Bleeder Screw; 1-3/8" Bore
Wheel Cylinder	78 - 77	F71941	(WC71941)	R.H.; 14 x 2-1/2" Brake; w/Bleeder Screw; 1-1/8" Bore
Wheel Cylinder	78 - 77	F71941	(WC71941)	R.H.; 15 x 3" Brake; w/Bleeder Screw; 1-1/8" Bore
Wheel Cylinder	78 - 77	F43384	(WC43384)	R.H.; 15 x 3" Brake; w/o Bleeder Screw; 2WD; 1-1/4" Bore
Wheel Cylinder	78 - 77	F8853	(WC8853)	R.H.; 15 x 3" Brake; w/o Bleeder Screw; 4WD; 1-1/8" Bore
Wheel Cylinder	78 - 77	F8814	(WC8814)	R.H.; 15 x 3-1/2" Brake; w/o Bleeder Screw; 1-3/8" Bore

Rear Wheel Cylinder	Years	Sequential No.	Category No.	Qualifier
Wheel Cylinder	78 - 77	F26159	(WC26159)	15 x 4" Brake; 1-1/2" Bore
Wheel Cylinder	78 - 77	F26159	(WC26159)	15 x 5" Brake; 1-1/2" Bore
Wheel Cylinder	78 - 77	F24489	(WC24489)	15 x 5" Brake; 1-5/8" Bore
Wheel Cylinder	78 - 77	F24489	(WC24489)	15 x 6" Brake; 1-5/8" Bore
Wheel Cylinder	78 - 77	F26172	(WC26172)	15 x 7" Brake; 1-3/4" Bore
Wheel Cylinder	78 - 77	F24489	(WC24489)	15 x 7" Brake; 1-5/8" Bore
Wheel Cylinder	78 - 77	F26172	(WC26172)	16 x 5" Brake; 1-3/4" Bore
Wheel Cylinder	78 - 77	F24489	(WC24489)	16 x 5" Brake; 1-5/8" Bore
Wheel Cylinder	78 - 77	F26172	(WC26172)	16 x 6" Brake; 1-3/4" Bore

↳ Sub-Kit of Combi-Kit is available separately.



1610FC (cont.)

Hydraulics - New (cont.)

Clutch Master Cylind	Years	Sequential No.	Category No.	Qualifier
Clutch Master Cylinder	78 - 77	F78828	(CM78828)	Exc. FC Models; 6V-53 Eng.
Clutch Master Cylinder	78 - 77	F54699	(CM54699)	Exc. FC Models; Exc. 6V-53 Eng.
Clutch Slave Cylinder	Years	Sequential No.	Category No.	Qualifier
Clutch Slave Cylinder	78 - 77	F43260	(SC43260)	
Front Brake Hose	Years	Sequential No.	Category No.	Qualifier
Brake Hose	78 - 77	F4751	(BH4751)	2WD; Exc. FA-89 or 91; Exc. FA-101; Exc. FA-109 or 139; Exc. FA-208; 21-5/8" Length
Brake Hose	78 - 77	F79359	(BH79359)	2WD; FA-109 or 139; 26-3/4" Length
Brake Hose	78 - 77	F8116	(BH8116)	2WD; FA-89 or 91; 18-7/8" Length
Brake Hose	78 - 77	F4050	(BH4050)	2WD; FA-89 or 91; 20" Length
Brake Hose	78 - 77	F4751	(BH4751)	4WD; 21-5/8" Length
Brake Hose	78 - 77	F79359	(BH79359)	4WD; 26-3/4" Length
Brake Hose	78 - 77	F79360	(BH79360)	L.H.; 2WD; FA-208; 22-1/4" Length
Brake Hose	78 - 77	F4751	(BH4751)	R.H.; 2WD; FA-208; 21-5/8" Length
Rear Brake Hose	Years	Sequential No.	Category No.	Qualifier
Brake Hose	78 - 77	F39508	(BH39508)	Exc. Tandem; Exc. Low Frame
Brake Hose	78 - 77	F102235	(BH102235)	Tandem; Fwd. RA
Brake Hose	78 - 77	F102236	(BH102236)	Tandem; Rear RA

Hydraulics - Reman

Power Brake Booster	Years	Part No.	Qualifier
Vacuum Booster	78 - 77	518037	Single Syst.; 34000 lb. TRA; Double Diaphragm
Vacuum Booster	78 - 77	518037	Single Syst.; DT466 Eng.; Double Diaphragm; 16000 lb. RA or 34000 lb. TRA
Vacuum Booster	78 - 77	518002	Single Syst.; DT466 Eng.; Single Diaphragm; Exc. 16000 lb. RA or 34000 lb. TRA
Vacuum Booster	78 - 77	518002	Single Syst.; Exc. Tandem; Single Diaphragm
Vacuum Booster	78 - 77	518054	Single Syst.; Heavy Duty; Single Diaphragm
Vacuum Booster	78 - 77	518022	Split Syst.; Single Diaphragm

INTERNATIONAL MD 1700 CargoStar

CO1710

Brake Pads & Shoes

Front Pads & Shoes	Years	SevereDuty	Lining No.	Qualifier
Brake Pads	86 - 79	SD184		Bendix; 2.60" 2-Piston Caliper
Brake Pads	86 - 79	SD225		Bendix; 2.88" 2-Piston Caliper
Brake Pads	86 - 79	SD184		Bendix; 3.38" 1-Piston Caliper
Brake Shoes	86 - 71	SDS321R	EX1245AD-S32	Hyd. Brakes; Auto. Adj.; 15 x 3
Brake Shoes	86 - 71	SDS322R	EX1280BD-S32	Hyd. Brakes; Auto. Adj.; 15 x 3-1/2
Brake Shoes	86 - 71	SDS235R	EX1245AD-S32	Hyd. Brakes; Man. Adj.; 15 x 3
Brake Shoes	86 - 71	SDS463R	EX1280D-S32	Hyd. Brakes; Man. Adj.; 15 x 3-1/2
Brake Shoes	86 - 71	4223E	4223A	w/Air Brakes; Eaton/Spicer; 16-1/2 x 5
Brake Shoes	86 - 71	4524P	4524B	w/Air Brakes; Rockwell/Meritor; P-Series; 16-1/2 x 5
Brake Shoes	86 - 71	1307T	1307	w/Air Brakes; Rockwell/Meritor; T-Series; 15 x 3-1/2
Brake Shoes	86 - 71	1308T	1308T	w/Air Brakes; Rockwell/Meritor; T-Series; 15 x 4
Brake Shoes	86 - 71	4615S	4615	w/Air Brakes; Rockwell/Meritor; Wedge; 15 x 5
Brake Shoes	86 - 71	4605S	4605	w/Air Brakes; Rockwell/Meritor; Wedge; 15 x 6
Rear Pads & Shoes	Years	SevereDuty	Lining No.	Qualifier
Brake Pads	86 - 79	SD184		Bendix; 2.60" 2-Piston Caliper
Brake Pads	86 - 79	SD225		Bendix; 2.88" 2-Piston Caliper
Brake Shoes	86 - 71	SDS346R	EX1252D-S32	Hyd. Brakes; 15 x 5
Brake Shoes	86 - 71	SDS381R	EX4596D-S32	Hyd. Brakes; 15 x 6
Brake Shoes	86 - 71	SDS383R	EX4597D-S32	Hyd. Brakes; 15 x 7
Brake Shoes	86 - 71	SDS385R	EX1254D-S32	Hyd. Brakes; 16 x 5
Brake Shoes	86 - 71	SDS386R	EX1255D-S32	Hyd. Brakes; 16 x 6
Brake Shoes	86 - 71	4311E	4311J	w/Air Brakes; Eaton/Spicer; 16-1/2 x 7
Brake Shoes	86 - 71	4514P	4514G	w/Air Brakes; Rockwell/Meritor; P-Series; 16-1/2 x 6
Brake Shoes	86 - 71	4515P	4515E	w/Air Brakes; Rockwell/Meritor; P-Series; 16-1/2 x 7

Brake Pads & Shoes (cont.)

Rear Pads & Shoes	Years	SevereDuty	Lining No.	Qualifier
Brake Shoes	86 - 71	4605S	4605	w/Air Brakes; Rockwell/Meritor; Wedge; 15 x 6
Brake Shoes	86 - 71	4602S	4602	w/Air Brakes; Rockwell/Meritor; Wedge; 15 x 7
Parking Brake Shoes	Years	SevereDuty	Lining No.	Qualifier
Brake Shoes	86 - 71	SDS842R	EX1303AD	Driveline Config.; 10 x 3

Rotor & Drum

Front Rotor & Drum	Years	Part No.	Qualifier
Brake Rotor	86 - 79	BD125097	5000-7500 lb. FA; Hat-Shaped; 10-Hole Rotor
Brake Rotor	86 - 79	BD125361	5000-7500 lb. FA; Hat-Shaped; 5-Hole Rotor
Brake Rotor	86 - 79	BD125362	5000-7500 lb. FA; Hat-Shaped; 6-Hole Rotor
Brake Rotor	86 - 79	BD126402	5000-7500 lb. FA; U-Shaped; 5-Hole Rotor
Brake Rotor	86 - 79	BD125096	5000-7500 lb. FA; U-Shaped; 6-Hole Rotor
Brake Rotor	86	BD125244	From 2/01/86; 9000-12000 lb. FA; U-Shaped; 5-Hole Rotor
Brake Rotor	86	BD125098	To 1/31/86; 9000-12000 lb. FA; U-Shaped; 5-Hole Rotor
Brake Rotor	85 - 79	BD125098	9000-12000 lb. FA; U-Shaped; 5-Hole Rotor
Rear Rotor & Drum	Years	Part No.	Qualifier
Brake Rotor	86 - 79	BD125097	10000-15500 lb. RA; Hat-Shaped; 10-Hole Rotor
Brake Rotor	86 - 79	BD125362	10000-15500 lb. RA; Hat-Shaped; 6-Hole Rotor
Brake Rotor	86 - 79	BD126403	10000-15500 lb. RA; U-Shaped; 5-Hole Rotor
Brake Rotor	86 - 79	BD125096	10000-15500 lb. RA; U-Shaped; 6-Hole Rotor
Brake Rotor	86 - 79	BD125097	17000-19000 lb. RA; Hat-Shaped; 10-Hole Rotor
Brake Rotor	86 - 79	BD126394	17000-19000 lb. RA; U-Shaped; 10-Hole Rotor
Brake Rotor	86 - 79	BD125382	17000-19000 lb. RA; U-Shaped; 5-Hole Rotor; 12-3/4" Bolt Circle

Brake Hardware

Front Brake Hardware	Years	Sequential No.	Category No.	Qualifier
Adjuster Kit	86 - 71	F59159	(H2904)	L.H.; w/Auto Adj.
Adjuster Kit	86 - 71	F128990	(H2929)	L.H.; w/Man. Adj.
Adjuster Kit	86 - 71	F59160	(H2905)	R.H.; w/Auto Adj.
Adjuster Kit	86 - 71	F128990	(H2929)	R.H.; w/Man. Adj.
Combi Kit	86 - 71	F117025	(H7173)	14" Brake; w/Auto Adj.
↳Hold Down Kit		F73399	(H4201)	
↳Return Spring Kit		F36445	(H521)	
Combi Kit	86 - 71	F117018	(H7185)	14" Brake; w/Man. Adj.
↳Hold Down Kit		F19408	(H4200)	
↳Return Spring Kit		F36445	(H521)	
Combi Kit	86 - 71	F117025	(H7173)	15 x 3 or 15 x 3-1/2" Brake; w/Auto Adj.
↳Hold Down Kit		F73399	(H4201)	
↳Return Spring Kit		F36445	(H521)	
Combi Kit	86 - 71	F117026	(H7172)	15 x 3 or 15 x 3-1/2" Brake; w/Man. Adj.
↳Hold Down Kit		F19408	(H4200)	
↳Return Spring Kit		F36445	(H521)	
Combi Kit	86 - 71	F117025	(H7173)	15 x 5" Brake; w/Auto Adj.
↳Hold Down Kit		F73399	(H4201)	
↳Return Spring Kit		F36445	(H521)	
Combi Kit	86 - 71	F117019	(H7182)	15 x 5" Brake; w/Man. Adj.
↳Return Spring Kit		F36445	(H521)	
Disc Align Kit	86 - 79	F112095S	(H5564)	Bendix; 2.60" 2-Piston Caliper
Disc Align Kit	86 - 79	F112090S	(H5566)	Bendix; 2.88" 2-Piston Caliper
Disc Align Kit	86 - 79	F107401S	(H5562)	Bendix; 3.38" 1-Piston Caliper
Rear Brake Hardware	Years	Sequential No.	Category No.	Qualifier
Adjuster Kit	86 - 71	F59157	(H2902)	L.H.; 15" Brake; w/Auto Adj.
Adjuster Kit	86 - 71	F128894S	(H2911)	L.H.; 15" Brake; w/Man. Adj.
Adjuster Kit	86 - 71	F128895S	(H2912)	L.H.; 16" Brake; w/Man. Adj.
Adjuster Kit	86 - 71	F59158	(H2903)	R.H.; 15" Brake; w/Auto Adj.
Adjuster Kit	86 - 71	F128894S	(H2911)	R.H.; 15" Brake; w/Man. Adj.

↳Sub-Kit of Combi-Kit is available separately.

CO1710 (cont.)

Brake Hardware (cont.)

Rear Brake Hardware	Years	Sequential No.	Category No.	Qualifier	
Adjuster Kit	86 - 71	F128895S	(H2912)	R.H.; 16" Brake; w/Man. Adj.	
Adjuster Screw	86 - 71	F140823	(H1607)	L.H.; 15" Brake	
Adjuster Screw	86 - 71	F19291	(H1700)	L.H.; 16" Brake	
Adjuster Screw	86 - 71	F140818	(H1606)	R.H.; 15" Brake	
Adjuster Screw	86 - 71	F19292	(H1701)	R.H.; 16" Brake	
Combi Kit	86 - 71	F117027	(H7171)		
↳Adjuster Spring Kit		F78727	(H451)		
↳Hold Down Kit		F19309	(H5079)		
↳Return Spring Kit		F98318	(H609)		
Disc Align Kit	86 - 79	F112095S	(H5564)	Bendix; 2.60" 2-Piston Caliper	
Disc Align Kit	86 - 79	F112090S	(H5566)	Bendix; 2.88" 2-Piston Caliper	

Calipers - Reman					
Front, Loaded	Years	Left No.	Right No.	Qualifier	Piston
Loaded Caliper	86 - 79	AS112057	AS112057	Bendix; 2.60" 2-Piston Caliper	P
Loaded Caliper	86 - 79	AS112057S	AS112057S	Bendix; 2.60" 2-Piston Caliper	O
Loaded Caliper	86 - 79	AS120549	AS120549	Bendix; 2.88" 2-Piston Caliper	P
Loaded Caliper	86 - 79	AS120549S	AS120549S	Bendix; 2.88" 2-Piston Caliper	O
Loaded Caliper	86 - 79	AS130211A	AS130210A	Bendix; 3.38" 1-Piston Caliper	M

Rear, Loaded	Years	Left No.	Right No.	Qualifier	Piston
Loaded Caliper	86 - 79	AS112057	AS112057	Bendix; 2.60" 2-Piston Caliper	P
Loaded Caliper	86 - 79	AS112057S	AS112057S	Bendix; 2.60" 2-Piston Caliper	O
Loaded Caliper	86 - 79	AS120549	AS120549	Bendix; 2.88" 2-Piston Caliper	P
Loaded Caliper	86 - 79	AS120549S	AS120549S	Bendix; 2.88" 2-Piston Caliper	O

Front, Unloaded	Years	Left No.	Right No.	Qualifier	Piston
Unloaded Caliper	86 - 79	CR112057	CR112057	Bendix; 2.60" 2-Piston Caliper	P
Unloaded Caliper	86 - 79	CR112057S	CR112057S	Bendix; 2.60" 2-Piston Caliper	O
Unloaded Caliper	86 - 79	CR120549	CR120549	Bendix; 2.88" 2-Piston Caliper	P
Unloaded Caliper	86 - 79	CR120549S	CR120549S	Bendix; 2.88" 2-Piston Caliper	O
Unloaded Caliper	86 - 79	CR130211	CR130210	Bendix; 3.38" 1-Piston Caliper	M

Rear, Unloaded	Years	Left No.	Right No.	Qualifier	Piston
Unloaded Caliper	86 - 79	CR112057	CR112057	Bendix; 2.60" 2-Piston Caliper	P
Unloaded Caliper	86 - 79	CR112057S	CR112057S	Bendix; 2.60" 2-Piston Caliper	O
Unloaded Caliper	86 - 79	CR120549	CR120549	Bendix; 2.88" 2-Piston Caliper	P
Unloaded Caliper	86 - 79	CR120549S	CR120549S	Bendix; 2.88" 2-Piston Caliper	O

Hydraulics - New					
Master Cylinder	Years	Sequential No.	Category No.	Qualifier	
Master Cylinder	86 - 71	F76151	(MC76151)	Exc. H.D.; Frame Mtd.	
Master Cylinder	86 - 71	F76154	(MC76154)	H.D.; Exc. Frame Mtd.	

Front Wheel Cylinder	Years	Sequential No.	Category No.	Qualifier	
Wheel Cylinder	86 - 71	F43383	(WC43383)	L.H.; 14 x 2-1/2" Brake; w/o Bleeder Screw; 1-1/4" Bore	
Wheel Cylinder	86 - 71	F71940	(WC71940)	L.H.; 15 x 3" Brake; w/Bleeder Screw; 1-1/8" Bore	
Wheel Cylinder	86 - 71	F43383	(WC43383)	L.H.; 15 x 3" Brake; w/o Bleeder Screw; 1-1/4" Bore	
Wheel Cylinder	86 - 71	F8813	(WC8813)	L.H.; 15 x 3-1/2" Brake; w/o Bleeder Screw; 1-3/8" Bore	
Wheel Cylinder	86 - 71	F43384	(WC43384)	R.H.; 14 x 2-1/2" Brake; w/o Bleeder Screw; 1-1/4" Bore	
Wheel Cylinder	86 - 71	F71941	(WC71941)	R.H.; 15 x 3" Brake; w/Bleeder Screw; 1-1/8" Bore	
Wheel Cylinder	86 - 71	F43384	(WC43384)	R.H.; 15 x 3" Brake; w/o Bleeder Screw; 1-1/4" Bore	
Wheel Cylinder	86 - 71	F8814	(WC8814)	R.H.; 15 x 3-1/2" Brake; w/o Bleeder Screw; 1-3/8" Bore	

Rear Wheel Cylinder	Years	Sequential No.	Category No.	Qualifier	
Wheel Cylinder	86 - 71	F26159	(WC26159)	15 x 4" Brake; 1-1/2" Bore	
Wheel Cylinder	86 - 71	F26159	(WC26159)	15 x 5" Brake; 1-1/2" Bore	
Wheel Cylinder	86 - 71	F24489	(WC24489)	15 x 5" Brake; 1-5/8" Bore	
Wheel Cylinder	86 - 71	F24489	(WC24489)	15 x 6" Brake; 1-5/8" Bore	
Wheel Cylinder	86 - 71	F26172	(WC26172)	15 x 7" Brake; 1-3/4" Bore	
Wheel Cylinder	86 - 71	F24489	(WC24489)	15 x 7" Brake; 1-5/8" Bore	

↳Sub-Kit of Combi-Kit is available separately.

Piston: M - OE Metal Piston P - OE Phenolic Piston O - Metal Piston Option

CO1710 (cont.)
Hydraulics - New (cont.)

Rear Wheel Cylinder	Years	Sequential No.	Category No.	Qualifier
Wheel Cylinder	86 - 71	F26172	(WC26172)	16 x 5" Brake; 1-3/4" Bore
Wheel Cylinder	86 - 71	F24489	(WC24489)	16 x 5" Brake; 1-5/8" Bore
Wheel Cylinder	86 - 71	F26172	(WC26172)	16 x 6" Brake; 1-3/4" Bore
Wheel Cylinder	86 - 71	F26181	(WC26181)	16 x 6" Brake; 1-7/8" Bore
Clutch Slave Cylinder	Years	Sequential No.	Category No.	Qualifier
Clutch Slave Cylinder	86 - 71	F43260	(SC43260)	
Front Brake Hose	Years	Sequential No.	Category No.	Qualifier
Brake Hose	86 - 71	F4751	(BH4751)	21-5/8" Length
Rear Brake Hose	Years	Sequential No.	Category No.	Qualifier
Brake Hose	86 - 71	F39508	(BH39508)	

Hydraulics - Reman

Power Brake Booster	Years	Part No.	Qualifier
Hydro Booster	86 - 79	529901	Dual; Head
Hydro Booster	86 - 79	529802	High Pwr; Bendix Hydromax II; Complete Assy
Hydro Booster	86 - 79	529904	High Pwr; Bendix Hydromax II; Elect. Motor
Hydro Booster	86 - 79	529920	High Pwr; Bendix Hydromax II; Head
Hydro Booster	86 - 79	529900	Single; Head
Power Brake Booster	Years	Part No.	Qualifier
Vacuum Booster	86 - 71	518054	Exc. Frame Mtd.; Single Diaphragm
Vacuum Booster	86 - 71	518002	Frame Mtd; Single Diaphragm

CO1730
Brake Pads & Shoes

Front Pads & Shoes	Years	SevereDuty	Lining No.	Qualifier
Brake Shoes	72 - 71	SDS321R	EX1245AD-S32	Hyd. Brakes; Auto. Adj.; 15 x 3
Brake Shoes	72 - 71	SDS322R	EX1280BD-S32	Hyd. Brakes; Auto. Adj.; 15 x 3-1/2
Brake Shoes	72 - 71	SDS235R	EX1245AD-S32	Hyd. Brakes; Man. Adj.; 15 x 3
Brake Shoes	72 - 71	SDS463R	EX1280D-S32	Hyd. Brakes; Man. Adj.; 15 x 3-1/2
Brake Shoes	72 - 71	4223E	4223A	w/Air Brakes; Eaton/Spicer; 16-1/2 x 5
Brake Shoes	72 - 71	4524P	4524B	w/Air Brakes; Rockwell/Meritor; P-Series; 16-1/2 x 5
Brake Shoes	72 - 71	1307T	1307	w/Air Brakes; Rockwell/Meritor; T-Series; 15 x 3-1/2
Brake Shoes	72 - 71	1308T	1308T	w/Air Brakes; Rockwell/Meritor; T-Series; 15 x 4
Brake Shoes	72 - 71	4615S	4615	w/Air Brakes; Rockwell/Meritor; Wedge; 15 x 5
Brake Shoes	72 - 71	4605S	4605	w/Air Brakes; Rockwell/Meritor; Wedge; 15 x 6
Rear Pads & Shoes	Years	SevereDuty	Lining No.	Qualifier
Brake Shoes	72 - 71	SDS346R	EX1252D-S32	Hyd. Brakes; 15 x 5
Brake Shoes	72 - 71	SDS381R	EX4596D-S32	Hyd. Brakes; 15 x 6
Brake Shoes	72 - 71	SDS383R	EX4597D-S32	Hyd. Brakes; 15 x 7
Brake Shoes	72 - 71	SDS385R	EX1254D-S32	Hyd. Brakes; 16 x 5
Brake Shoes	72 - 71	SDS386R	EX1255D-S32	Hyd. Brakes; 16 x 6
Brake Shoes	72 - 71	4311E	4311J	w/Air Brakes; Eaton/Spicer; 16-1/2 x 7
Brake Shoes	72 - 71	4514P	4514G	w/Air Brakes; Rockwell/Meritor; P-Series; 16-1/2 x 6
Brake Shoes	72 - 71	4515P	4515E	w/Air Brakes; Rockwell/Meritor; P-Series; 16-1/2 x 7
Brake Shoes	72 - 71	4605S	4605	w/Air Brakes; Rockwell/Meritor; Wedge; 15 x 6
Brake Shoes	72 - 71	4602S	4602	w/Air Brakes; Rockwell/Meritor; Wedge; 15 x 7
Parking Brake Shoes	Years	SevereDuty	Lining No.	Qualifier
Brake Shoes	72 - 71	SDS842R	EX1303AD	Driveline Config.; 10 x 3

Brake Hardware

Front Brake Hardware	Years	Sequential No.	Category No.	Qualifier
Adjuster Kit	72 - 71	F59159	(H2904)	L.H.; w/Auto Adj.
Adjuster Kit	72 - 71	F128990	(H2929)	L.H.; w/Man. Adj.
Adjuster Kit	72 - 71	F59160	(H2905)	R.H.; w/Auto Adj.
Adjuster Kit	72 - 71	F128990	(H2929)	R.H.; w/Man. Adj.

↳Sub-Kit of Combi-Kit is available separately.

CO1730 (cont.)

Brake Hardware (cont.)

Front Brake Hardware	Years	Sequential No.	Category No.	Qualifier
Combi Kit	72 - 71	F117025	(H7173)	14" Brake; w/Auto Adj.
↳Hold Down Kit		F73399	(H4201)	
↳Return Spring Kit		F36445	(H521)	
Combi Kit	72 - 71	F117018	(H7185)	14" Brake; w/Man. Adj.
↳Hold Down Kit		F19408	(H4200)	
↳Return Spring Kit		F36445	(H521)	
Combi Kit	72 - 71	F117025	(H7173)	15 x 3 or 15 x 3-1/2" Brake; w/Auto Adj.
↳Hold Down Kit		F73399	(H4201)	
↳Return Spring Kit		F36445	(H521)	
Combi Kit	72 - 71	F117026	(H7172)	15 x 3 or 15 x 3-1/2" Brake; w/Man. Adj.
↳Hold Down Kit		F19408	(H4200)	
↳Return Spring Kit		F36445	(H521)	
Combi Kit	72 - 71	F117025	(H7173)	15 x 5" Brake; w/Auto Adj.
↳Hold Down Kit		F73399	(H4201)	
↳Return Spring Kit		F36445	(H521)	
Combi Kit	72 - 71	F117019	(H7182)	15 x 5" Brake; w/Man. Adj.
↳Return Spring Kit		F36445	(H521)	

Rear Brake Hardware	Years	Sequential No.	Category No.	Qualifier
Adjuster Kit	72 - 71	F59157	(H2902)	L.H.; 15" Brake; w/Auto Adj.
Adjuster Kit	72 - 71	F128894S	(H2911)	L.H.; 15" Brake; w/Man. Adj.
Adjuster Kit	72 - 71	F128895S	(H2912)	L.H.; 16" Brake; w/Man. Adj.
Adjuster Kit	72 - 71	F59158	(H2903)	R.H.; 15" Brake; w/Auto Adj.
Adjuster Kit	72 - 71	F128894S	(H2911)	R.H.; 15" Brake; w/Man. Adj.
Adjuster Kit	72 - 71	F128895S	(H2912)	R.H.; 16" Brake; w/Man. Adj.
Adjuster Screw	72 - 71	F140823	(H1607)	L.H.; 15" Brake
Adjuster Screw	72 - 71	F19291	(H1700)	L.H.; 16" Brake
Adjuster Screw	72 - 71	F140818	(H1606)	R.H.; 15" Brake
Adjuster Screw	72 - 71	F19292	(H1701)	R.H.; 16" Brake
Combi Kit	72 - 71	F117027	(H7171)	
↳Adjuster Spring Kit		F78727	(H451)	
↳Hold Down Kit		F19309	(H5079)	
↳Return Spring Kit		F98318	(H609)	

Hydraulics - New

Master Cylinder	Years	Sequential No.	Category No.	Qualifier
Master Cylinder	72 - 71	F76151	(MC76151)	Exc. H.D.; Frame Mtd.
Master Cylinder	72 - 71	F76154	(MC76154)	H.D.; Exc. Frame Mtd.
Front Wheel Cylinder	Years	Sequential No.	Category No.	Qualifier
Wheel Cylinder	72 - 71	F43383	(WC43383)	L.H.; 14 x 2-1/2" Brake; w/o Bleeder Screw; 1-1/4" Bore
Wheel Cylinder	72 - 71	F71940	(WC71940)	L.H.; 15 x 3" Brake; w/Bleeder Screw; 1-1/8" Bore
Wheel Cylinder	72 - 71	F43383	(WC43383)	L.H.; 15 x 3" Brake; w/o Bleeder Screw; 1-1/4" Bore
Wheel Cylinder	72 - 71	F8813	(WC8813)	L.H.; 15 x 3-1/2" Brake; w/o Bleeder Screw; 1-3/8" Bore
Wheel Cylinder	72 - 71	F43384	(WC43384)	R.H.; 14 x 2-1/2" Brake; w/o Bleeder Screw; 1-1/4" Bore
Wheel Cylinder	72 - 71	F71941	(WC71941)	R.H.; 15 x 3" Brake; w/Bleeder Screw; 1-1/8" Bore
Wheel Cylinder	72 - 71	F43384	(WC43384)	R.H.; 15 x 3" Brake; w/o Bleeder Screw; 1-1/4" Bore
Wheel Cylinder	72 - 71	F8814	(WC8814)	R.H.; 15 x 3-1/2" Brake; w/o Bleeder Screw; 1-3/8" Bore
Rear Wheel Cylinder	Years	Sequential No.	Category No.	Qualifier
Wheel Cylinder	72 - 71	F26159	(WC26159)	15 x 4" Brake; 1-1/2" Bore
Wheel Cylinder	72 - 71	F26159	(WC26159)	15 x 5" Brake; 1-1/2" Bore
Wheel Cylinder	72 - 71	F24489	(WC24489)	15 x 5" Brake; 1-5/8" Bore
Wheel Cylinder	72 - 71	F24489	(WC24489)	15 x 6" Brake; 1-5/8" Bore
Wheel Cylinder	72 - 71	F26172	(WC26172)	15 x 7" Brake; 1-3/4" Bore
Wheel Cylinder	72 - 71	F24489	(WC24489)	15 x 7" Brake; 1-5/8" Bore
Wheel Cylinder	72 - 71	F26172	(WC26172)	16 x 5" Brake; 1-3/4" Bore
Wheel Cylinder	72 - 71	F24489	(WC24489)	16 x 5" Brake; 1-5/8" Bore

↳Sub-Kit of Combi-Kit is available separately.

CO1730 (cont.)
Hydraulics - New (cont.)

Rear Wheel Cylinder	Years	Sequential No.	Category No.	Qualifier
Wheel Cylinder	72 - 71	F26172	(WC26172)	16 x 6" Brake; 1-3/4" Bore
Wheel Cylinder	72 - 71	F26181	(WC26181)	16 x 6" Brake; 1-7/8" Bore
Clutch Slave Cylinder	Years	Sequential No.	Category No.	Qualifier
Clutch Slave Cylinder	72 - 71	F43260	(SC43260)	
Front Brake Hose	Years	Sequential No.	Category No.	Qualifier
Brake Hose	72 - 71	F4751	(BH4751)	21-5/8" Length
Rear Brake Hose	Years	Sequential No.	Category No.	Qualifier
Brake Hose	72 - 71	F39508	(BH39508)	

Hydraulics - Reman

Power Brake Booster	Years	Part No.	Qualifier
Vacuum Booster	72 - 71	518054	Exc. Frame Mtd.; Single Diaphragm
Vacuum Booster	72 - 71	518002	Frame Mtd; Single Diaphragm

CO1750
Brake Pads & Shoes

Front Pads & Shoes	Years	SevereDuty	Lining No.	Qualifier
Brake Pads	86 - 79	SD184		Bendix; 2.60" 2-Piston Caliper
Brake Pads	86 - 79	SD225		Bendix; 2.88" 2-Piston Caliper
Brake Pads	86 - 79	SD184		Bendix; 3.38" 1-Piston Caliper
Brake Shoes	86 - 71	SDS321R	EX1245AD-S32	Hyd. Brakes; Auto. Adj.; 15 x 3
Brake Shoes	86 - 71	SDS322R	EX1280BD-S32	Hyd. Brakes; Auto. Adj.; 15 x 3-1/2
Brake Shoes	86 - 71	SDS235R	EX1245AD-S32	Hyd. Brakes; Man. Adj.; 15 x 3
Brake Shoes	86 - 71	SDS463R	EX1280D-S32	Hyd. Brakes; Man. Adj.; 15 x 3-1/2
Brake Shoes	86 - 71	4223E	4223A	w/Air Brakes; Eaton/Spicer; 16-1/2 x 5
Brake Shoes	86 - 71	4524P	4524B	w/Air Brakes; Rockwell/Meritor; P-Series; 16-1/2 x 5
Brake Shoes	86 - 71	1307T	1307	w/Air Brakes; Rockwell/Meritor; T-Series; 15 x 3-1/2
Brake Shoes	86 - 71	1308T	1308T	w/Air Brakes; Rockwell/Meritor; T-Series; 15 x 4
Brake Shoes	86 - 71	4615S	4615	w/Air Brakes; Rockwell/Meritor; Wedge; 15 x 5
Brake Shoes	86 - 71	4605S	4605	w/Air Brakes; Rockwell/Meritor; Wedge; 15 x 6
Rear Pads & Shoes	Years	SevereDuty	Lining No.	Qualifier
Brake Pads	86 - 79	SD184		Bendix; 2.60" 2-Piston Caliper
Brake Pads	86 - 79	SD225		Bendix; 2.88" 2-Piston Caliper
Brake Shoes	86 - 71	SDS346R	EX1252D-S32	Hyd. Brakes; 15 x 5
Brake Shoes	86 - 71	SDS381R	EX4596D-S32	Hyd. Brakes; 15 x 6
Brake Shoes	86 - 71	SDS383R	EX4597D-S32	Hyd. Brakes; 15 x 7
Brake Shoes	86 - 71	SDS385R	EX1254D-S32	Hyd. Brakes; 16 x 5
Brake Shoes	86 - 71	SDS386R	EX1255D-S32	Hyd. Brakes; 16 x 6
Brake Shoes	86 - 71	4311E	4311J	w/Air Brakes; Eaton/Spicer; 16-1/2 x 7
Brake Shoes	86 - 71	4514P	4514G	w/Air Brakes; Rockwell/Meritor; P-Series; 16-1/2 x 6
Brake Shoes	86 - 71	4515P	4515E	w/Air Brakes; Rockwell/Meritor; P-Series; 16-1/2 x 7
Brake Shoes	86 - 71	4605S	4605	w/Air Brakes; Rockwell/Meritor; Wedge; 15 x 6
Brake Shoes	86 - 71	4602S	4602	w/Air Brakes; Rockwell/Meritor; Wedge; 15 x 7
Parking Brake Shoes	Years	SevereDuty	Lining No.	Qualifier
Brake Shoes	86 - 71	SDS842R	EX1303AD	Driveline Config.; 10 x 3

Rotor & Drum

Front Rotor & Drum	Years	Part No.	Qualifier
Brake Rotor	86 - 79	BD125097	5000-7500 lb. FA; Hat-Shaped; 10-Hole Rotor
Brake Rotor	86 - 79	BD125361	5000-7500 lb. FA; Hat-Shaped; 5-Hole Rotor
Brake Rotor	86 - 79	BD125362	5000-7500 lb. FA; Hat-Shaped; 6-Hole Rotor
Brake Rotor	86 - 79	BD126402	5000-7500 lb. FA; U-Shaped; 5-Hole Rotor
Brake Rotor	86 - 79	BD125096	5000-7500 lb. FA; U-Shaped; 6-Hole Rotor
Brake Rotor	86	BD125244	From 2/01/86; 9000-12000 lb. FA; U-Shaped; 5-Hole Rotor
Brake Rotor	86	BD125098	To 1/31/86; 9000-12000 lb. FA; U-Shaped; 5-Hole Rotor
Brake Rotor	85 - 79	BD125098	9000-12000 lb. FA; U-Shaped; 5-Hole Rotor

CO1750 (cont.)

Rotor & Drum (cont.)

Rear Rotor & Drum	Years	Part No.	Qualifier
Brake Rotor	86 - 79	BD125097	10000-15500 lb. RA; Hat-Shaped; 10-Hole Rotor
Brake Rotor	86 - 79	BD125362	10000-15500 lb. RA; Hat-Shaped; 6-Hole Rotor
Brake Rotor	86 - 79	BD126403	10000-15500 lb. RA; U-Shaped; 5-Hole Rotor
Brake Rotor	86 - 79	BD125096	10000-15500 lb. RA; U-Shaped; 6-Hole Rotor
Brake Rotor	86 - 79	BD125097	17000-19000 lb. RA; Hat-Shaped; 10-Hole Rotor
Brake Rotor	86 - 79	BD126394	17000-19000 lb. RA; U-Shaped; 10-Hole Rotor
Brake Rotor	86 - 79	BD125382	17000-19000 lb. RA; U-Shaped; 5-Hole Rotor; 12-3/4" Bolt Circle

Brake Hardware

Front Brake Hardware	Years	Sequential No.	Category No.	Qualifier
Adjuster Kit	86 - 71	F59159	(H2904)	L.H.; w/Auto Adj.
Adjuster Kit	86 - 71	F128990	(H2929)	L.H.; w/Man. Adj.
Adjuster Kit	86 - 71	F59160	(H2905)	R.H.; w/Auto Adj.
Adjuster Kit	86 - 71	F128990	(H2929)	R.H.; w/Man. Adj.
Combi Kit	86 - 71	F117025	(H7173)	14" Brake; w/Auto Adj.
↳Hold Down Kit		F73399	(H4201)	
↳Return Spring Kit		F36445	(H521)	
Combi Kit	86 - 71	F117018	(H7185)	14" Brake; w/Man. Adj.
↳Hold Down Kit		F19408	(H4200)	
↳Return Spring Kit		F36445	(H521)	
Combi Kit	86 - 71	F117025	(H7173)	15 x 3 or 15 x 3-1/2" Brake; w/Auto Adj.
↳Hold Down Kit		F73399	(H4201)	
↳Return Spring Kit		F36445	(H521)	
Combi Kit	86 - 71	F117026	(H7172)	15 x 3 or 15 x 3-1/2" Brake; w/Man. Adj.
↳Hold Down Kit		F19408	(H4200)	
↳Return Spring Kit		F36445	(H521)	
Combi Kit	86 - 71	F117025	(H7173)	15 x 5" Brake; w/Auto Adj.
↳Hold Down Kit		F73399	(H4201)	
↳Return Spring Kit		F36445	(H521)	
Combi Kit	86 - 71	F117019	(H7182)	15 x 5" Brake; w/Man. Adj.
↳Return Spring Kit		F36445	(H521)	
Disc Align Kit	86 - 79	F112095S	(H5564)	Bendix; 2.60" 2-Piston Caliper
Disc Align Kit	86 - 79	F112090S	(H5566)	Bendix; 2.88" 2-Piston Caliper
Disc Align Kit	86 - 79	F107401S	(H5562)	Bendix; 3.38" 1-Piston Caliper

Rear Brake Hardware	Years	Sequential No.	Category No.	Qualifier
Adjuster Kit	86 - 71	F59157	(H2902)	L.H.; 15" Brake; w/Auto Adj.
Adjuster Kit	86 - 71	F128894S	(H2911)	L.H.; 15" Brake; w/Man. Adj.
Adjuster Kit	86 - 71	F128895S	(H2912)	L.H.; 16" Brake; w/Man. Adj.
Adjuster Kit	86 - 71	F59158	(H2903)	R.H.; 15" Brake; w/Auto Adj.
Adjuster Kit	86 - 71	F128894S	(H2911)	R.H.; 15" Brake; w/Man. Adj.
Adjuster Kit	86 - 71	F128895S	(H2912)	R.H.; 16" Brake; w/Man. Adj.
Adjuster Screw	86 - 71	F140823	(H1607)	L.H.; 15" Brake
Adjuster Screw	86 - 71	F19291	(H1700)	L.H.; 16" Brake
Adjuster Screw	86 - 71	F140818	(H1606)	R.H.; 15" Brake
Adjuster Screw	86 - 71	F19292	(H1701)	R.H.; 16" Brake
Combi Kit	86 - 71	F117027	(H7171)	
↳Adjuster Spring Kit		F78727	(H451)	
↳Hold Down Kit		F19309	(H5079)	
↳Return Spring Kit		F98318	(H609)	
Disc Align Kit	86 - 79	F112095S	(H5564)	Bendix; 2.60" 2-Piston Caliper
Disc Align Kit	86 - 79	F112090S	(H5566)	Bendix; 2.88" 2-Piston Caliper

Calipers - Reman

Front, Loaded	Years	Left No.	Right No.	Qualifier	Piston
Loaded Caliper	86 - 79	AS112057	AS112057	Bendix; 2.60" 2-Piston Caliper	P
Loaded Caliper	86 - 79	AS112057S	AS112057S	Bendix; 2.60" 2-Piston Caliper	O

↳Sub-Kit of Combi-Kit is available separately.

Piston: M - OE Metal Piston P - OE Phenolic Piston O - Metal Piston Option

Calipers - Reman (cont.)

Front, Loaded	Years	Left No.	Right No.	Qualifier	Piston
Loaded Caliper	86 - 79	AS120549	AS120549	Bendix; 2.88" 2-Piston Caliper	P
Loaded Caliper	86 - 79	AS120549S	AS120549S	Bendix; 2.88" 2-Piston Caliper	O
Loaded Caliper	86 - 79	AS130211A	AS130210A	Bendix; 3.38" 1-Piston Caliper	M
Rear, Loaded	Years	Left No.	Right No.	Qualifier	Piston
Loaded Caliper	86 - 79	AS112057	AS112057	Bendix; 2.60" 2-Piston Caliper	P
Loaded Caliper	86 - 79	AS112057S	AS112057S	Bendix; 2.60" 2-Piston Caliper	O
Loaded Caliper	86 - 79	AS120549	AS120549	Bendix; 2.88" 2-Piston Caliper	P
Loaded Caliper	86 - 79	AS120549S	AS120549S	Bendix; 2.88" 2-Piston Caliper	O
Front, Unloaded	Years	Left No.	Right No.	Qualifier	Piston
Unloaded Caliper	86 - 79	CR112057	CR112057	Bendix; 2.60" 2-Piston Caliper	P
Unloaded Caliper	86 - 79	CR112057S	CR112057S	Bendix; 2.60" 2-Piston Caliper	O
Unloaded Caliper	86 - 79	CR120549	CR120549	Bendix; 2.88" 2-Piston Caliper	P
Unloaded Caliper	86 - 79	CR120549S	CR120549S	Bendix; 2.88" 2-Piston Caliper	O
Unloaded Caliper	86 - 79	CR130211	CR130210	Bendix; 3.38" 1-Piston Caliper	M
Rear, Unloaded	Years	Left No.	Right No.	Qualifier	Piston
Unloaded Caliper	86 - 79	CR112057	CR112057	Bendix; 2.60" 2-Piston Caliper	P
Unloaded Caliper	86 - 79	CR112057S	CR112057S	Bendix; 2.60" 2-Piston Caliper	O
Unloaded Caliper	86 - 79	CR120549	CR120549	Bendix; 2.88" 2-Piston Caliper	P
Unloaded Caliper	86 - 79	CR120549S	CR120549S	Bendix; 2.88" 2-Piston Caliper	O

Hydraulics - New

Master Cylinder	Years	Sequential No.	Category No.	Qualifier
Master Cylinder	86 - 71	F76151	(MC76151)	Exc. H.D.; Frame Mtd.
Master Cylinder	86 - 71	F76154	(MC76154)	H.D.; Exc. Frame Mtd.
Front Wheel Cylinder	Years	Sequential No.	Category No.	Qualifier
Wheel Cylinder	86 - 71	F43383	(WC43383)	L.H.; 14 x 2-1/2" Brake; w/o Bleeder Screw; 1-1/4" Bore
Wheel Cylinder	86 - 71	F71940	(WC71940)	L.H.; 15 x 3" Brake; w/Bleeder Screw; 1-1/8" Bore
Wheel Cylinder	86 - 71	F43383	(WC43383)	L.H.; 15 x 3" Brake; w/o Bleeder Screw; 1-1/4" Bore
Wheel Cylinder	86 - 71	F8813	(WC8813)	L.H.; 15 x 3-1/2" Brake; w/o Bleeder Screw; 1-3/8" Bore
Wheel Cylinder	86 - 71	F43384	(WC43384)	R.H.; 14 x 2-1/2" Brake; w/o Bleeder Screw; 1-1/4" Bore
Wheel Cylinder	86 - 71	F71941	(WC71941)	R.H.; 15 x 3" Brake; w/Bleeder Screw; 1-1/8" Bore
Wheel Cylinder	86 - 71	F43384	(WC43384)	R.H.; 15 x 3" Brake; w/o Bleeder Screw; 1-1/4" Bore
Wheel Cylinder	86 - 71	F8814	(WC8814)	R.H.; 15 x 3-1/2" Brake; w/o Bleeder Screw; 1-3/8" Bore
Rear Wheel Cylinder	Years	Sequential No.	Category No.	Qualifier
Wheel Cylinder	86 - 71	F26159	(WC26159)	15 x 4" Brake; 1-1/2" Bore
Wheel Cylinder	86 - 71	F26159	(WC26159)	15 x 5" Brake; 1-1/2" Bore
Wheel Cylinder	86 - 71	F24489	(WC24489)	15 x 5" Brake; 1-5/8" Bore
Wheel Cylinder	86 - 71	F24489	(WC24489)	15 x 6" Brake; 1-5/8" Bore
Wheel Cylinder	86 - 71	F26172	(WC26172)	15 x 7" Brake; 1-3/4" Bore
Wheel Cylinder	86 - 71	F24489	(WC24489)	15 x 7" Brake; 1-5/8" Bore
Wheel Cylinder	86 - 71	F26172	(WC26172)	16 x 5" Brake; 1-3/4" Bore
Wheel Cylinder	86 - 71	F24489	(WC24489)	16 x 5" Brake; 1-5/8" Bore
Wheel Cylinder	86 - 71	F26172	(WC26172)	16 x 6" Brake; 1-3/4" Bore
Wheel Cylinder	86 - 71	F26181	(WC26181)	16 x 6" Brake; 1-7/8" Bore
Clutch Slave Cylinder	Years	Sequential No.	Category No.	Qualifier
Clutch Slave Cylinder	86 - 71	F43260	(SC43260)	
Front Brake Hose	Years	Sequential No.	Category No.	Qualifier
Brake Hose	86 - 71	F4751	(BH4751)	21-5/8" Length
Rear Brake Hose	Years	Sequential No.	Category No.	Qualifier
Brake Hose	86 - 71	F39508	(BH39508)	

Hydraulics - Reman

Power Brake Booster	Years	Part No.	Qualifier
Hydro Booster	86 - 79	529901	Dual; Head
Hydro Booster	86 - 79	529802	High Pwr; Bendix Hydromax II; Complete Assy
Hydro Booster	86 - 79	529904	High Pwr; Bendix Hydromax II; Elect. Motor

Piston: M - OE Metal Piston P - OE Phenolic Piston O - Metal Piston Option

CO1750 (cont.)**Hydraulics - Reman (cont.)**

Power Brake Booster	Years	Part No.	Qualifier
Hydro Booster	86 - 79	529920	High Pwr; Bendix Hydromax II; Head
Hydro Booster	86 - 79	529900	Single; Head
Power Brake Booster	Years	Part No.	Qualifier
Vacuum Booster	86 - 71	518054	Exc. Frame Mtd.; Single Diaphragm
Vacuum Booster	86 - 71	518002	Frame Mtd; Single Diaphragm

INTERNATIONAL MD 1700 LoadStar**1700****Brake Pads & Shoes**

Front Pads & Shoes	Years	SevereDuty	Lining No.	Qualifier
Brake Shoes	78 - 70	SDS321R	EX1245AD-S32	Hyd. Brakes; Auto. Adj.; 15 x 3
Brake Shoes	78 - 70	SDS322R	EX1280BD-S32	Hyd. Brakes; Auto. Adj.; 15 x 3-1/2
Brake Shoes	78 - 70	SDS235R	EX1245AD-S32	Hyd. Brakes; Man. Adj.; 15 x 3
Brake Shoes	78 - 70	SDS463R	EX1280D-S32	Hyd. Brakes; Man. Adj.; 15 x 3-1/2
Brake Shoes	78 - 70	4223E	4223A	w/Air Brakes; Eaton/Spicer; 16-1/2 x 5
Brake Shoes	78 - 70	1307T	1307	w/Air Brakes; Rockwell/Meritor; T-Series; 15 x 3-1/2
Brake Shoes	78 - 70	1308T	1308T	w/Air Brakes; Rockwell/Meritor; T-Series; 15 x 4
Brake Shoes	78 - 70	4615S	4615	w/Air Brakes; Rockwell/Meritor; Wedge; 15 x 5
Rear Pads & Shoes	Years	SevereDuty	Lining No.	Qualifier
Brake Shoes	78 - 70	SDS346R	EX1252D-S32	Hyd. Brakes; 15 x 5
Brake Shoes	78 - 70	SDS381R	EX4596D-S32	Hyd. Brakes; 15 x 6
Brake Shoes	78 - 70	SDS383R	EX4597D-S32	Hyd. Brakes; 15 x 7
Brake Shoes	78 - 70	SDS385R	EX1254D-S32	Hyd. Brakes; 16 x 5
Brake Shoes	78 - 70	SDS386R	EX1255D-S32	Hyd. Brakes; 16 x 6
Brake Shoes	78 - 70	4311E	4311J	w/Air Brakes; Eaton/Spicer; 16-1/2 x 7
Brake Shoes	78 - 70	4514P	4514G	w/Air Brakes; Rockwell/Meritor; P-Series; 16-1/2 x 6
Brake Shoes	78 - 70	4515P	4515E	w/Air Brakes; Rockwell/Meritor; P-Series; 16-1/2 x 7
Brake Shoes	78 - 70	4605S	4605	w/Air Brakes; Rockwell/Meritor; Wedge; 15 x 6
Brake Shoes	78 - 70	4602S	4602	w/Air Brakes; Rockwell/Meritor; Wedge; 15 x 7
Parking Brake Shoes	Years	SevereDuty	Lining No.	Qualifier
Brake Shoes	78 - 70	SDS842R	EX1303AD	Driveline Config.; 10 x 3

Brake Hardware

Front Brake Hardware	Years	Sequential No.	Category No.	Qualifier
Adjuster Kit	78 - 70	F59159	(H2904)	L.H.; w/Auto Adj.
Adjuster Kit	78 - 70	F128990	(H2929)	L.H.; w/Man. Adj.
Adjuster Kit	78 - 70	F59160	(H2905)	R.H.; w/Auto Adj.
Adjuster Kit	78 - 70	F128990	(H2929)	R.H.; w/Man. Adj.
Combi Kit	78 - 70	F117024	(H7178)	14" Brake; Bendix
Combi Kit	78 - 70	F117025	(H7173)	14" Brake; Wagner; w/Auto Adj.
↳Hold Down Kit		F73399	(H4201)	
↳Return Spring Kit		F36445	(H521)	
Combi Kit	78 - 70	F117018	(H7185)	14" Brake; Wagner; w/Man. Adj.
↳Hold Down Kit		F19408	(H4200)	
↳Return Spring Kit		F36445	(H521)	
Combi Kit	78 - 70	F117025	(H7173)	15 x 3 or 15 x 3-1/2" Brake; w/Auto Adj.
↳Hold Down Kit		F73399	(H4201)	
↳Return Spring Kit		F36445	(H521)	
Combi Kit	78 - 70	F117026	(H7172)	15 x 3 or 15 x 3-1/2" Brake; w/Man. Adj.
↳Hold Down Kit		F19408	(H4200)	
↳Return Spring Kit		F36445	(H521)	
Combi Kit	78 - 70	F117025	(H7173)	15 x 5" Brake; w/Auto Adj.
↳Hold Down Kit		F73399	(H4201)	
↳Return Spring Kit		F36445	(H521)	

↳Sub-Kit of Combi-Kit is available separately.

Brake Hardware (cont.)

Front Brake Hardware	Years	Sequential No.	Category No.	Qualifier
Combi Kit	78 - 70	F117019	(H7182)	15 x 5" Brake; w/Man. Adj.
↳Return Spring Kit		F36445	(H521)	
Rear Brake Hardware	Years	Sequential No.	Category No.	Qualifier
Adjuster Kit	78 - 70	F59157	(H2902)	L.H.; 15" Brake; w/Auto Adj.
Adjuster Kit	78 - 70	F128894S	(H2911)	L.H.; 15" Brake; w/Man. Adj.
Adjuster Kit	78 - 70	F128895S	(H2912)	L.H.; 16" Brake; w/Man. Adj.
Adjuster Kit	78 - 70	F59158	(H2903)	R.H.; 15" Brake; w/Auto Adj.
Adjuster Kit	78 - 70	F128894S	(H2911)	R.H.; 15" Brake; w/Man. Adj.
Adjuster Kit	78 - 70	F128895S	(H2912)	R.H.; 16" Brake; w/Man. Adj.
Adjuster Screw	78 - 70	F140823	(H1607)	L.H.; 15" Brake
Adjuster Screw	78 - 70	F19291	(H1700)	L.H.; 16" Brake
Adjuster Screw	78 - 70	F140818	(H1606)	R.H.; 15" Brake
Adjuster Screw	78 - 70	F19292	(H1701)	R.H.; 16" Brake
Combi Kit	78 - 70	F117027	(H7171)	
↳Adjuster Spring Kit		F78727	(H451)	
↳Hold Down Kit		F19309	(H5079)	
↳Return Spring Kit		F98318	(H609)	

Hydraulics - New

Master Cylinder	Years	Sequential No.	Category No.	Qualifier
Master Cylinder	78 - 70	F661	(MC661)	Single Syst.; Exc. H.D.; Frame Mtd.; Exc. Tandem
Master Cylinder	78 - 70	F2951	(MC2951)	Single Syst.; Exc. H.D.; Frame Mtd.; Tandem
Master Cylinder	78 - 70	F2842	(MC2842)	Single Syst.; H.D.; Exc. Frame Mtd.
Front Wheel Cylinder	Years	Sequential No.	Category No.	Qualifier
Wheel Cylinder	78 - 70	F949	(WC949)	16 x 2-1/2" Brake; w/o Bleeder Screw; 1-1/4" Bore
Wheel Cylinder	78 - 70	F71940	(WC71940)	L.H.; 14 x 2-1/2" Brake; w/Bleeder Screw; 1-1/8" Bore
Wheel Cylinder	78 - 70	F71940	(WC71940)	L.H.; 15 x 3" Brake; w/Bleeder Screw; 1-1/8" Bore
Wheel Cylinder	78 - 70	F43383	(WC43383)	L.H.; 15 x 3" Brake; w/o Bleeder Screw; 2WD; 1-1/4" Bore
Wheel Cylinder	78 - 70	F8852	(WC8852)	L.H.; 15 x 3" Brake; w/o Bleeder Screw; 4WD; 1-1/8" Bore
Wheel Cylinder	78 - 70	F8813	(WC8813)	L.H.; 15 x 3-1/2" Brake; w/o Bleeder Screw; 1-3/8" Bore
Wheel Cylinder	78 - 70	F71941	(WC71941)	R.H.; 14 x 2-1/2" Brake; w/Bleeder Screw; 1-1/8" Bore
Wheel Cylinder	78 - 70	F71941	(WC71941)	R.H.; 15 x 3" Brake; w/Bleeder Screw; 1-1/8" Bore
Wheel Cylinder	78 - 70	F43384	(WC43384)	R.H.; 15 x 3" Brake; w/o Bleeder Screw; 2WD; 1-1/4" Bore
Wheel Cylinder	78 - 70	F8853	(WC8853)	R.H.; 15 x 3" Brake; w/o Bleeder Screw; 4WD; 1-1/8" Bore
Wheel Cylinder	78 - 70	F8814	(WC8814)	R.H.; 15 x 3-1/2" Brake; w/o Bleeder Screw; 1-3/8" Bore
Rear Wheel Cylinder	Years	Sequential No.	Category No.	Qualifier
Wheel Cylinder	78 - 70	F26159	(WC26159)	15 x 4" Brake; 1-1/2" Bore
Wheel Cylinder	78 - 70	F26159	(WC26159)	15 x 5" Brake; 1-1/2" Bore
Wheel Cylinder	78 - 70	F24489	(WC24489)	15 x 5" Brake; 1-5/8" Bore
Wheel Cylinder	78 - 70	F24489	(WC24489)	15 x 6" Brake; 1-5/8" Bore
Wheel Cylinder	78 - 70	F26172	(WC26172)	15 x 7" Brake; 1-3/4" Bore
Wheel Cylinder	78 - 70	F24489	(WC24489)	15 x 7" Brake; 1-5/8" Bore
Wheel Cylinder	78 - 70	F26172	(WC26172)	16 x 5" Brake; 1-3/4" Bore
Wheel Cylinder	78 - 70	F24489	(WC24489)	16 x 5" Brake; 1-5/8" Bore
Wheel Cylinder	78 - 70	F26172	(WC26172)	16 x 6" Brake; 1-3/4" Bore
Clutch Master Cylinder	Years	Sequential No.	Category No.	Qualifier
Clutch Master Cylinder	78 - 70	F78828	(CM78828)	Exc. FC Models; 6V-53 Eng.
Clutch Master Cylinder	78 - 70	F54699	(CM54699)	Exc. FC Models; Exc. 6V-53 Eng.
Clutch Slave Cylinder	Years	Sequential No.	Category No.	Qualifier
Clutch Slave Cylinder	78 - 70	F43260	(SC43260)	
Front Brake Hose	Years	Sequential No.	Category No.	Qualifier
Brake Hose	78 - 70	F4751	(BH4751)	2WD; Exc. FA-89 or 91; Exc. FA-101; Exc. FA-109 or 139; Exc. FA-208; 21-5/8" Length
Brake Hose	78 - 70	F79359	(BH79359)	2WD; FA-109 or 139; 26-3/4" Length
Brake Hose	78 - 70	F8116	(BH8116)	2WD; FA-89 or 91; 18-7/8" Length
Brake Hose	78 - 70	F4050	(BH4050)	2WD; FA-89 or 91; 20" Length

↳Sub-Kit of Combi-Kit is available separately.

1700 (cont.)**Hydraulics - New (cont.)**

Front Brake Hose	Years	Sequential No.	Category No.	Qualifier
Brake Hose	78 - 70	F4751	(BH4751)	4WD; 21-5/8" Length
Brake Hose	78 - 70	F79359	(BH79359)	4WD; 26-3/4" Length
Brake Hose	78 - 70	F79360	(BH79360)	L.H.; 2WD; FA-208; 22-1/4" Length
Brake Hose	78 - 70	F4751	(BH4751)	R.H.; 2WD; FA-208; 21-5/8" Length

Rear Brake Hose	Years	Sequential No.	Category No.	Qualifier
Brake Hose	78 - 70	F39508	(BH39508)	Exc. Tandem; Exc. Low Frame
Brake Hose	78 - 70	F102235	(BH102235)	Tandem; Fwd. RA
Brake Hose	78 - 70	F102236	(BH102236)	Tandem; Rear RA

Hydraulics - Reman

Power Brake Booster	Years	Part No.	Qualifier
Vacuum Booster	78 - 70	518037	Single Syst.; 34000 lb. TRA; Double Diaphragm
Vacuum Booster	78 - 70	518037	Single Syst.; DT466 Eng.; Double Diaphragm; 16000 lb. RA or 34000 lb. TRA
Vacuum Booster	78 - 70	518002	Single Syst.; DT466 Eng.; Single Diaphragm; Exc. 16000 lb. RA or 34000 lb. TRA
Vacuum Booster	78 - 70	518002	Single Syst.; Exc. Tandem; Single Diaphragm
Vacuum Booster	78 - 70	518054	Single Syst.; Heavy Duty; Single Diaphragm
Vacuum Booster	78 - 70	518022	Split Syst.; Single Diaphragm

1750**Brake Pads & Shoes**

Front Pads & Shoes	Years	SevereDuty	Lining No.	Qualifier
Brake Shoes	78 - 70	SDS321R	EX1245AD-S32	Hyd. Brakes; Auto. Adj.; 15 x 3
Brake Shoes	78 - 70	SDS322R	EX1280BD-S32	Hyd. Brakes; Auto. Adj.; 15 x 3-1/2
Brake Shoes	78 - 70	SDS235R	EX1245AD-S32	Hyd. Brakes; Man. Adj.; 15 x 3
Brake Shoes	78 - 70	SDS463R	EX1280D-S32	Hyd. Brakes; Man. Adj.; 15 x 3-1/2
Brake Shoes	78 - 70	4223E	4223A	w/Air Brakes; Eaton/Spicer; 16-1/2 x 5
Brake Shoes	78 - 70	1307T	1307	w/Air Brakes; Rockwell/Meritor; T-Series; 15 x 3-1/2
Brake Shoes	78 - 70	1308T	1308T	w/Air Brakes; Rockwell/Meritor; T-Series; 15 x 4
Brake Shoes	78 - 70	4615S	4615	w/Air Brakes; Rockwell/Meritor; Wedge; 15 x 5

Rear Pads & Shoes	Years	SevereDuty	Lining No.	Qualifier
Brake Shoes	78 - 70	SDS346R	EX1252D-S32	Hyd. Brakes; 15 x 5
Brake Shoes	78 - 70	SDS381R	EX4596D-S32	Hyd. Brakes; 15 x 6
Brake Shoes	78 - 70	SDS383R	EX4597D-S32	Hyd. Brakes; 15 x 7
Brake Shoes	78 - 70	SDS385R	EX1254D-S32	Hyd. Brakes; 16 x 5
Brake Shoes	78 - 70	SDS386R	EX1255D-S32	Hyd. Brakes; 16 x 6
Brake Shoes	78 - 70	4311E	4311J	w/Air Brakes; Eaton/Spicer; 16-1/2 x 7
Brake Shoes	78 - 70	4514P	4514G	w/Air Brakes; Rockwell/Meritor; P-Series; 16-1/2 x 6
Brake Shoes	78 - 70	4515P	4515E	w/Air Brakes; Rockwell/Meritor; P-Series; 16-1/2 x 7
Brake Shoes	78 - 70	4605S	4605	w/Air Brakes; Rockwell/Meritor; Wedge; 15 x 6
Brake Shoes	78 - 70	4602S	4602	w/Air Brakes; Rockwell/Meritor; Wedge; 15 x 7

Parking Brake Shoes	Years	SevereDuty	Lining No.	Qualifier
Brake Shoes	78 - 70	SDS842R	EX1303AD	Driveline Config.; 10 x 3

Brake Hardware

Front Brake Hardware	Years	Sequential No.	Category No.	Qualifier
Adjuster Kit	78 - 70	F59159	(H2904)	L.H.; w/Auto Adj.
Adjuster Kit	78 - 70	F128990	(H2929)	L.H.; w/Man. Adj.
Adjuster Kit	78 - 70	F59160	(H2905)	R.H.; w/Auto Adj.
Adjuster Kit	78 - 70	F128990	(H2929)	R.H.; w/Man. Adj.
Combi Kit	78 - 70	F117024	(H7178)	14" Brake; Bendix
Combi Kit	78 - 70	F117025	(H7173)	14" Brake; Wagner; w/Auto Adj.
↳Hold Down Kit		F73399	(H4201)	
↳Return Spring Kit		F36445	(H521)	
Combi Kit	78 - 70	F117018	(H7185)	14" Brake; Wagner; w/Man. Adj.
↳Hold Down Kit		F19408	(H4200)	
↳Return Spring Kit		F36445	(H521)	

↳Sub-Kit of Combi-Kit is available separately.

Brake Hardware (cont.)

Front Brake Hardware	Years	Sequential No.	Category No.	Qualifier
Combi Kit	78 - 70	F117025	(H7173)	15 x 3 or 15 x 3-1/2" Brake; w/Auto Adj.
↳ Hold Down Kit		F73399	(H4201)	
↳ Return Spring Kit		F36445	(H521)	
Combi Kit	78 - 70	F117026	(H7172)	15 x 3 or 15 x 3-1/2" Brake; w/Man. Adj.
↳ Hold Down Kit		F19408	(H4200)	
↳ Return Spring Kit		F36445	(H521)	
Combi Kit	78 - 70	F117025	(H7173)	15 x 5" Brake; w/Auto Adj.
↳ Hold Down Kit		F73399	(H4201)	
↳ Return Spring Kit		F36445	(H521)	
Combi Kit	78 - 70	F117019	(H7182)	15 x 5" Brake; w/Man. Adj.
↳ Return Spring Kit		F36445	(H521)	

Rear Brake Hardware	Years	Sequential No.	Category No.	Qualifier
Adjuster Kit	78 - 70	F59157	(H2902)	L.H.; 15" Brake; w/Auto Adj.
Adjuster Kit	78 - 70	F128894S	(H2911)	L.H.; 15" Brake; w/Man. Adj.
Adjuster Kit	78 - 70	F128895S	(H2912)	L.H.; 16" Brake; w/Man. Adj.
Adjuster Kit	78 - 70	F59158	(H2903)	R.H.; 15" Brake; w/Auto Adj.
Adjuster Kit	78 - 70	F128894S	(H2911)	R.H.; 15" Brake; w/Man. Adj.
Adjuster Kit	78 - 70	F128895S	(H2912)	R.H.; 16" Brake; w/Man. Adj.
Adjuster Screw	78 - 70	F140823	(H1607)	L.H.; 15" Brake
Adjuster Screw	78 - 70	F19291	(H1700)	L.H.; 16" Brake
Adjuster Screw	78 - 70	F140818	(H1606)	R.H.; 15" Brake
Adjuster Screw	78 - 70	F19292	(H1701)	R.H.; 16" Brake
Combi Kit	78 - 70	F117027	(H7171)	
↳ Adjuster Spring Kit		F78727	(H451)	
↳ Hold Down Kit		F19309	(H5079)	
↳ Return Spring Kit		F98318	(H609)	

Hydraulics - New

Master Cylinder	Years	Sequential No.	Category No.	Qualifier
Master Cylinder	78 - 70	F661	(MC661)	Single Syst.; Exc. H.D.; Frame Mtd.; Exc. Tandem
Master Cylinder	78 - 70	F2951	(MC2951)	Single Syst.; Exc. H.D.; Frame Mtd.; Tandem
Master Cylinder	78 - 70	F2842	(MC2842)	Single Syst.; H.D.; Exc. Frame Mtd.

Front Wheel Cylinder	Years	Sequential No.	Category No.	Qualifier
Wheel Cylinder	78 - 70	F949	(WC949)	16 x 2-1/2" Brake; w/o Bleeder Screw; 1-1/4" Bore
Wheel Cylinder	78 - 70	F71940	(WC71940)	L.H.; 14 x 2-1/2" Brake; w/Bleeder Screw; 1-1/8" Bore
Wheel Cylinder	78 - 70	F71940	(WC71940)	L.H.; 15 x 3" Brake; w/Bleeder Screw; 1-1/8" Bore
Wheel Cylinder	78 - 70	F43383	(WC43383)	L.H.; 15 x 3" Brake; w/o Bleeder Screw; 2WD; 1-1/4" Bore
Wheel Cylinder	78 - 70	F8852	(WC8852)	L.H.; 15 x 3" Brake; w/o Bleeder Screw; 4WD; 1-1/8" Bore
Wheel Cylinder	78 - 70	F8813	(WC8813)	L.H.; 15 x 3-1/2" Brake; w/o Bleeder Screw; 1-3/8" Bore
Wheel Cylinder	78 - 70	F71941	(WC71941)	R.H.; 14 x 2-1/2" Brake; w/Bleeder Screw; 1-1/8" Bore
Wheel Cylinder	78 - 70	F71941	(WC71941)	R.H.; 15 x 3" Brake; w/Bleeder Screw; 1-1/8" Bore
Wheel Cylinder	78 - 70	F43384	(WC43384)	R.H.; 15 x 3" Brake; w/o Bleeder Screw; 2WD; 1-1/4" Bore
Wheel Cylinder	78 - 70	F8853	(WC8853)	R.H.; 15 x 3" Brake; w/o Bleeder Screw; 4WD; 1-1/8" Bore
Wheel Cylinder	78 - 70	F8814	(WC8814)	R.H.; 15 x 3-1/2" Brake; w/o Bleeder Screw; 1-3/8" Bore

Rear Wheel Cylinder	Years	Sequential No.	Category No.	Qualifier
Wheel Cylinder	78 - 70	F26159	(WC26159)	15 x 4" Brake; 1-1/2" Bore
Wheel Cylinder	78 - 70	F26159	(WC26159)	15 x 5" Brake; 1-1/2" Bore
Wheel Cylinder	78 - 70	F24489	(WC24489)	15 x 5" Brake; 1-5/8" Bore
Wheel Cylinder	78 - 70	F24489	(WC24489)	15 x 6" Brake; 1-5/8" Bore
Wheel Cylinder	78 - 70	F26172	(WC26172)	15 x 7" Brake; 1-3/4" Bore
Wheel Cylinder	78 - 70	F24489	(WC24489)	15 x 7" Brake; 1-5/8" Bore
Wheel Cylinder	78 - 70	F26172	(WC26172)	16 x 5" Brake; 1-3/4" Bore
Wheel Cylinder	78 - 70	F24489	(WC24489)	16 x 5" Brake; 1-5/8" Bore
Wheel Cylinder	78 - 70	F26172	(WC26172)	16 x 6" Brake; 1-3/4" Bore

↳ Sub-Kit of Combi-Kit is available separately.

1750 (cont.)**Hydraulics - New (cont.)**

Clutch Master Cylind	Years	Sequential No.	Category No.	Qualifier
Clutch Master Cylinder	78 - 70	F78828	(CM78828)	Exc. FC Models; 6V-53 Eng.
Clutch Master Cylinder	78 - 70	F54699	(CM54699)	Exc. FC Models; Exc. 6V-53 Eng.
Clutch Slave Cylinder	Years	Sequential No.	Category No.	Qualifier
Clutch Slave Cylinder	78 - 70	F43260	(SC43260)	
Front Brake Hose	Years	Sequential No.	Category No.	Qualifier
Brake Hose	78 - 70	F4751	(BH4751)	2WD; Exc. FA-89 or 91; Exc. FA-101; Exc. FA-109 or 139; Exc. FA-208; 21-5/8" Length
Brake Hose	78 - 70	F79359	(BH79359)	2WD; FA-109 or 139; 26-3/4" Length
Brake Hose	78 - 70	F8116	(BH8116)	2WD; FA-89 or 91; 18-7/8" Length
Brake Hose	78 - 70	F4050	(BH4050)	2WD; FA-89 or 91; 20" Length
Brake Hose	78 - 70	F4751	(BH4751)	4WD; 21-5/8" Length
Brake Hose	78 - 70	F79359	(BH79359)	4WD; 26-3/4" Length
Brake Hose	78 - 70	F79360	(BH79360)	L.H.; 2WD; FA-208; 22-1/4" Length
Brake Hose	78 - 70	F4751	(BH4751)	R.H.; 2WD; FA-208; 21-5/8" Length
Rear Brake Hose	Years	Sequential No.	Category No.	Qualifier
Brake Hose	78 - 70	F39508	(BH39508)	Exc. Tandem; Exc. Low Frame
Brake Hose	78 - 70	F102235	(BH102235)	Tandem; Fwd. RA
Brake Hose	78 - 70	F102236	(BH102236)	Tandem; Rear RA

Hydraulics - Reman

Power Brake Booster	Years	Part No.	Qualifier
Vacuum Booster	78 - 70	518037	Single Syst.; 34000 lb. TRA; Double Diaphragm
Vacuum Booster	78 - 70	518037	Single Syst.; DT466 Eng.; Double Diaphragm; 16000 lb. RA or 34000 lb. TRA
Vacuum Booster	78 - 70	518002	Single Syst.; DT466 Eng.; Single Diaphragm; Exc. 16000 lb. RA or 34000 lb. TRA
Vacuum Booster	78 - 70	518002	Single Syst.; Exc. Tandem; Single Diaphragm
Vacuum Booster	78 - 70	518054	Single Syst.; Heavy Duty; Single Diaphragm
Vacuum Booster	78 - 70	518022	Split Syst.; Single Diaphragm

INTERNATIONAL MD 1700 S-Series**1724****Brake Pads & Shoes**

Front Pads & Shoes	Years	SevereDuty	Lining No.	Qualifier
Brake Pads	89 - 79	SD184		Bendix; 2.60" 2-Piston Caliper
Brake Pads	89 - 79	SD225		Bendix; 2.88" 2-Piston Caliper
Brake Pads	89 - 79	SD184		Bendix; 3.38" 1-Piston Caliper
Brake Shoes	89 - 79	SDS321R	EX1245AD-S32	Hyd. Brakes; Auto. Adj.; 15 x 3
Brake Shoes	89 - 79	SDS322R	EX1280BD-S32	Hyd. Brakes; Auto. Adj.; 15 x 3-1/2
Brake Shoes	89 - 79	SDS235R	EX1245AD-S32	Hyd. Brakes; Man. Adj.; 15 x 3
Brake Shoes	89 - 79	SDS840R	EX1280D-S32	Hyd. Brakes; Man. Adj.; 15 x 3-1/2
Brake Shoes	89 - 79	4223E	4223A	w/Air Brakes; Eaton/Spicer; 16-1/2 x 5
Brake Shoes	89 - 79	4514Q	4514G	w/Air Brakes; Rockwell/Meritor; Q-Series; 16-1/2 x 6
Brake Shoes	89 - 79	1307T	1307	w/Air Brakes; Rockwell/Meritor; T-Series; 15 x 3-1/2
Brake Shoes	89 - 79	1308T	1308T	w/Air Brakes; Rockwell/Meritor; T-Series; 15 x 4
Brake Shoes	89 - 79	4605S	4605	w/Air Brakes; Rockwell/Meritor; Wedge; 15 x 6
Rear Pads & Shoes	Years	SevereDuty	Lining No.	Qualifier
Brake Pads	89 - 79	SD184		Bendix; 2.60" 2-Piston Caliper
Brake Pads	89 - 79	SD225		Bendix; 2.88" 2-Piston Caliper
Brake Shoes	89 - 79	SDS346R	EX1252D-S32	Hyd. Brakes; 15 x 5
Brake Shoes	89 - 79	SDS381R	EX4596D-S32	Hyd. Brakes; 15 x 6
Brake Shoes	89 - 79	SDS383R	EX4597D-S32	Hyd. Brakes; 15 x 7
Brake Shoes	89 - 79	SDS385R	EX1254D-S32	Hyd. Brakes; 16 x 5
Brake Shoes	89 - 79	SDS386R	EX1255D-S32	Hyd. Brakes; 16 x 6
Brake Shoes	89 - 79	4311E	4311J	w/Air Brakes; Eaton/Spicer; 16-1/2 x 7
Brake Shoes	89 - 79	4514P	4514G	w/Air Brakes; Rockwell/Meritor; P-Series; 16-1/2 x 6
Brake Shoes	89 - 79	4515P	4515E	w/Air Brakes; Rockwell/Meritor; P-Series; 16-1/2 x 7
Brake Shoes	89 - 79	4644P	4644A	w/Air Brakes; Rockwell/Meritor; P-Series; 16-1/2 x 8

Brake Pads & Shoes (cont.)

Rear Pads & Shoes	Years	SevereDuty	Lining No.	Qualifier
Brake Shoes	89 - 79	4514Q	4514G	w/Air Brakes; Rockwell/Meritor; Q-Series; 16-1/2 x 6
Brake Shoes	89 - 79	4515Q	4515E	w/Air Brakes; Rockwell/Meritor; Q-Series; 16-1/2 x 7
Brake Shoes	89 - 79	4644Q	4644A	w/Air Brakes; Rockwell/Meritor; Q-Series; 16-1/2 x 8
Brake Shoes	89 - 79	4602S	4602	w/Air Brakes; Rockwell/Meritor; Wedge; 15 x 7
Parking Brake Shoes	Years	SevereDuty	Lining No.	Qualifier
Brake Shoes	89 - 79	SDS842R	EX1303AD	Driveline Config.; 10 x 3
Brake Shoes	89 - 79	SDS647	EX2086D	Driveline Config.; 9 x 3

Rotor & Drum

Front Rotor & Drum	Years	Part No.	Qualifier
Brake Rotor	89 - 79	BD125097	5000-7500 lb. FA; Hat-Shaped; 10-Hole Rotor
Brake Rotor	89 - 79	BD125361	5000-7500 lb. FA; Hat-Shaped; 5-Hole Rotor
Brake Rotor	89 - 79	BD125362	5000-7500 lb. FA; Hat-Shaped; 6-Hole Rotor
Brake Rotor	89 - 79	BD126402	5000-7500 lb. FA; U-Shaped; 5-Hole Rotor
Brake Rotor	89 - 79	BD125096	5000-7500 lb. FA; U-Shaped; 6-Hole Rotor
Brake Rotor	89 - 87	BD125244	9000-12000 lb. FA; U-Shaped; 5-Hole Rotor
Brake Rotor	86	BD125244	From 2/01/86; 9000-12000 lb. FA; U-Shaped; 5-Hole Rotor
Brake Rotor	86	BD125098	To 1/31/86; 9000-12000 lb. FA; U-Shaped; 5-Hole Rotor
Brake Rotor	85 - 79	BD125098	9000-12000 lb. FA; U-Shaped; 5-Hole Rotor
Rear Rotor & Drum	Years	Part No.	Qualifier
Brake Rotor	89 - 79	BD125097	10000-15500 lb. RA; Hat-Shaped; 10-Hole Rotor
Brake Rotor	89 - 79	BD125362	10000-15500 lb. RA; Hat-Shaped; 6-Hole Rotor
Brake Rotor	89 - 79	BD126403	10000-15500 lb. RA; U-Shaped; 5-Hole Rotor
Brake Rotor	89 - 79	BD125096	10000-15500 lb. RA; U-Shaped; 6-Hole Rotor
Brake Rotor	89 - 79	BD125097	17000-19000 lb. RA; Hat-Shaped; 10-Hole Rotor
Brake Rotor	89 - 79	BD126394	17000-19000 lb. RA; U-Shaped; 10-Hole Rotor
Brake Rotor	89 - 79	BD125382	17000-19000 lb. RA; U-Shaped; 5-Hole Rotor; 12-3/4" Bolt Circle

Brake Hardware

Front Brake Hardware	Years	Sequential No.	Category No.	Qualifier
Adjuster Kit	89 - 79	F59159	(H2904)	L.H.; w/Auto Adj.
Adjuster Kit	89 - 79	F128990	(H2929)	L.H.; w/Man. Adj.
Adjuster Kit	89 - 79	F59160	(H2905)	R.H.; w/Auto Adj.
Adjuster Kit	89 - 79	F128990	(H2929)	R.H.; w/Man. Adj.
Combi Kit	89 - 79	F117025	(H7173)	15 x 3 or 15 x 3-1/2" Brake; w/Auto Adj.
↳Hold Down Kit		F73399	(H4201)	
↳Return Spring Kit		F36445	(H521)	
Combi Kit	89 - 79	F117026	(H7172)	15 x 3 or 15 x 3-1/2" Brake; w/Man. Adj.
↳Hold Down Kit		F19408	(H4200)	
↳Return Spring Kit		F36445	(H521)	
Combi Kit	89 - 79	F117025	(H7173)	15 x 5" Brake; w/Auto Adj.
↳Hold Down Kit		F73399	(H4201)	
↳Return Spring Kit		F36445	(H521)	
Combi Kit	89 - 79	F117019	(H7182)	15 x 5" Brake; w/Man. Adj.
↳Return Spring Kit		F36445	(H521)	
Disc Align Kit	89 - 79	F112095S	(H5564)	Bendix; 2.60" 2-Piston Caliper
Disc Align Kit	89 - 79	F112090S	(H5566)	Bendix; 2.88" 2-Piston Caliper
Disc Align Kit	89 - 79	F107401S	(H5562)	Bendix; 3.38" 1-Piston Caliper
Rear Brake Hardware	Years	Sequential No.	Category No.	Qualifier
Adjuster Kit	89 - 79	F59157	(H2902)	L.H.; 15" Brake; w/Auto Adj.
Adjuster Kit	89 - 79	F128894S	(H2911)	L.H.; 15" Brake; w/Man. Adj.
Adjuster Kit	89 - 79	F128895S	(H2912)	L.H.; 16" Brake; w/Man. Adj.
Adjuster Kit	89 - 79	F59158	(H2903)	R.H.; 15" Brake; w/Auto Adj.
Adjuster Kit	89 - 79	F128894S	(H2911)	R.H.; 15" Brake; w/Man. Adj.
Adjuster Kit	89 - 79	F128895S	(H2912)	R.H.; 16" Brake; w/Man. Adj.
Adjuster Screw	89 - 79	F140823	(H1607)	L.H.; 15" Brake

↳Sub-Kit of Combi-Kit is available separately.

1724 (cont.)

Brake Hardware (cont.)

Rear Brake Hardware	Years	Sequential No.	Category No.	Qualifier
Adjuster Screw	89 - 79	F19291	(H1700)	L.H.; 16" Brake
Adjuster Screw	89 - 79	F140818	(H1606)	R.H.; 15" Brake
Adjuster Screw	89 - 79	F19292	(H1701)	R.H.; 16" Brake
Combi Kit	89 - 79	F117027	(H7171)	
↳Adjuster Spring Kit		F78727	(H451)	
↳Hold Down Kit		F19309	(H5079)	
↳Return Spring Kit		F98318	(H609)	
Disc Align Kit	89 - 79	F112095S	(H5564)	Bendix; 2.60" 2-Piston Caliper
Disc Align Kit	89 - 79	F112090S	(H5566)	Bendix; 2.88" 2-Piston Caliper

Calipers - Reman

Front, Loaded	Years	Left No.	Right No.	Qualifier	Piston
Loaded Caliper	89 - 79	AS112057	AS112057	Bendix; 2.60" 2-Piston Caliper	P
Loaded Caliper	89 - 79	AS112057S	AS112057S	Bendix; 2.60" 2-Piston Caliper	O
Loaded Caliper	89 - 79	AS120549	AS120549	Bendix; 2.88" 2-Piston Caliper	P
Loaded Caliper	89 - 79	AS120549S	AS120549S	Bendix; 2.88" 2-Piston Caliper	O
Loaded Caliper	89 - 79	AS130211A	AS130210A	Bendix; 3.38" 1-Piston Caliper	M
Rear, Loaded	Years	Left No.	Right No.	Qualifier	Piston
Loaded Caliper	89 - 79	AS112057	AS112057	Bendix; 2.60" 2-Piston Caliper	P
Loaded Caliper	89 - 79	AS112057S	AS112057S	Bendix; 2.60" 2-Piston Caliper	O
Loaded Caliper	89 - 79	AS120549	AS120549	Bendix; 2.88" 2-Piston Caliper	P
Loaded Caliper	89 - 79	AS120549S	AS120549S	Bendix; 2.88" 2-Piston Caliper	O
Front, Unloaded	Years	Left No.	Right No.	Qualifier	Piston
Unloaded Caliper	89 - 79	CR112057	CR112057	Bendix; 2.60" 2-Piston Caliper	P
Unloaded Caliper	89 - 79	CR112057S	CR112057S	Bendix; 2.60" 2-Piston Caliper	O
Unloaded Caliper	89 - 79	CR120549	CR120549	Bendix; 2.88" 2-Piston Caliper	P
Unloaded Caliper	89 - 79	CR120549S	CR120549S	Bendix; 2.88" 2-Piston Caliper	O
Unloaded Caliper	89 - 79	CR130211	CR130210	Bendix; 3.38" 1-Piston Caliper	M
Rear, Unloaded	Years	Left No.	Right No.	Qualifier	Piston
Unloaded Caliper	89 - 79	CR112057	CR112057	Bendix; 2.60" 2-Piston Caliper	P
Unloaded Caliper	89 - 79	CR112057S	CR112057S	Bendix; 2.60" 2-Piston Caliper	O
Unloaded Caliper	89 - 79	CR120549	CR120549	Bendix; 2.88" 2-Piston Caliper	P
Unloaded Caliper	89 - 79	CR120549S	CR120549S	Bendix; 2.88" 2-Piston Caliper	O

Hydraulics - New

Master Cylinder	Years	Sequential No.	Category No.	Qualifier
Master Cylinder	89 - 84	F113751	(MC113751)	w/Disc Brake; Split Syst.; w/High Pwr.
Master Cylinder	89 - 84	F116702	(MC116702)	w/Disc Brake; Split Syst.; w/Hydrovac; 19000 lb. RA
Master Cylinder	89 - 79	F661	(MC661)	w/Drum Brake; Single Syst.; Exc. Tandem; 15" Brake
Master Cylinder	89 - 79	F2842	(MC2842)	w/Drum Brake; Single Syst.; Exc. Tandem; 16" Brake; w/Air Actuated Hyd. Brks.
Master Cylinder	89 - 79	F2951	(MC2951)	w/Drum Brake; Single Syst.; Tandem
Master Cylinder	89 - 79	F119402	(MC119402)	w/Drum Brake; Split Syst.; w/High Pwr.
Master Cylinder	89 - 79	F119397	(MC119397)	w/Drum Brake; Split Syst.; w/Hydrovac
Master Cylinder	83	F113751	(MC113751)	From 8/26/83; w/Disc Brake; Split Syst.; w/High Pwr.
Master Cylinder	83	F116702	(MC116702)	From 8/26/83; w/Disc Brake; Split Syst.; w/Hydrovac; 19000 lb. RA
Master Cylinder	83	F119395	(MC119395)	To 8/25/83; w/Disc Brake; Split Syst.; w/High Pwr.
Master Cylinder	83	F119396	(MC119396)	To 8/25/83; w/Disc Brake; Split Syst.; w/Hydrovac
Master Cylinder	82 - 79	F119395	(MC119395)	w/Disc Brake; Split Syst.; w/High Pwr.
Master Cylinder	82 - 79	F119396	(MC119396)	w/Disc Brake; Split Syst.; w/Hydrovac
Front Wheel Cylinder	Years	Sequential No.	Category No.	Qualifier
Wheel Cylinder	89 - 79	F43383	(WC43383)	L.H.; 15 x 3" Brake; w/o Bleeder Screw; 1-1/4" Bore
Wheel Cylinder	89 - 79	F43383	(WC43383)	L.H.; 15 x 3-1/2" Brake; w/o Bleeder Screw; 1-1/4" Bore
Wheel Cylinder	89 - 79	F86444	(WC86444)	L.H.; 15 x 5" Brake; w/Bleeder Screw; 1-1/2" Bore
Wheel Cylinder	89 - 79	F43384	(WC43384)	R.H.; 15 x 3" Brake; w/o Bleeder Screw; 1-1/4" Bore
Wheel Cylinder	89 - 79	F43384	(WC43384)	R.H.; 15 x 3-1/2" Brake; w/o Bleeder Screw; 1-1/4" Bore
Wheel Cylinder	89 - 79	F86445	(WC86445)	R.H.; 15 x 5" Brake; w/Bleeder Screw; 1-1/2" Bore

↳Sub-Kit of Combi-Kit is available separately.

Piston: M - OE Metal Piston P - OE Phenolic Piston O - Metal Piston Option

Hydraulics - New (cont.)

Rear Wheel Cylinder	Years	Sequential No.	Category No.	Qualifier
Wheel Cylinder	89 - 79	F24489	(WC24489)	15 x 5" Brake; 1-5/8" Bore
Wheel Cylinder	89 - 79	F24489	(WC24489)	15 x 6" Brake; 1-5/8" Bore
Wheel Cylinder	89 - 79	F24489	(WC24489)	15 x 7" Brake; 17000-17500 lb. RA; 1-5/8" Bore
Wheel Cylinder	89 - 79	F26172	(WC26172)	15 x 7" Brake; 18500-19000 lb. RA or 34000 lb. TRA; 1-3/4" Bore
Wheel Cylinder	89 - 79	F24489	(WC24489)	16 x 5" Brake; 17000-17500 lb. RA; 1-5/8" Bore
Wheel Cylinder	89 - 79	F26172	(WC26172)	16 x 5" Brake; 18500-19000 lb. RA or 34000 lb. TRA; 1-3/4" Bore
Wheel Cylinder	89 - 79	F26172	(WC26172)	16 x 6" Brake; 1-3/4" Bore

Clutch Slave Cylinder	Years	Sequential No.	Category No.	Qualifier
Clutch Slave Cylinder	89 - 79	F43260	(SC43260)	

Front Brake Hose	Years	Sequential No.	Category No.	Qualifier
Brake Hose	89 - 79	F111136	(BH111136)	2WD; 15 x 3" Brake
Brake Hose	89 - 79	F111138	(BH111138)	2WD; 15 x 3-1/2" Brake; Dual Syst.
Brake Hose	89 - 79	F111136	(BH111136)	2WD; 15 x 3-1/2" Brake; Single Syst.
Brake Hose	89 - 79	F111139	(BH111139)	2WD; 15 x 5" Brake; Dual Syst.; Exc. 15 x 22.5" Tires
Brake Hose	89 - 79	F111140	(BH111140)	2WD; 15 x 5" Brake; Dual Syst.; w/15 x 22.5" Tires
Brake Hose	89 - 79	F111136	(BH111136)	2WD; 15 x 5" Brake; Single Syst.; Exc. 15 x 22.5" Tires
Brake Hose	89 - 79	F107731	(BH107731)	2WD; Bendix; 2.60" 2-Piston Caliper; 7500-8000 lb. FA
Brake Hose	89 - 79	F113150	(BH113150)	2WD; Bendix; 2.88" 2-Piston Caliper; 10000-12000 lb. FA
Brake Hose	89 - 79	F113151	(BH113151)	2WD; Bendix; 3.38" 1-Piston Caliper
Brake Hose	89 - 79	F111137	(BH111137)	4WD

Rear Brake Hose	Years	Sequential No.	Category No.	Qualifier
Brake Hose	89 - 79	F107733	(BH107733)	w/Disc Brake; 11" Length
Brake Hose	89 - 79	F107734	(BH107734)	w/Disc Brake; 18" Length
Brake Hose	89 - 79	F113154	(BH113154)	w/Disc Brake; 9-7/8" Length
Brake Hose	89 - 79	F107734	(BH107734)	w/Drum Brake; 18" Length
Brake Hose	89 - 79	F107735	(BH107735)	w/Drum Brake; 23" Length
Brake Hose	89 - 79	F111393	(BH111393)	w/Drum Brake; 27" Length

Hydraulics - Reman

Power Brake Booster	Years	Part No.	Qualifier
Hydro Booster	89 - 79	529901	Dual Syst.; Head
Hydro Booster	89 - 79	529802	High Pwr; Bendix Hydromax II; Complete Assy
Hydro Booster	89 - 79	529904	High Pwr; Bendix Hydromax II; Elect. Motor
Hydro Booster	89 - 79	529920	High Pwr; Bendix Hydromax II; Head
Hydro Booster	89 - 79	529900	Single Syst.; Head

Power Brake Booster	Years	Part No.	Qualifier
Vacuum Booster	89 - 79	518049	Exc. Tandem; Single Diaphragm; 15" Brake
Vacuum Booster	89 - 79	518047	Exc. Tandem; Single Diaphragm; 16" Brake
Vacuum Booster	89 - 79	518046	Tandem; Double Diaphragm

Brake Pads & Shoes

Front Pads & Shoes	Years	SevereDuty	Lining No.	Qualifier
Brake Pads	89 - 79	SD184		Bendix; 2.60" 2-Piston Caliper
Brake Pads	89 - 79	SD225		Bendix; 2.88" 2-Piston Caliper
Brake Pads	89 - 79	SD184		Bendix; 3.38" 1-Piston Caliper
Brake Shoes	89 - 79	SDS321R	EX1245AD-S32	Hyd. Brakes; Auto. Adj.; 15 x 3
Brake Shoes	89 - 79	SDS322R	EX1280BD-S32	Hyd. Brakes; Auto. Adj.; 15 x 3-1/2
Brake Shoes	89 - 79	SDS235R	EX1245AD-S32	Hyd. Brakes; Man. Adj.; 15 x 3
Brake Shoes	89 - 79	SDS840R	EX1280D-S32	Hyd. Brakes; Man. Adj.; 15 x 3-1/2
Brake Shoes	89 - 79	4223E	4223A	w/Air Brakes; Eaton/Spicer; 16-1/2 x 5
Brake Shoes	89 - 79	4514Q	4514G	w/Air Brakes; Rockwell/Meritor; Q-Series; 16-1/2 x 6
Brake Shoes	89 - 79	1307T	1307	w/Air Brakes; Rockwell/Meritor; T-Series; 15 x 3-1/2
Brake Shoes	89 - 79	1308T	1308T	w/Air Brakes; Rockwell/Meritor; T-Series; 15 x 4
Brake Shoes	89 - 79	4605S	4605	w/Air Brakes; Rockwell/Meritor; Wedge; 15 x 6

1754 (cont.)

Brake Pads & Shoes (cont.)

Rear Pads & Shoes	Years	SevereDuty	Lining No.	Qualifier
Brake Pads	89 - 79	SD184		Bendix; 2.60" 2-Piston Caliper
Brake Pads	89 - 79	SD225		Bendix; 2.88" 2-Piston Caliper
Brake Shoes	89 - 79	SDS346R	EX1252D-S32	Hyd. Brakes; 15 x 5
Brake Shoes	89 - 79	SDS381R	EX4596D-S32	Hyd. Brakes; 15 x 6
Brake Shoes	89 - 79	SDS383R	EX4597D-S32	Hyd. Brakes; 15 x 7
Brake Shoes	89 - 79	SDS385R	EX1254D-S32	Hyd. Brakes; 16 x 5
Brake Shoes	89 - 79	SDS386R	EX1255D-S32	Hyd. Brakes; 16 x 6
Brake Shoes	89 - 79	4311E	4311J	w/Air Brakes; Eaton/Spicer; 16-1/2 x 7
Brake Shoes	89 - 79	4514P	4514G	w/Air Brakes; Rockwell/Meritor; P-Series; 16-1/2 x 6
Brake Shoes	89 - 79	4515P	4515E	w/Air Brakes; Rockwell/Meritor; P-Series; 16-1/2 x 7
Brake Shoes	89 - 79	4644P	4644A	w/Air Brakes; Rockwell/Meritor; P-Series; 16-1/2 x 8
Brake Shoes	89 - 79	4514Q	4514G	w/Air Brakes; Rockwell/Meritor; Q-Series; 16-1/2 x 6
Brake Shoes	89 - 79	4515Q	4515E	w/Air Brakes; Rockwell/Meritor; Q-Series; 16-1/2 x 7
Brake Shoes	89 - 79	4644Q	4644A	w/Air Brakes; Rockwell/Meritor; Q-Series; 16-1/2 x 8
Brake Shoes	89 - 79	4602S	4602	w/Air Brakes; Rockwell/Meritor; Wedge; 15 x 7
Parking Brake Shoes	Years	SevereDuty	Lining No.	Qualifier
Brake Shoes	89 - 79	SDS842R	EX1303AD	Driveline Config.; 10 x 3
Brake Shoes	89 - 79	SDS647	EX2086D	Driveline Config.; 9 x 3

Rotor & Drum

Front Rotor & Drum	Years	Part No.	Qualifier
Brake Rotor	89 - 79	BD125097	5000-7500 lb. FA; Hat-Shaped; 10-Hole Rotor
Brake Rotor	89 - 79	BD125361	5000-7500 lb. FA; Hat-Shaped; 5-Hole Rotor
Brake Rotor	89 - 79	BD125362	5000-7500 lb. FA; Hat-Shaped; 6-Hole Rotor
Brake Rotor	89 - 79	BD126402	5000-7500 lb. FA; U-Shaped; 5-Hole Rotor
Brake Rotor	89 - 79	BD125096	5000-7500 lb. FA; U-Shaped; 6-Hole Rotor
Brake Rotor	89 - 87	BD125244	9000-12000 lb. FA; U-Shaped; 5-Hole Rotor
Brake Rotor	86	BD125244	From 2/01/86; 9000-12000 lb. FA; U-Shaped; 5-Hole Rotor
Brake Rotor	86	BD125098	To 1/31/86; 9000-12000 lb. FA; U-Shaped; 5-Hole Rotor
Brake Rotor	85 - 79	BD125098	9000-12000 lb. FA; U-Shaped; 5-Hole Rotor
Rear Rotor & Drum	Years	Part No.	Qualifier
Brake Rotor	89 - 79	BD125097	10000-15500 lb. RA; Hat-Shaped; 10-Hole Rotor
Brake Rotor	89 - 79	BD125362	10000-15500 lb. RA; Hat-Shaped; 6-Hole Rotor
Brake Rotor	89 - 79	BD126403	10000-15500 lb. RA; U-Shaped; 5-Hole Rotor
Brake Rotor	89 - 79	BD125096	10000-15500 lb. RA; U-Shaped; 6-Hole Rotor
Brake Rotor	89 - 79	BD125097	17000-19000 lb. RA; Hat-Shaped; 10-Hole Rotor
Brake Rotor	89 - 79	BD126394	17000-19000 lb. RA; U-Shaped; 10-Hole Rotor
Brake Rotor	89 - 79	BD125382	17000-19000 lb. RA; U-Shaped; 5-Hole Rotor; 12-3/4" Bolt Circle

Brake Hardware

Front Brake Hardware	Years	Sequential No.	Category No.	Qualifier
Adjuster Kit	89 - 79	F59159	(H2904)	L.H.; w/Auto Adj.
Adjuster Kit	89 - 79	F128990	(H2929)	L.H.; w/Man. Adj.
Adjuster Kit	89 - 79	F59160	(H2905)	R.H.; w/Auto Adj.
Adjuster Kit	89 - 79	F128990	(H2929)	R.H.; w/Man. Adj.
Combi Kit	89 - 79	F117025	(H7173)	15 x 3 or 15 x 3-1/2" Brake; w/Auto Adj.
↳Hold Down Kit		F73399	(H4201)	
↳Return Spring Kit		F36445	(H521)	
Combi Kit	89 - 79	F117026	(H7172)	15 x 3 or 15 x 3-1/2" Brake; w/Man. Adj.
↳Hold Down Kit		F19408	(H4200)	
↳Return Spring Kit		F36445	(H521)	
Combi Kit	89 - 79	F117025	(H7173)	15 x 5" Brake; w/Auto Adj.
↳Hold Down Kit		F73399	(H4201)	
↳Return Spring Kit		F36445	(H521)	
Combi Kit	89 - 79	F117019	(H7182)	15 x 5" Brake; w/Man. Adj.
↳Return Spring Kit		F36445	(H521)	

↳Sub-Kit of Combi-Kit is available separately.

Brake Hardware (cont.)

Front Brake Hardware	Years	Sequential No.	Category No.	Qualifier
Disc Align Kit	89 - 79	F112095S	(H5564)	Bendix; 2.60" 2-Piston Caliper
Disc Align Kit	89 - 79	F112090S	(H5566)	Bendix; 2.88" 2-Piston Caliper
Disc Align Kit	89 - 79	F107401S	(H5562)	Bendix; 3.38" 1-Piston Caliper
Rear Brake Hardware	Years	Sequential No.	Category No.	Qualifier
Adjuster Kit	89 - 79	F59157	(H2902)	L.H.; 15" Brake; w/Auto Adj.
Adjuster Kit	89 - 79	F128894S	(H2911)	L.H.; 15" Brake; w/Man. Adj.
Adjuster Kit	89 - 79	F128895S	(H2912)	L.H.; 16" Brake; w/Man. Adj.
Adjuster Kit	89 - 79	F59158	(H2903)	R.H.; 15" Brake; w/Auto Adj.
Adjuster Kit	89 - 79	F128894S	(H2911)	R.H.; 15" Brake; w/Man. Adj.
Adjuster Kit	89 - 79	F128895S	(H2912)	R.H.; 16" Brake; w/Man. Adj.
Adjuster Screw	89 - 79	F140823	(H1607)	L.H.; 15" Brake
Adjuster Screw	89 - 79	F19291	(H1700)	L.H.; 16" Brake
Adjuster Screw	89 - 79	F140818	(H1606)	R.H.; 15" Brake
Adjuster Screw	89 - 79	F19292	(H1701)	R.H.; 16" Brake
Combi Kit	89 - 79	F117027	(H7171)	
↳Adjuster Spring Kit		F78727	(H451)	
↳Hold Down Kit		F19309	(H5079)	
↳Return Spring Kit		F98318	(H609)	
Disc Align Kit	89 - 79	F112095S	(H5564)	Bendix; 2.60" 2-Piston Caliper
Disc Align Kit	89 - 79	F112090S	(H5566)	Bendix; 2.88" 2-Piston Caliper

Calipers - Reman

Front, Loaded	Years	Left No.	Right No.	Qualifier	Piston
Loaded Caliper	89 - 79	AS112057	AS112057	Bendix; 2.60" 2-Piston Caliper	P
Loaded Caliper	89 - 79	AS112057S	AS112057S	Bendix; 2.60" 2-Piston Caliper	O
Loaded Caliper	89 - 79	AS120549	AS120549	Bendix; 2.88" 2-Piston Caliper	P
Loaded Caliper	89 - 79	AS120549S	AS120549S	Bendix; 2.88" 2-Piston Caliper	O
Loaded Caliper	89 - 79	AS130211A	AS130210A	Bendix; 3.38" 1-Piston Caliper	M
Rear, Loaded	Years	Left No.	Right No.	Qualifier	Piston
Loaded Caliper	89 - 79	AS112057	AS112057	Bendix; 2.60" 2-Piston Caliper	P
Loaded Caliper	89 - 79	AS112057S	AS112057S	Bendix; 2.60" 2-Piston Caliper	O
Loaded Caliper	89 - 79	AS120549	AS120549	Bendix; 2.88" 2-Piston Caliper	P
Loaded Caliper	89 - 79	AS120549S	AS120549S	Bendix; 2.88" 2-Piston Caliper	O
Front, Unloaded	Years	Left No.	Right No.	Qualifier	Piston
Unloaded Caliper	89 - 79	CR112057	CR112057	Bendix; 2.60" 2-Piston Caliper	P
Unloaded Caliper	89 - 79	CR112057S	CR112057S	Bendix; 2.60" 2-Piston Caliper	O
Unloaded Caliper	89 - 79	CR120549	CR120549	Bendix; 2.88" 2-Piston Caliper	P
Unloaded Caliper	89 - 79	CR120549S	CR120549S	Bendix; 2.88" 2-Piston Caliper	O
Unloaded Caliper	89 - 79	CR130211	CR130210	Bendix; 3.38" 1-Piston Caliper	M
Rear, Unloaded	Years	Left No.	Right No.	Qualifier	Piston
Unloaded Caliper	89 - 79	CR112057	CR112057	Bendix; 2.60" 2-Piston Caliper	P
Unloaded Caliper	89 - 79	CR112057S	CR112057S	Bendix; 2.60" 2-Piston Caliper	O
Unloaded Caliper	89 - 79	CR120549	CR120549	Bendix; 2.88" 2-Piston Caliper	P
Unloaded Caliper	89 - 79	CR120549S	CR120549S	Bendix; 2.88" 2-Piston Caliper	O

Hydraulics - New

Master Cylinder	Years	Sequential No.	Category No.	Qualifier
Master Cylinder	89 - 84	F113751	(MC113751)	w/Disc Brake; Split Syst.; w/High Pwr.
Master Cylinder	89 - 84	F116702	(MC116702)	w/Disc Brake; Split Syst.; w/Hydrovac; 19000 lb. RA
Master Cylinder	89 - 79	F661	(MC661)	w/Drum Brake; Single Syst.; Exc. Tandem; 15" Brake
Master Cylinder	89 - 79	F2842	(MC2842)	w/Drum Brake; Single Syst.; Exc. Tandem; 16" Brake; w/Air Actuated Hyd. Brks.
Master Cylinder	89 - 79	F2951	(MC2951)	w/Drum Brake; Single Syst.; Tandem
Master Cylinder	89 - 79	F119402	(MC119402)	w/Drum Brake; Split Syst.; w/High Pwr.
Master Cylinder	89 - 79	F119397	(MC119397)	w/Drum Brake; Split Syst.; w/Hydrovac
Master Cylinder	83	F113751	(MC113751)	From 8/26/83; w/Disc Brake; Split Syst.; w/High Pwr.
Master Cylinder	83	F116702	(MC116702)	From 8/26/83; w/Disc Brake; Split Syst.; w/Hydrovac; 19000 lb. RA

↳Sub-Kit of Combi-Kit is available separately.

Piston: M - OE Metal Piston P - OE Phenolic Piston O - Metal Piston Option

1754 (cont.)

Hydraulics - New (cont.)

Master Cylinder	Years	Sequential No.	Category No.	Qualifier
Master Cylinder	83	F119395	(MC119395)	To 8/25/83; w/Disc Brake; Split Syst.; w/High Pwr.
Master Cylinder	83	F119396	(MC119396)	To 8/25/83; w/Disc Brake; Split Syst.; w/Hydrovac
Master Cylinder	82 - 79	F119395	(MC119395)	w/Disc Brake; Split Syst.; w/High Pwr.
Master Cylinder	82 - 79	F119396	(MC119396)	w/Disc Brake; Split Syst.; w/Hydrovac
Front Wheel Cylinder	Years	Sequential No.	Category No.	Qualifier
Wheel Cylinder	89 - 79	F43383	(WC43383)	L.H.; 15 x 3" Brake; w/o Bleeder Screw; 1-1/4" Bore
Wheel Cylinder	89 - 79	F43383	(WC43383)	L.H.; 15 x 3-1/2" Brake; w/o Bleeder Screw; 1-1/4" Bore
Wheel Cylinder	89 - 79	F86444	(WC86444)	L.H.; 15 x 5" Brake; w/Bleeder Screw; 1-1/2" Bore
Wheel Cylinder	89 - 79	F43384	(WC43384)	R.H.; 15 x 3" Brake; w/o Bleeder Screw; 1-1/4" Bore
Wheel Cylinder	89 - 79	F43384	(WC43384)	R.H.; 15 x 3-1/2" Brake; w/o Bleeder Screw; 1-1/4" Bore
Wheel Cylinder	89 - 79	F86445	(WC86445)	R.H.; 15 x 5" Brake; w/Bleeder Screw; 1-1/2" Bore
Rear Wheel Cylinder	Years	Sequential No.	Category No.	Qualifier
Wheel Cylinder	89 - 79	F24489	(WC24489)	15 x 5" Brake; 1-5/8" Bore
Wheel Cylinder	89 - 79	F24489	(WC24489)	15 x 6" Brake; 1-5/8" Bore
Wheel Cylinder	89 - 79	F24489	(WC24489)	15 x 7" Brake; 17000-17500 lb. RA; 1-5/8" Bore
Wheel Cylinder	89 - 79	F26172	(WC26172)	15 x 7" Brake; 18500-19000 lb. RA or 34000 lb. TRA; 1-3/4" Bore
Wheel Cylinder	89 - 79	F24489	(WC24489)	16 x 5" Brake; 17000-17500 lb. RA; 1-5/8" Bore
Wheel Cylinder	89 - 79	F26172	(WC26172)	16 x 5" Brake; 18500-19000 lb. RA or 34000 lb. TRA; 1-3/4" Bore
Wheel Cylinder	89 - 79	F26172	(WC26172)	16 x 6" Brake; 1-3/4" Bore
Clutch Slave Cylinder	Years	Sequential No.	Category No.	Qualifier
Clutch Slave Cylinder	89 - 79	F43260	(SC43260)	
Front Brake Hose	Years	Sequential No.	Category No.	Qualifier
Brake Hose	89 - 79	F111136	(BH111136)	2WD; 15 x 3" Brake
Brake Hose	89 - 79	F111138	(BH111138)	2WD; 15 x 3-1/2" Brake; Dual Syst.
Brake Hose	89 - 79	F111136	(BH111136)	2WD; 15 x 3-1/2" Brake; Single Syst.
Brake Hose	89 - 79	F111139	(BH111139)	2WD; 15 x 5" Brake; Dual Syst.; Exc. 15 x 22.5" Tires
Brake Hose	89 - 79	F111140	(BH111140)	2WD; 15 x 5" Brake; Dual Syst.; w/15 x 22.5" Tires
Brake Hose	89 - 79	F111136	(BH111136)	2WD; 15 x 5" Brake; Single Syst.; Exc. 15 x 22.5" Tires
Brake Hose	89 - 79	F107731	(BH107731)	2WD; Bendix; 2.60" 2-Piston Caliper; 7500-8000 lb. FA
Brake Hose	89 - 79	F113150	(BH113150)	2WD; Bendix; 2.88" 2-Piston Caliper; 10000-12000 lb. FA
Brake Hose	89 - 79	F113151	(BH113151)	2WD; Bendix; 3.38" 1-Piston Caliper
Brake Hose	89 - 79	F111137	(BH111137)	4WD
Rear Brake Hose	Years	Sequential No.	Category No.	Qualifier
Brake Hose	89 - 79	F107733	(BH107733)	w/Disc Brake; 11" Length
Brake Hose	89 - 79	F107734	(BH107734)	w/Disc Brake; 18" Length
Brake Hose	89 - 79	F113154	(BH113154)	w/Disc Brake; 9-7/8" Length
Brake Hose	89 - 79	F107734	(BH107734)	w/Drum Brake; 18" Length
Brake Hose	89 - 79	F107735	(BH107735)	w/Drum Brake; 23" Length
Brake Hose	89 - 79	F111393	(BH111393)	w/Drum Brake; 27" Length
Hydraulics - Reman				
Power Brake Booster	Years	Part No.	Qualifier	
Hydro Booster	89 - 79	529901	Dual Syst.; Head	
Hydro Booster	89 - 79	529802	High Pwr; Bendix Hydromax II; Complete Assy	
Hydro Booster	89 - 79	529904	High Pwr; Bendix Hydromax II; Elect. Motor	
Hydro Booster	89 - 79	529920	High Pwr; Bendix Hydromax II; Head	
Hydro Booster	89 - 79	529900	Single Syst.; Head	
Power Brake Booster	Years	Part No.	Qualifier	
Vacuum Booster	89 - 79	518049	Exc. Tandem; Single Diaphragm; 15" Brake	
Vacuum Booster	89 - 79	518047	Exc. Tandem; Single Diaphragm; 16" Brake	
Vacuum Booster	89 - 79	518046	Tandem; Double Diaphragm	

Brake Pads & Shoes

Front Pads & Shoes	Years	SevereDuty	Lining No.	Qualifier
Brake Shoes	78 - 70	SDS321R	EX1245AD-S32	Hyd. Brakes; Auto. Adj.; 15 x 3
Brake Shoes	78 - 70	SDS322R	EX1280BD-S32	Hyd. Brakes; Auto. Adj.; 15 x 3-1/2
Brake Shoes	78 - 70	SDS235R	EX1245AD-S32	Hyd. Brakes; Man. Adj.; 15 x 3
Brake Shoes	78 - 70	SDS463R	EX1280D-S32	Hyd. Brakes; Man. Adj.; 15 x 3-1/2
Brake Shoes	78 - 70	4223E	4223A	w/Air Brakes; Eaton/Spicer; 16-1/2 x 5
Brake Shoes	78 - 70	1307T	1307	w/Air Brakes; Rockwell/Meritor; T-Series; 15 x 3-1/2
Brake Shoes	78 - 70	1308T	1308T	w/Air Brakes; Rockwell/Meritor; T-Series; 15 x 4
Brake Shoes	78 - 70	4615S	4615	w/Air Brakes; Rockwell/Meritor; Wedge; 15 x 5

Rear Pads & Shoes	Years	SevereDuty	Lining No.	Qualifier
Brake Shoes	78 - 70	SDS346R	EX1252D-S32	Hyd. Brakes; 15 x 5
Brake Shoes	78 - 70	SDS381R	EX4596D-S32	Hyd. Brakes; 15 x 6
Brake Shoes	78 - 70	SDS383R	EX4597D-S32	Hyd. Brakes; 15 x 7
Brake Shoes	78 - 70	SDS385R	EX1254D-S32	Hyd. Brakes; 16 x 5
Brake Shoes	78 - 70	SDS386R	EX1255D-S32	Hyd. Brakes; 16 x 6
Brake Shoes	78 - 70	4311E	4311J	w/Air Brakes; Eaton/Spicer; 16-1/2 x 7
Brake Shoes	78 - 70	4514P	4514G	w/Air Brakes; Rockwell/Meritor; P-Series; 16-1/2 x 6
Brake Shoes	78 - 70	4515P	4515E	w/Air Brakes; Rockwell/Meritor; P-Series; 16-1/2 x 7
Brake Shoes	78 - 70	4605S	4605	w/Air Brakes; Rockwell/Meritor; Wedge; 15 x 6
Brake Shoes	78 - 70	4602S	4602	w/Air Brakes; Rockwell/Meritor; Wedge; 15 x 7

Parking Brake Shoes	Years	SevereDuty	Lining No.	Qualifier
Brake Shoes	78 - 70	SDS842R	EX1303AD	Driveline Config.; 10 x 3

Brake Hardware

Front Brake Hardware	Years	Sequential No.	Category No.	Qualifier
Adjuster Kit	78 - 70	F59159	(H2904)	L.H.; w/Auto Adj.
Adjuster Kit	78 - 70	F128990	(H2929)	L.H.; w/Man. Adj.
Adjuster Kit	78 - 70	F59160	(H2905)	R.H.; w/Auto Adj.
Adjuster Kit	78 - 70	F128990	(H2929)	R.H.; w/Man. Adj.
Combi Kit	78 - 70	F117024	(H7178)	14" Brake; Bendix
Combi Kit	78 - 70	F117025	(H7173)	14" Brake; Wagner; w/Auto Adj.
↳Hold Down Kit		F73399	(H4201)	
↳Return Spring Kit		F36445	(H521)	
Combi Kit	78 - 70	F117018	(H7185)	14" Brake; Wagner; w/Man. Adj.
↳Hold Down Kit		F19408	(H4200)	
↳Return Spring Kit		F36445	(H521)	
Combi Kit	78 - 70	F117025	(H7173)	15 x 3 or 15 x 3-1/2" Brake; w/Auto Adj.
↳Hold Down Kit		F73399	(H4201)	
↳Return Spring Kit		F36445	(H521)	
Combi Kit	78 - 70	F117026	(H7172)	15 x 3 or 15 x 3-1/2" Brake; w/Man. Adj.
↳Hold Down Kit		F19408	(H4200)	
↳Return Spring Kit		F36445	(H521)	
Combi Kit	78 - 70	F117025	(H7173)	15 x 5" Brake; w/Auto Adj.
↳Hold Down Kit		F73399	(H4201)	
↳Return Spring Kit		F36445	(H521)	
Combi Kit	78 - 70	F117019	(H7182)	15 x 5" Brake; w/Man. Adj.
↳Return Spring Kit		F36445	(H521)	

Rear Brake Hardware	Years	Sequential No.	Category No.	Qualifier
Adjuster Kit	78 - 70	F59157	(H2902)	L.H.; 15" Brake; w/Auto Adj.
Adjuster Kit	78 - 70	F128894S	(H2911)	L.H.; 15" Brake; w/Man. Adj.
Adjuster Kit	78 - 70	F128895S	(H2912)	L.H.; 16" Brake; w/Man. Adj.
Adjuster Kit	78 - 70	F59158	(H2903)	R.H.; 15" Brake; w/Auto Adj.
Adjuster Kit	78 - 70	F128894S	(H2911)	R.H.; 15" Brake; w/Man. Adj.
Adjuster Kit	78 - 70	F128895S	(H2912)	R.H.; 16" Brake; w/Man. Adj.
Adjuster Screw	78 - 70	F140823	(H1607)	L.H.; 15" Brake
Adjuster Screw	78 - 70	F19291	(H1700)	L.H.; 16" Brake

↳Sub-Kit of Combi-Kit is available separately.



1703 (cont.)				
Brake Hardware (cont.)				
Rear Brake Hardware	Years	Sequential No.	Category No.	Qualifier
Adjuster Screw	78 - 70	F140818	(H1606)	R.H.; 15" Brake
Adjuster Screw	78 - 70	F19292	(H1701)	R.H.; 16" Brake
Combi Kit	78 - 70	F117027	(H7171)	
↳Adjuster Spring Kit		F78727	(H451)	
↳Hold Down Kit		F19309	(H5079)	
↳Return Spring Kit		F98318	(H609)	
Hydraulics - New				
Master Cylinder	Years	Sequential No.	Category No.	Qualifier
Master Cylinder	78 - 70	F661	(MC661)	Single Syst.; Exc. H.D.; Frame Mtd.; Exc. Tandem
Master Cylinder	78 - 70	F2951	(MC2951)	Single Syst.; Exc. H.D.; Frame Mtd.; Tandem
Master Cylinder	78 - 70	F2842	(MC2842)	Single Syst.; H.D.; Exc. Frame Mtd.
Front Wheel Cylinder	Years	Sequential No.	Category No.	Qualifier
Wheel Cylinder	78 - 70	F949	(WC949)	16 x 2-1/2" Brake; w/o Bleeder Screw; 1-1/4" Bore
Wheel Cylinder	78 - 70	F71940	(WC71940)	L.H.; 14 x 2-1/2" Brake; w/Bleeder Screw; 1-1/8" Bore
Wheel Cylinder	78 - 70	F71940	(WC71940)	L.H.; 15 x 3" Brake; w/Bleeder Screw; 1-1/8" Bore
Wheel Cylinder	78 - 70	F43383	(WC43383)	L.H.; 15 x 3" Brake; w/o Bleeder Screw; 2WD; 1-1/4" Bore
Wheel Cylinder	78 - 70	F8852	(WC8852)	L.H.; 15 x 3" Brake; w/o Bleeder Screw; 4WD; 1-1/8" Bore
Wheel Cylinder	78 - 70	F8813	(WC8813)	L.H.; 15 x 3-1/2" Brake; w/o Bleeder Screw; 1-3/8" Bore
Wheel Cylinder	78 - 70	F71941	(WC71941)	R.H.; 14 x 2-1/2" Brake; w/Bleeder Screw; 1-1/8" Bore
Wheel Cylinder	78 - 70	F71941	(WC71941)	R.H.; 15 x 3" Brake; w/Bleeder Screw; 1-1/8" Bore
Wheel Cylinder	78 - 70	F43384	(WC43384)	R.H.; 15 x 3" Brake; w/o Bleeder Screw; 2WD; 1-1/4" Bore
Wheel Cylinder	78 - 70	F8853	(WC8853)	R.H.; 15 x 3" Brake; w/o Bleeder Screw; 4WD; 1-1/8" Bore
Wheel Cylinder	78 - 70	F8814	(WC8814)	R.H.; 15 x 3-1/2" Brake; w/o Bleeder Screw; 1-3/8" Bore
Rear Wheel Cylinder	Years	Sequential No.	Category No.	Qualifier
Wheel Cylinder	78 - 70	F26159	(WC26159)	15 x 4" Brake; 1-1/2" Bore
Wheel Cylinder	78 - 70	F26159	(WC26159)	15 x 5" Brake; 1-1/2" Bore
Wheel Cylinder	78 - 70	F24489	(WC24489)	15 x 5" Brake; 1-5/8" Bore
Wheel Cylinder	78 - 70	F24489	(WC24489)	15 x 6" Brake; 1-5/8" Bore
Wheel Cylinder	78 - 70	F26172	(WC26172)	15 x 7" Brake; 1-3/4" Bore
Wheel Cylinder	78 - 70	F24489	(WC24489)	15 x 7" Brake; 1-5/8" Bore
Wheel Cylinder	78 - 70	F26172	(WC26172)	16 x 5" Brake; 1-3/4" Bore
Wheel Cylinder	78 - 70	F24489	(WC24489)	16 x 5" Brake; 1-5/8" Bore
Wheel Cylinder	78 - 70	F26172	(WC26172)	16 x 6" Brake; 1-3/4" Bore
Clutch Master Cylind	Years	Sequential No.	Category No.	Qualifier
Clutch Master Cylinder	78 - 70	F78828	(CM78828)	Exc. FC Models; 6V-53 Eng.
Clutch Master Cylinder	78 - 70	F54699	(CM54699)	Exc. FC Models; Exc. 6V-53 Eng.
Clutch Slave Cylinder	Years	Sequential No.	Category No.	Qualifier
Clutch Slave Cylinder	78 - 70	F43260	(SC43260)	
Front Brake Hose	Years	Sequential No.	Category No.	Qualifier
Brake Hose	78 - 70	F4751	(BH4751)	2WD; Exc. FA-89 or 91; Exc. FA-101; Exc. FA-109 or 139; Exc. FA-208; 21-5/8" Length
Brake Hose	78 - 70	F79359	(BH79359)	2WD; FA-109 or 139; 26-3/4" Length
Brake Hose	78 - 70	F8116	(BH8116)	2WD; FA-89 or 91; 18-7/8" Length
Brake Hose	78 - 70	F4050	(BH4050)	2WD; FA-89 or 91; 20" Length
Brake Hose	78 - 70	F4751	(BH4751)	4WD; 21-5/8" Length
Brake Hose	78 - 70	F79359	(BH79359)	4WD; 26-3/4" Length
Brake Hose	78 - 70	F79360	(BH79360)	L.H.; 2WD; FA-208; 22-1/4" Length
Brake Hose	78 - 70	F4751	(BH4751)	R.H.; 2WD; FA-208; 21-5/8" Length
Rear Brake Hose	Years	Sequential No.	Category No.	Qualifier
Brake Hose	78 - 70	F39508	(BH39508)	Exc. Tandem; Exc. Low Frame
Brake Hose	78 - 70	F102235	(BH102235)	Tandem; Fwd. RA
Brake Hose	78 - 70	F102236	(BH102236)	Tandem; Rear RA
Hydraulics - Reman				
Power Brake Booster	Years	Part No.	Qualifier	
Vacuum Booster	78 - 70	518037	Single Syst.; 34000 lb. TRA; Double Diaphragm	

↳Sub-Kit of Combi-Kit is available separately.

Hydraulics - Reman (cont.)

Power Brake Booster	Years	Part No.	Qualifier
Vacuum Booster	78 - 70	518037	Single Syst.; DT466 Eng.; Double Diaphragm; 16000 lb. RA or 34000 lb. TRA
Vacuum Booster	78 - 70	518002	Single Syst.; DT466 Eng.; Single Diaphragm; Exc. 16000 lb. RA or 34000 lb. TRA
Vacuum Booster	78 - 70	518002	Single Syst.; Exc. Tandem; Single Diaphragm
Vacuum Booster	78 - 70	518054	Single Syst.; Heavy Duty; Single Diaphragm
Vacuum Booster	78 - 70	518013	Split Syst.; Single Diaphragm

INTERNATIONAL MD 1700 SchoolMaster S-Series
Brake Pads & Shoes

Front Pads & Shoes	Years	SevereDuty	Lining No.	Qualifier
Brake Pads	89 - 79	SD184		Bendix; 2.60" 2-Piston Caliper
Brake Pads	89 - 79	SD225		Bendix; 2.88" 2-Piston Caliper
Brake Pads	89 - 79	SD184		Bendix; 3.38" 1-Piston Caliper
Brake Shoes	89 - 79	SDS321R	EX1245AD-S32	Hyd. Brakes; Auto. Adj.; 15 x 3
Brake Shoes	89 - 79	SDS322R	EX1280BD-S32	Hyd. Brakes; Auto. Adj.; 15 x 3-1/2
Brake Shoes	89 - 79	SDS235R	EX1245AD-S32	Hyd. Brakes; Man. Adj.; 15 x 3
Brake Shoes	89 - 79	SDS840R	EX1280D-S32	Hyd. Brakes; Man. Adj.; 15 x 3-1/2
Brake Shoes	89 - 79	4223E	4223A	w/Air Brakes; Eaton/Spicer; 16-1/2 x 5
Brake Shoes	89 - 79	4514Q	4514G	w/Air Brakes; Rockwell/Meritor; Q-Series; 16-1/2 x 6
Brake Shoes	89 - 79	1307T	1307	w/Air Brakes; Rockwell/Meritor; T-Series; 15 x 3-1/2
Brake Shoes	89 - 79	1308T	1308T	w/Air Brakes; Rockwell/Meritor; T-Series; 15 x 4
Brake Shoes	89 - 79	4605S	4605	w/Air Brakes; Rockwell/Meritor; Wedge; 15 x 6

Rear Pads & Shoes	Years	SevereDuty	Lining No.	Qualifier
Brake Pads	89 - 79	SD184		Bendix; 2.60" 2-Piston Caliper
Brake Pads	89 - 79	SD225		Bendix; 2.88" 2-Piston Caliper
Brake Shoes	89 - 79	SDS346R	EX1252D-S32	Hyd. Brakes; 15 x 5
Brake Shoes	89 - 79	SDS381R	EX4596D-S32	Hyd. Brakes; 15 x 6
Brake Shoes	89 - 79	SDS383R	EX4597D-S32	Hyd. Brakes; 15 x 7
Brake Shoes	89 - 79	SDS385R	EX1254D-S32	Hyd. Brakes; 16 x 5
Brake Shoes	89 - 79	SDS386R	EX1255D-S32	Hyd. Brakes; 16 x 6
Brake Shoes	89 - 79	4311E	4311J	w/Air Brakes; Eaton/Spicer; 16-1/2 x 7
Brake Shoes	89 - 79	4514P	4514G	w/Air Brakes; Rockwell/Meritor; P-Series; 16-1/2 x 6
Brake Shoes	89 - 79	4515P	4515E	w/Air Brakes; Rockwell/Meritor; P-Series; 16-1/2 x 7
Brake Shoes	89 - 79	4644P	4644A	w/Air Brakes; Rockwell/Meritor; P-Series; 16-1/2 x 8
Brake Shoes	89 - 79	4514Q	4514G	w/Air Brakes; Rockwell/Meritor; Q-Series; 16-1/2 x 6
Brake Shoes	89 - 79	4515Q	4515E	w/Air Brakes; Rockwell/Meritor; Q-Series; 16-1/2 x 7
Brake Shoes	89 - 79	4644Q	4644A	w/Air Brakes; Rockwell/Meritor; Q-Series; 16-1/2 x 8
Brake Shoes	89 - 79	4602S	4602	w/Air Brakes; Rockwell/Meritor; Wedge; 15 x 7

Parking Brake Shoes	Years	SevereDuty	Lining No.	Qualifier
Brake Shoes	89 - 79	SDS842R	EX1303AD	Driveline Config.; 10 x 3
Brake Shoes	89 - 79	SDS647	EX2086D	Driveline Config.; 9 x 3

Rotor & Drum

Front Rotor & Drum	Years	Part No.	Qualifier
Brake Rotor	89 - 79	BD125097	5000-7500 lb. FA; Hat-Shaped; 10-Hole Rotor
Brake Rotor	89 - 79	BD125361	5000-7500 lb. FA; Hat-Shaped; 5-Hole Rotor
Brake Rotor	89 - 79	BD125362	5000-7500 lb. FA; Hat-Shaped; 6-Hole Rotor
Brake Rotor	89 - 79	BD126402	5000-7500 lb. FA; U-Shaped; 5-Hole Rotor
Brake Rotor	89 - 79	BD125096	5000-7500 lb. FA; U-Shaped; 6-Hole Rotor
Brake Rotor	89 - 87	BD125244	9000-12000 lb. FA; U-Shaped; 5-Hole Rotor
Brake Rotor	86	BD125244	From 2/01/86; 9000-12000 lb. FA; U-Shaped; 5-Hole Rotor
Brake Rotor	86	BD125098	To 1/31/86; 9000-12000 lb. FA; U-Shaped; 5-Hole Rotor
Brake Rotor	85 - 79	BD125098	9000-12000 lb. FA; U-Shaped; 5-Hole Rotor

Rear Rotor & Drum	Years	Part No.	Qualifier
Brake Rotor	89 - 79	BD125097	10000-15500 lb. RA; Hat-Shaped; 10-Hole Rotor



1723 (cont.)

Rotor & Drum (cont.)

Rear Rotor & Drum	Years	Part No.	Qualifier
Brake Rotor	89 - 79	BD125362	10000-15500 lb. RA; Hat-Shaped; 6-Hole Rotor
Brake Rotor	89 - 79	BD126403	10000-15500 lb. RA; U-Shaped; 5-Hole Rotor
Brake Rotor	89 - 79	BD125096	10000-15500 lb. RA; U-Shaped; 6-Hole Rotor
Brake Rotor	89 - 79	BD125097	17000-19000 lb. RA; Hat-Shaped; 10-Hole Rotor
Brake Rotor	89 - 79	BD126394	17000-19000 lb. RA; U-Shaped; 10-Hole Rotor
Brake Rotor	89 - 79	BD125382	17000-19000 lb. RA; U-Shaped; 5-Hole Rotor; 12-3/4" Bolt Circle

Brake Hardware

Front Brake Hardware	Years	Sequential No.	Category No.	Qualifier
Adjuster Kit	89 - 79	F59159	(H2904)	L.H.; w/Auto Adj.
Adjuster Kit	89 - 79	F128990	(H2929)	L.H.; w/Man. Adj.
Adjuster Kit	89 - 79	F59160	(H2905)	R.H.; w/Auto Adj.
Adjuster Kit	89 - 79	F128990	(H2929)	R.H.; w/Man. Adj.
Combi Kit	89 - 79	F117025	(H7173)	15 x 3 or 15 x 3-1/2" Brake; w/Auto Adj.
↳Hold Down Kit		F73399	(H4201)	
↳Return Spring Kit		F36445	(H521)	
Combi Kit	89 - 79	F117026	(H7172)	15 x 3 or 15 x 3-1/2" Brake; w/Man. Adj.
↳Hold Down Kit		F19408	(H4200)	
↳Return Spring Kit		F36445	(H521)	
Combi Kit	89 - 79	F117025	(H7173)	15 x 5" Brake; w/Auto Adj.
↳Hold Down Kit		F73399	(H4201)	
↳Return Spring Kit		F36445	(H521)	
Combi Kit	89 - 79	F117019	(H7182)	15 x 5" Brake; w/Man. Adj.
↳Return Spring Kit		F36445	(H521)	
Disc Align Kit	89 - 79	F112095S	(H5564)	Bendix; 2.60" 2-Piston Caliper
Disc Align Kit	89 - 79	F112090S	(H5566)	Bendix; 2.88" 2-Piston Caliper
Disc Align Kit	89 - 79	F107401S	(H5562)	Bendix; 3.38" 1-Piston Caliper

Rear Brake Hardware

Rear Brake Hardware	Years	Sequential No.	Category No.	Qualifier
Adjuster Kit	89 - 79	F59157	(H2902)	L.H.; 15" Brake; w/Auto Adj.
Adjuster Kit	89 - 79	F128894S	(H2911)	L.H.; 15" Brake; w/Man. Adj.
Adjuster Kit	89 - 79	F128895S	(H2912)	L.H.; 16" Brake; w/Man. Adj.
Adjuster Kit	89 - 79	F59158	(H2903)	R.H.; 15" Brake; w/Auto Adj.
Adjuster Kit	89 - 79	F128894S	(H2911)	R.H.; 15" Brake; w/Man. Adj.
Adjuster Kit	89 - 79	F128895S	(H2912)	R.H.; 16" Brake; w/Man. Adj.
Adjuster Screw	89 - 79	F140823	(H1607)	L.H.; 15" Brake
Adjuster Screw	89 - 79	F19291	(H1700)	L.H.; 16" Brake
Adjuster Screw	89 - 79	F140818	(H1606)	R.H.; 15" Brake
Adjuster Screw	89 - 79	F19292	(H1701)	R.H.; 16" Brake
Combi Kit	89 - 79	F117027	(H7171)	
↳Adjuster Spring Kit		F78727	(H451)	
↳Hold Down Kit		F19309	(H5079)	
↳Return Spring Kit		F98318	(H609)	
Disc Align Kit	89 - 79	F112095S	(H5564)	Bendix; 2.60" 2-Piston Caliper
Disc Align Kit	89 - 79	F112090S	(H5566)	Bendix; 2.88" 2-Piston Caliper

Calipers - Reman

Front, Loaded	Years	Left No.	Right No.	Qualifier	Piston
Loaded Caliper	89 - 79	AS112057	AS112057	Bendix; 2.60" 2-Piston Caliper	P
Loaded Caliper	89 - 79	AS112057S	AS112057S	Bendix; 2.60" 2-Piston Caliper	O
Loaded Caliper	89 - 79	AS120549	AS120549	Bendix; 2.88" 2-Piston Caliper	P
Loaded Caliper	89 - 79	AS120549S	AS120549S	Bendix; 2.88" 2-Piston Caliper	O
Loaded Caliper	89 - 79	AS130211A	AS130210A	Bendix; 3.38" 1-Piston Caliper	M

Rear, Loaded	Years	Left No.	Right No.	Qualifier	Piston
Loaded Caliper	89 - 79	AS112057	AS112057	Bendix; 2.60" 2-Piston Caliper	P
Loaded Caliper	89 - 79	AS112057S	AS112057S	Bendix; 2.60" 2-Piston Caliper	O
Loaded Caliper	89 - 79	AS120549	AS120549	Bendix; 2.88" 2-Piston Caliper	P

↳Sub-Kit of Combi-Kit is available separately.

Piston: M - OE Metal Piston P - OE Phenolic Piston O - Metal Piston Option

Calipers - Reman (cont.)

Rear, Loaded	Years	Left No.	Right No.	Qualifier	Piston
Loaded Caliper	89 - 79	AS120549S	AS120549S	Bendix; 2.88" 2-Piston Caliper	O
Front, Unloaded	Years	Left No.	Right No.	Qualifier	Piston
Unloaded Caliper	89 - 79	CR112057	CR112057	Bendix; 2.60" 2-Piston Caliper	P
Unloaded Caliper	89 - 79	CR112057S	CR112057S	Bendix; 2.60" 2-Piston Caliper	O
Unloaded Caliper	89 - 79	CR120549	CR120549	Bendix; 2.88" 2-Piston Caliper	P
Unloaded Caliper	89 - 79	CR120549S	CR120549S	Bendix; 2.88" 2-Piston Caliper	O
Unloaded Caliper	89 - 79	CR130211	CR130210	Bendix; 3.38" 1-Piston Caliper	M
Rear, Unloaded	Years	Left No.	Right No.	Qualifier	Piston
Unloaded Caliper	89 - 79	CR112057	CR112057	Bendix; 2.60" 2-Piston Caliper	P
Unloaded Caliper	89 - 79	CR112057S	CR112057S	Bendix; 2.60" 2-Piston Caliper	O
Unloaded Caliper	89 - 79	CR120549	CR120549	Bendix; 2.88" 2-Piston Caliper	P
Unloaded Caliper	89 - 79	CR120549S	CR120549S	Bendix; 2.88" 2-Piston Caliper	O

Hydraulics - New

Master Cylinder	Years	Sequential No.	Category No.	Qualifier
Master Cylinder	89 - 84	F113751	(MC113751)	w/Disc Brake; Split Syst.; w/High Pwr.
Master Cylinder	89 - 84	F116702	(MC116702)	w/Disc Brake; Split Syst.; w/Hydrovac; 19000 lb. RA
Master Cylinder	89 - 79	F661	(MC661)	w/Drum Brake; Single Syst.; Exc. Tandem; 15" Brake
Master Cylinder	89 - 79	F2842	(MC2842)	w/Drum Brake; Single Syst.; Exc. Tandem; 16" Brake; w/Air Actuated Hyd. Brks.
Master Cylinder	89 - 79	F2951	(MC2951)	w/Drum Brake; Single Syst.; Tandem
Master Cylinder	89 - 79	F119402	(MC119402)	w/Drum Brake; Split Syst.; w/High Pwr.
Master Cylinder	89 - 79	F119397	(MC119397)	w/Drum Brake; Split Syst.; w/Hydrovac
Master Cylinder	83	F113751	(MC113751)	From 8/26/83; w/Disc Brake; Split Syst.; w/High Pwr.
Master Cylinder	83	F116702	(MC116702)	From 8/26/83; w/Disc Brake; Split Syst.; w/Hydrovac; 19000 lb. RA
Master Cylinder	83	F119395	(MC119395)	To 8/25/83; w/Disc Brake; Split Syst.; w/High Pwr.
Master Cylinder	83	F119396	(MC119396)	To 8/25/83; w/Disc Brake; Split Syst.; w/Hydrovac
Master Cylinder	82 - 79	F119395	(MC119395)	w/Disc Brake; Split Syst.; w/High Pwr.
Master Cylinder	82 - 79	F119396	(MC119396)	w/Disc Brake; Split Syst.; w/Hydrovac
Front Wheel Cylinder	Years	Sequential No.	Category No.	Qualifier
Wheel Cylinder	89 - 79	F43383	(WC43383)	L.H.; 15 x 3" Brake; w/o Bleeder Screw; 1-1/4" Bore
Wheel Cylinder	89 - 79	F43383	(WC43383)	L.H.; 15 x 3-1/2" Brake; w/o Bleeder Screw; 1-1/4" Bore
Wheel Cylinder	89 - 79	F86444	(WC86444)	L.H.; 15 x 5" Brake; w/Bleeder Screw; 1-1/2" Bore
Wheel Cylinder	89 - 79	F43384	(WC43384)	R.H.; 15 x 3" Brake; w/o Bleeder Screw; 1-1/4" Bore
Wheel Cylinder	89 - 79	F43384	(WC43384)	R.H.; 15 x 3-1/2" Brake; w/o Bleeder Screw; 1-1/4" Bore
Wheel Cylinder	89 - 79	F86445	(WC86445)	R.H.; 15 x 5" Brake; w/Bleeder Screw; 1-1/2" Bore
Rear Wheel Cylinder	Years	Sequential No.	Category No.	Qualifier
Wheel Cylinder	89 - 79	F24489	(WC24489)	15 x 5" Brake; 1-5/8" Bore
Wheel Cylinder	89 - 79	F24489	(WC24489)	15 x 6" Brake; 1-5/8" Bore
Wheel Cylinder	89 - 79	F24489	(WC24489)	15 x 7" Brake; 17000-17500 lb. RA; 1-5/8" Bore
Wheel Cylinder	89 - 79	F26172	(WC26172)	15 x 7" Brake; 18500-19000 lb. RA or 34000 lb. TRA; 1-3/4" Bore
Wheel Cylinder	89 - 79	F24489	(WC24489)	16 x 5" Brake; 17000-17500 lb. RA; 1-5/8" Bore
Wheel Cylinder	89 - 79	F26172	(WC26172)	16 x 5" Brake; 18500-19000 lb. RA or 34000 lb. TRA; 1-3/4" Bore
Wheel Cylinder	89 - 79	F26172	(WC26172)	16 x 6" Brake; 1-3/4" Bore
Clutch Slave Cylinder	Years	Sequential No.	Category No.	Qualifier
Clutch Slave Cylinder	89 - 79	F43260	(SC43260)	
Front Brake Hose	Years	Sequential No.	Category No.	Qualifier
Brake Hose	89 - 79	F111136	(BH111136)	2WD; 15 x 3" Brake
Brake Hose	89 - 79	F111138	(BH111138)	2WD; 15 x 3-1/2" Brake; Dual Syst.
Brake Hose	89 - 79	F111136	(BH111136)	2WD; 15 x 3-1/2" Brake; Single Syst.
Brake Hose	89 - 79	F111139	(BH111139)	2WD; 15 x 5" Brake; Dual Syst.; Exc. 15 x 22.5" Tires
Brake Hose	89 - 79	F111140	(BH111140)	2WD; 15 x 5" Brake; Dual Syst.; w/15 x 22.5" Tires
Brake Hose	89 - 79	F111136	(BH111136)	2WD; 15 x 5" Brake; Single Syst.; Exc. 15 x 22.5" Tires
Brake Hose	89 - 79	F107731	(BH107731)	2WD; Bendix; 2.60" 2-Piston Caliper; 7500-8000 lb. FA
Brake Hose	89 - 79	F113150	(BH113150)	2WD; Bendix; 2.88" 2-Piston Caliper; 10000-12000 lb. FA
Brake Hose	89 - 79	F113151	(BH113151)	2WD; Bendix; 3.38" 1-Piston Caliper

Piston: M - OE Metal Piston P - OE Phenolic Piston O - Metal Piston Option

1723 (cont.)**Hydraulics - New (cont.)**

Front Brake Hose	Years	Sequential No.	Category No.	Qualifier
Brake Hose	89 - 79	F111137	(BH111137)	4WD
Rear Brake Hose	Years	Sequential No.	Category No.	Qualifier
Brake Hose	89 - 79	F107733	(BH107733)	w/Disc Brake; 11" Length
Brake Hose	89 - 79	F107734	(BH107734)	w/Disc Brake; 18" Length
Brake Hose	89 - 79	F113154	(BH113154)	w/Disc Brake; 9-7/8" Length
Brake Hose	89 - 79	F107734	(BH107734)	w/Drum Brake; 18" Length
Brake Hose	89 - 79	F107735	(BH107735)	w/Drum Brake; 23" Length
Brake Hose	89 - 79	F111393	(BH111393)	w/Drum Brake; 27" Length

Hydraulics - Reman

Power Brake Booster	Years	Part No.	Qualifier
Hydro Booster	89 - 79	529901	Dual Syst.; Head
Hydro Booster	89 - 79	529802	High Pwr; Bendix Hydromax II; Complete Assy
Hydro Booster	89 - 79	529904	High Pwr; Bendix Hydromax II; Elect. Motor
Hydro Booster	89 - 79	529920	High Pwr; Bendix Hydromax II; Head
Hydro Booster	89 - 79	529900	Single Syst.; Head
Power Brake Booster	Years	Part No.	Qualifier
Vacuum Booster	89 - 79	518049	Exc. Tandem; Single Diaphragm; 15" Brake
Vacuum Booster	89 - 79	518047	Exc. Tandem; Single Diaphragm; 16" Brake
Vacuum Booster	89 - 79	518046	Tandem; Double Diaphragm

1753**Brake Pads & Shoes**

Front Pads & Shoes	Years	SevereDuty	Lining No.	Qualifier
Brake Pads	89 - 79	SD184		Bendix; 2.60" 2-Piston Caliper
Brake Pads	89 - 79	SD225		Bendix; 2.88" 2-Piston Caliper
Brake Pads	89 - 79	SD184		Bendix; 3.38" 1-Piston Caliper
Brake Shoes	89 - 79	SDS321R	EX1245AD-S32	Hyd. Brakes; Auto. Adj.; 15 x 3
Brake Shoes	89 - 79	SDS322R	EX1280BD-S32	Hyd. Brakes; Auto. Adj.; 15 x 3-1/2
Brake Shoes	89 - 79	SDS235R	EX1245AD-S32	Hyd. Brakes; Man. Adj.; 15 x 3
Brake Shoes	89 - 79	SDS840R	EX1280D-S32	Hyd. Brakes; Man. Adj.; 15 x 3-1/2
Brake Shoes	89 - 79	4223E	4223A	w/Air Brakes; Eaton/Spicer; 16-1/2 x 5
Brake Shoes	89 - 79	4514Q	4514G	w/Air Brakes; Rockwell/Meritor; Q-Series; 16-1/2 x 6
Brake Shoes	89 - 79	1307T	1307	w/Air Brakes; Rockwell/Meritor; T-Series; 15 x 3-1/2
Brake Shoes	89 - 79	1308T	1308T	w/Air Brakes; Rockwell/Meritor; T-Series; 15 x 4
Brake Shoes	89 - 79	4605S	4605	w/Air Brakes; Rockwell/Meritor; Wedge; 15 x 6
Rear Pads & Shoes	Years	SevereDuty	Lining No.	Qualifier
Brake Pads	89 - 79	SD184		Bendix; 2.60" 2-Piston Caliper
Brake Pads	89 - 79	SD225		Bendix; 2.88" 2-Piston Caliper
Brake Shoes	89 - 79	SDS346R	EX1252D-S32	Hyd. Brakes; 15 x 5
Brake Shoes	89 - 79	SDS381R	EX4596D-S32	Hyd. Brakes; 15 x 6
Brake Shoes	89 - 79	SDS383R	EX4597D-S32	Hyd. Brakes; 15 x 7
Brake Shoes	89 - 79	SDS385R	EX1254D-S32	Hyd. Brakes; 16 x 5
Brake Shoes	89 - 79	SDS386R	EX1255D-S32	Hyd. Brakes; 16 x 6
Brake Shoes	89 - 79	4311E	4311J	w/Air Brakes; Eaton/Spicer; 16-1/2 x 7
Brake Shoes	89 - 79	4514P	4514G	w/Air Brakes; Rockwell/Meritor; P-Series; 16-1/2 x 6
Brake Shoes	89 - 79	4515P	4515E	w/Air Brakes; Rockwell/Meritor; P-Series; 16-1/2 x 7
Brake Shoes	89 - 79	4644P	4644A	w/Air Brakes; Rockwell/Meritor; P-Series; 16-1/2 x 8
Brake Shoes	89 - 79	4514Q	4514G	w/Air Brakes; Rockwell/Meritor; Q-Series; 16-1/2 x 6
Brake Shoes	89 - 79	4515Q	4515E	w/Air Brakes; Rockwell/Meritor; Q-Series; 16-1/2 x 7
Brake Shoes	89 - 79	4644Q	4644A	w/Air Brakes; Rockwell/Meritor; Q-Series; 16-1/2 x 8
Brake Shoes	89 - 79	4602S	4602	w/Air Brakes; Rockwell/Meritor; Wedge; 15 x 7
Parking Brake Shoes	Years	SevereDuty	Lining No.	Qualifier
Brake Shoes	89 - 79	SDS842R	EX1303AD	Driveline Config.; 10 x 3
Brake Shoes	89 - 79	SDS647	EX2086D	Driveline Config.; 9 x 3

Rotor & Drum

Front Rotor & Drum	Years	Part No.	Qualifier
Brake Rotor	89 - 79	BD125097	5000-7500 lb. FA; Hat-Shaped; 10-Hole Rotor
Brake Rotor	89 - 79	BD125361	5000-7500 lb. FA; Hat-Shaped; 5-Hole Rotor
Brake Rotor	89 - 79	BD125362	5000-7500 lb. FA; Hat-Shaped; 6-Hole Rotor
Brake Rotor	89 - 79	BD126402	5000-7500 lb. FA; U-Shaped; 5-Hole Rotor
Brake Rotor	89 - 79	BD125096	5000-7500 lb. FA; U-Shaped; 6-Hole Rotor
Brake Rotor	89 - 87	BD125244	9000-12000 lb. FA; U-Shaped; 5-Hole Rotor
Brake Rotor	86	BD125244	From 2/01/86; 9000-12000 lb. FA; U-Shaped; 5-Hole Rotor
Brake Rotor	86	BD125098	To 1/31/86; 9000-12000 lb. FA; U-Shaped; 5-Hole Rotor
Brake Rotor	85 - 79	BD125098	9000-12000 lb. FA; U-Shaped; 5-Hole Rotor

Rear Rotor & Drum	Years	Part No.	Qualifier
Brake Rotor	89 - 79	BD125097	10000-15500 lb. RA; Hat-Shaped; 10-Hole Rotor
Brake Rotor	89 - 79	BD125362	10000-15500 lb. RA; Hat-Shaped; 6-Hole Rotor
Brake Rotor	89 - 79	BD126403	10000-15500 lb. RA; U-Shaped; 5-Hole Rotor
Brake Rotor	89 - 79	BD125096	10000-15500 lb. RA; U-Shaped; 6-Hole Rotor
Brake Rotor	89 - 79	BD125097	17000-19000 lb. RA; Hat-Shaped; 10-Hole Rotor
Brake Rotor	89 - 79	BD126394	17000-19000 lb. RA; U-Shaped; 10-Hole Rotor
Brake Rotor	89 - 79	BD125382	17000-19000 lb. RA; U-Shaped; 5-Hole Rotor; 12-3/4" Bolt Circle

Brake Hardware

Front Brake Hardware	Years	Sequential No.	Category No.	Qualifier
Adjuster Kit	89 - 79	F59159	(H2904)	L.H.; w/Auto Adj.
Adjuster Kit	89 - 79	F128990	(H2929)	L.H.; w/Man. Adj.
Adjuster Kit	89 - 79	F59160	(H2905)	R.H.; w/Auto Adj.
Adjuster Kit	89 - 79	F128990	(H2929)	R.H.; w/Man. Adj.
Combi Kit	89 - 79	F117025	(H7173)	15 x 3 or 15 x 3-1/2" Brake; w/Auto Adj.
↳Hold Down Kit		F73399	(H4201)	
↳Return Spring Kit		F36445	(H521)	
Combi Kit	89 - 79	F117026	(H7172)	15 x 3 or 15 x 3-1/2" Brake; w/Man. Adj.
↳Hold Down Kit		F19408	(H4200)	
↳Return Spring Kit		F36445	(H521)	
Combi Kit	89 - 79	F117025	(H7173)	15 x 5" Brake; w/Auto Adj.
↳Hold Down Kit		F73399	(H4201)	
↳Return Spring Kit		F36445	(H521)	
Combi Kit	89 - 79	F117019	(H7182)	15 x 5" Brake; w/Man. Adj.
↳Return Spring Kit		F36445	(H521)	
Disc Align Kit	89 - 79	F112095S	(H5564)	Bendix; 2.60" 2-Piston Caliper
Disc Align Kit	89 - 79	F112090S	(H5566)	Bendix; 2.88" 2-Piston Caliper
Disc Align Kit	89 - 79	F107401S	(H5562)	Bendix; 3.38" 1-Piston Caliper

Rear Brake Hardware	Years	Sequential No.	Category No.	Qualifier
Adjuster Kit	89 - 79	F59157	(H2902)	L.H.; 15" Brake; w/Auto Adj.
Adjuster Kit	89 - 79	F128894S	(H2911)	L.H.; 15" Brake; w/Man. Adj.
Adjuster Kit	89 - 79	F128895S	(H2912)	L.H.; 16" Brake; w/Man. Adj.
Adjuster Kit	89 - 79	F59158	(H2903)	R.H.; 15" Brake; w/Auto Adj.
Adjuster Kit	89 - 79	F128894S	(H2911)	R.H.; 15" Brake; w/Man. Adj.
Adjuster Kit	89 - 79	F128895S	(H2912)	R.H.; 16" Brake; w/Man. Adj.
Adjuster Screw	89 - 79	F140823	(H1607)	L.H.; 15" Brake
Adjuster Screw	89 - 79	F19291	(H1700)	L.H.; 16" Brake
Adjuster Screw	89 - 79	F140818	(H1606)	R.H.; 15" Brake
Adjuster Screw	89 - 79	F19292	(H1701)	R.H.; 16" Brake
Combi Kit	89 - 79	F117027	(H7171)	
↳Adjuster Spring Kit		F78727	(H451)	
↳Hold Down Kit		F19309	(H5079)	
↳Return Spring Kit		F98318	(H609)	
Disc Align Kit	89 - 79	F112095S	(H5564)	Bendix; 2.60" 2-Piston Caliper
Disc Align Kit	89 - 79	F112090S	(H5566)	Bendix; 2.88" 2-Piston Caliper

↳Sub-Kit of Combi-Kit is available separately.



1753 (cont.)					
Calipers - Reman					
Front, Loaded	Years	Left No.	Right No.	Qualifier	Piston
Loaded Caliper	89 - 79	AS112057	AS112057	Bendix; 2.60" 2-Piston Caliper	P
Loaded Caliper	89 - 79	AS112057S	AS112057S	Bendix; 2.60" 2-Piston Caliper	O
Loaded Caliper	89 - 79	AS120549	AS120549	Bendix; 2.88" 2-Piston Caliper	P
Loaded Caliper	89 - 79	AS120549S	AS120549S	Bendix; 2.88" 2-Piston Caliper	O
Loaded Caliper	89 - 79	AS130211A	AS130210A	Bendix; 3.38" 1-Piston Caliper	M
Rear, Loaded	Years	Left No.	Right No.	Qualifier	Piston
Loaded Caliper	89 - 79	AS112057	AS112057	Bendix; 2.60" 2-Piston Caliper	P
Loaded Caliper	89 - 79	AS112057S	AS112057S	Bendix; 2.60" 2-Piston Caliper	O
Loaded Caliper	89 - 79	AS120549	AS120549	Bendix; 2.88" 2-Piston Caliper	P
Loaded Caliper	89 - 79	AS120549S	AS120549S	Bendix; 2.88" 2-Piston Caliper	O
Front, Unloaded	Years	Left No.	Right No.	Qualifier	Piston
Unloaded Caliper	89 - 79	CR112057	CR112057	Bendix; 2.60" 2-Piston Caliper	P
Unloaded Caliper	89 - 79	CR112057S	CR112057S	Bendix; 2.60" 2-Piston Caliper	O
Unloaded Caliper	89 - 79	CR120549	CR120549	Bendix; 2.88" 2-Piston Caliper	P
Unloaded Caliper	89 - 79	CR120549S	CR120549S	Bendix; 2.88" 2-Piston Caliper	O
Unloaded Caliper	89 - 79	CR130211	CR130210	Bendix; 3.38" 1-Piston Caliper	M
Rear, Unloaded	Years	Left No.	Right No.	Qualifier	Piston
Unloaded Caliper	89 - 79	CR112057	CR112057	Bendix; 2.60" 2-Piston Caliper	P
Unloaded Caliper	89 - 79	CR112057S	CR112057S	Bendix; 2.60" 2-Piston Caliper	O
Unloaded Caliper	89 - 79	CR120549	CR120549	Bendix; 2.88" 2-Piston Caliper	P
Unloaded Caliper	89 - 79	CR120549S	CR120549S	Bendix; 2.88" 2-Piston Caliper	O
Hydraulics - New					
Master Cylinder	Years	Sequential No.	Category No.	Qualifier	
Master Cylinder	89 - 84	F113751	(MC113751)	w/Disc Brake; Split Syst.; w/High Pwr.	
Master Cylinder	89 - 84	F116702	(MC116702)	w/Disc Brake; Split Syst.; w/Hydrovac; 19000 lb. RA	
Master Cylinder	89 - 79	F661	(MC661)	w/Drum Brake; Single Syst.; Exc. Tandem; 15" Brake	
Master Cylinder	89 - 79	F2842	(MC2842)	w/Drum Brake; Single Syst.; Exc. Tandem; 16" Brake; w/Air Actuated Hyd. Brks.	
Master Cylinder	89 - 79	F2951	(MC2951)	w/Drum Brake; Single Syst.; Tandem	
Master Cylinder	89 - 79	F119402	(MC119402)	w/Drum Brake; Split Syst.; w/High Pwr.	
Master Cylinder	89 - 79	F119397	(MC119397)	w/Drum Brake; Split Syst.; w/Hydrovac	
Master Cylinder	83	F113751	(MC113751)	From 8/26/83; w/Disc Brake; Split Syst.; w/High Pwr.	
Master Cylinder	83	F116702	(MC116702)	From 8/26/83; w/Disc Brake; Split Syst.; w/Hydrovac; 19000 lb. RA	
Master Cylinder	83	F119395	(MC119395)	To 8/25/83; w/Disc Brake; Split Syst.; w/High Pwr.	
Master Cylinder	83	F119396	(MC119396)	To 8/25/83; w/Disc Brake; Split Syst.; w/Hydrovac	
Master Cylinder	82 - 79	F119395	(MC119395)	w/Disc Brake; Split Syst.; w/High Pwr.	
Master Cylinder	82 - 79	F119396	(MC119396)	w/Disc Brake; Split Syst.; w/Hydrovac	
Front Wheel Cylinder	Years	Sequential No.	Category No.	Qualifier	
Wheel Cylinder	89 - 79	F43383	(WC43383)	L.H.; 15 x 3" Brake; w/o Bleeder Screw; 1-1/4" Bore	
Wheel Cylinder	89 - 79	F43383	(WC43383)	L.H.; 15 x 3-1/2" Brake; w/o Bleeder Screw; 1-1/4" Bore	
Wheel Cylinder	89 - 79	F86444	(WC86444)	L.H.; 15 x 5" Brake; w/Bleeder Screw; 1-1/2" Bore	
Wheel Cylinder	89 - 79	F43384	(WC43384)	R.H.; 15 x 3" Brake; w/o Bleeder Screw; 1-1/4" Bore	
Wheel Cylinder	89 - 79	F43384	(WC43384)	R.H.; 15 x 3-1/2" Brake; w/o Bleeder Screw; 1-1/4" Bore	
Wheel Cylinder	89 - 79	F86445	(WC86445)	R.H.; 15 x 5" Brake; w/Bleeder Screw; 1-1/2" Bore	
Rear Wheel Cylinder	Years	Sequential No.	Category No.	Qualifier	
Wheel Cylinder	89 - 79	F24489	(WC24489)	15 x 5" Brake; 1-5/8" Bore	
Wheel Cylinder	89 - 79	F24489	(WC24489)	15 x 6" Brake; 1-5/8" Bore	
Wheel Cylinder	89 - 79	F24489	(WC24489)	15 x 7" Brake; 17000-17500 lb. RA; 1-5/8" Bore	
Wheel Cylinder	89 - 79	F26172	(WC26172)	15 x 7" Brake; 18500-19000 lb. RA or 34000 lb. TRA; 1-3/4" Bore	
Wheel Cylinder	89 - 79	F24489	(WC24489)	16 x 5" Brake; 17000-17500 lb. RA; 1-5/8" Bore	
Wheel Cylinder	89 - 79	F26172	(WC26172)	16 x 5" Brake; 18500-19000 lb. RA or 34000 lb. TRA; 1-3/4" Bore	
Wheel Cylinder	89 - 79	F26172	(WC26172)	16 x 6" Brake; 1-3/4" Bore	
Clutch Slave Cylinder	Years	Sequential No.	Category No.	Qualifier	
Clutch Slave Cylinder	89 - 79	F43260	(SC43260)		

Piston: M - OE Metal Piston P - OE Phenolic Piston O - Metal Piston Option

Hydraulics - New (cont.)

Front Brake Hose	Years	Sequential No.	Category No.	Qualifier
Brake Hose	89 - 79	F111136	(BH111136)	2WD; 15 x 3" Brake
Brake Hose	89 - 79	F111138	(BH111138)	2WD; 15 x 3-1/2" Brake; Dual Syst.
Brake Hose	89 - 79	F111136	(BH111136)	2WD; 15 x 3-1/2" Brake; Single Syst.
Brake Hose	89 - 79	F111139	(BH111139)	2WD; 15 x 5" Brake; Dual Syst.; Exc. 15 x 22.5" Tires
Brake Hose	89 - 79	F111140	(BH111140)	2WD; 15 x 5" Brake; Dual Syst.; w/15 x 22.5" Tires
Brake Hose	89 - 79	F111136	(BH111136)	2WD; 15 x 5" Brake; Single Syst.; Exc. 15 x 22.5" Tires
Brake Hose	89 - 79	F107731	(BH107731)	2WD; Bendix; 2.60" 2-Piston Caliper; 7500-8000 lb. FA
Brake Hose	89 - 79	F113150	(BH113150)	2WD; Bendix; 2.88" 2-Piston Caliper; 10000-12000 lb. FA
Brake Hose	89 - 79	F113151	(BH113151)	2WD; Bendix; 3.38" 1-Piston Caliper
Brake Hose	89 - 79	F111137	(BH111137)	4WD

Rear Brake Hose	Years	Sequential No.	Category No.	Qualifier
Brake Hose	89 - 79	F107733	(BH107733)	w/Disc Brake; 11" Length
Brake Hose	89 - 79	F107734	(BH107734)	w/Disc Brake; 18" Length
Brake Hose	89 - 79	F113154	(BH113154)	w/Disc Brake; 9-7/8" Length
Brake Hose	89 - 79	F107734	(BH107734)	w/Drum Brake; 18" Length
Brake Hose	89 - 79	F107735	(BH107735)	w/Drum Brake; 23" Length
Brake Hose	89 - 79	F111393	(BH111393)	w/Drum Brake; 27" Length

Hydraulics - Reman

Power Brake Booster	Years	Part No.	Qualifier
Hydro Booster	89 - 79	529901	Dual Syst.; Head
Hydro Booster	89 - 79	529802	High Pwr; Bendix Hydromax II; Complete Assy
Hydro Booster	89 - 79	529904	High Pwr; Bendix Hydromax II; Elect. Motor
Hydro Booster	89 - 79	529920	High Pwr; Bendix Hydromax II; Head
Hydro Booster	89 - 79	529900	Single Syst.; Head

Power Brake Booster	Years	Part No.	Qualifier
Vacuum Booster	89 - 79	518049	Exc. Tandem; Single Diaphragm; 15" Brake
Vacuum Booster	89 - 79	518047	Exc. Tandem; Single Diaphragm; 16" Brake
Vacuum Booster	89 - 79	518046	Tandem; Double Diaphragm

INTERNATIONAL MD 1800 CargoStar
Brake Pads & Shoes

Front Pads & Shoes	Years	SevereDuty	Lining No.	Qualifier
Brake Pads	86 - 79	SD184		Bendix; 2.60" 2-Piston Caliper
Brake Pads	86 - 79	SD225		Bendix; 2.88" 2-Piston Caliper
Brake Pads	86 - 79	SD184		Bendix; 3.38" 1-Piston Caliper
Brake Shoes	86 - 71	SDS321R	EX1245AD-S32	Hyd. Brakes; Auto. Adj.; 15 x 3
Brake Shoes	86 - 71	SDS322R	EX1280BD-S32	Hyd. Brakes; Auto. Adj.; 15 x 3-1/2
Brake Shoes	86 - 71	SDS235R	EX1245AD-S32	Hyd. Brakes; Man. Adj.; 15 x 3
Brake Shoes	86 - 71	SDS463R	EX1280D-S32	Hyd. Brakes; Man. Adj.; 15 x 3-1/2
Brake Shoes	86 - 71	4223E	4223A	w/Air Brakes; Eaton/Spicer; 16-1/2 x 5
Brake Shoes	86 - 71	4524P	4524B	w/Air Brakes; Rockwell/Meritor; P-Series; 16-1/2 x 5
Brake Shoes	86 - 71	1307T	1307	w/Air Brakes; Rockwell/Meritor; T-Series; 15 x 3-1/2
Brake Shoes	86 - 71	1308T	1308T	w/Air Brakes; Rockwell/Meritor; T-Series; 15 x 4
Brake Shoes	86 - 71	4615S	4615	w/Air Brakes; Rockwell/Meritor; Wedge; 15 x 5
Brake Shoes	86 - 71	4605S	4605	w/Air Brakes; Rockwell/Meritor; Wedge; 15 x 6

Rear Pads & Shoes	Years	SevereDuty	Lining No.	Qualifier
Brake Pads	86 - 79	SD184		Bendix; 2.60" 2-Piston Caliper
Brake Pads	86 - 79	SD225		Bendix; 2.88" 2-Piston Caliper
Brake Shoes	86 - 71	SDS346R	EX1252D-S32	Hyd. Brakes; 15 x 5
Brake Shoes	86 - 71	SDS381R	EX4596D-S32	Hyd. Brakes; 15 x 6
Brake Shoes	86 - 71	SDS383R	EX4597D-S32	Hyd. Brakes; 15 x 7
Brake Shoes	86 - 71	SDS385R	EX1254D-S32	Hyd. Brakes; 16 x 5
Brake Shoes	86 - 71	SDS386R	EX1255D-S32	Hyd. Brakes; 16 x 6

CO1810 (cont.)

Brake Pads & Shoes (cont.)

Rear Pads & Shoes	Years	SevereDuty	Lining No.	Qualifier
Brake Shoes	86 - 71	4311E	4311J	w/Air Brakes; Eaton/Spicer; 16-1/2 x 7
Brake Shoes	86 - 71	4514P	4514G	w/Air Brakes; Rockwell/Meritor; P-Series; 16-1/2 x 6
Brake Shoes	86 - 71	4515P	4515E	w/Air Brakes; Rockwell/Meritor; P-Series; 16-1/2 x 7
Brake Shoes	86 - 71	4605S	4605	w/Air Brakes; Rockwell/Meritor; Wedge; 15 x 6
Brake Shoes	86 - 71	4602S	4602	w/Air Brakes; Rockwell/Meritor; Wedge; 15 x 7

Parking Brake Shoes	Years	SevereDuty	Lining No.	Qualifier
Brake Shoes	86 - 71	SDS842R	EX1303AD	Driveline Config.; 10 x 3

Rotor & Drum

Front Rotor & Drum	Years	Part No.	Qualifier
Brake Rotor	86 - 79	BD125097	5000-7500 lb. FA; Hat-Shaped; 10-Hole Rotor
Brake Rotor	86 - 79	BD125361	5000-7500 lb. FA; Hat-Shaped; 5-Hole Rotor
Brake Rotor	86 - 79	BD125362	5000-7500 lb. FA; Hat-Shaped; 6-Hole Rotor
Brake Rotor	86 - 79	BD126402	5000-7500 lb. FA; U-Shaped; 5-Hole Rotor
Brake Rotor	86 - 79	BD125096	5000-7500 lb. FA; U-Shaped; 6-Hole Rotor
Brake Rotor	86	BD125244	From 2/01/86; 9000-12000 lb. FA; U-Shaped; 5-Hole Rotor
Brake Rotor	86	BD125098	To 1/31/86; 9000-12000 lb. FA; U-Shaped; 5-Hole Rotor
Brake Rotor	85 - 79	BD125098	9000-12000 lb. FA; U-Shaped; 5-Hole Rotor

Rear Rotor & Drum	Years	Part No.	Qualifier
Brake Rotor	86 - 79	BD125097	10000-15500 lb. RA; Hat-Shaped; 10-Hole Rotor
Brake Rotor	86 - 79	BD125362	10000-15500 lb. RA; Hat-Shaped; 6-Hole Rotor
Brake Rotor	86 - 79	BD126403	10000-15500 lb. RA; U-Shaped; 5-Hole Rotor
Brake Rotor	86 - 79	BD125096	10000-15500 lb. RA; U-Shaped; 6-Hole Rotor
Brake Rotor	86 - 79	BD125097	17000-19000 lb. RA; Hat-Shaped; 10-Hole Rotor
Brake Rotor	86 - 79	BD126394	17000-19000 lb. RA; U-Shaped; 10-Hole Rotor
Brake Rotor	86 - 79	BD125382	17000-19000 lb. RA; U-Shaped; 5-Hole Rotor; 12-3/4" Bolt Circle

Brake Hardware

Front Brake Hardware	Years	Sequential No.	Category No.	Qualifier
Adjuster Kit	86 - 71	F59159	(H2904)	L.H.; w/Auto Adj.
Adjuster Kit	86 - 71	F128990	(H2929)	L.H.; w/Man. Adj.
Adjuster Kit	86 - 71	F59160	(H2905)	R.H.; w/Auto Adj.
Adjuster Kit	86 - 71	F128990	(H2929)	R.H.; w/Man. Adj.
Combi Kit	86 - 71	F117025	(H7173)	14" Brake; w/Auto Adj.
↳Hold Down Kit		F73399	(H4201)	
↳Return Spring Kit		F36445	(H521)	
Combi Kit	86 - 71	F117018	(H7185)	14" Brake; w/Man. Adj.
↳Hold Down Kit		F19408	(H4200)	
↳Return Spring Kit		F36445	(H521)	
Combi Kit	86 - 71	F117025	(H7173)	15 x 3 or 15 x 3-1/2" Brake; w/Auto Adj.
↳Hold Down Kit		F73399	(H4201)	
↳Return Spring Kit		F36445	(H521)	
Combi Kit	86 - 71	F117026	(H7172)	15 x 3 or 15 x 3-1/2" Brake; w/Man. Adj.
↳Hold Down Kit		F19408	(H4200)	
↳Return Spring Kit		F36445	(H521)	
Combi Kit	86 - 71	F117025	(H7173)	15 x 5" Brake; w/Auto Adj.
↳Hold Down Kit		F73399	(H4201)	
↳Return Spring Kit		F36445	(H521)	
Combi Kit	86 - 71	F117019	(H7182)	15 x 5" Brake; w/Man. Adj.
↳Return Spring Kit		F36445	(H521)	
Disc Align Kit	86 - 79	F112095S	(H5564)	Bendix; 2.60" 2-Piston Caliper
Disc Align Kit	86 - 79	F112090S	(H5566)	Bendix; 2.88" 2-Piston Caliper
Disc Align Kit	86 - 79	F107401S	(H5562)	Bendix; 3.38" 1-Piston Caliper

Rear Brake Hardware	Years	Sequential No.	Category No.	Qualifier
Adjuster Kit	86 - 71	F59157	(H2902)	L.H.; 15" Brake; w/Auto Adj.
Adjuster Kit	86 - 71	F128894S	(H2911)	L.H.; 15" Brake; w/Man. Adj.

↳Sub-Kit of Combi-Kit is available separately.

Brake Hardware (cont.)

Rear Brake Hardware	Years	Sequential No.	Category No.	Qualifier
Adjuster Kit	86 - 71	F128895S	(H2912)	L.H.; 16" Brake; w/Man. Adj.
Adjuster Kit	86 - 71	F59158	(H2903)	R.H.; 15" Brake; w/Auto Adj.
Adjuster Kit	86 - 71	F128894S	(H2911)	R.H.; 15" Brake; w/Man. Adj.
Adjuster Kit	86 - 71	F128895S	(H2912)	R.H.; 16" Brake; w/Man. Adj.
Adjuster Screw	86 - 71	F140823	(H1607)	L.H.; 15" Brake
Adjuster Screw	86 - 71	F19291	(H1700)	L.H.; 16" Brake
Adjuster Screw	86 - 71	F140818	(H1606)	R.H.; 15" Brake
Adjuster Screw	86 - 71	F19292	(H1701)	R.H.; 16" Brake
Combi Kit	86 - 71	F117027	(H7171)	
↳Adjuster Spring Kit		F78727	(H451)	
↳Hold Down Kit		F19309	(H5079)	
↳Return Spring Kit		F98318	(H609)	
Disc Align Kit	86 - 79	F112095S	(H5564)	Bendix; 2.60" 2-Piston Caliper
Disc Align Kit	86 - 79	F112090S	(H5566)	Bendix; 2.88" 2-Piston Caliper

Calipers - Reman

Front, Loaded	Years	Left No.	Right No.	Qualifier	Piston
Loaded Caliper	86 - 79	AS112057	AS112057	Bendix; 2.60" 2-Piston Caliper	P
Loaded Caliper	86 - 79	AS112057S	AS112057S	Bendix; 2.60" 2-Piston Caliper	O
Loaded Caliper	86 - 79	AS120549	AS120549	Bendix; 2.88" 2-Piston Caliper	P
Loaded Caliper	86 - 79	AS120549S	AS120549S	Bendix; 2.88" 2-Piston Caliper	O
Loaded Caliper	86 - 79	AS130211A	AS130210A	Bendix; 3.38" 1-Piston Caliper	M
Rear, Loaded	Years	Left No.	Right No.	Qualifier	Piston
Loaded Caliper	86 - 79	AS112057	AS112057	Bendix; 2.60" 2-Piston Caliper	P
Loaded Caliper	86 - 79	AS112057S	AS112057S	Bendix; 2.60" 2-Piston Caliper	O
Loaded Caliper	86 - 79	AS120549	AS120549	Bendix; 2.88" 2-Piston Caliper	P
Loaded Caliper	86 - 79	AS120549S	AS120549S	Bendix; 2.88" 2-Piston Caliper	O
Front, Unloaded	Years	Left No.	Right No.	Qualifier	Piston
Unloaded Caliper	86 - 79	CR112057	CR112057	Bendix; 2.60" 2-Piston Caliper	P
Unloaded Caliper	86 - 79	CR112057S	CR112057S	Bendix; 2.60" 2-Piston Caliper	O
Unloaded Caliper	86 - 79	CR120549	CR120549	Bendix; 2.88" 2-Piston Caliper	P
Unloaded Caliper	86 - 79	CR120549S	CR120549S	Bendix; 2.88" 2-Piston Caliper	O
Unloaded Caliper	86 - 79	CR130211	CR130210	Bendix; 3.38" 1-Piston Caliper	M
Rear, Unloaded	Years	Left No.	Right No.	Qualifier	Piston
Unloaded Caliper	86 - 79	CR112057	CR112057	Bendix; 2.60" 2-Piston Caliper	P
Unloaded Caliper	86 - 79	CR112057S	CR112057S	Bendix; 2.60" 2-Piston Caliper	O
Unloaded Caliper	86 - 79	CR120549	CR120549	Bendix; 2.88" 2-Piston Caliper	P
Unloaded Caliper	86 - 79	CR120549S	CR120549S	Bendix; 2.88" 2-Piston Caliper	O

Hydraulics - New

Master Cylinder	Years	Sequential No.	Category No.	Qualifier
Master Cylinder	86 - 71	F76151	(MC76151)	Exc. H.D.; Frame Mtd.
Master Cylinder	86 - 71	F76154	(MC76154)	H.D.; Exc. Frame Mtd.
Front Wheel Cylinder	Years	Sequential No.	Category No.	Qualifier
Wheel Cylinder	86 - 71	F43383	(WC43383)	L.H.; 14 x 2-1/2" Brake; w/o Bleeder Screw; 1-1/4" Bore
Wheel Cylinder	86 - 71	F71940	(WC71940)	L.H.; 15 x 3" Brake; w/Bleeder Screw; 1-1/8" Bore
Wheel Cylinder	86 - 71	F43383	(WC43383)	L.H.; 15 x 3" Brake; w/o Bleeder Screw; 1-1/4" Bore
Wheel Cylinder	86 - 71	F8813	(WC8813)	L.H.; 15 x 3-1/2" Brake; w/o Bleeder Screw; 1-3/8" Bore
Wheel Cylinder	86 - 71	F43384	(WC43384)	R.H.; 14 x 2-1/2" Brake; w/o Bleeder Screw; 1-1/4" Bore
Wheel Cylinder	86 - 71	F71941	(WC71941)	R.H.; 15 x 3" Brake; w/Bleeder Screw; 1-1/8" Bore
Wheel Cylinder	86 - 71	F43384	(WC43384)	R.H.; 15 x 3" Brake; w/o Bleeder Screw; 1-1/4" Bore
Wheel Cylinder	86 - 71	F8814	(WC8814)	R.H.; 15 x 3-1/2" Brake; w/o Bleeder Screw; 1-3/8" Bore
Rear Wheel Cylinder	Years	Sequential No.	Category No.	Qualifier
Wheel Cylinder	86 - 71	F26159	(WC26159)	15 x 4" Brake; 1-1/2" Bore
Wheel Cylinder	86 - 71	F26159	(WC26159)	15 x 5" Brake; 1-1/2" Bore
Wheel Cylinder	86 - 71	F24489	(WC24489)	15 x 5" Brake; 1-5/8" Bore

↳Sub-Kit of Combi-Kit is available separately.

Piston: M - OE Metal Piston P - OE Phenolic Piston O - Metal Piston Option

CO1810 (cont.)**Hydraulics - New (cont.)**

Rear Wheel Cylinder	Years	Sequential No.	Category No.	Qualifier
Wheel Cylinder	86 - 71	F24489	(WC24489)	15 x 6" Brake; 1-5/8" Bore
Wheel Cylinder	86 - 71	F26172	(WC26172)	15 x 7" Brake; 1-3/4" Bore
Wheel Cylinder	86 - 71	F24489	(WC24489)	15 x 7" Brake; 1-5/8" Bore
Wheel Cylinder	86 - 71	F26172	(WC26172)	16 x 5" Brake; 1-3/4" Bore
Wheel Cylinder	86 - 71	F24489	(WC24489)	16 x 5" Brake; 1-5/8" Bore
Wheel Cylinder	86 - 71	F26172	(WC26172)	16 x 6" Brake; 1-3/4" Bore
Wheel Cylinder	86 - 71	F26181	(WC26181)	16 x 6" Brake; 1-7/8" Bore
Clutch Slave Cylinder	Years	Sequential No.	Category No.	Qualifier
Clutch Slave Cylinder	86 - 71	F43260	(SC43260)	
Front Brake Hose	Years	Sequential No.	Category No.	Qualifier
Brake Hose	86 - 71	F4751	(BH4751)	21-5/8" Length
Rear Brake Hose	Years	Sequential No.	Category No.	Qualifier
Brake Hose	86 - 71	F39508	(BH39508)	

Hydraulics - Reman

Power Brake Booster	Years	Part No.	Qualifier
Hydro Booster	86 - 79	529901	Dual; Head
Hydro Booster	86 - 79	529802	High Pwr; Bendix Hydromax II; Complete Assy
Hydro Booster	86 - 79	529904	High Pwr; Bendix Hydromax II; Elect. Motor
Hydro Booster	86 - 79	529920	High Pwr; Bendix Hydromax II; Head
Hydro Booster	86 - 79	529900	Single; Head
Power Brake Booster	Years	Part No.	Qualifier
Vacuum Booster	86 - 71	518054	Exc. Frame Mtd.; Single Diaphragm
Vacuum Booster	86 - 71	518002	Frame Mtd; Single Diaphragm

CO1830**Brake Pads & Shoes**

Front Pads & Shoes	Years	SevereDuty	Lining No.	Qualifier
Brake Shoes	72 - 71	SDS321R	EX1245AD-S32	Hyd. Brakes; Auto. Adj.; 15 x 3
Brake Shoes	72 - 71	SDS322R	EX1280BD-S32	Hyd. Brakes; Auto. Adj.; 15 x 3-1/2
Brake Shoes	72 - 71	SDS235R	EX1245AD-S32	Hyd. Brakes; Man. Adj.; 15 x 3
Brake Shoes	72 - 71	SDS463R	EX1280D-S32	Hyd. Brakes; Man. Adj.; 15 x 3-1/2
Brake Shoes	72 - 71	4223E	4223A	w/Air Brakes; Eaton/Spicer; 16-1/2 x 5
Brake Shoes	72 - 71	4524P	4524B	w/Air Brakes; Rockwell/Meritor; P-Series; 16-1/2 x 5
Brake Shoes	72 - 71	1307T	1307	w/Air Brakes; Rockwell/Meritor; T-Series; 15 x 3-1/2
Brake Shoes	72 - 71	1308T	1308T	w/Air Brakes; Rockwell/Meritor; T-Series; 15 x 4
Brake Shoes	72 - 71	4615S	4615	w/Air Brakes; Rockwell/Meritor; Wedge; 15 x 5
Brake Shoes	72 - 71	4605S	4605	w/Air Brakes; Rockwell/Meritor; Wedge; 15 x 6
Rear Pads & Shoes	Years	SevereDuty	Lining No.	Qualifier
Brake Shoes	72 - 71	SDS346R	EX1252D-S32	Hyd. Brakes; 15 x 5
Brake Shoes	72 - 71	SDS381R	EX4596D-S32	Hyd. Brakes; 15 x 6
Brake Shoes	72 - 71	SDS383R	EX4597D-S32	Hyd. Brakes; 15 x 7
Brake Shoes	72 - 71	SDS385R	EX1254D-S32	Hyd. Brakes; 16 x 5
Brake Shoes	72 - 71	SDS386R	EX1255D-S32	Hyd. Brakes; 16 x 6
Brake Shoes	72 - 71	4311E	4311J	w/Air Brakes; Eaton/Spicer; 16-1/2 x 7
Brake Shoes	72 - 71	4514P	4514G	w/Air Brakes; Rockwell/Meritor; P-Series; 16-1/2 x 6
Brake Shoes	72 - 71	4515P	4515E	w/Air Brakes; Rockwell/Meritor; P-Series; 16-1/2 x 7
Brake Shoes	72 - 71	4605S	4605	w/Air Brakes; Rockwell/Meritor; Wedge; 15 x 6
Brake Shoes	72 - 71	4602S	4602	w/Air Brakes; Rockwell/Meritor; Wedge; 15 x 7
Parking Brake Shoes	Years	SevereDuty	Lining No.	Qualifier
Brake Shoes	72 - 71	SDS842R	EX1303AD	Driveline Config.; 10 x 3
Brake Hardware				
Front Brake Hardware	Years	Sequential No.	Category No.	Qualifier
Adjuster Kit	72 - 71	F59159	(H2904)	L.H.; w/Auto Adj.
Adjuster Kit	72 - 71	F128990	(H2929)	L.H.; w/Man. Adj.

Brake Hardware (cont.)

Front Brake Hardware	Years	Sequential No.	Category No.	Qualifier
Adjuster Kit	72 - 71	F59160	(H2905)	R.H.; w/Auto Adj.
Adjuster Kit	72 - 71	F128990	(H2929)	R.H.; w/Man. Adj.
Combi Kit	72 - 71	F117025	(H7173)	14" Brake; w/Auto Adj.
↳Hold Down Kit		F73399	(H4201)	
↳Return Spring Kit		F36445	(H521)	
Combi Kit	72 - 71	F117018	(H7185)	14" Brake; w/Man. Adj.
↳Hold Down Kit		F19408	(H4200)	
↳Return Spring Kit		F36445	(H521)	
Combi Kit	72 - 71	F117025	(H7173)	15 x 3 or 15 x 3-1/2" Brake; w/Auto Adj.
↳Hold Down Kit		F73399	(H4201)	
↳Return Spring Kit		F36445	(H521)	
Combi Kit	72 - 71	F117026	(H7172)	15 x 3 or 15 x 3-1/2" Brake; w/Man. Adj.
↳Hold Down Kit		F19408	(H4200)	
↳Return Spring Kit		F36445	(H521)	
Combi Kit	72 - 71	F117025	(H7173)	15 x 5" Brake; w/Auto Adj.
↳Hold Down Kit		F73399	(H4201)	
↳Return Spring Kit		F36445	(H521)	
Combi Kit	72 - 71	F117019	(H7182)	15 x 5" Brake; w/Man. Adj.
↳Return Spring Kit		F36445	(H521)	

Rear Brake Hardware	Years	Sequential No.	Category No.	Qualifier
Adjuster Kit	72 - 71	F59157	(H2902)	L.H.; 15" Brake; w/Auto Adj.
Adjuster Kit	72 - 71	F128894S	(H2911)	L.H.; 15" Brake; w/Man. Adj.
Adjuster Kit	72 - 71	F128895S	(H2912)	L.H.; 16" Brake; w/Man. Adj.
Adjuster Kit	72 - 71	F59158	(H2903)	R.H.; 15" Brake; w/Auto Adj.
Adjuster Kit	72 - 71	F128894S	(H2911)	R.H.; 15" Brake; w/Man. Adj.
Adjuster Kit	72 - 71	F128895S	(H2912)	R.H.; 16" Brake; w/Man. Adj.
Adjuster Screw	72 - 71	F140823	(H1607)	L.H.; 15" Brake
Adjuster Screw	72 - 71	F19291	(H1700)	L.H.; 16" Brake
Adjuster Screw	72 - 71	F140818	(H1606)	R.H.; 15" Brake
Adjuster Screw	72 - 71	F19292	(H1701)	R.H.; 16" Brake
Combi Kit	72 - 71	F117027	(H7171)	
↳Adjuster Spring Kit		F78727	(H451)	
↳Hold Down Kit		F19309	(H5079)	
↳Return Spring Kit		F98318	(H609)	

Hydraulics - New

Master Cylinder	Years	Sequential No.	Category No.	Qualifier
Master Cylinder	72 - 71	F76151	(MC76151)	Exc. H.D.; Frame Mtd.
Master Cylinder	72 - 71	F76154	(MC76154)	H.D.; Exc. Frame Mtd.

Front Wheel Cylinder	Years	Sequential No.	Category No.	Qualifier
Wheel Cylinder	72 - 71	F43383	(WC43383)	L.H.; 14 x 2-1/2" Brake; w/o Bleeder Screw; 1-1/4" Bore
Wheel Cylinder	72 - 71	F71940	(WC71940)	L.H.; 15 x 3" Brake; w/Bleeder Screw; 1-1/8" Bore
Wheel Cylinder	72 - 71	F43383	(WC43383)	L.H.; 15 x 3" Brake; w/o Bleeder Screw; 1-1/4" Bore
Wheel Cylinder	72 - 71	F8813	(WC8813)	L.H.; 15 x 3-1/2" Brake; w/o Bleeder Screw; 1-3/8" Bore
Wheel Cylinder	72 - 71	F43384	(WC43384)	R.H.; 14 x 2-1/2" Brake; w/o Bleeder Screw; 1-1/4" Bore
Wheel Cylinder	72 - 71	F71941	(WC71941)	R.H.; 15 x 3" Brake; w/Bleeder Screw; 1-1/8" Bore
Wheel Cylinder	72 - 71	F43384	(WC43384)	R.H.; 15 x 3" Brake; w/o Bleeder Screw; 1-1/4" Bore
Wheel Cylinder	72 - 71	F8814	(WC8814)	R.H.; 15 x 3-1/2" Brake; w/o Bleeder Screw; 1-3/8" Bore

Rear Wheel Cylinder	Years	Sequential No.	Category No.	Qualifier
Wheel Cylinder	72 - 71	F26159	(WC26159)	15 x 4" Brake; 1-1/2" Bore
Wheel Cylinder	72 - 71	F26159	(WC26159)	15 x 5" Brake; 1-1/2" Bore
Wheel Cylinder	72 - 71	F24489	(WC24489)	15 x 5" Brake; 1-5/8" Bore
Wheel Cylinder	72 - 71	F24489	(WC24489)	15 x 6" Brake; 1-5/8" Bore
Wheel Cylinder	72 - 71	F26172	(WC26172)	15 x 7" Brake; 1-3/4" Bore
Wheel Cylinder	72 - 71	F24489	(WC24489)	15 x 7" Brake; 1-5/8" Bore

↳Sub-Kit of Combi-Kit is available separately.

CO1830 (cont.)**Hydraulics - New (cont.)**

Rear Wheel Cylinder	Years	Sequential No.	Category No.	Qualifier
Wheel Cylinder	72 - 71	F26172	(WC26172)	16 x 5" Brake; 1-3/4" Bore
Wheel Cylinder	72 - 71	F24489	(WC24489)	16 x 5" Brake; 1-5/8" Bore
Wheel Cylinder	72 - 71	F26172	(WC26172)	16 x 6" Brake; 1-3/4" Bore
Wheel Cylinder	72 - 71	F26181	(WC26181)	16 x 6" Brake; 1-7/8" Bore
Clutch Slave Cylinder	Years	Sequential No.	Category No.	Qualifier
Clutch Slave Cylinder	72 - 71	F43260	(SC43260)	
Front Brake Hose	Years	Sequential No.	Category No.	Qualifier
Brake Hose	72 - 71	F4751	(BH4751)	21-5/8" Length
Rear Brake Hose	Years	Sequential No.	Category No.	Qualifier
Brake Hose	72 - 71	F39508	(BH39508)	

Hydraulics - Reman

Power Brake Booster	Years	Part No.	Qualifier
Vacuum Booster	72 - 71	518054	Exc. Frame Mtd.; Single Diaphragm
Vacuum Booster	72 - 71	518002	Frame Mtd; Single Diaphragm

CO1850**Brake Pads & Shoes**

Front Pads & Shoes	Years	SevereDuty	Lining No.	Qualifier
Brake Pads	86 - 79	SD184		Bendix; 2.60" 2-Piston Caliper
Brake Pads	86 - 79	SD225		Bendix; 2.88" 2-Piston Caliper
Brake Pads	86 - 79	SD184		Bendix; 3.38" 1-Piston Caliper
Brake Shoes	86 - 71	SDS321R	EX1245AD-S32	Hyd. Brakes; Auto. Adj.; 15 x 3
Brake Shoes	86 - 71	SDS322R	EX1280BD-S32	Hyd. Brakes; Auto. Adj.; 15 x 3-1/2
Brake Shoes	86 - 71	SDS235R	EX1245AD-S32	Hyd. Brakes; Man. Adj.; 15 x 3
Brake Shoes	86 - 71	SDS463R	EX1280D-S32	Hyd. Brakes; Man. Adj.; 15 x 3-1/2
Brake Shoes	86 - 71	4223E	4223A	w/Air Brakes; Eaton/Spicer; 16-1/2 x 5
Brake Shoes	86 - 71	4524P	4524B	w/Air Brakes; Rockwell/Meritor; P-Series; 16-1/2 x 5
Brake Shoes	86 - 71	1307T	1307	w/Air Brakes; Rockwell/Meritor; T-Series; 15 x 3-1/2
Brake Shoes	86 - 71	1308T	1308T	w/Air Brakes; Rockwell/Meritor; T-Series; 15 x 4
Brake Shoes	86 - 71	4615S	4615	w/Air Brakes; Rockwell/Meritor; Wedge; 15 x 5
Brake Shoes	86 - 71	4605S	4605	w/Air Brakes; Rockwell/Meritor; Wedge; 15 x 6
Rear Pads & Shoes	Years	SevereDuty	Lining No.	Qualifier
Brake Pads	86 - 79	SD184		Bendix; 2.60" 2-Piston Caliper
Brake Pads	86 - 79	SD225		Bendix; 2.88" 2-Piston Caliper
Brake Shoes	86 - 71	SDS346R	EX1252D-S32	Hyd. Brakes; 15 x 5
Brake Shoes	86 - 71	SDS381R	EX4596D-S32	Hyd. Brakes; 15 x 6
Brake Shoes	86 - 71	SDS383R	EX4597D-S32	Hyd. Brakes; 15 x 7
Brake Shoes	86 - 71	SDS385R	EX1254D-S32	Hyd. Brakes; 16 x 5
Brake Shoes	86 - 71	SDS386R	EX1255D-S32	Hyd. Brakes; 16 x 6
Brake Shoes	86 - 71	4311E	4311J	w/Air Brakes; Eaton/Spicer; 16-1/2 x 7
Brake Shoes	86 - 71	4514P	4514G	w/Air Brakes; Rockwell/Meritor; P-Series; 16-1/2 x 6
Brake Shoes	86 - 71	4515P	4515E	w/Air Brakes; Rockwell/Meritor; P-Series; 16-1/2 x 7
Brake Shoes	86 - 71	4605S	4605	w/Air Brakes; Rockwell/Meritor; Wedge; 15 x 6
Brake Shoes	86 - 71	4602S	4602	w/Air Brakes; Rockwell/Meritor; Wedge; 15 x 7
Parking Brake Shoes	Years	SevereDuty	Lining No.	Qualifier
Brake Shoes	86 - 71	SDS842R	EX1303AD	Driveline Config.; 10 x 3

Rotor & Drum

Front Rotor & Drum	Years	Part No.	Qualifier
Brake Rotor	86 - 79	BD125097	5000-7500 lb. FA; Hat-Shaped; 10-Hole Rotor
Brake Rotor	86 - 79	BD125361	5000-7500 lb. FA; Hat-Shaped; 5-Hole Rotor
Brake Rotor	86 - 79	BD125362	5000-7500 lb. FA; Hat-Shaped; 6-Hole Rotor
Brake Rotor	86 - 79	BD126402	5000-7500 lb. FA; U-Shaped; 5-Hole Rotor
Brake Rotor	86 - 79	BD125096	5000-7500 lb. FA; U-Shaped; 6-Hole Rotor
Brake Rotor	86	BD125244	From 2/01/86; 9000-12000 lb. FA; U-Shaped; 5-Hole Rotor
Brake Rotor	86	BD125098	To 1/31/86; 9000-12000 lb. FA; U-Shaped; 5-Hole Rotor

Rotor & Drum (cont.)

Front Rotor & Drum	Years	Part No.	Qualifier
Brake Rotor	85 - 79	BD125098	9000-12000 lb. FA; U-Shaped; 5-Hole Rotor
Rear Rotor & Drum	Years	Part No.	Qualifier
Brake Rotor	86 - 79	BD125097	10000-15500 lb. RA; Hat-Shaped; 10-Hole Rotor
Brake Rotor	86 - 79	BD125362	10000-15500 lb. RA; Hat-Shaped; 6-Hole Rotor
Brake Rotor	86 - 79	BD126403	10000-15500 lb. RA; U-Shaped; 5-Hole Rotor
Brake Rotor	86 - 79	BD125096	10000-15500 lb. RA; U-Shaped; 6-Hole Rotor
Brake Rotor	86 - 79	BD125097	17000-19000 lb. RA; Hat-Shaped; 10-Hole Rotor
Brake Rotor	86 - 79	BD126394	17000-19000 lb. RA; U-Shaped; 10-Hole Rotor
Brake Rotor	86 - 79	BD125382	17000-19000 lb. RA; U-Shaped; 5-Hole Rotor; 12-3/4" Bolt Circle

Brake Hardware

Front Brake Hardware	Years	Sequential No.	Category No.	Qualifier
Adjuster Kit	86 - 71	F59159	(H2904)	L.H.; w/Auto Adj.
Adjuster Kit	86 - 71	F128990	(H2929)	L.H.; w/Man. Adj.
Adjuster Kit	86 - 71	F59160	(H2905)	R.H.; w/Auto Adj.
Adjuster Kit	86 - 71	F128990	(H2929)	R.H.; w/Man. Adj.
Combi Kit	86 - 71	F117025	(H7173)	14" Brake; w/Auto Adj.
↳Hold Down Kit		F73399	(H4201)	
↳Return Spring Kit		F36445	(H521)	
Combi Kit	86 - 71	F117018	(H7185)	14" Brake; w/Man. Adj.
↳Hold Down Kit		F19408	(H4200)	
↳Return Spring Kit		F36445	(H521)	
Combi Kit	86 - 71	F117025	(H7173)	15 x 3 or 15 x 3-1/2" Brake; w/Auto Adj.
↳Hold Down Kit		F73399	(H4201)	
↳Return Spring Kit		F36445	(H521)	
Combi Kit	86 - 71	F117026	(H7172)	15 x 3 or 15 x 3-1/2" Brake; w/Man. Adj.
↳Hold Down Kit		F19408	(H4200)	
↳Return Spring Kit		F36445	(H521)	
Combi Kit	86 - 71	F117025	(H7173)	15 x 5" Brake; w/Auto Adj.
↳Hold Down Kit		F73399	(H4201)	
↳Return Spring Kit		F36445	(H521)	
Combi Kit	86 - 71	F117019	(H7182)	15 x 5" Brake; w/Man. Adj.
↳Return Spring Kit		F36445	(H521)	
Disc Align Kit	86 - 79	F112095S	(H5564)	Bendix; 2.60" 2-Piston Caliper
Disc Align Kit	86 - 79	F112090S	(H5566)	Bendix; 2.88" 2-Piston Caliper
Disc Align Kit	86 - 79	F107401S	(H5562)	Bendix; 3.38" 1-Piston Caliper
Rear Brake Hardware	Years	Sequential No.	Category No.	Qualifier
Adjuster Kit	86 - 71	F59157	(H2902)	L.H.; 15" Brake; w/Auto Adj.
Adjuster Kit	86 - 71	F128894S	(H2911)	L.H.; 15" Brake; w/Man. Adj.
Adjuster Kit	86 - 71	F128895S	(H2912)	L.H.; 16" Brake; w/Man. Adj.
Adjuster Kit	86 - 71	F59158	(H2903)	R.H.; 15" Brake; w/Auto Adj.
Adjuster Kit	86 - 71	F128894S	(H2911)	R.H.; 15" Brake; w/Man. Adj.
Adjuster Kit	86 - 71	F128895S	(H2912)	R.H.; 16" Brake; w/Man. Adj.
Adjuster Screw	86 - 71	F140823	(H1607)	L.H.; 15" Brake
Adjuster Screw	86 - 71	F19291	(H1700)	L.H.; 16" Brake
Adjuster Screw	86 - 71	F140818	(H1606)	R.H.; 15" Brake
Adjuster Screw	86 - 71	F19292	(H1701)	R.H.; 16" Brake
Combi Kit	86 - 71	F117027	(H7171)	
↳Adjuster Spring Kit		F78727	(H451)	
↳Hold Down Kit		F19309	(H5079)	
↳Return Spring Kit		F98318	(H609)	
Disc Align Kit	86 - 79	F112095S	(H5564)	Bendix; 2.60" 2-Piston Caliper
Disc Align Kit	86 - 79	F112090S	(H5566)	Bendix; 2.88" 2-Piston Caliper

↳Sub-Kit of Combi-Kit is available separately.

Piston: M - OE Metal Piston P - OE Phenolic Piston

CO1850 (cont.)

Calipers - Reman					
Front, Loaded	Years	Left No.	Right No.	Qualifier	Piston
Loaded Caliper	86 - 79	AS112057	AS112057	Bendix; 2.60" 2-Piston Caliper	P
Loaded Caliper	86 - 79	AS112057S	AS112057S	Bendix; 2.60" 2-Piston Caliper	O
Loaded Caliper	86 - 79	AS120549	AS120549	Bendix; 2.88" 2-Piston Caliper	P
Loaded Caliper	86 - 79	AS120549S	AS120549S	Bendix; 2.88" 2-Piston Caliper	O
Loaded Caliper	86 - 79	AS130211A	AS130210A	Bendix; 3.38" 1-Piston Caliper	M
Rear, Loaded	Years	Left No.	Right No.	Qualifier	Piston
Loaded Caliper	86 - 79	AS112057	AS112057	Bendix; 2.60" 2-Piston Caliper	P
Loaded Caliper	86 - 79	AS112057S	AS112057S	Bendix; 2.60" 2-Piston Caliper	O
Loaded Caliper	86 - 79	AS120549	AS120549	Bendix; 2.88" 2-Piston Caliper	P
Loaded Caliper	86 - 79	AS120549S	AS120549S	Bendix; 2.88" 2-Piston Caliper	O
Front, Unloaded	Years	Left No.	Right No.	Qualifier	Piston
Unloaded Caliper	86 - 79	CR112057	CR112057	Bendix; 2.60" 2-Piston Caliper	P
Unloaded Caliper	86 - 79	CR112057S	CR112057S	Bendix; 2.60" 2-Piston Caliper	O
Unloaded Caliper	86 - 79	CR120549	CR120549	Bendix; 2.88" 2-Piston Caliper	P
Unloaded Caliper	86 - 79	CR120549S	CR120549S	Bendix; 2.88" 2-Piston Caliper	O
Unloaded Caliper	86 - 79	CR130211	CR130210	Bendix; 3.38" 1-Piston Caliper	M
Rear, Unloaded	Years	Left No.	Right No.	Qualifier	Piston
Unloaded Caliper	86 - 79	CR112057	CR112057	Bendix; 2.60" 2-Piston Caliper	P
Unloaded Caliper	86 - 79	CR112057S	CR112057S	Bendix; 2.60" 2-Piston Caliper	O
Unloaded Caliper	86 - 79	CR120549	CR120549	Bendix; 2.88" 2-Piston Caliper	P
Unloaded Caliper	86 - 79	CR120549S	CR120549S	Bendix; 2.88" 2-Piston Caliper	O
Hydraulics - New					
Master Cylinder	Years	Sequential No.	Category No.	Qualifier	
Master Cylinder	86 - 71	F76151	(MC76151)	Exc. H.D.; Frame Mtd.	
Master Cylinder	86 - 71	F76154	(MC76154)	H.D.; Exc. Frame Mtd.	
Front Wheel Cylinder	Years	Sequential No.	Category No.	Qualifier	
Wheel Cylinder	86 - 71	F43383	(WC43383)	L.H.; 14 x 2-1/2" Brake; w/o Bleeder Screw; 1-1/4" Bore	
Wheel Cylinder	86 - 71	F71940	(WC71940)	L.H.; 15 x 3" Brake; w/Bleeder Screw; 1-1/8" Bore	
Wheel Cylinder	86 - 71	F43383	(WC43383)	L.H.; 15 x 3" Brake; w/o Bleeder Screw; 1-1/4" Bore	
Wheel Cylinder	86 - 71	F8813	(WC8813)	L.H.; 15 x 3-1/2" Brake; w/o Bleeder Screw; 1-3/8" Bore	
Wheel Cylinder	86 - 71	F43384	(WC43384)	R.H.; 14 x 2-1/2" Brake; w/o Bleeder Screw; 1-1/4" Bore	
Wheel Cylinder	86 - 71	F71941	(WC71941)	R.H.; 15 x 3" Brake; w/Bleeder Screw; 1-1/8" Bore	
Wheel Cylinder	86 - 71	F43384	(WC43384)	R.H.; 15 x 3" Brake; w/o Bleeder Screw; 1-1/4" Bore	
Wheel Cylinder	86 - 71	F8814	(WC8814)	R.H.; 15 x 3-1/2" Brake; w/o Bleeder Screw; 1-3/8" Bore	
Rear Wheel Cylinder	Years	Sequential No.	Category No.	Qualifier	
Wheel Cylinder	86 - 71	F26159	(WC26159)	15 x 4" Brake; 1-1/2" Bore	
Wheel Cylinder	86 - 71	F26159	(WC26159)	15 x 5" Brake; 1-1/2" Bore	
Wheel Cylinder	86 - 71	F24489	(WC24489)	15 x 5" Brake; 1-5/8" Bore	
Wheel Cylinder	86 - 71	F24489	(WC24489)	15 x 6" Brake; 1-5/8" Bore	
Wheel Cylinder	86 - 71	F26172	(WC26172)	15 x 7" Brake; 1-3/4" Bore	
Wheel Cylinder	86 - 71	F24489	(WC24489)	15 x 7" Brake; 1-5/8" Bore	
Wheel Cylinder	86 - 71	F26172	(WC26172)	16 x 5" Brake; 1-3/4" Bore	
Wheel Cylinder	86 - 71	F24489	(WC24489)	16 x 5" Brake; 1-5/8" Bore	
Wheel Cylinder	86 - 71	F26172	(WC26172)	16 x 6" Brake; 1-3/4" Bore	
Wheel Cylinder	86 - 71	F26181	(WC26181)	16 x 6" Brake; 1-7/8" Bore	
Clutch Slave Cylinder	Years	Sequential No.	Category No.	Qualifier	
Clutch Slave Cylinder	86 - 71	F43260	(SC43260)		
Front Brake Hose	Years	Sequential No.	Category No.	Qualifier	
Brake Hose	86 - 71	F4751	(BH4751)	21-5/8" Length	
Rear Brake Hose	Years	Sequential No.	Category No.	Qualifier	
Brake Hose	86 - 71	F39508	(BH39508)		
Hydraulics - Reman					
Power Brake Booster	Years	Part No.	Qualifier		
Hydro Booster	86 - 79	529901	Dual; Head		

Piston: M - OE Metal Piston P - OE Phenolic Piston O - Metal Piston Option

CO1850 (cont.)
Hydraulics - Reman (cont.)

Power Brake Booster	Years	Part No.	Qualifier
Hydro Booster	86 - 79	529802	High Pwr; Bendix Hydromax II; Complete Assy
Hydro Booster	86 - 79	529904	High Pwr; Bendix Hydromax II; Elect. Motor
Hydro Booster	86 - 79	529920	High Pwr; Bendix Hydromax II; Head
Hydro Booster	86 - 79	529900	Single; Head
Power Brake Booster	Years	Part No.	Qualifier
Vacuum Booster	86 - 71	518054	Exc. Frame Mtd.; Single Diaphragm
Vacuum Booster	86 - 71	518002	Frame Mtd; Single Diaphragm

INTERNATIONAL MD 1800 LoadStar
1800
Brake Pads & Shoes

Front Pads & Shoes	Years	SevereDuty	Lining No.	Qualifier
Brake Shoes	78 - 70	SDS321R	EX1245AD-S32	Hyd. Brakes; Auto. Adj.; 15 x 3
Brake Shoes	78 - 70	SDS322R	EX1280BD-S32	Hyd. Brakes; Auto. Adj.; 15 x 3-1/2
Brake Shoes	78 - 70	SDS235R	EX1245AD-S32	Hyd. Brakes; Man. Adj.; 15 x 3
Brake Shoes	78 - 70	SDS463R	EX1280D-S32	Hyd. Brakes; Man. Adj.; 15 x 3-1/2
Brake Shoes	78 - 70	4223E	4223A	w/Air Brakes; Eaton/Spicer; 16-1/2 x 5
Brake Shoes	78 - 70	1307T	1307	w/Air Brakes; Rockwell/Meritor; T-Series; 15 x 3-1/2
Brake Shoes	78 - 70	1308T	1308T	w/Air Brakes; Rockwell/Meritor; T-Series; 15 x 4
Brake Shoes	78 - 70	4615S	4615	w/Air Brakes; Rockwell/Meritor; Wedge; 15 x 5
Rear Pads & Shoes	Years	SevereDuty	Lining No.	Qualifier
Brake Shoes	78 - 70	SDS346R	EX1252D-S32	Hyd. Brakes; 15 x 5
Brake Shoes	78 - 70	SDS381R	EX4596D-S32	Hyd. Brakes; 15 x 6
Brake Shoes	78 - 70	SDS383R	EX4597D-S32	Hyd. Brakes; 15 x 7
Brake Shoes	78 - 70	SDS385R	EX1254D-S32	Hyd. Brakes; 16 x 5
Brake Shoes	78 - 70	SDS386R	EX1255D-S32	Hyd. Brakes; 16 x 6
Brake Shoes	78 - 70	4311E	4311J	w/Air Brakes; Eaton/Spicer; 16-1/2 x 7
Brake Shoes	78 - 70	4514P	4514G	w/Air Brakes; Rockwell/Meritor; P-Series; 16-1/2 x 6
Brake Shoes	78 - 70	4515P	4515E	w/Air Brakes; Rockwell/Meritor; P-Series; 16-1/2 x 7
Brake Shoes	78 - 70	4605S	4605	w/Air Brakes; Rockwell/Meritor; Wedge; 15 x 6
Brake Shoes	78 - 70	4602S	4602	w/Air Brakes; Rockwell/Meritor; Wedge; 15 x 7
Parking Brake Shoes	Years	SevereDuty	Lining No.	Qualifier
Brake Shoes	78 - 70	SDS842R	EX1303AD	Driveline Config.; 10 x 3

Brake Hardware

Front Brake Hardware	Years	Sequential No.	Category No.	Qualifier
Adjuster Kit	78 - 70	F59159	(H2904)	L.H.; w/Auto Adj.
Adjuster Kit	78 - 70	F128990	(H2929)	L.H.; w/Man. Adj.
Adjuster Kit	78 - 70	F59160	(H2905)	R.H.; w/Auto Adj.
Adjuster Kit	78 - 70	F128990	(H2929)	R.H.; w/Man. Adj.
Combi Kit	78 - 70	F117024	(H7178)	14" Brake; Bendix
Combi Kit	78 - 70	F117025	(H7173)	14" Brake; Wagner; w/Auto Adj.
↳Hold Down Kit		F73399	(H4201)	
↳Return Spring Kit		F36445	(H521)	
Combi Kit	78 - 70	F117018	(H7185)	14" Brake; Wagner; w/Man. Adj.
↳Hold Down Kit		F19408	(H4200)	
↳Return Spring Kit		F36445	(H521)	
Combi Kit	78 - 70	F117025	(H7173)	15 x 3 or 15 x 3-1/2" Brake; w/Auto Adj.
↳Hold Down Kit		F73399	(H4201)	
↳Return Spring Kit		F36445	(H521)	
Combi Kit	78 - 70	F117026	(H7172)	15 x 3 or 15 x 3-1/2" Brake; w/Man. Adj.
↳Hold Down Kit		F19408	(H4200)	
↳Return Spring Kit		F36445	(H521)	

↳Sub-Kit of Combi-Kit is available separately.

1800 (cont.)**Brake Hardware (cont.)**

Front Brake Hardware	Years	Sequential No.	Category No.	Qualifier
Combi Kit	78 - 70	F117025	(H7173)	15 x 5" Brake; w/Auto Adj.
↳ Hold Down Kit		F73399	(H4201)	
↳ Return Spring Kit		F36445	(H521)	
Combi Kit	78 - 70	F117019	(H7182)	15 x 5" Brake; w/Man. Adj.
↳ Return Spring Kit		F36445	(H521)	

Rear Brake Hardware	Years	Sequential No.	Category No.	Qualifier
Adjuster Kit	78 - 70	F59157	(H2902)	L.H.; 15" Brake; w/Auto Adj.
Adjuster Kit	78 - 70	F128894S	(H2911)	L.H.; 15" Brake; w/Man. Adj.
Adjuster Kit	78 - 70	F128895S	(H2912)	L.H.; 16" Brake; w/Man. Adj.
Adjuster Kit	78 - 70	F59158	(H2903)	R.H.; 15" Brake; w/Auto Adj.
Adjuster Kit	78 - 70	F128894S	(H2911)	R.H.; 15" Brake; w/Man. Adj.
Adjuster Kit	78 - 70	F128895S	(H2912)	R.H.; 16" Brake; w/Man. Adj.
Adjuster Screw	78 - 70	F140823	(H1607)	L.H.; 15" Brake
Adjuster Screw	78 - 70	F19291	(H1700)	L.H.; 16" Brake
Adjuster Screw	78 - 70	F140818	(H1606)	R.H.; 15" Brake
Adjuster Screw	78 - 70	F19292	(H1701)	R.H.; 16" Brake
Combi Kit	78 - 70	F117027	(H7171)	
↳ Adjuster Spring Kit		F78727	(H451)	
↳ Hold Down Kit		F19309	(H5079)	
↳ Return Spring Kit		F98318	(H609)	

Hydraulics - New

Master Cylinder	Years	Sequential No.	Category No.	Qualifier
Master Cylinder	78 - 70	F661	(MC661)	Single Syst.; Exc. H.D.; Frame Mtd.; Exc. Tandem
Master Cylinder	78 - 70	F2951	(MC2951)	Single Syst.; Exc. H.D.; Frame Mtd.; Tandem
Master Cylinder	78 - 70	F2842	(MC2842)	Single Syst.; H.D.; Exc. Frame Mtd.

Front Wheel Cylinder	Years	Sequential No.	Category No.	Qualifier
Wheel Cylinder	78 - 70	F949	(WC949)	16 x 2-1/2" Brake; w/o Bleeder Screw; 1-1/4" Bore
Wheel Cylinder	78 - 70	F71940	(WC71940)	L.H.; 14 x 2-1/2" Brake; w/Bleeder Screw; 1-1/8" Bore
Wheel Cylinder	78 - 70	F71940	(WC71940)	L.H.; 15 x 3" Brake; w/Bleeder Screw; 1-1/8" Bore
Wheel Cylinder	78 - 70	F43383	(WC43383)	L.H.; 15 x 3" Brake; w/o Bleeder Screw; 2WD; 1-1/4" Bore
Wheel Cylinder	78 - 70	F8852	(WC8852)	L.H.; 15 x 3" Brake; w/o Bleeder Screw; 4WD; 1-1/8" Bore
Wheel Cylinder	78 - 70	F8813	(WC8813)	L.H.; 15 x 3-1/2" Brake; w/o Bleeder Screw; 1-3/8" Bore
Wheel Cylinder	78 - 70	F71941	(WC71941)	R.H.; 14 x 2-1/2" Brake; w/Bleeder Screw; 1-1/8" Bore
Wheel Cylinder	78 - 70	F71941	(WC71941)	R.H.; 15 x 3" Brake; w/Bleeder Screw; 1-1/8" Bore
Wheel Cylinder	78 - 70	F43384	(WC43384)	R.H.; 15 x 3" Brake; w/o Bleeder Screw; 2WD; 1-1/4" Bore
Wheel Cylinder	78 - 70	F8853	(WC8853)	R.H.; 15 x 3" Brake; w/o Bleeder Screw; 4WD; 1-1/8" Bore
Wheel Cylinder	78 - 70	F8814	(WC8814)	R.H.; 15 x 3-1/2" Brake; w/o Bleeder Screw; 1-3/8" Bore

Rear Wheel Cylinder	Years	Sequential No.	Category No.	Qualifier
Wheel Cylinder	78 - 70	F26159	(WC26159)	15 x 4" Brake; 1-1/2" Bore
Wheel Cylinder	78 - 70	F26159	(WC26159)	15 x 5" Brake; 1-1/2" Bore
Wheel Cylinder	78 - 70	F24489	(WC24489)	15 x 5" Brake; 1-5/8" Bore
Wheel Cylinder	78 - 70	F24489	(WC24489)	15 x 6" Brake; 1-5/8" Bore
Wheel Cylinder	78 - 70	F26172	(WC26172)	15 x 7" Brake; 1-3/4" Bore
Wheel Cylinder	78 - 70	F24489	(WC24489)	15 x 7" Brake; 1-5/8" Bore
Wheel Cylinder	78 - 70	F26172	(WC26172)	16 x 5" Brake; 1-3/4" Bore
Wheel Cylinder	78 - 70	F24489	(WC24489)	16 x 5" Brake; 1-5/8" Bore
Wheel Cylinder	78 - 70	F26172	(WC26172)	16 x 6" Brake; 1-3/4" Bore

Clutch Master Cylind	Years	Sequential No.	Category No.	Qualifier
Clutch Master Cylinder	78 - 70	F78828	(CM78828)	Exc. FC Models; 6V-53 Eng.
Clutch Master Cylinder	78 - 70	F54699	(CM54699)	Exc. FC Models; Exc. 6V-53 Eng.

Clutch Slave Cylinder	Years	Sequential No.	Category No.	Qualifier
Clutch Slave Cylinder	78 - 70	F43260	(SC43260)	

Front Brake Hose	Years	Sequential No.	Category No.	Qualifier
Brake Hose	78 - 70	F4751	(BH4751)	2WD; Exc. FA-89 or 91; Exc. FA-101; Exc. FA-109 or 139; Exc. FA-208; 21-5/8" Length

↳ Sub-Kit of Combi-Kit is available separately.

1800 (cont.)
Hydraulics - New (cont.)

Front Brake Hose	Years	Sequential No.	Category No.	Qualifier
Brake Hose	78 - 70	F79359	(BH79359)	2WD; FA-109 or 139; 26-3/4" Length
Brake Hose	78 - 70	F8116	(BH8116)	2WD; FA-89 or 91; 18-7/8" Length
Brake Hose	78 - 70	F4050	(BH4050)	2WD; FA-89 or 91; 20" Length
Brake Hose	78 - 70	F4751	(BH4751)	4WD; 21-5/8" Length
Brake Hose	78 - 70	F79359	(BH79359)	4WD; 26-3/4" Length
Brake Hose	78 - 70	F79360	(BH79360)	L.H.; 2WD; FA-208; 22-1/4" Length
Brake Hose	78 - 70	F4751	(BH4751)	R.H.; 2WD; FA-208; 21-5/8" Length
Rear Brake Hose	Years	Sequential No.	Category No.	Qualifier
Brake Hose	78 - 70	F39508	(BH39508)	Exc. Tandem; Exc. Low Frame
Brake Hose	78 - 70	F102235	(BH102235)	Tandem; Fwd. RA
Brake Hose	78 - 70	F102236	(BH102236)	Tandem; Rear RA

Hydraulics - Reman

Power Brake Booster	Years	Part No.	Qualifier
Vacuum Booster	78 - 70	518037	Single Syst.; 34000 lb. TRA; Double Diaphragm
Vacuum Booster	78 - 70	518037	Single Syst.; DT466 Eng.; Double Diaphragm; 16000 lb. RA or 34000 lb. TRA
Vacuum Booster	78 - 70	518002	Single Syst.; DT466 Eng.; Single Diaphragm; Exc. 16000 lb. RA or 34000 lb. TRA
Vacuum Booster	78 - 70	518002	Single Syst.; Exc. Tandem; Single Diaphragm
Vacuum Booster	78 - 70	518054	Single Syst.; Heavy Duty; Single Diaphragm
Vacuum Booster	78 - 70	518022	Split Syst.; Single Diaphragm

1850
Brake Pads & Shoes

Front Pads & Shoes	Years	SevereDuty	Lining No.	Qualifier
Brake Shoes	78 - 70	SDS321R	EX1245AD-S32	Hyd. Brakes; Auto. Adj.; 15 x 3
Brake Shoes	78 - 70	SDS322R	EX1280BD-S32	Hyd. Brakes; Auto. Adj.; 15 x 3-1/2
Brake Shoes	78 - 70	SDS235R	EX1245AD-S32	Hyd. Brakes; Man. Adj.; 15 x 3
Brake Shoes	78 - 70	SDS463R	EX1280D-S32	Hyd. Brakes; Man. Adj.; 15 x 3-1/2
Brake Shoes	78 - 70	4223E	4223A	w/Air Brakes; Eaton/Spicer; 16-1/2 x 5
Brake Shoes	78 - 70	1307T	1307	w/Air Brakes; Rockwell/Meritor; T-Series; 15 x 3-1/2
Brake Shoes	78 - 70	1308T	1308T	w/Air Brakes; Rockwell/Meritor; T-Series; 15 x 4
Brake Shoes	78 - 70	4615S	4615	w/Air Brakes; Rockwell/Meritor; Wedge; 15 x 5
Rear Pads & Shoes	Years	SevereDuty	Lining No.	Qualifier
Brake Shoes	78 - 70	SDS346R	EX1252D-S32	Hyd. Brakes; 15 x 5
Brake Shoes	78 - 70	SDS381R	EX4596D-S32	Hyd. Brakes; 15 x 6
Brake Shoes	78 - 70	SDS383R	EX4597D-S32	Hyd. Brakes; 15 x 7
Brake Shoes	78 - 70	SDS385R	EX1254D-S32	Hyd. Brakes; 16 x 5
Brake Shoes	78 - 70	SDS386R	EX1255D-S32	Hyd. Brakes; 16 x 6
Brake Shoes	78 - 70	4311E	4311J	w/Air Brakes; Eaton/Spicer; 16-1/2 x 7
Brake Shoes	78 - 70	4514P	4514G	w/Air Brakes; Rockwell/Meritor; P-Series; 16-1/2 x 6
Brake Shoes	78 - 70	4515P	4515E	w/Air Brakes; Rockwell/Meritor; P-Series; 16-1/2 x 7
Brake Shoes	78 - 70	4605S	4605	w/Air Brakes; Rockwell/Meritor; Wedge; 15 x 6
Brake Shoes	78 - 70	4602S	4602	w/Air Brakes; Rockwell/Meritor; Wedge; 15 x 7
Parking Brake Shoes	Years	SevereDuty	Lining No.	Qualifier
Brake Shoes	78 - 70	SDS842R	EX1303AD	Driveline Config.; 10 x 3

Brake Hardware

Front Brake Hardware	Years	Sequential No.	Category No.	Qualifier
Adjuster Kit	78 - 70	F59159	(H2904)	L.H.; w/Auto Adj.
Adjuster Kit	78 - 70	F128990	(H2929)	L.H.; w/Man. Adj.
Adjuster Kit	78 - 70	F59160	(H2905)	R.H.; w/Auto Adj.
Adjuster Kit	78 - 70	F128990	(H2929)	R.H.; w/Man. Adj.
Combi Kit	78 - 70	F117024	(H7178)	14" Brake; Bendix
Combi Kit	78 - 70	F117025	(H7173)	14" Brake; Wagner; w/Auto Adj.
↳ Hold Down Kit		F73399	(H4201)	
↳ Return Spring Kit		F36445	(H521)	

↳ Sub-Kit of Combi-Kit is available separately.

1850 (cont.)**Brake Hardware (cont.)**

Front Brake Hardware	Years	Sequential No.	Category No.	Qualifier
Combi Kit	78 - 70	F117018	(H7185)	14" Brake; Wagner; w/Man. Adj.
↳Hold Down Kit		F19408	(H4200)	
↳Return Spring Kit		F36445	(H521)	
Combi Kit	78 - 70	F117025	(H7173)	15 x 3 or 15 x 3-1/2" Brake; w/Auto Adj.
↳Hold Down Kit		F73399	(H4201)	
↳Return Spring Kit		F36445	(H521)	
Combi Kit	78 - 70	F117026	(H7172)	15 x 3 or 15 x 3-1/2" Brake; w/Man. Adj.
↳Hold Down Kit		F19408	(H4200)	
↳Return Spring Kit		F36445	(H521)	
Combi Kit	78 - 70	F117025	(H7173)	15 x 5" Brake; w/Auto Adj.
↳Hold Down Kit		F73399	(H4201)	
↳Return Spring Kit		F36445	(H521)	
Combi Kit	78 - 70	F117019	(H7182)	15 x 5" Brake; w/Man. Adj.
↳Return Spring Kit		F36445	(H521)	

Rear Brake Hardware	Years	Sequential No.	Category No.	Qualifier
Adjuster Kit	78 - 70	F59157	(H2902)	L.H.; 15" Brake; w/Auto Adj.
Adjuster Kit	78 - 70	F128894S	(H2911)	L.H.; 15" Brake; w/Man. Adj.
Adjuster Kit	78 - 70	F128895S	(H2912)	L.H.; 16" Brake; w/Man. Adj.
Adjuster Kit	78 - 70	F59158	(H2903)	R.H.; 15" Brake; w/Auto Adj.
Adjuster Kit	78 - 70	F128894S	(H2911)	R.H.; 15" Brake; w/Man. Adj.
Adjuster Kit	78 - 70	F128895S	(H2912)	R.H.; 16" Brake; w/Man. Adj.
Adjuster Screw	78 - 70	F140823	(H1607)	L.H.; 15" Brake
Adjuster Screw	78 - 70	F19291	(H1700)	L.H.; 16" Brake
Adjuster Screw	78 - 70	F140818	(H1606)	R.H.; 15" Brake
Adjuster Screw	78 - 70	F19292	(H1701)	R.H.; 16" Brake
Combi Kit	78 - 70	F117027	(H7171)	
↳Adjuster Spring Kit		F78727	(H451)	
↳Hold Down Kit		F19309	(H5079)	
↳Return Spring Kit		F98318	(H609)	

Hydraulics - New

Master Cylinder	Years	Sequential No.	Category No.	Qualifier
Master Cylinder	78 - 70	F661	(MC661)	Single Syst.; Exc. H.D.; Frame Mtd.; Exc. Tandem
Master Cylinder	78 - 70	F2951	(MC2951)	Single Syst.; Exc. H.D.; Frame Mtd.; Tandem
Master Cylinder	78 - 70	F2842	(MC2842)	Single Syst.; H.D.; Exc. Frame Mtd.
Front Wheel Cylinder	Years	Sequential No.	Category No.	Qualifier
Wheel Cylinder	78 - 70	F949	(WC949)	16 x 2-1/2" Brake; w/o Bleeder Screw; 1-1/4" Bore
Wheel Cylinder	78 - 70	F71940	(WC71940)	L.H.; 14 x 2-1/2" Brake; w/Bleeder Screw; 1-1/8" Bore
Wheel Cylinder	78 - 70	F71940	(WC71940)	L.H.; 15 x 3" Brake; w/Bleeder Screw; 1-1/8" Bore
Wheel Cylinder	78 - 70	F43383	(WC43383)	L.H.; 15 x 3" Brake; w/o Bleeder Screw; 2WD; 1-1/4" Bore
Wheel Cylinder	78 - 70	F8852	(WC8852)	L.H.; 15 x 3" Brake; w/o Bleeder Screw; 4WD; 1-1/8" Bore
Wheel Cylinder	78 - 70	F8813	(WC8813)	L.H.; 15 x 3-1/2" Brake; w/o Bleeder Screw; 1-3/8" Bore
Wheel Cylinder	78 - 70	F71941	(WC71941)	R.H.; 14 x 2-1/2" Brake; w/Bleeder Screw; 1-1/8" Bore
Wheel Cylinder	78 - 70	F71941	(WC71941)	R.H.; 15 x 3" Brake; w/Bleeder Screw; 1-1/8" Bore
Wheel Cylinder	78 - 70	F43384	(WC43384)	R.H.; 15 x 3" Brake; w/o Bleeder Screw; 2WD; 1-1/4" Bore
Wheel Cylinder	78 - 70	F8853	(WC8853)	R.H.; 15 x 3" Brake; w/o Bleeder Screw; 4WD; 1-1/8" Bore
Wheel Cylinder	78 - 70	F8814	(WC8814)	R.H.; 15 x 3-1/2" Brake; w/o Bleeder Screw; 1-3/8" Bore
Rear Wheel Cylinder	Years	Sequential No.	Category No.	Qualifier
Wheel Cylinder	78 - 70	F26159	(WC26159)	15 x 4" Brake; 1-1/2" Bore
Wheel Cylinder	78 - 70	F26159	(WC26159)	15 x 5" Brake; 1-1/2" Bore
Wheel Cylinder	78 - 70	F24489	(WC24489)	15 x 5" Brake; 1-5/8" Bore
Wheel Cylinder	78 - 70	F24489	(WC24489)	15 x 6" Brake; 1-5/8" Bore
Wheel Cylinder	78 - 70	F26172	(WC26172)	15 x 7" Brake; 1-3/4" Bore
Wheel Cylinder	78 - 70	F24489	(WC24489)	15 x 7" Brake; 1-5/8" Bore
Wheel Cylinder	78 - 70	F26172	(WC26172)	16 x 5" Brake; 1-3/4" Bore

↳Sub-Kit of Combi-Kit is available separately.

1850 (cont.)

Hydraulics - New (cont.)

Rear Wheel Cylinder	Years	Sequential No.	Category No.	Qualifier
Wheel Cylinder	78 - 70	F24489	(WC24489)	16 x 5" Brake; 1-5/8" Bore
Wheel Cylinder	78 - 70	F26172	(WC26172)	16 x 6" Brake; 1-3/4" Bore
Clutch Master Cylind	Years	Sequential No.	Category No.	Qualifier
Clutch Master Cylinder	78 - 70	F78828	(CM78828)	Exc. FC Models; 6V-53 Eng.
Clutch Master Cylinder	78 - 70	F54699	(CM54699)	Exc. FC Models; Exc. 6V-53 Eng.
Clutch Slave Cylinder	Years	Sequential No.	Category No.	Qualifier
Clutch Slave Cylinder	78 - 70	F43260	(SC43260)	
Front Brake Hose	Years	Sequential No.	Category No.	Qualifier
Brake Hose	78 - 70	F4751	(BH4751)	2WD; Exc. FA-89 or 91; Exc. FA-101; Exc. FA-109 or 139; Exc. FA-208; 21-5/8" Length
Brake Hose	78 - 70	F79359	(BH79359)	2WD; FA-109 or 139; 26-3/4" Length
Brake Hose	78 - 70	F8116	(BH8116)	2WD; FA-89 or 91; 18-7/8" Length
Brake Hose	78 - 70	F4050	(BH4050)	2WD; FA-89 or 91; 20" Length
Brake Hose	78 - 70	F4751	(BH4751)	4WD; 21-5/8" Length
Brake Hose	78 - 70	F79359	(BH79359)	4WD; 26-3/4" Length
Brake Hose	78 - 70	F79360	(BH79360)	L.H.; 2WD; FA-208; 22-1/4" Length
Brake Hose	78 - 70	F4751	(BH4751)	R.H.; 2WD; FA-208; 21-5/8" Length
Rear Brake Hose	Years	Sequential No.	Category No.	Qualifier
Brake Hose	78 - 70	F39508	(BH39508)	Exc. Tandem; Exc. Low Frame
Brake Hose	78 - 70	F102235	(BH102235)	Tandem; Fwd. RA
Brake Hose	78 - 70	F102236	(BH102236)	Tandem; Rear RA

Hydraulics - Reman

Power Brake Booster	Years	Part No.	Qualifier
Vacuum Booster	78 - 70	518037	Single Syst.; 34000 lb. TRA; Double Diaphragm
Vacuum Booster	78 - 70	518037	Single Syst.; DT466 Eng.; Double Diaphragm; 16000 lb. RA or 34000 lb. TRA
Vacuum Booster	78 - 70	518002	Single Syst.; DT466 Eng.; Single Diaphragm; Exc. 16000 lb. RA or 34000 lb. TRA
Vacuum Booster	78 - 70	518002	Single Syst.; Exc. Tandem; Single Diaphragm
Vacuum Booster	78 - 70	518054	Single Syst.; Heavy Duty; Single Diaphragm
Vacuum Booster	78 - 70	518022	Split Syst.; Single Diaphragm

1890

Brake Pads & Shoes

Front Pads & Shoes	Years	SevereDuty	Lining No.	Qualifier
Brake Shoes	78 - 70	SDS321R	EX1245AD-S32	Hyd. Brakes; Auto. Adj.; 15 x 3
Brake Shoes	78 - 70	SDS322R	EX1280BD-S32	Hyd. Brakes; Auto. Adj.; 15 x 3-1/2
Brake Shoes	78 - 70	SDS235R	EX1245AD-S32	Hyd. Brakes; Man. Adj.; 15 x 3
Brake Shoes	78 - 70	SDS463R	EX1280D-S32	Hyd. Brakes; Man. Adj.; 15 x 3-1/2
Brake Shoes	78 - 70	4223E	4223A	w/Air Brakes; Eaton/Spicer; 16-1/2 x 5
Brake Shoes	78 - 70	1307T	1307	w/Air Brakes; Rockwell/Meritor; T-Series; 15 x 3-1/2
Brake Shoes	78 - 70	1308T	1308T	w/Air Brakes; Rockwell/Meritor; T-Series; 15 x 4
Brake Shoes	78 - 70	4615S	4615	w/Air Brakes; Rockwell/Meritor; Wedge; 15 x 5
Rear Pads & Shoes	Years	SevereDuty	Lining No.	Qualifier
Brake Shoes	78 - 70	SDS346R	EX1252D-S32	Hyd. Brakes; 15 x 5
Brake Shoes	78 - 70	SDS381R	EX4596D-S32	Hyd. Brakes; 15 x 6
Brake Shoes	78 - 70	SDS383R	EX4597D-S32	Hyd. Brakes; 15 x 7
Brake Shoes	78 - 70	SDS385R	EX1254D-S32	Hyd. Brakes; 16 x 5
Brake Shoes	78 - 70	SDS386R	EX1255D-S32	Hyd. Brakes; 16 x 6
Brake Shoes	78 - 70	4311E	4311J	w/Air Brakes; Eaton/Spicer; 16-1/2 x 7
Brake Shoes	78 - 70	4514P	4514G	w/Air Brakes; Rockwell/Meritor; P-Series; 16-1/2 x 6
Brake Shoes	78 - 70	4515P	4515E	w/Air Brakes; Rockwell/Meritor; P-Series; 16-1/2 x 7
Brake Shoes	78 - 70	4605S	4605	w/Air Brakes; Rockwell/Meritor; Wedge; 15 x 6
Brake Shoes	78 - 70	4602S	4602	w/Air Brakes; Rockwell/Meritor; Wedge; 15 x 7
Parking Brake Shoes	Years	SevereDuty	Lining No.	Qualifier
Brake Shoes	78 - 70	SDS842R	EX1303AD	Driveline Config.; 10 x 3

1890 (cont.)

Brake Hardware

Front Brake Hardware	Years	Sequential No.	Category No.	Qualifier
Adjuster Kit	78 - 70	F59159	(H2904)	L.H.; w/Auto Adj.
Adjuster Kit	78 - 70	F128990	(H2929)	L.H.; w/Man. Adj.
Adjuster Kit	78 - 70	F59160	(H2905)	R.H.; w/Auto Adj.
Adjuster Kit	78 - 70	F128990	(H2929)	R.H.; w/Man. Adj.
Combi Kit	78 - 70	F117024	(H7178)	14" Brake; Bendix
Combi Kit	78 - 70	F117025	(H7173)	14" Brake; Wagner; w/Auto Adj.
↳Hold Down Kit		F73399	(H4201)	
↳Return Spring Kit		F36445	(H521)	
Combi Kit	78 - 70	F117018	(H7185)	14" Brake; Wagner; w/Man. Adj.
↳Hold Down Kit		F19408	(H4200)	
↳Return Spring Kit		F36445	(H521)	
Combi Kit	78 - 70	F117025	(H7173)	15 x 3 or 15 x 3-1/2" Brake; w/Auto Adj.
↳Hold Down Kit		F73399	(H4201)	
↳Return Spring Kit		F36445	(H521)	
Combi Kit	78 - 70	F117026	(H7172)	15 x 3 or 15 x 3-1/2" Brake; w/Man. Adj.
↳Hold Down Kit		F19408	(H4200)	
↳Return Spring Kit		F36445	(H521)	
Combi Kit	78 - 70	F117025	(H7173)	15 x 5" Brake; w/Auto Adj.
↳Hold Down Kit		F73399	(H4201)	
↳Return Spring Kit		F36445	(H521)	
Combi Kit	78 - 70	F117019	(H7182)	15 x 5" Brake; w/Man. Adj.
↳Return Spring Kit		F36445	(H521)	

Rear Brake Hardware	Years	Sequential No.	Category No.	Qualifier
Adjuster Kit	78 - 70	F59157	(H2902)	L.H.; 15" Brake; w/Auto Adj.
Adjuster Kit	78 - 70	F128894S	(H2911)	L.H.; 15" Brake; w/Man. Adj.
Adjuster Kit	78 - 70	F128895S	(H2912)	L.H.; 16" Brake; w/Man. Adj.
Adjuster Kit	78 - 70	F59158	(H2903)	R.H.; 15" Brake; w/Auto Adj.
Adjuster Kit	78 - 70	F128894S	(H2911)	R.H.; 15" Brake; w/Man. Adj.
Adjuster Kit	78 - 70	F128895S	(H2912)	R.H.; 16" Brake; w/Man. Adj.
Adjuster Screw	78 - 70	F140823	(H1607)	L.H.; 15" Brake
Adjuster Screw	78 - 70	F19291	(H1700)	L.H.; 16" Brake
Adjuster Screw	78 - 70	F140818	(H1606)	R.H.; 15" Brake
Adjuster Screw	78 - 70	F19292	(H1701)	R.H.; 16" Brake
Combi Kit	78 - 70	F117027	(H7171)	
↳Adjuster Spring Kit		F78727	(H451)	
↳Hold Down Kit		F19309	(H5079)	
↳Return Spring Kit		F98318	(H609)	

Hydraulics - New

Master Cylinder	Years	Sequential No.	Category No.	Qualifier
Master Cylinder	78 - 70	F661	(MC661)	Single Syst.; Exc. H.D.; Frame Mtd.; Exc. Tandem
Master Cylinder	78 - 70	F2951	(MC2951)	Single Syst.; Exc. H.D.; Frame Mtd.; Tandem
Master Cylinder	78 - 70	F2842	(MC2842)	Single Syst.; H.D.; Exc. Frame Mtd.

Front Wheel Cylinder	Years	Sequential No.	Category No.	Qualifier
Wheel Cylinder	78 - 70	F949	(WC949)	16 x 2-1/2" Brake; w/o Bleeder Screw; 1-1/4" Bore
Wheel Cylinder	78 - 70	F71940	(WC71940)	L.H.; 14 x 2-1/2" Brake; w/Bleeder Screw; 1-1/8" Bore
Wheel Cylinder	78 - 70	F71940	(WC71940)	L.H.; 15 x 3" Brake; w/Bleeder Screw; 1-1/8" Bore
Wheel Cylinder	78 - 70	F43383	(WC43383)	L.H.; 15 x 3" Brake; w/o Bleeder Screw; 2WD; 1-1/4" Bore
Wheel Cylinder	78 - 70	F8852	(WC8852)	L.H.; 15 x 3" Brake; w/o Bleeder Screw; 4WD; 1-1/8" Bore
Wheel Cylinder	78 - 70	F8813	(WC8813)	L.H.; 15 x 3-1/2" Brake; w/o Bleeder Screw; 1-3/8" Bore
Wheel Cylinder	78 - 70	F71941	(WC71941)	R.H.; 14 x 2-1/2" Brake; w/Bleeder Screw; 1-1/8" Bore
Wheel Cylinder	78 - 70	F71941	(WC71941)	R.H.; 15 x 3" Brake; w/Bleeder Screw; 1-1/8" Bore
Wheel Cylinder	78 - 70	F43384	(WC43384)	R.H.; 15 x 3" Brake; w/o Bleeder Screw; 2WD; 1-1/4" Bore
Wheel Cylinder	78 - 70	F8853	(WC8853)	R.H.; 15 x 3" Brake; w/o Bleeder Screw; 4WD; 1-1/8" Bore
Wheel Cylinder	78 - 70	F8814	(WC8814)	R.H.; 15 x 3-1/2" Brake; w/o Bleeder Screw; 1-3/8" Bore

↳Sub-Kit of Combi-Kit is available separately.

Hydraulics - New (cont.)

Rear Wheel Cylinder	Years	Sequential No.	Category No.	Qualifier
Wheel Cylinder	78 - 70	F26159	(WC26159)	15 x 4" Brake; 1-1/2" Bore
Wheel Cylinder	78 - 70	F26159	(WC26159)	15 x 5" Brake; 1-1/2" Bore
Wheel Cylinder	78 - 70	F24489	(WC24489)	15 x 5" Brake; 1-5/8" Bore
Wheel Cylinder	78 - 70	F24489	(WC24489)	15 x 6" Brake; 1-5/8" Bore
Wheel Cylinder	78 - 70	F26172	(WC26172)	15 x 7" Brake; 1-3/4" Bore
Wheel Cylinder	78 - 70	F24489	(WC24489)	15 x 7" Brake; 1-5/8" Bore
Wheel Cylinder	78 - 70	F26172	(WC26172)	16 x 5" Brake; 1-3/4" Bore
Wheel Cylinder	78 - 70	F24489	(WC24489)	16 x 5" Brake; 1-5/8" Bore
Wheel Cylinder	78 - 70	F26172	(WC26172)	16 x 6" Brake; 1-3/4" Bore
Clutch Master Cylind	Years	Sequential No.	Category No.	Qualifier
Clutch Master Cylinder	78 - 70	F78828	(CM78828)	Exc. FC Models; 6V-53 Eng.
Clutch Master Cylinder	78 - 70	F54699	(CM54699)	Exc. FC Models; Exc. 6V-53 Eng.
Clutch Slave Cylinder	Years	Sequential No.	Category No.	Qualifier
Clutch Slave Cylinder	78 - 70	F43260	(SC43260)	
Front Brake Hose	Years	Sequential No.	Category No.	Qualifier
Brake Hose	78 - 70	F4751	(BH4751)	2WD; Exc. FA-89 or 91; Exc. FA-101; Exc. FA-109 or 139; Exc. FA-208; 21-5/8" Length
Brake Hose	78 - 70	F79359	(BH79359)	2WD; FA-109 or 139; 26-3/4" Length
Brake Hose	78 - 70	F8116	(BH8116)	2WD; FA-89 or 91; 18-7/8" Length
Brake Hose	78 - 70	F4050	(BH4050)	2WD; FA-89 or 91; 20" Length
Brake Hose	78 - 70	F4751	(BH4751)	4WD; 21-5/8" Length
Brake Hose	78 - 70	F79359	(BH79359)	4WD; 26-3/4" Length
Brake Hose	78 - 70	F79360	(BH79360)	L.H.; 2WD; FA-208; 22-1/4" Length
Brake Hose	78 - 70	F4751	(BH4751)	R.H.; 2WD; FA-208; 21-5/8" Length
Rear Brake Hose	Years	Sequential No.	Category No.	Qualifier
Brake Hose	78 - 70	F39508	(BH39508)	Exc. Tandem; Exc. Low Frame
Brake Hose	78 - 70	F102235	(BH102235)	Tandem; Fwd. RA
Brake Hose	78 - 70	F102236	(BH102236)	Tandem; Rear RA

Hydraulics - Reman

Power Brake Booster	Years	Part No.	Qualifier
Vacuum Booster	78 - 70	518037	Single Syst.; 34000 lb. TRA; Double Diaphragm
Vacuum Booster	78 - 70	518037	Single Syst.; DT466 Eng.; Double Diaphragm; 16000 lb. RA or 34000 lb. TRA
Vacuum Booster	78 - 70	518002	Single Syst.; DT466 Eng.; Single Diaphragm; Exc. 16000 lb. RA or 34000 lb. TRA
Vacuum Booster	78 - 70	518002	Single Syst.; Exc. Tandem; Single Diaphragm
Vacuum Booster	78 - 70	518054	Single Syst.; Heavy Duty; Single Diaphragm
Vacuum Booster	78 - 70	518022	Split Syst.; Single Diaphragm

INTERNATIONAL MD 1800 S-Series
Brake Pads & Shoes

Front Pads & Shoes	Years	SevereDuty	Lining No.	Qualifier
Brake Pads	89 - 79	SD184		Bendix; 2.60" 2-Piston Caliper
Brake Pads	89 - 79	SD225		Bendix; 2.88" 2-Piston Caliper
Brake Pads	89 - 79	SD184		Bendix; 3.38" 1-Piston Caliper
Brake Shoes	89 - 79	SDS321R	EX1245AD-S32	Hyd. Brakes; Auto. Adj.; 15 x 3
Brake Shoes	89 - 79	SDS322R	EX1280BD-S32	Hyd. Brakes; Auto. Adj.; 15 x 3-1/2
Brake Shoes	89 - 79	SDS235R	EX1245AD-S32	Hyd. Brakes; Man. Adj.; 15 x 3
Brake Shoes	89 - 79	SDS840R	EX1280D-S32	Hyd. Brakes; Man. Adj.; 15 x 3-1/2
Brake Shoes	89 - 79	4223E	4223A	w/Air Brakes; Eaton/Spicer; 16-1/2 x 5
Brake Shoes	89 - 79	4514Q	4514G	w/Air Brakes; Rockwell/Meritor; Q-Series; 16-1/2 x 6
Brake Shoes	89 - 79	1307T	1307	w/Air Brakes; Rockwell/Meritor; T-Series; 15 x 3-1/2
Brake Shoes	89 - 79	1308T	1308T	w/Air Brakes; Rockwell/Meritor; T-Series; 15 x 4
Brake Shoes	89 - 79	4605S	4605	w/Air Brakes; Rockwell/Meritor; Wedge; 15 x 6
Rear Pads & Shoes	Years	SevereDuty	Lining No.	Qualifier
Brake Pads	89 - 79	SD184		Bendix; 2.60" 2-Piston Caliper

1824 (cont.)

Brake Pads & Shoes (cont.)

Rear Pads & Shoes	Years	SevereDuty	Lining No.	Qualifier
Brake Pads	89 - 79	SD225		Bendix; 2.88" 2-Piston Caliper
Brake Shoes	89 - 79	SDS346R	EX1252D-S32	Hyd. Brakes; 15 x 5
Brake Shoes	89 - 79	SDS381R	EX4596D-S32	Hyd. Brakes; 15 x 6
Brake Shoes	89 - 79	SDS383R	EX4597D-S32	Hyd. Brakes; 15 x 7
Brake Shoes	89 - 79	SDS385R	EX1254D-S32	Hyd. Brakes; 16 x 5
Brake Shoes	89 - 79	SDS386R	EX1255D-S32	Hyd. Brakes; 16 x 6
Brake Shoes	89 - 79	4311E	4311J	w/Air Brakes; Eaton/Spicer; 16-1/2 x 7
Brake Shoes	89 - 79	4514P	4514G	w/Air Brakes; Rockwell/Meritor; P-Series; 16-1/2 x 6
Brake Shoes	89 - 79	4515P	4515E	w/Air Brakes; Rockwell/Meritor; P-Series; 16-1/2 x 7
Brake Shoes	89 - 79	4644P	4644A	w/Air Brakes; Rockwell/Meritor; P-Series; 16-1/2 x 8
Brake Shoes	89 - 79	4514Q	4514G	w/Air Brakes; Rockwell/Meritor; Q-Series; 16-1/2 x 6
Brake Shoes	89 - 79	4515Q	4515E	w/Air Brakes; Rockwell/Meritor; Q-Series; 16-1/2 x 7
Brake Shoes	89 - 79	4644Q	4644A	w/Air Brakes; Rockwell/Meritor; Q-Series; 16-1/2 x 8
Brake Shoes	89 - 79	4602S	4602	w/Air Brakes; Rockwell/Meritor; Wedge; 15 x 7

Parking Brake Shoes	Years	SevereDuty	Lining No.	Qualifier
Brake Shoes	89 - 79	SDS842R	EX1303AD	Driveline Config.; 10 x 3
Brake Shoes	89 - 79	SDS647	EX2086D	Driveline Config.; 9 x 3

Rotor & Drum

Front Rotor & Drum	Years	Part No.	Qualifier
Brake Rotor	89 - 79	BD125097	5000-7500 lb. FA; Hat-Shaped; 10-Hole Rotor
Brake Rotor	89 - 79	BD125361	5000-7500 lb. FA; Hat-Shaped; 5-Hole Rotor
Brake Rotor	89 - 79	BD125362	5000-7500 lb. FA; Hat-Shaped; 6-Hole Rotor
Brake Rotor	89 - 79	BD126402	5000-7500 lb. FA; U-Shaped; 5-Hole Rotor
Brake Rotor	89 - 79	BD125096	5000-7500 lb. FA; U-Shaped; 6-Hole Rotor
Brake Rotor	89 - 87	BD125244	9000-12000 lb. FA; U-Shaped; 5-Hole Rotor
Brake Rotor	86	BD125244	From 2/01/86; 9000-12000 lb. FA; U-Shaped; 5-Hole Rotor
Brake Rotor	86	BD125098	To 1/31/86; 9000-12000 lb. FA; U-Shaped; 5-Hole Rotor
Brake Rotor	85 - 79	BD125098	9000-12000 lb. FA; U-Shaped; 5-Hole Rotor

Rear Rotor & Drum	Years	Part No.	Qualifier
Brake Rotor	89 - 79	BD125097	10000-15500 lb. RA; Hat-Shaped; 10-Hole Rotor
Brake Rotor	89 - 79	BD125362	10000-15500 lb. RA; Hat-Shaped; 6-Hole Rotor
Brake Rotor	89 - 79	BD126403	10000-15500 lb. RA; U-Shaped; 5-Hole Rotor
Brake Rotor	89 - 79	BD125096	10000-15500 lb. RA; U-Shaped; 6-Hole Rotor
Brake Rotor	89 - 79	BD125097	17000-19000 lb. RA; Hat-Shaped; 10-Hole Rotor
Brake Rotor	89 - 79	BD126394	17000-19000 lb. RA; U-Shaped; 10-Hole Rotor
Brake Rotor	89 - 79	BD125382	17000-19000 lb. RA; U-Shaped; 5-Hole Rotor; 12-3/4" Bolt Circle

Brake Hardware

Front Brake Hardware	Years	Sequential No.	Category No.	Qualifier
Adjuster Kit	89 - 79	F59159	(H2904)	L.H.; w/Auto Adj.
Adjuster Kit	89 - 79	F128990	(H2929)	L.H.; w/Man. Adj.
Adjuster Kit	89 - 79	F59160	(H2905)	R.H.; w/Auto Adj.
Adjuster Kit	89 - 79	F128990	(H2929)	R.H.; w/Man. Adj.
Combi Kit	89 - 79	F117025	(H7173)	15 x 3 or 15 x 3-1/2" Brake; w/Auto Adj.
↳Hold Down Kit		F73399	(H4201)	
↳Return Spring Kit		F36445	(H521)	
Combi Kit	89 - 79	F117026	(H7172)	15 x 3 or 15 x 3-1/2" Brake; w/Man. Adj.
↳Hold Down Kit		F19408	(H4200)	
↳Return Spring Kit		F36445	(H521)	
Combi Kit	89 - 79	F117025	(H7173)	15 x 5" Brake; w/Auto Adj.
↳Hold Down Kit		F73399	(H4201)	
↳Return Spring Kit		F36445	(H521)	
Combi Kit	89 - 79	F117019	(H7182)	15 x 5" Brake; w/Man. Adj.
↳Return Spring Kit		F36445	(H521)	
Disc Align Kit	89 - 79	F112095S	(H5564)	Bendix; 2.60" 2-Piston Caliper

↳Sub-Kit of Combi-Kit is available separately.

Brake Hardware (cont.)

Front Brake Hardware	Years	Sequential No.	Category No.	Qualifier
Disc Align Kit	89 - 79	F112090S	(H5566)	Bendix; 2.88" 2-Piston Caliper
Disc Align Kit	89 - 79	F107401S	(H5562)	Bendix; 3.38" 1-Piston Caliper
Rear Brake Hardware	Years	Sequential No.	Category No.	Qualifier
Adjuster Kit	89 - 79	F59157	(H2902)	L.H.; 15" Brake; w/Auto Adj.
Adjuster Kit	89 - 79	F128894S	(H2911)	L.H.; 15" Brake; w/Man. Adj.
Adjuster Kit	89 - 79	F128895S	(H2912)	L.H.; 16" Brake; w/Man. Adj.
Adjuster Kit	89 - 79	F59158	(H2903)	R.H.; 15" Brake; w/Auto Adj.
Adjuster Kit	89 - 79	F128894S	(H2911)	R.H.; 15" Brake; w/Man. Adj.
Adjuster Kit	89 - 79	F128895S	(H2912)	R.H.; 16" Brake; w/Man. Adj.
Adjuster Screw	89 - 79	F140823	(H1607)	L.H.; 15" Brake
Adjuster Screw	89 - 79	F19291	(H1700)	L.H.; 16" Brake
Adjuster Screw	89 - 79	F140818	(H1606)	R.H.; 15" Brake
Adjuster Screw	89 - 79	F19292	(H1701)	R.H.; 16" Brake
Combi Kit	89 - 79	F117027	(H7171)	
↳Adjuster Spring Kit		F78727	(H451)	
↳Hold Down Kit		F19309	(H5079)	
↳Return Spring Kit		F98318	(H609)	
Disc Align Kit	89 - 79	F112095S	(H5564)	Bendix; 2.60" 2-Piston Caliper
Disc Align Kit	89 - 79	F112090S	(H5566)	Bendix; 2.88" 2-Piston Caliper

Calipers - Reman

Front, Loaded	Years	Left No.	Right No.	Qualifier	Piston
Loaded Caliper	89 - 79	AS112057	AS112057	Bendix; 2.60" 2-Piston Caliper	P
Loaded Caliper	89 - 79	AS112057S	AS112057S	Bendix; 2.60" 2-Piston Caliper	O
Loaded Caliper	89 - 79	AS120549	AS120549	Bendix; 2.88" 2-Piston Caliper	P
Loaded Caliper	89 - 79	AS120549S	AS120549S	Bendix; 2.88" 2-Piston Caliper	O
Loaded Caliper	89 - 79	AS130211A	AS130210A	Bendix; 3.38" 1-Piston Caliper	M
Rear, Loaded	Years	Left No.	Right No.	Qualifier	Piston
Loaded Caliper	89 - 79	AS112057	AS112057	Bendix; 2.60" 2-Piston Caliper	P
Loaded Caliper	89 - 79	AS112057S	AS112057S	Bendix; 2.60" 2-Piston Caliper	O
Loaded Caliper	89 - 79	AS120549	AS120549	Bendix; 2.88" 2-Piston Caliper	P
Loaded Caliper	89 - 79	AS120549S	AS120549S	Bendix; 2.88" 2-Piston Caliper	O
Front, Unloaded	Years	Left No.	Right No.	Qualifier	Piston
Unloaded Caliper	89 - 79	CR112057	CR112057	Bendix; 2.60" 2-Piston Caliper	P
Unloaded Caliper	89 - 79	CR112057S	CR112057S	Bendix; 2.60" 2-Piston Caliper	O
Unloaded Caliper	89 - 79	CR120549	CR120549	Bendix; 2.88" 2-Piston Caliper	P
Unloaded Caliper	89 - 79	CR120549S	CR120549S	Bendix; 2.88" 2-Piston Caliper	O
Unloaded Caliper	89 - 79	CR130211	CR130210	Bendix; 3.38" 1-Piston Caliper	M
Rear, Unloaded	Years	Left No.	Right No.	Qualifier	Piston
Unloaded Caliper	89 - 79	CR112057	CR112057	Bendix; 2.60" 2-Piston Caliper	P
Unloaded Caliper	89 - 79	CR112057S	CR112057S	Bendix; 2.60" 2-Piston Caliper	O
Unloaded Caliper	89 - 79	CR120549	CR120549	Bendix; 2.88" 2-Piston Caliper	P
Unloaded Caliper	89 - 79	CR120549S	CR120549S	Bendix; 2.88" 2-Piston Caliper	O

Hydraulics - New

Master Cylinder	Years	Sequential No.	Category No.	Qualifier
Master Cylinder	89 - 84	F113751	(MC113751)	w/Disc Brake; Split Syst.; w/High Pwr.
Master Cylinder	89 - 84	F116702	(MC116702)	w/Disc Brake; Split Syst.; w/Hydrovac; 19000 lb. RA
Master Cylinder	89 - 79	F661	(MC661)	w/Drum Brake; Single Syst.; Exc. Tandem; 15" Brake
Master Cylinder	89 - 79	F2842	(MC2842)	w/Drum Brake; Single Syst.; Exc. Tandem; 16" Brake; w/Air Actuated Hyd. Brks.
Master Cylinder	89 - 79	F2951	(MC2951)	w/Drum Brake; Single Syst.; Tandem
Master Cylinder	89 - 79	F119402	(MC119402)	w/Drum Brake; Split Syst.; w/High Pwr.
Master Cylinder	89 - 79	F119397	(MC119397)	w/Drum Brake; Split Syst.; w/Hydrovac
Master Cylinder	83	F113751	(MC113751)	From 8/26/83; w/Disc Brake; Split Syst.; w/High Pwr.
Master Cylinder	83	F116702	(MC116702)	From 8/26/83; w/Disc Brake; Split Syst.; w/Hydrovac; 19000 lb. RA
Master Cylinder	83	F119395	(MC119395)	To 8/25/83; w/Disc Brake; Split Syst.; w/High Pwr.

↳Sub-Kit of Combi-Kit is available separately.

Piston: M - OE Metal Piston P - OE Phenolic Piston O - Metal Piston Option

1824 (cont.)**Hydraulics - New (cont.)**

Master Cylinder	Years	Sequential No.	Category No.	Qualifier
Master Cylinder	83	F119396	(MC119396)	To 8/25/83; w/Disc Brake; Split Syst.; w/Hydrovac
Master Cylinder	82 - 79	F119395	(MC119395)	w/Disc Brake; Split Syst.; w/High Pwr.
Master Cylinder	82 - 79	F119396	(MC119396)	w/Disc Brake; Split Syst.; w/Hydrovac
Front Wheel Cylinder	Years	Sequential No.	Category No.	Qualifier
Wheel Cylinder	89 - 79	F43383	(WC43383)	L.H.; 15 x 3" Brake; w/o Bleeder Screw; 1-1/4" Bore
Wheel Cylinder	89 - 79	F43383	(WC43383)	L.H.; 15 x 3-1/2" Brake; w/o Bleeder Screw; 1-1/4" Bore
Wheel Cylinder	89 - 79	F86444	(WC86444)	L.H.; 15 x 5" Brake; w/Bleeder Screw; 1-1/2" Bore
Wheel Cylinder	89 - 79	F43384	(WC43384)	R.H.; 15 x 3" Brake; w/o Bleeder Screw; 1-1/4" Bore
Wheel Cylinder	89 - 79	F43384	(WC43384)	R.H.; 15 x 3-1/2" Brake; w/o Bleeder Screw; 1-1/4" Bore
Wheel Cylinder	89 - 79	F86445	(WC86445)	R.H.; 15 x 5" Brake; w/Bleeder Screw; 1-1/2" Bore
Rear Wheel Cylinder	Years	Sequential No.	Category No.	Qualifier
Wheel Cylinder	89 - 79	F24489	(WC24489)	15 x 5" Brake; 1-5/8" Bore
Wheel Cylinder	89 - 79	F24489	(WC24489)	15 x 6" Brake; 1-5/8" Bore
Wheel Cylinder	89 - 79	F24489	(WC24489)	15 x 7" Brake; 17000-17500 lb. RA; 1-5/8" Bore
Wheel Cylinder	89 - 79	F26172	(WC26172)	15 x 7" Brake; 18500-19000 lb. RA or 34000 lb. TRA; 1-3/4" Bore
Wheel Cylinder	89 - 79	F24489	(WC24489)	16 x 5" Brake; 17000-17500 lb. RA; 1-5/8" Bore
Wheel Cylinder	89 - 79	F26172	(WC26172)	16 x 5" Brake; 18500-19000 lb. RA or 34000 lb. TRA; 1-3/4" Bore
Wheel Cylinder	89 - 79	F26172	(WC26172)	16 x 6" Brake; 1-3/4" Bore
Clutch Slave Cylinder	Years	Sequential No.	Category No.	Qualifier
Clutch Slave Cylinder	89 - 79	F43260	(SC43260)	
Front Brake Hose	Years	Sequential No.	Category No.	Qualifier
Brake Hose	89 - 79	F111136	(BH111136)	2WD; 15 x 3" Brake
Brake Hose	89 - 79	F111138	(BH111138)	2WD; 15 x 3-1/2" Brake; Dual Syst.
Brake Hose	89 - 79	F111136	(BH111136)	2WD; 15 x 3-1/2" Brake; Single Syst.
Brake Hose	89 - 79	F111139	(BH111139)	2WD; 15 x 5" Brake; Dual Syst.; Exc. 15 x 22.5" Tires
Brake Hose	89 - 79	F111140	(BH111140)	2WD; 15 x 5" Brake; Dual Syst.; w/15 x 22.5" Tires
Brake Hose	89 - 79	F111136	(BH111136)	2WD; 15 x 5" Brake; Single Syst.; Exc. 15 x 22.5" Tires
Brake Hose	89 - 79	F107731	(BH107731)	2WD; Bendix; 2.60" 2-Piston Caliper; 7500-8000 lb. FA
Brake Hose	89 - 79	F113150	(BH113150)	2WD; Bendix; 2.88" 2-Piston Caliper; 10000-12000 lb. FA
Brake Hose	89 - 79	F113151	(BH113151)	2WD; Bendix; 3.38" 1-Piston Caliper
Brake Hose	89 - 79	F111137	(BH111137)	4WD
Rear Brake Hose	Years	Sequential No.	Category No.	Qualifier
Brake Hose	89 - 79	F107733	(BH107733)	w/Disc Brake; 11" Length
Brake Hose	89 - 79	F107734	(BH107734)	w/Disc Brake; 18" Length
Brake Hose	89 - 79	F113154	(BH113154)	w/Disc Brake; 9-7/8" Length
Brake Hose	89 - 79	F107734	(BH107734)	w/Drum Brake; 18" Length
Brake Hose	89 - 79	F107735	(BH107735)	w/Drum Brake; 23" Length
Brake Hose	89 - 79	F111393	(BH111393)	w/Drum Brake; 27" Length
Hydraulics - Reman				
Power Brake Booster	Years	Part No.	Qualifier	
Hydro Booster	89 - 79	529901	Dual Syst.; Head	
Hydro Booster	89 - 79	529802	High Pwr; Bendix Hydromax II; Complete Assy	
Hydro Booster	89 - 79	529904	High Pwr; Bendix Hydromax II; Elect. Motor	
Hydro Booster	89 - 79	529920	High Pwr; Bendix Hydromax II; Head	
Hydro Booster	89 - 79	529900	Single Syst.; Head	
Power Brake Booster	Years	Part No.	Qualifier	
Vacuum Booster	89 - 79	518049	Exc. Tandem; Single Diaphragm; 15" Brake	
Vacuum Booster	89 - 79	518047	Exc. Tandem; Single Diaphragm; 16" Brake	
Vacuum Booster	89 - 79	518046	Tandem; Double Diaphragm	

1854**Brake Pads & Shoes**

Front Pads & Shoes	Years	SevereDuty	Lining No.	Qualifier
Brake Pads	89 - 79	SD184		Bendix; 2.60" 2-Piston Caliper
Brake Pads	89 - 79	SD225		Bendix; 2.88" 2-Piston Caliper

Brake Pads & Shoes (cont.)

Front Pads & Shoes	Years	SevereDuty	Lining No.	Qualifier
Brake Pads	89 - 79	SD184		Bendix; 3.38" 1-Piston Caliper
Brake Shoes	89 - 79	SDS321R	EX1245AD-S32	Hyd. Brakes; Auto. Adj.; 15 x 3
Brake Shoes	89 - 79	SDS322R	EX1280BD-S32	Hyd. Brakes; Auto. Adj.; 15 x 3-1/2
Brake Shoes	89 - 79	SDS235R	EX1245AD-S32	Hyd. Brakes; Man. Adj.; 15 x 3
Brake Shoes	89 - 79	SDS840R	EX1280D-S32	Hyd. Brakes; Man. Adj.; 15 x 3-1/2
Brake Shoes	89 - 79	4223E	4223A	w/Air Brakes; Eaton/Spicer; 16-1/2 x 5
Brake Shoes	89 - 79	4514Q	4514G	w/Air Brakes; Rockwell/Meritor; Q-Series; 16-1/2 x 6
Brake Shoes	89 - 79	1307T	1307	w/Air Brakes; Rockwell/Meritor; T-Series; 15 x 3-1/2
Brake Shoes	89 - 79	1308T	1308T	w/Air Brakes; Rockwell/Meritor; T-Series; 15 x 4
Brake Shoes	89 - 79	4605S	4605	w/Air Brakes; Rockwell/Meritor; Wedge; 15 x 6

Rear Pads & Shoes	Years	SevereDuty	Lining No.	Qualifier
Brake Pads	89 - 79	SD184		Bendix; 2.60" 2-Piston Caliper
Brake Pads	89 - 79	SD225		Bendix; 2.88" 2-Piston Caliper
Brake Shoes	89 - 79	SDS346R	EX1252D-S32	Hyd. Brakes; 15 x 5
Brake Shoes	89 - 79	SDS381R	EX4596D-S32	Hyd. Brakes; 15 x 6
Brake Shoes	89 - 79	SDS383R	EX4597D-S32	Hyd. Brakes; 15 x 7
Brake Shoes	89 - 79	SDS385R	EX1254D-S32	Hyd. Brakes; 16 x 5
Brake Shoes	89 - 79	SDS386R	EX1255D-S32	Hyd. Brakes; 16 x 6
Brake Shoes	89 - 79	4311E	4311J	w/Air Brakes; Eaton/Spicer; 16-1/2 x 7
Brake Shoes	89 - 79	4514P	4514G	w/Air Brakes; Rockwell/Meritor; P-Series; 16-1/2 x 6
Brake Shoes	89 - 79	4515P	4515E	w/Air Brakes; Rockwell/Meritor; P-Series; 16-1/2 x 7
Brake Shoes	89 - 79	4644P	4644A	w/Air Brakes; Rockwell/Meritor; P-Series; 16-1/2 x 8
Brake Shoes	89 - 79	4514Q	4514G	w/Air Brakes; Rockwell/Meritor; Q-Series; 16-1/2 x 6
Brake Shoes	89 - 79	4515Q	4515E	w/Air Brakes; Rockwell/Meritor; Q-Series; 16-1/2 x 7
Brake Shoes	89 - 79	4644Q	4644A	w/Air Brakes; Rockwell/Meritor; Q-Series; 16-1/2 x 8
Brake Shoes	89 - 79	4602S	4602	w/Air Brakes; Rockwell/Meritor; Wedge; 15 x 7

Parking Brake Shoes	Years	SevereDuty	Lining No.	Qualifier
Brake Shoes	89 - 79	SDS842R	EX1303AD	Driveline Config.; 10 x 3
Brake Shoes	89 - 79	SDS647	EX2086D	Driveline Config.; 9 x 3

Rotor & Drum

Front Rotor & Drum	Years	Part No.	Qualifier
Brake Rotor	89 - 79	BD125097	5000-7500 lb. FA; Hat-Shaped; 10-Hole Rotor
Brake Rotor	89 - 79	BD125361	5000-7500 lb. FA; Hat-Shaped; 5-Hole Rotor
Brake Rotor	89 - 79	BD125362	5000-7500 lb. FA; Hat-Shaped; 6-Hole Rotor
Brake Rotor	89 - 79	BD126402	5000-7500 lb. FA; U-Shaped; 5-Hole Rotor
Brake Rotor	89 - 79	BD125096	5000-7500 lb. FA; U-Shaped; 6-Hole Rotor
Brake Rotor	89 - 87	BD125244	9000-12000 lb. FA; U-Shaped; 5-Hole Rotor
Brake Rotor	86	BD125244	From 2/01/86; 9000-12000 lb. FA; U-Shaped; 5-Hole Rotor
Brake Rotor	86	BD125098	To 1/31/86; 9000-12000 lb. FA; U-Shaped; 5-Hole Rotor
Brake Rotor	85 - 79	BD125098	9000-12000 lb. FA; U-Shaped; 5-Hole Rotor

Rear Rotor & Drum	Years	Part No.	Qualifier
Brake Rotor	89 - 79	BD125097	10000-15500 lb. RA; Hat-Shaped; 10-Hole Rotor
Brake Rotor	89 - 79	BD125362	10000-15500 lb. RA; Hat-Shaped; 6-Hole Rotor
Brake Rotor	89 - 79	BD126403	10000-15500 lb. RA; U-Shaped; 5-Hole Rotor
Brake Rotor	89 - 79	BD125096	10000-15500 lb. RA; U-Shaped; 6-Hole Rotor
Brake Rotor	89 - 79	BD125097	17000-19000 lb. RA; Hat-Shaped; 10-Hole Rotor
Brake Rotor	89 - 79	BD126394	17000-19000 lb. RA; U-Shaped; 10-Hole Rotor
Brake Rotor	89 - 79	BD125382	17000-19000 lb. RA; U-Shaped; 5-Hole Rotor; 12-3/4" Bolt Circle

Brake Hardware

Front Brake Hardware	Years	Sequential No.	Category No.	Qualifier
Adjuster Kit	89 - 79	F59159	(H2904)	L.H.; w/Auto Adj.
Adjuster Kit	89 - 79	F128990	(H2929)	L.H.; w/Man. Adj.
Adjuster Kit	89 - 79	F59160	(H2905)	R.H.; w/Auto Adj.
Adjuster Kit	89 - 79	F128990	(H2929)	R.H.; w/Man. Adj.

↳Sub-Kit of Combi-Kit is available separately.



1854 (cont.)

Brake Hardware (cont.)

Front Brake Hardware	Years	Sequential No.	Category No.	Qualifier
Combi Kit	89 - 79	F117025	(H7173)	15 x 3 or 15 x 3-1/2" Brake; w/Auto Adj.
↳Hold Down Kit		F73399	(H4201)	
↳Return Spring Kit		F36445	(H521)	
Combi Kit	89 - 79	F117026	(H7172)	15 x 3 or 15 x 3-1/2" Brake; w/Man. Adj.
↳Hold Down Kit		F19408	(H4200)	
↳Return Spring Kit		F36445	(H521)	
Combi Kit	89 - 79	F117025	(H7173)	15 x 5" Brake; w/Auto Adj.
↳Hold Down Kit		F73399	(H4201)	
↳Return Spring Kit		F36445	(H521)	
Combi Kit	89 - 79	F117019	(H7182)	15 x 5" Brake; w/Man. Adj.
↳Return Spring Kit		F36445	(H521)	
Disc Align Kit	89 - 79	F112095S	(H5564)	Bendix; 2.60" 2-Piston Caliper
Disc Align Kit	89 - 79	F112090S	(H5566)	Bendix; 2.88" 2-Piston Caliper
Disc Align Kit	89 - 79	F107401S	(H5562)	Bendix; 3.38" 1-Piston Caliper

Rear Brake Hardware

Years	Sequential No.	Category No.	Qualifier
89 - 79	F59157	(H2902)	L.H.; 15" Brake; w/Auto Adj.
89 - 79	F128894S	(H2911)	L.H.; 15" Brake; w/Man. Adj.
89 - 79	F128895S	(H2912)	L.H.; 16" Brake; w/Man. Adj.
89 - 79	F59158	(H2903)	R.H.; 15" Brake; w/Auto Adj.
89 - 79	F128894S	(H2911)	R.H.; 15" Brake; w/Man. Adj.
89 - 79	F128895S	(H2912)	R.H.; 16" Brake; w/Man. Adj.
89 - 79	F140823	(H1607)	L.H.; 15" Brake
89 - 79	F19291	(H1700)	L.H.; 16" Brake
89 - 79	F140818	(H1606)	R.H.; 15" Brake
89 - 79	F19292	(H1701)	R.H.; 16" Brake
89 - 79	F117027	(H7171)	
↳Adjuster Spring Kit	F78727	(H451)	
↳Hold Down Kit	F19309	(H5079)	
↳Return Spring Kit	F98318	(H609)	
89 - 79	F112095S	(H5564)	Bendix; 2.60" 2-Piston Caliper
89 - 79	F112090S	(H5566)	Bendix; 2.88" 2-Piston Caliper

Calipers - Reman

Front, Loaded

Years	Left No.	Right No.	Qualifier	Piston
89 - 79	AS112057	AS112057	Bendix; 2.60" 2-Piston Caliper	P
89 - 79	AS112057S	AS112057S	Bendix; 2.60" 2-Piston Caliper	O
89 - 79	AS120549	AS120549	Bendix; 2.88" 2-Piston Caliper	P
89 - 79	AS120549S	AS120549S	Bendix; 2.88" 2-Piston Caliper	O
89 - 79	AS130211A	AS130210A	Bendix; 3.38" 1-Piston Caliper	M

Rear, Loaded

Years	Left No.	Right No.	Qualifier	Piston
89 - 79	AS112057	AS112057	Bendix; 2.60" 2-Piston Caliper	P
89 - 79	AS112057S	AS112057S	Bendix; 2.60" 2-Piston Caliper	O
89 - 79	AS120549	AS120549	Bendix; 2.88" 2-Piston Caliper	P
89 - 79	AS120549S	AS120549S	Bendix; 2.88" 2-Piston Caliper	O

Front, Unloaded

Years	Left No.	Right No.	Qualifier	Piston
89 - 79	CR112057	CR112057	Bendix; 2.60" 2-Piston Caliper	P
89 - 79	CR112057S	CR112057S	Bendix; 2.60" 2-Piston Caliper	O
89 - 79	CR120549	CR120549	Bendix; 2.88" 2-Piston Caliper	P
89 - 79	CR120549S	CR120549S	Bendix; 2.88" 2-Piston Caliper	O
89 - 79	CR130211	CR130210	Bendix; 3.38" 1-Piston Caliper	M

Rear, Unloaded

Years	Left No.	Right No.	Qualifier	Piston
89 - 79	CR112057	CR112057	Bendix; 2.60" 2-Piston Caliper	P
89 - 79	CR112057S	CR112057S	Bendix; 2.60" 2-Piston Caliper	O
89 - 79	CR120549	CR120549	Bendix; 2.88" 2-Piston Caliper	P
89 - 79	CR120549S	CR120549S	Bendix; 2.88" 2-Piston Caliper	O

↳Sub-Kit of Combi-Kit is available separately.

Piston: M - OE Metal Piston P - OE Phenolic Piston O - Metal Piston Option

Hydraulics - New

Master Cylinder	Years	Sequential No.	Category No.	Qualifier
Master Cylinder	89 - 84	F113751	(MC113751)	w/Disc Brake; Split Syst.; w/High Pwr.
Master Cylinder	89 - 84	F116702	(MC116702)	w/Disc Brake; Split Syst.; w/Hydrovac; 19000 lb. RA
Master Cylinder	89 - 79	F661	(MC661)	w/Drum Brake; Single Syst.; Exc. Tandem; 15" Brake
Master Cylinder	89 - 79	F2842	(MC2842)	w/Drum Brake; Single Syst.; Exc. Tandem; 16" Brake; w/Air Actuated Hyd. Brks.
Master Cylinder	89 - 79	F2951	(MC2951)	w/Drum Brake; Single Syst.; Tandem
Master Cylinder	89 - 79	F119402	(MC119402)	w/Drum Brake; Split Syst.; w/High Pwr.
Master Cylinder	89 - 79	F119397	(MC119397)	w/Drum Brake; Split Syst.; w/Hydrovac
Master Cylinder	83	F113751	(MC113751)	From 8/26/83; w/Disc Brake; Split Syst.; w/High Pwr.
Master Cylinder	83	F116702	(MC116702)	From 8/26/83; w/Disc Brake; Split Syst.; w/Hydrovac; 19000 lb. RA
Master Cylinder	83	F119395	(MC119395)	To 8/25/83; w/Disc Brake; Split Syst.; w/High Pwr.
Master Cylinder	83	F119396	(MC119396)	To 8/25/83; w/Disc Brake; Split Syst.; w/Hydrovac
Master Cylinder	82 - 79	F119395	(MC119395)	w/Disc Brake; Split Syst.; w/High Pwr.
Master Cylinder	82 - 79	F119396	(MC119396)	w/Disc Brake; Split Syst.; w/Hydrovac

Front Wheel Cylinder	Years	Sequential No.	Category No.	Qualifier
Wheel Cylinder	89 - 79	F43383	(WC43383)	L.H.; 15 x 3" Brake; w/o Bleeder Screw; 1-1/4" Bore
Wheel Cylinder	89 - 79	F43383	(WC43383)	L.H.; 15 x 3-1/2" Brake; w/o Bleeder Screw; 1-1/4" Bore
Wheel Cylinder	89 - 79	F86444	(WC86444)	L.H.; 15 x 5" Brake; w/Bleeder Screw; 1-1/2" Bore
Wheel Cylinder	89 - 79	F43384	(WC43384)	R.H.; 15 x 3" Brake; w/o Bleeder Screw; 1-1/4" Bore
Wheel Cylinder	89 - 79	F43384	(WC43384)	R.H.; 15 x 3-1/2" Brake; w/o Bleeder Screw; 1-1/4" Bore
Wheel Cylinder	89 - 79	F86445	(WC86445)	R.H.; 15 x 5" Brake; w/Bleeder Screw; 1-1/2" Bore

Rear Wheel Cylinder	Years	Sequential No.	Category No.	Qualifier
Wheel Cylinder	89 - 79	F24489	(WC24489)	15 x 5" Brake; 1-5/8" Bore
Wheel Cylinder	89 - 79	F24489	(WC24489)	15 x 6" Brake; 1-5/8" Bore
Wheel Cylinder	89 - 79	F24489	(WC24489)	15 x 7" Brake; 17000-17500 lb. RA; 1-5/8" Bore
Wheel Cylinder	89 - 79	F26172	(WC26172)	15 x 7" Brake; 18500-19000 lb. RA or 34000 lb. TRA; 1-3/4" Bore
Wheel Cylinder	89 - 79	F24489	(WC24489)	16 x 5" Brake; 17000-17500 lb. RA; 1-5/8" Bore
Wheel Cylinder	89 - 79	F26172	(WC26172)	16 x 5" Brake; 18500-19000 lb. RA or 34000 lb. TRA; 1-3/4" Bore
Wheel Cylinder	89 - 79	F26172	(WC26172)	16 x 6" Brake; 1-3/4" Bore

Clutch Slave Cylinder	Years	Sequential No.	Category No.	Qualifier
Clutch Slave Cylinder	89 - 79	F43260	(SC43260)	

Front Brake Hose	Years	Sequential No.	Category No.	Qualifier
Brake Hose	89 - 79	F111136	(BH111136)	2WD; 15 x 3" Brake
Brake Hose	89 - 79	F111138	(BH111138)	2WD; 15 x 3-1/2" Brake; Dual Syst.
Brake Hose	89 - 79	F111136	(BH111136)	2WD; 15 x 3-1/2" Brake; Single Syst.
Brake Hose	89 - 79	F111139	(BH111139)	2WD; 15 x 5" Brake; Dual Syst.; Exc. 15 x 22.5" Tires
Brake Hose	89 - 79	F111140	(BH111140)	2WD; 15 x 5" Brake; Dual Syst.; w/15 x 22.5" Tires
Brake Hose	89 - 79	F111136	(BH111136)	2WD; 15 x 5" Brake; Single Syst.; Exc. 15 x 22.5" Tires
Brake Hose	89 - 79	F107731	(BH107731)	2WD; Bendix; 2.60" 2-Piston Caliper; 7500-8000 lb. FA
Brake Hose	89 - 79	F113150	(BH113150)	2WD; Bendix; 2.88" 2-Piston Caliper; 10000-12000 lb. FA
Brake Hose	89 - 79	F113151	(BH113151)	2WD; Bendix; 3.38" 1-Piston Caliper
Brake Hose	89 - 79	F111137	(BH111137)	4WD

Rear Brake Hose	Years	Sequential No.	Category No.	Qualifier
Brake Hose	89 - 79	F107733	(BH107733)	w/Disc Brake; 11" Length
Brake Hose	89 - 79	F107734	(BH107734)	w/Disc Brake; 18" Length
Brake Hose	89 - 79	F113154	(BH113154)	w/Disc Brake; 9-7/8" Length
Brake Hose	89 - 79	F107734	(BH107734)	w/Drum Brake; 18" Length
Brake Hose	89 - 79	F107735	(BH107735)	w/Drum Brake; 23" Length
Brake Hose	89 - 79	F111393	(BH111393)	w/Drum Brake; 27" Length

Hydraulics - Reman

Power Brake Booster	Years	Part No.	Qualifier
Hydro Booster	89 - 79	529901	Dual Syst.; Head
Hydro Booster	89 - 79	529802	High Pwr; Bendix Hydromax II; Complete Assy
Hydro Booster	89 - 79	529904	High Pwr; Bendix Hydromax II; Elect. Motor
Hydro Booster	89 - 79	529920	High Pwr; Bendix Hydromax II; Head

1854 (cont.)**Hydraulics - Reman (cont.)**

Power Brake Booster	Years	Part No.	Qualifier
Hydro Booster	89 - 79	529900	Single Syst.; Head
Power Brake Booster	Years	Part No.	Qualifier
Vacuum Booster	89 - 79	518049	Exc. Tandem; Single Diaphragm; 15" Brake
Vacuum Booster	89 - 79	518047	Exc. Tandem; Single Diaphragm; 16" Brake
Vacuum Booster	89 - 79	518046	Tandem; Double Diaphragm

INTERNATIONAL MD 1800 SchoolMaster LoadStar**1803****Brake Pads & Shoes**

Front Pads & Shoes	Years	SevereDuty	Lining No.	Qualifier
Brake Shoes	78 - 70	SDS321R	EX1245AD-S32	Hyd. Brakes; Auto. Adj.; 15 x 3
Brake Shoes	78 - 70	SDS322R	EX1280BD-S32	Hyd. Brakes; Auto. Adj.; 15 x 3-1/2
Brake Shoes	78 - 70	SDS235R	EX1245AD-S32	Hyd. Brakes; Man. Adj.; 15 x 3
Brake Shoes	78 - 70	SDS463R	EX1280D-S32	Hyd. Brakes; Man. Adj.; 15 x 3-1/2
Brake Shoes	78 - 70	4223E	4223A	w/Air Brakes; Eaton/Spicer; 16-1/2 x 5
Brake Shoes	78 - 70	1307T	1307	w/Air Brakes; Rockwell/Meritor; T-Series; 15 x 3-1/2
Brake Shoes	78 - 70	1308T	1308T	w/Air Brakes; Rockwell/Meritor; T-Series; 15 x 4
Brake Shoes	78 - 70	4615S	4615	w/Air Brakes; Rockwell/Meritor; Wedge; 15 x 5
Rear Pads & Shoes	Years	SevereDuty	Lining No.	Qualifier
Brake Shoes	78 - 70	SDS346R	EX1252D-S32	Hyd. Brakes; 15 x 5
Brake Shoes	78 - 70	SDS381R	EX4596D-S32	Hyd. Brakes; 15 x 6
Brake Shoes	78 - 70	SDS383R	EX4597D-S32	Hyd. Brakes; 15 x 7
Brake Shoes	78 - 70	SDS385R	EX1254D-S32	Hyd. Brakes; 16 x 5
Brake Shoes	78 - 70	SDS386R	EX1255D-S32	Hyd. Brakes; 16 x 6
Brake Shoes	78 - 70	4311E	4311J	w/Air Brakes; Eaton/Spicer; 16-1/2 x 7
Brake Shoes	78 - 70	4514P	4514G	w/Air Brakes; Rockwell/Meritor; P-Series; 16-1/2 x 6
Brake Shoes	78 - 70	4515P	4515E	w/Air Brakes; Rockwell/Meritor; P-Series; 16-1/2 x 7
Brake Shoes	78 - 70	4605S	4605	w/Air Brakes; Rockwell/Meritor; Wedge; 15 x 6
Brake Shoes	78 - 70	4602S	4602	w/Air Brakes; Rockwell/Meritor; Wedge; 15 x 7
Parking Brake Shoes	Years	SevereDuty	Lining No.	Qualifier
Brake Shoes	78 - 70	SDS842R	EX1303AD	Driveline Config.; 10 x 3

Brake Hardware

Front Brake Hardware	Years	Sequential No.	Category No.	Qualifier
Adjuster Kit	78 - 70	F59159	(H2904)	L.H.; w/Auto Adj.
Adjuster Kit	78 - 70	F128990	(H2929)	L.H.; w/Man. Adj.
Adjuster Kit	78 - 70	F59160	(H2905)	R.H.; w/Auto Adj.
Adjuster Kit	78 - 70	F128990	(H2929)	R.H.; w/Man. Adj.
Combi Kit	78 - 70	F117024	(H7178)	14" Brake; Bendix
Combi Kit	78 - 70	F117025	(H7173)	14" Brake; Wagner; w/Auto Adj.
↳Hold Down Kit		F73399	(H4201)	
↳Return Spring Kit		F36445	(H521)	
Combi Kit	78 - 70	F117018	(H7185)	14" Brake; Wagner; w/Man. Adj.
↳Hold Down Kit		F19408	(H4200)	
↳Return Spring Kit		F36445	(H521)	
Combi Kit	78 - 70	F117025	(H7173)	15 x 3 or 15 x 3-1/2" Brake; w/Auto Adj.
↳Hold Down Kit		F73399	(H4201)	
↳Return Spring Kit		F36445	(H521)	
Combi Kit	78 - 70	F117026	(H7172)	15 x 3 or 15 x 3-1/2" Brake; w/Man. Adj.
↳Hold Down Kit		F19408	(H4200)	
↳Return Spring Kit		F36445	(H521)	
Combi Kit	78 - 70	F117025	(H7173)	15 x 5" Brake; w/Auto Adj.
↳Hold Down Kit		F73399	(H4201)	
↳Return Spring Kit		F36445	(H521)	

↳Sub-Kit of Combi-Kit is available separately.

Brake Hardware (cont.)

Front Brake Hardware	Years	Sequential No.	Category No.	Qualifier
Combi Kit	78 - 70	F117019	(H7182)	15 x 5" Brake; w/Man. Adj.
↳Return Spring Kit		F36445	(H521)	
Rear Brake Hardware	Years	Sequential No.	Category No.	Qualifier
Adjuster Kit	78 - 70	F59157	(H2902)	L.H.; 15" Brake; w/Auto Adj.
Adjuster Kit	78 - 70	F128894S	(H2911)	L.H.; 15" Brake; w/Man. Adj.
Adjuster Kit	78 - 70	F128895S	(H2912)	L.H.; 16" Brake; w/Man. Adj.
Adjuster Kit	78 - 70	F59158	(H2903)	R.H.; 15" Brake; w/Auto Adj.
Adjuster Kit	78 - 70	F128894S	(H2911)	R.H.; 15" Brake; w/Man. Adj.
Adjuster Kit	78 - 70	F128895S	(H2912)	R.H.; 16" Brake; w/Man. Adj.
Adjuster Screw	78 - 70	F140823	(H1607)	L.H.; 15" Brake
Adjuster Screw	78 - 70	F19291	(H1700)	L.H.; 16" Brake
Adjuster Screw	78 - 70	F140818	(H1606)	R.H.; 15" Brake
Adjuster Screw	78 - 70	F19292	(H1701)	R.H.; 16" Brake
Combi Kit	78 - 70	F117027	(H7171)	
↳Adjuster Spring Kit		F78727	(H451)	
↳Hold Down Kit		F19309	(H5079)	
↳Return Spring Kit		F98318	(H609)	

Hydraulics - New

Master Cylinder	Years	Sequential No.	Category No.	Qualifier
Master Cylinder	78 - 70	F661	(MC661)	Single Syst.; Exc. H.D.; Frame Mtd.; Exc. Tandem
Master Cylinder	78 - 70	F2951	(MC2951)	Single Syst.; Exc. H.D.; Frame Mtd.; Tandem
Master Cylinder	78 - 70	F2842	(MC2842)	Single Syst.; H.D.; Exc. Frame Mtd.
Front Wheel Cylinder	Years	Sequential No.	Category No.	Qualifier
Wheel Cylinder	78 - 70	F949	(WC949)	16 x 2-1/2" Brake; w/o Bleeder Screw; 1-1/4" Bore
Wheel Cylinder	78 - 70	F71940	(WC71940)	L.H.; 14 x 2-1/2" Brake; w/Bleeder Screw; 1-1/8" Bore
Wheel Cylinder	78 - 70	F71940	(WC71940)	L.H.; 15 x 3" Brake; w/Bleeder Screw; 1-1/8" Bore
Wheel Cylinder	78 - 70	F43383	(WC43383)	L.H.; 15 x 3" Brake; w/o Bleeder Screw; 2WD; 1-1/4" Bore
Wheel Cylinder	78 - 70	F8852	(WC8852)	L.H.; 15 x 3" Brake; w/o Bleeder Screw; 4WD; 1-1/8" Bore
Wheel Cylinder	78 - 70	F8813	(WC8813)	L.H.; 15 x 3-1/2" Brake; w/o Bleeder Screw; 1-3/8" Bore
Wheel Cylinder	78 - 70	F71941	(WC71941)	R.H.; 14 x 2-1/2" Brake; w/Bleeder Screw; 1-1/8" Bore
Wheel Cylinder	78 - 70	F71941	(WC71941)	R.H.; 15 x 3" Brake; w/Bleeder Screw; 1-1/8" Bore
Wheel Cylinder	78 - 70	F43384	(WC43384)	R.H.; 15 x 3" Brake; w/o Bleeder Screw; 2WD; 1-1/4" Bore
Wheel Cylinder	78 - 70	F8853	(WC8853)	R.H.; 15 x 3" Brake; w/o Bleeder Screw; 4WD; 1-1/8" Bore
Wheel Cylinder	78 - 70	F8814	(WC8814)	R.H.; 15 x 3-1/2" Brake; w/o Bleeder Screw; 1-3/8" Bore
Rear Wheel Cylinder	Years	Sequential No.	Category No.	Qualifier
Wheel Cylinder	78 - 70	F26159	(WC26159)	15 x 4" Brake; 1-1/2" Bore
Wheel Cylinder	78 - 70	F26159	(WC26159)	15 x 5" Brake; 1-1/2" Bore
Wheel Cylinder	78 - 70	F24489	(WC24489)	15 x 5" Brake; 1-5/8" Bore
Wheel Cylinder	78 - 70	F24489	(WC24489)	15 x 6" Brake; 1-5/8" Bore
Wheel Cylinder	78 - 70	F26172	(WC26172)	15 x 7" Brake; 1-3/4" Bore
Wheel Cylinder	78 - 70	F24489	(WC24489)	15 x 7" Brake; 1-5/8" Bore
Wheel Cylinder	78 - 70	F26172	(WC26172)	16 x 5" Brake; 1-3/4" Bore
Wheel Cylinder	78 - 70	F24489	(WC24489)	16 x 5" Brake; 1-5/8" Bore
Wheel Cylinder	78 - 70	F26172	(WC26172)	16 x 6" Brake; 1-3/4" Bore
Clutch Master Cylind	Years	Sequential No.	Category No.	Qualifier
Clutch Master Cylinder	78 - 70	F78828	(CM78828)	Exc. FC Models; 6V-53 Eng.
Clutch Master Cylinder	78 - 70	F54699	(CM54699)	Exc. FC Models; Exc. 6V-53 Eng.
Clutch Slave Cylinder	Years	Sequential No.	Category No.	Qualifier
Clutch Slave Cylinder	78 - 70	F43260	(SC43260)	
Front Brake Hose	Years	Sequential No.	Category No.	Qualifier
Brake Hose	78 - 70	F4751	(BH4751)	2WD; Exc. FA-89 or 91; Exc. FA-101; Exc. FA-109 or 139; Exc. FA-208; 21-5/8" Length
Brake Hose	78 - 70	F79359	(BH79359)	2WD; FA-109 or 139; 26-3/4" Length
Brake Hose	78 - 70	F8116	(BH8116)	2WD; FA-89 or 91; 18-7/8" Length
Brake Hose	78 - 70	F4050	(BH4050)	2WD; FA-89 or 91; 20" Length

↳Sub-Kit of Combi-Kit is available separately.

1803 (cont.)**Hydraulics - New (cont.)**

Front Brake Hose	Years	Sequential No.	Category No.	Qualifier
Brake Hose	78 - 70	F4751	(BH4751)	4WD; 21-5/8" Length
Brake Hose	78 - 70	F79359	(BH79359)	4WD; 26-3/4" Length
Brake Hose	78 - 70	F79360	(BH79360)	L.H.; 2WD; FA-208; 22-1/4" Length
Brake Hose	78 - 70	F4751	(BH4751)	R.H.; 2WD; FA-208; 21-5/8" Length

Rear Brake Hose	Years	Sequential No.	Category No.	Qualifier
Brake Hose	78 - 70	F39508	(BH39508)	Exc. Tandem; Exc. Low Frame
Brake Hose	78 - 70	F102235	(BH102235)	Tandem; Fwd. RA
Brake Hose	78 - 70	F102236	(BH102236)	Tandem; Rear RA

Hydraulics - Reman

Power Brake Booster	Years	Part No.	Qualifier
Vacuum Booster	78 - 70	518037	Single Syst.; 34000 lb. TRA; Double Diaphragm
Vacuum Booster	78 - 70	518037	Single Syst.; DT466 Eng.; Double Diaphragm; 16000 lb. RA or 34000 lb. TRA
Vacuum Booster	78 - 70	518002	Single Syst.; DT466 Eng.; Single Diaphragm; Exc. 16000 lb. RA or 34000 lb. TRA
Vacuum Booster	78 - 70	518002	Single Syst.; Exc. Tandem; Single Diaphragm
Vacuum Booster	78 - 70	518054	Single Syst.; Heavy Duty; Single Diaphragm
Vacuum Booster	78 - 70	518013	Split Syst.; Single Diaphragm

1853**Brake Pads & Shoes**

Front Pads & Shoes	Years	SevereDuty	Lining No.	Qualifier
Brake Shoes	78 - 70	SDS321R	EX1245AD-S32	Hyd. Brakes; Auto. Adj.; 15 x 3
Brake Shoes	78 - 70	SDS322R	EX1280BD-S32	Hyd. Brakes; Auto. Adj.; 15 x 3-1/2
Brake Shoes	78 - 70	SDS235R	EX1245AD-S32	Hyd. Brakes; Man. Adj.; 15 x 3
Brake Shoes	78 - 70	SDS463R	EX1280D-S32	Hyd. Brakes; Man. Adj.; 15 x 3-1/2
Brake Shoes	78 - 70	4223E	4223A	w/Air Brakes; Eaton/Spicer; 16-1/2 x 5
Brake Shoes	78 - 70	1307T	1307	w/Air Brakes; Rockwell/Meritor; T-Series; 15 x 3-1/2
Brake Shoes	78 - 70	1308T	1308T	w/Air Brakes; Rockwell/Meritor; T-Series; 15 x 4
Brake Shoes	78 - 70	4615S	4615	w/Air Brakes; Rockwell/Meritor; Wedge; 15 x 5

Rear Pads & Shoes	Years	SevereDuty	Lining No.	Qualifier
Brake Shoes	78 - 70	SDS346R	EX1252D-S32	Hyd. Brakes; 15 x 5
Brake Shoes	78 - 70	SDS381R	EX4596D-S32	Hyd. Brakes; 15 x 6
Brake Shoes	78 - 70	SDS383R	EX4597D-S32	Hyd. Brakes; 15 x 7
Brake Shoes	78 - 70	SDS385R	EX1254D-S32	Hyd. Brakes; 16 x 5
Brake Shoes	78 - 70	SDS386R	EX1255D-S32	Hyd. Brakes; 16 x 6
Brake Shoes	78 - 70	4311E	4311J	w/Air Brakes; Eaton/Spicer; 16-1/2 x 7
Brake Shoes	78 - 70	4514P	4514G	w/Air Brakes; Rockwell/Meritor; P-Series; 16-1/2 x 6
Brake Shoes	78 - 70	4515P	4515E	w/Air Brakes; Rockwell/Meritor; P-Series; 16-1/2 x 7
Brake Shoes	78 - 70	4605S	4605	w/Air Brakes; Rockwell/Meritor; Wedge; 15 x 6
Brake Shoes	78 - 70	4602S	4602	w/Air Brakes; Rockwell/Meritor; Wedge; 15 x 7

Parking Brake Shoes	Years	SevereDuty	Lining No.	Qualifier
Brake Shoes	78 - 70	SDS842R	EX1303AD	Driveline Config.; 10 x 3

Brake Hardware

Front Brake Hardware	Years	Sequential No.	Category No.	Qualifier
Adjuster Kit	78 - 70	F59159	(H2904)	L.H.; w/Auto Adj.
Adjuster Kit	78 - 70	F128990	(H2929)	L.H.; w/Man. Adj.
Adjuster Kit	78 - 70	F59160	(H2905)	R.H.; w/Auto Adj.
Adjuster Kit	78 - 70	F128990	(H2929)	R.H.; w/Man. Adj.
Combi Kit	78 - 70	F117024	(H7178)	14" Brake; Bendix
Combi Kit	78 - 70	F117025	(H7173)	14" Brake; Wagner; w/Auto Adj.
↳Hold Down Kit		F73399	(H4201)	
↳Return Spring Kit		F36445	(H521)	
Combi Kit	78 - 70	F117018	(H7185)	14" Brake; Wagner; w/Man. Adj.
↳Hold Down Kit		F19408	(H4200)	
↳Return Spring Kit		F36445	(H521)	

↳Sub-Kit of Combi-Kit is available separately.

Brake Hardware (cont.)

Front Brake Hardware	Years	Sequential No.	Category No.	Qualifier
Combi Kit	78 - 70	F117025	(H7173)	15 x 3 or 15 x 3-1/2" Brake; w/Auto Adj.
↳ Hold Down Kit		F73399	(H4201)	
↳ Return Spring Kit		F36445	(H521)	
Combi Kit	78 - 70	F117026	(H7172)	15 x 3 or 15 x 3-1/2" Brake; w/Man. Adj.
↳ Hold Down Kit		F19408	(H4200)	
↳ Return Spring Kit		F36445	(H521)	
Combi Kit	78 - 70	F117025	(H7173)	15 x 5" Brake; w/Auto Adj.
↳ Hold Down Kit		F73399	(H4201)	
↳ Return Spring Kit		F36445	(H521)	
Combi Kit	78 - 70	F117019	(H7182)	15 x 5" Brake; w/Man. Adj.
↳ Return Spring Kit		F36445	(H521)	

Rear Brake Hardware	Years	Sequential No.	Category No.	Qualifier
Adjuster Kit	78 - 70	F59157	(H2902)	L.H.; 15" Brake; w/Auto Adj.
Adjuster Kit	78 - 70	F128894S	(H2911)	L.H.; 15" Brake; w/Man. Adj.
Adjuster Kit	78 - 70	F128895S	(H2912)	L.H.; 16" Brake; w/Man. Adj.
Adjuster Kit	78 - 70	F59158	(H2903)	R.H.; 15" Brake; w/Auto Adj.
Adjuster Kit	78 - 70	F128894S	(H2911)	R.H.; 15" Brake; w/Man. Adj.
Adjuster Kit	78 - 70	F128895S	(H2912)	R.H.; 16" Brake; w/Man. Adj.
Adjuster Screw	78 - 70	F140823	(H1607)	L.H.; 15" Brake
Adjuster Screw	78 - 70	F19291	(H1700)	L.H.; 16" Brake
Adjuster Screw	78 - 70	F140818	(H1606)	R.H.; 15" Brake
Adjuster Screw	78 - 70	F19292	(H1701)	R.H.; 16" Brake
Combi Kit	78 - 70	F117027	(H7171)	
↳ Adjuster Spring Kit		F78727	(H451)	
↳ Hold Down Kit		F19309	(H5079)	
↳ Return Spring Kit		F98318	(H609)	

Hydraulics - New

Master Cylinder	Years	Sequential No.	Category No.	Qualifier
Master Cylinder	78 - 70	F661	(MC661)	Single Syst.; Exc. H.D.; Frame Mtd.; Exc. Tandem
Master Cylinder	78 - 70	F2951	(MC2951)	Single Syst.; Exc. H.D.; Frame Mtd.; Tandem
Master Cylinder	78 - 70	F2842	(MC2842)	Single Syst.; H.D.; Exc. Frame Mtd.

Front Wheel Cylinder	Years	Sequential No.	Category No.	Qualifier
Wheel Cylinder	78 - 70	F949	(WC949)	16 x 2-1/2" Brake; w/o Bleeder Screw; 1-1/4" Bore
Wheel Cylinder	78 - 70	F71940	(WC71940)	L.H.; 14 x 2-1/2" Brake; w/Bleeder Screw; 1-1/8" Bore
Wheel Cylinder	78 - 70	F71940	(WC71940)	L.H.; 15 x 3" Brake; w/Bleeder Screw; 1-1/8" Bore
Wheel Cylinder	78 - 70	F43383	(WC43383)	L.H.; 15 x 3" Brake; w/o Bleeder Screw; 2WD; 1-1/4" Bore
Wheel Cylinder	78 - 70	F8852	(WC8852)	L.H.; 15 x 3" Brake; w/o Bleeder Screw; 4WD; 1-1/8" Bore
Wheel Cylinder	78 - 70	F8813	(WC8813)	L.H.; 15 x 3-1/2" Brake; w/o Bleeder Screw; 1-3/8" Bore
Wheel Cylinder	78 - 70	F71941	(WC71941)	R.H.; 14 x 2-1/2" Brake; w/Bleeder Screw; 1-1/8" Bore
Wheel Cylinder	78 - 70	F71941	(WC71941)	R.H.; 15 x 3" Brake; w/Bleeder Screw; 1-1/8" Bore
Wheel Cylinder	78 - 70	F43384	(WC43384)	R.H.; 15 x 3" Brake; w/o Bleeder Screw; 2WD; 1-1/4" Bore
Wheel Cylinder	78 - 70	F8853	(WC8853)	R.H.; 15 x 3" Brake; w/o Bleeder Screw; 4WD; 1-1/8" Bore
Wheel Cylinder	78 - 70	F8814	(WC8814)	R.H.; 15 x 3-1/2" Brake; w/o Bleeder Screw; 1-3/8" Bore

Rear Wheel Cylinder	Years	Sequential No.	Category No.	Qualifier
Wheel Cylinder	78 - 70	F26159	(WC26159)	15 x 4" Brake; 1-1/2" Bore
Wheel Cylinder	78 - 70	F26159	(WC26159)	15 x 5" Brake; 1-1/2" Bore
Wheel Cylinder	78 - 70	F24489	(WC24489)	15 x 5" Brake; 1-5/8" Bore
Wheel Cylinder	78 - 70	F24489	(WC24489)	15 x 6" Brake; 1-5/8" Bore
Wheel Cylinder	78 - 70	F26172	(WC26172)	15 x 7" Brake; 1-3/4" Bore
Wheel Cylinder	78 - 70	F24489	(WC24489)	15 x 7" Brake; 1-5/8" Bore
Wheel Cylinder	78 - 70	F26172	(WC26172)	16 x 5" Brake; 1-3/4" Bore
Wheel Cylinder	78 - 70	F24489	(WC24489)	16 x 5" Brake; 1-5/8" Bore
Wheel Cylinder	78 - 70	F26172	(WC26172)	16 x 6" Brake; 1-3/4" Bore

↳ Sub-Kit of Combi-Kit is available separately.

1853 (cont.)**Hydraulics - New (cont.)**

Clutch Master Cylinder	Years	Sequential No.	Category No.	Qualifier
Clutch Master Cylinder	78 - 70	F78828	(CM78828)	Exc. FC Models; 6V-53 Eng.
Clutch Master Cylinder	78 - 70	F54699	(CM54699)	Exc. FC Models; Exc. 6V-53 Eng.
Clutch Slave Cylinder	Years	Sequential No.	Category No.	Qualifier
Clutch Slave Cylinder	78 - 70	F43260	(SC43260)	
Front Brake Hose	Years	Sequential No.	Category No.	Qualifier
Brake Hose	78 - 70	F4751	(BH4751)	2WD; Exc. FA-89 or 91; Exc. FA-101; Exc. FA-109 or 139; Exc. FA-208; 21-5/8" Length
Brake Hose	78 - 70	F79359	(BH79359)	2WD; FA-109 or 139; 26-3/4" Length
Brake Hose	78 - 70	F8116	(BH8116)	2WD; FA-89 or 91; 18-7/8" Length
Brake Hose	78 - 70	F4050	(BH4050)	2WD; FA-89 or 91; 20" Length
Brake Hose	78 - 70	F4751	(BH4751)	4WD; 21-5/8" Length
Brake Hose	78 - 70	F79359	(BH79359)	4WD; 26-3/4" Length
Brake Hose	78 - 70	F79360	(BH79360)	L.H.; 2WD; FA-208; 22-1/4" Length
Brake Hose	78 - 70	F4751	(BH4751)	R.H.; 2WD; FA-208; 21-5/8" Length
Rear Brake Hose	Years	Sequential No.	Category No.	Qualifier
Brake Hose	78 - 70	F39508	(BH39508)	Exc. Tandem; Exc. Low Frame
Brake Hose	78 - 70	F102235	(BH102235)	Tandem; Fwd. RA
Brake Hose	78 - 70	F102236	(BH102236)	Tandem; Rear RA

Hydraulics - Reman

Power Brake Booster	Years	Part No.	Qualifier
Vacuum Booster	78 - 70	518037	Single Syst.; 34000 lb. TRA; Double Diaphragm
Vacuum Booster	78 - 70	518037	Single Syst.; DT466 Eng.; Double Diaphragm; 16000 lb. RA or 34000 lb. TRA
Vacuum Booster	78 - 70	518002	Single Syst.; DT466 Eng.; Single Diaphragm; Exc. 16000 lb. RA or 34000 lb. TRA
Vacuum Booster	78 - 70	518002	Single Syst.; Exc. Tandem; Single Diaphragm
Vacuum Booster	78 - 70	518054	Single Syst.; Heavy Duty; Single Diaphragm
Vacuum Booster	78 - 70	518013	Split Syst.; Single Diaphragm

INTERNATIONAL MD 1800 SchoolMaster S-Series**1823****Brake Pads & Shoes**

Front Pads & Shoes	Years	SevereDuty	Lining No.	Qualifier
Brake Pads	89 - 79	SD184		Bendix; 2.60" 2-Piston Caliper
Brake Pads	89 - 79	SD225		Bendix; 2.88" 2-Piston Caliper
Brake Pads	89 - 79	SD184		Bendix; 3.38" 1-Piston Caliper
Brake Shoes	89 - 79	SDS321R	EX1245AD-S32	Hyd. Brakes; Auto. Adj.; 15 x 3
Brake Shoes	89 - 79	SDS322R	EX1280BD-S32	Hyd. Brakes; Auto. Adj.; 15 x 3-1/2
Brake Shoes	89 - 79	SDS235R	EX1245AD-S32	Hyd. Brakes; Man. Adj.; 15 x 3
Brake Shoes	89 - 79	SDS840R	EX1280D-S32	Hyd. Brakes; Man. Adj.; 15 x 3-1/2
Brake Shoes	89 - 79	4223E	4223A	w/Air Brakes; Eaton/Spicer; 16-1/2 x 5
Brake Shoes	89 - 79	4514Q	4514G	w/Air Brakes; Rockwell/Meritor; Q-Series; 16-1/2 x 6
Brake Shoes	89 - 79	1307T	1307	w/Air Brakes; Rockwell/Meritor; T-Series; 15 x 3-1/2
Brake Shoes	89 - 79	1308T	1308T	w/Air Brakes; Rockwell/Meritor; T-Series; 15 x 4
Brake Shoes	89 - 79	4605S	4605	w/Air Brakes; Rockwell/Meritor; Wedge; 15 x 6
Rear Pads & Shoes	Years	SevereDuty	Lining No.	Qualifier
Brake Pads	89 - 79	SD184		Bendix; 2.60" 2-Piston Caliper
Brake Pads	89 - 79	SD225		Bendix; 2.88" 2-Piston Caliper
Brake Shoes	89 - 79	SDS346R	EX1252D-S32	Hyd. Brakes; 15 x 5
Brake Shoes	89 - 79	SDS381R	EX4596D-S32	Hyd. Brakes; 15 x 6
Brake Shoes	89 - 79	SDS383R	EX4597D-S32	Hyd. Brakes; 15 x 7
Brake Shoes	89 - 79	SDS385R	EX1254D-S32	Hyd. Brakes; 16 x 5
Brake Shoes	89 - 79	SDS386R	EX1255D-S32	Hyd. Brakes; 16 x 6
Brake Shoes	89 - 79	4311E	4311J	w/Air Brakes; Eaton/Spicer; 16-1/2 x 7
Brake Shoes	89 - 79	4514P	4514G	w/Air Brakes; Rockwell/Meritor; P-Series; 16-1/2 x 6
Brake Shoes	89 - 79	4515P	4515E	w/Air Brakes; Rockwell/Meritor; P-Series; 16-1/2 x 7
Brake Shoes	89 - 79	4644P	4644A	w/Air Brakes; Rockwell/Meritor; P-Series; 16-1/2 x 8

Brake Pads & Shoes (cont.)

Rear Pads & Shoes	Years	SevereDuty	Lining No.	Qualifier
Brake Shoes	89 - 79	4514Q	4514G	w/Air Brakes; Rockwell/Meritor; Q-Series; 16-1/2 x 6
Brake Shoes	89 - 79	4515Q	4515E	w/Air Brakes; Rockwell/Meritor; Q-Series; 16-1/2 x 7
Brake Shoes	89 - 79	4644Q	4644A	w/Air Brakes; Rockwell/Meritor; Q-Series; 16-1/2 x 8
Brake Shoes	89 - 79	4602S	4602	w/Air Brakes; Rockwell/Meritor; Wedge; 15 x 7

Parking Brake Shoes	Years	SevereDuty	Lining No.	Qualifier
Brake Shoes	89 - 79	SDS842R	EX1303AD	Driveline Config.; 10 x 3
Brake Shoes	89 - 79	SDS647	EX2086D	Driveline Config.; 9 x 3

Rotor & Drum

Front Rotor & Drum	Years	Part No.	Qualifier
Brake Rotor	89 - 79	BD125097	5000-7500 lb. FA; Hat-Shaped; 10-Hole Rotor
Brake Rotor	89 - 79	BD125361	5000-7500 lb. FA; Hat-Shaped; 5-Hole Rotor
Brake Rotor	89 - 79	BD125362	5000-7500 lb. FA; Hat-Shaped; 6-Hole Rotor
Brake Rotor	89 - 79	BD126402	5000-7500 lb. FA; U-Shaped; 5-Hole Rotor
Brake Rotor	89 - 79	BD125096	5000-7500 lb. FA; U-Shaped; 6-Hole Rotor
Brake Rotor	89 - 87	BD125244	9000-12000 lb. FA; U-Shaped; 5-Hole Rotor
Brake Rotor	86	BD125244	From 2/01/86; 9000-12000 lb. FA; U-Shaped; 5-Hole Rotor
Brake Rotor	86	BD125098	To 1/31/86; 9000-12000 lb. FA; U-Shaped; 5-Hole Rotor
Brake Rotor	85 - 79	BD125098	9000-12000 lb. FA; U-Shaped; 5-Hole Rotor

Rear Rotor & Drum	Years	Part No.	Qualifier
Brake Rotor	89 - 79	BD125097	10000-15500 lb. RA; Hat-Shaped; 10-Hole Rotor
Brake Rotor	89 - 79	BD125362	10000-15500 lb. RA; Hat-Shaped; 6-Hole Rotor
Brake Rotor	89 - 79	BD126403	10000-15500 lb. RA; U-Shaped; 5-Hole Rotor
Brake Rotor	89 - 79	BD125096	10000-15500 lb. RA; U-Shaped; 6-Hole Rotor
Brake Rotor	89 - 79	BD125097	17000-19000 lb. RA; Hat-Shaped; 10-Hole Rotor
Brake Rotor	89 - 79	BD126394	17000-19000 lb. RA; U-Shaped; 10-Hole Rotor
Brake Rotor	89 - 79	BD125382	17000-19000 lb. RA; U-Shaped; 5-Hole Rotor; 12-3/4" Bolt Circle

Brake Hardware

Front Brake Hardware	Years	Sequential No.	Category No.	Qualifier
Adjuster Kit	89 - 79	F59159	(H2904)	L.H.; w/Auto Adj.
Adjuster Kit	89 - 79	F128990	(H2929)	L.H.; w/Man. Adj.
Adjuster Kit	89 - 79	F59160	(H2905)	R.H.; w/Auto Adj.
Adjuster Kit	89 - 79	F128990	(H2929)	R.H.; w/Man. Adj.
Combi Kit	89 - 79	F117025	(H7173)	15 x 3 or 15 x 3-1/2" Brake; w/Auto Adj.
↳Hold Down Kit		F73399	(H4201)	
↳Return Spring Kit		F36445	(H521)	
Combi Kit	89 - 79	F117026	(H7172)	15 x 3 or 15 x 3-1/2" Brake; w/Man. Adj.
↳Hold Down Kit		F19408	(H4200)	
↳Return Spring Kit		F36445	(H521)	
Combi Kit	89 - 79	F117025	(H7173)	15 x 5" Brake; w/Auto Adj.
↳Hold Down Kit		F73399	(H4201)	
↳Return Spring Kit		F36445	(H521)	
Combi Kit	89 - 79	F117019	(H7182)	15 x 5" Brake; w/Man. Adj.
↳Return Spring Kit		F36445	(H521)	
Disc Align Kit	89 - 79	F112095S	(H5564)	Bendix; 2.60" 2-Piston Caliper
Disc Align Kit	89 - 79	F112090S	(H5566)	Bendix; 2.88" 2-Piston Caliper
Disc Align Kit	89 - 79	F107401S	(H5562)	Bendix; 3.38" 1-Piston Caliper

Rear Brake Hardware	Years	Sequential No.	Category No.	Qualifier
Adjuster Kit	89 - 79	F59157	(H2902)	L.H.; 15" Brake; w/Auto Adj.
Adjuster Kit	89 - 79	F128894S	(H2911)	L.H.; 15" Brake; w/Man. Adj.
Adjuster Kit	89 - 79	F128895S	(H2912)	L.H.; 16" Brake; w/Man. Adj.
Adjuster Kit	89 - 79	F59158	(H2903)	R.H.; 15" Brake; w/Auto Adj.
Adjuster Kit	89 - 79	F128894S	(H2911)	R.H.; 15" Brake; w/Man. Adj.
Adjuster Kit	89 - 79	F128895S	(H2912)	R.H.; 16" Brake; w/Man. Adj.
Adjuster Screw	89 - 79	F140823	(H1607)	L.H.; 15" Brake

↳Sub-Kit of Combi-Kit is available separately.

1823 (cont.)

Brake Hardware (cont.)

Rear Brake Hardware	Years	Sequential No.	Category No.	Qualifier
Adjuster Screw	89 - 79	F19291	(H1700)	L.H.; 16" Brake
Adjuster Screw	89 - 79	F140818	(H1606)	R.H.; 15" Brake
Adjuster Screw	89 - 79	F19292	(H1701)	R.H.; 16" Brake
Combi Kit	89 - 79	F117027	(H7171)	
↳Adjuster Spring Kit		F78727	(H451)	
↳Hold Down Kit		F19309	(H5079)	
↳Return Spring Kit		F98318	(H609)	
Disc Align Kit	89 - 79	F112095S	(H5564)	Bendix; 2.60" 2-Piston Caliper
Disc Align Kit	89 - 79	F112090S	(H5566)	Bendix; 2.88" 2-Piston Caliper

Calipers - Reman

Front, Loaded	Years	Left No.	Right No.	Qualifier	Piston
Loaded Caliper	89 - 79	AS112057	AS112057	Bendix; 2.60" 2-Piston Caliper	P
Loaded Caliper	89 - 79	AS112057S	AS112057S	Bendix; 2.60" 2-Piston Caliper	O
Loaded Caliper	89 - 79	AS120549	AS120549	Bendix; 2.88" 2-Piston Caliper	P
Loaded Caliper	89 - 79	AS120549S	AS120549S	Bendix; 2.88" 2-Piston Caliper	O
Loaded Caliper	89 - 79	AS130211A	AS130210A	Bendix; 3.38" 1-Piston Caliper	M
Rear, Loaded	Years	Left No.	Right No.	Qualifier	Piston
Loaded Caliper	89 - 79	AS112057	AS112057	Bendix; 2.60" 2-Piston Caliper	P
Loaded Caliper	89 - 79	AS112057S	AS112057S	Bendix; 2.60" 2-Piston Caliper	O
Loaded Caliper	89 - 79	AS120549	AS120549	Bendix; 2.88" 2-Piston Caliper	P
Loaded Caliper	89 - 79	AS120549S	AS120549S	Bendix; 2.88" 2-Piston Caliper	O
Front, Unloaded	Years	Left No.	Right No.	Qualifier	Piston
Unloaded Caliper	89 - 79	CR112057	CR112057	Bendix; 2.60" 2-Piston Caliper	P
Unloaded Caliper	89 - 79	CR112057S	CR112057S	Bendix; 2.60" 2-Piston Caliper	O
Unloaded Caliper	89 - 79	CR120549	CR120549	Bendix; 2.88" 2-Piston Caliper	P
Unloaded Caliper	89 - 79	CR120549S	CR120549S	Bendix; 2.88" 2-Piston Caliper	O
Unloaded Caliper	89 - 79	CR130211	CR130210	Bendix; 3.38" 1-Piston Caliper	M
Rear, Unloaded	Years	Left No.	Right No.	Qualifier	Piston
Unloaded Caliper	89 - 79	CR112057	CR112057	Bendix; 2.60" 2-Piston Caliper	P
Unloaded Caliper	89 - 79	CR112057S	CR112057S	Bendix; 2.60" 2-Piston Caliper	O
Unloaded Caliper	89 - 79	CR120549	CR120549	Bendix; 2.88" 2-Piston Caliper	P
Unloaded Caliper	89 - 79	CR120549S	CR120549S	Bendix; 2.88" 2-Piston Caliper	O

Hydraulics - New

Master Cylinder	Years	Sequential No.	Category No.	Qualifier
Master Cylinder	89 - 84	F113751	(MC113751)	w/Disc Brake; Split Syst.; w/High Pwr.
Master Cylinder	89 - 84	F116702	(MC116702)	w/Disc Brake; Split Syst.; w/Hydrovac; 19000 lb. RA
Master Cylinder	89 - 79	F661	(MC661)	w/Drum Brake; Single Syst.; Exc. Tandem; 15" Brake
Master Cylinder	89 - 79	F2842	(MC2842)	w/Drum Brake; Single Syst.; Exc. Tandem; 16" Brake; w/Air Actuated Hyd. Brks.
Master Cylinder	89 - 79	F2951	(MC2951)	w/Drum Brake; Single Syst.; Tandem
Master Cylinder	89 - 79	F119402	(MC119402)	w/Drum Brake; Split Syst.; w/High Pwr.
Master Cylinder	89 - 79	F119397	(MC119397)	w/Drum Brake; Split Syst.; w/Hydrovac
Master Cylinder	83	F113751	(MC113751)	From 8/26/83; w/Disc Brake; Split Syst.; w/High Pwr.
Master Cylinder	83	F116702	(MC116702)	From 8/26/83; w/Disc Brake; Split Syst.; w/Hydrovac; 19000 lb. RA
Master Cylinder	83	F119395	(MC119395)	To 8/25/83; w/Disc Brake; Split Syst.; w/High Pwr.
Master Cylinder	83	F119396	(MC119396)	To 8/25/83; w/Disc Brake; Split Syst.; w/Hydrovac
Master Cylinder	82 - 79	F119395	(MC119395)	w/Disc Brake; Split Syst.; w/High Pwr.
Master Cylinder	82 - 79	F119396	(MC119396)	w/Disc Brake; Split Syst.; w/Hydrovac
Front Wheel Cylinder	Years	Sequential No.	Category No.	Qualifier
Wheel Cylinder	89 - 79	F43383	(WC43383)	L.H.; 15 x 3" Brake; w/o Bleeder Screw; 1-1/4" Bore
Wheel Cylinder	89 - 79	F43383	(WC43383)	L.H.; 15 x 3-1/2" Brake; w/o Bleeder Screw; 1-1/4" Bore
Wheel Cylinder	89 - 79	F86444	(WC86444)	L.H.; 15 x 5" Brake; w/Bleeder Screw; 1-1/2" Bore
Wheel Cylinder	89 - 79	F43384	(WC43384)	R.H.; 15 x 3" Brake; w/o Bleeder Screw; 1-1/4" Bore
Wheel Cylinder	89 - 79	F43384	(WC43384)	R.H.; 15 x 3-1/2" Brake; w/o Bleeder Screw; 1-1/4" Bore
Wheel Cylinder	89 - 79	F86445	(WC86445)	R.H.; 15 x 5" Brake; w/Bleeder Screw; 1-1/2" Bore

↳Sub-Kit of Combi-Kit is available separately.

Piston: M - OE Metal Piston P - OE Phenolic Piston O - Metal Piston Option

Hydraulics - New (cont.)

Rear Wheel Cylinder	Years	Sequential No.	Category No.	Qualifier
Wheel Cylinder	89 - 79	F24489	(WC24489)	15 x 5" Brake; 1-5/8" Bore
Wheel Cylinder	89 - 79	F24489	(WC24489)	15 x 6" Brake; 1-5/8" Bore
Wheel Cylinder	89 - 79	F24489	(WC24489)	15 x 7" Brake; 17000-17500 lb. RA; 1-5/8" Bore
Wheel Cylinder	89 - 79	F26172	(WC26172)	15 x 7" Brake; 18500-19000 lb. RA or 34000 lb. TRA; 1-3/4" Bore
Wheel Cylinder	89 - 79	F24489	(WC24489)	16 x 5" Brake; 17000-17500 lb. RA; 1-5/8" Bore
Wheel Cylinder	89 - 79	F26172	(WC26172)	16 x 5" Brake; 18500-19000 lb. RA or 34000 lb. TRA; 1-3/4" Bore
Wheel Cylinder	89 - 79	F26172	(WC26172)	16 x 6" Brake; 1-3/4" Bore

Clutch Slave Cylinder	Years	Sequential No.	Category No.	Qualifier
Clutch Slave Cylinder	89 - 79	F43260	(SC43260)	

Front Brake Hose	Years	Sequential No.	Category No.	Qualifier
Brake Hose	89 - 79	F111136	(BH111136)	2WD; 15 x 3" Brake
Brake Hose	89 - 79	F111138	(BH111138)	2WD; 15 x 3-1/2" Brake; Dual Syst.
Brake Hose	89 - 79	F111136	(BH111136)	2WD; 15 x 3-1/2" Brake; Single Syst.
Brake Hose	89 - 79	F111139	(BH111139)	2WD; 15 x 5" Brake; Dual Syst.; Exc. 15 x 22.5" Tires
Brake Hose	89 - 79	F111140	(BH111140)	2WD; 15 x 5" Brake; Dual Syst.; w/15 x 22.5" Tires
Brake Hose	89 - 79	F111136	(BH111136)	2WD; 15 x 5" Brake; Single Syst.; Exc. 15 x 22.5" Tires
Brake Hose	89 - 79	F107731	(BH107731)	2WD; Bendix; 2.60" 2-Piston Caliper; 7500-8000 lb. FA
Brake Hose	89 - 79	F113150	(BH113150)	2WD; Bendix; 2.88" 2-Piston Caliper; 10000-12000 lb. FA
Brake Hose	89 - 79	F113151	(BH113151)	2WD; Bendix; 3.38" 1-Piston Caliper
Brake Hose	89 - 79	F111137	(BH111137)	4WD

Rear Brake Hose	Years	Sequential No.	Category No.	Qualifier
Brake Hose	89 - 79	F107733	(BH107733)	w/Disc Brake; 11" Length
Brake Hose	89 - 79	F107734	(BH107734)	w/Disc Brake; 18" Length
Brake Hose	89 - 79	F113154	(BH113154)	w/Disc Brake; 9-7/8" Length
Brake Hose	89 - 79	F107734	(BH107734)	w/Drum Brake; 18" Length
Brake Hose	89 - 79	F107735	(BH107735)	w/Drum Brake; 23" Length
Brake Hose	89 - 79	F111393	(BH111393)	w/Drum Brake; 27" Length

Hydraulics - Reman

Power Brake Booster	Years	Part No.	Qualifier
Hydro Booster	89 - 79	529901	Dual Syst.; Head
Hydro Booster	89 - 79	529802	High Pwr; Bendix Hydromax II; Complete Assy
Hydro Booster	89 - 79	529904	High Pwr; Bendix Hydromax II; Elect. Motor
Hydro Booster	89 - 79	529920	High Pwr; Bendix Hydromax II; Head
Hydro Booster	89 - 79	529900	Single Syst.; Head

Power Brake Booster	Years	Part No.	Qualifier
Vacuum Booster	89 - 79	518049	Exc. Tandem; Single Diaphragm; 15" Brake
Vacuum Booster	89 - 79	518047	Exc. Tandem; Single Diaphragm; 16" Brake
Vacuum Booster	89 - 79	518046	Tandem; Double Diaphragm

Brake Pads & Shoes

Front Pads & Shoes	Years	SevereDuty	Lining No.	Qualifier
Brake Pads	89 - 79	SD184		Bendix; 2.60" 2-Piston Caliper
Brake Pads	89 - 79	SD225		Bendix; 2.88" 2-Piston Caliper
Brake Pads	89 - 79	SD184		Bendix; 3.38" 1-Piston Caliper
Brake Shoes	89 - 79	SDS321R	EX1245AD-S32	Hyd. Brakes; Auto. Adj.; 15 x 3
Brake Shoes	89 - 79	SDS322R	EX1280BD-S32	Hyd. Brakes; Auto. Adj.; 15 x 3-1/2
Brake Shoes	89 - 79	SDS235R	EX1245AD-S32	Hyd. Brakes; Man. Adj.; 15 x 3
Brake Shoes	89 - 79	SDS840R	EX1280D-S32	Hyd. Brakes; Man. Adj.; 15 x 3-1/2
Brake Shoes	89 - 79	4223E	4223A	w/Air Brakes; Eaton/Spicer; 16-1/2 x 5
Brake Shoes	89 - 79	4514Q	4514G	w/Air Brakes; Rockwell/Meritor; Q-Series; 16-1/2 x 6
Brake Shoes	89 - 79	1307T	1307	w/Air Brakes; Rockwell/Meritor; T-Series; 15 x 3-1/2
Brake Shoes	89 - 79	1308T	1308T	w/Air Brakes; Rockwell/Meritor; T-Series; 15 x 4
Brake Shoes	89 - 79	4605S	4605	w/Air Brakes; Rockwell/Meritor; Wedge; 15 x 6

1853- (cont.)

Brake Pads & Shoes (cont.)

Rear Pads & Shoes	Years	SevereDuty	Lining No.	Qualifier
Brake Pads	89 - 79	SD184		Bendix; 2.60" 2-Piston Caliper
Brake Pads	89 - 79	SD225		Bendix; 2.88" 2-Piston Caliper
Brake Shoes	89 - 79	SDS346R	EX1252D-S32	Hyd. Brakes; 15 x 5
Brake Shoes	89 - 79	SDS381R	EX4596D-S32	Hyd. Brakes; 15 x 6
Brake Shoes	89 - 79	SDS383R	EX4597D-S32	Hyd. Brakes; 15 x 7
Brake Shoes	89 - 79	SDS385R	EX1254D-S32	Hyd. Brakes; 16 x 5
Brake Shoes	89 - 79	SDS386R	EX1255D-S32	Hyd. Brakes; 16 x 6
Brake Shoes	89 - 79	4311E	4311J	w/Air Brakes; Eaton/Spicer; 16-1/2 x 7
Brake Shoes	89 - 79	4514P	4514G	w/Air Brakes; Rockwell/Meritor; P-Series; 16-1/2 x 6
Brake Shoes	89 - 79	4515P	4515E	w/Air Brakes; Rockwell/Meritor; P-Series; 16-1/2 x 7
Brake Shoes	89 - 79	4644P	4644A	w/Air Brakes; Rockwell/Meritor; P-Series; 16-1/2 x 8
Brake Shoes	89 - 79	4514Q	4514G	w/Air Brakes; Rockwell/Meritor; Q-Series; 16-1/2 x 6
Brake Shoes	89 - 79	4515Q	4515E	w/Air Brakes; Rockwell/Meritor; Q-Series; 16-1/2 x 7
Brake Shoes	89 - 79	4644Q	4644A	w/Air Brakes; Rockwell/Meritor; Q-Series; 16-1/2 x 8
Brake Shoes	89 - 79	4602S	4602	w/Air Brakes; Rockwell/Meritor; Wedge; 15 x 7
Parking Brake Shoes	Years	SevereDuty	Lining No.	Qualifier
Brake Shoes	89 - 79	SDS842R	EX1303AD	Driveline Config.; 10 x 3
Brake Shoes	89 - 79	SDS647	EX2086D	Driveline Config.; 9 x 3

Rotor & Drum

Front Rotor & Drum	Years	Part No.	Qualifier
Brake Rotor	89 - 79	BD125097	5000-7500 lb. FA; Hat-Shaped; 10-Hole Rotor
Brake Rotor	89 - 79	BD125361	5000-7500 lb. FA; Hat-Shaped; 5-Hole Rotor
Brake Rotor	89 - 79	BD125362	5000-7500 lb. FA; Hat-Shaped; 6-Hole Rotor
Brake Rotor	89 - 79	BD126402	5000-7500 lb. FA; U-Shaped; 5-Hole Rotor
Brake Rotor	89 - 79	BD125096	5000-7500 lb. FA; U-Shaped; 6-Hole Rotor
Brake Rotor	89 - 87	BD125244	9000-12000 lb. FA; U-Shaped; 5-Hole Rotor
Brake Rotor	86	BD125244	From 2/01/86; 9000-12000 lb. FA; U-Shaped; 5-Hole Rotor
Brake Rotor	86	BD125098	To 1/31/86; 9000-12000 lb. FA; U-Shaped; 5-Hole Rotor
Brake Rotor	85 - 79	BD125098	9000-12000 lb. FA; U-Shaped; 5-Hole Rotor
Rear Rotor & Drum	Years	Part No.	Qualifier
Brake Rotor	89 - 79	BD125097	10000-15500 lb. RA; Hat-Shaped; 10-Hole Rotor
Brake Rotor	89 - 79	BD125362	10000-15500 lb. RA; Hat-Shaped; 6-Hole Rotor
Brake Rotor	89 - 79	BD126403	10000-15500 lb. RA; U-Shaped; 5-Hole Rotor
Brake Rotor	89 - 79	BD125096	10000-15500 lb. RA; U-Shaped; 6-Hole Rotor
Brake Rotor	89 - 79	BD125097	17000-19000 lb. RA; Hat-Shaped; 10-Hole Rotor
Brake Rotor	89 - 79	BD126394	17000-19000 lb. RA; U-Shaped; 10-Hole Rotor
Brake Rotor	89 - 79	BD125382	17000-19000 lb. RA; U-Shaped; 5-Hole Rotor; 12-3/4" Bolt Circle

Brake Hardware

Front Brake Hardware	Years	Sequential No.	Category No.	Qualifier
Adjuster Kit	89 - 79	F59159	(H2904)	L.H.; w/Auto Adj.
Adjuster Kit	89 - 79	F128990	(H2929)	L.H.; w/Man. Adj.
Adjuster Kit	89 - 79	F59160	(H2905)	R.H.; w/Auto Adj.
Adjuster Kit	89 - 79	F128990	(H2929)	R.H.; w/Man. Adj.
Combi Kit	89 - 79	F117025	(H7173)	15 x 3 or 15 x 3-1/2" Brake; w/Auto Adj.
↳Hold Down Kit		F73399	(H4201)	
↳Return Spring Kit		F36445	(H521)	
Combi Kit	89 - 79	F117026	(H7172)	15 x 3 or 15 x 3-1/2" Brake; w/Man. Adj.
↳Hold Down Kit		F19408	(H4200)	
↳Return Spring Kit		F36445	(H521)	
Combi Kit	89 - 79	F117025	(H7173)	15 x 5" Brake; w/Auto Adj.
↳Hold Down Kit		F73399	(H4201)	
↳Return Spring Kit		F36445	(H521)	
Combi Kit	89 - 79	F117019	(H7182)	15 x 5" Brake; w/Man. Adj.
↳Return Spring Kit		F36445	(H521)	

↳Sub-Kit of Combi-Kit is available separately.

Brake Hardware (cont.)

Front Brake Hardware	Years	Sequential No.	Category No.	Qualifier
Disc Align Kit	89 - 79	F112095S	(H5564)	Bendix; 2.60" 2-Piston Caliper
Disc Align Kit	89 - 79	F112090S	(H5566)	Bendix; 2.88" 2-Piston Caliper
Disc Align Kit	89 - 79	F107401S	(H5562)	Bendix; 3.38" 1-Piston Caliper
Rear Brake Hardware	Years	Sequential No.	Category No.	Qualifier
Adjuster Kit	89 - 79	F59157	(H2902)	L.H.; 15" Brake; w/Auto Adj.
Adjuster Kit	89 - 79	F128894S	(H2911)	L.H.; 15" Brake; w/Man. Adj.
Adjuster Kit	89 - 79	F128895S	(H2912)	L.H.; 16" Brake; w/Man. Adj.
Adjuster Kit	89 - 79	F59158	(H2903)	R.H.; 15" Brake; w/Auto Adj.
Adjuster Kit	89 - 79	F128894S	(H2911)	R.H.; 15" Brake; w/Man. Adj.
Adjuster Kit	89 - 79	F128895S	(H2912)	R.H.; 16" Brake; w/Man. Adj.
Adjuster Screw	89 - 79	F140823	(H1607)	L.H.; 15" Brake
Adjuster Screw	89 - 79	F19291	(H1700)	L.H.; 16" Brake
Adjuster Screw	89 - 79	F140818	(H1606)	R.H.; 15" Brake
Adjuster Screw	89 - 79	F19292	(H1701)	R.H.; 16" Brake
Combi Kit	89 - 79	F117027	(H7171)	
↳Adjuster Spring Kit		F78727	(H451)	
↳Hold Down Kit		F19309	(H5079)	
↳Return Spring Kit		F98318	(H609)	
Disc Align Kit	89 - 79	F112095S	(H5564)	Bendix; 2.60" 2-Piston Caliper
Disc Align Kit	89 - 79	F112090S	(H5566)	Bendix; 2.88" 2-Piston Caliper

Calipers - Reman

Front, Loaded	Years	Left No.	Right No.	Qualifier	Piston
Loaded Caliper	89 - 79	AS112057	AS112057	Bendix; 2.60" 2-Piston Caliper	P
Loaded Caliper	89 - 79	AS112057S	AS112057S	Bendix; 2.60" 2-Piston Caliper	O
Loaded Caliper	89 - 79	AS120549	AS120549	Bendix; 2.88" 2-Piston Caliper	P
Loaded Caliper	89 - 79	AS120549S	AS120549S	Bendix; 2.88" 2-Piston Caliper	O
Loaded Caliper	89 - 79	AS130211A	AS130210A	Bendix; 3.38" 1-Piston Caliper	M
Rear, Loaded	Years	Left No.	Right No.	Qualifier	Piston
Loaded Caliper	89 - 79	AS112057	AS112057	Bendix; 2.60" 2-Piston Caliper	P
Loaded Caliper	89 - 79	AS112057S	AS112057S	Bendix; 2.60" 2-Piston Caliper	O
Loaded Caliper	89 - 79	AS120549	AS120549	Bendix; 2.88" 2-Piston Caliper	P
Loaded Caliper	89 - 79	AS120549S	AS120549S	Bendix; 2.88" 2-Piston Caliper	O
Front, Unloaded	Years	Left No.	Right No.	Qualifier	Piston
Unloaded Caliper	89 - 79	CR112057	CR112057	Bendix; 2.60" 2-Piston Caliper	P
Unloaded Caliper	89 - 79	CR112057S	CR112057S	Bendix; 2.60" 2-Piston Caliper	O
Unloaded Caliper	89 - 79	CR120549	CR120549	Bendix; 2.88" 2-Piston Caliper	P
Unloaded Caliper	89 - 79	CR120549S	CR120549S	Bendix; 2.88" 2-Piston Caliper	O
Unloaded Caliper	89 - 79	CR130211	CR130210	Bendix; 3.38" 1-Piston Caliper	M
Rear, Unloaded	Years	Left No.	Right No.	Qualifier	Piston
Unloaded Caliper	89 - 79	CR112057	CR112057	Bendix; 2.60" 2-Piston Caliper	P
Unloaded Caliper	89 - 79	CR112057S	CR112057S	Bendix; 2.60" 2-Piston Caliper	O
Unloaded Caliper	89 - 79	CR120549	CR120549	Bendix; 2.88" 2-Piston Caliper	P
Unloaded Caliper	89 - 79	CR120549S	CR120549S	Bendix; 2.88" 2-Piston Caliper	O

Hydraulics - New

Master Cylinder	Years	Sequential No.	Category No.	Qualifier
Master Cylinder	89 - 84	F113751	(MC113751)	w/Disc Brake; Split Syst.; w/High Pwr.
Master Cylinder	89 - 84	F116702	(MC116702)	w/Disc Brake; Split Syst.; w/Hydrovac; 19000 lb. RA
Master Cylinder	89 - 79	F661	(MC661)	w/Drum Brake; Single Syst.; Exc. Tandem; 15" Brake
Master Cylinder	89 - 79	F2842	(MC2842)	w/Drum Brake; Single Syst.; Exc. Tandem; 16" Brake; w/Air Actuated Hyd. Brks.
Master Cylinder	89 - 79	F2951	(MC2951)	w/Drum Brake; Single Syst.; Tandem
Master Cylinder	89 - 79	F119402	(MC119402)	w/Drum Brake; Split Syst.; w/High Pwr.
Master Cylinder	89 - 79	F119397	(MC119397)	w/Drum Brake; Split Syst.; w/Hydrovac
Master Cylinder	83	F113751	(MC113751)	From 8/26/83; w/Disc Brake; Split Syst.; w/High Pwr.
Master Cylinder	83	F116702	(MC116702)	From 8/26/83; w/Disc Brake; Split Syst.; w/Hydrovac; 19000 lb. RA

↳Sub-Kit of Combi-Kit is available separately.

Piston: M - OE Metal Piston P - OE Phenolic Piston O - Metal Piston Option

1853- (cont.)**Hydraulics - New (cont.)**

Master Cylinder	Years	Sequential No.	Category No.	Qualifier
Master Cylinder	83	F119395	(MC119395)	To 8/25/83; w/Disc Brake; Split Syst.; w/High Pwr.
Master Cylinder	83	F119396	(MC119396)	To 8/25/83; w/Disc Brake; Split Syst.; w/Hydrovac
Master Cylinder	82 - 79	F119395	(MC119395)	w/Disc Brake; Split Syst.; w/High Pwr.
Master Cylinder	82 - 79	F119396	(MC119396)	w/Disc Brake; Split Syst.; w/Hydrovac

Front Wheel Cylinder	Years	Sequential No.	Category No.	Qualifier
Wheel Cylinder	89 - 79	F43383	(WC43383)	L.H.; 15 x 3" Brake; w/o Bleeder Screw; 1-1/4" Bore
Wheel Cylinder	89 - 79	F43383	(WC43383)	L.H.; 15 x 3-1/2" Brake; w/o Bleeder Screw; 1-1/4" Bore
Wheel Cylinder	89 - 79	F86444	(WC86444)	L.H.; 15 x 5" Brake; w/Bleeder Screw; 1-1/2" Bore
Wheel Cylinder	89 - 79	F43384	(WC43384)	R.H.; 15 x 3" Brake; w/o Bleeder Screw; 1-1/4" Bore
Wheel Cylinder	89 - 79	F43384	(WC43384)	R.H.; 15 x 3-1/2" Brake; w/o Bleeder Screw; 1-1/4" Bore
Wheel Cylinder	89 - 79	F86445	(WC86445)	R.H.; 15 x 5" Brake; w/Bleeder Screw; 1-1/2" Bore

Rear Wheel Cylinder	Years	Sequential No.	Category No.	Qualifier
Wheel Cylinder	89 - 79	F24489	(WC24489)	15 x 5" Brake; 1-5/8" Bore
Wheel Cylinder	89 - 79	F24489	(WC24489)	15 x 6" Brake; 1-5/8" Bore
Wheel Cylinder	89 - 79	F24489	(WC24489)	15 x 7" Brake; 17000-17500 lb. RA; 1-5/8" Bore
Wheel Cylinder	89 - 79	F26172	(WC26172)	15 x 7" Brake; 18500-19000 lb. RA or 34000 lb. TRA; 1-3/4" Bore
Wheel Cylinder	89 - 79	F24489	(WC24489)	16 x 5" Brake; 17000-17500 lb. RA; 1-5/8" Bore
Wheel Cylinder	89 - 79	F26172	(WC26172)	16 x 5" Brake; 18500-19000 lb. RA or 34000 lb. TRA; 1-3/4" Bore
Wheel Cylinder	89 - 79	F26172	(WC26172)	16 x 6" Brake; 1-3/4" Bore

Clutch Slave Cylinder	Years	Sequential No.	Category No.	Qualifier
Clutch Slave Cylinder	89 - 79	F43260	(SC43260)	

Front Brake Hose	Years	Sequential No.	Category No.	Qualifier
Brake Hose	89 - 79	F111136	(BH111136)	2WD; 15 x 3" Brake
Brake Hose	89 - 79	F111138	(BH111138)	2WD; 15 x 3-1/2" Brake; Dual Syst.
Brake Hose	89 - 79	F111136	(BH111136)	2WD; 15 x 3-1/2" Brake; Single Syst.
Brake Hose	89 - 79	F111139	(BH111139)	2WD; 15 x 5" Brake; Dual Syst.; Exc. 15 x 22.5" Tires
Brake Hose	89 - 79	F111140	(BH111140)	2WD; 15 x 5" Brake; Dual Syst.; w/15 x 22.5" Tires
Brake Hose	89 - 79	F111136	(BH111136)	2WD; 15 x 5" Brake; Single Syst.; Exc. 15 x 22.5" Tires
Brake Hose	89 - 79	F107731	(BH107731)	2WD; Bendix; 2.60" 2-Piston Caliper; 7500-8000 lb. FA
Brake Hose	89 - 79	F113150	(BH113150)	2WD; Bendix; 2.88" 2-Piston Caliper; 10000-12000 lb. FA
Brake Hose	89 - 79	F113151	(BH113151)	2WD; Bendix; 3.38" 1-Piston Caliper
Brake Hose	89 - 79	F111137	(BH111137)	4WD

Rear Brake Hose	Years	Sequential No.	Category No.	Qualifier
Brake Hose	89 - 79	F107733	(BH107733)	w/Disc Brake; 11" Length
Brake Hose	89 - 79	F107734	(BH107734)	w/Disc Brake; 18" Length
Brake Hose	89 - 79	F113154	(BH113154)	w/Disc Brake; 9-7/8" Length
Brake Hose	89 - 79	F107734	(BH107734)	w/Drum Brake; 18" Length
Brake Hose	89 - 79	F107735	(BH107735)	w/Drum Brake; 23" Length
Brake Hose	89 - 79	F111393	(BH111393)	w/Drum Brake; 27" Length

Hydraulics - Reman

Power Brake Booster	Years	Part No.	Qualifier
Hydro Booster	89 - 79	529901	Dual Syst.; Head
Hydro Booster	89 - 79	529802	High Pwr; Bendix Hydromax II; Complete Assy
Hydro Booster	89 - 79	529904	High Pwr; Bendix Hydromax II; Elect. Motor
Hydro Booster	89 - 79	529920	High Pwr; Bendix Hydromax II; Head
Hydro Booster	89 - 79	529900	Single Syst.; Head

Power Brake Booster	Years	Part No.	Qualifier
Vacuum Booster	89 - 79	518049	Exc. Tandem; Single Diaphragm; 15" Brake
Vacuum Booster	89 - 79	518047	Exc. Tandem; Single Diaphragm; 16" Brake
Vacuum Booster	89 - 79	518046	Tandem; Double Diaphragm

1853FC**Brake Pads & Shoes**

Front Pads & Shoes	Years	SevereDuty	Lining No.	Qualifier
Brake Pads	89 - 79	SD184		Bendix; 2.60" 2-Piston Caliper

Brake Pads & Shoes (cont.)

Front Pads & Shoes	Years	SevereDuty	Lining No.	Qualifier
Brake Pads	89 - 79	SD225		Bendix; 2.88" 2-Piston Caliper
Brake Pads	89 - 79	SD184		Bendix; 3.38" 1-Piston Caliper
Brake Shoes	89 - 79	SDS321R	EX1245AD-S32	Hyd. Brakes; Auto. Adj.; 15 x 3
Brake Shoes	89 - 79	SDS322R	EX1280BD-S32	Hyd. Brakes; Auto. Adj.; 15 x 3-1/2
Brake Shoes	89 - 79	SDS235R	EX1245AD-S32	Hyd. Brakes; Man. Adj.; 15 x 3
Brake Shoes	89 - 79	SDS840R	EX1280D-S32	Hyd. Brakes; Man. Adj.; 15 x 3-1/2
Brake Shoes	89 - 79	4223E	4223A	w/Air Brakes; Eaton/Spicer; 16-1/2 x 5
Brake Shoes	89 - 79	4514Q	4514G	w/Air Brakes; Rockwell/Meritor; Q-Series; 16-1/2 x 6
Brake Shoes	89 - 79	1307T	1307	w/Air Brakes; Rockwell/Meritor; T-Series; 15 x 3-1/2
Brake Shoes	89 - 79	1308T	1308T	w/Air Brakes; Rockwell/Meritor; T-Series; 15 x 4
Brake Shoes	89 - 79	4605S	4605	w/Air Brakes; Rockwell/Meritor; Wedge; 15 x 6
Rear Pads & Shoes	Years	SevereDuty	Lining No.	Qualifier
Brake Pads	89 - 79	SD184		Bendix; 2.60" 2-Piston Caliper
Brake Pads	89 - 79	SD225		Bendix; 2.88" 2-Piston Caliper
Brake Shoes	89 - 79	SDS346R	EX1252D-S32	Hyd. Brakes; 15 x 5
Brake Shoes	89 - 79	SDS381R	EX4596D-S32	Hyd. Brakes; 15 x 6
Brake Shoes	89 - 79	SDS383R	EX4597D-S32	Hyd. Brakes; 15 x 7
Brake Shoes	89 - 79	SDS385R	EX1254D-S32	Hyd. Brakes; 16 x 5
Brake Shoes	89 - 79	SDS386R	EX1255D-S32	Hyd. Brakes; 16 x 6
Brake Shoes	89 - 79	4311E	4311J	w/Air Brakes; Eaton/Spicer; 16-1/2 x 7
Brake Shoes	89 - 79	4514P	4514G	w/Air Brakes; Rockwell/Meritor; P-Series; 16-1/2 x 6
Brake Shoes	89 - 79	4515P	4515E	w/Air Brakes; Rockwell/Meritor; P-Series; 16-1/2 x 7
Brake Shoes	89 - 79	4644P	4644A	w/Air Brakes; Rockwell/Meritor; P-Series; 16-1/2 x 8
Brake Shoes	89 - 79	4514Q	4514G	w/Air Brakes; Rockwell/Meritor; Q-Series; 16-1/2 x 6
Brake Shoes	89 - 79	4515Q	4515E	w/Air Brakes; Rockwell/Meritor; Q-Series; 16-1/2 x 7
Brake Shoes	89 - 79	4644Q	4644A	w/Air Brakes; Rockwell/Meritor; Q-Series; 16-1/2 x 8
Brake Shoes	89 - 79	4602S	4602	w/Air Brakes; Rockwell/Meritor; Wedge; 15 x 7
Parking Brake Shoes	Years	SevereDuty	Lining No.	Qualifier
Brake Shoes	89 - 79	SDS842R	EX1303AD	Driveline Config.; 10 x 3
Brake Shoes	89 - 79	SDS647	EX2086D	Driveline Config.; 9 x 3

Rotor & Drum

Front Rotor & Drum	Years	Part No.	Qualifier
Brake Rotor	89 - 79	BD125097	5000-7500 lb. FA; Hat-Shaped; 10-Hole Rotor
Brake Rotor	89 - 79	BD125361	5000-7500 lb. FA; Hat-Shaped; 5-Hole Rotor
Brake Rotor	89 - 79	BD125362	5000-7500 lb. FA; Hat-Shaped; 6-Hole Rotor
Brake Rotor	89 - 79	BD126402	5000-7500 lb. FA; U-Shaped; 5-Hole Rotor
Brake Rotor	89 - 79	BD125096	5000-7500 lb. FA; U-Shaped; 6-Hole Rotor
Brake Rotor	89 - 87	BD125244	9000-12000 lb. FA; U-Shaped; 5-Hole Rotor
Brake Rotor	86	BD125244	From 2/01/86; 9000-12000 lb. FA; U-Shaped; 5-Hole Rotor
Brake Rotor	86	BD125098	To 1/31/86; 9000-12000 lb. FA; U-Shaped; 5-Hole Rotor
Brake Rotor	85 - 79	BD125098	9000-12000 lb. FA; U-Shaped; 5-Hole Rotor
Rear Rotor & Drum	Years	Part No.	Qualifier
Brake Rotor	89 - 79	BD125097	10000-15500 lb. RA; Hat-Shaped; 10-Hole Rotor
Brake Rotor	89 - 79	BD125362	10000-15500 lb. RA; Hat-Shaped; 6-Hole Rotor
Brake Rotor	89 - 79	BD126403	10000-15500 lb. RA; U-Shaped; 5-Hole Rotor
Brake Rotor	89 - 79	BD125096	10000-15500 lb. RA; U-Shaped; 6-Hole Rotor
Brake Rotor	89 - 79	BD125097	17000-19000 lb. RA; Hat-Shaped; 10-Hole Rotor
Brake Rotor	89 - 79	BD126394	17000-19000 lb. RA; U-Shaped; 10-Hole Rotor
Brake Rotor	89 - 79	BD125382	17000-19000 lb. RA; U-Shaped; 5-Hole Rotor; 12-3/4" Bolt Circle

Brake Hardware

Front Brake Hardware	Years	Sequential No.	Category No.	Qualifier
Adjuster Kit	89 - 79	F59159	(H2904)	L.H.; w/Auto Adj.
Adjuster Kit	89 - 79	F128990	(H2929)	L.H.; w/Man. Adj.
Adjuster Kit	89 - 79	F59160	(H2905)	R.H.; w/Auto Adj.



1853FC (cont.)

Brake Hardware (cont.)

Front Brake Hardware	Years	Sequential No.	Category No.	Qualifier
Adjuster Kit	89 - 79	F128990	(H2929)	R.H.; w/Man. Adj.
Combi Kit	89 - 79	F117025	(H7173)	15 x 3 or 15 x 3-1/2" Brake; w/Auto Adj.
↳Hold Down Kit		F73399	(H4201)	
↳Return Spring Kit		F36445	(H521)	
Combi Kit	89 - 79	F117026	(H7172)	15 x 3 or 15 x 3-1/2" Brake; w/Man. Adj.
↳Hold Down Kit		F19408	(H4200)	
↳Return Spring Kit		F36445	(H521)	
Combi Kit	89 - 79	F117025	(H7173)	15 x 5" Brake; w/Auto Adj.
↳Hold Down Kit		F73399	(H4201)	
↳Return Spring Kit		F36445	(H521)	
Combi Kit	89 - 79	F117019	(H7182)	15 x 5" Brake; w/Man. Adj.
↳Return Spring Kit		F36445	(H521)	
Disc Align Kit	89 - 79	F112095S	(H5564)	Bendix; 2.60" 2-Piston Caliper
Disc Align Kit	89 - 79	F112090S	(H5566)	Bendix; 2.88" 2-Piston Caliper
Disc Align Kit	89 - 79	F107401S	(H5562)	Bendix; 3.38" 1-Piston Caliper

Rear Brake Hardware

Years	Sequential No.	Category No.	Qualifier
89 - 79	F59157	(H2902)	L.H.; 15" Brake; w/Auto Adj.
89 - 79	F128894S	(H2911)	L.H.; 15" Brake; w/Man. Adj.
89 - 79	F128895S	(H2912)	L.H.; 16" Brake; w/Man. Adj.
89 - 79	F59158	(H2903)	R.H.; 15" Brake; w/Auto Adj.
89 - 79	F128894S	(H2911)	R.H.; 15" Brake; w/Man. Adj.
89 - 79	F128895S	(H2912)	R.H.; 16" Brake; w/Man. Adj.
89 - 79	F140823	(H1607)	L.H.; 15" Brake
89 - 79	F19291	(H1700)	L.H.; 16" Brake
89 - 79	F140818	(H1606)	R.H.; 15" Brake
89 - 79	F19292	(H1701)	R.H.; 16" Brake
89 - 79	F117027	(H7171)	
↳Adjuster Spring Kit		F78727	(H451)
↳Hold Down Kit		F19309	(H5079)
↳Return Spring Kit		F98318	(H609)
89 - 79	F112095S	(H5564)	Bendix; 2.60" 2-Piston Caliper
89 - 79	F112090S	(H5566)	Bendix; 2.88" 2-Piston Caliper

Calipers - Reman

Front, Loaded	Years	Left No.	Right No.	Qualifier	Piston
Loaded Caliper	89 - 79	AS112057	AS112057	Bendix; 2.60" 2-Piston Caliper	P
Loaded Caliper	89 - 79	AS112057S	AS112057S	Bendix; 2.60" 2-Piston Caliper	O
Loaded Caliper	89 - 79	AS120549	AS120549	Bendix; 2.88" 2-Piston Caliper	P
Loaded Caliper	89 - 79	AS120549S	AS120549S	Bendix; 2.88" 2-Piston Caliper	O
Loaded Caliper	89 - 79	AS130211A	AS130210A	Bendix; 3.38" 1-Piston Caliper	M
Rear, Loaded	Years	Left No.	Right No.	Qualifier	Piston
Loaded Caliper	89 - 79	AS112057	AS112057	Bendix; 2.60" 2-Piston Caliper	P
Loaded Caliper	89 - 79	AS112057S	AS112057S	Bendix; 2.60" 2-Piston Caliper	O
Loaded Caliper	89 - 79	AS120549	AS120549	Bendix; 2.88" 2-Piston Caliper	P
Loaded Caliper	89 - 79	AS120549S	AS120549S	Bendix; 2.88" 2-Piston Caliper	O
Front, Unloaded	Years	Left No.	Right No.	Qualifier	Piston
Unloaded Caliper	89 - 79	CR112057	CR112057	Bendix; 2.60" 2-Piston Caliper	P
Unloaded Caliper	89 - 79	CR112057S	CR112057S	Bendix; 2.60" 2-Piston Caliper	O
Unloaded Caliper	89 - 79	CR120549	CR120549	Bendix; 2.88" 2-Piston Caliper	P
Unloaded Caliper	89 - 79	CR120549S	CR120549S	Bendix; 2.88" 2-Piston Caliper	O
Unloaded Caliper	89 - 79	CR130211	CR130210	Bendix; 3.38" 1-Piston Caliper	M
Rear, Unloaded	Years	Left No.	Right No.	Qualifier	Piston
Unloaded Caliper	89 - 79	CR112057	CR112057	Bendix; 2.60" 2-Piston Caliper	P
Unloaded Caliper	89 - 79	CR112057S	CR112057S	Bendix; 2.60" 2-Piston Caliper	O
Unloaded Caliper	89 - 79	CR120549	CR120549	Bendix; 2.88" 2-Piston Caliper	P

↳Sub-Kit of Combi-Kit is available separately.

Piston: M - OE Metal Piston P - OE Phenolic Piston O - Metal Piston Option

Calipers - Reman (cont.)

Rear, Unloaded	Years	Left No.	Right No.	Qualifier	Piston
Unloaded Caliper	89 - 79	CR120549S	CR120549S	Bendix; 2.88" 2-Piston Caliper	O

Hydraulics - New

Master Cylinder	Years	Sequential No.	Category No.	Qualifier
Master Cylinder	89 - 84	F113751	(MC113751)	w/Disc Brake; Split Syst.; w/High Pwr.
Master Cylinder	89 - 84	F116702	(MC116702)	w/Disc Brake; Split Syst.; w/Hydrovac; 19000 lb. RA
Master Cylinder	89 - 79	F661	(MC661)	w/Drum Brake; Single Syst.; Exc. Tandem; 15" Brake
Master Cylinder	89 - 79	F2842	(MC2842)	w/Drum Brake; Single Syst.; Exc. Tandem; 16" Brake; w/Air Actuated Hyd. Brks.
Master Cylinder	89 - 79	F2951	(MC2951)	w/Drum Brake; Single Syst.; Tandem
Master Cylinder	89 - 79	F119402	(MC119402)	w/Drum Brake; Split Syst.; w/High Pwr.
Master Cylinder	89 - 79	F119397	(MC119397)	w/Drum Brake; Split Syst.; w/Hydrovac
Master Cylinder	83	F113751	(MC113751)	From 8/26/83; w/Disc Brake; Split Syst.; w/High Pwr.
Master Cylinder	83	F116702	(MC116702)	From 8/26/83; w/Disc Brake; Split Syst.; w/Hydrovac; 19000 lb. RA
Master Cylinder	83	F119395	(MC119395)	To 8/25/83; w/Disc Brake; Split Syst.; w/High Pwr.
Master Cylinder	83	F119396	(MC119396)	To 8/25/83; w/Disc Brake; Split Syst.; w/Hydrovac
Master Cylinder	82 - 79	F119395	(MC119395)	w/Disc Brake; Split Syst.; w/High Pwr.
Master Cylinder	82 - 79	F119396	(MC119396)	w/Disc Brake; Split Syst.; w/Hydrovac

Front Wheel Cylinder	Years	Sequential No.	Category No.	Qualifier
Wheel Cylinder	89 - 79	F43383	(WC43383)	L.H.; 15 x 3" Brake; w/o Bleeder Screw; 1-1/4" Bore
Wheel Cylinder	89 - 79	F43383	(WC43383)	L.H.; 15 x 3-1/2" Brake; w/o Bleeder Screw; 1-1/4" Bore
Wheel Cylinder	89 - 79	F86444	(WC86444)	L.H.; 15 x 5" Brake; w/Bleeder Screw; 1-1/2" Bore
Wheel Cylinder	89 - 79	F43384	(WC43384)	R.H.; 15 x 3" Brake; w/o Bleeder Screw; 1-1/4" Bore
Wheel Cylinder	89 - 79	F43384	(WC43384)	R.H.; 15 x 3-1/2" Brake; w/o Bleeder Screw; 1-1/4" Bore
Wheel Cylinder	89 - 79	F86445	(WC86445)	R.H.; 15 x 5" Brake; w/Bleeder Screw; 1-1/2" Bore

Rear Wheel Cylinder	Years	Sequential No.	Category No.	Qualifier
Wheel Cylinder	89 - 79	F24489	(WC24489)	15 x 5" Brake; 1-5/8" Bore
Wheel Cylinder	89 - 79	F24489	(WC24489)	15 x 6" Brake; 1-5/8" Bore
Wheel Cylinder	89 - 79	F24489	(WC24489)	15 x 7" Brake; 17000-17500 lb. RA; 1-5/8" Bore
Wheel Cylinder	89 - 79	F26172	(WC26172)	15 x 7" Brake; 18500-19000 lb. RA or 34000 lb. TRA; 1-3/4" Bore
Wheel Cylinder	89 - 79	F24489	(WC24489)	16 x 5" Brake; 17000-17500 lb. RA; 1-5/8" Bore
Wheel Cylinder	89 - 79	F26172	(WC26172)	16 x 5" Brake; 18500-19000 lb. RA or 34000 lb. TRA; 1-3/4" Bore
Wheel Cylinder	89 - 79	F26172	(WC26172)	16 x 6" Brake; 1-3/4" Bore

Clutch Slave Cylinder	Years	Sequential No.	Category No.	Qualifier
Clutch Slave Cylinder	89 - 79	F43260	(SC43260)	

Front Brake Hose	Years	Sequential No.	Category No.	Qualifier
Brake Hose	89 - 79	F111136	(BH111136)	2WD; 15 x 3" Brake
Brake Hose	89 - 79	F111138	(BH111138)	2WD; 15 x 3-1/2" Brake; Dual Syst.
Brake Hose	89 - 79	F111136	(BH111136)	2WD; 15 x 3-1/2" Brake; Single Syst.
Brake Hose	89 - 79	F111139	(BH111139)	2WD; 15 x 5" Brake; Dual Syst.; Exc. 15 x 22.5" Tires
Brake Hose	89 - 79	F111140	(BH111140)	2WD; 15 x 5" Brake; Dual Syst.; w/15 x 22.5" Tires
Brake Hose	89 - 79	F111136	(BH111136)	2WD; 15 x 5" Brake; Single Syst.; Exc. 15 x 22.5" Tires
Brake Hose	89 - 79	F107731	(BH107731)	2WD; Bendix; 2.60" 2-Piston Caliper; 7500-8000 lb. FA
Brake Hose	89 - 79	F113150	(BH113150)	2WD; Bendix; 2.88" 2-Piston Caliper; 10000-12000 lb. FA
Brake Hose	89 - 79	F113151	(BH113151)	2WD; Bendix; 3.38" 1-Piston Caliper
Brake Hose	89 - 79	F111137	(BH111137)	4WD

Rear Brake Hose	Years	Sequential No.	Category No.	Qualifier
Brake Hose	89 - 79	F107733	(BH107733)	w/Disc Brake; 11" Length
Brake Hose	89 - 79	F107734	(BH107734)	w/Disc Brake; 18" Length
Brake Hose	89 - 79	F113154	(BH113154)	w/Disc Brake; 9-7/8" Length
Brake Hose	89 - 79	F107734	(BH107734)	w/Drum Brake; 18" Length
Brake Hose	89 - 79	F107735	(BH107735)	w/Drum Brake; 23" Length
Brake Hose	89 - 79	F111393	(BH111393)	w/Drum Brake; 27" Length

Hydraulics - Reman

Power Brake Booster	Years	Part No.	Qualifier
Hydro Booster	89 - 79	529901	Dual Syst.; Head

Piston: M - OE Metal Piston P - OE Phenolic Piston O - Metal Piston Option

1853FC (cont.)**Hydraulics - Reman (cont.)**

Power Brake Booster	Years	Part No.	Qualifier
Hydro Booster	89 - 79	529802	High Pwr; Bendix Hydromax II; Complete Assy
Hydro Booster	89 - 79	529904	High Pwr; Bendix Hydromax II; Elect. Motor
Hydro Booster	89 - 79	529920	High Pwr; Bendix Hydromax II; Head
Hydro Booster	89 - 79	529900	Single Syst.; Head
Power Brake Booster	Years	Part No.	Qualifier
Vacuum Booster	89 - 79	518049	Exc. Tandem; Single Diaphragm; 15" Brake
Vacuum Booster	89 - 79	518047	Exc. Tandem; Single Diaphragm; 16" Brake
Vacuum Booster	89 - 79	518046	Tandem; Double Diaphragm

INTERNATIONAL MD 1900 CargoStar**CO1910****Brake Pads & Shoes**

Front Pads & Shoes	Years	SevereDuty	Lining No.	Qualifier
Brake Pads	86 - 79	SD184		Bendix; 2.60" 2-Piston Caliper
Brake Pads	86 - 79	SD225		Bendix; 2.88" 2-Piston Caliper
Brake Pads	86 - 79	SD184		Bendix; 3.38" 1-Piston Caliper
Brake Shoes	86 - 71	SDS321R	EX1245AD-S32	Hyd. Brakes; Auto. Adj.; 15 x 3
Brake Shoes	86 - 71	SDS322R	EX1280BD-S32	Hyd. Brakes; Auto. Adj.; 15 x 3-1/2
Brake Shoes	86 - 71	SDS235R	EX1245AD-S32	Hyd. Brakes; Man. Adj.; 15 x 3
Brake Shoes	86 - 71	SDS463R	EX1280D-S32	Hyd. Brakes; Man. Adj.; 15 x 3-1/2
Brake Shoes	86 - 71	4223E	4223A	w/Air Brakes; Eaton/Spicer; 16-1/2 x 5
Brake Shoes	86 - 71	4524P	4524B	w/Air Brakes; Rockwell/Meritor; P-Series; 16-1/2 x 5
Brake Shoes	86 - 71	1307T	1307	w/Air Brakes; Rockwell/Meritor; T-Series; 15 x 3-1/2
Brake Shoes	86 - 71	1308T	1308T	w/Air Brakes; Rockwell/Meritor; T-Series; 15 x 4
Brake Shoes	86 - 71	4615S	4615	w/Air Brakes; Rockwell/Meritor; Wedge; 15 x 5
Brake Shoes	86 - 71	4605S	4605	w/Air Brakes; Rockwell/Meritor; Wedge; 15 x 6
Rear Pads & Shoes	Years	SevereDuty	Lining No.	Qualifier
Brake Pads	86 - 79	SD184		Bendix; 2.60" 2-Piston Caliper
Brake Pads	86 - 79	SD225		Bendix; 2.88" 2-Piston Caliper
Brake Shoes	86 - 71	SDS346R	EX1252D-S32	Hyd. Brakes; 15 x 5
Brake Shoes	86 - 71	SDS381R	EX4596D-S32	Hyd. Brakes; 15 x 6
Brake Shoes	86 - 71	SDS383R	EX4597D-S32	Hyd. Brakes; 15 x 7
Brake Shoes	86 - 71	SDS385R	EX1254D-S32	Hyd. Brakes; 16 x 5
Brake Shoes	86 - 71	SDS386R	EX1255D-S32	Hyd. Brakes; 16 x 6
Brake Shoes	86 - 71	4311E	4311J	w/Air Brakes; Eaton/Spicer; 16-1/2 x 7
Brake Shoes	86 - 71	4514P	4514G	w/Air Brakes; Rockwell/Meritor; P-Series; 16-1/2 x 6
Brake Shoes	86 - 71	4515P	4515E	w/Air Brakes; Rockwell/Meritor; P-Series; 16-1/2 x 7
Brake Shoes	86 - 71	4605S	4605	w/Air Brakes; Rockwell/Meritor; Wedge; 15 x 6
Brake Shoes	86 - 71	4602S	4602	w/Air Brakes; Rockwell/Meritor; Wedge; 15 x 7
Parking Brake Shoes	Years	SevereDuty	Lining No.	Qualifier
Brake Shoes	86 - 71	SDS842R	EX1303AD	Driveline Config.; 10 x 3

Rotor & Drum

Front Rotor & Drum	Years	Part No.	Qualifier
Brake Rotor	86 - 79	BD125097	5000-7500 lb. FA; Hat-Shaped; 10-Hole Rotor
Brake Rotor	86 - 79	BD125361	5000-7500 lb. FA; Hat-Shaped; 5-Hole Rotor
Brake Rotor	86 - 79	BD125362	5000-7500 lb. FA; Hat-Shaped; 6-Hole Rotor
Brake Rotor	86 - 79	BD126402	5000-7500 lb. FA; U-Shaped; 5-Hole Rotor
Brake Rotor	86 - 79	BD125096	5000-7500 lb. FA; U-Shaped; 6-Hole Rotor
Brake Rotor	86	BD125244	From 2/01/86; 9000-12000 lb. FA; U-Shaped; 5-Hole Rotor
Brake Rotor	86	BD125098	To 1/31/86; 9000-12000 lb. FA; U-Shaped; 5-Hole Rotor
Brake Rotor	85 - 79	BD125098	9000-12000 lb. FA; U-Shaped; 5-Hole Rotor
Rear Rotor & Drum	Years	Part No.	Qualifier
Brake Rotor	86 - 79	BD125097	10000-15500 lb. RA; Hat-Shaped; 10-Hole Rotor
Brake Rotor	86 - 79	BD125362	10000-15500 lb. RA; Hat-Shaped; 6-Hole Rotor

Rotor & Drum (cont.)

Rear Rotor & Drum	Years	Part No.	Qualifier
Brake Rotor	86 - 79	BD126403	10000-15500 lb. RA; U-Shaped; 5-Hole Rotor
Brake Rotor	86 - 79	BD125096	10000-15500 lb. RA; U-Shaped; 6-Hole Rotor
Brake Rotor	86 - 79	BD125097	17000-19000 lb. RA; Hat-Shaped; 10-Hole Rotor
Brake Rotor	86 - 79	BD126394	17000-19000 lb. RA; U-Shaped; 10-Hole Rotor
Brake Rotor	86 - 79	BD125382	17000-19000 lb. RA; U-Shaped; 5-Hole Rotor; 12-3/4" Bolt Circle

Brake Hardware

Front Brake Hardware	Years	Sequential No.	Category No.	Qualifier
Adjuster Kit	86 - 71	F59159	(H2904)	L.H.; w/Auto Adj.
Adjuster Kit	86 - 71	F128990	(H2929)	L.H.; w/Man. Adj.
Adjuster Kit	86 - 71	F59160	(H2905)	R.H.; w/Auto Adj.
Adjuster Kit	86 - 71	F128990	(H2929)	R.H.; w/Man. Adj.
Combi Kit	86 - 71	F117025	(H7173)	14" Brake; w/Auto Adj.
↳Hold Down Kit		F73399	(H4201)	
↳Return Spring Kit		F36445	(H521)	
Combi Kit	86 - 71	F117018	(H7185)	14" Brake; w/Man. Adj.
↳Hold Down Kit		F19408	(H4200)	
↳Return Spring Kit		F36445	(H521)	
Combi Kit	86 - 71	F117025	(H7173)	15 x 3 or 15 x 3-1/2" Brake; w/Auto Adj.
↳Hold Down Kit		F73399	(H4201)	
↳Return Spring Kit		F36445	(H521)	
Combi Kit	86 - 71	F117026	(H7172)	15 x 3 or 15 x 3-1/2" Brake; w/Man. Adj.
↳Hold Down Kit		F19408	(H4200)	
↳Return Spring Kit		F36445	(H521)	
Combi Kit	86 - 71	F117025	(H7173)	15 x 5" Brake; w/Auto Adj.
↳Hold Down Kit		F73399	(H4201)	
↳Return Spring Kit		F36445	(H521)	
Combi Kit	86 - 71	F117019	(H7182)	15 x 5" Brake; w/Man. Adj.
↳Return Spring Kit		F36445	(H521)	
Disc Align Kit	86 - 79	F112095S	(H5564)	Bendix; 2.60" 2-Piston Caliper
Disc Align Kit	86 - 79	F112090S	(H5566)	Bendix; 2.88" 2-Piston Caliper
Disc Align Kit	86 - 79	F107401S	(H5562)	Bendix; 3.38" 1-Piston Caliper

Rear Brake Hardware	Years	Sequential No.	Category No.	Qualifier
Adjuster Kit	86 - 71	F59157	(H2902)	L.H.; 15" Brake; w/Auto Adj.
Adjuster Kit	86 - 71	F128894S	(H2911)	L.H.; 15" Brake; w/Man. Adj.
Adjuster Kit	86 - 71	F128895S	(H2912)	L.H.; 16" Brake; w/Man. Adj.
Adjuster Kit	86 - 71	F59158	(H2903)	R.H.; 15" Brake; w/Auto Adj.
Adjuster Kit	86 - 71	F128894S	(H2911)	R.H.; 15" Brake; w/Man. Adj.
Adjuster Kit	86 - 71	F128895S	(H2912)	R.H.; 16" Brake; w/Man. Adj.
Adjuster Screw	86 - 71	F140823	(H1607)	L.H.; 15" Brake
Adjuster Screw	86 - 71	F19291	(H1700)	L.H.; 16" Brake
Adjuster Screw	86 - 71	F140818	(H1606)	R.H.; 15" Brake
Adjuster Screw	86 - 71	F19292	(H1701)	R.H.; 16" Brake
Combi Kit	86 - 71	F117027	(H7171)	
↳Adjuster Spring Kit		F78727	(H451)	
↳Hold Down Kit		F19309	(H5079)	
↳Return Spring Kit		F98318	(H609)	
Disc Align Kit	86 - 79	F112095S	(H5564)	Bendix; 2.60" 2-Piston Caliper
Disc Align Kit	86 - 79	F112090S	(H5566)	Bendix; 2.88" 2-Piston Caliper

Calipers - Reman

Front, Loaded	Years	Left No.	Right No.	Qualifier	Piston
Loaded Caliper	86 - 79	AS112057	AS112057	Bendix; 2.60" 2-Piston Caliper	P
Loaded Caliper	86 - 79	AS112057S	AS112057S	Bendix; 2.60" 2-Piston Caliper	O
Loaded Caliper	86 - 79	AS120549	AS120549	Bendix; 2.88" 2-Piston Caliper	P
Loaded Caliper	86 - 79	AS120549S	AS120549S	Bendix; 2.88" 2-Piston Caliper	O

↳Sub-Kit of Combi-Kit is available separately.

Piston: M - OE Metal Piston P - OE Phenolic Piston O - Metal Piston Option

CO1910 (cont.)

Calipers - Reman (cont.)

Front, Loaded	Years	Left No.	Right No.	Qualifier	Piston
Loaded Caliper	86 - 79	AS130211A	AS130210A	Bendix; 3.38" 1-Piston Caliper	M
Rear, Loaded	Years	Left No.	Right No.	Qualifier	Piston
Loaded Caliper	86 - 79	AS112057	AS112057	Bendix; 2.60" 2-Piston Caliper	P
Loaded Caliper	86 - 79	AS112057S	AS112057S	Bendix; 2.60" 2-Piston Caliper	O
Loaded Caliper	86 - 79	AS120549	AS120549	Bendix; 2.88" 2-Piston Caliper	P
Loaded Caliper	86 - 79	AS120549S	AS120549S	Bendix; 2.88" 2-Piston Caliper	O
Front, Unloaded	Years	Left No.	Right No.	Qualifier	Piston
Unloaded Caliper	86 - 79	CR112057	CR112057	Bendix; 2.60" 2-Piston Caliper	P
Unloaded Caliper	86 - 79	CR112057S	CR112057S	Bendix; 2.60" 2-Piston Caliper	O
Unloaded Caliper	86 - 79	CR120549	CR120549	Bendix; 2.88" 2-Piston Caliper	P
Unloaded Caliper	86 - 79	CR120549S	CR120549S	Bendix; 2.88" 2-Piston Caliper	O
Unloaded Caliper	86 - 79	CR130211	CR130210	Bendix; 3.38" 1-Piston Caliper	M
Rear, Unloaded	Years	Left No.	Right No.	Qualifier	Piston
Unloaded Caliper	86 - 79	CR112057	CR112057	Bendix; 2.60" 2-Piston Caliper	P
Unloaded Caliper	86 - 79	CR112057S	CR112057S	Bendix; 2.60" 2-Piston Caliper	O
Unloaded Caliper	86 - 79	CR120549	CR120549	Bendix; 2.88" 2-Piston Caliper	P
Unloaded Caliper	86 - 79	CR120549S	CR120549S	Bendix; 2.88" 2-Piston Caliper	O

Hydraulics - New

Master Cylinder	Years	Sequential No.	Category No.	Qualifier
Master Cylinder	86 - 71	F76151	(MC76151)	Exc. H.D.; Frame Mtd.
Master Cylinder	86 - 71	F76154	(MC76154)	H.D.; Exc. Frame Mtd.
Front Wheel Cylinder	Years	Sequential No.	Category No.	Qualifier
Wheel Cylinder	86 - 71	F43383	(WC43383)	L.H.; 14 x 2-1/2" Brake; w/o Bleeder Screw; 1-1/4" Bore
Wheel Cylinder	86 - 71	F71940	(WC71940)	L.H.; 15 x 3" Brake; w/Bleeder Screw; 1-1/8" Bore
Wheel Cylinder	86 - 71	F43383	(WC43383)	L.H.; 15 x 3" Brake; w/o Bleeder Screw; 1-1/4" Bore
Wheel Cylinder	86 - 71	F8813	(WC8813)	L.H.; 15 x 3-1/2" Brake; w/o Bleeder Screw; 1-3/8" Bore
Wheel Cylinder	86 - 71	F43384	(WC43384)	R.H.; 14 x 2-1/2" Brake; w/o Bleeder Screw; 1-1/4" Bore
Wheel Cylinder	86 - 71	F71941	(WC71941)	R.H.; 15 x 3" Brake; w/Bleeder Screw; 1-1/8" Bore
Wheel Cylinder	86 - 71	F43384	(WC43384)	R.H.; 15 x 3" Brake; w/o Bleeder Screw; 1-1/4" Bore
Wheel Cylinder	86 - 71	F8814	(WC8814)	R.H.; 15 x 3-1/2" Brake; w/o Bleeder Screw; 1-3/8" Bore
Rear Wheel Cylinder	Years	Sequential No.	Category No.	Qualifier
Wheel Cylinder	86 - 71	F26159	(WC26159)	15 x 4" Brake; 1-1/2" Bore
Wheel Cylinder	86 - 71	F26159	(WC26159)	15 x 5" Brake; 1-1/2" Bore
Wheel Cylinder	86 - 71	F24489	(WC24489)	15 x 5" Brake; 1-5/8" Bore
Wheel Cylinder	86 - 71	F24489	(WC24489)	15 x 6" Brake; 1-5/8" Bore
Wheel Cylinder	86 - 71	F26172	(WC26172)	15 x 7" Brake; 1-3/4" Bore
Wheel Cylinder	86 - 71	F24489	(WC24489)	15 x 7" Brake; 1-5/8" Bore
Wheel Cylinder	86 - 71	F26172	(WC26172)	16 x 5" Brake; 1-3/4" Bore
Wheel Cylinder	86 - 71	F24489	(WC24489)	16 x 5" Brake; 1-5/8" Bore
Wheel Cylinder	86 - 71	F26172	(WC26172)	16 x 6" Brake; 1-3/4" Bore
Wheel Cylinder	86 - 71	F26181	(WC26181)	16 x 6" Brake; 1-7/8" Bore
Clutch Slave Cylinder	Years	Sequential No.	Category No.	Qualifier
Clutch Slave Cylinder	86 - 71	F43260	(SC43260)	
Front Brake Hose	Years	Sequential No.	Category No.	Qualifier
Brake Hose	86 - 71	F4751	(BH4751)	21-5/8" Length
Rear Brake Hose	Years	Sequential No.	Category No.	Qualifier
Brake Hose	86 - 71	F39508	(BH39508)	

Hydraulics - Reman

Power Brake Booster	Years	Part No.	Qualifier
Hydro Booster	86 - 79	529901	Dual; Head
Hydro Booster	86 - 79	529802	High Pwr; Bendix Hydromax II; Complete Assy
Hydro Booster	86 - 79	529904	High Pwr; Bendix Hydromax II; Elect. Motor
Hydro Booster	86 - 79	529920	High Pwr; Bendix Hydromax II; Head
Hydro Booster	86 - 79	529900	Single; Head

Piston: M - OE Metal Piston P - OE Phenolic Piston O - Metal Piston Option

CO1910 (cont.)
Hydraulics - Reman (cont.)

Power Brake Booster	Years	Part No.	Qualifier
Vacuum Booster	86 - 71	518054	Exc. Frame Mtd.; Single Diaphragm
Vacuum Booster	86 - 71	518002	Frame Mtd; Single Diaphragm

CO1950
Brake Pads & Shoes

Front Pads & Shoes	Years	SevereDuty	Lining No.	Qualifier
Brake Pads	86 - 79	SD184		Bendix; 2.60" 2-Piston Caliper
Brake Pads	86 - 79	SD225		Bendix; 2.88" 2-Piston Caliper
Brake Pads	86 - 79	SD184		Bendix; 3.38" 1-Piston Caliper
Brake Shoes	86 - 71	SDS321R	EX1245AD-S32	Hyd. Brakes; Auto. Adj.; 15 x 3
Brake Shoes	86 - 71	SDS322R	EX1280BD-S32	Hyd. Brakes; Auto. Adj.; 15 x 3-1/2
Brake Shoes	86 - 71	SDS235R	EX1245AD-S32	Hyd. Brakes; Man. Adj.; 15 x 3
Brake Shoes	86 - 71	SDS463R	EX1280D-S32	Hyd. Brakes; Man. Adj.; 15 x 3-1/2
Brake Shoes	86 - 71	4223E	4223A	w/Air Brakes; Eaton/Spicer; 16-1/2 x 5
Brake Shoes	86 - 71	4524P	4524B	w/Air Brakes; Rockwell/Meritor; P-Series; 16-1/2 x 5
Brake Shoes	86 - 71	1307T	1307	w/Air Brakes; Rockwell/Meritor; T-Series; 15 x 3-1/2
Brake Shoes	86 - 71	1308T	1308T	w/Air Brakes; Rockwell/Meritor; T-Series; 15 x 4
Brake Shoes	86 - 71	4615S	4615	w/Air Brakes; Rockwell/Meritor; Wedge; 15 x 5
Brake Shoes	86 - 71	4605S	4605	w/Air Brakes; Rockwell/Meritor; Wedge; 15 x 6

Rear Pads & Shoes	Years	SevereDuty	Lining No.	Qualifier
Brake Pads	86 - 79	SD184		Bendix; 2.60" 2-Piston Caliper
Brake Pads	86 - 79	SD225		Bendix; 2.88" 2-Piston Caliper
Brake Shoes	86 - 71	SDS346R	EX1252D-S32	Hyd. Brakes; 15 x 5
Brake Shoes	86 - 71	SDS381R	EX4596D-S32	Hyd. Brakes; 15 x 6
Brake Shoes	86 - 71	SDS383R	EX4597D-S32	Hyd. Brakes; 15 x 7
Brake Shoes	86 - 71	SDS385R	EX1254D-S32	Hyd. Brakes; 16 x 5
Brake Shoes	86 - 71	SDS386R	EX1255D-S32	Hyd. Brakes; 16 x 6
Brake Shoes	86 - 71	4311E	4311J	w/Air Brakes; Eaton/Spicer; 16-1/2 x 7
Brake Shoes	86 - 71	4514P	4514G	w/Air Brakes; Rockwell/Meritor; P-Series; 16-1/2 x 6
Brake Shoes	86 - 71	4515P	4515E	w/Air Brakes; Rockwell/Meritor; P-Series; 16-1/2 x 7
Brake Shoes	86 - 71	4605S	4605	w/Air Brakes; Rockwell/Meritor; Wedge; 15 x 6
Brake Shoes	86 - 71	4602S	4602	w/Air Brakes; Rockwell/Meritor; Wedge; 15 x 7

Parking Brake Shoes	Years	SevereDuty	Lining No.	Qualifier
Brake Shoes	86 - 71	SDS842R	EX1303AD	Driveline Config.; 10 x 3

Rotor & Drum

Front Rotor & Drum	Years	Part No.	Qualifier
Brake Rotor	86 - 79	BD125097	5000-7500 lb. FA; Hat-Shaped; 10-Hole Rotor
Brake Rotor	86 - 79	BD125361	5000-7500 lb. FA; Hat-Shaped; 5-Hole Rotor
Brake Rotor	86 - 79	BD125362	5000-7500 lb. FA; Hat-Shaped; 6-Hole Rotor
Brake Rotor	86 - 79	BD126402	5000-7500 lb. FA; U-Shaped; 5-Hole Rotor
Brake Rotor	86 - 79	BD125096	5000-7500 lb. FA; U-Shaped; 6-Hole Rotor
Brake Rotor	86	BD125244	From 2/01/86; 9000-12000 lb. FA; U-Shaped; 5-Hole Rotor
Brake Rotor	86	BD125098	To 1/31/86; 9000-12000 lb. FA; U-Shaped; 5-Hole Rotor
Brake Rotor	85 - 79	BD125098	9000-12000 lb. FA; U-Shaped; 5-Hole Rotor

Rear Rotor & Drum	Years	Part No.	Qualifier
Brake Rotor	86 - 79	BD125097	10000-15500 lb. RA; Hat-Shaped; 10-Hole Rotor
Brake Rotor	86 - 79	BD125362	10000-15500 lb. RA; Hat-Shaped; 6-Hole Rotor
Brake Rotor	86 - 79	BD126403	10000-15500 lb. RA; U-Shaped; 5-Hole Rotor
Brake Rotor	86 - 79	BD125096	10000-15500 lb. RA; U-Shaped; 6-Hole Rotor
Brake Rotor	86 - 79	BD125097	17000-19000 lb. RA; Hat-Shaped; 10-Hole Rotor
Brake Rotor	86 - 79	BD126394	17000-19000 lb. RA; U-Shaped; 10-Hole Rotor
Brake Rotor	86 - 79	BD125382	17000-19000 lb. RA; U-Shaped; 5-Hole Rotor; 12-3/4" Bolt Circle

Brake Hardware

Front Brake Hardware	Years	Sequential No.	Category No.	Qualifier
Adjuster Kit	86 - 71	F59159	(H2904)	L.H.; w/Auto Adj.

CO1950 (cont.)

Brake Hardware (cont.)

Front Brake Hardware	Years	Sequential No.	Category No.	Qualifier
Adjuster Kit	86 - 71	F128990	(H2929)	L.H.; w/Man. Adj.
Adjuster Kit	86 - 71	F59160	(H2905)	R.H.; w/Auto Adj.
Adjuster Kit	86 - 71	F128990	(H2929)	R.H.; w/Man. Adj.
Combi Kit	86 - 71	F117025	(H7173)	14" Brake; w/Auto Adj.
↳Hold Down Kit		F73399	(H4201)	
↳Return Spring Kit		F36445	(H521)	
Combi Kit	86 - 71	F117018	(H7185)	14" Brake; w/Man. Adj.
↳Hold Down Kit		F19408	(H4200)	
↳Return Spring Kit		F36445	(H521)	
Combi Kit	86 - 71	F117025	(H7173)	15 x 3 or 15 x 3-1/2" Brake; w/Auto Adj.
↳Hold Down Kit		F73399	(H4201)	
↳Return Spring Kit		F36445	(H521)	
Combi Kit	86 - 71	F117026	(H7172)	15 x 3 or 15 x 3-1/2" Brake; w/Man. Adj.
↳Hold Down Kit		F19408	(H4200)	
↳Return Spring Kit		F36445	(H521)	
Combi Kit	86 - 71	F117025	(H7173)	15 x 5" Brake; w/Auto Adj.
↳Hold Down Kit		F73399	(H4201)	
↳Return Spring Kit		F36445	(H521)	
Combi Kit	86 - 71	F117019	(H7182)	15 x 5" Brake; w/Man. Adj.
↳Return Spring Kit		F36445	(H521)	
Disc Align Kit	86 - 79	F112095S	(H5564)	Bendix; 2.60" 2-Piston Caliper
Disc Align Kit	86 - 79	F112090S	(H5566)	Bendix; 2.88" 2-Piston Caliper
Disc Align Kit	86 - 79	F107401S	(H5562)	Bendix; 3.38" 1-Piston Caliper

Rear Brake Hardware	Years	Sequential No.	Category No.	Qualifier
Adjuster Kit	86 - 71	F59157	(H2902)	L.H.; 15" Brake; w/Auto Adj.
Adjuster Kit	86 - 71	F128894S	(H2911)	L.H.; 15" Brake; w/Man. Adj.
Adjuster Kit	86 - 71	F128895S	(H2912)	L.H.; 16" Brake; w/Man. Adj.
Adjuster Kit	86 - 71	F59158	(H2903)	R.H.; 15" Brake; w/Auto Adj.
Adjuster Kit	86 - 71	F128894S	(H2911)	R.H.; 15" Brake; w/Man. Adj.
Adjuster Kit	86 - 71	F128895S	(H2912)	R.H.; 16" Brake; w/Man. Adj.
Adjuster Screw	86 - 71	F140823	(H1607)	L.H.; 15" Brake
Adjuster Screw	86 - 71	F19291	(H1700)	L.H.; 16" Brake
Adjuster Screw	86 - 71	F140818	(H1606)	R.H.; 15" Brake
Adjuster Screw	86 - 71	F19292	(H1701)	R.H.; 16" Brake
Combi Kit	86 - 71	F117027	(H7171)	
↳Adjuster Spring Kit		F78727	(H451)	
↳Hold Down Kit		F19309	(H5079)	
↳Return Spring Kit		F98318	(H609)	
Disc Align Kit	86 - 79	F112095S	(H5564)	Bendix; 2.60" 2-Piston Caliper
Disc Align Kit	86 - 79	F112090S	(H5566)	Bendix; 2.88" 2-Piston Caliper

Calipers - Reman

Front, Loaded	Years	Left No.	Right No.	Qualifier	Piston
Loaded Caliper	86 - 79	AS112057	AS112057	Bendix; 2.60" 2-Piston Caliper	P
Loaded Caliper	86 - 79	AS112057S	AS112057S	Bendix; 2.60" 2-Piston Caliper	O
Loaded Caliper	86 - 79	AS120549	AS120549	Bendix; 2.88" 2-Piston Caliper	P
Loaded Caliper	86 - 79	AS120549S	AS120549S	Bendix; 2.88" 2-Piston Caliper	O
Loaded Caliper	86 - 79	AS130211A	AS130210A	Bendix; 3.38" 1-Piston Caliper	M
Rear, Loaded	Years	Left No.	Right No.	Qualifier	Piston
Loaded Caliper	86 - 79	AS112057	AS112057	Bendix; 2.60" 2-Piston Caliper	P
Loaded Caliper	86 - 79	AS112057S	AS112057S	Bendix; 2.60" 2-Piston Caliper	O
Loaded Caliper	86 - 79	AS120549	AS120549	Bendix; 2.88" 2-Piston Caliper	P
Loaded Caliper	86 - 79	AS120549S	AS120549S	Bendix; 2.88" 2-Piston Caliper	O
Front, Unloaded	Years	Left No.	Right No.	Qualifier	Piston
Unloaded Caliper	86 - 79	CR112057	CR112057	Bendix; 2.60" 2-Piston Caliper	P

↳Sub-Kit of Combi-Kit is available separately.

Piston: M - OE Metal Piston P - OE Phenolic Piston O - Metal Piston Option

CO1950 (cont.)

Calipers - Reman (cont.)

Front, Unloaded	Years	Left No.	Right No.	Qualifier	Piston
Unloaded Caliper	86 - 79	CR112057S	CR112057S	Bendix; 2.60" 2-Piston Caliper	O
Unloaded Caliper	86 - 79	CR120549	CR120549	Bendix; 2.88" 2-Piston Caliper	P
Unloaded Caliper	86 - 79	CR120549S	CR120549S	Bendix; 2.88" 2-Piston Caliper	O
Unloaded Caliper	86 - 79	CR130211	CR130210	Bendix; 3.38" 1-Piston Caliper	M
Rear, Unloaded	Years	Left No.	Right No.	Qualifier	Piston
Unloaded Caliper	86 - 79	CR112057	CR112057	Bendix; 2.60" 2-Piston Caliper	P
Unloaded Caliper	86 - 79	CR112057S	CR112057S	Bendix; 2.60" 2-Piston Caliper	O
Unloaded Caliper	86 - 79	CR120549	CR120549	Bendix; 2.88" 2-Piston Caliper	P
Unloaded Caliper	86 - 79	CR120549S	CR120549S	Bendix; 2.88" 2-Piston Caliper	O

Hydraulics - New

Master Cylinder	Years	Sequential No.	Category No.	Qualifier
Master Cylinder	86 - 71	F76151	(MC76151)	Exc. H.D.; Frame Mtd.
Master Cylinder	86 - 71	F76154	(MC76154)	H.D.; Exc. Frame Mtd.
Front Wheel Cylinder	Years	Sequential No.	Category No.	Qualifier
Wheel Cylinder	86 - 71	F43383	(WC43383)	L.H.; 14 x 2-1/2" Brake; w/o Bleeder Screw; 1-1/4" Bore
Wheel Cylinder	86 - 71	F71940	(WC71940)	L.H.; 15 x 3" Brake; w/Bleeder Screw; 1-1/8" Bore
Wheel Cylinder	86 - 71	F43383	(WC43383)	L.H.; 15 x 3" Brake; w/o Bleeder Screw; 1-1/4" Bore
Wheel Cylinder	86 - 71	F8813	(WC8813)	L.H.; 15 x 3-1/2" Brake; w/o Bleeder Screw; 1-3/8" Bore
Wheel Cylinder	86 - 71	F43384	(WC43384)	R.H.; 14 x 2-1/2" Brake; w/o Bleeder Screw; 1-1/4" Bore
Wheel Cylinder	86 - 71	F71941	(WC71941)	R.H.; 15 x 3" Brake; w/Bleeder Screw; 1-1/8" Bore
Wheel Cylinder	86 - 71	F43384	(WC43384)	R.H.; 15 x 3" Brake; w/o Bleeder Screw; 1-1/4" Bore
Wheel Cylinder	86 - 71	F8814	(WC8814)	R.H.; 15 x 3-1/2" Brake; w/o Bleeder Screw; 1-3/8" Bore
Rear Wheel Cylinder	Years	Sequential No.	Category No.	Qualifier
Wheel Cylinder	86 - 71	F26159	(WC26159)	15 x 4" Brake; 1-1/2" Bore
Wheel Cylinder	86 - 71	F26159	(WC26159)	15 x 5" Brake; 1-1/2" Bore
Wheel Cylinder	86 - 71	F24489	(WC24489)	15 x 5" Brake; 1-5/8" Bore
Wheel Cylinder	86 - 71	F24489	(WC24489)	15 x 6" Brake; 1-5/8" Bore
Wheel Cylinder	86 - 71	F26172	(WC26172)	15 x 7" Brake; 1-3/4" Bore
Wheel Cylinder	86 - 71	F24489	(WC24489)	15 x 7" Brake; 1-5/8" Bore
Wheel Cylinder	86 - 71	F26172	(WC26172)	16 x 5" Brake; 1-3/4" Bore
Wheel Cylinder	86 - 71	F24489	(WC24489)	16 x 5" Brake; 1-5/8" Bore
Wheel Cylinder	86 - 71	F26172	(WC26172)	16 x 6" Brake; 1-3/4" Bore
Wheel Cylinder	86 - 71	F26181	(WC26181)	16 x 6" Brake; 1-7/8" Bore
Clutch Slave Cylinder	Years	Sequential No.	Category No.	Qualifier
Clutch Slave Cylinder	86 - 71	F43260	(SC43260)	
Front Brake Hose	Years	Sequential No.	Category No.	Qualifier
Brake Hose	86 - 71	F4751	(BH4751)	21-5/8" Length
Rear Brake Hose	Years	Sequential No.	Category No.	Qualifier
Brake Hose	86 - 71	F39508	(BH39508)	

Hydraulics - Reman

Power Brake Booster	Years	Part No.	Qualifier
Hydro Booster	86 - 79	529901	Dual; Head
Hydro Booster	86 - 79	529802	High Pwr; Bendix Hydromax II; Complete Assy
Hydro Booster	86 - 79	529904	High Pwr; Bendix Hydromax II; Elect. Motor
Hydro Booster	86 - 79	529920	High Pwr; Bendix Hydromax II; Head
Hydro Booster	86 - 79	529900	Single; Head
Power Brake Booster	Years	Part No.	Qualifier
Vacuum Booster	86 - 71	518054	Exc. Frame Mtd.; Single Diaphragm
Vacuum Booster	86 - 71	518002	Frame Mtd; Single Diaphragm

Piston: M - OE Metal Piston P - OE Phenolic Piston O - Metal Piston Option

1910

Brake Pads & Shoes

Front Pads & Shoes	Years	SevereDuty	Lining No.	Qualifier
Brake Shoes	78 - 70	SDS321R	EX1245AD-S32	Hyd. Brakes; Auto. Adj.; 15 x 3
Brake Shoes	78 - 70	SDS322R	EX1280BD-S32	Hyd. Brakes; Auto. Adj.; 15 x 3-1/2
Brake Shoes	78 - 70	SDS235R	EX1245AD-S32	Hyd. Brakes; Man. Adj.; 15 x 3
Brake Shoes	78 - 70	SDS463R	EX1280D-S32	Hyd. Brakes; Man. Adj.; 15 x 3-1/2
Brake Shoes	78 - 70	4615S	4615	w/Air Brakes; Rockwell/Meritor; Wedge; 15 x 5
Rear Pads & Shoes	Years	SevereDuty	Lining No.	Qualifier
Brake Shoes	78 - 70	SDS346R	EX1252D-S32	Hyd. Brakes; 15 x 5
Brake Shoes	78 - 70	SDS381R	EX4596D-S32	Hyd. Brakes; 15 x 6
Brake Shoes	78 - 70	SDS383R	EX4597D-S32	Hyd. Brakes; 15 x 7
Brake Shoes	78 - 70	SDS385R	EX1254D-S32	Hyd. Brakes; 16 x 5
Brake Shoes	78 - 70	SDS386R	EX1255D-S32	Hyd. Brakes; 16 x 6
Brake Shoes	78 - 70	4317E	4317G	w/Air Brakes; Eaton/Spicer; 16-1/2 x 6
Brake Shoes	78 - 70	4311E	4311J	w/Air Brakes; Eaton/Spicer; 16-1/2 x 7
Brake Shoes	78 - 70	4514P	4514G	w/Air Brakes; Rockwell/Meritor; P-Series; 16-1/2 x 6
Brake Shoes	78 - 70	4515P	4515E	w/Air Brakes; Rockwell/Meritor; P-Series; 16-1/2 x 7
Brake Shoes	78 - 70	4605S	4605	w/Air Brakes; Rockwell/Meritor; Wedge; 15 x 6
Brake Shoes	78 - 70	4602S	4602	w/Air Brakes; Rockwell/Meritor; Wedge; 15 x 7

Brake Hardware

Front Brake Hardware	Years	Sequential No.	Category No.	Qualifier
Adjuster Kit	78 - 70	F59159	(H2904)	L.H.; w/Auto Adj.
Adjuster Kit	78 - 70	F128990	(H2929)	L.H.; w/Man. Adj.
Adjuster Kit	78 - 70	F59160	(H2905)	R.H.; w/Auto Adj.
Adjuster Kit	78 - 70	F128990	(H2929)	R.H.; w/Man. Adj.
Combi Kit	78 - 70	F117025	(H7173)	15 x 3 or 15 x 3-1/2" Brake; w/Auto Adj.
↳Hold Down Kit		F73399	(H4201)	
↳Return Spring Kit		F36445	(H521)	
Combi Kit	78 - 70	F117026	(H7172)	15 x 3 or 15 x 3-1/2" Brake; w/Man. Adj.
↳Hold Down Kit		F19408	(H4200)	
↳Return Spring Kit		F36445	(H521)	
Combi Kit	78 - 70	F117025	(H7173)	15 x 5" Brake; w/Auto Adj.
↳Hold Down Kit		F73399	(H4201)	
↳Return Spring Kit		F36445	(H521)	
Combi Kit	78 - 70	F117019	(H7182)	15 x 5" Brake; w/Man. Adj.
↳Return Spring Kit		F36445	(H521)	
Rear Brake Hardware	Years	Sequential No.	Category No.	Qualifier
Adjuster Kit	78 - 70	F59157	(H2902)	L.H.; 15" Brake; w/Auto Adj.
Adjuster Kit	78 - 70	F128894S	(H2911)	L.H.; 15" Brake; w/Man. Adj.
Adjuster Kit	78 - 70	F128895S	(H2912)	L.H.; 16" Brake; w/Man. Adj.
Adjuster Kit	78 - 70	F59158	(H2903)	R.H.; 15" Brake; w/Auto Adj.
Adjuster Kit	78 - 70	F128894S	(H2911)	R.H.; 15" Brake; w/Man. Adj.
Adjuster Kit	78 - 70	F128895S	(H2912)	R.H.; 16" Brake; w/Man. Adj.
Adjuster Screw	78 - 70	F140823	(H1607)	L.H.; 15" Brake
Adjuster Screw	78 - 70	F19291	(H1700)	L.H.; 16" Brake
Adjuster Screw	78 - 70	F140818	(H1606)	R.H.; 15" Brake
Adjuster Screw	78 - 70	F19292	(H1701)	R.H.; 16" Brake
Combi Kit	78 - 70	F117027	(H7171)	
↳Adjuster Spring Kit		F78727	(H451)	
↳Hold Down Kit		F19309	(H5079)	
↳Return Spring Kit		F98318	(H609)	

Hydraulics - New

Master Cylinder	Years	Sequential No.	Category No.	Qualifier
Master Cylinder	78 - 70	F2842	(MC2842)	Exc. Tandem
Master Cylinder	78 - 70	F2951	(MC2951)	Tandem

↳Sub-Kit of Combi-Kit is available separately.

1910 (cont.)

Hydraulics - New (cont.)

Front Wheel Cylinder	Years	Sequential No.	Category No.	Qualifier
Wheel Cylinder	78 - 70	F71940	(WC71940)	L.H.; 15 x 3" Brake; w/Bleeder Screw; 1-1/8" Bore
Wheel Cylinder	78 - 70	F43383	(WC43383)	L.H.; 15 x 3" Brake; w/o Bleeder Screw; 2WD; 1-1/4" Bore
Wheel Cylinder	78 - 70	F8852	(WC8852)	L.H.; 15 x 3" Brake; w/o Bleeder Screw; 4WD; 1-1/8" Bore
Wheel Cylinder	78 - 70	F8813	(WC8813)	L.H.; 15 x 3-1/2" Brake; w/o Bleeder Screw; 1-3/8" Bore
Wheel Cylinder	78 - 70	F71941	(WC71941)	R.H.; 15 x 3" Brake; w/Bleeder Screw; 1-1/8" Bore
Wheel Cylinder	78 - 70	F43384	(WC43384)	R.H.; 15 x 3" Brake; w/o Bleeder Screw; 2WD; 1-1/4" Bore
Wheel Cylinder	78 - 70	F8853	(WC8853)	R.H.; 15 x 3" Brake; w/o Bleeder Screw; 4WD; 1-1/8" Bore
Wheel Cylinder	78 - 70	F8814	(WC8814)	R.H.; 15 x 3-1/2" Brake; w/o Bleeder Screw; 1-3/8" Bore
Rear Wheel Cylinder	Years	Sequential No.	Category No.	Qualifier
Wheel Cylinder	78 - 70	F26159	(WC26159)	15 x 5" Brake; 1-1/2" Bore
Wheel Cylinder	78 - 70	F24489	(WC24489)	15 x 5" Brake; 1-5/8" Bore
Wheel Cylinder	78 - 70	F24489	(WC24489)	15 x 6" Brake; 1-5/8" Bore
Wheel Cylinder	78 - 70	F26172	(WC26172)	15 x 7" Brake; 1-3/4" Bore
Wheel Cylinder	78 - 70	F24489	(WC24489)	15 x 7" Brake; 1-5/8" Bore
Wheel Cylinder	78 - 70	F26172	(WC26172)	16 x 5" Brake; 1-3/4" Bore
Wheel Cylinder	78 - 70	F24489	(WC24489)	16 x 5" Brake; 1-5/8" Bore
Wheel Cylinder	78 - 70	F26172	(WC26172)	16 x 6" Brake; 1-3/4" Bore
Wheel Cylinder	78 - 70	F26181	(WC26181)	16 x 6" Brake; 1-7/8" Bore
Clutch Master Cylind	Years	Sequential No.	Category No.	Qualifier
Clutch Master Cylinder	78 - 70	F2775	(CM2775)	Exc. Tandem
Clutch Slave Cylinder	Years	Sequential No.	Category No.	Qualifier
Clutch Slave Cylinder	78 - 70	F43260	(SC43260)	Tandem
Front Brake Hose	Years	Sequential No.	Category No.	Qualifier
Brake Hose	78 - 70	F4751	(BH4751)	7000 lb. FA
Rear Brake Hose	Years	Sequential No.	Category No.	Qualifier
Brake Hose	78 - 70	F39508	(BH39508)	Exc. Tandem
Brake Hose	78 - 70	F79361	(BH79361)	Tandem; Rear RA

Hydraulics - Reman

Power Brake Booster	Years	Part No.	Qualifier
Vacuum Booster	78 - 70	518037	34000 lb. TRA; Double Diaphragm

1950

Brake Pads & Shoes

Front Pads & Shoes	Years	SevereDuty	Lining No.	Qualifier
Brake Shoes	78 - 70	SDS321R	EX1245AD-S32	Hyd. Brakes; Auto. Adj.; 15 x 3
Brake Shoes	78 - 70	SDS322R	EX1280BD-S32	Hyd. Brakes; Auto. Adj.; 15 x 3-1/2
Brake Shoes	78 - 70	SDS235R	EX1245AD-S32	Hyd. Brakes; Man. Adj.; 15 x 3
Brake Shoes	78 - 70	SDS463R	EX1280D-S32	Hyd. Brakes; Man. Adj.; 15 x 3-1/2
Brake Shoes	78 - 70	4615S	4615	w/Air Brakes; Rockwell/Meritor; Wedge; 15 x 5
Rear Pads & Shoes	Years	SevereDuty	Lining No.	Qualifier
Brake Shoes	78 - 70	SDS346R	EX1252D-S32	Hyd. Brakes; 15 x 5
Brake Shoes	78 - 70	SDS381R	EX4596D-S32	Hyd. Brakes; 15 x 6
Brake Shoes	78 - 70	SDS383R	EX4597D-S32	Hyd. Brakes; 15 x 7
Brake Shoes	78 - 70	SDS385R	EX1254D-S32	Hyd. Brakes; 16 x 5
Brake Shoes	78 - 70	SDS386R	EX1255D-S32	Hyd. Brakes; 16 x 6
Brake Shoes	78 - 70	4317E	4317G	w/Air Brakes; Eaton/Spicer; 16-1/2 x 6
Brake Shoes	78 - 70	4311E	4311J	w/Air Brakes; Eaton/Spicer; 16-1/2 x 7
Brake Shoes	78 - 70	4514P	4514G	w/Air Brakes; Rockwell/Meritor; P-Series; 16-1/2 x 6
Brake Shoes	78 - 70	4515P	4515E	w/Air Brakes; Rockwell/Meritor; P-Series; 16-1/2 x 7
Brake Shoes	78 - 70	4605S	4605	w/Air Brakes; Rockwell/Meritor; Wedge; 15 x 6
Brake Shoes	78 - 70	4602S	4602	w/Air Brakes; Rockwell/Meritor; Wedge; 15 x 7

Brake Hardware

Front Brake Hardware	Years	Sequential No.	Category No.	Qualifier
Adjuster Kit	78 - 70	F59159	(H2904)	L.H.; w/Auto Adj.

1950 (cont.)

Brake Hardware (cont.)

Front Brake Hardware	Years	Sequential No.	Category No.	Qualifier
Adjuster Kit	78 - 70	F128990	(H2929)	L.H.; w/Man. Adj.
Adjuster Kit	78 - 70	F59160	(H2905)	R.H.; w/Auto Adj.
Adjuster Kit	78 - 70	F128990	(H2929)	R.H.; w/Man. Adj.
Combi Kit	78 - 70	F117025	(H7173)	15 x 3 or 15 x 3-1/2" Brake; w/Auto Adj.
↳Hold Down Kit		F73399	(H4201)	
↳Return Spring Kit		F36445	(H521)	
Combi Kit	78 - 70	F117026	(H7172)	15 x 3 or 15 x 3-1/2" Brake; w/Man. Adj.
↳Hold Down Kit		F19408	(H4200)	
↳Return Spring Kit		F36445	(H521)	
Combi Kit	78 - 70	F117025	(H7173)	15 x 5" Brake; w/Auto Adj.
↳Hold Down Kit		F73399	(H4201)	
↳Return Spring Kit		F36445	(H521)	
Combi Kit	78 - 70	F117019	(H7182)	15 x 5" Brake; w/Man. Adj.
↳Return Spring Kit		F36445	(H521)	

Rear Brake Hardware	Years	Sequential No.	Category No.	Qualifier
Adjuster Kit	78 - 70	F59157	(H2902)	L.H.; 15" Brake; w/Auto Adj.
Adjuster Kit	78 - 70	F128894S	(H2911)	L.H.; 15" Brake; w/Man. Adj.
Adjuster Kit	78 - 70	F128895S	(H2912)	L.H.; 16" Brake; w/Man. Adj.
Adjuster Kit	78 - 70	F59158	(H2903)	R.H.; 15" Brake; w/Auto Adj.
Adjuster Kit	78 - 70	F128894S	(H2911)	R.H.; 15" Brake; w/Man. Adj.
Adjuster Kit	78 - 70	F128895S	(H2912)	R.H.; 16" Brake; w/Man. Adj.
Adjuster Screw	78 - 70	F140823	(H1607)	L.H.; 15" Brake
Adjuster Screw	78 - 70	F19291	(H1700)	L.H.; 16" Brake
Adjuster Screw	78 - 70	F140818	(H1606)	R.H.; 15" Brake
Adjuster Screw	78 - 70	F19292	(H1701)	R.H.; 16" Brake
Combi Kit	78 - 70	F117027	(H7171)	
↳Adjuster Spring Kit		F78727	(H451)	
↳Hold Down Kit		F19309	(H5079)	
↳Return Spring Kit		F98318	(H609)	

Hydraulics - New

Master Cylinder	Years	Sequential No.	Category No.	Qualifier
Master Cylinder	78 - 70	F2842	(MC2842)	Exc. Tandem
Master Cylinder	78 - 70	F2951	(MC2951)	Tandem

Front Wheel Cylinder	Years	Sequential No.	Category No.	Qualifier
Wheel Cylinder	78 - 70	F71940	(WC71940)	L.H.; 15 x 3" Brake; w/Bleeder Screw; 1-1/8" Bore
Wheel Cylinder	78 - 70	F43383	(WC43383)	L.H.; 15 x 3" Brake; w/o Bleeder Screw; 2WD; 1-1/4" Bore
Wheel Cylinder	78 - 70	F8852	(WC8852)	L.H.; 15 x 3" Brake; w/o Bleeder Screw; 4WD; 1-1/8" Bore
Wheel Cylinder	78 - 70	F8813	(WC8813)	L.H.; 15 x 3-1/2" Brake; w/o Bleeder Screw; 1-3/8" Bore
Wheel Cylinder	78 - 70	F71941	(WC71941)	R.H.; 15 x 3" Brake; w/Bleeder Screw; 1-1/8" Bore
Wheel Cylinder	78 - 70	F43384	(WC43384)	R.H.; 15 x 3" Brake; w/o Bleeder Screw; 2WD; 1-1/4" Bore
Wheel Cylinder	78 - 70	F8853	(WC8853)	R.H.; 15 x 3" Brake; w/o Bleeder Screw; 4WD; 1-1/8" Bore
Wheel Cylinder	78 - 70	F8814	(WC8814)	R.H.; 15 x 3-1/2" Brake; w/o Bleeder Screw; 1-3/8" Bore

Rear Wheel Cylinder	Years	Sequential No.	Category No.	Qualifier
Wheel Cylinder	78 - 70	F26159	(WC26159)	15 x 5" Brake; 1-1/2" Bore
Wheel Cylinder	78 - 70	F24489	(WC24489)	15 x 5" Brake; 1-5/8" Bore
Wheel Cylinder	78 - 70	F24489	(WC24489)	15 x 6" Brake; 1-5/8" Bore
Wheel Cylinder	78 - 70	F26172	(WC26172)	15 x 7" Brake; 1-3/4" Bore
Wheel Cylinder	78 - 70	F24489	(WC24489)	15 x 7" Brake; 1-5/8" Bore
Wheel Cylinder	78 - 70	F26172	(WC26172)	16 x 5" Brake; 1-3/4" Bore
Wheel Cylinder	78 - 70	F24489	(WC24489)	16 x 5" Brake; 1-5/8" Bore
Wheel Cylinder	78 - 70	F26172	(WC26172)	16 x 6" Brake; 1-3/4" Bore
Wheel Cylinder	78 - 70	F26181	(WC26181)	16 x 6" Brake; 1-7/8" Bore

Clutch Master Cylinder	Years	Sequential No.	Category No.	Qualifier
Clutch Master Cylinder	78 - 70	F2775	(CM2775)	Exc. Tandem

↳Sub-Kit of Combi-Kit is available separately.

1950 (cont.)

Hydraulics - New (cont.)

Clutch Slave Cylinder	Years	Sequential No.	Category No.	Qualifier
Clutch Slave Cylinder	78 - 70	F43260	(SC43260)	Tandem
Front Brake Hose	Years	Sequential No.	Category No.	Qualifier
Brake Hose	78 - 70	F4751	(BH4751)	7000 lb. FA
Rear Brake Hose	Years	Sequential No.	Category No.	Qualifier
Brake Hose	78 - 70	F39508	(BH39508)	Exc. Tandem
Brake Hose	78 - 70	F79361	(BH79361)	Tandem; Rear RA

Hydraulics - Reman

Power Brake Booster	Years	Part No.	Qualifier
Vacuum Booster	78 - 70	518037	34000 lb. TRA; Double Diaphragm

INTERNATIONAL MD 1900 S-Series

1924

Brake Pads & Shoes

Front Pads & Shoes	Years	SevereDuty	Lining No.	Qualifier
Brake Pads	89 - 79	SD184		Bendix; 2.60" 2-Piston Caliper
Brake Pads	89 - 79	SD225		Bendix; 2.88" 2-Piston Caliper
Brake Pads	89 - 79	SD184		Bendix; 3.38" 1-Piston Caliper
Brake Shoes	89 - 79	SDS321R	EX1245AD-S32	Hyd. Brakes; Auto. Adj.; 15 x 3
Brake Shoes	89 - 79	SDS322R	EX1280BD-S32	Hyd. Brakes; Auto. Adj.; 15 x 3-1/2
Brake Shoes	89 - 79	SDS235R	EX1245AD-S32	Hyd. Brakes; Man. Adj.; 15 x 3
Brake Shoes	89 - 79	SDS840R	EX1280D-S32	Hyd. Brakes; Man. Adj.; 15 x 3-1/2
Brake Shoes	89 - 79	4223E	4223A	w/Air Brakes; Eaton/Spicer; 16-1/2 x 5
Brake Shoes	89 - 79	4514Q	4514G	w/Air Brakes; Rockwell/Meritor; Q-Series; 16-1/2 x 6
Brake Shoes	89 - 79	1307T	1307	w/Air Brakes; Rockwell/Meritor; T-Series; 15 x 3-1/2
Brake Shoes	89 - 79	1308T	1308T	w/Air Brakes; Rockwell/Meritor; T-Series; 15 x 4
Brake Shoes	89 - 79	4605S	4605	w/Air Brakes; Rockwell/Meritor; Wedge; 15 x 6
Rear Pads & Shoes	Years	SevereDuty	Lining No.	Qualifier
Brake Pads	89 - 79	SD184		Bendix; 2.60" 2-Piston Caliper
Brake Pads	89 - 79	SD225		Bendix; 2.88" 2-Piston Caliper
Brake Shoes	89 - 79	SDS346R	EX1252D-S32	Hyd. Brakes; 15 x 5
Brake Shoes	89 - 79	SDS381R	EX4596D-S32	Hyd. Brakes; 15 x 6
Brake Shoes	89 - 79	SDS383R	EX4597D-S32	Hyd. Brakes; 15 x 7
Brake Shoes	89 - 79	SDS385R	EX1254D-S32	Hyd. Brakes; 16 x 5
Brake Shoes	89 - 79	SDS386R	EX1255D-S32	Hyd. Brakes; 16 x 6
Brake Shoes	89 - 79	4311E	4311J	w/Air Brakes; Eaton/Spicer; 16-1/2 x 7
Brake Shoes	89 - 79	4514P	4514G	w/Air Brakes; Rockwell/Meritor; P-Series; 16-1/2 x 6
Brake Shoes	89 - 79	4515P	4515E	w/Air Brakes; Rockwell/Meritor; P-Series; 16-1/2 x 7
Brake Shoes	89 - 79	4644P	4644A	w/Air Brakes; Rockwell/Meritor; P-Series; 16-1/2 x 8
Brake Shoes	89 - 79	4514Q	4514G	w/Air Brakes; Rockwell/Meritor; Q-Series; 16-1/2 x 6
Brake Shoes	89 - 79	4515Q	4515E	w/Air Brakes; Rockwell/Meritor; Q-Series; 16-1/2 x 7
Brake Shoes	89 - 79	4644Q	4644A	w/Air Brakes; Rockwell/Meritor; Q-Series; 16-1/2 x 8
Brake Shoes	89 - 79	4602S	4602	w/Air Brakes; Rockwell/Meritor; Wedge; 15 x 7
Parking Brake Shoes	Years	SevereDuty	Lining No.	Qualifier
Brake Shoes	89 - 79	SDS842R	EX1303AD	Driveline Config.; 10 x 3
Brake Shoes	89 - 79	SDS647	EX2086D	Driveline Config.; 9 x 3

Rotor & Drum

Front Rotor & Drum	Years	Part No.	Qualifier
Brake Rotor	89 - 79	BD125097	5000-7500 lb. FA; Hat-Shaped; 10-Hole Rotor
Brake Rotor	89 - 79	BD125361	5000-7500 lb. FA; Hat-Shaped; 5-Hole Rotor
Brake Rotor	89 - 79	BD125362	5000-7500 lb. FA; Hat-Shaped; 6-Hole Rotor
Brake Rotor	89 - 79	BD126402	5000-7500 lb. FA; U-Shaped; 5-Hole Rotor
Brake Rotor	89 - 79	BD125096	5000-7500 lb. FA; U-Shaped; 6-Hole Rotor
Brake Rotor	89 - 87	BD125244	9000-12000 lb. FA; U-Shaped; 5-Hole Rotor
Brake Rotor	86	BD125244	From 2/01/86; 9000-12000 lb. FA; U-Shaped; 5-Hole Rotor



1924 (cont.)

Rotor & Drum (cont.)

Front Rotor & Drum	Years	Part No.	Qualifier
Brake Rotor	86	BD125098	To 1/31/86; 9000-12000 lb. FA; U-Shaped; 5-Hole Rotor
Brake Rotor	85 - 79	BD125098	9000-12000 lb. FA; U-Shaped; 5-Hole Rotor
Rear Rotor & Drum	Years	Part No.	Qualifier
Brake Rotor	89 - 79	BD125097	10000-15500 lb. RA; Hat-Shaped; 10-Hole Rotor
Brake Rotor	89 - 79	BD125362	10000-15500 lb. RA; Hat-Shaped; 6-Hole Rotor
Brake Rotor	89 - 79	BD126403	10000-15500 lb. RA; U-Shaped; 5-Hole Rotor
Brake Rotor	89 - 79	BD125096	10000-15500 lb. RA; U-Shaped; 6-Hole Rotor
Brake Rotor	89 - 79	BD125097	17000-19000 lb. RA; Hat-Shaped; 10-Hole Rotor
Brake Rotor	89 - 79	BD126394	17000-19000 lb. RA; U-Shaped; 10-Hole Rotor
Brake Rotor	89 - 79	BD125382	17000-19000 lb. RA; U-Shaped; 5-Hole Rotor; 12-3/4" Bolt Circle

Brake Hardware

Front Brake Hardware	Years	Sequential No.	Category No.	Qualifier
Adjuster Kit	89 - 79	F59159	(H2904)	L.H.; w/Auto Adj.
Adjuster Kit	89 - 79	F128990	(H2929)	L.H.; w/Man. Adj.
Adjuster Kit	89 - 79	F59160	(H2905)	R.H.; w/Auto Adj.
Adjuster Kit	89 - 79	F128990	(H2929)	R.H.; w/Man. Adj.
Combi Kit	89 - 79	F117025	(H7173)	15 x 3 or 15 x 3-1/2" Brake; w/Auto Adj.
↳Hold Down Kit		F73399	(H4201)	
↳Return Spring Kit		F36445	(H521)	
Combi Kit	89 - 79	F117026	(H7172)	15 x 3 or 15 x 3-1/2" Brake; w/Man. Adj.
↳Hold Down Kit		F19408	(H4200)	
↳Return Spring Kit		F36445	(H521)	
Combi Kit	89 - 79	F117025	(H7173)	15 x 5" Brake; w/Auto Adj.
↳Hold Down Kit		F73399	(H4201)	
↳Return Spring Kit		F36445	(H521)	
Combi Kit	89 - 79	F117019	(H7182)	15 x 5" Brake; w/Man. Adj.
↳Return Spring Kit		F36445	(H521)	
Disc Align Kit	89 - 79	F112095S	(H5564)	Bendix; 2.60" 2-Piston Caliper
Disc Align Kit	89 - 79	F112090S	(H5566)	Bendix; 2.88" 2-Piston Caliper
Disc Align Kit	89 - 79	F107401S	(H5562)	Bendix; 3.38" 1-Piston Caliper

Rear Brake Hardware

Rear Brake Hardware	Years	Sequential No.	Category No.	Qualifier
Adjuster Kit	89 - 79	F59157	(H2902)	L.H.; 15" Brake; w/Auto Adj.
Adjuster Kit	89 - 79	F128894S	(H2911)	L.H.; 15" Brake; w/Man. Adj.
Adjuster Kit	89 - 79	F128895S	(H2912)	L.H.; 16" Brake; w/Man. Adj.
Adjuster Kit	89 - 79	F59158	(H2903)	R.H.; 15" Brake; w/Auto Adj.
Adjuster Kit	89 - 79	F128894S	(H2911)	R.H.; 15" Brake; w/Man. Adj.
Adjuster Kit	89 - 79	F128895S	(H2912)	R.H.; 16" Brake; w/Man. Adj.
Adjuster Screw	89 - 79	F140823	(H1607)	L.H.; 15" Brake
Adjuster Screw	89 - 79	F19291	(H1700)	L.H.; 16" Brake
Adjuster Screw	89 - 79	F140818	(H1606)	R.H.; 15" Brake
Adjuster Screw	89 - 79	F19292	(H1701)	R.H.; 16" Brake
Combi Kit	89 - 79	F117027	(H7171)	
↳Adjuster Spring Kit		F78727	(H451)	
↳Hold Down Kit		F19309	(H5079)	
↳Return Spring Kit		F98318	(H609)	
Disc Align Kit	89 - 79	F112095S	(H5564)	Bendix; 2.60" 2-Piston Caliper
Disc Align Kit	89 - 79	F112090S	(H5566)	Bendix; 2.88" 2-Piston Caliper

Calipers - Reman

Front, Loaded	Years	Left No.	Right No.	Qualifier	Piston
Loaded Caliper	89 - 79	AS112057	AS112057	Bendix; 2.60" 2-Piston Caliper	P
Loaded Caliper	89 - 79	AS112057S	AS112057S	Bendix; 2.60" 2-Piston Caliper	O
Loaded Caliper	89 - 79	AS120549	AS120549	Bendix; 2.88" 2-Piston Caliper	P
Loaded Caliper	89 - 79	AS120549S	AS120549S	Bendix; 2.88" 2-Piston Caliper	O
Loaded Caliper	89 - 79	AS130211A	AS130210A	Bendix; 3.38" 1-Piston Caliper	M

↳Sub-Kit of Combi-Kit is available separately.

Piston: M - OE Metal Piston P - OE Phenolic Piston O - Metal Piston Option

1924 (cont.)

Calipers - Reman (cont.)

Rear, Loaded	Years	Left No.	Right No.	Qualifier	Piston
Loaded Caliper	89 - 79	AS112057	AS112057	Bendix; 2.60" 2-Piston Caliper	P
Loaded Caliper	89 - 79	AS112057S	AS112057S	Bendix; 2.60" 2-Piston Caliper	O
Loaded Caliper	89 - 79	AS120549	AS120549	Bendix; 2.88" 2-Piston Caliper	P
Loaded Caliper	89 - 79	AS120549S	AS120549S	Bendix; 2.88" 2-Piston Caliper	O
Front, Unloaded	Years	Left No.	Right No.	Qualifier	Piston
Unloaded Caliper	89 - 79	CR112057	CR112057	Bendix; 2.60" 2-Piston Caliper	P
Unloaded Caliper	89 - 79	CR112057S	CR112057S	Bendix; 2.60" 2-Piston Caliper	O
Unloaded Caliper	89 - 79	CR120549	CR120549	Bendix; 2.88" 2-Piston Caliper	P
Unloaded Caliper	89 - 79	CR120549S	CR120549S	Bendix; 2.88" 2-Piston Caliper	O
Unloaded Caliper	89 - 79	CR130211	CR130210	Bendix; 3.38" 1-Piston Caliper	M
Rear, Unloaded	Years	Left No.	Right No.	Qualifier	Piston
Unloaded Caliper	89 - 79	CR112057	CR112057	Bendix; 2.60" 2-Piston Caliper	P
Unloaded Caliper	89 - 79	CR112057S	CR112057S	Bendix; 2.60" 2-Piston Caliper	O
Unloaded Caliper	89 - 79	CR120549	CR120549	Bendix; 2.88" 2-Piston Caliper	P
Unloaded Caliper	89 - 79	CR120549S	CR120549S	Bendix; 2.88" 2-Piston Caliper	O

Hydraulics - New

Master Cylinder	Years	Sequential No.	Category No.	Qualifier
Master Cylinder	89 - 84	F113751	(MC113751)	w/Disc Brake; Split Syst.; w/High Pwr.
Master Cylinder	89 - 84	F116702	(MC116702)	w/Disc Brake; Split Syst.; w/Hydrovac; 19000 lb. RA
Master Cylinder	89 - 79	F661	(MC661)	w/Drum Brake; Single Syst.; Exc. Tandem; 15" Brake
Master Cylinder	89 - 79	F2842	(MC2842)	w/Drum Brake; Single Syst.; Exc. Tandem; 16" Brake; w/Air Actuated Hyd. Brks.
Master Cylinder	89 - 79	F2951	(MC2951)	w/Drum Brake; Single Syst.; Tandem
Master Cylinder	89 - 79	F119402	(MC119402)	w/Drum Brake; Split Syst.; w/High Pwr.
Master Cylinder	89 - 79	F119397	(MC119397)	w/Drum Brake; Split Syst.; w/Hydrovac
Master Cylinder	83	F113751	(MC113751)	From 8/26/83; w/Disc Brake; Split Syst.; w/High Pwr.
Master Cylinder	83	F116702	(MC116702)	From 8/26/83; w/Disc Brake; Split Syst.; w/Hydrovac; 19000 lb. RA
Master Cylinder	83	F119395	(MC119395)	To 8/25/83; w/Disc Brake; Split Syst.; w/High Pwr.
Master Cylinder	83	F119396	(MC119396)	To 8/25/83; w/Disc Brake; Split Syst.; w/Hydrovac
Master Cylinder	82 - 79	F119395	(MC119395)	w/Disc Brake; Split Syst.; w/High Pwr.
Master Cylinder	82 - 79	F119396	(MC119396)	w/Disc Brake; Split Syst.; w/Hydrovac
Front Wheel Cylinder	Years	Sequential No.	Category No.	Qualifier
Wheel Cylinder	89 - 79	F43383	(WC43383)	L.H.; 15 x 3" Brake; w/o Bleeder Screw; 1-1/4" Bore
Wheel Cylinder	89 - 79	F43383	(WC43383)	L.H.; 15 x 3-1/2" Brake; w/o Bleeder Screw; 1-1/4" Bore
Wheel Cylinder	89 - 79	F86444	(WC86444)	L.H.; 15 x 5" Brake; w/Bleeder Screw; 1-1/2" Bore
Wheel Cylinder	89 - 79	F43384	(WC43384)	R.H.; 15 x 3" Brake; w/o Bleeder Screw; 1-1/4" Bore
Wheel Cylinder	89 - 79	F43384	(WC43384)	R.H.; 15 x 3-1/2" Brake; w/o Bleeder Screw; 1-1/4" Bore
Wheel Cylinder	89 - 79	F86445	(WC86445)	R.H.; 15 x 5" Brake; w/Bleeder Screw; 1-1/2" Bore
Rear Wheel Cylinder	Years	Sequential No.	Category No.	Qualifier
Wheel Cylinder	89 - 79	F24489	(WC24489)	15 x 5" Brake; 1-5/8" Bore
Wheel Cylinder	89 - 79	F24489	(WC24489)	15 x 6" Brake; 1-5/8" Bore
Wheel Cylinder	89 - 79	F24489	(WC24489)	15 x 7" Brake; 17000-17500 lb. RA; 1-5/8" Bore
Wheel Cylinder	89 - 79	F26172	(WC26172)	15 x 7" Brake; 18500-19000 lb. RA or 34000 lb. TRA; 1-3/4" Bore
Wheel Cylinder	89 - 79	F24489	(WC24489)	16 x 5" Brake; 17000-17500 lb. RA; 1-5/8" Bore
Wheel Cylinder	89 - 79	F26172	(WC26172)	16 x 5" Brake; 18500-19000 lb. RA or 34000 lb. TRA; 1-3/4" Bore
Wheel Cylinder	89 - 79	F26172	(WC26172)	16 x 6" Brake; 1-3/4" Bore
Clutch Slave Cylinder	Years	Sequential No.	Category No.	Qualifier
Clutch Slave Cylinder	89 - 79	F43260	(SC43260)	
Front Brake Hose	Years	Sequential No.	Category No.	Qualifier
Brake Hose	89 - 79	F111136	(BH111136)	2WD; 15 x 3" Brake
Brake Hose	89 - 79	F111138	(BH111138)	2WD; 15 x 3-1/2" Brake; Dual Syst.
Brake Hose	89 - 79	F111136	(BH111136)	2WD; 15 x 3-1/2" Brake; Single Syst.
Brake Hose	89 - 79	F111139	(BH111139)	2WD; 15 x 5" Brake; Dual Syst.; Exc. 15 x 22.5" Tires
Brake Hose	89 - 79	F111140	(BH111140)	2WD; 15 x 5" Brake; Dual Syst.; w/15 x 22.5" Tires
Brake Hose	89 - 79	F111136	(BH111136)	2WD; 15 x 5" Brake; Single Syst.; Exc. 15 x 22.5" Tires

Piston: M - OE Metal Piston P - OE Phenolic Piston O - Metal Piston Option

1924 (cont.)

Hydraulics - New (cont.)

Front Brake Hose	Years	Sequential No.	Category No.	Qualifier
Brake Hose	89 - 79	F107731	(BH107731)	2WD; Bendix; 2.60" 2-Piston Caliper; 7500-8000 lb. FA
Brake Hose	89 - 79	F113150	(BH113150)	2WD; Bendix; 2.88" 2-Piston Caliper; 10000-12000 lb. FA
Brake Hose	89 - 79	F113151	(BH113151)	2WD; Bendix; 3.38" 1-Piston Caliper
Brake Hose	89 - 79	F111137	(BH111137)	4WD

Rear Brake Hose	Years	Sequential No.	Category No.	Qualifier
Brake Hose	89 - 79	F107733	(BH107733)	w/Disc Brake; 11" Length
Brake Hose	89 - 79	F107734	(BH107734)	w/Disc Brake; 18" Length
Brake Hose	89 - 79	F113154	(BH113154)	w/Disc Brake; 9-7/8" Length
Brake Hose	89 - 79	F107734	(BH107734)	w/Drum Brake; 18" Length
Brake Hose	89 - 79	F107735	(BH107735)	w/Drum Brake; 23" Length
Brake Hose	89 - 79	F111393	(BH111393)	w/Drum Brake; 27" Length

Hydraulics - Reman

Power Brake Booster	Years	Part No.	Qualifier
Hydro Booster	89 - 79	529901	Dual Syst.; Head
Hydro Booster	89 - 79	529802	High Pwr; Bendix Hydromax II; Complete Assy
Hydro Booster	89 - 79	529904	High Pwr; Bendix Hydromax II; Elect. Motor
Hydro Booster	89 - 79	529920	High Pwr; Bendix Hydromax II; Head
Hydro Booster	89 - 79	529900	Single Syst.; Head

Power Brake Booster	Years	Part No.	Qualifier
Vacuum Booster	89 - 79	518049	Exc. Tandem; Single Diaphragm; 15" Brake
Vacuum Booster	89 - 79	518047	Exc. Tandem; Single Diaphragm; 16" Brake
Vacuum Booster	89 - 79	518046	Tandem; Double Diaphragm

1925

Brake Pads & Shoes

Front Pads & Shoes	Years	SevereDuty	Lining No.	Qualifier
Brake Pads	89 - 79	SD184		Bendix; 2.60" 2-Piston Caliper
Brake Pads	89 - 79	SD225		Bendix; 2.88" 2-Piston Caliper
Brake Pads	89 - 79	SD184		Bendix; 3.38" 1-Piston Caliper
Brake Shoes	89 - 79	SDS321R	EX1245AD-S32	Hyd. Brakes; Auto. Adj.; 15 x 3
Brake Shoes	89 - 79	SDS322R	EX1280BD-S32	Hyd. Brakes; Auto. Adj.; 15 x 3-1/2
Brake Shoes	89 - 79	SDS235R	EX1245AD-S32	Hyd. Brakes; Man. Adj.; 15 x 3
Brake Shoes	89 - 79	SDS840R	EX1280D-S32	Hyd. Brakes; Man. Adj.; 15 x 3-1/2
Brake Shoes	89 - 79	4223E	4223A	w/Air Brakes; Eaton/Spicer; 16-1/2 x 5
Brake Shoes	89 - 79	4514Q	4514G	w/Air Brakes; Rockwell/Meritor; Q-Series; 16-1/2 x 6
Brake Shoes	89 - 79	1307T	1307	w/Air Brakes; Rockwell/Meritor; T-Series; 15 x 3-1/2
Brake Shoes	89 - 79	1308T	1308T	w/Air Brakes; Rockwell/Meritor; T-Series; 15 x 4
Brake Shoes	89 - 79	4605S	4605	w/Air Brakes; Rockwell/Meritor; Wedge; 15 x 6

Rear Pads & Shoes	Years	SevereDuty	Lining No.	Qualifier
Brake Pads	89 - 79	SD184		Bendix; 2.60" 2-Piston Caliper
Brake Pads	89 - 79	SD225		Bendix; 2.88" 2-Piston Caliper
Brake Shoes	89 - 79	SDS346R	EX1252D-S32	Hyd. Brakes; 15 x 5
Brake Shoes	89 - 79	SDS381R	EX4596D-S32	Hyd. Brakes; 15 x 6
Brake Shoes	89 - 79	SDS383R	EX4597D-S32	Hyd. Brakes; 15 x 7
Brake Shoes	89 - 79	SDS385R	EX1254D-S32	Hyd. Brakes; 16 x 5
Brake Shoes	89 - 79	SDS386R	EX1255D-S32	Hyd. Brakes; 16 x 6
Brake Shoes	89 - 79	4311E	4311J	w/Air Brakes; Eaton/Spicer; 16-1/2 x 7
Brake Shoes	89 - 79	4514P	4514G	w/Air Brakes; Rockwell/Meritor; P-Series; 16-1/2 x 6
Brake Shoes	89 - 79	4515P	4515E	w/Air Brakes; Rockwell/Meritor; P-Series; 16-1/2 x 7
Brake Shoes	89 - 79	4644P	4644A	w/Air Brakes; Rockwell/Meritor; P-Series; 16-1/2 x 8
Brake Shoes	89 - 79	4514Q	4514G	w/Air Brakes; Rockwell/Meritor; Q-Series; 16-1/2 x 6
Brake Shoes	89 - 79	4515Q	4515E	w/Air Brakes; Rockwell/Meritor; Q-Series; 16-1/2 x 7
Brake Shoes	89 - 79	4644Q	4644A	w/Air Brakes; Rockwell/Meritor; Q-Series; 16-1/2 x 8
Brake Shoes	89 - 79	4602S	4602	w/Air Brakes; Rockwell/Meritor; Wedge; 15 x 7

Brake Pads & Shoes (cont.)

Parking Brake Shoes	Years	SevereDuty	Lining No.	Qualifier
Brake Shoes	89 - 79	SDS842R	EX1303AD	Driveline Config.; 10 x 3
Brake Shoes	89 - 79	SDS647	EX2086D	Driveline Config.; 9 x 3

Rotor & Drum

Front Rotor & Drum	Years	Part No.	Qualifier
Brake Rotor	89 - 79	BD125097	5000-7500 lb. FA; Hat-Shaped; 10-Hole Rotor
Brake Rotor	89 - 79	BD125361	5000-7500 lb. FA; Hat-Shaped; 5-Hole Rotor
Brake Rotor	89 - 79	BD125362	5000-7500 lb. FA; Hat-Shaped; 6-Hole Rotor
Brake Rotor	89 - 79	BD126402	5000-7500 lb. FA; U-Shaped; 5-Hole Rotor
Brake Rotor	89 - 79	BD125096	5000-7500 lb. FA; U-Shaped; 6-Hole Rotor
Brake Rotor	89 - 87	BD125244	9000-12000 lb. FA; U-Shaped; 5-Hole Rotor
Brake Rotor	86	BD125244	From 2/01/86; 9000-12000 lb. FA; U-Shaped; 5-Hole Rotor
Brake Rotor	86	BD125098	To 1/31/86; 9000-12000 lb. FA; U-Shaped; 5-Hole Rotor
Brake Rotor	85 - 79	BD125098	9000-12000 lb. FA; U-Shaped; 5-Hole Rotor

Rear Rotor & Drum	Years	Part No.	Qualifier
Brake Rotor	89 - 79	BD125097	10000-15500 lb. RA; Hat-Shaped; 10-Hole Rotor
Brake Rotor	89 - 79	BD125362	10000-15500 lb. RA; Hat-Shaped; 6-Hole Rotor
Brake Rotor	89 - 79	BD126403	10000-15500 lb. RA; U-Shaped; 5-Hole Rotor
Brake Rotor	89 - 79	BD125096	10000-15500 lb. RA; U-Shaped; 6-Hole Rotor
Brake Rotor	89 - 79	BD125097	17000-19000 lb. RA; Hat-Shaped; 10-Hole Rotor
Brake Rotor	89 - 79	BD126394	17000-19000 lb. RA; U-Shaped; 10-Hole Rotor
Brake Rotor	89 - 79	BD125382	17000-19000 lb. RA; U-Shaped; 5-Hole Rotor; 12-3/4" Bolt Circle

Brake Hardware

Front Brake Hardware	Years	Sequential No.	Category No.	Qualifier
Adjuster Kit	89 - 79	F59159	(H2904)	L.H.; w/Auto Adj.
Adjuster Kit	89 - 79	F128990	(H2929)	L.H.; w/Man. Adj.
Adjuster Kit	89 - 79	F59160	(H2905)	R.H.; w/Auto Adj.
Adjuster Kit	89 - 79	F128990	(H2929)	R.H.; w/Man. Adj.
Combi Kit	89 - 79	F117025	(H7173)	15 x 3 or 15 x 3-1/2" Brake; w/Auto Adj.
↳Hold Down Kit		F73399	(H4201)	
↳Return Spring Kit		F36445	(H521)	
Combi Kit	89 - 79	F117026	(H7172)	15 x 3 or 15 x 3-1/2" Brake; w/Man. Adj.
↳Hold Down Kit		F19408	(H4200)	
↳Return Spring Kit		F36445	(H521)	
Combi Kit	89 - 79	F117025	(H7173)	15 x 5" Brake; w/Auto Adj.
↳Hold Down Kit		F73399	(H4201)	
↳Return Spring Kit		F36445	(H521)	
Combi Kit	89 - 79	F117019	(H7182)	15 x 5" Brake; w/Man. Adj.
↳Return Spring Kit		F36445	(H521)	
Disc Align Kit	89 - 79	F112095S	(H5564)	Bendix; 2.60" 2-Piston Caliper
Disc Align Kit	89 - 79	F112090S	(H5566)	Bendix; 2.88" 2-Piston Caliper
Disc Align Kit	89 - 79	F107401S	(H5562)	Bendix; 3.38" 1-Piston Caliper

Rear Brake Hardware	Years	Sequential No.	Category No.	Qualifier
Adjuster Kit	89 - 79	F59157	(H2902)	L.H.; 15" Brake; w/Auto Adj.
Adjuster Kit	89 - 79	F128894S	(H2911)	L.H.; 15" Brake; w/Man. Adj.
Adjuster Kit	89 - 79	F128895S	(H2912)	L.H.; 16" Brake; w/Man. Adj.
Adjuster Kit	89 - 79	F59158	(H2903)	R.H.; 15" Brake; w/Auto Adj.
Adjuster Kit	89 - 79	F128894S	(H2911)	R.H.; 15" Brake; w/Man. Adj.
Adjuster Kit	89 - 79	F128895S	(H2912)	R.H.; 16" Brake; w/Man. Adj.
Adjuster Screw	89 - 79	F140823	(H1607)	L.H.; 15" Brake
Adjuster Screw	89 - 79	F19291	(H1700)	L.H.; 16" Brake
Adjuster Screw	89 - 79	F140818	(H1606)	R.H.; 15" Brake
Adjuster Screw	89 - 79	F19292	(H1701)	R.H.; 16" Brake

↳Sub-Kit of Combi-Kit is available separately.

1925 (cont.)

Brake Hardware (cont.)

Rear Brake Hardware	Years	Sequential No.	Category No.	Qualifier
Combi Kit	89 - 79	F117027	(H7171)	
↳Adjuster Spring Kit		F78727	(H451)	
↳Hold Down Kit		F19309	(H5079)	
↳Return Spring Kit		F98318	(H609)	
Disc Align Kit	89 - 79	F112095S	(H5564)	Bendix; 2.60" 2-Piston Caliper
Disc Align Kit	89 - 79	F112090S	(H5566)	Bendix; 2.88" 2-Piston Caliper

Calipers - Reman

Front, Loaded	Years	Left No.	Right No.	Qualifier	Piston
Loaded Caliper	89 - 79	AS112057	AS112057	Bendix; 2.60" 2-Piston Caliper	P
Loaded Caliper	89 - 79	AS112057S	AS112057S	Bendix; 2.60" 2-Piston Caliper	O
Loaded Caliper	89 - 79	AS120549	AS120549	Bendix; 2.88" 2-Piston Caliper	P
Loaded Caliper	89 - 79	AS120549S	AS120549S	Bendix; 2.88" 2-Piston Caliper	O
Loaded Caliper	89 - 79	AS130211A	AS130210A	Bendix; 3.38" 1-Piston Caliper	M
Rear, Loaded	Years	Left No.	Right No.	Qualifier	Piston
Loaded Caliper	89 - 79	AS112057	AS112057	Bendix; 2.60" 2-Piston Caliper	P
Loaded Caliper	89 - 79	AS112057S	AS112057S	Bendix; 2.60" 2-Piston Caliper	O
Loaded Caliper	89 - 79	AS120549	AS120549	Bendix; 2.88" 2-Piston Caliper	P
Loaded Caliper	89 - 79	AS120549S	AS120549S	Bendix; 2.88" 2-Piston Caliper	O
Front, Unloaded	Years	Left No.	Right No.	Qualifier	Piston
Unloaded Caliper	89 - 79	CR112057	CR112057	Bendix; 2.60" 2-Piston Caliper	P
Unloaded Caliper	89 - 79	CR112057S	CR112057S	Bendix; 2.60" 2-Piston Caliper	O
Unloaded Caliper	89 - 79	CR120549	CR120549	Bendix; 2.88" 2-Piston Caliper	P
Unloaded Caliper	89 - 79	CR120549S	CR120549S	Bendix; 2.88" 2-Piston Caliper	O
Unloaded Caliper	89 - 79	CR130211	CR130210	Bendix; 3.38" 1-Piston Caliper	M
Rear, Unloaded	Years	Left No.	Right No.	Qualifier	Piston
Unloaded Caliper	89 - 79	CR112057	CR112057	Bendix; 2.60" 2-Piston Caliper	P
Unloaded Caliper	89 - 79	CR112057S	CR112057S	Bendix; 2.60" 2-Piston Caliper	O
Unloaded Caliper	89 - 79	CR120549	CR120549	Bendix; 2.88" 2-Piston Caliper	P
Unloaded Caliper	89 - 79	CR120549S	CR120549S	Bendix; 2.88" 2-Piston Caliper	O

Hydraulics - New

Master Cylinder	Years	Sequential No.	Category No.	Qualifier
Master Cylinder	89 - 84	F113751	(MC113751)	w/Disc Brake; Split Syst.; w/High Pwr.
Master Cylinder	89 - 84	F116702	(MC116702)	w/Disc Brake; Split Syst.; w/Hydrovac; 19000 lb. RA
Master Cylinder	89 - 79	F661	(MC661)	w/Drum Brake; Single Syst.; Exc. Tandem; 15" Brake
Master Cylinder	89 - 79	F2842	(MC2842)	w/Drum Brake; Single Syst.; Exc. Tandem; 16" Brake; w/Air Actuated Hyd. Brks.
Master Cylinder	89 - 79	F2951	(MC2951)	w/Drum Brake; Single Syst.; Tandem
Master Cylinder	89 - 79	F119402	(MC119402)	w/Drum Brake; Split Syst.; w/High Pwr.
Master Cylinder	89 - 79	F119397	(MC119397)	w/Drum Brake; Split Syst.; w/Hydrovac
Master Cylinder	83	F113751	(MC113751)	From 8/26/83; w/Disc Brake; Split Syst.; w/High Pwr.
Master Cylinder	83	F116702	(MC116702)	From 8/26/83; w/Disc Brake; Split Syst.; w/Hydrovac; 19000 lb. RA
Master Cylinder	83	F119395	(MC119395)	To 8/25/83; w/Disc Brake; Split Syst.; w/High Pwr.
Master Cylinder	83	F119396	(MC119396)	To 8/25/83; w/Disc Brake; Split Syst.; w/Hydrovac
Master Cylinder	82 - 79	F119395	(MC119395)	w/Disc Brake; Split Syst.; w/High Pwr.
Master Cylinder	82 - 79	F119396	(MC119396)	w/Disc Brake; Split Syst.; w/Hydrovac
Front Wheel Cylinder	Years	Sequential No.	Category No.	Qualifier
Wheel Cylinder	89 - 79	F43383	(WC43383)	L.H.; 15 x 3" Brake; w/o Bleeder Screw; 1-1/4" Bore
Wheel Cylinder	89 - 79	F43383	(WC43383)	L.H.; 15 x 3-1/2" Brake; w/o Bleeder Screw; 1-1/4" Bore
Wheel Cylinder	89 - 79	F86444	(WC86444)	L.H.; 15 x 5" Brake; w/Bleeder Screw; 1-1/2" Bore
Wheel Cylinder	89 - 79	F43384	(WC43384)	R.H.; 15 x 3" Brake; w/o Bleeder Screw; 1-1/4" Bore
Wheel Cylinder	89 - 79	F43384	(WC43384)	R.H.; 15 x 3-1/2" Brake; w/o Bleeder Screw; 1-1/4" Bore
Wheel Cylinder	89 - 79	F86445	(WC86445)	R.H.; 15 x 5" Brake; w/Bleeder Screw; 1-1/2" Bore
Rear Wheel Cylinder	Years	Sequential No.	Category No.	Qualifier
Wheel Cylinder	89 - 79	F24489	(WC24489)	15 x 5" Brake; 1-5/8" Bore
Wheel Cylinder	89 - 79	F24489	(WC24489)	15 x 6" Brake; 1-5/8" Bore

↳Sub-Kit of Combi-Kit is available separately.

Piston: M - OE Metal Piston P - OE Phenolic Piston O - Metal Piston Option

1925 (cont.)

Hydraulics - New (cont.)

Rear Wheel Cylinder	Years	Sequential No.	Category No.	Qualifier
Wheel Cylinder	89 - 79	F24489	(WC24489)	15 x 7" Brake; 17000-17500 lb. RA; 1-5/8" Bore
Wheel Cylinder	89 - 79	F26172	(WC26172)	15 x 7" Brake; 18500-19000 lb. RA or 34000 lb. TRA; 1-3/4" Bore
Wheel Cylinder	89 - 79	F24489	(WC24489)	16 x 5" Brake; 17000-17500 lb. RA; 1-5/8" Bore
Wheel Cylinder	89 - 79	F26172	(WC26172)	16 x 5" Brake; 18500-19000 lb. RA or 34000 lb. TRA; 1-3/4" Bore
Wheel Cylinder	89 - 79	F26172	(WC26172)	16 x 6" Brake; 1-3/4" Bore

Clutch Slave Cylinder	Years	Sequential No.	Category No.	Qualifier
Clutch Slave Cylinder	89 - 79	F43260	(SC43260)	

Front Brake Hose	Years	Sequential No.	Category No.	Qualifier
Brake Hose	89 - 79	F111136	(BH111136)	2WD; 15 x 3" Brake
Brake Hose	89 - 79	F111138	(BH111138)	2WD; 15 x 3-1/2" Brake; Dual Syst.
Brake Hose	89 - 79	F111136	(BH111136)	2WD; 15 x 3-1/2" Brake; Single Syst.
Brake Hose	89 - 79	F111139	(BH111139)	2WD; 15 x 5" Brake; Dual Syst.; Exc. 15 x 22.5" Tires
Brake Hose	89 - 79	F111140	(BH111140)	2WD; 15 x 5" Brake; Dual Syst.; w/15 x 22.5" Tires
Brake Hose	89 - 79	F111136	(BH111136)	2WD; 15 x 5" Brake; Single Syst.; Exc. 15 x 22.5" Tires
Brake Hose	89 - 79	F107731	(BH107731)	2WD; Bendix; 2.60" 2-Piston Caliper; 7500-8000 lb. FA
Brake Hose	89 - 79	F113150	(BH113150)	2WD; Bendix; 2.88" 2-Piston Caliper; 10000-12000 lb. FA
Brake Hose	89 - 79	F113151	(BH113151)	2WD; Bendix; 3.38" 1-Piston Caliper
Brake Hose	89 - 79	F111137	(BH111137)	4WD

Rear Brake Hose	Years	Sequential No.	Category No.	Qualifier
Brake Hose	89 - 79	F107733	(BH107733)	w/Disc Brake; 11" Length
Brake Hose	89 - 79	F107734	(BH107734)	w/Disc Brake; 18" Length
Brake Hose	89 - 79	F113154	(BH113154)	w/Disc Brake; 9-7/8" Length
Brake Hose	89 - 79	F107734	(BH107734)	w/Drum Brake; 18" Length
Brake Hose	89 - 79	F107735	(BH107735)	w/Drum Brake; 23" Length
Brake Hose	89 - 79	F111393	(BH111393)	w/Drum Brake; 27" Length

Hydraulics - Reman

Power Brake Booster	Years	Part No.	Qualifier
Hydro Booster	89 - 79	529901	Dual Syst.; Head
Hydro Booster	89 - 79	529802	High Pwr; Bendix Hydromax II; Complete Assy
Hydro Booster	89 - 79	529904	High Pwr; Bendix Hydromax II; Elect. Motor
Hydro Booster	89 - 79	529920	High Pwr; Bendix Hydromax II; Head
Hydro Booster	89 - 79	529900	Single Syst.; Head

Power Brake Booster	Years	Part No.	Qualifier
Vacuum Booster	89 - 79	518049	Exc. Tandem; Single Diaphragm; 15" Brake
Vacuum Booster	89 - 79	518047	Exc. Tandem; Single Diaphragm; 16" Brake
Vacuum Booster	89 - 79	518046	Tandem; Double Diaphragm

1954

Brake Pads & Shoes

Front Pads & Shoes	Years	SevereDuty	Lining No.	Qualifier
Brake Pads	89 - 79	SD184		Bendix; 2.60" 2-Piston Caliper
Brake Pads	89 - 79	SD225		Bendix; 2.88" 2-Piston Caliper
Brake Pads	89 - 79	SD184		Bendix; 3.38" 1-Piston Caliper
Brake Shoes	89 - 79	SDS321R	EX1245AD-S32	Hyd. Brakes; Auto. Adj.; 15 x 3
Brake Shoes	89 - 79	SDS322R	EX1280BD-S32	Hyd. Brakes; Auto. Adj.; 15 x 3-1/2
Brake Shoes	89 - 79	SDS235R	EX1245AD-S32	Hyd. Brakes; Man. Adj.; 15 x 3
Brake Shoes	89 - 79	SDS840R	EX1280D-S32	Hyd. Brakes; Man. Adj.; 15 x 3-1/2
Brake Shoes	89 - 79	4223E	4223A	w/Air Brakes; Eaton/Spicer; 16-1/2 x 5
Brake Shoes	89 - 79	4514Q	4514G	w/Air Brakes; Rockwell/Meritor; Q-Series; 16-1/2 x 6
Brake Shoes	89 - 79	1307T	1307	w/Air Brakes; Rockwell/Meritor; T-Series; 15 x 3-1/2
Brake Shoes	89 - 79	1308T	1308T	w/Air Brakes; Rockwell/Meritor; T-Series; 15 x 4
Brake Shoes	89 - 79	4605S	4605	w/Air Brakes; Rockwell/Meritor; Wedge; 15 x 6

Rear Pads & Shoes	Years	SevereDuty	Lining No.	Qualifier
Brake Pads	89 - 79	SD184		Bendix; 2.60" 2-Piston Caliper
Brake Pads	89 - 79	SD225		Bendix; 2.88" 2-Piston Caliper

1954 (cont.)

Brake Pads & Shoes (cont.)

Rear Pads & Shoes	Years	SevereDuty	Lining No.	Qualifier
Brake Shoes	89 - 79	SDS346R	EX1252D-S32	Hyd. Brakes; 15 x 5
Brake Shoes	89 - 79	SDS381R	EX4596D-S32	Hyd. Brakes; 15 x 6
Brake Shoes	89 - 79	SDS383R	EX4597D-S32	Hyd. Brakes; 15 x 7
Brake Shoes	89 - 79	SDS385R	EX1254D-S32	Hyd. Brakes; 16 x 5
Brake Shoes	89 - 79	SDS386R	EX1255D-S32	Hyd. Brakes; 16 x 6
Brake Shoes	89 - 79	4311E	4311J	w/Air Brakes; Eaton/Spicer; 16-1/2 x 7
Brake Shoes	89 - 79	4514P	4514G	w/Air Brakes; Rockwell/Meritor; P-Series; 16-1/2 x 6
Brake Shoes	89 - 79	4515P	4515E	w/Air Brakes; Rockwell/Meritor; P-Series; 16-1/2 x 7
Brake Shoes	89 - 79	4644P	4644A	w/Air Brakes; Rockwell/Meritor; P-Series; 16-1/2 x 8
Brake Shoes	89 - 79	4514Q	4514G	w/Air Brakes; Rockwell/Meritor; Q-Series; 16-1/2 x 6
Brake Shoes	89 - 79	4515Q	4515E	w/Air Brakes; Rockwell/Meritor; Q-Series; 16-1/2 x 7
Brake Shoes	89 - 79	4644Q	4644A	w/Air Brakes; Rockwell/Meritor; Q-Series; 16-1/2 x 8
Brake Shoes	89 - 79	4602S	4602	w/Air Brakes; Rockwell/Meritor; Wedge; 15 x 7
Parking Brake Shoes	Years	SevereDuty	Lining No.	Qualifier
Brake Shoes	89 - 79	SDS842R	EX1303AD	Driveline Config.; 10 x 3
Brake Shoes	89 - 79	SDS647	EX2086D	Driveline Config.; 9 x 3

Rotor & Drum

Front Rotor & Drum	Years	Part No.	Qualifier
Brake Rotor	89 - 79	BD125097	5000-7500 lb. FA; Hat-Shaped; 10-Hole Rotor
Brake Rotor	89 - 79	BD125361	5000-7500 lb. FA; Hat-Shaped; 5-Hole Rotor
Brake Rotor	89 - 79	BD125362	5000-7500 lb. FA; Hat-Shaped; 6-Hole Rotor
Brake Rotor	89 - 79	BD126402	5000-7500 lb. FA; U-Shaped; 5-Hole Rotor
Brake Rotor	89 - 79	BD125096	5000-7500 lb. FA; U-Shaped; 6-Hole Rotor
Brake Rotor	89 - 87	BD125244	9000-12000 lb. FA; U-Shaped; 5-Hole Rotor
Brake Rotor	86	BD125244	From 2/01/86; 9000-12000 lb. FA; U-Shaped; 5-Hole Rotor
Brake Rotor	86	BD125098	To 1/31/86; 9000-12000 lb. FA; U-Shaped; 5-Hole Rotor
Brake Rotor	85 - 79	BD125098	9000-12000 lb. FA; U-Shaped; 5-Hole Rotor
Rear Rotor & Drum	Years	Part No.	Qualifier
Brake Rotor	89 - 79	BD125097	10000-15500 lb. RA; Hat-Shaped; 10-Hole Rotor
Brake Rotor	89 - 79	BD125362	10000-15500 lb. RA; Hat-Shaped; 6-Hole Rotor
Brake Rotor	89 - 79	BD126403	10000-15500 lb. RA; U-Shaped; 5-Hole Rotor
Brake Rotor	89 - 79	BD125096	10000-15500 lb. RA; U-Shaped; 6-Hole Rotor
Brake Rotor	89 - 79	BD125097	17000-19000 lb. RA; Hat-Shaped; 10-Hole Rotor
Brake Rotor	89 - 79	BD126394	17000-19000 lb. RA; U-Shaped; 10-Hole Rotor
Brake Rotor	89 - 79	BD125382	17000-19000 lb. RA; U-Shaped; 5-Hole Rotor; 12-3/4" Bolt Circle

Brake Hardware

Front Brake Hardware	Years	Sequential No.	Category No.	Qualifier
Adjuster Kit	89 - 79	F59159	(H2904)	L.H.; w/Auto Adj.
Adjuster Kit	89 - 79	F128990	(H2929)	L.H.; w/Man. Adj.
Adjuster Kit	89 - 79	F59160	(H2905)	R.H.; w/Auto Adj.
Adjuster Kit	89 - 79	F128990	(H2929)	R.H.; w/Man. Adj.
Combi Kit	89 - 79	F117025	(H7173)	15 x 3 or 15 x 3-1/2" Brake; w/Auto Adj.
↳Hold Down Kit		F73399	(H4201)	
↳Return Spring Kit		F36445	(H521)	
Combi Kit	89 - 79	F117026	(H7172)	15 x 3 or 15 x 3-1/2" Brake; w/Man. Adj.
↳Hold Down Kit		F19408	(H4200)	
↳Return Spring Kit		F36445	(H521)	
Combi Kit	89 - 79	F117025	(H7173)	15 x 5" Brake; w/Auto Adj.
↳Hold Down Kit		F73399	(H4201)	
↳Return Spring Kit		F36445	(H521)	
Combi Kit	89 - 79	F117019	(H7182)	15 x 5" Brake; w/Man. Adj.
↳Return Spring Kit		F36445	(H521)	
Disc Align Kit	89 - 79	F112095S	(H5564)	Bendix; 2.60" 2-Piston Caliper
Disc Align Kit	89 - 79	F112090S	(H5566)	Bendix; 2.88" 2-Piston Caliper

↳Sub-Kit of Combi-Kit is available separately.

Brake Hardware (cont.)

Front Brake Hardware	Years	Sequential No.	Category No.	Qualifier
Disc Align Kit	89 - 79	F107401S	(H5562)	Bendix; 3.38" 1-Piston Caliper
Rear Brake Hardware	Years	Sequential No.	Category No.	Qualifier
Adjuster Kit	89 - 79	F59157	(H2902)	L.H.; 15" Brake; w/Auto Adj.
Adjuster Kit	89 - 79	F128894S	(H2911)	L.H.; 15" Brake; w/Man. Adj.
Adjuster Kit	89 - 79	F128895S	(H2912)	L.H.; 16" Brake; w/Man. Adj.
Adjuster Kit	89 - 79	F59158	(H2903)	R.H.; 15" Brake; w/Auto Adj.
Adjuster Kit	89 - 79	F128894S	(H2911)	R.H.; 15" Brake; w/Man. Adj.
Adjuster Kit	89 - 79	F128895S	(H2912)	R.H.; 16" Brake; w/Man. Adj.
Adjuster Screw	89 - 79	F140823	(H1607)	L.H.; 15" Brake
Adjuster Screw	89 - 79	F19291	(H1700)	L.H.; 16" Brake
Adjuster Screw	89 - 79	F140818	(H1606)	R.H.; 15" Brake
Adjuster Screw	89 - 79	F19292	(H1701)	R.H.; 16" Brake
Combi Kit	89 - 79	F117027	(H7171)	
↳Adjuster Spring Kit		F78727	(H451)	
↳Hold Down Kit		F19309	(H5079)	
↳Return Spring Kit		F98318	(H609)	
Disc Align Kit	89 - 79	F112095S	(H5564)	Bendix; 2.60" 2-Piston Caliper
Disc Align Kit	89 - 79	F112090S	(H5566)	Bendix; 2.88" 2-Piston Caliper

Calipers - Reman

Front, Loaded	Years	Left No.	Right No.	Qualifier	Piston
Loaded Caliper	89 - 79	AS112057	AS112057	Bendix; 2.60" 2-Piston Caliper	P
Loaded Caliper	89 - 79	AS112057S	AS112057S	Bendix; 2.60" 2-Piston Caliper	O
Loaded Caliper	89 - 79	AS120549	AS120549	Bendix; 2.88" 2-Piston Caliper	P
Loaded Caliper	89 - 79	AS120549S	AS120549S	Bendix; 2.88" 2-Piston Caliper	O
Loaded Caliper	89 - 79	AS130211A	AS130210A	Bendix; 3.38" 1-Piston Caliper	M
Rear, Loaded	Years	Left No.	Right No.	Qualifier	Piston
Loaded Caliper	89 - 79	AS112057	AS112057	Bendix; 2.60" 2-Piston Caliper	P
Loaded Caliper	89 - 79	AS112057S	AS112057S	Bendix; 2.60" 2-Piston Caliper	O
Loaded Caliper	89 - 79	AS120549	AS120549	Bendix; 2.88" 2-Piston Caliper	P
Loaded Caliper	89 - 79	AS120549S	AS120549S	Bendix; 2.88" 2-Piston Caliper	O
Front, Unloaded	Years	Left No.	Right No.	Qualifier	Piston
Unloaded Caliper	89 - 79	CR112057	CR112057	Bendix; 2.60" 2-Piston Caliper	P
Unloaded Caliper	89 - 79	CR112057S	CR112057S	Bendix; 2.60" 2-Piston Caliper	O
Unloaded Caliper	89 - 79	CR120549	CR120549	Bendix; 2.88" 2-Piston Caliper	P
Unloaded Caliper	89 - 79	CR120549S	CR120549S	Bendix; 2.88" 2-Piston Caliper	O
Unloaded Caliper	89 - 79	CR130211	CR130210	Bendix; 3.38" 1-Piston Caliper	M
Rear, Unloaded	Years	Left No.	Right No.	Qualifier	Piston
Unloaded Caliper	89 - 79	CR112057	CR112057	Bendix; 2.60" 2-Piston Caliper	P
Unloaded Caliper	89 - 79	CR112057S	CR112057S	Bendix; 2.60" 2-Piston Caliper	O
Unloaded Caliper	89 - 79	CR120549	CR120549	Bendix; 2.88" 2-Piston Caliper	P
Unloaded Caliper	89 - 79	CR120549S	CR120549S	Bendix; 2.88" 2-Piston Caliper	O

Hydraulics - New

Master Cylinder	Years	Sequential No.	Category No.	Qualifier
Master Cylinder	89 - 84	F113751	(MC113751)	w/Disc Brake; Split Syst.; w/High Pwr.
Master Cylinder	89 - 84	F116702	(MC116702)	w/Disc Brake; Split Syst.; w/Hydrovac; 19000 lb. RA
Master Cylinder	89 - 79	F661	(MC661)	w/Drum Brake; Single Syst.; Exc. Tandem; 15" Brake
Master Cylinder	89 - 79	F2842	(MC2842)	w/Drum Brake; Single Syst.; Exc. Tandem; 16" Brake; w/Air Actuated Hyd. Brks.
Master Cylinder	89 - 79	F2951	(MC2951)	w/Drum Brake; Single Syst.; Tandem
Master Cylinder	89 - 79	F119402	(MC119402)	w/Drum Brake; Split Syst.; w/High Pwr.
Master Cylinder	89 - 79	F119397	(MC119397)	w/Drum Brake; Split Syst.; w/Hydrovac
Master Cylinder	83	F113751	(MC113751)	From 8/26/83; w/Disc Brake; Split Syst.; w/High Pwr.
Master Cylinder	83	F116702	(MC116702)	From 8/26/83; w/Disc Brake; Split Syst.; w/Hydrovac; 19000 lb. RA
Master Cylinder	83	F119395	(MC119395)	To 8/25/83; w/Disc Brake; Split Syst.; w/High Pwr.
Master Cylinder	83	F119396	(MC119396)	To 8/25/83; w/Disc Brake; Split Syst.; w/Hydrovac

↳Sub-Kit of Combi-Kit is available separately.

Piston: M - OE Metal Piston P - OE Phenolic Piston O - Metal Piston Option

1954 (cont.)

Hydraulics - New (cont.)

Master Cylinder	Years	Sequential No.	Category No.	Qualifier
Master Cylinder	82 - 79	F119395	(MC119395)	w/Disc Brake; Split Syst.; w/High Pwr.
Master Cylinder	82 - 79	F119396	(MC119396)	w/Disc Brake; Split Syst.; w/Hydrovac
Front Wheel Cylinder	Years	Sequential No.	Category No.	Qualifier
Wheel Cylinder	89 - 79	F43383	(WC43383)	L.H.; 15 x 3" Brake; w/o Bleeder Screw; 1-1/4" Bore
Wheel Cylinder	89 - 79	F43383	(WC43383)	L.H.; 15 x 3-1/2" Brake; w/o Bleeder Screw; 1-1/4" Bore
Wheel Cylinder	89 - 79	F86444	(WC86444)	L.H.; 15 x 5" Brake; w/Bleeder Screw; 1-1/2" Bore
Wheel Cylinder	89 - 79	F43384	(WC43384)	R.H.; 15 x 3" Brake; w/o Bleeder Screw; 1-1/4" Bore
Wheel Cylinder	89 - 79	F43384	(WC43384)	R.H.; 15 x 3-1/2" Brake; w/o Bleeder Screw; 1-1/4" Bore
Wheel Cylinder	89 - 79	F86445	(WC86445)	R.H.; 15 x 5" Brake; w/Bleeder Screw; 1-1/2" Bore
Rear Wheel Cylinder	Years	Sequential No.	Category No.	Qualifier
Wheel Cylinder	89 - 79	F24489	(WC24489)	15 x 5" Brake; 1-5/8" Bore
Wheel Cylinder	89 - 79	F24489	(WC24489)	15 x 6" Brake; 1-5/8" Bore
Wheel Cylinder	89 - 79	F24489	(WC24489)	15 x 7" Brake; 17000-17500 lb. RA; 1-5/8" Bore
Wheel Cylinder	89 - 79	F26172	(WC26172)	15 x 7" Brake; 18500-19000 lb. RA or 34000 lb. TRA; 1-3/4" Bore
Wheel Cylinder	89 - 79	F24489	(WC24489)	16 x 5" Brake; 17000-17500 lb. RA; 1-5/8" Bore
Wheel Cylinder	89 - 79	F26172	(WC26172)	16 x 5" Brake; 18500-19000 lb. RA or 34000 lb. TRA; 1-3/4" Bore
Wheel Cylinder	89 - 79	F26172	(WC26172)	16 x 6" Brake; 1-3/4" Bore
Clutch Slave Cylinder	Years	Sequential No.	Category No.	Qualifier
Clutch Slave Cylinder	89 - 79	F43260	(SC43260)	
Front Brake Hose	Years	Sequential No.	Category No.	Qualifier
Brake Hose	89 - 79	F111136	(BH111136)	2WD; 15 x 3" Brake
Brake Hose	89 - 79	F111138	(BH111138)	2WD; 15 x 3-1/2" Brake; Dual Syst.
Brake Hose	89 - 79	F111136	(BH111136)	2WD; 15 x 3-1/2" Brake; Single Syst.
Brake Hose	89 - 79	F111139	(BH111139)	2WD; 15 x 5" Brake; Dual Syst.; Exc. 15 x 22.5" Tires
Brake Hose	89 - 79	F111140	(BH111140)	2WD; 15 x 5" Brake; Dual Syst.; w/15 x 22.5" Tires
Brake Hose	89 - 79	F111136	(BH111136)	2WD; 15 x 5" Brake; Single Syst.; Exc. 15 x 22.5" Tires
Brake Hose	89 - 79	F107731	(BH107731)	2WD; Bendix; 2.60" 2-Piston Caliper; 7500-8000 lb. FA
Brake Hose	89 - 79	F113150	(BH113150)	2WD; Bendix; 2.88" 2-Piston Caliper; 10000-12000 lb. FA
Brake Hose	89 - 79	F113151	(BH113151)	2WD; Bendix; 3.38" 1-Piston Caliper
Brake Hose	89 - 79	F111137	(BH111137)	4WD
Rear Brake Hose	Years	Sequential No.	Category No.	Qualifier
Brake Hose	89 - 79	F107733	(BH107733)	w/Disc Brake; 11" Length
Brake Hose	89 - 79	F107734	(BH107734)	w/Disc Brake; 18" Length
Brake Hose	89 - 79	F113154	(BH113154)	w/Disc Brake; 9-7/8" Length
Brake Hose	89 - 79	F107734	(BH107734)	w/Drum Brake; 18" Length
Brake Hose	89 - 79	F107735	(BH107735)	w/Drum Brake; 23" Length
Brake Hose	89 - 79	F111393	(BH111393)	w/Drum Brake; 27" Length

Hydraulics - Reman

Power Brake Booster	Years	Part No.	Qualifier
Hydro Booster	89 - 79	529901	Dual Syst.; Head
Hydro Booster	89 - 79	529802	High Pwr; Bendix Hydromax II; Complete Assy
Hydro Booster	89 - 79	529904	High Pwr; Bendix Hydromax II; Elect. Motor
Hydro Booster	89 - 79	529920	High Pwr; Bendix Hydromax II; Head
Hydro Booster	89 - 79	529900	Single Syst.; Head
Power Brake Booster	Years	Part No.	Qualifier
Vacuum Booster	89 - 79	518049	Exc. Tandem; Single Diaphragm; 15" Brake
Vacuum Booster	89 - 79	518047	Exc. Tandem; Single Diaphragm; 16" Brake
Vacuum Booster	89 - 79	518046	Tandem; Double Diaphragm

1955

Brake Pads & Shoes

Front Pads & Shoes	Years	SevereDuty	Lining No.	Qualifier
Brake Pads	89 - 79	SD184		Bendix; 2.60" 2-Piston Caliper
Brake Pads	89 - 79	SD225		Bendix; 2.88" 2-Piston Caliper
Brake Pads	89 - 79	SD184		Bendix; 3.38" 1-Piston Caliper

1955 (cont.)

Brake Pads & Shoes (cont.)

Front Pads & Shoes	Years	SevereDuty	Lining No.	Qualifier
Brake Shoes	89 - 79	SDS321R	EX1245AD-S32	Hyd. Brakes; Auto. Adj.; 15 x 3
Brake Shoes	89 - 79	SDS322R	EX1280BD-S32	Hyd. Brakes; Auto. Adj.; 15 x 3-1/2
Brake Shoes	89 - 79	SDS235R	EX1245AD-S32	Hyd. Brakes; Man. Adj.; 15 x 3
Brake Shoes	89 - 79	SDS840R	EX1280D-S32	Hyd. Brakes; Man. Adj.; 15 x 3-1/2
Brake Shoes	89 - 79	4223E	4223A	w/Air Brakes; Eaton/Spicer; 16-1/2 x 5
Brake Shoes	89 - 79	4514Q	4514G	w/Air Brakes; Rockwell/Meritor; Q-Series; 16-1/2 x 6
Brake Shoes	89 - 79	1307T	1307	w/Air Brakes; Rockwell/Meritor; T-Series; 15 x 3-1/2
Brake Shoes	89 - 79	1308T	1308T	w/Air Brakes; Rockwell/Meritor; T-Series; 15 x 4
Brake Shoes	89 - 79	4605S	4605	w/Air Brakes; Rockwell/Meritor; Wedge; 15 x 6

Rear Pads & Shoes	Years	SevereDuty	Lining No.	Qualifier
Brake Pads	89 - 79	SD184		Bendix; 2.60" 2-Piston Caliper
Brake Pads	89 - 79	SD225		Bendix; 2.88" 2-Piston Caliper
Brake Shoes	89 - 79	SDS346R	EX1252D-S32	Hyd. Brakes; 15 x 5
Brake Shoes	89 - 79	SDS381R	EX4596D-S32	Hyd. Brakes; 15 x 6
Brake Shoes	89 - 79	SDS383R	EX4597D-S32	Hyd. Brakes; 15 x 7
Brake Shoes	89 - 79	SDS385R	EX1254D-S32	Hyd. Brakes; 16 x 5
Brake Shoes	89 - 79	SDS386R	EX1255D-S32	Hyd. Brakes; 16 x 6
Brake Shoes	89 - 79	4311E	4311J	w/Air Brakes; Eaton/Spicer; 16-1/2 x 7
Brake Shoes	89 - 79	4514P	4514G	w/Air Brakes; Rockwell/Meritor; P-Series; 16-1/2 x 6
Brake Shoes	89 - 79	4515P	4515E	w/Air Brakes; Rockwell/Meritor; P-Series; 16-1/2 x 7
Brake Shoes	89 - 79	4644P	4644A	w/Air Brakes; Rockwell/Meritor; P-Series; 16-1/2 x 8
Brake Shoes	89 - 79	4514Q	4514G	w/Air Brakes; Rockwell/Meritor; Q-Series; 16-1/2 x 6
Brake Shoes	89 - 79	4515Q	4515E	w/Air Brakes; Rockwell/Meritor; Q-Series; 16-1/2 x 7
Brake Shoes	89 - 79	4644Q	4644A	w/Air Brakes; Rockwell/Meritor; Q-Series; 16-1/2 x 8
Brake Shoes	89 - 79	4602S	4602	w/Air Brakes; Rockwell/Meritor; Wedge; 15 x 7

Parking Brake Shoes	Years	SevereDuty	Lining No.	Qualifier
Brake Shoes	89 - 79	SDS842R	EX1303AD	Driveline Config.; 10 x 3
Brake Shoes	89 - 79	SDS647	EX2086D	Driveline Config.; 9 x 3

Rotor & Drum

Front Rotor & Drum	Years	Part No.	Qualifier
Brake Rotor	89 - 79	BD125097	5000-7500 lb. FA; Hat-Shaped; 10-Hole Rotor
Brake Rotor	89 - 79	BD125361	5000-7500 lb. FA; Hat-Shaped; 5-Hole Rotor
Brake Rotor	89 - 79	BD125362	5000-7500 lb. FA; Hat-Shaped; 6-Hole Rotor
Brake Rotor	89 - 79	BD126402	5000-7500 lb. FA; U-Shaped; 5-Hole Rotor
Brake Rotor	89 - 79	BD125096	5000-7500 lb. FA; U-Shaped; 6-Hole Rotor
Brake Rotor	89 - 87	BD125244	9000-12000 lb. FA; U-Shaped; 5-Hole Rotor
Brake Rotor	86	BD125244	From 2/01/86; 9000-12000 lb. FA; U-Shaped; 5-Hole Rotor
Brake Rotor	86	BD125098	To 1/31/86; 9000-12000 lb. FA; U-Shaped; 5-Hole Rotor
Brake Rotor	85 - 79	BD125098	9000-12000 lb. FA; U-Shaped; 5-Hole Rotor

Rear Rotor & Drum	Years	Part No.	Qualifier
Brake Rotor	89 - 79	BD125097	10000-15500 lb. RA; Hat-Shaped; 10-Hole Rotor
Brake Rotor	89 - 79	BD125362	10000-15500 lb. RA; Hat-Shaped; 6-Hole Rotor
Brake Rotor	89 - 79	BD126403	10000-15500 lb. RA; U-Shaped; 5-Hole Rotor
Brake Rotor	89 - 79	BD125096	10000-15500 lb. RA; U-Shaped; 6-Hole Rotor
Brake Rotor	89 - 79	BD125097	17000-19000 lb. RA; Hat-Shaped; 10-Hole Rotor
Brake Rotor	89 - 79	BD126394	17000-19000 lb. RA; U-Shaped; 10-Hole Rotor
Brake Rotor	89 - 79	BD125382	17000-19000 lb. RA; U-Shaped; 5-Hole Rotor; 12-3/4" Bolt Circle

Brake Hardware

Front Brake Hardware	Years	Sequential No.	Category No.	Qualifier
Adjuster Kit	89 - 79	F59159	(H2904)	L.H.; w/Auto Adj.
Adjuster Kit	89 - 79	F128990	(H2929)	L.H.; w/Man. Adj.
Adjuster Kit	89 - 79	F59160	(H2905)	R.H.; w/Auto Adj.
Adjuster Kit	89 - 79	F128990	(H2929)	R.H.; w/Man. Adj.

↳Sub-Kit of Combi-Kit is available separately.



1955 (cont.)

Brake Hardware (cont.)

Front Brake Hardware	Years	Sequential No.	Category No.	Qualifier
Combi Kit	89 - 79	F117025	(H7173)	15 x 3 or 15 x 3-1/2" Brake; w/Auto Adj.
↳Hold Down Kit		F73399	(H4201)	
↳Return Spring Kit		F36445	(H521)	
Combi Kit	89 - 79	F117026	(H7172)	15 x 3 or 15 x 3-1/2" Brake; w/Man. Adj.
↳Hold Down Kit		F19408	(H4200)	
↳Return Spring Kit		F36445	(H521)	
Combi Kit	89 - 79	F117025	(H7173)	15 x 5" Brake; w/Auto Adj.
↳Hold Down Kit		F73399	(H4201)	
↳Return Spring Kit		F36445	(H521)	
Combi Kit	89 - 79	F117019	(H7182)	15 x 5" Brake; w/Man. Adj.
↳Return Spring Kit		F36445	(H521)	
Disc Align Kit	89 - 79	F112095S	(H5564)	Bendix; 2.60" 2-Piston Caliper
Disc Align Kit	89 - 79	F112090S	(H5566)	Bendix; 2.88" 2-Piston Caliper
Disc Align Kit	89 - 79	F107401S	(H5562)	Bendix; 3.38" 1-Piston Caliper

Rear Brake Hardware

Years	Sequential No.	Category No.	Qualifier
89 - 79	F59157	(H2902)	L.H.; 15" Brake; w/Auto Adj.
89 - 79	F128894S	(H2911)	L.H.; 15" Brake; w/Man. Adj.
89 - 79	F128895S	(H2912)	L.H.; 16" Brake; w/Man. Adj.
89 - 79	F59158	(H2903)	R.H.; 15" Brake; w/Auto Adj.
89 - 79	F128894S	(H2911)	R.H.; 15" Brake; w/Man. Adj.
89 - 79	F128895S	(H2912)	R.H.; 16" Brake; w/Man. Adj.
89 - 79	F140823	(H1607)	L.H.; 15" Brake
89 - 79	F19291	(H1700)	L.H.; 16" Brake
89 - 79	F140818	(H1606)	R.H.; 15" Brake
89 - 79	F19292	(H1701)	R.H.; 16" Brake
89 - 79	F117027	(H7171)	
↳Adjuster Spring Kit	F78727	(H451)	
↳Hold Down Kit	F19309	(H5079)	
↳Return Spring Kit	F98318	(H609)	
89 - 79	F112095S	(H5564)	Bendix; 2.60" 2-Piston Caliper
89 - 79	F112090S	(H5566)	Bendix; 2.88" 2-Piston Caliper

Calipers - Reman

Front, Loaded	Years	Left No.	Right No.	Qualifier	Piston
Loaded Caliper	89 - 79	AS112057	AS112057	Bendix; 2.60" 2-Piston Caliper	P
Loaded Caliper	89 - 79	AS112057S	AS112057S	Bendix; 2.60" 2-Piston Caliper	O
Loaded Caliper	89 - 79	AS120549	AS120549	Bendix; 2.88" 2-Piston Caliper	P
Loaded Caliper	89 - 79	AS120549S	AS120549S	Bendix; 2.88" 2-Piston Caliper	O
Loaded Caliper	89 - 79	AS130211A	AS130210A	Bendix; 3.38" 1-Piston Caliper	M
Rear, Loaded	Years	Left No.	Right No.	Qualifier	Piston
Loaded Caliper	89 - 79	AS112057	AS112057	Bendix; 2.60" 2-Piston Caliper	P
Loaded Caliper	89 - 79	AS112057S	AS112057S	Bendix; 2.60" 2-Piston Caliper	O
Loaded Caliper	89 - 79	AS120549	AS120549	Bendix; 2.88" 2-Piston Caliper	P
Loaded Caliper	89 - 79	AS120549S	AS120549S	Bendix; 2.88" 2-Piston Caliper	O
Front, Unloaded	Years	Left No.	Right No.	Qualifier	Piston
Unloaded Caliper	89 - 79	CR112057	CR112057	Bendix; 2.60" 2-Piston Caliper	P
Unloaded Caliper	89 - 79	CR112057S	CR112057S	Bendix; 2.60" 2-Piston Caliper	O
Unloaded Caliper	89 - 79	CR120549	CR120549	Bendix; 2.88" 2-Piston Caliper	P
Unloaded Caliper	89 - 79	CR120549S	CR120549S	Bendix; 2.88" 2-Piston Caliper	O
Unloaded Caliper	89 - 79	CR130211	CR130210	Bendix; 3.38" 1-Piston Caliper	M
Rear, Unloaded	Years	Left No.	Right No.	Qualifier	Piston
Unloaded Caliper	89 - 79	CR112057	CR112057	Bendix; 2.60" 2-Piston Caliper	P
Unloaded Caliper	89 - 79	CR112057S	CR112057S	Bendix; 2.60" 2-Piston Caliper	O
Unloaded Caliper	89 - 79	CR120549	CR120549	Bendix; 2.88" 2-Piston Caliper	P
Unloaded Caliper	89 - 79	CR120549S	CR120549S	Bendix; 2.88" 2-Piston Caliper	O

↳Sub-Kit of Combi-Kit is available separately.

Piston: M - OE Metal Piston P - OE Phenolic Piston O - Metal Piston Option

Hydraulics - New

Master Cylinder	Years	Sequential No.	Category No.	Qualifier
Master Cylinder	89 - 84	F113751	(MC113751)	w/Disc Brake; Split Syst.; w/High Pwr.
Master Cylinder	89 - 84	F116702	(MC116702)	w/Disc Brake; Split Syst.; w/Hydrovac; 19000 lb. RA
Master Cylinder	89 - 79	F661	(MC661)	w/Drum Brake; Single Syst.; Exc. Tandem; 15" Brake
Master Cylinder	89 - 79	F2842	(MC2842)	w/Drum Brake; Single Syst.; Exc. Tandem; 16" Brake; w/Air Actuated Hyd. Brks.
Master Cylinder	89 - 79	F2951	(MC2951)	w/Drum Brake; Single Syst.; Tandem
Master Cylinder	89 - 79	F119402	(MC119402)	w/Drum Brake; Split Syst.; w/High Pwr.
Master Cylinder	89 - 79	F119397	(MC119397)	w/Drum Brake; Split Syst.; w/Hydrovac
Master Cylinder	83	F113751	(MC113751)	From 8/26/83; w/Disc Brake; Split Syst.; w/High Pwr.
Master Cylinder	83	F116702	(MC116702)	From 8/26/83; w/Disc Brake; Split Syst.; w/Hydrovac; 19000 lb. RA
Master Cylinder	83	F119395	(MC119395)	To 8/25/83; w/Disc Brake; Split Syst.; w/High Pwr.
Master Cylinder	83	F119396	(MC119396)	To 8/25/83; w/Disc Brake; Split Syst.; w/Hydrovac
Master Cylinder	82 - 79	F119395	(MC119395)	w/Disc Brake; Split Syst.; w/High Pwr.
Master Cylinder	82 - 79	F119396	(MC119396)	w/Disc Brake; Split Syst.; w/Hydrovac

Front Wheel Cylinder	Years	Sequential No.	Category No.	Qualifier
Wheel Cylinder	89 - 79	F43383	(WC43383)	L.H.; 15 x 3" Brake; w/o Bleeder Screw; 1-1/4" Bore
Wheel Cylinder	89 - 79	F43383	(WC43383)	L.H.; 15 x 3-1/2" Brake; w/o Bleeder Screw; 1-1/4" Bore
Wheel Cylinder	89 - 79	F86444	(WC86444)	L.H.; 15 x 5" Brake; w/Bleeder Screw; 1-1/2" Bore
Wheel Cylinder	89 - 79	F43384	(WC43384)	R.H.; 15 x 3" Brake; w/o Bleeder Screw; 1-1/4" Bore
Wheel Cylinder	89 - 79	F43384	(WC43384)	R.H.; 15 x 3-1/2" Brake; w/o Bleeder Screw; 1-1/4" Bore
Wheel Cylinder	89 - 79	F86445	(WC86445)	R.H.; 15 x 5" Brake; w/Bleeder Screw; 1-1/2" Bore

Rear Wheel Cylinder	Years	Sequential No.	Category No.	Qualifier
Wheel Cylinder	89 - 79	F24489	(WC24489)	15 x 5" Brake; 1-5/8" Bore
Wheel Cylinder	89 - 79	F24489	(WC24489)	15 x 6" Brake; 1-5/8" Bore
Wheel Cylinder	89 - 79	F24489	(WC24489)	15 x 7" Brake; 17000-17500 lb. RA; 1-5/8" Bore
Wheel Cylinder	89 - 79	F26172	(WC26172)	15 x 7" Brake; 18500-19000 lb. RA or 34000 lb. TRA; 1-3/4" Bore
Wheel Cylinder	89 - 79	F24489	(WC24489)	16 x 5" Brake; 17000-17500 lb. RA; 1-5/8" Bore
Wheel Cylinder	89 - 79	F26172	(WC26172)	16 x 5" Brake; 18500-19000 lb. RA or 34000 lb. TRA; 1-3/4" Bore
Wheel Cylinder	89 - 79	F26172	(WC26172)	16 x 6" Brake; 1-3/4" Bore

Clutch Slave Cylinder	Years	Sequential No.	Category No.	Qualifier
Clutch Slave Cylinder	89 - 79	F43260	(SC43260)	

Front Brake Hose	Years	Sequential No.	Category No.	Qualifier
Brake Hose	89 - 79	F111136	(BH111136)	2WD; 15 x 3" Brake
Brake Hose	89 - 79	F111138	(BH111138)	2WD; 15 x 3-1/2" Brake; Dual Syst.
Brake Hose	89 - 79	F111136	(BH111136)	2WD; 15 x 3-1/2" Brake; Single Syst.
Brake Hose	89 - 79	F111139	(BH111139)	2WD; 15 x 5" Brake; Dual Syst.; Exc. 15 x 22.5" Tires
Brake Hose	89 - 79	F111140	(BH111140)	2WD; 15 x 5" Brake; Dual Syst.; w/15 x 22.5" Tires
Brake Hose	89 - 79	F111136	(BH111136)	2WD; 15 x 5" Brake; Single Syst.; Exc. 15 x 22.5" Tires
Brake Hose	89 - 79	F107731	(BH107731)	2WD; Bendix; 2.60" 2-Piston Caliper; 7500-8000 lb. FA
Brake Hose	89 - 79	F113150	(BH113150)	2WD; Bendix; 2.88" 2-Piston Caliper; 10000-12000 lb. FA
Brake Hose	89 - 79	F113151	(BH113151)	2WD; Bendix; 3.38" 1-Piston Caliper
Brake Hose	89 - 79	F111137	(BH111137)	4WD

Rear Brake Hose	Years	Sequential No.	Category No.	Qualifier
Brake Hose	89 - 79	F107733	(BH107733)	w/Disc Brake; 11" Length
Brake Hose	89 - 79	F107734	(BH107734)	w/Disc Brake; 18" Length
Brake Hose	89 - 79	F113154	(BH113154)	w/Disc Brake; 9-7/8" Length
Brake Hose	89 - 79	F107734	(BH107734)	w/Drum Brake; 18" Length
Brake Hose	89 - 79	F107735	(BH107735)	w/Drum Brake; 23" Length
Brake Hose	89 - 79	F111393	(BH111393)	w/Drum Brake; 27" Length

Hydraulics - Reman

Power Brake Booster	Years	Part No.	Qualifier
Hydro Booster	89 - 79	529901	Dual Syst.; Head
Hydro Booster	89 - 79	529802	High Pwr; Bendix Hydromax II; Complete Assy
Hydro Booster	89 - 79	529904	High Pwr; Bendix Hydromax II; Elect. Motor
Hydro Booster	89 - 79	529920	High Pwr; Bendix Hydromax II; Head



1955 (cont.)

Hydraulics - Reman (cont.)

Power Brake Booster	Years	Part No.	Qualifier
Hydro Booster	89 - 79	529900	Single Syst.; Head
Power Brake Booster	Years	Part No.	Qualifier
Vacuum Booster	89 - 79	518049	Exc. Tandem; Single Diaphragm; 15" Brake
Vacuum Booster	89 - 79	518047	Exc. Tandem; Single Diaphragm; 16" Brake
Vacuum Booster	89 - 79	518046	Tandem; Double Diaphragm

INTERNATIONAL MD 2000 FleetStar

2000

Brake Pads & Shoes

Front Pads & Shoes	Years	SevereDuty	Lining No.	Qualifier
Brake Shoes	72 - 70	SDS321R	EX1245AD-S32	Hyd. Brakes; Auto. Adj.; 15 x 3
Brake Shoes	72 - 70	SDS322R	EX1280BD-S32	Hyd. Brakes; Auto. Adj.; 15 x 3-1/2
Brake Shoes	72 - 70	SDS235R	EX1245AD-S32	Hyd. Brakes; Man. Adj.; 15 x 3
Brake Shoes	72 - 70	SDS463R	EX1280D-S32	Hyd. Brakes; Man. Adj.; 15 x 3-1/2
Brake Shoes	72 - 70	4615S	4615	w/Air Brakes; Rockwell/Meritor; Wedge; 15 x 5
Rear Pads & Shoes	Years	SevereDuty	Lining No.	Qualifier
Brake Shoes	72 - 70	SDS346R	EX1252D-S32	Hyd. Brakes; 15 x 5
Brake Shoes	72 - 70	SDS381R	EX4596D-S32	Hyd. Brakes; 15 x 6
Brake Shoes	72 - 70	SDS383R	EX4597D-S32	Hyd. Brakes; 15 x 7
Brake Shoes	72 - 70	SDS385R	EX1254D-S32	Hyd. Brakes; 16 x 5
Brake Shoes	72 - 70	SDS386R	EX1255D-S32	Hyd. Brakes; 16 x 6
Brake Shoes	72 - 70	4317E	4317G	w/Air Brakes; Eaton/Spicer; 16-1/2 x 6
Brake Shoes	72 - 70	4311E	4311J	w/Air Brakes; Eaton/Spicer; 16-1/2 x 7
Brake Shoes	72 - 70	4514P	4514G	w/Air Brakes; Rockwell/Meritor; P-Series; 16-1/2 x 6
Brake Shoes	72 - 70	4515P	4515E	w/Air Brakes; Rockwell/Meritor; P-Series; 16-1/2 x 7
Brake Shoes	72 - 70	4605S	4605	w/Air Brakes; Rockwell/Meritor; Wedge; 15 x 6
Brake Shoes	72 - 70	4602S	4602	w/Air Brakes; Rockwell/Meritor; Wedge; 15 x 7

Brake Hardware

Front Brake Hardware	Years	Sequential No.	Category No.	Qualifier
Adjuster Kit	72 - 70	F59159	(H2904)	L.H.; w/Auto Adj.
Adjuster Kit	72 - 70	F128990	(H2929)	L.H.; w/Man. Adj.
Adjuster Kit	72 - 70	F59160	(H2905)	R.H.; w/Auto Adj.
Adjuster Kit	72 - 70	F128990	(H2929)	R.H.; w/Man. Adj.
Combi Kit	72 - 70	F117025	(H7173)	15 x 3 or 15 x 3-1/2" Brake; w/Auto Adj.
↳Hold Down Kit		F73399	(H4201)	
↳Return Spring Kit		F36445	(H521)	
Combi Kit	72 - 70	F117026	(H7172)	15 x 3 or 15 x 3-1/2" Brake; w/Man. Adj.
↳Hold Down Kit		F19408	(H4200)	
↳Return Spring Kit		F36445	(H521)	
Combi Kit	72 - 70	F117025	(H7173)	15 x 5" Brake; w/Auto Adj.
↳Hold Down Kit		F73399	(H4201)	
↳Return Spring Kit		F36445	(H521)	
Combi Kit	72 - 70	F117019	(H7182)	15 x 5" Brake; w/Man. Adj.
↳Return Spring Kit		F36445	(H521)	
Rear Brake Hardware	Years	Sequential No.	Category No.	Qualifier
Adjuster Kit	72 - 70	F59157	(H2902)	L.H.; 15" Brake; w/Auto Adj.
Adjuster Kit	72 - 70	F128894S	(H2911)	L.H.; 15" Brake; w/Man. Adj.
Adjuster Kit	72 - 70	F128895S	(H2912)	L.H.; 16" Brake; w/Man. Adj.
Adjuster Kit	72 - 70	F59158	(H2903)	R.H.; 15" Brake; w/Auto Adj.
Adjuster Kit	72 - 70	F128894S	(H2911)	R.H.; 15" Brake; w/Man. Adj.
Adjuster Kit	72 - 70	F128895S	(H2912)	R.H.; 16" Brake; w/Man. Adj.
Adjuster Screw	72 - 70	F140823	(H1607)	L.H.; 15" Brake
Adjuster Screw	72 - 70	F19291	(H1700)	L.H.; 16" Brake
Adjuster Screw	72 - 70	F140818	(H1606)	R.H.; 15" Brake

↳Sub-Kit of Combi-Kit is available separately.

2000 (cont.)

Brake Hardware (cont.)

Rear Brake Hardware	Years	Sequential No.	Category No.	Qualifier
Adjuster Screw	72 - 70	F19292	(H1701)	R.H.; 16" Brake
Combi Kit	72 - 70	F117027	(H7171)	
↳Adjuster Spring Kit		F78727	(H451)	
↳Hold Down Kit		F19309	(H5079)	
↳Return Spring Kit		F98318	(H609)	

Hydraulics - New

Master Cylinder	Years	Sequential No.	Category No.	Qualifier
Master Cylinder	72 - 70	F2842	(MC2842)	Exc. Tandem
Master Cylinder	72 - 70	F2951	(MC2951)	Tandem

Front Wheel Cylinder	Years	Sequential No.	Category No.	Qualifier
Wheel Cylinder	72 - 70	F71940	(WC71940)	L.H.; 15 x 3" Brake; w/Bleeder Screw; 1-1/8" Bore
Wheel Cylinder	72 - 70	F43383	(WC43383)	L.H.; 15 x 3" Brake; w/o Bleeder Screw; 2WD; 1-1/4" Bore
Wheel Cylinder	72 - 70	F8852	(WC8852)	L.H.; 15 x 3" Brake; w/o Bleeder Screw; 4WD; 1-1/8" Bore
Wheel Cylinder	72 - 70	F8813	(WC8813)	L.H.; 15 x 3-1/2" Brake; w/o Bleeder Screw; 1-3/8" Bore
Wheel Cylinder	72 - 70	F71941	(WC71941)	R.H.; 15 x 3" Brake; w/Bleeder Screw; 1-1/8" Bore
Wheel Cylinder	72 - 70	F43384	(WC43384)	R.H.; 15 x 3" Brake; w/o Bleeder Screw; 2WD; 1-1/4" Bore
Wheel Cylinder	72 - 70	F8853	(WC8853)	R.H.; 15 x 3" Brake; w/o Bleeder Screw; 4WD; 1-1/8" Bore
Wheel Cylinder	72 - 70	F8814	(WC8814)	R.H.; 15 x 3-1/2" Brake; w/o Bleeder Screw; 1-3/8" Bore

Rear Wheel Cylinder	Years	Sequential No.	Category No.	Qualifier
Wheel Cylinder	72 - 70	F26159	(WC26159)	15 x 5" Brake; 1-1/2" Bore
Wheel Cylinder	72 - 70	F24489	(WC24489)	15 x 5" Brake; 1-5/8" Bore
Wheel Cylinder	72 - 70	F24489	(WC24489)	15 x 6" Brake; 1-5/8" Bore
Wheel Cylinder	72 - 70	F26172	(WC26172)	15 x 7" Brake; 1-3/4" Bore
Wheel Cylinder	72 - 70	F24489	(WC24489)	15 x 7" Brake; 1-5/8" Bore
Wheel Cylinder	72 - 70	F26172	(WC26172)	16 x 5" Brake; 1-3/4" Bore
Wheel Cylinder	72 - 70	F24489	(WC24489)	16 x 5" Brake; 1-5/8" Bore
Wheel Cylinder	72 - 70	F26172	(WC26172)	16 x 6" Brake; 1-3/4" Bore
Wheel Cylinder	72 - 70	F26181	(WC26181)	16 x 6" Brake; 1-7/8" Bore

Clutch Master Cylind	Years	Sequential No.	Category No.	Qualifier
Clutch Master Cylinder	72 - 70	F2775	(CM2775)	Exc. Tandem

Clutch Slave Cylinder	Years	Sequential No.	Category No.	Qualifier
Clutch Slave Cylinder	72 - 70	F43260	(SC43260)	Tandem

Front Brake Hose	Years	Sequential No.	Category No.	Qualifier
Brake Hose	72 - 70	F4751	(BH4751)	7000 lb. FA

Rear Brake Hose	Years	Sequential No.	Category No.	Qualifier
Brake Hose	72 - 70	F39508	(BH39508)	Exc. Tandem
Brake Hose	72 - 70	F79361	(BH79361)	Tandem; Rear RA

Hydraulics - Reman

Power Brake Booster	Years	Part No.	Qualifier
Vacuum Booster	72 - 70	518037	34000 lb. TRA; Double Diaphragm

2010

Brake Pads & Shoes

Front Pads & Shoes	Years	SevereDuty	Lining No.	Qualifier
Brake Shoes	78 - 70	SDS321R	EX1245AD-S32	Hyd. Brakes; Auto. Adj.; 15 x 3
Brake Shoes	78 - 70	SDS322R	EX1280BD-S32	Hyd. Brakes; Auto. Adj.; 15 x 3-1/2
Brake Shoes	78 - 70	SDS235R	EX1245AD-S32	Hyd. Brakes; Man. Adj.; 15 x 3
Brake Shoes	78 - 70	SDS463R	EX1280D-S32	Hyd. Brakes; Man. Adj.; 15 x 3-1/2
Brake Shoes	78 - 70	4615S	4615	w/Air Brakes; Rockwell/Meritor; Wedge; 15 x 5

Rear Pads & Shoes	Years	SevereDuty	Lining No.	Qualifier
Brake Shoes	78 - 70	SDS346R	EX1252D-S32	Hyd. Brakes; 15 x 5
Brake Shoes	78 - 70	SDS381R	EX4596D-S32	Hyd. Brakes; 15 x 6
Brake Shoes	78 - 70	SDS383R	EX4597D-S32	Hyd. Brakes; 15 x 7
Brake Shoes	78 - 70	SDS385R	EX1254D-S32	Hyd. Brakes; 16 x 5

↳Sub-Kit of Combi-Kit is available separately.

2010 (cont.)

Brake Pads & Shoes (cont.)

Rear Pads & Shoes	Years	SevereDuty	Lining No.	Qualifier
Brake Shoes	78 - 70	SDS386R	EX1255D-S32	Hyd. Brakes; 16 x 6
Brake Shoes	78 - 70	4317E	4317G	w/Air Brakes; Eaton/Spicer; 16-1/2 x 6
Brake Shoes	78 - 70	4311E	4311J	w/Air Brakes; Eaton/Spicer; 16-1/2 x 7
Brake Shoes	78 - 70	4514P	4514G	w/Air Brakes; Rockwell/Meritor; P-Series; 16-1/2 x 6
Brake Shoes	78 - 70	4515P	4515E	w/Air Brakes; Rockwell/Meritor; P-Series; 16-1/2 x 7
Brake Shoes	78 - 70	4605S	4605	w/Air Brakes; Rockwell/Meritor; Wedge; 15 x 6
Brake Shoes	78 - 70	4602S	4602	w/Air Brakes; Rockwell/Meritor; Wedge; 15 x 7

Brake Hardware

Front Brake Hardware	Years	Sequential No.	Category No.	Qualifier
Adjuster Kit	78 - 70	F59159	(H2904)	L.H.; w/Auto Adj.
Adjuster Kit	78 - 70	F128990	(H2929)	L.H.; w/Man. Adj.
Adjuster Kit	78 - 70	F59160	(H2905)	R.H.; w/Auto Adj.
Adjuster Kit	78 - 70	F128990	(H2929)	R.H.; w/Man. Adj.
Combi Kit	78 - 70	F117025	(H7173)	15 x 3 or 15 x 3-1/2" Brake; w/Auto Adj.
↳Hold Down Kit		F73399	(H4201)	
↳Return Spring Kit		F36445	(H521)	
Combi Kit	78 - 70	F117026	(H7172)	15 x 3 or 15 x 3-1/2" Brake; w/Man. Adj.
↳Hold Down Kit		F19408	(H4200)	
↳Return Spring Kit		F36445	(H521)	
Combi Kit	78 - 70	F117025	(H7173)	15 x 5" Brake; w/Auto Adj.
↳Hold Down Kit		F73399	(H4201)	
↳Return Spring Kit		F36445	(H521)	
Combi Kit	78 - 70	F117019	(H7182)	15 x 5" Brake; w/Man. Adj.
↳Return Spring Kit		F36445	(H521)	

Rear Brake Hardware	Years	Sequential No.	Category No.	Qualifier
Adjuster Kit	78 - 70	F59157	(H2902)	L.H.; 15" Brake; w/Auto Adj.
Adjuster Kit	78 - 70	F128894S	(H2911)	L.H.; 15" Brake; w/Man. Adj.
Adjuster Kit	78 - 70	F128895S	(H2912)	L.H.; 16" Brake; w/Man. Adj.
Adjuster Kit	78 - 70	F59158	(H2903)	R.H.; 15" Brake; w/Auto Adj.
Adjuster Kit	78 - 70	F128894S	(H2911)	R.H.; 15" Brake; w/Man. Adj.
Adjuster Kit	78 - 70	F128895S	(H2912)	R.H.; 16" Brake; w/Man. Adj.
Adjuster Screw	78 - 70	F140823	(H1607)	L.H.; 15" Brake
Adjuster Screw	78 - 70	F19291	(H1700)	L.H.; 16" Brake
Adjuster Screw	78 - 70	F140818	(H1606)	R.H.; 15" Brake
Adjuster Screw	78 - 70	F19292	(H1701)	R.H.; 16" Brake
Combi Kit	78 - 70	F117027	(H7171)	
↳Adjuster Spring Kit		F78727	(H451)	
↳Hold Down Kit		F19309	(H5079)	
↳Return Spring Kit		F98318	(H609)	

Hydraulics - New

Master Cylinder	Years	Sequential No.	Category No.	Qualifier
Master Cylinder	78 - 70	F2842	(MC2842)	Exc. Tandem
Master Cylinder	78 - 70	F2951	(MC2951)	Tandem
Front Wheel Cylinder	Years	Sequential No.	Category No.	Qualifier
Wheel Cylinder	78 - 70	F71940	(WC71940)	L.H.; 15 x 3" Brake; w/Bleeder Screw; 1-1/8" Bore
Wheel Cylinder	78 - 70	F43383	(WC43383)	L.H.; 15 x 3" Brake; w/o Bleeder Screw; 2WD; 1-1/4" Bore
Wheel Cylinder	78 - 70	F8852	(WC8852)	L.H.; 15 x 3" Brake; w/o Bleeder Screw; 4WD; 1-1/8" Bore
Wheel Cylinder	78 - 70	F8813	(WC8813)	L.H.; 15 x 3-1/2" Brake; w/o Bleeder Screw; 1-3/8" Bore
Wheel Cylinder	78 - 70	F71941	(WC71941)	R.H.; 15 x 3" Brake; w/Bleeder Screw; 1-1/8" Bore
Wheel Cylinder	78 - 70	F43384	(WC43384)	R.H.; 15 x 3" Brake; w/o Bleeder Screw; 2WD; 1-1/4" Bore
Wheel Cylinder	78 - 70	F8853	(WC8853)	R.H.; 15 x 3" Brake; w/o Bleeder Screw; 4WD; 1-1/8" Bore
Wheel Cylinder	78 - 70	F8814	(WC8814)	R.H.; 15 x 3-1/2" Brake; w/o Bleeder Screw; 1-3/8" Bore
Rear Wheel Cylinder	Years	Sequential No.	Category No.	Qualifier
Wheel Cylinder	78 - 70	F26159	(WC26159)	15 x 5" Brake; 1-1/2" Bore

↳Sub-Kit of Combi-Kit is available separately.

2010 (cont.)

Hydraulics - New (cont.)

Rear Wheel Cylinder	Years	Sequential No.	Category No.	Qualifier
Wheel Cylinder	78 - 70	F24489	(WC24489)	15 x 5" Brake; 1-5/8" Bore
Wheel Cylinder	78 - 70	F24489	(WC24489)	15 x 6" Brake; 1-5/8" Bore
Wheel Cylinder	78 - 70	F26172	(WC26172)	15 x 7" Brake; 1-3/4" Bore
Wheel Cylinder	78 - 70	F24489	(WC24489)	15 x 7" Brake; 1-5/8" Bore
Wheel Cylinder	78 - 70	F26172	(WC26172)	16 x 5" Brake; 1-3/4" Bore
Wheel Cylinder	78 - 70	F24489	(WC24489)	16 x 5" Brake; 1-5/8" Bore
Wheel Cylinder	78 - 70	F26172	(WC26172)	16 x 6" Brake; 1-3/4" Bore
Wheel Cylinder	78 - 70	F26181	(WC26181)	16 x 6" Brake; 1-7/8" Bore
Clutch Master Cylind	Years	Sequential No.	Category No.	Qualifier
Clutch Master Cylinder	78 - 70	F2775	(CM2775)	Exc. Tandem
Clutch Slave Cylinder	Years	Sequential No.	Category No.	Qualifier
Clutch Slave Cylinder	78 - 70	F43260	(SC43260)	Tandem
Front Brake Hose	Years	Sequential No.	Category No.	Qualifier
Brake Hose	78 - 70	F4751	(BH4751)	7000 lb. FA
Rear Brake Hose	Years	Sequential No.	Category No.	Qualifier
Brake Hose	78 - 70	F39508	(BH39508)	Exc. Tandem
Brake Hose	78 - 70	F79361	(BH79361)	Tandem; Rear RA

Hydraulics - Reman

Power Brake Booster	Years	Part No.	Qualifier
Vacuum Booster	78 - 70	518037	34000 lb. TRA; Double Diaphragm

2050

Brake Pads & Shoes

Front Pads & Shoes	Years	SevereDuty	Lining No.	Qualifier
Brake Shoes	78 - 70	SDS321R	EX1245AD-S32	Hyd. Brakes; Auto. Adj.; 15 x 3
Brake Shoes	78 - 70	SDS322R	EX1280BD-S32	Hyd. Brakes; Auto. Adj.; 15 x 3-1/2
Brake Shoes	78 - 70	SDS235R	EX1245AD-S32	Hyd. Brakes; Man. Adj.; 15 x 3
Brake Shoes	78 - 70	SDS463R	EX1280D-S32	Hyd. Brakes; Man. Adj.; 15 x 3-1/2
Brake Shoes	78 - 70	4615S	4615	w/Air Brakes; Rockwell/Meritor; Wedge; 15 x 5
Rear Pads & Shoes	Years	SevereDuty	Lining No.	Qualifier
Brake Shoes	78 - 70	SDS346R	EX1252D-S32	Hyd. Brakes; 15 x 5
Brake Shoes	78 - 70	SDS381R	EX4596D-S32	Hyd. Brakes; 15 x 6
Brake Shoes	78 - 70	SDS383R	EX4597D-S32	Hyd. Brakes; 15 x 7
Brake Shoes	78 - 70	SDS385R	EX1254D-S32	Hyd. Brakes; 16 x 5
Brake Shoes	78 - 70	SDS386R	EX1255D-S32	Hyd. Brakes; 16 x 6
Brake Shoes	78 - 70	4317E	4317G	w/Air Brakes; Eaton/Spicer; 16-1/2 x 6
Brake Shoes	78 - 70	4311E	4311J	w/Air Brakes; Eaton/Spicer; 16-1/2 x 7
Brake Shoes	78 - 70	4514P	4514G	w/Air Brakes; Rockwell/Meritor; P-Series; 16-1/2 x 6
Brake Shoes	78 - 70	4515P	4515E	w/Air Brakes; Rockwell/Meritor; P-Series; 16-1/2 x 7
Brake Shoes	78 - 70	4605S	4605	w/Air Brakes; Rockwell/Meritor; Wedge; 15 x 6
Brake Shoes	78 - 70	4602S	4602	w/Air Brakes; Rockwell/Meritor; Wedge; 15 x 7

Brake Hardware

Front Brake Hardware	Years	Sequential No.	Category No.	Qualifier
Adjuster Kit	78 - 70	F59159	(H2904)	L.H.; w/Auto Adj.
Adjuster Kit	78 - 70	F128990	(H2929)	L.H.; w/Man. Adj.
Adjuster Kit	78 - 70	F59160	(H2905)	R.H.; w/Auto Adj.
Adjuster Kit	78 - 70	F128990	(H2929)	R.H.; w/Man. Adj.
Combi Kit	78 - 70	F117025	(H7173)	15 x 3 or 15 x 3-1/2" Brake; w/Auto Adj.
↳Hold Down Kit		F73399	(H4201)	
↳Return Spring Kit		F36445	(H521)	
Combi Kit	78 - 70	F117026	(H7172)	15 x 3 or 15 x 3-1/2" Brake; w/Man. Adj.
↳Hold Down Kit		F19408	(H4200)	
↳Return Spring Kit		F36445	(H521)	

↳Sub-Kit of Combi-Kit is available separately.

2050 (cont.)**Brake Hardware (cont.)**

Front Brake Hardware	Years	Sequential No.	Category No.	Qualifier
Combi Kit	78 - 70	F117025	(H7173)	15 x 5" Brake; w/Auto Adj.
↳ Hold Down Kit		F73399	(H4201)	
↳ Return Spring Kit		F36445	(H521)	
Combi Kit	78 - 70	F117019	(H7182)	15 x 5" Brake; w/Man. Adj.
↳ Return Spring Kit		F36445	(H521)	

Rear Brake Hardware	Years	Sequential No.	Category No.	Qualifier
Adjuster Kit	78 - 70	F59157	(H2902)	L.H.; 15" Brake; w/Auto Adj.
Adjuster Kit	78 - 70	F128894S	(H2911)	L.H.; 15" Brake; w/Man. Adj.
Adjuster Kit	78 - 70	F128895S	(H2912)	L.H.; 16" Brake; w/Man. Adj.
Adjuster Kit	78 - 70	F59158	(H2903)	R.H.; 15" Brake; w/Auto Adj.
Adjuster Kit	78 - 70	F128894S	(H2911)	R.H.; 15" Brake; w/Man. Adj.
Adjuster Kit	78 - 70	F128895S	(H2912)	R.H.; 16" Brake; w/Man. Adj.
Adjuster Screw	78 - 70	F140823	(H1607)	L.H.; 15" Brake
Adjuster Screw	78 - 70	F19291	(H1700)	L.H.; 16" Brake
Adjuster Screw	78 - 70	F140818	(H1606)	R.H.; 15" Brake
Adjuster Screw	78 - 70	F19292	(H1701)	R.H.; 16" Brake
Combi Kit	78 - 70	F117027	(H7171)	
↳ Adjuster Spring Kit		F78727	(H451)	
↳ Hold Down Kit		F19309	(H5079)	
↳ Return Spring Kit		F98318	(H609)	

Hydraulics - New

Master Cylinder	Years	Sequential No.	Category No.	Qualifier
Master Cylinder	78 - 70	F2842	(MC2842)	Exc. Tandem
Master Cylinder	78 - 70	F2951	(MC2951)	Tandem

Front Wheel Cylinder	Years	Sequential No.	Category No.	Qualifier
Wheel Cylinder	78 - 70	F71940	(WC71940)	L.H.; 15 x 3" Brake; w/Bleeder Screw; 1-1/8" Bore
Wheel Cylinder	78 - 70	F43383	(WC43383)	L.H.; 15 x 3" Brake; w/o Bleeder Screw; 2WD; 1-1/4" Bore
Wheel Cylinder	78 - 70	F8852	(WC8852)	L.H.; 15 x 3" Brake; w/o Bleeder Screw; 4WD; 1-1/8" Bore
Wheel Cylinder	78 - 70	F8813	(WC8813)	L.H.; 15 x 3-1/2" Brake; w/o Bleeder Screw; 1-3/8" Bore
Wheel Cylinder	78 - 70	F71941	(WC71941)	R.H.; 15 x 3" Brake; w/Bleeder Screw; 1-1/8" Bore
Wheel Cylinder	78 - 70	F43384	(WC43384)	R.H.; 15 x 3" Brake; w/o Bleeder Screw; 2WD; 1-1/4" Bore
Wheel Cylinder	78 - 70	F8853	(WC8853)	R.H.; 15 x 3" Brake; w/o Bleeder Screw; 4WD; 1-1/8" Bore
Wheel Cylinder	78 - 70	F8814	(WC8814)	R.H.; 15 x 3-1/2" Brake; w/o Bleeder Screw; 1-3/8" Bore

Rear Wheel Cylinder	Years	Sequential No.	Category No.	Qualifier
Wheel Cylinder	78 - 70	F26159	(WC26159)	15 x 5" Brake; 1-1/2" Bore
Wheel Cylinder	78 - 70	F24489	(WC24489)	15 x 5" Brake; 1-5/8" Bore
Wheel Cylinder	78 - 70	F24489	(WC24489)	15 x 6" Brake; 1-5/8" Bore
Wheel Cylinder	78 - 70	F26172	(WC26172)	15 x 7" Brake; 1-3/4" Bore
Wheel Cylinder	78 - 70	F24489	(WC24489)	15 x 7" Brake; 1-5/8" Bore
Wheel Cylinder	78 - 70	F26172	(WC26172)	16 x 5" Brake; 1-3/4" Bore
Wheel Cylinder	78 - 70	F24489	(WC24489)	16 x 5" Brake; 1-5/8" Bore
Wheel Cylinder	78 - 70	F26172	(WC26172)	16 x 6" Brake; 1-3/4" Bore
Wheel Cylinder	78 - 70	F26181	(WC26181)	16 x 6" Brake; 1-7/8" Bore

Clutch Master Cylind	Years	Sequential No.	Category No.	Qualifier
Clutch Master Cylinder	78 - 70	F2775	(CM2775)	Exc. Tandem

Clutch Slave Cylinder	Years	Sequential No.	Category No.	Qualifier
Clutch Slave Cylinder	78 - 70	F43260	(SC43260)	Tandem

Front Brake Hose	Years	Sequential No.	Category No.	Qualifier
Brake Hose	78 - 70	F4751	(BH4751)	7000 lb. FA

Rear Brake Hose	Years	Sequential No.	Category No.	Qualifier
Brake Hose	78 - 70	F39508	(BH39508)	Exc. Tandem
Brake Hose	78 - 70	F79361	(BH79361)	Tandem; Rear RA

↳ Sub-Kit of Combi-Kit is available separately.

2050 (cont.)

Hydraulics - Reman

Power Brake Booster	Years	Part No.	Qualifier
Vacuum Booster	78 - 70	518037	34000 lb. TRA; Double Diaphragm

2070

Brake Pads & Shoes

Front Pads & Shoes	Years	SevereDuty	Lining No.	Qualifier
Brake Shoes	78 - 70	SDS321R	EX1245AD-S32	Hyd. Brakes; Auto. Adj.; 15 x 3
Brake Shoes	78 - 70	SDS322R	EX1280BD-S32	Hyd. Brakes; Auto. Adj.; 15 x 3-1/2
Brake Shoes	78 - 70	SDS235R	EX1245AD-S32	Hyd. Brakes; Man. Adj.; 15 x 3
Brake Shoes	78 - 70	SDS463R	EX1280D-S32	Hyd. Brakes; Man. Adj.; 15 x 3-1/2
Brake Shoes	78 - 70	4615S	4615	w/Air Brakes; Rockwell/Meritor; Wedge; 15 x 5
Rear Pads & Shoes	Years	SevereDuty	Lining No.	Qualifier
Brake Shoes	78 - 70	SDS346R	EX1252D-S32	Hyd. Brakes; 15 x 5
Brake Shoes	78 - 70	SDS381R	EX4596D-S32	Hyd. Brakes; 15 x 6
Brake Shoes	78 - 70	SDS383R	EX4597D-S32	Hyd. Brakes; 15 x 7
Brake Shoes	78 - 70	SDS385R	EX1254D-S32	Hyd. Brakes; 16 x 5
Brake Shoes	78 - 70	SDS386R	EX1255D-S32	Hyd. Brakes; 16 x 6
Brake Shoes	78 - 70	4317E	4317G	w/Air Brakes; Eaton/Spicer; 16-1/2 x 6
Brake Shoes	78 - 70	4311E	4311J	w/Air Brakes; Eaton/Spicer; 16-1/2 x 7
Brake Shoes	78 - 70	4514P	4514G	w/Air Brakes; Rockwell/Meritor; P-Series; 16-1/2 x 6
Brake Shoes	78 - 70	4515P	4515E	w/Air Brakes; Rockwell/Meritor; P-Series; 16-1/2 x 7
Brake Shoes	78 - 70	4605S	4605	w/Air Brakes; Rockwell/Meritor; Wedge; 15 x 6
Brake Shoes	78 - 70	4602S	4602	w/Air Brakes; Rockwell/Meritor; Wedge; 15 x 7

Brake Hardware

Front Brake Hardware	Years	Sequential No.	Category No.	Qualifier
Adjuster Kit	78 - 70	F59159	(H2904)	L.H.; w/Auto Adj.
Adjuster Kit	78 - 70	F128990	(H2929)	L.H.; w/Man. Adj.
Adjuster Kit	78 - 70	F59160	(H2905)	R.H.; w/Auto Adj.
Adjuster Kit	78 - 70	F128990	(H2929)	R.H.; w/Man. Adj.
Combi Kit	78 - 70	F117025	(H7173)	15 x 3 or 15 x 3-1/2" Brake; w/Auto Adj.
↳Hold Down Kit		F73399	(H4201)	
↳Return Spring Kit		F36445	(H521)	
Combi Kit	78 - 70	F117026	(H7172)	15 x 3 or 15 x 3-1/2" Brake; w/Man. Adj.
↳Hold Down Kit		F19408	(H4200)	
↳Return Spring Kit		F36445	(H521)	
Combi Kit	78 - 70	F117025	(H7173)	15 x 5" Brake; w/Auto Adj.
↳Hold Down Kit		F73399	(H4201)	
↳Return Spring Kit		F36445	(H521)	
Combi Kit	78 - 70	F117019	(H7182)	15 x 5" Brake; w/Man. Adj.
↳Return Spring Kit		F36445	(H521)	
Rear Brake Hardware	Years	Sequential No.	Category No.	Qualifier
Adjuster Kit	78 - 70	F59157	(H2902)	L.H.; 15" Brake; w/Auto Adj.
Adjuster Kit	78 - 70	F128894S	(H2911)	L.H.; 15" Brake; w/Man. Adj.
Adjuster Kit	78 - 70	F128895S	(H2912)	L.H.; 16" Brake; w/Man. Adj.
Adjuster Kit	78 - 70	F59158	(H2903)	R.H.; 15" Brake; w/Auto Adj.
Adjuster Kit	78 - 70	F128894S	(H2911)	R.H.; 15" Brake; w/Man. Adj.
Adjuster Kit	78 - 70	F128895S	(H2912)	R.H.; 16" Brake; w/Man. Adj.
Adjuster Screw	78 - 70	F140823	(H1607)	L.H.; 15" Brake
Adjuster Screw	78 - 70	F19291	(H1700)	L.H.; 16" Brake
Adjuster Screw	78 - 70	F140818	(H1606)	R.H.; 15" Brake
Adjuster Screw	78 - 70	F19292	(H1701)	R.H.; 16" Brake
Combi Kit	78 - 70	F117027	(H7171)	
↳Adjuster Spring Kit		F78727	(H451)	
↳Hold Down Kit		F19309	(H5079)	
↳Return Spring Kit		F98318	(H609)	

↳Sub-Kit of Combi-Kit is available separately.

2070 (cont.)**Hydraulics - New**

Master Cylinder	Years	Sequential No.	Category No.	Qualifier
Master Cylinder	78 - 70	F2842	(MC2842)	Exc. Tandem
Master Cylinder	78 - 70	F2951	(MC2951)	Tandem
Front Wheel Cylinder	Years	Sequential No.	Category No.	Qualifier
Wheel Cylinder	78 - 70	F71940	(WC71940)	L.H.; 15 x 3" Brake; w/Bleeder Screw; 1-1/8" Bore
Wheel Cylinder	78 - 70	F43383	(WC43383)	L.H.; 15 x 3" Brake; w/o Bleeder Screw; 2WD; 1-1/4" Bore
Wheel Cylinder	78 - 70	F8852	(WC8852)	L.H.; 15 x 3" Brake; w/o Bleeder Screw; 4WD; 1-1/8" Bore
Wheel Cylinder	78 - 70	F8813	(WC8813)	L.H.; 15 x 3-1/2" Brake; w/o Bleeder Screw; 1-3/8" Bore
Wheel Cylinder	78 - 70	F71941	(WC71941)	R.H.; 15 x 3" Brake; w/Bleeder Screw; 1-1/8" Bore
Wheel Cylinder	78 - 70	F43384	(WC43384)	R.H.; 15 x 3" Brake; w/o Bleeder Screw; 2WD; 1-1/4" Bore
Wheel Cylinder	78 - 70	F8853	(WC8853)	R.H.; 15 x 3" Brake; w/o Bleeder Screw; 4WD; 1-1/8" Bore
Wheel Cylinder	78 - 70	F8814	(WC8814)	R.H.; 15 x 3-1/2" Brake; w/o Bleeder Screw; 1-3/8" Bore
Rear Wheel Cylinder	Years	Sequential No.	Category No.	Qualifier
Wheel Cylinder	78 - 70	F26159	(WC26159)	15 x 5" Brake; 1-1/2" Bore
Wheel Cylinder	78 - 70	F24489	(WC24489)	15 x 5" Brake; 1-5/8" Bore
Wheel Cylinder	78 - 70	F24489	(WC24489)	15 x 6" Brake; 1-5/8" Bore
Wheel Cylinder	78 - 70	F26172	(WC26172)	15 x 7" Brake; 1-3/4" Bore
Wheel Cylinder	78 - 70	F24489	(WC24489)	15 x 7" Brake; 1-5/8" Bore
Wheel Cylinder	78 - 70	F26172	(WC26172)	16 x 5" Brake; 1-3/4" Bore
Wheel Cylinder	78 - 70	F24489	(WC24489)	16 x 5" Brake; 1-5/8" Bore
Wheel Cylinder	78 - 70	F26172	(WC26172)	16 x 6" Brake; 1-3/4" Bore
Wheel Cylinder	78 - 70	F26181	(WC26181)	16 x 6" Brake; 1-7/8" Bore
Clutch Master Cylind	Years	Sequential No.	Category No.	Qualifier
Clutch Master Cylinder	78 - 70	F2775	(CM2775)	Exc. Tandem
Clutch Slave Cylinder	Years	Sequential No.	Category No.	Qualifier
Clutch Slave Cylinder	78 - 70	F43260	(SC43260)	Tandem
Front Brake Hose	Years	Sequential No.	Category No.	Qualifier
Brake Hose	78 - 70	F4751	(BH4751)	7000 lb. FA
Rear Brake Hose	Years	Sequential No.	Category No.	Qualifier
Brake Hose	78 - 70	F39508	(BH39508)	Exc. Tandem
Brake Hose	78 - 70	F79361	(BH79361)	Tandem; Rear RA

Hydraulics - Reman

Power Brake Booster	Years	Part No.	Qualifier
Vacuum Booster	78 - 70	518037	34000 lb. TRA; Double Diaphragm

INTERNATIONAL MD 2100 FleetStar**2110****Brake Pads & Shoes**

Front Pads & Shoes	Years	SevereDuty	Lining No.	Qualifier
Brake Shoes	78 - 70	SDS321R	EX1245AD-S32	Hyd. Brakes; Auto. Adj.; 15 x 3
Brake Shoes	78 - 70	SDS322R	EX1280BD-S32	Hyd. Brakes; Auto. Adj.; 15 x 3-1/2
Brake Shoes	78 - 70	SDS235R	EX1245AD-S32	Hyd. Brakes; Man. Adj.; 15 x 3
Brake Shoes	78 - 70	SDS463R	EX1280D-S32	Hyd. Brakes; Man. Adj.; 15 x 3-1/2
Brake Shoes	78 - 70	4615S	4615	w/Air Brakes; Rockwell/Meritor; Wedge; 15 x 5
Rear Pads & Shoes	Years	SevereDuty	Lining No.	Qualifier
Brake Shoes	78 - 70	SDS346R	EX1252D-S32	Hyd. Brakes; 15 x 5
Brake Shoes	78 - 70	SDS381R	EX4596D-S32	Hyd. Brakes; 15 x 6
Brake Shoes	78 - 70	SDS383R	EX4597D-S32	Hyd. Brakes; 15 x 7
Brake Shoes	78 - 70	SDS385R	EX1254D-S32	Hyd. Brakes; 16 x 5
Brake Shoes	78 - 70	SDS386R	EX1255D-S32	Hyd. Brakes; 16 x 6
Brake Shoes	78 - 70	4317E	4317G	w/Air Brakes; Eaton/Spicer; 16-1/2 x 6
Brake Shoes	78 - 70	4311E	4311J	w/Air Brakes; Eaton/Spicer; 16-1/2 x 7
Brake Shoes	78 - 70	4514P	4514G	w/Air Brakes; Rockwell/Meritor; P-Series; 16-1/2 x 6
Brake Shoes	78 - 70	4515P	4515E	w/Air Brakes; Rockwell/Meritor; P-Series; 16-1/2 x 7
Brake Shoes	78 - 70	4605S	4605	w/Air Brakes; Rockwell/Meritor; Wedge; 15 x 6

Brake Pads & Shoes (cont.)

Rear Pads & Shoes	Years	SevereDuty	Lining No.	Qualifier
Brake Shoes	78 - 70	4602S	4602	w/Air Brakes; Rockwell/Meritor; Wedge; 15 x 7

Brake Hardware

Front Brake Hardware	Years	Sequential No.	Category No.	Qualifier
Adjuster Kit	78 - 70	F59159	(H2904)	L.H.; w/Auto Adj.
Adjuster Kit	78 - 70	F128990	(H2929)	L.H.; w/Man. Adj.
Adjuster Kit	78 - 70	F59160	(H2905)	R.H.; w/Auto Adj.
Adjuster Kit	78 - 70	F128990	(H2929)	R.H.; w/Man. Adj.
Combi Kit	78 - 70	F117025	(H7173)	15 x 3 or 15 x 3-1/2" Brake; w/Auto Adj.
↳Hold Down Kit		F73399	(H4201)	
↳Return Spring Kit		F36445	(H521)	
Combi Kit	78 - 70	F117026	(H7172)	15 x 3 or 15 x 3-1/2" Brake; w/Man. Adj.
↳Hold Down Kit		F19408	(H4200)	
↳Return Spring Kit		F36445	(H521)	
Combi Kit	78 - 70	F117025	(H7173)	15 x 5" Brake; w/Auto Adj.
↳Hold Down Kit		F73399	(H4201)	
↳Return Spring Kit		F36445	(H521)	
Combi Kit	78 - 70	F117019	(H7182)	15 x 5" Brake; w/Man. Adj.
↳Return Spring Kit		F36445	(H521)	

Rear Brake Hardware	Years	Sequential No.	Category No.	Qualifier
Adjuster Kit	78 - 70	F59157	(H2902)	L.H.; 15" Brake; w/Auto Adj.
Adjuster Kit	78 - 70	F128894S	(H2911)	L.H.; 15" Brake; w/Man. Adj.
Adjuster Kit	78 - 70	F128895S	(H2912)	L.H.; 16" Brake; w/Man. Adj.
Adjuster Kit	78 - 70	F59158	(H2903)	R.H.; 15" Brake; w/Auto Adj.
Adjuster Kit	78 - 70	F128894S	(H2911)	R.H.; 15" Brake; w/Man. Adj.
Adjuster Kit	78 - 70	F128895S	(H2912)	R.H.; 16" Brake; w/Man. Adj.
Adjuster Screw	78 - 70	F140823	(H1607)	L.H.; 15" Brake
Adjuster Screw	78 - 70	F19291	(H1700)	L.H.; 16" Brake
Adjuster Screw	78 - 70	F140818	(H1606)	R.H.; 15" Brake
Adjuster Screw	78 - 70	F19292	(H1701)	R.H.; 16" Brake
Combi Kit	78 - 70	F117027	(H7171)	
↳Adjuster Spring Kit		F78727	(H451)	
↳Hold Down Kit		F19309	(H5079)	
↳Return Spring Kit		F98318	(H609)	

Hydraulics - New

Master Cylinder	Years	Sequential No.	Category No.	Qualifier
Master Cylinder	78 - 70	F2842	(MC2842)	Exc. Tandem
Master Cylinder	78 - 70	F2951	(MC2951)	Tandem

Front Wheel Cylinder	Years	Sequential No.	Category No.	Qualifier
Wheel Cylinder	78 - 70	F71940	(WC71940)	L.H.; 15 x 3" Brake; w/Bleeder Screw; 1-1/8" Bore
Wheel Cylinder	78 - 70	F43383	(WC43383)	L.H.; 15 x 3" Brake; w/o Bleeder Screw; 2WD; 1-1/4" Bore
Wheel Cylinder	78 - 70	F8852	(WC8852)	L.H.; 15 x 3" Brake; w/o Bleeder Screw; 4WD; 1-1/8" Bore
Wheel Cylinder	78 - 70	F8813	(WC8813)	L.H.; 15 x 3-1/2" Brake; w/o Bleeder Screw; 1-3/8" Bore
Wheel Cylinder	78 - 70	F71941	(WC71941)	R.H.; 15 x 3" Brake; w/Bleeder Screw; 1-1/8" Bore
Wheel Cylinder	78 - 70	F43384	(WC43384)	R.H.; 15 x 3" Brake; w/o Bleeder Screw; 2WD; 1-1/4" Bore
Wheel Cylinder	78 - 70	F8853	(WC8853)	R.H.; 15 x 3" Brake; w/o Bleeder Screw; 4WD; 1-1/8" Bore
Wheel Cylinder	78 - 70	F8814	(WC8814)	R.H.; 15 x 3-1/2" Brake; w/o Bleeder Screw; 1-3/8" Bore

Rear Wheel Cylinder	Years	Sequential No.	Category No.	Qualifier
Wheel Cylinder	78 - 70	F26159	(WC26159)	15 x 5" Brake; 1-1/2" Bore
Wheel Cylinder	78 - 70	F24489	(WC24489)	15 x 5" Brake; 1-5/8" Bore
Wheel Cylinder	78 - 70	F24489	(WC24489)	15 x 6" Brake; 1-5/8" Bore
Wheel Cylinder	78 - 70	F26172	(WC26172)	15 x 7" Brake; 1-3/4" Bore
Wheel Cylinder	78 - 70	F24489	(WC24489)	15 x 7" Brake; 1-5/8" Bore
Wheel Cylinder	78 - 70	F26172	(WC26172)	16 x 5" Brake; 1-3/4" Bore
Wheel Cylinder	78 - 70	F24489	(WC24489)	16 x 5" Brake; 1-5/8" Bore

↳Sub-Kit of Combi-Kit is available separately.

2110 (cont.)**Hydraulics - New (cont.)**

Rear Wheel Cylinder	Years	Sequential No.	Category No.	Qualifier
Wheel Cylinder	78 - 70	F26172	(WC26172)	16 x 6" Brake; 1-3/4" Bore
Wheel Cylinder	78 - 70	F26181	(WC26181)	16 x 6" Brake; 1-7/8" Bore
Clutch Master Cylind	Years	Sequential No.	Category No.	Qualifier
Clutch Master Cylinder	78 - 70	F2775	(CM2775)	Exc. Tandem
Clutch Slave Cylinder	Years	Sequential No.	Category No.	Qualifier
Clutch Slave Cylinder	78 - 70	F43260	(SC43260)	Tandem
Front Brake Hose	Years	Sequential No.	Category No.	Qualifier
Brake Hose	78 - 70	F4751	(BH4751)	7000 lb. FA
Rear Brake Hose	Years	Sequential No.	Category No.	Qualifier
Brake Hose	78 - 70	F39508	(BH39508)	Exc. Tandem
Brake Hose	78 - 70	F79361	(BH79361)	Tandem; Rear RA

Hydraulics - Reman

Power Brake Booster	Years	Part No.	Qualifier
Vacuum Booster	78 - 70	518037	34000 lb. TRA; Double Diaphragm

2150**Brake Pads & Shoes**

Front Pads & Shoes	Years	SevereDuty	Lining No.	Qualifier
Brake Shoes	78 - 70	SDS321R	EX1245AD-S32	Hyd. Brakes; Auto. Adj.; 15 x 3
Brake Shoes	78 - 70	SDS322R	EX1280BD-S32	Hyd. Brakes; Auto. Adj.; 15 x 3-1/2
Brake Shoes	78 - 70	SDS235R	EX1245AD-S32	Hyd. Brakes; Man. Adj.; 15 x 3
Brake Shoes	78 - 70	SDS463R	EX1280D-S32	Hyd. Brakes; Man. Adj.; 15 x 3-1/2
Brake Shoes	78 - 70	4615S	4615	w/Air Brakes; Rockwell/Meritor; Wedge; 15 x 5
Rear Pads & Shoes	Years	SevereDuty	Lining No.	Qualifier
Brake Shoes	78 - 70	SDS346R	EX1252D-S32	Hyd. Brakes; 15 x 5
Brake Shoes	78 - 70	SDS381R	EX4596D-S32	Hyd. Brakes; 15 x 6
Brake Shoes	78 - 70	SDS383R	EX4597D-S32	Hyd. Brakes; 15 x 7
Brake Shoes	78 - 70	SDS385R	EX1254D-S32	Hyd. Brakes; 16 x 5
Brake Shoes	78 - 70	SDS386R	EX1255D-S32	Hyd. Brakes; 16 x 6
Brake Shoes	78 - 70	4317E	4317G	w/Air Brakes; Eaton/Spicer; 16-1/2 x 6
Brake Shoes	78 - 70	4311E	4311J	w/Air Brakes; Eaton/Spicer; 16-1/2 x 7
Brake Shoes	78 - 70	4514P	4514G	w/Air Brakes; Rockwell/Meritor; P-Series; 16-1/2 x 6
Brake Shoes	78 - 70	4515P	4515E	w/Air Brakes; Rockwell/Meritor; P-Series; 16-1/2 x 7
Brake Shoes	78 - 70	4605S	4605	w/Air Brakes; Rockwell/Meritor; Wedge; 15 x 6
Brake Shoes	78 - 70	4602S	4602	w/Air Brakes; Rockwell/Meritor; Wedge; 15 x 7

Brake Hardware

Front Brake Hardware	Years	Sequential No.	Category No.	Qualifier
Adjuster Kit	78 - 70	F59159	(H2904)	L.H.; w/Auto Adj.
Adjuster Kit	78 - 70	F128990	(H2929)	L.H.; w/Man. Adj.
Adjuster Kit	78 - 70	F59160	(H2905)	R.H.; w/Auto Adj.
Adjuster Kit	78 - 70	F128990	(H2929)	R.H.; w/Man. Adj.
Combi Kit	78 - 70	F117025	(H7173)	15 x 3 or 15 x 3-1/2" Brake; w/Auto Adj.
↳Hold Down Kit		F73399	(H4201)	
↳Return Spring Kit		F36445	(H521)	
Combi Kit	78 - 70	F117026	(H7172)	15 x 3 or 15 x 3-1/2" Brake; w/Man. Adj.
↳Hold Down Kit		F19408	(H4200)	
↳Return Spring Kit		F36445	(H521)	
Combi Kit	78 - 70	F117025	(H7173)	15 x 5" Brake; w/Auto Adj.
↳Hold Down Kit		F73399	(H4201)	
↳Return Spring Kit		F36445	(H521)	
Combi Kit	78 - 70	F117019	(H7182)	15 x 5" Brake; w/Man. Adj.
↳Return Spring Kit		F36445	(H521)	
Rear Brake Hardware	Years	Sequential No.	Category No.	Qualifier
Adjuster Kit	78 - 70	F59157	(H2902)	L.H.; 15" Brake; w/Auto Adj.

↳Sub-Kit of Combi-Kit is available separately.

Brake Hardware (cont.)

Rear Brake Hardware	Years	Sequential No.	Category No.	Qualifier
Adjuster Kit	78 - 70	F128894S	(H2911)	L.H.; 15" Brake; w/Man. Adj.
Adjuster Kit	78 - 70	F128895S	(H2912)	L.H.; 16" Brake; w/Man. Adj.
Adjuster Kit	78 - 70	F59158	(H2903)	R.H.; 15" Brake; w/Auto Adj.
Adjuster Kit	78 - 70	F128894S	(H2911)	R.H.; 15" Brake; w/Man. Adj.
Adjuster Kit	78 - 70	F128895S	(H2912)	R.H.; 16" Brake; w/Man. Adj.
Adjuster Screw	78 - 70	F140823	(H1607)	L.H.; 15" Brake
Adjuster Screw	78 - 70	F19291	(H1700)	L.H.; 16" Brake
Adjuster Screw	78 - 70	F140818	(H1606)	R.H.; 15" Brake
Adjuster Screw	78 - 70	F19292	(H1701)	R.H.; 16" Brake
Combi Kit	78 - 70	F117027	(H7171)	
↳Adjuster Spring Kit		F78727	(H451)	
↳Hold Down Kit		F19309	(H5079)	
↳Return Spring Kit		F98318	(H609)	

Hydraulics - New

Master Cylinder	Years	Sequential No.	Category No.	Qualifier
Master Cylinder	78 - 70	F2842	(MC2842)	Exc. Tandem
Master Cylinder	78 - 70	F2951	(MC2951)	Tandem

Front Wheel Cylinder	Years	Sequential No.	Category No.	Qualifier
Wheel Cylinder	78 - 70	F71940	(WC71940)	L.H.; 15 x 3" Brake; w/Bleeder Screw; 1-1/8" Bore
Wheel Cylinder	78 - 70	F43383	(WC43383)	L.H.; 15 x 3" Brake; w/o Bleeder Screw; 2WD; 1-1/4" Bore
Wheel Cylinder	78 - 70	F8852	(WC8852)	L.H.; 15 x 3" Brake; w/o Bleeder Screw; 4WD; 1-1/8" Bore
Wheel Cylinder	78 - 70	F8813	(WC8813)	L.H.; 15 x 3-1/2" Brake; w/o Bleeder Screw; 1-3/8" Bore
Wheel Cylinder	78 - 70	F71941	(WC71941)	R.H.; 15 x 3" Brake; w/Bleeder Screw; 1-1/8" Bore
Wheel Cylinder	78 - 70	F43384	(WC43384)	R.H.; 15 x 3" Brake; w/o Bleeder Screw; 2WD; 1-1/4" Bore
Wheel Cylinder	78 - 70	F8853	(WC8853)	R.H.; 15 x 3" Brake; w/o Bleeder Screw; 4WD; 1-1/8" Bore
Wheel Cylinder	78 - 70	F8814	(WC8814)	R.H.; 15 x 3-1/2" Brake; w/o Bleeder Screw; 1-3/8" Bore

Rear Wheel Cylinder	Years	Sequential No.	Category No.	Qualifier
Wheel Cylinder	78 - 70	F26159	(WC26159)	15 x 5" Brake; 1-1/2" Bore
Wheel Cylinder	78 - 70	F24489	(WC24489)	15 x 5" Brake; 1-5/8" Bore
Wheel Cylinder	78 - 70	F24489	(WC24489)	15 x 6" Brake; 1-5/8" Bore
Wheel Cylinder	78 - 70	F26172	(WC26172)	15 x 7" Brake; 1-3/4" Bore
Wheel Cylinder	78 - 70	F24489	(WC24489)	15 x 7" Brake; 1-5/8" Bore
Wheel Cylinder	78 - 70	F26172	(WC26172)	16 x 5" Brake; 1-3/4" Bore
Wheel Cylinder	78 - 70	F24489	(WC24489)	16 x 5" Brake; 1-5/8" Bore
Wheel Cylinder	78 - 70	F26172	(WC26172)	16 x 6" Brake; 1-3/4" Bore
Wheel Cylinder	78 - 70	F26181	(WC26181)	16 x 6" Brake; 1-7/8" Bore

Clutch Master Cylind	Years	Sequential No.	Category No.	Qualifier
Clutch Master Cylinder	78 - 70	F2775	(CM2775)	Exc. Tandem

Clutch Slave Cylinder	Years	Sequential No.	Category No.	Qualifier
Clutch Slave Cylinder	78 - 70	F43260	(SC43260)	Tandem

Front Brake Hose	Years	Sequential No.	Category No.	Qualifier
Brake Hose	78 - 70	F4751	(BH4751)	7000 lb. FA

Rear Brake Hose	Years	Sequential No.	Category No.	Qualifier
Brake Hose	78 - 70	F39508	(BH39508)	Exc. Tandem
Brake Hose	78 - 70	F79361	(BH79361)	Tandem; Rear RA

Hydraulics - Reman

Power Brake Booster	Years	Part No.	Qualifier
Vacuum Booster	78 - 70	518037	34000 lb. TRA; Double Diaphragm

Brake Pads & Shoes

Front Pads & Shoes	Years	SevereDuty	Lining No.	Qualifier
Brake Shoes	78 - 70	SDS321R	EX1245AD-S32	Hyd. Brakes; Auto. Adj.; 15 x 3
Brake Shoes	78 - 70	SDS322R	EX1280BD-S32	Hyd. Brakes; Auto. Adj.; 15 x 3-1/2

↳Sub-Kit of Combi-Kit is available separately.

2170 (cont.)

Brake Pads & Shoes (cont.)

Front Pads & Shoes	Years	SevereDuty	Lining No.	Qualifier
Brake Shoes	78 - 70	SDS235R	EX1245AD-S32	Hyd. Brakes; Man. Adj.; 15 x 3
Brake Shoes	78 - 70	SDS463R	EX1280D-S32	Hyd. Brakes; Man. Adj.; 15 x 3-1/2
Brake Shoes	78 - 70	4615S	4615	w/Air Brakes; Rockwell/Meritor; Wedge; 15 x 5
Rear Pads & Shoes	Years	SevereDuty	Lining No.	Qualifier
Brake Shoes	78 - 70	SDS346R	EX1252D-S32	Hyd. Brakes; 15 x 5
Brake Shoes	78 - 70	SDS381R	EX4596D-S32	Hyd. Brakes; 15 x 6
Brake Shoes	78 - 70	SDS383R	EX4597D-S32	Hyd. Brakes; 15 x 7
Brake Shoes	78 - 70	SDS385R	EX1254D-S32	Hyd. Brakes; 16 x 5
Brake Shoes	78 - 70	SDS386R	EX1255D-S32	Hyd. Brakes; 16 x 6
Brake Shoes	78 - 70	4317E	4317G	w/Air Brakes; Eaton/Spicer; 16-1/2 x 6
Brake Shoes	78 - 70	4311E	4311J	w/Air Brakes; Eaton/Spicer; 16-1/2 x 7
Brake Shoes	78 - 70	4514P	4514G	w/Air Brakes; Rockwell/Meritor; P-Series; 16-1/2 x 6
Brake Shoes	78 - 70	4515P	4515E	w/Air Brakes; Rockwell/Meritor; P-Series; 16-1/2 x 7
Brake Shoes	78 - 70	4605S	4605	w/Air Brakes; Rockwell/Meritor; Wedge; 15 x 6
Brake Shoes	78 - 70	4602S	4602	w/Air Brakes; Rockwell/Meritor; Wedge; 15 x 7

Brake Hardware

Front Brake Hardware	Years	Sequential No.	Category No.	Qualifier
Adjuster Kit	78 - 70	F59159	(H2904)	L.H.; w/Auto Adj.
Adjuster Kit	78 - 70	F128990	(H2929)	L.H.; w/Man. Adj.
Adjuster Kit	78 - 70	F59160	(H2905)	R.H.; w/Auto Adj.
Adjuster Kit	78 - 70	F128990	(H2929)	R.H.; w/Man. Adj.
Combi Kit	78 - 70	F117025	(H7173)	15 x 3 or 15 x 3-1/2" Brake; w/Auto Adj.
↳Hold Down Kit		F73399	(H4201)	
↳Return Spring Kit		F36445	(H521)	
Combi Kit	78 - 70	F117026	(H7172)	15 x 3 or 15 x 3-1/2" Brake; w/Man. Adj.
↳Hold Down Kit		F19408	(H4200)	
↳Return Spring Kit		F36445	(H521)	
Combi Kit	78 - 70	F117025	(H7173)	15 x 5" Brake; w/Auto Adj.
↳Hold Down Kit		F73399	(H4201)	
↳Return Spring Kit		F36445	(H521)	
Combi Kit	78 - 70	F117019	(H7182)	15 x 5" Brake; w/Man. Adj.
↳Return Spring Kit		F36445	(H521)	

Rear Brake Hardware	Years	Sequential No.	Category No.	Qualifier
Adjuster Kit	78 - 70	F59157	(H2902)	L.H.; 15" Brake; w/Auto Adj.
Adjuster Kit	78 - 70	F128894S	(H2911)	L.H.; 15" Brake; w/Man. Adj.
Adjuster Kit	78 - 70	F128895S	(H2912)	L.H.; 16" Brake; w/Man. Adj.
Adjuster Kit	78 - 70	F59158	(H2903)	R.H.; 15" Brake; w/Auto Adj.
Adjuster Kit	78 - 70	F128894S	(H2911)	R.H.; 15" Brake; w/Man. Adj.
Adjuster Kit	78 - 70	F128895S	(H2912)	R.H.; 16" Brake; w/Man. Adj.
Adjuster Screw	78 - 70	F140823	(H1607)	L.H.; 15" Brake
Adjuster Screw	78 - 70	F19291	(H1700)	L.H.; 16" Brake
Adjuster Screw	78 - 70	F140818	(H1606)	R.H.; 15" Brake
Adjuster Screw	78 - 70	F19292	(H1701)	R.H.; 16" Brake
Combi Kit	78 - 70	F117027	(H7171)	
↳Adjuster Spring Kit		F78727	(H451)	
↳Hold Down Kit		F19309	(H5079)	
↳Return Spring Kit		F98318	(H609)	

Hydraulics - New

Master Cylinder	Years	Sequential No.	Category No.	Qualifier
Master Cylinder	78 - 70	F2842	(MC2842)	Exc. Tandem
Master Cylinder	78 - 70	F2951	(MC2951)	Tandem
Front Wheel Cylinder	Years	Sequential No.	Category No.	Qualifier
Wheel Cylinder	78 - 70	F71940	(WC71940)	L.H.; 15 x 3" Brake; w/Bleeder Screw; 1-1/8" Bore
Wheel Cylinder	78 - 70	F43383	(WC43383)	L.H.; 15 x 3" Brake; w/o Bleeder Screw; 2WD; 1-1/4" Bore

↳Sub-Kit of Combi-Kit is available separately.

2170 (cont.)

Hydraulics - New (cont.)

Front Wheel Cylinder	Years	Sequential No.	Category No.	Qualifier
Wheel Cylinder	78 - 70	F8852	(WC8852)	L.H.; 15 x 3" Brake; w/o Bleeder Screw; 4WD; 1-1/8" Bore
Wheel Cylinder	78 - 70	F8813	(WC8813)	L.H.; 15 x 3-1/2" Brake; w/o Bleeder Screw; 1-3/8" Bore
Wheel Cylinder	78 - 70	F71941	(WC71941)	R.H.; 15 x 3" Brake; w/Bleeder Screw; 1-1/8" Bore
Wheel Cylinder	78 - 70	F43384	(WC43384)	R.H.; 15 x 3" Brake; w/o Bleeder Screw; 2WD; 1-1/4" Bore
Wheel Cylinder	78 - 70	F8853	(WC8853)	R.H.; 15 x 3" Brake; w/o Bleeder Screw; 4WD; 1-1/8" Bore
Wheel Cylinder	78 - 70	F8814	(WC8814)	R.H.; 15 x 3-1/2" Brake; w/o Bleeder Screw; 1-3/8" Bore
Rear Wheel Cylinder	Years	Sequential No.	Category No.	Qualifier
Wheel Cylinder	78 - 70	F26159	(WC26159)	15 x 5" Brake; 1-1/2" Bore
Wheel Cylinder	78 - 70	F24489	(WC24489)	15 x 5" Brake; 1-5/8" Bore
Wheel Cylinder	78 - 70	F24489	(WC24489)	15 x 6" Brake; 1-5/8" Bore
Wheel Cylinder	78 - 70	F26172	(WC26172)	15 x 7" Brake; 1-3/4" Bore
Wheel Cylinder	78 - 70	F24489	(WC24489)	15 x 7" Brake; 1-5/8" Bore
Wheel Cylinder	78 - 70	F26172	(WC26172)	16 x 5" Brake; 1-3/4" Bore
Wheel Cylinder	78 - 70	F24489	(WC24489)	16 x 5" Brake; 1-5/8" Bore
Wheel Cylinder	78 - 70	F26172	(WC26172)	16 x 6" Brake; 1-3/4" Bore
Wheel Cylinder	78 - 70	F26181	(WC26181)	16 x 6" Brake; 1-7/8" Bore
Clutch Master Cylinder	Years	Sequential No.	Category No.	Qualifier
Clutch Master Cylinder	78 - 70	F2775	(CM2775)	Exc. Tandem
Clutch Slave Cylinder	Years	Sequential No.	Category No.	Qualifier
Clutch Slave Cylinder	78 - 70	F43260	(SC43260)	Tandem
Front Brake Hose	Years	Sequential No.	Category No.	Qualifier
Brake Hose	78 - 70	F4751	(BH4751)	7000 lb. FA
Rear Brake Hose	Years	Sequential No.	Category No.	Qualifier
Brake Hose	78 - 70	F39508	(BH39508)	Exc. Tandem
Brake Hose	78 - 70	F79361	(BH79361)	Tandem; Rear RA

Hydraulics - Reman

Power Brake Booster	Years	Part No.	Qualifier
Vacuum Booster	78 - 70	518037	34000 lb. TRA; Double Diaphragm

INTERNATIONAL MD 2100 S-Series

2125

Brake Pads & Shoes

Front Pads & Shoes	Years	SevereDuty	Lining No.	Qualifier
Brake Pads	89 - 79	SD184		Bendix; 2.60" 2-Piston Caliper
Brake Pads	89 - 79	SD225		Bendix; 2.88" 2-Piston Caliper
Brake Pads	89 - 79	SD184		Bendix; 3.38" 1-Piston Caliper
Brake Shoes	89 - 79	SDS321R	EX1245AD-S32	Hyd. Brakes; Auto. Adj.; 15 x 3
Brake Shoes	89 - 79	SDS322R	EX1280BD-S32	Hyd. Brakes; Auto. Adj.; 15 x 3-1/2
Brake Shoes	89 - 79	SDS235R	EX1245AD-S32	Hyd. Brakes; Man. Adj.; 15 x 3
Brake Shoes	89 - 79	SDS840R	EX1280D-S32	Hyd. Brakes; Man. Adj.; 15 x 3-1/2
Brake Shoes	89 - 79	4223E	4223A	w/Air Brakes; Eaton/Spicer; 16-1/2 x 5
Brake Shoes	89 - 79	4514Q	4514G	w/Air Brakes; Rockwell/Meritor; Q-Series; 16-1/2 x 6
Brake Shoes	89 - 79	1307T	1307	w/Air Brakes; Rockwell/Meritor; T-Series; 15 x 3-1/2
Brake Shoes	89 - 79	1308T	1308T	w/Air Brakes; Rockwell/Meritor; T-Series; 15 x 4
Brake Shoes	89 - 79	4605S	4605	w/Air Brakes; Rockwell/Meritor; Wedge; 15 x 6
Rear Pads & Shoes	Years	SevereDuty	Lining No.	Qualifier
Brake Pads	89 - 79	SD184		Bendix; 2.60" 2-Piston Caliper
Brake Pads	89 - 79	SD225		Bendix; 2.88" 2-Piston Caliper
Brake Shoes	89 - 79	SDS346R	EX1252D-S32	Hyd. Brakes; 15 x 5
Brake Shoes	89 - 79	SDS381R	EX4596D-S32	Hyd. Brakes; 15 x 6
Brake Shoes	89 - 79	SDS383R	EX4597D-S32	Hyd. Brakes; 15 x 7
Brake Shoes	89 - 79	SDS385R	EX1254D-S32	Hyd. Brakes; 16 x 5
Brake Shoes	89 - 79	SDS386R	EX1255D-S32	Hyd. Brakes; 16 x 6
Brake Shoes	89 - 79	4311E	4311J	w/Air Brakes; Eaton/Spicer; 16-1/2 x 7

2125 (cont.)**Brake Pads & Shoes (cont.)**

Rear Pads & Shoes	Years	SevereDuty	Lining No.	Qualifier
Brake Shoes	89 - 79	4514P	4514G	w/Air Brakes; Rockwell/Meritor; P-Series; 16-1/2 x 6
Brake Shoes	89 - 79	4515P	4515E	w/Air Brakes; Rockwell/Meritor; P-Series; 16-1/2 x 7
Brake Shoes	89 - 79	4644P	4644A	w/Air Brakes; Rockwell/Meritor; P-Series; 16-1/2 x 8
Brake Shoes	89 - 79	4514Q	4514G	w/Air Brakes; Rockwell/Meritor; Q-Series; 16-1/2 x 6
Brake Shoes	89 - 79	4515Q	4515E	w/Air Brakes; Rockwell/Meritor; Q-Series; 16-1/2 x 7
Brake Shoes	89 - 79	4644Q	4644A	w/Air Brakes; Rockwell/Meritor; Q-Series; 16-1/2 x 8
Brake Shoes	89 - 79	4602S	4602	w/Air Brakes; Rockwell/Meritor; Wedge; 15 x 7

Parking Brake Shoes	Years	SevereDuty	Lining No.	Qualifier
Brake Shoes	89 - 79	SDS842R	EX1303AD	Driveline Config.; 10 x 3
Brake Shoes	89 - 79	SDS647	EX2086D	Driveline Config.; 9 x 3

Rotor & Drum

Front Rotor & Drum	Years	Part No.	Qualifier
Brake Rotor	89 - 79	BD125097	5000-7500 lb. FA; Hat-Shaped; 10-Hole Rotor
Brake Rotor	89 - 79	BD125361	5000-7500 lb. FA; Hat-Shaped; 5-Hole Rotor
Brake Rotor	89 - 79	BD125362	5000-7500 lb. FA; Hat-Shaped; 6-Hole Rotor
Brake Rotor	89 - 79	BD126402	5000-7500 lb. FA; U-Shaped; 5-Hole Rotor
Brake Rotor	89 - 79	BD125096	5000-7500 lb. FA; U-Shaped; 6-Hole Rotor
Brake Rotor	89 - 87	BD125244	9000-12000 lb. FA; U-Shaped; 5-Hole Rotor
Brake Rotor	86	BD125244	From 2/01/86; 9000-12000 lb. FA; U-Shaped; 5-Hole Rotor
Brake Rotor	86	BD125098	To 1/31/86; 9000-12000 lb. FA; U-Shaped; 5-Hole Rotor
Brake Rotor	85 - 79	BD125098	9000-12000 lb. FA; U-Shaped; 5-Hole Rotor

Rear Rotor & Drum	Years	Part No.	Qualifier
Brake Rotor	89 - 79	BD125097	10000-15500 lb. RA; Hat-Shaped; 10-Hole Rotor
Brake Rotor	89 - 79	BD125362	10000-15500 lb. RA; Hat-Shaped; 6-Hole Rotor
Brake Rotor	89 - 79	BD126403	10000-15500 lb. RA; U-Shaped; 5-Hole Rotor
Brake Rotor	89 - 79	BD125096	10000-15500 lb. RA; U-Shaped; 6-Hole Rotor
Brake Rotor	89 - 79	BD125097	17000-19000 lb. RA; Hat-Shaped; 10-Hole Rotor
Brake Rotor	89 - 79	BD126394	17000-19000 lb. RA; U-Shaped; 10-Hole Rotor
Brake Rotor	89 - 79	BD125382	17000-19000 lb. RA; U-Shaped; 5-Hole Rotor; 12-3/4" Bolt Circle

Brake Hardware

Front Brake Hardware	Years	Sequential No.	Category No.	Qualifier
Adjuster Kit	89 - 79	F59159	(H2904)	L.H.; w/Auto Adj.
Adjuster Kit	89 - 79	F128990	(H2929)	L.H.; w/Man. Adj.
Adjuster Kit	89 - 79	F59160	(H2905)	R.H.; w/Auto Adj.
Adjuster Kit	89 - 79	F128990	(H2929)	R.H.; w/Man. Adj.
Combi Kit	89 - 79	F117025	(H7173)	15 x 3 or 15 x 3-1/2" Brake; w/Auto Adj.
↳Hold Down Kit		F73399	(H4201)	
↳Return Spring Kit		F36445	(H521)	
Combi Kit	89 - 79	F117026	(H7172)	15 x 3 or 15 x 3-1/2" Brake; w/Man. Adj.
↳Hold Down Kit		F19408	(H4200)	
↳Return Spring Kit		F36445	(H521)	
Combi Kit	89 - 79	F117025	(H7173)	15 x 5" Brake; w/Auto Adj.
↳Hold Down Kit		F73399	(H4201)	
↳Return Spring Kit		F36445	(H521)	
Combi Kit	89 - 79	F117019	(H7182)	15 x 5" Brake; w/Man. Adj.
↳Return Spring Kit		F36445	(H521)	
Disc Align Kit	89 - 79	F112095S	(H5564)	Bendix; 2.60" 2-Piston Caliper
Disc Align Kit	89 - 79	F112090S	(H5566)	Bendix; 2.88" 2-Piston Caliper
Disc Align Kit	89 - 79	F107401S	(H5562)	Bendix; 3.38" 1-Piston Caliper

Rear Brake Hardware	Years	Sequential No.	Category No.	Qualifier
Adjuster Kit	89 - 79	F59157	(H2902)	L.H.; 15" Brake; w/Auto Adj.
Adjuster Kit	89 - 79	F128894S	(H2911)	L.H.; 15" Brake; w/Man. Adj.
Adjuster Kit	89 - 79	F128895S	(H2912)	L.H.; 16" Brake; w/Man. Adj.
Adjuster Kit	89 - 79	F59158	(H2903)	R.H.; 15" Brake; w/Auto Adj.

↳Sub-Kit of Combi-Kit is available separately.

Brake Hardware (cont.)

Rear Brake Hardware	Years	Sequential No.	Category No.	Qualifier
Adjuster Kit	89 - 79	F128894S	(H2911)	R.H.; 15" Brake; w/Man. Adj.
Adjuster Kit	89 - 79	F128895S	(H2912)	R.H.; 16" Brake; w/Man. Adj.
Adjuster Screw	89 - 79	F140823	(H1607)	L.H.; 15" Brake
Adjuster Screw	89 - 79	F19291	(H1700)	L.H.; 16" Brake
Adjuster Screw	89 - 79	F140818	(H1606)	R.H.; 15" Brake
Adjuster Screw	89 - 79	F19292	(H1701)	R.H.; 16" Brake
Combi Kit	89 - 79	F117027	(H7171)	
↳Adjuster Spring Kit		F78727	(H451)	
↳Hold Down Kit		F19309	(H5079)	
↳Return Spring Kit		F98318	(H609)	
Disc Align Kit	89 - 79	F112095S	(H5564)	Bendix; 2.60" 2-Piston Caliper
Disc Align Kit	89 - 79	F112090S	(H5566)	Bendix; 2.88" 2-Piston Caliper

Calipers - Reman

Front, Loaded	Years	Left No.	Right No.	Qualifier	Piston
Loaded Caliper	89 - 79	AS112057	AS112057	Bendix; 2.60" 2-Piston Caliper	P
Loaded Caliper	89 - 79	AS112057S	AS112057S	Bendix; 2.60" 2-Piston Caliper	O
Loaded Caliper	89 - 79	AS120549	AS120549	Bendix; 2.88" 2-Piston Caliper	P
Loaded Caliper	89 - 79	AS120549S	AS120549S	Bendix; 2.88" 2-Piston Caliper	O
Loaded Caliper	89 - 79	AS130211A	AS130210A	Bendix; 3.38" 1-Piston Caliper	M

Rear, Loaded	Years	Left No.	Right No.	Qualifier	Piston
Loaded Caliper	89 - 79	AS112057	AS112057	Bendix; 2.60" 2-Piston Caliper	P
Loaded Caliper	89 - 79	AS112057S	AS112057S	Bendix; 2.60" 2-Piston Caliper	O
Loaded Caliper	89 - 79	AS120549	AS120549	Bendix; 2.88" 2-Piston Caliper	P
Loaded Caliper	89 - 79	AS120549S	AS120549S	Bendix; 2.88" 2-Piston Caliper	O

Front, Unloaded	Years	Left No.	Right No.	Qualifier	Piston
Unloaded Caliper	89 - 79	CR112057	CR112057	Bendix; 2.60" 2-Piston Caliper	P
Unloaded Caliper	89 - 79	CR112057S	CR112057S	Bendix; 2.60" 2-Piston Caliper	O
Unloaded Caliper	89 - 79	CR120549	CR120549	Bendix; 2.88" 2-Piston Caliper	P
Unloaded Caliper	89 - 79	CR120549S	CR120549S	Bendix; 2.88" 2-Piston Caliper	O
Unloaded Caliper	89 - 79	CR130211	CR130210	Bendix; 3.38" 1-Piston Caliper	M

Rear, Unloaded	Years	Left No.	Right No.	Qualifier	Piston
Unloaded Caliper	89 - 79	CR112057	CR112057	Bendix; 2.60" 2-Piston Caliper	P
Unloaded Caliper	89 - 79	CR112057S	CR112057S	Bendix; 2.60" 2-Piston Caliper	O
Unloaded Caliper	89 - 79	CR120549	CR120549	Bendix; 2.88" 2-Piston Caliper	P
Unloaded Caliper	89 - 79	CR120549S	CR120549S	Bendix; 2.88" 2-Piston Caliper	O

Hydraulics - New

Master Cylinder	Years	Sequential No.	Category No.	Qualifier
Master Cylinder	89 - 84	F113751	(MC113751)	w/Disc Brake; Split Syst.; w/High Pwr.
Master Cylinder	89 - 84	F116702	(MC116702)	w/Disc Brake; Split Syst.; w/Hydrovac; 19000 lb. RA
Master Cylinder	89 - 79	F661	(MC661)	w/Drum Brake; Single Syst.; Exc. Tandem; 15" Brake
Master Cylinder	89 - 79	F2842	(MC2842)	w/Drum Brake; Single Syst.; Exc. Tandem; 16" Brake; w/Air Actuated Hyd. Brks.
Master Cylinder	89 - 79	F2951	(MC2951)	w/Drum Brake; Single Syst.; Tandem
Master Cylinder	89 - 79	F119402	(MC119402)	w/Drum Brake; Split Syst.; w/High Pwr.
Master Cylinder	89 - 79	F119397	(MC119397)	w/Drum Brake; Split Syst.; w/Hydrovac
Master Cylinder	83	F113751	(MC113751)	From 8/26/83; w/Disc Brake; Split Syst.; w/High Pwr.
Master Cylinder	83	F116702	(MC116702)	From 8/26/83; w/Disc Brake; Split Syst.; w/Hydrovac; 19000 lb. RA
Master Cylinder	83	F119395	(MC119395)	To 8/25/83; w/Disc Brake; Split Syst.; w/High Pwr.
Master Cylinder	83	F119396	(MC119396)	To 8/25/83; w/Disc Brake; Split Syst.; w/Hydrovac
Master Cylinder	82 - 79	F119395	(MC119395)	w/Disc Brake; Split Syst.; w/High Pwr.
Master Cylinder	82 - 79	F119396	(MC119396)	w/Disc Brake; Split Syst.; w/Hydrovac

Front Wheel Cylinder	Years	Sequential No.	Category No.	Qualifier
Wheel Cylinder	89 - 79	F43383	(WC43383)	L.H.; 15 x 3" Brake; w/o Bleeder Screw; 1-1/4" Bore
Wheel Cylinder	89 - 79	F43383	(WC43383)	L.H.; 15 x 3-1/2" Brake; w/o Bleeder Screw; 1-1/4" Bore
Wheel Cylinder	89 - 79	F86444	(WC86444)	L.H.; 15 x 5" Brake; w/Bleeder Screw; 1-1/2" Bore

↳Sub-Kit of Combi-Kit is available separately.

Piston: M - OE Metal Piston P - OE Phenolic Piston O - Metal Piston Option

2125 (cont.)**Hydraulics - New (cont.)**

Front Wheel Cylinder	Years	Sequential No.	Category No.	Qualifier
Wheel Cylinder	89 - 79	F43384	(WC43384)	R.H.; 15 x 3" Brake; w/o Bleeder Screw; 1-1/4" Bore
Wheel Cylinder	89 - 79	F43384	(WC43384)	R.H.; 15 x 3-1/2" Brake; w/o Bleeder Screw; 1-1/4" Bore
Wheel Cylinder	89 - 79	F86445	(WC86445)	R.H.; 15 x 5" Brake; w/Bleeder Screw; 1-1/2" Bore
Rear Wheel Cylinder	Years	Sequential No.	Category No.	Qualifier
Wheel Cylinder	89 - 79	F24489	(WC24489)	15 x 5" Brake; 1-5/8" Bore
Wheel Cylinder	89 - 79	F24489	(WC24489)	15 x 6" Brake; 1-5/8" Bore
Wheel Cylinder	89 - 79	F24489	(WC24489)	15 x 7" Brake; 17000-17500 lb. RA; 1-5/8" Bore
Wheel Cylinder	89 - 79	F26172	(WC26172)	15 x 7" Brake; 18500-19000 lb. RA or 34000 lb. TRA; 1-3/4" Bore
Wheel Cylinder	89 - 79	F24489	(WC24489)	16 x 5" Brake; 17000-17500 lb. RA; 1-5/8" Bore
Wheel Cylinder	89 - 79	F26172	(WC26172)	16 x 5" Brake; 18500-19000 lb. RA or 34000 lb. TRA; 1-3/4" Bore
Wheel Cylinder	89 - 79	F26172	(WC26172)	16 x 6" Brake; 1-3/4" Bore
Clutch Slave Cylinder	Years	Sequential No.	Category No.	Qualifier
Clutch Slave Cylinder	89 - 79	F43260	(SC43260)	
Front Brake Hose	Years	Sequential No.	Category No.	Qualifier
Brake Hose	89 - 79	F111136	(BH111136)	2WD; 15 x 3" Brake
Brake Hose	89 - 79	F111138	(BH111138)	2WD; 15 x 3-1/2" Brake; Dual Syst.
Brake Hose	89 - 79	F111136	(BH111136)	2WD; 15 x 3-1/2" Brake; Single Syst.
Brake Hose	89 - 79	F111139	(BH111139)	2WD; 15 x 5" Brake; Dual Syst.; Exc. 15 x 22.5" Tires
Brake Hose	89 - 79	F111140	(BH111140)	2WD; 15 x 5" Brake; Dual Syst.; w/15 x 22.5" Tires
Brake Hose	89 - 79	F111136	(BH111136)	2WD; 15 x 5" Brake; Single Syst.; Exc. 15 x 22.5" Tires
Brake Hose	89 - 79	F107731	(BH107731)	2WD; Bendix; 2.60" 2-Piston Caliper; 7500-8000 lb. FA
Brake Hose	89 - 79	F113150	(BH113150)	2WD; Bendix; 2.88" 2-Piston Caliper; 10000-12000 lb. FA
Brake Hose	89 - 79	F113151	(BH113151)	2WD; Bendix; 3.38" 1-Piston Caliper
Brake Hose	89 - 79	F111137	(BH111137)	4WD
Rear Brake Hose	Years	Sequential No.	Category No.	Qualifier
Brake Hose	89 - 79	F107733	(BH107733)	w/Disc Brake; 11" Length
Brake Hose	89 - 79	F107734	(BH107734)	w/Disc Brake; 18" Length
Brake Hose	89 - 79	F113154	(BH113154)	w/Disc Brake; 9-7/8" Length
Brake Hose	89 - 79	F107734	(BH107734)	w/Drum Brake; 18" Length
Brake Hose	89 - 79	F107735	(BH107735)	w/Drum Brake; 23" Length
Brake Hose	89 - 79	F111393	(BH111393)	w/Drum Brake; 27" Length

Hydraulics - Reman

Power Brake Booster	Years	Part No.	Qualifier
Hydro Booster	89 - 79	529901	Dual Syst.; Head
Hydro Booster	89 - 79	529802	High Pwr; Bendix Hydromax II; Complete Assy
Hydro Booster	89 - 79	529904	High Pwr; Bendix Hydromax II; Elect. Motor
Hydro Booster	89 - 79	529920	High Pwr; Bendix Hydromax II; Head
Hydro Booster	89 - 79	529900	Single Syst.; Head
Power Brake Booster	Years	Part No.	Qualifier
Vacuum Booster	89 - 79	518049	Exc. Tandem; Single Diaphragm; 15" Brake
Vacuum Booster	89 - 79	518047	Exc. Tandem; Single Diaphragm; 16" Brake
Vacuum Booster	89 - 79	518046	Tandem; Double Diaphragm

2155**Brake Pads & Shoes**

Front Pads & Shoes	Years	SevereDuty	Lining No.	Qualifier
Brake Pads	89 - 79	SD184		Bendix; 2.60" 2-Piston Caliper
Brake Pads	89 - 79	SD225		Bendix; 2.88" 2-Piston Caliper
Brake Pads	89 - 79	SD184		Bendix; 3.38" 1-Piston Caliper
Brake Shoes	89 - 79	SDS321R	EX1245AD-S32	Hyd. Brakes; Auto. Adj.; 15 x 3
Brake Shoes	89 - 79	SDS322R	EX1280BD-S32	Hyd. Brakes; Auto. Adj.; 15 x 3-1/2
Brake Shoes	89 - 79	SDS235R	EX1245AD-S32	Hyd. Brakes; Man. Adj.; 15 x 3
Brake Shoes	89 - 79	SDS840R	EX1280D-S32	Hyd. Brakes; Man. Adj.; 15 x 3-1/2
Brake Shoes	89 - 79	4223E	4223A	w/Air Brakes; Eaton/Spicer; 16-1/2 x 5
Brake Shoes	89 - 79	4514Q	4514G	w/Air Brakes; Rockwell/Meritor; Q-Series; 16-1/2 x 6

Brake Pads & Shoes (cont.)

Front Pads & Shoes	Years	SevereDuty	Lining No.	Qualifier
Brake Shoes	89 - 79	1307T	1307	w/Air Brakes; Rockwell/Meritor; T-Series; 15 x 3-1/2
Brake Shoes	89 - 79	1308T	1308T	w/Air Brakes; Rockwell/Meritor; T-Series; 15 x 4
Brake Shoes	89 - 79	4605S	4605	w/Air Brakes; Rockwell/Meritor; Wedge; 15 x 6
Rear Pads & Shoes	Years	SevereDuty	Lining No.	Qualifier
Brake Pads	89 - 79	SD184		Bendix; 2.60" 2-Piston Caliper
Brake Pads	89 - 79	SD225		Bendix; 2.88" 2-Piston Caliper
Brake Shoes	89 - 79	SDS346R	EX1252D-S32	Hyd. Brakes; 15 x 5
Brake Shoes	89 - 79	SDS381R	EX4596D-S32	Hyd. Brakes; 15 x 6
Brake Shoes	89 - 79	SDS383R	EX4597D-S32	Hyd. Brakes; 15 x 7
Brake Shoes	89 - 79	SDS385R	EX1254D-S32	Hyd. Brakes; 16 x 5
Brake Shoes	89 - 79	SDS386R	EX1255D-S32	Hyd. Brakes; 16 x 6
Brake Shoes	89 - 79	4311E	4311J	w/Air Brakes; Eaton/Spicer; 16-1/2 x 7
Brake Shoes	89 - 79	4514P	4514G	w/Air Brakes; Rockwell/Meritor; P-Series; 16-1/2 x 6
Brake Shoes	89 - 79	4515P	4515E	w/Air Brakes; Rockwell/Meritor; P-Series; 16-1/2 x 7
Brake Shoes	89 - 79	4644P	4644A	w/Air Brakes; Rockwell/Meritor; P-Series; 16-1/2 x 8
Brake Shoes	89 - 79	4514Q	4514G	w/Air Brakes; Rockwell/Meritor; Q-Series; 16-1/2 x 6
Brake Shoes	89 - 79	4515Q	4515E	w/Air Brakes; Rockwell/Meritor; Q-Series; 16-1/2 x 7
Brake Shoes	89 - 79	4644Q	4644A	w/Air Brakes; Rockwell/Meritor; Q-Series; 16-1/2 x 8
Brake Shoes	89 - 79	4602S	4602	w/Air Brakes; Rockwell/Meritor; Wedge; 15 x 7
Parking Brake Shoes	Years	SevereDuty	Lining No.	Qualifier
Brake Shoes	89 - 79	SDS842R	EX1303AD	Driveline Config.; 10 x 3
Brake Shoes	89 - 79	SDS647	EX2086D	Driveline Config.; 9 x 3

Rotor & Drum

Front Rotor & Drum	Years	Part No.	Qualifier
Brake Rotor	89 - 79	BD125097	5000-7500 lb. FA; Hat-Shaped; 10-Hole Rotor
Brake Rotor	89 - 79	BD125361	5000-7500 lb. FA; Hat-Shaped; 5-Hole Rotor
Brake Rotor	89 - 79	BD125362	5000-7500 lb. FA; Hat-Shaped; 6-Hole Rotor
Brake Rotor	89 - 79	BD126402	5000-7500 lb. FA; U-Shaped; 5-Hole Rotor
Brake Rotor	89 - 79	BD125096	5000-7500 lb. FA; U-Shaped; 6-Hole Rotor
Brake Rotor	89 - 87	BD125244	9000-12000 lb. FA; U-Shaped; 5-Hole Rotor
Brake Rotor	86	BD125244	From 2/01/86; 9000-12000 lb. FA; U-Shaped; 5-Hole Rotor
Brake Rotor	86	BD125098	To 1/31/86; 9000-12000 lb. FA; U-Shaped; 5-Hole Rotor
Brake Rotor	85 - 79	BD125098	9000-12000 lb. FA; U-Shaped; 5-Hole Rotor
Rear Rotor & Drum	Years	Part No.	Qualifier
Brake Rotor	89 - 79	BD125097	10000-15500 lb. RA; Hat-Shaped; 10-Hole Rotor
Brake Rotor	89 - 79	BD125362	10000-15500 lb. RA; Hat-Shaped; 6-Hole Rotor
Brake Rotor	89 - 79	BD126403	10000-15500 lb. RA; U-Shaped; 5-Hole Rotor
Brake Rotor	89 - 79	BD125096	10000-15500 lb. RA; U-Shaped; 6-Hole Rotor
Brake Rotor	89 - 79	BD125097	17000-19000 lb. RA; Hat-Shaped; 10-Hole Rotor
Brake Rotor	89 - 79	BD126394	17000-19000 lb. RA; U-Shaped; 10-Hole Rotor
Brake Rotor	89 - 79	BD125382	17000-19000 lb. RA; U-Shaped; 5-Hole Rotor; 12-3/4" Bolt Circle

Brake Hardware

Front Brake Hardware	Years	Sequential No.	Category No.	Qualifier
Adjuster Kit	89 - 79	F59159	(H2904)	L.H.; w/Auto Adj.
Adjuster Kit	89 - 79	F128990	(H2929)	L.H.; w/Man. Adj.
Adjuster Kit	89 - 79	F59160	(H2905)	R.H.; w/Auto Adj.
Adjuster Kit	89 - 79	F128990	(H2929)	R.H.; w/Man. Adj.
Combi Kit	89 - 79	F117025	(H7173)	15 x 3 or 15 x 3-1/2" Brake; w/Auto Adj.
↳Hold Down Kit		F73399	(H4201)	
↳Return Spring Kit		F36445	(H521)	
Combi Kit	89 - 79	F117026	(H7172)	15 x 3 or 15 x 3-1/2" Brake; w/Man. Adj.
↳Hold Down Kit		F19408	(H4200)	
↳Return Spring Kit		F36445	(H521)	

↳Sub-Kit of Combi-Kit is available separately.

2155 (cont.)

Brake Hardware (cont.)

Front Brake Hardware	Years	Sequential No.	Category No.	Qualifier
Combi Kit	89 - 79	F117025	(H7173)	15 x 5" Brake; w/Auto Adj.
↳ Hold Down Kit		F73399	(H4201)	
↳ Return Spring Kit		F36445	(H521)	
Combi Kit	89 - 79	F117019	(H7182)	15 x 5" Brake; w/Man. Adj.
↳ Return Spring Kit		F36445	(H521)	
Disc Align Kit	89 - 79	F112095S	(H5564)	Bendix; 2.60" 2-Piston Caliper
Disc Align Kit	89 - 79	F112090S	(H5566)	Bendix; 2.88" 2-Piston Caliper
Disc Align Kit	89 - 79	F107401S	(H5562)	Bendix; 3.38" 1-Piston Caliper

Rear Brake Hardware	Years	Sequential No.	Category No.	Qualifier
Adjuster Kit	89 - 79	F59157	(H2902)	L.H.; 15" Brake; w/Auto Adj.
Adjuster Kit	89 - 79	F128894S	(H2911)	L.H.; 15" Brake; w/Man. Adj.
Adjuster Kit	89 - 79	F128895S	(H2912)	L.H.; 16" Brake; w/Man. Adj.
Adjuster Kit	89 - 79	F59158	(H2903)	R.H.; 15" Brake; w/Auto Adj.
Adjuster Kit	89 - 79	F128894S	(H2911)	R.H.; 15" Brake; w/Man. Adj.
Adjuster Kit	89 - 79	F128895S	(H2912)	R.H.; 16" Brake; w/Man. Adj.
Adjuster Screw	89 - 79	F140823	(H1607)	L.H.; 15" Brake
Adjuster Screw	89 - 79	F19291	(H1700)	L.H.; 16" Brake
Adjuster Screw	89 - 79	F140818	(H1606)	R.H.; 15" Brake
Adjuster Screw	89 - 79	F19292	(H1701)	R.H.; 16" Brake
Combi Kit	89 - 79	F117027	(H7171)	
↳ Adjuster Spring Kit		F78727	(H451)	
↳ Hold Down Kit		F19309	(H5079)	
↳ Return Spring Kit		F98318	(H609)	
Disc Align Kit	89 - 79	F112095S	(H5564)	Bendix; 2.60" 2-Piston Caliper
Disc Align Kit	89 - 79	F112090S	(H5566)	Bendix; 2.88" 2-Piston Caliper

Calipers - Reman

Front, Loaded	Years	Left No.	Right No.	Qualifier	Piston
Loaded Caliper	89 - 79	AS112057	AS112057	Bendix; 2.60" 2-Piston Caliper	P
Loaded Caliper	89 - 79	AS112057S	AS112057S	Bendix; 2.60" 2-Piston Caliper	O
Loaded Caliper	89 - 79	AS120549	AS120549	Bendix; 2.88" 2-Piston Caliper	P
Loaded Caliper	89 - 79	AS120549S	AS120549S	Bendix; 2.88" 2-Piston Caliper	O
Loaded Caliper	89 - 79	AS130211A	AS130210A	Bendix; 3.38" 1-Piston Caliper	M
Rear, Loaded	Years	Left No.	Right No.	Qualifier	Piston
Loaded Caliper	89 - 79	AS112057	AS112057	Bendix; 2.60" 2-Piston Caliper	P
Loaded Caliper	89 - 79	AS112057S	AS112057S	Bendix; 2.60" 2-Piston Caliper	O
Loaded Caliper	89 - 79	AS120549	AS120549	Bendix; 2.88" 2-Piston Caliper	P
Loaded Caliper	89 - 79	AS120549S	AS120549S	Bendix; 2.88" 2-Piston Caliper	O
Front, Unloaded	Years	Left No.	Right No.	Qualifier	Piston
Unloaded Caliper	89 - 79	CR112057	CR112057	Bendix; 2.60" 2-Piston Caliper	P
Unloaded Caliper	89 - 79	CR112057S	CR112057S	Bendix; 2.60" 2-Piston Caliper	O
Unloaded Caliper	89 - 79	CR120549	CR120549	Bendix; 2.88" 2-Piston Caliper	P
Unloaded Caliper	89 - 79	CR120549S	CR120549S	Bendix; 2.88" 2-Piston Caliper	O
Unloaded Caliper	89 - 79	CR130211	CR130210	Bendix; 3.38" 1-Piston Caliper	M
Rear, Unloaded	Years	Left No.	Right No.	Qualifier	Piston
Unloaded Caliper	89 - 79	CR112057	CR112057	Bendix; 2.60" 2-Piston Caliper	P
Unloaded Caliper	89 - 79	CR112057S	CR112057S	Bendix; 2.60" 2-Piston Caliper	O
Unloaded Caliper	89 - 79	CR120549	CR120549	Bendix; 2.88" 2-Piston Caliper	P
Unloaded Caliper	89 - 79	CR120549S	CR120549S	Bendix; 2.88" 2-Piston Caliper	O

Hydraulics - New

Master Cylinder	Years	Sequential No.	Category No.	Qualifier
Master Cylinder	89 - 84	F113751	(MC113751)	w/Disc Brake; Split Syst.; w/High Pwr.
Master Cylinder	89 - 84	F116702	(MC116702)	w/Disc Brake; Split Syst.; w/Hydrovac; 19000 lb. RA
Master Cylinder	89 - 79	F661	(MC661)	w/Drum Brake; Single Syst.; Exc. Tandem; 15" Brake
Master Cylinder	89 - 79	F2842	(MC2842)	w/Drum Brake; Single Syst.; Exc. Tandem; 16" Brake; w/Air Actuated Hyd. Brks.

↳ Sub-Kit of Combi-Kit is available separately.

Piston: M - OE Metal Piston P - OE Phenolic Piston O - Metal Piston Option

Hydraulics - New (cont.)

Master Cylinder	Years	Sequential No.	Category No.	Qualifier
Master Cylinder	89 - 79	F2951	(MC2951)	w/Drum Brake; Single Syst.; Tandem
Master Cylinder	89 - 79	F119402	(MC119402)	w/Drum Brake; Split Syst.; w/High Pwr.
Master Cylinder	89 - 79	F119397	(MC119397)	w/Drum Brake; Split Syst.; w/Hydrovac
Master Cylinder	83	F113751	(MC113751)	From 8/26/83; w/Disc Brake; Split Syst.; w/High Pwr.
Master Cylinder	83	F116702	(MC116702)	From 8/26/83; w/Disc Brake; Split Syst.; w/Hydrovac; 19000 lb. RA
Master Cylinder	83	F119395	(MC119395)	To 8/25/83; w/Disc Brake; Split Syst.; w/High Pwr.
Master Cylinder	83	F119396	(MC119396)	To 8/25/83; w/Disc Brake; Split Syst.; w/Hydrovac
Master Cylinder	82 - 79	F119395	(MC119395)	w/Disc Brake; Split Syst.; w/High Pwr.
Master Cylinder	82 - 79	F119396	(MC119396)	w/Disc Brake; Split Syst.; w/Hydrovac

Front Wheel Cylinder	Years	Sequential No.	Category No.	Qualifier
Wheel Cylinder	89 - 79	F43383	(WC43383)	L.H.; 15 x 3" Brake; w/o Bleeder Screw; 1-1/4" Bore
Wheel Cylinder	89 - 79	F43383	(WC43383)	L.H.; 15 x 3-1/2" Brake; w/o Bleeder Screw; 1-1/4" Bore
Wheel Cylinder	89 - 79	F86444	(WC86444)	L.H.; 15 x 5" Brake; w/Bleeder Screw; 1-1/2" Bore
Wheel Cylinder	89 - 79	F43384	(WC43384)	R.H.; 15 x 3" Brake; w/o Bleeder Screw; 1-1/4" Bore
Wheel Cylinder	89 - 79	F43384	(WC43384)	R.H.; 15 x 3-1/2" Brake; w/o Bleeder Screw; 1-1/4" Bore
Wheel Cylinder	89 - 79	F86445	(WC86445)	R.H.; 15 x 5" Brake; w/Bleeder Screw; 1-1/2" Bore

Rear Wheel Cylinder	Years	Sequential No.	Category No.	Qualifier
Wheel Cylinder	89 - 79	F24489	(WC24489)	15 x 5" Brake; 1-5/8" Bore
Wheel Cylinder	89 - 79	F24489	(WC24489)	15 x 6" Brake; 1-5/8" Bore
Wheel Cylinder	89 - 79	F24489	(WC24489)	15 x 7" Brake; 17000-17500 lb. RA; 1-5/8" Bore
Wheel Cylinder	89 - 79	F26172	(WC26172)	15 x 7" Brake; 18500-19000 lb. RA or 34000 lb. TRA; 1-3/4" Bore
Wheel Cylinder	89 - 79	F24489	(WC24489)	16 x 5" Brake; 17000-17500 lb. RA; 1-5/8" Bore
Wheel Cylinder	89 - 79	F26172	(WC26172)	16 x 5" Brake; 18500-19000 lb. RA or 34000 lb. TRA; 1-3/4" Bore
Wheel Cylinder	89 - 79	F26172	(WC26172)	16 x 6" Brake; 1-3/4" Bore

Clutch Slave Cylinder	Years	Sequential No.	Category No.	Qualifier
Clutch Slave Cylinder	89 - 79	F43260	(SC43260)	

Front Brake Hose	Years	Sequential No.	Category No.	Qualifier
Brake Hose	89 - 79	F111136	(BH111136)	2WD; 15 x 3" Brake
Brake Hose	89 - 79	F111138	(BH111138)	2WD; 15 x 3-1/2" Brake; Dual Syst.
Brake Hose	89 - 79	F111136	(BH111136)	2WD; 15 x 3-1/2" Brake; Single Syst.
Brake Hose	89 - 79	F111139	(BH111139)	2WD; 15 x 5" Brake; Dual Syst.; Exc. 15 x 22.5" Tires
Brake Hose	89 - 79	F111140	(BH111140)	2WD; 15 x 5" Brake; Dual Syst.; w/15 x 22.5" Tires
Brake Hose	89 - 79	F111136	(BH111136)	2WD; 15 x 5" Brake; Single Syst.; Exc. 15 x 22.5" Tires
Brake Hose	89 - 79	F107731	(BH107731)	2WD; Bendix; 2.60" 2-Piston Caliper; 7500-8000 lb. FA
Brake Hose	89 - 79	F113150	(BH113150)	2WD; Bendix; 2.88" 2-Piston Caliper; 10000-12000 lb. FA
Brake Hose	89 - 79	F113151	(BH113151)	2WD; Bendix; 3.38" 1-Piston Caliper
Brake Hose	89 - 79	F111137	(BH111137)	4WD

Rear Brake Hose	Years	Sequential No.	Category No.	Qualifier
Brake Hose	89 - 79	F107733	(BH107733)	w/Disc Brake; 11" Length
Brake Hose	89 - 79	F107734	(BH107734)	w/Disc Brake; 18" Length
Brake Hose	89 - 79	F113154	(BH113154)	w/Disc Brake; 9-7/8" Length
Brake Hose	89 - 79	F107734	(BH107734)	w/Drum Brake; 18" Length
Brake Hose	89 - 79	F107735	(BH107735)	w/Drum Brake; 23" Length
Brake Hose	89 - 79	F111393	(BH111393)	w/Drum Brake; 27" Length

Hydraulics - Reman

Power Brake Booster	Years	Part No.	Qualifier
Hydro Booster	89 - 79	529901	Dual Syst.; Head
Hydro Booster	89 - 79	529802	High Pwr; Bendix Hydromax II; Complete Assy
Hydro Booster	89 - 79	529904	High Pwr; Bendix Hydromax II; Elect. Motor
Hydro Booster	89 - 79	529920	High Pwr; Bendix Hydromax II; Head
Hydro Booster	89 - 79	529900	Single Syst.; Head

Power Brake Booster	Years	Part No.	Qualifier
Vacuum Booster	89 - 79	518049	Exc. Tandem; Single Diaphragm; 15" Brake
Vacuum Booster	89 - 79	518047	Exc. Tandem; Single Diaphragm; 16" Brake

2155 (cont.)**Hydraulics - Reman (cont.)**

Power Brake Booster	Years	Part No.	Qualifier
Vacuum Booster	89 - 79	518046	Tandem; Double Diaphragm

INTERNATIONAL MD 2200 S-Series**2275****Brake Pads & Shoes**

Front Pads & Shoes	Years	SevereDuty	Lining No.	Qualifier
Brake Pads	89 - 79	SD184		Bendix; 2.60" 2-Piston Caliper
Brake Pads	89 - 79	SD225		Bendix; 2.88" 2-Piston Caliper
Brake Pads	89 - 79	SD184		Bendix; 3.38" 1-Piston Caliper
Brake Shoes	89 - 79	SDS321R	EX1245AD-S32	Hyd. Brakes; Auto. Adj.; 15 x 3
Brake Shoes	89 - 79	SDS322R	EX1280BD-S32	Hyd. Brakes; Auto. Adj.; 15 x 3-1/2
Brake Shoes	89 - 79	SDS235R	EX1245AD-S32	Hyd. Brakes; Man. Adj.; 15 x 3
Brake Shoes	89 - 79	SDS840R	EX1280D-S32	Hyd. Brakes; Man. Adj.; 15 x 3-1/2
Brake Shoes	89 - 79	4223E	4223A	w/Air Brakes; Eaton/Spicer; 16-1/2 x 5
Brake Shoes	89 - 79	4514Q	4514G	w/Air Brakes; Rockwell/Meritor; Q-Series; 16-1/2 x 6
Brake Shoes	89 - 79	1307T	1307	w/Air Brakes; Rockwell/Meritor; T-Series; 15 x 3-1/2
Brake Shoes	89 - 79	1308T	1308T	w/Air Brakes; Rockwell/Meritor; T-Series; 15 x 4
Brake Shoes	89 - 79	4605S	4605	w/Air Brakes; Rockwell/Meritor; Wedge; 15 x 6

Rear Pads & Shoes	Years	SevereDuty	Lining No.	Qualifier
Brake Pads	89 - 79	SD184		Bendix; 2.60" 2-Piston Caliper
Brake Pads	89 - 79	SD225		Bendix; 2.88" 2-Piston Caliper
Brake Shoes	89 - 79	SDS346R	EX1252D-S32	Hyd. Brakes; 15 x 5
Brake Shoes	89 - 79	SDS381R	EX4596D-S32	Hyd. Brakes; 15 x 6
Brake Shoes	89 - 79	SDS383R	EX4597D-S32	Hyd. Brakes; 15 x 7
Brake Shoes	89 - 79	SDS385R	EX1254D-S32	Hyd. Brakes; 16 x 5
Brake Shoes	89 - 79	SDS386R	EX1255D-S32	Hyd. Brakes; 16 x 6
Brake Shoes	89 - 79	4311E	4311J	w/Air Brakes; Eaton/Spicer; 16-1/2 x 7
Brake Shoes	89 - 79	4514P	4514G	w/Air Brakes; Rockwell/Meritor; P-Series; 16-1/2 x 6
Brake Shoes	89 - 79	4515P	4515E	w/Air Brakes; Rockwell/Meritor; P-Series; 16-1/2 x 7
Brake Shoes	89 - 79	4644P	4644A	w/Air Brakes; Rockwell/Meritor; P-Series; 16-1/2 x 8
Brake Shoes	89 - 79	4514Q	4514G	w/Air Brakes; Rockwell/Meritor; Q-Series; 16-1/2 x 6
Brake Shoes	89 - 79	4515Q	4515E	w/Air Brakes; Rockwell/Meritor; Q-Series; 16-1/2 x 7
Brake Shoes	89 - 79	4644Q	4644A	w/Air Brakes; Rockwell/Meritor; Q-Series; 16-1/2 x 8
Brake Shoes	89 - 79	4602S	4602	w/Air Brakes; Rockwell/Meritor; Wedge; 15 x 7

Parking Brake Shoes	Years	SevereDuty	Lining No.	Qualifier
Brake Shoes	89 - 79	SDS842R	EX1303AD	Driveline Config.; 10 x 3
Brake Shoes	89 - 79	SDS647	EX2086D	Driveline Config.; 9 x 3

Rotor & Drum

Front Rotor & Drum	Years	Part No.	Qualifier
Brake Rotor	89 - 79	BD125097	5000-7500 lb. FA; Hat-Shaped; 10-Hole Rotor
Brake Rotor	89 - 79	BD125361	5000-7500 lb. FA; Hat-Shaped; 5-Hole Rotor
Brake Rotor	89 - 79	BD125362	5000-7500 lb. FA; Hat-Shaped; 6-Hole Rotor
Brake Rotor	89 - 79	BD126402	5000-7500 lb. FA; U-Shaped; 5-Hole Rotor
Brake Rotor	89 - 79	BD125096	5000-7500 lb. FA; U-Shaped; 6-Hole Rotor
Brake Rotor	89 - 87	BD125244	9000-12000 lb. FA; U-Shaped; 5-Hole Rotor
Brake Rotor	86	BD125244	From 2/01/86; 9000-12000 lb. FA; U-Shaped; 5-Hole Rotor
Brake Rotor	86	BD125098	To 1/31/86; 9000-12000 lb. FA; U-Shaped; 5-Hole Rotor
Brake Rotor	85 - 79	BD125098	9000-12000 lb. FA; U-Shaped; 5-Hole Rotor

Rear Rotor & Drum	Years	Part No.	Qualifier
Brake Rotor	89 - 79	BD125097	10000-15500 lb. RA; Hat-Shaped; 10-Hole Rotor
Brake Rotor	89 - 79	BD125362	10000-15500 lb. RA; Hat-Shaped; 6-Hole Rotor
Brake Rotor	89 - 79	BD126403	10000-15500 lb. RA; U-Shaped; 5-Hole Rotor
Brake Rotor	89 - 79	BD125096	10000-15500 lb. RA; U-Shaped; 6-Hole Rotor
Brake Rotor	89 - 79	BD125097	17000-19000 lb. RA; Hat-Shaped; 10-Hole Rotor

Rotor & Drum (cont.)

Rear Rotor & Drum	Years	Part No.	Qualifier
Brake Rotor	89 - 79	BD126394	17000-19000 lb. RA; U-Shaped; 10-Hole Rotor
Brake Rotor	89 - 79	BD125382	17000-19000 lb. RA; U-Shaped; 5-Hole Rotor; 12-3/4" Bolt Circle

Brake Hardware

Front Brake Hardware	Years	Sequential No.	Category No.	Qualifier
Adjuster Kit	89 - 79	F59159	(H2904)	L.H.; w/Auto Adj.
Adjuster Kit	89 - 79	F128990	(H2929)	L.H.; w/Man. Adj.
Adjuster Kit	89 - 79	F59160	(H2905)	R.H.; w/Auto Adj.
Adjuster Kit	89 - 79	F128990	(H2929)	R.H.; w/Man. Adj.
Combi Kit	89 - 79	F117025	(H7173)	15 x 3 or 15 x 3-1/2" Brake; w/Auto Adj.
↳Hold Down Kit		F73399	(H4201)	
↳Return Spring Kit		F36445	(H521)	
Combi Kit	89 - 79	F117026	(H7172)	15 x 3 or 15 x 3-1/2" Brake; w/Man. Adj.
↳Hold Down Kit		F19408	(H4200)	
↳Return Spring Kit		F36445	(H521)	
Combi Kit	89 - 79	F117025	(H7173)	15 x 5" Brake; w/Auto Adj.
↳Hold Down Kit		F73399	(H4201)	
↳Return Spring Kit		F36445	(H521)	
Combi Kit	89 - 79	F117019	(H7182)	15 x 5" Brake; w/Man. Adj.
↳Return Spring Kit		F36445	(H521)	
Disc Align Kit	89 - 79	F112095S	(H5564)	Bendix; 2.60" 2-Piston Caliper
Disc Align Kit	89 - 79	F112090S	(H5566)	Bendix; 2.88" 2-Piston Caliper
Disc Align Kit	89 - 79	F107401S	(H5562)	Bendix; 3.38" 1-Piston Caliper

Rear Brake Hardware	Years	Sequential No.	Category No.	Qualifier
Adjuster Kit	89 - 79	F59157	(H2902)	L.H.; 15" Brake; w/Auto Adj.
Adjuster Kit	89 - 79	F128894S	(H2911)	L.H.; 15" Brake; w/Man. Adj.
Adjuster Kit	89 - 79	F128895S	(H2912)	L.H.; 16" Brake; w/Man. Adj.
Adjuster Kit	89 - 79	F59158	(H2903)	R.H.; 15" Brake; w/Auto Adj.
Adjuster Kit	89 - 79	F128894S	(H2911)	R.H.; 15" Brake; w/Man. Adj.
Adjuster Kit	89 - 79	F128895S	(H2912)	R.H.; 16" Brake; w/Man. Adj.
Adjuster Screw	89 - 79	F140823	(H1607)	L.H.; 15" Brake
Adjuster Screw	89 - 79	F19291	(H1700)	L.H.; 16" Brake
Adjuster Screw	89 - 79	F140818	(H1606)	R.H.; 15" Brake
Adjuster Screw	89 - 79	F19292	(H1701)	R.H.; 16" Brake
Combi Kit	89 - 79	F117027	(H7171)	
↳Adjuster Spring Kit		F78727	(H451)	
↳Hold Down Kit		F19309	(H5079)	
↳Return Spring Kit		F98318	(H609)	
Disc Align Kit	89 - 79	F112095S	(H5564)	Bendix; 2.60" 2-Piston Caliper
Disc Align Kit	89 - 79	F112090S	(H5566)	Bendix; 2.88" 2-Piston Caliper

Calipers - Reman

Front, Loaded	Years	Left No.	Right No.	Qualifier	Piston
Loaded Caliper	89 - 79	AS112057	AS112057	Bendix; 2.60" 2-Piston Caliper	P
Loaded Caliper	89 - 79	AS112057S	AS112057S	Bendix; 2.60" 2-Piston Caliper	O
Loaded Caliper	89 - 79	AS120549	AS120549	Bendix; 2.88" 2-Piston Caliper	P
Loaded Caliper	89 - 79	AS120549S	AS120549S	Bendix; 2.88" 2-Piston Caliper	O
Loaded Caliper	89 - 79	AS130211A	AS130210A	Bendix; 3.38" 1-Piston Caliper	M
Rear, Loaded	Years	Left No.	Right No.	Qualifier	Piston
Loaded Caliper	89 - 79	AS112057	AS112057	Bendix; 2.60" 2-Piston Caliper	P
Loaded Caliper	89 - 79	AS112057S	AS112057S	Bendix; 2.60" 2-Piston Caliper	O
Loaded Caliper	89 - 79	AS120549	AS120549	Bendix; 2.88" 2-Piston Caliper	P
Loaded Caliper	89 - 79	AS120549S	AS120549S	Bendix; 2.88" 2-Piston Caliper	O
Front, Unloaded	Years	Left No.	Right No.	Qualifier	Piston
Unloaded Caliper	89 - 79	CR112057	CR112057	Bendix; 2.60" 2-Piston Caliper	P
Unloaded Caliper	89 - 79	CR112057S	CR112057S	Bendix; 2.60" 2-Piston Caliper	O

↳Sub-Kit of Combi-Kit is available separately.

Piston: M - OE Metal Piston P - OE Phenolic Piston O - Metal Piston Option

2275 (cont.)

Calipers - Reman (cont.)

Front, Unloaded	Years	Left No.	Right No.	Qualifier	Piston
Unloaded Caliper	89 - 79	CR120549	CR120549	Bendix; 2.88" 2-Piston Caliper	P
Unloaded Caliper	89 - 79	CR120549S	CR120549S	Bendix; 2.88" 2-Piston Caliper	O
Unloaded Caliper	89 - 79	CR130211	CR130210	Bendix; 3.38" 1-Piston Caliper	M
Rear, Unloaded	Years	Left No.	Right No.	Qualifier	Piston
Unloaded Caliper	89 - 79	CR112057	CR112057	Bendix; 2.60" 2-Piston Caliper	P
Unloaded Caliper	89 - 79	CR112057S	CR112057S	Bendix; 2.60" 2-Piston Caliper	O
Unloaded Caliper	89 - 79	CR120549	CR120549	Bendix; 2.88" 2-Piston Caliper	P
Unloaded Caliper	89 - 79	CR120549S	CR120549S	Bendix; 2.88" 2-Piston Caliper	O

Hydraulics - New

Master Cylinder	Years	Sequential No.	Category No.	Qualifier
Master Cylinder	89 - 84	F113751	(MC113751)	w/Disc Brake; Split Syst.; w/High Pwr.
Master Cylinder	89 - 84	F116702	(MC116702)	w/Disc Brake; Split Syst.; w/Hydrovac; 19000 lb. RA
Master Cylinder	89 - 79	F661	(MC661)	w/Drum Brake; Single Syst.; Exc. Tandem; 15" Brake
Master Cylinder	89 - 79	F2842	(MC2842)	w/Drum Brake; Single Syst.; Exc. Tandem; 16" Brake; w/Air Actuated Hyd. Brks.
Master Cylinder	89 - 79	F2951	(MC2951)	w/Drum Brake; Single Syst.; Tandem
Master Cylinder	89 - 79	F119402	(MC119402)	w/Drum Brake; Split Syst.; w/High Pwr.
Master Cylinder	89 - 79	F119397	(MC119397)	w/Drum Brake; Split Syst.; w/Hydrovac
Master Cylinder	83	F113751	(MC113751)	From 8/26/83; w/Disc Brake; Split Syst.; w/High Pwr.
Master Cylinder	83	F116702	(MC116702)	From 8/26/83; w/Disc Brake; Split Syst.; w/Hydrovac; 19000 lb. RA
Master Cylinder	83	F119395	(MC119395)	To 8/25/83; w/Disc Brake; Split Syst.; w/High Pwr.
Master Cylinder	83	F119396	(MC119396)	To 8/25/83; w/Disc Brake; Split Syst.; w/Hydrovac
Master Cylinder	82 - 79	F119395	(MC119395)	w/Disc Brake; Split Syst.; w/High Pwr.
Master Cylinder	82 - 79	F119396	(MC119396)	w/Disc Brake; Split Syst.; w/Hydrovac
Front Wheel Cylinder	Years	Sequential No.	Category No.	Qualifier
Wheel Cylinder	89 - 79	F43383	(WC43383)	L.H.; 15 x 3" Brake; w/o Bleeder Screw; 1-1/4" Bore
Wheel Cylinder	89 - 79	F43383	(WC43383)	L.H.; 15 x 3-1/2" Brake; w/o Bleeder Screw; 1-1/4" Bore
Wheel Cylinder	89 - 79	F86444	(WC86444)	L.H.; 15 x 5" Brake; w/Bleeder Screw; 1-1/2" Bore
Wheel Cylinder	89 - 79	F43384	(WC43384)	R.H.; 15 x 3" Brake; w/o Bleeder Screw; 1-1/4" Bore
Wheel Cylinder	89 - 79	F43384	(WC43384)	R.H.; 15 x 3-1/2" Brake; w/o Bleeder Screw; 1-1/4" Bore
Wheel Cylinder	89 - 79	F86445	(WC86445)	R.H.; 15 x 5" Brake; w/Bleeder Screw; 1-1/2" Bore
Rear Wheel Cylinder	Years	Sequential No.	Category No.	Qualifier
Wheel Cylinder	89 - 79	F24489	(WC24489)	15 x 5" Brake; 1-5/8" Bore
Wheel Cylinder	89 - 79	F24489	(WC24489)	15 x 6" Brake; 1-5/8" Bore
Wheel Cylinder	89 - 79	F24489	(WC24489)	15 x 7" Brake; 17000-17500 lb. RA; 1-5/8" Bore
Wheel Cylinder	89 - 79	F26172	(WC26172)	15 x 7" Brake; 18500-19000 lb. RA or 34000 lb. TRA; 1-3/4" Bore
Wheel Cylinder	89 - 79	F24489	(WC24489)	16 x 5" Brake; 17000-17500 lb. RA; 1-5/8" Bore
Wheel Cylinder	89 - 79	F26172	(WC26172)	16 x 5" Brake; 18500-19000 lb. RA or 34000 lb. TRA; 1-3/4" Bore
Wheel Cylinder	89 - 79	F26172	(WC26172)	16 x 6" Brake; 1-3/4" Bore
Clutch Slave Cylinder	Years	Sequential No.	Category No.	Qualifier
Clutch Slave Cylinder	89 - 79	F43260	(SC43260)	
Front Brake Hose	Years	Sequential No.	Category No.	Qualifier
Brake Hose	89 - 79	F111136	(BH111136)	2WD; 15 x 3" Brake
Brake Hose	89 - 79	F111138	(BH111138)	2WD; 15 x 3-1/2" Brake; Dual Syst.
Brake Hose	89 - 79	F111136	(BH111136)	2WD; 15 x 3-1/2" Brake; Single Syst.
Brake Hose	89 - 79	F111139	(BH111139)	2WD; 15 x 5" Brake; Dual Syst.; Exc. 15 x 22.5" Tires
Brake Hose	89 - 79	F111140	(BH111140)	2WD; 15 x 5" Brake; Dual Syst.; w/15 x 22.5" Tires
Brake Hose	89 - 79	F111136	(BH111136)	2WD; 15 x 5" Brake; Single Syst.; Exc. 15 x 22.5" Tires
Brake Hose	89 - 79	F107731	(BH107731)	2WD; Bendix; 2.60" 2-Piston Caliper; 7500-8000 lb. FA
Brake Hose	89 - 79	F113150	(BH113150)	2WD; Bendix; 2.88" 2-Piston Caliper; 10000-12000 lb. FA
Brake Hose	89 - 79	F113151	(BH113151)	2WD; Bendix; 3.38" 1-Piston Caliper
Brake Hose	89 - 79	F111137	(BH111137)	4WD
Rear Brake Hose	Years	Sequential No.	Category No.	Qualifier
Brake Hose	89 - 79	F107733	(BH107733)	w/Disc Brake; 11" Length
Brake Hose	89 - 79	F107734	(BH107734)	w/Disc Brake; 18" Length

Piston: M - OE Metal Piston P - OE Phenolic Piston O - Metal Piston Option

Hydraulics - New (cont.)

Rear Brake Hose	Years	Sequential No.	Category No.	Qualifier
Brake Hose	89 - 79	F113154	(BH113154)	w/Disc Brake; 9-7/8" Length
Brake Hose	89 - 79	F107734	(BH107734)	w/Drum Brake; 18" Length
Brake Hose	89 - 79	F107735	(BH107735)	w/Drum Brake; 23" Length
Brake Hose	89 - 79	F111393	(BH111393)	w/Drum Brake; 27" Length

Hydraulics - Reman

Power Brake Booster	Years	Part No.	Qualifier
Hydro Booster	89 - 79	529901	Dual Syst.; Head
Hydro Booster	89 - 79	529802	High Pwr; Bendix Hydromax II; Complete Assy
Hydro Booster	89 - 79	529904	High Pwr; Bendix Hydromax II; Elect. Motor
Hydro Booster	89 - 79	529920	High Pwr; Bendix Hydromax II; Head
Hydro Booster	89 - 79	529900	Single Syst.; Head

Power Brake Booster	Years	Part No.	Qualifier
Vacuum Booster	89 - 79	518049	Exc. Tandem; Single Diaphragm; 15" Brake
Vacuum Booster	89 - 79	518047	Exc. Tandem; Single Diaphragm; 16" Brake
Vacuum Booster	89 - 79	518046	Tandem; Double Diaphragm

Brake Pads & Shoes

Front Pads & Shoes	Years	SevereDuty	Lining No.	Qualifier
Brake Pads	89 - 79	SD184		Bendix; 2.60" 2-Piston Caliper
Brake Pads	89 - 79	SD225		Bendix; 2.88" 2-Piston Caliper
Brake Pads	89 - 79	SD184		Bendix; 3.38" 1-Piston Caliper
Brake Shoes	89 - 79	SDS321R	EX1245AD-S32	Hyd. Brakes; Auto. Adj.; 15 x 3
Brake Shoes	89 - 79	SDS322R	EX1280BD-S32	Hyd. Brakes; Auto. Adj.; 15 x 3-1/2
Brake Shoes	89 - 79	SDS235R	EX1245AD-S32	Hyd. Brakes; Man. Adj.; 15 x 3
Brake Shoes	89 - 79	SDS840R	EX1280D-S32	Hyd. Brakes; Man. Adj.; 15 x 3-1/2
Brake Shoes	89 - 79	4223E	4223A	w/Air Brakes; Eaton/Spicer; 16-1/2 x 5
Brake Shoes	89 - 79	4514Q	4514G	w/Air Brakes; Rockwell/Meritor; Q-Series; 16-1/2 x 6
Brake Shoes	89 - 79	1307T	1307	w/Air Brakes; Rockwell/Meritor; T-Series; 15 x 3-1/2
Brake Shoes	89 - 79	1308T	1308T	w/Air Brakes; Rockwell/Meritor; T-Series; 15 x 4
Brake Shoes	89 - 79	4605S	4605	w/Air Brakes; Rockwell/Meritor; Wedge; 15 x 6

Rear Pads & Shoes	Years	SevereDuty	Lining No.	Qualifier
Brake Pads	89 - 79	SD184		Bendix; 2.60" 2-Piston Caliper
Brake Pads	89 - 79	SD225		Bendix; 2.88" 2-Piston Caliper
Brake Shoes	89 - 79	SDS346R	EX1252D-S32	Hyd. Brakes; 15 x 5
Brake Shoes	89 - 79	SDS381R	EX4596D-S32	Hyd. Brakes; 15 x 6
Brake Shoes	89 - 79	SDS383R	EX4597D-S32	Hyd. Brakes; 15 x 7
Brake Shoes	89 - 79	SDS385R	EX1254D-S32	Hyd. Brakes; 16 x 5
Brake Shoes	89 - 79	SDS386R	EX1255D-S32	Hyd. Brakes; 16 x 6
Brake Shoes	89 - 79	4311E	4311J	w/Air Brakes; Eaton/Spicer; 16-1/2 x 7
Brake Shoes	89 - 79	4514P	4514G	w/Air Brakes; Rockwell/Meritor; P-Series; 16-1/2 x 6
Brake Shoes	89 - 79	4515P	4515E	w/Air Brakes; Rockwell/Meritor; P-Series; 16-1/2 x 7
Brake Shoes	89 - 79	4644P	4644A	w/Air Brakes; Rockwell/Meritor; P-Series; 16-1/2 x 8
Brake Shoes	89 - 79	4514Q	4514G	w/Air Brakes; Rockwell/Meritor; Q-Series; 16-1/2 x 6
Brake Shoes	89 - 79	4515Q	4515E	w/Air Brakes; Rockwell/Meritor; Q-Series; 16-1/2 x 7
Brake Shoes	89 - 79	4644Q	4644A	w/Air Brakes; Rockwell/Meritor; Q-Series; 16-1/2 x 8
Brake Shoes	89 - 79	4602S	4602	w/Air Brakes; Rockwell/Meritor; Wedge; 15 x 7

Parking Brake Shoes	Years	SevereDuty	Lining No.	Qualifier
Brake Shoes	89 - 79	SDS842R	EX1303AD	Driveline Config.; 10 x 3
Brake Shoes	89 - 79	SDS647	EX2086D	Driveline Config.; 9 x 3

Rotor & Drum

Front Rotor & Drum	Years	Part No.	Qualifier
Brake Rotor	89 - 79	BD125097	5000-7500 lb. FA; Hat-Shaped; 10-Hole Rotor
Brake Rotor	89 - 79	BD125361	5000-7500 lb. FA; Hat-Shaped; 5-Hole Rotor
Brake Rotor	89 - 79	BD125362	5000-7500 lb. FA; Hat-Shaped; 6-Hole Rotor

2276 (cont.)

Rotor & Drum (cont.)

Front Rotor & Drum	Years	Part No.	Qualifier
Brake Rotor	89 - 79	BD126402	5000-7500 lb. FA; U-Shaped; 5-Hole Rotor
Brake Rotor	89 - 79	BD125096	5000-7500 lb. FA; U-Shaped; 6-Hole Rotor
Brake Rotor	89 - 87	BD125244	9000-12000 lb. FA; U-Shaped; 5-Hole Rotor
Brake Rotor	86	BD125244	From 2/01/86; 9000-12000 lb. FA; U-Shaped; 5-Hole Rotor
Brake Rotor	86	BD125098	To 1/31/86; 9000-12000 lb. FA; U-Shaped; 5-Hole Rotor
Brake Rotor	85 - 79	BD125098	9000-12000 lb. FA; U-Shaped; 5-Hole Rotor

Rear Rotor & Drum	Years	Part No.	Qualifier
Brake Rotor	89 - 79	BD125097	10000-15500 lb. RA; Hat-Shaped; 10-Hole Rotor
Brake Rotor	89 - 79	BD125362	10000-15500 lb. RA; Hat-Shaped; 6-Hole Rotor
Brake Rotor	89 - 79	BD126403	10000-15500 lb. RA; U-Shaped; 5-Hole Rotor
Brake Rotor	89 - 79	BD125096	10000-15500 lb. RA; U-Shaped; 6-Hole Rotor
Brake Rotor	89 - 79	BD125097	17000-19000 lb. RA; Hat-Shaped; 10-Hole Rotor
Brake Rotor	89 - 79	BD126394	17000-19000 lb. RA; U-Shaped; 10-Hole Rotor
Brake Rotor	89 - 79	BD125382	17000-19000 lb. RA; U-Shaped; 5-Hole Rotor; 12-3/4" Bolt Circle

Brake Hardware

Front Brake Hardware	Years	Sequential No.	Category No.	Qualifier
Adjuster Kit	89 - 79	F59159	(H2904)	L.H.; w/Auto Adj.
Adjuster Kit	89 - 79	F128990	(H2929)	L.H.; w/Man. Adj.
Adjuster Kit	89 - 79	F59160	(H2905)	R.H.; w/Auto Adj.
Adjuster Kit	89 - 79	F128990	(H2929)	R.H.; w/Man. Adj.
Combi Kit	89 - 79	F117025	(H7173)	15 x 3 or 15 x 3-1/2" Brake; w/Auto Adj.
↳Hold Down Kit		F73399	(H4201)	
↳Return Spring Kit		F36445	(H521)	
Combi Kit	89 - 79	F117026	(H7172)	15 x 3 or 15 x 3-1/2" Brake; w/Man. Adj.
↳Hold Down Kit		F19408	(H4200)	
↳Return Spring Kit		F36445	(H521)	
Combi Kit	89 - 79	F117025	(H7173)	15 x 5" Brake; w/Auto Adj.
↳Hold Down Kit		F73399	(H4201)	
↳Return Spring Kit		F36445	(H521)	
Combi Kit	89 - 79	F117019	(H7182)	15 x 5" Brake; w/Man. Adj.
↳Return Spring Kit		F36445	(H521)	
Disc Align Kit	89 - 79	F112095S	(H5564)	Bendix; 2.60" 2-Piston Caliper
Disc Align Kit	89 - 79	F112090S	(H5566)	Bendix; 2.88" 2-Piston Caliper
Disc Align Kit	89 - 79	F107401S	(H5562)	Bendix; 3.38" 1-Piston Caliper

Rear Brake Hardware	Years	Sequential No.	Category No.	Qualifier
Adjuster Kit	89 - 79	F59157	(H2902)	L.H.; 15" Brake; w/Auto Adj.
Adjuster Kit	89 - 79	F128894S	(H2911)	L.H.; 15" Brake; w/Man. Adj.
Adjuster Kit	89 - 79	F128895S	(H2912)	L.H.; 16" Brake; w/Man. Adj.
Adjuster Kit	89 - 79	F59158	(H2903)	R.H.; 15" Brake; w/Auto Adj.
Adjuster Kit	89 - 79	F128894S	(H2911)	R.H.; 15" Brake; w/Man. Adj.
Adjuster Kit	89 - 79	F128895S	(H2912)	R.H.; 16" Brake; w/Man. Adj.
Adjuster Screw	89 - 79	F140823	(H1607)	L.H.; 15" Brake
Adjuster Screw	89 - 79	F19291	(H1700)	L.H.; 16" Brake
Adjuster Screw	89 - 79	F140818	(H1606)	R.H.; 15" Brake
Adjuster Screw	89 - 79	F19292	(H1701)	R.H.; 16" Brake
Combi Kit	89 - 79	F117027	(H7171)	
↳Adjuster Spring Kit		F78727	(H451)	
↳Hold Down Kit		F19309	(H5079)	
↳Return Spring Kit		F98318	(H609)	
Disc Align Kit	89 - 79	F112095S	(H5564)	Bendix; 2.60" 2-Piston Caliper
Disc Align Kit	89 - 79	F112090S	(H5566)	Bendix; 2.88" 2-Piston Caliper

Calipers - Reman

Front, Loaded	Years	Left No.	Right No.	Qualifier	Piston
Loaded Caliper	89 - 79	AS112057	AS112057	Bendix; 2.60" 2-Piston Caliper	P

↳Sub-Kit of Combi-Kit is available separately.

Piston: M - OE Metal Piston P - OE Phenolic Piston O - Metal Piston Option

2276 (cont.)

Calipers - Reman (cont.)

Front, Loaded	Years	Left No.	Right No.	Qualifier	Piston
Loaded Caliper	89 - 79	AS112057S	AS112057S	Bendix; 2.60" 2-Piston Caliper	O
Loaded Caliper	89 - 79	AS120549	AS120549	Bendix; 2.88" 2-Piston Caliper	P
Loaded Caliper	89 - 79	AS120549S	AS120549S	Bendix; 2.88" 2-Piston Caliper	O
Loaded Caliper	89 - 79	AS130211A	AS130210A	Bendix; 3.38" 1-Piston Caliper	M
Rear, Loaded	Years	Left No.	Right No.	Qualifier	Piston
Loaded Caliper	89 - 79	AS112057	AS112057	Bendix; 2.60" 2-Piston Caliper	P
Loaded Caliper	89 - 79	AS112057S	AS112057S	Bendix; 2.60" 2-Piston Caliper	O
Loaded Caliper	89 - 79	AS120549	AS120549	Bendix; 2.88" 2-Piston Caliper	P
Loaded Caliper	89 - 79	AS120549S	AS120549S	Bendix; 2.88" 2-Piston Caliper	O
Front, Unloaded	Years	Left No.	Right No.	Qualifier	Piston
Unloaded Caliper	89 - 79	CR112057	CR112057	Bendix; 2.60" 2-Piston Caliper	P
Unloaded Caliper	89 - 79	CR112057S	CR112057S	Bendix; 2.60" 2-Piston Caliper	O
Unloaded Caliper	89 - 79	CR120549	CR120549	Bendix; 2.88" 2-Piston Caliper	P
Unloaded Caliper	89 - 79	CR120549S	CR120549S	Bendix; 2.88" 2-Piston Caliper	O
Unloaded Caliper	89 - 79	CR130211	CR130210	Bendix; 3.38" 1-Piston Caliper	M
Rear, Unloaded	Years	Left No.	Right No.	Qualifier	Piston
Unloaded Caliper	89 - 79	CR112057	CR112057	Bendix; 2.60" 2-Piston Caliper	P
Unloaded Caliper	89 - 79	CR112057S	CR112057S	Bendix; 2.60" 2-Piston Caliper	O
Unloaded Caliper	89 - 79	CR120549	CR120549	Bendix; 2.88" 2-Piston Caliper	P
Unloaded Caliper	89 - 79	CR120549S	CR120549S	Bendix; 2.88" 2-Piston Caliper	O

Hydraulics - New

Master Cylinder	Years	Sequential No.	Category No.	Qualifier
Master Cylinder	89 - 84	F113751	(MC113751)	w/Disc Brake; Split Syst.; w/High Pwr.
Master Cylinder	89 - 84	F116702	(MC116702)	w/Disc Brake; Split Syst.; w/Hydrovac; 19000 lb. RA
Master Cylinder	89 - 79	F661	(MC661)	w/Drum Brake; Single Syst.; Exc. Tandem; 15" Brake
Master Cylinder	89 - 79	F2842	(MC2842)	w/Drum Brake; Single Syst.; Exc. Tandem; 16" Brake; w/Air Actuated Hyd. Brks.
Master Cylinder	89 - 79	F2951	(MC2951)	w/Drum Brake; Single Syst.; Tandem
Master Cylinder	89 - 79	F119402	(MC119402)	w/Drum Brake; Split Syst.; w/High Pwr.
Master Cylinder	89 - 79	F119397	(MC119397)	w/Drum Brake; Split Syst.; w/Hydrovac
Master Cylinder	83	F113751	(MC113751)	From 8/26/83; w/Disc Brake; Split Syst.; w/High Pwr.
Master Cylinder	83	F116702	(MC116702)	From 8/26/83; w/Disc Brake; Split Syst.; w/Hydrovac; 19000 lb. RA
Master Cylinder	83	F119395	(MC119395)	To 8/25/83; w/Disc Brake; Split Syst.; w/High Pwr.
Master Cylinder	83	F119396	(MC119396)	To 8/25/83; w/Disc Brake; Split Syst.; w/Hydrovac
Master Cylinder	82 - 79	F119395	(MC119395)	w/Disc Brake; Split Syst.; w/High Pwr.
Master Cylinder	82 - 79	F119396	(MC119396)	w/Disc Brake; Split Syst.; w/Hydrovac
Front Wheel Cylinder	Years	Sequential No.	Category No.	Qualifier
Wheel Cylinder	89 - 79	F43383	(WC43383)	L.H.; 15 x 3" Brake; w/o Bleeder Screw; 1-1/4" Bore
Wheel Cylinder	89 - 79	F43383	(WC43383)	L.H.; 15 x 3-1/2" Brake; w/o Bleeder Screw; 1-1/4" Bore
Wheel Cylinder	89 - 79	F86444	(WC86444)	L.H.; 15 x 5" Brake; w/Bleeder Screw; 1-1/2" Bore
Wheel Cylinder	89 - 79	F43384	(WC43384)	R.H.; 15 x 3" Brake; w/o Bleeder Screw; 1-1/4" Bore
Wheel Cylinder	89 - 79	F43384	(WC43384)	R.H.; 15 x 3-1/2" Brake; w/o Bleeder Screw; 1-1/4" Bore
Wheel Cylinder	89 - 79	F86445	(WC86445)	R.H.; 15 x 5" Brake; w/Bleeder Screw; 1-1/2" Bore
Rear Wheel Cylinder	Years	Sequential No.	Category No.	Qualifier
Wheel Cylinder	89 - 79	F24489	(WC24489)	15 x 5" Brake; 1-5/8" Bore
Wheel Cylinder	89 - 79	F24489	(WC24489)	15 x 6" Brake; 1-5/8" Bore
Wheel Cylinder	89 - 79	F24489	(WC24489)	15 x 7" Brake; 17000-17500 lb. RA; 1-5/8" Bore
Wheel Cylinder	89 - 79	F26172	(WC26172)	15 x 7" Brake; 18500-19000 lb. RA or 34000 lb. TRA; 1-3/4" Bore
Wheel Cylinder	89 - 79	F24489	(WC24489)	16 x 5" Brake; 17000-17500 lb. RA; 1-5/8" Bore
Wheel Cylinder	89 - 79	F26172	(WC26172)	16 x 5" Brake; 18500-19000 lb. RA or 34000 lb. TRA; 1-3/4" Bore
Wheel Cylinder	89 - 79	F26172	(WC26172)	16 x 6" Brake; 1-3/4" Bore
Clutch Slave Cylinder	Years	Sequential No.	Category No.	Qualifier
Clutch Slave Cylinder	89 - 79	F43260	(SC43260)	
Front Brake Hose	Years	Sequential No.	Category No.	Qualifier
Brake Hose	89 - 79	F111136	(BH111136)	2WD; 15 x 3" Brake

Piston: M - OE Metal Piston P - OE Phenolic Piston O - Metal Piston Option

2276 (cont.)**Hydraulics - New (cont.)**

Front Brake Hose	Years	Sequential No.	Category No.	Qualifier
Brake Hose	89 - 79	F111138	(BH111138)	2WD; 15 x 3-1/2" Brake; Dual Syst.
Brake Hose	89 - 79	F111136	(BH111136)	2WD; 15 x 3-1/2" Brake; Single Syst.
Brake Hose	89 - 79	F111139	(BH111139)	2WD; 15 x 5" Brake; Dual Syst.; Exc. 15 x 22.5" Tires
Brake Hose	89 - 79	F111140	(BH111140)	2WD; 15 x 5" Brake; Dual Syst.; w/15 x 22.5" Tires
Brake Hose	89 - 79	F111136	(BH111136)	2WD; 15 x 5" Brake; Single Syst.; Exc. 15 x 22.5" Tires
Brake Hose	89 - 79	F107731	(BH107731)	2WD; Bendix; 2.60" 2-Piston Caliper; 7500-8000 lb. FA
Brake Hose	89 - 79	F113150	(BH113150)	2WD; Bendix; 2.88" 2-Piston Caliper; 10000-12000 lb. FA
Brake Hose	89 - 79	F113151	(BH113151)	2WD; Bendix; 3.38" 1-Piston Caliper
Brake Hose	89 - 79	F111137	(BH111137)	4WD
Rear Brake Hose	Years	Sequential No.	Category No.	Qualifier
Brake Hose	89 - 79	F107733	(BH107733)	w/Disc Brake; 11" Length
Brake Hose	89 - 79	F107734	(BH107734)	w/Disc Brake; 18" Length
Brake Hose	89 - 79	F113154	(BH113154)	w/Disc Brake; 9-7/8" Length
Brake Hose	89 - 79	F107734	(BH107734)	w/Drum Brake; 18" Length
Brake Hose	89 - 79	F107735	(BH107735)	w/Drum Brake; 23" Length
Brake Hose	89 - 79	F111393	(BH111393)	w/Drum Brake; 27" Length

Hydraulics - Reman

Power Brake Booster	Years	Part No.	Qualifier
Hydro Booster	89 - 79	529901	Dual Syst.; Head
Hydro Booster	89 - 79	529802	High Pwr; Bendix Hydromax II; Complete Assy
Hydro Booster	89 - 79	529904	High Pwr; Bendix Hydromax II; Elect. Motor
Hydro Booster	89 - 79	529920	High Pwr; Bendix Hydromax II; Head
Hydro Booster	89 - 79	529900	Single Syst.; Head
Power Brake Booster	Years	Part No.	Qualifier
Vacuum Booster	89 - 79	518049	Exc. Tandem; Single Diaphragm; 15" Brake
Vacuum Booster	89 - 79	518047	Exc. Tandem; Single Diaphragm; 16" Brake
Vacuum Booster	89 - 79	518046	Tandem; Double Diaphragm

INTERNATIONAL MD 2300 S-Series**2375****Brake Pads & Shoes**

Front Pads & Shoes	Years	SevereDuty	Lining No.	Qualifier
Brake Pads	89 - 79	SD184		Bendix; 2.60" 2-Piston Caliper
Brake Pads	89 - 79	SD225		Bendix; 2.88" 2-Piston Caliper
Brake Pads	89 - 79	SD184		Bendix; 3.38" 1-Piston Caliper
Brake Shoes	89 - 79	SDS321R	EX1245AD-S32	Hyd. Brakes; Auto. Adj.; 15 x 3
Brake Shoes	89 - 79	SDS322R	EX1280BD-S32	Hyd. Brakes; Auto. Adj.; 15 x 3-1/2
Brake Shoes	89 - 79	SDS235R	EX1245AD-S32	Hyd. Brakes; Man. Adj.; 15 x 3
Brake Shoes	89 - 79	SDS840R	EX1280D-S32	Hyd. Brakes; Man. Adj.; 15 x 3-1/2
Brake Shoes	89 - 79	4223E	4223A	w/Air Brakes; Eaton/Spicer; 16-1/2 x 5
Brake Shoes	89 - 79	4514Q	4514G	w/Air Brakes; Rockwell/Meritor; Q-Series; 16-1/2 x 6
Brake Shoes	89 - 79	1307T	1307	w/Air Brakes; Rockwell/Meritor; T-Series; 15 x 3-1/2
Brake Shoes	89 - 79	1308T	1308T	w/Air Brakes; Rockwell/Meritor; T-Series; 15 x 4
Brake Shoes	89 - 79	4605S	4605	w/Air Brakes; Rockwell/Meritor; Wedge; 15 x 6
Rear Pads & Shoes	Years	SevereDuty	Lining No.	Qualifier
Brake Pads	89 - 79	SD184		Bendix; 2.60" 2-Piston Caliper
Brake Pads	89 - 79	SD225		Bendix; 2.88" 2-Piston Caliper
Brake Shoes	89 - 79	SDS346R	EX1252D-S32	Hyd. Brakes; 15 x 5
Brake Shoes	89 - 79	SDS381R	EX4596D-S32	Hyd. Brakes; 15 x 6
Brake Shoes	89 - 79	SDS383R	EX4597D-S32	Hyd. Brakes; 15 x 7
Brake Shoes	89 - 79	SDS385R	EX1254D-S32	Hyd. Brakes; 16 x 5
Brake Shoes	89 - 79	SDS386R	EX1255D-S32	Hyd. Brakes; 16 x 6
Brake Shoes	89 - 79	4311E	4311J	w/Air Brakes; Eaton/Spicer; 16-1/2 x 7
Brake Shoes	89 - 79	4514P	4514G	w/Air Brakes; Rockwell/Meritor; P-Series; 16-1/2 x 6

Brake Pads & Shoes (cont.)

Rear Pads & Shoes	Years	SevereDuty	Lining No.	Qualifier
Brake Shoes	89 - 79	4515P	4515E	w/Air Brakes; Rockwell/Meritor; P-Series; 16-1/2 x 7
Brake Shoes	89 - 79	4644P	4644A	w/Air Brakes; Rockwell/Meritor; P-Series; 16-1/2 x 8
Brake Shoes	89 - 79	4514Q	4514G	w/Air Brakes; Rockwell/Meritor; Q-Series; 16-1/2 x 6
Brake Shoes	89 - 79	4515Q	4515E	w/Air Brakes; Rockwell/Meritor; Q-Series; 16-1/2 x 7
Brake Shoes	89 - 79	4644Q	4644A	w/Air Brakes; Rockwell/Meritor; Q-Series; 16-1/2 x 8
Brake Shoes	89 - 79	4602S	4602	w/Air Brakes; Rockwell/Meritor; Wedge; 15 x 7

Parking Brake Shoes	Years	SevereDuty	Lining No.	Qualifier
Brake Shoes	89 - 79	SDS842R	EX1303AD	Driveline Config.; 10 x 3
Brake Shoes	89 - 79	SDS647	EX2086D	Driveline Config.; 9 x 3

Rotor & Drum

Front Rotor & Drum	Years	Part No.	Qualifier
Brake Rotor	89 - 79	BD125097	5000-7500 lb. FA; Hat-Shaped; 10-Hole Rotor
Brake Rotor	89 - 79	BD125361	5000-7500 lb. FA; Hat-Shaped; 5-Hole Rotor
Brake Rotor	89 - 79	BD125362	5000-7500 lb. FA; Hat-Shaped; 6-Hole Rotor
Brake Rotor	89 - 79	BD126402	5000-7500 lb. FA; U-Shaped; 5-Hole Rotor
Brake Rotor	89 - 79	BD125096	5000-7500 lb. FA; U-Shaped; 6-Hole Rotor
Brake Rotor	89 - 87	BD125244	9000-12000 lb. FA; U-Shaped; 5-Hole Rotor
Brake Rotor	86	BD125244	From 2/01/86; 9000-12000 lb. FA; U-Shaped; 5-Hole Rotor
Brake Rotor	86	BD125098	To 1/31/86; 9000-12000 lb. FA; U-Shaped; 5-Hole Rotor
Brake Rotor	85 - 79	BD125098	9000-12000 lb. FA; U-Shaped; 5-Hole Rotor

Rear Rotor & Drum	Years	Part No.	Qualifier
Brake Rotor	89 - 79	BD125097	10000-15500 lb. RA; Hat-Shaped; 10-Hole Rotor
Brake Rotor	89 - 79	BD125362	10000-15500 lb. RA; Hat-Shaped; 6-Hole Rotor
Brake Rotor	89 - 79	BD126403	10000-15500 lb. RA; U-Shaped; 5-Hole Rotor
Brake Rotor	89 - 79	BD125096	10000-15500 lb. RA; U-Shaped; 6-Hole Rotor
Brake Rotor	89 - 79	BD125097	17000-19000 lb. RA; Hat-Shaped; 10-Hole Rotor
Brake Rotor	89 - 79	BD126394	17000-19000 lb. RA; U-Shaped; 10-Hole Rotor
Brake Rotor	89 - 79	BD125382	17000-19000 lb. RA; U-Shaped; 5-Hole Rotor; 12-3/4" Bolt Circle

Brake Hardware

Front Brake Hardware	Years	Sequential No.	Category No.	Qualifier
Adjuster Kit	89 - 79	F59159	(H2904)	L.H.; w/Auto Adj.
Adjuster Kit	89 - 79	F128990	(H2929)	L.H.; w/Man. Adj.
Adjuster Kit	89 - 79	F59160	(H2905)	R.H.; w/Auto Adj.
Adjuster Kit	89 - 79	F128990	(H2929)	R.H.; w/Man. Adj.
Combi Kit	89 - 79	F117025	(H7173)	15 x 3 or 15 x 3-1/2" Brake; w/Auto Adj.
↳Hold Down Kit		F73399	(H4201)	
↳Return Spring Kit		F36445	(H521)	
Combi Kit	89 - 79	F117026	(H7172)	15 x 3 or 15 x 3-1/2" Brake; w/Man. Adj.
↳Hold Down Kit		F19408	(H4200)	
↳Return Spring Kit		F36445	(H521)	
Combi Kit	89 - 79	F117025	(H7173)	15 x 5" Brake; w/Auto Adj.
↳Hold Down Kit		F73399	(H4201)	
↳Return Spring Kit		F36445	(H521)	
Combi Kit	89 - 79	F117019	(H7182)	15 x 5" Brake; w/Man. Adj.
↳Return Spring Kit		F36445	(H521)	
Disc Align Kit	89 - 79	F112095S	(H5564)	Bendix; 2.60" 2-Piston Caliper
Disc Align Kit	89 - 79	F112090S	(H5566)	Bendix; 2.88" 2-Piston Caliper
Disc Align Kit	89 - 79	F107401S	(H5562)	Bendix; 3.38" 1-Piston Caliper

Rear Brake Hardware	Years	Sequential No.	Category No.	Qualifier
Adjuster Kit	89 - 79	F59157	(H2902)	L.H.; 15" Brake; w/Auto Adj.
Adjuster Kit	89 - 79	F128894S	(H2911)	L.H.; 15" Brake; w/Man. Adj.
Adjuster Kit	89 - 79	F128895S	(H2912)	L.H.; 16" Brake; w/Man. Adj.
Adjuster Kit	89 - 79	F59158	(H2903)	R.H.; 15" Brake; w/Auto Adj.
Adjuster Kit	89 - 79	F128894S	(H2911)	R.H.; 15" Brake; w/Man. Adj.

↳Sub-Kit of Combi-Kit is available separately.

2375 (cont.)

Brake Hardware (cont.)

Rear Brake Hardware	Years	Sequential No.	Category No.	Qualifier
Adjuster Kit	89 - 79	F128895S	(H2912)	R.H.; 16" Brake; w/Man. Adj.
Adjuster Screw	89 - 79	F140823	(H1607)	L.H.; 15" Brake
Adjuster Screw	89 - 79	F19291	(H1700)	L.H.; 16" Brake
Adjuster Screw	89 - 79	F140818	(H1606)	R.H.; 15" Brake
Adjuster Screw	89 - 79	F19292	(H1701)	R.H.; 16" Brake
Combi Kit	89 - 79	F117027	(H7171)	
↳ Adjuster Spring Kit		F78727	(H451)	
↳ Hold Down Kit		F19309	(H5079)	
↳ Return Spring Kit		F98318	(H609)	
Disc Align Kit	89 - 79	F112095S	(H5564)	Bendix; 2.60" 2-Piston Caliper
Disc Align Kit	89 - 79	F112090S	(H5566)	Bendix; 2.88" 2-Piston Caliper

Calipers - Reman

Front, Loaded	Years	Left No.	Right No.	Qualifier	Piston
Loaded Caliper	89 - 79	AS112057	AS112057	Bendix; 2.60" 2-Piston Caliper	P
Loaded Caliper	89 - 79	AS112057S	AS112057S	Bendix; 2.60" 2-Piston Caliper	O
Loaded Caliper	89 - 79	AS120549	AS120549	Bendix; 2.88" 2-Piston Caliper	P
Loaded Caliper	89 - 79	AS120549S	AS120549S	Bendix; 2.88" 2-Piston Caliper	O
Loaded Caliper	89 - 79	AS130211A	AS130210A	Bendix; 3.38" 1-Piston Caliper	M
Rear, Loaded	Years	Left No.	Right No.	Qualifier	Piston
Loaded Caliper	89 - 79	AS112057	AS112057	Bendix; 2.60" 2-Piston Caliper	P
Loaded Caliper	89 - 79	AS112057S	AS112057S	Bendix; 2.60" 2-Piston Caliper	O
Loaded Caliper	89 - 79	AS120549	AS120549	Bendix; 2.88" 2-Piston Caliper	P
Loaded Caliper	89 - 79	AS120549S	AS120549S	Bendix; 2.88" 2-Piston Caliper	O
Front, Unloaded	Years	Left No.	Right No.	Qualifier	Piston
Unloaded Caliper	89 - 79	CR112057	CR112057	Bendix; 2.60" 2-Piston Caliper	P
Unloaded Caliper	89 - 79	CR112057S	CR112057S	Bendix; 2.60" 2-Piston Caliper	O
Unloaded Caliper	89 - 79	CR120549	CR120549	Bendix; 2.88" 2-Piston Caliper	P
Unloaded Caliper	89 - 79	CR120549S	CR120549S	Bendix; 2.88" 2-Piston Caliper	O
Unloaded Caliper	89 - 79	CR130211	CR130210	Bendix; 3.38" 1-Piston Caliper	M
Rear, Unloaded	Years	Left No.	Right No.	Qualifier	Piston
Unloaded Caliper	89 - 79	CR112057	CR112057	Bendix; 2.60" 2-Piston Caliper	P
Unloaded Caliper	89 - 79	CR112057S	CR112057S	Bendix; 2.60" 2-Piston Caliper	O
Unloaded Caliper	89 - 79	CR120549	CR120549	Bendix; 2.88" 2-Piston Caliper	P
Unloaded Caliper	89 - 79	CR120549S	CR120549S	Bendix; 2.88" 2-Piston Caliper	O

Hydraulics - New

Master Cylinder	Years	Sequential No.	Category No.	Qualifier
Master Cylinder	89 - 84	F113751	(MC113751)	w/Disc Brake; Split Syst.; w/High Pwr.
Master Cylinder	89 - 84	F116702	(MC116702)	w/Disc Brake; Split Syst.; w/Hydrovac; 19000 lb. RA
Master Cylinder	89 - 79	F661	(MC661)	w/Drum Brake; Single Syst.; Exc. Tandem; 15" Brake
Master Cylinder	89 - 79	F2842	(MC2842)	w/Drum Brake; Single Syst.; Exc. Tandem; 16" Brake; w/Air Actuated Hyd. Brks.
Master Cylinder	89 - 79	F2951	(MC2951)	w/Drum Brake; Single Syst.; Tandem
Master Cylinder	89 - 79	F119402	(MC119402)	w/Drum Brake; Split Syst.; w/High Pwr.
Master Cylinder	89 - 79	F119397	(MC119397)	w/Drum Brake; Split Syst.; w/Hydrovac
Master Cylinder	83	F113751	(MC113751)	From 8/26/83; w/Disc Brake; Split Syst.; w/High Pwr.
Master Cylinder	83	F116702	(MC116702)	From 8/26/83; w/Disc Brake; Split Syst.; w/Hydrovac; 19000 lb. RA
Master Cylinder	83	F119395	(MC119395)	To 8/25/83; w/Disc Brake; Split Syst.; w/High Pwr.
Master Cylinder	83	F119396	(MC119396)	To 8/25/83; w/Disc Brake; Split Syst.; w/Hydrovac
Master Cylinder	82 - 79	F119395	(MC119395)	w/Disc Brake; Split Syst.; w/High Pwr.
Master Cylinder	82 - 79	F119396	(MC119396)	w/Disc Brake; Split Syst.; w/Hydrovac
Front Wheel Cylinder	Years	Sequential No.	Category No.	Qualifier
Wheel Cylinder	89 - 79	F43383	(WC43383)	L.H.; 15 x 3" Brake; w/o Bleeder Screw; 1-1/4" Bore
Wheel Cylinder	89 - 79	F43383	(WC43383)	L.H.; 15 x 3-1/2" Brake; w/o Bleeder Screw; 1-1/4" Bore
Wheel Cylinder	89 - 79	F86444	(WC86444)	L.H.; 15 x 5" Brake; w/Bleeder Screw; 1-1/2" Bore
Wheel Cylinder	89 - 79	F43384	(WC43384)	R.H.; 15 x 3" Brake; w/o Bleeder Screw; 1-1/4" Bore

↳ Sub-Kit of Combi-Kit is available separately.

Piston: M - OE Metal Piston P - OE Phenolic Piston O - Metal Piston Option

Hydraulics - New (cont.)

Front Wheel Cylinder	Years	Sequential No.	Category No.	Qualifier
Wheel Cylinder	89 - 79	F43384	(WC43384)	R.H.; 15 x 3-1/2" Brake; w/o Bleeder Screw; 1-1/4" Bore
Wheel Cylinder	89 - 79	F86445	(WC86445)	R.H.; 15 x 5" Brake; w/Bleeder Screw; 1-1/2" Bore
Rear Wheel Cylinder	Years	Sequential No.	Category No.	Qualifier
Wheel Cylinder	89 - 79	F24489	(WC24489)	15 x 5" Brake; 1-5/8" Bore
Wheel Cylinder	89 - 79	F24489	(WC24489)	15 x 6" Brake; 1-5/8" Bore
Wheel Cylinder	89 - 79	F24489	(WC24489)	15 x 7" Brake; 17000-17500 lb. RA; 1-5/8" Bore
Wheel Cylinder	89 - 79	F26172	(WC26172)	15 x 7" Brake; 18500-19000 lb. RA or 34000 lb. TRA; 1-3/4" Bore
Wheel Cylinder	89 - 79	F24489	(WC24489)	16 x 5" Brake; 17000-17500 lb. RA; 1-5/8" Bore
Wheel Cylinder	89 - 79	F26172	(WC26172)	16 x 5" Brake; 18500-19000 lb. RA or 34000 lb. TRA; 1-3/4" Bore
Wheel Cylinder	89 - 79	F26172	(WC26172)	16 x 6" Brake; 1-3/4" Bore
Clutch Slave Cylinder	Years	Sequential No.	Category No.	Qualifier
Clutch Slave Cylinder	89 - 79	F43260	(SC43260)	
Front Brake Hose	Years	Sequential No.	Category No.	Qualifier
Brake Hose	89 - 79	F111136	(BH111136)	2WD; 15 x 3" Brake
Brake Hose	89 - 79	F111138	(BH111138)	2WD; 15 x 3-1/2" Brake; Dual Syst.
Brake Hose	89 - 79	F111136	(BH111136)	2WD; 15 x 3-1/2" Brake; Single Syst.
Brake Hose	89 - 79	F111139	(BH111139)	2WD; 15 x 5" Brake; Dual Syst.; Exc. 15 x 22.5" Tires
Brake Hose	89 - 79	F111140	(BH111140)	2WD; 15 x 5" Brake; Dual Syst.; w/15 x 22.5" Tires
Brake Hose	89 - 79	F111136	(BH111136)	2WD; 15 x 5" Brake; Single Syst.; Exc. 15 x 22.5" Tires
Brake Hose	89 - 79	F107731	(BH107731)	2WD; Bendix; 2.60" 2-Piston Caliper; 7500-8000 lb. FA
Brake Hose	89 - 79	F113150	(BH113150)	2WD; Bendix; 2.88" 2-Piston Caliper; 10000-12000 lb. FA
Brake Hose	89 - 79	F113151	(BH113151)	2WD; Bendix; 3.38" 1-Piston Caliper
Brake Hose	89 - 79	F111137	(BH111137)	4WD
Rear Brake Hose	Years	Sequential No.	Category No.	Qualifier
Brake Hose	89 - 79	F107733	(BH107733)	w/Disc Brake; 11" Length
Brake Hose	89 - 79	F107734	(BH107734)	w/Disc Brake; 18" Length
Brake Hose	89 - 79	F113154	(BH113154)	w/Disc Brake; 9-7/8" Length
Brake Hose	89 - 79	F107734	(BH107734)	w/Drum Brake; 18" Length
Brake Hose	89 - 79	F107735	(BH107735)	w/Drum Brake; 23" Length
Brake Hose	89 - 79	F111393	(BH111393)	w/Drum Brake; 27" Length

Hydraulics - Reman

Power Brake Booster	Years	Part No.	Qualifier
Hydro Booster	89 - 79	529901	Dual Syst.; Head
Hydro Booster	89 - 79	529802	High Pwr; Bendix Hydromax II; Complete Assy
Hydro Booster	89 - 79	529904	High Pwr; Bendix Hydromax II; Elect. Motor
Hydro Booster	89 - 79	529920	High Pwr; Bendix Hydromax II; Head
Hydro Booster	89 - 79	529900	Single Syst.; Head
Power Brake Booster	Years	Part No.	Qualifier
Vacuum Booster	89 - 79	518049	Exc. Tandem; Single Diaphragm; 15" Brake
Vacuum Booster	89 - 79	518047	Exc. Tandem; Single Diaphragm; 16" Brake
Vacuum Booster	89 - 79	518046	Tandem; Double Diaphragm

INTERNATIONAL MD 3000-Series

Brake Pads & Shoes

Front Pads & Shoes	Years	SevereDuty	Lining No.	Qualifier
Brake Pads	02 - 99	SD786		Bosch; 2.60" 2-Piston Caliper
Brake Pads	02 - 99	SD786A		Bosch; 2.88" 2-Piston Caliper
Brake Pads	98 - 96	SD184		Bendix; 2.60" 2-Piston Caliper
Brake Pads	98 - 96	SD225		Bendix; 2.88" 2-Piston Caliper
Brake Pads	98 - 96	SD184		Bendix; 3.38" 1-Piston Caliper
Brake Shoes	02 - 96	4702Q	4702	w/Air Brakes; Rockwell/Meritor; Q-Plus; 15 x 4
Brake Shoes	02 - 96	4703Q	4703	w/Air Brakes; Rockwell/Meritor; Q-Plus; 15 x 5
Brake Shoes	02 - 99	4715Q	4715	w/Air Brakes; Rockwell/Meritor; Q-Plus; 16-1/2 x 6

3000 (cont.)**Brake Pads & Shoes (cont.)**

Front Pads & Shoes	Years	SevereDuty	Lining No.	Qualifier
Brake Shoes	02 - 96	1308Q	1308T	w/Air Brakes; Rockwell/Meritor; Q-Series; 15 x 4
Brake Shoes	02 - 96	4524Q	4524B	w/Air Brakes; Rockwell/Meritor; Q-Series; 16-1/2 x 5
Brake Shoes	02 - 99	4514Q	4514G	w/Air Brakes; Rockwell/Meritor; Q-Series; 16-1/2 x 6
Brake Shoes	02 - 96	1307T	1307	w/Air Brakes; Rockwell/Meritor; T-Series; 15 x 3-1/2
Brake Shoes	02 - 96	1308T	1308T	w/Air Brakes; Rockwell/Meritor; T-Series; 15 x 4
Brake Shoes	98 - 96	1308E	1308	w/Air Brakes; Eaton/Spicer; 15 x 4
Rear Pads & Shoes	Years	SevereDuty	Lining No.	Qualifier
Brake Pads	02 - 99	SD786		Bosch; 2.60" 2-Piston Caliper
Brake Pads	02 - 99	SD786A		Bosch; 2.88" 2-Piston Caliper
Brake Pads	98 - 96	SD184		Bendix; 2.60" 2-Piston Caliper
Brake Pads	98 - 96	SD225		Bendix; 2.88" 2-Piston Caliper
Brake Shoes	02 - 99	4709Q	4709	w/Air Brakes; Eaton/Spicer; 16-1/2 x 7
Brake Shoes	02 - 99	4515P	4515E	w/Air Brakes; Rockwell/Meritor; P-Series; 16-1/2 x 7
Brake Shoes	02 - 96	4710Q	4710	w/Air Brakes; Rockwell/Meritor; Q-Plus; 15 x 8-5/8
Brake Shoes	02 - 96	4707Q	4707	w/Air Brakes; Rockwell/Meritor; Q-Plus; 16-1/2 x 7
Brake Shoes	02 - 99	4718Q	4718	w/Air Brakes; Rockwell/Meritor; Q-Plus; 16-1/2 x 8
Brake Shoes	02 - 96	4514Q	4514G	w/Air Brakes; Rockwell/Meritor; Q-Series; 16-1/2 x 6
Brake Shoes	02 - 96	4515Q	4515E	w/Air Brakes; Rockwell/Meritor; Q-Series; 16-1/2 x 7
Brake Shoes	98 - 96	4311E	4311J	w/Air Brakes; Eaton/Spicer; 16-1/2 x 7
Parking Brake Shoes	Years	SevereDuty	Lining No.	Qualifier
Brake Shoes	98 - 96	SDS842R	EX1303AD	Driveline Config.; 10 x 3
Brake Shoes	98 - 96	SDS647	EX2086D	Driveline Config.; 9 x 3

Rotor & Drum

Front Rotor & Drum	Years	Part No.	Qualifier
Brake Rotor	02 - 99	BD126361	6000-8000 lb. FA; Hat-Shaped; 10-Hole Rotor
Brake Rotor	02 - 99	BD126364	6000-8000 lb. FA; Hat-Shaped; 5-Hole Rotor
Brake Rotor	02 - 99	BD126392	6000-8000 lb. FA; Hat-Shaped; 6-Hole Rotor
Brake Rotor	02 - 99	BD126361	9000-14000 lb. FA; Hat-Shaped; 10-Hole Rotor
Brake Rotor	02 - 99	BD126394	9000-14000 lb. FA; U-Shaped; 10-Hole Rotor
Brake Rotor	98 - 96	BD125484	6000-8000 lb. FA; Hyd.; Hat-Shaped; 10-Hole Rotor; 3-1/4" Height
Brake Rotor	98 - 96	BD125097	6000-8000 lb. FA; Hyd.; Hat-Shaped; 10-Hole Rotor; 4-1/2" Height
Brake Rotor	98 - 96	BD125361	6000-8000 lb. FA; Hyd.; Hat-Shaped; 5-Hole Rotor
Brake Rotor	98 - 96	BD125362	6000-8000 lb. FA; Hyd.; Hat-Shaped; 6-Hole Rotor
Brake Rotor	98 - 96	BD125484	9000-14000 lb. FA; Hyd.; Hat-Shaped; 10-Hole Rotor
Brake Rotor	98 - 96	BD126394	9000-14000 lb. FA; Hyd.; U-Shaped; 10-Hole Rotor
Rear Rotor & Drum	Years	Part No.	Qualifier
Brake Rotor	02 - 99	BD126392	10000-17500 lb. RA; Hat-Shaped; 6-Hole Rotor; 3-1/2" Height
Brake Rotor	02 - 99	BD126361	13500-17500 lb. RA; Hat-Shaped; 10-Hole Rotor; 3-1/4" Height
Brake Rotor	02 - 99	BD126366	13500-17500 lb. RA; Hat-Shaped; 10-Hole Rotor; 4-1/2" Height
Brake Rotor	02 - 99	BD126366	19000-21000 lb. RA; Hat-Shaped; 10-Hole Rotor
Brake Rotor	02 - 99	BD125382	19000-21000 lb. RA; U-Shaped; 5-Hole Rotor
Brake Rotor	98 - 96	BD125484	13000-17500 lb. RA; Hyd.; Hat-Shaped; 10-Hole Rotor; 3-1/4" Height
Brake Rotor	98 - 96	BD125097	13000-17500 lb. RA; Hyd.; Hat-Shaped; 10-Hole Rotor; 4-1/2" Height
Brake Rotor	98 - 96	BD125362	13000-17500 lb. RA; Hyd.; Hat-Shaped; 6-Hole Rotor
Brake Rotor	98 - 96	BD125097	19000-21000 lb. RA; Hyd.; Hat-Shaped; 10-Hole Rotor
Brake Rotor	98 - 96	BD125382	19000-21000 lb. RA; Hyd.; U-Shaped; 5-Hole Rotor

Brake Hardware

Front Brake Hardware	Years	Sequential No.	Category No.	Qualifier
Disc Align Kit	02 - 99	F140769	(H5710)	Bosch; 2.60" 2-Piston Caliper
Disc Align Kit	02 - 99	F140769	(H5710)	Bosch; 2.88" 2-Piston Caliper
Disc Align Kit	98 - 96	F112095S	(H5564)	Bendix; 2.60" 2-Piston Caliper
Disc Align Kit	98 - 96	F112090S	(H5566)	Bendix; 2.88" 2-Piston Caliper
Disc Align Kit	98 - 96	F107401S	(H5562)	Bendix; 3.38" 1-Piston Caliper

Brake Hardware (cont.)

<i>Rear Brake Hardware</i>	<i>Years</i>	<i>Sequential No.</i>	<i>Category No.</i>	<i>Qualifier</i>
Disc Align Kit	02 - 99	F140769	(H5710)	Bosch; 2.60" 2-Piston Caliper
Disc Align Kit	02 - 99	F140769	(H5710)	Bosch; 2.88" 2-Piston Caliper
Disc Align Kit	98 - 96	F112095S	(H5564)	Bendix; 2.60" 2-Piston Caliper
Disc Align Kit	98 - 96	F112090S	(H5566)	Bendix; 2.88" 2-Piston Caliper

Calipers - Reman

<i>Front, Loaded</i>	<i>Years</i>	<i>Left No.</i>	<i>Right No.</i>	<i>Qualifier</i>	<i>Piston</i>
Loaded Caliper	02 - 99	AS135025	AS135025	Bosch; 2.60" 2-Piston Caliper	P
Loaded Caliper	02 - 99	AS135024	AS135024	Bosch; 2.88" 2-Piston Caliper	P
Loaded Caliper	98 - 96	AS112057	AS112057	Bendix; 2.60" 2-Piston Caliper	P
Loaded Caliper	98 - 96	AS112057S	AS112057S	Bendix; 2.60" 2-Piston Caliper	O
Loaded Caliper	98 - 96	AS120549	AS120549	Bendix; 2.88" 2-Piston Caliper	P
Loaded Caliper	98 - 96	AS120549S	AS120549S	Bendix; 2.88" 2-Piston Caliper	O
Loaded Caliper	98 - 96	AS130211A	AS130210A	Bendix; 3.38" 1-Piston Caliper	M

<i>Rear, Loaded</i>	<i>Years</i>	<i>Left No.</i>	<i>Right No.</i>	<i>Qualifier</i>	<i>Piston</i>
Loaded Caliper	02 - 99	AS135025	AS135025	Bosch; 2.60" 2-Piston Caliper	P
Loaded Caliper	02 - 99	AS135024	AS135024	Bosch; 2.88" 2-Piston Caliper	P
Loaded Caliper	98 - 96	AS132525	AS132525	Bendix; 2.60" 2-Piston Caliper; w/Air Susp.	P
Loaded Caliper	98 - 96	AS132525S	AS132525S	Bendix; 2.60" 2-Piston Caliper; w/Air Susp.	O
Loaded Caliper	98 - 96	AS112057	AS112057	Bendix; 2.60" 2-Piston Caliper; w/o Air Susp.	P
Loaded Caliper	98 - 96	AS112057S	AS112057S	Bendix; 2.60" 2-Piston Caliper; w/o Air Susp.	O
Loaded Caliper	98 - 96	AS134267	AS134267	Bendix; 2.88" 2-Piston Caliper; w/Air Susp.	M
Loaded Caliper	98 - 96	AS120549	AS120549	Bendix; 2.88" 2-Piston Caliper; w/o Air Susp.	P
Loaded Caliper	98 - 96	AS120549S	AS120549S	Bendix; 2.88" 2-Piston Caliper; w/o Air Susp.	O

<i>Front, Unloaded</i>	<i>Years</i>	<i>Left No.</i>	<i>Right No.</i>	<i>Qualifier</i>	<i>Piston</i>
Unloaded Caliper	02 - 99	CR135025	CR135025	Bosch; 2.60" 2-Piston Caliper	P
Unloaded Caliper	02 - 99	CR135024	CR135024	Bosch; 2.88" 2-Piston Caliper	P
Unloaded Caliper	98 - 96	CR112057	CR112057	Bendix; 2.60" 2-Piston Caliper	P
Unloaded Caliper	98 - 96	CR112057S	CR112057S	Bendix; 2.60" 2-Piston Caliper	O
Unloaded Caliper	98 - 96	CR120549	CR120549	Bendix; 2.88" 2-Piston Caliper	P
Unloaded Caliper	98 - 96	CR120549S	CR120549S	Bendix; 2.88" 2-Piston Caliper	O
Unloaded Caliper	98 - 96	CR130211	CR130210	Bendix; 3.38" 1-Piston Caliper	M

<i>Rear, Unloaded</i>	<i>Years</i>	<i>Left No.</i>	<i>Right No.</i>	<i>Qualifier</i>	<i>Piston</i>
Unloaded Caliper	02 - 99	CR135025	CR135025	Bosch; 2.60" 2-Piston Caliper	P
Unloaded Caliper	02 - 99	CR135024	CR135024	Bosch; 2.88" 2-Piston Caliper	P
Unloaded Caliper	98 - 96	CR132525	CR132525	Bendix; 2.60" 2-Piston Caliper; w/Air Susp.	P
Unloaded Caliper	98 - 96	CR132525S	CR132525S	Bendix; 2.60" 2-Piston Caliper; w/Air Susp.	O
Unloaded Caliper	98 - 96	CR112057	CR112057	Bendix; 2.60" 2-Piston Caliper; w/o Air Susp.	P
Unloaded Caliper	98 - 96	CR112057S	CR112057S	Bendix; 2.60" 2-Piston Caliper; w/o Air Susp.	O
Unloaded Caliper	98 - 96	CR134267	CR134267	Bendix; 2.88" 2-Piston Caliper; w/Air Susp.	M
Unloaded Caliper	98 - 96	CR120549	CR120549	Bendix; 2.88" 2-Piston Caliper; w/o Air Susp.	P
Unloaded Caliper	98 - 96	CR120549S	CR120549S	Bendix; 2.88" 2-Piston Caliper; w/o Air Susp.	O

Hydraulics - New

<i>Master Cylinder</i>	<i>Years</i>	<i>Sequential No.</i>	<i>Category No.</i>	<i>Qualifier</i>
------------------------	--------------	-----------------------	---------------------	------------------

Master Cylinder	02 - 96	F140748	(MC140748)	
-----------------	---------	---------	------------	--

<i>Front Brake Hose</i>	<i>Years</i>	<i>Sequential No.</i>	<i>Category No.</i>	<i>Qualifier</i>
-------------------------	--------------	-----------------------	---------------------	------------------

Brake Hose	98 - 96	F132919	(BH132919)	Bendix; 2.60" 2-Piston Caliper; 8000 lb. FA
Brake Hose	98 - 96	F132920	(BH132920)	Bendix; 2.88" 2-Piston Caliper; 10000-12000 lb. FA
Brake Hose	98 - 96	F132918	(BH132918)	Bendix; 3.38" 1-Piston Caliper; 6000 lb. FA

<i>Rear Brake Hose</i>	<i>Years</i>	<i>Sequential No.</i>	<i>Category No.</i>	<i>Qualifier</i>
------------------------	--------------	-----------------------	---------------------	------------------

Brake Hose	98 - 96	F132921	(BH132921)	To Caliper; w/Air Susp.
Brake Hose	98 - 96	F132922	(BH132922)	To Caliper; w/Vari-Rate Susp.
Brake Hose	98 - 96	F107734	(BH107734)	To Frame

Piston: M - OE Metal Piston P - OE Phenolic Piston O - Metal Piston Option

3000 (cont.)**Hydraulics - Reman**

Power Brake Booster	Years	Part No.	Qualifier
Hydro Booster	98 - 96	529917	High Pwr; Bendix Hydromax II; Complete Assy
Hydro Booster	98 - 96	529906	High Pwr; Bendix Hydromax II; Elect. Motor
Hydro Booster	98 - 96	529805	High Pwr; Bendix Hydromax II; Head

3200**Brake Pads & Shoes**

Front Pads & Shoes	Years	SevereDuty	Lining No.	Qualifier
Brake Pads	07 - 02	SD786		Bosch; 2.60" 2-Piston Caliper
Brake Pads	07 - 02	SD786A		Bosch; 2.88" 2-Piston Caliper
Brake Shoes	07 - 02	4702Q	4702	w/Air Brakes; Rockwell/Meritor; Q-Plus; 15 x 4
Brake Shoes	07 - 02	4703Q	4703	w/Air Brakes; Rockwell/Meritor; Q-Plus; 15 x 5
Brake Shoes	07 - 02	4715Q	4715	w/Air Brakes; Rockwell/Meritor; Q-Plus; 16-1/2 x 6
Brake Shoes	07 - 02	1308Q	1308T	w/Air Brakes; Rockwell/Meritor; Q-Series; 15 x 4
Brake Shoes	07 - 02	4524Q	4524B	w/Air Brakes; Rockwell/Meritor; Q-Series; 16-1/2 x 5
Brake Shoes	07 - 02	4514Q	4514G	w/Air Brakes; Rockwell/Meritor; Q-Series; 16-1/2 x 6
Brake Shoes	07 - 02	1307T	1307	w/Air Brakes; Rockwell/Meritor; T-Series; 15 x 3-1/2
Brake Shoes	07 - 02	1308T	1308T	w/Air Brakes; Rockwell/Meritor; T-Series; 15 x 4

Rear Pads & Shoes	Years	SevereDuty	Lining No.	Qualifier
Brake Pads	07 - 02	SD786		Bosch; 2.60" 2-Piston Caliper
Brake Pads	07 - 02	SD786A		Bosch; 2.88" 2-Piston Caliper
Brake Shoes	07 - 02	4709Q	4709	w/Air Brakes; Eaton/Spicer; 16-1/2 x 7
Brake Shoes	07 - 02	4515P	4515E	w/Air Brakes; Rockwell/Meritor; P-Series; 16-1/2 x 7
Brake Shoes	07 - 02	4710Q	4710	w/Air Brakes; Rockwell/Meritor; Q-Plus; 15 x 8-5/8
Brake Shoes	07 - 02	4707Q	4707	w/Air Brakes; Rockwell/Meritor; Q-Plus; 16-1/2 x 7
Brake Shoes	07 - 02	4718Q	4718	w/Air Brakes; Rockwell/Meritor; Q-Plus; 16-1/2 x 8
Brake Shoes	07 - 02	4514Q	4514G	w/Air Brakes; Rockwell/Meritor; Q-Series; 16-1/2 x 6
Brake Shoes	07 - 02	4515Q	4515E	w/Air Brakes; Rockwell/Meritor; Q-Series; 16-1/2 x 7

Rotor & Drum

Front Rotor & Drum	Years	Part No.	Qualifier
Brake Rotor	07 - 02	BD126361	6000-8000 lb. FA; Hat-Shaped; 10-Hole Rotor
Brake Rotor	07 - 02	BD126364	6000-8000 lb. FA; Hat-Shaped; 5-Hole Rotor
Brake Rotor	07 - 02	BD126392	6000-8000 lb. FA; Hat-Shaped; 6-Hole Rotor
Brake Rotor	07 - 02	BD126361	9000-14000 lb. FA; Hat-Shaped; 10-Hole Rotor
Brake Rotor	07 - 02	BD126394	9000-14000 lb. FA; U-Shaped; 10-Hole Rotor

Rear Rotor & Drum	Years	Part No.	Qualifier
Brake Rotor	07 - 02	BD126392	10000-17500 lb. RA; Hat-Shaped; 6-Hole Rotor; 3-1/2" Height
Brake Rotor	07 - 02	BD126361	13500-17500 lb. RA; Hat-Shaped; 10-Hole Rotor; 3-1/4" Height
Brake Rotor	07 - 02	BD126366	13500-17500 lb. RA; Hat-Shaped; 10-Hole Rotor; 4-1/2" Height
Brake Rotor	07 - 02	BD126366	19000-21000 lb. RA; Hat-Shaped; 10-Hole Rotor
Brake Rotor	07 - 02	BD125382	19000-21000 lb. RA; U-Shaped; 5-Hole Rotor

Brake Hardware

Front Brake Hardware	Years	Sequential No.	Category No.	Qualifier
Disc Align Kit	07 - 02	F140769	(H5710)	Bosch; 2.60" 2-Piston Caliper
Disc Align Kit	07 - 02	F140769	(H5710)	Bosch; 2.88" 2-Piston Caliper

Rear Brake Hardware	Years	Sequential No.	Category No.	Qualifier
Disc Align Kit	07 - 02	F140769	(H5710)	Bosch; 2.60" 2-Piston Caliper
Disc Align Kit	07 - 02	F140769	(H5710)	Bosch; 2.88" 2-Piston Caliper

Calipers - Reman

Front, Loaded	Years	Left No.	Right No.	Qualifier	Piston
Loaded Caliper	07 - 02	AS135025	AS135025	Bosch; 2.60" 2-Piston Caliper	P
Loaded Caliper	07 - 02	AS135024	AS135024	Bosch; 2.88" 2-Piston Caliper	P
Rear, Loaded	Years	Left No.	Right No.	Qualifier	Piston
Loaded Caliper	07 - 02	AS135025	AS135025	Bosch; 2.60" 2-Piston Caliper	P
Loaded Caliper	07 - 02	AS135024	AS135024	Bosch; 2.88" 2-Piston Caliper	P

Piston: M - OE Metal Piston P - OE Phenolic Piston

3200 (cont.)
Calipers - Reman (cont.)

<i>Front, Unloaded</i>	<i>Years</i>	<i>Left No.</i>	<i>Right No.</i>	<i>Qualifier</i>	<i>Piston</i>
Unloaded Caliper	07 - 02	CR135025	CR135025	Bosch; 2.60" 2-Piston Caliper	P
Unloaded Caliper	07 - 02	CR135024	CR135024	Bosch; 2.88" 2-Piston Caliper	P
<i>Rear, Unloaded</i>	<i>Years</i>	<i>Left No.</i>	<i>Right No.</i>	<i>Qualifier</i>	<i>Piston</i>
Unloaded Caliper	07 - 02	CR135025	CR135025	Bosch; 2.60" 2-Piston Caliper	P
Unloaded Caliper	07 - 02	CR135024	CR135024	Bosch; 2.88" 2-Piston Caliper	P

Hydraulics - New

<i>Master Cylinder</i>	<i>Years</i>	<i>Sequential No.</i>	<i>Category No.</i>	<i>Qualifier</i>
Master Cylinder	07 - 02	F140747	(MC140747)	

3300
Brake Pads & Shoes

<i>Front Pads & Shoes</i>	<i>Years</i>	<i>SevereDuty</i>	<i>Lining No.</i>	<i>Qualifier</i>
Brake Pads	07 - 04	SD786		Bosch; 2.60" 2-Piston Caliper
Brake Pads	07 - 04	SD786A		Bosch; 2.88" 2-Piston Caliper
Brake Shoes	07 - 04	4702Q	4702	w/Air Brakes; Rockwell/Meritor; Q-Plus; 15 x 4
Brake Shoes	07 - 04	4703Q	4703	w/Air Brakes; Rockwell/Meritor; Q-Plus; 15 x 5
Brake Shoes	07 - 04	4715Q	4715	w/Air Brakes; Rockwell/Meritor; Q-Plus; 16-1/2 x 6
Brake Shoes	07 - 04	1308Q	1308T	w/Air Brakes; Rockwell/Meritor; Q-Series; 15 x 4
Brake Shoes	07 - 04	4524Q	4524B	w/Air Brakes; Rockwell/Meritor; Q-Series; 16-1/2 x 5
Brake Shoes	07 - 04	4514Q	4514G	w/Air Brakes; Rockwell/Meritor; Q-Series; 16-1/2 x 6
Brake Shoes	07 - 04	1307T	1307	w/Air Brakes; Rockwell/Meritor; T-Series; 15 x 3-1/2
Brake Shoes	07 - 04	1308T	1308T	w/Air Brakes; Rockwell/Meritor; T-Series; 15 x 4
<i>Rear Pads & Shoes</i>	<i>Years</i>	<i>SevereDuty</i>	<i>Lining No.</i>	<i>Qualifier</i>
Brake Pads	07 - 04	SD786		Bosch; 2.60" 2-Piston Caliper
Brake Pads	07 - 04	SD786A		Bosch; 2.88" 2-Piston Caliper
Brake Shoes	07 - 04	4709Q	4709	w/Air Brakes; Eaton/Spicer; 16-1/2 x 7
Brake Shoes	07 - 04	4515P	4515E	w/Air Brakes; Rockwell/Meritor; P-Series; 16-1/2 x 7
Brake Shoes	07 - 04	4710Q	4710	w/Air Brakes; Rockwell/Meritor; Q-Plus; 15 x 8-5/8
Brake Shoes	07 - 04	4707Q	4707	w/Air Brakes; Rockwell/Meritor; Q-Plus; 16-1/2 x 7
Brake Shoes	07 - 04	4718Q	4718	w/Air Brakes; Rockwell/Meritor; Q-Plus; 16-1/2 x 8
Brake Shoes	07 - 04	4514Q	4514G	w/Air Brakes; Rockwell/Meritor; Q-Series; 16-1/2 x 6
Brake Shoes	07 - 04	4515Q	4515E	w/Air Brakes; Rockwell/Meritor; Q-Series; 16-1/2 x 7

Rotor & Drum

<i>Front Rotor & Drum</i>	<i>Years</i>	<i>Part No.</i>	<i>Qualifier</i>
Brake Rotor	07 - 04	BD126361	6000-8000 lb. FA; Hat-Shaped; 10-Hole Rotor
Brake Rotor	07 - 04	BD126364	6000-8000 lb. FA; Hat-Shaped; 5-Hole Rotor
Brake Rotor	07 - 04	BD126392	6000-8000 lb. FA; Hat-Shaped; 6-Hole Rotor
Brake Rotor	07 - 04	BD126361	9000-14000 lb. FA; Hat-Shaped; 10-Hole Rotor
Brake Rotor	07 - 04	BD126394	9000-14000 lb. FA; U-Shaped; 10-Hole Rotor
<i>Rear Rotor & Drum</i>	<i>Years</i>	<i>Part No.</i>	<i>Qualifier</i>
Brake Rotor	07 - 04	BD126392	10000-17500 lb. RA; Hat-Shaped; 6-Hole Rotor; 3-1/2" Height
Brake Rotor	07 - 04	BD126361	13500-17500 lb. RA; Hat-Shaped; 10-Hole Rotor; 3-1/4" Height
Brake Rotor	07 - 04	BD126366	13500-17500 lb. RA; Hat-Shaped; 10-Hole Rotor; 4-1/2" Height
Brake Rotor	07 - 04	BD126366	19000-21000 lb. RA; Hat-Shaped; 10-Hole Rotor
Brake Rotor	07 - 04	BD125382	19000-21000 lb. RA; U-Shaped; 5-Hole Rotor

Brake Hardware

<i>Front Brake Hardware</i>	<i>Years</i>	<i>Sequential No.</i>	<i>Category No.</i>	<i>Qualifier</i>
Disc Align Kit	07 - 04	F140769	(H5710)	Bosch; 2.60" 2-Piston Caliper
Disc Align Kit	07 - 04	F140769	(H5710)	Bosch; 2.88" 2-Piston Caliper
<i>Rear Brake Hardware</i>	<i>Years</i>	<i>Sequential No.</i>	<i>Category No.</i>	<i>Qualifier</i>
Disc Align Kit	07 - 04	F140769	(H5710)	Bosch; 2.60" 2-Piston Caliper
Disc Align Kit	07 - 04	F140769	(H5710)	Bosch; 2.88" 2-Piston Caliper

Piston: M - OE Metal Piston P - OE Phenolic Piston

3300 (cont.)**Calipers - Reman**

Front, Loaded	Years	Left No.	Right No.	Qualifier	Piston
Loaded Caliper	07 - 04	AS135025	AS135025	Bosch; 2.60" 2-Piston Caliper	P
Loaded Caliper	07 - 04	AS135024	AS135024	Bosch; 2.88" 2-Piston Caliper	P
Rear, Loaded	Years	Left No.	Right No.	Qualifier	Piston
Loaded Caliper	07 - 04	AS135025	AS135025	Bosch; 2.60" 2-Piston Caliper	P
Loaded Caliper	07 - 04	AS135024	AS135024	Bosch; 2.88" 2-Piston Caliper	P
Front, Unloaded	Years	Left No.	Right No.	Qualifier	Piston
Unloaded Caliper	07 - 04	CR135025	CR135025	Bosch; 2.60" 2-Piston Caliper	P
Unloaded Caliper	07 - 04	CR135024	CR135024	Bosch; 2.88" 2-Piston Caliper	P
Rear, Unloaded	Years	Left No.	Right No.	Qualifier	Piston
Unloaded Caliper	07 - 04	CR135025	CR135025	Bosch; 2.60" 2-Piston Caliper	P
Unloaded Caliper	07 - 04	CR135024	CR135024	Bosch; 2.88" 2-Piston Caliper	P

Hydraulics - New

Master Cylinder	Years	Sequential No.	Category No.	Qualifier
Master Cylinder	07 - 04	F140747	(MC140747)	

3400**Brake Pads & Shoes**

Front Pads & Shoes	Years	SevereDuty	Lining No.	Qualifier
Brake Pads	02 - 99	SD786		Bosch; 2.60" 2-Piston Caliper
Brake Pads	02 - 99	SD786A		Bosch; 2.88" 2-Piston Caliper
Brake Pads	98 - 96	SD184		Bendix; 2.60" 2-Piston Caliper
Brake Pads	98 - 96	SD225		Bendix; 2.88" 2-Piston Caliper
Brake Pads	98 - 96	SD184		Bendix; 3.38" 1-Piston Caliper
Brake Shoes	02 - 96	4702Q	4702	w/Air Brakes; Rockwell/Meritor; Q-Plus; 15 x 4
Brake Shoes	02 - 96	4703Q	4703	w/Air Brakes; Rockwell/Meritor; Q-Plus; 15 x 5
Brake Shoes	02 - 99	4715Q	4715	w/Air Brakes; Rockwell/Meritor; Q-Plus; 16-1/2 x 6
Brake Shoes	02 - 96	1308Q	1308T	w/Air Brakes; Rockwell/Meritor; Q-Series; 15 x 4
Brake Shoes	02 - 96	4524Q	4524B	w/Air Brakes; Rockwell/Meritor; Q-Series; 16-1/2 x 5
Brake Shoes	02 - 99	4514Q	4514G	w/Air Brakes; Rockwell/Meritor; Q-Series; 16-1/2 x 6
Brake Shoes	02 - 96	1307T	1307	w/Air Brakes; Rockwell/Meritor; T-Series; 15 x 3-1/2
Brake Shoes	02 - 96	1308T	1308T	w/Air Brakes; Rockwell/Meritor; T-Series; 15 x 4
Brake Shoes	98 - 96	1308E	1308	w/Air Brakes; Eaton/Spicer; 15 x 4
Rear Pads & Shoes	Years	SevereDuty	Lining No.	Qualifier
Brake Pads	02 - 99	SD786		Bosch; 2.60" 2-Piston Caliper
Brake Pads	02 - 99	SD786A		Bosch; 2.88" 2-Piston Caliper
Brake Pads	98 - 96	SD184		Bendix; 2.60" 2-Piston Caliper
Brake Pads	98 - 96	SD225		Bendix; 2.88" 2-Piston Caliper
Brake Shoes	02 - 99	4709Q	4709	w/Air Brakes; Eaton/Spicer; 16-1/2 x 7
Brake Shoes	02 - 99	4515P	4515E	w/Air Brakes; Rockwell/Meritor; P-Series; 16-1/2 x 7
Brake Shoes	02 - 96	4710Q	4710	w/Air Brakes; Rockwell/Meritor; Q-Plus; 15 x 8-5/8
Brake Shoes	02 - 96	4707Q	4707	w/Air Brakes; Rockwell/Meritor; Q-Plus; 16-1/2 x 7
Brake Shoes	02 - 99	4718Q	4718	w/Air Brakes; Rockwell/Meritor; Q-Plus; 16-1/2 x 8
Brake Shoes	02 - 96	4514Q	4514G	w/Air Brakes; Rockwell/Meritor; Q-Series; 16-1/2 x 6
Brake Shoes	02 - 96	4515Q	4515E	w/Air Brakes; Rockwell/Meritor; Q-Series; 16-1/2 x 7
Brake Shoes	98 - 96	4311E	4311J	w/Air Brakes; Eaton/Spicer; 16-1/2 x 7
Parking Brake Shoes	Years	SevereDuty	Lining No.	Qualifier
Brake Shoes	98 - 96	SDS842R	EX1303AD	Driveline Config.; 10 x 3
Brake Shoes	98 - 96	SDS647	EX2086D	Driveline Config.; 9 x 3

Rotor & Drum

Front Rotor & Drum	Years	Part No.	Qualifier
Brake Rotor	02 - 99	BD126361	6000-8000 lb. FA; Hat-Shaped; 10-Hole Rotor
Brake Rotor	02 - 99	BD126364	6000-8000 lb. FA; Hat-Shaped; 5-Hole Rotor
Brake Rotor	02 - 99	BD126392	6000-8000 lb. FA; Hat-Shaped; 6-Hole Rotor
Brake Rotor	02 - 99	BD126361	9000-14000 lb. FA; Hat-Shaped; 10-Hole Rotor

Piston: M - OE Metal Piston P - OE Phenolic Piston

Rotor & Drum (cont.)

Front Rotor & Drum	Years	Part No.	Qualifier
Brake Rotor	02 - 99	BD126394	9000-14000 lb. FA; U-Shaped; 10-Hole Rotor
Brake Rotor	98 - 96	BD125484	6000-8000 lb. FA; Hyd.; Hat-Shaped; 10-Hole Rotor; 3-1/4" Height
Brake Rotor	98 - 96	BD125097	6000-8000 lb. FA; Hyd.; Hat-Shaped; 10-Hole Rotor; 4-1/2" Height
Brake Rotor	98 - 96	BD125361	6000-8000 lb. FA; Hyd.; Hat-Shaped; 5-Hole Rotor
Brake Rotor	98 - 96	BD125362	6000-8000 lb. FA; Hyd.; Hat-Shaped; 6-Hole Rotor
Brake Rotor	98 - 96	BD125484	9000-14000 lb. FA; Hyd.; Hat-Shaped; 10-Hole Rotor
Brake Rotor	98 - 96	BD126394	9000-14000 lb. FA; Hyd.; U-Shaped; 10-Hole Rotor

Rear Rotor & Drum	Years	Part No.	Qualifier
Brake Rotor	02 - 99	BD126392	10000-17500 lb. RA; Hat-Shaped; 6-Hole Rotor; 3-1/2" Height
Brake Rotor	02 - 99	BD126361	13500-17500 lb. RA; Hat-Shaped; 10-Hole Rotor; 3-1/4" Height
Brake Rotor	02 - 99	BD126366	13500-17500 lb. RA; Hat-Shaped; 10-Hole Rotor; 4-1/2" Height
Brake Rotor	02 - 99	BD126366	19000-21000 lb. RA; Hat-Shaped; 10-Hole Rotor
Brake Rotor	02 - 99	BD125382	19000-21000 lb. RA; U-Shaped; 5-Hole Rotor
Brake Rotor	98 - 96	BD125484	13000-17500 lb. RA; Hyd.; Hat-Shaped; 10-Hole Rotor; 3-1/4" Height
Brake Rotor	98 - 96	BD125097	13000-17500 lb. RA; Hyd.; Hat-Shaped; 10-Hole Rotor; 4-1/2" Height
Brake Rotor	98 - 96	BD125362	13000-17500 lb. RA; Hyd.; Hat-Shaped; 6-Hole Rotor
Brake Rotor	98 - 96	BD125097	19000-21000 lb. RA; Hyd.; Hat-Shaped; 10-Hole Rotor
Brake Rotor	98 - 96	BD125382	19000-21000 lb. RA; Hyd.; U-Shaped; 5-Hole Rotor

Brake Hardware

Front Brake Hardware	Years	Sequential No.	Category No.	Qualifier
Disc Align Kit	02 - 99	F140769	(H5710)	Bosch; 2.60" 2-Piston Caliper
Disc Align Kit	02 - 99	F140769	(H5710)	Bosch; 2.88" 2-Piston Caliper
Disc Align Kit	98 - 96	F112095S	(H5564)	Bendix; 2.60" 2-Piston Caliper
Disc Align Kit	98 - 96	F112090S	(H5566)	Bendix; 2.88" 2-Piston Caliper
Disc Align Kit	98 - 96	F107401S	(H5562)	Bendix; 3.38" 1-Piston Caliper

Rear Brake Hardware	Years	Sequential No.	Category No.	Qualifier
Disc Align Kit	02 - 99	F140769	(H5710)	Bosch; 2.60" 2-Piston Caliper
Disc Align Kit	02 - 99	F140769	(H5710)	Bosch; 2.88" 2-Piston Caliper
Disc Align Kit	98 - 96	F112095S	(H5564)	Bendix; 2.60" 2-Piston Caliper
Disc Align Kit	98 - 96	F112090S	(H5566)	Bendix; 2.88" 2-Piston Caliper

Calipers - Reman

Front, Loaded	Years	Left No.	Right No.	Qualifier	Piston
Loaded Caliper	02 - 99	AS135025	AS135025	Bosch; 2.60" 2-Piston Caliper	P
Loaded Caliper	02 - 99	AS135024	AS135024	Bosch; 2.88" 2-Piston Caliper	P
Loaded Caliper	98 - 96	AS112057	AS112057	Bendix; 2.60" 2-Piston Caliper	P
Loaded Caliper	98 - 96	AS112057S	AS112057S	Bendix; 2.60" 2-Piston Caliper	O
Loaded Caliper	98 - 96	AS120549	AS120549	Bendix; 2.88" 2-Piston Caliper	P
Loaded Caliper	98 - 96	AS120549S	AS120549S	Bendix; 2.88" 2-Piston Caliper	O
Loaded Caliper	98 - 96	AS130211A	AS130210A	Bendix; 3.38" 1-Piston Caliper	M

Rear, Loaded	Years	Left No.	Right No.	Qualifier	Piston
Loaded Caliper	02 - 99	AS135025	AS135025	Bosch; 2.60" 2-Piston Caliper	P
Loaded Caliper	02 - 99	AS135024	AS135024	Bosch; 2.88" 2-Piston Caliper	P
Loaded Caliper	98 - 96	AS132525	AS132525	Bendix; 2.60" 2-Piston Caliper; w/Air Susp.	P
Loaded Caliper	98 - 96	AS132525S	AS132525S	Bendix; 2.60" 2-Piston Caliper; w/Air Susp.	O
Loaded Caliper	98 - 96	AS112057	AS112057	Bendix; 2.60" 2-Piston Caliper; w/o Air Susp.	P
Loaded Caliper	98 - 96	AS112057S	AS112057S	Bendix; 2.60" 2-Piston Caliper; w/o Air Susp.	O
Loaded Caliper	98 - 96	AS134267	AS134267	Bendix; 2.88" 2-Piston Caliper; w/Air Susp.	M
Loaded Caliper	98 - 96	AS120549	AS120549	Bendix; 2.88" 2-Piston Caliper; w/o Air Susp.	P
Loaded Caliper	98 - 96	AS120549S	AS120549S	Bendix; 2.88" 2-Piston Caliper; w/o Air Susp.	O

Front, Unloaded	Years	Left No.	Right No.	Qualifier	Piston
Unloaded Caliper	02 - 99	CR135025	CR135025	Bosch; 2.60" 2-Piston Caliper	P
Unloaded Caliper	02 - 99	CR135024	CR135024	Bosch; 2.88" 2-Piston Caliper	P
Unloaded Caliper	98 - 96	CR112057	CR112057	Bendix; 2.60" 2-Piston Caliper	P
Unloaded Caliper	98 - 96	CR112057S	CR112057S	Bendix; 2.60" 2-Piston Caliper	O

Piston: M - OE Metal Piston P - OE Phenolic Piston O - Metal Piston Option

3400 (cont.)**Calipers - Reman (cont.)**

<i>Front, Unloaded</i>	<i>Years</i>	<i>Left No.</i>	<i>Right No.</i>	<i>Qualifier</i>	<i>Piston</i>
Unloaded Caliper	98 - 96	CR120549	CR120549	Bendix; 2.88" 2-Piston Caliper	P
Unloaded Caliper	98 - 96	CR120549S	CR120549S	Bendix; 2.88" 2-Piston Caliper	O
Unloaded Caliper	98 - 96	CR130211	CR130210	Bendix; 3.38" 1-Piston Caliper	M
<i>Rear, Unloaded</i>	<i>Years</i>	<i>Left No.</i>	<i>Right No.</i>	<i>Qualifier</i>	<i>Piston</i>
Unloaded Caliper	02 - 99	CR135025	CR135025	Bosch; 2.60" 2-Piston Caliper	P
Unloaded Caliper	02 - 99	CR135024	CR135024	Bosch; 2.88" 2-Piston Caliper	P
Unloaded Caliper	98 - 96	CR132525	CR132525	Bendix; 2.60" 2-Piston Caliper; w/Air Susp.	P
Unloaded Caliper	98 - 96	CR132525S	CR132525S	Bendix; 2.60" 2-Piston Caliper; w/Air Susp.	O
Unloaded Caliper	98 - 96	CR112057	CR112057	Bendix; 2.60" 2-Piston Caliper; w/o Air Susp.	P
Unloaded Caliper	98 - 96	CR112057S	CR112057S	Bendix; 2.60" 2-Piston Caliper; w/o Air Susp.	O
Unloaded Caliper	98 - 96	CR134267	CR134267	Bendix; 2.88" 2-Piston Caliper; w/Air Susp.	M
Unloaded Caliper	98 - 96	CR120549	CR120549	Bendix; 2.88" 2-Piston Caliper; w/o Air Susp.	P
Unloaded Caliper	98 - 96	CR120549S	CR120549S	Bendix; 2.88" 2-Piston Caliper; w/o Air Susp.	O

Hydraulics - New

<i>Master Cylinder</i>	<i>Years</i>	<i>Sequential No.</i>	<i>Category No.</i>	<i>Qualifier</i>
Master Cylinder	02 - 96	F140747	(MC140747)	
<i>Front Brake Hose</i>	<i>Years</i>	<i>Sequential No.</i>	<i>Category No.</i>	<i>Qualifier</i>
Brake Hose	98 - 96	F132919	(BH132919)	Bendix; 2.60" 2-Piston Caliper; 8000 lb. FA
Brake Hose	98 - 96	F132920	(BH132920)	Bendix; 2.88" 2-Piston Caliper; 10000-12000 lb. FA
Brake Hose	98 - 96	F132918	(BH132918)	Bendix; 3.38" 1-Piston Caliper; 6000 lb. FA
<i>Rear Brake Hose</i>	<i>Years</i>	<i>Sequential No.</i>	<i>Category No.</i>	<i>Qualifier</i>
Brake Hose	98 - 96	F132921	(BH132921)	To Caliper; w/Air Susp.
Brake Hose	98 - 96	F132922	(BH132922)	To Caliper; w/Vari-Rate Susp.
Brake Hose	98 - 96	F107734	(BH107734)	To Frame

Hydraulics - Reman

<i>Power Brake Booster</i>	<i>Years</i>	<i>Part No.</i>	<i>Qualifier</i>
Hydro Booster	98 - 96	529917	High Pwr; Bendix Hydromax II; Complete Assy
Hydro Booster	98 - 96	529906	High Pwr; Bendix Hydromax II; Elect. Motor
Hydro Booster	98 - 96	529805	High Pwr; Bendix Hydromax II; Head

3600**Brake Pads & Shoes**

<i>Front Pads & Shoes</i>	<i>Years</i>	<i>SevereDuty</i>	<i>Lining No.</i>	<i>Qualifier</i>
Brake Pads	99	SD786		Bosch; 2.60" 2-Piston Caliper
Brake Pads	99	SD786A		Bosch; 2.88" 2-Piston Caliper
Brake Pads	98 - 90	SD184		Bendix; 2.60" 2-Piston Caliper
Brake Pads	98 - 90	SD225		Bendix; 2.88" 2-Piston Caliper
Brake Pads	98 - 90	SD184		Bendix; 3.38" 1-Piston Caliper
Brake Shoes	99 - 90	4702Q	4702	w/Air Brakes; Rockwell/Meritor; Q-Plus; 15 x 4
Brake Shoes	99 - 90	4703Q	4703	w/Air Brakes; Rockwell/Meritor; Q-Plus; 15 x 5
Brake Shoes	99	4715Q	4715	w/Air Brakes; Rockwell/Meritor; Q-Plus; 16-1/2 x 6
Brake Shoes	99 - 90	1308Q	1308T	w/Air Brakes; Rockwell/Meritor; Q-Series; 15 x 4
Brake Shoes	99 - 90	4524Q	4524B	w/Air Brakes; Rockwell/Meritor; Q-Series; 16-1/2 x 5
Brake Shoes	99	4514Q	4514G	w/Air Brakes; Rockwell/Meritor; Q-Series; 16-1/2 x 6
Brake Shoes	99 - 90	1307T	1307	w/Air Brakes; Rockwell/Meritor; T-Series; 15 x 3-1/2
Brake Shoes	99 - 90	1308T	1308T	w/Air Brakes; Rockwell/Meritor; T-Series; 15 x 4
Brake Shoes	98 - 90	1308E	1308	w/Air Brakes; Eaton/Spicer; 15 x 4
<i>Rear Pads & Shoes</i>	<i>Years</i>	<i>SevereDuty</i>	<i>Lining No.</i>	<i>Qualifier</i>
Brake Pads	99	SD786		Bosch; 2.60" 2-Piston Caliper
Brake Pads	99	SD786A		Bosch; 2.88" 2-Piston Caliper
Brake Pads	98 - 90	SD184		Bendix; 2.60" 2-Piston Caliper
Brake Pads	98 - 90	SD225		Bendix; 2.88" 2-Piston Caliper
Brake Shoes	99	4709Q	4709	w/Air Brakes; Eaton/Spicer; 16-1/2 x 7
Brake Shoes	99	4515P	4515E	w/Air Brakes; Rockwell/Meritor; P-Series; 16-1/2 x 7
Brake Shoes	99 - 90	4710Q	4710	w/Air Brakes; Rockwell/Meritor; Q-Plus; 15 x 8-5/8

Piston: M - OE Metal Piston P - OE Phenolic Piston O - Metal Piston Option

Brake Pads & Shoes (cont.)

Rear Pads & Shoes	Years	SevereDuty	Lining No.	Qualifier
Brake Shoes	99 - 90	4707Q	4707	w/Air Brakes; Rockwell/Meritor; Q-Plus; 16-1/2 x 7
Brake Shoes	99	4718Q	4718	w/Air Brakes; Rockwell/Meritor; Q-Plus; 16-1/2 x 8
Brake Shoes	99 - 90	4514Q	4514G	w/Air Brakes; Rockwell/Meritor; Q-Series; 16-1/2 x 6
Brake Shoes	99 - 90	4515Q	4515E	w/Air Brakes; Rockwell/Meritor; Q-Series; 16-1/2 x 7
Brake Shoes	98 - 90	4311E	4311J	w/Air Brakes; Eaton/Spicer; 16-1/2 x 7

Parking Brake Shoes	Years	SevereDuty	Lining No.	Qualifier
Brake Shoes	98 - 90	SDS842R	EX1303AD	Driveline Config.; 10 x 3
Brake Shoes	98 - 90	SDS647	EX2086D	Driveline Config.; 9 x 3

Rotor & Drum

Front Rotor & Drum	Years	Part No.	Qualifier
Brake Rotor	99	BD126361	6000-8000 lb. FA; Hat-Shaped; 10-Hole Rotor
Brake Rotor	99	BD126364	6000-8000 lb. FA; Hat-Shaped; 5-Hole Rotor
Brake Rotor	99	BD126392	6000-8000 lb. FA; Hat-Shaped; 6-Hole Rotor
Brake Rotor	99	BD126361	9000-14000 lb. FA; Hat-Shaped; 10-Hole Rotor
Brake Rotor	99	BD126394	9000-14000 lb. FA; U-Shaped; 10-Hole Rotor
Brake Rotor	98 - 90	BD125484	6000-8000 lb. FA; Hyd.; Hat-Shaped; 10-Hole Rotor; 3-1/4" Height
Brake Rotor	98 - 90	BD125097	6000-8000 lb. FA; Hyd.; Hat-Shaped; 10-Hole Rotor; 4-1/2" Height
Brake Rotor	98 - 90	BD125361	6000-8000 lb. FA; Hyd.; Hat-Shaped; 5-Hole Rotor
Brake Rotor	98 - 90	BD125362	6000-8000 lb. FA; Hyd.; Hat-Shaped; 6-Hole Rotor
Brake Rotor	98 - 90	BD125484	9000-14000 lb. FA; Hyd.; Hat-Shaped; 10-Hole Rotor
Brake Rotor	98 - 90	BD126394	9000-14000 lb. FA; Hyd.; U-Shaped; 10-Hole Rotor

Rear Rotor & Drum	Years	Part No.	Qualifier
Brake Rotor	99	BD126392	10000-17500 lb. RA; Hat-Shaped; 6-Hole Rotor; 3-1/2" Height
Brake Rotor	99	BD126361	13500-17500 lb. RA; Hat-Shaped; 10-Hole Rotor; 3-1/4" Height
Brake Rotor	99	BD126366	13500-17500 lb. RA; Hat-Shaped; 10-Hole Rotor; 4-1/2" Height
Brake Rotor	99	BD126366	19000-21000 lb. RA; Hat-Shaped; 10-Hole Rotor
Brake Rotor	99	BD125382	19000-21000 lb. RA; U-Shaped; 5-Hole Rotor
Brake Rotor	98 - 90	BD125484	13000-17500 lb. RA; Hyd.; Hat-Shaped; 10-Hole Rotor; 3-1/4" Height
Brake Rotor	98 - 90	BD125097	13000-17500 lb. RA; Hyd.; Hat-Shaped; 10-Hole Rotor; 4-1/2" Height
Brake Rotor	98 - 90	BD125362	13000-17500 lb. RA; Hyd.; Hat-Shaped; 6-Hole Rotor
Brake Rotor	98 - 90	BD125097	19000-21000 lb. RA; Hyd.; Hat-Shaped; 10-Hole Rotor
Brake Rotor	98 - 90	BD125382	19000-21000 lb. RA; Hyd.; U-Shaped; 5-Hole Rotor

Brake Hardware

Front Brake Hardware	Years	Sequential No.	Category No.	Qualifier
Disc Align Kit	99	F140769	(H5710)	Bosch; 2.60" 2-Piston Caliper
Disc Align Kit	99	F140769	(H5710)	Bosch; 2.88" 2-Piston Caliper
Disc Align Kit	98 - 90	F112095S	(H5564)	Bendix; 2.60" 2-Piston Caliper
Disc Align Kit	98 - 90	F112090S	(H5566)	Bendix; 2.88" 2-Piston Caliper
Disc Align Kit	98 - 90	F107401S	(H5562)	Bendix; 3.38" 1-Piston Caliper

Rear Brake Hardware	Years	Sequential No.	Category No.	Qualifier
Disc Align Kit	99	F140769	(H5710)	Bosch; 2.60" 2-Piston Caliper
Disc Align Kit	99	F140769	(H5710)	Bosch; 2.88" 2-Piston Caliper
Disc Align Kit	98 - 90	F112095S	(H5564)	Bendix; 2.60" 2-Piston Caliper
Disc Align Kit	98 - 90	F112090S	(H5566)	Bendix; 2.88" 2-Piston Caliper

Calipers - Reman

Front, Loaded	Years	Left No.	Right No.	Qualifier	Piston
Loaded Caliper	99	AS135025	AS135025	Bosch; 2.60" 2-Piston Caliper	P
Loaded Caliper	99	AS135024	AS135024	Bosch; 2.88" 2-Piston Caliper	P
Loaded Caliper	98 - 90	AS112057	AS112057	Bendix; 2.60" 2-Piston Caliper	P
Loaded Caliper	98 - 90	AS112057S	AS112057S	Bendix; 2.60" 2-Piston Caliper	O
Loaded Caliper	98 - 90	AS120549	AS120549	Bendix; 2.88" 2-Piston Caliper	P
Loaded Caliper	98 - 90	AS120549S	AS120549S	Bendix; 2.88" 2-Piston Caliper	O
Loaded Caliper	98 - 90	AS130211A	AS130210A	Bendix; 3.38" 1-Piston Caliper	M

Piston: M - OE Metal Piston P - OE Phenolic Piston O - Metal Piston Option

3600 (cont.)**Calipers - Reman (cont.)**

<i>Rear, Loaded</i>	<i>Years</i>	<i>Left No.</i>	<i>Right No.</i>	<i>Qualifier</i>	<i>Piston</i>
Loaded Caliper	99	AS135025	AS135025	Bosch; 2.60" 2-Piston Caliper	P
Loaded Caliper	99	AS135024	AS135024	Bosch; 2.88" 2-Piston Caliper	P
Loaded Caliper	98 - 90	AS132525	AS132525	Bendix; 2.60" 2-Piston Caliper; w/Air Susp.	P
Loaded Caliper	98 - 90	AS132525S	AS132525S	Bendix; 2.60" 2-Piston Caliper; w/Air Susp.	O
Loaded Caliper	98 - 90	AS112057	AS112057	Bendix; 2.60" 2-Piston Caliper; w/o Air Susp.	P
Loaded Caliper	98 - 90	AS112057S	AS112057S	Bendix; 2.60" 2-Piston Caliper; w/o Air Susp.	O
Loaded Caliper	98 - 90	AS134267	AS134267	Bendix; 2.88" 2-Piston Caliper; w/Air Susp.	M
Loaded Caliper	98 - 90	AS120549	AS120549	Bendix; 2.88" 2-Piston Caliper; w/o Air Susp.	P
Loaded Caliper	98 - 90	AS120549S	AS120549S	Bendix; 2.88" 2-Piston Caliper; w/o Air Susp.	O
<i>Front, Unloaded</i>	<i>Years</i>	<i>Left No.</i>	<i>Right No.</i>	<i>Qualifier</i>	<i>Piston</i>
Unloaded Caliper	99	CR135025	CR135025	Bosch; 2.60" 2-Piston Caliper	P
Unloaded Caliper	99	CR135024	CR135024	Bosch; 2.88" 2-Piston Caliper	P
Unloaded Caliper	98 - 90	CR112057	CR112057	Bendix; 2.60" 2-Piston Caliper	P
Unloaded Caliper	98 - 90	CR112057S	CR112057S	Bendix; 2.60" 2-Piston Caliper	O
Unloaded Caliper	98 - 90	CR120549	CR120549	Bendix; 2.88" 2-Piston Caliper	P
Unloaded Caliper	98 - 90	CR120549S	CR120549S	Bendix; 2.88" 2-Piston Caliper	O
Unloaded Caliper	98 - 90	CR130211	CR130210	Bendix; 3.38" 1-Piston Caliper	M
<i>Rear, Unloaded</i>	<i>Years</i>	<i>Left No.</i>	<i>Right No.</i>	<i>Qualifier</i>	<i>Piston</i>
Unloaded Caliper	99	CR135025	CR135025	Bosch; 2.60" 2-Piston Caliper	P
Unloaded Caliper	99	CR135024	CR135024	Bosch; 2.88" 2-Piston Caliper	P
Unloaded Caliper	98 - 90	CR132525	CR132525	Bendix; 2.60" 2-Piston Caliper; w/Air Susp.	P
Unloaded Caliper	98 - 90	CR132525S	CR132525S	Bendix; 2.60" 2-Piston Caliper; w/Air Susp.	O
Unloaded Caliper	98 - 90	CR112057	CR112057	Bendix; 2.60" 2-Piston Caliper; w/o Air Susp.	P
Unloaded Caliper	98 - 90	CR112057S	CR112057S	Bendix; 2.60" 2-Piston Caliper; w/o Air Susp.	O
Unloaded Caliper	98 - 90	CR134267	CR134267	Bendix; 2.88" 2-Piston Caliper; w/Air Susp.	M
Unloaded Caliper	98 - 90	CR120549	CR120549	Bendix; 2.88" 2-Piston Caliper; w/o Air Susp.	P
Unloaded Caliper	98 - 90	CR120549S	CR120549S	Bendix; 2.88" 2-Piston Caliper; w/o Air Susp.	O

Hydraulics - New

<i>Master Cylinder</i>	<i>Years</i>	<i>Sequential No.</i>	<i>Category No.</i>	<i>Qualifier</i>
Master Cylinder	99 - 90	F140747	(MC140747)	
<i>Front Brake Hose</i>	<i>Years</i>	<i>Sequential No.</i>	<i>Category No.</i>	<i>Qualifier</i>
Brake Hose	98 - 90	F132919	(BH132919)	Bendix; 2.60" 2-Piston Caliper; 8000 lb. FA
Brake Hose	98 - 90	F132920	(BH132920)	Bendix; 2.88" 2-Piston Caliper; 10000-12000 lb. FA
Brake Hose	98 - 90	F132918	(BH132918)	Bendix; 3.38" 1-Piston Caliper; 6000 lb. FA
<i>Rear Brake Hose</i>	<i>Years</i>	<i>Sequential No.</i>	<i>Category No.</i>	<i>Qualifier</i>
Brake Hose	98 - 90	F132921	(BH132921)	To Caliper; w/Air Susp.
Brake Hose	98 - 90	F132922	(BH132922)	To Caliper; w/Vari-Rate Susp.
Brake Hose	98 - 90	F107734	(BH107734)	To Frame

Hydraulics - Reman

<i>Power Brake Booster</i>	<i>Years</i>	<i>Part No.</i>	<i>Qualifier</i>
Hydro Booster	98 - 90	529917	High Pwr; Bendix Hydromax II; Complete Assy
Hydro Booster	98 - 90	529906	High Pwr; Bendix Hydromax II; Elect. Motor
Hydro Booster	98 - 90	529805	High Pwr; Bendix Hydromax II; Head

3700**Brake Pads & Shoes**

<i>Front Pads & Shoes</i>	<i>Years</i>	<i>SevereDuty</i>	<i>Lining No.</i>	<i>Qualifier</i>
Brake Pads	95 - 90	SD184		Bendix; 2.60" 2-Piston Caliper
Brake Pads	95 - 90	SD225		Bendix; 2.88" 2-Piston Caliper
Brake Pads	95 - 90	SD184		Bendix; 3.38" 1-Piston Caliper
Brake Shoes	95 - 90	1308E	1308	w/Air Brakes; Eaton/Spicer; 15 x 4
Brake Shoes	95 - 90	4702Q	4702	w/Air Brakes; Rockwell/Meritor; Q-Plus; 15 x 4
Brake Shoes	95 - 90	4703Q	4703	w/Air Brakes; Rockwell/Meritor; Q-Plus; 15 x 5
Brake Shoes	95 - 90	1308Q	1308T	w/Air Brakes; Rockwell/Meritor; Q-Series; 15 x 4
Brake Shoes	95 - 90	4524Q	4524B	w/Air Brakes; Rockwell/Meritor; Q-Series; 16-1/2 x 5

Piston: M - OE Metal Piston P - OE Phenolic Piston O - Metal Piston Option

Brake Pads & Shoes (cont.)
Front Pads & Shoes

Years	SevereDuty	Lining No.	Qualifier
95 - 90	1307T	1307	w/Air Brakes; Rockwell/Meritor; T-Series; 15 x 3-1/2
95 - 90	1308T	1308T	w/Air Brakes; Rockwell/Meritor; T-Series; 15 x 4

Rear Pads & Shoes

Years	SevereDuty	Lining No.	Qualifier
95 - 90	SD184		Bendix; 2.60" 2-Piston Caliper
95 - 90	SD225		Bendix; 2.88" 2-Piston Caliper
95 - 90	4311E	4311J	w/Air Brakes; Eaton/Spicer; 16-1/2 x 7
95 - 90	4710Q	4710	w/Air Brakes; Rockwell/Meritor; Q-Plus; 15 x 8-5/8
95 - 90	4707Q	4707	w/Air Brakes; Rockwell/Meritor; Q-Plus; 16-1/2 x 7
95 - 90	4514Q	4514G	w/Air Brakes; Rockwell/Meritor; Q-Series; 16-1/2 x 6
95 - 90	4515Q	4515E	w/Air Brakes; Rockwell/Meritor; Q-Series; 16-1/2 x 7

Parking Brake Shoes

Years	SevereDuty	Lining No.	Qualifier
95 - 90	SDS842R	EX1303AD	Driveline Config.; 10 x 3
95 - 90	SDS647	EX2086D	Driveline Config.; 9 x 3

Rotor & Drum
Front Rotor & Drum

Years	Part No.	Qualifier
95 - 90	BD125484	6000-8000 lb. FA; Hyd.; Hat-Shaped; 10-Hole Rotor; 3-1/4" Height
95 - 90	BD125097	6000-8000 lb. FA; Hyd.; Hat-Shaped; 10-Hole Rotor; 4-1/2" Height
95 - 90	BD125361	6000-8000 lb. FA; Hyd.; Hat-Shaped; 5-Hole Rotor
95 - 90	BD125362	6000-8000 lb. FA; Hyd.; Hat-Shaped; 6-Hole Rotor
95 - 90	BD125484	9000-14000 lb. FA; Hyd.; Hat-Shaped; 10-Hole Rotor
95 - 90	BD126394	9000-14000 lb. FA; Hyd.; U-Shaped; 10-Hole Rotor

Rear Rotor & Drum

Years	Part No.	Qualifier
95 - 90	BD125484	13000-17500 lb. RA; Hyd.; Hat-Shaped; 10-Hole Rotor; 3-1/4" Height
95 - 90	BD125097	13000-17500 lb. RA; Hyd.; Hat-Shaped; 10-Hole Rotor; 4-1/2" Height
95 - 90	BD125362	13000-17500 lb. RA; Hyd.; Hat-Shaped; 6-Hole Rotor
95 - 90	BD125097	19000-21000 lb. RA; Hyd.; Hat-Shaped; 10-Hole Rotor
95 - 90	BD125382	19000-21000 lb. RA; Hyd.; U-Shaped; 5-Hole Rotor

Brake Hardware
Front Brake Hardware

Years	Sequential No.	Category No.	Qualifier
95 - 90	F112095S	(H5564)	Bendix; 2.60" 2-Piston Caliper
95 - 90	F112090S	(H5566)	Bendix; 2.88" 2-Piston Caliper
95 - 90	F107401S	(H5562)	Bendix; 3.38" 1-Piston Caliper

Rear Brake Hardware

Years	Sequential No.	Category No.	Qualifier
95 - 90	F112095S	(H5564)	Bendix; 2.60" 2-Piston Caliper
95 - 90	F112090S	(H5566)	Bendix; 2.88" 2-Piston Caliper

Calipers - Reman
Front, Loaded

Years	Left No.	Right No.	Qualifier	Piston
95 - 90	AS112057	AS112057	Bendix; 2.60" 2-Piston Caliper	P
95 - 90	AS112057S	AS112057S	Bendix; 2.60" 2-Piston Caliper	O
95 - 90	AS120549	AS120549	Bendix; 2.88" 2-Piston Caliper	P
95 - 90	AS120549S	AS120549S	Bendix; 2.88" 2-Piston Caliper	O
95 - 90	AS130211A	AS130210A	Bendix; 3.38" 1-Piston Caliper	M

Rear, Loaded

Years	Left No.	Right No.	Qualifier	Piston
95 - 90	AS132525	AS132525	Bendix; 2.60" 2-Piston Caliper; w/Air Susp.	P
95 - 90	AS132525S	AS132525S	Bendix; 2.60" 2-Piston Caliper; w/Air Susp.	O
95 - 90	AS112057	AS112057	Bendix; 2.60" 2-Piston Caliper; w/o Air Susp.	P
95 - 90	AS112057S	AS112057S	Bendix; 2.60" 2-Piston Caliper; w/o Air Susp.	O
95 - 90	AS134267	AS134267	Bendix; 2.88" 2-Piston Caliper; w/Air Susp.	M
95 - 90	AS120549	AS120549	Bendix; 2.88" 2-Piston Caliper; w/o Air Susp.	P
95 - 90	AS120549S	AS120549S	Bendix; 2.88" 2-Piston Caliper; w/o Air Susp.	O

Front, Unloaded

Years	Left No.	Right No.	Qualifier	Piston
95 - 90	CR112057	CR112057	Bendix; 2.60" 2-Piston Caliper	P
95 - 90	CR112057S	CR112057S	Bendix; 2.60" 2-Piston Caliper	O
95 - 90	CR120549	CR120549	Bendix; 2.88" 2-Piston Caliper	P

Piston: M - OE Metal Piston P - OE Phenolic Piston O - Metal Piston Option

3700 (cont.)**Calipers - Reman (cont.)**

<i>Front, Unloaded</i>	<i>Years</i>	<i>Left No.</i>	<i>Right No.</i>	<i>Qualifier</i>	<i>Piston</i>
Unloaded Caliper	95 - 90	CR120549S	CR120549S	Bendix; 2.88" 2-Piston Caliper	O
Unloaded Caliper	95 - 90	CR130211	CR130210	Bendix; 3.38" 1-Piston Caliper	M
<i>Rear, Unloaded</i>	<i>Years</i>	<i>Left No.</i>	<i>Right No.</i>	<i>Qualifier</i>	<i>Piston</i>
Unloaded Caliper	95 - 90	CR132525	CR132525	Bendix; 2.60" 2-Piston Caliper; w/Air Susp.	P
Unloaded Caliper	95 - 90	CR132525S	CR132525S	Bendix; 2.60" 2-Piston Caliper; w/Air Susp.	O
Unloaded Caliper	95 - 90	CR112057	CR112057	Bendix; 2.60" 2-Piston Caliper; w/o Air Susp.	P
Unloaded Caliper	95 - 90	CR112057S	CR112057S	Bendix; 2.60" 2-Piston Caliper; w/o Air Susp.	O
Unloaded Caliper	95 - 90	CR134267	CR134267	Bendix; 2.88" 2-Piston Caliper; w/Air Susp.	M
Unloaded Caliper	95 - 90	CR120549	CR120549	Bendix; 2.88" 2-Piston Caliper; w/o Air Susp.	P
Unloaded Caliper	95 - 90	CR120549S	CR120549S	Bendix; 2.88" 2-Piston Caliper; w/o Air Susp.	O

Hydraulics - New

<i>Master Cylinder</i>	<i>Years</i>	<i>Sequential No.</i>	<i>Category No.</i>	<i>Qualifier</i>
Master Cylinder	95 - 90	F140747	(MC140747)	
<i>Front Brake Hose</i>	<i>Years</i>	<i>Sequential No.</i>	<i>Category No.</i>	<i>Qualifier</i>
Brake Hose	95 - 90	F132919	(BH132919)	Bendix; 2.60" 2-Piston Caliper; 8000 lb. FA
Brake Hose	95 - 90	F132920	(BH132920)	Bendix; 2.88" 2-Piston Caliper; 10000-12000 lb. FA
Brake Hose	95 - 90	F132918	(BH132918)	Bendix; 3.38" 1-Piston Caliper; 6000 lb. FA
<i>Rear Brake Hose</i>	<i>Years</i>	<i>Sequential No.</i>	<i>Category No.</i>	<i>Qualifier</i>
Brake Hose	95 - 90	F132921	(BH132921)	To Caliper; w/Air Susp.
Brake Hose	95 - 90	F132922	(BH132922)	To Caliper; w/Vari-Rate Susp.
Brake Hose	95 - 90	F107734	(BH107734)	To Frame

Hydraulics - Reman

<i>Power Brake Booster</i>	<i>Years</i>	<i>Part No.</i>	<i>Qualifier</i>
Hydro Booster	95 - 90	529917	High Pwr; Bendix Hydromax II; Complete Assy
Hydro Booster	95 - 90	529906	High Pwr; Bendix Hydromax II; Elect. Motor
Hydro Booster	95 - 90	529805	High Pwr; Bendix Hydromax II; Head

3800**Brake Pads & Shoes**

<i>Front Pads & Shoes</i>	<i>Years</i>	<i>SevereDuty</i>	<i>Lining No.</i>	<i>Qualifier</i>
Brake Pads	03 - 99	SD786		Bosch; 2.60" 2-Piston Caliper
Brake Pads	03 - 99	SD786A		Bosch; 2.88" 2-Piston Caliper
Brake Pads	98 - 90	SD184		Bendix; 2.60" 2-Piston Caliper
Brake Pads	98 - 90	SD225		Bendix; 2.88" 2-Piston Caliper
Brake Pads	98 - 90	SD184		Bendix; 3.38" 1-Piston Caliper
Brake Shoes	03 - 90	4702Q	4702	w/Air Brakes; Rockwell/Meritor; Q-Plus; 15 x 4
Brake Shoes	03 - 90	4703Q	4703	w/Air Brakes; Rockwell/Meritor; Q-Plus; 15 x 5
Brake Shoes	03 - 99	4715Q	4715	w/Air Brakes; Rockwell/Meritor; Q-Plus; 16-1/2 x 6
Brake Shoes	03 - 90	1308Q	1308T	w/Air Brakes; Rockwell/Meritor; Q-Series; 15 x 4
Brake Shoes	03 - 90	4524Q	4524B	w/Air Brakes; Rockwell/Meritor; Q-Series; 16-1/2 x 5
Brake Shoes	03 - 99	4514Q	4514G	w/Air Brakes; Rockwell/Meritor; Q-Series; 16-1/2 x 6
Brake Shoes	03 - 90	1307T	1307	w/Air Brakes; Rockwell/Meritor; T-Series; 15 x 3-1/2
Brake Shoes	03 - 90	1308T	1308T	w/Air Brakes; Rockwell/Meritor; T-Series; 15 x 4
Brake Shoes	98 - 90	1308E	1308	w/Air Brakes; Eaton/Spicer; 15 x 4
<i>Rear Pads & Shoes</i>	<i>Years</i>	<i>SevereDuty</i>	<i>Lining No.</i>	<i>Qualifier</i>
Brake Pads	03 - 99	SD786		Bosch; 2.60" 2-Piston Caliper
Brake Pads	03 - 99	SD786A		Bosch; 2.88" 2-Piston Caliper
Brake Pads	98 - 90	SD184		Bendix; 2.60" 2-Piston Caliper
Brake Pads	98 - 90	SD225		Bendix; 2.88" 2-Piston Caliper
Brake Shoes	03 - 99	4709Q	4709	w/Air Brakes; Eaton/Spicer; 16-1/2 x 7
Brake Shoes	03 - 99	4515P	4515E	w/Air Brakes; Rockwell/Meritor; P-Series; 16-1/2 x 7
Brake Shoes	03 - 90	4710Q	4710	w/Air Brakes; Rockwell/Meritor; Q-Plus; 15 x 8-5/8
Brake Shoes	03 - 90	4707Q	4707	w/Air Brakes; Rockwell/Meritor; Q-Plus; 16-1/2 x 7
Brake Shoes	03 - 99	4718Q	4718	w/Air Brakes; Rockwell/Meritor; Q-Plus; 16-1/2 x 8
Brake Shoes	03 - 90	4514Q	4514G	w/Air Brakes; Rockwell/Meritor; Q-Series; 16-1/2 x 6

Piston: M - OE Metal Piston P - OE Phenolic Piston O - Metal Piston Option

Brake Pads & Shoes (cont.)

Rear Pads & Shoes	Years	SevereDuty	Lining No.	Qualifier
Brake Shoes	03 - 90	4515Q	4515E	w/Air Brakes; Rockwell/Meritor; Q-Series; 16-1/2 x 7
Brake Shoes	98 - 90	4311E	4311J	w/Air Brakes; Eaton/Spicer; 16-1/2 x 7
Parking Brake Shoes	Years	SevereDuty	Lining No.	Qualifier
Brake Shoes	98 - 90	SDS842R	EX1303AD	Driveline Config.; 10 x 3
Brake Shoes	98 - 90	SDS647	EX2086D	Driveline Config.; 9 x 3

Rotor & Drum

Front Rotor & Drum	Years	Part No.	Qualifier
Brake Rotor	03 - 99	BD126361	6000-8000 lb. FA; Hat-Shaped; 10-Hole Rotor
Brake Rotor	03 - 99	BD126364	6000-8000 lb. FA; Hat-Shaped; 5-Hole Rotor
Brake Rotor	03 - 99	BD126392	6000-8000 lb. FA; Hat-Shaped; 6-Hole Rotor
Brake Rotor	03 - 99	BD126361	9000-14000 lb. FA; Hat-Shaped; 10-Hole Rotor
Brake Rotor	03 - 99	BD126394	9000-14000 lb. FA; U-Shaped; 10-Hole Rotor
Brake Rotor	98 - 90	BD125484	6000-8000 lb. FA; Hyd.; Hat-Shaped; 10-Hole Rotor; 3-1/4" Height
Brake Rotor	98 - 90	BD125097	6000-8000 lb. FA; Hyd.; Hat-Shaped; 10-Hole Rotor; 4-1/2" Height
Brake Rotor	98 - 90	BD125361	6000-8000 lb. FA; Hyd.; Hat-Shaped; 5-Hole Rotor
Brake Rotor	98 - 90	BD125362	6000-8000 lb. FA; Hyd.; Hat-Shaped; 6-Hole Rotor
Brake Rotor	98 - 90	BD125484	9000-14000 lb. FA; Hyd.; Hat-Shaped; 10-Hole Rotor
Brake Rotor	98 - 90	BD126394	9000-14000 lb. FA; Hyd.; U-Shaped; 10-Hole Rotor
Rear Rotor & Drum	Years	Part No.	Qualifier
Brake Rotor	03 - 99	BD126392	10000-17500 lb. RA; Hat-Shaped; 6-Hole Rotor; 3-1/2" Height
Brake Rotor	03 - 99	BD126361	13500-17500 lb. RA; Hat-Shaped; 10-Hole Rotor; 3-1/4" Height
Brake Rotor	03 - 99	BD126366	13500-17500 lb. RA; Hat-Shaped; 10-Hole Rotor; 4-1/2" Height
Brake Rotor	03 - 99	BD126366	19000-21000 lb. RA; Hat-Shaped; 10-Hole Rotor
Brake Rotor	03 - 99	BD125382	19000-21000 lb. RA; U-Shaped; 5-Hole Rotor
Brake Rotor	98 - 90	BD125484	13000-17500 lb. RA; Hyd.; Hat-Shaped; 10-Hole Rotor; 3-1/4" Height
Brake Rotor	98 - 90	BD125097	13000-17500 lb. RA; Hyd.; Hat-Shaped; 10-Hole Rotor; 4-1/2" Height
Brake Rotor	98 - 90	BD125362	13000-17500 lb. RA; Hyd.; Hat-Shaped; 6-Hole Rotor
Brake Rotor	98 - 90	BD125097	19000-21000 lb. RA; Hyd.; Hat-Shaped; 10-Hole Rotor
Brake Rotor	98 - 90	BD125382	19000-21000 lb. RA; Hyd.; U-Shaped; 5-Hole Rotor

Brake Hardware

Front Brake Hardware	Years	Sequential No.	Category No.	Qualifier
Disc Align Kit	03 - 99	F140769	(H5710)	Bosch; 2.60" 2-Piston Caliper
Disc Align Kit	03 - 99	F140769	(H5710)	Bosch; 2.88" 2-Piston Caliper
Disc Align Kit	98 - 90	F112095S	(H5564)	Bendix; 2.60" 2-Piston Caliper
Disc Align Kit	98 - 90	F112090S	(H5566)	Bendix; 2.88" 2-Piston Caliper
Disc Align Kit	98 - 90	F107401S	(H5562)	Bendix; 3.38" 1-Piston Caliper
Rear Brake Hardware	Years	Sequential No.	Category No.	Qualifier
Disc Align Kit	03 - 99	F140769	(H5710)	Bosch; 2.60" 2-Piston Caliper
Disc Align Kit	03 - 99	F140769	(H5710)	Bosch; 2.88" 2-Piston Caliper
Disc Align Kit	98 - 90	F112095S	(H5564)	Bendix; 2.60" 2-Piston Caliper
Disc Align Kit	98 - 90	F112090S	(H5566)	Bendix; 2.88" 2-Piston Caliper

Calipers - Reman

Front, Loaded	Years	Left No.	Right No.	Qualifier	Piston
Loaded Caliper	03 - 99	AS135025	AS135025	Bosch; 2.60" 2-Piston Caliper	P
Loaded Caliper	03 - 99	AS135024	AS135024	Bosch; 2.88" 2-Piston Caliper	P
Loaded Caliper	98 - 90	AS112057	AS112057	Bendix; 2.60" 2-Piston Caliper	P
Loaded Caliper	98 - 90	AS112057S	AS112057S	Bendix; 2.60" 2-Piston Caliper	O
Loaded Caliper	98 - 90	AS120549	AS120549	Bendix; 2.88" 2-Piston Caliper	P
Loaded Caliper	98 - 90	AS120549S	AS120549S	Bendix; 2.88" 2-Piston Caliper	O
Loaded Caliper	98 - 90	AS130211A	AS130210A	Bendix; 3.38" 1-Piston Caliper	M
Rear, Loaded	Years	Left No.	Right No.	Qualifier	Piston
Loaded Caliper	03 - 99	AS135025	AS135025	Bosch; 2.60" 2-Piston Caliper	P
Loaded Caliper	03 - 99	AS135024	AS135024	Bosch; 2.88" 2-Piston Caliper	P
Loaded Caliper	98 - 90	AS132525	AS132525	Bendix; 2.60" 2-Piston Caliper; w/Air Susp.	P

Piston: M - OE Metal Piston P - OE Phenolic Piston O - Metal Piston Option

3800 (cont.)**Calipers - Reman (cont.)**

<i>Rear, Loaded</i>	<i>Years</i>	<i>Left No.</i>	<i>Right No.</i>	<i>Qualifier</i>	<i>Piston</i>
Loaded Caliper	98 - 90	AS132525S	AS132525S	Bendix; 2.60" 2-Piston Caliper; w/Air Susp.	O
Loaded Caliper	98 - 90	AS112057	AS112057	Bendix; 2.60" 2-Piston Caliper; w/o Air Susp.	P
Loaded Caliper	98 - 90	AS112057S	AS112057S	Bendix; 2.60" 2-Piston Caliper; w/o Air Susp.	O
Loaded Caliper	98 - 90	AS134267	AS134267	Bendix; 2.88" 2-Piston Caliper; w/Air Susp.	M
Loaded Caliper	98 - 90	AS120549	AS120549	Bendix; 2.88" 2-Piston Caliper; w/o Air Susp.	P
Loaded Caliper	98 - 90	AS120549S	AS120549S	Bendix; 2.88" 2-Piston Caliper; w/o Air Susp.	O
<i>Front, Unloaded</i>	<i>Years</i>	<i>Left No.</i>	<i>Right No.</i>	<i>Qualifier</i>	<i>Piston</i>
Unloaded Caliper	03 - 99	CR135025	CR135025	Bosch; 2.60" 2-Piston Caliper	P
Unloaded Caliper	03 - 99	CR135024	CR135024	Bosch; 2.88" 2-Piston Caliper	P
Unloaded Caliper	98 - 90	CR112057	CR112057	Bendix; 2.60" 2-Piston Caliper	P
Unloaded Caliper	98 - 90	CR112057S	CR112057S	Bendix; 2.60" 2-Piston Caliper	O
Unloaded Caliper	98 - 90	CR120549	CR120549	Bendix; 2.88" 2-Piston Caliper	P
Unloaded Caliper	98 - 90	CR120549S	CR120549S	Bendix; 2.88" 2-Piston Caliper	O
Unloaded Caliper	98 - 90	CR130211	CR130210	Bendix; 3.38" 1-Piston Caliper	M
<i>Rear, Unloaded</i>	<i>Years</i>	<i>Left No.</i>	<i>Right No.</i>	<i>Qualifier</i>	<i>Piston</i>
Unloaded Caliper	03 - 99	CR135025	CR135025	Bosch; 2.60" 2-Piston Caliper	P
Unloaded Caliper	03 - 99	CR135024	CR135024	Bosch; 2.88" 2-Piston Caliper	P
Unloaded Caliper	98 - 90	CR132525	CR132525	Bendix; 2.60" 2-Piston Caliper; w/Air Susp.	P
Unloaded Caliper	98 - 90	CR132525S	CR132525S	Bendix; 2.60" 2-Piston Caliper; w/Air Susp.	O
Unloaded Caliper	98 - 90	CR112057	CR112057	Bendix; 2.60" 2-Piston Caliper; w/o Air Susp.	P
Unloaded Caliper	98 - 90	CR112057S	CR112057S	Bendix; 2.60" 2-Piston Caliper; w/o Air Susp.	O
Unloaded Caliper	98 - 90	CR134267	CR134267	Bendix; 2.88" 2-Piston Caliper; w/Air Susp.	M
Unloaded Caliper	98 - 90	CR120549	CR120549	Bendix; 2.88" 2-Piston Caliper; w/o Air Susp.	P
Unloaded Caliper	98 - 90	CR120549S	CR120549S	Bendix; 2.88" 2-Piston Caliper; w/o Air Susp.	O

Hydraulics - New

<i>Master Cylinder</i>	<i>Years</i>	<i>Sequential No.</i>	<i>Category No.</i>	<i>Qualifier</i>
Master Cylinder	03 - 90	F140747	(MC140747)	
<i>Front Brake Hose</i>	<i>Years</i>	<i>Sequential No.</i>	<i>Category No.</i>	<i>Qualifier</i>
Brake Hose	98 - 90	F132919	(BH132919)	Bendix; 2.60" 2-Piston Caliper; 8000 lb. FA
Brake Hose	98 - 90	F132920	(BH132920)	Bendix; 2.88" 2-Piston Caliper; 10000-12000 lb. FA
Brake Hose	98 - 90	F132918	(BH132918)	Bendix; 3.38" 1-Piston Caliper; 6000 lb. FA
<i>Rear Brake Hose</i>	<i>Years</i>	<i>Sequential No.</i>	<i>Category No.</i>	<i>Qualifier</i>
Brake Hose	98 - 90	F132921	(BH132921)	To Caliper; w/Air Susp.
Brake Hose	98 - 90	F132922	(BH132922)	To Caliper; w/Vari-Rate Susp.
Brake Hose	98 - 90	F107734	(BH107734)	To Frame

Hydraulics - Reman

<i>Power Brake Booster</i>	<i>Years</i>	<i>Part No.</i>	<i>Qualifier</i>
Hydro Booster	98 - 90	529917	High Pwr; Bendix Hydromax II; Complete Assy
Hydro Booster	98 - 90	529906	High Pwr; Bendix Hydromax II; Elect. Motor
Hydro Booster	98 - 90	529805	High Pwr; Bendix Hydromax II; Head

3900**Brake Pads & Shoes**

<i>Front Pads & Shoes</i>	<i>Years</i>	<i>SevereDuty</i>	<i>Lining No.</i>	<i>Qualifier</i>
Brake Pads	95 - 90	SD184		Bendix; 2.60" 2-Piston Caliper
Brake Pads	95 - 90	SD225		Bendix; 2.88" 2-Piston Caliper
Brake Pads	95 - 90	SD184		Bendix; 3.38" 1-Piston Caliper
Brake Shoes	95 - 90	1308E	1308	w/Air Brakes; Eaton/Spicer; 15 x 4
Brake Shoes	95 - 90	4702Q	4702	w/Air Brakes; Rockwell/Meritor; Q-Plus; 15 x 4
Brake Shoes	95 - 90	4703Q	4703	w/Air Brakes; Rockwell/Meritor; Q-Plus; 15 x 5
Brake Shoes	95 - 90	1308Q	1308T	w/Air Brakes; Rockwell/Meritor; Q-Series; 15 x 4
Brake Shoes	95 - 90	4524Q	4524B	w/Air Brakes; Rockwell/Meritor; Q-Series; 16-1/2 x 5
Brake Shoes	95 - 90	1307T	1307	w/Air Brakes; Rockwell/Meritor; T-Series; 15 x 3-1/2
Brake Shoes	95 - 90	1308T	1308T	w/Air Brakes; Rockwell/Meritor; T-Series; 15 x 4

Piston: M - OE Metal Piston P - OE Phenolic Piston O - Metal Piston Option

Brake Pads & Shoes (cont.)

Rear Pads & Shoes	Years	SevereDuty	Lining No.	Qualifier
Brake Pads	95 - 90	SD184		Bendix; 2.60" 2-Piston Caliper
Brake Pads	95 - 90	SD225		Bendix; 2.88" 2-Piston Caliper
Brake Shoes	95 - 90	4311E	4311J	w/Air Brakes; Eaton/Spicer; 16-1/2 x 7
Brake Shoes	95 - 90	4710Q	4710	w/Air Brakes; Rockwell/Meritor; Q-Plus; 15 x 8-5/8
Brake Shoes	95 - 90	4707Q	4707	w/Air Brakes; Rockwell/Meritor; Q-Plus; 16-1/2 x 7
Brake Shoes	95 - 90	4514Q	4514G	w/Air Brakes; Rockwell/Meritor; Q-Series; 16-1/2 x 6
Brake Shoes	95 - 90	4515Q	4515E	w/Air Brakes; Rockwell/Meritor; Q-Series; 16-1/2 x 7

Parking Brake Shoes	Years	SevereDuty	Lining No.	Qualifier
Brake Shoes	95 - 90	SDS842R	EX1303AD	Driveline Config.; 10 x 3
Brake Shoes	95 - 90	SDS647	EX2086D	Driveline Config.; 9 x 3

Rotor & Drum

Front Rotor & Drum	Years	Part No.	Qualifier
Brake Rotor	95 - 90	BD125484	6000-8000 lb. FA; Hyd.; Hat-Shaped; 10-Hole Rotor; 3-1/4" Height
Brake Rotor	95 - 90	BD125097	6000-8000 lb. FA; Hyd.; Hat-Shaped; 10-Hole Rotor; 4-1/2" Height
Brake Rotor	95 - 90	BD125361	6000-8000 lb. FA; Hyd.; Hat-Shaped; 5-Hole Rotor
Brake Rotor	95 - 90	BD125362	6000-8000 lb. FA; Hyd.; Hat-Shaped; 6-Hole Rotor
Brake Rotor	95 - 90	BD125484	9000-14000 lb. FA; Hyd.; Hat-Shaped; 10-Hole Rotor
Brake Rotor	95 - 90	BD126394	9000-14000 lb. FA; Hyd.; U-Shaped; 10-Hole Rotor

Rear Rotor & Drum	Years	Part No.	Qualifier
Brake Rotor	95 - 90	BD125484	13000-17500 lb. RA; Hyd.; Hat-Shaped; 10-Hole Rotor; 3-1/4" Height
Brake Rotor	95 - 90	BD125097	13000-17500 lb. RA; Hyd.; Hat-Shaped; 10-Hole Rotor; 4-1/2" Height
Brake Rotor	95 - 90	BD125362	13000-17500 lb. RA; Hyd.; Hat-Shaped; 6-Hole Rotor
Brake Rotor	95 - 90	BD125097	19000-21000 lb. RA; Hyd.; Hat-Shaped; 10-Hole Rotor
Brake Rotor	95 - 90	BD125382	19000-21000 lb. RA; Hyd.; U-Shaped; 5-Hole Rotor

Brake Hardware

Front Brake Hardware	Years	Sequential No.	Category No.	Qualifier
Disc Align Kit	95 - 90	F112095S	(H5564)	Bendix; 2.60" 2-Piston Caliper
Disc Align Kit	95 - 90	F112090S	(H5566)	Bendix; 2.88" 2-Piston Caliper
Disc Align Kit	95 - 90	F107401S	(H5562)	Bendix; 3.38" 1-Piston Caliper

Rear Brake Hardware	Years	Sequential No.	Category No.	Qualifier
Disc Align Kit	95 - 90	F112095S	(H5564)	Bendix; 2.60" 2-Piston Caliper
Disc Align Kit	95 - 90	F112090S	(H5566)	Bendix; 2.88" 2-Piston Caliper

Calipers - Reman

Front, Loaded	Years	Left No.	Right No.	Qualifier	Piston
Loaded Caliper	95 - 90	AS112057	AS112057	Bendix; 2.60" 2-Piston Caliper	P
Loaded Caliper	95 - 90	AS112057S	AS112057S	Bendix; 2.60" 2-Piston Caliper	O
Loaded Caliper	95 - 90	AS120549	AS120549	Bendix; 2.88" 2-Piston Caliper	P
Loaded Caliper	95 - 90	AS120549S	AS120549S	Bendix; 2.88" 2-Piston Caliper	O
Loaded Caliper	95 - 90	AS130211A	AS130210A	Bendix; 3.38" 1-Piston Caliper	M

Rear, Loaded	Years	Left No.	Right No.	Qualifier	Piston
Loaded Caliper	95 - 90	AS132525	AS132525	Bendix; 2.60" 2-Piston Caliper; w/Air Susp.	P
Loaded Caliper	95 - 90	AS132525S	AS132525S	Bendix; 2.60" 2-Piston Caliper; w/Air Susp.	O
Loaded Caliper	95 - 90	AS112057	AS112057	Bendix; 2.60" 2-Piston Caliper; w/o Air Susp.	P
Loaded Caliper	95 - 90	AS112057S	AS112057S	Bendix; 2.60" 2-Piston Caliper; w/o Air Susp.	O
Loaded Caliper	95 - 90	AS134267	AS134267	Bendix; 2.88" 2-Piston Caliper; w/Air Susp.	M
Loaded Caliper	95 - 90	AS120549	AS120549	Bendix; 2.88" 2-Piston Caliper; w/o Air Susp.	P
Loaded Caliper	95 - 90	AS120549S	AS120549S	Bendix; 2.88" 2-Piston Caliper; w/o Air Susp.	O

Front, Unloaded	Years	Left No.	Right No.	Qualifier	Piston
Unloaded Caliper	95 - 90	CR112057	CR112057	Bendix; 2.60" 2-Piston Caliper	P
Unloaded Caliper	95 - 90	CR112057S	CR112057S	Bendix; 2.60" 2-Piston Caliper	O
Unloaded Caliper	95 - 90	CR120549	CR120549	Bendix; 2.88" 2-Piston Caliper	P
Unloaded Caliper	95 - 90	CR120549S	CR120549S	Bendix; 2.88" 2-Piston Caliper	O
Unloaded Caliper	95 - 90	CR130211	CR130210	Bendix; 3.38" 1-Piston Caliper	M

Piston: M - OE Metal Piston P - OE Phenolic Piston O - Metal Piston Option

INTERNATIONAL MD 3000-Series



3900 (cont.)

Calipers - Reman (cont.)

Rear, Unloaded	Years	Left No.	Right No.	Qualifier	Piston
Unloaded Caliper	95 - 90	CR132525	CR132525	Bendix; 2.60" 2-Piston Caliper; w/Air Susp.	P
Unloaded Caliper	95 - 90	CR132525S	CR132525S	Bendix; 2.60" 2-Piston Caliper; w/Air Susp.	O
Unloaded Caliper	95 - 90	CR112057	CR112057	Bendix; 2.60" 2-Piston Caliper; w/o Air Susp.	P
Unloaded Caliper	95 - 90	CR112057S	CR112057S	Bendix; 2.60" 2-Piston Caliper; w/o Air Susp.	O
Unloaded Caliper	95 - 90	CR134267	CR134267	Bendix; 2.88" 2-Piston Caliper; w/Air Susp.	M
Unloaded Caliper	95 - 90	CR120549	CR120549	Bendix; 2.88" 2-Piston Caliper; w/o Air Susp.	P
Unloaded Caliper	95 - 90	CR120549S	CR120549S	Bendix; 2.88" 2-Piston Caliper; w/o Air Susp.	O

Hydraulics - New

Master Cylinder	Years	Sequential No.	Category No.	Qualifier
Master Cylinder	95 - 90	F140747	(MC140747)	

Front Brake Hose	Years	Sequential No.	Category No.	Qualifier
Brake Hose	95 - 90	F132919	(BH132919)	Bendix; 2.60" 2-Piston Caliper; 8000 lb. FA
Brake Hose	95 - 90	F132920	(BH132920)	Bendix; 2.88" 2-Piston Caliper; 10000-12000 lb. FA
Brake Hose	95 - 90	F132918	(BH132918)	Bendix; 3.38" 1-Piston Caliper; 6000 lb. FA

Rear Brake Hose	Years	Sequential No.	Category No.	Qualifier
Brake Hose	95 - 90	F132921	(BH132921)	To Caliper; w/Air Susp.
Brake Hose	95 - 90	F132922	(BH132922)	To Caliper; w/Vari-Rate Susp.
Brake Hose	95 - 90	F107734	(BH107734)	To Frame

Hydraulics - Reman

Power Brake Booster	Years	Part No.	Qualifier
Hydro Booster	95 - 90	529906	High Pwr; Bendix Hydromax II; Elect. Motor
Hydro Booster	95 - 90	529805	High Pwr; Bendix Hydromax II; Head

INTERNATIONAL MD 4000-Series

4100

Brake Pads & Shoes

Front Pads & Shoes	Years	SevereDuty	Lining No.	Qualifier
Brake Pads	07 - 05	SD786		Bosch; 2.60" 2-Piston Caliper
Brake Pads	07 - 05	SD786A		Bosch; 2.88" 2-Piston Caliper
Brake Shoes	07 - 05	4702Q	4702	w/Air Brakes; Rockwell/Meritor; Q-Plus; 15 x 4
Brake Shoes	07 - 05	4703Q	4703	w/Air Brakes; Rockwell/Meritor; Q-Plus; 15 x 5
Brake Shoes	07 - 05	4715Q	4715	w/Air Brakes; Rockwell/Meritor; Q-Plus; 16-1/2 x 6
Brake Shoes	07 - 05	1308Q	1308T	w/Air Brakes; Rockwell/Meritor; Q-Series; 15 x 4
Brake Shoes	07 - 05	4524Q	4524B	w/Air Brakes; Rockwell/Meritor; Q-Series; 16-1/2 x 5
Brake Shoes	07 - 05	4514Q	4514G	w/Air Brakes; Rockwell/Meritor; Q-Series; 16-1/2 x 6
Brake Shoes	07 - 05	1307T	1307	w/Air Brakes; Rockwell/Meritor; T-Series; 15 x 3-1/2
Brake Shoes	07 - 05	1308T	1308T	w/Air Brakes; Rockwell/Meritor; T-Series; 15 x 4

Rear Pads & Shoes	Years	SevereDuty	Lining No.	Qualifier
Brake Pads	07 - 05	SD786		Bosch; 2.60" 2-Piston Caliper
Brake Pads	07 - 05	SD786A		Bosch; 2.88" 2-Piston Caliper
Brake Shoes	07 - 05	4709Q	4709	w/Air Brakes; Eaton/Spicer; 16-1/2 x 7
Brake Shoes	07 - 05	4515P	4515E	w/Air Brakes; Rockwell/Meritor; P-Series; 16-1/2 x 7
Brake Shoes	07 - 05	4710Q	4710	w/Air Brakes; Rockwell/Meritor; Q-Plus; 15 x 8-5/8
Brake Shoes	07 - 05	4707Q	4707	w/Air Brakes; Rockwell/Meritor; Q-Plus; 16-1/2 x 7
Brake Shoes	07 - 05	4718Q	4718	w/Air Brakes; Rockwell/Meritor; Q-Plus; 16-1/2 x 8
Brake Shoes	07 - 05	4514Q	4514G	w/Air Brakes; Rockwell/Meritor; Q-Series; 16-1/2 x 6
Brake Shoes	07 - 05	4515Q	4515E	w/Air Brakes; Rockwell/Meritor; Q-Series; 16-1/2 x 7

Rotor & Drum

Front Rotor & Drum	Years	Part No.	Qualifier
Brake Rotor	07 - 05	BD126361	10000-12000 lb. FA; Hat-Shaped; 10-Hole Rotor
Brake Rotor	07 - 05	BD126394	10000-12000 lb. FA; U-Shaped; 10-Hole Rotor
Brake Rotor	07 - 05	BD126361	6000-8000 lb. FA; Hat-Shaped; 10-Hole Rotor
Brake Rotor	07 - 05	BD126364	6000-8000 lb. FA; Hat-Shaped; 5-Hole Rotor
Brake Rotor	07 - 05	BD126392	6000-8000 lb. FA; Hat-Shaped; 6-Hole Rotor

Piston: M - OE Metal Piston P - OE Phenolic Piston O - Metal Piston Option

4100 (cont.)

Rotor & Drum (cont.)

Rear Rotor & Drum	Years	Part No.	Qualifier
Brake Rotor	07 - 05	BD126361	10000-17500 lb. RA; Hat-Shaped; 10-Hole Rotor; 3-1/4" Height
Brake Rotor	07 - 05	BD126366	10000-17500 lb. RA; Hat-Shaped; 10-Hole Rotor; 4-1/2" Height
Brake Rotor	07 - 05	BD126392	10000-17500 lb. RA; Hat-Shaped; 6-Hole Rotor; 3-1/2" Height
Brake Rotor	07 - 05	BD126366	19000-21000 lb. RA; Hat-Shaped; 10-Hole Rotor
Brake Rotor	07 - 05	BD125382	19000-21000 lb. RA; U-Shaped; 5-Hole Rotor
Brake Rotor	07 - 05	BD125382	34000 lb. TRA; U-Shaped; 5-Hole Rotor

Brake Hardware

Front Brake Hardware	Years	Sequential No.	Category No.	Qualifier
Disc Align Kit	07 - 05	F140769	(H5710)	Bosch; 2.60" 2-Piston Caliper
Disc Align Kit	07 - 05	F140769	(H5710)	Bosch; 2.88" 2-Piston Caliper

Rear Brake Hardware	Years	Sequential No.	Category No.	Qualifier
Disc Align Kit	07 - 05	F140769	(H5710)	Bosch; 2.60" 2-Piston Caliper
Disc Align Kit	07 - 05	F140769	(H5710)	Bosch; 2.88" 2-Piston Caliper

Calipers - Reman

Front, Loaded	Years	Left No.	Right No.	Qualifier	Piston
Loaded Caliper	07 - 05	AS135025	AS135025	Bosch; 2.60" 2-Piston Caliper	P
Loaded Caliper	07 - 05	AS135024	AS135024	Bosch; 2.88" 2-Piston Caliper	P

Rear, Loaded	Years	Left No.	Right No.	Qualifier	Piston
Loaded Caliper	07 - 05	AS135025	AS135025	Bosch; 2.60" 2-Piston Caliper	P
Loaded Caliper	07 - 05	AS135024	AS135024	Bosch; 2.88" 2-Piston Caliper	P

Front, Unloaded	Years	Left No.	Right No.	Qualifier	Piston
Unloaded Caliper	07 - 05	CR135025	CR135025	Bosch; 2.60" 2-Piston Caliper	P
Unloaded Caliper	07 - 05	CR135024	CR135024	Bosch; 2.88" 2-Piston Caliper	P

Rear, Unloaded	Years	Left No.	Right No.	Qualifier	Piston
Unloaded Caliper	07 - 05	CR135025	CR135025	Bosch; 2.60" 2-Piston Caliper	P
Unloaded Caliper	07 - 05	CR135024	CR135024	Bosch; 2.88" 2-Piston Caliper	P

Hydraulics - New

Master Cylinder	Years	Sequential No.	Category No.	Qualifier
Master Cylinder	07 - 05	F140747	(MC140747)	

Rear Brake Hose	Years	Sequential No.	Category No.	Qualifier
Brake Hose	07 - 05	F132921	(BH132921)	To Caliper; w/Air Susp.
Brake Hose	07 - 05	F132922	(BH132922)	To Caliper; w/Vari-Rate Susp.
Brake Hose	07 - 05	F107734	(BH107734)	To Frame

4200

Brake Pads & Shoes

Front Pads & Shoes	Years	SevereDuty	Lining No.	Qualifier
Brake Pads	07 - 02	SD786		Bosch; 2.60" 2-Piston Caliper
Brake Pads	07 - 02	SD786A		Bosch; 2.88" 2-Piston Caliper
Brake Shoes	07 - 02	4702Q	4702	w/Air Brakes; Rockwell/Meritor; Q-Plus; 15 x 4
Brake Shoes	07 - 02	4703Q	4703	w/Air Brakes; Rockwell/Meritor; Q-Plus; 15 x 5
Brake Shoes	07 - 02	4715Q	4715	w/Air Brakes; Rockwell/Meritor; Q-Plus; 16-1/2 x 6
Brake Shoes	07 - 02	1308Q	1308T	w/Air Brakes; Rockwell/Meritor; Q-Series; 15 x 4
Brake Shoes	07 - 02	4524Q	4524B	w/Air Brakes; Rockwell/Meritor; Q-Series; 16-1/2 x 5
Brake Shoes	07 - 02	4514Q	4514G	w/Air Brakes; Rockwell/Meritor; Q-Series; 16-1/2 x 6
Brake Shoes	07 - 02	1307T	1307	w/Air Brakes; Rockwell/Meritor; T-Series; 15 x 3-1/2
Brake Shoes	07 - 02	1308T	1308T	w/Air Brakes; Rockwell/Meritor; T-Series; 15 x 4

Rear Pads & Shoes	Years	SevereDuty	Lining No.	Qualifier
Brake Pads	07 - 02	SD786		Bosch; 2.60" 2-Piston Caliper
Brake Pads	07 - 02	SD786A		Bosch; 2.88" 2-Piston Caliper
Brake Shoes	07 - 02	4709Q	4709	w/Air Brakes; Eaton/Spicer; 16-1/2 x 7
Brake Shoes	07 - 02	4515P	4515E	w/Air Brakes; Rockwell/Meritor; P-Series; 16-1/2 x 7
Brake Shoes	07 - 02	4710Q	4710	w/Air Brakes; Rockwell/Meritor; Q-Plus; 15 x 8-5/8
Brake Shoes	07 - 02	4707Q	4707	w/Air Brakes; Rockwell/Meritor; Q-Plus; 16-1/2 x 7

Piston: M - OE Metal Piston P - OE Phenolic Piston

4200 (cont.)**Brake Pads & Shoes (cont.)**

Rear Pads & Shoes	Years	SevereDuty	Lining No.	Qualifier
Brake Shoes	07 - 02	4718Q	4718	w/Air Brakes; Rockwell/Meritor; Q-Plus; 16-1/2 x 8
Brake Shoes	07 - 02	4514Q	4514G	w/Air Brakes; Rockwell/Meritor; Q-Series; 16-1/2 x 6
Brake Shoes	07 - 02	4515Q	4515E	w/Air Brakes; Rockwell/Meritor; Q-Series; 16-1/2 x 7

Rotor & Drum

Front Rotor & Drum	Years	Part No.	Qualifier
Brake Rotor	07 - 02	BD126361	10000-12000 lb. FA; Hat-Shaped; 10-Hole Rotor
Brake Rotor	07 - 02	BD126394	10000-12000 lb. FA; U-Shaped; 10-Hole Rotor
Brake Rotor	07 - 02	BD126361	6000-8000 lb. FA; Hat-Shaped; 10-Hole Rotor
Brake Rotor	07 - 02	BD126364	6000-8000 lb. FA; Hat-Shaped; 5-Hole Rotor
Brake Rotor	07 - 02	BD126392	6000-8000 lb. FA; Hat-Shaped; 6-Hole Rotor

Rear Rotor & Drum	Years	Part No.	Qualifier
Brake Rotor	07 - 02	BD126361	10000-17500 lb. RA; Hat-Shaped; 10-Hole Rotor; 3-1/4" Height
Brake Rotor	07 - 02	BD126366	10000-17500 lb. RA; Hat-Shaped; 10-Hole Rotor; 4-1/2" Height
Brake Rotor	07 - 02	BD126392	10000-17500 lb. RA; Hat-Shaped; 6-Hole Rotor; 3-1/2" Height
Brake Rotor	07 - 02	BD126366	19000-21000 lb. RA; Hat-Shaped; 10-Hole Rotor
Brake Rotor	07 - 02	BD125382	19000-21000 lb. RA; U-Shaped; 5-Hole Rotor
Brake Rotor	07 - 02	BD125382	34000 lb. TRA; U-Shaped; 5-Hole Rotor

Brake Hardware

Front Brake Hardware	Years	Sequential No.	Category No.	Qualifier
Disc Align Kit	07 - 02	F140769	(H5710)	Bosch; 2.60" 2-Piston Caliper
Disc Align Kit	07 - 02	F140769	(H5710)	Bosch; 2.88" 2-Piston Caliper

Rear Brake Hardware	Years	Sequential No.	Category No.	Qualifier
Disc Align Kit	07 - 02	F140769	(H5710)	Bosch; 2.60" 2-Piston Caliper
Disc Align Kit	07 - 02	F140769	(H5710)	Bosch; 2.88" 2-Piston Caliper

Calipers - Reman

Front, Loaded	Years	Left No.	Right No.	Qualifier	Piston
Loaded Caliper	07 - 02	AS135025	AS135025	Bosch; 2.60" 2-Piston Caliper	P
Loaded Caliper	07 - 02	AS135024	AS135024	Bosch; 2.88" 2-Piston Caliper	P

Rear, Loaded	Years	Left No.	Right No.	Qualifier	Piston
Loaded Caliper	07 - 02	AS135025	AS135025	Bosch; 2.60" 2-Piston Caliper	P
Loaded Caliper	07 - 02	AS135024	AS135024	Bosch; 2.88" 2-Piston Caliper	P

Front, Unloaded	Years	Left No.	Right No.	Qualifier	Piston
Unloaded Caliper	07 - 02	CR135025	CR135025	Bosch; 2.60" 2-Piston Caliper	P
Unloaded Caliper	07 - 02	CR135024	CR135024	Bosch; 2.88" 2-Piston Caliper	P

Rear, Unloaded	Years	Left No.	Right No.	Qualifier	Piston
Unloaded Caliper	07 - 02	CR135025	CR135025	Bosch; 2.60" 2-Piston Caliper	P
Unloaded Caliper	07 - 02	CR135024	CR135024	Bosch; 2.88" 2-Piston Caliper	P

Hydraulics - New

Master Cylinder	Years	Sequential No.	Category No.	Qualifier
Master Cylinder	07 - 02	F140747	(MC140747)	

Rear Brake Hose	Years	Sequential No.	Category No.	Qualifier
Brake Hose	07 - 02	F132921	(BH132921)	To Caliper; w/Air Susp.
Brake Hose	07 - 02	F132922	(BH132922)	To Caliper; w/Vari-Rate Susp.
Brake Hose	07 - 02	F107734	(BH107734)	To Frame

4300**Brake Pads & Shoes**

Front Pads & Shoes	Years	SevereDuty	Lining No.	Qualifier
Brake Pads	07 - 01	SD786		Bosch; 2.60" 2-Piston Caliper
Brake Pads	07 - 01	SD786A		Bosch; 2.88" 2-Piston Caliper
Brake Shoes	07 - 01	4702Q	4702	w/Air Brakes; Rockwell/Meritor; Q-Plus; 15 x 4
Brake Shoes	07 - 01	4703Q	4703	w/Air Brakes; Rockwell/Meritor; Q-Plus; 15 x 5
Brake Shoes	07 - 01	4715Q	4715	w/Air Brakes; Rockwell/Meritor; Q-Plus; 16-1/2 x 6
Brake Shoes	07 - 01	1308Q	1308T	w/Air Brakes; Rockwell/Meritor; Q-Series; 15 x 4

Piston: M - OE Metal Piston P - OE Phenolic Piston

Brake Pads & Shoes (cont.)

Front Pads & Shoes	Years	SevereDuty	Lining No.	Qualifier
Brake Shoes	07 - 01	4524Q	4524B	w/Air Brakes; Rockwell/Meritor; Q-Series; 16-1/2 x 5
Brake Shoes	07 - 01	4514Q	4514G	w/Air Brakes; Rockwell/Meritor; Q-Series; 16-1/2 x 6
Brake Shoes	07 - 01	1307T	1307	w/Air Brakes; Rockwell/Meritor; T-Series; 15 x 3-1/2
Brake Shoes	07 - 01	1308T	1308T	w/Air Brakes; Rockwell/Meritor; T-Series; 15 x 4
Rear Pads & Shoes	Years	SevereDuty	Lining No.	Qualifier
Brake Pads	07 - 01	SD786		Bosch; 2.60" 2-Piston Caliper
Brake Pads	07 - 01	SD786A		Bosch; 2.88" 2-Piston Caliper
Brake Shoes	07 - 01	4709Q	4709	w/Air Brakes; Eaton/Spicer; 16-1/2 x 7
Brake Shoes	07 - 01	4515P	4515E	w/Air Brakes; Rockwell/Meritor; P-Series; 16-1/2 x 7
Brake Shoes	07 - 01	4710Q	4710	w/Air Brakes; Rockwell/Meritor; Q-Plus; 15 x 8-5/8
Brake Shoes	07 - 01	4707Q	4707	w/Air Brakes; Rockwell/Meritor; Q-Plus; 16-1/2 x 7
Brake Shoes	07 - 01	4718Q	4718	w/Air Brakes; Rockwell/Meritor; Q-Plus; 16-1/2 x 8
Brake Shoes	07 - 01	4514Q	4514G	w/Air Brakes; Rockwell/Meritor; Q-Series; 16-1/2 x 6
Brake Shoes	07 - 01	4515Q	4515E	w/Air Brakes; Rockwell/Meritor; Q-Series; 16-1/2 x 7

Rotor & Drum

Front Rotor & Drum	Years	Part No.	Qualifier
Brake Rotor	07 - 01	BD126361	10000-12000 lb. FA; Hat-Shaped; 10-Hole Rotor
Brake Rotor	07 - 01	BD126394	10000-12000 lb. FA; U-Shaped; 10-Hole Rotor
Brake Rotor	07 - 01	BD126361	6000-8000 lb. FA; Hat-Shaped; 10-Hole Rotor
Brake Rotor	07 - 01	BD126364	6000-8000 lb. FA; Hat-Shaped; 5-Hole Rotor
Brake Rotor	07 - 01	BD126392	6000-8000 lb. FA; Hat-Shaped; 6-Hole Rotor
Rear Rotor & Drum	Years	Part No.	Qualifier
Brake Rotor	07 - 01	BD126361	10000-17500 lb. RA; Hat-Shaped; 10-Hole Rotor; 3-1/4" Height
Brake Rotor	07 - 01	BD126366	10000-17500 lb. RA; Hat-Shaped; 10-Hole Rotor; 4-1/2" Height
Brake Rotor	07 - 01	BD126392	10000-17500 lb. RA; Hat-Shaped; 6-Hole Rotor; 3-1/2" Height
Brake Rotor	07 - 01	BD126366	19000-21000 lb. RA; Hat-Shaped; 10-Hole Rotor
Brake Rotor	07 - 01	BD125382	19000-21000 lb. RA; U-Shaped; 5-Hole Rotor
Brake Rotor	07 - 01	BD125382	34000 lb. TRA; U-Shaped; 5-Hole Rotor

Brake Hardware

Front Brake Hardware	Years	Sequential No.	Category No.	Qualifier
Disc Align Kit	07 - 01	F140769	(H5710)	Bosch; 2.60" 2-Piston Caliper
Disc Align Kit	07 - 01	F140769	(H5710)	Bosch; 2.88" 2-Piston Caliper
Rear Brake Hardware	Years	Sequential No.	Category No.	Qualifier
Disc Align Kit	07 - 01	F140769	(H5710)	Bosch; 2.60" 2-Piston Caliper
Disc Align Kit	07 - 01	F140769	(H5710)	Bosch; 2.88" 2-Piston Caliper

Calipers - Reman

Front, Loaded	Years	Left No.	Right No.	Qualifier	Piston
Loaded Caliper	07 - 01	AS135025	AS135025	Bosch; 2.60" 2-Piston Caliper	P
Loaded Caliper	07 - 01	AS135024	AS135024	Bosch; 2.88" 2-Piston Caliper	P
Rear, Loaded	Years	Left No.	Right No.	Qualifier	Piston
Loaded Caliper	07 - 01	AS135025	AS135025	Bosch; 2.60" 2-Piston Caliper	P
Loaded Caliper	07 - 01	AS135024	AS135024	Bosch; 2.88" 2-Piston Caliper	P
Front, Unloaded	Years	Left No.	Right No.	Qualifier	Piston
Unloaded Caliper	07 - 01	CR135025	CR135025	Bosch; 2.60" 2-Piston Caliper	P
Unloaded Caliper	07 - 01	CR135024	CR135024	Bosch; 2.88" 2-Piston Caliper	P
Rear, Unloaded	Years	Left No.	Right No.	Qualifier	Piston
Unloaded Caliper	07 - 01	CR135025	CR135025	Bosch; 2.60" 2-Piston Caliper	P
Unloaded Caliper	07 - 01	CR135024	CR135024	Bosch; 2.88" 2-Piston Caliper	P

Hydraulics - New

Master Cylinder	Years	Sequential No.	Category No.	Qualifier
Master Cylinder	07 - 01	F140747	(MC140747)	
Rear Brake Hose	Years	Sequential No.	Category No.	Qualifier
Brake Hose	07 - 01	F132921	(BH132921)	To Caliper; w/Air Susp.

Piston: M - OE Metal Piston P - OE Phenolic Piston

4300 (cont.)**Hydraulics - New (cont.)**

<i>Rear Brake Hose</i>	<i>Years</i>	<i>Sequential No.</i>	<i>Category No.</i>	<i>Qualifier</i>
Brake Hose	07 - 01	F132922	(BH132922)	To Caliper; w/Vari-Rate Susp.
Brake Hose	07 - 01	F107734	(BH107734)	To Frame

4400**Brake Pads & Shoes**

<i>Front Pads & Shoes</i>	<i>Years</i>	<i>SevereDuty</i>	<i>Lining No.</i>	<i>Qualifier</i>
Brake Pads	07 - 01	SD786		Bosch; 2.60" 2-Piston Caliper
Brake Pads	07 - 01	SD786A		Bosch; 2.88" 2-Piston Caliper
Brake Shoes	07 - 01	4702Q	4702	w/Air Brakes; Rockwell/Meritor; Q-Plus; 15 x 4
Brake Shoes	07 - 01	4703Q	4703	w/Air Brakes; Rockwell/Meritor; Q-Plus; 15 x 5
Brake Shoes	07 - 01	4715Q	4715	w/Air Brakes; Rockwell/Meritor; Q-Plus; 16-1/2 x 6
Brake Shoes	07 - 01	1308Q	1308T	w/Air Brakes; Rockwell/Meritor; Q-Series; 15 x 4
Brake Shoes	07 - 01	4524Q	4524B	w/Air Brakes; Rockwell/Meritor; Q-Series; 16-1/2 x 5
Brake Shoes	07 - 01	4514Q	4514G	w/Air Brakes; Rockwell/Meritor; Q-Series; 16-1/2 x 6
Brake Shoes	07 - 01	1307T	1307	w/Air Brakes; Rockwell/Meritor; T-Series; 15 x 3-1/2
Brake Shoes	07 - 01	1308T	1308T	w/Air Brakes; Rockwell/Meritor; T-Series; 15 x 4

<i>Rear Pads & Shoes</i>	<i>Years</i>	<i>SevereDuty</i>	<i>Lining No.</i>	<i>Qualifier</i>
Brake Pads	07 - 01	SD786		Bosch; 2.60" 2-Piston Caliper
Brake Pads	07 - 01	SD786A		Bosch; 2.88" 2-Piston Caliper
Brake Shoes	07 - 01	4709Q	4709	w/Air Brakes; Eaton/Spicer; 16-1/2 x 7
Brake Shoes	07 - 01	4515P	4515E	w/Air Brakes; Rockwell/Meritor; P-Series; 16-1/2 x 7
Brake Shoes	07 - 01	4710Q	4710	w/Air Brakes; Rockwell/Meritor; Q-Plus; 15 x 8-5/8
Brake Shoes	07 - 01	4707Q	4707	w/Air Brakes; Rockwell/Meritor; Q-Plus; 16-1/2 x 7
Brake Shoes	07 - 01	4718Q	4718	w/Air Brakes; Rockwell/Meritor; Q-Plus; 16-1/2 x 8
Brake Shoes	07 - 01	4514Q	4514G	w/Air Brakes; Rockwell/Meritor; Q-Series; 16-1/2 x 6
Brake Shoes	07 - 01	4515Q	4515E	w/Air Brakes; Rockwell/Meritor; Q-Series; 16-1/2 x 7

Rotor & Drum

<i>Front Rotor & Drum</i>	<i>Years</i>	<i>Part No.</i>	<i>Qualifier</i>
Brake Rotor	07 - 01	BD126361	10000-12000 lb. FA; Hat-Shaped; 10-Hole Rotor
Brake Rotor	07 - 01	BD126394	10000-12000 lb. FA; U-Shaped; 10-Hole Rotor
Brake Rotor	07 - 01	BD126361	6000-8000 lb. FA; Hat-Shaped; 10-Hole Rotor
Brake Rotor	07 - 01	BD126364	6000-8000 lb. FA; Hat-Shaped; 5-Hole Rotor
Brake Rotor	07 - 01	BD126392	6000-8000 lb. FA; Hat-Shaped; 6-Hole Rotor

<i>Rear Rotor & Drum</i>	<i>Years</i>	<i>Part No.</i>	<i>Qualifier</i>
Brake Rotor	07 - 01	BD126361	10000-17500 lb. RA; Hat-Shaped; 10-Hole Rotor; 3-1/4" Height
Brake Rotor	07 - 01	BD126366	10000-17500 lb. RA; Hat-Shaped; 10-Hole Rotor; 4-1/2" Height
Brake Rotor	07 - 01	BD126392	10000-17500 lb. RA; Hat-Shaped; 6-Hole Rotor; 3-1/2" Height
Brake Rotor	07 - 01	BD126366	19000-21000 lb. RA; Hat-Shaped; 10-Hole Rotor
Brake Rotor	07 - 01	BD125382	19000-21000 lb. RA; U-Shaped; 5-Hole Rotor
Brake Rotor	07 - 01	BD125382	34000 lb. TRA; U-Shaped; 5-Hole Rotor

Brake Hardware

<i>Front Brake Hardware</i>	<i>Years</i>	<i>Sequential No.</i>	<i>Category No.</i>	<i>Qualifier</i>
Disc Align Kit	07 - 01	F140769	(H5710)	Bosch; 2.60" 2-Piston Caliper
Disc Align Kit	07 - 01	F140769	(H5710)	Bosch; 2.88" 2-Piston Caliper

<i>Rear Brake Hardware</i>	<i>Years</i>	<i>Sequential No.</i>	<i>Category No.</i>	<i>Qualifier</i>
Disc Align Kit	07 - 01	F140769	(H5710)	Bosch; 2.60" 2-Piston Caliper
Disc Align Kit	07 - 01	F140769	(H5710)	Bosch; 2.88" 2-Piston Caliper

Calipers - Reman

<i>Front, Loaded</i>	<i>Years</i>	<i>Left No.</i>	<i>Right No.</i>	<i>Qualifier</i>	<i>Piston</i>
Loaded Caliper	07 - 01	AS135025	AS135025	Bosch; 2.60" 2-Piston Caliper	P
Loaded Caliper	07 - 01	AS135024	AS135024	Bosch; 2.88" 2-Piston Caliper	P
<i>Rear, Loaded</i>	<i>Years</i>	<i>Left No.</i>	<i>Right No.</i>	<i>Qualifier</i>	<i>Piston</i>
Loaded Caliper	07 - 01	AS135025	AS135025	Bosch; 2.60" 2-Piston Caliper	P
Loaded Caliper	07 - 01	AS135024	AS135024	Bosch; 2.88" 2-Piston Caliper	P

Piston: M - OE Metal Piston P - OE Phenolic Piston

4400 (cont.)
Calipers - Reman (cont.)

<i>Front, Unloaded</i>	<i>Years</i>	<i>Left No.</i>	<i>Right No.</i>	<i>Qualifier</i>	<i>Piston</i>
Unloaded Caliper	07 - 01	CR135025	CR135025	Bosch; 2.60" 2-Piston Caliper	P
Unloaded Caliper	07 - 01	CR135024	CR135024	Bosch; 2.88" 2-Piston Caliper	P
<i>Rear, Unloaded</i>	<i>Years</i>	<i>Left No.</i>	<i>Right No.</i>	<i>Qualifier</i>	<i>Piston</i>
Unloaded Caliper	07 - 01	CR135025	CR135025	Bosch; 2.60" 2-Piston Caliper	P
Unloaded Caliper	07 - 01	CR135024	CR135024	Bosch; 2.88" 2-Piston Caliper	P

Hydraulics - New

<i>Master Cylinder</i>	<i>Years</i>	<i>Sequential No.</i>	<i>Category No.</i>	<i>Qualifier</i>
Master Cylinder	07 - 01	F140747	(MC140747)	
<i>Rear Brake Hose</i>	<i>Years</i>	<i>Sequential No.</i>	<i>Category No.</i>	<i>Qualifier</i>
Brake Hose	07 - 01	F132921	(BH132921)	To Caliper; w/Air Susp.
Brake Hose	07 - 01	F132922	(BH132922)	To Caliper; w/Vari-Rate Susp.
Brake Hose	07 - 01	F107734	(BH107734)	To Frame

4500
Brake Pads & Shoes

<i>Front Pads & Shoes</i>	<i>Years</i>	<i>SevereDuty</i>	<i>Lining No.</i>	<i>Qualifier</i>
Brake Pads	95 - 90	SD184		Bendix; 2.60" 2-Piston Caliper
Brake Pads	95 - 90	SD225		Bendix; 2.88" 2-Piston Caliper
Brake Pads	95 - 90	SD184		Bendix; 3.38" 1-Piston Caliper
Brake Shoes	95 - 90	1308E	1308	w/Air Brakes; Eaton/Spicer; 15 x 4
Brake Shoes	95 - 90	4223E	4223A	w/Air Brakes; Eaton/Spicer; 16-1/2 x 5
Brake Shoes	95 - 90	4317E	4317G	w/Air Brakes; Eaton/Spicer; 16-1/2 x 6
Brake Shoes	95 - 90	4702Q	4702	w/Air Brakes; Rockwell/Meritor; Q-Plus; 15 x 4
Brake Shoes	95 - 90	1308Q	1308T	w/Air Brakes; Rockwell/Meritor; Q-Series; 15 x 4
Brake Shoes	95 - 90	4524Q	4524B	w/Air Brakes; Rockwell/Meritor; Q-Series; 16-1/2 x 5
Brake Shoes	95 - 90	4514Q	4514G	w/Air Brakes; Rockwell/Meritor; Q-Series; 16-1/2 x 6
Brake Shoes	95 - 90	1307T	1307	w/Air Brakes; Rockwell/Meritor; T-Series; 15 x 3-1/2
Brake Shoes	95 - 90	1308T	1308T	w/Air Brakes; Rockwell/Meritor; T-Series; 15 x 4
Brake Shoes	95 - 90	4605R	4605	w/Air Brakes; Rockwell/Meritor; Wedge; 15 x 5
<i>Rear Pads & Shoes</i>	<i>Years</i>	<i>SevereDuty</i>	<i>Lining No.</i>	<i>Qualifier</i>
Brake Pads	95 - 90	SD184		Bendix; 2.60" 2-Piston Caliper
Brake Pads	95 - 90	SD225		Bendix; 2.88" 2-Piston Caliper
Brake Shoes	95 - 90	4311E	4311J	w/Air Brakes; Eaton/Spicer; 16-1/2 x 7
Brake Shoes	95 - 90	4515P	4515E	w/Air Brakes; Rockwell/Meritor; P-Series; 16-1/2 x 7
Brake Shoes	95 - 90	4707Q	4707	w/Air Brakes; Rockwell/Meritor; Q-Plus; 16-1/2 x 7
Brake Shoes	95 - 90	4514Q	4514G	w/Air Brakes; Rockwell/Meritor; Q-Series; 16-1/2 x 6
Brake Shoes	95 - 90	4515Q	4515E	w/Air Brakes; Rockwell/Meritor; Q-Series; 16-1/2 x 7
<i>Parking Brake Shoes</i>	<i>Years</i>	<i>SevereDuty</i>	<i>Lining No.</i>	<i>Qualifier</i>
Brake Shoes	95 - 90	SDS842R	EX1303AD	Driveline Config.; 10 x 3
Brake Shoes	95 - 90	SDS647	EX2086D	Driveline Config.; 9 x 3

Rotor & Drum

<i>Front Rotor & Drum</i>	<i>Years</i>	<i>Part No.</i>	<i>Qualifier</i>
Brake Rotor	95 - 90	BD125484	10000-12000 lb. FA; Hyd.; Hat-Shaped; 10-Hole Rotor
Brake Rotor	95 - 90	BD126394	10000-12000 lb. FA; Hyd.; U-Shaped; 10-Hole Rotor
Brake Rotor	95 - 90	BD125484	6000-8000 lb. FA; Hyd.; Hat-Shaped; 10-Hole Rotor; 3-1/4" Height
Brake Rotor	95 - 90	BD125097	6000-8000 lb. FA; Hyd.; Hat-Shaped; 10-Hole Rotor; 4-1/2" Height
Brake Rotor	95 - 90	BD125361	6000-8000 lb. FA; Hyd.; Hat-Shaped; 5-Hole Rotor
Brake Rotor	95 - 90	BD125362	6000-8000 lb. FA; Hyd.; Hat-Shaped; 6-Hole Rotor
<i>Rear Rotor & Drum</i>	<i>Years</i>	<i>Part No.</i>	<i>Qualifier</i>
Brake Rotor	95 - 90	BD125484	10000-17500 lb. RA; Hyd.; Hat-Shaped; 10-Hole Rotor; 3-1/4" Height
Brake Rotor	95 - 90	BD125097	10000-17500 lb. RA; Hyd.; Hat-Shaped; 10-Hole Rotor; 4-1/2" Height
Brake Rotor	95 - 90	BD125362	10000-17500 lb. RA; Hyd.; Hat-Shaped; 6-Hole Rotor
Brake Rotor	95 - 90	BD125382	19000-21000 lb. RA; Hyd.; U-Shaped; 5-Hole Rotor
Brake Rotor	95 - 90	BD125382	34000 lb. TRA; Hyd.; U-Shaped; 5-Hole Rotor

Piston: M - OE Metal Piston P - OE Phenolic Piston

4500 (cont.)**Brake Hardware**

Front Brake Hardware	Years	Sequential No.	Category No.	Qualifier
Disc Align Kit	95 - 90	F112095S	(H5564)	Bendix; 2.60" 2-Piston Caliper
Disc Align Kit	95 - 90	F112090S	(H5566)	Bendix; 2.88" 2-Piston Caliper
Disc Align Kit	95 - 90	F107401S	(H5562)	Bendix; 3.38" 1-Piston Caliper
Rear Brake Hardware	Years	Sequential No.	Category No.	Qualifier
Disc Align Kit	95 - 90	F112095S	(H5564)	Bendix; 2.60" 2-Piston Caliper
Disc Align Kit	95 - 90	F112090S	(H5566)	Bendix; 2.88" 2-Piston Caliper

Calipers - Reman

Front, Loaded	Years	Left No.	Right No.	Qualifier	Piston
Loaded Caliper	95 - 90	AS112057	AS112057	Bendix; 2.60" 2-Piston Caliper	P
Loaded Caliper	95 - 90	AS112057S	AS112057S	Bendix; 2.60" 2-Piston Caliper	O
Loaded Caliper	95 - 90	AS120549	AS120549	Bendix; 2.88" 2-Piston Caliper	P
Loaded Caliper	95 - 90	AS120549S	AS120549S	Bendix; 2.88" 2-Piston Caliper	O
Loaded Caliper	95 - 90	AS130211A	AS130210A	Bendix; 3.38" 1-Piston Caliper	M
Rear, Loaded	Years	Left No.	Right No.	Qualifier	Piston
Loaded Caliper	95 - 90	AS132525	AS132525	Bendix; 2.60" 2-Piston Caliper; w/Air Susp.	P
Loaded Caliper	95 - 90	AS132525S	AS132525S	Bendix; 2.60" 2-Piston Caliper; w/Air Susp.	O
Loaded Caliper	95 - 90	AS112057	AS112057	Bendix; 2.60" 2-Piston Caliper; w/o Air Susp.	P
Loaded Caliper	95 - 90	AS112057S	AS112057S	Bendix; 2.60" 2-Piston Caliper; w/o Air Susp.	O
Loaded Caliper	95 - 90	AS134267	AS134267	Bendix; 2.88" 2-Piston Caliper; w/Air Susp.	M
Loaded Caliper	95 - 90	AS120549	AS120549	Bendix; 2.88" 2-Piston Caliper; w/o Air Susp.	P
Loaded Caliper	95 - 90	AS120549S	AS120549S	Bendix; 2.88" 2-Piston Caliper; w/o Air Susp.	O
Front, Unloaded	Years	Left No.	Right No.	Qualifier	Piston
Unloaded Caliper	95 - 90	CR112057	CR112057	Bendix; 2.60" 2-Piston Caliper	P
Unloaded Caliper	95 - 90	CR112057S	CR112057S	Bendix; 2.60" 2-Piston Caliper	O
Unloaded Caliper	95 - 90	CR120549	CR120549	Bendix; 2.88" 2-Piston Caliper	P
Unloaded Caliper	95 - 90	CR120549S	CR120549S	Bendix; 2.88" 2-Piston Caliper	O
Unloaded Caliper	95 - 90	CR130211	CR130210	Bendix; 3.38" 1-Piston Caliper	M
Rear, Unloaded	Years	Left No.	Right No.	Qualifier	Piston
Unloaded Caliper	95 - 90	CR132525	CR132525	Bendix; 2.60" 2-Piston Caliper; w/Air Susp.	P
Unloaded Caliper	95 - 90	CR132525S	CR132525S	Bendix; 2.60" 2-Piston Caliper; w/Air Susp.	O
Unloaded Caliper	95 - 90	CR112057	CR112057	Bendix; 2.60" 2-Piston Caliper; w/o Air Susp.	P
Unloaded Caliper	95 - 90	CR112057S	CR112057S	Bendix; 2.60" 2-Piston Caliper; w/o Air Susp.	O
Unloaded Caliper	95 - 90	CR134267	CR134267	Bendix; 2.88" 2-Piston Caliper; w/Air Susp.	M
Unloaded Caliper	95 - 90	CR120549	CR120549	Bendix; 2.88" 2-Piston Caliper; w/o Air Susp.	P
Unloaded Caliper	95 - 90	CR120549S	CR120549S	Bendix; 2.88" 2-Piston Caliper; w/o Air Susp.	O

Hydraulics - New

Master Cylinder	Years	Sequential No.	Category No.	Qualifier
Master Cylinder	95 - 90	F140747	(MC140747)	
Front Brake Hose	Years	Sequential No.	Category No.	Qualifier
Brake Hose	95 - 90	F132919	(BH132919)	Bendix; 2.60" 2-Piston Caliper; 8000 lb. FA
Brake Hose	95 - 90	F132920	(BH132920)	Bendix; 2.88" 2-Piston Caliper; 10000-12000 lb. FA
Brake Hose	95 - 90	F132918	(BH132918)	Bendix; 3.38" 1-Piston Caliper; 6000 lb. FA
Rear Brake Hose	Years	Sequential No.	Category No.	Qualifier
Brake Hose	95 - 90	F132921	(BH132921)	To Caliper; w/Air Susp.
Brake Hose	95 - 90	F132922	(BH132922)	To Caliper; w/Vari-Rate Susp.
Brake Hose	95 - 90	F107734	(BH107734)	To Frame

Hydraulics - Reman

Power Brake Booster	Years	Part No.	Qualifier
Hydro Booster	95 - 90	529917	High Pwr; Bendix Hydromax II; Complete Assy
Hydro Booster	95 - 90	529906	High Pwr; Bendix Hydromax II; Elect. Motor
Hydro Booster	95 - 90	529805	High Pwr; Bendix Hydromax II; Head

Piston: M - OE Metal Piston P - OE Phenolic Piston O - Metal Piston Option

Brake Pads & Shoes

Front Pads & Shoes	Years	SevereDuty	Lining No.	Qualifier
Brake Pads	95 - 90	SD184		Bendix; 2.60" 2-Piston Caliper
Brake Pads	95 - 90	SD225		Bendix; 2.88" 2-Piston Caliper
Brake Pads	95 - 90	SD184		Bendix; 3.38" 1-Piston Caliper
Brake Shoes	95 - 90	1308E	1308	w/Air Brakes; Eaton/Spicer; 15 x 4
Brake Shoes	95 - 90	4223E	4223A	w/Air Brakes; Eaton/Spicer; 16-1/2 x 5
Brake Shoes	95 - 90	4317E	4317G	w/Air Brakes; Eaton/Spicer; 16-1/2 x 6
Brake Shoes	95 - 90	4702Q	4702	w/Air Brakes; Rockwell/Meritor; Q-Plus; 15 x 4
Brake Shoes	95 - 90	1308Q	1308T	w/Air Brakes; Rockwell/Meritor; Q-Series; 15 x 4
Brake Shoes	95 - 90	4524Q	4524B	w/Air Brakes; Rockwell/Meritor; Q-Series; 16-1/2 x 5
Brake Shoes	95 - 90	4514Q	4514G	w/Air Brakes; Rockwell/Meritor; Q-Series; 16-1/2 x 6
Brake Shoes	95 - 90	1307T	1307	w/Air Brakes; Rockwell/Meritor; T-Series; 15 x 3-1/2
Brake Shoes	95 - 90	1308T	1308T	w/Air Brakes; Rockwell/Meritor; T-Series; 15 x 4
Brake Shoes	95 - 90	4605R	4605	w/Air Brakes; Rockwell/Meritor; Wedge; 15 x 5

Rear Pads & Shoes	Years	SevereDuty	Lining No.	Qualifier
Brake Pads	95 - 90	SD184		Bendix; 2.60" 2-Piston Caliper
Brake Pads	95 - 90	SD225		Bendix; 2.88" 2-Piston Caliper
Brake Shoes	95 - 90	4311E	4311J	w/Air Brakes; Eaton/Spicer; 16-1/2 x 7
Brake Shoes	95 - 90	4515P	4515E	w/Air Brakes; Rockwell/Meritor; P-Series; 16-1/2 x 7
Brake Shoes	95 - 90	4707Q	4707	w/Air Brakes; Rockwell/Meritor; Q-Plus; 16-1/2 x 7
Brake Shoes	95 - 90	4514Q	4514G	w/Air Brakes; Rockwell/Meritor; Q-Series; 16-1/2 x 6
Brake Shoes	95 - 90	4515Q	4515E	w/Air Brakes; Rockwell/Meritor; Q-Series; 16-1/2 x 7

Parking Brake Shoes	Years	SevereDuty	Lining No.	Qualifier
Brake Shoes	95 - 90	SDS842R	EX1303AD	Driveline Config.; 10 x 3
Brake Shoes	95 - 90	SDS647	EX2086D	Driveline Config.; 9 x 3

Rotor & Drum

Front Rotor & Drum	Years	Part No.	Qualifier
Brake Rotor	95 - 90	BD125484	10000-12000 lb. FA; Hyd.; Hat-Shaped; 10-Hole Rotor
Brake Rotor	95 - 90	BD126394	10000-12000 lb. FA; Hyd.; U-Shaped; 10-Hole Rotor
Brake Rotor	95 - 90	BD125484	6000-8000 lb. FA; Hyd.; Hat-Shaped; 10-Hole Rotor; 3-1/4" Height
Brake Rotor	95 - 90	BD125097	6000-8000 lb. FA; Hyd.; Hat-Shaped; 10-Hole Rotor; 4-1/2" Height
Brake Rotor	95 - 90	BD125361	6000-8000 lb. FA; Hyd.; Hat-Shaped; 5-Hole Rotor
Brake Rotor	95 - 90	BD125362	6000-8000 lb. FA; Hyd.; Hat-Shaped; 6-Hole Rotor

Rear Rotor & Drum	Years	Part No.	Qualifier
Brake Rotor	95 - 90	BD125484	10000-17500 lb. RA; Hyd.; Hat-Shaped; 10-Hole Rotor; 3-1/4" Height
Brake Rotor	95 - 90	BD125097	10000-17500 lb. RA; Hyd.; Hat-Shaped; 10-Hole Rotor; 4-1/2" Height
Brake Rotor	95 - 90	BD125362	10000-17500 lb. RA; Hyd.; Hat-Shaped; 6-Hole Rotor
Brake Rotor	95 - 90	BD125382	19000-21000 lb. RA; Hyd.; U-Shaped; 5-Hole Rotor
Brake Rotor	95 - 90	BD125382	34000 lb. TRA; Hyd.; U-Shaped; 5-Hole Rotor

Brake Hardware

Front Brake Hardware	Years	Sequential No.	Category No.	Qualifier
Disc Align Kit	95 - 90	F112095S	(H5564)	Bendix; 2.60" 2-Piston Caliper
Disc Align Kit	95 - 90	F112090S	(H5566)	Bendix; 2.88" 2-Piston Caliper
Disc Align Kit	95 - 90	F107401S	(H5562)	Bendix; 3.38" 1-Piston Caliper

Rear Brake Hardware	Years	Sequential No.	Category No.	Qualifier
Disc Align Kit	95 - 90	F112095S	(H5564)	Bendix; 2.60" 2-Piston Caliper
Disc Align Kit	95 - 90	F112090S	(H5566)	Bendix; 2.88" 2-Piston Caliper

Calipers - Reman

Front, Loaded	Years	Left No.	Right No.	Qualifier	Piston
Loaded Caliper	95 - 90	AS112057	AS112057	Bendix; 2.60" 2-Piston Caliper	P
Loaded Caliper	95 - 90	AS112057S	AS112057S	Bendix; 2.60" 2-Piston Caliper	O
Loaded Caliper	95 - 90	AS120549	AS120549	Bendix; 2.88" 2-Piston Caliper	P
Loaded Caliper	95 - 90	AS120549S	AS120549S	Bendix; 2.88" 2-Piston Caliper	O
Loaded Caliper	95 - 90	AS130211A	AS130210A	Bendix; 3.38" 1-Piston Caliper	M

Piston: M - OE Metal Piston P - OE Phenolic Piston O - Metal Piston Option

4600 (cont.)**Calipers - Reman (cont.)**

<i>Rear, Loaded</i>	<i>Years</i>	<i>Left No.</i>	<i>Right No.</i>	<i>Qualifier</i>	<i>Piston</i>
Loaded Caliper	95 - 90	AS132525	AS132525	Bendix; 2.60" 2-Piston Caliper; w/Air Susp.	P
Loaded Caliper	95 - 90	AS132525S	AS132525S	Bendix; 2.60" 2-Piston Caliper; w/Air Susp.	O
Loaded Caliper	95 - 90	AS112057	AS112057	Bendix; 2.60" 2-Piston Caliper; w/o Air Susp.	P
Loaded Caliper	95 - 90	AS112057S	AS112057S	Bendix; 2.60" 2-Piston Caliper; w/o Air Susp.	O
Loaded Caliper	95 - 90	AS134267	AS134267	Bendix; 2.88" 2-Piston Caliper; w/Air Susp.	M
Loaded Caliper	95 - 90	AS120549	AS120549	Bendix; 2.88" 2-Piston Caliper; w/o Air Susp.	P
Loaded Caliper	95 - 90	AS120549S	AS120549S	Bendix; 2.88" 2-Piston Caliper; w/o Air Susp.	O
<i>Front, Unloaded</i>	<i>Years</i>	<i>Left No.</i>	<i>Right No.</i>	<i>Qualifier</i>	<i>Piston</i>
Unloaded Caliper	95 - 90	CR112057	CR112057	Bendix; 2.60" 2-Piston Caliper	P
Unloaded Caliper	95 - 90	CR112057S	CR112057S	Bendix; 2.60" 2-Piston Caliper	O
Unloaded Caliper	95 - 90	CR120549	CR120549	Bendix; 2.88" 2-Piston Caliper	P
Unloaded Caliper	95 - 90	CR120549S	CR120549S	Bendix; 2.88" 2-Piston Caliper	O
Unloaded Caliper	95 - 90	CR130211	CR130210	Bendix; 3.38" 1-Piston Caliper	M
<i>Rear, Unloaded</i>	<i>Years</i>	<i>Left No.</i>	<i>Right No.</i>	<i>Qualifier</i>	<i>Piston</i>
Unloaded Caliper	95 - 90	CR132525	CR132525	Bendix; 2.60" 2-Piston Caliper; w/Air Susp.	P
Unloaded Caliper	95 - 90	CR132525S	CR132525S	Bendix; 2.60" 2-Piston Caliper; w/Air Susp.	O
Unloaded Caliper	95 - 90	CR112057	CR112057	Bendix; 2.60" 2-Piston Caliper; w/o Air Susp.	P
Unloaded Caliper	95 - 90	CR112057S	CR112057S	Bendix; 2.60" 2-Piston Caliper; w/o Air Susp.	O
Unloaded Caliper	95 - 90	CR134267	CR134267	Bendix; 2.88" 2-Piston Caliper; w/Air Susp.	M
Unloaded Caliper	95 - 90	CR120549	CR120549	Bendix; 2.88" 2-Piston Caliper; w/o Air Susp.	P
Unloaded Caliper	95 - 90	CR120549S	CR120549S	Bendix; 2.88" 2-Piston Caliper; w/o Air Susp.	O

Hydraulics - New

<i>Master Cylinder</i>	<i>Years</i>	<i>Sequential No.</i>	<i>Category No.</i>	<i>Qualifier</i>
Master Cylinder	95 - 90	F140747	(MC140747)	
<i>Front Brake Hose</i>	<i>Years</i>	<i>Sequential No.</i>	<i>Category No.</i>	<i>Qualifier</i>
Brake Hose	95 - 90	F132919	(BH132919)	Bendix; 2.60" 2-Piston Caliper; 8000 lb. FA
Brake Hose	95 - 90	F132920	(BH132920)	Bendix; 2.88" 2-Piston Caliper; 10000-12000 lb. FA
Brake Hose	95 - 90	F132918	(BH132918)	Bendix; 3.38" 1-Piston Caliper; 6000 lb. FA
<i>Rear Brake Hose</i>	<i>Years</i>	<i>Sequential No.</i>	<i>Category No.</i>	<i>Qualifier</i>
Brake Hose	95 - 90	F132921	(BH132921)	To Caliper; w/Air Susp.
Brake Hose	95 - 90	F132922	(BH132922)	To Caliper; w/Vari-Rate Susp.
Brake Hose	95 - 90	F107734	(BH107734)	To Frame

Hydraulics - Reman

<i>Power Brake Booster</i>	<i>Years</i>	<i>Part No.</i>	<i>Qualifier</i>
Hydro Booster	95 - 90	529917	High Pwr; Bendix Hydromax II; Complete Assy
Hydro Booster	95 - 90	529906	High Pwr; Bendix Hydromax II; Elect. Motor
Hydro Booster	95 - 90	529805	High Pwr; Bendix Hydromax II; Head

4700**Brake Pads & Shoes**

<i>Front Pads & Shoes</i>	<i>Years</i>	<i>SevereDuty</i>	<i>Lining No.</i>	<i>Qualifier</i>
Brake Pads	03 - 99	SD786		Bosch; 2.60" 2-Piston Caliper
Brake Pads	03 - 99	SD786A		Bosch; 2.88" 2-Piston Caliper
Brake Pads	98 - 90	SD184		Bendix; 2.60" 2-Piston Caliper
Brake Pads	98 - 90	SD225		Bendix; 2.88" 2-Piston Caliper
Brake Pads	98 - 90	SD184		Bendix; 3.38" 1-Piston Caliper
Brake Shoes	03 - 90	4702Q	4702	w/Air Brakes; Rockwell/Meritor; Q-Plus; 15 x 4
Brake Shoes	03 - 99	4703Q	4703	w/Air Brakes; Rockwell/Meritor; Q-Plus; 15 x 5
Brake Shoes	03 - 99	4715Q	4715	w/Air Brakes; Rockwell/Meritor; Q-Plus; 16-1/2 x 6
Brake Shoes	03 - 90	1308Q	1308T	w/Air Brakes; Rockwell/Meritor; Q-Series; 15 x 4
Brake Shoes	03 - 90	4524Q	4524B	w/Air Brakes; Rockwell/Meritor; Q-Series; 16-1/2 x 5
Brake Shoes	03 - 90	4514Q	4514G	w/Air Brakes; Rockwell/Meritor; Q-Series; 16-1/2 x 6
Brake Shoes	03 - 90	1307T	1307	w/Air Brakes; Rockwell/Meritor; T-Series; 15 x 3-1/2
Brake Shoes	03 - 90	1308T	1308T	w/Air Brakes; Rockwell/Meritor; T-Series; 15 x 4
Brake Shoes	98 - 90	1308E	1308	w/Air Brakes; Eaton/Spicer; 15 x 4

Piston: M - OE Metal Piston P - OE Phenolic Piston O - Metal Piston Option

Brake Pads & Shoes (cont.)

Front Pads & Shoes	Years	SevereDuty	Lining No.	Qualifier
Brake Shoes	98 - 90	4223E	4223A	w/Air Brakes; Eaton/Spicer; 16-1/2 x 5
Brake Shoes	98 - 90	4317E	4317G	w/Air Brakes; Eaton/Spicer; 16-1/2 x 6
Brake Shoes	98 - 90	4605R	4605	w/Air Brakes; Rockwell/Meritor; Wedge; 15 x 5
Rear Pads & Shoes	Years	SevereDuty	Lining No.	Qualifier
Brake Pads	03 - 99	SD786		Bosch; 2.60" 2-Piston Caliper
Brake Pads	03 - 99	SD786A		Bosch; 2.88" 2-Piston Caliper
Brake Pads	98 - 90	SD184		Bendix; 2.60" 2-Piston Caliper
Brake Pads	98 - 90	SD225		Bendix; 2.88" 2-Piston Caliper
Brake Shoes	03 - 99	4709Q	4709	w/Air Brakes; Eaton/Spicer; 16-1/2 x 7
Brake Shoes	03 - 90	4515P	4515E	w/Air Brakes; Rockwell/Meritor; P-Series; 16-1/2 x 7
Brake Shoes	03 - 99	4710Q	4710	w/Air Brakes; Rockwell/Meritor; Q-Plus; 15 x 8-5/8
Brake Shoes	03 - 90	4707Q	4707	w/Air Brakes; Rockwell/Meritor; Q-Plus; 16-1/2 x 7
Brake Shoes	03 - 99	4718Q	4718	w/Air Brakes; Rockwell/Meritor; Q-Plus; 16-1/2 x 8
Brake Shoes	03 - 90	4514Q	4514G	w/Air Brakes; Rockwell/Meritor; Q-Series; 16-1/2 x 6
Brake Shoes	03 - 90	4515Q	4515E	w/Air Brakes; Rockwell/Meritor; Q-Series; 16-1/2 x 7
Brake Shoes	98 - 90	4311E	4311J	w/Air Brakes; Eaton/Spicer; 16-1/2 x 7
Parking Brake Shoes	Years	SevereDuty	Lining No.	Qualifier
Brake Shoes	98 - 90	SDS842R	EX1303AD	Driveline Config.; 10 x 3
Brake Shoes	98 - 90	SDS647	EX2086D	Driveline Config.; 9 x 3

Rotor & Drum

Front Rotor & Drum	Years	Part No.	Qualifier
Brake Rotor	03 - 99	BD126361	10000-12000 lb. FA; Hat-Shaped; 10-Hole Rotor
Brake Rotor	03 - 99	BD126394	10000-12000 lb. FA; U-Shaped; 10-Hole Rotor
Brake Rotor	03 - 99	BD126361	6000-8000 lb. FA; Hat-Shaped; 10-Hole Rotor
Brake Rotor	03 - 99	BD126364	6000-8000 lb. FA; Hat-Shaped; 5-Hole Rotor
Brake Rotor	03 - 99	BD126392	6000-8000 lb. FA; Hat-Shaped; 6-Hole Rotor
Brake Rotor	98 - 90	BD125484	10000-12000 lb. FA; Hyd.; Hat-Shaped; 10-Hole Rotor
Brake Rotor	98 - 90	BD126394	10000-12000 lb. FA; Hyd.; U-Shaped; 10-Hole Rotor
Brake Rotor	98 - 90	BD125484	6000-8000 lb. FA; Hyd.; Hat-Shaped; 10-Hole Rotor; 3-1/4" Height
Brake Rotor	98 - 90	BD125097	6000-8000 lb. FA; Hyd.; Hat-Shaped; 10-Hole Rotor; 4-1/2" Height
Brake Rotor	98 - 90	BD125361	6000-8000 lb. FA; Hyd.; Hat-Shaped; 5-Hole Rotor
Brake Rotor	98 - 90	BD125362	6000-8000 lb. FA; Hyd.; Hat-Shaped; 6-Hole Rotor
Rear Rotor & Drum	Years	Part No.	Qualifier
Brake Rotor	03 - 99	BD126361	10000-17500 lb. RA; Hat-Shaped; 10-Hole Rotor; 3-1/4" Height
Brake Rotor	03 - 99	BD126366	10000-17500 lb. RA; Hat-Shaped; 10-Hole Rotor; 4-1/2" Height
Brake Rotor	03 - 99	BD126392	10000-17500 lb. RA; Hat-Shaped; 6-Hole Rotor; 3-1/2" Height
Brake Rotor	03 - 99	BD126366	19000-21000 lb. RA; Hat-Shaped; 10-Hole Rotor
Brake Rotor	03 - 99	BD125382	19000-21000 lb. RA; U-Shaped; 5-Hole Rotor
Brake Rotor	03 - 99	BD125382	34000 lb. TRA; U-Shaped; 5-Hole Rotor
Brake Rotor	98 - 90	BD125484	10000-17500 lb. RA; Hyd.; Hat-Shaped; 10-Hole Rotor; 3-1/4" Height
Brake Rotor	98 - 90	BD125097	10000-17500 lb. RA; Hyd.; Hat-Shaped; 10-Hole Rotor; 4-1/2" Height
Brake Rotor	98 - 90	BD125362	10000-17500 lb. RA; Hyd.; Hat-Shaped; 6-Hole Rotor
Brake Rotor	98 - 90	BD125382	19000-21000 lb. RA; Hyd.; U-Shaped; 5-Hole Rotor
Brake Rotor	98 - 90	BD125382	34000 lb. TRA; Hyd.; U-Shaped; 5-Hole Rotor

Brake Hardware

Front Brake Hardware	Years	Sequential No.	Category No.	Qualifier
Disc Align Kit	03 - 99	F140769	(H5710)	Bosch; 2.60" 2-Piston Caliper
Disc Align Kit	03 - 99	F140769	(H5710)	Bosch; 2.88" 2-Piston Caliper
Disc Align Kit	98 - 90	F112095S	(H5564)	Bendix; 2.60" 2-Piston Caliper
Disc Align Kit	98 - 90	F112090S	(H5566)	Bendix; 2.88" 2-Piston Caliper
Disc Align Kit	98 - 90	F107401S	(H5562)	Bendix; 3.38" 1-Piston Caliper
Rear Brake Hardware	Years	Sequential No.	Category No.	Qualifier
Disc Align Kit	03 - 99	F140769	(H5710)	Bosch; 2.60" 2-Piston Caliper
Disc Align Kit	03 - 99	F140769	(H5710)	Bosch; 2.88" 2-Piston Caliper

4700 (cont.)**Brake Hardware (cont.)**

Rear Brake Hardware	Years	Sequential No.	Category No.	Qualifier
Disc Align Kit	98 - 90	F112095S	(H5564)	Bendix; 2.60" 2-Piston Caliper
Disc Align Kit	98 - 90	F112090S	(H5566)	Bendix; 2.88" 2-Piston Caliper

Calipers - Reman

Front, Loaded	Years	Left No.	Right No.	Qualifier	Piston
Loaded Caliper	03 - 99	AS135025	AS135025	Bosch; 2.60" 2-Piston Caliper	P
Loaded Caliper	03 - 99	AS135024	AS135024	Bosch; 2.88" 2-Piston Caliper	P
Loaded Caliper	98 - 90	AS112057	AS112057	Bendix; 2.60" 2-Piston Caliper	P
Loaded Caliper	98 - 90	AS112057S	AS112057S	Bendix; 2.60" 2-Piston Caliper	O
Loaded Caliper	98 - 90	AS120549	AS120549	Bendix; 2.88" 2-Piston Caliper	P
Loaded Caliper	98 - 90	AS120549S	AS120549S	Bendix; 2.88" 2-Piston Caliper	O
Loaded Caliper	98 - 90	AS130211A	AS130210A	Bendix; 3.38" 1-Piston Caliper	M

Rear, Loaded	Years	Left No.	Right No.	Qualifier	Piston
Loaded Caliper	03 - 99	AS135025	AS135025	Bosch; 2.60" 2-Piston Caliper	P
Loaded Caliper	03 - 99	AS135024	AS135024	Bosch; 2.88" 2-Piston Caliper	P
Loaded Caliper	98 - 90	AS132525	AS132525	Bendix; 2.60" 2-Piston Caliper; w/Air Susp.	P
Loaded Caliper	98 - 90	AS132525S	AS132525S	Bendix; 2.60" 2-Piston Caliper; w/Air Susp.	O
Loaded Caliper	98 - 90	AS112057	AS112057	Bendix; 2.60" 2-Piston Caliper; w/o Air Susp.	P
Loaded Caliper	98 - 90	AS112057S	AS112057S	Bendix; 2.60" 2-Piston Caliper; w/o Air Susp.	O
Loaded Caliper	98 - 90	AS134267	AS134267	Bendix; 2.88" 2-Piston Caliper; w/Air Susp.	M
Loaded Caliper	98 - 90	AS120549	AS120549	Bendix; 2.88" 2-Piston Caliper; w/o Air Susp.	P
Loaded Caliper	98 - 90	AS120549S	AS120549S	Bendix; 2.88" 2-Piston Caliper; w/o Air Susp.	O

Front, Unloaded	Years	Left No.	Right No.	Qualifier	Piston
Unloaded Caliper	03 - 99	CR135025	CR135025	Bosch; 2.60" 2-Piston Caliper	P
Unloaded Caliper	03 - 99	CR135024	CR135024	Bosch; 2.88" 2-Piston Caliper	P
Unloaded Caliper	98 - 90	CR112057	CR112057	Bendix; 2.60" 2-Piston Caliper	P
Unloaded Caliper	98 - 90	CR112057S	CR112057S	Bendix; 2.60" 2-Piston Caliper	O
Unloaded Caliper	98 - 90	CR120549	CR120549	Bendix; 2.88" 2-Piston Caliper	P
Unloaded Caliper	98 - 90	CR120549S	CR120549S	Bendix; 2.88" 2-Piston Caliper	O
Unloaded Caliper	98 - 90	CR130211	CR130210	Bendix; 3.38" 1-Piston Caliper	M

Rear, Unloaded	Years	Left No.	Right No.	Qualifier	Piston
Unloaded Caliper	03 - 99	CR135025	CR135025	Bosch; 2.60" 2-Piston Caliper	P
Unloaded Caliper	03 - 99	CR135024	CR135024	Bosch; 2.88" 2-Piston Caliper	P
Unloaded Caliper	98 - 90	CR132525	CR132525	Bendix; 2.60" 2-Piston Caliper; w/Air Susp.	P
Unloaded Caliper	98 - 90	CR132525S	CR132525S	Bendix; 2.60" 2-Piston Caliper; w/Air Susp.	O
Unloaded Caliper	98 - 90	CR112057	CR112057	Bendix; 2.60" 2-Piston Caliper; w/o Air Susp.	P
Unloaded Caliper	98 - 90	CR112057S	CR112057S	Bendix; 2.60" 2-Piston Caliper; w/o Air Susp.	O
Unloaded Caliper	98 - 90	CR134267	CR134267	Bendix; 2.88" 2-Piston Caliper; w/Air Susp.	M
Unloaded Caliper	98 - 90	CR120549	CR120549	Bendix; 2.88" 2-Piston Caliper; w/o Air Susp.	P
Unloaded Caliper	98 - 90	CR120549S	CR120549S	Bendix; 2.88" 2-Piston Caliper; w/o Air Susp.	O

Hydraulics - New

Master Cylinder	Years	Sequential No.	Category No.	Qualifier
------------------------	--------------	-----------------------	---------------------	------------------

Master Cylinder	03 - 90	F140747	(MC140747)	
-----------------	---------	---------	------------	--

Front Brake Hose	Years	Sequential No.	Category No.	Qualifier
-------------------------	--------------	-----------------------	---------------------	------------------

Brake Hose	98 - 90	F132919	(BH132919)	Bendix; 2.60" 2-Piston Caliper; 8000 lb. FA
Brake Hose	98 - 90	F132920	(BH132920)	Bendix; 2.88" 2-Piston Caliper; 10000-12000 lb. FA
Brake Hose	98 - 90	F132918	(BH132918)	Bendix; 3.38" 1-Piston Caliper; 6000 lb. FA

Rear Brake Hose	Years	Sequential No.	Category No.	Qualifier
------------------------	--------------	-----------------------	---------------------	------------------

Brake Hose	03 - 90	F132921	(BH132921)	To Caliper; w/Air Susp.
Brake Hose	03 - 90	F132922	(BH132922)	To Caliper; w/Vari-Rate Susp.
Brake Hose	03 - 90	F107734	(BH107734)	To Frame

Hydraulics - Reman

Power Brake Booster	Years	Part No.	Qualifier
----------------------------	--------------	-----------------	------------------

Hydro Booster	98 - 90	529917	High Pwr; Bendix Hydromax II; Complete Assy
Hydro Booster	98 - 90	529906	High Pwr; Bendix Hydromax II; Elect. Motor

Piston: M - OE Metal Piston P - OE Phenolic Piston O - Metal Piston Option

Hydraulics - Reman (cont.)

Power Brake Booster	Years	Part No.	Qualifier
Hydro Booster	98 - 90	529805	High Pwr; Bendix Hydromax II; Head

Brake Pads & Shoes

Front Pads & Shoes	Years	SevereDuty	Lining No.	Qualifier
Brake Pads	03 - 99	SD786		Bosch; 2.60" 2-Piston Caliper
Brake Pads	03 - 99	SD786A		Bosch; 2.88" 2-Piston Caliper
Brake Pads	98 - 90	SD184		Bendix; 2.60" 2-Piston Caliper
Brake Pads	98 - 90	SD225		Bendix; 2.88" 2-Piston Caliper
Brake Pads	98 - 90	SD184		Bendix; 3.38" 1-Piston Caliper
Brake Shoes	03 - 90	4702Q	4702	w/Air Brakes; Rockwell/Meritor; Q-Plus; 15 x 4
Brake Shoes	03 - 99	4703Q	4703	w/Air Brakes; Rockwell/Meritor; Q-Plus; 15 x 5
Brake Shoes	03 - 99	4715Q	4715	w/Air Brakes; Rockwell/Meritor; Q-Plus; 16-1/2 x 6
Brake Shoes	03 - 90	1308Q	1308T	w/Air Brakes; Rockwell/Meritor; Q-Series; 15 x 4
Brake Shoes	03 - 90	4524Q	4524B	w/Air Brakes; Rockwell/Meritor; Q-Series; 16-1/2 x 5
Brake Shoes	03 - 90	4514Q	4514G	w/Air Brakes; Rockwell/Meritor; Q-Series; 16-1/2 x 6
Brake Shoes	03 - 90	1307T	1307	w/Air Brakes; Rockwell/Meritor; T-Series; 15 x 3-1/2
Brake Shoes	03 - 90	1308T	1308T	w/Air Brakes; Rockwell/Meritor; T-Series; 15 x 4
Brake Shoes	98 - 90	1308E	1308	w/Air Brakes; Eaton/Spicer; 15 x 4
Brake Shoes	98 - 90	4223E	4223A	w/Air Brakes; Eaton/Spicer; 16-1/2 x 5
Brake Shoes	98 - 90	4317E	4317G	w/Air Brakes; Eaton/Spicer; 16-1/2 x 6
Brake Shoes	98 - 90	4605R	4605	w/Air Brakes; Rockwell/Meritor; Wedge; 15 x 5

Rear Pads & Shoes	Years	SevereDuty	Lining No.	Qualifier
Brake Pads	03 - 99	SD786		Bosch; 2.60" 2-Piston Caliper
Brake Pads	03 - 99	SD786A		Bosch; 2.88" 2-Piston Caliper
Brake Pads	98 - 90	SD184		Bendix; 2.60" 2-Piston Caliper
Brake Pads	98 - 90	SD225		Bendix; 2.88" 2-Piston Caliper
Brake Shoes	03 - 99	4709Q	4709	w/Air Brakes; Eaton/Spicer; 16-1/2 x 7
Brake Shoes	03 - 90	4515P	4515E	w/Air Brakes; Rockwell/Meritor; P-Series; 16-1/2 x 7
Brake Shoes	03 - 99	4710Q	4710	w/Air Brakes; Rockwell/Meritor; Q-Plus; 15 x 8-5/8
Brake Shoes	03 - 90	4707Q	4707	w/Air Brakes; Rockwell/Meritor; Q-Plus; 16-1/2 x 7
Brake Shoes	03 - 99	4718Q	4718	w/Air Brakes; Rockwell/Meritor; Q-Plus; 16-1/2 x 8
Brake Shoes	03 - 90	4514Q	4514G	w/Air Brakes; Rockwell/Meritor; Q-Series; 16-1/2 x 6
Brake Shoes	03 - 90	4515Q	4515E	w/Air Brakes; Rockwell/Meritor; Q-Series; 16-1/2 x 7
Brake Shoes	98 - 90	4311E	4311J	w/Air Brakes; Eaton/Spicer; 16-1/2 x 7

Parking Brake Shoes	Years	SevereDuty	Lining No.	Qualifier
Brake Shoes	98 - 90	SDS842R	EX1303AD	Driveline Config.; 10 x 3
Brake Shoes	98 - 90	SDS647	EX2086D	Driveline Config.; 9 x 3

Rotor & Drum

Front Rotor & Drum	Years	Part No.	Qualifier
Brake Rotor	03 - 99	BD126361	10000-12000 lb. FA; Hat-Shaped; 10-Hole Rotor
Brake Rotor	03 - 99	BD126394	10000-12000 lb. FA; U-Shaped; 10-Hole Rotor
Brake Rotor	03 - 99	BD126361	6000-8000 lb. FA; Hat-Shaped; 10-Hole Rotor
Brake Rotor	03 - 99	BD126364	6000-8000 lb. FA; Hat-Shaped; 5-Hole Rotor
Brake Rotor	03 - 99	BD126392	6000-8000 lb. FA; Hat-Shaped; 6-Hole Rotor
Brake Rotor	98 - 90	BD125484	10000-12000 lb. FA; Hyd.; Hat-Shaped; 10-Hole Rotor
Brake Rotor	98 - 90	BD126394	10000-12000 lb. FA; Hyd.; U-Shaped; 10-Hole Rotor
Brake Rotor	98 - 90	BD125484	6000-8000 lb. FA; Hyd.; Hat-Shaped; 10-Hole Rotor; 3-1/4" Height
Brake Rotor	98 - 90	BD125097	6000-8000 lb. FA; Hyd.; Hat-Shaped; 10-Hole Rotor; 4-1/2" Height
Brake Rotor	98 - 90	BD125361	6000-8000 lb. FA; Hyd.; Hat-Shaped; 5-Hole Rotor
Brake Rotor	98 - 90	BD125362	6000-8000 lb. FA; Hyd.; Hat-Shaped; 6-Hole Rotor

Rear Rotor & Drum	Years	Part No.	Qualifier
Brake Rotor	03 - 99	BD126361	10000-17500 lb. RA; Hat-Shaped; 10-Hole Rotor; 3-1/4" Height
Brake Rotor	03 - 99	BD126366	10000-17500 lb. RA; Hat-Shaped; 10-Hole Rotor; 4-1/2" Height
Brake Rotor	03 - 99	BD126392	10000-17500 lb. RA; Hat-Shaped; 6-Hole Rotor; 3-1/2" Height

4800 (cont.)**Rotor & Drum (cont.)**

Rear Rotor & Drum	Years	Part No.	Qualifier
Brake Rotor	03 - 99	BD126366	19000-21000 lb. RA; Hat-Shaped; 10-Hole Rotor
Brake Rotor	03 - 99	BD125382	19000-21000 lb. RA; U-Shaped; 5-Hole Rotor
Brake Rotor	03 - 99	BD125382	34000 lb. TRA; U-Shaped; 5-Hole Rotor
Brake Rotor	98 - 90	BD125484	10000-17500 lb. RA; Hyd.; Hat-Shaped; 10-Hole Rotor; 3-1/4" Height
Brake Rotor	98 - 90	BD125097	10000-17500 lb. RA; Hyd.; Hat-Shaped; 10-Hole Rotor; 4-1/2" Height
Brake Rotor	98 - 90	BD125362	10000-17500 lb. RA; Hyd.; Hat-Shaped; 6-Hole Rotor
Brake Rotor	98 - 90	BD125382	19000-21000 lb. RA; Hyd.; U-Shaped; 5-Hole Rotor
Brake Rotor	98 - 90	BD125382	34000 lb. TRA; Hyd.; U-Shaped; 5-Hole Rotor

Brake Hardware

Front Brake Hardware	Years	Sequential No.	Category No.	Qualifier
Disc Align Kit	03 - 99	F140769	(H5710)	Bosch; 2.60" 2-Piston Caliper
Disc Align Kit	03 - 99	F140769	(H5710)	Bosch; 2.88" 2-Piston Caliper
Disc Align Kit	98 - 90	F112095S	(H5564)	Bendix; 2.60" 2-Piston Caliper
Disc Align Kit	98 - 90	F112090S	(H5566)	Bendix; 2.88" 2-Piston Caliper
Disc Align Kit	98 - 90	F107401S	(H5562)	Bendix; 3.38" 1-Piston Caliper

Rear Brake Hardware	Years	Sequential No.	Category No.	Qualifier
Disc Align Kit	03 - 99	F140769	(H5710)	Bosch; 2.60" 2-Piston Caliper
Disc Align Kit	03 - 99	F140769	(H5710)	Bosch; 2.88" 2-Piston Caliper
Disc Align Kit	98 - 90	F112095S	(H5564)	Bendix; 2.60" 2-Piston Caliper
Disc Align Kit	98 - 90	F112090S	(H5566)	Bendix; 2.88" 2-Piston Caliper

Calipers - Reman

Front, Loaded	Years	Left No.	Right No.	Qualifier	Piston
Loaded Caliper	03 - 99	AS135025	AS135025	Bosch; 2.60" 2-Piston Caliper	P
Loaded Caliper	03 - 99	AS135024	AS135024	Bosch; 2.88" 2-Piston Caliper	P
Loaded Caliper	98 - 90	AS112057	AS112057	Bendix; 2.60" 2-Piston Caliper	P
Loaded Caliper	98 - 90	AS112057S	AS112057S	Bendix; 2.60" 2-Piston Caliper	O
Loaded Caliper	98 - 90	AS120549	AS120549	Bendix; 2.88" 2-Piston Caliper	P
Loaded Caliper	98 - 90	AS120549S	AS120549S	Bendix; 2.88" 2-Piston Caliper	O
Loaded Caliper	98 - 90	AS130211A	AS130210A	Bendix; 3.38" 1-Piston Caliper	M

Rear, Loaded	Years	Left No.	Right No.	Qualifier	Piston
Loaded Caliper	03 - 99	AS135025	AS135025	Bosch; 2.60" 2-Piston Caliper	P
Loaded Caliper	03 - 99	AS135024	AS135024	Bosch; 2.88" 2-Piston Caliper	P
Loaded Caliper	98 - 90	AS132525	AS132525	Bendix; 2.60" 2-Piston Caliper; w/Air Susp.	P
Loaded Caliper	98 - 90	AS132525S	AS132525S	Bendix; 2.60" 2-Piston Caliper; w/Air Susp.	O
Loaded Caliper	98 - 90	AS112057	AS112057	Bendix; 2.60" 2-Piston Caliper; w/o Air Susp.	P
Loaded Caliper	98 - 90	AS112057S	AS112057S	Bendix; 2.60" 2-Piston Caliper; w/o Air Susp.	O
Loaded Caliper	98 - 90	AS134267	AS134267	Bendix; 2.88" 2-Piston Caliper; w/Air Susp.	M
Loaded Caliper	98 - 90	AS120549	AS120549	Bendix; 2.88" 2-Piston Caliper; w/o Air Susp.	P
Loaded Caliper	98 - 90	AS120549S	AS120549S	Bendix; 2.88" 2-Piston Caliper; w/o Air Susp.	O

Front, Unloaded	Years	Left No.	Right No.	Qualifier	Piston
Unloaded Caliper	03 - 99	CR135025	CR135025	Bosch; 2.60" 2-Piston Caliper	P
Unloaded Caliper	03 - 99	CR135024	CR135024	Bosch; 2.88" 2-Piston Caliper	P
Unloaded Caliper	98 - 90	CR112057	CR112057	Bendix; 2.60" 2-Piston Caliper	P
Unloaded Caliper	98 - 90	CR112057S	CR112057S	Bendix; 2.60" 2-Piston Caliper	O
Unloaded Caliper	98 - 90	CR120549	CR120549	Bendix; 2.88" 2-Piston Caliper	P
Unloaded Caliper	98 - 90	CR120549S	CR120549S	Bendix; 2.88" 2-Piston Caliper	O
Unloaded Caliper	98 - 90	CR130211	CR130210	Bendix; 3.38" 1-Piston Caliper	M

Rear, Unloaded	Years	Left No.	Right No.	Qualifier	Piston
Unloaded Caliper	03 - 99	CR135025	CR135025	Bosch; 2.60" 2-Piston Caliper	P
Unloaded Caliper	03 - 99	CR135024	CR135024	Bosch; 2.88" 2-Piston Caliper	P
Unloaded Caliper	98 - 90	CR132525	CR132525	Bendix; 2.60" 2-Piston Caliper; w/Air Susp.	P
Unloaded Caliper	98 - 90	CR132525S	CR132525S	Bendix; 2.60" 2-Piston Caliper; w/Air Susp.	O
Unloaded Caliper	98 - 90	CR112057	CR112057	Bendix; 2.60" 2-Piston Caliper; w/o Air Susp.	P
Unloaded Caliper	98 - 90	CR112057S	CR112057S	Bendix; 2.60" 2-Piston Caliper; w/o Air Susp.	O

Piston: M - OE Metal Piston P - OE Phenolic Piston O - Metal Piston Option

4800 (cont.)

Calipers - Reman (cont.)

<i>Rear, Unloaded</i>	<i>Years</i>	<i>Left No.</i>	<i>Right No.</i>	<i>Qualifier</i>	<i>Piston</i>
Unloaded Caliper	98 - 90	CR134267	CR134267	Bendix; 2.88" 2-Piston Caliper; w/Air Susp.	M
Unloaded Caliper	98 - 90	CR120549	CR120549	Bendix; 2.88" 2-Piston Caliper; w/o Air Susp.	P
Unloaded Caliper	98 - 90	CR120549S	CR120549S	Bendix; 2.88" 2-Piston Caliper; w/o Air Susp.	O

Hydraulics - New

<i>Master Cylinder</i>	<i>Years</i>	<i>Sequential No.</i>	<i>Category No.</i>	<i>Qualifier</i>
Master Cylinder	03 - 90	F140747	(MC140747)	

<i>Front Brake Hose</i>	<i>Years</i>	<i>Sequential No.</i>	<i>Category No.</i>	<i>Qualifier</i>
Brake Hose	98 - 90	F132919	(BH132919)	Bendix; 2.60" 2-Piston Caliper; 8000 lb. FA
Brake Hose	98 - 90	F132920	(BH132920)	Bendix; 2.88" 2-Piston Caliper; 10000-12000 lb. FA
Brake Hose	98 - 90	F132918	(BH132918)	Bendix; 3.38" 1-Piston Caliper; 6000 lb. FA

<i>Rear Brake Hose</i>	<i>Years</i>	<i>Sequential No.</i>	<i>Category No.</i>	<i>Qualifier</i>
Brake Hose	03 - 90	F132921	(BH132921)	To Caliper; w/Air Susp.
Brake Hose	03 - 90	F132922	(BH132922)	To Caliper; w/Vari-Rate Susp.
Brake Hose	03 - 90	F107734	(BH107734)	To Frame

Hydraulics - Reman

<i>Power Brake Booster</i>	<i>Years</i>	<i>Part No.</i>	<i>Qualifier</i>
Hydro Booster	98 - 90	529917	High Pwr; Bendix Hydromax II; Complete Assy
Hydro Booster	98 - 90	529906	High Pwr; Bendix Hydromax II; Elect. Motor
Hydro Booster	98 - 90	529805	High Pwr; Bendix Hydromax II; Head

4900

Brake Pads & Shoes

<i>Front Pads & Shoes</i>	<i>Years</i>	<i>SevereDuty</i>	<i>Lining No.</i>	<i>Qualifier</i>
Brake Pads	03 - 99	SD786		Bosch; 2.60" 2-Piston Caliper
Brake Pads	03 - 99	SD786A		Bosch; 2.88" 2-Piston Caliper
Brake Pads	98 - 90	SD184		Bendix; 2.60" 2-Piston Caliper
Brake Pads	98 - 90	SD225		Bendix; 2.88" 2-Piston Caliper
Brake Pads	98 - 90	SD184		Bendix; 3.38" 1-Piston Caliper
Brake Shoes	03 - 90	4702Q	4702	w/Air Brakes; Rockwell/Meritor; Q-Plus; 15 x 4
Brake Shoes	03 - 99	4703Q	4703	w/Air Brakes; Rockwell/Meritor; Q-Plus; 15 x 5
Brake Shoes	03 - 99	4715Q	4715	w/Air Brakes; Rockwell/Meritor; Q-Plus; 16-1/2 x 6
Brake Shoes	03 - 90	1308Q	1308T	w/Air Brakes; Rockwell/Meritor; Q-Series; 15 x 4
Brake Shoes	03 - 90	4524Q	4524B	w/Air Brakes; Rockwell/Meritor; Q-Series; 16-1/2 x 5
Brake Shoes	03 - 90	4514Q	4514G	w/Air Brakes; Rockwell/Meritor; Q-Series; 16-1/2 x 6
Brake Shoes	03 - 90	1307T	1307	w/Air Brakes; Rockwell/Meritor; T-Series; 15 x 3-1/2
Brake Shoes	03 - 90	1308T	1308T	w/Air Brakes; Rockwell/Meritor; T-Series; 15 x 4
Brake Shoes	98 - 90	1308E	1308	w/Air Brakes; Eaton/Spicer; 15 x 4
Brake Shoes	98 - 90	4223E	4223A	w/Air Brakes; Eaton/Spicer; 16-1/2 x 5
Brake Shoes	98 - 90	4317E	4317G	w/Air Brakes; Eaton/Spicer; 16-1/2 x 6
Brake Shoes	98 - 90	4605R	4605	w/Air Brakes; Rockwell/Meritor; Wedge; 15 x 5

<i>Rear Pads & Shoes</i>	<i>Years</i>	<i>SevereDuty</i>	<i>Lining No.</i>	<i>Qualifier</i>
Brake Pads	03 - 99	SD786		Bosch; 2.60" 2-Piston Caliper
Brake Pads	03 - 99	SD786A		Bosch; 2.88" 2-Piston Caliper
Brake Pads	98 - 90	SD184		Bendix; 2.60" 2-Piston Caliper
Brake Pads	98 - 90	SD225		Bendix; 2.88" 2-Piston Caliper
Brake Shoes	03 - 99	4709Q	4709	w/Air Brakes; Eaton/Spicer; 16-1/2 x 7
Brake Shoes	03 - 90	4515P	4515E	w/Air Brakes; Rockwell/Meritor; P-Series; 16-1/2 x 7
Brake Shoes	03 - 99	4710Q	4710	w/Air Brakes; Rockwell/Meritor; Q-Plus; 15 x 8-5/8
Brake Shoes	03 - 90	4707Q	4707	w/Air Brakes; Rockwell/Meritor; Q-Plus; 16-1/2 x 7
Brake Shoes	03 - 99	4718Q	4718	w/Air Brakes; Rockwell/Meritor; Q-Plus; 16-1/2 x 8
Brake Shoes	03 - 90	4514Q	4514G	w/Air Brakes; Rockwell/Meritor; Q-Series; 16-1/2 x 6
Brake Shoes	03 - 90	4515Q	4515E	w/Air Brakes; Rockwell/Meritor; Q-Series; 16-1/2 x 7
Brake Shoes	98 - 90	4311E	4311J	w/Air Brakes; Eaton/Spicer; 16-1/2 x 7

<i>Parking Brake Shoes</i>	<i>Years</i>	<i>SevereDuty</i>	<i>Lining No.</i>	<i>Qualifier</i>
Brake Shoes	98 - 90	SDS842R	EX1303AD	Driveline Config.; 10 x 3

Piston: M - OE Metal Piston P - OE Phenolic Piston O - Metal Piston Option

4900 (cont.)**Brake Pads & Shoes (cont.)**

Parking Brake Shoes	Years	SevereDuty	Lining No.	Qualifier
Brake Shoes	98 - 90	SDS647	EX2086D	Driveline Config.; 9 x 3

Rotor & Drum

Front Rotor & Drum	Years	Part No.	Qualifier
Brake Rotor	03 - 99	BD126361	10000-12000 lb. FA; Hat-Shaped; 10-Hole Rotor
Brake Rotor	03 - 99	BD126394	10000-12000 lb. FA; U-Shaped; 10-Hole Rotor
Brake Rotor	03 - 99	BD126361	6000-8000 lb. FA; Hat-Shaped; 10-Hole Rotor
Brake Rotor	03 - 99	BD126364	6000-8000 lb. FA; Hat-Shaped; 5-Hole Rotor
Brake Rotor	03 - 99	BD126392	6000-8000 lb. FA; Hat-Shaped; 6-Hole Rotor
Brake Rotor	98 - 90	BD125484	10000-12000 lb. FA; Hyd.; Hat-Shaped; 10-Hole Rotor
Brake Rotor	98 - 90	BD126394	10000-12000 lb. FA; Hyd.; U-Shaped; 10-Hole Rotor
Brake Rotor	98 - 90	BD125484	6000-8000 lb. FA; Hyd.; Hat-Shaped; 10-Hole Rotor; 3-1/4" Height
Brake Rotor	98 - 90	BD125097	6000-8000 lb. FA; Hyd.; Hat-Shaped; 10-Hole Rotor; 4-1/2" Height
Brake Rotor	98 - 90	BD125361	6000-8000 lb. FA; Hyd.; Hat-Shaped; 5-Hole Rotor
Brake Rotor	98 - 90	BD125362	6000-8000 lb. FA; Hyd.; Hat-Shaped; 6-Hole Rotor

Rear Rotor & Drum	Years	Part No.	Qualifier
Brake Rotor	03 - 99	BD126361	10000-17500 lb. RA; Hat-Shaped; 10-Hole Rotor; 3-1/4" Height
Brake Rotor	03 - 99	BD126366	10000-17500 lb. RA; Hat-Shaped; 10-Hole Rotor; 4-1/2" Height
Brake Rotor	03 - 99	BD126392	10000-17500 lb. RA; Hat-Shaped; 6-Hole Rotor; 3-1/2" Height
Brake Rotor	03 - 99	BD126366	19000-21000 lb. RA; Hat-Shaped; 10-Hole Rotor
Brake Rotor	03 - 99	BD125382	19000-21000 lb. RA; U-Shaped; 5-Hole Rotor
Brake Rotor	03 - 99	BD125382	34000 lb. TRA; U-Shaped; 5-Hole Rotor
Brake Rotor	98 - 90	BD125484	10000-17500 lb. RA; Hyd.; Hat-Shaped; 10-Hole Rotor; 3-1/4" Height
Brake Rotor	98 - 90	BD125097	10000-17500 lb. RA; Hyd.; Hat-Shaped; 10-Hole Rotor; 4-1/2" Height
Brake Rotor	98 - 90	BD125362	10000-17500 lb. RA; Hyd.; Hat-Shaped; 6-Hole Rotor
Brake Rotor	98 - 90	BD125382	19000-21000 lb. RA; Hyd.; U-Shaped; 5-Hole Rotor
Brake Rotor	98 - 90	BD125382	34000 lb. TRA; Hyd.; U-Shaped; 5-Hole Rotor

Brake Hardware

Front Brake Hardware	Years	Sequential No.	Category No.	Qualifier
Disc Align Kit	03 - 99	F140769	(H5710)	Bosch; 2.60" 2-Piston Caliper
Disc Align Kit	03 - 99	F140769	(H5710)	Bosch; 2.88" 2-Piston Caliper
Disc Align Kit	98 - 90	F112095S	(H5564)	Bendix; 2.60" 2-Piston Caliper
Disc Align Kit	98 - 90	F112090S	(H5566)	Bendix; 2.88" 2-Piston Caliper
Disc Align Kit	98 - 90	F107401S	(H5562)	Bendix; 3.38" 1-Piston Caliper

Rear Brake Hardware	Years	Sequential No.	Category No.	Qualifier
Disc Align Kit	03 - 99	F140769	(H5710)	Bosch; 2.60" 2-Piston Caliper
Disc Align Kit	03 - 99	F140769	(H5710)	Bosch; 2.88" 2-Piston Caliper
Disc Align Kit	98 - 90	F112095S	(H5564)	Bendix; 2.60" 2-Piston Caliper
Disc Align Kit	98 - 90	F112090S	(H5566)	Bendix; 2.88" 2-Piston Caliper

Calipers - Reman

Front, Loaded	Years	Left No.	Right No.	Qualifier	Piston
Loaded Caliper	03 - 99	AS135025	AS135025	Bosch; 2.60" 2-Piston Caliper	P
Loaded Caliper	03 - 99	AS135024	AS135024	Bosch; 2.88" 2-Piston Caliper	P
Loaded Caliper	98 - 90	AS112057	AS112057	Bendix; 2.60" 2-Piston Caliper	P
Loaded Caliper	98 - 90	AS112057S	AS112057S	Bendix; 2.60" 2-Piston Caliper	O
Loaded Caliper	98 - 90	AS120549	AS120549	Bendix; 2.88" 2-Piston Caliper	P
Loaded Caliper	98 - 90	AS120549S	AS120549S	Bendix; 2.88" 2-Piston Caliper	O
Loaded Caliper	98 - 90	AS130211A	AS130210A	Bendix; 3.38" 1-Piston Caliper	M

Rear, Loaded	Years	Left No.	Right No.	Qualifier	Piston
Loaded Caliper	03 - 99	AS135025	AS135025	Bosch; 2.60" 2-Piston Caliper	P
Loaded Caliper	03 - 99	AS135024	AS135024	Bosch; 2.88" 2-Piston Caliper	P
Loaded Caliper	98 - 90	AS132525	AS132525	Bendix; 2.60" 2-Piston Caliper; w/Air Susp.	P
Loaded Caliper	98 - 90	AS132525S	AS132525S	Bendix; 2.60" 2-Piston Caliper; w/Air Susp.	O
Loaded Caliper	98 - 90	AS112057	AS112057	Bendix; 2.60" 2-Piston Caliper; w/o Air Susp.	P
Loaded Caliper	98 - 90	AS112057S	AS112057S	Bendix; 2.60" 2-Piston Caliper; w/o Air Susp.	O

Piston: M - OE Metal Piston P - OE Phenolic Piston O - Metal Piston Option

4900 (cont.)

Calipers - Reman (cont.)

<i>Rear, Loaded</i>	<i>Years</i>	<i>Left No.</i>	<i>Right No.</i>	<i>Qualifier</i>	<i>Piston</i>
Loaded Caliper	98 - 90	AS134267	AS134267	Bendix; 2.88" 2-Piston Caliper; w/Air Susp.	M
Loaded Caliper	98 - 90	AS120549	AS120549	Bendix; 2.88" 2-Piston Caliper; w/o Air Susp.	P
Loaded Caliper	98 - 90	AS120549S	AS120549S	Bendix; 2.88" 2-Piston Caliper; w/o Air Susp.	O
<i>Front, Unloaded</i>	<i>Years</i>	<i>Left No.</i>	<i>Right No.</i>	<i>Qualifier</i>	<i>Piston</i>
Unloaded Caliper	03 - 99	CR135025	CR135025	Bosch; 2.60" 2-Piston Caliper	P
Unloaded Caliper	03 - 99	CR135024	CR135024	Bosch; 2.88" 2-Piston Caliper	P
Unloaded Caliper	98 - 90	CR112057	CR112057	Bendix; 2.60" 2-Piston Caliper	P
Unloaded Caliper	98 - 90	CR112057S	CR112057S	Bendix; 2.60" 2-Piston Caliper	O
Unloaded Caliper	98 - 90	CR120549	CR120549	Bendix; 2.88" 2-Piston Caliper	P
Unloaded Caliper	98 - 90	CR120549S	CR120549S	Bendix; 2.88" 2-Piston Caliper	O
Unloaded Caliper	98 - 90	CR130211	CR130210	Bendix; 3.38" 1-Piston Caliper	M
<i>Rear, Unloaded</i>	<i>Years</i>	<i>Left No.</i>	<i>Right No.</i>	<i>Qualifier</i>	<i>Piston</i>
Unloaded Caliper	03 - 99	CR135025	CR135025	Bosch; 2.60" 2-Piston Caliper	P
Unloaded Caliper	03 - 99	CR135024	CR135024	Bosch; 2.88" 2-Piston Caliper	P
Unloaded Caliper	98 - 90	CR132525	CR132525	Bendix; 2.60" 2-Piston Caliper; w/Air Susp.	P
Unloaded Caliper	98 - 90	CR132525S	CR132525S	Bendix; 2.60" 2-Piston Caliper; w/Air Susp.	O
Unloaded Caliper	98 - 90	CR112057	CR112057	Bendix; 2.60" 2-Piston Caliper; w/o Air Susp.	P
Unloaded Caliper	98 - 90	CR112057S	CR112057S	Bendix; 2.60" 2-Piston Caliper; w/o Air Susp.	O
Unloaded Caliper	98 - 90	CR134267	CR134267	Bendix; 2.88" 2-Piston Caliper; w/Air Susp.	M
Unloaded Caliper	98 - 90	CR120549	CR120549	Bendix; 2.88" 2-Piston Caliper; w/o Air Susp.	P
Unloaded Caliper	98 - 90	CR120549S	CR120549S	Bendix; 2.88" 2-Piston Caliper; w/o Air Susp.	O

Hydraulics - New

<i>Master Cylinder</i>	<i>Years</i>	<i>Sequential No.</i>	<i>Category No.</i>	<i>Qualifier</i>
Master Cylinder	03 - 90	F140747	(MC140747)	
<i>Front Brake Hose</i>	<i>Years</i>	<i>Sequential No.</i>	<i>Category No.</i>	<i>Qualifier</i>
Brake Hose	98 - 90	F132919	(BH132919)	Bendix; 2.60" 2-Piston Caliper; 8000 lb. FA
Brake Hose	98 - 90	F132920	(BH132920)	Bendix; 2.88" 2-Piston Caliper; 10000-12000 lb. FA
Brake Hose	98 - 90	F132918	(BH132918)	Bendix; 3.38" 1-Piston Caliper; 6000 lb. FA
<i>Rear Brake Hose</i>	<i>Years</i>	<i>Sequential No.</i>	<i>Category No.</i>	<i>Qualifier</i>
Brake Hose	03 - 90	F132921	(BH132921)	To Caliper; w/Air Susp.
Brake Hose	03 - 90	F132922	(BH132922)	To Caliper; w/Vari-Rate Susp.
Brake Hose	03 - 90	F107734	(BH107734)	To Frame

Hydraulics - Reman

<i>Power Brake Booster</i>	<i>Years</i>	<i>Part No.</i>	<i>Qualifier</i>
Hydro Booster	98 - 90	529917	High Pwr; Bendix Hydromax II; Complete Assy
Hydro Booster	98 - 90	529906	High Pwr; Bendix Hydromax II; Elect. Motor
Hydro Booster	98 - 90	529805	High Pwr; Bendix Hydromax II; Head

INTERNATIONAL MD CF-Series

CF5

Brake Pads & Shoes

<i>Front Pads & Shoes</i>	<i>Years</i>	<i>SevereDuty</i>	<i>Lining No.</i>	<i>Qualifier</i>
Brake Pads	07 - 05	SD1066		2.36" 2-Piston Caliper
<i>Rear Pads & Shoes</i>	<i>Years</i>	<i>SevereDuty</i>	<i>Lining No.</i>	<i>Qualifier</i>
Brake Pads	07 - 05	SD1066		2.36" 2-Piston Caliper

CF6

Brake Pads & Shoes

<i>Front Pads & Shoes</i>	<i>Years</i>	<i>SevereDuty</i>	<i>Lining No.</i>	<i>Qualifier</i>
Brake Pads	07 - 05	SD1066		2.36" 2-Piston Caliper
<i>Rear Pads & Shoes</i>	<i>Years</i>	<i>SevereDuty</i>	<i>Lining No.</i>	<i>Qualifier</i>
Brake Pads	07 - 05	SD1066		2.36" 2-Piston Caliper

Piston: M - OE Metal Piston P - OE Phenolic Piston O - Metal Piston Option

400

Brake Pads & Shoes

Front Pads & Shoes	Years	SevereDuty	Lining No.	Qualifier
--------------------	-------	------------	------------	-----------

Brake Shoes	94 - 86	SDS602R	EX1410D-S32	12-5/8 x 4-3/8
-------------	---------	---------	-------------	----------------

Rear Pads & Shoes	Years	SevereDuty	Lining No.	Qualifier
-------------------	-------	------------	------------	-----------

Brake Shoes	94 - 86	SDS632R	EX1434D-S32	12-5/8 x 5-1/8
-------------	---------	---------	-------------	----------------

Brake Hardware

Front Brake Hardware	Years	Sequential No.	Category No.	Qualifier
----------------------	-------	----------------	--------------	-----------

Combi Kit	94 - 86	F140613	(H3009)	12-5/8 x 4-3/8" Brake
-----------	---------	---------	---------	-----------------------

Rear Brake Hardware	Years	Sequential No.	Category No.	Qualifier
---------------------	-------	----------------	--------------	-----------

Combi Kit	94 - 86	F128868	(H7215)	12-5/8 x 5-1/8" Brake
-----------	---------	---------	---------	-----------------------

Hydraulics - New

Front Wheel Cylinder	Years	Sequential No.	Category No.	Qualifier
----------------------	-------	----------------	--------------	-----------

Wheel Cylinder	94 - 86	F131695	(WC131695)	L.H.; 12-5/8 x 4-3/8" Brake; Back
----------------	---------	---------	------------	-----------------------------------

Wheel Cylinder	94 - 86	F131698	(WC131698)	L.H.; 12-5/8 x 4-3/8" Brake; Fwd.
----------------	---------	---------	------------	-----------------------------------

Wheel Cylinder	94 - 86	F131694	(WC131694)	R.H.; 12-5/8 x 4-3/8" Brake; Back
----------------	---------	---------	------------	-----------------------------------

Wheel Cylinder	94 - 86	F131697	(WC131697)	R.H.; 12-5/8 x 4-3/8" Brake; Fwd.
----------------	---------	---------	------------	-----------------------------------

Rear Wheel Cylinder	Years	Sequential No.	Category No.	Qualifier
---------------------	-------	----------------	--------------	-----------

Wheel Cylinder	94 - 86	F131718	(WC131718)	L.H.; 12-5/8 x 5-1/8 Brake; Back; w/o Wheel Park
----------------	---------	---------	------------	--

Wheel Cylinder	94 - 86	F131720	(WC131720)	L.H.; 12-5/8 x 5-1/8 Brake; Back; w/Wheel Park
----------------	---------	---------	------------	--

Wheel Cylinder	94 - 86	F131732	(WC131732)	L.H.; 12-5/8 x 5-1/8 Brake; Fwd.
----------------	---------	---------	------------	----------------------------------

Wheel Cylinder	94 - 86	F131717	(WC131717)	R.H.; 12-5/8 x 5-1/8 Brake; Back; w/o Wheel Park
----------------	---------	---------	------------	--

Wheel Cylinder	94 - 86	F131719	(WC131719)	R.H.; 12-5/8 x 5-1/8 Brake; Back; w/Wheel Park
----------------	---------	---------	------------	--

Wheel Cylinder	94 - 86	F131731	(WC131731)	R.H.; 12-5/8 x 5-1/8 Brake; Fwd.
----------------	---------	---------	------------	----------------------------------

Front Brake Hose	Years	Sequential No.	Category No.	Qualifier
------------------	-------	----------------	--------------	-----------

Brake Hose	94 - 86	F128951	(BH128951)	
------------	---------	---------	------------	--

Rear Brake Hose	Years	Sequential No.	Category No.	Qualifier
-----------------	-------	----------------	--------------	-----------

Brake Hose	94 - 86	F128952	(BH128952)	
------------	---------	---------	------------	--

500

Brake Pads & Shoes

Front Pads & Shoes	Years	SevereDuty	Lining No.	Qualifier
--------------------	-------	------------	------------	-----------

Brake Shoes	94 - 86	SDS603R	EX1411D-S32	12-5/8 x 4
-------------	---------	---------	-------------	------------

Rear Pads & Shoes	Years	SevereDuty	Lining No.	Qualifier
-------------------	-------	------------	------------	-----------

Brake Shoes	94 - 86	SDS604R	EX1412D-S43	14-5/8 x 5-1/4
-------------	---------	---------	-------------	----------------

Brake Hardware

Front Brake Hardware	Years	Sequential No.	Category No.	Qualifier
----------------------	-------	----------------	--------------	-----------

Adjuster Kit	94 - 86	F128918	(H2933)	12-5/8 x 4" Brake
--------------	---------	---------	---------	-------------------

Combi Kit	94 - 86	F128867	(H7214)	12-5/8 x 4" Brake
-----------	---------	---------	---------	-------------------

Rear Brake Hardware	Years	Sequential No.	Category No.	Qualifier
---------------------	-------	----------------	--------------	-----------

Adjuster Kit	94 - 86	F128917	(H2932)	14-5/8 x 5-1/4" Brake
--------------	---------	---------	---------	-----------------------

Combi Kit	94 - 86	F128867	(H7214)	14-5/8 x 5-1/4" Brake
-----------	---------	---------	---------	-----------------------

Hydraulics - New

Front Wheel Cylinder	Years	Sequential No.	Category No.	Qualifier
----------------------	-------	----------------	--------------	-----------

Wheel Cylinder	94 - 86	F131692	(WC131692)	12-5/8 x 4" Brake
----------------	---------	---------	------------	-------------------

Rear Wheel Cylinder	Years	Sequential No.	Category No.	Qualifier
---------------------	-------	----------------	--------------	-----------

Wheel Cylinder	94 - 86	F131714	(WC131714)	L.H.; 14-5/8 x 5-1/4" Brake; Back; w/o Wheel Park
----------------	---------	---------	------------	---

Wheel Cylinder	94 - 86	F131707	(WC131707)	L.H.; 14-5/8 x 5-1/4" Brake; Back; w/Wheel Park
----------------	---------	---------	------------	---

Wheel Cylinder	94 - 86	F131728	(WC131728)	L.H.; 14-5/8 x 5-1/4" Brake; Fwd.; w/o Wheel Park
----------------	---------	---------	------------	---

Wheel Cylinder	94 - 86	F131730	(WC131730)	L.H.; 14-5/8 x 5-1/4" Brake; Fwd.; w/Wheel Park
----------------	---------	---------	------------	---

Wheel Cylinder	94 - 86	F131713	(WC131713)	R.H.; 14-5/8 x 5-1/4" Brake; Back; w/o Wheel Park
----------------	---------	---------	------------	---

Wheel Cylinder	94 - 86	F131691	(WC131691)	R.H.; 14-5/8 x 5-1/4" Brake; Back; w/Wheel Park
----------------	---------	---------	------------	---

Wheel Cylinder	94 - 86	F131727	(WC131727)	R.H.; 14-5/8 x 5-1/4" Brake; Fwd.; w/o Wheel Park
----------------	---------	---------	------------	---

Wheel Cylinder	94 - 86	F131729	(WC131729)	R.H.; 14-5/8 x 5-1/4" Brake; Fwd.; w/Wheel Park
----------------	---------	---------	------------	---

Front Brake Hose	Years	Sequential No.	Category No.	Qualifier
------------------	-------	----------------	--------------	-----------

Brake Hose	94 - 86	F132179	(BH132179)	
------------	---------	---------	------------	--

500 (cont.)

Hydraulics - New (cont.)

Rear Brake Hose	Years	Sequential No.	Category No.	Qualifier
Brake Hose	94 - 86	F128953	(BH128953)	

600

Brake Pads & Shoes

Front Pads & Shoes	Years	SevereDuty	Lining No.	Qualifier
Brake Shoes	94 - 86	SDS617R	EX1422D-S43	Air Over Hyd.; 15-3/4 x 4-3/4
Rear Pads & Shoes	Years	SevereDuty	Lining No.	Qualifier
Brake Shoes	94 - 86	SDS614R	EX1419D-S43	Air Over Hyd.; 15-3/4 x 6

Brake Hardware

Front Brake Hardware	Years	Sequential No.	Category No.	Qualifier
Combi Kit	94 - 86	F128867	(H7214)	Air Over Hyd.; 15-3/4 x 4-3/4" Brake
Rear Brake Hardware	Years	Sequential No.	Category No.	Qualifier
Combi Kit	94 - 86	F140618	(H3014)	Air Over Hyd.; 15-3/4 x 6" Brake

Hydraulics - New

Front Wheel Cylinder	Years	Sequential No.	Category No.	Qualifier
Wheel Cylinder	94 - 86	F131690	(WC131690)	L.H.; 15-3/4 x 4-3/4" Brake
Wheel Cylinder	94 - 86	F131689	(WC131689)	R.H.; 15-3/4 x 4-3/4" Brake
Rear Wheel Cylinder	Years	Sequential No.	Category No.	Qualifier
Wheel Cylinder	94 - 86	F131709	(WC131709)	L.H.; 15-3/4 x 6" Brake; Back; w/o Wheel Park
Wheel Cylinder	94 - 86	F131707	(WC131707)	L.H.; 15-3/4 x 6" Brake; Back; w/Wheel Park
Wheel Cylinder	94 - 86	F131725	(WC131725)	L.H.; 15-3/4 x 6" Brake; Fwd.
Wheel Cylinder	94 - 86	F131708	(WC131708)	R.H.; 15-3/4 x 6" Brake; Back; w/o Wheel Park
Wheel Cylinder	94 - 86	F131691	(WC131691)	R.H.; 15-3/4 x 6" Brake; Back; w/Wheel Park
Wheel Cylinder	94 - 86	F131724	(WC131724)	R.H.; 15-3/4 x 6" Brake; Fwd.
Clutch Master Cylind	Years	Sequential No.	Category No.	Qualifier
Clutch Master Cylinder	94 - 86	F130243	(CM130243)	
Front Brake Hose	Years	Sequential No.	Category No.	Qualifier
Brake Hose	94 - 86	F132178	(BH132178)	Air Over Hyd.
Rear Brake Hose	Years	Sequential No.	Category No.	Qualifier
Brake Hose	94 - 86	F128953	(BH128953)	Air Over Hyd.

700

Brake Pads & Shoes

Front Pads & Shoes	Years	SevereDuty	Lining No.	Qualifier
Brake Shoes	94 - 86	SDS617R	EX1422D-S43	Air Over Hyd.; 15-3/4 x 4-3/4
Rear Pads & Shoes	Years	SevereDuty	Lining No.	Qualifier
Brake Shoes	94 - 86	SDS614R	EX1419D-S43	Air Over Hyd.; 15-3/4 x 6

Brake Hardware

Front Brake Hardware	Years	Sequential No.	Category No.	Qualifier
Combi Kit	94 - 86	F128867	(H7214)	Air Over Hyd.; 15-3/4 x 4-3/4" Brake
Rear Brake Hardware	Years	Sequential No.	Category No.	Qualifier
Combi Kit	94 - 86	F140618	(H3014)	Air Over Hyd.; 15-3/4 x 6" Brake

Hydraulics - New

Front Wheel Cylinder	Years	Sequential No.	Category No.	Qualifier
Wheel Cylinder	94 - 86	F131690	(WC131690)	L.H.; 15-3/4 x 4-3/4" Brake; Canada
Wheel Cylinder	94 - 86	F131689	(WC131689)	R.H.; 15-3/4 x 4-3/4" Brake; Canada
Rear Wheel Cylinder	Years	Sequential No.	Category No.	Qualifier
Wheel Cylinder	94 - 86	F131707	(WC131707)	L.H.; 15-3/4 x 6" Brake; Back; Canada
Wheel Cylinder	94 - 86	F131707	(WC131707)	L.H.; 15-3/4 x 6" Brake; Back; USA
Wheel Cylinder	94 - 86	F131725	(WC131725)	L.H.; 15-3/4 x 6" Brake; Fwd.; Canada
Wheel Cylinder	94 - 86	F129319	(WC129319)	L.H.; 15-3/4 x 6" Brake; Fwd.; USA
Wheel Cylinder	94 - 86	F131691	(WC131691)	R.H.; 15-3/4 x 6" Brake; Back; Canada
Wheel Cylinder	94 - 86	F131691	(WC131691)	R.H.; 15-3/4 x 6" Brake; Back; USA
Wheel Cylinder	94 - 86	F131724	(WC131724)	R.H.; 15-3/4 x 6" Brake; Fwd.; Canada

700 (cont.)

Hydraulics - New (cont.)

Rear Wheel Cylinder	Years	Sequential No.	Category No.	Qualifier
Wheel Cylinder	94 - 86	F129320	(WC129320)	R.H.; 15-3/4 x 6" Brake; Fwd.; USA
Front Brake Hose	Years	Sequential No.	Category No.	Qualifier
Brake Hose	94 - 86	F132178	(BH132178)	
Rear Brake Hose	Years	Sequential No.	Category No.	Qualifier
Brake Hose	94 - 86	F128953	(BH128953)	

ISUZU

HOMBRE

Brake Pads & Shoes

Front Pads & Shoes	Years	SevereDuty	Lining No.	Qualifier
Brake Pads	00 - 98	SD154		2WD
Brake Pads	00 - 98	SD726		4WD
Brake Pads	97 - 96	SD154		
Rear Pads & Shoes	Years	SevereDuty	Lining No.	Qualifier
Brake Shoes	00 - 96	SDS514R	EX2117ATD	9-1/2 x 2" Brake; Riveted

Rotor & Drum

Front Rotor & Drum	Years	Part No.	Qualifier
Brake Rotor	00 - 99	BD125172	2WD
Brake Rotor	00 - 98	BD125559	4WD
Brake Rotor	98	BD125172	2WD; w/ABS Exciter Ring
Brake Rotor	97 - 96	BD125172	w/ABS Exciter Ring
Rear Rotor & Drum	Years	Part No.	Qualifier
Brake Drum	00 - 96	BD125213	9-1/2 x 2" Brake
Brake Rotor	00 - 98	BD125505	4WD

Brake Hardware

Front Brake Hardware	Years	Sequential No.	Category No.	Qualifier
Caliper Bolt/Pin	00 - 98	F76074S	(H5004)	2WD
Caliper Bolt/Pin	00 - 98	F138684S	(H5086)	4WD
Caliper Bolt/Pin	97 - 96	F76074S	(H5004)	
Disc Align Kit	00 - 98	F99333S	(H5524)	2WD
Disc Align Kit	97 - 96	F99333S	(H5524)	
Pin Boot Kit	00 - 98	F138697S	(H8221)	4WD
Rear Brake Hardware	Years	Sequential No.	Category No.	Qualifier
Adjuster Kit	99 - 96	F110937	(H2564)	L.H.
Adjuster Kit	99 - 96	F110938	(H2565)	R.H.
Adjuster Screw	99 - 96	F110934S	(H1536)	L.H.
Adjuster Screw	99 - 96	F110935S	(H1537)	R.H.
Caliper Bolt/Pin	00 - 98	F138104S	(H5085)	
Combi Kit	00 - 96	F110946S	(H7059)	
↳Adjuster Spring Kit		F110929S	(H404)	
↳Hold Down Kit		F79811S	(H4003)	
↳Return Spring Kit		F45941S	(H323)	
Disc Align Kit	00 - 98	F138691S	(H5624)	
Pin Boot Kit	00 - 98	F138601S	(H18047)	

Calipers - Reman

Front, Loaded	Years	Left No.	Right No.	Qualifier	Piston
Loaded Caliper	00 - 98	AS99022	AS99023	2WD	M
Loaded Caliper	97 - 96	AS99022	AS99023		M
Front, Unloaded	Years	Left No.	Right No.	Qualifier	Piston
Unloaded Caliper	00 - 98	CR99022	CR99023	2WD	M
Unloaded Caliper	00 - 98	CRB134304	CRB134303	4WD; Supplied w/Mtg. Brkt.	M
Unloaded Caliper	00 - 98	CR134304	CR134303	4WD; Supplied w/o Mtg. Brkt.	M
Unloaded Caliper	97 - 96	CR99022	CR99023		M

↳Sub-Kit of Combi-Kit is available separately.

Piston: M - OE Metal Piston P - OE Phenolic Piston

HOMBRE (cont.)
Calipers - Reman (cont.)

<i>Rear, Unloaded</i>	<i>Years</i>	<i>Left No.</i>	<i>Right No.</i>	<i>Qualifier</i>	<i>Piston</i>
Unloaded Caliper	00 - 98	CRB134336	CRB134335	Supplied w/Mtg. Brkt.	P
Unloaded Caliper	00 - 98	CR134336	CR134335	Supplied w/o Mtg. Brkt.	P

Hydraulics - New

<i>Master Cylinder</i>	<i>Years</i>	<i>Sequential No.</i>	<i>Category No.</i>	<i>Qualifier</i>
Master Cylinder	00 - 98	F140131	(MC140131)	1" Bore
Master Cylinder	98 - 97	F139952	(MC139952)	15/16" Bore
<i>Rear Wheel Cylinder</i>	<i>Years</i>	<i>Sequential No.</i>	<i>Category No.</i>	<i>Qualifier</i>
Wheel Cylinder	00 - 96	F122222	(WC122222)	3/4" Bore
<i>Clutch Master Cylind</i>	<i>Years</i>	<i>Sequential No.</i>	<i>Category No.</i>	<i>Qualifier</i>
Clutch Master Cylinder	00 - 96	F134497	(CM134497)	76mm
<i>Front Brake Hose</i>	<i>Years</i>	<i>Sequential No.</i>	<i>Category No.</i>	<i>Qualifier</i>
Brake Hose	00	F140071	(BH140071)	2WD
Brake Hose	00	F140247	(BH140247)	L.H.; 4WD
Brake Hose	00	F140248	(BH140248)	R.H.; 4WD
Brake Hose	99	F132325	(BH132325)	2WD
Brake Hose	99	F139258	(BH139258)	L.H.; 4WD
Brake Hose	99	F139259	(BH139259)	R.H.; 4WD
Brake Hose	98 - 97	F132325	(BH132325)	2.2L
Brake Hose	98 - 97	F139258	(BH139258)	L.H.; 4.3L
Brake Hose	98 - 97	F139259	(BH139259)	R.H.; 4.3L
Brake Hose	96	F132325	(BH132325)	
<i>Rear Brake Hose</i>	<i>Years</i>	<i>Sequential No.</i>	<i>Category No.</i>	<i>Qualifier</i>
Brake Hose	00 - 96	F124599	(BH124599)	Inner

Hydraulics - Reman

<i>Master Cylinder</i>	<i>Years</i>	<i>Part No.</i>	<i>Qualifier</i>
Master Cylinder	99 - 98	R134715	
Master Cylinder	97 - 96	R131941	
<i>Power Brake Booster</i>	<i>Years</i>	<i>Part No.</i>	<i>Qualifier</i>
Power Brake Booster	00 - 98	5474822	w/o Master Cylinder
Power Brake Booster	97 - 96	501061	w/Master Cylinder
Power Brake Booster	97 - 96	5471061	w/o Master Cylinder

Wheel Attaching Hardware

<i>Front Wheel Stud</i>	<i>Years</i>	<i>Part No.</i>	<i>Qualifier</i>
Wheel Lug Stud	00 - 96	BD60946	
<i>Rear Wheel Stud</i>	<i>Years</i>	<i>Part No.</i>	<i>Qualifier</i>
Wheel Lug Stud	00 - 96	BD60946	
<i>Front Wheel Nut</i>	<i>Years</i>	<i>Part No.</i>	<i>Qualifier</i>
Wheel Lug Nut	00 - 96	BD61445	External Thread
<i>Rear Wheel Nut</i>	<i>Years</i>	<i>Part No.</i>	<i>Qualifier</i>
Wheel Lug Nut	00 - 96	BD61445	External Thread

ISUZU MD F/T-Series
FTR
Brake Pads & Shoes

<i>Front Pads & Shoes</i>	<i>Years</i>	<i>SevereDuty</i>	<i>Lining No.</i>	<i>Qualifier</i>
Brake Pads	07 - 03	SD1032		Dayton; 2.52" 4-Piston Caliper; w/Wear Sensor
Brake Pads	07 - 03	SD1032		Dayton; 2.75" 4-Piston Caliper; w/Wear Sensor
<i>Rear Pads & Shoes</i>	<i>Years</i>	<i>SevereDuty</i>	<i>Lining No.</i>	<i>Qualifier</i>
Brake Pads	07 - 03	SD1032		Dayton; 2.52" 4-Piston Caliper; w/Wear Sensor
Brake Pads	07 - 03	SD1032		Dayton; 2.75" 4-Piston Caliper; w/Wear Sensor
<i>Parking Brake Shoes</i>	<i>Years</i>	<i>SevereDuty</i>	<i>Lining No.</i>	<i>Qualifier</i>
Brake Shoes	07 - 03	SDS647	EX2086D	Driveline Config.; 9 x 3
Brake Shoes	07 - 03	SDS824R	EX1556D	Drum-in-Hat Config.; 12 x 3

Piston: M - OE Metal Piston P - OE Phenolic Piston

FTR (cont.)					
Rotor & Drum					
Front Rotor & Drum	Years	Part No.	Qualifier		
Brake Rotor	07 - 03	BD126363	15000-19000 lb. RA; Hat-Shaped; 10-Hole		
Rear Rotor & Drum	Years	Part No.	Qualifier		
Brake Rotor	07 - 03	BD126363	15000-19000 lb. RA; Hat-Shaped; 10-Hole		
Brake Rotor	05 - 03	BD126370	21000 lb. RA; U-Shaped; 10-Hole		
Brake Hardware					
Front Brake Hardware	Years	Sequential No.	Category No.	Qualifier	
Disc Align Kit	07 - 03	F140771	(H5712)	Dayton; 2.52" 4-Piston Caliper; w/Wear Sensor	
Disc Align Kit	07 - 03	F140771	(H5712)	Dayton; 2.75" 4-Piston Caliper; w/Wear Sensor	
Rear Brake Hardware	Years	Sequential No.	Category No.	Qualifier	
Disc Align Kit	07 - 03	F140771	(H5712)	Dayton; 2.52" 4-Piston Caliper; w/Wear Sensor	
Disc Align Kit	07 - 03	F140771	(H5712)	Dayton; 2.75" 4-Piston Caliper; w/Wear Sensor	
Calipers - Reman					
Front, Loaded	Years	Left No.	Right No.	Qualifier	Piston
Loaded Caliper	07 - 03	AS134821A	AS134820A	Dayton; 2.52" 4-Piston Caliper; Serial No. 602C / 604C	M
Loaded Caliper	07 - 03	AS134580A	AS134581A	Dayton; 2.75" 4-Piston Caliper; Serial No. 581F / 583F	M
Loaded Caliper	07 - 03	AS134818A	AS134819A	Dayton; 2.75" 4-Piston Caliper; Serial No. 595F / 597F	M
Rear, Loaded	Years	Left No.	Right No.	Qualifier	Piston
Loaded Caliper	07 - 03	AS134821A	AS134820A	Dayton; 2.52" 4-Piston Caliper; Serial No. 602C / 604C	M
Loaded Caliper	07 - 03	AS134580A	AS134581A	Dayton; 2.75" 4-Piston Caliper; Serial No. 581F / 583F	M
Loaded Caliper	07 - 03	AS134818A	AS134819A	Dayton; 2.75" 4-Piston Caliper; Serial No. 595F / 597F	M
Front, Unloaded	Years	Left No.	Right No.	Qualifier	Piston
Unloaded Caliper	07 - 03	CR134821	CR134820	Dayton; 2.52" 4-Piston Caliper; Serial No. 602C / 604C	M
Unloaded Caliper	07 - 03	CR134580	CR134581	Dayton; 2.75" 4-Piston Caliper; Serial No. 581F / 583F	M
Unloaded Caliper	07 - 03	CR134818	CR134819	Dayton; 2.75" 4-Piston Caliper; Serial No. 595F / 597F	M
Rear, Unloaded	Years	Left No.	Right No.	Qualifier	Piston
Unloaded Caliper	07 - 03	CR134821	CR134820	Dayton; 2.52" 4-Piston Caliper; Serial No. 602C / 604C	M
Unloaded Caliper	07 - 03	CR134580	CR134581	Dayton; 2.75" 4-Piston Caliper; Serial No. 581F / 583F	M
Unloaded Caliper	07 - 03	CR134818	CR134819	Dayton; 2.75" 4-Piston Caliper; Serial No. 595F / 597F	M
FVR					
Brake Pads & Shoes					
Front Pads & Shoes	Years	SevereDuty	Lining No.	Qualifier	
Brake Pads	07 - 03	SD1032		Dayton; 2.52" 4-Piston Caliper; w/Wear Sensor	
Brake Pads	07 - 03	SD1032		Dayton; 2.75" 4-Piston Caliper; w/Wear Sensor	
Brake Shoes	07 - 03	4702Q	4702	w/Air Brakes; Q-Plus; 15 x 4	
Brake Shoes	07 - 03	4720Q	4720	w/Air Brakes; Q-Plus; 16-1/2 x 5	
Brake Shoes	07 - 03	4715Q	4715	w/Air Brakes; Q-Plus; 16-1/2 x 6	
Rear Pads & Shoes	Years	SevereDuty	Lining No.	Qualifier	
Brake Pads	07 - 03	SD1032		Dayton; 2.52" 4-Piston Caliper; w/Wear Sensor	
Brake Pads	07 - 03	SD1032		Dayton; 2.75" 4-Piston Caliper; w/Wear Sensor	
Brake Shoes	07 - 03	4707Q	4707	w/Air Brakes; Q-Plus; 16-1/2 x 7	
Parking Brake Shoes	Years	SevereDuty	Lining No.	Qualifier	
Brake Shoes	07 - 03	SDS647	EX2086D	Driveline Config.; 9 x 3	
Brake Shoes	07 - 03	SDS824R	EX1556D	Drum-in-Hat Config.; 12 x 3	
Rotor & Drum					
Front Rotor & Drum	Years	Part No.	Qualifier		
Brake Rotor	07 - 03	BD126363	15000-19000 lb. RA; Hat-Shaped; 10-Hole		
Rear Rotor & Drum	Years	Part No.	Qualifier		
Brake Rotor	07 - 03	BD126363	15000-19000 lb. RA; Hat-Shaped; 10-Hole		
Brake Rotor	07 - 03	BD126370	21000 lb. RA; U-Shaped; 10-Hole		
Brake Hardware					
Front Brake Hardware	Years	Sequential No.	Category No.	Qualifier	
Disc Align Kit	07 - 03	F140771	(H5712)	Dayton; 2.52" 4-Piston Caliper; w/Wear Sensor	
Disc Align Kit	07 - 03	F140771	(H5712)	Dayton; 2.75" 4-Piston Caliper; w/Wear Sensor	

Piston: M - OE Metal Piston P - OE Phenolic Piston

FVR (cont.)
Brake Hardware (cont.)

Rear Brake Hardware	Years	Sequential No.	Category No.	Qualifier
Disc Align Kit	07 - 03	F140771	(H5712)	Dayton; 2.52" 4-Piston Caliper; w/Wear Sensor
Disc Align Kit	07 - 03	F140771	(H5712)	Dayton; 2.75" 4-Piston Caliper; w/Wear Sensor

Calipers - Reman

Front, Loaded	Years	Left No.	Right No.	Qualifier	Piston
Loaded Caliper	07 - 03	AS134821A	AS134820A	Dayton; 2.52" 4-Piston Caliper; Serial No. 602C / 604C	M
Loaded Caliper	07 - 03	AS134580A	AS134581A	Dayton; 2.75" 4-Piston Caliper; Serial No. 581F / 583F	M
Loaded Caliper	07 - 03	AS134818A	AS134819A	Dayton; 2.75" 4-Piston Caliper; Serial No. 595F / 597F	M
Rear, Loaded	Years	Left No.	Right No.	Qualifier	Piston
Loaded Caliper	07 - 03	AS134821A	AS134820A	Dayton; 2.52" 4-Piston Caliper; Serial No. 602C / 604C	M
Loaded Caliper	07 - 03	AS134580A	AS134581A	Dayton; 2.75" 4-Piston Caliper; Serial No. 581F / 583F	M
Loaded Caliper	07 - 03	AS134818A	AS134819A	Dayton; 2.75" 4-Piston Caliper; Serial No. 595F / 597F	M
Front, Unloaded	Years	Left No.	Right No.	Qualifier	Piston
Unloaded Caliper	07 - 03	CR134821	CR134820	Dayton; 2.52" 4-Piston Caliper; Serial No. 602C / 604C	M
Unloaded Caliper	07 - 03	CR134580	CR134581	Dayton; 2.75" 4-Piston Caliper; Serial No. 581F / 583F	M
Unloaded Caliper	07 - 03	CR134818	CR134819	Dayton; 2.75" 4-Piston Caliper; Serial No. 595F / 597F	M
Rear, Unloaded	Years	Left No.	Right No.	Qualifier	Piston
Unloaded Caliper	07 - 03	CR134821	CR134820	Dayton; 2.52" 4-Piston Caliper; Serial No. 602C / 604C	M
Unloaded Caliper	07 - 03	CR134580	CR134581	Dayton; 2.75" 4-Piston Caliper; Serial No. 581F / 583F	M
Unloaded Caliper	07 - 03	CR134818	CR134819	Dayton; 2.75" 4-Piston Caliper; Serial No. 595F / 597F	M

FXR
Brake Pads & Shoes

Front Pads & Shoes	Years	SevereDuty	Lining No.	Qualifier
Brake Shoes	07 - 03	4702Q	4702	w/Air Brakes; Q-Plus; 15 x 4
Brake Shoes	07 - 03	4720Q	4720	w/Air Brakes; Q-Plus; 16-1/2 x 5
Brake Shoes	07 - 03	4715Q	4715	w/Air Brakes; Q-Plus; 16-1/2 x 6
Rear Pads & Shoes	Years	SevereDuty	Lining No.	Qualifier
Brake Shoes	07 - 03	4707Q	4707	w/Air Brakes; Q-Plus; 16-1/2 x 7
Parking Brake Shoes	Years	SevereDuty	Lining No.	Qualifier
Brake Shoes	07 - 03	SDS647	EX2086D	Driveline Config.; 9 x 3
Brake Shoes	07 - 03	SDS824R	EX1556D	Drum-in-Hat Config.; 12 x 3

ISUZU MD F-Series

FRR
Brake Pads & Shoes

Front Pads & Shoes	Years	SevereDuty	Lining No.	Qualifier
Brake Shoes	05 - 00	SDS834R	EX4735D	Air Over Hyd.; 14-1/2 x 4-3/4
Brake Shoes	99	SDS834R	EX4735D	From 2/99; Air Over Hyd.; 14-1/2 x 4-3/4
Brake Shoes	99	SDS672R	EX1458D-S32	To 1/99; Air Over Hyd.; 12-5/8 x 4-3/8
Brake Shoes	98 - 96	SDS672R	EX1458D-S32	Air Over Hyd.; 12-5/8 x 4-3/8
Rear Pads & Shoes	Years	SevereDuty	Lining No.	Qualifier
Brake Shoes	05 - 00	SDS833R	EX4733D	Air Over Hyd.; 14-1/4 x 5-7/8
Brake Shoes	99	SDS833R	EX4733D	From 2/99; Air Over Hyd.; 14-1/4 x 5-7/8
Brake Shoes	99	SDS727R	EX1498D	To 1/99; Air Over Hyd.; 12-5/8 x 5-3/4
Brake Shoes	98 - 96	SDS727R	EX1498D	Air Over Hyd.; 12-5/8 x 5-3/4

Brake Hardware

Front Brake Hardware	Years	Sequential No.	Category No.	Qualifier
Combi Kit	99	F140621	(H3017)	To 1/99; 12-5/8 x 4-3/8" Brake; Air Over Hyd.
Combi Kit	98 - 96	F140621	(H3017)	12-5/8 x 4-3/8" Brake; Air Over Hyd.
Rear Brake Hardware	Years	Sequential No.	Category No.	Qualifier
Combi Kit	99	F140620	(H3016)	To 1/99; 12-5/8 x 5-3/4" Brake; Air Over Hyd.
Combi Kit	98 - 96	F140620	(H3016)	12-5/8 x 5-3/4" Brake; Air Over Hyd.

Piston: M - OE Metal Piston P - OE Phenolic Piston

FRR (cont.)					
Hydraulics - New					
Front Brake Hose	Years	Sequential No.	Category No.	Qualifier	
Brake Hose	99 - 96	F126748	(BH126748)		
Rear Brake Hose	Years	Sequential No.	Category No.	Qualifier	
Brake Hose	99 - 96	F126751	(BH126751)		
FSR					
Brake Pads & Shoes					
Front Pads & Shoes	Years	SevereDuty	Lining No.	Qualifier	
Brake Pads	02 - 96	SD225B		Bendix; 2.88" 2-Piston Caliper	
Brake Pads	02 - 96	SD224		Dayton; 2.50" 2-Piston Caliper	
Brake Shoes	02 - 96	4702Q	4702	w/Air Brakes; Q-Plus; 15 x 4	
Brake Shoes	02 - 96	4720Q	4720	w/Air Brakes; Q-Plus; 16-1/2 x 5	
Rear Pads & Shoes	Years	SevereDuty	Lining No.	Qualifier	
Brake Pads	02 - 96	SD225B		Bendix; 2.88" 2-Piston Caliper	
Brake Pads	02 - 96	SD224		Dayton; 2.50" 2-Piston Caliper	
Brake Pads	02 - 98	SD769		Dayton; 2.52" 4-Piston Caliper; w/o Wear Sensor	
Brake Pads	02	SD1032		Dayton; 2.52" 4-Piston Caliper; w/Wear Sensor	
Brake Pads	02 - 98	SD769		Dayton; 2.75" 4-Piston Caliper; w/o Wear Sensor	
Brake Pads	02	SD1032		Dayton; 2.75" 4-Piston Caliper; w/Wear Sensor	
Brake Shoes	02 - 96	4707Q	4707	w/Air Brakes; Q-Plus; 16-1/2 x 7	
Parking Brake Shoes	Years	SevereDuty	Lining No.	Qualifier	
Brake Shoes	02 - 96	SDS647	EX2086D	Driveline Config.; 9 x 3	
Brake Shoes	02 - 96	SDS824R	EX1556D	Drum-in-Hat Config.; 12 x 3	
Rotor & Drum					
Front Rotor & Drum	Years	Part No.	Qualifier		
Brake Rotor	02 - 96	BD125088		8100 lb. FA; Hat-Shaped; 5-Hole	
Rear Rotor & Drum	Years	Part No.	Qualifier		
Brake Rotor	02 - 96	BD125665		15000 lb. RA; Hat-Shaped; 10-Hole	
Brake Rotor	02 - 96	BD125338		16900-19000 lb. RA; Hat-Shaped; 10-Hole; w/2-Piston Caliper	
Brake Rotor	02 - 96	BD125668		16900-19000 lb. RA; Hat-Shaped; 10-Hole; w/2-Piston Caliper	
Brake Rotor	02 - 98	BD125666		16900-19000 lb. RA; Hat-Shaped; 10-Hole; w/4-Piston Caliper	
Brake Rotor	02 - 96	BD125667		21000-23000 lb. RA; U-Shaped; 10-Hole	
Brake Hardware					
Front Brake Hardware	Years	Sequential No.	Category No.	Qualifier	
Disc Align Kit	02 - 96	F112090S	(H5566)	Bendix; 2.88" 2-Piston Caliper	
Disc Align Kit	02 - 96	F134105	(H5613)	Dayton; 2.50" 2-Piston Caliper	
Rear Brake Hardware	Years	Sequential No.	Category No.	Qualifier	
Disc Align Kit	02 - 96	F112090S	(H5566)	Bendix; 2.88" 2-Piston Caliper	
Disc Align Kit	02 - 96	F134105	(H5613)	Dayton; 2.50" 2-Piston Caliper	
Disc Align Kit	02 - 98	F140630	(H3026)	Dayton; 2.52" 4-Piston Caliper; w/o Wear Sensor	
Disc Align Kit	02	F140771	(H5712)	Dayton; 2.52" 4-Piston Caliper; w/Wear Sensor	
Disc Align Kit	02 - 98	F140630	(H3026)	Dayton; 2.75" 4-Piston Caliper; w/o Wear Sensor	
Disc Align Kit	02	F140771	(H5712)	Dayton; 2.75" 4-Piston Caliper; w/Wear Sensor	
Calipers - Reman					
Front, Loaded	Years	Left No.	Right No.	Qualifier	Piston
Loaded Caliper	02 - 96	AS120549	AS120549	Bendix; 2.88" 2-Piston Caliper	P
Loaded Caliper	02 - 96	AS120549S	AS120549S	Bendix; 2.88" 2-Piston Caliper	O
Loaded Caliper	02 - 96	AS134782	AS134782	Dayton; 2.50" 2-Piston Caliper	M
Rear, Loaded	Years	Left No.	Right No.	Qualifier	Piston
Loaded Caliper	02 - 96	AS120549	AS120549	Bendix; 2.88" 2-Piston Caliper	P
Loaded Caliper	02 - 96	AS120549S	AS120549S	Bendix; 2.88" 2-Piston Caliper	O
Loaded Caliper	02 - 96	AS134782	AS134782	Dayton; 2.50" 2-Piston Caliper	M
Loaded Caliper	02 - 98	AS134821	AS134820	Dayton; 2.52" 4-Piston Caliper; Serial No. 602C / 604C; w/o Wear Sensor	M
Loaded Caliper	02	AS134821A	AS134820A	Dayton; 2.52" 4-Piston Caliper; Serial No. 602C / 604C; w/Wear Sensor	P
Loaded Caliper	02 - 98	AS134580	AS134581	Dayton; 2.75" 4-Piston Caliper; Serial No. 581F / 583F; w/o Wear Sensor	M

Piston: M - OE Metal Piston P - OE Phenolic Piston O - Metal Piston Option

FSR (cont.)
Calipers - Reman (cont.)

Rear, Loaded	Years	Left No.	Right No.	Qualifier	Piston
Loaded Caliper	02	AS134580A	AS134581A	Dayton; 2.75" 4-Piston Caliper; Serial No. 581F / 583F; w/Wear Sensor	P
Loaded Caliper	02 - 98	AS134818	AS134819	Dayton; 2.75" 4-Piston Caliper; Serial No. 595F / 597F; w/o Wear Sensor	M
Loaded Caliper	02	AS134818A	AS134819A	Dayton; 2.75" 4-Piston Caliper; Serial No. 595F / 597F; w/Wear Sensor	P
Front, Unloaded	Years	Left No.	Right No.	Qualifier	Piston
Unloaded Caliper	02 - 96	CR120549	CR120549	Bendix; 2.88" 2-Piston Caliper	P
Unloaded Caliper	02 - 96	CR120549S	CR120549S	Bendix; 2.88" 2-Piston Caliper	O
Unloaded Caliper	02 - 96	CR134782	CR134782	Dayton; 2.50" 2-Piston Caliper	M
Rear, Unloaded	Years	Left No.	Right No.	Qualifier	Piston
Unloaded Caliper	02 - 96	CR120549	CR120549	Bendix; 2.88" 2-Piston Caliper	P
Unloaded Caliper	02 - 96	CR120549S	CR120549S	Bendix; 2.88" 2-Piston Caliper	O
Unloaded Caliper	02 - 96	CR134782	CR134782	Dayton; 2.50" 2-Piston Caliper	M
Unloaded Caliper	02 - 98	CR134821	CR134820	Dayton; 2.52" 4-Piston Caliper; Serial No. 602C / 604C	M
Unloaded Caliper	02 - 98	CR134580	CR134581	Dayton; 2.75" 4-Piston Caliper; Serial No. 581F / 583F	M
Unloaded Caliper	02 - 98	CR134818	CR134819	Dayton; 2.75" 4-Piston Caliper; Serial No. 595F / 597F	M

Hydraulics - New

Front Brake Hose	Years	Sequential No.	Category No.	Qualifier
Brake Hose	02 - 96	F140743	(BH140743)	
Rear Brake Hose	Years	Sequential No.	Category No.	Qualifier
Brake Hose	02 - 96	F140736	(BH140736)	L.H.; w/Low Pro
Brake Hose	02 - 99	F140738	(BH140738)	L.H.; w/Low Pro; w/Pipe
Brake Hose	02 - 96	F140737	(BH140737)	L.H.; w/o Low Pro
Brake Hose	02 - 99	F140742	(BH140742)	L.H.; w/o Low Pro; w/Pipe
Brake Hose	02 - 96	F140736	(BH140736)	R.H.; w/Low Pro
Brake Hose	02 - 99	F140739	(BH140739)	R.H.; w/Low Pro; w/Pipe
Brake Hose	02 - 96	F140737	(BH140737)	R.H.; w/o Low Pro
Brake Hose	02 - 99	F140766	(BH140766)	R.H.; w/o Low Pro; w/Pipe

FTR
Brake Pads & Shoes

Front Pads & Shoes	Years	SevereDuty	Lining No.	Qualifier
Brake Pads	02 - 96	SD225B		Bendix; 2.88" 2-Piston Caliper
Brake Pads	02 - 96	SD224		Dayton; 2.50" 2-Piston Caliper
Brake Shoes	02 - 96	4702Q	4702	w/Air Brakes; Q-Plus; 15 x 4
Brake Shoes	02 - 96	4720Q	4720	w/Air Brakes; Q-Plus; 16-1/2 x 5
Brake Shoes	02 - 96	4524Q	4524B	w/Air Brakes; Q-Series; 16-1/2 x 5
Rear Pads & Shoes	Years	SevereDuty	Lining No.	Qualifier
Brake Pads	02 - 96	SD225B		Bendix; 2.88" 2-Piston Caliper
Brake Pads	02 - 96	SD224		Dayton; 2.50" 2-Piston Caliper
Brake Pads	02 - 98	SD769		Dayton; 2.52" 4-Piston Caliper; w/o Wear Sensor
Brake Pads	02	SD1032		Dayton; 2.52" 4-Piston Caliper; w/Wear Sensor
Brake Pads	02 - 98	SD769		Dayton; 2.75" 4-Piston Caliper; w/o Wear Sensor
Brake Pads	02	SD1032		Dayton; 2.75" 4-Piston Caliper; w/Wear Sensor
Brake Shoes	02 - 96	4707Q	4707	w/Air Brakes; Q-Plus; 16-1/2 x 7
Brake Shoes	02 - 96	4515P	4515E	w/Air Brakes; Q-Series; 16-1/2 x 7
Parking Brake Shoes	Years	SevereDuty	Lining No.	Qualifier
Brake Shoes	02 - 96	SDS647	EX2086D	Drum-in-Hat Config.; 9 x 3
Brake Shoes	02 - 96	SDS824R	EX1556D	Drum-in-Hat Config.; 12 x 3

Rotor & Drum

Front Rotor & Drum	Years	Part No.	Qualifier
Brake Rotor	02 - 96	BD125488	11000 lb. FA; Hat-Shaped; 10-Hole
Brake Rotor	02 - 96	BD125088	8100 lb. FA; Hat-Shaped; 5-Hole
Rear Rotor & Drum	Years	Part No.	Qualifier
Brake Rotor	02 - 96	BD125338	16900-19000 lb. RA; Hat-Shaped; 10-Hole; w/2-Piston Caliper
Brake Rotor	02 - 96	BD125668	16900-19000 lb. RA; Hat-Shaped; 10-Hole; w/2-Piston Caliper

Piston: M - OE Metal Piston P - OE Phenolic Piston O - Metal Piston Option

FTR (cont.)					
Rotor & Drum (cont.)					
Rear Rotor & Drum	Years	Part No.	Qualifier		
Brake Rotor	02 - 98	BD125666	16900-19000 lb. RA; Hat-Shaped; 10-Hole; w/4-Piston Caliper		
Brake Rotor	02 - 96	BD125667	21000-23000 lb. RA; U-Shaped; 10-Hole		
Brake Rotor	00 - 96	BD125665	15000 lb. RA; Hat-Shaped; 10-Hole		
Brake Hardware					
Front Brake Hardware	Years	Sequential No.	Category No.	Qualifier	
Disc Align Kit	02 - 96	F112090S	(H5566)	Bendix; 2.88" 2-Piston Caliper	
Disc Align Kit	02 - 96	F134105	(H5613)	Dayton; 2.50" 2-Piston Caliper	
Rear Brake Hardware	Years	Sequential No.	Category No.	Qualifier	
Disc Align Kit	02 - 96	F112090S	(H5566)	Bendix; 2.88" 2-Piston Caliper	
Disc Align Kit	02 - 96	F134105	(H5613)	Dayton; 2.50" 2-Piston Caliper	
Disc Align Kit	02 - 98	F140630	(H3026)	Dayton; 2.52" 4-Piston Caliper; w/o Wear Sensor	
Disc Align Kit	02	F140771	(H5712)	Dayton; 2.52" 4-Piston Caliper; w/Wear Sensor	
Disc Align Kit	02 - 98	F140630	(H3026)	Dayton; 2.75" 4-Piston Caliper; w/o Wear Sensor	
Disc Align Kit	02	F140771	(H5712)	Dayton; 2.75" 4-Piston Caliper; w/Wear Sensor	
Calipers - Reman					
Front, Loaded	Years	Left No.	Right No.	Qualifier	Piston
Loaded Caliper	02 - 96	AS120549	AS120549	Bendix; 2.88" 2-Piston Caliper	P
Loaded Caliper	02 - 96	AS120549S	AS120549S	Bendix; 2.88" 2-Piston Caliper	O
Loaded Caliper	02 - 96	AS134782	AS134782	Dayton; 2.50" 2-Piston Caliper	M
Rear, Loaded	Years	Left No.	Right No.	Qualifier	Piston
Loaded Caliper	02 - 96	AS120549	AS120549	Bendix; 2.88" 2-Piston Caliper	P
Loaded Caliper	02 - 96	AS120549S	AS120549S	Bendix; 2.88" 2-Piston Caliper	O
Loaded Caliper	02 - 96	AS134782	AS134782	Dayton; 2.50" 2-Piston Caliper	M
Loaded Caliper	02 - 98	AS134821	AS134820	Dayton; 2.52" 4-Piston Caliper; Serial No. 602C / 604C; w/o Wear Sensor	M
Loaded Caliper	02	AS134821A	AS134820A	Dayton; 2.52" 4-Piston Caliper; Serial No. 602C / 604C; w/Wear Sensor	P
Loaded Caliper	02 - 98	AS134580	AS134581	Dayton; 2.75" 4-Piston Caliper; Serial No. 581F / 583F; w/o Wear Sensor	M
Loaded Caliper	02	AS134580A	AS134581A	Dayton; 2.75" 4-Piston Caliper; Serial No. 581F / 583F; w/Wear Sensor	P
Loaded Caliper	02 - 98	AS134818	AS134819	Dayton; 2.75" 4-Piston Caliper; Serial No. 595F / 597F; w/o Wear Sensor	M
Loaded Caliper	02	AS134818A	AS134819A	Dayton; 2.75" 4-Piston Caliper; Serial No. 595F / 597F; w/Wear Sensor	P
Front, Unloaded	Years	Left No.	Right No.	Qualifier	Piston
Unloaded Caliper	02 - 96	CR120549	CR120549	Bendix; 2.88" 2-Piston Caliper	P
Unloaded Caliper	02 - 96	CR120549S	CR120549S	Bendix; 2.88" 2-Piston Caliper	O
Unloaded Caliper	02 - 96	CR134782	CR134782	Dayton; 2.50" 2-Piston Caliper	M
Rear, Unloaded	Years	Left No.	Right No.	Qualifier	Piston
Unloaded Caliper	02 - 96	CR120549	CR120549	Bendix; 2.88" 2-Piston Caliper	P
Unloaded Caliper	02 - 96	CR120549S	CR120549S	Bendix; 2.88" 2-Piston Caliper	O
Unloaded Caliper	02 - 96	CR134782	CR134782	Dayton; 2.50" 2-Piston Caliper	M
Unloaded Caliper	02 - 98	CR134821	CR134820	Dayton; 2.52" 4-Piston Caliper; Serial No. 602C / 604C	M
Unloaded Caliper	02 - 98	CR134580	CR134581	Dayton; 2.75" 4-Piston Caliper; Serial No. 581F / 583F	M
Unloaded Caliper	02 - 98	CR134818	CR134819	Dayton; 2.75" 4-Piston Caliper; Serial No. 595F / 597F	M
Hydraulics - New					
Front Brake Hose	Years	Sequential No.	Category No.	Qualifier	
Brake Hose	02 - 96	F140743	(BH140743)		
Rear Brake Hose	Years	Sequential No.	Category No.	Qualifier	
Brake Hose	02 - 96	F140736	(BH140736)	L.H.; w/Low Pro	
Brake Hose	02 - 99	F140738	(BH140738)	L.H.; w/Low Pro; w/Pipe	
Brake Hose	02 - 96	F140737	(BH140737)	L.H.; w/o Low Pro	
Brake Hose	02 - 99	F140742	(BH140742)	L.H.; w/o Low Pro; w/Pipe	
Brake Hose	02 - 96	F140736	(BH140736)	R.H.; w/Low Pro	
Brake Hose	02 - 99	F140739	(BH140739)	R.H.; w/Low Pro; w/Pipe	
Brake Hose	02 - 96	F140737	(BH140737)	R.H.; w/o Low Pro	
Brake Hose	02 - 99	F140766	(BH140766)	R.H.; w/o Low Pro; w/Pipe	

Piston: M - OE Metal Piston P - OE Phenolic Piston O - Metal Piston Option

Brake Pads & Shoes

Front Pads & Shoes	Years	SevereDuty	Lining No.	Qualifier
Brake Pads	02 - 96	SD225B		Bendix; 2.88" 2-Piston Caliper
Brake Pads	02 - 96	SD224		Dayton; 2.50" 2-Piston Caliper
Brake Shoes	02 - 96	4702Q	4702	w/Air Brakes; Q-Plus; 15 x 4
Brake Shoes	02 - 96	4720Q	4720	w/Air Brakes; Q-Plus; 16-1/2 x 5
Brake Shoes	02 - 96	4524Q	4524B	w/Air Brakes; Q-Series; 16-1/2 x 5

Rear Pads & Shoes	Years	SevereDuty	Lining No.	Qualifier
Brake Pads	02 - 96	SD225B		Bendix; 2.88" 2-Piston Caliper
Brake Pads	02 - 96	SD224		Dayton; 2.50" 2-Piston Caliper
Brake Pads	02 - 98	SD769		Dayton; 2.52" 4-Piston Caliper; w/o Wear Sensor
Brake Pads	02	SD1032		Dayton; 2.52" 4-Piston Caliper; w/Wear Sensor
Brake Pads	02 - 98	SD769		Dayton; 2.75" 4-Piston Caliper; w/o Wear Sensor
Brake Pads	02	SD1032		Dayton; 2.75" 4-Piston Caliper; w/Wear Sensor
Brake Shoes	02 - 96	4707Q	4707	w/Air Brakes; Q-Plus; 16-1/2 x 7

Parking Brake Shoes	Years	SevereDuty	Lining No.	Qualifier
Brake Shoes	02 - 96	SDS647	EX2086D	Driveline Config.; 9 x 3
Brake Shoes	02 - 96	SDS824R	EX1556D	Drum-in-Hat Config.; 12 x 3

Rotor & Drum

Front Rotor & Drum	Years	Part No.	Qualifier
Brake Rotor	02 - 96	BD125488	11000 lb. FA; Hat-Shaped; 10-Hole
Brake Rotor	02 - 96	BD125088	8100 lb. FA; Hat-Shaped; 5-Hole

Rear Rotor & Drum	Years	Part No.	Qualifier
Brake Rotor	02 - 96	BD125338	34000 lb. TRA; Hat-Shaped; 10-Hole; w/2-Piston Caliper
Brake Rotor	02 - 96	BD125668	34000 lb. TRA; Hat-Shaped; 10-Hole; w/2-Piston Caliper
Brake Rotor	02 - 98	BD125666	34000 lb. TRA; Hat-Shaped; 10-Hole; w/4-Piston Caliper
Brake Rotor	02 - 96	BD125667	38000-44000 lb. TRA; U-Shaped; 10-Hole

Brake Hardware

Front Brake Hardware	Years	Sequential No.	Category No.	Qualifier
Disc Align Kit	02 - 96	F112090S	(H5566)	Bendix; 2.88" 2-Piston Caliper
Disc Align Kit	02 - 96	F134105	(H5613)	Dayton; 2.50" 2-Piston Caliper

Rear Brake Hardware	Years	Sequential No.	Category No.	Qualifier
Disc Align Kit	02 - 96	F112090S	(H5566)	Bendix; 2.88" 2-Piston Caliper
Disc Align Kit	02 - 96	F134105	(H5613)	Dayton; 2.50" 2-Piston Caliper
Disc Align Kit	02 - 98	F140630	(H3026)	Dayton; 2.52" 4-Piston Caliper; w/o Wear Sensor
Disc Align Kit	02	F140771	(H5712)	Dayton; 2.52" 4-Piston Caliper; w/Wear Sensor
Disc Align Kit	02 - 98	F140630	(H3026)	Dayton; 2.75" 4-Piston Caliper; w/o Wear Sensor
Disc Align Kit	02	F140771	(H5712)	Dayton; 2.75" 4-Piston Caliper; w/Wear Sensor

Calipers - Reman

Front, Loaded	Years	Left No.	Right No.	Qualifier	Piston
Loaded Caliper	02 - 96	AS120549	AS120549	Bendix; 2.88" 2-Piston Caliper	P
Loaded Caliper	02 - 96	AS120549S	AS120549S	Bendix; 2.88" 2-Piston Caliper	O
Loaded Caliper	02 - 96	AS134782	AS134782	Dayton; 2.50" 2-Piston Caliper	M

Rear, Loaded	Years	Left No.	Right No.	Qualifier	Piston
Loaded Caliper	02 - 96	AS120549	AS120549	Bendix; 2.88" 2-Piston Caliper	P
Loaded Caliper	02 - 96	AS120549S	AS120549S	Bendix; 2.88" 2-Piston Caliper	O
Loaded Caliper	02 - 96	AS134782	AS134782	Dayton; 2.50" 2-Piston Caliper	M
Loaded Caliper	02 - 98	AS134821	AS134820	Dayton; 2.52" 4-Piston Caliper; Serial No. 602C / 604C; w/o Wear Sensor	M
Loaded Caliper	02	AS134821A	AS134820A	Dayton; 2.52" 4-Piston Caliper; Serial No. 602C / 604C; w/Wear Sensor	P
Loaded Caliper	02 - 98	AS134580	AS134581	Dayton; 2.75" 4-Piston Caliper; Serial No. 581F / 583F; w/o Wear Sensor	M
Loaded Caliper	02	AS134580A	AS134581A	Dayton; 2.75" 4-Piston Caliper; Serial No. 581F / 583F; w/Wear Sensor	P
Loaded Caliper	02 - 98	AS134818	AS134819	Dayton; 2.75" 4-Piston Caliper; Serial No. 595F / 597F; w/o Wear Sensor	M
Loaded Caliper	02	AS134818A	AS134819A	Dayton; 2.75" 4-Piston Caliper; Serial No. 595F / 597F; w/Wear Sensor	P

Front, Unloaded	Years	Left No.	Right No.	Qualifier	Piston
Unloaded Caliper	02 - 96	CR120549	CR120549	Bendix; 2.88" 2-Piston Caliper	P
Unloaded Caliper	02 - 96	CR120549S	CR120549S	Bendix; 2.88" 2-Piston Caliper	O

Piston: M - OE Metal Piston P - OE Phenolic Piston O - Metal Piston Option

FVR (cont.)					
Calipers - Reman (cont.)					
Front, Unloaded	Years	Left No.	Right No.	Qualifier	Piston
Unloaded Caliper	02 - 96	CR134782	CR134782	Dayton; 2.50" 2-Piston Caliper	M
Rear, Unloaded	Years	Left No.	Right No.	Qualifier	Piston
Unloaded Caliper	02 - 96	CR120549	CR120549	Bendix; 2.88" 2-Piston Caliper	P
Unloaded Caliper	02 - 96	CR120549S	CR120549S	Bendix; 2.88" 2-Piston Caliper	O
Unloaded Caliper	02 - 96	CR134782	CR134782	Dayton; 2.50" 2-Piston Caliper	M
Unloaded Caliper	02 - 98	CR134821	CR134820	Dayton; 2.52" 4-Piston Caliper; Serial No. 602C / 604C	M
Unloaded Caliper	02 - 98	CR134580	CR134581	Dayton; 2.75" 4-Piston Caliper; Serial No. 581F / 583F	M
Unloaded Caliper	02 - 98	CR134818	CR134819	Dayton; 2.75" 4-Piston Caliper; Serial No. 595F / 597F	M
Hydraulics - New					
Front Brake Hose	Years	Sequential No.	Category No.	Qualifier	
Brake Hose	02 - 96	F140743	(BH140743)		
Rear Brake Hose	Years	Sequential No.	Category No.	Qualifier	
Brake Hose	02 - 96	F140736	(BH140736)	L.H.; w/Low Pro	
Brake Hose	02 - 99	F140738	(BH140738)	L.H.; w/Low Pro; w/Pipe	
Brake Hose	02 - 96	F140737	(BH140737)	L.H.; w/o Low Pro	
Brake Hose	02 - 99	F140742	(BH140742)	L.H.; w/o Low Pro; w/Pipe	
Brake Hose	02 - 96	F140736	(BH140736)	R.H.; w/Low Pro	
Brake Hose	02 - 99	F140739	(BH140739)	R.H.; w/Low Pro; w/Pipe	
Brake Hose	02 - 96	F140737	(BH140737)	R.H.; w/o Low Pro	
Brake Hose	02 - 99	F140766	(BH140766)	R.H.; w/o Low Pro; w/Pipe	

ISUZU MD F/W-Series

EVR					
Brake Pads & Shoes					
Front Pads & Shoes	Years	SevereDuty	Lining No.	Qualifier	
Brake Shoes	93 - 87	SDS718R	EX1418D-S43	w/Air Brakes; 16-1/8 x 5-1/2	
Rear Pads & Shoes	Years	SevereDuty	Lining No.	Qualifier	
Brake Shoes	93 - 87	SDS4734R	EX4734D	w/Air Brakes; 16-1/8 x 7	
Hydraulics - New					
Clutch Slave Cylinder	Years	Sequential No.	Category No.	Qualifier	
Clutch Slave Cylinder	90 - 87	F128948	(SC128948)	Spicer Trans.; 1" Bore	
FRR					
Brake Pads & Shoes					
Front Pads & Shoes	Years	SevereDuty	Lining No.	Qualifier	
Brake Shoes	96 - 94	SDS672R	EX1458D-S32	Air Over Hyd.; 12-5/8 x 4-3/8	
Rear Pads & Shoes	Years	SevereDuty	Lining No.	Qualifier	
Brake Shoes	96 - 94	SDS727R	EX1498D	Air Over Hyd.; 12-5/8 x 5-3/4	
Brake Hardware					
Front Brake Hardware	Years	Sequential No.	Category No.	Qualifier	
Combi Kit	96 - 94	F140621	(H3017)	12-5/8 x 4-3/8" Brake; Air Over Hyd.	
Rear Brake Hardware	Years	Sequential No.	Category No.	Qualifier	
Combi Kit	96 - 94	F140620	(H3016)	12-5/8 x 5-3/4" Brake; Air Over Hyd.	
Hydraulics - New					
Rear Wheel Cylinder	Years	Sequential No.	Category No.	Qualifier	
Wheel Cylinder	94	F131825	(WC131825)	To 9/94; 12-5/8 x 5-3/4" Brake; w/Man Adj.; Bottom	
Wheel Cylinder	94	F131823	(WC131823)	To 9/94; 12-5/8 x 5-3/4" Brake; w/Man Adj.; Top	
Front Brake Hose	Years	Sequential No.	Category No.	Qualifier	
Brake Hose	96 - 94	F126748	(BH126748)		
Rear Brake Hose	Years	Sequential No.	Category No.	Qualifier	
Brake Hose	96 - 94	F126751	(BH126751)		

Piston: M - OE Metal Piston P - OE Phenolic Piston O - Metal Piston Option

Brake Pads & Shoes

Front Pads & Shoes	Years	SevereDuty	Lining No.	Qualifier
Brake Shoes	96 - 94	SDS616R	EX1421D-S32	15-3/4 x 5-1/2
Brake Shoes	93 - 86	SDS603R	EX1411D-S32	w/Low Deck; 12-5/8 x 4
Brake Shoes	93 - 86	SDS616R	EX1421D-S32	w/o Low Deck; 15-3/4 x 5-1/2

Rear Pads & Shoes	Years	SevereDuty	Lining No.	Qualifier
Brake Shoes	96 - 94	SDS615R	EX1420D-S32	16-1/8 x 4-1/2
Brake Shoes	93 - 86	SDS615R	EX1420D-S32	39/8 or 41/8 Final Gear; 16-1/8 x 4-1/2
Brake Shoes	93 - 86	SDS604R	EX1412D-S43	39/9 Final Gear; 14-5/8 x 5-1/4

Brake Hardware

Front Brake Hardware	Years	Sequential No.	Category No.	Qualifier
Adjuster Kit	93 - 86	F128918	(H2933)	12-5/8 x 4" Brake; w/Low Deck
Combi Kit	96 - 94	F140628	(H3024)	15-3/4 x 5-1/2" Brake; Return Spring Kit
Combi Kit	93 - 86	F128867	(H7214)	12-5/8 x 4" Brake; w/Low Deck
Combi Kit	93 - 86	F140628	(H3024)	15-3/4 x 5-1/2" Brake; w/o Low Deck; Return Spring Kit

Rear Brake Hardware	Years	Sequential No.	Category No.	Qualifier
Adjuster Kit	93 - 86	F128917	(H2932)	14-5/8 x 5-1/4" Brake; 39/9 Final Gear
Combi Kit	96 - 94	F128867	(H7214)	16-1/8 x 4-1/2" Brake
Combi Kit	93 - 86	F128867	(H7214)	14-5/8 x 5-1/4" Brake; 39/9 Final Gear
Combi Kit	93 - 86	F128867	(H7214)	16-1/8 x 4-1/2" Brake; 39/8 or 41/8 Final Gear

Hydraulics - New

Front Wheel Cylinder	Years	Sequential No.	Category No.	Qualifier
Wheel Cylinder	94	F131665	(WC131665)	L.H.; To 9/94; 15-3/4 x 5-1/2" Brake; w/Man Adj.; Back
Wheel Cylinder	94	F123269	(WC123269)	L.H.; To 9/94; 15-3/4 x 5-1/2" Brake; w/Man Adj.; Fwd.
Wheel Cylinder	94	F131664	(WC131664)	R.H.; To 9/94; 15-3/4 x 5-1/2" Brake; w/Man Adj.; Back
Wheel Cylinder	94	F123270	(WC123270)	R.H.; To 9/94; 15-3/4 x 5-1/2" Brake; w/Man Adj.; Fwd.
Wheel Cylinder	93	F131665	(WC131665)	L.H.; From 2/93; 15-3/4 x 5-1/2" Brake; w/o Low Deck; Back
Wheel Cylinder	93	F123269	(WC123269)	L.H.; From 2/93; 15-3/4 x 5-1/2" Brake; w/o Low Deck; Fwd.
Wheel Cylinder	93	F128475	(WC128475)	L.H.; To 1/93; 15-3/4 x 5-1/2" Brake; w/Low Deck
Wheel Cylinder	93	F131665	(WC131665)	L.H.; To 1/93; 15-3/4 x 5-1/2" Brake; w/o Low Deck; Back
Wheel Cylinder	93	F123269	(WC123269)	L.H.; To 1/93; 15-3/4 x 5-1/2" Brake; w/o Low Deck; Fwd.
Wheel Cylinder	93	F131664	(WC131664)	R.H.; From 2/93; 15-3/4 x 5-1/2" Brake; w/o Low Deck; Back
Wheel Cylinder	93	F123270	(WC123270)	R.H.; From 2/93; 15-3/4 x 5-1/2" Brake; w/o Low Deck; Fwd.
Wheel Cylinder	93	F128476	(WC128476)	R.H.; To 1/93; 15-3/4 x 5-1/2" Brake; w/Low Deck
Wheel Cylinder	93	F131664	(WC131664)	R.H.; To 1/93; 15-3/4 x 5-1/2" Brake; w/o Low Deck; Back
Wheel Cylinder	93	F123270	(WC123270)	R.H.; To 1/93; 15-3/4 x 5-1/2" Brake; w/o Low Deck; Fwd.
Wheel Cylinder	92	F128475	(WC128475)	L.H.; From 4/92; 15-3/4 x 5-1/2" Brake; w/Low Deck
Wheel Cylinder	92	F131665	(WC131665)	L.H.; From 4/92; 15-3/4 x 5-1/2" Brake; w/o Low Deck; Back
Wheel Cylinder	92	F123269	(WC123269)	L.H.; From 4/92; 15-3/4 x 5-1/2" Brake; w/o Low Deck; Fwd.
Wheel Cylinder	92	F128475	(WC128475)	L.H.; To 3/92; 15-3/4 x 5-1/2" Brake; w/Low Deck
Wheel Cylinder	92	F123269	(WC123269)	L.H.; To 3/92; 15-3/4 x 5-1/2" Brake; w/o Low Deck
Wheel Cylinder	92	F128476	(WC128476)	R.H.; From 4/92; 15-3/4 x 5-1/2" Brake; w/Low Deck
Wheel Cylinder	92	F131664	(WC131664)	R.H.; From 4/92; 15-3/4 x 5-1/2" Brake; w/o Low Deck; Back
Wheel Cylinder	92	F123270	(WC123270)	R.H.; From 4/92; 15-3/4 x 5-1/2" Brake; w/o Low Deck; Fwd.
Wheel Cylinder	92	F128476	(WC128476)	R.H.; To 3/92; 15-3/4 x 5-1/2" Brake; w/Low Deck
Wheel Cylinder	92	F123270	(WC123270)	R.H.; To 3/92; 15-3/4 x 5-1/2" Brake; w/o Low Deck
Wheel Cylinder	91 - 90	F128475	(WC128475)	L.H.; 15-3/4 x 5-1/2" Brake; w/Low Deck
Wheel Cylinder	91 - 90	F123269	(WC123269)	L.H.; 15-3/4 x 5-1/2" Brake; w/o Low Deck
Wheel Cylinder	91 - 90	F128476	(WC128476)	R.H.; 15-3/4 x 5-1/2" Brake; w/Low Deck
Wheel Cylinder	91 - 90	F123270	(WC123270)	R.H.; 15-3/4 x 5-1/2" Brake; w/o Low Deck
Wheel Cylinder	89	F128475	(WC128475)	L.H.; From 12/89; 15-3/4 x 5-1/2" Brake; w/Low Deck
Wheel Cylinder	89	F123269	(WC123269)	L.H.; From 12/89; 15-3/4 x 5-1/2" Brake; w/o Low Deck
Wheel Cylinder	89	F123269	(WC123269)	L.H.; To 11/89; 15-3/4 x 5-1/2" Brake
Wheel Cylinder	89	F128476	(WC128476)	R.H.; From 12/89; 15-3/4 x 5-1/2" Brake; w/Low Deck
Wheel Cylinder	89	F123270	(WC123270)	R.H.; From 12/89; 15-3/4 x 5-1/2" Brake; w/o Low Deck
Wheel Cylinder	89	F123270	(WC123270)	R.H.; To 11/89; 15-3/4 x 5-1/2" Brake

FSR (cont.)**Hydraulics - New (cont.)**

Front Wheel Cylinder	Years	Sequential No.	Category No.	Qualifier
Wheel Cylinder	88 - 86	F123269	(WC123269)	L.H.; 15-3/4 x 5-1/2" Brake
Wheel Cylinder	88 - 86	F123270	(WC123270)	R.H.; 15-3/4 x 5-1/2" Brake
Rear Wheel Cylinder	Years	Sequential No.	Category No.	Qualifier
Wheel Cylinder	94	F123274	(WC123274)	L.H.; To 9/94; 16-1/8 x 4-1/2" Brake; w/Man Adj.; Back
Wheel Cylinder	94	F123272	(WC123272)	L.H.; To 9/94; 16-1/8 x 4-1/2" Brake; w/Man Adj.; Fwd.
Wheel Cylinder	94	F123275	(WC123275)	R.H.; To 9/94; 16-1/8 x 4-1/2" Brake; w/Man Adj.; Back
Wheel Cylinder	94	F123273	(WC123273)	R.H.; To 9/94; 16-1/8 x 4-1/2" Brake; w/Man Adj.; Fwd.
Wheel Cylinder	93	F123274	(WC123274)	L.H.; From 2/93; 16-1/8 x 4-1/2" Brake; Final Gear 14.5"; Back
Wheel Cylinder	93	F123272	(WC123272)	L.H.; From 2/93; 16-1/8 x 4-1/2" Brake; Final Gear 14.5"; Fwd.
Wheel Cylinder	93	F128478	(WC128478)	L.H.; To 1/93; 16-1/8 x 4-1/2" Brake; Final Gear 13.5"; Fwd.
Wheel Cylinder	93	F123274	(WC123274)	L.H.; To 1/93; 16-1/8 x 4-1/2" Brake; Final Gear 14.5"; Back
Wheel Cylinder	93	F123272	(WC123272)	L.H.; To 1/93; 16-1/8 x 4-1/2" Brake; Final Gear 14.5"; Fwd.
Wheel Cylinder	93	F131799	(WC131799)	R.H.; From 2/93; 16-1/8 x 4-1/2" Brake; Final Gear 13.5"; Fwd.
Wheel Cylinder	93	F123275	(WC123275)	R.H.; From 2/93; 16-1/8 x 4-1/2" Brake; Final Gear 14.5"; Back
Wheel Cylinder	93	F123273	(WC123273)	R.H.; From 2/93; 16-1/8 x 4-1/2" Brake; Final Gear 14.5"; Fwd.
Wheel Cylinder	93	F128479	(WC128479)	R.H.; To 1/93; 16-1/8 x 4-1/2" Brake; Final Gear 13.5"; Fwd.
Wheel Cylinder	93	F123275	(WC123275)	R.H.; To 1/93; 16-1/8 x 4-1/2" Brake; Final Gear 14.5"; Back
Wheel Cylinder	93	F123273	(WC123273)	R.H.; To 1/93; 16-1/8 x 4-1/2" Brake; Final Gear 14.5"; Fwd.
Wheel Cylinder	92 - 91	F128478	(WC128478)	L.H.; 16-1/8 x 4-1/2" Brake; Final Gear 13.5"; Fwd.
Wheel Cylinder	92 - 91	F123274	(WC123274)	L.H.; 16-1/8 x 4-1/2" Brake; Final Gear 14.5"; Back
Wheel Cylinder	92 - 91	F123272	(WC123272)	L.H.; 16-1/8 x 4-1/2" Brake; Final Gear 14.5"; Fwd.
Wheel Cylinder	92 - 91	F128479	(WC128479)	R.H.; 16-1/8 x 4-1/2" Brake; Final Gear 13.5"; Fwd.
Wheel Cylinder	92 - 91	F123275	(WC123275)	R.H.; 16-1/8 x 4-1/2" Brake; Final Gear 14.5"; Back
Wheel Cylinder	92 - 91	F123273	(WC123273)	R.H.; 16-1/8 x 4-1/2" Brake; Final Gear 14.5"; Fwd.
Wheel Cylinder	90 - 89	F123274	(WC123274)	L.H.; 16-1/8 x 4-1/2" Brake; 39/8 or 41/8 Final Gear 14.5"; Back
Wheel Cylinder	90 - 89	F123272	(WC123272)	L.H.; 16-1/8 x 4-1/2" Brake; 39/8 or 41/8 Final Gear 14.5"; Fwd.
Wheel Cylinder	90 - 89	F128478	(WC128478)	L.H.; 16-1/8 x 4-1/2" Brake; 39/9 Final Gear 14.5"; Fwd.
Wheel Cylinder	90 - 89	F123275	(WC123275)	R.H.; 16-1/8 x 4-1/2" Brake; 39/8 or 41/8 Final Gear 14.5"; Back
Wheel Cylinder	90 - 89	F123273	(WC123273)	R.H.; 16-1/8 x 4-1/2" Brake; 39/8 or 41/8 Final Gear 14.5"; Fwd.
Wheel Cylinder	90 - 89	F128479	(WC128479)	R.H.; 16-1/8 x 4-1/2" Brake; 39/9 Final Gear 14.5"; Fwd.
Rear Brake Hose	Years	Sequential No.	Category No.	Qualifier
Brake Hose	96 - 86	F126751	(BH126751)	

FTR**Brake Pads & Shoes**

Front Pads & Shoes	Years	SevereDuty	Lining No.	Qualifier
Brake Shoes	96 - 86	SDS613R	EX1418D-S43	Air Over Hyd.; 16-1/8 x 5-1/2
Brake Shoes	96 - 88	SDS718R	EX1418D-S43	w/Air Brakes; 16-1/8 x 5-1/2
Rear Pads & Shoes	Years	SevereDuty	Lining No.	Qualifier
Brake Shoes	96 - 86	SDS613R	EX1418D-S43	Air Over Hyd.; 16-1/8 x 5-1/2
Brake Shoes	96 - 94	SDS4734R	EX4734D	w/Air Brakes

Brake Hardware

Front Brake Hardware	Years	Sequential No.	Category No.	Qualifier
Combi Kit	96 - 86	F140629	(H3025)	16-1/8 x 5-1/2" Brake; Air Over Hyd.; Return Spring Kit
Rear Brake Hardware	Years	Sequential No.	Category No.	Qualifier
Combi Kit	96 - 86	F140629	(H3025)	16-1/8 x 5-1/2" Brake; Air Over Hyd.; Return Spring Kit

Hydraulics - New

Front Wheel Cylinder	Years	Sequential No.	Category No.	Qualifier
Wheel Cylinder	94	F123277	(WC123277)	L.H.; To 9/94; 16-1/8 x 5-1/2" Brake; Air Over Hyd.; w/Man Adj.
Wheel Cylinder	94	F123278	(WC123278)	R.H.; To 9/94; 16-1/8 x 5-1/2" Brake; Air Over Hyd.; w/Man Adj.
Wheel Cylinder	93 - 89	F123277	(WC123277)	L.H.; 16-1/8 x 5-1/2" Brake; Air Over Hyd.
Wheel Cylinder	93 - 89	F123278	(WC123278)	R.H.; 16-1/8 x 5-1/2" Brake; Air Over Hyd.
Rear Wheel Cylinder	Years	Sequential No.	Category No.	Qualifier
Wheel Cylinder	94	F123280	(WC123280)	To 9/94; 16-1/8 x 5-1/2" Brake; Air Over Hyd.; w/Man Adj.

FTR (cont.)
Hydraulics - New (cont.)

<i>Rear Wheel Cylinder</i>	<i>Years</i>	<i>Sequential No.</i>	<i>Category No.</i>	<i>Qualifier</i>
Wheel Cylinder	93 - 86	F123280	(WC123280)	16-1/8 x 5-1/2" Brake; Air Over Hyd.
<i>Front Brake Hose</i>	<i>Years</i>	<i>Sequential No.</i>	<i>Category No.</i>	<i>Qualifier</i>
Brake Hose	96 - 86	F126751	(BH126751)	Air Over Hyd.
<i>Rear Brake Hose</i>	<i>Years</i>	<i>Sequential No.</i>	<i>Category No.</i>	<i>Qualifier</i>
Brake Hose	96 - 86	F126752	(BH126752)	Air Over Hyd.

FVR
Brake Pads & Shoes

<i>Front Pads & Shoes</i>	<i>Years</i>	<i>SevereDuty</i>	<i>Lining No.</i>	<i>Qualifier</i>
Brake Shoes	96 - 88	SDS718R	EX1418D-S43	w/Air Brakes; 16-1/8 x 5-1/2
<i>Rear Pads & Shoes</i>	<i>Years</i>	<i>SevereDuty</i>	<i>Lining No.</i>	<i>Qualifier</i>
Brake Shoes	96 - 88	SDS4734R	EX4734D	w/Air Brakes; 16-1/8 x 7

Hydraulics - New

<i>Clutch Slave Cylinder</i>	<i>Years</i>	<i>Sequential No.</i>	<i>Category No.</i>	<i>Qualifier</i>
Clutch Slave Cylinder	90 - 87	F128948	(SC128948)	Spicer Trans.; 1" Bore

ISUZU MD H-Series
HTR
Brake Pads & Shoes

<i>Front Pads & Shoes</i>	<i>Years</i>	<i>SevereDuty</i>	<i>Lining No.</i>	<i>Qualifier</i>
Brake Pads	07 - 03	SD1032		Dayton; 2.52" 4-Piston Caliper
Brake Pads	07 - 03	SD1032		Dayton; 2.75" 4-Piston Caliper
<i>Rear Pads & Shoes</i>	<i>Years</i>	<i>SevereDuty</i>	<i>Lining No.</i>	<i>Qualifier</i>
Brake Pads	07 - 03	SD1032		Dayton; 2.52" 4-Piston Caliper
Brake Pads	07 - 03	SD1032		Dayton; 2.75" 4-Piston Caliper
<i>Parking Brake Shoes</i>	<i>Years</i>	<i>SevereDuty</i>	<i>Lining No.</i>	<i>Qualifier</i>
Brake Shoes	07 - 03	SDS647	EX2086D	9 x 3
Brake Shoes	07 - 03	SDS824R	EX1556D	w/MT; 12 x 3

Rotor & Drum

<i>Front Rotor & Drum</i>	<i>Years</i>	<i>Part No.</i>	<i>Qualifier</i>
Brake Rotor	07 - 03	BD126363	8000-12000 lb. FA; Hat-Shaped; 10-Hole Rotor
<i>Rear Rotor & Drum</i>	<i>Years</i>	<i>Part No.</i>	<i>Qualifier</i>
Brake Rotor	07 - 03	BD126363	15000-19000 lb. RA; Hat-Shaped; 10-Hole Rotor
Brake Rotor	07 - 03	BD126370	21000 lb. RA; U-Shaped; 10-Hole Rotor

Brake Hardware

<i>Front Brake Hardware</i>	<i>Years</i>	<i>Sequential No.</i>	<i>Category No.</i>	<i>Qualifier</i>
Disc Align Kit	07 - 03	F140771	(H5712)	Dayton; 2.52" 4-Piston Caliper
Disc Align Kit	07 - 03	F140630	(H3026)	Dayton; 2.75" 4-Piston Caliper
<i>Rear Brake Hardware</i>	<i>Years</i>	<i>Sequential No.</i>	<i>Category No.</i>	<i>Qualifier</i>
Disc Align Kit	07 - 03	F140771	(H5712)	Dayton; 2.52" 4-Piston Caliper
Disc Align Kit	07 - 03	F140630	(H3026)	Dayton; 2.75" 4-Piston Caliper

Calipers - Reman

<i>Front, Loaded</i>	<i>Years</i>	<i>Left No.</i>	<i>Right No.</i>	<i>Qualifier</i>	<i>Piston</i>
Loaded Caliper	07 - 03	AS134821A	AS134820A	Dayton; 2.52" 4-Piston Caliper; Serial No. 602F / 604F	M
Loaded Caliper	07 - 03	AS134580A	AS134581A	Dayton; 2.75" 4-Piston Caliper; Serial No. 581F / 583F	M
Loaded Caliper	07 - 03	AS134818A	AS134819A	Dayton; 2.75" 4-Piston Caliper; Serial No. 595F / 597F	M
<i>Rear, Loaded</i>	<i>Years</i>	<i>Left No.</i>	<i>Right No.</i>	<i>Qualifier</i>	<i>Piston</i>
Loaded Caliper	07 - 03	AS134821A	AS134820A	Dayton; 2.52" 4-Piston Caliper; Serial No. 602F / 604F	M
Loaded Caliper	07 - 03	AS134580A	AS134581A	Dayton; 2.75" 4-Piston Caliper; Serial No. 581F / 583F	M
Loaded Caliper	07 - 03	AS134818A	AS134819A	Dayton; 2.75" 4-Piston Caliper; Serial No. 595F / 597F	M
<i>Front, Unloaded</i>	<i>Years</i>	<i>Left No.</i>	<i>Right No.</i>	<i>Qualifier</i>	<i>Piston</i>
Unloaded Caliper	07 - 03	CR134821	CR134820	Dayton; 2.52" 4-Piston Caliper; Serial No. 602F / 604F	M
Unloaded Caliper	07 - 03	CR134580	CR134581	Dayton; 2.75" 4-Piston Caliper; Serial No. 581F / 583F	M

Piston: M - OE Metal Piston P - OE Phenolic Piston

HTR (cont.)**Calipers - Reman (cont.)**

Front, Unloaded	Years	Left No.	Right No.	Qualifier	Piston
Unloaded Caliper	07 - 03	CR134818	CR134819	Dayton; 2.75" 4-Piston Caliper; Serial No. 595F / 597F	M
Rear, Unloaded	Years	Left No.	Right No.	Qualifier	Piston
Unloaded Caliper	07 - 03	CR134821	CR134820	Dayton; 2.52" 4-Piston Caliper; Serial No. 602F / 604F	M
Unloaded Caliper	07 - 03	CR134580	CR134581	Dayton; 2.75" 4-Piston Caliper; Serial No. 581F / 583F	M
Unloaded Caliper	07 - 03	CR134818	CR134819	Dayton; 2.75" 4-Piston Caliper; Serial No. 595F / 597F	M

HVR**Brake Pads & Shoes**

Front Pads & Shoes	Years	SevereDuty	Lining No.	Qualifier
Brake Pads	07 - 03	SD1032		Dayton; 2.52" 4-Piston Caliper
Brake Pads	07 - 03	SD1032		Dayton; 2.75" 4-Piston Caliper
Brake Shoes	07 - 03	4702Q	4702	w/Air Brakes; Rockwell/Meritor; Q-Plus; 15 x 4
Brake Shoes	07 - 03	4720Q	4720	w/Air Brakes; Rockwell/Meritor; Q-Plus; 16-1/2 x 5
Brake Shoes	07 - 03	4715Q	4715	w/Air Brakes; Rockwell/Meritor; Q-Plus; 16-1/2 x 6
Rear Pads & Shoes	Years	SevereDuty	Lining No.	Qualifier
Brake Pads	07 - 03	SD1032		Dayton; 2.52" 4-Piston Caliper
Brake Pads	07 - 03	SD1032		Dayton; 2.75" 4-Piston Caliper
Brake Shoes	07 - 03	4707Q	4707	w/Air Brakes; Rockwell/Meritor; Q-Plus; 16-1/2 x 7
Parking Brake Shoes	Years	SevereDuty	Lining No.	Qualifier
Brake Shoes	07 - 03	SDS647	EX2086D	9 x 3
Brake Shoes	07 - 03	SDS824R	EX1556D	w/MT; 12 x 3

Rotor & Drum

Front Rotor & Drum	Years	Part No.	Qualifier
Brake Rotor	07 - 03	BD126363	8000-12000 lb. FA; Hat-Shaped; 10-Hole Rotor
Rear Rotor & Drum	Years	Part No.	Qualifier
Brake Rotor	07 - 03	BD126363	19000 lb. RA; Hat-Shaped; 10-Hole Rotor
Brake Rotor	07 - 03	BD126370	21000 lb. RA; U-Shaped; 10-Hole Rotor

Brake Hardware

Front Brake Hardware	Years	Sequential No.	Category No.	Qualifier
Disc Align Kit	07 - 03	F140771	(H5712)	Dayton; 2.52" 4-Piston Caliper
Disc Align Kit	07 - 03	F140630	(H3026)	Dayton; 2.75" 4-Piston Caliper
Rear Brake Hardware	Years	Sequential No.	Category No.	Qualifier
Disc Align Kit	07 - 03	F140771	(H5712)	Dayton; 2.52" 4-Piston Caliper
Disc Align Kit	07 - 03	F140630	(H3026)	Dayton; 2.75" 4-Piston Caliper

Calipers - Reman

Front, Loaded	Years	Left No.	Right No.	Qualifier	Piston
Loaded Caliper	07 - 03	AS134821A	AS134820A	Dayton; 2.52" 4-Piston Caliper; Serial No. 602F / 604F	M
Loaded Caliper	07 - 03	AS134580A	AS134581A	Dayton; 2.75" 4-Piston Caliper; Serial No. 581F / 583F	M
Loaded Caliper	07 - 03	AS134818A	AS134819A	Dayton; 2.75" 4-Piston Caliper; Serial No. 595F / 597F	M
Rear, Loaded	Years	Left No.	Right No.	Qualifier	Piston
Loaded Caliper	07 - 03	AS134821A	AS134820A	Dayton; 2.52" 4-Piston Caliper; Serial No. 602F / 604F	M
Loaded Caliper	07 - 03	AS134580A	AS134581A	Dayton; 2.75" 4-Piston Caliper; Serial No. 581F / 583F	M
Loaded Caliper	07 - 03	AS134818A	AS134819A	Dayton; 2.75" 4-Piston Caliper; Serial No. 595F / 597F	M
Front, Unloaded	Years	Left No.	Right No.	Qualifier	Piston
Unloaded Caliper	07 - 03	CR134821	CR134820	Dayton; 2.52" 4-Piston Caliper; Serial No. 602F / 604F	M
Unloaded Caliper	07 - 03	CR134580	CR134581	Dayton; 2.75" 4-Piston Caliper; Serial No. 581F / 583F	M
Unloaded Caliper	07 - 03	CR134818	CR134819	Dayton; 2.75" 4-Piston Caliper; Serial No. 595F / 597F	M
Rear, Unloaded	Years	Left No.	Right No.	Qualifier	Piston
Unloaded Caliper	07 - 03	CR134821	CR134820	Dayton; 2.52" 4-Piston Caliper; Serial No. 602F / 604F	M
Unloaded Caliper	07 - 03	CR134580	CR134581	Dayton; 2.75" 4-Piston Caliper; Serial No. 581F / 583F	M
Unloaded Caliper	07 - 03	CR134818	CR134819	Dayton; 2.75" 4-Piston Caliper; Serial No. 595F / 597F	M

Piston: M - OE Metal Piston P - OE Phenolic Piston

HXR
Brake Pads & Shoes

Front Pads & Shoes	Years	SevereDuty	Lining No.	Qualifier
Brake Shoes	07 - 03	4702Q	4702	w/Air Brakes; Rockwell/Meritor; Q-Plus; 15 x 4
Brake Shoes	07 - 03	4720Q	4720	w/Air Brakes; Rockwell/Meritor; Q-Plus; 16-1/2 x 5
Brake Shoes	07 - 03	4715Q	4715	w/Air Brakes; Rockwell/Meritor; Q-Plus; 16-1/2 x 6
Rear Pads & Shoes	Years	SevereDuty	Lining No.	Qualifier
Brake Shoes	07 - 03	4707Q	4707	w/Air Brakes; Rockwell/Meritor; Q-Plus; 16-1/2 x 7

ISUZU MD N-Series
NPR
Brake Pads & Shoes

Front Pads & Shoes	Years	SevereDuty	Lining No.	Qualifier
Brake Pads	94 - 86	SD546		Akebono; 2.12" 2-Piston Caliper
Brake Shoes	94 - 91	SDS612R	EX1416D-S32	13000 lb. Susp.; 12-5/8 x 3
Brake Shoes	94 - 91	SDS699R	EX1482D-S32	14250 lb. Susp.; 12-5/8 x 4
Brake Shoes	90 - 86	SDS612R	EX1416D-S32	12-5/8 x 3
Rear Pads & Shoes	Years	SevereDuty	Lining No.	Qualifier
Brake Shoes	94 - 91	SDS612R	EX1416D-S32	From 12/93; w/o Flat Low; Diesel; 13000 lb. Susp.; 12-5/8 x 3
Brake Shoes	94 - 91	SDS699R	EX1482D-S32	From 12/93; w/o Flat Low; Diesel; 14250 lb. Susp.; 12-5/8 x 4
Brake Shoes	94 - 91	SDS699R	EX1482D-S32	From 12/93; w/o Flat Low; Gas; 13000 lb. Susp.; 12-5/8 x 4
Brake Shoes	94 - 91	SDS612R	EX1416D-S32	From 12/93; w/o Flat Low; Gas; 14250 lb. Susp.; 12-5/8 x 3
Brake Shoes	93 - 88	SDS668R	EX1454D-S32	w/Flat Low; 11-3/4 x 3
Brake Shoes	90 - 88	SDS612R	EX1416D-S32	w/o Flat Low; 12-5/8 x 3
Brake Shoes	87 - 86	SDS612R	EX1416D-S32	12-5/8 x 3

Rotor & Drum

Front Rotor & Drum	Years	Part No.	Qualifier
Brake Rotor	94	BD125627	Hat-Shaped; 12-Hole
Brake Rotor	93	BD125627	From 12/93; Hat-Shaped; 12-Hole
Brake Rotor	93	BD125324	To 11/93; Hat-Shaped; 12-Hole
Brake Rotor	92 - 87	BD125324	Hat-Shaped; 12-Hole

Brake Hardware

Front Brake Hardware	Years	Sequential No.	Category No.	Qualifier
Combi Kit	94 - 91	F128865	(H7212)	12-5/8 x 3" Brake; 13000 lb. Susp.
Combi Kit	94 - 91	F140627	(H3023)	12-5/8 x 4" Brake; 14250 lb. Susp.; Return Spring Kit
Combi Kit	90 - 86	F128865	(H7212)	12-5/8 x 3" Brake
Disc Align Kit	94 - 92	F140609	(H3005)	Akebono; 2.12" 2-Piston Caliper
Disc Align Kit	91 - 86	F140606	(H3002)	Akebono; 2.12" 2-Piston Caliper
Rear Brake Hardware	Years	Sequential No.	Category No.	Qualifier
Combi Kit	94 - 91	F128865	(H7212)	From 12/93; 12-5/8 x 3" Brake; w/o Flat Low; Diesel; 13000 lb. Susp.
Combi Kit	94 - 91	F128865	(H7212)	From 12/93; 12-5/8 x 3" Brake; w/o Flat Low; Gas; 14250 lb. Susp.
Combi Kit	94 - 91	F140627	(H3023)	From 12/93; 12-5/8 x 4" Brake; w/o Flat Low; Diesel; 14250 lb. Susp.; Return Spring Kit
Combi Kit	94 - 91	F140627	(H3023)	From 12/93; 12-5/8 x 4" Brake; w/o Flat Low; Gas; 13000 lb. Susp.; Return Spring Kit
Combi Kit	93 - 88	F140622	(H3018)	11-3/4 x 3" Brake; w/Flat Low
Combi Kit	90 - 88	F128865	(H7212)	12-5/8 x 3" Brake; w/o Flat Low
Combi Kit	87 - 86	F128865	(H7212)	12-5/8 x 3" Brake

Calipers - Reman

Front, Loaded	Years	Left No.	Right No.	Qualifier	Piston
Loaded Caliper	94 - 86	AS134275	AS134276	Akebono; 2.12" 2-Piston Caliper	M
Front, Unloaded	Years	Left No.	Right No.	Qualifier	Piston
Unloaded Caliper	94 - 86	CR134275	CR134276	Akebono; 2.12" 2-Piston Caliper	M

Hydraulics - New

Master Cylinder	Years	Sequential No.	Category No.	Qualifier
Master Cylinder	94	F131790	(MC131790)	Exc. Strip Chassis; 1-1/4" Bore
Master Cylinder	93	F131790	(MC131790)	From 12/93; Exc. Strip Chassis; 1-1/4" Bore
Master Cylinder	93	F131790	(MC131790)	To 11/93; 13000 lb. Susp.; Exc. Strip Chassis; 1-1/4" Bore

Piston: M - OE Metal Piston P - OE Phenolic Piston

NPR (cont.)

Hydraulics - New (cont.)

Master Cylinder	Years	Sequential No.	Category No.	Qualifier
Master Cylinder	93	F122230	(MC122230)	To 11/93; 13000 lb. Susp.; Strip Chassis
Master Cylinder	92 - 91	F131790	(MC131790)	13000 lb. Susp.; Exc. Strip Chassis; 1-1/4" Bore
Master Cylinder	92 - 91	F122230	(MC122230)	13000 lb. Susp.; Strip Chassis
Master Cylinder	90 - 89	F131790	(MC131790)	w/Front Disc; Exc. Strip Chassis; 1-1/4" Bore
Master Cylinder	90 - 89	F122230	(MC122230)	w/Front Disc; Strip Chassis
Master Cylinder	90 - 89	F122224	(MC122224)	w/Front Drum; Exc. Strip Chassis; 1-1/8" Bore
Master Cylinder	90 - 89	F122226	(MC122226)	w/Front Drum; Strip Chassis
Master Cylinder	88	F131790	(MC131790)	From 6/88; w/Front Disc; Exc. Strip Chassis; 1-1/4" Bore
Master Cylinder	88	F122230	(MC122230)	From 6/88; w/Front Disc; Strip Chassis
Master Cylinder	88	F122224	(MC122224)	From 6/88; w/Front Drum; Exc. Strip Chassis; 1-1/8" Bore
Master Cylinder	88	F122226	(MC122226)	From 6/88; w/Front Drum; Strip Chassis
Master Cylinder	88	F131790	(MC131790)	To 5/88; w/Front Disc; Exc. Strip Chassis; 1-1/4" Bore
Master Cylinder	88	F122230	(MC122230)	To 5/88; w/Front Disc; Strip Chassis
Master Cylinder	88	F122228	(MC122228)	To 5/88; w/Front Drum; Exc. Strip Chassis
Master Cylinder	88	F122226	(MC122226)	To 5/88; w/Front Drum; Strip Chassis
Master Cylinder	87	F131790	(MC131790)	From 8/87; w/Front Disc; Exc. Strip Chassis; 1-1/4" Bore
Master Cylinder	87	F122230	(MC122230)	From 8/87; w/Front Disc; Strip Chassis
Master Cylinder	87	F122228	(MC122228)	From 8/87; w/Front Drum; Exc. Strip Chassis
Master Cylinder	87	F122226	(MC122226)	From 8/87; w/Front Drum; Strip Chassis
Master Cylinder	87	F131790	(MC131790)	To 7/87; Exc. Strip Chassis; 13000 lb. Susp.; 1-1/4" Bore
Master Cylinder	87	F122228	(MC122228)	To 7/87; Exc. Strip Chassis; 14250 lb. Susp.
Master Cylinder	87	F122226	(MC122226)	To 7/87; Strip Chassis
Master Cylinder	86	F131790	(MC131790)	Exc. Strip Chassis; 13000 lb. Susp.; 1-1/4" Bore
Master Cylinder	86	F122228	(MC122228)	Exc. Strip Chassis; 14250 lb. Susp.
Master Cylinder	86	F122226	(MC122226)	Strip Chassis
Front Wheel Cylinder	Years	Sequential No.	Category No.	Qualifier
Wheel Cylinder	94 - 91	F123243	(WC123243)	L.H.; 12-5/8 x 3" Brake; 13000 lb. Susp.; w/Bleeder; Back
Wheel Cylinder	94 - 91	F123241	(WC123241)	L.H.; 12-5/8 x 3" Brake; 13000 lb. Susp.; w/o Bleeder; Fwd.
Wheel Cylinder	94 - 91	F128417	(WC128417)	L.H.; 12-5/8 x 4" Brake; 14250 lb. Susp.; w/Bleeder; Back
Wheel Cylinder	94 - 91	F123244	(WC123244)	R.H.; 12-5/8 x 3" Brake; 13000 lb. Susp.; w/Bleeder; Back
Wheel Cylinder	94 - 91	F123242	(WC123242)	R.H.; 12-5/8 x 3" Brake; 13000 lb. Susp.; w/o Bleeder; Fwd.
Wheel Cylinder	94 - 91	F128420	(WC128420)	R.H.; 12-5/8 x 4" Brake; 14250 lb. Susp.; w/o Bleeder; Fwd.
Wheel Cylinder	90 - 86	F123243	(WC123243)	L.H.; 12-5/8 x 3" Brake; w/Bleeder; Back
Wheel Cylinder	90 - 86	F123241	(WC123241)	L.H.; 12-5/8 x 3" Brake; w/o Bleeder; Fwd.
Wheel Cylinder	90 - 86	F123244	(WC123244)	R.H.; 12-5/8 x 3" Brake; w/Bleeder; Back
Wheel Cylinder	90 - 86	F123242	(WC123242)	R.H.; 12-5/8 x 3" Brake; w/o Bleeder; Fwd.
Rear Wheel Cylinder	Years	Sequential No.	Category No.	Qualifier
Wheel Cylinder	94 - 93	F140760	(WC140760)	L.H.; From 12/93; 12-5/8 x 3" Brake; Diesel w/13000 lb. Susp. or Gas w/14250 lb. Susp.; Back
Wheel Cylinder	94 - 93	F140760	(WC140760)	L.H.; From 12/93; 12-5/8 x 3" Brake; Diesel w/13000 lb. Susp. or Gas w/14250 lb. Susp.; Fwd.
Wheel Cylinder	94 - 93	F140756	(WC140756)	L.H.; From 12/93; 12-5/8 x 4" Brake; Diesel w/14250 lb. Susp. or Gas w/13000 lb. Susp.; Back
Wheel Cylinder	94 - 93	F140756	(WC140756)	L.H.; From 12/93; 12-5/8 x 4" Brake; Diesel w/14250 lb. Susp. or Gas w/13000 lb. Susp.; Fwd.
Wheel Cylinder	94 - 93	F140758	(WC140758)	R.H.; From 12/93; 12-5/8 x 3" Brake; Diesel w/13000 lb. Susp. or Gas w/14250 lb. Susp.; Back
Wheel Cylinder	94 - 93	F140757	(WC140757)	R.H.; From 12/93; 12-5/8 x 3" Brake; Diesel w/13000 lb. Susp. or Gas w/14250 lb. Susp.; Fwd.
Wheel Cylinder	94 - 93	F140755	(WC140755)	R.H.; From 12/93; 12-5/8 x 4" Brake; Diesel w/14250 lb. Susp. or Gas w/13000 lb. Susp.; Back
Wheel Cylinder	94 - 93	F140754	(WC140754)	R.H.; From 12/93; 12-5/8 x 4" Brake; Diesel w/14250 lb. Susp. or Gas w/13000 lb. Susp.; Fwd.
Wheel Cylinder	93	F123249	(WC123249)	L.H.; To 11/93; 11-3/4 x 3" Brake; w/Flat Low; w/Front Drum; Back
Wheel Cylinder	93	F123249	(WC123249)	L.H.; To 11/93; 11-3/4 x 3" Brake; w/Flat Low; w/Front Drum; Fwd.
Wheel Cylinder	93	F123246	(WC123246)	L.H.; To 11/93; 12-5/8 x 3" Brake; w/o Flat Low; 13000 lb. Susp.; Diesel; Back; 1-1/16" Bore

Hydraulics - New (cont.)

Rear Wheel Cylinder	Years	Sequential No.	Category No.	Qualifier
Wheel Cylinder	93	F123246	(WC123246)	L.H.; To 11/93; 12-5/8 x 3" Brake; w/o Flat Low; 13000 lb. Susp.; Diesel; Fwd.; 1-1/16" Bore
Wheel Cylinder	93	F140756	(WC140756)	L.H.; To 11/93; 12-5/8 x 3" Brake; w/o Flat Low; 13000 lb. Susp.; Gas; Back
Wheel Cylinder	93	F140756	(WC140756)	L.H.; To 11/93; 12-5/8 x 3" Brake; w/o Flat Low; 13000 lb. Susp.; Gas; Fwd.
Wheel Cylinder	93	F140760	(WC140760)	L.H.; To 11/93; 12-5/8 x 4" Brake; w/o Flat Low; 14250 lb. Susp.; w/Front Disc; Back
Wheel Cylinder	93	F140760	(WC140760)	L.H.; To 11/93; 12-5/8 x 4" Brake; w/o Flat Low; 14250 lb. Susp.; w/Front Disc; Fwd.
Wheel Cylinder	93	F128466	(WC128466)	L.H.; To 11/93; 12-5/8 x 4" Brake; w/o Flat Low; 14250 lb. Susp.; w/Front Drum; Back
Wheel Cylinder	93	F128466	(WC128466)	L.H.; To 11/93; 12-5/8 x 4" Brake; w/o Flat Low; 14250 lb. Susp.; w/Front Drum; Fwd.
Wheel Cylinder	93	F123251	(WC123251)	R.H.; To 11/93; 11-3/4 x 3" Brake; w/Flat Low; w/Front Drum; Back
Wheel Cylinder	93	F123250	(WC123250)	R.H.; To 11/93; 11-3/4 x 3" Brake; w/Flat Low; w/Front Drum; Fwd.
Wheel Cylinder	93	F123248	(WC123248)	R.H.; To 11/93; 12-5/8 x 3" Brake; w/o Flat Low; 13000 lb. Susp.; Diesel; Back; 1-1/16" Bore
Wheel Cylinder	93	F123247	(WC123247)	R.H.; To 11/93; 12-5/8 x 3" Brake; w/o Flat Low; 13000 lb. Susp.; Diesel; Fwd.; 1-1/16" Bore
Wheel Cylinder	93	F140755	(WC140755)	R.H.; To 11/93; 12-5/8 x 3" Brake; w/o Flat Low; 13000 lb. Susp.; Gas; Back
Wheel Cylinder	93	F140754	(WC140754)	R.H.; To 11/93; 12-5/8 x 3" Brake; w/o Flat Low; 13000 lb. Susp.; Gas; Fwd.
Wheel Cylinder	93	F140758	(WC140758)	R.H.; To 11/93; 12-5/8 x 4" Brake; w/o Flat Low; 14250 lb. Susp.; w/Front Disc; Back
Wheel Cylinder	93	F140757	(WC140757)	R.H.; To 11/93; 12-5/8 x 4" Brake; w/o Flat Low; 14250 lb. Susp.; w/Front Disc; Fwd.
Wheel Cylinder	93	F128468	(WC128468)	R.H.; To 11/93; 12-5/8 x 4" Brake; w/o Flat Low; 14250 lb. Susp.; w/Front Drum; Back
Wheel Cylinder	93	F128467	(WC128467)	R.H.; To 11/93; 12-5/8 x 4" Brake; w/o Flat Low; 14250 lb. Susp.; w/Front Drum; Fwd.
Wheel Cylinder	93	F128465	(WC128465)	To 11/93; 11-3/4 x 3" Brake; w/Flat Low; w/Front Disc; Back
Wheel Cylinder	93	F128464	(WC128464)	To 11/93; 11-3/4 x 3" Brake; w/Flat Low; w/Front Disc; Fwd.
Wheel Cylinder	92 - 91	F128465	(WC128465)	11-3/4 x 3" Brake; w/Flat Low; w/Front Disc; Back
Wheel Cylinder	92 - 91	F128464	(WC128464)	11-3/4 x 3" Brake; w/Flat Low; w/Front Disc; Fwd.
Wheel Cylinder	92 - 91	F123249	(WC123249)	L.H.; 11-3/4 x 3" Brake; w/Flat Low; w/Front Drum; Back
Wheel Cylinder	92 - 91	F123249	(WC123249)	L.H.; 11-3/4 x 3" Brake; w/Flat Low; w/Front Drum; Fwd.
Wheel Cylinder	92 - 91	F123246	(WC123246)	L.H.; 12-5/8 x 3" Brake; w/o Flat Low; 13000 lb. Susp.; Diesel; Back; 1-1/16" Bore
Wheel Cylinder	92 - 91	F123246	(WC123246)	L.H.; 12-5/8 x 3" Brake; w/o Flat Low; 13000 lb. Susp.; Diesel; Fwd.; 1-1/16" Bore
Wheel Cylinder	92 - 91	F140756	(WC140756)	L.H.; 12-5/8 x 3" Brake; w/o Flat Low; 13000 lb. Susp.; Gas; Back
Wheel Cylinder	92 - 91	F140756	(WC140756)	L.H.; 12-5/8 x 3" Brake; w/o Flat Low; 13000 lb. Susp.; Gas; Fwd.
Wheel Cylinder	92 - 91	F140760	(WC140760)	L.H.; 12-5/8 x 4" Brake; w/o Flat Low; 14250 lb. Susp.; w/Front Disc; Back
Wheel Cylinder	92 - 91	F140760	(WC140760)	L.H.; 12-5/8 x 4" Brake; w/o Flat Low; 14250 lb. Susp.; w/Front Disc; Fwd.
Wheel Cylinder	92 - 91	F128466	(WC128466)	L.H.; 12-5/8 x 4" Brake; w/o Flat Low; 14250 lb. Susp.; w/Front Drum; Back
Wheel Cylinder	92 - 91	F128466	(WC128466)	L.H.; 12-5/8 x 4" Brake; w/o Flat Low; 14250 lb. Susp.; w/Front Drum; Fwd.
Wheel Cylinder	92 - 91	F123251	(WC123251)	R.H.; 11-3/4 x 3" Brake; w/Flat Low; w/Front Drum; Back
Wheel Cylinder	92 - 91	F123250	(WC123250)	R.H.; 11-3/4 x 3" Brake; w/Flat Low; w/Front Drum; Fwd.
Wheel Cylinder	92 - 91	F123248	(WC123248)	R.H.; 12-5/8 x 3" Brake; w/o Flat Low; 13000 lb. Susp.; Diesel; Back; 1-1/16" Bore
Wheel Cylinder	92 - 91	F123247	(WC123247)	R.H.; 12-5/8 x 3" Brake; w/o Flat Low; 13000 lb. Susp.; Diesel; Fwd.; 1-1/16" Bore
Wheel Cylinder	92 - 91	F140755	(WC140755)	R.H.; 12-5/8 x 3" Brake; w/o Flat Low; 13000 lb. Susp.; Gas; Back
Wheel Cylinder	92 - 91	F140754	(WC140754)	R.H.; 12-5/8 x 3" Brake; w/o Flat Low; 13000 lb. Susp.; Gas; Fwd.
Wheel Cylinder	92 - 91	F140758	(WC140758)	R.H.; 12-5/8 x 4" Brake; w/o Flat Low; 14250 lb. Susp.; w/Front Disc; Back
Wheel Cylinder	92 - 91	F140757	(WC140757)	R.H.; 12-5/8 x 4" Brake; w/o Flat Low; 14250 lb. Susp.; w/Front Disc; Fwd.
Wheel Cylinder	92 - 91	F128468	(WC128468)	R.H.; 12-5/8 x 4" Brake; w/o Flat Low; 14250 lb. Susp.; w/Front Drum; Back
Wheel Cylinder	92 - 91	F128467	(WC128467)	R.H.; 12-5/8 x 4" Brake; w/o Flat Low; 14250 lb. Susp.; w/Front Drum; Fwd.
Wheel Cylinder	90 - 88	F123259	(WC123259)	11-3/4 x 3" Brake; w/Flat Low; w/Front Disc; Back
Wheel Cylinder	90 - 88	F140760	(WC140760)	L.H.; 12-5/8 x 3" Brake; w/o Flat Low; w/Front Disc; Back
Wheel Cylinder	90 - 88	F140760	(WC140760)	L.H.; 12-5/8 x 3" Brake; w/o Flat Low; w/Front Disc; Fwd.
Wheel Cylinder	90 - 88	F123246	(WC123246)	L.H.; 12-5/8 x 3" Brake; w/o Flat Low; w/Front Drum; Back; 1-1/16" Bore
Wheel Cylinder	90 - 88	F123246	(WC123246)	L.H.; 12-5/8 x 3" Brake; w/o Flat Low; w/Front Drum; Fwd.; 1-1/16" Bore
Wheel Cylinder	90 - 88	F140758	(WC140758)	R.H.; 12-5/8 x 3" Brake; w/o Flat Low; w/Front Disc; Back
Wheel Cylinder	90 - 88	F140757	(WC140757)	R.H.; 12-5/8 x 3" Brake; w/o Flat Low; w/Front Disc; Fwd.
Wheel Cylinder	90 - 88	F123248	(WC123248)	R.H.; 12-5/8 x 3" Brake; w/o Flat Low; w/Front Drum; Back; 1-1/16" Bore
Wheel Cylinder	90 - 88	F123247	(WC123247)	R.H.; 12-5/8 x 3" Brake; w/o Flat Low; w/Front Drum; Fwd.; 1-1/16" Bore
Wheel Cylinder	87	F123259	(WC123259)	From 8/87; 11-3/4 x 3" Brake; w/Flat Low; w/Front Disc; Back
Wheel Cylinder	87	F140760	(WC140760)	L.H.; From 8/87; 12-5/8 x 3" Brake; w/o Flat Low; w/Front Disc; Back
Wheel Cylinder	87	F140760	(WC140760)	L.H.; From 8/87; 12-5/8 x 3" Brake; w/o Flat Low; w/Front Disc; Fwd.
Wheel Cylinder	87	F123246	(WC123246)	L.H.; From 8/87; 12-5/8 x 3" Brake; w/o Flat Low; w/Front Drum; Back; 1-1/16" Bore
Wheel Cylinder	87	F123246	(WC123246)	L.H.; From 8/87; 12-5/8 x 3" Brake; w/o Flat Low; w/Front Drum; Fwd.; 1-1/16" Bore

NPR (cont.)**Hydraulics - New (cont.)**

Rear Wheel Cylinder	Years	Sequential No.	Category No.	Qualifier
Wheel Cylinder	87	F123246	(WC123246)	L.H.; To 7/87; 12-5/8 x 3" Brake; Back; 1-1/16" Bore
Wheel Cylinder	87	F123246	(WC123246)	L.H.; To 7/87; 12-5/8 x 3" Brake; Fwd.; 1-1/16" Bore
Wheel Cylinder	87	F140758	(WC140758)	R.H.; From 8/87; 12-5/8 x 3" Brake; w/o Flat Low; w/Front Disc; Back
Wheel Cylinder	87	F140757	(WC140757)	R.H.; From 8/87; 12-5/8 x 3" Brake; w/o Flat Low; w/Front Disc; Fwd.
Wheel Cylinder	87	F123248	(WC123248)	R.H.; From 8/87; 12-5/8 x 3" Brake; w/o Flat Low; w/Front Drum; Back; 1-1/16" Bore
Wheel Cylinder	87	F123247	(WC123247)	R.H.; From 8/87; 12-5/8 x 3" Brake; w/o Flat Low; w/Front Drum; Fwd.; 1-1/16" Bore
Wheel Cylinder	87	F123248	(WC123248)	R.H.; To 7/87; 12-5/8 x 3" Brake; Back; 1-1/16" Bore
Wheel Cylinder	87	F123247	(WC123247)	R.H.; To 7/87; 12-5/8 x 3" Brake; Fwd.; 1-1/16" Bore
Wheel Cylinder	86	F123246	(WC123246)	L.H.; 12-5/8 x 3" Brake; Back; 1-1/16" Bore
Wheel Cylinder	86	F123246	(WC123246)	L.H.; 12-5/8 x 3" Brake; Fwd.; 1-1/16" Bore
Wheel Cylinder	86	F123248	(WC123248)	R.H.; 12-5/8 x 3" Brake; Back; 1-1/16" Bore
Wheel Cylinder	86	F123247	(WC123247)	R.H.; 12-5/8 x 3" Brake; Fwd.; 1-1/16" Bore

Clutch Master Cylind	Years	Sequential No.	Category No.	Qualifier
Clutch Master Cylinder	94 - 86	F123690	(CM123690)	Exc. Stripped Chassis; 3/4" Bore
Clutch Master Cylinder	94 - 86	F128946	(CM128946)	Stripped Chassis; 3/4" Bore

Clutch Slave Cylinder	Years	Sequential No.	Category No.	Qualifier
Clutch Slave Cylinder	94 - 86	F123693	(SC123693)	1" Bore

Front Brake Hose	Years	Sequential No.	Category No.	Qualifier
Brake Hose	94	F123792	(BH123792)	
Brake Hose	93 - 87	F123792	(BH123792)	w/Disc Brake
Brake Hose	93 - 86	F123791	(BH123791)	w/Drum Brake

Rear Brake Hose	Years	Sequential No.	Category No.	Qualifier
Brake Hose	94 - 86	F123793	(BH123793)	

NRR**Brake Pads & Shoes**

Front Pads & Shoes	Years	SevereDuty	Lining No.	Qualifier
Brake Pads	07 - 05	SD827		Akebono; 2.24" 2-Piston caliper
Brake Shoes	94 - 87	SDS672R	EX1458D-S32	12-5/8 x 4-3/8

Rear Pads & Shoes	Years	SevereDuty	Lining No.	Qualifier
Brake Shoes	94 - 87	SDS669R	EX1455D-S32	12-5/8 x 4-3/4

Brake Hardware

Front Brake Hardware	Years	Sequential No.	Category No.	Qualifier
Caliper Bolt/Pin	07 - 05	F140773	(H14945)	Akebono; 2.24" 2-Piston caliper
Combi Kit	94 - 87	F140621	(H3017)	12-5/8 x 4-3/8" Brake
Disc Align Kit	07 - 05	F140608	(H3004)	Akebono; 2.24" 2-Piston caliper

Rear Brake Hardware	Years	Sequential No.	Category No.	Qualifier
Combi Kit	94 - 87	F140620	(H3016)	12-5/8 x 4-3/4" Brake

Calipers - Reman

Front, Loaded	Years	Left No.	Right No.	Qualifier	Piston
Loaded Caliper	07 - 05	AS135220	AS135219	Akebono; 2.24" 2-Piston Caliper	M
Front, Unloaded	Years	Left No.	Right No.	Qualifier	Piston
Unloaded Caliper	07 - 05	CR135220	CR135219	Akebono; 2.24" 2-Piston Caliper	M

Hydraulics - New

Front Brake Hose	Years	Sequential No.	Category No.	Qualifier
Brake Hose	94 - 87	F126748	(BH126748)	

Rear Brake Hose	Years	Sequential No.	Category No.	Qualifier
Brake Hose	94 - 87	F126750	(BH126750)	

ISUZU MD N-Series Diesel**NPR DIESEL****Brake Pads & Shoes**

Front Pads & Shoes	Years	SevereDuty	Lining No.	Qualifier
Brake Pads	07 - 98	SD825		Akebono; 2.13" 2-Piston Caliper

Piston: M - OE Metal Piston P - OE Phenolic Piston

NPR DIESEL (cont.)
Brake Pads & Shoes (cont.)

Front Pads & Shoes	Years	SevereDuty	Lining No.	Qualifier
Brake Pads	97 - 94	SD546		Akebono; 2.12" 2-Piston Caliper
Rear Pads & Shoes	Years	SevereDuty	Lining No.	Qualifier
Brake Shoes	04 - 94	SDS726R	EX1417D-S32	12-5/8 x 3

Rotor & Drum

Front Rotor & Drum	Years	Part No.	Qualifier
Brake Rotor	04 - 98	BD126396	Hat-Shaped; 12-Hole
Brake Rotor	97 - 94	BD125627	Hat-Shaped; 12-Hole

Brake Hardware

Front Brake Hardware	Years	Sequential No.	Category No.	Qualifier
Caliper Bolt/Pin	07 - 98	F140773	(H14945)	Akebono; 2.13" 2-Piston Caliper
Disc Align Kit	07 - 98	F140608	(H3004)	Akebono; 2.13" 2-Piston Caliper
Disc Align Kit	97 - 94	F140609	(H3005)	Akebono; 2.12" 2-Piston Caliper
Rear Brake Hardware	Years	Sequential No.	Category No.	Qualifier
Combi Kit	04 - 94	F128865	(H7212)	12-5/8 x 3" Brake

Calipers - Reman

Front, Loaded	Years	Left No.	Right No.	Qualifier	Piston
Loaded Caliper	07 - 04	AS135218	AS135217	Akebono; 2.13" 2-Piston Caliper	M
Loaded Caliper	03 - 98	AS135225	AS135224	Akebono; 2.13" 2-Piston Caliper	M
Loaded Caliper	97 - 94	AS134275	AS134276	Akebono; 2.12" 2-Piston Caliper	M
Front, Unloaded	Years	Left No.	Right No.	Qualifier	Piston
Unloaded Caliper	07 - 04	CR135218	CR135217	Akebono; 2.13" 2-Piston Caliper	M
Unloaded Caliper	03 - 98	CR135225	CR135224	Akebono; 2.13" 2-Piston Caliper	M
Unloaded Caliper	97 - 94	CR134275	CR134276	Akebono; 2.12" 2-Piston Caliper	M

Hydraulics - New

Master Cylinder	Years	Sequential No.	Category No.	Qualifier
Master Cylinder	04 - 02	F140752	(MC140752)	
Master Cylinder	01	F140752	(MC140752)	From 10/01
Master Cylinder	01	F140749	(MC140749)	To 9/01
Master Cylinder	00 - 98	F140749	(MC140749)	
Master Cylinder	97	F140749	(MC140749)	From 11/97
Master Cylinder	97	F140750	(MC140750)	To 10/97
Master Cylinder	96	F140750	(MC140750)	
Master Cylinder	95	F140750	(MC140750)	From 11/95
Master Cylinder	95	F140749	(MC140749)	To 10/95
Master Cylinder	94	F140749	(MC140749)	
Rear Wheel Cylinder	Years	Sequential No.	Category No.	Qualifier
Wheel Cylinder	04 - 99	F140759	(WC140759)	L.H.; 12-1/2 x 3" Brake; Back
Wheel Cylinder	04 - 94	F140760	(WC140760)	L.H.; 12-1/2 x 3" Brake; Fwd.
Wheel Cylinder	04 - 94	F140758	(WC140758)	R.H.; 12-1/2 x 3" Brake; Back
Wheel Cylinder	04 - 94	F140757	(WC140757)	R.H.; 12-1/2 x 3" Brake; Fwd.
Wheel Cylinder	98 - 94	F140760	(WC140760)	L.H.; 12-1/2 x 3" Brake; Back
Clutch Slave Cylinder	Years	Sequential No.	Category No.	Qualifier
Clutch Slave Cylinder	97 - 94	F123693	(SC123693)	1" Bore

NPR HD DIESEL
Brake Pads & Shoes

Front Pads & Shoes	Years	SevereDuty	Lining No.	Qualifier
Brake Pads	07 - 98	SD825		Akebono; 2.13" 2-Piston Caliper
Brake Pads	97 - 94	SD546		Akebono; 2.12" 2-Piston Caliper
Rear Pads & Shoes	Years	SevereDuty	Lining No.	Qualifier
Brake Shoes	04 - 94	SDS699R	EX1482D-S32	12-5/8 x 4

Rotor & Drum

Front Rotor & Drum	Years	Part No.	Qualifier
Brake Rotor	04 - 98	BD126396	Hat-Shaped; 12-Hole

Piston: M - OE Metal Piston P - OE Phenolic Piston

NPR HD DIESEL (cont.)**Rotor & Drum (cont.)**

Front Rotor & Drum	Years	Part No.	Qualifier
Brake Rotor	97 - 94	BD125627	Hat-Shaped; 12-Hole

Brake Hardware

Front Brake Hardware	Years	Sequential No.	Category No.	Qualifier
Caliper Bolt/Pin	07 - 98	F140773	(H14945)	Akebono; 2.13" 2-Piston Caliper
Disc Align Kit	07 - 98	F140608	(H3004)	Akebono; 2.13" 2-Piston Caliper
Disc Align Kit	97 - 94	F140609	(H3005)	Akebono; 2.12" 2-Piston Caliper

Rear Brake Hardware	Years	Sequential No.	Category No.	Qualifier
Combi Kit	04 - 94	F140627	(H3023)	12-5/8 x 4" Brake; Return Spring Kit

Calipers - Reman

Front, Loaded	Years	Left No.	Right No.	Qualifier	Piston
Loaded Caliper	07 - 04	AS135218	AS135217	Akebono; 2.13" 2-Piston Caliper	M
Loaded Caliper	03 - 98	AS135225	AS135224	Akebono; 2.13" 2-Piston Caliper	M
Loaded Caliper	97 - 94	AS134275	AS134276	Akebono; 2.12" 2-Piston Caliper	M

Front, Unloaded	Years	Left No.	Right No.	Qualifier	Piston
Unloaded Caliper	07 - 04	CR135218	CR135217	Akebono; 2.13" 2-Piston Caliper	M
Unloaded Caliper	03 - 98	CR135225	CR135224	Akebono; 2.13" 2-Piston Caliper	M
Unloaded Caliper	97 - 94	CR134275	CR134276	Akebono; 2.12" 2-Piston Caliper	M

Hydraulics - New

Master Cylinder	Years	Sequential No.	Category No.	Qualifier
Master Cylinder	04 - 02	F140752	(MC140752)	
Master Cylinder	01	F140752	(MC140752)	From 10/01
Master Cylinder	01	F140749	(MC140749)	To 9/01
Master Cylinder	00 - 98	F140749	(MC140749)	
Master Cylinder	97	F140749	(MC140749)	From 11/97
Master Cylinder	97	F140750	(MC140750)	To 10/97
Master Cylinder	96	F140750	(MC140750)	
Master Cylinder	95	F140750	(MC140750)	From 11/95
Master Cylinder	95	F140749	(MC140749)	To 10/95
Master Cylinder	94	F140749	(MC140749)	

Rear Wheel Cylinder	Years	Sequential No.	Category No.	Qualifier
Wheel Cylinder	02 - 99	F140765	(WC140765)	L.H.; From 1/99; 12-5/8 x 4" Brake; Back
Wheel Cylinder	02 - 99	F140756	(WC140756)	L.H.; From 1/99; 12-5/8 x 4" Brake; Fwd.
Wheel Cylinder	02 - 99	F140755	(WC140755)	R.H.; From 1/99; 12-5/8 x 4" Brake; Back
Wheel Cylinder	02 - 99	F140754	(WC140754)	R.H.; From 1/99; 12-5/8 x 4" Brake; Fwd.
Wheel Cylinder	98 - 94	F140756	(WC140756)	L.H.; To 12/98; 12-5/8 x 4" Brake; Back
Wheel Cylinder	98 - 94	F140756	(WC140756)	L.H.; To 12/98; 12-5/8 x 4" Brake; Fwd.
Wheel Cylinder	98 - 94	F140755	(WC140755)	R.H.; To 12/98; 12-5/8 x 4" Brake; Back
Wheel Cylinder	98 - 94	F140754	(WC140754)	R.H.; To 12/98; 12-5/8 x 4" Brake; Fwd.

Clutch Slave Cylinder	Years	Sequential No.	Category No.	Qualifier
Clutch Slave Cylinder	97 - 94	F123693	(SC123693)	1" Bore

NQR DIESEL**Brake Pads & Shoes**

Front Pads & Shoes	Years	SevereDuty	Lining No.	Qualifier
Brake Pads	07 - 99	SD827		Akebono; 2.24" 2-Piston caliper
Brake Pads	98	SD826		Akebono; 2.24" 2-Piston caliper

Rear Pads & Shoes	Years	SevereDuty	Lining No.	Qualifier
Brake Shoes	05 - 98	SDS792R	EX1534D	12-1/4 x 4-3/4

Rotor & Drum

Front Rotor & Drum	Years	Part No.	Qualifier
Brake Rotor	04 - 99	BD126393	Hat-Shaped; 12-Hole
Brake Rotor	98	BD126395	Hat-Shaped; 12-Hole

Piston: M - OE Metal Piston P - OE Phenolic Piston

NQR DIESEL (cont.)

Brake Hardware					
Front Brake Hardware	Years	Sequential No.	Category No.	Qualifier	
Caliper Bolt/Pin	07 - 98	F140773	(H14945)	Akebono; 2.24" 2-Piston caliper	
Disc Align Kit	07 - 98	F140608	(H3004)	Akebono; 2.24" 2-Piston caliper	
Rear Brake Hardware	Years	Sequential No.	Category No.	Qualifier	
Combi Kit	05 - 98	F140626	(H3022)	12-1/4 x 4-3/4" Brake	
Calipers - Reman					
Front, Loaded	Years	Left No.	Right No.	Qualifier	Piston
Loaded Caliper	04	AS135220	AS135219	Akebono; 2.24" 2-Piston Caliper	M
Loaded Caliper	03 - 99	AS135227	AS135226	Akebono; 2.24" 2-Piston Caliper	M
Loaded Caliper	98	AS135223	AS135222	Akebono; 2.24" 2-Piston caliper	M
Front, Unloaded	Years	Left No.	Right No.	Qualifier	Piston
Unloaded Caliper	04	CR135220	CR135219	Akebono; 2.24" 2-Piston Caliper	M
Unloaded Caliper	03 - 99	CR135227	CR135226	Akebono; 2.24" 2-Piston Caliper	M
Unloaded Caliper	98	CR135223	CR135222	Akebono; 2.24" 2-Piston caliper	M
Hydraulics - New					
Master Cylinder	Years	Sequential No.	Category No.	Qualifier	
Master Cylinder	04 - 98	F140751	(MC140751)		
Clutch Slave Cylinder	Years	Sequential No.	Category No.	Qualifier	
Clutch Slave Cylinder	97 - 94	F123693	(SC123693)	1" Bore	

ISUZU MD N-Series Gas
NPR GAS

Brake Pads & Shoes				
Front Pads & Shoes	Years	SevereDuty	Lining No.	Qualifier
Brake Pads	07 - 98	SD825		Akebono; 2.13" 2-Piston Caliper
Brake Pads	97	SD825		From 10/97; Akebono; 2.13" 2-Piston Caliper
Brake Pads	97	SD546		To 9/97; Akebono; 2.12" 2-Piston Caliper
Brake Pads	96 - 94	SD546		Akebono; 2.12" 2-Piston Caliper
Rear Pads & Shoes	Years	SevereDuty	Lining No.	Qualifier
Brake Shoes	04 - 02	SDS699R	EX1482D-S32	12-5/8 x 4
Brake Shoes	01	SDS699R	EX1482D-S32	From 7/01; 12-5/8 x 4
Brake Shoes	01	SDS726R	EX1417D-S32	To 6/01; 12-5/8 x 3
Brake Shoes	00 - 98	SDS726R	EX1417D-S32	12-5/8 x 3
Brake Shoes	97	SDS726R	EX1417D-S32	From 10/97; 12-5/8 x 3
Brake Shoes	97	SDS699R	EX1482D-S32	To 9/97; 12-5/8 x 4
Brake Shoes	96 - 94	SDS699R	EX1482D-S32	12-5/8 x 4
Rotor & Drum				
Front Rotor & Drum	Years	Part No.	Qualifier	
Brake Rotor	04 - 00	BD126396	Hat-Shaped; 12-Hole	
Brake Rotor	99	BD126396	From 7/99; Hat-Shaped; 12-Hole	
Brake Rotor	99	BD126396	In 6/99; Hat-Shaped; 12-Hole; w/ABS	
Brake Rotor	99	BD126395	In 6/99; Hat-Shaped; 12-Hole; w/o ABS	
Brake Rotor	99	BD126396	To 5/99; Hat-Shaped; 12-Hole	
Brake Rotor	98	BD126396	Hat-Shaped; 12-Hole	
Brake Rotor	97	BD126396	From 10/97; Hat-Shaped; 12-Hole	
Brake Rotor	97	BD125627	To 9/97; Hat-Shaped; 12-Hole	
Brake Rotor	96 - 94	BD125627	Hat-Shaped; 12-Hole	
Brake Hardware				
Front Brake Hardware	Years	Sequential No.	Category No.	Qualifier
Caliper Bolt/Pin	07 - 98	F140773	(H14945)	Akebono; 2.13" 2-Piston Caliper
Caliper Bolt/Pin	97	F140773	(H14945)	From 10/97; Akebono; 2.13" 2-Piston Caliper
Disc Align Kit	07 - 98	F140608	(H3004)	Akebono; 2.13" 2-Piston Caliper
Disc Align Kit	97	F140608	(H3004)	From 10/97; Akebono; 2.13" 2-Piston Caliper
Disc Align Kit	97	F140609	(H3005)	To 9/97; Akebono; 2.12" 2-Piston Caliper

Piston: M - OE Metal Piston P - OE Phenolic Piston

NPR GAS (cont.)**Brake Hardware (cont.)**

Front Brake Hardware	Years	Sequential No.	Category No.	Qualifier
Disc Align Kit	96 - 94	F140609	(H3005)	Akebono; 2.12" 2-Piston Caliper
Rear Brake Hardware	Years	Sequential No.	Category No.	Qualifier
Combi Kit	04 - 02	F140627	(H3023)	12-5/8 x 4" Brake; Return Spring Kit
Combi Kit	01	F140627	(H3023)	From 7/01; 12-5/8 x 4" Brake; Return Spring Kit
Combi Kit	01	F128865	(H7212)	To 6/01; 12-5/8 x 3" Brake
Combi Kit	00 - 98	F128865	(H7212)	12-5/8 x 3" Brake
Combi Kit	97	F128865	(H7212)	From 10/97; 12-5/8 x 3" Brake
Combi Kit	97	F140627	(H3023)	To 9/97; 12-5/8 x 4" Brake; Return Spring Kit
Combi Kit	96 - 94	F140627	(H3023)	12-5/8 x 4" Brake; Return Spring Kit

Calipers - Reman

Front, Loaded	Years	Left No.	Right No.	Qualifier	Piston
Loaded Caliper	07 - 04	AS135218	AS135217	Akebono; 2.13" 2-Piston Caliper	M
Loaded Caliper	03 - 98	AS135225	AS135224	Akebono; 2.13" 2-Piston Caliper	M
Loaded Caliper	97	AS135225	AS135224	From 10/97; Akebono; 2.13" 2-Piston Caliper	M
Loaded Caliper	97	AS134275	AS134276	To 9/97; Akebono; 2.12" 2-Piston Caliper	M
Loaded Caliper	96 - 94	AS134275	AS134276	Akebono; 2.12" 2-Piston Caliper	M
Front, Unloaded	Years	Left No.	Right No.	Qualifier	Piston
Unloaded Caliper	07 - 04	CR135218	CR135217	Akebono; 2.13" 2-Piston Caliper	M
Unloaded Caliper	03 - 98	CR135225	CR135224	Akebono; 2.13" 2-Piston Caliper	M
Unloaded Caliper	97	CR135225	CR135224	From 10/97; Akebono; 2.13" 2-Piston Caliper	M
Unloaded Caliper	97	CR134275	CR134276	To 9/97; Akebono; 2.12" 2-Piston Caliper	M
Unloaded Caliper	96 - 94	CR134275	CR134276	Akebono; 2.12" 2-Piston Caliper	M

Hydraulics - New

Master Cylinder	Years	Sequential No.	Category No.	Qualifier
Master Cylinder	04 - 02	F140752	(MC140752)	
Master Cylinder	01	F140752	(MC140752)	From 10/01
Master Cylinder	01	F140749	(MC140749)	To 9/01
Master Cylinder	00 - 98	F140749	(MC140749)	
Master Cylinder	97	F140749	(MC140749)	From 11/97
Master Cylinder	97	F140750	(MC140750)	To 10/97
Master Cylinder	96	F140750	(MC140750)	
Master Cylinder	95	F140750	(MC140750)	From 11/95
Master Cylinder	95	F140749	(MC140749)	To 10/95
Master Cylinder	94	F140749	(MC140749)	
Rear Wheel Cylinder	Years	Sequential No.	Category No.	Qualifier
Wheel Cylinder	02	F140765	(WC140765)	L.H.; To 6/02; 12-5/8 x 4" Brake; Back
Wheel Cylinder	02	F140756	(WC140756)	L.H.; To 6/02; 12-5/8 x 4" Brake; Fwd.
Wheel Cylinder	02	F140755	(WC140755)	R.H.; To 6/02; 12-5/8 x 4" Brake; Back
Wheel Cylinder	02	F140754	(WC140754)	R.H.; To 6/02; 12-5/8 x 4" Brake; Fwd.
Wheel Cylinder	01	F140765	(WC140765)	L.H.; From 7/01; 12-5/8 x 4" Brake; Back
Wheel Cylinder	01	F140756	(WC140756)	L.H.; From 7/01; 12-5/8 x 4" Brake; Fwd.
Wheel Cylinder	01	F140759	(WC140759)	L.H.; To 6/01; 12-1/2 x 3" Brake; Back
Wheel Cylinder	01	F140760	(WC140760)	L.H.; To 6/01; 12-1/2 x 3" Brake; Fwd.
Wheel Cylinder	01	F140755	(WC140755)	R.H.; From 7/01; 12-5/8 x 4" Brake; Back
Wheel Cylinder	01	F140754	(WC140754)	R.H.; From 7/01; 12-5/8 x 4" Brake; Fwd.
Wheel Cylinder	01	F140758	(WC140758)	R.H.; To 6/01; 12-1/2 x 3" Brake; Back
Wheel Cylinder	01	F140757	(WC140757)	R.H.; To 6/01; 12-1/2 x 3" Brake; Fwd.
Wheel Cylinder	00	F140759	(WC140759)	L.H.; 12-1/2 x 3" Brake; Back
Wheel Cylinder	00	F140760	(WC140760)	L.H.; 12-1/2 x 3" Brake; Fwd.
Wheel Cylinder	00	F140758	(WC140758)	R.H.; 12-1/2 x 3" Brake; Back
Wheel Cylinder	00	F140757	(WC140757)	R.H.; 12-1/2 x 3" Brake; Fwd.
Wheel Cylinder	99	F140759	(WC140759)	L.H.; From 2/99; To 7/99; 12-1/2 x 3" Brake; Back; w/4-WHL. ABS
Wheel Cylinder	99	F140760	(WC140760)	L.H.; From 2/99; To 7/99; 12-1/2 x 3" Brake; Back; w/o 4-WHL. ABS
Wheel Cylinder	99	F140760	(WC140760)	L.H.; From 2/99; To 7/99; 12-1/2 x 3" Brake; Fwd.

Piston: M - OE Metal Piston P - OE Phenolic Piston

NPR GAS (cont.)
Hydraulics - New (cont.)

Rear Wheel Cylinder	Years	Sequential No.	Category No.	Qualifier
Wheel Cylinder	99	F140759	(WC140759)	L.H.; From 8/99; 12-1/2 x 3" Brake; Back
Wheel Cylinder	99	F140760	(WC140760)	L.H.; From 8/99; 12-1/2 x 3" Brake; Fwd.
Wheel Cylinder	99 - 98	F140760	(WC140760)	L.H.; To 1/99; 12-1/2 x 3" Brake; Back
Wheel Cylinder	99 - 98	F140760	(WC140760)	L.H.; To 1/99; 12-1/2 x 3" Brake; Fwd.
Wheel Cylinder	99	F140758	(WC140758)	R.H.; From 2/99; To 7/99; 12-1/2 x 3" Brake; Back; w/4-Whl. ABS
Wheel Cylinder	99	F140758	(WC140758)	R.H.; From 2/99; To 7/99; 12-1/2 x 3" Brake; Back; w/o 4-Whl. ABS
Wheel Cylinder	99	F140757	(WC140757)	R.H.; From 2/99; To 7/99; 12-1/2 x 3" Brake; Fwd.
Wheel Cylinder	99	F140758	(WC140758)	R.H.; From 8/99; 12-1/2 x 3" Brake; Back
Wheel Cylinder	99	F140757	(WC140757)	R.H.; From 8/99; 12-1/2 x 3" Brake; Fwd.
Wheel Cylinder	99 - 98	F140758	(WC140758)	R.H.; To 1/99; 12-1/2 x 3" Brake; Back
Wheel Cylinder	99 - 98	F140757	(WC140757)	R.H.; To 1/99; 12-1/2 x 3" Brake; Fwd.
Wheel Cylinder	97	F140760	(WC140760)	L.H.; From 10/97; 12-1/2 x 3" Brake; Back
Wheel Cylinder	97	F140760	(WC140760)	L.H.; From 10/97; 12-1/2 x 3" Brake; Fwd.
Wheel Cylinder	97	F140756	(WC140756)	L.H.; To 9/97; 12-5/8 x 4" Brake; Back
Wheel Cylinder	97	F140756	(WC140756)	L.H.; To 9/97; 12-5/8 x 4" Brake; Fwd.
Wheel Cylinder	97	F140758	(WC140758)	R.H.; From 10/97; 12-1/2 x 3" Brake; Back
Wheel Cylinder	97	F140757	(WC140757)	R.H.; From 10/97; 12-1/2 x 3" Brake; Fwd.
Wheel Cylinder	97	F140755	(WC140755)	R.H.; To 9/97; 12-5/8 x 4" Brake; Back
Wheel Cylinder	97	F140754	(WC140754)	R.H.; To 9/97; 12-5/8 x 4" Brake; Fwd.
Wheel Cylinder	96 - 94	F140756	(WC140756)	L.H.; 12-5/8 x 4" Brake; Back
Wheel Cylinder	96 - 94	F140756	(WC140756)	L.H.; 12-5/8 x 4" Brake; Fwd.
Wheel Cylinder	96 - 94	F140755	(WC140755)	R.H.; 12-5/8 x 4" Brake; Back
Wheel Cylinder	96 - 94	F140754	(WC140754)	R.H.; 12-5/8 x 4" Brake; Fwd.

NPR HD GAS
Brake Pads & Shoes

Front Pads & Shoes	Years	SevereDuty	Lining No.	Qualifier
Brake Pads	07 - 00	SD827		Akebono; 2.24" 2-Piston Caliper; w/ABS
Brake Pads	99 - 98	SD826		Akebono; 2.24" 2-Piston Caliper; w/o ABS
Brake Pads	97	SD826		From 10/97; Akebono; 2.24" 2-Piston Caliper; w/o ABS
Brake Pads	97	SD546		To 9/97; Akebono; 2.12" 2-Piston Caliper
Brake Pads	96 - 94	SD546		Akebono; 2.12" 2-Piston Caliper
Rear Pads & Shoes	Years	SevereDuty	Lining No.	Qualifier
Brake Shoes	04 - 98	SDS792R	EX1534D	12-1/4 x 4-3/4
Brake Shoes	97	SDS792R	EX1534D	From 10/97; 12-1/4 x 4-3/4
Brake Shoes	97	SDS726R	EX1417D-S32	To 9/97; 12-5/8 x 3
Brake Shoes	96 - 94	SDS726R	EX1417D-S32	12-5/8 x 3

Rotor & Drum

Front Rotor & Drum	Years	Part No.	Qualifier
Brake Rotor	04 - 00	BD126393	Hat-Shaped; 12-Hole
Brake Rotor	99	BD126393	From 7/99; Hat-Shaped; 12-Hole
Brake Rotor	99	BD126393	In 6/99; Hat-Shaped; 12-Hole; w/ABS
Brake Rotor	99	BD126396	In 6/99; Hat-Shaped; 12-Hole; w/o ABS
Brake Rotor	99	BD126393	To 5/99; Hat-Shaped; 12-Hole; w/ABS
Brake Rotor	99	BD126395	To 5/99; Hat-Shaped; 12-Hole; w/o ABS
Brake Rotor	98	BD126393	From 11/98; Hat-Shaped; 12-Hole; w/ABS
Brake Rotor	98	BD126395	From 11/98; Hat-Shaped; 12-Hole; w/o ABS
Brake Rotor	98	BD126393	To 10/98; Hat-Shaped; 12-Hole; w/Calif. Emmissions
Brake Rotor	98	BD126395	To 10/98; Hat-Shaped; 12-Hole; w/o Calif. Emmissions
Brake Rotor	97	BD126393	From 10/97; Hat-Shaped; 12-Hole; w/Calif. Emmissions
Brake Rotor	97	BD126395	From 10/97; Hat-Shaped; 12-Hole; w/o Calif. Emmissions
Brake Rotor	97	BD125627	To 9/97; Hat-Shaped; 12-Hole
Brake Rotor	96 - 94	BD125627	Hat-Shaped; 12-Hole

NPR HD GAS (cont.)

Brake Hardware				
Front Brake Hardware	Years	Sequential No.	Category No.	Qualifier
Caliper Bolt/Pin	07 - 98	F140773	(H14945)	Akebono; 2.24" 2-Piston caliper
Caliper Bolt/Pin	97	F140773	(H14945)	From 10/97; Akebono; 2.24" 2-Piston caliper
Disc Align Kit	07 - 00	F140608	(H3004)	Akebono; 2.24" 2-Piston Caliper; w/ABS
Disc Align Kit	99 - 98	F140608	(H3004)	Akebono; 2.24" 2-Piston caliper; w/o ABS
Disc Align Kit	97	F140608	(H3004)	From 10/97; Akebono; 2.24" 2-Piston caliper; w/o ABS
Disc Align Kit	97	F140609	(H3005)	To 9/97; Akebono; 2.12" 2-Piston Caliper
Disc Align Kit	96 - 94	F140609	(H3005)	Akebono; 2.12" 2-Piston Caliper

Rear Brake Hardware	Years	Sequential No.	Category No.	Qualifier
Combi Kit	04 - 98	F140626	(H3022)	12-1/4 x 4-3/4" Brake
Combi Kit	97	F140626	(H3022)	From 10/97; 12-1/4 x 4-3/4" Brake
Combi Kit	97	F128865	(H7212)	To 9/97; 12-5/8 x 3" Brake
Combi Kit	96 - 94	F128865	(H7212)	12-5/8 x 3" Brake

Calipers - Reman					
Front, Loaded	Years	Left No.	Right No.	Qualifier	Piston
Loaded Caliper	07 - 04	AS135220	AS135219	Akebono; 2.24" 2-Piston Caliper; w/ABS	M
Loaded Caliper	03 - 00	AS135227	AS135226	Akebono; 2.24" 2-Piston Caliper; w/ABS	M
Loaded Caliper	99 - 98	AS135223	AS135222	Akebono; 2.24" 2-Piston caliper; w/o ABS	M
Loaded Caliper	97	AS135223	AS135222	From 10/97; Akebono; 2.24" 2-Piston caliper; w/o ABS	M
Loaded Caliper	97	AS134275	AS134276	To 9/97; Akebono; 2.12" 2-Piston Caliper	M
Loaded Caliper	96 - 94	AS134275	AS134276	Akebono; 2.12" 2-Piston Caliper	M

Front, Unloaded	Years	Left No.	Right No.	Qualifier	Piston
Unloaded Caliper	07 - 04	CR135220	CR135219	Akebono; 2.24" 2-Piston Caliper; w/ABS	M
Unloaded Caliper	03 - 00	CR135227	CR135226	Akebono; 2.24" 2-Piston Caliper; w/ABS	M
Unloaded Caliper	99 - 98	CR135223	CR135222	Akebono; 2.24" 2-Piston caliper; w/o ABS	M
Unloaded Caliper	97	CR135223	CR135222	From 10/97; Akebono; 2.24" 2-Piston caliper; w/o ABS	M
Unloaded Caliper	97	CR134275	CR134276	To 9/97; Akebono; 2.12" 2-Piston Caliper	M
Unloaded Caliper	96 - 94	CR134275	CR134276	Akebono; 2.12" 2-Piston Caliper	M

Hydraulics - New				
Master Cylinder	Years	Sequential No.	Category No.	Qualifier
Master Cylinder	04 - 02	F140753	(MC140753)	
Master Cylinder	01	F140753	(MC140753)	From 10/01
Master Cylinder	01	F140751	(MC140751)	To 9/01
Master Cylinder	00 - 98	F140751	(MC140751)	
Master Cylinder	97	F140751	(MC140751)	From 10/97
Master Cylinder	97	F140750	(MC140750)	To 9/97
Master Cylinder	96	F140750	(MC140750)	
Master Cylinder	95	F140750	(MC140750)	From 11/95
Master Cylinder	95	F140749	(MC140749)	To 10/95
Master Cylinder	94	F140749	(MC140749)	

Rear Wheel Cylinder	Years	Sequential No.	Category No.	Qualifier
Wheel Cylinder	97	F140760	(WC140760)	L.H.; To 9/97; 12-1/2 x 3" Brake; Back
Wheel Cylinder	97	F140760	(WC140760)	L.H.; To 9/97; 12-1/2 x 3" Brake; Fwd.
Wheel Cylinder	97	F140758	(WC140758)	R.H.; To 9/97; 12-1/2 x 3" Brake; Back
Wheel Cylinder	97	F140757	(WC140757)	R.H.; To 9/97; 12-1/2 x 3" Brake; Fwd.
Wheel Cylinder	96 - 94	F140760	(WC140760)	L.H.; 12-1/2 x 3" Brake; Back
Wheel Cylinder	96 - 94	F140760	(WC140760)	L.H.; 12-1/2 x 3" Brake; Fwd.
Wheel Cylinder	96 - 94	F140758	(WC140758)	R.H.; 12-1/2 x 3" Brake; Back
Wheel Cylinder	96 - 94	F140757	(WC140757)	R.H.; 12-1/2 x 3" Brake; Fwd.

IVECO 200-Series**Z230T**

Brake Pads & Shoes				
Front Pads & Shoes	Years	SevereDuty	Lining No.	Qualifier
Brake Pads	88 - 87	SD494		w/o Wear Sensor

Piston: M - OE Metal Piston P - OE Phenolic Piston

Z230T (cont.)

Brake Pads & Shoes (cont.)					
Front Pads & Shoes	Years	SevereDuty	Lining No.	Qualifier	
Brake Pads	88 - 87	SD494B		w/Wear Sensor; w/Closed Circuit	
Brake Pads	88 - 87	SD494A		w/Wear Sensor; w/Open Circuit	
Calipers - Reman					
Front, Unloaded	Years	Left No.	Right No.	Qualifier	Piston
Unloaded Caliper	88 - 87	CR134263	CR134264		M

IVECO 300-Series

Z335T

Brake Pads & Shoes					
Front Pads & Shoes	Years	SevereDuty	Lining No.	Qualifier	
Brake Pads	90 - 87	SD1027			
Calipers - Reman					
Front, Unloaded	Years	Left No.	Right No.	Qualifier	Piston
Unloaded Caliper	90 - 87	CR134265	CR134266		M

Z340T

Brake Pads & Shoes					
Front Pads & Shoes	Years	SevereDuty	Lining No.	Qualifier	
Brake Pads	90 - 87	SD1027			
Calipers - Reman					
Front, Unloaded	Years	Left No.	Right No.	Qualifier	Piston
Unloaded Caliper	90 - 87	CR134265	CR134266		M

IVECO 400-Series

Z435T

Brake Pads & Shoes					
Front Pads & Shoes	Years	SevereDuty	Lining No.	Qualifier	
Brake Pads	90 - 87	SD1027			
Calipers - Reman					
Front, Unloaded	Years	Left No.	Right No.	Qualifier	Piston
Unloaded Caliper	90 - 87	CR134265	CR134266		M

Z450T

Brake Pads & Shoes					
Front Pads & Shoes	Years	SevereDuty	Lining No.	Qualifier	
Brake Pads	90 - 87	SD1027			
Calipers - Reman					
Front, Unloaded	Years	Left No.	Right No.	Qualifier	Piston
Unloaded Caliper	90 - 87	CR134265	CR134266		M

IVECO Class-3

10-14

Brake Pads & Shoes					
Front Pads & Shoes	Years	SevereDuty	Lining No.	Qualifier	
Brake Pads	91 - 89	SD494		w/o Wear Sensor	
Brake Pads	91 - 89	SD494B		w/Wear Sensor; w/Closed Circuit	
Brake Pads	91 - 89	SD494A		w/Wear Sensor; w/Open Circuit	
Calipers - Reman					
Front, Unloaded	Years	Left No.	Right No.	Qualifier	Piston
Unloaded Caliper	91 - 89	CR134263	CR134264		M

Piston: M - OE Metal Piston P - OE Phenolic Piston

12-11					
Brake Pads & Shoes					
<i>Front Pads & Shoes</i>	<i>Years</i>	<i>SevereDuty</i>	<i>Lining No.</i>	<i>Qualifier</i>	
Brake Pads	89	SD494		w/o Wear Sensor	
Brake Pads	89	SD494B		w/Wear Sensor; w/Closed Circuit	
Brake Pads	89	SD494A		w/Wear Sensor; w/Open Circuit	
Calipers - Reman					
<i>Front, Unloaded</i>	<i>Years</i>	<i>Left No.</i>	<i>Right No.</i>	<i>Qualifier</i>	<i>Piston</i>
Unloaded Caliper	89	CR134263	CR134264		M

12-12					
Brake Pads & Shoes					
<i>Front Pads & Shoes</i>	<i>Years</i>	<i>SevereDuty</i>	<i>Lining No.</i>	<i>Qualifier</i>	
Brake Pads	91 - 89	SD494		w/o Wear Sensor	
Brake Pads	91 - 89	SD494B		w/Wear Sensor; w/Closed Circuit	
Brake Pads	91 - 89	SD494A		w/Wear Sensor; w/Open Circuit	
Calipers - Reman					
<i>Front, Unloaded</i>	<i>Years</i>	<i>Left No.</i>	<i>Right No.</i>	<i>Qualifier</i>	<i>Piston</i>
Unloaded Caliper	91 - 89	CR134263	CR134264		M

12-14					
Brake Pads & Shoes					
<i>Front Pads & Shoes</i>	<i>Years</i>	<i>SevereDuty</i>	<i>Lining No.</i>	<i>Qualifier</i>	
Brake Pads	89	SD494		w/o Wear Sensor	
Brake Pads	89	SD494B		w/Wear Sensor; w/Closed Circuit	
Brake Pads	89	SD494A		w/Wear Sensor; w/Open Circuit	
Calipers - Reman					
<i>Front, Unloaded</i>	<i>Years</i>	<i>Left No.</i>	<i>Right No.</i>	<i>Qualifier</i>	<i>Piston</i>
Unloaded Caliper	89	CR134263	CR134264		M

13-14					
Brake Pads & Shoes					
<i>Front Pads & Shoes</i>	<i>Years</i>	<i>SevereDuty</i>	<i>Lining No.</i>	<i>Qualifier</i>	
Brake Pads	91 - 89	SD494		w/o Wear Sensor	
Brake Pads	91 - 89	SD494B		w/Wear Sensor; w/Closed Circuit	
Brake Pads	91 - 89	SD494A		w/Wear Sensor; w/Open Circuit	
Calipers - Reman					
<i>Front, Unloaded</i>	<i>Years</i>	<i>Left No.</i>	<i>Right No.</i>	<i>Qualifier</i>	<i>Piston</i>
Unloaded Caliper	91 - 89	CR134263	CR134264		M

IVECO Class-4

15-14					
Brake Pads & Shoes					
<i>Front Pads & Shoes</i>	<i>Years</i>	<i>SevereDuty</i>	<i>Lining No.</i>	<i>Qualifier</i>	
Brake Pads	91 - 89	SD494		w/o Wear Sensor	
Brake Pads	91 - 89	SD494B		w/Wear Sensor; w/Closed Circuit	
Brake Pads	91 - 89	SD494A		w/Wear Sensor; w/Open Circuit	
Calipers - Reman					
<i>Front, Unloaded</i>	<i>Years</i>	<i>Left No.</i>	<i>Right No.</i>	<i>Qualifier</i>	<i>Piston</i>
Unloaded Caliper	91 - 89	CR134263	CR134264		M

IVECO Class-5

18-14					
Brake Pads & Shoes					
<i>Front Pads & Shoes</i>	<i>Years</i>	<i>SevereDuty</i>	<i>Lining No.</i>	<i>Qualifier</i>	
Brake Pads	91 - 89	SD494		w/o Wear Sensor	
Brake Pads	91 - 89	SD494B		w/Wear Sensor; w/Closed Circuit	

Piston: M - OE Metal Piston P - OE Phenolic Piston

18-14 (cont.)

Brake Pads & Shoes (cont.)

Front Pads & Shoes	Years	SevereDuty	Lining No.	Qualifier
Brake Pads	91 - 89	SD494A		w/Wear Sensor; w/Open Circuit

Calipers - Reman

Front, Unloaded	Years	Left No.	Right No.	Qualifier	Piston
Unloaded Caliper	91 - 89	CR134263	CR134264		M

18-16

Brake Pads & Shoes

Front Pads & Shoes	Years	SevereDuty	Lining No.	Qualifier
Brake Pads	91 - 89	SD494		w/o Wear Sensor
Brake Pads	91 - 89	SD494B		w/Wear Sensor; w/Closed Circuit
Brake Pads	91 - 89	SD494A		w/Wear Sensor; w/Open Circuit

Calipers - Reman

Front, Unloaded	Years	Left No.	Right No.	Qualifier	Piston
Unloaded Caliper	91 - 89	CR134263	CR134264		M

IVECO Class-6

23-16

Brake Pads & Shoes

Front Pads & Shoes	Years	SevereDuty	Lining No.	Qualifier
Brake Pads	91 - 89	SD442		Exc. Turbo
Brake Pads	91 - 89	SD1027		Turbo

Calipers - Reman

Front, Unloaded	Years	Left No.	Right No.	Qualifier	Piston
Unloaded Caliper	91 - 89	CR134265	CR134266	Turbo	M

JEEP

GRAND CHEROKEE

Brake Pads & Shoes

Front Pads & Shoes	Years	SevereDuty	Lining No.	Qualifier
Brake Pads	04 - 99	SD945		w/Akebono Caliper; Silver Caliper
Brake Pads	03 - 99	SD942		w/Continental Teves Caliper; Black Caliper

Rotor & Drum

Front Rotor & Drum	Years	Part No.	Qualifier
Brake Rotor	04 - 99	BD125693	
Rear Rotor & Drum	Years	Part No.	Qualifier
Brake Rotor	04 - 99	BD125673	

Brake Hardware

Front Brake Hardware	Years	Sequential No.	Category No.	Qualifier
Caliper Bolt/Pin	03 - 02	F139370	(H5091)	w/Akebono Caliper; Silver Caliper
Caliper Bolt/Pin	02	F132517S	(H5078)	w/Continental Teves Caliper; Black Caliper
Caliper Bolt/Pin	01 - 99	F132517S	(H5078)	
Disc Align Kit	04 - 02	F139826	(H5656)	w/Akebono Caliper; Silver Caliper
Disc Align Kit	02	F139360	(H5486)	w/Continental Teves Caliper; Black Caliper
Disc Align Kit	01 - 99	F139360	(H5486)	
Pin Boot Kit	04	F132614S	(H8217)	
Pin Boot Kit	03 - 02	F139830	(H8236)	w/Akebono Caliper; Silver Caliper
Pin Boot Kit	03 - 02	F132614S	(H8217)	w/Continental Teves Caliper; Black Caliper
Pin Boot Kit	01 - 99	F132614S	(H8217)	
Rear Brake Hardware	Years	Sequential No.	Category No.	Qualifier
Caliper Bolt/Pin	04 - 99	F132517S	(H5078)	
Disc Align Kit	04 - 99	F139551	(H5488)	
Pin Boot Kit	04 - 99	F132614S	(H8217)	
Parking Brake	Years	Sequential No.	Category No.	Qualifier
Adjuster Screw	99	F139841	(H1590)	

Piston: M - OE Metal Piston P - OE Phenolic Piston

GRAND CHEROKEE (cont.)

Brake Hardware (cont.)

<i>Parking Brake</i>	<i>Years</i>	<i>Sequential No.</i>	<i>Category No.</i>	<i>Qualifier</i>
Combi Kit	04 - 99	F139724	(H7230)	

Calipers - Reman

<i>Front, Unloaded</i>	<i>Years</i>	<i>Left No.</i>	<i>Right No.</i>	<i>Qualifier</i>	<i>Piston</i>
Unloaded Caliper	04 - 99	CRB134568	CRB134569	Akebono; Supplied w/Mtg. Brkt.	P
Unloaded Caliper	04 - 99	CR134568	CR134569	Akebono; Supplied w/o Mtg. Brkt.	P
Unloaded Caliper	02 - 99	CRB134552	CRB134553	Tevis; Supplied w/Mtg. Brkt.	P
Unloaded Caliper	02 - 99	CR134552	CR134553	Tevis; Supplied w/o Mtg. Brkt.	P
<i>Rear, Unloaded</i>	<i>Years</i>	<i>Left No.</i>	<i>Right No.</i>	<i>Qualifier</i>	<i>Piston</i>
Unloaded Caliper	04 - 99	CRB134560	CRB134561	Supplied w/Mtg. Brkt.	P
Unloaded Caliper	04 - 99	CR134560	CR134561	Supplied w/o Mtg. Brkt.	P

Hydraulics - New

<i>Front Brake Hose</i>	<i>Years</i>	<i>Sequential No.</i>	<i>Category No.</i>	<i>Qualifier</i>
Brake Hose	04	F139232	(BH139232)	L.H.; 3-11/16" Metal Tube Length
Brake Hose	03 - 99	F139232	(BH139232)	L.H.
<i>Rear Brake Hose</i>	<i>Years</i>	<i>Sequential No.</i>	<i>Category No.</i>	<i>Qualifier</i>
Brake Hose	04 - 00	F139225	(BH139225)	Inner
Brake Hose	04 - 99	F138845	(BH138845)	L.H.
Brake Hose	04 - 99	F138847	(BH138847)	R.H.

Hydraulics - Reman

<i>Master Cylinder</i>	<i>Years</i>	<i>Part No.</i>	<i>Qualifier</i>
Master Cylinder	04 - 99	R134736	
<i>Power Brake Booster</i>	<i>Years</i>	<i>Part No.</i>	<i>Qualifier</i>
Power Brake Booster	04 - 99	5473163	w/o Master Cylinder

Brake Cables

<i>Parking Brake Cable</i>	<i>Years</i>	<i>Sequential No.</i>	<i>Category No.</i>	<i>Qualifier</i>
Parking Brake Cable	04 - 99	F140315	(BC140315)	Rear; L.H.; WJ, WG; 44" Length
Parking Brake Cable	01 - 99	F140403	(BC140403)	Rear; R.H.; WJ, WG; 45" Length

Wheel Attaching Hardware

<i>Front Wheel Nut</i>	<i>Years</i>	<i>Part No.</i>	<i>Qualifier</i>
Wheel Lug Nut	02 - 00	BD125915	Dome - Bright
<i>Rear Wheel Nut</i>	<i>Years</i>	<i>Part No.</i>	<i>Qualifier</i>
Wheel Lug Nut	02 - 00	BD125915	Dome - Bright

J10

Brake Pads & Shoes

<i>Front Pads & Shoes</i>	<i>Years</i>	<i>SevereDuty</i>	<i>Lining No.</i>	<i>Qualifier</i>
Brake Pads	88 - 81	SD52		
<i>Rear Pads & Shoes</i>	<i>Years</i>	<i>SevereDuty</i>	<i>Lining No.</i>	<i>Qualifier</i>
Brake Shoes	88	SDS462R	EX2134ATD	Model 26; 11 x 2" Brake; Riveted
Brake Shoes	87 - 81	SDS462R	EX2134ATD	11 x 2" Brake; Riveted

Rotor & Drum

<i>Front Rotor & Drum</i>	<i>Years</i>	<i>Part No.</i>	<i>Qualifier</i>
Brake Rotor	88	BD60413	Model 26
Brake Rotor	88	BD60427	Model 27
Brake Rotor	87	BD60413	Model 26; Use w/BD61707 Hub
Brake Rotor	87 - 85	BD60427	Model 27; Use w/BD61708 Hub
Brake Rotor	86 - 85	BD60413	Model 25, 26; Use w/BD61707 Hub
Brake Rotor	84 - 81	BD60413	Model 25, 26, 45; Use w/BD61707 Hub
Brake Rotor	84 - 81	BD60427	Model 27, 46; Use w/BD61708 Hub
Rotor Hub	88 - 87	BD61707	L.H.; Model 26; Use w/BD60413 Rotor
Rotor Hub	88 - 85	BD61708	L.H.; Model 27; Use w/BD60427 Rotor
Rotor Hub	88 - 87	BD61707	R.H.; Model 26; Use w/BD60413 Rotor
Rotor Hub	88 - 85	BD61708	R.H.; Model 27; Use w/BD60427 Rotor

Piston: M - OE Metal Piston P - OE Phenolic Piston

Rotor & Drum (cont.)

Front Rotor & Drum	Years	Part No.	Qualifier
Rotor Hub	86 - 85	BD61707	L.H.; Model 25, 26; Use w/BD60413 Rotor
Rotor Hub	86 - 85	BD61707	R.H.; Model 25, 26; Use w/BD60413 Rotor
Rotor Hub	84 - 81	BD61707	L.H.; Model 25, 26, 45; Use w/BD60413 Rotor
Rotor Hub	84 - 81	BD61708	L.H.; Model 27, 46; Use w/BD60427 Rotor
Rotor Hub	84 - 81	BD61707	R.H.; Model 25, 26, 45; Use w/BD60413 Rotor
Rotor Hub	84 - 81	BD61708	R.H.; Model 27, 46; Use w/BD60427 Rotor

Rear Rotor & Drum	Years	Part No.	Qualifier
Brake Drum	88	BD60397	Model 26; 11 x 2" Brake
Brake Drum	88	BD60296	Model 27; 12 x 2-1/2" Brake
Brake Drum	87 - 81	BD60397	11 x 2" Brake
Brake Drum	87 - 81	BD60296	12 x 2-1/2" Brake

Brake Hardware

Front Brake Hardware	Years	Sequential No.	Category No.	Qualifier
Caliper Bolt/Pin	88 - 81	F76074S	(H5004)	
Disc Align Kit	88 - 81	F73674S	(H5500)	

Rear Brake Hardware	Years	Sequential No.	Category No.	Qualifier
Adjuster Kit	88 - 82	F98412	(H2578)	L.H.
Adjuster Kit	88 - 82	F98413	(H2579)	R.H.
Adjuster Kit	81	F98412	(H2578)	L.H.; 11 x 2" Brake
Adjuster Kit	81	F98413	(H2579)	R.H.; 11 x 2" Brake
Adjuster Screw	88 - 81	F73181S	(H1530)	L.H.
Adjuster Screw	88 - 81	F73182S	(H1531)	R.H.
Combi Kit	88 - 81	F98496S	(H7028)	11 x 2" Brake
↳Adjuster Spring Kit		F73180S	(H439)	
↳Hold Down Kit		F79811S	(H4003)	
↳Return Spring Kit		F73179S	(H348)	
Combi Kit	88 - 82	F78540S	(H7128)	12 x 2-1/2" Brake
↳Adjuster Spring Kit		F36467S	(H408)	

Calipers - Reman

Front, Loaded	Years	Left No.	Right No.	Qualifier	Piston
Loaded Caliper	88 - 81	AS98886	AS98887	w/2.94" Single Piston Caliper	M
Front, Unloaded	Years	Left No.	Right No.	Qualifier	Piston
Unloaded Caliper	88 - 81	CR98886	CR98887	w/2.94" Single Piston Caliper	M

Hydraulics - New

Master Cylinder	Years	Sequential No.	Category No.	Qualifier
------------------------	--------------	-----------------------	---------------------	------------------

Master Cylinder	88 - 81	F104516	(MC104516)	1-1/8" Bore
-----------------	---------	---------	------------	-------------

Rear Wheel Cylinder	Years	Sequential No.	Category No.	Qualifier
----------------------------	--------------	-----------------------	---------------------	------------------

Wheel Cylinder	88 - 85	F51081	(WC51081)	Exc. Model 27; 15/16" Bore
----------------	---------	--------	-----------	----------------------------

Wheel Cylinder	88 - 85	F51088	(WC51088)	Model 27; 1" Bore
----------------	---------	--------	-----------	-------------------

Wheel Cylinder	84 - 81	F51081	(WC51081)	Model 25, 26, 45; 15/16" Bore
----------------	---------	--------	-----------	-------------------------------

Wheel Cylinder	84 - 81	F51088	(WC51088)	Model 27, 46; 1" Bore
----------------	---------	--------	-----------	-----------------------

Front Brake Hose	Years	Sequential No.	Category No.	Qualifier
-------------------------	--------------	-----------------------	---------------------	------------------

Brake Hose	88 - 81	F98930	(BH98930)	
------------	---------	--------	-----------	--

Rear Brake Hose	Years	Sequential No.	Category No.	Qualifier
------------------------	--------------	-----------------------	---------------------	------------------

Brake Hose	88 - 85	F88982	(BH88982)	
------------	---------	--------	-----------	--

Brake Hose	84 - 81	F88983	(BH88983)	Model 25
------------	---------	--------	-----------	----------

Brake Hose	84 - 81	F88982	(BH88982)	Model 26, 27, 45, 46
------------	---------	--------	-----------	----------------------

Hydraulics - Reman

Master Cylinder	Years	Part No.	Qualifier
------------------------	--------------	-----------------	------------------

Master Cylinder	88 - 81	R104516	
-----------------	---------	---------	--

Power Brake Booster	Years	Part No.	Qualifier
----------------------------	--------------	-----------------	------------------

Power Brake Booster	88 - 84	501051	w/Master Cylinder
---------------------	---------	--------	-------------------

Power Brake Booster	88 - 84	5471042	w/o Master Cylinder
---------------------	---------	---------	---------------------

Power Brake Booster	83	501051	w/Master Cylinder; w/Dual Diaphragm
---------------------	----	--------	-------------------------------------

↳Sub-Kit of Combi-Kit is available separately.

Piston: M - OE Metal Piston P - OE Phenolic Piston

J10 (cont.)

Hydraulics - Reman (cont.)

Power Brake Booster	Years	Part No.	Qualifier
Power Brake Booster	83	509367	w/Master Cylinder; w/Single Diaphragm
Power Brake Booster	83 - 81	5471042	w/o Master Cylinder; w/Dual Diaphragm
Power Brake Booster	83 - 81	5471147	w/o Master Cylinder; w/Single Diaphragm
Power Brake Booster	82 - 81	509367	w/Master Cylinder

Brake Cables

Parking Brake Cable	Years	Sequential No.	Category No.	Qualifier
Parking Brake Cable	88	F103390	(BC103390)	Intermediate; w/A/T
Parking Brake Cable	88 - 87	F103391	(BC103391)	Intermediate; w/A/T
Parking Brake Cable	88	F108174	(BC108174)	Rear
Parking Brake Cable	88 - 87	F108174	(BC108174)	Rear; L.H.
Parking Brake Cable	88 - 87	F108174	(BC108174)	Rear; R.H.
Parking Brake Cable	87	F103390	(BC103390)	Intermediate; 4.2L
Parking Brake Cable	87	F103390	(BC103390)	Intermediate; 5.9L; w/A/T
Parking Brake Cable	86 - 81	F102611	(BC102611)	Forward; 119" WB; w/4 Spd. M/T
Parking Brake Cable	86 - 81	F102611	(BC102611)	Forward; 131" WB; w/4 Spd. M/T
Parking Brake Cable	86 - 81	F129666	(BC129666)	Forward; 131" WB; w/4 Spd. M/T
Parking Brake Cable	86 - 81	F102612	(BC102612)	Forward; 4.2L; 119" WB; w/A/T, w/5 Spd. M/T
Parking Brake Cable	86 - 81	F102612	(BC102612)	Forward; 4.2L; 131" WB; w/A/T, w/5 Spd. M/T
Parking Brake Cable	86 - 81	F102612	(BC102612)	Forward; 4.2L; w/A/T, w/5 Spd. M/T
Parking Brake Cable	86 - 81	F102612	(BC102612)	Forward; 5.9L; 119" WB; w/5 Spd. M/T
Parking Brake Cable	86 - 81	F102612	(BC102612)	Forward; 5.9L; 131" WB; w/5 Spd. M/T
Parking Brake Cable	86 - 81	F102612	(BC102612)	Forward; 5.9L; w/5 Spd. M/T
Parking Brake Cable	86 - 81	F102611	(BC102611)	Forward; 5.9L; w/A/T
Parking Brake Cable	86 - 81	F129212	(BC129212)	Intermediate; 119" WB; w/5 Spd. M/T
Parking Brake Cable	86 - 81	F103390	(BC103390)	Intermediate; 4.2L; 119" WB; w/4 Spd. M/T
Parking Brake Cable	86 - 81	F103391	(BC103391)	Intermediate; 4.2L; 119" WB; w/A/T
Parking Brake Cable	86 - 81	F103390	(BC103390)	Intermediate; 4.2L; 131" WB; w/4 Spd. M/T
Parking Brake Cable	86 - 81	F103391	(BC103391)	Intermediate; 4.2L; 131" WB; w/A/T
Parking Brake Cable	86 - 81	F103391	(BC103391)	Intermediate; 4.2L; w/A/T
Parking Brake Cable	86 - 81	F103390	(BC103390)	Intermediate; 5.9L; 119" WB; Exc. 6200 GVW
Parking Brake Cable	86 - 81	F103390	(BC103390)	Intermediate; 5.9L; 131" WB; Exc. 6200 GVW
Parking Brake Cable	86 - 81	F103390	(BC103390)	Intermediate; w/4 Spd. M/T; Exc. 131" WB
Parking Brake Cable	86 - 81	F102614	(BC102614)	Rear; 119" WB
Parking Brake Cable	86 - 81	F108174	(BC108174)	Rear; 131" WB
Parking Brake Cable	86 - 81	F111080	(BC111080)	Rear; 131" WB; 6200 GVW
Parking Brake Cable	86 - 81	F102614	(BC102614)	Rear; L.H.; 119" WB
Parking Brake Cable	86 - 81	F111080	(BC111080)	Rear; L.H.; 131" WB; 6200 GVW
Parking Brake Cable	86 - 81	F108174	(BC108174)	Rear; L.H.; 131" WB; Exc. 6200 GVW
Parking Brake Cable	86 - 81	F102614	(BC102614)	Rear; R.H.; 119" WB
Parking Brake Cable	86 - 81	F111080	(BC111080)	Rear; R.H.; 131" WB; 6200 GVW
Parking Brake Cable	86 - 81	F108174	(BC108174)	Rear; R.H.; 131" WB; Exc. 6200 GVW

Wheel Attaching Hardware

Front Wheel Stud	Years	Part No.	Qualifier
Wheel Lug Stud	88 - 81	BD60908	
Rear Wheel Stud	Years	Part No.	Qualifier
Wheel Lug Stud	88 - 81	BD61203	
Front Wheel Nut	Years	Part No.	Qualifier
Wheel Lug Nut	88 - 81	BD61285	Std. Open
Rear Wheel Nut	Years	Part No.	Qualifier
Wheel Lug Nut	88 - 81	BD61285	Std. Open

J20

Brake Pads & Shoes

Front Pads & Shoes	Years	SevereDuty	Lining No.	Qualifier
Brake Pads	88 - 81	SD52		

Brake Pads & Shoes (cont.)

Rear Pads & Shoes	Years	SevereDuty	Lining No.	Qualifier
Brake Shoes	88	SDS462R	EX2134ATD	Model 26; 11 x 2" Brake; Riveted
Brake Shoes	87 - 81	SDS462R	EX2134ATD	11 x 2" Brake; Riveted

Rotor & Drum

Front Rotor & Drum	Years	Part No.	Qualifier
Brake Rotor	88	BD60413	Model 26
Brake Rotor	88	BD60427	Model 27
Brake Rotor	87	BD60413	Model 26; Use w/BD61707 Hub
Brake Rotor	87 - 85	BD60427	Model 27; Use w/BD61708 Hub
Brake Rotor	86 - 85	BD60413	Model 25, 26; Use w/BD61707 Hub
Brake Rotor	84 - 81	BD60413	Model 25, 26, 45; Use w/BD61707 Hub
Brake Rotor	84 - 81	BD60427	Model 27, 46; Use w/BD61708 Hub
Rotor Hub	88 - 87	BD61707	L.H.; Model 26; Use w/BD60413 Rotor
Rotor Hub	88 - 85	BD61708	L.H.; Model 27; Use w/BD60427 Rotor
Rotor Hub	88 - 87	BD61707	R.H.; Model 26; Use w/BD60413 Rotor
Rotor Hub	88 - 85	BD61708	R.H.; Model 27; Use w/BD60427 Rotor
Rotor Hub	86 - 85	BD61707	L.H.; Model 25, 26; Use w/BD60413 Rotor
Rotor Hub	86 - 85	BD61707	R.H.; Model 25, 26; Use w/BD60413 Rotor
Rotor Hub	84 - 81	BD61707	L.H.; Model 25, 26, 45; Use w/BD60413 Rotor
Rotor Hub	84 - 81	BD61708	L.H.; Model 27, 46; Use w/BD60427 Rotor
Rotor Hub	84 - 81	BD61707	R.H.; Model 25, 26, 45; Use w/BD60413 Rotor
Rotor Hub	84 - 81	BD61708	R.H.; Model 27, 46; Use w/BD60427 Rotor

Rear Rotor & Drum	Years	Part No.	Qualifier
Brake Drum	88	BD60397	Model 26; 11 x 2" Brake
Brake Drum	88	BD60296	Model 27; 12 x 2-1/2" Brake
Brake Drum	87 - 81	BD60397	11 x 2" Brake
Brake Drum	87 - 81	BD60296	12 x 2-1/2" Brake

Brake Hardware

Front Brake Hardware	Years	Sequential No.	Category No.	Qualifier
Caliper Bolt/Pin	88 - 81	F76074S	(H5004)	
Disc Align Kit	88 - 81	F73674S	(H5500)	

Rear Brake Hardware	Years	Sequential No.	Category No.	Qualifier
Adjuster Screw	88 - 82	F73181S	(H1530)	L.H.
Adjuster Screw	88 - 82	F73182S	(H1531)	R.H.
Adjuster Screw	81	F73181S	(H1530)	L.H.; 12 x 2-1/2" Brake
Adjuster Screw	81	F73182S	(H1531)	R.H.; 12 x 2-1/2" Brake
Combi Kit	88 - 82	F98496S	(H7028)	11 x 2" Brake
↳Adjuster Spring Kit		F73180S	(H439)	
↳Hold Down Kit		F79811S	(H4003)	
↳Return Spring Kit		F73179S	(H348)	
Combi Kit	88 - 81	F78540S	(H7128)	12 x 2-1/2" Brake
↳Adjuster Spring Kit		F36467S	(H408)	

Calipers - Reman

Front, Loaded	Years	Left No.	Right No.	Qualifier	Piston
Loaded Caliper	88 - 81	AS98886	AS98887	w/2.94" Single Piston Caliper	M
Front, Unloaded	Years	Left No.	Right No.	Qualifier	Piston
Unloaded Caliper	88 - 81	CR98886	CR98887	w/2.94" Single Piston Caliper	M

Hydraulics - New

Master Cylinder	Years	Sequential No.	Category No.	Qualifier
Master Cylinder	88 - 81	F104516	(MC104516)	1-1/8" Bore
Rear Wheel Cylinder	Years	Sequential No.	Category No.	Qualifier
Wheel Cylinder	88 - 85	F51081	(WC51081)	Exc. Model 27; 15/16" Bore
Wheel Cylinder	88 - 85	F51088	(WC51088)	Model 27; 1" Bore
Wheel Cylinder	84 - 81	F51081	(WC51081)	Model 25, 26, 45; 15/16" Bore
Wheel Cylinder	84 - 81	F51088	(WC51088)	Model 27, 46; 1" Bore

↳Sub-Kit of Combi-Kit is available separately.

Piston: M - OE Metal Piston P - OE Phenolic Piston

J20 (cont.)				
Hydraulics - New (cont.)				
Front Brake Hose	Years	Sequential No.	Category No.	Qualifier
Brake Hose	88 - 81	F98930	(BH98930)	
Rear Brake Hose	Years	Sequential No.	Category No.	Qualifier
Brake Hose	88 - 85	F88982	(BH88982)	
Brake Hose	84 - 81	F88983	(BH88983)	Model 25
Brake Hose	84 - 81	F88982	(BH88982)	Model 26, 27, 45, 46
Hydraulics - Reman				
Master Cylinder	Years	Part No.	Qualifier	
Master Cylinder	88 - 81	R104516		
Power Brake Booster	Years	Part No.	Qualifier	
Power Brake Booster	88 - 84	501051	w/Master Cylinder	
Power Brake Booster	88 - 84	5471042	w/o Master Cylinder	
Power Brake Booster	83 - 81	501051	w/Master Cylinder; w/Dual Diaphragm	
Power Brake Booster	83 - 81	5471042	w/o Master Cylinder; w/Dual Diaphragm	
Power Brake Booster	83 - 81	5471147	w/o Master Cylinder; w/Single Diaphragm	
Brake Cables				
Parking Brake Cable	Years	Sequential No.	Category No.	Qualifier
Parking Brake Cable	88 - 87	F103390	(BC103390)	Intermediate; w/A/T
Parking Brake Cable	88 - 87	F103391	(BC103391)	Intermediate; w/A/T
Parking Brake Cable	88	F111080	(BC111080)	Rear
Parking Brake Cable	88 - 87	F111080	(BC111080)	Rear; L.H.
Parking Brake Cable	88 - 87	F111080	(BC111080)	Rear; R.H.
Parking Brake Cable	86 - 81	F102611	(BC102611)	Forward; 119" WB; Exc. 6200 GVW; w/5 Spd. M/T
Parking Brake Cable	86 - 81	F102612	(BC102612)	Forward; 119" WB; Exc. 6200 GVW; w/5 Spd. M/T
Parking Brake Cable	86 - 81	F102611	(BC102611)	Forward; 119" WB; w/4 Spd. M/T
Parking Brake Cable	86 - 81	F102611	(BC102611)	Forward; 131" WB; Exc. 6200 GVW; w/5 Spd. M/T
Parking Brake Cable	86 - 81	F102612	(BC102612)	Forward; 131" WB; Exc. 6200 GVW; w/5 Spd. M/T
Parking Brake Cable	86 - 81	F129666	(BC129666)	Forward; 131" WB; w/4 Spd. M/T
Parking Brake Cable	86 - 81	F102612	(BC102612)	Forward; w/5 Spd. M/T
Parking Brake Cable	86 - 81	F102611	(BC102611)	Forward; w/A/T
Parking Brake Cable	86 - 81	F103390	(BC103390)	Intermediate; 119" WB; 6200 GVW
Parking Brake Cable	86 - 81	F129212	(BC129212)	Intermediate; 119" WB; w/5 Spd. M/T
Parking Brake Cable	86 - 81	F103390	(BC103390)	Intermediate; 131" WB; 6200 GVW
Parking Brake Cable	86 - 81	F103390	(BC103390)	Intermediate; w/4 Spd. M/T; Exc. 131" WB
Parking Brake Cable	86 - 81	F102614	(BC102614)	Rear; 119" WB
Parking Brake Cable	86 - 81	F108174	(BC108174)	Rear; 131" WB; 6200 GVW
Parking Brake Cable	86 - 81	F111080	(BC111080)	Rear; 131" WB; 6200 GVW
Parking Brake Cable	86 - 81	F102614	(BC102614)	Rear; L.H.; 119" WB
Parking Brake Cable	86 - 81	F111080	(BC111080)	Rear; L.H.; 131" WB; 6200 GVW
Parking Brake Cable	86 - 81	F108174	(BC108174)	Rear; L.H.; 131" WB; Exc. 6200 GVW
Parking Brake Cable	86 - 81	F102614	(BC102614)	Rear; R.H.; 119" WB
Parking Brake Cable	86 - 81	F111080	(BC111080)	Rear; R.H.; 131" WB; 6200 GVW
Parking Brake Cable	86 - 81	F108174	(BC108174)	Rear; R.H.; 131" WB; Exc. 6200 GVW
Wheel Attaching Hardware				
Front Wheel Stud	Years	Part No.	Qualifier	
Wheel Lug Stud	88 - 81	BD60907		
Rear Wheel Stud	Years	Part No.	Qualifier	
Wheel Lug Stud	88 - 81	BD60976		
Front Wheel Nut	Years	Part No.	Qualifier	
Wheel Lug Nut	88 - 81	BD61287	Std. Open	
Rear Wheel Nut	Years	Part No.	Qualifier	
Wheel Lug Nut	88 - 81	BD61287	Std. Open	

Brake Pads & Shoes

Front Pads & Shoes	Years	SevereDuty	Lining No.	Qualifier
Brake Pads	03 - 00	SD786		Bosch; 2.60" 2-Piston Caliper
Brake Pads	03 - 00	SD786A		Bosch; 2.88" 2-Piston Caliper
Brake Pads	00 - 94	SD184		Bendix; 2.60" 2-Piston Caliper
Brake Pads	00 - 94	SD225		Bendix; 2.88" 2-Piston Caliper
Brake Shoes	03 - 94	4702Q	4702	w/Air Brakes; Rockwell/Meritor; Q-Plus; 15 x 4
Brake Shoes	03 - 94	4703Q	4703	w/Air Brakes; Rockwell/Meritor; Q-Plus; 15 x 5
Brake Shoes	03 - 94	1308Q	1308T	w/Air Brakes; Rockwell/Meritor; Q-Series; 15 x 4
Brake Shoes	03 - 94	4524Q	4524B	w/Air Brakes; Rockwell/Meritor; Q-Series; 16-1/2 x 5
Brake Shoes	03 - 94	4514Q	4514G	w/Air Brakes; Rockwell/Meritor; Q-Series; 16-1/2 x 6
Brake Shoes	03 - 94	1307T	1307	w/Air Brakes; Rockwell/Meritor; T-Series; 15 x 3-1/2
Brake Shoes	03 - 94	1308T	1308T	w/Air Brakes; Rockwell/Meritor; T-Series; 15 x 4

Rear Pads & Shoes	Years	SevereDuty	Lining No.	Qualifier
Brake Pads	03 - 00	SD786		Bosch; 2.60" 2-Piston Caliper
Brake Pads	03 - 00	SD786A		Bosch; 2.88" 2-Piston Caliper
Brake Pads	00 - 94	SD184		Bendix; 2.60" 2-Piston Caliper
Brake Pads	00 - 94	SD225		Bendix; 2.88" 2-Piston Caliper
Brake Shoes	03 - 94	4709E	4709	w/Air Brakes; Eaton; Extended Service; 16-1/2 x 7
Brake Shoes	03 - 94	4515P	4515E	w/Air Brakes; Rockwell/Meritor; P-Series; 16-1/2 x 7
Brake Shoes	03 - 94	4710Q	4710	w/Air Brakes; Rockwell/Meritor; Q-Plus; 15 x 8-5/8
Brake Shoes	03 - 94	4707Q	4707	w/Air Brakes; Rockwell/Meritor; Q-Plus; 16-1/2 x 7
Brake Shoes	03 - 94	4718Q	4718	w/Air Brakes; Rockwell/Meritor; Q-Plus; 16-1/2 x 8
Brake Shoes	03 - 94	4514Q	4514G	w/Air Brakes; Rockwell/Meritor; Q-Series; 16-1/2 x 6
Brake Shoes	03 - 94	4515Q	4515E	w/Air Brakes; Rockwell/Meritor; Q-Series; 16-1/2 x 7

Brake Hardware

Front Brake Hardware	Years	Sequential No.	Category No.	Qualifier
Disc Align Kit	03 - 00	F140769	(H5710)	Bosch; 2.60" 2-Piston Caliper
Disc Align Kit	03 - 00	F140769	(H5710)	Bosch; 2.88" 2-Piston Caliper
Disc Align Kit	00 - 94	F112095S	(H5564)	Bendix; 2.60" 2-Piston Caliper
Disc Align Kit	00 - 94	F112090S	(H5566)	Bendix; 2.88" 2-Piston Caliper

Rear Brake Hardware	Years	Sequential No.	Category No.	Qualifier
Disc Align Kit	03 - 00	F140769	(H5710)	Bosch; 2.60" 2-Piston Caliper
Disc Align Kit	03 - 00	F140769	(H5710)	Bosch; 2.88" 2-Piston Caliper
Disc Align Kit	00 - 94	F112095S	(H5564)	Bendix; 2.60" 2-Piston Caliper
Disc Align Kit	00 - 94	F112090S	(H5566)	Bendix; 2.88" 2-Piston Caliper

Calipers - Reman

Front, Loaded	Years	Left No.	Right No.	Qualifier	Piston
Loaded Caliper	03 - 00	AS135025	AS135025	Bosch; 2.60" 2-Piston Caliper	P
Loaded Caliper	03 - 00	AS135024	AS135024	Bosch; 2.88" 2-Piston Caliper	P
Loaded Caliper	00 - 94	AS112057	AS112057	Bendix; 2.60" 2-Piston Caliper	P
Loaded Caliper	00 - 94	AS112057S	AS112057S	Bendix; 2.60" 2-Piston Caliper	O
Loaded Caliper	00 - 94	AS120549	AS120549	Bendix; 2.88" 2-Piston Caliper	P
Loaded Caliper	00 - 94	AS120549S	AS120549S	Bendix; 2.88" 2-Piston Caliper	O

Rear, Loaded	Years	Left No.	Right No.	Qualifier	Piston
Loaded Caliper	03 - 00	AS135025	AS135025	Bosch; 2.60" 2-Piston Caliper	P
Loaded Caliper	03 - 00	AS135024	AS135024	Bosch; 2.88" 2-Piston Caliper	P
Loaded Caliper	00 - 94	AS132525	AS132525	Bendix; 2.60" 2-Piston Caliper; w/Air Ride	P
Loaded Caliper	00 - 94	AS132525S	AS132525S	Bendix; 2.60" 2-Piston Caliper; w/Air Ride	O
Loaded Caliper	00 - 94	AS112057	AS112057	Bendix; 2.60" 2-Piston Caliper; w/o Air Ride	P
Loaded Caliper	00 - 94	AS112057S	AS112057S	Bendix; 2.60" 2-Piston Caliper; w/o Air Ride	O
Loaded Caliper	00 - 94	AS134267	AS134267	Bendix; 2.88" 2-Piston Caliper; w/Air Ride	M
Loaded Caliper	00 - 94	AS120549	AS120549	Bendix; 2.88" 2-Piston Caliper; w/o Air Ride	P
Loaded Caliper	00 - 94	AS120549S	AS120549S	Bendix; 2.88" 2-Piston Caliper; w/o Air Ride	O

Front, Unloaded	Years	Left No.	Right No.	Qualifier	Piston
Unloaded Caliper	03 - 00	CR135025	CR135025	Bosch; 2.60" 2-Piston Caliper	P

Piston: M - OE Metal Piston P - OE Phenolic Piston O - Metal Piston Option

K300 (cont.)					
Calipers - Reman (cont.)					
Front, Unloaded	Years	Left No.	Right No.	Qualifier	Piston
Unloaded Caliper	03 - 00	CR135024	CR135024	Bosch; 2.88" 2-Piston Caliper	P
Unloaded Caliper	00 - 94	CR112057	CR112057	Bendix; 2.60" 2-Piston Caliper	P
Unloaded Caliper	00 - 94	CR112057S	CR112057S	Bendix; 2.60" 2-Piston Caliper	O
Unloaded Caliper	00 - 94	CR120549	CR120549	Bendix; 2.88" 2-Piston Caliper	P
Unloaded Caliper	00 - 94	CR120549S	CR120549S	Bendix; 2.88" 2-Piston Caliper	O
Rear, Unloaded	Years	Left No.	Right No.	Qualifier	Piston
Unloaded Caliper	03 - 00	CR135025	CR135025	Bosch; 2.60" 2-Piston Caliper	P
Unloaded Caliper	03 - 00	CR135024	CR135024	Bosch; 2.88" 2-Piston Caliper	P
Unloaded Caliper	00 - 94	CR132525	CR132525	Bendix; 2.60" 2-Piston Caliper; w/Air Ride	P
Unloaded Caliper	00 - 94	CR132525S	CR132525S	Bendix; 2.60" 2-Piston Caliper; w/Air Ride	O
Unloaded Caliper	00 - 94	CR112057	CR112057	Bendix; 2.60" 2-Piston Caliper; w/o Air Ride	P
Unloaded Caliper	00 - 94	CR112057S	CR112057S	Bendix; 2.60" 2-Piston Caliper; w/o Air Ride	O
Unloaded Caliper	00 - 94	CR134267	CR134267	Bendix; 2.88" 2-Piston Caliper; w/Air Ride	M
Unloaded Caliper	00 - 94	CR120549	CR120549	Bendix; 2.88" 2-Piston Caliper; w/o Air Ride	P
Unloaded Caliper	00 - 94	CR120549S	CR120549S	Bendix; 2.88" 2-Piston Caliper; w/o Air Ride	O

KENWORTH Conventional

T300					
Brake Pads & Shoes					
Front Pads & Shoes	Years	SevereDuty	Lining No.	Qualifier	
Brake Pads	07 - 00	SD786		Bosch; 2.60" 2-Piston Caliper	
Brake Pads	07 - 00	SD786A		Bosch; 2.88" 2-Piston Caliper	
Brake Pads	00 - 98	SD184		Bendix; 2.60" 2-Piston Caliper	
Brake Pads	00 - 98	SD225		Bendix; 2.88" 2-Piston Caliper	
Brake Shoes	07 - 98	4702Q	4702	w/Air Brakes; Rockwell/Meritor; Q-Plus; 15 x 4	
Brake Shoes	07 - 98	4703Q	4703	w/Air Brakes; Rockwell/Meritor; Q-Plus; 15 x 5	
Brake Shoes	07 - 98	1308Q	1308T	w/Air Brakes; Rockwell/Meritor; Q-Series; 15 x 4	
Brake Shoes	07 - 98	4524Q	4524B	w/Air Brakes; Rockwell/Meritor; Q-Series; 16-1/2 x 5	
Brake Shoes	07 - 98	4514Q	4514G	w/Air Brakes; Rockwell/Meritor; Q-Series; 16-1/2 x 6	
Brake Shoes	07 - 98	1307T	1307	w/Air Brakes; Rockwell/Meritor; T-Series; 15 x 3-1/2	
Brake Shoes	07 - 98	1308T	1308T	w/Air Brakes; Rockwell/Meritor; T-Series; 15 x 4	
Rear Pads & Shoes	Years	SevereDuty	Lining No.	Qualifier	
Brake Pads	07 - 00	SD786		Bosch; 2.60" 2-Piston Caliper	
Brake Pads	07 - 00	SD786A		Bosch; 2.88" 2-Piston Caliper	
Brake Pads	00 - 98	SD184		Bendix; 2.60" 2-Piston Caliper	
Brake Pads	00 - 98	SD225		Bendix; 2.88" 2-Piston Caliper	
Brake Shoes	07 - 98	4709E	4709	w/Air Brakes; Eaton; Extended Service; 16-1/2 x 7	
Brake Shoes	07 - 98	4515P	4515E	w/Air Brakes; Rockwell/Meritor; P-Series; 16-1/2 x 7	
Brake Shoes	07 - 98	4710Q	4710	w/Air Brakes; Rockwell/Meritor; Q-Plus; 15 x 8-5/8	
Brake Shoes	07 - 98	4707Q	4707	w/Air Brakes; Rockwell/Meritor; Q-Plus; 16-1/2 x 7	
Brake Shoes	07 - 98	4718Q	4718	w/Air Brakes; Rockwell/Meritor; Q-Plus; 16-1/2 x 8	
Brake Shoes	07 - 98	4514Q	4514G	w/Air Brakes; Rockwell/Meritor; Q-Series; 16-1/2 x 6	
Brake Shoes	07 - 98	4515Q	4515E	w/Air Brakes; Rockwell/Meritor; Q-Series; 16-1/2 x 7	
Brake Hardware					
Front Brake Hardware	Years	Sequential No.	Category No.	Qualifier	
Disc Align Kit	07 - 00	F140769	(H5710)	Bosch; 2.60" 2-Piston Caliper	
Disc Align Kit	07 - 00	F140769	(H5710)	Bosch; 2.88" 2-Piston Caliper	
Disc Align Kit	00 - 98	F112095S	(H5564)	Bendix; 2.60" 2-Piston Caliper	
Disc Align Kit	00 - 98	F112090S	(H5566)	Bendix; 2.88" 2-Piston Caliper	
Rear Brake Hardware	Years	Sequential No.	Category No.	Qualifier	
Disc Align Kit	07 - 00	F140769	(H5710)	Bosch; 2.60" 2-Piston Caliper	
Disc Align Kit	07 - 00	F140769	(H5710)	Bosch; 2.88" 2-Piston Caliper	
Disc Align Kit	00 - 98	F112095S	(H5564)	Bendix; 2.60" 2-Piston Caliper	
Disc Align Kit	00 - 98	F112090S	(H5566)	Bendix; 2.88" 2-Piston Caliper	

Piston: M - OE Metal Piston P - OE Phenolic Piston O - Metal Piston Option

T300 (cont.)

Calipers - Reman					
Front, Loaded	Years	Left No.	Right No.	Qualifier	Piston
Loaded Caliper	07 - 00	AS135025	AS135025	Bosch; 2.60" 2-Piston Caliper	P
Loaded Caliper	07 - 00	AS135024	AS135024	Bosch; 2.88" 2-Piston Caliper	P
Loaded Caliper	00 - 98	AS112057	AS112057	Bendix; 2.60" 2-Piston Caliper	P
Loaded Caliper	00 - 98	AS112057S	AS112057S	Bendix; 2.60" 2-Piston Caliper	O
Loaded Caliper	00 - 98	AS120549	AS120549	Bendix; 2.88" 2-Piston Caliper	P
Loaded Caliper	00 - 98	AS120549S	AS120549S	Bendix; 2.88" 2-Piston Caliper	O
Rear, Loaded	Years	Left No.	Right No.	Qualifier	Piston
Loaded Caliper	07 - 00	AS135025	AS135025	Bosch; 2.60" 2-Piston Caliper	P
Loaded Caliper	07 - 00	AS135024	AS135024	Bosch; 2.88" 2-Piston Caliper	P
Loaded Caliper	00 - 98	AS132525	AS132525	Bendix; 2.60" 2-Piston Caliper; w/Air Ride	P
Loaded Caliper	00 - 98	AS132525S	AS132525S	Bendix; 2.60" 2-Piston Caliper; w/Air Ride	O
Loaded Caliper	00 - 98	AS112057	AS112057	Bendix; 2.60" 2-Piston Caliper; w/o Air Ride	P
Loaded Caliper	00 - 98	AS112057S	AS112057S	Bendix; 2.60" 2-Piston Caliper; w/o Air Ride	O
Loaded Caliper	00 - 98	AS134267	AS134267	Bendix; 2.88" 2-Piston Caliper; w/Air Ride	M
Loaded Caliper	00 - 98	AS120549	AS120549	Bendix; 2.88" 2-Piston Caliper; w/o Air Ride	P
Loaded Caliper	00 - 98	AS120549S	AS120549S	Bendix; 2.88" 2-Piston Caliper; w/o Air Ride	O
Front, Unloaded	Years	Left No.	Right No.	Qualifier	Piston
Unloaded Caliper	07 - 00	CR135025	CR135025	Bosch; 2.60" 2-Piston Caliper	P
Unloaded Caliper	07 - 00	CR135024	CR135024	Bosch; 2.88" 2-Piston Caliper	P
Unloaded Caliper	00 - 98	CR112057	CR112057	Bendix; 2.60" 2-Piston Caliper	P
Unloaded Caliper	00 - 98	CR112057S	CR112057S	Bendix; 2.60" 2-Piston Caliper	O
Unloaded Caliper	00 - 98	CR120549	CR120549	Bendix; 2.88" 2-Piston Caliper	P
Unloaded Caliper	00 - 98	CR120549S	CR120549S	Bendix; 2.88" 2-Piston Caliper	O
Rear, Unloaded	Years	Left No.	Right No.	Qualifier	Piston
Unloaded Caliper	07 - 00	CR135025	CR135025	Bosch; 2.60" 2-Piston Caliper	P
Unloaded Caliper	07 - 00	CR135024	CR135024	Bosch; 2.88" 2-Piston Caliper	P
Unloaded Caliper	00 - 98	CR132525	CR132525	Bendix; 2.60" 2-Piston Caliper; w/Air Ride	P
Unloaded Caliper	00 - 98	CR132525S	CR132525S	Bendix; 2.60" 2-Piston Caliper; w/Air Ride	O
Unloaded Caliper	00 - 98	CR112057	CR112057	Bendix; 2.60" 2-Piston Caliper; w/o Air Ride	P
Unloaded Caliper	00 - 98	CR112057S	CR112057S	Bendix; 2.60" 2-Piston Caliper; w/o Air Ride	O
Unloaded Caliper	00 - 98	CR134267	CR134267	Bendix; 2.88" 2-Piston Caliper; w/Air Ride	M
Unloaded Caliper	00 - 98	CR120549	CR120549	Bendix; 2.88" 2-Piston Caliper; w/o Air Ride	P
Unloaded Caliper	00 - 98	CR120549S	CR120549S	Bendix; 2.88" 2-Piston Caliper; w/o Air Ride	O

**LINCOLN
CONTINENTAL**

Brake Pads & Shoes				
Front Pads & Shoes	Years	SevereDuty	Lining No.	Qualifier
Brake Pads	02 - 95	SD598		
Rotor & Drum				
Front Rotor & Drum	Years	Part No.	Qualifier	
Brake Rotor	02 - 95	BD125532		
Rear Rotor & Drum	Years	Part No.	Qualifier	
Brake Rotor	01 - 95	BD125328		
Brake Hardware				
Front Brake Hardware	Years	Sequential No.	Category No.	Qualifier
Caliper Bolt/Pin	02 - 95	F130893S	(H5074)	
Disc Align Kit	96 - 95	F133180S	(H5603)	
Pin Boot Kit	02 - 95	F130899S	(H8213)	
Rear Brake Hardware	Years	Sequential No.	Category No.	Qualifier
Caliper Bolt/Pin	02 - 95	F132521S	(H5076)	
Disc Align Kit	02 - 95	F132970S	(H5467)	
Pin Boot Kit	02 - 95	F117050S	(H18001)	

Piston: M - OE Metal Piston P - OE Phenolic Piston O - Metal Piston Option

CONTINENTAL (cont.)

Calipers - Reman

<i>Front, Unloaded</i>	<i>Years</i>	<i>Left No.</i>	<i>Right No.</i>	<i>Qualifier</i>	<i>Piston</i>
Unloaded Caliper	02	CR132688S	CR132687S		O
Unloaded Caliper	01 - 95	CRB132674A	CRB132673A	Supplied w/Mtg. Brkt.	M
Unloaded Caliper	01 - 95	CR132674	CR132673	Supplied w/o Mtg. Brkt.	M
<i>Rear, Unloaded</i>	<i>Years</i>	<i>Left No.</i>	<i>Right No.</i>	<i>Qualifier</i>	<i>Piston</i>
Unloaded Caliper	02 - 01	CRB134562	CRB134563	Supplied w/Mtg. Brkt.	M
Unloaded Caliper	02 - 01	CR134562	CR134563	Supplied w/o Mtg. Brkt.	M
Unloaded Caliper	00 - 95	CRB132488	CRB132489	Supplied w/Mtg. Brkt.	M
Unloaded Caliper	00 - 95	CR132488	CR132489	Supplied w/o Mtg. Brkt.	M

Hydraulics - New

<i>Master Cylinder</i>	<i>Years</i>	<i>Sequential No.</i>	<i>Category No.</i>	<i>Qualifier</i>
Master Cylinder	96 - 95	F131924	(MC131924)	w/ABS; w/o Traction Control; 1" Bore
Master Cylinder	96 - 95	F131885	(MC131885)	w/o ABS; 1" Bore
<i>Front Brake Hose</i>	<i>Years</i>	<i>Sequential No.</i>	<i>Category No.</i>	<i>Qualifier</i>
Brake Hose	99 - 98	F139146	(BH139146)	R.H.; w/Adj. Susp.
Brake Hose	97 - 95	F132757	(BH132757)	L.H.
Brake Hose	97 - 95	F132756	(BH132756)	R.H.
<i>Rear Brake Hose</i>	<i>Years</i>	<i>Sequential No.</i>	<i>Category No.</i>	<i>Qualifier</i>
Brake Hose	99 - 97	F138079	(BH138079)	L.H.
Brake Hose	99 - 97	F138078	(BH138078)	R.H.
Brake Hose	96 - 95	F138073	(BH138073)	L.H.

Hydraulics - Reman

<i>Master Cylinder</i>	<i>Years</i>	<i>Part No.</i>	<i>Qualifier</i>
Master Cylinder	02 - 97	R134625	
Master Cylinder	96 - 95	R131924	w/o Traction Control
Master Cylinder	96 - 95	R134625	w/Traction Control
<i>Power Brake Booster</i>	<i>Years</i>	<i>Part No.</i>	<i>Qualifier</i>
Power Brake Booster	02 - 00	5474322	w/o Master Cylinder
Power Brake Booster	99	5474322	From 3/20/99; w/o Master Cylinder
Power Brake Booster	99	5474321	To 3/19/99; w/o Master Cylinder
Power Brake Booster	98	5474321	w/o Master Cylinder
Power Brake Booster	97 - 95	5474300	w/o Master Cylinder

Wheel Attaching Hardware

<i>Rear Wheel Stud</i>	<i>Years</i>	<i>Part No.</i>	<i>Qualifier</i>
Wheel Lug Stud	02 - 01	BD125991	
Wheel Lug Stud	00 - 95	BD125955	
<i>Front Wheel Nut</i>	<i>Years</i>	<i>Part No.</i>	<i>Qualifier</i>
Wheel Lug Nut	02 - 95	BD61288	Bulge
Wheel Lug Nut	02 - 95	BD61288	Dome - Stainless
<i>Rear Wheel Nut</i>	<i>Years</i>	<i>Part No.</i>	<i>Qualifier</i>
Wheel Lug Nut	02 - 95	BD61288	Bulge
Wheel Lug Nut	02 - 95	BD61288	Dome - Stainless

TOWN CAR

Brake Pads & Shoes

<i>Front Pads & Shoes</i>	<i>Years</i>	<i>SevereDuty</i>	<i>Lining No.</i>	<i>Qualifier</i>
Brake Pads	06 - 03	SD931		Exc. Limo
Brake Pads	06 - 03	SD931		Limo
Brake Pads	02 - 98	SD748		
Brake Pads	97 - 95	SD659		
<i>Rear Pads & Shoes</i>	<i>Years</i>	<i>SevereDuty</i>	<i>Lining No.</i>	<i>Qualifier</i>
Brake Pads	06 - 03	SD711		Limo
Brake Pads	04 - 03	SD932		Exc. Limo
Brake Pads	02 - 01	SD674A		
Brake Pads	00 - 96	SD674		Exc. Limo

Piston: M - OE Metal Piston P - OE Phenolic Piston O - Metal Piston Option

TOWN CAR (cont.)

Brake Pads & Shoes (cont.)

Rear Pads & Shoes	Years	SevereDuty	Lining No.	Qualifier
Brake Pads	00 - 96	SD674A		Limo
Brake Pads	95	SD662		Limo
Brake Shoes	04 - 01	SDS734	EX2182T	Limo; w/E150 Axle; 11 x 2-1/4" Brake; Bonded
Brake Shoes	00 - 98	SDS482R	EX2161TD	Limo; Exc. E150 Axle; 11-1/32 x 2-1/4" Brake; Riveted

Rotor & Drum

Front Rotor & Drum	Years	Part No.	Qualifier
Brake Rotor	06 - 03	BD125785	
Brake Rotor	02 - 98	BD125514	
Brake Rotor	97 - 95	BD125476	

Rear Rotor & Drum	Years	Part No.	Qualifier
Brake Drum	04 - 98	BD60389	Limo; 11-1/32 x 2-1/4" Brake
Brake Drum	00 - 98	BD60884	w/E150 Axle; 11-1/32 x 2-1/4" Brake
Brake Rotor	06 - 05	BD126008	w/10 Stud Whl.; Exc. Limo
Brake Rotor	06 - 05	BD126009	w/5 Stud Whl.; Limo
Brake Rotor	04 - 03	BD126008	Exc. Limo; w/10 Stud Whl.
Brake Rotor	04 - 03	BD126009	Limo; w/5 Stud Whl.
Brake Rotor	02 - 96	BD125481	
Brake Rotor	95	BD125155	

Brake Hardware

Front Brake Hardware	Years	Sequential No.	Category No.	Qualifier
Caliper Bolt/Pin	06 - 04	F139844	(H5098)	
Caliper Bolt/Pin	03 - 98	F138685S	(H5087)	
Caliper Bolt/Pin	97 - 95	F139368	(H14903)	
Disc Align Kit	06 - 02	F139840	(H5662)	
Disc Align Kit	02 - 98	F138692S	(H5625)	
Disc Align Kit	97 - 96	F134114S	(H5618)	
Disc Align Kit	95	F132969S	(H5465)	
Pin Boot Kit	05 - 04	F129662S	(H18023)	
Pin Boot Kit	03 - 98	F138698S	(H8222)	
Pin Boot Kit	97 - 96	F132973S	(H8218)	

Rear Brake Hardware	Years	Sequential No.	Category No.	Qualifier
Caliper Bolt/Pin	06 - 96	F124508S	(H5054)	
Caliper Bolt/Pin	95	F104625S	(H5022)	
Disc Align Kit	06 - 02	F139839	(H5661)	
Disc Align Kit	02 - 95	F133826S	(H5477)	
Pin Boot Kit	06 - 96	F117215S	(H18000C)	
Pin Boot Kit	95	F130898S	(H8212)	

Parking Brake	Years	Sequential No.	Category No.	Qualifier
Adjuster Screw	05 - 03	F139842	(H1602)	Exc. Limo
Adjuster Screw	05 - 03	F139706	(H1592)	Limo
Adjuster Screw	02 - 96	F139706	(H1592)	
Adjuster Screw	95	F139716	(H1593)	
Combi Kit	06 - 03	F139838	(H7237)	
Combi Kit	03	F139705	(H7224)	Limo
Combi Kit	01 - 96	F138696S	(H7222)	

Calipers - Reman

Front, Loaded	Years	Left No.	Right No.	Qualifier	Piston
Loaded Caliper	02 - 98	AS134313	AS134314		P
Loaded Caliper	97 - 95	AS132697	AS132698		M

Rear, Loaded	Years	Left No.	Right No.	Qualifier	Piston
Loaded Caliper	02 - 01	AS139245	AS139245		P
Loaded Caliper	95	AS128661	AS128661		P

Front, Unloaded	Years	Left No.	Right No.	Qualifier	Piston
Unloaded Caliper	05 - 03	CRB134610	CRB134611	Supplied w/Mtg. Brkt.	M
Unloaded Caliper	05 - 03	CR134610	CR134611	Supplied w/o Mtg. Brkt.	M
Unloaded Caliper	02 - 98	CRB134313	CRB134314	Supplied w/Mtg. Brkt.	P

Piston: M - OE Metal Piston P - OE Phenolic Piston

TOWN CAR (cont.)

Calipers - Reman (cont.)

<i>Front, Unloaded</i>	<i>Years</i>	<i>Left No.</i>	<i>Right No.</i>	<i>Qualifier</i>	<i>Piston</i>
Unloaded Caliper	02 - 98	CR134313	CR134314	Supplied w/o Mtg. Brkt.	P
Unloaded Caliper	97 - 95	CRB132697	CRB132698	Supplied w/Mtg. Brkt.	M
Unloaded Caliper	97 - 95	CR132697	CR132698	Supplied w/o Mtg. Brkt.	M
<i>Rear, Unloaded</i>	<i>Years</i>	<i>Left No.</i>	<i>Right No.</i>	<i>Qualifier</i>	<i>Piston</i>
Unloaded Caliper	06 - 03	CR133969	CR133970	Limo	P
Unloaded Caliper	06 - 03	CR133969S	CR133970S	Limo	O
Unloaded Caliper	05 - 03	CR134614	CR134615	Sedan	M
Unloaded Caliper	02 - 01	CR139245	CR139245		P
Unloaded Caliper	00 - 96	CR134011	CR134011		M
Unloaded Caliper	95	CR128661	CR128661		P
Unloaded Caliper	95	CR128661S	CR128661S		O

Hydraulics - New

<i>Master Cylinder</i>	<i>Years</i>	<i>Sequential No.</i>	<i>Category No.</i>	<i>Qualifier</i>
Master Cylinder	03 - 01	F140129	(MC140129)	Limo; w/o Traction Control; w/o Interactive Vehicle Dynamics; 1" Bore
Master Cylinder	00 - 98	F140128	(MC140128)	w/o Traction Control; 1" Bore
Master Cylinder	00 - 98	F134464	(MC134464)	w/Traction Control
Master Cylinder	97	F140128	(MC140128)	w/o Traction Control; No O-Ring Required; 1" Bore
Master Cylinder	97	F140492	(MC140492)	w/Traction Control; 1" Bore
Master Cylinder	96 - 95	F131475	(MC131475)	w/o Traction Control; 1" Bore
Master Cylinder	96	F140337	(MC140337)	w/Traction Control; Contains Pressure Switch; 1" Bore
Master Cylinder	95	F131469	(MC131469)	w/Traction Control; 1" Bore

Rear Wheel Cylinder

<i>Years</i>	<i>Sequential No.</i>	<i>Category No.</i>	<i>Qualifier</i>
03 - 01	F139920	(WC139920)	L.H.; Limo; 15/16" Bore
03 - 01	F139921	(WC139921)	R.H.; Limo; 15/16" Bore
00 - 95	F101610	(WC101610)	Limo; 15/16" Bore

Front Brake Hose

<i>Years</i>	<i>Sequential No.</i>	<i>Category No.</i>	<i>Qualifier</i>
05 - 03	F140144	(BH140144)	L.H.
05 - 03	F140145	(BH140145)	R.H.
02 - 01	F140154	(BH140154)	L.H.
02 - 98	F140155	(BH140155)	R.H.
00 - 98	F140233	(BH140233)	L.H.
97 - 95	F132337	(BH132337)	L.H.
97 - 95	F132338	(BH132338)	R.H.

Rear Brake Hose

<i>Years</i>	<i>Sequential No.</i>	<i>Category No.</i>	<i>Qualifier</i>
05 - 04	F140146	(BH140146)	L.H.
05 - 04	F140147	(BH140147)	R.H.
03	F140146	(BH140146)	L.H.; Exc. Limo
03	F140147	(BH140147)	R.H.; Exc. Limo
02 - 99	F140332	(BH140332)	L.H.; From 12/18/98; w/o Traction Control
02 - 01	F138802	(BH138802)	L.H.; w/Traction Control; Exc. Advance Trac IVD; Exc. Limo
02 - 99	F140143	(BH140143)	R.H.; From 12/15/98; Exc. Limo
00 - 98	F138802	(BH138802)	L.H.; w/Traction Control; Exc. Limo
99 - 98	F140143	(BH140143)	R.H.; To 12/14/98; w/o Traction Control; Exc. Limo
99 - 98	F138802	(BH138802)	R.H.; To 12/14/98; w/Traction Control; Exc. Limo
97 - 95	F132897	(BH132897)	L.H.; Limo
97 - 95	F133391	(BH133391)	L.H.; w/o Traction Control; Exc. Limo
97 - 95	F132769	(BH132769)	L.H.; w/Traction Control; Exc. Limo
97 - 95	F132769	(BH132769)	R.H.; Exc. Limo
97 - 95	F132751	(BH132751)	R.H.; Limo

Hydraulics - Reman

<i>Master Cylinder</i>	<i>Years</i>	<i>Part No.</i>	<i>Qualifier</i>
Master Cylinder	03 - 01	R134751	w/o Interactive Vehicle Dynamics
Master Cylinder	00 - 95	R131475	w/o Traction Control
Master Cylinder	00 - 98	R134810	w/Traction Control

Piston: M - OE Metal Piston P - OE Phenolic Piston O - Metal Piston Option

TOWN CAR (cont.)

Hydraulics - Reman (cont.)

Master Cylinder	Years	Part No.	Qualifier
Master Cylinder	97 - 96	R131873	w/Traction Control
Master Cylinder	95	R131469	w/Traction Control
Power Brake Booster	Years	Part No.	Qualifier
Power Brake Booster	02 - 01	5473169	w/o Master Cylinder; w/o Interactive Vehicle Dynamics
Power Brake Booster	00 - 95	5473183	w/o Master Cylinder

Wheel Attaching Hardware

Front Wheel Stud	Years	Part No.	Qualifier
Wheel Lug Stud	05 - 98	BD125942	
Wheel Lug Stud	97 - 95	BD125845	
Rear Wheel Stud	Years	Part No.	Qualifier
Wheel Lug Stud	01 - 95	BD125846	
Front Wheel Nut	Years	Part No.	Qualifier
Wheel Lug Nut	05 - 95	BD61283	Std. Open; 1/2"-20 Thread; 13/16" Hex
Rear Wheel Nut	Years	Part No.	Qualifier
Wheel Lug Nut	05 - 95	BD61283	Std. Open; 1/2"-20 Thread; 13/16" Hex

MACK Mid-Liner

CS200

Brake Pads & Shoes

Front Pads & Shoes	Years	SevereDuty	Lining No.	Qualifier
Brake Pads	01 - 86	SD225B		Bendix; 2.88" 2-Piston Caliper
Brake Shoes	01 - 86	SDS690R	EX1474D-S32	Hyd. Brakes; 15-1/2 x 5
Brake Shoes	01 - 86	1308Q	1308T	w/Air Brakes; Rockwell/Meritor; Q-Series; 15 x 4
Brake Shoes	01 - 86	4524Q	4524B	w/Air Brakes; Rockwell/Meritor; Q-Series; 16-1/2 x 5
Rear Pads & Shoes	Years	SevereDuty	Lining No.	Qualifier
Brake Shoes	01 - 86	SDS691R	EX1476D-S32	Hyd. Brakes; 15-1/2 x 6
Brake Shoes	01 - 86	4515Q	4515E	w/Air Brakes; Rockwell/Meritor; Q-Series; 16-1/2 x 7

Brake Hardware

Front Brake Hardware	Years	Sequential No.	Category No.	Qualifier
Combi Kit	01 - 86	F140614	(H3010)	Hyd. Brakes; 15-1/2 x 5" Brake
↳Return Spring Kit		F73591	(H612)	
Disc Align Kit	01 - 86	F112090S	(H5566)	Bendix; 2.88" 2-Piston Caliper
Rear Brake Hardware	Years	Sequential No.	Category No.	Qualifier
Combi Kit	01 - 86	F140614	(H3010)	Hyd. Brakes; 15-1/2 x 6" Brake
↳Return Spring Kit		F73591	(H612)	

Calipers - Reman

Front, Loaded	Years	Left No.	Right No.	Qualifier	Piston
Loaded Caliper	01 - 86	AS120549	AS120549	Bendix; 2.88" 2-Piston Caliper	P
Loaded Caliper	01 - 86	AS120549S	AS120549S	Bendix; 2.88" 2-Piston Caliper	O
Front, Unloaded	Years	Left No.	Right No.	Qualifier	Piston
Unloaded Caliper	01 - 86	CR120549	CR120549	Bendix; 2.88" 2-Piston Caliper	P
Unloaded Caliper	01 - 86	CR120549S	CR120549S	Bendix; 2.88" 2-Piston Caliper	O

CS250

Brake Pads & Shoes

Front Pads & Shoes	Years	SevereDuty	Lining No.	Qualifier
Brake Pads	01 - 86	SD225B		Bendix; 2.88" 2-Piston Caliper
Brake Shoes	01 - 86	SDS690R	EX1474D-S32	Hyd. Brakes; 15-1/2 x 5
Brake Shoes	01 - 86	1308Q	1308T	w/Air Brakes; Rockwell/Meritor; Q-Series; 15 x 4
Brake Shoes	01 - 86	4524Q	4524B	w/Air Brakes; Rockwell/Meritor; Q-Series; 16-1/2 x 5
Rear Pads & Shoes	Years	SevereDuty	Lining No.	Qualifier
Brake Shoes	01 - 86	SDS691R	EX1476D-S32	Hyd. Brakes; 15-1/2 x 6
Brake Shoes	01 - 86	4515Q	4515E	w/Air Brakes; Rockwell/Meritor; Q-Series; 16-1/2 x 7

↳Sub-Kit of Combi-Kit is available separately.

Piston: M - OE Metal Piston P - OE Phenolic Piston O - Metal Piston Option

CS250 (cont.)

Brake Hardware

Front Brake Hardware	Years	Sequential No.	Category No.	Qualifier
Combi Kit	01 - 86	F140614	(H3010)	Hyd. Brakes; 15-1/2 x 5" Brake
↳Return Spring Kit		F73591	(H612)	
Disc Align Kit	01 - 86	F112090S	(H5566)	Bendix; 2.88" 2-Piston Caliper

Rear Brake Hardware	Years	Sequential No.	Category No.	Qualifier
Combi Kit	01 - 86	F140614	(H3010)	Hyd. Brakes; 15-1/2 x 6" Brake
↳Return Spring Kit		F73591	(H612)	

Calipers - Reman

Front, Loaded	Years	Left No.	Right No.	Qualifier	Piston
Loaded Caliper	01 - 86	AS120549	AS120549	Bendix; 2.88" 2-Piston Caliper	P
Loaded Caliper	01 - 86	AS120549S	AS120549S	Bendix; 2.88" 2-Piston Caliper	O

Front, Unloaded	Years	Left No.	Right No.	Qualifier	Piston
Unloaded Caliper	01 - 86	CR120549	CR120549	Bendix; 2.88" 2-Piston Caliper	P
Unloaded Caliper	01 - 86	CR120549S	CR120549S	Bendix; 2.88" 2-Piston Caliper	O

CS300

Brake Pads & Shoes

Front Pads & Shoes	Years	SevereDuty	Lining No.	Qualifier
Brake Pads	01 - 86	SD225B		Bendix; 2.88" 2-Piston Caliper
Brake Shoes	01 - 86	SDS690R	EX1474D-S32	Hyd. Brakes; 15-1/2 x 5
Brake Shoes	01 - 86	1308Q	1308T	w/Air Brakes; Rockwell/Meritor; Q-Series; 15 x 4
Brake Shoes	01 - 86	4524Q	4524B	w/Air Brakes; Rockwell/Meritor; Q-Series; 16-1/2 x 5

Rear Pads & Shoes	Years	SevereDuty	Lining No.	Qualifier
Brake Shoes	01 - 86	SDS691R	EX1476D-S32	Hyd. Brakes; 15-1/2 x 6
Brake Shoes	01 - 86	4515Q	4515E	w/Air Brakes; Rockwell/Meritor; Q-Series; 16-1/2 x 7

Brake Hardware

Front Brake Hardware	Years	Sequential No.	Category No.	Qualifier
Combi Kit	01 - 86	F140614	(H3010)	Hyd. Brakes; 15-1/2 x 5" Brake
↳Return Spring Kit		F73591	(H612)	
Disc Align Kit	01 - 86	F112090S	(H5566)	Bendix; 2.88" 2-Piston Caliper

Rear Brake Hardware	Years	Sequential No.	Category No.	Qualifier
Combi Kit	01 - 86	F140614	(H3010)	Hyd. Brakes; 15-1/2 x 6" Brake
↳Return Spring Kit		F73591	(H612)	

Calipers - Reman

Front, Loaded	Years	Left No.	Right No.	Qualifier	Piston
Loaded Caliper	01 - 86	AS120549	AS120549	Bendix; 2.88" 2-Piston Caliper	P
Loaded Caliper	01 - 86	AS120549S	AS120549S	Bendix; 2.88" 2-Piston Caliper	O

Front, Unloaded	Years	Left No.	Right No.	Qualifier	Piston
Unloaded Caliper	01 - 86	CR120549	CR120549	Bendix; 2.88" 2-Piston Caliper	P
Unloaded Caliper	01 - 86	CR120549S	CR120549S	Bendix; 2.88" 2-Piston Caliper	O

MS200

Brake Pads & Shoes

Front Pads & Shoes	Years	SevereDuty	Lining No.	Qualifier
Brake Pads	01 - 86	SD225B		Bendix; 2.88" 2-Piston Caliper
Brake Shoes	01 - 86	SDS690R	EX1474D-S32	Hyd. Brakes; 15-1/2 x 5
Brake Shoes	01 - 86	1308Q	1308T	w/Air Brakes; Rockwell/Meritor; Q-Series; 15 x 4
Brake Shoes	01 - 86	4524Q	4524B	w/Air Brakes; Rockwell/Meritor; Q-Series; 16-1/2 x 5

Rear Pads & Shoes	Years	SevereDuty	Lining No.	Qualifier
Brake Shoes	01 - 86	SDS691R	EX1476D-S32	Hyd. Brakes; 15-1/2 x 6
Brake Shoes	01 - 86	4515Q	4515E	w/Air Brakes; Rockwell/Meritor; Q-Series; 16-1/2 x 7

Brake Hardware

Front Brake Hardware	Years	Sequential No.	Category No.	Qualifier
Combi Kit	01 - 86	F140614	(H3010)	Hyd. Brakes; 15-1/2 x 5" Brake
↳Return Spring Kit		F73591	(H612)	

↳Sub-Kit of Combi-Kit is available separately.

Piston: M - OE Metal Piston P - OE Phenolic Piston O - Metal Piston Option

MS200 (cont.)

Brake Hardware (cont.)

Front Brake Hardware	Years	Sequential No.	Category No.	Qualifier
Disc Align Kit	01 - 86	F112090S	(H5566)	Bendix; 2.88" 2-Piston Caliper
Rear Brake Hardware	Years	Sequential No.	Category No.	Qualifier
Combi Kit	01 - 86	F140614	(H3010)	Hyd. Brakes; 15-1/2 x 6" Brake
↳Return Spring Kit		F73591	(H612)	

Calipers - Reman

Front, Loaded	Years	Left No.	Right No.	Qualifier	Piston
Loaded Caliper	01 - 86	AS120549	AS120549	Bendix; 2.88" 2-Piston Caliper	P
Loaded Caliper	01 - 86	AS120549S	AS120549S	Bendix; 2.88" 2-Piston Caliper	O
Front, Unloaded	Years	Left No.	Right No.	Qualifier	Piston
Unloaded Caliper	01 - 86	CR120549	CR120549	Bendix; 2.88" 2-Piston Caliper	P
Unloaded Caliper	01 - 86	CR120549S	CR120549S	Bendix; 2.88" 2-Piston Caliper	O

Hydraulics - New

Front Wheel Cylinder	Years	Sequential No.	Category No.	Qualifier
Wheel Cylinder	01 - 86	F131676	(WC131676)	L.H.; 15" Brake; Axle 4801-00 to 4801-03; Upper
Wheel Cylinder	01 - 86	F131671	(WC131671)	L.H.; 15" Brake; Axle 4801-01 to 4801-04; Lower
Wheel Cylinder	01 - 86	F131672	(WC131672)	R.H.; 15" Brake; Axle 4801-00 to 4801-03; Upper
Wheel Cylinder	01 - 86	F131673	(WC131673)	R.H.; 15" Brake; Axle 4801-01 to 4801-04; Lower
Clutch Master Cylind	Years	Sequential No.	Category No.	Qualifier
Clutch Master Cylinder	91 - 86	F131685	(CM131685)	

MS250

Brake Pads & Shoes

Front Pads & Shoes	Years	SevereDuty	Lining No.	Qualifier
Brake Pads	01 - 86	SD225B		Bendix; 2.88" 2-Piston Caliper
Brake Shoes	01 - 86	SDS690R	EX1474D-S32	Hyd. Brakes; 15-1/2 x 5
Brake Shoes	01 - 86	1308Q	1308T	w/Air Brakes; Rockwell/Meritor; Q-Series; 15 x 4
Brake Shoes	01 - 86	4524Q	4524B	w/Air Brakes; Rockwell/Meritor; Q-Series; 16-1/2 x 5
Rear Pads & Shoes	Years	SevereDuty	Lining No.	Qualifier
Brake Shoes	01 - 86	SDS691R	EX1476D-S32	Hyd. Brakes; 15-1/2 x 6
Brake Shoes	01 - 86	4515Q	4515E	w/Air Brakes; Rockwell/Meritor; Q-Series; 16-1/2 x 7

Brake Hardware

Front Brake Hardware	Years	Sequential No.	Category No.	Qualifier
Combi Kit	01 - 86	F140614	(H3010)	Hyd. Brakes; 15-1/2 x 5" Brake
↳Return Spring Kit		F73591	(H612)	
Disc Align Kit	01 - 86	F112090S	(H5566)	Bendix; 2.88" 2-Piston Caliper
Rear Brake Hardware	Years	Sequential No.	Category No.	Qualifier
Combi Kit	01 - 86	F140614	(H3010)	Hyd. Brakes; 15-1/2 x 6" Brake
↳Return Spring Kit		F73591	(H612)	

Calipers - Reman

Front, Loaded	Years	Left No.	Right No.	Qualifier	Piston
Loaded Caliper	01 - 86	AS120549	AS120549	Bendix; 2.88" 2-Piston Caliper	P
Loaded Caliper	01 - 86	AS120549S	AS120549S	Bendix; 2.88" 2-Piston Caliper	O
Front, Unloaded	Years	Left No.	Right No.	Qualifier	Piston
Unloaded Caliper	01 - 86	CR120549	CR120549	Bendix; 2.88" 2-Piston Caliper	P
Unloaded Caliper	01 - 86	CR120549S	CR120549S	Bendix; 2.88" 2-Piston Caliper	O

Hydraulics - New

Front Wheel Cylinder	Years	Sequential No.	Category No.	Qualifier
Wheel Cylinder	01 - 86	F131676	(WC131676)	L.H.; 15" Brake; Axle 4801-00 to 4801-03; Upper
Wheel Cylinder	01 - 86	F131671	(WC131671)	L.H.; 15" Brake; Axle 4801-01 to 4801-04; Lower
Wheel Cylinder	01 - 86	F131672	(WC131672)	R.H.; 15" Brake; Axle 4801-00 to 4801-03; Upper
Wheel Cylinder	01 - 86	F131673	(WC131673)	R.H.; 15" Brake; Axle 4801-01 to 4801-04; Lower
Clutch Master Cylind	Years	Sequential No.	Category No.	Qualifier
Clutch Master Cylinder	91 - 86	F131685	(CM131685)	

↳Sub-Kit of Combi-Kit is available separately.

Piston: M - OE Metal Piston P - OE Phenolic Piston O - Metal Piston Option

MS300

Brake Pads & Shoes

Front Pads & Shoes	Years	SevereDuty	Lining No.	Qualifier
Brake Pads	01 - 86	SD225B		Bendix; 2.88" 2-Piston Caliper
Brake Shoes	01 - 86	SDS690R	EX1474D-S32	Hyd. Brakes; 15-1/2 x 5
Brake Shoes	01 - 86	1308Q	1308T	w/Air Brakes; Rockwell/Meritor; Q-Series; 15 x 4
Brake Shoes	01 - 86	4524Q	4524B	w/Air Brakes; Rockwell/Meritor; Q-Series; 16-1/2 x 5

Rear Pads & Shoes

Years	SevereDuty	Lining No.	Qualifier
01 - 86	SDS691R	EX1476D-S32	Hyd. Brakes; 15-1/2 x 6
01 - 86	4515Q	4515E	w/Air Brakes; Rockwell/Meritor; Q-Series; 16-1/2 x 7

Brake Hardware

Front Brake Hardware

Years	Sequential No.	Category No.	Qualifier
01 - 86	F140614	(H3010)	Hyd. Brakes; 15-1/2 x 5" Brake
	F73591	(H612)	
01 - 86	F112090S	(H5566)	Bendix; 2.88" 2-Piston Caliper

Rear Brake Hardware

Years	Sequential No.	Category No.	Qualifier
01 - 86	F140614	(H3010)	Hyd. Brakes; 15-1/2 x 6" Brake
	F73591	(H612)	

Calipers - Reman

Front, Loaded

Years	Left No.	Right No.	Qualifier	Piston
01 - 86	AS120549	AS120549	Bendix; 2.88" 2-Piston Caliper	P
01 - 86	AS120549S	AS120549S	Bendix; 2.88" 2-Piston Caliper	O

Front, Unloaded

Years	Left No.	Right No.	Qualifier	Piston
01 - 86	CR120549	CR120549	Bendix; 2.88" 2-Piston Caliper	P
01 - 86	CR120549S	CR120549S	Bendix; 2.88" 2-Piston Caliper	O

Hydraulics - New

Front Wheel Cylinder

Years	Sequential No.	Category No.	Qualifier
01 - 86	F131676	(WC131676)	L.H.; 15" Brake; Axle 4801-00 to 4801-03; Upper
01 - 86	F131671	(WC131671)	L.H.; 15" Brake; Axle 4801-01 to 4801-04; Lower
01 - 86	F131672	(WC131672)	R.H.; 15" Brake; Axle 4801-00 to 4801-03; Upper
01 - 86	F131673	(WC131673)	R.H.; 15" Brake; Axle 4801-01 to 4801-04; Lower

Clutch Master Cylind

Years	Sequential No.	Category No.	Qualifier
94 - 86	F131685	(CM131685)	

MAZDA

B2300

Brake Pads & Shoes

Front Pads & Shoes	Years	SevereDuty	Lining No.	Qualifier
Brake Pads	05 - 04	SD833		
Brake Pads	03	SD833		From 8/5/02
Brake Pads	03	SD652		To 8/5/02
Brake Pads	02 - 01	SD652		
Brake Pads	97 - 95	SD652		
Brake Pads	94	SD249		

Rear Pads & Shoes

Years	SevereDuty	Lining No.	Qualifier
94	SDS169R	EX2089TD	10 x 2-1/2" Brake; Riveted
94	SDS474R	EX2151TD	9 x 1-3/4" Brake; Riveted

Rotor & Drum

Front Rotor & Drum

Years	Part No.	Qualifier
05 - 01	BD125683	2WD; w/10-1/4" Dia. Rotor; w/ABS
05 - 01	BD125495	2WD; w/11-1/4" Dia. Rotor
05 - 04	BD125721	4WD; w/12" Dia. Rotor
04 - 01	BD125777	2WD; w/10-1/4" Dia. Rotor; w/o ABS
03	BD125721	4WD; From 8/5/02; w/12" Dia. Rotor
03	BD125494	4WD; To 8/5/02
02 - 01	BD125494	4WD

↳Sub-Kit of Combi-Kit is available separately.

Piston: M - OE Metal Piston P - OE Phenolic Piston O - Metal Piston Option

B2300 (cont.)
Rotor & Drum (cont.)

Front Rotor & Drum	Years	Part No.	Qualifier
Brake Rotor	97 - 95	BD125473	2WD; w/ABS
Brake Rotor	97 - 95	BD125469	2WD; w/o ABS
Brake Rotor	97 - 95	BD125498	4WD
Brake Rotor	94	BD60663	2WD
Brake Rotor	94	BD125713	4WD; w/ABS Exciter Ring

Rear Rotor & Drum	Years	Part No.	Qualifier
Brake Drum	05 - 01	BD125134	10 x 2-1/2" Brake
Brake Drum	05 - 01	BD125586	9 x 1-3/4" Brake
Brake Drum	97 - 94	BD60720	10 x 2-1/2" Brake
Brake Drum	97 - 94	BD60787	9 x 1-3/4" Brake

Brake Hardware

Front Brake Hardware	Years	Sequential No.	Category No.	Qualifier
Caliper Bolt/Pin	02	F139368	(H14903)	To 8/02
Caliper Bolt/Pin	01	F139368	(H14903)	
Caliper Bolt/Pin	97 - 95	F139368	(H14903)	
Caliper Bolt/Pin	94	F111231S	(H5031)	
Disc Align Kit	05 - 01	F134104S	(H5606)	
Disc Align Kit	97 - 95	F134104S	(H5606)	
Disc Align Kit	94	F107196S	(H5570)	
Pin Boot Kit	02	F132973S	(H8218)	To 8/02
Pin Boot Kit	01	F132973S	(H8218)	
Pin Boot Kit	97 - 95	F132973S	(H8218)	

Rear Brake Hardware	Years	Sequential No.	Category No.	Qualifier
Adjuster Kit	05 - 01	F134089S	(H2644)	L.H.; 10 x 2-1/2" Brake
Adjuster Kit	05 - 01	F134091S	(H2642)	L.H.; 9 x 1-3/4" Brake
Adjuster Kit	05 - 01	F134088S	(H2645)	R.H.; 10 x 2-1/2" Brake
Adjuster Kit	05 - 01	F134090S	(H2643)	R.H.; 9 x 1-3/4" Brake
Adjuster Kit	97 - 95	F134089S	(H2644)	L.H.; 10 x 2-1/2" Brake
Adjuster Kit	97 - 95	F134091S	(H2642)	L.H.; 9 x 1-3/4" Brake
Adjuster Kit	97 - 95	F134088S	(H2645)	R.H.; 10 x 2-1/2" Brake
Adjuster Kit	97 - 95	F134090S	(H2643)	R.H.; 9 x 1-3/4" Brake
Adjuster Kit	94	F113825S	(H2612)	L.H.; 10 x 2-1/2" Brake
Adjuster Kit	94	F98414S	(H2592)	L.H.; 9 x 1-3/4" Brake
Adjuster Kit	94	F113826S	(H2613)	R.H.; 10 x 2-1/2" Brake
Adjuster Kit	94	F98415S	(H2593)	R.H.; 9 x 1-3/4" Brake
Adjuster Screw	94	F67433S	(H1522)	L.H.; 10 x 2-1/2" Brake
Adjuster Screw	94	F117072S	(H1542)	L.H.; 9 x 1-3/4" Brake
Adjuster Screw	94	F67434S	(H1523)	R.H.; 10 x 2-1/2" Brake
Adjuster Screw	94	F117073S	(H1543)	R.H.; 9 x 1-3/4" Brake
Combi Kit	03 - 01	F134100S	(H7210)	10 x 2-1/2" Brake
↳Adjuster Spring Kit		F36470S	(H412)	
↳Hold Down Kit		F98974S	(H4079)	
↳Return Spring Kit		F36454S	(H102)	
Combi Kit	01	F134099S	(H7211)	9 x 1-3/4" Brake
↳Adjuster Spring Kit		F73107S	(H438)	
↳Return Spring Kit		F73106S	(H345)	
Combi Kit	97	F134100S	(H7210)	10 x 2-1/2" Brake
↳Adjuster Spring Kit		F36470S	(H412)	
↳Hold Down Kit		F98974S	(H4079)	
↳Return Spring Kit		F36454S	(H102)	
Combi Kit	97 - 95	F134099S	(H7211)	9 x 1-3/4" Brake
↳Adjuster Spring Kit		F73107S	(H438)	
↳Return Spring Kit		F73106S	(H345)	

↳Sub-Kit of Combi-Kit is available separately.

B2300 (cont.)

Brake Hardware (cont.)

Rear Brake Hardware	Years	Sequential No.	Category No.	Qualifier
Combi Kit	96 - 95	F113462S	(H7080)	10 x 2-1/2" Brake
↳Adjuster Spring Kit		F36470S	(H412)	
↳Hold Down Kit		F98974S	(H4079)	
↳Return Spring Kit		F36454S	(H102)	
Combi Kit	94	F98972S	(H7067)	10 x 2-1/2" Brake
↳Adjuster Spring Kit		F36470S	(H412)	
↳Hold Down Kit		F98974S	(H4079)	
↳Return Spring Kit		F73231S	(H322)	
Combi Kit	94	F134103S	(H17232)	9 x 1-3/4" Brake
↳Adjuster Spring Kit		F73107S	(H438)	
↳Return Spring Kit		F73106S	(H345)	

Calipers - Reman

Front, Loaded	Years	Left No.	Right No.	Qualifier	Piston
Loaded Caliper	05 - 03	AS134506	AS134507		P
Loaded Caliper	02 - 01	AS132683	AS132684		M
Loaded Caliper	97 - 95	AS132683	AS132684	4WD	M
Loaded Caliper	94	AS110414	AS110413		P
Loaded Caliper	94	AS110414S	AS110413S		O

Front, Unloaded	Years	Left No.	Right No.	Qualifier	Piston
Unloaded Caliper	05 - 03	CRB134506	CRB134507	Supplied w/Mtg. Brkt.	P
Unloaded Caliper	05 - 03	CR134506	CR134507	Supplied w/o Mtg. Brkt.	P
Unloaded Caliper	02 - 01	CRB132683	CRB132684	Supplied w/Mtg. Brkt.	M
Unloaded Caliper	02 - 01	CR132683	CR132684	Supplied w/o Mtg. Brkt.	M
Unloaded Caliper	97 - 95	CRB132683A	CRB132684A	2WD; Supplied w/Mtg. Brkt.	M
Unloaded Caliper	97 - 95	CRB132683	CRB132684	4WD; Supplied w/Mtg. Brkt.	M
Unloaded Caliper	97 - 95	CR132683	CR132684	Supplied w/o Mtg. Brkt.	M
Unloaded Caliper	94	CR110414	CR110413		P
Unloaded Caliper	94	CR110414S	CR110413S		O

Hydraulics - New

Master Cylinder	Years	Sequential No.	Category No.	Qualifier
Master Cylinder	97 - 95	F131397	(MC131397)	1-1/16" Bore
Master Cylinder	95	F131399	(MC131399)	1-1/16" Bore
Master Cylinder	94	F122576	(MC122576)	1" Bore

Rear Wheel Cylinder	Years	Sequential No.	Category No.	Qualifier
Wheel Cylinder	03 - 01	F134318	(WC134318)	10 x 2-1/2" Brake; 13/16" Bore
Wheel Cylinder	03 - 01	F34876	(WC34876)	9 x 1-3/4" Brake; 13/16" Bore
Wheel Cylinder	97 - 95	F131518	(WC131518)	10 x 2-1/2" Brake; 13/16" Bore
Wheel Cylinder	97 - 95	F106492	(WC106492)	9 x 1-3/4" Brake; 3/4" Bore
Wheel Cylinder	96 - 95	F110873	(WC110873)	9 x 1-3/4" Brake; 13/16" Bore
Wheel Cylinder	94	F112409	(WC112409)	10" Brake; 13/16" Bore
Wheel Cylinder	94	F110873	(WC110873)	9" Brake; 13/16" Bore

Clutch Master Cylind	Years	Sequential No.	Category No.	Qualifier
Clutch Master Cylinder	94	F130578	(CM130578)	5/8" Bore

Clutch Slave Cylinder	Years	Sequential No.	Category No.	Qualifier
Clutch Slave Cylinder	97 - 94	F126893	(SC126893)	1-9/16" Bore

Front Brake Hose	Years	Sequential No.	Category No.	Qualifier
Brake Hose	05 - 03	F139150	(BH139150)	R.H.; 4WD
Brake Hose	97 - 95	F133804	(BH133804)	L.H.; 2WD; w/4 Whl. ABS
Brake Hose	97 - 95	F133806	(BH133806)	L.H.; 2WD; w/RWAL
Brake Hose	97 - 95	F133805	(BH133805)	R.H.; 2WD
Brake Hose	96 - 95	F133398	(BH133398)	L.H.; 4WD
Brake Hose	96 - 95	F133399	(BH133399)	R.H.; 2WD
Brake Hose	94	F120538	(BH120538)	L.H.; 4WD
Brake Hose	94	F120539	(BH120539)	R.H.; 2WD

↳Sub-Kit of Combi-Kit is available separately.

Piston: M - OE Metal Piston P - OE Phenolic Piston O - Metal Piston Option

B2300 (cont.)
Hydraulics - New (cont.)

Rear Brake Hose	Years	Sequential No.	Category No.	Qualifier
Brake Hose	05 - 01	F133803	(BH133803)	
Brake Hose	97 - 95	F133803	(BH133803)	
Brake Hose	94	F123292	(BH123292)	

Hydraulics - Reman

Master Cylinder	Years	Part No.	Qualifier
Master Cylinder	01	R134712	w/Cruise
Master Cylinder	01	R134710	w/o Cruise
Master Cylinder	97 - 95	R131397	w/Cruise
Master Cylinder	97 - 95	R131399	w/o Cruise
Master Cylinder	94	R122576	

Power Brake Booster	Years	Part No.	Qualifier
Power Brake Booster	04 - 01	5473189	w/o Master Cylinder
Power Brake Booster	97 - 95	5473189	w/o Master Cylinder
Power Brake Booster	94	503132	w/Master Cylinder
Power Brake Booster	94	5473181	w/o Master Cylinder

ABS Components - Reman

ABS Module	Years	Part No.	Qualifier
ABS Module	94	RA121030	

ABS Hydraulic Unit	Years	Part No.	Qualifier
ABS Hydraulic Unit	94	RA122029	

Wheel Attaching Hardware

Front Wheel Stud	Years	Part No.	Qualifier
Wheel Lug Stud	05 - 01	BD60967	2WD
Wheel Lug Stud	05 - 01	BD125887	4WD
Wheel Lug Stud	97 - 94	BD60967	2WD
Wheel Lug Stud	97 - 94	BD125852	4WD

Rear Wheel Stud	Years	Part No.	Qualifier
Wheel Lug Stud	05 - 04	BD125982	
Wheel Lug Stud	03 - 01	BD125846	
Wheel Lug Stud	97 - 94	BD125846	

Front Wheel Nut	Years	Part No.	Qualifier
Wheel Lug Nut	05 - 04	BD125902	Dome - Bright
Wheel Lug Nut	03 - 01	BD125902	Dome - Stainless
Wheel Lug Nut	97 - 95	BD125924	Wire Wheel Retaining Nut
Wheel Lug Nut	94	BD125902	Dome - Stainless

Rear Wheel Nut	Years	Part No.	Qualifier
Wheel Lug Nut	05 - 04	BD125902	Dome - Bright
Wheel Lug Nut	03 - 01	BD125902	Dome - Stainless
Wheel Lug Nut	97 - 95	BD125924	Wire Wheel Retaining Nut
Wheel Lug Nut	94	BD125902	Dome - Stainless

B2500
Brake Pads & Shoes

Front Pads & Shoes	Years	SevereDuty	Lining No.	Qualifier
Brake Pads	01 - 98	SD652		

Rotor & Drum

Front Rotor & Drum	Years	Part No.	Qualifier
Brake Rotor	01 - 99	BD125683	2WD; w/ABS
Brake Rotor	01 - 99	BD125495	2WD; w/Sport Susp.
Brake Rotor	01 - 98	BD125494	4WD
Brake Rotor	00 - 99	BD125469	2WD; w/o ABS
Brake Rotor	98	BD125683	2WD; w/14" Whl.; w/ABS
Brake Rotor	98	BD125469	2WD; w/14" Whl.; w/o ABS
Brake Rotor	98	BD125495	2WD; w/15" Whl.

B2500 (cont.)

Rotor & Drum (cont.)

Rear Rotor & Drum	Years	Part No.	Qualifier
Brake Drum	01 - 98	BD125134	10 x 2-1/2" Brake
Brake Drum	01 - 98	BD125586	9 x 1-3/4" Brake

Brake Hardware

Front Brake Hardware	Years	Sequential No.	Category No.	Qualifier
Caliper Bolt/Pin	01 - 98	F139368	(H14903)	
Disc Align Kit	01 - 98	F134104S	(H5606)	
Pin Boot Kit	01 - 98	F132973S	(H8218)	

Rear Brake Hardware	Years	Sequential No.	Category No.	Qualifier
Combi Kit	01 - 98	F134100S	(H7210)	10 x 2-1/2" Brake
↳Adjuster Spring Kit		F36470S	(H412)	
↳Hold Down Kit		F98974S	(H4079)	
↳Return Spring Kit		F36454S	(H102)	
Combi Kit	01 - 98	F134099S	(H7211)	9 x 1-3/4" Brake
↳Adjuster Spring Kit		F73107S	(H438)	
↳Return Spring Kit		F73106S	(H345)	

Calipers - Reman

Front, Loaded	Years	Left No.	Right No.	Qualifier	Piston
Loaded Caliper	01 - 98	AS132683	AS132684		M
Front, Unloaded	Years	Left No.	Right No.	Qualifier	Piston
Unloaded Caliper	01 - 98	CRB132683	CRB132684	Supplied w/Mtg. Brkt.	M
Unloaded Caliper	01 - 98	CR132683	CR132684	Supplied w/o Mtg. Brkt.	M

Hydraulics - New

Rear Wheel Cylinder	Years	Sequential No.	Category No.	Qualifier
Wheel Cylinder	01	F134318	(WC134318)	10 x 2-1/2" Brake; 13/16" Bore
Wheel Cylinder	01	F34876	(WC34876)	9 x 1-3/4" Brake; 13/16" Bore
Wheel Cylinder	99 - 98	F131518	(WC131518)	10 x 2-1/2" Brake; 13/16" Bore
Wheel Cylinder	99 - 98	F106492	(WC106492)	9 x 1-3/4" Brake; 3/4" Bore
Front Brake Hose	Years	Sequential No.	Category No.	Qualifier
Brake Hose	00 - 98	F139260	(BH139260)	L.H.; 2WD; w/RWAL
Rear Brake Hose	Years	Sequential No.	Category No.	Qualifier
Brake Hose	01 - 98	F133803	(BH133803)	

Hydraulics - Reman

Master Cylinder	Years	Part No.	Qualifier
Master Cylinder	01 - 98	R134712	w/Cruise
Master Cylinder	01 - 98	R134710	w/o Cruise
Power Brake Booster	Years	Part No.	Qualifier
Power Brake Booster	01 - 98	5473189	w/o Master Cylinder

Brake Cables

Parking Brake Cable	Years	Sequential No.	Category No.	Qualifier
Parking Brake Cable	98	F140372	(BC140372)	Rear; R.H.; 9 x 1-3/4" Brake; 79" Length

Wheel Attaching Hardware

Front Wheel Stud	Years	Part No.	Qualifier
Wheel Lug Stud	01 - 98	BD60967	2WD
Wheel Lug Stud	01 - 98	BD125887	4WD
Rear Wheel Stud	Years	Part No.	Qualifier
Wheel Lug Stud	01 - 98	BD125846	
Front Wheel Nut	Years	Part No.	Qualifier
Wheel Lug Nut	01 - 98	BD125902	Dome - Stainless
Rear Wheel Nut	Years	Part No.	Qualifier
Wheel Lug Nut	01 - 98	BD125902	Dome - Stainless

↳Sub-Kit of Combi-Kit is available separately.

Piston: M - OE Metal Piston P - OE Phenolic Piston

Brake Pads & Shoes

Front Pads & Shoes	Years	SevereDuty	Lining No.	Qualifier
Brake Pads	05 - 04	SD833		
Brake Pads	03	SD833		From 8/5/02
Brake Pads	03	SD652		To 8/5/02
Brake Pads	02 - 98	SD652		
Brake Pads	96 - 95	SD652		
Brake Pads	94	SD249		

Rear Pads & Shoes	Years	SevereDuty	Lining No.	Qualifier
Brake Shoes	94	SDS169R	EX2089TD	10 x 2-1/2" Brake; Riveted
Brake Shoes	94	SDS474R	EX2151TD	9 x 1-3/4" Brake; Riveted

Rotor & Drum

Front Rotor & Drum	Years	Part No.	Qualifier
Brake Rotor	05 - 01	BD125683	2WD; w/10-1/4" Dia. Rotor; w/ABS
Brake Rotor	05 - 01	BD125495	2WD; w/11-1/4" Dia. Rotor
Brake Rotor	05 - 04	BD125721	4WD; w/12" Dia. Rotor
Brake Rotor	04 - 01	BD125777	2WD; w/10-1/4" Dia. Rotor; w/o ABS
Brake Rotor	03	BD125721	4WD; From 8/5/02; w/12" Dia. Rotor
Brake Rotor	03	BD125494	4WD; To 8/5/02
Brake Rotor	02 - 98	BD125494	4WD
Brake Rotor	00 - 98	BD125683	2WD; w/14" Whl.; w/ABS
Brake Rotor	00 - 98	BD125469	2WD; w/14" Whl.; w/o ABS
Brake Rotor	00 - 98	BD125495	2WD; w/15" Whl.
Brake Rotor	96 - 95	BD125473	2WD; w/ABS
Brake Rotor	96 - 95	BD125469	2WD; w/o ABS
Brake Rotor	96 - 95	BD125498	4WD
Brake Rotor	94	BD60663	2WD
Brake Rotor	94	BD125713	4WD; w/ABS Exciter Ring

Rear Rotor & Drum	Years	Part No.	Qualifier
Brake Drum	05 - 98	BD125134	10 x 2-1/2" Brake
Brake Drum	05 - 98	BD125586	9 x 1-3/4" Brake
Brake Drum	96 - 94	BD60720	10 x 2-1/2" Brake
Brake Drum	96 - 94	BD60787	9 x 1-3/4" Brake

Brake Hardware

Front Brake Hardware	Years	Sequential No.	Category No.	Qualifier
Caliper Bolt/Pin	05 - 98	F139368	(H14903)	
Caliper Bolt/Pin	96 - 95	F139368	(H14903)	
Caliper Bolt/Pin	94	F111231S	(H5031)	
Disc Align Kit	05 - 98	F134104S	(H5606)	
Disc Align Kit	96 - 95	F134104S	(H5606)	
Disc Align Kit	94	F107196S	(H5570)	
Pin Boot Kit	05 - 98	F132973S	(H8218)	
Pin Boot Kit	96 - 95	F132973S	(H8218)	

Rear Brake Hardware	Years	Sequential No.	Category No.	Qualifier
Adjuster Kit	05 - 98	F134089S	(H2644)	L.H.; 10 x 2-1/2" Brake
Adjuster Kit	05 - 98	F134091S	(H2642)	L.H.; 9 x 1-3/4" Brake
Adjuster Kit	05 - 98	F134088S	(H2645)	R.H.; 10 x 2-1/2" Brake
Adjuster Kit	05 - 98	F134090S	(H2643)	R.H.; 9 x 1-3/4" Brake
Adjuster Kit	96 - 95	F134089S	(H2644)	L.H.; 10 x 2-1/2" Brake
Adjuster Kit	96 - 95	F134091S	(H2642)	L.H.; 9 x 1-3/4" Brake
Adjuster Kit	96 - 95	F134088S	(H2645)	R.H.; 10 x 2-1/2" Brake
Adjuster Kit	96 - 95	F134090S	(H2643)	R.H.; 9 x 1-3/4" Brake
Adjuster Kit	94	F113825S	(H2612)	L.H.; 10 x 2-1/2" Brake
Adjuster Kit	94	F98414S	(H2592)	L.H.; 9 x 1-3/4" Brake
Adjuster Kit	94	F113826S	(H2613)	R.H.; 10 x 2-1/2" Brake
Adjuster Kit	94	F98415S	(H2593)	R.H.; 9 x 1-3/4" Brake
Adjuster Screw	94	F67433S	(H1522)	L.H.; 10 x 2-1/2" Brake

B3000 (cont.)

Brake Hardware (cont.)

Rear Brake Hardware	Years	Sequential No.	Category No.	Qualifier
Adjuster Screw	94	F117072S	(H1542)	L.H.; 9 x 1-3/4" Brake
Adjuster Screw	94	F67434S	(H1523)	R.H.; 10 x 2-1/2" Brake
Adjuster Screw	94	F117073S	(H1543)	R.H.; 9 x 1-3/4" Brake
Combi Kit	03 - 98	F134100S	(H7210)	10 x 2-1/2" Brake
↳Adjuster Spring Kit		F36470S	(H412)	
↳Hold Down Kit		F98974S	(H4079)	
↳Return Spring Kit		F36454S	(H102)	
Combi Kit	01 - 98	F134099S	(H7211)	9 x 1-3/4" Brake
↳Adjuster Spring Kit		F73107S	(H438)	
↳Return Spring Kit		F73106S	(H345)	
Combi Kit	96 - 95	F134100S	(H7210)	10 x 2-1/2" Brake
↳Adjuster Spring Kit		F36470S	(H412)	
↳Hold Down Kit		F98974S	(H4079)	
↳Return Spring Kit		F36454S	(H102)	
Combi Kit	96 - 95	F134099S	(H7211)	9 x 1-3/4" Brake
↳Adjuster Spring Kit		F73107S	(H438)	
↳Return Spring Kit		F73106S	(H345)	
Combi Kit	94	F98972S	(H7067)	10 x 2-1/2" Brake
↳Adjuster Spring Kit		F36470S	(H412)	
↳Hold Down Kit		F98974S	(H4079)	
↳Return Spring Kit		F73231S	(H322)	
Combi Kit	94	F134103S	(H17232)	9 x 1-3/4" Brake
↳Adjuster Spring Kit		F73107S	(H438)	
↳Return Spring Kit		F73106S	(H345)	

Calipers - Reman

Front, Loaded	Years	Left No.	Right No.	Qualifier	Piston
Loaded Caliper	05 - 03	AS134506	AS134507		P
Loaded Caliper	02 - 98	AS132683	AS132684		M
Loaded Caliper	96 - 95	AS132683	AS132684	4WD	M
Loaded Caliper	94	AS110414	AS110413		P
Loaded Caliper	94	AS110414S	AS110413S		O

Front, Unloaded	Years	Left No.	Right No.	Qualifier	Piston
Unloaded Caliper	05 - 03	CRB134506	CRB134507	Supplied w/Mtg. Brkt.	P
Unloaded Caliper	05 - 03	CR134506	CR134507	Supplied w/o Mtg. Brkt.	P
Unloaded Caliper	02 - 98	CRB132683	CRB132684	Supplied w/Mtg. Brkt.	M
Unloaded Caliper	02 - 98	CR132683	CR132684	Supplied w/o Mtg. Brkt.	M
Unloaded Caliper	96 - 95	CRB132683A	CRB132684A	2WD; Supplied w/Mtg. Brkt.	M
Unloaded Caliper	96 - 95	CRB132683	CRB132684	4WD; Supplied w/Mtg. Brkt.	M
Unloaded Caliper	96 - 95	CR132683	CR132684	Supplied w/o Mtg. Brkt.	M
Unloaded Caliper	94	CR110414	CR110413		P
Unloaded Caliper	94	CR110414S	CR110413S		O

Hydraulics - New

Master Cylinder	Years	Sequential No.	Category No.	Qualifier
Master Cylinder	96 - 95	F131397	(MC131397)	1-1/16" Bore
Master Cylinder	95	F131399	(MC131399)	1-1/16" Bore
Master Cylinder	94	F122576	(MC122576)	1" Bore

Rear Wheel Cylinder	Years	Sequential No.	Category No.	Qualifier
Wheel Cylinder	03 - 00	F134318	(WC134318)	10 x 2-1/2" Brake; 13/16" Bore
Wheel Cylinder	03 - 00	F34876	(WC34876)	9 x 1-3/4" Brake; 13/16" Bore
Wheel Cylinder	99 - 98	F131518	(WC131518)	10 x 2-1/2" Brake; 13/16" Bore
Wheel Cylinder	99 - 98	F106492	(WC106492)	9 x 1-3/4" Brake; 3/4" Bore
Wheel Cylinder	96 - 95	F131518	(WC131518)	10 x 2-1/2" Brake; 13/16" Bore
Wheel Cylinder	96 - 94	F110873	(WC110873)	9 x 1-3/4" Brake; 13/16" Bore
Wheel Cylinder	94	F112409	(WC112409)	10 x 2-1/2" Brake; 13/16" Bore

↳Sub-Kit of Combi-Kit is available separately.

Piston: M - OE Metal Piston P - OE Phenolic Piston O - Metal Piston Option

B3000 (cont.)
Hydraulics - New (cont.)

Clutch Master Cylind	Years	Sequential No.	Category No.	Qualifier
Clutch Master Cylinder	94	F130578	(CM130578)	5/8" Bore
Clutch Slave Cylinder	Years	Sequential No.	Category No.	Qualifier
Clutch Slave Cylinder	01 - 98	F126893	(SC126893)	1-9/16" Bore
Clutch Slave Cylinder	96 - 94	F126893	(SC126893)	1-9/16" Bore
Front Brake Hose	Years	Sequential No.	Category No.	Qualifier
Brake Hose	05 - 98	F139150	(BH139150)	R.H.; 4WD
Brake Hose	00 - 98	F139260	(BH139260)	L.H.; 2WD; w/RWAL
Brake Hose	96 - 95	F133806	(BH133806)	L.H.; 2WD; w/4 Whl. ABS
Brake Hose	96 - 95	F133804	(BH133804)	L.H.; 2WD; w/RWAL
Brake Hose	96 - 95	F133398	(BH133398)	L.H.; 4WD
Brake Hose	96 - 95	F133805	(BH133805)	R.H.; 2WD
Brake Hose	96 - 95	F133399	(BH133399)	R.H.; 4WD
Brake Hose	94	F120538	(BH120538)	L.H.; 2WD
Brake Hose	94	F120539	(BH120539)	R.H.; 2WD
Rear Brake Hose	Years	Sequential No.	Category No.	Qualifier
Brake Hose	05 - 98	F133803	(BH133803)	
Brake Hose	96 - 95	F133803	(BH133803)	
Brake Hose	94	F123292	(BH123292)	

Hydraulics - Reman

Master Cylinder	Years	Part No.	Qualifier
Master Cylinder	01 - 98	R134712	w/Cruise
Master Cylinder	01 - 98	R134710	w/o Cruise
Master Cylinder	96 - 95	R131397	w/Cruise
Master Cylinder	96 - 95	R131399	w/o Cruise
Master Cylinder	94	R122576	
Power Brake Booster	Years	Part No.	Qualifier
Power Brake Booster	04 - 98	5473189	w/o Master Cylinder
Power Brake Booster	96 - 95	5473189	w/o Master Cylinder
Power Brake Booster	94	503132	w/Master Cylinder
Power Brake Booster	94	5473181	w/o Master Cylinder

Brake Cables

Parking Brake Cable	Years	Sequential No.	Category No.	Qualifier
Parking Brake Cable	98	F140372	(BC140372)	Rear; R.H.; 9 x 1-3/4" Brake; 79" Length

ABS Components - Reman

ABS Module	Years	Part No.	Qualifier
ABS Module	94	RA121030	
ABS Hydraulic Unit	Years	Part No.	Qualifier
ABS Hydraulic Unit	94	RA122029	

Wheel Attaching Hardware

Front Wheel Stud	Years	Part No.	Qualifier
Wheel Lug Stud	05 - 98	BD60967	2WD
Wheel Lug Stud	03 - 98	BD125887	4WD
Wheel Lug Stud	96 - 94	BD60967	2WD
Wheel Lug Stud	96 - 94	BD125852	4WD
Rear Wheel Stud	Years	Part No.	Qualifier
Wheel Lug Stud	05 - 04	BD125982	2WD
Wheel Lug Stud	03 - 98	BD125846	
Wheel Lug Stud	96 - 94	BD125846	
Front Wheel Nut	Years	Part No.	Qualifier
Wheel Lug Nut	05 - 04	BD125902	Dome - Bright
Wheel Lug Nut	03 - 98	BD125902	Dome - Stainless
Wheel Lug Nut	96 - 95	BD125924	Wire Wheel Retaining Nut
Wheel Lug Nut	94	BD125902	Dome - Stainless

B3000 (cont.)**Wheel Attaching Hardware (cont.)**

Rear Wheel Nut	Years	Part No.	Qualifier
Wheel Lug Nut	05 - 04	BD125902	Dome - Bright
Wheel Lug Nut	03 - 98	BD125902	Dome - Stainless
Wheel Lug Nut	96 - 95	BD125924	Wire Wheel Retaining Nut
Wheel Lug Nut	94	BD125902	Dome - Stainless

B4000**Brake Pads & Shoes**

Front Pads & Shoes	Years	SevereDuty	Lining No.	Qualifier
Brake Pads	05 - 04	SD833		
Brake Pads	03	SD833		From 8/5/02
Brake Pads	03	SD652		To 8/5/02
Brake Pads	02 - 95	SD652		
Brake Pads	94	SD249		

Rear Pads & Shoes	Years	SevereDuty	Lining No.	Qualifier
Brake Shoes	94	SDS169R	EX2089TD	10 x 2-1/2" Brake; Riveted
Brake Shoes	94	SDS474R	EX2151TD	9 x 1-3/4" Brake; Riveted

Rotor & Drum

Front Rotor & Drum	Years	Part No.	Qualifier
Brake Rotor	05 - 01	BD125683	2WD; w/10-1/4" Dia. Rotor; w/ABS
Brake Rotor	05 - 01	BD125495	2WD; w/11-1/4" Dia. Rotor
Brake Rotor	05 - 04	BD125721	4WD; w/12" Dia. Rotor
Brake Rotor	04 - 01	BD125777	2WD; w/10-1/4" Dia. Rotor; w/o ABS
Brake Rotor	03	BD125721	4WD; From 8/5/02; w/12" Dia. Rotor
Brake Rotor	03	BD125494	4WD; To 8/5/02
Brake Rotor	02 - 98	BD125494	4WD
Brake Rotor	00 - 98	BD125683	2WD; w/14" Whl.; w/ABS
Brake Rotor	00 - 98	BD125469	2WD; w/14" Whl.; w/o ABS
Brake Rotor	00 - 98	BD125495	2WD; w/15" Whl.
Brake Rotor	97 - 95	BD125473	2WD; w/ABS
Brake Rotor	97 - 95	BD125469	2WD; w/o ABS
Brake Rotor	97 - 95	BD125498	4WD
Brake Rotor	94	BD60663	2WD
Brake Rotor	94	BD125713	4WD; w/ABS Exciter Ring

Rear Rotor & Drum	Years	Part No.	Qualifier
Brake Drum	05 - 98	BD125134	10 x 2-1/2" Brake
Brake Drum	05 - 98	BD125586	9 x 1-3/4" Brake
Brake Drum	97 - 94	BD60720	10 x 2-1/2" Brake
Brake Drum	97 - 94	BD60787	9 x 1-3/4" Brake

Brake Hardware

Front Brake Hardware	Years	Sequential No.	Category No.	Qualifier
Caliper Bolt/Pin	05 - 95	F139368	(H14903)	
Caliper Bolt/Pin	94	F111231S	(H5031)	
Disc Align Kit	05 - 95	F134104S	(H5606)	
Disc Align Kit	94	F107196S	(H5570)	
Pin Boot Kit	05 - 95	F132973S	(H8218)	

Rear Brake Hardware	Years	Sequential No.	Category No.	Qualifier
Adjuster Kit	05 - 95	F134089S	(H2644)	L.H.; 10 x 2-1/2" Brake
Adjuster Kit	05 - 95	F134091S	(H2642)	L.H.; 9 x 1-3/4" Brake
Adjuster Kit	05 - 95	F134088S	(H2645)	R.H.; 10 x 2-1/2" Brake
Adjuster Kit	05 - 95	F134090S	(H2643)	R.H.; 9 x 1-3/4" Brake
Adjuster Kit	94	F113825S	(H2612)	L.H.; 10 x 2-1/2" Brake
Adjuster Kit	94	F98414S	(H2592)	L.H.; 9 x 1-3/4" Brake
Adjuster Kit	94	F113826S	(H2613)	R.H.; 10 x 2-1/2" Brake
Adjuster Kit	94	F98415S	(H2593)	R.H.; 9 x 1-3/4" Brake
Adjuster Screw	94	F67433S	(H1522)	L.H.; 10 x 2-1/2" Brake

B4000 (cont.)

Brake Hardware (cont.)

Rear Brake Hardware	Years	Sequential No.	Category No.	Qualifier
Adjuster Screw	94	F117072S	(H1542)	L.H.; 9 x 1-3/4" Brake
Adjuster Screw	94	F67434S	(H1523)	R.H.; 10 x 2-1/2" Brake
Adjuster Screw	94	F117073S	(H1543)	R.H.; 9 x 1-3/4" Brake
Combi Kit	03 - 95	F134100S	(H7210)	10 x 2-1/2" Brake
↳Adjuster Spring Kit		F36470S	(H412)	
↳Hold Down Kit		F98974S	(H4079)	
↳Return Spring Kit		F36454S	(H102)	
Combi Kit	03 - 95	F134099S	(H7211)	9 x 1-3/4" Brake
↳Adjuster Spring Kit		F73107S	(H438)	
↳Return Spring Kit		F73106S	(H345)	
Combi Kit	94	F98972S	(H7067)	10 x 2-1/2" Brake
↳Adjuster Spring Kit		F36470S	(H412)	
↳Hold Down Kit		F98974S	(H4079)	
↳Return Spring Kit		F73231S	(H322)	
Combi Kit	94	F134103S	(H17232)	9 x 1-3/4" Brake
↳Adjuster Spring Kit		F73107S	(H438)	
↳Return Spring Kit		F73106S	(H345)	

Calipers - Reman

Front, Loaded	Years	Left No.	Right No.	Qualifier	Piston
Loaded Caliper	05 - 03	AS134506	AS134507		P
Loaded Caliper	02 - 98	AS132683	AS132684		M
Loaded Caliper	97 - 95	AS132683	AS132684	4WD	M
Loaded Caliper	94	AS110414	AS110413		P
Loaded Caliper	94	AS110414S	AS110413S		O

Front, Unloaded	Years	Left No.	Right No.	Qualifier	Piston
Unloaded Caliper	05 - 03	CRB134506	CRB134507	Supplied w/Mtg. Brkt.	P
Unloaded Caliper	05 - 03	CR134506	CR134507	Supplied w/o Mtg. Brkt.	P
Unloaded Caliper	02 - 98	CRB132683	CRB132684	Supplied w/Mtg. Brkt.	M
Unloaded Caliper	02 - 95	CR132683	CR132684	Supplied w/o Mtg. Brkt.	M
Unloaded Caliper	97 - 95	CRB132683A	CRB132684A	2WD; Supplied w/Mtg. Brkt.	M
Unloaded Caliper	97 - 95	CRB132683	CRB132684	4WD; Supplied w/Mtg. Brkt.	M
Unloaded Caliper	94	CR110414	CR110413		P
Unloaded Caliper	94	CR110414S	CR110413S		O

Hydraulics - New

Master Cylinder	Years	Sequential No.	Category No.	Qualifier
Master Cylinder	97 - 95	F131397	(MC131397)	1-1/16" Bore
Master Cylinder	94	F122576	(MC122576)	1" Bore

Rear Wheel Cylinder	Years	Sequential No.	Category No.	Qualifier
Wheel Cylinder	03 - 00	F134318	(WC134318)	10 x 2-1/2" Brake; 13/16" Bore
Wheel Cylinder	03 - 00	F34876	(WC34876)	9 x 1-3/4" Brake; 13/16" Bore
Wheel Cylinder	99 - 95	F131518	(WC131518)	10 x 2-1/2" Brake; 13/16" Bore
Wheel Cylinder	99 - 95	F106492	(WC106492)	9 x 1-3/4" Brake; 3/4" Bore
Wheel Cylinder	96 - 95	F110873	(WC110873)	9 x 1-3/4" Brake; 13/16" Bore
Wheel Cylinder	94	F112409	(WC112409)	10" Brake; 13/16" Bore
Wheel Cylinder	94	F110873	(WC110873)	9" Brake; 13/16" Bore

Clutch Master Cylind	Years	Sequential No.	Category No.	Qualifier
Clutch Master Cylinder	94	F130578	(CM130578)	5/8" Bore

Clutch Slave Cylinder	Years	Sequential No.	Category No.	Qualifier
Clutch Slave Cylinder	01 - 94	F126893	(SC126893)	1-9/16" Bore

Front Brake Hose	Years	Sequential No.	Category No.	Qualifier
Brake Hose	05 - 98	F139150	(BH139150)	R.H.; 4WD
Brake Hose	00 - 98	F139260	(BH139260)	L.H.; 2WD; w/RWAL
Brake Hose	97 - 95	F133806	(BH133806)	L.H.; 2WD; w/4 Whl. ABS
Brake Hose	97 - 95	F133804	(BH133804)	L.H.; 2WD; w/RWAL

↳Sub-Kit of Combi-Kit is available separately.

Piston: M - OE Metal Piston P - OE Phenolic Piston O - Metal Piston Option

B4000 (cont.)

Hydraulics - New (cont.)

Front Brake Hose	Years	Sequential No.	Category No.	Qualifier
Brake Hose	97 - 95	F133398	(BH133398)	L.H.; 4WD
Brake Hose	97 - 95	F133805	(BH133805)	R.H.; 2WD
Brake Hose	97 - 95	F133399	(BH133399)	R.H.; 4WD
Brake Hose	94	F120538	(BH120538)	L.H.; 2WD
Brake Hose	94	F120539	(BH120539)	R.H.; 2WD

Rear Brake Hose	Years	Sequential No.	Category No.	Qualifier
Brake Hose	05 - 95	F133803	(BH133803)	
Brake Hose	94	F123292	(BH123292)	

Hydraulics - Reman

Master Cylinder	Years	Part No.	Qualifier
Master Cylinder	01 - 98	R134712	w/Cruise
Master Cylinder	01 - 98	R134710	w/o Cruise
Master Cylinder	97 - 95	R131397	w/Cruise
Master Cylinder	97 - 95	R131399	w/o Cruise
Master Cylinder	94	R122576	

Power Brake Booster	Years	Part No.	Qualifier
Power Brake Booster	04 - 95	5473189	w/o Master Cylinder
Power Brake Booster	94	503132	w/Master Cylinder
Power Brake Booster	94	5473181	w/o Master Cylinder

Brake Cables

Parking Brake Cable	Years	Sequential No.	Category No.	Qualifier
Parking Brake Cable	98	F140372	(BC140372)	Rear; R.H.; 9 x 1-3/4" Brake; 79" Length

ABS Components - Reman

ABS Module	Years	Part No.	Qualifier
ABS Module	94	RA121030	

ABS Hydraulic Unit	Years	Part No.	Qualifier
ABS Hydraulic Unit	94	RA122029	

Wheel Attaching Hardware

Front Wheel Stud	Years	Part No.	Qualifier
Wheel Lug Stud	05 - 94	BD60967	2WD
Wheel Lug Stud	03 - 98	BD125887	4WD
Wheel Lug Stud	97 - 94	BD125852	4WD

Rear Wheel Stud	Years	Part No.	Qualifier
Wheel Lug Stud	05 - 04	BD125982	2WD
Wheel Lug Stud	03 - 94	BD125846	

Front Wheel Nut	Years	Part No.	Qualifier
Wheel Lug Nut	03 - 98	BD125902	Dome - Stainless
Wheel Lug Nut	97 - 95	BD125924	Wire Wheel Retaining Nut
Wheel Lug Nut	94	BD125902	Dome - Stainless

Rear Wheel Nut	Years	Part No.	Qualifier
Wheel Lug Nut	03 - 98	BD125902	Dome - Stainless
Wheel Lug Nut	97 - 95	BD125924	Wire Wheel Retaining Nut
Wheel Lug Nut	94	BD125902	Dome - Stainless

MERCURY

GRAND MARQUIS

Brake Pads & Shoes

Front Pads & Shoes	Years	SevereDuty	Lining No.	Qualifier
Brake Pads	06 - 04	SD931		
Brake Pads	03	SD931		Exc. Police
Brake Pads	03	SD931		Police
Brake Pads	02 - 98	SD748		
Brake Pads	97 - 95	SD659		

GRAND MARQUIS (cont.)

Brake Pads & Shoes (cont.)

Rear Pads & Shoes	Years	SevereDuty	Lining No.	Qualifier
Brake Pads	04 - 03	SD932		Exc. Long WB
Brake Pads	02 - 98	SD674		Exc. Police
Brake Pads	02 - 98	SD674A		Police
Brake Pads	97 - 96	SD674		Exc. Police
Brake Pads	97 - 96	SD674		Police; Exc. Phenolic Piston Caliper
Brake Pads	97 - 96	SD674A		Police; w/Phenolic Piston Caliper
Brake Pads	95	SD662		Police

Rotor & Drum

Front Rotor & Drum	Years	Part No.	Qualifier
Brake Rotor	06 - 03	BD125785	
Brake Rotor	02 - 98	BD125514	
Brake Rotor	97 - 95	BD125476	

Rear Rotor & Drum	Years	Part No.	Qualifier
Brake Rotor	06 - 03	BD125786	
Brake Rotor	02 - 96	BD125481	
Brake Rotor	95	BD125155	

Brake Hardware

Front Brake Hardware	Years	Sequential No.	Category No.	Qualifier
Caliper Bolt/Pin	06 - 03	F139844	(H5098)	
Caliper Bolt/Pin	02 - 98	F138685S	(H5087)	
Caliper Bolt/Pin	97 - 95	F139368	(H14903)	
Disc Align Kit	06 - 02	F139840	(H5662)	
Disc Align Kit	02 - 98	F138692S	(H5625)	
Disc Align Kit	97 - 96	F134114S	(H5618)	
Disc Align Kit	95	F132969S	(H5465)	
Pin Boot Kit	06 - 03	F129662S	(H18023)	
Pin Boot Kit	02 - 98	F138698S	(H8222)	
Pin Boot Kit	97 - 95	F132973S	(H8218)	

Rear Brake Hardware	Years	Sequential No.	Category No.	Qualifier
Caliper Bolt/Pin	06 - 96	F124508S	(H5054)	
Caliper Bolt/Pin	95	F104625S	(H5022)	
Disc Align Kit	06 - 03	F139839	(H5661)	
Disc Align Kit	02 - 96	F133826S	(H5477)	
Pin Boot Kit	06 - 96	F117215S	(H18000C)	
Pin Boot Kit	95	F130898S	(H8212)	

Parking Brake	Years	Sequential No.	Category No.	Qualifier
Adjuster Screw	05 - 96	F139706	(H1592)	
Adjuster Screw	95	F139716	(H1593)	
Combi Kit	06 - 03	F139838	(H7237)	
Combi Kit	02 - 96	F138696S	(H7222)	
Combi Kit	95	F139715	(H7225)	

Calipers - Reman

Front, Loaded	Years	Left No.	Right No.	Qualifier	Piston
Loaded Caliper	02 - 98	AS134313	AS134314		P
Loaded Caliper	97 - 95	AS132697	AS132698		M

Rear, Loaded	Years	Left No.	Right No.	Qualifier	Piston
Loaded Caliper	02 - 01	AS139245	AS139245		P
Loaded Caliper	00 - 98	AS139245	AS139245	H/D Brake	P
Loaded Caliper	95	AS128661	AS128661		P

Front, Unloaded	Years	Left No.	Right No.	Qualifier	Piston
Unloaded Caliper	05 - 03	CRB134610	CRB134611	Supplied w/Mtg. Brkt.	M
Unloaded Caliper	05 - 03	CR134610	CR134611	Supplied w/o Mtg. Brkt.	M
Unloaded Caliper	02 - 98	CRB134313	CRB134314	Supplied w/Mtg. Brkt.	P
Unloaded Caliper	02 - 98	CR134313	CR134314	Supplied w/o Mtg. Brkt.	P
Unloaded Caliper	97 - 95	CRB132697	CRB132698	Supplied w/Mtg. Brkt.	M
Unloaded Caliper	97 - 95	CR132697	CR132698	Supplied w/o Mtg. Brkt.	M

Piston: M - OE Metal Piston P - OE Phenolic Piston

GRAND MARQUIS (cont.)

Calipers - Reman (cont.)

<i>Rear, Unloaded</i>	<i>Years</i>	<i>Left No.</i>	<i>Right No.</i>	<i>Qualifier</i>	<i>Piston</i>
Unloaded Caliper	05 - 03	CR134614	CR134615		M
Unloaded Caliper	02 - 01	CR139245	CR139245		P
Unloaded Caliper	00 - 98	CR134011	CR134011	Exc. H/D Brake	M
Unloaded Caliper	00 - 98	CR139245	CR139245	H/D Brake	P
Unloaded Caliper	97 - 96	CR134011	CR134011		M
Unloaded Caliper	95	CR128661	CR128661		P
Unloaded Caliper	95	CR128661S	CR128661S		O

Hydraulics - New

<i>Master Cylinder</i>	<i>Years</i>	<i>Sequential No.</i>	<i>Category No.</i>	<i>Qualifier</i>
Master Cylinder	06 - 01	F140128	(MC140128)	w/o ABS; 1" Bore
Master Cylinder	05 - 01	F140129	(MC140129)	w/Traction Control; w/o Interactive Vehicle Dynamics; 1" Bore
Master Cylinder	04 - 01	F140491	(MC140491)	w/ABS; w/o Traction Control; 1" Bore
Master Cylinder	00 - 98	F140128	(MC140128)	w/o Traction Control; 1" Bore
Master Cylinder	00 - 98	F134464	(MC134464)	w/Traction Control
Master Cylinder	97	F140128	(MC140128)	w/o Traction Control; No O-Ring Required; 1" Bore
Master Cylinder	97	F140492	(MC140492)	w/Traction Control; 1" Bore
Master Cylinder	96	F140337	(MC140337)	w/Traction Control; Contains Pressure Switch; 1" Bore
Master Cylinder	95	F131475	(MC131475)	Exc. Police; w/o Traction Control; 1" Bore
Master Cylinder	95	F131469	(MC131469)	Exc. Police; w/Traction Control; 1" Bore

Front Brake Hose

<i>Front Brake Hose</i>	<i>Years</i>	<i>Sequential No.</i>	<i>Category No.</i>	<i>Qualifier</i>
Brake Hose	05 - 03	F140144	(BH140144)	L.H.
Brake Hose	05 - 03	F140145	(BH140145)	R.H.
Brake Hose	02 - 01	F140154	(BH140154)	L.H.; w/ABS
Brake Hose	02 - 98	F139136	(BH139136)	L.H.; w/o ABS
Brake Hose	02 - 98	F140155	(BH140155)	R.H.
Brake Hose	00 - 98	F140233	(BH140233)	L.H.; w/ABS
Brake Hose	97 - 95	F132337	(BH132337)	L.H.
Brake Hose	97 - 95	F132338	(BH132338)	R.H.

Rear Brake Hose

<i>Rear Brake Hose</i>	<i>Years</i>	<i>Sequential No.</i>	<i>Category No.</i>	<i>Qualifier</i>
Brake Hose	05 - 03	F140146	(BH140146)	L.H.
Brake Hose	05 - 03	F140147	(BH140147)	R.H.
Brake Hose	02 - 99	F140332	(BH140332)	L.H.; From 12/18/98; w/o Traction Control
Brake Hose	02 - 98	F138802	(BH138802)	L.H.; w/Traction Control
Brake Hose	02 - 99	F140143	(BH140143)	R.H.; From 12/15/98
Brake Hose	99 - 98	F140143	(BH140143)	R.H.; To 12/14/98; w/o Traction Control
Brake Hose	99 - 98	F138802	(BH138802)	R.H.; To 12/14/98; w/Traction Control
Brake Hose	97 - 95	F132345	(BH132345)	L.H.; w/ABS
Brake Hose	97 - 95	F132344	(BH132344)	L.H.; w/o ABS
Brake Hose	97 - 95	F132345	(BH132345)	R.H.

Hydraulics - Reman

<i>Master Cylinder</i>	<i>Years</i>	<i>Part No.</i>	<i>Qualifier</i>
Master Cylinder	04 - 01	R134748	w/ABS; w/o Traction Control
Master Cylinder	04 - 01	R134751	w/ABS; w/Traction Control
Master Cylinder	04 - 01	R131475	w/o ABS
Master Cylinder	00 - 95	R131475	w/o Traction Control
Master Cylinder	00 - 98	R134810	w/Traction Control
Master Cylinder	97 - 95	R131469	w/Traction Control
Master Cylinder	97 - 96	R131873	w/Traction Control

Power Brake Booster

<i>Power Brake Booster</i>	<i>Years</i>	<i>Part No.</i>	<i>Qualifier</i>
Power Brake Booster	02 - 01	5473169	w/o Master Cylinder; w/o ABS; w/o Interactive Vehicle Dynamics
Power Brake Booster	00 - 95	5473183	w/o Master Cylinder; Exc. Police
Power Brake Booster	00 - 95	5473197	w/o Master Cylinder; Police

Piston: M - OE Metal Piston P - OE Phenolic Piston O - Metal Piston Option

GRAND MARQUIS (cont.)

Brake Cables

<i>Parking Brake Cable</i>	<i>Years</i>	<i>Sequential No.</i>	<i>Category No.</i>	<i>Qualifier</i>
Parking Brake Cable	97 - 96	F138086	(BC138086)	Rear; L.H.
Parking Brake Cable	97 - 96	F138604	(BC138604)	Rear; R.H.

Wheel Attaching Hardware

<i>Front Wheel Stud</i>	<i>Years</i>	<i>Part No.</i>	<i>Qualifier</i>
Wheel Lug Stud	05 - 02	BD125942	
Wheel Lug Stud	01	BD125942	Exc. Sport Pkg.
Wheel Lug Stud	01	BD125942	w/Sport Pkg.
Wheel Lug Stud	00 - 98	BD125942	
Wheel Lug Stud	97 - 95	BD125845	

<i>Rear Wheel Stud</i>	<i>Years</i>	<i>Part No.</i>	<i>Qualifier</i>
Wheel Lug Stud	01	BD125846	Exc. Sport Pkg.
Wheel Lug Stud	00 - 95	BD125846	

<i>Front Wheel Nut</i>	<i>Years</i>	<i>Part No.</i>	<i>Qualifier</i>
Wheel Lug Nut	05 - 95	BD61299	Bulge
Wheel Lug Nut	05 - 95	BD61283	Std. Open; 1/2"-20 Thread; 13/16" Hex

<i>Rear Wheel Nut</i>	<i>Years</i>	<i>Part No.</i>	<i>Qualifier</i>
Wheel Lug Nut	05 - 95	BD61299	Bulge
Wheel Lug Nut	05 - 95	BD61283	Std. Open; 1/2"-20 Thread; 13/16" Hex

MARAUDER

Brake Pads & Shoes

<i>Front Pads & Shoes</i>	<i>Years</i>	<i>SevereDuty</i>	<i>Lining No.</i>	<i>Qualifier</i>
Brake Pads	04 - 03	SD931		

<i>Rear Pads & Shoes</i>	<i>Years</i>	<i>SevereDuty</i>	<i>Lining No.</i>	<i>Qualifier</i>
Brake Pads	03	SD932		

Rotor & Drum

<i>Front Rotor & Drum</i>	<i>Years</i>	<i>Part No.</i>	<i>Qualifier</i>
Brake Rotor	04 - 03	BD125785	

<i>Rear Rotor & Drum</i>	<i>Years</i>	<i>Part No.</i>	<i>Qualifier</i>
Brake Rotor	04	BD126008	
Brake Rotor	03	BD125786	

Brake Hardware

<i>Rear Brake Hardware</i>	<i>Years</i>	<i>Sequential No.</i>	<i>Category No.</i>	<i>Qualifier</i>
Disc Align Kit	03	F139839	(H5661)	

Calipers - Reman

<i>Front, Unloaded</i>	<i>Years</i>	<i>Left No.</i>	<i>Right No.</i>	<i>Qualifier</i>	<i>Piston</i>
Unloaded Caliper	04 - 03	CRB134610	CRB134611	Supplied w/Mtg. Brkt.	M
Unloaded Caliper	04 - 03	CR134610	CR134611	Supplied w/o Mtg. Brkt.	M

<i>Rear, Unloaded</i>	<i>Years</i>	<i>Left No.</i>	<i>Right No.</i>	<i>Qualifier</i>	<i>Piston</i>
Unloaded Caliper	04 - 03	CR134614	CR134615		M

Hydraulics - New

<i>Master Cylinder</i>	<i>Years</i>	<i>Sequential No.</i>	<i>Category No.</i>	<i>Qualifier</i>
Master Cylinder	04 - 03	F140491	(MC140491)	w/ABS; w/o Traction Control; 1" Bore

<i>Front Brake Hose</i>	<i>Years</i>	<i>Sequential No.</i>	<i>Category No.</i>	<i>Qualifier</i>
Brake Hose	04 - 03	F140144	(BH140144)	L.H.
Brake Hose	04 - 03	F140145	(BH140145)	R.H.

<i>Rear Brake Hose</i>	<i>Years</i>	<i>Sequential No.</i>	<i>Category No.</i>	<i>Qualifier</i>
Brake Hose	04 - 03	F140144	(BH140144)	L.H.
Brake Hose	04 - 03	F140147	(BH140147)	R.H.

Hydraulics - Reman

<i>Master Cylinder</i>	<i>Years</i>	<i>Part No.</i>	<i>Qualifier</i>
Master Cylinder	04 - 03	R134748	

<i>Power Brake Booster</i>	<i>Years</i>	<i>Part No.</i>	<i>Qualifier</i>
Power Brake Booster	04 - 03	5473169	w/o Master Cylinder

Piston: M - OE Metal Piston P - OE Phenolic Piston

MARAUDER (cont.)

Wheel Attaching Hardware

<i>Front Wheel Stud</i>	<i>Years</i>	<i>Part No.</i>	<i>Qualifier</i>
Wheel Lug Stud	04 - 03	BD125942	
<i>Front Wheel Nut</i>	<i>Years</i>	<i>Part No.</i>	<i>Qualifier</i>
Wheel Lug Nut	04 - 03	BD61299	Bulge
Wheel Lug Nut	04 - 03	BD61283	Std. Open; 1/2"-20 Thread; 13/16" Hex
<i>Rear Wheel Nut</i>	<i>Years</i>	<i>Part No.</i>	<i>Qualifier</i>
Wheel Lug Nut	04 - 03	BD61299	Bulge
Wheel Lug Nut	04 - 03	BD61283	Std. Open; 1/2"-20 Thread; 13/16" Hex

MERCURY TRUCK

MOUNTAINEER

Brake Pads & Shoes

<i>Front Pads & Shoes</i>	<i>Years</i>	<i>SevereDuty</i>	<i>Lining No.</i>	<i>Qualifier</i>
Brake Pads	05 - 02	SD833		
Brake Pads	01 - 97	SD652		
<i>Rear Pads & Shoes</i>	<i>Years</i>	<i>SevereDuty</i>	<i>Lining No.</i>	<i>Qualifier</i>
Brake Pads	05 - 02	SD881		
Brake Pads	01 - 97	SD667		

Rotor & Drum

<i>Front Rotor & Drum</i>	<i>Years</i>	<i>Part No.</i>	<i>Qualifier</i>
Brake Rotor	05 - 02	BD125758	
Brake Rotor	01 - 97	BD125495	2WD; w/ABS
Brake Rotor	01 - 97	BD61911	2WD; w/RWAL
Brake Rotor	01 - 97	BD125494	4WD
<i>Rear Rotor & Drum</i>	<i>Years</i>	<i>Part No.</i>	<i>Qualifier</i>
Brake Rotor	05 - 02	BD125759	
Brake Rotor	01 - 97	BD125463	

Brake Hardware

<i>Front Brake Hardware</i>	<i>Years</i>	<i>Sequential No.</i>	<i>Category No.</i>	<i>Qualifier</i>
Caliper Bolt/Pin	05 - 02	F139882	(H4804)	
Caliper Bolt/Pin	01 - 97	F139368	(H14903)	
Disc Align Kit	05 - 02	F139821	(H5654)	
Disc Align Kit	01 - 97	F134104S	(H5606)	
Pin Boot Kit	05 - 97	F132973S	(H8218)	
<i>Rear Brake Hardware</i>	<i>Years</i>	<i>Sequential No.</i>	<i>Category No.</i>	<i>Qualifier</i>
Caliper Bolt/Pin	05 - 02	F139868	(H4800)	
Caliper Bolt/Pin	01 - 97	F124508S	(H5054)	
Disc Align Kit	05 - 02	F139359	(H5642)	
Disc Align Kit	01 - 97	F138693S	(H5626)	
Pin Boot Kit	05 - 97	F117215S	(H18000C)	
<i>Parking Brake</i>	<i>Years</i>	<i>Sequential No.</i>	<i>Category No.</i>	<i>Qualifier</i>
Adjuster Screw	03	F139706	(H1592)	
Adjuster Screw	01 - 97	F139706	(H1592)	
Combi Kit	03 - 02	F139869	(H7239)	
Combi Kit	01 - 97	F139731	(H7233)	

Calipers - Reman

<i>Front, Loaded</i>	<i>Years</i>	<i>Left No.</i>	<i>Right No.</i>	<i>Qualifier</i>	<i>Piston</i>
Loaded Caliper	05 - 02	AS134506	AS134507		P
Loaded Caliper	01 - 97	AS132683	AS132684		M
<i>Front, Unloaded</i>	<i>Years</i>	<i>Left No.</i>	<i>Right No.</i>	<i>Qualifier</i>	<i>Piston</i>
Unloaded Caliper	05 - 02	CRB134506	CRB134507	Supplied w/Mtg. Brkt.	P
Unloaded Caliper	05 - 02	CR134506	CR134507	Supplied w/o Mtg. Brkt.	P
Unloaded Caliper	01 - 97	CRB132683	CRB132684	Supplied w/Mtg. Brkt.	M
Unloaded Caliper	01 - 97	CR132683	CR132684	Supplied w/o Mtg. Brkt.	M
<i>Rear, Unloaded</i>	<i>Years</i>	<i>Left No.</i>	<i>Right No.</i>	<i>Qualifier</i>	<i>Piston</i>
Unloaded Caliper	05 - 02	CR134502	CR134503		P

Piston: M - OE Metal Piston P - OE Phenolic Piston O - Metal Piston Option

MOUNTAINEER (cont.)
Calipers - Reman (cont.)

<i>Rear, Unloaded</i>	<i>Years</i>	<i>Left No.</i>	<i>Right No.</i>	<i>Qualifier</i>	<i>Piston</i>
Unloaded Caliper	05 - 02	CR134572S	CR134573S		O
Unloaded Caliper	01	CR134502	CR134503	From 1/02/01	P
Unloaded Caliper	01	CR134572S	CR134573S	From 1/02/01	O
Unloaded Caliper	01	CR132699	CR132700	To 1/02/01	M
Unloaded Caliper	00 - 97	CR132699	CR132700		M

Hydraulics - New

<i>Master Cylinder</i>	<i>Years</i>	<i>Sequential No.</i>	<i>Category No.</i>	<i>Qualifier</i>
Master Cylinder	02 - 98	F139955	(MC139955)	1-1/16" Bore
Master Cylinder	97	F131397	(MC131397)	w/Cruise Control; w/o Proportioning Valve; 1-1/16" Bore
Master Cylinder	97	F131573	(MC131573)	w/Cruise Control; w/Proportioning Valve; 1-1/16" Bore
Master Cylinder	97	F131399	(MC131399)	w/o Cruise Control; w/o Proportioning Valve; 1-1/16" Bore

<i>Front Brake Hose</i>	<i>Years</i>	<i>Sequential No.</i>	<i>Category No.</i>	<i>Qualifier</i>
Brake Hose	02	F140047	(BH140047)	L.H.
Brake Hose	02	F140048	(BH140048)	R.H.
Brake Hose	01 - 97	F134795	(BH134795)	L.H.
Brake Hose	01 - 97	F134794	(BH134794)	R.H.

<i>Rear Brake Hose</i>	<i>Years</i>	<i>Sequential No.</i>	<i>Category No.</i>	<i>Qualifier</i>
Brake Hose	05 - 02	F140230	(BH140230)	L.H.; w/o Traction Control
Brake Hose	05 - 02	F140232	(BH140232)	L.H.; w/Traction Control
Brake Hose	05 - 02	F140231	(BH140231)	R.H.
Brake Hose	01 - 97	F139250	(BH139250)	L.H.
Brake Hose	01 - 97	F138074	(BH138074)	R.H.

Hydraulics - Reman

<i>Master Cylinder</i>	<i>Years</i>	<i>Part No.</i>	<i>Qualifier</i>
Master Cylinder	03 - 98	R134711	
Master Cylinder	97	R131397	w/Cruise
Master Cylinder	97	R131399	w/o Cruise

<i>Power Brake Booster</i>	<i>Years</i>	<i>Part No.</i>	<i>Qualifier</i>
Power Brake Booster	03 - 02	5471904	w/o Master Cylinder
Power Brake Booster	01 - 99	5471901	w/o Master Cylinder
Power Brake Booster	98 - 97	5473189	w/o Master Cylinder

Brake Cables

<i>Parking Brake Cable</i>	<i>Years</i>	<i>Sequential No.</i>	<i>Category No.</i>	<i>Qualifier</i>
Parking Brake Cable	00 - 97	F138611	(BC138611)	Rear; L.H.
Parking Brake Cable	97	F138886	(BC138886)	Forward
Parking Brake Cable	97	F133080	(BC133080)	Intermediate

ABS Components - Reman

<i>ABS Hydraulic Unit</i>	<i>Years</i>	<i>Part No.</i>	<i>Qualifier</i>
ABS Hydraulic Unit	97	RA122443	w/4 Whl. ABS

Wheel Attaching Hardware

<i>Front Wheel Stud</i>	<i>Years</i>	<i>Part No.</i>	<i>Qualifier</i>
Wheel Lug Stud	05 - 02	BD125990	
Wheel Lug Stud	01 - 97	BD60967	2WD
Wheel Lug Stud	01 - 97	BD125887	4WD

<i>Rear Wheel Stud</i>	<i>Years</i>	<i>Part No.</i>	<i>Qualifier</i>
Wheel Lug Stud	05 - 02	BD125969	
Wheel Lug Stud	01 - 97	BD125846	

<i>Front Wheel Nut</i>	<i>Years</i>	<i>Part No.</i>	<i>Qualifier</i>
Wheel Lug Nut	05 - 02	BD125902	Dome - Stainless
Wheel Lug Nut	01 - 97	BD125920	Bulge
Wheel Lug Nut	01 - 98	BD125924	Wire Wheel Retaining Nut; Match Original
Wheel Lug Nut	97	BD125924	Wire Wheel Retaining Nut

Piston: M - OE Metal Piston P - OE Phenolic Piston O - Metal Piston Option

MOUNTAINEER (cont.)

Wheel Attaching Hardware (cont.)

<i>Rear Wheel Nut</i>	<i>Years</i>	<i>Part No.</i>	<i>Qualifier</i>
Wheel Lug Nut	05 - 02	BD125902	Dome - Stainless
Wheel Lug Nut	01 - 97	BD125920	Bulge
Wheel Lug Nut	01 - 98	BD125924	Wire Wheel Retaining Nut; Match Original
Wheel Lug Nut	97	BD125924	Wire Wheel Retaining Nut

MID BUS Type-A1 SW

250 ECONOLINE

Brake Pads & Shoes

<i>Front Pads & Shoes</i>	<i>Years</i>	<i>SevereDuty</i>	<i>Lining No.</i>	<i>Qualifier</i>
Brake Pads	06 - 95	SD655		
Brake Pads	94 - 92	SD557		
Brake Pads	91 - 81	SD450		

<i>Rear Pads & Shoes</i>	<i>Years</i>	<i>SevereDuty</i>	<i>Lining No.</i>	<i>Qualifier</i>
Brake Pads	06 - 99	SD802		
Brake Shoes	06 - 81	SDS357NR	SX2146ATD	12 x 2-1/2; Riveted
Brake Shoes	06 - 84	SDS358AR	EX2140TD	12 x 3; Riveted

Rotor & Drum

<i>Front Rotor & Drum</i>	<i>Years</i>	<i>Part No.</i>	<i>Qualifier</i>
Brake Rotor	06 - 95	BD125468	w/2 Whl. ABS
Brake Rotor	06 - 95	BD125477	w/4 Whl. ABS
Brake Rotor	94	BD125410	w/2 Whl. ABS
Brake Rotor	94	BD125411	w/4 Whl. ABS
Brake Rotor	93 - 92	BD125410	
Brake Rotor	91 - 86	BD61910	
Brake Rotor	85 - 84	BD61885	Over 8500 GVW
Brake Rotor	85 - 84	BD60541	Under 8500 GVW
Brake Rotor	83 - 82	BD60541	
Brake Rotor	81	BD60541	From 11/3/80
Brake Rotor	81	BD60469	To 11/03/80

<i>Rear Rotor & Drum</i>	<i>Years</i>	<i>Part No.</i>	<i>Qualifier</i>
Brake Drum	06 - 95	BD125692	12 x 3" Brake
Brake Drum	98 - 92	BD60868	12 x 2-1/2" Brake
Brake Drum	94 - 92	BD60793	12 x 3" Brake
Brake Drum	91 - 86	BD60393	12 x 2-1/2" Brake; w/7-1/2" or 9-3/4" or 10-1/2" R.G.
Brake Drum	91 - 86	BD60868	12 x 2-1/2" Brake; w/8-13/16" or 10-1/4" R.G.
Brake Drum	91 - 87	BD60819	12 x 3" Brake
Brake Drum	86 - 84	BD60465	12 x 3" Brake
Brake Drum	85 - 81	BD60393	12 x 2-1/2" Brake
Brake Rotor	06 - 99	BD125694	

Brake Hardware

<i>Front Brake Hardware</i>	<i>Years</i>	<i>Sequential No.</i>	<i>Category No.</i>	<i>Qualifier</i>
Caliper Bolt/Pin	06 - 95	F126899S	(H5061)	
Caliper Bolt/Pin	94 - 92	F130379S	(H5068)	
Caliper Bolt/Pin	91 - 86	F111231S	(H5031)	
Caliper Bolt/Pin	85 - 82	F102554S	(H5010C)	
Disc Align Kit	05 - 95	F132611S	(H5602)	
Disc Align Kit	94 - 92	F130266S	(H5445)	
Disc Align Kit	91 - 86	F114477	(H5572)	
Disc Align Kit	85 - 81	F97900	(H5529)	
Pin Boot Kit	05 - 95	F117215S	(H18000C)	
Pin Boot Kit	94 - 92	F130393S	(H8211)	

<i>Rear Brake Hardware</i>	<i>Years</i>	<i>Sequential No.</i>	<i>Category No.</i>	<i>Qualifier</i>
Adjuster Kit	01 - 81	F98416	(H2588)	L.H.
Adjuster Kit	01 - 81	F98417	(H2589)	R.H.
Adjuster Screw	01 - 81	F79799	(H1534)	L.H.

250 ECONOLINE (cont.)

Brake Hardware (cont.)

Rear Brake Hardware	Years	Sequential No.	Category No.	Qualifier
Adjuster Screw	01 - 81	F79800	(H1535)	R.H.
Caliper Bolt/Pin	06 - 99	F126899S	(H5061)	
Combi Kit	06 - 84	F102555	(H7164)	12 x 3" Brake
↳Adjuster Spring Kit		F106695	(H446)	
↳Return Spring Kit		F67455	(H546)	
Combi Kit	04 - 81	F78555	(H7146)	12 x 2-1/2" Brake
↳Adjuster Spring Kit		F67454S	(H423)	
↳Return Spring Kit		F67455	(H546)	
Disc Align Kit	01 - 99	F138118S	(H5616)	
Pin Boot Kit	01 - 99	F139361	(H8227)	

Parking Brake	Years	Sequential No.	Category No.	Qualifier
Adjuster Screw	03 - 00	F139719	(H1594)	L.H.
Adjuster Screw	03 - 00	F139719	(H1594)	R.H.
Combi Kit	03 - 00	F139869	(H7239)	

Calipers - Reman

Front, Loaded	Years	Left No.	Right No.	Qualifier	Piston
Loaded Caliper	99	AS133118	AS133119	To 5/18/99	P
Loaded Caliper	98 - 95	AS133118	AS133119		P
Loaded Caliper	94 - 92	AS128780	AS128781		P
Loaded Caliper	94 - 92	AS128780S	AS128781S		O
Loaded Caliper	91 - 89	AS128856	AS128857		P
Loaded Caliper	88 - 86	AS116931	AS116932		P
Loaded Caliper	85 - 81	AS102430	AS102431	2-Piston Caliper	M

Rear, Loaded	Years	Left No.	Right No.	Qualifier	Piston
Loaded Caliper	05 - 99	AS134357	AS134358		P

Front, Unloaded	Years	Left No.	Right No.	Qualifier	Piston
Unloaded Caliper	06	CR134508	CR134509		P
Unloaded Caliper	05 - 00	CRB134508	CRB134509	Supplied w/Mtg. Brkt.	P
Unloaded Caliper	05 - 00	CR134508	CR134509	Supplied w/o Mtg. Brkt.	P
Unloaded Caliper	99	CRB134508	CRB134509	From 5/18/99; Supplied w/Mtg. Brkt.	P
Unloaded Caliper	99	CR134508	CR134509	From 5/18/99; Supplied w/o Mtg. Brkt.	P
Unloaded Caliper	99	CRB133118	CRB133119	To 5/18/99; Supplied w/Mtg. Brkt.	P
Unloaded Caliper	99	CR133118	CR133119	To 5/18/99; Supplied w/o Mtg. Brkt.	P
Unloaded Caliper	99	CR133118S	CR133119S	To 5/18/99; Supplied w/o Mtg. Brkt.	O
Unloaded Caliper	98 - 95	CRB133118	CRB133119	Supplied w/Mtg. Brkt.	P
Unloaded Caliper	98 - 95	CRB133118S	CRB133119S	Supplied w/Mtg. Brkt.	O
Unloaded Caliper	98 - 95	CR133118	CR133119	Supplied w/o Mtg. Brkt.	P
Unloaded Caliper	98 - 95	CR133118S	CR133119S	Supplied w/o Mtg. Brkt.	O
Unloaded Caliper	94 - 92	CR128780	CR128781		P
Unloaded Caliper	94 - 92	CR128780S	CR128781S		O
Unloaded Caliper	91 - 89	CR128856	CR128857		P
Unloaded Caliper	88 - 86	CR116931	CR116932		P
Unloaded Caliper	85 - 81	CR102430	CR102431	2-Piston Caliper	M

Rear, Unloaded	Years	Left No.	Right No.	Qualifier	Piston
Unloaded Caliper	05 - 99	CRB134358	CRB134357	Supplied w/Mtg. Brkt.	P
Unloaded Caliper	05 - 99	CR134358	CR134357	Supplied w/o Mtg. Brkt.	P

Hydraulics - New

Master Cylinder	Years	Sequential No.	Category No.	Qualifier
Master Cylinder	06 - 01	F140463	(MC140463)	w/Cruise Control; 1-5/16" Bore
Master Cylinder	06 - 01	F134457	(MC134457)	w/o Cruise Control; 1-5/16" Bore
Master Cylinder	00	F140463	(MC140463)	From 1/10/00; w/Cruise Control; 1-5/16" Bore
Master Cylinder	00	F134457	(MC134457)	From 1/10/00; w/o Cruise Control; 1-5/16" Bore
Master Cylinder	99	F140463	(MC140463)	w/Cruise Control; 1-5/16" Bore
Master Cylinder	99	F134457	(MC134457)	w/o Cruise Control; 1-5/16" Bore
Master Cylinder	96 - 94	F131211	(MC131211)	w/Cruise Control; 1-1/8" Bore

↳Sub-Kit of Combi-Kit is available separately.

Piston: M - OE Metal Piston P - OE Phenolic Piston O - Metal Piston Option

250 ECONOLINE (cont.)				
Hydraulics - New (cont.)				
Master Cylinder	Years	Sequential No.	Category No.	Qualifier
Master Cylinder	96 - 94	F120368	(MC120368)	w/o Cruise Control; 1-1/8" Bore
Master Cylinder	93	F120368	(MC120368)	1-1/8" Bore
Master Cylinder	92	F129285	(MC129285)	1-1/8" Bore
Master Cylinder	91 - 87	F120368	(MC120368)	Over 7000 GVW; 1-1/8" Bore
Master Cylinder	91 - 87	F120369	(MC120369)	Under 7000 GVW; 1-1/16" Bore
Master Cylinder	86	F110919	(MC110919)	From 9/01/85; Over 8500 GVW; 1-1/8" Bore
Master Cylinder	86	F110917	(MC110917)	From 9/01/85; Under 8500 GVW; 1-1/16" Bore
Master Cylinder	86	F110919	(MC110919)	To 8/31/85; Over 8500 GVW; 1-1/8" Bore
Master Cylinder	86	F97936	(MC97936)	To 8/31/85; Under 8500 GVW; 1-1/16" Bore
Master Cylinder	85 - 84	F110919	(MC110919)	Over 8500 GVW; 1-1/8" Bore
Master Cylinder	85 - 84	F97936	(MC97936)	Under 8500 GVW; 1-1/16" Bore
Master Cylinder	83 - 81	F97936	(MC97936)	1-1/16" Bore
Rear Wheel Cylinder	Years	Sequential No.	Category No.	Qualifier
Wheel Cylinder	06 - 84	F78974	(WC78974)	L.H.; 12 x 2-1/2" Brake; 1" Bore
Wheel Cylinder	06 - 84	F78975	(WC78975)	R.H.; 12 x 2-1/2" Brake; 1" Bore
Wheel Cylinder	98 - 95	F131875	(WC131875)	L.H.; 12 x 3" Brake; 1-1/8" Bore
Wheel Cylinder	98 - 95	F131874	(WC131874)	R.H.; 12 x 3" Brake; 1-1/8" Bore
Wheel Cylinder	94 - 93	F73615	(WC73615)	L.H.; 12 x 3" Brake; 1-1/16" Bore
Wheel Cylinder	94 - 93	F73614	(WC73614)	R.H.; 12 x 3" Brake; 1-1/16" Bore
Wheel Cylinder	92 - 84	F57146	(WC57146)	L.H.; 12 x 3" Brake; 1" Bore
Wheel Cylinder	92 - 84	F57147	(WC57147)	R.H.; 12 x 3" Brake; 1" Bore
Wheel Cylinder	83 - 81	F57146	(WC57146)	L.H.; 1" Bore
Wheel Cylinder	83 - 81	F57147	(WC57147)	R.H.; 1" Bore
Clutch Master Cylind	Years	Sequential No.	Category No.	Qualifier
Clutch Master Cylinder	89 - 84	F110269	(CM110269)	7/8" Bore
Clutch Slave Cylinder	Years	Sequential No.	Category No.	Qualifier
Clutch Slave Cylinder	89 - 88	F126890	(SC126890)	1-1/32" Bore
Clutch Slave Cylinder	87 - 84	F103485	(SC103485)	1" Bore
Front Brake Hose	Years	Sequential No.	Category No.	Qualifier
Brake Hose	02 - 95	F132754	(BH132754)	L.H.; w/2 Whl. ABS
Brake Hose	02 - 95	F133395	(BH133395)	L.H.; w/4 Whl. ABS
Brake Hose	02 - 95	F132773	(BH132773)	R.H.; w/2 Whl. ABS
Brake Hose	02 - 95	F132773	(BH132773)	R.H.; w/4 Whl. ABS
Brake Hose	94	F132196	(BH132196)	L.H.; w/2 Whl. ABS
Brake Hose	94	F132195	(BH132195)	L.H.; w/4 Whl. ABS
Brake Hose	94	F133813	(BH133813)	R.H.; w/2 Whl. ABS
Brake Hose	94	F133813	(BH133813)	R.H.; w/4 Whl. ABS
Brake Hose	93 - 92	F130430	(BH130430)	L.H.; w/Dual Piston Caliper
Brake Hose	93 - 92	F132298	(BH132298)	R.H.; w/Dual Piston Caliper
Brake Hose	91 - 82	F107255	(BH107255)	L.H.
Brake Hose	91 - 82	F106365	(BH106365)	R.H.
Brake Hose	81	F107255	(BH107255)	L.H.; From 2/02/81
Brake Hose	81	F102474	(BH102474)	L.H.; To 2/02/81
Brake Hose	81	F106365	(BH106365)	R.H.; From 2/02/81
Brake Hose	81	F106365	(BH106365)	R.H.; To 2/02/81
Rear Brake Hose	Years	Sequential No.	Category No.	Qualifier
Brake Hose	05 - 92	F133837	(BH133837)	INNER
Brake Hose	91	F128682	(BH128682)	
Brake Hose	88 - 86	F120872	(BH120872)	
Brake Hose	85	F120872	(BH120872)	From 3/01/85
Brake Hose	85	F119385	(BH119385)	To 2/28/85
Brake Hose	84 - 81	F119385	(BH119385)	
Hydraulics - Reman				
Master Cylinder	Years	Part No.	Qualifier	
Master Cylinder	03 - 01	R134795	w/Cruise	

250 ECONOLINE (cont.)

Hydraulics - Reman (cont.)

Master Cylinder	Years	Part No.	Qualifier
Master Cylinder	03 - 01	R134796	w/o Cruise
Master Cylinder	00	R134795	w/Cruise; Booster I.D. No. XC252B559EC
Master Cylinder	00	R134713	w/o Cruise; Booster I.D. No. XC252B559DB
Master Cylinder	00	R134796	w/o Cruise; Booster I.D. No. XC252B559PC
Master Cylinder	99 - 97	R134630	w/Cruise
Master Cylinder	99 - 97	R134713	w/o Cruise
Master Cylinder	96 - 94	R131306	w/Cruise
Master Cylinder	96 - 94	R120368	w/o Cruise
Master Cylinder	93	R120368	
Master Cylinder	92	R129285	
Master Cylinder	91 - 87	R120368	Over 7000 GVW
Master Cylinder	91 - 87	R120369	Under 7000 GVW
Master Cylinder	86	R110917	From 9/01/85; Under 8500 GVW
Master Cylinder	86 - 84	R110919	Over 8500 GVW
Master Cylinder	86	R97936	To 8/30/85; Under 8500 GVW
Master Cylinder	85 - 84	R97936	Under 8500 GVW
Master Cylinder	83 - 81	R97936	

Power Brake Booster	Years	Part No.	Qualifier
Power Brake Booster	04	5474419	From I.D. No. 3C242B599CC; Gas; w/o Master Cylinder; w/Cruise
Power Brake Booster	03 - 01	5474419	Gas; w/o Master Cylinder
Power Brake Booster	00	5474419	From 1/10/00; Gas; w/o Master Cylinder; w/Cruise
Power Brake Booster	00	5474418	From 1/10/00; Gas; w/o Master Cylinder; w/o Cruise
Power Brake Booster	00	5474418	To 1/10/00; Gas; w/o Master Cylinder; w/Cruise
Power Brake Booster	00	5474412	To 1/10/00; Gas; w/o Master Cylinder; w/o Cruise
Power Brake Booster	99	5474418	Gas; w/o Master Cylinder; w/Cruise
Power Brake Booster	99	5474412	Gas; w/o Master Cylinder; w/o Cruise
Power Brake Booster	98 - 97	5474412	Gas; w/o Master Cylinder
Power Brake Booster	96 - 94	504403	Gas; w/Master Cylinder; w/Cruise; Incl. Pump/Motor; Also Avail. Separately
Power Brake Booster	96 - 94	504407	Gas; w/Master Cylinder; w/o Cruise
Power Brake Booster	96 - 92	5474402	Gas; w/o Master Cylinder
Power Brake Booster	93	504407	Gas; w/Master Cylinder
Power Brake Booster	92	504402	Gas; w/Master Cylinder
Power Brake Booster	91 - 87	504401	Gas; w/Master Cylinder; Over 7000 lb. GVW
Power Brake Booster	91 - 88	504302	Gas; w/Master Cylinder; Under 7000 lb. GVW
Power Brake Booster	91 - 87	5474401	Gas; w/o Master Cylinder; Over 7000 lb. GVW
Power Brake Booster	91 - 88	5474302	Gas; w/o Master Cylinder; Under 7000 lb. GVW
Power Brake Booster	87	504207	Gas; w/Master Cylinder; Under 7000 lb. GVW
Power Brake Booster	87	5474204	Gas; w/o Master Cylinder; Under 7000 lb. GVW
Power Brake Booster	86	504204	From 9/01/85; Gas; w/Master Cylinder; Under 8500 lb. GVW
Power Brake Booster	86	5474204	From 9/01/85; Gas; w/o Master Cylinder; Under 8500 lb. GVW
Power Brake Booster	86 - 84	509336	Gas; w/Master Cylinder; Over 8500 lb. GVW
Power Brake Booster	86 - 84	5473357	Gas; w/o Master Cylinder; Over 8500 lb. GVW
Power Brake Booster	86	503017	To 8/30/85; Gas; w/Master Cylinder; Under 8500 lb. GVW
Power Brake Booster	86	5473017	To 8/30/85; Gas; w/o Master Cylinder; Under 8500 lb. GVW
Power Brake Booster	85 - 84	503017	Gas; w/Master Cylinder; Under 8500 lb. GVW
Power Brake Booster	85 - 84	5473017	Gas; w/o Master Cylinder; Under 8500 lb. GVW
Power Brake Booster	83 - 81	503016	Gas; w/Master Cylinder
Power Brake Booster	83 - 81	5473016	Gas; w/o Master Cylinder

Brake Cables

Parking Brake Cable	Years	Sequential No.	Category No.	Qualifier
Parking Brake Cable	04 - 01	F139252	(BC139252)	Intermediate; 138" WB; Stripped Chassis
Parking Brake Cable	00 - 97	F139252	(BC139252)	Intermediate; 138" WB
Parking Brake Cable	00 - 97	F140390	(BC140390)	Intermediate; 158" WB; 36" Length
Parking Brake Cable	00	F140374	(BC140374)	Rear; R.H.; To 9/30/00; 5300-5400 lb. RA; 101" Length
Parking Brake Cable	99 - 97	F138822	(BC138822)	Forward; w/138" WB

250 ECONOLINE (cont.)

Brake Cables (cont.)

Parking Brake Cable	Years	Sequential No.	Category No.	Qualifier
Parking Brake Cable	99	F140374	(BC140374)	Rear; R.H.; Exc. 124" WB; 101" Length
Parking Brake Cable	98 - 97	F140374	(BC140374)	Rear; R.H.; 5300-5400 lb. RA; 101" Length
Parking Brake Cable	97 - 95	F133086	(BC133086)	Rear; L.H.; 5300-5400 lb. RA
Parking Brake Cable	96	F138822	(BC138822)	Forward; From 12/4/95; w/138" WB
Parking Brake Cable	96	F133084	(BC133084)	Forward; To 12/03/95
Parking Brake Cable	96	F140392	(BC140392)	Intermediate; From 12/4/95; 124" WB; Stripped Chassis; 14" Length
Parking Brake Cable	96	F139252	(BC139252)	Intermediate; From 12/4/95; 138" WB; Stripped Chassis
Parking Brake Cable	96	F140392	(BC140392)	Intermediate; To 12/03/95; 124" WB; Stripped Chassis; 14" Length
Parking Brake Cable	96	F133083	(BC133083)	Intermediate; To 12/03/95; 138" WB; Exc. Stripped Chassis
Parking Brake Cable	96	F133083	(BC133083)	Intermediate; To 12/03/95; 138" WB; Stripped Chassis
Parking Brake Cable	96 - 95	F140391	(BC140391)	Intermediate; To 12/03/95; 176" WB; Stripped Chassis; 69" Length
Parking Brake Cable	96 - 95	F133085	(BC133085)	Rear; R.H.; 5300-5400 lb. RA
Parking Brake Cable	95	F133084	(BC133084)	Forward
Parking Brake Cable	95	F140392	(BC140392)	Intermediate; 124" WB; 14" Length
Parking Brake Cable	95	F133083	(BC133083)	Intermediate; 138" WB
Parking Brake Cable	94 - 92	F132082	(BC132082)	Forward; Exc. Stripped Chassis
Parking Brake Cable	94 - 92	F132083	(BC132083)	Forward; Stripped Chassis
Parking Brake Cable	94 - 92	F132449	(BC132449)	Intermediate; 138" WB
Parking Brake Cable	94 - 92	F132450	(BC132450)	Intermediate; 158" WB
Parking Brake Cable	94 - 92	F132451	(BC132451)	Intermediate; 176" WB
Parking Brake Cable	94 - 92	F132084	(BC132084)	Rear; L.H.
Parking Brake Cable	94 - 92	F132085	(BC132085)	Rear; R.H.
Parking Brake Cable	91 - 88	F120903	(BC120903)	Forward
Parking Brake Cable	91 - 81	F109060	(BC109060)	Rear; L.H.
Parking Brake Cable	91 - 81	F109059	(BC109059)	Rear; R.H.
Parking Brake Cable	87	F102663	(BC102663)	Forward
Parking Brake Cable	86 - 81	F102662	(BC102662)	Forward; 124" WB
Parking Brake Cable	86 - 81	F102663	(BC102663)	Forward; 138" WB

ABS Components - Reman

ABS Module	Years	Part No.	Qualifier
ABS Module	96 - 94	RA121021	w/2 Whl. ABS
ABS Module	93 - 92	RA121021	
ABS Module	91 - 90	RA121017	

ABS Hydraulic Unit	Years	Part No.	Qualifier
ABS Hydraulic Unit	96 - 95	RA122061	w/2 Whl. ABS
ABS Hydraulic Unit	94	RA122024	w/2 Whl. ABS
ABS Hydraulic Unit	93 - 90	RA122024	

Wheel Attaching Hardware

Front Wheel Stud	Years	Part No.	Qualifier
Wheel Lug Stud	05 - 86	BD61164	
Wheel Lug Stud	85 - 81	BD61388	

Rear Wheel Stud	Years	Part No.	Qualifier
Wheel Lug Stud	05 - 92	BD61194	
Wheel Lug Stud	91 - 90	BD61194	w/12 x 2-1/2" Drum
Wheel Lug Stud	91 - 90	BD61175	w/12 x 3" Drum
Wheel Lug Stud	89 - 86	BD61194	w/12 x 2-1/2" Drum; 8-13/16" R.G.
Wheel Lug Stud	89 - 86	BD61162	w/12 x 2-1/2" Drum; 9-3/4" R.G.
Wheel Lug Stud	89 - 84	BD60984	w/12 x 3" Drum
Wheel Lug Stud	85 - 84	BD61162	w/12 x 2-1/2" Drum
Wheel Lug Stud	83 - 81	BD60929	

Front Wheel Nut	Years	Part No.	Qualifier
Wheel Lug Nut	05 - 92	BD61287	Std. Open
Wheel Lug Nut	91 - 90	BD61325	Std. Open
Wheel Lug Nut	89 - 81	BD61283	Std. Open; 1/2"-20 Thread; 13/16" Hex

250 ECONOLINE (cont.)
Wheel Attaching Hardware (cont.)

Rear Wheel Nut	Years	Part No.	Qualifier
Wheel Lug Nut	05 - 92	BD61287	Std. Open
Wheel Lug Nut	91 - 90	BD61325	Std. Open
Wheel Lug Nut	89 - 81	BD61283	Std. Open; 1/2"-20 Thread; 13/16" Hex
Wheel Lug Nut	89 - 84	BD61325	Std. Open; 9/16"-18 Thread

2500 EXPRESS
Brake Pads & Shoes

Front Pads & Shoes	Years	SevereDuty	Lining No.	Qualifier
Brake Pads	06 - 03	SD785		7300 GVW
Brake Pads	06 - 03	SD784		8500-8600 GVW
Brake Pads	02 - 99	SD459		Diesel
Brake Pads	02 - 99	SD369		Gas; 7100-7300 GVW; w/6 Stud Whl.
Brake Pads	02 - 99	SD370		Gas; 7700-8600 GVW; w/8 Stud Whl.

Rear Pads & Shoes	Years	SevereDuty	Lining No.	Qualifier
Brake Pads	06 - 03	SD974		
Brake Shoes	02 - 99	SDS473R	EX2073TD-S32	w/6 Stud Whl.; 11-5/32 x 2-3/4" Brake; Bonded
Brake Shoes	02 - 99	SDS473R	EX2073TD-S32	w/6 Stud Whl.; 11-5/32 x 2-3/4" Brake; Riveted
Brake Shoes	02 - 99	SDS655R	SX2042BDT-S36	w/8 Stud Whl.; 13 x 2-1/2" Brake; Riveted
Brake Shoes	02 - 99	SDS656R	SX2157BDT-S36	w/8 Stud Whl.; 13 x 3-1/2" Brake; Riveted

Rotor & Drum

Front Rotor & Drum	Years	Part No.	Qualifier
Brake Rotor	06 - 03	BD126036	8500-8600 GVW
Brake Rotor	05 - 03	BD125654	7300 GVW
Brake Rotor	02 - 01	BD125765	Diesel
Brake Rotor	02 - 99	BD125592	Gas; w/6 Stud Whl.
Brake Rotor	02 - 99	BD125212	Gas; w/8 Stud Whl.

Rear Rotor & Drum	Years	Part No.	Qualifier
Brake Drum	02 - 99	BD61817	11-5/32 x 2-3/4" Brake
Brake Drum	02 - 99	BD60727	13 x 2-1/2" Brake
Brake Drum	02 - 00	BD125523	13 x 3-1/2" Brake
Brake Drum	99	BD125407	13 x 3-1/2" Brake; w/4.625" Dia. Ctr. Pilot Hole
Brake Drum	99	BD125523	13 x 3-1/2" Brake; w/4.835" Dia. Ctr. Pilot Hole
Brake Rotor	06	BD125657	Diesel
Brake Rotor	06 - 03	BD125656	Gas; 8500-8600 GVW

Brake Hardware

Front Brake Hardware	Years	Sequential No.	Category No.	Qualifier
Caliper Bolt/Pin	06 - 03	F139712	(H5096)	7300 GVW
Caliper Bolt/Pin	06 - 03	F139700	(H5095)	8500-8600 GVW
Caliper Bolt/Pin	02 - 01	F129642S	(H5062)	Diesel
Caliper Bolt/Pin	02 - 99	F117224S	(H5038)	Gas
Disc Align Kit	06 - 03	F139707	(H5645)	7300 GVW
Disc Align Kit	06 - 03	F139708	(H5646)	8500-8600 GVW
Disc Align Kit	02 - 99	F117225S	(H5584)	
Pin Boot Kit	06 - 03	F138697S	(H8221)	

Rear Brake Hardware	Years	Sequential No.	Category No.	Qualifier
Adjuster Kit	02 - 99	F98404	(H2584)	L.H.; 11-5/32 x 2-3/4" Brake
Adjuster Kit	02 - 99	F98406	(H2580)	L.H.; 13 x 2-1/2" Brake
Adjuster Kit	02 - 99	F111233	(H2687)	R.H.; 11-5/32 x 2-3/4" Brake
Adjuster Kit	02 - 99	F98407	(H2581)	R.H.; 13 x 2-1/2" Brake
Adjuster Screw	02 - 99	F73181S	(H1530)	L.H.; 11-5/32 x 2-3/4" Brake
Adjuster Screw	02 - 99	F83294	(H1550)	L.H.; 13 x 2-1/2" Brake
Adjuster Screw	02 - 99	F73182S	(H1531)	R.H.; 11-5/32 x 2-3/4" Brake
Adjuster Screw	02 - 99	F83295	(H1551)	R.H.; 13 x 2-1/2" Brake
Caliper Bolt/Pin	06 - 03	F139370	(H5091)	

↳Sub-Kit of Combi-Kit is available separately.

2500 EXPRESS (cont.)

Brake Hardware (cont.)

Rear Brake Hardware	Years	Sequential No.	Category No.	Qualifier
Combi Kit	02 - 99	F134117S	(H7217)	11-5/32 x 2-3/4" Brake
↳Adjuster Spring Kit		F45936S	(H415)	
↳Return Spring Kit		F45927S	(H324)	
Combi Kit	02 - 99	F98457S	(H7055)	13 x 2-1/2" Brake
↳Adjuster Spring Kit		F73145S	(H425)	
↳Hold Down Kit		F113455S	(H4098)	
↳Return Spring Kit		F59100S	(H600)	
Disc Align Kit	06 - 03	F139864	(H5665)	
Pin Boot Kit	06 - 03	F140514	(H8240)	

Calipers - Reman

Front, Loaded	Years	Left No.	Right No.	Qualifier	Piston
Loaded Caliper	02	AS120226	AS120227	Diesel	M
Loaded Caliper	02 - 99	AS116292	AS116293	Gas; 7300 GVW; 2.94" 1-Piston Caliper	M
Loaded Caliper	02 - 99	AS116294	AS116295	Gas; Exc. 7300 GVW; 3.16" 1-Piston Caliper	M
Front, Unloaded	Years	Left No.	Right No.	Qualifier	Piston
Unloaded Caliper	05 - 03	CRB134346	CRB134345	7300 GVW; 2-Piston Caliper; Supplied w/Mtg. Brkt.	P
Unloaded Caliper	05 - 03	CR134346	CR134345	7300 GVW; 2-Piston Caliper; Supplied w/o Mtg. Brkt.	P
Unloaded Caliper	05 - 03	CRB134347	CRB134348	8500-8600 GVW; 2-Piston Caliper; Supplied w/Mtg. Brkt.	P
Unloaded Caliper	05 - 03	CR134347	CR134348	8500-8600 GVW; 2-Piston Caliper; Supplied w/o Mtg. Brkt.	P
Unloaded Caliper	02	CR120226	CR120227	Diesel	M
Unloaded Caliper	02 - 99	CR116292	CR116293	Gas; 7300 GVW; 2.94" 1-Piston Caliper	M
Unloaded Caliper	02 - 99	CR116294	CR116295	Gas; Exc. 7300 GVW; 3.16" 1-Piston Caliper	M
Rear, Unloaded	Years	Left No.	Right No.	Qualifier	Piston
Unloaded Caliper	05 - 03	CR135118	CR135117	8500-8600 GVW	P

Hydraulics - New

Master Cylinder	Years	Sequential No.	Category No.	Qualifier
Master Cylinder	02 - 99	F140292	(MC140292)	w/JB6; Gas; 1-1/8" Bore
Master Cylinder	02 - 99	F139959	(MC139959)	w/JD7; 1-1/4" Bore
Rear Wheel Cylinder	Years	Sequential No.	Category No.	Qualifier
Wheel Cylinder	02 - 99	F131225	(WC131225)	15/16" Bore
Wheel Cylinder	02 - 99	F116359	(WC116359)	w/Hydro-Boost; Diesel; 1" Bore
Wheel Cylinder	02 - 99	F79767	(WC79767)	w/Hydro-Boost; Gas; 1-1/16" Bore
Front Brake Hose	Years	Sequential No.	Category No.	Qualifier
Brake Hose	06 - 03	F140304	(BH140304)	L.H.; 7300 GVW
Brake Hose	06 - 03	F140305	(BH140305)	R.H.; 7300 GVW
Brake Hose	02 - 99	F140496	(BH140496)	L.H.; w/Hydro-Boost
Brake Hose	02 - 99	F138061	(BH138061)	L.H.; w/Vacuum Boost
Brake Hose	02 - 99	F140497	(BH140497)	R.H.; w/Hydro-Boost
Brake Hose	02 - 99	F138062	(BH138062)	R.H.; w/Vacuum Boost
Rear Brake Hose	Years	Sequential No.	Category No.	Qualifier
Brake Hose	02 - 99	F118117	(BH118117)	

Hydraulics - Reman

Master Cylinder	Years	Part No.	Qualifier
Master Cylinder	02 - 99	R134626	Diesel
Master Cylinder	02 - 99	R134627	Gas
Power Brake Booster	Years	Part No.	Qualifier
Hydro Booster	01 - 99	527342	Diesel
Power Brake Booster	Years	Part No.	Qualifier
Power Brake Booster	02 - 99	5474810	Gas; w/o Master Cylinder

Brake Cables

Parking Brake Cable	Years	Sequential No.	Category No.	Qualifier
Parking Brake Cable	02 - 99	F138836	(BC138836)	Forward
Parking Brake Cable	02 - 99	F138900	(BC138900)	Intermediate; 155" WB

↳Sub-Kit of Combi-Kit is available separately.

Piston: M - OE Metal Piston P - OE Phenolic Piston

2500 EXPRESS (cont.)
Brake Cables (cont.)

Parking Brake Cable	Years	Sequential No.	Category No.	Qualifier
Parking Brake Cable	02 - 99	F140296	(BC140296)	Rear; L.H.; w/JB6; 63" Length
Parking Brake Cable	02 - 99	F140173	(BC140173)	Rear; R.H.; w/JB6; 90" Length

Wheel Attaching Hardware

Front Wheel Stud	Years	Part No.	Qualifier
Wheel Lug Stud	05 - 03	BD125938	
Wheel Lug Stud	02 - 99	BD61426	
Rear Wheel Stud	Years	Part No.	Qualifier
Wheel Lug Stud	05 - 03	BD125938	
Wheel Lug Stud	02 - 99	BD61427	w/11-5/32" Drum
Wheel Lug Stud	02 - 99	BD125934	w/13" Drum
Front Wheel Nut	Years	Part No.	Qualifier
Wheel Lug Nut	05 - 99	BD125916	External Thread
Rear Wheel Nut	Years	Part No.	Qualifier
Wheel Lug Nut	05 - 99	BD125916	External Thread

2500 SAVANA
Brake Pads & Shoes

Front Pads & Shoes	Years	SevereDuty	Lining No.	Qualifier
Brake Pads	06 - 03	SD785		7300 GVW
Brake Pads	06 - 03	SD784		8500-8600 GVW
Brake Pads	02 - 99	SD459		Diesel
Brake Pads	02 - 99	SD369		Gas; 7100-7300 GVW; w/6 Stud Whl.
Brake Pads	02 - 99	SD370		Gas; 7700-8600 GVW; w/8 Stud Whl.
Rear Pads & Shoes	Years	SevereDuty	Lining No.	Qualifier
Brake Pads	06 - 03	SD974		
Brake Shoes	02 - 99	SDS473R	EX2073TD-S32	w/6 Stud Whl.; 11-5/32 x 2-3/4" Brake; Bonded
Brake Shoes	02 - 99	SDS473R	EX2073TD-S32	w/6 Stud Whl.; 11-5/32 x 2-3/4" Brake; Riveted
Brake Shoes	02 - 99	SDS655R	SX2042BDT-S36w/8 Stud Whl.	13 x 2-1/2" Brake; Riveted
Brake Shoes	02 - 99	SDS656R	SX2157BDT-S36w/8 Stud Whl.	13 x 3-1/2" Brake; Riveted

Rotor & Drum

Front Rotor & Drum	Years	Part No.	Qualifier
Brake Rotor	06 - 03	BD126036	8500-8600 GVW
Brake Rotor	05 - 03	BD125654	7300 GVW
Brake Rotor	02 - 01	BD125765	Diesel
Brake Rotor	02 - 99	BD125592	Gas; w/6 Stud Whl.
Brake Rotor	02 - 99	BD125212	Gas; w/8 Stud Whl.
Rear Rotor & Drum	Years	Part No.	Qualifier
Brake Drum	02 - 99	BD61817	11-5/32 x 2-3/4" Brake
Brake Drum	02 - 99	BD60727	13 x 2-1/2" Brake
Brake Drum	02 - 00	BD125523	13 x 3-1/2" Brake
Brake Drum	99	BD125407	13 x 3-1/2" Brake; w/4.625" Dia. Ctr. Pilot Hole
Brake Drum	99	BD125523	13 x 3-1/2" Brake; w/4.835" Dia. Ctr. Pilot Hole
Brake Rotor	06	BD125657	Diesel
Brake Rotor	06 - 03	BD125656	Gas; 8500-8600 GVW

Brake Hardware

Front Brake Hardware	Years	Sequential No.	Category No.	Qualifier
Caliper Bolt/Pin	06 - 03	F139712	(H5096)	7300 GVW
Caliper Bolt/Pin	06 - 03	F139700	(H5095)	8500-8600 GVW
Caliper Bolt/Pin	02 - 01	F129642S	(H5062)	Diesel
Caliper Bolt/Pin	02 - 99	F117224S	(H5038)	Gas
Disc Align Kit	06 - 03	F139707	(H5645)	7300 GVW
Disc Align Kit	06 - 03	F139708	(H5646)	8500-8600 GVW
Disc Align Kit	02 - 99	F117225S	(H5584)	
Pin Boot Kit	06 - 03	F138697S	(H8221)	

2500 SAVANA (cont.)

Brake Hardware (cont.)

Rear Brake Hardware	Years	Sequential No.	Category No.	Qualifier
Adjuster Kit	02 - 99	F98404	(H2584)	L.H.; 11-5/32 x 2-3/4" Brake
Adjuster Kit	02 - 99	F98406	(H2580)	L.H.; 13 x 2-1/2" Brake
Adjuster Kit	02 - 99	F111233	(H2687)	R.H.; 11-5/32 x 2-3/4" Brake
Adjuster Kit	02 - 99	F98407	(H2581)	R.H.; 13 x 2-1/2" Brake
Adjuster Screw	02 - 99	F73181S	(H1530)	L.H.; 11-5/32 x 2-3/4" Brake
Adjuster Screw	02 - 99	F83294	(H1550)	L.H.; 13 x 2-1/2" Brake
Adjuster Screw	02 - 99	F73182S	(H1531)	R.H.; 11-5/32 x 2-3/4" Brake
Adjuster Screw	02 - 99	F83295	(H1551)	R.H.; 13 x 2-1/2" Brake
Caliper Bolt/Pin	06 - 03	F139370	(H5091)	
Combi Kit	02 - 99	F134117S	(H7217)	11-5/32 x 2-3/4" Brake
↳Adjuster Spring Kit		F45936S	(H415)	
↳Return Spring Kit		F45927S	(H324)	
Combi Kit	02 - 99	F98457S	(H7055)	13 x 2-1/2" Brake
↳Adjuster Spring Kit		F73145S	(H425)	
↳Hold Down Kit		F113455S	(H4098)	
↳Return Spring Kit		F59100S	(H600)	
Disc Align Kit	06 - 03	F139864	(H5665)	
Pin Boot Kit	06 - 03	F140514	(H8240)	

Calipers - Reman

Front, Loaded	Years	Left No.	Right No.	Qualifier	Piston
Loaded Caliper	02	AS120226	AS120227	Diesel	M
Loaded Caliper	02 - 99	AS116292	AS116293	Gas; 7300 GVW; 2.94" 1-Piston Caliper	M
Loaded Caliper	02 - 99	AS116294	AS116295	Gas; Exc. 7300 GVW; 3.16" 1-Piston Caliper	M
Front, Unloaded	Years	Left No.	Right No.	Qualifier	Piston
Unloaded Caliper	05 - 03	CRB134346	CRB134345	7300 GVW; 2-Piston Caliper; Supplied w/Mtg. Brkt.	P
Unloaded Caliper	05 - 03	CR134346	CR134345	7300 GVW; 2-Piston Caliper; Supplied w/o Mtg. Brkt.	P
Unloaded Caliper	05 - 03	CRB134347	CRB134348	8500-8600 GVW; 2-Piston Caliper; Supplied w/Mtg. Brkt.	P
Unloaded Caliper	05 - 03	CR134347	CR134348	8500-8600 GVW; 2-Piston Caliper; Supplied w/o Mtg. Brkt.	P
Unloaded Caliper	02	CR120226	CR120227	Diesel	M
Unloaded Caliper	02 - 99	CR116292	CR116293	Gas; 7300 GVW; 2.94" 1-Piston Caliper	M
Unloaded Caliper	02 - 99	CR116294	CR116295	Gas; Exc. 7300 GVW; 3.16" 1-Piston Caliper	M
Rear, Unloaded	Years	Left No.	Right No.	Qualifier	Piston
Unloaded Caliper	05 - 03	CR135118	CR135117	8500-8600 GVW	P

Hydraulics - New

Master Cylinder	Years	Sequential No.	Category No.	Qualifier
Master Cylinder	02 - 99	F140292	(MC140292)	w/JB6; Gas; 1-1/8" Bore
Master Cylinder	02 - 99	F139959	(MC139959)	w/JD7; 1-1/4" Bore
Rear Wheel Cylinder	Years	Sequential No.	Category No.	Qualifier
Wheel Cylinder	02 - 99	F131225	(WC131225)	15/16" Bore
Wheel Cylinder	02 - 99	F116359	(WC116359)	w/Hydro-Boost; Diesel; 1" Bore
Wheel Cylinder	02 - 99	F79767	(WC79767)	w/Hydro-Boost; Gas; 1-1/16" Bore
Front Brake Hose	Years	Sequential No.	Category No.	Qualifier
Brake Hose	06 - 03	F140304	(BH140304)	L.H.; 7300 GVW
Brake Hose	06 - 03	F140305	(BH140305)	R.H.; 7300 GVW
Brake Hose	02 - 99	F140496	(BH140496)	L.H.; w/Hydro-Boost
Brake Hose	02 - 99	F138061	(BH138061)	L.H.; w/Vacuum Boost
Brake Hose	02 - 99	F140497	(BH140497)	R.H.; w/Hydro-Boost
Brake Hose	02 - 99	F138062	(BH138062)	R.H.; w/Vacuum Boost
Rear Brake Hose	Years	Sequential No.	Category No.	Qualifier
Brake Hose	02 - 99	F118117	(BH118117)	

Hydraulics - Reman

Master Cylinder	Years	Part No.	Qualifier
Master Cylinder	02 - 99	R134626	Diesel
Master Cylinder	02 - 99	R134627	Gas

↳Sub-Kit of Combi-Kit is available separately.

Piston: M - OE Metal Piston P - OE Phenolic Piston

2500 SAVANA (cont.)
Hydraulics - Reman (cont.)

Power Brake Booster	Years	Part No.	Qualifier
Hydro Booster	01 - 99	527342	Diesel
Power Brake Booster	Years	Part No.	Qualifier
Power Brake Booster	02 - 99	5474810	Gas; w/o Master Cylinder

Brake Cables

Parking Brake Cable	Years	Sequential No.	Category No.	Qualifier
Parking Brake Cable	02 - 99	F138836	(BC138836)	Forward
Parking Brake Cable	02 - 99	F138900	(BC138900)	Intermediate; 155" WB
Parking Brake Cable	02 - 99	F140296	(BC140296)	Rear; L.H.; w/JB6; 63" Length
Parking Brake Cable	02 - 99	F140173	(BC140173)	Rear; R.H.; w/JB6; 90" Length

Wheel Attaching Hardware

Front Wheel Stud	Years	Part No.	Qualifier
Wheel Lug Stud	05 - 03	BD125938	
Wheel Lug Stud	02 - 99	BD61426	
Rear Wheel Stud	Years	Part No.	Qualifier
Wheel Lug Stud	05 - 03	BD125938	
Wheel Lug Stud	02 - 99	BD61427	w/11-5/32" Drum
Wheel Lug Stud	02 - 99	BD125934	w/13" Drum
Front Wheel Nut	Years	Part No.	Qualifier
Wheel Lug Nut	05 - 99	BD125916	External Thread
Rear Wheel Nut	Years	Part No.	Qualifier
Wheel Lug Nut	05 - 99	BD125916	External Thread

350 ECONOLINE
Brake Pads & Shoes

Front Pads & Shoes	Years	SevereDuty	Lining No.	Qualifier
Brake Pads	06 - 95	SD655		
Brake Pads	94 - 92	SD557		
Brake Pads	91 - 81	SD450		
Rear Pads & Shoes	Years	SevereDuty	Lining No.	Qualifier
Brake Pads	06 - 99	SD802		
Brake Pads	98 - 97	SD411		
Brake Shoes	06 - 81	SDS358AR	EX2140TD	12 x 3; Riveted
Brake Shoes	98 - 87	SDS583R	EX2171TD	12-1/8 x 3-1/2; Riveted
Parking Brake Shoes	Years	SevereDuty	Lining No.	Qualifier
Brake Shoes	03 - 99	SDS771	EX2192	Bonded

Rotor & Drum

Front Rotor & Drum	Years	Part No.	Qualifier
Brake Rotor	06 - 95	BD125468	w/SRW; w/2 Whl. ABS
Brake Rotor	06 - 95	BD125477	w/SRW; w/4 Whl. ABS
Brake Rotor	94 - 93	BD125410	w/SRW; w/2 Whl. ABS
Brake Rotor	94 - 93	BD125411	w/SRW; w/4 Whl. ABS
Brake Rotor	92	BD125410	w/SRW
Brake Rotor	91 - 86	BD61910	w/SRW
Brake Rotor	85 - 82	BD61885	w/SRW
Brake Rotor	81	BD61885	From 11/3/80; w/SRW
Brake Rotor	81	BD60470	To 11/03/80; w/SRW
Rear Rotor & Drum	Years	Part No.	Qualifier
Brake Drum	06 - 99	BD125692	12 x 3" Brake
Brake Drum	98 - 95	BD60793	12 x 3" Brake
Brake Drum	98 - 95	BD125385	12-1/8 x 3-1/2" Brake; 6340-7200 lb. RA
Brake Drum	98 - 95	BD60885	12-1/8 x 3-1/2" Brake; 7800-8000 lb. RA
Brake Drum	94 - 92	BD60793	12 x 3" Brake; w/SRW
Brake Drum	94 - 92	BD125385	12-1/8 x 3-1/2" Brake; w/SRW; 6340-7200 lb. RA
Brake Drum	94 - 92	BD60885	12-1/8 x 3-1/2" Brake; w/SRW; 7800-8000 lb. RA

350 ECONOLINE (cont.)

Rotor & Drum (cont.)

Rear Rotor & Drum	Years	Part No.	Qualifier
Brake Drum	91 - 81	BD60465	12 x 3" Brake; w/SRW; Exc. 10-1/4" R.G.
Brake Drum	91 - 81	BD60819	12 x 3" Brake; w/SRW; w/10-1/4" R.G.
Brake Rotor	06 - 99	BD125694	w/SRW
Brake Rotor	98 - 97	BD125550	

Brake Hardware

Front Brake Hardware	Years	Sequential No.	Category No.	Qualifier
Caliper Bolt/Pin	06 - 95	F126899S	(H5061)	
Caliper Bolt/Pin	94 - 92	F130379S	(H5068)	
Caliper Bolt/Pin	91 - 86	F111231S	(H5031)	
Caliper Bolt/Pin	85 - 82	F102554S	(H5010C)	
Disc Align Kit	05 - 95	F132611S	(H5602)	
Disc Align Kit	94 - 92	F130266S	(H5445)	
Disc Align Kit	91 - 86	F114477	(H5572)	
Disc Align Kit	85 - 81	F97900	(H5529)	
Pin Boot Kit	01 - 95	F117215S	(H18000C)	
Pin Boot Kit	94 - 92	F130393S	(H8211)	

Rear Brake Hardware	Years	Sequential No.	Category No.	Qualifier
Adjuster Kit	05 - 81	F98416	(H2588)	L.H.
Adjuster Kit	05 - 81	F98417	(H2589)	R.H.
Adjuster Screw	05 - 81	F79799	(H1534)	L.H.
Adjuster Screw	05 - 81	F79800	(H1535)	R.H.
Caliper Bolt/Pin	06 - 99	F126899S	(H5061)	
Combi Kit	06 - 81	F102555	(H7164)	12 x 3" Brake
↳Adjuster Spring Kit		F106695	(H446)	
↳Return Spring Kit		F67455	(H546)	
Combi Kit	98 - 87	F117217	(H7197)	12-1/8 x 3-1/2" Brake
↳Adjuster Spring Kit		F73105	(H430)	
↳Return Spring Kit		F67455	(H546)	
Disc Align Kit	05 - 99	F138118S	(H5616)	
Pin Boot Kit	05 - 99	F139361	(H8227)	

Parking Brake	Years	Sequential No.	Category No.	Qualifier
Adjuster Screw	03 - 00	F139719	(H1594)	L.H.
Adjuster Screw	03 - 00	F139719	(H1594)	R.H.
Combi Kit	03 - 00	F139869	(H7239)	w/SRW

Calipers - Reman

Front, Loaded	Years	Left No.	Right No.	Qualifier	Piston
Loaded Caliper	99	AS133118	AS133119	To 5/18/99	P
Loaded Caliper	98 - 95	AS133118	AS133119		P
Loaded Caliper	94 - 92	AS128780	AS128781		P
Loaded Caliper	94 - 92	AS128780S	AS128781S		O
Loaded Caliper	91 - 89	AS128856	AS128857		P
Loaded Caliper	88 - 86	AS116931	AS116932		P
Loaded Caliper	85 - 81	AS102430	AS102431	2-Piston Caliper	M

Rear, Loaded	Years	Left No.	Right No.	Qualifier	Piston
Loaded Caliper	05 - 99	AS134357	AS134358		P

Front, Unloaded	Years	Left No.	Right No.	Qualifier	Piston
Unloaded Caliper	05 - 00	CRB134508	CRB134509	Supplied w/Mtg. Brkt.	P
Unloaded Caliper	05 - 00	CR134508	CR134509	Supplied w/o Mtg. Brkt.	P
Unloaded Caliper	99	CRB134508	CRB134509	From 5/18/99; Supplied w/Mtg. Brkt.	P
Unloaded Caliper	99	CR134508	CR134509	From 5/18/99; Supplied w/o Mtg. Brkt.	P
Unloaded Caliper	99	CRB133118	CRB133119	To 5/18/99; Supplied w/Mtg. Brkt.	P
Unloaded Caliper	99	CRB133118S	CRB133119S	To 5/18/99; Supplied w/Mtg. Brkt.	O
Unloaded Caliper	99	CR133118	CR133119	To 5/18/99; Supplied w/o Mtg. Brkt.	P
Unloaded Caliper	99	CR133118S	CR133119S	To 5/18/99; Supplied w/o Mtg. Brkt.	O
Unloaded Caliper	98 - 95	CRB133118	CRB133119	Supplied w/Mtg. Brkt.	P

↳Sub-Kit of Combi-Kit is available separately.

Piston: M - OE Metal Piston P - OE Phenolic Piston O - Metal Piston Option

350 ECONOLINE (cont.)

Calipers - Reman (cont.)

Front, Unloaded	Years	Left No.	Right No.	Qualifier	Piston
Unloaded Caliper	98 - 95	CRB133118S	CRB133119S	Supplied w/Mtg. Brkt.	O
Unloaded Caliper	98 - 95	CR133118	CR133119	Supplied w/o Mtg. Brkt.	P
Unloaded Caliper	98 - 95	CR133118S	CR133119S	Supplied w/o Mtg. Brkt.	O
Unloaded Caliper	94 - 92	CR128780	CR128781		P
Unloaded Caliper	94 - 92	CR128780S	CR128781S		O
Unloaded Caliper	91 - 89	CR128856	CR128857		P
Unloaded Caliper	88 - 86	CR116931	CR116932		P
Unloaded Caliper	85 - 81	CR102430	CR102431	2-Piston Caliper	M
Rear, Unloaded	Years	Left No.	Right No.	Qualifier	Piston
Unloaded Caliper	05 - 99	CRB134358	CRB134357	Supplied w/Mtg. Brkt.	P
Unloaded Caliper	05 - 99	CR134358	CR134357	Supplied w/o Mtg. Brkt.	P

Hydraulics - New

Master Cylinder	Years	Sequential No.	Category No.	Qualifier
Master Cylinder	06 - 02	F140463	(MC140463)	w/Cruise Control; 1-5/16" Bore
Master Cylinder	06 - 02	F134457	(MC134457)	w/o Cruise Control; 1-5/16" Bore
Master Cylinder	01 - 99	F140463	(MC140463)	Exc. Super Duty; w/Cruise Control; 1-5/16" Bore
Master Cylinder	01 - 99	F134457	(MC134457)	Exc. Super Duty; w/o Cruise Control; 1-5/16" Bore
Master Cylinder	01 - 99	F134465	(MC134465)	Super Duty; 1-5/16" Bore
Master Cylinder	98	F140462	(MC140462)	From 12/22/97; w/Cruise Control; 1-1/4" Bore
Master Cylinder	98	F134457	(MC134457)	From 12/22/97; w/o Cruise Control; 1-5/16" Bore
Master Cylinder	97	F131212	(MC131212)	To 12/21/97; w/Hydro-Boost; w/o Cruise Control; 1-5/16" Bore
Master Cylinder	97	F140462	(MC140462)	To 12/21/97; w/Vacuum Boost; w/Cruise Control; 1-1/4" Bore
Master Cylinder	96	F131212	(MC131212)	Commercial Chassis; w/Hydro-Boost; 1-5/16" Bore
Master Cylinder	96	F131306	(MC131306)	Commercial Chassis; w/Vacuum Boost; w/Cruise Control; 1-1/8" Bore
Master Cylinder	96	F120368	(MC120368)	Commercial Chassis; w/Vacuum Boost; w/o Cruise Control; 1-1/8" Bore
Master Cylinder	96	F131211	(MC131211)	Exc. Commercial Chassis; w/Vacuum Boost; w/Cruise Control; 1-1/8" Bore
Master Cylinder	96	F120368	(MC120368)	Exc. Commercial Chassis; w/Vacuum Boost; w/o Cruise Control; 1-1/8" Bore
Master Cylinder	95 - 94	F131306	(MC131306)	Commercial Chassis; w/Cruise Control; 1-1/8" Bore
Master Cylinder	95 - 94	F131211	(MC131211)	Exc. Commercial Chassis; w/Cruise Control; 1-1/8" Bore
Master Cylinder	95 - 94	F120368	(MC120368)	Exc. Commercial Chassis; w/o Cruise Control; 1-1/8" Bore
Master Cylinder	93	F120368	(MC120368)	1-1/8" Bore
Master Cylinder	92	F129285	(MC129285)	w/SRW; 1-1/8" Bore
Master Cylinder	91 - 87	F120368	(MC120368)	1-1/8" Bore
Master Cylinder	86 - 84	F110919	(MC110919)	1-1/8" Bore
Master Cylinder	83 - 81	F97938	(MC97938)	1-1/16" Bore
Rear Wheel Cylinder	Years	Sequential No.	Category No.	Qualifier
Wheel Cylinder	06 - 95	F131875	(WC131875)	L.H.; w/SRW; 1-1/8" Bore
Wheel Cylinder	06 - 95	F131874	(WC131874)	R.H.; w/SRW; 1-1/8" Bore
Wheel Cylinder	94 - 93	F73615	(WC73615)	L.H.; w/SRW; 1-1/16" Bore
Wheel Cylinder	94 - 93	F73614	(WC73614)	R.H.; w/SRW; 1-1/16" Bore
Wheel Cylinder	92	F57146	(WC57146)	L.H.; w/SRW; 12 x 3" Brake; 1" Bore
Wheel Cylinder	92	F73615	(WC73615)	L.H.; w/SRW; 12 x 3-1/2" Brake; 1-1/16" Bore
Wheel Cylinder	92	F57147	(WC57147)	R.H.; w/SRW; 12 x 3" Brake; 1" Bore
Wheel Cylinder	92	F73614	(WC73614)	R.H.; w/SRW; 12 x 3-1/2" Brake; 1-1/16" Bore
Wheel Cylinder	91 - 84	F57146	(WC57146)	L.H.; w/SRW; 1" Bore
Wheel Cylinder	91 - 84	F57147	(WC57147)	R.H.; w/SRW; 1" Bore
Wheel Cylinder	83 - 81	F57146	(WC57146)	L.H.; School Bus; 1" Bore
Wheel Cylinder	83 - 81	F57147	(WC57147)	R.H.; School Bus; 1" Bore
Wheel Cylinder	81	F18984	(WC18984)	L.H.; Exc. School Bus; 1-1/16" Bore
Wheel Cylinder	81	F18985	(WC18985)	R.H.; Exc. School Bus; 1-1/16" Bore
Clutch Master Cylind	Years	Sequential No.	Category No.	Qualifier
Clutch Master Cylinder	99 - 92	F118415	(CM118415)	Chassis Cab; 7/8" Bore
Clutch Master Cylinder	99 - 92	F117053	(CM117053)	Stripped Chassis; 7/8" Bore
Clutch Master Cylinder	91 - 90	F118415	(CM118415)	Chassis Cab; w/Dual Piston Caliper; 7/8" Bore
Clutch Master Cylinder	91 - 90	F117053	(CM117053)	Stripped Chassis; w/Dual Piston Caliper; 7/8" Bore

Piston: M - OE Metal Piston P - OE Phenolic Piston O - Metal Piston Option

350 ECONOLINE (cont.)

Hydraulics - New (cont.)

Clutch Master Cylind	Years	Sequential No.	Category No.	Qualifier
Clutch Master Cylinder	89 - 88	F118415	(CM118415)	Chassis Cab; 7/8" Bore
Clutch Master Cylinder	89 - 88	F110269	(CM110269)	Exc. Chassis Cab; 7/8" Bore
Clutch Master Cylinder	87 - 84	F110269	(CM110269)	7/8" Bore
Clutch Slave Cylinder	Years	Sequential No.	Category No.	Qualifier
Clutch Slave Cylinder	97 - 84	F103485	(SC103485)	1" Bore
Clutch Slave Cylinder	89 - 88	F126890	(SC126890)	1-1/32" Bore
Front Brake Hose	Years	Sequential No.	Category No.	Qualifier
Brake Hose	02 - 95	F132754	(BH132754)	L.H.; w/2 Whl. ABS
Brake Hose	02 - 95	F133395	(BH133395)	L.H.; w/4 Whl. ABS
Brake Hose	02 - 95	F132773	(BH132773)	R.H.; w/2 Whl. ABS
Brake Hose	02 - 95	F132773	(BH132773)	R.H.; w/4 Whl. ABS
Brake Hose	94 - 93	F132196	(BH132196)	L.H.; w/2 Whl. ABS
Brake Hose	94 - 93	F132195	(BH132195)	L.H.; w/4 Whl. ABS
Brake Hose	94 - 93	F133813	(BH133813)	R.H.; w/2 Whl. ABS
Brake Hose	94 - 93	F133813	(BH133813)	R.H.; w/4 Whl. ABS
Brake Hose	92	F130430	(BH130430)	L.H.; w/Dual Piston Caliper
Brake Hose	92	F132298	(BH132298)	R.H.; w/Dual Piston Caliper
Brake Hose	91 - 82	F107255	(BH107255)	L.H.
Brake Hose	91 - 82	F106365	(BH106365)	R.H.
Brake Hose	81	F107255	(BH107255)	L.H.; From 2/02/81
Brake Hose	81	F102474	(BH102474)	L.H.; To 2/02/81
Brake Hose	81	F106365	(BH106365)	R.H.; From 2/02/81
Brake Hose	81	F106365	(BH106365)	R.H.; To 2/02/81
Rear Brake Hose	Years	Sequential No.	Category No.	Qualifier
Brake Hose	05 - 92	F133837	(BH133837)	
Brake Hose	91 - 90	F128682	(BH128682)	
Brake Hose	89 - 86	F120872	(BH120872)	
Brake Hose	85	F120872	(BH120872)	From 3/01/85
Brake Hose	85	F119385	(BH119385)	To 2/28/85
Brake Hose	84 - 81	F119385	(BH119385)	

Hydraulics - Reman

Master Cylinder	Years	Part No.	Qualifier
Master Cylinder	03 - 01	R134795	w/Cruise; Booster I.D. No. 2C242B559KA
Master Cylinder	03 - 00	R134796	w/o Cruise; Booster I.D. No. XC252B559PC
Master Cylinder	00	R134795	w/Cruise; Booster I.D. No. XC252B559EC
Master Cylinder	00	R134713	w/o Cruise; Booster I.D. No. XC252B559DB
Master Cylinder	99	R134797	To 5/02/99; w/Hydro Boost
Master Cylinder	99	R134795	w/Vacuum Boost; w/Cruise
Master Cylinder	99	R134796	w/Vacuum Boost; w/o Cruise
Master Cylinder	98 - 97	R134630	w/Cruise; w/SRW
Master Cylinder	98 - 97	R134629	w/o Cruise; Cutaway or Stripped Chassis
Master Cylinder	98 - 97	R134713	w/o Cruise; Exc. Cutaway or Stripped Chassis
Master Cylinder	96 - 93	R131306	w/Cruise
Master Cylinder	96 - 93	R120368	w/o Cruise
Master Cylinder	92	R129285	
Master Cylinder	91 - 87	R120368	
Master Cylinder	86 - 84	R110919	
Master Cylinder	83 - 81	R97938	
Power Brake Booster	Years	Part No.	Qualifier
Power Brake Booster	04	5474419	From I.D. No. 3C242B559CC; Gas; w/o Master Cylinder; w/Cruise
Power Brake Booster	03 - 01	5474419	Gas; w/o Master Cylinder
Power Brake Booster	00 - 99	5474419	Gas; w/o Master Cylinder; Cutaway
Power Brake Booster	00 - 99	5474418	Gas; w/o Master Cylinder; Exc. Cutaway
Power Brake Booster	98 - 97	5474412	Gas; w/o Master Cylinder
Power Brake Booster	96 - 94	504403	Gas; w/Master Cylinder; w/Cruise; Incl. Pump/Motor; Also Avail. Separately

Hydraulics - Reman (cont.)

Power Brake Booster	Years	Part No.	Qualifier
Power Brake Booster	96 - 94	504407	Gas; w/Master Cylinder; w/o Cruise
Power Brake Booster	96 - 92	5474402	Gas; w/o Master Cylinder
Power Brake Booster	93	504407	Gas; w/Master Cylinder
Power Brake Booster	92	504402	Gas; w/Master Cylinder
Power Brake Booster	91 - 90	503321	Gas; w/Master Cylinder; Cutaway
Power Brake Booster	91 - 90	504401	Gas; w/Master Cylinder; Exc. Cutaway
Power Brake Booster	91 - 90	5474401	Gas; w/o Master Cylinder; Exc. Cutaway
Power Brake Booster	89 - 87	504401	Gas; w/Master Cylinder
Power Brake Booster	89 - 87	5474401	Gas; w/o Master Cylinder
Power Brake Booster	86 - 84	509336	Gas; w/Master Cylinder
Power Brake Booster	86 - 84	5473357	Gas; w/o Master Cylinder
Power Brake Booster	83 - 81	503312	Gas; w/Master Cylinder
Power Brake Booster	83 - 81	5473312	Gas; w/o Master Cylinder

Brake Cables

Parking Brake Cable	Years	Sequential No.	Category No.	Qualifier
Parking Brake Cable	04 - 97	F140373	(BC140373)	Rear; R.H.; 158" or 176" WB; RV Cutaway; 123" Length
Parking Brake Cable	98	F138822	(BC138822)	Forward; Exc. Stripped Chassis
Parking Brake Cable	98	F139252	(BC139252)	Intermediate; 138" WB; Stripped Chassis
Parking Brake Cable	97 - 95	F133084	(BC133084)	Forward
Parking Brake Cable	97	F139252	(BC139252)	Intermediate; 138" WB
Parking Brake Cable	97	F140390	(BC140390)	Intermediate; 158" WB; 36" Length
Parking Brake Cable	97 - 95	F133086	(BC133086)	Rear; L.H.; 8000 lb. RA
Parking Brake Cable	97 - 95	F133088	(BC133088)	Rear; L.H.; Exc. 8000 lb. RA
Parking Brake Cable	97 - 95	F133085	(BC133085)	Rear; R.H.; 8000 lb. RA
Parking Brake Cable	97 - 95	F133087	(BC133087)	Rear; R.H.; Exc. 8000 lb. RA
Parking Brake Cable	96	F133083	(BC133083)	Intermediate; 138" WB; Exc. Stripped Chassis
Parking Brake Cable	96	F139252	(BC139252)	Intermediate; 138" WB; Stripped Chassis
Parking Brake Cable	95	F133083	(BC133083)	Intermediate; 138" WB
Parking Brake Cable	95	F140391	(BC140391)	Intermediate; 176" WB; 69" Length
Parking Brake Cable	94 - 92	F132452	(BC132452)	Forward; Commercial Chassis
Parking Brake Cable	94 - 92	F132082	(BC132082)	Forward; Exc. Commercial Chassis; Exc. Stripped Chassis
Parking Brake Cable	94 - 92	F132083	(BC132083)	Forward; Stripped Chassis
Parking Brake Cable	94 - 92	F132449	(BC132449)	Intermediate; 138" WB
Parking Brake Cable	94 - 92	F132450	(BC132450)	Intermediate; 158" WB
Parking Brake Cable	94 - 92	F132451	(BC132451)	Intermediate; 176" WB
Parking Brake Cable	94 - 92	F132084	(BC132084)	Rear; L.H.; 5300-5400 lb. RA
Parking Brake Cable	94 - 92	F133086	(BC133086)	Rear; L.H.; 6300-7800 lb. RA
Parking Brake Cable	94 - 92	F133086	(BC133086)	Rear; L.H.; 8000-8500 lb. RA
Parking Brake Cable	94 - 92	F132085	(BC132085)	Rear; R.H.; 5300-5400 lb. RA
Parking Brake Cable	94 - 92	F132087	(BC132087)	Rear; R.H.; 6300-7800 lb. RA
Parking Brake Cable	94 - 92	F132088	(BC132088)	Rear; R.H.; 8000-8500 lb. RA
Parking Brake Cable	91 - 88	F120903	(BC120903)	Forward; 138" WB; Exc. Stripped Chassis
Parking Brake Cable	91 - 88	F116497	(BC116497)	Forward; 138" WB; Stripped Chassis
Parking Brake Cable	91 - 88	F120905	(BC120905)	Forward; 158" WB; Exc. Stripped Chassis
Parking Brake Cable	91 - 88	F116496	(BC116496)	Forward; 158" WB; Stripped Chassis
Parking Brake Cable	91	F120906	(BC120906)	Forward; 176" WB
Parking Brake Cable	91 - 81	F109060	(BC109060)	Rear; L.H.
Parking Brake Cable	91 - 81	F109059	(BC109059)	Rear; R.H.
Parking Brake Cable	90 - 81	F129204	(BC129204)	Forward; 176" WB
Parking Brake Cable	87 - 81	F102663	(BC102663)	Forward; Exc. Stripped Chassis; 138" WB
Parking Brake Cable	87 - 81	F109063	(BC109063)	Forward; Exc. Stripped Chassis; 158" WB
Parking Brake Cable	87 - 81	F116497	(BC116497)	Forward; Stripped Chassis; 138" WB
Parking Brake Cable	87 - 81	F116496	(BC116496)	Forward; Stripped Chassis; 158" WB

350 ECONOLINE (cont.)

ABS Components - Reman

ABS Module	Years	Part No.	Qualifier
ABS Module	96 - 94	RA121021	w/SRW; w/2 Whl. ABS
ABS Module	93 - 92	RA121021	w/SRW
ABS Module	91 - 90	RA121017	w/SRW
ABS Hydraulic Unit	Years	Part No.	Qualifier
ABS Hydraulic Unit	96 - 95	RA122061	w/2 Whl. ABS
ABS Hydraulic Unit	94 - 90	RA122024	

Wheel Attaching Hardware

Front Wheel Stud	Years	Part No.	Qualifier
Wheel Lug Stud	05 - 85	BD61164	
Wheel Lug Stud	83 - 81	BD61164	w/SRW
Rear Wheel Stud	Years	Part No.	Qualifier
Wheel Lug Stud	05 - 90	BD61175	
Wheel Lug Stud	94 - 90	BD61175	w/SRW
Wheel Lug Stud	89 - 85	BD60984	w/SRW
Wheel Lug Stud	84 - 81	BD60984	R.H. Thread; w/SRW
Front Wheel Nut	Years	Part No.	Qualifier
Wheel Lug Nut	05 - 92	BD61287	Std. Open; w/SRW
Wheel Lug Nut	91 - 81	BD61325	Std. Open; w/SRW
Rear Wheel Nut	Years	Part No.	Qualifier
Wheel Lug Nut	05 - 92	BD61287	Std. Open; w/SRW
Wheel Lug Nut	91 - 81	BD61325	Std. Open; w/SRW

3500 EXPRESS

Brake Pads & Shoes

Front Pads & Shoes	Years	SevereDuty	Lining No.	Qualifier
Brake Pads	06 - 03	SD784		
Brake Pads	02	SD459		
Brake Pads	01 - 99	SD845		w/SRW
Rear Pads & Shoes	Years	SevereDuty	Lining No.	Qualifier
Brake Pads	06 - 03	SD974		Commercial Chassis; w/SRW
Brake Pads	06 - 03	SD974		Exc. Commercial Chassis
Brake Shoes	02 - 99	SDS656R	SX2157BDT-S36	13 x 3-1/2" Brake; Riveted

Rotor & Drum

Front Rotor & Drum	Years	Part No.	Qualifier
Brake Rotor	06 - 03	BD126036	8600-9600 GVW
Brake Rotor	05 - 03	BD125779	10000-12000 GVW
Brake Rotor	02 - 01	BD125765	Commercial Chassis; w/SRW; 2nd Design; Rotor Casting No. 15769075
Brake Rotor	02 - 01	BD125765	Exc. Commercial Chassis; 2nd Design; Rotor Casting No.15769075
Brake Rotor	01	BD125212	Commercial Chassis; w/SRW
Brake Rotor	01	BD125212	Exc. Commercial Chassis; 1st Design; Rotor Casting No. 15649968
Brake Rotor	00 - 99	BD125212	w/SRW
Rear Rotor & Drum	Years	Part No.	Qualifier
Brake Drum	02 - 99	BD125523	13 x 3-1/2" Brake; w/SRW
Brake Rotor	06	BD125778	w/12-51/64" Dia. Rotor; 8 Stud Whl.; 4-53/64" Height
Brake Rotor	06	BD125657	w/13" Dia. Rotor; 8 Stud Whl.; w/4-53/64" Dia. Ctr. Pilot Hole
Brake Rotor	06	BD125656	w/13" Dia. Rotor; 8 Stud Whl.; w/4-5/8 Dia. Ctr. Pilot Hole
Brake Rotor	05 - 03	BD125657	Commercial Chassis; w/SRW; w/13" Dia. Rotor; 8 Stud Whl.; w/4-53/64" Dia. Ctr. Pilot Hole
Brake Rotor	05 - 03	BD125657	Exc. Commercial Chassis; w/13" Dia. Rotor; 8 Stud Whl.; w/4-53/64" Dia. Ctr. Pilot Hole

Brake Hardware

Front Brake Hardware	Years	Sequential No.	Category No.	Qualifier
Caliper Bolt/Pin	06 - 03	F139700	(H5095)	
Caliper Bolt/Pin	02 - 99	F117224S	(H5038)	w/Floating Delco Caliper; w/SRW
Caliper Bolt/Pin	02 - 99	F73237S	(H5019)	w/Sliding Bendix Caliper
Disc Align Kit	02 - 99	F117225S	(H5584)	w/Floating Delco Caliper

3500 EXPRESS (cont.)
Brake Hardware (cont.)

Front Brake Hardware	Years	Sequential No.	Category No.	Qualifier
Disc Align Kit	02 - 99	F107401S	(H5562)	w/Sliding Bendix Caliper

Rear Brake Hardware	Years	Sequential No.	Category No.	Qualifier
Adjuster Kit	02 - 99	F98406	(H2580)	L.H.; 13 x 2-1/2" Brake
Adjuster Kit	02 - 99	F98407	(H2581)	R.H.; 13 x 2-1/2" Brake
Adjuster Screw	02 - 99	F83294	(H1550)	L.H.; 13 x 2-1/2" Brake
Adjuster Screw	02 - 99	F83295	(H1551)	R.H.; 13 x 2-1/2" Brake
Caliper Bolt/Pin	06 - 03	F139370	(H5091)	
Combi Kit	02 - 99	F98457S	(H7055)	13 x 2-1/2" Brake
↳Adjuster Spring Kit		F73145S	(H425)	
↳Hold Down Kit		F113455S	(H4098)	
↳Return Spring Kit		F59100S	(H600)	
Disc Align Kit	06 - 03	F139864	(H5665)	w/SRW
Pin Boot Kit	06 - 03	F140514	(H8240)	

Parking Brake	Years	Sequential No.	Category No.	Qualifier
Combi Kit	03	F139879	(H7242)	

Calipers - Reman

Front, Loaded	Years	Left No.	Right No.	Qualifier	Piston
Loaded Caliper	05 - 03	AS134558	AS134559	10000-12300 GVW	P
Loaded Caliper	02	AS120226	AS120227		M
Loaded Caliper	01 - 99	AS116294	AS116295	Cutaway; w/SRW; 139" WB; 3.16" 1-Piston Caliper	M
Loaded Caliper	01 - 99	AS120226	AS120227	Exc. 139" WB; Cutaway	M
Loaded Caliper	01 - 99	AS116294	AS116295	Exc. Cutaway; 3.16" 1-Piston Caliper	M

Front, Unloaded	Years	Left No.	Right No.	Qualifier	Piston
Unloaded Caliper	05 - 03	CR134558	CR134559	10000-12300 GVW	P
Unloaded Caliper	05 - 03	CRB134347	CRB134348	8600-9600 GVW; 2-Piston Caliper; Supplied w/Mtg. Brkt.	P
Unloaded Caliper	05 - 03	CR134347	CR134348	8600-9600 GVW; 2-Piston Caliper; Supplied w/o Mtg. Brkt.	P
Unloaded Caliper	02	CR120226	CR120227		M
Unloaded Caliper	01 - 99	CR116294	CR116295	Cutaway; w/SRW; 139" WB; 3.16" 1-Piston Caliper	M
Unloaded Caliper	01 - 99	CR120226	CR120227	Exc. 139" WB; Cutaway	M
Unloaded Caliper	01 - 99	CR116294	CR116295	Exc. Cutaway; 3.16" 1-Piston Caliper	M

Rear, Unloaded	Years	Left No.	Right No.	Qualifier	Piston
Unloaded Caliper	05 - 03	CR135118	CR135117	w/SRW	P

Hydraulics - New

Rear Wheel Cylinder	Years	Sequential No.	Category No.	Qualifier
Wheel Cylinder	02 - 99	F116359	(WC116359)	w/SRW; 1" Bore

Front Brake Hose	Years	Sequential No.	Category No.	Qualifier
Brake Hose	02 - 01	F140498	(BH140498)	L.H.
Brake Hose	02 - 01	F140499	(BH140499)	R.H.
Brake Hose	00 - 99	F140496	(BH140496)	L.H.; w/SRW
Brake Hose	00 - 99	F140497	(BH140497)	R.H.; w/SRW

Rear Brake Hose	Years	Sequential No.	Category No.	Qualifier
Brake Hose	02 - 99	F118117	(BH118117)	

Hydraulics - Reman

Master Cylinder	Years	Part No.	Qualifier
Master Cylinder	02 - 99	R134626	

Power Brake Booster	Years	Part No.	Qualifier
Hydro Booster	01 - 99	527342	Diesel; w/SRW

Brake Cables

Parking Brake Cable	Years	Sequential No.	Category No.	Qualifier
Parking Brake Cable	02 - 99	F138836	(BC138836)	Forward; Exc. Cutaway
Parking Brake Cable	02 - 99	F138900	(BC138900)	Intermediate; 155" or 159" WB
Parking Brake Cable	02 - 99	F140240	(BC140240)	Intermediate; 177" WB; 37" Length

↳Sub-Kit of Combi-Kit is available separately.

Piston: M - OE Metal Piston P - OE Phenolic Piston

3500 EXPRESS (cont.)

Wheel Attaching Hardware

Front Wheel Stud	Years	Part No.	Qualifier
Wheel Lug Stud	05 - 03	BD125960	
Wheel Lug Stud	02 - 99	BD61426	w/SRW
Rear Wheel Stud	Years	Part No.	Qualifier
Wheel Lug Stud	05 - 03	BD125961	M14 x 1.5 x 28
Wheel Lug Stud	02	BD125962	w/SRW
Wheel Lug Stud	01 - 99	BD61427	w/SRW
Front Wheel Nut	Years	Part No.	Qualifier
Wheel Lug Nut	05 - 03	BD125998	Dome - Black
Wheel Lug Nut	05 - 03	BD125916	External Thread
Wheel Lug Nut	02 - 99	BD125916	External Thread; w/SRW
Rear Wheel Nut	Years	Part No.	Qualifier
Wheel Lug Nut	05 - 03	BD125998	Dome - Black
Wheel Lug Nut	05 - 03	BD125916	External Thread
Wheel Lug Nut	02 - 99	BD125916	External Thread; w/SRW

3500 SAVANA

Brake Pads & Shoes

Front Pads & Shoes	Years	SevereDuty	Lining No.	Qualifier
Brake Pads	06 - 03	SD784		
Brake Pads	02	SD459		
Brake Pads	01 - 99	SD845		w/SRW
Rear Pads & Shoes	Years	SevereDuty	Lining No.	Qualifier
Brake Pads	06 - 03	SD974		Commercial Chassis; w/SRW
Brake Pads	06 - 03	SD974		Exc. Commercial Chassis
Brake Shoes	02 - 99	SDS656R	SX2157BDT-S36	13 x 3-1/2" Brake; Riveted

Rotor & Drum

Front Rotor & Drum	Years	Part No.	Qualifier
Brake Rotor	06 - 03	BD126036	8600-9600 GVW
Brake Rotor	05 - 03	BD125779	10000-12000 GVW
Brake Rotor	02 - 01	BD125765	Commercial Chassis; w/SRW; 2nd Design; Rotor Casting No. 15769075
Brake Rotor	02 - 01	BD125765	Exc. Commercial Chassis; 2nd Design; Rotor Casting No.15769075
Brake Rotor	01	BD125212	Commercial Chassis; w/SRW
Brake Rotor	01	BD125212	Exc. Commercial Chassis; 1st Design; Rotor Casting No. 15649968
Brake Rotor	00 - 99	BD125212	w/SRW
Rear Rotor & Drum	Years	Part No.	Qualifier
Brake Drum	02 - 99	BD125523	13 x 3-1/2" Brake; w/SRW
Brake Rotor	06	BD125778	w/12-51/64" Dia. Rotor; 8 Stud Whl.; 4-53/64" Height
Brake Rotor	06	BD125657	w/13" Dia. Rotor; 8 Stud Whl.; w/4-53/64" Dia. Ctr. Pilot Hole
Brake Rotor	06	BD125656	w/13" Dia. Rotor; 8 Stud Whl.; w/4-5/8 Dia. Ctr. Pilot Hole
Brake Rotor	05 - 03	BD125657	Commercial Chassis; w/SRW; w/13" Dia. Rotor; 8 Stud Whl.; w/4-53/64" Dia. Ctr. Pilot Hole
Brake Rotor	05 - 03	BD125657	Exc. Commercial Chassis; w/13" Dia. Rotor; 8 Stud Whl.; w/4-53/64" Dia. Ctr. Pilot Hole

Brake Hardware

Front Brake Hardware	Years	Sequential No.	Category No.	Qualifier
Caliper Bolt/Pin	06 - 03	F139700	(H5095)	
Caliper Bolt/Pin	02 - 99	F117224S	(H5038)	w/Floating Delco Caliper; w/SRW
Caliper Bolt/Pin	02 - 99	F73237S	(H5019)	w/Sliding Bendix Caliper
Disc Align Kit	02 - 99	F117225S	(H5584)	w/Floating Delco Caliper
Disc Align Kit	02 - 99	F107401S	(H5562)	w/Sliding Bendix Caliper
Rear Brake Hardware	Years	Sequential No.	Category No.	Qualifier
Adjuster Kit	02 - 99	F98406	(H2580)	L.H.; 13 x 2-1/2" Brake
Adjuster Kit	02 - 99	F98407	(H2581)	R.H.; 13 x 2-1/2" Brake
Adjuster Screw	02 - 99	F83294	(H1550)	L.H.; 13 x 2-1/2" Brake
Adjuster Screw	02 - 99	F83295	(H1551)	R.H.; 13 x 2-1/2" Brake
Caliper Bolt/Pin	06 - 03	F139370	(H5091)	

↳ Sub-Kit of Combi-Kit is available separately.

3500 SAVANA (cont.)

Brake Hardware (cont.)

Rear Brake Hardware	Years	Sequential No.	Category No.	Qualifier
Combi Kit	02 - 99	F98457S	(H7055)	13 x 2-1/2" Brake
↳ Adjuster Spring Kit		F73145S	(H425)	
↳ Hold Down Kit		F113455S	(H4098)	
↳ Return Spring Kit		F59100S	(H600)	
Disc Align Kit	06 - 03	F139864	(H5665)	w/SRW
Pin Boot Kit	06 - 03	F140514	(H8240)	

Parking Brake	Years	Sequential No.	Category No.	Qualifier
Combi Kit	03	F139879	(H7242)	

Calipers - Reman

Front, Loaded	Years	Left No.	Right No.	Qualifier	Piston
Loaded Caliper	05 - 03	AS134558	AS134559	10000-12300 GVW	P
Loaded Caliper	02	AS120226	AS120227		M
Loaded Caliper	01 - 99	AS116294	AS116295	Cutaway; w/SRW; 139" WB; 3.16" 1-Piston Caliper	M
Loaded Caliper	01 - 99	AS120226	AS120227	Exc. 139" WB; Cutaway	M
Loaded Caliper	01 - 99	AS116294	AS116295	Exc. Cutaway; 3.16" 1-Piston Caliper	M

Front, Unloaded	Years	Left No.	Right No.	Qualifier	Piston
Unloaded Caliper	05 - 03	CR134558	CR134559	10000-12300 GVW	P
Unloaded Caliper	05 - 03	CRB134347	CRB134348	8600-9600 GVW; 2-Piston Caliper; Supplied w/Mtg. Brkt.	P
Unloaded Caliper	05 - 03	CR134347	CR134348	8600-9600 GVW; 2-Piston Caliper; Supplied w/o Mtg. Brkt.	P
Unloaded Caliper	02	CR120226	CR120227		M
Unloaded Caliper	01 - 99	CR116294	CR116295	Cutaway; w/SRW; 139" WB; 3.16" 1-Piston Caliper	M
Unloaded Caliper	01 - 99	CR120226	CR120227	Exc. 139" WB; Cutaway	M
Unloaded Caliper	01 - 99	CR116294	CR116295	Exc. Cutaway; 3.16" 1-Piston Caliper	M

Rear, Unloaded	Years	Left No.	Right No.	Qualifier	Piston
Unloaded Caliper	05 - 03	CR135118	CR135117	w/SRW	P

Hydraulics - New

Rear Wheel Cylinder	Years	Sequential No.	Category No.	Qualifier
Wheel Cylinder	02 - 99	F116359	(WC116359)	w/SRW; 1" Bore

Front Brake Hose	Years	Sequential No.	Category No.	Qualifier
Brake Hose	02 - 01	F140498	(BH140498)	L.H.
Brake Hose	02 - 01	F140499	(BH140499)	R.H.
Brake Hose	00 - 99	F140496	(BH140496)	L.H.; w/SRW
Brake Hose	00 - 99	F140497	(BH140497)	R.H.; w/SRW

Rear Brake Hose	Years	Sequential No.	Category No.	Qualifier
Brake Hose	02 - 99	F118117	(BH118117)	

Hydraulics - Reman

Master Cylinder	Years	Part No.	Qualifier
Master Cylinder	02 - 99	R134626	

Power Brake Booster	Years	Part No.	Qualifier
Hydro Booster	01 - 99	527342	Diesel; w/SRW

Brake Cables

Parking Brake Cable	Years	Sequential No.	Category No.	Qualifier
Parking Brake Cable	02 - 99	F138836	(BC138836)	Forward; Exc. Cutaway
Parking Brake Cable	02 - 99	F138900	(BC138900)	Intermediate; 155" or 159" WB
Parking Brake Cable	02 - 99	F140240	(BC140240)	Intermediate; 177" WB; 37" Length

Wheel Attaching Hardware

Front Wheel Stud	Years	Part No.	Qualifier
Wheel Lug Stud	05 - 03	BD125960	
Wheel Lug Stud	02 - 99	BD61426	w/SRW

Rear Wheel Stud	Years	Part No.	Qualifier
Wheel Lug Stud	05 - 03	BD125961	M14 x 1.5 x 28
Wheel Lug Stud	02	BD125962	w/SRW
Wheel Lug Stud	01 - 99	BD61427	w/SRW

↳ Sub-Kit of Combi-Kit is available separately.

Piston: M - OE Metal Piston P - OE Phenolic Piston

3500 SAVANA (cont.)

Wheel Attaching Hardware (cont.)

Front Wheel Nut	Years	Part No.	Qualifier
Wheel Lug Nut	05 - 03	BD125998	Dome - Black
Wheel Lug Nut	05 - 03	BD125916	External Thread
Wheel Lug Nut	02 - 99	BD125916	External Thread; w/SRW
Rear Wheel Nut	Years	Part No.	Qualifier
Wheel Lug Nut	05 - 03	BD125998	Dome - Black
Wheel Lug Nut	05 - 03	BD125916	External Thread
Wheel Lug Nut	02 - 99	BD125916	External Thread; w/SRW

MID BUS Type-A2 DW

350 ECONOLINE

Brake Pads & Shoes

Front Pads & Shoes	Years	SevereDuty	Lining No.	Qualifier
Brake Pads	06 - 95	SD655		
Brake Pads	94 - 92	SD557		
Brake Pads	91 - 81	SD450		
Rear Pads & Shoes	Years	SevereDuty	Lining No.	Qualifier
Brake Pads	06 - 99	SD802		
Brake Pads	98 - 97	SD411		
Brake Shoes	06 - 81	SDS358AR	EX2140TD	12 x 3; Riveted
Brake Shoes	98 - 87	SDS583R	EX2171TD	12-1/8 x 3-1/2; Riveted
Parking Brake Shoes	Years	SevereDuty	Lining No.	Qualifier
Brake Shoes	03 - 99	SDS771	EX2192	Bonded

Rotor & Drum

Front Rotor & Drum	Years	Part No.	Qualifier
Brake Rotor	06 - 95	BD125629	w/DRW; w/2 Whl. ABS
Brake Rotor	06 - 95	BD125630	w/DRW; w/4 Whl. ABS
Brake Rotor	94 - 81	BD60468	w/DRW
Rear Rotor & Drum	Years	Part No.	Qualifier
Brake Drum	06 - 99	BD125692	12 x 3" Brake
Brake Drum	98 - 95	BD60793	12 x 3" Brake
Brake Drum	98 - 95	BD125385	12-1/8 x 3-1/2" Brake; 6340-7200 lb. RA
Brake Drum	98 - 95	BD60885	12-1/8 x 3-1/2" Brake; 7800-8000 lb. RA
Brake Drum	94 - 92	BD60885	12-1/8 x 3-1/2" Brake; w/DRW
Brake Drum	91 - 81	BD60330	12 x 3" Brake; w/DRW
Brake Drum	91 - 81	BD60885	12-1/8 x 3-1/2" Brake; w/DRW; Exc. 10-1/4" R.G.
Brake Drum	91 - 81	BD60885	12-1/8 x 3-1/2" Brake; w/DRW; w/10-1/4" R.G.
Brake Rotor	06 - 99	BD125701	w/DRW
Brake Rotor	98 - 97	BD125550	

Brake Hardware

Front Brake Hardware	Years	Sequential No.	Category No.	Qualifier
Caliper Bolt/Pin	06 - 95	F126899S	(H5061)	
Caliper Bolt/Pin	94 - 92	F130379S	(H5068)	
Caliper Bolt/Pin	91 - 86	F111231S	(H5031)	
Caliper Bolt/Pin	85 - 82	F102554S	(H5010C)	
Disc Align Kit	05 - 95	F132611S	(H5602)	
Disc Align Kit	94 - 92	F130266S	(H5445)	
Disc Align Kit	91 - 86	F114477	(H5572)	
Disc Align Kit	85 - 81	F97900	(H5529)	
Pin Boot Kit	01 - 95	F117215S	(H18000C)	
Pin Boot Kit	94 - 92	F130393S	(H8211)	
Rear Brake Hardware	Years	Sequential No.	Category No.	Qualifier
Adjuster Kit	05 - 81	F98416	(H2588)	L.H.
Adjuster Kit	05 - 81	F98417	(H2589)	R.H.
Adjuster Screw	05 - 81	F79799	(H1534)	L.H.
Adjuster Screw	05 - 81	F79800	(H1535)	R.H.

350 ECONOLINE (cont.)

Brake Hardware (cont.)

Rear Brake Hardware	Years	Sequential No.	Category No.	Qualifier
Caliper Bolt/Pin	06 - 99	F126899S	(H5061)	
Combi Kit	06 - 81	F102555	(H7164)	12 x 3" Brake
↳Adjuster Spring Kit		F106695	(H446)	
↳Return Spring Kit		F67455	(H546)	
Combi Kit	98 - 87	F117217	(H7197)	12-1/8 x 3-1/2" Brake
↳Adjuster Spring Kit		F73105	(H430)	
↳Return Spring Kit		F67455	(H546)	
Disc Align Kit	05 - 99	F138118S	(H5616)	
Pin Boot Kit	05 - 99	F139361	(H8227)	

Parking Brake	Years	Sequential No.	Category No.	Qualifier
Adjuster Screw	03 - 00	F139719	(H1594)	L.H.
Adjuster Screw	03 - 00	F139719	(H1594)	R.H.

Calipers - Reman

Front, Loaded	Years	Left No.	Right No.	Qualifier	Piston
Loaded Caliper	99	AS133118	AS133119	To 5/18/99	P
Loaded Caliper	98 - 95	AS133118	AS133119		P
Loaded Caliper	94 - 92	AS128780	AS128781		P
Loaded Caliper	94 - 92	AS128780S	AS128781S		O
Loaded Caliper	91 - 89	AS128856	AS128857		P
Loaded Caliper	88 - 86	AS116931	AS116932		P
Loaded Caliper	85 - 81	AS102430	AS102431	2-Piston Caliper	M

Rear, Loaded	Years	Left No.	Right No.	Qualifier	Piston
Loaded Caliper	05 - 99	AS134357	AS134358		P

Front, Unloaded	Years	Left No.	Right No.	Qualifier	Piston
Unloaded Caliper	05 - 00	CRB134508	CRB134509	Supplied w/Mtg. Brkt.	P
Unloaded Caliper	05 - 00	CR134508	CR134509	Supplied w/o Mtg. Brkt.	P
Unloaded Caliper	99	CRB134508	CRB134509	From 5/18/99; Supplied w/Mtg. Brkt.	P
Unloaded Caliper	99	CR134508	CR134509	From 5/18/99; Supplied w/o Mtg. Brkt.	P
Unloaded Caliper	99	CRB133118	CRB133119	To 5/18/99; Supplied w/Mtg. Brkt.	P
Unloaded Caliper	99	CRB133118S	CRB133119S	To 5/18/99; Supplied w/Mtg. Brkt.	O
Unloaded Caliper	99	CR133118	CR133119	To 5/18/99; Supplied w/o Mtg. Brkt.	P
Unloaded Caliper	99	CR133118S	CR133119S	To 5/18/99; Supplied w/o Mtg. Brkt.	O
Unloaded Caliper	98 - 95	CRB133118	CRB133119	Supplied w/Mtg. Brkt.	P
Unloaded Caliper	98 - 95	CRB133118S	CRB133119S	Supplied w/Mtg. Brkt.	O
Unloaded Caliper	98 - 95	CR133118	CR133119	Supplied w/o Mtg. Brkt.	P
Unloaded Caliper	98 - 95	CR133118S	CR133119S	Supplied w/o Mtg. Brkt.	O
Unloaded Caliper	94 - 92	CR128780	CR128781		P
Unloaded Caliper	94 - 92	CR128780S	CR128781S		O
Unloaded Caliper	91 - 89	CR128856	CR128857		P
Unloaded Caliper	88 - 86	CR116931	CR116932		P
Unloaded Caliper	85 - 81	CR102430	CR102431	2-Piston Caliper	M

Rear, Unloaded	Years	Left No.	Right No.	Qualifier	Piston
Unloaded Caliper	05 - 99	CRB134358	CRB134357	Supplied w/Mtg. Brkt.	P
Unloaded Caliper	05 - 99	CR134358	CR134357	Supplied w/o Mtg. Brkt.	P

Hydraulics - New

Master Cylinder	Years	Sequential No.	Category No.	Qualifier
Master Cylinder	06 - 02	F140463	(MC140463)	w/Cruise Control; 1-5/16" Bore
Master Cylinder	06 - 02	F134457	(MC134457)	w/o Cruise Control; 1-5/16" Bore
Master Cylinder	01 - 99	F140463	(MC140463)	Exc. Super Duty; w/Cruise Control; 1-5/16" Bore
Master Cylinder	01 - 99	F134457	(MC134457)	Exc. Super Duty; w/o Cruise Control; 1-5/16" Bore
Master Cylinder	01 - 99	F134465	(MC134465)	Super Duty; 1-5/16" Bore
Master Cylinder	98	F140462	(MC140462)	From 12/22/97; w/Cruise Control; 1-1/4" Bore
Master Cylinder	98	F134457	(MC134457)	From 12/22/97; w/o Cruise Control; 1-5/16" Bore
Master Cylinder	97	F131212	(MC131212)	To 12/21/97; w/Hydro-Boost; w/o Cruise Control; 1-5/16" Bore
Master Cylinder	97	F140462	(MC140462)	To 12/21/97; w/Vacuum Boost; w/Cruise Control; 1-1/4" Bore

↳Sub-Kit of Combi-Kit is available separately.

Piston: M - OE Metal Piston P - OE Phenolic Piston O - Metal Piston Option

350 ECONOLINE (cont.)

Hydraulics - New (cont.)

Master Cylinder	Years	Sequential No.	Category No.	Qualifier
Master Cylinder	96	F131212	(MC131212)	Commercial Chassis; w/Hydro-Boost; 1-5/16" Bore
Master Cylinder	96	F131306	(MC131306)	Commercial Chassis; w/Vacuum Boost; w/Cruise Control; 1-1/8" Bore
Master Cylinder	96	F120368	(MC120368)	Commercial Chassis; w/Vacuum Boost; w/o Cruise Control; 1-1/8" Bore
Master Cylinder	96	F131211	(MC131211)	Exc. Commercial Chassis; w/Vacuum Boost; w/Cruise Control; 1-1/8" Bore
Master Cylinder	96	F120368	(MC120368)	Exc. Commercial Chassis; w/Vacuum Boost; w/o Cruise Control; 1-1/8" Bore
Master Cylinder	95 - 94	F131306	(MC131306)	Commercial Chassis; w/Cruise Control; 1-1/8" Bore
Master Cylinder	95 - 94	F131211	(MC131211)	Exc. Commercial Chassis; w/Cruise Control; 1-1/8" Bore
Master Cylinder	95 - 94	F120368	(MC120368)	Exc. Commercial Chassis; w/o Cruise Control; 1-1/8" Bore
Master Cylinder	93	F120368	(MC120368)	1-1/8" Bore
Master Cylinder	92	F129286	(MC129286)	w/DRW; 1-1/8" Bore
Master Cylinder	91 - 87	F120368	(MC120368)	1-1/8" Bore
Master Cylinder	86 - 84	F110919	(MC110919)	1-1/8" Bore
Master Cylinder	83 - 81	F97938	(MC97938)	1-1/16" Bore
Rear Wheel Cylinder	Years	Sequential No.	Category No.	Qualifier
Wheel Cylinder	06 - 95	F113757	(WC113757)	L.H.; w/DRW; 1-3/16" Bore
Wheel Cylinder	06 - 95	F113758	(WC113758)	R.H.; w/DRW; 1-3/16" Bore
Wheel Cylinder	94 - 92	F113757	(WC113757)	L.H.; w/DRW; 12 x 3" Brake; 1-3/16" Bore
Wheel Cylinder	94 - 92	F35325	(WC35325)	L.H.; w/DRW; 12 x 3-1/2" Brake; 1-1/8" Bore
Wheel Cylinder	94 - 92	F113758	(WC113758)	R.H.; w/DRW; 12 x 3" Brake; 1-3/16" Bore
Wheel Cylinder	94 - 92	F35326	(WC35326)	R.H.; w/DRW; 12 x 3-1/2" Brake; 1-1/8" Bore
Wheel Cylinder	91 - 84	F35325	(WC35325)	L.H.; w/DRW; 1-1/8" Bore
Wheel Cylinder	91 - 84	F35326	(WC35326)	R.H.; w/DRW; 1-1/8" Bore
Wheel Cylinder	83 - 81	F57146	(WC57146)	L.H.; School Bus; 1" Bore
Wheel Cylinder	83 - 81	F57147	(WC57147)	R.H.; School Bus; 1" Bore
Wheel Cylinder	81	F18984	(WC18984)	L.H.; Exc. School Bus; 1-1/16" Bore
Wheel Cylinder	81	F18985	(WC18985)	R.H.; Exc. School Bus; 1-1/16" Bore
Clutch Master Cylind	Years	Sequential No.	Category No.	Qualifier
Clutch Master Cylinder	99 - 92	F118415	(CM118415)	Chassis Cab; 7/8" Bore
Clutch Master Cylinder	99 - 92	F117053	(CM117053)	Stripped Chassis; 7/8" Bore
Clutch Master Cylinder	91 - 90	F118415	(CM118415)	Chassis Cab; w/Dual Piston Caliper; 7/8" Bore
Clutch Master Cylinder	91 - 90	F117053	(CM117053)	Stripped Chassis; w/Dual Piston Caliper; 7/8" Bore
Clutch Master Cylinder	89 - 88	F118415	(CM118415)	Chassis Cab; 7/8" Bore
Clutch Master Cylinder	89 - 88	F110269	(CM110269)	Exc. Chassis Cab; 7/8" Bore
Clutch Master Cylinder	87 - 84	F110269	(CM110269)	7/8" Bore
Clutch Slave Cylinder	Years	Sequential No.	Category No.	Qualifier
Clutch Slave Cylinder	97 - 84	F103485	(SC103485)	1" Bore
Clutch Slave Cylinder	89 - 88	F126890	(SC126890)	1-1/32" Bore
Front Brake Hose	Years	Sequential No.	Category No.	Qualifier
Brake Hose	02 - 95	F132754	(BH132754)	L.H.; w/2 Whl. ABS
Brake Hose	02 - 95	F133395	(BH133395)	L.H.; w/4 Whl. ABS
Brake Hose	02 - 95	F132773	(BH132773)	R.H.; w/2 Whl. ABS
Brake Hose	02 - 95	F132773	(BH132773)	R.H.; w/4 Whl. ABS
Brake Hose	94 - 93	F132196	(BH132196)	L.H.; w/2 Whl. ABS
Brake Hose	94 - 93	F132195	(BH132195)	L.H.; w/4 Whl. ABS
Brake Hose	94 - 93	F133813	(BH133813)	R.H.; w/2 Whl. ABS
Brake Hose	94 - 93	F133813	(BH133813)	R.H.; w/4 Whl. ABS
Brake Hose	92	F130430	(BH130430)	L.H.; w/Dual Piston Caliper
Brake Hose	92	F132298	(BH132298)	R.H.; w/Dual Piston Caliper
Brake Hose	91 - 82	F107255	(BH107255)	L.H.
Brake Hose	91 - 82	F106365	(BH106365)	R.H.
Brake Hose	81	F107255	(BH107255)	L.H.; From 2/02/81
Brake Hose	81	F102474	(BH102474)	L.H.; To 2/02/81
Brake Hose	81	F106365	(BH106365)	R.H.; From 2/02/81
Brake Hose	81	F106365	(BH106365)	R.H.; To 2/02/81

350 ECONOLINE (cont.)
Hydraulics - New (cont.)

Rear Brake Hose	Years	Sequential No.	Category No.	Qualifier
Brake Hose	05 - 92	F133837	(BH133837)	
Brake Hose	91 - 90	F128682	(BH128682)	
Brake Hose	89 - 86	F120872	(BH120872)	
Brake Hose	85	F120872	(BH120872)	From 3/01/85
Brake Hose	85	F119385	(BH119385)	To 2/28/85
Brake Hose	84 - 81	F119385	(BH119385)	

Hydraulics - Reman

Master Cylinder	Years	Part No.	Qualifier
Master Cylinder	03 - 01	R134795	w/Cruise; Booster I.D. No. 2C242B559KA
Master Cylinder	03 - 00	R134796	w/o Cruise; Booster I.D. No. XC252B559PC
Master Cylinder	00	R134795	w/Cruise; Booster I.D. No. XC252B559EC
Master Cylinder	00	R134713	w/o Cruise; Booster I.D. No. XC252B559DB
Master Cylinder	99	R134797	To 5/02/99; w/Hydro Boost
Master Cylinder	99	R134795	w/Vacuum Boost; w/Cruise
Master Cylinder	99	R134796	w/Vacuum Boost; w/o Cruise
Master Cylinder	98 - 97	R134709	w/Cruise; w/DRW
Master Cylinder	98 - 97	R134629	w/o Cruise; Cutaway or Stripped Chassis
Master Cylinder	98 - 97	R134713	w/o Cruise; Exc. Cutaway or Stripped Chassis
Master Cylinder	96 - 93	R131306	w/Cruise
Master Cylinder	96 - 93	R120368	w/o Cruise
Master Cylinder	92	R129285	
Master Cylinder	91 - 87	R120368	
Master Cylinder	86 - 84	R110919	
Master Cylinder	83 - 81	R97938	

Power Brake Booster	Years	Part No.	Qualifier
Power Brake Booster	04	5474419	From I.D. No. 3C242B559CC; Gas; w/o Master Cylinder; w/Cruise
Power Brake Booster	03 - 01	5474419	Gas; w/o Master Cylinder
Power Brake Booster	00 - 99	5474419	Gas; w/o Master Cylinder; Cutaway
Power Brake Booster	00 - 99	5474418	Gas; w/o Master Cylinder; Exc. Cutaway
Power Brake Booster	98 - 97	5474412	Gas; w/o Master Cylinder
Power Brake Booster	96 - 94	504403	Gas; w/Master Cylinder; w/Cruise; Incl. Pump/Motor; Also Avail. Separately
Power Brake Booster	96 - 94	504407	Gas; w/Master Cylinder; w/o Cruise
Power Brake Booster	96 - 92	5474402	Gas; w/o Master Cylinder
Power Brake Booster	93	504407	Gas; w/Master Cylinder
Power Brake Booster	92	504402	Gas; w/Master Cylinder
Power Brake Booster	91 - 90	503321	Gas; w/Master Cylinder; Cutaway
Power Brake Booster	91 - 90	504401	Gas; w/Master Cylinder; Exc. Cutaway
Power Brake Booster	91 - 90	5474401	Gas; w/o Master Cylinder; Exc. Cutaway
Power Brake Booster	89 - 87	504401	Gas; w/Master Cylinder
Power Brake Booster	89 - 87	5474401	Gas; w/o Master Cylinder
Power Brake Booster	86 - 84	509336	Gas; w/Master Cylinder
Power Brake Booster	86 - 84	5473357	Gas; w/o Master Cylinder
Power Brake Booster	83 - 81	503312	Gas; w/Master Cylinder
Power Brake Booster	83 - 81	5473312	Gas; w/o Master Cylinder

Brake Cables

Parking Brake Cable	Years	Sequential No.	Category No.	Qualifier
Parking Brake Cable	04 - 97	F140373	(BC140373)	Rear; R.H.; 158" or 176" WB; RV Cutaway; 123" Length
Parking Brake Cable	98	F138822	(BC138822)	Forward; Exc. Stripped Chassis
Parking Brake Cable	98	F139252	(BC139252)	Intermediate; 138" WB; Stripped Chassis
Parking Brake Cable	97 - 95	F133084	(BC133084)	Forward
Parking Brake Cable	97	F139252	(BC139252)	Intermediate; 138" WB
Parking Brake Cable	97	F140390	(BC140390)	Intermediate; 158" WB; 36" Length
Parking Brake Cable	97 - 95	F133086	(BC133086)	Rear; L.H.; 8000 lb. RA
Parking Brake Cable	97 - 95	F133088	(BC133088)	Rear; L.H.; Exc. 8000 lb. RA
Parking Brake Cable	97 - 95	F133085	(BC133085)	Rear; R.H.; 8000 lb. RA

350 ECONOLINE (cont.)

Brake Cables (cont.)

<i>Parking Brake Cable</i>	<i>Years</i>	<i>Sequential No.</i>	<i>Category No.</i>	<i>Qualifier</i>
Parking Brake Cable	97 - 95	F133087	(BC133087)	Rear; R.H.; Exc. 8000 lb. RA
Parking Brake Cable	96	F133083	(BC133083)	Intermediate; 138" WB; Exc. Stripped Chassis
Parking Brake Cable	96	F139252	(BC139252)	Intermediate; 138" WB; Stripped Chassis
Parking Brake Cable	95	F133083	(BC133083)	Intermediate; 138" WB
Parking Brake Cable	95	F140391	(BC140391)	Intermediate; 176" WB; 69" Length
Parking Brake Cable	94 - 92	F132452	(BC132452)	Forward; Commercial Chassis
Parking Brake Cable	94 - 92	F132082	(BC132082)	Forward; Exc. Commercial Chassis; Exc. Stripped Chassis
Parking Brake Cable	94 - 92	F132083	(BC132083)	Forward; Stripped Chassis
Parking Brake Cable	94 - 92	F132449	(BC132449)	Intermediate; 138" WB
Parking Brake Cable	94 - 92	F132450	(BC132450)	Intermediate; 158" WB
Parking Brake Cable	94 - 92	F132451	(BC132451)	Intermediate; 176" WB
Parking Brake Cable	94 - 92	F132084	(BC132084)	Rear; L.H.; 5300-5400 lb. RA
Parking Brake Cable	94 - 92	F133086	(BC133086)	Rear; L.H.; 6300-7800 lb. RA
Parking Brake Cable	94 - 92	F133086	(BC133086)	Rear; L.H.; 8000-8500 lb. RA
Parking Brake Cable	94 - 92	F132085	(BC132085)	Rear; R.H.; 5300-5400 lb. RA
Parking Brake Cable	94 - 92	F132087	(BC132087)	Rear; R.H.; 6300-7800 lb. RA
Parking Brake Cable	94 - 92	F132088	(BC132088)	Rear; R.H.; 8000-8500 lb. RA
Parking Brake Cable	91 - 88	F120903	(BC120903)	Forward; 138" WB; Exc. Stripped Chassis
Parking Brake Cable	91 - 88	F116497	(BC116497)	Forward; 138" WB; Stripped Chassis
Parking Brake Cable	91 - 88	F120905	(BC120905)	Forward; 158" WB; Exc. Stripped Chassis
Parking Brake Cable	91 - 88	F116496	(BC116496)	Forward; 158" WB; Stripped Chassis
Parking Brake Cable	91	F120906	(BC120906)	Forward; 176" WB
Parking Brake Cable	91 - 81	F109060	(BC109060)	Rear; L.H.
Parking Brake Cable	91 - 81	F109059	(BC109059)	Rear; R.H.
Parking Brake Cable	90 - 81	F129204	(BC129204)	Forward; 176" WB
Parking Brake Cable	87 - 81	F102663	(BC102663)	Forward; Exc. Stripped Chassis; 138" WB
Parking Brake Cable	87 - 81	F109063	(BC109063)	Forward; Exc. Stripped Chassis; 158" WB
Parking Brake Cable	87 - 81	F116497	(BC116497)	Forward; Stripped Chassis; 138" WB
Parking Brake Cable	87 - 81	F116496	(BC116496)	Forward; Stripped Chassis; 158" WB

ABS Components - Reman

<i>ABS Module</i>	<i>Years</i>	<i>Part No.</i>	<i>Qualifier</i>
ABS Module	96 - 94	RA121022	w/DRW; w/2 Whl. ABS
ABS Module	93 - 92	RA121022	w/DRW
ABS Module	91 - 90	RA121018	w/DRW
<i>ABS Hydraulic Unit</i>	<i>Years</i>	<i>Part No.</i>	<i>Qualifier</i>
ABS Hydraulic Unit	96 - 95	RA122061	w/2 Whl. ABS
ABS Hydraulic Unit	94 - 90	RA122024	

Wheel Attaching Hardware

<i>Front Wheel Stud</i>	<i>Years</i>	<i>Part No.</i>	<i>Qualifier</i>
Wheel Lug Stud	05 - 85	BD61164	
Wheel Lug Stud	84	BD60931	From 1/01/84; w/DRW
Wheel Lug Stud	84	BD61164	To 12/31/83; w/DRW
Wheel Lug Stud	83 - 81	BD60931	w/DRW
<i>Rear Wheel Stud</i>	<i>Years</i>	<i>Part No.</i>	<i>Qualifier</i>
Wheel Lug Stud	05 - 90	BD61175	
Wheel Lug Stud	94 - 90	BD61175	w/DRW
Wheel Lug Stud	89 - 87	BD61163	w/DRW; w/12 x 3" Drum
Wheel Lug Stud	89 - 87	BD61175	w/DRW; w/12-1/8 x 3-1/2" Drum
Wheel Lug Stud	86 - 85	BD61163	From 1/01/84; w/DRW
Wheel Lug Stud	84 - 81	BD60984	R.H. Thread; w/DRW
Wheel Lug Stud	84	BD60985	To 12/31/83; L.H. Thread; w/DRW
Wheel Lug Stud	84	BD61163	To 12/31/83; w/DRW
Wheel Lug Stud	83 - 81	BD60985	L.H. Thread; w/DRW

350 ECONOLINE (cont.)

Wheel Attaching Hardware (cont.)

Front Wheel Nut	Years	Part No.	Qualifier
Wheel Lug Nut	05 - 92	BD125925	Flat Faced Open; w/DRW
Wheel Lug Nut	91 - 85	BD61169	From 1/01/84; Flat Faced Open; w/DRW
Wheel Lug Nut	84 - 81	BD60933	Std. Open; w/DRW
Wheel Lug Nut	84	BD61169	To 12/31/83; Flat Faced Open; w/DRW
Rear Wheel Nut	Years	Part No.	Qualifier
Wheel Lug Nut	05 - 92	BD125925	Flat Faced Open; w/DRW
Wheel Lug Nut	91 - 84	BD61169	Flat Faced Open; w/DRW
Wheel Lug Nut	84 - 81	BD61296	L.H. Thread; Std. Open; w/DRW
Wheel Lug Nut	84 - 81	BD60933	R.H. Thread; Std. Open; w/DRW

3500 EXPRESS

Brake Pads & Shoes

Front Pads & Shoes	Years	SevereDuty	Lining No.	Qualifier
Brake Pads	06 - 03	SD784		
Brake Pads	02	SD459		
Brake Pads	01 - 99	SD459		w/DRW
Rear Pads & Shoes	Years	SevereDuty	Lining No.	Qualifier
Brake Pads	06 - 03	SD989		Commercial Chassis; w/DRW
Brake Pads	06 - 03	SD974		Exc. Commercial Chassis
Brake Shoes	02 - 99	SDS656R	SX2157BDT-S36	13 x 3-1/2" Brake; Riveted

Rotor & Drum

Front Rotor & Drum	Years	Part No.	Qualifier
Brake Rotor	06 - 03	BD126036	8600-9600 GVW
Brake Rotor	05 - 03	BD125779	10000-12000 GVW
Brake Rotor	02 - 01	BD125471	Commercial Chassis; w/DRW
Brake Rotor	02 - 01	BD125765	Exc. Commercial Chassis; 2nd Design; Rotor Casting No.15769075
Brake Rotor	01	BD125212	Exc. Commercial Chassis; 1st Design; Rotor Casting No. 15649968
Brake Rotor	00 - 99	BD125471	w/DRW
Rear Rotor & Drum	Years	Part No.	Qualifier
Brake Drum	02 - 99	BD60356	13 x 3-1/2" Brake; w/DRW
Brake Rotor	06	BD125778	w/12-51/64" Dia. Rotor; 8 Stud Whl.; 4-53/64" Height
Brake Rotor	06	BD125657	w/13" Dia. Rotor; 8 Stud Whl.; w/4-53/64" Dia. Ctr. Pilot Hole
Brake Rotor	06	BD125656	w/13" Dia. Rotor; 8 Stud Whl.; w/4-5/8 Dia. Ctr. Pilot Hole
Brake Rotor	05 - 03	BD125778	Commercial Chassis; w/DRW; w/12-51/64" Dia. Rotor; 8 Stud Whl.; 4-53/64" Height
Brake Rotor	05 - 03	BD125657	Exc. Commercial Chassis; w/13" Dia. Rotor; 8 Stud Whl.; w/4-53/64" Dia. Ctr. Pilot Hole

Brake Hardware

Front Brake Hardware	Years	Sequential No.	Category No.	Qualifier
Caliper Bolt/Pin	06 - 03	F139700	(H5095)	
Caliper Bolt/Pin	02 - 99	F129642S	(H5062)	w/Floating Delco Caliper; w/DRW
Caliper Bolt/Pin	02 - 99	F73237S	(H5019)	w/Sliding Bendix Caliper
Disc Align Kit	02 - 99	F117225S	(H5584)	w/Floating Delco Caliper
Disc Align Kit	02 - 99	F107401S	(H5562)	w/Sliding Bendix Caliper
Rear Brake Hardware	Years	Sequential No.	Category No.	Qualifier
Adjuster Kit	02 - 99	F98406	(H2580)	L.H.; 13 x 2-1/2" Brake
Adjuster Kit	02 - 99	F98407	(H2581)	R.H.; 13 x 2-1/2" Brake
Adjuster Screw	02 - 99	F83294	(H1550)	L.H.; 13 x 2-1/2" Brake
Adjuster Screw	02 - 99	F83295	(H1551)	R.H.; 13 x 2-1/2" Brake
Caliper Bolt/Pin	06 - 03	F139370	(H5091)	
Combi Kit	02 - 99	F98457S	(H7055)	13 x 2-1/2" Brake
↳ Adjuster Spring Kit		F73145S	(H425)	
↳ Hold Down Kit		F113455S	(H4098)	
↳ Return Spring Kit		F59100S	(H600)	
Disc Align Kit	06 - 03	F140512	(H5678)	w/DRW
Pin Boot Kit	06 - 03	F140514	(H8240)	

↳ Sub-Kit of Combi-Kit is available separately.

3500 EXPRESS (cont.)

Brake Hardware (cont.)

<i>Parking Brake</i>	<i>Years</i>	<i>Sequential No.</i>	<i>Category No.</i>	<i>Qualifier</i>
Combi Kit	03	F139879	(H7242)	

Calipers - Reman

<i>Front, Loaded</i>	<i>Years</i>	<i>Left No.</i>	<i>Right No.</i>	<i>Qualifier</i>	<i>Piston</i>
Loaded Caliper	05 - 03	AS134558	AS134559	10000-12300 GVW	P
Loaded Caliper	02	AS120226	AS120227		M
Loaded Caliper	01 - 99	AS120226	AS120227	Cutaway; w/DRW; 139" WB	M
Loaded Caliper	01 - 99	AS120226	AS120227	Exc. 139" WB; Cutaway	M
Loaded Caliper	01 - 99	AS116294	AS116295	Exc. Cutaway; 3.16" 1-Piston Caliper	M

<i>Front, Unloaded</i>	<i>Years</i>	<i>Left No.</i>	<i>Right No.</i>	<i>Qualifier</i>	<i>Piston</i>
Unloaded Caliper	05 - 03	CR134558	CR134559	10000-12300 GVW	P
Unloaded Caliper	05 - 03	CRB134347	CRB134348	8600-9600 GVW; 2-Piston Caliper; Supplied w/Mtg. Brkt.	P
Unloaded Caliper	05 - 03	CR134347	CR134348	8600-9600 GVW; 2-Piston Caliper; Supplied w/o Mtg. Brkt.	P
Unloaded Caliper	02	CR120226	CR120227		M
Unloaded Caliper	01 - 99	CR120226	CR120227	Cutaway; w/DRW; 139" WB	M
Unloaded Caliper	01 - 99	CR120226	CR120227	Exc. 139" WB; Cutaway	M
Unloaded Caliper	01 - 99	CR116294	CR116295	Exc. Cutaway; 3.16" 1-Piston Caliper	M

Hydraulics - New

<i>Rear Wheel Cylinder</i>	<i>Years</i>	<i>Sequential No.</i>	<i>Category No.</i>	<i>Qualifier</i>
Wheel Cylinder	02 - 99	F79768	(WC79768)	w/DRW; 1-3/16" Bore

<i>Front Brake Hose</i>	<i>Years</i>	<i>Sequential No.</i>	<i>Category No.</i>	<i>Qualifier</i>
Brake Hose	02 - 01	F140498	(BH140498)	L.H.
Brake Hose	02 - 01	F140499	(BH140499)	R.H.
Brake Hose	00 - 99	F140498	(BH140498)	L.H.; w/DRW
Brake Hose	00 - 99	F140499	(BH140499)	R.H.; w/DRW

<i>Rear Brake Hose</i>	<i>Years</i>	<i>Sequential No.</i>	<i>Category No.</i>	<i>Qualifier</i>
Brake Hose	02 - 99	F118117	(BH118117)	

Hydraulics - Reman

<i>Master Cylinder</i>	<i>Years</i>	<i>Part No.</i>	<i>Qualifier</i>
Master Cylinder	02 - 99	R134626	

<i>Power Brake Booster</i>	<i>Years</i>	<i>Part No.</i>	<i>Qualifier</i>
Hydro Booster	01 - 99	527343	Diesel; w/DRW

Brake Cables

<i>Parking Brake Cable</i>	<i>Years</i>	<i>Sequential No.</i>	<i>Category No.</i>	<i>Qualifier</i>
Parking Brake Cable	02 - 99	F138836	(BC138836)	Forward; Exc. Cutaway
Parking Brake Cable	02 - 99	F138900	(BC138900)	Intermediate; 155" or 159" WB
Parking Brake Cable	02 - 99	F140240	(BC140240)	Intermediate; 177" WB; 37" Length

Wheel Attaching Hardware

<i>Front Wheel Stud</i>	<i>Years</i>	<i>Part No.</i>	<i>Qualifier</i>
Wheel Lug Stud	05 - 03	BD125960	
Wheel Lug Stud	02 - 99	BD61416	w/DRW; 14mm Bolt

<i>Rear Wheel Stud</i>	<i>Years</i>	<i>Part No.</i>	<i>Qualifier</i>
Wheel Lug Stud	05 - 03	BD125961	M14 x 1.5 x 28
Wheel Lug Stud	02 - 99	BD61403	w/DRW

<i>Front Wheel Nut</i>	<i>Years</i>	<i>Part No.</i>	<i>Qualifier</i>
Wheel Lug Nut	05 - 03	BD125998	Dome - Black
Wheel Lug Nut	05 - 03	BD125916	External Thread
Wheel Lug Nut	02 - 99	BD125926	External Thread; w/DRW

<i>Rear Wheel Nut</i>	<i>Years</i>	<i>Part No.</i>	<i>Qualifier</i>
Wheel Lug Nut	05 - 03	BD125998	Dome - Black
Wheel Lug Nut	05 - 03	BD125916	External Thread
Wheel Lug Nut	02 - 99	BD125926	External Thread; w/DRW

Piston: M - OE Metal Piston P - OE Phenolic Piston

Brake Pads & Shoes

Front Pads & Shoes	Years	SevereDuty	Lining No.	Qualifier
Brake Pads	06 - 03	SD784		
Brake Pads	02	SD459		
Brake Pads	01 - 99	SD459		w/DRW

Rear Pads & Shoes	Years	SevereDuty	Lining No.	Qualifier
Brake Pads	06 - 03	SD989		Commercial Chassis; w/DRW
Brake Pads	06 - 03	SD974		Exc. Commercial Chassis
Brake Shoes	02 - 99	SDS656R	SX2157BDT-S36	13 x 3-1/2" Brake; Riveted

Rotor & Drum

Front Rotor & Drum	Years	Part No.	Qualifier
Brake Rotor	06 - 03	BD126036	8600-9600 GVW
Brake Rotor	05 - 03	BD125779	10000-12000 GVW
Brake Rotor	02 - 01	BD125471	Commercial Chassis; w/DRW
Brake Rotor	02 - 01	BD125765	Exc. Commercial Chassis; 2nd Design; Rotor Casting No.15769075
Brake Rotor	01	BD125212	Exc. Commercial Chassis; 1st Design; Rotor Casting No. 15649968
Brake Rotor	00 - 99	BD125471	w/DRW

Rear Rotor & Drum	Years	Part No.	Qualifier
Brake Drum	02 - 99	BD60356	13 x 3-1/2" Brake; w/DRW
Brake Rotor	06	BD125778	w/12-51/64" Dia. Rotor; 8 Stud Whl.; 4-53/64" Height
Brake Rotor	06	BD125657	w/13" Dia. Rotor; 8 Stud Whl.; w/4-53/64" Dia. Ctr. Pilot Hole
Brake Rotor	06	BD125656	w/13" Dia. Rotor; 8 Stud Whl.; w/4-5/8 Dia. Ctr. Pilot Hole
Brake Rotor	05 - 03	BD125778	Commercial Chassis; w/DRW; w/12-51/64" Dia. Rotor; 8 Stud Whl.; 4-53/64" Height
Brake Rotor	05 - 03	BD125657	Exc. Commercial Chassis; w/13" Dia. Rotor; 8 Stud Whl.; w/4-53/64" Dia. Ctr. Pilot Hole

Brake Hardware

Front Brake Hardware	Years	Sequential No.	Category No.	Qualifier
Caliper Bolt/Pin	06 - 03	F139700	(H5095)	
Caliper Bolt/Pin	02 - 99	F129642S	(H5062)	w/Floating Delco Caliper; w/DRW
Caliper Bolt/Pin	02 - 99	F73237S	(H5019)	w/Sliding Bendix Caliper
Disc Align Kit	02 - 99	F117225S	(H5584)	w/Floating Delco Caliper
Disc Align Kit	02 - 99	F107401S	(H5562)	w/Sliding Bendix Caliper

Rear Brake Hardware	Years	Sequential No.	Category No.	Qualifier
Adjuster Kit	02 - 99	F98406	(H2580)	L.H.; 13 x 2-1/2" Brake
Adjuster Kit	02 - 99	F98407	(H2581)	R.H.; 13 x 2-1/2" Brake
Adjuster Screw	02 - 99	F83294	(H1550)	L.H.; 13 x 2-1/2" Brake
Adjuster Screw	02 - 99	F83295	(H1551)	R.H.; 13 x 2-1/2" Brake
Caliper Bolt/Pin	06 - 03	F139370	(H5091)	
Combi Kit	02 - 99	F98457S	(H7055)	13 x 2-1/2" Brake
↳Adjuster Spring Kit		F73145S	(H425)	
↳Hold Down Kit		F113455S	(H4098)	
↳Return Spring Kit		F59100S	(H600)	
Disc Align Kit	06 - 03	F140512	(H5678)	w/DRW
Pin Boot Kit	06 - 03	F140514	(H8240)	

Parking Brake	Years	Sequential No.	Category No.	Qualifier
Combi Kit	03	F139879	(H7242)	

Calipers - Reman

Front, Loaded	Years	Left No.	Right No.	Qualifier	Piston
Loaded Caliper	05 - 03	AS134558	AS134559	10000-12300 GVW	P
Loaded Caliper	02	AS120226	AS120227		M
Loaded Caliper	01 - 99	AS120226	AS120227	Cutaway; w/DRW; 139" WB	M
Loaded Caliper	01 - 99	AS120226	AS120227	Exc. 139" WB; Cutaway	M
Loaded Caliper	01 - 99	AS116294	AS116295	Exc. Cutaway; 3.16" 1-Piston Caliper	M

Front, Unloaded	Years	Left No.	Right No.	Qualifier	Piston
Unloaded Caliper	05 - 03	CR134558	CR134559	10000-12300 GVW	P
Unloaded Caliper	05 - 03	CRB134347	CRB134348	8600-9600 GVW; 2-Piston Caliper; Supplied w/Mtg. Brkt.	P
Unloaded Caliper	05 - 03	CR134347	CR134348	8600-9600 GVW; 2-Piston Caliper; Supplied w/o Mtg. Brkt.	P

↳Sub-Kit of Combi-Kit is available separately.

Piston: M - OE Metal Piston P - OE Phenolic Piston

MID BUS Type-A2 DW



3500 SAVANA (cont.)

Calipers - Reman (cont.)

Front, Unloaded	Years	Left No.	Right No.	Qualifier	Piston
Unloaded Caliper	02	CR120226	CR120227		M
Unloaded Caliper	01 - 99	CR120226	CR120227	Cutaway; w/DRW; 139" WB	M
Unloaded Caliper	01 - 99	CR120226	CR120227	Exc. 139" WB; Cutaway	M
Unloaded Caliper	01 - 99	CR116294	CR116295	Exc. Cutaway; 3.16" 1-Piston Caliper	M

Hydraulics - New

Rear Wheel Cylinder	Years	Sequential No.	Category No.	Qualifier
Wheel Cylinder	02 - 99	F79768	(WC79768)	w/DRW; 1-3/16" Bore

Front Brake Hose	Years	Sequential No.	Category No.	Qualifier
Brake Hose	02 - 01	F140498	(BH140498)	L.H.
Brake Hose	02 - 01	F140499	(BH140499)	R.H.
Brake Hose	00 - 99	F140498	(BH140498)	L.H.; w/DRW
Brake Hose	00 - 99	F140499	(BH140499)	R.H.; w/DRW

Rear Brake Hose	Years	Sequential No.	Category No.	Qualifier
Brake Hose	02 - 99	F118117	(BH118117)	

Hydraulics - Reman

Master Cylinder	Years	Part No.	Qualifier
Master Cylinder	02 - 99	R134626	

Power Brake Booster	Years	Part No.	Qualifier
Hydro Booster	01 - 99	527343	Diesel; w/DRW

Brake Cables

Parking Brake Cable	Years	Sequential No.	Category No.	Qualifier
Parking Brake Cable	02 - 99	F138836	(BC138836)	Forward; Exc. Cutaway
Parking Brake Cable	02 - 99	F138900	(BC138900)	Intermediate; 155" or 159" WB
Parking Brake Cable	02 - 99	F140240	(BC140240)	Intermediate; 177" WB; 37" Length

Wheel Attaching Hardware

Front Wheel Stud	Years	Part No.	Qualifier
Wheel Lug Stud	05 - 03	BD125960	
Wheel Lug Stud	02 - 99	BD61416	w/DRW; 14mm Bolt

Rear Wheel Stud	Years	Part No.	Qualifier
Wheel Lug Stud	05 - 03	BD125961	M14 x 1.5 x 28
Wheel Lug Stud	02 - 99	BD61403	w/DRW

Front Wheel Nut	Years	Part No.	Qualifier
Wheel Lug Nut	05 - 03	BD125998	Dome - Black
Wheel Lug Nut	05 - 03	BD125916	External Thread
Wheel Lug Nut	02 - 99	BD125926	External Thread; w/DRW

Rear Wheel Nut	Years	Part No.	Qualifier
Wheel Lug Nut	05 - 03	BD125998	Dome - Black
Wheel Lug Nut	05 - 03	BD125916	External Thread
Wheel Lug Nut	02 - 99	BD125926	External Thread; w/DRW

MID BUS Type-A2 SAB

350 ECONOLINE

Brake Pads & Shoes

Front Pads & Shoes	Years	SevereDuty	Lining No.	Qualifier
Brake Pads	06 - 95	SD655		
Brake Pads	94 - 92	SD557		
Brake Pads	91 - 81	SD450		

Rear Pads & Shoes	Years	SevereDuty	Lining No.	Qualifier
Brake Pads	06 - 99	SD802		
Brake Pads	98 - 97	SD411		
Brake Shoes	06 - 81	SDS358AR	EX2140TD	12 x 3; Riveted
Brake Shoes	98 - 87	SDS583R	EX2171TD	12-1/8 x 3-1/2; Riveted

Piston: M - OE Metal Piston P - OE Phenolic Piston

350 ECONOLINE (cont.)

Brake Pads & Shoes (cont.)

Parking Brake Shoes	Years	SevereDuty	Lining No.	Qualifier
Brake Shoes	03 - 99	SDS771	EX2192	Bonded

Rotor & Drum

Front Rotor & Drum	Years	Part No.	Qualifier
Brake Rotor	06 - 95	BD125629	w/DRW; w/2 Whl. ABS
Brake Rotor	06 - 95	BD125630	w/DRW; w/4 Whl. ABS
Brake Rotor	94 - 81	BD60468	w/DRW

Rear Rotor & Drum	Years	Part No.	Qualifier
Brake Drum	06 - 99	BD125692	12 x 3" Brake
Brake Drum	98 - 95	BD60793	12 x 3" Brake
Brake Drum	98 - 95	BD125385	12-1/8 x 3-1/2" Brake; 6340-7200 lb. RA
Brake Drum	98 - 95	BD60885	12-1/8 x 3-1/2" Brake; 7800-8000 lb. RA
Brake Drum	94 - 92	BD60885	12-1/8 x 3-1/2" Brake; w/DRW
Brake Drum	91 - 81	BD60330	12 x 3" Brake; w/DRW
Brake Drum	91 - 81	BD60885	12-1/8 x 3-1/2" Brake; w/DRW; Exc. 10-1/4" R.G.
Brake Drum	91 - 81	BD60885	12-1/8 x 3-1/2" Brake; w/DRW; w/10-1/4" R.G.
Brake Rotor	06 - 99	BD125701	w/DRW
Brake Rotor	98 - 97	BD125550	

Brake Hardware

Front Brake Hardware	Years	Sequential No.	Category No.	Qualifier
Caliper Bolt/Pin	06 - 95	F126899S	(H5061)	
Caliper Bolt/Pin	94 - 92	F130379S	(H5068)	
Caliper Bolt/Pin	91 - 86	F111231S	(H5031)	
Caliper Bolt/Pin	85 - 82	F102554S	(H5010C)	
Disc Align Kit	05 - 95	F132611S	(H5602)	
Disc Align Kit	94 - 92	F130266S	(H5445)	
Disc Align Kit	91 - 86	F114477	(H5572)	
Disc Align Kit	85 - 81	F97900	(H5529)	
Pin Boot Kit	01 - 95	F117215S	(H18000C)	
Pin Boot Kit	94 - 92	F130393S	(H8211)	

Rear Brake Hardware	Years	Sequential No.	Category No.	Qualifier
Adjuster Kit	05 - 81	F98416	(H2588)	L.H.
Adjuster Kit	05 - 81	F98417	(H2589)	R.H.
Adjuster Screw	05 - 81	F79799	(H1534)	L.H.
Adjuster Screw	05 - 81	F79800	(H1535)	R.H.
Caliper Bolt/Pin	06 - 99	F126899S	(H5061)	
Combi Kit	06 - 81	F102555	(H7164)	12 x 3" Brake
↳Adjuster Spring Kit		F106695	(H446)	
↳Return Spring Kit		F67455	(H546)	
Combi Kit	98 - 87	F117217	(H7197)	12-1/8 x 3-1/2" Brake
↳Adjuster Spring Kit		F73105	(H430)	
↳Return Spring Kit		F67455	(H546)	
Disc Align Kit	05 - 99	F138118S	(H5616)	
Pin Boot Kit	05 - 99	F139361	(H8227)	

Parking Brake	Years	Sequential No.	Category No.	Qualifier
Adjuster Screw	03 - 00	F139719	(H1594)	L.H.
Adjuster Screw	03 - 00	F139719	(H1594)	R.H.

Calipers - Reman

Front, Loaded	Years	Left No.	Right No.	Qualifier	Piston
Loaded Caliper	99	AS133118	AS133119	To 5/18/99	P
Loaded Caliper	98 - 95	AS133118	AS133119		P
Loaded Caliper	94 - 92	AS128780	AS128781		P
Loaded Caliper	94 - 92	AS128780S	AS128781S		O
Loaded Caliper	91 - 89	AS128856	AS128857		P
Loaded Caliper	88 - 86	AS116931	AS116932		P
Loaded Caliper	85 - 81	AS102430	AS102431	2-Piston Caliper	M

↳Sub-Kit of Combi-Kit is available separately.

Piston: M - OE Metal Piston P - OE Phenolic Piston O - Metal Piston Option

350 ECONOLINE (cont.)

Calipers - Reman (cont.)

<i>Rear, Loaded</i>	<i>Years</i>	<i>Left No.</i>	<i>Right No.</i>	<i>Qualifier</i>	<i>Piston</i>
Loaded Caliper	05 - 99	AS134357	AS134358		P

<i>Front, Unloaded</i>	<i>Years</i>	<i>Left No.</i>	<i>Right No.</i>	<i>Qualifier</i>	<i>Piston</i>
Unloaded Caliper	05 - 00	CRB134508	CRB134509	Supplied w/Mtg. Brkt.	P
Unloaded Caliper	05 - 00	CR134508	CR134509	Supplied w/o Mtg. Brkt.	P
Unloaded Caliper	99	CRB134508	CRB134509	From 5/18/99; Supplied w/Mtg. Brkt.	P
Unloaded Caliper	99	CR134508	CR134509	From 5/18/99; Supplied w/o Mtg. Brkt.	P
Unloaded Caliper	99	CRB133118	CRB133119	To 5/18/99; Supplied w/Mtg. Brkt.	P
Unloaded Caliper	99	CRB133118S	CRB133119S	To 5/18/99; Supplied w/Mtg. Brkt.	O
Unloaded Caliper	99	CR133118	CR133119	To 5/18/99; Supplied w/o Mtg. Brkt.	P
Unloaded Caliper	99	CR133118S	CR133119S	To 5/18/99; Supplied w/o Mtg. Brkt.	O
Unloaded Caliper	98 - 95	CRB133118	CRB133119	Supplied w/Mtg. Brkt.	P
Unloaded Caliper	98 - 95	CRB133118S	CRB133119S	Supplied w/Mtg. Brkt.	O
Unloaded Caliper	98 - 95	CR133118	CR133119	Supplied w/o Mtg. Brkt.	P
Unloaded Caliper	98 - 95	CR133118S	CR133119S	Supplied w/o Mtg. Brkt.	O
Unloaded Caliper	94 - 92	CR128780	CR128781		P
Unloaded Caliper	94 - 92	CR128780S	CR128781S		O
Unloaded Caliper	91 - 89	CR128856	CR128857		P
Unloaded Caliper	88 - 86	CR116931	CR116932		P
Unloaded Caliper	85 - 81	CR102430	CR102431	2-Piston Caliper	M

<i>Rear, Unloaded</i>	<i>Years</i>	<i>Left No.</i>	<i>Right No.</i>	<i>Qualifier</i>	<i>Piston</i>
Unloaded Caliper	05 - 99	CRB134358	CRB134357	Supplied w/Mtg. Brkt.	P
Unloaded Caliper	05 - 99	CR134358	CR134357	Supplied w/o Mtg. Brkt.	P

Hydraulics - New

<i>Master Cylinder</i>	<i>Years</i>	<i>Sequential No.</i>	<i>Category No.</i>	<i>Qualifier</i>
Master Cylinder	06 - 02	F140463	(MC140463)	w/Cruise Control; 1-5/16" Bore
Master Cylinder	06 - 02	F134457	(MC134457)	w/o Cruise Control; 1-5/16" Bore
Master Cylinder	01 - 99	F140463	(MC140463)	Exc. Super Duty; w/Cruise Control; 1-5/16" Bore
Master Cylinder	01 - 99	F134457	(MC134457)	Exc. Super Duty; w/o Cruise Control; 1-5/16" Bore
Master Cylinder	01 - 99	F134465	(MC134465)	Super Duty; 1-5/16" Bore
Master Cylinder	98	F140462	(MC140462)	From 12/22/97; w/Cruise Control; 1-1/4" Bore
Master Cylinder	98	F134457	(MC134457)	From 12/22/97; w/o Cruise Control; 1-5/16" Bore
Master Cylinder	97	F131212	(MC131212)	To 12/21/97; w/Hydro-Boost; w/o Cruise Control; 1-5/16" Bore
Master Cylinder	97	F140462	(MC140462)	To 12/21/97; w/Vacuum Boost; w/Cruise Control; 1-1/4" Bore
Master Cylinder	96	F131212	(MC131212)	Commercial Chassis; w/Hydro-Boost; 1-5/16" Bore
Master Cylinder	96	F131306	(MC131306)	Commercial Chassis; w/Vacuum Boost; w/Cruise Control; 1-1/8" Bore
Master Cylinder	96	F120368	(MC120368)	Commercial Chassis; w/Vacuum Boost; w/o Cruise Control; 1-1/8" Bore
Master Cylinder	96	F131211	(MC131211)	Exc. Commercial Chassis; w/Vacuum Boost; w/Cruise Control; 1-1/8" Bore
Master Cylinder	96	F120368	(MC120368)	Exc. Commercial Chassis; w/Vacuum Boost; w/o Cruise Control; 1-1/8" Bore
Master Cylinder	95 - 94	F131306	(MC131306)	Commercial Chassis; w/Cruise Control; 1-1/8" Bore
Master Cylinder	95 - 94	F131211	(MC131211)	Exc. Commercial Chassis; w/Cruise Control; 1-1/8" Bore
Master Cylinder	95 - 94	F120368	(MC120368)	Exc. Commercial Chassis; w/o Cruise Control; 1-1/8" Bore
Master Cylinder	93	F120368	(MC120368)	1-1/8" Bore
Master Cylinder	92	F129286	(MC129286)	w/DRW; 1-1/8" Bore
Master Cylinder	91 - 87	F120368	(MC120368)	1-1/8" Bore
Master Cylinder	86 - 84	F110919	(MC110919)	1-1/8" Bore
Master Cylinder	83 - 81	F97938	(MC97938)	1-1/16" Bore

<i>Rear Wheel Cylinder</i>	<i>Years</i>	<i>Sequential No.</i>	<i>Category No.</i>	<i>Qualifier</i>
Wheel Cylinder	06 - 95	F113757	(WC113757)	L.H.; w/DRW; 1-3/16" Bore
Wheel Cylinder	06 - 95	F113758	(WC113758)	R.H.; w/DRW; 1-3/16" Bore
Wheel Cylinder	94 - 92	F113757	(WC113757)	L.H.; w/DRW; 12 x 3" Brake; 1-3/16" Bore
Wheel Cylinder	94 - 92	F35325	(WC35325)	L.H.; w/DRW; 12 x 3-1/2" Brake; 1-1/8" Bore
Wheel Cylinder	94 - 92	F113758	(WC113758)	R.H.; w/DRW; 12 x 3" Brake; 1-3/16" Bore
Wheel Cylinder	94 - 92	F35326	(WC35326)	R.H.; w/DRW; 12 x 3-1/2" Brake; 1-1/8" Bore
Wheel Cylinder	91 - 84	F35325	(WC35325)	L.H.; w/DRW; 1-1/8" Bore
Wheel Cylinder	91 - 84	F35326	(WC35326)	R.H.; w/DRW; 1-1/8" Bore

Piston: M - OE Metal Piston P - OE Phenolic Piston O - Metal Piston Option

350 ECONOLINE (cont.)
Hydraulics - New (cont.)

Rear Wheel Cylinder	Years	Sequential No.	Category No.	Qualifier
Wheel Cylinder	83 - 81	F57146	(WC57146)	L.H.; School Bus; 1" Bore
Wheel Cylinder	83 - 81	F57147	(WC57147)	R.H.; School Bus; 1" Bore
Wheel Cylinder	81	F18984	(WC18984)	L.H.; Exc. School Bus; 1-1/16" Bore
Wheel Cylinder	81	F18985	(WC18985)	R.H.; Exc. School Bus; 1-1/16" Bore
Clutch Master Cylind	Years	Sequential No.	Category No.	Qualifier
Clutch Master Cylinder	99 - 92	F118415	(CM118415)	Chassis Cab; 7/8" Bore
Clutch Master Cylinder	99 - 92	F117053	(CM117053)	Stripped Chassis; 7/8" Bore
Clutch Master Cylinder	91 - 90	F118415	(CM118415)	Chassis Cab; w/Dual Piston Caliper; 7/8" Bore
Clutch Master Cylinder	91 - 90	F117053	(CM117053)	Stripped Chassis; w/Dual Piston Caliper; 7/8" Bore
Clutch Master Cylinder	89 - 88	F118415	(CM118415)	Chassis Cab; 7/8" Bore
Clutch Master Cylinder	89 - 88	F110269	(CM110269)	Exc. Chassis Cab; 7/8" Bore
Clutch Master Cylinder	87 - 84	F110269	(CM110269)	7/8" Bore
Clutch Slave Cylinder	Years	Sequential No.	Category No.	Qualifier
Clutch Slave Cylinder	97 - 84	F103485	(SC103485)	1" Bore
Clutch Slave Cylinder	89 - 88	F126890	(SC126890)	1-1/32" Bore
Front Brake Hose	Years	Sequential No.	Category No.	Qualifier
Brake Hose	02 - 95	F132754	(BH132754)	L.H.; w/2 Whl. ABS
Brake Hose	02 - 95	F133395	(BH133395)	L.H.; w/4 Whl. ABS
Brake Hose	02 - 95	F132773	(BH132773)	R.H.; w/2 Whl. ABS
Brake Hose	02 - 95	F132773	(BH132773)	R.H.; w/4 Whl. ABS
Brake Hose	94 - 93	F132196	(BH132196)	L.H.; w/2 Whl. ABS
Brake Hose	94 - 93	F132195	(BH132195)	L.H.; w/4 Whl. ABS
Brake Hose	94 - 93	F133813	(BH133813)	R.H.; w/2 Whl. ABS
Brake Hose	94 - 93	F133813	(BH133813)	R.H.; w/4 Whl. ABS
Brake Hose	92	F130430	(BH130430)	L.H.; w/Dual Piston Caliper
Brake Hose	92	F132298	(BH132298)	R.H.; w/Dual Piston Caliper
Brake Hose	91 - 82	F107255	(BH107255)	L.H.
Brake Hose	91 - 82	F106365	(BH106365)	R.H.
Brake Hose	81	F107255	(BH107255)	L.H.; From 2/02/81
Brake Hose	81	F102474	(BH102474)	L.H.; To 2/02/81
Brake Hose	81	F106365	(BH106365)	R.H.; From 2/02/81
Brake Hose	81	F106365	(BH106365)	R.H.; To 2/02/81
Rear Brake Hose	Years	Sequential No.	Category No.	Qualifier
Brake Hose	05 - 92	F133837	(BH133837)	
Brake Hose	91 - 90	F128682	(BH128682)	
Brake Hose	89 - 86	F120872	(BH120872)	
Brake Hose	85	F120872	(BH120872)	From 3/01/85
Brake Hose	85	F119385	(BH119385)	To 2/28/85
Brake Hose	84 - 81	F119385	(BH119385)	

Hydraulics - Reman

Master Cylinder	Years	Part No.	Qualifier
Master Cylinder	03 - 01	R134795	w/Cruise; Booster I.D. No. 2C242B559KA
Master Cylinder	03 - 00	R134796	w/o Cruise; Booster I.D. No. XC252B559PC
Master Cylinder	00	R134795	w/Cruise; Booster I.D. No. XC252B559EC
Master Cylinder	00	R134713	w/o Cruise; Booster I.D. No. XC252B559DB
Master Cylinder	99	R134797	To 5/02/99; w/Hydro Boost
Master Cylinder	99	R134795	w/Vacuum Boost; w/Cruise
Master Cylinder	99	R134796	w/Vacuum Boost; w/o Cruise
Master Cylinder	98 - 97	R134709	w/Cruise; w/DRW
Master Cylinder	98 - 97	R134629	w/o Cruise; Cutaway or Stripped Chassis
Master Cylinder	98 - 97	R134713	w/o Cruise; Exc. Cutaway or Stripped Chassis
Master Cylinder	96 - 93	R131306	w/Cruise
Master Cylinder	96 - 93	R120368	w/o Cruise
Master Cylinder	92	R129285	
Master Cylinder	91 - 87	R120368	

350 ECONOLINE (cont.)

Hydraulics - Reman (cont.)

Master Cylinder	Years	Part No.	Qualifier
Master Cylinder	86 - 84	R110919	
Master Cylinder	83 - 81	R97938	
Power Brake Booster	Years	Part No.	Qualifier
Power Brake Booster	04	5474419	From I.D. No. 3C242B559CC; Gas; w/o Master Cylinder; w/Cruise
Power Brake Booster	03 - 01	5474419	Gas; w/o Master Cylinder
Power Brake Booster	00 - 99	5474419	Gas; w/o Master Cylinder; Cutaway
Power Brake Booster	00 - 99	5474418	Gas; w/o Master Cylinder; Exc. Cutaway
Power Brake Booster	98 - 97	5474412	Gas; w/o Master Cylinder
Power Brake Booster	96 - 94	504403	Gas; w/Master Cylinder; w/Cruise; Incl. Pump/Motor; Also Avail. Separately
Power Brake Booster	96 - 94	504407	Gas; w/Master Cylinder; w/o Cruise
Power Brake Booster	96 - 92	5474402	Gas; w/o Master Cylinder
Power Brake Booster	93	504407	Gas; w/Master Cylinder
Power Brake Booster	92	504402	Gas; w/Master Cylinder
Power Brake Booster	91 - 90	503321	Gas; w/Master Cylinder; Cutaway
Power Brake Booster	91 - 90	504401	Gas; w/Master Cylinder; Exc. Cutaway
Power Brake Booster	91 - 90	5474401	Gas; w/o Master Cylinder; Exc. Cutaway
Power Brake Booster	89 - 87	504401	Gas; w/Master Cylinder
Power Brake Booster	89 - 87	5474401	Gas; w/o Master Cylinder
Power Brake Booster	86 - 84	509336	Gas; w/Master Cylinder
Power Brake Booster	86 - 84	5473357	Gas; w/o Master Cylinder
Power Brake Booster	83 - 81	503312	Gas; w/Master Cylinder
Power Brake Booster	83 - 81	5473312	Gas; w/o Master Cylinder

Brake Cables

Parking Brake Cable	Years	Sequential No.	Category No.	Qualifier
Parking Brake Cable	04 - 97	F140373	(BC140373)	Rear; R.H.; 158" or 176" WB; RV Cutaway; 123" Length
Parking Brake Cable	98	F138822	(BC138822)	Forward; Exc. Stripped Chassis
Parking Brake Cable	98	F139252	(BC139252)	Intermediate; 138" WB; Stripped Chassis
Parking Brake Cable	97 - 95	F133084	(BC133084)	Forward
Parking Brake Cable	97	F139252	(BC139252)	Intermediate; 138" WB
Parking Brake Cable	97	F140390	(BC140390)	Intermediate; 158" WB; 36" Length
Parking Brake Cable	97 - 95	F133086	(BC133086)	Rear; L.H.; 8000 lb. RA
Parking Brake Cable	97 - 95	F133088	(BC133088)	Rear; L.H.; Exc. 8000 lb. RA
Parking Brake Cable	97 - 95	F133085	(BC133085)	Rear; R.H.; 8000 lb. RA
Parking Brake Cable	97 - 95	F133087	(BC133087)	Rear; R.H.; Exc. 8000 lb. RA
Parking Brake Cable	96	F133083	(BC133083)	Intermediate; 138" WB; Exc. Stripped Chassis
Parking Brake Cable	96	F139252	(BC139252)	Intermediate; 138" WB; Stripped Chassis
Parking Brake Cable	95	F133083	(BC133083)	Intermediate; 138" WB
Parking Brake Cable	95	F140391	(BC140391)	Intermediate; 176" WB; 69" Length
Parking Brake Cable	94 - 92	F132452	(BC132452)	Forward; Commercial Chassis
Parking Brake Cable	94 - 92	F132082	(BC132082)	Forward; Exc. Commercial Chassis; Exc. Stripped Chassis
Parking Brake Cable	94 - 92	F132083	(BC132083)	Forward; Stripped Chassis
Parking Brake Cable	94 - 92	F132449	(BC132449)	Intermediate; 138" WB
Parking Brake Cable	94 - 92	F132450	(BC132450)	Intermediate; 158" WB
Parking Brake Cable	94 - 92	F132451	(BC132451)	Intermediate; 176" WB
Parking Brake Cable	94 - 92	F132084	(BC132084)	Rear; L.H.; 5300-5400 lb. RA
Parking Brake Cable	94 - 92	F133086	(BC133086)	Rear; L.H.; 6300-7800 lb. RA
Parking Brake Cable	94 - 92	F133086	(BC133086)	Rear; L.H.; 8000-8500 lb. RA
Parking Brake Cable	94 - 92	F132085	(BC132085)	Rear; R.H.; 5300-5400 lb. RA
Parking Brake Cable	94 - 92	F132087	(BC132087)	Rear; R.H.; 6300-7800 lb. RA
Parking Brake Cable	94 - 92	F132088	(BC132088)	Rear; R.H.; 8000-8500 lb. RA
Parking Brake Cable	91 - 88	F120903	(BC120903)	Forward; 138" WB; Exc. Stripped Chassis
Parking Brake Cable	91 - 88	F116497	(BC116497)	Forward; 138" WB; Stripped Chassis
Parking Brake Cable	91 - 88	F120905	(BC120905)	Forward; 158" WB; Exc. Stripped Chassis
Parking Brake Cable	91 - 88	F116496	(BC116496)	Forward; 158" WB; Stripped Chassis
Parking Brake Cable	91	F120906	(BC120906)	Forward; 176" WB

350 ECONOLINE (cont.)
Brake Cables (cont.)

Parking Brake Cable	Years	Sequential No.	Category No.	Qualifier
Parking Brake Cable	91 - 81	F109060	(BC109060)	Rear; L.H.
Parking Brake Cable	91 - 81	F109059	(BC109059)	Rear; R.H.
Parking Brake Cable	90 - 81	F129204	(BC129204)	Forward; 176" WB
Parking Brake Cable	87 - 81	F102663	(BC102663)	Forward; Exc. Stripped Chassis; 138" WB
Parking Brake Cable	87 - 81	F109063	(BC109063)	Forward; Exc. Stripped Chassis; 158" WB
Parking Brake Cable	87 - 81	F116497	(BC116497)	Forward; Stripped Chassis; 138" WB
Parking Brake Cable	87 - 81	F116496	(BC116496)	Forward; Stripped Chassis; 158" WB

ABS Components - Reman

ABS Module	Years	Part No.	Qualifier
ABS Module	96 - 94	RA121022	w/DRW; w/2 Whl. ABS
ABS Module	93 - 92	RA121022	w/DRW
ABS Module	91 - 90	RA121018	w/DRW

ABS Hydraulic Unit	Years	Part No.	Qualifier
ABS Hydraulic Unit	96 - 95	RA122061	w/2 Whl. ABS
ABS Hydraulic Unit	94 - 90	RA122024	

Wheel Attaching Hardware

Front Wheel Stud	Years	Part No.	Qualifier
Wheel Lug Stud	05 - 85	BD61164	
Wheel Lug Stud	84	BD60931	From 1/01/84; w/DRW
Wheel Lug Stud	84	BD61164	To 12/31/83; w/DRW
Wheel Lug Stud	83 - 81	BD60931	w/DRW

Rear Wheel Stud	Years	Part No.	Qualifier
Wheel Lug Stud	05 - 90	BD61175	
Wheel Lug Stud	94 - 90	BD61175	w/DRW
Wheel Lug Stud	89 - 87	BD61163	w/DRW; w/12 x 3" Drum
Wheel Lug Stud	89 - 87	BD61175	w/DRW; w/12-1/8 x 3-1/2" Drum
Wheel Lug Stud	86 - 85	BD61163	From 1/01/84; w/DRW
Wheel Lug Stud	84 - 81	BD60984	R.H. Thread; w/DRW
Wheel Lug Stud	84	BD60985	To 12/31/83; L.H. Thread; w/DRW
Wheel Lug Stud	84	BD61163	To 12/31/83; w/DRW
Wheel Lug Stud	83 - 81	BD60985	L.H. Thread; w/DRW

Front Wheel Nut	Years	Part No.	Qualifier
Wheel Lug Nut	05 - 92	BD125925	Flat Faced Open; w/DRW
Wheel Lug Nut	91 - 85	BD61169	From 1/01/84; Flat Faced Open; w/DRW
Wheel Lug Nut	84 - 81	BD60933	Std. Open; w/DRW
Wheel Lug Nut	84	BD61169	To 12/31/83; Flat Faced Open; w/DRW

Rear Wheel Nut	Years	Part No.	Qualifier
Wheel Lug Nut	05 - 92	BD125925	Flat Faced Open; w/DRW
Wheel Lug Nut	91 - 84	BD61169	Flat Faced Open; w/DRW
Wheel Lug Nut	84 - 81	BD61296	L.H. Thread; Std. Open; w/DRW
Wheel Lug Nut	84 - 81	BD60933	R.H. Thread; Std. Open; w/DRW

3500 EXPRESS
Brake Pads & Shoes

Front Pads & Shoes	Years	SevereDuty	Lining No.	Qualifier
Brake Pads	06 - 03	SD784		
Brake Pads	02	SD459		
Brake Pads	01 - 99	SD459		w/DRW

Rear Pads & Shoes	Years	SevereDuty	Lining No.	Qualifier
Brake Pads	06 - 03	SD989		Commercial Chassis; w/DRW
Brake Pads	06 - 03	SD974		Exc. Commercial Chassis
Brake Shoes	02 - 99	SDS656R	SX2157BDT-S36	13 x 3-1/2" Brake; Riveted

3500 EXPRESS (cont.)

Rotor & Drum

Front Rotor & Drum	Years	Part No.	Qualifier
Brake Rotor	06 - 03	BD126036	8600-9600 GVW
Brake Rotor	05 - 03	BD125779	10000-12000 GVW
Brake Rotor	02 - 01	BD125471	Commercial Chassis; w/DRW
Brake Rotor	02 - 01	BD125765	Exc. Commercial Chassis; 2nd Design; Rotor Casting No.15769075
Brake Rotor	01	BD125212	Exc. Commercial Chassis; 1st Design; Rotor Casting No. 15649968
Brake Rotor	00 - 99	BD125471	w/DRW

Rear Rotor & Drum	Years	Part No.	Qualifier
Brake Drum	02 - 99	BD60356	13 x 3-1/2" Brake; w/DRW
Brake Rotor	06	BD125778	w/12-51/64" Dia. Rotor; 8 Stud Whl.; 4-53/64" Height
Brake Rotor	06	BD125657	w/13" Dia. Rotor; 8 Stud Whl.; w/4-53/64" Dia. Ctr. Pilot Hole
Brake Rotor	06	BD125656	w/13" Dia. Rotor; 8 Stud Whl.; w/4-5/8 Dia. Ctr. Pilot Hole
Brake Rotor	05 - 03	BD125778	Commercial Chassis; w/DRW; w/12-51/64" Dia. Rotor; 8 Stud Whl.; 4-53/64" Height
Brake Rotor	05 - 03	BD125657	Exc. Commercial Chassis; w/13" Dia. Rotor; 8 Stud Whl.; w/4-53/64" Dia. Ctr. Pilot Hole

Brake Hardware

Front Brake Hardware	Years	Sequential No.	Category No.	Qualifier
Caliper Bolt/Pin	06 - 03	F139700	(H5095)	
Caliper Bolt/Pin	02 - 99	F129642S	(H5062)	w/Floating Delco Caliper; w/DRW
Caliper Bolt/Pin	02 - 99	F73237S	(H5019)	w/Sliding Bendix Caliper
Disc Align Kit	02 - 99	F117225S	(H5584)	w/Floating Delco Caliper
Disc Align Kit	02 - 99	F107401S	(H5562)	w/Sliding Bendix Caliper

Rear Brake Hardware	Years	Sequential No.	Category No.	Qualifier
Adjuster Kit	02 - 99	F98406	(H2580)	L.H.; 13 x 2-1/2" Brake
Adjuster Kit	02 - 99	F98407	(H2581)	R.H.; 13 x 2-1/2" Brake
Adjuster Screw	02 - 99	F83294	(H1550)	L.H.; 13 x 2-1/2" Brake
Adjuster Screw	02 - 99	F83295	(H1551)	R.H.; 13 x 2-1/2" Brake
Caliper Bolt/Pin	06 - 03	F139370	(H5091)	
Combi Kit	02 - 99	F98457S	(H7055)	13 x 2-1/2" Brake
↳Adjuster Spring Kit		F73145S	(H425)	
↳Hold Down Kit		F113455S	(H4098)	
↳Return Spring Kit		F59100S	(H600)	
Disc Align Kit	06 - 03	F140512	(H5678)	w/DRW
Pin Boot Kit	06 - 03	F140514	(H8240)	

Parking Brake	Years	Sequential No.	Category No.	Qualifier
Combi Kit	03	F139879	(H7242)	

Calipers - Reman

Front, Loaded	Years	Left No.	Right No.	Qualifier	Piston
Loaded Caliper	05 - 03	AS134558	AS134559	10000-12300 GVW	P
Loaded Caliper	02	AS120226	AS120227		M
Loaded Caliper	01 - 99	AS120226	AS120227	Cutaway; w/DRW; 139" WB	M
Loaded Caliper	01 - 99	AS120226	AS120227	Exc. 139" WB; Cutaway	M
Loaded Caliper	01 - 99	AS116294	AS116295	Exc. Cutaway; 3.16" 1-Piston Caliper	M

Front, Unloaded	Years	Left No.	Right No.	Qualifier	Piston
Unloaded Caliper	05 - 03	CR134558	CR134559	10000-12300 GVW	P
Unloaded Caliper	05 - 03	CRB134347	CRB134348	8600-9600 GVW; 2-Piston Caliper; Supplied w/Mtg. Brkt.	P
Unloaded Caliper	05 - 03	CR134347	CR134348	8600-9600 GVW; 2-Piston Caliper; Supplied w/o Mtg. Brkt.	P
Unloaded Caliper	02	CR120226	CR120227		M
Unloaded Caliper	01 - 99	CR120226	CR120227	Cutaway; w/DRW; 139" WB	M
Unloaded Caliper	01 - 99	CR120226	CR120227	Exc. 139" WB; Cutaway	M
Unloaded Caliper	01 - 99	CR116294	CR116295	Exc. Cutaway; 3.16" 1-Piston Caliper	M

Hydraulics - New

Rear Wheel Cylinder	Years	Sequential No.	Category No.	Qualifier
Wheel Cylinder	02 - 99	F79768	(WC79768)	w/DRW; 1-3/16" Bore

Front Brake Hose	Years	Sequential No.	Category No.	Qualifier
Brake Hose	02 - 01	F140498	(BH140498)	L.H.

↳Sub-Kit of Combi-Kit is available separately.

Piston: M - OE Metal Piston P - OE Phenolic Piston

3500 EXPRESS (cont.)
Hydraulics - New (cont.)

Front Brake Hose	Years	Sequential No.	Category No.	Qualifier
Brake Hose	02 - 01	F140499	(BH140499)	R.H.
Brake Hose	00 - 99	F140498	(BH140498)	L.H.; w/DRW
Brake Hose	00 - 99	F140499	(BH140499)	R.H.; w/DRW
Rear Brake Hose	Years	Sequential No.	Category No.	Qualifier
Brake Hose	02 - 99	F118117	(BH118117)	

Hydraulics - Reman

Master Cylinder	Years	Part No.	Qualifier
Master Cylinder	02 - 99	R134626	
Power Brake Booster	Years	Part No.	Qualifier
Hydro Booster	01 - 99	527343	Diesel; w/DRW

Brake Cables

Parking Brake Cable	Years	Sequential No.	Category No.	Qualifier
Parking Brake Cable	02 - 99	F138836	(BC138836)	Forward; Exc. Cutaway
Parking Brake Cable	02 - 99	F138900	(BC138900)	Intermediate; 155" or 159" WB
Parking Brake Cable	02 - 99	F140240	(BC140240)	Intermediate; 177" WB; 37" Length

Wheel Attaching Hardware

Front Wheel Stud	Years	Part No.	Qualifier
Wheel Lug Stud	05 - 03	BD125960	
Wheel Lug Stud	02 - 99	BD61416	w/DRW; 14mm Bolt
Rear Wheel Stud	Years	Part No.	Qualifier
Wheel Lug Stud	05 - 03	BD125961	M14 x 1.5 x 28
Wheel Lug Stud	02 - 99	BD61403	w/DRW
Front Wheel Nut	Years	Part No.	Qualifier
Wheel Lug Nut	05 - 03	BD125998	Dome - Black
Wheel Lug Nut	05 - 03	BD125916	External Thread
Wheel Lug Nut	02 - 99	BD125926	External Thread; w/DRW
Rear Wheel Nut	Years	Part No.	Qualifier
Wheel Lug Nut	05 - 03	BD125998	Dome - Black
Wheel Lug Nut	05 - 03	BD125916	External Thread
Wheel Lug Nut	02 - 99	BD125926	External Thread; w/DRW

3500 SAVANA
Brake Pads & Shoes

Front Pads & Shoes	Years	SevereDuty	Lining No.	Qualifier
Brake Pads	06 - 03	SD784		
Brake Pads	02	SD459		
Brake Pads	01 - 99	SD459		w/DRW
Rear Pads & Shoes	Years	SevereDuty	Lining No.	Qualifier
Brake Pads	06 - 03	SD989		Commercial Chassis; w/DRW
Brake Pads	06 - 03	SD974		Exc. Commercial Chassis
Brake Shoes	02 - 99	SDS656R	SX2157BDT-S36	13 x 3-1/2" Brake; Riveted

Rotor & Drum

Front Rotor & Drum	Years	Part No.	Qualifier
Brake Rotor	06 - 03	BD126036	8600-9600 GVW
Brake Rotor	05 - 03	BD125779	10000-12000 GVW
Brake Rotor	02 - 01	BD125471	Commercial Chassis; w/DRW
Brake Rotor	02 - 01	BD125765	Exc. Commercial Chassis; 2nd Design; Rotor Casting No.15769075
Brake Rotor	01	BD125212	Exc. Commercial Chassis; 1st Design; Rotor Casting No. 15649968
Brake Rotor	00 - 99	BD125471	w/DRW
Rear Rotor & Drum	Years	Part No.	Qualifier
Brake Drum	02 - 99	BD60356	13 x 3-1/2" Brake; w/DRW
Brake Rotor	06	BD125778	w/12-51/64" Dia. Rotor; 8 Stud Whl.; 4-53/64" Height
Brake Rotor	06	BD125657	w/13" Dia. Rotor; 8 Stud Whl.; w/4-53/64" Dia. Ctr. Pilot Hole
Brake Rotor	06	BD125656	w/13" Dia. Rotor; 8 Stud Whl.; w/4-5/8 Dia. Ctr. Pilot Hole

3500 SAVANA (cont.)

Rotor & Drum (cont.)

Rear Rotor & Drum	Years	Part No.	Qualifier
Brake Rotor	05 - 03	BD125778	Commercial Chassis; w/DRW; w/12-51/64" Dia. Rotor; 8 Stud Whl.; 4-53/64" Height
Brake Rotor	05 - 03	BD125657	Exc. Commercial Chassis; w/13" Dia. Rotor; 8 Stud Whl.; w/4-53/64" Dia. Ctr. Pilot Hole

Brake Hardware

Front Brake Hardware	Years	Sequential No.	Category No.	Qualifier
Caliper Bolt/Pin	06 - 03	F139700	(H5095)	
Caliper Bolt/Pin	02 - 99	F129642S	(H5062)	w/Floating Delco Caliper; w/DRW
Caliper Bolt/Pin	02 - 99	F73237S	(H5019)	w/Sliding Bendix Caliper
Disc Align Kit	02 - 99	F117225S	(H5584)	w/Floating Delco Caliper
Disc Align Kit	02 - 99	F107401S	(H5562)	w/Sliding Bendix Caliper

Rear Brake Hardware	Years	Sequential No.	Category No.	Qualifier
Adjuster Kit	02 - 99	F98406	(H2580)	L.H.; 13 x 2-1/2" Brake
Adjuster Kit	02 - 99	F98407	(H2581)	R.H.; 13 x 2-1/2" Brake
Adjuster Screw	02 - 99	F83294	(H1550)	L.H.; 13 x 2-1/2" Brake
Adjuster Screw	02 - 99	F83295	(H1551)	R.H.; 13 x 2-1/2" Brake
Caliper Bolt/Pin	06 - 03	F139370	(H5091)	
Combi Kit	02 - 99	F98457S	(H7055)	13 x 2-1/2" Brake
↳Adjuster Spring Kit		F73145S	(H425)	
↳Hold Down Kit		F113455S	(H4098)	
↳Return Spring Kit		F59100S	(H600)	
Disc Align Kit	06 - 03	F140512	(H5678)	w/DRW
Pin Boot Kit	06 - 03	F140514	(H8240)	

Parking Brake	Years	Sequential No.	Category No.	Qualifier
Combi Kit	03	F139879	(H7242)	

Calipers - Reman

Front, Loaded	Years	Left No.	Right No.	Qualifier	Piston
Loaded Caliper	05 - 03	AS134558	AS134559	10000-12300 GVW	P
Loaded Caliper	02	AS120226	AS120227		M
Loaded Caliper	01 - 99	AS120226	AS120227	Cutaway; w/DRW; 139" WB	M
Loaded Caliper	01 - 99	AS120226	AS120227	Exc. 139" WB; Cutaway	M
Loaded Caliper	01 - 99	AS116294	AS116295	Exc. Cutaway; 3.16" 1-Piston Caliper	M

Front, Unloaded	Years	Left No.	Right No.	Qualifier	Piston
Unloaded Caliper	05 - 03	CR134558	CR134559	10000-12300 GVW	P
Unloaded Caliper	05 - 03	CRB134347	CRB134348	8600-9600 GVW; 2-Piston Caliper; Supplied w/Mtg. Brkt.	P
Unloaded Caliper	05 - 03	CR134347	CR134348	8600-9600 GVW; 2-Piston Caliper; Supplied w/o Mtg. Brkt.	P
Unloaded Caliper	02	CR120226	CR120227		M
Unloaded Caliper	01 - 99	CR120226	CR120227	Cutaway; w/DRW; 139" WB	M
Unloaded Caliper	01 - 99	CR120226	CR120227	Exc. 139" WB; Cutaway	M
Unloaded Caliper	01 - 99	CR116294	CR116295	Exc. Cutaway; 3.16" 1-Piston Caliper	M

Hydraulics - New

Rear Wheel Cylinder	Years	Sequential No.	Category No.	Qualifier
Wheel Cylinder	02 - 99	F79768	(WC79768)	w/DRW; 1-3/16" Bore

Front Brake Hose	Years	Sequential No.	Category No.	Qualifier
Brake Hose	02 - 01	F140498	(BH140498)	L.H.
Brake Hose	02 - 01	F140499	(BH140499)	R.H.
Brake Hose	00 - 99	F140498	(BH140498)	L.H.; w/DRW
Brake Hose	00 - 99	F140499	(BH140499)	R.H.; w/DRW

Rear Brake Hose	Years	Sequential No.	Category No.	Qualifier
Brake Hose	02 - 99	F118117	(BH118117)	

Hydraulics - Reman

Master Cylinder	Years	Part No.	Qualifier
Master Cylinder	02 - 99	R134626	

Power Brake Booster	Years	Part No.	Qualifier
Hydro Booster	01 - 99	527343	Diesel; w/DRW

↳Sub-Kit of Combi-Kit is available separately.

Piston: M - OE Metal Piston P - OE Phenolic Piston

3500 SAVANA (cont.)
Brake Cables

Parking Brake Cable	Years	Sequential No.	Category No.	Qualifier
Parking Brake Cable	02 - 99	F138836	(BC138836)	Forward; Exc. Cutaway
Parking Brake Cable	02 - 99	F138900	(BC138900)	Intermediate; 155" or 159" WB
Parking Brake Cable	02 - 99	F140240	(BC140240)	Intermediate; 177" WB; 37" Length

Wheel Attaching Hardware

Front Wheel Stud	Years	Part No.	Qualifier
Wheel Lug Stud	05 - 03	BD125960	
Wheel Lug Stud	02 - 99	BD61416	w/DRW; 14mm Bolt
Rear Wheel Stud	Years	Part No.	Qualifier
Wheel Lug Stud	05 - 03	BD125961	M14 x 1.5 x 28
Wheel Lug Stud	02 - 99	BD61403	w/DRW
Front Wheel Nut	Years	Part No.	Qualifier
Wheel Lug Nut	05 - 03	BD125998	Dome - Black
Wheel Lug Nut	05 - 03	BD125916	External Thread
Wheel Lug Nut	02 - 99	BD125926	External Thread; w/DRW
Rear Wheel Nut	Years	Part No.	Qualifier
Wheel Lug Nut	05 - 03	BD125998	Dome - Black
Wheel Lug Nut	05 - 03	BD125916	External Thread
Wheel Lug Nut	02 - 99	BD125926	External Thread; w/DRW

MID BUS Type-A2 XL
4500 KODIAK
Brake Pads & Shoes

Front Pads & Shoes	Years	SevereDuty	Lining No.	Qualifier
Brake Pads	07 - 03	SD1010		6250 lb. FA; TRW; 2.36" 2 Piston Caliper
Brake Pads	07 - 03	SD1010		6250 lb. FA; TRW; 2.60" 2 Piston Caliper
Brake Pads	07 - 03	SD1032		7000-8000 lb. FA; Dayton; 2.52" 4-Piston Caliper
Brake Pads	07 - 03	SD1032		7000-8000 lb. FA; Dayton; 2.75" 4-Piston Caliper
Rear Pads & Shoes	Years	SevereDuty	Lining No.	Qualifier
Brake Pads	07 - 03	SD1010		11000-13000 lb. RA; TRW; 2.36" 2-Piston Caliper; 5-Hole Rotor; w/o Parking Brake
Brake Pads	07 - 03	SD1064		11000-13000 lb. RA; TRW; 2.60" 2-Piston Caliper; 10-Hole Rotor; w/Parking Brake
Brake Pads	07 - 03	SD1010		11000-13000 lb. RA; TRW; 2.60" 2-Piston Caliper; 5-Hole Rotor; w/o Parking Brake
Parking Brake Shoes	Years	SevereDuty	Lining No.	Qualifier
Brake Shoes	07 - 03	SDS647	EX2086D	9 x 3

Rotor & Drum

Front Rotor & Drum	Years	Part No.	Qualifier
Brake Rotor	07 - 03	BD126365	6250 lb. FA; Hat-Shaped; 5-Hole Rotor; w/o Hub
Brake Rotor	07 - 03	BD126365	7000 lb. FA; Hat-Shaped; 5-Hole Rotor; 2WD; w/o Hub
Rear Rotor & Drum	Years	Part No.	Qualifier
Brake Rotor	07 - 03	BD126365	11000 lb. RA; Hat-Shaped; 10-Hole Rotor; w/Hub
Brake Rotor	07 - 03	BD126365	13000 lb. RA; Hat-Shaped; 10-Hole Rotor; w/o Parking Brake; w/o Hub
Brake Rotor	07 - 03	BD126369	13000 lb. RA; Hat-Shaped; 10-Hole Rotor; w/Parking Brake; w/Hub

Brake Hardware

Front Brake Hardware	Years	Sequential No.	Category No.	Qualifier
Disc Align Kit	07 - 03	F140770	(H5711)	6250 lb. FA; TRW; 2.36" 2 Piston Caliper
Disc Align Kit	07 - 03	F140770	(H5711)	6250 lb. FA; TRW; 2.60" 2 Piston Caliper
Disc Align Kit	07 - 03	F140771	(H5712)	7000-8000 lb. FA; Dayton; 2.52" 4-Piston Caliper
Disc Align Kit	07 - 03	F140630	(H3026)	7000-8000 lb. FA; Dayton; 2.75" 4-Piston Caliper
Rear Brake Hardware	Years	Sequential No.	Category No.	Qualifier
Disc Align Kit	07 - 03	F140770	(H5711)	11000-13000 lb. RA; TRW; 2.36" 2-Piston Caliper
Disc Align Kit	07 - 03	F140770	(H5711)	11000-13000 lb. RA; TRW; 2.60" 2-Piston Caliper

Calipers - Reman

Front, Loaded	Years	Left No.	Right No.	Qualifier	Piston
Loaded Caliper	07 - 03	AS135212	AS135212	6250 lb. FA; TRW; 2.36" 2 Piston Caliper; Serial No. 135743	M

Piston: M - OE Metal Piston P - OE Phenolic Piston

4500 KODIAK (cont.)

Calipers - Reman (cont.)

Front, Loaded	Years	Left No.	Right No.	Qualifier	Piston
Loaded Caliper	07 - 03	AS135214	AS135214	6250 lb. FA; TRW; 2.60" 2 Piston Caliper; Serial No. 135607	M
Loaded Caliper	07 - 03	AS134821A	AS134820A	7000-8000 lb. FA; Dayton; 2.52" 4-Piston Caliper; Serial No. 602F / 604F	M
Loaded Caliper	07 - 03	AS134580A	AS134581A	7000-8000 lb. FA; Dayton; 2.75" 4-Piston Caliper; Serial No. 581F / 583F	M
Loaded Caliper	07 - 03	AS134818A	AS134819A	7000-8000 lb. FA; Dayton; 2.75" 4-Piston Caliper; Serial No. 595F / 597F	M
Rear, Loaded	Years	Left No.	Right No.	Qualifier	Piston
Loaded Caliper	07 - 03	AS135212	AS135212	11000-13000 lb. RA; TRW; 2.36" 2-Piston Caliper; 5-Hole Rotor; w/o Parking Brake; Serial No. 135743	M
Loaded Caliper	07 - 03	AS135216	AS135216	11000-13000 lb. RA; TRW; 2.60" 2-Piston Caliper; 10-Hole Rotor; w/Parking Brake	M
Loaded Caliper	07 - 03	AS135214	AS135214	11000-13000 lb. RA; TRW; 2.60" 2-Piston Caliper; 5-Hole Rotor; w/o Parking Brake; Serial No. 135607	M
Front, Unloaded	Years	Left No.	Right No.	Qualifier	Piston
Unloaded Caliper	07 - 03	CR135212	CR135212	6250 lb. FA; TRW; 2.36" 2 Piston Caliper; Serial No. 135743	M
Unloaded Caliper	07 - 03	CR135214	CR135214	6250 lb. FA; TRW; 2.60" 2 Piston Caliper; Serial No. 135607	M
Unloaded Caliper	07 - 03	CR134821	CR134820	7000-8000 lb. FA; Dayton; 2.52" 4-Piston Caliper; Serial No. 602F / 604F	M
Unloaded Caliper	07 - 03	CR134580	CR134581	7000-8000 lb. FA; Dayton; 2.75" 4-Piston Caliper; Serial No. 581F / 583F	M
Unloaded Caliper	07 - 03	CR134818	CR134819	7000-8000 lb. FA; Dayton; 2.75" 4-Piston Caliper; Serial No. 595F / 597F	M
Rear, Unloaded	Years	Left No.	Right No.	Qualifier	Piston
Unloaded Caliper	07 - 03	CR135212	CR135212	11000-13000 lb. RA; TRW; 2.36" 2-Piston Caliper; 5-Hole Rotor; w/o Parking Brake; Serial No. 135743	M
Unloaded Caliper	07 - 03	CR135216	CR135216	11000-13000 lb. RA; TRW; 2.60" 2-Piston Caliper; 10-Hole Rotor; w/Parking Brake	M
Unloaded Caliper	07 - 03	CR135214	CR135214	11000-13000 lb. RA; TRW; 2.60" 2-Piston Caliper; 5-Hole Rotor; w/o Parking Brake; Serial No. 135607	M

4500 TOPKICK

Brake Pads & Shoes

Front Pads & Shoes	Years	SevereDuty	Lining No.	Qualifier
Brake Pads	07 - 03	SD1010		6250 lb. FA; TRW; 2.36" 2 Piston Caliper
Brake Pads	07 - 03	SD1010		6250 lb. FA; TRW; 2.60" 2 Piston Caliper
Brake Pads	07 - 03	SD1032		7000-8000 lb. FA; Dayton; 2.52" 4-Piston Caliper
Brake Pads	07 - 03	SD1032		7000-8000 lb. FA; Dayton; 2.75" 4-Piston Caliper
Rear Pads & Shoes	Years	SevereDuty	Lining No.	Qualifier
Brake Pads	07 - 03	SD1010		11000-13000 lb. RA; TRW; 2.36" 2-Piston Caliper; 5-Hole Rotor; w/o Parking Brake
Brake Pads	07 - 03	SD1064		11000-13000 lb. RA; TRW; 2.60" 2-Piston Caliper; 10-Hole Rotor; w/Parking Brake
Brake Pads	07 - 03	SD1010		11000-13000 lb. RA; TRW; 2.60" 2-Piston Caliper; 5-Hole Rotor; w/o Parking Brake
Parking Brake Shoes	Years	SevereDuty	Lining No.	Qualifier
Brake Shoes	07 - 03	SDS647	EX2086D	9 x 3

Rotor & Drum

Front Rotor & Drum	Years	Part No.	Qualifier
Brake Rotor	07 - 03	BD126365	6250 lb. FA; Hat-Shaped; 5-Hole Rotor; w/o Hub
Brake Rotor	07 - 03	BD126365	7000 lb. FA; Hat-Shaped; 5-Hole Rotor; 2WD; w/o Hub
Rear Rotor & Drum	Years	Part No.	Qualifier
Brake Rotor	07 - 03	BD126365	11000 lb. RA; Hat-Shaped; 10-Hole Rotor; w/Hub
Brake Rotor	07 - 03	BD126365	13000 lb. RA; Hat-Shaped; 10-Hole Rotor; w/o Parking Brake; w/o Hub
Brake Rotor	07 - 03	BD126369	13000 lb. RA; Hat-Shaped; 10-Hole Rotor; w/Parking Brake; w/Hub

Brake Hardware

Front Brake Hardware	Years	Sequential No.	Category No.	Qualifier
Disc Align Kit	07 - 03	F140770	(H5711)	6250 lb. FA; TRW; 2.36" 2 Piston Caliper
Disc Align Kit	07 - 03	F140770	(H5711)	6250 lb. FA; TRW; 2.60" 2 Piston Caliper
Disc Align Kit	07 - 03	F140771	(H5712)	7000-8000 lb. FA; Dayton; 2.52" 4-Piston Caliper
Disc Align Kit	07 - 03	F140630	(H3026)	7000-8000 lb. FA; Dayton; 2.75" 4-Piston Caliper
Rear Brake Hardware	Years	Sequential No.	Category No.	Qualifier
Disc Align Kit	07 - 03	F140770	(H5711)	11000-13000 lb. RA; TRW; 2.36" 2-Piston Caliper
Disc Align Kit	07 - 03	F140770	(H5711)	11000-13000 lb. RA; TRW; 2.60" 2-Piston Caliper

Piston: M - OE Metal Piston P - OE Phenolic Piston
944

4500 TOPKICK (cont.)

Calipers - Reman

Front, Loaded	Years	Left No.	Right No.	Qualifier	Piston
Loaded Caliper	07 - 03	AS135212	AS135212	6250 lb. FA; TRW; 2.36" 2 Piston Caliper; Serial No. 135743	M
Loaded Caliper	07 - 03	AS135214	AS135214	6250 lb. FA; TRW; 2.60" 2 Piston Caliper; Serial No. 135607	M
Loaded Caliper	07 - 03	AS134821A	AS134820A	7000-8000 lb. FA; Dayton; 2.52" 4-Piston Caliper; Serial No. 602F / 604F	M
Loaded Caliper	07 - 03	AS134580A	AS134581A	7000-8000 lb. FA; Dayton; 2.75" 4-Piston Caliper; Serial No. 581F / 583F	M
Loaded Caliper	07 - 03	AS134818A	AS134819A	7000-8000 lb. FA; Dayton; 2.75" 4-Piston Caliper; Serial No. 595F / 597F	M
Rear, Loaded	Years	Left No.	Right No.	Qualifier	Piston
Loaded Caliper	07 - 03	AS135212	AS135212	11000-13000 lb. RA; TRW; 2.36" 2-Piston Caliper; 5-Hole Rotor; w/o Parking Brake; Serial No. 135743	M
Loaded Caliper	07 - 03	AS135216	AS135216	11000-13000 lb. RA; TRW; 2.60" 2-Piston Caliper; 10-Hole Rotor; w/Parking Brake	M
Loaded Caliper	07 - 03	AS135214	AS135214	11000-13000 lb. RA; TRW; 2.60" 2-Piston Caliper; 5-Hole Rotor; w/o Parking Brake; Serial No. 135607	M
Front, Unloaded	Years	Left No.	Right No.	Qualifier	Piston
Unloaded Caliper	07 - 03	CR135212	CR135212	6250 lb. FA; TRW; 2.36" 2 Piston Caliper; Serial No. 135743	M
Unloaded Caliper	07 - 03	CR135214	CR135214	6250 lb. FA; TRW; 2.60" 2 Piston Caliper; Serial No. 135607	M
Unloaded Caliper	07 - 03	CR134821	CR134820	7000-8000 lb. FA; Dayton; 2.52" 4-Piston Caliper; Serial No. 602F / 604F	M
Unloaded Caliper	07 - 03	CR134580	CR134581	7000-8000 lb. FA; Dayton; 2.75" 4-Piston Caliper; Serial No. 581F / 583F	M
Unloaded Caliper	07 - 03	CR134818	CR134819	7000-8000 lb. FA; Dayton; 2.75" 4-Piston Caliper; Serial No. 595F / 597F	M
Rear, Unloaded	Years	Left No.	Right No.	Qualifier	Piston
Unloaded Caliper	07 - 03	CR135212	CR135212	11000-13000 lb. RA; TRW; 2.36" 2-Piston Caliper; 5-Hole Rotor; w/o Parking Brake; Serial No. 135743	M
Unloaded Caliper	07 - 03	CR135216	CR135216	11000-13000 lb. RA; TRW; 2.60" 2-Piston Caliper; 10-Hole Rotor; w/Parking Brake	M
Unloaded Caliper	07 - 03	CR135214	CR135214	11000-13000 lb. RA; TRW; 2.60" 2-Piston Caliper; 5-Hole Rotor; w/o Parking Brake; Serial No. 135607	M

5500 KODIAK

Brake Pads & Shoes

Front Pads & Shoes	Years	SevereDuty	Lining No.	Qualifier
Brake Pads	07 - 03	SD1010		6250 lb. FA; TRW; 2.36" 2-Piston Caliper
Brake Pads	07 - 03	SD1010		6250 lb. FA; TRW; 2.60" 2-Piston Caliper
Brake Pads	07 - 03	SD1032		7000-8000 lb. FA; Dayton; 2.52" 4-Piston Caliper
Brake Pads	07 - 03	SD1032		7000-8000 lb. FA; Dayton; 2.75" 4-Piston Caliper
Rear Pads & Shoes	Years	SevereDuty	Lining No.	Qualifier
Brake Pads	07 - 03	SD1010		11000-13000 lb. RA; TRW; 2.36" 2-Piston Caliper; 5-Hole Rotor; w/o Parking Brake
Brake Pads	07 - 03	SD1064		11000-13000 lb. RA; TRW; 2.60" 2-Piston Caliper; 10-Hole Rotor; w/Parking Brake
Brake Pads	07 - 03	SD1010		11000-13000 lb. RA; TRW; 2.60" 2-Piston Caliper; 5-Hole Rotor; w/o Parking Brake
Brake Pads	07 - 03	SD1032		15000-19000 lb. RA; Dayton; 2.52" 4-Piston Caliper
Brake Pads	07 - 03	SD1032		15000-19000 lb. RA; Dayton; 2.75" 4-Piston Caliper
Parking Brake Shoes	Years	SevereDuty	Lining No.	Qualifier
Brake Shoes	07 - 03	SDS647	EX2086D	9 x 3

Rotor & Drum

Front Rotor & Drum	Years	Part No.	Qualifier
Brake Rotor	07 - 03	BD126365	6250 lb. FA; Hat-Shaped; 5-Hole Rotor; w/Hub
Brake Rotor	07 - 03	BD126365	7000 lb. FA; Hat-Shaped; 5-Hole Rotor; 2WD; w/o Hub
Brake Rotor	07 - 03	BD126363	8000 lb. FA; Hat-Shaped; w/Hub
Rear Rotor & Drum	Years	Part No.	Qualifier
Brake Rotor	07 - 06	BD126365	13000 lb. RA; Hat-Shaped; 10-Hole Rotor; Dual Reduction; w/o Parking Brake; w/Hub
Brake Rotor	07 - 06	BD126369	13000 lb. RA; Hat-Shaped; 10-Hole Rotor; Dual Reduction; w/Parking Brake; w/o Hub; w/ABS Ring
Brake Rotor	07 - 06	BD126363	13000 lb. RA; Hat-Shaped; 10-Hole Rotor; Single Reduction; w/Hub
Brake Rotor	07 - 06	BD126363	19000 lb. RA; Hat-Shaped; 10-Hole Rotor; Single Reduction; w/Hub
Brake Rotor	05 - 03	BD126365	13000 lb. RA; Hat-Shaped; 10-Hole Rotor; w/o Parking Brake; w/Hub
Brake Rotor	05 - 03	BD126369	13000 lb. RA; Hat-Shaped; 10-Hole Rotor; w/Parking Brake; w/o Hub; w/ABS Ring
Brake Rotor	05 - 03	BD126363	15000-19000 lb. RA; Hat-Shaped; 10-Hole Rotor; w/Hub

Piston: M - OE Metal Piston P - OE Phenolic Piston

5500 KODIAK (cont.)

Brake Hardware

Front Brake Hardware	Years	Sequential No.	Category No.	Qualifier
Disc Align Kit	07 - 03	F140770	(H5711)	6250 lb. FA; TRW; 2.36" 2-Piston Caliper
Disc Align Kit	07 - 03	F140770	(H5711)	6250 lb. FA; TRW; 2.60" 2-Piston Caliper
Disc Align Kit	07 - 03	F140771	(H5712)	7000-8000 lb. FA; Dayton; 2.52" 4-Piston Caliper
Disc Align Kit	07 - 03	F140630	(H3026)	7000-8000 lb. FA; Dayton; 2.75" 4-Piston Caliper

Rear Brake Hardware	Years	Sequential No.	Category No.	Qualifier
Disc Align Kit	07 - 03	F140770	(H5711)	11000-13000 lb. RA; TRW; 2.36" 2-Piston Caliper
Disc Align Kit	07 - 03	F140770	(H5711)	11000-13000 lb. RA; TRW; 2.60" 2-Piston Caliper
Disc Align Kit	07 - 03	F140771	(H5712)	15000-19000 lb. RA; Dayton; 2.52" 4-Piston Caliper
Disc Align Kit	07 - 03	F140630	(H3026)	15000-19000 lb. RA; Dayton; 2.75" 4-Piston Caliper

Calipers - Reman

Front, Loaded	Years	Left No.	Right No.	Qualifier	Piston
Loaded Caliper	07 - 03	AS135212	AS135212	6250 lb. FA; TRW; 2.36" 2-Piston Caliper; Serial No. 135743	M
Loaded Caliper	07 - 03	AS135214	AS135214	6250 lb. FA; TRW; 2.60" 2-Piston Caliper; Serial No. 135607	M
Loaded Caliper	07 - 03	AS134821A	AS134820A	7000-8000 lb. FA; Dayton; 2.52" 4-Piston Caliper; Serial No. 602F / 604F	M
Loaded Caliper	07 - 03	AS134580A	AS134581A	7000-8000 lb. FA; Dayton; 2.75" 4-Piston Caliper; Serial No. 581F / 583F	M
Loaded Caliper	07 - 03	AS134818A	AS134819A	7000-8000 lb. FA; Dayton; 2.75" 4-Piston Caliper; Serial No. 595F / 597F	M

Rear, Loaded	Years	Left No.	Right No.	Qualifier	Piston
Loaded Caliper	07 - 03	AS135212	AS135212	11000-13000 lb. RA; TRW; 2.36" 2-Piston Caliper; 5-Hole Rotor; w/o Parking Brake; Serial No. 135743	M
Loaded Caliper	07 - 03	AS135216	AS135216	11000-13000 lb. RA; TRW; 2.60" 2-Piston Caliper; 10-Hole Rotor; w/Parking Brake	M
Loaded Caliper	07 - 03	AS135214	AS135214	11000-13000 lb. RA; TRW; 2.60" 2-Piston Caliper; 5-Hole Rotor; w/o Parking Brake; Serial No. 135607	M
Loaded Caliper	07 - 03	AS134821A	AS134820A	15000-19000 lb. RA; Dayton; 2.52" 4-Piston Caliper; Serial No. 602F / 604F	M
Loaded Caliper	07 - 03	AS134580A	AS134581A	15000-19000 lb. RA; Dayton; 2.75" 4-Piston Caliper; Serial No. 581F / 583F	M
Loaded Caliper	07 - 03	AS134818A	AS134819A	15000-19000 lb. RA; Dayton; 2.75" 4-Piston Caliper; Serial No. 595F / 597F	M

Front, Unloaded	Years	Left No.	Right No.	Qualifier	Piston
Unloaded Caliper	07 - 03	CR135212	CR135212	6250 lb. FA; TRW; 2.36" 2-Piston Caliper; Serial No. 135743	M
Unloaded Caliper	07 - 03	CR135214	CR135214	6250 lb. FA; TRW; 2.60" 2-Piston Caliper; Serial No. 135607	M
Unloaded Caliper	07 - 03	CR134821	CR134820	7000-8000 lb. FA; Dayton; 2.52" 4-Piston Caliper; Serial No. 602F / 604F	M
Unloaded Caliper	07 - 03	CR134580	CR134581	7000-8000 lb. FA; Dayton; 2.75" 4-Piston Caliper; Serial No. 581F / 583F	M
Unloaded Caliper	07 - 03	CR134818	CR134819	7000-8000 lb. FA; Dayton; 2.75" 4-Piston Caliper; Serial No. 595F / 597F	M

Rear, Unloaded	Years	Left No.	Right No.	Qualifier	Piston
Unloaded Caliper	07 - 03	CR135212	CR135212	11000-13000 lb. RA; TRW; 2.36" 2-Piston Caliper; 5-Hole Rotor; w/o Parking Brake; Serial No. 135743	M
Unloaded Caliper	07 - 03	CR135216	CR135216	11000-13000 lb. RA; TRW; 2.60" 2-Piston Caliper; 10-Hole Rotor; w/Parking Brake	M
Unloaded Caliper	07 - 03	CR135214	CR135214	11000-13000 lb. RA; TRW; 2.60" 2-Piston Caliper; 5-Hole Rotor; w/o Parking Brake; Serial No. 135607	M
Unloaded Caliper	07 - 03	CR134821	CR134820	15000-19000 lb. RA; Dayton; 2.52" 4-Piston Caliper; Serial No. 602F / 604F	M
Unloaded Caliper	07 - 03	CR134580	CR134581	15000-19000 lb. RA; Dayton; 2.75" 4-Piston Caliper; Serial No. 581F / 583F	M
Unloaded Caliper	07 - 03	CR134818	CR134819	15000-19000 lb. RA; Dayton; 2.75" 4-Piston Caliper; Serial No. 595F / 597F	M

5500 TOPKICK

Brake Pads & Shoes

Front Pads & Shoes	Years	SevereDuty	Lining No.	Qualifier
Brake Pads	07 - 03	SD1010		6250 lb. FA; TRW; 2.36" 2-Piston Caliper
Brake Pads	07 - 03	SD1010		6250 lb. FA; TRW; 2.60" 2-Piston Caliper
Brake Pads	07 - 03	SD1032		7000-8000 lb. FA; Dayton; 2.52" 4-Piston Caliper
Brake Pads	07 - 03	SD1032		7000-8000 lb. FA; Dayton; 2.75" 4-Piston Caliper

Rear Pads & Shoes	Years	SevereDuty	Lining No.	Qualifier
Brake Pads	07 - 03	SD1010		11000-13000 lb. RA; TRW; 2.36" 2-Piston Caliper; 5-Hole Rotor; w/o Parking Brake
Brake Pads	07 - 03	SD1064		11000-13000 lb. RA; TRW; 2.60" 2-Piston Caliper; 10-Hole Rotor; w/Parking Brake
Brake Pads	07 - 03	SD1010		11000-13000 lb. RA; TRW; 2.60" 2-Piston Caliper; 5-Hole Rotor; w/o Parking Brake
Brake Pads	07 - 03	SD1032		15000-19000 lb. RA; Dayton; 2.52" 4-Piston Caliper
Brake Pads	07 - 03	SD1032		15000-19000 lb. RA; Dayton; 2.75" 4-Piston Caliper

Piston: M - OE Metal Piston P - OE Phenolic Piston

5500 TOPKICK (cont.)

Brake Pads & Shoes (cont.)

Parking Brake Shoes	Years	SevereDuty	Lining No.	Qualifier
Brake Shoes	07 - 03	SDS647	EX2086D	9 x 3

Rotor & Drum

Front Rotor & Drum	Years	Part No.	Qualifier
Brake Rotor	07 - 03	BD126365	6250 lb. FA; Hat-Shaped; 5-Hole Rotor; w/Hub
Brake Rotor	07 - 03	BD126365	7000 lb. FA; Hat-Shaped; 5-Hole Rotor; 2WD; w/o Hub
Brake Rotor	07 - 03	BD126363	8000 lb. FA; Hat-Shaped; w/Hub
Rear Rotor & Drum	Years	Part No.	Qualifier
Brake Rotor	07 - 06	BD126365	13000 lb. RA; Hat-Shaped; 10-Hole Rotor; Dual Reduction; w/o Parking Brake; w/Hub
Brake Rotor	07 - 06	BD126369	13000 lb. RA; Hat-Shaped; 10-Hole Rotor; Dual Reduction; w/Parking Brake; w/o Hub; w/ABS Ring
Brake Rotor	07 - 06	BD126363	13000 lb. RA; Hat-Shaped; 10-Hole Rotor; Single Reduction; w/Hub
Brake Rotor	07 - 06	BD126363	19000 lb. RA; Hat-Shaped; 10-Hole Rotor; Single Reduction; w/Hub
Brake Rotor	05 - 03	BD126365	13000 lb. RA; Hat-Shaped; 10-Hole Rotor; w/o Parking Brake; w/Hub
Brake Rotor	05 - 03	BD126369	13000 lb. RA; Hat-Shaped; 10-Hole Rotor; w/Parking Brake; w/o Hub; w/ABS Ring
Brake Rotor	05 - 03	BD126363	15000-19000 lb. RA; Hat-Shaped; 10-Hole Rotor; w/Hub

Brake Hardware

Front Brake Hardware	Years	Sequential No.	Category No.	Qualifier
Disc Align Kit	07 - 03	F140770	(H5711)	6250 lb. FA; TRW; 2.36" 2-Piston Caliper
Disc Align Kit	07 - 03	F140770	(H5711)	6250 lb. FA; TRW; 2.60" 2-Piston Caliper
Disc Align Kit	07 - 03	F140771	(H5712)	7000-8000 lb. FA; Dayton; 2.52" 4-Piston Caliper
Disc Align Kit	07 - 03	F140630	(H3026)	7000-8000 lb. FA; Dayton; 2.75" 4-Piston Caliper
Rear Brake Hardware	Years	Sequential No.	Category No.	Qualifier
Disc Align Kit	07 - 03	F140770	(H5711)	11000-13000 lb. RA; TRW; 2.36" 2-Piston Caliper
Disc Align Kit	07 - 03	F140770	(H5711)	11000-13000 lb. RA; TRW; 2.60" 2-Piston Caliper
Disc Align Kit	07 - 03	F140771	(H5712)	15000-19000 lb. RA; Dayton; 2.52" 4-Piston Caliper
Disc Align Kit	07 - 03	F140630	(H3026)	15000-19000 lb. RA; Dayton; 2.75" 4-Piston Caliper

Calipers - Reman

Front, Loaded	Years	Left No.	Right No.	Qualifier	Piston
Loaded Caliper	07 - 03	AS135212	AS135212	6250 lb. FA; TRW; 2.36" 2-Piston Caliper; Serial No. 135743	M
Loaded Caliper	07 - 03	AS135214	AS135214	6250 lb. FA; TRW; 2.60" 2-Piston Caliper; Serial No. 135607	M
Loaded Caliper	07 - 03	AS134821A	AS134820A	7000-8000 lb. FA; Dayton; 2.52" 4-Piston Caliper; Serial No. 602F / 604F	M
Loaded Caliper	07 - 03	AS134580A	AS134581A	7000-8000 lb. FA; Dayton; 2.75" 4-Piston Caliper; Serial No. 581F / 583F	M
Loaded Caliper	07 - 03	AS134818A	AS134819A	7000-8000 lb. FA; Dayton; 2.75" 4-Piston Caliper; Serial No. 595F / 597F	M
Rear, Loaded	Years	Left No.	Right No.	Qualifier	Piston
Loaded Caliper	07 - 03	AS135212	AS135212	11000-13000 lb. RA; TRW; 2.36" 2-Piston Caliper; 5-Hole Rotor; w/o Parking Brake; Serial No. 135743	M
Loaded Caliper	07 - 03	AS135216	AS135216	11000-13000 lb. RA; TRW; 2.60" 2-Piston Caliper; 10-Hole Rotor; w/Parking Brake	M
Loaded Caliper	07 - 03	AS135214	AS135214	11000-13000 lb. RA; TRW; 2.60" 2-Piston Caliper; 5-Hole Rotor; w/o Parking Brake; Serial No. 135607	M
Loaded Caliper	07 - 03	AS134821A	AS134820A	15000-19000 lb. RA; Dayton; 2.52" 4-Piston Caliper; Serial No. 602F / 604F	M
Loaded Caliper	07 - 03	AS134580A	AS134581A	15000-19000 lb. RA; Dayton; 2.75" 4-Piston Caliper; Serial No. 581F / 583F	M
Loaded Caliper	07 - 03	AS134818A	AS134819A	15000-19000 lb. RA; Dayton; 2.75" 4-Piston Caliper; Serial No. 595F / 597F	M
Front, Unloaded	Years	Left No.	Right No.	Qualifier	Piston
Unloaded Caliper	07 - 03	CR135212	CR135212	6250 lb. FA; TRW; 2.36" 2-Piston Caliper; Serial No. 135743	M
Unloaded Caliper	07 - 03	CR135214	CR135214	6250 lb. FA; TRW; 2.60" 2-Piston Caliper; Serial No. 135607	M
Unloaded Caliper	07 - 03	CR134821	CR134820	7000-8000 lb. FA; Dayton; 2.52" 4-Piston Caliper; Serial No. 602F / 604F	M
Unloaded Caliper	07 - 03	CR134580	CR134581	7000-8000 lb. FA; Dayton; 2.75" 4-Piston Caliper; Serial No. 581F / 583F	M
Unloaded Caliper	07 - 03	CR134818	CR134819	7000-8000 lb. FA; Dayton; 2.75" 4-Piston Caliper; Serial No. 595F / 597F	M
Rear, Unloaded	Years	Left No.	Right No.	Qualifier	Piston
Unloaded Caliper	07 - 03	CR135212	CR135212	11000-13000 lb. RA; TRW; 2.36" 2-Piston Caliper; 5-Hole Rotor; w/o Parking Brake; Serial No. 135743	M
Unloaded Caliper	07 - 03	CR135216	CR135216	11000-13000 lb. RA; TRW; 2.60" 2-Piston Caliper; 10-Hole Rotor; w/Parking Brake	M
Unloaded Caliper	07 - 03	CR135214	CR135214	11000-13000 lb. RA; TRW; 2.60" 2-Piston Caliper; 5-Hole Rotor; w/o Parking Brake; Serial No. 135607	M
Unloaded Caliper	07 - 03	CR134821	CR134820	15000-19000 lb. RA; Dayton; 2.52" 4-Piston Caliper; Serial No. 602F / 604F	M

Piston: M - OE Metal Piston P - OE Phenolic Piston

5500 TOPKICK (cont.)

Calipers - Reman (cont.)

<i>Rear, Unloaded</i>	<i>Years</i>	<i>Left No.</i>	<i>Right No.</i>	<i>Qualifier</i>	<i>Piston</i>
Unloaded Caliper	07 - 03	CR134580	CR134581	15000-19000 lb. RA; Dayton; 2.75" 4-Piston Caliper; Serial No. 581F / 583F	M
Unloaded Caliper	07 - 03	CR134818	CR134819	15000-19000 lb. RA; Dayton; 2.75" 4-Piston Caliper; Serial No. 595F / 597F	M

MITSUBISHI FUSO Class-3

FE120

Brake Pads & Shoes

<i>Front Pads & Shoes</i>	<i>Years</i>	<i>SevereDuty</i>	<i>Lining No.</i>	<i>Qualifier</i>
Brake Pads	05	SD1265		
<i>Rear Pads & Shoes</i>	<i>Years</i>	<i>SevereDuty</i>	<i>Lining No.</i>	<i>Qualifier</i>
Brake Pads	05	SD1265		

FE434

Brake Pads & Shoes

<i>Front Pads & Shoes</i>	<i>Years</i>	<i>SevereDuty</i>	<i>Lining No.</i>	<i>Qualifier</i>
Brake Pads	91 - 89	SD433A		Akebono; 2.01" 2-Piston Caliper
Brake Pads	88	SD433A		From 12/88; Akebono; 2.01" 2-Piston Caliper
Brake Pads	88	SD624		To 11/88
Brake Pads	87	SD624		
<i>Rear Pads & Shoes</i>	<i>Years</i>	<i>SevereDuty</i>	<i>Lining No.</i>	<i>Qualifier</i>
Brake Shoes	91 - 87	SDS682R	EX1467D-S32	12-5/8 x 3

Brake Hardware

<i>Front Brake Hardware</i>	<i>Years</i>	<i>Sequential No.</i>	<i>Category No.</i>	<i>Qualifier</i>
Caliper Bolt/Pin	91 - 89	F140772	(H14944)	Akebono; 2.01" 2-Piston Caliper
Caliper Bolt/Pin	88	F140772	(H14944)	From 12/88; Akebono; 2.01" 2-Piston Caliper
Disc Align Kit	91 - 89	F140610	(H3006)	Akebono; 2.01" 2-Piston Caliper
Disc Align Kit	88	F140610	(H3006)	From 12/88; Akebono; 2.01" 2-Piston Caliper
<i>Rear Brake Hardware</i>	<i>Years</i>	<i>Sequential No.</i>	<i>Category No.</i>	<i>Qualifier</i>
Combi Kit	91 - 87	F140619	(H3015)	12-5/8 x 3" Brake; 12-5/8 x 3

Calipers - Reman

<i>Front, Loaded</i>	<i>Years</i>	<i>Left No.</i>	<i>Right No.</i>	<i>Qualifier</i>	<i>Piston</i>
Loaded Caliper	91 - 89	AS134368	AS134367	Akebono; 2.01" 2-Piston Caliper; Lower	M
Loaded Caliper	91 - 89	AS134312	AS134311	Akebono; 2.01" 2-Piston Caliper; Upper	M
Loaded Caliper	88	AS134368	AS134367	From 12/88; Akebono; 2.01" 2-Piston Caliper; Lower	M
Loaded Caliper	88	AS134312	AS134311	From 12/88; Akebono; 2.01" 2-Piston Caliper; Upper	M
<i>Front, Unloaded</i>	<i>Years</i>	<i>Left No.</i>	<i>Right No.</i>	<i>Qualifier</i>	<i>Piston</i>
Unloaded Caliper	91 - 89	CR134368	CR134367	Akebono; 2.01" 2-Piston Caliper; Lower	M
Unloaded Caliper	91 - 89	CR134312	CR134311	Akebono; 2.01" 2-Piston Caliper; Upper	M
Unloaded Caliper	88	CR134368	CR134367	From 12/88; Akebono; 2.01" 2-Piston Caliper; Lower	M
Unloaded Caliper	88	CR134312	CR134311	From 12/88; Akebono; 2.01" 2-Piston Caliper; Upper	M

Hydraulics - New

<i>Rear Wheel Cylinder</i>	<i>Years</i>	<i>Sequential No.</i>	<i>Category No.</i>	<i>Qualifier</i>
Wheel Cylinder	91 - 90	F131769	(WC131769)	L.H.; 12-5/8 x 3" Brake; Back; 1-1/8" Bore
Wheel Cylinder	91 - 90	F131768	(WC131768)	L.H.; 12-5/8 x 3" Brake; Fwd.; 1-1/8" Bore
Wheel Cylinder	91 - 90	F131771	(WC131771)	R.H.; 12-5/8 x 3" Brake; Back; 1-1/8" Bore
Wheel Cylinder	91 - 90	F131770	(WC131770)	R.H.; 12-5/8 x 3" Brake; Fwd.; 1-1/8" Bore
Wheel Cylinder	89	F131769	(WC131769)	L.H.; From 7/89; 12-5/8 x 3" Brake; Back; 1-1/8" Bore
Wheel Cylinder	89	F131768	(WC131768)	L.H.; From 7/89; 12-5/8 x 3" Brake; Fwd.; 1-1/8" Bore
Wheel Cylinder	89	F131764	(WC131764)	L.H.; To 6/89; 12-5/8 x 3" Brake; Back; 1-1/8" Bore
Wheel Cylinder	89	F131763	(WC131763)	L.H.; To 6/89; 12-5/8 x 3" Brake; Fwd.; 1-1/8" Bore
Wheel Cylinder	89	F131771	(WC131771)	R.H.; From 7/89; 12-5/8 x 3" Brake; Back; 1-1/8" Bore
Wheel Cylinder	89	F131770	(WC131770)	R.H.; From 7/89; 12-5/8 x 3" Brake; Fwd.; 1-1/8" Bore
Wheel Cylinder	89	F131766	(WC131766)	R.H.; To 6/89; 12-5/8 x 3" Brake; Back; 1-1/8" Bore
Wheel Cylinder	89	F131765	(WC131765)	R.H.; To 6/89; 12-5/8 x 3" Brake; Fwd.; 1-1/8" Bore
Wheel Cylinder	88 - 87	F131764	(WC131764)	L.H.; 12-5/8 x 3" Brake; Back; 1-1/8" Bore

Piston: M - OE Metal Piston P - OE Phenolic Piston

FE434 (cont.)
Hydraulics - New (cont.)

Rear Wheel Cylinder	Years	Sequential No.	Category No.	Qualifier
Wheel Cylinder	88 - 87	F131763	(WC131763)	L.H.; 12-5/8 x 3" Brake; Fwd.; 1-1/8" Bore
Wheel Cylinder	88 - 87	F131766	(WC131766)	R.H.; 12-5/8 x 3" Brake; Back; 1-1/8" Bore
Wheel Cylinder	88 - 87	F131765	(WC131765)	R.H.; 12-5/8 x 3" Brake; Fwd.; 1-1/8" Bore
Clutch Master Cylind	Years	Sequential No.	Category No.	Qualifier
Clutch Master Cylinder	91 - 90	F129941	(CM129941)	
Clutch Master Cylinder	89	F129941	(CM129941)	From 7/89
Clutch Master Cylinder	89	F129945	(CM129945)	To 6/89
Clutch Master Cylinder	88 - 87	F129945	(CM129945)	
Clutch Slave Cylinder	Years	Sequential No.	Category No.	Qualifier
Clutch Slave Cylinder	91 - 90	F129953	(SC129953)	
Clutch Slave Cylinder	89	F129953	(SC129953)	From 7/89
Clutch Slave Cylinder	89	F129950	(SC129950)	To 6/89
Clutch Slave Cylinder	88 - 87	F129950	(SC129950)	

FE439
Brake Pads & Shoes

Front Pads & Shoes	Years	SevereDuty	Lining No.	Qualifier
Brake Pads	95 - 92	SD433A		Akebono; 2.01" 2-Piston Caliper
Rear Pads & Shoes	Years	SevereDuty	Lining No.	Qualifier
Brake Shoes	95 - 92	SDS682R	EX1467D-S32	12-5/8 x 3

Brake Hardware

Front Brake Hardware	Years	Sequential No.	Category No.	Qualifier
Caliper Bolt/Pin	95 - 92	F140772	(H14944)	Akebono; 2.01" 2-Piston Caliper
Disc Align Kit	95 - 92	F140610	(H3006)	Akebono; 2.01" 2-Piston Caliper
Rear Brake Hardware	Years	Sequential No.	Category No.	Qualifier
Combi Kit	95 - 92	F140619	(H3015)	12-5/8 x 3" Brake; 12-5/8 x 3

Calipers - Reman

Front, Loaded	Years	Left No.	Right No.	Qualifier	Piston
Loaded Caliper	95 - 92	AS134368	AS134367	Akebono; 2.01" 2-Piston Caliper; Lower	M
Loaded Caliper	95 - 92	AS134312	AS134311	Akebono; 2.01" 2-Piston Caliper; Upper	M
Front, Unloaded	Years	Left No.	Right No.	Qualifier	Piston
Unloaded Caliper	95 - 92	CR134368	CR134367	Akebono; 2.01" 2-Piston Caliper; Lower	M
Unloaded Caliper	95 - 92	CR134312	CR134311	Akebono; 2.01" 2-Piston Caliper; Upper	M

Hydraulics - New

Rear Wheel Cylinder	Years	Sequential No.	Category No.	Qualifier
Wheel Cylinder	95 - 92	F131769	(WC131769)	L.H.; 12-5/8 x 3" Brake; Back; 1-1/8" Bore
Wheel Cylinder	95 - 92	F131768	(WC131768)	L.H.; 12-5/8 x 3" Brake; Fwd.; 1-1/8" Bore
Wheel Cylinder	95 - 92	F131771	(WC131771)	R.H.; 12-5/8 x 3" Brake; Back; 1-1/8" Bore
Wheel Cylinder	95 - 92	F131770	(WC131770)	R.H.; 12-5/8 x 3" Brake; Fwd.; 1-1/8" Bore
Clutch Master Cylind	Years	Sequential No.	Category No.	Qualifier
Clutch Master Cylinder	95 - 92	F129941	(CM129941)	
Clutch Slave Cylinder	Years	Sequential No.	Category No.	Qualifier
Clutch Slave Cylinder	95 - 92	F129951	(SC129951)	

FE444
Brake Pads & Shoes

Front Pads & Shoes	Years	SevereDuty	Lining No.	Qualifier
Brake Pads	91 - 89	SD433A		Akebono; 2.01" 2-Piston Caliper
Brake Pads	88	SD433A		From 12/88; Akebono; 2.01" 2-Piston Caliper
Brake Pads	88	SD624		To 11/88
Brake Pads	87	SD624		
Rear Pads & Shoes	Years	SevereDuty	Lining No.	Qualifier
Brake Shoes	91 - 87	SDS682R	EX1467D-S32	12-5/8 x 3

Piston: M - OE Metal Piston P - OE Phenolic Piston

FE444 (cont.)

Brake Hardware

Front Brake Hardware	Years	Sequential No.	Category No.	Qualifier
Caliper Bolt/Pin	91 - 89	F140772	(H14944)	Akebono; 2.01" 2-Piston Caliper
Caliper Bolt/Pin	88	F140772	(H14944)	From 12/88; Akebono; 2.01" 2-Piston Caliper
Disc Align Kit	91 - 89	F140610	(H3006)	Akebono; 2.01" 2-Piston Caliper
Disc Align Kit	88	F140610	(H3006)	From 12/88; Akebono; 2.01" 2-Piston Caliper

Rear Brake Hardware	Years	Sequential No.	Category No.	Qualifier
Combi Kit	91 - 87	F140619	(H3015)	12-5/8 x 3" Brake; 12-5/8 x 3"

Calipers - Reman

Front, Loaded	Years	Left No.	Right No.	Qualifier	Piston
Loaded Caliper	91 - 89	AS134368	AS134367	Akebono; 2.01" 2-Piston Caliper; Lower	M
Loaded Caliper	91 - 89	AS134312	AS134311	Akebono; 2.01" 2-Piston Caliper; Upper	M
Loaded Caliper	88	AS134368	AS134367	From 12/88; Akebono; 2.01" 2-Piston Caliper; Lower	M
Loaded Caliper	88	AS134312	AS134311	From 12/88; Akebono; 2.01" 2-Piston Caliper; Upper	M

Front, Unloaded	Years	Left No.	Right No.	Qualifier	Piston
Unloaded Caliper	91 - 89	CR134368	CR134367	Akebono; 2.01" 2-Piston Caliper; Lower	M
Unloaded Caliper	91 - 89	CR134312	CR134311	Akebono; 2.01" 2-Piston Caliper; Upper	M
Unloaded Caliper	88	CR134368	CR134367	From 12/88; Akebono; 2.01" 2-Piston Caliper; Lower	M
Unloaded Caliper	88	CR134312	CR134311	From 12/88; Akebono; 2.01" 2-Piston Caliper; Upper	M

Hydraulics - New

Rear Wheel Cylinder	Years	Sequential No.	Category No.	Qualifier
Wheel Cylinder	91 - 90	F131769	(WC131769)	L.H.; 12-5/8 x 3" Brake; Back; 1-1/8" Bore
Wheel Cylinder	91 - 90	F131768	(WC131768)	L.H.; 12-5/8 x 3" Brake; Fwd.; 1-1/8" Bore
Wheel Cylinder	91 - 90	F131771	(WC131771)	R.H.; 12-5/8 x 3" Brake; Back; 1-1/8" Bore
Wheel Cylinder	91 - 90	F131770	(WC131770)	R.H.; 12-5/8 x 3" Brake; Fwd.; 1-1/8" Bore
Wheel Cylinder	89	F131769	(WC131769)	L.H.; From 7/89; 12-5/8 x 3" Brake; Back; 1-1/8" Bore
Wheel Cylinder	89	F131768	(WC131768)	L.H.; From 7/89; 12-5/8 x 3" Brake; Fwd.; 1-1/8" Bore
Wheel Cylinder	89	F131764	(WC131764)	L.H.; To 6/89; 12-5/8 x 3" Brake; Back; 1-1/8" Bore
Wheel Cylinder	89	F131763	(WC131763)	L.H.; To 6/89; 12-5/8 x 3" Brake; Fwd.; 1-1/8" Bore
Wheel Cylinder	89	F131771	(WC131771)	R.H.; From 7/89; 12-5/8 x 3" Brake; Back; 1-1/8" Bore
Wheel Cylinder	89	F131770	(WC131770)	R.H.; From 7/89; 12-5/8 x 3" Brake; Fwd.; 1-1/8" Bore
Wheel Cylinder	89	F131766	(WC131766)	R.H.; To 6/89; 12-5/8 x 3" Brake; Back; 1-1/8" Bore
Wheel Cylinder	89	F131765	(WC131765)	R.H.; To 6/89; 12-5/8 x 3" Brake; Fwd.; 1-1/8" Bore
Wheel Cylinder	88 - 87	F131764	(WC131764)	L.H.; 12-5/8 x 3" Brake; Back; 1-1/8" Bore
Wheel Cylinder	88 - 87	F131763	(WC131763)	L.H.; 12-5/8 x 3" Brake; Fwd.; 1-1/8" Bore
Wheel Cylinder	88 - 87	F131766	(WC131766)	R.H.; 12-5/8 x 3" Brake; Back; 1-1/8" Bore
Wheel Cylinder	88 - 87	F131765	(WC131765)	R.H.; 12-5/8 x 3" Brake; Fwd.; 1-1/8" Bore

Clutch Master Cylind	Years	Sequential No.	Category No.	Qualifier
Clutch Master Cylinder	91 - 90	F129941	(CM129941)	
Clutch Master Cylinder	89	F129941	(CM129941)	From 7/89
Clutch Master Cylinder	89	F129945	(CM129945)	To 6/89
Clutch Master Cylinder	88 - 87	F129945	(CM129945)	

Clutch Slave Cylinder	Years	Sequential No.	Category No.	Qualifier
Clutch Slave Cylinder	91 - 90	F129953	(SC129953)	
Clutch Slave Cylinder	89	F129953	(SC129953)	From 7/89
Clutch Slave Cylinder	89	F129950	(SC129950)	To 6/89
Clutch Slave Cylinder	88 - 87	F129950	(SC129950)	

FE449

Brake Pads & Shoes

Front Pads & Shoes	Years	SevereDuty	Lining No.	Qualifier
Brake Pads	95 - 92	SD433A		Akebono; 2.01" 2-Piston Caliper

Rear Pads & Shoes	Years	SevereDuty	Lining No.	Qualifier
Brake Shoes	95 - 92	SDS682R	EX1467D-S32	12-5/8 x 3"

Piston: M - OE Metal Piston P - OE Phenolic Piston

FE449 (cont.)
Brake Hardware

Front Brake Hardware	Years	Sequential No.	Category No.	Qualifier
Caliper Bolt/Pin	95 - 92	F140772	(H14944)	Akebono; 2.01" 2-Piston Caliper
Disc Align Kit	95 - 92	F140610	(H3006)	Akebono; 2.01" 2-Piston Caliper

Rear Brake Hardware	Years	Sequential No.	Category No.	Qualifier
Combi Kit	95 - 92	F140619	(H3015)	12-5/8 x 3" Brake; 12-5/8 x 3

Calipers - Reman

Front, Loaded	Years	Left No.	Right No.	Qualifier	Piston
Loaded Caliper	95 - 92	AS134368	AS134367	Akebono; 2.01" 2-Piston Caliper; Lower	M
Loaded Caliper	95 - 92	AS134312	AS134311	Akebono; 2.01" 2-Piston Caliper; Upper	M

Front, Unloaded	Years	Left No.	Right No.	Qualifier	Piston
Unloaded Caliper	95 - 92	CR134368	CR134367	Akebono; 2.01" 2-Piston Caliper; Lower	M
Unloaded Caliper	95 - 92	CR134312	CR134311	Akebono; 2.01" 2-Piston Caliper; Upper	M

Hydraulics - New

Rear Wheel Cylinder	Years	Sequential No.	Category No.	Qualifier
Wheel Cylinder	95 - 92	F131769	(WC131769)	L.H.; 12-5/8 x 3" Brake; Back; 1-1/8" Bore
Wheel Cylinder	95 - 92	F131768	(WC131768)	L.H.; 12-5/8 x 3" Brake; Fwd.; 1-1/8" Bore
Wheel Cylinder	95 - 92	F131771	(WC131771)	R.H.; 12-5/8 x 3" Brake; Back; 1-1/8" Bore
Wheel Cylinder	95 - 92	F131770	(WC131770)	R.H.; 12-5/8 x 3" Brake; Fwd.; 1-1/8" Bore

Clutch Master Cylind	Years	Sequential No.	Category No.	Qualifier
Clutch Master Cylinder	95 - 92	F129941	(CM129941)	

Clutch Slave Cylinder	Years	Sequential No.	Category No.	Qualifier
Clutch Slave Cylinder	95 - 92	F129951	(SC129951)	

FE639
Brake Pads & Shoes

Front Pads & Shoes	Years	SevereDuty	Lining No.	Qualifier
Brake Pads	04 - 96	SD734		Aisin; 2.01" 1-Piston Caliper; w/Rear Disc
Brake Pads	04 - 96	SD735		Aisin; 2.01" 1-Piston Caliper; w/Rear Drum

Rear Pads & Shoes	Years	SevereDuty	Lining No.	Qualifier
Brake Pads	04 - 96	SD734		Aisin; 2.01" 1-Piston Caliper
Brake Shoes	04 - 96	SDS682R	EX1467D-S32	12-5/8 x 3

Brake Hardware

Rear Brake Hardware	Years	Sequential No.	Category No.	Qualifier
Combi Kit	04 - 96	F140619	(H3015)	12-5/8 x 3" Brake; 12-5/8 x 3

Calipers - Reman

Front, Loaded	Years	Left No.	Right No.	Qualifier	Piston
Loaded Caliper	04 - 96	AS135228A	AS135229A	Aisin; 2.01" 1-Piston Caliper; w/Rear Disc; Lower	M
Loaded Caliper	04 - 96	AS135232A	AS135233A	Aisin; 2.01" 1-Piston Caliper; w/Rear Disc; Upper	M
Loaded Caliper	04 - 96	AS135228	AS135229	Aisin; 2.01" 1-Piston Caliper; w/Rear Drum; Lower	M
Loaded Caliper	04 - 96	AS135232	AS135233	Aisin; 2.01" 1-Piston Caliper; w/Rear Drum; Upper	M

Rear, Loaded	Years	Left No.	Right No.	Qualifier	Piston
Loaded Caliper	04 - 96	AS135228A	AS135229A	Aisin; 2.01" 1-Piston Caliper; Lower	M
Loaded Caliper	04 - 96	AS135232A	AS135233A	Aisin; 2.01" 1-Piston Caliper; Upper	M

Front, Unloaded	Years	Left No.	Right No.	Qualifier	Piston
Unloaded Caliper	04 - 96	CR135228	CR135229	Aisin; 2.01" 1-Piston Caliper; Lower	M
Unloaded Caliper	04 - 96	CR135232	CR135233	Aisin; 2.01" 1-Piston Caliper; Upper	M

Rear, Unloaded	Years	Left No.	Right No.	Qualifier	Piston
Unloaded Caliper	04 - 96	CR135228	CR135229	Aisin; 2.01" 1-Piston Caliper; Lower	M
Unloaded Caliper	04 - 96	CR135232	CR135233	Aisin; 2.01" 1-Piston Caliper; Upper	M

Hydraulics - New

Rear Wheel Cylinder	Years	Sequential No.	Category No.	Qualifier
Wheel Cylinder	04 - 96	F131769	(WC131769)	L.H.; 12-5/8 x 3" Brake; Back; 1-1/8" Bore
Wheel Cylinder	04 - 96	F131768	(WC131768)	L.H.; 12-5/8 x 3" Brake; Fwd.; 1-1/8" Bore
Wheel Cylinder	04 - 96	F131771	(WC131771)	R.H.; 12-5/8 x 3" Brake; Back; 1-1/8" Bore

Piston: M - OE Metal Piston P - OE Phenolic Piston

FE639 (cont.)

Hydraulics - New (cont.)

<i>Rear Wheel Cylinder</i>	<i>Years</i>	<i>Sequential No.</i>	<i>Category No.</i>	<i>Qualifier</i>
Wheel Cylinder	04 - 96	F131770	(WC131770)	R.H.; 12-5/8 x 3" Brake; Fwd.; 1-1/8" Bore
<i>Clutch Master Cylind</i>	<i>Years</i>	<i>Sequential No.</i>	<i>Category No.</i>	<i>Qualifier</i>
Clutch Master Cylinder	04 - 96	F133416	(CM133416)	

FG434

Brake Pads & Shoes

<i>Front Pads & Shoes</i>	<i>Years</i>	<i>SevereDuty</i>	<i>Lining No.</i>	<i>Qualifier</i>
Brake Shoes	91 - 90	SDS682R	EX1467D-S32	12-5/8 x 3
<i>Rear Pads & Shoes</i>	<i>Years</i>	<i>SevereDuty</i>	<i>Lining No.</i>	<i>Qualifier</i>
Brake Shoes	91 - 90	SDS682R	EX1467D-S32	12-5/8 x 3

Brake Hardware

<i>Front Brake Hardware</i>	<i>Years</i>	<i>Sequential No.</i>	<i>Category No.</i>	<i>Qualifier</i>
Combi Kit	91 - 90	F140619	(H3015)	12-5/8 x 3" Brake; 12-5/8 x 3
<i>Rear Brake Hardware</i>	<i>Years</i>	<i>Sequential No.</i>	<i>Category No.</i>	<i>Qualifier</i>
Combi Kit	91 - 90	F140619	(H3015)	12-5/8 x 3" Brake; 12-5/8 x 3

Hydraulics - New

<i>Clutch Master Cylind</i>	<i>Years</i>	<i>Sequential No.</i>	<i>Category No.</i>	<i>Qualifier</i>
Clutch Master Cylinder	91 - 90	F129941	(CM129941)	
<i>Clutch Slave Cylinder</i>	<i>Years</i>	<i>Sequential No.</i>	<i>Category No.</i>	<i>Qualifier</i>
Clutch Slave Cylinder	91 - 90	F129953	(SC129953)	

FG439

Brake Pads & Shoes

<i>Front Pads & Shoes</i>	<i>Years</i>	<i>SevereDuty</i>	<i>Lining No.</i>	<i>Qualifier</i>
Brake Shoes	93 - 92	SDS682R	EX1467D-S32	12-5/8 x 3
<i>Rear Pads & Shoes</i>	<i>Years</i>	<i>SevereDuty</i>	<i>Lining No.</i>	<i>Qualifier</i>
Brake Shoes	93 - 92	SDS682R	EX1467D-S32	12-5/8 x 3

Brake Hardware

<i>Front Brake Hardware</i>	<i>Years</i>	<i>Sequential No.</i>	<i>Category No.</i>	<i>Qualifier</i>
Combi Kit	93 - 92	F140619	(H3015)	12-5/8 x 3" Brake; 12-5/8 x 3
<i>Rear Brake Hardware</i>	<i>Years</i>	<i>Sequential No.</i>	<i>Category No.</i>	<i>Qualifier</i>
Combi Kit	93 - 92	F140619	(H3015)	12-5/8 x 3" Brake; 12-5/8 x 3

Hydraulics - New

<i>Clutch Master Cylind</i>	<i>Years</i>	<i>Sequential No.</i>	<i>Category No.</i>	<i>Qualifier</i>
Clutch Master Cylinder	93 - 92	F129941	(CM129941)	
<i>Clutch Slave Cylinder</i>	<i>Years</i>	<i>Sequential No.</i>	<i>Category No.</i>	<i>Qualifier</i>
Clutch Slave Cylinder	93 - 92	F129953	(SC129953)	

FG639

Brake Pads & Shoes

<i>Front Pads & Shoes</i>	<i>Years</i>	<i>SevereDuty</i>	<i>Lining No.</i>	<i>Qualifier</i>
Brake Shoes	04 - 96	SDS682R	EX1467D-S32	12-5/8 x 3
<i>Rear Pads & Shoes</i>	<i>Years</i>	<i>SevereDuty</i>	<i>Lining No.</i>	<i>Qualifier</i>
Brake Shoes	04 - 96	SDS682R	EX1467D-S32	12-5/8 x 3

Brake Hardware

<i>Front Brake Hardware</i>	<i>Years</i>	<i>Sequential No.</i>	<i>Category No.</i>	<i>Qualifier</i>
Combi Kit	04 - 96	F140619	(H3015)	12-5/8 x 3" Brake; 12-5/8 x 3
<i>Rear Brake Hardware</i>	<i>Years</i>	<i>Sequential No.</i>	<i>Category No.</i>	<i>Qualifier</i>
Combi Kit	04 - 96	F140619	(H3015)	12-5/8 x 3" Brake; 12-5/8 x 3

Hydraulics - New

<i>Clutch Master Cylind</i>	<i>Years</i>	<i>Sequential No.</i>	<i>Category No.</i>	<i>Qualifier</i>
Clutch Master Cylinder	04 - 96	F133416	(CM133416)	

FE140
Brake Pads & Shoes

Front Pads & Shoes	Years	SevereDuty	Lining No.	Qualifier
Brake Pads	07 - 06	SD1265		
Rear Pads & Shoes	Years	SevereDuty	Lining No.	Qualifier
Brake Pads	07 - 06	SD1265		

FE145
Brake Pads & Shoes

Front Pads & Shoes	Years	SevereDuty	Lining No.	Qualifier
Brake Pads	07 - 05	SD1265		
Rear Pads & Shoes	Years	SevereDuty	Lining No.	Qualifier
Brake Pads	07 - 05	SD1265		

FE640
Brake Pads & Shoes

Front Pads & Shoes	Years	SevereDuty	Lining No.	Qualifier
Brake Pads	04 - 01	SD734		Aisin; 2.01" 1-Piston Caliper; w/Rear Disc
Brake Pads	04 - 01	SD735		Aisin; 2.01" 1-Piston Caliper; w/Rear Drum
Rear Pads & Shoes	Years	SevereDuty	Lining No.	Qualifier
Brake Pads	04 - 01	SD734		Aisin; 2.01" 1-Piston Caliper
Brake Shoes	04 - 01	SDS682R	EX1467D-S32	12-5/8 x 3

Brake Hardware

Rear Brake Hardware	Years	Sequential No.	Category No.	Qualifier
Combi Kit	04 - 01	F140619	(H3015)	12-5/8 x 3" Brake; 12-5/8 x 3

Calipers - Reman

Front, Loaded	Years	Left No.	Right No.	Qualifier	Piston
Loaded Caliper	04 - 01	AS135228A	AS135229A	Aisin; 2.01" 1-Piston Caliper; w/Rear Disc; Lower	M
Loaded Caliper	04 - 01	AS135232A	AS135233A	Aisin; 2.01" 1-Piston Caliper; w/Rear Disc; Upper	M
Loaded Caliper	04 - 01	AS135228	AS135229	Aisin; 2.01" 1-Piston Caliper; w/Rear Drum; Lower	M
Loaded Caliper	04 - 01	AS135232	AS135233	Aisin; 2.01" 1-Piston Caliper; w/Rear Drum; Upper	M
Rear, Loaded	Years	Left No.	Right No.	Qualifier	Piston
Loaded Caliper	04 - 01	AS135228A	AS135229A	Aisin; 2.01" 1-Piston Caliper; Lower	M
Loaded Caliper	04 - 01	AS135232A	AS135233A	Aisin; 2.01" 1-Piston Caliper; Upper	M
Front, Unloaded	Years	Left No.	Right No.	Qualifier	Piston
Unloaded Caliper	04 - 01	CR135228	CR135229	Aisin; 2.01" 1-Piston Caliper; Lower	M
Unloaded Caliper	04 - 01	CR135232	CR135233	Aisin; 2.01" 1-Piston Caliper; Upper	M
Rear, Unloaded	Years	Left No.	Right No.	Qualifier	Piston
Unloaded Caliper	04 - 01	CR135228	CR135229	Aisin; 2.01" 1-Piston Caliper; Lower	M
Unloaded Caliper	04 - 01	CR135232	CR135233	Aisin; 2.01" 1-Piston Caliper; Upper	M

Hydraulics - New

Master Cylinder	Years	Sequential No.	Category No.	Qualifier
Master Cylinder	04 - 01	F133438	(MC133438)	
Rear Wheel Cylinder	Years	Sequential No.	Category No.	Qualifier
Wheel Cylinder	04 - 01	F131769	(WC131769)	L.H.; 12-5/8 x 3" Brake; Back; 1-1/8" Bore
Wheel Cylinder	04 - 01	F131768	(WC131768)	L.H.; 12-5/8 x 3" Brake; Fwd.; 1-1/8" Bore
Wheel Cylinder	04 - 01	F131771	(WC131771)	R.H.; 12-5/8 x 3" Brake; Back; 1-1/8" Bore
Wheel Cylinder	04 - 01	F131770	(WC131770)	R.H.; 12-5/8 x 3" Brake; Fwd.; 1-1/8" Bore
Clutch Master Cylind	Years	Sequential No.	Category No.	Qualifier
Clutch Master Cylinder	04 - 01	F133416	(CM133416)	

FE649
Brake Pads & Shoes

Front Pads & Shoes	Years	SevereDuty	Lining No.	Qualifier
Brake Pads	04 - 96	SD734		Aisin; 2.01" 1-Piston Caliper; w/Rear Disc
Brake Pads	04 - 96	SD735		Aisin; 2.01" 1-Piston Caliper; w/Rear Drum
Rear Pads & Shoes	Years	SevereDuty	Lining No.	Qualifier
Brake Pads	04 - 96	SD734		Aisin; 2.01" 1-Piston Caliper

Piston: M - OE Metal Piston P - OE Phenolic Piston

MITSUBISHI FUSO Class-4



FE649 (cont.)

Brake Pads & Shoes (cont.)

Rear Pads & Shoes	Years	SevereDuty	Lining No.	Qualifier
Brake Shoes	04 - 96	SDS682R	EX1467D-S32	12-5/8 x 3

Brake Hardware

Rear Brake Hardware	Years	Sequential No.	Category No.	Qualifier
Combi Kit	04 - 96	F140619	(H3015)	12-5/8 x 3" Brake; 12-5/8 x 3

Calipers - Reman

Front, Loaded	Years	Left No.	Right No.	Qualifier	Piston
Loaded Caliper	04 - 96	AS135228A	AS135229A	Aisin; 2.01" 1-Piston Caliper; w/Rear Disc; Lower	M
Loaded Caliper	04 - 96	AS135232A	AS135233A	Aisin; 2.01" 1-Piston Caliper; w/Rear Disc; Upper	M
Loaded Caliper	04 - 96	AS135228	AS135229	Aisin; 2.01" 1-Piston Caliper; w/Rear Drum; Lower	M
Loaded Caliper	04 - 96	AS135232	AS135233	Aisin; 2.01" 1-Piston Caliper; w/Rear Drum; Upper	M

Rear, Loaded	Years	Left No.	Right No.	Qualifier	Piston
Loaded Caliper	04 - 96	AS135228A	AS135229A	Aisin; 2.01" 1-Piston Caliper; Lower	M
Loaded Caliper	04 - 96	AS135232A	AS135233A	Aisin; 2.01" 1-Piston Caliper; Upper	M

Front, Unloaded	Years	Left No.	Right No.	Qualifier	Piston
Unloaded Caliper	04 - 96	CR135228	CR135229	Aisin; 2.01" 1-Piston Caliper; Lower	M
Unloaded Caliper	04 - 96	CR135232	CR135233	Aisin; 2.01" 1-Piston Caliper; Upper	M

Rear, Unloaded	Years	Left No.	Right No.	Qualifier	Piston
Unloaded Caliper	04 - 96	CR135228	CR135229	Aisin; 2.01" 1-Piston Caliper; Lower	M
Unloaded Caliper	04 - 96	CR135232	CR135233	Aisin; 2.01" 1-Piston Caliper; Upper	M

Hydraulics - New

Master Cylinder	Years	Sequential No.	Category No.	Qualifier
Master Cylinder	04 - 96	F133438	(MC133438)	

Rear Wheel Cylinder	Years	Sequential No.	Category No.	Qualifier
Wheel Cylinder	04 - 96	F131769	(WC131769)	L.H.; 12-5/8 x 3" Brake; Back; 1-1/8" Bore
Wheel Cylinder	04 - 96	F131768	(WC131768)	L.H.; 12-5/8 x 3" Brake; Fwd.; 1-1/8" Bore
Wheel Cylinder	04 - 96	F131771	(WC131771)	R.H.; 12-5/8 x 3" Brake; Back; 1-1/8" Bore
Wheel Cylinder	04 - 96	F131770	(WC131770)	R.H.; 12-5/8 x 3" Brake; Fwd.; 1-1/8" Bore

Clutch Master Cylind	Years	Sequential No.	Category No.	Qualifier
Clutch Master Cylinder	04 - 96	F133416	(CM133416)	

FG649

Brake Pads & Shoes

Front Pads & Shoes	Years	SevereDuty	Lining No.	Qualifier
Brake Shoes	04 - 02	SDS682R	EX1467D-S32	12-5/8 x 3

Rear Pads & Shoes	Years	SevereDuty	Lining No.	Qualifier
Brake Shoes	04 - 02	SDS682R	EX1467D-S32	12-5/8 x 3

Brake Hardware

Front Brake Hardware	Years	Sequential No.	Category No.	Qualifier
Combi Kit	04 - 02	F140619	(H3015)	12-5/8 x 3" Brake; 12-5/8 x 3

Rear Brake Hardware	Years	Sequential No.	Category No.	Qualifier
Combi Kit	04 - 02	F140619	(H3015)	12-5/8 x 3" Brake; 12-5/8 x 3

Hydraulics - New

Master Cylinder	Years	Sequential No.	Category No.	Qualifier
Master Cylinder	04 - 02	F133438	(MC133438)	

Clutch Master Cylind	Years	Sequential No.	Category No.	Qualifier
Clutch Master Cylinder	04 - 02	F133416	(CM133416)	

MITSUBISHI FUSO Class-5

FH100

Brake Pads & Shoes

Front Pads & Shoes	Years	SevereDuty	Lining No.	Qualifier
Brake Shoes	95 - 87	SDS602R	EX1410D-S32	12-5/8 x 4-3/8

Piston: M - OE Metal Piston P - OE Phenolic Piston

FH100 (cont.)
Brake Pads & Shoes (cont.)

Rear Pads & Shoes	Years	SevereDuty	Lining No.	Qualifier
Brake Shoes	95 - 87	SDS632R	EX1434D-S32	12-5/8 x 5-1/8

Brake Hardware

Front Brake Hardware	Years	Sequential No.	Category No.	Qualifier
Combi Kit	95 - 87	F140613	(H3009)	12-5/8 x 4-3/8" Brake; 12-5/8 x 4-3/8"

Rear Brake Hardware	Years	Sequential No.	Category No.	Qualifier
Combi Kit	95 - 87	F128868	(H7215)	12-5/8 x 5-1/8" Brake; 12-5/8 x 5-1/8"

Hydraulics - New

Front Wheel Cylinder	Years	Sequential No.	Category No.	Qualifier
-----------------------------	--------------	-----------------------	---------------------	------------------

Wheel Cylinder	95 - 87	F131784	(WC131784)	L.H.; 12-5/8 x 4-3/8" Brake; Back
----------------	---------	---------	------------	-----------------------------------

Wheel Cylinder	95 - 87	F131783	(WC131783)	L.H.; 12-5/8 x 4-3/8" Brake; Fwd.
----------------	---------	---------	------------	-----------------------------------

Wheel Cylinder	95 - 87	F131786	(WC131786)	R.H.; 12-5/8 x 4-3/8" Brake; Back
----------------	---------	---------	------------	-----------------------------------

Wheel Cylinder	95 - 87	F131785	(WC131785)	R.H.; 12-5/8 x 4-3/8" Brake; Fwd.
----------------	---------	---------	------------	-----------------------------------

Rear Wheel Cylinder	Years	Sequential No.	Category No.	Qualifier
----------------------------	--------------	-----------------------	---------------------	------------------

Wheel Cylinder	95 - 87	F131779	(WC131779)	L.H.; 12-5/8 x 5-1/8" Brake; Back
----------------	---------	---------	------------	-----------------------------------

Wheel Cylinder	95 - 87	F131780	(WC131780)	L.H.; 12-5/8 x 5-1/8" Brake; Fwd.
----------------	---------	---------	------------	-----------------------------------

Wheel Cylinder	95 - 87	F131779	(WC131779)	R.H.; 12-5/8 x 5-1/8" Brake; Back
----------------	---------	---------	------------	-----------------------------------

Wheel Cylinder	95 - 87	F131781	(WC131781)	R.H.; 12-5/8 x 5-1/8" Brake; Fwd.
----------------	---------	---------	------------	-----------------------------------

Clutch Master Cylind	Years	Sequential No.	Category No.	Qualifier
-----------------------------	--------------	-----------------------	---------------------	------------------

Clutch Master Cylinder	95 - 87	F129943	(CM129943)	
------------------------	---------	---------	------------	--

Clutch Slave Cylinder	Years	Sequential No.	Category No.	Qualifier
------------------------------	--------------	-----------------------	---------------------	------------------

Clutch Slave Cylinder	95 - 87	F129948	(SC129948)	
-----------------------	---------	---------	------------	--

FH210
Brake Pads & Shoes

Front Pads & Shoes	Years	SevereDuty	Lining No.	Qualifier
-------------------------------	--------------	-------------------	-------------------	------------------

Brake Shoes	04 - 03	SDS730R	EX1501D	12-5/8 x 4-3/4
-------------	---------	---------	---------	----------------

Rear Pads & Shoes	Years	SevereDuty	Lining No.	Qualifier
------------------------------	--------------	-------------------	-------------------	------------------

Brake Shoes	04 - 03	SDS731R	EX1502D	12-5/8 x 5-1/2
-------------	---------	---------	---------	----------------

FH211
Brake Pads & Shoes

Front Pads & Shoes	Years	SevereDuty	Lining No.	Qualifier
-------------------------------	--------------	-------------------	-------------------	------------------

Brake Shoes	02 - 96	SDS730R	EX1501D	12-5/8 x 4-3/4
-------------	---------	---------	---------	----------------

Rear Pads & Shoes	Years	SevereDuty	Lining No.	Qualifier
------------------------------	--------------	-------------------	-------------------	------------------

Brake Shoes	02 - 96	SDS731R	EX1502D	12-5/8 x 5-1/2
-------------	---------	---------	---------	----------------

Hydraulics - New

Front Wheel Cylinder	Years	Sequential No.	Category No.	Qualifier
-----------------------------	--------------	-----------------------	---------------------	------------------

Wheel Cylinder	02 - 96	F133437	(WC133437)	L.H.; 12-5/8 x 4-3/4" Brake; Back; 1-3/8" Bore
----------------	---------	---------	------------	--

Wheel Cylinder	02 - 96	F133421	(WC133421)	L.H.; 12-5/8 x 4-3/4" Brake; Fwd.; 1-3/8" Bore
----------------	---------	---------	------------	--

Wheel Cylinder	02 - 96	F133422	(WC133422)	R.H.; 12-5/8 x 4-3/4" Brake; Back; 1-3/8" Bore
----------------	---------	---------	------------	--

Wheel Cylinder	02 - 96	F133423	(WC133423)	R.H.; 12-5/8 x 4-3/4" Brake; Fwd.; 1-3/8" Bore
----------------	---------	---------	------------	--

Rear Wheel Cylinder	Years	Sequential No.	Category No.	Qualifier
----------------------------	--------------	-----------------------	---------------------	------------------

Wheel Cylinder	02 - 96	F133425	(WC133425)	L.H.; 12-5/8 x 5-1/2" Brake; Back; 1-7/16" Bore
----------------	---------	---------	------------	---

Wheel Cylinder	02 - 96	F133424	(WC133424)	L.H.; 12-5/8 x 5-1/2" Brake; Fwd.; 1-7/16" Bore
----------------	---------	---------	------------	---

Wheel Cylinder	02 - 96	F133425	(WC133425)	R.H.; 12-5/8 x 5-1/2" Brake; Back; 1-7/16" Bore
----------------	---------	---------	------------	---

Wheel Cylinder	02 - 96	F133426	(WC133426)	R.H.; 12-5/8 x 5-1/2" Brake; Fwd.; 1-7/16" Bore
----------------	---------	---------	------------	---

Clutch Master Cylind	Years	Sequential No.	Category No.	Qualifier
-----------------------------	--------------	-----------------------	---------------------	------------------

Clutch Master Cylinder	02 - 96	F133418	(CM133418)	
------------------------	---------	---------	------------	--

MITSUBISHI FUSO Class-6
FK200
Brake Pads & Shoes

Front Pads & Shoes	Years	SevereDuty	Lining No.	Qualifier
-------------------------------	--------------	-------------------	-------------------	------------------

Brake Shoes	07 - 05	SDS730R	EX1501D	
-------------	---------	---------	---------	--

FK200 (cont.)

Brake Pads & Shoes (cont.)

Rear Pads & Shoes	Years	SevereDuty	Lining No.	Qualifier
Brake Shoes	07 - 05	SDS731R	EX1502D	

FK415

Brake Pads & Shoes

Front Pads & Shoes	Years	SevereDuty	Lining No.	Qualifier
Brake Shoes	91 - 86	SDS617R	EX1422D-S43	15-3/4 x 4-3/4
Rear Pads & Shoes	Years	SevereDuty	Lining No.	Qualifier
Brake Shoes	91 - 86	SDS686R	EX1419D-S43	15-3/4 x 6-1/8

Brake Hardware

Front Brake Hardware	Years	Sequential No.	Category No.	Qualifier
Combi Kit	91 - 86	F128867	(H7214)	15-3/4 x 4-3/4" Brake; 15-3/4 x 4-3/4
Rear Brake Hardware	Years	Sequential No.	Category No.	Qualifier
Combi Kit	91 - 86	F140624	(H3020)	15-3/4 x 6-1/8" Brake; 15-3/4 x 6-1/8

Hydraulics - New

Front Wheel Cylinder	Years	Sequential No.	Category No.	Qualifier
Wheel Cylinder	91	F131787	(WC131787)	L.H.; 15-3/4 x 4-3/4" Brake
Wheel Cylinder	91	F131788	(WC131788)	R.H.; 15-3/4 x 4-3/4" Brake
Wheel Cylinder	90	F131787	(WC131787)	L.H.; From 6/90; 15-3/4 x 4-3/4" Brake
Wheel Cylinder	90	F131773	(WC131773)	L.H.; To 5/90; 15-3/4 x 4-3/4" Brake
Wheel Cylinder	90	F131788	(WC131788)	R.H.; From 6/90; 15-3/4 x 4-3/4" Brake
Wheel Cylinder	90	F131774	(WC131774)	R.H.; To 5/90; 15-3/4 x 4-3/4" Brake
Wheel Cylinder	89 - 86	F131773	(WC131773)	L.H.; 15-3/4 x 4-3/4" Brake
Wheel Cylinder	89 - 86	F131774	(WC131774)	R.H.; 15-3/4 x 4-3/4" Brake
Rear Wheel Cylinder	Years	Sequential No.	Category No.	Qualifier
Wheel Cylinder	91 - 86	F131777	(WC131777)	L.H.; 15-3/4 x 6-1/8" Brake; Back
Wheel Cylinder	91 - 86	F131775	(WC131775)	L.H.; 15-3/4 x 6-1/8" Brake; Fwd.
Wheel Cylinder	91 - 86	F131778	(WC131778)	R.H.; 15-3/4 x 6-1/8" Brake; Back
Wheel Cylinder	91 - 86	F131776	(WC131776)	R.H.; 15-3/4 x 6-1/8" Brake; Fwd.
Clutch Slave Cylinder	Years	Sequential No.	Category No.	Qualifier
Clutch Slave Cylinder	91 - 86	F129948	(SC129948)	

FK417

Brake Pads & Shoes

Front Pads & Shoes	Years	SevereDuty	Lining No.	Qualifier
Brake Shoes	95 - 92	SDS617R	EX1422D-S43	15-3/4 x 4-3/4
Rear Pads & Shoes	Years	SevereDuty	Lining No.	Qualifier
Brake Shoes	95 - 92	SDS686R	EX1419D-S43	15-3/4 x 6-1/8

Brake Hardware

Front Brake Hardware	Years	Sequential No.	Category No.	Qualifier
Combi Kit	95 - 92	F128867	(H7214)	15-3/4 x 4-3/4" Brake; 15-3/4 x 4-3/4
Rear Brake Hardware	Years	Sequential No.	Category No.	Qualifier
Combi Kit	95 - 92	F140624	(H3020)	15-3/4 x 6-1/8" Brake; 15-3/4 x 6-1/8

Hydraulics - New

Front Wheel Cylinder	Years	Sequential No.	Category No.	Qualifier
Wheel Cylinder	95 - 92	F131787	(WC131787)	L.H.; 15-3/4 x 4-3/4" Brake
Wheel Cylinder	95 - 92	F131788	(WC131788)	R.H.; 15-3/4 x 4-3/4" Brake
Rear Wheel Cylinder	Years	Sequential No.	Category No.	Qualifier
Wheel Cylinder	95 - 92	F131777	(WC131777)	L.H.; 15-3/4 x 6-1/8" Brake; Back
Wheel Cylinder	95 - 92	F131775	(WC131775)	L.H.; 15-3/4 x 6-1/8" Brake; Fwd.
Wheel Cylinder	95 - 92	F131778	(WC131778)	R.H.; 15-3/4 x 6-1/8" Brake; Back
Wheel Cylinder	95 - 92	F131776	(WC131776)	R.H.; 15-3/4 x 6-1/8" Brake; Fwd.
Clutch Slave Cylinder	Years	Sequential No.	Category No.	Qualifier
Clutch Slave Cylinder	95 - 92	F129947	(SC129947)	

FK617
Brake Pads & Shoes

Front Pads & Shoes	Years	SevereDuty	Lining No.	Qualifier
-------------------------------	--------------	-------------------	-------------------	------------------

Brake Shoes	04 - 96	SDS617R	EX1422D-S43	15-3/4 x 4-3/4
-------------	---------	---------	-------------	----------------

Rear Pads & Shoes	Years	SevereDuty	Lining No.	Qualifier
------------------------------	--------------	-------------------	-------------------	------------------

Brake Shoes	04 - 96	SDS686R	EX1419D-S43	15-3/4 x 6-1/8
-------------	---------	---------	-------------	----------------

Brake Hardware

Front Brake Hardware	Years	Sequential No.	Category No.	Qualifier
-----------------------------	--------------	-----------------------	---------------------	------------------

Combi Kit	04 - 96	F128867	(H7214)	15-3/4 x 4-3/4" Brake; 15-3/4 x 4-3/4
-----------	---------	---------	---------	---------------------------------------

Rear Brake Hardware	Years	Sequential No.	Category No.	Qualifier
----------------------------	--------------	-----------------------	---------------------	------------------

Combi Kit	04 - 96	F140624	(H3020)	15-3/4 x 6-1/8" Brake; 15-3/4 x 6-1/8
-----------	---------	---------	---------	---------------------------------------

Hydraulics - New

Front Wheel Cylinder	Years	Sequential No.	Category No.	Qualifier
-----------------------------	--------------	-----------------------	---------------------	------------------

Wheel Cylinder	04 - 96	F133414	(WC133414)	L.H.; 15-3/4 x 4-3/4" Brake
----------------	---------	---------	------------	-----------------------------

Wheel Cylinder	04 - 96	F133415	(WC133415)	R.H.; 15-3/4 x 4-3/4" Brake
----------------	---------	---------	------------	-----------------------------

Rear Wheel Cylinder	Years	Sequential No.	Category No.	Qualifier
----------------------------	--------------	-----------------------	---------------------	------------------

Wheel Cylinder	04 - 96	F133433	(WC133433)	L.H.; 15-3/4 x 6-1/8" Brake; Back
----------------	---------	---------	------------	-----------------------------------

Wheel Cylinder	04 - 96	F133432	(WC133432)	L.H.; 15-3/4 x 6-1/8" Brake; Fwd.
----------------	---------	---------	------------	-----------------------------------

Wheel Cylinder	04 - 96	F133413	(WC133413)	R.H.; 15-3/4 x 6-1/8" Brake; Back
----------------	---------	---------	------------	-----------------------------------

Wheel Cylinder	04 - 96	F133412	(WC133412)	R.H.; 15-3/4 x 6-1/8" Brake; Fwd.
----------------	---------	---------	------------	-----------------------------------

Clutch Master Cylind	Years	Sequential No.	Category No.	Qualifier
-----------------------------	--------------	-----------------------	---------------------	------------------

Clutch Master Cylinder	04 - 96	F133434	(CM133434)	
------------------------	---------	---------	------------	--

FM260
Brake Pads & Shoes

Front Pads & Shoes	Years	SevereDuty	Lining No.	Qualifier
-------------------------------	--------------	-------------------	-------------------	------------------

Brake Shoes	07 - 05	SDS617R	EX1422D-S43	
-------------	---------	---------	-------------	--

Rear Pads & Shoes	Years	SevereDuty	Lining No.	Qualifier
------------------------------	--------------	-------------------	-------------------	------------------

Brake Shoes	07 - 05	SDS686R	EX1419D-S43	
-------------	---------	---------	-------------	--

FM555
Brake Pads & Shoes

Front Pads & Shoes	Years	SevereDuty	Lining No.	Qualifier
-------------------------------	--------------	-------------------	-------------------	------------------

Brake Shoes	91 - 86	SDS1418AR	EX1418AD	w/Air Brakes; 16-1/8 x 5-1/2
-------------	---------	-----------	----------	------------------------------

Rear Pads & Shoes	Years	SevereDuty	Lining No.	Qualifier
------------------------------	--------------	-------------------	-------------------	------------------

Brake Shoes	91 - 86	SDS4738R	EX4738D	w/Air Brakes; 16-1/8 x 7-7/8
-------------	---------	----------	---------	------------------------------

Hydraulics - New

Front Wheel Cylinder	Years	Sequential No.	Category No.	Qualifier
-----------------------------	--------------	-----------------------	---------------------	------------------

Wheel Cylinder	91 - 86	F131772	(WC131772)	16-1/8 x 5-1/2" Brake
----------------	---------	---------	------------	-----------------------

Rear Wheel Cylinder	Years	Sequential No.	Category No.	Qualifier
----------------------------	--------------	-----------------------	---------------------	------------------

Wheel Cylinder	91 - 88	F131782	(WC131782)	16-1/8 x 7-7/8" Brake
----------------	---------	---------	------------	-----------------------

Wheel Cylinder	87	F131782	(WC131782)	From 9/87; 16-1/8 x 7-7/8" Brake
----------------	----	---------	------------	----------------------------------

Wheel Cylinder	87	F133436	(WC133436)	To 8/87; 16-1/8 x 7-7/8" Brake
----------------	----	---------	------------	--------------------------------

Wheel Cylinder	86	F133436	(WC133436)	16-1/8 x 7-7/8" Brake
----------------	----	---------	------------	-----------------------

Clutch Slave Cylinder	Years	Sequential No.	Category No.	Qualifier
------------------------------	--------------	-----------------------	---------------------	------------------

Clutch Slave Cylinder	91 - 86	F129947	(SC129947)	
-----------------------	---------	---------	------------	--

MITSUBISHI FUSO Class-7
FK455
Brake Pads & Shoes

Front Pads & Shoes	Years	SevereDuty	Lining No.	Qualifier
-------------------------------	--------------	-------------------	-------------------	------------------

Brake Shoes	91 - 86	SDS617R	EX1422D-S43	15-3/4 x 4-3/4
-------------	---------	---------	-------------	----------------

Rear Pads & Shoes	Years	SevereDuty	Lining No.	Qualifier
------------------------------	--------------	-------------------	-------------------	------------------

Brake Shoes	91 - 86	SDS686R	EX1419D-S43	15-3/4 x 6-1/8
-------------	---------	---------	-------------	----------------

Brake Hardware

Front Brake Hardware	Years	Sequential No.	Category No.	Qualifier
-----------------------------	--------------	-----------------------	---------------------	------------------

Combi Kit	91 - 86	F128867	(H7214)	15-3/4 x 4-3/4" Brake; 15-3/4 x 4-3/4
-----------	---------	---------	---------	---------------------------------------

FK455 (cont.)

Brake Hardware (cont.)

<i>Rear Brake Hardware</i>	<i>Years</i>	<i>Sequential No.</i>	<i>Category No.</i>	<i>Qualifier</i>
Combi Kit	91 - 86	F140624	(H3020)	15-3/4 x 6-1/8" Brake; 15-3/4 x 6-1/8

Hydraulics - New

<i>Front Wheel Cylinder</i>	<i>Years</i>	<i>Sequential No.</i>	<i>Category No.</i>	<i>Qualifier</i>
Wheel Cylinder	91	F131787	(WC131787)	L.H.; 15-3/4 x 4-3/4" Brake
Wheel Cylinder	91	F131788	(WC131788)	R.H.; 15-3/4 x 4-3/4" Brake
Wheel Cylinder	90	F131787	(WC131787)	L.H.; From 6/90; 15-3/4 x 4-3/4" Brake
Wheel Cylinder	90	F131773	(WC131773)	L.H.; To 5/90; 15-3/4 x 4-3/4" Brake
Wheel Cylinder	90	F131788	(WC131788)	R.H.; From 6/90; 15-3/4 x 4-3/4" Brake
Wheel Cylinder	90	F131774	(WC131774)	R.H.; To 5/90; 15-3/4 x 4-3/4" Brake
Wheel Cylinder	89 - 86	F131773	(WC131773)	L.H.; 15-3/4 x 4-3/4" Brake
Wheel Cylinder	89 - 86	F131774	(WC131774)	R.H.; 15-3/4 x 4-3/4" Brake

<i>Rear Wheel Cylinder</i>	<i>Years</i>	<i>Sequential No.</i>	<i>Category No.</i>	<i>Qualifier</i>
Wheel Cylinder	91 - 86	F131777	(WC131777)	L.H.; 15-3/4 x 6-1/8" Brake; Back
Wheel Cylinder	91 - 86	F131775	(WC131775)	L.H.; 15-3/4 x 6-1/8" Brake; Fwd.
Wheel Cylinder	91 - 86	F131778	(WC131778)	R.H.; 15-3/4 x 6-1/8" Brake; Back
Wheel Cylinder	91 - 86	F131776	(WC131776)	R.H.; 15-3/4 x 6-1/8" Brake; Fwd.

<i>Clutch Slave Cylinder</i>	<i>Years</i>	<i>Sequential No.</i>	<i>Category No.</i>	<i>Qualifier</i>
Clutch Slave Cylinder	91 - 86	F129948	(SC129948)	

FK457

Brake Pads & Shoes

<i>Front Pads & Shoes</i>	<i>Years</i>	<i>SevereDuty</i>	<i>Lining No.</i>	<i>Qualifier</i>
Brake Shoes	95 - 92	SDS617R	EX1422D-S43	15-3/4 x 4-3/4

<i>Rear Pads & Shoes</i>	<i>Years</i>	<i>SevereDuty</i>	<i>Lining No.</i>	<i>Qualifier</i>
Brake Shoes	95 - 92	SDS686R	EX1419D-S43	15-3/4 x 6-1/8

Brake Hardware

<i>Front Brake Hardware</i>	<i>Years</i>	<i>Sequential No.</i>	<i>Category No.</i>	<i>Qualifier</i>
Combi Kit	95 - 92	F128867	(H7214)	15-3/4 x 4-3/4" Brake; 15-3/4 x 4-3/4

<i>Rear Brake Hardware</i>	<i>Years</i>	<i>Sequential No.</i>	<i>Category No.</i>	<i>Qualifier</i>
Combi Kit	95 - 92	F140624	(H3020)	15-3/4 x 6-1/8" Brake; 15-3/4 x 6-1/8

Hydraulics - New

<i>Front Wheel Cylinder</i>	<i>Years</i>	<i>Sequential No.</i>	<i>Category No.</i>	<i>Qualifier</i>
Wheel Cylinder	95 - 92	F131787	(WC131787)	L.H.; 15-3/4 x 4-3/4" Brake
Wheel Cylinder	95 - 92	F131788	(WC131788)	R.H.; 15-3/4 x 4-3/4" Brake

<i>Rear Wheel Cylinder</i>	<i>Years</i>	<i>Sequential No.</i>	<i>Category No.</i>	<i>Qualifier</i>
Wheel Cylinder	95 - 92	F131777	(WC131777)	L.H.; 15-3/4 x 6-1/8" Brake; Back
Wheel Cylinder	95 - 92	F131775	(WC131775)	L.H.; 15-3/4 x 6-1/8" Brake; Fwd.
Wheel Cylinder	95 - 92	F131778	(WC131778)	R.H.; 15-3/4 x 6-1/8" Brake; Back
Wheel Cylinder	95 - 92	F131776	(WC131776)	R.H.; 15-3/4 x 6-1/8" Brake; Fwd.

<i>Clutch Slave Cylinder</i>	<i>Years</i>	<i>Sequential No.</i>	<i>Category No.</i>	<i>Qualifier</i>
Clutch Slave Cylinder	95 - 92	F129947	(SC129947)	

FM557

Brake Pads & Shoes

<i>Front Pads & Shoes</i>	<i>Years</i>	<i>SevereDuty</i>	<i>Lining No.</i>	<i>Qualifier</i>
Brake Shoes	95 - 92	SDS1418AR	EX1418AD	w/Air Brakes; 16-1/8 x 5-1/2

<i>Rear Pads & Shoes</i>	<i>Years</i>	<i>SevereDuty</i>	<i>Lining No.</i>	<i>Qualifier</i>
Brake Shoes	95 - 92	SDS4738R	EX4738D	w/Air Brakes; 16-1/8 x 7-7/8

FM617

Brake Pads & Shoes

<i>Front Pads & Shoes</i>	<i>Years</i>	<i>SevereDuty</i>	<i>Lining No.</i>	<i>Qualifier</i>
Brake Shoes	04 - 96	SDS617R	EX1422D-S43	Hyd. Brakes; 15-3/4 x 4-3/4

<i>Rear Pads & Shoes</i>	<i>Years</i>	<i>SevereDuty</i>	<i>Lining No.</i>	<i>Qualifier</i>
Brake Shoes	04 - 96	SDS686R	EX1419D-S43	Hyd. Brakes; 15-3/4 x 6-1/8

FM617 (cont.)
Brake Hardware

Front Brake Hardware	Years	Sequential No.	Category No.	Qualifier
Combi Kit	04 - 96	F128867	(H7214)	15-3/4 x 4-3/4" Brake; Hyd. Brakes; 15-3/4 x 4-3/4
Rear Brake Hardware	Years	Sequential No.	Category No.	Qualifier
Combi Kit	04 - 96	F140624	(H3020)	15-3/4 x 6-1/8" Brake; Hyd. Brakes; 15-3/4 x 6-1/8

Hydraulics - New

Front Wheel Cylinder	Years	Sequential No.	Category No.	Qualifier
Wheel Cylinder	04 - 96	F133414	(WC133414)	L.H.; 15-3/4 x 4-3/4" Brake
Wheel Cylinder	04 - 96	F133415	(WC133415)	R.H.; 15-3/4 x 4-3/4" Brake
Rear Wheel Cylinder	Years	Sequential No.	Category No.	Qualifier
Wheel Cylinder	04 - 96	F133433	(WC133433)	L.H.; 15-3/4 x 6-1/8" Brake; Back
Wheel Cylinder	04 - 96	F133432	(WC133432)	L.H.; 15-3/4 x 6-1/8" Brake; Fwd.
Wheel Cylinder	04 - 96	F133413	(WC133413)	R.H.; 15-3/4 x 6-1/8" Brake; Back
Wheel Cylinder	04 - 96	F133412	(WC133412)	R.H.; 15-3/4 x 6-1/8" Brake; Fwd.
Clutch Master Cylind	Years	Sequential No.	Category No.	Qualifier
Clutch Master Cylinder	04 - 96	F133434	(CM133434)	

FM657
Brake Pads & Shoes

Front Pads & Shoes	Years	SevereDuty	Lining No.	Qualifier
Brake Shoes	04 - 01	SDS4739R	EX4739D	w/Air Brakes; w/M/T; 16-1/8 x 5-7/8
Brake Shoes	00	SDS4739R	EX4739D	From 4/00; w/Air Brakes; w/M/T; 16-1/8 x 5-7/8
Brake Shoes	00	SDS4739R	EX4739D	To 3/00; w/Air Brakes; 16-1/8 x 5-7/8
Brake Shoes	99	SDS4739R	EX4739D	w/Air Brakes; 16-1/8 x 5-7/8
Brake Shoes	98 - 96	SDS1418AR	EX1418AD	w/Air Brakes; 16-1/8 x 5-1/2
Rear Pads & Shoes	Years	SevereDuty	Lining No.	Qualifier
Brake Shoes	04 - 01	SDS4738R	EX4738D	w/Air Brakes; w/M/T; 16-1/8 x 7-7/8
Brake Shoes	00	SDS4738R	EX4738D	From 4/00; w/Air Brakes; w/M/T; 16-1/8 x 7-7/8
Brake Shoes	00	SDS4738R	EX4738D	To 3/00; w/Air Brakes; 16-1/8 x 7-7/8
Brake Shoes	99 - 96	SDS4738R	EX4738D	w/Air Brakes; 16-1/8 x 7-7/8

NISSAN
TITAN
Brake Pads & Shoes

Front Pads & Shoes	Years	SevereDuty	Lining No.	Qualifier
Brake Pads	04	SD1015		
Rear Pads & Shoes	Years	SevereDuty	Lining No.	Qualifier
Brake Pads	06 - 04	SD1041		

Hydraulics - New

Rear Brake Hose	Years	Sequential No.	Category No.	Qualifier
Brake Hose	06 - 04	F139102	(BH139102)	Center; Exc. Limited Slip

Wheel Attaching Hardware

Front Wheel Stud	Years	Part No.	Qualifier
Wheel Lug Stud	05 - 04	BD125939	
Front Wheel Nut	Years	Part No.	Qualifier
Wheel Lug Nut	05 - 04	BD125917	Acorn - Bright
Rear Wheel Nut	Years	Part No.	Qualifier
Wheel Lug Nut	05 - 04	BD125917	Acorn - Bright

NISSAN UD Class-3
1100
Brake Pads & Shoes

Front Pads & Shoes	Years	SevereDuty	Lining No.	Qualifier
Brake Shoes	91 - 89	SDS717R	EX1464D-S43	12-5/8 x 5-3/8

1100 (cont.)

Brake Pads & Shoes (cont.)

Rear Pads & Shoes	Years	SevereDuty	Lining No.	Qualifier
Brake Shoes	91 - 89	SDS717R	EX1464D-S43	12-5/8 x 5-3/8

Brake Hardware

Front Brake Hardware	Years	Sequential No.	Category No.	Qualifier
----------------------	-------	----------------	--------------	-----------

Combi Kit	91 - 89	F140625	(H3021)	12-5/8 x 5-3/8" Brake; Auto Adj.
Combi Kit	91 - 89	F128868	(H7215)	12-5/8 x 5-3/8" Brake; Man. Adj.

Rear Brake Hardware	Years	Sequential No.	Category No.	Qualifier
---------------------	-------	----------------	--------------	-----------

Combi Kit	91 - 89	F140625	(H3021)	12-5/8 x 5-3/8" Brake; Auto Adj.
Combi Kit	91 - 89	F128868	(H7215)	12-5/8 x 5-3/8" Brake; Man. Adj.

Hydraulics - New

Master Cylinder	Years	Sequential No.	Category No.	Qualifier
-----------------	-------	----------------	--------------	-----------

Master Cylinder	91 - 89	F131749	(MC131749)	
-----------------	---------	---------	------------	--

Front Wheel Cylinder	Years	Sequential No.	Category No.	Qualifier
----------------------	-------	----------------	--------------	-----------

Wheel Cylinder	91 - 89	F131712	(WC131712)	12-5/8 x 5-3/8" Brake; Fwd.
----------------	---------	---------	------------	-----------------------------

Rear Wheel Cylinder	Years	Sequential No.	Category No.	Qualifier
---------------------	-------	----------------	--------------	-----------

Wheel Cylinder	91 - 89	F131837	(WC131837)	12-5/8 x 5-3/8" Brake; Back
----------------	---------	---------	------------	-----------------------------

Clutch Master Cylind	Years	Sequential No.	Category No.	Qualifier
----------------------	-------	----------------	--------------	-----------

Clutch Master Cylinder	91 - 89	F129874	(CM129874)	
------------------------	---------	---------	------------	--

Clutch Slave Cylinder	Years	Sequential No.	Category No.	Qualifier
-----------------------	-------	----------------	--------------	-----------

Clutch Slave Cylinder	91 - 89	F129873	(SC129873)	
-----------------------	---------	---------	------------	--

Front Brake Hose	Years	Sequential No.	Category No.	Qualifier
------------------	-------	----------------	--------------	-----------

Brake Hose	91 - 89	F130566	(BH130566)	
------------	---------	---------	------------	--

Rear Brake Hose	Years	Sequential No.	Category No.	Qualifier
-----------------	-------	----------------	--------------	-----------

Brake Hose	91 - 89	F132180	(BH132180)	
------------	---------	---------	------------	--

1200

Brake Pads & Shoes

Front Pads & Shoes	Years	SevereDuty	Lining No.	Qualifier
--------------------	-------	------------	------------	-----------

Brake Pads	04 - 99	SD701		Akebono; 2.13" 2-Piston Caliper
------------	---------	-------	--	---------------------------------

Rear Pads & Shoes	Years	SevereDuty	Lining No.	Qualifier
-------------------	-------	------------	------------	-----------

Brake Shoes	04 - 99	SDS695R	EX1478D-S32	12-5/8 x 3-1/2
-------------	---------	---------	-------------	----------------

Brake Hardware

Front Brake Hardware	Years	Sequential No.	Category No.	Qualifier
----------------------	-------	----------------	--------------	-----------

Caliper Bolt/Pin	04 - 99	F140773	(H14945)	Akebono; 2.13" 2-Piston Caliper
------------------	---------	---------	----------	---------------------------------

Rear Brake Hardware	Years	Sequential No.	Category No.	Qualifier
---------------------	-------	----------------	--------------	-----------

Combi Kit	04 - 99	F128865	(H7212)	12-5/8 x 3-1/2" Brake
-----------	---------	---------	---------	-----------------------

Calipers - Reman

Front, Loaded	Years	Left No.	Right No.	Qualifier	Piston
---------------	-------	----------	-----------	-----------	--------

Loaded Caliper	04 - 99	AS134364	AS134363	Akebono; 2.13" 2-Piston Caliper	M
----------------	---------	----------	----------	---------------------------------	---

Front, Unloaded	Years	Left No.	Right No.	Qualifier	Piston
-----------------	-------	----------	-----------	-----------	--------

Unloaded Caliper	04 - 99	CR134364	CR134363	Akebono; 2.13" 2-Piston Caliper	M
------------------	---------	----------	----------	---------------------------------	---

Hydraulics - New

Master Cylinder	Years	Sequential No.	Category No.	Qualifier
-----------------	-------	----------------	--------------	-----------

Master Cylinder	00 - 99	F131748	(MC131748)	w/o ABS
-----------------	---------	---------	------------	---------

Rear Wheel Cylinder	Years	Sequential No.	Category No.	Qualifier
---------------------	-------	----------------	--------------	-----------

Wheel Cylinder	00 - 99	F131736	(WC131736)	L.H.; 12-5/8 x 3-1/2" Brake; Back
----------------	---------	---------	------------	-----------------------------------

Wheel Cylinder	00 - 99	F131733	(WC131733)	L.H.; 12-5/8 x 3-1/2" Brake; Fwd.
----------------	---------	---------	------------	-----------------------------------

Wheel Cylinder	00 - 99	F131722	(WC131722)	R.H.; 12-5/8 x 3-1/2" Brake; Back
----------------	---------	---------	------------	-----------------------------------

Wheel Cylinder	00 - 99	F131703	(WC131703)	R.H.; 12-5/8 x 3-1/2" Brake; Fwd.
----------------	---------	---------	------------	-----------------------------------

Front Brake Hose	Years	Sequential No.	Category No.	Qualifier
------------------	-------	----------------	--------------	-----------

Brake Hose	04 - 99	F132177	(BH132177)	
------------	---------	---------	------------	--

Piston: M - OE Metal Piston P - OE Phenolic Piston

1300

Brake Pads & Shoes

Front Pads & Shoes	Years	SevereDuty	Lining No.	Qualifier
Brake Pads	07 - 05	SD701		Akebono; 2.13" 2-Piston Caliper
Brake Shoes	93 - 92	SDS681R	EX1466D-S32	12-5/8 x 3
Rear Pads & Shoes	Years	SevereDuty	Lining No.	Qualifier
Brake Shoes	07 - 05	SDS695R	EX1478D-S32	12-5/8 x 3-1/2
Brake Shoes	93 - 92	SDS681R	EX1466D-S32	12-5/8 x 3

Brake Hardware

Front Brake Hardware	Years	Sequential No.	Category No.	Qualifier
Caliper Bolt/Pin	07 - 05	F140773	(H14945)	Akebono; 2.13" 2-Piston Caliper
Combi Kit	93 - 92	F140623	(H3019)	12-5/8 x 3" Brake
Rear Brake Hardware	Years	Sequential No.	Category No.	Qualifier
Combi Kit	07 - 05	F128865	(H7212)	12-5/8 x 3-1/2" Brake
Combi Kit	93 - 92	F140623	(H3019)	12-5/8 x 3" Brake

Calipers - Reman

Front, Loaded	Years	Left No.	Right No.	Qualifier	Piston
Loaded Caliper	07 - 05	AS134364	AS134363	Akebono; 2.13" 2-Piston Caliper	M
Front, Unloaded	Years	Left No.	Right No.	Qualifier	Piston
Unloaded Caliper	07 - 05	CR134364	CR134363	Akebono; 2.13" 2-Piston Caliper	M

Hydraulics - New

Master Cylinder	Years	Sequential No.	Category No.	Qualifier
Master Cylinder	93 - 92	F131747	(MC131747)	
Front Wheel Cylinder	Years	Sequential No.	Category No.	Qualifier
Wheel Cylinder	93 - 92	F131696	(WC131696)	12-5/8 x 3" Brake; Back
Rear Wheel Cylinder	Years	Sequential No.	Category No.	Qualifier
Wheel Cylinder	93 - 92	F131737	(WC131737)	L.H.; 12-5/8 x 3" Brake; Back
Wheel Cylinder	93 - 92	F131833	(WC131833)	L.H.; 12-5/8 x 3" Brake; Fwd.
Wheel Cylinder	93 - 92	F131696	(WC131696)	R.H.; 12-5/8 x 3" Brake; Back
Wheel Cylinder	93 - 92	F131705	(WC131705)	R.H.; 12-5/8 x 3" Brake; Fwd.
Clutch Master Cylind	Years	Sequential No.	Category No.	Qualifier
Clutch Master Cylinder	93 - 92	F129874	(CM129874)	
Clutch Slave Cylinder	Years	Sequential No.	Category No.	Qualifier
Clutch Slave Cylinder	93 - 92	F130686	(SC130686)	
Front Brake Hose	Years	Sequential No.	Category No.	Qualifier
Brake Hose	93 - 92	F130566	(BH130566)	
Rear Brake Hose	Years	Sequential No.	Category No.	Qualifier
Brake Hose	93 - 92	F132180	(BH132180)	

NISSAN UD Class-4

1400

Brake Pads & Shoes

Front Pads & Shoes	Years	SevereDuty	Lining No.	Qualifier
Brake Pads	07 - 94	SD701		Akebono; 2.13" 2-Piston Caliper
Rear Pads & Shoes	Years	SevereDuty	Lining No.	Qualifier
Brake Shoes	07 - 94	SDS695R	EX1478D-S32	12-5/8 x 3-1/2

Brake Hardware

Front Brake Hardware	Years	Sequential No.	Category No.	Qualifier
Caliper Bolt/Pin	07 - 94	F140773	(H14945)	Akebono; 2.13" 2-Piston Caliper
Rear Brake Hardware	Years	Sequential No.	Category No.	Qualifier
Combi Kit	07 - 94	F128865	(H7212)	12-5/8 x 3-1/2" Brake

Calipers - Reman

Front, Loaded	Years	Left No.	Right No.	Qualifier	Piston
Loaded Caliper	07 - 94	AS134364	AS134363	Akebono; 2.13" 2-Piston Caliper	M
Front, Unloaded	Years	Left No.	Right No.	Qualifier	Piston
Unloaded Caliper	07 - 94	CR134364	CR134363	Akebono; 2.13" 2-Piston Caliper	M

Piston: M - OE Metal Piston P - OE Phenolic Piston

1400 (cont.)

Hydraulics - New

Master Cylinder	Years	Sequential No.	Category No.	Qualifier
Master Cylinder	00 - 99	F131748	(MC131748)	w/o ABS
Master Cylinder	98 - 94	F131748	(MC131748)	
Rear Wheel Cylinder	Years	Sequential No.	Category No.	Qualifier
Wheel Cylinder	00 - 94	F131736	(WC131736)	L.H.; 12-5/8 x 3-1/2" Brake; Back
Wheel Cylinder	00 - 94	F131733	(WC131733)	L.H.; 12-5/8 x 3-1/2" Brake; Fwd.
Wheel Cylinder	00 - 94	F131722	(WC131722)	R.H.; 12-5/8 x 3-1/2" Brake; Back
Wheel Cylinder	00 - 94	F131703	(WC131703)	R.H.; 12-5/8 x 3-1/2" Brake; Fwd.
Clutch Master Cylind	Years	Sequential No.	Category No.	Qualifier
Clutch Master Cylinder	94	F130687	(CM130687)	
Clutch Slave Cylinder	Years	Sequential No.	Category No.	Qualifier
Clutch Slave Cylinder	94	F130686	(SC130686)	
Front Brake Hose	Years	Sequential No.	Category No.	Qualifier
Brake Hose	04 - 94	F132177	(BH132177)	

NISSAN UD Class-5

1800

Brake Pads & Shoes

Front Pads & Shoes	Years	SevereDuty	Lining No.	Qualifier
Brake Shoes	98 - 95	SDS602R	EX1410D-S32	Air Over Hyd.; 12-5/8 x 4-3/8
Brake Shoes	94 - 89	SDS603R	EX1411D-S32	Air Over Hyd.; CLE; 12-5/8 x 4
Brake Shoes	94 - 89	SDS602R	EX1410D-S32	Air Over Hyd.; CME; 12-5/8 x 4-3/8
Rear Pads & Shoes	Years	SevereDuty	Lining No.	Qualifier
Brake Shoes	98 - 95	SDS679R	EX1464D-S43	Air Over Hyd.; w/o Wheel Park; 12-5/8 x 5-3/8
Brake Shoes	98 - 95	SDS680R	EX1465D-S32	Air Over Hyd.; w/Wheel Park; 12-5/8 x 2-1/2
Brake Shoes	94 - 89	SDS604R	EX1412D-S43	Air Over Hyd.; CLE; 14-5/8 x 5-1/4
Brake Shoes	94 - 89	SDS679R	EX1464D-S43	Air Over Hyd.; CME; 12-5/8 x 5-3/8

Brake Hardware

Front Brake Hardware	Years	Sequential No.	Category No.	Qualifier
Adjuster Kit	94 - 89	F128918	(H2933)	Air Over Hyd.; CLE; 12-5/8 x 4" Brake
Combi Kit	98 - 95	F140613	(H3009)	Air Over Hyd.; 12-5/8 x 4-3/8" Brake
Combi Kit	94 - 89	F128867	(H7214)	Air Over Hyd.; CLE; 12-5/8 x 4" Brake
Combi Kit	94 - 89	F140613	(H3009)	Air Over Hyd.; CME; 12-5/8 x 4-3/8" Brake
Rear Brake Hardware	Years	Sequential No.	Category No.	Qualifier
Adjuster Kit	94 - 89	F128917	(H2932)	Air Over Hyd.; CLE; 14-5/8 x 5-1/4" Brake
Combi Kit	98 - 95	F140623	(H3019)	Air Over Hyd.; 12-5/8 x 2-1/2" Brake; w/Wheel Park
Combi Kit	98 - 95	F140625	(H3021)	Air Over Hyd.; 12-5/8 x 5-3/8" Brake; w/o Wheel Park
Combi Kit	94 - 89	F128867	(H7214)	Air Over Hyd.; CLE; 14-5/8 x 5-1/4" Brake
Combi Kit	94 - 89	F140625	(H3021)	Air Over Hyd.; CME; 12-5/8 x 5-3/8" Brake

Hydraulics - New

Front Wheel Cylinder	Years	Sequential No.	Category No.	Qualifier
Wheel Cylinder	94 - 89	F131692	(WC131692)	CLE; 12-5/8 x 4" Brake
Wheel Cylinder	94 - 89	F131732	(WC131732)	L.H.; CME; 12-5/8 x 4-3/8" Brake; Fwd.
Wheel Cylinder	94 - 89	F131731	(WC131731)	R.H.; CME; 12-5/8 x 4-3/8" Brake; Fwd.
Rear Wheel Cylinder	Years	Sequential No.	Category No.	Qualifier
Wheel Cylinder	94 - 89	F131838	(WC131838)	L.H.; CLE; 14-5/8 x 5-1/4" Brake; Back; w/Wheel Park
Wheel Cylinder	94 - 89	F131730	(WC131730)	L.H.; CLE; 14-5/8 x 5-1/4" Brake; Fwd.
Wheel Cylinder	94 - 89	F131718	(WC131718)	L.H.; CME; 12-5/8 x 5-3/8" Brake; Back; w/o Wheel Park
Wheel Cylinder	94 - 89	F131720	(WC131720)	L.H.; CME; 12-5/8 x 5-3/8" Brake; Back; w/Wheel Park
Wheel Cylinder	94 - 89	F131721	(WC131721)	R.H.; CLE; 14-5/8 x 5-1/4" Brake; Back; w/Wheel Park
Wheel Cylinder	94 - 89	F131729	(WC131729)	R.H.; CLE; 14-5/8 x 5-1/4" Brake; Fwd.
Wheel Cylinder	94 - 89	F131717	(WC131717)	R.H.; CME; 12-5/8 x 5-3/8" Brake; Back; w/o Wheel Park
Wheel Cylinder	94 - 89	F131719	(WC131719)	R.H.; CME; 12-5/8 x 5-3/8" Brake; Back; w/Wheel Park
Clutch Master Cylind	Years	Sequential No.	Category No.	Qualifier
Clutch Master Cylinder	94 - 92	F130243	(CM130243)	

1800 (cont.)

Hydraulics - New (cont.)

Front Brake Hose	Years	Sequential No.	Category No.	Qualifier
Brake Hose	94 - 89	F132179	(BH132179)	Air Over Hyd.; CLE
Brake Hose	94 - 89	F128951	(BH128951)	Air Over Hyd.; CME
Rear Brake Hose	Years	Sequential No.	Category No.	Qualifier
Brake Hose	98 - 95	F128952	(BH128952)	Air Over Hyd.
Brake Hose	94 - 89	F128953	(BH128953)	Air Over Hyd.; CLE
Brake Hose	94 - 89	F128952	(BH128952)	Air Over Hyd.; CME

1800CS
Brake Pads & Shoes

Front Pads & Shoes	Years	SevereDuty	Lining No.	Qualifier
Brake Shoes	07 - 99	SDS602R	EX1410D-S32	Air Over Hyd.; 12-5/8 x 4-3/8
Rear Pads & Shoes	Years	SevereDuty	Lining No.	Qualifier
Brake Shoes	07 - 99	SDS679R	EX1464D-S43	Air Over Hyd.; 12-5/8 x 5-3/8

Brake Hardware

Front Brake Hardware	Years	Sequential No.	Category No.	Qualifier
Combi Kit	07 - 99	F140613	(H3009)	Air Over Hyd.; 12-5/8 x 4-3/8" Brake
Rear Brake Hardware	Years	Sequential No.	Category No.	Qualifier
Combi Kit	07 - 99	F140625	(H3021)	Air Over Hyd.; 12-5/8 x 5-3/8" Brake

1800HD
Brake Pads & Shoes

Front Pads & Shoes	Years	SevereDuty	Lining No.	Qualifier
Brake Shoes	07 - 99	SDS602R	EX1410D-S32	Air Over Hyd.; 12-5/8 x 4-3/8
Rear Pads & Shoes	Years	SevereDuty	Lining No.	Qualifier
Brake Shoes	07 - 99	SDS679R	EX1464D-S43	Air Over Hyd.; w/o Wheel Park; 12-5/8 x 5-3/8
Brake Shoes	07 - 99	SDS680R	EX1465D-S32	Air Over Hyd.; w/Wheel Park; 12-5/8 x 2-1/2

Brake Hardware

Front Brake Hardware	Years	Sequential No.	Category No.	Qualifier
Combi Kit	07 - 99	F140613	(H3009)	Air Over Hyd.; 12-5/8 x 4-3/8" Brake
Rear Brake Hardware	Years	Sequential No.	Category No.	Qualifier
Combi Kit	07 - 99	F140623	(H3019)	Air Over Hyd.; 12-5/8 x 2-1/2" Brake; w/Wheel Park
Combi Kit	07 - 99	F140625	(H3021)	Air Over Hyd.; 12-5/8 x 5-3/8" Brake; w/o Wheel Park

NISSAN UD Class-6

2000
Brake Pads & Shoes

Front Pads & Shoes	Years	SevereDuty	Lining No.	Qualifier
Brake Shoes	07 - 95	SDS602R	EX1410D-S32	Air Over Hyd.; 12-5/8 x 4-3/8
Brake Shoes	94 - 89	SDS603R	EX1411D-S32	Air Over Hyd.; CLE; 12-5/8 x 4
Brake Shoes	94 - 89	SDS602R	EX1410D-S32	Air Over Hyd.; CME; 12-5/8 x 4-3/8
Rear Pads & Shoes	Years	SevereDuty	Lining No.	Qualifier
Brake Shoes	07 - 95	SDS679R	EX1464D-S43	Air Over Hyd.; w/o Wheel Park; 12-5/8 x 5-3/8
Brake Shoes	07 - 95	SDS680R	EX1465D-S32	Air Over Hyd.; w/Wheel Park; 12-5/8 x 2-1/2
Brake Shoes	94 - 89	SDS604R	EX1412D-S43	Air Over Hyd.; CLE; 14-5/8 x 5-1/4
Brake Shoes	94 - 89	SDS679R	EX1464D-S43	Air Over Hyd.; CME; 12-5/8 x 5-3/8

Brake Hardware

Front Brake Hardware	Years	Sequential No.	Category No.	Qualifier
Adjuster Kit	94 - 89	F128918	(H2933)	Air Over Hyd.; CLE; 12-5/8 x 4" Brake
Combi Kit	07 - 95	F140613	(H3009)	Air Over Hyd.; 12-5/8 x 4-3/8" Brake
Combi Kit	94 - 89	F128867	(H7214)	Air Over Hyd.; CLE; 12-5/8 x 4" Brake
Combi Kit	94 - 89	F140613	(H3009)	Air Over Hyd.; CME; 12-5/8 x 4-3/8" Brake
Rear Brake Hardware	Years	Sequential No.	Category No.	Qualifier
Adjuster Kit	94 - 89	F128917	(H2932)	Air Over Hyd.; CLE; 14-5/8 x 5-1/4" Brake
Combi Kit	07 - 95	F140623	(H3019)	Air Over Hyd.; 12-5/8 x 2-1/2" Brake; w/Wheel Park

2000 (cont.)

Brake Hardware (cont.)

Rear Brake Hardware	Years	Sequential No.	Category No.	Qualifier
Combi Kit	07 - 95	F140625	(H3021)	Air Over Hyd.; 12-5/8 x 5-3/8" Brake; w/o Wheel Park
Combi Kit	94 - 89	F128867	(H7214)	Air Over Hyd.; CLE; 14-5/8 x 5-1/4" Brake
Combi Kit	94 - 89	F140625	(H3021)	Air Over Hyd.; CME; 12-5/8 x 5-3/8" Brake

Hydraulics - New

Front Wheel Cylinder	Years	Sequential No.	Category No.	Qualifier
Wheel Cylinder	94 - 89	F131692	(WC131692)	CLE; 12-5/8 x 4" Brake
Wheel Cylinder	94 - 89	F131732	(WC131732)	L.H.; CME; 12-5/8 x 4-3/8" Brake; Fwd.
Wheel Cylinder	94 - 89	F131731	(WC131731)	R.H.; CME; 12-5/8 x 4-3/8" Brake; Fwd.

Rear Wheel Cylinder	Years	Sequential No.	Category No.	Qualifier
----------------------------	--------------	-----------------------	---------------------	------------------

Wheel Cylinder	94 - 92	F131838	(WC131838)	L.H.; CLE; 14-5/8 x 5-1/4" Brake; Back; w/Wheel Park
Wheel Cylinder	94 - 89	F131730	(WC131730)	L.H.; CLE; 14-5/8 x 5-1/4" Brake; Fwd.
Wheel Cylinder	94 - 89	F131718	(WC131718)	L.H.; CME; 12-5/8 x 5-3/8" Brake; Back; w/o Wheel Park
Wheel Cylinder	94 - 89	F131720	(WC131720)	L.H.; CME; 12-5/8 x 5-3/8" Brake; Back; w/Wheel Park
Wheel Cylinder	94 - 92	F131721	(WC131721)	R.H.; CLE; 14-5/8 x 5-1/4" Brake; Back; w/Wheel Park
Wheel Cylinder	94 - 89	F131729	(WC131729)	R.H.; CLE; 14-5/8 x 5-1/4" Brake; Fwd.
Wheel Cylinder	94 - 89	F131717	(WC131717)	R.H.; CME; 12-5/8 x 5-3/8" Brake; Back; w/o Wheel Park
Wheel Cylinder	94 - 89	F131719	(WC131719)	R.H.; CME; 12-5/8 x 5-3/8" Brake; Back; w/Wheel Park
Wheel Cylinder	91 - 89	F131716	(WC131716)	L.H.; CLE; 14-5/8 x 5-1/4" Brake; Back; w/Wheel Park
Wheel Cylinder	91 - 89	F131715	(WC131715)	R.H.; CLE; 14-5/8 x 5-1/4" Brake; Back; w/Wheel Park

Clutch Master Cylind	Years	Sequential No.	Category No.	Qualifier
-----------------------------	--------------	-----------------------	---------------------	------------------

Clutch Master Cylinder	04 - 92	F130243	(CM130243)	
------------------------	---------	---------	------------	--

Front Brake Hose	Years	Sequential No.	Category No.	Qualifier
-------------------------	--------------	-----------------------	---------------------	------------------

Brake Hose	94 - 89	F132179	(BH132179)	Air Over Hyd.; CLE
Brake Hose	94 - 89	F128951	(BH128951)	Air Over Hyd.; CME

Rear Brake Hose	Years	Sequential No.	Category No.	Qualifier
------------------------	--------------	-----------------------	---------------------	------------------

Brake Hose	98 - 95	F128952	(BH128952)	Air Over Hyd.
Brake Hose	94 - 89	F128953	(BH128953)	Air Over Hyd.; CLE
Brake Hose	94 - 89	F128952	(BH128952)	Air Over Hyd.; CME

2300

Brake Pads & Shoes

Front Pads & Shoes	Years	SevereDuty	Lining No.	Qualifier
-------------------------------	--------------	-------------------	-------------------	------------------

Brake Shoes	94 - 89	SDS603R	EX1411D-S32	Air Over Hyd.; 12-5/8 x 4
-------------	---------	---------	-------------	---------------------------

Rear Pads & Shoes	Years	SevereDuty	Lining No.	Qualifier
------------------------------	--------------	-------------------	-------------------	------------------

Brake Shoes	94 - 89	SDS604R	EX1412D-S43	Air Over Hyd.; 14-5/8 x 5-1/4
-------------	---------	---------	-------------	-------------------------------

Brake Hardware

Front Brake Hardware	Years	Sequential No.	Category No.	Qualifier
-----------------------------	--------------	-----------------------	---------------------	------------------

Adjuster Kit	94 - 89	F128918	(H2933)	Air Over Hyd.; 12-5/8 x 4" Brake
Combi Kit	94 - 89	F128867	(H7214)	Air Over Hyd.; 12-5/8 x 4" Brake

Rear Brake Hardware	Years	Sequential No.	Category No.	Qualifier
----------------------------	--------------	-----------------------	---------------------	------------------

Adjuster Kit	94 - 89	F128917	(H2932)	Air Over Hyd.; 14-5/8 x 5-1/4" Brake
Combi Kit	94 - 89	F128867	(H7214)	Air Over Hyd.; 14-5/8 x 5-1/4" Brake

Hydraulics - New

Front Wheel Cylinder	Years	Sequential No.	Category No.	Qualifier
-----------------------------	--------------	-----------------------	---------------------	------------------

Wheel Cylinder	94 - 89	F131692	(WC131692)	12-5/8 x 4" Brake
----------------	---------	---------	------------	-------------------

Rear Wheel Cylinder	Years	Sequential No.	Category No.	Qualifier
----------------------------	--------------	-----------------------	---------------------	------------------

Wheel Cylinder	94 - 92	F131838	(WC131838)	L.H.; 14-5/8 x 5-1/4" Brake; Back; w/Wheel Park
Wheel Cylinder	94 - 89	F131730	(WC131730)	L.H.; 14-5/8 x 5-1/4" Brake; Fwd.
Wheel Cylinder	94 - 92	F131721	(WC131721)	R.H.; 14-5/8 x 5-1/4" Brake; Back; w/Wheel Park
Wheel Cylinder	94 - 89	F131729	(WC131729)	R.H.; 14-5/8 x 5-1/4" Brake; Fwd.
Wheel Cylinder	91 - 89	F131716	(WC131716)	L.H.; 14-5/8 x 5-1/4" Brake; Back; w/Wheel Park
Wheel Cylinder	91 - 89	F131715	(WC131715)	R.H.; 14-5/8 x 5-1/4" Brake; Back; w/Wheel Park

Clutch Master Cylind	Years	Sequential No.	Category No.	Qualifier
-----------------------------	--------------	-----------------------	---------------------	------------------

Clutch Master Cylinder	94 - 89	F130243	(CM130243)	
------------------------	---------	---------	------------	--

2300 (cont.)
Hydraulics - New (cont.)

Front Brake Hose	Years	Sequential No.	Category No.	Qualifier
Brake Hose	94 - 89	F132179	(BH132179)	Air Over Hyd.
Rear Brake Hose	Years	Sequential No.	Category No.	Qualifier
Brake Hose	94 - 89	F128953	(BH128953)	Air Over Hyd.

2300DH
Brake Pads & Shoes

Front Pads & Shoes	Years	SevereDuty	Lining No.	Qualifier
Brake Shoes	07 - 95	SDS603R	EX1411D-S32	Air Over Hyd.; 12-5/8 x 4
Rear Pads & Shoes	Years	SevereDuty	Lining No.	Qualifier
Brake Shoes	07 - 95	SDS604R	EX1412D-S43	Air Over Hyd.; 14-5/8 x 5-1/4

Brake Hardware

Front Brake Hardware	Years	Sequential No.	Category No.	Qualifier
Adjuster Kit	07 - 95	F128918	(H2933)	Air Over Hyd.; 12-5/8 x 4" Brake
Combi Kit	07 - 95	F128867	(H7214)	Air Over Hyd.; 12-5/8 x 4" Brake
Rear Brake Hardware	Years	Sequential No.	Category No.	Qualifier
Adjuster Kit	07 - 95	F128917	(H2932)	Air Over Hyd.; 14-5/8 x 5-1/4" Brake
Combi Kit	07 - 95	F128867	(H7214)	Air Over Hyd.; 14-5/8 x 5-1/4" Brake

Hydraulics - New

Rear Brake Hose	Years	Sequential No.	Category No.	Qualifier
Brake Hose	98 - 95	F128953	(BH128953)	Air Over Hyd.

2300LP
Brake Pads & Shoes

Front Pads & Shoes	Years	SevereDuty	Lining No.	Qualifier
Brake Shoes	07 - 95	SDS603R	EX1411D-S32	Air Over Hyd.; 12-5/8 x 4
Rear Pads & Shoes	Years	SevereDuty	Lining No.	Qualifier
Brake Shoes	07 - 95	SDS604R	EX1412D-S43	Air Over Hyd.; 14-5/8 x 5-1/4

Brake Hardware

Front Brake Hardware	Years	Sequential No.	Category No.	Qualifier
Adjuster Kit	07 - 95	F128918	(H2933)	Air Over Hyd.; 12-5/8 x 4" Brake
Combi Kit	07 - 95	F128867	(H7214)	Air Over Hyd.; 12-5/8 x 4" Brake
Rear Brake Hardware	Years	Sequential No.	Category No.	Qualifier
Adjuster Kit	07 - 95	F128917	(H2932)	Air Over Hyd.; 14-5/8 x 5-1/4" Brake
Combi Kit	07 - 95	F128867	(H7214)	Air Over Hyd.; 14-5/8 x 5-1/4" Brake

Hydraulics - New

Rear Brake Hose	Years	Sequential No.	Category No.	Qualifier
Brake Hose	98 - 95	F128953	(BH128953)	Air Over Hyd.

NISSAN UD Class-7
2600
Brake Pads & Shoes

Front Pads & Shoes	Years	SevereDuty	Lining No.	Qualifier
Brake Shoes	07 - 89	SDS617R	EX1422D-S43	Air Over Hyd.; 15-3/4 x 4-3/4
Rear Pads & Shoes	Years	SevereDuty	Lining No.	Qualifier
Brake Shoes	07 - 89	SDS614R	EX1419D-S43	Air Over Hyd.; 15-3/4 x 6

Brake Hardware

Front Brake Hardware	Years	Sequential No.	Category No.	Qualifier
Combi Kit	07 - 89	F128867	(H7214)	Air Over Hyd.; 15-3/4 x 4-3/4" Brake
Rear Brake Hardware	Years	Sequential No.	Category No.	Qualifier
Combi Kit	07 - 89	F140618	(H3014)	Air Over Hyd.; 15-3/4 x 6" Brake

Hydraulics - New

Rear Wheel Cylinder	Years	Sequential No.	Category No.	Qualifier
Wheel Cylinder	94 - 89	F131709	(WC131709)	L.H.; 15-3/4 x 6" Brake; Back; w/o Wheel Park

2600 (cont.)

Hydraulics - New (cont.)

<i>Rear Wheel Cylinder</i>	<i>Years</i>	<i>Sequential No.</i>	<i>Category No.</i>	<i>Qualifier</i>
Wheel Cylinder	94 - 89	F131711	(WC131711)	L.H.; 15-3/4 x 6" Brake; Back; w/Wheel Park
Wheel Cylinder	94 - 89	F129319	(WC129319)	L.H.; 15-3/4 x 6" Brake; Fwd.
Wheel Cylinder	94 - 89	F131708	(WC131708)	R.H.; 15-3/4 x 6" Brake; Back; w/o Wheel Park
Wheel Cylinder	94 - 89	F131710	(WC131710)	R.H.; 15-3/4 x 6" Brake; Back; w/Wheel Park
Wheel Cylinder	94 - 89	F129320	(WC129320)	R.H.; 15-3/4 x 6" Brake; Fwd.
<i>Clutch Master Cylind</i>	<i>Years</i>	<i>Sequential No.</i>	<i>Category No.</i>	<i>Qualifier</i>
Clutch Master Cylinder	94 - 89	F130243	(CM130243)	
<i>Front Brake Hose</i>	<i>Years</i>	<i>Sequential No.</i>	<i>Category No.</i>	<i>Qualifier</i>
Brake Hose	94 - 89	F132178	(BH132178)	Air Over Hyd.
<i>Rear Brake Hose</i>	<i>Years</i>	<i>Sequential No.</i>	<i>Category No.</i>	<i>Qualifier</i>
Brake Hose	98 - 89	F128953	(BH128953)	Air Over Hyd.

2800

Brake Pads & Shoes

<i>Front Pads & Shoes</i>	<i>Years</i>	<i>SevereDuty</i>	<i>Lining No.</i>	<i>Qualifier</i>
Brake Shoes	94 - 89	SDS617R	EX1422D-S43	Air Over Hyd.; 15-3/4 x 4-3/4
<i>Rear Pads & Shoes</i>	<i>Years</i>	<i>SevereDuty</i>	<i>Lining No.</i>	<i>Qualifier</i>
Brake Shoes	94 - 89	SDS614R	EX1419D-S43	Air Over Hyd.; 15-3/4 x 6

Brake Hardware

<i>Front Brake Hardware</i>	<i>Years</i>	<i>Sequential No.</i>	<i>Category No.</i>	<i>Qualifier</i>
Combi Kit	94 - 89	F128867	(H7214)	Air Over Hyd.; 15-3/4 x 4-3/4" Brake
<i>Rear Brake Hardware</i>	<i>Years</i>	<i>Sequential No.</i>	<i>Category No.</i>	<i>Qualifier</i>
Combi Kit	94 - 89	F140618	(H3014)	Air Over Hyd.; 15-3/4 x 6" Brake

Hydraulics - New

<i>Rear Wheel Cylinder</i>	<i>Years</i>	<i>Sequential No.</i>	<i>Category No.</i>	<i>Qualifier</i>
Wheel Cylinder	94 - 89	F131709	(WC131709)	L.H.; 15-3/4 x 6" Brake; Back; w/o Wheel Park
Wheel Cylinder	94 - 89	F131711	(WC131711)	L.H.; 15-3/4 x 6" Brake; Back; w/Wheel Park
Wheel Cylinder	94 - 89	F129319	(WC129319)	L.H.; 15-3/4 x 6" Brake; Fwd.
Wheel Cylinder	94 - 89	F131708	(WC131708)	R.H.; 15-3/4 x 6" Brake; Back; w/o Wheel Park
Wheel Cylinder	94 - 89	F131710	(WC131710)	R.H.; 15-3/4 x 6" Brake; Back; w/Wheel Park
Wheel Cylinder	94 - 89	F129320	(WC129320)	R.H.; 15-3/4 x 6" Brake; Fwd.
<i>Clutch Master Cylind</i>	<i>Years</i>	<i>Sequential No.</i>	<i>Category No.</i>	<i>Qualifier</i>
Clutch Master Cylinder	94 - 89	F130243	(CM130243)	
<i>Front Brake Hose</i>	<i>Years</i>	<i>Sequential No.</i>	<i>Category No.</i>	<i>Qualifier</i>
Brake Hose	94 - 89	F132178	(BH132178)	Air Over Hyd.
<i>Rear Brake Hose</i>	<i>Years</i>	<i>Sequential No.</i>	<i>Category No.</i>	<i>Qualifier</i>
Brake Hose	94 - 89	F128953	(BH128953)	Air Over Hyd.

NISSAN UD Class-8

3000

Brake Pads & Shoes

<i>Front Pads & Shoes</i>	<i>Years</i>	<i>SevereDuty</i>	<i>Lining No.</i>	<i>Qualifier</i>
Brake Shoes	00 - 95	SDS617R	EX1422D-S43	Air Over Hyd.; 15-3/4 x 4-3/4
Brake Shoes	91 - 89	SDS617R	EX1422D-S43	Air Over Hyd.; 15-3/4 x 4-3/4
<i>Rear Pads & Shoes</i>	<i>Years</i>	<i>SevereDuty</i>	<i>Lining No.</i>	<i>Qualifier</i>
Brake Shoes	00 - 95	SDS614R	EX1419D-S43	Air Over Hyd.; 15-3/4 x 6
Brake Shoes	91 - 89	SDS614R	EX1419D-S43	Air Over Hyd.; 15-3/4 x 6

Brake Hardware

<i>Front Brake Hardware</i>	<i>Years</i>	<i>Sequential No.</i>	<i>Category No.</i>	<i>Qualifier</i>
Combi Kit	00 - 95	F128867	(H7214)	Air Over Hyd.; 15-3/4 x 4-3/4" Brake
Combi Kit	91 - 89	F128867	(H7214)	Air Over Hyd.; 15-3/4 x 4-3/4" Brake
<i>Rear Brake Hardware</i>	<i>Years</i>	<i>Sequential No.</i>	<i>Category No.</i>	<i>Qualifier</i>
Combi Kit	00 - 95	F140618	(H3014)	Air Over Hyd.; 15-3/4 x 6" Brake
Combi Kit	91 - 89	F140618	(H3014)	Air Over Hyd.; 15-3/4 x 6" Brake

3000 (cont.)
Hydraulics - New

Rear Wheel Cylinder	Years	Sequential No.	Category No.	Qualifier
Wheel Cylinder	91 - 89	F131707	(WC131707)	L.H.; 15-3/4 x 6" Brake; Back
Wheel Cylinder	91 - 89	F131711	(WC131711)	L.H.; 15-3/4 x 6" Brake; Back; For 050001
Wheel Cylinder	91 - 89	F129319	(WC129319)	L.H.; 15-3/4 x 6" Brake; Fwd.
Wheel Cylinder	91 - 89	F131691	(WC131691)	R.H.; 15-3/4 x 6" Brake; Back
Wheel Cylinder	91 - 89	F131710	(WC131710)	R.H.; 15-3/4 x 6" Brake; Back; For 050001
Wheel Cylinder	91 - 89	F129320	(WC129320)	R.H.; 15-3/4 x 6" Brake; Fwd.
Front Brake Hose	Years	Sequential No.	Category No.	Qualifier
Brake Hose	91 - 89	F132178	(BH132178)	Air Over Hyd.
Rear Brake Hose	Years	Sequential No.	Category No.	Qualifier
Brake Hose	98 - 95	F128953	(BH128953)	Air Over Hyd.
Brake Hose	91 - 89	F128953	(BH128953)	Air Over Hyd.

3000HD
Brake Pads & Shoes

Front Pads & Shoes	Years	SevereDuty	Lining No.	Qualifier
Brake Shoes	94 - 92	SDS617R	EX1422D-S43	Air Over Hyd.; 15-3/4 x 4-3/4
Rear Pads & Shoes	Years	SevereDuty	Lining No.	Qualifier
Brake Shoes	94 - 92	SDS614R	EX1419D-S43	Air Over Hyd.; 15-3/4 x 6
Brake Hardware				
Front Brake Hardware	Years	Sequential No.	Category No.	Qualifier
Combi Kit	94 - 92	F128867	(H7214)	Air Over Hyd.; 15-3/4 x 4-3/4" Brake
Rear Brake Hardware	Years	Sequential No.	Category No.	Qualifier
Combi Kit	94 - 92	F140618	(H3014)	Air Over Hyd.; 15-3/4 x 6" Brake

Hydraulics - New

Rear Wheel Cylinder	Years	Sequential No.	Category No.	Qualifier
Wheel Cylinder	94 - 92	F131707	(WC131707)	L.H.; 15-3/4 x 6" Brake; Back
Wheel Cylinder	94 - 92	F131711	(WC131711)	L.H.; 15-3/4 x 6" Brake; Back; For 065001
Wheel Cylinder	94 - 92	F129319	(WC129319)	L.H.; 15-3/4 x 6" Brake; Fwd.
Wheel Cylinder	94 - 92	F131691	(WC131691)	R.H.; 15-3/4 x 6" Brake; Back
Wheel Cylinder	94 - 92	F131710	(WC131710)	R.H.; 15-3/4 x 6" Brake; Back; For 065001
Wheel Cylinder	94 - 92	F129320	(WC129320)	R.H.; 15-3/4 x 6" Brake; Fwd.
Front Brake Hose	Years	Sequential No.	Category No.	Qualifier
Brake Hose	94 - 92	F132178	(BH132178)	Air Over Hyd.
Rear Brake Hose	Years	Sequential No.	Category No.	Qualifier
Brake Hose	94 - 92	F128953	(BH128953)	Air Over Hyd.

3000SD
Brake Pads & Shoes

Front Pads & Shoes	Years	SevereDuty	Lining No.	Qualifier
Brake Shoes	94 - 92	SDS617R	EX1422D-S43	Air Over Hyd.; 15-3/4 x 4-3/4
Rear Pads & Shoes	Years	SevereDuty	Lining No.	Qualifier
Brake Shoes	94 - 92	SDS614R	EX1419D-S43	Air Over Hyd.; 15-3/4 x 6
Brake Hardware				
Front Brake Hardware	Years	Sequential No.	Category No.	Qualifier
Combi Kit	94 - 92	F128867	(H7214)	Air Over Hyd.; 15-3/4 x 4-3/4" Brake
Rear Brake Hardware	Years	Sequential No.	Category No.	Qualifier
Combi Kit	94 - 92	F140618	(H3014)	Air Over Hyd.; 15-3/4 x 6" Brake

Hydraulics - New

Rear Wheel Cylinder	Years	Sequential No.	Category No.	Qualifier
Wheel Cylinder	94 - 92	F131709	(WC131709)	L.H.; 15-3/4 x 6" Brake; Back; w/o Wheel Park
Wheel Cylinder	94 - 92	F131711	(WC131711)	L.H.; 15-3/4 x 6" Brake; Back; w/Wheel Park
Wheel Cylinder	94 - 92	F129319	(WC129319)	L.H.; 15-3/4 x 6" Brake; Fwd.
Wheel Cylinder	94 - 92	F131708	(WC131708)	R.H.; 15-3/4 x 6" Brake; Back; w/o Wheel Park
Wheel Cylinder	94 - 92	F131710	(WC131710)	R.H.; 15-3/4 x 6" Brake; Back; w/Wheel Park

3000SD (cont.)

Hydraulics - New (cont.)

Rear Wheel Cylinder	Years	Sequential No.	Category No.	Qualifier
Wheel Cylinder	94 - 92	F129320	(WC129320)	R.H.; 15-3/4 x 6" Brake; Fwd.
Clutch Master Cylind	Years	Sequential No.	Category No.	Qualifier
Clutch Master Cylinder	94 - 92	F130243	(CM130243)	
Front Brake Hose	Years	Sequential No.	Category No.	Qualifier
Brake Hose	94 - 92	F132178	(BH132178)	Air Over Hyd.
Rear Brake Hose	Years	Sequential No.	Category No.	Qualifier
Brake Hose	94 - 92	F128953	(BH128953)	Air Over Hyd.

3300

Brake Pads & Shoes

Front Pads & Shoes	Years	SevereDuty	Lining No.	Qualifier
Brake Shoes	91 - 89	SDS617R	EX1422D-S43	Air Over Hyd.; 15-3/4 x 4-3/4
Rear Pads & Shoes	Years	SevereDuty	Lining No.	Qualifier
Brake Shoes	91 - 89	SDS614R	EX1419D-S43	Air Over Hyd.; 15-3/4 x 6

Brake Hardware

Front Brake Hardware	Years	Sequential No.	Category No.	Qualifier
Combi Kit	91 - 89	F128867	(H7214)	Air Over Hyd.; 15-3/4 x 4-3/4" Brake
Rear Brake Hardware	Years	Sequential No.	Category No.	Qualifier
Combi Kit	91 - 89	F140618	(H3014)	Air Over Hyd.; 15-3/4 x 6" Brake

Hydraulics - New

Rear Wheel Cylinder	Years	Sequential No.	Category No.	Qualifier
Wheel Cylinder	91 - 89	F131711	(WC131711)	L.H.; 15-3/4 x 6" Brake; Back
Wheel Cylinder	91 - 89	F129319	(WC129319)	L.H.; 15-3/4 x 6" Brake; Fwd.
Wheel Cylinder	91 - 89	F131710	(WC131710)	R.H.; 15-3/4 x 6" Brake; Back
Wheel Cylinder	91 - 89	F129320	(WC129320)	R.H.; 15-3/4 x 6" Brake; Fwd.
Front Brake Hose	Years	Sequential No.	Category No.	Qualifier
Brake Hose	91 - 89	F132178	(BH132178)	Air Over Hyd.
Rear Brake Hose	Years	Sequential No.	Category No.	Qualifier
Brake Hose	91 - 89	F128953	(BH128953)	Air Over Hyd.

550T

Brake Pads & Shoes

Front Pads & Shoes	Years	SevereDuty	Lining No.	Qualifier
Brake Shoes	91 - 89	SDS617R	EX1422D-S43	Air Over Hyd.; 15-3/4 x 4-3/4
Rear Pads & Shoes	Years	SevereDuty	Lining No.	Qualifier
Brake Shoes	91 - 89	SDS614R	EX1419D-S43	Air Over Hyd.; 15-3/4 x 6

Brake Hardware

Front Brake Hardware	Years	Sequential No.	Category No.	Qualifier
Combi Kit	91 - 89	F128867	(H7214)	Air Over Hyd.; 15-3/4 x 4-3/4" Brake
Rear Brake Hardware	Years	Sequential No.	Category No.	Qualifier
Combi Kit	91 - 89	F140618	(H3014)	Air Over Hyd.; 15-3/4 x 6" Brake

Hydraulics - New

Rear Wheel Cylinder	Years	Sequential No.	Category No.	Qualifier
Wheel Cylinder	91 - 89	F131711	(WC131711)	L.H.; 15-3/4 x 6" Brake; Back
Wheel Cylinder	91 - 89	F129319	(WC129319)	L.H.; 15-3/4 x 6" Brake; Fwd.
Wheel Cylinder	91 - 89	F131710	(WC131710)	R.H.; 15-3/4 x 6" Brake; Back
Wheel Cylinder	91 - 89	F129320	(WC129320)	R.H.; 15-3/4 x 6" Brake; Fwd.
Front Brake Hose	Years	Sequential No.	Category No.	Qualifier
Brake Hose	91 - 89	F132178	(BH132178)	Air Over Hyd.
Rear Brake Hose	Years	Sequential No.	Category No.	Qualifier
Brake Hose	91 - 89	F128953	(BH128953)	Air Over Hyd.

400/CMA
Brake Pads & Shoes

Front Pads & Shoes	Years	SevereDuty	Lining No.	Qualifier
-------------------------------	--------------	-------------------	-------------------	------------------

Brake Shoes	94 - 86	SDS602R	EX1410D-S32	Air Over Hyd.; 12-5/8 x 4-3/8
-------------	---------	---------	-------------	-------------------------------

Rear Pads & Shoes	Years	SevereDuty	Lining No.	Qualifier
------------------------------	--------------	-------------------	-------------------	------------------

Brake Shoes	94 - 86	SDS632R	EX1434D-S32	Air Over Hyd.; 12-5/8 x 5-1/8
-------------	---------	---------	-------------	-------------------------------

Brake Hardware

Front Brake Hardware	Years	Sequential No.	Category No.	Qualifier
-----------------------------	--------------	-----------------------	---------------------	------------------

Combi Kit	94 - 86	F140613	(H3009)	Air Over Hyd.; 12-5/8 x 4-3/8" Brake
-----------	---------	---------	---------	--------------------------------------

Rear Brake Hardware	Years	Sequential No.	Category No.	Qualifier
----------------------------	--------------	-----------------------	---------------------	------------------

Combi Kit	94 - 86	F128868	(H7215)	Air Over Hyd.; 12-5/8 x 5-1/8" Brake
-----------	---------	---------	---------	--------------------------------------

Hydraulics - New

Front Wheel Cylinder	Years	Sequential No.	Category No.	Qualifier
-----------------------------	--------------	-----------------------	---------------------	------------------

Wheel Cylinder	94 - 86	F131695	(WC131695)	L.H.; 12-5/8 x 4-3/8" Brake; Back
----------------	---------	---------	------------	-----------------------------------

Wheel Cylinder	94 - 86	F131698	(WC131698)	L.H.; 12-5/8 x 4-3/8" Brake; Fwd.
----------------	---------	---------	------------	-----------------------------------

Wheel Cylinder	94 - 86	F131694	(WC131694)	R.H.; 12-5/8 x 4-3/8" Brake; Back
----------------	---------	---------	------------	-----------------------------------

Wheel Cylinder	94 - 86	F131697	(WC131697)	R.H.; 12-5/8 x 4-3/8" Brake; Fwd.
----------------	---------	---------	------------	-----------------------------------

Rear Wheel Cylinder	Years	Sequential No.	Category No.	Qualifier
----------------------------	--------------	-----------------------	---------------------	------------------

Wheel Cylinder	94 - 86	F131718	(WC131718)	L.H.; 12-5/8 x 5-1/8 Brake; Back; w/o Wheel Park
----------------	---------	---------	------------	--

Wheel Cylinder	94 - 86	F131720	(WC131720)	L.H.; 12-5/8 x 5-1/8 Brake; Back; w/Wheel Park
----------------	---------	---------	------------	--

Wheel Cylinder	94 - 86	F131732	(WC131732)	L.H.; 12-5/8 x 5-1/8 Brake; Fwd.
----------------	---------	---------	------------	----------------------------------

Wheel Cylinder	94 - 86	F131717	(WC131717)	R.H.; 12-5/8 x 5-1/8 Brake; Back; w/o Wheel Park
----------------	---------	---------	------------	--

Wheel Cylinder	94 - 86	F131719	(WC131719)	R.H.; 12-5/8 x 5-1/8 Brake; Back; w/Wheel Park
----------------	---------	---------	------------	--

Wheel Cylinder	94 - 86	F131731	(WC131731)	R.H.; 12-5/8 x 5-1/8 Brake; Fwd.
----------------	---------	---------	------------	----------------------------------

Front Brake Hose	Years	Sequential No.	Category No.	Qualifier
-------------------------	--------------	-----------------------	---------------------	------------------

Brake Hose	94 - 86	F128951	(BH128951)	Air Over Hyd.
------------	---------	---------	------------	---------------

Rear Brake Hose	Years	Sequential No.	Category No.	Qualifier
------------------------	--------------	-----------------------	---------------------	------------------

Brake Hose	94 - 86	F128952	(BH128952)	Air Over Hyd.
------------	---------	---------	------------	---------------

500/CLA
Brake Pads & Shoes

Front Pads & Shoes	Years	SevereDuty	Lining No.	Qualifier
-------------------------------	--------------	-------------------	-------------------	------------------

Brake Shoes	94 - 86	SDS603R	EX1411D-S32	Air Over Hyd.; 12-5/8 x 4
-------------	---------	---------	-------------	---------------------------

Rear Pads & Shoes	Years	SevereDuty	Lining No.	Qualifier
------------------------------	--------------	-------------------	-------------------	------------------

Brake Shoes	94 - 86	SDS604R	EX1412D-S43	Air Over Hyd.; 14-5/8 x 5-1/4
-------------	---------	---------	-------------	-------------------------------

Brake Hardware

Front Brake Hardware	Years	Sequential No.	Category No.	Qualifier
-----------------------------	--------------	-----------------------	---------------------	------------------

Adjuster Kit	94 - 86	F128918	(H2933)	Air Over Hyd.; 12-5/8 x 4" Brake
--------------	---------	---------	---------	----------------------------------

Combi Kit	94 - 86	F128867	(H7214)	Air Over Hyd.; 12-5/8 x 4" Brake
-----------	---------	---------	---------	----------------------------------

Rear Brake Hardware	Years	Sequential No.	Category No.	Qualifier
----------------------------	--------------	-----------------------	---------------------	------------------

Adjuster Kit	94 - 86	F128917	(H2932)	Air Over Hyd.; 14-5/8 x 5-1/4" Brake
--------------	---------	---------	---------	--------------------------------------

Combi Kit	94 - 86	F128867	(H7214)	Air Over Hyd.; 14-5/8 x 5-1/4" Brake
-----------	---------	---------	---------	--------------------------------------

Hydraulics - New

Rear Wheel Cylinder	Years	Sequential No.	Category No.	Qualifier
----------------------------	--------------	-----------------------	---------------------	------------------

Wheel Cylinder	94 - 86	F131714	(WC131714)	L.H.; 14-5/8 x 5-1/4" Brake; Back; w/o Wheel Park
----------------	---------	---------	------------	---

Wheel Cylinder	94 - 86	F131707	(WC131707)	L.H.; 14-5/8 x 5-1/4" Brake; Back; w/Wheel Park
----------------	---------	---------	------------	---

Wheel Cylinder	94 - 86	F131728	(WC131728)	L.H.; 14-5/8 x 5-1/4" Brake; Fwd.; w/o Wheel Park
----------------	---------	---------	------------	---

Wheel Cylinder	94 - 86	F131730	(WC131730)	L.H.; 14-5/8 x 5-1/4" Brake; Fwd.; w/Wheel Park
----------------	---------	---------	------------	---

Wheel Cylinder	94 - 86	F131713	(WC131713)	R.H.; 14-5/8 x 5-1/4" Brake; Back; w/o Wheel Park
----------------	---------	---------	------------	---

Wheel Cylinder	94 - 86	F131691	(WC131691)	R.H.; 14-5/8 x 5-1/4" Brake; Back; w/Wheel Park
----------------	---------	---------	------------	---

Wheel Cylinder	94 - 86	F131727	(WC131727)	R.H.; 14-5/8 x 5-1/4" Brake; Fwd.; w/o Wheel Park
----------------	---------	---------	------------	---

Wheel Cylinder	94 - 86	F131729	(WC131729)	R.H.; 14-5/8 x 5-1/4" Brake; Fwd.; w/Wheel Park
----------------	---------	---------	------------	---

Front Brake Hose	Years	Sequential No.	Category No.	Qualifier
-------------------------	--------------	-----------------------	---------------------	------------------

Brake Hose	94 - 86	F132179	(BH132179)	Air Over Hyd.
------------	---------	---------	------------	---------------

Rear Brake Hose	Years	Sequential No.	Category No.	Qualifier
------------------------	--------------	-----------------------	---------------------	------------------

Brake Hose	94 - 86	F128953	(BH128953)	Air Over Hyd.
------------	---------	---------	------------	---------------

600/CPS				
Brake Pads & Shoes				
Front Pads & Shoes	Years	SevereDuty	Lining No.	Qualifier
Brake Shoes	94 - 86	SDS617R	EX1422D-S43	Air Over Hyd.; 15-3/4 x 4-3/4
Rear Pads & Shoes	Years	SevereDuty	Lining No.	Qualifier
Brake Shoes	94 - 86	SDS614R	EX1419D-S43	Air Over Hyd.; 15-3/4 x 6
Brake Hardware				
Front Brake Hardware	Years	Sequential No.	Category No.	Qualifier
Combi Kit	94 - 86	F128867	(H7214)	Air Over Hyd.; 15-3/4 x 4-3/4" Brake
Rear Brake Hardware	Years	Sequential No.	Category No.	Qualifier
Combi Kit	94 - 86	F140618	(H3014)	Air Over Hyd.; 15-3/4 x 6" Brake
Hydraulics - New				
Front Wheel Cylinder	Years	Sequential No.	Category No.	Qualifier
Wheel Cylinder	94 - 86	F131690	(WC131690)	L.H.; 15-3/4 x 4-3/4" Brake
Wheel Cylinder	94 - 86	F131689	(WC131689)	R.H.; 15-3/4 x 4-3/4" Brake
Rear Wheel Cylinder	Years	Sequential No.	Category No.	Qualifier
Wheel Cylinder	94 - 86	F131709	(WC131709)	L.H.; 15-3/4 x 6" Brake; Back; w/o Wheel Park
Wheel Cylinder	94 - 86	F131707	(WC131707)	L.H.; 15-3/4 x 6" Brake; Back; w/Wheel Park
Wheel Cylinder	94 - 86	F131725	(WC131725)	L.H.; 15-3/4 x 6" Brake; Fwd.
Wheel Cylinder	94 - 86	F131708	(WC131708)	R.H.; 15-3/4 x 6" Brake; Back; w/o Wheel Park
Wheel Cylinder	94 - 86	F131691	(WC131691)	R.H.; 15-3/4 x 6" Brake; Back; w/Wheel Park
Wheel Cylinder	94 - 86	F131724	(WC131724)	R.H.; 15-3/4 x 6" Brake; Fwd.
Clutch Master Cylind	Years	Sequential No.	Category No.	Qualifier
Clutch Master Cylinder	94 - 86	F130243	(CM130243)	
Front Brake Hose	Years	Sequential No.	Category No.	Qualifier
Brake Hose	94 - 86	F132178	(BH132178)	Air Over Hyd.
Rear Brake Hose	Years	Sequential No.	Category No.	Qualifier
Brake Hose	94 - 86	F128953	(BH128953)	Air Over Hyd.

700/CPB				
Brake Pads & Shoes				
Front Pads & Shoes	Years	SevereDuty	Lining No.	Qualifier
Brake Shoes	94 - 86	SDS617R	EX1422D-S43	Air Over Hyd.; 15-3/4 x 4-3/4
Rear Pads & Shoes	Years	SevereDuty	Lining No.	Qualifier
Brake Shoes	94 - 86	SDS614R	EX1419D-S43	Air Over Hyd.; 15-3/4 x 6
Brake Hardware				
Front Brake Hardware	Years	Sequential No.	Category No.	Qualifier
Combi Kit	94 - 86	F128867	(H7214)	Air Over Hyd.; 15-3/4 x 4-3/4" Brake
Rear Brake Hardware	Years	Sequential No.	Category No.	Qualifier
Combi Kit	94 - 86	F140618	(H3014)	Air Over Hyd.; 15-3/4 x 6" Brake
Hydraulics - New				
Front Wheel Cylinder	Years	Sequential No.	Category No.	Qualifier
Wheel Cylinder	94 - 86	F131690	(WC131690)	L.H.; 15-3/4 x 4-3/4" Brake; Canada
Wheel Cylinder	94 - 86	F131689	(WC131689)	R.H.; 15-3/4 x 4-3/4" Brake; Canada
Rear Wheel Cylinder	Years	Sequential No.	Category No.	Qualifier
Wheel Cylinder	94 - 86	F131707	(WC131707)	L.H.; 15-3/4 x 6" Brake; Back; Canada
Wheel Cylinder	94 - 86	F131707	(WC131707)	L.H.; 15-3/4 x 6" Brake; Back; USA
Wheel Cylinder	94 - 86	F131725	(WC131725)	L.H.; 15-3/4 x 6" Brake; Fwd.; Canada
Wheel Cylinder	94 - 86	F129319	(WC129319)	L.H.; 15-3/4 x 6" Brake; Fwd.; USA
Wheel Cylinder	94 - 86	F131691	(WC131691)	R.H.; 15-3/4 x 6" Brake; Back; Canada
Wheel Cylinder	94 - 86	F131691	(WC131691)	R.H.; 15-3/4 x 6" Brake; Back; USA
Wheel Cylinder	94 - 86	F131724	(WC131724)	R.H.; 15-3/4 x 6" Brake; Fwd.; Canada
Wheel Cylinder	94 - 86	F129320	(WC129320)	R.H.; 15-3/4 x 6" Brake; Fwd.; USA
Front Brake Hose	Years	Sequential No.	Category No.	Qualifier
Brake Hose	94 - 86	F132178	(BH132178)	Air Over Hyd.

Hydraulics - New (cont.)

Rear Brake Hose	Years	Sequential No.	Category No.	Qualifier
Brake Hose	94 - 86	F128953	(BH128953)	Air Over Hyd.

OLDSMOBILE - MINIVAN

SILHOUETTE

Brake Pads & Shoes

Front Pads & Shoes	Years	SevereDuty	Lining No.	Qualifier
Brake Pads	04 - 02	SD818		2WD
Brake Pads	04 - 02	SD844		AWD
Brake Pads	01 - 00	SD818		
Brake Pads	99 - 97	SD699		
Brake Pads	96 - 95	SD623		

Rear Pads & Shoes	Years	SevereDuty	Lining No.	Qualifier
Brake Pads	04 - 02	SD814		

Rotor & Drum

Front Rotor & Drum	Years	Part No.	Qualifier
Brake Rotor	04 - 02	BD125507	2WD
Brake Rotor	04 - 02	BD125775	AWD
Brake Rotor	01 - 97	BD125507	
Brake Rotor	96 - 95	BD125325	

Rear Rotor & Drum	Years	Part No.	Qualifier
Brake Drum	04 - 97	BD125482	8-55/64 x 1-49/64" Brake
Brake Drum	96 - 95	BD61776	8-55/64 x 1-49/64" Brake
Brake Rotor	04 - 02	BD125774	

Brake Hardware

Front Brake Hardware	Years	Sequential No.	Category No.	Qualifier
Caliper Bolt/Pin	04 - 02	F139880	(H4803)	FWD
Caliper Bolt/Pin	01 - 97	F138105S	(H5083)	
Caliper Bolt/Pin	96 - 95	F126898S	(H5060)	
Disc Align Kit	04 - 02	F139701	(H5643)	AWD
Disc Align Kit	04 - 02	F140541	(H5690)	FWD
Disc Align Kit	01 - 97	F134116S	(H5478)	
Pin Boot Kit	04 - 02	F139714	(H8235)	AWD
Pin Boot Kit	04 - 02	F134111S	(H8220)	FWD
Pin Boot Kit	01 - 97	F134111S	(H8220)	
Pin Boot Kit	96 - 95	F126906S	(H8209)	

Rear Brake Hardware	Years	Sequential No.	Category No.	Qualifier
Adjuster Kit	01 - 95	F126896S	(H2628)	L.H.
Adjuster Kit	01 - 95	F130245S	(H2629)	R.H.
Caliper Bolt/Pin	04 - 02	F134107S	(H14907)	
Combi Kit	04 - 95	F130391	(H7203)	
↳Adjuster Spring Kit		F129640S	(H444)	
Disc Align Kit	04 - 02	F124496S	(H15390)	
Pin Boot Kit	04 - 02	F130273S	(H18033)	

Calipers - Reman

Front, Unloaded	Years	Left No.	Right No.	Qualifier	Piston
Unloaded Caliper	04 - 02	CR134520	CR134521	AWD	P
Unloaded Caliper	04 - 02	CRB133956	CRB133957	FWD; Supplied w/Mtg. Brkt.	M
Unloaded Caliper	04 - 02	CR133956	CR133957	FWD; Supplied w/o Mtg. Brkt.	M
Unloaded Caliper	01 - 97	CRB133956	CRB133957	Supplied w/Mtg. Brkt.	M
Unloaded Caliper	01 - 97	CR133956	CR133957	Supplied w/o Mtg. Brkt.	M
Unloaded Caliper	96 - 95	CR132504	CR132505		M

Rear, Unloaded	Years	Left No.	Right No.	Qualifier	Piston
Unloaded Caliper	04 - 02	CRB133958A	CRB133959A	AWD; Supplied w/Mtg. Brkt.	M
Unloaded Caliper	04 - 02	CRB133958	CRB133959	FWD; Supplied w/Mtg. Brkt.	M
Unloaded Caliper	04 - 02	CR133958	CR133959	Supplied w/o Mtg. Brkt.	M

↳Sub-Kit of Combi-Kit is available separately.

Piston: M - OE Metal Piston P - OE Phenolic Piston

SILHOUETTE (cont.)				
Hydraulics - New				
Master Cylinder	Years	Sequential No.	Category No.	Qualifier
Master Cylinder	04 - 00	F134488	(MC134488)	1" Bore
Master Cylinder	96 - 95	F131058	(MC131058)	15/16" Bore
Rear Wheel Cylinder	Years	Sequential No.	Category No.	Qualifier
Wheel Cylinder	04 - 95	F129443	(WC129443)	15/16" Bore
Front Brake Hose	Years	Sequential No.	Category No.	Qualifier
Brake Hose	04 - 97	F138025	(BH138025)	
Brake Hose	96 - 95	F128694	(BH128694)	L.H.
Brake Hose	96 - 95	F128695	(BH128695)	R.H.
Rear Brake Hose	Years	Sequential No.	Category No.	Qualifier
Brake Hose	04 - 02	F138082	(BH138082)	w/Rear Drum
Brake Hose	01 - 00	F138082	(BH138082)	
Brake Hose	99 - 98	F137806	(BH137806)	Exc. Ext. Length
Brake Hose	99 - 97	F138082	(BH138082)	Ext. Length
Brake Hose	97	F138081	(BH138081)	Exc. Ext. Length
Brake Hose	96 - 95	F123285	(BH123285)	
Hydraulics - Reman				
Master Cylinder	Years	Part No.	Qualifier	
Master Cylinder	04 - 00	R131419		
Master Cylinder	99 - 97	R134632		
Master Cylinder	96 - 95	R131058		
Power Brake Booster	Years	Part No.	Qualifier	
Power Brake Booster	01 - 99	5474827	w/o Master Cylinder	
Power Brake Booster	95	5474806	w/o Master Cylinder	
Brake Cables				
Parking Brake Cable	Years	Sequential No.	Category No.	Qualifier
Parking Brake Cable	04 - 97	F140109	(BC140109)	Rear; L.H.; w/Rear Disc; w/ABS; 31" Length
Parking Brake Cable	04 - 97	F140397	(BC140397)	Rear; R.H.; w/Rear Disc; w/ABS; 28" Length
Parking Brake Cable	02 - 97	F140103	(BC140103)	Rear; R.H.; w/Rear Drum; w/ABS; 30" Length
Parking Brake Cable	00 - 97	F140297	(BC140297)	Forward; Ext. Length; 138" Length
Parking Brake Cable	00 - 97	F140102	(BC140102)	Rear; L.H.; w/Rear Drum; w/ABS; 33" Length
Parking Brake Cable	96 - 95	F133072	(BC133072)	Forward
Parking Brake Cable	96 - 95	F132260	(BC132260)	Rear; L.H.
Parking Brake Cable	96 - 95	F132261	(BC132261)	Rear; R.H.
ABS Components - Reman				
ABS Module	Years	Part No.	Qualifier	
ABS Module	96 - 95	RA121327	w/o Traction Control	
ABS Module	96 - 95	RA121332	w/Traction Control	
ABS Hydraulic Unit	Years	Part No.	Qualifier	
ABS Hydraulic Unit	95	RA122306		
ABS Pump/Motor	Years	Part No.	Qualifier	
ABS Pump/Motor	95	RA124307	Incl. Pump/Motor; Also Avail. Separately	
Wheel Attaching Hardware				
Front Wheel Stud	Years	Part No.	Qualifier	
Wheel Lug Stud	04 - 95	BD60946		
Rear Wheel Stud	Years	Part No.	Qualifier	
Wheel Lug Stud	04 - 95	BD60946		
Front Wheel Nut	Years	Part No.	Qualifier	
Wheel Lug Nut	04 - 98	BD61288	Bulge	
Wheel Lug Nut	04 - 95	BD125815	External Thread	
Rear Wheel Nut	Years	Part No.	Qualifier	
Wheel Lug Nut	04 - 98	BD61288	Bulge	
Wheel Lug Nut	04 - 95	BD125815	External Thread	

BRAVADA

Brake Pads & Shoes

Front Pads & Shoes	Years	SevereDuty	Lining No.	Qualifier
Brake Pads	04 - 02	SD882		
Brake Pads	01 - 97	SD726		
Brake Pads	96	SD154		

Rear Pads & Shoes	Years	SevereDuty	Lining No.	Qualifier
Brake Pads	04 - 02	SD883		
Brake Shoes	96	SDS514R	EX2117ATD	9-1/2 x 2" Brake; Riveted

Rotor & Drum

Front Rotor & Drum	Years	Part No.	Qualifier
Brake Rotor	04 - 02	BD126027	Exc. Ext. WB
Brake Rotor	04 - 02	BD126028	Ext. WB
Brake Rotor	01 - 97	BD125559	
Brake Rotor	96	BD102075	

Rear Rotor & Drum	Years	Part No.	Qualifier
Brake Drum	96	BD125213	9-1/2 x 2" Brake
Brake Rotor	04 - 02	BD126029	
Brake Rotor	01 - 97	BD125505	

Brake Hardware

Front Brake Hardware	Years	Sequential No.	Category No.	Qualifier
Caliper Bolt/Pin	01 - 98	F138684S	(H5086)	
Caliper Bolt/Pin	97	F138684S	(H5086)	w/Dual Piston Caliper
Caliper Bolt/Pin	97	F76074S	(H5004)	w/Single Piston Caliper
Caliper Bolt/Pin	96	F76074S	(H5004)	
Disc Align Kit	03 - 02	F139863	(H5664)	
Disc Align Kit	01 - 98	F139703	(H5644)	
Disc Align Kit	97	F139703	(H5644)	w/Dual Piston Caliper
Disc Align Kit	97	F99333S	(H5524)	w/Single Piston Caliper
Disc Align Kit	96	F99333S	(H5524)	
Pin Boot Kit	01 - 98	F138697S	(H8221)	
Pin Boot Kit	97	F138697S	(H8221)	w/Dual Piston Caliper

Rear Brake Hardware	Years	Sequential No.	Category No.	Qualifier
Adjuster Kit	96	F110937	(H2564)	L.H.
Adjuster Kit	96	F110938	(H2565)	R.H.
Adjuster Screw	96	F110934S	(H1536)	L.H.
Adjuster Screw	96	F110935S	(H1537)	R.H.
Caliper Bolt/Pin	04 - 02	F139737	(H14917)	
Caliper Bolt/Pin	01 - 97	F138104S	(H5085)	
Combi Kit	96	F110946S	(H7059)	
↳Adjuster Spring Kit		F110929S	(H404)	
↳Hold Down Kit		F79811S	(H4003)	
↳Return Spring Kit		F45941S	(H323)	
Disc Align Kit	04 - 02	F139866	(H5667)	
Disc Align Kit	01 - 97	F138691S	(H5624)	
Pin Boot Kit	04 - 97	F138601S	(H18047)	

Calipers - Reman

Front, Loaded	Years	Left No.	Right No.	Qualifier	Piston
Loaded Caliper	96	AS98888	AS98889		M

Front, Unloaded	Years	Left No.	Right No.	Qualifier	Piston
Unloaded Caliper	04 - 02	CR134544	CR134545		P
Unloaded Caliper	01 - 98	CRB134304	CRB134303	Supplied w/Mtg. Brkt.	M
Unloaded Caliper	01 - 98	CR134304	CR134303	Supplied w/o Mtg. Brkt.	M
Unloaded Caliper	97	CRB134009	CRB134010	Supplied w/Mtg. Brkt.	M
Unloaded Caliper	97	CR134009	CR134010	Supplied w/o Mtg. Brkt.	M
Unloaded Caliper	96	CR98888	CR98889		M

Rear, Unloaded	Years	Left No.	Right No.	Qualifier	Piston
Unloaded Caliper	04 - 02	CRB134546	CRB134547	Supplied w/Mtg. Brkt.	M

↳Sub-Kit of Combi-Kit is available separately.

Piston: M - OE Metal Piston P - OE Phenolic Piston

OLDSMOBILE - TRUCK



BRAVADA (cont.)

Calipers - Reman (cont.)

Rear, Unloaded	Years	Left No.	Right No.	Qualifier	Piston
Unloaded Caliper	04 - 02	CR134546	CR134547	Supplied w/o Mtg. Brkt.	M
Unloaded Caliper	01 - 98	CRB134336	CRB134335	Supplied w/Mtg. Brkt.	P
Unloaded Caliper	01 - 98	CR134336	CR134335	Supplied w/o Mtg. Brkt.	P
Unloaded Caliper	97	CRB134296	CRB134297	Supplied w/Mtg. Brkt.	M
Unloaded Caliper	97	CR134296	CR134297	Supplied w/o Mtg. Brkt.	M

Hydraulics - New

Master Cylinder	Years	Sequential No.	Category No.	Qualifier
Master Cylinder	04 - 02	F140062	(MC140062)	1" Bore
Master Cylinder	01	F139958	(MC139958)	1" Bore
Master Cylinder	00	F140131	(MC140131)	11th Position Vin = 2; 1" Bore
Master Cylinder	00	F139958	(MC139958)	11th Position Vin = K; 1" Bore
Master Cylinder	99 - 98	F140131	(MC140131)	1" Bore
Master Cylinder	97 - 96	F107747	(MC107747)	Exc. Dbl. Diaphragm Boost; 15/16" Bore
Master Cylinder	97 - 96	F139952	(MC139952)	w/Dbl. Diaphragm Boost; 15/16" Bore

Rear Wheel Cylinder	Years	Sequential No.	Category No.	Qualifier
Wheel Cylinder	96	F123199	(WC123199)	7/8" Bore

Front Brake Hose	Years	Sequential No.	Category No.	Qualifier
Brake Hose	01	F140247	(BH140247)	L.H.; 4WD
Brake Hose	01	F140248	(BH140248)	R.H.; 4WD
Brake Hose	00	F138918	(BH138918)	2WD; 11th Position Vin = 2
Brake Hose	00	F139258	(BH139258)	L.H.; 4WD; 11th Position Vin = 2
Brake Hose	00	F140247	(BH140247)	L.H.; 4WD; 11th Position Vin = K
Brake Hose	00	F139259	(BH139259)	R.H.; 4WD; 11th Position Vin = 2
Brake Hose	00	F140248	(BH140248)	R.H.; 4WD; 11th Position Vin = K
Brake Hose	99 - 98	F138918	(BH138918)	2WD
Brake Hose	99 - 98	F139258	(BH139258)	L.H.; 4WD
Brake Hose	99 - 98	F139259	(BH139259)	R.H.; 4WD
Brake Hose	97 - 96	F132325	(BH132325)	2WD
Brake Hose	97 - 96	F124597	(BH124597)	L.H.; 4WD
Brake Hose	97 - 96	F124598	(BH124598)	R.H.; 4WD

Rear Brake Hose	Years	Sequential No.	Category No.	Qualifier
Brake Hose	01 - 96	F124599	(BH124599)	Inner
Brake Hose	01 - 98	F132988	(BH132988)	Outer; 2WD

Hydraulics - Reman

Master Cylinder	Years	Part No.	Qualifier
Master Cylinder	03 - 02	R134738	
Master Cylinder	01	R134754	
Master Cylinder	00	R134715	11th Position of VIN = 2; Moraine Plant Built
Master Cylinder	00	R134754	11th Position of VIN = K; Linden Plant Built
Master Cylinder	99 - 98	R134715	
Master Cylinder	97	R134633	
Master Cylinder	96	R131941	

Power Brake Booster	Years	Part No.	Qualifier
Power Brake Booster	02	5474821	w/o Master Cylinder; w/Rear Disc
Power Brake Booster	02	5474822	w/o Master Cylinder; w/Rear Drum
Power Brake Booster	01 - 98	5474822	w/o Master Cylinder
Power Brake Booster	97 - 96	501061	w/Master Cylinder
Power Brake Booster	97 - 96	5471061	w/o Master Cylinder

Brake Cables

Parking Brake Cable	Years	Sequential No.	Category No.	Qualifier
Parking Brake Cable	97 - 96	F140344	(BC140344)	Rear; L.H.; 4 Door; 104" Length

Wheel Attaching Hardware

Front Wheel Stud	Years	Part No.	Qualifier
Wheel Lug Stud	04 - 02	BD125995	

Piston: M - OE Metal Piston P - OE Phenolic Piston

BRAVADA (cont.)

Wheel Attaching Hardware (cont.)

Front Wheel Stud	Years	Part No.	Qualifier
Wheel Lug Stud	01 - 96	BD60946	
Rear Wheel Stud	Years	Part No.	Qualifier
Wheel Lug Stud	04 - 02	BD125995	
Wheel Lug Stud	01 - 96	BD60946	
Front Wheel Nut	Years	Part No.	Qualifier
Wheel Lug Nut	04 - 02	BD61288	Bulge
Wheel Lug Nut	01 - 96	BD61445	External Thread
Rear Wheel Nut	Years	Part No.	Qualifier
Wheel Lug Nut	04 - 02	BD61288	Bulge
Wheel Lug Nut	01 - 96	BD61445	External Thread

PETERBILT Cab Over

200

Brake Pads & Shoes

Front Pads & Shoes	Years	SevereDuty	Lining No.	Qualifier
Brake Pads	00 - 94	SD184		Bendix; 2.60" 2-Piston Caliper
Brake Pads	00 - 94	SD225		Bendix; 2.88" 2-Piston Caliper
Brake Shoes	00 - 94	4702Q	4702	w/Air Brakes; Rockwell/Meritor; Q-Plus; 15 x 4
Brake Shoes	00 - 94	4703Q	4703	w/Air Brakes; Rockwell/Meritor; Q-Plus; 15 x 5
Brake Shoes	00 - 94	1308Q	1308T	w/Air Brakes; Rockwell/Meritor; Q-Series; 15 x 4
Brake Shoes	00 - 94	4524Q	4524B	w/Air Brakes; Rockwell/Meritor; Q-Series; 16-1/2 x 5
Brake Shoes	00 - 94	4514Q	4514G	w/Air Brakes; Rockwell/Meritor; Q-Series; 16-1/2 x 6
Brake Shoes	00 - 94	1307T	1307	w/Air Brakes; Rockwell/Meritor; T-Series; 15 x 3-1/2
Brake Shoes	00 - 94	1308T	1308T	w/Air Brakes; Rockwell/Meritor; T-Series; 15 x 4
Rear Pads & Shoes	Years	SevereDuty	Lining No.	Qualifier
Brake Pads	00 - 94	SD184		Bendix; 2.60" 2-Piston Caliper
Brake Pads	00 - 94	SD225		Bendix; 2.88" 2-Piston Caliper
Brake Shoes	00 - 94	4709E	4709	w/Air Brakes; Eaton; Extended Service; 16-1/2 x 7
Brake Shoes	00 - 94	4515P	4515E	w/Air Brakes; Rockwell/Meritor; P-Series; 16-1/2 x 7
Brake Shoes	00 - 94	4710Q	4710	w/Air Brakes; Rockwell/Meritor; Q-Plus; 15 x 8-5/8
Brake Shoes	00 - 94	4707Q	4707	w/Air Brakes; Rockwell/Meritor; Q-Plus; 16-1/2 x 7
Brake Shoes	00 - 94	4718Q	4718	w/Air Brakes; Rockwell/Meritor; Q-Plus; 16-1/2 x 8
Brake Shoes	00 - 94	4514Q	4514G	w/Air Brakes; Rockwell/Meritor; Q-Series; 16-1/2 x 6
Brake Shoes	00 - 94	4515Q	4515E	w/Air Brakes; Rockwell/Meritor; Q-Series; 16-1/2 x 7

Brake Hardware

Front Brake Hardware	Years	Sequential No.	Category No.	Qualifier
Disc Align Kit	00 - 94	F112095S	(H5564)	Bendix; 2.60" 2-Piston Caliper
Disc Align Kit	00 - 94	F112090S	(H5566)	Bendix; 2.88" 2-Piston Caliper
Rear Brake Hardware	Years	Sequential No.	Category No.	Qualifier
Disc Align Kit	00 - 94	F112095S	(H5564)	Bendix; 2.60" 2-Piston Caliper
Disc Align Kit	00 - 94	F112090S	(H5566)	Bendix; 2.88" 2-Piston Caliper

Calipers - Reman

Front, Loaded	Years	Left No.	Right No.	Qualifier	Piston
Loaded Caliper	00 - 94	AS112057	AS112057	Bendix; 2.60" 2-Piston Caliper	P
Loaded Caliper	00 - 94	AS112057S	AS112057S	Bendix; 2.60" 2-Piston Caliper	O
Loaded Caliper	00 - 94	AS120549	AS120549	Bendix; 2.88" 2-Piston Caliper	P
Loaded Caliper	00 - 94	AS120549S	AS120549S	Bendix; 2.88" 2-Piston Caliper	O
Rear, Loaded	Years	Left No.	Right No.	Qualifier	Piston
Loaded Caliper	00 - 94	AS132525	AS132525	Bendix; 2.60" 2-Piston Caliper; w/Air Ride	P
Loaded Caliper	00 - 94	AS132525S	AS132525S	Bendix; 2.60" 2-Piston Caliper; w/Air Ride	O
Loaded Caliper	00 - 94	AS112057	AS112057	Bendix; 2.60" 2-Piston Caliper; w/o Air Ride	P
Loaded Caliper	00 - 94	AS112057S	AS112057S	Bendix; 2.60" 2-Piston Caliper; w/o Air Ride	O
Loaded Caliper	00 - 94	AS134267	AS134267	Bendix; 2.88" 2-Piston Caliper; w/Air Ride	M
Loaded Caliper	00 - 94	AS120549	AS120549	Bendix; 2.88" 2-Piston Caliper; w/o Air Ride	P

Piston: M - OE Metal Piston P - OE Phenolic Piston O - Metal Piston Option

200 (cont.)

Calipers - Reman (cont.)

<i>Front, Loaded</i>	<i>Years</i>	<i>Left No.</i>	<i>Right No.</i>	<i>Qualifier</i>	<i>Piston</i>
Loaded Caliper	00 - 94	AS120549S	AS120549S	Bendix; 2.88" 2-Piston Caliper; w/o Air Ride	O
<i>Front, Unloaded</i>	<i>Years</i>	<i>Left No.</i>	<i>Right No.</i>	<i>Qualifier</i>	<i>Piston</i>
Unloaded Caliper	00 - 94	CR112057	CR112057	Bendix; 2.60" 2-Piston Caliper	P
Unloaded Caliper	00 - 94	CR112057S	CR112057S	Bendix; 2.60" 2-Piston Caliper	O
Unloaded Caliper	00 - 94	CR120549	CR120549	Bendix; 2.88" 2-Piston Caliper	P
Unloaded Caliper	00 - 94	CR120549S	CR120549S	Bendix; 2.88" 2-Piston Caliper	O
<i>Rear, Unloaded</i>	<i>Years</i>	<i>Left No.</i>	<i>Right No.</i>	<i>Qualifier</i>	<i>Piston</i>
Unloaded Caliper	00 - 94	CR132525	CR132525	Bendix; 2.60" 2-Piston Caliper; w/Air Ride	P
Unloaded Caliper	00 - 94	CR132525S	CR132525S	Bendix; 2.60" 2-Piston Caliper; w/Air Ride	O
Unloaded Caliper	00 - 94	CR112057	CR112057	Bendix; 2.60" 2-Piston Caliper; w/o Air Ride	P
Unloaded Caliper	00 - 94	CR112057S	CR112057S	Bendix; 2.60" 2-Piston Caliper; w/o Air Ride	O
Unloaded Caliper	00 - 94	CR134267	CR134267	Bendix; 2.88" 2-Piston Caliper; w/Air Ride	M
Unloaded Caliper	00 - 94	CR120549	CR120549	Bendix; 2.88" 2-Piston Caliper; w/o Air Ride	P
Unloaded Caliper	00 - 94	CR120549S	CR120549S	Bendix; 2.88" 2-Piston Caliper; w/o Air Ride	O

270

Brake Pads & Shoes

<i>Front Pads & Shoes</i>	<i>Years</i>	<i>SevereDuty</i>	<i>Lining No.</i>	<i>Qualifier</i>
Brake Pads	03 - 00	SD786		Bosch; 2.60" 2-Piston Caliper
Brake Pads	03 - 00	SD786A		Bosch; 2.88" 2-Piston Caliper
Brake Shoes	03 - 00	4702Q	4702	w/Air Brakes; Rockwell/Meritor; Q-Plus; 15 x 4
Brake Shoes	03 - 00	4703Q	4703	w/Air Brakes; Rockwell/Meritor; Q-Plus; 15 x 5
Brake Shoes	03 - 00	1308Q	1308T	w/Air Brakes; Rockwell/Meritor; Q-Series; 15 x 4
Brake Shoes	03 - 00	4524Q	4524B	w/Air Brakes; Rockwell/Meritor; Q-Series; 16-1/2 x 5
Brake Shoes	03 - 00	4514Q	4514G	w/Air Brakes; Rockwell/Meritor; Q-Series; 16-1/2 x 6
Brake Shoes	03 - 00	1307T	1307	w/Air Brakes; Rockwell/Meritor; T-Series; 15 x 3-1/2
Brake Shoes	03 - 00	1308T	1308T	w/Air Brakes; Rockwell/Meritor; T-Series; 15 x 4
<i>Rear Pads & Shoes</i>	<i>Years</i>	<i>SevereDuty</i>	<i>Lining No.</i>	<i>Qualifier</i>
Brake Pads	03 - 00	SD786		Bosch; 2.60" 2-Piston Caliper
Brake Pads	03 - 00	SD786A		Bosch; 2.88" 2-Piston Caliper
Brake Shoes	03 - 00	4709E	4709	w/Air Brakes; Eaton; Extended Service; 16-1/2 x 7
Brake Shoes	03 - 00	4515P	4515E	w/Air Brakes; Rockwell/Meritor; P-Series; 16-1/2 x 7
Brake Shoes	03 - 00	4710Q	4710	w/Air Brakes; Rockwell/Meritor; Q-Plus; 15 x 8-5/8
Brake Shoes	03 - 00	4707Q	4707	w/Air Brakes; Rockwell/Meritor; Q-Plus; 16-1/2 x 7
Brake Shoes	03 - 00	4718Q	4718	w/Air Brakes; Rockwell/Meritor; Q-Plus; 16-1/2 x 8
Brake Shoes	03 - 00	4514Q	4514G	w/Air Brakes; Rockwell/Meritor; Q-Series; 16-1/2 x 6
Brake Shoes	03 - 00	4515Q	4515E	w/Air Brakes; Rockwell/Meritor; Q-Series; 16-1/2 x 7

Brake Hardware

<i>Front Brake Hardware</i>	<i>Years</i>	<i>Sequential No.</i>	<i>Category No.</i>	<i>Qualifier</i>
Disc Align Kit	03 - 00	F140769	(H5710)	Bosch; 2.60" 2-Piston Caliper
Disc Align Kit	03 - 00	F140769	(H5710)	Bosch; 2.88" 2-Piston Caliper
<i>Rear Brake Hardware</i>	<i>Years</i>	<i>Sequential No.</i>	<i>Category No.</i>	<i>Qualifier</i>
Disc Align Kit	03 - 00	F140769	(H5710)	Bosch; 2.60" 2-Piston Caliper
Disc Align Kit	03 - 00	F140769	(H5710)	Bosch; 2.88" 2-Piston Caliper

Calipers - Reman

<i>Front, Loaded</i>	<i>Years</i>	<i>Left No.</i>	<i>Right No.</i>	<i>Qualifier</i>	<i>Piston</i>
Loaded Caliper	03 - 00	AS135025	AS135025	Bosch; 2.60" 2-Piston Caliper	P
Loaded Caliper	03 - 00	AS135024	AS135024	Bosch; 2.88" 2-Piston Caliper	P
<i>Rear, Loaded</i>	<i>Years</i>	<i>Left No.</i>	<i>Right No.</i>	<i>Qualifier</i>	<i>Piston</i>
Loaded Caliper	03 - 00	AS135025	AS135025	Bosch; 2.60" 2-Piston Caliper	P
Loaded Caliper	03 - 00	AS135024	AS135024	Bosch; 2.88" 2-Piston Caliper	P
<i>Front, Unloaded</i>	<i>Years</i>	<i>Left No.</i>	<i>Right No.</i>	<i>Qualifier</i>	<i>Piston</i>
Unloaded Caliper	03 - 00	CR135025	CR135025	Bosch; 2.60" 2-Piston Caliper	P
Unloaded Caliper	03 - 00	CR135024	CR135024	Bosch; 2.88" 2-Piston Caliper	P

Piston: M - OE Metal Piston P - OE Phenolic Piston O - Metal Piston Option

Calipers - Reman (cont.)

<i>Rear, Unloaded</i>	<i>Years</i>	<i>Left No.</i>	<i>Right No.</i>	<i>Qualifier</i>	<i>Piston</i>
Unloaded Caliper	03 - 00	CR135025	CR135025	Bosch; 2.60" 2-Piston Caliper	P
Unloaded Caliper	03 - 00	CR135024	CR135024	Bosch; 2.88" 2-Piston Caliper	P

PETERBILT Conventional

Brake Pads & Shoes

<i>Front Pads & Shoes</i>	<i>Years</i>	<i>SevereDuty</i>	<i>Lining No.</i>	<i>Qualifier</i>
Brake Pads	07 - 00	SD786		Bosch; 2.60" 2-Piston Caliper
Brake Pads	07 - 00	SD786A		Bosch; 2.88" 2-Piston Caliper
Brake Pads	00 - 95	SD184		Bendix; 2.60" 2-Piston Caliper
Brake Pads	00 - 95	SD225		Bendix; 2.88" 2-Piston Caliper
Brake Shoes	07 - 95	4702Q	4702	w/Air Brakes; Rockwell/Meritor; Q-Plus; 15 x 4
Brake Shoes	07 - 95	4703Q	4703	w/Air Brakes; Rockwell/Meritor; Q-Plus; 15 x 5
Brake Shoes	07 - 95	1308Q	1308T	w/Air Brakes; Rockwell/Meritor; Q-Series; 15 x 4
Brake Shoes	07 - 95	4524Q	4524B	w/Air Brakes; Rockwell/Meritor; Q-Series; 16-1/2 x 5
Brake Shoes	07 - 95	4514Q	4514G	w/Air Brakes; Rockwell/Meritor; Q-Series; 16-1/2 x 6
Brake Shoes	07 - 95	1307T	1307	w/Air Brakes; Rockwell/Meritor; T-Series; 15 x 3-1/2
Brake Shoes	07 - 95	1308T	1308T	w/Air Brakes; Rockwell/Meritor; T-Series; 15 x 4

<i>Rear Pads & Shoes</i>	<i>Years</i>	<i>SevereDuty</i>	<i>Lining No.</i>	<i>Qualifier</i>
Brake Pads	07 - 00	SD786		Bosch; 2.60" 2-Piston Caliper
Brake Pads	07 - 00	SD786A		Bosch; 2.88" 2-Piston Caliper
Brake Pads	00 - 95	SD184		Bendix; 2.60" 2-Piston Caliper
Brake Pads	00 - 95	SD225		Bendix; 2.88" 2-Piston Caliper
Brake Shoes	07 - 95	4709E	4709	w/Air Brakes; Eaton; Extended Service; 16-1/2 x 7
Brake Shoes	07 - 95	4515P	4515E	w/Air Brakes; Rockwell/Meritor; P-Series; 16-1/2 x 7
Brake Shoes	07 - 95	4710Q	4710	w/Air Brakes; Rockwell/Meritor; Q-Plus; 15 x 8-5/8
Brake Shoes	07 - 95	4707Q	4707	w/Air Brakes; Rockwell/Meritor; Q-Plus; 16-1/2 x 7
Brake Shoes	07 - 95	4718Q	4718	w/Air Brakes; Rockwell/Meritor; Q-Plus; 16-1/2 x 8
Brake Shoes	07 - 95	4514Q	4514G	w/Air Brakes; Rockwell/Meritor; Q-Series; 16-1/2 x 6
Brake Shoes	07 - 95	4515Q	4515E	w/Air Brakes; Rockwell/Meritor; Q-Series; 16-1/2 x 7

Brake Hardware

<i>Front Brake Hardware</i>	<i>Years</i>	<i>Sequential No.</i>	<i>Category No.</i>	<i>Qualifier</i>
Disc Align Kit	07 - 00	F140769	(H5710)	Bosch; 2.60" 2-Piston Caliper
Disc Align Kit	07 - 00	F140769	(H5710)	Bosch; 2.88" 2-Piston Caliper
Disc Align Kit	00 - 95	F112095S	(H5564)	Bendix; 2.60" 2-Piston Caliper
Disc Align Kit	00 - 95	F112090S	(H5566)	Bendix; 2.88" 2-Piston Caliper

<i>Rear Brake Hardware</i>	<i>Years</i>	<i>Sequential No.</i>	<i>Category No.</i>	<i>Qualifier</i>
Disc Align Kit	07 - 00	F140769	(H5710)	Bosch; 2.60" 2-Piston Caliper
Disc Align Kit	07 - 00	F140769	(H5710)	Bosch; 2.88" 2-Piston Caliper
Disc Align Kit	00 - 95	F112095S	(H5564)	Bendix; 2.60" 2-Piston Caliper
Disc Align Kit	00 - 95	F112090S	(H5566)	Bendix; 2.88" 2-Piston Caliper

Calipers - Reman

<i>Front, Loaded</i>	<i>Years</i>	<i>Left No.</i>	<i>Right No.</i>	<i>Qualifier</i>	<i>Piston</i>
Loaded Caliper	07 - 00	AS135025	AS135025	Bosch; 2.60" 2-Piston Caliper	P
Loaded Caliper	07 - 00	AS135024	AS135024	Bosch; 2.88" 2-Piston Caliper	P
Loaded Caliper	00 - 95	AS112057	AS112057	Bendix; 2.60" 2-Piston Caliper	P
Loaded Caliper	00 - 95	AS112057S	AS112057S	Bendix; 2.60" 2-Piston Caliper	O
Loaded Caliper	00 - 95	AS120549	AS120549	Bendix; 2.88" 2-Piston Caliper	P
Loaded Caliper	00 - 95	AS120549S	AS120549S	Bendix; 2.88" 2-Piston Caliper	O

<i>Rear, Loaded</i>	<i>Years</i>	<i>Left No.</i>	<i>Right No.</i>	<i>Qualifier</i>	<i>Piston</i>
Loaded Caliper	07 - 00	AS135025	AS135025	Bosch; 2.60" 2-Piston Caliper	P
Loaded Caliper	07 - 00	AS135024	AS135024	Bosch; 2.88" 2-Piston Caliper	P
Loaded Caliper	00 - 95	AS132525	AS132525	Bendix; 2.60" 2-Piston Caliper; w/Air Ride	P
Loaded Caliper	00 - 95	AS132525S	AS132525S	Bendix; 2.60" 2-Piston Caliper; w/Air Ride	O

Piston: M - OE Metal Piston P - OE Phenolic Piston O - Metal Piston Option

330 (cont.)

Calipers - Reman (cont.)

<i>Rear, Loaded</i>	<i>Years</i>	<i>Left No.</i>	<i>Right No.</i>	<i>Qualifier</i>	<i>Piston</i>
Loaded Caliper	00 - 95	AS112057	AS112057	Bendix; 2.60" 2-Piston Caliper; w/o Air Ride	P
Loaded Caliper	00 - 95	AS112057S	AS112057S	Bendix; 2.60" 2-Piston Caliper; w/o Air Ride	O
Loaded Caliper	00 - 95	AS134267	AS134267	Bendix; 2.88" 2-Piston Caliper; w/Air Ride	M
Loaded Caliper	00 - 95	AS120549	AS120549	Bendix; 2.88" 2-Piston Caliper; w/o Air Ride	P
Loaded Caliper	00 - 95	AS120549S	AS120549S	Bendix; 2.88" 2-Piston Caliper; w/o Air Ride	O
<i>Front, Unloaded</i>	<i>Years</i>	<i>Left No.</i>	<i>Right No.</i>	<i>Qualifier</i>	<i>Piston</i>
Unloaded Caliper	07 - 00	CR135025	CR135025	Bosch; 2.60" 2-Piston Caliper	P
Unloaded Caliper	07 - 00	CR135024	CR135024	Bosch; 2.88" 2-Piston Caliper	P
Unloaded Caliper	00 - 95	CR112057	CR112057	Bendix; 2.60" 2-Piston Caliper	P
Unloaded Caliper	00 - 95	CR112057S	CR112057S	Bendix; 2.60" 2-Piston Caliper	O
Unloaded Caliper	00 - 95	CR120549	CR120549	Bendix; 2.88" 2-Piston Caliper	P
Unloaded Caliper	00 - 95	CR120549S	CR120549S	Bendix; 2.88" 2-Piston Caliper	O
<i>Rear, Unloaded</i>	<i>Years</i>	<i>Left No.</i>	<i>Right No.</i>	<i>Qualifier</i>	<i>Piston</i>
Unloaded Caliper	07 - 00	CR135025	CR135025	Bosch; 2.60" 2-Piston Caliper	P
Unloaded Caliper	07 - 00	CR135024	CR135024	Bosch; 2.88" 2-Piston Caliper	P
Unloaded Caliper	00 - 95	CR132525	CR132525	Bendix; 2.60" 2-Piston Caliper; w/Air Ride	P
Unloaded Caliper	00 - 95	CR132525S	CR132525S	Bendix; 2.60" 2-Piston Caliper; w/Air Ride	O
Unloaded Caliper	00 - 95	CR112057	CR112057	Bendix; 2.60" 2-Piston Caliper; w/o Air Ride	P
Unloaded Caliper	00 - 95	CR112057S	CR112057S	Bendix; 2.60" 2-Piston Caliper; w/o Air Ride	O
Unloaded Caliper	00 - 95	CR134267	CR134267	Bendix; 2.88" 2-Piston Caliper; w/Air Ride	M
Unloaded Caliper	00 - 95	CR120549	CR120549	Bendix; 2.88" 2-Piston Caliper; w/o Air Ride	P
Unloaded Caliper	00 - 95	CR120549S	CR120549S	Bendix; 2.88" 2-Piston Caliper; w/o Air Ride	O

PLYMOUTH - MINIVAN

GRAND VOYAGER

Brake Pads & Shoes

<i>Front Pads & Shoes</i>	<i>Years</i>	<i>SevereDuty</i>	<i>Lining No.</i>	<i>Qualifier</i>
Brake Pads	00 - 96	SD591		
Brake Pads	95	SD521		w/14" Whl.
Brake Pads	95	SD522		w/15" Whl.
<i>Rear Pads & Shoes</i>	<i>Years</i>	<i>SevereDuty</i>	<i>Lining No.</i>	<i>Qualifier</i>
Brake Shoes	95	SDS446R	EX2025TD	11 x 2-1/2" Brake; Riveted
Brake Shoes	95	SDS538R	EX2168T	9 x 2-1/2" Brake; Riveted

Rotor & Drum

<i>Front Rotor & Drum</i>	<i>Years</i>	<i>Part No.</i>	<i>Qualifier</i>
Brake Rotor	00 - 96	BD125483	w/14" Whl.
Brake Rotor	00 - 97	BD125502	w/15" Whl.
Brake Rotor	96	BD125502	From 12/5/95; w/15" Whl.
Brake Rotor	96	BD125156	To 12/5/95; w/15" Whl.
Brake Rotor	95	BD61946	w/14" Whl.
Brake Rotor	95	BD125156	w/15" Whl.
<i>Rear Rotor & Drum</i>	<i>Years</i>	<i>Part No.</i>	<i>Qualifier</i>
Brake Drum	00 - 96	BD125491	w/2-1/4" Dia. Ctr. Pilot Hole; 9-27/32 x 2-11/64" Brake
Brake Drum	00 - 96	BD125493	w/2-7/8" Dia. Ctr. Pilot Hole; 9-27/32 x 2-11/64" Brake
Brake Drum	95	BD60187	11 x 2-1/2" Brake
Brake Drum	95	BD60831	w/2-1/4" Dia. Ctr. Pilot Hole; 9 x 2-1/2" Brake
Brake Drum	95	BD60883	w/2-13/16" Dia. Ctr. Pilot Hole; 9 x 2-1/2" Brake
Brake Rotor	00 - 97	BD125537	

Brake Hardware

<i>Front Brake Hardware</i>	<i>Years</i>	<i>Sequential No.</i>	<i>Category No.</i>	<i>Qualifier</i>
Caliper Bolt/Pin	00 - 96	F130894S	(H5075)	
Caliper Bolt/Pin	95	F126899S	(H5061)	
Disc Align Kit	00 - 96	F139775	(H5652)	Caliper Anchor Bracket Repair Kit
Disc Align Kit	95	F139775	(H5652)	w/14" Whl.; Caliper Anchor Bracket Repair Kit

Piston: M - OE Metal Piston P - OE Phenolic Piston O - Metal Piston Option

GRAND VOYAGER (cont.)

Brake Hardware (cont.)

Front Brake Hardware	Years	Sequential No.	Category No.	Qualifier
----------------------	-------	----------------	--------------	-----------

Disc Align Kit	95	F139775	(H5652)	w/15" Whl.; Caliper Anchor Bracket Repair Kit
Pin Boot Kit	00 - 95	F117215S	(H18000C)	

Rear Brake Hardware	Years	Sequential No.	Category No.	Qualifier
---------------------	-------	----------------	--------------	-----------

Adjuster Kit	00 - 96	F139385	(H2646)	L.H.; FWD
Adjuster Kit	00 - 96	F139386	(H2647)	R.H.; FWD
Adjuster Kit	95	F98364S	(H2534)	L.H.; AWD
Adjuster Kit	95	F98356S	(H2526)	L.H.; FWD
Adjuster Kit	95	F98365S	(H2535)	R.H.; AWD
Adjuster Kit	95	F98357S	(H2527)	R.H.; FWD
Adjuster Screw	95	F73151S	(H1526)	L.H.
Adjuster Screw	95	F73150S	(H1527)	R.H.
Caliper Bolt/Pin	00 - 97	F132517S	(H5078)	
Combi Kit	00 - 96	F134098S	(H7216)	
Combi Kit	95	F126903S	(H7202)	AWD
Combi Kit	95	F113343S	(H7170)	FWD
↳Adjuster Spring Kit		F107182S	(H495)	
↳Hold Down Kit		F113344S	(H4043)	
↳Return Spring Kit		F36460S	(H181)	
Pin Boot Kit	00 - 97	F130898S	(H8212)	

Parking Brake	Years	Sequential No.	Category No.	Qualifier
---------------	-------	----------------	--------------	-----------

Combi Kit	00 - 97	F138695S	(H7221)	
-----------	---------	----------	---------	--

Calipers - Reman

Front, Loaded	Years	Left No.	Right No.	Qualifier	Piston
---------------	-------	----------	-----------	-----------	--------

Loaded Caliper	00 - 96	AS134031	AS134030		P
Loaded Caliper	95	AS123608	AS123609	w/14" Whl.	P
Loaded Caliper	95	AS123606	AS123607	w/15" Whl.	P

Front, Unloaded	Years	Left No.	Right No.	Qualifier	Piston
-----------------	-------	----------	-----------	-----------	--------

Unloaded Caliper	00 - 96	CR134031	CR134030		P
Unloaded Caliper	00 - 96	CR134031S	CR134030S		O
Unloaded Caliper	95	CRB123608	CRB123609	w/14" Whl.; Supplied w/Mtg. Brkt.	P
Unloaded Caliper	95	CRB123608S	CRB123609S	w/14" Whl.; Supplied w/Mtg. Brkt.	O
Unloaded Caliper	95	CR123608	CR123609	w/14" Whl.; Supplied w/o Mtg. Brkt.	P
Unloaded Caliper	95	CR123608S	CR123609S	w/14" Whl.; Supplied w/o Mtg. Brkt.	O
Unloaded Caliper	95	CRB123606	CRB123607	w/15" Whl.; Supplied w/Mtg. Brkt.	P
Unloaded Caliper	95	CRB123606S	CRB123607S	w/15" Whl.; Supplied w/Mtg. Brkt.	O
Unloaded Caliper	95	CR123606	CR123607	w/15" Whl.; Supplied w/o Mtg. Brkt.	P
Unloaded Caliper	95	CR123606S	CR123607S	w/15" Whl.; Supplied w/o Mtg. Brkt.	O

Rear, Unloaded	Years	Left No.	Right No.	Qualifier	Piston
----------------	-------	----------	-----------	-----------	--------

Unloaded Caliper	00	CR134570	CR134570		P
Unloaded Caliper	99 - 97	CR133964	CR133964		P

Hydraulics - New

Master Cylinder	Years	Sequential No.	Category No.	Qualifier
-----------------	-------	----------------	--------------	-----------

Master Cylinder	00 - 99	F134433	(MC134433)	AWD; w/o Traction Control; 119" WB; 15/16" Bore
Master Cylinder	00 - 97	F131512	(MC131512)	FWD; w/o Traction Control; 114" WB; 15/16" Bore
Master Cylinder	00 - 97	F131963	(MC131963)	w/Traction Control; 15/16" Bore
Master Cylinder	96	F131512	(MC131512)	FWD; 114" WB; 15/16" Bore
Master Cylinder	95	F108168	(MC108168)	15/16" Bore

Rear Wheel Cylinder	Years	Sequential No.	Category No.	Qualifier
---------------------	-------	----------------	--------------	-----------

Wheel Cylinder	00 - 96	F131966	(WC131966)	13/16" Bore
Wheel Cylinder	99 - 96	F131511	(WC131511)	3/4" Bore
Wheel Cylinder	95	F109532	(WC109532)	2WD; w/ABS; 3/4" Bore
Wheel Cylinder	95	F131013	(WC131013)	2WD; w/o ABS; 11/16" Bore
Wheel Cylinder	95	F123412	(WC123412)	AWD; 3/4" Bore

Front Brake Hose	Years	Sequential No.	Category No.	Qualifier
------------------	-------	----------------	--------------	-----------

Brake Hose	00 - 96	F132361	(BH132361)	L.H.
------------	---------	---------	------------	------

↳Sub-Kit of Combi-Kit is available separately.

Piston: M - OE Metal Piston P - OE Phenolic Piston O - Metal Piston Option

GRAND VOYAGER (cont.)

Hydraulics - New (cont.)

Front Brake Hose	Years	Sequential No.	Category No.	Qualifier
Brake Hose	00 - 96	F132362	(BH132362)	R.H.
Brake Hose	95	F126774	(BH126774)	L.H.; w/ABS
Brake Hose	95	F130314	(BH130314)	L.H.; w/o ABS
Brake Hose	95	F126775	(BH126775)	R.H.; w/ABS
Brake Hose	95	F130315	(BH130315)	R.H.; w/o ABS

Rear Brake Hose	Years	Sequential No.	Category No.	Qualifier
Brake Hose	00 - 96	F132359	(BH132359)	2WD
Brake Hose	99 - 97	F132360	(BH132360)	AWD; w/Rear Drum
Brake Hose	96	F132360	(BH132360)	AWD
Brake Hose	95	F120522	(BH120522)	w/ABS
Brake Hose	95	F130685	(BH130685)	w/o ABS

Hydraulics - Reman

Master Cylinder	Years	Part No.	Qualifier
Master Cylinder	00	R134634	w/o Traction Control
Master Cylinder	00	R134635	w/Traction Control
Master Cylinder	99	R134762	AWD; w/o Traction Control
Master Cylinder	99	R134634	FWD; w/o Traction Control
Master Cylinder	99	R134635	FWD; w/Traction Control
Master Cylinder	98 - 97	R134634	w/o Traction Control
Master Cylinder	98 - 97	R134635	w/Traction Control
Master Cylinder	96	R134634	
Master Cylinder	95	R108168	

Power Brake Booster	Years	Part No.	Qualifier
Power Brake Booster	00 - 96	5474229	w/o Master Cylinder
Power Brake Booster	95	509217	w/Master Cylinder
Power Brake Booster	95	5474226	w/o Master Cylinder

Brake Cables

Parking Brake Cable	Years	Sequential No.	Category No.	Qualifier
Parking Brake Cable	00 - 96	F133092	(BC133092)	Forward
Parking Brake Cable	97 - 96	F133093	(BC133093)	Intermediate
Parking Brake Cable	97 - 96	F133096	(BC133096)	Rear; L.H.; w/Long WB; w/Rear Drum
Parking Brake Cable	97 - 96	F133094	(BC133094)	Rear; L.H.; w/Rear Drum; Exc. Long WB
Parking Brake Cable	97 - 96	F133097	(BC133097)	Rear; R.H.; w/Long WB; w/Rear Drum
Parking Brake Cable	97 - 96	F133095	(BC133095)	Rear; R.H.; w/Rear Drum; Exc. Long WB
Parking Brake Cable	95	F130341	(BC130341)	Forward; 112" WB
Parking Brake Cable	95	F130413	(BC130413)	Forward; 2WD; 119" WB
Parking Brake Cable	95	F130413	(BC130413)	Forward; 4WD
Parking Brake Cable	95	F130343	(BC130343)	Rear; L.H.; 2WD; 112" WB
Parking Brake Cable	95	F130348	(BC130348)	Rear; L.H.; 4WD
Parking Brake Cable	95	F130347	(BC130347)	Rear; L.H.; FWD; 119" WB
Parking Brake Cable	95	F130349	(BC130349)	Rear; R.H.; 4WD

ABS Components - Reman

ABS Module	Years	Part No.	Qualifier
ABS Module	95	RA121114	AWD
ABS Module	95	RA121111	FWD

ABS Hydraulic Unit	Years	Part No.	Qualifier
ABS Hydraulic Unit	95	RA122109	FWD

ABS Pump/Motor	Years	Part No.	Qualifier
ABS Pump/Motor	95	RA124104	AWD; Incl. Pump/Motor; Also Avail. Separately

Wheel Attaching Hardware

Front Wheel Stud	Years	Part No.	Qualifier
Wheel Lug Stud	00 - 98	BD125930	
Wheel Lug Stud	97 - 95	BD61374	w/14" Whl.
Wheel Lug Stud	97 - 95	BD125930	w/15" Whl.

GRAND VOYAGER (cont.)
Wheel Attaching Hardware (cont.)

Rear Wheel Stud	Years	Part No.	Qualifier
Wheel Lug Stud	00 - 97	BD125930	w/Disc Brake
Wheel Lug Stud	00 - 97	BD61173	w/Drum Brake
Wheel Lug Stud	96	BD61173	
Wheel Lug Stud	95	BD60928	FWD
Front Wheel Nut	Years	Part No.	Qualifier
Wheel Lug Nut	00 - 95	BD125911	Dome - Stainless; 31mm Length
Wheel Lug Nut	00 - 95	BD61302	Std. Open
Wheel Lug Nut	95	BD61288	Bulge
Rear Wheel Nut	Years	Part No.	Qualifier
Wheel Lug Nut	00 - 95	BD125911	Dome - Stainless; 31mm Length
Wheel Lug Nut	00 - 95	BD61302	Std. Open
Wheel Lug Nut	95	BD61288	Bulge

VOYAGER
Brake Pads & Shoes

Front Pads & Shoes	Years	SevereDuty	Lining No.	Qualifier
Brake Pads	00 - 96	SD591		
Brake Pads	95	SD521		w/14" Whl.
Brake Pads	95	SD522		w/15" Whl.
Rear Pads & Shoes	Years	SevereDuty	Lining No.	Qualifier
Brake Shoes	95	SDS446R	EX2025TD	11 x 2-1/2" Brake; Riveted
Brake Shoes	95	SDS538R	EX2168T	9 x 2-1/2" Brake; Riveted

Rotor & Drum

Front Rotor & Drum	Years	Part No.	Qualifier
Brake Rotor	00 - 96	BD125483	w/14" Whl.
Brake Rotor	00 - 97	BD125502	w/15" Whl.
Brake Rotor	96	BD125502	From 12/5/95; w/15" Whl.
Brake Rotor	96	BD125156	To 12/5/95; w/15" Whl.
Brake Rotor	95	BD61946	w/14" Whl.
Brake Rotor	95	BD125156	w/15" Whl.
Rear Rotor & Drum	Years	Part No.	Qualifier
Brake Drum	00 - 96	BD125491	w/2-1/4" Dia. Ctr. Pilot Hole; 9-27/32 x 2-11/64" Brake
Brake Drum	00 - 96	BD125493	w/2-7/8" Dia. Ctr. Pilot Hole; 9-27/32 x 2-11/64" Brake
Brake Drum	95	BD60187	11 x 2-1/2" Brake
Brake Drum	95	BD60831	w/2-1/4" Dia. Ctr. Pilot Hole; 9 x 2-1/2" Brake
Brake Drum	95	BD60883	w/2-13/16" Dia. Ctr. Pilot Hole; 9 x 2-1/2" Brake
Brake Rotor	00 - 97	BD125537	

Brake Hardware

Front Brake Hardware	Years	Sequential No.	Category No.	Qualifier
Caliper Bolt/Pin	00 - 96	F130894S	(H5075)	
Caliper Bolt/Pin	95	F126899S	(H5061)	
Disc Align Kit	00 - 96	F139775	(H5652)	Caliper Anchor Bracket Repair Kit
Disc Align Kit	95	F139775	(H5652)	w/14" Whl.; Caliper Anchor Bracket Repair Kit
Disc Align Kit	95	F139775	(H5652)	w/15" Whl.; Caliper Anchor Bracket Repair Kit
Pin Boot Kit	00 - 95	F117215S	(H18000C)	
Rear Brake Hardware	Years	Sequential No.	Category No.	Qualifier
Adjuster Kit	00 - 96	F139385	(H2646)	L.H.; FWD
Adjuster Kit	00 - 96	F139386	(H2647)	R.H.; FWD
Adjuster Kit	95	F98364S	(H2534)	L.H.; AWD
Adjuster Kit	95	F98356S	(H2526)	L.H.; FWD
Adjuster Kit	95	F98365S	(H2535)	R.H.; AWD
Adjuster Kit	95	F98357S	(H2527)	R.H.; FWD
Adjuster Screw	95	F73151S	(H1526)	L.H.
Adjuster Screw	95	F73150S	(H1527)	R.H.
Caliper Bolt/Pin	00 - 97	F132517S	(H5078)	

VOYAGER (cont.)

Brake Hardware (cont.)

Rear Brake Hardware	Years	Sequential No.	Category No.	Qualifier
Combi Kit	00 - 96	F134098S	(H7216)	
Combi Kit	95	F126903S	(H7202)	AWD
Combi Kit	95	F113343S	(H7170)	FWD
↳Adjuster Spring Kit		F107182S	(H495)	
↳Hold Down Kit		F113344S	(H4043)	
↳Return Spring Kit		F36460S	(H181)	
Pin Boot Kit	00 - 97	F130898S	(H8212)	

Parking Brake	Years	Sequential No.	Category No.	Qualifier
Combi Kit	00 - 97	F138695S	(H7221)	

Calipers - Reman

Front, Loaded	Years	Left No.	Right No.	Qualifier	Piston
Loaded Caliper	00 - 96	AS134031	AS134030		P
Loaded Caliper	95	AS123608	AS123609	w/14" Whl.	P
Loaded Caliper	95	AS123606	AS123607	w/15" Whl.	P

Front, Unloaded	Years	Left No.	Right No.	Qualifier	Piston
Unloaded Caliper	00 - 96	CR134031	CR134030		P
Unloaded Caliper	00 - 96	CR134031S	CR134030S		O
Unloaded Caliper	95	CRB123608	CRB123609	w/14" Whl.; Supplied w/Mtg. Brkt.	P
Unloaded Caliper	95	CRB123608S	CRB123609S	w/14" Whl.; Supplied w/Mtg. Brkt.	O
Unloaded Caliper	95	CR123608	CR123609	w/14" Whl.; Supplied w/o Mtg. Brkt.	P
Unloaded Caliper	95	CR123608S	CR123609S	w/14" Whl.; Supplied w/o Mtg. Brkt.	O
Unloaded Caliper	95	CRB123606	CRB123607	w/15" Whl.; Supplied w/Mtg. Brkt.	P
Unloaded Caliper	95	CRB123606S	CRB123607S	w/15" Whl.; Supplied w/Mtg. Brkt.	O
Unloaded Caliper	95	CR123606	CR123607	w/15" Whl.; Supplied w/o Mtg. Brkt.	P
Unloaded Caliper	95	CR123606S	CR123607S	w/15" Whl.; Supplied w/o Mtg. Brkt.	O

Rear, Unloaded	Years	Left No.	Right No.	Qualifier	Piston
Unloaded Caliper	00	CR134570	CR134570		P
Unloaded Caliper	99 - 97	CR133964	CR133964		P

Hydraulics - New

Master Cylinder	Years	Sequential No.	Category No.	Qualifier
Master Cylinder	00 - 99	F134433	(MC134433)	AWD; w/o Traction Control; 119" WB; 15/16" Bore
Master Cylinder	00 - 97	F131512	(MC131512)	FWD; w/o Traction Control; 114" WB; 15/16" Bore
Master Cylinder	00 - 97	F131963	(MC131963)	w/Traction Control; 15/16" Bore
Master Cylinder	96	F131512	(MC131512)	FWD; 15/16" Bore
Master Cylinder	95	F108168	(MC108168)	15/16" Bore

Rear Wheel Cylinder	Years	Sequential No.	Category No.	Qualifier
Wheel Cylinder	00 - 96	F131966	(WC131966)	13/16" Bore
Wheel Cylinder	99 - 96	F131511	(WC131511)	3/4" Bore
Wheel Cylinder	95	F109532	(WC109532)	2WD; w/ABS; 3/4" Bore
Wheel Cylinder	95	F131013	(WC131013)	2WD; w/o ABS; 11/16" Bore
Wheel Cylinder	95	F123412	(WC123412)	AWD; 3/4" Bore

Front Brake Hose	Years	Sequential No.	Category No.	Qualifier
Brake Hose	00 - 96	F132361	(BH132361)	L.H.
Brake Hose	00 - 96	F132362	(BH132362)	R.H.
Brake Hose	95	F126774	(BH126774)	L.H.; w/ABS
Brake Hose	95	F130314	(BH130314)	L.H.; w/o ABS
Brake Hose	95	F126775	(BH126775)	R.H.; w/ABS
Brake Hose	95	F130315	(BH130315)	R.H.; w/o ABS

Rear Brake Hose	Years	Sequential No.	Category No.	Qualifier
Brake Hose	00 - 96	F132359	(BH132359)	2WD
Brake Hose	99 - 97	F132360	(BH132360)	AWD; w/Rear Drum
Brake Hose	96	F132360	(BH132360)	AWD
Brake Hose	95	F120522	(BH120522)	w/ABS
Brake Hose	95	F130685	(BH130685)	w/o ABS

↳Sub-Kit of Combi-Kit is available separately.

Piston: M - OE Metal Piston P - OE Phenolic Piston O - Metal Piston Option

VOYAGER (cont.)
Hydraulics - Reman

Master Cylinder	Years	Part No.	Qualifier
Master Cylinder	00	R134634	w/o Traction Control
Master Cylinder	00	R134635	w/Traction Control
Master Cylinder	99 - 97	R134634	FWD; w/o Traction Control
Master Cylinder	99 - 97	R134635	FWD; w/Traction Control
Master Cylinder	96	R134634	
Master Cylinder	95	R108168	
Power Brake Booster	Years	Part No.	Qualifier
Power Brake Booster	00 - 96	5474229	w/o Master Cylinder
Power Brake Booster	95	509217	w/Master Cylinder
Power Brake Booster	95	5474226	w/o Master Cylinder

Brake Cables

Parking Brake Cable	Years	Sequential No.	Category No.	Qualifier
Parking Brake Cable	00 - 96	F133092	(BC133092)	Forward
Parking Brake Cable	97 - 96	F133093	(BC133093)	Intermediate
Parking Brake Cable	97 - 96	F133096	(BC133096)	Rear; L.H.; w/Long WB; w/Rear Drum
Parking Brake Cable	97 - 96	F133094	(BC133094)	Rear; L.H.; w/Rear Drum; Exc. Long WB
Parking Brake Cable	97 - 96	F133097	(BC133097)	Rear; R.H.; w/Long WB; w/Rear Drum
Parking Brake Cable	97 - 96	F133095	(BC133095)	Rear; R.H.; w/Rear Drum; Exc. Long WB
Parking Brake Cable	95	F130341	(BC130341)	Forward; 112" WB
Parking Brake Cable	95	F130413	(BC130413)	Forward; 119" WB
Parking Brake Cable	95	F130343	(BC130343)	Rear; L.H.; 2WD; 112" WB
Parking Brake Cable	95	F130348	(BC130348)	Rear; L.H.; 4WD; 119" WB
Parking Brake Cable	95	F130347	(BC130347)	Rear; L.H.; FWD; 119" WB
Parking Brake Cable	95	F130349	(BC130349)	Rear; R.H.; 4WD; 119" WB

ABS Components - Reman

ABS Module	Years	Part No.	Qualifier
ABS Module	95	RA121114	AWD
ABS Module	95	RA121111	FWD
ABS Pump/Motor	Years	Part No.	Qualifier
ABS Pump/Motor	95	RA124104	AWD; Incl. Pump/Motor; Also Avail. Separately
ABS Pump/Motor	95	RA124106	FWD; Incl. Pump/Motor; Also Avail. Separately

Wheel Attaching Hardware

Front Wheel Stud	Years	Part No.	Qualifier
Wheel Lug Stud	00 - 98	BD125930	
Wheel Lug Stud	97 - 95	BD61374	w/14" Whl.
Wheel Lug Stud	97 - 95	BD125930	w/15" Whl.
Rear Wheel Stud	Years	Part No.	Qualifier
Wheel Lug Stud	00 - 97	BD125930	w/Disc Brake
Wheel Lug Stud	00 - 97	BD61173	w/Drum Brake
Wheel Lug Stud	96	BD61173	
Wheel Lug Stud	95	BD60928	FWD
Front Wheel Nut	Years	Part No.	Qualifier
Wheel Lug Nut	00 - 95	BD125911	Dome - Stainless; 31mm Length
Wheel Lug Nut	00 - 95	BD61302	Std. Open
Wheel Lug Nut	96	BD125911	Dome - Bright; 31mm Length
Wheel Lug Nut	95	BD61288	Bulge
Rear Wheel Nut	Years	Part No.	Qualifier
Wheel Lug Nut	00 - 95	BD125911	Dome - Stainless; 31mm Length
Wheel Lug Nut	00 - 95	BD61302	Std. Open
Wheel Lug Nut	96	BD125911	Dome - Bright; 31mm Length
Wheel Lug Nut	95	BD61288	Bulge

PB150 VAN

Brake Pads & Shoes

Front Pads & Shoes	Years	SevereDuty	Lining No.	Qualifier
Brake Pads	83 - 81	SD269		
Rear Pads & Shoes	Years	SevereDuty	Lining No.	Qualifier
Brake Shoes	83 - 81	SDS445R	EX2089TD	10 x 2-1/2" Brake; Riveted
Brake Shoes	81	SDS446R	EX2025TD	11 x 2-1/2" Brake; Riveted

Rotor & Drum

Front Rotor & Drum	Years	Part No.	Qualifier
Brake Rotor	83 - 82	BD60472	
Brake Rotor	81	BD60418	
Rear Rotor & Drum	Years	Part No.	Qualifier
Brake Drum	83 - 82	BD60140	Exc. Finned Drum; 10 x 2-1/2" Brake
Brake Drum	83 - 82	BD60350	w/Finned Drum; 10 x 2-1/2" Brake
Brake Drum	81	BD60140	10 x 2-1/2" Brake
Brake Drum	81	BD60187	11 x 2-1/2" Brake

Brake Hardware

Front Brake Hardware	Years	Sequential No.	Category No.	Qualifier
Disc Align Kit	83 - 81	F76178S	(H5516)	
Rear Brake Hardware	Years	Sequential No.	Category No.	Qualifier
Adjuster Kit	83 - 81	F98358S	(H2528)	L.H.; 10 x 2-1/2" Brake
Adjuster Kit	83 - 81	F98364S	(H2534)	L.H.; 11 x 2-1/4" Brake
Adjuster Kit	83 - 81	F98359S	(H2529)	R.H.; 10 x 2-1/2" Brake
Adjuster Kit	83 - 81	F98365S	(H2535)	R.H.; 11 x 2-1/4" Brake
Adjuster Screw	83 - 81	F73151S	(H1526)	L.H.; 10 x 2-1/2" Brake
Adjuster Screw	83 - 81	F73151S	(H1526)	L.H.; 11 x 2-1/4" Brake
Adjuster Screw	83 - 81	F73150S	(H1527)	R.H.; 10 x 2-1/2" Brake
Adjuster Screw	83 - 81	F73150S	(H1527)	R.H.; 11 x 2-1/4" Brake
Combi Kit	83 - 81	F98454	(H7044)	10 x 2-1/2" Brake
↳Adjuster Spring Kit		F45948	(H428)	
↳Hold Down Kit		F19471S	(H4030)	
↳Return Spring Kit		F36454S	(H102)	
Combi Kit	81	F78544S	(H7133)	11 x 2-1/4" Brake
↳Adjuster Spring Kit		F73170S	(H435)	
↳Hold Down Kit		F19471S	(H4030)	
↳Return Spring Kit		F36403S	(H111)	

Hydraulics - New

Master Cylinder	Years	Sequential No.	Category No.	Qualifier
Master Cylinder	83 - 81	F98895	(MC98895)	1-1/8" Bore
Rear Wheel Cylinder	Years	Sequential No.	Category No.	Qualifier
Wheel Cylinder	83 - 81	F106315	(WC106315)	15/16" Bore
Front Brake Hose	Years	Sequential No.	Category No.	Qualifier
Brake Hose	83 - 82	F106328	(BH106328)	L.H.
Brake Hose	83 - 82	F106329	(BH106329)	R.H.
Brake Hose	81	F98931	(BH98931)	L.H.
Brake Hose	81	F98932	(BH98932)	R.H.
Rear Brake Hose	Years	Sequential No.	Category No.	Qualifier
Brake Hose	83 - 82	F106347	(BH106347)	
Brake Hose	81	F100771	(BH100771)	

Hydraulics - Reman

Master Cylinder	Years	Part No.	Qualifier
Master Cylinder	83 - 81	R98895M	w/Manual Brake; w/Alum. Hsg.
Master Cylinder	83 - 81	R88783M	w/Manual Brake; w/Cast Iron Hsg.
Master Cylinder	83 - 81	R98895	w/Power Brake
Power Brake Booster	Years	Part No.	Qualifier
Power Brake Booster	83 - 81	503771	w/Master Cylinder
Power Brake Booster	83 - 81	5473771	w/o Master Cylinder

↳Sub-Kit of Combi-Kit is available separately.

PB150 VAN (cont.)
Brake Cables

Parking Brake Cable	Years	Sequential No.	Category No.	Qualifier
Parking Brake Cable	83 - 81	F103395	(BC103395)	Forward; 109" WB
Parking Brake Cable	83 - 81	F102636	(BC102636)	Forward; 127" WB
Parking Brake Cable	83 - 81	F102639	(BC102639)	Rear; L.H.
Parking Brake Cable	83 - 81	F102638	(BC102638)	Rear; R.H.

Wheel Attaching Hardware

Front Wheel Stud	Years	Part No.	Qualifier
Wheel Lug Stud	83 - 81	BD60960	Budd Rotor
Wheel Lug Stud	83 - 81	BD60961	Kelsey-Hayes Rotor
Rear Wheel Stud	Years	Part No.	Qualifier
Wheel Lug Stud	83 - 81	BD61235	
Front Wheel Nut	Years	Part No.	Qualifier
Wheel Lug Nut	83 - 81	BD125915	Dome - Bright
Wheel Lug Nut	83 - 81	BD61161	Flattop - Bright
Wheel Lug Nut	83 - 81	BD61281	Std. Open
Rear Wheel Nut	Years	Part No.	Qualifier
Wheel Lug Nut	83 - 81	BD125915	Dome - Bright
Wheel Lug Nut	83 - 81	BD61161	Flattop - Bright
Wheel Lug Nut	83 - 81	BD61281	Std. Open

PLYMOUTH - 3/4 TON VAN
PB250 VAN
Brake Pads & Shoes

Front Pads & Shoes	Years	SevereDuty	Lining No.	Qualifier
Brake Pads	83 - 81	SD269		
Rear Pads & Shoes	Years	SevereDuty	Lining No.	Qualifier
Brake Shoes	83 - 81	SDS445R	EX2089TD	10 x 2-1/2" Brake; Riveted
Brake Shoes	81	SDS446R	EX2025TD	11 x 2-1/2" Brake; Riveted

Rotor & Drum

Front Rotor & Drum	Years	Part No.	Qualifier
Brake Rotor	83 - 82	BD60472	
Brake Rotor	81	BD60418	
Rear Rotor & Drum	Years	Part No.	Qualifier
Brake Drum	83 - 82	BD60140	Exc. Finned Drum; 10 x 2-1/2" Brake
Brake Drum	83 - 82	BD60350	w/Finned Drum; 10 x 2-1/2" Brake
Brake Drum	81	BD60140	10 x 2-1/2" Brake
Brake Drum	81	BD60187	11 x 2-1/2" Brake

Brake Hardware

Front Brake Hardware	Years	Sequential No.	Category No.	Qualifier
Disc Align Kit	83 - 81	F76178S	(H5516)	
Rear Brake Hardware	Years	Sequential No.	Category No.	Qualifier
Adjuster Kit	83 - 81	F98358S	(H2528)	L.H.; 10 x 2-1/2" Brake
Adjuster Kit	83 - 81	F98359S	(H2529)	R.H.; 10 x 2-1/2" Brake
Adjuster Kit	81	F98364S	(H2534)	L.H.; 11 x 2-1/4" Brake
Adjuster Kit	81	F98365S	(H2535)	R.H.; 11 x 2-1/4" Brake
Adjuster Screw	83 - 81	F73151S	(H1526)	L.H.; 10 x 2-1/2" Brake
Adjuster Screw	83 - 81	F73150S	(H1527)	R.H.; 10 x 2-1/2" Brake
Adjuster Screw	81	F73151S	(H1526)	L.H.; 11 x 2-1/4" Brake
Adjuster Screw	81	F73150S	(H1527)	R.H.; 11 x 2-1/4" Brake
Combi Kit	83 - 81	F98454	(H7044)	10 x 2-1/2" Brake
↳Adjuster Spring Kit		F45948	(H428)	
↳Hold Down Kit		F19471S	(H4030)	
↳Return Spring Kit		F36454S	(H102)	

↳Sub-Kit of Combi-Kit is available separately.

PLYMOUTH - 3/4 TON VAN



PB250 VAN (cont.)

Brake Hardware (cont.)

Rear Brake Hardware	Years	Sequential No.	Category No.	Qualifier
Combi Kit	81	F78544S	(H7133)	11 x 2-1/4" Brake
↳ Adjuster Spring Kit		F73170S	(H435)	
↳ Hold Down Kit		F19471S	(H4030)	
↳ Return Spring Kit		F36403S	(H111)	

Hydraulics - New

Master Cylinder	Years	Sequential No.	Category No.	Qualifier
Master Cylinder	83 - 81	F98895	(MC98895)	1-1/8" Bore
Rear Wheel Cylinder	Years	Sequential No.	Category No.	Qualifier
Wheel Cylinder	83 - 81	F106315	(WC106315)	15/16" Bore
Front Brake Hose	Years	Sequential No.	Category No.	Qualifier
Brake Hose	83 - 82	F106328	(BH106328)	L.H.
Brake Hose	83 - 82	F106329	(BH106329)	R.H.
Brake Hose	81	F98931	(BH98931)	L.H.
Brake Hose	81	F98932	(BH98932)	R.H.
Rear Brake Hose	Years	Sequential No.	Category No.	Qualifier
Brake Hose	83 - 82	F106347	(BH106347)	
Brake Hose	81	F100771	(BH100771)	

Hydraulics - Reman

Master Cylinder	Years	Part No.	Qualifier
Master Cylinder	83 - 81	R98895	w/Power Brake
Master Cylinder	81	R98895M	w/Manual Brake; w/Alum. Hsg.
Master Cylinder	81	R88783M	w/Manual Brake; w/Cast Iron Hsg.
Power Brake Booster	Years	Part No.	Qualifier
Power Brake Booster	83 - 81	503771	w/Master Cylinder
Power Brake Booster	83 - 81	5473771	w/o Master Cylinder

Brake Cables

Parking Brake Cable	Years	Sequential No.	Category No.	Qualifier
Parking Brake Cable	83 - 81	F103395	(BC103395)	Forward; 109" WB
Parking Brake Cable	83 - 81	F102636	(BC102636)	Forward; 127" WB
Parking Brake Cable	83 - 81	F102639	(BC102639)	Rear; L.H.
Parking Brake Cable	83 - 81	F102638	(BC102638)	Rear; R.H.

Wheel Attaching Hardware

Front Wheel Stud	Years	Part No.	Qualifier
Wheel Lug Stud	83 - 81	BD60960	Budd Rotor
Wheel Lug Stud	83 - 81	BD60961	Kelsey-Hayes Rotor
Rear Wheel Stud	Years	Part No.	Qualifier
Wheel Lug Stud	83 - 81	BD61235	
Front Wheel Nut	Years	Part No.	Qualifier
Wheel Lug Nut	83 - 81	BD125915	Dome - Bright
Wheel Lug Nut	83 - 81	BD61161	Flattop - Bright
Wheel Lug Nut	83 - 81	BD61281	Std. Open
Rear Wheel Nut	Years	Part No.	Qualifier
Wheel Lug Nut	83 - 81	BD125915	Dome - Bright
Wheel Lug Nut	83 - 81	BD61161	Flattop - Bright
Wheel Lug Nut	83 - 81	BD61281	Std. Open

PLYMOUTH -1 TON VAN

PB350 VAN

Brake Pads & Shoes

Front Pads & Shoes	Years	SevereDuty	Lining No.	Qualifier
Brake Pads	83 - 81	SD269		
Rear Pads & Shoes	Years	SevereDuty	Lining No.	Qualifier
Brake Shoes	83 - 81	SDS357AR	EX2146ATD	12 x 2-1/2" Brake; Riveted

↳ Sub-Kit of Combi-Kit is available separately.

Brake Pads & Shoes (cont.)

Rear Pads & Shoes	Years	SevereDuty	Lining No.	Qualifier
Brake Shoes	83 - 81	SDS358AR	EX2140TD	12 x 3" Brake; Riveted

Rotor & Drum

Front Rotor & Drum	Years	Part No.	Qualifier
Brake Rotor	83 - 81	BD60731	Exc. H/D Brake
Brake Rotor	83 - 81	BD60617	H/D Brake

Rear Rotor & Drum	Years	Part No.	Qualifier
Brake Drum	83 - 81	BD60302	12 x 2-1/2" Brake
Brake Drum	83 - 81	BD60328	12 x 3" Brake

Brake Hardware

Front Brake Hardware	Years	Sequential No.	Category No.	Qualifier
Disc Align Kit	83 - 81	F76178S	(H5516)	

Rear Brake Hardware	Years	Sequential No.	Category No.	Qualifier
Adjuster Kit	83 - 81	F98398	(H2576)	L.H.; 12 x 2-1/2" Brake
Adjuster Kit	83 - 81	F98399	(H2577)	R.H.; 12 x 2-1/2" Brake
Adjuster Screw	83 - 81	F98328	(H1540)	L.H.; 12 x 2-1/2" Brake
Adjuster Screw	83 - 81	F98329	(H1541)	R.H.; 12 x 2-1/2" Brake
Combi Kit	83 - 82	F88754	(H7042)	
↳Adjuster Spring Kit		F73105	(H430)	
↳Hold Down Kit		F59054	(H4099)	
↳Return Spring Kit		F73207	(H547)	
Combi Kit	81	F88754	(H7042)	12 x 2-1/2" Brake
↳Adjuster Spring Kit		F73105	(H430)	
↳Hold Down Kit		F59054	(H4099)	
↳Return Spring Kit		F73207	(H547)	

Calipers - Reman

Front, Unloaded	Years	Left No.	Right No.	Qualifier	Piston
Unloaded Caliper	83 - 81	CR104396	CR104397	w/Single Piston Caliper	P
Unloaded Caliper	83 - 81	CR104396S	CR104397S	w/Single Piston Caliper	O

Hydraulics - New

Master Cylinder	Years	Sequential No.	Category No.	Qualifier
Master Cylinder	83 - 81	F98895	(MC98895)	w/Vacuum Boost; Alum.; 1-1/8" Bore

Rear Wheel Cylinder	Years	Sequential No.	Category No.	Qualifier
Wheel Cylinder	83 - 82	F78974	(WC78974)	L.H.; 1" Bore
Wheel Cylinder	83 - 82	F17507	(WC17507)	L.H.; 7/8" Bore
Wheel Cylinder	83 - 82	F78975	(WC78975)	R.H.; 1" Bore
Wheel Cylinder	83 - 82	F17508	(WC17508)	R.H.; 7/8" Bore
Wheel Cylinder	81	F78974	(WC78974)	L.H.; 12 x 2-1/2" Brake; 1" Bore
Wheel Cylinder	81	F18984	(WC18984)	L.H.; 12 x 3" Brake; 1-1/16" Bore
Wheel Cylinder	81	F78975	(WC78975)	R.H.; 12 x 2-1/2" Brake; 1" Bore
Wheel Cylinder	81	F18985	(WC18985)	R.H.; 12 x 3" Brake; 1-1/16" Bore

Front Brake Hose	Years	Sequential No.	Category No.	Qualifier
Brake Hose	83 - 82	F106328	(BH106328)	L.H.
Brake Hose	83 - 82	F106329	(BH106329)	R.H.
Brake Hose	81	F98931	(BH98931)	L.H.
Brake Hose	81	F98932	(BH98932)	R.H.

Rear Brake Hose	Years	Sequential No.	Category No.	Qualifier
Brake Hose	83 - 82	F106347	(BH106347)	
Brake Hose	81	F100771	(BH100771)	

Hydraulics - Reman

Master Cylinder	Years	Part No.	Qualifier
Master Cylinder	83 - 81	R84058	w/Hydro Boost
Master Cylinder	83 - 81	R88783M	w/Manual Brake
Master Cylinder	83 - 81	R98895	w/Manual Brake; w/Vacuum Boost

↳Sub-Kit of Combi-Kit is available separately.

Piston: M - OE Metal Piston P - OE Phenolic Piston O - Metal Piston Option

PB350 VAN (cont.)

Hydraulics - Reman (cont.)

<i>Power Brake Booster</i>	<i>Years</i>	<i>Part No.</i>	<i>Qualifier</i>
Power Brake Booster	83 - 82	509244	w/Master Cylinder; w/Vacuum Boost; 3600 lb. FA
Power Brake Booster	83 - 82	503131	w/Master Cylinder; w/Vacuum Boost; 4000 lb. FA
Power Brake Booster	83 - 82	5473022	w/o Master Cylinder; w/Vacuum Boost; 3600 lb. FA
Power Brake Booster	83 - 82	5473131	w/o Master Cylinder; w/Vacuum Boost; 4000 lb. FA
Power Brake Booster	81	509244	w/Master Cylinder; 3600 lb. FA; Exc. Trans. Mtd. Aux. Battery
Power Brake Booster	81	503131	w/Master Cylinder; 3600 lb. FA; w/Trans. Mtd. Aux. Battery
Power Brake Booster	81	503131	w/Master Cylinder; 4000 lb. FA
Power Brake Booster	81	5473022	w/o Master Cylinder; 3600 lb. FA Exc. Trans. Mtd. Aux. Battery
Power Brake Booster	81	5473131	w/o Master Cylinder; 3600 lb. FA; w/Trans. Mtd. Aux. Battery
Power Brake Booster	81	5473131	w/o Master Cylinder; 4000 lb. FA

Brake Cables

<i>Parking Brake Cable</i>	<i>Years</i>	<i>Sequential No.</i>	<i>Category No.</i>	<i>Qualifier</i>
Parking Brake Cable	83 - 81	F103395	(BC103395)	Forward; 109" WB
Parking Brake Cable	83 - 81	F102636	(BC102636)	Forward; 127" WB
Parking Brake Cable	83 - 81	F102639	(BC102639)	Rear; L.H.
Parking Brake Cable	83 - 81	F102638	(BC102638)	Rear; R.H.

Wheel Attaching Hardware

<i>Front Wheel Stud</i>	<i>Years</i>	<i>Part No.</i>	<i>Qualifier</i>
Wheel Lug Stud	83 - 81	BD60943	9000 GVW; 1/2" Thread
Wheel Lug Stud	83 - 81	BD61137	9000 GVW; 5/8" Thread
Wheel Lug Stud	83 - 81	BD60960	Exc. 9000 GVW; Budd Rotor
Wheel Lug Stud	83 - 81	BD60961	Exc. 9000 GVW; Kelsey-Hayes Rotor

<i>Rear Wheel Stud</i>	<i>Years</i>	<i>Part No.</i>	<i>Qualifier</i>
Wheel Lug Stud	83 - 82	BD60937	9000 GVW
Wheel Lug Stud	83 - 82	BD61246	Exc. 9000 GVW
Wheel Lug Stud	81	BD61138	Budd; w/12-1/8 x 2" Drum
Wheel Lug Stud	81	BD61056	Motor Wheel; w/12-1/8 x 2" Drum
Wheel Lug Stud	81	BD61246	w/12 x 2-1/2" Drum
Wheel Lug Stud	81	BD60937	w/12 x 3" Drum

<i>Front Wheel Nut</i>	<i>Years</i>	<i>Part No.</i>	<i>Qualifier</i>
Wheel Lug Nut	83 - 81	BD61294	Std. Open; 1" Hex
Wheel Lug Nut	83 - 81	BD125946	Std. Open; 13/16" Hex

<i>Rear Wheel Nut</i>	<i>Years</i>	<i>Part No.</i>	<i>Qualifier</i>
Wheel Lug Nut	83 - 81	BD61294	Std. Open; 1" Hex
Wheel Lug Nut	83 - 81	BD125946	Std. Open; 13/16" Hex

PONTIAC - MINIVAN

MONTANA

Brake Pads & Shoes

<i>Front Pads & Shoes</i>	<i>Years</i>	<i>SevereDuty</i>	<i>Lining No.</i>	<i>Qualifier</i>
Brake Pads	05	SD844		AWD; Exc. SV6
Brake Pads	05	SD818		FWD; Exc. SV6
Brake Pads	04 - 02	SD844		AWD
Brake Pads	04 - 02	SD818		FWD
Brake Pads	01 - 99	SD818		

<i>Rear Pads & Shoes</i>	<i>Years</i>	<i>SevereDuty</i>	<i>Lining No.</i>	<i>Qualifier</i>
Brake Pads	05 - 02	SD814		AWD

Rotor & Drum

<i>Front Rotor & Drum</i>	<i>Years</i>	<i>Part No.</i>	<i>Qualifier</i>
Brake Rotor	05	BD125775	AWD; Exc. SV6
Brake Rotor	05	BD125507	FWD; Exc. SV6
Brake Rotor	05	BD126178	SV6
Brake Rotor	04 - 02	BD125775	AWD
Brake Rotor	04 - 02	BD125507	FWD

MONTANA (cont.)
Rotor & Drum (cont.)

Front Rotor & Drum	Years	Part No.	Qualifier
Brake Rotor	01 - 99	BD125507	
Rear Rotor & Drum	Years	Part No.	Qualifier
Brake Drum	04 - 99	BD125482	8-55/64 x 1-49/64" Brake
Brake Rotor	05 - 02	BD125774	AWD
Brake Rotor	05 - 02	BD125506	FWD
Brake Rotor	01 - 99	BD125506	

Brake Hardware

Front Brake Hardware	Years	Sequential No.	Category No.	Qualifier
Caliper Bolt/Pin	05	F139880	(H4803)	FWD; SV6
Caliper Bolt/Pin	01 - 99	F138105S	(H5083)	
Disc Align Kit	05 - 02	F139701	(H5643)	AWD
Disc Align Kit	05	F140541	(H5690)	FWD; SV6
Disc Align Kit	01 - 99	F134116S	(H5478)	
Pin Boot Kit	05 - 02	F139714	(H8235)	AWD
Pin Boot Kit	05	F134111S	(H8220)	FWD; SV6
Pin Boot Kit	04 - 02	F134111S	(H8220)	FWD
Pin Boot Kit	01 - 99	F134111S	(H8220)	
Rear Brake Hardware	Years	Sequential No.	Category No.	Qualifier
Adjuster Kit	01 - 99	F126896S	(H2628)	L.H.
Adjuster Kit	01 - 99	F126895S	(H2607)	R.H.
Caliper Bolt/Pin	05	F134107S	(H14907)	Exc. SV6
Caliper Bolt/Pin	05	F140548	(H5101)	SV6
Caliper Bolt/Pin	04 - 99	F134107S	(H14907)	
Combi Kit	01 - 99	F130391	(H7203)	
↳ Adjuster Spring Kit		F129640S	(H444)	
Disc Align Kit	05 - 99	F124496S	(H15390)	
Pin Boot Kit	05	F130273S	(H18033)	FWD; Exc. SV6
Pin Boot Kit	05	F134111S	(H8220)	FWD; Exc. SV6
Pin Boot Kit	05	F140511	(H8239)	SV6
Pin Boot Kit	04 - 02	F130273S	(H18033)	FWD
Pin Boot Kit	04 - 02	F134111S	(H8220)	FWD
Pin Boot Kit	01 - 99	F130273S	(H18033)	

Calipers - Reman

Front, Unloaded	Years	Left No.	Right No.	Qualifier	Piston
Unloaded Caliper	05 - 02	CRB133956	CRB133957	FWD; Supplied w/Mtg. Brkt.	M
Unloaded Caliper	05 - 02	CR133956	CR133957	FWD; Supplied w/o Mtg. Brkt.	M
Unloaded Caliper	04 - 02	CR134520	CR134521	AWD	P
Unloaded Caliper	01 - 99	CRB133956	CRB133957	Supplied w/Mtg. Brkt.	M
Unloaded Caliper	01 - 99	CR133956	CR133957	Supplied w/o Mtg. Brkt.	M
Rear, Unloaded	Years	Left No.	Right No.	Qualifier	Piston
Unloaded Caliper	05 - 02	CRB133958	CRB133959	FWD; Supplied w/Mtg. Brkt.	M
Unloaded Caliper	05	CR133958	CR133959	FWD; Supplied w/o Mtg. Brkt.	M
Unloaded Caliper	04 - 02	CRB133958A	CRB133959A	AWD; Supplied w/Mtg. Brkt.	M
Unloaded Caliper	04 - 99	CR133958	CR133959	Supplied w/o Mtg. Brkt.	M
Unloaded Caliper	01 - 99	CRB133958	CRB133959	Supplied w/Mtg. Brkt.	M

Hydraulics - New

Master Cylinder	Years	Sequential No.	Category No.	Qualifier
Master Cylinder	05 - 00	F134488	(MC134488)	1" Bore
Master Cylinder	99	F131958	(MC131958)	1" Bore
Rear Wheel Cylinder	Years	Sequential No.	Category No.	Qualifier
Wheel Cylinder	04 - 99	F129443	(WC129443)	15/16" Bore
Front Brake Hose	Years	Sequential No.	Category No.	Qualifier
Brake Hose	04 - 99	F138025	(BH138025)	

↳ Sub-Kit of Combi-Kit is available separately.

Piston: M - OE Metal Piston P - OE Phenolic Piston

MONTANA (cont.)

Hydraulics - New (cont.)

<i>Rear Brake Hose</i>	<i>Years</i>	<i>Sequential No.</i>	<i>Category No.</i>	<i>Qualifier</i>
Brake Hose	05	F137806	(BH137806)	Exc. SV6; w/Rear Drum; Exc. Ext. Length
Brake Hose	04 - 99	F137806	(BH137806)	w/Rear Drum; Exc. Ext. Length
Brake Hose	04 - 99	F138082	(BH138082)	w/Rear Drum; Ext. Length

Hydraulics - Reman

<i>Master Cylinder</i>	<i>Years</i>	<i>Part No.</i>	<i>Qualifier</i>
Master Cylinder	04 - 00	R131419	
Master Cylinder	99	R134632	

<i>Power Brake Booster</i>	<i>Years</i>	<i>Part No.</i>	<i>Qualifier</i>
Power Brake Booster	01 - 99	5474827	w/o Master Cylinder

Brake Cables

<i>Parking Brake Cable</i>	<i>Years</i>	<i>Sequential No.</i>	<i>Category No.</i>	<i>Qualifier</i>
Parking Brake Cable	05 - 99	F140397	(BC140397)	Rear; R.H.; w/Rear Disc; w/ABS; 28" Length
Parking Brake Cable	04 - 99	F140109	(BC140109)	Rear; L.H.; w/Rear Disc; w/ABS; 31" Length
Parking Brake Cable	02 - 99	F140103	(BC140103)	Rear; R.H.; w/Rear Drum; w/ABS; 30" Length
Parking Brake Cable	00 - 99	F140297	(BC140297)	Forward; Ext. Length; 138" Length
Parking Brake Cable	00 - 99	F140102	(BC140102)	Rear; L.H.; w/Rear Drum; w/ABS; 33" Length

Wheel Attaching Hardware

<i>Front Wheel Stud</i>	<i>Years</i>	<i>Part No.</i>	<i>Qualifier</i>
Wheel Lug Stud	05	BD60946	Exc. SV6
Wheel Lug Stud	04 - 99	BD60946	

<i>Rear Wheel Stud</i>	<i>Years</i>	<i>Part No.</i>	<i>Qualifier</i>
Wheel Lug Stud	05	BD60946	Exc. SV6
Wheel Lug Stud	04 - 99	BD60946	

<i>Front Wheel Nut</i>	<i>Years</i>	<i>Part No.</i>	<i>Qualifier</i>
Wheel Lug Nut	05	BD61288	Bulge; Exc. SV6
Wheel Lug Nut	05	BD125815	External Thread; Exc. SV6
Wheel Lug Nut	04 - 02	BD61288	Bulge
Wheel Lug Nut	04 - 99	BD125815	External Thread

<i>Rear Wheel Nut</i>	<i>Years</i>	<i>Part No.</i>	<i>Qualifier</i>
Wheel Lug Nut	05	BD61288	Bulge; Exc. SV6
Wheel Lug Nut	05	BD125815	External Thread; Exc. SV6
Wheel Lug Nut	04 - 02	BD61288	Bulge
Wheel Lug Nut	04 - 99	BD125815	External Thread

TRANS SPORT

Brake Pads & Shoes

<i>Front Pads & Shoes</i>	<i>Years</i>	<i>SevereDuty</i>	<i>Lining No.</i>	<i>Qualifier</i>
Brake Pads	98 - 97	SD699		
Brake Pads	96 - 95	SD623		

Rotor & Drum

<i>Front Rotor & Drum</i>	<i>Years</i>	<i>Part No.</i>	<i>Qualifier</i>
Brake Rotor	98 - 97	BD125507	
Brake Rotor	96 - 95	BD125325	

<i>Rear Rotor & Drum</i>	<i>Years</i>	<i>Part No.</i>	<i>Qualifier</i>
Brake Drum	98 - 97	BD125482	8-55/64 x 1-49/64" Brake
Brake Drum	96 - 95	BD61776	8-55/64 x 1-49/64" Brake
Brake Rotor	98 - 97	BD125506	

Brake Hardware

<i>Front Brake Hardware</i>	<i>Years</i>	<i>Sequential No.</i>	<i>Category No.</i>	<i>Qualifier</i>
Caliper Bolt/Pin	96 - 95	F126898S	(H5060)	
Disc Align Kit	98 - 97	F134116S	(H5478)	
Pin Boot Kit	98 - 97	F134111S	(H8220)	
Pin Boot Kit	96 - 95	F126906S	(H8209)	

TRANSPORT (cont.)
Brake Hardware (cont.)

Rear Brake Hardware	Years	Sequential No.	Category No.	Qualifier
Caliper Bolt/Pin	98 - 97	F134107S	(H14907)	
Combi Kit	98 - 95	F130391	(H7203)	
↳Adjuster Spring Kit		F129640S	(H444)	
Disc Align Kit	98 - 97	F124496S	(H15390)	Exp.
Pin Boot Kit	98 - 97	F130273S	(H18033)	

Calipers - Reman

Front, Unloaded	Years	Left No.	Right No.	Qualifier	Piston
Unloaded Caliper	98 - 97	CRB133956	CRB133957	Supplied w/Mtg. Brkt.	M
Unloaded Caliper	98 - 97	CR133956	CR133957	Supplied w/o Mtg. Brkt.	M
Unloaded Caliper	96 - 95	CR132504	CR132505		M

Rear, Unloaded	Years	Left No.	Right No.	Qualifier	Piston
Unloaded Caliper	98 - 97	CRB133958	CRB133959	Supplied w/Mtg. Brkt.	M
Unloaded Caliper	98 - 97	CR133958	CR133959	Supplied w/o Mtg. Brkt.	M

Hydraulics - New

Master Cylinder	Years	Sequential No.	Category No.	Qualifier
Master Cylinder	98 - 97	F131958	(MC131958)	1" Bore
Master Cylinder	96 - 95	F131058	(MC131058)	15/16" Bore

Rear Wheel Cylinder	Years	Sequential No.	Category No.	Qualifier
Wheel Cylinder	98 - 95	F129443	(WC129443)	15/16" Bore

Front Brake Hose	Years	Sequential No.	Category No.	Qualifier
Brake Hose	98 - 97	F138025	(BH138025)	
Brake Hose	96 - 95	F128694	(BH128694)	L.H.
Brake Hose	96 - 95	F128695	(BH128695)	R.H.

Rear Brake Hose	Years	Sequential No.	Category No.	Qualifier
Brake Hose	98	F137806	(BH137806)	w/Rear Drum; Exc. Ext. Length
Brake Hose	98 - 97	F138082	(BH138082)	w/Rear Drum; Ext. Length
Brake Hose	97	F138081	(BH138081)	w/Rear Drum; Exc. Ext. Length
Brake Hose	96 - 95	F123285	(BH123285)	

Hydraulics - Reman

Master Cylinder	Years	Part No.	Qualifier
Master Cylinder	98 - 97	R134632	
Master Cylinder	96 - 95	R131058	

Power Brake Booster	Years	Part No.	Qualifier
Power Brake Booster	98 - 97	5474827	w/o Master Cylinder
Power Brake Booster	96 - 95	5474806	w/o Master Cylinder

Brake Cables

Parking Brake Cable	Years	Sequential No.	Category No.	Qualifier
Parking Brake Cable	98 - 97	F140297	(BC140297)	Forward; Ext. Length; 138" Length
Parking Brake Cable	98 - 97	F140109	(BC140109)	Rear; L.H.; w/Rear Disc; w/ABS; 31" Length
Parking Brake Cable	98 - 97	F140102	(BC140102)	Rear; L.H.; w/Rear Drum; w/ABS; 33" Length
Parking Brake Cable	98 - 97	F140397	(BC140397)	Rear; R.H.; w/Rear Disc; w/ABS; 28" Length
Parking Brake Cable	98 - 97	F140103	(BC140103)	Rear; R.H.; w/Rear Drum; w/ABS; 30" Length
Parking Brake Cable	96 - 95	F133072	(BC133072)	Forward
Parking Brake Cable	96 - 95	F132260	(BC132260)	Rear; L.H.
Parking Brake Cable	96 - 95	F132261	(BC132261)	Rear; R.H.

ABS Components - Reman

ABS Module	Years	Part No.	Qualifier
ABS Module	96 - 95	RA121327	w/o Traction Control
ABS Module	96 - 95	RA121332	w/Traction Control

ABS Hydraulic Unit	Years	Part No.	Qualifier
ABS Hydraulic Unit	95	RA122306	

ABS Pump/Motor	Years	Part No.	Qualifier
ABS Pump/Motor	95	RA124307	Incl. Pump/Motor; Also Avail. Separately

↳Sub-Kit of Combi-Kit is available separately.

Piston: M - OE Metal Piston P - OE Phenolic Piston

TRANS SPORT (cont.)

Wheel Attaching Hardware

<i>Front Wheel Stud</i>	<i>Years</i>	<i>Part No.</i>	<i>Qualifier</i>
Wheel Lug Stud	98 - 95	BD60946	
<i>Rear Wheel Stud</i>	<i>Years</i>	<i>Part No.</i>	<i>Qualifier</i>
Wheel Lug Stud	98 - 95	BD60946	
<i>Front Wheel Nut</i>	<i>Years</i>	<i>Part No.</i>	<i>Qualifier</i>
Wheel Lug Nut	98 - 95	BD125815	External Thread
<i>Rear Wheel Nut</i>	<i>Years</i>	<i>Part No.</i>	<i>Qualifier</i>
Wheel Lug Nut	98 - 95	BD125815	External Thread

STERLING ACTERRA

M5500

Brake Pads & Shoes

<i>Front Pads & Shoes</i>	<i>Years</i>	<i>SevereDuty</i>	<i>Lining No.</i>	<i>Qualifier</i>
Brake Pads	07 - 01	SD786		Bosch; 2.60" 2-Piston Caliper
Brake Pads	07 - 01	SD786A		Bosch; 2.88" 2-Piston Caliper
Brake Shoes	07 - 01	4702Q	4702	w/Air Brakes; Rockwell/Meritor; Q-Plus; 15 x 4
Brake Shoes	07 - 01	4703Q	4703	w/Air Brakes; Rockwell/Meritor; Q-Plus; 15 x 5
Brake Shoes	07 - 01	1308Q	1308T	w/Air Brakes; Rockwell/Meritor; Q-Series; 15 x 4
Brake Shoes	07 - 01	4524Q	4524B	w/Air Brakes; Rockwell/Meritor; Q-Series; 16-1/2 x 5
Brake Shoes	07 - 01	4514Q	4514G	w/Air Brakes; Rockwell/Meritor; Q-Series; 16-1/2 x 6
Brake Shoes	07 - 01	1307T	1307	w/Air Brakes; Rockwell/Meritor; T-Series; 15 x 3-1/2
Brake Shoes	07 - 01	1308T	1308T	w/Air Brakes; Rockwell/Meritor; T-Series; 15 x 4

<i>Rear Pads & Shoes</i>	<i>Years</i>	<i>SevereDuty</i>	<i>Lining No.</i>	<i>Qualifier</i>
Brake Pads	07 - 01	SD786		Bosch; 2.60" 2-Piston Caliper
Brake Pads	07 - 01	SD786A		Bosch; 2.88" 2-Piston Caliper
Brake Shoes	07 - 01	4709E	4709	w/Air Brakes; Eaton; Extended Service; 16-1/2 x 7
Brake Shoes	07 - 01	4515P	4515E	w/Air Brakes; Rockwell/Meritor; P-Series; 16-1/2 x 7
Brake Shoes	07 - 01	4710Q	4710	w/Air Brakes; Rockwell/Meritor; Q-Plus; 15 x 8-5/8
Brake Shoes	07 - 01	4707Q	4707	w/Air Brakes; Rockwell/Meritor; Q-Plus; 16-1/2 x 7
Brake Shoes	07 - 01	4718Q	4718	w/Air Brakes; Rockwell/Meritor; Q-Plus; 16-1/2 x 8
Brake Shoes	07 - 01	4514Q	4514G	w/Air Brakes; Rockwell/Meritor; Q-Series; 16-1/2 x 6
Brake Shoes	07 - 01	4515Q	4515E	w/Air Brakes; Rockwell/Meritor; Q-Series; 16-1/2 x 7

Rotor & Drum

<i>Front Rotor & Drum</i>	<i>Years</i>	<i>Part No.</i>	<i>Qualifier</i>
Brake Rotor	07 - 01	BD126389	10000-12000 lb. FA; Hat-Shaped; 10-Hole Rotor
Brake Rotor	07 - 01	BD126394	10000-12000 lb. FA; U-Shaped; 10-Hole Rotor
Brake Rotor	07 - 01	BD126389	6000-8000 lb. FA; Hat-Shaped; 10-Hole Rotor
Brake Rotor	07 - 01	BD126391	6000-8000 lb. FA; Hat-Shaped; 5-Hole Rotor
Brake Rotor	07 - 01	BD126392	6000-8000 lb. FA; Hat-Shaped; 6-Hole Rotor

<i>Rear Rotor & Drum</i>	<i>Years</i>	<i>Part No.</i>	<i>Qualifier</i>
Brake Rotor	07 - 01	BD126389	10000-17500 lb. RA; Hat-Shaped; 10-Hole Rotor; 3-1/4" Height
Brake Rotor	07 - 01	BD126390	10000-17500 lb. RA; Hat-Shaped; 10-Hole Rotor; 4-1/2" Height
Brake Rotor	07 - 01	BD126392	10000-17500 lb. RA; Hat-Shaped; 6-Hole Rotor
Brake Rotor	07 - 01	BD126390	19000-21000 lb. RA; Hat-Shaped; 10-Hole Rotor
Brake Rotor	07 - 01	BD125382	19000-21000 lb. RA; U-Shaped; 5-Hole Rotor
Brake Rotor	07 - 01	BD125382	34000 lb. TRA; U-Shaped; 5-Hole Rotor

Brake Hardware

<i>Front Brake Hardware</i>	<i>Years</i>	<i>Sequential No.</i>	<i>Category No.</i>	<i>Qualifier</i>
Disc Align Kit	04 - 01	F140769	(H5710)	Bosch; 2.60" 2-Piston Caliper
Disc Align Kit	04 - 01	F140769	(H5710)	Bosch; 2.88" 2-Piston Caliper
<i>Rear Brake Hardware</i>	<i>Years</i>	<i>Sequential No.</i>	<i>Category No.</i>	<i>Qualifier</i>
Disc Align Kit	04 - 01	F140769	(H5710)	Bosch; 2.60" 2-Piston Caliper
Disc Align Kit	04 - 01	F140769	(H5710)	Bosch; 2.88" 2-Piston Caliper

M5500 (cont.)
Calipers - Reman

Front, Loaded	Years	Left No.	Right No.	Qualifier	Piston
Loaded Caliper	07 - 01	AS135025	AS135025	Bosch; 2.60" 2-Piston Caliper	P
Loaded Caliper	07 - 01	AS135024	AS135024	Bosch; 2.88" 2-Piston Caliper	P
Rear, Loaded	Years	Left No.	Right No.	Qualifier	Piston
Loaded Caliper	07 - 01	AS135025	AS135025	Bosch; 2.60" 2-Piston Caliper	P
Loaded Caliper	07 - 01	AS135024	AS135024	Bosch; 2.88" 2-Piston Caliper	P
Front, Unloaded	Years	Left No.	Right No.	Qualifier	Piston
Unloaded Caliper	07 - 01	CR135025	CR135025	Bosch; 2.60" 2-Piston Caliper	P
Unloaded Caliper	07 - 01	CR135024	CR135024	Bosch; 2.88" 2-Piston Caliper	P
Rear, Unloaded	Years	Left No.	Right No.	Qualifier	Piston
Unloaded Caliper	07 - 01	CR135025	CR135025	Bosch; 2.60" 2-Piston Caliper	P
Unloaded Caliper	07 - 01	CR135024	CR135024	Bosch; 2.88" 2-Piston Caliper	P

M6500
Brake Pads & Shoes

Front Pads & Shoes	Years	SevereDuty	Lining No.	Qualifier
Brake Pads	07 - 01	SD786		Bosch; 2.60" 2-Piston Caliper
Brake Pads	07 - 01	SD786A		Bosch; 2.88" 2-Piston Caliper
Brake Shoes	07 - 01	4702Q	4702	w/Air Brakes; Rockwell/Meritor; Q-Plus; 15 x 4
Brake Shoes	07 - 01	4703Q	4703	w/Air Brakes; Rockwell/Meritor; Q-Plus; 15 x 5
Brake Shoes	07 - 01	1308Q	1308T	w/Air Brakes; Rockwell/Meritor; Q-Series; 15 x 4
Brake Shoes	07 - 01	4524Q	4524B	w/Air Brakes; Rockwell/Meritor; Q-Series; 16-1/2 x 5
Brake Shoes	07 - 01	4514Q	4514G	w/Air Brakes; Rockwell/Meritor; Q-Series; 16-1/2 x 6
Brake Shoes	07 - 01	1307T	1307	w/Air Brakes; Rockwell/Meritor; T-Series; 15 x 3-1/2
Brake Shoes	07 - 01	1308T	1308T	w/Air Brakes; Rockwell/Meritor; T-Series; 15 x 4
Rear Pads & Shoes	Years	SevereDuty	Lining No.	Qualifier
Brake Pads	07 - 01	SD786		Bosch; 2.60" 2-Piston Caliper
Brake Pads	07 - 01	SD786A		Bosch; 2.88" 2-Piston Caliper
Brake Shoes	07 - 01	4709E	4709	w/Air Brakes; Eaton; Extended Service; 16-1/2 x 7
Brake Shoes	07 - 01	4515P	4515E	w/Air Brakes; Rockwell/Meritor; P-Series; 16-1/2 x 7
Brake Shoes	07 - 01	4710Q	4710	w/Air Brakes; Rockwell/Meritor; Q-Plus; 15 x 8-5/8
Brake Shoes	07 - 01	4707Q	4707	w/Air Brakes; Rockwell/Meritor; Q-Plus; 16-1/2 x 7
Brake Shoes	07 - 01	4718Q	4718	w/Air Brakes; Rockwell/Meritor; Q-Plus; 16-1/2 x 8
Brake Shoes	07 - 01	4514Q	4514G	w/Air Brakes; Rockwell/Meritor; Q-Series; 16-1/2 x 6
Brake Shoes	07 - 01	4515Q	4515E	w/Air Brakes; Rockwell/Meritor; Q-Series; 16-1/2 x 7

Rotor & Drum

Front Rotor & Drum	Years	Part No.	Qualifier
Brake Rotor	07 - 01	BD126389	10000-12000 lb. FA; Hat-Shaped; 10-Hole Rotor
Brake Rotor	07 - 01	BD126394	10000-12000 lb. FA; U-Shaped; 10-Hole Rotor
Brake Rotor	07 - 01	BD126389	6000-8000 lb. FA; Hat-Shaped; 10-Hole Rotor
Brake Rotor	07 - 01	BD126391	6000-8000 lb. FA; Hat-Shaped; 5-Hole Rotor
Brake Rotor	07 - 01	BD126392	6000-8000 lb. FA; Hat-Shaped; 6-Hole Rotor
Rear Rotor & Drum	Years	Part No.	Qualifier
Brake Rotor	07 - 01	BD126389	10000-17500 lb. RA; Hat-Shaped; 10-Hole Rotor; 3-1/4" Height
Brake Rotor	07 - 01	BD126390	10000-17500 lb. RA; Hat-Shaped; 10-Hole Rotor; 4-1/2" Height
Brake Rotor	07 - 01	BD126392	10000-17500 lb. RA; Hat-Shaped; 6-Hole Rotor
Brake Rotor	07 - 01	BD126390	19000-21000 lb. RA; Hat-Shaped; 10-Hole Rotor
Brake Rotor	07 - 01	BD125382	19000-21000 lb. RA; U-Shaped; 5-Hole Rotor
Brake Rotor	07 - 01	BD125382	34000 lb. TRA; U-Shaped; 5-Hole Rotor

Brake Hardware

Front Brake Hardware	Years	Sequential No.	Category No.	Qualifier
Disc Align Kit	04 - 01	F140769	(H5710)	Bosch; 2.60" 2-Piston Caliper
Disc Align Kit	04 - 01	F140769	(H5710)	Bosch; 2.88" 2-Piston Caliper
Rear Brake Hardware	Years	Sequential No.	Category No.	Qualifier
Disc Align Kit	04 - 01	F140769	(H5710)	Bosch; 2.60" 2-Piston Caliper

Piston: M - OE Metal Piston P - OE Phenolic Piston

M6500 (cont.)

Brake Hardware (cont.)

<i>Rear Brake Hardware</i>	<i>Years</i>	<i>Sequential No.</i>	<i>Category No.</i>	<i>Qualifier</i>
Disc Align Kit	04 - 01	F140769	(H5710)	Bosch; 2.88" 2-Piston Caliper

Calipers - Reman

<i>Front, Loaded</i>	<i>Years</i>	<i>Left No.</i>	<i>Right No.</i>	<i>Qualifier</i>	<i>Piston</i>
Loaded Caliper	07 - 01	AS135025	AS135025	Bosch; 2.60" 2-Piston Caliper	P
Loaded Caliper	07 - 01	AS135024	AS135024	Bosch; 2.88" 2-Piston Caliper	P
<i>Rear, Loaded</i>	<i>Years</i>	<i>Left No.</i>	<i>Right No.</i>	<i>Qualifier</i>	<i>Piston</i>
Loaded Caliper	07 - 01	AS135025	AS135025	Bosch; 2.60" 2-Piston Caliper	P
Loaded Caliper	07 - 01	AS135024	AS135024	Bosch; 2.88" 2-Piston Caliper	P
<i>Front, Unloaded</i>	<i>Years</i>	<i>Left No.</i>	<i>Right No.</i>	<i>Qualifier</i>	<i>Piston</i>
Unloaded Caliper	07 - 01	CR135025	CR135025	Bosch; 2.60" 2-Piston Caliper	P
Unloaded Caliper	07 - 01	CR135024	CR135024	Bosch; 2.88" 2-Piston Caliper	P
<i>Rear, Unloaded</i>	<i>Years</i>	<i>Left No.</i>	<i>Right No.</i>	<i>Qualifier</i>	<i>Piston</i>
Unloaded Caliper	07 - 01	CR135025	CR135025	Bosch; 2.60" 2-Piston Caliper	P
Unloaded Caliper	07 - 01	CR135024	CR135024	Bosch; 2.88" 2-Piston Caliper	P

M7500

Brake Pads & Shoes

<i>Front Pads & Shoes</i>	<i>Years</i>	<i>SevereDuty</i>	<i>Lining No.</i>	<i>Qualifier</i>
Brake Pads	07 - 01	SD786		Bosch; 2.60" 2-Piston Caliper
Brake Pads	07 - 01	SD786A		Bosch; 2.88" 2-Piston Caliper
Brake Shoes	07 - 01	4702Q	4702	w/Air Brakes; Rockwell/Meritor; Q-Plus; 15 x 4
Brake Shoes	07 - 01	4703Q	4703	w/Air Brakes; Rockwell/Meritor; Q-Plus; 15 x 5
Brake Shoes	07 - 01	1308Q	1308T	w/Air Brakes; Rockwell/Meritor; Q-Series; 15 x 4
Brake Shoes	07 - 01	4524Q	4524B	w/Air Brakes; Rockwell/Meritor; Q-Series; 16-1/2 x 5
Brake Shoes	07 - 01	4514Q	4514G	w/Air Brakes; Rockwell/Meritor; Q-Series; 16-1/2 x 6
Brake Shoes	07 - 01	1307T	1307	w/Air Brakes; Rockwell/Meritor; T-Series; 15 x 3-1/2
Brake Shoes	07 - 01	1308T	1308T	w/Air Brakes; Rockwell/Meritor; T-Series; 15 x 4
<i>Rear Pads & Shoes</i>	<i>Years</i>	<i>SevereDuty</i>	<i>Lining No.</i>	<i>Qualifier</i>
Brake Pads	07 - 01	SD786		Bosch; 2.60" 2-Piston Caliper
Brake Pads	07 - 01	SD786A		Bosch; 2.88" 2-Piston Caliper
Brake Shoes	07 - 01	4709E	4709	w/Air Brakes; Eaton; Extended Service; 16-1/2 x 7
Brake Shoes	07 - 01	4515P	4515E	w/Air Brakes; Rockwell/Meritor; P-Series; 16-1/2 x 7
Brake Shoes	07 - 01	4710Q	4710	w/Air Brakes; Rockwell/Meritor; Q-Plus; 15 x 8-5/8
Brake Shoes	07 - 01	4707Q	4707	w/Air Brakes; Rockwell/Meritor; Q-Plus; 16-1/2 x 7
Brake Shoes	07 - 01	4718Q	4718	w/Air Brakes; Rockwell/Meritor; Q-Plus; 16-1/2 x 8
Brake Shoes	07 - 01	4514Q	4514G	w/Air Brakes; Rockwell/Meritor; Q-Series; 16-1/2 x 6
Brake Shoes	07 - 01	4515Q	4515E	w/Air Brakes; Rockwell/Meritor; Q-Series; 16-1/2 x 7

Rotor & Drum

<i>Front Rotor & Drum</i>	<i>Years</i>	<i>Part No.</i>	<i>Qualifier</i>
Brake Rotor	07 - 01	BD126389	10000-12000 lb. FA; Hat-Shaped; 10-Hole Rotor
Brake Rotor	07 - 01	BD126394	10000-12000 lb. FA; U-Shaped; 10-Hole Rotor
Brake Rotor	07 - 01	BD126389	6000-8000 lb. FA; Hat-Shaped; 10-Hole Rotor
Brake Rotor	07 - 01	BD126391	6000-8000 lb. FA; Hat-Shaped; 5-Hole Rotor
Brake Rotor	07 - 01	BD126392	6000-8000 lb. FA; Hat-Shaped; 6-Hole Rotor
<i>Rear Rotor & Drum</i>	<i>Years</i>	<i>Part No.</i>	<i>Qualifier</i>
Brake Rotor	07 - 01	BD126389	10000-17500 lb. RA; Hat-Shaped; 10-Hole Rotor; 3-1/4" Height
Brake Rotor	07 - 01	BD126390	10000-17500 lb. RA; Hat-Shaped; 10-Hole Rotor; 4-1/2" Height
Brake Rotor	07 - 01	BD126392	10000-17500 lb. RA; Hat-Shaped; 6-Hole Rotor
Brake Rotor	07 - 01	BD126390	19000-21000 lb. RA; Hat-Shaped; 10-Hole Rotor
Brake Rotor	07 - 01	BD125382	19000-21000 lb. RA; U-Shaped; 5-Hole Rotor
Brake Rotor	07 - 01	BD125382	34000 lb. TRA; U-Shaped; 5-Hole Rotor

Brake Hardware

<i>Front Brake Hardware</i>	<i>Years</i>	<i>Sequential No.</i>	<i>Category No.</i>	<i>Qualifier</i>
Disc Align Kit	04 - 01	F140769	(H5710)	Bosch; 2.60" 2-Piston Caliper

Piston: M - OE Metal Piston P - OE Phenolic Piston

M7500 (cont.)

Brake Hardware (cont.)

Front Brake Hardware	Years	Sequential No.	Category No.	Qualifier
Disc Align Kit	04 - 01	F140769	(H5710)	Bosch; 2.88" 2-Piston Caliper

Rear Brake Hardware	Years	Sequential No.	Category No.	Qualifier
Disc Align Kit	04 - 01	F140769	(H5710)	Bosch; 2.60" 2-Piston Caliper
Disc Align Kit	04 - 01	F140769	(H5710)	Bosch; 2.88" 2-Piston Caliper

Calipers - Reman

Front, Loaded	Years	Left No.	Right No.	Qualifier	Piston
Loaded Caliper	07 - 01	AS135025	AS135025	Bosch; 2.60" 2-Piston Caliper	P
Loaded Caliper	07 - 01	AS135024	AS135024	Bosch; 2.88" 2-Piston Caliper	P

Rear, Loaded	Years	Left No.	Right No.	Qualifier	Piston
Loaded Caliper	07 - 01	AS135025	AS135025	Bosch; 2.60" 2-Piston Caliper	P
Loaded Caliper	07 - 01	AS135024	AS135024	Bosch; 2.88" 2-Piston Caliper	P

Front, Unloaded	Years	Left No.	Right No.	Qualifier	Piston
Unloaded Caliper	07 - 01	CR135025	CR135025	Bosch; 2.60" 2-Piston Caliper	P
Unloaded Caliper	07 - 01	CR135024	CR135024	Bosch; 2.88" 2-Piston Caliper	P

Rear, Unloaded	Years	Left No.	Right No.	Qualifier	Piston
Unloaded Caliper	07 - 01	CR135025	CR135025	Bosch; 2.60" 2-Piston Caliper	P
Unloaded Caliper	07 - 01	CR135024	CR135024	Bosch; 2.88" 2-Piston Caliper	P

M8500

Brake Pads & Shoes

Front Pads & Shoes	Years	SevereDuty	Lining No.	Qualifier
Brake Shoes	07 - 01	4702Q	4702	w/Air Brakes; Rockwell/Meritor; Q-Plus; 15 x 4
Brake Shoes	07 - 01	4703Q	4703	w/Air Brakes; Rockwell/Meritor; Q-Plus; 15 x 5
Brake Shoes	07 - 01	1308Q	1308T	w/Air Brakes; Rockwell/Meritor; Q-Series; 15 x 4
Brake Shoes	07 - 01	4524Q	4524B	w/Air Brakes; Rockwell/Meritor; Q-Series; 16-1/2 x 5
Brake Shoes	07 - 01	4514Q	4514G	w/Air Brakes; Rockwell/Meritor; Q-Series; 16-1/2 x 6
Brake Shoes	07 - 01	1307T	1307	w/Air Brakes; Rockwell/Meritor; T-Series; 15 x 3-1/2
Brake Shoes	07 - 01	1308T	1308T	w/Air Brakes; Rockwell/Meritor; T-Series; 15 x 4

Rear Pads & Shoes	Years	SevereDuty	Lining No.	Qualifier
Brake Shoes	07 - 01	4709E	4709	w/Air Brakes; Eaton; Extended Service; 16-1/2 x 7
Brake Shoes	07 - 01	4515P	4515E	w/Air Brakes; Rockwell/Meritor; P-Series; 16-1/2 x 7
Brake Shoes	07 - 01	4710Q	4710	w/Air Brakes; Rockwell/Meritor; Q-Plus; 15 x 8-5/8
Brake Shoes	07 - 01	4707Q	4707	w/Air Brakes; Rockwell/Meritor; Q-Plus; 16-1/2 x 7
Brake Shoes	07 - 01	4718Q	4718	w/Air Brakes; Rockwell/Meritor; Q-Plus; 16-1/2 x 8
Brake Shoes	07 - 01	4514Q	4514G	w/Air Brakes; Rockwell/Meritor; Q-Series; 16-1/2 x 6
Brake Shoes	07 - 01	4515Q	4515E	w/Air Brakes; Rockwell/Meritor; Q-Series; 16-1/2 x 7

STERLING Cargo

SC7000

Brake Pads & Shoes

Front Pads & Shoes	Years	SevereDuty	Lining No.	Qualifier
Brake Shoes	07 - 98	4693R	4693	w/Air Brakes; Bendix; 15 x 4

Rear Pads & Shoes	Years	SevereDuty	Lining No.	Qualifier
Brake Shoes	07 - 98	SDS544AR	EX4505AD-S4Q	Hyd. Brakes; Lucas; 15 x 7
Brake Shoes	07 - 98	4515B	4515E	w/Air Brakes; Bendix; 16-1/2 x 7

Rotor & Drum

Rear Rotor & Drum	Years	Part No.	Qualifier
Brake Drum	07 - 98	BD126381	15 x 7" Hyd. Brake; 17000-18000 lb. RA; 8-Hole Disc Wheel

Brake Hardware

Rear Brake Hardware	Years	Sequential No.	Category No.	Qualifier
Adjuster Kit	07 - 98	F112097	(H2901)	L.H.; Lucas
Adjuster Kit	07 - 98	F112097	(H2901)	R.H.; Lucas
Combi Kit	07 - 98	F112096	(H7195)	Lucas

Piston: M - OE Metal Piston P - OE Phenolic Piston

SC7000 (cont.)

Hydraulics - New				
Master Cylinder	Years	Sequential No.	Category No.	Qualifier
Master Cylinder	07 - 98	F117264	(MC117264)	w/Reservoir
Rear Wheel Cylinder	Years	Sequential No.	Category No.	Qualifier
Wheel Cylinder	07 - 98	F118104	(WC118104)	L.H.; 15 x 7" Lucas; 17500-22000 lb. RA; 1-3/4" Bore
Wheel Cylinder	07 - 98	F118106	(WC118106)	L.H.; 15 x 7" Lucas; 34000 lb. RA; 1-5/8" Bore
Wheel Cylinder	07 - 98	F118105	(WC118105)	R.H.; 15 x 7" Lucas; 17500-22000 lb. RA; 1-3/4" Bore
Wheel Cylinder	07 - 98	F118107	(WC118107)	R.H.; 15 x 7" Lucas; 34000 lb. RA; 1-5/8" Bore
Front Brake Hose	Years	Sequential No.	Category No.	Qualifier
Brake Hose	07 - 98	F111945	(BH111945)	L.H.; Hyd. Brakes
Brake Hose	07 - 98	F111945	(BH111945)	R.H.; Hyd. Brakes
Rear Brake Hose	Years	Sequential No.	Category No.	Qualifier
Brake Hose	07 - 98	F118650	(BH118650)	L.H.; Hyd. Brakes
Brake Hose	07 - 98	F118650	(BH118650)	R.H.; Hyd. Brakes

SC8000

Brake Pads & Shoes				
Front Pads & Shoes	Years	SevereDuty	Lining No.	Qualifier
Brake Shoes	07 - 98	4693R	4693	w/Air Brakes; Bendix; 15 x 4
Rear Pads & Shoes	Years	SevereDuty	Lining No.	Qualifier
Brake Shoes	07 - 98	SDS544AR	EX4505AD-S4Q	Hyd. Brakes; Lucas; 15 x 7
Brake Shoes	07 - 98	4515B	4515E	w/Air Brakes; Bendix; 16-1/2 x 7
Rotor & Drum				
Rear Rotor & Drum	Years	Part No.	Qualifier	
Brake Drum	07 - 98	BD126381	15 x 7" Hyd. Brake; 17000-18000 lb. RA; 8-Hole Disc Wheel	
Brake Hardware				
Rear Brake Hardware	Years	Sequential No.	Category No.	Qualifier
Adjuster Kit	07 - 98	F112097	(H2901)	L.H.; Lucas
Adjuster Kit	07 - 98	F112097	(H2901)	R.H.; Lucas
Combi Kit	07 - 98	F112096	(H7195)	Lucas

Hydraulics - New				
Master Cylinder	Years	Sequential No.	Category No.	Qualifier
Master Cylinder	07 - 98	F119400	(MC119400)	Split Syst.; Hydro-Max; 1-3/4" Bore
Master Cylinder	07 - 98	F110980	(MC110980)	Split Syst.; Hydro-Max; 2" Bore
Rear Wheel Cylinder	Years	Sequential No.	Category No.	Qualifier
Wheel Cylinder	07 - 98	F118104	(WC118104)	L.H.; 15 x 7" Lucas; 17500-22000 lb. RA; 1-3/4" Bore
Wheel Cylinder	07 - 98	F118106	(WC118106)	L.H.; 15 x 7" Lucas; 34000 lb. RA; 1-5/8" Bore
Wheel Cylinder	07 - 98	F118105	(WC118105)	R.H.; 15 x 7" Lucas; 17500-22000 lb. RA; 1-3/4" Bore
Wheel Cylinder	07 - 98	F118107	(WC118107)	R.H.; 15 x 7" Lucas; 34000 lb. RA; 1-5/8" Bore
Rear Brake Hose	Years	Sequential No.	Category No.	Qualifier
Brake Hose	07 - 98	F118650	(BH118650)	L.H.; Hyd. Brakes
Brake Hose	07 - 98	F118650	(BH118650)	R.H.; Hyd. Brakes

THOMAS Type-A Minotour

250 ECONOLINE

Brake Pads & Shoes				
Front Pads & Shoes	Years	SevereDuty	Lining No.	Qualifier
Brake Pads	06 - 95	SD655		
Brake Pads	94 - 92	SD557		
Brake Pads	91 - 81	SD450		
Rear Pads & Shoes	Years	SevereDuty	Lining No.	Qualifier
Brake Pads	06 - 99	SD802		
Brake Shoes	06 - 81	SDS357NR	SX2146ATD	12 x 2-1/2; Riveted
Brake Shoes	06 - 84	SDS358AR	EX2140TD	12 x 3; Riveted

250 ECONOLINE (cont.)

Rotor & Drum

Front Rotor & Drum	Years	Part No.	Qualifier
Brake Rotor	06 - 95	BD125468	w/2 Whl. ABS
Brake Rotor	06 - 95	BD125477	w/4 Whl. ABS
Brake Rotor	94	BD125410	w/2 Whl. ABS
Brake Rotor	94	BD125411	w/4 Whl. ABS
Brake Rotor	93 - 92	BD125410	
Brake Rotor	91 - 86	BD61910	
Brake Rotor	85 - 84	BD61885	Over 8500 GVW
Brake Rotor	85 - 84	BD60541	Under 8500 GVW
Brake Rotor	83 - 82	BD60541	
Brake Rotor	81	BD60541	From 11/3/80
Brake Rotor	81	BD60469	To 11/03/80

Rear Rotor & Drum	Years	Part No.	Qualifier
Brake Drum	06 - 95	BD125692	12 x 3" Brake
Brake Drum	98 - 92	BD60868	12 x 2-1/2" Brake
Brake Drum	94 - 92	BD60793	12 x 3" Brake
Brake Drum	91 - 86	BD60393	12 x 2-1/2" Brake; w/7-1/2" or 9-3/4" or 10-1/2" R.G.
Brake Drum	91 - 86	BD60868	12 x 2-1/2" Brake; w/8-13/16" or 10-1/4" R.G.
Brake Drum	91 - 87	BD60819	12 x 3" Brake
Brake Drum	86 - 84	BD60465	12 x 3" Brake
Brake Drum	85 - 81	BD60393	12 x 2-1/2" Brake
Brake Rotor	06 - 99	BD125694	

Brake Hardware

Front Brake Hardware	Years	Sequential No.	Category No.	Qualifier
Caliper Bolt/Pin	06 - 95	F126899S	(H5061)	
Caliper Bolt/Pin	94 - 92	F130379S	(H5068)	
Caliper Bolt/Pin	91 - 86	F111231S	(H5031)	
Caliper Bolt/Pin	85 - 82	F102554S	(H5010C)	
Disc Align Kit	05 - 95	F132611S	(H5602)	
Disc Align Kit	94 - 92	F130266S	(H5445)	
Disc Align Kit	91 - 86	F114477	(H5572)	
Disc Align Kit	85 - 81	F97900	(H5529)	
Pin Boot Kit	05 - 95	F117215S	(H18000C)	
Pin Boot Kit	94 - 92	F130393S	(H8211)	

Rear Brake Hardware	Years	Sequential No.	Category No.	Qualifier
Adjuster Kit	01 - 81	F98416	(H2588)	L.H.
Adjuster Kit	01 - 81	F98417	(H2589)	R.H.
Adjuster Screw	01 - 81	F79799	(H1534)	L.H.
Adjuster Screw	01 - 81	F79800	(H1535)	R.H.
Caliper Bolt/Pin	06 - 99	F126899S	(H5061)	
Combi Kit	06 - 84	F102555	(H7164)	12 x 3" Brake
↳Adjuster Spring Kit		F106695	(H446)	
↳Return Spring Kit		F67455	(H546)	
Combi Kit	04 - 81	F78555	(H7146)	12 x 2-1/2" Brake
↳Adjuster Spring Kit		F67454S	(H423)	
↳Return Spring Kit		F67455	(H546)	
Disc Align Kit	01 - 99	F138118S	(H5616)	
Pin Boot Kit	01 - 99	F139361	(H8227)	

Parking Brake	Years	Sequential No.	Category No.	Qualifier
Adjuster Screw	03 - 00	F139719	(H1594)	L.H.
Adjuster Screw	03 - 00	F139719	(H1594)	R.H.
Combi Kit	03 - 00	F139869	(H7239)	

Calipers - Reman

Front, Loaded	Years	Left No.	Right No.	Qualifier	Piston
Loaded Caliper	99	AS133118	AS133119	To 5/18/99	P
Loaded Caliper	98 - 95	AS133118	AS133119		P

↳Sub-Kit of Combi-Kit is available separately.

Piston: M - OE Metal Piston P - OE Phenolic Piston

250 ECONOLINE (cont.)

Calipers - Reman (cont.)

Front, Loaded	Years	Left No.	Right No.	Qualifier	Piston
Loaded Caliper	94 - 92	AS128780	AS128781		P
Loaded Caliper	94 - 92	AS128780S	AS128781S		O
Loaded Caliper	91 - 89	AS128856	AS128857		P
Loaded Caliper	88 - 86	AS116931	AS116932		P
Loaded Caliper	85 - 81	AS102430	AS102431	2-Piston Caliper	M

Rear, Loaded	Years	Left No.	Right No.	Qualifier	Piston
Loaded Caliper	05 - 99	AS134357	AS134358		P

Front, Unloaded	Years	Left No.	Right No.	Qualifier	Piston
------------------------	--------------	-----------------	------------------	------------------	---------------

Unloaded Caliper	06	CR134508	CR134509		P
Unloaded Caliper	05 - 00	CRB134508	CRB134509	Supplied w/Mtg. Brkt.	P
Unloaded Caliper	05 - 00	CR134508	CR134509	Supplied w/o Mtg. Brkt.	P
Unloaded Caliper	99	CRB134508	CRB134509	From 5/18/99; Supplied w/Mtg. Brkt.	P
Unloaded Caliper	99	CR134508	CR134509	From 5/18/99; Supplied w/o Mtg. Brkt.	P
Unloaded Caliper	99	CRB133118	CRB133119	To 5/18/99; Supplied w/Mtg. Brkt.	P
Unloaded Caliper	99	CR133118	CR133119	To 5/18/99; Supplied w/o Mtg. Brkt.	P
Unloaded Caliper	99	CR133118S	CR133119S	To 5/18/99; Supplied w/o Mtg. Brkt.	O
Unloaded Caliper	98 - 95	CRB133118	CRB133119	Supplied w/Mtg. Brkt.	P
Unloaded Caliper	98 - 95	CRB133118S	CRB133119S	Supplied w/Mtg. Brkt.	O
Unloaded Caliper	98 - 95	CR133118	CR133119	Supplied w/o Mtg. Brkt.	P
Unloaded Caliper	98 - 95	CR133118S	CR133119S	Supplied w/o Mtg. Brkt.	O
Unloaded Caliper	94 - 92	CR128780	CR128781		P
Unloaded Caliper	94 - 92	CR128780S	CR128781S		O
Unloaded Caliper	91 - 89	CR128856	CR128857		P
Unloaded Caliper	88 - 86	CR116931	CR116932		P
Unloaded Caliper	85 - 81	CR102430	CR102431	2-Piston Caliper	M

Rear, Unloaded	Years	Left No.	Right No.	Qualifier	Piston
-----------------------	--------------	-----------------	------------------	------------------	---------------

Unloaded Caliper	05 - 99	CRB134358	CRB134357	Supplied w/Mtg. Brkt.	P
Unloaded Caliper	05 - 99	CR134358	CR134357	Supplied w/o Mtg. Brkt.	P

Hydraulics - New

Master Cylinder	Years	Sequential No.	Category No.	Qualifier
------------------------	--------------	-----------------------	---------------------	------------------

Master Cylinder	06 - 01	F140463	(MC140463)	w/Cruise Control; 1-5/16" Bore
Master Cylinder	06 - 01	F134457	(MC134457)	w/o Cruise Control; 1-5/16" Bore
Master Cylinder	00	F140463	(MC140463)	From 1/10/00; w/Cruise Control; 1-5/16" Bore
Master Cylinder	00	F134457	(MC134457)	From 1/10/00; w/o Cruise Control; 1-5/16" Bore
Master Cylinder	99	F140463	(MC140463)	w/Cruise Control; 1-5/16" Bore
Master Cylinder	99	F134457	(MC134457)	w/o Cruise Control; 1-5/16" Bore
Master Cylinder	96 - 94	F131211	(MC131211)	w/Cruise Control; 1-1/8" Bore
Master Cylinder	96 - 94	F120368	(MC120368)	w/o Cruise Control; 1-1/8" Bore
Master Cylinder	93	F120368	(MC120368)	1-1/8" Bore
Master Cylinder	92	F129285	(MC129285)	1-1/8" Bore
Master Cylinder	91 - 87	F120368	(MC120368)	Over 7000 GVW; 1-1/8" Bore
Master Cylinder	91 - 87	F120369	(MC120369)	Under 7000 GVW; 1-1/16" Bore
Master Cylinder	86	F110919	(MC110919)	From 9/01/85; Over 8500 GVW; 1-1/8" Bore
Master Cylinder	86	F110917	(MC110917)	From 9/01/85; Under 8500 GVW; 1-1/16" Bore
Master Cylinder	86	F110919	(MC110919)	To 8/31/85; Over 8500 GVW; 1-1/8" Bore
Master Cylinder	86	F97936	(MC97936)	To 8/31/85; Under 8500 GVW; 1-1/16" Bore
Master Cylinder	85 - 84	F110919	(MC110919)	Over 8500 GVW; 1-1/8" Bore
Master Cylinder	85 - 84	F97936	(MC97936)	Under 8500 GVW; 1-1/16" Bore
Master Cylinder	83 - 81	F97936	(MC97936)	1-1/16" Bore

Rear Wheel Cylinder	Years	Sequential No.	Category No.	Qualifier
----------------------------	--------------	-----------------------	---------------------	------------------

Wheel Cylinder	06 - 84	F78974	(WC78974)	L.H.; 12 x 2-1/2" Brake; 1" Bore
Wheel Cylinder	06 - 84	F78975	(WC78975)	R.H.; 12 x 2-1/2" Brake; 1" Bore
Wheel Cylinder	98 - 95	F131875	(WC131875)	L.H.; 12 x 3" Brake; 1-1/8" Bore
Wheel Cylinder	98 - 95	F131874	(WC131874)	R.H.; 12 x 3" Brake; 1-1/8" Bore
Wheel Cylinder	94 - 93	F73615	(WC73615)	L.H.; 12 x 3" Brake; 1-1/16" Bore

Piston: M - OE Metal Piston P - OE Phenolic Piston O - Metal Piston Option

250 ECONOLINE (cont.)
Hydraulics - New (cont.)

Rear Wheel Cylinder	Years	Sequential No.	Category No.	Qualifier
Wheel Cylinder	94 - 93	F73614	(WC73614)	R.H.; 12 x 3" Brake; 1-1/16" Bore
Wheel Cylinder	92 - 84	F57146	(WC57146)	L.H.; 12 x 3" Brake; 1" Bore
Wheel Cylinder	92 - 84	F57147	(WC57147)	R.H.; 12 x 3" Brake; 1" Bore
Wheel Cylinder	83 - 81	F57146	(WC57146)	L.H.; 1" Bore
Wheel Cylinder	83 - 81	F57147	(WC57147)	R.H.; 1" Bore
Clutch Master Cylind	Years	Sequential No.	Category No.	Qualifier
Clutch Master Cylinder	89 - 84	F110269	(CM110269)	7/8" Bore
Clutch Slave Cylinder	Years	Sequential No.	Category No.	Qualifier
Clutch Slave Cylinder	89 - 88	F126890	(SC126890)	1-1/32" Bore
Clutch Slave Cylinder	87 - 84	F103485	(SC103485)	1" Bore
Front Brake Hose	Years	Sequential No.	Category No.	Qualifier
Brake Hose	02 - 95	F132754	(BH132754)	L.H.; w/2 Whl. ABS
Brake Hose	02 - 95	F133395	(BH133395)	L.H.; w/4 Whl. ABS
Brake Hose	02 - 95	F132773	(BH132773)	R.H.; w/2 Whl. ABS
Brake Hose	02 - 95	F132773	(BH132773)	R.H.; w/4 Whl. ABS
Brake Hose	94	F132196	(BH132196)	L.H.; w/2 Whl. ABS
Brake Hose	94	F132195	(BH132195)	L.H.; w/4 Whl. ABS
Brake Hose	94	F133813	(BH133813)	R.H.; w/2 Whl. ABS
Brake Hose	94	F133813	(BH133813)	R.H.; w/4 Whl. ABS
Brake Hose	93 - 92	F130430	(BH130430)	L.H.; w/Dual Piston Caliper
Brake Hose	93 - 92	F132298	(BH132298)	R.H.; w/Dual Piston Caliper
Brake Hose	91 - 82	F107255	(BH107255)	L.H.
Brake Hose	91 - 82	F106365	(BH106365)	R.H.
Brake Hose	81	F107255	(BH107255)	L.H.; From 2/02/81
Brake Hose	81	F102474	(BH102474)	L.H.; To 2/02/81
Brake Hose	81	F106365	(BH106365)	R.H.; From 2/02/81
Brake Hose	81	F106365	(BH106365)	R.H.; To 2/02/81
Rear Brake Hose	Years	Sequential No.	Category No.	Qualifier
Brake Hose	05 - 92	F133837	(BH133837)	INNER
Brake Hose	91	F128682	(BH128682)	
Brake Hose	88 - 86	F120872	(BH120872)	
Brake Hose	85	F120872	(BH120872)	From 3/01/85
Brake Hose	85	F119385	(BH119385)	To 2/28/85
Brake Hose	84 - 81	F119385	(BH119385)	

Hydraulics - Reman

Master Cylinder	Years	Part No.	Qualifier
Master Cylinder	03 - 01	R134795	w/Cruise
Master Cylinder	03 - 01	R134796	w/o Cruise
Master Cylinder	00	R134795	w/Cruise; Booster I.D. No. XC252B559EC
Master Cylinder	00	R134713	w/o Cruise; Booster I.D. No. XC252B559DB
Master Cylinder	00	R134796	w/o Cruise; Booster I.D. No. XC252B559PC
Master Cylinder	99 - 97	R134630	w/Cruise
Master Cylinder	99 - 97	R134713	w/o Cruise
Master Cylinder	96 - 94	R131306	w/Cruise
Master Cylinder	96 - 94	R120368	w/o Cruise
Master Cylinder	93	R120368	
Master Cylinder	92	R129285	
Master Cylinder	91 - 87	R120368	Over 7000 GVW
Master Cylinder	91 - 87	R120369	Under 7000 GVW
Master Cylinder	86	R110917	From 9/01/85; Under 8500 GVW
Master Cylinder	86 - 84	R110919	Over 8500 GVW
Master Cylinder	86	R97936	To 8/30/85; Under 8500 GVW
Master Cylinder	85 - 84	R97936	Under 8500 GVW
Master Cylinder	83 - 81	R97936	

250 ECONOLINE (cont.)

Hydraulics - Reman (cont.)

Power Brake Booster	Years	Part No.	Qualifier
Power Brake Booster	04	5474419	From I.D. No. 3C242B599CC; Gas; w/o Master Cylinder; w/Cruise
Power Brake Booster	03 - 01	5474419	Gas; w/o Master Cylinder
Power Brake Booster	00	5474419	From 1/10/00; Gas; w/o Master Cylinder; w/Cruise
Power Brake Booster	00	5474418	From 1/10/00; Gas; w/o Master Cylinder; w/o Cruise
Power Brake Booster	00	5474418	To 1/10/00; Gas; w/o Master Cylinder; w/Cruise
Power Brake Booster	00	5474412	To 1/10/00; Gas; w/o Master Cylinder; w/o Cruise
Power Brake Booster	99	5474418	Gas; w/o Master Cylinder; w/Cruise
Power Brake Booster	99	5474412	Gas; w/o Master Cylinder; w/o Cruise
Power Brake Booster	98 - 97	5474412	Gas; w/o Master Cylinder
Power Brake Booster	96 - 94	504403	Gas; w/Master Cylinder; w/Cruise; Incl. Pump/Motor; Also Avail. Separately
Power Brake Booster	96 - 94	504407	Gas; w/Master Cylinder; w/o Cruise
Power Brake Booster	96 - 92	5474402	Gas; w/o Master Cylinder
Power Brake Booster	93	504407	Gas; w/Master Cylinder
Power Brake Booster	92	504402	Gas; w/Master Cylinder
Power Brake Booster	91 - 87	504401	Gas; w/Master Cylinder; Over 7000 lb. GVW
Power Brake Booster	91 - 88	504302	Gas; w/Master Cylinder; Under 7000 lb. GVW
Power Brake Booster	91 - 87	5474401	Gas; w/o Master Cylinder; Over 7000 lb. GVW
Power Brake Booster	91 - 88	5474302	Gas; w/o Master Cylinder; Under 7000 lb. GVW
Power Brake Booster	87	504207	Gas; w/Master Cylinder; Under 7000 lb. GVW
Power Brake Booster	87	5474204	Gas; w/o Master Cylinder; Under 7000 lb. GVW
Power Brake Booster	86	504204	From 9/01/85; Gas; w/Master Cylinder; Under 8500 lb. GVW
Power Brake Booster	86	5474204	From 9/01/85; Gas; w/o Master Cylinder; Under 8500 lb. GVW
Power Brake Booster	86 - 84	509336	Gas; w/Master Cylinder; Over 8500 lb. GVW
Power Brake Booster	86 - 84	5473357	Gas; w/o Master Cylinder; Over 8500 lb. GVW
Power Brake Booster	86	503017	To 8/30/85; Gas; w/Master Cylinder; Under 8500 lb. GVW
Power Brake Booster	86	5473017	To 8/30/85; Gas; w/o Master Cylinder; Under 8500 lb. GVW
Power Brake Booster	85 - 84	503017	Gas; w/Master Cylinder; Under 8500 lb. GVW
Power Brake Booster	85 - 84	5473017	Gas; w/o Master Cylinder; Under 8500 lb. GVW
Power Brake Booster	83 - 81	503016	Gas; w/Master Cylinder
Power Brake Booster	83 - 81	5473016	Gas; w/o Master Cylinder

Brake Cables

Parking Brake Cable	Years	Sequential No.	Category No.	Qualifier
Parking Brake Cable	04 - 01	F139252	(BC139252)	Intermediate; 138" WB; Stripped Chassis
Parking Brake Cable	00 - 97	F139252	(BC139252)	Intermediate; 138" WB
Parking Brake Cable	00 - 97	F140390	(BC140390)	Intermediate; 158" WB; 36" Length
Parking Brake Cable	00	F140374	(BC140374)	Rear; R.H.; To 9/30/00; 5300-5400 lb. RA; 101" Length
Parking Brake Cable	99 - 97	F138822	(BC138822)	Forward; w/138" WB
Parking Brake Cable	99	F140374	(BC140374)	Rear; R.H.; Exc. 124" WB; 101" Length
Parking Brake Cable	98 - 97	F140374	(BC140374)	Rear; R.H.; 5300-5400 lb. RA; 101" Length
Parking Brake Cable	97 - 95	F133086	(BC133086)	Rear; L.H.; 5300-5400 lb. RA
Parking Brake Cable	96	F138822	(BC138822)	Forward; From 12/4/95; w/138" WB
Parking Brake Cable	96	F133084	(BC133084)	Forward; To 12/03/95
Parking Brake Cable	96	F140392	(BC140392)	Intermediate; From 12/4/95; 124" WB; Stripped Chassis; 14" Length
Parking Brake Cable	96	F139252	(BC139252)	Intermediate; From 12/4/95; 138" WB; Stripped Chassis
Parking Brake Cable	96	F140392	(BC140392)	Intermediate; To 12/03/95; 124" WB; Stripped Chassis; 14" Length
Parking Brake Cable	96	F133083	(BC133083)	Intermediate; To 12/03/95; 138" WB; Exc. Stripped Chassis
Parking Brake Cable	96	F133083	(BC133083)	Intermediate; To 12/03/95; 138" WB; Stripped Chassis
Parking Brake Cable	96 - 95	F140391	(BC140391)	Intermediate; To 12/03/95; 176" WB; Stripped Chassis; 69" Length
Parking Brake Cable	96 - 95	F133085	(BC133085)	Rear; R.H.; 5300-5400 lb. RA
Parking Brake Cable	95	F133084	(BC133084)	Forward
Parking Brake Cable	95	F140392	(BC140392)	Intermediate; 124" WB; 14" Length
Parking Brake Cable	95	F133083	(BC133083)	Intermediate; 138" WB
Parking Brake Cable	94 - 92	F132082	(BC132082)	Forward; Exc. Stripped Chassis
Parking Brake Cable	94 - 92	F132083	(BC132083)	Forward; Stripped Chassis
Parking Brake Cable	94 - 92	F132449	(BC132449)	Intermediate; 138" WB

250 ECONOLINE (cont.)
Brake Cables (cont.)

Parking Brake Cable	Years	Sequential No.	Category No.	Qualifier
Parking Brake Cable	94 - 92	F132450	(BC132450)	Intermediate; 158" WB
Parking Brake Cable	94 - 92	F132451	(BC132451)	Intermediate; 176" WB
Parking Brake Cable	94 - 92	F132084	(BC132084)	Rear; L.H.
Parking Brake Cable	94 - 92	F132085	(BC132085)	Rear; R.H.
Parking Brake Cable	91 - 88	F120903	(BC120903)	Forward
Parking Brake Cable	91 - 81	F109060	(BC109060)	Rear; L.H.
Parking Brake Cable	91 - 81	F109059	(BC109059)	Rear; R.H.
Parking Brake Cable	87	F102663	(BC102663)	Forward
Parking Brake Cable	86 - 81	F102662	(BC102662)	Forward; 124" WB
Parking Brake Cable	86 - 81	F102663	(BC102663)	Forward; 138" WB

ABS Components - Reman

ABS Module	Years	Part No.	Qualifier
ABS Module	96 - 94	RA121021	w/2 Whl. ABS
ABS Module	93 - 92	RA121021	
ABS Module	91 - 90	RA121017	

ABS Hydraulic Unit	Years	Part No.	Qualifier
ABS Hydraulic Unit	96 - 95	RA122061	w/2 Whl. ABS
ABS Hydraulic Unit	94	RA122024	w/2 Whl. ABS
ABS Hydraulic Unit	93 - 90	RA122024	

Wheel Attaching Hardware

Front Wheel Stud	Years	Part No.	Qualifier
Wheel Lug Stud	05 - 86	BD61164	
Wheel Lug Stud	85 - 81	BD61388	

Rear Wheel Stud	Years	Part No.	Qualifier
Wheel Lug Stud	05 - 92	BD61194	
Wheel Lug Stud	91 - 90	BD61194	w/12 x 2-1/2" Drum
Wheel Lug Stud	91 - 90	BD61175	w/12 x 3" Drum
Wheel Lug Stud	89 - 86	BD61194	w/12 x 2-1/2" Drum; 8-13/16" R.G.
Wheel Lug Stud	89 - 86	BD61162	w/12 x 2-1/2" Drum; 9-3/4" R.G.
Wheel Lug Stud	89 - 84	BD60984	w/12 x 3" Drum
Wheel Lug Stud	85 - 84	BD61162	w/12 x 2-1/2" Drum
Wheel Lug Stud	83 - 81	BD60929	

Front Wheel Nut	Years	Part No.	Qualifier
Wheel Lug Nut	05 - 92	BD61287	Std. Open
Wheel Lug Nut	91 - 90	BD61325	Std. Open
Wheel Lug Nut	89 - 81	BD61283	Std. Open; 1/2"-20 Thread; 13/16" Hex

Rear Wheel Nut	Years	Part No.	Qualifier
Wheel Lug Nut	05 - 92	BD61287	Std. Open
Wheel Lug Nut	91 - 90	BD61325	Std. Open
Wheel Lug Nut	89 - 81	BD61283	Std. Open; 1/2"-20 Thread; 13/16" Hex
Wheel Lug Nut	89 - 84	BD61325	Std. Open; 9/16"-18 Thread

2500 EXPRESS
Brake Pads & Shoes

Front Pads & Shoes	Years	SevereDuty	Lining No.	Qualifier
Brake Pads	06 - 03	SD785		7300 GVW
Brake Pads	06 - 03	SD784		8500-8600 GVW
Brake Pads	02 - 99	SD459		Diesel
Brake Pads	02 - 99	SD369		Gas; 7100-7300 GVW; w/6 Stud Whl.
Brake Pads	02 - 99	SD370		Gas; 7700-8600 GVW; w/8 Stud Whl.

Rear Pads & Shoes	Years	SevereDuty	Lining No.	Qualifier
Brake Pads	06 - 03	SD974		
Brake Shoes	02 - 99	SDS473R	EX2073TD-S32	w/6 Stud Whl.; 11-5/32 x 2-3/4" Brake; Bonded
Brake Shoes	02 - 99	SDS473R	EX2073TD-S32	w/6 Stud Whl.; 11-5/32 x 2-3/4" Brake; Riveted
Brake Shoes	02 - 99	SDS655R	SX2042BDT-S36	w/8 Stud Whl.; 13 x 2-1/2" Brake; Riveted

2500 EXPRESS (cont.)

Brake Pads & Shoes (cont.)

Rear Pads & Shoes	Years	SevereDuty	Lining No.	Qualifier
Brake Shoes	02 - 99	SDS656R	SX2157BDT-S36w/8 Stud Whl.; 13 x 3-1/2" Brake; Riveted	

Rotor & Drum

Front Rotor & Drum	Years	Part No.	Qualifier
Brake Rotor	06 - 03	BD126036	8500-8600 GVW
Brake Rotor	05 - 03	BD125654	7300 GVW
Brake Rotor	02 - 01	BD125765	Diesel
Brake Rotor	02 - 99	BD125592	Gas; w/6 Stud Whl.
Brake Rotor	02 - 99	BD125212	Gas; w/8 Stud Whl.

Rear Rotor & Drum	Years	Part No.	Qualifier
Brake Drum	02 - 99	BD61817	11-5/32 x 2-3/4" Brake
Brake Drum	02 - 99	BD60727	13 x 2-1/2" Brake
Brake Drum	02 - 00	BD125523	13 x 3-1/2" Brake
Brake Drum	99	BD125407	13 x 3-1/2" Brake; w/4.625" Dia. Ctr. Pilot Hole
Brake Drum	99	BD125523	13 x 3-1/2" Brake; w/4.835" Dia. Ctr. Pilot Hole
Brake Rotor	06	BD125657	Diesel
Brake Rotor	06 - 03	BD125656	Gas; 8500-8600 GVW

Brake Hardware

Front Brake Hardware	Years	Sequential No.	Category No.	Qualifier
Caliper Bolt/Pin	06 - 03	F139712	(H5096)	7300 GVW
Caliper Bolt/Pin	06 - 03	F139700	(H5095)	8500-8600 GVW
Caliper Bolt/Pin	02 - 01	F129642S	(H5062)	Diesel
Caliper Bolt/Pin	02 - 99	F117224S	(H5038)	Gas
Disc Align Kit	06 - 03	F139707	(H5645)	7300 GVW
Disc Align Kit	06 - 03	F139708	(H5646)	8500-8600 GVW
Disc Align Kit	02 - 99	F117225S	(H5584)	
Pin Boot Kit	06 - 03	F138697S	(H8221)	

Rear Brake Hardware	Years	Sequential No.	Category No.	Qualifier
Adjuster Kit	02 - 99	F98404	(H2584)	L.H.; 11-5/32 x 2-3/4" Brake
Adjuster Kit	02 - 99	F98406	(H2580)	L.H.; 13 x 2-1/2" Brake
Adjuster Kit	02 - 99	F111233	(H2687)	R.H.; 11-5/32 x 2-3/4" Brake
Adjuster Kit	02 - 99	F98407	(H2581)	R.H.; 13 x 2-1/2" Brake
Adjuster Screw	02 - 99	F73181S	(H1530)	L.H.; 11-5/32 x 2-3/4" Brake
Adjuster Screw	02 - 99	F83294	(H1550)	L.H.; 13 x 2-1/2" Brake
Adjuster Screw	02 - 99	F73182S	(H1531)	R.H.; 11-5/32 x 2-3/4" Brake
Adjuster Screw	02 - 99	F83295	(H1551)	R.H.; 13 x 2-1/2" Brake
Caliper Bolt/Pin	06 - 03	F139370	(H5091)	
Combi Kit	02 - 99	F134117S	(H7217)	11-5/32 x 2-3/4" Brake
↳Adjuster Spring Kit		F45936S	(H415)	
↳Return Spring Kit		F45927S	(H324)	
Combi Kit	02 - 99	F98457S	(H7055)	13 x 2-1/2" Brake
↳Adjuster Spring Kit		F73145S	(H425)	
↳Hold Down Kit		F113455S	(H4098)	
↳Return Spring Kit		F59100S	(H600)	
Disc Align Kit	06 - 03	F139864	(H5665)	
Pin Boot Kit	06 - 03	F140514	(H8240)	

Calipers - Reman

Front, Loaded	Years	Left No.	Right No.	Qualifier	Piston
Loaded Caliper	02	AS120226	AS120227	Diesel	M
Loaded Caliper	02 - 99	AS116292	AS116293	Gas; 7300 GVW; 2.94" 1-Piston Caliper	M
Loaded Caliper	02 - 99	AS116294	AS116295	Gas; Exc. 7300 GVW; 3.16" 1-Piston Caliper	M
Front, Unloaded	Years	Left No.	Right No.	Qualifier	Piston
Unloaded Caliper	05 - 03	CRB134346	CRB134345	7300 GVW; 2-Piston Caliper; Supplied w/Mtg. Brkt.	P
Unloaded Caliper	05 - 03	CR134346	CR134345	7300 GVW; 2-Piston Caliper; Supplied w/o Mtg. Brkt.	P
Unloaded Caliper	05 - 03	CRB134347	CRB134348	8500-8600 GVW; 2-Piston Caliper; Supplied w/Mtg. Brkt.	P

↳Sub-Kit of Combi-Kit is available separately.

Piston: M - OE Metal Piston P - OE Phenolic Piston

2500 EXPRESS (cont.)
Calipers - Reman (cont.)

Front, Unloaded	Years	Left No.	Right No.	Qualifier	Piston
Unloaded Caliper	05 - 03	CR134347	CR134348	8500-8600 GVW; 2-Piston Caliper; Supplied w/o Mtg. Brkt.	P
Unloaded Caliper	02	CR120226	CR120227	Diesel	M
Unloaded Caliper	02 - 99	CR116292	CR116293	Gas; 7300 GVW; 2.94" 1-Piston Caliper	M
Unloaded Caliper	02 - 99	CR116294	CR116295	Gas; Exc. 7300 GVW; 3.16" 1-Piston Caliper	M

Rear, Unloaded	Years	Left No.	Right No.	Qualifier	Piston
Unloaded Caliper	05 - 03	CR135118	CR135117	8500-8600 GVW	P

Hydraulics - New

Master Cylinder	Years	Sequential No.	Category No.	Qualifier
Master Cylinder	02 - 99	F140292	(MC140292)	w/JB6; Gas; 1-1/8" Bore
Master Cylinder	02 - 99	F139959	(MC139959)	w/JD7; 1-1/4" Bore

Rear Wheel Cylinder	Years	Sequential No.	Category No.	Qualifier
Wheel Cylinder	02 - 99	F131225	(WC131225)	15/16" Bore
Wheel Cylinder	02 - 99	F116359	(WC116359)	w/Hydro-Boost; Diesel; 1" Bore
Wheel Cylinder	02 - 99	F79767	(WC79767)	w/Hydro-Boost; Gas; 1-1/16" Bore

Front Brake Hose	Years	Sequential No.	Category No.	Qualifier
Brake Hose	06 - 03	F140304	(BH140304)	L.H.; 7300 GVW
Brake Hose	06 - 03	F140305	(BH140305)	R.H.; 7300 GVW
Brake Hose	02 - 99	F140496	(BH140496)	L.H.; w/Hydro-Boost
Brake Hose	02 - 99	F138061	(BH138061)	L.H.; w/Vacuum Boost
Brake Hose	02 - 99	F140497	(BH140497)	R.H.; w/Hydro-Boost
Brake Hose	02 - 99	F138062	(BH138062)	R.H.; w/Vacuum Boost

Rear Brake Hose	Years	Sequential No.	Category No.	Qualifier
Brake Hose	02 - 99	F118117	(BH118117)	

Hydraulics - Reman

Master Cylinder	Years	Part No.	Qualifier
Master Cylinder	02 - 99	R134626	Diesel
Master Cylinder	02 - 99	R134627	Gas

Power Brake Booster	Years	Part No.	Qualifier
Hydro Booster	01 - 99	527342	Diesel

Power Brake Booster	Years	Part No.	Qualifier
Power Brake Booster	02 - 99	5474810	Gas; w/o Master Cylinder

Brake Cables

Parking Brake Cable	Years	Sequential No.	Category No.	Qualifier
Parking Brake Cable	02 - 99	F138836	(BC138836)	Forward
Parking Brake Cable	02 - 99	F138900	(BC138900)	Intermediate; 155" WB
Parking Brake Cable	02 - 99	F140296	(BC140296)	Rear; L.H.; w/JB6; 63" Length
Parking Brake Cable	02 - 99	F140173	(BC140173)	Rear; R.H.; w/JB6; 90" Length

Wheel Attaching Hardware

Front Wheel Stud	Years	Part No.	Qualifier
Wheel Lug Stud	05 - 03	BD125938	
Wheel Lug Stud	02 - 99	BD61426	

Rear Wheel Stud	Years	Part No.	Qualifier
Wheel Lug Stud	05 - 03	BD125938	
Wheel Lug Stud	02 - 99	BD61427	w/11-5/32" Drum
Wheel Lug Stud	02 - 99	BD125934	w/13" Drum

Front Wheel Nut	Years	Part No.	Qualifier
Wheel Lug Nut	05 - 99	BD125916	External Thread

Rear Wheel Nut	Years	Part No.	Qualifier
Wheel Lug Nut	05 - 99	BD125916	External Thread

2500 SAVANA
Brake Pads & Shoes

Front Pads & Shoes	Years	SevereDuty	Lining No.	Qualifier
Brake Pads	06 - 03	SD785		7300 GVW

Piston: M - OE Metal Piston P - OE Phenolic Piston

2500 SAVANA (cont.)

Brake Pads & Shoes (cont.)

Front Pads & Shoes	Years	SevereDuty	Lining No.	Qualifier
Brake Pads	06 - 03	SD784		8500-8600 GVW
Brake Pads	02 - 99	SD459		Diesel
Brake Pads	02 - 99	SD369		Gas; 7100-7300 GVW; w/6 Stud Whl.
Brake Pads	02 - 99	SD370		Gas; 7700-8600 GVW; w/8 Stud Whl.

Rear Pads & Shoes	Years	SevereDuty	Lining No.	Qualifier
Brake Pads	06 - 03	SD974		
Brake Shoes	02 - 99	SDS473R	EX2073TD-S32	w/6 Stud Whl.; 11-5/32 x 2-3/4" Brake; Bonded
Brake Shoes	02 - 99	SDS473R	EX2073TD-S32	w/6 Stud Whl.; 11-5/32 x 2-3/4" Brake; Riveted
Brake Shoes	02 - 99	SDS655R	SX2042BDT-S36	w/8 Stud Whl.; 13 x 2-1/2" Brake; Riveted
Brake Shoes	02 - 99	SDS656R	SX2157BDT-S36	w/8 Stud Whl.; 13 x 3-1/2" Brake; Riveted

Rotor & Drum

Front Rotor & Drum	Years	Part No.	Qualifier
Brake Rotor	06 - 03	BD126036	8500-8600 GVW
Brake Rotor	05 - 03	BD125654	7300 GVW
Brake Rotor	02 - 01	BD125765	Diesel
Brake Rotor	02 - 99	BD125592	Gas; w/6 Stud Whl.
Brake Rotor	02 - 99	BD125212	Gas; w/8 Stud Whl.

Rear Rotor & Drum	Years	Part No.	Qualifier
Brake Drum	02 - 99	BD61817	11-5/32 x 2-3/4" Brake
Brake Drum	02 - 99	BD60727	13 x 2-1/2" Brake
Brake Drum	02 - 00	BD125523	13 x 3-1/2" Brake
Brake Drum	99	BD125407	13 x 3-1/2" Brake; w/4.625" Dia. Ctr. Pilot Hole
Brake Drum	99	BD125523	13 x 3-1/2" Brake; w/4.835" Dia. Ctr. Pilot Hole
Brake Rotor	06	BD125657	Diesel
Brake Rotor	06 - 03	BD125656	Gas; 8500-8600 GVW

Brake Hardware

Front Brake Hardware	Years	Sequential No.	Category No.	Qualifier
Caliper Bolt/Pin	06 - 03	F139712	(H5096)	7300 GVW
Caliper Bolt/Pin	06 - 03	F139700	(H5095)	8500-8600 GVW
Caliper Bolt/Pin	02 - 01	F129642S	(H5062)	Diesel
Caliper Bolt/Pin	02 - 99	F117224S	(H5038)	Gas
Disc Align Kit	06 - 03	F139707	(H5645)	7300 GVW
Disc Align Kit	06 - 03	F139708	(H5646)	8500-8600 GVW
Disc Align Kit	02 - 99	F117225S	(H5584)	
Pin Boot Kit	06 - 03	F138697S	(H8221)	

Rear Brake Hardware	Years	Sequential No.	Category No.	Qualifier
Adjuster Kit	02 - 99	F98404	(H2584)	L.H.; 11-5/32 x 2-3/4" Brake
Adjuster Kit	02 - 99	F98406	(H2580)	L.H.; 13 x 2-1/2" Brake
Adjuster Kit	02 - 99	F111233	(H2687)	R.H.; 11-5/32 x 2-3/4" Brake
Adjuster Kit	02 - 99	F98407	(H2581)	R.H.; 13 x 2-1/2" Brake
Adjuster Screw	02 - 99	F73181S	(H1530)	L.H.; 11-5/32 x 2-3/4" Brake
Adjuster Screw	02 - 99	F83294	(H1550)	L.H.; 13 x 2-1/2" Brake
Adjuster Screw	02 - 99	F73182S	(H1531)	R.H.; 11-5/32 x 2-3/4" Brake
Adjuster Screw	02 - 99	F83295	(H1551)	R.H.; 13 x 2-1/2" Brake
Caliper Bolt/Pin	06 - 03	F139370	(H5091)	
Combi Kit	02 - 99	F134117S	(H7217)	11-5/32 x 2-3/4" Brake
↳Adjuster Spring Kit		F45936S	(H415)	
↳Return Spring Kit		F45927S	(H324)	
Combi Kit	02 - 99	F98457S	(H7055)	13 x 2-1/2" Brake
↳Adjuster Spring Kit		F73145S	(H425)	
↳Hold Down Kit		F113455S	(H4098)	
↳Return Spring Kit		F59100S	(H600)	
Disc Align Kit	06 - 03	F139864	(H5665)	
Pin Boot Kit	06 - 03	F140514	(H8240)	

↳Sub-Kit of Combi-Kit is available separately.

2500 SAVANA (cont.)
Calipers - Reman

Front, Loaded	Years	Left No.	Right No.	Qualifier	Piston
Loaded Caliper	02	AS120226	AS120227	Diesel	M
Loaded Caliper	02 - 99	AS116292	AS116293	Gas; 7300 GVW; 2.94" 1-Piston Caliper	M
Loaded Caliper	02 - 99	AS116294	AS116295	Gas; Exc. 7300 GVW; 3.16" 1-Piston Caliper	M
Front, Unloaded	Years	Left No.	Right No.	Qualifier	Piston
Unloaded Caliper	05 - 03	CRB134346	CRB134345	7300 GVW; 2-Piston Caliper; Supplied w/Mtg. Brkt.	P
Unloaded Caliper	05 - 03	CR134346	CR134345	7300 GVW; 2-Piston Caliper; Supplied w/o Mtg. Brkt.	P
Unloaded Caliper	05 - 03	CRB134347	CRB134348	8500-8600 GVW; 2-Piston Caliper; Supplied w/Mtg. Brkt.	P
Unloaded Caliper	05 - 03	CR134347	CR134348	8500-8600 GVW; 2-Piston Caliper; Supplied w/o Mtg. Brkt.	P
Unloaded Caliper	02	CR120226	CR120227	Diesel	M
Unloaded Caliper	02 - 99	CR116292	CR116293	Gas; 7300 GVW; 2.94" 1-Piston Caliper	M
Unloaded Caliper	02 - 99	CR116294	CR116295	Gas; Exc. 7300 GVW; 3.16" 1-Piston Caliper	M
Rear, Unloaded	Years	Left No.	Right No.	Qualifier	Piston
Unloaded Caliper	05 - 03	CR135118	CR135117	8500-8600 GVW	P

Hydraulics - New

Master Cylinder	Years	Sequential No.	Category No.	Qualifier
Master Cylinder	02 - 99	F140292	(MC140292)	w/JB6; Gas; 1-1/8" Bore
Master Cylinder	02 - 99	F139959	(MC139959)	w/JD7; 1-1/4" Bore
Rear Wheel Cylinder	Years	Sequential No.	Category No.	Qualifier
Wheel Cylinder	02 - 99	F131225	(WC131225)	15/16" Bore
Wheel Cylinder	02 - 99	F116359	(WC116359)	w/Hydro-Boost; Diesel; 1" Bore
Wheel Cylinder	02 - 99	F79767	(WC79767)	w/Hydro-Boost; Gas; 1-1/16" Bore
Front Brake Hose	Years	Sequential No.	Category No.	Qualifier
Brake Hose	06 - 03	F140304	(BH140304)	L.H.; 7300 GVW
Brake Hose	06 - 03	F140305	(BH140305)	R.H.; 7300 GVW
Brake Hose	02 - 99	F140496	(BH140496)	L.H.; w/Hydro-Boost
Brake Hose	02 - 99	F138061	(BH138061)	L.H.; w/Vacuum Boost
Brake Hose	02 - 99	F140497	(BH140497)	R.H.; w/Hydro-Boost
Brake Hose	02 - 99	F138062	(BH138062)	R.H.; w/Vacuum Boost
Rear Brake Hose	Years	Sequential No.	Category No.	Qualifier
Brake Hose	02 - 99	F118117	(BH118117)	

Hydraulics - Reman

Master Cylinder	Years	Part No.	Qualifier
Master Cylinder	02 - 99	R134626	Diesel
Master Cylinder	02 - 99	R134627	Gas
Power Brake Booster	Years	Part No.	Qualifier
Hydro Booster	01 - 99	527342	Diesel
Power Brake Booster	Years	Part No.	Qualifier
Power Brake Booster	02 - 99	5474810	Gas; w/o Master Cylinder

Brake Cables

Parking Brake Cable	Years	Sequential No.	Category No.	Qualifier
Parking Brake Cable	02 - 99	F138836	(BC138836)	Forward
Parking Brake Cable	02 - 99	F138900	(BC138900)	Intermediate; 155" WB
Parking Brake Cable	02 - 99	F140296	(BC140296)	Rear; L.H.; w/JB6; 63" Length
Parking Brake Cable	02 - 99	F140173	(BC140173)	Rear; R.H.; w/JB6; 90" Length

Wheel Attaching Hardware

Front Wheel Stud	Years	Part No.	Qualifier
Wheel Lug Stud	05 - 03	BD125938	
Wheel Lug Stud	02 - 99	BD61426	
Rear Wheel Stud	Years	Part No.	Qualifier
Wheel Lug Stud	05 - 03	BD125938	
Wheel Lug Stud	02 - 99	BD61427	w/11-5/32" Drum
Wheel Lug Stud	02 - 99	BD125934	w/13" Drum

Piston: M - OE Metal Piston P - OE Phenolic Piston

2500 SAVANA (cont.)

Wheel Attaching Hardware (cont.)

Front Wheel Nut	Years	Part No.	Qualifier
Wheel Lug Nut	05 - 99	BD125916	External Thread
Rear Wheel Nut	Years	Part No.	Qualifier
Wheel Lug Nut	05 - 99	BD125916	External Thread

350 ECONOLINE

Brake Pads & Shoes

Front Pads & Shoes	Years	SevereDuty	Lining No.	Qualifier
Brake Pads	06 - 95	SD655		
Brake Pads	94 - 92	SD557		
Brake Pads	91 - 81	SD450		
Rear Pads & Shoes	Years	SevereDuty	Lining No.	Qualifier
Brake Pads	06 - 99	SD802		
Brake Pads	98 - 97	SD411		
Brake Shoes	06 - 81	SDS358AR	EX2140TD	12 x 3; Riveted
Brake Shoes	98 - 87	SDS583R	EX2171TD	12-1/8 x 3-1/2; Riveted
Parking Brake Shoes	Years	SevereDuty	Lining No.	Qualifier
Brake Shoes	03 - 99	SDS771	EX2192	Bonded

Rotor & Drum

Front Rotor & Drum	Years	Part No.	Qualifier
Brake Rotor	06 - 95	BD125629	w/DRW; w/2 Whl. ABS
Brake Rotor	06 - 95	BD125630	w/DRW; w/4 Whl. ABS
Brake Rotor	06 - 95	BD125468	w/SRW; w/2 Whl. ABS
Brake Rotor	06 - 95	BD125477	w/SRW; w/4 Whl. ABS
Brake Rotor	94 - 81	BD60468	w/DRW
Brake Rotor	94 - 93	BD125410	w/SRW; w/2 Whl. ABS
Brake Rotor	94 - 93	BD125411	w/SRW; w/4 Whl. ABS
Brake Rotor	92	BD125410	w/SRW
Brake Rotor	91 - 86	BD61910	w/SRW
Brake Rotor	85 - 82	BD61885	w/SRW
Brake Rotor	81	BD61885	From 11/3/80; w/SRW
Brake Rotor	81	BD60470	To 11/03/80; w/SRW
Rear Rotor & Drum	Years	Part No.	Qualifier
Brake Drum	06 - 99	BD125692	12 x 3" Brake
Brake Drum	98 - 95	BD60793	12 x 3" Brake
Brake Drum	98 - 95	BD125385	12-1/8 x 3-1/2" Brake; 6340-7200 lb. RA
Brake Drum	98 - 95	BD60885	12-1/8 x 3-1/2" Brake; 7800-8000 lb. RA
Brake Drum	94 - 92	BD60793	12 x 3" Brake; w/SRW
Brake Drum	94 - 92	BD60885	12-1/8 x 3-1/2" Brake; w/DRW
Brake Drum	94 - 92	BD125385	12-1/8 x 3-1/2" Brake; w/SRW; 6340-7200 lb. RA
Brake Drum	94 - 92	BD60885	12-1/8 x 3-1/2" Brake; w/SRW; 7800-8000 lb. RA
Brake Drum	91 - 81	BD60330	12 x 3" Brake; w/DRW
Brake Drum	91 - 81	BD60465	12 x 3" Brake; w/SRW; Exc. 10-1/4" R.G.
Brake Drum	91 - 81	BD60819	12 x 3" Brake; w/SRW; w/10-1/4" R.G.
Brake Drum	91 - 81	BD60885	12-1/8 x 3-1/2" Brake; w/DRW; Exc. 10-1/4" R.G.
Brake Drum	91 - 81	BD60885	12-1/8 x 3-1/2" Brake; w/DRW; w/10-1/4" R.G.
Brake Rotor	06 - 99	BD125701	w/DRW
Brake Rotor	06 - 99	BD125694	w/SRW
Brake Rotor	98 - 97	BD125550	

Brake Hardware

Front Brake Hardware	Years	Sequential No.	Category No.	Qualifier
Caliper Bolt/Pin	06 - 95	F126899S	(H5061)	
Caliper Bolt/Pin	94 - 92	F130379S	(H5068)	
Caliper Bolt/Pin	91 - 86	F111231S	(H5031)	
Caliper Bolt/Pin	85 - 82	F102554S	(H5010C)	
Disc Align Kit	05 - 95	F132611S	(H5602)	

350 ECONOLINE (cont.)

Brake Hardware (cont.)

Front Brake Hardware	Years	Sequential No.	Category No.	Qualifier
Disc Align Kit	94 - 92	F130266S	(H5445)	
Disc Align Kit	91 - 86	F114477	(H5572)	
Disc Align Kit	85 - 81	F97900	(H5529)	
Pin Boot Kit	01 - 95	F117215S	(H18000C)	
Pin Boot Kit	94 - 92	F130393S	(H8211)	

Rear Brake Hardware	Years	Sequential No.	Category No.	Qualifier
Adjuster Kit	05 - 81	F98416	(H2588)	L.H.
Adjuster Kit	05 - 81	F98417	(H2589)	R.H.
Adjuster Screw	05 - 81	F79799	(H1534)	L.H.
Adjuster Screw	05 - 81	F79800	(H1535)	R.H.
Caliper Bolt/Pin	06 - 99	F126899S	(H5061)	
Combi Kit	06 - 81	F102555	(H7164)	12 x 3" Brake
↳Adjuster Spring Kit		F106695	(H446)	
↳Return Spring Kit		F67455	(H546)	
Combi Kit	98 - 87	F117217	(H7197)	12-1/8 x 3-1/2" Brake
↳Adjuster Spring Kit		F73105	(H430)	
↳Return Spring Kit		F67455	(H546)	
Disc Align Kit	05 - 99	F138118S	(H5616)	
Pin Boot Kit	05 - 99	F139361	(H8227)	

Parking Brake	Years	Sequential No.	Category No.	Qualifier
Adjuster Screw	03 - 00	F139719	(H1594)	L.H.
Adjuster Screw	03 - 00	F139719	(H1594)	R.H.
Combi Kit	03 - 00	F139869	(H7239)	w/SRW

Calipers - Reman

Front, Loaded	Years	Left No.	Right No.	Qualifier	Piston
Loaded Caliper	99	AS133118	AS133119	To 5/18/99	P
Loaded Caliper	98 - 95	AS133118	AS133119		P
Loaded Caliper	94 - 92	AS128780	AS128781		P
Loaded Caliper	94 - 92	AS128780S	AS128781S		O
Loaded Caliper	91 - 89	AS128856	AS128857		P
Loaded Caliper	88 - 86	AS116931	AS116932		P
Loaded Caliper	85 - 81	AS102430	AS102431	2-Piston Caliper	M

Rear, Loaded	Years	Left No.	Right No.	Qualifier	Piston
Loaded Caliper	05 - 99	AS134357	AS134358		P

Front, Unloaded	Years	Left No.	Right No.	Qualifier	Piston
Unloaded Caliper	05 - 00	CRB134508	CRB134509	Supplied w/Mtg. Brkt.	P
Unloaded Caliper	05 - 00	CR134508	CR134509	Supplied w/o Mtg. Brkt.	P
Unloaded Caliper	99	CRB134508	CRB134509	From 5/18/99; Supplied w/Mtg. Brkt.	P
Unloaded Caliper	99	CR134508	CR134509	From 5/18/99; Supplied w/o Mtg. Brkt.	P
Unloaded Caliper	99	CRB133118	CRB133119	To 5/18/99; Supplied w/Mtg. Brkt.	P
Unloaded Caliper	99	CRB133118S	CRB133119S	To 5/18/99; Supplied w/Mtg. Brkt.	O
Unloaded Caliper	99	CR133118	CR133119	To 5/18/99; Supplied w/o Mtg. Brkt.	P
Unloaded Caliper	99	CR133118S	CR133119S	To 5/18/99; Supplied w/o Mtg. Brkt.	O
Unloaded Caliper	98 - 95	CRB133118	CRB133119	Supplied w/Mtg. Brkt.	P
Unloaded Caliper	98 - 95	CRB133118S	CRB133119S	Supplied w/Mtg. Brkt.	O
Unloaded Caliper	98 - 95	CR133118	CR133119	Supplied w/o Mtg. Brkt.	P
Unloaded Caliper	98 - 95	CR133118S	CR133119S	Supplied w/o Mtg. Brkt.	O
Unloaded Caliper	94 - 92	CR128780	CR128781		P
Unloaded Caliper	94 - 92	CR128780S	CR128781S		O
Unloaded Caliper	91 - 89	CR128856	CR128857		P
Unloaded Caliper	88 - 86	CR116931	CR116932		P
Unloaded Caliper	85 - 81	CR102430	CR102431	2-Piston Caliper	M

Rear, Unloaded	Years	Left No.	Right No.	Qualifier	Piston
Unloaded Caliper	05 - 99	CRB134358	CRB134357	Supplied w/Mtg. Brkt.	P
Unloaded Caliper	05 - 99	CR134358	CR134357	Supplied w/o Mtg. Brkt.	P

↳Sub-Kit of Combi-Kit is available separately.

Piston: M - OE Metal Piston P - OE Phenolic Piston O - Metal Piston Option

350 ECONOLINE (cont.)

Hydraulics - New

Master Cylinder	Years	Sequential No.	Category No.	Qualifier
Master Cylinder	06 - 02	F140463	(MC140463)	w/Cruise Control; 1-5/16" Bore
Master Cylinder	06 - 02	F134457	(MC134457)	w/o Cruise Control; 1-5/16" Bore
Master Cylinder	01 - 99	F140463	(MC140463)	Exc. Super Duty; w/Cruise Control; 1-5/16" Bore
Master Cylinder	01 - 99	F134457	(MC134457)	Exc. Super Duty; w/o Cruise Control; 1-5/16" Bore
Master Cylinder	01 - 99	F134465	(MC134465)	Super Duty; 1-5/16" Bore
Master Cylinder	98	F140462	(MC140462)	From 12/22/97; w/Cruise Control; 1-1/4" Bore
Master Cylinder	98	F134457	(MC134457)	From 12/22/97; w/o Cruise Control; 1-5/16" Bore
Master Cylinder	97	F131212	(MC131212)	To 12/21/97; w/Hydro-Boost; w/o Cruise Control; 1-5/16" Bore
Master Cylinder	97	F140462	(MC140462)	To 12/21/97; w/Vacuum Boost; w/Cruise Control; 1-1/4" Bore
Master Cylinder	96	F131212	(MC131212)	Commercial Chassis; w/Hydro-Boost; 1-5/16" Bore
Master Cylinder	96	F131306	(MC131306)	Commercial Chassis; w/Vacuum Boost; w/Cruise Control; 1-1/8" Bore
Master Cylinder	96	F120368	(MC120368)	Commercial Chassis; w/Vacuum Boost; w/o Cruise Control; 1-1/8" Bore
Master Cylinder	96	F131211	(MC131211)	Exc. Commercial Chassis; w/Vacuum Boost; w/Cruise Control; 1-1/8" Bore
Master Cylinder	96	F120368	(MC120368)	Exc. Commercial Chassis; w/Vacuum Boost; w/o Cruise Control; 1-1/8" Bore
Master Cylinder	95 - 94	F131306	(MC131306)	Commercial Chassis; w/Cruise Control; 1-1/8" Bore
Master Cylinder	95 - 94	F131211	(MC131211)	Exc. Commercial Chassis; w/Cruise Control; 1-1/8" Bore
Master Cylinder	95 - 94	F120368	(MC120368)	Exc. Commercial Chassis; w/o Cruise Control; 1-1/8" Bore
Master Cylinder	93	F120368	(MC120368)	1-1/8" Bore
Master Cylinder	92	F129286	(MC129286)	w/DRW; 1-1/8" Bore
Master Cylinder	92	F129285	(MC129285)	w/SRW; 1-1/8" Bore
Master Cylinder	91 - 87	F120368	(MC120368)	1-1/8" Bore
Master Cylinder	86 - 84	F110919	(MC110919)	1-1/8" Bore
Master Cylinder	83 - 81	F97938	(MC97938)	1-1/16" Bore

Rear Wheel Cylinder	Years	Sequential No.	Category No.	Qualifier
Wheel Cylinder	06 - 95	F113757	(WC113757)	L.H.; w/DRW; 1-3/16" Bore
Wheel Cylinder	06 - 95	F131875	(WC131875)	L.H.; w/SRW; 1-1/8" Bore
Wheel Cylinder	06 - 95	F113758	(WC113758)	R.H.; w/DRW; 1-3/16" Bore
Wheel Cylinder	06 - 95	F131874	(WC131874)	R.H.; w/SRW; 1-1/8" Bore
Wheel Cylinder	94 - 92	F113757	(WC113757)	L.H.; w/DRW; 12 x 3" Brake; 1-3/16" Bore
Wheel Cylinder	94 - 92	F35325	(WC35325)	L.H.; w/DRW; 12 x 3-1/2" Brake; 1-1/8" Bore
Wheel Cylinder	94 - 93	F73615	(WC73615)	L.H.; w/SRW; 1-1/16" Bore
Wheel Cylinder	94 - 92	F113758	(WC113758)	R.H.; w/DRW; 12 x 3" Brake; 1-3/16" Bore
Wheel Cylinder	94 - 92	F35326	(WC35326)	R.H.; w/DRW; 12 x 3-1/2" Brake; 1-1/8" Bore
Wheel Cylinder	94 - 93	F73614	(WC73614)	R.H.; w/SRW; 1-1/16" Bore
Wheel Cylinder	92	F57146	(WC57146)	L.H.; w/SRW; 12 x 3" Brake; 1" Bore
Wheel Cylinder	92	F73615	(WC73615)	L.H.; w/SRW; 12 x 3-1/2" Brake; 1-1/16" Bore
Wheel Cylinder	92	F57147	(WC57147)	R.H.; w/SRW; 12 x 3" Brake; 1" Bore
Wheel Cylinder	92	F73614	(WC73614)	R.H.; w/SRW; 12 x 3-1/2" Brake; 1-1/16" Bore
Wheel Cylinder	91 - 84	F35325	(WC35325)	L.H.; w/DRW; 1-1/8" Bore
Wheel Cylinder	91 - 84	F57146	(WC57146)	L.H.; w/SRW; 1" Bore
Wheel Cylinder	91 - 84	F35326	(WC35326)	R.H.; w/DRW; 1-1/8" Bore
Wheel Cylinder	91 - 84	F57147	(WC57147)	R.H.; w/SRW; 1" Bore
Wheel Cylinder	83 - 81	F57146	(WC57146)	L.H.; School Bus; 1" Bore
Wheel Cylinder	83 - 81	F57147	(WC57147)	R.H.; School Bus; 1" Bore
Wheel Cylinder	81	F18984	(WC18984)	L.H.; Exc. School Bus; 1-1/16" Bore
Wheel Cylinder	81	F18985	(WC18985)	R.H.; Exc. School Bus; 1-1/16" Bore

Clutch Master Cylind	Years	Sequential No.	Category No.	Qualifier
Clutch Master Cylinder	99 - 92	F118415	(CM118415)	Chassis Cab; 7/8" Bore
Clutch Master Cylinder	99 - 92	F117053	(CM117053)	Stripped Chassis; 7/8" Bore
Clutch Master Cylinder	91 - 90	F118415	(CM118415)	Chassis Cab; w/Dual Piston Caliper; 7/8" Bore
Clutch Master Cylinder	91 - 90	F117053	(CM117053)	Stripped Chassis; w/Dual Piston Caliper; 7/8" Bore
Clutch Master Cylinder	89 - 88	F118415	(CM118415)	Chassis Cab; 7/8" Bore
Clutch Master Cylinder	89 - 88	F110269	(CM110269)	Exc. Chassis Cab; 7/8" Bore
Clutch Master Cylinder	87 - 84	F110269	(CM110269)	7/8" Bore

350 ECONOLINE (cont.)
Hydraulics - New (cont.)

Clutch Slave Cylinder	Years	Sequential No.	Category No.	Qualifier
Clutch Slave Cylinder	97 - 84	F103485	(SC103485)	1" Bore
Clutch Slave Cylinder	89 - 88	F126890	(SC126890)	1-1/32" Bore
Front Brake Hose	Years	Sequential No.	Category No.	Qualifier
Brake Hose	02 - 95	F132754	(BH132754)	L.H.; w/2 Whl. ABS
Brake Hose	02 - 95	F133395	(BH133395)	L.H.; w/4 Whl. ABS
Brake Hose	02 - 95	F132773	(BH132773)	R.H.; w/2 Whl. ABS
Brake Hose	02 - 95	F132773	(BH132773)	R.H.; w/4 Whl. ABS
Brake Hose	94 - 93	F132196	(BH132196)	L.H.; w/2 Whl. ABS
Brake Hose	94 - 93	F132195	(BH132195)	L.H.; w/4 Whl. ABS
Brake Hose	94 - 93	F133813	(BH133813)	R.H.; w/2 Whl. ABS
Brake Hose	94 - 93	F133813	(BH133813)	R.H.; w/4 Whl. ABS
Brake Hose	92	F130430	(BH130430)	L.H.; w/Dual Piston Caliper
Brake Hose	92	F132298	(BH132298)	R.H.; w/Dual Piston Caliper
Brake Hose	91 - 82	F107255	(BH107255)	L.H.
Brake Hose	91 - 82	F106365	(BH106365)	R.H.
Brake Hose	81	F107255	(BH107255)	L.H.; From 2/02/81
Brake Hose	81	F102474	(BH102474)	L.H.; To 2/02/81
Brake Hose	81	F106365	(BH106365)	R.H.; From 2/02/81
Brake Hose	81	F106365	(BH106365)	R.H.; To 2/02/81
Rear Brake Hose	Years	Sequential No.	Category No.	Qualifier
Brake Hose	05 - 92	F133837	(BH133837)	
Brake Hose	91 - 90	F128682	(BH128682)	
Brake Hose	89 - 86	F120872	(BH120872)	
Brake Hose	85	F120872	(BH120872)	From 3/01/85
Brake Hose	85	F119385	(BH119385)	To 2/28/85
Brake Hose	84 - 81	F119385	(BH119385)	

Hydraulics - Reman

Master Cylinder	Years	Part No.	Qualifier
Master Cylinder	03 - 01	R134795	w/Cruise; Booster I.D. No. 2C242B559KA
Master Cylinder	03 - 00	R134796	w/o Cruise; Booster I.D. No. XC252B559PC
Master Cylinder	00	R134795	w/Cruise; Booster I.D. No. XC252B559EC
Master Cylinder	00	R134713	w/o Cruise; Booster I.D. No. XC252B559DB
Master Cylinder	99	R134797	To 5/02/99; w/Hydro Boost
Master Cylinder	99	R134795	w/Vacuum Boost; w/Cruise
Master Cylinder	99	R134796	w/Vacuum Boost; w/o Cruise
Master Cylinder	98 - 97	R134709	w/Cruise; w/DRW
Master Cylinder	98 - 97	R134630	w/Cruise; w/SRW
Master Cylinder	98 - 97	R134629	w/o Cruise; Cutaway or Stripped Chassis
Master Cylinder	98 - 97	R134713	w/o Cruise; Exc. Cutaway or Stripped Chassis
Master Cylinder	96 - 93	R131306	w/Cruise
Master Cylinder	96 - 93	R120368	w/o Cruise
Master Cylinder	92	R129285	
Master Cylinder	91 - 87	R120368	
Master Cylinder	86 - 84	R110919	
Master Cylinder	83 - 81	R97938	
Power Brake Booster	Years	Part No.	Qualifier
Power Brake Booster	04	5474419	From I.D. No. 3C242B559CC; Gas; w/o Master Cylinder; w/Cruise
Power Brake Booster	03 - 01	5474419	Gas; w/o Master Cylinder
Power Brake Booster	00 - 99	5474419	Gas; w/o Master Cylinder; Cutaway
Power Brake Booster	00 - 99	5474418	Gas; w/o Master Cylinder; Exc. Cutaway
Power Brake Booster	98 - 97	5474412	Gas; w/o Master Cylinder
Power Brake Booster	96 - 94	504403	Gas; w/Master Cylinder; w/Cruise; Incl. Pump/Motor; Also Avail. Separately
Power Brake Booster	96 - 94	504407	Gas; w/Master Cylinder; w/o Cruise
Power Brake Booster	96 - 92	5474402	Gas; w/o Master Cylinder
Power Brake Booster	93	504407	Gas; w/Master Cylinder

350 ECONOLINE (cont.)

Hydraulics - Reman (cont.)

Power Brake Booster	Years	Part No.	Qualifier
Power Brake Booster	92	504402	Gas; w/Master Cylinder
Power Brake Booster	91 - 90	503321	Gas; w/Master Cylinder; Cutaway
Power Brake Booster	91 - 90	504401	Gas; w/Master Cylinder; Exc. Cutaway
Power Brake Booster	91 - 90	5474401	Gas; w/o Master Cylinder; Exc. Cutaway
Power Brake Booster	89 - 87	504401	Gas; w/Master Cylinder
Power Brake Booster	89 - 87	5474401	Gas; w/o Master Cylinder
Power Brake Booster	86 - 84	509336	Gas; w/Master Cylinder
Power Brake Booster	86 - 84	5473357	Gas; w/o Master Cylinder
Power Brake Booster	83 - 81	503312	Gas; w/Master Cylinder
Power Brake Booster	83 - 81	5473312	Gas; w/o Master Cylinder

Brake Cables

Parking Brake Cable	Years	Sequential No.	Category No.	Qualifier
Parking Brake Cable	04 - 97	F140373	(BC140373)	Rear; R.H.; 158" or 176" WB; RV Cutaway; 123" Length
Parking Brake Cable	98	F138822	(BC138822)	Forward; Exc. Stripped Chassis
Parking Brake Cable	98	F139252	(BC139252)	Intermediate; 138" WB; Stripped Chassis
Parking Brake Cable	97 - 95	F133084	(BC133084)	Forward
Parking Brake Cable	97	F139252	(BC139252)	Intermediate; 138" WB
Parking Brake Cable	97	F140390	(BC140390)	Intermediate; 158" WB; 36" Length
Parking Brake Cable	97 - 95	F133086	(BC133086)	Rear; L.H.; 8000 lb. RA
Parking Brake Cable	97 - 95	F133088	(BC133088)	Rear; L.H.; Exc. 8000 lb. RA
Parking Brake Cable	97 - 95	F133085	(BC133085)	Rear; R.H.; 8000 lb. RA
Parking Brake Cable	97 - 95	F133087	(BC133087)	Rear; R.H.; Exc. 8000 lb. RA
Parking Brake Cable	96	F133083	(BC133083)	Intermediate; 138" WB; Exc. Stripped Chassis
Parking Brake Cable	96	F139252	(BC139252)	Intermediate; 138" WB; Stripped Chassis
Parking Brake Cable	95	F133083	(BC133083)	Intermediate; 138" WB
Parking Brake Cable	95	F140391	(BC140391)	Intermediate; 176" WB; 69" Length
Parking Brake Cable	94 - 92	F132452	(BC132452)	Forward; Commercial Chassis
Parking Brake Cable	94 - 92	F132082	(BC132082)	Forward; Exc. Commercial Chassis; Exc. Stripped Chassis
Parking Brake Cable	94 - 92	F132083	(BC132083)	Forward; Stripped Chassis
Parking Brake Cable	94 - 92	F132449	(BC132449)	Intermediate; 138" WB
Parking Brake Cable	94 - 92	F132450	(BC132450)	Intermediate; 158" WB
Parking Brake Cable	94 - 92	F132451	(BC132451)	Intermediate; 176" WB
Parking Brake Cable	94 - 92	F132084	(BC132084)	Rear; L.H.; 5300-5400 lb. RA
Parking Brake Cable	94 - 92	F133086	(BC133086)	Rear; L.H.; 6300-7800 lb. RA
Parking Brake Cable	94 - 92	F133086	(BC133086)	Rear; L.H.; 8000-8500 lb. RA
Parking Brake Cable	94 - 92	F132085	(BC132085)	Rear; R.H.; 5300-5400 lb. RA
Parking Brake Cable	94 - 92	F132087	(BC132087)	Rear; R.H.; 6300-7800 lb. RA
Parking Brake Cable	94 - 92	F132088	(BC132088)	Rear; R.H.; 8000-8500 lb. RA
Parking Brake Cable	91 - 88	F120903	(BC120903)	Forward; 138" WB; Exc. Stripped Chassis
Parking Brake Cable	91 - 88	F116497	(BC116497)	Forward; 138" WB; Stripped Chassis
Parking Brake Cable	91 - 88	F120905	(BC120905)	Forward; 158" WB; Exc. Stripped Chassis
Parking Brake Cable	91 - 88	F116496	(BC116496)	Forward; 158" WB; Stripped Chassis
Parking Brake Cable	91	F120906	(BC120906)	Forward; 176" WB
Parking Brake Cable	91 - 81	F109060	(BC109060)	Rear; L.H.
Parking Brake Cable	91 - 81	F109059	(BC109059)	Rear; R.H.
Parking Brake Cable	90 - 81	F129204	(BC129204)	Forward; 176" WB
Parking Brake Cable	87 - 81	F102663	(BC102663)	Forward; Exc. Stripped Chassis; 138" WB
Parking Brake Cable	87 - 81	F109063	(BC109063)	Forward; Exc. Stripped Chassis; 158" WB
Parking Brake Cable	87 - 81	F116497	(BC116497)	Forward; Stripped Chassis; 138" WB
Parking Brake Cable	87 - 81	F116496	(BC116496)	Forward; Stripped Chassis; 158" WB

ABS Components - Reman

ABS Module	Years	Part No.	Qualifier
ABS Module	96 - 94	RA121022	w/DRW; w/2 Whl. ABS
ABS Module	96 - 94	RA121021	w/SRW; w/2 Whl. ABS

350 ECONOLINE (cont.)

ABS Components - Reman (cont.)

ABS Module	Years	Part No.	Qualifier
ABS Module	93 - 92	RA121022	w/DRW
ABS Module	93 - 92	RA121021	w/SRW
ABS Module	91 - 90	RA121018	w/DRW
ABS Module	91 - 90	RA121017	w/SRW

ABS Hydraulic Unit	Years	Part No.	Qualifier
ABS Hydraulic Unit	96 - 95	RA122061	w/2 Whl. ABS
ABS Hydraulic Unit	94 - 90	RA122024	

Wheel Attaching Hardware

Front Wheel Stud	Years	Part No.	Qualifier
Wheel Lug Stud	05 - 85	BD61164	
Wheel Lug Stud	84	BD60931	From 1/01/84; w/DRW
Wheel Lug Stud	84	BD61164	To 12/31/83; w/DRW
Wheel Lug Stud	83 - 81	BD60931	w/DRW
Wheel Lug Stud	83 - 81	BD61164	w/SRW

Rear Wheel Stud	Years	Part No.	Qualifier
Wheel Lug Stud	05 - 90	BD61175	
Wheel Lug Stud	94 - 90	BD61175	w/DRW
Wheel Lug Stud	94 - 90	BD61175	w/SRW
Wheel Lug Stud	89 - 87	BD61163	w/DRW; w/12 x 3" Drum
Wheel Lug Stud	89 - 87	BD61175	w/DRW; w/12-1/8 x 3-1/2" Drum
Wheel Lug Stud	89 - 85	BD60984	w/SRW
Wheel Lug Stud	86 - 85	BD61163	From 1/01/84; w/DRW
Wheel Lug Stud	84 - 81	BD60984	R.H. Thread; w/DRW
Wheel Lug Stud	84 - 81	BD60984	R.H. Thread; w/SRW
Wheel Lug Stud	84	BD60985	To 12/31/83; L.H. Thread; w/DRW
Wheel Lug Stud	84	BD61163	To 12/31/83; w/DRW
Wheel Lug Stud	83 - 81	BD60985	L.H. Thread; w/DRW

Front Wheel Nut	Years	Part No.	Qualifier
Wheel Lug Nut	05 - 92	BD125925	Flat Faced Open; w/DRW
Wheel Lug Nut	05 - 92	BD61287	Std. Open; w/SRW
Wheel Lug Nut	91 - 85	BD61169	From 1/01/84; Flat Faced Open; w/DRW
Wheel Lug Nut	91 - 81	BD61325	Std. Open; w/SRW
Wheel Lug Nut	84 - 81	BD60933	Std. Open; w/DRW
Wheel Lug Nut	84	BD61169	To 12/31/83; Flat Faced Open; w/DRW

Rear Wheel Nut	Years	Part No.	Qualifier
Wheel Lug Nut	05 - 92	BD125925	Flat Faced Open; w/DRW
Wheel Lug Nut	05 - 92	BD61287	Std. Open; w/SRW
Wheel Lug Nut	91 - 84	BD61169	Flat Faced Open; w/DRW
Wheel Lug Nut	91 - 81	BD61325	Std. Open; w/SRW
Wheel Lug Nut	84 - 81	BD61296	L.H. Thread; Std. Open; w/DRW
Wheel Lug Nut	84 - 81	BD60933	R.H. Thread; Std. Open; w/DRW

3500 EXPRESS

Brake Pads & Shoes

Front Pads & Shoes	Years	SevereDuty	Lining No.	Qualifier
Brake Pads	06 - 03	SD784		
Brake Pads	02	SD459		
Brake Pads	01 - 99	SD459		w/DRW
Brake Pads	01 - 99	SD845		w/SRW

Rear Pads & Shoes	Years	SevereDuty	Lining No.	Qualifier
Brake Pads	06 - 03	SD989		Commercial Chassis; w/DRW
Brake Pads	06 - 03	SD974		Commercial Chassis; w/SRW
Brake Pads	06 - 03	SD974		Exc. Commercial Chassis
Brake Shoes	02 - 99	SDS656R	SX2157BDT-S36	13 x 3-1/2" Brake; Riveted

3500 EXPRESS (cont.)

Rotor & Drum					
Front Rotor & Drum	Years	Part No.	Qualifier		
Brake Rotor	06 - 03	BD126036	8600-9600 GVW		
Brake Rotor	05 - 03	BD125779	10000-12000 GVW		
Brake Rotor	02 - 01	BD125471	Commercial Chassis; w/DRW		
Brake Rotor	02 - 01	BD125765	Commercial Chassis; w/SRW; 2nd Design; Rotor Casting No. 15769075		
Brake Rotor	02 - 01	BD125765	Exc. Commercial Chassis; 2nd Design; Rotor Casting No.15769075		
Brake Rotor	01	BD125212	Commercial Chassis; w/SRW		
Brake Rotor	01	BD125212	Exc. Commercial Chassis; 1st Design; Rotor Casting No. 15649968		
Brake Rotor	00 - 99	BD125471	w/DRW		
Brake Rotor	00 - 99	BD125212	w/SRW		
Rear Rotor & Drum	Years	Part No.	Qualifier		
Brake Drum	02 - 99	BD60356	13 x 3-1/2" Brake; w/DRW		
Brake Drum	02 - 99	BD125523	13 x 3-1/2" Brake; w/SRW		
Brake Rotor	06	BD125778	w/12-51/64" Dia. Rotor; 8 Stud Whl.; 4-53/64" Height		
Brake Rotor	06	BD125657	w/13" Dia. Rotor; 8 Stud Whl.; w/4-53/64" Dia. Ctr. Pilot Hole		
Brake Rotor	06	BD125656	w/13" Dia.Rotor; 8 Stud Whl.; w/4-5/8 Dia. Ctr. Pilot Hole		
Brake Rotor	05 - 03	BD125778	Commercial Chassis; w/DRW; w/12-51/64" Dia. Rotor; 8 Stud Whl.; 4-53/64" Height		
Brake Rotor	05 - 03	BD125657	Commercial Chassis; w/SRW; w/13" Dia. Rotor; 8 Stud Whl.; w/4-53/64" Dia. Ctr. Pilot Hole		
Brake Rotor	05 - 03	BD125657	Exc. Commercial Chassis; w/13" Dia. Rotor; 8 Stud Whl.; w/4-53/64" Dia. Ctr. Pilot Hole		
Brake Hardware					
Front Brake Hardware	Years	Sequential No.	Category No.	Qualifier	
Caliper Bolt/Pin	06 - 03	F139700	(H5095)		
Caliper Bolt/Pin	02 - 99	F129642S	(H5062)	w/Floating Delco Caliper; w/DRW	
Caliper Bolt/Pin	02 - 99	F117224S	(H5038)	w/Floating Delco Caliper; w/SRW	
Caliper Bolt/Pin	02 - 99	F73237S	(H5019)	w/Sliding Bendix Caliper	
Disc Align Kit	02 - 99	F117225S	(H5584)	w/Floating Delco Caliper	
Disc Align Kit	02 - 99	F107401S	(H5562)	w/Sliding Bendix Caliper	
Rear Brake Hardware	Years	Sequential No.	Category No.	Qualifier	
Adjuster Kit	02 - 99	F98406	(H2580)	L.H.; 13 x 2-1/2" Brake	
Adjuster Kit	02 - 99	F98407	(H2581)	R.H.; 13 x 2-1/2" Brake	
Adjuster Screw	02 - 99	F83294	(H1550)	L.H.; 13 x 2-1/2" Brake	
Adjuster Screw	02 - 99	F83295	(H1551)	R.H.; 13 x 2-1/2" Brake	
Caliper Bolt/Pin	06 - 03	F139370	(H5091)		
Combi Kit	02 - 99	F98457S	(H7055)	13 x 2-1/2" Brake	
↳Adjuster Spring Kit		F73145S	(H425)		
↳Hold Down Kit		F113455S	(H4098)		
↳Return Spring Kit		F59100S	(H600)		
Disc Align Kit	06 - 03	F140512	(H5678)	w/DRW	
Disc Align Kit	06 - 03	F139864	(H5665)	w/SRW	
Pin Boot Kit	06 - 03	F140514	(H8240)		
Parking Brake	Years	Sequential No.	Category No.	Qualifier	
Combi Kit	03	F139879	(H7242)		
Calipers - Reman					
Front, Loaded	Years	Left No.	Right No.	Qualifier	Piston
Loaded Caliper	05 - 03	AS134558	AS134559	10000-12300 GVW	P
Loaded Caliper	02	AS120226	AS120227		M
Loaded Caliper	01 - 99	AS120226	AS120227	Cutaway; w/DRW; 139" WB	M
Loaded Caliper	01 - 99	AS116294	AS116295	Cutaway; w/SRW; 139" WB; 3.16" 1-Piston Caliper	M
Loaded Caliper	01 - 99	AS120226	AS120227	Exc. 139" WB; Cutaway	M
Loaded Caliper	01 - 99	AS116294	AS116295	Exc. Cutaway; 3.16" 1-Piston Caliper	M
Front, Unloaded	Years	Left No.	Right No.	Qualifier	Piston
Unloaded Caliper	05 - 03	CR134558	CR134559	10000-12300 GVW	P
Unloaded Caliper	05 - 03	CRB134347	CRB134348	8600-9600 GVW; 2-Piston Caliper; Supplied w/Mtg. Brkt.	P
Unloaded Caliper	05 - 03	CR134347	CR134348	8600-9600 GVW; 2-Piston Caliper; Supplied w/o Mtg. Brkt.	P
Unloaded Caliper	02	CR120226	CR120227		M

↳Sub-Kit of Combi-Kit is available separately.

Piston: M - OE Metal Piston P - OE Phenolic Piston

3500 EXPRESS (cont.)
Calipers - Reman (cont.)

Front, Unloaded	Years	Left No.	Right No.	Qualifier	Piston
Unloaded Caliper	01 - 99	CR120226	CR120227	Cutaway; w/DRW; 139" WB	M
Unloaded Caliper	01 - 99	CR116294	CR116295	Cutaway; w/SRW; 139" WB; 3.16" 1-Piston Caliper	M
Unloaded Caliper	01 - 99	CR120226	CR120227	Exc. 139" WB; Cutaway	M
Unloaded Caliper	01 - 99	CR116294	CR116295	Exc. Cutaway; 3.16" 1-Piston Caliper	M
Rear, Unloaded	Years	Left No.	Right No.	Qualifier	Piston
Unloaded Caliper	05 - 03	CR135118	CR135117	w/SRW	P

Hydraulics - New

Rear Wheel Cylinder	Years	Sequential No.	Category No.	Qualifier
Wheel Cylinder	02 - 99	F79768	(WC79768)	w/DRW; 1-3/16" Bore
Wheel Cylinder	02 - 99	F116359	(WC116359)	w/SRW; 1" Bore
Front Brake Hose	Years	Sequential No.	Category No.	Qualifier
Brake Hose	02 - 01	F140498	(BH140498)	L.H.
Brake Hose	02 - 01	F140499	(BH140499)	R.H.
Brake Hose	00 - 99	F140498	(BH140498)	L.H.; w/DRW
Brake Hose	00 - 99	F140496	(BH140496)	L.H.; w/SRW
Brake Hose	00 - 99	F140499	(BH140499)	R.H.; w/DRW
Brake Hose	00 - 99	F140497	(BH140497)	R.H.; w/SRW
Rear Brake Hose	Years	Sequential No.	Category No.	Qualifier
Brake Hose	02 - 99	F118117	(BH118117)	

Hydraulics - Reman

Master Cylinder	Years	Part No.	Qualifier
Master Cylinder	02 - 99	R134626	
Power Brake Booster	Years	Part No.	Qualifier
Hydro Booster	01 - 99	527343	Diesel; w/DRW
Hydro Booster	01 - 99	527342	Diesel; w/SRW

Brake Cables

Parking Brake Cable	Years	Sequential No.	Category No.	Qualifier
Parking Brake Cable	02 - 99	F138836	(BC138836)	Forward; Exc. Cutaway
Parking Brake Cable	02 - 99	F138900	(BC138900)	Intermediate; 155" or 159" WB
Parking Brake Cable	02 - 99	F140240	(BC140240)	Intermediate; 177" WB; 37" Length

Wheel Attaching Hardware

Front Wheel Stud	Years	Part No.	Qualifier
Wheel Lug Stud	05 - 03	BD125960	
Wheel Lug Stud	02 - 99	BD61416	w/DRW; 14mm Bolt
Wheel Lug Stud	02 - 99	BD61426	w/SRW
Rear Wheel Stud	Years	Part No.	Qualifier
Wheel Lug Stud	05 - 03	BD125961	M14 x 1.5 x 28
Wheel Lug Stud	02 - 99	BD61403	w/DRW
Wheel Lug Stud	02	BD125962	w/SRW
Wheel Lug Stud	01 - 99	BD61427	w/SRW
Front Wheel Nut	Years	Part No.	Qualifier
Wheel Lug Nut	05 - 03	BD125998	Dome - Black
Wheel Lug Nut	05 - 03	BD125916	External Thread
Wheel Lug Nut	02 - 99	BD125926	External Thread; w/DRW
Wheel Lug Nut	02 - 99	BD125916	External Thread; w/SRW
Rear Wheel Nut	Years	Part No.	Qualifier
Wheel Lug Nut	05 - 03	BD125998	Dome - Black
Wheel Lug Nut	05 - 03	BD125916	External Thread
Wheel Lug Nut	02 - 99	BD125926	External Thread; w/DRW
Wheel Lug Nut	02 - 99	BD125916	External Thread; w/SRW

Piston: M - OE Metal Piston P - OE Phenolic Piston

3500 SAVANA

Brake Pads & Shoes

Front Pads & Shoes	Years	SevereDuty	Lining No.	Qualifier
Brake Pads	06 - 03	SD784		
Brake Pads	02	SD459		
Brake Pads	01 - 99	SD459		w/DRW
Brake Pads	01 - 99	SD845		w/SRW

Rear Pads & Shoes	Years	SevereDuty	Lining No.	Qualifier
Brake Pads	06 - 03	SD989		Commercial Chassis; w/DRW
Brake Pads	06 - 03	SD974		Commercial Chassis; w/SRW
Brake Pads	06 - 03	SD974		Exc. Commercial Chassis
Brake Shoes	02 - 99	SDS656R	SX2157BDT-S36	13 x 3-1/2" Brake; Riveted

Rotor & Drum

Front Rotor & Drum	Years	Part No.	Qualifier
Brake Rotor	06 - 03	BD126036	8600-9600 GVW
Brake Rotor	05 - 03	BD125779	10000-12000 GVW
Brake Rotor	02 - 01	BD125471	Commercial Chassis; w/DRW
Brake Rotor	02 - 01	BD125765	Commercial Chassis; w/SRW; 2nd Design; Rotor Casting No. 15769075
Brake Rotor	02 - 01	BD125765	Exc. Commercial Chassis; 2nd Design; Rotor Casting No.15769075
Brake Rotor	01	BD125212	Commercial Chassis; w/SRW
Brake Rotor	01	BD125212	Exc. Commercial Chassis; 1st Design; Rotor Casting No. 15649968
Brake Rotor	00 - 99	BD125471	w/DRW
Brake Rotor	00 - 99	BD125212	w/SRW

Rear Rotor & Drum	Years	Part No.	Qualifier
Brake Drum	02 - 99	BD60356	13 x 3-1/2" Brake; w/DRW
Brake Drum	02 - 99	BD125523	13 x 3-1/2" Brake; w/SRW
Brake Rotor	06	BD125778	w/12-51/64" Dia. Rotor; 8 Stud Whl.; 4-53/64" Height
Brake Rotor	06	BD125657	w/13" Dia. Rotor; 8 Stud Whl.; w/4-53/64" Dia. Ctr. Pilot Hole
Brake Rotor	06	BD125656	w/13" Dia. Rotor; 8 Stud Whl.; w/4-5/8 Dia. Ctr. Pilot Hole
Brake Rotor	05 - 03	BD125778	Commercial Chassis; w/DRW; w/12-51/64" Dia. Rotor; 8 Stud Whl.; 4-53/64" Height
Brake Rotor	05 - 03	BD125657	Commercial Chassis; w/SRW; w/13" Dia. Rotor; 8 Stud Whl.; w/4-53/64" Dia. Ctr. Pilot Hole
Brake Rotor	05 - 03	BD125657	Exc. Commercial Chassis; w/13" Dia. Rotor; 8 Stud Whl.; w/4-53/64" Dia. Ctr. Pilot Hole

Brake Hardware

Front Brake Hardware	Years	Sequential No.	Category No.	Qualifier
Caliper Bolt/Pin	06 - 03	F139700	(H5095)	
Caliper Bolt/Pin	02 - 99	F129642S	(H5062)	w/Floating Delco Caliper; w/DRW
Caliper Bolt/Pin	02 - 99	F117224S	(H5038)	w/Floating Delco Caliper; w/SRW
Caliper Bolt/Pin	02 - 99	F73237S	(H5019)	w/Sliding Bendix Caliper
Disc Align Kit	02 - 99	F117225S	(H5584)	w/Floating Delco Caliper
Disc Align Kit	02 - 99	F107401S	(H5562)	w/Sliding Bendix Caliper

Rear Brake Hardware	Years	Sequential No.	Category No.	Qualifier
Adjuster Kit	02 - 99	F98406	(H2580)	L.H.; 13 x 2-1/2" Brake
Adjuster Kit	02 - 99	F98407	(H2581)	R.H.; 13 x 2-1/2" Brake
Adjuster Screw	02 - 99	F83294	(H1550)	L.H.; 13 x 2-1/2" Brake
Adjuster Screw	02 - 99	F83295	(H1551)	R.H.; 13 x 2-1/2" Brake
Caliper Bolt/Pin	06 - 03	F139370	(H5091)	
Combi Kit	02 - 99	F98457S	(H7055)	13 x 2-1/2" Brake
↳Adjuster Spring Kit		F73145S	(H425)	
↳Hold Down Kit		F113455S	(H4098)	
↳Return Spring Kit		F59100S	(H600)	
Disc Align Kit	06 - 03	F140512	(H5678)	w/DRW
Disc Align Kit	06 - 03	F139864	(H5665)	w/SRW
Pin Boot Kit	06 - 03	F140514	(H8240)	

Parking Brake	Years	Sequential No.	Category No.	Qualifier
Combi Kit	03	F139879	(H7242)	

↳Sub-Kit of Combi-Kit is available separately.

Piston: M - OE Metal Piston P - OE Phenolic Piston

3500 SAVANA (cont.)
Calipers - Reman

Front, Loaded	Years	Left No.	Right No.	Qualifier	Piston
Loaded Caliper	05 - 03	AS134558	AS134559	10000-12300 GVW	P
Loaded Caliper	02	AS120226	AS120227		M
Loaded Caliper	01 - 99	AS120226	AS120227	Cutaway; w/DRW; 139" WB	M
Loaded Caliper	01 - 99	AS116294	AS116295	Cutaway; w/SRW; 139" WB; 3.16" 1-Piston Caliper	M
Loaded Caliper	01 - 99	AS120226	AS120227	Exc. 139" WB; Cutaway	M
Loaded Caliper	01 - 99	AS116294	AS116295	Exc. Cutaway; 3.16" 1-Piston Caliper	M

Front, Unloaded	Years	Left No.	Right No.	Qualifier	Piston
Unloaded Caliper	05 - 03	CR134558	CR134559	10000-12300 GVW	P
Unloaded Caliper	05 - 03	CRB134347	CRB134348	8600-9600 GVW; 2-Piston Caliper; Supplied w/Mtg. Brkt.	P
Unloaded Caliper	05 - 03	CR134347	CR134348	8600-9600 GVW; 2-Piston Caliper; Supplied w/o Mtg. Brkt.	P
Unloaded Caliper	02	CR120226	CR120227		M
Unloaded Caliper	01 - 99	CR120226	CR120227	Cutaway; w/DRW; 139" WB	M
Unloaded Caliper	01 - 99	CR116294	CR116295	Cutaway; w/SRW; 139" WB; 3.16" 1-Piston Caliper	M
Unloaded Caliper	01 - 99	CR120226	CR120227	Exc. 139" WB; Cutaway	M
Unloaded Caliper	01 - 99	CR116294	CR116295	Exc. Cutaway; 3.16" 1-Piston Caliper	M

Rear, Unloaded	Years	Left No.	Right No.	Qualifier	Piston
Unloaded Caliper	05 - 03	CR135118	CR135117	w/SRW	P

Hydraulics - New

Rear Wheel Cylinder	Years	Sequential No.	Category No.	Qualifier
Wheel Cylinder	02 - 99	F79768	(WC79768)	w/DRW; 1-3/16" Bore
Wheel Cylinder	02 - 99	F116359	(WC116359)	w/SRW; 1" Bore

Front Brake Hose	Years	Sequential No.	Category No.	Qualifier
Brake Hose	02 - 01	F140498	(BH140498)	L.H.
Brake Hose	02 - 01	F140499	(BH140499)	R.H.
Brake Hose	00 - 99	F140498	(BH140498)	L.H.; w/DRW
Brake Hose	00 - 99	F140496	(BH140496)	L.H.; w/SRW
Brake Hose	00 - 99	F140499	(BH140499)	R.H.; w/DRW
Brake Hose	00 - 99	F140497	(BH140497)	R.H.; w/SRW

Rear Brake Hose	Years	Sequential No.	Category No.	Qualifier
Brake Hose	02 - 99	F118117	(BH118117)	

Hydraulics - Reman

Master Cylinder	Years	Part No.	Qualifier
Master Cylinder	02 - 99	R134626	

Power Brake Booster	Years	Part No.	Qualifier
Hydro Booster	01 - 99	527343	Diesel; w/DRW
Hydro Booster	01 - 99	527342	Diesel; w/SRW

Brake Cables

Parking Brake Cable	Years	Sequential No.	Category No.	Qualifier
Parking Brake Cable	02 - 99	F138836	(BC138836)	Forward; Exc. Cutaway
Parking Brake Cable	02 - 99	F138900	(BC138900)	Intermediate; 155" or 159" WB
Parking Brake Cable	02 - 99	F140240	(BC140240)	Intermediate; 177" WB; 37" Length

Wheel Attaching Hardware

Front Wheel Stud	Years	Part No.	Qualifier
Wheel Lug Stud	05 - 03	BD125960	
Wheel Lug Stud	02 - 99	BD61416	w/DRW; 14mm Bolt
Wheel Lug Stud	02 - 99	BD61426	w/SRW

Rear Wheel Stud	Years	Part No.	Qualifier
Wheel Lug Stud	05 - 03	BD125961	M14 x 1.5 x 28
Wheel Lug Stud	02 - 99	BD61403	w/DRW
Wheel Lug Stud	02	BD125962	w/SRW
Wheel Lug Stud	01 - 99	BD61427	w/SRW

Front Wheel Nut	Years	Part No.	Qualifier
Wheel Lug Nut	05 - 03	BD125998	Dome - Black
Wheel Lug Nut	05 - 03	BD125916	External Thread

Piston: M - OE Metal Piston P - OE Phenolic Piston

3500 SAVANA (cont.)

Wheel Attaching Hardware (cont.)

Front Wheel Nut	Years	Part No.	Qualifier
Wheel Lug Nut	02 - 99	BD125926	External Thread; w/DRW
Wheel Lug Nut	02 - 99	BD125916	External Thread; w/SRW
Rear Wheel Nut	Years	Part No.	Qualifier
Wheel Lug Nut	05 - 03	BD125998	Dome - Black
Wheel Lug Nut	05 - 03	BD125916	External Thread
Wheel Lug Nut	02 - 99	BD125926	External Thread; w/DRW
Wheel Lug Nut	02 - 99	BD125916	External Thread; w/SRW

THOMAS Type-C Saf-T Liner

C2

Brake Pads & Shoes

Front Pads & Shoes	Years	SevereDuty	Lining No.	Qualifier
Brake Pads	07 - 04	SD786		Bosch; 2.60" 2-Piston Caliper
Brake Pads	07 - 04	SD786A		Bosch; 2.88" 2-Piston Caliper
Brake Shoes	07 - 04	4702Q	4702	w/Air Brakes; Rockwell/Meritor; Q-Plus; 15 x 4
Brake Shoes	07 - 04	4703Q	4703	w/Air Brakes; Rockwell/Meritor; Q-Plus; 15 x 5
Brake Shoes	07 - 04	1308Q	1308T	w/Air Brakes; Rockwell/Meritor; Q-Series; 15 x 4
Brake Shoes	07 - 04	4524Q	4524B	w/Air Brakes; Rockwell/Meritor; Q-Series; 16-1/2 x 5
Brake Shoes	07 - 04	4514Q	4514G	w/Air Brakes; Rockwell/Meritor; Q-Series; 16-1/2 x 6
Brake Shoes	07 - 04	1307T	1307	w/Air Brakes; Rockwell/Meritor; T-Series; 15 x 3-1/2
Brake Shoes	07 - 04	1308T	1308T	w/Air Brakes; Rockwell/Meritor; T-Series; 15 x 4
Rear Pads & Shoes	Years	SevereDuty	Lining No.	Qualifier
Brake Pads	07 - 04	SD786		Bosch; 2.60" 2-Piston Caliper
Brake Pads	07 - 04	SD786A		Bosch; 2.88" 2-Piston Caliper
Brake Shoes	07 - 04	4709E	4709	w/Air Brakes; Eaton; Extended Service; 16-1/2 x 7
Brake Shoes	07 - 04	4515P	4515E	w/Air Brakes; Rockwell/Meritor; P-Series; 16-1/2 x 7
Brake Shoes	07 - 04	4710Q	4710	w/Air Brakes; Rockwell/Meritor; Q-Plus; 15 x 8-5/8
Brake Shoes	07 - 04	4707Q	4707	w/Air Brakes; Rockwell/Meritor; Q-Plus; 16-1/2 x 7
Brake Shoes	07 - 04	4718Q	4718	w/Air Brakes; Rockwell/Meritor; Q-Plus; 16-1/2 x 8
Brake Shoes	07 - 04	4514Q	4514G	w/Air Brakes; Rockwell/Meritor; Q-Series; 16-1/2 x 6
Brake Shoes	07 - 04	4515Q	4515E	w/Air Brakes; Rockwell/Meritor; Q-Series; 16-1/2 x 7

Rotor & Drum

Front Rotor & Drum	Years	Part No.	Qualifier
Brake Rotor	07 - 04	BD126389	10000-12000 lb. FA; Hat-Shaped; 10-Hole Rotor
Brake Rotor	07 - 04	BD126394	10000-12000 lb. FA; U-Shaped; 10-Hole Rotor
Brake Rotor	07 - 04	BD126389	6000-8000 lb. FA; Hat-Shaped; 10-Hole Rotor
Brake Rotor	07 - 04	BD126391	6000-8000 lb. FA; Hat-Shaped; 5-Hole Rotor
Brake Rotor	07 - 04	BD126392	6000-8000 lb. FA; Hat-Shaped; 6-Hole Rotor
Rear Rotor & Drum	Years	Part No.	Qualifier
Brake Rotor	07 - 04	BD126389	10000-17500 lb. RA; Hat-Shaped; 10-Hole Rotor; 3-1/4" Height
Brake Rotor	07 - 04	BD126390	10000-17500 lb. RA; Hat-Shaped; 10-Hole Rotor; 4-1/2" Height
Brake Rotor	07 - 04	BD126392	10000-17500 lb. RA; Hat-Shaped; 6-Hole Rotor
Brake Rotor	07 - 04	BD126390	19000-21000 lb. RA; Hat-Shaped; 10-Hole Rotor
Brake Rotor	07 - 04	BD125382	19000-21000 lb. RA; U-Shaped; 5-Hole Rotor
Brake Rotor	07 - 04	BD125382	34000 lb. TRA; U-Shaped; 5-Hole Rotor

Brake Hardware

Front Brake Hardware	Years	Sequential No.	Category No.	Qualifier
Disc Align Kit	07 - 04	F140769	(H5710)	Bosch; 2.60" 2-Piston Caliper
Disc Align Kit	07 - 04	F140769	(H5710)	Bosch; 2.88" 2-Piston Caliper
Rear Brake Hardware	Years	Sequential No.	Category No.	Qualifier
Disc Align Kit	07 - 04	F140769	(H5710)	Bosch; 2.60" 2-Piston Caliper
Disc Align Kit	07 - 04	F140769	(H5710)	Bosch; 2.88" 2-Piston Caliper

C2 (cont.)
Calipers - Reman

Front, Loaded	Years	Left No.	Right No.	Qualifier	Piston
Loaded Caliper	07 - 04	AS135025	AS135025	Bosch; 2.60" 2-Piston Caliper	P
Loaded Caliper	07 - 04	AS135024	AS135024	Bosch; 2.88" 2-Piston Caliper	P
Rear, Loaded	Years	Left No.	Right No.	Qualifier	Piston
Loaded Caliper	07 - 04	AS135025	AS135025	Bosch; 2.60" 2-Piston Caliper	P
Loaded Caliper	07 - 04	AS135024	AS135024	Bosch; 2.88" 2-Piston Caliper	P
Front, Unloaded	Years	Left No.	Right No.	Qualifier	Piston
Unloaded Caliper	07 - 04	CR135025	CR135025	Bosch; 2.60" 2-Piston Caliper	P
Unloaded Caliper	07 - 04	CR135024	CR135024	Bosch; 2.88" 2-Piston Caliper	P
Rear, Unloaded	Years	Left No.	Right No.	Qualifier	Piston
Unloaded Caliper	07 - 04	CR135025	CR135025	Bosch; 2.60" 2-Piston Caliper	P
Unloaded Caliper	07 - 04	CR135024	CR135024	Bosch; 2.88" 2-Piston Caliper	P

FS-65
Brake Pads & Shoes

Front Pads & Shoes	Years	SevereDuty	Lining No.	Qualifier
Brake Pads	07 - 00	SD786		Bosch; 2.60" 2-Piston Caliper
Brake Pads	07 - 00	SD786A		Bosch; 2.88" 2-Piston Caliper
Brake Pads	00 - 95	SD184		Bendix; 2.60" 2-Piston Caliper
Brake Pads	00 - 95	SD225		Bendix; 2.88" 2-Piston Caliper
Brake Shoes	07 - 95	4702Q	4702	w/Air Brakes; Rockwell/Meritor; Q-Plus; 15 x 4
Brake Shoes	07 - 95	4703Q	4703	w/Air Brakes; Rockwell/Meritor; Q-Plus; 15 x 5
Brake Shoes	07 - 95	1308Q	1308T	w/Air Brakes; Rockwell/Meritor; Q-Series; 15 x 4
Brake Shoes	07 - 95	4524Q	4524B	w/Air Brakes; Rockwell/Meritor; Q-Series; 16-1/2 x 5
Brake Shoes	07 - 95	4514Q	4514G	w/Air Brakes; Rockwell/Meritor; Q-Series; 16-1/2 x 6
Brake Shoes	07 - 95	1307T	1307	w/Air Brakes; Rockwell/Meritor; T-Series; 15 x 3-1/2
Brake Shoes	07 - 95	1308T	1308T	w/Air Brakes; Rockwell/Meritor; T-Series; 15 x 4
Rear Pads & Shoes	Years	SevereDuty	Lining No.	Qualifier
Brake Pads	07 - 00	SD786		Bosch; 2.60" 2-Piston Caliper
Brake Pads	07 - 00	SD786A		Bosch; 2.88" 2-Piston Caliper
Brake Pads	00 - 95	SD184		Bendix; 2.60" 2-Piston Caliper
Brake Pads	00 - 95	SD225		Bendix; 2.88" 2-Piston Caliper
Brake Shoes	07 - 95	4709E	4709	w/Air Brakes; Eaton; Extended Service; 16-1/2 x 7
Brake Shoes	07 - 95	4515P	4515E	w/Air Brakes; Rockwell/Meritor; P-Series; 16-1/2 x 7
Brake Shoes	07 - 95	4710Q	4710	w/Air Brakes; Rockwell/Meritor; Q-Plus; 15 x 8-5/8
Brake Shoes	07 - 95	4707Q	4707	w/Air Brakes; Rockwell/Meritor; Q-Plus; 16-1/2 x 7
Brake Shoes	07 - 95	4718Q	4718	w/Air Brakes; Rockwell/Meritor; Q-Plus; 16-1/2 x 8
Brake Shoes	07 - 95	4514Q	4514G	w/Air Brakes; Rockwell/Meritor; Q-Series; 16-1/2 x 6
Brake Shoes	07 - 95	4515Q	4515E	w/Air Brakes; Rockwell/Meritor; Q-Series; 16-1/2 x 7

Rotor & Drum

Front Rotor & Drum	Years	Part No.	Qualifier
Brake Rotor	07 - 00	BD126389	10000-12000 lb. FA; Hat-Shaped; 10-Hole Rotor
Brake Rotor	07 - 00	BD126394	10000-12000 lb. FA; U-Shaped; 10-Hole Rotor
Brake Rotor	07 - 00	BD126389	6000-8000 lb. FA; Hat-Shaped; 10-Hole Rotor
Brake Rotor	07 - 00	BD126391	6000-8000 lb. FA; Hat-Shaped; 5-Hole Rotor
Brake Rotor	07 - 00	BD126392	6000-8000 lb. FA; Hat-Shaped; 6-Hole Rotor
Rear Rotor & Drum	Years	Part No.	Qualifier
Brake Rotor	07 - 00	BD126389	10000-17500 lb. RA; Hat-Shaped; 10-Hole Rotor; 3-1/4" Height
Brake Rotor	07 - 00	BD126390	10000-17500 lb. RA; Hat-Shaped; 10-Hole Rotor; 4-1/2" Height
Brake Rotor	07 - 00	BD126392	10000-17500 lb. RA; Hat-Shaped; 6-Hole Rotor
Brake Rotor	07 - 00	BD126390	19000-21000 lb. RA; Hat-Shaped; 10-Hole Rotor
Brake Rotor	07 - 00	BD125382	19000-21000 lb. RA; U-Shaped; 5-Hole Rotor
Brake Rotor	07 - 00	BD125382	34000 lb. TRA; U-Shaped; 5-Hole Rotor

Piston: M - OE Metal Piston **P** - OE Phenolic Piston

FS-65 (cont.)

Brake Hardware

Front Brake Hardware	Years	Sequential No.	Category No.	Qualifier
Disc Align Kit	07 - 00	F140769	(H5710)	Bosch; 2.60" 2-Piston Caliper
Disc Align Kit	07 - 00	F140769	(H5710)	Bosch; 2.88" 2-Piston Caliper
Disc Align Kit	00 - 95	F112095S	(H5564)	Bendix; 2.60" 2-Piston Caliper
Disc Align Kit	00 - 95	F112090S	(H5566)	Bendix; 2.88" 2-Piston Caliper

Rear Brake Hardware	Years	Sequential No.	Category No.	Qualifier
Disc Align Kit	07 - 00	F140769	(H5710)	Bosch; 2.60" 2-Piston Caliper
Disc Align Kit	07 - 00	F140769	(H5710)	Bosch; 2.88" 2-Piston Caliper
Disc Align Kit	00 - 95	F112095S	(H5564)	Bendix; 2.60" 2-Piston Caliper
Disc Align Kit	00 - 95	F112090S	(H5566)	Bendix; 2.88" 2-Piston Caliper

Calipers - Reman

Front, Loaded	Years	Left No.	Right No.	Qualifier	Piston
Loaded Caliper	07 - 00	AS135025	AS135025	Bosch; 2.60" 2-Piston Caliper	P
Loaded Caliper	07 - 00	AS135024	AS135024	Bosch; 2.88" 2-Piston Caliper	P
Loaded Caliper	00 - 95	AS112057	AS112057	Bendix; 2.60" 2-Piston Caliper	P
Loaded Caliper	00 - 95	AS112057S	AS112057S	Bendix; 2.60" 2-Piston Caliper	O
Loaded Caliper	00 - 95	AS120549	AS120549	Bendix; 2.88" 2-Piston Caliper	P
Loaded Caliper	00 - 95	AS120549S	AS120549S	Bendix; 2.88" 2-Piston Caliper	O

Rear, Loaded	Years	Left No.	Right No.	Qualifier	Piston
Loaded Caliper	07 - 00	AS135025	AS135025	Bosch; 2.60" 2-Piston Caliper	P
Loaded Caliper	07 - 00	AS135024	AS135024	Bosch; 2.88" 2-Piston Caliper	P
Loaded Caliper	00 - 95	AS132525	AS132525	Bendix; 2.60" 2-Piston Caliper; w/Air Ride	P
Loaded Caliper	00 - 95	AS132525S	AS132525S	Bendix; 2.60" 2-Piston Caliper; w/Air Ride	O
Loaded Caliper	00 - 95	AS112057	AS112057	Bendix; 2.60" 2-Piston Caliper; w/o Air Ride	P
Loaded Caliper	00 - 95	AS112057S	AS112057S	Bendix; 2.60" 2-Piston Caliper; w/o Air Ride	O
Loaded Caliper	00 - 95	AS134267	AS134267	Bendix; 2.88" 2-Piston Caliper; w/Air Ride	M
Loaded Caliper	00 - 95	AS120549	AS120549	Bendix; 2.88" 2-Piston Caliper; w/o Air Ride	P
Loaded Caliper	00 - 95	AS120549S	AS120549S	Bendix; 2.88" 2-Piston Caliper; w/o Air Ride	O

Front, Unloaded	Years	Left No.	Right No.	Qualifier	Piston
Unloaded Caliper	07 - 00	CR135025	CR135025	Bosch; 2.60" 2-Piston Caliper	P
Unloaded Caliper	07 - 00	CR135024	CR135024	Bosch; 2.88" 2-Piston Caliper	P
Unloaded Caliper	00 - 95	CR112057	CR112057	Bendix; 2.60" 2-Piston Caliper	P
Unloaded Caliper	00 - 95	CR112057S	CR112057S	Bendix; 2.60" 2-Piston Caliper	O
Unloaded Caliper	00 - 95	CR120549	CR120549	Bendix; 2.88" 2-Piston Caliper	P
Unloaded Caliper	00 - 95	CR120549S	CR120549S	Bendix; 2.88" 2-Piston Caliper	O

Rear, Unloaded	Years	Left No.	Right No.	Qualifier	Piston
Unloaded Caliper	07 - 00	CR135025	CR135025	Bosch; 2.60" 2-Piston Caliper	P
Unloaded Caliper	07 - 00	CR135024	CR135024	Bosch; 2.88" 2-Piston Caliper	P
Unloaded Caliper	00 - 95	CR132525	CR132525	Bendix; 2.60" 2-Piston Caliper; w/Air Ride	P
Unloaded Caliper	00 - 95	CR132525S	CR132525S	Bendix; 2.60" 2-Piston Caliper; w/Air Ride	O
Unloaded Caliper	00 - 95	CR112057	CR112057	Bendix; 2.60" 2-Piston Caliper; w/o Air Ride	P
Unloaded Caliper	00 - 95	CR112057S	CR112057S	Bendix; 2.60" 2-Piston Caliper; w/o Air Ride	O
Unloaded Caliper	00 - 95	CR134267	CR134267	Bendix; 2.88" 2-Piston Caliper; w/Air Ride	M
Unloaded Caliper	00 - 95	CR120549	CR120549	Bendix; 2.88" 2-Piston Caliper; w/o Air Ride	P
Unloaded Caliper	00 - 95	CR120549S	CR120549S	Bendix; 2.88" 2-Piston Caliper; w/o Air Ride	O

VISTA

Brake Pads & Shoes

Front Pads & Shoes	Years	SevereDuty	Lining No.	Qualifier
Brake Pads	98 - 93	SD184		Bendix; 2.60" 2-Piston Caliper
Brake Pads	98 - 88	SD225		Bendix; 2.88" 2-Piston Caliper
Brake Pads	98 - 93	SD184		Bendix; 3.38" 1-Piston Caliper
Brake Pads	92 - 88	SD224		Dayton; 2.50" 2-Piston Caliper
Brake Shoes	92 - 88	4524Q	4524B	w/Air Brakes; Rockwell/Meritor; Q-Series; 16-1/2 x 5
Brake Shoes	92 - 88	4514Q	4514G	w/Air Brakes; Rockwell/Meritor; Q-Series; 16-1/2 x 6
Brake Shoes	92 - 88	1307T	1307	w/Air Brakes; Rockwell/Meritor; T-Series; 15 x 3-1/2

Piston: M - OE Metal Piston P - OE Phenolic Piston O - Metal Piston Option

Brake Pads & Shoes (cont.)

Front Pads & Shoes	Years	SevereDuty	Lining No.	Qualifier
Brake Shoes	92 - 88	1308T	1308T	w/Air Brakes; Rockwell/Meritor; T-Series; 15 x 4
Rear Pads & Shoes	Years	SevereDuty	Lining No.	Qualifier
Brake Pads	98 - 93	SD184		Bendix; 2.60" 2-Piston Caliper
Brake Pads	98 - 88	SD225		Bendix; 2.88" 2-Piston Caliper
Brake Pads	92 - 88	SD224		Dayton; 2.50" 2-Piston Caliper
Brake Shoes	92 - 88	4311E	4311J	w/Air Brakes; Eaton/Spicer; 16-1/2 x 7
Brake Shoes	92 - 88	4524Q	4524B	w/Air Brakes; Rockwell/Meritor; Q-Series; 16-1/2 x 5
Brake Shoes	92 - 88	4514Q	4514G	w/Air Brakes; Rockwell/Meritor; Q-Series; 16-1/2 x 6
Brake Shoes	92 - 88	4515Q	4515E	w/Air Brakes; Rockwell/Meritor; Q-Series; 16-1/2 x 7
Parking Brake Shoes	Years	SevereDuty	Lining No.	Qualifier
Brake Shoes	98 - 93	SDS842R	EX1303AD	Driveline Config.; 10 x 3
Brake Shoes	98 - 93	SDS647	EX2086D	Driveline Config.; 9 x 3
Brake Shoes	92 - 88	SDS449R	EX2159TD	11 x 2
Brake Shoes	92 - 88	SDS692	EX2079D-S32	12 x 3
Brake Shoes	92 - 88	SDS647	EX2086D	9 x 3

Rotor & Drum

Front Rotor & Drum	Years	Part No.	Qualifier
Brake Rotor	98 - 93	BD125484	6000-8000 lb. FA; Hyd.; Hat-Shaped; 10-Hole Rotor; 3-1/4" Height
Brake Rotor	98 - 93	BD125097	6000-8000 lb. FA; Hyd.; Hat-Shaped; 10-Hole Rotor; 4-1/2" Height
Brake Rotor	98 - 93	BD125361	6000-8000 lb. FA; Hyd.; Hat-Shaped; 5-Hole Rotor
Brake Rotor	98 - 93	BD125362	6000-8000 lb. FA; Hyd.; Hat-Shaped; 6-Hole Rotor
Brake Rotor	98 - 93	BD125484	9000-14000 lb. FA; Hyd.; Hat-Shaped; 10-Hole Rotor
Brake Rotor	98 - 93	BD126394	9000-14000 lb. FA; Hyd.; U-Shaped; 10-Hole Rotor
Brake Rotor	92 - 88	BD125359	7000 lb. FA; Hat-Shaped; 5-Hole Rotor; Hyd; Budd
Brake Rotor	92 - 88	BD125088	7000 lb. FA; Hat-Shaped; 5-Hole Rotor; Hyd; Dayton or Gunite
Brake Rotor	92 - 88	BD125357	7000 lb. FA; Hat-Shaped; 6-Hole Rotor; Hyd; Budd
Brake Rotor	92 - 88	BD125358	7000 lb. FA; Hat-Shaped; 6-Hole Rotor; Hyd; Dayton
Brake Rotor	92 - 88	BD125090	8100-12000 lb. FA; Hat-Shaped; 10-Hole Rotor; Hyd; Dayton or Gunite
Rear Rotor & Drum	Years	Part No.	Qualifier
Brake Rotor	98 - 93	BD125484	13000-17500 lb. RA; Hyd.; Hat-Shaped; 10-Hole Rotor; 3-1/4" Height
Brake Rotor	98 - 93	BD125097	13000-17500 lb. RA; Hyd.; Hat-Shaped; 10-Hole Rotor; 4-1/2" Height
Brake Rotor	98 - 93	BD125362	13000-17500 lb. RA; Hyd.; Hat-Shaped; 6-Hole Rotor
Brake Rotor	98 - 93	BD125097	19000-21000 lb. RA; Hyd.; Hat-Shaped; 10-Hole Rotor
Brake Rotor	98 - 93	BD125382	19000-21000 lb. RA; Hyd.; U-Shaped; 5-Hole Rotor
Brake Rotor	92 - 88	BD125088	15000 lb. RA; Hat-Shaped; 5-Hole Rotor; Hyd
Brake Rotor	92 - 88	BD125358	15000 lb. RA; Hat-Shaped; 6-Hole Rotor; Hyd
Brake Rotor	92 - 88	BD125090	17000-19000 lb. RA; Hat-Shaped; 10-Hole Rotor; Hyd
Brake Rotor	92 - 88	BD125338	21000-23000 lb. RA; U-Shaped; 10-Hole Rotor; Hyd

Brake Hardware

Front Brake Hardware	Years	Sequential No.	Category No.	Qualifier
Disc Align Kit	92 - 88	F112090S	(H5566)	Bendix; 2.88" 2-Piston Caliper
Disc Align Kit	92 - 88	F134105	(H5613)	Dayton; 2.50" 2-Piston Caliper
Rear Brake Hardware	Years	Sequential No.	Category No.	Qualifier
Disc Align Kit	92 - 88	F112090S	(H5566)	Bendix; 2.88" 2-Piston Caliper
Disc Align Kit	92 - 88	F134105	(H5613)	Dayton; 2.50" 2-Piston Caliper

Calipers - Reman

Front, Loaded	Years	Left No.	Right No.	Qualifier	Piston
Loaded Caliper	98 - 93	AS112057	AS112057	Bendix; 2.60" 2-Piston Caliper	P
Loaded Caliper	98 - 93	AS112057S	AS112057S	Bendix; 2.60" 2-Piston Caliper	O
Loaded Caliper	98 - 88	AS120549	AS120549	Bendix; 2.88" 2-Piston Caliper	P
Loaded Caliper	98 - 88	AS120549S	AS120549S	Bendix; 2.88" 2-Piston Caliper	O
Loaded Caliper	98 - 93	AS130211A	AS130210A	Bendix; 3.38" 1-Piston Caliper	M
Loaded Caliper	92 - 88	AS134782	AS134782	Dayton; 2.50" 2-Piston Caliper	M

Piston: M - OE Metal Piston P - OE Phenolic Piston O - Metal Piston Option

VISTA (cont.)

Calipers - Reman (cont.)

<i>Rear, Loaded</i>	<i>Years</i>	<i>Left No.</i>	<i>Right No.</i>	<i>Qualifier</i>	<i>Piston</i>
Loaded Caliper	98 - 93	AS132525	AS132525	Bendix; 2.60" 2-Piston Caliper; w/Air Susp.	P
Loaded Caliper	98 - 93	AS132525S	AS132525S	Bendix; 2.60" 2-Piston Caliper; w/Air Susp.	O
Loaded Caliper	98 - 93	AS112057	AS112057	Bendix; 2.60" 2-Piston Caliper; w/o Air Susp.	P
Loaded Caliper	98 - 93	AS112057S	AS112057S	Bendix; 2.60" 2-Piston Caliper; w/o Air Susp.	O
Loaded Caliper	98 - 93	AS134267	AS134267	Bendix; 2.88" 2-Piston Caliper; w/Air Susp.	M
Loaded Caliper	98 - 93	AS120549	AS120549	Bendix; 2.88" 2-Piston Caliper; w/o Air Susp.	P
Loaded Caliper	98 - 93	AS120549S	AS120549S	Bendix; 2.88" 2-Piston Caliper; w/o Air Susp.	O
Loaded Caliper	92 - 88	AS120549	AS120549	Bendix; 2.88" 2-Piston Caliper	P
Loaded Caliper	92 - 88	AS120549S	AS120549S	Bendix; 2.88" 2-Piston Caliper	O
Loaded Caliper	92 - 88	AS134782	AS134782	Dayton; 2.50" 2-Piston Caliper	M

<i>Front, Unloaded</i>	<i>Years</i>	<i>Left No.</i>	<i>Right No.</i>	<i>Qualifier</i>	<i>Piston</i>
Unloaded Caliper	98 - 93	CR112057	CR112057	Bendix; 2.60" 2-Piston Caliper	P
Unloaded Caliper	98 - 93	CR112057S	CR112057S	Bendix; 2.60" 2-Piston Caliper	O
Unloaded Caliper	98 - 88	CR120549	CR120549	Bendix; 2.88" 2-Piston Caliper	P
Unloaded Caliper	98 - 88	CR120549S	CR120549S	Bendix; 2.88" 2-Piston Caliper	O
Unloaded Caliper	98 - 93	CR130211	CR130210	Bendix; 3.38" 1-Piston Caliper	M
Unloaded Caliper	92 - 88	CR134782	CR134782	Dayton; 2.50" 2-Piston Caliper	M

<i>Rear, Unloaded</i>	<i>Years</i>	<i>Left No.</i>	<i>Right No.</i>	<i>Qualifier</i>	<i>Piston</i>
Unloaded Caliper	98 - 93	CR132525	CR132525	Bendix; 2.60" 2-Piston Caliper; w/Air Susp.	P
Unloaded Caliper	98 - 93	CR132525S	CR132525S	Bendix; 2.60" 2-Piston Caliper; w/Air Susp.	O
Unloaded Caliper	98 - 93	CR112057	CR112057	Bendix; 2.60" 2-Piston Caliper; w/o Air Susp.	P
Unloaded Caliper	98 - 93	CR112057S	CR112057S	Bendix; 2.60" 2-Piston Caliper; w/o Air Susp.	O
Unloaded Caliper	98 - 93	CR134267	CR134267	Bendix; 2.88" 2-Piston Caliper; w/Air Susp.	M
Unloaded Caliper	98 - 93	CR120549	CR120549	Bendix; 2.88" 2-Piston Caliper; w/o Air Susp.	P
Unloaded Caliper	98 - 93	CR120549S	CR120549S	Bendix; 2.88" 2-Piston Caliper; w/o Air Susp.	O
Unloaded Caliper	92 - 88	CR120549	CR120549	Bendix; 2.88" 2-Piston Caliper	P
Unloaded Caliper	92 - 88	CR120549S	CR120549S	Bendix; 2.88" 2-Piston Caliper	O
Unloaded Caliper	92 - 88	CR134782	CR134782	Dayton; 2.50" 2-Piston Caliper	M

Hydraulics - New

<i>Master Cylinder</i>	<i>Years</i>	<i>Sequential No.</i>	<i>Category No.</i>	<i>Qualifier</i>
Master Cylinder	98 - 93	F140747	(MC140747)	
Master Cylinder	92 - 88	F116702	(MC116702)	Bendix; 19000 lb. RA

<i>Front Brake Hose</i>	<i>Years</i>	<i>Sequential No.</i>	<i>Category No.</i>	<i>Qualifier</i>
Brake Hose	92 - 88	F124054	(BH124054)	1/8" ID; 22" Length

<i>Rear Brake Hose</i>	<i>Years</i>	<i>Sequential No.</i>	<i>Category No.</i>	<i>Qualifier</i>
Brake Hose	92 - 88	F102336	(BH102336)	1/8" ID; 7/16" Nut; 24 Thread; 18" Length

THOMAS Type-D Saf-T Liner

EF

Brake Pads & Shoes

<i>Front Pads & Shoes</i>	<i>Years</i>	<i>SevereDuty</i>	<i>Lining No.</i>	<i>Qualifier</i>
Brake Pads	07 - 00	SD786		Bosch; 2.60" 2-Piston Caliper
Brake Pads	07 - 00	SD786A		Bosch; 2.88" 2-Piston Caliper
Brake Pads	00 - 89	SD184		Bendix; 2.60" 2-Piston Caliper
Brake Pads	00 - 89	SD225		Bendix; 2.88" 2-Piston Caliper
Brake Shoes	07 - 89	4702Q	4702	w/Air Brakes; Rockwell/Meritor; Q-Plus; 15 x 4
Brake Shoes	07 - 89	4703Q	4703	w/Air Brakes; Rockwell/Meritor; Q-Plus; 15 x 5
Brake Shoes	07 - 89	1308Q	1308T	w/Air Brakes; Rockwell/Meritor; Q-Series; 15 x 4
Brake Shoes	07 - 89	4524Q	4524B	w/Air Brakes; Rockwell/Meritor; Q-Series; 16-1/2 x 5
Brake Shoes	07 - 89	4514Q	4514G	w/Air Brakes; Rockwell/Meritor; Q-Series; 16-1/2 x 6
Brake Shoes	07 - 89	1307T	1307	w/Air Brakes; Rockwell/Meritor; T-Series; 15 x 3-1/2
Brake Shoes	07 - 89	1308T	1308T	w/Air Brakes; Rockwell/Meritor; T-Series; 15 x 4

<i>Rear Pads & Shoes</i>	<i>Years</i>	<i>SevereDuty</i>	<i>Lining No.</i>	<i>Qualifier</i>
Brake Pads	07 - 00	SD786		Bosch; 2.60" 2-Piston Caliper

Piston: M - OE Metal Piston P - OE Phenolic Piston O - Metal Piston Option

Brake Pads & Shoes (cont.)

Rear Pads & Shoes	Years	SevereDuty	Lining No.	Qualifier
Brake Pads	07 - 00	SD786A		Bosch; 2.88" 2-Piston Caliper
Brake Pads	00 - 89	SD184		Bendix; 2.60" 2-Piston Caliper
Brake Pads	00 - 89	SD225		Bendix; 2.88" 2-Piston Caliper
Brake Shoes	07 - 89	4709E	4709	w/Air Brakes; Eaton; Extended Service; 16-1/2 x 7
Brake Shoes	07 - 89	4515P	4515E	w/Air Brakes; Rockwell/Meritor; P-Series; 16-1/2 x 7
Brake Shoes	07 - 89	4710Q	4710	w/Air Brakes; Rockwell/Meritor; Q-Plus; 15 x 8-5/8
Brake Shoes	07 - 89	4707Q	4707	w/Air Brakes; Rockwell/Meritor; Q-Plus; 16-1/2 x 7
Brake Shoes	07 - 89	4718Q	4718	w/Air Brakes; Rockwell/Meritor; Q-Plus; 16-1/2 x 8
Brake Shoes	07 - 89	4514Q	4514G	w/Air Brakes; Rockwell/Meritor; Q-Series; 16-1/2 x 6
Brake Shoes	07 - 89	4515Q	4515E	w/Air Brakes; Rockwell/Meritor; Q-Series; 16-1/2 x 7

Rotor & Drum

Front Rotor & Drum	Years	Part No.	Qualifier
Brake Rotor	07 - 00	BD126389	10000-12000 lb. FA; Hat-Shaped; 10-Hole Rotor
Brake Rotor	07 - 00	BD126394	10000-12000 lb. FA; U-Shaped; 10-Hole Rotor
Brake Rotor	07 - 00	BD126389	6000-8000 lb. FA; Hat-Shaped; 10-Hole Rotor
Brake Rotor	07 - 00	BD126391	6000-8000 lb. FA; Hat-Shaped; 5-Hole Rotor
Brake Rotor	07 - 00	BD126392	6000-8000 lb. FA; Hat-Shaped; 6-Hole Rotor

Rear Rotor & Drum	Years	Part No.	Qualifier
Brake Rotor	07 - 00	BD126389	10000-17500 lb. RA; Hat-Shaped; 10-Hole Rotor; 3-1/4" Height
Brake Rotor	07 - 00	BD126390	10000-17500 lb. RA; Hat-Shaped; 10-Hole Rotor; 4-1/2" Height
Brake Rotor	07 - 00	BD126392	10000-17500 lb. RA; Hat-Shaped; 6-Hole Rotor
Brake Rotor	07 - 00	BD126390	19000-21000 lb. RA; Hat-Shaped; 10-Hole Rotor
Brake Rotor	07 - 00	BD125382	19000-21000 lb. RA; U-Shaped; 5-Hole Rotor
Brake Rotor	07 - 00	BD125382	34000 lb. TRA; U-Shaped; 5-Hole Rotor

Brake Hardware

Front Brake Hardware	Years	Sequential No.	Category No.	Qualifier
Disc Align Kit	07 - 00	F140769	(H5710)	Bosch; 2.60" 2-Piston Caliper
Disc Align Kit	07 - 00	F140769	(H5710)	Bosch; 2.88" 2-Piston Caliper
Disc Align Kit	00 - 89	F112095S	(H5564)	Bendix; 2.60" 2-Piston Caliper
Disc Align Kit	00 - 89	F112090S	(H5566)	Bendix; 2.88" 2-Piston Caliper

Rear Brake Hardware	Years	Sequential No.	Category No.	Qualifier
Disc Align Kit	07 - 00	F140769	(H5710)	Bosch; 2.60" 2-Piston Caliper
Disc Align Kit	07 - 00	F140769	(H5710)	Bosch; 2.88" 2-Piston Caliper
Disc Align Kit	00 - 89	F112095S	(H5564)	Bendix; 2.60" 2-Piston Caliper
Disc Align Kit	00 - 89	F112090S	(H5566)	Bendix; 2.88" 2-Piston Caliper

Calipers - Reman

Front, Loaded	Years	Left No.	Right No.	Qualifier	Piston
Loaded Caliper	07 - 00	AS135025	AS135025	Bosch; 2.60" 2-Piston Caliper	P
Loaded Caliper	07 - 00	AS135024	AS135024	Bosch; 2.88" 2-Piston Caliper	P
Loaded Caliper	00 - 89	AS112057	AS112057	Bendix; 2.60" 2-Piston Caliper	P
Loaded Caliper	00 - 89	AS112057S	AS112057S	Bendix; 2.60" 2-Piston Caliper	O
Loaded Caliper	00 - 89	AS120549	AS120549	Bendix; 2.88" 2-Piston Caliper	P
Loaded Caliper	00 - 89	AS120549S	AS120549S	Bendix; 2.88" 2-Piston Caliper	O

Rear, Loaded	Years	Left No.	Right No.	Qualifier	Piston
Loaded Caliper	07 - 00	AS135025	AS135025	Bosch; 2.60" 2-Piston Caliper	P
Loaded Caliper	07 - 00	AS135024	AS135024	Bosch; 2.88" 2-Piston Caliper	P
Loaded Caliper	00 - 89	AS132525	AS132525	Bendix; 2.60" 2-Piston Caliper; w/Air Ride	P
Loaded Caliper	00 - 89	AS132525S	AS132525S	Bendix; 2.60" 2-Piston Caliper; w/Air Ride	O
Loaded Caliper	00 - 89	AS112057	AS112057	Bendix; 2.60" 2-Piston Caliper; w/o Air Ride	P
Loaded Caliper	00 - 89	AS112057S	AS112057S	Bendix; 2.60" 2-Piston Caliper; w/o Air Ride	O
Loaded Caliper	00 - 89	AS134267	AS134267	Bendix; 2.88" 2-Piston Caliper; w/Air Ride	M
Loaded Caliper	00 - 89	AS120549	AS120549	Bendix; 2.88" 2-Piston Caliper; w/o Air Ride	P
Loaded Caliper	00 - 89	AS120549S	AS120549S	Bendix; 2.88" 2-Piston Caliper; w/o Air Ride	O

Piston: M - OE Metal Piston P - OE Phenolic Piston O - Metal Piston Option

EF (cont.)						
Calipers - Reman (cont.)						
Front, Unloaded	Years	Left No.	Right No.	Qualifier	Piston	
Unloaded Caliper	07 - 00	CR135025	CR135025	Bosch; 2.60" 2-Piston Caliper	P	
Unloaded Caliper	07 - 00	CR135024	CR135024	Bosch; 2.88" 2-Piston Caliper	P	
Unloaded Caliper	00 - 89	CR112057	CR112057	Bendix; 2.60" 2-Piston Caliper	P	
Unloaded Caliper	00 - 89	CR112057S	CR112057S	Bendix; 2.60" 2-Piston Caliper	O	
Unloaded Caliper	00 - 89	CR120549	CR120549	Bendix; 2.88" 2-Piston Caliper	P	
Unloaded Caliper	00 - 89	CR120549S	CR120549S	Bendix; 2.88" 2-Piston Caliper	O	
Rear, Unloaded	Years	Left No.	Right No.	Qualifier	Piston	
Unloaded Caliper	07 - 00	CR135025	CR135025	Bosch; 2.60" 2-Piston Caliper	P	
Unloaded Caliper	07 - 00	CR135024	CR135024	Bosch; 2.88" 2-Piston Caliper	P	
Unloaded Caliper	00 - 89	CR132525	CR132525	Bendix; 2.60" 2-Piston Caliper; w/Air Ride	P	
Unloaded Caliper	00 - 89	CR132525S	CR132525S	Bendix; 2.60" 2-Piston Caliper; w/Air Ride	O	
Unloaded Caliper	00 - 89	CR112057	CR112057	Bendix; 2.60" 2-Piston Caliper; w/o Air Ride	P	
Unloaded Caliper	00 - 89	CR112057S	CR112057S	Bendix; 2.60" 2-Piston Caliper; w/o Air Ride	O	
Unloaded Caliper	00 - 89	CR134267	CR134267	Bendix; 2.88" 2-Piston Caliper; w/Air Ride	M	
Unloaded Caliper	00 - 89	CR120549	CR120549	Bendix; 2.88" 2-Piston Caliper; w/o Air Ride	P	
Unloaded Caliper	00 - 89	CR120549S	CR120549S	Bendix; 2.88" 2-Piston Caliper; w/o Air Ride	O	
HDX						
Brake Pads & Shoes						
Front Pads & Shoes	Years	SevereDuty	Lining No.	Qualifier		
Brake Pads	07 - 00	SD786		Bosch; 2.60" 2-Piston Caliper		
Brake Pads	07 - 00	SD786A		Bosch; 2.88" 2-Piston Caliper		
Brake Pads	00 - 89	SD184		Bendix; 2.60" 2-Piston Caliper		
Brake Pads	00 - 89	SD225		Bendix; 2.88" 2-Piston Caliper		
Brake Shoes	07 - 89	4702Q	4702	w/Air Brakes; Rockwell/Meritor; Q-Plus; 15 x 4		
Brake Shoes	07 - 89	4703Q	4703	w/Air Brakes; Rockwell/Meritor; Q-Plus; 15 x 5		
Brake Shoes	07 - 89	1308Q	1308T	w/Air Brakes; Rockwell/Meritor; Q-Series; 15 x 4		
Brake Shoes	07 - 89	4524Q	4524B	w/Air Brakes; Rockwell/Meritor; Q-Series; 16-1/2 x 5		
Brake Shoes	07 - 89	4514Q	4514G	w/Air Brakes; Rockwell/Meritor; Q-Series; 16-1/2 x 6		
Brake Shoes	07 - 89	1307T	1307	w/Air Brakes; Rockwell/Meritor; T-Series; 15 x 3-1/2		
Brake Shoes	07 - 89	1308T	1308T	w/Air Brakes; Rockwell/Meritor; T-Series; 15 x 4		
Rear Pads & Shoes	Years	SevereDuty	Lining No.	Qualifier		
Brake Pads	07 - 00	SD786		Bosch; 2.60" 2-Piston Caliper		
Brake Pads	07 - 00	SD786A		Bosch; 2.88" 2-Piston Caliper		
Brake Pads	00 - 89	SD184		Bendix; 2.60" 2-Piston Caliper		
Brake Pads	00 - 89	SD225		Bendix; 2.88" 2-Piston Caliper		
Brake Shoes	07 - 89	4709E	4709	w/Air Brakes; Eaton; Extended Service; 16-1/2 x 7		
Brake Shoes	07 - 89	4515P	4515E	w/Air Brakes; Rockwell/Meritor; P-Series; 16-1/2 x 7		
Brake Shoes	07 - 89	4710Q	4710	w/Air Brakes; Rockwell/Meritor; Q-Plus; 15 x 8-5/8		
Brake Shoes	07 - 89	4707Q	4707	w/Air Brakes; Rockwell/Meritor; Q-Plus; 16-1/2 x 7		
Brake Shoes	07 - 89	4718Q	4718	w/Air Brakes; Rockwell/Meritor; Q-Plus; 16-1/2 x 8		
Brake Shoes	07 - 89	4514Q	4514G	w/Air Brakes; Rockwell/Meritor; Q-Series; 16-1/2 x 6		
Brake Shoes	07 - 89	4515Q	4515E	w/Air Brakes; Rockwell/Meritor; Q-Series; 16-1/2 x 7		
Rotor & Drum						
Front Rotor & Drum	Years	Part No.		Qualifier		
Brake Rotor	07 - 00	BD126389		10000-12000 lb. FA; Hat-Shaped; 10-Hole Rotor		
Brake Rotor	07 - 00	BD126394		10000-12000 lb. FA; U-Shaped; 10-Hole Rotor		
Brake Rotor	07 - 00	BD126389		6000-8000 lb. FA; Hat-Shaped; 10-Hole Rotor		
Brake Rotor	07 - 00	BD126391		6000-8000 lb. FA; Hat-Shaped; 5-Hole Rotor		
Brake Rotor	07 - 00	BD126392		6000-8000 lb. FA; Hat-Shaped; 6-Hole Rotor		
Rear Rotor & Drum	Years	Part No.		Qualifier		
Brake Rotor	07 - 00	BD126389		10000-17500 lb. RA; Hat-Shaped; 10-Hole Rotor; 3-1/4" Height		
Brake Rotor	07 - 00	BD126390		10000-17500 lb. RA; Hat-Shaped; 10-Hole Rotor; 4-1/2" Height		
Brake Rotor	07 - 00	BD126392		10000-17500 lb. RA; Hat-Shaped; 6-Hole Rotor		
Brake Rotor	07 - 00	BD126390		19000-21000 lb. RA; Hat-Shaped; 10-Hole Rotor		

Piston: M - OE Metal Piston P - OE Phenolic Piston O - Metal Piston Option

HDX (cont.)

Rotor & Drum (cont.)

Rear Rotor & Drum	Years	Part No.	Qualifier
Brake Rotor	07 - 00	BD125382	19000-21000 lb. RA; U-Shaped; 5-Hole Rotor
Brake Rotor	07 - 00	BD125382	34000 lb. TRA; U-Shaped; 5-Hole Rotor

Brake Hardware

Front Brake Hardware	Years	Sequential No.	Category No.	Qualifier
Disc Align Kit	07 - 00	F140769	(H5710)	Bosch; 2.60" 2-Piston Caliper
Disc Align Kit	07 - 00	F140769	(H5710)	Bosch; 2.88" 2-Piston Caliper
Disc Align Kit	00 - 89	F112095S	(H5564)	Bendix; 2.60" 2-Piston Caliper
Disc Align Kit	00 - 89	F112090S	(H5566)	Bendix; 2.88" 2-Piston Caliper

Rear Brake Hardware	Years	Sequential No.	Category No.	Qualifier
Disc Align Kit	07 - 00	F140769	(H5710)	Bosch; 2.60" 2-Piston Caliper
Disc Align Kit	07 - 00	F140769	(H5710)	Bosch; 2.88" 2-Piston Caliper
Disc Align Kit	00 - 89	F112095S	(H5564)	Bendix; 2.60" 2-Piston Caliper
Disc Align Kit	00 - 89	F112090S	(H5566)	Bendix; 2.88" 2-Piston Caliper

Calipers - Reman

Front, Loaded	Years	Left No.	Right No.	Qualifier	Piston
Loaded Caliper	07 - 00	AS135025	AS135025	Bosch; 2.60" 2-Piston Caliper	P
Loaded Caliper	07 - 00	AS135024	AS135024	Bosch; 2.88" 2-Piston Caliper	P
Loaded Caliper	00 - 89	AS112057	AS112057	Bendix; 2.60" 2-Piston Caliper	P
Loaded Caliper	00 - 89	AS112057S	AS112057S	Bendix; 2.60" 2-Piston Caliper	O
Loaded Caliper	00 - 89	AS120549	AS120549	Bendix; 2.88" 2-Piston Caliper	P
Loaded Caliper	00 - 89	AS120549S	AS120549S	Bendix; 2.88" 2-Piston Caliper	O

Rear, Loaded	Years	Left No.	Right No.	Qualifier	Piston
Loaded Caliper	07 - 00	AS135025	AS135025	Bosch; 2.60" 2-Piston Caliper	P
Loaded Caliper	07 - 00	AS135024	AS135024	Bosch; 2.88" 2-Piston Caliper	P
Loaded Caliper	00 - 89	AS132525	AS132525	Bendix; 2.60" 2-Piston Caliper; w/Air Ride	P
Loaded Caliper	00 - 89	AS132525S	AS132525S	Bendix; 2.60" 2-Piston Caliper; w/Air Ride	O
Loaded Caliper	00 - 89	AS112057	AS112057	Bendix; 2.60" 2-Piston Caliper; w/o Air Ride	P
Loaded Caliper	00 - 89	AS112057S	AS112057S	Bendix; 2.60" 2-Piston Caliper; w/o Air Ride	O
Loaded Caliper	00 - 89	AS134267	AS134267	Bendix; 2.88" 2-Piston Caliper; w/Air Ride	M
Loaded Caliper	00 - 89	AS120549	AS120549	Bendix; 2.88" 2-Piston Caliper; w/o Air Ride	P
Loaded Caliper	00 - 89	AS120549S	AS120549S	Bendix; 2.88" 2-Piston Caliper; w/o Air Ride	O

Front, Unloaded	Years	Left No.	Right No.	Qualifier	Piston
Unloaded Caliper	07 - 00	CR135025	CR135025	Bosch; 2.60" 2-Piston Caliper	P
Unloaded Caliper	07 - 00	CR135024	CR135024	Bosch; 2.88" 2-Piston Caliper	P
Unloaded Caliper	00 - 89	CR112057	CR112057	Bendix; 2.60" 2-Piston Caliper	P
Unloaded Caliper	00 - 89	CR112057S	CR112057S	Bendix; 2.60" 2-Piston Caliper	O
Unloaded Caliper	00 - 89	CR120549	CR120549	Bendix; 2.88" 2-Piston Caliper	P
Unloaded Caliper	00 - 89	CR120549S	CR120549S	Bendix; 2.88" 2-Piston Caliper	O

Rear, Unloaded	Years	Left No.	Right No.	Qualifier	Piston
Unloaded Caliper	07 - 00	CR135025	CR135025	Bosch; 2.60" 2-Piston Caliper	P
Unloaded Caliper	07 - 00	CR135024	CR135024	Bosch; 2.88" 2-Piston Caliper	P
Unloaded Caliper	00 - 89	CR132525	CR132525	Bendix; 2.60" 2-Piston Caliper; w/Air Ride	P
Unloaded Caliper	00 - 89	CR132525S	CR132525S	Bendix; 2.60" 2-Piston Caliper; w/Air Ride	O
Unloaded Caliper	00 - 89	CR112057	CR112057	Bendix; 2.60" 2-Piston Caliper; w/o Air Ride	P
Unloaded Caliper	00 - 89	CR112057S	CR112057S	Bendix; 2.60" 2-Piston Caliper; w/o Air Ride	O
Unloaded Caliper	00 - 89	CR134267	CR134267	Bendix; 2.88" 2-Piston Caliper; w/Air Ride	M
Unloaded Caliper	00 - 89	CR120549	CR120549	Bendix; 2.88" 2-Piston Caliper; w/o Air Ride	P
Unloaded Caliper	00 - 89	CR120549S	CR120549S	Bendix; 2.88" 2-Piston Caliper; w/o Air Ride	O

**TOYOTA
TACOMA**

Brake Pads & Shoes

Front Pads & Shoes	Years	SevereDuty	Lining No.	Qualifier
Brake Pads	04	SD799		2WD; Dbl. Cab; w/o Traction Control

Piston: M - OE Metal Piston P - OE Phenolic Piston O - Metal Piston Option

TACOMA (cont.)

Brake Pads & Shoes (cont.)

Front Pads & Shoes	Years	SevereDuty	Lining No.	Qualifier
Brake Pads	04	SD436A		2WD; Dbl. Cab; w/Traction Control
Brake Pads	04 - 98	SD433B		2WD; Ext. Cab; Exc. Pre-Runner
Brake Pads	04 - 98	SD799		2WD; Ext. Cab; Pre-Runner; w/o Traction Control
Brake Pads	04	SD436A		2WD; Ext. Cab; Pre-Runner; w/Traction Control
Brake Pads	04 - 98	SD433B		2WD; Reg. Cab
Brake Pads	04	SD799		4WD; w/o Traction Control
Brake Pads	04	SD436A		4WD; w/Traction Control
Brake Pads	03 - 00	SD799		2WD; Dbl. Cab
Brake Pads	03 - 98	SD799		4WD
Brake Pads	97 - 95	SD433B		2WD
Brake Pads	97 - 95	SD436A		4WD

Rear Pads & Shoes	Years	SevereDuty	Lining No.	Qualifier
Brake Shoes	04 - 95	SDS505	EX1358	10 x 1-31/32" Brake; Bonded
Brake Shoes	03 - 95	SDS589	EX1397	11-39/64 x 1-31/32" Brake; Bonded

Rotor & Drum

Front Rotor & Drum	Years	Part No.	Qualifier
Brake Rotor	04	BD125503	w/11-11/16" Dia. Rotor; 6 Stud Whl.
Brake Rotor	04	BD125527	w/12-35/64" Dia. Rotor; 6 Stud Whl.
Brake Rotor	04 - 95	BD125480	w/5 Stud Whl.
Brake Rotor	03 - 95	BD125503	w/6 Stud Whl.

Rear Rotor & Drum	Years	Part No.	Qualifier
Brake Drum	04 - 95	BD125287	10 x 1-31/32" Brake
Brake Drum	04 - 03	BD126084	11-39/64 x 1-31/32" Brake
Brake Drum	02 - 95	BD60850	11-39/64 x 1-31/32" Brake

Brake Hardware

Front Brake Hardware	Years	Sequential No.	Category No.	Qualifier
Caliper Bolt/Pin	04 - 98	F130904S	(H15053)	2WD; Exc. Pre-Runner
Caliper Bolt/Pin	03 - 02	F130903S	(H15012)	Pre-Runner
Caliper Bolt/Pin	97 - 95	F130904S	(H15053)	2WD
Caliper Bolt/Pin	97 - 95	F130903S	(H15012)	4WD
Disc Align Kit	04 - 98	F113650S	(H15558)	2WD; Exc. Pre-Runner
Disc Align Kit	04 - 98	F139746	(H15701)	2WD; Pre-Runner
Disc Align Kit	04 - 98	F139746	(H15701)	4WD
Disc Align Kit	97 - 95	F113650S	(H15558)	2WD
Disc Align Kit	97 - 95	F130923S	(H15638)	4WD
Pin Boot Kit	04 - 98	F126657S	(H18007)	2WD; Pre-Runner

Rear Brake Hardware	Years	Sequential No.	Category No.	Qualifier
Combi Kit	03 - 95	F117191	(H17183)	11-39/64 x 1-31/32" Brake
↳Hold Down Kit		F117180S	(H14034)	
Combi Kit	02 - 95	F102568	(H17199)	10 x 1-31/32" Brake
↳Hold Down Kit		F117180S	(H14034)	

Calipers - Reman

Front, Unloaded	Years	Left No.	Right No.	Qualifier	Piston
Unloaded Caliper	04	CRB134037	CRB134038	2WD; 6 Cyl.; w/o Traction Control; Exc. Pre-Runner; Supplied w/Mtg. Brkt.	M
Unloaded Caliper	04	CR134037	CR134038	2WD; 6 Cyl.; w/o Traction Control; Exc. Pre-Runner; Supplied w/o Mtg. Brkt.	M
Unloaded Caliper	04	CR133910	CR133911	2WD; 6 Cyl.; w/o Traction Control; Pre-Runner	M
Unloaded Caliper	04	CR134167	CR134168	2WD; 6 Cyl.; w/Traction Control; Exc. Pre-Runner	M
Unloaded Caliper	04 - 99	CRB134037	CRB134038	4 Cyl.; 2.4L; Supplied w/Mtg. Brkt.	M
Unloaded Caliper	04 - 99	CR134037	CR134038	4 Cyl.; 2.4L; Supplied w/o Mtg. Brkt.	M
Unloaded Caliper	04 - 99	CR133910	CR133911	4 Cyl.; 2.7L	M
Unloaded Caliper	04	CR133910	CR133911	4WD; 6 Cyl.; w/o Traction Control	M
Unloaded Caliper	04	CR134167	CR134168	4WD; 6 Cyl.; w/Traction Control; Exc. Pre-Runner	M
Unloaded Caliper	03 - 99	CRB134037	CRB134038	2WD; 6 Cyl.; Exc. Pre-Runner; Supplied w/Mtg. Brkt.	M
Unloaded Caliper	03 - 99	CR134037	CR134038	2WD; 6 Cyl.; Exc. Pre-Runner; Supplied w/o Mtg. Brkt.	M

↳Sub-Kit of Combi-Kit is available separately.

Piston: M - OE Metal Piston P - OE Phenolic Piston

TACOMA (cont.)
Calipers - Reman (cont.)

<i>Front, Unloaded</i>	<i>Years</i>	<i>Left No.</i>	<i>Right No.</i>	<i>Qualifier</i>	<i>Piston</i>
Unloaded Caliper	03 - 99	CR133910	CR133911	2WD; 6 Cyl.; Pre-Runner	M
Unloaded Caliper	03 - 99	CR133910	CR133911	4WD; 6 Cyl.	M
Unloaded Caliper	98	CRB134037	CRB134038	2WD; Exc. Pre-Runner; Supplied w/Mtg. Brkt.	M
Unloaded Caliper	98	CR134037	CR134038	2WD; Exc. Pre-Runner; Supplied w/o Mtg. Brkt.	M
Unloaded Caliper	98	CR133910	CR133911	2WD; Pre-Runner	M
Unloaded Caliper	98 - 95	CR133910	CR133911	4WD	M
Unloaded Caliper	97 - 95	CRB134037	CRB134038	2WD; Supplied w/Mtg. Brkt.	M
Unloaded Caliper	97 - 95	CR134037	CR134038	2WD; Supplied w/o Mtg. Brkt.	M

Hydraulics - New

<i>Master Cylinder</i>	<i>Years</i>	<i>Sequential No.</i>	<i>Category No.</i>	<i>Qualifier</i>
------------------------	--------------	-----------------------	---------------------	------------------

Master Cylinder	00 - 95	F131501	(MC131501)	w/ABS
Master Cylinder	00 - 95	F131500	(MC131500)	w/o ABS

<i>Rear Wheel Cylinder</i>	<i>Years</i>	<i>Sequential No.</i>	<i>Category No.</i>	<i>Qualifier</i>
----------------------------	--------------	-----------------------	---------------------	------------------

Wheel Cylinder	04 - 98	F131480	(WC131480)	10" Brake; 15/16" Bore
Wheel Cylinder	04 - 03	F139966	(WC139966)	11" Brake; 1" Bore
Wheel Cylinder	03 - 98	F113986	(WC113986)	11" Brake; 7/8" Bore
Wheel Cylinder	97 - 95	F131480	(WC131480)	2WD; 15/16" Bore
Wheel Cylinder	97 - 95	F113986	(WC113986)	4WD; 7/8" Bore

<i>Clutch Master Cylind</i>	<i>Years</i>	<i>Sequential No.</i>	<i>Category No.</i>	<i>Qualifier</i>
-----------------------------	--------------	-----------------------	---------------------	------------------

Clutch Master Cylinder	04 - 98	F134510	(CM134510)	5/8" Bore
Clutch Master Cylinder	97 - 95	F129956	(CM129956)	5/8" Bore

<i>Clutch Slave Cylinder</i>	<i>Years</i>	<i>Sequential No.</i>	<i>Category No.</i>	<i>Qualifier</i>
------------------------------	--------------	-----------------------	---------------------	------------------

Clutch Slave Cylinder	01 - 95	F131482	(SC131482)	Exc. 3.4L; 13/16" Bore
-----------------------	---------	---------	------------	------------------------

<i>Front Brake Hose</i>	<i>Years</i>	<i>Sequential No.</i>	<i>Category No.</i>	<i>Qualifier</i>
-------------------------	--------------	-----------------------	---------------------	------------------

Brake Hose	98 - 95	F133858	(BH133858)	L.H.; 4WD
Brake Hose	98	F133861	(BH133861)	L.H.; Ext. Cab; Exc. Pre-Runner
Brake Hose	98	F133858	(BH133858)	L.H.; Ext. Cab; Pre-Runner
Brake Hose	98	F133858	(BH133858)	L.H.; Reg. Cab; w/A/T
Brake Hose	98	F133861	(BH133861)	L.H.; Reg. Cab; w/M/T
Brake Hose	98	F133860	(BH133860)	R.H.; 2WD; Ext. Cab; Exc. Pre-Runner
Brake Hose	98	F133857	(BH133857)	R.H.; 2WD; Ext. Cab; Pre-Runner
Brake Hose	98	F133857	(BH133857)	R.H.; 2WD; Reg. Cab; w/A/T
Brake Hose	98	F133860	(BH133860)	R.H.; 2WD; Reg. Cab; w/M/T
Brake Hose	98 - 95	F133857	(BH133857)	R.H.; 4WD
Brake Hose	97 - 95	F133861	(BH133861)	L.H.; 2WD
Brake Hose	97 - 95	F133860	(BH133860)	R.H.; 2WD

<i>Rear Brake Hose</i>	<i>Years</i>	<i>Sequential No.</i>	<i>Category No.</i>	<i>Qualifier</i>
------------------------	--------------	-----------------------	---------------------	------------------

Brake Hose	98	F133859	(BH133859)	10" Brake
Brake Hose	98	F133856	(BH133856)	11" Brake
Brake Hose	97 - 95	F133859	(BH133859)	2WD
Brake Hose	97 - 95	F133856	(BH133856)	4WD

Hydraulics - Reman

<i>Master Cylinder</i>	<i>Years</i>	<i>Part No.</i>	<i>Qualifier</i>
------------------------	--------------	-----------------	------------------

Master Cylinder	04	R134784	3.4L; w/o Electronic Stability Pkg.
Master Cylinder	04	R134784	Exc. 3.4L
Master Cylinder	03 - 01	R134784	
Master Cylinder	00 - 95	R122255	w/ABS
Master Cylinder	00 - 95	R134647	w/o ABS

<i>Power Brake Booster</i>	<i>Years</i>	<i>Part No.</i>	<i>Qualifier</i>
----------------------------	--------------	-----------------	------------------

Power Brake Booster	01 - 00	532581	2WD; w/o Master Cylinder; 2.4L Eng.; w/o ABS
Power Brake Booster	01 - 00	532791	2WD; w/o Master Cylinder; 2.7L Eng.
Power Brake Booster	01 - 00	532791	2WD; w/o Master Cylinder; 3.4L Eng.; w/ABS
Power Brake Booster	01 - 00	532581	2WD; w/o Master Cylinder; 3.4L Eng.; w/o ABS; Exc. Pre Runner
Power Brake Booster	01 - 00	532791	2WD; w/o Master Cylinder; 3.4L Eng.; w/o ABS; Pre Runner

Piston: M - OE Metal Piston P - OE Phenolic Piston

TACOMA (cont.)

Hydraulics - Reman (cont.)

Power Brake Booster	Years	Part No.	Qualifier
Power Brake Booster	01 - 00	534905	4WD; w/o Master Cylinder; w/ABS
Power Brake Booster	01 - 00	532791	4WD; w/o Master Cylinder; w/o ABS
Power Brake Booster	99 - 95	532581	2WD; w/o Master Cylinder; w/o ABS
Power Brake Booster	99 - 95	532791	4WD; w/o Master Cylinder; w/ABS

Brake Cables

Parking Brake Cable	Years	Sequential No.	Category No.	Qualifier
Parking Brake Cable	00 - 95	F139293	(BC139293)	Forward
Parking Brake Cable	98	F138658	(BC138658)	Rear; L.H.; 2WD; Exc. Pre-Runner
Parking Brake Cable	98	F138655	(BC138655)	Rear; R.H.
Parking Brake Cable	97 - 95	F139291	(BC139291)	Rear; L.H.; 4WD
Parking Brake Cable	97 - 95	F139291	(BC139291)	Rear; R.H.; 4WD

Wheel Attaching Hardware

Front Wheel Stud	Years	Part No.	Qualifier
Wheel Lug Stud	04 - 98	BD60927	2WD; w/5 Stud Whl.
Wheel Lug Stud	04 - 02	BD60956	2WD; w/6 Stud Whl.
Wheel Lug Stud	04 - 02	BD60956	4WD
Wheel Lug Stud	01 - 98	BD60956	w/6 Stud Whl.
Wheel Lug Stud	97 - 95	BD60927	2WD
Wheel Lug Stud	97 - 95	BD60956	4WD

Rear Wheel Stud	Years	Part No.	Qualifier
Wheel Lug Stud	04 - 02	BD125980	
Wheel Lug Stud	04 - 98	BD60956	2WD; w/5 Stud Whl.
Wheel Lug Stud	01 - 98	BD61173	2WD; w/6 Stud Whl.
Wheel Lug Stud	01 - 95	BD61173	4WD
Wheel Lug Stud	97 - 95	BD60956	2WD

Front Wheel Nut	Years	Part No.	Qualifier
Wheel Lug Nut	04	BD140009	Flat Faced Open
Wheel Lug Nut	04 - 02	BD125929	Mag - Bright
Wheel Lug Nut	01 - 98	BD125950	2WD; Acorn - Black; w/6 Stud Whl.
Wheel Lug Nut	01 - 98	BD125929	2WD; Mag - Bright; w/5 Stud Whl.
Wheel Lug Nut	01 - 98	BD61301	2WD; Std. Open; w/5 Stud Whl.
Wheel Lug Nut	01 - 95	BD125950	4WD; Acorn - Black
Wheel Lug Nut	97 - 95	BD125929	2WD; Mag - Bright
Wheel Lug Nut	97 - 95	BD61301	2WD; Std. Open

Rear Wheel Nut	Years	Part No.	Qualifier
Wheel Lug Nut	04	BD140009	Flat Faced Open
Wheel Lug Nut	04 - 02	BD125929	Mag - Bright
Wheel Lug Nut	01 - 98	BD125950	2WD; Acorn - Black; w/6 Stud Whl.
Wheel Lug Nut	01 - 98	BD125929	2WD; Mag - Bright; w/5 Stud Whl.
Wheel Lug Nut	01 - 98	BD61301	2WD; Std. Open; w/5 Stud Whl.
Wheel Lug Nut	01 - 95	BD125950	4WD; Acorn - Black
Wheel Lug Nut	97 - 95	BD125929	2WD; Mag - Bright
Wheel Lug Nut	97 - 95	BD61301	2WD; Std. Open

TUNDRA

Brake Pads & Shoes

Front Pads & Shoes	Years	SevereDuty	Lining No.	Qualifier
Brake Pads	03	SD812		4.7" Length Pad Plate
Brake Pads	02 - 00	SD812		

Rear Pads & Shoes	Years	SevereDuty	Lining No.	Qualifier
Brake Shoes	03	SDS589	EX1397	11-39/64 x 1-31/32" Brake; Bonded
Brake Shoes	02 - 00	SDS589	EX1397	11-39/64 x 1-31/32" Brake; Bonded

TUNDRA (cont.)

Rotor & Drum

Front Rotor & Drum	Years	Part No.	Qualifier
--------------------	-------	----------	-----------

Brake Rotor	03 - 00	BD125679	
-------------	---------	----------	--

Rear Rotor & Drum	Years	Part No.	Qualifier
-------------------	-------	----------	-----------

Brake Drum	03 - 00	BD60850	11-39/64 x 1-31/32" Brake
------------	---------	---------	---------------------------

Brake Hardware

Front Brake Hardware	Years	Sequential No.	Category No.	Qualifier
----------------------	-------	----------------	--------------	-----------

Disc Align Kit	02 - 00	F139878	(H15760)	
----------------	---------	---------	----------	--

Rear Brake Hardware	Years	Sequential No.	Category No.	Qualifier
---------------------	-------	----------------	--------------	-----------

Combi Kit	03	F139853	(H17255)	11-39/64 x 1-31/32" Brake
-----------	----	---------	----------	---------------------------

Combi Kit	02 - 00	F117191	(H17183)	
-----------	---------	---------	----------	--

↳ Hold Down Kit		F117180S	(H14034)	
-----------------	--	----------	----------	--

Calipers - Reman

Front, Unloaded	Years	Left No.	Right No.	Qualifier	Piston
-----------------	-------	----------	-----------	-----------	--------

Unloaded Caliper	03 - 00	CR134474	CR134475	Casting No. S13WE	M
------------------	---------	----------	----------	-------------------	---

Unloaded Caliper	03 - 00	CR134646	CR134647	Casting No. S13WL	M
------------------	---------	----------	----------	-------------------	---

Hydraulics - New

Rear Wheel Cylinder	Years	Sequential No.	Category No.	Qualifier
---------------------	-------	----------------	--------------	-----------

Wheel Cylinder	03	F120548	(WC120548)	1" Bore
----------------	----	---------	------------	---------

Clutch Master Cylind	Years	Sequential No.	Category No.	Qualifier
----------------------	-------	----------------	--------------	-----------

Clutch Master Cylinder	03 - 00	F134566	(CM134566)	5/8" Bore
------------------------	---------	---------	------------	-----------

Front Brake Hose	Years	Sequential No.	Category No.	Qualifier
------------------	-------	----------------	--------------	-----------

Brake Hose	03 - 00	F126621	(BH126621)	
------------	---------	---------	------------	--

Hydraulics - Reman

Master Cylinder	Years	Part No.	Qualifier
-----------------	-------	----------	-----------

Master Cylinder	03	R134773	
-----------------	----	---------	--

Wheel Attaching Hardware

Front Wheel Stud	Years	Part No.	Qualifier
------------------	-------	----------	-----------

Wheel Lug Stud	03 - 00	BD60956	
----------------	---------	---------	--

Rear Wheel Stud	Years	Part No.	Qualifier
-----------------	-------	----------	-----------

Wheel Lug Stud	03	BD60956	
----------------	----	---------	--

Front Wheel Nut	Years	Part No.	Qualifier
-----------------	-------	----------	-----------

Wheel Lug Nut	03 - 00	BD125929	Mag - Bright
---------------	---------	----------	--------------

Wheel Lug Nut	03 - 00	BD61301	Std. Open
---------------	---------	---------	-----------

Rear Wheel Nut	Years	Part No.	Qualifier
----------------	-------	----------	-----------

Wheel Lug Nut	03 - 00	BD125929	Mag - Bright
---------------	---------	----------	--------------

Wheel Lug Nut	03 - 00	BD61301	Std. Open
---------------	---------	---------	-----------

US BUS Type-A1 Safetran

250 ECONOLINE

Brake Pads & Shoes

Front Pads & Shoes	Years	SevereDuty	Lining No.	Qualifier
--------------------	-------	------------	------------	-----------

Brake Pads	06 - 95	SD655		
------------	---------	-------	--	--

Brake Pads	94 - 92	SD557		
------------	---------	-------	--	--

Brake Pads	91 - 81	SD450		
------------	---------	-------	--	--

Rear Pads & Shoes	Years	SevereDuty	Lining No.	Qualifier
-------------------	-------	------------	------------	-----------

Brake Pads	06 - 99	SD802		
------------	---------	-------	--	--

Brake Shoes	06 - 81	SDS357NR	SX2146ATD	12 x 2-1/2; Riveted
-------------	---------	----------	-----------	---------------------

Brake Shoes	06 - 84	SDS358AR	EX2140TD	12 x 3; Riveted
-------------	---------	----------	----------	-----------------

Rotor & Drum

Front Rotor & Drum	Years	Part No.	Qualifier
--------------------	-------	----------	-----------

Brake Rotor	06 - 95	BD125468	w/2 Whl. ABS
-------------	---------	----------	--------------

Brake Rotor	06 - 95	BD125477	w/4 Whl. ABS
-------------	---------	----------	--------------

Brake Rotor	94	BD125410	w/2 Whl. ABS
-------------	----	----------	--------------

Brake Rotor	94	BD125411	w/4 Whl. ABS
-------------	----	----------	--------------

↳ Sub-Kit of Combi-Kit is available separately.

Piston: M - OE Metal Piston P - OE Phenolic Piston

250 ECONOLINE (cont.)

Rotor & Drum (cont.)

Front Rotor & Drum	Years	Part No.	Qualifier
Brake Rotor	93 - 92	BD125410	
Brake Rotor	91 - 86	BD61910	
Brake Rotor	85 - 84	BD61885	Over 8500 GVW
Brake Rotor	85 - 84	BD60541	Under 8500 GVW
Brake Rotor	83 - 82	BD60541	
Brake Rotor	81	BD60541	From 11/3/80
Brake Rotor	81	BD60469	To 11/03/80

Rear Rotor & Drum	Years	Part No.	Qualifier
Brake Drum	06 - 95	BD125692	12 x 3" Brake
Brake Drum	98 - 92	BD60868	12 x 2-1/2" Brake
Brake Drum	94 - 92	BD60793	12 x 3" Brake
Brake Drum	91 - 86	BD60393	12 x 2-1/2" Brake; w/7-1/2" or 9-3/4" or 10-1/2" R.G.
Brake Drum	91 - 86	BD60868	12 x 2-1/2" Brake; w/8-13/16" or 10-1/4" R.G.
Brake Drum	91 - 87	BD60819	12 x 3" Brake
Brake Drum	86 - 84	BD60465	12 x 3" Brake
Brake Drum	85 - 81	BD60393	12 x 2-1/2" Brake
Brake Rotor	06 - 99	BD125694	

Brake Hardware

Front Brake Hardware	Years	Sequential No.	Category No.	Qualifier
Caliper Bolt/Pin	06 - 95	F126899S	(H5061)	
Caliper Bolt/Pin	94 - 92	F130379S	(H5068)	
Caliper Bolt/Pin	91 - 86	F111231S	(H5031)	
Caliper Bolt/Pin	85 - 82	F102554S	(H5010C)	
Disc Align Kit	05 - 95	F132611S	(H5602)	
Disc Align Kit	94 - 92	F130266S	(H5445)	
Disc Align Kit	91 - 86	F114477	(H5572)	
Disc Align Kit	85 - 81	F97900	(H5529)	
Pin Boot Kit	05 - 95	F117215S	(H18000C)	
Pin Boot Kit	94 - 92	F130393S	(H8211)	

Rear Brake Hardware	Years	Sequential No.	Category No.	Qualifier
Adjuster Kit	01 - 81	F98416	(H2588)	L.H.
Adjuster Kit	01 - 81	F98417	(H2589)	R.H.
Adjuster Screw	01 - 81	F79799	(H1534)	L.H.
Adjuster Screw	01 - 81	F79800	(H1535)	R.H.
Caliper Bolt/Pin	06 - 99	F126899S	(H5061)	
Combi Kit	06 - 84	F102555	(H7164)	12 x 3" Brake
↳Adjuster Spring Kit		F106695	(H446)	
↳Return Spring Kit		F67455	(H546)	
Combi Kit	04 - 81	F78555	(H7146)	12 x 2-1/2" Brake
↳Adjuster Spring Kit		F67454S	(H423)	
↳Return Spring Kit		F67455	(H546)	
Disc Align Kit	01 - 99	F138118S	(H5616)	
Pin Boot Kit	01 - 99	F139361	(H8227)	

Parking Brake	Years	Sequential No.	Category No.	Qualifier
Adjuster Screw	03 - 00	F139719	(H1594)	L.H.
Adjuster Screw	03 - 00	F139719	(H1594)	R.H.
Combi Kit	03 - 00	F139869	(H7239)	

Calipers - Reman

Front, Loaded	Years	Left No.	Right No.	Qualifier	Piston
Loaded Caliper	99	AS133118	AS133119	To 5/18/99	P
Loaded Caliper	98 - 95	AS133118	AS133119		P
Loaded Caliper	94 - 92	AS128780	AS128781		P
Loaded Caliper	94 - 92	AS128780S	AS128781S		O
Loaded Caliper	91 - 89	AS128856	AS128857		P
Loaded Caliper	88 - 86	AS116931	AS116932		P
Loaded Caliper	85 - 81	AS102430	AS102431	2-Piston Caliper	M

↳Sub-Kit of Combi-Kit is available separately.

Piston: M - OE Metal Piston P - OE Phenolic Piston O - Metal Piston Option

250 ECONOLINE (cont.)
Calipers - Reman (cont.)

Rear, Loaded	Years	Left No.	Right No.	Qualifier	Piston
Loaded Caliper	05 - 99	AS134357	AS134358		P
Front, Unloaded	Years	Left No.	Right No.	Qualifier	Piston
Unloaded Caliper	06	CR134508	CR134509		P
Unloaded Caliper	05 - 00	CRB134508	CRB134509	Supplied w/Mtg. Brkt.	P
Unloaded Caliper	05 - 00	CR134508	CR134509	Supplied w/o Mtg. Brkt.	P
Unloaded Caliper	99	CRB134508	CRB134509	From 5/18/99; Supplied w/Mtg. Brkt.	P
Unloaded Caliper	99	CR134508	CR134509	From 5/18/99; Supplied w/o Mtg. Brkt.	P
Unloaded Caliper	99	CRB133118	CRB133119	To 5/18/99; Supplied w/Mtg. Brkt.	P
Unloaded Caliper	99	CR133118	CR133119	To 5/18/99; Supplied w/o Mtg. Brkt.	P
Unloaded Caliper	99	CR133118S	CR133119S	To 5/18/99; Supplied w/o Mtg. Brkt.	O
Unloaded Caliper	98 - 95	CRB133118	CRB133119	Supplied w/Mtg. Brkt.	P
Unloaded Caliper	98 - 95	CRB133118S	CRB133119S	Supplied w/Mtg. Brkt.	O
Unloaded Caliper	98 - 95	CR133118	CR133119	Supplied w/o Mtg. Brkt.	P
Unloaded Caliper	98 - 95	CR133118S	CR133119S	Supplied w/o Mtg. Brkt.	O
Unloaded Caliper	94 - 92	CR128780	CR128781		P
Unloaded Caliper	94 - 92	CR128780S	CR128781S		O
Unloaded Caliper	91 - 89	CR128856	CR128857		P
Unloaded Caliper	88 - 86	CR116931	CR116932		P
Unloaded Caliper	85 - 81	CR102430	CR102431	2-Piston Caliper	M
Rear, Unloaded	Years	Left No.	Right No.	Qualifier	Piston
Unloaded Caliper	05 - 99	CRB134358	CRB134357	Supplied w/Mtg. Brkt.	P
Unloaded Caliper	05 - 99	CR134358	CR134357	Supplied w/o Mtg. Brkt.	P

Hydraulics - New

Master Cylinder	Years	Sequential No.	Category No.	Qualifier
Master Cylinder	06 - 01	F140463	(MC140463)	w/Cruise Control; 1-5/16" Bore
Master Cylinder	06 - 01	F134457	(MC134457)	w/o Cruise Control; 1-5/16" Bore
Master Cylinder	00	F140463	(MC140463)	From 1/10/00; w/Cruise Control; 1-5/16" Bore
Master Cylinder	00	F134457	(MC134457)	From 1/10/00; w/o Cruise Control; 1-5/16" Bore
Master Cylinder	99	F140463	(MC140463)	w/Cruise Control; 1-5/16" Bore
Master Cylinder	99	F134457	(MC134457)	w/o Cruise Control; 1-5/16" Bore
Master Cylinder	96 - 94	F131211	(MC131211)	w/Cruise Control; 1-1/8" Bore
Master Cylinder	96 - 94	F120368	(MC120368)	w/o Cruise Control; 1-1/8" Bore
Master Cylinder	93	F120368	(MC120368)	1-1/8" Bore
Master Cylinder	92	F129285	(MC129285)	1-1/8" Bore
Master Cylinder	91 - 87	F120368	(MC120368)	Over 7000 GVW; 1-1/8" Bore
Master Cylinder	91 - 87	F120369	(MC120369)	Under 7000 GVW; 1-1/16" Bore
Master Cylinder	86	F110919	(MC110919)	From 9/01/85; Over 8500 GVW; 1-1/8" Bore
Master Cylinder	86	F110917	(MC110917)	From 9/01/85; Under 8500 GVW; 1-1/16" Bore
Master Cylinder	86	F110919	(MC110919)	To 8/31/85; Over 8500 GVW; 1-1/8" Bore
Master Cylinder	86	F97936	(MC97936)	To 8/31/85; Under 8500 GVW; 1-1/16" Bore
Master Cylinder	85 - 84	F110919	(MC110919)	Over 8500 GVW; 1-1/8" Bore
Master Cylinder	85 - 84	F97936	(MC97936)	Under 8500 GVW; 1-1/16" Bore
Master Cylinder	83 - 81	F97936	(MC97936)	1-1/16" Bore
Rear Wheel Cylinder	Years	Sequential No.	Category No.	Qualifier
Wheel Cylinder	06 - 84	F78974	(WC78974)	L.H.; 12 x 2-1/2" Brake; 1" Bore
Wheel Cylinder	06 - 84	F78975	(WC78975)	R.H.; 12 x 2-1/2" Brake; 1" Bore
Wheel Cylinder	98 - 95	F131875	(WC131875)	L.H.; 12 x 3" Brake; 1-1/8" Bore
Wheel Cylinder	98 - 95	F131874	(WC131874)	R.H.; 12 x 3" Brake; 1-1/8" Bore
Wheel Cylinder	94 - 93	F73615	(WC73615)	L.H.; 12 x 3" Brake; 1-1/16" Bore
Wheel Cylinder	94 - 93	F73614	(WC73614)	R.H.; 12 x 3" Brake; 1-1/16" Bore
Wheel Cylinder	92 - 84	F57146	(WC57146)	L.H.; 12 x 3" Brake; 1" Bore
Wheel Cylinder	92 - 84	F57147	(WC57147)	R.H.; 12 x 3" Brake; 1" Bore
Wheel Cylinder	83 - 81	F57146	(WC57146)	L.H.; 1" Bore
Wheel Cylinder	83 - 81	F57147	(WC57147)	R.H.; 1" Bore

Piston: M - OE Metal Piston P - OE Phenolic Piston O - Metal Piston Option

250 ECONOLINE (cont.)

Hydraulics - New (cont.)

Clutch Master Cylind	Years	Sequential No.	Category No.	Qualifier
Clutch Master Cylinder	89 - 84	F110269	(CM110269)	7/8" Bore
Clutch Slave Cylinder	Years	Sequential No.	Category No.	Qualifier
Clutch Slave Cylinder	89 - 88	F126890	(SC126890)	1-1/32" Bore
Clutch Slave Cylinder	87 - 84	F103485	(SC103485)	1" Bore
Front Brake Hose	Years	Sequential No.	Category No.	Qualifier
Brake Hose	02 - 95	F132754	(BH132754)	L.H.; w/2 Whl. ABS
Brake Hose	02 - 95	F133395	(BH133395)	L.H.; w/4 Whl. ABS
Brake Hose	02 - 95	F132773	(BH132773)	R.H.; w/2 Whl. ABS
Brake Hose	02 - 95	F132773	(BH132773)	R.H.; w/4 Whl. ABS
Brake Hose	94	F132196	(BH132196)	L.H.; w/2 Whl. ABS
Brake Hose	94	F132195	(BH132195)	L.H.; w/4 Whl. ABS
Brake Hose	94	F133813	(BH133813)	R.H.; w/2 Whl. ABS
Brake Hose	94	F133813	(BH133813)	R.H.; w/4 Whl. ABS
Brake Hose	93 - 92	F130430	(BH130430)	L.H.; w/Dual Piston Caliper
Brake Hose	93 - 92	F132298	(BH132298)	R.H.; w/Dual Piston Caliper
Brake Hose	91 - 82	F107255	(BH107255)	L.H.
Brake Hose	91 - 82	F106365	(BH106365)	R.H.
Brake Hose	81	F107255	(BH107255)	L.H.; From 2/02/81
Brake Hose	81	F102474	(BH102474)	L.H.; To 2/02/81
Brake Hose	81	F106365	(BH106365)	R.H.; From 2/02/81
Brake Hose	81	F106365	(BH106365)	R.H.; To 2/02/81
Rear Brake Hose	Years	Sequential No.	Category No.	Qualifier
Brake Hose	05 - 92	F133837	(BH133837)	INNER
Brake Hose	91	F128682	(BH128682)	
Brake Hose	88 - 86	F120872	(BH120872)	
Brake Hose	85	F120872	(BH120872)	From 3/01/85
Brake Hose	85	F119385	(BH119385)	To 2/28/85
Brake Hose	84 - 81	F119385	(BH119385)	

Hydraulics - Reman

Master Cylinder	Years	Part No.	Qualifier
Master Cylinder	03 - 01	R134795	w/Cruise
Master Cylinder	03 - 01	R134796	w/o Cruise
Master Cylinder	00	R134795	w/Cruise; Booster I.D. No. XC252B559EC
Master Cylinder	00	R134713	w/o Cruise; Booster I.D. No. XC252B559DB
Master Cylinder	00	R134796	w/o Cruise; Booster I.D. No. XC252B559PC
Master Cylinder	99 - 97	R134630	w/Cruise
Master Cylinder	99 - 97	R134713	w/o Cruise
Master Cylinder	96 - 94	R131306	w/Cruise
Master Cylinder	96 - 94	R120368	w/o Cruise
Master Cylinder	93	R120368	
Master Cylinder	92	R129285	
Master Cylinder	91 - 87	R120368	Over 7000 GVW
Master Cylinder	91 - 87	R120369	Under 7000 GVW
Master Cylinder	86	R110917	From 9/01/85; Under 8500 GVW
Master Cylinder	86 - 84	R110919	Over 8500 GVW
Master Cylinder	86	R97936	To 8/30/85; Under 8500 GVW
Master Cylinder	85 - 84	R97936	Under 8500 GVW
Master Cylinder	83 - 81	R97936	
Power Brake Booster	Years	Part No.	Qualifier
Power Brake Booster	04	5474419	From I.D. No. 3C242B599CC; Gas; w/o Master Cylinder; w/Cruise
Power Brake Booster	03 - 01	5474419	Gas; w/o Master Cylinder
Power Brake Booster	00	5474419	From 1/10/00; Gas; w/o Master Cylinder; w/Cruise
Power Brake Booster	00	5474418	From 1/10/00; Gas; w/o Master Cylinder; w/o Cruise
Power Brake Booster	00	5474418	To 1/10/00; Gas; w/o Master Cylinder; w/Cruise
Power Brake Booster	00	5474412	To 1/10/00; Gas; w/o Master Cylinder; w/o Cruise

Hydraulics - Reman (cont.)

Power Brake Booster	Years	Part No.	Qualifier
Power Brake Booster	99	5474418	Gas; w/o Master Cylinder; w/Cruise
Power Brake Booster	99	5474412	Gas; w/o Master Cylinder; w/o Cruise
Power Brake Booster	98 - 97	5474412	Gas; w/o Master Cylinder
Power Brake Booster	96 - 94	504403	Gas; w/Master Cylinder; w/Cruise; Incl. Pump/Motor; Also Avail. Separately
Power Brake Booster	96 - 94	504407	Gas; w/Master Cylinder; w/o Cruise
Power Brake Booster	96 - 92	5474402	Gas; w/o Master Cylinder
Power Brake Booster	93	504407	Gas; w/Master Cylinder
Power Brake Booster	92	504402	Gas; w/Master Cylinder
Power Brake Booster	91 - 87	504401	Gas; w/Master Cylinder; Over 7000 lb. GVW
Power Brake Booster	91 - 88	504302	Gas; w/Master Cylinder; Under 7000 lb. GVW
Power Brake Booster	91 - 87	5474401	Gas; w/o Master Cylinder; Over 7000 lb. GVW
Power Brake Booster	91 - 88	5474302	Gas; w/o Master Cylinder; Under 7000 lb. GVW
Power Brake Booster	87	504207	Gas; w/Master Cylinder; Under 7000 lb. GVW
Power Brake Booster	87	5474204	Gas; w/o Master Cylinder; Under 7000 lb. GVW
Power Brake Booster	86	504204	From 9/01/85; Gas; w/Master Cylinder; Under 8500 lb. GVW
Power Brake Booster	86	5474204	From 9/01/85; Gas; w/o Master Cylinder; Under 8500 lb. GVW
Power Brake Booster	86 - 84	509336	Gas; w/Master Cylinder; Over 8500 lb. GVW
Power Brake Booster	86 - 84	5473357	Gas; w/o Master Cylinder; Over 8500 lb. GVW
Power Brake Booster	86	503017	To 8/30/85; Gas; w/Master Cylinder; Under 8500 lb. GVW
Power Brake Booster	86	5473017	To 8/30/85; Gas; w/o Master Cylinder; Under 8500 lb. GVW
Power Brake Booster	85 - 84	503017	Gas; w/Master Cylinder; Under 8500 lb. GVW
Power Brake Booster	85 - 84	5473017	Gas; w/o Master Cylinder; Under 8500 lb. GVW
Power Brake Booster	83 - 81	503016	Gas; w/Master Cylinder
Power Brake Booster	83 - 81	5473016	Gas; w/o Master Cylinder

Brake Cables

Parking Brake Cable	Years	Sequential No.	Category No.	Qualifier
Parking Brake Cable	04 - 01	F139252	(BC139252)	Intermediate; 138" WB; Stripped Chassis
Parking Brake Cable	00 - 97	F139252	(BC139252)	Intermediate; 138" WB
Parking Brake Cable	00 - 97	F140390	(BC140390)	Intermediate; 158" WB; 36" Length
Parking Brake Cable	00	F140374	(BC140374)	Rear; R.H.; To 9/30/00; 5300-5400 lb. RA; 101" Length
Parking Brake Cable	99 - 97	F138822	(BC138822)	Forward; w/138" WB
Parking Brake Cable	99	F140374	(BC140374)	Rear; R.H.; Exc. 124" WB; 101" Length
Parking Brake Cable	98 - 97	F140374	(BC140374)	Rear; R.H.; 5300-5400 lb. RA; 101" Length
Parking Brake Cable	97 - 95	F133086	(BC133086)	Rear; L.H.; 5300-5400 lb. RA
Parking Brake Cable	96	F138822	(BC138822)	Forward; From 12/4/95; w/138" WB
Parking Brake Cable	96	F133084	(BC133084)	Forward; To 12/03/95
Parking Brake Cable	96	F140392	(BC140392)	Intermediate; From 12/4/95; 124" WB; Stripped Chassis; 14" Length
Parking Brake Cable	96	F139252	(BC139252)	Intermediate; From 12/4/95; 138" WB; Stripped Chassis
Parking Brake Cable	96	F140392	(BC140392)	Intermediate; To 12/03/95; 124" WB; Stripped Chassis; 14" Length
Parking Brake Cable	96	F133083	(BC133083)	Intermediate; To 12/03/95; 138" WB; Exc. Stripped Chassis
Parking Brake Cable	96	F133083	(BC133083)	Intermediate; To 12/03/95; 138" WB; Stripped Chassis
Parking Brake Cable	96 - 95	F140391	(BC140391)	Intermediate; To 12/03/95; 176" WB; Stripped Chassis; 69" Length
Parking Brake Cable	96 - 95	F133085	(BC133085)	Rear; R.H.; 5300-5400 lb. RA
Parking Brake Cable	95	F133084	(BC133084)	Forward
Parking Brake Cable	95	F140392	(BC140392)	Intermediate; 124" WB; 14" Length
Parking Brake Cable	95	F133083	(BC133083)	Intermediate; 138" WB
Parking Brake Cable	94 - 92	F132082	(BC132082)	Forward; Exc. Stripped Chassis
Parking Brake Cable	94 - 92	F132083	(BC132083)	Forward; Stripped Chassis
Parking Brake Cable	94 - 92	F132449	(BC132449)	Intermediate; 138" WB
Parking Brake Cable	94 - 92	F132450	(BC132450)	Intermediate; 158" WB
Parking Brake Cable	94 - 92	F132451	(BC132451)	Intermediate; 176" WB
Parking Brake Cable	94 - 92	F132084	(BC132084)	Rear; L.H.
Parking Brake Cable	94 - 92	F132085	(BC132085)	Rear; R.H.
Parking Brake Cable	91 - 88	F120903	(BC120903)	Forward
Parking Brake Cable	91 - 81	F109060	(BC109060)	Rear; L.H.

250 ECONOLINE (cont.)

Brake Cables (cont.)

Parking Brake Cable	Years	Sequential No.	Category No.	Qualifier
Parking Brake Cable	91 - 81	F109059	(BC109059)	Rear; R.H.
Parking Brake Cable	87	F102663	(BC102663)	Forward
Parking Brake Cable	86 - 81	F102662	(BC102662)	Forward; 124" WB
Parking Brake Cable	86 - 81	F102663	(BC102663)	Forward; 138" WB

ABS Components - Reman

ABS Module	Years	Part No.	Qualifier
ABS Module	96 - 94	RA121021	w/2 Whl. ABS
ABS Module	93 - 92	RA121021	
ABS Module	91 - 90	RA121017	

ABS Hydraulic Unit	Years	Part No.	Qualifier
ABS Hydraulic Unit	96 - 95	RA122061	w/2 Whl. ABS
ABS Hydraulic Unit	94	RA122024	w/2 Whl. ABS
ABS Hydraulic Unit	93 - 90	RA122024	

Wheel Attaching Hardware

Front Wheel Stud	Years	Part No.	Qualifier
Wheel Lug Stud	05 - 86	BD61164	
Wheel Lug Stud	85 - 81	BD61388	

Rear Wheel Stud	Years	Part No.	Qualifier
Wheel Lug Stud	05 - 92	BD61194	
Wheel Lug Stud	91 - 90	BD61194	w/12 x 2-1/2" Drum
Wheel Lug Stud	91 - 90	BD61175	w/12 x 3" Drum
Wheel Lug Stud	89 - 86	BD61194	w/12 x 2-1/2" Drum; 8-13/16" R.G.
Wheel Lug Stud	89 - 86	BD61162	w/12 x 2-1/2" Drum; 9-3/4" R.G.
Wheel Lug Stud	89 - 84	BD60984	w/12 x 3" Drum
Wheel Lug Stud	85 - 84	BD61162	w/12 x 2-1/2" Drum
Wheel Lug Stud	83 - 81	BD60929	

Front Wheel Nut	Years	Part No.	Qualifier
Wheel Lug Nut	05 - 92	BD61287	Std. Open
Wheel Lug Nut	91 - 90	BD61325	Std. Open
Wheel Lug Nut	89 - 81	BD61283	Std. Open; 1/2"-20 Thread; 13/16" Hex

Rear Wheel Nut	Years	Part No.	Qualifier
Wheel Lug Nut	05 - 92	BD61287	Std. Open
Wheel Lug Nut	91 - 90	BD61325	Std. Open
Wheel Lug Nut	89 - 81	BD61283	Std. Open; 1/2"-20 Thread; 13/16" Hex
Wheel Lug Nut	89 - 84	BD61325	Std. Open; 9/16"-18 Thread

2500 EXPRESS

Brake Pads & Shoes

Front Pads & Shoes	Years	SevereDuty	Lining No.	Qualifier
Brake Pads	06 - 03	SD785		7300 GVW
Brake Pads	06 - 03	SD784		8500-8600 GVW
Brake Pads	02 - 99	SD459		Diesel
Brake Pads	02 - 99	SD369		Gas; 7100-7300 GVW; w/6 Stud Whl.
Brake Pads	02 - 99	SD370		Gas; 7700-8600 GVW; w/8 Stud Whl.

Rear Pads & Shoes	Years	SevereDuty	Lining No.	Qualifier
Brake Pads	06 - 03	SD974		
Brake Shoes	02 - 99	SDS473R	EX2073TD-S32	w/6 Stud Whl.; 11-5/32 x 2-3/4" Brake; Bonded
Brake Shoes	02 - 99	SDS473R	EX2073TD-S32	w/6 Stud Whl.; 11-5/32 x 2-3/4" Brake; Riveted
Brake Shoes	02 - 99	SDS655R	SX2042BDT-S36	w/8 Stud Whl.; 13 x 2-1/2" Brake; Riveted
Brake Shoes	02 - 99	SDS656R	SX2157BDT-S36	w/8 Stud Whl.; 13 x 3-1/2" Brake; Riveted

Rotor & Drum

Front Rotor & Drum	Years	Part No.	Qualifier
Brake Rotor	06 - 03	BD126036	8500-8600 GVW
Brake Rotor	05 - 03	BD125654	7300 GVW
Brake Rotor	02 - 01	BD125765	Diesel

2500 EXPRESS (cont.)

Rotor & Drum (cont.)

Front Rotor & Drum	Years	Part No.	Qualifier
Brake Rotor	02 - 99	BD125592	Gas; w/6 Stud Whl.
Brake Rotor	02 - 99	BD125212	Gas; w/8 Stud Whl.
Rear Rotor & Drum	Years	Part No.	Qualifier
Brake Drum	02 - 99	BD61817	11-5/32 x 2-3/4" Brake
Brake Drum	02 - 99	BD60727	13 x 2-1/2" Brake
Brake Drum	02 - 00	BD125523	13 x 3-1/2" Brake
Brake Drum	99	BD125407	13 x 3-1/2" Brake; w/4.625" Dia. Ctr. Pilot Hole
Brake Drum	99	BD125523	13 x 3-1/2" Brake; w/4.835" Dia. Ctr. Pilot Hole
Brake Rotor	06	BD125657	Diesel
Brake Rotor	06 - 03	BD125656	Gas; 8500-8600 GVW

Brake Hardware

Front Brake Hardware	Years	Sequential No.	Category No.	Qualifier
Caliper Bolt/Pin	06 - 03	F139712	(H5096)	7300 GVW
Caliper Bolt/Pin	06 - 03	F139700	(H5095)	8500-8600 GVW
Caliper Bolt/Pin	02 - 01	F129642S	(H5062)	Diesel
Caliper Bolt/Pin	02 - 99	F117224S	(H5038)	Gas
Disc Align Kit	06 - 03	F139707	(H5645)	7300 GVW
Disc Align Kit	06 - 03	F139708	(H5646)	8500-8600 GVW
Disc Align Kit	02 - 99	F117225S	(H5584)	
Pin Boot Kit	06 - 03	F138697S	(H8221)	
Rear Brake Hardware	Years	Sequential No.	Category No.	Qualifier
Adjuster Kit	02 - 99	F98404	(H2584)	L.H.; 11-5/32 x 2-3/4" Brake
Adjuster Kit	02 - 99	F98406	(H2580)	L.H.; 13 x 2-1/2" Brake
Adjuster Kit	02 - 99	F111233	(H2687)	R.H.; 11-5/32 x 2-3/4" Brake
Adjuster Kit	02 - 99	F98407	(H2581)	R.H.; 13 x 2-1/2" Brake
Adjuster Screw	02 - 99	F73181S	(H1530)	L.H.; 11-5/32 x 2-3/4" Brake
Adjuster Screw	02 - 99	F83294	(H1550)	L.H.; 13 x 2-1/2" Brake
Adjuster Screw	02 - 99	F73182S	(H1531)	R.H.; 11-5/32 x 2-3/4" Brake
Adjuster Screw	02 - 99	F83295	(H1551)	R.H.; 13 x 2-1/2" Brake
Caliper Bolt/Pin	06 - 03	F139370	(H5091)	
Combi Kit	02 - 99	F134117S	(H7217)	11-5/32 x 2-3/4" Brake
↳Adjuster Spring Kit		F45936S	(H415)	
↳Return Spring Kit		F45927S	(H324)	
Combi Kit	02 - 99	F98457S	(H7055)	13 x 2-1/2" Brake
↳Adjuster Spring Kit		F73145S	(H425)	
↳Hold Down Kit		F113455S	(H4098)	
↳Return Spring Kit		F59100S	(H600)	
Disc Align Kit	06 - 03	F139864	(H5665)	
Pin Boot Kit	06 - 03	F140514	(H8240)	

Calipers - Reman

Front, Loaded	Years	Left No.	Right No.	Qualifier	Piston
Loaded Caliper	02	AS120226	AS120227	Diesel	M
Loaded Caliper	02 - 99	AS116292	AS116293	Gas; 7300 GVW; 2.94" 1-Piston Caliper	M
Loaded Caliper	02 - 99	AS116294	AS116295	Gas; Exc. 7300 GVW; 3.16" 1-Piston Caliper	M
Front, Unloaded	Years	Left No.	Right No.	Qualifier	Piston
Unloaded Caliper	05 - 03	CRB134346	CRB134345	7300 GVW; 2-Piston Caliper; Supplied w/Mtg. Brkt.	P
Unloaded Caliper	05 - 03	CR134346	CR134345	7300 GVW; 2-Piston Caliper; Supplied w/o Mtg. Brkt.	P
Unloaded Caliper	05 - 03	CRB134347	CRB134348	8500-8600 GVW; 2-Piston Caliper; Supplied w/Mtg. Brkt.	P
Unloaded Caliper	05 - 03	CR134347	CR134348	8500-8600 GVW; 2-Piston Caliper; Supplied w/o Mtg. Brkt.	P
Unloaded Caliper	02	CR120226	CR120227	Diesel	M
Unloaded Caliper	02 - 99	CR116292	CR116293	Gas; 7300 GVW; 2.94" 1-Piston Caliper	M
Unloaded Caliper	02 - 99	CR116294	CR116295	Gas; Exc. 7300 GVW; 3.16" 1-Piston Caliper	M
Rear, Unloaded	Years	Left No.	Right No.	Qualifier	Piston
Unloaded Caliper	05 - 03	CR135118	CR135117	8500-8600 GVW	P

↳Sub-Kit of Combi-Kit is available separately.

Piston: M - OE Metal Piston P - OE Phenolic Piston

2500 EXPRESS (cont.)

Hydraulics - New

<i>Master Cylinder</i>	<i>Years</i>	<i>Sequential No.</i>	<i>Category No.</i>	<i>Qualifier</i>
Master Cylinder	02 - 99	F140292	(MC140292)	w/JB6; Gas; 1-1/8" Bore
Master Cylinder	02 - 99	F139959	(MC139959)	w/JD7; 1-1/4" Bore
<i>Rear Wheel Cylinder</i>	<i>Years</i>	<i>Sequential No.</i>	<i>Category No.</i>	<i>Qualifier</i>
Wheel Cylinder	02 - 99	F131225	(WC131225)	15/16" Bore
Wheel Cylinder	02 - 99	F116359	(WC116359)	w/Hydro-Boost; Diesel; 1" Bore
Wheel Cylinder	02 - 99	F79767	(WC79767)	w/Hydro-Boost; Gas; 1-1/16" Bore
<i>Front Brake Hose</i>	<i>Years</i>	<i>Sequential No.</i>	<i>Category No.</i>	<i>Qualifier</i>
Brake Hose	06 - 03	F140304	(BH140304)	L.H.; 7300 GVW
Brake Hose	06 - 03	F140305	(BH140305)	R.H.; 7300 GVW
Brake Hose	02 - 99	F140496	(BH140496)	L.H.; w/Hydro-Boost
Brake Hose	02 - 99	F138061	(BH138061)	L.H.; w/Vacuum Boost
Brake Hose	02 - 99	F140497	(BH140497)	R.H.; w/Hydro-Boost
Brake Hose	02 - 99	F138062	(BH138062)	R.H.; w/Vacuum Boost
<i>Rear Brake Hose</i>	<i>Years</i>	<i>Sequential No.</i>	<i>Category No.</i>	<i>Qualifier</i>
Brake Hose	02 - 99	F118117	(BH118117)	

Hydraulics - Reman

<i>Master Cylinder</i>	<i>Years</i>	<i>Part No.</i>	<i>Qualifier</i>
Master Cylinder	02 - 99	R134626	Diesel
Master Cylinder	02 - 99	R134627	Gas
<i>Power Brake Booster</i>	<i>Years</i>	<i>Part No.</i>	<i>Qualifier</i>
Hydro Booster	01 - 99	527342	Diesel
<i>Power Brake Booster</i>	<i>Years</i>	<i>Part No.</i>	<i>Qualifier</i>
Power Brake Booster	02 - 99	5474810	Gas; w/o Master Cylinder

Brake Cables

<i>Parking Brake Cable</i>	<i>Years</i>	<i>Sequential No.</i>	<i>Category No.</i>	<i>Qualifier</i>
Parking Brake Cable	02 - 99	F138836	(BC138836)	Forward
Parking Brake Cable	02 - 99	F138900	(BC138900)	Intermediate; 155" WB
Parking Brake Cable	02 - 99	F140296	(BC140296)	Rear; L.H.; w/JB6; 63" Length
Parking Brake Cable	02 - 99	F140173	(BC140173)	Rear; R.H.; w/JB6; 90" Length

Wheel Attaching Hardware

<i>Front Wheel Stud</i>	<i>Years</i>	<i>Part No.</i>	<i>Qualifier</i>
Wheel Lug Stud	05 - 03	BD125938	
Wheel Lug Stud	02 - 99	BD61426	
<i>Rear Wheel Stud</i>	<i>Years</i>	<i>Part No.</i>	<i>Qualifier</i>
Wheel Lug Stud	05 - 03	BD125938	
Wheel Lug Stud	02 - 99	BD61427	w/11-5/32" Drum
Wheel Lug Stud	02 - 99	BD125934	w/13" Drum
<i>Front Wheel Nut</i>	<i>Years</i>	<i>Part No.</i>	<i>Qualifier</i>
Wheel Lug Nut	05 - 99	BD125916	External Thread
<i>Rear Wheel Nut</i>	<i>Years</i>	<i>Part No.</i>	<i>Qualifier</i>
Wheel Lug Nut	05 - 99	BD125916	External Thread

2500 SAVANA

Brake Pads & Shoes

<i>Front Pads & Shoes</i>	<i>Years</i>	<i>SevereDuty</i>	<i>Lining No.</i>	<i>Qualifier</i>
Brake Pads	06 - 03	SD785		7300 GVW
Brake Pads	06 - 03	SD784		8500-8600 GVW
Brake Pads	02 - 99	SD459		Diesel
Brake Pads	02 - 99	SD369		Gas; 7100-7300 GVW; w/6 Stud Whl.
Brake Pads	02 - 99	SD370		Gas; 7700-8600 GVW; w/8 Stud Whl.
<i>Rear Pads & Shoes</i>	<i>Years</i>	<i>SevereDuty</i>	<i>Lining No.</i>	<i>Qualifier</i>
Brake Pads	06 - 03	SD974		
Brake Shoes	02 - 99	SDS473R	EX2073TD-S32	w/6 Stud Whl.; 11-5/32 x 2-3/4" Brake; Bonded
Brake Shoes	02 - 99	SDS473R	EX2073TD-S32	w/6 Stud Whl.; 11-5/32 x 2-3/4" Brake; Riveted

2500 SAVANA (cont.)
Brake Pads & Shoes (cont.)

Rear Pads & Shoes	Years	SevereDuty	Lining No.	Qualifier
Brake Shoes	02 - 99	SDS655R	SX2042BDT-S36w/8 Stud Whl.; 13 x 2-1/2" Brake; Riveted	
Brake Shoes	02 - 99	SDS656R	SX2157BDT-S36w/8 Stud Whl.; 13 x 3-1/2" Brake; Riveted	

Rotor & Drum

Front Rotor & Drum	Years	Part No.	Qualifier
Brake Rotor	06 - 03	BD126036	8500-8600 GVW
Brake Rotor	05 - 03	BD125654	7300 GVW
Brake Rotor	02 - 01	BD125765	Diesel
Brake Rotor	02 - 99	BD125592	Gas; w/6 Stud Whl.
Brake Rotor	02 - 99	BD125212	Gas; w/8 Stud Whl.

Rear Rotor & Drum	Years	Part No.	Qualifier
Brake Drum	02 - 99	BD61817	11-5/32 x 2-3/4" Brake
Brake Drum	02 - 99	BD60727	13 x 2-1/2" Brake
Brake Drum	02 - 00	BD125523	13 x 3-1/2" Brake
Brake Drum	99	BD125407	13 x 3-1/2" Brake; w/4.625" Dia. Ctr. Pilot Hole
Brake Drum	99	BD125523	13 x 3-1/2" Brake; w/4.835" Dia. Ctr. Pilot Hole
Brake Rotor	06	BD125657	Diesel
Brake Rotor	06 - 03	BD125656	Gas; 8500-8600 GVW

Brake Hardware

Front Brake Hardware	Years	Sequential No.	Category No.	Qualifier
Caliper Bolt/Pin	06 - 03	F139712	(H5096)	7300 GVW
Caliper Bolt/Pin	06 - 03	F139700	(H5095)	8500-8600 GVW
Caliper Bolt/Pin	02 - 01	F129642S	(H5062)	Diesel
Caliper Bolt/Pin	02 - 99	F117224S	(H5038)	Gas
Disc Align Kit	06 - 03	F139707	(H5645)	7300 GVW
Disc Align Kit	06 - 03	F139708	(H5646)	8500-8600 GVW
Disc Align Kit	02 - 99	F117225S	(H5584)	
Pin Boot Kit	06 - 03	F138697S	(H8221)	

Rear Brake Hardware	Years	Sequential No.	Category No.	Qualifier
Adjuster Kit	02 - 99	F98404	(H2584)	L.H.; 11-5/32 x 2-3/4" Brake
Adjuster Kit	02 - 99	F98406	(H2580)	L.H.; 13 x 2-1/2" Brake
Adjuster Kit	02 - 99	F111233	(H2687)	R.H.; 11-5/32 x 2-3/4" Brake
Adjuster Kit	02 - 99	F98407	(H2581)	R.H.; 13 x 2-1/2" Brake
Adjuster Screw	02 - 99	F73181S	(H1530)	L.H.; 11-5/32 x 2-3/4" Brake
Adjuster Screw	02 - 99	F83294	(H1550)	L.H.; 13 x 2-1/2" Brake
Adjuster Screw	02 - 99	F73182S	(H1531)	R.H.; 11-5/32 x 2-3/4" Brake
Adjuster Screw	02 - 99	F83295	(H1551)	R.H.; 13 x 2-1/2" Brake
Caliper Bolt/Pin	06 - 03	F139370	(H5091)	
Combi Kit	02 - 99	F134117S	(H7217)	11-5/32 x 2-3/4" Brake
↳Adjuster Spring Kit		F45936S	(H415)	
↳Return Spring Kit		F45927S	(H324)	
Combi Kit	02 - 99	F98457S	(H7055)	13 x 2-1/2" Brake
↳Adjuster Spring Kit		F73145S	(H425)	
↳Hold Down Kit		F113455S	(H4098)	
↳Return Spring Kit		F59100S	(H600)	
Disc Align Kit	06 - 03	F139864	(H5665)	
Pin Boot Kit	06 - 03	F140514	(H8240)	

Calipers - Reman

Front, Loaded	Years	Left No.	Right No.	Qualifier	Piston
Loaded Caliper	02	AS120226	AS120227	Diesel	M
Loaded Caliper	02 - 99	AS116292	AS116293	Gas; 7300 GVW; 2.94" 1-Piston Caliper	M
Loaded Caliper	02 - 99	AS116294	AS116295	Gas; Exc. 7300 GVW; 3.16" 1-Piston Caliper	M
Front, Unloaded	Years	Left No.	Right No.	Qualifier	Piston
Unloaded Caliper	05 - 03	CRB134346	CRB134345	7300 GVW; 2-Piston Caliper; Supplied w/Mtg. Brkt.	P
Unloaded Caliper	05 - 03	CR134346	CR134345	7300 GVW; 2-Piston Caliper; Supplied w/o Mtg. Brkt.	P

↳Sub-Kit of Combi-Kit is available separately.

Piston: M - OE Metal Piston P - OE Phenolic Piston

2500 SAVANA (cont.)

Calipers - Reman (cont.)

<i>Front, Unloaded</i>	<i>Years</i>	<i>Left No.</i>	<i>Right No.</i>	<i>Qualifier</i>	<i>Piston</i>
Unloaded Caliper	05 - 03	CRB134347	CRB134348	8500-8600 GVW; 2-Piston Caliper; Supplied w/Mtg. Brkt.	P
Unloaded Caliper	05 - 03	CR134347	CR134348	8500-8600 GVW; 2-Piston Caliper; Supplied w/o Mtg. Brkt.	P
Unloaded Caliper	02	CR120226	CR120227	Diesel	M
Unloaded Caliper	02 - 99	CR116292	CR116293	Gas; 7300 GVW; 2.94" 1-Piston Caliper	M
Unloaded Caliper	02 - 99	CR116294	CR116295	Gas; Exc. 7300 GVW; 3.16" 1-Piston Caliper	M

<i>Rear, Unloaded</i>	<i>Years</i>	<i>Left No.</i>	<i>Right No.</i>	<i>Qualifier</i>	<i>Piston</i>
Unloaded Caliper	05 - 03	CR135118	CR135117	8500-8600 GVW	P

Hydraulics - New

<i>Master Cylinder</i>	<i>Years</i>	<i>Sequential No.</i>	<i>Category No.</i>	<i>Qualifier</i>
Master Cylinder	02 - 99	F140292	(MC140292)	w/JB6; Gas; 1-1/8" Bore
Master Cylinder	02 - 99	F139959	(MC139959)	w/JD7; 1-1/4" Bore

<i>Rear Wheel Cylinder</i>	<i>Years</i>	<i>Sequential No.</i>	<i>Category No.</i>	<i>Qualifier</i>
Wheel Cylinder	02 - 99	F131225	(WC131225)	15/16" Bore
Wheel Cylinder	02 - 99	F116359	(WC116359)	w/Hydro-Boost; Diesel; 1" Bore
Wheel Cylinder	02 - 99	F79767	(WC79767)	w/Hydro-Boost; Gas; 1-1/16" Bore

<i>Front Brake Hose</i>	<i>Years</i>	<i>Sequential No.</i>	<i>Category No.</i>	<i>Qualifier</i>
Brake Hose	06 - 03	F140304	(BH140304)	L.H.; 7300 GVW
Brake Hose	06 - 03	F140305	(BH140305)	R.H.; 7300 GVW
Brake Hose	02 - 99	F140496	(BH140496)	L.H.; w/Hydro-Boost
Brake Hose	02 - 99	F138061	(BH138061)	L.H.; w/Vacuum Boost
Brake Hose	02 - 99	F140497	(BH140497)	R.H.; w/Hydro-Boost
Brake Hose	02 - 99	F138062	(BH138062)	R.H.; w/Vacuum Boost

<i>Rear Brake Hose</i>	<i>Years</i>	<i>Sequential No.</i>	<i>Category No.</i>	<i>Qualifier</i>
Brake Hose	02 - 99	F118117	(BH118117)	

Hydraulics - Reman

<i>Master Cylinder</i>	<i>Years</i>	<i>Part No.</i>	<i>Qualifier</i>
Master Cylinder	02 - 99	R134626	Diesel
Master Cylinder	02 - 99	R134627	Gas

<i>Power Brake Booster</i>	<i>Years</i>	<i>Part No.</i>	<i>Qualifier</i>
Hydro Booster	01 - 99	527342	Diesel

<i>Power Brake Booster</i>	<i>Years</i>	<i>Part No.</i>	<i>Qualifier</i>
Power Brake Booster	02 - 99	5474810	Gas; w/o Master Cylinder

Brake Cables

<i>Parking Brake Cable</i>	<i>Years</i>	<i>Sequential No.</i>	<i>Category No.</i>	<i>Qualifier</i>
Parking Brake Cable	02 - 99	F138836	(BC138836)	Forward
Parking Brake Cable	02 - 99	F138900	(BC138900)	Intermediate; 155" WB
Parking Brake Cable	02 - 99	F140296	(BC140296)	Rear; L.H.; w/JB6; 63" Length
Parking Brake Cable	02 - 99	F140173	(BC140173)	Rear; R.H.; w/JB6; 90" Length

Wheel Attaching Hardware

<i>Front Wheel Stud</i>	<i>Years</i>	<i>Part No.</i>	<i>Qualifier</i>
Wheel Lug Stud	05 - 03	BD125938	
Wheel Lug Stud	02 - 99	BD61426	

<i>Rear Wheel Stud</i>	<i>Years</i>	<i>Part No.</i>	<i>Qualifier</i>
Wheel Lug Stud	05 - 03	BD125938	
Wheel Lug Stud	02 - 99	BD61427	w/11-5/32" Drum
Wheel Lug Stud	02 - 99	BD125934	w/13" Drum

<i>Front Wheel Nut</i>	<i>Years</i>	<i>Part No.</i>	<i>Qualifier</i>
Wheel Lug Nut	05 - 99	BD125916	External Thread

<i>Rear Wheel Nut</i>	<i>Years</i>	<i>Part No.</i>	<i>Qualifier</i>
Wheel Lug Nut	05 - 99	BD125916	External Thread

Piston: M - OE Metal Piston P - OE Phenolic Piston

350 ECONOLINE
Brake Pads & Shoes

Front Pads & Shoes	Years	SevereDuty	Lining No.	Qualifier
Brake Pads	06 - 95	SD655		
Brake Pads	94 - 92	SD557		
Brake Pads	91 - 81	SD450		
Rear Pads & Shoes	Years	SevereDuty	Lining No.	Qualifier
Brake Pads	06 - 99	SD802		
Brake Pads	98 - 97	SD411		
Brake Shoes	06 - 81	SDS358AR	EX2140TD	12 x 3; Riveted
Brake Shoes	98 - 87	SDS583R	EX2171TD	12-1/8 x 3-1/2; Riveted
Parking Brake Shoes	Years	SevereDuty	Lining No.	Qualifier
Brake Shoes	03 - 99	SDS771	EX2192	Bonded

Rotor & Drum

Front Rotor & Drum	Years	Part No.	Qualifier
Brake Rotor	06 - 95	BD125468	w/SRW; w/2 Whl. ABS
Brake Rotor	06 - 95	BD125477	w/SRW; w/4 Whl. ABS
Brake Rotor	94 - 93	BD125410	w/SRW; w/2 Whl. ABS
Brake Rotor	94 - 93	BD125411	w/SRW; w/4 Whl. ABS
Brake Rotor	92	BD125410	w/SRW
Brake Rotor	91 - 86	BD61910	w/SRW
Brake Rotor	85 - 82	BD61885	w/SRW
Brake Rotor	81	BD61885	From 11/3/80; w/SRW
Brake Rotor	81	BD60470	To 11/03/80; w/SRW
Rear Rotor & Drum	Years	Part No.	Qualifier
Brake Drum	06 - 99	BD125692	12 x 3" Brake
Brake Drum	98 - 95	BD60793	12 x 3" Brake
Brake Drum	98 - 95	BD125385	12-1/8 x 3-1/2" Brake; 6340-7200 lb. RA
Brake Drum	98 - 95	BD60885	12-1/8 x 3-1/2" Brake; 7800-8000 lb. RA
Brake Drum	94 - 92	BD60793	12 x 3" Brake; w/SRW
Brake Drum	94 - 92	BD125385	12-1/8 x 3-1/2" Brake; w/SRW; 6340-7200 lb. RA
Brake Drum	94 - 92	BD60885	12-1/8 x 3-1/2" Brake; w/SRW; 7800-8000 lb. RA
Brake Drum	91 - 81	BD60465	12 x 3" Brake; w/SRW; Exc. 10-1/4" R.G.
Brake Drum	91 - 81	BD60819	12 x 3" Brake; w/SRW; w/10-1/4" R.G.
Brake Rotor	06 - 99	BD125694	w/SRW
Brake Rotor	98 - 97	BD125550	

Brake Hardware

Front Brake Hardware	Years	Sequential No.	Category No.	Qualifier
Caliper Bolt/Pin	06 - 95	F126899S	(H5061)	
Caliper Bolt/Pin	94 - 92	F130379S	(H5068)	
Caliper Bolt/Pin	91 - 86	F111231S	(H5031)	
Caliper Bolt/Pin	85 - 82	F102554S	(H5010C)	
Disc Align Kit	05 - 95	F132611S	(H5602)	
Disc Align Kit	94 - 92	F130266S	(H5445)	
Disc Align Kit	91 - 86	F114477	(H5572)	
Disc Align Kit	85 - 81	F97900	(H5529)	
Pin Boot Kit	01 - 95	F117215S	(H18000C)	
Pin Boot Kit	94 - 92	F130393S	(H8211)	
Rear Brake Hardware	Years	Sequential No.	Category No.	Qualifier
Adjuster Kit	05 - 81	F98416	(H2588)	L.H.
Adjuster Kit	05 - 81	F98417	(H2589)	R.H.
Adjuster Screw	05 - 81	F79799	(H1534)	L.H.
Adjuster Screw	05 - 81	F79800	(H1535)	R.H.
Caliper Bolt/Pin	06 - 99	F126899S	(H5061)	
Combi Kit	06 - 81	F102555	(H7164)	12 x 3" Brake
↳Adjuster Spring Kit		F106695	(H446)	
↳Return Spring Kit		F67455	(H546)	

↳Sub-Kit of Combi-Kit is available separately.

350 ECONOLINE (cont.)

Brake Hardware (cont.)

Rear Brake Hardware	Years	Sequential No.	Category No.	Qualifier
Combi Kit	98 - 87	F117217	(H7197)	12-1/8 x 3-1/2" Brake
↳ Adjuster Spring Kit		F73105	(H430)	
↳ Return Spring Kit		F67455	(H546)	
Disc Align Kit	05 - 99	F138118S	(H5616)	
Pin Boot Kit	05 - 99	F139361	(H8227)	

Parking Brake	Years	Sequential No.	Category No.	Qualifier
Adjuster Screw	03 - 00	F139719	(H1594)	L.H.
Adjuster Screw	03 - 00	F139719	(H1594)	R.H.
Combi Kit	03 - 00	F139869	(H7239)	w/SRW

Calipers - Reman

Front, Loaded	Years	Left No.	Right No.	Qualifier	Piston
Loaded Caliper	99	AS133118	AS133119	To 5/18/99	P
Loaded Caliper	98 - 95	AS133118	AS133119		P
Loaded Caliper	94 - 92	AS128780	AS128781		P
Loaded Caliper	94 - 92	AS128780S	AS128781S		O
Loaded Caliper	91 - 89	AS128856	AS128857		P
Loaded Caliper	88 - 86	AS116931	AS116932		P
Loaded Caliper	85 - 81	AS102430	AS102431	2-Piston Caliper	M

Rear, Loaded	Years	Left No.	Right No.	Qualifier	Piston
Loaded Caliper	05 - 99	AS134357	AS134358		P

Front, Unloaded	Years	Left No.	Right No.	Qualifier	Piston
Unloaded Caliper	05 - 00	CRB134508	CRB134509	Supplied w/Mtg. Brkt.	P
Unloaded Caliper	05 - 00	CR134508	CR134509	Supplied w/o Mtg. Brkt.	P
Unloaded Caliper	99	CRB134508	CRB134509	From 5/18/99; Supplied w/Mtg. Brkt.	P
Unloaded Caliper	99	CR134508	CR134509	From 5/18/99; Supplied w/o Mtg. Brkt.	P
Unloaded Caliper	99	CRB133118	CRB133119	To 5/18/99; Supplied w/Mtg. Brkt.	P
Unloaded Caliper	99	CRB133118S	CRB133119S	To 5/18/99; Supplied w/Mtg. Brkt.	O
Unloaded Caliper	99	CR133118	CR133119	To 5/18/99; Supplied w/o Mtg. Brkt.	P
Unloaded Caliper	99	CR133118S	CR133119S	To 5/18/99; Supplied w/o Mtg. Brkt.	O
Unloaded Caliper	98 - 95	CRB133118	CRB133119	Supplied w/Mtg. Brkt.	P
Unloaded Caliper	98 - 95	CRB133118S	CRB133119S	Supplied w/Mtg. Brkt.	O
Unloaded Caliper	98 - 95	CR133118	CR133119	Supplied w/o Mtg. Brkt.	P
Unloaded Caliper	98 - 95	CR133118S	CR133119S	Supplied w/o Mtg. Brkt.	O
Unloaded Caliper	94 - 92	CR128780	CR128781		P
Unloaded Caliper	94 - 92	CR128780S	CR128781S		O
Unloaded Caliper	91 - 89	CR128856	CR128857		P
Unloaded Caliper	88 - 86	CR116931	CR116932		P
Unloaded Caliper	85 - 81	CR102430	CR102431	2-Piston Caliper	M

Rear, Unloaded	Years	Left No.	Right No.	Qualifier	Piston
Unloaded Caliper	05 - 99	CRB134358	CRB134357	Supplied w/Mtg. Brkt.	P
Unloaded Caliper	05 - 99	CR134358	CR134357	Supplied w/o Mtg. Brkt.	P

Hydraulics - New

Master Cylinder	Years	Sequential No.	Category No.	Qualifier
Master Cylinder	06 - 02	F140463	(MC140463)	w/Cruise Control; 1-5/16" Bore
Master Cylinder	06 - 02	F134457	(MC134457)	w/o Cruise Control; 1-5/16" Bore
Master Cylinder	01 - 99	F140463	(MC140463)	Exc. Super Duty; w/Cruise Control; 1-5/16" Bore
Master Cylinder	01 - 99	F134457	(MC134457)	Exc. Super Duty; w/o Cruise Control; 1-5/16" Bore
Master Cylinder	01 - 99	F134465	(MC134465)	Super Duty; 1-5/16" Bore
Master Cylinder	98	F140462	(MC140462)	From 12/22/97; w/Cruise Control; 1-1/4" Bore
Master Cylinder	98	F134457	(MC134457)	From 12/22/97; w/o Cruise Control; 1-5/16" Bore
Master Cylinder	97	F131212	(MC131212)	To 12/21/97; w/Hydro-Boost; w/o Cruise Control; 1-5/16" Bore
Master Cylinder	97	F140462	(MC140462)	To 12/21/97; w/Vacuum Boost; w/Cruise Control; 1-1/4" Bore
Master Cylinder	96	F131212	(MC131212)	Commercial Chassis; w/Hydro-Boost; 1-5/16" Bore
Master Cylinder	96	F131306	(MC131306)	Commercial Chassis; w/Vacuum Boost; w/Cruise Control; 1-1/8" Bore
Master Cylinder	96	F120368	(MC120368)	Commercial Chassis; w/Vacuum Boost; w/o Cruise Control; 1-1/8" Bore

↳ Sub-Kit of Combi-Kit is available separately.

Piston: M - OE Metal Piston P - OE Phenolic Piston O - Metal Piston Option

350 ECONOLINE (cont.)

Hydraulics - New (cont.)				
Master Cylinder	Years	Sequential No.	Category No.	Qualifier
Master Cylinder	96	F131211	(MC131211)	Exc. Commercial Chassis; w/Vacuum Boost; w/Cruise Control; 1-1/8" Bore
Master Cylinder	96	F120368	(MC120368)	Exc. Commercial Chassis; w/Vacuum Boost; w/o Cruise Control; 1-1/8" Bore
Master Cylinder	95 - 94	F131306	(MC131306)	Commercial Chassis; w/Cruise Control; 1-1/8" Bore
Master Cylinder	95 - 94	F131211	(MC131211)	Exc. Commercial Chassis; w/Cruise Control; 1-1/8" Bore
Master Cylinder	95 - 94	F120368	(MC120368)	Exc. Commercial Chassis; w/o Cruise Control; 1-1/8" Bore
Master Cylinder	93	F120368	(MC120368)	1-1/8" Bore
Master Cylinder	92	F129285	(MC129285)	w/SRW; 1-1/8" Bore
Master Cylinder	91 - 87	F120368	(MC120368)	1-1/8" Bore
Master Cylinder	86 - 84	F110919	(MC110919)	1-1/8" Bore
Master Cylinder	83 - 81	F97938	(MC97938)	1-1/16" Bore
Rear Wheel Cylinder	Years	Sequential No.	Category No.	Qualifier
Wheel Cylinder	06 - 95	F131875	(WC131875)	L.H.; w/SRW; 1-1/8" Bore
Wheel Cylinder	06 - 95	F131874	(WC131874)	R.H.; w/SRW; 1-1/8" Bore
Wheel Cylinder	94 - 93	F73615	(WC73615)	L.H.; w/SRW; 1-1/16" Bore
Wheel Cylinder	94 - 93	F73614	(WC73614)	R.H.; w/SRW; 1-1/16" Bore
Wheel Cylinder	92	F57146	(WC57146)	L.H.; w/SRW; 12 x 3" Brake; 1" Bore
Wheel Cylinder	92	F73615	(WC73615)	L.H.; w/SRW; 12 x 3-1/2" Brake; 1-1/16" Bore
Wheel Cylinder	92	F57147	(WC57147)	R.H.; w/SRW; 12 x 3" Brake; 1" Bore
Wheel Cylinder	92	F73614	(WC73614)	R.H.; w/SRW; 12 x 3-1/2" Brake; 1-1/16" Bore
Wheel Cylinder	91 - 84	F57146	(WC57146)	L.H.; w/SRW; 1" Bore
Wheel Cylinder	91 - 84	F57147	(WC57147)	R.H.; w/SRW; 1" Bore
Wheel Cylinder	83 - 81	F57146	(WC57146)	L.H.; School Bus; 1" Bore
Wheel Cylinder	83 - 81	F57147	(WC57147)	R.H.; School Bus; 1" Bore
Wheel Cylinder	81	F18984	(WC18984)	L.H.; Exc. School Bus; 1-1/16" Bore
Wheel Cylinder	81	F18985	(WC18985)	R.H.; Exc. School Bus; 1-1/16" Bore
Clutch Master Cylind	Years	Sequential No.	Category No.	Qualifier
Clutch Master Cylinder	99 - 92	F118415	(CM118415)	Chassis Cab; 7/8" Bore
Clutch Master Cylinder	99 - 92	F117053	(CM117053)	Stripped Chassis; 7/8" Bore
Clutch Master Cylinder	91 - 90	F118415	(CM118415)	Chassis Cab; w/Dual Piston Caliper; 7/8" Bore
Clutch Master Cylinder	91 - 90	F117053	(CM117053)	Stripped Chassis; w/Dual Piston Caliper; 7/8" Bore
Clutch Master Cylinder	89 - 88	F118415	(CM118415)	Chassis Cab; 7/8" Bore
Clutch Master Cylinder	89 - 88	F110269	(CM110269)	Exc. Chassis Cab; 7/8" Bore
Clutch Master Cylinder	87 - 84	F110269	(CM110269)	7/8" Bore
Clutch Slave Cylinder	Years	Sequential No.	Category No.	Qualifier
Clutch Slave Cylinder	97 - 84	F103485	(SC103485)	1" Bore
Clutch Slave Cylinder	89 - 88	F126890	(SC126890)	1-1/32" Bore
Front Brake Hose	Years	Sequential No.	Category No.	Qualifier
Brake Hose	02 - 95	F132754	(BH132754)	L.H.; w/2 Whl. ABS
Brake Hose	02 - 95	F133395	(BH133395)	L.H.; w/4 Whl. ABS
Brake Hose	02 - 95	F132773	(BH132773)	R.H.; w/2 Whl. ABS
Brake Hose	02 - 95	F132773	(BH132773)	R.H.; w/4 Whl. ABS
Brake Hose	94 - 93	F132196	(BH132196)	L.H.; w/2 Whl. ABS
Brake Hose	94 - 93	F132195	(BH132195)	L.H.; w/4 Whl. ABS
Brake Hose	94 - 93	F133813	(BH133813)	R.H.; w/2 Whl. ABS
Brake Hose	94 - 93	F133813	(BH133813)	R.H.; w/4 Whl. ABS
Brake Hose	92	F130430	(BH130430)	L.H.; w/Dual Piston Caliper
Brake Hose	92	F132298	(BH132298)	R.H.; w/Dual Piston Caliper
Brake Hose	91 - 82	F107255	(BH107255)	L.H.
Brake Hose	91 - 82	F106365	(BH106365)	R.H.
Brake Hose	81	F107255	(BH107255)	L.H.; From 2/02/81
Brake Hose	81	F102474	(BH102474)	L.H.; To 2/02/81
Brake Hose	81	F106365	(BH106365)	R.H.; From 2/02/81
Brake Hose	81	F106365	(BH106365)	R.H.; To 2/02/81
Rear Brake Hose	Years	Sequential No.	Category No.	Qualifier
Brake Hose	05 - 92	F133837	(BH133837)	

350 ECONOLINE (cont.)

Hydraulics - New (cont.)

<i>Rear Brake Hose</i>	<i>Years</i>	<i>Sequential No.</i>	<i>Category No.</i>	<i>Qualifier</i>
Brake Hose	91 - 90	F128682	(BH128682)	
Brake Hose	89 - 86	F120872	(BH120872)	
Brake Hose	85	F120872	(BH120872)	From 3/01/85
Brake Hose	85	F119385	(BH119385)	To 2/28/85
Brake Hose	84 - 81	F119385	(BH119385)	

Hydraulics - Reman

<i>Master Cylinder</i>	<i>Years</i>	<i>Part No.</i>	<i>Qualifier</i>
Master Cylinder	03 - 01	R134795	w/Cruise; Booster I.D. No. 2C242B559KA
Master Cylinder	03 - 00	R134796	w/o Cruise; Booster I.D. No. XC252B559PC
Master Cylinder	00	R134795	w/Cruise; Booster I.D. No. XC252B559EC
Master Cylinder	00	R134713	w/o Cruise; Booster I.D. No. XC252B559DB
Master Cylinder	99	R134797	To 5/02/99; w/Hydro Boost
Master Cylinder	99	R134795	w/Vacuum Boost; w/Cruise
Master Cylinder	99	R134796	w/Vacuum Boost; w/o Cruise
Master Cylinder	98 - 97	R134630	w/Cruise; w/SRW
Master Cylinder	98 - 97	R134629	w/o Cruise; Cutaway or Stripped Chassis
Master Cylinder	98 - 97	R134713	w/o Cruise; Exc. Cutaway or Stripped Chassis
Master Cylinder	96 - 93	R131306	w/Cruise
Master Cylinder	96 - 93	R120368	w/o Cruise
Master Cylinder	92	R129285	
Master Cylinder	91 - 87	R120368	
Master Cylinder	86 - 84	R110919	
Master Cylinder	83 - 81	R97938	

<i>Power Brake Booster</i>	<i>Years</i>	<i>Part No.</i>	<i>Qualifier</i>
Power Brake Booster	04	5474419	From I.D. No. 3C242B559CC; Gas; w/o Master Cylinder; w/Cruise
Power Brake Booster	03 - 01	5474419	Gas; w/o Master Cylinder
Power Brake Booster	00 - 99	5474419	Gas; w/o Master Cylinder; Cutaway
Power Brake Booster	00 - 99	5474418	Gas; w/o Master Cylinder; Exc. Cutaway
Power Brake Booster	98 - 97	5474412	Gas; w/o Master Cylinder
Power Brake Booster	96 - 94	504403	Gas; w/Master Cylinder; w/Cruise; Incl. Pump/Motor; Also Avail. Separately
Power Brake Booster	96 - 94	504407	Gas; w/Master Cylinder; w/o Cruise
Power Brake Booster	96 - 92	5474402	Gas; w/o Master Cylinder
Power Brake Booster	93	504407	Gas; w/Master Cylinder
Power Brake Booster	92	504402	Gas; w/Master Cylinder
Power Brake Booster	91 - 90	503321	Gas; w/Master Cylinder; Cutaway
Power Brake Booster	91 - 90	504401	Gas; w/Master Cylinder; Exc. Cutaway
Power Brake Booster	91 - 90	5474401	Gas; w/o Master Cylinder; Exc. Cutaway
Power Brake Booster	89 - 87	504401	Gas; w/Master Cylinder
Power Brake Booster	89 - 87	5474401	Gas; w/o Master Cylinder
Power Brake Booster	86 - 84	509336	Gas; w/Master Cylinder
Power Brake Booster	86 - 84	5473357	Gas; w/o Master Cylinder
Power Brake Booster	83 - 81	503312	Gas; w/Master Cylinder
Power Brake Booster	83 - 81	5473312	Gas; w/o Master Cylinder

Brake Cables

<i>Parking Brake Cable</i>	<i>Years</i>	<i>Sequential No.</i>	<i>Category No.</i>	<i>Qualifier</i>
Parking Brake Cable	04 - 97	F140373	(BC140373)	Rear; R.H.; 158" or 176" WB; RV Cutaway; 123" Length
Parking Brake Cable	98	F138822	(BC138822)	Forward; Exc. Stripped Chassis
Parking Brake Cable	98	F139252	(BC139252)	Intermediate; 138" WB; Stripped Chassis
Parking Brake Cable	97 - 95	F133084	(BC133084)	Forward
Parking Brake Cable	97	F139252	(BC139252)	Intermediate; 138" WB
Parking Brake Cable	97	F140390	(BC140390)	Intermediate; 158" WB; 36" Length
Parking Brake Cable	97 - 95	F133086	(BC133086)	Rear; L.H.; 8000 lb. RA
Parking Brake Cable	97 - 95	F133088	(BC133088)	Rear; L.H.; Exc. 8000 lb. RA
Parking Brake Cable	97 - 95	F133085	(BC133085)	Rear; R.H.; 8000 lb. RA
Parking Brake Cable	97 - 95	F133087	(BC133087)	Rear; R.H.; Exc. 8000 lb. RA

350 ECONOLINE (cont.)
Brake Cables (cont.)

Parking Brake Cable	Years	Sequential No.	Category No.	Qualifier
Parking Brake Cable	96	F133083	(BC133083)	Intermediate; 138" WB; Exc. Stripped Chassis
Parking Brake Cable	96	F139252	(BC139252)	Intermediate; 138" WB; Stripped Chassis
Parking Brake Cable	95	F133083	(BC133083)	Intermediate; 138" WB
Parking Brake Cable	95	F140391	(BC140391)	Intermediate; 176" WB; 69" Length
Parking Brake Cable	94 - 92	F132452	(BC132452)	Forward; Commercial Chassis
Parking Brake Cable	94 - 92	F132082	(BC132082)	Forward; Exc. Commercial Chassis; Exc. Stripped Chassis
Parking Brake Cable	94 - 92	F132083	(BC132083)	Forward; Stripped Chassis
Parking Brake Cable	94 - 92	F132449	(BC132449)	Intermediate; 138" WB
Parking Brake Cable	94 - 92	F132450	(BC132450)	Intermediate; 158" WB
Parking Brake Cable	94 - 92	F132451	(BC132451)	Intermediate; 176" WB
Parking Brake Cable	94 - 92	F132084	(BC132084)	Rear; L.H.; 5300-5400 lb. RA
Parking Brake Cable	94 - 92	F133086	(BC133086)	Rear; L.H.; 6300-7800 lb. RA
Parking Brake Cable	94 - 92	F133086	(BC133086)	Rear; L.H.; 8000-8500 lb. RA
Parking Brake Cable	94 - 92	F132085	(BC132085)	Rear; R.H.; 5300-5400 lb. RA
Parking Brake Cable	94 - 92	F132087	(BC132087)	Rear; R.H.; 6300-7800 lb. RA
Parking Brake Cable	94 - 92	F132088	(BC132088)	Rear; R.H.; 8000-8500 lb. RA
Parking Brake Cable	91 - 88	F120903	(BC120903)	Forward; 138" WB; Exc. Stripped Chassis
Parking Brake Cable	91 - 88	F116497	(BC116497)	Forward; 138" WB; Stripped Chassis
Parking Brake Cable	91 - 88	F120905	(BC120905)	Forward; 158" WB; Exc. Stripped Chassis
Parking Brake Cable	91 - 88	F116496	(BC116496)	Forward; 158" WB; Stripped Chassis
Parking Brake Cable	91	F120906	(BC120906)	Forward; 176" WB
Parking Brake Cable	91 - 81	F109060	(BC109060)	Rear; L.H.
Parking Brake Cable	91 - 81	F109059	(BC109059)	Rear; R.H.
Parking Brake Cable	90 - 81	F129204	(BC129204)	Forward; 176" WB
Parking Brake Cable	87 - 81	F102663	(BC102663)	Forward; Exc. Stripped Chassis; 138" WB
Parking Brake Cable	87 - 81	F109063	(BC109063)	Forward; Exc. Stripped Chassis; 158" WB
Parking Brake Cable	87 - 81	F116497	(BC116497)	Forward; Stripped Chassis; 138" WB
Parking Brake Cable	87 - 81	F116496	(BC116496)	Forward; Stripped Chassis; 158" WB

ABS Components - Reman

ABS Module	Years	Part No.	Qualifier
ABS Module	96 - 94	RA121021	w/SRW; w/2 Whl. ABS
ABS Module	93 - 92	RA121021	w/SRW
ABS Module	91 - 90	RA121017	w/SRW
ABS Hydraulic Unit	Years	Part No.	Qualifier
ABS Hydraulic Unit	96 - 95	RA122061	w/2 Whl. ABS
ABS Hydraulic Unit	94 - 90	RA122024	

Wheel Attaching Hardware

Front Wheel Stud	Years	Part No.	Qualifier
Wheel Lug Stud	05 - 85	BD61164	
Wheel Lug Stud	83 - 81	BD61164	w/SRW
Rear Wheel Stud	Years	Part No.	Qualifier
Wheel Lug Stud	05 - 90	BD61175	
Wheel Lug Stud	94 - 90	BD61175	w/SRW
Wheel Lug Stud	89 - 85	BD60984	w/SRW
Wheel Lug Stud	84 - 81	BD60984	R.H. Thread; w/SRW
Front Wheel Nut	Years	Part No.	Qualifier
Wheel Lug Nut	05 - 92	BD61287	Std. Open; w/SRW
Wheel Lug Nut	91 - 81	BD61325	Std. Open; w/SRW
Rear Wheel Nut	Years	Part No.	Qualifier
Wheel Lug Nut	05 - 92	BD61287	Std. Open; w/SRW
Wheel Lug Nut	91 - 81	BD61325	Std. Open; w/SRW

3500 EXPRESS

Brake Pads & Shoes

Front Pads & Shoes	Years	SevereDuty	Lining No.	Qualifier
Brake Pads	06 - 03	SD784		
Brake Pads	02	SD459		
Brake Pads	01 - 99	SD845		w/SRW

Rear Pads & Shoes	Years	SevereDuty	Lining No.	Qualifier
Brake Pads	06 - 03	SD974		Commercial Chassis; w/SRW
Brake Pads	06 - 03	SD974		Exc. Commercial Chassis
Brake Shoes	02 - 99	SDS656R	SX2157BDT-S36	13 x 3-1/2" Brake; Riveted

Rotor & Drum

Front Rotor & Drum	Years	Part No.	Qualifier
Brake Rotor	06 - 03	BD126036	8600-9600 GVW
Brake Rotor	05 - 03	BD125779	10000-12000 GVW
Brake Rotor	02 - 01	BD125765	Commercial Chassis; w/SRW; 2nd Design; Rotor Casting No. 15769075
Brake Rotor	02 - 01	BD125765	Exc. Commercial Chassis; 2nd Design; Rotor Casting No.15769075
Brake Rotor	01	BD125212	Commercial Chassis; w/SRW
Brake Rotor	01	BD125212	Exc. Commercial Chassis; 1st Design; Rotor Casting No. 15649968
Brake Rotor	00 - 99	BD125212	w/SRW

Rear Rotor & Drum	Years	Part No.	Qualifier
Brake Drum	02 - 99	BD125523	13 x 3-1/2" Brake; w/SRW
Brake Rotor	06	BD125778	w/12-51/64" Dia. Rotor; 8 Stud Whl.; 4-53/64" Height
Brake Rotor	06	BD125657	w/13" Dia. Rotor; 8 Stud Whl.; w/4-53/64" Dia. Ctr. Pilot Hole
Brake Rotor	06	BD125656	w/13" Dia. Rotor; 8 Stud Whl.; w/4-5/8 Dia. Ctr. Pilot Hole
Brake Rotor	05 - 03	BD125657	Commercial Chassis; w/SRW; w/13" Dia. Rotor; 8 Stud Whl.; w/4-53/64" Dia. Ctr. Pilot Hole
Brake Rotor	05 - 03	BD125657	Exc. Commercial Chassis; w/13" Dia. Rotor; 8 Stud Whl.; w/4-53/64" Dia. Ctr. Pilot Hole

Brake Hardware

Front Brake Hardware	Years	Sequential No.	Category No.	Qualifier
Caliper Bolt/Pin	06 - 03	F139700	(H5095)	
Caliper Bolt/Pin	02 - 99	F117224S	(H5038)	w/Floating Delco Caliper; w/SRW
Caliper Bolt/Pin	02 - 99	F73237S	(H5019)	w/Sliding Bendix Caliper
Disc Align Kit	02 - 99	F117225S	(H5584)	w/Floating Delco Caliper
Disc Align Kit	02 - 99	F107401S	(H5562)	w/Sliding Bendix Caliper

Rear Brake Hardware	Years	Sequential No.	Category No.	Qualifier
Adjuster Kit	02 - 99	F98406	(H2580)	L.H.; 13 x 2-1/2" Brake
Adjuster Kit	02 - 99	F98407	(H2581)	R.H.; 13 x 2-1/2" Brake
Adjuster Screw	02 - 99	F83294	(H1550)	L.H.; 13 x 2-1/2" Brake
Adjuster Screw	02 - 99	F83295	(H1551)	R.H.; 13 x 2-1/2" Brake
Caliper Bolt/Pin	06 - 03	F139370	(H5091)	
Combi Kit	02 - 99	F98457S	(H7055)	13 x 2-1/2" Brake
↳Adjuster Spring Kit		F73145S	(H425)	
↳Hold Down Kit		F113455S	(H4098)	
↳Return Spring Kit		F59100S	(H600)	
Disc Align Kit	06 - 03	F139864	(H5665)	w/SRW
Pin Boot Kit	06 - 03	F140514	(H8240)	

Parking Brake	Years	Sequential No.	Category No.	Qualifier
Combi Kit	03	F139879	(H7242)	

Calipers - Reman

Front, Loaded	Years	Left No.	Right No.	Qualifier	Piston
Loaded Caliper	05 - 03	AS134558	AS134559	10000-12300 GVW	P
Loaded Caliper	02	AS120226	AS120227		M
Loaded Caliper	01 - 99	AS116294	AS116295	Cutaway; w/SRW; 139" WB; 3.16" 1-Piston Caliper	M
Loaded Caliper	01 - 99	AS120226	AS120227	Exc. 139" WB; Cutaway	M
Loaded Caliper	01 - 99	AS116294	AS116295	Exc. Cutaway; 3.16" 1-Piston Caliper	M

Front, Unloaded	Years	Left No.	Right No.	Qualifier	Piston
Unloaded Caliper	05 - 03	CR134558	CR134559	10000-12300 GVW	P
Unloaded Caliper	05 - 03	CRB134347	CRB134348	8600-9600 GVW; 2-Piston Caliper; Supplied w/Mtg. Brkt.	P

↳Sub-Kit of Combi-Kit is available separately.

Piston: M - OE Metal Piston P - OE Phenolic Piston

3500 EXPRESS (cont.)
Calipers - Reman (cont.)

Front, Unloaded	Years	Left No.	Right No.	Qualifier	Piston
Unloaded Caliper	05 - 03	CR134347	CR134348	8600-9600 GVW; 2-Piston Caliper; Supplied w/o Mtg. Brkt.	P
Unloaded Caliper	02	CR120226	CR120227		M
Unloaded Caliper	01 - 99	CR116294	CR116295	Cutaway; w/SRW; 139" WB; 3.16" 1-Piston Caliper	M
Unloaded Caliper	01 - 99	CR120226	CR120227	Exc. 139" WB; Cutaway	M
Unloaded Caliper	01 - 99	CR116294	CR116295	Exc. Cutaway; 3.16" 1-Piston Caliper	M
Rear, Unloaded	Years	Left No.	Right No.	Qualifier	Piston
Unloaded Caliper	05 - 03	CR135118	CR135117	w/SRW	P

Hydraulics - New

Rear Wheel Cylinder	Years	Sequential No.	Category No.	Qualifier
Wheel Cylinder	02 - 99	F116359	(WC116359)	w/SRW; 1" Bore
Front Brake Hose	Years	Sequential No.	Category No.	Qualifier
Brake Hose	02 - 01	F140498	(BH140498)	L.H.
Brake Hose	02 - 01	F140499	(BH140499)	R.H.
Brake Hose	00 - 99	F140496	(BH140496)	L.H.; w/SRW
Brake Hose	00 - 99	F140497	(BH140497)	R.H.; w/SRW
Rear Brake Hose	Years	Sequential No.	Category No.	Qualifier
Brake Hose	02 - 99	F118117	(BH118117)	

Hydraulics - Reman

Master Cylinder	Years	Part No.	Qualifier
Master Cylinder	02 - 99	R134626	
Power Brake Booster	Years	Part No.	Qualifier
Hydro Booster	01 - 99	527342	Diesel; w/SRW

Brake Cables

Parking Brake Cable	Years	Sequential No.	Category No.	Qualifier
Parking Brake Cable	02 - 99	F138836	(BC138836)	Forward; Exc. Cutaway
Parking Brake Cable	02 - 99	F138900	(BC138900)	Intermediate; 155" or 159" WB
Parking Brake Cable	02 - 99	F140240	(BC140240)	Intermediate; 177" WB; 37" Length

Wheel Attaching Hardware

Front Wheel Stud	Years	Part No.	Qualifier
Wheel Lug Stud	05 - 03	BD125960	
Wheel Lug Stud	02 - 99	BD61426	w/SRW
Rear Wheel Stud	Years	Part No.	Qualifier
Wheel Lug Stud	05 - 03	BD125961	M14 x 1.5 x 28
Wheel Lug Stud	02	BD125962	w/SRW
Wheel Lug Stud	01 - 99	BD61427	w/SRW
Front Wheel Nut	Years	Part No.	Qualifier
Wheel Lug Nut	05 - 03	BD125998	Dome - Black
Wheel Lug Nut	05 - 03	BD125916	External Thread
Wheel Lug Nut	02 - 99	BD125916	External Thread; w/SRW
Rear Wheel Nut	Years	Part No.	Qualifier
Wheel Lug Nut	05 - 03	BD125998	Dome - Black
Wheel Lug Nut	05 - 03	BD125916	External Thread
Wheel Lug Nut	02 - 99	BD125916	External Thread; w/SRW

3500 SAVANA
Brake Pads & Shoes

Front Pads & Shoes	Years	SevereDuty	Lining No.	Qualifier
Brake Pads	06 - 03	SD784		
Brake Pads	02	SD459		
Brake Pads	01 - 99	SD845		w/SRW
Rear Pads & Shoes	Years	SevereDuty	Lining No.	Qualifier
Brake Pads	06 - 03	SD974		Commercial Chassis; w/SRW
Brake Pads	06 - 03	SD974		Exc. Commercial Chassis
Brake Shoes	02 - 99	SDS656R	SX2157BDT-S36	13 x 3-1/2" Brake; Riveted

Piston: M - OE Metal Piston P - OE Phenolic Piston

3500 SAVANA (cont.)

Rotor & Drum					
Front Rotor & Drum	Years	Part No.	Qualifier		
Brake Rotor	06 - 03	BD126036	8600-9600 GVW		
Brake Rotor	05 - 03	BD125779	10000-12000 GVW		
Brake Rotor	02 - 01	BD125765	Commercial Chassis; w/SRW; 2nd Design; Rotor Casting No. 15769075		
Brake Rotor	02 - 01	BD125765	Exc. Commercial Chassis; 2nd Design; Rotor Casting No.15769075		
Brake Rotor	01	BD125212	Commercial Chassis; w/SRW		
Brake Rotor	01	BD125212	Exc. Commercial Chassis; 1st Design; Rotor Casting No. 15649968		
Brake Rotor	00 - 99	BD125212	w/SRW		
Rear Rotor & Drum	Years	Part No.	Qualifier		
Brake Drum	02 - 99	BD125523	13 x 3-1/2" Brake; w/SRW		
Brake Rotor	06	BD125778	w/12-51/64" Dia. Rotor; 8 Stud Whl.; 4-53/64" Height		
Brake Rotor	06	BD125657	w/13" Dia. Rotor; 8 Stud Whl.; w/4-53/64" Dia. Ctr. Pilot Hole		
Brake Rotor	06	BD125656	w/13" Dia. Rotor; 8 Stud Whl.; w/4-5/8 Dia. Ctr. Pilot Hole		
Brake Rotor	05 - 03	BD125657	Commercial Chassis; w/SRW; w/13" Dia. Rotor; 8 Stud Whl.; w/4-53/64" Dia. Ctr. Pilot Hole		
Brake Rotor	05 - 03	BD125657	Exc. Commercial Chassis; w/13" Dia. Rotor; 8 Stud Whl.; w/4-53/64" Dia. Ctr. Pilot Hole		
Brake Hardware					
Front Brake Hardware	Years	Sequential No.	Category No.	Qualifier	
Caliper Bolt/Pin	06 - 03	F139700	(H5095)		
Caliper Bolt/Pin	02 - 99	F117224S	(H5038)	w/Floating Delco Caliper; w/SRW	
Caliper Bolt/Pin	02 - 99	F73237S	(H5019)	w/Sliding Bendix Caliper	
Disc Align Kit	02 - 99	F117225S	(H5584)	w/Floating Delco Caliper	
Disc Align Kit	02 - 99	F107401S	(H5562)	w/Sliding Bendix Caliper	
Rear Brake Hardware	Years	Sequential No.	Category No.	Qualifier	
Adjuster Kit	02 - 99	F98406	(H2580)	L.H.; 13 x 2-1/2" Brake	
Adjuster Kit	02 - 99	F98407	(H2581)	R.H.; 13 x 2-1/2" Brake	
Adjuster Screw	02 - 99	F83294	(H1550)	L.H.; 13 x 2-1/2" Brake	
Adjuster Screw	02 - 99	F83295	(H1551)	R.H.; 13 x 2-1/2" Brake	
Caliper Bolt/Pin	06 - 03	F139370	(H5091)		
Combi Kit	02 - 99	F98457S	(H7055)	13 x 2-1/2" Brake	
↳Adjuster Spring Kit		F73145S	(H425)		
↳Hold Down Kit		F113455S	(H4098)		
↳Return Spring Kit		F59100S	(H600)		
Disc Align Kit	06 - 03	F139864	(H5665)	w/SRW	
Pin Boot Kit	06 - 03	F140514	(H8240)		
Parking Brake	Years	Sequential No.	Category No.	Qualifier	
Combi Kit	03	F139879	(H7242)		
Calipers - Reman					
Front, Loaded	Years	Left No.	Right No.	Qualifier	Piston
Loaded Caliper	05 - 03	AS134558	AS134559	10000-12300 GVW	P
Loaded Caliper	02	AS120226	AS120227		M
Loaded Caliper	01 - 99	AS116294	AS116295	Cutaway; w/SRW; 139" WB; 3.16" 1-Piston Caliper	M
Loaded Caliper	01 - 99	AS120226	AS120227	Exc. 139" WB; Cutaway	M
Loaded Caliper	01 - 99	AS116294	AS116295	Exc. Cutaway; 3.16" 1-Piston Caliper	M
Front, Unloaded	Years	Left No.	Right No.	Qualifier	Piston
Unloaded Caliper	05 - 03	CR134558	CR134559	10000-12300 GVW	P
Unloaded Caliper	05 - 03	CRB134347	CRB134348	8600-9600 GVW; 2-Piston Caliper; Supplied w/Mtg. Brkt.	P
Unloaded Caliper	05 - 03	CR134347	CR134348	8600-9600 GVW; 2-Piston Caliper; Supplied w/o Mtg. Brkt.	P
Unloaded Caliper	02	CR120226	CR120227		M
Unloaded Caliper	01 - 99	CR116294	CR116295	Cutaway; w/SRW; 139" WB; 3.16" 1-Piston Caliper	M
Unloaded Caliper	01 - 99	CR120226	CR120227	Exc. 139" WB; Cutaway	M
Unloaded Caliper	01 - 99	CR116294	CR116295	Exc. Cutaway; 3.16" 1-Piston Caliper	M
Rear, Unloaded	Years	Left No.	Right No.	Qualifier	Piston
Unloaded Caliper	05 - 03	CR135118	CR135117	w/SRW	P

↳Sub-Kit of Combi-Kit is available separately.

Piston: M - OE Metal Piston P - OE Phenolic Piston

3500 SAVANA (cont.)
Hydraulics - New

Rear Wheel Cylinder	Years	Sequential No.	Category No.	Qualifier
Wheel Cylinder	02 - 99	F116359	(WC116359)	w/SRW; 1" Bore
Front Brake Hose	Years	Sequential No.	Category No.	Qualifier
Brake Hose	02 - 01	F140498	(BH140498)	L.H.
Brake Hose	02 - 01	F140499	(BH140499)	R.H.
Brake Hose	00 - 99	F140496	(BH140496)	L.H.; w/SRW
Brake Hose	00 - 99	F140497	(BH140497)	R.H.; w/SRW
Rear Brake Hose	Years	Sequential No.	Category No.	Qualifier
Brake Hose	02 - 99	F118117	(BH118117)	

Hydraulics - Reman

Master Cylinder	Years	Part No.	Qualifier
Master Cylinder	02 - 99	R134626	
Power Brake Booster	Years	Part No.	Qualifier
Hydro Booster	01 - 99	527342	Diesel; w/SRW

Brake Cables

Parking Brake Cable	Years	Sequential No.	Category No.	Qualifier
Parking Brake Cable	02 - 99	F138836	(BC138836)	Forward; Exc. Cutaway
Parking Brake Cable	02 - 99	F138900	(BC138900)	Intermediate; 155" or 159" WB
Parking Brake Cable	02 - 99	F140240	(BC140240)	Intermediate; 177" WB; 37" Length

Wheel Attaching Hardware

Front Wheel Stud	Years	Part No.	Qualifier
Wheel Lug Stud	05 - 03	BD125960	
Wheel Lug Stud	02 - 99	BD61426	w/SRW
Rear Wheel Stud	Years	Part No.	Qualifier
Wheel Lug Stud	05 - 03	BD125961	M14 x 1.5 x 28
Wheel Lug Stud	02	BD125962	w/SRW
Wheel Lug Stud	01 - 99	BD61427	w/SRW
Front Wheel Nut	Years	Part No.	Qualifier
Wheel Lug Nut	05 - 03	BD125998	Dome - Black
Wheel Lug Nut	05 - 03	BD125916	External Thread
Wheel Lug Nut	02 - 99	BD125916	External Thread; w/SRW
Rear Wheel Nut	Years	Part No.	Qualifier
Wheel Lug Nut	05 - 03	BD125998	Dome - Black
Wheel Lug Nut	05 - 03	BD125916	External Thread
Wheel Lug Nut	02 - 99	BD125916	External Thread; w/SRW

US BUS Type-A2 Sturdibus
350 ECONOLINE
Brake Pads & Shoes

Front Pads & Shoes	Years	SevereDuty	Lining No.	Qualifier
Brake Pads	06 - 95	SD655		
Brake Pads	94 - 92	SD557		
Brake Pads	91 - 81	SD450		
Rear Pads & Shoes	Years	SevereDuty	Lining No.	Qualifier
Brake Pads	06 - 99	SD802		
Brake Pads	98 - 97	SD411		
Brake Shoes	06 - 81	SDS358AR	EX2140TD	12 x 3; Riveted
Brake Shoes	98 - 87	SDS583R	EX2171TD	12-1/8 x 3-1/2; Riveted
Parking Brake Shoes	Years	SevereDuty	Lining No.	Qualifier
Brake Shoes	03 - 99	SDS771	EX2192	Bonded

Rotor & Drum

Front Rotor & Drum	Years	Part No.	Qualifier
Brake Rotor	06 - 95	BD125629	w/DRW; w/2 Whl. ABS
Brake Rotor	06 - 95	BD125630	w/DRW; w/4 Whl. ABS

350 ECONOLINE (cont.)

Rotor & Drum (cont.)

Front Rotor & Drum	Years	Part No.	Qualifier
Brake Rotor	94 - 81	BD60468	w/DRW
Rear Rotor & Drum	Years	Part No.	Qualifier
Brake Drum	06 - 99	BD125692	12 x 3" Brake
Brake Drum	98 - 95	BD60793	12 x 3" Brake
Brake Drum	98 - 95	BD125385	12-1/8 x 3-1/2" Brake; 6340-7200 lb. RA
Brake Drum	98 - 95	BD60885	12-1/8 x 3-1/2" Brake; 7800-8000 lb. RA
Brake Drum	94 - 92	BD60885	12-1/8 x 3-1/2" Brake; w/DRW
Brake Drum	91 - 81	BD60330	12 x 3" Brake; w/DRW
Brake Drum	91 - 81	BD60885	12-1/8 x 3-1/2" Brake; w/DRW; Exc. 10-1/4" R.G.
Brake Drum	91 - 81	BD60885	12-1/8 x 3-1/2" Brake; w/DRW; w/10-1/4" R.G.
Brake Rotor	06 - 99	BD125701	w/DRW
Brake Rotor	98 - 97	BD125550	

Brake Hardware

Front Brake Hardware	Years	Sequential No.	Category No.	Qualifier
Caliper Bolt/Pin	06 - 95	F126899S	(H5061)	
Caliper Bolt/Pin	94 - 92	F130379S	(H5068)	
Caliper Bolt/Pin	91 - 86	F111231S	(H5031)	
Caliper Bolt/Pin	85 - 82	F102554S	(H5010C)	
Disc Align Kit	05 - 95	F132611S	(H5602)	
Disc Align Kit	94 - 92	F130266S	(H5445)	
Disc Align Kit	91 - 86	F114477	(H5572)	
Disc Align Kit	85 - 81	F97900	(H5529)	
Pin Boot Kit	01 - 95	F117215S	(H18000C)	
Pin Boot Kit	94 - 92	F130393S	(H8211)	
Rear Brake Hardware	Years	Sequential No.	Category No.	Qualifier
Adjuster Kit	05 - 81	F98416	(H2588)	L.H.
Adjuster Kit	05 - 81	F98417	(H2589)	R.H.
Adjuster Screw	05 - 81	F79799	(H1534)	L.H.
Adjuster Screw	05 - 81	F79800	(H1535)	R.H.
Caliper Bolt/Pin	06 - 99	F126899S	(H5061)	
Combi Kit	06 - 81	F102555	(H7164)	12 x 3" Brake
↳Adjuster Spring Kit		F106695	(H446)	
↳Return Spring Kit		F67455	(H546)	
Combi Kit	98 - 87	F117217	(H7197)	12-1/8 x 3-1/2" Brake
↳Adjuster Spring Kit		F73105	(H430)	
↳Return Spring Kit		F67455	(H546)	
Disc Align Kit	05 - 99	F138118S	(H5616)	
Pin Boot Kit	05 - 99	F139361	(H8227)	
Parking Brake	Years	Sequential No.	Category No.	Qualifier
Adjuster Screw	03 - 00	F139719	(H1594)	L.H.
Adjuster Screw	03 - 00	F139719	(H1594)	R.H.

Calipers - Reman

Front, Loaded	Years	Left No.	Right No.	Qualifier	Piston
Loaded Caliper	99	AS133118	AS133119	To 5/18/99	P
Loaded Caliper	98 - 95	AS133118	AS133119		P
Loaded Caliper	94 - 92	AS128780	AS128781		P
Loaded Caliper	94 - 92	AS128780S	AS128781S		O
Loaded Caliper	91 - 89	AS128856	AS128857		P
Loaded Caliper	88 - 86	AS116931	AS116932		P
Loaded Caliper	85 - 81	AS102430	AS102431	2-Piston Caliper	M
Rear, Loaded	Years	Left No.	Right No.	Qualifier	Piston
Loaded Caliper	05 - 99	AS134357	AS134358		P
Front, Unloaded	Years	Left No.	Right No.	Qualifier	Piston
Unloaded Caliper	05 - 00	CRB134508	CRB134509	Supplied w/Mtg. Brkt.	P
Unloaded Caliper	05 - 00	CR134508	CR134509	Supplied w/o Mtg. Brkt.	P

↳Sub-Kit of Combi-Kit is available separately.

Piston: M - OE Metal Piston P - OE Phenolic Piston O - Metal Piston Option

350 ECONOLINE (cont.)

Calipers - Reman (cont.)

<i>Front, Unloaded</i>	<i>Years</i>	<i>Left No.</i>	<i>Right No.</i>	<i>Qualifier</i>	<i>Piston</i>
Unloaded Caliper	99	CRB134508	CRB134509	From 5/18/99; Supplied w/Mtg. Brkt.	P
Unloaded Caliper	99	CR134508	CR134509	From 5/18/99; Supplied w/o Mtg. Brkt.	P
Unloaded Caliper	99	CRB133118	CRB133119	To 5/18/99; Supplied w/Mtg. Brkt.	P
Unloaded Caliper	99	CRB133118S	CRB133119S	To 5/18/99; Supplied w/Mtg. Brkt.	O
Unloaded Caliper	99	CR133118	CR133119	To 5/18/99; Supplied w/o Mtg. Brkt.	P
Unloaded Caliper	99	CR133118S	CR133119S	To 5/18/99; Supplied w/o Mtg. Brkt.	O
Unloaded Caliper	98 - 95	CRB133118	CRB133119	Supplied w/Mtg. Brkt.	P
Unloaded Caliper	98 - 95	CRB133118S	CRB133119S	Supplied w/Mtg. Brkt.	O
Unloaded Caliper	98 - 95	CR133118	CR133119	Supplied w/o Mtg. Brkt.	P
Unloaded Caliper	98 - 95	CR133118S	CR133119S	Supplied w/o Mtg. Brkt.	O
Unloaded Caliper	94 - 92	CR128780	CR128781		P
Unloaded Caliper	94 - 92	CR128780S	CR128781S		O
Unloaded Caliper	91 - 89	CR128856	CR128857		P
Unloaded Caliper	88 - 86	CR116931	CR116932		P
Unloaded Caliper	85 - 81	CR102430	CR102431	2-Piston Caliper	M
<i>Rear, Unloaded</i>	<i>Years</i>	<i>Left No.</i>	<i>Right No.</i>	<i>Qualifier</i>	<i>Piston</i>
Unloaded Caliper	05 - 99	CRB134358	CRB134357	Supplied w/Mtg. Brkt.	P
Unloaded Caliper	05 - 99	CR134358	CR134357	Supplied w/o Mtg. Brkt.	P

Hydraulics - New

<i>Master Cylinder</i>	<i>Years</i>	<i>Sequential No.</i>	<i>Category No.</i>	<i>Qualifier</i>
Master Cylinder	06 - 02	F140463	(MC140463)	w/Cruise Control; 1-5/16" Bore
Master Cylinder	06 - 02	F134457	(MC134457)	w/o Cruise Control; 1-5/16" Bore
Master Cylinder	01 - 99	F140463	(MC140463)	Exc. Super Duty; w/Cruise Control; 1-5/16" Bore
Master Cylinder	01 - 99	F134457	(MC134457)	Exc. Super Duty; w/o Cruise Control; 1-5/16" Bore
Master Cylinder	01 - 99	F134465	(MC134465)	Super Duty; 1-5/16" Bore
Master Cylinder	98	F140462	(MC140462)	From 12/22/97; w/Cruise Control; 1-1/4" Bore
Master Cylinder	98	F134457	(MC134457)	From 12/22/97; w/o Cruise Control; 1-5/16" Bore
Master Cylinder	97	F131212	(MC131212)	To 12/21/97; w/Hydro-Boost; w/o Cruise Control; 1-5/16" Bore
Master Cylinder	97	F140462	(MC140462)	To 12/21/97; w/Vacuum Boost; w/Cruise Control; 1-1/4" Bore
Master Cylinder	96	F131212	(MC131212)	Commercial Chassis; w/Hydro-Boost; 1-5/16" Bore
Master Cylinder	96	F131306	(MC131306)	Commercial Chassis; w/Vacuum Boost; w/Cruise Control; 1-1/8" Bore
Master Cylinder	96	F120368	(MC120368)	Commercial Chassis; w/Vacuum Boost; w/o Cruise Control; 1-1/8" Bore
Master Cylinder	96	F131211	(MC131211)	Exc. Commercial Chassis; w/Vacuum Boost; w/Cruise Control; 1-1/8" Bore
Master Cylinder	96	F120368	(MC120368)	Exc. Commercial Chassis; w/Vacuum Boost; w/o Cruise Control; 1-1/8" Bore
Master Cylinder	95 - 94	F131306	(MC131306)	Commercial Chassis; w/Cruise Control; 1-1/8" Bore
Master Cylinder	95 - 94	F131211	(MC131211)	Exc. Commercial Chassis; w/Cruise Control; 1-1/8" Bore
Master Cylinder	95 - 94	F120368	(MC120368)	Exc. Commercial Chassis; w/o Cruise Control; 1-1/8" Bore
Master Cylinder	93	F120368	(MC120368)	1-1/8" Bore
Master Cylinder	92	F129286	(MC129286)	w/DRW; 1-1/8" Bore
Master Cylinder	91 - 87	F120368	(MC120368)	1-1/8" Bore
Master Cylinder	86 - 84	F110919	(MC110919)	1-1/8" Bore
Master Cylinder	83 - 81	F97938	(MC97938)	1-1/16" Bore
<i>Rear Wheel Cylinder</i>	<i>Years</i>	<i>Sequential No.</i>	<i>Category No.</i>	<i>Qualifier</i>
Wheel Cylinder	06 - 95	F113757	(WC113757)	L.H.; w/DRW; 1-3/16" Bore
Wheel Cylinder	06 - 95	F113758	(WC113758)	R.H.; w/DRW; 1-3/16" Bore
Wheel Cylinder	94 - 92	F113757	(WC113757)	L.H.; w/DRW; 12 x 3" Brake; 1-3/16" Bore
Wheel Cylinder	94 - 92	F35325	(WC35325)	L.H.; w/DRW; 12 x 3-1/2" Brake; 1-1/8" Bore
Wheel Cylinder	94 - 92	F113758	(WC113758)	R.H.; w/DRW; 12 x 3" Brake; 1-3/16" Bore
Wheel Cylinder	94 - 92	F35326	(WC35326)	R.H.; w/DRW; 12 x 3-1/2" Brake; 1-1/8" Bore
Wheel Cylinder	91 - 84	F35325	(WC35325)	L.H.; w/DRW; 1-1/8" Bore
Wheel Cylinder	91 - 84	F35326	(WC35326)	R.H.; w/DRW; 1-1/8" Bore
Wheel Cylinder	83 - 81	F57146	(WC57146)	L.H.; School Bus; 1" Bore
Wheel Cylinder	83 - 81	F57147	(WC57147)	R.H.; School Bus; 1" Bore
Wheel Cylinder	81	F18984	(WC18984)	L.H.; Exc. School Bus; 1-1/16" Bore
Wheel Cylinder	81	F18985	(WC18985)	R.H.; Exc. School Bus; 1-1/16" Bore

Piston: M - OE Metal Piston P - OE Phenolic Piston O - Metal Piston Option

350 ECONOLINE (cont.)

Hydraulics - New (cont.)

Clutch Master Cylind	Years	Sequential No.	Category No.	Qualifier
Clutch Master Cylinder	99 - 92	F118415	(CM118415)	Chassis Cab; 7/8" Bore
Clutch Master Cylinder	99 - 92	F117053	(CM117053)	Stripped Chassis; 7/8" Bore
Clutch Master Cylinder	91 - 90	F118415	(CM118415)	Chassis Cab; w/Dual Piston Caliper; 7/8" Bore
Clutch Master Cylinder	91 - 90	F117053	(CM117053)	Stripped Chassis; w/Dual Piston Caliper; 7/8" Bore
Clutch Master Cylinder	89 - 88	F118415	(CM118415)	Chassis Cab; 7/8" Bore
Clutch Master Cylinder	89 - 88	F110269	(CM110269)	Exc. Chassis Cab; 7/8" Bore
Clutch Master Cylinder	87 - 84	F110269	(CM110269)	7/8" Bore

Clutch Slave Cylinder	Years	Sequential No.	Category No.	Qualifier
Clutch Slave Cylinder	97 - 84	F103485	(SC103485)	1" Bore
Clutch Slave Cylinder	89 - 88	F126890	(SC126890)	1-1/32" Bore

Front Brake Hose	Years	Sequential No.	Category No.	Qualifier
Brake Hose	02 - 95	F132754	(BH132754)	L.H.; w/2 Whl. ABS
Brake Hose	02 - 95	F133395	(BH133395)	L.H.; w/4 Whl. ABS
Brake Hose	02 - 95	F132773	(BH132773)	R.H.; w/2 Whl. ABS
Brake Hose	02 - 95	F132773	(BH132773)	R.H.; w/4 Whl. ABS
Brake Hose	94 - 93	F132196	(BH132196)	L.H.; w/2 Whl. ABS
Brake Hose	94 - 93	F132195	(BH132195)	L.H.; w/4 Whl. ABS
Brake Hose	94 - 93	F133813	(BH133813)	R.H.; w/2 Whl. ABS
Brake Hose	94 - 93	F133813	(BH133813)	R.H.; w/4 Whl. ABS
Brake Hose	92	F130430	(BH130430)	L.H.; w/Dual Piston Caliper
Brake Hose	92	F132298	(BH132298)	R.H.; w/Dual Piston Caliper
Brake Hose	91 - 82	F107255	(BH107255)	L.H.
Brake Hose	91 - 82	F106365	(BH106365)	R.H.
Brake Hose	81	F107255	(BH107255)	L.H.; From 2/02/81
Brake Hose	81	F102474	(BH102474)	L.H.; To 2/02/81
Brake Hose	81	F106365	(BH106365)	R.H.; From 2/02/81
Brake Hose	81	F106365	(BH106365)	R.H.; To 2/02/81

Rear Brake Hose	Years	Sequential No.	Category No.	Qualifier
Brake Hose	05 - 92	F133837	(BH133837)	
Brake Hose	91 - 90	F128682	(BH128682)	
Brake Hose	89 - 86	F120872	(BH120872)	
Brake Hose	85	F120872	(BH120872)	From 3/01/85
Brake Hose	85	F119385	(BH119385)	To 2/28/85
Brake Hose	84 - 81	F119385	(BH119385)	

Hydraulics - Reman

Master Cylinder	Years	Part No.	Qualifier
Master Cylinder	03 - 01	R134795	w/Cruise; Booster I.D. No. 2C242B559KA
Master Cylinder	03 - 00	R134796	w/o Cruise; Booster I.D. No. XC252B559PC
Master Cylinder	00	R134795	w/Cruise; Booster I.D. No. XC252B559EC
Master Cylinder	00	R134713	w/o Cruise; Booster I.D. No. XC252B559DB
Master Cylinder	99	R134797	To 5/02/99; w/Hydro Boost
Master Cylinder	99	R134795	w/Vacuum Boost; w/Cruise
Master Cylinder	99	R134796	w/Vacuum Boost; w/o Cruise
Master Cylinder	98 - 97	R134709	w/Cruise; w/DRW
Master Cylinder	98 - 97	R134629	w/o Cruise; Cutaway or Stripped Chassis
Master Cylinder	98 - 97	R134713	w/o Cruise; Exc. Cutaway or Stripped Chassis
Master Cylinder	96 - 93	R131306	w/Cruise
Master Cylinder	96 - 93	R120368	w/o Cruise
Master Cylinder	92	R129285	
Master Cylinder	91 - 87	R120368	
Master Cylinder	86 - 84	R110919	
Master Cylinder	83 - 81	R97938	

Power Brake Booster	Years	Part No.	Qualifier
Power Brake Booster	04	5474419	From I.D. No. 3C242B559CC; Gas; w/o Master Cylinder; w/Cruise
Power Brake Booster	03 - 01	5474419	Gas; w/o Master Cylinder

Hydraulics - Reman (cont.)

Power Brake Booster	Years	Part No.	Qualifier
Power Brake Booster	00 - 99	5474419	Gas; w/o Master Cylinder; Cutaway
Power Brake Booster	00 - 99	5474418	Gas; w/o Master Cylinder; Exc. Cutaway
Power Brake Booster	98 - 97	5474412	Gas; w/o Master Cylinder
Power Brake Booster	96 - 94	504403	Gas; w/Master Cylinder; w/Cruise; Incl. Pump/Motor; Also Avail. Separately
Power Brake Booster	96 - 94	504407	Gas; w/Master Cylinder; w/o Cruise
Power Brake Booster	96 - 92	5474402	Gas; w/o Master Cylinder
Power Brake Booster	93	504407	Gas; w/Master Cylinder
Power Brake Booster	92	504402	Gas; w/Master Cylinder
Power Brake Booster	91 - 90	503321	Gas; w/Master Cylinder; Cutaway
Power Brake Booster	91 - 90	504401	Gas; w/Master Cylinder; Exc. Cutaway
Power Brake Booster	91 - 90	5474401	Gas; w/o Master Cylinder; Exc. Cutaway
Power Brake Booster	89 - 87	504401	Gas; w/Master Cylinder
Power Brake Booster	89 - 87	5474401	Gas; w/o Master Cylinder
Power Brake Booster	86 - 84	509336	Gas; w/Master Cylinder
Power Brake Booster	86 - 84	5473357	Gas; w/o Master Cylinder
Power Brake Booster	83 - 81	503312	Gas; w/Master Cylinder
Power Brake Booster	83 - 81	5473312	Gas; w/o Master Cylinder

Brake Cables

Parking Brake Cable	Years	Sequential No.	Category No.	Qualifier
Parking Brake Cable	04 - 97	F140373	(BC140373)	Rear; R.H.; 158" or 176" WB; RV Cutaway; 123" Length
Parking Brake Cable	98	F138822	(BC138822)	Forward; Exc. Stripped Chassis
Parking Brake Cable	98	F139252	(BC139252)	Intermediate; 138" WB; Stripped Chassis
Parking Brake Cable	97 - 95	F133084	(BC133084)	Forward
Parking Brake Cable	97	F139252	(BC139252)	Intermediate; 138" WB
Parking Brake Cable	97	F140390	(BC140390)	Intermediate; 158" WB; 36" Length
Parking Brake Cable	97 - 95	F133086	(BC133086)	Rear; L.H.; 8000 lb. RA
Parking Brake Cable	97 - 95	F133088	(BC133088)	Rear; L.H.; Exc. 8000 lb. RA
Parking Brake Cable	97 - 95	F133085	(BC133085)	Rear; R.H.; 8000 lb. RA
Parking Brake Cable	97 - 95	F133087	(BC133087)	Rear; R.H.; Exc. 8000 lb. RA
Parking Brake Cable	96	F133083	(BC133083)	Intermediate; 138" WB; Exc. Stripped Chassis
Parking Brake Cable	96	F139252	(BC139252)	Intermediate; 138" WB; Stripped Chassis
Parking Brake Cable	95	F133083	(BC133083)	Intermediate; 138" WB
Parking Brake Cable	95	F140391	(BC140391)	Intermediate; 176" WB; 69" Length
Parking Brake Cable	94 - 92	F132452	(BC132452)	Forward; Commercial Chassis
Parking Brake Cable	94 - 92	F132082	(BC132082)	Forward; Exc. Commercial Chassis; Exc. Stripped Chassis
Parking Brake Cable	94 - 92	F132083	(BC132083)	Forward; Stripped Chassis
Parking Brake Cable	94 - 92	F132449	(BC132449)	Intermediate; 138" WB
Parking Brake Cable	94 - 92	F132450	(BC132450)	Intermediate; 158" WB
Parking Brake Cable	94 - 92	F132451	(BC132451)	Intermediate; 176" WB
Parking Brake Cable	94 - 92	F132084	(BC132084)	Rear; L.H.; 5300-5400 lb. RA
Parking Brake Cable	94 - 92	F133086	(BC133086)	Rear; L.H.; 6300-7800 lb. RA
Parking Brake Cable	94 - 92	F133086	(BC133086)	Rear; L.H.; 8000-8500 lb. RA
Parking Brake Cable	94 - 92	F132085	(BC132085)	Rear; R.H.; 5300-5400 lb. RA
Parking Brake Cable	94 - 92	F132087	(BC132087)	Rear; R.H.; 6300-7800 lb. RA
Parking Brake Cable	94 - 92	F132088	(BC132088)	Rear; R.H.; 8000-8500 lb. RA
Parking Brake Cable	91 - 88	F120903	(BC120903)	Forward; 138" WB; Exc. Stripped Chassis
Parking Brake Cable	91 - 88	F116497	(BC116497)	Forward; 138" WB; Stripped Chassis
Parking Brake Cable	91 - 88	F120905	(BC120905)	Forward; 158" WB; Exc. Stripped Chassis
Parking Brake Cable	91 - 88	F116496	(BC116496)	Forward; 158" WB; Stripped Chassis
Parking Brake Cable	91	F120906	(BC120906)	Forward; 176" WB
Parking Brake Cable	91 - 81	F109060	(BC109060)	Rear; L.H.
Parking Brake Cable	91 - 81	F109059	(BC109059)	Rear; R.H.
Parking Brake Cable	90 - 81	F129204	(BC129204)	Forward; 176" WB
Parking Brake Cable	87 - 81	F102663	(BC102663)	Forward; Exc. Stripped Chassis; 138" WB
Parking Brake Cable	87 - 81	F109063	(BC109063)	Forward; Exc. Stripped Chassis; 158" WB

350 ECONOLINE (cont.)

Brake Cables (cont.)

<i>Parking Brake Cable</i>	<i>Years</i>	<i>Sequential No.</i>	<i>Category No.</i>	<i>Qualifier</i>
Parking Brake Cable	87 - 81	F116497	(BC116497)	Forward; Stripped Chassis; 138" WB
Parking Brake Cable	87 - 81	F116496	(BC116496)	Forward; Stripped Chassis; 158" WB

ABS Components - Reman

<i>ABS Module</i>	<i>Years</i>	<i>Part No.</i>	<i>Qualifier</i>
ABS Module	96 - 94	RA121022	w/DRW; w/2 Whl. ABS
ABS Module	93 - 92	RA121022	w/DRW
ABS Module	91 - 90	RA121018	w/DRW

<i>ABS Hydraulic Unit</i>	<i>Years</i>	<i>Part No.</i>	<i>Qualifier</i>
ABS Hydraulic Unit	96 - 95	RA122061	w/2 Whl. ABS
ABS Hydraulic Unit	94 - 90	RA122024	

Wheel Attaching Hardware

<i>Front Wheel Stud</i>	<i>Years</i>	<i>Part No.</i>	<i>Qualifier</i>
Wheel Lug Stud	05 - 85	BD61164	
Wheel Lug Stud	84	BD60931	From 1/01/84; w/DRW
Wheel Lug Stud	84	BD61164	To 12/31/83; w/DRW
Wheel Lug Stud	83 - 81	BD60931	w/DRW

<i>Rear Wheel Stud</i>	<i>Years</i>	<i>Part No.</i>	<i>Qualifier</i>
Wheel Lug Stud	05 - 90	BD61175	
Wheel Lug Stud	94 - 90	BD61175	w/DRW
Wheel Lug Stud	89 - 87	BD61163	w/DRW; w/12 x 3" Drum
Wheel Lug Stud	89 - 87	BD61175	w/DRW; w/12-1/8 x 3-1/2" Drum
Wheel Lug Stud	86 - 85	BD61163	From 1/01/84; w/DRW
Wheel Lug Stud	84 - 81	BD60984	R.H. Thread; w/DRW
Wheel Lug Stud	84	BD60985	To 12/31/83; L.H. Thread; w/DRW
Wheel Lug Stud	84	BD61163	To 12/31/83; w/DRW
Wheel Lug Stud	83 - 81	BD60985	L.H. Thread; w/DRW

<i>Front Wheel Nut</i>	<i>Years</i>	<i>Part No.</i>	<i>Qualifier</i>
Wheel Lug Nut	05 - 92	BD125925	Flat Faced Open; w/DRW
Wheel Lug Nut	91 - 85	BD61169	From 1/01/84; Flat Faced Open; w/DRW
Wheel Lug Nut	84 - 81	BD60933	Std. Open; w/DRW
Wheel Lug Nut	84	BD61169	To 12/31/83; Flat Faced Open; w/DRW

<i>Rear Wheel Nut</i>	<i>Years</i>	<i>Part No.</i>	<i>Qualifier</i>
Wheel Lug Nut	05 - 92	BD125925	Flat Faced Open; w/DRW
Wheel Lug Nut	91 - 84	BD61169	Flat Faced Open; w/DRW
Wheel Lug Nut	84 - 81	BD61296	L.H. Thread; Std. Open; w/DRW
Wheel Lug Nut	84 - 81	BD60933	R.H. Thread; Std. Open; w/DRW

3500 EXPRESS

Brake Pads & Shoes

<i>Front Pads & Shoes</i>	<i>Years</i>	<i>SevereDuty</i>	<i>Lining No.</i>	<i>Qualifier</i>
Brake Pads	06 - 03	SD784		
Brake Pads	02	SD459		
Brake Pads	01 - 99	SD459		w/DRW

<i>Rear Pads & Shoes</i>	<i>Years</i>	<i>SevereDuty</i>	<i>Lining No.</i>	<i>Qualifier</i>
Brake Pads	06 - 03	SD989		Commercial Chassis; w/DRW
Brake Pads	06 - 03	SD974		Exc. Commercial Chassis
Brake Shoes	02 - 99	SDS656R	SX2157BDT-S36	13 x 3-1/2" Brake; Riveted

Rotor & Drum

<i>Front Rotor & Drum</i>	<i>Years</i>	<i>Part No.</i>	<i>Qualifier</i>
Brake Rotor	06 - 03	BD126036	8600-9600 GVW
Brake Rotor	05 - 03	BD125779	10000-12000 GVW
Brake Rotor	02 - 01	BD125471	Commercial Chassis; w/DRW
Brake Rotor	02 - 01	BD125765	Exc. Commercial Chassis; 2nd Design; Rotor Casting No. 15769075
Brake Rotor	01	BD125212	Exc. Commercial Chassis; 1st Design; Rotor Casting No. 15649968

3500 EXPRESS (cont.)

Rotor & Drum (cont.)

Front Rotor & Drum	Years	Part No.	Qualifier
Brake Rotor	00 - 99	BD125471	w/DRW
Rear Rotor & Drum	Years	Part No.	Qualifier
Brake Drum	02 - 99	BD60356	13 x 3-1/2" Brake; w/DRW
Brake Rotor	06	BD125778	w/12-51/64" Dia. Rotor; 8 Stud Whl.; 4-53/64" Height
Brake Rotor	06	BD125657	w/13" Dia. Rotor; 8 Stud Whl.; w/4-53/64" Dia. Ctr. Pilot Hole
Brake Rotor	06	BD125656	w/13" Dia. Rotor; 8 Stud Whl.; w/4-5/8 Dia. Ctr. Pilot Hole
Brake Rotor	05 - 03	BD125778	Commercial Chassis; w/DRW; w/12-51/64" Dia. Rotor; 8 Stud Whl.; 4-53/64" Height
Brake Rotor	05 - 03	BD125657	Exc. Commercial Chassis; w/13" Dia. Rotor; 8 Stud Whl.; w/4-53/64" Dia. Ctr. Pilot Hole

Brake Hardware

Front Brake Hardware	Years	Sequential No.	Category No.	Qualifier
Caliper Bolt/Pin	06 - 03	F139700	(H5095)	
Caliper Bolt/Pin	02 - 99	F129642S	(H5062)	w/Floating Delco Caliper; w/DRW
Caliper Bolt/Pin	02 - 99	F73237S	(H5019)	w/Sliding Bendix Caliper
Disc Align Kit	02 - 99	F117225S	(H5584)	w/Floating Delco Caliper
Disc Align Kit	02 - 99	F107401S	(H5562)	w/Sliding Bendix Caliper
Rear Brake Hardware	Years	Sequential No.	Category No.	Qualifier
Adjuster Kit	02 - 99	F98406	(H2580)	L.H.; 13 x 2-1/2" Brake
Adjuster Kit	02 - 99	F98407	(H2581)	R.H.; 13 x 2-1/2" Brake
Adjuster Screw	02 - 99	F83294	(H1550)	L.H.; 13 x 2-1/2" Brake
Adjuster Screw	02 - 99	F83295	(H1551)	R.H.; 13 x 2-1/2" Brake
Caliper Bolt/Pin	06 - 03	F139370	(H5091)	
Combi Kit	02 - 99	F98457S	(H7055)	13 x 2-1/2" Brake
↳Adjuster Spring Kit		F73145S	(H425)	
↳Hold Down Kit		F113455S	(H4098)	
↳Return Spring Kit		F59100S	(H600)	
Disc Align Kit	06 - 03	F140512	(H5678)	w/DRW
Pin Boot Kit	06 - 03	F140514	(H8240)	
Parking Brake	Years	Sequential No.	Category No.	Qualifier
Combi Kit	03	F139879	(H7242)	

Calipers - Reman

Front, Loaded	Years	Left No.	Right No.	Qualifier	Piston
Loaded Caliper	05 - 03	AS134558	AS134559	10000-12300 GVW	P
Loaded Caliper	02	AS120226	AS120227		M
Loaded Caliper	01 - 99	AS120226	AS120227	Cutaway; w/DRW; 139" WB	M
Loaded Caliper	01 - 99	AS120226	AS120227	Exc. 139" WB; Cutaway	M
Loaded Caliper	01 - 99	AS116294	AS116295	Exc. Cutaway; 3.16" 1-Piston Caliper	M
Front, Unloaded	Years	Left No.	Right No.	Qualifier	Piston
Unloaded Caliper	05 - 03	CR134558	CR134559	10000-12300 GVW	P
Unloaded Caliper	05 - 03	CRB134347	CRB134348	8600-9600 GVW; 2-Piston Caliper; Supplied w/Mtg. Brkt.	P
Unloaded Caliper	05 - 03	CR134347	CR134348	8600-9600 GVW; 2-Piston Caliper; Supplied w/o Mtg. Brkt.	P
Unloaded Caliper	02	CR120226	CR120227		M
Unloaded Caliper	01 - 99	CR120226	CR120227	Cutaway; w/DRW; 139" WB	M
Unloaded Caliper	01 - 99	CR120226	CR120227	Exc. 139" WB; Cutaway	M
Unloaded Caliper	01 - 99	CR116294	CR116295	Exc. Cutaway; 3.16" 1-Piston Caliper	M

Hydraulics - New

Rear Wheel Cylinder	Years	Sequential No.	Category No.	Qualifier
Wheel Cylinder	02 - 99	F79768	(WC79768)	w/DRW; 1-3/16" Bore
Front Brake Hose	Years	Sequential No.	Category No.	Qualifier
Brake Hose	02 - 01	F140498	(BH140498)	L.H.
Brake Hose	02 - 01	F140499	(BH140499)	R.H.
Brake Hose	00 - 99	F140498	(BH140498)	L.H.; w/DRW
Brake Hose	00 - 99	F140499	(BH140499)	R.H.; w/DRW
Rear Brake Hose	Years	Sequential No.	Category No.	Qualifier
Brake Hose	02 - 99	F118117	(BH118117)	

↳Sub-Kit of Combi-Kit is available separately.

Piston: M - OE Metal Piston P - OE Phenolic Piston

3500 EXPRESS (cont.)

Hydraulics - Reman

Master Cylinder	Years	Part No.	Qualifier
Master Cylinder	02 - 99	R134626	
Power Brake Booster	Years	Part No.	Qualifier
Hydro Booster	01 - 99	527343	Diesel; w/DRW

Brake Cables

Parking Brake Cable	Years	Sequential No.	Category No.	Qualifier
Parking Brake Cable	02 - 99	F138836	(BC138836)	Forward; Exc. Cutaway
Parking Brake Cable	02 - 99	F138900	(BC138900)	Intermediate; 155" or 159" WB
Parking Brake Cable	02 - 99	F140240	(BC140240)	Intermediate; 177" WB; 37" Length

Wheel Attaching Hardware

Front Wheel Stud	Years	Part No.	Qualifier
Wheel Lug Stud	05 - 03	BD125960	
Wheel Lug Stud	02 - 99	BD61416	w/DRW; 14mm Bolt
Rear Wheel Stud	Years	Part No.	Qualifier
Wheel Lug Stud	05 - 03	BD125961	M14 x 1.5 x 28
Wheel Lug Stud	02 - 99	BD61403	w/DRW
Front Wheel Nut	Years	Part No.	Qualifier
Wheel Lug Nut	05 - 03	BD125998	Dome - Black
Wheel Lug Nut	05 - 03	BD125916	External Thread
Wheel Lug Nut	02 - 99	BD125926	External Thread; w/DRW
Rear Wheel Nut	Years	Part No.	Qualifier
Wheel Lug Nut	05 - 03	BD125998	Dome - Black
Wheel Lug Nut	05 - 03	BD125916	External Thread
Wheel Lug Nut	02 - 99	BD125926	External Thread; w/DRW

3500 SAVANA

Brake Pads & Shoes

Front Pads & Shoes	Years	SevereDuty	Lining No.	Qualifier
Brake Pads	06 - 03	SD784		
Brake Pads	02	SD459		
Brake Pads	01 - 99	SD459		w/DRW
Rear Pads & Shoes	Years	SevereDuty	Lining No.	Qualifier
Brake Pads	06 - 03	SD989		Commercial Chassis; w/DRW
Brake Pads	06 - 03	SD974		Exc. Commercial Chassis
Brake Shoes	02 - 99	SDS656R	SX2157BDT-S36	13 x 3-1/2" Brake; Riveted

Rotor & Drum

Front Rotor & Drum	Years	Part No.	Qualifier
Brake Rotor	06 - 03	BD126036	8600-9600 GVW
Brake Rotor	05 - 03	BD125779	10000-12000 GVW
Brake Rotor	02 - 01	BD125471	Commercial Chassis; w/DRW
Brake Rotor	02 - 01	BD125765	Exc. Commercial Chassis; 2nd Design; Rotor Casting No.15769075
Brake Rotor	01	BD125212	Exc. Commercial Chassis; 1st Design; Rotor Casting No. 15649968
Brake Rotor	00 - 99	BD125471	w/DRW
Rear Rotor & Drum	Years	Part No.	Qualifier
Brake Drum	02 - 99	BD60356	13 x 3-1/2" Brake; w/DRW
Brake Rotor	06	BD125778	w/12-51/64" Dia. Rotor; 8 Stud Whl.; 4-53/64" Height
Brake Rotor	06	BD125657	w/13" Dia. Rotor; 8 Stud Whl.; w/4-53/64" Dia. Ctr. Pilot Hole
Brake Rotor	06	BD125656	w/13" Dia. Rotor; 8 Stud Whl.; w/4-5/8 Dia. Ctr. Pilot Hole
Brake Rotor	05 - 03	BD125778	Commercial Chassis; w/DRW; w/12-51/64" Dia. Rotor; 8 Stud Whl.; 4-53/64" Height
Brake Rotor	05 - 03	BD125657	Exc. Commercial Chassis; w/13" Dia. Rotor; 8 Stud Whl.; w/4-53/64" Dia. Ctr. Pilot Hole

Brake Hardware

Front Brake Hardware	Years	Sequential No.	Category No.	Qualifier
Caliper Bolt/Pin	06 - 03	F139700	(H5095)	
Caliper Bolt/Pin	02 - 99	F129642S	(H5062)	w/Floating Delco Caliper; w/DRW
Caliper Bolt/Pin	02 - 99	F73237S	(H5019)	w/Sliding Bendix Caliper

3500 SAVANA (cont.)
Brake Hardware (cont.)

Front Brake Hardware	Years	Sequential No.	Category No.	Qualifier
Disc Align Kit	02 - 99	F117225S	(H5584)	w/Floating Delco Caliper
Disc Align Kit	02 - 99	F107401S	(H5562)	w/Sliding Bendix Caliper
Rear Brake Hardware	Years	Sequential No.	Category No.	Qualifier
Adjuster Kit	02 - 99	F98406	(H2580)	L.H.; 13 x 2-1/2" Brake
Adjuster Kit	02 - 99	F98407	(H2581)	R.H.; 13 x 2-1/2" Brake
Adjuster Screw	02 - 99	F83294	(H1550)	L.H.; 13 x 2-1/2" Brake
Adjuster Screw	02 - 99	F83295	(H1551)	R.H.; 13 x 2-1/2" Brake
Caliper Bolt/Pin	06 - 03	F139370	(H5091)	
Combi Kit	02 - 99	F98457S	(H7055)	13 x 2-1/2" Brake
↳Adjuster Spring Kit		F73145S	(H425)	
↳Hold Down Kit		F113455S	(H4098)	
↳Return Spring Kit		F59100S	(H600)	
Disc Align Kit	06 - 03	F140512	(H5678)	w/DRW
Pin Boot Kit	06 - 03	F140514	(H8240)	
Parking Brake	Years	Sequential No.	Category No.	Qualifier
Combi Kit	03	F139879	(H7242)	

Calipers - Reman

Front, Loaded	Years	Left No.	Right No.	Qualifier	Piston
Loaded Caliper	05 - 03	AS134558	AS134559	10000-12300 GVW	P
Loaded Caliper	02	AS120226	AS120227		M
Loaded Caliper	01 - 99	AS120226	AS120227	Cutaway; w/DRW; 139" WB	M
Loaded Caliper	01 - 99	AS120226	AS120227	Exc. 139" WB; Cutaway	M
Loaded Caliper	01 - 99	AS116294	AS116295	Exc. Cutaway; 3.16" 1-Piston Caliper	M
Front, Unloaded	Years	Left No.	Right No.	Qualifier	Piston
Unloaded Caliper	05 - 03	CR134558	CR134559	10000-12300 GVW	P
Unloaded Caliper	05 - 03	CRB134347	CRB134348	8600-9600 GVW; 2-Piston Caliper; Supplied w/Mtg. Brkt.	P
Unloaded Caliper	05 - 03	CR134347	CR134348	8600-9600 GVW; 2-Piston Caliper; Supplied w/o Mtg. Brkt.	P
Unloaded Caliper	02	CR120226	CR120227		M
Unloaded Caliper	01 - 99	CR120226	CR120227	Cutaway; w/DRW; 139" WB	M
Unloaded Caliper	01 - 99	CR120226	CR120227	Exc. 139" WB; Cutaway	M
Unloaded Caliper	01 - 99	CR116294	CR116295	Exc. Cutaway; 3.16" 1-Piston Caliper	M

Hydraulics - New

Rear Wheel Cylinder	Years	Sequential No.	Category No.	Qualifier
Wheel Cylinder	02 - 99	F79768	(WC79768)	w/DRW; 1-3/16" Bore
Front Brake Hose	Years	Sequential No.	Category No.	Qualifier
Brake Hose	02 - 01	F140498	(BH140498)	L.H.
Brake Hose	02 - 01	F140499	(BH140499)	R.H.
Brake Hose	00 - 99	F140498	(BH140498)	L.H.; w/DRW
Brake Hose	00 - 99	F140499	(BH140499)	R.H.; w/DRW
Rear Brake Hose	Years	Sequential No.	Category No.	Qualifier
Brake Hose	02 - 99	F118117	(BH118117)	

Hydraulics - Reman

Master Cylinder	Years	Part No.	Qualifier
Master Cylinder	02 - 99	R134626	
Power Brake Booster	Years	Part No.	Qualifier
Hydro Booster	01 - 99	527343	Diesel; w/DRW

Brake Cables

Parking Brake Cable	Years	Sequential No.	Category No.	Qualifier
Parking Brake Cable	02 - 99	F138836	(BC138836)	Forward; Exc. Cutaway
Parking Brake Cable	02 - 99	F138900	(BC138900)	Intermediate; 155" or 159" WB
Parking Brake Cable	02 - 99	F140240	(BC140240)	Intermediate; 177" WB; 37" Length

↳Sub-Kit of Combi-Kit is available separately.

Piston: M - OE Metal Piston P - OE Phenolic Piston

3500 SAVANA (cont.)

Wheel Attaching Hardware

Front Wheel Stud	Years	Part No.	Qualifier
Wheel Lug Stud	05 - 03	BD125960	
Wheel Lug Stud	02 - 99	BD61416	w/DRW; 14mm Bolt
Rear Wheel Stud	Years	Part No.	Qualifier
Wheel Lug Stud	05 - 03	BD125961	M14 x 1.5 x 28
Wheel Lug Stud	02 - 99	BD61403	w/DRW
Front Wheel Nut	Years	Part No.	Qualifier
Wheel Lug Nut	05 - 03	BD125998	Dome - Black
Wheel Lug Nut	05 - 03	BD125916	External Thread
Wheel Lug Nut	02 - 99	BD125926	External Thread; w/DRW
Rear Wheel Nut	Years	Part No.	Qualifier
Wheel Lug Nut	05 - 03	BD125998	Dome - Black
Wheel Lug Nut	05 - 03	BD125916	External Thread
Wheel Lug Nut	02 - 99	BD125926	External Thread; w/DRW

4500 KODIAK

Brake Pads & Shoes

Front Pads & Shoes	Years	SevereDuty	Lining No.	Qualifier
Brake Pads	07 - 03	SD1010		6250 lb. FA; TRW; 2.36" 2 Piston Caliper
Brake Pads	07 - 03	SD1010		6250 lb. FA; TRW; 2.60" 2 Piston Caliper
Brake Pads	07 - 03	SD1032		7000-8000 lb. FA; Dayton; 2.52" 4-Piston Caliper
Brake Pads	07 - 03	SD1032		7000-8000 lb. FA; Dayton; 2.75" 4-Piston Caliper
Rear Pads & Shoes	Years	SevereDuty	Lining No.	Qualifier
Brake Pads	07 - 03	SD1010		11000-13000 lb. RA; TRW; 2.36" 2-Piston Caliper; 5-Hole Rotor; w/o Parking Brake
Brake Pads	07 - 03	SD1064		11000-13000 lb. RA; TRW; 2.60" 2-Piston Caliper; 10-Hole Rotor; w/Parking Brake
Brake Pads	07 - 03	SD1010		11000-13000 lb. RA; TRW; 2.60" 2-Piston Caliper; 5-Hole Rotor; w/o Parking Brake
Parking Brake Shoes	Years	SevereDuty	Lining No.	Qualifier
Brake Shoes	07 - 03	SDS647	EX2086D	9 x 3

Rotor & Drum

Front Rotor & Drum	Years	Part No.	Qualifier
Brake Rotor	07 - 03	BD126365	6250 lb. FA; Hat-Shaped; 5-Hole Rotor; w/o Hub
Brake Rotor	07 - 03	BD126365	7000 lb. FA; Hat-Shaped; 5-Hole Rotor; 2WD; w/o Hub
Rear Rotor & Drum	Years	Part No.	Qualifier
Brake Rotor	07 - 03	BD126365	11000 lb. RA; Hat-Shaped; 10-Hole Rotor; w/Hub
Brake Rotor	07 - 03	BD126365	13000 lb. RA; Hat-Shaped; 10-Hole Rotor; w/o Parking Brake; w/o Hub
Brake Rotor	07 - 03	BD126369	13000 lb. RA; Hat-Shaped; 10-Hole Rotor; w/Parking Brake; w/Hub

Brake Hardware

Front Brake Hardware	Years	Sequential No.	Category No.	Qualifier
Disc Align Kit	07 - 03	F140770	(H5711)	6250 lb. FA; TRW; 2.36" 2 Piston Caliper
Disc Align Kit	07 - 03	F140770	(H5711)	6250 lb. FA; TRW; 2.60" 2 Piston Caliper
Disc Align Kit	07 - 03	F140771	(H5712)	7000-8000 lb. FA; Dayton; 2.52" 4-Piston Caliper
Disc Align Kit	07 - 03	F140630	(H3026)	7000-8000 lb. FA; Dayton; 2.75" 4-Piston Caliper
Rear Brake Hardware	Years	Sequential No.	Category No.	Qualifier
Disc Align Kit	07 - 03	F140770	(H5711)	11000-13000 lb. RA; TRW; 2.36" 2-Piston Caliper
Disc Align Kit	07 - 03	F140770	(H5711)	11000-13000 lb. RA; TRW; 2.60" 2-Piston Caliper

Calipers - Reman

Front, Loaded	Years	Left No.	Right No.	Qualifier	Piston
Loaded Caliper	07 - 03	AS135212	AS135212	6250 lb. FA; TRW; 2.36" 2 Piston Caliper; Serial No. 135743	M
Loaded Caliper	07 - 03	AS135214	AS135214	6250 lb. FA; TRW; 2.60" 2 Piston Caliper; Serial No. 135607	M
Loaded Caliper	07 - 03	AS134821A	AS134820A	7000-8000 lb. FA; Dayton; 2.52" 4-Piston Caliper; Serial No. 602F / 604F	M
Loaded Caliper	07 - 03	AS134580A	AS134581A	7000-8000 lb. FA; Dayton; 2.75" 4-Piston Caliper; Serial No. 581F / 583F	M
Loaded Caliper	07 - 03	AS134818A	AS134819A	7000-8000 lb. FA; Dayton; 2.75" 4-Piston Caliper; Serial No. 595F / 597F	M
Rear, Loaded	Years	Left No.	Right No.	Qualifier	Piston
Loaded Caliper	07 - 03	AS135212	AS135212	11000-13000 lb. RA; TRW; 2.36" 2-Piston Caliper; 5-Hole Rotor; w/o Parking Brake; Serial No. 135743	M

Piston: M - OE Metal Piston P - OE Phenolic Piston

4500 KODIAK (cont.)
Calipers - Reman (cont.)

<i>Rear, Loaded</i>	<i>Years</i>	<i>Left No.</i>	<i>Right No.</i>	<i>Qualifier</i>	<i>Piston</i>
Loaded Caliper	07 - 03	AS135216	AS135216	11000-13000 lb. RA; TRW; 2.60" 2-Piston Caliper; 10-Hole Rotor; w/Parking Brake	M
Loaded Caliper	07 - 03	AS135214	AS135214	11000-13000 lb. RA; TRW; 2.60" 2-Piston Caliper; 5-Hole Rotor; w/o Parking Brake; Serial No. 135607	M
<i>Front, Unloaded</i>	<i>Years</i>	<i>Left No.</i>	<i>Right No.</i>	<i>Qualifier</i>	<i>Piston</i>
Unloaded Caliper	07 - 03	CR135212	CR135212	6250 lb. FA; TRW; 2.36" 2 Piston Caliper; Serial No. 135743	M
Unloaded Caliper	07 - 03	CR135214	CR135214	6250 lb. FA; TRW; 2.60" 2 Piston Caliper; Serial No. 135607	M
Unloaded Caliper	07 - 03	CR134821	CR134820	7000-8000 lb. FA; Dayton; 2.52" 4-Piston Caliper; Serial No. 602F / 604F	M
Unloaded Caliper	07 - 03	CR134580	CR134581	7000-8000 lb. FA; Dayton; 2.75" 4-Piston Caliper; Serial No. 581F / 583F	M
Unloaded Caliper	07 - 03	CR134818	CR134819	7000-8000 lb. FA; Dayton; 2.75" 4-Piston Caliper; Serial No. 595F / 597F	M
<i>Rear, Unloaded</i>	<i>Years</i>	<i>Left No.</i>	<i>Right No.</i>	<i>Qualifier</i>	<i>Piston</i>
Unloaded Caliper	07 - 03	CR135212	CR135212	11000-13000 lb. RA; TRW; 2.36" 2-Piston Caliper; 5-Hole Rotor; w/o Parking Brake; Serial No. 135743	M
Unloaded Caliper	07 - 03	CR135216	CR135216	11000-13000 lb. RA; TRW; 2.60" 2-Piston Caliper; 10-Hole Rotor; w/Parking Brake	M
Unloaded Caliper	07 - 03	CR135214	CR135214	11000-13000 lb. RA; TRW; 2.60" 2-Piston Caliper; 5-Hole Rotor; w/o Parking Brake; Serial No. 135607	M

4500 TOPKICK
Brake Pads & Shoes

<i>Front Pads & Shoes</i>	<i>Years</i>	<i>SevereDuty</i>	<i>Lining No.</i>	<i>Qualifier</i>
Brake Pads	07 - 03	SD1010		6250 lb. FA; TRW; 2.36" 2 Piston Caliper
Brake Pads	07 - 03	SD1010		6250 lb. FA; TRW; 2.60" 2 Piston Caliper
Brake Pads	07 - 03	SD1032		7000-8000 lb. FA; Dayton; 2.52" 4-Piston Caliper
Brake Pads	07 - 03	SD1032		7000-8000 lb. FA; Dayton; 2.75" 4-Piston Caliper
<i>Rear Pads & Shoes</i>	<i>Years</i>	<i>SevereDuty</i>	<i>Lining No.</i>	<i>Qualifier</i>
Brake Pads	07 - 03	SD1010		11000-13000 lb. RA; TRW; 2.36" 2-Piston Caliper; 5-Hole Rotor; w/o Parking Brake
Brake Pads	07 - 03	SD1064		11000-13000 lb. RA; TRW; 2.60" 2-Piston Caliper; 10-Hole Rotor; w/Parking Brake
Brake Pads	07 - 03	SD1010		11000-13000 lb. RA; TRW; 2.60" 2-Piston Caliper; 5-Hole Rotor; w/o Parking Brake
<i>Parking Brake Shoes</i>	<i>Years</i>	<i>SevereDuty</i>	<i>Lining No.</i>	<i>Qualifier</i>
Brake Shoes	07 - 03	SDS647	EX2086D	9 x 3

Rotor & Drum

<i>Front Rotor & Drum</i>	<i>Years</i>	<i>Part No.</i>	<i>Qualifier</i>
Brake Rotor	07 - 03	BD126365	6250 lb. FA; Hat-Shaped; 5-Hole Rotor; w/o Hub
Brake Rotor	07 - 03	BD126365	7000 lb. FA; Hat-Shaped; 5-Hole Rotor; 2WD; w/o Hub
<i>Rear Rotor & Drum</i>	<i>Years</i>	<i>Part No.</i>	<i>Qualifier</i>
Brake Rotor	07 - 03	BD126365	11000 lb. RA; Hat-Shaped; 10-Hole Rotor; w/Hub
Brake Rotor	07 - 03	BD126365	13000 lb. RA; Hat-Shaped; 10-Hole Rotor; w/o Parking Brake; w/o Hub
Brake Rotor	07 - 03	BD126369	13000 lb. RA; Hat-Shaped; 10-Hole Rotor; w/Parking Brake; w/Hub

Brake Hardware

<i>Front Brake Hardware</i>	<i>Years</i>	<i>Sequential No.</i>	<i>Category No.</i>	<i>Qualifier</i>
Disc Align Kit	07 - 03	F140770	(H5711)	6250 lb. FA; TRW; 2.36" 2 Piston Caliper
Disc Align Kit	07 - 03	F140770	(H5711)	6250 lb. FA; TRW; 2.60" 2 Piston Caliper
Disc Align Kit	07 - 03	F140771	(H5712)	7000-8000 lb. FA; Dayton; 2.52" 4-Piston Caliper
Disc Align Kit	07 - 03	F140630	(H3026)	7000-8000 lb. FA; Dayton; 2.75" 4-Piston Caliper
<i>Rear Brake Hardware</i>	<i>Years</i>	<i>Sequential No.</i>	<i>Category No.</i>	<i>Qualifier</i>
Disc Align Kit	07 - 03	F140770	(H5711)	11000-13000 lb. RA; TRW; 2.36" 2-Piston Caliper
Disc Align Kit	07 - 03	F140770	(H5711)	11000-13000 lb. RA; TRW; 2.60" 2-Piston Caliper

Calipers - Reman

<i>Front, Loaded</i>	<i>Years</i>	<i>Left No.</i>	<i>Right No.</i>	<i>Qualifier</i>	<i>Piston</i>
Loaded Caliper	07 - 03	AS135212	AS135212	6250 lb. FA; TRW; 2.36" 2 Piston Caliper; Serial No. 135743	M
Loaded Caliper	07 - 03	AS135214	AS135214	6250 lb. FA; TRW; 2.60" 2 Piston Caliper; Serial No. 135607	M
Loaded Caliper	07 - 03	AS134821A	AS134820A	7000-8000 lb. FA; Dayton; 2.52" 4-Piston Caliper; Serial No. 602F / 604F	M
Loaded Caliper	07 - 03	AS134580A	AS134581A	7000-8000 lb. FA; Dayton; 2.75" 4-Piston Caliper; Serial No. 581F / 583F	M
Loaded Caliper	07 - 03	AS134818A	AS134819A	7000-8000 lb. FA; Dayton; 2.75" 4-Piston Caliper; Serial No. 595F / 597F	M

Piston: M - OE Metal Piston P - OE Phenolic Piston

4500 TOPKICK (cont.)

Calipers - Reman (cont.)

<i>Rear, Loaded</i>	<i>Years</i>	<i>Left No.</i>	<i>Right No.</i>	<i>Qualifier</i>	<i>Piston</i>
Loaded Caliper	07 - 03	AS135212	AS135212	11000-13000 lb. RA; TRW; 2.36" 2-Piston Caliper; 5-Hole Rotor; w/o Parking Brake; Serial No. 135743	M
Loaded Caliper	07 - 03	AS135216	AS135216	11000-13000 lb. RA; TRW; 2.60" 2-Piston Caliper; 10-Hole Rotor; w/Parking Brake	M
Loaded Caliper	07 - 03	AS135214	AS135214	11000-13000 lb. RA; TRW; 2.60" 2-Piston Caliper; 5-Hole Rotor; w/o Parking Brake; Serial No. 135607	M
<i>Front, Unloaded</i>	<i>Years</i>	<i>Left No.</i>	<i>Right No.</i>	<i>Qualifier</i>	<i>Piston</i>
Unloaded Caliper	07 - 03	CR135212	CR135212	6250 lb. FA; TRW; 2.36" 2 Piston Caliper; Serial No. 135743	M
Unloaded Caliper	07 - 03	CR135214	CR135214	6250 lb. FA; TRW; 2.60" 2 Piston Caliper; Serial No. 135607	M
Unloaded Caliper	07 - 03	CR134821	CR134820	7000-8000 lb. FA; Dayton; 2.52" 4-Piston Caliper; Serial No. 602F / 604F	M
Unloaded Caliper	07 - 03	CR134580	CR134581	7000-8000 lb. FA; Dayton; 2.75" 4-Piston Caliper; Serial No. 581F / 583F	M
Unloaded Caliper	07 - 03	CR134818	CR134819	7000-8000 lb. FA; Dayton; 2.75" 4-Piston Caliper; Serial No. 595F / 597F	M
<i>Rear, Unloaded</i>	<i>Years</i>	<i>Left No.</i>	<i>Right No.</i>	<i>Qualifier</i>	<i>Piston</i>
Unloaded Caliper	07 - 03	CR135212	CR135212	11000-13000 lb. RA; TRW; 2.36" 2-Piston Caliper; 5-Hole Rotor; w/o Parking Brake; Serial No. 135743	M
Unloaded Caliper	07 - 03	CR135216	CR135216	11000-13000 lb. RA; TRW; 2.60" 2-Piston Caliper; 10-Hole Rotor; w/Parking Brake	M
Unloaded Caliper	07 - 03	CR135214	CR135214	11000-13000 lb. RA; TRW; 2.60" 2-Piston Caliper; 5-Hole Rotor; w/o Parking Brake; Serial No. 135607	M

5500 KODIAK

Brake Pads & Shoes

<i>Front Pads & Shoes</i>	<i>Years</i>	<i>SevereDuty</i>	<i>Lining No.</i>	<i>Qualifier</i>
Brake Pads	07 - 03	SD1010		6250 lb. FA; TRW; 2.36" 2-Piston Caliper
Brake Pads	07 - 03	SD1010		6250 lb. FA; TRW; 2.60" 2-Piston Caliper
Brake Pads	07 - 03	SD1032		7000-8000 lb. FA; Dayton; 2.52" 4-Piston Caliper
Brake Pads	07 - 03	SD1032		7000-8000 lb. FA; Dayton; 2.75" 4-Piston Caliper
<i>Rear Pads & Shoes</i>	<i>Years</i>	<i>SevereDuty</i>	<i>Lining No.</i>	<i>Qualifier</i>
Brake Pads	07 - 03	SD1010		11000-13000 lb. RA; TRW; 2.36" 2-Piston Caliper; 5-Hole Rotor; w/o Parking Brake
Brake Pads	07 - 03	SD1064		11000-13000 lb. RA; TRW; 2.60" 2-Piston Caliper; 10-Hole Rotor; w/Parking Brake
Brake Pads	07 - 03	SD1010		11000-13000 lb. RA; TRW; 2.60" 2-Piston Caliper; 5-Hole Rotor; w/o Parking Brake
Brake Pads	07 - 03	SD1032		15000-19000 lb. RA; Dayton; 2.52" 4-Piston Caliper
Brake Pads	07 - 03	SD1032		15000-19000 lb. RA; Dayton; 2.75" 4-Piston Caliper
<i>Parking Brake Shoes</i>	<i>Years</i>	<i>SevereDuty</i>	<i>Lining No.</i>	<i>Qualifier</i>
Brake Shoes	07 - 03	SDS647	EX2086D	9 x 3

Rotor & Drum

<i>Front Rotor & Drum</i>	<i>Years</i>	<i>Part No.</i>	<i>Qualifier</i>
Brake Rotor	07 - 03	BD126365	6250 lb. FA; Hat-Shaped; 5-Hole Rotor; w/Hub
Brake Rotor	07 - 03	BD126365	7000 lb. FA; Hat-Shaped; 5-Hole Rotor; 2WD; w/o Hub
Brake Rotor	07 - 03	BD126363	8000 lb. FA; Hat-Shaped; w/Hub
<i>Rear Rotor & Drum</i>	<i>Years</i>	<i>Part No.</i>	<i>Qualifier</i>
Brake Rotor	07 - 06	BD126365	13000 lb. RA; Hat-Shaped; 10-Hole Rotor; Dual Reduction; w/o Parking Brake; w/Hub
Brake Rotor	07 - 06	BD126369	13000 lb. RA; Hat-Shaped; 10-Hole Rotor; Dual Reduction; w/Parking Brake; w/o Hub; w/ABS Ring
Brake Rotor	07 - 06	BD126363	13000 lb. RA; Hat-Shaped; 10-Hole Rotor; Single Reduction; w/Hub
Brake Rotor	07 - 06	BD126363	19000 lb. RA; Hat-Shaped; 10-Hole Rotor; Single Reduction; w/Hub
Brake Rotor	05 - 03	BD126365	13000 lb. RA; Hat-Shaped; 10-Hole Rotor; w/o Parking Brake; w/Hub
Brake Rotor	05 - 03	BD126369	13000 lb. RA; Hat-Shaped; 10-Hole Rotor; w/Parking Brake; w/o Hub; w/ABS Ring
Brake Rotor	05 - 03	BD126363	15000-19000 lb. RA; Hat-Shaped; 10-Hole Rotor; w/Hub

Brake Hardware

<i>Front Brake Hardware</i>	<i>Years</i>	<i>Sequential No.</i>	<i>Category No.</i>	<i>Qualifier</i>
Disc Align Kit	07 - 03	F140770	(H5711)	6250 lb. FA; TRW; 2.36" 2-Piston Caliper
Disc Align Kit	07 - 03	F140770	(H5711)	6250 lb. FA; TRW; 2.60" 2-Piston Caliper
Disc Align Kit	07 - 03	F140771	(H5712)	7000-8000 lb. FA; Dayton; 2.52" 4-Piston Caliper
Disc Align Kit	07 - 03	F140630	(H3026)	7000-8000 lb. FA; Dayton; 2.75" 4-Piston Caliper
<i>Rear Brake Hardware</i>	<i>Years</i>	<i>Sequential No.</i>	<i>Category No.</i>	<i>Qualifier</i>
Disc Align Kit	07 - 03	F140770	(H5711)	11000-13000 lb. RA; TRW; 2.36" 2-Piston Caliper

Piston: M - OE Metal Piston P - OE Phenolic Piston

5500 KODIAK (cont.)
Brake Hardware (cont.)

Rear Brake Hardware	Years	Sequential No.	Category No.	Qualifier
Disc Align Kit	07 - 03	F140770	(H5711)	11000-13000 lb. RA; TRW; 2.60" 2-Piston Caliper
Disc Align Kit	07 - 03	F140771	(H5712)	15000-19000 lb. RA; Dayton; 2.52" 4-Piston Caliper
Disc Align Kit	07 - 03	F140630	(H3026)	15000-19000 lb. RA; Dayton; 2.75" 4-Piston Caliper

Calipers - Reman

Front, Loaded	Years	Left No.	Right No.	Qualifier	Piston
Loaded Caliper	07 - 03	AS135212	AS135212	6250 lb. FA; TRW; 2.36" 2-Piston Caliper; Serial No. 135743	M
Loaded Caliper	07 - 03	AS135214	AS135214	6250 lb. FA; TRW; 2.60" 2-Piston Caliper; Serial No. 135607	M
Loaded Caliper	07 - 03	AS134821A	AS134820A	7000-8000 lb. FA; Dayton; 2.52" 4-Piston Caliper; Serial No. 602F / 604F	M
Loaded Caliper	07 - 03	AS134580A	AS134581A	7000-8000 lb. FA; Dayton; 2.75" 4-Piston Caliper; Serial No. 581F / 583F	M
Loaded Caliper	07 - 03	AS134818A	AS134819A	7000-8000 lb. FA; Dayton; 2.75" 4-Piston Caliper; Serial No. 595F / 597F	M

Rear, Loaded	Years	Left No.	Right No.	Qualifier	Piston
Loaded Caliper	07 - 03	AS135212	AS135212	11000-13000 lb. RA; TRW; 2.36" 2-Piston Caliper; 5-Hole Rotor; w/o Parking Brake; Serial No. 135743	M
Loaded Caliper	07 - 03	AS135216	AS135216	11000-13000 lb. RA; TRW; 2.60" 2-Piston Caliper; 10-Hole Rotor; w/Parking Brake	M
Loaded Caliper	07 - 03	AS135214	AS135214	11000-13000 lb. RA; TRW; 2.60" 2-Piston Caliper; 5-Hole Rotor; w/o Parking Brake; Serial No. 135607	M
Loaded Caliper	07 - 03	AS134821A	AS134820A	15000-19000 lb. RA; Dayton; 2.52" 4-Piston Caliper; Serial No. 602F / 604F	M
Loaded Caliper	07 - 03	AS134580A	AS134581A	15000-19000 lb. RA; Dayton; 2.75" 4-Piston Caliper; Serial No. 581F / 583F	M
Loaded Caliper	07 - 03	AS134818A	AS134819A	15000-19000 lb. RA; Dayton; 2.75" 4-Piston Caliper; Serial No. 595F / 597F	M

Front, Unloaded	Years	Left No.	Right No.	Qualifier	Piston
Unloaded Caliper	07 - 03	CR135212	CR135212	6250 lb. FA; TRW; 2.36" 2-Piston Caliper; Serial No. 135743	M
Unloaded Caliper	07 - 03	CR135214	CR135214	6250 lb. FA; TRW; 2.60" 2-Piston Caliper; Serial No. 135607	M
Unloaded Caliper	07 - 03	CR134821	CR134820	7000-8000 lb. FA; Dayton; 2.52" 4-Piston Caliper; Serial No. 602F / 604F	M
Unloaded Caliper	07 - 03	CR134580	CR134581	7000-8000 lb. FA; Dayton; 2.75" 4-Piston Caliper; Serial No. 581F / 583F	M
Unloaded Caliper	07 - 03	CR134818	CR134819	7000-8000 lb. FA; Dayton; 2.75" 4-Piston Caliper; Serial No. 595F / 597F	M

Rear, Unloaded	Years	Left No.	Right No.	Qualifier	Piston
Unloaded Caliper	07 - 03	CR135212	CR135212	11000-13000 lb. RA; TRW; 2.36" 2-Piston Caliper; 5-Hole Rotor; w/o Parking Brake; Serial No. 135743	M
Unloaded Caliper	07 - 03	CR135216	CR135216	11000-13000 lb. RA; TRW; 2.60" 2-Piston Caliper; 10-Hole Rotor; w/Parking Brake	M
Unloaded Caliper	07 - 03	CR135214	CR135214	11000-13000 lb. RA; TRW; 2.60" 2-Piston Caliper; 5-Hole Rotor; w/o Parking Brake; Serial No. 135607	M
Unloaded Caliper	07 - 03	CR134821	CR134820	15000-19000 lb. RA; Dayton; 2.52" 4-Piston Caliper; Serial No. 602F / 604F	M
Unloaded Caliper	07 - 03	CR134580	CR134581	15000-19000 lb. RA; Dayton; 2.75" 4-Piston Caliper; Serial No. 581F / 583F	M
Unloaded Caliper	07 - 03	CR134818	CR134819	15000-19000 lb. RA; Dayton; 2.75" 4-Piston Caliper; Serial No. 595F / 597F	M

5500 TOPKICK
Brake Pads & Shoes

Front Pads & Shoes	Years	SevereDuty	Lining No.	Qualifier
Brake Pads	07 - 03	SD1010		6250 lb. FA; TRW; 2.36" 2-Piston Caliper
Brake Pads	07 - 03	SD1010		6250 lb. FA; TRW; 2.60" 2-Piston Caliper
Brake Pads	07 - 03	SD1032		7000-8000 lb. FA; Dayton; 2.52" 4-Piston Caliper
Brake Pads	07 - 03	SD1032		7000-8000 lb. FA; Dayton; 2.75" 4-Piston Caliper

Rear Pads & Shoes	Years	SevereDuty	Lining No.	Qualifier
Brake Pads	07 - 03	SD1010		11000-13000 lb. RA; TRW; 2.36" 2-Piston Caliper; 5-Hole Rotor; w/o Parking Brake
Brake Pads	07 - 03	SD1064		11000-13000 lb. RA; TRW; 2.60" 2-Piston Caliper; 10-Hole Rotor; w/Parking Brake
Brake Pads	07 - 03	SD1010		11000-13000 lb. RA; TRW; 2.60" 2-Piston Caliper; 5-Hole Rotor; w/o Parking Brake
Brake Pads	07 - 03	SD1032		15000-19000 lb. RA; Dayton; 2.52" 4-Piston Caliper
Brake Pads	07 - 03	SD1032		15000-19000 lb. RA; Dayton; 2.75" 4-Piston Caliper

Parking Brake Shoes	Years	SevereDuty	Lining No.	Qualifier
Brake Shoes	07 - 03	SDS647	EX2086D	9 x 3

Rotor & Drum

Front Rotor & Drum	Years	Part No.	Qualifier
Brake Rotor	07 - 03	BD126365	6250 lb. FA; Hat-Shaped; 5-Hole Rotor; w/Hub
Brake Rotor	07 - 03	BD126365	7000 lb. FA; Hat-Shaped; 5-Hole Rotor; 2WD; w/o Hub
Brake Rotor	07 - 03	BD126363	8000 lb. FA; Hat-Shaped; w/Hub

Piston: M - OE Metal Piston P - OE Phenolic Piston

5500 TOPKICK (cont.)

Rotor & Drum (cont.)

Rear Rotor & Drum	Years	Part No.	Qualifier
Brake Rotor	07 - 06	BD126365	13000 lb. RA; Hat-Shaped; 10-Hole Rotor; Dual Reduction; w/o Parking Brake; w/Hub
Brake Rotor	07 - 06	BD126369	13000 lb. RA; Hat-Shaped; 10-Hole Rotor; Dual Reduction; w/Parking Brake; w/o Hub; w/ABS Ring
Brake Rotor	07 - 06	BD126363	13000 lb. RA; Hat-Shaped; 10-Hole Rotor; Single Reduction; w/Hub
Brake Rotor	07 - 06	BD126363	19000 lb. RA; Hat-Shaped; 10-Hole Rotor; Single Reduction; w/Hub
Brake Rotor	05 - 03	BD126365	13000 lb. RA; Hat-Shaped; 10-Hole Rotor; w/o Parking Brake; w/Hub
Brake Rotor	05 - 03	BD126369	13000 lb. RA; Hat-Shaped; 10-Hole Rotor; w/Parking Brake; w/o Hub; w/ABS Ring
Brake Rotor	05 - 03	BD126363	15000-19000 lb. RA; Hat-Shaped; 10-Hole Rotor; w/Hub

Brake Hardware

Front Brake Hardware	Years	Sequential No.	Category No.	Qualifier
Disc Align Kit	07 - 03	F140770	(H5711)	6250 lb. FA; TRW; 2.36" 2-Piston Caliper
Disc Align Kit	07 - 03	F140770	(H5711)	6250 lb. FA; TRW; 2.60" 2-Piston Caliper
Disc Align Kit	07 - 03	F140771	(H5712)	7000-8000 lb. FA; Dayton; 2.52" 4-Piston Caliper
Disc Align Kit	07 - 03	F140630	(H3026)	7000-8000 lb. FA; Dayton; 2.75" 4-Piston Caliper

Rear Brake Hardware	Years	Sequential No.	Category No.	Qualifier
Disc Align Kit	07 - 03	F140770	(H5711)	11000-13000 lb. RA; TRW; 2.36" 2-Piston Caliper
Disc Align Kit	07 - 03	F140770	(H5711)	11000-13000 lb. RA; TRW; 2.60" 2-Piston Caliper
Disc Align Kit	07 - 03	F140771	(H5712)	15000-19000 lb. RA; Dayton; 2.52" 4-Piston Caliper
Disc Align Kit	07 - 03	F140630	(H3026)	15000-19000 lb. RA; Dayton; 2.75" 4-Piston Caliper

Calipers - Reman

Front, Loaded	Years	Left No.	Right No.	Qualifier	Piston
Loaded Caliper	07 - 03	AS135212	AS135212	6250 lb. FA; TRW; 2.36" 2-Piston Caliper; Serial No. 135743	M
Loaded Caliper	07 - 03	AS135214	AS135214	6250 lb. FA; TRW; 2.60" 2-Piston Caliper; Serial No. 135607	M
Loaded Caliper	07 - 03	AS134821A	AS134820A	7000-8000 lb. FA; Dayton; 2.52" 4-Piston Caliper; Serial No. 602F / 604F	M
Loaded Caliper	07 - 03	AS134580A	AS134581A	7000-8000 lb. FA; Dayton; 2.75" 4-Piston Caliper; Serial No. 581F / 583F	M
Loaded Caliper	07 - 03	AS134818A	AS134819A	7000-8000 lb. FA; Dayton; 2.75" 4-Piston Caliper; Serial No. 595F / 597F	M

Rear, Loaded	Years	Left No.	Right No.	Qualifier	Piston
Loaded Caliper	07 - 03	AS135212	AS135212	11000-13000 lb. RA; TRW; 2.36" 2-Piston Caliper; 5-Hole Rotor; w/o Parking Brake; Serial No. 135743	M
Loaded Caliper	07 - 03	AS135216	AS135216	11000-13000 lb. RA; TRW; 2.60" 2-Piston Caliper; 10-Hole Rotor; w/Parking Brake	M
Loaded Caliper	07 - 03	AS135214	AS135214	11000-13000 lb. RA; TRW; 2.60" 2-Piston Caliper; 5-Hole Rotor; w/o Parking Brake; Serial No. 135607	M
Loaded Caliper	07 - 03	AS134821A	AS134820A	15000-19000 lb. RA; Dayton; 2.52" 4-Piston Caliper; Serial No. 602F / 604F	M
Loaded Caliper	07 - 03	AS134580A	AS134581A	15000-19000 lb. RA; Dayton; 2.75" 4-Piston Caliper; Serial No. 581F / 583F	M
Loaded Caliper	07 - 03	AS134818A	AS134819A	15000-19000 lb. RA; Dayton; 2.75" 4-Piston Caliper; Serial No. 595F / 597F	M

Front, Unloaded	Years	Left No.	Right No.	Qualifier	Piston
Unloaded Caliper	07 - 03	CR135212	CR135212	6250 lb. FA; TRW; 2.36" 2-Piston Caliper; Serial No. 135743	M
Unloaded Caliper	07 - 03	CR135214	CR135214	6250 lb. FA; TRW; 2.60" 2-Piston Caliper; Serial No. 135607	M
Unloaded Caliper	07 - 03	CR134821	CR134820	7000-8000 lb. FA; Dayton; 2.52" 4-Piston Caliper; Serial No. 602F / 604F	M
Unloaded Caliper	07 - 03	CR134580	CR134581	7000-8000 lb. FA; Dayton; 2.75" 4-Piston Caliper; Serial No. 581F / 583F	M
Unloaded Caliper	07 - 03	CR134818	CR134819	7000-8000 lb. FA; Dayton; 2.75" 4-Piston Caliper; Serial No. 595F / 597F	M

Rear, Unloaded	Years	Left No.	Right No.	Qualifier	Piston
Unloaded Caliper	07 - 03	CR135212	CR135212	11000-13000 lb. RA; TRW; 2.36" 2-Piston Caliper; 5-Hole Rotor; w/o Parking Brake; Serial No. 135743	M
Unloaded Caliper	07 - 03	CR135216	CR135216	11000-13000 lb. RA; TRW; 2.60" 2-Piston Caliper; 10-Hole Rotor; w/Parking Brake	M
Unloaded Caliper	07 - 03	CR135214	CR135214	11000-13000 lb. RA; TRW; 2.60" 2-Piston Caliper; 5-Hole Rotor; w/o Parking Brake; Serial No. 135607	M
Unloaded Caliper	07 - 03	CR134821	CR134820	15000-19000 lb. RA; Dayton; 2.52" 4-Piston Caliper; Serial No. 602F / 604F	M
Unloaded Caliper	07 - 03	CR134580	CR134581	15000-19000 lb. RA; Dayton; 2.75" 4-Piston Caliper; Serial No. 581F / 583F	M
Unloaded Caliper	07 - 03	CR134818	CR134819	15000-19000 lb. RA; Dayton; 2.75" 4-Piston Caliper; Serial No. 595F / 597F	M

Piston: M - OE Metal Piston P - OE Phenolic Piston

LF72

Brake Pads & Shoes

Front Pads & Shoes	Years	SevereDuty	Lining No.	Qualifier
Brake Pads	07 - 04	SD1032		Meritor; 2.52" 2-Piston Caliper
Brake Pads	07 - 04	SD1032		Meritor; 2.75" 2-Piston Caliper
Rear Pads & Shoes	Years	SevereDuty	Lining No.	Qualifier
Brake Pads	07 - 04	SD1032		Meritor; 2.52" 2-Piston Caliper
Brake Pads	07 - 04	SD1032		Meritor; 2.75" 2-Piston Caliper

Brake Hardware

Front Brake Hardware	Years	Sequential No.	Category No.	Qualifier
Disc Align Kit	07 - 04	F140771	(H5712)	Meritor; 2.52" 2-Piston Caliper
Disc Align Kit	07 - 04	F140630	(H3026)	Meritor; 2.75" 2-Piston Caliper
Rear Brake Hardware	Years	Sequential No.	Category No.	Qualifier
Disc Align Kit	07 - 04	F140771	(H5712)	Meritor; 2.52" 2-Piston Caliper
Disc Align Kit	07 - 04	F140630	(H3026)	Meritor; 2.75" 2-Piston Caliper

Calipers - Reman

Front, Loaded	Years	Left No.	Right No.	Qualifier	Piston
Loaded Caliper	07 - 04	AS134821A	AS134820A	Meritor; 2.52" 2-Piston Caliper; Series No. 602C / 604C	M
Loaded Caliper	07 - 04	AS134580A	AS134581A	Meritor; 2.75" 2-Piston Caliper; Series No. 581F / 583F	M
Loaded Caliper	07 - 04	AS134818A	AS134819A	Meritor; 2.75" 2-Piston Caliper; Series No. 595B / 597B	M
Rear, Loaded	Years	Left No.	Right No.	Qualifier	Piston
Loaded Caliper	07 - 04	AS134821A	AS134820A	Meritor; 2.52" 2-Piston Caliper; Series No. 602C / 604C	M
Loaded Caliper	07 - 04	AS134580A	AS134581A	Meritor; 2.75" 2-Piston Caliper; Series No. 581F / 583F	M
Loaded Caliper	07 - 04	AS134818A	AS134819A	Meritor; 2.75" 2-Piston Caliper; Series No. 595B / 597B	M
Front, Unloaded	Years	Left No.	Right No.	Qualifier	Piston
Unloaded Caliper	07 - 04	CR134821	CR134820	Meritor; 2.52" 2-Piston Caliper; Series No. 602C / 604C	M
Unloaded Caliper	07 - 04	CR134580	CR134581	Meritor; 2.75" 2-Piston Caliper; Series No. 581F / 583F	M
Unloaded Caliper	07 - 04	CR134818	CR134819	Meritor; 2.75" 2-Piston Caliper; Series No. 595B / 597B	M
Rear, Unloaded	Years	Left No.	Right No.	Qualifier	Piston
Unloaded Caliper	07 - 04	CR134821	CR134820	Meritor; 2.52" 2-Piston Caliper; Series No. 602C / 604C	M
Unloaded Caliper	07 - 04	CR134580	CR134581	Meritor; 2.75" 2-Piston Caliper; Series No. 581F / 583F	M
Unloaded Caliper	07 - 04	CR134818	CR134819	Meritor; 2.75" 2-Piston Caliper; Series No. 595B / 597B	M

WORKHORSE C-Class

3500 EXPRESS

Brake Pads & Shoes

Front Pads & Shoes	Years	SevereDuty	Lining No.	Qualifier
Brake Pads	06 - 03	SD784		
Brake Pads	02	SD459		
Brake Pads	01	SD459		w/DRW
Brake Pads	01	SD845		w/SRW
Rear Pads & Shoes	Years	SevereDuty	Lining No.	Qualifier
Brake Pads	06 - 03	SD989		Commercial Chassis; w/DRW
Brake Pads	06 - 03	SD974		Commercial Chassis; w/SRW
Brake Pads	06 - 03	SD974		Exc. Commercial Chassis
Brake Shoes	02 - 01	SDS656R	SX2157BDT-S36	13 x 3-1/2" Brake; Riveted

Rotor & Drum

Front Rotor & Drum	Years	Part No.	Qualifier
Brake Rotor	06 - 03	BD126036	8600-9600 GVW
Brake Rotor	05 - 03	BD125779	10000-12000 GVW
Brake Rotor	02 - 01	BD125471	Commercial Chassis; w/DRW
Brake Rotor	02 - 01	BD125765	Commercial Chassis; w/SRW; 2nd Design; Rotor Casting No. 15769075
Brake Rotor	02 - 01	BD125765	Exc. Commercial Chassis; 2nd Design; Rotor Casting No. 15769075
Brake Rotor	01	BD125212	Commercial Chassis; w/SRW
Brake Rotor	01	BD125212	Exc. Commercial Chassis; 1st Design; Rotor Casting No. 15649968

Piston: M - OE Metal Piston P - OE Phenolic Piston

3500 EXPRESS (cont.)

Rotor & Drum (cont.)

Rear Rotor & Drum	Years	Part No.	Qualifier
Brake Drum	02 - 01	BD60356	13 x 3-1/2" Brake; w/DRW
Brake Drum	02 - 01	BD125523	13 x 3-1/2" Brake; w/SRW
Brake Rotor	06	BD125778	w/12-51/64" Dia. Rotor; 8 Stud Whl.; 4-53/64" Height
Brake Rotor	06	BD125657	w/13" Dia. Rotor; 8 Stud Whl.; w/4-53/64" Dia. Ctr. Pilot Hole
Brake Rotor	06	BD125656	w/13" Dia. Rotor; 8 Stud Whl.; w/4-5/8 Dia. Ctr. Pilot Hole
Brake Rotor	05 - 03	BD125778	Commercial Chassis; w/DRW; w/12-51/64" Dia. Rotor; 8 Stud Whl.; 4-53/64" Height
Brake Rotor	05 - 03	BD125657	Commercial Chassis; w/SRW; w/13" Dia. Rotor; 8 Stud Whl.; w/4-53/64" Dia. Ctr. Pilot Hole
Brake Rotor	05 - 03	BD125657	Exc. Commercial Chassis; w/13" Dia. Rotor; 8 Stud Whl.; w/4-53/64" Dia. Ctr. Pilot Hole

Brake Hardware

Front Brake Hardware	Years	Sequential No.	Category No.	Qualifier
Caliper Bolt/Pin	06 - 03	F139700	(H5095)	
Caliper Bolt/Pin	02 - 01	F129642S	(H5062)	w/Floating Delco Caliper; w/DRW
Caliper Bolt/Pin	02 - 01	F117224S	(H5038)	w/Floating Delco Caliper; w/SRW
Caliper Bolt/Pin	02 - 01	F73237S	(H5019)	w/Sliding Bendix Caliper
Disc Align Kit	02 - 01	F117225S	(H5584)	w/Floating Delco Caliper
Disc Align Kit	02 - 01	F107401S	(H5562)	w/Sliding Bendix Caliper

Rear Brake Hardware	Years	Sequential No.	Category No.	Qualifier
Adjuster Kit	02 - 01	F98406	(H2580)	L.H.; 13 x 2-1/2" Brake
Adjuster Kit	02 - 01	F98407	(H2581)	R.H.; 13 x 2-1/2" Brake
Adjuster Screw	02 - 01	F83294	(H1550)	L.H.; 13 x 2-1/2" Brake
Adjuster Screw	02 - 01	F83295	(H1551)	R.H.; 13 x 2-1/2" Brake
Caliper Bolt/Pin	06 - 03	F139370	(H5091)	
Combi Kit	02 - 01	F98457S	(H7055)	13 x 2-1/2" Brake
↳Adjuster Spring Kit		F73145S	(H425)	
↳Hold Down Kit		F113455S	(H4098)	
↳Return Spring Kit		F59100S	(H600)	
Disc Align Kit	06 - 03	F140512	(H5678)	w/DRW
Disc Align Kit	06 - 03	F139864	(H5665)	w/SRW
Pin Boot Kit	06 - 03	F140514	(H8240)	

Parking Brake	Years	Sequential No.	Category No.	Qualifier
Combi Kit	03	F139879	(H7242)	

Calipers - Reman

Front, Loaded	Years	Left No.	Right No.	Qualifier	Piston
Loaded Caliper	05 - 03	AS134558	AS134559	10000-12300 GVW	P
Loaded Caliper	02	AS120226	AS120227		M
Loaded Caliper	01	AS120226	AS120227	Cutaway; w/DRW; 139" WB	M
Loaded Caliper	01	AS116294	AS116295	Cutaway; w/SRW; 139" WB; 3.16" 1-Piston Caliper	M
Loaded Caliper	01	AS120226	AS120227	Exc. 139" WB; Cutaway	M
Loaded Caliper	01	AS116294	AS116295	Exc. Cutaway; 3.16" 1-Piston Caliper	M

Front, Unloaded	Years	Left No.	Right No.	Qualifier	Piston
Unloaded Caliper	05 - 03	CR134558	CR134559	10000-12300 GVW	P
Unloaded Caliper	05 - 03	CRB134347	CRB134348	8600-9600 GVW; 2-Piston Caliper; Supplied w/Mtg. Brkt.	P
Unloaded Caliper	05 - 03	CR134347	CR134348	8600-9600 GVW; 2-Piston Caliper; Supplied w/o Mtg. Brkt.	P
Unloaded Caliper	02	CR120226	CR120227		M
Unloaded Caliper	01	CR120226	CR120227	Cutaway; w/DRW; 139" WB	M
Unloaded Caliper	01	CR116294	CR116295	Cutaway; w/SRW; 139" WB; 3.16" 1-Piston Caliper	M
Unloaded Caliper	01	CR120226	CR120227	Exc. 139" WB; Cutaway	M
Unloaded Caliper	01	CR116294	CR116295	Exc. Cutaway; 3.16" 1-Piston Caliper	M

Rear, Unloaded	Years	Left No.	Right No.	Qualifier	Piston
Unloaded Caliper	05 - 03	CR135118	CR135117	w/SRW	P

Hydraulics - New

Rear Wheel Cylinder	Years	Sequential No.	Category No.	Qualifier
Wheel Cylinder	02 - 01	F79768	(WC79768)	w/DRW; 1-3/16" Bore
Wheel Cylinder	02 - 01	F116359	(WC116359)	w/SRW; 1" Bore

↳Sub-Kit of Combi-Kit is available separately.

Piston: M - OE Metal Piston P - OE Phenolic Piston

3500 EXPRESS (cont.)
Hydraulics - New (cont.)

Front Brake Hose	Years	Sequential No.	Category No.	Qualifier
Brake Hose	02 - 01	F140498	(BH140498)	L.H.
Brake Hose	02 - 01	F140499	(BH140499)	R.H.
Rear Brake Hose	Years	Sequential No.	Category No.	Qualifier
Brake Hose	02 - 01	F118117	(BH118117)	

Hydraulics - Reman

Master Cylinder	Years	Part No.	Qualifier
Master Cylinder	02 - 01	R134626	
Power Brake Booster	Years	Part No.	Qualifier
Hydro Booster	01	527343	Diesel; w/DRW
Hydro Booster	01	527342	Diesel; w/SRW

Brake Cables

Parking Brake Cable	Years	Sequential No.	Category No.	Qualifier
Parking Brake Cable	02 - 01	F138836	(BC138836)	Forward; Exc. Cutaway
Parking Brake Cable	02 - 01	F138900	(BC138900)	Intermediate; 155" or 159" WB
Parking Brake Cable	02 - 01	F140240	(BC140240)	Intermediate; 177" WB; 37" Length

Wheel Attaching Hardware

Front Wheel Stud	Years	Part No.	Qualifier
Wheel Lug Stud	05 - 03	BD125960	
Wheel Lug Stud	02 - 01	BD61416	w/DRW; 14mm Bolt
Wheel Lug Stud	02 - 01	BD61426	w/SRW
Rear Wheel Stud	Years	Part No.	Qualifier
Wheel Lug Stud	05 - 03	BD125961	M14 x 1.5 x 28
Wheel Lug Stud	02 - 01	BD61403	w/DRW
Wheel Lug Stud	02	BD125962	w/SRW
Wheel Lug Stud	01	BD61427	w/SRW
Front Wheel Nut	Years	Part No.	Qualifier
Wheel Lug Nut	05 - 03	BD125998	Dome - Black
Wheel Lug Nut	05 - 03	BD125916	External Thread
Wheel Lug Nut	02 - 01	BD125926	External Thread; w/DRW
Wheel Lug Nut	02 - 01	BD125916	External Thread; w/SRW
Rear Wheel Nut	Years	Part No.	Qualifier
Wheel Lug Nut	05 - 03	BD125998	Dome - Black
Wheel Lug Nut	05 - 03	BD125916	External Thread
Wheel Lug Nut	02 - 01	BD125926	External Thread; w/DRW
Wheel Lug Nut	02 - 01	BD125916	External Thread; w/SRW

3500 SAVANA
Brake Pads & Shoes

Front Pads & Shoes	Years	SevereDuty	Lining No.	Qualifier
Brake Pads	06 - 03	SD784		
Brake Pads	02	SD459		
Brake Pads	01	SD459		w/DRW
Brake Pads	01	SD845		w/SRW
Rear Pads & Shoes	Years	SevereDuty	Lining No.	Qualifier
Brake Pads	06 - 03	SD989		Commercial Chassis; w/DRW
Brake Pads	06 - 03	SD974		Commercial Chassis; w/SRW
Brake Pads	06 - 03	SD974		Exc. Commercial Chassis
Brake Shoes	02 - 01	SDS656R	SX2157BDT-S36	13 x 3-1/2" Brake; Riveted

Rotor & Drum

Front Rotor & Drum	Years	Part No.	Qualifier
Brake Rotor	06 - 03	BD126036	8600-9600 GVW
Brake Rotor	05 - 03	BD125779	10000-12000 GVW
Brake Rotor	02 - 01	BD125471	Commercial Chassis; w/DRW
Brake Rotor	02 - 01	BD125765	Commercial Chassis; w/SRW; 2nd Design; Rotor Casting No. 15769075

3500 SAVANA (cont.)

Rotor & Drum (cont.)

Front Rotor & Drum	Years	Part No.	Qualifier
Brake Rotor	02 - 01	BD125765	Exc. Commercial Chassis; 2nd Design; Rotor Casting No.15769075
Brake Rotor	01	BD125212	Commercial Chassis; w/SRW
Brake Rotor	01	BD125212	Exc. Commercial Chassis; 1st Design; Rotor Casting No. 15649968

Rear Rotor & Drum	Years	Part No.	Qualifier
Brake Drum	02 - 01	BD60356	13 x 3-1/2" Brake; w/DRW
Brake Drum	02 - 01	BD125523	13 x 3-1/2" Brake; w/SRW
Brake Rotor	06	BD125778	w/12-51/64" Dia. Rotor; 8 Stud Whl.; 4-53/64" Height
Brake Rotor	06	BD125657	w/13" Dia. Rotor; 8 Stud Whl.; w/4-53/64" Dia. Ctr. Pilot Hole
Brake Rotor	06	BD125656	w/13" Dia. Rotor; 8 Stud Whl.; w/4-5/8 Dia. Ctr. Pilot Hole
Brake Rotor	05 - 03	BD125778	Commercial Chassis; w/DRW; w/12-51/64" Dia. Rotor; 8 Stud Whl.; 4-53/64" Height
Brake Rotor	05 - 03	BD125657	Commercial Chassis; w/SRW; w/13" Dia. Rotor; 8 Stud Whl.; w/4-53/64" Dia. Ctr. Pilot Hole
Brake Rotor	05 - 03	BD125657	Exc. Commercial Chassis; w/13" Dia. Rotor; 8 Stud Whl.; w/4-53/64" Dia. Ctr. Pilot Hole

Brake Hardware

Front Brake Hardware	Years	Sequential No.	Category No.	Qualifier
Caliper Bolt/Pin	06 - 03	F139700	(H5095)	
Caliper Bolt/Pin	02 - 01	F129642S	(H5062)	w/Floating Delco Caliper; w/DRW
Caliper Bolt/Pin	02 - 01	F117224S	(H5038)	w/Floating Delco Caliper; w/SRW
Caliper Bolt/Pin	02 - 01	F73237S	(H5019)	w/Sliding Bendix Caliper
Disc Align Kit	02 - 01	F117225S	(H5584)	w/Floating Delco Caliper
Disc Align Kit	02 - 01	F107401S	(H5562)	w/Sliding Bendix Caliper

Rear Brake Hardware	Years	Sequential No.	Category No.	Qualifier
Adjuster Kit	02 - 01	F98406	(H2580)	L.H.; 13 x 2-1/2" Brake
Adjuster Kit	02 - 01	F98407	(H2581)	R.H.; 13 x 2-1/2" Brake
Adjuster Screw	02 - 01	F83294	(H1550)	L.H.; 13 x 2-1/2" Brake
Adjuster Screw	02 - 01	F83295	(H1551)	R.H.; 13 x 2-1/2" Brake
Caliper Bolt/Pin	06 - 03	F139370	(H5091)	
Combi Kit	02 - 01	F98457S	(H7055)	13 x 2-1/2" Brake
↳Adjuster Spring Kit		F73145S	(H425)	
↳Hold Down Kit		F113455S	(H4098)	
↳Return Spring Kit		F59100S	(H600)	
Disc Align Kit	06 - 03	F140512	(H5678)	w/DRW
Disc Align Kit	06 - 03	F139864	(H5665)	w/SRW
Pin Boot Kit	06 - 03	F140514	(H8240)	

Parking Brake	Years	Sequential No.	Category No.	Qualifier
Combi Kit	03	F139879	(H7242)	

Calipers - Reman

Front, Loaded	Years	Left No.	Right No.	Qualifier	Piston
Loaded Caliper	05 - 03	AS134558	AS134559	10000-12300 GVW	P
Loaded Caliper	02	AS120226	AS120227		M
Loaded Caliper	01	AS120226	AS120227	Cutaway; w/DRW; 139" WB	M
Loaded Caliper	01	AS116294	AS116295	Cutaway; w/SRW; 139" WB; 3.16" 1-Piston Caliper	M
Loaded Caliper	01	AS120226	AS120227	Exc. 139" WB; Cutaway	M
Loaded Caliper	01	AS116294	AS116295	Exc. Cutaway; 3.16" 1-Piston Caliper	M

Front, Unloaded	Years	Left No.	Right No.	Qualifier	Piston
Unloaded Caliper	05 - 03	CR134558	CR134559	10000-12300 GVW	P
Unloaded Caliper	05 - 03	CRB134347	CRB134348	8600-9600 GVW; 2-Piston Caliper; Supplied w/Mtg. Brkt.	P
Unloaded Caliper	05 - 03	CR134347	CR134348	8600-9600 GVW; 2-Piston Caliper; Supplied w/o Mtg. Brkt.	P
Unloaded Caliper	02	CR120226	CR120227		M
Unloaded Caliper	01	CR120226	CR120227	Cutaway; w/DRW; 139" WB	M
Unloaded Caliper	01	CR116294	CR116295	Cutaway; w/SRW; 139" WB; 3.16" 1-Piston Caliper	M
Unloaded Caliper	01	CR120226	CR120227	Exc. 139" WB; Cutaway	M
Unloaded Caliper	01	CR116294	CR116295	Exc. Cutaway; 3.16" 1-Piston Caliper	M

Rear, Unloaded	Years	Left No.	Right No.	Qualifier	Piston
Unloaded Caliper	05 - 03	CR135118	CR135117	w/SRW	P

↳Sub-Kit of Combi-Kit is available separately.

Piston: M - OE Metal Piston P - OE Phenolic Piston

3500 SAVANA (cont.)

Hydraulics - New

Rear Wheel Cylinder	Years	Sequential No.	Category No.	Qualifier
Wheel Cylinder	02 - 01	F79768	(WC79768)	w/DRW; 1-3/16" Bore
Wheel Cylinder	02 - 01	F116359	(WC116359)	w/SRW; 1" Bore
Front Brake Hose	Years	Sequential No.	Category No.	Qualifier
Brake Hose	02 - 01	F140498	(BH140498)	L.H.
Brake Hose	02 - 01	F140499	(BH140499)	R.H.
Rear Brake Hose	Years	Sequential No.	Category No.	Qualifier
Brake Hose	02 - 01	F118117	(BH118117)	

Hydraulics - Reman

Master Cylinder	Years	Part No.	Qualifier
Master Cylinder	02 - 01	R134626	
Power Brake Booster	Years	Part No.	Qualifier
Hydro Booster	01	527343	Diesel; w/DRW
Hydro Booster	01	527342	Diesel; w/SRW

Brake Cables

Parking Brake Cable	Years	Sequential No.	Category No.	Qualifier
Parking Brake Cable	02 - 01	F138836	(BC138836)	Forward; Exc. Cutaway
Parking Brake Cable	02 - 01	F138900	(BC138900)	Intermediate; 155" or 159" WB
Parking Brake Cable	02 - 01	F140240	(BC140240)	Intermediate; 177" WB; 37" Length

Wheel Attaching Hardware

Front Wheel Stud	Years	Part No.	Qualifier
Wheel Lug Stud	05 - 03	BD125960	
Wheel Lug Stud	02 - 01	BD61416	w/DRW; 14mm Bolt
Wheel Lug Stud	02 - 01	BD61426	w/SRW
Rear Wheel Stud	Years	Part No.	Qualifier
Wheel Lug Stud	05 - 03	BD125961	M14 x 1.5 x 28
Wheel Lug Stud	02 - 01	BD61403	w/DRW
Wheel Lug Stud	02	BD125962	w/SRW
Wheel Lug Stud	01	BD61427	w/SRW
Front Wheel Nut	Years	Part No.	Qualifier
Wheel Lug Nut	05 - 03	BD125998	Dome - Black
Wheel Lug Nut	05 - 03	BD125916	External Thread
Wheel Lug Nut	02 - 01	BD125926	External Thread; w/DRW
Wheel Lug Nut	02 - 01	BD125916	External Thread; w/SRW
Rear Wheel Nut	Years	Part No.	Qualifier
Wheel Lug Nut	05 - 03	BD125998	Dome - Black
Wheel Lug Nut	05 - 03	BD125916	External Thread
Wheel Lug Nut	02 - 01	BD125926	External Thread; w/DRW
Wheel Lug Nut	02 - 01	BD125916	External Thread; w/SRW

WORKHORSE Commercial

W42

Brake Pads & Shoes

Front Pads & Shoes	Years	SevereDuty	Lining No.	Qualifier
Brake Pads	07 - 04	SD1268		Brembo; w/4-Whl. ABS
Rear Pads & Shoes	Years	SevereDuty	Lining No.	Qualifier
Brake Pads	07 - 04	SD1268		Brembo; w/4-Whl. ABS

W52

Brake Pads & Shoes

Front Pads & Shoes	Years	SevereDuty	Lining No.	Qualifier
Brake Pads	07 - 04	SD1268		Brembo; w/4-Whl. ABS
Rear Pads & Shoes	Years	SevereDuty	Lining No.	Qualifier
Brake Pads	07 - 04	SD1268		Brembo; w/4-Whl. ABS

W62

Brake Pads & Shoes				
Front Pads & Shoes	Years	SevereDuty	Lining No.	Qualifier
Brake Pads	07 - 04	SD1268		Brembo; w/4-Whl. ABS
Rear Pads & Shoes	Years	SevereDuty	Lining No.	Qualifier
Brake Pads	07 - 04	SD1268		Brembo; w/4-Whl. ABS

WORKHORSE FasTrack

FT42

Brake Pads & Shoes					
Front Pads & Shoes	Years	SevereDuty	Lining No.	Qualifier	
Brake Pads	07 - 04	SD1032		Meritor; 2.52" 2-Piston Caliper	
Brake Pads	07 - 04	SD1032		Meritor; 2.75" 2-Piston Caliper	
Rear Pads & Shoes	Years	SevereDuty	Lining No.	Qualifier	
Brake Pads	07 - 04	SD1032		Meritor; 2.52" 2-Piston Caliper	
Brake Pads	07 - 04	SD1032		Meritor; 2.75" 2-Piston Caliper	
Brake Hardware					
Front Brake Hardware	Years	Sequential No.	Category No.	Qualifier	
Disc Align Kit	07 - 04	F140771	(H5712)	Meritor; 2.52" 2-Piston Caliper	
Disc Align Kit	07 - 04	F140630	(H3026)	Meritor; 2.75" 2-Piston Caliper	
Rear Brake Hardware	Years	Sequential No.	Category No.	Qualifier	
Disc Align Kit	07 - 04	F140771	(H5712)	Meritor; 2.52" 2-Piston Caliper	
Disc Align Kit	07 - 04	F140630	(H3026)	Meritor; 2.75" 2-Piston Caliper	
Calipers - Reman					
Front, Loaded	Years	Left No.	Right No.	Qualifier	Piston
Loaded Caliper	07 - 04	AS134821A	AS134820A	Meritor; 2.52" 2-Piston Caliper; Series No. 602C / 604C	M
Loaded Caliper	07 - 04	AS134580A	AS134581A	Meritor; 2.75" 2-Piston Caliper; Series No. 581F / 583F	M
Loaded Caliper	07 - 04	AS134818A	AS134819A	Meritor; 2.75" 2-Piston Caliper; Series No. 595B / 597B	M
Rear, Loaded	Years	Left No.	Right No.	Qualifier	Piston
Loaded Caliper	07 - 04	AS134821A	AS134820A	Meritor; 2.52" 2-Piston Caliper; Series No. 602C / 604C	M
Loaded Caliper	07 - 04	AS134580A	AS134581A	Meritor; 2.75" 2-Piston Caliper; Series No. 581F / 583F	M
Loaded Caliper	07 - 04	AS134818A	AS134819A	Meritor; 2.75" 2-Piston Caliper; Series No. 595B / 597B	M
Front, Unloaded	Years	Left No.	Right No.	Qualifier	Piston
Unloaded Caliper	07 - 04	CR134821	CR134820	Meritor; 2.52" 2-Piston Caliper; Series No. 602C / 604C	M
Unloaded Caliper	07 - 04	CR134580	CR134581	Meritor; 2.75" 2-Piston Caliper; Series No. 581F / 583F	M
Unloaded Caliper	07 - 04	CR134818	CR134819	Meritor; 2.75" 2-Piston Caliper; Series No. 595B / 597B	M
Rear, Unloaded	Years	Left No.	Right No.	Qualifier	Piston
Unloaded Caliper	07 - 04	CR134821	CR134820	Meritor; 2.52" 2-Piston Caliper; Series No. 602C / 604C	M
Unloaded Caliper	07 - 04	CR134580	CR134581	Meritor; 2.75" 2-Piston Caliper; Series No. 581F / 583F	M
Unloaded Caliper	07 - 04	CR134818	CR134819	Meritor; 2.75" 2-Piston Caliper; Series No. 595B / 597B	M

WORKHORSE Motor Home

UFO

Brake Pads & Shoes				
Front Pads & Shoes	Years	SevereDuty	Lining No.	Qualifier
Brake Pads	07 - 06	SD1032		Meritor; 2.52" 2-Piston Caliper
Brake Pads	07 - 06	SD1032		Meritor; 2.75" 2-Piston Caliper
Rear Pads & Shoes	Years	SevereDuty	Lining No.	Qualifier
Brake Pads	07 - 06	SD1032		Meritor; 2.52" 2-Piston Caliper
Brake Pads	07 - 06	SD1032		Meritor; 2.75" 2-Piston Caliper
Brake Hardware				
Front Brake Hardware	Years	Sequential No.	Category No.	Qualifier
Disc Align Kit	07 - 06	F140771	(H5712)	Meritor; 2.52" 2-Piston Caliper
Disc Align Kit	07 - 06	F140630	(H3026)	Meritor; 2.75" 2-Piston Caliper
Rear Brake Hardware	Years	Sequential No.	Category No.	Qualifier
Disc Align Kit	07 - 06	F140771	(H5712)	Meritor; 2.52" 2-Piston Caliper

Piston: M - OE Metal Piston P - OE Phenolic Piston

UFO (cont.)

Brake Hardware (cont.)

Rear Brake Hardware	Years	Sequential No.	Category No.	Qualifier
Disc Align Kit	07 - 06	F140630	(H3026)	Meritor; 2.75" 2-Piston Caliper

Calipers - Reman

Front, Loaded	Years	Left No.	Right No.	Qualifier	Piston
Loaded Caliper	07 - 06	AS134821A	AS134820A	Meritor; 2.52" 2-Piston Caliper; Series No. 602C / 604C	M
Loaded Caliper	07 - 06	AS134580A	AS134581A	Meritor; 2.75" 2-Piston Caliper; Series No. 581F / 583F	M
Loaded Caliper	07 - 06	AS134818A	AS134819A	Meritor; 2.75" 2-Piston Caliper; Series No. 595B / 597B	M
Rear, Loaded	Years	Left No.	Right No.	Qualifier	Piston
Loaded Caliper	07 - 06	AS134821A	AS134820A	Meritor; 2.52" 2-Piston Caliper; Series No. 602C / 604C	M
Loaded Caliper	07 - 06	AS134580A	AS134581A	Meritor; 2.75" 2-Piston Caliper; Series No. 581F / 583F	M
Loaded Caliper	07 - 06	AS134818A	AS134819A	Meritor; 2.75" 2-Piston Caliper; Series No. 595B / 597B	M
Front, Unloaded	Years	Left No.	Right No.	Qualifier	Piston
Unloaded Caliper	07 - 06	CR134821	CR134820	Meritor; 2.52" 2-Piston Caliper; Series No. 602C / 604C	M
Unloaded Caliper	07 - 06	CR134580	CR134581	Meritor; 2.75" 2-Piston Caliper; Series No. 581F / 583F	M
Unloaded Caliper	07 - 06	CR134818	CR134819	Meritor; 2.75" 2-Piston Caliper; Series No. 595B / 597B	M
Rear, Unloaded	Years	Left No.	Right No.	Qualifier	Piston
Unloaded Caliper	07 - 06	CR134821	CR134820	Meritor; 2.52" 2-Piston Caliper; Series No. 602C / 604C	M
Unloaded Caliper	07 - 06	CR134580	CR134581	Meritor; 2.75" 2-Piston Caliper; Series No. 581F / 583F	M
Unloaded Caliper	07 - 06	CR134818	CR134819	Meritor; 2.75" 2-Piston Caliper; Series No. 595B / 597B	M

W16

Brake Pads & Shoes

Front Pads & Shoes	Years	SevereDuty	Lining No.	Qualifier
Brake Pads	07 - 04	SD1268		Brembo; w/4-Whl. ABS
Rear Pads & Shoes	Years	SevereDuty	Lining No.	Qualifier
Brake Pads	07 - 04	SD1268		Brembo; w/4-Whl. ABS

W18

Brake Pads & Shoes

Front Pads & Shoes	Years	SevereDuty	Lining No.	Qualifier
Brake Pads	07 - 04	SD1268		Brembo; w/4-Whl. ABS
Rear Pads & Shoes	Years	SevereDuty	Lining No.	Qualifier
Brake Pads	07 - 04	SD1268		Brembo; w/4-Whl. ABS

W20

Brake Pads & Shoes

Front Pads & Shoes	Years	SevereDuty	Lining No.	Qualifier
Brake Pads	07 - 04	SD224		Dayton; 2.60" 2-Piston Caliper
Rear Pads & Shoes	Years	SevereDuty	Lining No.	Qualifier
Brake Pads	07 - 04	SD224		Dayton; 2.60" 2-Piston Caliper

Brake Hardware

Front Brake Hardware	Years	Sequential No.	Category No.	Qualifier
Disc Align Kit	07 - 04	F134105	(H5613)	Dayton; 2.60" 2-Piston Caliper
Rear Brake Hardware	Years	Sequential No.	Category No.	Qualifier
Disc Align Kit	07 - 04	F134105	(H5613)	Dayton; 2.60" 2-Piston Caliper

Calipers - Reman

Front, Loaded	Years	Left No.	Right No.	Qualifier	Piston
Loaded Caliper	07 - 04	AS134782	AS134782	Dayton; 2.60" 2-Piston Caliper	M
Rear, Loaded	Years	Left No.	Right No.	Qualifier	Piston
Loaded Caliper	07 - 04	AS134782	AS134782	Dayton; 2.60" 2-Piston Caliper	M
Front, Unloaded	Years	Left No.	Right No.	Qualifier	Piston
Unloaded Caliper	07 - 04	CR134782	CR134782	Dayton; 2.60" 2-Piston Caliper	M
Rear, Unloaded	Years	Left No.	Right No.	Qualifier	Piston
Unloaded Caliper	07 - 04	CR134782	CR134782	Dayton; 2.60" 2-Piston Caliper	M

Piston: M - OE Metal Piston P - OE Phenolic Piston

W22

Brake Pads & Shoes

Front Pads & Shoes	Years	SevereDuty	Lining No.	Qualifier
--------------------	-------	------------	------------	-----------

Brake Pads	07 - 04	SD224		Dayton; 2.60" 2-Piston Caliper
------------	---------	-------	--	--------------------------------

Rear Pads & Shoes	Years	SevereDuty	Lining No.	Qualifier
-------------------	-------	------------	------------	-----------

Brake Pads	07 - 04	SD224		Dayton; 2.60" 2-Piston Caliper
------------	---------	-------	--	--------------------------------

Brake Hardware

Front Brake Hardware	Years	Sequential No.	Category No.	Qualifier
----------------------	-------	----------------	--------------	-----------

Disc Align Kit	07 - 04	F134105	(H5613)	Dayton; 2.60" 2-Piston Caliper
----------------	---------	---------	---------	--------------------------------

Rear Brake Hardware	Years	Sequential No.	Category No.	Qualifier
---------------------	-------	----------------	--------------	-----------

Disc Align Kit	07 - 04	F134105	(H5613)	Dayton; 2.60" 2-Piston Caliper
----------------	---------	---------	---------	--------------------------------

Calipers - Reman

Front, Loaded	Years	Left No.	Right No.	Qualifier	Piston
---------------	-------	----------	-----------	-----------	--------

Loaded Caliper	07 - 04	AS134782	AS134782	Dayton; 2.60" 2-Piston Caliper	M
----------------	---------	----------	----------	--------------------------------	---

Rear, Loaded	Years	Left No.	Right No.	Qualifier	Piston
--------------	-------	----------	-----------	-----------	--------

Loaded Caliper	07 - 04	AS134782	AS134782	Dayton; 2.60" 2-Piston Caliper	M
----------------	---------	----------	----------	--------------------------------	---

Front, Unloaded	Years	Left No.	Right No.	Qualifier	Piston
-----------------	-------	----------	-----------	-----------	--------

Unloaded Caliper	07 - 04	CR134782	CR134782	Dayton; 2.60" 2-Piston Caliper	M
------------------	---------	----------	----------	--------------------------------	---

Rear, Unloaded	Years	Left No.	Right No.	Qualifier	Piston
----------------	-------	----------	-----------	-----------	--------

Unloaded Caliper	07 - 04	CR134782	CR134782	Dayton; 2.60" 2-Piston Caliper	M
------------------	---------	----------	----------	--------------------------------	---

W24

Brake Pads & Shoes

Front Pads & Shoes	Years	SevereDuty	Lining No.	Qualifier
--------------------	-------	------------	------------	-----------

Brake Pads	07 - 04	SD1032		Meritor; 2.52" 2-Piston Caliper
------------	---------	--------	--	---------------------------------

Brake Pads	07 - 04	SD1032		Meritor; 2.75" 2-Piston Caliper
------------	---------	--------	--	---------------------------------

Rear Pads & Shoes	Years	SevereDuty	Lining No.	Qualifier
-------------------	-------	------------	------------	-----------

Brake Pads	07 - 04	SD1032		Meritor; 2.52" 2-Piston Caliper
------------	---------	--------	--	---------------------------------

Brake Pads	07 - 04	SD1032		Meritor; 2.75" 2-Piston Caliper
------------	---------	--------	--	---------------------------------

Brake Hardware

Front Brake Hardware	Years	Sequential No.	Category No.	Qualifier
----------------------	-------	----------------	--------------	-----------

Disc Align Kit	07 - 04	F140771	(H5712)	Meritor; 2.52" 2-Piston Caliper
----------------	---------	---------	---------	---------------------------------

Disc Align Kit	07 - 04	F140630	(H3026)	Meritor; 2.75" 2-Piston Caliper
----------------	---------	---------	---------	---------------------------------

Rear Brake Hardware	Years	Sequential No.	Category No.	Qualifier
---------------------	-------	----------------	--------------	-----------

Disc Align Kit	07 - 04	F140771	(H5712)	Meritor; 2.52" 2-Piston Caliper
----------------	---------	---------	---------	---------------------------------

Disc Align Kit	07 - 04	F140630	(H3026)	Meritor; 2.75" 2-Piston Caliper
----------------	---------	---------	---------	---------------------------------

Calipers - Reman

Front, Loaded	Years	Left No.	Right No.	Qualifier	Piston
---------------	-------	----------	-----------	-----------	--------

Loaded Caliper	07 - 04	AS134821A	AS134820A	Meritor; 2.52" 2-Piston Caliper; Series No. 602C / 604C	M
----------------	---------	-----------	-----------	---	---

Loaded Caliper	07 - 04	AS134580A	AS134581A	Meritor; 2.75" 2-Piston Caliper; Series No. 581F / 583F	M
----------------	---------	-----------	-----------	---	---

Loaded Caliper	07 - 04	AS134818A	AS134819A	Meritor; 2.75" 2-Piston Caliper; Series No. 595B / 597B	M
----------------	---------	-----------	-----------	---	---

Rear, Loaded	Years	Left No.	Right No.	Qualifier	Piston
--------------	-------	----------	-----------	-----------	--------

Loaded Caliper	07 - 04	AS134821A	AS134820A	Meritor; 2.52" 2-Piston Caliper; Series No. 602C / 604C	M
----------------	---------	-----------	-----------	---	---

Loaded Caliper	07 - 04	AS134580A	AS134581A	Meritor; 2.75" 2-Piston Caliper; Series No. 581F / 583F	M
----------------	---------	-----------	-----------	---	---

Loaded Caliper	07 - 04	AS134818A	AS134819A	Meritor; 2.75" 2-Piston Caliper; Series No. 595B / 597B	M
----------------	---------	-----------	-----------	---	---

Front, Unloaded	Years	Left No.	Right No.	Qualifier	Piston
-----------------	-------	----------	-----------	-----------	--------

Unloaded Caliper	07 - 04	CR134821	CR134820	Meritor; 2.52" 2-Piston Caliper; Series No. 602C / 604C	M
------------------	---------	----------	----------	---	---

Unloaded Caliper	07 - 04	CR134580	CR134581	Meritor; 2.75" 2-Piston Caliper; Series No. 581F / 583F	M
------------------	---------	----------	----------	---	---

Unloaded Caliper	07 - 04	CR134818	CR134819	Meritor; 2.75" 2-Piston Caliper; Series No. 595B / 597B	M
------------------	---------	----------	----------	---	---

Rear, Unloaded	Years	Left No.	Right No.	Qualifier	Piston
----------------	-------	----------	-----------	-----------	--------

Unloaded Caliper	07 - 04	CR134821	CR134820	Meritor; 2.52" 2-Piston Caliper; Series No. 602C / 604C	M
------------------	---------	----------	----------	---	---

Unloaded Caliper	07 - 04	CR134580	CR134581	Meritor; 2.75" 2-Piston Caliper; Series No. 581F / 583F	M
------------------	---------	----------	----------	---	---

Unloaded Caliper	07 - 04	CR134818	CR134819	Meritor; 2.75" 2-Piston Caliper; Series No. 595B / 597B	M
------------------	---------	----------	----------	---	---

Piston: M - OE Metal Piston P - OE Phenolic Piston

W25

Brake Pads & Shoes

Front Pads & Shoes	Years	SevereDuty	Lining No.	Qualifier
Brake Pads	07 - 04	SD1032		Meritor; 2.52" 2-Piston Caliper
Brake Pads	07 - 04	SD1032		Meritor; 2.75" 2-Piston Caliper
Rear Pads & Shoes	Years	SevereDuty	Lining No.	Qualifier
Brake Pads	07 - 04	SD1032		Meritor; 2.52" 2-Piston Caliper
Brake Pads	07 - 04	SD1032		Meritor; 2.75" 2-Piston Caliper

Brake Hardware

Front Brake Hardware	Years	Sequential No.	Category No.	Qualifier
Disc Align Kit	07 - 04	F140771	(H5712)	Meritor; 2.52" 2-Piston Caliper
Disc Align Kit	07 - 04	F140630	(H3026)	Meritor; 2.75" 2-Piston Caliper
Rear Brake Hardware	Years	Sequential No.	Category No.	Qualifier
Disc Align Kit	07 - 04	F140771	(H5712)	Meritor; 2.52" 2-Piston Caliper
Disc Align Kit	07 - 04	F140630	(H3026)	Meritor; 2.75" 2-Piston Caliper

Calipers - Reman

Front, Loaded	Years	Left No.	Right No.	Qualifier	Piston
Loaded Caliper	07 - 04	AS134821A	AS134820A	Meritor; 2.52" 2-Piston Caliper; Series No. 602C / 604C	M
Loaded Caliper	07 - 04	AS134580A	AS134581A	Meritor; 2.75" 2-Piston Caliper; Series No. 581F / 583F	M
Loaded Caliper	07 - 04	AS134818A	AS134819A	Meritor; 2.75" 2-Piston Caliper; Series No. 595B / 597B	M
Rear, Loaded	Years	Left No.	Right No.	Qualifier	Piston
Loaded Caliper	07 - 04	AS134821A	AS134820A	Meritor; 2.52" 2-Piston Caliper; Series No. 602C / 604C	M
Loaded Caliper	07 - 04	AS134580A	AS134581A	Meritor; 2.75" 2-Piston Caliper; Series No. 581F / 583F	M
Loaded Caliper	07 - 04	AS134818A	AS134819A	Meritor; 2.75" 2-Piston Caliper; Series No. 595B / 597B	M
Front, Unloaded	Years	Left No.	Right No.	Qualifier	Piston
Unloaded Caliper	07 - 04	CR134821	CR134820	Meritor; 2.52" 2-Piston Caliper; Series No. 602C / 604C	M
Unloaded Caliper	07 - 04	CR134580	CR134581	Meritor; 2.75" 2-Piston Caliper; Series No. 581F / 583F	M
Unloaded Caliper	07 - 04	CR134818	CR134819	Meritor; 2.75" 2-Piston Caliper; Series No. 595B / 597B	M
Rear, Unloaded	Years	Left No.	Right No.	Qualifier	Piston
Unloaded Caliper	07 - 04	CR134821	CR134820	Meritor; 2.52" 2-Piston Caliper; Series No. 602C / 604C	M
Unloaded Caliper	07 - 04	CR134580	CR134581	Meritor; 2.75" 2-Piston Caliper; Series No. 581F / 583F	M
Unloaded Caliper	07 - 04	CR134818	CR134819	Meritor; 2.75" 2-Piston Caliper; Series No. 595B / 597B	M

WORKHORSE P-Series

Custom Chassis

Brake Pads & Shoes

Front Pads & Shoes	Years	SevereDuty	Lining No.	Qualifier
Brake Pads	05 - 99	SD184		Bendix; 2.60" 2-Piston Caliper
Brake Pads	05 - 99	SD149		Bendix; 3.38" 1-Piston Caliper
Rear Pads & Shoes	Years	SevereDuty	Lining No.	Qualifier
Brake Pads	05 - 99	SD184		Bendix; 2.60" 2-Piston Caliper
Brake Pads	05 - 99	SD149		Bendix; 3.38" 1-Piston Caliper
Brake Shoes	05 - 99	SDS451R	EX2042ADT-S32	13 x 2-1/2
Brake Shoes	05 - 99	SDS452R	EX2157TD-S32	13 x 3-1/2
Parking Brake Shoes	Years	SevereDuty	Lining No.	Qualifier
Brake Shoes	05 - 99	SDS823R	EX1555TD	11 x 2

Rotor & Drum

Front Rotor & Drum	Years	Part No.	Qualifier
Brake Rotor	05 - 99	BD60593	w/Rear Disc; 10-Hole; Hat-Shaped
Brake Rotor	05 - 99	BD125639	w/Rear Disc; 5-Hole; Hat-Shaped
Brake Rotor	05 - 99	BD61808	w/Rear Disc; 8-Hole; Hat-Shaped
Brake Rotor	05 - 99	BD125379	w/Rear Drum; w/DRW; 8-Hole; U-Shaped; IFS; 13 x 2-1/2" Brake
Brake Rotor	05 - 99	BD60443	w/Rear Drum; w/DRW; 8-Hole; U-Shaped; IFS; 13 x 3-1/2" Brake
Brake Rotor	05 - 99	BD125789	w/Rear Drum; w/DRW; 8-Hole; U-Shaped; Solid FA
Brake Rotor	05 - 99	BD125332	w/Rear Drum; w/SRW; 8-Hole; Hat-Shaped; 2-Whl. ABS
Brake Rotor	05 - 99	BD125333	w/Rear Drum; w/SRW; 8-Hole; Hat-Shaped; 4-Whl. ABS

Piston: M - OE Metal Piston P - OE Phenolic Piston

Custom Chassis (cont.)

Rotor & Drum (cont.)

Front Rotor & Drum	Years	Part No.	Qualifier
Brake Rotor	05 - 99	BD125332	w/Rear Drum; w/SRW; 8-Hole; Hat-Shaped; w/o ABS
Rear Rotor & Drum	Years	Part No.	Qualifier
Brake Drum	05 - 99	BD60359	13 x 2-1/2
Brake Drum	05 - 99	BD60356	13 x 3-1/2
Brake Rotor	05 - 99	BD125516	Bendix; 2.60" 2-Piston Caliper; 10-Hole; U-Shaped
Brake Rotor	05 - 99	BD60593	Bendix; 3.38" 1-Piston Caliper; 10-Hole; Hat-Shaped
Parking Brake Drum	Years	Part No.	Qualifier
Parking Brake Drum	05 - 99	BD60002	11 x 2

Brake Hardware

Front Brake Hardware	Years	Sequential No.	Category No.	Qualifier
Disc Align Kit	05 - 99	F112095S	(H5564)	Bendix; 2.60" 2-Piston Caliper
Disc Align Kit	05 - 99	F107401S	(H5562)	Bendix; 3.38" 1-Piston Caliper
Rear Brake Hardware	Years	Sequential No.	Category No.	Qualifier
Adjuster Kit	05 - 99	F98406	(H2580)	L.H.; w/13" Brake
Adjuster Kit	05 - 99	F98407	(H2581)	R.H.; w/13" Brake
Adjuster Screw	05 - 99	F83294	(H1550)	L.H.; w/13" Brake
Adjuster Screw	05 - 99	F83295	(H1551)	R.H.; w/13" Brake
Combi Kit	05 - 99	F98457S	(H7055)	w/13" Brake
↳Adjuster Spring Kit		F73145S	(H425)	
↳Hold Down Kit		F113455S	(H4098)	
↳Return Spring Kit		F59100S	(H600)	
Disc Align Kit	05 - 99	F112095S	(H5564)	Bendix; 2.60" 2-Piston Caliper
Disc Align Kit	05 - 99	F107401S	(H5562)	Bendix; 3.38" 1-Piston Caliper

Calipers - Reman

Front, Loaded	Years	Left No.	Right No.	Qualifier	Piston
Loaded Caliper	05 - 99	AS134369	AS134369	Bendix; 2.60" 2-Piston Caliper	M
Loaded Caliper	05 - 99	AS98906	AS98907	Bendix; 3.38" 1-Piston Caliper	M
Rear, Loaded	Years	Left No.	Right No.	Qualifier	Piston
Loaded Caliper	05 - 99	AS134369	AS134369	Bendix; 2.60" 2-Piston Caliper	M
Loaded Caliper	05 - 99	AS98906	AS98907	Bendix; 3.38" 1-Piston Caliper	M
Front, Unloaded	Years	Left No.	Right No.	Qualifier	Piston
Unloaded Caliper	05 - 99	CR134369	CR134369	Bendix; 2.60" 2-Piston Caliper	M
Unloaded Caliper	05 - 99	CR98906	CR98907	Bendix; 3.38" 1-Piston Caliper	M
Rear, Unloaded	Years	Left No.	Right No.	Qualifier	Piston
Unloaded Caliper	05 - 99	CR134369	CR134369	Bendix; 2.60" 2-Piston Caliper	M
Unloaded Caliper	05 - 99	CR98906	CR98907	Bendix; 3.38" 1-Piston Caliper	M

Hydraulics - New

Master Cylinder	Years	Sequential No.	Category No.	Qualifier
Master Cylinder	05 - 99	F110888	(MC110888)	w/13 x 2-1/2" Rear Brake; Gas
Master Cylinder	05 - 99	F108145	(MC108145)	w/13 x 3-1/2" Rear Brake; Diesel
Rear Wheel Cylinder	Years	Sequential No.	Category No.	Qualifier
Wheel Cylinder	05 - 99	F79767	(WC79767)	13 x 2-1/2" Brake; 1-1/16" Bore
Wheel Cylinder	05 - 99	F79768	(WC79768)	13 x 3-1/2" Brake; 1-3/16" Bore

↳Sub-Kit of Combi-Kit is available separately.

Piston: M - OE Metal Piston P - OE Phenolic Piston

BASIC BRAKE SYSTEM - ILLUSTRATION GUIDE

DOMESTIC IMPORT

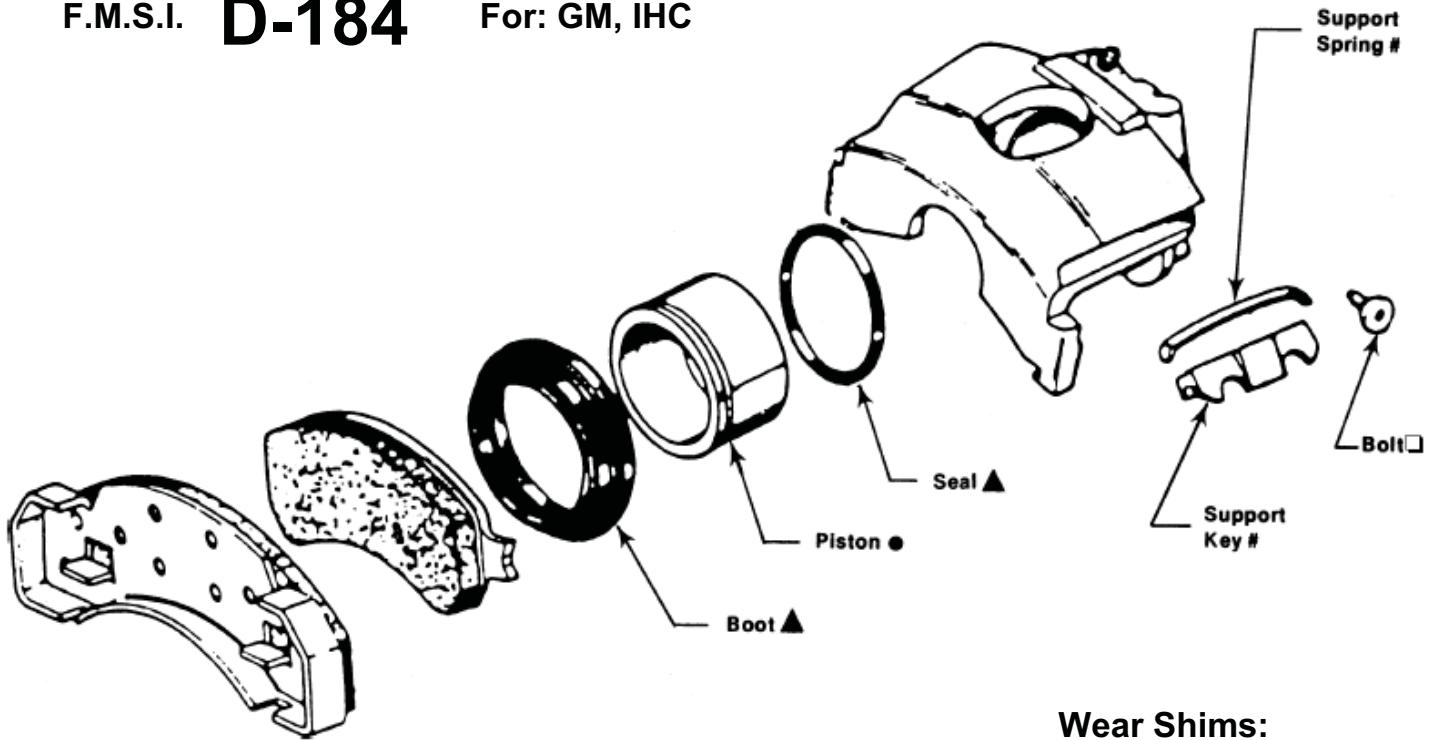
	<u>P.</u>	<u>FMSI</u>	<u>SIZE</u>	<u>COMMENTS</u>		<u>P.</u>	<u>FMSI</u>	<u>SIZE</u>	<u>COMMENTS</u>
DISC Brakes	2	D-184	3.38" 1-Piston	Bendix	8	D-433	2.01" 2-Piston	Akebono	
		D-184	2.60" 2-Piston	Bendix		D-701	2.13" 2-Piston	Akebono	
	3	D-224	2.50" 2-Piston	Dayton	9	D-546	2.12" 2-Piston	Akebono	
		D-225	2.88" 2-Piston	Bendix		D-825	2.13" 2-Piston	Akebono	
	4	D-236	2.88" 2-Piston	Dayton	10	D-826	2.24" 2-Piston	Akebono	
		D-379	2.88" 2-Piston	Varga		D-827	2.24" 2-Piston	Akebono	
	5	D-769	2.52" 4-Piston	Dayton					
		D-769	2.75" 4-Piston	Dayton					
	6	D-1032	2.52" 4-Piston	Dayton					
		D-1032	2.75" 4-Piston	Dayton					
	7	D-786	2.60" 2-Piston	Bosch					
		D-786A	2.88" 2-Piston	Bosch					
	DRUM Brakes - FRONT	11	63	14 x 2-1/4"	Bendix; Man. Adj.	26	612	12-5/8 x 3	Man. Adj.
			299	14 x 2-1/2"	GM; Auto Adj.		681	12-5/8 x 3	Man. Adj.
12		325	14 x 2-1/2"	Wagner; Man. Adj.	27	682	12-5/8 x 3	Man. Adj.	
		325	14 x 2-1/2"	Wagner; Auto Adj.		683	12-5/8 x 3	Man. Adj.	
13		361	14 x 2-1/2"	Kelsey Hayes; Auto Adj.	28	699	12-5/8 x 4	Man. Adj.	
		252	15 x 2-1/4"	Wagner; Man. Adj.		602	12-5/8 x 4-3/8	Man. Adj.	
14		235	15 x 3"	Wagner; Man. Adj.	29	672	12-5/8 x 4-3/8	Man. Adj.	
		321	15 x 3"	Wagner; Auto Adj.		684	12-5/8 x 4-3/8	Man. Adj.	
15		463	15 x 3-1/2"	Wagner; Man. Adj.	30	717	12-5/8 x 5-3/8	Man. Adj.	
		840	15 x 3-1/2"	Wagner; Man. Adj.		717	12-5/8 x 5-3/8	Auto Adj.	
		322	15 x 3-1/2"	Wagner; Auto Adj.	31	603	14-5/8 x 4	Man. Adj.	
16		490	15 x 5"	Wagner; Man. Adj.		617	15-3/4 x 4-3/4	Man. Adj.	
		491	15 x 5"	Wagner; Auto Adj.	32	616	15-3/4 x 5-1/2	Man. Adj.	
						613	16-1/8 x 5-1/2	Man. Adj.	
DRUM Brakes - REAR		17	451	13 x 2-1/2"	GM; Auto Adj.	33	668	11-3/4 x 3	Man. Adj.
			452	13 x 3-1/2"	GM; Auto Adj.		680	12-5/8 x 2-1/2	Man. Adj.
	18	375	15 x 4"	Wagner; Man. Adj.	34	612	12-5/8 x 3	Man. Adj.	
		376	15 x 4"	Wagner; Auto Adj.		681	12-5/8 x 3	Man. Adj.	
	19	401	15 x 4"	Kelsey Hayes; Auto Adj.	35	682	12-5/8 x 3	Man. Adj.	
		427	15 x 4"	GM; Auto Adj.		683	12-5/8 x 3	Man. Adj.	
	20	346	15 x 5"	Wagner; Auto Adj.	36	726	12-5/8 x 3	Man. Adj.	
		400	15 x 5"	Kelsey Hayes; Auto Adj.		695	12-5/8 x 3-1/2	Auto Adj.	
	21	442	15 x 5"	GM; Auto Adj.	37	699	12-5/8 x 4	Man. Adj.	
		542	15 x 5"	Lucas; Auto Adj.		669	12-5/8 x 4-3/4	Man. Adj.	
	22	381	15 x 6"	Wagner; Auto Adj.	38	685	12-5/8 x 4-7/8	Man. Adj.	
		543	15 x 6"	Lucas; Auto Adj.		632	12-5/8 x 5-1/8	Man. Adj.	
	23	383	15 x 7"	Wagner; Auto Adj.	39	717	12-5/8 x 5-3/8	Man. Adj.	
		544A	15 x 7"	Lucas; Auto Adj.		717	12-5/8 x 5-3/8	Auto Adj.	
	24	385	16 x 5"	Wagner; Man. Adj.	40	727	12-5/8 x 5-3/4	Auto Adj.	
		385	16 x 5"	Wagner; Auto Adj.		604	14-5/8 x 5-1/4	Man. Adj.	
	25	386	16 x 6"	Wagner; Man. Adj.	41	614	15-3/4 x 6	Man. Adj.	
		386	16 x 6"	Wagner; Auto Adj.		686	15-3/4 x 6-1/8	Man. Adj.	
					42	615	16-1/8 x 4-1/2	Man. Adj.	
						613	16-1/8 x 5-1/2	Man. Adj.	

For General Reference Only

BASIC BRAKE SYSTEM - ILLUSTRATION GUIDE

DISC Brakes - Domestic

F.M.S.I. **D-184** For: GM, IHC

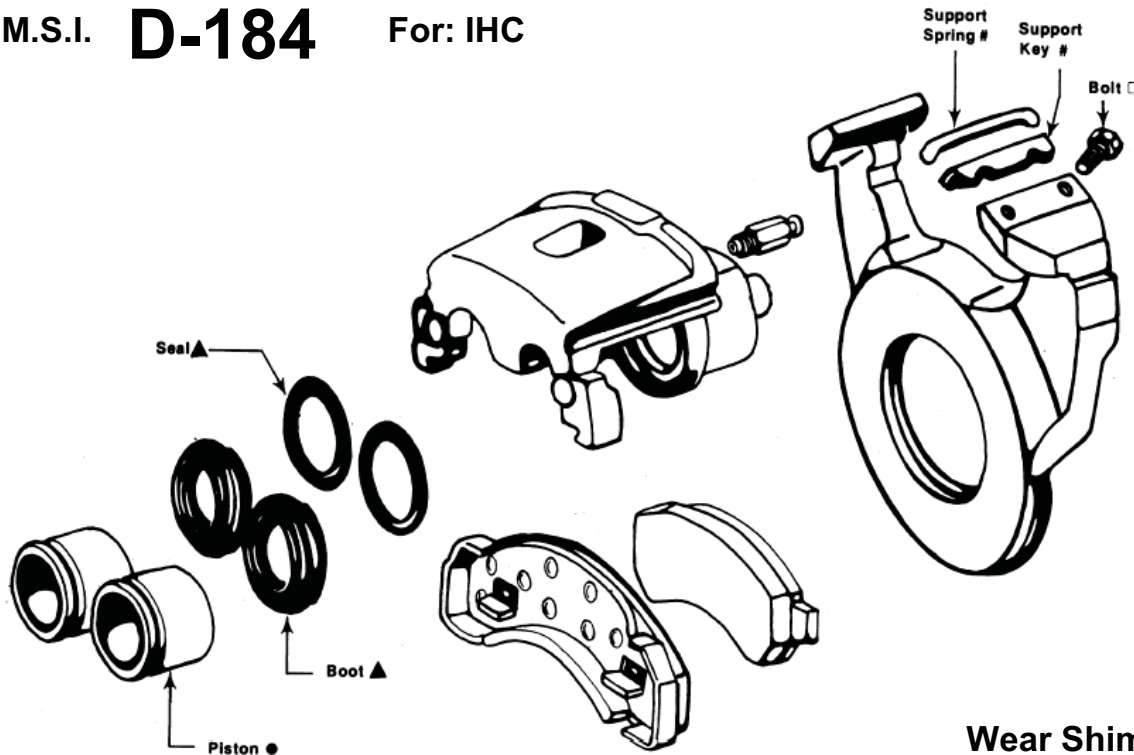


Wear Shims:

Bendix; 3.38" 1-Piston Caliper (86mm Dia.)

F128938 .000 - .231

F.M.S.I. **D-184** For: IHC



Wear Shims:

Bendix; 2.60" 2-Piston Caliper (66mm Dia.)

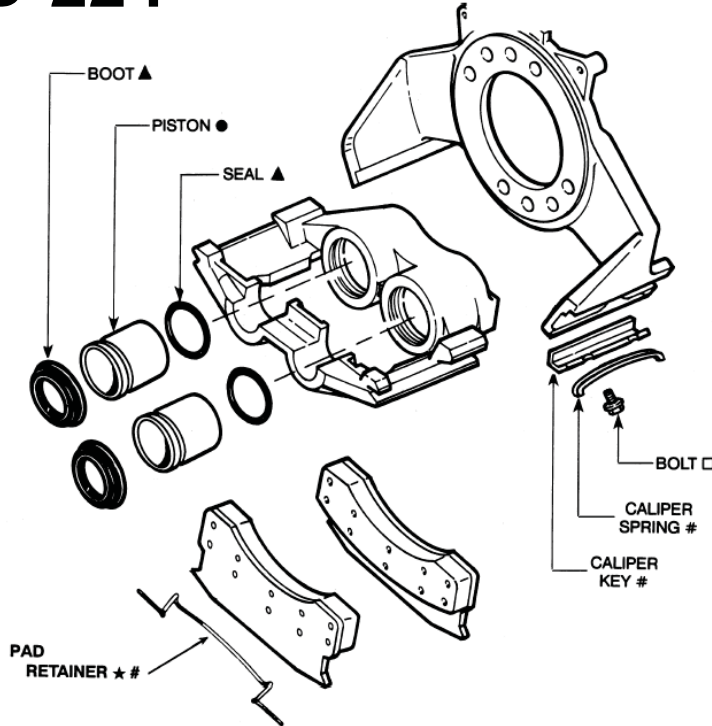
F128938 .000 - .231

For General Reference Only

BASIC BRAKE SYSTEM - ILLUSTRATION GUIDE

DISC Brakes - Domestic

F.M.S.I. **D-224** For: GM, FORD, ISUZU

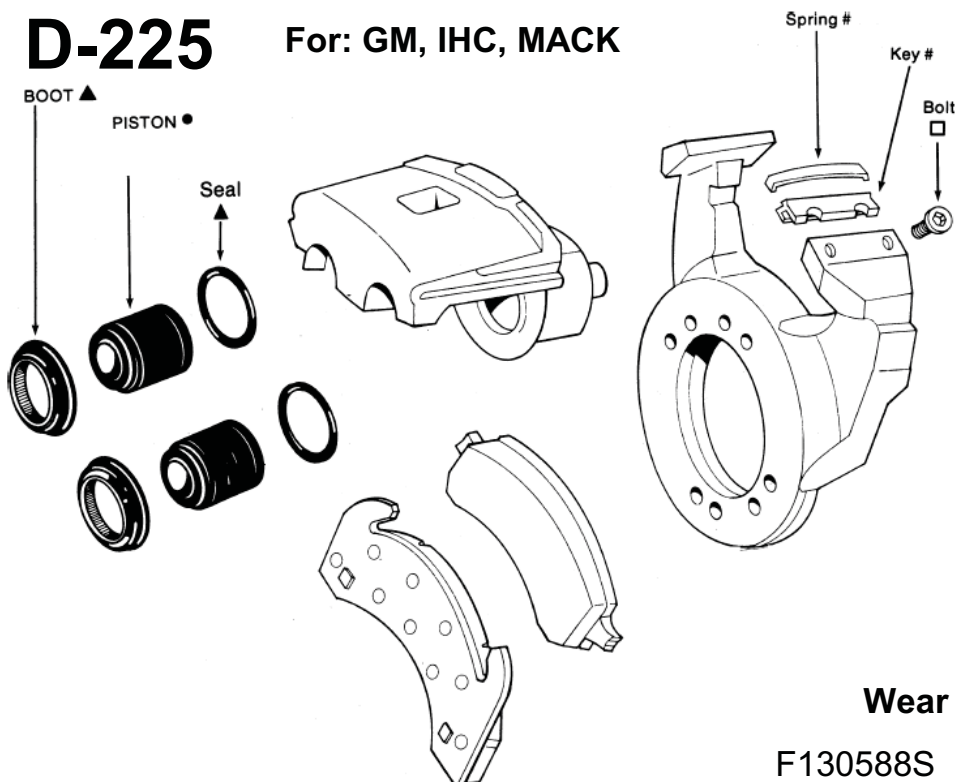


Dayton; 2.50" 2-Piston Caliper (64mm Dia.)

Wear Shims:

F130385S	.036 - .055"
F130386S	.056 - .075"
F130387S	.076 - .095"
F130388S	.096 - .115"
F128939	.116 - .125"

F.M.S.I. **D-225** For: GM, IHC, MACK



Bendix; 2.88" 2-Piston Caliper (73mm Dia.)

Wear Shims:

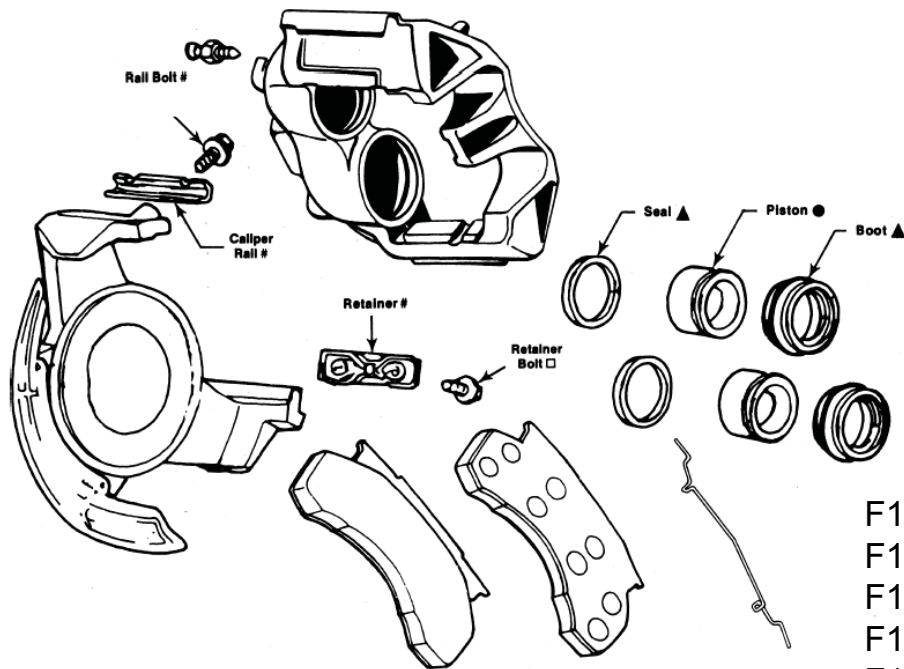
F130588S	.000 - .100"
F130589S	.101 - .188"

For General Reference Only

BASIC BRAKE SYSTEM - ILLUSTRATION GUIDE

DISC Brakes - Domestic

F.M.S.I. **D-236** For: FORD

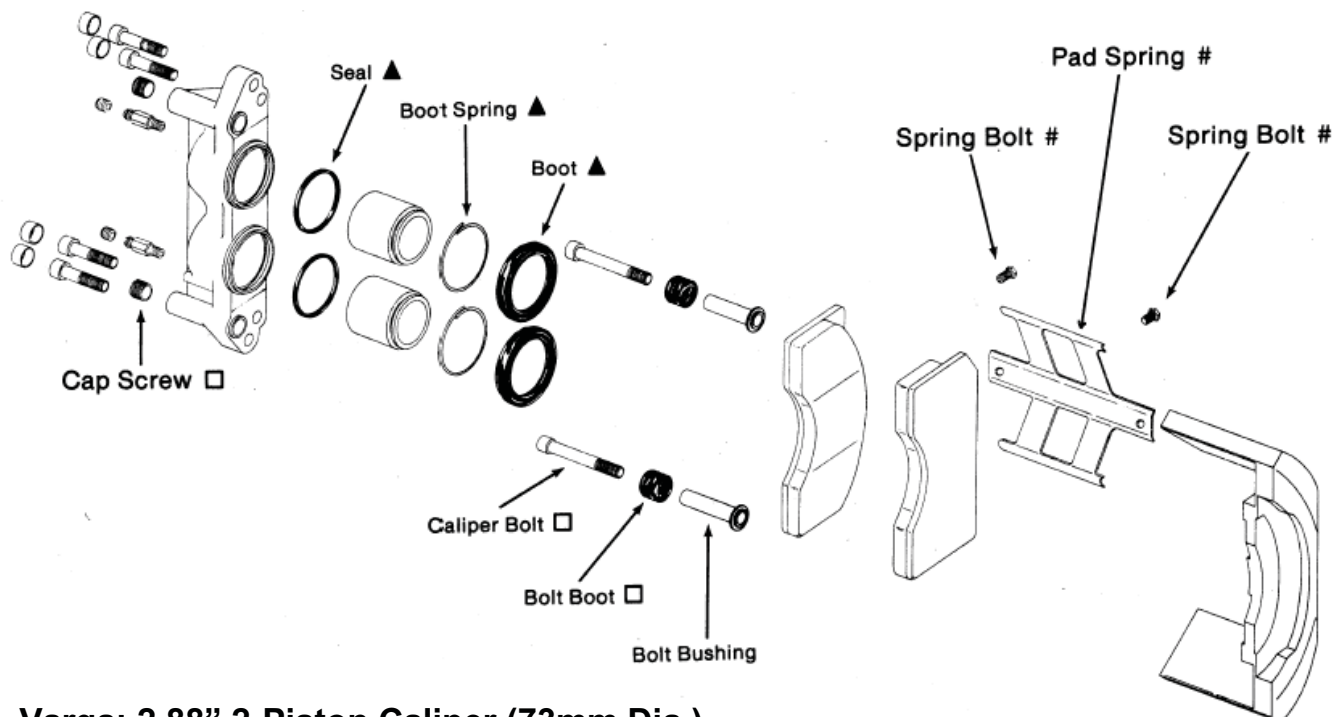


Wear Shims:

F130380S	.036 - .059"
F130381S	.060 - .074"
F130382S	.075 - .089"
F130383S	.090 - .114"
F130384S	.115 - .129"
F130385S	.130 - .144"

Dayton; 2.88" 2-Piston Caliper (73mm Dia.)

F.M.S.I. **D-379** For: FORD



Varga; 2.88" 2-Piston Caliper (73mm Dia.)

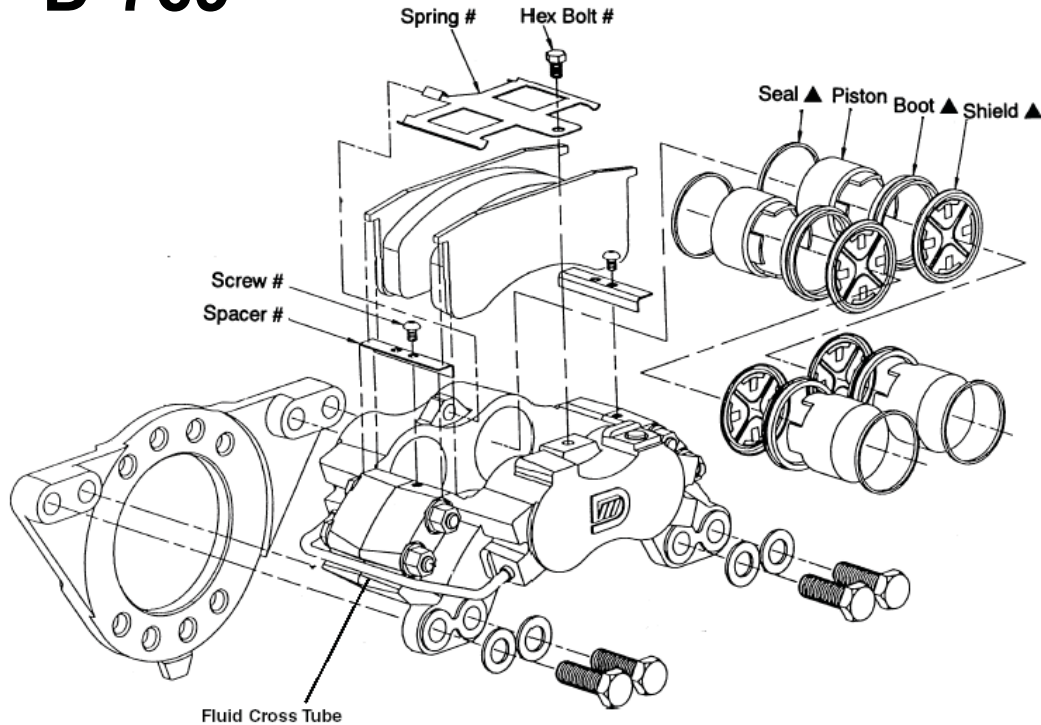
For General Reference Only

BASIC BRAKE SYSTEM - ILLUSTRATION GUIDE

DISC Brakes - Domestic

F.M.S.I. **D-769**

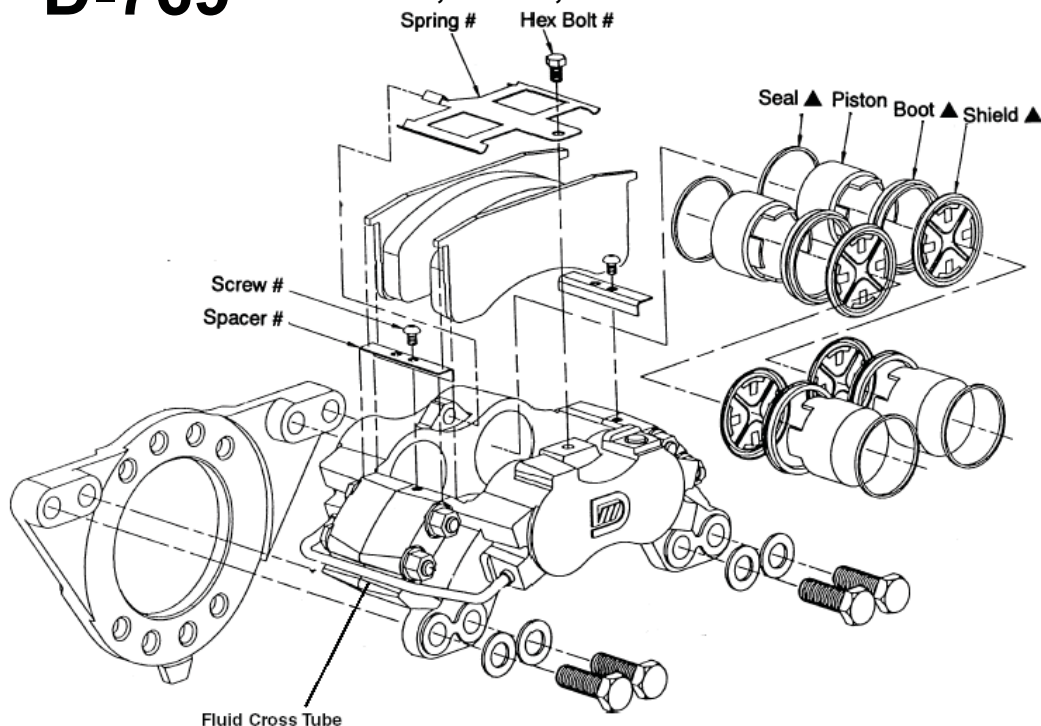
For: GM, FORD, ISUZU



Dayton; 2.52" 4-Piston Caliper (64mm Dia.) w/o Wear Sensor

F.M.S.I. **D-769**

For: GM, FORD, ISUZU



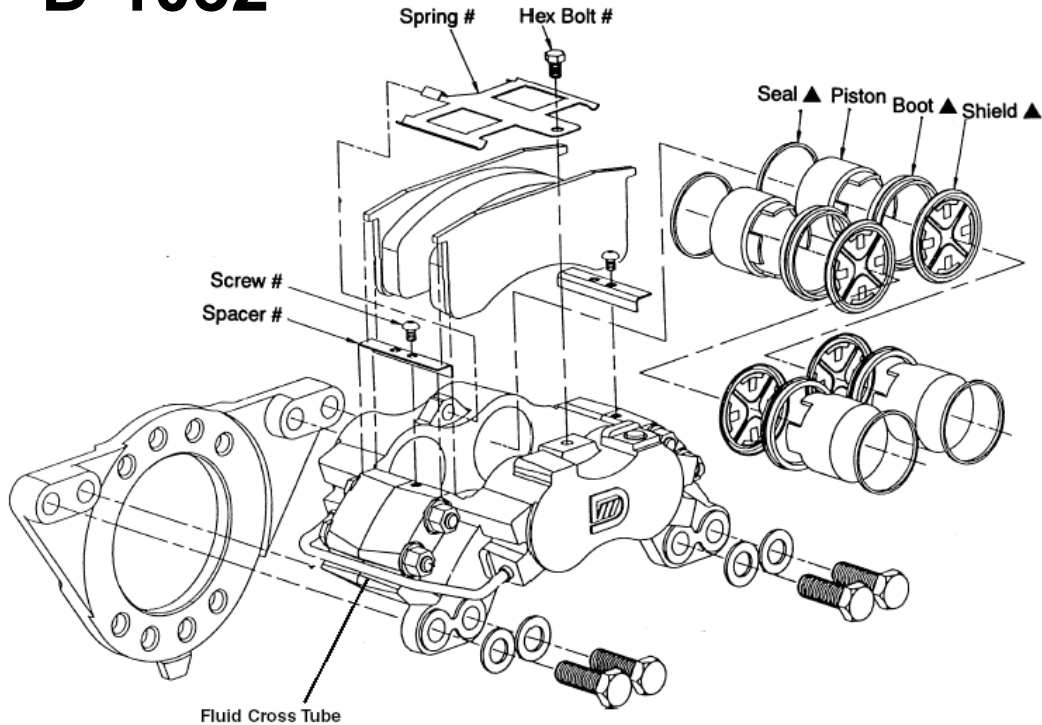
Dayton; 2.75" 4-Piston Caliper (70mm Dia.) w/o Wear Sensor

For General Reference Only

BASIC BRAKE SYSTEM - ILLUSTRATION GUIDE

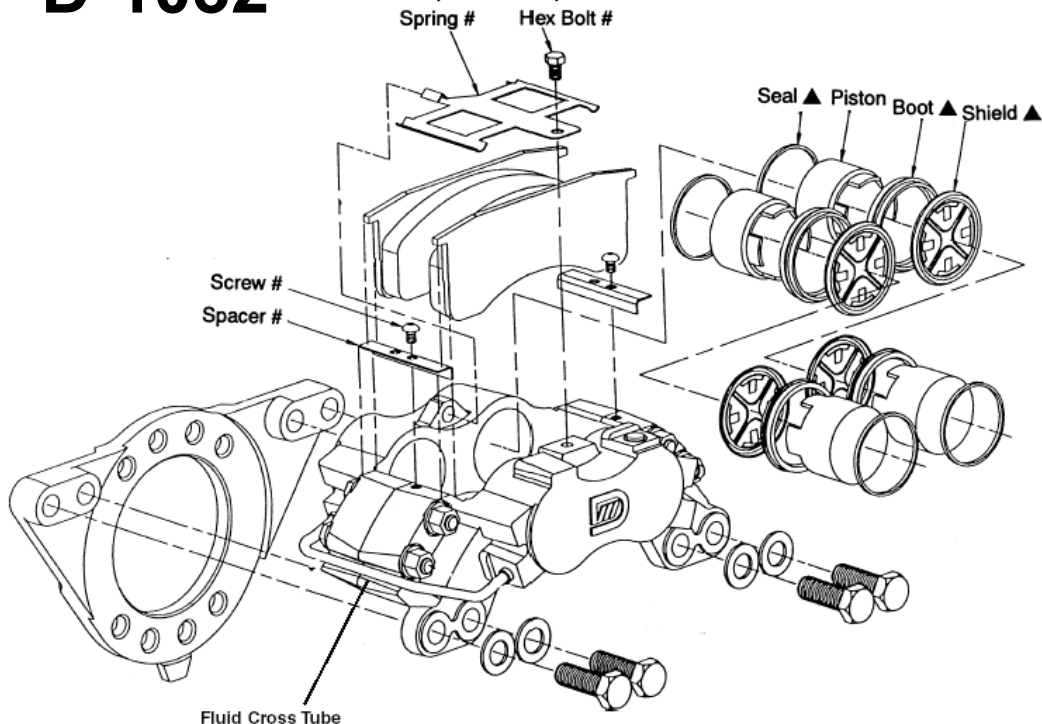
DISC Brakes - Domestic

F.M.S.I. **D-1032** For: GM, FORD, ISUZU



Dayton; 2.52" 4-Piston Caliper (64mm Dia.) w/Wear Sensor

F.M.S.I. **D-1032** For: GM, FORD, ISUZU



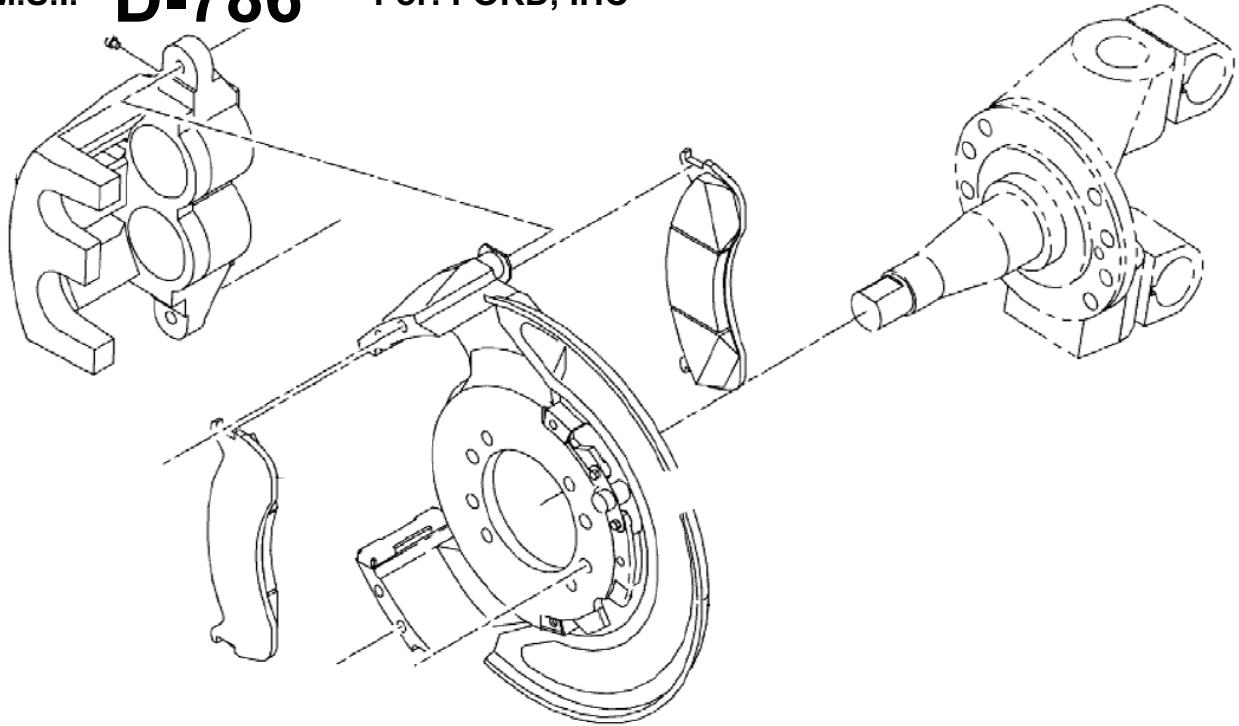
Dayton; 2.75" 4-Piston Caliper (70mm Dia.) w/Wear Sensor

For General Reference Only

BASIC BRAKE SYSTEM - ILLUSTRATION GUIDE

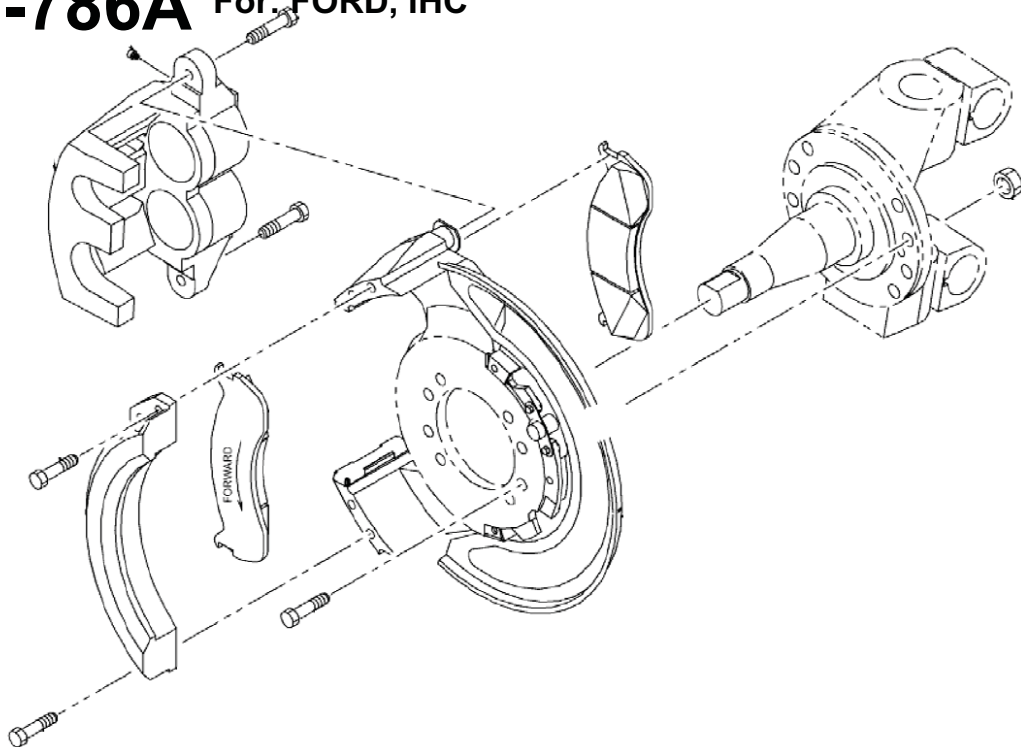
DISC Brakes - Domestic

F.M.S.I. **D-786** For: FORD, IHC



Bosch; 2.60" 2-Piston Caliper (66mm Dia.)

F.M.S.I. **D-786A** For: FORD, IHC



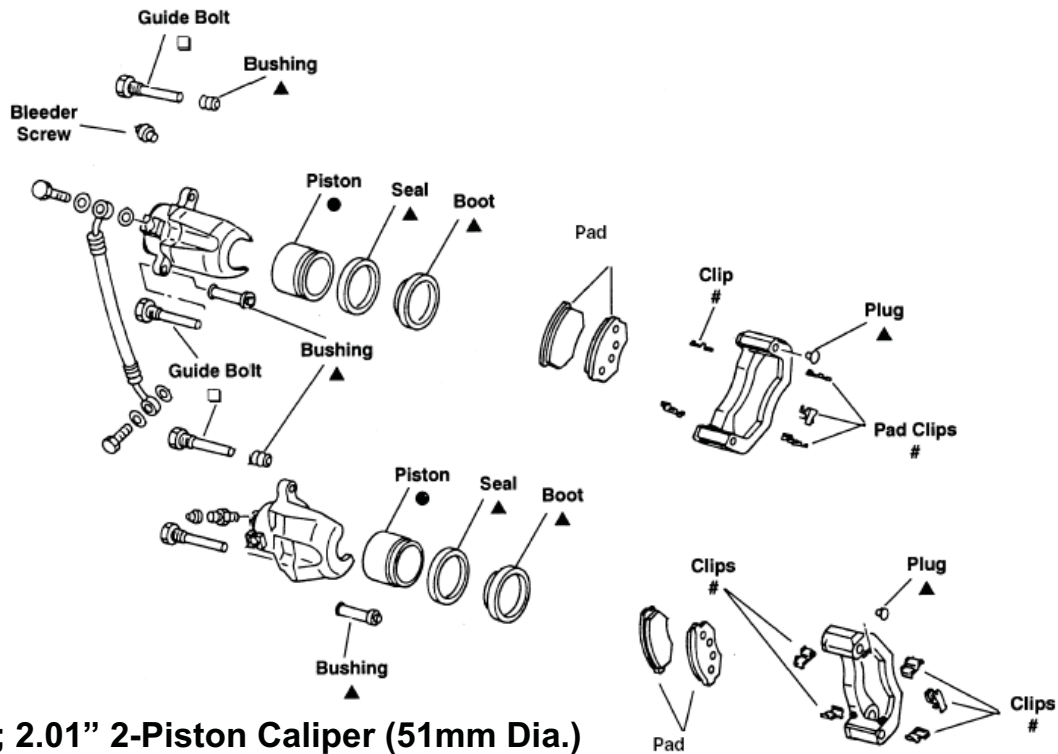
Bosch; 2.88" 2-Piston Caliper (73mm Dia.)

For General Reference Only

BASIC BRAKE SYSTEM - ILLUSTRATION GUIDE

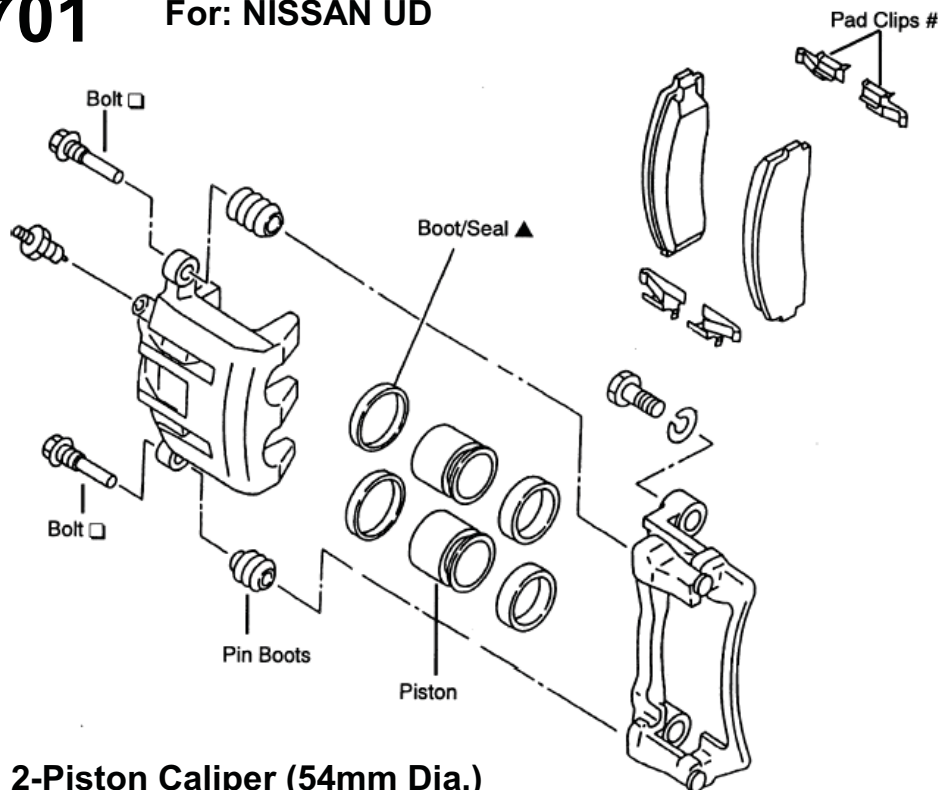
DISC Brakes - Import

F.M.S.I. **D-433** For: MITSUBISHI FUSO



Akebono; 2.01" 2-Piston Caliper (51mm Dia.)

F.M.S.I. **D-701** For: NISSAN UD



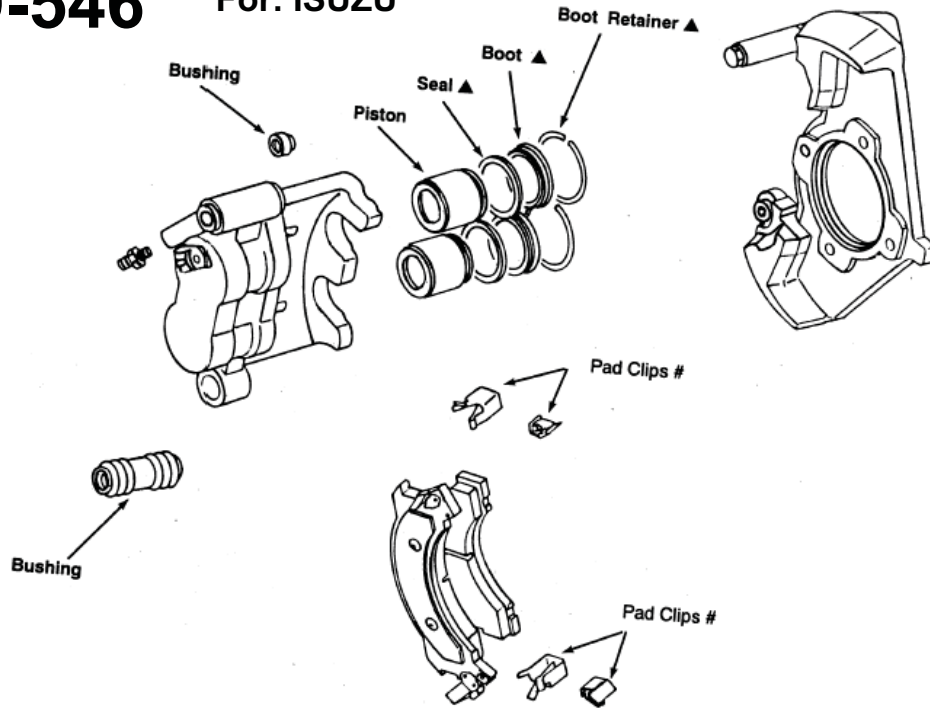
Akebono; 2.13" 2-Piston Caliper (54mm Dia.)

For General Reference Only

BASIC BRAKE SYSTEM - ILLUSTRATION GUIDE

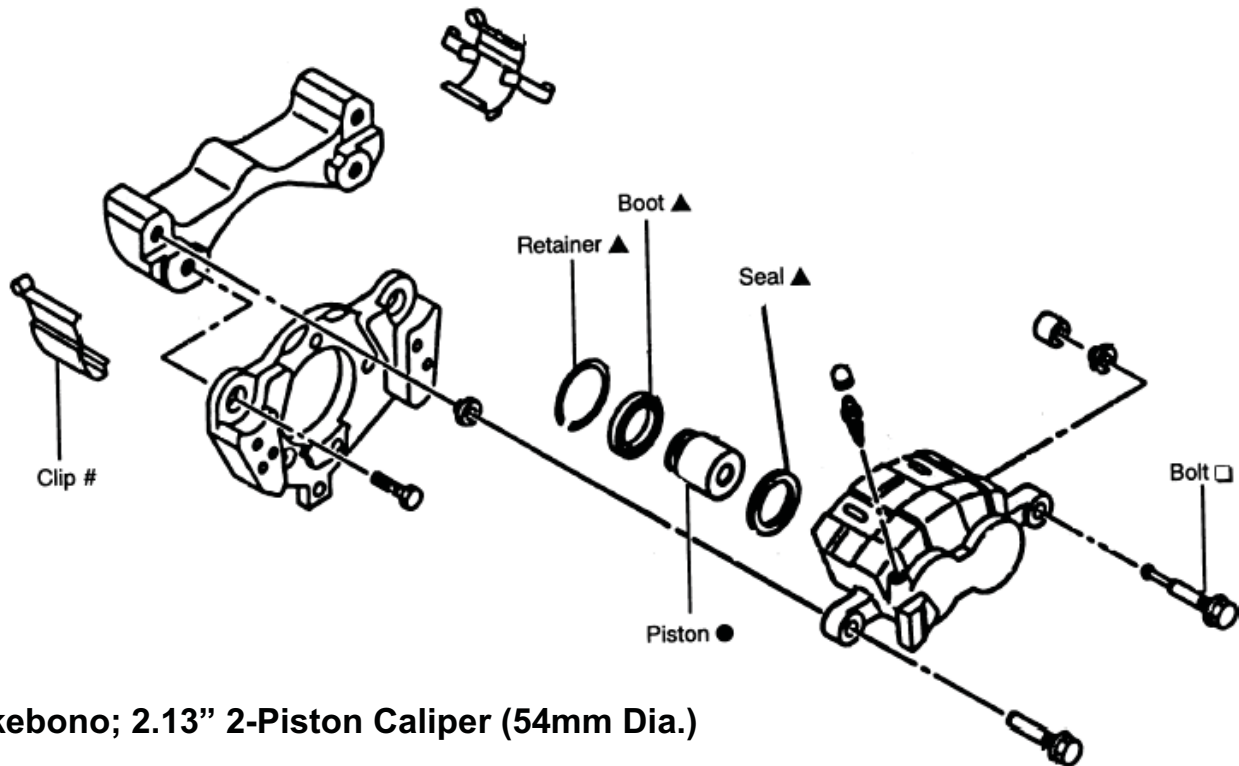
DISC Brakes - Import

F.M.S.I. **D-546** For: ISUZU



Akebono; 2.12" 2-Piston Caliper (54mm Dia.)

F.M.S.I. **D-825** For: ISUZU



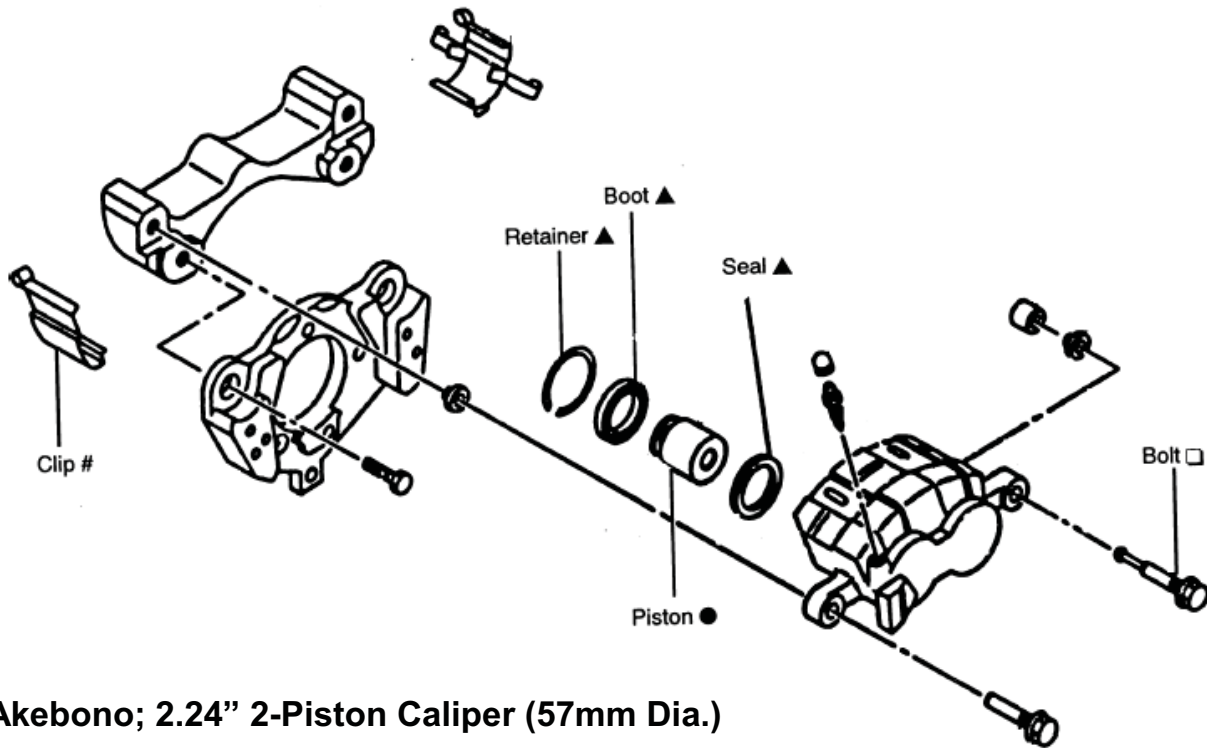
Akebono; 2.13" 2-Piston Caliper (54mm Dia.)

For General Reference Only

BASIC BRAKE SYSTEM - ILLUSTRATION GUIDE

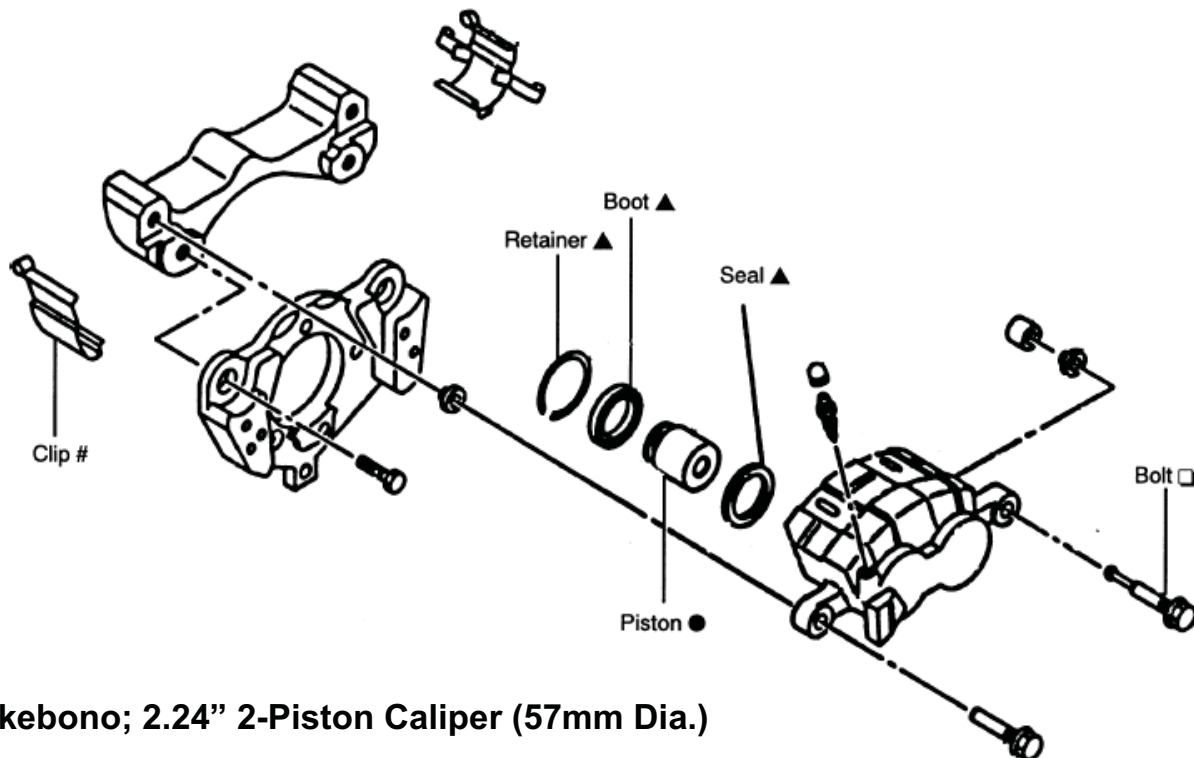
DISC Brakes - Import

F.M.S.I. **D-826** For: ISUZU



Akebono; 2.24" 2-Piston Caliper (57mm Dia.)

F.M.S.I. **D-827** For: ISUZU



Akebono; 2.24" 2-Piston Caliper (57mm Dia.)

For General Reference Only

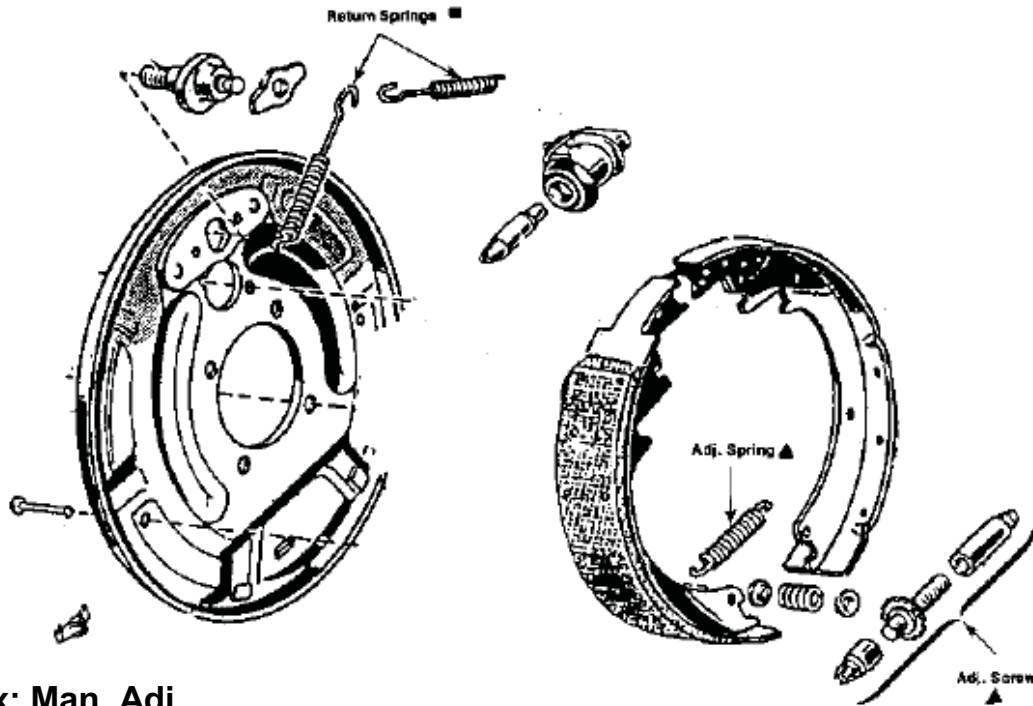
BASIC BRAKE SYSTEM - ILLUSTRATION GUIDE

DRUM Brakes - Domestic (Front)

F.M.S.I. **63**

For: IHC

14 x 2-1/4"

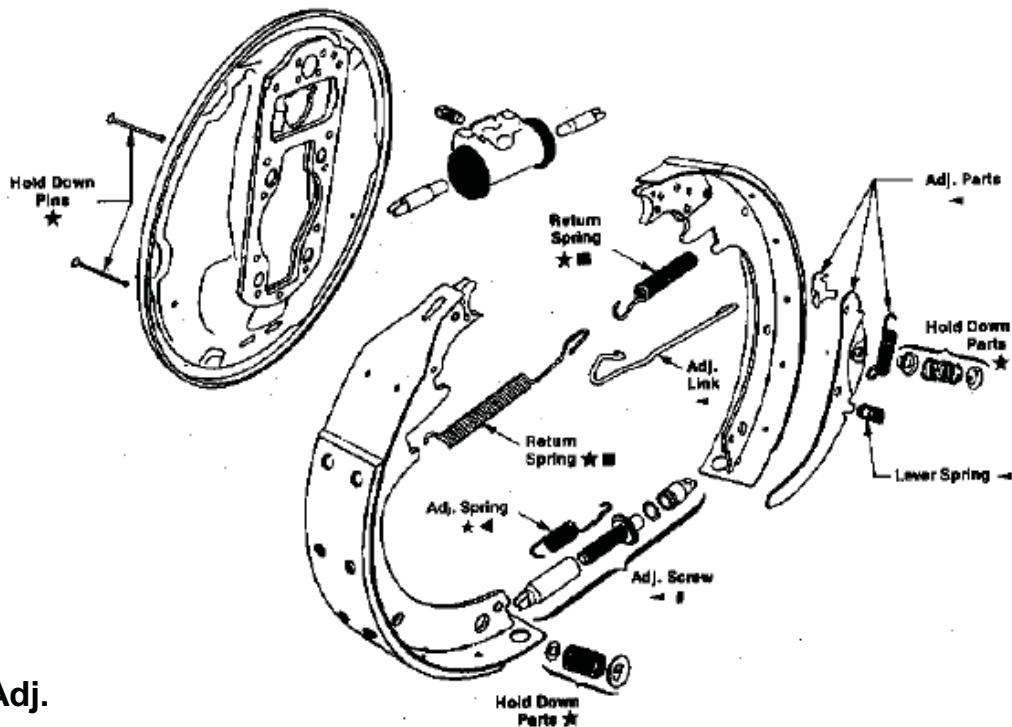


Bendix; Man. Adj.

F.M.S.I. **299**

For: GM

14 x 2-1/2"



GM; Auto Adj.

For General Reference Only

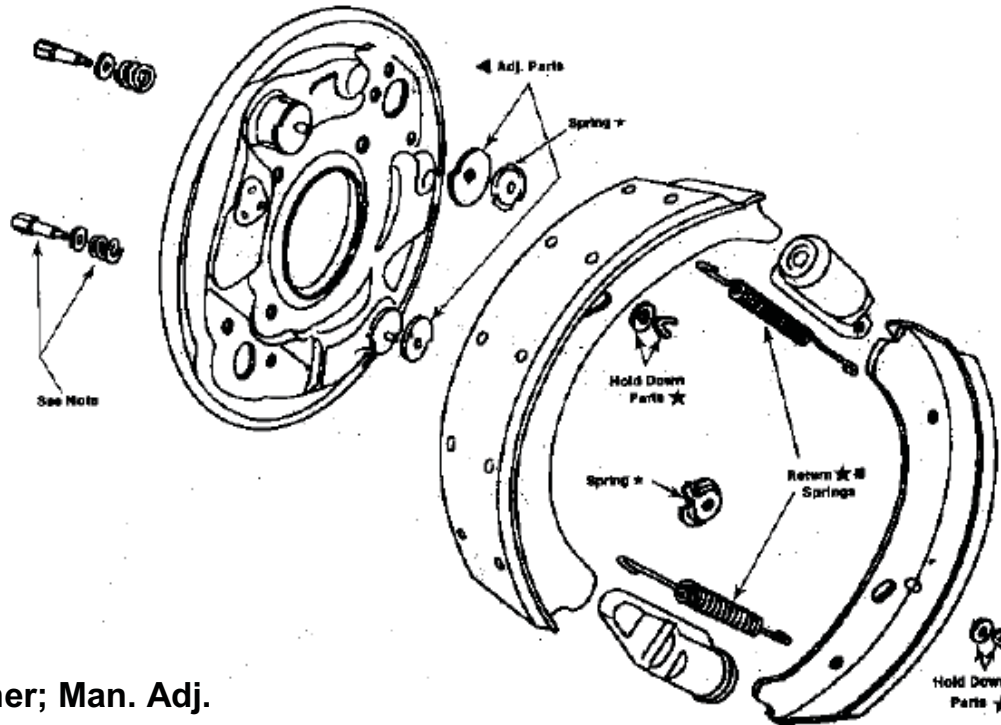
BASIC BRAKE SYSTEM - ILLUSTRATION GUIDE

DRUM Brakes - Domestic (Front)

F.M.S.I. **325**

For: IHC

14 x 2-1/2"

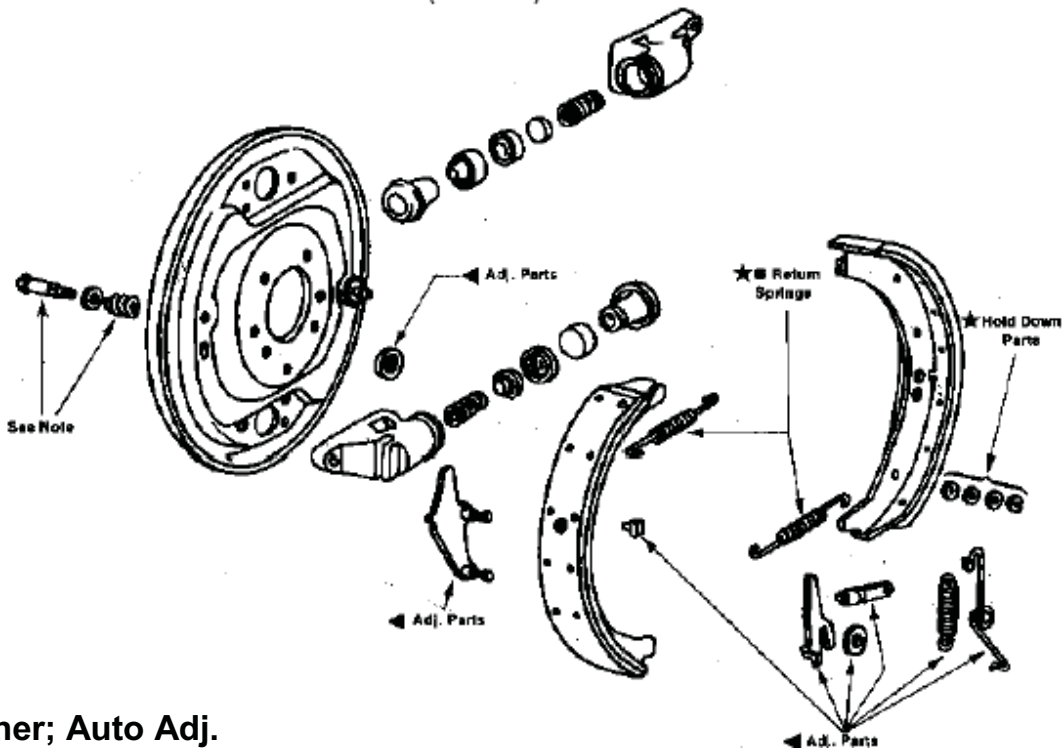


Wagner; Man. Adj.

F.M.S.I. **325**

For: IHC

14 x 2-1/2"



Wagner; Auto Adj.

For General Reference Only

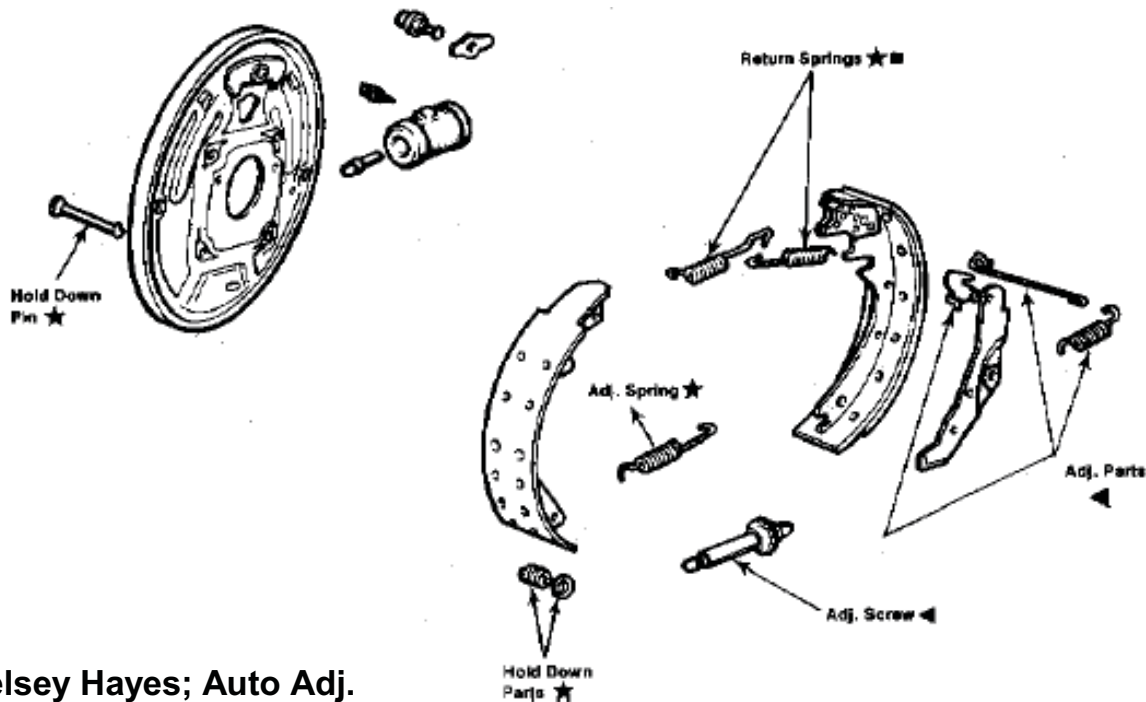
BASIC BRAKE SYSTEM - ILLUSTRATION GUIDE

DRUM Brakes - Domestic (Front)

F.M.S.I. **361**

For: FORD

14 x 2-1/2"

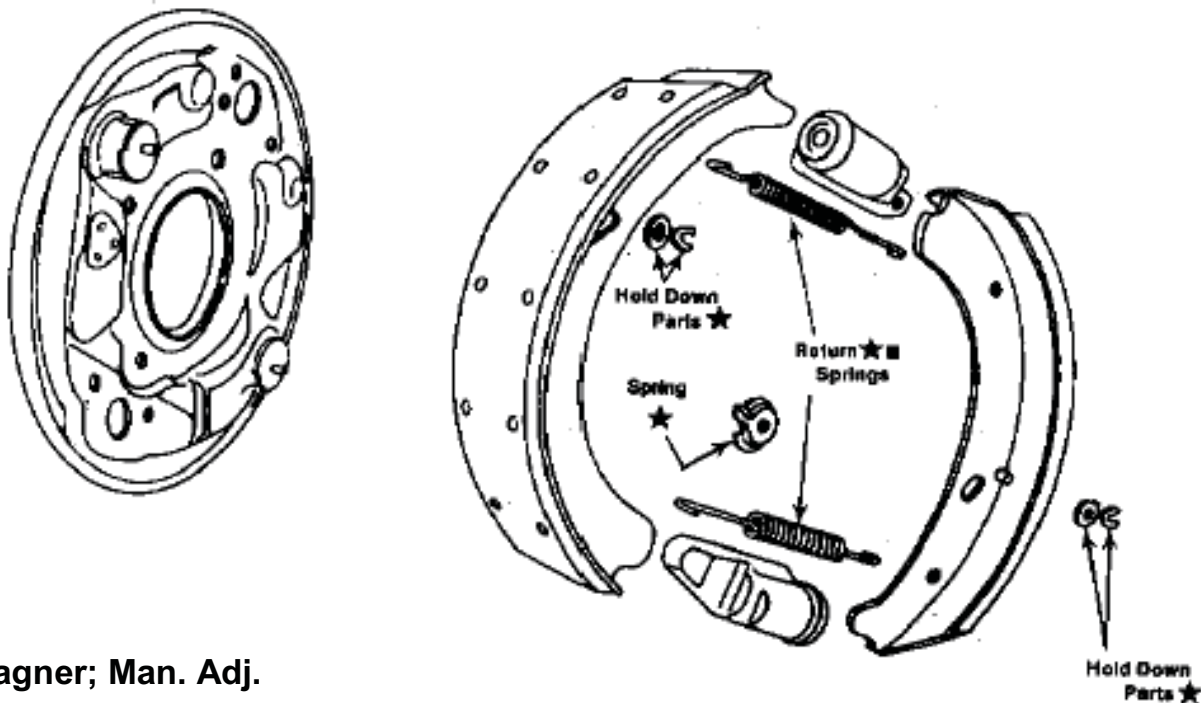


Kelsey Hayes; Auto Adj.

F.M.S.I. **252**

For: IHC

15 x 2-1/4"



Wagner; Man. Adj.

For General Reference Only

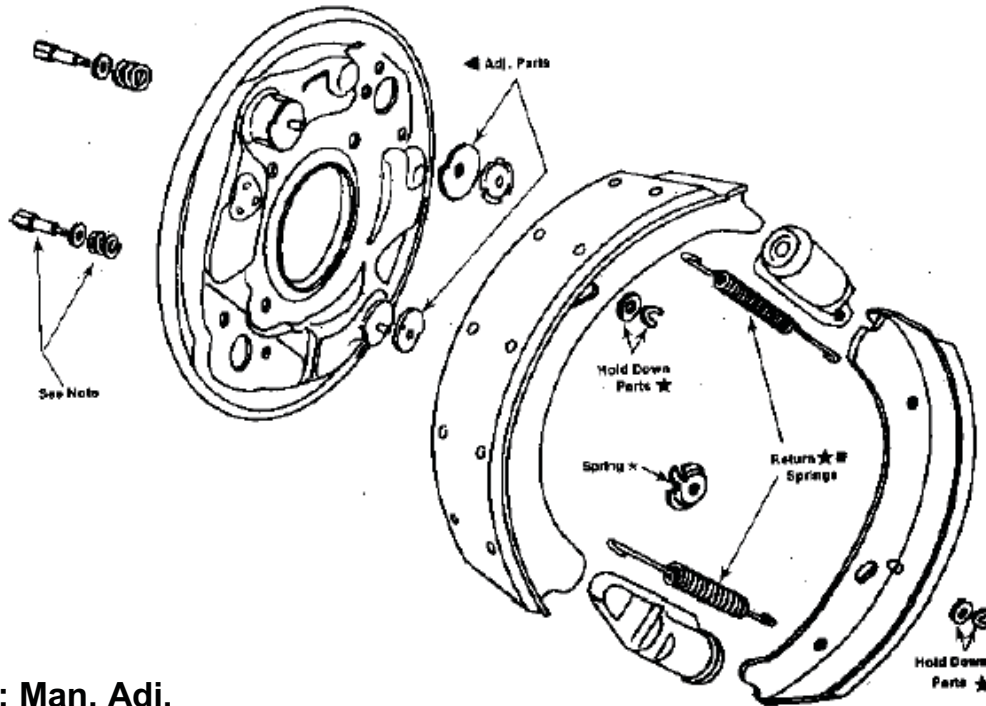
BASIC BRAKE SYSTEM - ILLUSTRATION GUIDE

DRUM Brakes - Domestic (Front)

F.M.S.I. **235**

For: GM, IHC

15 x 3"

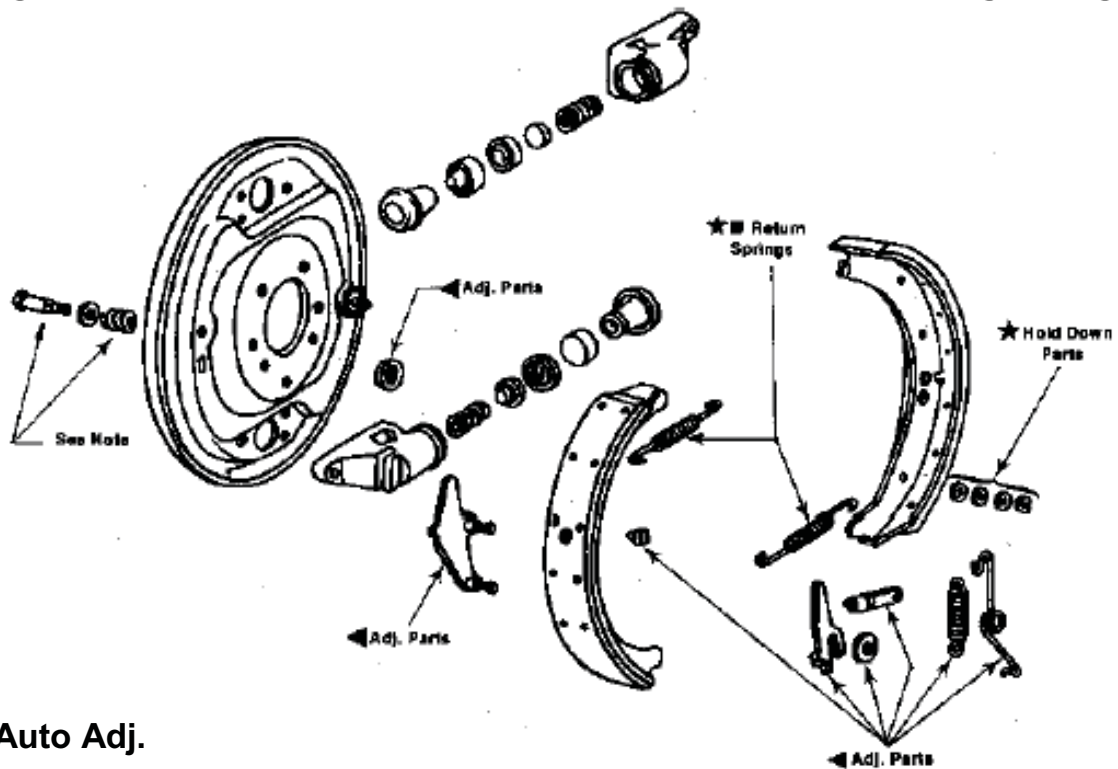


Wagner; Man. Adj.

F.M.S.I. **321**

For: GM, FORD, IHC

15 x 3"



Wagner; Auto Adj.

For General Reference Only

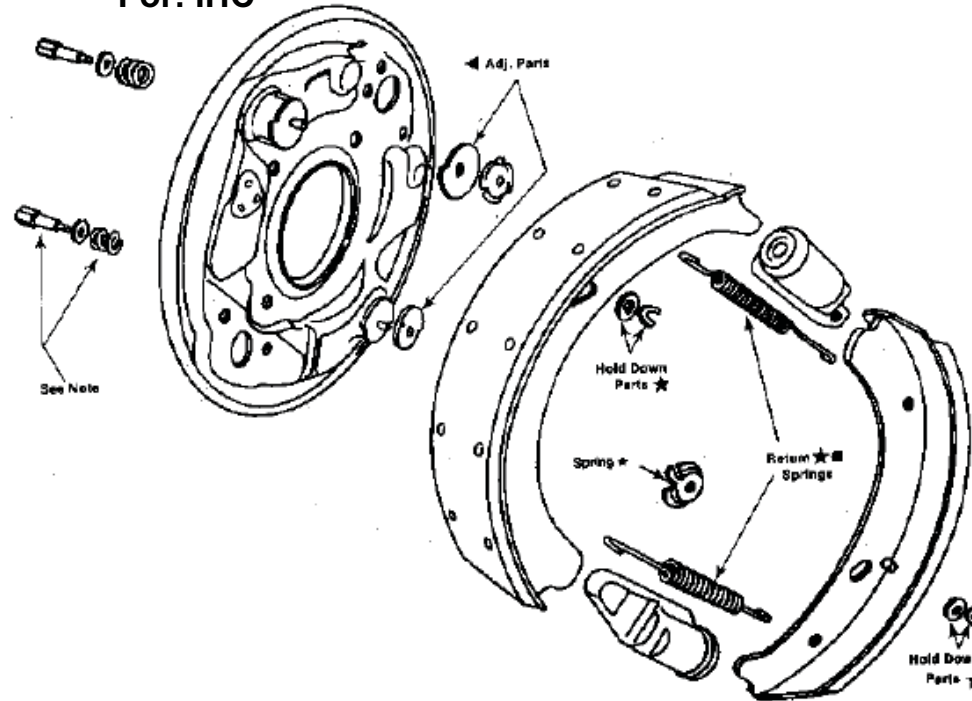
BASIC BRAKE SYSTEM - ILLUSTRATION GUIDE

DRUM Brakes - Domestic (Front)

F.M.S.I. **463**
840

For: GM, IHC

15 x 3-1/2"

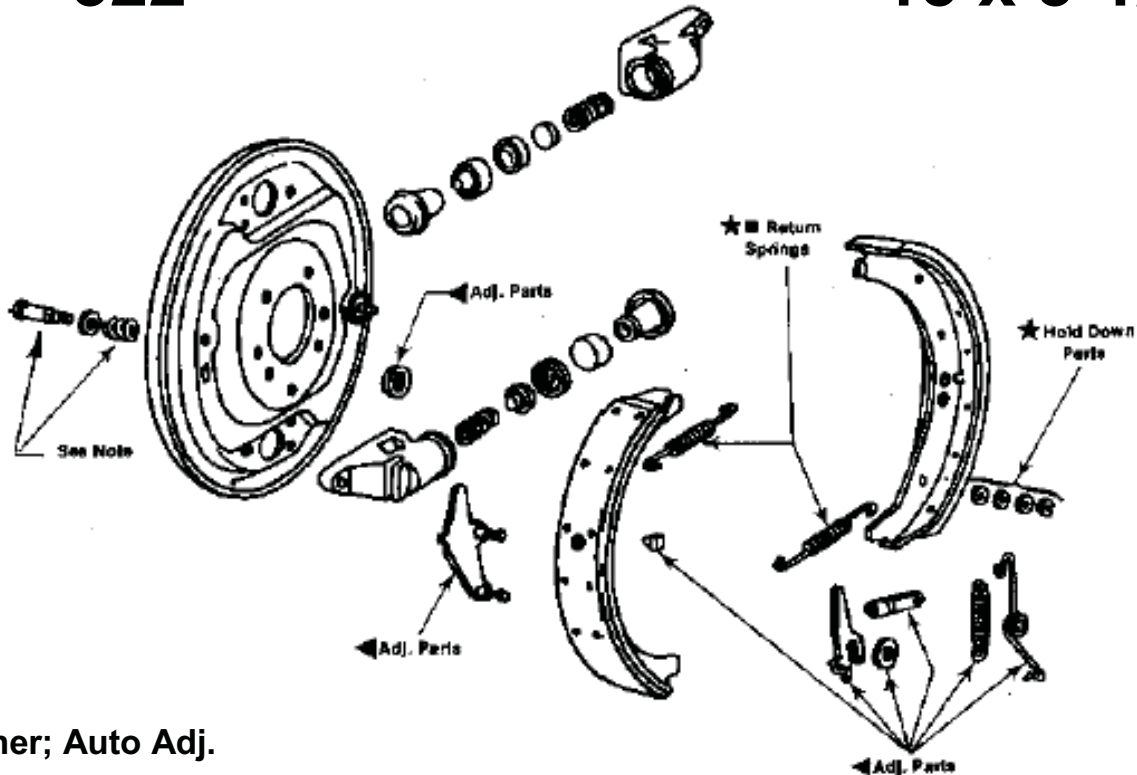


Wagner; Man. Adj.

F.M.S.I. **322**

For: GM, IHC

15 x 3-1/2"



Wagner; Auto Adj.

For General Reference Only

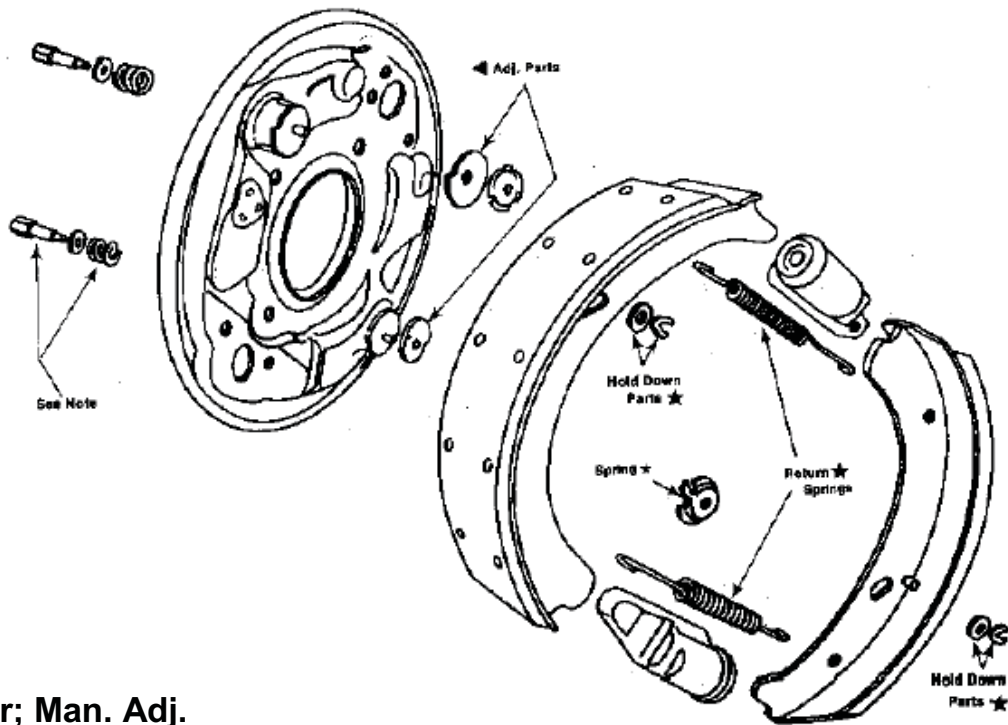
BASIC BRAKE SYSTEM - ILLUSTRATION GUIDE

DRUM Brakes - Domestic (Front)

F.M.S.I. **490**

For: IHC

15 x 5"

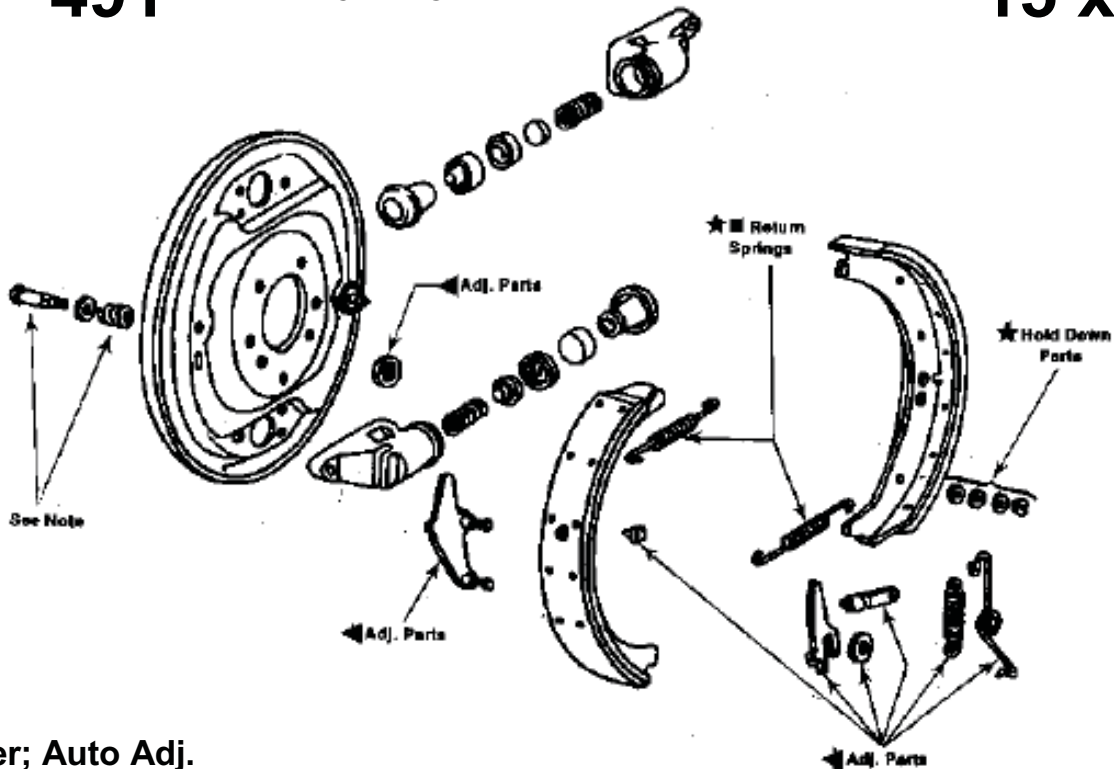


Wagner; Man. Adj.

F.M.S.I. **491**

For: IHC

15 x 5"



Wagner; Auto Adj.

For General Reference Only

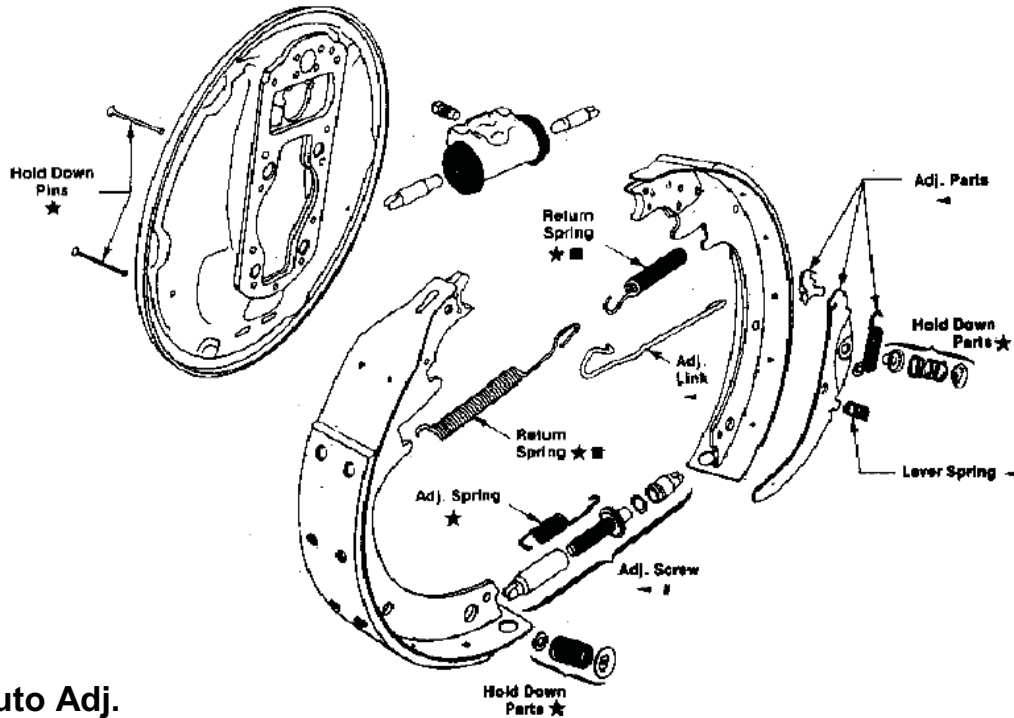
BASIC BRAKE SYSTEM - ILLUSTRATION GUIDE

DRUM Brakes - Domestic (Rear)

F.M.S.I. **451**

For: GM

13 x 2-1/2"

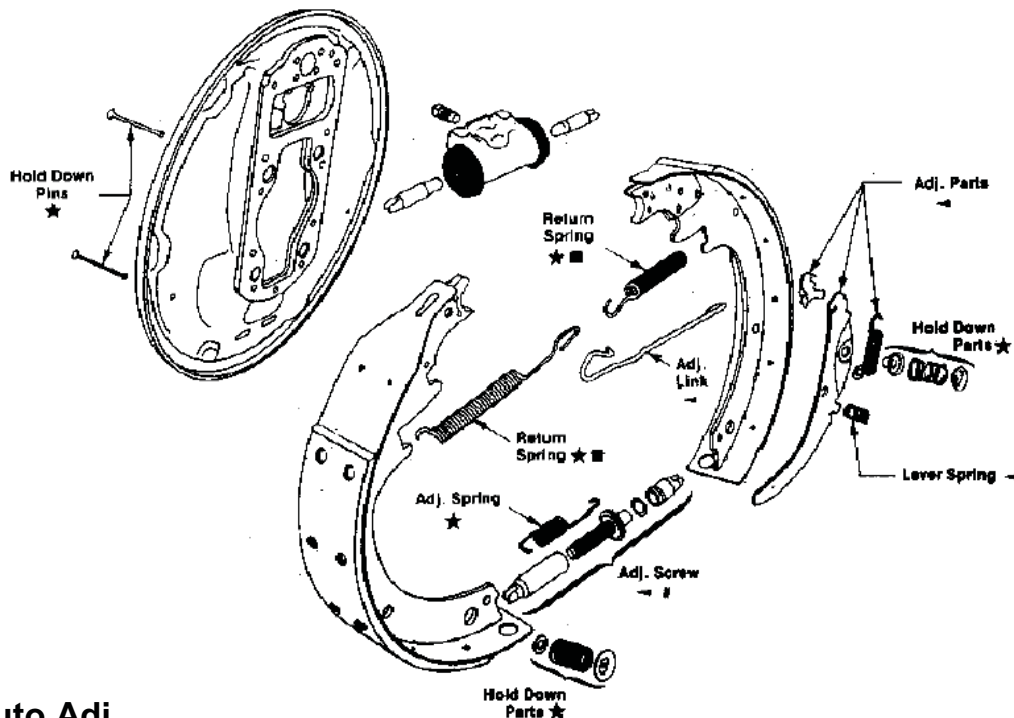


GM; Auto Adj.

F.M.S.I. **452**

For: GM

13 x 3-1/2"



GM; Auto Adj.

For General Reference Only

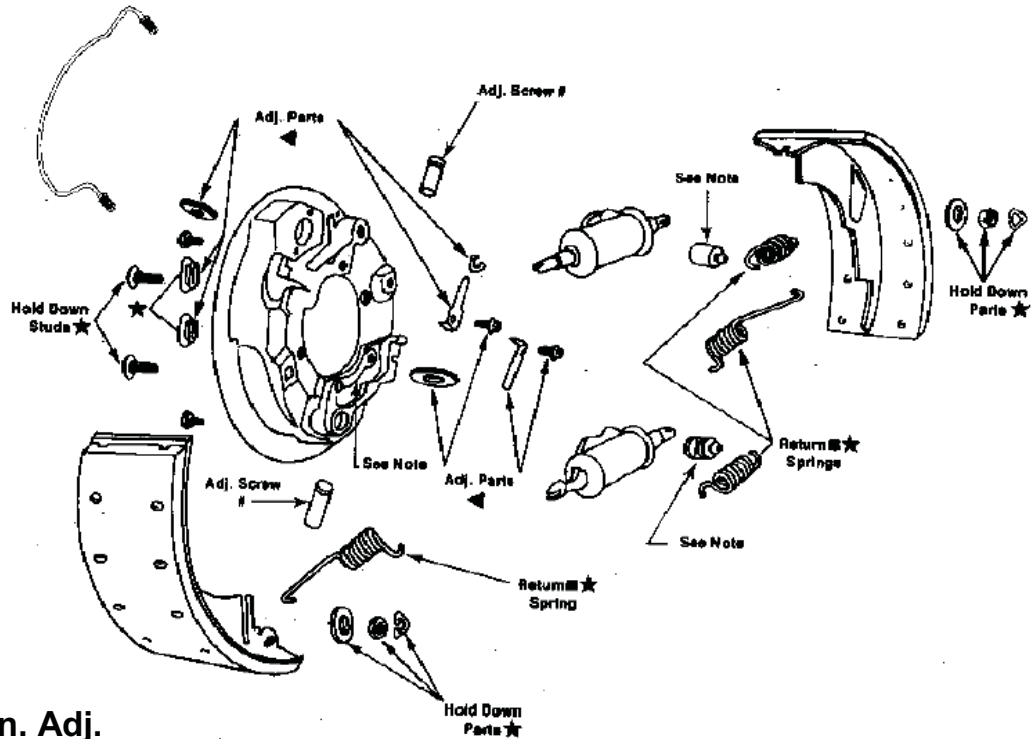
BASIC BRAKE SYSTEM - ILLUSTRATION GUIDE

DRUM Brakes - Domestic (Rear)

F.M.S.I. **375**

For: IHC

15 x 4"

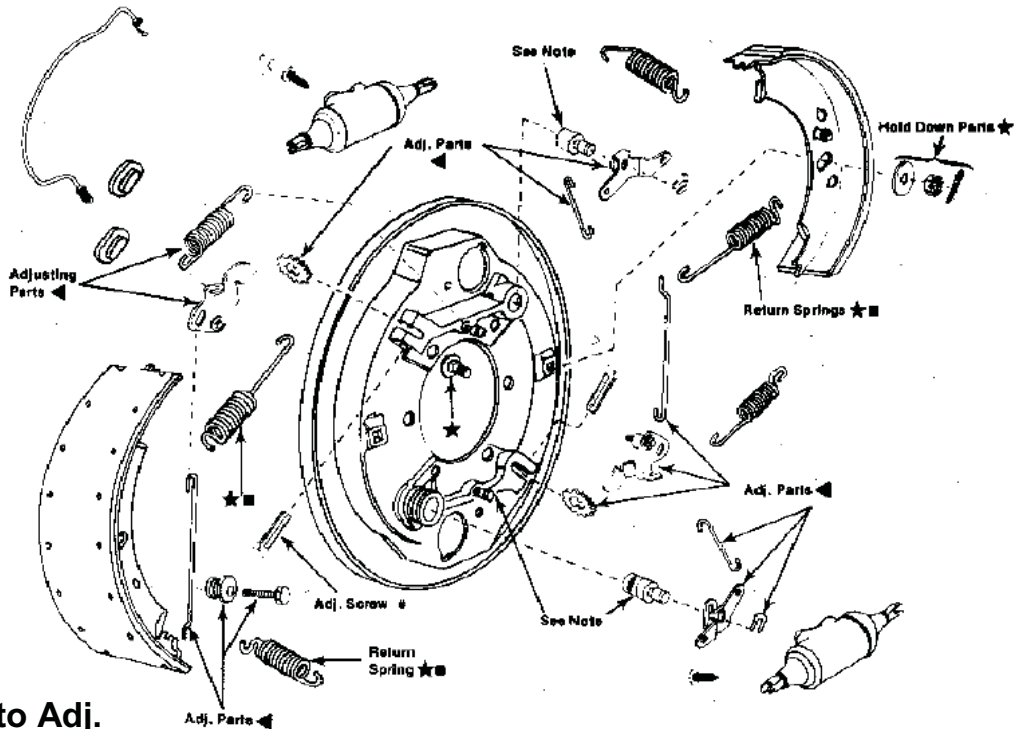


Wagner; Man. Adj.

F.M.S.I. **376**

For: IHC

15 x 4"



Wagner; Auto Adj.

For General Reference Only

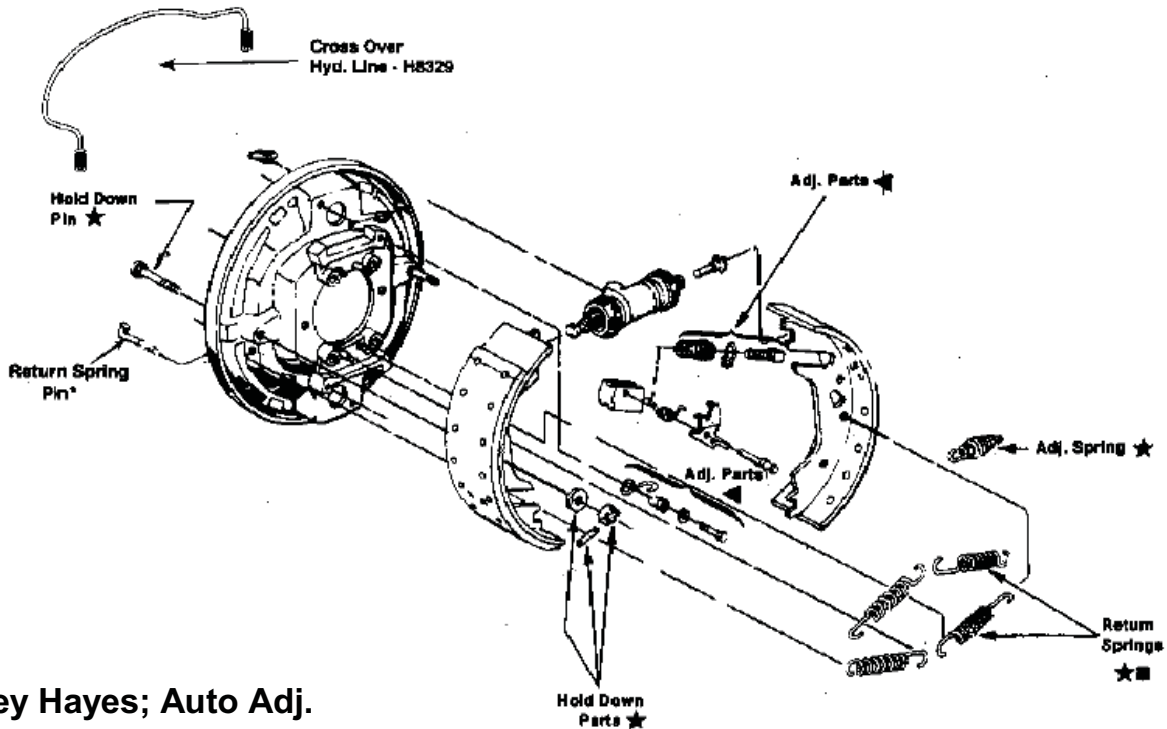
BASIC BRAKE SYSTEM - ILLUSTRATION GUIDE

DRUM Brakes - Domestic (Rear)

F.M.S.I. **401**

For: Ford

15 x 4"

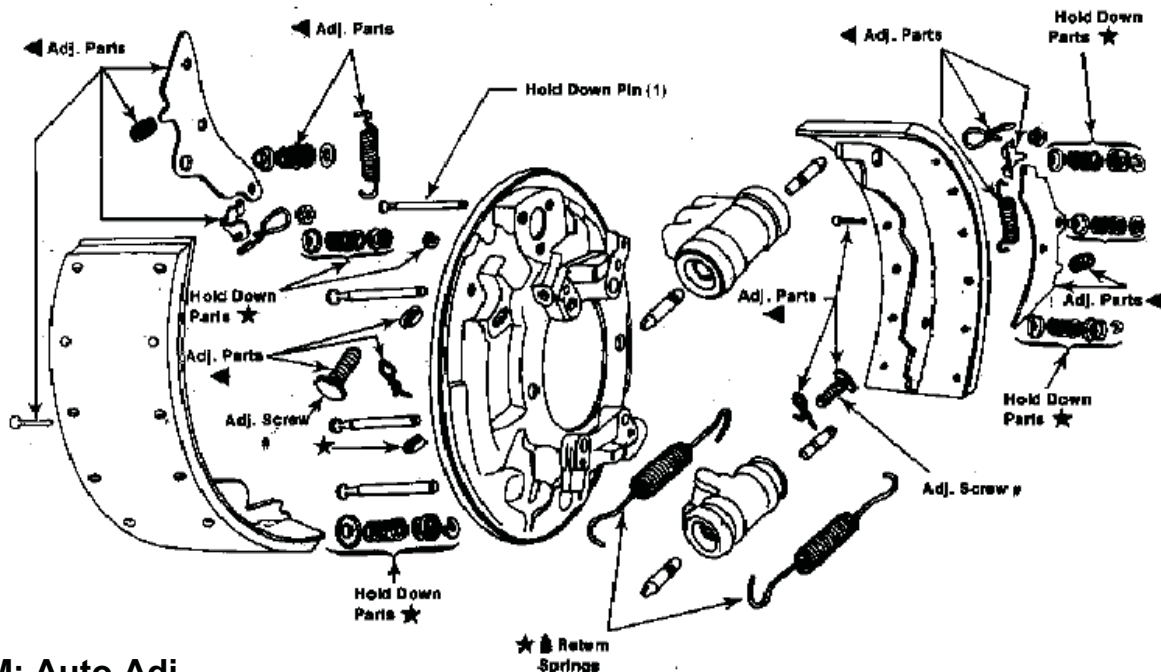


Kelsey Hayes; Auto Adj.

F.M.S.I. **427**

For: GM

15 x 4"



GM; Auto Adj.

For General Reference Only

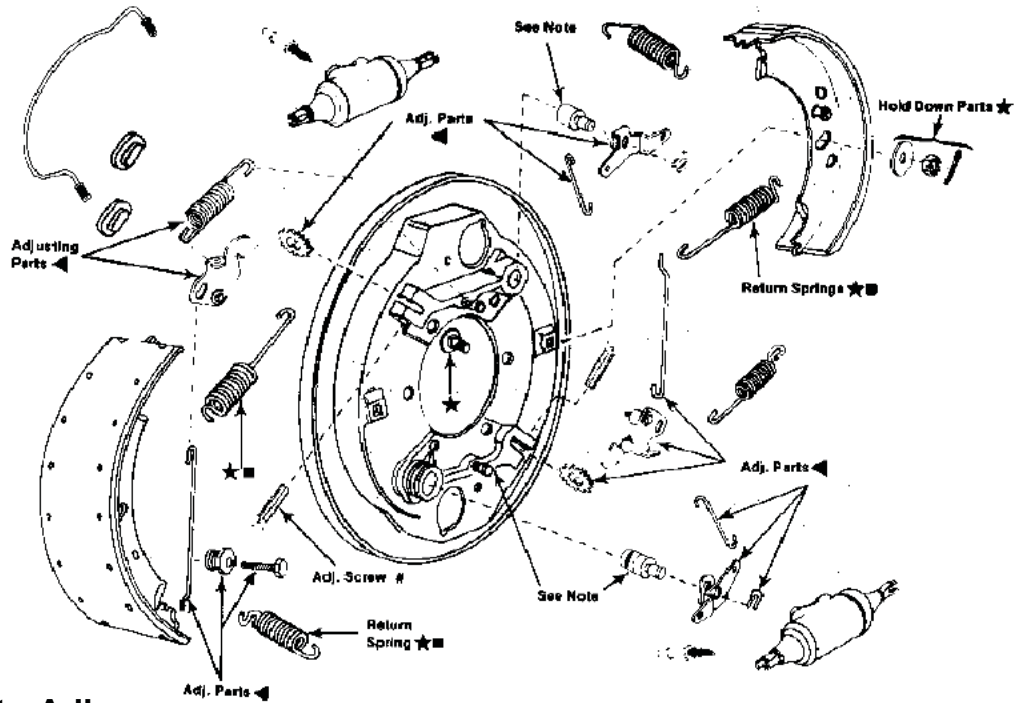
BASIC BRAKE SYSTEM - ILLUSTRATION GUIDE

DRUM Brakes - Domestic (Rear)

F.M.S.I. **346**

For: IHC

15 x 5"

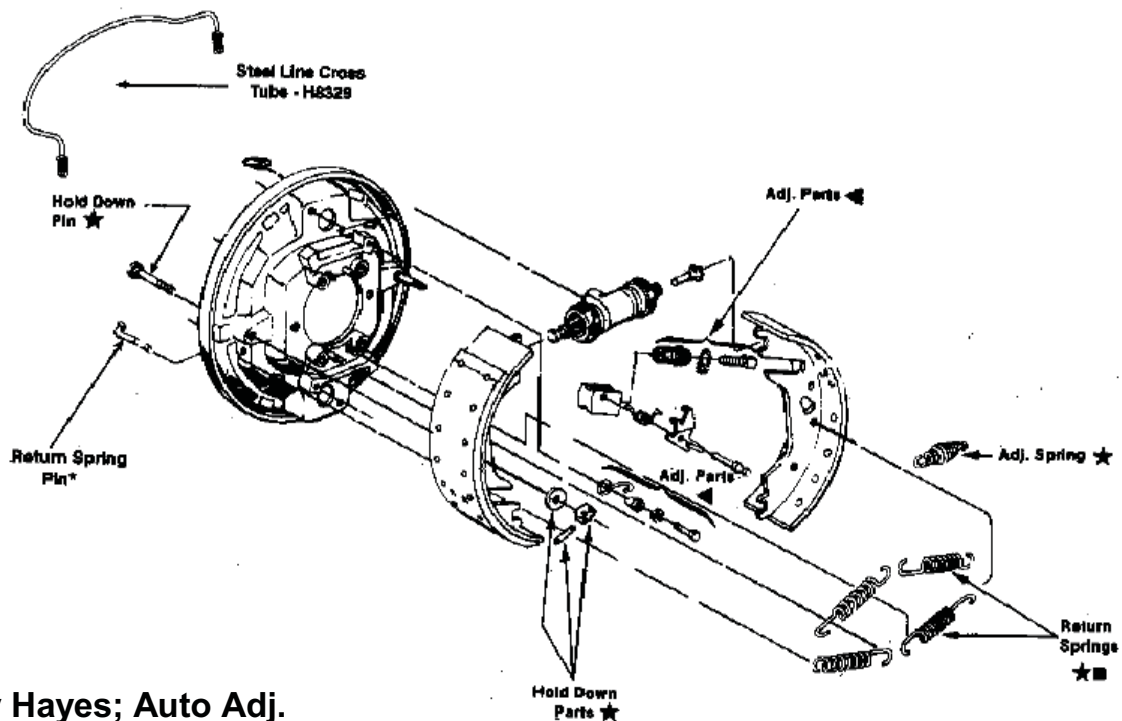


Wagner; Auto Adj.

F.M.S.I. **400**

For: IHC

15 x 5"



Kelsey Hayes; Auto Adj.

For General Reference Only

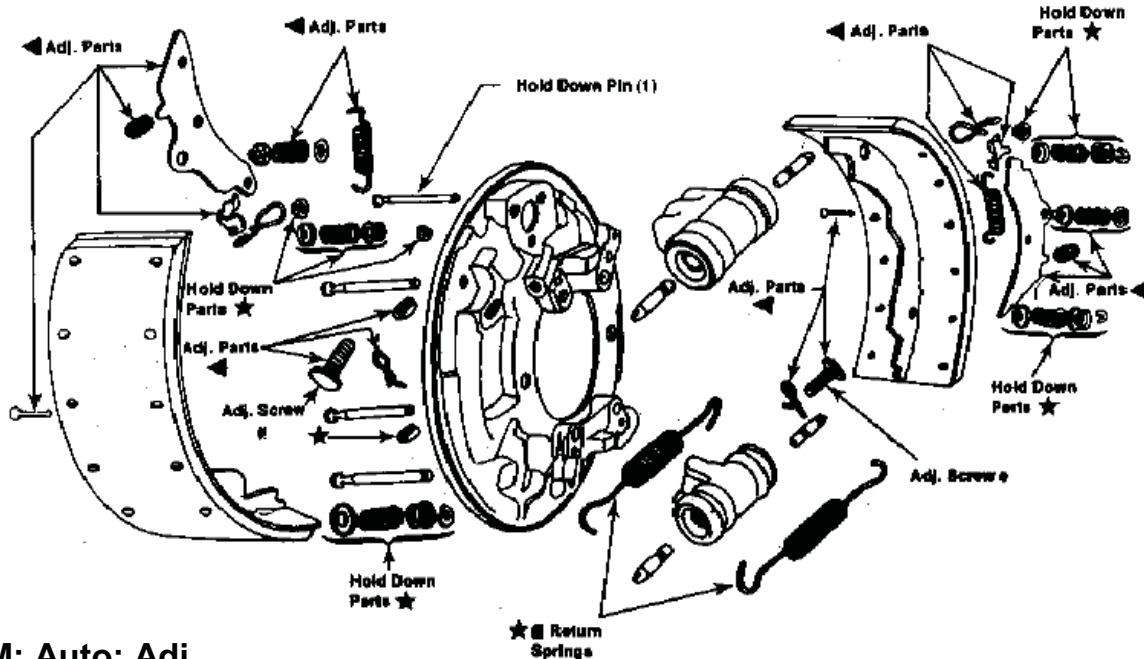
BASIC BRAKE SYSTEM - ILLUSTRATION GUIDE

DRUM Brakes - Domestic (Rear)

F.M.S.I. **442**

For: IHC

15 x 5"

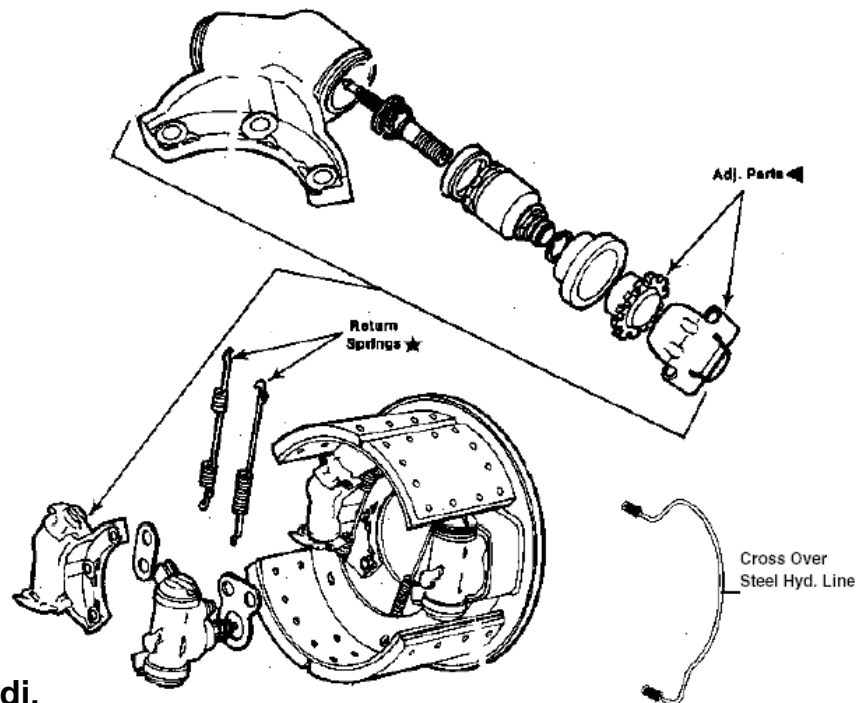


GM; Auto; Adj.

F.M.S.I. **542**

For: IHC

15 x 5"



Lucas; Auto Adj.

For General Reference Only

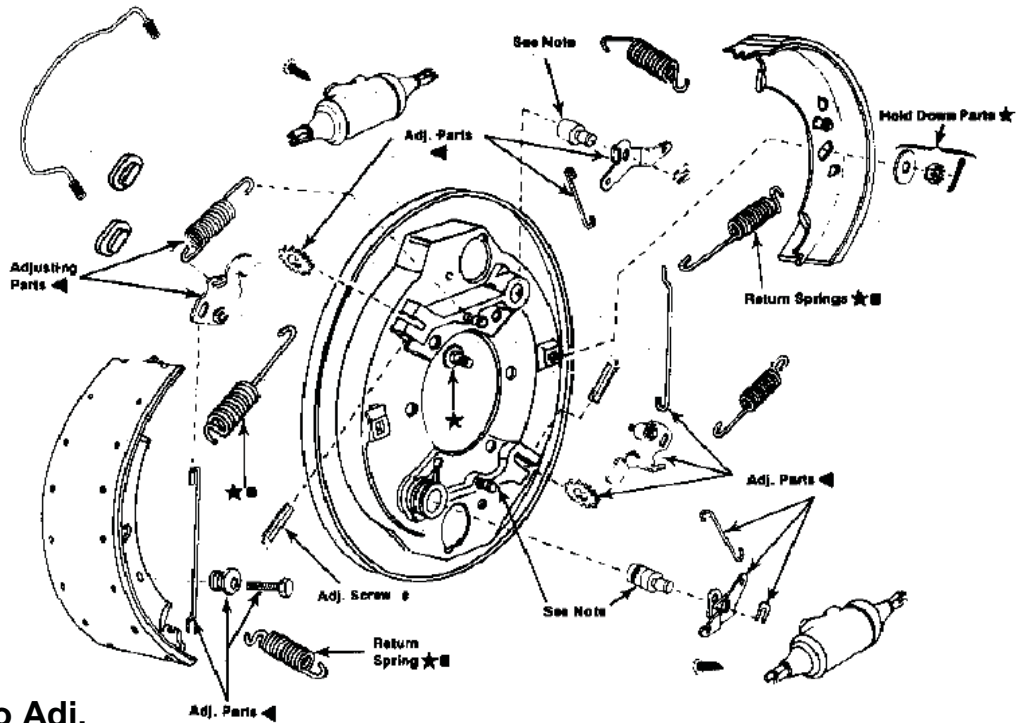
BASIC BRAKE SYSTEM - ILLUSTRATION GUIDE

DRUM Brakes - Domestic (Rear)

F.M.S.I. **381**

For: GM & FORD & IHC

15 x 6"

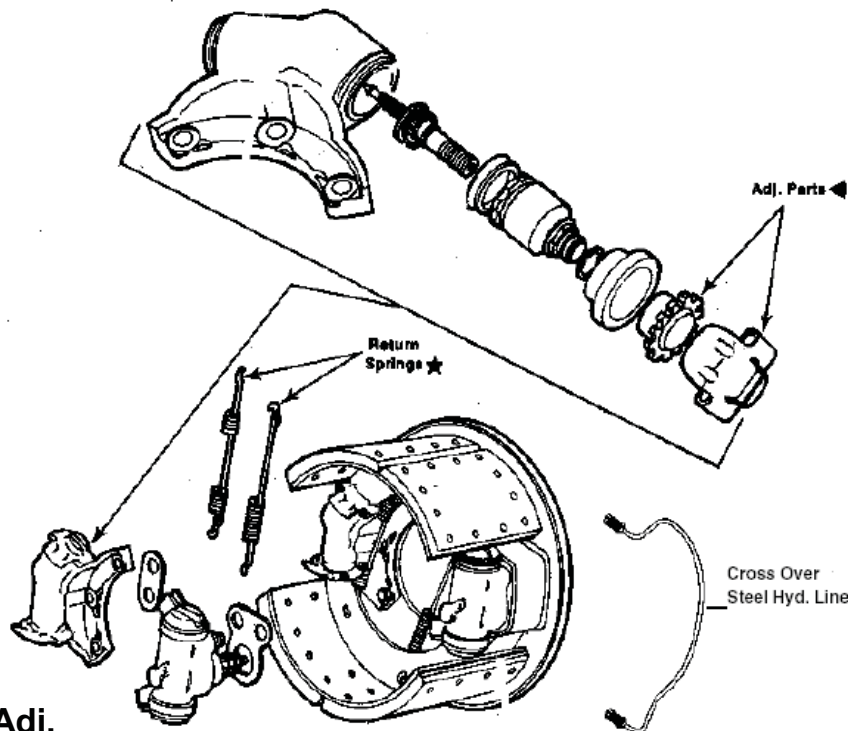


Wagner; Auto Adj.

F.M.S.I. **543**

For: IHC

15 x 6"



Lucas; Auto Adj.

For General Reference Only

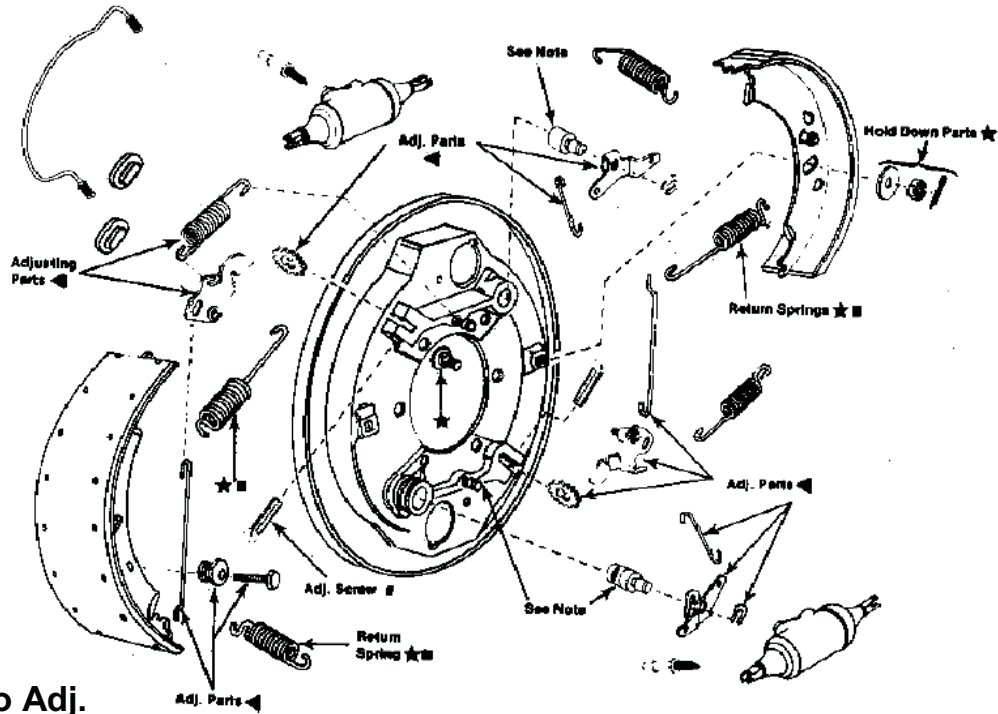
BASIC BRAKE SYSTEM - ILLUSTRATION GUIDE

DRUM Brakes - Domestic (Rear)

F.M.S.I. **383**

For: GM & FORD & IHC

15 x 7"

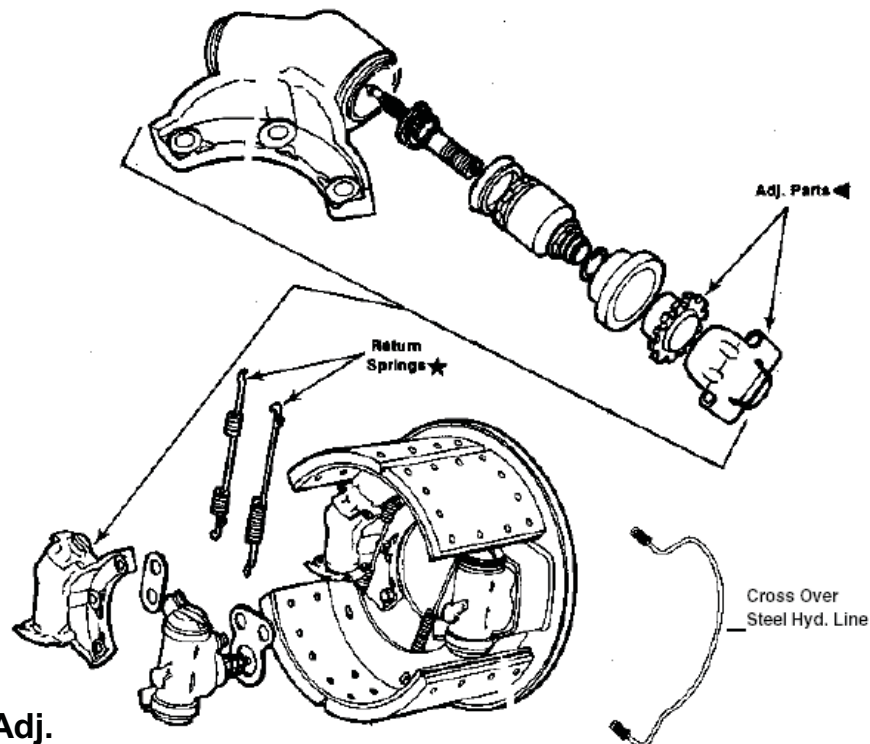


Wagner; Auto Adj.

F.M.S.I. **544A**

For: IHC

15 x 7"



Lucas; Auto Adj.

For General Reference Only

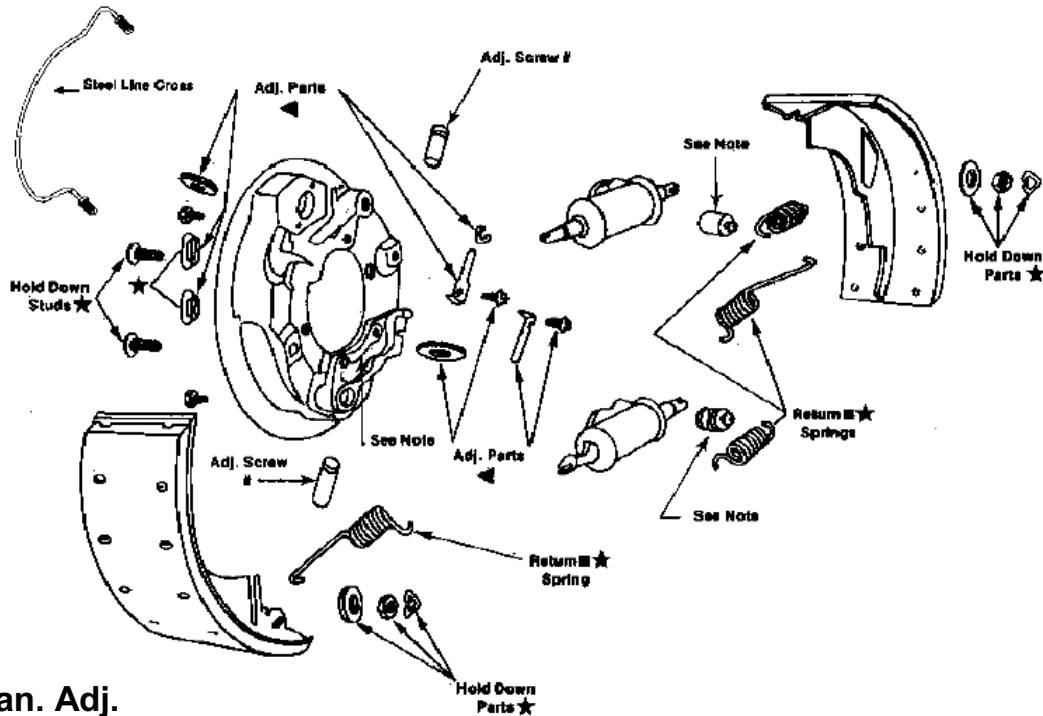
BASIC BRAKE SYSTEM - ILLUSTRATION GUIDE

DRUM Brakes - Domestic (Rear)

F.M.S.I. **385**

For: IHC

16 x 5"

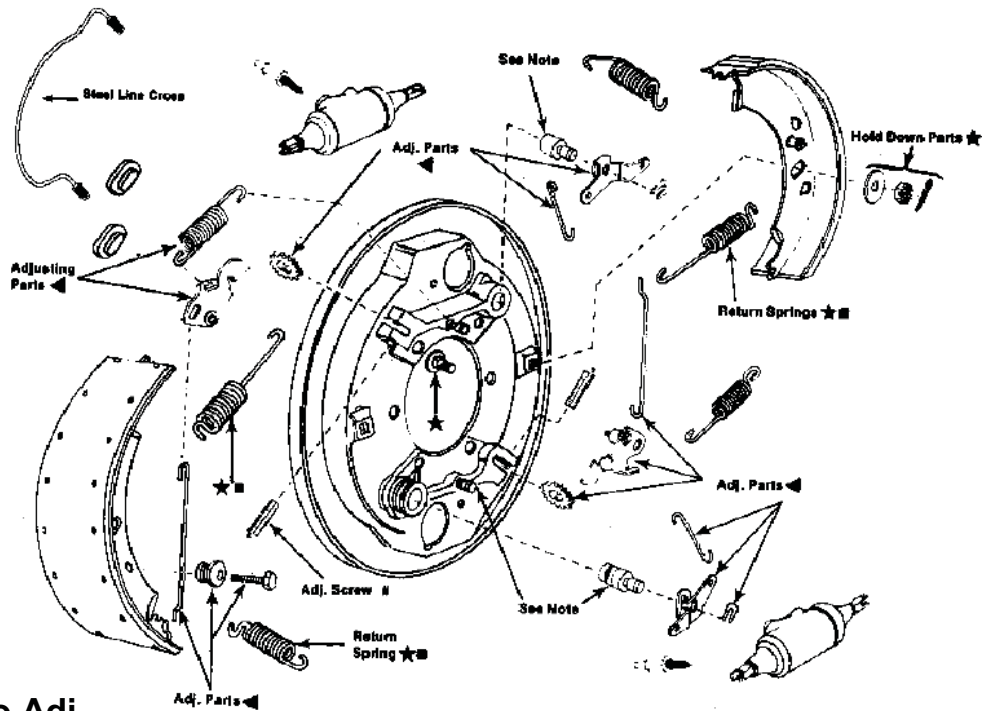


Wagner; Man. Adj.

F.M.S.I. **385**

For: IHC

16 x 5"



Wagner; Auto Adj.

For General Reference Only

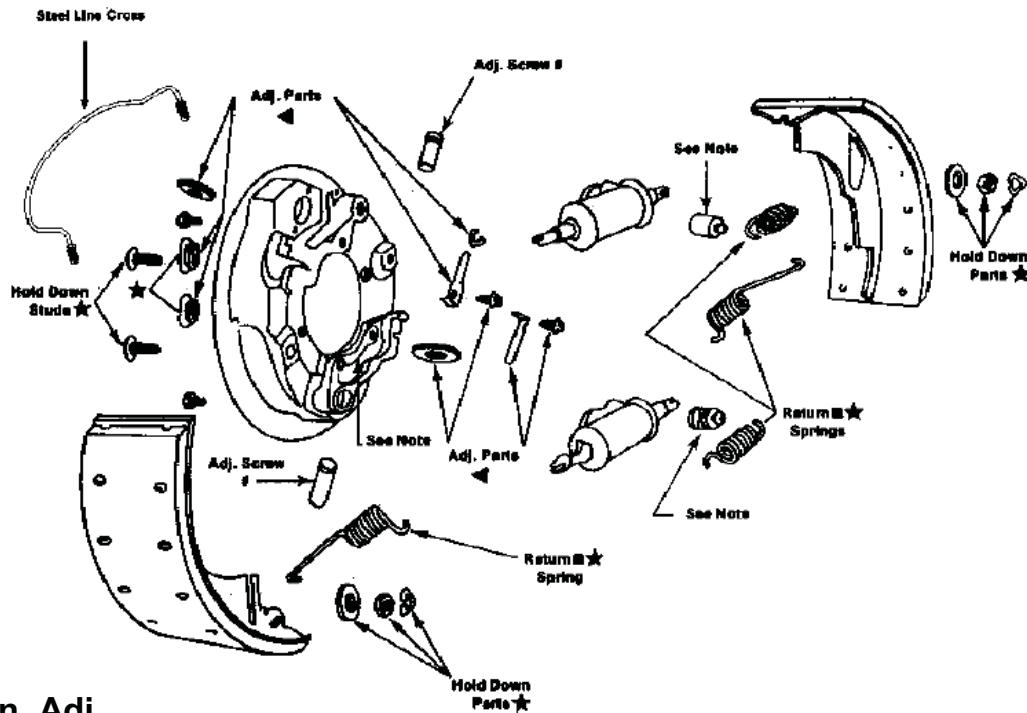
BASIC BRAKE SYSTEM - ILLUSTRATION GUIDE

DRUM Brakes - Domestic (Rear)

F.M.S.I. **386**

For: GM & FORD & IHC

16 x 6"

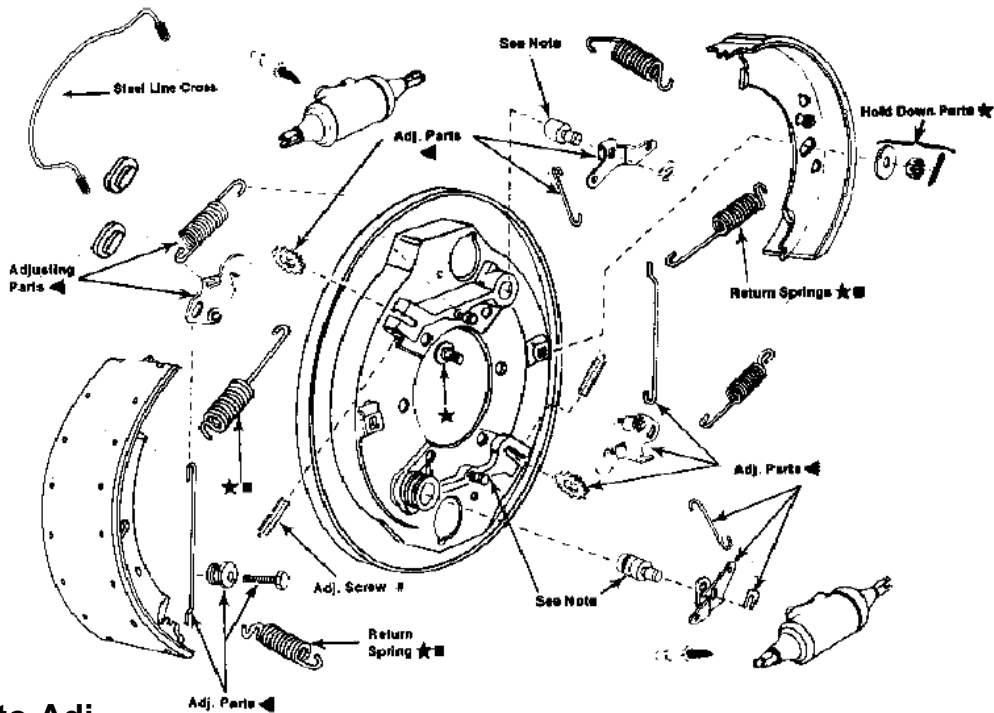


Wagner; Man. Adj.

F.M.S.I. **386**

For: GM & FORD & IHC

16 x 6"



Wagner; Auto Adj.

For General Reference Only

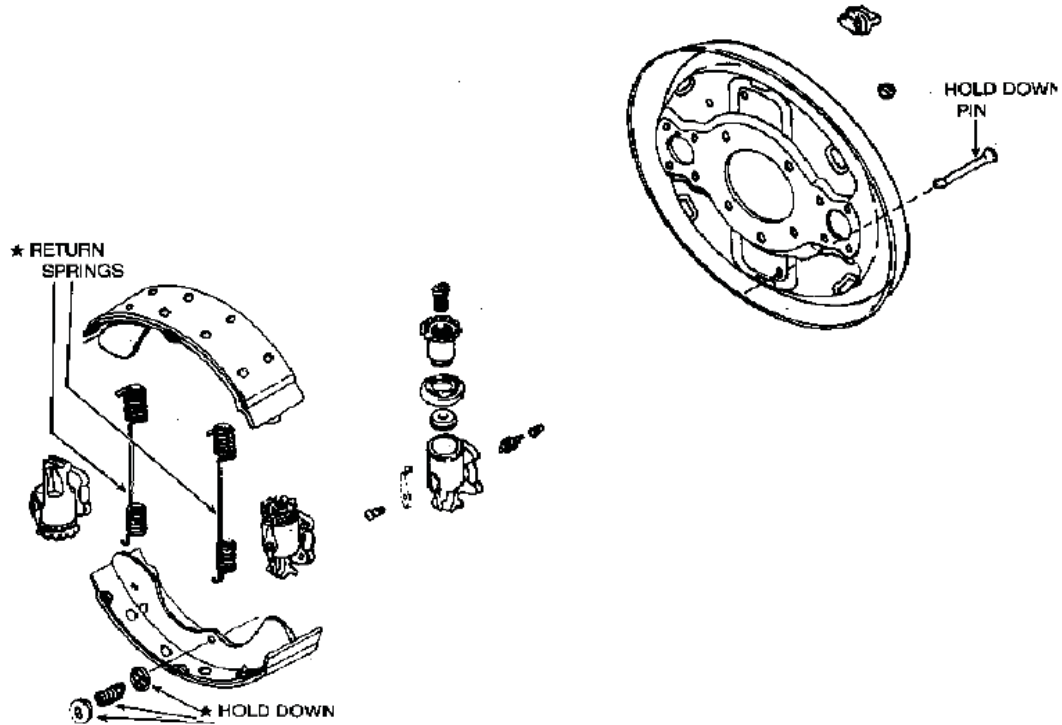
BASIC BRAKE SYSTEM - ILLUSTRATION GUIDE

DRUM Brakes - Import (Front)

F.M.S.I. **612**

For: ISUZU

12-5/8 x 3"

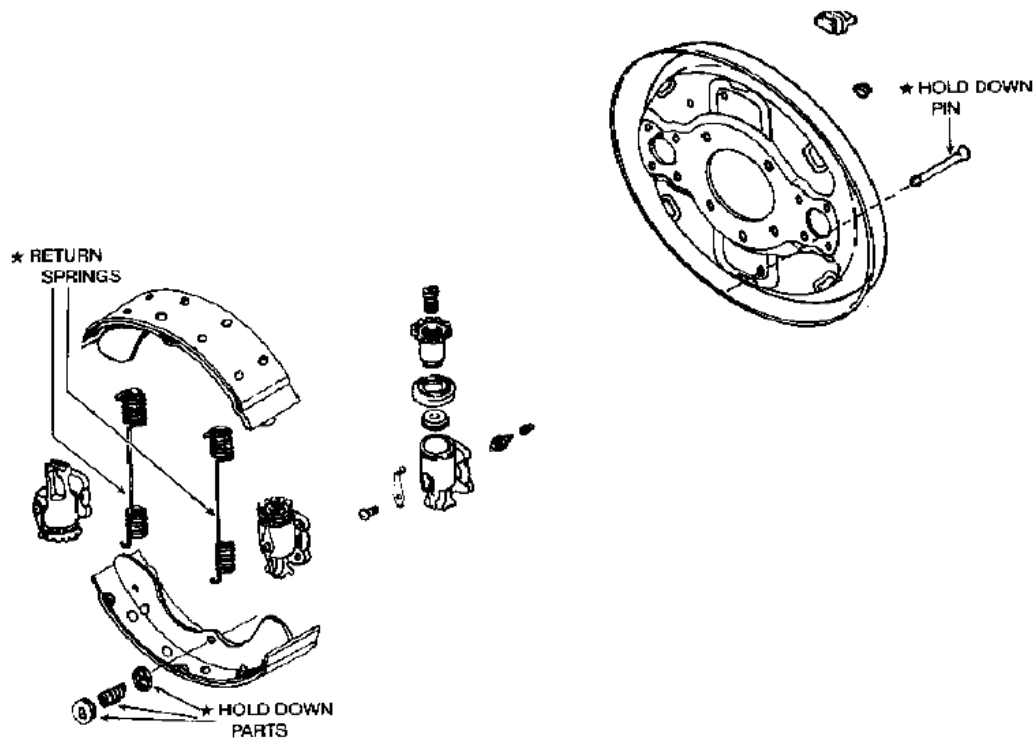


Man. Adj.

F.M.S.I. **681**

For: UD

12-5/8 x 3"



Man. Adj.

For General Reference Only

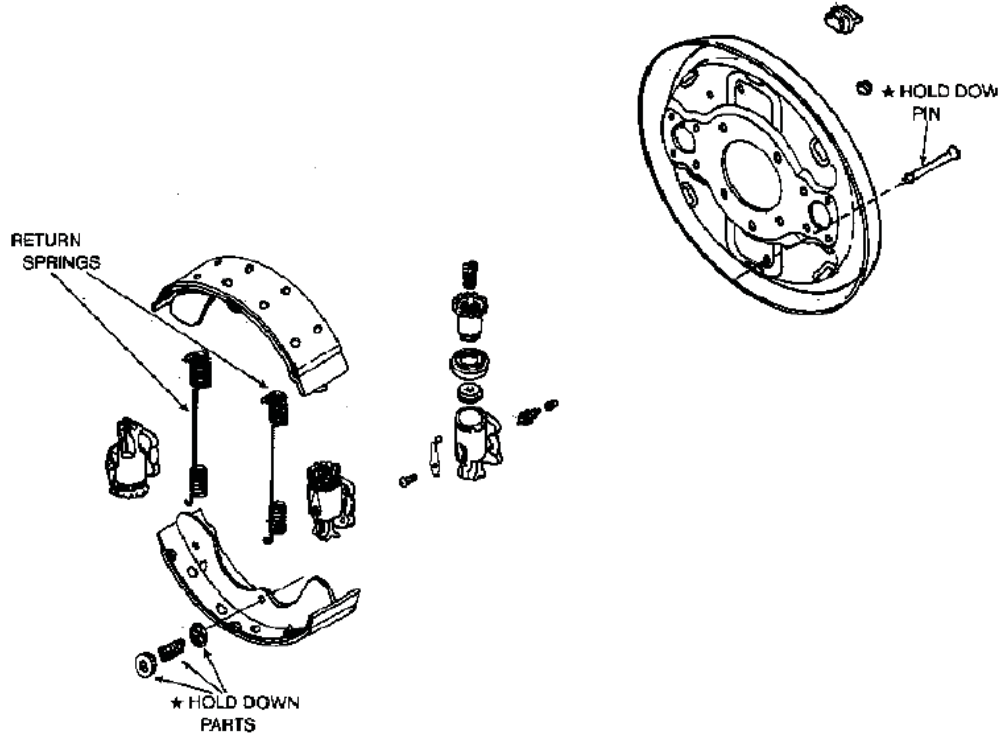
BASIC BRAKE SYSTEM - ILLUSTRATION GUIDE

DRUM Brakes - Import (Front)

F.M.S.I. **682**

For: FUSO

12-5/8 x 3"

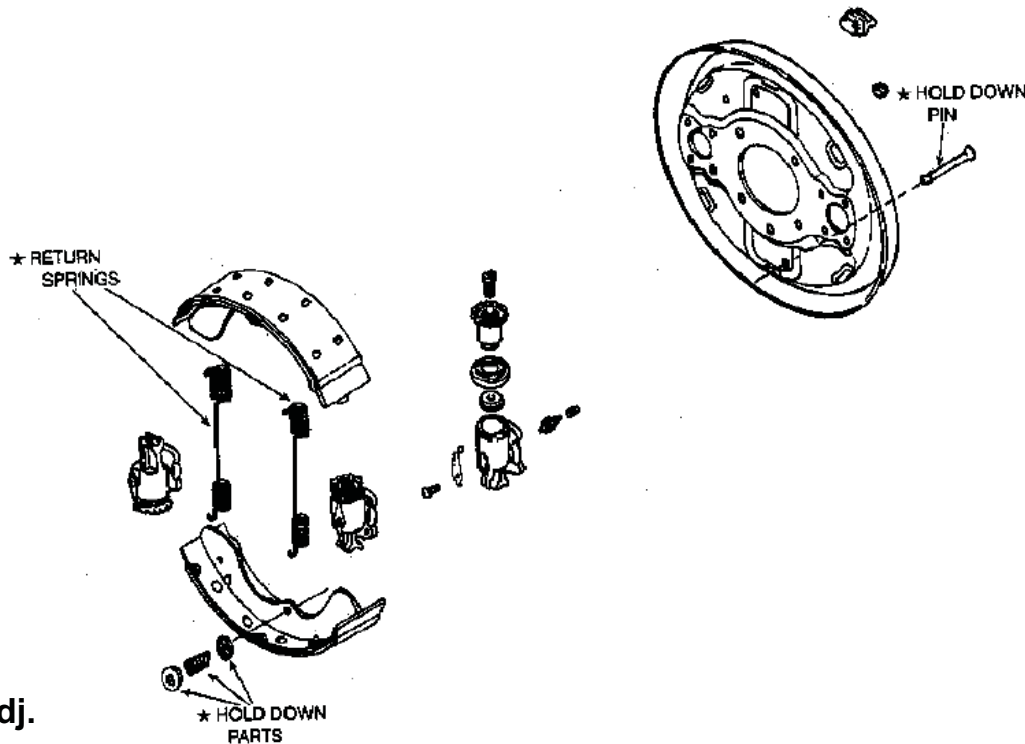


Man. Adj.

F.M.S.I. **683**

For: HINO

12-5/8 x 3"



Man. Adj.

For General Reference Only

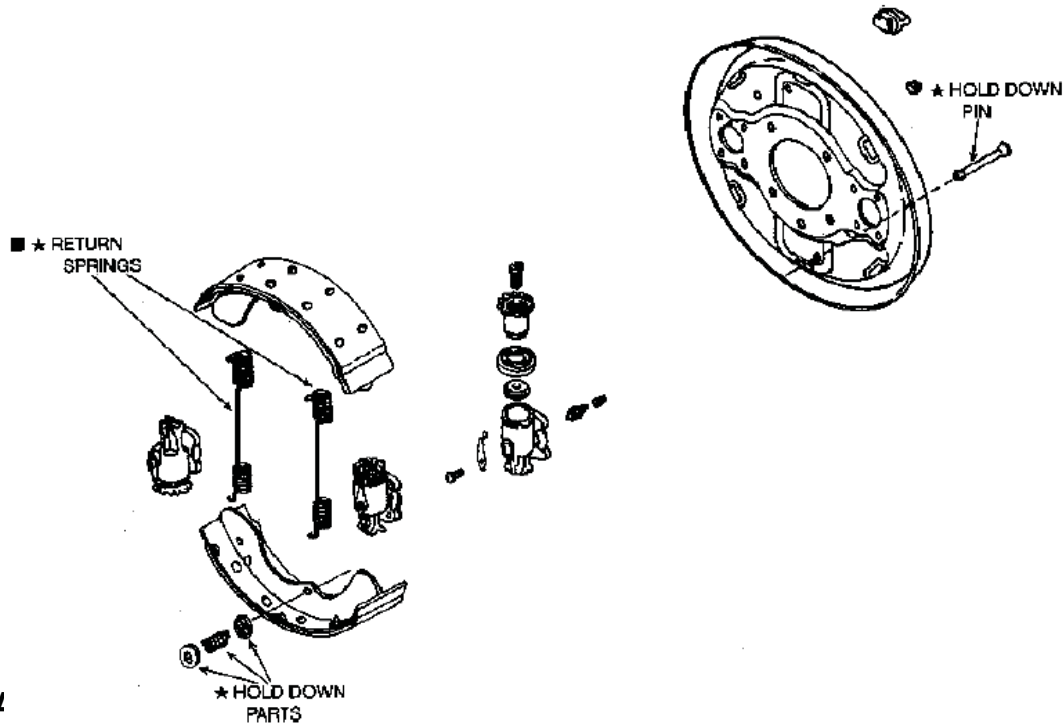
BASIC BRAKE SYSTEM - ILLUSTRATION GUIDE

DRUM Brakes - Import (Front)

F.M.S.I. **699**

For: ISUZU

12-5/8 x 4"

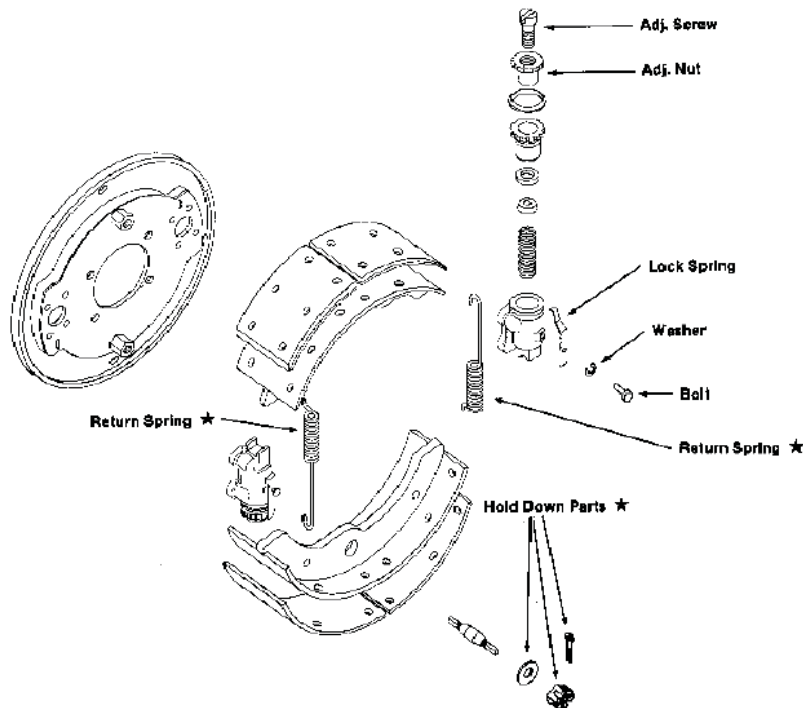


Man. /

F.M.S.I. **602**

For: FUSO & UD

12-5/8 x 4-3/8"



Man. Adj.

For General Reference Only

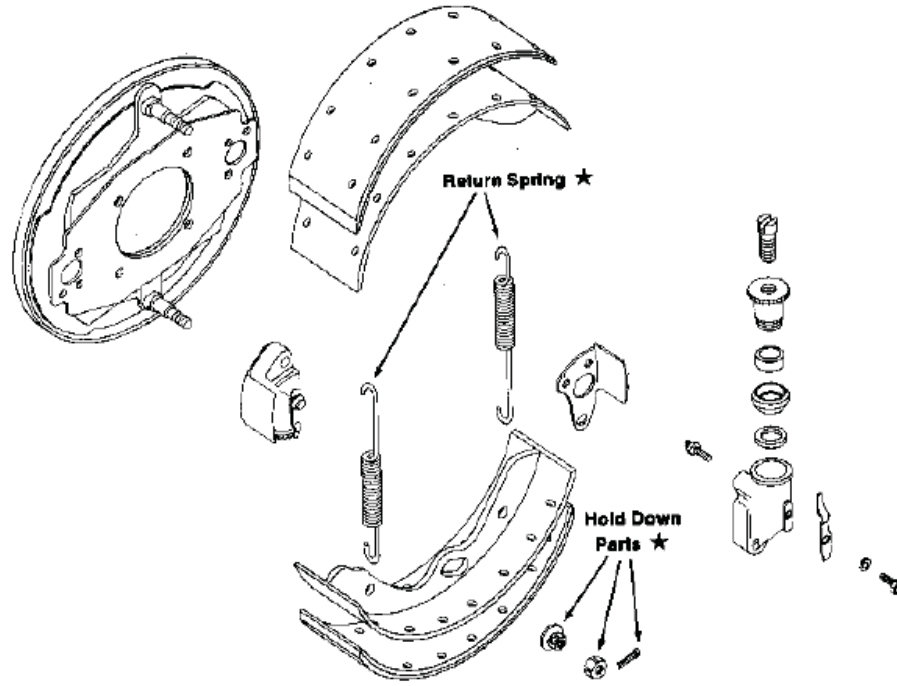
BASIC BRAKE SYSTEM - ILLUSTRATION GUIDE

DRUM Brakes - Import (Front)

F.M.S.I. **672**

For: ISUZU

12-5/8 x 4-3/8"

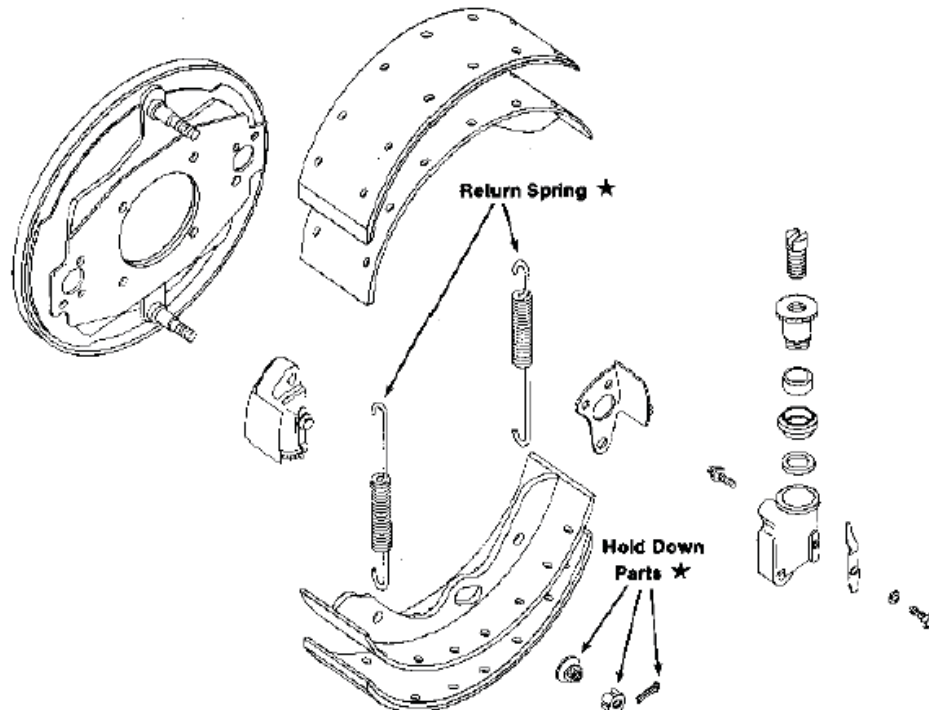


Man. Adj.

F.M.S.I. **684**

For: HINO

12-5/8 x 4-3/8"



Man. Adj.

For General Reference Only

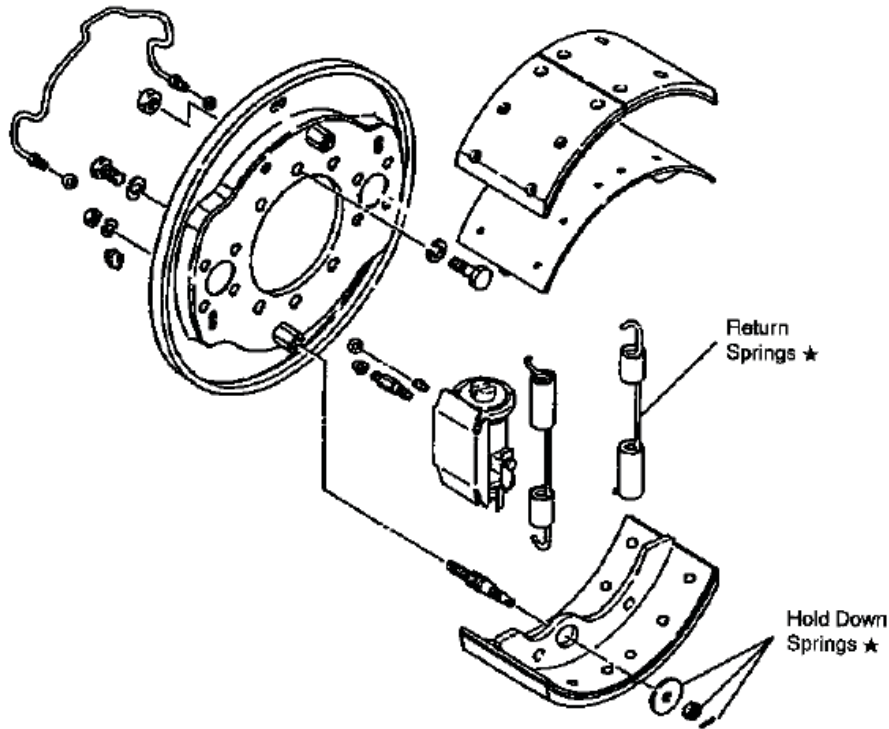
BASIC BRAKE SYSTEM - ILLUSTRATION GUIDE

DRUM Brakes - Import (Front)

F.M.S.I. 717

For: UD

12-5/8 x 5-3/8"

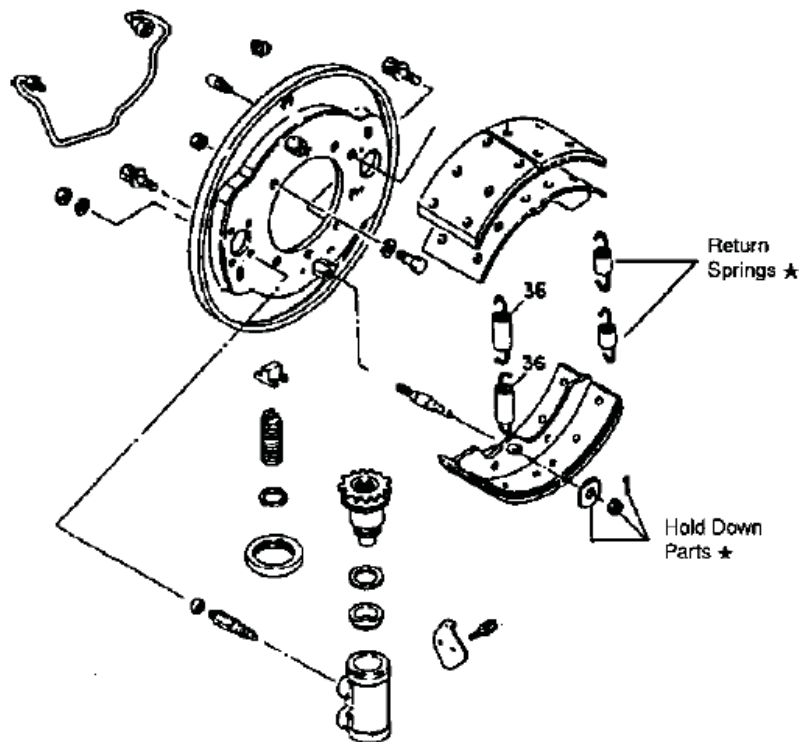


Man. Adj.

F.M.S.I. 717

For: UD

12-5/8 x 5-3/8"



Auto Adj.

For General Reference Only

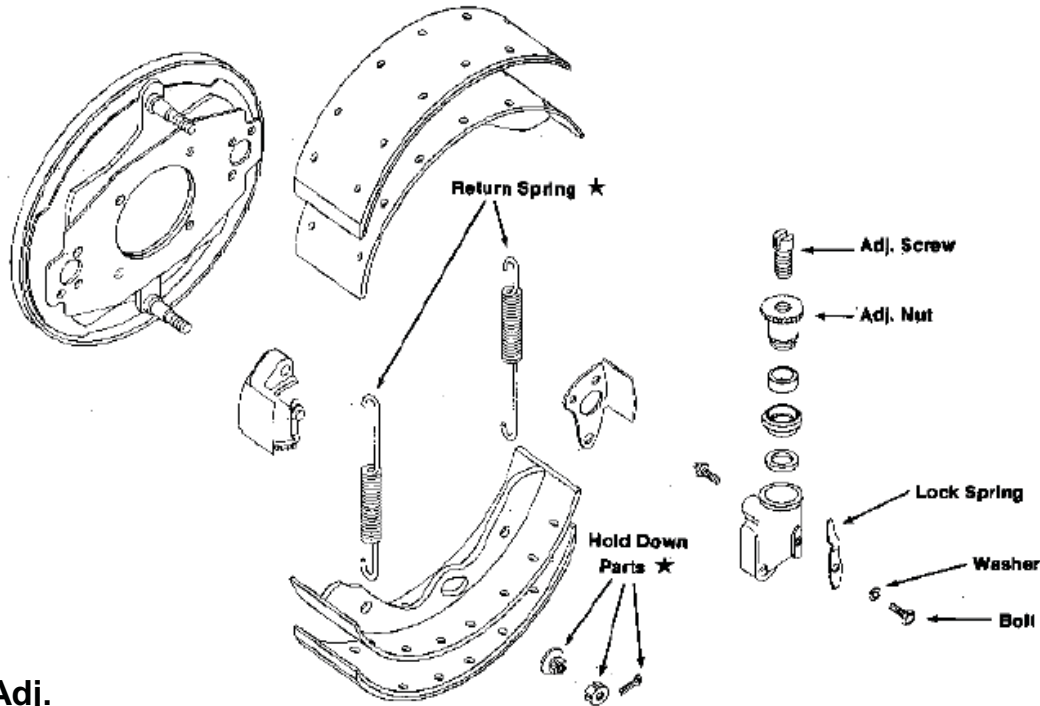
BASIC BRAKE SYSTEM - ILLUSTRATION GUIDE

DRUM Brakes - Import (Front)

F.M.S.I. **603**

For: ISUZU & UD

14-5/8 x 4"

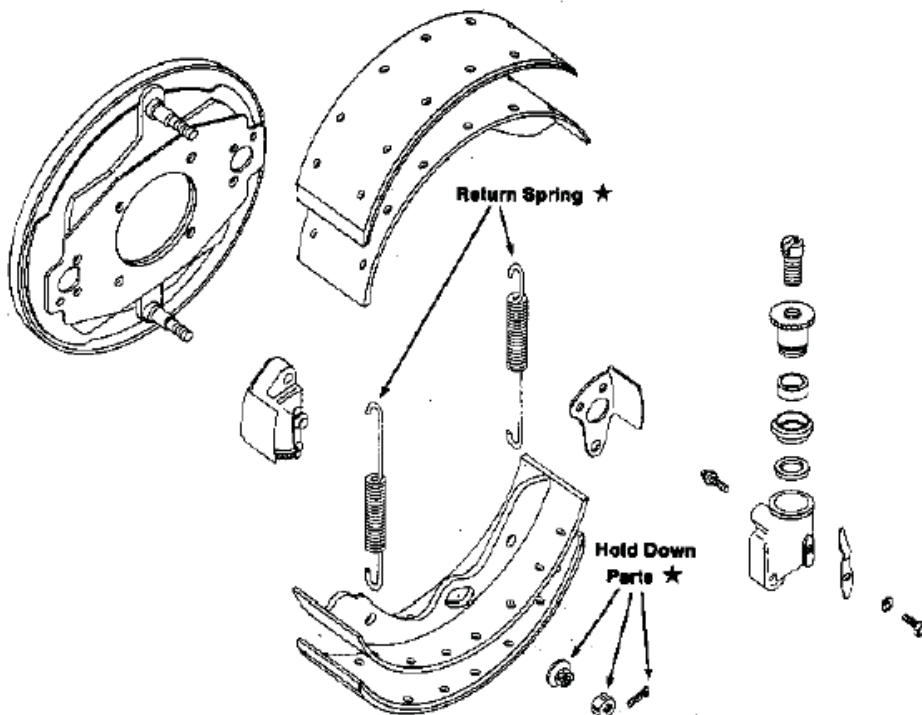


Man. Adj.

F.M.S.I. **617**

For: FUSO & HINO & UD

15-3/4 x 4-3/4"



Man. Adj.

For General Reference Only

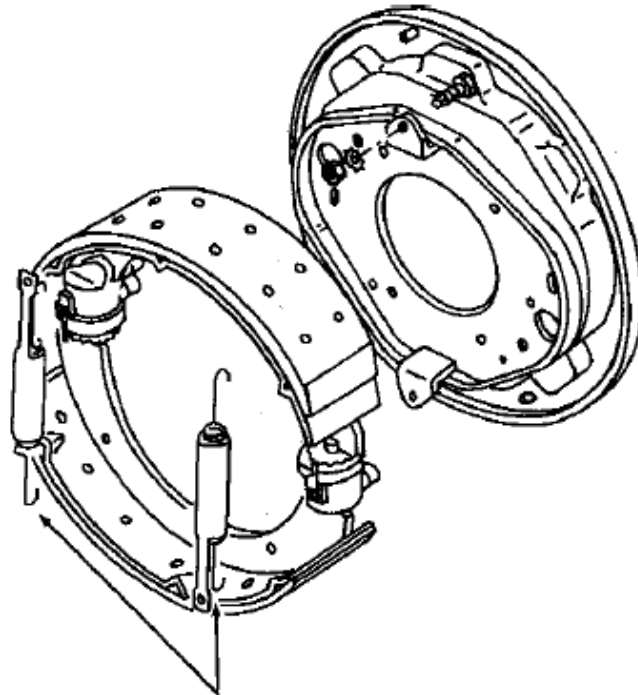
BASIC BRAKE SYSTEM - ILLUSTRATION GUIDE

DRUM Brakes - Import (Front)

F.M.S.I. **616**

For: ISUZU

15-3/4 x 5-1/2"



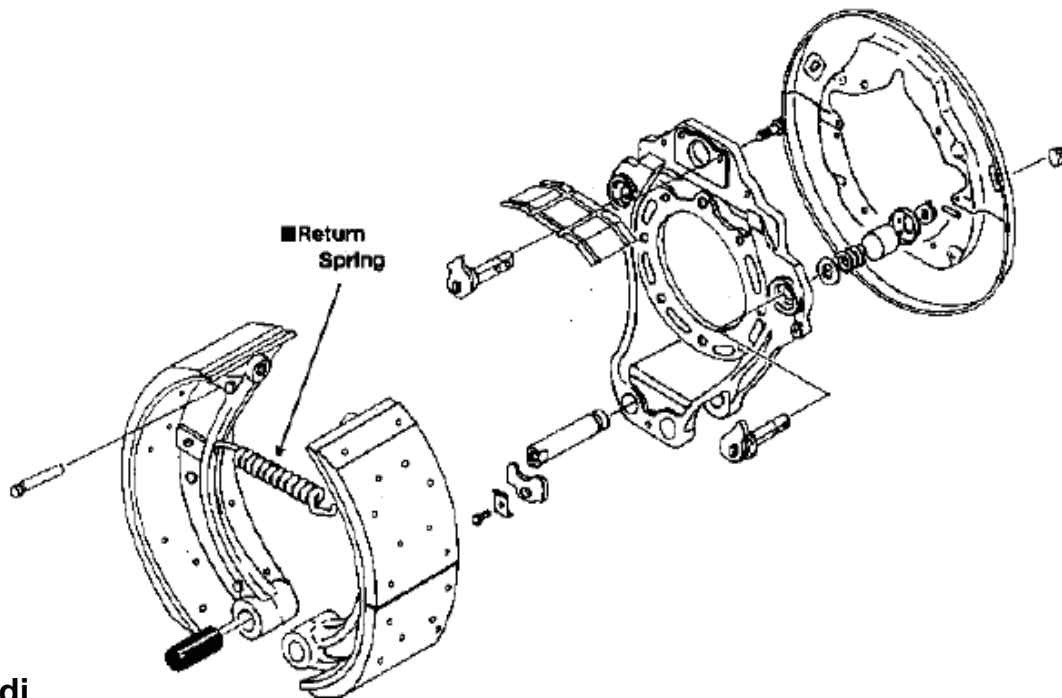
Man. Adj.

Return Springs ★

F.M.S.I. **613**

For: ISUZU

16-1/8 x 5-1/2"



Man. Adj.

For General Reference Only

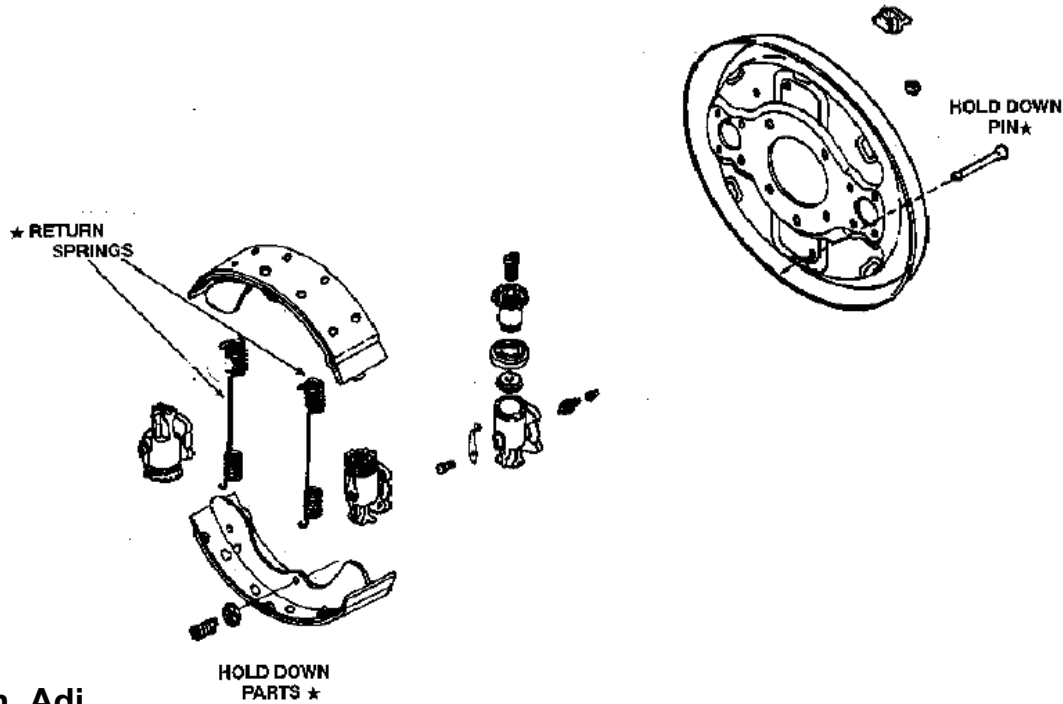
BASIC BRAKE SYSTEM - ILLUSTRATION GUIDE

DRUM Brakes - Import (Rear)

F.M.S.I. **668**

For: ISUZU

11-3/4 x 3''

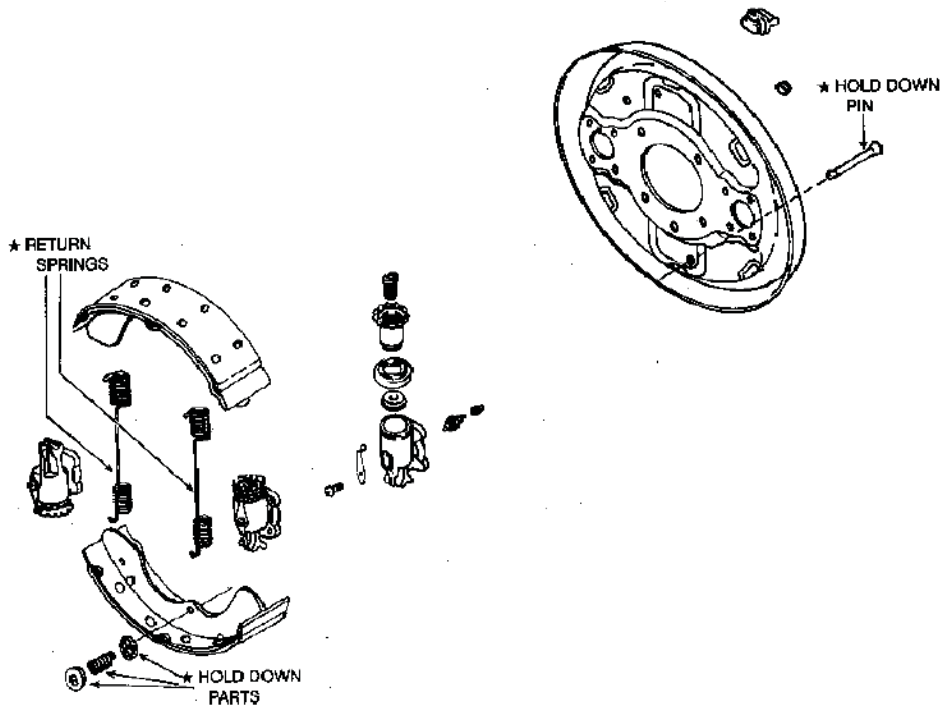


Man. Adj.

F.M.S.I. **680**

For: UD

12-5/8 x 2-1/2''



Man. Adj.

For General Reference Only

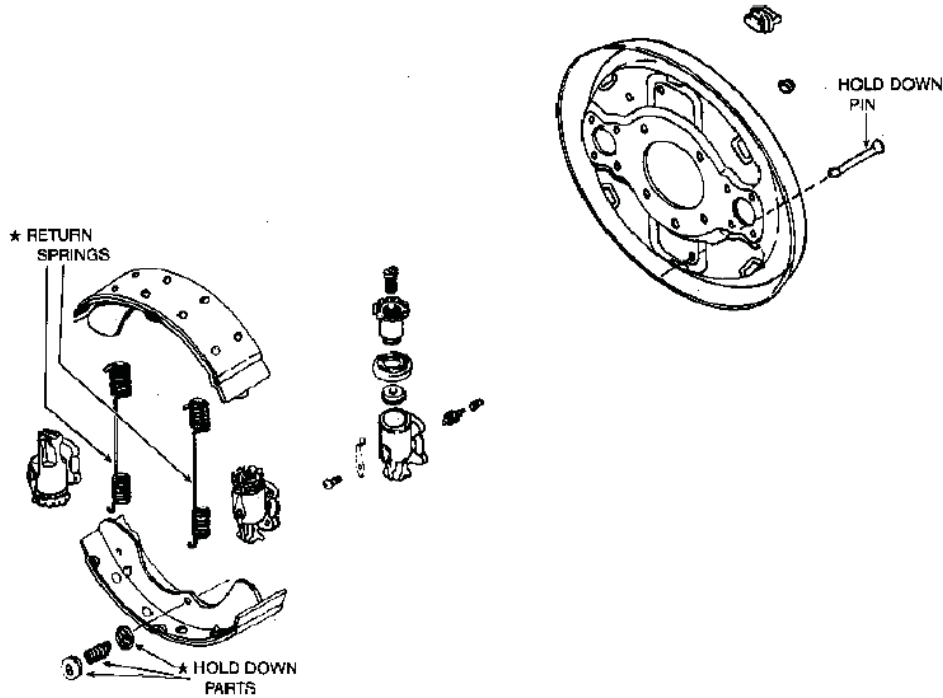
BASIC BRAKE SYSTEM - ILLUSTRATION GUIDE

DRUM Brakes - Import (Rear)

F.M.S.I. **612**

For: ISUZU

12-5/8 x 3"

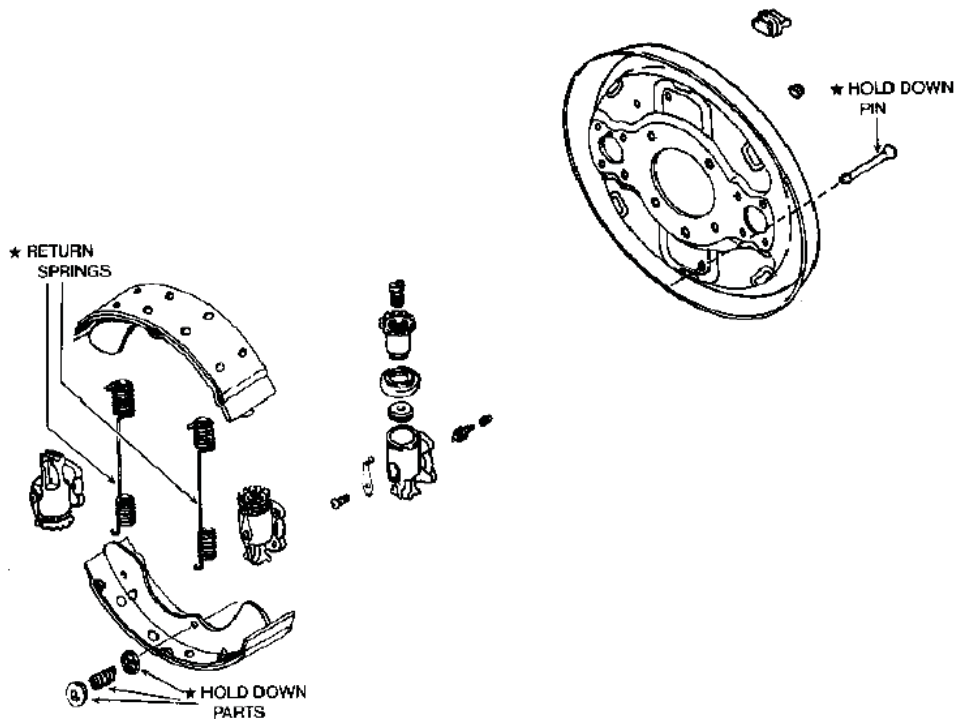


Man. Adj.

F.M.S.I. **681**

For: UD

12-5/8 x 3"



Man. Adj.

For General Reference Only

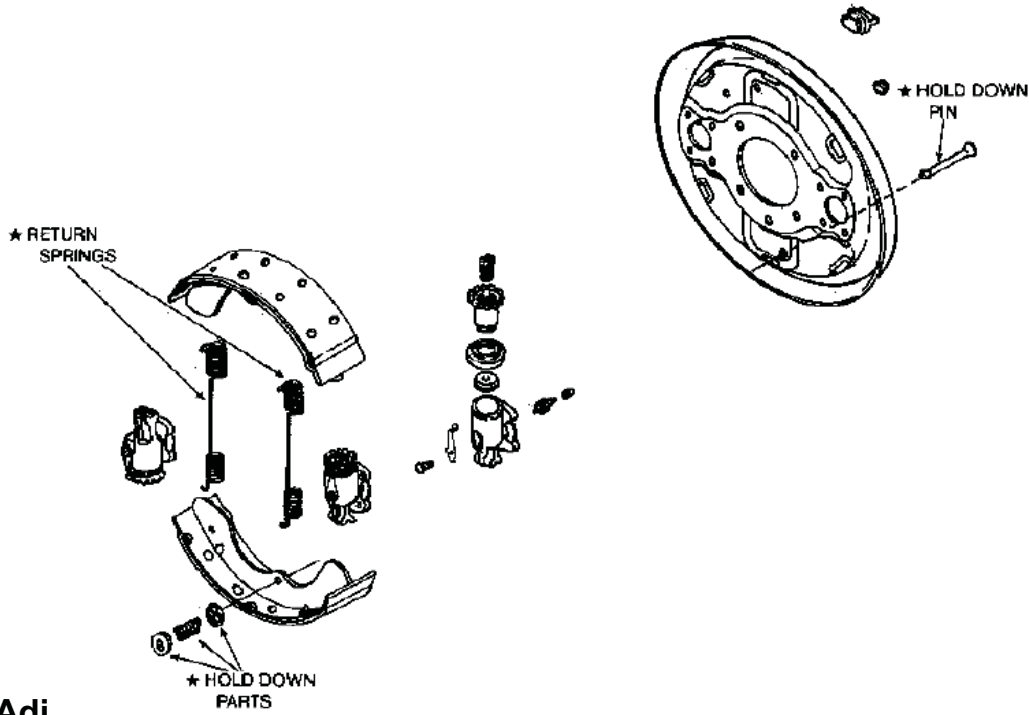
BASIC BRAKE SYSTEM - ILLUSTRATION GUIDE

DRUM Brakes - Import (Rear)

F.M.S.I. **682**

For: FUSO

12-5/8 x 3"

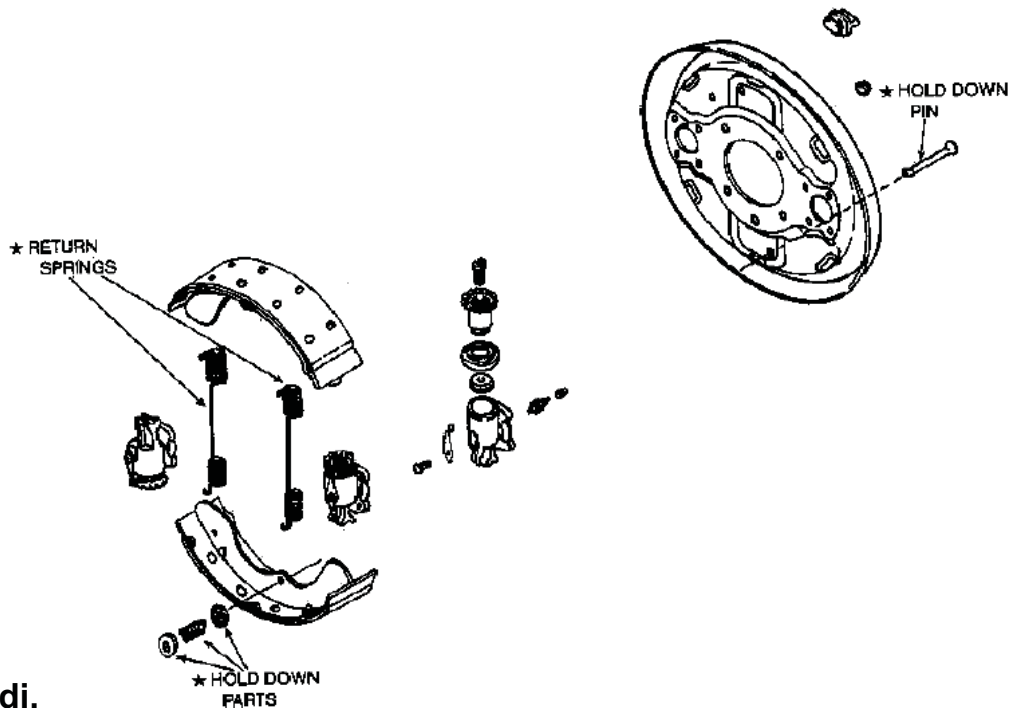


Man. Adj.

F.M.S.I. **683**

For: HINO

12-5/8 x 3"



Man. Adj.

For General Reference Only

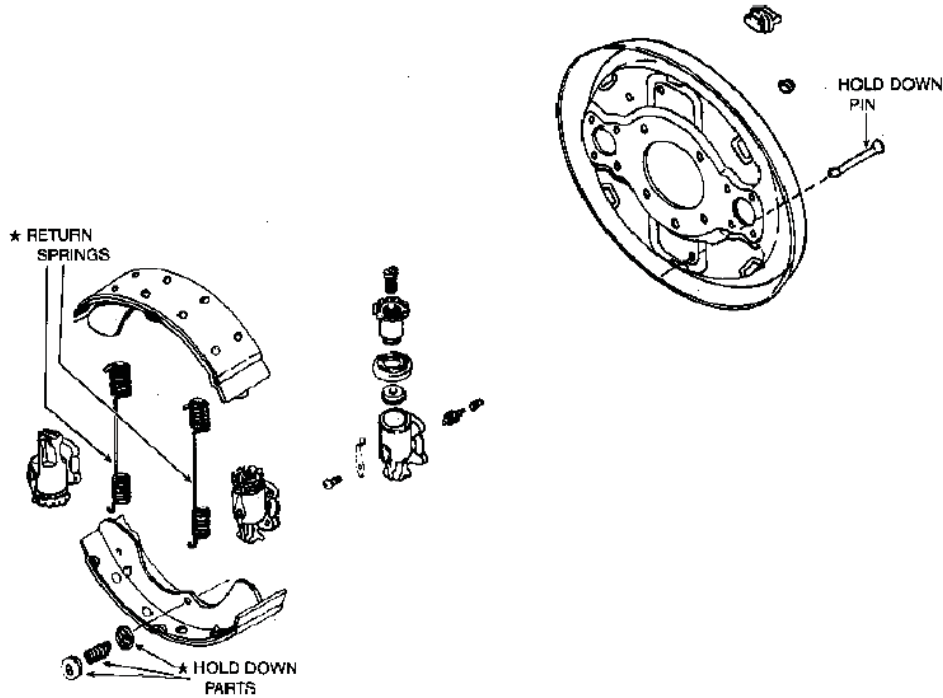
BASIC BRAKE SYSTEM - ILLUSTRATION GUIDE

DRUM Brakes - Import (Rear)

F.M.S.I. **726**

For: ISUZU

12-5/8 x 3''

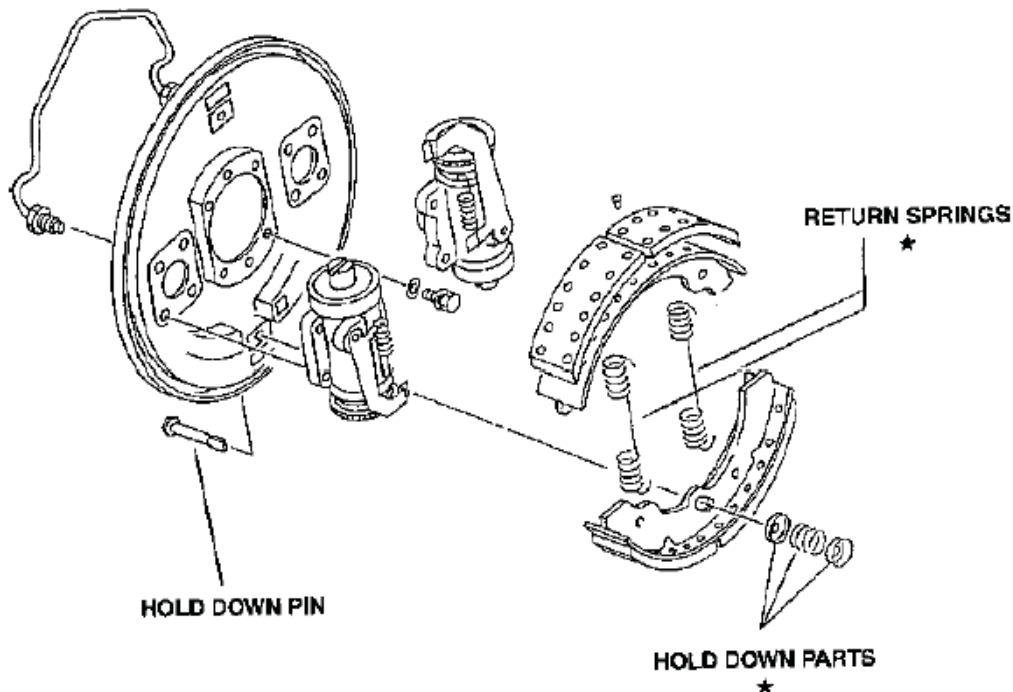


Man. Adj.

F.M.S.I. **695**

For: UD

12-5/8 x 3-1/2''



Auto Adj.

For General Reference Only

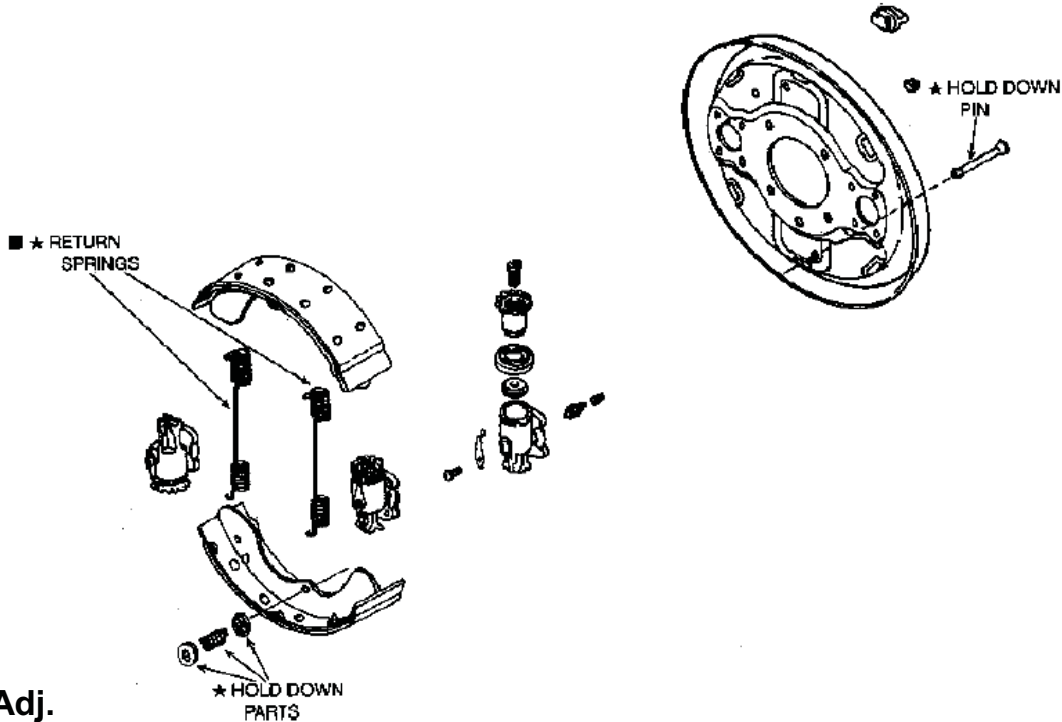
BASIC BRAKE SYSTEM - ILLUSTRATION GUIDE

DRUM Brakes - Import (Rear)

F.M.S.I. **699**

For: ISUZU

12-5/8 x 4"

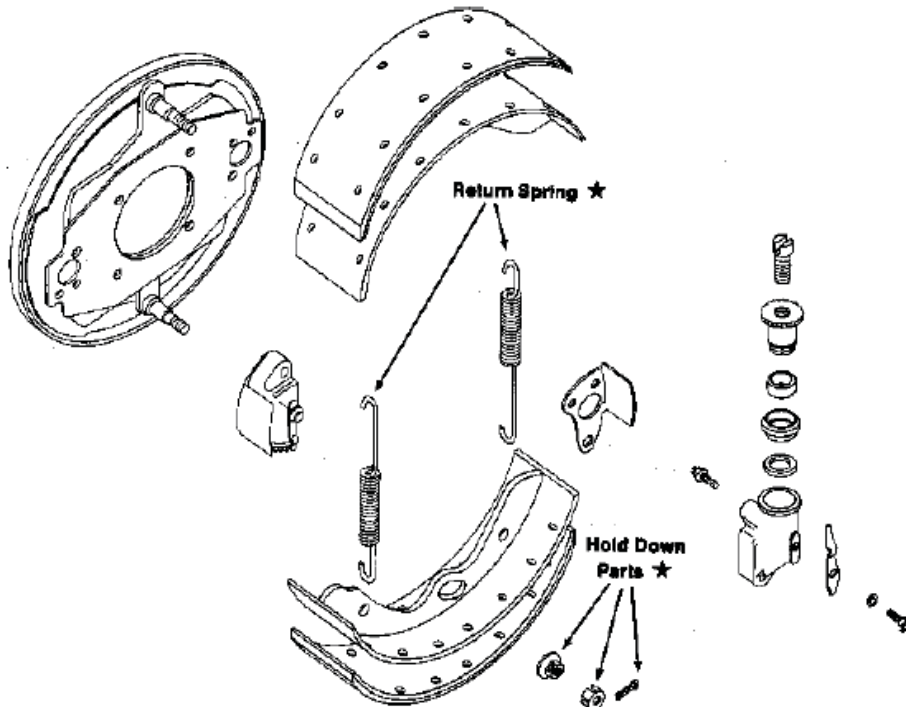


Man. Adj.

F.M.S.I. **669**

For: ISUZU

12-5/8 x 4-3/4"



Man. Adj.

For General Reference Only

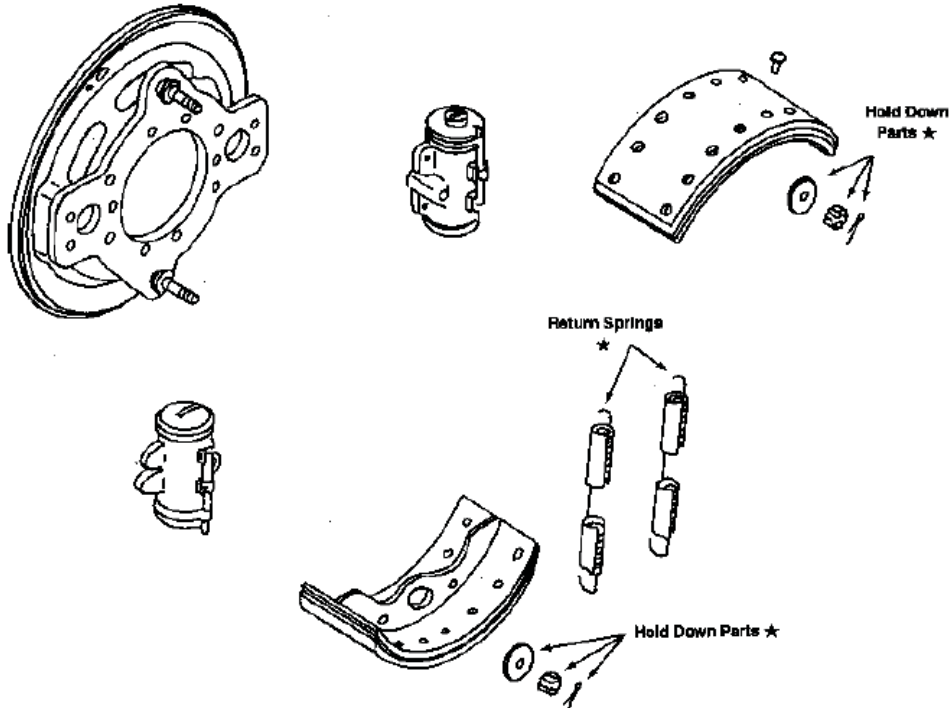
BASIC BRAKE SYSTEM - ILLUSTRATION GUIDE

DRUM Brakes - Import (Rear)

F.M.S.I. **685**

For: HINO

12-5/8 x 4-7/8"

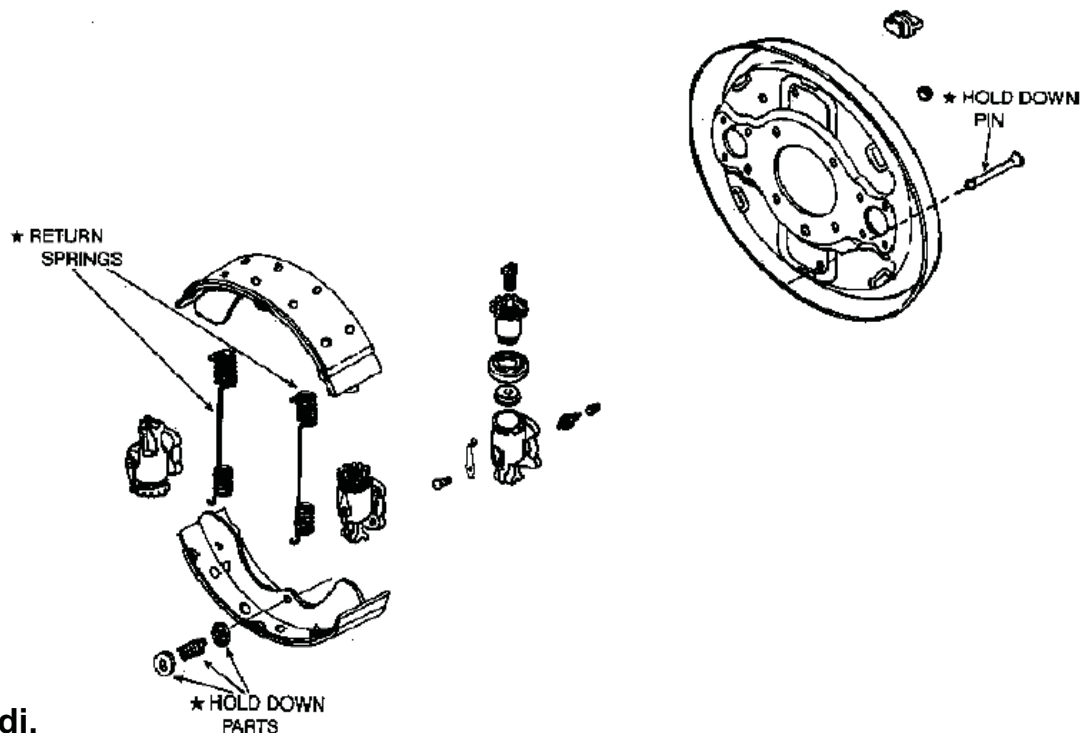


Man. Adj.

F.M.S.I. **632**

For: FUSO & UD

12-5/8 x 5-1/8"



Man. Adj.

For General Reference Only

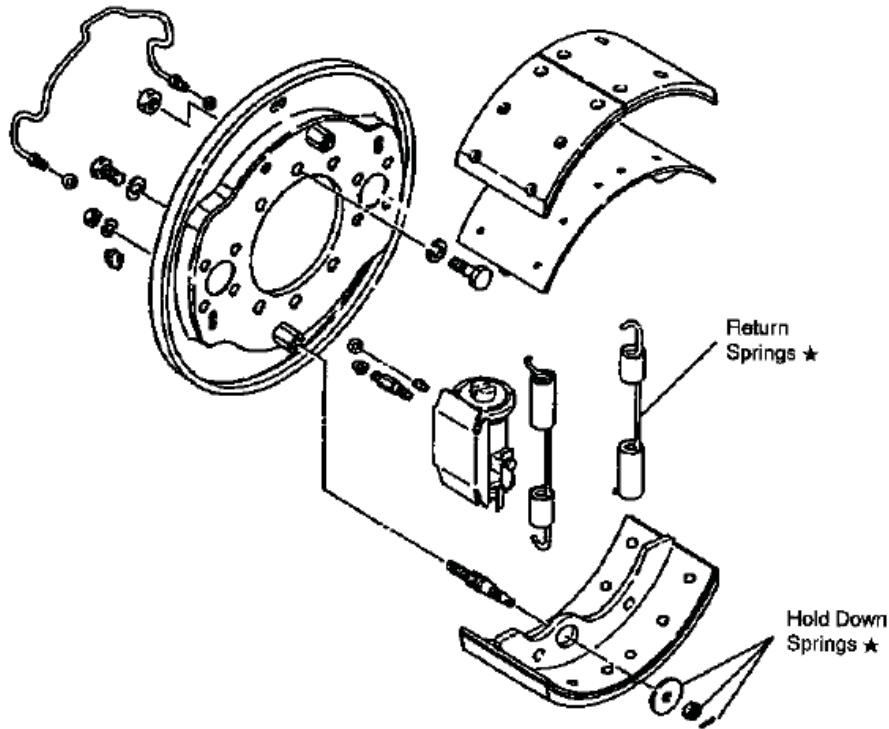
BASIC BRAKE SYSTEM - ILLUSTRATION GUIDE

DRUM Brakes - Import (Rear)

F.M.S.I. 717

For: UD

12-5/8 x 5-3/8"

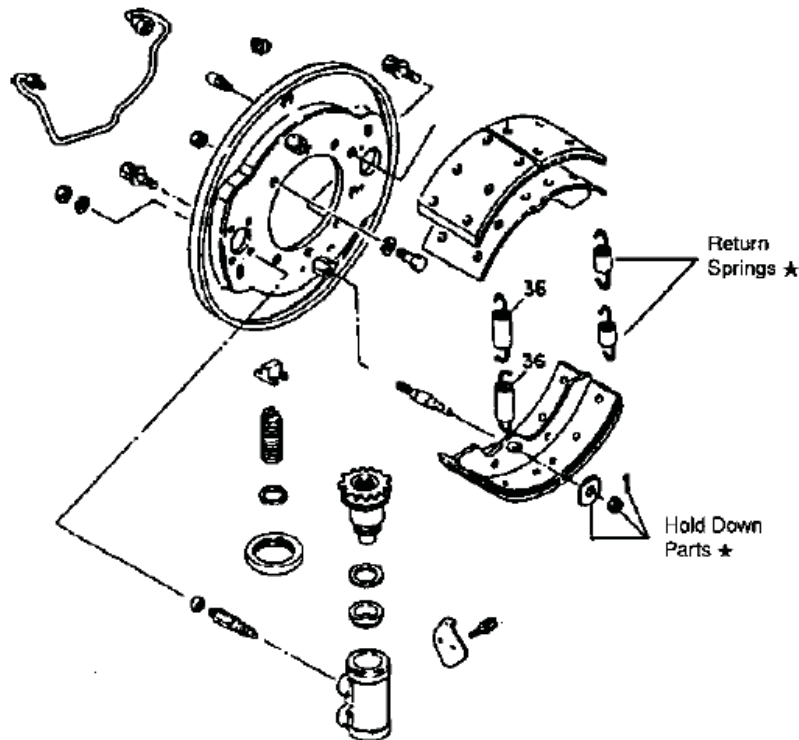


Man. Adj.

F.M.S.I. 717

For: UD

12-5/8 x 5-3/8"



Auto Adj.

For General Reference Only

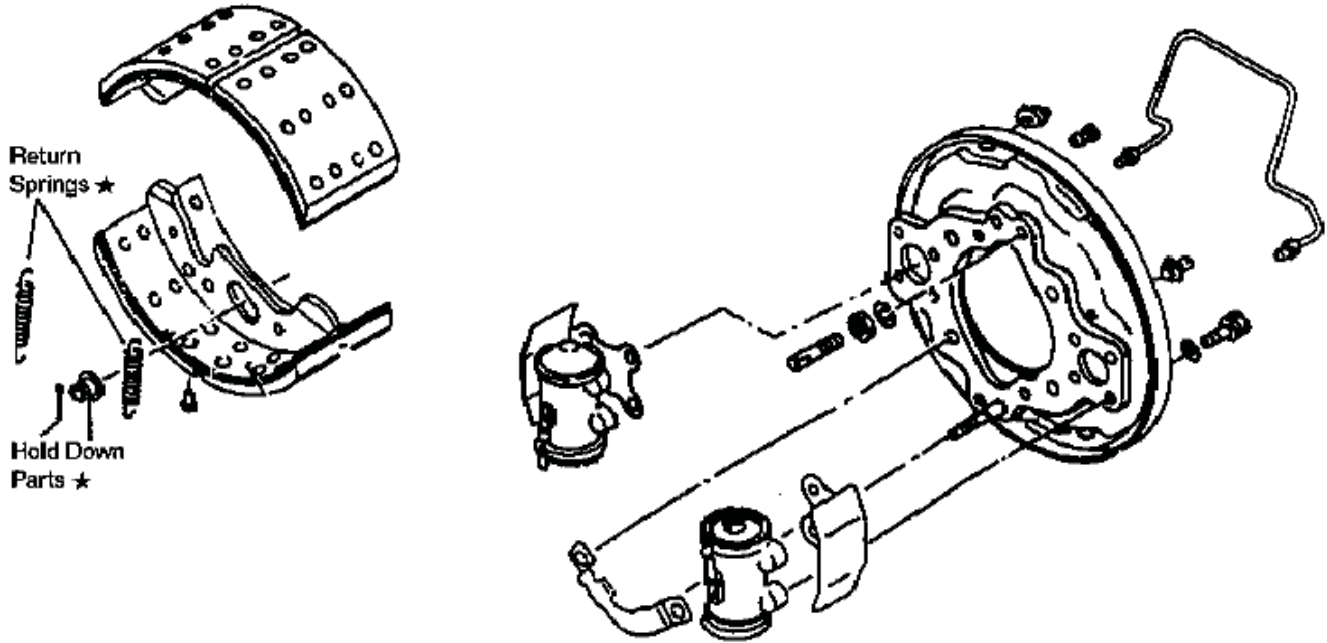
BASIC BRAKE SYSTEM - ILLUSTRATION GUIDE

DRUM Brakes - Import (Rear)

F.M.S.I. **727**

For: ISUZU

12-5/8 x 5-3/4"

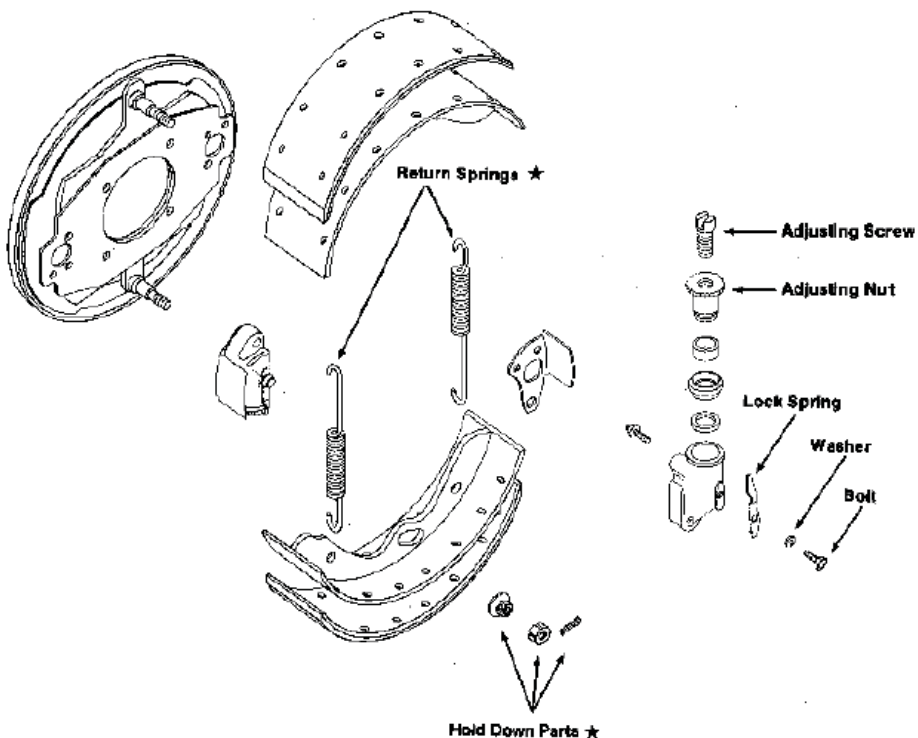


Auto Adj.

F.M.S.I. **604**

For: ISUZU & UD

14-5/8 x 5-1/4"



Man. Adj.

For General Reference Only

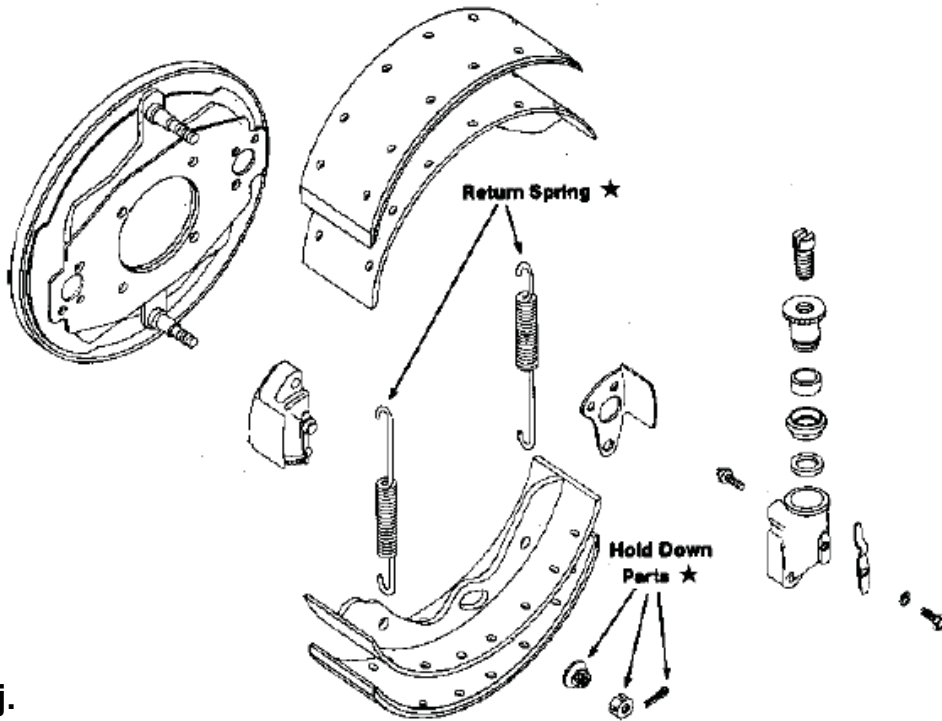
BASIC BRAKE SYSTEM - ILLUSTRATION GUIDE

DRUM Brakes - Import (Rear)

F.M.S.I. **614**

For: HINO & UD

15-3/4 x 6"

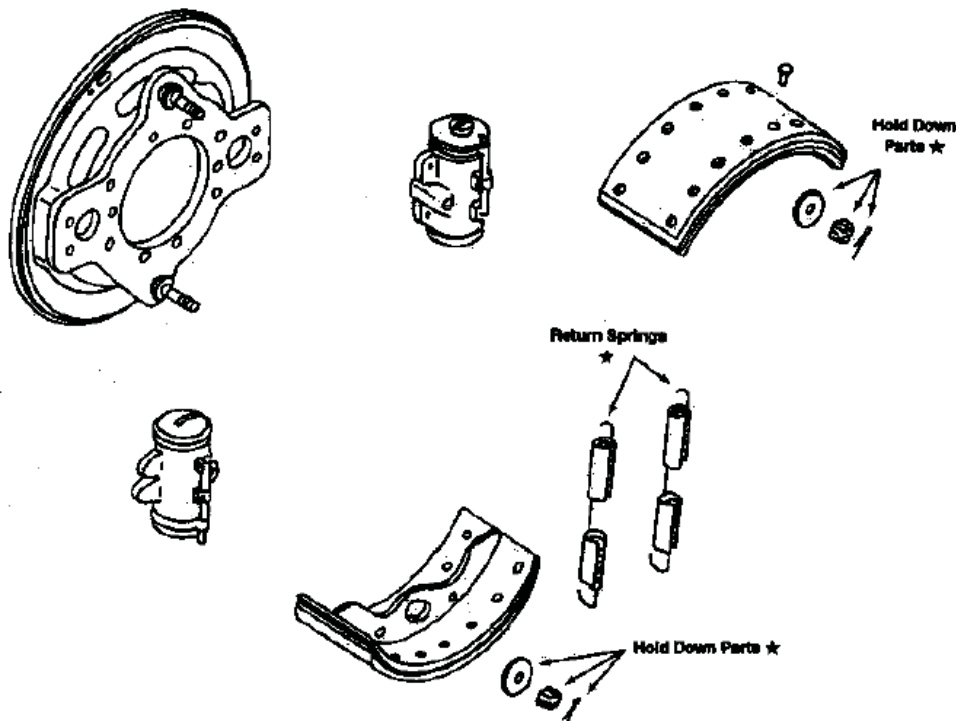


Man. Adj.

F.M.S.I. **686**

For: FUSO

15-3/4 x 6-1/8"



Man. Adj.

For General Reference Only

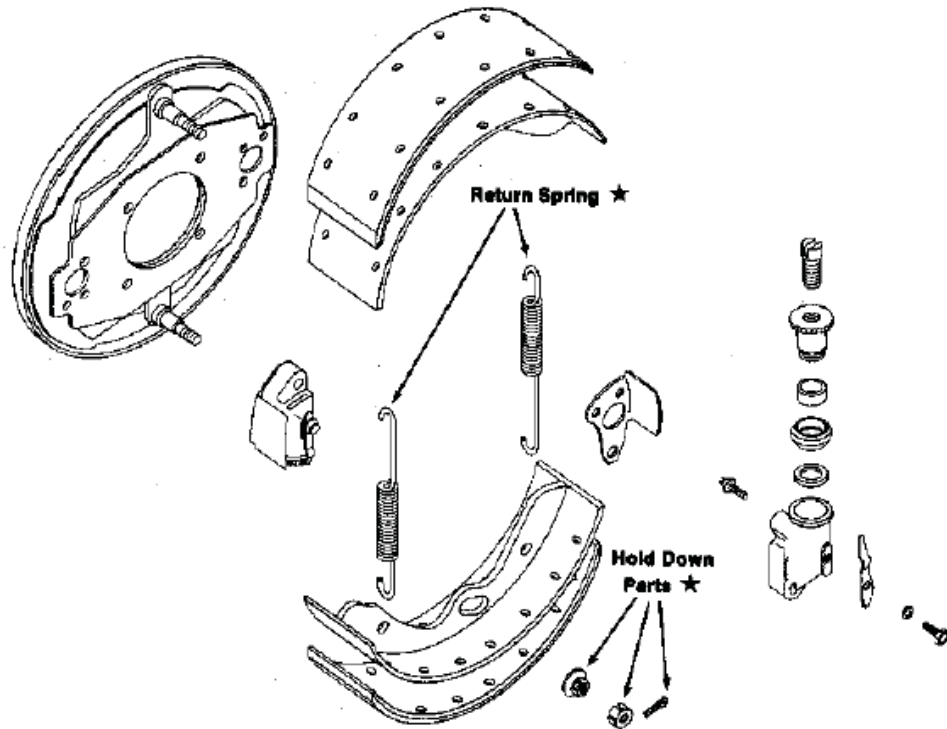
BASIC BRAKE SYSTEM - ILLUSTRATION GUIDE

DRUM Brakes - Import (Rear)

F.M.S.I. **615**

For: ISUZU

16-1/8 x 4-1/2"

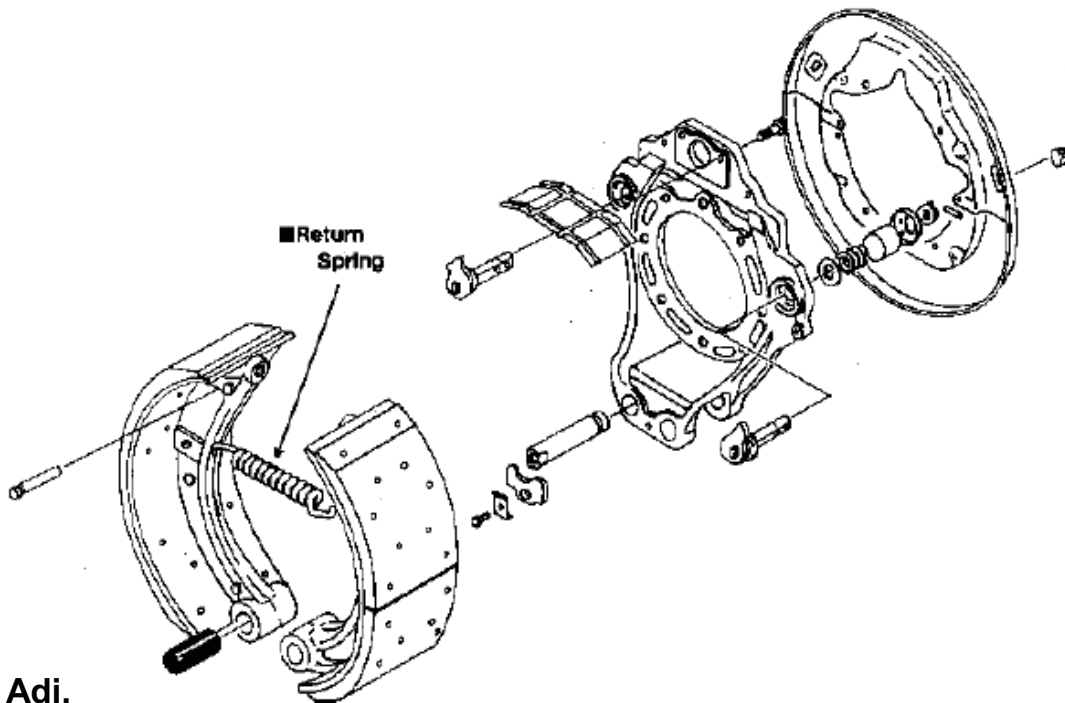


Man. Adj.

F.M.S.I. **613**

For: ISUZU

16-1/8 x 5-1/2"



Man. Adj.

For General Reference Only

Shim Kit Service Instructions: D-184 (F128938)

A. SERVICE PROCEDURE FOR SHIM KIT

1. Remove the caliper assembly from the anchor plate by removing the key retention bolt and tapping out the key and spring.
2. Clean the v-way surfaces of the caliper and anchor plate with a wire brush, filing smooth any deep nicks and/or gouges.
3. Lay a straight edge across the caliper v-way surfaces (see Figure 1) and measure with afeeler gauge the maximum depth of .050" or more should be replaced.
4. Reinstall the caliper back into the anchor plate. Install a new production key and bolt, **but do not install the support spring at this time.**
5. Insert a screw driver into center of key/bumper gap and pry firmly to assure that the caliper is seated against the three slide surface A, B, and C (see Figure 2).
6. Measure the bumper gap with the largest feeler gauge (or stack of gauges) that will fit into the gap on either side of the screw driver (see Figure 2).
7. Based on the bumper gap measurement, select a shim according to the following table:

Table 1

More than	But not exceeding	Sim thickness
0	.058	none required
.058	.101	.025
.101	.145	.045
.145	.188	.062
.188		see step 8

8. If bumper gap exceeds .188", remove old caliper and replace with a new caliper and remeasure bumper gap. If the bumper gap with the new caliper is between .058" and .188", select a shim from Table 1. If the bumper gap with new caliper exceeds .188", replace the anchor plate also. **Use a new key and spring when assembling the new components.**

B. PROCEDURE FOR REINSTALLING THE CALIPER IF A SHIM HAS BEEN SELECTED.

1. Remove the caliper assembly from teh anchor plate and install the selected shim on the anchor plate v-way opposite to the key and spring v-way (see Figure 3).
2. With the shim installed on the anchor plate v-way, reinstall the caliper assembly using a **new key and spring.**
3. Remeasure the bumper gap as described in step 6. If the gap exceeds .058", install a thicker shim or replace components as described in part A.

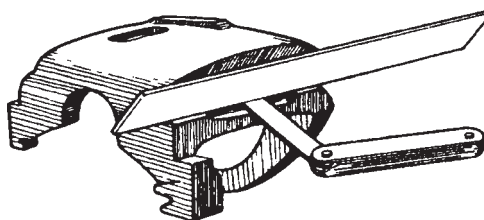


Figure 1

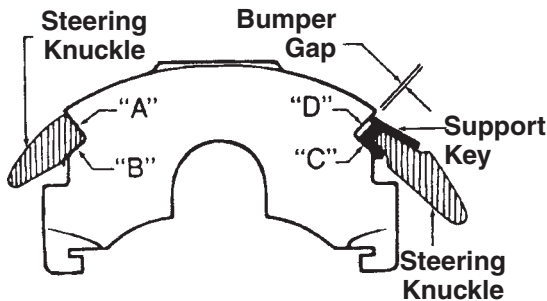


Figure 2

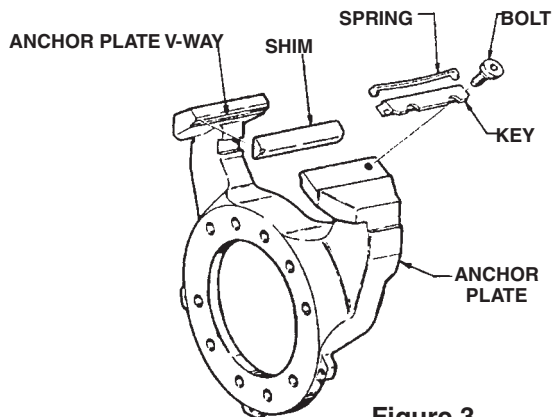


Figure 3

Shim Kit Service Instructions: **D-224** (F130385S - F130388S)

- I. To determine whether shims are required:
 - A. Remove spring [3], retainer [4], and bolt [5].
 - B. Lift caliper [1] up and off support [2]. **Do not** let the caliper hang from the hydraulic hose. Lay the caliper on the suspension or support it with a length of sturdy wire.
 - C. Wire brush the support rails [6] and [7]. Wire brush rail surfaces of the caliper.

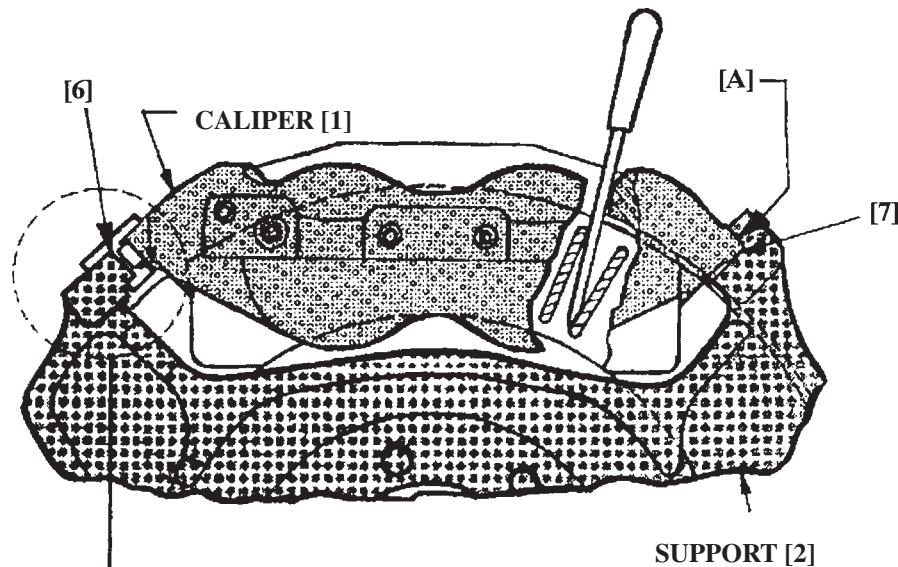
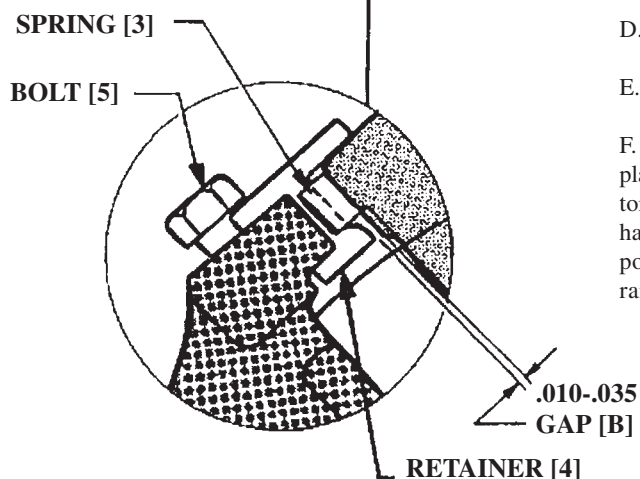


FIGURE 1



- D. Reinstall caliper [1] on support [2].
- E. Reinstall spring [3] and retainer [4].
- F. With caliper [1] assembled in place on the support [2], place a screwdriver or other suitable tool between the rotor vanes as shown in **Figure 1** and rotate the wheel by hand in the **forward** direction to place the forward support rail in full contact with the caliper support rail surfaces at [A].

Continued on next page.....

Shim Kit Service Instructions: **D-224** (F130385S - F130388S)

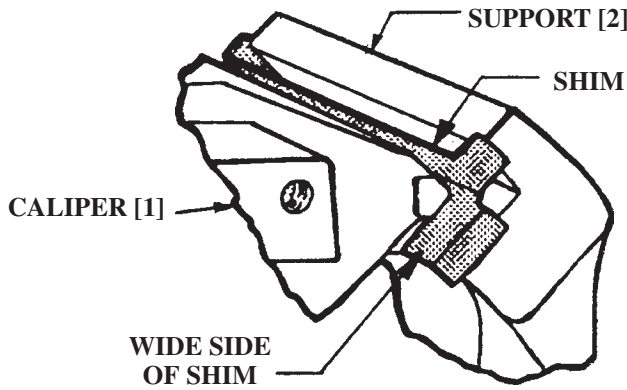


FIGURE 2

SHIM SELECTION CHART

GAP [B] MEASUREMENT	SHIM ID
.036-.055	682*
.056-.075	683
.076-.095	684
.096-.115	685
IF GAP IS GREATER THAN .115, REPLACE SUPPORT [2]	
* NUMBER 682 IS THE THINNEST SHIM AND WILL NOT HAVE THE PART NUMBER STAMPED ON ITS SURFACE.	

- G. Measure the gap at [B] with feeler gages. If the measurement is within limits shown, no shims are required.
- H. If measurement is greater than .035", select a shim of proper thickness (see chart) to return the gap within the limits given.

II. Install shims as follows:

- A. Remove spring [3], retainer [4], and bolt [5].
- B. Lift forward end of caliper enough to provide clearance between the caliper and the support rail at [A] to permit installation of the shim as shown in **Figure 2**.

NOTE: Widest side of shim is to fit up against widest surface of support rail. See Figure 2

- C. Lubricate the support rail surface of the caliper that will come into contact with the shim with grease approved for disc brake installations.
- D. With shim installed, return the caliper [1] to its original position on the support [2], install **new** spring [3], and **new** retainer [4], found in the hardware kit. Also install **new** bolt [5].
- E. Measure gap [B] to assure that it is within the .010" - .035" limits. If not, repeat step II choosing the next thicker shim.

CAUTION: Do not use the shim thickness that will result in a gap [B] that is less than the .010" dimension.

Shim Kit Service Instructions: **D-225** (F130588S - F130589S)

A. SERVICE PROCEDURE FOR SHIM KIT

1. Remove the caliper assembly from the anchor plate by removing the key retention bolt and tapping out the key and spring.
2. Clean the v-way surfaces of the caliper and anchor plate with a wire brush, filing smooth any deep nicks and/or gouges.
3. Lay a straight edge across the caliper v-way surfaces (see Figure 1) and measure with a feeler gauge the maximum depth of .050" or more should be replaced.
4. Reinstall the caliper back into the anchor plate. Install a new production key and bolt, **but do not install the support spring at this time.**
5. Insert a screw driver into center of key/bumper gap and pry firmly to assure that the caliper is seated against the three slide surfaces A, B, and C (see Figure 2).
6. Measure the bumper gap with the largest feeler gauge (or stack of gauges) that will fit into the gap on either side of the screw driver (see Figure 2).
7. Based on the bumper gap measurement, select a shim according to the following table:

Table 1

More than	But not exceeding	Sim thickness
0	.058	none required
.058	.101	.025
.101	.145	.045
.145	.188	.062
.188		see step 8

8. If bumper gap exceeds .188", remove old caliper and replace with a new caliper and remeasure bumper gap. If the bumper gap with the new caliper is between .058" and .188", select a shim from Table 1. If the bumper gap with new caliper exceeds .188", replace the anchor plate also. **Use a new key and spring when assembling the new components.**

B. PROCEDURE FOR REINSTALLING THE CALIPER IF A SHIM HAS BEEN SELECTED.

1. Remove the caliper assembly from the anchor plate and install the selected shim on the anchor plate v-way opposite to the key and spring v-way (see Figure 3).
2. With the shim installed on the anchor plate v-way, reinstall the caliper assembly using a **new key and spring.**
3. Remeasure the bumper gap as described in step 6. If the gap exceeds .058", install a thicker shim or replace components as described in part A.

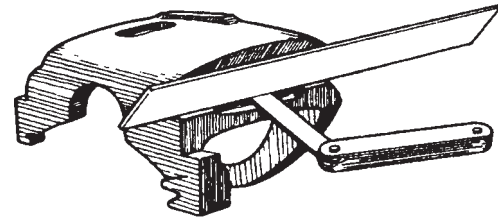


Figure 1

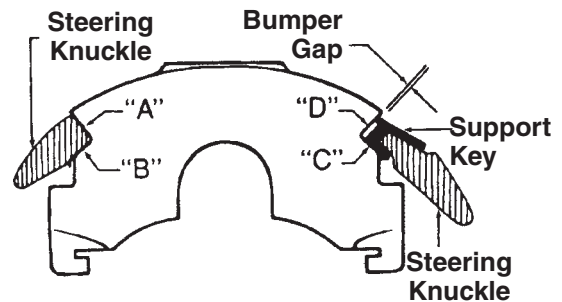


Figure 2

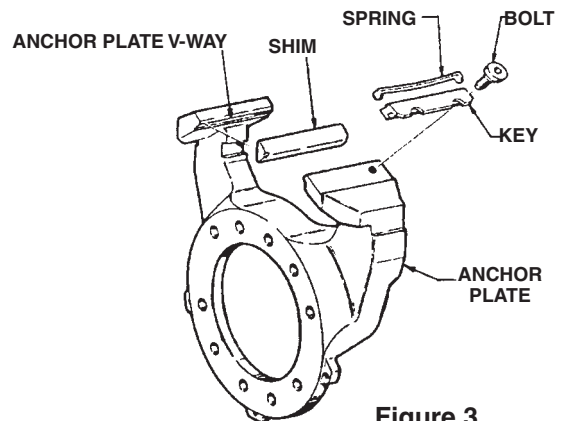


Figure 3

Shim Kit Service Instructions: **D-236** (F130380S - F130385S)

I. TO DETERMINE NEED FOR SHIMS:

- A. Place screwdriver or other suitable tool in between the caliper and outboard lining plate. Apply light pressure back and forth to force pistons back slightly from the rotor. Remove screwdriver.
- B. Remove bolts [3] and spring assembly [4].
- C. Remove bolt [6] and retainer [7].
- D. Lift caliper [1] up and off support rail [5]. DO NOT let the caliper hang from the hydraulic hose. Lay the caliper on the suspension or support it with a length of strong wire.

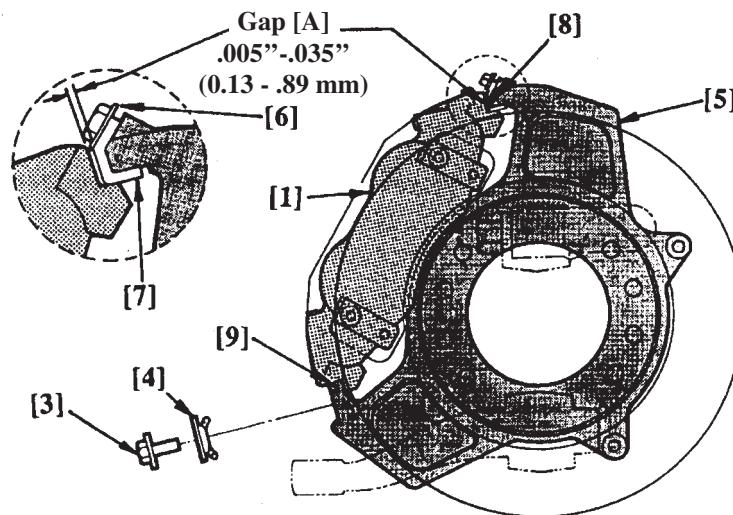


FIGURE 1

- E. Wire brush support rails [8] and [9]. Wire brush rail surfaces of the caliper.
 - F. Reinstall caliper [1] on support [5].
 - G. Reinstall retainer [7].
 - H. With the caliper [1] in place on the support [5], pull out on the top end of the caliper as if to remove it from the support. This will open up a gap (A) between the caliper rail and the retainer [7]. See Figure 1.
 - I. Place a screwdriver or other suitable wedge shaped device in the gap between the rail surfaces at (A) to maintain the gap while measuring.
- CAUTION: DO NOT USE EXCESSIVE FORCE TO WEDGE THE RAILS APART.**
- J. Measure the gap at (A) with feeler gages. If measurement is within limits shown, no shims are required.
 - K. If measurement is greater than the maximum value of .035", select a shim of proper thickness (see chart) to return the gap as close as possible to the .005" minimum .

Continued on next page.....

Shim Kit Service Instructions: **D-236** (F130380S - F130385S)

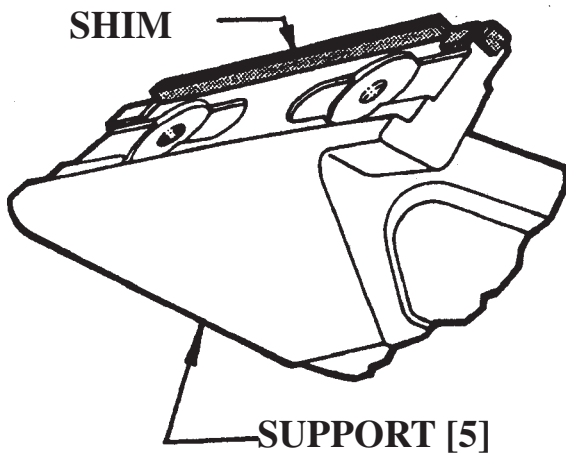
II. INSTALL SHIMS AS FOLLOWS:

- A. Remove retainer [7].
- B. Lift caliper [1] up and off support rail [5]. Do not let the caliper hang from the hydraulic hose. Lay the caliper on the suspension or support it with a length of sturdy wire.
- C. Lubricate the rail surfaces of the caliper [1] with grease approved for disc brake installations.
- D. With shim installed, return the caliper [1] to its original position on the support [5]. Install a new retainer [7] and a new bolt [6] that are provided in the disc hardware kit.
- E. Measure the gap at (A) between the retainer [7] and caliper rail to assure that the gap is not less than .005". If the gap is greater than .035", repeat Step II, choosing a next thicker shim.

CAUTION: Do not use a shim thickness that will result in a gap width that is less than the .005" minimum.

- F. Install new spring assembly [4], (provided in the disc hardware kit), and bolts [3].

NOTE: If support [5] is replaced, measure new gap at (A) and install shim, if gap exceeds .035".



SHIM SELECTION CHART

GAP MEASUREMENT	SHIM ID
.036-.059	690*
.060-.074	691
.075-.089	692
.090-.114	693
.115-.130	694

IF GAP IS GREATER THAN .130, REPLACE SUPPORT [5].

* NUMBER 690 IS THE THINNEST SHIM AND MAY NOT HAVE THE PART NUMBER STAMPED ON ITS SURFACE.

Light Duty - Bendix Center Abutment Caliper

This single piston sliding caliper is used on Chevrolet and GMC one ton trucks.

Wear of the sliding surfaces of the caliper, steering knuckle adaptor, and the support key must be considered when servicing this unit. If this wear results in excessive clearances, it will result in fore-and-aft movement of the caliper which can cause noise, vibration, and damage to other brake components.

These clearances can be brought back into proper limits by installing a new, oversized support key and spring. If the wear is extremely bad, the caliper and adapter will have to be replaced. Check as follows:

1. Remove the support key.
2. Clean the support key contact area on the caliper.
3. Lay a straight edge across the support key contact area on the caliper (Figure 5-82).

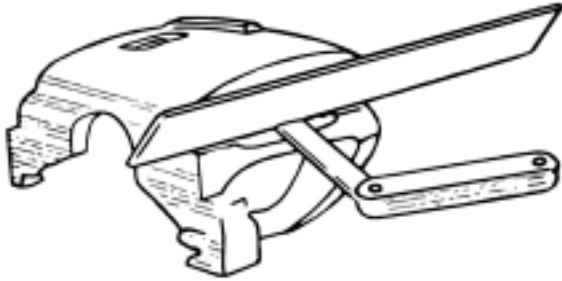


FIGURE 5-82 - Caliper Inspection

4. Insert feeler gauges to measure the distance between the straight edge and the middle of the key contact area on the caliper.
5. If this distance exceeds .050", the caliper will have to be replaced. If this distance is less than .050", go on to the next step.
6. With the caliper and new support key mounted on the steering knuckle adaptor (do not install the support spring), insert a screwdriver blade into the bumper gap (between the upper edge of the key and the caliper).
7. Pry up on the caliper so that it is firmly seated against the steering knuckle adaptor and the underside of the support key.

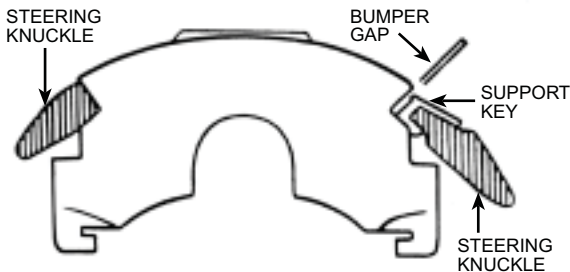


FIGURE 5-83 - Measuring the Bumper Gap

8. Using feeler gauges lengthwise measure the bumper gap (Figure 5-83, dimension "A"). Select the correct oversize disc align kit (support key) according to the chart (Figure 5-84).

MEASUREMENT		REPLACEMENT DISC ALIGN KIT*		
More Than	Not Exceeding	Size	I.D. Marking	Part No.
0	.060"	Std. Size		F107401S (H5562)
.060"	.100"	.040 O.S.	II	F107402S (H5555)
.100"	.140"	.080 O.S.	III	F107403S (H5556)
.140"	.180"	.120 O.S.	IIII	F107404S (H5557)
.180"	.220"	.160 O.S.	IIIII	F107405S (H5558)
.220"		— Replace anchor plate/knuckle and caliper and use standard key and new support spring.		

FIGURE 5-84 - Selecting the Correct Oversize Disc Align Kit

*Disc Align Kit (*Wheel Kit Only*) contains one M spring, one support key and one anti-rattle clip.

Service Procedure

Before starting work, remove 1/2 of the brake fluid from the disc brake side of the master cylinder reservoir. Discard the fluid and reinstall the cover.

Disassembly and Removal

1. Using a C-clamp with the screw end against the outside pad and the rigid end against the back of the caliper, bottom the piston in its bore.
2. Remove the support key, support spring, and anti-rattle spring.
3. Rotate the caliper up off the rotor and away from the steering knuckle adapter.
4. Support the caliper so that it doesn't stretch or twist the brake hose.
5. Remove the old pads.

Assembly and Installation

1. Install the new pads.
2. Lower the caliper over the rotor and install the support key, support spring, and anti-rattle spring.
3. Fill the master cylinder with fresh brake fluid.
4. Bleed the brakes.
5. Obtain a high, hard pedal, refill the master cylinder, and road test the truck.

Wagner[®] Rotors & Drums

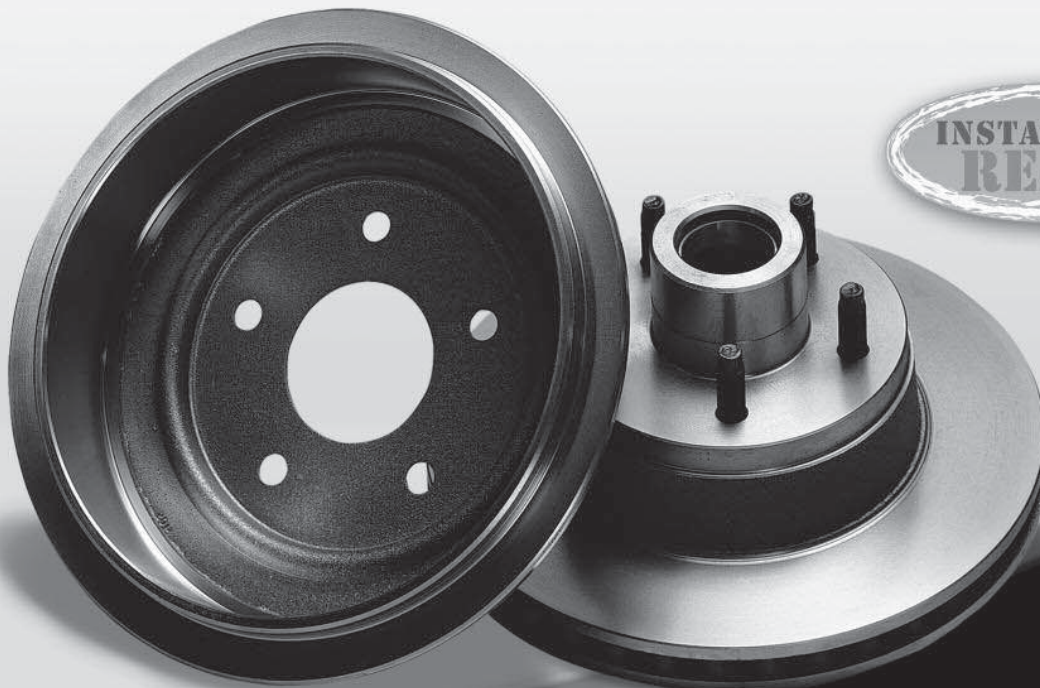
The Science of Quality

Wagner[®] knows that a ready-to-install rotor or drum will save you time and money. And of course, your customers expect trouble-free parts and service — superior quality is the key. When it comes to producing a quality rotor and drum. . . it's the smallest detail that can make the difference. It's not just the iron. . .it's the right ingredients (iron, carbon, silica and pearlite) and how a rotor is cast and cooled that can influence the integrity of the final product.

- Wagner rotors and drums are designed with an exacting balance of manufacturing and metallurgy to deliver outstanding performance
- Wagner rotors and drums leave our facility, ready to provide your customers with improved stopping power and increased brake pad and rotor life
- Field-tested reliability for more than 125 million domestic and import cars, light trucks and medium duty commercial vehicles on the road today.

Premium Rotors & Drums

- Full-Line Product Coverage
- Easy Availability
- Ready to Install
- Robotics Ensures Precise Finish
- Built-In Quality
- Total Support



Wagner[®] Hydraulics

We're Setting New Standards Every Day

The most advanced technology in the industry assures quality and value. Prototypes of every product are tested to OE standards before approval for production.

What's In It for You?

- All master, sleeve and clutch cylinder assemblies are 100% pressure bled
- Increased sales due to faster installation allowing for more installations per day
- Improved profits thanks to a reduction in non-billable time
- More repeat business through satisfied customer referrals

We are the first to the aftermarket with improved OE-design products that give the installer the capability to repair and improve a brake system with the finest products possible.



Wagner Fluid Manufacturing

Our hydraulics manufacturing facility has received both the Ford Q1 Preferred Quality Award and the Caterpillar Quality Award for manufacturing excellence.

As the world's largest blender of brake fluid which meets or exceeds D.O.T. standards, we are the only brake company that offers:

- DOT 3 — With extra lubricating and anti-corrosive chemicals
- DOT 4 — Specially formulated for ABS
- DOT 5.1 — For extreme heat, frequent stopping and heavy loads
- A full array of problem solving chemicals

Wagner E-Z Bleed™ Master Cylinders with Exclusive Bleeder Screw

A properly bled master cylinder maximizes braking and pedal feel which reduces comebacks. Wagner's new E-Z Bleed master cylinder reduces bench bleeding time from 30 to 3 minutes.

Be sure to check out the complete line of Wagner products including friction, rotors, drums, hydraulics and hardware.

Brake Hardware

The Right Hardware Every Time

The key to doing a quality brake job is doing it “right” the first time. Installing new premium Wagner® hardware will complement a disc pad and or brake shoe replacement and ensure optimal braking performance.

- Maintains proper movement for safe, effective stopping performance
- Helps deliver a quieter braking system
- Produces smoother pedal travel



Here's Why Our Hardware Is the Best:

- Comprehensive product line includes more than 1,700 disc, drum and ABS brake parts covering 98% of domestic, import and medium duty applications.
- To make sure our products are the best, our engineers use today's most accurate and advanced testing and monitoring equipment to maintain superior quality.

Be sure to check out the complete line of Wagner products including friction, rotors, drums, hydraulics and hardware.

Abex®



COMMERCIAL VEHICLE BRAKE PRODUCTS 2007 AND EARLIER
PIÈCES DE FREIN POUR VÉHICULES COMMERCIAUX 2007 ET ANTÉRIEURS
PRODUCTOS PARA FRENOS DE VEHÍCULOS COMERCIALES DE 2007 Y ANTERIORES



www.federal-mogul.com

©2006 Federal-Mogul Corporation, Southfield, MI 48033

20M 1006 APT(TGC)FM

TECHNICAL INFORMATION



HOTLINE

1-800-325-8886

U.S. and
Canada Only



WE SUPPORT
VOLUNTARY TECHNICIAN
CERTIFICATION THROUGH
National Institute for
AUTOMOTIVE
SERVICE
EXCELLENCE

Printed in U.S.A.